

Cisco ATA 187 Analog Telephone Adaptor

Product Overview

The Cisco® ATA 187 Analog Telephone Adaptor is a handset-to-Ethernet adaptor that turns traditional telephone devices into IP devices. Customers can take advantage of the many new and exciting IP telephony applications by connecting their analog devices to Cisco ATAs.

The Cisco ATA products are standards-based communication devices that deliver true, next-generation voice-over-IP (VoIP) terminations to businesses and residences worldwide.

- Protects existing telephone investment: The Cisco ATA 187 supports two voice ports, each with its own independent telephone number, and a single RJ-45 10/100 BASE-T Ethernet port. This adaptor can make use of existing Ethernet LANs in addition to broadband pipes such as DSL, fixed wireless, and cable modem deployments.
- Cost effective: The Cisco ATA 187 helps customers turn their analog phone devices into IP devices cost effectively and is the preferred solution to address the needs of customers who connect to enterprise networks, small-office environments, or the emerging VoIP managed voice services and local services market.

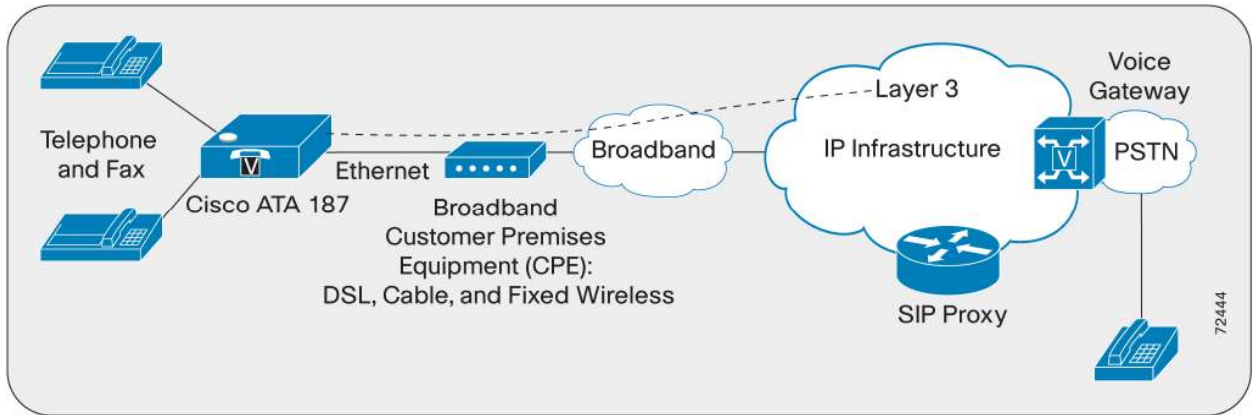
Enterprise customers are using the Cisco ATA 187 to connect analog phones and fax machines to their VoIP network. Service providers are taking advantage of emerging telephony applications and the ease of deploying second-line services using the Cisco ATA 187 (Figures 1 and 2).

Figure 1. Cisco ATA 187: Endpoint for an End-to-End Broadband System



197041

Figure 2. Cisco ATA 187 as Endpoint in Session Initiation Protocol (SIP) Network



* DSL and cable mode need SIP support.

Features and Benefits

Table 1 lists the features and benefits of the Cisco ATA 187.

Table 1. Features and Benefits

Feature	Benefits
Configuration and Provisioning <ul style="list-style-type: none"> • Configuration as per Cisco endpoints devices • Autoprovisioning with Trivial File Transfer Protocol (TFTP) for servers • Automatic assignment of IP address, network routing IP, and subnet mask using Dynamic Host Configuration Protocol (DHCP) • Touch-tone telephone keypad configuration with voice prompt • Administration password to protect configuration and access • Remote upgrades through network 	<ul style="list-style-type: none"> • Cisco Unified Communications Manager (UCM) standard configuration and provisioning options • Ease of administration
Voice Quality <ul style="list-style-type: none"> • Advanced preprocessing to optimize full-duplex voice compression • High-performance line-echo cancellation to eliminate noise and echo • Voice activity detection (VAD) and comfort noise generation (CNG) to save bandwidth by delivering voice, not silence • Dynamic network monitoring to reduce jitter artifacts such as packet loss 	Clear, natural-sounding voice quality
Signaling Protocol <ul style="list-style-type: none"> • Session Initiation Protocol (SIP) on the Cisco line side 	Allows interoperation with Cisco UCM SIP solution
Security <ul style="list-style-type: none"> • Secure Real-Time Transfer Protocol and Transport Layer Security (SRTP/TLS) over SIP 	Secure media and secure signaling support, for secure solutions
Fax Support <ul style="list-style-type: none"> • T38 fax support 	Standard fax capability to send faxes over the IP network
Form Factor <ul style="list-style-type: none"> • Fits in most environments 	New form-factor design based on the Cisco endpoints portfolio

Cisco UCM Version Compatibility

- Cisco UCM Versions 7.1.5, 8.0.2, or higher

Product Specifications

Table 2 presents the specifications for the Cisco ATA 187.

Table 2. Product Specifications

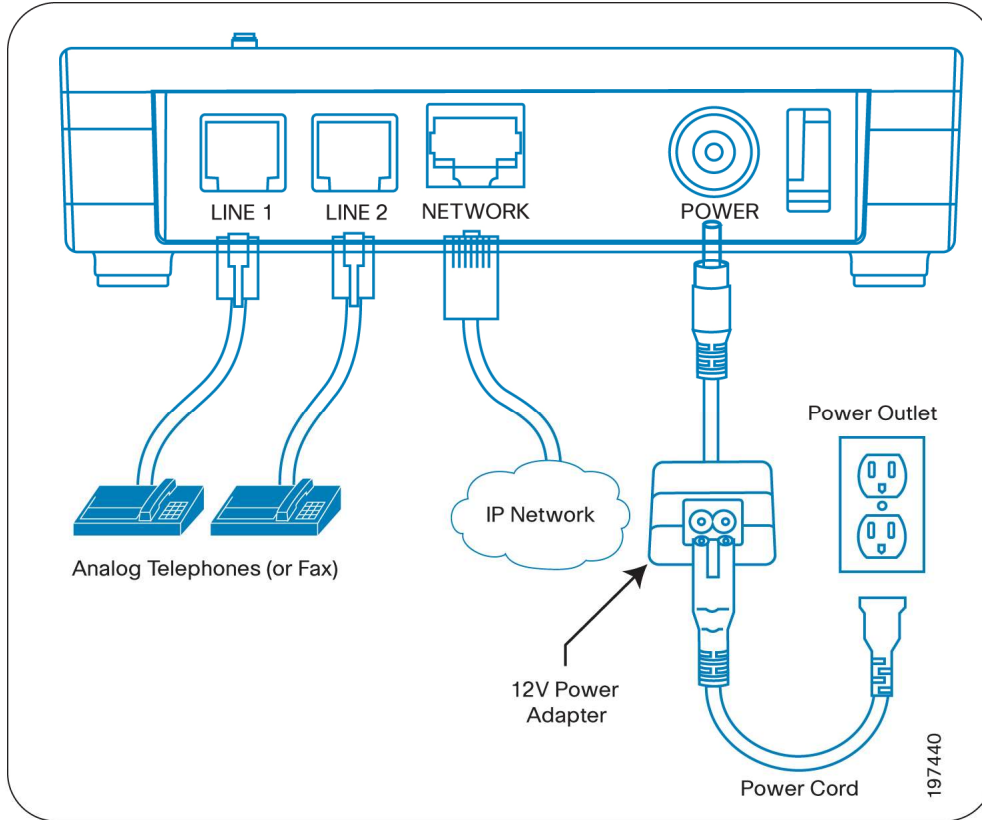
Physical Specifications	
Power	Power supply: Universal AC power supply 100 and 240V Power adaptor output voltage: +12.0 VDC at 1A maximum
Noise level	Less than 34 dBA at 3 feet
Connectors	2 RJ 11
Thermal	Operating temperature: 23 to 113°F (5 to 45 °C) Non-operating temperature: -13 to 158°F (-25 to 70°C)
Humidity	Operating humidity: 5 to 95% noncondensing
Mean time between failure (MTBF)	100,000 hours
Physical dimensions (H x W x D) and weight	Dimensions: 1.5 x 5.4 x 6.7 in. (3.8 x 13.7 x 17.0 cm) Weight: 9.2 oz (260g)
Compliance	RoHS- and WEEE-compliant materials
On-off switch	To turn device on and off
Software Specifications	
Cisco ATA SIP services	<ul style="list-style-type: none"> • IP address assignment: Provided by DHCP or statically configured • Cisco ATA configuration through Cisco UCM configuration interface • VLAN configuration • Cisco Discovery Protocol • Low-bit-rate codec selection • User authentication • Configurable tones (dial tone, busy tone, alert tone, reorder tone, and call-waiting tone) • Dial plans • SIP proxy server redundancy • Privacy features • Domain Name System (DNS) service (SRV) support • User-configurable, call waiting; permanent default setting • Comfort noise during silence period when using G.711 • Advanced audio mode • Caller ID format • Ring cadence format • Silence suppression • Hook-flash detection timing configuration • Configurable on-hook delay • Type of service (ToS) configuration for audio and signaling Ethernet packets • Debugging and diagnostic tools
SIP services	Cisco ATA supports the methods listed here (for more information, refer to RFC-3261): <ul style="list-style-type: none"> • REGISTER • REFER • INVITE • BYE • CANCEL • NOTIFY • OPTIONS • ACK • SUBSCRIBE

Supplementary services	<ul style="list-style-type: none"> • Caller ID • Call-waiting caller ID • Voice-mail indication • Conference call • Call waiting • Call forwarding • Calling-line identification • Unattended transfer • Attended transfer • Shared line • Speed dial • Meet me • Pick up • Redial
Other supported protocols	<ul style="list-style-type: none"> • IEEE 802.1Q VLAN tagging • Cisco Discovery Protocol • DNS • DHCP • Internet Control Message Protocol (ICMP) • IP • Real-Time Transport Protocol (RTP) • TCP • Trivial File Transfer Protocol (TFTP) • User Datagram Protocol (UDP)
Fax services	<p>The Cisco ATA supports two modes of fax services, in which fax signals are transmitted using the G.711 codec:</p> <ul style="list-style-type: none"> • Fax pass-through mode: The mode enables receiver-side called-station-identification (CED) tone detection with automatic G.711A-law or G.711μ-law switching. • T38 fax relay mode: The T.38 fax relay feature enables devices to use fax machines to send files over the IP network. In general, when a fax is received, it is converted to an image, sent to the T.38 fax device, and converted back to an analog fax signal. T.38 fax relays configured with voice gateways decode or demodulate the fax signals before they are transported over IP. <p>Note: Success of fax transmission depends on network conditions and the fax modem response to these conditions. The network must have reasonably low network jitter, network delay, and packet loss rate.</p>
Voice codecs supported	<ul style="list-style-type: none"> • G.711μ-law • G.711A-law • G.729 • G.729A • G.729B • G.729AB
SRTP/TLS	<ul style="list-style-type: none"> • SRTP secures voice conversations on the network and provides protection against replay attacks. • TLS is a cryptographic protocol that secures data communications such as email on the Internet. TLS is functionally equivalent to SSL.
VoIP specifications	<ul style="list-style-type: none"> • LAN port: One RJ-45 10/100BASE-T Fast Ethernet port • Quality of service (QoS): Precedence setting and differentiated services code point (DSCP)
Call progress tones	Configurable based on network locale
Line-echo cancellation	<ul style="list-style-type: none"> • Echo canceller for each port • 8-millisecond (ms) echo length • Nonlinear echo suppression (echo return loss [ERL] greater than 28 dB for f = 300 to 3400 Hz)

System Requirements

Figure 3 shows the system setup.

Figure 3. System Setup



Warranty Information

Find warranty information on Cisco.com at the [Product Warranties](#) page.

Ordering Information

Help customers understand all the components or parts they need to purchase to install and use the product. This section also provides a direct link to the Cisco Ordering Tool, and Table 3 lists part numbers for customer convenience.

To place an order, visit the [Cisco Ordering homepage](#). To download software, visit the [Cisco Software Center](#).

Table 3. Ordering Information

Product Name	Part Number
Cisco ATA 187	ATA187-I1-A=

Product Name	Part Number
ATA power supply cables for Taiwan	ATA187PWRCORD-TWN
ATA power supply cables for Brazil	ATA187PWRCORD-UC
ATA power supply cables for North America	ATA187PWRCORD-NA
ATA power supply cables for Japan	ATA187PWRCORD-JP

Product Name	Part Number
ATA power supply cables for Continent Europe	ATA187PWRCORD-EU
ATA power supply cables for United Kingdom	ATA187PWRCORD-UK
ATA power supply cables for Australia	ATA187PWRCORD-AU
ATA power supply cables for China	ATA187PWRCORD-CCC
ATA power supply cables for Argentina	ATA187PWRCORD-IRAM
ATA power supply cables for India	ATA187PWRCORD-IND
ATA power supply cables for Mexico	ATA187PWRCORD-MEX
ATA power supply cables for Saudi Arabia	ATA187PWRCORD-SAUD
ATA power supply cable for South Africa	ATA187PWRCORD-SAB

Cisco Services

Cisco Services integrates closely with consumer marketing teams as an essential element of any technology solution. Please contact your Cisco Services marketing communications manager if you have not already received targeted services content blocks for integration. Please email ca-marcom@cisco.com if you are not sure of the appropriate contact.

Cisco Services make networks, applications, and the people who use them work better together.

Today, the network is a strategic platform in a world that demands better integration between people, information, and ideas. The network works better when services, together with products, create solutions aligned with business needs and opportunities.

The unique Cisco Lifecycle approach to services defines the requisite activities at each phase of the network lifecycle to help ensure service excellence. With a collaborative delivery methodology that joins the forces of Cisco, our skilled network of partners, and our customers, we achieve the best results.

For More Information

Use this section to a “call to action” message. Insert your product-specific content in the standard wording below. If there is no alias, delete the “or” and the alias blank, and add a period after “representative.” Local account representative” should be linked to an appropriate general rep page, if available. Consider directing data sheet readers to white papers, solution overviews, case studies, or other marketing materials.

For more information about the Cisco Enter Product Name, visit Enter URL for Product Home Page or contact your local account representative or Enter Cisco alias.



Americas Headquarters
Cisco Systems, Inc.
San Jose, CA

Asia Pacific Headquarters
Cisco Systems (USA) Pte. Ltd.
Singapore

Europe Headquarters
Cisco Systems International BV Amsterdam,
The Netherlands

Cisco has more than 200 offices worldwide. Addresses, phone numbers, and fax numbers are listed on the Cisco Website at www.cisco.com/go/offices.

Cisco and the Cisco Logo are trademarks of Cisco Systems, Inc. and/or its affiliates in the U.S. and other countries. A listing of Cisco's trademarks can be found at www.cisco.com/go/trademarks. Third party trademarks mentioned are the property of their respective owners. The use of the word partner does not imply a partnership relationship between Cisco and any other company. (1005R)