

SECTION V. THEORY OF OPERATION

5.1 MC68B09E/MBL68B09E/HD68B09E (IC1)

The heart of any computer system is the Central Processing Unit, CPU. In the Color Computer 3, as well as in most modern microprocessors, the CPU is a single Large Scale Integration Circuit (LSI). The CPU gathers instructions and data from memory, interprets and executes the instructions, and stores the results of the data operations into memory. Additionally, the CPU stores data to and retrieves data from various input/output (I/O) devices.

The 68B09E microprocessor is perhaps the most powerful 8-bit microprocessor available today. There are several ways to determine the "size" of a microprocessor (whether it is 8-bit, 16-bit, 32-bit, or whatever). One way involves the number of data interconnecting lines

the processor possesses. Another is the size of the internal registers and the size of the mathematical and logical operations supported by the processor. Although the 68B09E has an 8-bit data bus, internally it contains four 16-bit registers and two additional 8-bit registers which may be linked together to form another 16-bit register. The 68B09E also supports some 16-bit mathematical and logical operations. Therefore, although it is technically an 8-bit processor, it has some of the power of the 16-bit machines.

Figure 5-1 is a "programming model" of the 68B09E CPU. Additional information may be obtained from the 68B09E data sheet.

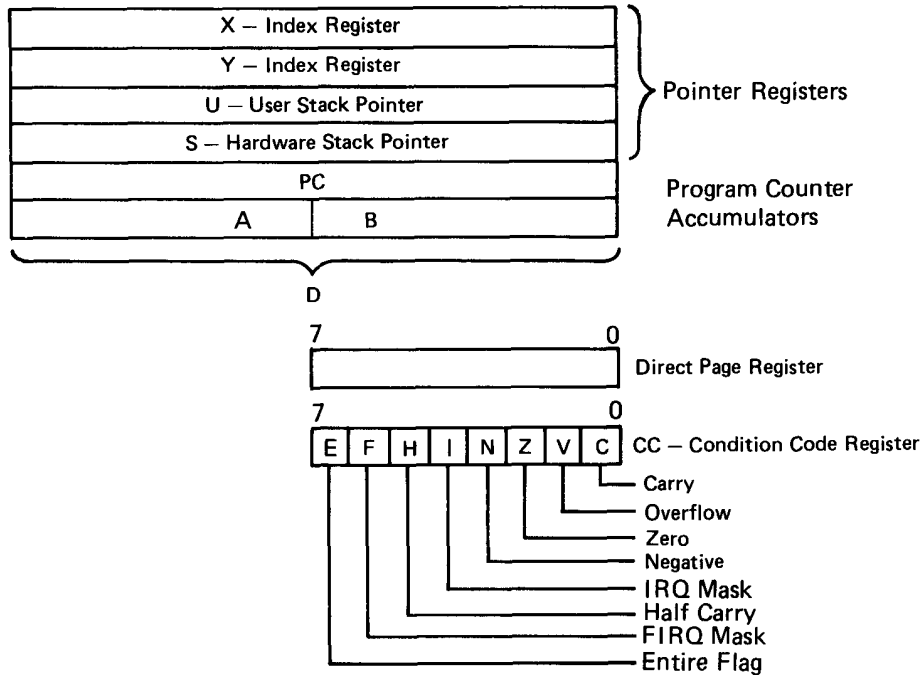


Figure 5-1. 68B09E Programming Model

Figure 5-2 shows the pinouts of IC1, the 68B09E CPU. Note that there are sixteen address lines (A0 through A15). These address lines are output from the CPU and are used to select one of 65,536 different memory locations. The memory and I/O devices must be wired to accept the correct combination of highs and lows on the address lines. The order of the devices and how they respond to the different lines are called the memory map.

The CPU has eight data lines (D0 -D7). These data lines are bidirectional and are used by the processor to both route data to and retrieve data from memory or I/O devices through Bus Transceiver 74LS 245 (IC3).

The remaining lines on the CPU are used for control functions, both input control and output control. Of course, the Vcc pin is the power input line to the CPU and the GND line is the return reference for both power and signal. The E and Q lines are the clock inputs to the CPU. These clock signals must be present for the CPU to function. In the Color Computer 3, these signals are provided by the advanced color video chip (IC6) and are 50% duty cycle clocks at a frequency of 0.89 MHz or 1.78 MHz. As shown in Figure 5-3, Q is a quadrature clock signal which leads E by 90 degrees.

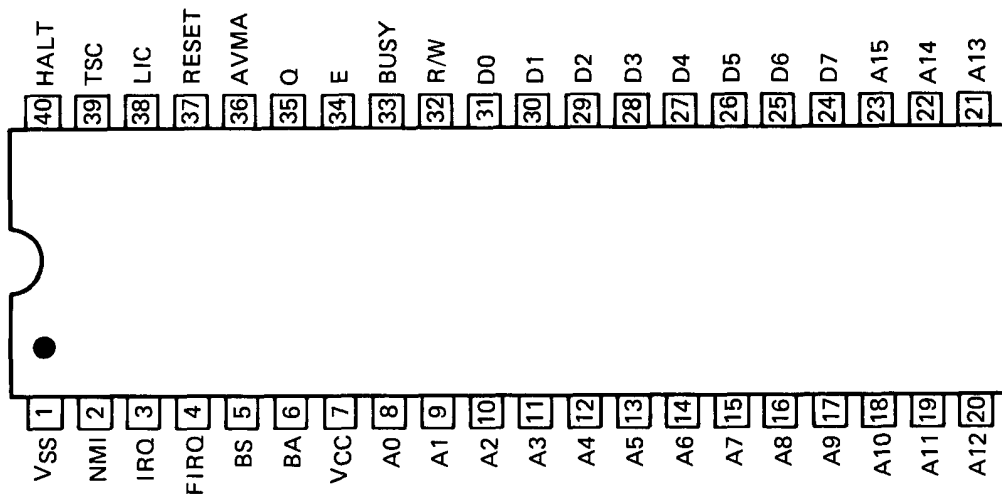


Figure 5-2. MC68B09E Pin Assignments

The CPU contains a number of inputs which serve to initiate specific sequences of events. The ones used by the Color Computer 3 are:

- RESET*** - Used on power up and to reinitialize the CPU.
- HALT*** - Stops the program flow after the completion of current instruction. Execution will continue after HALT is removed.
- NMI*** - Non-Maskable Interrupt always causes the CPU to "interrupt" its normal program flow and execute a special "interrupt handler" routine.
- IRQ*** - Interrupt Request. Similar to NMI but may be masked (defeated) by setting the I bit in the CC register.
- FIRQ*** - Fast Interrupt Request. Similar to IRQ, but masked by the F bit. It is faster because it doesn't preserve all registers (as do the other interrupts).

Upon receipt of the RESET signal, or any of the interrupts (if enabled), the CPU will get the appropriate

subroutine address from the Vector Table (see the memory map in Section I, System Description). For the interrupt routines, registers are preserved on the Stack to be restored upon receipt of the RTI (Return-from-Interrupt) instruction.

Other control lines used in the Color Computer 3 are TSC (Three-State Control) and the R/W* (Read/Write*) line. The TSC line is an input intended for use in multiprocessor or DMA environment and will cause the address and data lines to go into a three-state condition if high. Since the Color Computer 3 does not require multiprocessing, this line is permanently grounded. The R/W* line is an output used by the CPU to inform the external memory and devices whether the data transfer is from the CPU (a write) or to the CPU (a read). Standard 68B09E Read/Write timing is shown in Figure 5-3. However, in the Color Computer 3, this timing is modified by the ACVC chip so that the addresses are available to the memory only during the active E time. This presents no problem as long as the memory is sufficiently fast.

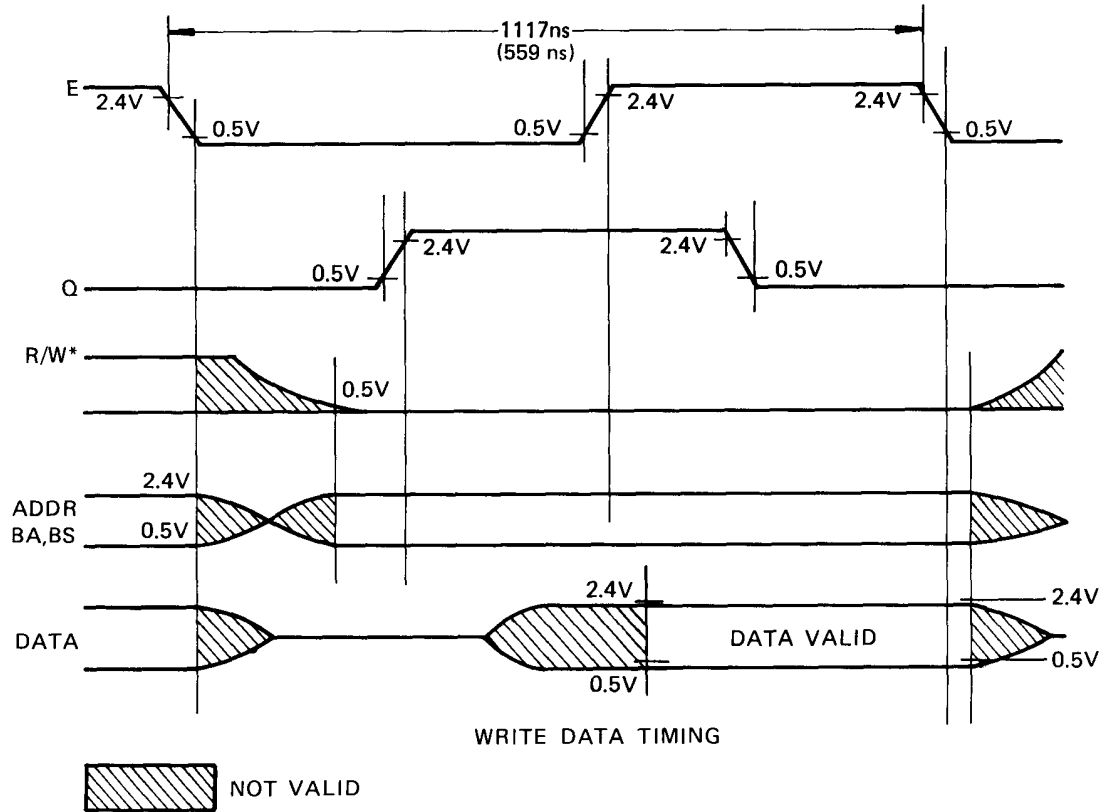
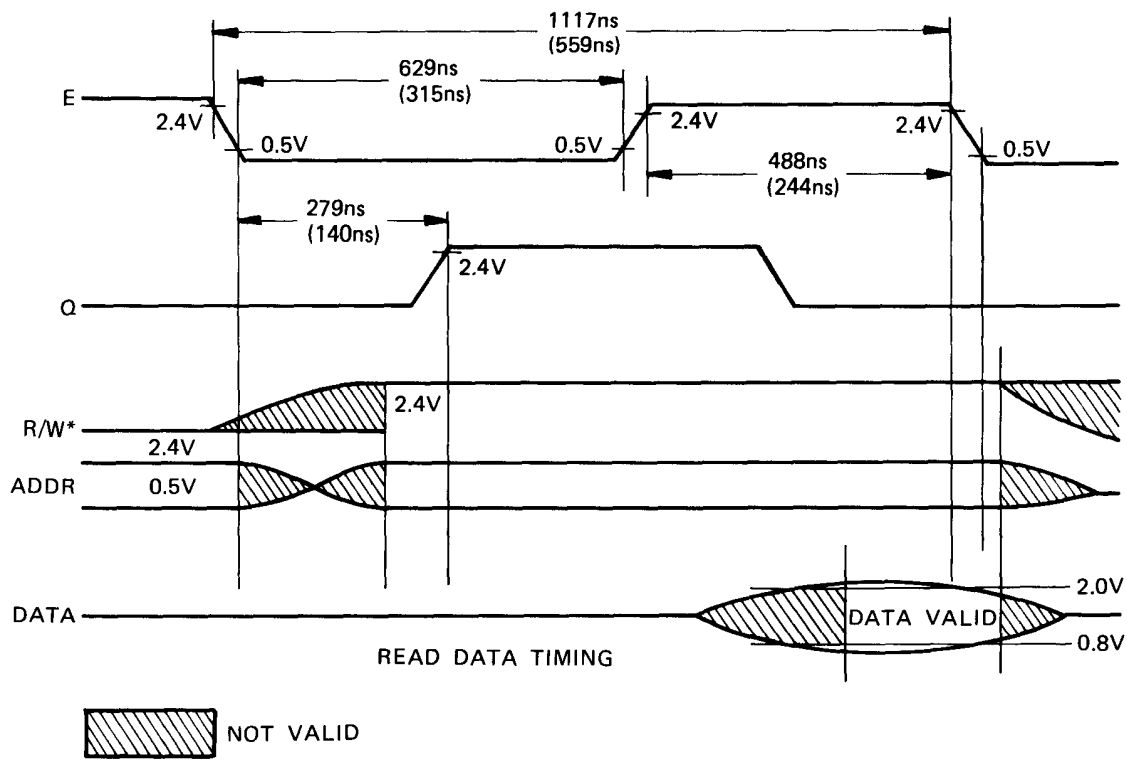
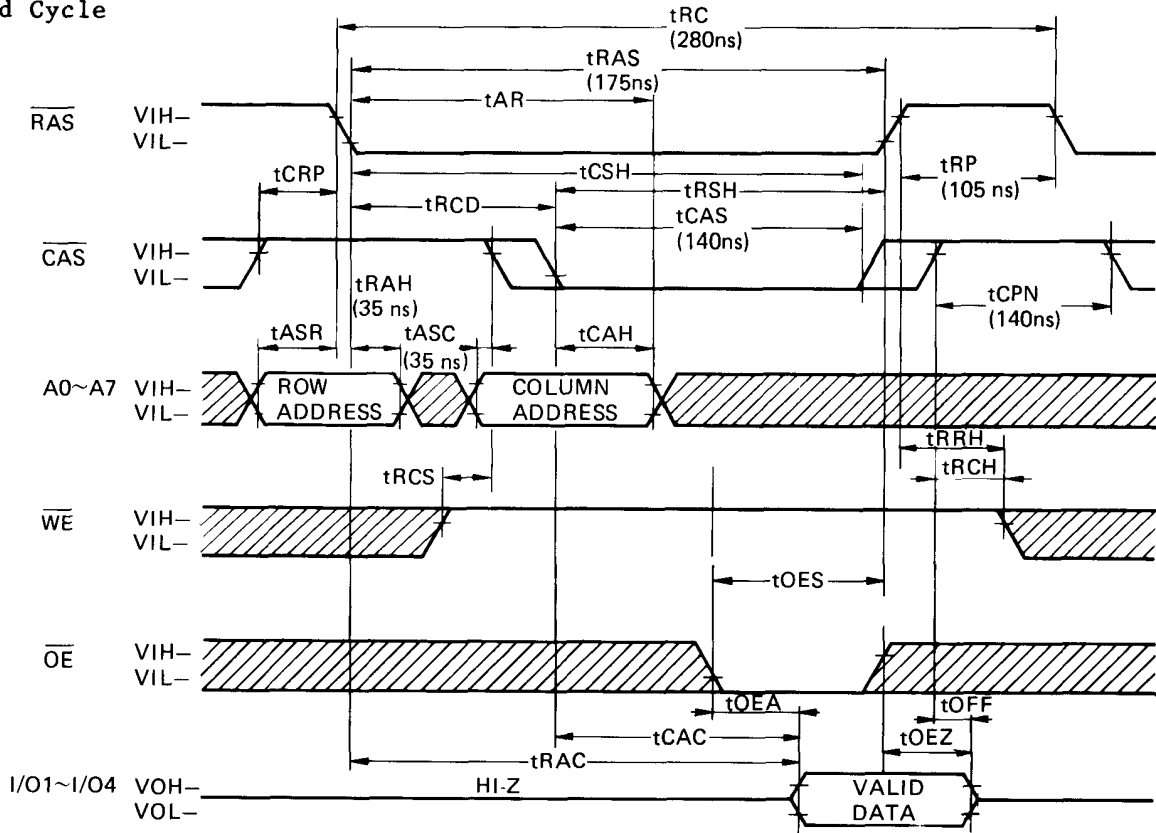


Figure 5-3. MC68B09E Read/Write Timing at 0.89 MHz

* Values within parentheses are for 1.78 MHz

Read Cycle



Write Cycle

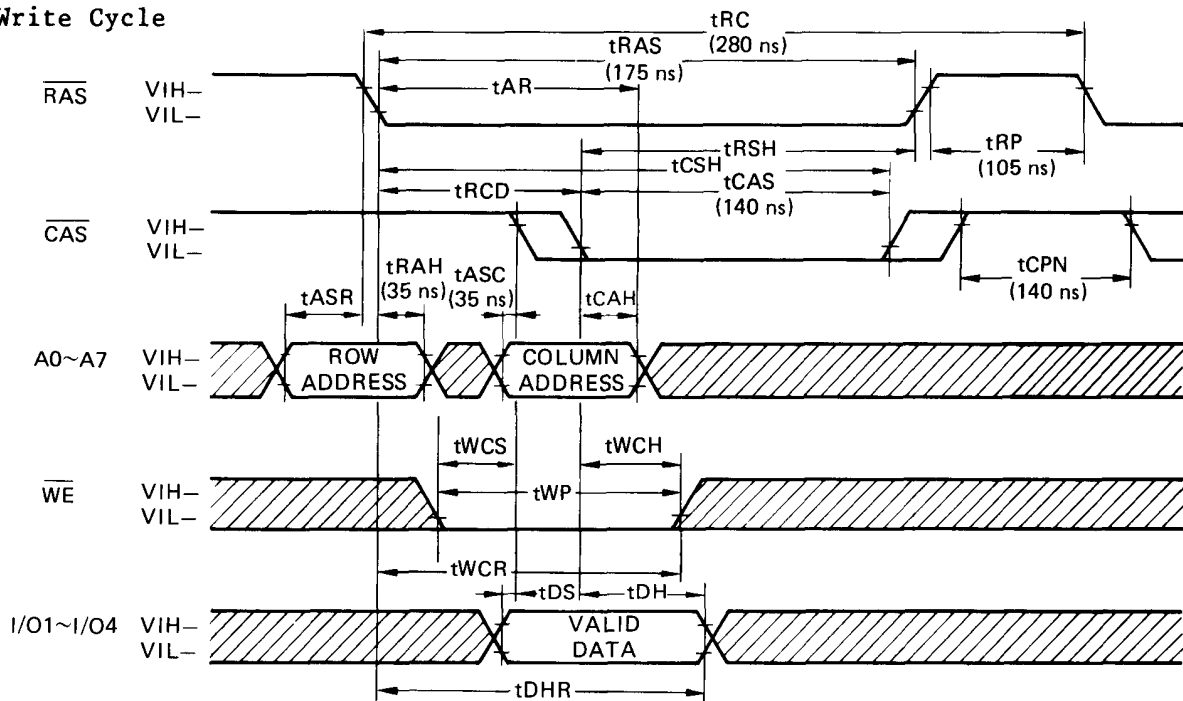


Fig 5-5. DRAM Timing

5.3 TCC1014 (VC2645QC)

1) System Timing, Address Multiplex, Device Select, MMU

By now, it should be apparent that controlling DRAMs is a fairly complex task. In the Color Computer 3, it is done by the TCC1014 (VC2645QC: ACVC). In addition to address multiplexing, RAS* and CAS* generation, WE0*, WE1* timing control, and refresh generation, the ACVC performs other tasks. It contains the Master Oscillator, the frequency of which is controlled by a 28.63636 MHz (PAL: 28.4750 MHz) crystal (X1). The Master Oscillator is divided by eight to give a 3.579545 MHz color reference signal to the Video Display Generator LOGIC and Composite Video Signal (NTSC version only). This reference signal is then divided by 4 (or 2) again to provide the 0.89 MHz (1.78 MHz) E and Q clock signals for the processor.

In the PAL version, the Master Oscillator frequency is slightly shifted down than in the NTSC version for fitting with the PAL encoder circuit.

The ACVC (IC6) also controls access to the memory, granting access to the processor during the high time of E (CPU portion) and

access to the VDG LOGIC during the low time of E (Video portion). During each access, whether by the CPU or the Video, the ACVC must provide appropriately synchronized RAS* and CAS* signals, as well as the corresponding address signals, to the DRAMs. Note that the DRAM access time must be twice as fast as that required by the CPU alone in order to be able to respond to VDG accesses.

In order for the ACVC chip to provide the appropriate addresses to the DRAMs, all 16 CPU address lines are input to the ACVC. It then multiplexes these into low order and high order addresses (Z0 through Z8, refer to MMU) which are sent to the DRAMs along with RAS* and CAS*.

Another function of this section is to provide address decoding and device selection for the computer. Figure 5-6 shows how the S0, S1, and S2 lines are connected to IC9, a 74LS138, in order to provide appropriate signals to enable ROM selection, PIA selection, and various cartridge selection signals. Due to the nature of the ROMs and in order to prevent data bus contention, the ROMs are enabled only during the E portion of a read cycle.

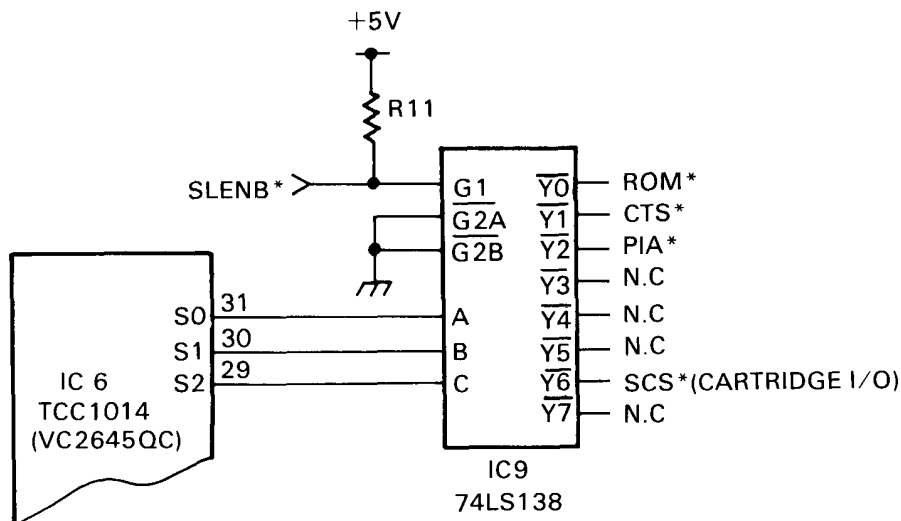


Fig 5-6. Color Computer 3 Address Decoding

As it is clear from the Memory Map, the memory area of the CoCo3 is from &00000 through &7FFFF (512K bytes). The Memory Management Unit (MMU)

inside of the TCC1014, pins FFA0 through FFAF, selects A13 - A18 (actually A16 - A18). Figure 5-7 shows the Block Diagram of the MMU.

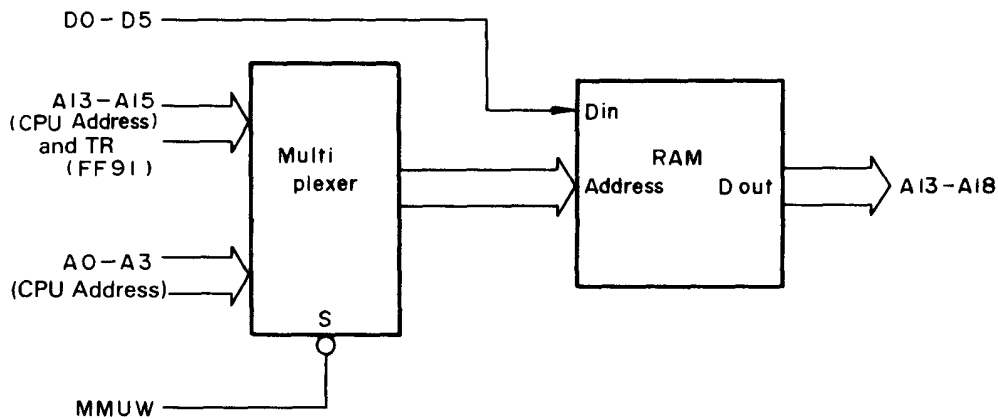


Figure 5-7. MMU Block Diagram

2) Video Generation Circuit

For NTSC Version

In Color Computer 2, the composite video signal is created in Modulator IC (MC1372), while the intensity control signal (Y) and the color information signals ØA and ØB are generated in VDG (MC6847). In Color Computer 3, all of these signals are generated in ACVC (IC6), and output from pin 65 as the composite video signal. This signal is provided to the video output terminal through buffer (Q2, Q3) and to the modulator.

For PAL Version

The ACVC is designed to output both composite video signal and analog RGB signal. Since composite video signal is specially designed for NTSC system, the PAL Encoder circuit is used to encode the RGB signal to the PAL signal. For this purpose, the VSYNC and HSYNC output from pins 55 and 56 of IC6 are provided to the PAL Encoder as a composite sync signal through the inverter IC15 and mixing circuit (Q11, D15 - D17). The output of PAL Encoder, that is the PAL

system composite video signal, is then provided to the RF Modulator via buffer Q3, and to the video output terminal via Q3 and Q2.

ACVC also contains analog RGB output and a total of 64 color selections. For the video generation circuit where the control register is designated via software, please refer to the Memory Map in section 1.3.

3) Interrupt IN/OUT

In CoCo2, the three interrupt sources CART*, HSYNC* and VSYNC requested an interrupt to the CPU from PIA as IRQ* and FIRQ*. In CoCo3, in addition to the above mentioned interrupt sources, an interrupt to the CPU can be requested as IRQ* or FIRQ* from serial I/O, keyboard, and 12-Bit interval timer. It has higher selectivity. Refer to FF90 and FF92 through FF95 in the Memory Map.

5.4 PAL ENCODER (PAL Version Only)

PAL version uses IC101, IC102 and IC103 to encode the RGB signals to the PAL signal. The majority of the work is performed by IC103, the RGB to PAL ENCODER chip. This chip is designed to generate a composite video signal from baseband red, blue, green and composite sync input from sync mixer Q11 and D15 - D17. The chip contains color subcarrier oscillator, voltage controlled 90 degrees phase shifter, two double-sideband suppressed carrier chroma modulators, RGB input matrix, and blanking level clamps.

In the PAL version, an extra voltage-controlled crystal oscillator is needed for the PAL color burst frequency of 4.433618 MHz. For this purpose, the internal oscillator circuit of the IC103 is used.

If the oscillator does not synchronize with the master oscillator, an apparent motion will exist whenever a color transition occurs.

This synchronization problem is solved by slightly shifting of the master oscillator frequency and the addition of a phase-locked-loop circuit. The master crystal oscillator frequency of the PAL version is 28.475 MHz. This allows the two oscillator to be divided down to the horizontal frequency of 15.611 kHz and phase-locked at this frequency.

IC101 is a programmable divider and operates in a divisor of 71. The output from the divider is connected to the programmable divider part of IC102 where a divisor of 4 is used to complete the count-down to 15.611 kHz. IC102 also contains a phase comparator part, and it compares this divided 15.611 kHz with the HSYNC signal which is counted down to 15.611 kHz from the master oscillator in IC6. The phase comparator then generates a control voltage in proportion to the phase and frequency difference between these 2 signals of 15.611 kHz and output it at pin 13.

This control voltage is passed through a simple R-C low pass filter and used to control a varactor diode D101. The capacitance of the varactor is changed to tune the 4.433618 MHz oscillator by varying the control voltage. This tuning allows the two oscillators to be synchronized at any time except during reset or power-on.

5.5 PIAs (IC4 and IC5)

The Color Computer 3 uses two Peripheral Interface Adapters (PIAs). These devices provide a universal interface to the 68B09E CPU. They support all of the I/O functions in the Color Computer 3.

The functional configuration of the PIA is programmed by the CPU during the reset routine. Each of the peripheral data lines may be programmed to act as an input or output, and each of four control/interrupt lines may be programmed for one of several control modes. Figure 5-8 shows a block diagram of a PIA.

A PIA consists of two 8-bit data registers and 4 control/interrupt lines. The two 8-bit data registers are controlled by two data direction

registers. These direction control registers are set up by the reset routine and normally will not be changed.

The four control/interrupt lines are controlled by the two control registers. The control registers also handle device selection within the PIA. Two of the four lines function only as interrupt inputs, and the other two lines may be used as interrupt inputs or data outputs.

PIA IC5 is used mainly for the keyboard. Data register B (pins 10-17) is programmed as an output and is used to strobe the keyboard columns. The first seven lines of data register A (pins 2-8) are programmed as inputs and are used to read the keyboard rows. Pins 2 through 5 are also used as fire button inputs for the joysticks.

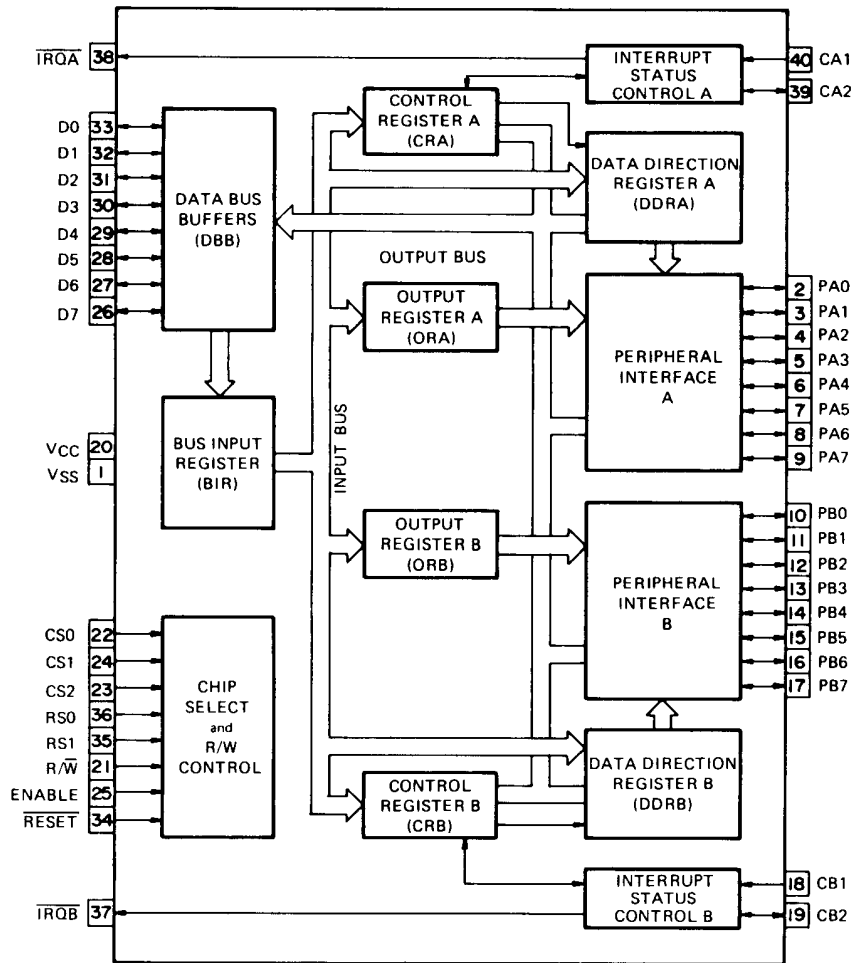


Figure 5-8. PIA Block Diagram

5.6 Keyboard Interface (IC5)

PIA IC5 is the only active component in the keyboard interface circuit. The B side of this PIA is configured as outputs and connects to the column lines of the keyboard matrix. The A side of IC5 is configured as inputs and connects to the row lines of the keyboard matrix. PIA IC5 is a select device. The use of PIA compensates for a possible increase in key contact resistance due to prolonged use and therefore should result in a highly reliable keyboard interface.

To read the keyboard, only one column is enabled by writing a zero in the bit that corresponds to that column and by writing ones in all the other bits. If a key is being pressed in that column, one of the input lines will be a zero, and the key location will correspond to the bit that is low. By scanning each column in the keyboard, all of the keys may be checked. Figure 5-9 shows the keyboard matrix.

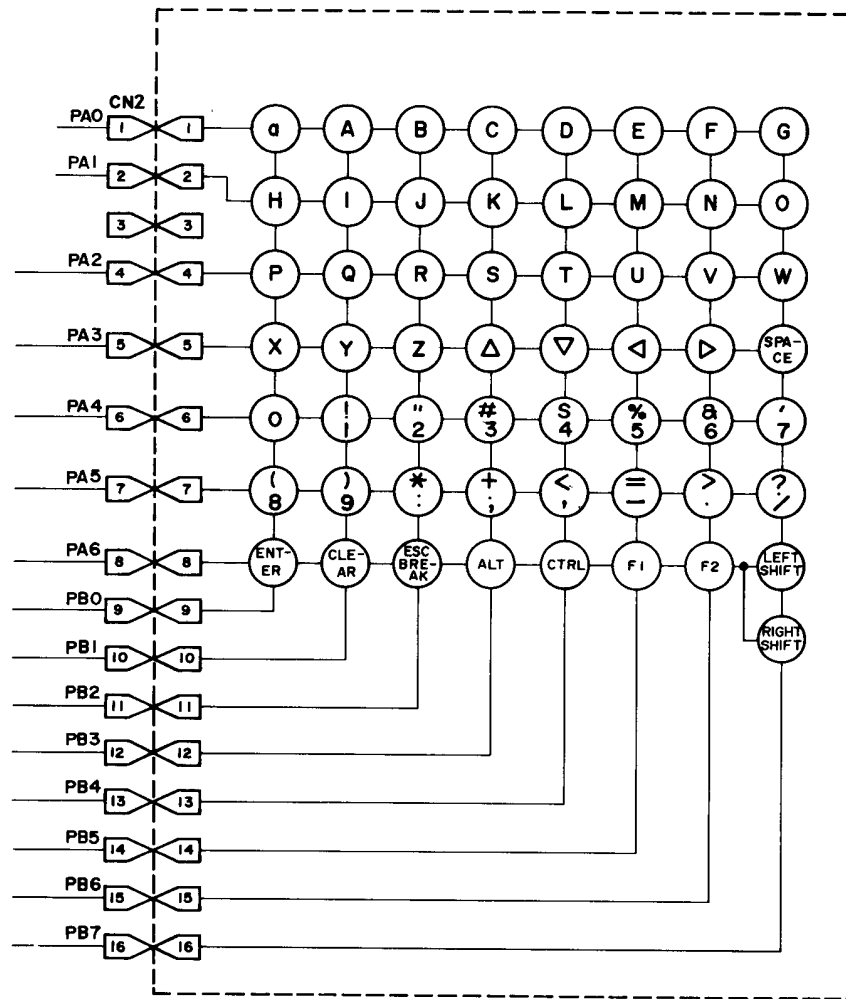


Figure 5-9. Color Computer 3 Keyboard Array

The other pins of PIA IC5 serve various functions. The most significant bit of data register A (pin 9) is programmed as an input for the joystick interface. CA2 and CB2 (pins 19 and 39) are used as outputs. These two lines select one of four joystick or sound inputs. The last two pins of PIA IC5, CA1 (pin 40) and CB1 (pin 18), are used as interrupt inputs. They are both tied to SYNC clock outputs from the ACVC (IC6). If enabled, CA1 provides an interrupt after each SYNC line. CB1, if enabled, provides an interrupt after each screen of data (NTSC: 60Hz/PAL: 50Hz).

PIA IC4 is used for several different functions. Pins 4-9 of data register A are used for the 6-bit digital to analog converter. Pin 3 of register A is the RS232-C output signal, which is used to drive the printer and other RS-232C-type devices. Pin 2 of register A is the input for data from the cassette. Pin 13 of IC4 is the sense input for the RGB monitor (CM-8). Pin 12 of register B is an input for the memory size. Pin 11 of register B is the single-bit sound output. Pin 10 is the RS-232C signal input pin.

The control and interrupt pins of PIA IC4 also serve various functions. CA1 (pin 40) is the input for the signal CD (a status interrupt input for the RS-232C interface). CA2 is an output used to control the cassette motor. CB1 is the cartridge interrupt input. Whenever a cartridge is inserted into the computer, this input will interrupt BASIC and jump to the program in the cartridge. Finally, CB2 is used as an output to enable sound from the DAC chip (IC7).

5.7 ROM (IC2)

ROM stands for Read Only Memory, which is a type of memory that retains its data when power is removed from it. When power is applied to the CPU, it immediately attempts to fetch a vector and begin executing instructions. If there were no ROM, the CPU would read random floating states on the data bus, attempt to execute this, and promptly go haywire.

The Color Computer 3 contains 256K (32K BYTE) ROM which contains Extended Color BASIC (Vers.2.0). This ROM is programmed to provide the user with certain BASIC commands and functions.

5.8 DAC Circuitry (IC7)

Two special analog integrated circuits are used in the Color Computer 3 to implement a multitude of analog functions, including power supply regulation, cassette operation, the RS-232C serial interface, the joystick interface, and sound production/selection. The DAC chip (IC7) is one of the custom linear integrated circuits used in the Color Computer 3. As its name implies, it contains a Digital to Analog Converter. This chip also contains a sound multiplexer and the circuitry necessary to interface the joystick controllers to the microprocessor. Figure 5-10 shows a block diagram of the DAC chip.

The DAC performs most of the functions of this chip. Six bits of control are used by the DAC to specify a discrete internal analog level. This level is one of the sound inputs to the sound multiplexer. It is also used as a reference input of which is one of the four joystick inputs. Finally, the DAC signal is attenuated and used as the cassette recording signal for data storage.

There are two select inputs to the DAC chip: Sel A and Sel B. These determine which of the joystick inputs is to be compared against the DAC, as well as which sound source is coupled to the sound output pin according to the table on the next page.

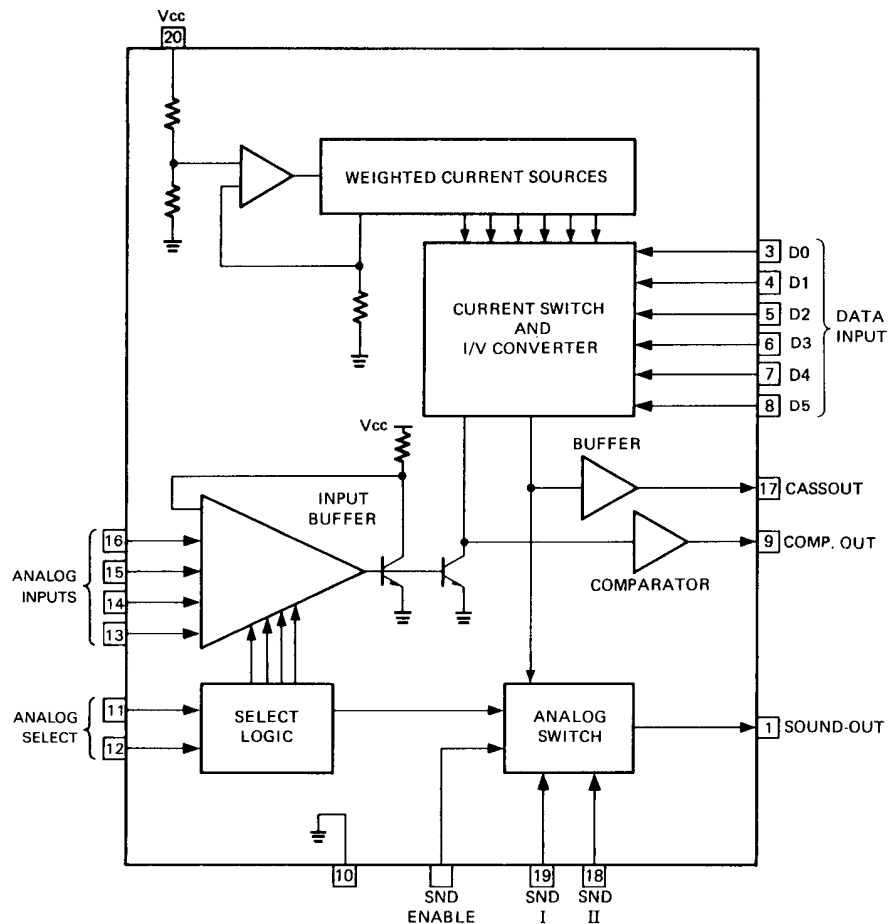


Figure 5-10. DAC Block Diagram (IC7)

Sel B	Sel A	Joystick Input	Sound Source
0	0	Joy 0	DAC
0	1	Joy 1	Cassette
1	0	Joy 2	Cartridge
1	1	Joy 3	(no sound)

The Digital to Analog Converter employs a 64-collector transistor as a current source which gives good linearity over the entire voltage range. In order to determine the position of the joystick, the microprocessor uses a technique called "Successive Approximation". The microprocessor first selects the desired joystick input by means of the select pins (which are connected to PIA IC5).

The sound multiplexing section is very simple. According to the above table, different sound sources are selected by the Sel A and Sel B inputs, and the selected input is routed to the sound output. If the DAC is used as a sound source, the microprocessor simply feeds a succession of values to the six bits of the DAC in order to produce the desired waveshape. The output of the DAC is then buffered and attenuated to provide approximately 3.9 volts p-p, which is the level required by the modulator to produce maximum volume. If the cassette is the selected input, then sound from the cassette recorder is routed to the sound output. This level follows the input level up to 3.9 volts p-p, at

which point it clips the input waveform. Therefore, the volume control on the cassette should not be set higher than the level which provides 3.9 volts p-p to the DAC chip. Similarly, the cartridge may supply the sound source (from AC coupled) since the SND IN (2) input to the DAC chip biases the input at the midpoint of the allowable voltage swing, which is 3.9 volts p-p. Any greater signal amplitude will result in clipping (distortion) of the sound waveform.

In addition to the Select inputs, the sound must be enabled by bringing SNDEN to a high level. This input is controlled by PIA IC4. If this pin is at a low level, all sound (except single-bit sound) is disabled.

The final function of the DAC chip is to provide the output signal for recording of cassette data. This is, quite simply, a buffered output of the DAC which is attenuated to produce approximately 1 volt p-p into a 2-kohm load. Therefore, it is up to the microprocessor to produce the necessary FSK signals through the DAC and the proper software.

5.9 SALT Circuitry

The SALT chip IC8 (Supply and Level Translator) is responsible for supply regulation, RS-232C interface level translation, cassette read operations, and driving the cassette relay, as is shown in the block diagram in Figure 5-11.

Figure 5-12 shows the complete power supply circuit. AC voltage is brought into the primary of transformer T1. The secondary of the power transformer provides 16.2 VAC (18.52 VAC for PAL version), center-tapped, at AC 2.2 amps (AC 1.0 amps for PAL version) to the Color Computer 3 circuit board. If switch SW1 is closed, this AC voltage is applied to the cathodes of D3 and D4, and to the anodes of D1 and D2. D3 and D4 form a full-wave, center-tapped rectifier with a negative output. This is filtered by electrolytic capacitor C31. This

negative voltage is then applied to pin 15 of the SALT chip, where it is internally regulated to -5 VDC and used for the RS-232C output drivers. The negative voltage is not used anywhere else in the computer.

D1 and D2 form a full-wave, center-tapped rectifier with a positive output which is filtered by electrolytic capacitor C29. This positive voltage is applied to the collector of pass transistor Q1 and is used to power the SALT chip at pin 16. The SALT chip internally regulates the positive voltage to +5 VDC and provides the base drive current for Q1. The current for the computer is drawn from the emitter of Q1 through resistor R19. The voltage at this point is monitored by pin 3 of the SALT chip and the base drive adjusted to keep the voltage at a steady +5 VDC \pm 5%.

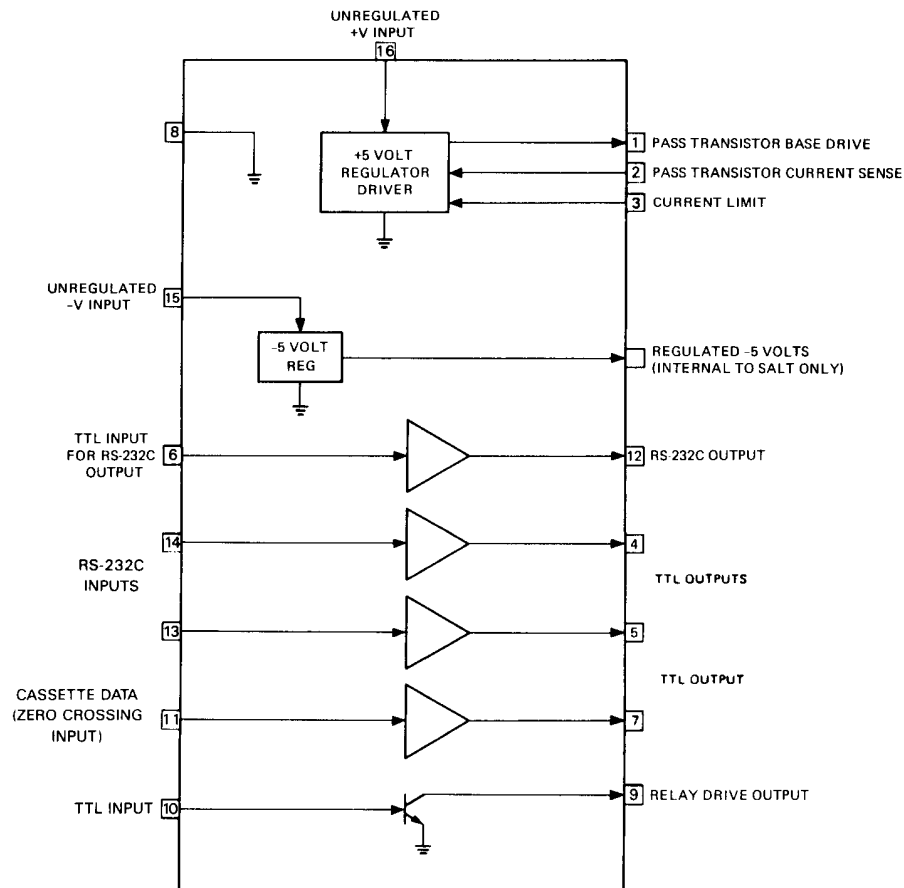


Figure 5-11. SALT Block Diagram (IC8)

The SALT chip senses, at pin 2, the amount of current drawn from the supply through R19. If excessive current is drawn, as in the case of a short or component failure, the SALT will "fold back" the voltage output of the supply by reducing the base drive current, thus protecting the supply.

Inductors FB1 and FB2, as well as capacitors C32 through C36, serve to decouple and prevent any digital "noise" which might be present on the DC supply from entering the AC line.

There are two types of level translators contained in the SALT chip for use with the RS-232C interface. The output level converter takes as its input a standard TTL signal from PIA IC4, inverts it, and uses it to drive the output to approximately +5 VDC for a space and -5 VDC for a mark. This output is coupled through a 270-ohm resistor, R15 to the output connector. R15

serves to limit the amount of current drawn from this output and prevents damage to the SALT chip if the output (at the connector) is inadvertently shorted to an external voltage (such as +12 VDC, which may be present on some RS-232C connectors).

The input level converters have the task of converting incoming RS-232C voltage levels to standard TTL signals. These voltages are defined as follows: a "mark" is a negative voltage between -3 and -25 VDC; a "space" is a positive voltage between +3 and +25 VDC. To simplify the task for the SALT chip, the circuit shown in Figure 5-13 is employed. The incoming signals are compared to a reference of 2.0 VDC. If less than that, they are considered to be a mark. If greater than that, they are considered to be a space. The space or mark is then output from the SALT chip at an LS TTL-compatible level and is coupled into PIA IC4.

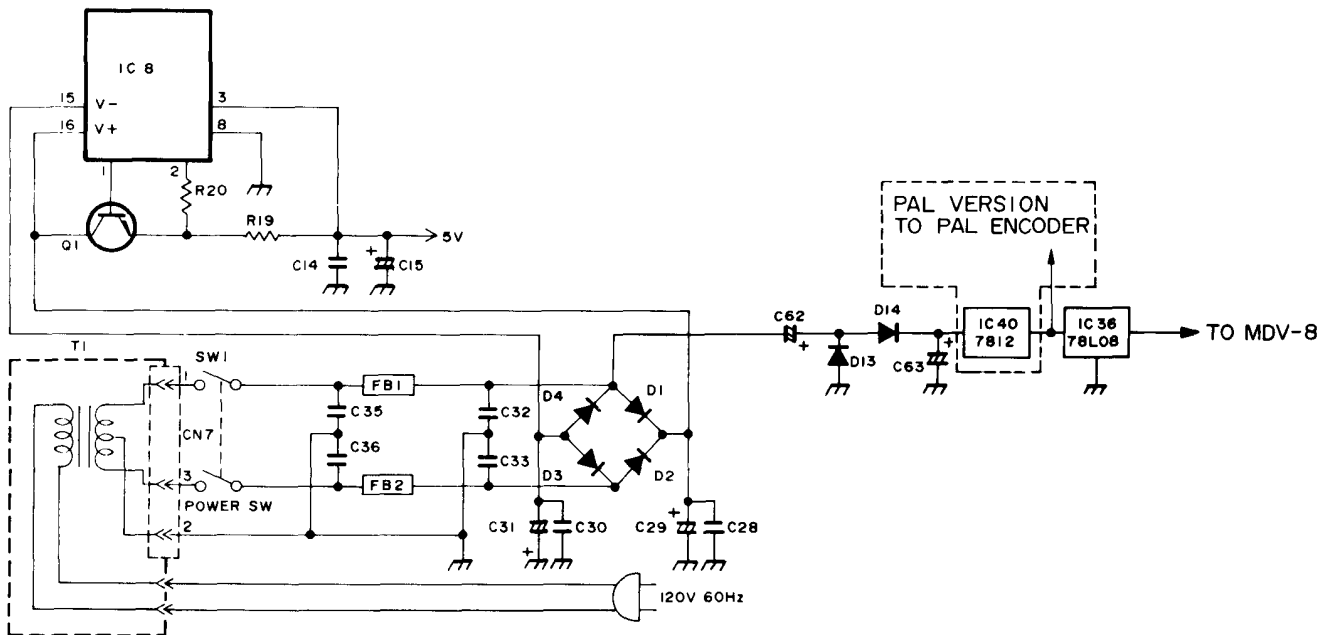


Figure 5-12. Color Computer 3 Power Supply

The cassette-loading circuitry, internal to the SALT chip, is composed of a zero-crossing detector. Figure 5-13 shows the input from the cassette being loaded by a 220-ohm resistor, R14, then coupled into the SALT chip through a 510-ohm resistor, R18. R14 serves to load the capacitively-coupled output characteristic of most portable cassette recorders, and R18 limits the current of the incoming signal to prevent damage to the SALT chip if an excessively large peak-to-peak voltage is fed into the cassette input. Although Tandy's computer cassette recorders do not produce more than 6 volts p-p, the circuitry is protected from voltages as high as 18 volts p-p. The zero-crossing detector internal to the SALT changes state each time the incoming signal passes through zero volt. There is a small amount of hysteresis built in which provides noise immunity and prevents false triggering of the zero-crossing detector.

The output of the zero-crossing detector is an LS TTL-compatible level and is coupled into PIA IC4.

The final function of the SALT chip is to drive the cassette relay. A TTL signal from PIA IC4 enters pin 10 of the SALT chip where it is connected to the base of an internal Darlington transistor, the emitter of which is grounded. The collector exits the SALT chip at pin 9 and is connected to one end of the cassette relay. The other end of the relay connects to +5 VDC. When the incoming signal goes high, the transistor becomes saturated and connects its end of the cassette relay to ground, causing the relay to energize. When the incoming signal is low, the transistor is cut off. There is no ground return for the +5 volts at the other end of the relay, so it is de-energized. Diode D5 protects the transistor in the SALT from the surge current caused by the coil of the relay (when the relay is de-energized).

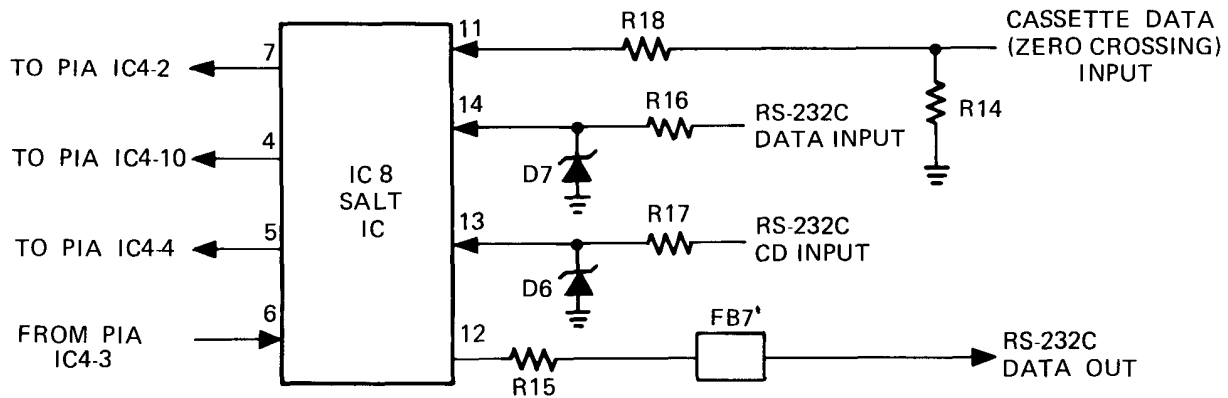


Figure 5-13. I/O Circuitry

5.10 Cassette Tape Format Information

The standard Color Computer 3 tape is composed of the following items:

1. A leader consisting of 128 bytes of 55H
2. A Namefile block
3. A blank section of tape equal to approximately 0.5 seconds in length to allow BASIC time to evaluate the Namefile
4. A second leader of 128 bytes of 55H
5. One or more Data blocks
6. An End of File block

The block format for Data blocks, Namefile blocks or an End of File block is as follows:

1. One leader byte - 55H
2. One sync byte - 3CH
3. One block type byte:
 - 01H = Data block
 - FFH = End of File block
 - 00H - Namefile block
4. One block length byte - 00H to FFH.
5. Data - 0 to 255 bytes
6. One checksum byte - the sum of all the data bytes plus block type and block length bytes
7. One trailer byte - 55H

The End of File block is a standard block with a length of 0.

The Namefile block is standard block with a length of 15 bytes (0FH). The 15 bytes of data provide information to BASIC and are employed as described below:

1. Eight bytes for the program name
2. One file type byte:
 - 00H = BASIC Program
 - 01H = Data File
 - 02H = Machine Code Program
3. One ASCII flag byte - 00H = Binary, FFH = ASCII
4. One Gap flag byte - 01H - continuous, FFH = gaps
5. Two bytes for the start address of a machine language program
6. Two bytes for the load address of a machine language program

5.11 RS-232C Connector (JK3)

The RS-232C interface utilizes a 4-pin DIN connector. This interface allows the computer to have serial communications with printers, modems, other computers or any device capable of interfacing with RS-232C signals. The four signals used by the interface are:

- CD - a status line
- RS-232C IN - serial data input
- GROUND - zero voltage reference
- RS-232C OUT - serial data out

The pinout for the DIN connector is shown in Figure 5-14.

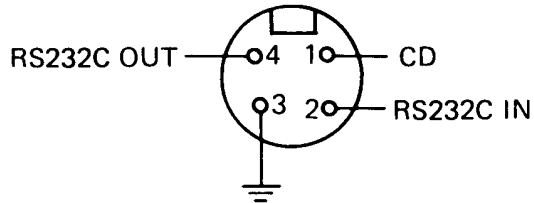


Figure 5-14. RS-232C Connector Pinout

The RS-232C interface hardware in the Color Computer 3 is capable of communication with any device which will operate with the minimum three signal interface. It is also possible that devices which use a larger set of RS-232C signals may be used with the Color Computer 3. This would be accomplished by connecting unused device inputs to the correct high or low level.

In software, the only RS-232C device supported by the BASIC ROM is a serial printer. For use with the printer, the pin assignment of the connector differs slightly from the above description:

1. No Connection
2. Connected to the BUSY output (or status line) of the printer
3. Ground
4. Connected to the Serial Data Input of the printer

If your printer does not provide a status line, then pin 2 must be connected to a positive voltage of +3 to +12 volts. This tells the computer that the printer is ready all of the time.

In order to operate, the software must make several assumptions about the printer. These assumptions are:

1. The printer operates at 600 baud.
2. The printer width is 132 columns.
3. The printer generates a BUSY when it is not ready.
4. The printer will automatically return the carriage at the end of the line. It will also do a line feed at this time.
5. The data format is one start bit, eight data bits, two stop bits, and no parity.

Some printers will require that these assumptions be modified. This may be accomplished by changing RAM variables or by a special driver routine.

A list of all the printer variables is given in Table 1. Also, Table 2 lists some alternate values for these variables.

5.12 Cartridge Connector (CN1)

A 40-pin cartridge connector provides the possibility of expanding the TANDY Color Computer 3 in almost any manner. All of the important CPU bus signals are tied to this connector. A complete list and brief description of these signals is provided in Table 3.

The most common usage of the cartridge connector is with the ROM cartridge. For cartridge detection, the Q clock is connected to the cartridge interrupt pin, which generates an interrupt anytime the cartridge is plugged in and forces the computer to jump to the program in ROM.

CAUTION

**DO NOT PLUG A CARTRIDGE
IN WITH POWER
APPLIED TO THE COLOR COMPUTER 3
AS SERIOUS
DAMAGE TO THE UNIT AND/OR
THE CARTRIDGE MAY RESULT.**

In addition to the expected data, address and R/W* lines, several control and special purpose signals are available on the cartridge connector. They are as follows:

HALT* - This active-low signal places the processor in a HALT state immediately following the execution of the current instruction. While in the HALT state, the processor address and data lines are in the high impedance mode, making it possible for external devices to access RAM and ROM. The processor may be HALT indefinitely without any loss of internal data.

- NMI*** - This is the non-maskable interrupt input to the CPU.
- RESET***- This is the master system reset and power-up clear signal.
- E, Q** - These are the two clock signals for the MC68B09E CPU.
- CART*** - This is an interrupt input into PIA IC4. It is used to detect the presence of a cartridge.
- CTS*** - This is the Cartridge Select Signal. It is valid when the processor reads any location from C000 Hex to DFFF Hex, as long as the ACVC is in Map Type 0. Note that it is not active while writing to these locations.
- SND** - This signal is connected directly to the sound input of the DAC chip and allows cartridge-generated sound signals to be fed through the TV sound system. The signal should be AC coupled and should not exceed 3.9 volts p-p.
- SCS*** - This is a second chip-select signal from IC9. It is active for both reads from and writes to addresses, FF40H through FF5FH, regardless of the map type.
- SLENB***- This signal disables the internal device selection. This allows decoded but unused sections of memory to be used by the cartridge hardware.

VARIABLE	HEXADECIMAL ADDRESS	DECIMAL ADDRESS	INITIAL VALUE	
			HEXA-DECIMAL	DECIMAL
BAUD RATE MSB	0095	149	00	0
BAUD RATE LSB	0096	150	57	87
LINE DELAY MSB	0097	151	00	0
LINE DELAY LSB	0098	152	01	1
COMMA FIELD WIDTH	0099	153	10	16
LAST COMMA FIELD	009A	154	70	112
LINE PRINTER WIDTH	009B	155	84	132

Table 1. Line Printer Variables

BAUD RATE:	DECIMAL VALUE		HEXADECIMAL VALUE	
	MSB	LSB	MSB	LSB
120 BAUD	1	202	01	CA
300 BAUD	0	180	00	BE
600 BAUD	0	87	00	57
1200 BAUD	0	41	00	29
2400 BAUD	0	18	00	12
LINE DELAY:	DECIMAL VALUE		HEXADECIMAL VALUE	
	MSB	LSB	MSB	LSB
.288 SECONDS	64	0	40	00
.576 SECONDS	128	0	80	00
1.15 SECONDS	255	255	FF	FF
WIDTH:	DECIMAL VALUE		HEXADECIMAL VALUE	
	MSB	LSB	MSB	LSB
16 CHARACTERS/LINE	16		10	
32 CHARACTERS/LINE	32		20	
64 CHARACTERS/LINE	64		40	
255 CHARACTERS/LINE	255		FF	

Table 2. Alternate Line Printer Variable Values

NOTE: LSB = Least Significant Byte
MSB = Most Significant Byte

PIN	SIGNAL NAME	DESCRIPTION
1	NC	
2	NC	
3	HALT*	Halt Input to the CPU
4	NMI*	Non-Maskable Interrupt to the CPU*
5	RESET*	Main Reset and Power-up Clear Signal to the System
6	E	Main CPU Clock (0.89 MHz/1.78MHz)
7	Q	Quadrature Clock Signal which Leads E
8	CART*	Interrupt Input for Cartridge Detection
9	+5V	+5 Volts (300 MA)
10	DO	CPU Data Bit 0
11	D1	CPU Data Bit 1
12	D2	CPU Data Bit 2
13	D3	CPU Data Bit 3
14	D4	CPU Data Bit 4
15	D5	CPU Data Bit 5
16	D6	CPU Data Bit 6
17	D7	CPU Data Bit 7
18	R/W*	CPU Read-Write Signal
19	A0	CPU Address Bit 0
20	A1	CPU Address Bit 1
21	A2	CPU Address Bit 2
22	A3	CPU Address Bit 3
23	A4	CPU Address Bit 4
24	A5	CPU Address Bit 5
25	A6	CPU Address Bit 6
26	A7	CPU Address Bit 7
27	A8	CPU Address Bit 8
28	A9	CPU Address Bit 9
29	A10	CPU Address Bit 10
30	A11	CPU Address Bit 11
31	A12	CPU Address Bit 12
32	CTS*	Cartridge Select Signal
33	GND	Signal Ground
34	GND	Signal Ground
35	SND	Sound Input
36	SCS*	Spare Select Signal
37	A13	CPU Address Bit 13
38	A14	CPU Address Bit 14
39	A15	CPU Address Bit 15
40	SLENB*	Input to Disable Device Selection

Table 3. Cartridge Connector Signals

5.13 Power Transformer

The Color Computer 3 power transformer accepts 120 VAC, 60 Hz (240 VAC, 50Hz: PAL) input and transforms it to 16.2 VAC (18.52 VAC: PAL) center-tapped for use by the power supply. The current rating of the secondary of the transformer is AC 2.2 amps (AC1.0 amps: PAL). The transformer should only be replaced with genuine Tandy replacement parts.

5.14 Joysticks

The optional joystick controllers are two identical assemblies which can be plugged into JK1 and JK2. Figure 5-15 shows a schematic of the Joystick

Assembly. It simply consists of a push-button switch for the fire button and the dual potentiometers connected by a mechanical assembly.

The mechanical assembly allows both potentiometers to be changed at the same time. This gives the effect of a two-dimensional control.

The potentiometers are connected so that 5 volts are applied to one side of the variable resistor, and ground is connected to the other. This allows the center wiper to vary from 0 to 5 volts as the handle is moved. The push-button switch merely provides a momentary ground contact for an input signal.

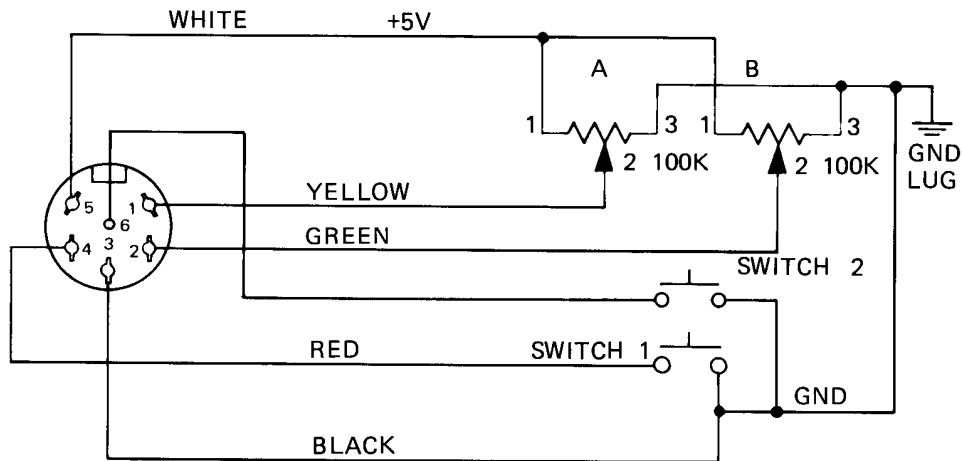


Figure 5-15. Joystick Schematic

5.15 TV Switch Box (NTSC Version Only)

The antenna switch box consists of a switch and a balun, with connectors provided for attachment to the computer, the TV antenna, and the home TV. The switch box is connected to the customer's TV through the 300-ohm twin-lead output. The TV antenna is attached directly to the switch box. The computer output is connected through a 75-ohm coaxial cable to the phono plug input on the switch box.

Figure 5-16 shows a schematic of the antenna switch box.

From the computer, the signal is connected to a balun in the switch box which matches the modulator's 75-ohm output impedance to a TV's 300-ohm antenna input impedance. This signal is then connected to the switch. The switch is specially designed to provide the 60 dB of isolation required between the computer and the TV antenna.

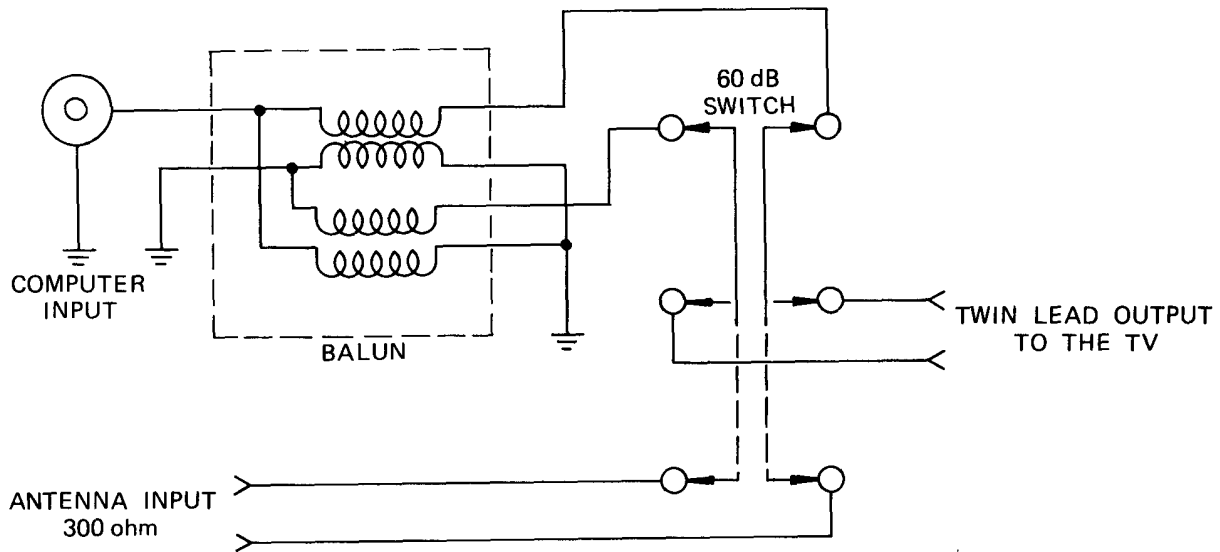


Figure 5-16. Antenna Switch Box Schematic

TANDY®

Service Manual

26-3334

COLOR COMPUTER 3 NTSC/PAL VERSION

with 512K Expansion RAM Card

Catalog Number: 26-3334



CUSTOM MANUFACTURED FOR RADIO SHACK, A DIVISION OF TANDY CORPORATION

TABLE OF CONTENTS

SECTION I. GENERAL

1.1	Introduction	5
1.2	System Description	5
1.3	Memory Map	8
1.4	I/O Control Registers	9
1.5	Chip Control Registers	11
1.6	68B09E Vector Registers	22

SECTION II. SPECIFICATIONS

2.1	Technical	23
2.2	Physical	25

SECTION III. DISASSEMBLY/ASSEMBLY

3.1	Disassembly	26
3.2	Assembly	26
3.3	512K RAM Upgrade Instructions	27

SECTION IV. BLOCK DIAGRAM

4.1	NTSC Version	28
4.2	PAL Version	29

SECTION V. THEORY OF OPERATION

5.1	MC68B09E/MBL68B09E/HD68B09E (IC1).....	30
5.2	Memory (RAM)	34
5.3	TCC1014 (VC2645QC)	36
5.4	PAL Encoder (PAL Version Only)	38
5.5	PIAs (IC4 and IC5)	39
5.6	Keyboard Interface (IC5).....	40
5.7	ROM (IC2)	41
5.8	DAC Circuitry (IC7)	42
5.9	SALT Circuitry	44
5.10	Cassette Tape Format Information	47
5.11	RS-232C Connector (JK3).....	47
5.12	Cartridge Connector (CN1)	49
5.13	Power Transformer	52
5.14	Joysticks	52
5.15	TV Switch Box (NTSC Version Only)	53

SECTION VI. TROUBLESHOOTING

6.1	Introduction	54
6.2	Video Problems	55
	No Display/No Sync/Noisy Video.....	55
	Wrong Color	55
	No Color	55
	Random Character/Clear Screen/No Sign-on	55
	RGB Problem	55
	Composite Video Signal Adjustment (PAL Version Only)	56

6.3	Keyboard Problems	56
	No Keyboard Entry/Wrong Character	56
6.4	Processing Problem	56
6.5	Cassette Problems	56
	Motor Control Problem	56
	Write Problem	56
	Read Problem	56
6.6	RS-232C Problem	57
6.7	Sound Problem	57
6.8	Joystick Problem	57
6.9	Cartridge Problem	57
6.10	Power Supply Check	58
	NTSC Version	58
	PAL Version	61
6.11	Major Waveforms	64
	NTSC Version	64
	PAL Version	70

SECTION VII. 512K EXPANSION RAM CARD

PCB VIEWS	78
ELECTRICAL PARTS LIST	79

SECTION VIII. NTSC VERSION

PCB VIEWS	82
ELECTRICAL PARTS LIST	84
EXPLODED VIEW PARTS LIST.....	90
EXPLODED VIEW	91
SEMICONDUCTOR INFORMATION	93
SCHEMATIC DIAGRAM	103

SECTION IX. PAL VERSION

PCB VIEWS	108
ELECTRICAL PARTS LIST	111
EXPLODED VIEW PARTS LIST.....	119
EXPLODED VIEW	121
SEMICONDUCTOR INFORMATION	122
SCHEMATIC DIAGRAM	126

LIST OF FIGURES

1-1. Color Computer 3 Installation 7
1-2. Color Computer 3 Memory Map 8
1-3. Memory Map for SAM Control Register21

3-1. Removal of Top Cover26
3-2. Removal of Main PCB26
3-3. Main PCB27
3-4. 512K RAM Card27

4-1. Block Diagram28
 NTSC Version28
 PAL Version29

5-1. MC68B09E Programming Model30
5-2. MC68B09E Pin Assignments31
5-3. MC68B09E Read/Write Timing at 0.89 MHz33
5-4. DRAM Block Diagram34
5-5. DRAM Timing35
5-6. Color Computer 3 Address Decoding36
5-7. MMU Block Diagram37
5-8. PIA Block Diagram39
5-9. Color Computer 3 Keyboard Array40
5-10. DAC Block Diagram (IC7)42
5-11. SALT Block Diagram (IC8)44
5-12. Color Computer 3 Power Supply45
5-13. I/O Circuitry46
5-14. RS-232C Connector Pinout48
5-15. Joystick Schematic52
5-16. Antenna Switch Box Schematic53

LIST OF TABLES

1 Line Printer Variables50
2 Alternate Line Printer Variable Values50
3 Cartridge Connector Signals51

SECTION I. GENERAL

1.1 Introduction

The Color Computer 3 is a refined version of Tandy's popular Color Computer 2. It is designed to provide the same reliable operation as its predecessor, but it incorporates the latest in electronic technology. Figure 1-1 shows a typical installation of the Color Computer 3.

The Color Computer 3 contains an internal BASIC program in ROM which is accessed when the unit is powered up. Other program modules/cartridges may be inserted into the receptacle on the right side of the unit. An optional Multi-pak Interface module allows up to four program paks to be installed at the same time, with selection of the specific module active at any one time selected either by software or by a switch on the Multi-pak Interface. Additional peripheral devices, such as an external disk drive, may be added to the Color Computer 3 for additional memory storage and retrieval.

All input and output ports for the Color Computer 3, with the exception of the program module/cartridge slot and the RGB monitor output (for CM-8), are located on the rear panel of the unit. These include the joystick input ports (right and left), Serial I/O, Cassette I/O, TV output jack (for standard color television set and composite monitor), POWER ON/OFF switch and RESET switch. A recessed channel switch (for selecting either channel on the TV - 3/4 for NTSC and 1/2 for PAL version) is also located on the rear panel of the unit.

Note: Before installing any peripheral device, always remember to unplug the Color Computer's power cord. This will prevent damage to the device or to the Color Computer 3.

1.2 System Description

The primary functions of the Color Computer 3 are performed by four Large Scale Integration (LSI) chips, plus Random Access Memory (RAM) and Read Only Memory (ROM). These four chips are labeled on the block diagram as CPU, ACVC and two PIAs. With only these four chips, plus Random Access Memory (RAM), Read Only Memory (ROM) and a power supply, the Color Computer 3 will operate and provide video output (RF, Composite, Analog RGB). However, to allow communication with the outside world, I/O interfaces must be added.

The main component of any computer system is the Central Processing Unit (CPU, IC1). It is the function of the CPU to provide or request data and select the proper address for this data. In addition, the CPU is capable of performing a limited set of mathematical and logical operations on the data.

ROM (IC2) has the function of providing the CPU with a predefined set of instructions. Without ROM, the CPU would run wild and randomly execute instructions. In normal operation, the CPU jumps to the start address in ROM, after the reset switch has been pressed, and then performs the reset program to set up all of the programmable devices. Following this, the BASIC interpreter residing in ROM is in control of the CPU.

RAM (IC16 - IC19) provides storage for the programs and/or data currently being executed. In the standard unit, these four ICs are 64K x 4 but may be upgraded to sixteen 256K x 1 ICs as an option. (See Paragraph 3.3 on page 28 for instructions.) In addition, the same RAM is used to generate the video display. Normally, no conflict will be observed because the program will use one portion of RAM and the display will use another. During normal usage, the BASIC interpreter, located in ROM, will control the execution of programs located in RAM.

A central component in the Color Computer 3 is the Advanced Color Video Chip (IC6). This chip provides refresh and address multiplexing for the RAM. It also provides all of the system timing and device selection.

ACVC comprises the VDG (Video Display Generator) function which supports High-Resolution mode, in addition to

all other modes included in the Color Computer 2. During High-Resolution mode, it generates 40 x 24 or 80 x 24 text screen, and 320 x 192 or 640 x 192 graphics screen. It is also designed to output two different video signals - composite video and analog RGB.

ACVC can expand memory space up to 512K bytes. Having a built-in MMU (Memory Management Unit), it can support 2 banks of 256K-byte RAM, each with a 9-line address bus, even though the CPU possesses only 16 address lines.

The remaining circuitry in the Color Computer 3 is devoted to Input/Output (I/O) communication. The most important part of this circuitry is the keyboard, which allows the operator to enter information. Other I/O circuits are provided to allow joystick input, cassette input and output, and RS-232C input and output.

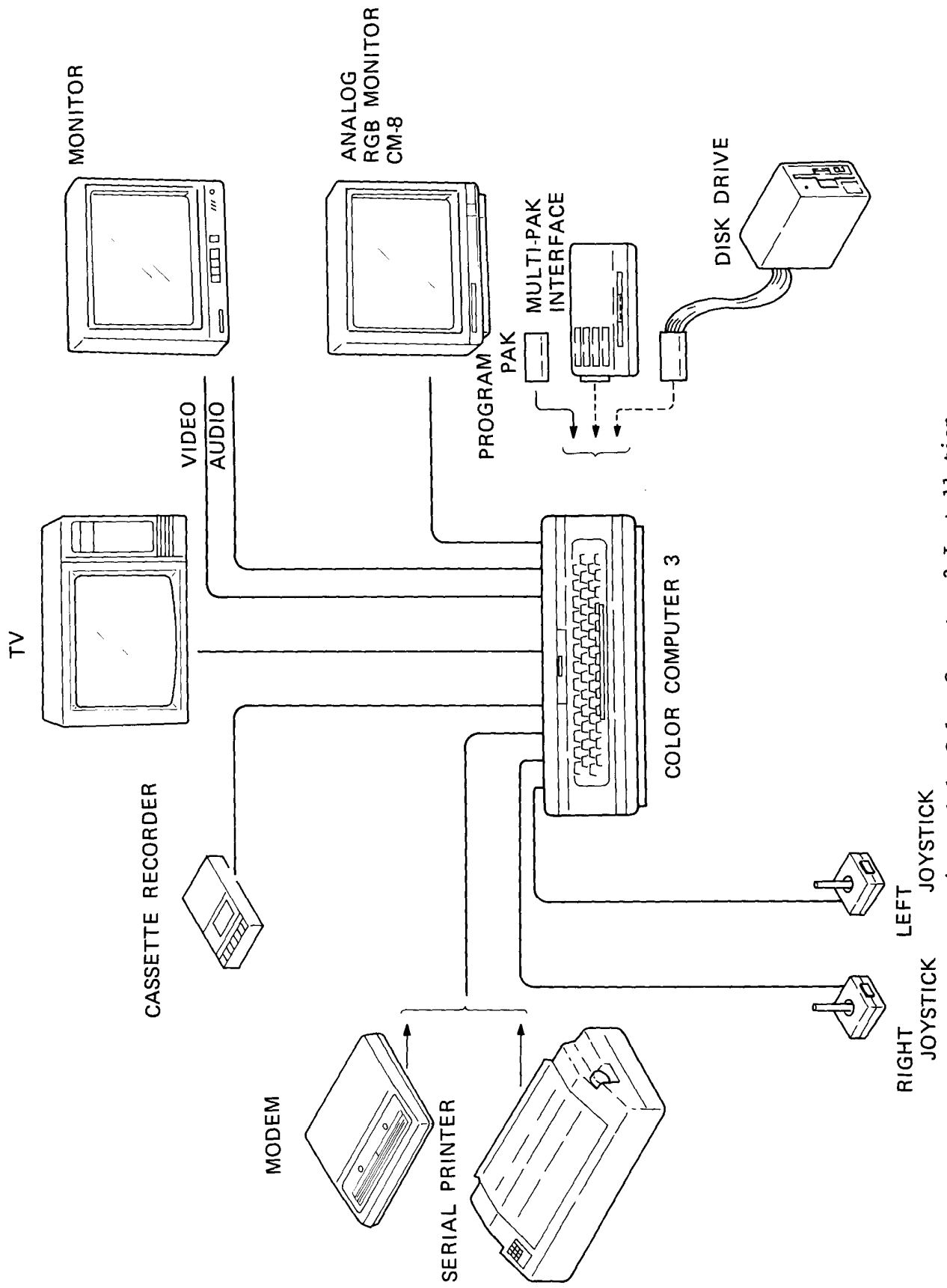


Figure 1-1. Color Computer 3 Installation

1.3 Memory Map

Figure 1-2 shows the breakdown of the large blocks of memory in the Color Computer 3.

The rest of the section itemizes the following registers:

- I/O Control Register
- Chip Control Register
- 68B09E Vector Register

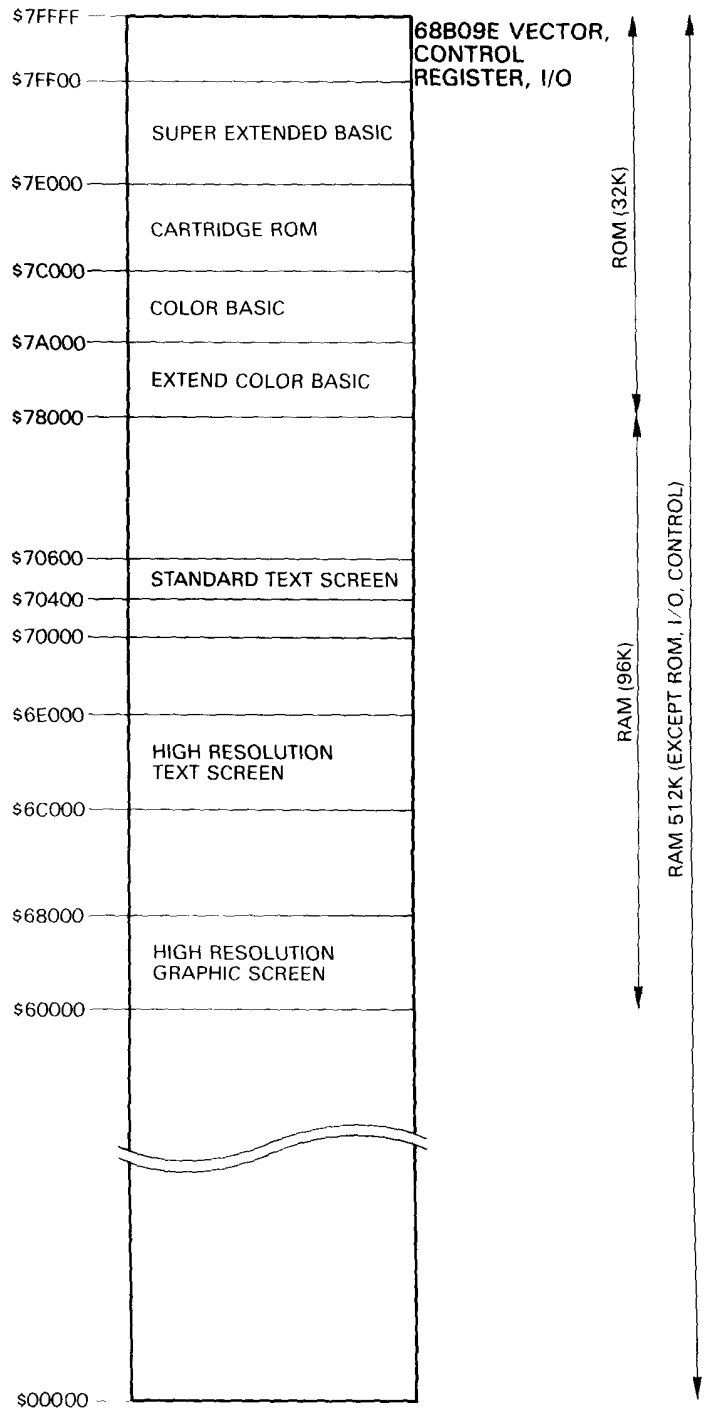


Figure 1-2. Color Computer 3
Memory Map

1.4 I/O Control Registers

FF00 - FF03	PIA	IC5
-------------	-----	-----

FF00:

BIT 0 = KEYBOARD ROW 1 and right joystick switch 1
 BIT 1 = KEYBOARD ROW 2 and left joystick switch 1
 BIT 2 = KEYBOARD ROW 3 and right joystick switch 2
 BIT 3 = KEYBOARD ROW 4 and left joystick switch 2
 BIT 4 = KEYBOARD ROW 5
 BIT 5 = KEYBOARD ROW 6
 BIT 6 = KEYBOARD ROW 7
 BIT 7 = JOYSTICK COMPARISON INPUT

FF01:

BIT 0 Control of HSYNC (63.5 μ s) Interrupt $\left\{ \begin{array}{l} 0 = \text{IRQ* to CPU Disabled} \\ 1 = \text{IRQ* to CPU Enabled} \end{array} \right.$
 BIT 1 Control of Interrupt Polarity $\left\{ \begin{array}{l} 0 = \text{Flag set on the falling edge of HS} \\ 1 = \text{Flag set on the rising edge of HS} \end{array} \right.$
 BIT 2 = Normally 1: 0 = Changes FF00 to the data direction register
 BIT 3 = SEL 1: LSB of the two analog MUX select lines
 BIT 4 = 1 Always
 BIT 5 = 1 Always
 BIT 6 = Not used
 BIT 7 = Horizontal sync interrupt flag

FF02:

BIT 0 = KEYBOARD COLUMN 1
 BIT 1 = KEYBOARD COLUMN 2
 BIT 2 = KEYBOARD COLUMN 3
 BIT 3 = KEYBOARD COLUMN 4
 BIT 4 = KEYBOARD COLUMN 5
 BIT 5 = KEYBOARD COLUMN 6
 BIT 6 = KEYBOARD COLUMN 7/RAM SIZE OUTPUT
 BIT 7 = KEYBOARD COLUMN 8

FF03:

BIT 0 Control of VSYNC (16.667ms) Interrupt $\left\{ \begin{array}{l} 0 = \text{IRQ* to CPU Disabled} \\ 1 = \text{IRQ* to CPU Enabled} \end{array} \right.$
 BIT 1 Control of Interrupt Polarity $\left\{ \begin{array}{l} 0 = \text{sets flag on falling edge FS} \\ 1 = \text{sets flag on rising edge FS} \end{array} \right.$
 BIT 2 = NORMALLY 1: 0 = changes FF02 to the data direction register
 BIT 3 = SEL 2: MSB of the two analog MUX select lines
 BIT 4 = 1 Always
 BIT 5 = 1 Always
 BIT 6 = Not used
 BIT 7 = Field sync interrupt flag

FF20 - FF23	PIA	IC4
-------------	-----	-----

FF20:

BIT 0 = CASSETTE DATA INPUT
 BIT 1 = RS-232C DATA OUTPUT
 BIT 2 = 6 BIT D/A LSB
 BIT 3 = 6 BIT D/A
 BIT 4 = 6 BIT D/A
 BIT 5 = 6 BIT D/A
 BIT 6 = 6 BIT D/A
 BIT 7 = 6 BIT D/A MSB

FF21:

BIT 0 Control of the CD (RS-232C status) Interrupt { 0 = FIRQ* to CPU Disabled
 1 = FIRQ* to CPU Enabled
 BIT 1 Control of Interrupt Polarity { 0 = sets flag on falling edge CD
 1 = sets flag on rising edge CD
 BIT 2 = Normally 1: 0 = changes FF20 to the data direction register
 BIT 3 = Cassette Motor Control: 0 = OFF 1 = ON
 BIT 4 = 1 Always
 BIT 5 = 1 Always
 BIT 6 = Not Used
 BIT 7 = CD Interrupt Flag

FF22:

BIT 0 = RS-232C DATA INPUT
 BIT 1 = SINGLE BIT SOUND OUTPUT
 BIT 2 = RAM SIZE INPUT
 BIT 3 = RGB Monitor Sensing INPUT CSS
 BIT 4 = VDG CONTROL OUTPUT GMO & UPPER/LOWER CASE*
 BIT 5 = VDG CONTROL OUTPUT GM1 & INVERT
 BIT 6 = VDG CONTROL OUTPUT GM2
 BIT 7 = VDG CONTROL OUTPUT A*/G

FF23:

BIT 0 Control of the Cartridge Interrupt { 0 = FIRQ* to CPU Disabled
 1 = FIRQ* to CPU Enabled
 BIT 1 Control of Interrupt Polarity { 0 = sets flag on falling edge CART*
 1 = sets flag on rising edge CART*
 BIT 2 = Normally 1: 0 = changes FF22 to the data direction register
 BIT 3 = Sound Enable
 BIT 4 = 1 Always
 BIT 5 = 1 Always
 BIT 6 = Not used
 BIT 7 = Cartridge Interrupt Flag

FF40 - FFBF: Not used

Note: FF22, FF23 are duplicated in tccl014 (VC2645QC), and V.D.G Control Bit (Bit 3 through Bit 7) affects this IC (TCC1014) only.

1.5 Chip Control Registers

FF90 - FFDF	ACVC	IC6
-------------	------	-----

FF90: Initialization Register 0 (INIT0)

BIT 7 = COCO 1 = Color Computer 1 and 2 Compatible
 BIT 6 = M/P 1 = MMU enabled
 BIT 5 = IEN 1 = Chip IRQ output enabled
 BIT 4 = FEN 1 = Chip FIRQ output enabled
 BIT 3 = MC3 1 = DRAM at XFEXX is constant
 BIT 2 = MC2 1 = Standard SCS
 BIT 1 = MC1 ROM map control (See table below)
 BIT 0 = MC0 ROM map control (See table below)

MC1	MC0	ROM mapping
0	x	16K Internal, 16K External
1	0	32K Internal
1	1	32K External (except for vectors)

FF91: Initialization Register 1 (INIT1)

BIT 7 -
 BIT 6 -
 BIT 5 = TINS Timer Input Select: 1 = 70 nsec / 0 = 63 µsec
 BIT 4 -
 BIT 3 -
 BIT 2 -
 BIT 1 -
 BIT 0 = TR MMU Task Register Select

FF92: Interrupt Request Enable Register (IRQENR)

BIT 7 -
 BIT 6 -
 BIT 5 = TMR Interrupt from Timer enabled
 BIT 4 = HBORD Horizontal Border IRQ enabled
 BIT 3 = VBORD Vertical Border IRQ enabled
 BIT 2 = EI2 Serial Data IRQ enabled
 BIT 1 = EI1 Keyboard IRQ enabled
 BIT 0 = EIO Cartridge IRQ enabled

FF93: Fast Interrupt Request Enable Register (FIRQENR)

BIT 7 -
 BIT 6 -
 BIT 5 = TMR Interrupt from Timer enabled
 BIT 4 = HBORD Horizontal Border FIRQ enabled
 BIT 3 = VBORD Vertical Border FIRQ enabled
 BIT 2 = EI2 Serial Data FIRQ enabled
 BIT 1 = EI1 Keyboard FIRQ enabled
 BIT 0 = EIO Cartridge FIRQ enabled

FF94: Timer Most Significant Nibble
 FF95: Timer Least Significant Byte
 TIMER: This is a 12-bit interval timer. When a value is loaded into the MSB, the count is automatically begun. The input clock is either 14 MHz or horizontal sync, as selected by TINS (bit 5 of FF91). As the count falls through zero, an interrupt is generated (if enabled), and the count is automatically reloaded.

FF96: Reserved
 FF97: Reserved
 FF98: Video Mode Register

- BIT 7 = BP 0 = alphanumeric, 1 = bit plane
- BIT 6 -
- BIT 5 = BPI 1 = Burst phase inverted
- BIT 4 = MOCH 1 = monochrome (on composite)
- BIT 3 = H50 1 = 50 Hz vertical sync
- BIT 2 = LPR2 Lines per row (See table below)
- BIT 1 = LPR1 Lines per row (See table below)
- BIT 0 = LPRO Lines per row (See table below)

LPR2	LPR1	LPRO	Lines per character row
0	0	0	one (Graphics modes)
0	0	1	two (CoCo 1 and CoCo 2 only)
0	1	0	three (CoCo 1 and CoCo 2 only)
0	1	1	eight
1	0	0	nine
1	0	1	(reserved)
1	1	0	twelve (CoCo 1 and CoCo 2 only)
1	1	1	(reserved)

FF99: Video Resolution Register

- BIT 7 -
- BIT 6 = LPF1 Lines per field (See table below)
- BIT 5 = LPF0 Lines per field
- BIT 4 = HRES2 Horizontal resolution (See Video resolution on page 17)
- BIT 3 = HRES1 Horizontal resolution
- BIT 2 = HRES0 Horizontal resolution
- BIT 1 = CRES1 Color resolution (See Video resolution)
- BIT 0 = CRES0 Color resolution

LPF1	LPF0	Lines per field
0	0	192
0	1	200
1	0	Reserved
1	1	225

FF9A: Border Register (All bits are 0 for CoCo 1 and CoCo 2 compatibility).

BIT 7 -
BIT 6 -
BIT 5 = RED1 Most significant red bit
BIT 4 = GRN1 Most significant green bit
BIT 3 = BLU1 Most significant blue bit
BIT 2 = RED0 Least significant red bit
BIT 1 = GRN0 Least significant green bit
BIT 0 = BLU0 Least significant blue bit

FF9B: Reserved

FF9C: Vertical Scroll Register

BIT 7 -
BIT 6 -
BIT 5 -
BIT 4 -
BIT 3 = VSC3 (Vert. Scroll)
BIT 2 = VSC2
BIT 1 = VSC1
BIT 0 = VSC0

NOTE: In the CoCo mode, the VSC's must be initialized to 0F hex.

FF9D: Vertical Offset 1 Register

BIT 7 = Y18 (Vert. Offset)
BIT 6 = Y17
BIT 5 = Y16
BIT 4 = Y15
BIT 3 = Y14
BIT 2 = Y13
BIT 1 = Y12
BIT 0 = Y11

FF9E: Vertical Offset 0 Register

BIT 7 = Y10 (Vert. Offset)
BIT 6 = Y9
BIT 5 = Y8
BIT 4 = Y7
BIT 3 = Y6
BIT 2 = Y5
BIT 1 = Y4
BIT 0 = Y3

NOTE: In CoCo mode, Y15 - Y9 are not effective, and are controlled by SAM bits F6 - F0. Also in CoCo mode, Y18 - Y16 should be 1, all others 0.

FF9F: Horizontal Offset 0 Register

BIT 7 = HVEN	Horizontal Virtual Enable
BIT 6 = X6	Horizontal Offset address
BIT 5 = X5	Horizontal Offset address
BIT 4 = X4	Horizontal Offset address
BIT 3 = X3	Horizontal Offset address
BIT 2 = X2	Horizontal Offset address
BIT 1 = X1	Horizontal Offset address
BIT 0 = X0	Horizontal Offset address

NOTE: HVEN enables a horizontal screen width of 128 bytes regardless of the HRES bits and CRES bits selected. This will allow a "virtual" screen somewhat larger than the displayed screen. The user can move the "window" (the displayed screen) by means of the horizontal offset bits. In character mode, the screen width is 128 characters regardless of attribute (or 64, if double-wide is selected).

Memory Management Unit (MMU)

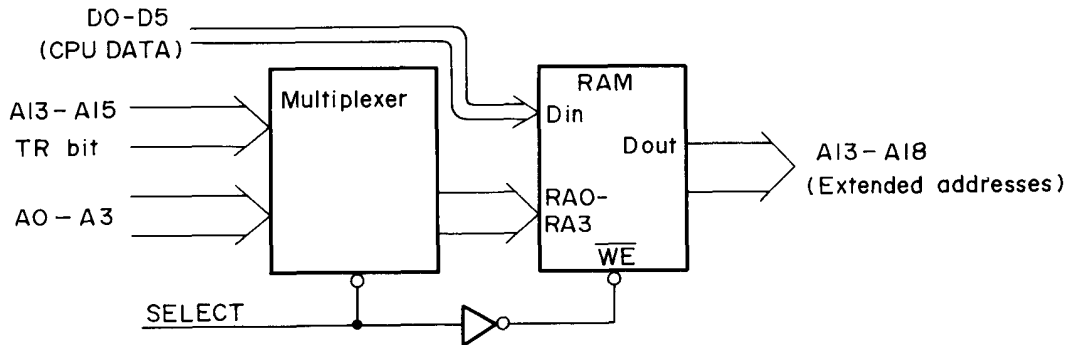
XFFA0 - XFFAF, 6 bits (Write only)

The 8-bit CPU in the Color Computer 3 can directly address only 64K bytes of memory with its 16 address lines (A0 - A15). The memory management unit (MMU) extends the address lines to 19 (A0 - A18). This allows the computer to address up to 512K bytes of memory (\$00000 - \$7FFFF).

The MMU consists of a multiplexer and a 16 x 6-bit of RAM array. Each of the 6-bit elements in this RAM array is an MMU task register, and the task registers are used by the computer to determine the proper 8K segment of memory to address. These registers are divided into 2 sets, 8 registers per set. The TR bit of FF91 (task register select bit) determines which set is selected.

The relationship between the data in the task register and the generated address is as follows:

Bit	D5	D4	D3	D2	D1	D0
Corresponding memory address	A18	A17	A16	A15	A14	A13



When the CPU needs to access memory outside the standard I/O and control range (XFF00 - XFFFF), CPU address lines A13 - A15 and the TR bit determine the address of the task register which the MMU will access while SELECT is low. When the CPU writes data to the MMU, A0 - A3 determine the address of the task register to be written to when SELECT goes high.

The data from the MMU is then used as the upper 6 address lines (A13 - A18) for memory access, according to the following:

TR	A15	A14	A13	(Address range)	MMU location address
0	0	0	0	X0000 - X1FFF	FFA0
0	0	0	1	X2000 - X3FFF	FFA1
0	0	1	0	X4000 - X5FFF	FFA2
0	0	1	1	X6000 - X7FFF	FFA3
0	1	0	0	X8000 - X9FFF	FFA4
0	1	0	1	XA000 - XBFFF	FFA5
0	1	1	0	XC000 - XDFFF	FFA6
0	1	1	1	XE000 - XFFFF	FFA7
1	0	0	0	X0000 - X1FFF	FFA8
1	0	0	1	X2000 - X3FFF	FFA9
1	0	1	0	X4000 - X5FFF	FFAA
1	0	1	1	X6000 - X7FFF	FFAB
1	1	0	0	X8000 - X9FFF	FFAC
1	1	0	1	XA000 - XBFFF	FFAD
1	1	1	0	XC000 - XDFFF	FFAE
1	1	1	1	XE000 - XFFFF	FFAF

It is important to note that, in order for the MMU to function, the CoCo bit of FF90 must be cleared, and the M/P bit of FF90 must be set. Prior to doing this, the desired addressing information for each segment must be loaded into the designated set of task registers. For example, if a standard 64K map is desired in the top of 512K RAM, with the TR bit set to 0, the following values should be pre-loaded into the MMU:

MMU Location address	Data (Hex)	Data (Bin)	Address range
FFA0	38	111000	70000 - 71FFF
FFA1	39	111001	72000 - 73FFF
FFA2	3A	111010	74000 - 75FFF
FFA3	3B	111011	76000 - 77FFF
FFA4	3C	111100	78000 - 79FFF
FFA5	3D	111101	7A000 - 7BFFF
FFA6	3E	111110	7C000 - 7DFFF
FFA7	3F	111111	7E000 - 7FFFF

NOTE: Data loaded can be selected freely within the range of \$00 - \$3F.

COLOR PALETTE

FFB0 - FFBF: 16 addresses, 6 bits each
 For the RGB output, the bits are defined as follows:

Data Bit	D5	D4	D3	D2	D1	D0
Corresponding RGB output	R1	G1	B1	R0	G0	B0

For the Composite output, the bits are defined as follows, where I is intensity level and P is phase:

Data Bit	D5	D4	D3	D2	D1	D0
Corresponding composite output	I1	I0	P3	P2	P1	P0

Some Color Examples:

Color	RGB		Composite	
	Binary	Hex	Binary	Hex
White	111111	(3F)	110000	(30)
Black	000000	(00)	000000	(00)
Bright Green	010010	(12)	100010	(22)
Medium Green	010000	(10)	010010	(12)
Dark Green	000010	(02)	000010	(02)
Medium Magenta	101000	(28)	010101	(15)

For CoCo compatibility, the following values should be loaded upon initialization. (NOTE: These are the RGB values.)

- FFB0 -- Green (12)
- FFB1 -- Yellow (36)
- FFB2 -- Blue (09)
- FFB3 -- Red (24)
- FFB4 -- Buff (3F)
- FFB5 -- Cyan (10)
- FFB6 -- Magenta (2D)
- FFB7 -- Orange (26)
- FFB8 -- Black (00)
- FFB9 -- Green (12)
- FFBA -- Black (00)
- FFBB -- Buff (3F)
- FFBC -- Black (00)
- FFBD -- Green (12)
- FFBE -- Black (00)
- FFBF -- Orange (26)

NOTE: For the PAL version, ignore the table attributed to composite.

VIDEO RESOLUTION

The combination of HRES and CRES bits determine the resolution of the screen. The following resolutions are supported:

Alphanumerics: BP = 0, CoCo = 0

RES Bit Mode	HRES2	HRES1	HRES0	CRES1	CRES0
32 character	0	-	0	-	1
40 character	0	-	1	-	1
80 character	1	-	1	-	1

Graphics: BP = 1, CoCo = 0

Pixels	Colors	HRES2	HRES1	HRES0	CRES1	CRES0
640	4	1	1	1	0	1
640	2	1	0	1	0	0
512	4	1	1	0	0	1
512	2	1	0	0	0	0
320	16	1	1	1	1	0
320	4	1	0	1	0	1
256	16	1	1	0	1	0
256	4	1	0	0	0	1
256	2	0	1	0	0	0
160	16	1	0	1	1	0

In addition to the above modes, the previous CoCo modes are available.

COLOR COMPUTER MODE SELECTION

	MC6883 (SAM) DISPLAY MODE			REG. FF22				
	V2	V1	V0	7	6	5	4	3
Alphanumerics	0	0	0	0	X	X	0	CSS
Alphanumerics Inverted	0	0	0	0	X	X	0	CSS
Semigraphics - 4	0	0	0	0	X	X	0	X
64 X 64 Color Graphics	0	0	1	1	0	0	0	CSS
128 X 64 Graphics	0	0	1	1	0	0	1	CSS
128 X 64 Color Graphics	0	1	0	1	0	1	0	CSS
128 X 96 Graphics	0	1	1	1	0	1	1	CSS
128 X 96 Color Graphics	1	0	0	1	1	0	0	CSS
128 X 192 Graphics	1	0	1	1	1	0	1	CSS
128 X 192 Color Graphics	1	1	0	1	1	1	0	CSS
256 X 192 Graphics	1	1	0	1	1	1	1	CSS

ALPHANUMERIC MODES

Text screen memory:

Even Byte (Character byte)

BIT 7 -
BIT 6 = Character bit 6
BIT 5 = Character bit 5
BIT 4 = Character bit 4
BIT 3 = Character bit 3
BIT 2 = Character bit 2
BIT 1 = Character bit 1
BIT 0 = Character bit 0

Odd Byte (Attribute byte)

BIT 7 = BLINK	Characters blink at 1/2 sec. rate
BIT 6 = UNDLN	Characters are underlined
BIT 5 = FGND2	Foreground color bit (palette addr.)
BIT 4 = FGND1	Foreground color bit (palette addr.)
BIT 3 = FGND0	Foreground color bit (palette addr.)
BIT 2 = BGND2	Background color bit (palette addr.)
BIT 1 = BGND1	Background color bit (palette addr.)
BIT 0 = BGND0	Background color bit (palette addr.)

NOTE: Attributes are not available when CoCo = 1.

GRAPHICS MODES

16 Color Modes: (CRES1 = 1, CRES0 = 0)

Byte from DRAM

```

Bit 7      PA3, First Pixel
Bit 6      PA2, First Pixel
Bit 5      PA1, First Pixel
Bit 4      PA0, First Pixel
Bit 3      PA3, Second Pixel
Bit 2      PA2, Second Pixel
Bit 1      PA1, Second Pixel
Bit 0      PA0, Second Pixel
    
```

4 Color Modes: (CRES1 = 0, CRES0 = 1)

Byte from DRAM

```

Bit 7      PA1, First Pixel
Bit 6      PA0, First Pixel
Bit 5      PA1, Second Pixel
Bit 4      PA0, Second Pixel
Bit 3      PA1, Third Pixel
Bit 2      PA0, Third Pixel
Bit 1      PA1, Fourth Pixel
Bit 0      PA0, Fourth Pixel
    
```

2 Color Modes: (CRES1 = 0, CRES0 = 0)

Byte from DRAM

```

Bit 7      PA0, First Pixel
Bit 6      PA0, Second Pixel
Bit 5      PA0, Third Pixel
Bit 4      PA0, Fourth Pixel
Bit 3      PA0, Fifth Pixel
Bit 2      PA0, Sixth Pixel
Bit 1      PA0, Seventh Pixel
Bit 0      PA0, Eighth Pixel
    
```

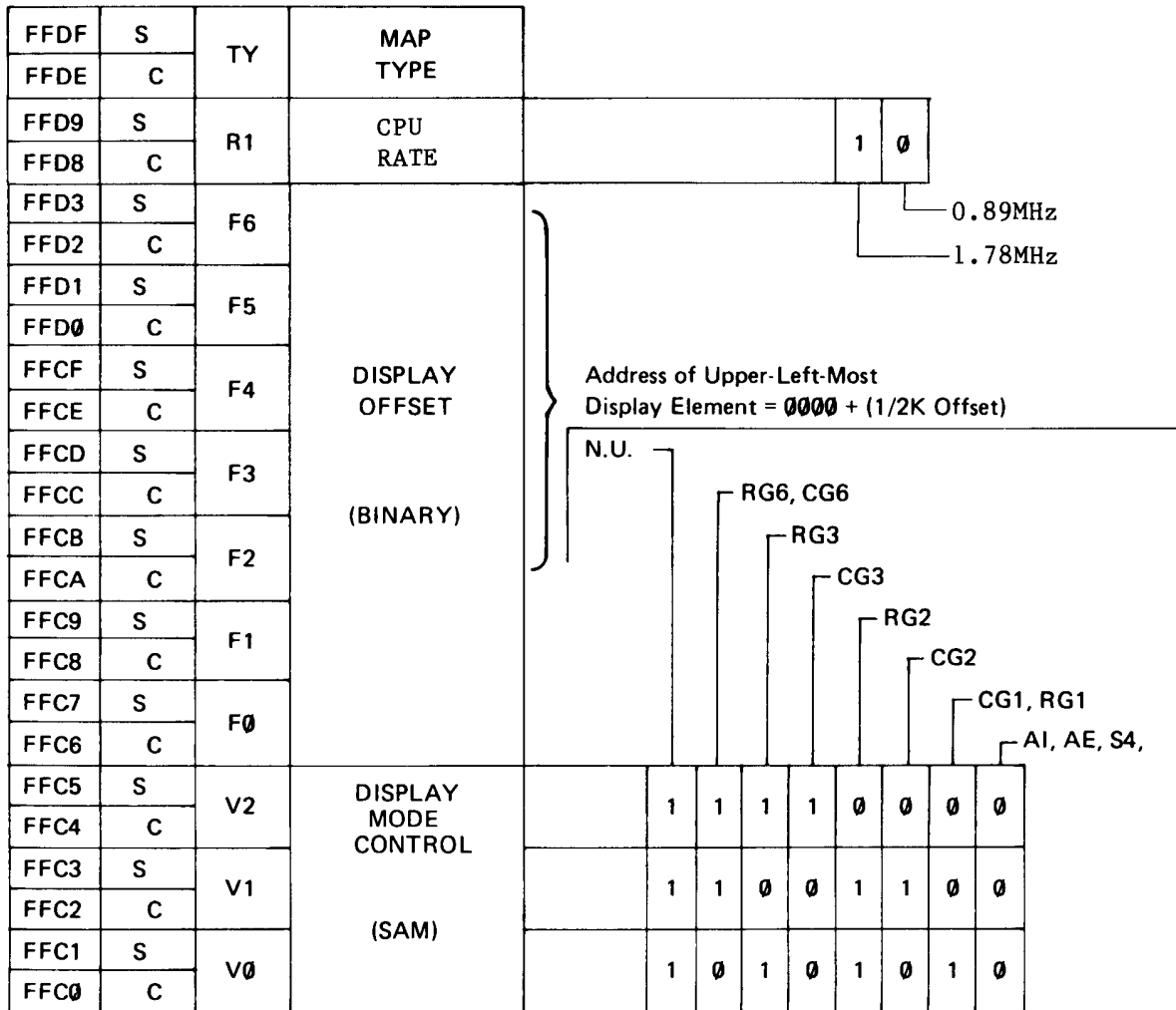
Palette Addresses

PA3	PA2	PA1	PA0	Address of Contents Displayed
0	0	0	0	FFB0
0	0	0	1	FFB1
0	0	1	0	FFB2
0	0	1	1	FFB3
0	1	0	0	FFB4
0	1	0	1	FFB5
0	1	1	0	FFB6
0	1	1	1	FFB7
1	0	0	0	FFB8
1	0	0	1	FFB9
1	0	1	0	FFBA
1	0	1	1	FFBB
1	1	0	0	FFBC
1	1	0	1	FFBD
1	1	1	0	FFBE
1	1	1	1	FFBF

SAM CONTROL REGISTERS: (FFC0 - FFDF)

Clear	Set		
FFC0	FFC1	V0	CoCo graphics mode select
FFC2	FFC3	V1	CoCo graphics mode select
FFC4	FFC5	V2	CoCo graphics mode select
FFC6	FFC7	F0	CoCo Vertical offset
FFC8	FFC9	F1	CoCo Vertical offset
FFCA	FFCB	F2	CoCo Vertical offset
FFCC	FFCD	F3	CoCo Vertical offset
FFCE	FFCF	F4	CoCo Vertical offset
FFD0	FFD1	F5	CoCo Vertical offset
FFD2	FFD3	F6	CoCo Vertical offset
FFD8	FFD9	R1	MPU Speed
FFDE	FFDF	TY	ROM disable

NOTE: These bits work like the ones in the Motorola SAM chip (MC6883/SN74LS785) in that by writing to the upper address of each two-address group (data is don't care), the bit is set; by writing to the lower address, the bit is cleared. The graphics modes and vertical offset bits are valid only in the CoCo mode, but the other two bits are valid anytime. Note the only semigraphics mode supported is Semi Four.



(S=Set Bit, C=Clear Bit, all Bits are cleared when SAM is reset)

Figure 1-3. Memory Map for SAM Control Register

1.6 68B09E Vector Registers

FFE0 - FFFF	CPU	IC1
-------------	-----	-----

FFFF: Reset vector LS

FFFE: Reset vector MS

FFFD: NMI vector LS

FFFC: NMI vector MS

FFFB: SWI1 vector LS

FFFA: SWI1 vector MS

FFF9: IRQ vector LS

FFF8: IRQ vector MS

FFF7: FIRQ vector LS

FFF6: FIRQ vector MS

FFF5: SWI2 vector LS

FFF4: SWI2 vector MS

FFF3: SWI3 vector LS

FFF2: SWI3 vector MS

FFF1: Reserved

FFF0: Reserved

FFEF - FFE0: Not used

LS: Least significant address byte

MS: Most significant address byte

SECTION II. SPECIFICATIONS

2.1 Technical

CPU: 68B09E 8-bit processor
Clock Speed - 0.89 MHz/1.78 MHz

MEMORY SIZE: ROM: 32K Byte (for BASIC)
RAM: 128K Byte (Expandable up to 512K)

KEYBOARD: 57 keys, microprocessor-scanned matrix

Number of keys: 57 keys

Alphabetical characters: 26 keys (A to Z)

Numeric characters: 10 keys (0 to 9)

Space key: 1 key

Shift key: 2 keys

Clear key: 1 key

Enter key: 1 key

Break (ESC) key: 1 key

Punctuation key: 7 keys

Directional Control key: 4 keys

Function key: 2 keys (F1 and F2)

Control key: 1 key

Alternate key: 1 key

57 keys

VIDEO DISPLAY:

Character display: 512 (32 x 16) upper case characters
 960 (40 x 24) upper/lower case characters
 1920 (80 x 24) upper/lower case characters

Graphic display: 256 x 192 dots 8 colors
 320 x 192 dots 16 colors
 640 x 192 dots 4 colors

INTERFACE:

Serial interface: RS-232C 4P-DIN

Cassette interface: 5P DIN 1500 baud

Analog input inter-
 face (for JOYSTICK): 6P DIN x 2

Bus line: 40 PIN connector for cartridge

CONTROLS:

Power switch: Push

Reset switch: Key

Channel selector
 switch: Slide

RF OUTPUT:

	}	CH	Frequency (Video)	Frequency (Sound)
NTSC		3	61.25 ± 0.25 MHz	4.5 ± 0.02 MHz
	}	4	67.25 ± 0.25 MHz	4.5 ± 0.02 MHz
		CH	Frequency (Video)	Frequency (Sound)
PAL	}	1	57.25 ± 0.25 MHz	5.5 ± 0.02 MHz
		2	64.25 ± 0.25 MHz	5.5 ± 0.02 MHz

Output impedance: 75 ohm

RF Output terminal: RCA JACK

RF Output level: NTSC 67⁺²₋₄ dBμ

PAL 70 ± 5dBμ

VIDEO/SOUND OUTPUT:

Output terminal: RCA JACK

Output level: 1Vp-p

Video: $0.71V \pm 0.1V$ (RL = 75ohm)

Sync: $0.29V \pm 0.1V$ (RL = 75ohm)

Sound: Less than 1.0Vp-p (RL = 600ohm)

RGB (Analog)/Sound OUTPUT

Output terminal: 10pin pin header (Bottom side)

Output level:

NTSC	{	Red:	$0.8(\pm 0.1) - 2.0(\pm 0.2)Vdc$ (RL = 75ohm) positive
		Green:	$0.8(\pm 0.1) - 2.0(\pm 0.2)Vdc$ (RL = 75ohm) positive
		Blue:	$0.8(\pm 0.1) - 2.0(\pm 0.2)Vdc$ (RL = 75ohm) positive
PAL	{	Red:	$0.6(\pm 0.1) - 1.8(\pm 0.2)Vdc$ (RL = 75ohm) positive
		Green:	$0.6(\pm 0.1) - 1.8(\pm 0.2)Vdc$ (RL = 75ohm) positive
		Blue:	$0.6(\pm 0.1) - 1.8(\pm 0.2)Vdc$ (RL = 75ohm) positive

Hsync: TTL level positive

Vsync: TTL level positive

Sound: Less than 1.0Vp-p (RL = 600ohm)

POWER SUPPLY: NTSC AC 120V/60Hz, 0.2 Amp RMS typical

PAL AC 240V/50Hz, 0.125 Amp RMS typical

2.2 Physical

DIMENSIONS (Cabinet size):

Width: 14-3/4" (375 mm)

Height: 3-1/8" (79 mm)

Depth: 10-3/8" (264 mm)

NET WEIGHT: 4.85 lbs (2.3 kg)

SECTION III. DISASSEMBLY/ASSEMBLY

3.1 Disassembly

1. Disconnect power and remove signal cables from the unit.
2. Remove cartridge from slot (if applicable).
3. Turn the unit over and place it on a soft surface to prevent damage to the keyboard or top cover.
4. Loosen and remove the six (four screws S1 and two longer screws S2) mounting screws which attach the base to the top cover. (Figure 3-1)
5. Disconnect the cable from the wire connector which is attached to the keyboard (Figure 3-2).
6. Then disconnect the power transformer at the 3-pin connector on the main PCB (Figure 3-2).
7. Remove four (two screws S3 and two screws S4) screws which attach the PCB to the bottom case cover (Figure 3-2). If it is necessary to remove the shield from the PCB, do so by removing the 16 rivets which attach it to the PCB.

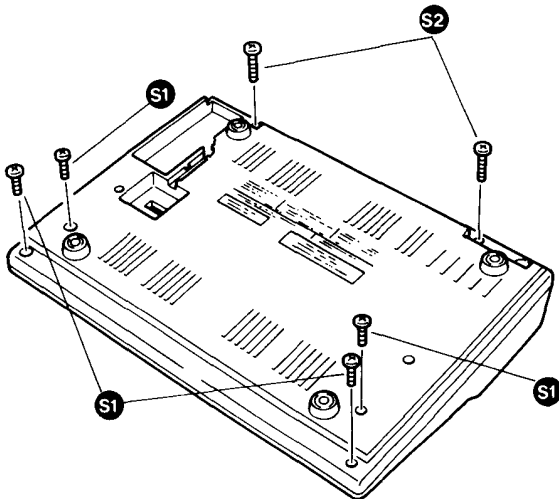


Figure 3-1. Removal of Top Cover

3.2 Assembly

Assemble the Color Computer 3 in the reverse order of disassembly. The PCB shield is attached to the PCB with metal rivets. These shields must be in place to provide proper RFI shielding.

Set the wire assembly from the transformer and flat cable from the keyboard to the connector on the PCB. Two different types of screws are used to mount the PCB and the top and bottom cabinet. Ensure that the correct type is used when reassembling.

The strain relief on the power cord consists of wrapping the cord around the plastic bosses on the rear side of the unit. Ensure that the power cord is properly routed to afford strain relief to the transformer connections.

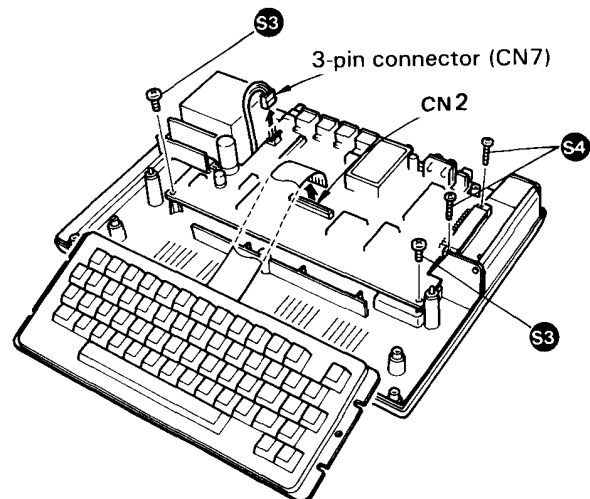


Figure 3-2. Removal of Main PCB

3.3 512K RAM Upgrade Instructions

To upgrade a 128K memory unit to a 512K memory unit, follow the procedure below.

1. Remove the top cabinet as described in 3.1. Remove four ICs (IC16 - IC19) from the IC sockets of the PCB (Figure 3-3), unsolder C65 82 pF ceramic capacitor and remove it.
2. Three nylon stand-offs are packaged with the RAM card. Insert them into corresponding holes of the RAM card (Figure 3-4).
3. Align the pin socket of the RAM card over CN4 through CN6, then slowly lower the Board.
4. Snap each stand-off into the corresponding hole on the computer PCB.
5. Connect the computer's AC cord and signal cables to a TV monitor and run the following program to verify proper operation of the new memory chips.
6. Secure the top and bottom cabinets.

<Test Program>

```
10 WIDTH 40:PALETTE 0,0:PALETTE 7,63:CLS8
20 POKE&HFFD9,0
30 FOR A=&H00000 TO &H5FFFF STEP 512
40 D=RND(255)
50 LPOKE A,D
60 B=LPEEK(A)
70 LOCATE 10,2:PRINT"ADDRESS=";A
80 LOCATE 10,4:PRINT"DATA=";D
90 IF B<>D THEN 130
100 NEXT A
110 LOCATE 10,10:PRINT"RAM TEST IS GOOD!"
120 POKE&HFFD8,0:END
130 LOCATE 10,6:PRINT"ERROR!"
140 POKE&HFFD8,0:END
```

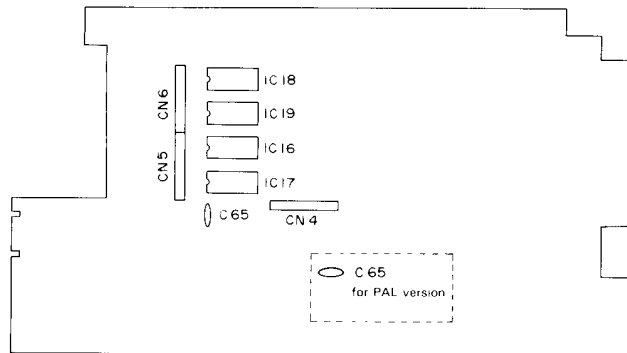


Figure 3-3. Main PCB

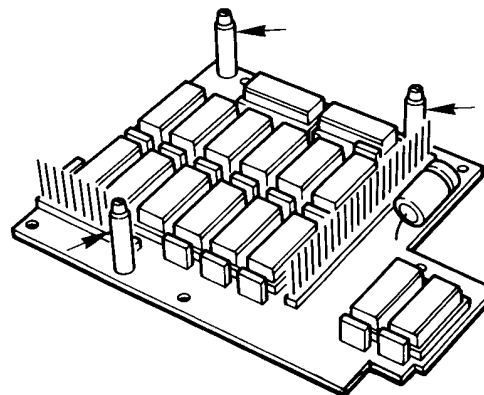


Figure 3-4. 512K RAM Card

SECTION IV. BLOCK DIAGRAM
NTSC VERSION

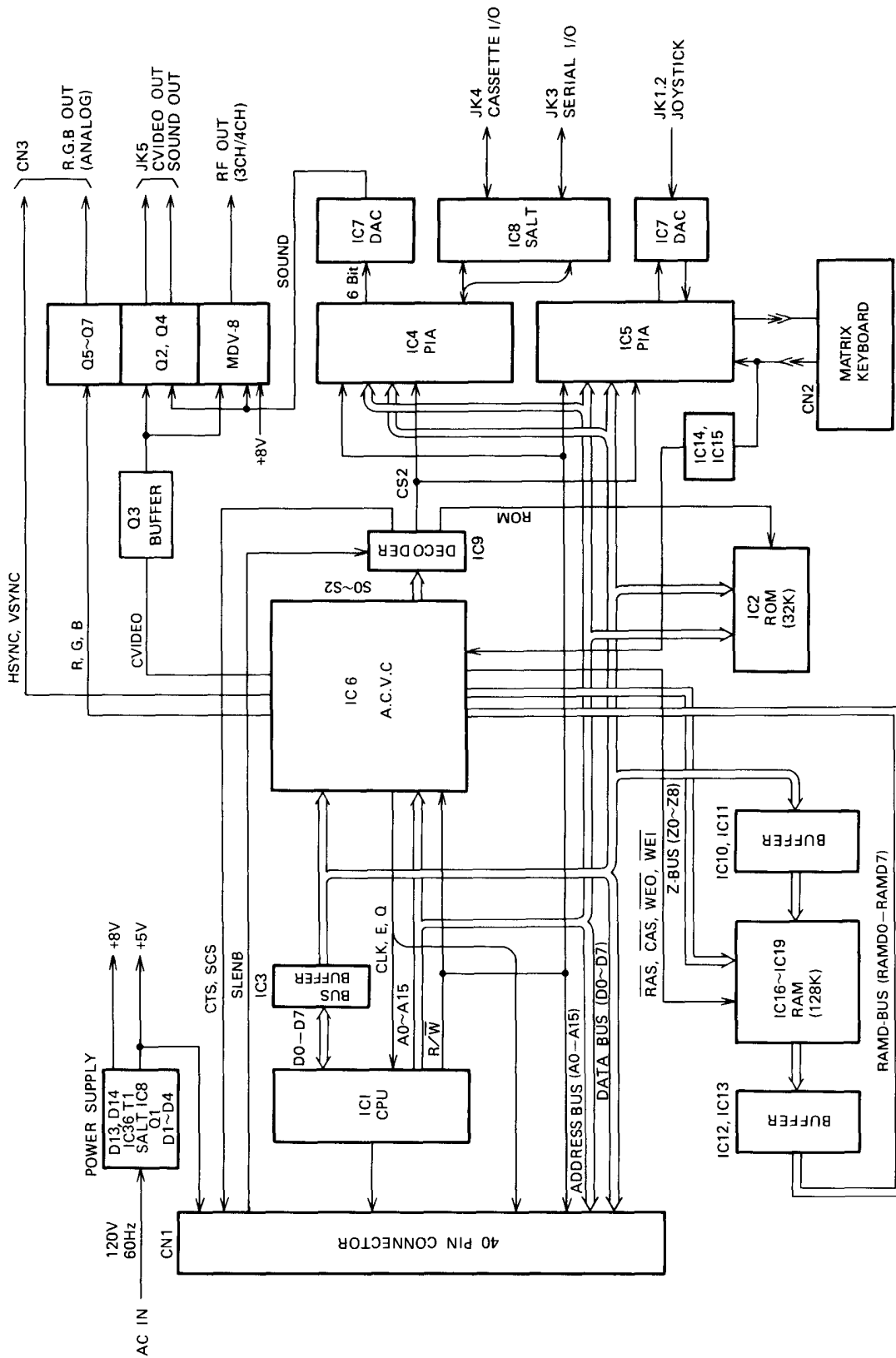
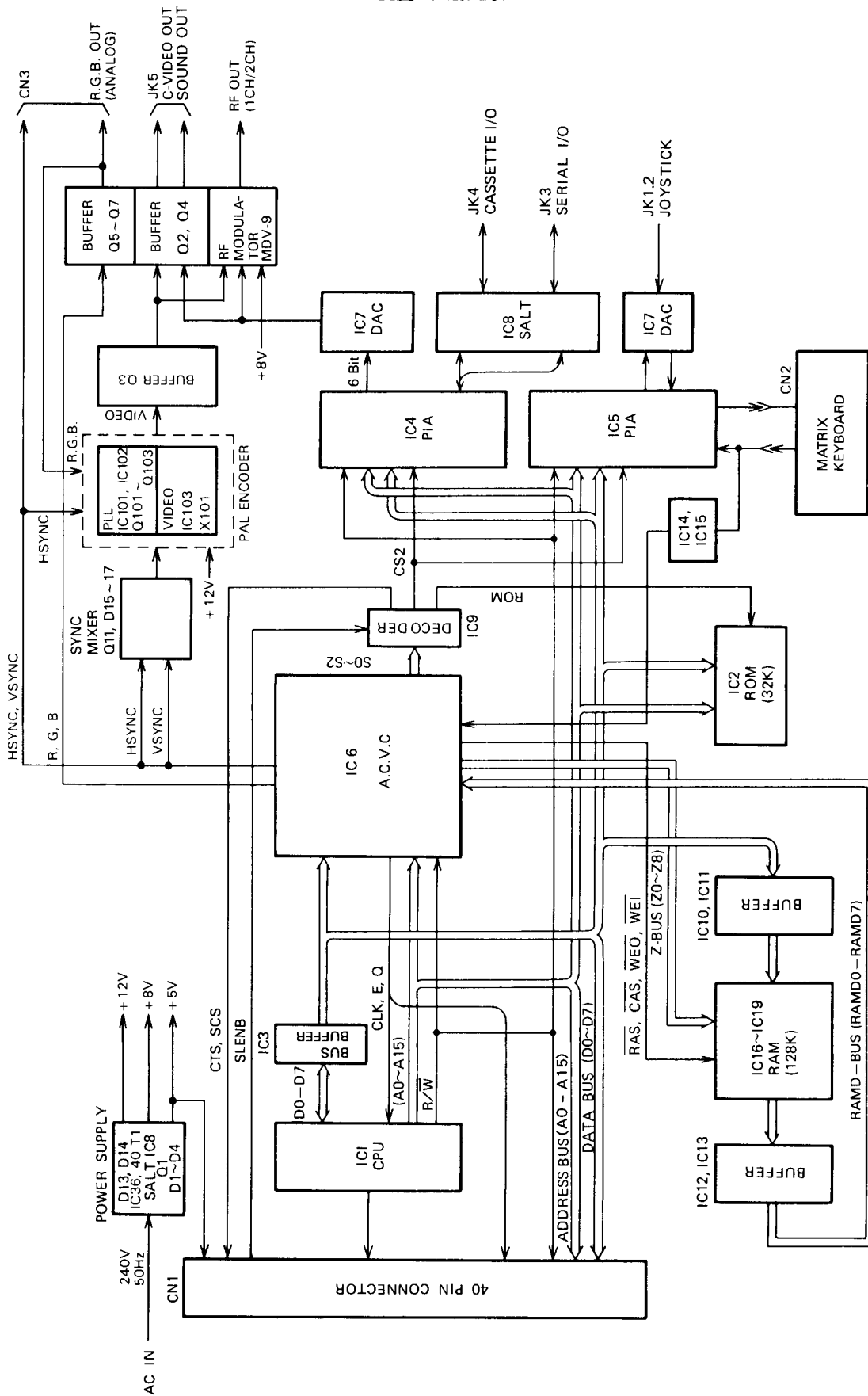


Figure 4-1. Block Diagram

PAL VERSION



SECTION VI. TROUBLESHOOTING

This section of the manual contains troubleshooting hints, diagnostic routines, and scope waveforms for both NTSC and PAL version for the Color Computer 3. Scope settings are noted on the individual waveform diagrams.

6.1 Introduction

The Color Computer 3 should be serviced only by qualified technicians. Throughout this guide a basic knowledge of computers will be assumed, as well as the ability to use a dual-trace oscilloscope. When servicing any computer, it is important to distinguish a hardware problem from a software problem. Stated another way, just because a particular program does not yield the results desired by the user, the hardware is not necessarily at fault. It is, therefore, recommended that the technician be thoroughly familiar with the operation of the Color Computer 3, as well as the Theory of Operation. Diagnostic aids are available from Radio Shack National Parts to assist the technician in the servicing of the Color Computer 3.

Standard troubleshooting techniques include these steps: identification, localization, and isolation. The first step, identification, consists largely of making sure that a problem exists. In this step it is wise to check the obvious. Doing so can save hours of troubleshooting time only to find out that a cable was bad, or that it was some other relatively minor problem. After identifying that a problem really does exist, localization can usually be accomplished by merely observing the symptoms. Isolating a problem down to the defective component will often involve the use of test equipment, and sometimes, by part substitution.

Following is a list of virtually all of the problems that might be identified on the Color Computer 3:

- 6.2 Video
- 6.3 Keyboard
- 6.4 Processing problems
- 6.5 Cassette
- 6.6 RS-232C
- 6.7 Sound
- 6.8 Joystick
- 6.9 Cartridge problems

If a problem exists in more than one area, the first course of action should be to look for a common cause. Although it is possible to have two or more independent problems, it is more likely that a single failure can cause a multitude of symptoms. It is apparent, for example, that all of the above areas will have problems when the power supply is dead.

Once a problem has been identified in one of the above areas, it can be localized by observing the specific symptom. For example, if a Cassette problem exists, is it a Read problem, a Write problem, or a Motor Control problem? After the problem is localized, isolating it to a specific component is usually not very difficult.

6.2 Video Problems

1) No Display/No Sync/Noisy Video

- Check Cable and Cable Connection
- Check Power Supply and Transistor Bias Voltage (Q2, Q3)
- NTSC: Check Video Signal at TP6
PAL: Check Video Signal at CVIDEO OUT of CN8

*Before proceeding next check, load Diagnostic Program Pak (Color Bar) or run the program below

- Check Video Signal at Emitter of Q3 and check C67
- Check Video Signal at Emitter of Q2 and check C54
- Check Video level at TP7 (Waveform 1)
- PAL: Check Sync Signal at Collector of Q11 (Waveform 16)
- PAL: Check the items in 5) RGB Problem

```
10 '**COLOR BAR TEST**
30 ON BRK GOTO 1000
40 HSCREEN 2
50 GOSUB 500
100 FOR R=0 TO 7
110 HCOLOR R,8
120 HLINE(R*40,0)-((R+1)*40,192),
PSET,BF
130 NEXT R
140 GOTO 140
*500 DATA 63,36,31,18
*510 DATA 9,7,11,0
520 FOR X=0 TO 7
530 READ A(X):NEXT X
540 FOR R=0 TO 7
550 PALETTE R,A(R):NEXT R
560 RETURN
1000 PALETTE CMP:END
```

```
* For PAL
500 DATA 63,54,27,18
510 DATA 45,36,9,0
```

2) Wrong Color

- Check Video Signal (TP7) and Chroma level (Waveforms 1 and 2)
- Adjust TV control

3) No Color

- Check Video Signal at TP6 (PAL: CVIDEO OUT of CN8) and Color Burst Signal (Waveform 2)

4) Random Character/Clear Screen/No Sign-on

- Check RAS* (TP4), CAS* (TP5)
- Check pin 1 and pin 2 of IC15
- Check pin 20 of IC2
- Check IC16 -19 (Dynamic RAM)
- Check the items in 6.4 Processing Problem

5) RGB Problem

- Check Red, Green, Blue Signal (Waveforms 3 through 5) using Program Pak or Test program below
- Check HSYNC, VSYNC (Waveform 6)

```
10 'RGB LEVEL CHECK
11 '*COLOR-D* 4/3/1986
20 PALETTE RGB
30 ON BRK GOTO 1000
40 HSCREEN 2
50 GOSUB 500
100 FOR R=0 TO 15
110 HCOLOR R,0
120 HLINE(R*20,0)-((R+1)*20,192),
PSET,BF
130 NEXT R
140 GOTO 140
*500 DATA 63,54,27,36
*510 DATA 18,9,32,16
*520 DATA 8,4,2,1
*530 DATA 45,40,5,0
535 DIM A(16)
540 FOR X=0 TO 15
550 READ A(X):NEXT X
560 FOR R=0 TO 15
570 PALETTE R,A(R):NEXT R
580 RETURN
1000 PALETTE CMP:END
```

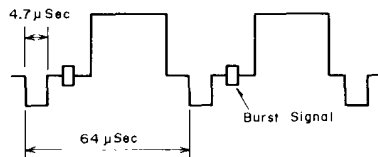
```
* For PAL
500 DATA 63,54,27,18
510 DATA 45,36,9,0
520 DATA 56,48,24,16
530 DATA 40,32,8,7
```

6) Composite Video Signal Adjustment (PAL Version Only)

A. Horizontal Sync Pulse Width adjustment

Connection: connect oscilloscope to JK5 (Composite VIDEO OUT)

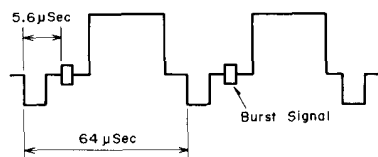
Procedure: adjust VR2 to get 4.7 μ sec. sync pulse width.



B. Burst Start Position adjustment

Connection: connect oscilloscope to JK5 (Composite VIDEO OUT).

Procedure: 1. Turn VR101 to fully counterclockwise.
2. Turn VR101 clockwise to obtain 5.6 μ sec. burst start position.
3. If the start position does not become 5.6 μ sec, adjust it for maximum.
4. Check to see the burst appears every 1H (64 μ sec.)



C. Composite Video Output Level adjustment

Connection: connect Oscilloscope to JK5 (Composite VIDEO OUT) terminated by 75 ohms.

Procedure: adjust VR1 to get output level of 1.0Vp -P.

6.3 Keyboard Problems

No Keyboard Entry/Wrong Character

- Check Flex Cable and CN2
- Check pin 23 (CS2*) of IC5
- Check D8 - D11, C18, 19, 22, 23 and IC14

6.4 Processing Problem

- Check OSC Circuit (IC6)
- Check TP2 and TP3 (ECLK and QCLK) (Waveform 7)
- Check TP4 and TP5 (RAS*, CAS*) (Waveforms 8 and 9) and pins 10 and 11 of IC6 (WEO*, WE1*)
- Check Address decode circuit (IC9)
- Check S0 - S2
- Check pin 40 of IC5 (HSYNC*), pin 18 of IC5 (VSYNC*) and pins 37, 38 of IC5 (IRQ*)
- Check pin 40 of IC1 (HALT*), pin 2 of IC1 (NMI*) and pin 4 of IC1 (FIRQ*) - these pins are normally High

6.5 Cassette Problems

1) Motor Control Problem

- Run the following program and check pin 39 of IC4 (Waveform 14)
- Check pin 9 of IC8 (SALT)

```
10 POKE 65313,60
20 GOSUB 100
30 POKE 65313,52
40 GOSUB 100
50 GOTO 10
100 FOR A=1 TO 10:NEXT A
110 RETURN
```

2) Write Problem

- Run the following Program and Check pin 17 of IC7 and Pin 1 of IC7. (Waveform 13)

```
10 SOUND 200,255
20 GOTO 10
```

3) Read Problem

- Connect pin 4 and pin 5 of JK4
- Run the above program and check pin 11 of IC8
- Check pin 7 of IC8
- Check R14, C25

6.6 RS-232C Problem

- Run the following program and check pin 3 of IC4 and pin 12 of IC8 (Refer to Waveform 15)

```
10 POKE 65312,2
20 POKE 65312,0
30 GOTO 10
```

- Connect pin 4 and pin 2 of JK3 and run the above program. Check pin 14 of IC8 and check pin 4 of IC8
- Check Resistors R15, R16, R17 and R66 and Diodes D6 and D7

6.7 Sound Problem

- Check TV volume
- Run the following program and check pin 1 of IC7 (Waveform 13)
- Check Bias Voltage of Q4, C55 and C56
- Check TP11
- Check JK5 and pin 7 of CN3

```
10 SOUND 200,255
20 GOTO 10
```

6.8 Joystick Problem

- Run the following program and check if the numbers vary with joystick position or depressing fire button.
- Check D8 - D11 and Components around them (example: C18, C19, C22, C23)

```
5 CLS
10 A=JOYSTK(0)
20 B=JOYSTK(1)
30 C=JOYSTK(2)
40 D=JOYSTK(3)
50 E=(PEEK(65280) AND 1)
60 F=(PEEK(65280) AND 2)/2
70 PRINT @0,A,B,C,D,F,E
80 GOTO 10
```

6.9 Cartridge Problem

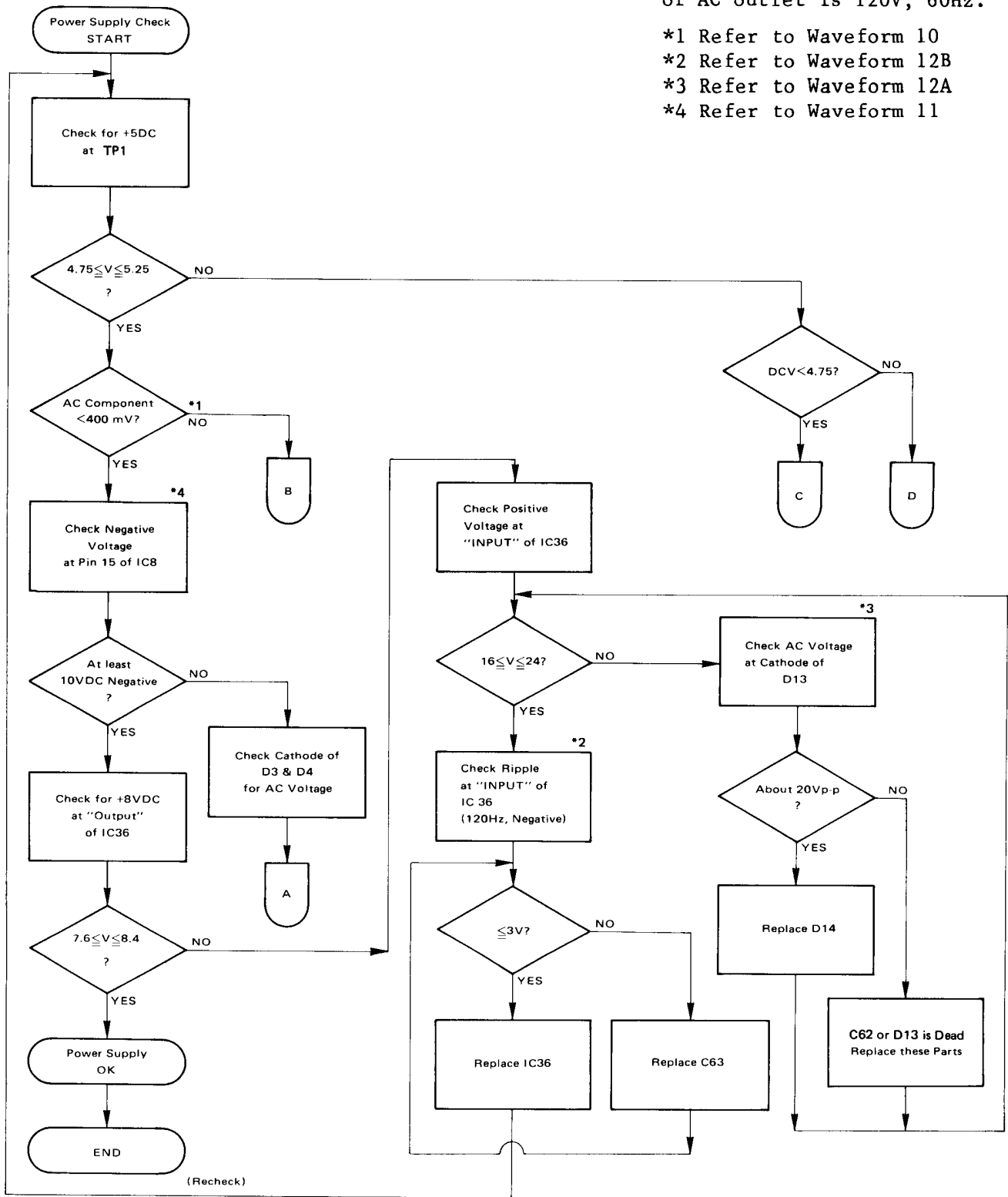
- Check CTS* signal
- Check Address/Data Bus (short or open)
- Check pin 8 of CN1 (CART* input) and pin 7 of CN1 (QCLK Output)

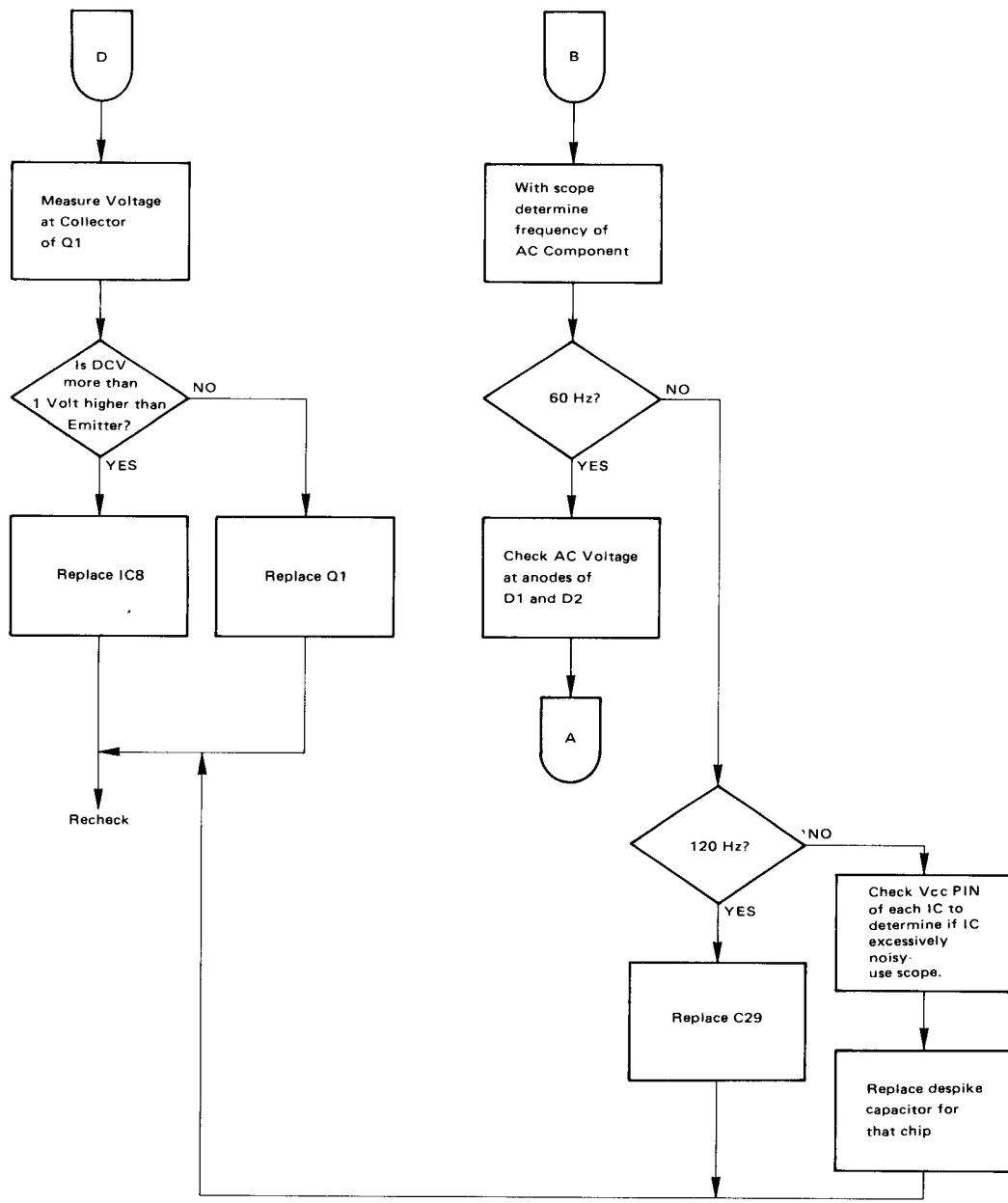
6.10 Power Supply Check

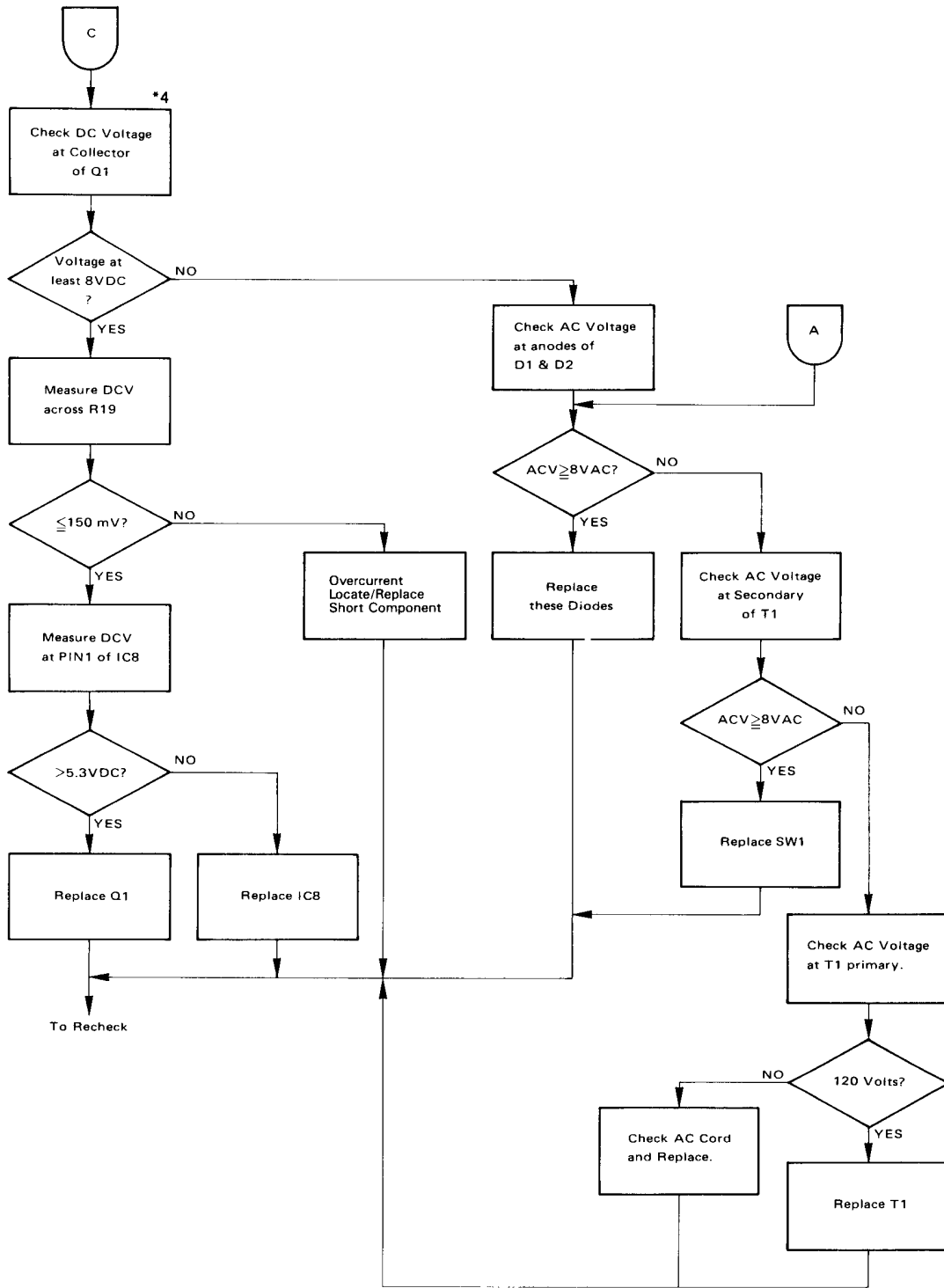
NTSC Version

Note: Check to Confirm the voltage of AC outlet is 120V, 60Hz.

- *1 Refer to Waveform 10
- *2 Refer to Waveform 12B
- *3 Refer to Waveform 12A
- *4 Refer to Waveform 11



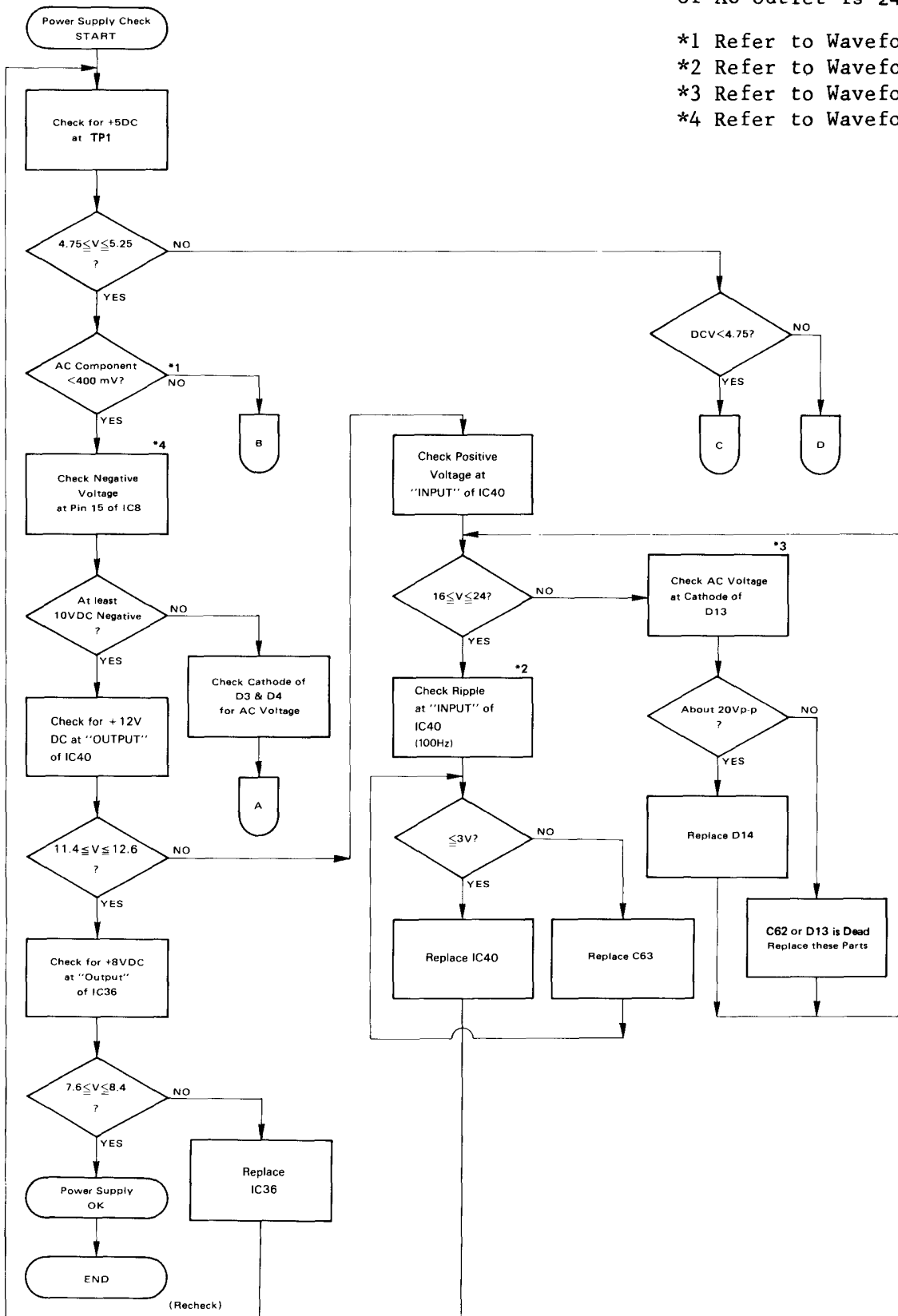


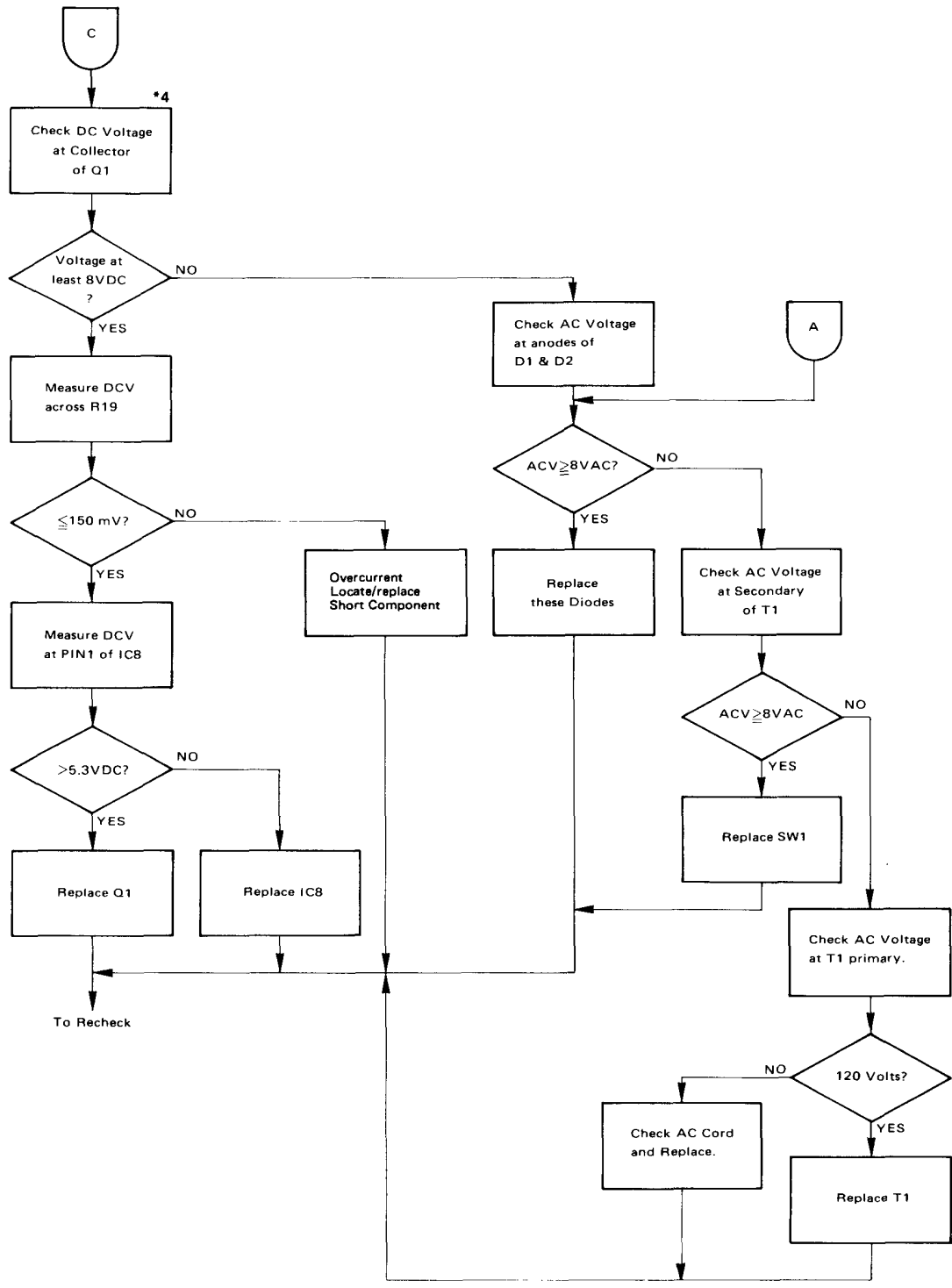


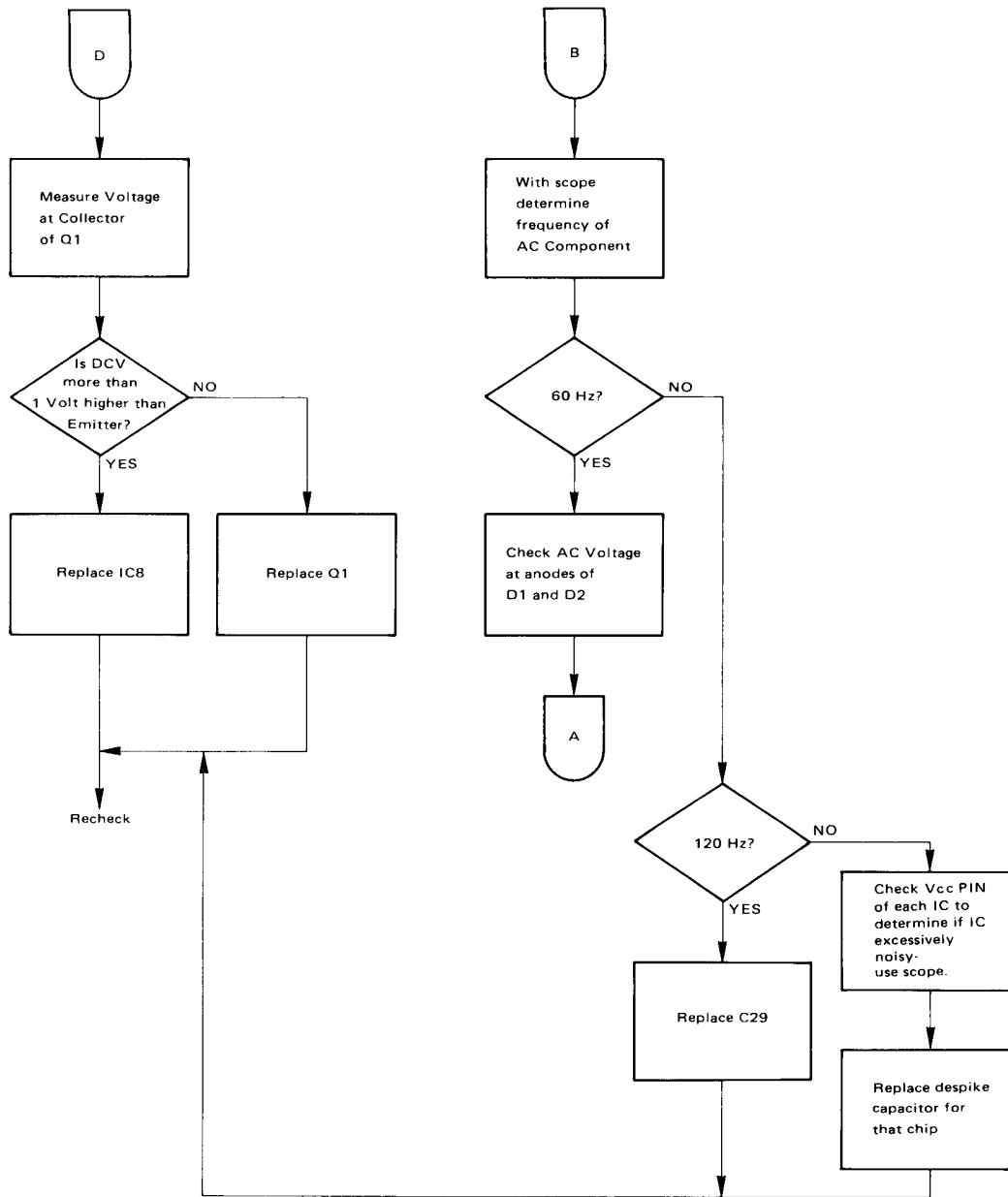
PAL Version

Note: Check to Confirm the voltage of AC outlet is 240V, 50Hz.

- *1 Refer to Waveform 10
- *2 Refer to Waveform 12B
- *3 Refer to Waveform 12A
- *4 Refer to Waveform 11



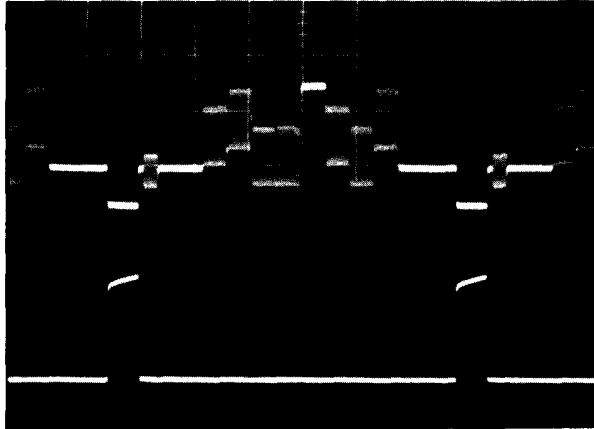




6.11 Major Waveforms

NTSC Version

Waveform 1 CVIDEO & HSYNC



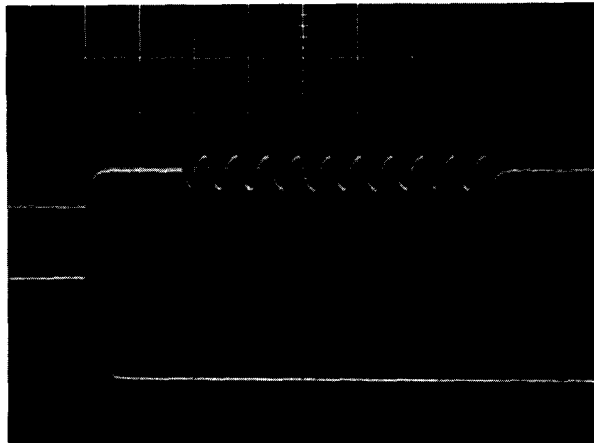
CH A: Composite Video (TP.7)
0.5V/DIV

CH B: HSYNC (Pin 8 of CN3)
2V/DIV

Horizontal: 10 μ sec/DIV

Trigger: INTERNAL CH A

Waveform 2 Color Burst Signal & HSYNC



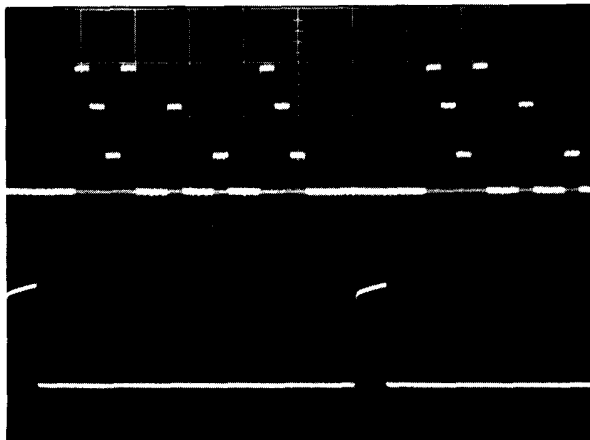
CH A: Color Burst Signal (TP.7)
0.5V/DIV

CH B: HSYNC (Pin 8 of CN3)
2V/DIV

Horizontal: 0.5 μ sec/DIV

Trigger: INTERNAL CH A

Waveform 3 Red & HSYNC



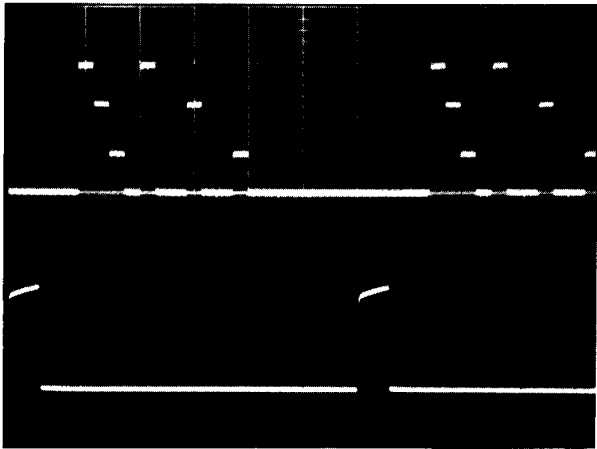
CH A: Red Signal of RGB (TP.8)
0.5V/DIV

CH B: HSYNC (Pin 8 of CN3)
2V/DIV

Horizontal: 10 μ sec/DIV

Trigger: INTERNAL CH B

Waveform 4 Green & HSYNC

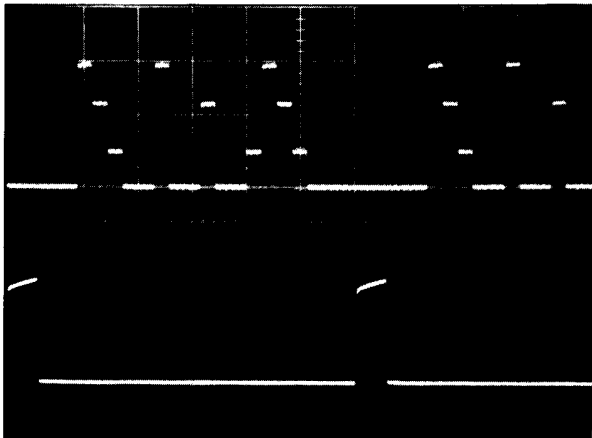


CH A: Green Signal of RGB (TP.9)
0.5V/DIV
CH B: HSYNC
2V/DIV

Horizontal: 10 μ sec/DIV

Trigger: INTERNAL CH B

Waveform 5 Blue & HSYNC

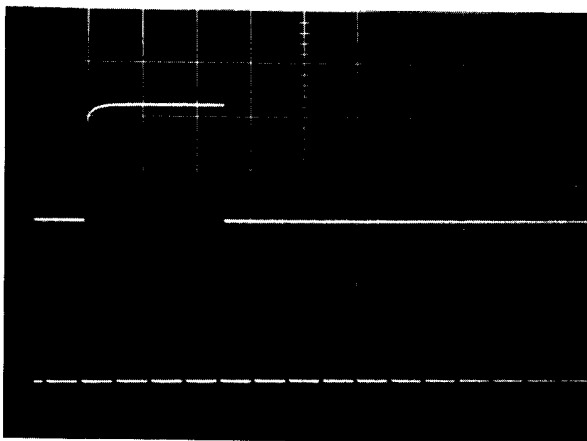


CH A: Blue Signal of RGB (TP.10)
0.5V/DIV
CH B: HSYNC
2V/DIV

Horizontal: 10 μ sec/DIV

Trigger: INTERNAL CH B

Waveform 6 VSYNC & HSYNC

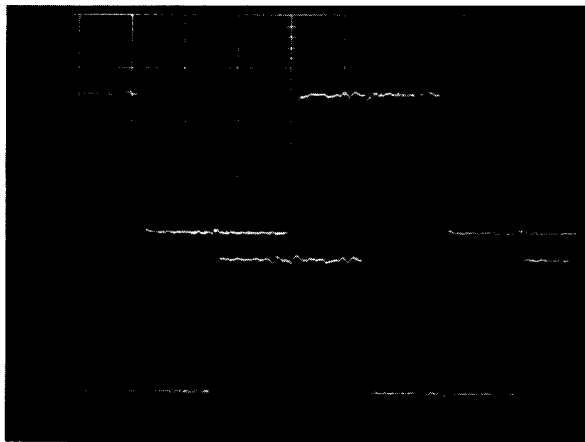


CH A: VSYNC (Pin 9 of CN3)
2V/DIV
CH B: HSYNC
2V/DIV

Horizontal: 0.1msec/DIV

Trigger: CH B INTERNAL

Waveform 7 ECLK & QCLK

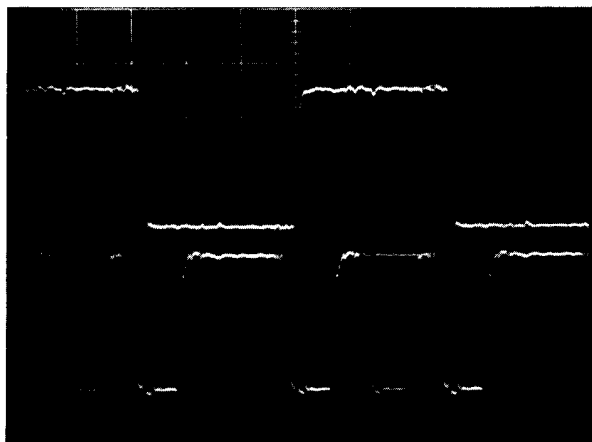


CH A: ECLK (TP.2)
2V/DIV
CH B: QCLK (TP.3)
2V/DIV

Horizontal: 0.2μsec/DIV

Trigger: INTERNAL CH A

Waveform 8 ECLK & RAS*

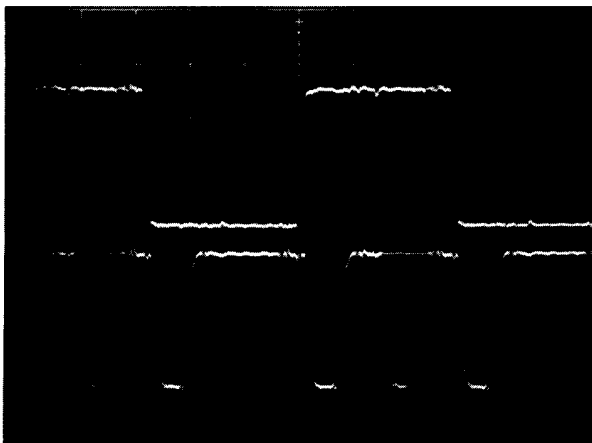


CH A: ECLK (TP.2)
2V/DIV
CH B: RAS* (TP.4)
2V/DIV

Horizontal: 0.2μsec/DIV

Trigger: INTERNAL CH A

Waveform 9 ECLK & CAS*

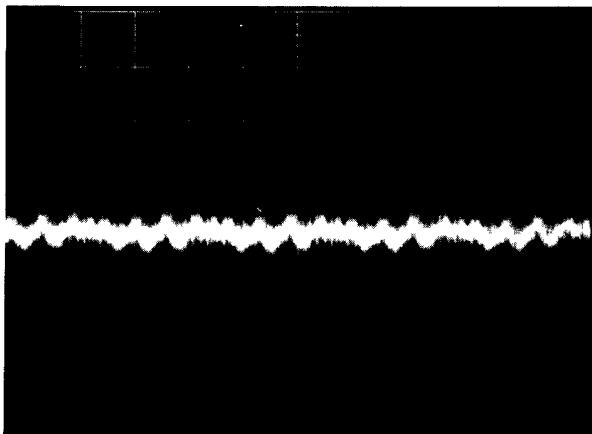


CH A: ECLK (TP.2)
2V/DIV
CH B: CAS* (TP.5)
2V/DIV

Horizontal: 0.2μsec/DIV

Trigger: INTERNAL CH A

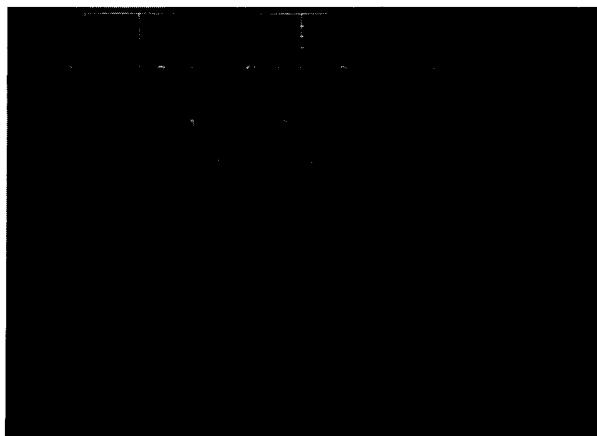
Waveform 10 AC Component at +5V



Vertical: 100mV/DIV
Horizontal: 2μsec/DIV
Trigger: INTERNAL

Waveform 11

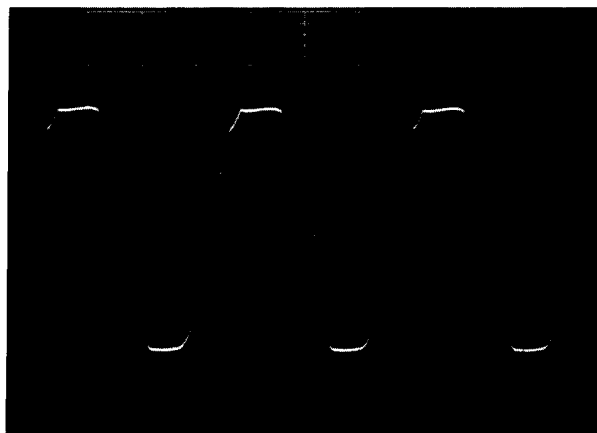
AC Ripple Positive (Cathode of D1)
& Negative (Anode of D3)



CH A: AC Ripple (Cathode of D1)
0.5V/DIV
CH B: AC Ripple (Anode of D3)
0.2V/DIV
Horizontal: 5msec/DIV
Trigger: INTERNAL CH A

Waveform 12A

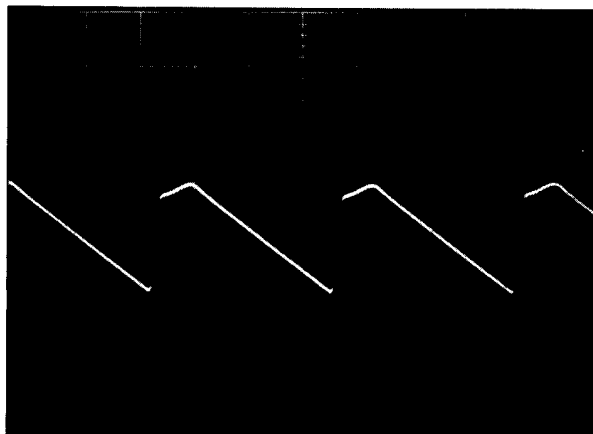
AC Voltage at Cathode of D13



Vertical: 5V/DIV
Horizontal: 5msec/DIV
Trigger: INTERNAL

Waveform 12B

AC Ripple at Cathode of D14



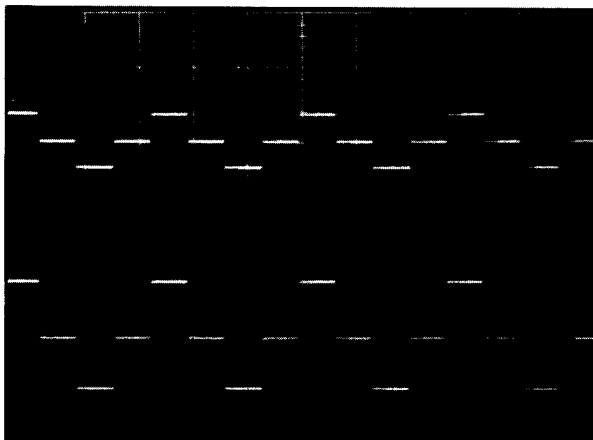
Vertical: 1V/DIV

Horizontal: 5msec/DIV

Trigger: INTERNAL

Waveform 13

SOUND OUT



CH A: Pin 17 of IC7

1V/DIV

CH B: Pin 1 of IC7

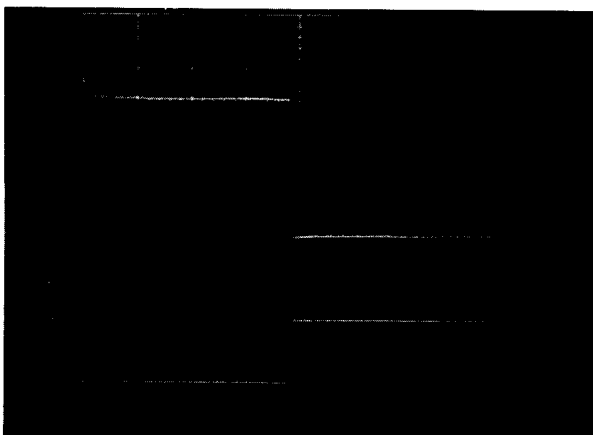
2V/DIV

Horizontal: 0.5msec/DIV

Trigger: INTERNAL CH A

Waveform 14

Relay



CH A: Pin 9 of IC8

2V/DIV

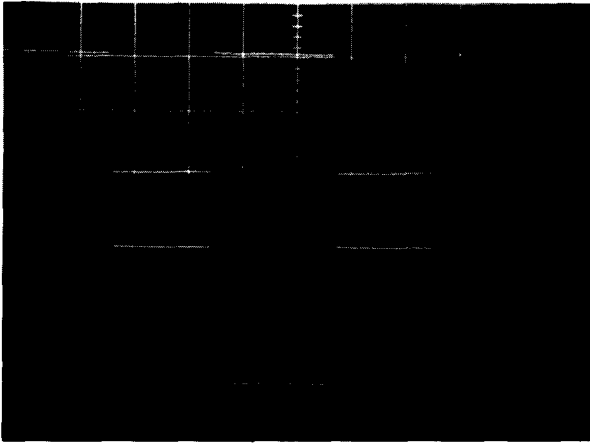
CH B: Pin 39 of IC4

2V/DIV

Horizontal: 10msec/DIV

Trigger: INTERNAL CH A

Waveform 15



CH A: Pin 12 of IC8
5V/DIV

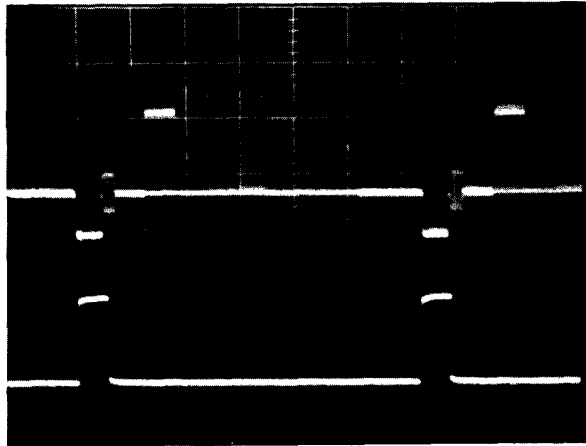
CH B: Pin 3 of IC4
2V/DIV

Horizontal: 5msec/DIV

Trigger: INTERNAL CH A

PAL Version

Waveform 1 CVIDEO & HSYNC

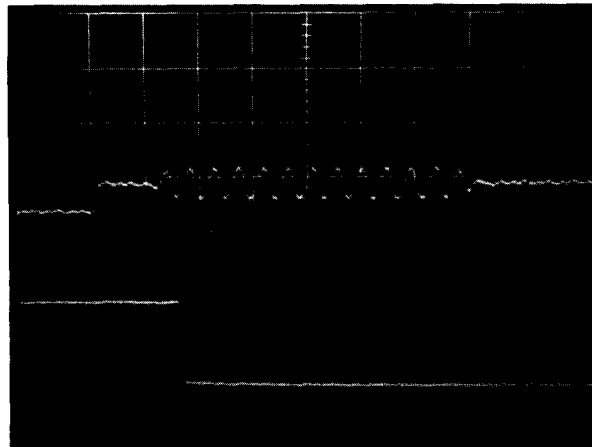


CH A: Composite Video (TP.7)
0.5V/DIV
CH B: HSYNC (Pin 8 of CN3)
2V/DIV

Horizontal: 10µsec/DIV

Trigger: INTERNAL CH A

Waveform 2 Color Burst Signal & HSYNC

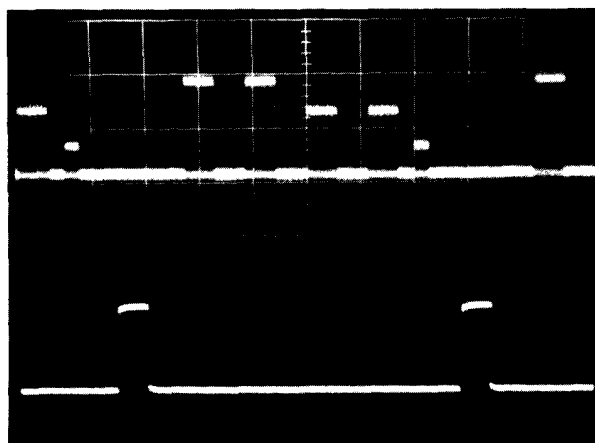


CH A: Color Burst Signal (TP.7)
0.5V/DIV
CH B: HSYNC (Pin 8 of CN3)
2V/DIV

Horizontal: 0.5µsec/DIV

Trigger: INTERNAL CH A

Waveform 3 Red & HSYNC

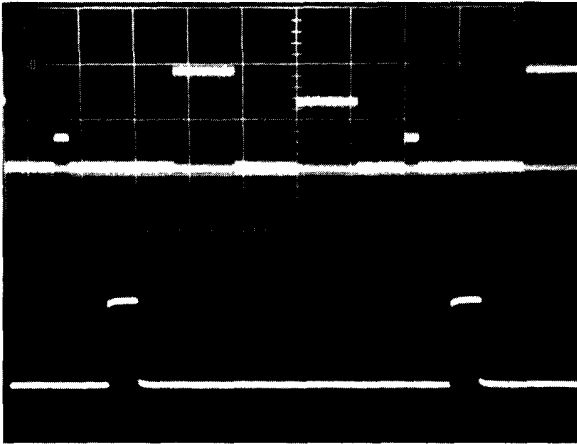


CH A: Red Signal of RGB (TP.8)
0.5V/DIV
CH B: HSYNC (Pin 8 of CN3)
2V/DIV

Horizontal: 10µsec/DIV

Trigger: INTERNAL CH B

Waveform 4 Green & HSYNC

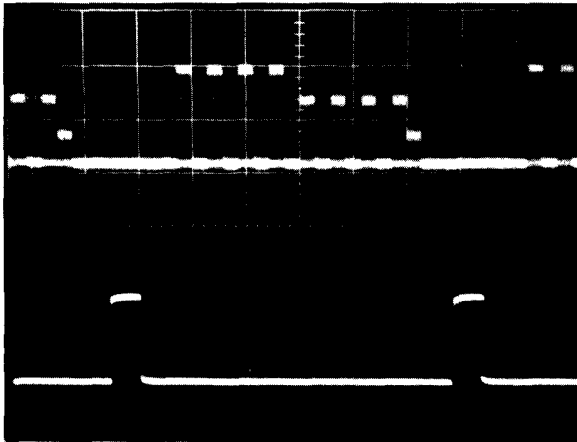


CH A: Green Signal of RGB (TP.9)
0.5V/DIV
CH B: HSYNC
2V/DIV

Horizontal: 10μsec/DIV

Trigger: INTERNAL CH B

Waveform 5 Blue & HSYNC

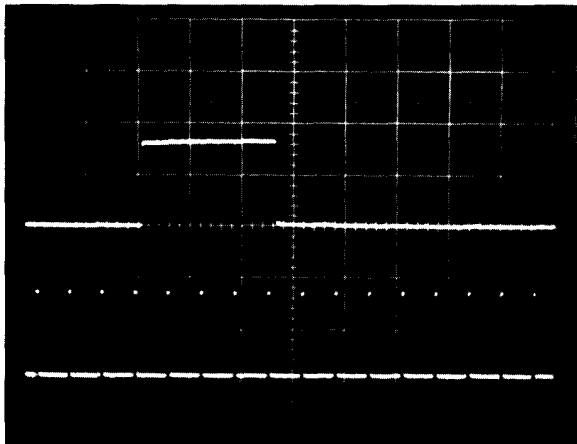


CH A: Blue Signal of RGB (TP.10)
0.5V/DIV
CH B: HSYNC
2V/DIV

Horizontal: 10μsec/DIV

Trigger: INTERNAL CH B

Waveform 6 VSYNC & HSYNC



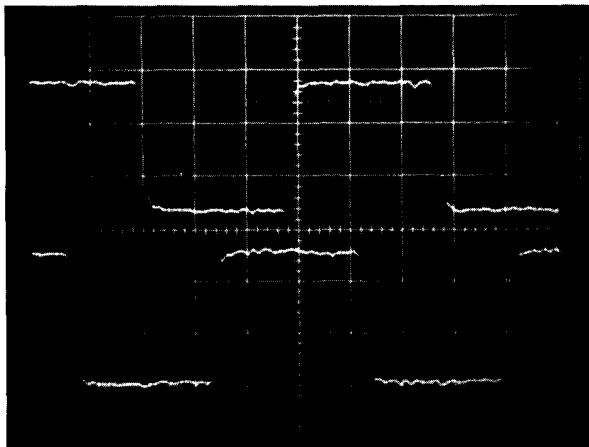
CH A: VSYNC (Pin 9 of CN3)
2V/DIV
CH B: HSYNC
2V/DIV

Horizontal: 0.1msec/DIV

Trigger: CH B INTERNAL

Waveform 7

ECLK & QCLK



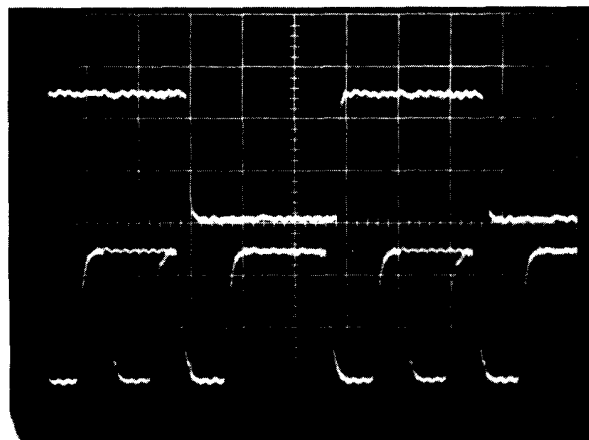
CH A: ECLK (TP.2)
2V/DIV
CH B: QCLK (TP.3)
2V/DIV

Horizontal: 0.2µsec/DIV

Trigger: INTERNAL CH A

Waveform 8

ECLK & RAS*



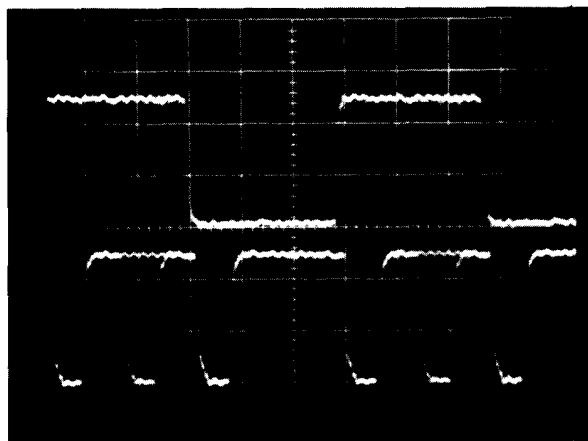
CH A: ECLK (TP.2)
2V/DIV
CH B: RAS* (TP.4)
2V/DIV

Horizontal: 0.2µsec/DIV

Trigger: INTERNAL CH A

Waveform 9

ECLK & CAS*

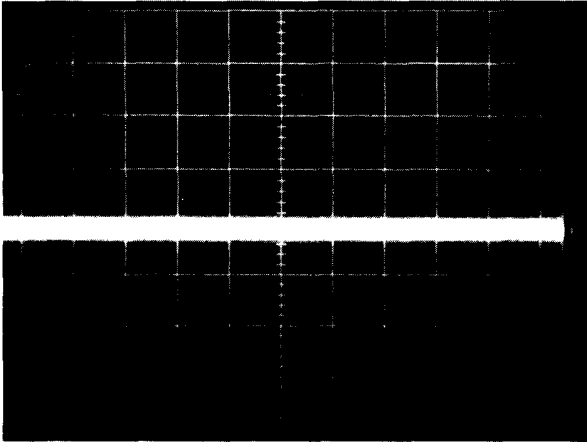


CH A: ECLK (TP.2)
2V/DIV
CH B: CAS* (TP.5)
2V/DIV

Horizontal: 0.2µsec/DIV

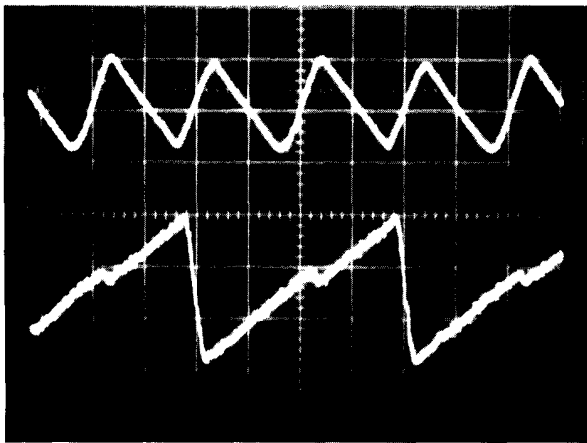
Trigger: INTERNAL CH A

Waveform 10 AC Component at +5V



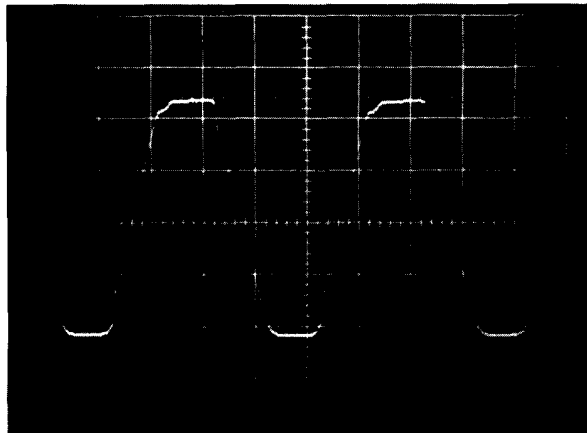
Vertical: 100mV/DIV
 Horizontal: 2µsec/DIV
 Trigger: INTERNAL

Waveform 11
 AC Ripple Positive (Cathode of D1)
 & Negative (Anode of D3)



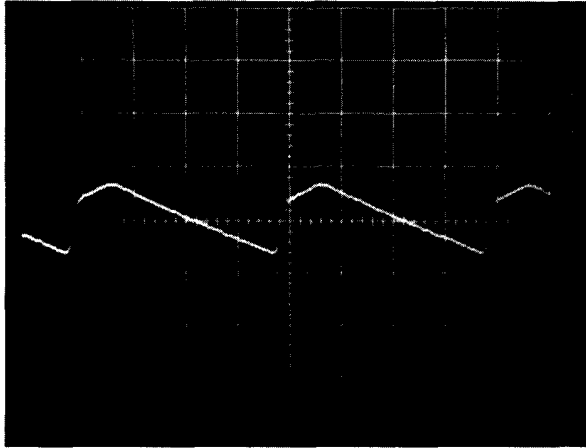
CH A: AC Ripple (Cathode of D1)
 0.5V/DIV
 CH B: AC Ripple (Anode of D3)
 0.2V/DIV
 Horizontal: 5msec/DIV
 Trigger: INTERNAL CH A

Waveform 12A
 AC Voltage at Cathode of D13



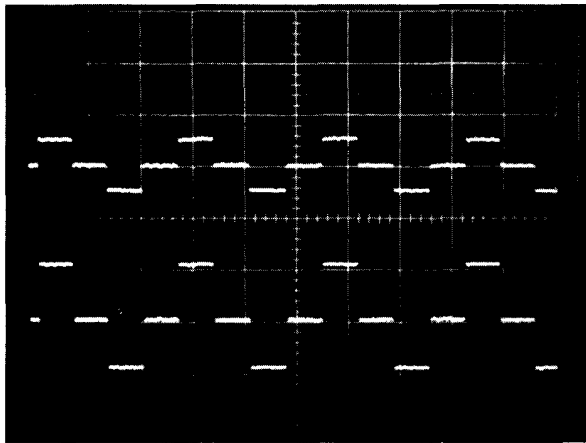
Vertical: 5V/DIV
 Horizontal: 5msec/DIV
 Trigger: INTERNAL

Waveform 12B
AC Ripple at Cathode of D14



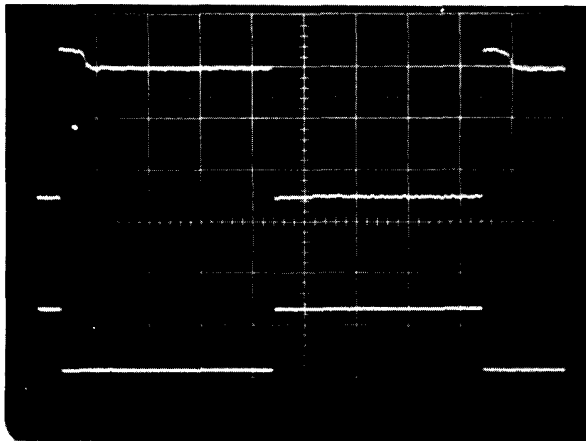
Vertical: 1V/DIV
Horizontal: 5msec/DIV
Trigger: INTERNAL

Waveform 13
SOUND OUT



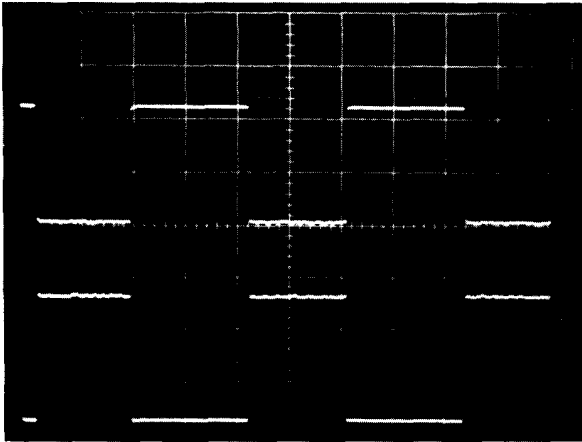
CH A: Pin 17 of IC7
1V/DIV
CH B: Pin 1 of IC7
2V/DIV
Horizontal: 0.5msec/DIV
Trigger: INTERNAL CH A

Waveform 14
Relay



CH A: Pin 9 of IC8
2V/DIV
CH B: Pin 39 of IC4
2V/DIV
Horizontal: 10msec/DIV
Trigger: INTERNAL CH A

Waveform 15

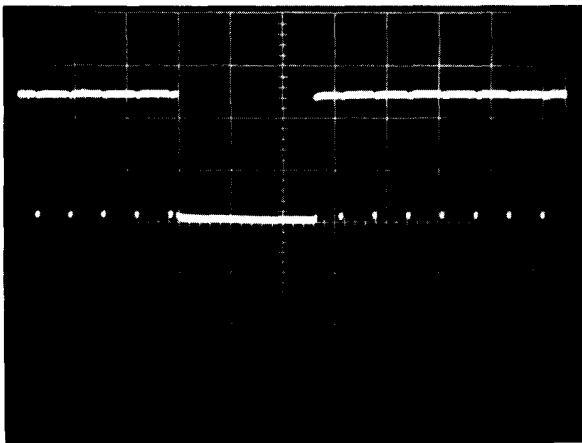


CH A: Pin 12 of IC8
5V/DIV
CH B: Pin 3 of IC4
2V/DIV

Horizontal: 5msec/DIV

Trigger: INTERNAL CH A

Waveform 16



Collector of Q11

Horizontal: 0.1 msec/DIV

Vertical: 2V/DIV

Trigger: INTERNAL

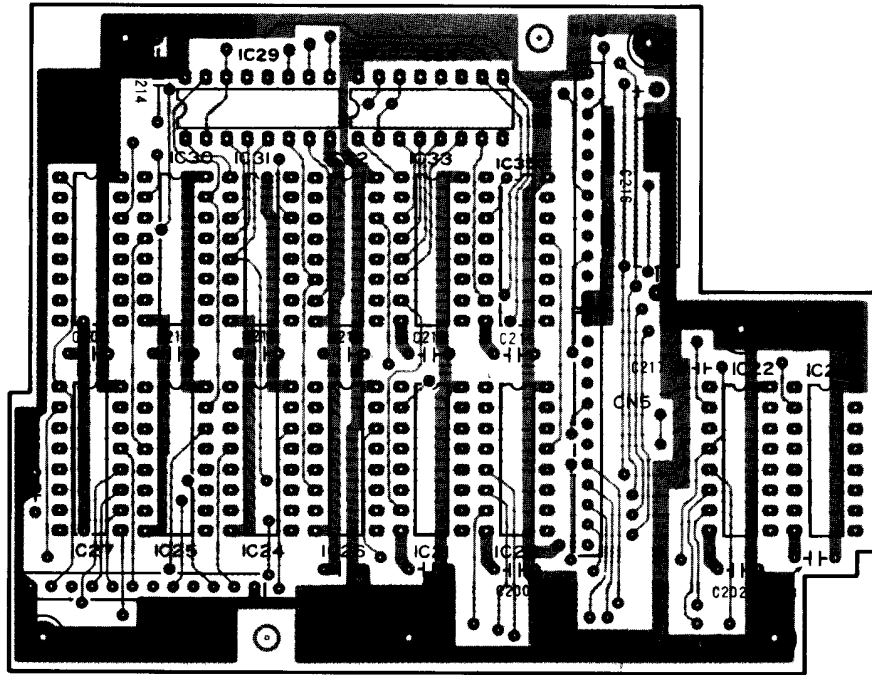
SECTION VII

512K Expansion RAM Card

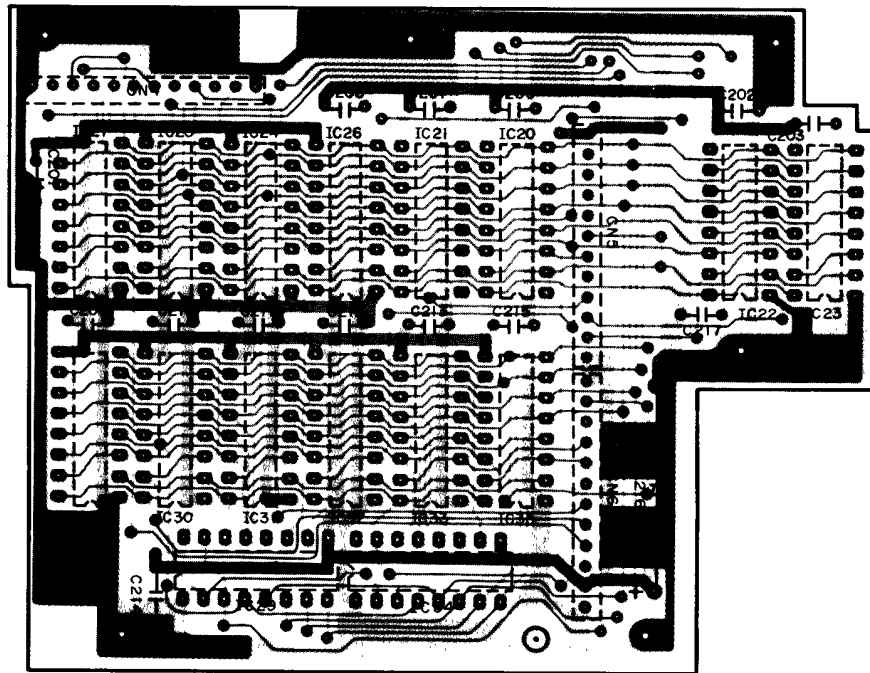
PCB VIEWS..... 78
ELECTRICAL PARTS LIST..... 79

PCB VIEWS

TOP VIEW



BOTTOM VIEW



ELECTRICAL PARTS LIST

CAPACITORS			
Ref. No.	Description	RS Part No.	Mfr's Part No.
C200-203	M-Plastic 0.1 μ F 50V +-5% or		CFQMK104JL or
	M-Plastic 0.1 μ F 63V +-10%		CFSSLA01KQ
C204/205	Not Used		
C206-208	M-Plastic 0.1 μ F 50V +-5% or		CFQMK104JL or
	M-Plastic 0.1 μ F 63V +-10%		CFSSLA01KQ
C209	Not Used		
C210-213	M-Plastic 0.1 μ F 50V +-5% or		CFQMK104JL or
	M-Plastic 0.1 μ F 63V +-10%		CFSSLA01KQ
C214	Ceramic 0.033 μ F 12V +-30%		CGBUF333NT
C215	M-Plastic 0.1 μ F 50V +-5% or		CFQMK104JL or
	M-Plastic 0.1 μ F 63V +-10%		CFSSLA01KQ
C216	Electrolytic 100 μ F 16V +-20%		CEAAG107M*
C217	Ceramic 27 μ F 50V +-5%		CCJBK270J*
CONNECTORS			
CN4-6	Pin, To Main PCB		194113590A
ICs			
IC20-35	μ PD41256C-15 N-MOS Memory		SIPD256-15

MISCELLANEOUS

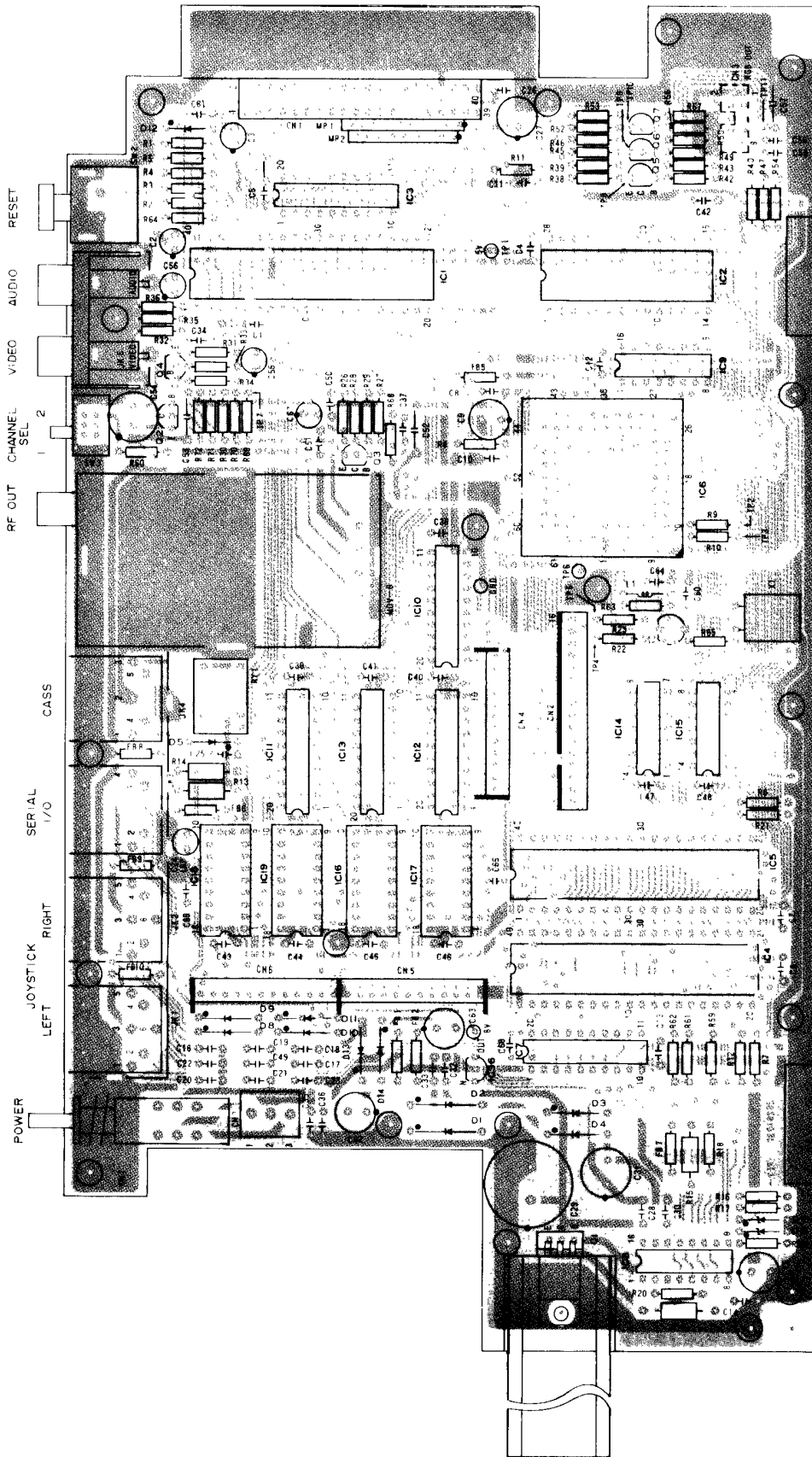
Ref. No.	Description	RS Part No.	Mfr's Part No.
	RAM Card PCB Ass'y		U-32056
	Socket, IC 16-Pin		195110400A or
	C8816-41		195110240A or
	DILB16P-8J		195110140A
	Sheet, Shield PVC+AL FOIL		473311070A
	Rivet, SK51		HARRA003SN or
	Rivet, SUS301		HARRA003UT
	Holder, MSP-10N		413101410A

SECTION VIII

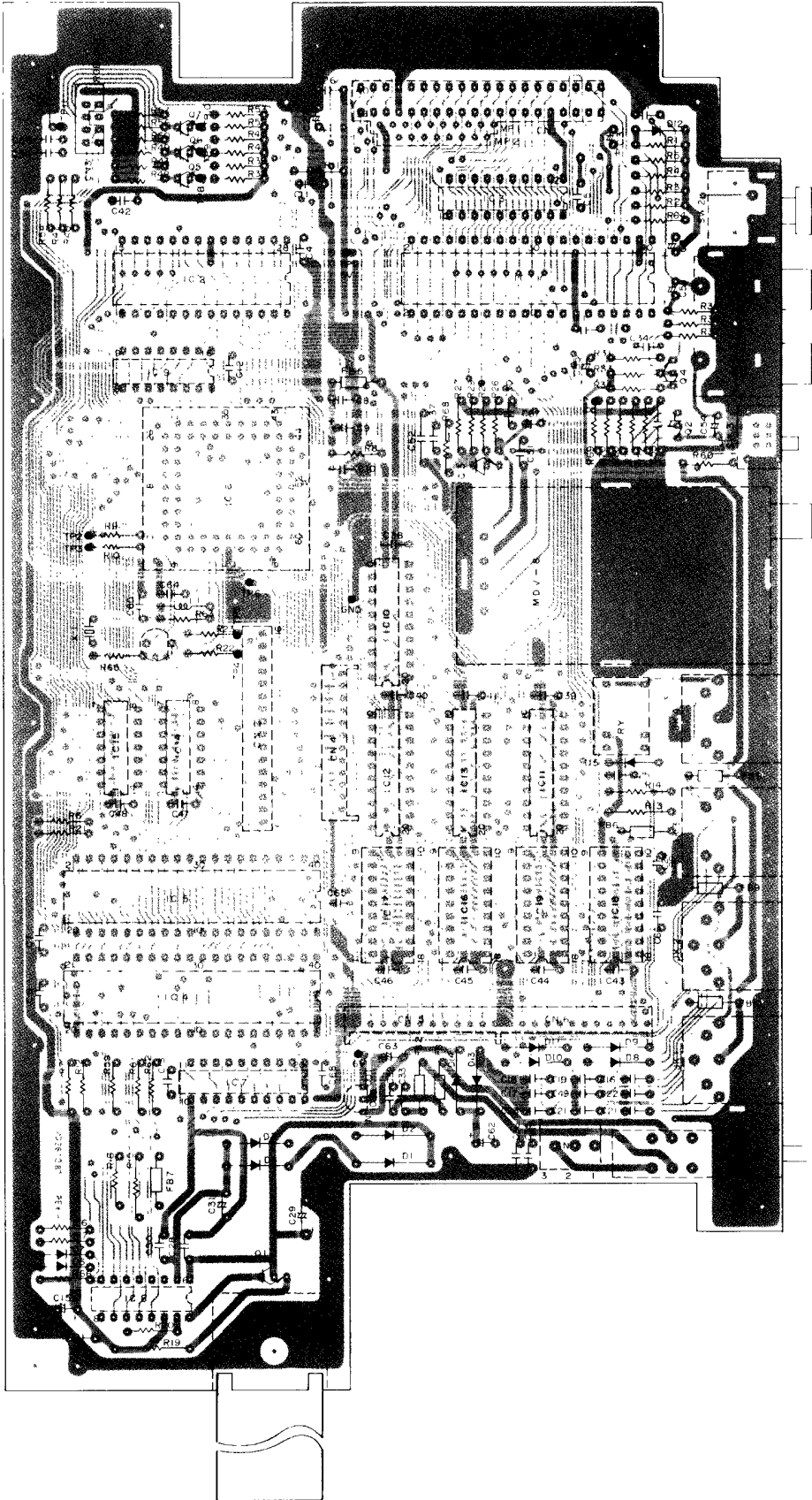
NTSC Version

PCB VIEWS.....	82
ELECTRICAL PARTS LIST.....	84
EXPLODED VIEW PARTS LIST.....	90
EXPLODED VIEW.....	91
SEMICONDUCTOR INFORMATION.....	93
SCHEMATIC DIAGRAM.....	103

PCB VIEWS
TOP VIEW



BOTTOM VIEW



ELECTRICAL PARTS LIST

CAPACITORS						
Ref. No.	Description				RS Part No.	Mfr's Part No.
C1	M-Plastic	0.1µF	50V	+5% or	CC-104JLBY	CFQMK104JL or
	M-Plastic	0.1µF	63V	+10% or		CFSSLA01KQ or
	Ceramic	0.1µF	50V+80-20%			CJRPK104ZM
C2	Electrolytic	10µF	25V	+20%	CC-106MFBA	CEACI106M*
C3	Electrolytic	1µF	50V	+20%	CC-105MJBA	CEACK105M*
C4	M-Plastic	0.1µF	50V	+5% or		CFQMK104JL or
	M-Plastic	0.1µF	63V	+10% or		CFSSLA01KQ or
	Ceramic	0.1µF	50V+80-20%			CJRPK104ZM
C5	Ceramic	0.033µF	12V	+30%		CGBUF333NT
C6-8	M-Plastic	0.1µF	50V	+5% or		CFQMK104JL or
	M-Plastic	0.1µF	63V	+10% or		CFSSLA01KQ or
	Ceramic	0.1µF	50V+80-20%			CJRPK104ZM
C9	Electrolytic	100µF	16V	+20%		CEACG107M*
C10/11	Ceramic SL	39pF	50V	+5%	CF-2433	CCJVK390J*
C12-14	M-Plastic	0.1µF	50V	+5% or	CC-104JLBY	CFQMK104JL or
	M-Plastic	0.1µF	63V	+10% or		CFSSLA01KQ or
	Ceramic	0.1µF	50V+80-20%			CJRPK104ZM
C15	Electrolytic	100µF	16V	+20%	CC-107MDCA	CEACG107M*
C16/17	Ceramic	0.022µF	50V+80-20%		CC-223JJBC	CKKPK223Z*
C18/19	Mylar*	1800pF	50V	+10%	CC-182JJBM	CQQMK182K* or
					CC-182JJBM	CQQMK182KL
					CC-223JJBC	CKKPK223Z*
C20/21	Ceramic	0.022µF	50V+80-20%		CC-182JJBM	CQQMK182K* or
C22/23	Mylar	1800pF	50V	+10%		CQQMK182KL
C24	Elec NP/LN	10µF	25V	+20%	CF-2408	CEPCI106M*
C25	Ceramic	0.022µF	50V+80-20%		CC-223JJBC	CKJPK223Z*
C26	M-Plastic	0.1µF	50V	+5% or	CC-104JLBY	CFQMK104JL or
	M-Plastic	0.1µF	63V	+10% or		CFSSLA01KQ or
	Ceramic	0.1µF	50V+80-20%			CJRPK104ZM
C27	Electrolytic	100µF	16V	+20%	CC-107MDCA	CEACG107M*
C28	M-Plastic	0.1µF	50V	+5% or	CC-104JLBY	CFQMK104JL or
	M-Plastic	0.1µF	63V	+10% or		CFSSLA01KQ or
	Ceramic	0.1µF	50V+80-20%			CJRPK104ZM
C29	Electrolytic	4700µF	16V	+20%	CC-478MDCA	CEACG478M*
C30	M-Plastic	0.1µF	50V	+5% or	CC-104JLBY	CFQMK104JL or
	M-Plastic	0.1µF	63V	+10% or		CFSSLA01KQ or
	Ceramic	0.1µF	50V+80-20%			CJRPK104ZM
C31	Electrolytic	220µF	16V	+20%	CC-227MDCA	CEACG227M*
C32/33	Ceramic	0.022µF	50V+80-20%		CC-223JJBC	CKJPK223Z*
C34	Ceramic	100pF	50V	+5%		CCJVK101J*
C35/36	Ceramic	0.022µF	50V+80-20%		CC-223JJBC	CKKPK223Z*
C37	Ceramic SL	39pF	50V	+5%		CCJVK390J*
C38-41	M-Plastic	0.1µF	50V	+5% or	CC-104JLBY	CFQMK104JL or
	M-Plastic	0.1µF	63V	+10% or		CFSSLA01KQ or
	Ceramic	0.1µF	50V+80-20%			CJRPK104ZM
C42-48	M-Plastic	0.1µF	50V	+5% or	CC-104JLBY	CFQMK104JL or
	M-Plastic	0.1µF	63V	+10% or		CFSSLA01KQ or
	Ceramic	0.1µF	50V+80-20%			CJRPK104ZM
C49	Ceramic	0.022µF	50V+80-20%		CC-223JJBC	CKKPK223Z*

NOTE: *Mylar is a registered trademark of E. I. Du Pont de Nemours and Company.

Ref. No.	Description	RS Part No.	Mfr's Part No.
C50/51	M-Plastic 0.1µF 50V +-5% or M-Plastic 0.1µF 63V +-10% or Ceramic 0.1µF 50V+80-20%	CC-104JLBY	CFQMK104JL or CFSSLA01KQ or CJRPK104ZM
C52/53	Ceramic 0.033µF 12V +-30%		CGBUF333NT
C54	Electrolytic 470µF 16V +-20%		CEACG477M*
C55/56	Electrolytic 10µF 25V +-20%	CC-106MFBA	CEACI106M*
C57	Ceramic 0.022µF 16V +-30%		CGBUG223NT
C58/59	Ceramic 1000pF 50V +-5%		CCJVK102J*
C60	Ceramic NPO 33pF 50V +-5%	CF-1300	CCJBK330J*
C61	Ceramic SL 39pF 50V +-5%	CF-2433	CCJVK390J*
C62/63	Electrolytic 220µF 25V +-20%	CC-227MFBA	CECCI227M*
C64	Ceramic NPO 150pF 50V +-5%	CF-2345	CCJBK151J*
C65	Ceramic SL 82pF 50V +-5%		CCJVK820J*
C66	Ceramic 27pF 50V +-5%		CCJVK270J*
C67	Electrolytic 10µF 25V +-20%	CC-106MFBA	CEACI106M*
C68	Mylar 0.01µF 50V +-10%		CQQMK103K*
COIL			
L1	Inductor 1.8µH	CA-2159	142011310A
CONNECTORS			
CN1	PCB 40P Cartridge	AJ-7572	194210060A or 194210140A
CN2	Wire 16P Keyboard	AJ-7567	193910680A or 193911090A
CN3	Pin RGB 10P	AJ-5116	194112500A
CN4-6	Pin For RAM Option	AJ-7619	194010510A
CN7	Pin 5273-03A		194111250A
CORES			
FB1/2	Core, Noise		588010060A or 588010070A or 588010130A
FB3/4	Not Used		
FB5-10	Core, Noise		588010060A or 588010070A or 588010130A
CRYSTAL			
X1	Crystal, 28.63636MHz Clock OSC	MX-0102	391012220A
DIODES			
D1/2	Silicon GP20B Rectifier	DX-0847	SDSI00140-
D3/4	Silicon 1N4002 Rectifier or SR1K-2 or 10E1 or 1N4002	DX-0206 DX-0475 DX-1039 DX-0206	SDSI00036- or SDSI00026- or SDSI00003- or SDSI00007-

Ref. No.	Description	RS Part No.	Mfr's Part No.
D5	Silicon IS953 Switching or 1N4148	DX-0259	SDSI00015- or SDSI00057- or SDSI00064-
D6/7	Zener RD3.9E-B or RD3.9E-L or RD3.9E-N	DX-2323	SZRD3.9EB- or SZRD3.9EL- or SZRD3.9EN-
D8-11	Germanium 1KF20-04 Switching	DX-2322	SDGE00012-
D12	Silicon 1S953 Switching or 1N4148	DX-0259 DX-0022	SDSI00015- or SDSI00057- or SDSI00064-
D13/14	Silicon 1N4002 Rectifier or SR1K-2 or 10E1 or 1N4002	DX-0206 DX-0475 DX-1039 DX-0206	SDSI00036- or SDSI00026- or SDSI00003- or SDSI00007-
ICs			
IC1	MC68B09EP MPU N-MOS or MBL68B09E-P-G or HD68B09EP	MX-7243	SIMC68B09E or SIBL68B09E or SIHD68B09E
IC2	μPD27C256D-20 ROM N-MOS or TCC1017(μPD23C256EC)	MX-7263	SIPD256-20 or SICC1017--
IC3	SN74LS245N TTL BUS Transceiver or MB74LS245M or M74LS245P or HD74LS245P	MX-6740	SIRNS245N- or SIMBS245M- or SIM-S245P- or SIHDS245P-
IC4	MC68B21P PIA Select N-MOS or MB8874HM-G or HD68B21P	MX-7260	SIMC68B21- or SIMB74HM-G or SIHD68B21-
IC5	LSC81001P PIA Select N-MOS	MX-7259	SILS81001P
IC6	TCC1014(VC2645QC) PLCC ACVC C-MOS	MX-7261	SICC1014--
IC7	8050526 (SC77526P) Bipola DA-Converter	MX-6202	SISC50526-
IC8	8050527 (SC77527P) Bipola Regulator	MX-6201	SISC50527-
IC9	SN74LS138N TTL Decoder or MB74LS138M or M74LS138P or HD74LS138P	AMX-4583	SIRNS138N- or SIMBS138M- or SIM-S138P- or SIHDS138P-
IC10-12	SN74LS244N TTL Buffer or MB74LS244M or M74LS244P or HD74LS244P	AMX-3864	SIRNS244N- or SIMBS244M- or SIM-S244P- or SIHDS244P-
IC13	SN74LS374N TTL D-Latch or MB74LS374M or M74LS374P or HD74LS374P	AMX-3928	SIRNS374N- or SIMBS374M- or SIM-S374P- or SIHDS374P-
IC14	SN74LS30N TTL 8In Nand or MB74LS30M or M74LS30P or HD74LS30P	MX-6843	SIRNS30N-- or SIMBS30M-- or SIM-S30P-- or SIHDS30P--
IC15	SN74LS04N TTL Inverter or MB74LS04M or M74LS04P or HD74LS04P	AMX-3552	SIRNS04N-- or SIMBS04M-- or SIM-S04P-- or SIHDS04P--

Ref. No.	Description	RS Part No.	Mfr's Part No.
IC16-19	HM50464P-1	or	SIHM464-15 or
	M5M4464P-15	or	SIM-464-15 or
	μPD41464C-15	or	SIPD464-15 or
	μPD41464C-12	or	SIPD464-12 or
	TMS4464-15NL		SITS464-15
IC20-35	Not Used		
IC36	MC78L08ACP	Bipola Regulator or	MX-5399
	NJM78L08(A)		SIMCL08A-- or SINM78L08A

JACKS

JK1/2	DIN	Joystick	AJ-7566	193410040A or
			AJ-7566	193410070A
JK3	DIN	Serial In/Out	AJ-7357	193410020A or 193410050A
JK4	DIN	Cassette In/Out	AJ-7356	193410030A or 193410060A
JK5	RCA	Video/Sound 2P	AJ-2002	192010400A

RELAY

RY1	Remote Control On/Off for Cassette	AR-8166	581010140A or
		AR-8166	581010160A or
			581010710A

RESISTORS

R1	Carbon	100kohm	1/4W	+-5%		RCSQP104J*
R2-8	Carbon	4.7kohm	1/4W	+-5%	N-0247EEC	RCSQP472J*
R9/10	Carbon	47 ohm	1/4W	+-5%	N-0099EEC	RCSQP470J*
R11	Carbon	4.7kohm	1/4W	+-5%	N-0247EEC	RCSQP472J*
R12	Carbon	10kohm	1/4W	+-5%	N-0281EEC	RCSQP103J*
R13	Carbon	100 ohm	1/2W	+-5%	N-0132EEC	RCSHP101J*
R14	Carbon	220 ohm	1/2W	+-5%	N-0149EEC	RCSHP221J*
R15	Carbon	270 ohm	1/2W	+-5%	N-0155EEC	RCSHP271J*
R16/17	Carbon	1.0kohm	1/4W	+-5%	N-0196EEC	RCSQP102J*
R18	Carbon	510 ohm	1/4W	+-5%	N-0173EEC	RCSQP511J*
R19	M-Film	0.1 ohm	1W	+-5%	N-0063EGE	RM01HR10J*
R20	Carbon	51 ohm	1/4W	+-5%	N-0103EEC	RCSQP510J*
R21	Carbon	4.7kohm	1/4W	+-5%	N-0247EEC	RCSQP472J*
R22	Carbon	120 ohm	1/4W	+-5%		RCSQP121J*
R23	Carbon	82 ohm	1/4W	+-5%		RCSQP820J*
R24/25	Not used					
R26	Carbon	2.2kohm	1/4W	+-5%	N-0216EEC	RCSQP222J*
R27	Carbon	1.5kohm	1/4W	+-5%		RCSQP152J*
R28	Carbon	10 ohm	1/4W	+-5%	N-0063EEC	RCSQP100J*
R29	Carbon	3.9kohm	1/4W	+-5%		RCSQP392J*
R30	Carbon	100 ohm	1/4W	+-5%	N-0132EEC	RCSQP101J*
R31	Carbon	39kohm	1/4W	+-5%		RCSQP393J*
R32	Carbon	20kohm	1/4W	+-5%	N-0306EEC	RCSQP203J*

Ref. No.	Description	RS Part No.	Mfr's Part No.
R33	Carbon 220kohm 1/4W +-5%	N-0396EEC	RCSQP224J*
R34	Carbon 100 ohm 1/4W +-5%		RCSQP101J*
R35	Carbon 220kohm 1/4W +-5%	N-0396EEC	RCSQP224J*
R36	Carbon 1.0kohm 1/4W +-5%		RCSQP102J*
R37	Not used		
R38	Carbon 3.0kohm 1/4W +-5%		RCSQP302J*
R39	Carbon 10 ohm 1/4W +-5%	N-0063EEC	RCSQP100J*
R40	Carbon 1.0kohm 1/4W +-5%	N-0196EEC	RCSQP102J*
R41	Not used		
R42	Carbon 2.0kohm 1/4W +-5%		RCSQP202J*
R43	Carbon 120 ohm 1/4W +-5%	N-0136EEC	RCSQP121J*
R44	Not used		
R45	Carbon 3.0kohm 1/4W +-5%		RCSQP302J*
R46	Carbon 10 ohm 1/4W +-5%	N-0063EEC	RCSQP100J*
R47	Carbon 1.0kohm 1/4W +-5%	N-0196EEC	RCSQP102J*
R48	Not used		
R49	Carbon 2.0kohm 1/4W +-5%		RCSQP202J*
R50	Carbon 120 ohm 1/4W +-5%	N-0136EEC	RCSQP121J*
R51	Not used		
R52	Carbon 3.0kohm 1/4W +-5%		RCSQP302J*
R53	Carbon 10 ohm 1/4W +-5%	N-0063EEC	RCSQP100J*
R54	Carbon 1.0kohm 1/4W +-5%	N-0196EEC	RCSQP102J*
R55	Not used		
R56	Carbon 2.0kohm 1/4W +-5%		RCSQP202J*
R57	Carbon 120 ohm 1/4W +-5%	N-0136EEC	RCSQP121J*
R58	Not Used		
R59	Carbon 4.7kohm 1/4W +-5%	N-0247EEC	RCSQP472J*
R60	Carbon 100 ohm 1/4W +-5%	N-0132EEC	RCSQP101J*
R61/62	Carbon 4.7kohm 1/4W +-5%	N-0247EEC	RCSQP472J*
R63	Carbon 150 ohm 1/4W +-5%	N-0142EEC	RCSQP151J*
R64	Carbon 47 ohm 1/4W +-5%	N-0099EEC	RCSQP470J*
R65	Carbon 1Mohm 1/4W +-5%	N-0445EEC	RCSQP105J*
R66	Carbon 7.5kohm 1/4W +-5%	N-0196EEC	RCSQP752J*
R67	Not Used		
R68	Carbon 10 ohm 1/4W +-5%		RCSQP100J*
R69	Carbon 100 ohm 1/4W +-5%		RCSQP101J*
R70	Carbon 470 ohm 1/4W +-5%		RCSQP471J*
R71	Carbon 10 ohm 1/4W +-5%		RCSQP100J*
R72	Carbon 120 ohm 1/4W +-5%		RCSQP121J*

RESISTOR-BLOCKS

MP1	RGLD9X472J		522110530A
MP2	RGLD8X472J		522110520A

SWITCHES

SW1	Push	Power	AS-2900	182110240A
SW2	Key	Reset	AS-2849	187010040A
SW3	Slide	Channel Select	AS-3016	183111400A

Ref. No.	Description	RS Part No.	Mfr's Part No.
TRANSFORMER			
T1	Power EI54 120V	US/CA ATA-0027	10102601SA
TRANSISTORS			
Q1	KTD880(Y) NPN Regulator	or 2SD-880Y	STKD880--Y or STKD880--G
Q2/Q3	KTD880(GR) 2SC945(P) NPN Buffer Amp	or 2SC-945P	ST2C945--P or STLC945--P
Q4	LC945(P) MPSA13 PNP Amp	MX-3293	STMS-A13--
Q5-7	2SC945(P) NPN Buffer Amp	or 2SC-945P	ST2C945--P or STLC945--P
TRIMMER CAPACITOR			
TC1	Capacitor F-Adjust	AC-0988	154010240A

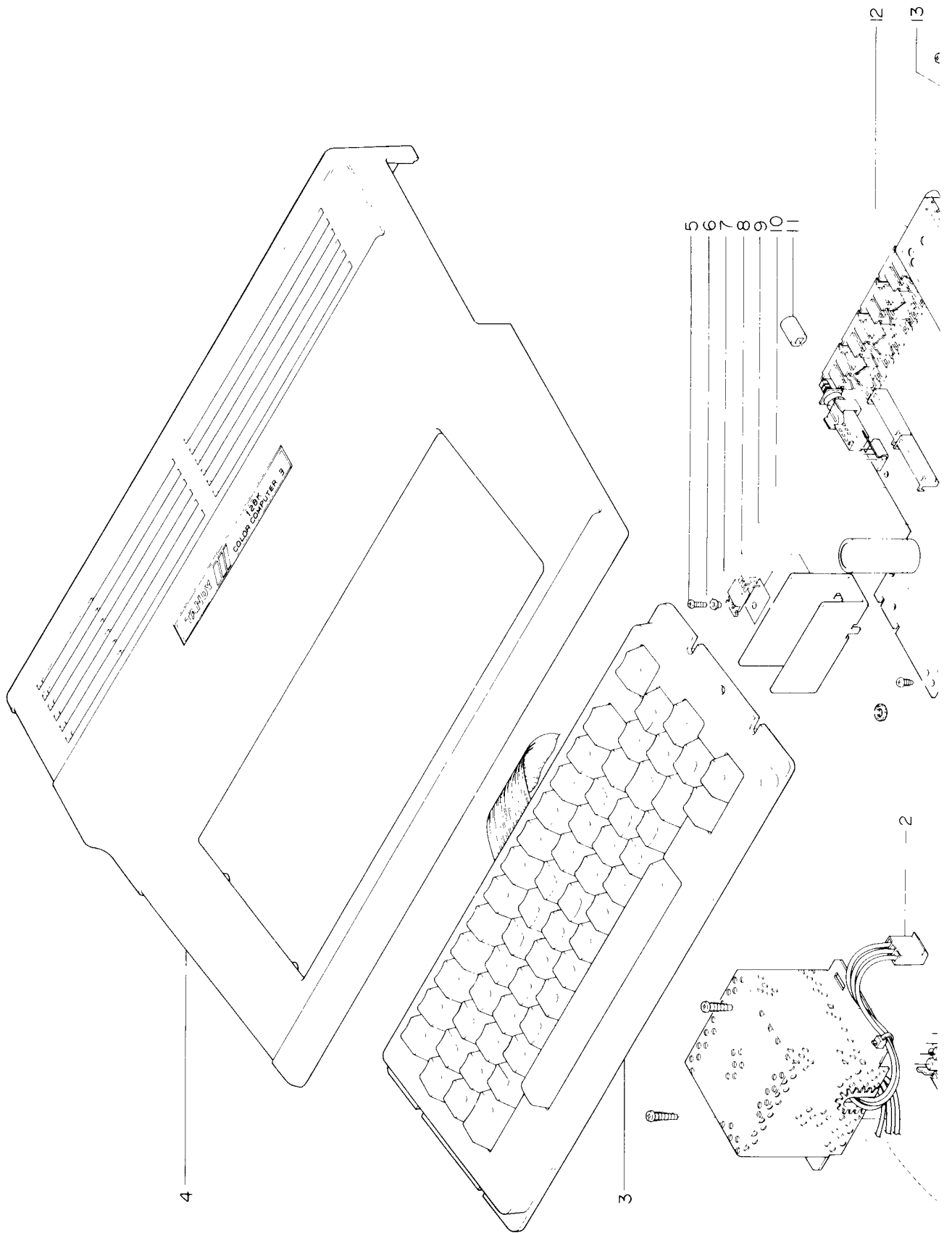
MISCELLANEOUS

Ref. No.	Description	RS Part No.	Mfr's Part No.
	Cord, Patch RCA-RCA		313510110A or 313510130A
	Box, Switch TV/Computer		189510030A or 189510040A
	Socket, IC(for IC6) 68 Pin PLCC		195110470A or 195110480A
	Socket, IC(for IC16-19) 18 Pin DIP		195110410A or 195110150A or 195110290A

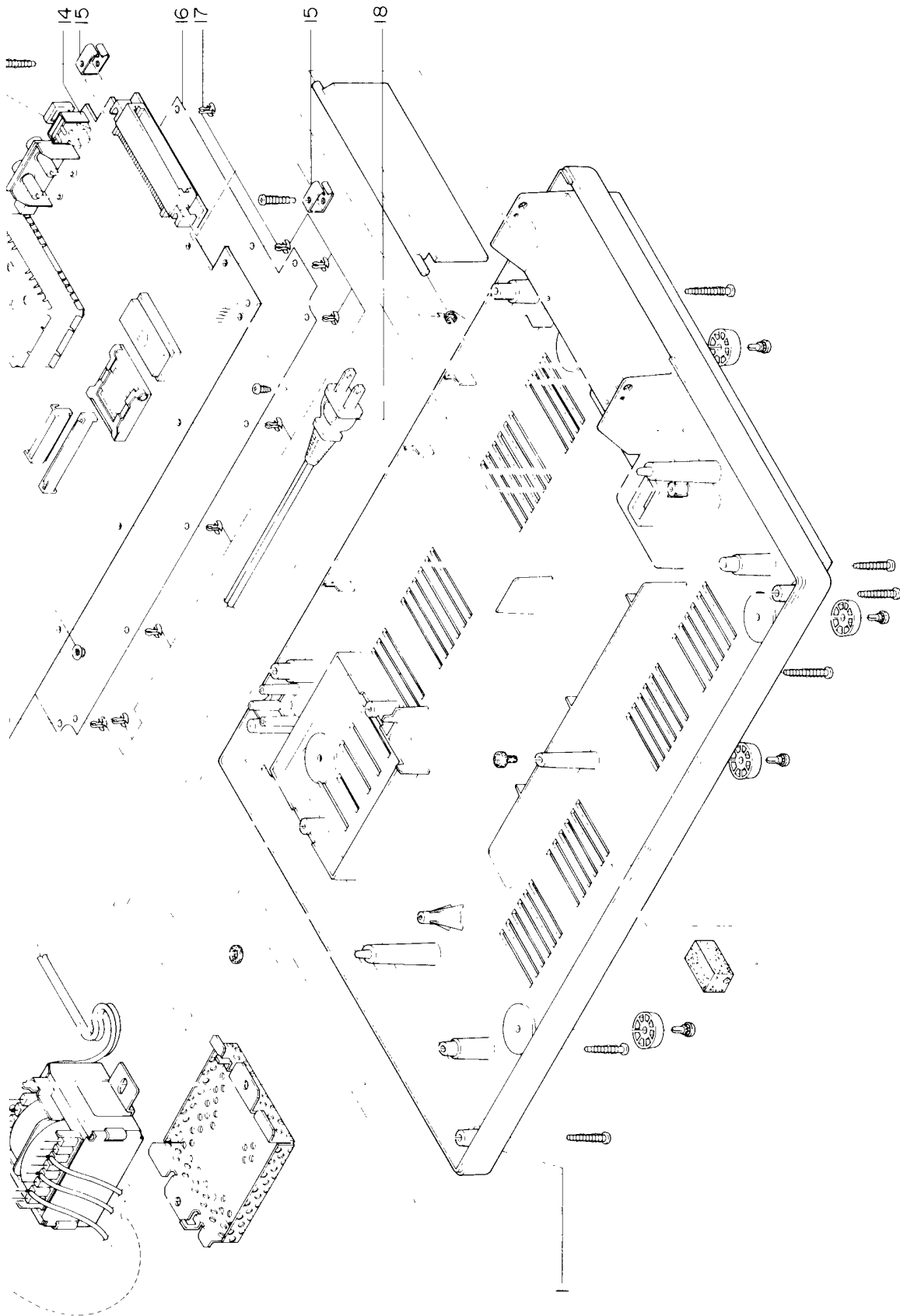
EXPLODED VIEW PARTS LIST

Ref. No.	Description	RS Part No.	Mfr's Part No.	
1	Bottom Cabinet Assembly	AZ-0107	M-00634	
	Cabinet, Bottom	US	601311370A	
		CA	601311380A	
	Door		603610370A	
	Spring, Torsion	ARB-7725	434810040A	
	Foot	AF-0382	608010060A or 608010350A	
2	Pin Socket Assembly	AJ-7089	M-00632	
	Socket, Pin For Power Transformer		194011090A	
	Pin, Crimp	AJ-7566	194310070A	
3	Keyboard 94HB	AXX-0245	187510370A	
4	Top Cabinet Assembly	AZ-0106	M-00633	
	Cabinet, Top	US	601211560A	
		CA	601211570A	
	Plate, Top		711010470A	
	Net	CA	851310440A	
	Holder For Net	CA	413100810B	
	5	Screw, 3x10P	AHD-0088	HMP03010SN
	6	Grommet, M		481110120A
7	Sheet, Insulation	AHC-0304	483011470A	
8	Heat Sink, For Q1		471010310A	
9	Nut, Flange 3FN	AHD-7020	HANF300-SY	
10	PCB Unit, Main		U-32052-	
11	Knob For Power	K-5012	655000940A	
12	Modulator, MDV-8	AC-4001	525010240A	
13	Knob For Reset	AK-5638	659510850A	
14	Holder For Key SW	AHC-2199	411101870A	
15	Holder	AHC-2447	411103110A	
16	Sheet, Shield For PCB	AHC-0305	473310990B	
17	Rivet For Shield	AHC-2449	HARRA003SN	
18	Cord, AC	W-1000	311010160A	
	Hardware Kit		HWK2603334	
	Screw, Taptite 4x20PT-B/ZnY		HCPB4020SY	
	Screw, Taptite 4x25PT-B/ZnY		HCPB4025SY	

EXPLODED VIEW

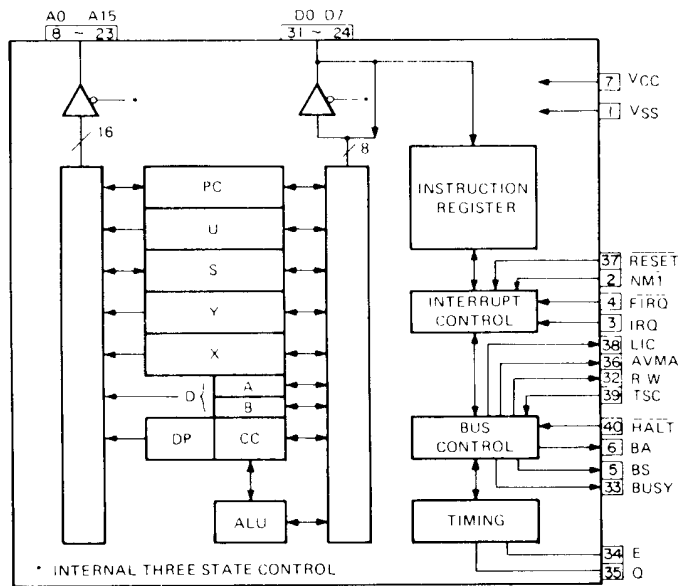
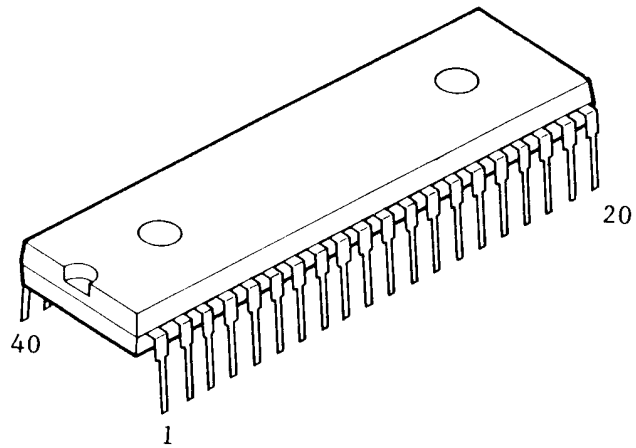


W (NTSC)

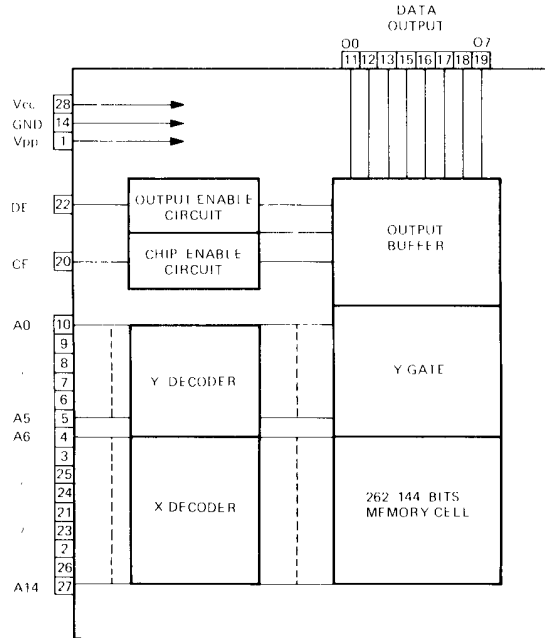
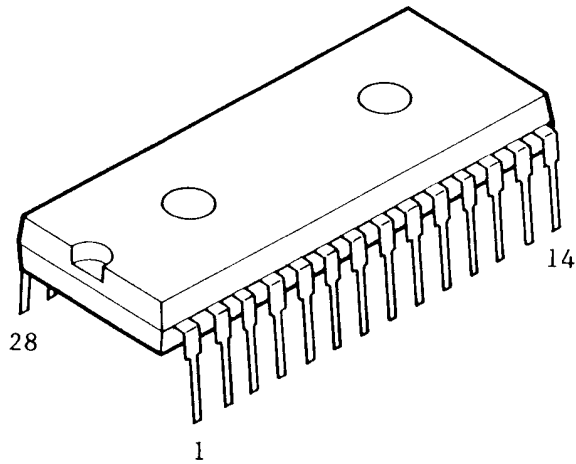


SEMICONDUCTOR INFORMATION

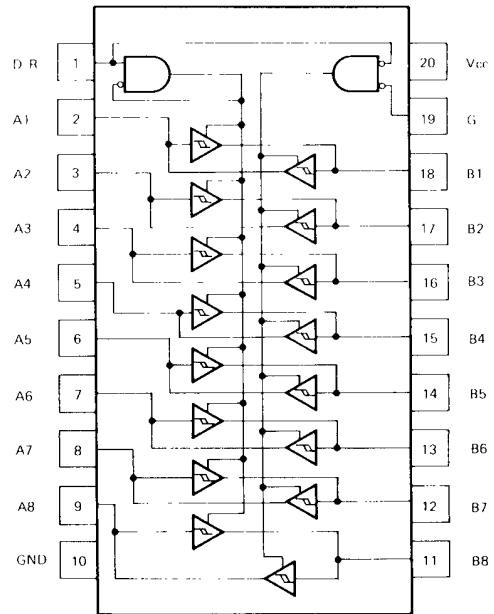
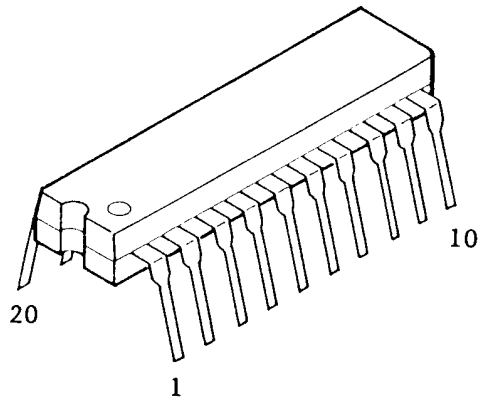
IC1: MC68B09EP



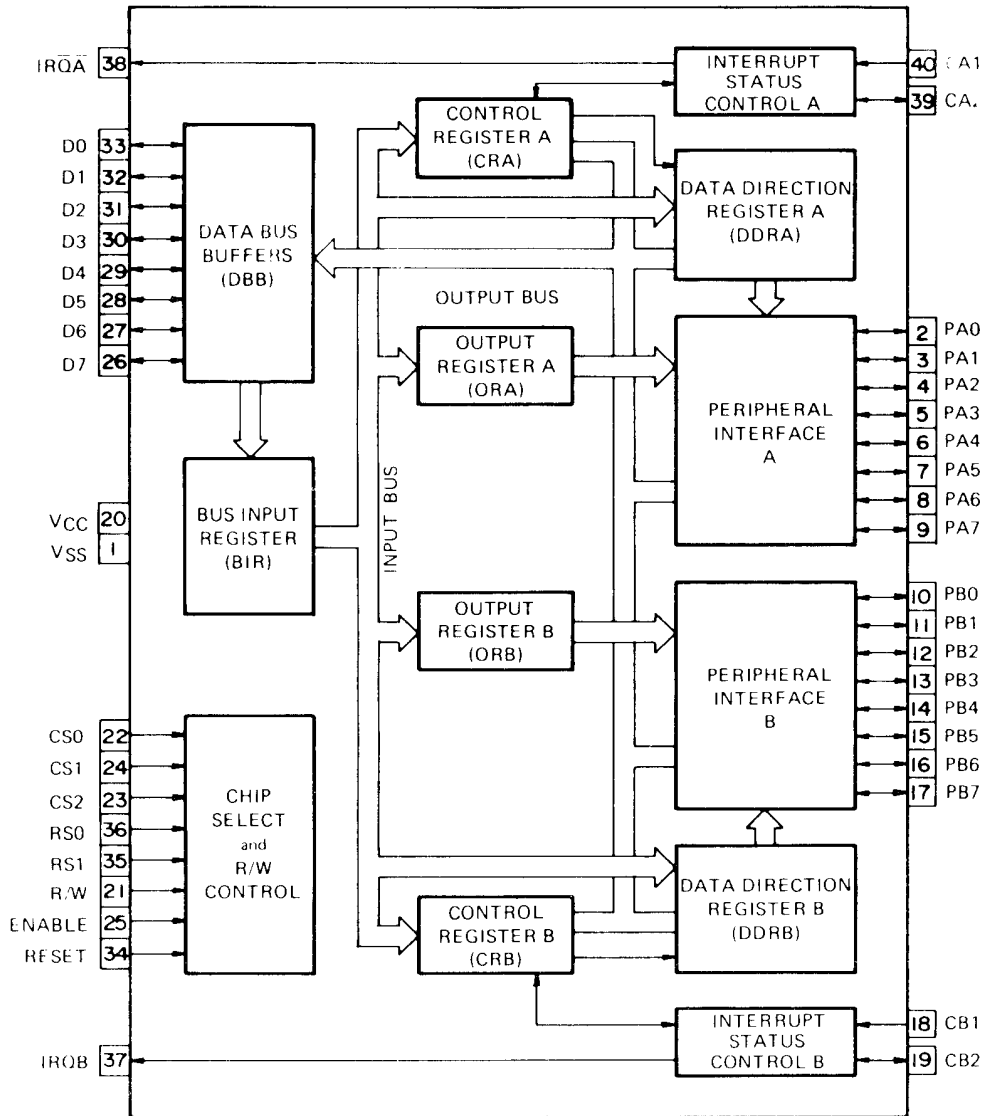
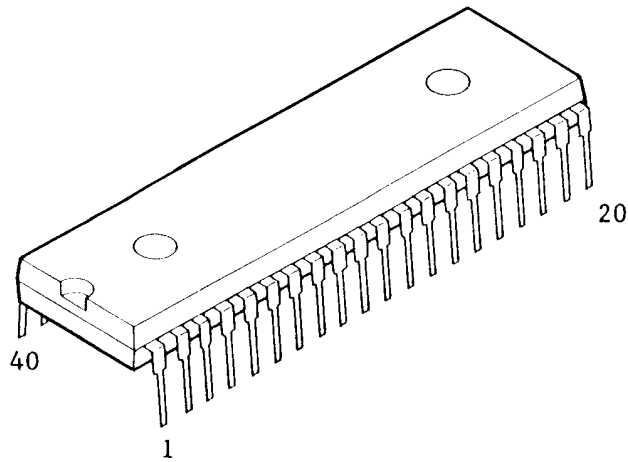
IC2: μ PD27C256D-20

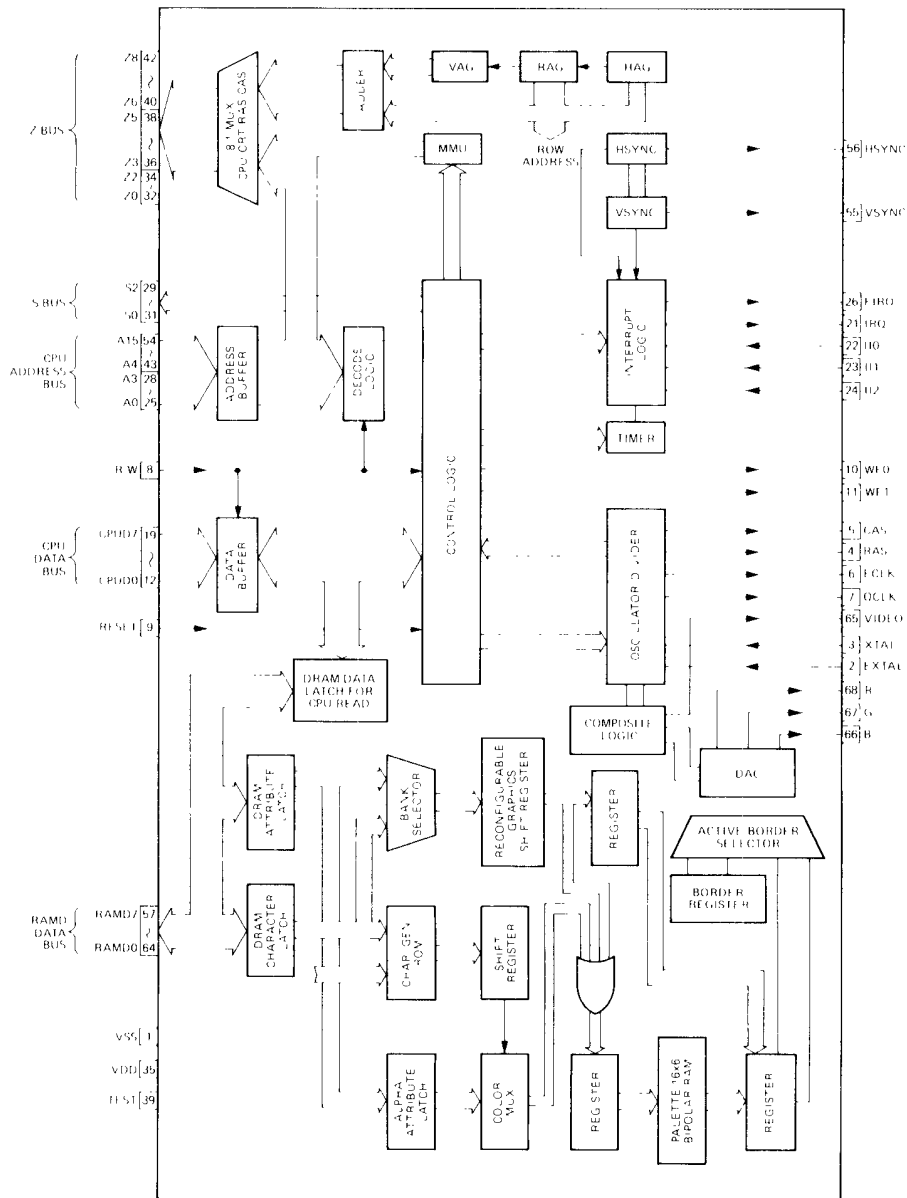
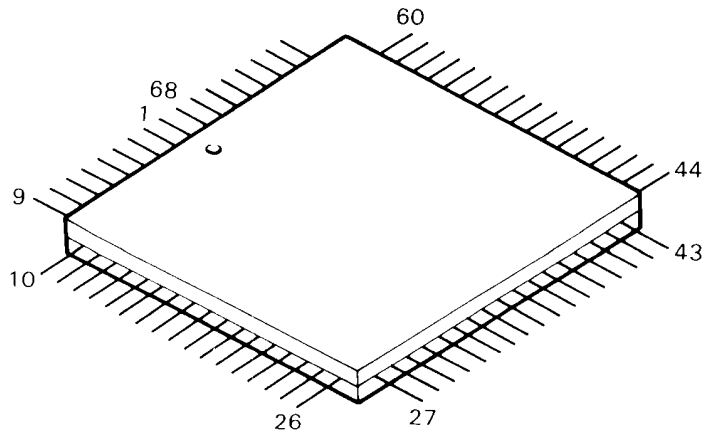


IC3: SN74LS245N

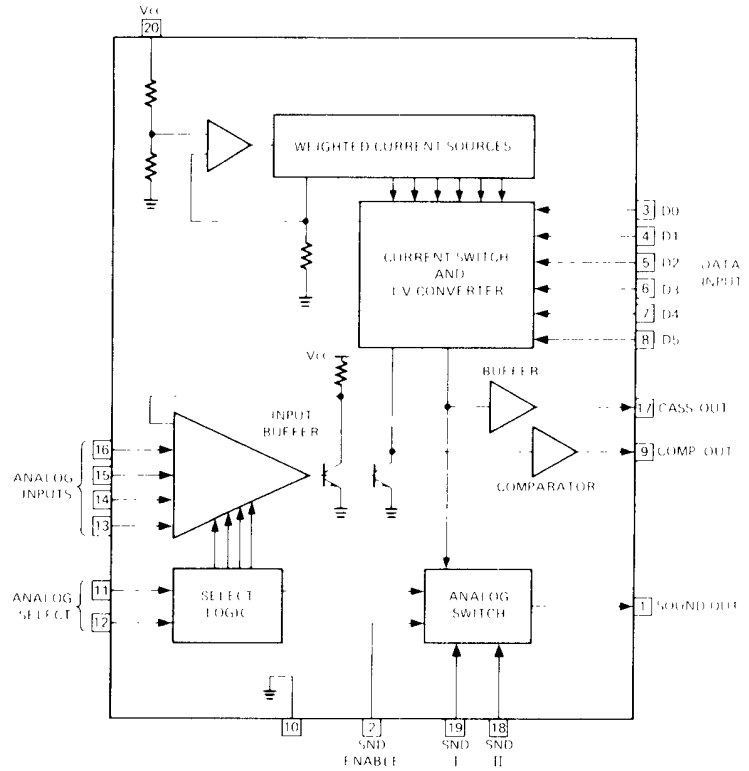
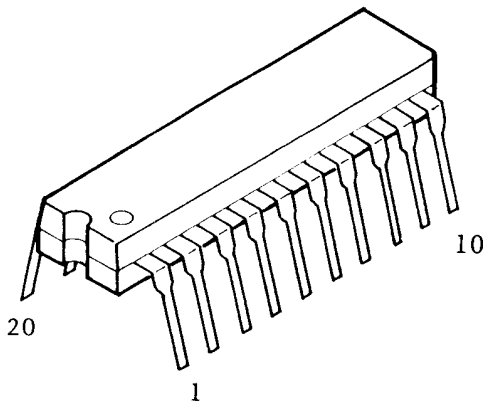


IC4: MC68B21P
 IC5: LSC81001P

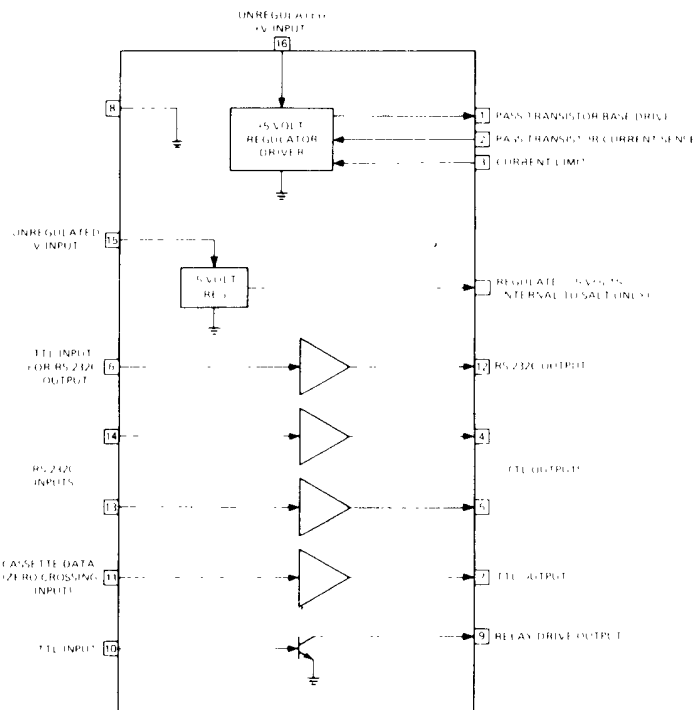
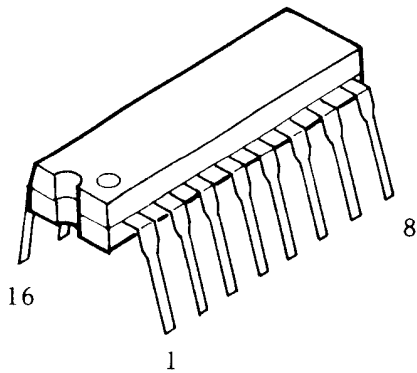




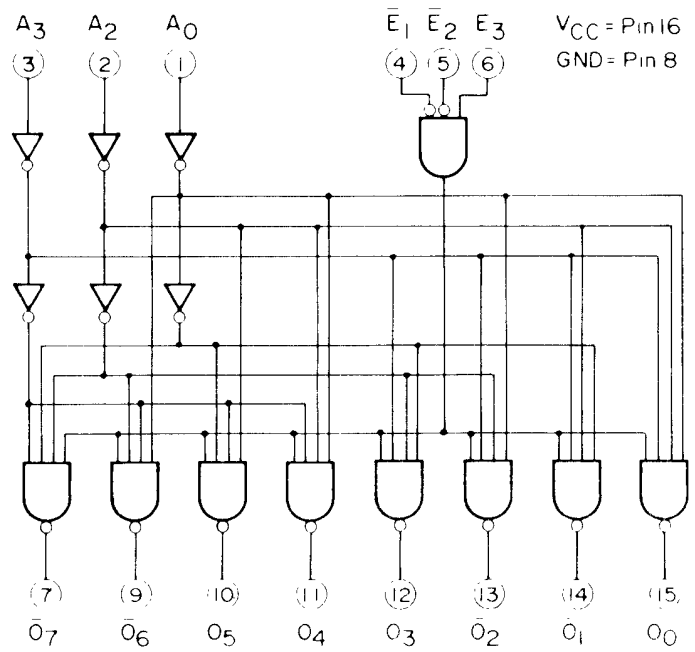
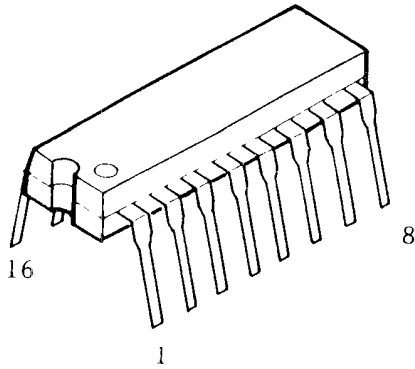
IC7: 8050526



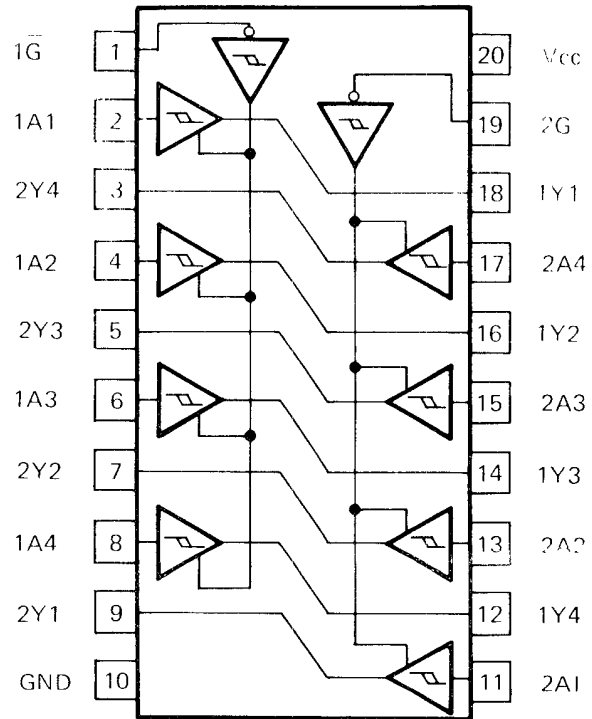
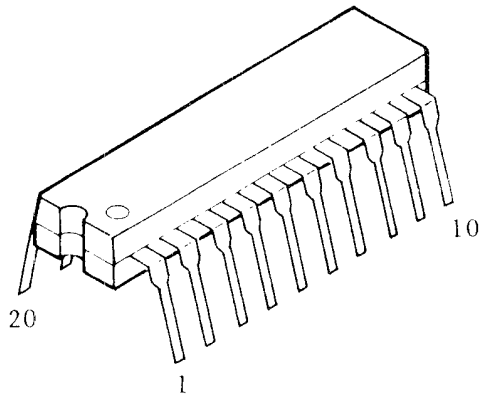
IC8: 8050527



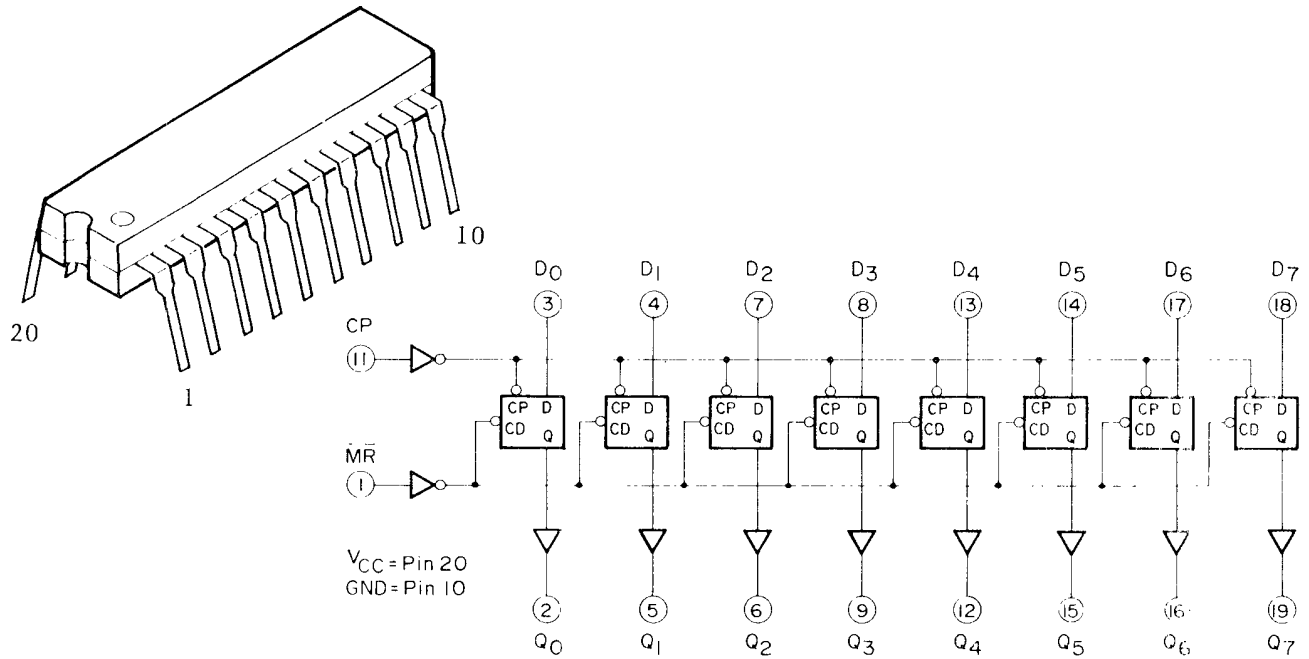
IC9: SN74LS138N



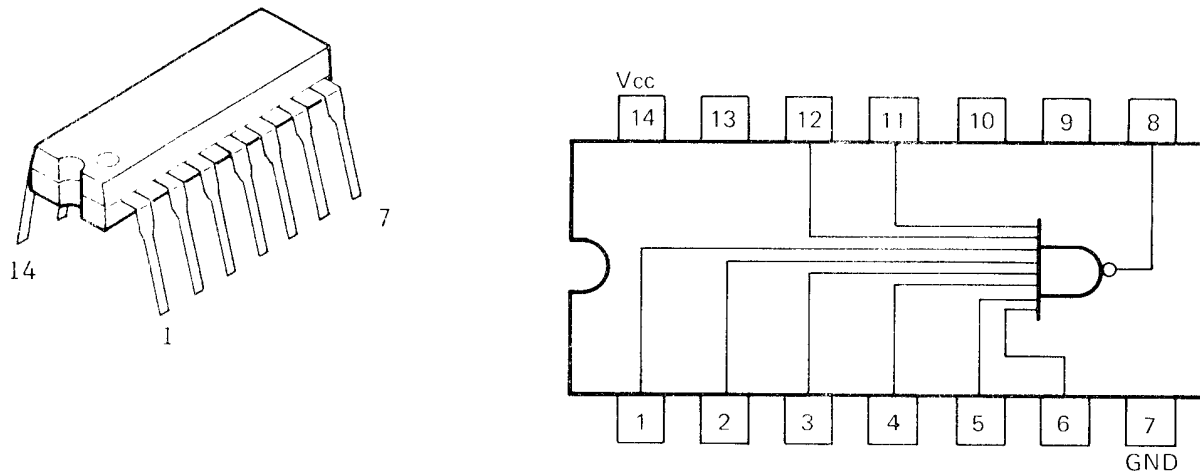
IC10-12: SN74LS244N



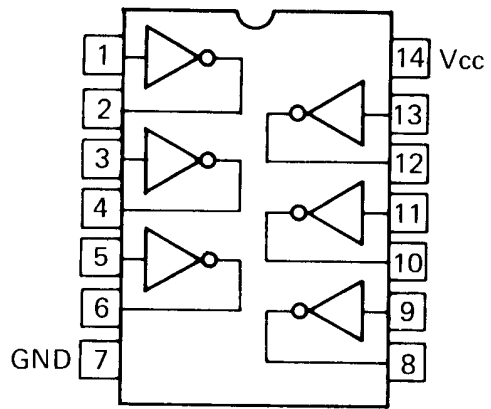
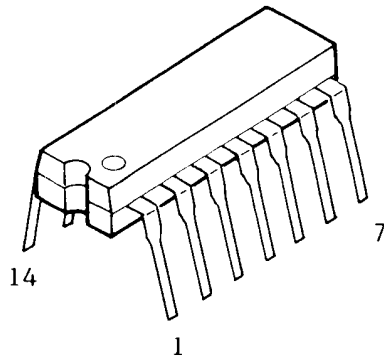
IC13: SN74LS374N



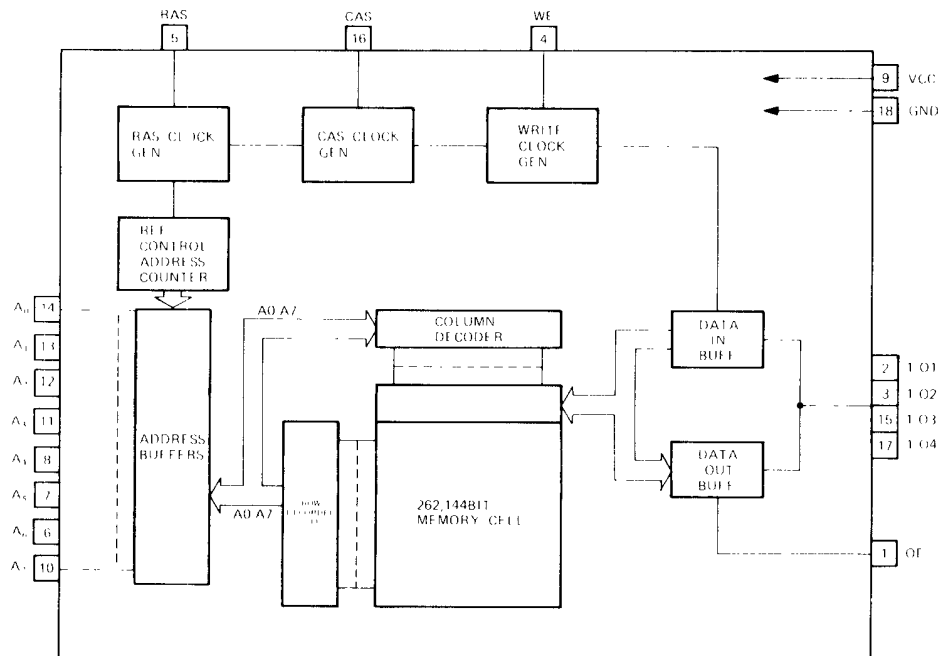
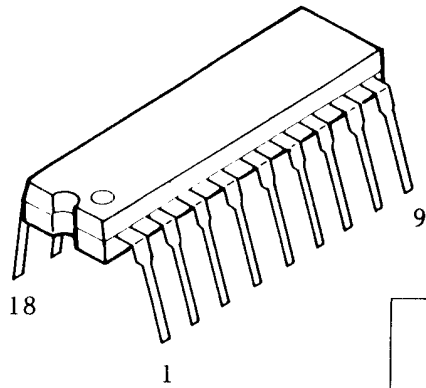
IC14: SN74LS30N



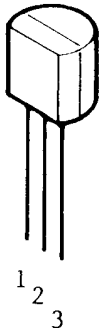
IC15: SN74LS04N



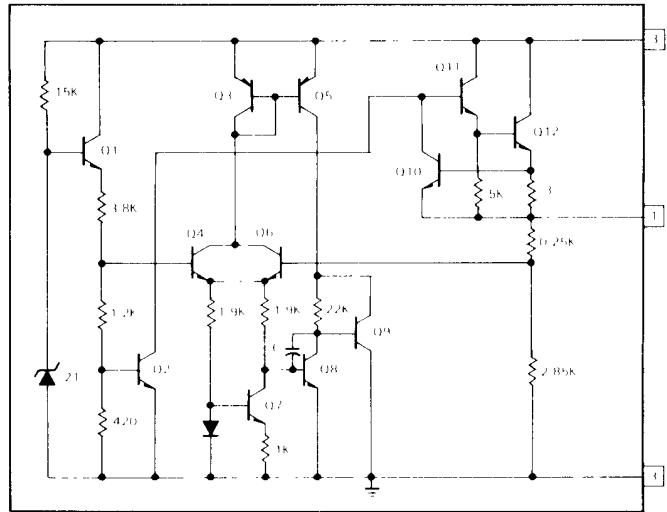
IC16-19: HM50464P-1



IC36: MC78L08ACP



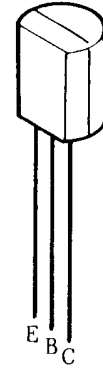
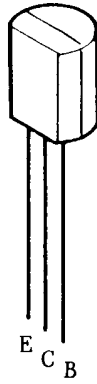
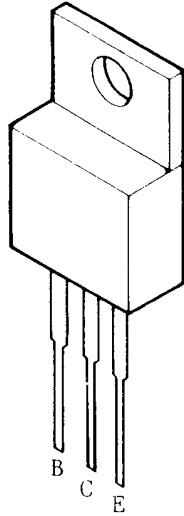
1: OUTPUT
2: GND
3: INPUT

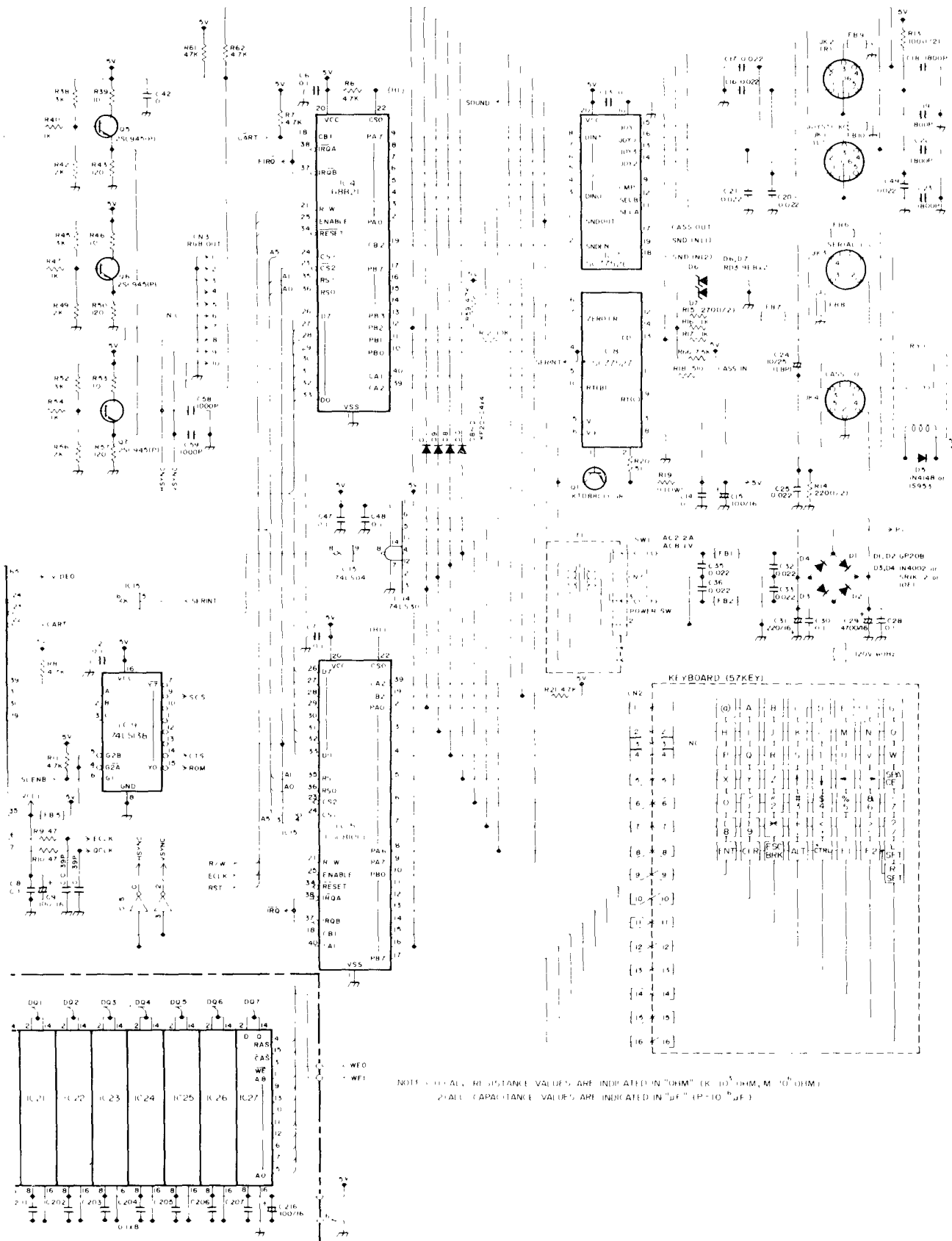


Q1: KTD880

Q2, Q3, Q5 - Q7: 2SC945

Q4: MPSA13



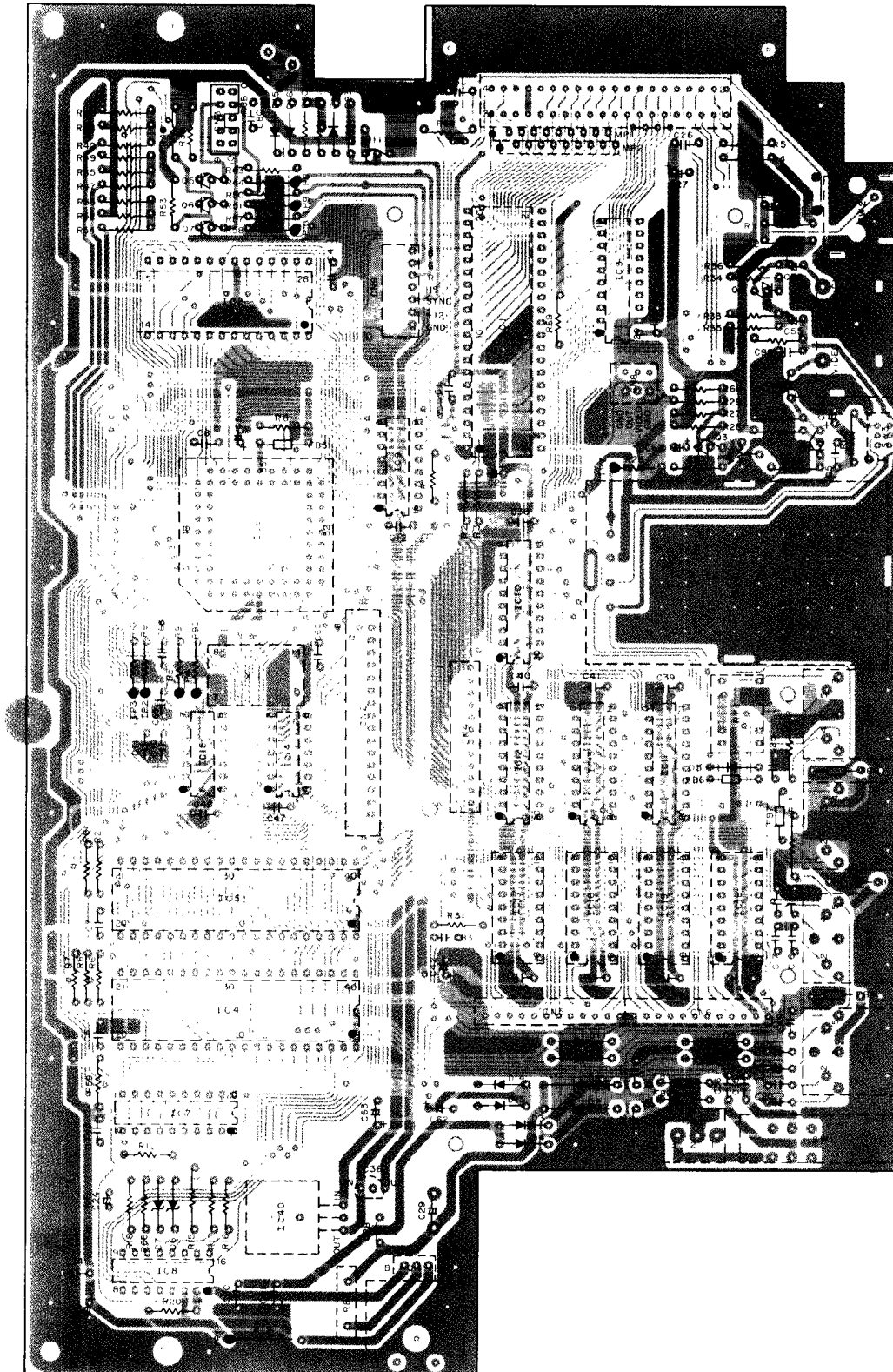


SECTION IX

PAL Version

PCB VIEWS.....	108
ELECTRICAL PARTS LIST.....	111
EXPLODED VIEW PARTS LIST.....	119
EXPLODED VIEW.....	121
SEMICONDUCTOR INFORMATION.....	122
SCHEMATIC DIAGRAM.....	126

BOTTOM VIEW



ELECTRICAL PARTS LIST

CAPACITORS					
Ref. No.	Description			RS Part No.	Mfr's Part No.
C1	M-Plastic	0.1 μ F	50V +-5% or		CFQMK104JL or
	M-Plastic	0.1 μ F	63V +-10% or		CFSSLA01KQ or
	Ceramic	0.1 μ F	50V+80-20%		CJRPK104ZM
C2	Electrolytic	10 μ F	25V +-20%		CEACI106M*
C3	Electrolytic	1 μ F	50V +-20%		CEACK105M*
C4-8	M-Plastic	0.1 μ F	50V +-5% or		CFQMK104JL or
	M-Plastic	0.1 μ F	63V +-10% or		CFSSLA01KQ or
	Ceramic	0.1 μ F	50V+80-20%		CJRPK104ZM
C9	Electrolytic	10 μ F	25V +-20%		CEACI106M*
C10/11	Ceramic SL	39pF	50V +-5%		CCJVK390J*
C12-14	M-Plastic	0.1 μ F	50V +-5% or		CFQMK104JL or
	M-Plastic	0.1 μ F	63V +-10% or		CFSSLA01KQ or
	Ceramic	0.1 μ F	50V+80-20%		CJRPK104ZM
C15	Electrolytic	100 μ F	16V +-20%		CEACG107M*
C16/17	Ceramic	0.022 μ F	50V+80-20%		CKKPK223Z*
C18/19	Mylar*	1800pF	50V +-10%		CQQMK182K* or
					CQQMK182KL
					CKKPK223Z*
C20/21	Ceramic	0.022 μ F	50V+80-20%		CQQMK182K* or
C22/23	Mylar	1800pF	50V +-10%		CQQMK182KL
C24	Electro NP/LN	10 μ F	25V +-20%		CEPCI106M*
C25	Ceramic	0.022 μ F	50V+80-20%		CKKPK223Z*
C26	M-Plastic	0.1 μ F	50V +-5% or		CFQMK104JL or
	M-Plastic	0.1 μ F	63V +-10% or		CFSSLA01KQ or
	Ceramic	0.1 μ F	50V+80-20%		CJRPK104ZM
C27	Electrolytic	100 μ F	16V +-20%		CEACG107M*
C28	M-Plastic	0.1 μ F	50V +-5% or		CFQMK104JL or
	M-Plastic	0.1 μ F	63V +-10% or		CFSSLA01KQ or
	Ceramic	0.1 μ F	50V+80-20%		CJRPK104ZM
C29	Electrolytic	4700 μ F	16V +-20%		CEACG478M*
C30	M-Plastic	0.1 μ F	50V +-5% or		CFQMK104JL or
	M-Plastic	0.1 μ F	63V +-10% or		CFSSLA01KQ or
	Ceramic	0.1 μ F	50V+80-20%		CJRPK104ZM
C31	Electrolytic	220 μ F	16V +-20%		CEACG227M*
C32/33	Ceramic	0.022 μ F	50V+80-20%		CKKPK223Z*
C34	Not Used				
C35/36	Ceramic	0.022 μ F	50V+80-20%		CKKPK223Z*
C37	Not Used				
C38-41	M-Plastic	0.1 μ F	50V +-5% or		CFQMK104JL or
	M-Plastic	0.1 μ F	63V +-10% or		CFSSLA01KQ or
	Ceramic	0.1 μ F	50V+80-20%		CJRPK104ZM
C42	Electrolytic	100 μ F	16V +-20%		CEACG107M*
C43-48	M-Plastic	0.1 μ F	50V +-5% or		CFQMK104JL or
	M-Plastic	0.1 μ F	63V +-10% or		CFSSLA01KQ or
	Ceramic	0.1 μ F	50V+80-20%		CJRPK104ZM
C49	Ceramic	0.022 μ F	50V+80-20%		CKKPK223Z*
C50	Electrolytic	10 μ F	25V +-20%		CEACI106M*

NOTE: *Mylar is a registered trademark of E. I. Du Pont de Nemours and Company.

Ref. No.	Description				
C51	M-Plastic	0.1 μ F	50V	+ -5% or	CFQMK104JL or CFSSLA01KQ or CJRPK104ZM
	M-Plastic	0.1 μ F	63V	+ -10% or	
	Ceramic	0.1 μ F	50V+80-20%		
C54	Electrolytic	470 μ F	16V	+ -20%	CEACG477M*
C55/56	Electrolytic	10 μ F	25V	+ -20%	CEAC1106M*
C57	Ceramic	0.022 μ F	50V+80-20%		CKKPK223Z*
C58/59	Not Used				
C60	M-Plastic	0.1 μ F	50V	+ -5% or	CFQMK104JL or CFSSLA01KQ or CJRPK104ZM
	M-Plastic	0.1 μ F	63V	+ -10% or	
	Ceramic	0.1 μ F	50V+80-20%		
C61	Ceramic SL	39pF	50V	+ -5%	CCJVK390J*
C62	Electrolytic	1000 μ F	16V	+ -20%	CECCG108M*
C63	Electrolytic	1000 μ F	25V	+ -20%	CECC1108M*
C64	Not Used				
C65	Ceramic SL	82pF	50V	+ -5%	CCJBK820J*
C66	Ceramic	27pF	50V	+ -5%	CCJBK270J*
C67	Electrolytic	47 μ F	16V	+ -20%	CEDCG476M*
C68-79	Not Used				
C80	Mylar	1500pF	50V	+ -5%	CQQMK152J* or CQQMK152JL
C81/82	Not Used				
C83	Mylar	0.01 μ F	50V	+ -5%	CQQMK103J* or CQQMK103JL
C84-89	Not Used				
C90	Ceramic NPO	10 μ F	50V	+ -5%	CCJBK101J*
C91-100	Not Used				
C101	Electrolytic	100 μ F	16V	+ -20%	CECCG107M*
C102	M-Plastic	0.1 μ F	50V	+ -5% or	CFQMK104JL or CFSSLA01KQ
	M-Plastic	0.1 μ F	63V	+ -10%	
C103	Mylar	0.01 μ F	50V	+ -5% or	CQQMK103JL or CFQMK103JL
	M-Plastic	0.01 μ F	50V	+ -5%	
C104	Ceramic	1000pF	50V+80-20%		CKJPK102Z*
C105	Mylar	2200pF	50V	+ -5%	CQQMK222JL or CFQMK222JL
C106	Ceramic NPO	15pF	50V	+ -5%	CCJBK150J*
C107	Ceramic	1000pF	50V+80-20%		CKJPK102Z*
C108	Mylar	0.01 μ F	50V	+ -5% or	CQQMK103JL or CFQMK103JL
	M-Plastic	0.01 μ F	50V	+ -5%	
C109-111	Electrolytic	10 μ F	16V	+ -20%	CEDCG106M*
C112	Mylar	1000pF	50V	+ -5%	CQQMK102J*
C113-116	M-Plastic	0.1 μ F	50V	+ -5% or	CFQMK104JL or CFSSLA01KQ
	M-Plastic	0.1 μ F	63V	+ -10%	
C117/118	Ceramic NPO	100pF	50V	+ -5%	CCJBK101J*
C119	Mylar	0.01 μ F	50V	+ -5% or	CQQMK103JL or CFQMK103JL
	M-Plastic	0.01 μ F	50V	+ -5%	
C120	Ceramic	1000pF	50V+80-20%		CKJPK102Z*
C121	Ceramic NPO	30pF	50V	+ -5%	CCJBK300J*
C122	Not Used				
C123-125	M-Plastic	0.1 μ F	50V	+ -5% or	CFQMK104JL or CFSSLA01KQ
	M-Plastic	0.1 μ F	63V	+ -10%	
C126	Not Used				
C127	Mylar	1800pF	50V	+ -5%	CQQMK182J*
C128	M-Plastic	0.1 μ F	50V	+ -5% or	CFQMK104JL or CFSSLA01KQ
	M-Plastic	0.1 μ F	63V	+ -10%	

Ref. No.	Description	RS Part No.	Mfr's Part No.
C129	Ceramic 5p 50V+-0.25pF		CCJBK5R0C*
C130	Ceramic 1000pF 50V+80-20%		CKJPK102Z
C131	Ceramic NPO 39pF 50V +-5%		CCJBK390J*
C132	Electrolytic 47µF 16V +-20%		CEDCG476M*
COIL			
L101	Inductor 100µH K		142011510A
L102	Inductor 22µH K		142011430A
CONNECTORS			
CN1	PCB 40Pin Cartridge or		194210060A or
	PCB		194210140A
CN2	Wire 16Pin Keyboard or		193910680A or
	Wire		193911090A
CN3	Pin 10Pin RGB		194112500A
CN4-6	Pin 12Pin		194010510A
CN7	Pin 3Pin		194111250A
CN8	Pin 3Pin		194011120A
	Pin		194112550A
CN9	Pin 7Pin		194011130A
	Pin		194112560A
CORES			
FB1/2	for Noise		588010060A or
			588010070A or
			588010130A
FB3/4	Not Used		
FB5-10	for Noise		588010060A or
			588010070A or
			588010130A
CRYSTALS			
X1	28.475MHz Clock OSC		391012290A
X101	4.433618MHz HC-18/U		391010251A
DIODES			
D1/2	Silicon GP20B Rectifier		SDSI00140-
D3/4	Silicon 1N4002 or		SDSI00036- or
	SR1K-2 or		SDSI00026- or
	10E1 or		SDSI00003- or
	1N4002		SDSI00007-
D5	Silicon 1S953 Switching or		SDSI00015- or
	1N4148		SDSI00057- or
			SDSI00064-

Ret. No.	Description				RS Part No.	Mfr's Part No.	
D6/7	Zener	RD3.9E-B	Switching	or		SZRD3.9EB- or	
		RD3.9E-L		or		SZRD3.9EL- or	
		RD3.9E-N				SZRD3.9EN-	
D8-11	Germanium	1KF20-04	Switching			SDGE00012-	
D12	Silicon	1S953	Switching	or		SDSI00015- or	
		1N4148				SDSI00057- or	
						SDSI00064-	
D13/14	Silicon	1N4002		or		SDSI00036- or	
		SRIK-2		or		SDSI00026- or	
		10E1		or		SDSI00003- or	
		1N4002				SDSI00007-	
D15-17	Silicon	1S953	Switching	or		SDSI00015- or	
		1N4148				SDSI00057- or	
						SDSI00064-	
D101	Varicap	ITT310				SDVC00005-	
FUSE							
F1	250V 0.4A	(S504)				251201420A	
ICs							
IC1		MC68B09EP	N-MOS	MPU	or	SIMC68B09E or	
		MBL68B09E-P-G				or	SIBL68B09E or
		HD68B09EP					SIHD68B09E
IC2		MBM27C256-25CZG	N-MOS	EP-ROM	or	SIBM256-25 or	
		TC57256D-20				or	SITC#0003-
		MBM27C256A-25CZG					SIBM256A25
IC3		SN74LS245N	TTL	BUS	or	SIRNS245N- or	
		MB74LS245M				or	SIMBS245M- or
		M74LS245P				or	SIM-S245P- or
		HD74LS245P					SIHDS245P-
IC4		MC68B21P	N-MOS	PIA	or	SIMC68B21- or	
		MB8874HM-G				or	SIMB74HM-G or
		HD68B21P					SIHD68B21-
IC5	LSC81001P	N-MOS	PIA Select			SILS81001P	
IC6		TCC1014	C-MOS	ACVC		SICC1014--	
		IC Socket				68Pin	195110470A or
						195110480A	
IC7	8050526	Bipola	DA	Convertor		SISC50526-	
IC8	8050527	Bipola		Regulator		SISC50527-	
IC9		SN74LS138N	TTL	Decoder	or	SIRNS138N- or	
		MB74LS138M				or	SIMBS138M- or
		M74LS138P				or	SIM-S138P- or
		HD74LS138P					SIHDS138P-
IC10-12		SN74LS244N	TTL	Buffer	or	SIRNS244N- or	
		MB74LS244M				or	SIMBS244M- or
		M74LS244P				or	SIM-S244P- or
		HD74LS244P					SIFDS244P-
IC13		SN74LS374N	TTL	D-TYPE	or	SIRNS374N- or	
		MB74LS374M				or	SIMBS374M- or
		M74LS374P				or	SIM-S374P- or
		HD74LS374P					SIHDS374P-

Ref. No.	Description	RS Part No.	Mfr's Part No.
IC14	SN74LS30N TTL 8IN NAND	or	SIRNS30N-- or
	MB74LS30M	or	SIMBS30M-- or
	M74LS30P	or	SIM-S30P-- or
	HD74LS30P		SIHDS30P--
IC15	SN74LS04N TTL Inverter	or	SIRNS04N-- or
	MB74LS04M	or	SIMBS04M-- or
	M74LS04P	or	SIM-S04P-- or
	HD74LS04P		SIHDS04P--
IC16-19	MB81464-15P-G N-MOS DRAM	or	SIMB464-15 or
	HM50464P-15	or	SIHM464-15 or
	M5M4464P-15	or	SIM-464-15 or
	μPD41464C-15	or	SIPD464-15 or
	μPD41464C-15	or	SIPD464-12 or
	TMS4464-15NL		SITS464-15
	IC Socket 18Pin		195110410A or 195110150A or 195110290A
IC36	MC78L08ACP Bipola Regulator	or	SIMCL08A-- or
	NJM78L08(A)		SINM78L08A
IC37-39	Not Used		
IC40	MC7812CT Bipola Regulator	or	SIMC#0006-- or
	μPC7812H		SIPC7812H-
IC101	MC14569BCP C-MOS Counter		SIMD4569B-
IC102	MC14568BCP C-MOS Counter		SIMD4568B-
IC103	MC1377P Bipola RGB		SIMC1377P-
JACKS			
JK1/2	DIN Joystick		193410040A or 193410070A
JK3	DIN Serial I/O		193410020A or 193410050A
JK4	DIN Cassette I/O		193410030A or 193410060A
JK5	RCA 2P Video/Sound		192010400A
POTENTIOMETERS			
VR1	Semi-Fixed 500B V-Level Adjust		177110470A
VR2	Semi-Fixed 10kB HSYNC Pulse Width		177310220A or
			177310080A
VR101	Semi-Fixed 20kB Burst Position		177310230A or
			177310070A
RELAY			
RY1	Remote Control ON/OFF for Cassette		581010140A or 581010160A or 581010710A

RESISTORS

Ref. No.	Description	RS Part No.	Mfr's Part No.
R1	Carbon 100kohm 1/4W +-5%		RCSQP104J*
R2-8	Carbon 4.7kohm 1/4W +-5%		RCSQP472J*
R9/10	Carbon 47 ohm 1/4W +-5%		RCSQP470J*
R11	Carbon 4.7kohm 1/4W +-5%		RCSQP472J*
R12	Carbon 10kohm 1/4W +-5%		RCSQP103J*
R13	Carbon 100 ohm 1/2W +-5%		RCSHP101J*
R14	Carbon 220 ohm 1/2W +-5%		RCSHP221J*
R15	Carbon 270 ohm 1/2W +-5%		RCSHP271J*
R16/17	Carbon 1.0kohm 1/4W +-5%		RCSQP102J*
R18	Carbon 510 ohm 1/4W +-5%		RCSQP511J*
R19	M-Film 10 ohm 1W +-5%		RM01HR10J*
R20	Carbon 51 ohm 1/4W +-5%		RCSQP510J*
R21	Carbon 4.7kohm 1/4W +-5%		RCSQP472J*
R22-25	Not Used		
R26	Carbon 2.2kohm 1/4W +-5%		RCSQP222J*
R27	Carbon 120kohm 1/4W +-5%		RCSQP124J*
R28	Carbon 10 ohm 1W +-5%		RCSQP100J*
R29	Carbon 82kohm 1/4W +-5%		RCSQP823J*
R30	Carbon 100 ohm 1/4W +-5%		RCSQP101J*
R31	Carbon 39kohm 1/4W +-5%		RCSQP393J*
R32	Carbon 20kohm 1/4W +-5%		RCSQP203J*
R33	Carbon 220kohm 1/4W +-5%		RCSQP224J*
R34	Carbon 100 ohm 1/4W +-5%		RCSQP101J*
R35	Carbon 220kohm 1/4W +-5%		RCSQP224J*
R36	Carbon 1.0kohm 1/4W +-5%		RCSQP102J*
R37	Not Used		
R38	Carbon 4.7kohm 1/4W +-5%		RCSQP472J*
R39	Carbon 10 ohm 1W +-5%		RCSQP100J*
R40	Carbon 1.0kohm 1/4W +-5%		RCSQP102J*
R41	Not Used		
R42	Carbon 3.9kohm 1/4W +-5%		RCSQP392J*
R43	Carbon 43 ohm 1/4W +-5%		RCSQP430J*
R44	Carbon 82 ohm 1/4W +-5%		RCSQP820J*
R45	Carbon 4.7kohm 1/4W +-5%		RCSQP472J*
R46	Carbon 10 ohm 1W +-5%		RCSQP100J*
R47	Carbon 1.0kohm 1/4W +-5%		RCSQP102J*
R49	Carbon 3.9kohm 1/4W +-5%		RCSQP392J*
R50	Carbon 43 ohm 1/4W +-5%		RCSQP430J*
R51	Carbon 82 ohm 1/4W +-5%		RCSQP820J*
R52	Carbon 4.7kohm 1/4W +-5%		RCSQP472J*
R53	Carbon 10 ohm 1W +-5%		RCSQP100J*
R54	Carbon 1.0kohm 1/4W +-5%		RCSQP102J*
R56	Carbon 3.9kohm 1/4W +-5%		RCSQP392J*
R57	Carbon 43 ohm 1/4W +-5%		RCSQP430J*
R58	Carbon 82 ohm 1/4W +-5%		RCSQP820J*
R59	Carbon 4.7kohm 1/4W +-5%		RCSQP472J*
R60	Carbon 100 ohm 1/4W +-5%		RCSQP101J*
R61/62	Carbon 4.7kohm 1/4W +-5%		RCSQP472J*
R63	Not Used		
R64	Carbon 47 ohm 1/4W +-5%		RCSQP470J*
R65	Not Used		
R66	Carbon 7.5kohm 1/4W +-5%		RCSQP752J*

Ref. No.	Description	RS Part No.	Mfr's Part No.
R67	Carbon 1.0kohm 1/4W +-5%		RCSQP102J*
R68	Carbon 200 ohm 1/4W +-5%		RCSQP201J*
R69	Carbon 4.7kohm 1/4W +-5%		RCSQP472J*
R70	Not Used		
R71	Carbon 10 ohm 1W +-5%		RCSQP100J*
R72	Carbon 62 ohm 1/4W +-5%		RCSQP620J*
R73-79	Not Used		
R80	Carbon 820 ohm 1/4W +-5%		RCSQP821J*
R81	Carbon 1.8kohm 1/4W +-5%		RCSQP182J*
R82	Not Used		
R83	Carbon 470 ohm 1/4W +-5%		RCSQP471J*
R84/85	Not Used		
R86	Cement 2 ohm 5W +-10%		RT05Y2R0KT
R87-89	Not Used		
R90	Carbon 110 ohm 1/4W +-5%		RCSQP111J*
R91	Carbon 82 ohm 1/4W +-5%		RCSQP820J*
R92-100	Not Used		
R101	Carbon 820 ohm 1/4W +-5%		RCSQP821J*
R102	Carbon 33 ohm 1/4W +-5%		RCSQP330J*
R103	Carbon 2.2kohm 1/4W +-5%		RCSQP222J*
R104	Carbon 27kohm 1/4W +-5%		RCSQP273J*
R105	Carbon 680 ohm 1/4W +-5%		RCSQP681J*
R106	Carbon 100kohm 1/4W +-5%		RCSQP104J*
R107	Carbon 1.0kohm 1/4W +-5%		RCSQP102J*
R108	Not Used		
R109/110	Carbon 1.0kohm 1/4W +-5%		RCSQP102J*
R111	Not Used		
R112	Carbon 47kohm 1/4W +-5%		RCSQP473J*
R113/114	Carbon 10kohm 1/4W +-5%		RCSQP103J*
R115	Carbon 2.2kohm 1/4W +-5%		RCSQP222J*
R116/117	Not Used		
R118	Carbon 22 ohm 1/4W +-5%		RCSQP220J*
R119	Carbon 680 ohm 1/4W +-5%		RCSQP681J*
R120	Carbon 1.0kohm 1/4W +-5%		RCSQP102J*
R121	Carbon 470 ohm 1/4W +-5%		RCSQP471J*
R122	Carbon 1.0kohm 1/4W +-5%		RCSQP102J*
RESISTOR BLOCKS			
MP1/2	RGLD8X472J		522110520A
SWITCHES			
SW1	Push for Power		182110240A
SW2	Key for Reset		187010040A
SW3	Slide for Channel Select		183111400A
TRANSFORMER			
T1	Power EI54 240V		10102861SA

TRANSISTORS			
Ref. No.	Description	RS Part No.	Mfr's Part No.
Q1	KTD880(Y) NPN Regulator or KTD880(GR)		STKD880--Y or STKD880--G
Q2/3	2SC1730(L) NPN	Amp	ST2C1730-L
Q4	MPSA13 NPN	Amp	STMS-A13--
Q5-7	2SC1730(L) NPN	Amp	ST2C1730-L
Q8-10	Not Used		
Q11	2SC536(H) NPN		ST2C536--H
Q101	2SC536(H) NPN	Amp	ST2C536--H
Q102	2SC1674(L) NPN		ST2C1674-L
Q103	2SC2786(LF) NPN	Amp	ST2C2786LF

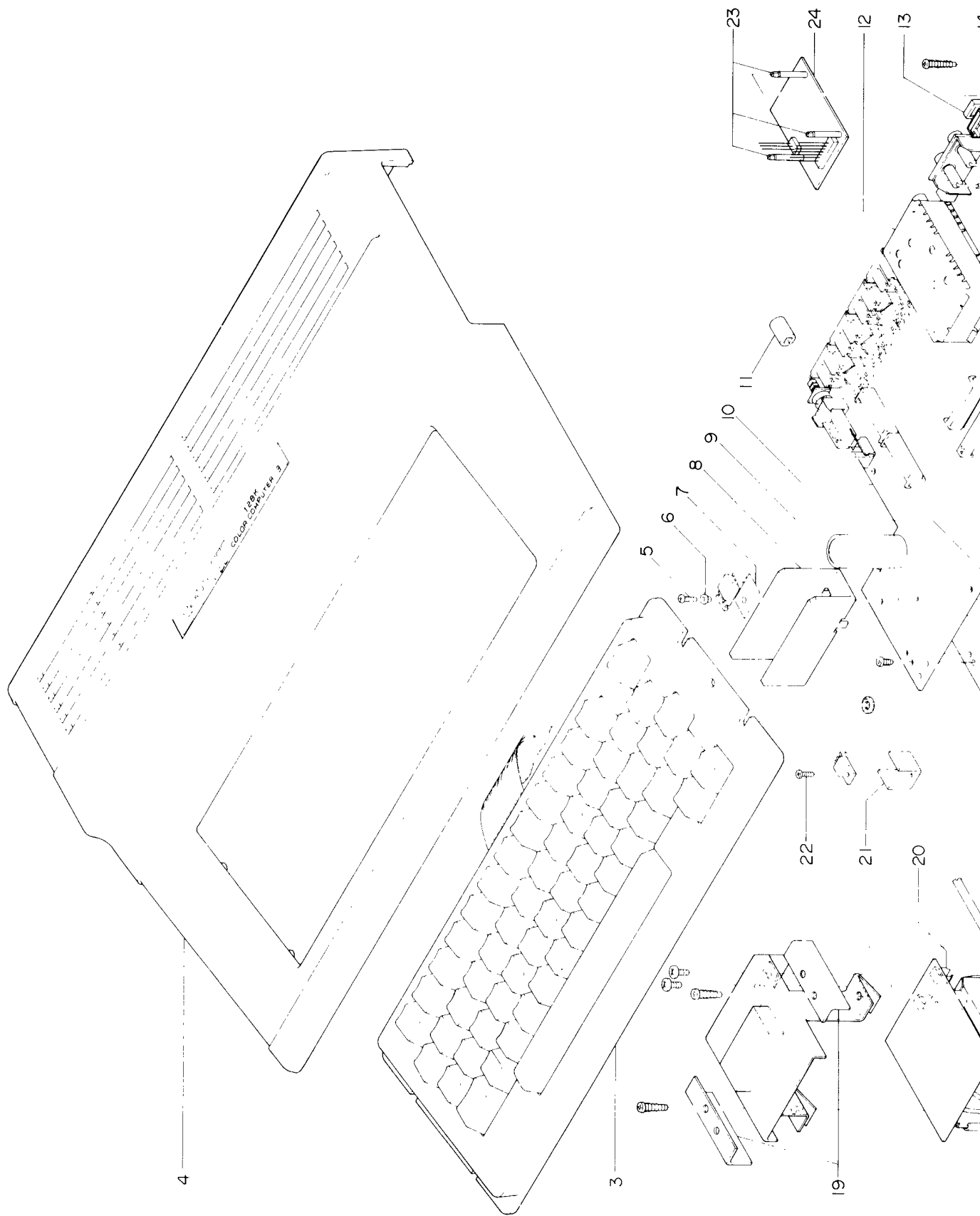
EXPLODED VIEW PARTS LIST

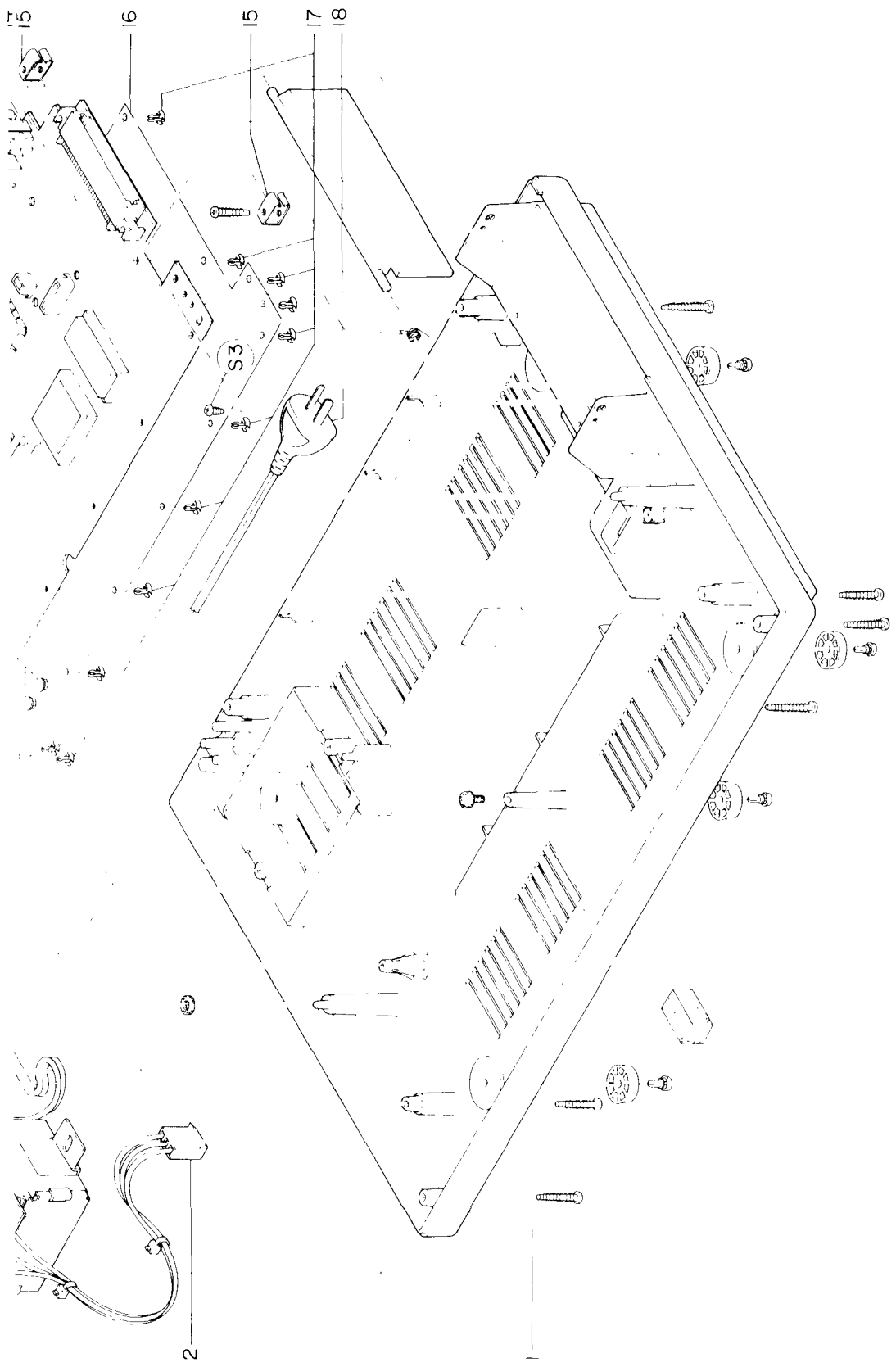
Ref. No.	Description	RS Part No.	Mfr's Part No.
1	Bottom Cabinet Ass'y		M-00726
	Cabinet, Bottom		601311370A
	Door		603610370A
	Spring, Torsion		434810040A
	Foot		608010060A or 608010350A
2	Pin Socket Ass'y with Lead Wire		M-00762
	Socket, Pin for Power Transformer		194011090A
	Pin, Crimp 5167TL		194310070A
3	Keyboard		187510370A
4	Top Cabinet Ass'y		M-00725
	Cabinet, Top		601211560A
	Plate, Top		711010470A
	Plate, Control		711310430A
5	Screw, 3x12P/Ni-3 for Q1		HMP03012SN
6	Grommet, M for Q1		481110120A
7	Sheet, Insulation for Q1		483011470A
8	Heat Sink, for Q1		471010780A
9	Nut, Flange 3FN for Q1 and IC40		HANF300-SY
10	PCB Unit, Main		U-32055-1
11	Knob, for Power		655000940A
12	Modulator, MDV-9		525010250A
13	Knob, for Reset		659510850A
14	Holder		411101870A
15	Holder		411103110A
16	Sheet, Shield PAL IN		473311060A
17	Rivet, PAL IN		HARRA003SN
18	AC Cord Ass'y		M-00765
	Cord, AC KP-560 7F		311010430A
	Socket, Pin		194011670A
	Crimp, Pin		194310190A
19	Holder		411103650A
20	Clip, Fuse		197303320C
21	Heat Sink, for IC40		471010770A
22	Screw, 3x10P/Ni-3 for IC40		HMP03010SN
23	Holder		413101410A
24	PCB Ass'y, Encoder		U-25596
	Hardware Kit		HWK263334P
	Screw, Taptite 4x20PT-B/ZNY Top/Bottom		HCPB4020SY
	Screw, Taptite 4x25PT-B/ZNY Top/Bottom		HCPB4025SY

MISCELLANEOUS

Ref. No.	Description	RS Part No.	Mfr's Part No.
	Cord, Patch RCA-PAL L3.7M 2.5C2		313510120A
	Connector, Pin for Power Transformer		194101351A

EXPLODED VIEW

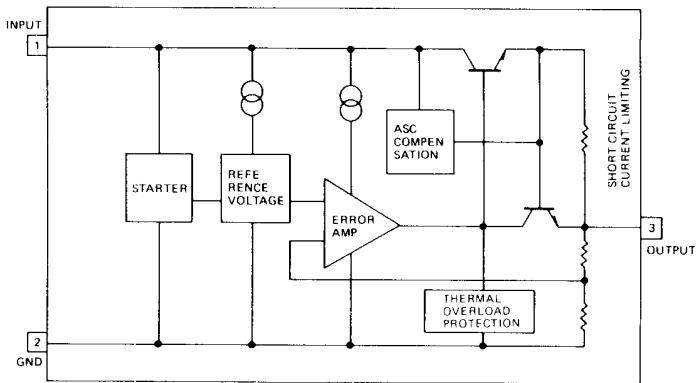
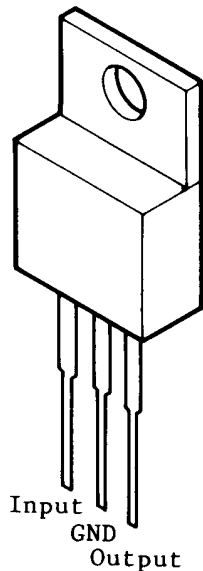




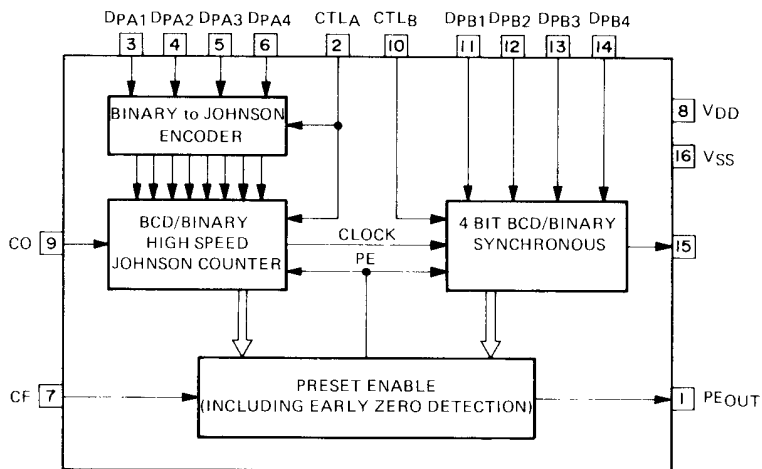
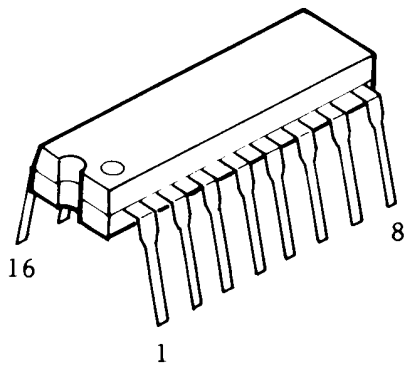
SEMICONDUCTOR INFORMATION

This section contains ICs and Transistors which differ from the NTSC version.

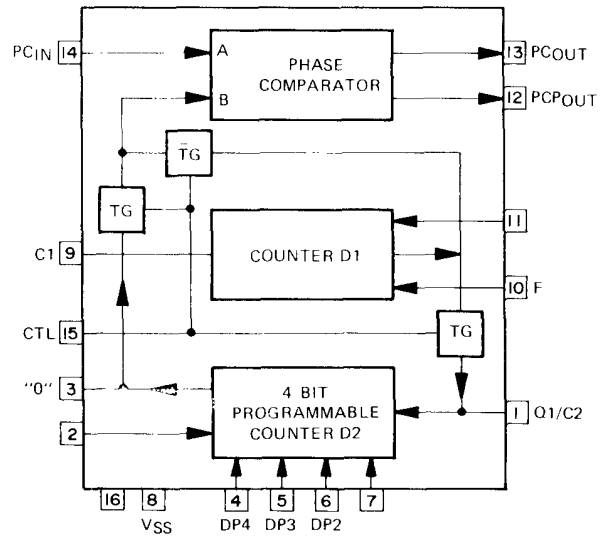
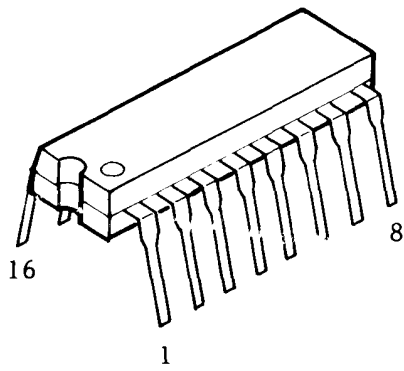
IC40: MC7812CT



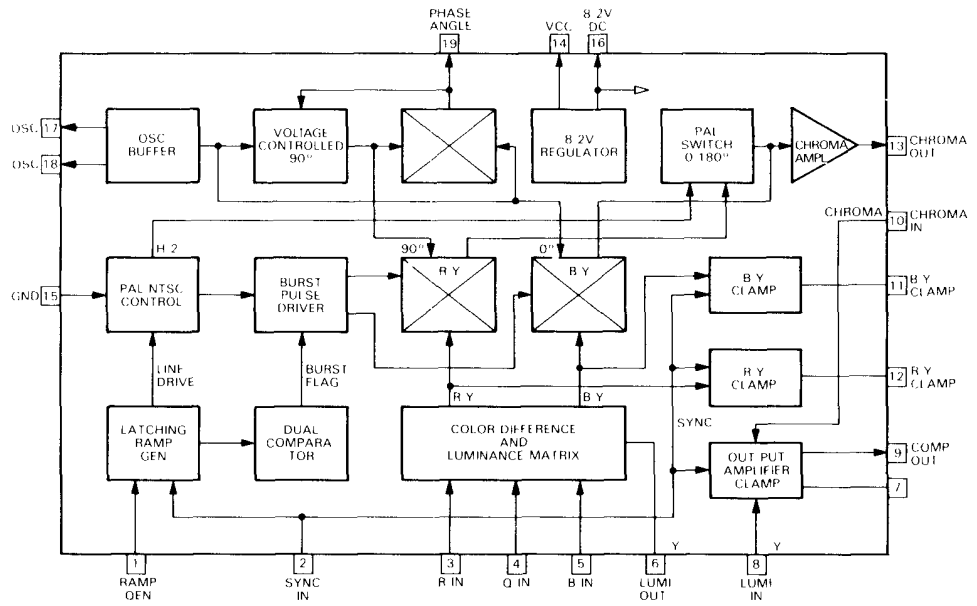
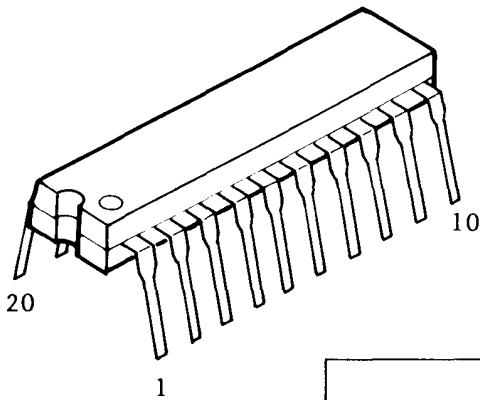
IC101: MC14569BCP



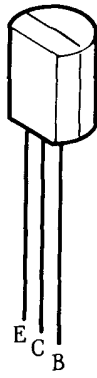
IC102: MC14568BCP



IC103: MC1377P



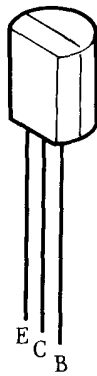
Q2,Q3,Q5-Q7: 2SC1730



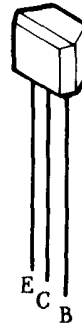
Q11,Q101: 2SC536



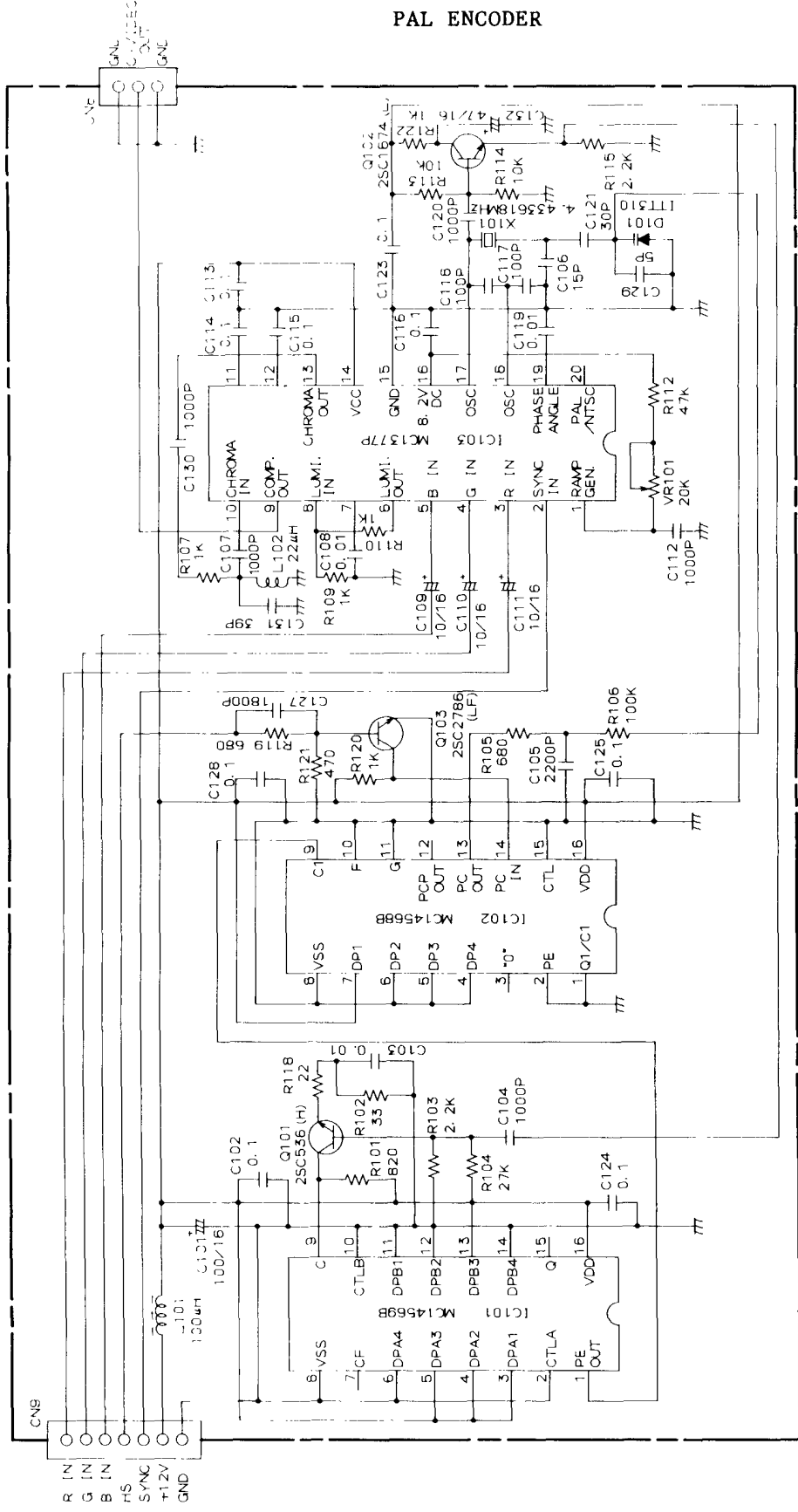
Q102: 2SC1674



Q103: 2SC2786



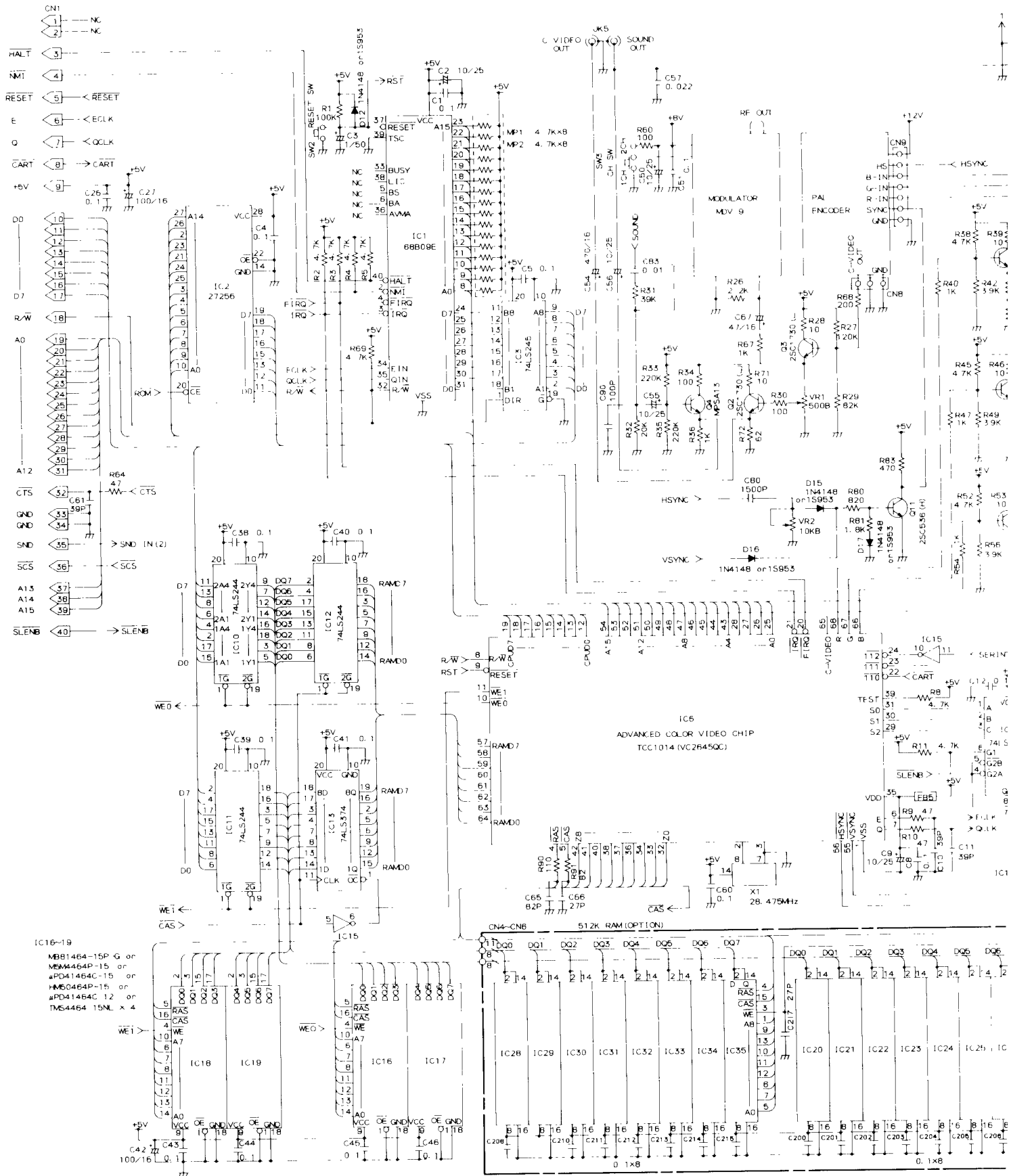
PAL ENCODER

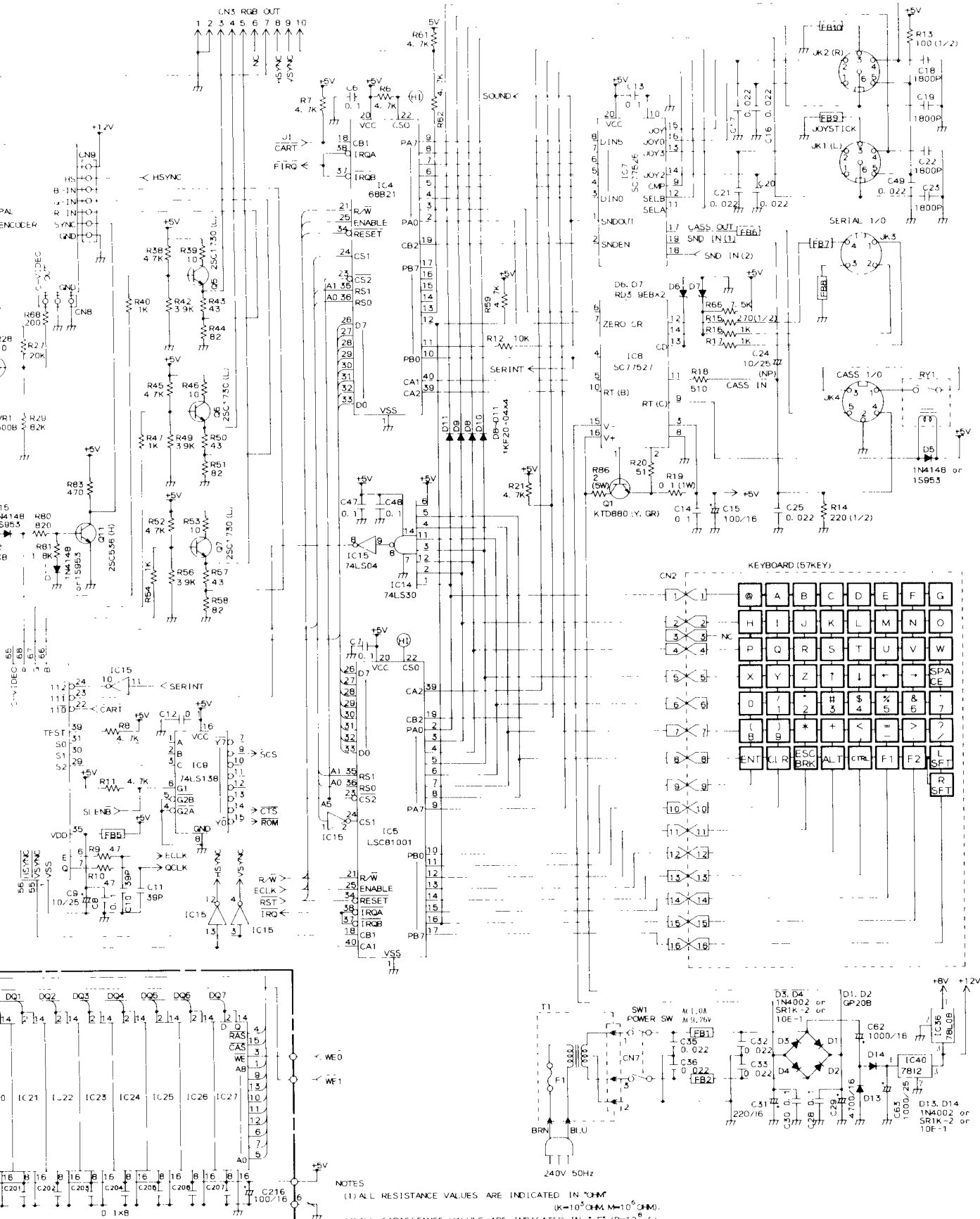


NOTES (1) ALL RESISTANCE VALUES ARE INDICATED IN "OHM" (K=10³ OHM).

(2) ALL CAPACITANCE VALUES ARE INDICATED IN "μF" (P=10⁻⁶ μF).

SCHEMATIC DIAGRAM





NOTES
 (1) ALL RESISTANCE VALUES ARE INDICATED IN "OHM"
 (K=10³ OHM M=10⁶ OHM)
 (2) ALL CAPACITANCE VALUES ARE INDICATED IN "UF" (P=10⁻⁹ UF)

RADIO SHACK
A Division of Tandy Corporation
Fort Worth, Texas 76102