



## **G.A.L. Manufacturing Corporation**

50 East 153<sup>rd</sup> Street, Bronx, N.Y. 10451

Phone (718) 292-9000 Fax (718) 292-2034

Email: [info@gal.com](mailto:info@gal.com) Website: [www.gal.com](http://www.gal.com)

**POWER CONTACTOR  
AND CONTROL RELAY  
PARTS BOOK**



## G.A.L. Manufacturing Corporation

50 East 153<sup>rd</sup> Street, Bronx, N.Y. 10451  
Phone (718) 292-9000 Fax (718) 292-2034

3/15/2007



# G.A.L. RELAYS AND POWER CONTACTORS PARTS BOOK

## INTRODUCTION

Initially, G.A.L. relays and contactors used Bakelite contact plates and cast iron frames. The controller plate was drilled thru and the relays were mounted to the plate.

In 1973, the Bakelite contact plates were replaced with molded plastic plates. The movable contacts were redesigned to accommodate the molded plate. The plates are interchangeable with the Bakelite plates but the fingers (movable contacts) have to be replaced. New fingers will not fit on old plates and old fingers will not fit correctly on new plates. When replacing either the fingers or the old plates, you must replace both.

Early in 1976, castings for the relay and contactor frames were no longer available from the foundries and were replaced by fabricated steel frames. The frames are interchangeable with the old castings with just two new mounting holes required, the coils are not interchangeable. However, replacement coils are still available.

In 1986 relays LC-25 & LC-26 were redesigned to be self-supporting modular units. Relay LC-49, which replaced LC-26, was reduced in size from 4 1/32" high to 3 3/8" (see below).

When ordering parts for the old relays and contactors, get the LC number of the old relay from the controller wiring diagram and look-up the corresponding new LC number in the table on form number S-F135. Then go to that LC drawing and look-up the part number for the item desired.

Some very early controller wiring diagrams did not indicate the relay LC number, it indicated the coil number instead. In that case, use the table below to find the LC number that corresponds to the coil number and the description of the number and size of contacts.

## ITEMS OF SPECIAL CONSIDERATION:

Fingers of old power contactors used a cotter pin to hold the spring and pin to the finger. To mount the old fingers to the contact plate, the cotter pin would be removed and the contact pin would be inserted thru the plate hole. New replacement fingers are not available with the removable cotter pin. To mount the new finger to the plate it is necessary to cut a slot thru the plate as shown on insert 12A of drawing LC-28 to allow the contact pin to slide thru.

When ordering a replacement contact plate for the LC-5 or LC-26 relay, be sure to measure the size of the plate.

The old plate was 4 9/16" x 4 1/32". The new LC-49P plate is 4 9/16" x 3 3/8"

The correct replacement plate part number is LC-0141N, be sure to indicate the plate dimensions when ordering this plate. Furthermore, the LC-5 Bakelite plate was a little longer



**G.A.L. Manufacturing Corporation**

50 East 153<sup>rd</sup> Street, Bronx, N.Y. 10451  
 Phone(718) 292-9000 Fax (718) 292-2034

3/15/2007



than the LC-26 plate. The LC-5 plate is no longer available, the LC-26 plate fingers will sit off-center of the stationary contacts but it will have to do or else the entire relay will have to be replaced with the modular LC-49 relay and mounted somewhere else on the controller. LC-48 and LC-49 are self-supporting modular relays. LC-48P and LC-49P are loose relay parts that mount on to the controller plate; their mounting screws and terminal studs are longer than the LC-48 and LC-49.

**CROSS REFERENCE TABLE OLD RELAY COIL NUMBER TO LC NUMBER**

OLD RELAY COIL NUMBER	MAX NUMBER AND SIZE OF MAIN CONTACTS	ORIGINAL RELAY LC NUMBER	REPLACEMENT RELAY LC NUMBER
5632 / 5744	4 n.o. and 3 n.c. – 3/8" silver	LC-1 or LC-25	LC-48P
5693	4 n.o. and 3 n.c. – 3/8" silver	LC-3	Not available
5631	6 n.o. and 6 n.c. – 3/8" silver	LC-5 or LC-26	LC-49P?
5631 power	3 –3/8" carbon (4 n.o. 3 n.c.) power relay	LC-6	LC-28
5630 /5760	2- 1 1/2" carbon	LC-7.1	LC-29
5630 /5760	2- 1 3/4" carbon	LC-8.1	LC-30
5630 /5760	2- 1 3/4" carbon special 50% C	LC-9.1	LC-31
5760	3- 1 1/2" carbon	LC-10.1	LC-32
5760	3- 1 3/4" carbon	LC-11.1	LC-33
5760	3- 1 3/4" carbon special 50% C	LC-12.1	LC-34
5630 /5760	1- 1 1/2" carbon	LC-13.1	LC-35
5630 /5760	1- 1 3/4" carbon	LC-14.1	LC-36
5630 /5760	1- 1 3/4" carbon special 50% C	LC-15.1	LC-37
6202	3 – 3/8" carbon (6 n.o 4 n.c.)	LC-16	LC-38
5785	2- 1" carbon	LC-17.1	LC-39 LC-41
5785	2- 1" carbon special 50% C	LC-18.1	LC-40 LC-42
5785	2- 1" carbon – used on 440 volt motors	LC-19.1	LC-41
5785	2- 1" carbon 50% C– used on 440 volt mtr	LC-20.1	LC-42
5785	3- 1" carbon	LC-21.1	LC-43
5785	3- 1" carbon special 50% C	LC-22.1	LC-44
5785	1- 1" carbon	LC-23.1	LC-45
5785	1- 1" carbon special 50% C	LC-24.1	LC-46

? The LC-5 and LC-26 replacement contact fingerplate is larger than the LC-49 plate.  
 See explanation above.



**G.A.L. Manufacturing Corporation**

50 East 153<sup>rd</sup> Street, Bronx, N.Y. 10451  
 Phone (718) 292-9000 Fax (718) 292-2034

3/15/2007



**CROSS REFERENCE TABLE  
 OLD G.A.L. RELAY LC PARTS TO NEW LC PARTS**

OLD PART NO.	NEW PART NO.	OLD PART NO.	NEW PART NO.	OLD PART NO.	NEW PART NO.	OLD PART NO.	NEW PART NO.	OLD PART NO.	NEW PART NO.	OLD PART NO.	NEW PART NO.	OLD PART NO.	NEW PART NO.
LC-1	LC-48P	LC-5	LC-49P	LC-6	LC-28	LC-7.1	LC-29	LC-8.1	LC-30	LC-9.1	LC-31	LC-10.1	LC-32
1 & 6	LC-0034N	1 & 6	LC-0035N	1 & 6	LC-0032N	1 & 2	LC-0033N	1 & 2	LC-0033N	1 & 2	LC-0033N	1 & 2	LC-0033N
5	COIL-6437N or COIL-6438N	5	COIL-6437N or COIL-6438N	5	COIL-6438N	8	COIL-6779N	8	COIL-6779N	8	COIL-6779N	8	COIL-6779N
				11	LC-0074N	9	LC-0075N	9	LC-0075N	9	LC-0075N	9	LC-0075N
12	LC-0078N	12	LC-0079N	12	LC-0056N	10	LC-0029R	10	LC-0029R	10	LC-0029R	10	LC-0029R
13	LC-0029R	13	LC-0029R	13	LC-0057N	11	LC-0029L	11	LC-0029L	11	LC-0029L	11	LC-0029L
14	LC-0029L	14	LC-0029L	14	LC-0058N	12	LC-0087N	12	LC-0087N	12	LC-0087N	12	LC-0087N
15	CONT-0002N	15	CONT-0002N	15	LC-0101N	13	LC-0059N	13	LC-0059N	13	LC-0059N	13	LC-0062N
16&17	LC-0086N	16,37	LC-0086N	16	LC-0021R	14	LC-007IN	14	LC-007IN	14	LC-007IN	14	LC-0064R
20	LC-0107N	20	LC-0107N	17	LC-0021L	15	LC-0069N	15	LC-0069N	15	LC-0069N	15	LC-0064L
				18	LC-0021R	16	LC-0024R	16	LC-0024R	16	LC-0024R	16	LC-0024R
				19	LC-0021L	17	LC-0024L	17	LC-0024L	17	LC-0024L	17	LC-0024L
				20 & 45	LC-0082N	18	LC-0090N	18	LC-0090N	18	LC-0090N	18	LC-0090N
				21 & 45	LC-0084N	19	LC-0091N	19	LC-0091N	19	LC-0091N	20	CONT-0003N
				22 & 45	LC-0084N	20	CONT-0003N	20	CONT-0003N	20	CONT-0003N	22-27	LC-0006N
				23 & 45	LC-0085N	21	CONT-0001N	21	CONT-0001N	21	CONT-0001N	46-49	LC-0109N
				24	CONT-0003N	22-27	LC-0006N	22-27	LC-0006N	22-27	LC-0006N	50-54	LC-0095N
				25	CONT-0001N	46-49	LC-0109N	46-49	LC-0109N	46-49	LC-0109N	55	LC-0014N
				26--31	LC-0009N	50-54	LC-0095N	50-54	LC-0096N	50-54	LC-0097N	56	LC-0002N
				52	LC-0003N	55	LC-0014N	55&65	LC-0015N	55&65	LC-0012N	57	LC-0015N
				53	LC-0011N	56	LC-0002N	56	LC-0002N	56	LC-0002N	58	CONT-0010N
						57	LC-0015N	57	LC-0016N	57	LC-0017N	59	LC-0041N
						58	CONT-0008N	58	CONT-0009N	58	CONT-0010N	62	LC-0105N
						59	LC-0040N	59	LC-0041N	59	LC-0041N		
						62	LC-0105N	62	LC-0105N	62	LC-0105N		



**G.A.L. Manufacturing Corporation**

50 East 153<sup>rd</sup> Street, Bronx, N.Y. 10451  
 Phone (718) 292-9000 Fax (718) 292-2034

3/15/2007



**CROSS REFERENCE TABLE  
 OLD G.A.L. RELAY LC PARTS TO NEW LC PARTS**

OLD PART NO.	NEW PART NO.	OLD PART NO.	NEW PART NO.	OLD PART NO.	NEW PART NO.	OLD PART NO.	NEW PART NO.	OLD PART NO.	NEW PART NO.	OLD PART NO.	NEW PART NO.
LC-11.1	LC-33	LC-12.1	LC-34	LC-13.1	LC-35	LC-14.1	LC-36	LC-15.1	LC-37	LC-16	LC-38
1 & 2	LC-0033N	1 & 2	LC-0033N	1 & 2	LC-0033N	1 & 2	LC-0033N	1 & 2	LC-0033N	1 & 2	LC-0033N
8	COIL-6779N	8	COIL-6779N	8	COIL-6779N	8	COIL-6779N	8	COIL-6779N	8	COIL-6779N
9	LC-0075N	9	LC-0075N	9	LC-0075N	9	LC-0075N	9	LC-0075N	9	LC-0075N
10	LC-0029R	10	LC-0029R	10	LC-0029R	10	LC-0029R	10	LC-0029R	10	LC-0029R
11	LC-0029L	11	LC-0029L	11	LC-0029L	11	LC-0029L	11	LC-0029L	11	LC-0029L
12	LC-0087N	12	LC-0087N	12	LC-0087N	12	LC-0087N	12	LC-0087N	12	LC-0061N
13	LC-0062N	13	LC-0062N	13	LC-0053N	13	LC-0053N	13	LC-0053N	13	LC-0073N
14	LC-0064R	14	LC-0064R	14	LC-0068N	14	LC-0068N	14	LC-0068N	14	LC-0056N
15	LC-0064L	15	LC-0064L	15	LC-0015N	15 & 55	LC-0013N	15 & 55	LC-0012N	15	LC-0102N
16	LC-0024R	16	LC-0024R	16	CONT-0008N	17	LC-0024L	17	LC-0024L	16	LC-0024R
17	LC-0024L	17	LC-0024L	17	LC-0024L	19 & 40	LC-0090N	19 & 40	LC-0090N	17	LC-0024L
18	LC-0090N	18	LC-0090N	18	LC-0041N	20	CONT-0003N	20	CONT-0003N	18	LC-0003N
20	CONT-0003N	20	CONT-0003N	19	LC-0090N	22 - 27	LC-0006N	22 - 27	LC-0006N	19 & 40	LC-0087N
22 - 27	LC-0006N	22 - 27	LC-0006N	20	CONT-0003N	46-49	LC-0109N	46-49	LC-0109N	20 & 40	LC-0092N
46-49	LC-0109N	46-49	LC-0109N	22 - 27	LC-0006N	50 & 51	LC-0096N	50 & 51	LC-0097N	22	CONT-0003N
50-54	LC-0096N	50-54	LC-0097N	46-49	LC-0109N	56	LC-0002N	56	LC-0002N	23	CONT-0001N
55 & 65	LC-0013N	55 & 65	LC-0012N	50 & 59	LC-0095N	57	LC-0016N	57	LC-0017N	24--37	LC-0008N
56	LC-0002N	56	LC-0002N	52	LC-0105N	58	CONT-0009N	58	CONT-0010N	49	LC-0011N
57	LC-0016N	57	LC-0017N	55	LC-0012N	59	LC-0041N	59	LC-0041N	52	LC-0104N
58	CONT-0009N	58	CONT-0010N	56	LC-0002N	62	LC-0105N	62	LC-0105N		
59	LC-0041N	59	LC-0041N	52	LC-0105N						
62	LC-0105N	62	LC-0105N								



**G.A.L. Manufacturing Corporation**

50 East 153<sup>rd</sup> Street, Bronx, N.Y. 10451  
 Phone (718) 292-9000 Fax (718) 292-2034

3/15/2007



**CROSS REFERENCE TABLE  
 OLD G.A.L. RELAY LC PARTS TO NEW LC PARTS**

OLD PART NO.	NEW PART NO.	OLD PART NO.	NEW PART NO.	OLD PART NO.	NEW PART NO.	OLD PART NO.	NEW PART NO.	OLD PART NO.	NEW PART NO.	OLD PART NO.	NEW PART NO.
LC-19.1	LC-41	LC-20.1	LC-42	LC-21.1	LC-43	LC-22.1	LC-44	LC-23.1	LC-45	LC-24.1	LC-46
1 & 2	LC-0033N	1 & 2	LC-0033N	1 & 2	LC-0033N	1 & 2	LC-0033N	1 & 2	LC-0033N	1 & 2	LC-0033N
8	COIL-6779N	8	COIL-6779N	8	COIL-6779N	8	COIL-6779N	8	COIL-6779N	8	COIL-6779N
9	LC-0075N	9	LC-0075N	9	LC-0075N	9	LC-0075N	9	LC-0075N	9	LC-0075N
10	LC-0029R	10	LC-0029R	10	LC-0029R	10	LC-0029R	10	LC-0029R	10	LC-0029R
11	LC-0029L	11	LC-0029L	11	LC-0029L	11	LC-0029L	11	LC-0029L	11	LC-0029L
12 & 40	LC-0087N	12 & 40	LC-0087N	12 & 40	LC-0087N	12 & 40	LC-0087N	12 & 40	LC-0087N	12 & 40	LC-0087N
13	LC-0080N	13	LC-0080N	13	LC-0060N	13	LC-0060N	13	LC-0050N	13	LC-0050N
14	LC-0072N	14	LC-0072N	14	LC-0063R	14	LC-0063R	14	LC-0063L	14	LC-0063L
15	LC-0067N	15	LC-0067N	15	LC-0063L	15	LC-0063L	15	LC-0018N	15	LC-0019N
16	LC-0024R	16	LC-0024R	16	LC-0024R	16	LC-0024R	16	CONT-0006N	16	CONT-0007N
17	LC-0024L	17	LC-0024L	17	LC-0024L	17	LC-0024L	17	LC-0024L	17	LC-0024L
18 & 40	LC-0090N	18 & 40	LC-0090N	18 & 40	LC-0090N	18 & 40	LC-0090N	18	LC-0042N	18	LC-0042N
19 & 40	LC-0091N	19 & 40	LC-0091N	20	CONT-0003N	20	CONT-0003N	19 & 40	LC-0090N	19 & 40	LC-0090N
20	CONT-0003N	20	CONT-0003N	22-27	LC-0007N	22-27	LC-0007N	20	CONT-0003N	20	CONT-0003N
21	CONT-0001N	21	CONT-0001N	46-49	LC-0109N	46-49	LC-0109N	22 - 27	LC-0007N	22 - 27	LC-0007N
22-27	LC-0007N	22-27	LC-0007N	50-51	LC-0098N	50-51	LC-0098N	46-49	LC-0109N	46-49	LC-0109N
46-49	LC-0109N	46-49	LC-0109N	52	LC-0103N	52	LC-0103N	50 & 51	LC-0098N	50 & 51	LC-0098N
50-51	LC-0098N	50-51	LC-0098N	55	LC-0010N	55	LC-0014N	52	LC-0103N	52	LC-0103N
52	LC-0103N	52	LC-0103N	56	LC-0001N	56	LC-0001N	55	LC-0010N	55	LC-0014N
55	LC-0010N	55	LC-0014N	57	LC-0018N	57	LC-0019N	56	LC-0001N	56	LC-0001N
56	LC-0001N	56	LC-0001N	58	CONT-0006N	58	CONT-0007N				
57	LC-0018N	57	LC-0019N	59	LC-0042N	59	LC-0042N				
58	CONT-0006N	58	CONT-0007N								
59	LC-0042N	59	LC-0042N								



**G.A.L. Manufacturing Corporation**

50 East 153<sup>rd</sup> Street, Bronx, N.Y. 10451  
 Phone (718) 292-9000 Fax (718) 292-2034

3/15/2007



**CROSS REFERENCE TABLE  
 OLD G.A.L. RELAY LC PARTS TO NEW LC PARTS**

OLD PART NO.	NEW PART NO.		OLD PART NO.	NEW PART NO.
LC-25	LC-48P		LC-26	LC-49P
1	LC-0034N		1	LC-0035N
11	COIL-6437N or COIL-6438N		11	COIL-6437N or COIL-6438N
2	LC-0078N		2	LC-0079N
7	LC-0029R		7	LC-0029R
8	LC-0029L		8	LC-0029L
9	CONT-0002N		9	CONT-0002N
4	LC-0086N		4	LC-0086N
6	LC-0107N		6	LC-0107N



## G.A.L. Manufacturing Corporation

50 East 153<sup>rd</sup> Street, Bronx, N.Y. 10451  
Phone (718) 292-9000 Fax (718) 292-2034

3/15/2007



**NOTE:** IF THE OLD PLATE MATCHES ANY ONE THE FOLLOWING ITEMS, DO NOT ORDER PART NUMBER LC-0079N, ORDER PART NUMBER LC-0141N INSTEAD :

- PLATE MEASURES 4 9/16" x 4 1/32"
- PLATE M5922-1D (not 1E or 1F)
- OLD BAKELITE PLATE (If the old plate is bakelite and not molded plastic, then you must also replace all the finger contacts, the old fingers will not mount on the new plate. Even so, inform the customer that the new fingers will not sit dead center on the stationary contacts and that they may need to change the entire relay to a modular type relay-LC49).





**POWER CONTACTOR & CONTROL RELAY  
 TABLE OF CONTENTS**

DEVICE No.	POLE SIZE	MAX. No. OF POLES	DESCRIPTION	MAX. No. OF AUX. CONTACTS	COIL No.	COIL DC RATING	SUPERSEDES DEVICE No.
LC28-0001N thru LC28-0004N	3/8"	2	CONTACTOR	2 N.O. 4 N.C.	COIL-6438N	230 VDC	LC-6
LC28-0005N thru LC28-0008N	1/2"	2	CONTACTOR	2 N.O. 4 N.C.	COIL-6438N	230 VDC	LC-6
LC29-0001N thru LC29-0004N	1 1/2"	2	CONTACTOR	3 N.O. 4 N.C.	COIL-6779N COIL-6782N	265 VDC 130 VDC	LC-7.1
LC30-0001N LC30-0002N	1 3/4"	2	CONTACTOR	3 N.O. 4 N.C.	COIL-6779N	265 VDC	LC-8.1
LC31-0001N LC31-0002N	1 3/4" 50% C.	2	CONTACTOR	3 N.O. 4 N.C.	COIL-6779N	265 VDC	LC-9.1
LC32-0001N LC32-0002N	1 1/2"	3	CONTACTOR	2 N.O. 4 N.C.	COIL-6779N	265 VDC	LC-10.1
LC33-0001N LC33-0002N	1 3/4"	3	CONTACTOR	2 N.O. 4 N.C.	COIL-6779N	265 VDC	LC-11.1
LC34-0001N LC34-0002N	1 3/4" 50% C.	3	CONTACTOR	2 N.O. 4 N.C.	COIL-6779N	265 VDC	LC-12.1
LC35-0001N LC35-0002N	1 1/2"	1	CONTACTOR	2 N.O. 4 N.C.	COIL-6779N	265 VDC	LC-13.1
LC36-0001N LC36-0002N	1 3/4"	1	CONTACTOR	2 N.O. 4 N.C.	COIL-6779N	265 VDC	LC-14.1
LC37-0001N LC37-0002N	1 3/4" 50% C.	1	CONTACTOR	2 N.O. 4 N.C.	COIL-6779N	265 VDC	LC-15.1
LC38-0001N thru LC38-0004N	3/8" or 1/2"	2	CONTACTOR	4 N.O. 4 N.C.	COIL-6779N	265 VDC	LC-16
LC41-0001N LC41-0002N	1"	2	CONTACTOR, 600V	3 N.O. 4 N.C.	COIL-6779N	265 VDC	LC-19.1
LC42-0001N LC42-0002N	1" 50% C.	2	CONTACTOR, 600V	3 N.O. 4 N.C.	COIL-6779N	265 VDC	LC-20.1
LC43-0001N LC43-0002N	1"	3	CONTACTOR	2 N.O. 4 N.C.	COIL-6779N	265 VDC	LC-21.1
LC44-0001N LC44-0002N	1" 50% C.	3	CONTACTOR	2 N.O. 4 N.C.	COIL-6779N	265 VDC	LC-22.1
LC45-0001N LC45-0002N	1"	1	CONTACTOR	2 N.O. 4 N.C.	COIL-6779N	265 VDC	LC-23.1
LC46-0001N LC46-0002N	1" 50% C.	1	CONTACTOR	2 N.O. 4 N.C.	COIL-6779N	265 VDC	LC-24.1
LC47-0001N thru LC47-0004N	3/8"	3 N.O.	RELAY, ("K" COIL) HOIST MOTOR FIELD	N/A	COIL-6780N COIL-6781N	0.44-2.1 ADC 0.85-2.7 ADC	N/A
LC48-0001N thru LC48-0006N	3/8"	4 N.O. 3 N.C.	RELAY, MODULAR	N/A	COIL-6437N COIL-6438N COIL-6439N	265 VDC 230 VDC 85 VDC	N/A
LC48P-0001N thru LC48P-0006N	3/8"	4 N.O. 3 N.C.	RELAY, PANEL MOUNT	N/A	COIL-6437N COIL-6438N COIL-6439N	265 VDC 230 VDC 85 VDC	LC-1 LC-25

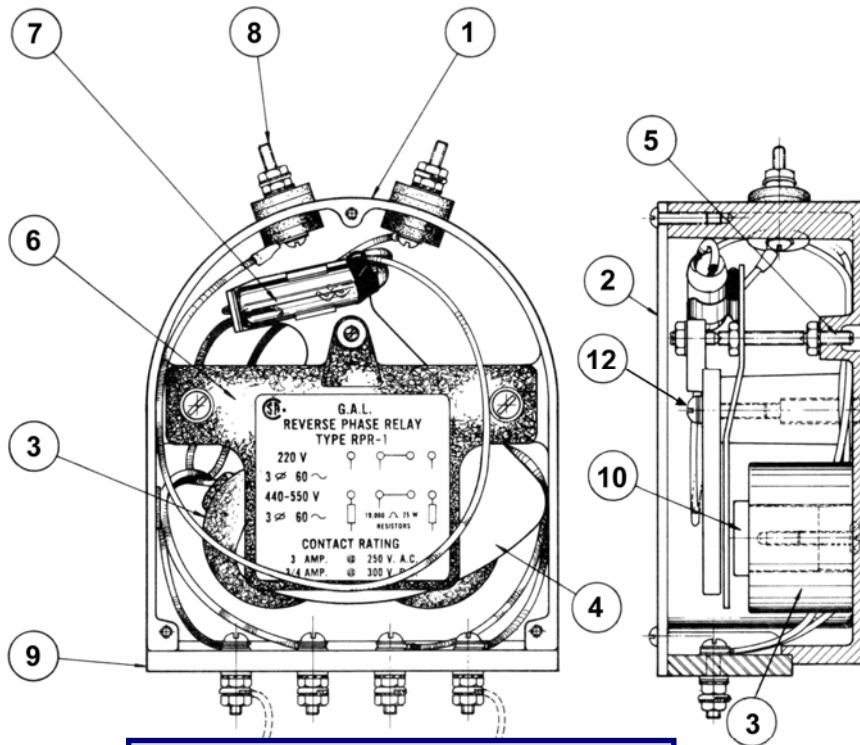


## POWER CONTACTOR & CONTROL RELAY TABLE OF CONTENTS

DEVICE No.	POLE SIZE	MAX. No. OF POLES	DESCRIPTION	MAX. No. OF AUX. CONTACTS	COIL No.	COIL DC RATING	SUPERSEDES DEVICE No.
LC49-0001N thru LC49-0003N	3/8"	6 N.O. 6 N.C.	RELAY, MODULAR	N/A	COIL-6437N COIL-6438N COIL-6439N	265 VDC 230 VDC 85 VDC	N/A
LC49P-0001N thru LC49P-0003N	3/8"	6 N.O. 6 N.C.	RELAY, PANEL MOUNT	N/A	COIL-6437N COIL-6438N COIL-6439N	265 VDC 230 VDC 85 VDC	LC-5 LC-26 *see note below
LC50-0001N LC50-0002N	7/8"	2	CONTACTOR	3 N.O. 4 N.C.	COIL-6779N	265 VDC	N/A
LC51-0001N LC51-0002N	7/8"	3	CONTACTOR	2 N.O. 4 N.C.	COIL-6779N	265 VDC	N/A
LC52-0001N LC52-0002N	7/8"	1	CONTACTOR	2 N.O. 4 N.C.	COIL-6779N	265 VDC	N/A
LC53-0001N	3/8"	1	RELAY, LOOP VOLTAGE PANEL MOUNT	1 N.O. 2 N.C.	COIL-6439N	85 VDC	N/A
LC54-0001N	3/8"	1	RELAY, LOOP VOLTAGE MODULAR	1 N.O. 2 N.C.	COIL-6439N	85 VDC	N/A

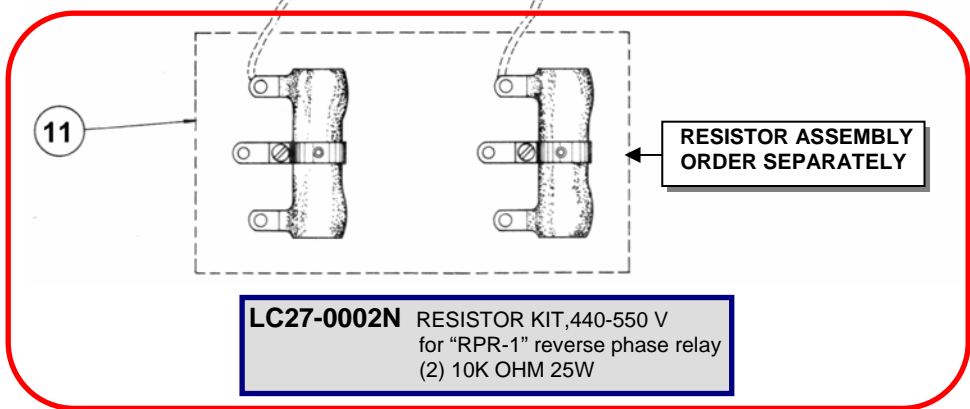
**\*Note: for LC-5 and LC-26 contact plate replacement, use GAL Part No. LC-0141N**

**"LC-27" RELAY ASSEMBLY  
 TYPE "RPR-1" REVERSE PHASE RELAY  
 "LC"**



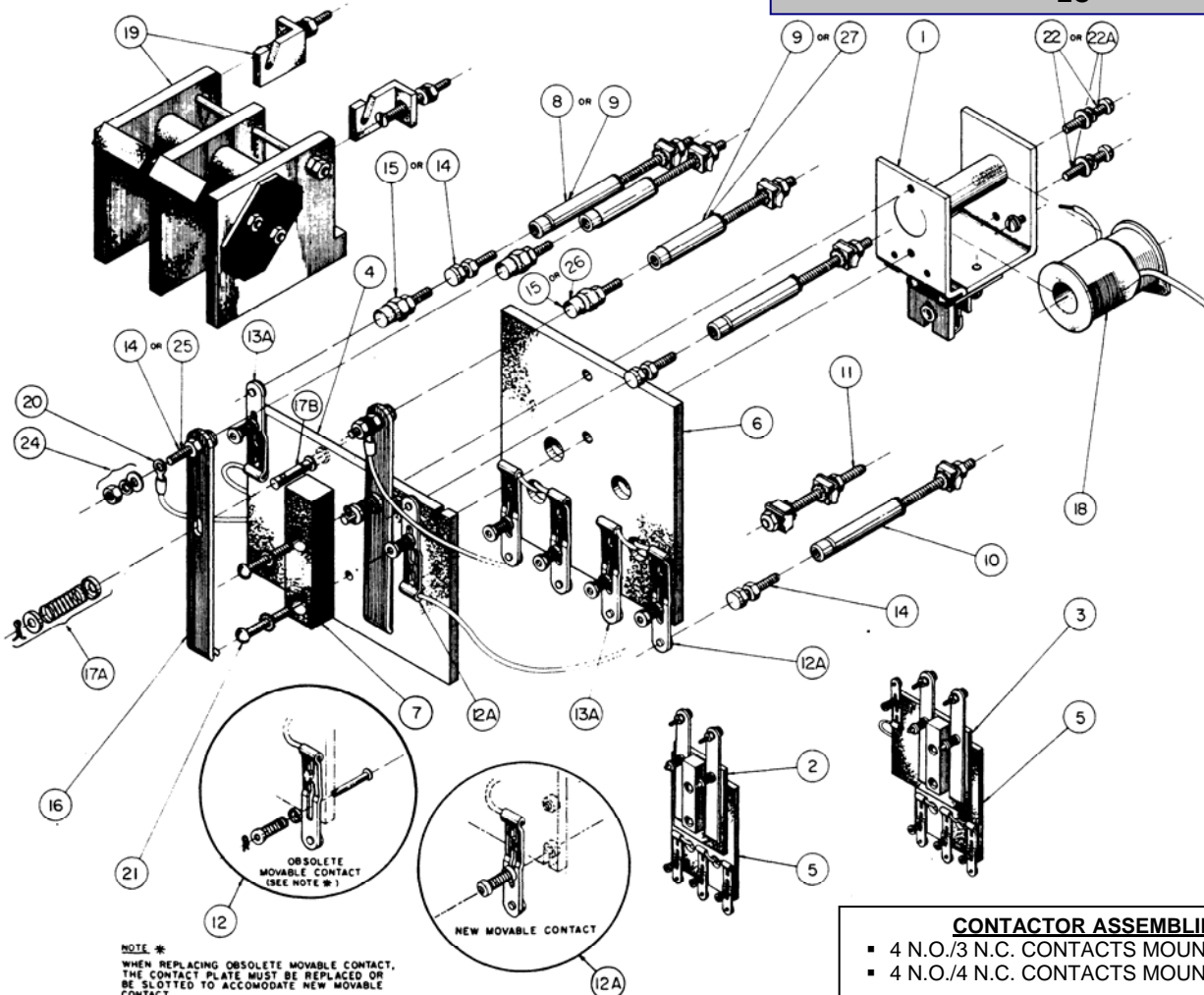
REVERSE PHASE RELAY TYPE "RPR-1"		
ITEM No.	DESCRIPTION	PART No.
1	COMPLETE REVERSE PHASE RELAY	LC27-0001N
2	COVER W/8-32 x 3/8 RHMS	LC27-0003N
3	COIL 9000T #36W 220 VAC	COIL-0004N
4	ARMATURE W/PIVOT SHAFT	LC27-0004N
5	ADJUSTING SCREW	LC27-0005N
6	POLE PLATE AND FRONT PIVOT SUPPORT	LC27-0006N
7	MERCURY TUBE SWITCH	LC27-0007N
8	TOP TERMINAL SCREW ASSY	LC27-0008N
9	BOTTOM TERMINAL BLOCK ASSEMBLY	LC27-0009N
10	POLE PIECE	LC27-0010N
11	(2) 25 WATT 10,000 OHM ADJUSTABLE RESISTOR (FOR 440-550 VOLTS ONLY)	LC27-0002N
12	SCREW, NYLON PILOT	LC27-0011N

**LC27-0001N** RELAY, "RPR-1" REVERSE PHASE



**LC27-0002N** RESISTOR KIT, 440-550 V for "RPR-1" reverse phase relay (2) 10K OHM 25W

**"LC-28" CONTACTOR ASSEMBLY**  
**2 POLE 3/8" OR 1/2" MAIN**  
**"LC"**



ITEM No.	DESCRIPTION	PART No.
1	FRAME AND ARMATURE	LC-0032N
2	PLATE, CONTACT 2 POLE, 3/8", 1/2" MAIN	LC-0056N
3	PLATE, CONTACT 2 POLE, 3/8", 1/2" MAIN W/1 N.O. AUX.	LC-0057N
4	PLATE, CONTACT 2 POLE, 3/8", 1/2" MAIN W/2 N.O. AUX.	LC-0058N
5	PLATE, CONTACT AUX. 3 N.C.	LC-0074N
6	PLATE, CONTACT AUX. 4 N.C.	LC-0076N
7	SEPARATOR, 2 POLE, 3/8", 1/2" MAIN	LC-0101N
8	POST, CONTACT 1 7/8" LONG (USED WITH ITEM # 14)	LC-0085N
9	POST, CONTACT 1 7/16" LONG (USED WITH ITEM # 15)	LC-0084N
10	POST, CONTACT 1 5/8" LONG	LC-0082N
11	STUD, TERMINAL, 2 1/8" LONG	LC-0107N
12	CONTACT, MOVABLE FINGER, R.H. (OBSOLETE)	LC-0027R
12A	CONTACT, MOVABLE FINGER, SHORT LEAD	LC-0021R
13	CONTACT, MOVABLE FINGER, L.H. (OBSOLETE)	LC-0022L
13A	CONTACT, MOVABLE FINGER, SHORT LEAD	LC-0021L
14	CONTACT, 3/8" W/ 3/4" STUD, SILVER PLATED (USED WITH ITEM # 8)	CONT-0003N
15	CONTACT, 3/8" CARBON (USED WITH ITEM # 9)	CONT-0001N
16	ARM, CONTACT, 3/8", 1/2"	LC-0003N
17A & B	SPRING, MAIN CONTACT, 3/8", 1/2"	LC-0104N
18	COIL, 6438, 23000T, #39W, 4900 OHM	COIL-6438N
19	BLOW OUT, 2 POLE (LC28), 3/8", 1/2" CONTACT	LC-0009N
20	WIRE, MAIN CONTACT # 14, 3/8", 1/2" CONTACT	LC-0011N
21	SCREW, RND HEAD #10-32 x 7/8", #10 FLAT WASHER	LC-0111N
22	SCREW, FILLISTER HEAD #10-32 x 1", #10 FLAT & LOCK WASHER FOR 3/4" PANEL	LC-0112N
22A	SCREW, FILLISTER HEAD #10-32 x 1 1/2", #10 FLAT & LOCK WASHER FOR 1" PANEL	LC-0113N
24	NUT, HEX HEAD #10-32, #10 FLAT & LOCK WASHER	LC-0114N
25	CONTACT, 1/2" COPPER	CONT-0005N
26	CONTACT, 1/2" CARBON (USED WITH ITEM #27)	CONT-0004N
27	POST, CONTACT 1 3/16" LONG (USED WITH ITEM #26)	LC-0081N

**NOTE #**  
 WHEN REPLACING OBSOLETE MOVABLE CONTACT, THE CONTACT PLATE MUST BE REPLACED OR BE SLOTTED TO ACCOMMODATE NEW MOVABLE CONTACT

**CONTACTOR ASSEMBLIES AVAILABLE**

- 4 N.O./3 N.C. CONTACTS MOUNTED AND UNMOUNTED
- 4 N.O./4 N.C. CONTACTS MOUNTED AND UNMOUNTED

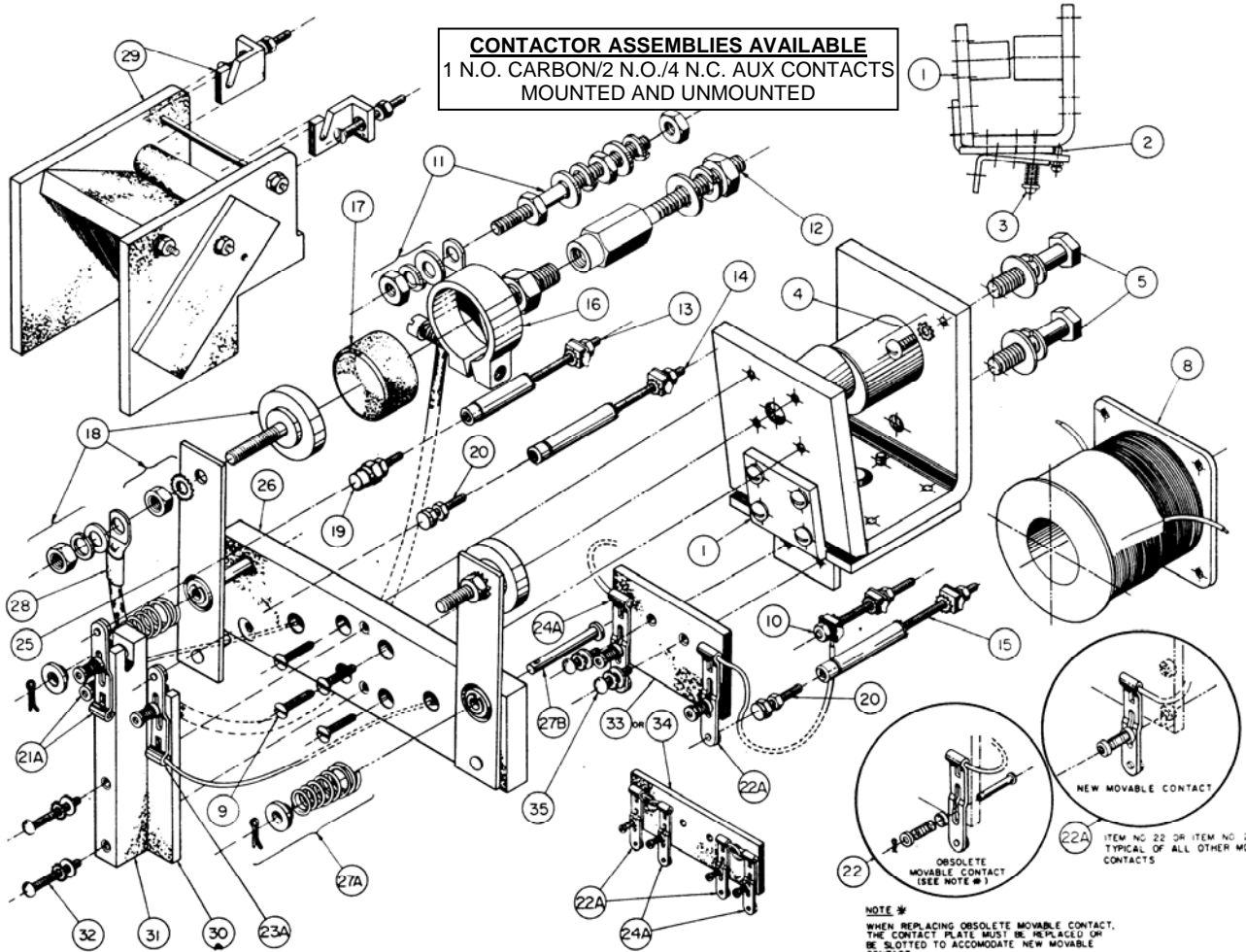
**LC28-0001N** CONTACTOR, 2P 3/8" MAIN MOUNTED, 2 N.O./3 N.C. AUX CONTACTS  
**LC28-0002N** CONTACTOR, 2P 3/8" MAIN UNMOUNTED, 2 N.O./3 N.C. AUX CONTACTS  
**LC28-0003N** CONTACTOR, 2P 3/8" MAIN MOUNTED, 2 N.O./4 N.C. AUX CONTACTS  
**LC28-0004N** CONTACTOR, 2P 3/8" MAIN UNMOUNTED, 2 N.O./4 N.C. AUX CONTACTS

**LC28-0005N** CONTACTOR, 2P 1/2" MAIN MOUNTED, 2 N.O./3 N.C. AUX CONTACTS  
**LC28-0006N** CONTACTOR, 2P 1/2" MAIN UNMOUNTED, 2 N.O./3 N.C. AUX CONTACTS  
**LC28-0007N** CONTACTOR, 2P 1/2" MAIN MOUNTED, 2 N.O./4 N.C. AUX CONTACTS  
**LC28-0008N** CONTACTOR, 2P 1/2" MAIN UNMOUNTED, 2 N.O./4 N.C. AUX CONTACTS



**"LC-29" CONTACTOR ASSEMBLY**  
**2 POLE 1 1/2" MAIN**  
**"LC"**

**CONTACTOR ASSEMBLIES AVAILABLE**  
 1 N.O. CARBON/2 N.O./4 N.C. AUX CONTACTS  
 MOUNTED AND UNMOUNTED

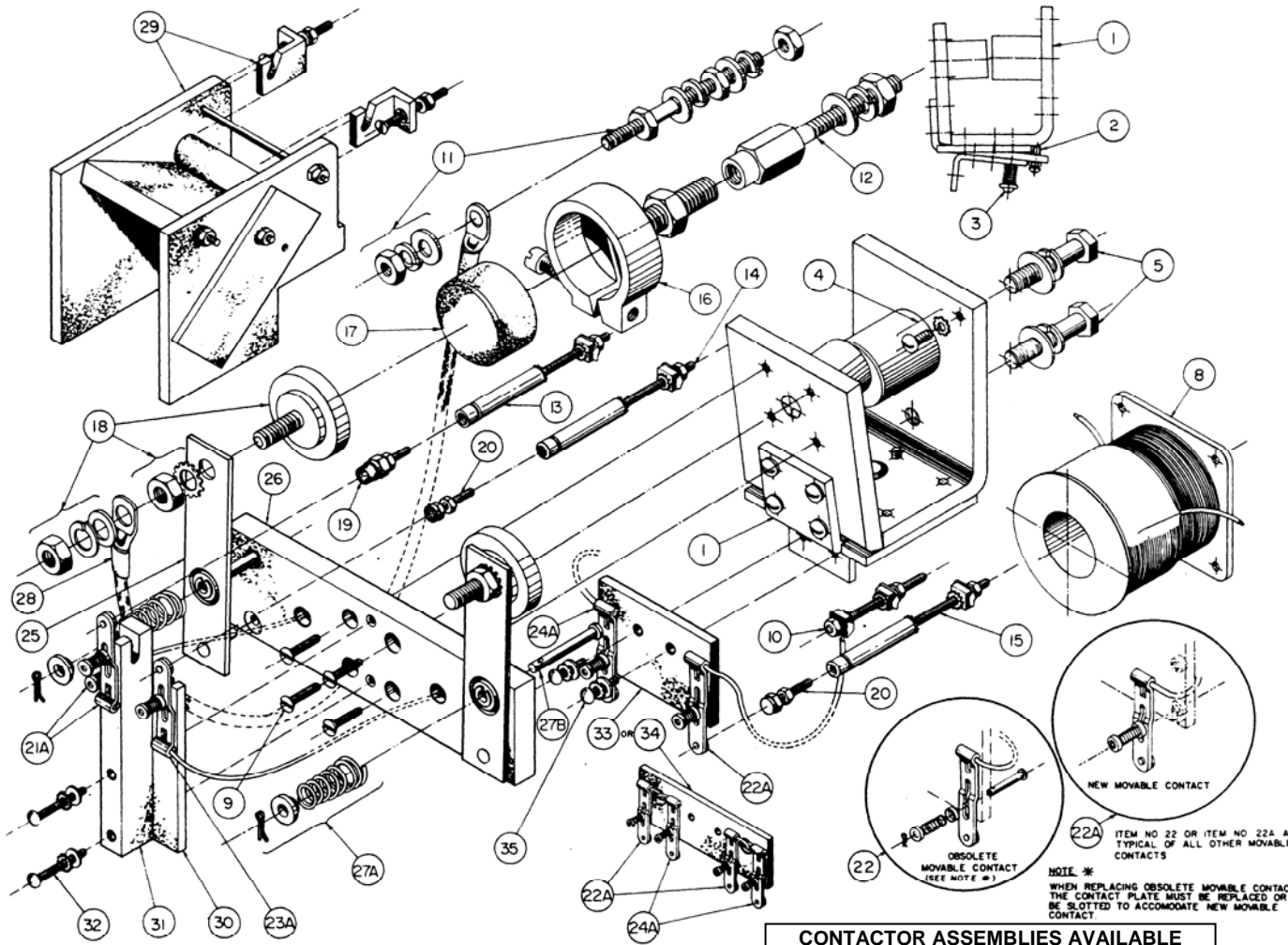


**LC29-0001N** CONTACTOR,2P 1 1/2" MAIN MOUNTED, 1N.O. CARBON/2N.O./4 N.C. AUX CONTACTS WITH PART No. COIL-6779N  
**LC29-0002N** CONTACTOR,2P 1 1/2" MAIN UNMTD, 1 N.O. CARBON/2 N.O./4 N.C. AUX CONTACTS WITH PART No. COIL-6779N

**LC29-0003N** CONTACTOR,2P 1 1/2" MAIN MOUNTED, 1N.O. CARBON/2N.O./4 N.C. AUX CONTACTS WITH PART No. COIL-6782N  
**LC29-0004N** CONTACTOR,2P 1 1/2" MAIN UNMTD, 1 N.O. CARBON/2 N.O./4 N.C. AUX CONTACTS WITH PART No. COIL-6782N

ITEM No.	DESCRIPTION	PART No.
1	FRAME/ARMATURE,CONTACTOR	LC-0033N
2	SCREW,10-32 x 5/8" LG. BRASS slotted rnd hd plated w/#10-32 hex head nut	LC-0115N
3	SCREW,10-32 x 1 1/2" LG. BRASS slotted rnd hd plated w/#10 cup washer & spring	LC-0116N
4	SCREW,10-32 x 3/8" LG. BRASS slotted rnd hd plated w/#10 external lock washer	LC-0117N
5	SCREW,5/16-18 x 1 1/4" LG. BRASS hex had cap plated w/5/16 flat washer plated & split lock washer	LC-0118N
8	COIL 24100T #35W 3660 OHM	COIL-6779N
8	COIL 12500T #31W 785 OHM	COIL-6782N
9	SCREW,10-32 x 3/4" LG. BRASS slotted flat head plated	HWSC-0020N
10	STUD,2 1/8" LG. TERMINAL	LC-0107N
11	STUD,POWER TERMINAL 7/8", 1", 1 1/2" & 1 3/4" lg.	LC-0109N
12	POST,POWER CONTACT 1 1/2" main contact	LC-0095N
13	POST,3 3/4" LG. CONTACT	LC-0091N
14	POST,3 1/4" LG. CONTACT	LC-0090N
15	POST,2 3/4" LG. CONTACT	LC-0087N
16	HOLDER,MAIN CONTACT For 1 1/2" contact	LC-0040N
17	CONTACT,1 1/2" CARBON	CONT-0008N
18	CONTACT,1 1/2" MAIN COPPER	LC-0015N
19	CONTACT,3/8" CARBON	CONT-0001N
20	CONTACT,3/8" SILVER PLATED with 3/4" stud	CONT-0003N
21	CONTACT,MOVABLE FINGER Short lead 3/4" rivet	LC-0021L
21A	CONTACT,MOVABLE FINGER long lead	LC-0024L
22	CONTACT,MOVABLE FINGER (OBSOLETE)	LC-0022L
22A	CONTACT,MOVABLE FINGER short lead	LC-0029L
23	CONTACT,MOVABLE FINGER (OBSOLETE)	LC-0026R
23A	CONTACT,MOVABLE FINGER long lead	LC-0024R
24	CONTACT,MOVABLE FINGER (OBSOLETE)	LC-0027R
24A	CONTACT,MOVABLE FINGER short lead	LC-0029R
25	ARM,7/8-1 1/2"-1 3/4" CONT	LC-0002N
26	PLATE,2P 7/8" MAIN CONT & 1 1/2", 1 3/4" main contacts	LC-0059N
27A	SPRING,MAIN CONTACT	LC-0105N
27B	7/8", 1 1/2" & 1 3/4" main contacts	LC-0105N
28	WIRE,MAIN CONTACT #8 1" 50% carbon, 1 1/2" contact	LC-0014N
29	BLOW OUT,1 POLE 7/8", 1 1/2" or 1 3/4" contact	LC-0006N
30	PLATE,2 N.O. AUX. CONTACT	LC-0071N
31	PLATE,1 N.O. AUX. CONTACT	LC-0069N
32	SCREW,10-32 x 1 1/2" LG. BRASS slotted rnd hd plated w/#10 flat & external lock washer plated	LC-0120N
33	PLATE,2 N.C. AUX. CONTACT	LC-0070N
34	PLATE,4 N.C. AUX. CONTACT	LC-0075N
35	SCREW,10-32 x 1 1/2" LG. BRASS slotted round head plated w/#10 flat & split lockwasher plated	LC-0121N

**"LC-30" CONTACTOR ASSEMBLY**  
**2 POLE 1 3/4" MAIN**  
**"LC"**



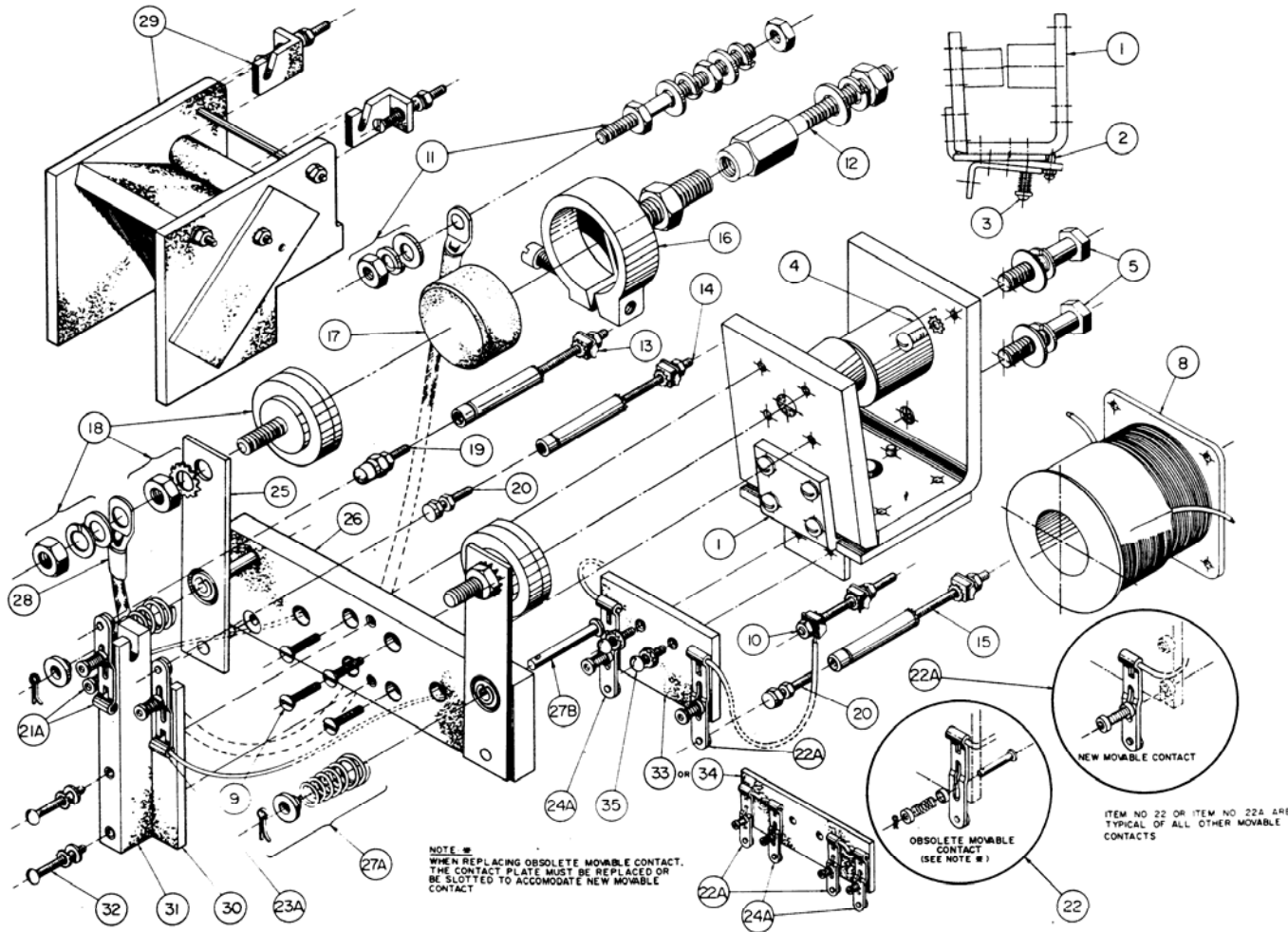
**CONTACTOR ASSEMBLIES AVAILABLE**  
 1 N.O. CARBON/2 N.O./4 N.C. AUX CONTACTS  
 MOUNTED AND UNMOUNTED

**LC30-0001N** CONTACTOR, 2P 1 3/4" MAIN  
 MOUNTED, 1N.O. CARBON/2N.O./4N.C. AUX CONTACTS  
**LC30-0002N** CONTACTOR, 2P 1 3/4" MAIN  
 UNMNTD, 1 N.O. CARBON/2 N.O./4 N.C. AUX CONTACTS

ITEM No.	DESCRIPTION	PART No.
1	FRAME AND ARMATURE	LC-0033N
2	SCREW, R.H. # 10-32 X 5/8", # 10-32 HEX HEAD NUT	LC-0115N
3	SCREW, R.H. # 10-32 X 1 1/2", # 10 CUP WASHER & SPRING	LC-0116N
4	SCREW, F.I.H. # 10-32 X 3/8", # 10 STAR WASHER	LC-0117N
5	SCREW, H.H.C. # 5/16-18 X 1 1/2" # 5/16 FLAT & LOCK WASHER	LC-0118N
6		
7		
8	COIL, 6779, 24100T, # 35W, 3660 OHM	COIL-6779N
9	SCREW, FL.H. # 10-32 X 3/4"	HWSC-0020N
10	STUD, TERMINAL, 2 1/8" LONG	LC-0107N
11	STUD, POWER TERMINAL, 7/8", 1", 1 1/2" & 1 3/4"	LC-0109N
12	POST, POWER CONTACT, 1 3/4" MAIN	LC-0096N
13	POST, CONTACT 3 3/4" LONG	LC-0091N
14	POST, CONTACT 3 1/4" LONG	LC-0090N
15	POST, CONTACT 2 3/4" LONG	LC-0087N
16	HOLDER, MAIN CONTACT, 1 3/4", 1 3/4"-50%C.	LC-0041N
17	CONTACT, 1 3/4" CARBON	CONT-0009N
18	CONTACT, MAIN, 1 3/4" COPPER	LC-0016N
19	CONTACT, 3/8" CARBON	CONT-0001N
20	CONTACT, 3/8" W/ 3/4" STUD, SILVER PLATED	CONT-0003N
21	CONTACT, MOVABLE FINGER, LEFT HAND (obsolete)	LC-0021L
21A	CONTACT, MOVABLE FINGER, LONG LEAD, LEFT HAND	LC-0024L
22	CONTACT, MOVABLE FINGER, LEFT HAND (obsolete)	LC-0022L
22A	CONTACT, MOVABLE FINGER, SHORT LEAD, LEFT HAND	LC-0029L
23	CONTACT, MOVABLE FINGER, RIGHT HAND (obsolete)	LC-0026R
23A	CONTACT, MOVABLE FINGER, LONG LEAD, RIGHT HAND	LC-0024R
24	CONTACT, MOVABLE FINGER, RIGHT HAND (obsolete)	LC-0027R
24A	CONTACT, MOVABLE FINGER, SHORT LEAD, RIGHT HAND	LC-0029R
25	ARM, CONTACT, 7/8", 1 1/2", 1 3/4"	LC-0002N
28	PLATE, CONTACT 2 POLE, 7/8", 1 1/2", 1 3/4" MAIN	LC-0059N
27	SPRING, MAIN CONTACT, 7/8", 1 1/2", 1 3/4" A&B	LC-0105N
28	WIRE, MAIN CONTACT # 6, 1 3/4"-50%C CONTACT	LC-0013N
29	BLOW OUT, 1 POLE, 7/8", 1 1/2", 1 3/4" CONTACT	LC-0006N
30	PLATE, CONTACT AUXILIARY, 2 N.O.	LC-0071N
31	PLATE, CONTACT AUXILIARY, 1 N.O.	LC-0069N
32	SCREW, R.H. # 10-32 X 1 1/2", # 10 FLAT & STAR WASHER	LC-0120N
33	PLATE, CONTACT AUXILIARY, 2 N.C.	LC-0070N
34	PLATE, CONTACT AUXILIARY, 4 N.C.	LC-0075N
35	SCREW, R.H. # 10-32 X 5/8", # 10 FLAT & STAR WASHER	LC-0121N



**"LC-31" CONTACTOR ASSEMBLY**  
**2 POLE 1 3/4" 50% C. MAIN**  
**"LC"**



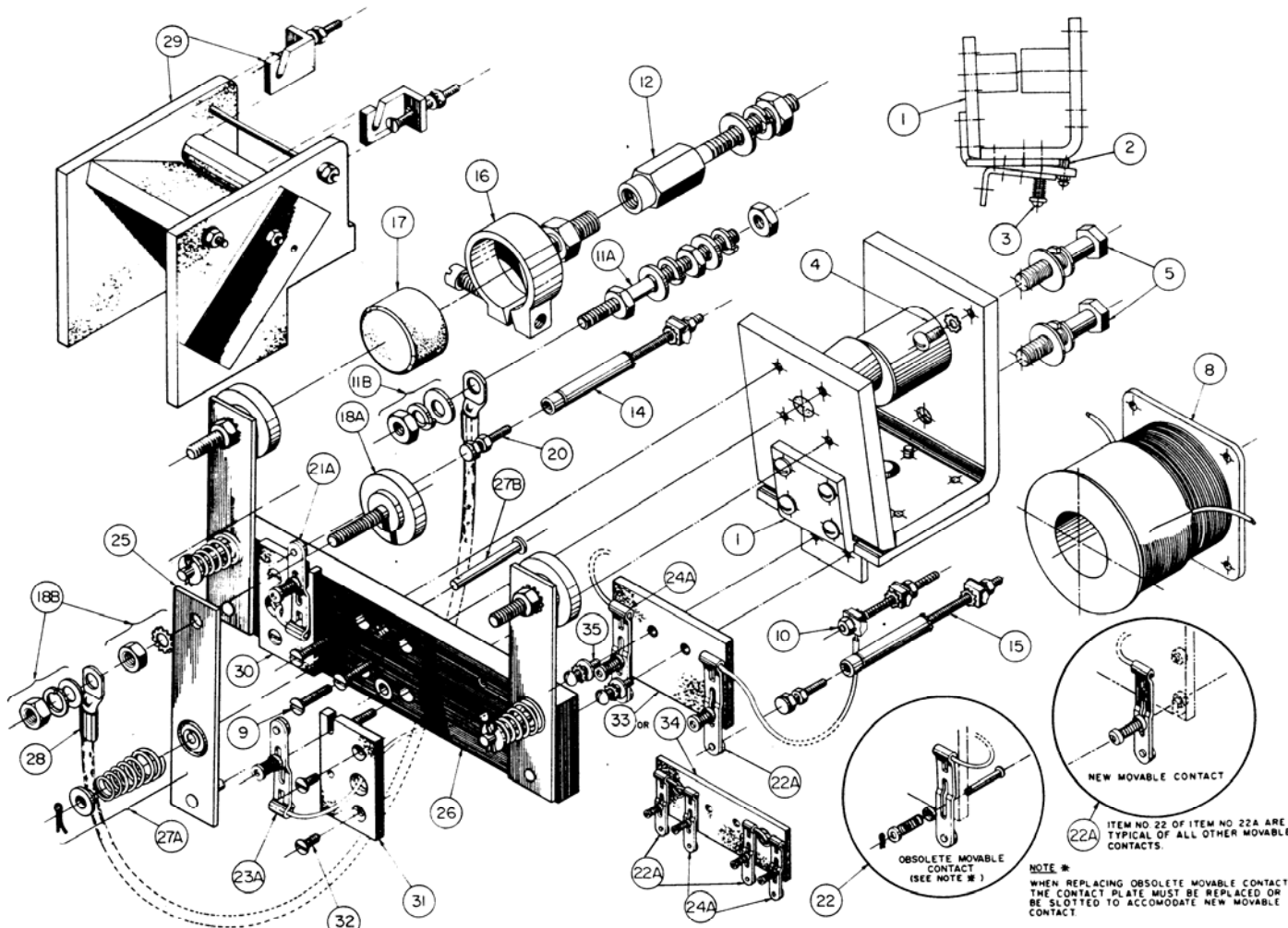
**CONTACTOR ASSEMBLIES AVAILABLE**  
 1 N.O.CARBON/2 N.O./4 N.C. AUX CONTACTS MOUNTED AND UNMOUNTED

**LC31-0001N** CONTACTOR, 2P 1 3/4" MAIN  
 MTD, 1 N.O. CARBON/2 N.O./4 N.C. AUX CONTACTS  
 W/50% CARBON CONTACT

**LC31-0002N** CONTACTOR, 2P 1 3/4" MAIN  
 UNMTD, 1 N.O. CARBON/2 N.O./4 N.C. AUX CONTACTS  
 W/50% CARBON CONTACT

ITEM No.	DESCRIPTION	PART No.
1	FRAME AND ARMATURE	LC-0033N
2	SCREW, R.H. # 10-32 X 5/8", # 10-32 HEX HEAD NUT	LC-0115N
3	SCREW, R.H. # 10-32 X 1 1/2", # 10 CUP WASHER & SPRING	LC-0116N
4	SCREW, F.I.H. # 10-32 X 3/8", # 10 STAR WASHER	LC-0117N
5	SCREW, H.H.C. # 5/16-18 X 1 1/2" # 5/16 FLAT & LOCK WASHER	LC-0118N
6		
7		
8	COIL, 6779, 24100T, # 35W, 3660 OHM	COIL-6779N
9	SCREW, F.I.H. # 10-32 X 3/4"	HWSC-0020N
10	STUD, TERMINAL, 2 1/8" LONG	LC-0107N
11	STUD, POWER TERMINAL, 7/8", 1", 1 1/2" & 1 3/4"	LC-0109N
12	POST, POWER CONTACT, 1 3/4"-50% C. MAIN	LC-0097N
13	POST, CONTACT 3 3/4" LONG	LC-0091N
14	POST, CONTACT 3 1/4" LONG	LC-0090N
15	POST, CONTACT 2 3/4" LONG	LC-0087N
16	HOLDER, MAIN CONTACT, 1 3/4" X 1 3/4"-50% C.	LC-0041N
17	CONTACT, 1 3/4" 50% CARBON	CONT-0010N
18	CONTACT, MAIN, 1 3/4" SILVER CADMIUM	LC-0017N
19	CONTACT, 3/8" CARBON	CONT-0001N
20	CONTACT, 3/8" W/ 3/4" STUD, SILVER PLATED	CONT-0003N
21	CONTACT, MOVABLE FINGER, LEFT HAND (obsolete)	LC-0021L
21A	CONTACT, MOVABLE FINGER, LONG LEAD, LEFT HAND	LC-0024L
22	CONTACT, MOVABLE FINGER, LEFT HAND (obsolete)	LC-0022L
22A	CONTACT, MOVABLE FINGER, SHORT LEAD, LEFT HAND	LC-0029L
23	CONTACT, MOVABLE FINGER, RIGHT HAND (obsolete)	LC-0026R
23A	CONTACT, MOVABLE FINGER, LONG LEAD, RIGHT HAND	LC-0024R
24	CONTACT, MOVABLE FINGER, RIGHT HAND (obsolete)	LC-0027R
24A	CONTACT, MOVABLE FINGER, SHORT LEAD, RIGHT HAND	LC-0029R
25	ARM, CONTACT, 7/8", 1 1/2", 1 3/4"	LC-0002N
26	PLATE, CONTACT 2 POLE, 7/8", 1 1/2", 1 3/4" MAIN	LC-0059N
27	SPRING, MAIN CONTACT, 7/8", 1 1/2", 1 3/4"	LC-0105N
A&B	WIRE, MAIN CONTACT # 4, 7/8", 1 3/4" CONTACT	LC-0012N
28	BLOW OUT, 1 POLE, 7/8", 1 1/2", 1 3/4" CONTACT	LC-0006N
30	PLATE, CONTACT AUXILIARY, 2 N.O.	LC-0071N
31	PLATE, CONTACT AUXILIARY, 1 N.O.	LC-0069N
32	SCREW, R.H. # 10-32 X 1 1/2", # 10 FLAT & STAR WASHER	LC-0120N
33	PLATE, CONTACT AUXILIARY, 2 N.C.	LC-0070N
34	PLATE, CONTACT AUXILIARY, 4 N.C.	LC-0075N
35	SCREW, R.H. # 10-32 X 5/8", # 10 FLAT & STAR WASHER	LC-0121N

**"LC-32" CONTACTOR ASSEMBLY**  
**3 POLE 1 1/2" MAIN**  
**"LC"**



**CONTACTOR ASSEMBLIES AVAILABLE**  
 2 N.O./4 N.C. AUX. CONTACTS MOUNTED AND UNMOUNTED

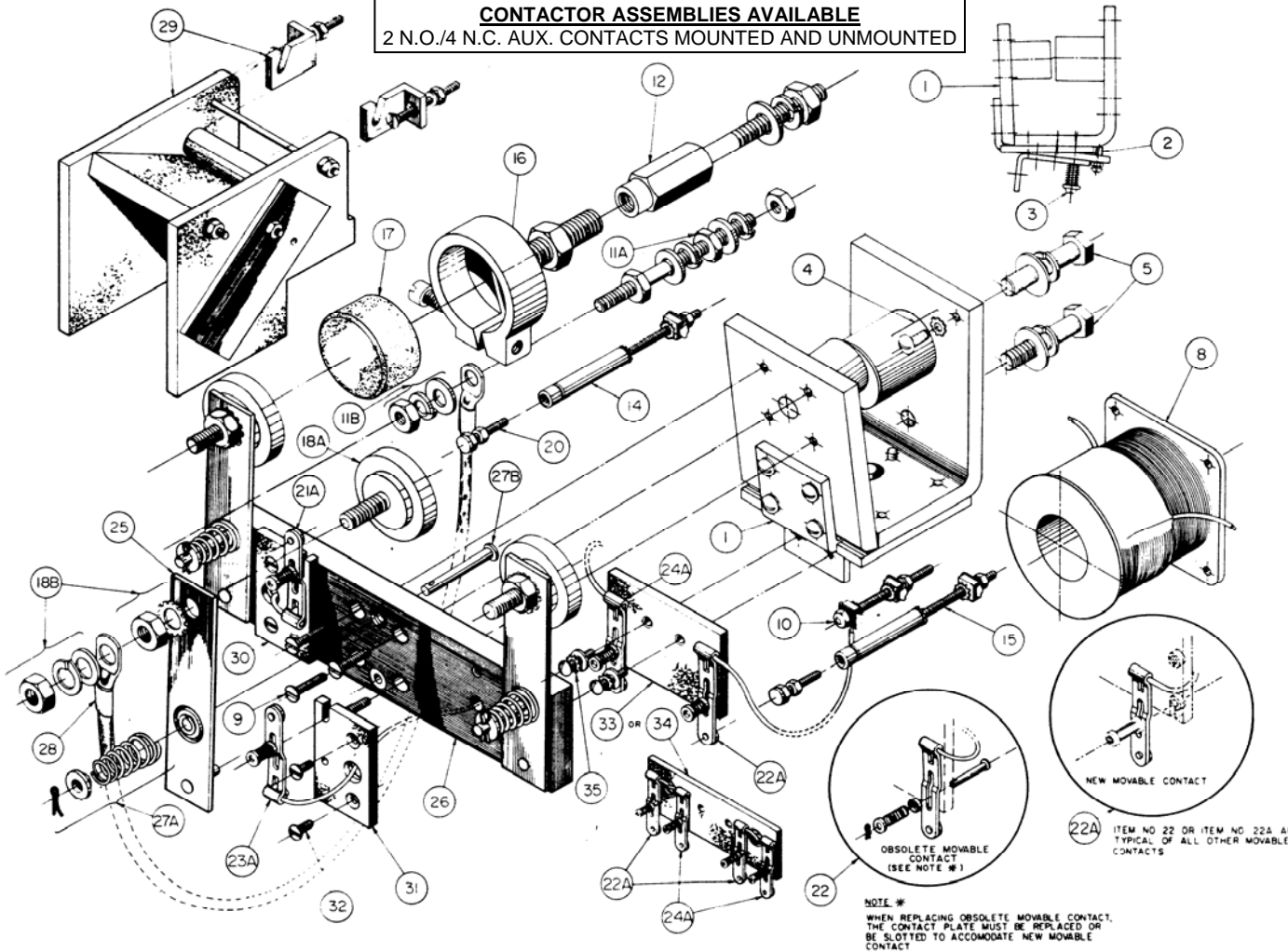
**LC32-0001N** CONTACTOR, 3P 1 1/2" MAIN  
 MOUNTED, 2 N.O./4 N.C. AUX CONTACTS  
**LC32-0002N** CONTACTOR, 3P 1 1/2" MAIN  
 UNMOUNTED, 2 N.O./4 N.C. AUX CONTACTS

ITEM No.	DESCRIPTION	PART No.
1	FRAME AND ARMATURE	LC-0033N
2	SCREW, R.H. # 10-32 X 5/8", # 10-32 HEX HEAD NUT	LC-0115N
3	SCREW, R.H. # 10-32 X 1 1/2", # 10 CUP WASHER & SPRING	LC-0116N
4	SCREW, FL.H. # 10-32 X 3/8", # 10 STAR WASHER	LC-0117N
5	SCREW, H.H.C. # 5/16-18 X 1 1/2" # 5/16 FLAT & LOCK WASHER	LC-0118N
6		
7		
8	COIL, 6779, 24100T, # 35W, 3660 OHM	COIL-6779N
9	SCREW, FL.H. # 10-32 X 3/4"	HWSC-0020N
10	STUD, TERMINAL, 2 1/8" LONG	LC-0107N
11	STUD, POWER TERMINAL, 7/8", 1", 1 1/2" & 1 3/4"	LC-0109N
A&B		
12	POST, POWER CONTACT, 1 1/2" MAIN	LC-0095N
13	POST, CONTACT 3 1/4" LONG	LC-0090N
14	POST, CONTACT 2 3/4" LONG	LC-0087N
15	HOLDER, MAIN CONTACT, 1 1/2"	LC-0040N
16	CONTACT, 1 1/2" CARBON	CONT-0008N
18A&B	CONTACT, MAIN, 1 1/2" COPPER	LC-0015N
19		
20	CONTACT, 3/8" W/ 3/4" STUD, SILVER PLATED	CONT-0003N
21	CONTACT, MOVABLE FINGER, LEFT HAND (obsolete)	LC-0021L
21A	CONTACT, MOVABLE FINGER, LONG LEAD, LEFT HAND	LC-0024L
22	CONTACT, MOVABLE FINGER, LEFT HAND (obsolete)	LC-0022L
22A	CONTACT, MOVABLE FINGER, SHORT LEAD, LEFT HAND	LC-0029L
23	CONTACT, MOVABLE FINGER, RIGHT HAND (obsolete)	LC-0026R
23A	CONTACT, MOVABLE FINGER, LONG LEAD, RIGHT HAND	LC-0024R
24	CONTACT, MOVABLE FINGER, RIGHT HAND (obsolete)	LC-0027R
24A	CONTACT, MOVABLE FINGER, SHORT LEAD, RIGHT HAND	LC-0029R
25	ARM, CONTACT, 7/8", 1 1/2", 1 3/4"	LC-0002N
26	PLATE, CONTACT 3 POLE, 7/8", 1 1/2", 1 3/4" MAIN	LC-0062N
27	SPRING, MAIN CONTACT, 7/8", 1 1/2", 1 3/4"	LC-0105N
A&B		
28	WIRE, MAIN CONTACT # 8, 1"-50% C., 1 1/2" CONTACT	LC-0014N
29	BLOW OUT, 1 POLE, 7/8", 1 1/2", 1 3/4" CONTACT	LC-0006N
30	PLATE, CONTACT AUX., L.H., 1 N.O.	LC-0064L
31	PLATE, CONTACT AUX., R.H., 1 N.O.	LC-0064R
32	SCREW, FL.H. # 8-32 X 1/2"	HWSC-0017N
33	PLATE, CONTACT AUXILIARY, 2 N.C.	LC-0070N
34	PLATE, CONTACT AUXILIARY, 4 N.C.	LC-0075N
35	SCREW, R.H. # 10-32 X 5/8", # 10 FLAT & STAR WASHER	LC-0121N



**"LC-33" CONTACTOR ASSEMBLY**  
**3 POLE 1 3/4" MAIN**  
**"LC"**

**CONTACTOR ASSEMBLIES AVAILABLE**  
 2 N.O./4 N.C. AUX. CONTACTS MOUNTED AND UNMOUNTED

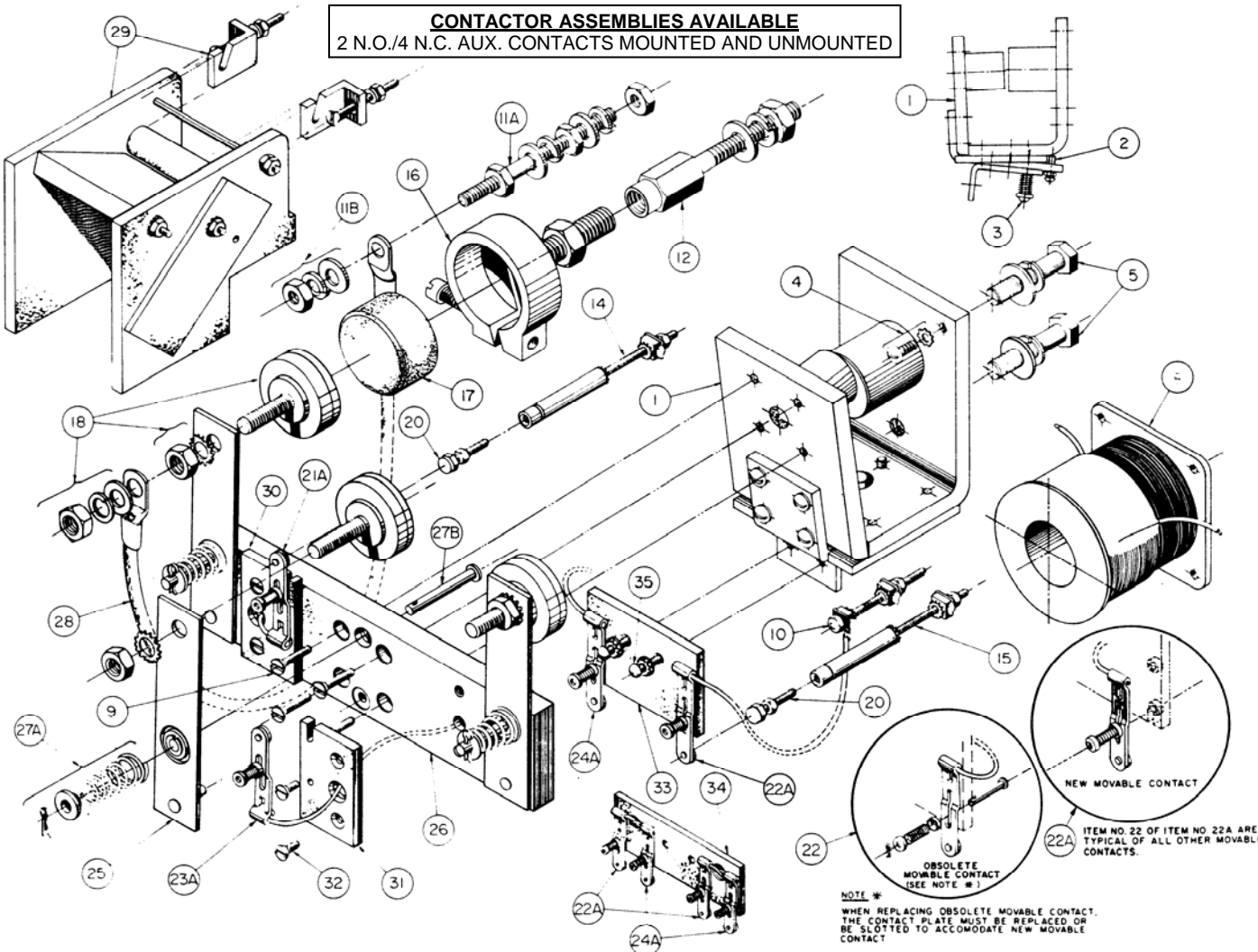


**LC33-0001N** CONTACTOR, 3P 1 3/4" MAIN  
 MOUNTED, 2 N.O./4 N.C. AUX CONTACTS  
**LC33-0002N** CONTACTOR, 3P 1 3/4" MAIN  
 UNMOUNTED, 2 N.O./4 N.C. AUX CONTACTS

ITEM No.	DESCRIPTION	PART No.
1	FRAME AND ARMATURE	LC-0033N
2	SCREW, R.H. # 10-32 X 5/8", # 10-32 HEX HEAD NUT	LC-0115N
3	SCREW, R.H. # 10-32 X 1 1/2", # 10 CUP WASHER & SPRING	LC-0116N
4	SCREW, F.I.H. # 10-32 X 3/8", # 10 STAR WASHER	LC-0117N
5	SCREW, H.H.C. # 5/16-18 X 1 1/2" # 5/16 FLAT & LOCK WASHER	LC-0118N
6		
7		
8	COIL, 6779, 24100T, # 35W, 3660 OHM	COIL-6779N
9	SCREW, F.L.H. # 10-32 X 3/4"	HWSC-0020N
10	STUD, TERMINAL, 2 1/8" LONG	LC-0107N
11	STUD, POWER TERMINAL, A&B 7/8", 1", 1 1/2" & 1 3/4"	LC-0109N
12	POST, POWER CONTACT, 1 3/4" MAIN	LC-0096N
13		
14	POST, CONTACT 3 1/4" LONG	LC-0090N
15	POST, CONTACT 2 3/4" LONG	LC-0087N
16	HOLDER, MAIN CONTACT, 1 3/4", 1 3/4"-50%C CONTACT	LC-0041N
17	CONTACT, 1 3/4" CARBON	CONT-0009N
18A&B	CONTACT, MAIN, 1 3/4" COPPER	LC-0016N
19		
20	CONTACT, 3/8" W/ 3/4" STUD, SILVER PLATED	CONT-0003N
21	CONTACT, MOVABLE FINGER, LEFT HAND (obsolete)	LC-0021L
21A	CONTACT, MOVABLE FINGER, LONG LEAD, LEFT HAND	LC-0024L
22	CONTACT, MOVABLE FINGER, LEFT HAND (obsolete)	LC-0022L
22A	CONTACT, MOVABLE FINGER, SHORT LEAD, LEFT HAND	LC-0029L
23	CONTACT, MOVABLE FINGER, RIGHT HAND (obsolete)	LC-0026R
23A	CONTACT, MOVABLE FINGER, LONG LEAD, RIGHT HAND	LC-0024R
24	CONTACT, MOVABLE FINGER, RIGHT HAND (obsolete)	LC-0027R
24A	CONTACT, MOVABLE FINGER, SHORT LEAD, RIGHT HAND	LC-0029R
25	ARM, CONTACT, 7/8", 1 1/2", 1 3/4"	LC-0002N
26	PLATE, CONTACT 3 POLE, 7/8", 1 1/2", 1 3/4" MAIN	LC-0062N
27	SPRING, MAIN CONTACT, A&B 7/8", 1 1/2", 1 3/4"	LC-0105N
28	WIRE, MAIN CONTACT # 6, 1 3/4"-50%C CONTACT	LC-0013N
29	BLOW OUT, 1 POLE, 7/8", 1 1/2", 1 3/4" CONTACT	LC-0006N
30	PLATE, CONTACT AUX., L.H., 1 N.O.	LC-0064L
31	PLATE, CONTACT AUX., R.H., 1 N.O.	LC-0064R
32	SCREW, F.L.H. # 8-32 X 1/2"	HWSC-0017N
33	PLATE, CONTACT AUXILIARY, 2 N.C.	LC-0070N
34	PLATE, CONTACT AUXILIARY, 4 N.C.	LC-0075N
35	SCREW, R.H. # 10-32 X 5/8", # 10 FLAT & STAR WASHER	LC-0121N

**"LC-34" CONTACTOR ASSEMBLY**  
**3 POLE 1 3/4" 50% C. MAIN**  
**"LC"**

**CONTACTOR ASSEMBLIES AVAILABLE**  
 2 N.O./4 N.C. AUX. CONTACTS MOUNTED AND UNMOUNTED



**NOTE \***  
 WHEN REPLACING OBSOLETE MOVABLE CONTACT,  
 THE CONTACT PLATE MUST BE REPLACED OR  
 BE SLOTTED TO ACCOMMODATE NEW MOVABLE  
 CONTACT

**LC34-0001N** CONTACTOR, 3P 1 3/4" MAIN  
 MOUNTED, 2 N.O./4 N.C. AUX CONTACTS  
 W/50% CARBON MAIN CONTACTS

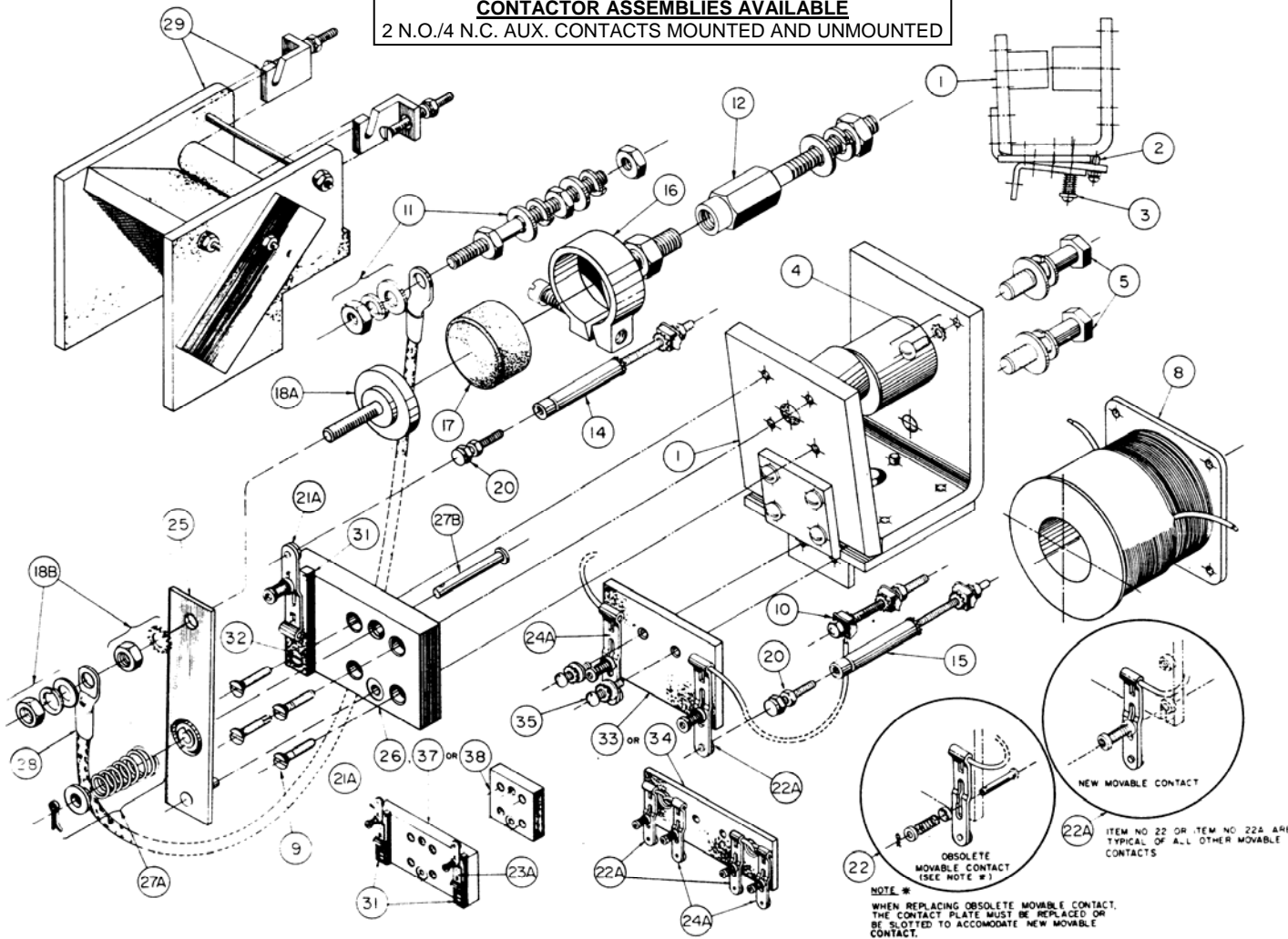
**LC34-0002N** CONTACTOR, 3P 1 3/4" MAIN  
 UNMOUNTED, 2 N.O./4 N.C. AUX CONTACTS  
 W/50% CARBON MAIN CONTACTS

ITEM No.	DESCRIPTION	PART No.
1	FRAME AND ARMATURE	LC-0033N
2	SCREW, R.H. # 10-32 X 5/8", # 10-32 HEX HEAD NUT	LC-0115N
3	SCREW, R.H. # 10-32 X 1 1/2", # 10 CUP WASHER & SPRING	LC-0116N
4	SCREW, F.I.H. # 10-32 X 3/8", # 10 STAR WASHER	LC-0117N
5	SCREW, H.H.C. # 5/16-18 X 1 1/2" # 5/16 FLAT & LOCK WASHER	LC-0118N
6		
7		
8	COIL, 6779, 24100T, # 35W, 3660 OHM	COIL-6779N
9	SCREW, F.L.H. # 10-32 X 3/4"	HWSC-0020N
10	STUD, TERMINAL, 2 1/8" LONG	LC-0107N
11	STUD, POWER TERMINAL, 7/8", 1", 1 1/2" & 1 3/4"	LC-0109N
12	POST, POWER CONTACT, 1 3/4"-50% C MAIN	LC-0097N
13		
14	POST, CONTACT 3 1/4" LONG	LC-0090N
15	POST, CONTACT 2 3/4" LONG	LC-0087N
16	HOLDER, MAIN CONTACT, 1 3/4", 1 3/4"-50% C.	LC-0041N
17	CONTACT, 1 3/4" 50% CARBON	CONT-0010N
18	CONTACT, MAIN, 1 3/4" SILVER CADMIUM	LC-0017N
19		
20	CONTACT, 3/8" W/ 3/4" STUD, SILVER PLATED	CONT-0003N
21	CONTACT, MOVABLE FINGER, LEFT HAND (obsolete)	LC-0021L
21A	CONTACT, MOVABLE FINGER, LONG LEAD, LEFT HAND	LC-0024L
22	CONTACT, MOVABLE FINGER, LEFT HAND (obsolete)	LC-0022L
22A	CONTACT, MOVABLE FINGER, SHORT LEAD, LEFT HAND	LC-0029L
23	CONTACT, MOVABLE FINGER, RIGHT HAND (obsolete)	LC-0026R
23A	CONTACT, MOVABLE FINGER, LONG LEAD, RIGHT HAND	LC-0024R
24	CONTACT, MOVABLE FINGER, RIGHT HAND (obsolete)	LC-0027R
24A	CONTACT, MOVABLE FINGER, SHORT LEAD, RIGHT HAND	LC-0029R
25	ARM, CONTACT, 7/8", 1 1/2", 1 3/4"	LC-0002N
26	PLATE, CONTACT 3 POLE, 7/8", 1 1/2", 1 3/4" MAIN	LC-0062N
27	SPRING, MAIN CONTACT, 7/8", 1 1/2", 1 3/4"	LC-0105N
28	WIRE, MAIN CONTACT # 4, 7/8", 1 3/4" CONTACT	LC-0012N
29	BLOW OUT, 1 POLE, 7/8", 1 1/2", 1 3/4" CONTACT	LC-0006N
30	PLATE, CONTACT AUX., L.H., 1 N.O.	LC-0064L
31	PLATE, CONTACT AUX., R.H., 1 N.O.	LC-0064R
32	SCREW, F.L.H. # 8-32 X 1/2"	HWSC-0017N
33	PLATE, CONTACT AUXILIARY, 2 N.C.	LC-0070N
34	PLATE, CONTACT AUXILIARY, 4 N.C.	LC-0075N
35	SCREW, R.H. # 10-32 X 5/8", # 10 FLAT & STAR WASHER	LC-0121N



**"LC-35" CONTACTOR ASSEMBLY**  
**1 POLE 1 1/2" MAIN**  
**"LC"**

**CONTACTOR ASSEMBLIES AVAILABLE**  
 2 N.O./4 N.C. AUX. CONTACTS MOUNTED AND UNMOUNTED

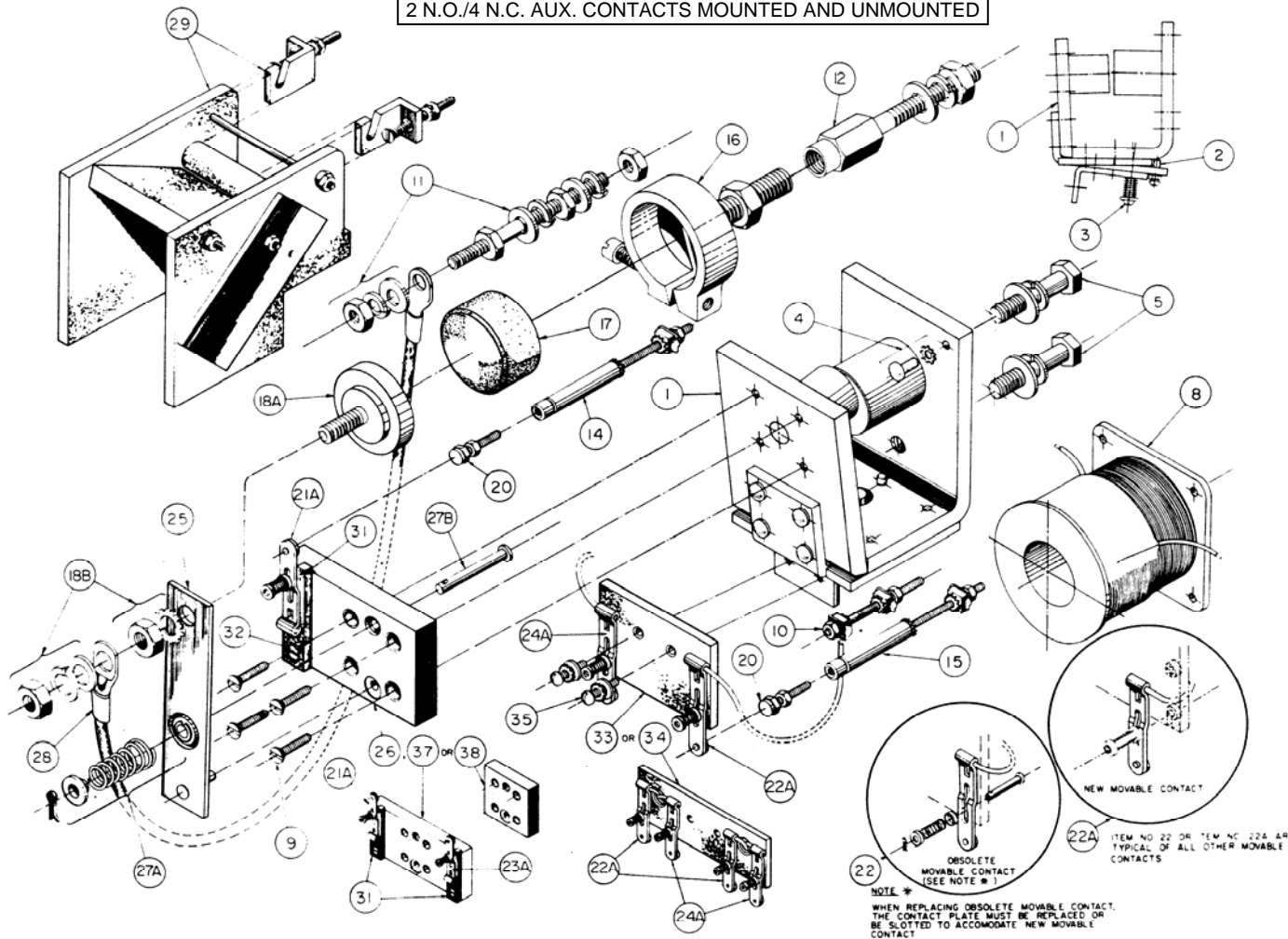


**LC35-0001N** CONTACTOR, 1P 1 1/2" MAIN  
 MOUNTED, 2 N.O./4 N.C. AUX CONTACTS  
**LC35-0002N** CONTACTOR, 1P 1 1/2" MAIN  
 UNMOUNTED, 2 N.O./4 N.C. AUX CONTACTS

ITEM No.	DESCRIPTION	PART No.
1	FRAME AND ARMATURE	LC-0033N
2	SCREW, R.H. # 10-32 X 5/8", # 10-32 HEX HEAD NUT	LC-0115N
3	SCREW, R.H. # 10-32 X 1 1/2", # 10 CUP WASHER & SPRING	LC-0116N
4	SCREW, F.I.H. # 10-32 X 3/8", # 10 STAR WASHER	LC-0117N
5	SCREW, H.H.C.# 5/16-18 X 1 1/2" # 5/16 FLAT & LOCK WASHER	LC-0118N
6		
7		
8	COIL, 6779, 24100T, # 35W, 3660 OHM	COIL-6779N
9	SCREW, FL.H. # 10-32 X 3/4"	HWSC-0020N
10	STUD, TERMINAL, 2 1/8" LONG	LC-0107N
11	STUD, POWER TERMINAL, 7/8", 1", 1 1/2" & 1 3/4"	LC-0109N
12	POST, POWER CONTACT, 1 1/2" MAIN	LC-0095N
13		
14	POST, CONTACT 3 1/4" LONG	LC-0090N
15	POST, CONTACT 2 3/4" LONG	LC-0087N
16	HOLDER, MAIN CONTACT, 1 1/2"	LC-0040N
17	CONTACT, 1 1/2" CARBON	CONT-0008N
18A&B	CONTACT, MAIN, 1 1/2" COPPER	LC-0015N
19		
20	CONTACT, 3/8" W/ 3/4" STUD, SILVER PLATED	CONT-0003N
21	CONTACT, MOVABLE FINGER, LEFT HAND (obsolete)	LC-0021L
21A	CONTACT, MOVABLE FINGER, LONG LEAD, LEFT HAND	LC-0024L
22	CONTACT, MOVABLE FINGER, LEFT HAND (obsolete)	LC-0022L
22A	CONTACT, MOVABLE FINGER, SHORT LEAD, LEFT HAND	LC-0029L
23	CONTACT, MOVABLE FINGER, RIGHT HAND (obsolete)	LC-0026R
23A	CONTACT, MOVABLE FINGER, LONG LEAD, RIGHT HAND	LC-0024R
24	CONTACT, MOVABLE FINGER, RIGHT HAND (obsolete)	LC-0027R
24A	CONTACT, MOVABLE FINGER, SHORT LEAD, RIGHT HAND	LC-0029R
25	ARM, CONTACT, 7/8", 1 1/2", 1 3/4"	LC-0002N
26	PLATE, CONTACT 1 POLE, 7/8", 1 1/2", 1 3/4" MAIN, W/ 1 N.O. AUX.	LC-0053N
27	SPRING, MAIN CONTACT, 7/8", 1 1/2", 1 3/4"	LC-0105N
A&B	WIRE, MAIN CONTACT # 8, 1"-50% C., 1 1/2" CONTACT	LC-0014N
29	BLOW OUT, 1 POLE, 7/8", 1 1/2", 1 3/4" CONTACT	LC-0006N
30		
31	PLATE, CONTACT AUXILIARY, 1 N.O.	LC-0068N
32	SCREW, FL.H. # 8-32 X 1 1/2"	HWSC-0017N
33	PLATE, CONTACT AUXILIARY, 2 N.C.	LC-0070N
34	PLATE, CONTACT AUXILIARY, 4 N.C.	LC-0075N
35	SCREW, R.H. # 10-32 X 5/8", # 10 FLAT & STAR WASHER	LC-0121N
36		
37	PLATE, CONTACT 1 POLE, 7/8", 1 1/2", 1 3/4" MAIN, W/ 2 N.O. AUX.	LC-0054N
38	PLATE, CONTACT 1 POLE, 7/8", 1 1/2", 1 3/4" MAIN	LC-0052N

**"LC-36" CONTACTOR ASSEMBLY**  
**1 POLE 1 3/4" MAIN**  
**"LC"**

**CONTACTOR ASSEMBLIES AVAILABLE**  
 2 N.O./4 N.C. AUX. CONTACTS MOUNTED AND UNMOUNTED



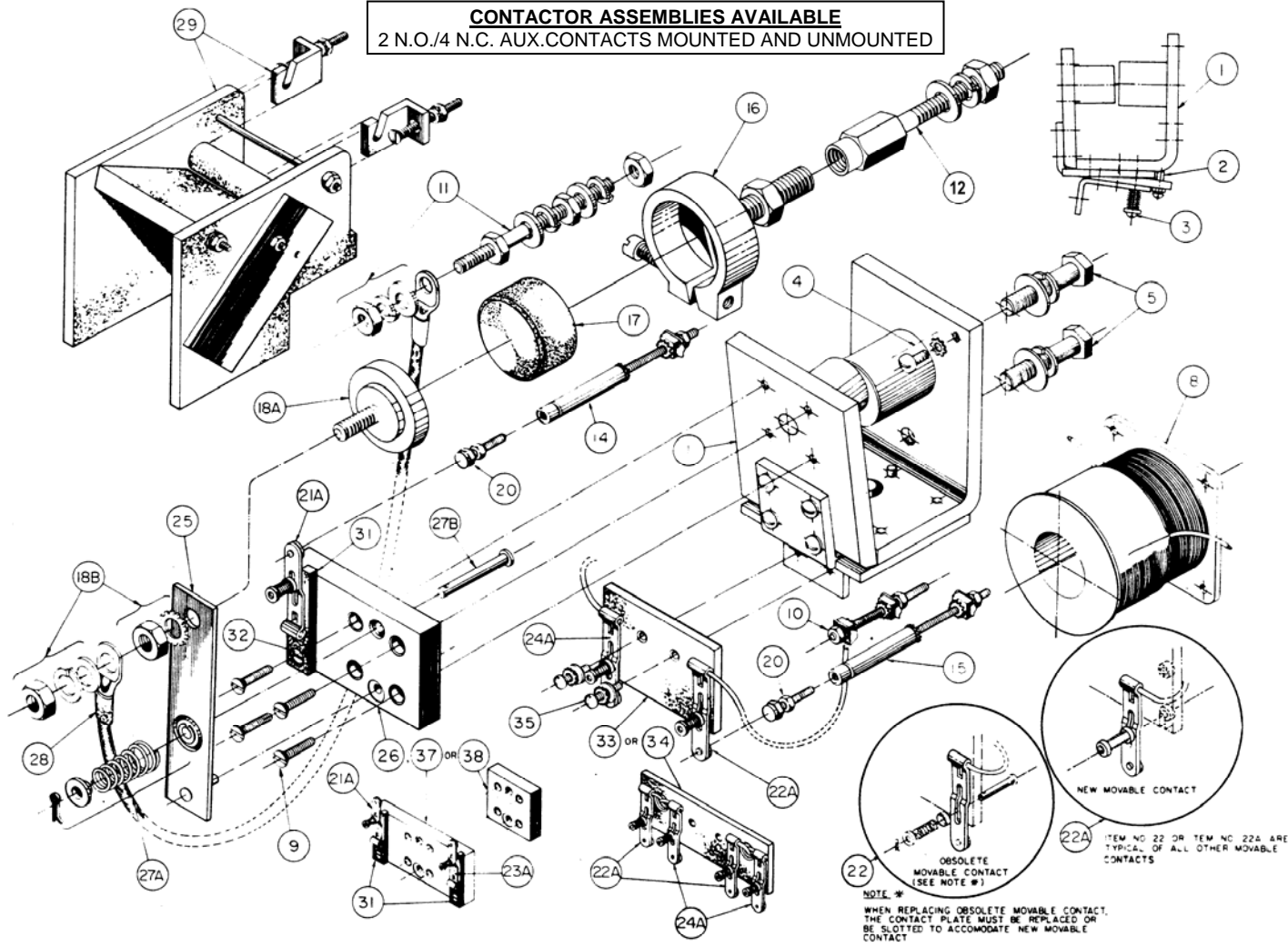
- LC36-0001N** CONTACTOR, 1P 1 3/4" MAIN MOUNTED, 2 N.O./4 N.C. AUX CONTACTS
- LC36-0002N** CONTACTOR, 1P 1 3/4" MAIN UNMOUNTED, 2 N.O./4 N.C. AUX CONTACTS

ITEM No.	DESCRIPTION	PART No.
1	FRAME AND ARMATURE	LC-0033N
2	SCREW, R.H. # 10-32 X 5/8", # 10-32 HEX HEAD NUT	LC-0115N
3	SCREW, R.H. # 10-32 X 1 1/2", # 10 CUP WASHER & SPRING	LC-0116N
4	SCREW, F.I.H. # 10-32 X 3/8", # 10 STAR WASHER	LC-0117N
5	SCREW, H.H.C. # 5/16-18 X 1 1/2" # 5/16 FLAT & LOCK WASHER	LC-0118N
6		
7		
8	COIL, 6779, 24100T, # 35W, 3660 OHM	COIL-6779N
9	SCREW, F.L.H. # 10-32 X 3/4"	HWSC-0020N
10	STUD, TERMINAL, 2 1/8" LONG	LC-0107N
11	STUD, POWER TERMINAL, 7/8", 1", 1 1/2" & 1 3/4"	LC-0109N
12	POST, POWER CONTACT, 1 3/4" MAIN	LC-0096N
13		
14	POST, CONTACT 3 1/4" LONG	LC-0090N
15	POST, CONTACT 2 3/4" LONG	LC-0087N
16	HOLDER, MAIN CONTACT, 1 3/4", 1 3/4"-50%C.	LC-0041N
17	CONTACT, 1 3/4" CARBON	CONT-0009N
18A&B	CONTACT, MAIN, 1 3/4" COPPER	LC-0016N
19		
20	CONTACT, 3/8" W/ 3/4" STUD, SILVER PLATED	CONT-0003N
21	CONTACT, MOVABLE FINGER, LEFT HAND (obsolete)	LC-0021L
21A	CONTACT, MOVABLE FINGER, LONG LEAD, LEFT HAND	LC-0024L
22	CONTACT, MOVABLE FINGER, LEFT HAND (obsolete)	LC-0022L
22A	CONTACT, MOVABLE FINGER, SHORT LEAD, LEFT HAND	LC-0029L
23	CONTACT, MOVABLE FINGER, RIGHT HAND (obsolete)	LC-0026R
23A	CONTACT, MOVABLE FINGER, LONG LEAD, RIGHT HAND	LC-0024R
24	CONTACT, MOVABLE FINGER, LONG LEAD, RIGHT HAND	LC-0027R
24A	CONTACT, MOVABLE FINGER, SHORT LEAD, RIGHT HAND	LC-0029R
25	ARM, CONTACT, 7/8", 1 1/2", 1 3/4"	LC-0002N
26	PLATE, CONTACT 1 POLE, 7/8", 1 1/2", 1 3/4" MAIN, W/ 1 N.O. AUX.	LC-0053N
27	SPRING, MAIN CONTACT, A&B 7/8", 1 1/2", 1 3/4"	LC-0105N
28	WIRE, MAIN CONTACT # 6, 1 3/4"-50%C CONTACT	LC-0013N
29	BLOW OUT, 1 POLE, 7/8", 1 1/2", 1 3/4" CONTACT	LC-0006N
30		
31	PLATE, CONTACT AUXILIARY, 1 N.O.	LC-0068N
32	SCREW, F.L.H. # 8-32 X 1/2"	HWSC-0017N
33	PLATE, CONTACT AUXILIARY, 2 N.C.	LC-0070N
34	PLATE, CONTACT AUXILIARY, 4 N.C.	LC-0075N
35	SCREW, R.H. # 10-32 X 5/8", # 10 FLAT & STAR WASHER	LC-0121N
36		
37	PLATE, CONTACT 1 POLE, 7/8", 1 1/2", 1 3/4" MAIN, W/ 2 N.O. AUX.	LC-0054N
38	PLATE, CONTACT 1 POLE, 7/8", 1 1/2", 1 3/4" MAIN	LC-0052N



**"LC-37" CONTACTOR ASSEMBLY**  
**1 POLE 1 3/4" 50% C. MAIN**  
**"LC"**

**CONTACTOR ASSEMBLIES AVAILABLE**  
 2 N.O./4 N.C. AUX. CONTACTS MOUNTED AND UNMOUNTED



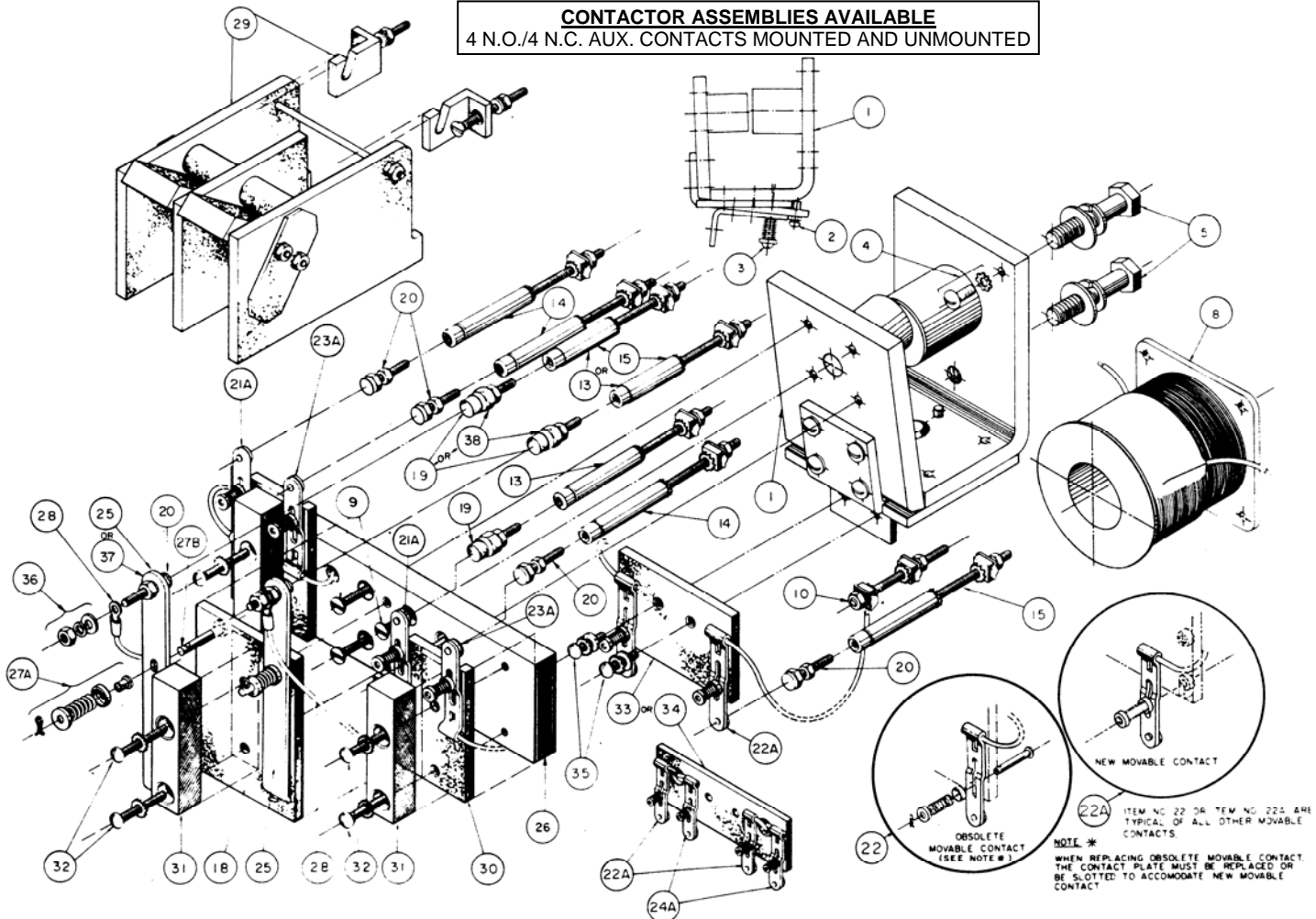
ITEM No.	DESCRIPTION	PART No.
1	FRAME AND ARMATURE	LC-0033N
2	SCREW, R.H. # 10-32 X 5/8" # 10-32 HEX HEAD NUT	LC-0115N
3	SCREW, R.H. # 10-32 X 1 1/2" # 10 CUP WASHER & SPRING	LC-0116N
4	SCREW, F.I.H. # 10-32 X 3/8" # 10 STAR WASHER	LC-0117N
5	SCREW, H.H.C. # 5/16-18 X 1 1/2" # 5/16 FLAT & LOCK WASHER	LC-0118N
6		
7		
8	COIL, 6779, 24100T, # 35W, 3660 OHM	COIL-6779N
9	SCREW, FL.H. # 10-32 X 3/4"	HWSC-0020N
10	STUD, TERMINAL, 2 1/8" LONG	LC-0107N
11	STUD, POWER TERMINAL, 7/8", 1", 1 1/2" & 1 3/4"	LC-0109N
12	POST, POWER CONTACT, 1 3/4"-50%C. MAIN	LC-0097N
13		
14	POST, CONTACT 3 1/4" LONG	LC-0090N
15	POST, CONTACT 2 3/4" LONG	LC-0087N
16	HOLDER, MAIN CONTACT, 1 3/4", 1 3/4"-50%C	LC-0041N
17	CONTACT 1 3/4" 50% CARBON	CONT-0010N
18	CONTACT, MAIN, 1 3/4" A&B SILVER CADMIUM	LC-0017N
19		
20	CONTACT, 3/8" W/ 3/4" STUD SILVER PLATED	CONT-0003N
21	CONTACT, MOVABLE FINGER LEFT HAND (obsolete)	LC-0021L
21A	CONTACT, MOVABLE FINGER LONG LEAD LEFT HAND	LC-0024L
22	CONTACT, MOVABLE FINGER LEFT HAND (obsolete)	LC-0022L
22A	CONTACT, MOVABLE FINGER SHORT LEAD LEFT HAND	LC-0029L
23	CONTACT, MOVABLE FINGER RIGHT HAND (obsolete)	LC-0026R
23A	CONTACT, MOVABLE FINGER LONG LEAD, RIGHT HAND	LC-0024R
24	CONTACT, MOVABLE FINGER RIGHT HAND (obsolete)	LC-0027R
24A	CONTACT, MOVABLE FINGER SHORT LEAD, RIGHT HAND	LC-0029R
25	ARM, CONTACT, 7/8" 1 1/2", 1 3/4"	LC-0002N
26	PLATE, CONTACT 1 POLE, 7/8", 1 1/2", 1 3/4" MAIN W/ 1 N.O. AUX	LC-0053N
27	SPRING, MAIN CONTACT, A&B 7/8", 1 1/2", 1 3/4"	LC-0105N
28	WIRE, MAIN CONTACT # 4 7/8", 1 3/4" CONTACT	LC-0012N
29	BLOW OUT, 1 POLE, 7/8", 1 1/2", 1 3/4" CONTACT	LC-0006N
30		
31	PLATE, CONTACT AUXILIARY, 1 N.O	LC-0068N
32	SCREW, FL.H. # 8-32 X 1/2"	HWSC-0017N
33	PLATE, CONTACT AUXILIARY, 2 N.C.	LC-0070N
34	PLATE, CONTACT AUXILIARY, 4 N.C.	LC-0075N
35	SCREW, R.H. # 10-32 X 5/8" # 10 FLAT & STAR WASHER	LC-0121N
36		
37	PLATE, CONTACT 1 POLE, 7/8", 1 1/2", 1 3/4" MAIN W/ 2 N.O. AUX.	LC-0054N
38	PLATE, CONTACT 1 POLE, 7/8", 1 1/2", 1 3/4" MAIN	LC-0052N

**LC37-0001N** CONTACTOR, 1P 1 3/4" MAIN  
 MOUNTED, 2 N.O./4 N.C. AUX CONTACTS  
 W/50% CARBON MAIN CONTACTS

**LC37-0002N** CONTACTOR, 1P 1 3/4" MAIN  
 UNMOUNTED, 2 N.O./4 N.C. AUX CONTACTS  
 W/50% CARBON MAIN CONTACTS

**"LC-38" CONTACTOR ASSEMBLY**  
**2 POLE 3/8" OR 1/2" MAIN, W/3/8" N.O. CARBON AUX.**  
**"LC"**

**CONTACTOR ASSEMBLIES AVAILABLE**  
 4 N.O./4 N.C. AUX. CONTACTS MOUNTED AND UNMOUNTED



**LC38-0001N** CONTACTOR, 2P 3/8" MAIN MOUNTED, 3 N.O./4 N.C. & (1) 3/8" CARBON N.O. AUX. CONTACTS  
**LC38-0002N** CONTACTOR, 2P 3/8" MAIN UNMOUNTED, 3 N.O./4 N.C. & (1) 3/8" CARBON N.O. AUX. CONTACTS

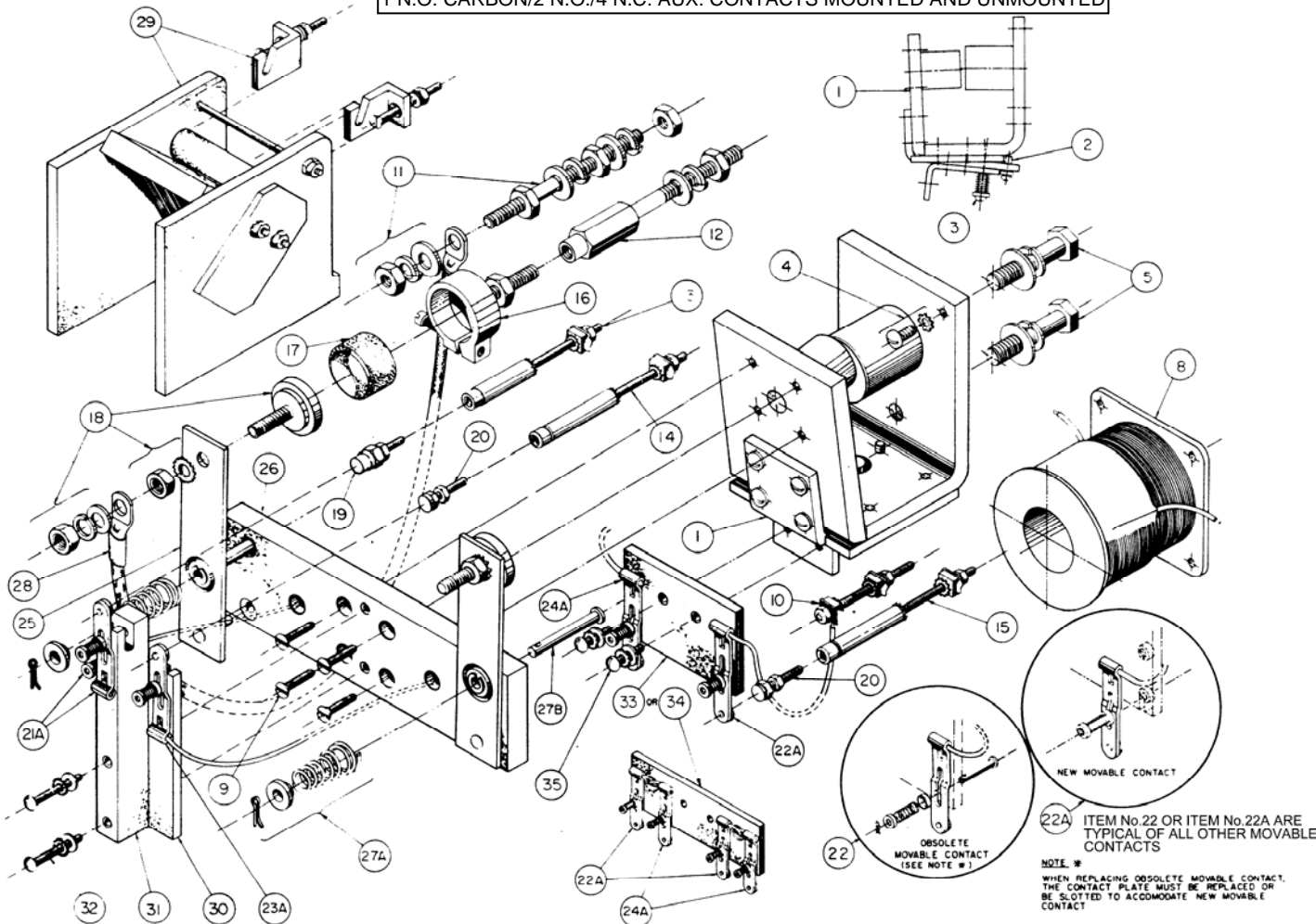
**LC38-0003N** CONTACTOR, 2P 1/2" MAIN MOUNTED, 3 N.O./4 N.C. & (1) 3/8" CARBON N.O. AUX. CONTACTS  
**LC38-0004N** CONTACTOR, 2P 1/2" MAIN UNMOUNTED, 3 N.O./4 N.C. & (1) 3/8" CARBON N.O. AUX. CONTACTS

ITEM No.	DESCRIPTION	PART No.
1	FRAME AND ARMATURE	LC-0033N
2	SCREW, R.H. # 10-32 X 5/8", # 10-32 HEX HEAD NUT	LC-0115N
3	SCREW, R.H. # 10-32 X 1 1/2", # 10 CUP WASHER & SPRING	LC-0116N
4	SCREW, F.I.H. # 10-32 X 3/8", # 10 STAR WASHER	LC-0117N
5	SCREW, H.H.C. # 5/16-18 X 1 1/2", # 5/16 FLAT & LOCK WASHER	LC-0118N
6		
7		
8	COIL, 6775, 24100T, # 35W, 3660 OHM	COIL-6775N
9	SCREW, FL.H. # 10-32 X 3/4"	HWSC-0020N
10	STUD, TERMINAL, 2 1/8" LONG	LC-0107N
11		
12		
13	POST, CONTACT 3" LONG (USE W / ITEM # 19)	LC-0092N
14	POST, CONTACT 3 1/4" LONG	LC-0090N
15	POST, CONTACT 2 3/4" LONG	LC-0087N
16		
17		
18	PLATE, CONTACT 2 POLE, 3/8", 1/2" MAIN	LC-0056N
19	CONTACT, 3/8" CARBON	CONT-0001N
20	CONTACT, 3/8" W/ 3/4" STUD, SILVER PLATED	CONT-0003N
21	CONTACT, MOVABLE FINGER, LEFT HAND (obsolete)	LC-0021L
21A	CONTACT, MOVABLE FINGER, LONG LEAD, LEFT HAND	LC-0024L
22	CONTACT, MOVABLE FINGER, LEFT HAND (obsolete)	LC-0022L
22A	CONTACT, MOVABLE FINGER, SHORT LEAD, LEFT HAND	LC-0029L
23	CONTACT, MOVABLE FINGER, RIGHT HAND (obsolete)	LC-0026R
23A	CONTACT, MOVABLE FINGER, LONG LEAD, RIGHT HAND	LC-0024R
24	CONTACT, MOVABLE FINGER, RIGHT HAND (obsolete)	LC-0027R
24A	CONTACT, MOVABLE FINGER, SHORT LEAD, RIGHT HAND	LC-0029R
25	ARM, CONTACT, 3/8", 1/2"	LC-0003N
26	PLATE, CONTACT 2 POLE (LC 38), 3/8", 1/2" MAIN	LC-0061N
27	SPRING, MAIN CONTACT, A&B 3/8", 1/2"	LC-0104N
28	WIRE, MAIN CONTACT # 14, 3/8", 1/2" CONTACT	LC-0011N
29	BLOW OUT, 2 POLE (LC38), 3/8", 1/2" CONTACT	LC-0008N
30	PLATE, CONTACT AUXILIARY, 2 N.O.	LC-0073N
31	SEPARATOR, 2 POLE, 3/8", 1/2" MAIN	LC-0102N
32	SCREW, R.H. # 10-32 X 7/8", # 10 STAR WASHER	LC-0111N
33	PLATE, CONTACT AUXILIARY, 2 N.C.	LC-0070N
34	PLATE, CONTACT AUXILIARY, 4 N.C.	LC-0075N
35	SCREW, R.H. # 10-32 X 5/8", # 10 FLAT & STAR WASHER	LC-0121N
36	NUT, HEX HEAD # 10-32, # 10 FLAT & LOCK WASHER	LC-0114N
37	CONTACT, 1/2" COPPER	CONT-0005N
38	CONTACT, 1/2" CARBON (USE W / ITEM # 15)	CONT-0004N



**"LC-41" CONTACTOR ASSEMBLY**  
**600V, 2 POLE 1" MAIN**  
**"LC"**

**CONTACTOR ASSEMBLIES AVAILABLE**  
 1 N.O. CARBON/2 N.O./4 N.C. AUX. CONTACTS MOUNTED AND UNMOUNTED

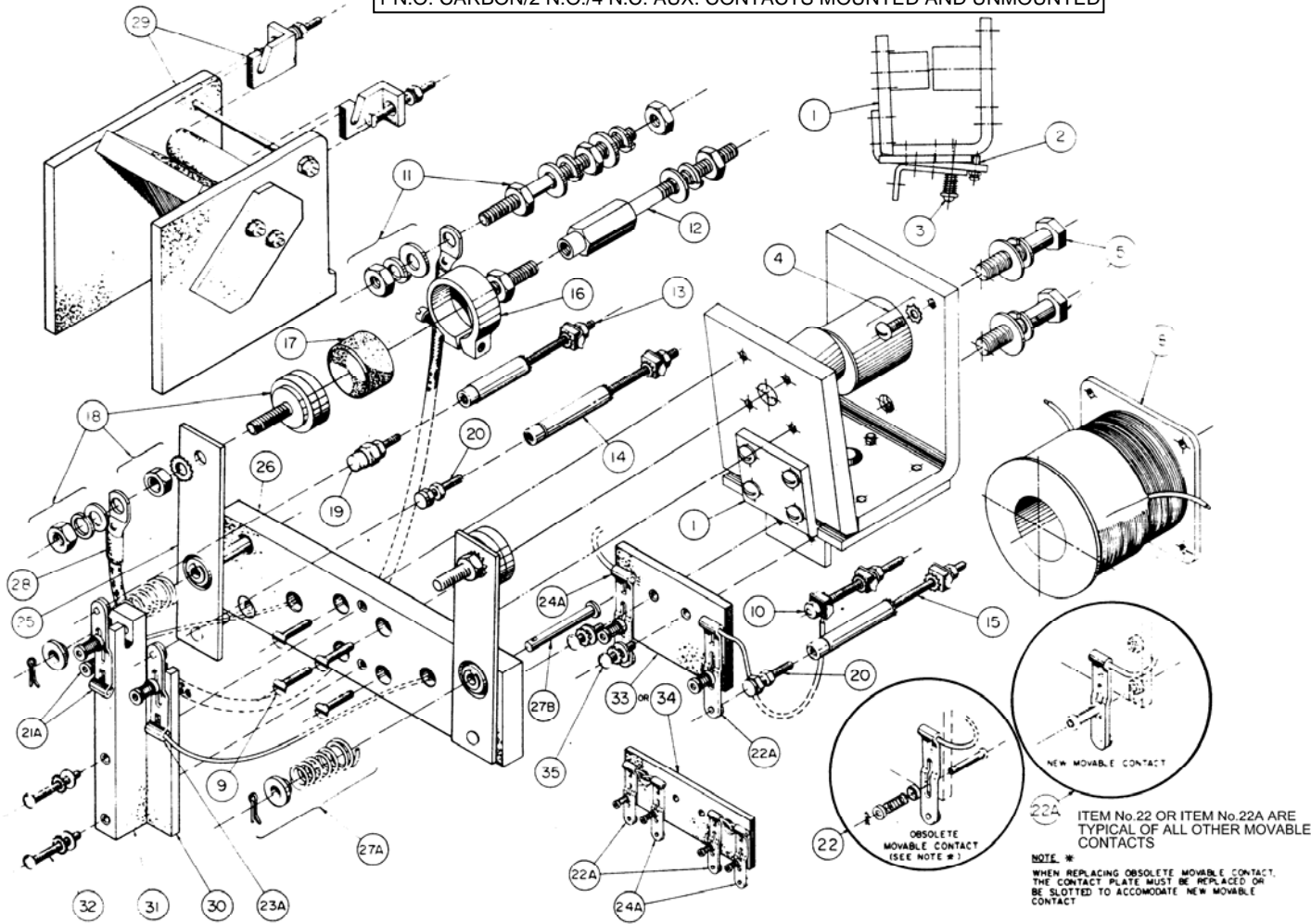


**LC41-0001N** CONTACTOR,600V 2P 1" MAIN  
 MOUNTED, 1 N.O. CARBON/2 N.O./4 N.C. AUX CONTACTS  
**LC41-0002N** CONTACTOR,600V 2P 1" MAIN  
 UNMOUNTED, 1 N.O. CARBON/2 N.O./4 N.C. AUX CONTACTS

ITEM No.	DESCRIPTION	PART No.
1	FRAME AND ARMATURE	LC-0033N
2	SCREW, R.H. # 10-32 X 5/8", # 10-32 HEX HEAD NUT	LC-0115N
3	SCREW, R.H. # 10-32 X 1 1/2", # 10 CUP WASHER & SPRING	LC-0116N
4	SCREW, F.I.H. # 10-32 X 3/8", # 10 STAR WASHER	LC-0117N
5	SCREW, H.H.C. # 5/16-18 X 1 1/2", # 5/16 FLAT & LOCK WASHER	LC-0118N
6		
7		
8	COIL, 6779, 24100T, # 35W, 3660 OHM	COIL-6779N
9	SCREW, FL.H. # 10-32 X 3/4"	HWSC-0020N
10	STUD, TERMINAL, 2 1/8" LONG	LC-0107N
11	STUD, POWER TERMINAL, 7/8", 1", 1 1/2" & 1 3/4"	LC-0109N
12	POST, POWER CONTACT, 1", 1"-50% C. MAIN	LC-0098N
13	POST, CONTACT 3 3/4" LONG	LC-0091N
14	POST, CONTACT 3 1/4" LONG	LC-0090N
15	POST, CONTACT 2 3/4" LONG	LC-0087N
16	HOLDER, MAIN CONTACT, 1", 1"-50% C.	LC-0042N
17	CONTACT, 1" CARBON	CONT-0006N
18	CONTACT, MAIN, 1" COPPER	LC-0018N
19	CONTACT, 3/8" CARBON	CONT-0001N
20	CONTACT, 3/8" W/ 3/4" STUD, SILVER PLATED	CONT-0003N
21	CONTACT, MOVABLE FINGER, LEFT HAND (obsolete)	LC-0021L
21A	CONTACT, MOVABLE FINGER, LONG LEAD, LEFT HAND	LC-0024L
22	CONTACT, MOVABLE FINGER, LEFT HAND (obsolete)	LC-0022L
22A	CONTACT, MOVABLE FINGER, SHORT LEAD, LEFT HAND	LC-0029L
23	CONTACT, MOVABLE FINGER, RIGHT HAND (obsolete)	LC-0026R
23A	CONTACT, MOVABLE FINGER, LONG LEAD, RIGHT HAND	LC-0024R
24	CONTACT, MOVABLE FINGER, RIGHT HAND (obsolete)	LC-0027R
24A	CONTACT, MOVABLE FINGER, SHORT LEAD, RIGHT HAND	LC-0029R
25	ARM, CONTACT, 1"	LC-0001N
26	PLATE, CONTACT 2 POLE, 600 V, 1" MAIN	LC-0080N
27A&B	SPRING, MAIN CONTACT, 1"	LC-0103N
28	WIRE, MAIN CONTACT # 10, 1" CONTACT	LC-0010N
29	BLOW OUT, 1" CONTACT	LC-0007N
30	PLATE, CONTACT AUXILIARY, 2 N.O.	LC-0072N
31	PLATE, CONTACT AUXILIARY, 1 N.O.	LC-0067N
32	SCREW, R.H. # 10-32 X 1 1/2", # 10 FLAT & STAR WASHER	LC-0120N
33	PLATE, CONTACT AUXILIARY, 2 N.C.	LC-0070N
34	PLATE, CONTACT AUXILIARY, 4 N.C.	LC-0075N
35	SCREW, R.H. # 10-32 X 5/8", # 10 FLAT & STAR WASHER	LC-0121N

**"LC-42" CONTACTOR ASSEMBLY**  
**600V, 2 POLE 1" 50% C. MAIN**  
**"LC"**

**CONTACTOR ASSEMBLIES AVAILABLE**  
 1 N.O. CARBON/2 N.O./4 N.C. AUX. CONTACTS MOUNTED AND UNMOUNTED



**LC42-0001N** CONTACTOR,600V 2P 1" MAIN  
 MTD, 1 N.O. CARBON/2 N.O./4 N.C. AUX CONTACTS  
 W/50% CARBON MAIN CONTACTS

**LC42-0002N** CONTACTOR,600V 2P 1" MAIN  
 UNMTD, 1 N.O. CARBON/2 N.O./4 N.C. AUX CONTACTS  
 W/50% CARBON MAIN CONTACTS

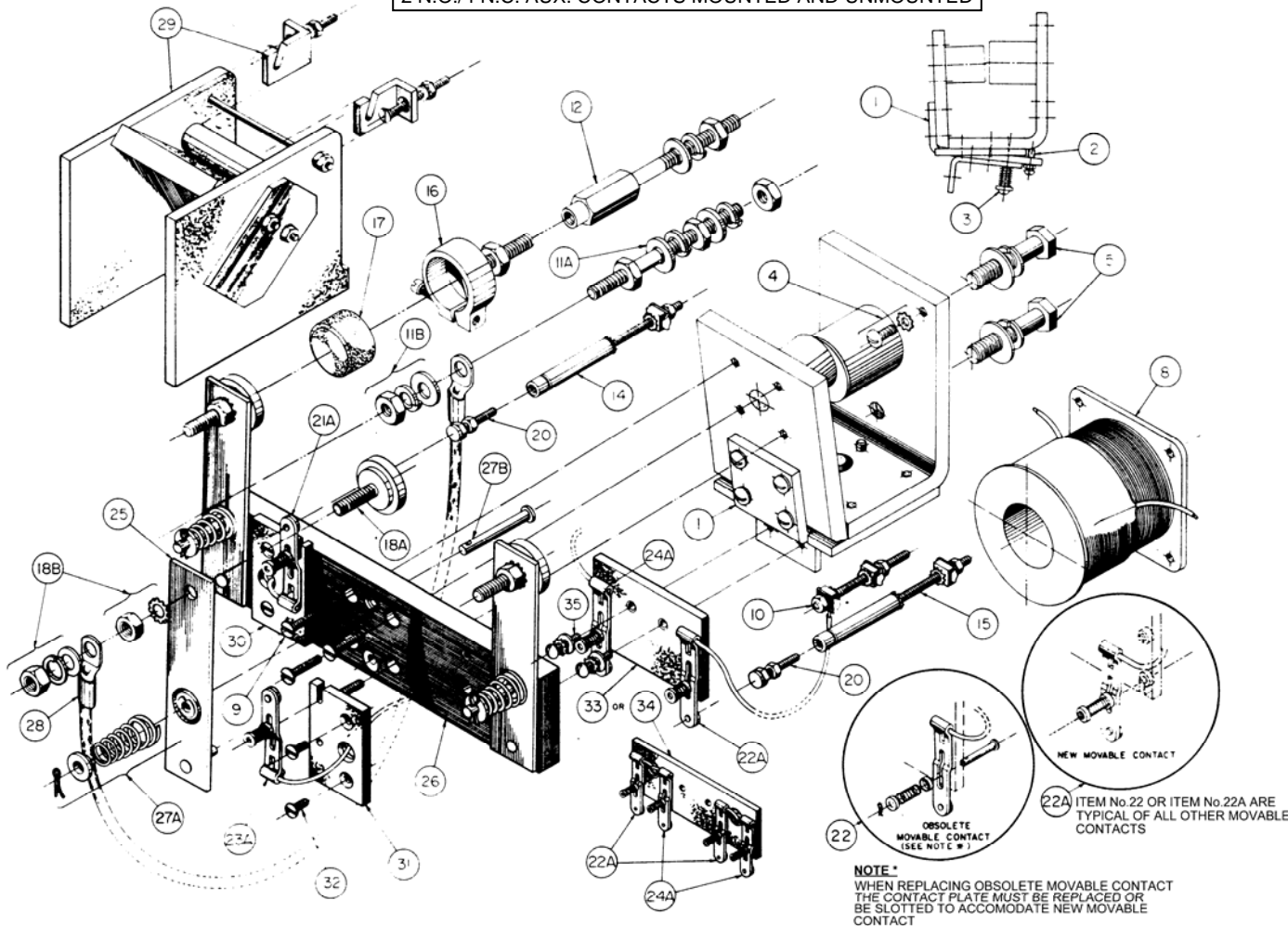
ITEM No.	DESCRIPTION	PART No.
1	FRAME AND ARMATURE	LC-0033N
2	SCREW, R.H. #10-32 X 5/8", #10-32 HEX HEAD NUT	LC-0115N
3	SCREW, R.H. #10-32 X 1 1/2", #10 CUP WASHER & SPRING	LC-0116N
4	SCREW, F.I.H. #10-32 X 3/8", #10 STAR WASHER	LC-0117N
5	SCREW, H.H.C. #5/16-18 X 1 1/2", #5/16 FLAT & LOCK WASHER	LC-0118N
6		
7		
8	COIL, 6779, 24100T, # 35W, 3660 OHM	COIL-6779N
9	SCREW, FL.H. #10-32 X 3/4"	HWSC-0020N
10	STUD, TERMINAL, 2 7/8" LONG	LC-0107N
11	STUD, POWER TERMINAL, 7/8", 1", 1 1/2" & 1 3/4"	LC-0109N
12	POST, POWER CONTACT, 1", 1"-50% C. MAIN	LC-0098N
13	POST, CONTACT 3 3/4" LONG	LC-0091N
14	POST, CONTACT 3 1/4" LONG	LC-0090N
15	POST, CONTACT 2 3/4" LONG	LC-0087N
16	HOLDER, MAIN CONTACT, 1", 1"-50% C.	LC-0042N
17	CONTACT, 1" 50% CARBON	CONT-0007N
18	CONTACT, MAIN, 1" SILVER CADMIUM	LC-0019N
19	CONTACT, 3/8" CARBON	CONT-0001N
20	CONTACT, 3/8" W/ 3/4" STUD, SILVER PLATED	CONT-0003N
21	CONTACT, MOVABLE FINGER, LEFT HAND (obsolete)	LC-0021L
21A	CONTACT, MOVABLE FINGER, LONG LEAD, LEFT HAND	LC-0024L
22	CONTACT, MOVABLE FINGER, LEFT HAND (obsolete)	LC-0022L
22A	CONTACT, MOVABLE FINGER, SHORT LEAD, LEFT HAND	LC-0029L
23	CONTACT, MOVABLE FINGER, RIGHT HAND (obsolete)	LC-0026R
23A	CONTACT, MOVABLE FINGER, LONG LEAD, RIGHT HAND	LC-0024R
24	CONTACT, MOVABLE FINGER, RIGHT HAND (obsolete)	LC-0027R
24A	CONTACT, MOVABLE FINGER, SHORT LEAD, RIGHT HAND	LC-0029R
25	ARM, CONTACT, 1"	LC-0001N
26	PLATE, CONTACT 2 POLE, 600 V, 1" MAIN	LC-0080N
27A&B	SPRING, MAIN CONTACT, 1"	LC-0103N
28	WIRE, MAIN CONTACT # 8, 1"-50% C., 1 1/2" CONTACT	LC-0014N
29	BLOW OUT, 1" CONTACT	LC-0007N
30	PLATE, CONTACT AUXILIARY, 2 N.O.	LC-0072N
31	PLATE, CONTACT AUXILIARY, 1 N.O.	LC-0067N
32	SCREW, R.H. #10-32 X 1 1/2", #10 FLAT & STAR WASHER	LC-0120N
33	PLATE, CONTACT AUXILIARY, 2 N.C.	LC-0070N
34	PLATE, CONTACT AUXILIARY, 4 N.C.	LC-0075N
35	SCREW, R.H. #10-32 X 5/8", #10 FLAT & STAR WASHER	LC-0121N

NOTE: \*  
 ITEM No. 22 OR ITEM No. 22A ARE TYPICAL OF ALL OTHER MOVABLE CONTACTS  
 WHEN REPLACING OBSOLETE MOVABLE CONTACT, THE CONTACT PLATE MUST BE REPLACED OR BE SLOTTED TO ACCOMMODATE NEW MOVABLE CONTACT



**"LC-43" CONTACTOR ASSEMBLY**  
**3 POLE 1" MAIN**  
**"LC"**

**CONTACTOR ASSEMBLIES AVAILABLE**  
 2 N.O./4 N.C. AUX. CONTACTS MOUNTED AND UNMOUNTED

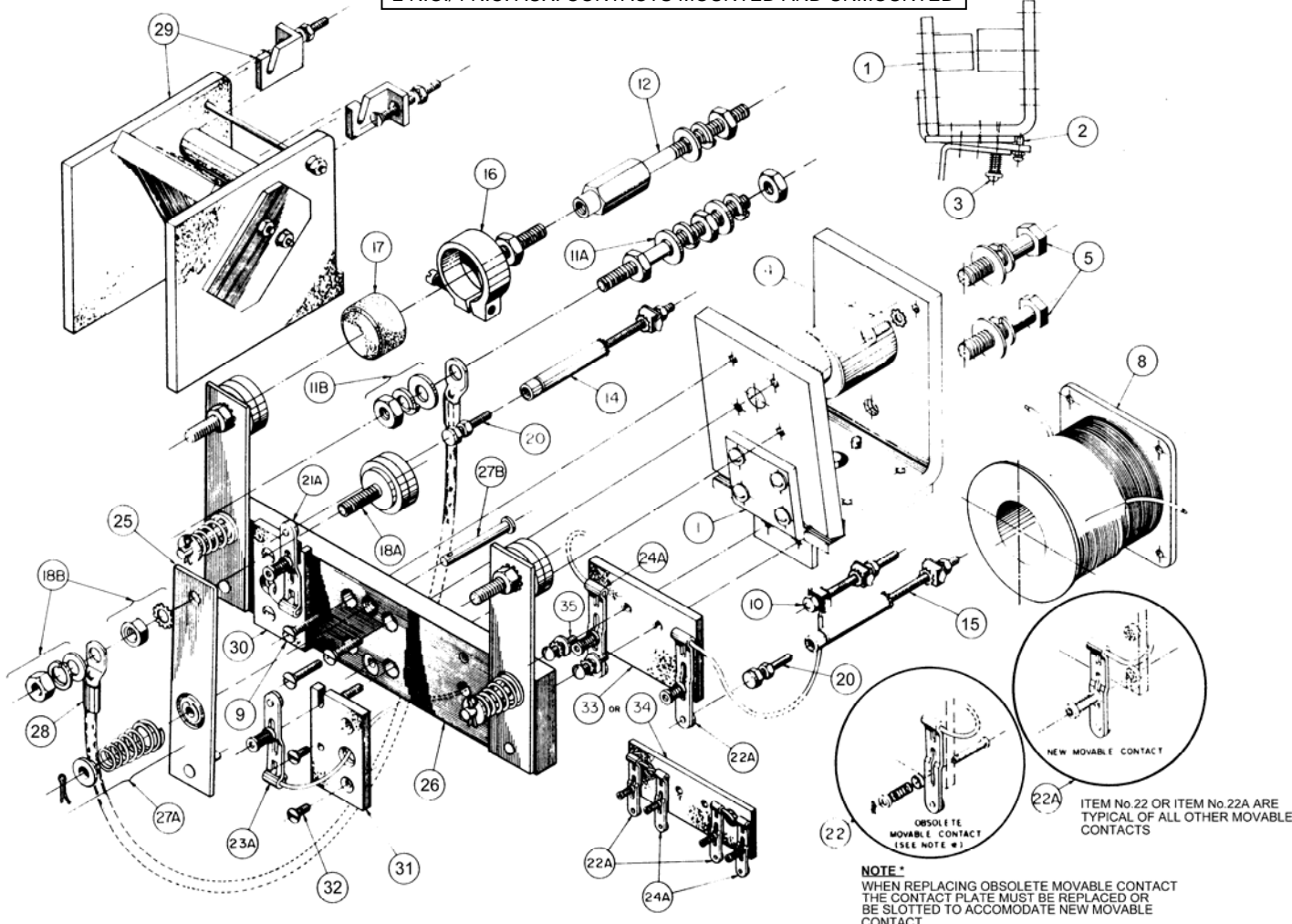


**LC43-0001N** CONTACTOR, 3P 1" MAIN  
 MOUNTED, 2 N.O./4 N.C. AUX CONTACTS  
**LC43-0002N** CONTACTOR, 3P 1" MAIN  
 UNMOUNTED, 2 N.O./4 N.C. AUX CONTACTS

ITEM No.	DESCRIPTION	PART No.
1	FRAME AND ARMATURE	LC-0033N
2	SCREW, R.H. #10-32 X 5/8", #10-32 HEX HEAD NUT	LC-0115N
3	SCREW, R.H. #10-32 X 1 1/2", #10 CUP WASHER & SPRING	LC-0116N
4	SCREW, F.I.H. #10-32 X 3/8", #10 STAR WASHER	LC-0117N
5	SCREW, H.H.C. #5/16-18 X 1 1/2", #5/16 FLAT & LOCK WASHER	LC-0118N
6		
7		
8	COIL, 6779, 24100T, # 35W, 3660 OHM	COIL-6779N
9	SCREW, F.L.H. #10-32 X 3/4"	HWSC-0020N
10	STUD, TERMINAL, 2 1/8" LONG	LC-0107N
11	STUD, POWER TERMINAL, 7/8", 1", 1 1/2" & 1 3/4"	LC-0109N
A&B		
12	POST, POWER CONTACT, 1", 1"-50% C. MAIN	LC-0098N
13		
14	POST, CONTACT 3 1/4" LONG	LC-0090N
15	POST, CONTACT 2 3/4" LONG	LC-0087N
16	HOLDER, MAIN CONTACT, 1", 1"-50% C.	LC-0042N
17	CONTACT, 1" CARBON	CONT-0006N
18A&B	CONTACT, MAIN, 1" COPPER	LC-0018N
19		
20	CONTACT, 3/8" W/ 3/4" STUD, SILVER PLATED	CONT-0003N
21	CONTACT, MOVABLE FINGER, LEFT HAND (obsolete)	LC-0021L
21A	CONTACT, MOVABLE FINGER, LONG LEAD, LEFT HAND	LC-0024L
22	CONTACT, MOVABLE FINGER, LEFT HAND (obsolete)	LC-0022L
22A	CONTACT, MOVABLE FINGER, SHORT LEAD, LEFT HAND	LC-0029L
23	CONTACT, MOVABLE FINGER, RIGHT HAND (obsolete)	LC-0026R
23A	CONTACT, MOVABLE FINGER, LONG LEAD, RIGHT HAND	LC-0024R
24	CONTACT, MOVABLE FINGER, RIGHT HAND (obsolete)	LC-0027R
24A	CONTACT, MOVABLE FINGER, SHORT LEAD, RIGHT HAND	LC-0029R
25	ARM, CONTACT, 1"	LC-0001N
26	PLATE, CONTACT 3 POLE, 1" MAIN	LC-0060N
27A&B	SPRING, MAIN CONTACT, 1"	LC-0103N
28	WIRE, MAIN CONTACT # 10, 1" CONTACT	LC-0010N
29	BLOW OUT, 1" CONTACT	LC-0007N
30	PLATE, CONTACT AUX., L.H., 1 N.O	LC-0063L
31	PLATE, CONTACT AUX., R.H., 1 N.O	LC-0063R
32	SCREW, F.L.H. #8-32 X 1/2"	HWSC-0017N
33	PLATE, CONTACT AUXILIARY, 2 N.C.	LC-0070N
34	PLATE, CONTACT AUXILIARY, 4 N.C.	LC-0075N
35	SCREW, R.H. #10-32 X 5/8", #10 FLAT & STAR WASHER	LC-0121N

**"LC-44" CONTACTOR ASSEMBLY**  
**3 POLE 1" 50% C. MAIN**  
**"LC"**

**CONTACTOR ASSEMBLIES AVAILABLE**  
 2 N.O./4 N.C. AUX. CONTACTS MOUNTED AND UNMOUNTED



**NOTE \***  
 WHEN REPLACING OBSOLETE MOVABLE CONTACT THE CONTACT PLATE MUST BE REPLACED OR BE SLOTTED TO ACCOMMODATE NEW MOVABLE CONTACT

**LC44-0001N** CONTACTOR, 3P 1" MAIN  
 MOUNTED, 2 N.O./4 N.C. AUX CONTACTS  
 W/50% CARBON MAIN CONTACTS

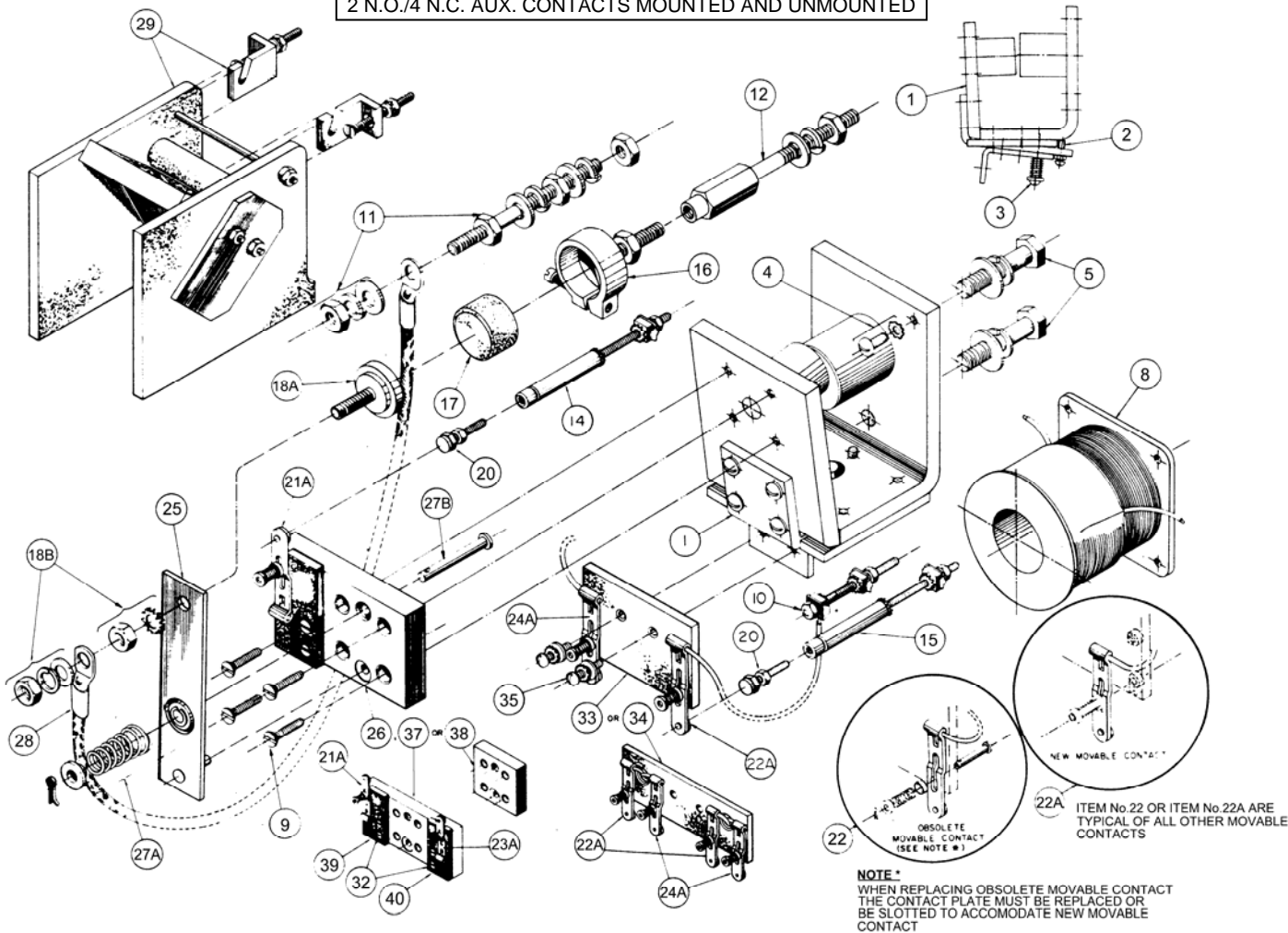
**LC44-0002N** CONTACTOR, 3P 1" MAIN  
 UNMOUNTED, 2 N.O./4 N.C. AUX CONTACTS  
 W/50% CARBON MAIN CONTACTS

ITEM No.	DESCRIPTION	PART No.
1	FRAME AND ARMATURE	LC-0033N
2	SCREW, R.H. #10-32 X 5/8", #10-32 HEX HEAD NUT	LC-0115N
3	SCREW, R.H. #10-32 X 1 1/2", #10 CUP WASHER & SPRING	LC-0116N
4	SCREW, F.L.H. #10-32 X 3/8", #10 STAR WASHER	LC-0117N
5	SCREW, H.H.C. #5/16-18 X 1 1/2", #5/16 FLAT & LOCK WASHER	LC-0118N
6		
7		
8	COIL, 6779.24100T, # 35W, 3680 OHM	COIL-6779N
9	SCREW, F.L.H. #10-32 X 3/4"	HWSC-0020N
10	STUD, TERMINAL, 2 1/8 LONG	LC-0107N
11	STUD, POWER TERMINAL, 7/8", 1", 1 1/2" & 1 3/4"	LC-0109N
12	POST, POWER CONTACT, 1", 1"-50% C. MAIN	LC-0098N
13		
14	POST, CONTACT 3 1/4" LONG	LC-0090N
15	POST, CONTACT 2 3/4" LONG	LC-0087N
16	HOLDER, MAIN CONTACT, 1", 1"-50% C.	LC-0042N
17	CONTACT, 1" 50% CARBON	CONY-0007N
18	CONTACT, MAIN, 1" SILVER CADMIUM	LC-0019N
19		
20	CONTACT, 3/8" W/ 3/4" STUD, SILVER PLATED	CONY-0003N
21	CONTACT, MOVABLE FINGER, LEFT HAND (obsolete)	LC-0021L
21A	CONTACT, MOVABLE FINGER, LONG LEAD, LEFT HAND	LC-0024L
22	CONTACT, MOVABLE FINGER, LEFT HAND (obsolete)	LC-0022L
22A	CONTACT, MOVABLE FINGER, SHORT LEAD, LEFT HAND	LC-0029L
23	CONTACT, MOVABLE FINGER, RIGHT HAND (obsolete)	LC-0026R
23A	CONTACT, MOVABLE FINGER, LONG LEAD, RIGHT HAND	LC-0024R
24	CONTACT, MOVABLE FINGER, RIGHT HAND (obsolete)	LC-0027R
24A	CONTACT, MOVABLE FINGER, SHORT LEAD, RIGHT HAND	LC-0029R
25	ARM, CONTACT, 1"	LC-0001N
26	PLATE, CONTACT 3 POLE, 1" MAIN	LC-0060N
27A&B	SPRING, MAIN CONTACT, 1"	LC-0103N
28	WIRE, MAIN CONTACT # 8, 1"-50% C., 1 1/2" CONTACT	LC-0014N
29	BLOW OUT, 1" CONTACT	LC-0007N
30	PLATE, CONTACT AUX., L.H., 1 N.O.	LC-0063L
31	PLATE, CONTACT AUX., R.H., 1 N.O.	LC-0063R
32	SCREW, F.L.H. # 8-32 X 1/2"	HWSC-0017N
33	PLATE, CONTACT AUXILIARY, 2 N.C.	LC-0070N
34	PLATE, CONTACT AUXILIARY, 4 N.C.	LC-0075N
35	SCREW, R.H. #10-32 X 5/8", #10 FLAT & STAR WASHER	LC-0121N



**"LC-45" CONTACTOR ASSEMBLY**  
**1 POLE 1" MAIN**  
**"LC"**

**CONTACTOR ASSEMBLIES AVAILABLE**  
 2 N.O./4 N.C. AUX. CONTACTS MOUNTED AND UNMOUNTED

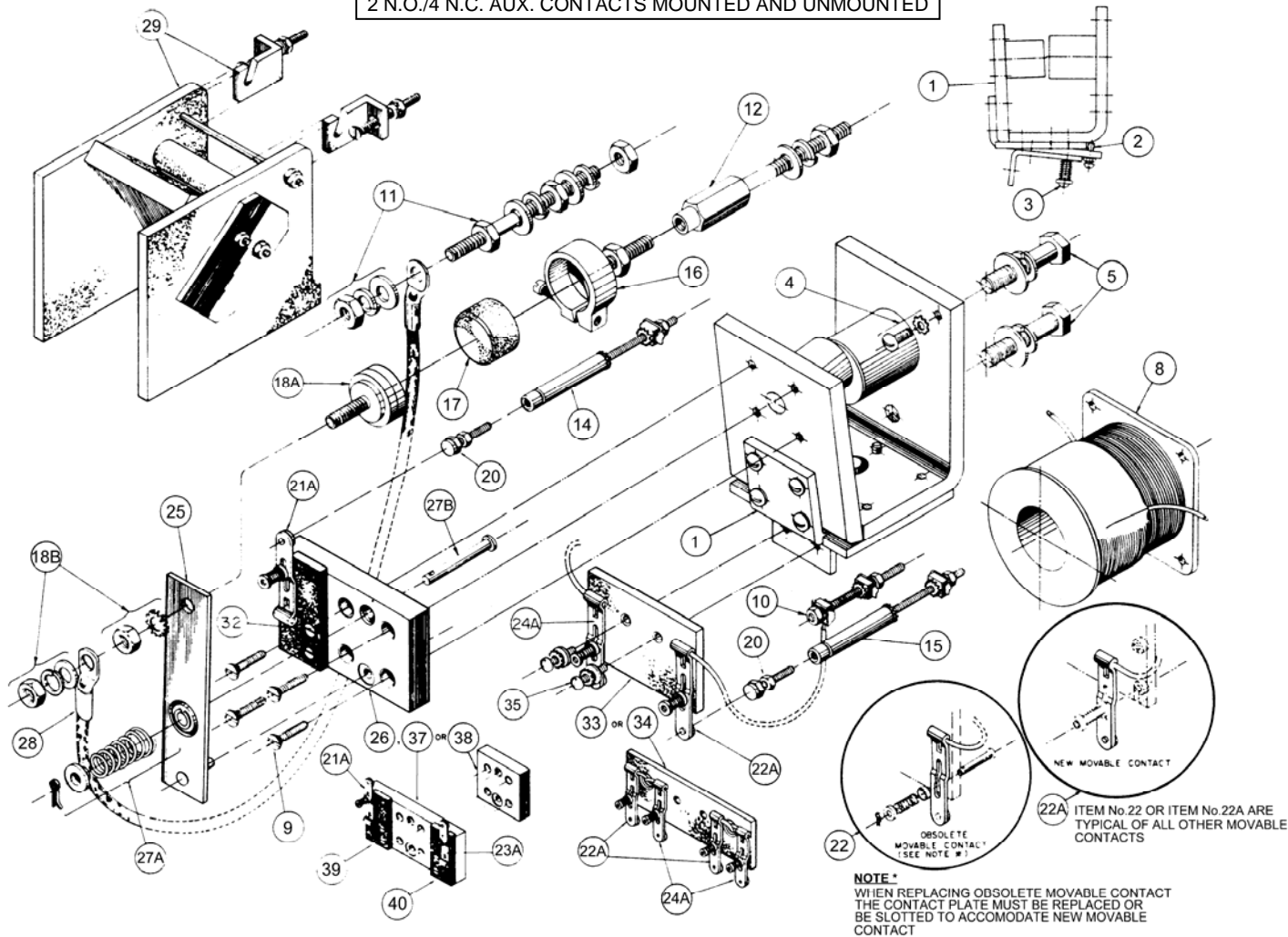


**LC45-0001N** CONTACTOR, 1P 1" MAIN  
 MOUNTED, 2 N.O./4 N.C. AUX CONTACTS  
**LC45-0002N** CONTACTOR, 1P 1" MAIN  
 UNMOUNTED, 2 N.O./4 N.C. AUX CONTACTS

ITEM No.	DESCRIPTION	PART No.
1	FRAME AND ARMATURE	LC-0033N
2	SCREW, R.H. # 10-32 X 5/8", # 10-32 HEX HEAD NUT	LC-0115N
3	SCREW, R.H. # 10-32 X 1 1/2", # 10 CUP WASHER & SPRING	LC-0116N
4	SCREW, F.I.H. # 10-32 X 3/8", # 10 STAR WASHER	LC-0117N
5	SCREW, H.H.C. # 5/16-18 X 1 1/2", # 5/16 FLAT & LOCK WASHER	LC-0118N
6		
7		
8	COIL, 6779, 24100T, # 35W, 3660 OHM	COIL-6779N
9	SCREW, F.L.H. # 10-32 X 3/4"	HWSC-0020N
10	STUD, TERMINAL, 2 1/8" LONG	LC-0107N
11	STUD, POWER TERMINAL, 7/8", 1", 1 1/2" & 1 3/4"	LC-0109N
12	POST, POWER CONTACT, 1", 1"-50% C. MAIN	LC-0098N
13		
14	POST, CONTACT 3 1/4" LONG	LC-0090N
15	POST, CONTACT 2 3/4" LONG	LC-0087N
16	HOLDER, MAIN CONTACT, 1", 1"-50% C.	LC-0042N
17	CONTACT, 1" CARBON	CONT-0006N
18A & B	CONTACT, MAIN, 1" COPPER	LC-0018N
20	CONTACT, 3/8" W/ 3/4" STUD, SILVER PLATED	CONT-0003N
21	CONTACT, MOVABLE FINGER, LEFT HAND (obsolete)	LC-0021L
21A	CONTACT, MOVABLE FINGER, LONG LEAD, LEFT HAND	LC-0024L
22	CONTACT, MOVABLE FINGER, LEFT HAND (obsolete)	LC-0022L
22A	CONTACT, MOVABLE FINGER, SHORT LEAD, LEFT HAND	LC-0029L
23	CONTACT, MOVABLE FINGER, RIGHT HAND (obsolete)	LC-0026R
23A	CONTACT, MOVABLE FINGER, LONG LEAD, RIGHT HAND	LC-0024R
24	CONTACT, MOVABLE FINGER, RIGHT HAND (obsolete)	LC-0027R
24A	CONTACT, MOVABLE FINGER, SHORT LEAD, RIGHT HAND	LC-0029R
25	ARM, CONTACT, 1"	LC-0001N
26	PLATE, CONTACT 1 POLE, 1" MAIN W/ 1 N.O. AUX.	LC-0050N
27A & B	SPRING, MAIN CONTACT, 1"	LC-0103N
28	WIRE, MAIN CONTACT # 10, 1" CONTACT	LC-0010N
29	BLOW OUT, 1" CONTACT	LC-0007N
30		
31		
32	SCREW, F.L.H. # 8-32 X 1/2"	HWSC-0017N
33	PLATE, CONTACT AUXILIARY, 2 N.C.	LC-0070N
34	PLATE, CONTACT AUXILIARY, 4 N.C.	LC-0075N
35	SCREW, R.H. # 10-32 X 5/8", # 10 FLAT & STAR WASHER	LC-0121N
36		
37	PLATE, CONTACT 1 POLE, 1" MAIN W/ 2 N.O. AUX.	LC-0051N
38	PLATE, CONTACT 1 POLE, 1" MAIN	LC-0049N
39	PLATE, CONTACT AUX., L.H., 1 N.O.	LC-0063L
40	PLATE, CONTACT AUX., R.H., 1 N.O.	LC-0063R

**"LC-46" CONTACTOR ASSEMBLY**  
**1 POLE 1" 50% C. MAIN**  
**"LC"**

**CONTACTOR ASSEMBLIES AVAILABLE**  
 2 N.O./4 N.C. AUX. CONTACTS MOUNTED AND UNMOUNTED



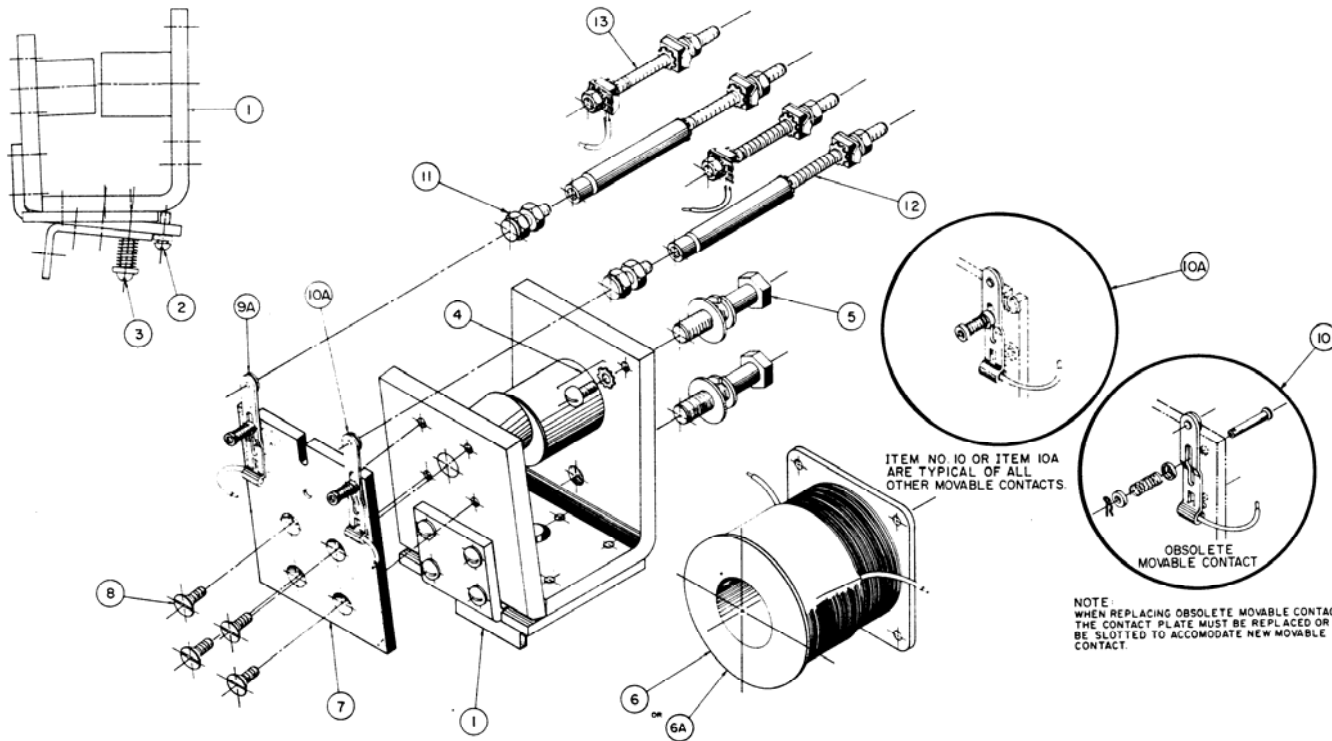
**NOTE:**  
 WHEN REPLACING OBSOLETE MOVABLE CONTACT  
 THE CONTACT PLATE MUST BE REPLACED OR  
 BE SLOTTED TO ACCOMMODATE NEW MOVABLE  
 CONTACT

**LC46-0001N** CONTACTOR, 1P 1" MAIN  
 MOUNTED, 2 N.O./4 N.C. AUX CONTACTS  
 W/50% CARBON MAIN CONTACTS

**LC46-0002N** CONTACTOR, 1P 1" MAIN  
 UNMOUNTED, 2 N.O./4 N.C. AUX CONTACTS  
 W/50% CARBON MAIN CONTACTS

ITEM No.	DESCRIPTION	PART No.
1	FRAME AND ARMATURE	LC-0033N
2	SCREW, R.H. # 10-32 X 5/8", # 10-32 HEX HEAD NUT	LC-0115N
3	SCREW, R.H. # 10-32 X 1 1/2", # 10 CUP WASHER & SPRING	LC-0116N
4	SCREW, F.I.H. # 10-32 X 3/8", # 10 STAR WASHER	LC-0117N
5	SCREW, H.H.C. # 5/16-18 X 1 1/2", # 5/16 FLAT & LOCK WASHER	LC-0118N
6		
7		
8	COIL, 6779, 24100T, # 35W, 3660 OHM	COIL-6779N
9	SCREW, F.L.H. # 10-32 X 3/4"	HWSC-0020N
10	STUD, TERMINAL, 2 1/8" LONG	LC-0107N
11	STUD, POWER TERMINAL, 7/8", 1", 1 1/2" & 1 3/4"	LC-0109N
12	POST, POWER CONTACT, 1", 1"-50% C. MAIN	LC-0098N
13		
14	POST, CONTACT 3 1/4" LONG	LC-0090N
15	POST, CONTACT 2 3/4" LONG	LC-0087N
16	HOLDER, MAIN CONTACT, 1", 1"-50% C.	LC-0042N
17	CONTACT, 1" 50% CARBON	CONT-0007N
18	CONTACT, MAIN, 1" SILVER CADIUM	LC-0019N
19		
20	CONTACT, 3/8" W/ 3/4" STUD, SILVER PLATED	CONT-0003N
21	CONTACT, MOVABLE FINGER, LEFT HAND (obsolete)	LC-0021L
21A	CONTACT, MOVABLE FINGER, LONG LEAD, LEFT HAND	LC-0024L
22	CONTACT, MOVABLE FINGER, LEFT HAND (obsolete)	LC-0022L
22A	CONTACT, MOVABLE FINGER, SHORT LEAD, LEFT HAND	LC-0029L
23	CONTACT, MOVABLE FINGER, RIGHT HAND (obsolete)	LC-0026R
23A	CONTACT, MOVABLE FINGER, LONG LEAD, RIGHT HAND	LC-0024R
24	CONTACT, MOVABLE FINGER, RIGHT HAND (obsolete)	LC-0027R
24A	CONTACT, MOVABLE FINGER, SHORT LEAD, RIGHT HAND	LC-0029R
25	ARM, CONTACT, 1"	LC-0001N
26	PLATE, CONTACT 1 POLE, 1" MAIN W/ 1 N.O. AUX.	LC-0050N
27A & B	SPRING, MAIN CONTACT, 1"	LC-0103N
28	WIRE, MAIN CONTACT # 8, 1"-50% C, 1 1/2" CONTACT	LC-0014N
29	BLOW OUT, 1" CONTACT	LC-0007N
30		
31		
32	SCREW, F.L.H. # 8-32 X 1/2"	HWSC-0017N
33	PLATE, CONTACT AUXILIARY, 2 N.C.	LC-0070N
34	PLATE, CONTACT AUXILIARY, 4 N.C.	LC-0075N
35	SCREW, R.H. # 10-32 X 5/8", # 10 FLAT & STAR WASHER	LC-0121N
36		
37	PLATE, CONTACT 1 POLE, 1" MAIN W/ 2 N.O. AUX.	LC-0051N
38	PLATE, CONTACT 1 POLE, 1" MAIN	LC-0049N
39	PLATE, CONTACT AUX., L.H., 1 N.O.	LC-0063L
40	PLATE, CONTACT AUX., R.H., 1 N.O.	LC-0063R

**"LC-47" RELAY ASSEMBLY  
 HOIST MOTOR FIELD PROTECTIVE "K" COIL  
 "LC"**



ITEM No.	DESCRIPTION	PART No.
1	FRAME AND ARMATURE	LC-0033N
2	SCREW, R.H. # 10-32 X 5/8", # 10-32 HEX HEAD NUT	LC-0115N
3	SCREW, R.H. # 10-32 X 1 1/2", # 10 CUP WASHER & SPRING	LC-0116N
4	SCREW, F.H. # 10-32 X 3/8", # 10 STAR WASHER	LC-0117N
5	SCREW, H.H.C. # 5/16-18 X 1 1/2", # 5/16 FLAT & LOCK WASHER	LC-0118N
6	COIL, 6780, 925T, # 21W, 5.2 OHM	COIL-6780N
6A	COIL, 6781, 450T, # 18W, 1.1 OHM	COIL-6781N
7	PLATE, CONTACT, "K" COIL, 3 N.O. MAXIMUM	LC-0077N
8	SCREW, F.H. # 10-32 X 3/8"	HWSC-0019N
9	CONTACT, MOVABLE FINGER, LEFT HAND (obsolete)	LC-0021L
9A	CONTACT, MOVABLE FINGER, LONG LEAD, LEFT HAND	LC-0024L
10	CONTACT, MOVABLE FINGER, RIGHT HAND (obsolete)	LC-0026R
10A	CONTACT, MOVABLE FINGER, LONG LEAD, RIGHT HAND	LC-0024R
11	CONTACT, 3/8" W/ 3/4" STUD, SILVER PLATED	CONT-0003N
12	POST, CONTACT 2 3/4" LONG	LC-0087N
13	STUD, TERMINAL, 2 1/8" LONG	LC-0107N

**LC47-0001N** RELAY, "K" COIL MOUNTED  
 (2) N.O. contacts  
 (1) COIL-6780N

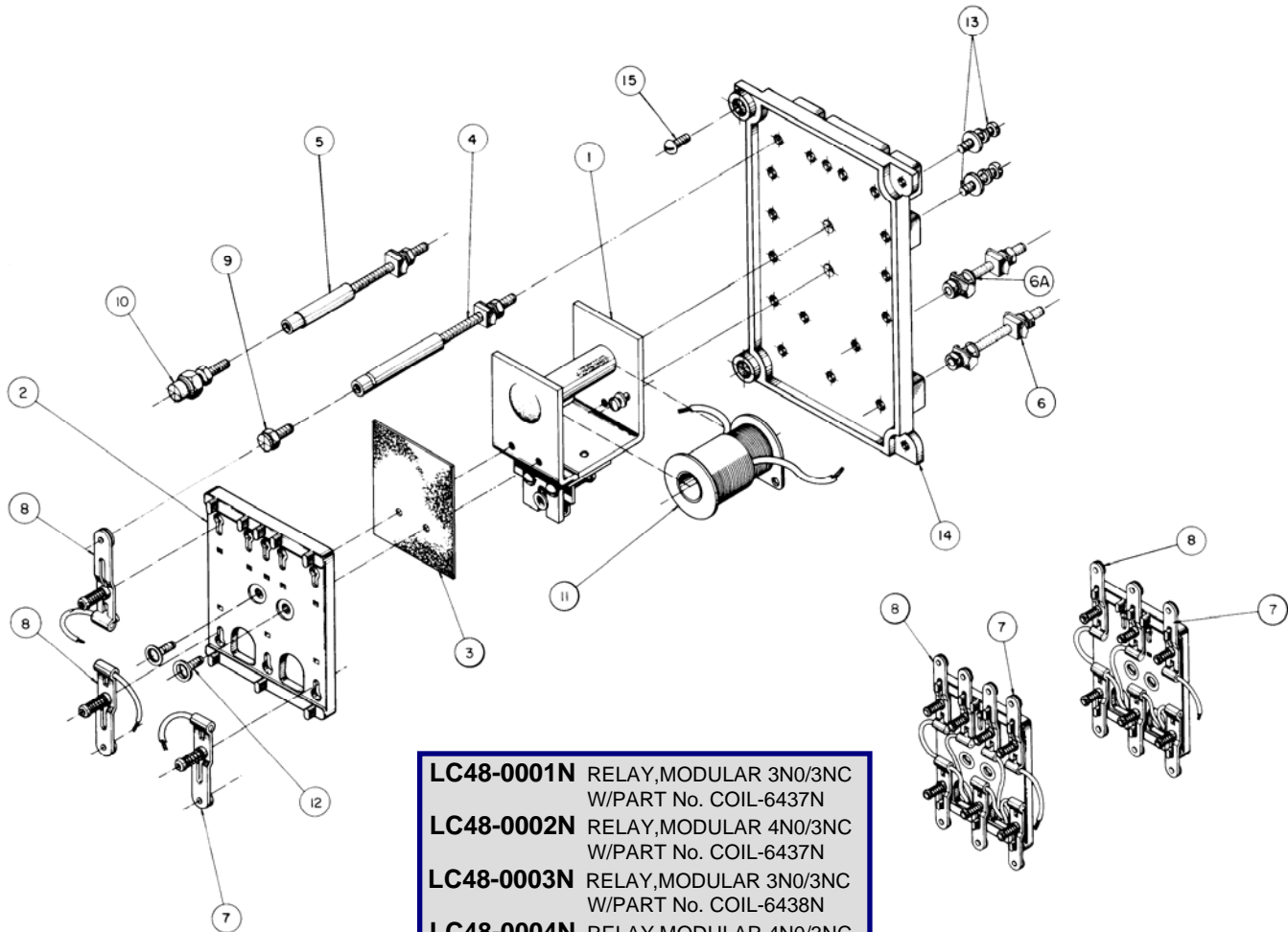
**LC47-0002N** RELAY, "K" COIL UNMOUNTED  
 (2) N.O. contacts  
 (1) COIL-6780N

**LC47-0003N** RELAY, "K" COIL MOUNTED  
 (2) N.O. contacts  
 (1) COIL-6781N

**LC47-0004N** RELAY, "K" COIL UNMOUNTED  
 (2) N.O. contacts  
 (1) COIL-6781N



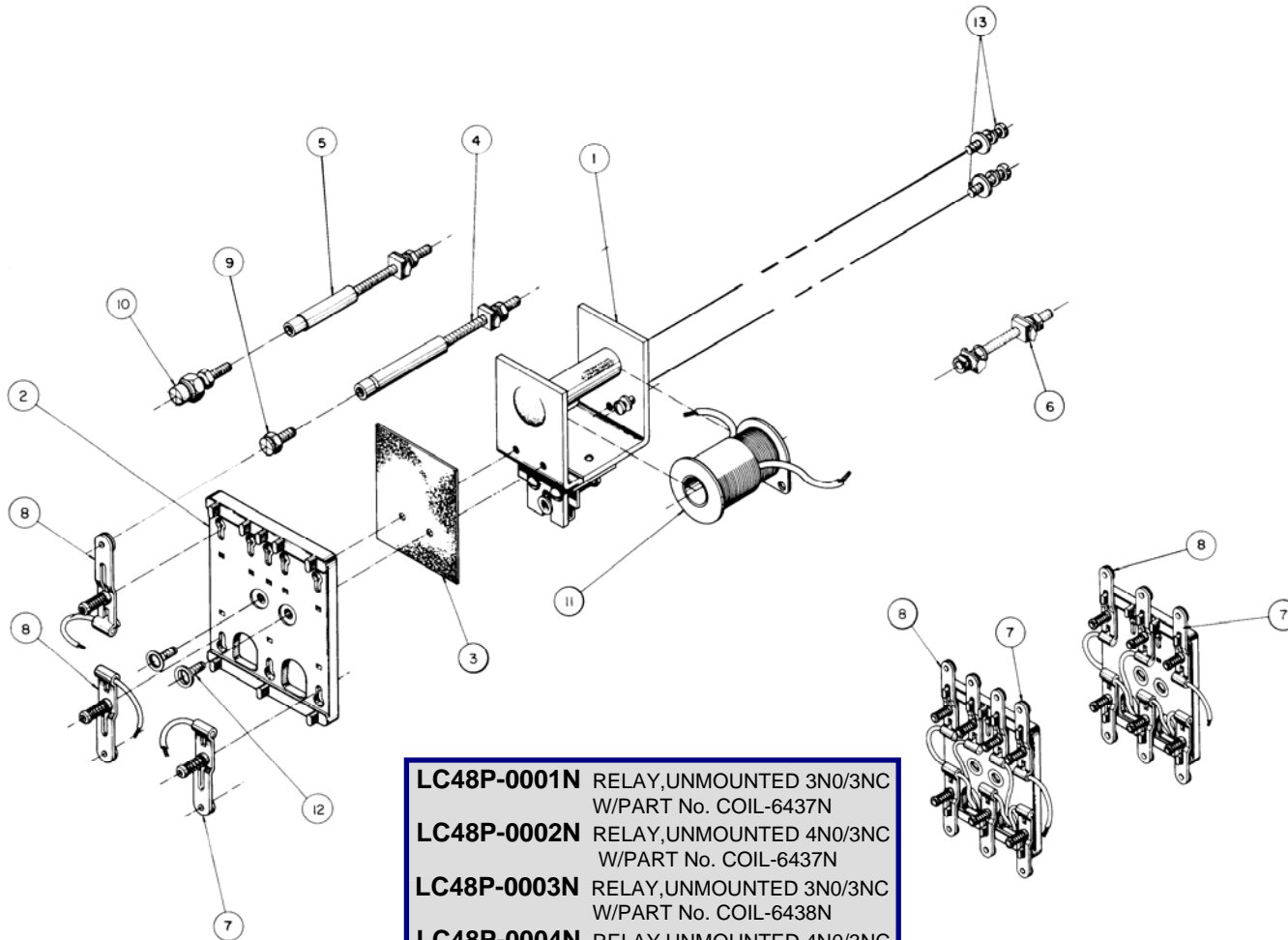
**"LC-48" RELAY ASSEMBLY**  
**4 N.O./3 N.C. MAXIMUM**  
**"LC"**



- LC48-0001N** RELAY,MODULAR 3N0/3NC  
W/PART No. COIL-6437N
- LC48-0002N** RELAY,MODULAR 4N0/3NC  
W/PART No. COIL-6437N
- LC48-0003N** RELAY,MODULAR 3N0/3NC  
W/PART No. COIL-6438N
- LC48-0004N** RELAY,MODULAR 4N0/3NC  
W/PART No. COIL-6438N
- LC48-0005N** RELAY,MODULAR 3N0/3NC  
W/PART No. COIL-6439N
- LC48-0006N** RELAY,MODULAR 4N0/3NC  
W/PART No. COIL-6439N

ITEM No.	DESCRIPTION	PART No.
1	FRAME AND ARMATURE, 1 OR 2 N.C. CONTACTS	LC-0034N
1	FRAME AND ARMATURE, 3 N.C. CONTACTS	LC-0037N
2	PLATE, CONTACT, 4 N.O. MAX., 3 N.C. MAXIMUM	LC-0078N
3	INSULATOR	LC-0044N
4	POST, CONTACT 2.055" LONG	LC-0094N
5	POST, CONTACT 1 7/16" LONG	LC-0083N
6	STUD, TERMINAL, 1 3/4" LONG	LC-0108N
6A	STUD, TERMINAL, 1 1/2" LONG	LC-0125N
7	CONTACT, MOVABLE FINGER, SHORT LEAD, RIGHT HAND	LC-0029R
8	CONTACT, MOVABLE FINGER, SHORT LEAD, LEFT HAND	LC-0029L
9	CONTACT, 3/8" W/ 3/8" STUD, SILVER PLATED	CONT-0002N
10	CONTACT, 3/8" CARBON	CONT-0001N
11	COIL,6437,27500T, # 40W, 7600 OHM	COIL-6437N
11	COIL,6438,23000T, # 39W, 4900 OHM	COIL-6438N
11	COIL,6439,9000T, # 35W, 750 OHM	COIL-6439N
12	SCREW, R.W.H. # 8-32 X 3/8"	HWSC-0016N
13	SCREW, R.H. # 10-32 X 5/8", # 10 FLAT & LOCK WASHER	LC-0124N
14	BASE, RELAY	LC-0004N
15	SCREW, R.H. # 8-32 X 5/8"	HWSC-0018N

**"LC-48P" RELAY ASSEMBLY  
 PANEL MOUNT 4 N.O./ 3 N.C. MAXIMUM  
 "LC"**

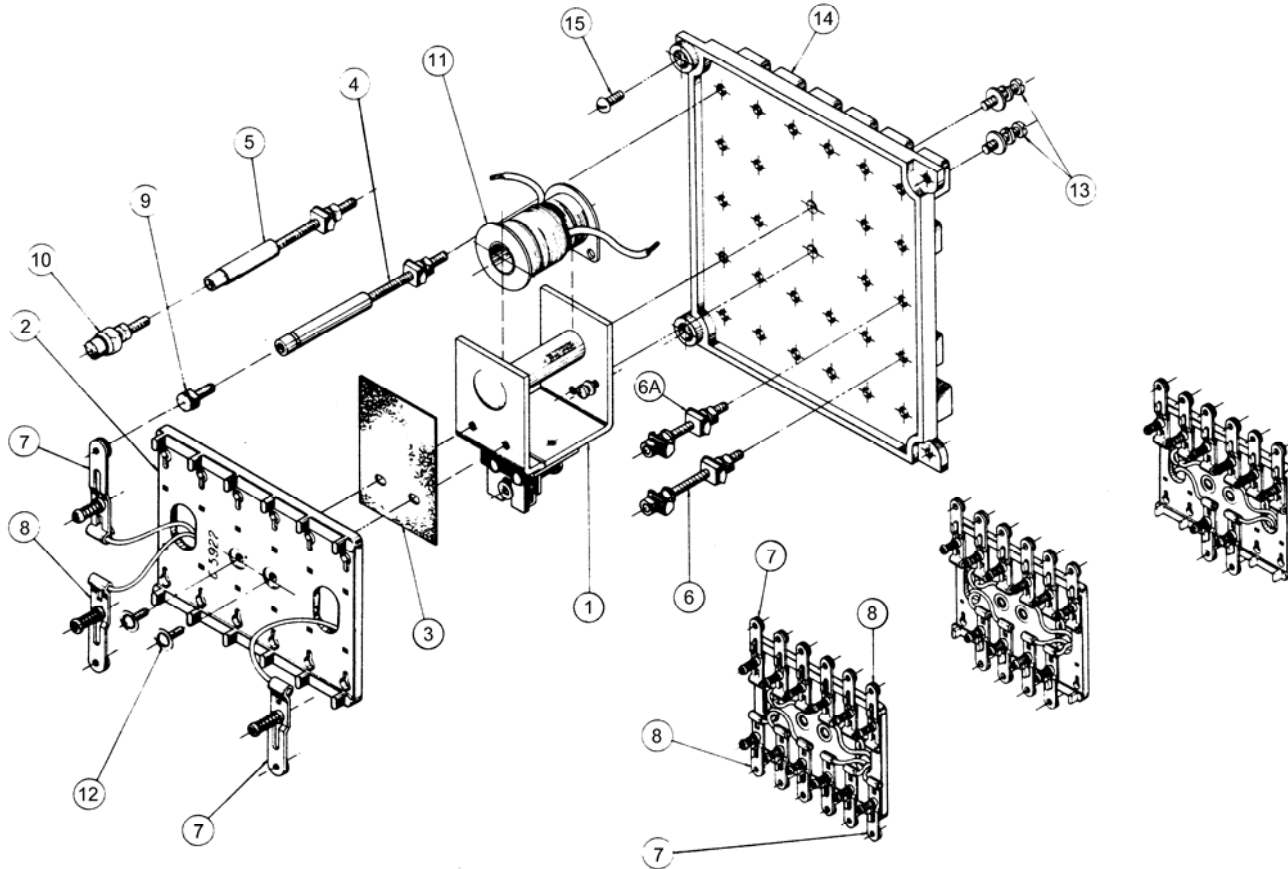


- LC48P-0001N** RELAY, UNMOUNTED 3N0/3NC  
W/PART No. COIL-6437N
- LC48P-0002N** RELAY, UNMOUNTED 4N0/3NC  
W/PART No. COIL-6437N
- LC48P-0003N** RELAY, UNMOUNTED 3N0/3NC  
W/PART No. COIL-6438N
- LC48P-0004N** RELAY, UNMOUNTED 4N0/3NC  
W/PART No. COIL-6438N
- LC48P-0005N** RELAY, UNMOUNTED 3N0/3NC  
W/PART No. COIL-6439N
- LC48P-0006N** RELAY, UNMOUNTED 4N0/3NC  
W/PART No. COIL-6439N

ITEM No.	DESCRIPTION	PART No.
1	FRAME AND ARMATURE, 1 OR 2 N.C. CONTACTS	LC-0034N
1	FRAME AND ARMATURE, 3 N.C. CONTACTS	LC-0037N
2	PLATE, CONTACT, 4 N.O. MAX., 3 N.C. MAXIMUM	LC-0078N
3	INSULATOR	LC-0044N
4	POST, CONTACT 1.987" LONG	LC-0086N
5	POST, CONTACT 1 7/16" LONG	LC-0084N
6	STUD, TERMINAL, 2 1/8" LONG	LC-0107N
7	CONTACT, MOVABLE FINGER, SHORT LEAD, RIGHT HAND	LC-0029R
8	CONTACT, MOVABLE FINGER, SHORT LEAD, LEFT HAND	LC-0029L
9	CONTACT, 3/8" W/ 3/8" STUD, SILVER PLATED	CONT-0002N
10	CONTACT, 3/8" CARBON	CONT-0001N
11	COIL, 6437, 27500T, # 40W, 7600 OHM	COIL-6437N
11	COIL, 6438, 23000T, # 39W, 4900 OHM	COIL-6438N
11	COIL, 6439, 9000T, # 35W, 750 OHM	COIL-6439N
12	SCREW, R.W.H. # 8-32 X 3/8"	HWSC-0016N
13	SCREW, FL.H. # 10-32 X 1", #10 FLAT & LOCK WASHER, FOR 3/4" PANEL	LC-0112N
13	SCREW, FL.H. # 10-32 X 1 1/4" #10 FLAT & LOCK WASHER, FOR 1" PANEL	LC-0113N

**"LC-49" RELAY ASSEMBLY**  
**6 N.O./ 6 N.C. MAXIMUM**  
**"LC"**

**RELAY ASSEMBLIES AVAILABLE**  
 6 N.O./6 N.C. CONTACTS



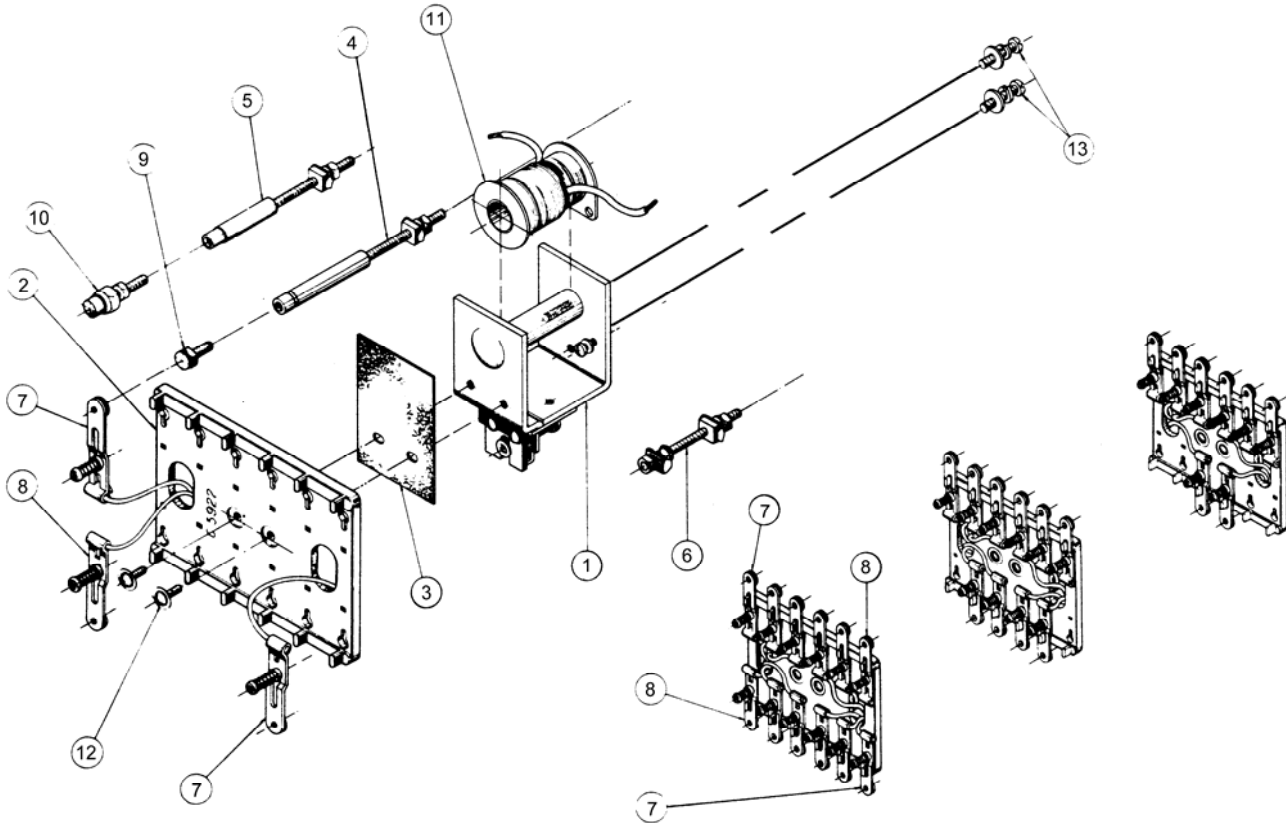
ITEM No.	DESCRIPTION	PART No.
1	FRAME AND ARMATURE, 2 N.C. CONTACTS	LC-0035N
1	FRAME AND ARMATURE, 4 N.C. CONTACTS	LC-0038N
1	FRAME AND ARMATURE, 6 N.C. CONTACTS	LC-0039N
2	PLATE, CONTACT, 6 N.O. MAX., 6 N.C. MAXIMUM	LC-0079N
3	INSULATOR	LC-0044N
4	POST, CONTACT 2.055" LONG	LC-0094N
5	POST, CONTACT 1 7/16" LONG	LC-0083N
6	STUD, TERMINAL, 1 3/4" LONG	LC-0108N
6A	STUD, TERMINAL, 1 1/2" LONG	LC-0125N
7	CONTACT, MOVABLE FINGER, SHORT LEAD, RIGHT HAND	LC-0029R
8	CONTACT, MOVABLE FINGER, SHORT LEAD, LEFT HAND	LC-0029L
9	CONTACT, 3/8" W/ 3/8" STUD, SILVER PLATED	CONT-0002N
10	CONTACT, 3/8" CARBON	CONT-0001N
11	COIL, 6437, 27500T, # 40W, 7600 OHM	COIL-6437N
11	COIL, 6438, 23000T, # 39W, 4900 OHM	COIL-6438N
11	COIL, 6439, 9000T, # 35W, 750 OHM	COIL-6439N
12	SCREW, R.W.H. # 8-32 X 3/8"	HWSC-0016N
13	SCREW, R.H. # 10-32 X 5/8", # 10 FLAT & LOCK WASHER	LC-0124N
14	BASE, RELAY	LC-0005N
15	SCREW, R.H. # 8-32 X 5/8"	HWSC-0018N

- LC49-0001N** RELAY,MODULAR 6N0/6NC  
W/PART No. COIL-6437N
- LC49-0002N** RELAY,MODULAR 6N0/6NC  
W/PART No. COIL-6438N
- LC49-0003N** RELAY,MODULAR 6N0/6NC  
W/PART No. COIL-6439N



**"LC-49P" RELAY ASSEMBLY**  
**PANEL MOUNT 6 N.O./ 6 N.C. MAXIMUM**  
**"LC"**

**RELAY ASSEMBLIES AVAILABLE**  
 6 N.O./6 N.C. CONTACTS

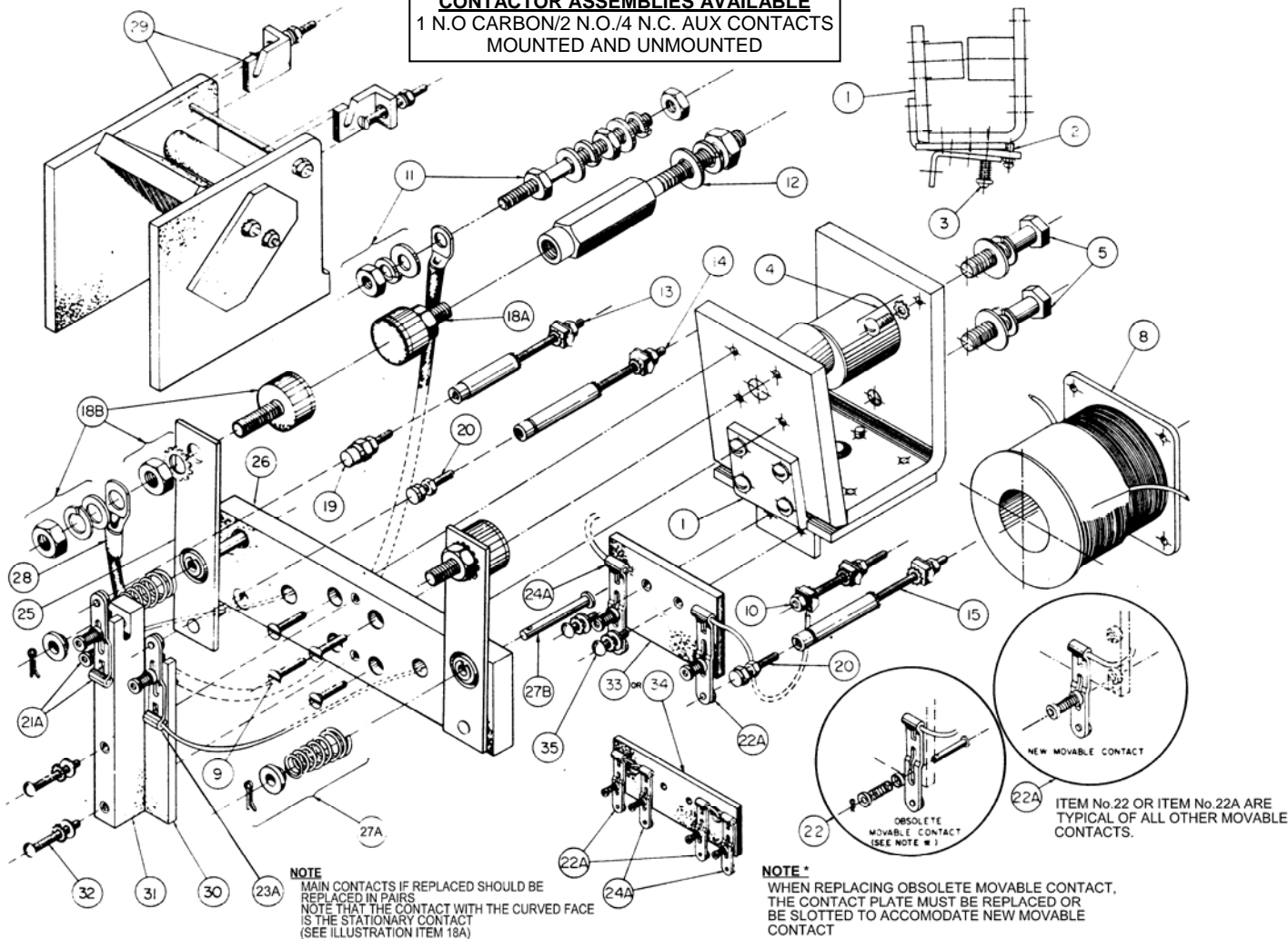


ITEM No.	DESCRIPTION	PART No.
1	FRAME AND ARMATURE, 2 N.C. CONTACTS	LC-0035N
1	FRAME AND ARMATURE, 4 N.C. CONTACTS	LC-0038N
1	FRAME AND ARMATURE, 6 N.C. CONTACTS	LC-0039N
2	PLATE, CONTACT, 6 N.O. MAX., 6 N.C. MAXIMUM	LC-0079N
3	INSULATOR	LC-0044N
4	POST, CONTACT 1.987" LONG	LC-0086N
5	POST, CONTACT 1 7/16" LONG	LC-0084N
6	STUD, TERMINAL, 2 1/8" LONG	LC-0107N
7	CONTACT, MOVABLE FINGER, SHORT LEAD, RIGHT HAND	LC-0029R
8	CONTACT, MOVABLE FINGER, SHORT LEAD, LEFT HAND	LC-0029L
9	CONTACT, 3/8" W/ 3/8" STUD, SILVER PLATED	CONT-0002N
10	CONTACT, 3/8" CARBON	CONT-0001N
11	COIL, 6437, 27500T, # 40W, 7600 OHM	COIL-6437N
11	COIL, 6438, 23000T, # 39W, 4900 OHM	COIL-6438N
11	COIL, 6439, 9000T, # 35W, 750 OHM	COIL-6439N
12	SCREW, R.W.H. # 8-32 X 3/8"	HWSC-0016N
13	SCREW, FL.H. # 10-32 X 1", #10 FLAT & LOCK WASHER, FOR 3/4" PANEL	LC-0112N
13	SCREW, FL.H. # 10-32 X 1 1/4", #10 FLAT & LOCK WASHER, FOR 1" PANEL	LC-0113N

- LC49P-0001N** RELAY, UNMOUNTED 6N0/6NC  
W/PART No. COIL-6437N
- LC49P-0002N** RELAY, UNMOUNTED 6N0/6NC  
W/PART No. COIL-6438N
- LC49P-0003N** RELAY, UNMOUNTED 6N0/6NC  
W/PART No. COIL-6439N

**"LC-50" CONTACTOR ASSEMBLY**  
**2 POLE 7/8" MAIN**  
**"LC"**

**CONTACTOR ASSEMBLIES AVAILABLE**  
 1 N.O CARBON/2 N.O./4 N.C. AUX CONTACTS  
 MOUNTED AND UNMOUNTED



**NOTE**  
 MAIN CONTACTS IF REPLACED SHOULD BE REPLACED IN PAIRS  
 NOTE THAT THE CONTACT WITH THE CURVED FACE IS THE STATIONARY CONTACT (SEE ILLUSTRATION ITEM 18A)

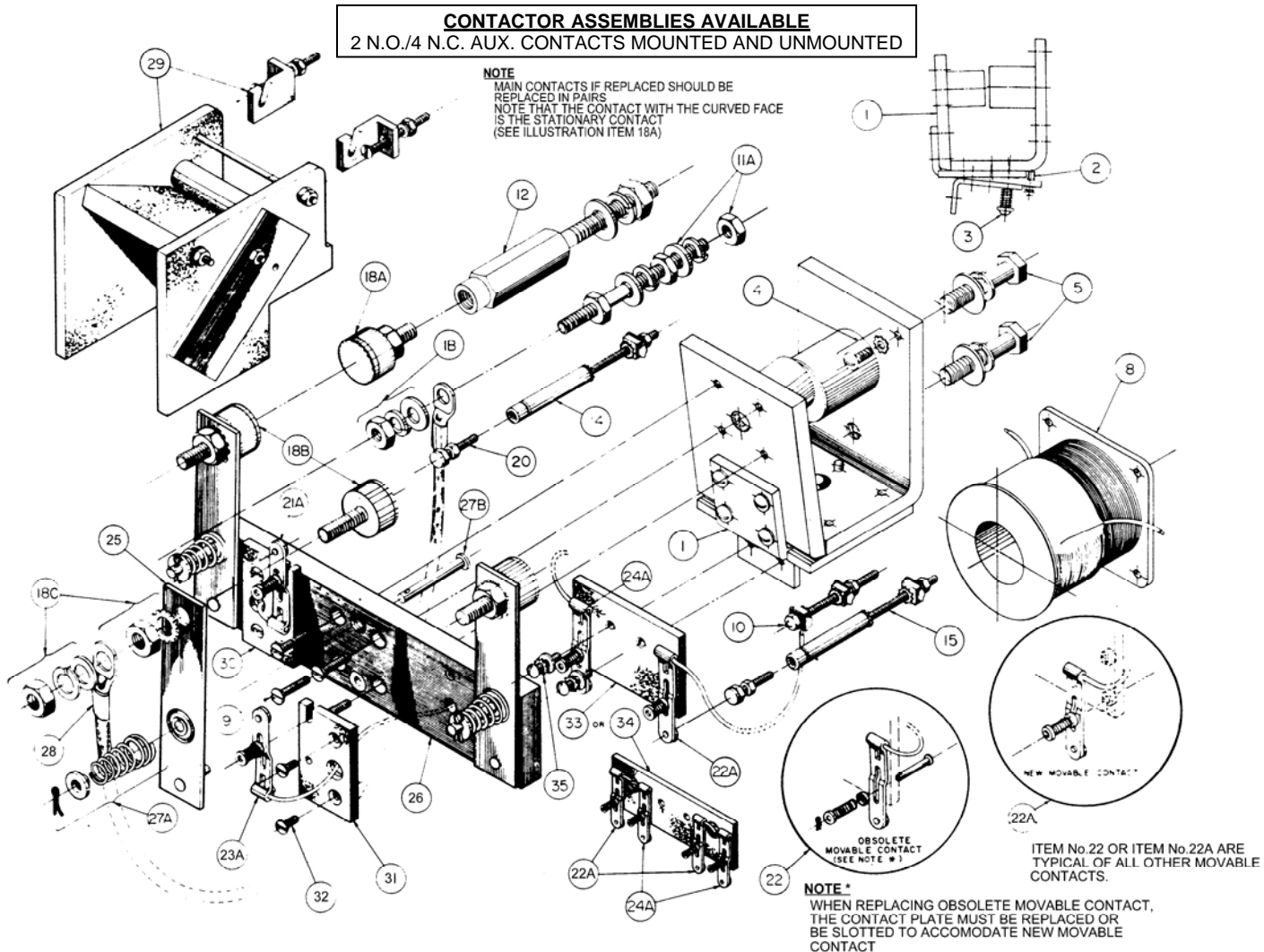
**NOTE\***  
 WHEN REPLACING OBSOLETE MOVABLE CONTACT, THE CONTACT PLATE MUST BE REPLACED OR BE SLOTTED TO ACCOMMODATE NEW MOVABLE CONTACT

**LC50-0001N** CONTACTOR, 2P 7/8" MAIN MOUNTED, 1 N.O CARBON/2 N.O./4 N.C. AUX CONTACTS  
**LC50-0002N** CONTACTOR, 2P 7/8" MAIN UNMOUNTED, 1 N.O CARBON/2 N.O./4 N.C. AUX CONTACTS

ITEM No.	DESCRIPTION	PART No.
1	FRAME AND ARMATURE	LC-0033N
2	SCREW, R.H. # 10-32 X 5/8", # 10-32 HEX HEAD NUT	LC-0115N
3	SCREW, R.H. # 10-32 X 1 1/2", # 10 CUP WASHER & SPRING	LC-0116N
4	SCREW, F.I.H. # 10-32 X 3/8", # 10 STAR WASHER	LC-0117N
5	SCREW, H.H.C.# 5/16-18 X 1 1/2", # 5/16 FLAT & LOCK WASHER	LC-0118N
6		
7		
8	COIL, 6779, 24100T, # 35W, 3660 OHM	COIL-6779N
9	SCREW, F.L.H. #10-32 X 3/4"	HWSC-0020N
10	STUD. TERMINAL 2 1/8" LONG	LC-0107N
11	STUD. POWER TERMINAL, 7/8", 1", 1 1/2" & 1 3/4"	LC-0109N
12	POST, POWER CONTACT, 7/8" MAIN & COMPOUND STRIP	LC-0099N
13	POST, CONTACT 3 3/4" LONG	LC-0091N
14	POST, CONTACT 3 1/4" LONG	LC-0090N
15	POST, CONTACT 2 3/4" LONG	LC-0087N
16		
17		
18	CONTACT, MAIN, 7/8" SILVER CADMIUM	LC-0020N
19	CONTACT, 3/8" CARBON	CONT-0001N
20	CONTACT, 3/8" W/ 3/4" STUD. SILVER PLATED	CONT-0003N
21	CONTACT, MOVABLE FINGER, LEFT HAND (obsolete)	LC-0021L
21A	CONTACT, MOVABLE FINGER, LONG LEAD, LEFT HAND	LC-0024L
22	CONTACT, MOVABLE FINGER, LEFT HAND (obsolete)	LC-0022L
22A	CONTACT, MOVABLE FINGER, SHORT LEAD, LEFT HAND	LC-0029L
23	CONTACT, MOVABLE FINGER, RIGHT HAND (obsolete)	LC-0026R
23A	CONTACT, MOVABLE FINGER, LONG LEAD, RIGHT HAND	LC-0024R
24	CONTACT, MOVABLE FINGER, RIGHT HAND (obsolete)	LC-0027R
24A	CONTACT, MOVABLE FINGER, SHORT LEAD, RIGHT HAND	LC-0029R
25	ARM, CONTACT, 7/8", 1 1/2", 1 3/4"	LC-0002N
26	PLATE, CONTACT 2 POLE, 7/8", 1 1/2", 1 3/4" MAIN	LC-0059N
27	SPRING, MAIN CONTACT	LC-0105N
A&B	WIRE, MAIN CONTACT # 4, 7/8", 1 3/4" CONTACT	LC-0012N
29	BLOW OUT, 1 POLE, 7/8", 1 1/2", 1 3/4" CONTACT	LC-0006N
30	PLATE, CONTACT AUXILIARY, 2 N.O.	LC-0071N
31	PLATE, CONTACT AUXILIARY, 1 N.O.	LC-0069N
32	SCREW, R.H. # 10-32 X 1 1/2", # 10 FLAT & STAR WASHER	LC-0120N
33	PLATE, CONTACT AUXILIARY, 2 N.C.	LC-0070N
34	PLATE, CONTACT AUXILIARY, 4 N.C.	LC-0075N
35	SCREW, R.H. # 10-32 X 5/8", # 10 FLAT & STAR WASHER	LC-0121N

**"LC-51" CONTACTOR ASSEMBLY**  
**3 POLE 7/8" MAIN**  
**"LC"**

**CONTACTOR ASSEMBLIES AVAILABLE**  
 2 N.O./4 N.C. AUX. CONTACTS MOUNTED AND UNMOUNTED



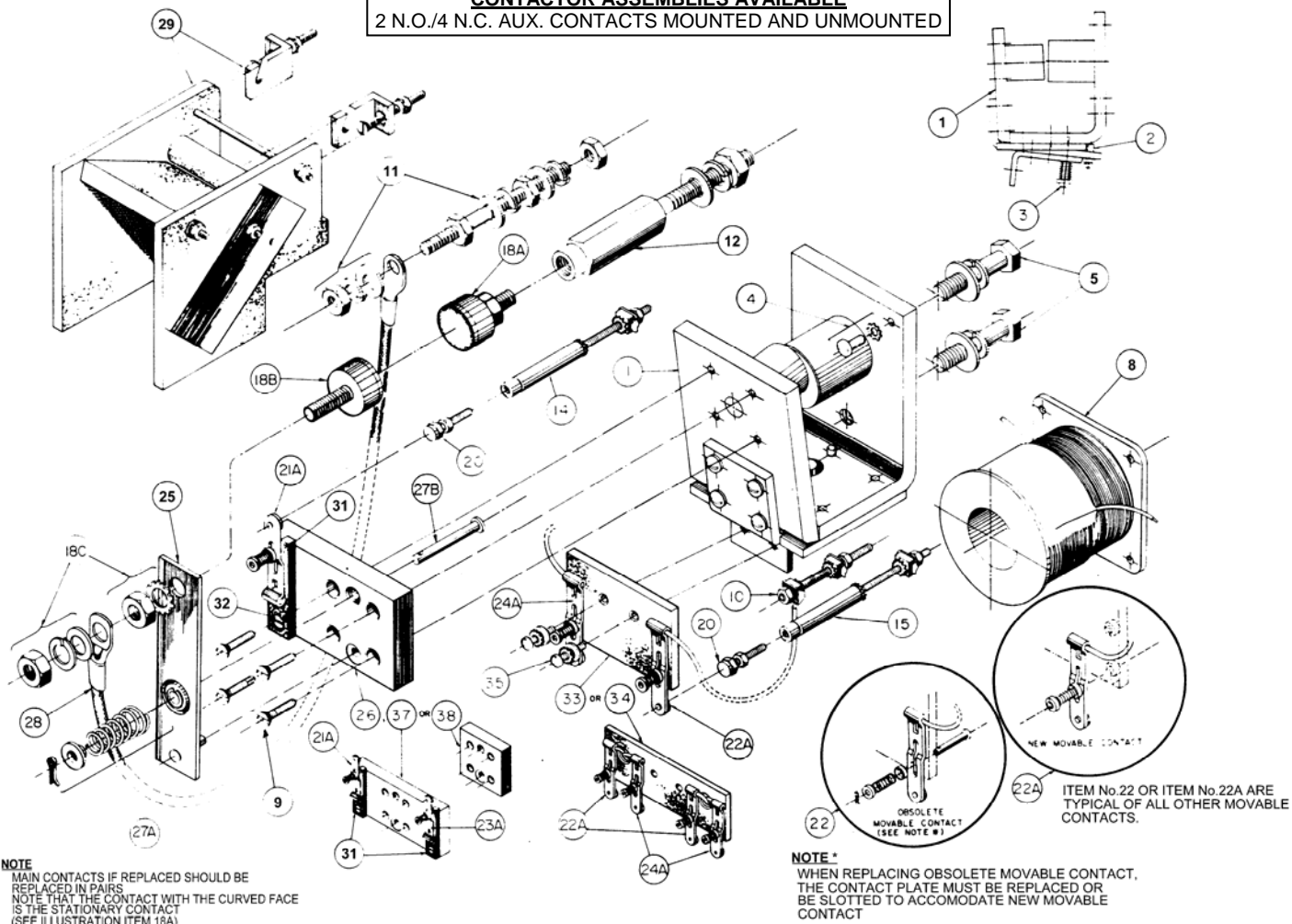
- LC51-0001N** CONTACTOR, 3P 7/8" MAIN MOUNTED, 2 N.O./4 N.C. AUX CONTACTS
- LC51-0002N** CONTACTOR, 3P 7/8" MAIN UNMOUNTED, 2 N.O./4 N.C. AUX CONTACTS

ITEM No.	DESCRIPTION	PART No.
1	FRAME AND ARMATURE	LC-0033N
2	SCREW, R.H. # 10-32 X 5/8", # 10-32 HEX HEAD NUT	LC-0115N
3	SCREW, R.H. # 10-32 X 1 1/2", # 10 CUP WASHER & SPRING	LC-0116N
4	SCREW, F.I.H. # 10-32 X 3/8", # 10 STAR WASHER	LC-0117N
5	SCREW, H.H.C. # 5/16-18 X 1 1/2", # 5/16 FLAT & LOCK WASHER	LC-0118N
6		
7		
8	COIL, 6779, 24100T, # 35W, 3660 OHM	COIL-6779N
9	SCREW, F.L.H. # 10-32 X 3/4"	HWSC-0020N
10	STUD, TERMINAL, 2 1/8" LONG	LC-0107N
11	STUD, POWER TERMINAL, 7/8", 1", 1 1/2" & 1 3/4"	LC-0109N
A&B	POST, POWER CONTACT, 7/8" MAIN & COMPOUND STRIP	LC-0099N
13		
14	POST, CONTACT 3 1/4" LONG	LC-0090N
15	POST, CONTACT 2 3/4" LONG	LC-0087N
16		
17		
18A, B&C	CONTACT, MAIN, 7/8" SILVER CADMIUM	LC-0020N
19		
20	CONTACT, 3/8" W/ 3/4" STUD, SILVER PLATED	CONT-0003N
21	CONTACT, MOVABLE FINGER, LEFT HAND (obsolete)	LC-0021L
21A	CONTACT, MOVABLE FINGER, LONG LEAD, LEFT HAND	LC-0024L
22	CONTACT, MOVABLE FINGER, LEFT HAND (obsolete)	LC-0022L
22A	CONTACT, MOVABLE FINGER, SHORT LEAD, LEFT HAND	LC-0029L
23	CONTACT, MOVABLE FINGER, RIGHT HAND (obsolete)	LC-0026R
23A	CONTACT, MOVABLE FINGER, LONG LEAD, RIGHT HAND	LC-0024R
24	CONTACT, MOVABLE FINGER, RIGHT HAND (obsolete)	LC-0027R
24A	CONTACT, MOVABLE FINGER, SHORT LEAD, RIGHT HAND	LC-0029R
25	ARM, CONTACT, 7/8", 1 1/2", 1 3/4"	LC-0002N
26	PLATE, CONTACT 3 POLE, 7/8", 1 1/2", 1 3/4" MAIN	LC-0062N
27	SPRING, MAIN CONTACT, 7/8", 1 1/2", 1 3/4"	LC-0105N
A&B	WIRE, MAIN CONTACT # 4, 7/8", 1 3/4" CONTACT	LC-0012N
28	BLOW OUT, 1 POLE, 7/8", 1 1/2", 1 3/4" CONTACT	LC-0006N
29	PLATE, CONTACT AUX., L.H., 1 N.O.	LC-0064L
30	PLATE, CONTACT AUX., R.H., 1 N.O.	LC-0064R
31	SCREW, F.L.H. # 8-32 X 1/2"	HWSC-0017N
32	PLATE, CONTACT AUXILIARY, 2 N.C.	LC-0070N
33	PLATE, CONTACT AUXILIARY, 4 N.C.	LC-0075N
34	SCREW, R.H. # 10-32 X 5/8", # 10 FLAT & STAR WASHER	LC-0121N
35		



**"LC-52" CONTACTOR ASSEMBLY**  
**1 POLE 7/8" MAIN**  
**"LC"**

**CONTACTOR ASSEMBLIES AVAILABLE**  
 2 N.O./4 N.C. AUX. CONTACTS MOUNTED AND UNMOUNTED



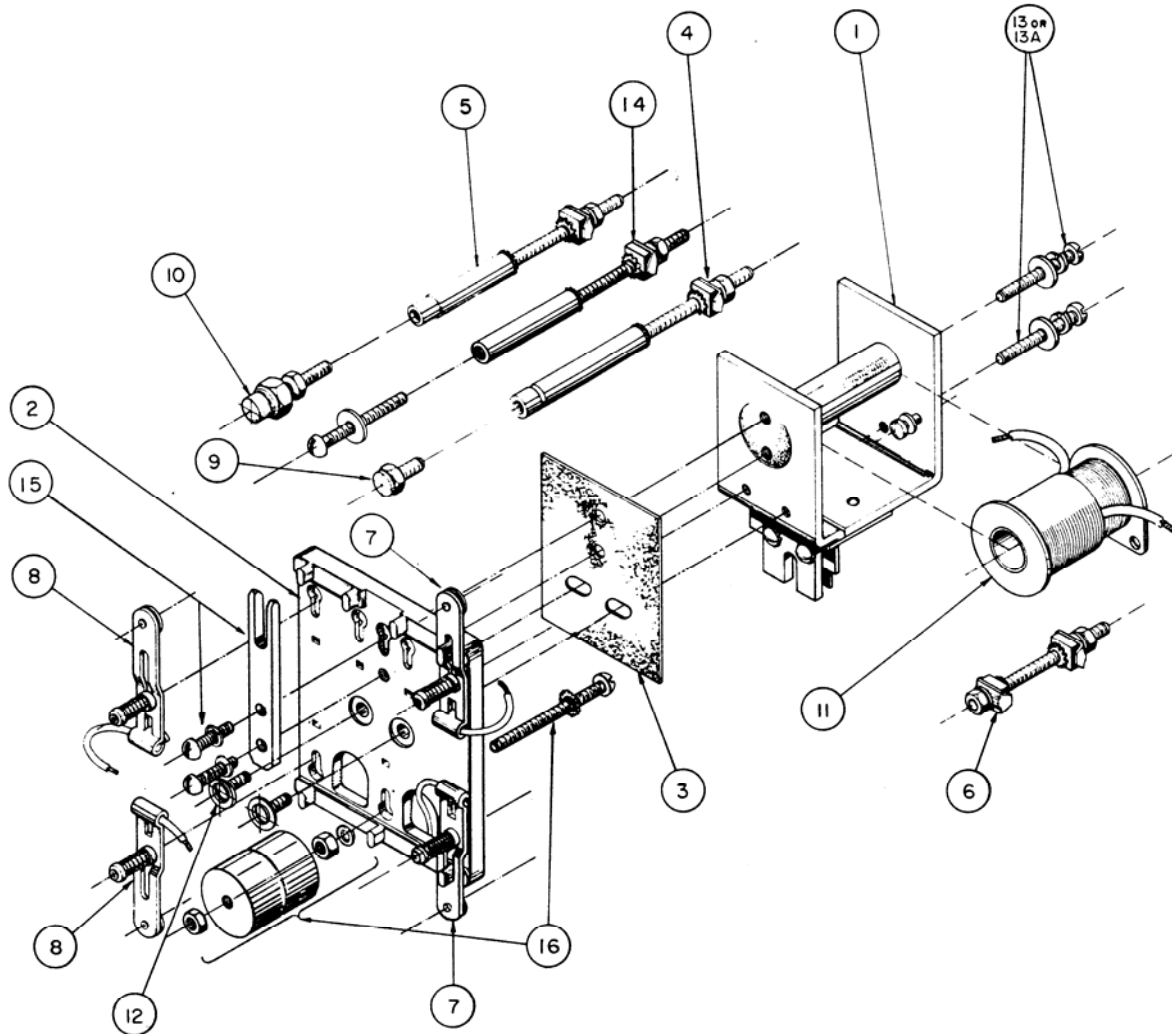
**NOTE**  
 MAIN CONTACTS IF REPLACED SHOULD BE REPLACED IN PAIRS.  
 NOTE THAT THE CONTACT WITH THE CURVED FACE IS THE STATIONARY CONTACT (SEE ILLUSTRATION ITEM 18A)

**NOTE \***  
 WHEN REPLACING OBSOLETE MOVABLE CONTACT, THE CONTACT PLATE MUST BE REPLACED OR BE SLOTTED TO ACCOMODATE NEW MOVABLE CONTACT

- LC52-0001N** CONTACTOR, 1P 7/8" MAIN MOUNTED, 2 N.O./4 N.C. AUX CONTACTS
- LC52-0002N** CONTACTOR, 1P 7/8" MAIN UNMOUNTED, 2 N.O./4 N.C. AUX CONTACTS

ITEM No.	DESCRIPTION	PART No.
1	FRAME AND ARMATURE	LC-0033N
2	SCREW, R.H. # 10-32 X 5/8", # 10-32 HEX HEAD NUT	LC-0115N
3	SCREW, R.H. # 10-32 X 1 1/2", # 10 CUP WASHER & SPRING	LC-0116N
4	SCREW, FL.H. # 10-32 X 3/8", # 10 STAR WASHER	LC-0117N
5	SCREW, H.H.C. # 5/16-18 X 1 1/2", # 5/16 FLAT & LOCK WASHER	LC-0118N
6		
7		
8	COIL, 6779, 24100T, # 35W, 3660 OHM	COIL-6779N
9	SCREW, FL.H. # 10-32 X 3/4"	HWSC-0020N
10	STUD, TERMINAL, 2 1/8" LONG	LC-0107N
11	STUD, POWER TERMINAL, 7/8", 1", 1 1/2" & 1 3/4"	LC-0109N
12	POST, POWER CONTACT, 7/8" MAIN & COMPOUND STRIP	LC-0099N
13		
14	POST, CONTACT 3 1/4" LONG	LC-0090N
15	POST, CONTACT 2 3/4" LONG	LC-0087N
16		
17		
18A	CONTACT, MAIN, 7/8" SILVER B&C CADMIUM	LC-0020N
19		
20	CONTACT, 3/8" W/ 3/4" STUD, SILVER PLATED	CONT-0003N
21	CONTACT, MOVABLE FINGER, LEFT HAND (obsolete)	LC-0021L
21A	CONTACT, MOVABLE FINGER, LONG LEAD, LEFT HAND	LC-0024L
22	CONTACT, MOVABLE FINGER, LEFT HAND (obsolete)	LC-0022L
22A	CONTACT, MOVABLE FINGER, SHORT LEAD, LEFT HAND	LC-0029L
23	CONTACT, MOVABLE FINGER, RIGHT HAND (obsolete)	LC-0026R
23A	CONTACT, MOVABLE FINGER, LONG LEAD, RIGHT HAND	LC-0024R
24	CONTACT, MOVABLE FINGER, RIGHT HAND (obsolete)	LC-0027R
24A	CONTACT, MOVABLE FINGER, SHORT LEAD, RIGHT HAND	LC-0029R
25	ARM, CONTACT, 7/8", 1 1/2", 1 3/4"	LC-0002N
26	PLATE, CONTACT 1 POLE, 7/8", 1 1/2", 1 3/4" MAIN, W/ 1 N.O. AUX.	LC-0053N
27	SPRING, MAIN CONTACT, A&B 7/8", 1 1/2", 1 3/4"	LC-0105N
28	WIRE, MAIN CONTACT # 4, 7/8", 1 3/4" CONTACT	LC-0012N
29	BLOW OUT, 1 POLE, 7/8", 1 1/2", 1 3/4" CONTACT	LC-0006N
30		
31	PLATE, CONTACT AUXILIARY, 1 N.O.	LC-0068N
32	SCREW, FL.H. # 8-32 X 1/2"	HWSC-0017N
33	PLATE, CONTACT AUXILIARY, 2 N.C.	LC-0070N
34	PLATE, CONTACT AUXILIARY, 4 N.C.	LC-0075N
35	SCREW, R.H. # 10-32 X 5/8", # 10 FLAT & STAR WASHER	LC-0121N
36		
37	PLATE, CONTACT 1 POLE, 7/8", 1 1/2", 1 3/4" MAIN, W/ 2 N.O. AUX.	LC-0054N
38	PLATE, CONTACT 1 POLE, 7/8", 1 1/2", 1 3/4" MAIN	LC-0052N

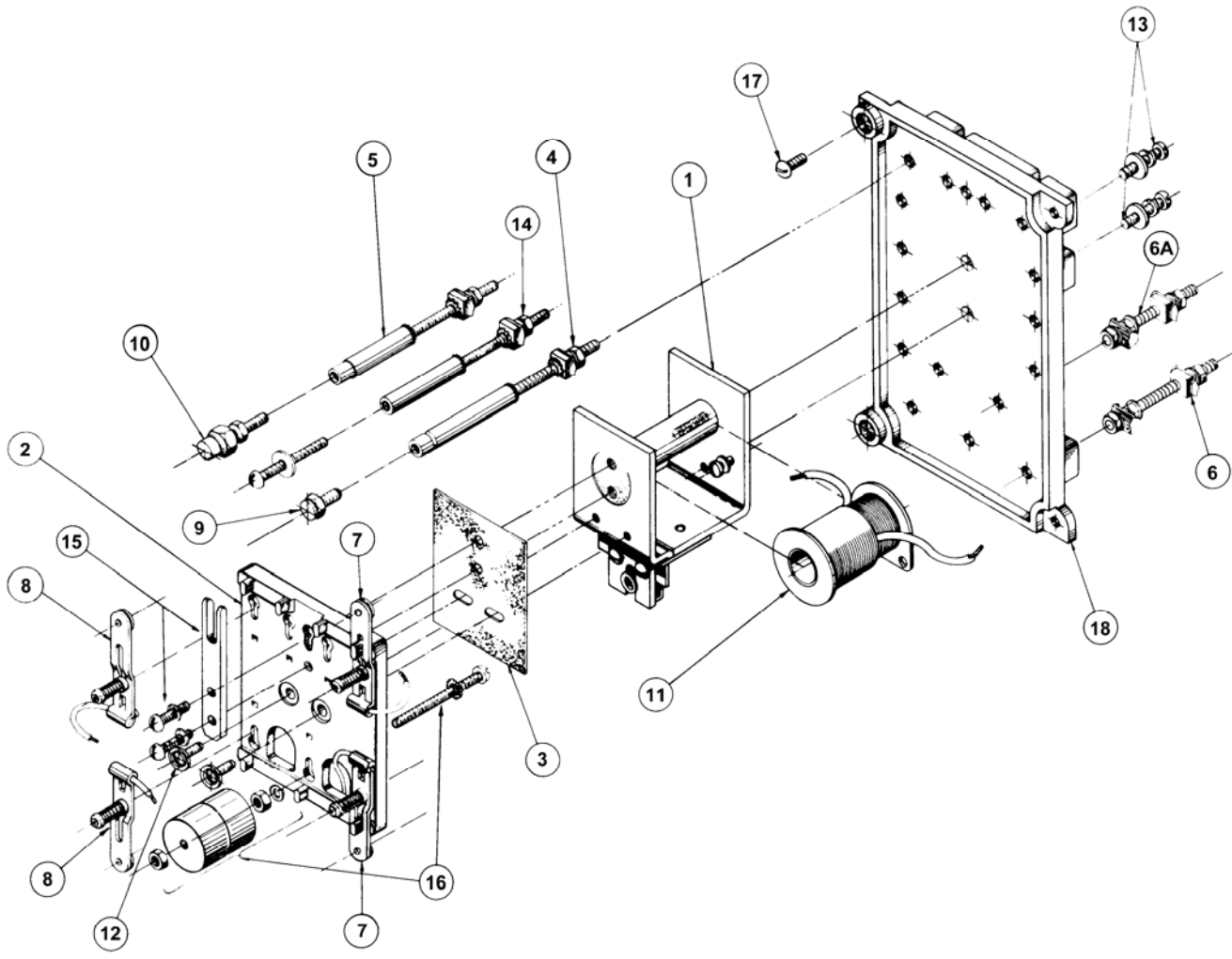
**"LC-53" RELAY ASSEMBLY  
 LOOP VOLTAGE PANEL MOUNT  
 "LC"**



**LC53-0001N** RELAY, LOOP VOLT UNMTD  
 WITH WEIGHT, 2NO/2NC CONTACTS  
 W/PART No. COIL-6439N

ITEM No.	DESCRIPTION	PART No.
1	FRAME AND ARMATURE, 2 N.C. CONTACTS	LC-0036N
2	PLATE, CONTACT	LC-0048N
3	INSULATOR	LC-0043N
4	POST, CONTACT 2.055" LONG	LC-0094N
5	POST, CONTACT 1 7/16" LONG	LC-0084N
6	STUD, TERMINAL, 2 1/8" LONG	LC-0107N
7	CONTACT, MOVABLE FINGER, SHORT LEAD, RIGHT HAND	LC-0029R
8	CONTACT, MOVABLE FINGER, SHORT LEAD, LEFT HAND	LC-0029L
9	CONTACT, 3/8" W/ 3/8" STUD, SILVER PLATED	CONT-0002N
10	CONTACT, 3/8" CARBON	CONT-0001N
11	COIL, 6439, 9000T, # 35W, 750 OHM	COIL-6439N
12	SCREW, R.W.H. # 8-32 X 3/8"	HWSC-0016N
13	SCREW, F.H. # 10-32X1", # 10 FLAT & LOCK WASHER FOR 3/4" PANEL	LC-0112N
13A	SCREW, F.H. # 10-32X1 1/4", # 10 FLAT & LOCK WASHER FOR 1" PANEL	LC-0113N
14	POST, STOP ADJUST 1 1/2"	LC-0100N
15	STOP, ADJUSTMENT	LC-0106N
16	WEIGHT, 1/2" X 7/8"	LC-0110N

**"LC-54" RELAY ASSEMBLY  
 LOOP VOLTAGE MODULAR  
 "LC"**

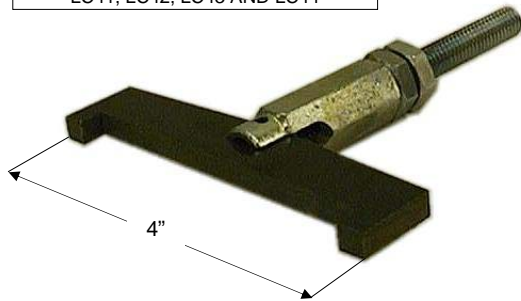


ITEM No.	DESCRIPTION	PART No.
1	FRAME AND ARMATURE, 2 N.C. CONTACTS	LC-0036N
2	PLATE, CONTACT	LC-0048N
3	INSULATOR	LC-0043N
4	POST, CONTACT 2.055" LONG	LC-0094N
5	POST, CONTACT 1 7/16" LONG	LC-0083N
6	STUD, TERMINAL, 1 3/4" LONG	LC-0108N
6A	STUD, TERMINAL, 1 1/2" LONG	LC-0125N
7	CONTACT, MOVABLE FINGER, SHORT LEAD, RIGHT HAND	LC-0029R
8	CONTACT, MOVABLE FINGER, SHORT LEAD, LEFT HAND	LC-0029L
9	CONTACT, 3/8" W/ 3/8" STUD, SILVER PLATED	CONT-0002N
10	CONTACT, 3/8" CARBON	CONT-0001N
11	COIL, 6439, 9000T, # 35W, 750 OHM	COIL-6439N
12	SCREW, R.W.H. # 8-32 X 3/8"	HWSC-0016N
13	SCREW, R.H. # 10-32 X 5/8", FLAT & LOCK WASHER	LC-0124N
14	POST, STOP ADJUST 1 1/2"	LC-0100N
15	STOP, ADJUSTMENT	LC-0106N
16	WEIGHT, 1/2" X 7/8"	LC-0110N
17	SCREW, R.H. # 8-32 X 5/8"	HWSC-0018N
18	BASE, RELAY	LC-0004N

**LC54-0001N** RELAY, LOOP V MODULAR

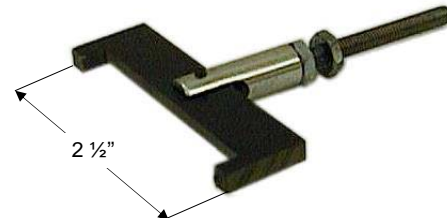
## CONTACTOR & RELAYS PARTS "LC"

USED FOR CONTACTOR ASSEMBLIES  
LC41, LC42, LC43 AND LC44



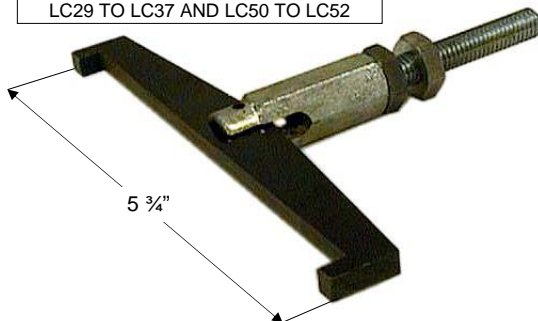
**LC-0138N** INTERLOCK,MECHANICAL ASSY

USED FOR RELAY ASSEMBLY  
LC48P

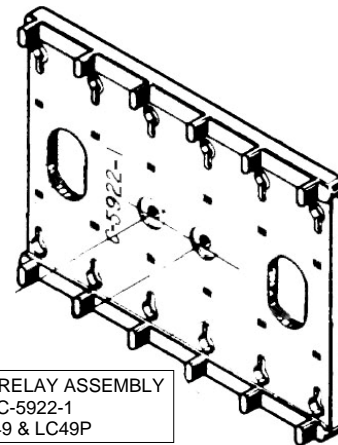


**LC-0139N** INTERLOCK,MECHANICAL ASSY

USED FOR CONTACTOR ASSEMBLIES  
LC29 TO LC37 AND LC50 TO LC52



**LC-0140N** INTERLOCK,MECHANICAL ASSY



USED FOR RELAY ASSEMBLY  
#C-5922-1  
LC49 & LC49P

**LC-0141N** PLATE,6 N.O. & 6 N.C. CONTACT OLD STYLE

1 3/16" LG x 3/8" OD (11 TURNS) USED ON PART No. **LC-0135N**  
1 1/16" LG x 3/8" OD (11 TURNS) USED ON PART No. **LC-0136N**  
1 3/16" LG x 3/8" OD (13 TURNS) USED ON PART No. **LC-0137N**



**LC-0135N** USED ON LC48, LC48P, LC49 & LC49P  
**LC-0136N** USED ON LC48, LC48P, LC49 & LC49P  
**LC-0137N** USED ON LC28, LC49 & LC49P

**LC-0135N** KICK OFF BRKT/SPRNG ASSY  
for floor rly w/3N.C. contacts,

**LC-0136N** KICK OFF BRKT/SPRNG ASSY  
for floor relay w/1 or 2 N.C. contacts

**LC-0137N** KICK OFF BRKT/SPRNG ASSY  
for intermediate relay w/2, 4 or 6 N.C. contacts  
and V.V. field contactor (LC28)



DESCRIPTION	G.A.L. PART No.	RELAY / CONTACTOR No.																									ENG. DWG. No.		
		L C 2 8	L C 2 9	L C 3 0	L C 3 1	L C 3 2	L C 3 3	L C 3 4	L C 3 5	L C 3 6	L C 3 7	L C 3 8	L C 4 1	L C 4 2	L C 4 3	L C 4 4	L C 4 5	L C 4 6	L C 4 7	L C 4 8	L C 4 P	L C 4 9	L C 4 9 P	L C 5 0	L C 5 1	L C 5 2		L C 5 3	L C 5 4
		ITEM No.																											
ARM, CONTACT, 1"	LC-0001N																											S-6618-1	
ARM, CONTACT, 3/8", 1/2"	LC-0003N	16																										S-6611	
ARM, CONTACT, 7/8", 1 1/2", 1 3/4"	LC-0002N		25	25	25	25	25	25	25	25	25														25	25	25	S-6618-2	
BASE, RELAY	LC-0004N																			14								18	L-6806
BASE, RELAY	LC-0005N																				14								L-6807
BLOW OUT, 1 POLE, 7/8", 1 1/2", 1 3/4" CONTACT	LC-0006N		29	29	29	29	29	29	29	29	29													29	29	29		S-6610-A	
BLOW OUT, 1" CONTACT	LC-0007N											29	29	29	29	29	29												S-6609-A
BLOW OUT, 2 POLE (LC28), 3/8", 1/2" CONTACT	LC-0009N	19																											S-6608-A
BLOW OUT, 2 POLE (LC38), 3/8", 1/2" CONTACT	LC-0008N											29																	S-6721-A
COIL, 12500T, # 31W, 875 OHM	COIL-6782N		8																										S-6782
COIL, 23000T, # 39W, 4900 OHM	COIL-6438N	18																		11	11	11	11						S-6438
COIL, 24100T, # 35W, 3660 OHM	COIL-6779N		8	8	8	8	8	8	8	8	8	8	8	8	8	8	8							8	8	8			S-6779
COIL, 27500T, # 40W, 7600 OHM	COIL-6437N																			11	11	11	11						S-6437
COIL, 450T, # 18W, 1.1 OHM	COIL-6781N																		6A										S-6781
COIL, 9000T, # 35W, 750 OHM	COIL-6439N																			11	11	11	11				11	11	S-6439
COIL, 925T, # 21W, 5.2 OHM	COIL-6780N																			6									S-6780
CONTACT, 1 1/2" CARBON	CONT-0008N		17			17				17																			S-5877-2
CONTACT, 1 3/4" CARBON	CONT-0009N			17				17																					S-5877-3
CONTACT, 1" 50% CARBON	CONT-0007N												17		17		17												S-6514-1
CONTACT, 1" CARBON	CONT-0006N												17		17		17												S-5877-1
CONTACT, 1/2" CARBON	CONT-0004N	26											38																S-6372-A
CONTACT, 1/2" COPPER	CONT-0005N	25											37																S-6371
CONTACT, 3/8" W/ 3/8" STUD, SILVER PLATED	CONT-0002N																			9	9	9	9				9	9	S-5797-S
CONTACT, 3/8" CARBON	CONT-0001N	15	19	19	19							19	19	19						10	10	10	10	19			10	10	S-5633-D
CONTACT, 3/8" W/ 3/4" STUD, SILVER PLATED	CONT-0003N	14	20	20	20	20	20	20	20	20	20	20	20	20	20	20	20	20	11					20	20	20			S-5797-L
CONTACT, MAIN, 1 1/2" COPPER	LC-0015N		18			18			18																				S-6616-2
CONTACT, MAIN, 1 3/4" COPPER	LC-0016N			18			18			18																			S-6616-3
CONTACT, MAIN, 1 3/4" SILVER CADMIUM	LC-0017N				18			18			18																		S-6616-4
CONTACT, MAIN, 1" COPPER	LC-0018N											18		18		18													S-6616-1
CONTACT, MAIN, 1" SILVER CADMIUM	LC-0019N												18		18		18												S-6616-5
CONTACT, MAIN, 7/8" SILVER CADMIUM	LC-0020N																							18	18	18			S-6616-6
CONTACT, MOVABLE FINGER, LEFT HAND (obsolete)	LC-0021L		21	21	21	21	21	21	21	21	21	21	21	21	21	21	21	21	9					21	21	21			S-6501-LL
CONTACT, MOVABLE FINGER, LEFT HAND (obsolete)	LC-0022L	13	22	22	22	22	22	22	22	22	22	22	22	22	22	22	22	22						22	22	22			S-6501-LS
CONTACT, MOVABLE FINGER, LONG LEAD, LEFT HAND	LC-0024L		21A	21A	21A	21A	21A	21A	21A	21A	21A	21A	21A	21A	21A	21A	21A	21A	9A					21A	21A	21A			S-7109-LL
CONTACT, MOVABLE FINGER, LONG LEAD, RIGHT HAND	LC-0024R		23A	23A	23A	23A	23A	23A	23A	23A	23A	23A	23A	23A	23A	23A	23A	23A	10A					23A	23A	23A			S-7109-RL
CONTACT, MOVABLE FINGER, RIGHT HAND (obsolete)	LC-0026R		23	23	23	23	23	23	23	23	23	23	23	23	23	23	23	23	10					23	23	23			S-6501-RL
CONTACT, MOVABLE FINGER, RIGHT HAND (obsolete)	LC-0027R	12	24	24	24	24	24	24	24	24	24	24	24	24	24	24	24	24						24	24	24			S-6501-RS
CONTACT, MOVABLE FINGER, SHORT LEAD, LEFT HAND	LC-0029L	13A	22A	22A	22A	22A	22A	22A	22A	22A	22A	22A	22A	22A	22A	22A	22A	22A		8	8	8	8	22A	22A	22A	8	8	S-7109-LS
CONTACT, MOVABLE FINGER, SHORT LEAD, RIGHT HAND	LC-0029R	12A	24A	24A	24A	24A	24A	24A	24A	24A	24A	24A	24A	24A	24A	24A	24A	24A		7	7	7	7	24A	24A	24A	7	7	S-7109-RS
CONTACT, 1 3/4" 50% CARBON	CONT-0010N				17			17			17																		S-6514-2
FRAME AND ARMATURE (for V V power contactor)	LC-0032N	1																											M-6445-6
FRAME AND ARMATURE (for power contactor)	LC-0033N		1	1	1	1	1	1	1	1	1	1	1	1	1	1	1	1	1					1	1	1			L-6778-A
FRAME AND ARMATURE, 1 OR 2 N.C. CONTACTS ( for floor relay)	LC-0034N																			1	1								M-6445-1
FRAME AND ARMATURE, 2 N.C. CONTACTS (for intermediate relay)	LC-0035N																				1	1							M-6445-3
FRAME AND ARMATURE, 2 N.C. CONTACTS (for floor relay)	LC-0036N																									1	1		M-6445-7
FRAME AND ARMATURE, 3 N.C. CONTACTS (for floor relay)	LC-0037N																			1	1								M-6445-2
FRAME AND ARMATURE, 4 N.C. CONTACTS (for intermediate relay)	LC-0038N																					1	1						M-6445-4
FRAME AND ARMATURE, 6 N.C. CONTACTS (for intermediate relay)	LC-0039N																					1	1						M-6445-5
HOLDER, MAIN CONTACT, 1 1/2"	LC-0040N		16			16			16																				S-6615-2
HOLDER, MAIN CONTACT, 1 3/4", 1 3/4"-50%C	LC-0041N			16	16		16	16		16	16																		S-6615-3
HOLDER, MAIN CONTACT, 1", 1"-50%C	LC-0042N											16	16	16	16	16	16												S-6615-1
INSULATOR	LC-0043N																										3	3	S-5871-4
INSULATOR	LC-0044N																				3	3	3	3					S-5871-2A



DESCRIPTION	G.A.L. PART No.	RELAY / CONTACTOR No.																										ENG. DWG. No.			
		L C 2 8	L C 2 9	L C 3 0	L C 3 1	L C 3 2	L C 3 3	L C 3 4	L C 3 5	L C 3 6	L C 3 7	L C 3 8	L C 4 1	L C 4 2	L C 4 3	L C 4 4	L C 4 5	L C 4 6	L C 4 7	L C 4 8	L C 4 8 P	L C 4 9	L C 4 9 P	L C 5 0	L C 5 1	L C 5 2	L C 5 3		L C 5 4		
		ITEM No.																													
INTERLOCK, MECHANICAL ASSY. 1" MAIN (USED W/ "R" & "S" CONTACTORS)	LC-0138N														X	X	X	X													
INTERLOCK, MECHANICAL ASSY. 7/8" 1 1/2", & 1 3/4" MAIN (USED W/ "R" & "S" CONTACTORS)	LC-0140N		X	X	X	X	X	X	X	X																X	X	X			
INTERLOCK, MECHANICAL ASSY. RELAY (USED W/ "O" & "C" RELAYS)	LC-01389N																					X	X								
KICK OFF BRKT/SPRNG ASSY (PART OF FRAME & ARMATURE No. LC-0032N, LC-0037N, LC-0038N)	LC-0135N	1																													S-6443-3A
KICK OFF BRKT/SPRNG ASSY (PART OF FRAME & ARMATURE No. LC-0034N, LC-0035N)	LC-0136N																														S-6443-2
KICK OFF BRKT/SPRNG ASSY (PART OF FRAME & ARMATURE No. LC-0039N)	LC-0137N																														S-6443-4A
NUT, HEX HEAD #10-32, #10 FLAT & LOCK WASHER	LC-0114N	24														36															
PLATE, CONTACT	LC-0048N																														
PLATE, CONTACT 1 POLE, 1" MAIN	LC-0049N																														S-5871-3
PLATE, CONTACT 1 POLE, 1" MAIN W/ 1 N.O. AUX.	LC-0050N																														S-6509-1
PLATE, CONTACT 1 POLE, 1" MAIN W/ 2 N.O. AUX.	LC-0051N																														S-6509-2
PLATE, CONTACT 1 POLE, 1" MAIN W/ 2 N.O. AUX.	LC-0051N																														S-6509-3
PLATE, CONTACT 1 POLE, 7/8", 1 1/2", 1 3/4" MAIN	LC-0052N																														S-6510-1
PLATE, CONTACT 1 POLE, 7/8", 1 1/2", 1 3/4" MAIN, W/ 1 N.O. AUX.	LC-0053N																														S-6510-2
PLATE, CONTACT 1 POLE, 7/8", 1 1/2", 1 3/4" MAIN, W/ 2 N.O. AUX.	LC-0054N																														S-6510-3
PLATE, CONTACT 2 POLE, 1" MAIN	LC-0055N																														M-6509-4
PLATE, CONTACT 2 POLE, 3/8", 1/2" MAIN W/ 1 N.O. AUX.	LC-0057N	3																													S-6503-2
PLATE, CONTACT 2 POLE, 3/8", 1/2" MAIN	LC-0056N	2														18															S-6503-1
PLATE, CONTACT 2 POLE, 3/8", 1/2" MAIN W/ 2 N.O. AUX.	LC-0058N	4																													S-6503-3
PLATE, CONTACT 2 POLE, 600 V, 1" MAIN	LC-0080N																														M-6509-5
PLATE, CONTACT 2 POLE, 7/8", 1 1/2", 1 3/4" MAIN	LC-0059N																														M-6510-4
PLATE, CONTACT 3 POLE, 1" MAIN	LC-0060N																														M-6509-6
PLATE, CONTACT 3 POLE, 3/8", 1/2" MAIN	LC-0061N																														M-6506
PLATE, CONTACT 3 POLE, 7/8", 1 1/2", 1 3/4" MAIN	LC-0062N																														M-6510-5
PLATE, CONTACT AUX., L.H., 1 N.O.	LC-0063L																														S-6511-3
PLATE, CONTACT AUX., L.H., 1 N.O.	LC-0064L																														S-6512-4
PLATE, CONTACT AUX., R.H., 1 N.O.	LC-0063R																														S-6511-4
PLATE, CONTACT AUX., R.H., 1 N.O.	LC-0064R																														S-6512-5
PLATE, CONTACT AUXILIARY, 1 N.O.	LC-0067N																														S-6511-1
PLATE, CONTACT AUXILIARY, 1 N.O.	LC-0068N																														S-6512-1
PLATE, CONTACT AUXILIARY, 1 N.O.	LC-0069N																														S-6512-2
PLATE, CONTACT AUXILIARY, 2 N.C.	LC-0070N																														S-6505-1
PLATE, CONTACT AUXILIARY, 2 N.O.	LC-0071N																														S-6512-3
PLATE, CONTACT AUXILIARY, 2 N.O.	LC-0072N																														S-6511-2
PLATE, CONTACT AUXILIARY, 2 N.O.	LC-0073N																														S-6507
PLATE, CONTACT AUXILIARY, 3 N.C.	LC-0074N	5																													S-6503-4
PLATE, CONTACT AUXILIARY, 4 N.C.	LC-0075N																														S-6505-2
PLATE, CONTACT AUXILIARY, 4 N.C.	LC-0076N	6																													S-6503-5
PLATE, CONTACT, "K" COIL, 3 N.O. MAXIMUM	LC-0077N																														S-6504
PLATE, CONTACT, 4 N.O. MAX., 3 N.C. MAXIMUM	LC-0078N																														S-5871-1C
PLATE, CONTACT, 6 N.O. MAX., 6 N.C. MAXIMUM	LC-0079N																														L-5922-1F
PLATE, MECH. INTERLOCK, 1" MAIN	LC-0045N																														S-7285-2
PLATE, MECH. INTERLOCK, 7/8", 1 1/2", 1 3/4" MAIN	LC-0047N																														S-7285-3
PLATE, MECH. INTERLOCK, RELAY	LC-0046N																														S-7285-1

DESCRIPTION	G.A.L. PART No.	RELAY / CONTACTOR No.																									ENG. DWG. No.		
		L C 2 8	L C 2 9	L C 3 0	L C 3 1	L C 3 2	L C 3 3	L C 3 4	L C 3 5	L C 3 6	L C 3 7	L C 3 8	L C 4 1	L C 4 2	L C 4 3	L C 4 4	L C 4 5	L C 4 6	L C 4 7	L C 4 8	L C 4 8 P	L C 4 9	L C 4 9 P	L C 5 0	L C 5 1	L C 5 2		L C 5 3	L C 5 4
		ITEM No.																											
POST, CONTACT 1 3/16" LONG	LC-0081N	27																										S-6458-13	
POST, CONTACT 1 5/8" LONG	LC-0082N	10																										S-6458-4	
POST, CONTACT 1 7/16" LONG	LC-0083N																				5		5				5	S-6878-1	
POST, CONTACT 1 7/16" LONG	LC-0084N	9																			5		5			5		S-6458-1	
POST, CONTACT 1 7/8" LONG	LC-0085N	8																										S-6458-11	
POST, CONTACT 1.987" LONG	LC-0086N																				4		4					S-6458-2	
POST, CONTACT 2 3/4" LONG	LC-0087N		15	15	15	15	15	15	15	15	15	15,39	15	15	15	15	15	15	12					15	15	15		S-6458-8	
POST, CONTACT 2 7/16" LONG	LC-0088N																											S-6458-9	
POST, CONTACT 2.055" LONG	LC-0094N																				4		4				4	4	S-6878-2
POST, CONTACT 3 1/2" LONG	LC-0089N																											S-6458-7	
POST, CONTACT 3 1/4" LONG	LC-0090N		14	14	14	14	14	14	14	14	14	14	14	14	14	14	14	14					14	14	14			S-6458-6	
POST, CONTACT 3 3/4" LONG	LC-0091N		13	13	13								13	13										13				S-6458-10	
POST, CONTACT 3" LONG	LC-0092N											13																S-6458-5	
POST, CONTACT 4 1/4" LONG	LC-0093N																											S-6458-12	
POST, POWER CONTACT, 1 1/2" MAIN	LC-0095N		12			12			12																			S-6515-1	
POST, POWER CONTACT, 1 3/4" MAIN	LC-0096N			12			12			12																		S-6515-2	
POST, POWER CONTACT, 1 3/4"-50%C MAIN	LC-0097N				12				12																			S-6515-3	
POST, POWER CONTACT, 1", 1"-50%C MAIN	LC-0098N												12	12	12	12	12	12										S-6515-4	
POST, POWER CONTACT, 7/8" MAIN & COMPOUND STRIP	LC-0099N																							12	12	12		S-6515-5	
POST, STOP ADJUST 1 1/2"	LC-0100N																									14	14	S-6714	
SCREW, FL.H. #10-32 X 3/8", #10 STAR WASHER	LC-0117N		4	4	4	4	4	4	4	4	4	4	4	4	4	4	4	4	4				4	4	4				
SCREW, FL.H.#10-32X1 1/4", #10 FLAT & LOCK WASHER FOR 1" PANEL	LC-0113N	22A																			13		13				13A		
SCREW, FL.H.#10-32X1", #10 FLAT & LOCK WASHER FOR 3/4" PANEL	LC-0112N	22																			13		13				13		
SCREW, FL.H. # 8-32 X 1/2"	HWSC-0017N					32	32	32	32	32	32				32	32	32								32	32			
SCREW, FL.H. #10-32 X 3/4"	HWSC-0020N		9	9	9	9	9	9	9	9	9	9	9	9	9	9	9	9						9	9	9			
SCREW, FL.H. #10-32 X 3/8"	HWSC-0019N																												
SCREW, H.H.C. #5/16-18 X 1 1/2" #5/16 FLAT & LOCK WASHER	LC-0118N		5	5	5	5	5	5	5	5	5	5	5	5	5	5	5	5	5					5	5	5			
SCREW, R.H. # 8-32 X 5/8"	HWSC-0018N																				15		15					17	
SCREW, R.H. #10-32 X 1 1/2", #10 CUP WASHER & SPRING	LC-0116N		3	3	3	3	3	3	3	3	3	3	3	3	3	3	3	3	3					3	3	3			
SCREW, R.H. #10-32 X 1 1/2", #10 FLAT & STAR WASHER	LC-0120N		32	32	32							32	32	32										32					
SCREW, R.H. #10-32 X 5/8", #10 FLAT & LOCK WASHER	LC-0124N																				13		13					13	
SCREW, R.H. #10-32 X 5/8", #10 FLAT & STAR WASHER	LC-0121N		35	35	35	35	35	35	35	35	35	35	35	35	35	35	35	35						35	35	35			
SCREW, R.H. #10-32 X 5/8", #10-32 HEX HEAD NUT	LC-0115N		2	2	2	2	2	2	2	2	2	2	2	2	2	2	2	2	2					2	2	2			
SCREW, R.H. #10-32 X 7/8", #10 STAR WASHER	LC-0111N	21																											
SCREW, R.W.H. # 8-32 X 3/8"	HWSC-0016N																				12	12	12	12			12	12	
SEPARATOR, 2 POLE, 3/8", 1/2" MAIN	LC-0101N	7																										S-6508-2	
SEPARATOR, 2 POLE, 3/8", 1/2" MAIN	LC-0102N											31																S-6508-1	
SPRING, MAIN CONTACT, 1"	LC-0103N												27	27	27	27	27	27										S-6619-1	
SPRING, MAIN CONTACT, 3/8", 1/2"	LC-0104N	17											27															S-6612	
SPRING, MAIN CONTACT, 7/8", 1 1/2", 1 3/4"	LC-0105N		27	27	27	27	27	27	27	27	27													27	27	27		S-6619-2	
STOP, ADJUSTMENT	LC-0106N																									15	15	S-6715	
STUD, POWER TERMINAL, 7/8", 1", 1 1/2" & 1 3/4"	LC-0109N		11	11	11	11	11	11	11	11	11		11	11	11	11	11	11						11	11	11		S-6513-A	
STUD, TERMINAL	LC-0107N	11	10	10	10	10	10	10	10	10	10	10	10	10	10	10	10	10	13									S-6458-3	
STUD, TERMINAL	LC-0108N																				6		6					6	S-6878-3
STUD, TERMINAL, 1 1/2" LONG	LC-0125N																				6A		6A					6A	S-6878-4
WEIGHT, 1/2" X 7/8"	LC-0110N																										16	16	S-6716
WIRE, MAIN CONTACT # 10, 1" CONTACT	LC-0010N													28		28		28											S-5878-2
WIRE, MAIN CONTACT # 14, 3/8", 1/2" CONTACT	LC-0011N	20																										S-5878-1	
WIRE, MAIN CONTACT # 4, 7/8", 1 3/4" CONTACT	LC-0012N				28				28																28	28	28		S-5878-5
WIRE, MAIN CONTACT # 6, 1 3/4"-50%C CONTACT	LC-0013N			28					28																				S-5878-4
WIRE, MAIN CONTACT # 8, 1"-50%C, 1 1/2" CONTACT	LC-0014N		28						28																				S-5878-3