

New!
Comprehensive Parts Listing of
SNOW & ICE CONTROL PRODUCTS



SNOW & ICE CONTROL PRODUCTS

**Application Guide
September 2008**



GET MORE DONE!

World's fastest-attachment snow plow



Curtis Industries, LLC.
111 Higgins Street • Worcester, MA 01606
Telephone: (800) 343-7676 • Fax: (800) 876-9104
www.curtisplow.com

Curtis Snowplows are protected by the following U.S. patent Numbers: 5,815,955, 6,145,222, 6,151,808, 6,209,231.
Other patents pending.

What's New for 2008...

The **2008 Application Guide** includes some new, updated and more comprehensive information that will make selling and servicing the Sno-pro family of Snow & Ice Control Products easier and more profitable than ever.

Our **Product Development Department** is working hard to continually expand our range of Snowplow Accessories & Vehicle Applications.

...New for 2008...

➤ SNO-PRO Trip-Edge POLYMER

Two Sizes - 7 1/2" and 8", Trip-Edge

Features include:

- SNO-PRO 7.5' Home Pro plow with all the features of the Home-Pro
- High strength, commercial grade polymer moldboard
- Moves more snow at all speeds
- Snow resists sticking to blade
- Hydraulic jack leg
- Never rusts
- Requires less maintenance
- The choice of professionals

➤ *New!* Poly-Electric V-Box Spreader

- 1.8 and 2.1 yard sizes
- Quiet
- Zero gas needed

➤ *New!* Sno-Pro Heavy Duty Sub-Frame Mount Kits

1HD8 – Dode Ram 4500/5500/Sterling Bullet

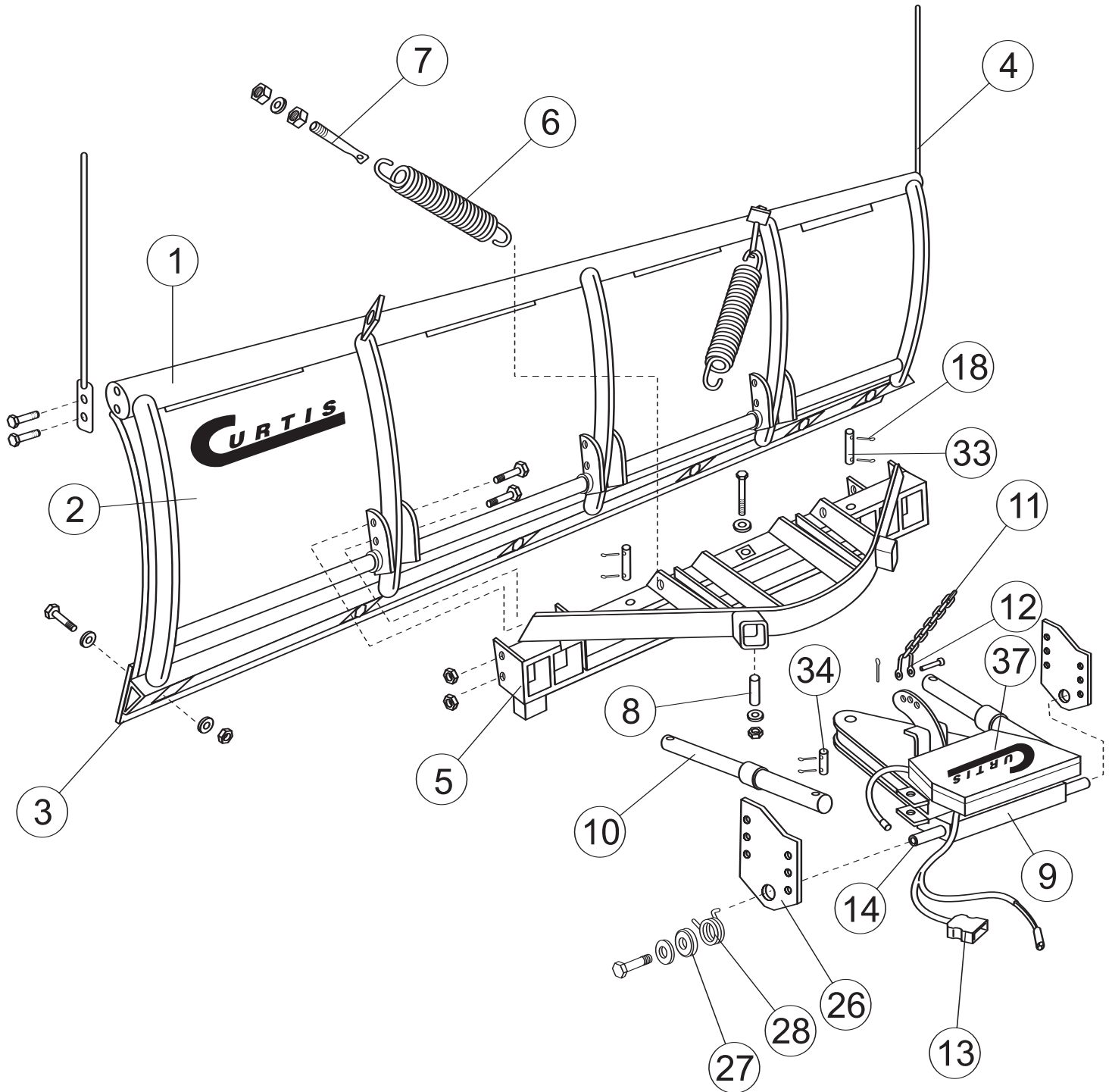
This Application Guide also features our Heavy Duty Commercial/Municipal Snowplow System offered in 9' and 10' versions. Vehicle Applications for these snowplows (1HD_) are listed on the next page.

Parts Schematics

The following pages contain schematics and parts lists for Curtis Snow & Ice Control Products

Home-Pro 3000 Parts Breakdown	page 12 & 13
Trip Edge Snowplow Parts Breakdown	page 14 & 15
Sno-Pro V-Plow Parts Breakdown	page 16 & 17
Commercial Snowplow Parts Breakdown	page 18 & 19
Sno-Pro Full Trip 3000 Parts Breakdown	page 20 & 21
Snowplow Electrical System Parts Breakdown	page 22
Sno-Pro/Home-Pro Manifold Parts Breakdown	page 23
Electric/Hydraulic Power Unit Parts Breakdown	page 24
Sno-Pro V-Plow Manifold Pats Breakdown	page 25
Trip Edge/Commercial Snowplow Manifold Breakdown	page 26
Sno-Pro 2000 Parts Breakdown	page 27
TS17/TS25 parts Breakdown	page 28-33
1PESP1.8 & 1PESP2.1 Parts Breakdown	page 36-39
1CS6 Fast Cast 550 Parts Breakdown	page 34-37
1CS1 Fast Cast 2000 Parts Breakdown	page 40
1CS1 Fast Cast 2000 Drive Assemble Parts Breakdown	page 41
1CS1/1CS2 Control System Parts Breakdown	page 42
1CS2 Fast Cast 175 Parts Breakdown	page 43
1SM3 3-Point Hitch Parts Breakdown	page 44
1SM4 Drop Utility Hitch Parts Breakdown	page 45
1CS9/1CS10 Fast Cast 300 & 400 Parts Breakdown	page 44

Sno-Pro CURTIS **SNOWPLOW**

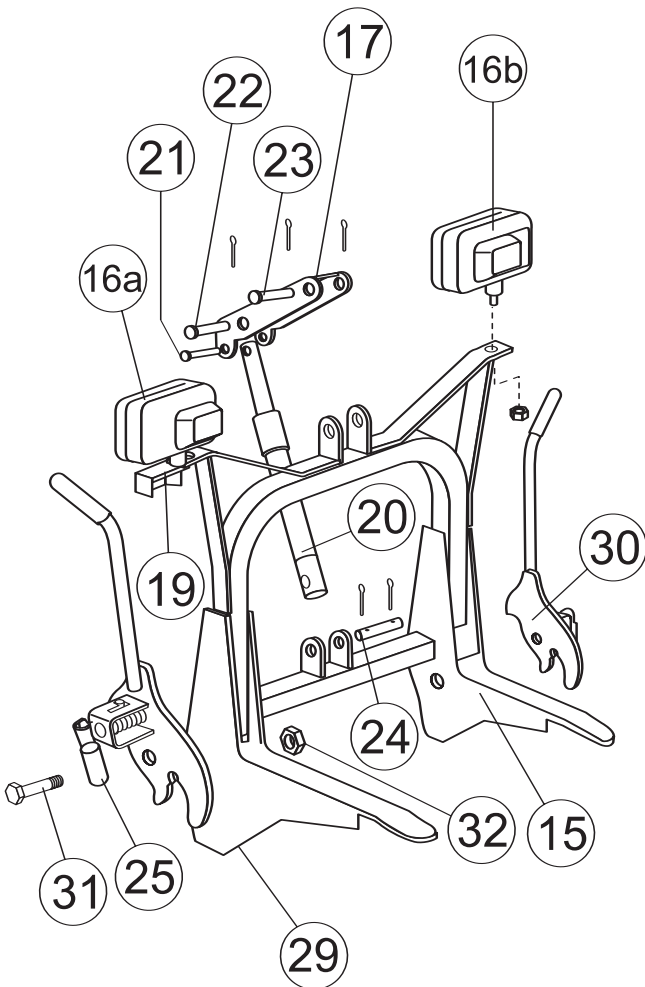


HOME-PRO

SCHEM REF.#	ITEM PART#	RECOMMEND DEALER STOCK	DESCRIPTION	QTY/ UNIT
1	1TBP211		7' HOME-PRO MOLDBOARD ASSEMBLY	1
2	1TBP124		7' HOME-PRO MOLDBOARD SKIN	1
3	1TBP49I		7' HOME-PRO POLYMER CUTTING EDGE	1
N/S	1TB21K		7 1/2' HOME-PRO MOLDBOARD ASSEMBLY	1
N/S	1TBP124-90HP		7 1/2' HOME-PRO MOLDBOARD SKIN	1
N/S	1TBP49K		7 1/2' HOME-PRO POLYMER CUTTING EDGE	1
N/S	1TBP49HWB		REPLACEMENT HARDWARE FOR CUTTING EDGE	1
4	1TBP37	*	BLADE MARKERS (SET OF 2)	1
5	1TBP22C		HOME-PRO TRIP FRAME	1
6	1TBP33	*	TRIP SPRING	2
7	1TBP34	*	SPRING EYEBOLT W/NUT	2
8	1TBP127	*	TRIP FRAME PIVOT PIN - 3 7/8"	1
9	1TBP29D1		A-FRAME ASSEMBLY - FRAME ONLY	1
9	1TBP29D		A-FRAME ASSEMBLY - COMPLETE	1
10	1TBP27	*	10" ANGLE PISTON	2
NS	1TBP98G		90 DEG. ELBOW	3
11	1TBP30	*	5/16" X 24" CHAIN	1
12	1TBP31	*	5/16" ANCHOR SHACKLE	2
13	1TBP134A	*	DUAL PLUG HARNESS (PLOW SIDE)	1
14	1TBP155	*	A-FRAME SPINDLE REPAIR KIT	2
15	1TBP38B		LIFT FRAME ASSEMBLY W/LATCH HOOKS	1
16	1TBP39B		LIGHT KIT (SET OF 2)	1
16A	1TBP39BL		PLOW LIGHT - DRIVER'S SIDE ONLY	1
16B	1TBP39BR		PLOW LIGHT - PASSENGER'S SIDE ONLY	1
17	1TPB40A		HOME-PRO LIFT ARM	1
18	1TBP24	*	3/16" X 1 1/2" COTTER PIN	14
19	1TBP135		PLUG STORAGE HOLDER	1
20	1TBP44A		7 1/2" LIFT CYLINDER	1
21	1TBP137		1/2" X 2 1/2" CLEVIS PIN	1
22	1TBP138		1" X 2 7/8" HOLLOW PIN	1
23	1TBP139		1" X 3 3/4" HOLLOW PIN	1
24	1TBP160		3/4" X 3 3/16" HOLLOW PIN	1
25	1TBP107	*	SNAP LOCK HANDLE ASSEMBLY	2
26	1TBP112		LIFT FRAME SIDE PLATES (SET OF 2)	1
27	1TBP113		TORSION SPRING BUSHING	2
28	1TBP33A		SIDE PLATE TORSION SPRING (SET OF 2)	1
29	1TBP114A		DRIVER'S SIDE LATCH HOOK	1
30	1TBP115A		PASSENGER'S SIDE LATCH HOOK	1
31	1TBP120		7/8" - 9 X 4 1/2" FR. 5 BOLT	2
32	1TBP121		7/8"-9 GR. 5 REVERSIBLE LOCK NUT	2
33	1TBP125	*	ANGLE PISTON PIN - 4 1/8"	2
34	1TBP126	*	LIFT/ANGLE PISTON ANCHOR PIN - 3 3/8"	2
35	1TBP157	*	LIFT FRAME SIDE PLATE HARDWARE SET	1
36	1TBP159	*	SNAP LOCK CROSS BOLT W/BUSHINGS & NUT	2
37	1TBP58A	*	A-FRAME COVER W/DECAL	1

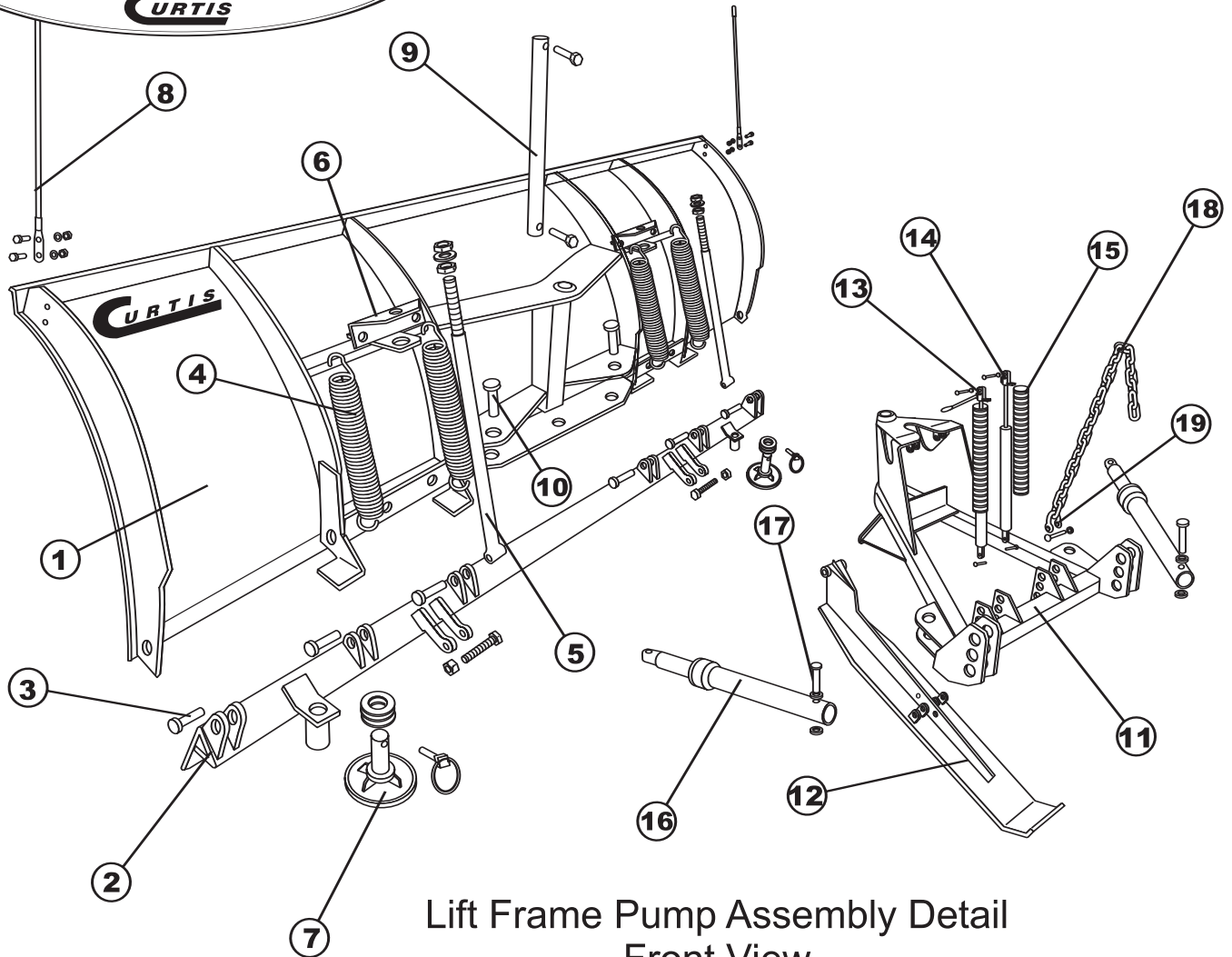
ADDITIONAL ITEMS NOT SHOWN ON SCHEMATIC ASSEMBLY

N/S	1HP-HWB		HOME-PRO PLOW HARDWARE BAG	1
N/S	1TBP60A		SWITCH PANEL CONTROL KIT	1
N/S	1TBP60A-1	*	LIFT SWITCH ONLY	1
N/S	1TBP60A-2	*	ANGLE SWITCH ONLY	1
N/S	1TBP48A	*	PLOW LIGHT SWITCH ONLY	1
N/S	1TBP61A	*	SOLENOID	1
N/S	1TBP61C		SNO-PRO 3000 EMERGENCY PARTS BAG	1
N/S	1TBP62		#4 CABLE 90"	1
N/S	1TBP63	*	RESERVOIR CAP - SNOW-PRO 2000	1
N/S	1TBP63A	*	RESERVOIR CAP - SNO-PRO 3000 (EXTERNAL)	1
N/S	1TBP63B	*	RESERVOIR CAP - SNO-PRO 3000 (INTERNAL)	1
N/S	1TBP117		A-FRAME BOTTOM JACK COVER	1
N/S	1TBP64		INSTALLATION & OWNER'S MANUAL	1
N/S	1TBP67		DEALER SALES & SERVICE BOOK	1
N/S	1TBP27SK	*	SEAL KIT (FITS ALL HYDRAULIC PISTONS)	13
N/S	1TBP109		1' X 1 3/8" PISTON SPACER	2
N/S	1TBP134B	*	DUAL PLUG HARNESS (VEHICLE SIDE)	1
N/S	1TBP136	*	CONTROL PLUG WEATHER CAP (VEHICLE SIDE)	1
N/S	1TBP54	*	HI-AMP PLUG WEATHER CAP	2
N/S	1TBP140	*	LOCK PIN STORAGE HOLDER & LANYARD	1
N/S	1TBP141	*	HARNESS LOCK PIN (SET OF 50)	1
N/S	1TBP98D	*	LEFT ANGLE HOSE - 28"	1
N/S	1TBP98C	*	RIGHT ANGLE HOSE - 19"	1
N/S	1TBP98B	*	LIFT HOSE - 37 1/2"	1
N/S	1TBP98A	*	JACK HOSE - 26 1/2"	1
N/S	1TBP59A	*	ELECTRIC/HYDRAULIC POWER UNIT W/MANIFOLD	1
N/S	1TBP95		3" JACK CYLINDER	1
N/S	1TBP98F		90 DEG BRASS BAR ELBOW	1
N/S	1TBP96		6" JACK SPRING	1
N/S	1TBP111		JACK SPRING GUIDE ROD	1
N/S	1TBP98E		BLOCK ADAPTER FOR JACK HOSE	1
N/S	1TBP100	*	A-FRAME JACK SWITCH	1
N/S	1TBP156	*	RUBBER BOOT FOR A-FRAME JACK SWITCH	1
N/S	1TBP102		SWITCH PANEL ADAPTER	1
N/S	1TBP161	*	PLOW LIGHT MOUNTING KIT	2

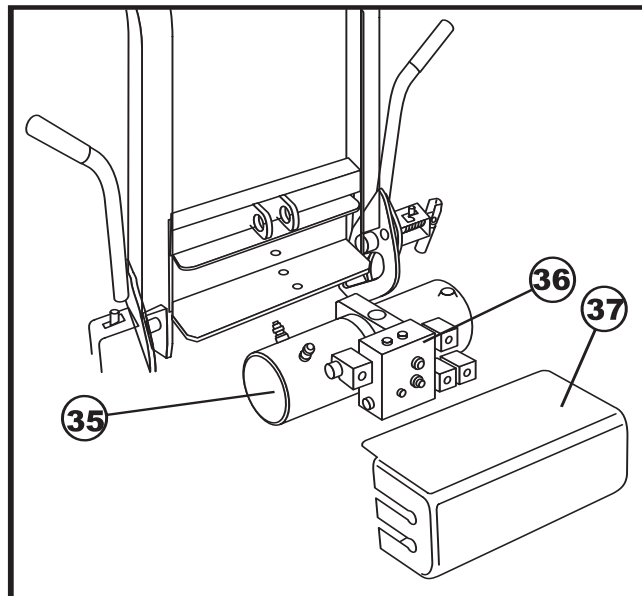


Sno-Pro SNOWPLOWS

CURTIS



Lift Frame Pump Assembly Detail
Front View

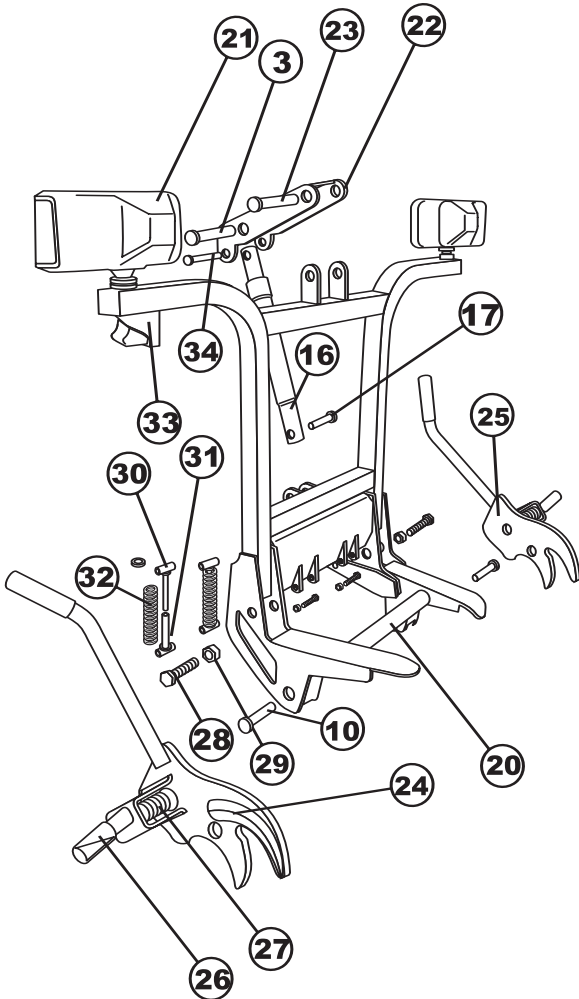


TRIP-EDGE

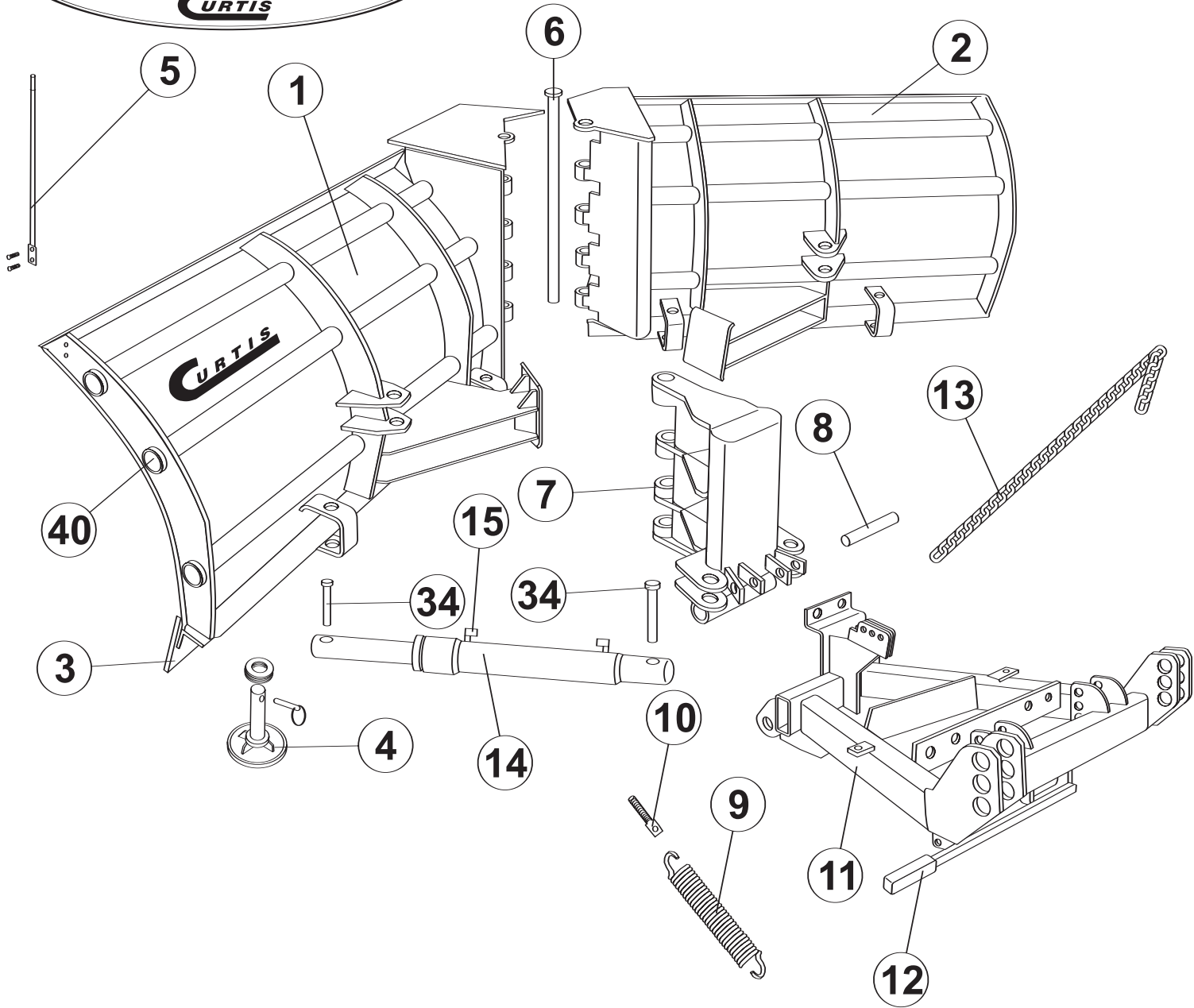
SCHEM REF.#	ITEM PART#	RECOMMEND DEALER STOCK	DESCRIPTION	QTY/ UNIT
1	1TBP21TA		7 1/2' MOLDBOARD - TRIP EDGE	1
	1TE75P		7 1/2' POLY MOLDBOARD	1
	1TE8P		8' POLY MOLDBOARD	1
	1TBP21TB		8' MOLDBOARD - TRIP EDGE	1
	1TBP21TJ		8 1/2' MOLDBOARD - TRIP EDGE	1
	1TBP21TC		9' MOLDBOARD - TRIP EDGE	1
	2	1TBP149A		7 1/2' LOWER TRIP EDGE
1TBP149B			8' LOWER TRIP EDGE	1
1TBP149J			8 1/2' LOWER TRIP EDGE	1
1TBP149C			9' LOWER TRIP EDGE	1
3	1VP14	*	1" X 1 1/2" CLEVIS PIN	7
N/S	1TBP24	*	3/16" X 2" COTTER PIN	14
4	1TBP33	*	TRIP SPRING	4
5	1TBP142		SPRING ADJUSTMENT ROD - TRIP EDGE	2
6	1TBP143		SPRING ADJUSTMENT ROD TOP ANGLE - TRIP EDGE	2
7	1TBP50T	*	SKID SHOE - TRIP EDGE ONLY	2
N/S	1TBP49A	*	7 1/2' CUTTING EDGE	1
	1TBP49B	*	8' CUTTING EDGE	1
	1TBP49J	*	8 1/2' CUTTING EDGE	1
	1TBP49C	*	9' CUTTING EDGE	1
	8	1TBP37	*	BLADE MARKERS (SET OF 2)
9	1TBP144		1 3/16" X 15 1/8" CENTER PIVOT PIN - TRIP EDGE	1
10	1TBP145	*	1" X 3 1/2" CLEVIS PIN	4
11	1TPB29T		A-FRAME ONLY - TRIP EDGE	1
12	1TBP106T		JACK LEG - TRIP EDGE	1
13	1TBP146	*	BLOCKER LIFT PISTON - TRIP EDGE	1
14	1TBP147	*	GAS SPRING - TRIP EDGE	1
15	1TBP148A	*	BELLOWS FOR BLOCKER LIFT/GAS SPRING - TRIP EDGE	2
15A	1TBP148B	*	RUBBER GROMMET FOR BELLOWS	2
15B	1TBP148C	*	CLAMP FOR BELLOWS	2
16	1TBP27	*	10" ANGLE/LIFT PISTON	3
N/S	1TBP27SK	*	SEAL KIT (FITS ALL HYDRAULIC PISTONS)	3
N/S	1TBP98G	*	90 DEG. ELBOW - FOR ANGLE CYLINDER	2
17	1TBP73	*	1" X 3" CLEVIS PIN	3
18	1TBP30A	*	5/16" X 40" LIFT CHAIN	1
19	1TBP31	*	5/16" ANCHOR SHACKLE	1
20	1TBP38T		LIFT FRAME ONLY - TRIP EDGE	1
21	1TBP39B		PLOW LIGHT KIT (SET OF 2)	1
22	1TBP40T		LIFT ARM - TRIP EDGE	1
23	1TBP92	*	1" X 6" CLEVIS PIN	1
24	1TBP92	*	DRIVER'S LATCH HOOK	1
25	1TBP115		PASSENGER'S LATCH HOOK	1
26	1TBP107	*	SNAP LOCK HANDLE	2
27	1TBP33B	*	SNAP LOCK SPRING	4
N/S	1TBP159	*	SNAP LOCK CROSS BOLD W/BUSHINGS & NUT	2
28	1TBP120		7/8" X 4 1/2" LATCH HOOK BOLT	2
29	1TBP121		7/8" REVERSIBLE LOCK NUT	2
30	1TBP152		UPPER SPRING GUIDE - TRIP EDGE	2
31	1TBP153		LOWER SPRING GUIDE - TRIP EDGE	2
32	1TBP149	*	2" X 7" COMPRESSION SPRING - TRIP EDGE	2
33	1TBP135	*	PLOW SIDE PLUG STORAGE HOLDER/WEATHER CAP	1
34	1TBP150	*	12MM X 2 7/8" BOLT - GR. 10.9 - TRIP EDGE	1
N/S	1TBP151	*	12MM NYLON LOCKNUT - TRIP EDGE	1
35	1TBP59AP1		ELECTRIC/HYDRAULIC POWER UNIT	1
36	1TBP59AP3		HYDRAULIC MANIFOLD	1
37	1TBP58B		HYDRAULIC COVER - TRIP EDGE	1

ADDITIONAL ITEMS NOT SHOWN ON SCHEMATIC ASSEMBLY

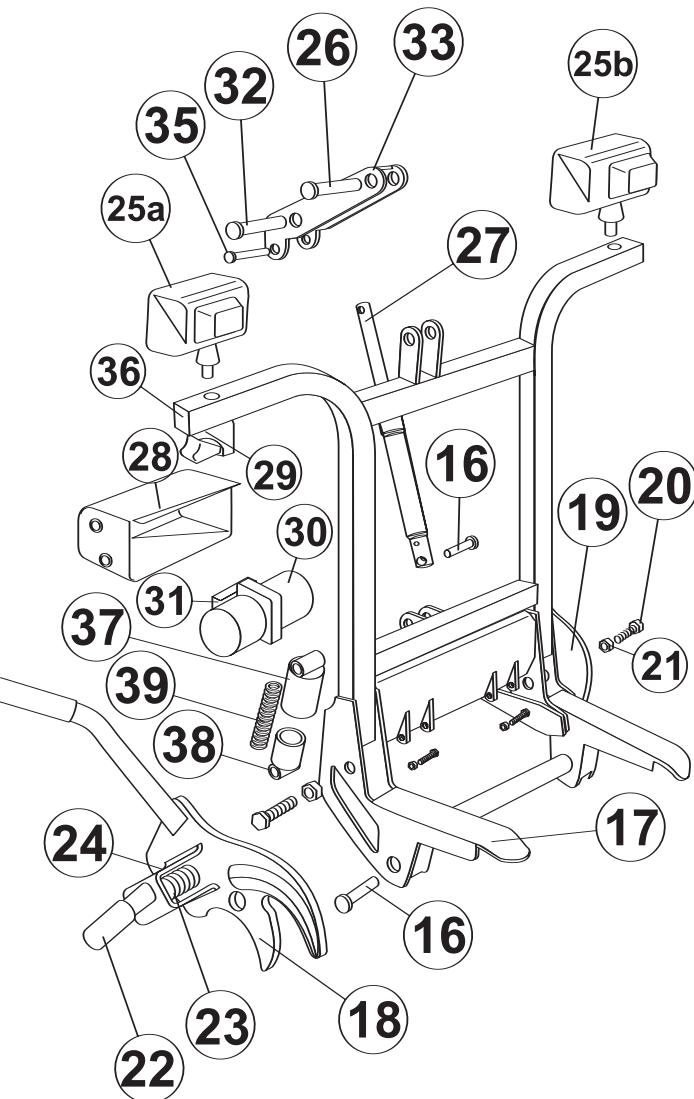
N/S	1TBP134AT	*	DOUBLE PLUG PLOW SIDE HARNESS - TRIP EDGE	1
N/S	1TBP134B	*	DOUBLE PLUG VEHICLE SIDE HARNESS	1
N/S	1TBP136	*	VEHICLE SIDE CONTROL WEATHER CAP	1
N/S	1TBP140	*	LOCK PIN STORAGE HOLDER & LANYARD	1
N/S	1TBP141	*	HARNESS LOCK PIN (SET OF 5)	1
N/S	1TBP53	*	HI-AMP BATTERY HARNESS	1
N/S	1TBP54	*	HI-AMP WEATHER CAP	1
N/S	1TBP61A	*	12V MOTOR SOLENOID	1
N/S	1TBP98C	*	LIFT HOSE - 19"	1
N/S	1TBP98I	*	RIGHT ANGLE HOSE - 35" - TRIP EDGE	1
N/S	1TBP98J	*	LEFT ANGLE HOSE - 45" - TRIP EDGE	1
N/S	1TE-HWB		HARDWARE BAG - TRIP EDGE	1
N/S	1TBP98H	*	4F DEG. ELBOW FOR LIFT PISTON	1
N/S	1TBP64T		INSTALLATION/OWNER'S MANUAL	1



Sno-Pro[®] SNOWPLOWS **CURTIS**



V-PLOW PHASE II



SCHEM REF.#	ITEM PART#	RECOMMEND DEALER STOCK	DESCRIPTION	QTY/ UNIT
1	1TBP21V3L		MOLDBOARD DRIVER'S SIDE 8' 2"	1
1	1TBP21V3R		MOLDBOARD DRIVER'S SIDE 9' 2"	1
2	1TBP21V4L		MOLDBOARD PASSENGER'S SIDE 8' 2"	1
2	1TBP21V4R		MOLDBOARD PASSENGER'S SIDE 9' 2"	1
3	1TBP49V1	*	CUTTING EDGE FOR 8' 2"	2
3	1TBP49V2	*	CUTTING EDGE FOR 9' 2"	2
4	1TBP50	*	SKID SHOE	4
5	1TBP37	*	BLADE MARKERS (SET OF 2)	1
6	1VP10		MOLDBOARD HINGE PIN	1
7	1TBP22V1		TRIP/HINGE FRAME	1
8	1TVP11		TRIP PIN	1
9	1TBP33	*	TRIP SPRING	4
10	1TBP34	*	SPRING EYEBOLT W/HARDWARE	4
11	1TBP29V1		A-FRAME	1
12	1TBP106V		JACK LEG W/HEIGHT ADJUSTMENT	1
13	1TBP30A	*	LIFT CHAIN	1
14	1VP1		10" DOUBLE ACTING ANGLE PISTON	2
15	1TBP98G	*	90 DEG. ELBOW	4
16	1TBP73	*	1" X 3" CLEVIS PIN	3
17	1TBP38V		LIFT FRAME	1
18	1TBP114		LATCH HOOK DRIVER'S SIDE	1
19	1TBP115		LATCH HOOK PASSENGER'S SIDE	1
20	1TBP120		7/8" -9 X 4 1/2" GR. 5 BOLT	2
21	1TBP121		7/8" -9 X 4 1/2" GR. 5 REVERSIBLE LOCK NUT	2
22	1TBP107	*	SNAP LOCK HANDLE ASSEMBLY	2
23	1TBP33B	*	SNAP LOCK SPRING	4
24	1TBP159	*	SNAP LOCK CROSS BOLT W/BUSHINGS & NUT	2
25	1TBP39B		LIGHT KIT (SET OF 2)	1
25A	1TBP39BL		PLOW LIGHT - DRIVER'S SIDE ONLY	1
25B	1TBP39BR		PLOW LIGHT - PASSENGER'S SIDE ONLY	1
26	1TBP92	*	1" X 6" CLEVIS PIN	1
27	1TBP27	*	10" LIFT PISTON	1
N/S	1TBP27SK	*	SEAL KIT (FITS ALL SINGLE ACTING PISTONS)	1
N/S	1TBP98H		45 DEG. ELBOW - FOR LIFT CYLINDER	1
28	1TBP58V		PUMP COVER	1
29	1TBP135	*	PLUG STORAGE HOLDER	1
30	1TBP59AP4		ELECTRIC/HYDRAULIC POWER UNIT ONLY	1
31	1TBP59AP2V		V-PLOW MANIFOLD FOR DOUBLE ACTING PISTONS	1
32	1VP14	*	1" X 1 1/2" CLEVIS PIN	1
33	1TBP40T		LIFT ARM	1
34	1TBP145		1" X 3 1/2" CLEVIS PIN	4
35	1TBP164		12MM X 2 7/8" LIFT CHAIN BOLT W/NUT	1
36	1TBP165		2" X 2" PLASTIC END PLUG	2
37	1CP-USC-P		UPPER SPRING GUIDE (CAN STYLE)	2
38	1CP-LSC-P		LOWER SPRING GUIDE (CAN STYLE)	2
39	1CP39		2" X 8" COMPRESSION SPRING	2
40	1TBP166		1 3/4" ROUND END PLUG	6

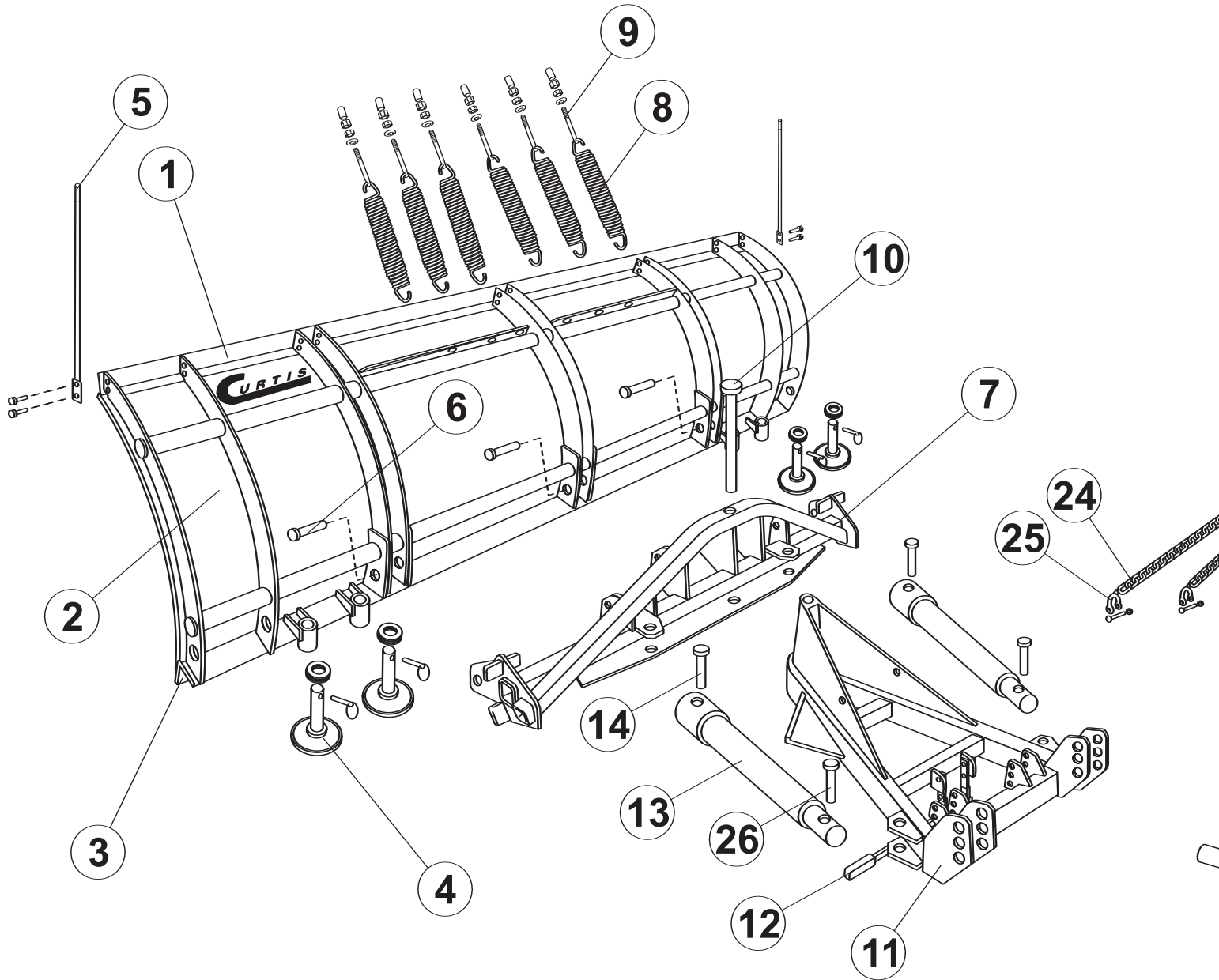
ADDITIONAL ITEMS NOT SHOWN ON SCHEMATIC ASSEMBLY

N/S	1VP-HWB		V-PLOW HARDWARE BAG	1
N/S	1TBP48A	*	PLOW LIGHT SWITCH ONLY	1
N/S	1TBP61A	*	SOLENOID	1
N/S	1TBP62		#4 CABLE 90"	1
N/S	1TBP53		HI-AMP BATTERY HARNESS (VEHICLE SIDE)	1
N/S	1TBP63B	*	RESERVOIR CAP - INTERNAL	1
N/S	1TBP64V		INSTALLATION & OWNER'S MANUAL	1
N/S	1TBP136	*	WEATHER CAP (VEHICLE SIDE)	1
N/S	1TBP54		HI-AMP PLUG WEATHER CAP	1
N/S	1TBP140		LOCK PIN STORAGE HOLDER	1
N/S	1TBP141		LOCK PIN (SET OF 5)	1
N/S	1TP1VA		TOUCH PAD CONTROL	1
N/S	1VP3	*	CENTER FILLER FLAP (RUBBER)	1
N/S	1VP8		FILLER FLAP COVER PLATE (STEEL)	2
N/S	1VP9	*	SPACER BUSHING	4
N/S	1TBP162		JACK RETURN SPRING	2
N/S	1TBP24	*	3/16" x 2" COTTER PIN	9
N/S	1TBP134AV		PLOW SIDE HARNESS	1
N/S	1TBP134BV		VEHICLE SIDE HARNESS	1
N/S	1TBP98C	*	HYDRAULIC HOSE 19" (LIFT)	1
N/S	1TBP98K	*	DRIVER'S EXTEND HOSE 60" ("WC" PORT)	1
N/S	1TBP98L	*	DRIVER'S RETRACT HOSE 63" ("WD" PORT)	1
N/S	1TBP98M	*	PASSENGER'S EXTEND HOSE 45" ("WA")	1
N/S	1TBP98N	*	PASSENGER'S RETRACT HOSE 50" ("WB")	1
N/S	1TBP158		HOSE KEEPER SPRING	1

All prices shown are for individual parts

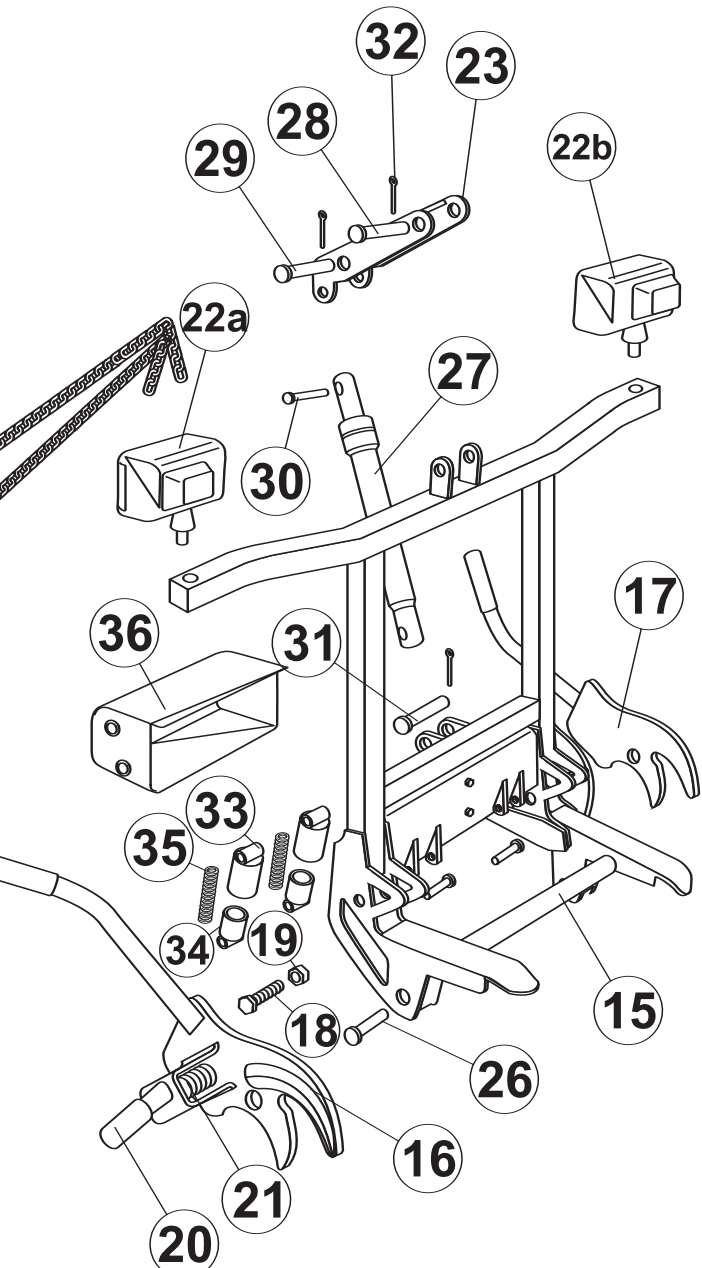


SNOWPLOWS



COMMERCIAL SNOWPLOW

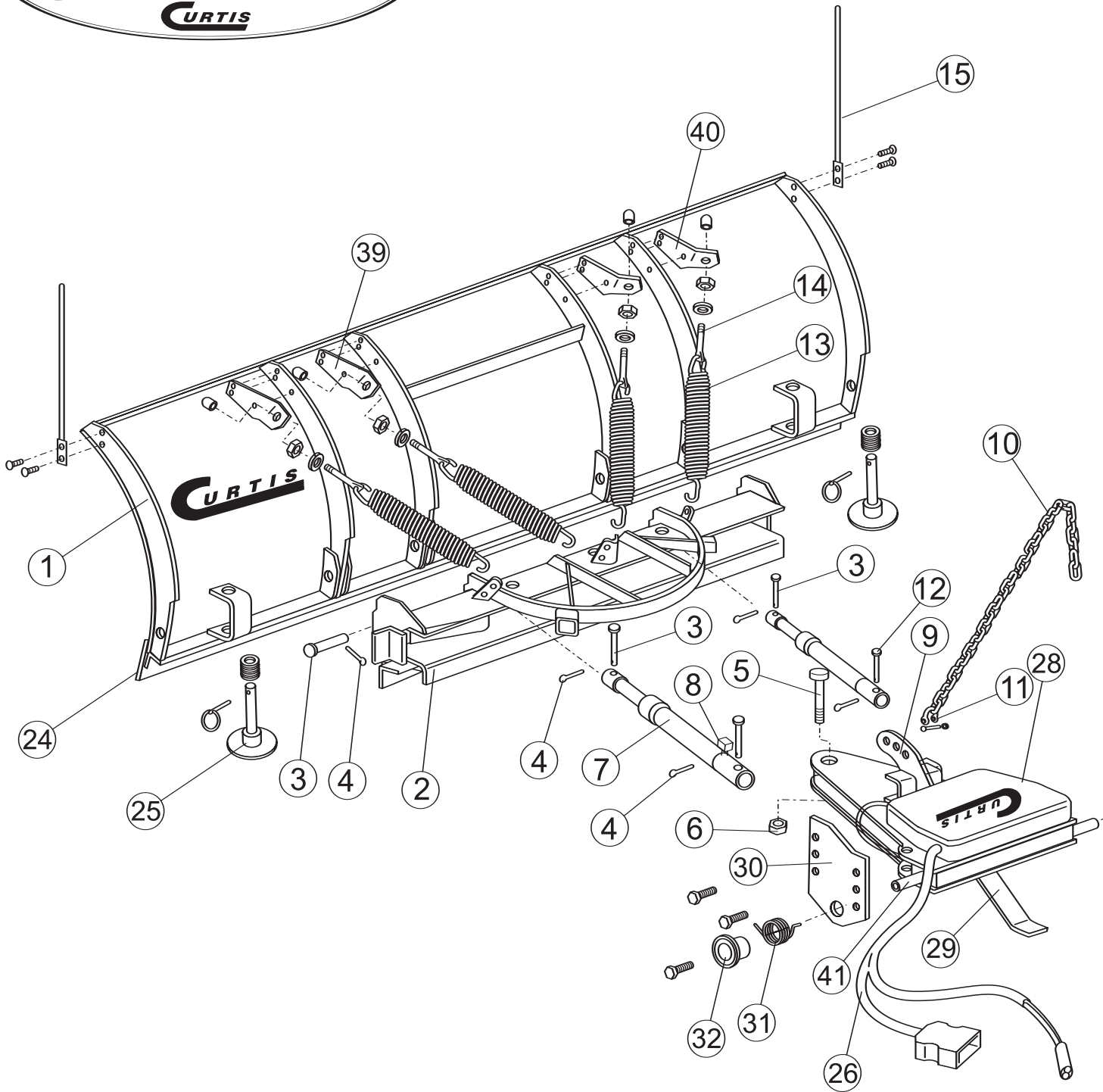
SCHEM REF.#	ITEM PART#	RECOMMEND DEALER STOCK	DESCRIPTION	QTY/UNIT
1	1TBP21C9		9' COMMERCIAL MOLDBOARD KIT	1
1	1TBP21C10		10' COMMERCIAL MOLDBOARD KIT	1
2	1CP1		9' REPLACEMENT MOLDBOARD SKIN	1
2	1CP2		10' REPLACEMENT MOLDBOARD SKIN	1
3	1CP5		9' COMMERCIAL CUTTING EDGE	1
3	1CP6		10' COMMERCIAL CUTTING EDGE	1
4	1TBP50	*	SKID SHOE	4
5	1TBP37	*	BLADE MARKER (SET OF 2)	1
6	1CP101		1 1/4" X 4" CLEVIS PIN	3
7	1TBP22CP		TRIP FRAME	1
8	1TVP33	*	TRIP SPRING	6
9	1TBP34	*	SPRING EYEBOLT W/NUT	6
10	1CP74		CENTER PIN	1
11	1TBP29CP		A-FRAME	1
12	1CP-JSP-P		JACK STAND	1
N/S	1TBP162		JACK RETURN SPRING	2
13	1CP9		2" X 12" HYDRAULIC ANGLE PISTON	2
14	1CP102		1 1/8" X 5" CLEVIS PIN	2
15	1TBP38CP		LIFT FRAME	1
16	1TBP114C		LATCH HOOK DRIVER'S SIDE	1
17	1TBP115C		LATCH HOOK PASSENGER'S SIDE	1
18	1TBP120		7/8" -9 X 4 1/2" GR. 5 BOLT	2
19	1TBP121		7/8" -9 X 4 1/2" GR. 5 REVERSIBLE LOCK NUT	2
20	1TBP107	*	SNAP LOCK HANDLE ASSEMBLY	2
21	1TBP33B	*	SNAP LOCK SPRING	4
N/S	1TBP159	*	SNAP LOCK CROSS BOLT W/BUSHINGS & NUT	2
22	1TBP39B		LIGHT KIT (SET OF 2)	1
22A	1TBP39BL		PLOW LIGHT - DRIVER'S SIDE ONLY	1
22B	1TBP39BR		PLOW LIGHT - PASSENGER'S SIDE ONLY	1
23	1TBP40CP		LIFT ARM	1
24	1TBP30A	*	LIFT CHAIN - 5/16" X 40"	2
25	1TBP31	*	ANCHOR SHACKLE - 5/16"	2
26	1CP103		1 1/8" X 4" CLEVIS PIN	4
27	1CP8		2" X 10" HYDRAULIC LIFT PISTON	1
28	1CP104		1 1/8" X 6" CLEVIS PIN	1
29	1CP105		1 1/8" X 3 3/8" CLEVIS PIN	1
30	1CP106		12MM X 3 1/2" HEX BOLT	1
31	1CP107		1 1/8" X 3 3/4" CLEVIS PIN	1
32	1CP108		1/4" X 2" COTTER PIN (12 PACK)	12
33	1CP-USC-P		UPPER SPRING GUIDE (CAN STYLE)	2
34	1CP-LSC-P		LOWER SPRING GUIDE (CAN STYLE)	2
35	1CP39		2" X 8" COMPRESSION SPRING	2
36	1CP84		HYDRAULIC PUMP COVER	1
N/S	1TBP59AP4		ELEC/HYD POWER UNIT - COMMERCIAL PLOW	1
N/S	1TBP59AP3		HYDRAULIC MANIFOLD	1
ADDITIONAL ITEMS NOT SHOWN ON SCHEMATIC ASSEMBLY				
N/S	1SD2		RUBBER SNOW DEFLECTOR	1
N/S	1CP-HWB		COMMERCIAL PLOW HARDWARE BAG	1
N/S	1TBP48A	*	PLOW LIGHT SWITCH ONLY	1
N/S	1TBP61A	*	SOLENOID	1
N/S	1TBP62		#4 CABLE 90"	1
N/S	1TBP53		HI-AMP BATTERY HARNESS (VEHICLE SIDE)	1
N/S	1TBP63B	*	RESERVOIR CAP - INTERNAL	1
N/S	1TBP64C		INSTALLATION & OWNER'S MANUAL	1
N/S	1TBP136	*	WEATHER CAP (VEHICLE SIDE)	1
N/S	1TBP54		HI-AMP PLUG WEATHER CAP	1
N/S	1TBP140	*	LOCK PIN STORAGE HOLDER	1
N/S	1CP7		PLOW SIDE HARNESS	1
N/S	1TBP134B		VEHICLE SIDE HARNESS	1
N/S	1TBP102		SWITCH PANEL ADAPTER	1
N/S	1TBP161	*	PLOW LIGHT MOUNTING HARDWARE	2
N/S	1CP54	*	LIFT HOSE - 19"	1
N/S	1CP53	*	DRIVER'S SIDE HOSE - 42"	1
N/S	1CP52	*	PASSENGER'S SIDE HOSE - 35"	1



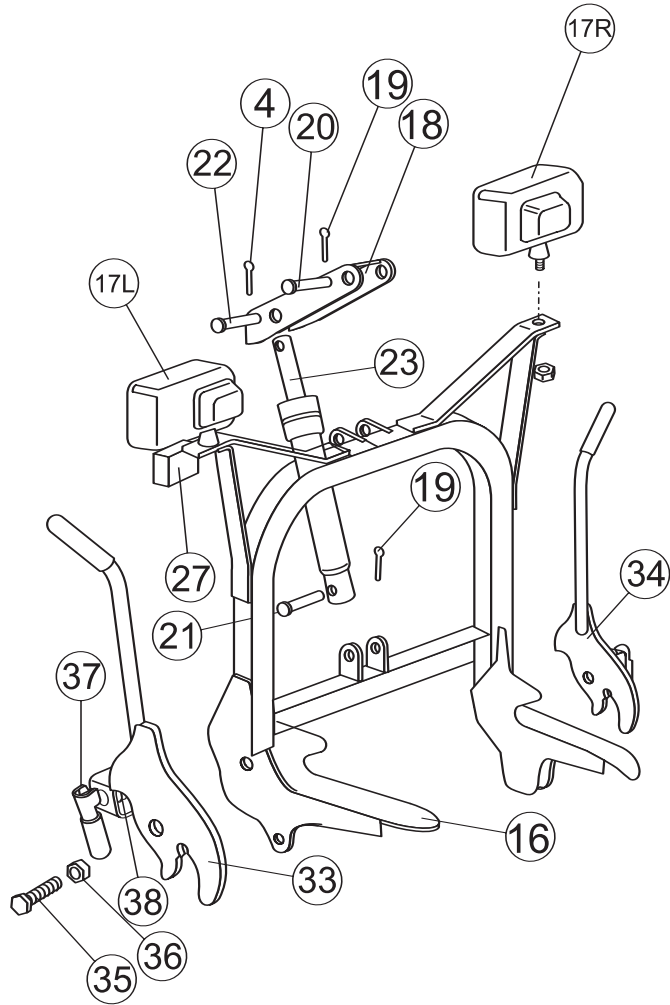
All prices shown are for individual parts

Sno-Pro SNOWPLOWS

CURTIS

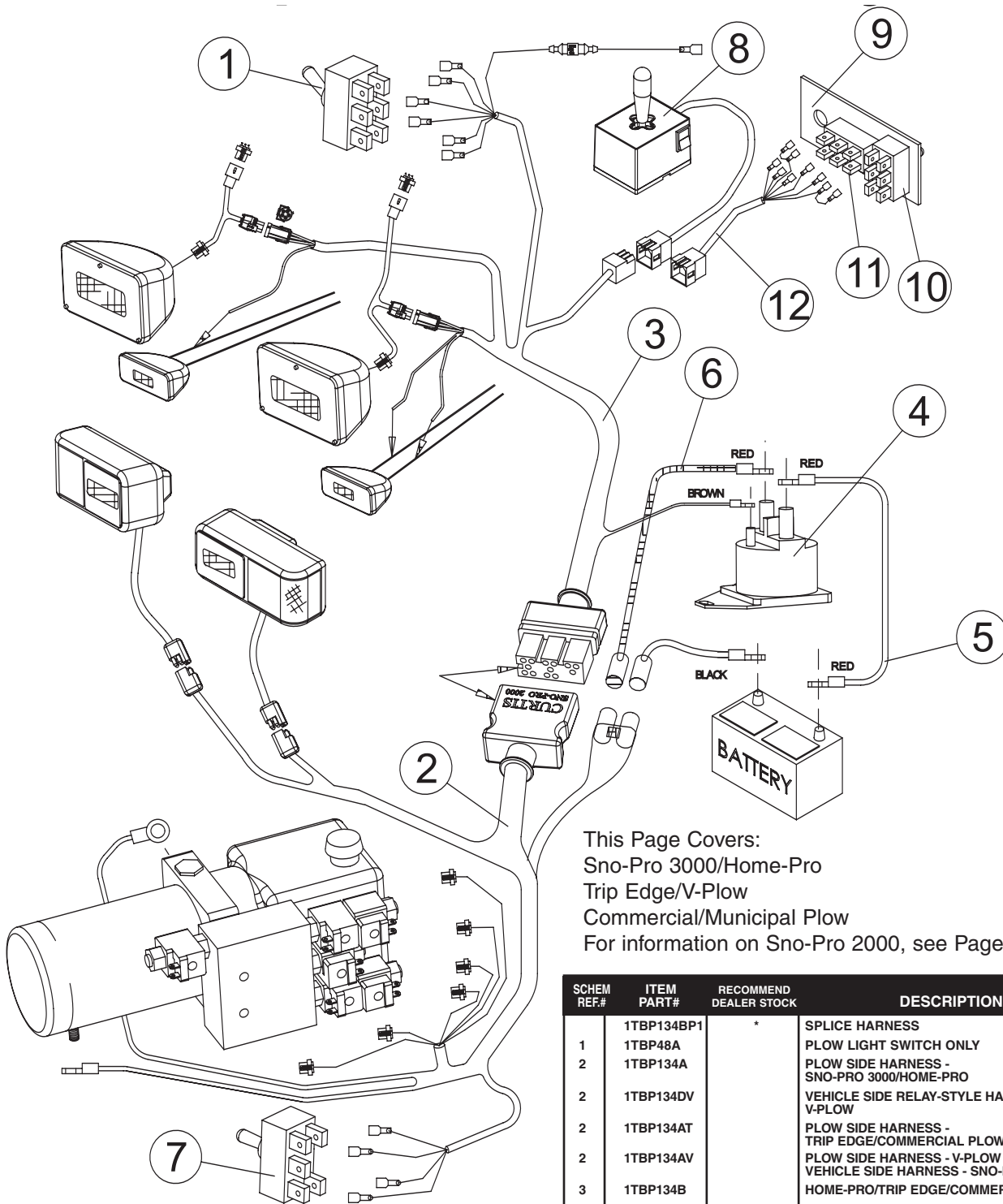


FULL-TRIP 3000



SCHEM REF.#	ITEM PART#	RECOMMEND DEALER STOCK	DESCRIPTION	QTY/ UNIT
1	1TBP21A1		7 1/2' MOLDBOARD KIT	1
	1TBP21A-Poly		7 1/2' POLY MOLDBOARD	1
	1TBP21B-Poly		8' POLYMOLDBOARD	1
1	1TBP21B1		8' MOLDBOARD KIT	1
1	1TBP21J1		8 1/2' MOLDBOARD KIT	1
1	1TBP21C1		9' MOLDBOARD KIT	1
2	1TBP22B1		TRIP FRAME	1
3	1TBP23	*	1" X 4" CLEVIS PIN	6
4	1TBP24	*	3/16" X 1 1/2" COTTER PIN	7
5	1TBP25		1"-8 X 6" GR. 8 BOLT	1
6	1TBP26		1"-8 NYLON LOCKNUT	1
7	1TBP27	*	10" ANGLE PISTON	2
8	1TBP98G	*	90 DEG. ELBOW	2
9	1TBP29C1		A-FRAME ASSEMBLY - FRAME ONLY	1
9	1TBP29C		A-FRAME ASSEMBLY - COMPLETE	1
10	1TBP30	*	5/16" X 24" CHAIN	1
11	1TBP31	*	5/16" ANCHOR SHACKLE	1
12	1TBP73	*	1" X 3" CLEVIS PIN	2
13	1TBP33	*	TRIP SPRING	4
14	1TBP34	*	SPRING EYEBOLT W/NUIT	4
15	1TBP37	*	BLADE MARKERS (SET OF 2)	1
16	1TBP38A		LIFT FRAME ASSEMBLY W/LATCH HOOKS	1
17	1TBP39B		LIGHT KIT (SET OF 2)	1
17L	1TBP39BL		PLOW LIGHT - DRIVER'S SIDE ONLY	1
17R	1TBP139BR		PLOW LIGHT - PASSENGER'S SIDE ONLY	1
18	1TBP40		LIFT ARM	1
19	1TBP41	*	5/32" X 1 1/4" COTTER PIN	2
20	1TBP42	*	3/4" X 4 1/2" CLEVIS PIN	1
21	1TBP43	*	3/4" X 2 3/4" CLEVIS PIN	1
22	1TBP108	*	1" X 4 1/2" CLEVIS PIN	1
23	1TBP44A	*	7 1/2" LIFT PISTON	1
24	1TBP49LD	*	7 1/2' LIGHT DUTY CUTTING EDGE	1
24	1TBP49A	*	7 1/2' CUTTING EDGE	1
24	1TBP49B	*	8' CUTTING EDGE	1
24	1TBP49J	*	8 1/2' CUTTING EDGE	1
24	1TBP49C	*	9' CUTTING EDGE	1
N/S	1TBP49HWB	*	REPLACEMENT HARDWARE FOR CUTTING EDGE	1
25	1TBP50	*	SKID SHOE	2
26	1TBP134A	*	DUAL PLUG HARNESS (PLOW SIDE)	1
27	1TBP135	*	PLUG STORAGE HOLDER	1
28	1TBP58A	*	A-FRAME COVER	1
29	1TBP106		JACK LEG	1
30	1TBP112		LIFT FRAME SIDE PLATES (SET OF 2)	1
31	1TBP33A		SIDE PLATE TORSION SPRING (SET OF 2)	1
32	1TBP113		TORSION SPRING BUSHING	2
33	1TBP114		DRIVER'S SIDE LATCH HOOK	1
34	1TBP115		PASSENGER'S SIDE LATCH HOOK	1
35	1TBP120		7/8"-9 X 4 1/2" GR. 5 BOLT	2
36	1TBP121	*	7/8"-9 GR. 5 REVERSIBLE LOCK NUT	2
37	1TBP107	*	SNAP LOCK HANDLE ASSEMBLY W/HARDWARE	2
38	1TBP33B	*	SNAP LOCK SPRING	4
39	1TBP133L	*	MOLDBOARD SPRING MOUNT - DRIVER'S SIDE	2
40	1TBP133R	*	MOLDBOARD SPRING MOUNT - PASSENGER'S SIDE	2
41	1TBP155	*	A-FRAME SPINDLE REPAIR KIT	2
42	1TBP157	*	LIFT FRAME SIDE PLATE HARDWARE SET	1
43	1TBP159	*	SNAP LOCK CROSS BOLT W/BUSHINGS & NUT	2
ADDITIONAL ITEMS NOT SHOWN ON SCHEMATIC ASSEMBLY				
N/S	1SNP-HWB		SNO-PRO 3000 PLOW HARDWARE BAG	1
N/S	1TBP60A		SWITCH PANEL CONTROL KIT	1
N/S	1TBP60A-1	*	LIFT SWITCH ONLY	1
N/S	1TBP60A-2	*	ANGLE SWITCH ONLY	1
N/S	1TBP48A	*	PLOW LIGHT SWITCH ONLY	1
N/S	1TBP61A	*	SOLENOID	1
N/S	1TBP61C		SNO-PRO 3000 EMERGENCY PARTS BAG	1
N/S	1TBP62		#4 CABLE 90"	1
N/S	1TBP63	*	RESERVOIR CAP - SNO-PRO 2000	1
N/S	1TBP63A	*	RESERVOIR CAP - SNO-PRO 3000 (EXTERNAL)	1
N/S	1TBP63B	*	RESERVOIR CAP - SNO-PRO 3000 (INTERNAL)	1
N/S	1TBP117		A-FRAME BOTTOM JACK COVER	1
N/S	1TBP64		INSTALLATION & OWNER'S MANUAL	1
N/S	1TBP67		DEALER SALES & SERVICE BOOK	1
N/S	1TBP27SK	*	SEAL KIT (FITS ALL HYDRAULIC PISTONS)	3
N/S	1TBP109		1" X 3/8" PISTON SPACER	2
N/S	1TBP98H	*	45 DEG. ELBOW	1
N/S	1TBP134B	*	DUAL PLUG HARNESS (VEHICLE SIDE)	1
N/S	1TBP136	*	CONTROL PLUG WEATHER CAP (VEHICLE SIDE)	1
N/S	1TBP54	*	HI-AMP PLUG WEATHER CAP	2
N/S	1TBP140	*	LOCK PIN STORAGE HOLDER & LANYARD	1
N/S	1TBP141	*	HARNESS LOCK PIN (SET OF 5)	1
N/S	1TBP98D	*	LEFT ANGLE HOSE - 28"	1
N/S	1TBP98C	*	RIGHT ANGLE HOSE - 19"	1
N/S	1TBP98B	*	LIFT HOSE - 37 1/2"	1
N/S	1TBP98A	*	JACK HOSE - 26 1/2"	1
N/S	1TBP59A	*	ELECTRIC/HYDRAULIC POWER UNIT W/MANIFOLD	1
N/S	1TBP95		3" JACK CYLINDER	1
N/S	1TBP98F		90 DEG. BRASS BAR ELBOW	1
N/S	1TBP96		6" JACK SPRING	1
N/S	1TBP111		JACK SPRING GUIDE ROD	1
N/S	1TBP98E		BLOCK ADAPTER FOR JACK HOSE	1
N/S	1TBP100	*	A-FRAME JACK SWITCH	1
N/S	1TBP156	*	RUBBER BOOT FOR A-FRAME JACK SWITCH	1
N/S	1TBP102	*	SWITCH PANEL ADAPTER	1
N/S	1TBP161	*	PLOW LIGHT MOUNTING HARDWARE	2

SNO-PRO ELECTRICAL SYSTEM



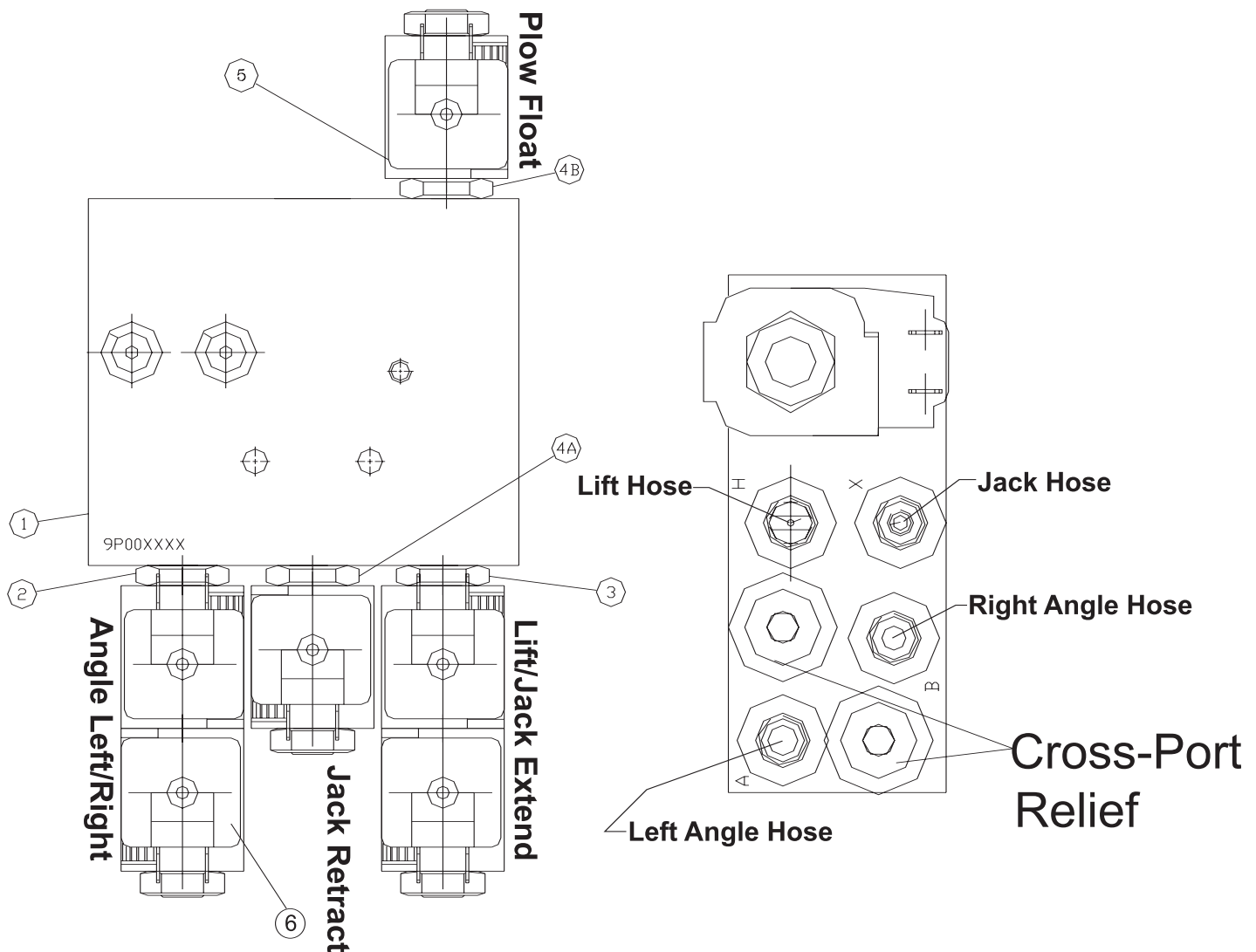
This Page Covers:
 Sno-Pro 3000/Home-Pro
 Trip Edge/V-Plow
 Commercial/Municipal Plow
 For information on Sno-Pro 2000, see Page 27.

SCHEM REF.#	ITEM PART#	DESCRIPTION	QTY/ UNIT
N/S	1TP1	TOUCH PAD CONTROL - STRAIGHT BLADE	
N/S	1TP1V	TOUCH PAD CONTROL - V-PLOW	
N/S	1HC1	HANDHELD CONTROLLER	
N/S	1TBP60A-4	YELLOW EXTENSION HANDLE	1
N/S	1TBP60A-5	BLACK EXTENSION HANDLE	1
N/S	1TBP54	HI-AMP PLUG WEATHER CAP	1
N/S	1TBP136	VEHICLE SIDE CONTROL PLUG WEATHER CAP	1
N/S	1TBP140	LOCK PIN STORAGEHOLDER	1
N/S	1TBP141	LOCK PIN (SET OF 5)	1

SCHEM REF.#	ITEM PART#	RECOMMEND DEALER STOCK	DESCRIPTION	QTY/ UNIT
	1TBP134BP1	*	SPLICE HARNESS	1
1	1TBP48A		PLOW LIGHT SWITCH ONLY	1
2	1TBP134A		PLOW SIDE HARNESS - SNO-PRO 3000/HOME-PRO	1
2	1TBP134DV		VEHICLE SIDE RELAY-STYLE HARNESS - V-PLOW	1
2	1TBP134AT		PLOW SIDE HARNESS - TRIP EDGE/COMMERCIAL PLOW	1
2	1TBP134AV		PLOW SIDE HARNESS - V-PLOW VEHICLE SIDE HARNESS - SNO-PRO 3000	1
3	1TBP134B		HOME-PRO/TRIP EDGE/COMMERCIAL PLOW	1
3	1TBP134D		HOME-PRO/TRIP EDGE/COMMERCIAL PLOW VEHICLE SIDE RELAY-STYLE HARNESS - SNO-PRO	1
3	1TBP134BV		VEHICLE SIDE HARNESS - V-PLOW	1
4	1TBP61A	*	SOLENOID	1
5	1TBP62		#4 CABLE 90"	1
6	1TBP53		HI-AMP BATTERY LEAD - VEHICLE SIDE	1
7	1TBP100	*	A-FRAME JACK SWITCH - SNO-PRO 3000/HOME-PRO ONLY	1
8	1JS1		JOYSTICK CONTRIL	1
9	1TBP60A		SWITCH PANEL CONTROL	1
10	1TBP60A-1		LIFT SWITCH ONLY	1
11	1TBP60A-2		ANGLE SWITCH ONLY	1
12	1TBP102		SWITCH PANEL ADAPTER	1

SNO-PRO 3000 & HOME-PRO 3000 HYDRAULIC MANIFOLD PARTS BREAKDOWN

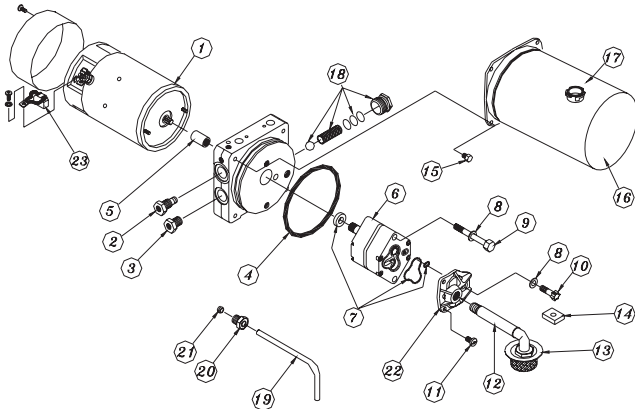
Schem. Ref#	Item Part#	Recommend Dealer Stock	Description	Qty/Unit
1	1TBP59AP2		MANIFOLD BLOCK COMPLETE WITH VALVES & COILS	1
2	1TBM1	*	3/4 WAY SOLENOID VALVE (ANGLE LEFT/RIGHT)	1
3	1TBM7	*	2/2 WAY SOLENOID VALVE (PLOW LIFT)	1
4A	1TBM2A	*	2/2 WAY SOLENOID VALVE (JACKET RETRACT)	1
4B	1TBM2	*	2/2 WAY SOLENOID VALVE (PLOW FLOAT)	1
5	1TBM4	*	12 VDC COIL (FLOAT FUNCTION ONLY)	1
6	1TBM4A		10 VDC COIL (ALL OTHER FUNCTIONS)	5
N/S	1TBM33		RESTRICTOR DISC (ORIFICE)	1



HYDRAULIC POWER UNIT PARTS

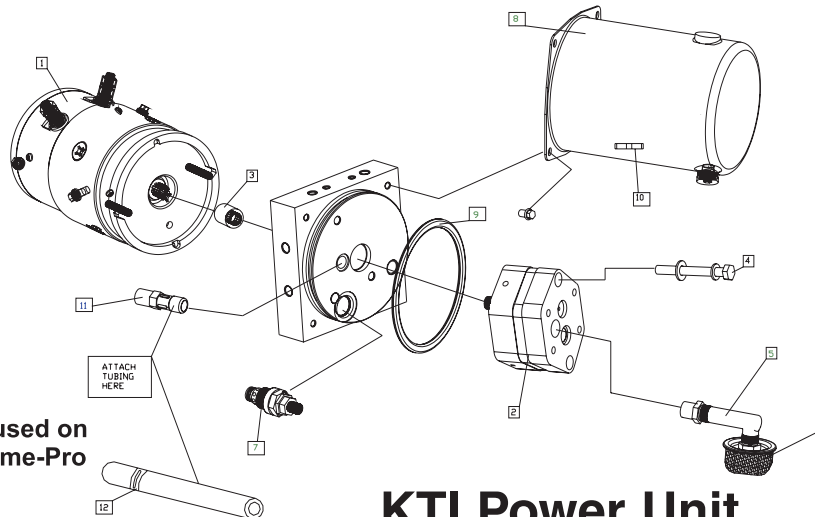
SPX Power Unit

Fenner/SPX Hydraulic Power Unit Parts Breakdown



SPX Power Units used on all snowplow models

SCHEM REF.#	ITEM PART#	RECOMMEND DEALER STOCK	DESCRIPTION	QTY/ UNIT
N/S	1TBP59AP1		ELEC/HYD POWER UNIT W/O MANIFOLD	1
1	1TBM8	*	DC MOTOR 12V	1
2	1TBM9		VALVE PLUG (SP 2000 ONLY)	1
3	1TBM10		VALVE PLUMBING PLUG (SP 2000 ONLY)	1
4	1TBM11	*	RESERVOIR O-RING	1
5	1TBM12		COUPLING	1
6	1TBM13		PUMP ASSEMBLY	1
6	1TBM35		3.1 GPM PUMP - V-PLOW/COMMERCIAL PLOW	1
7	1TBM14		PUMP O-RING KIT	1
8	1TBM15		WASHER FLAT	1
9	1TBM16		PUMP MOUNTING BOLT	2
10	1TBM17		BOLT - SUCTION COVER 5/16"	1
11	1TBM18		SCREW TAPITTE M6 X 12MM	1
12	1TBM19		PLUMBING ASSEMBLY INLET	1
13	1TBM20	*	FILTER	1
14	1TBM21	*	COLLECTOR MAGNET	1
15	1TBM22		RESERVOIR SCREW	4
16	1TBM23A	*	RESERVOIR	1
16	1TBM36		RESERVOIR - 2 QT - V-PLOW/COMMERCIAL PLOW	1
17	1TBP63A	*	EXTERNAL RESERVOIR BREATHER CAP	1
N/S	1TBM63B	*	INTERNAL RESERVOIR BREATHER CAP	1
18	1TBM25		FIXED RELIEF VALVE ASSEMBLY	1
18	1TBM25A		FIXED RELIEF VALVE - CARTRIDGE STYLE	1
19	1TBM26		RETURN TUBE	1
20	1TBM27		COMPRESSION NUT	1
21	1TBM28		COMPRESSION SLEEVE	1
22	1TBM29		SUCTION COVER	1
23	1TBM30		MOTOR BRUSH KIT	1
24	1TBM31		END HEAD	1
25	1TBM32		RESERVOIR DRAIN PLUG	1



KTI Power Units used on Sno-Pro 3000, Home-Pro & Trip Edge

KTI Power Unit

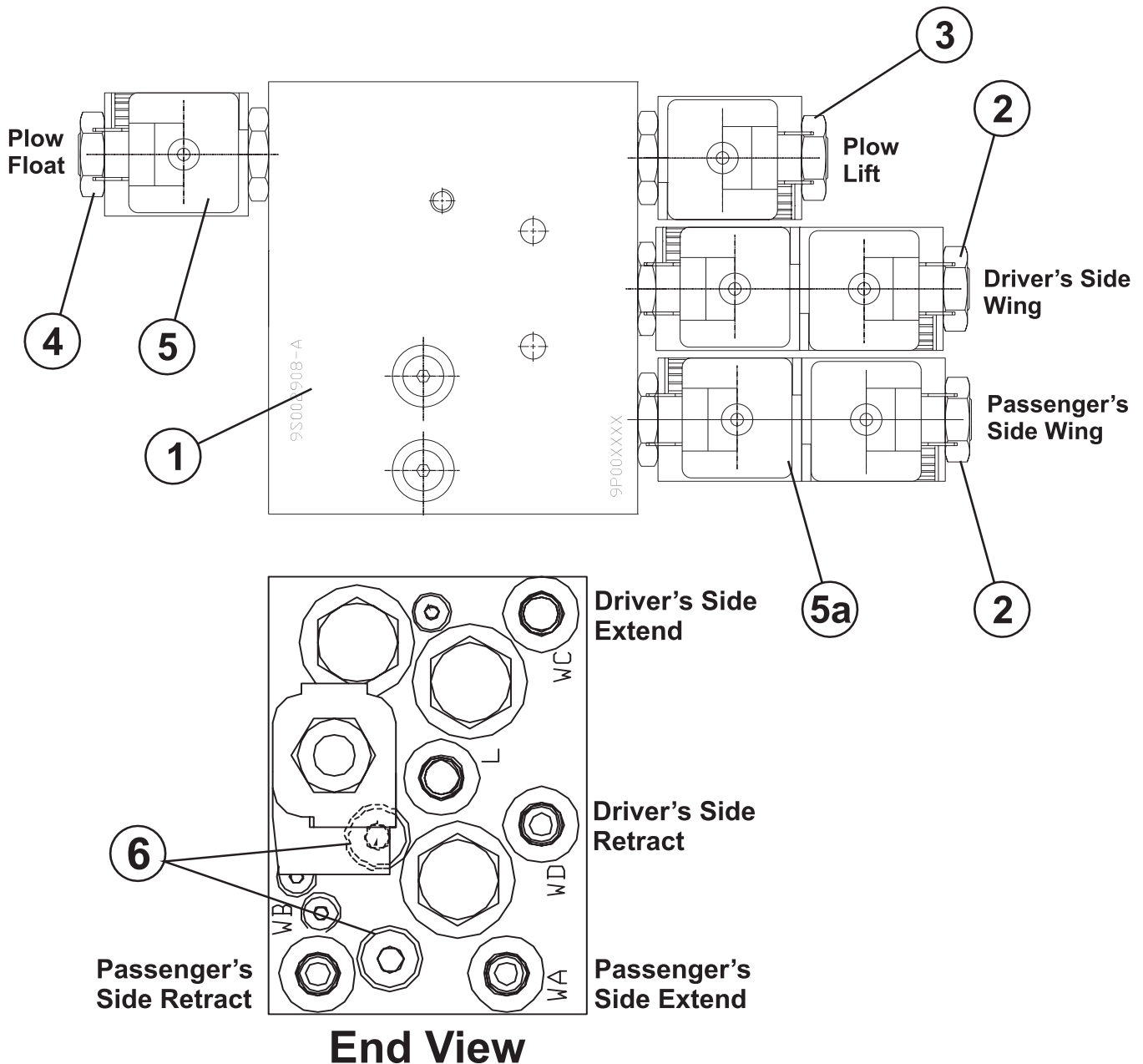
KTI Hydraulic Power Unit Parts Breakdown

SCHEM REF.#	ITEM PART#	RECOMMEND DEALER STOCK	DESCRIPTION	QTY/ UNIT
N/S	1TBP59AP1V		ELEC/HYD POWER UNIT W/O MANIFOLD	1
1	1TBM8A	*	DC MOTOR 12V	1
2	1TBM13A		GEAR PUMP	1
3	1TBM12A		MOTOR TO PUMP COUPLING	1
4	1TBM35	*	5/16" X 3" PUMP MOUNTING BOLTS	2
5	1TBM36		3/8" NPT PLASTIC ELBOW	1
6	1TBM20	*	3/8" NPT INLET STRAINER	1
7	1TBM37	*	CARTRIDGE RELIEF VALVE	1
8	1TBM23A	*	STEEL RESERVOIR	1
9	1TBM11A	*	RESERVOIR O-RING	1
10	1TBM21	*	COLLECTOR MAGNET	1
11	1TBM38		1/4" NPT ADAPTER	1
12	1TBM39		1/2" ID CLEAR PLASTIC TUBING	1

Sno-Pro V-Plow

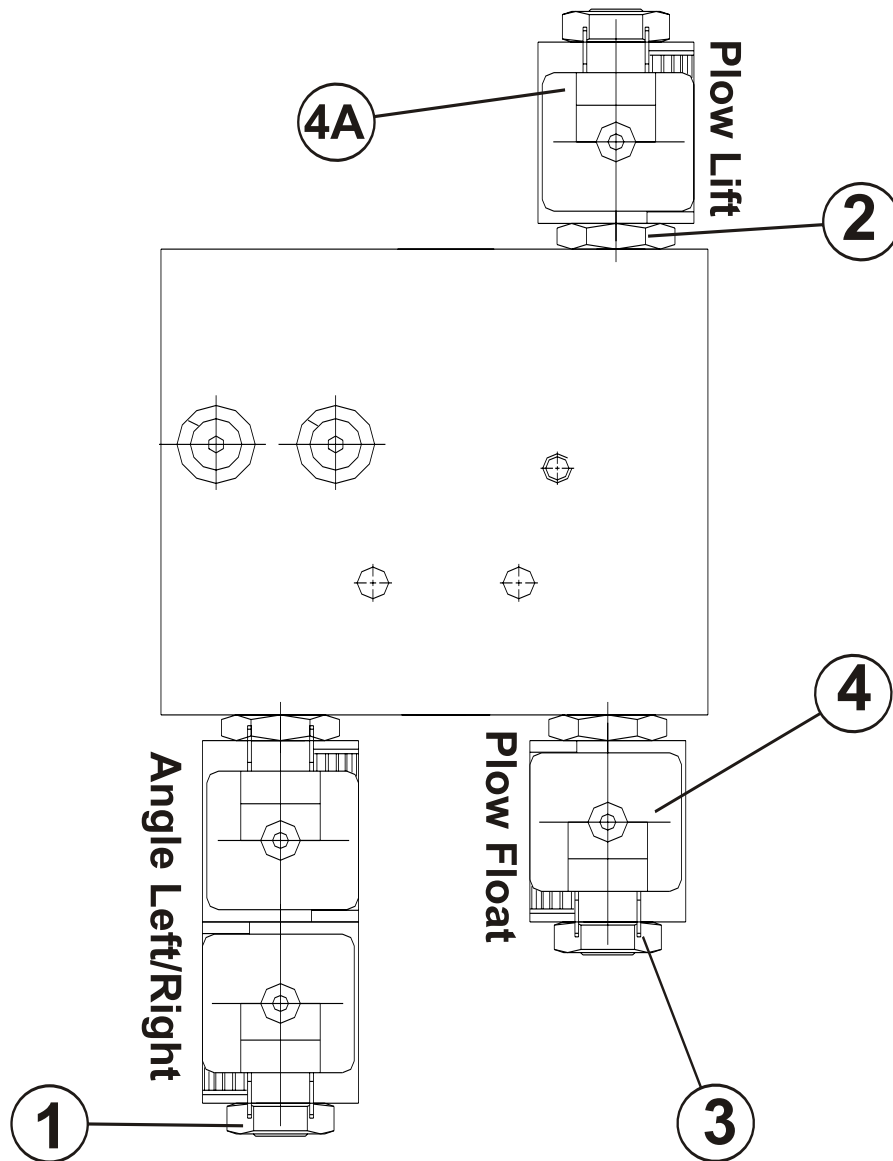
HYDRAULIC SYSTEM PARTS BREAKDOWN

Schem. Ref#	Item Part#	Recommend Dealer Stock	Description	Qty/Unit
1	1TBP59AP2V		MANIFOLD BLOCK COMPLETE WITH VALVES & COILS	1
2	1TBM1V	*	3/4 WAY SOLENOID VALVE (ANGLE LEFT/RIGHT)	1
3	1TBM3	*	2/2 WAY SOLENOID VALVE (PLOW LIFT)	1
4	1TBM2V	*	2/2 WAY SOLENOID VALVE PLOW FLOAT, ADJUSTABLE)	1
5	1TBM4	*	12 VDC COIL (FLOAT FUNCTION ONLY)	1
5A	1TBM4A		10 VDC COIL (ALL OTHER PLOW FUNCTIONS)	5
6	1TBM34	*	CROSS-OVER RELIEF CARTRIDGE	2



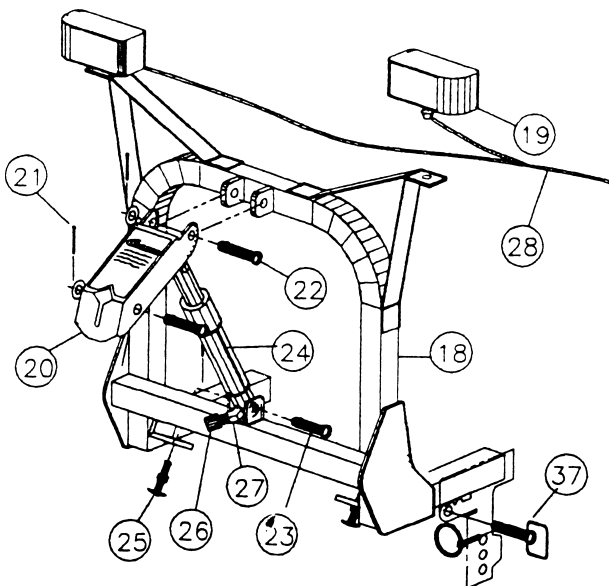
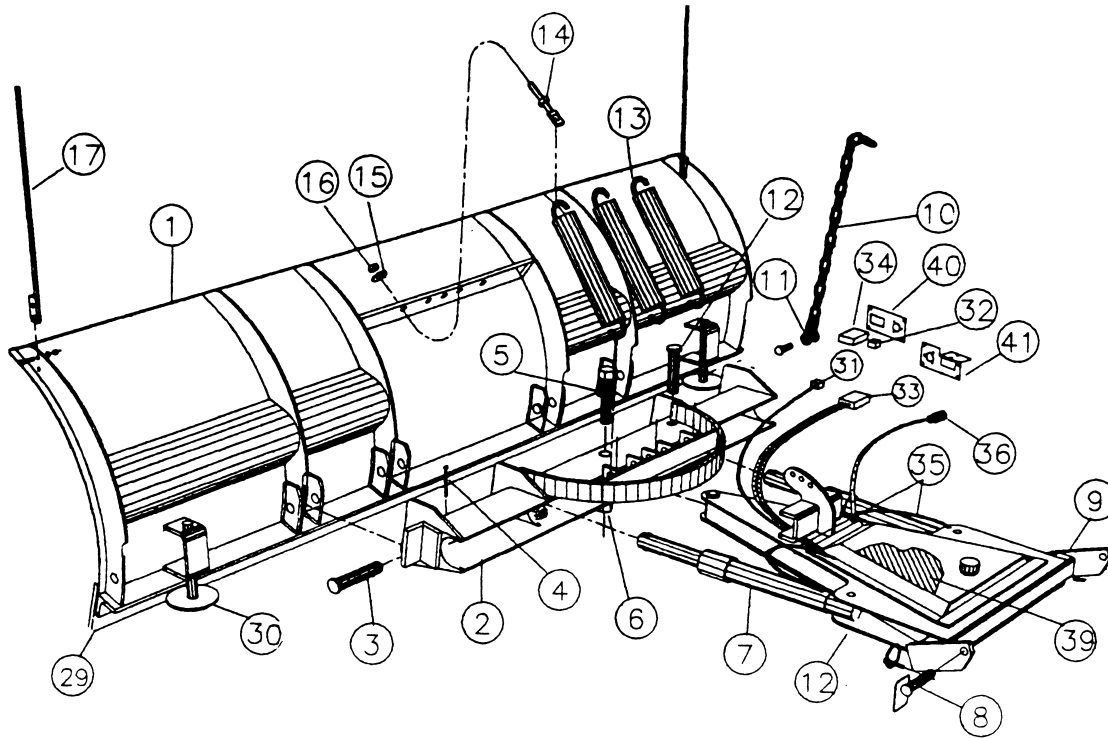
Trip Edge/Commercial Snowplow HYDRAULIC MANIFOLD PARTS BREAKDOWN Also Fits: Sno-Pro 2000 Series

Schem. Ref#	Item Part#	Recommend Dealer Stock	Description	Qty/Unit
1	1TBM1	*	3/4 WAY SOLENOID VALVE (ANGLE LEFT/RIGHT)	1
2	1TBM3	*	2/2 WAY SOLENOID VALVE (PLOW LIFT)	1
3	1TBM2	*	2/2 WAY SOLENOID VALVE (PLOW FLOAT)	1
4	1TBM4	*	12 VDC COIL (PLOW FLOAT FUNCTION)	1
4A	1TBM4A		10 VDC COIL (ALL OTHER PLOW FUNCTIONS)	3
5	1TBM59AP3		MANIFOLD BLOCK COMPLETE WITH VALVE & COILS	1
N/S	1TBM33		RESRICTOR DISC (ORIFICE)	1



Sno-Pro 2000 Parts List

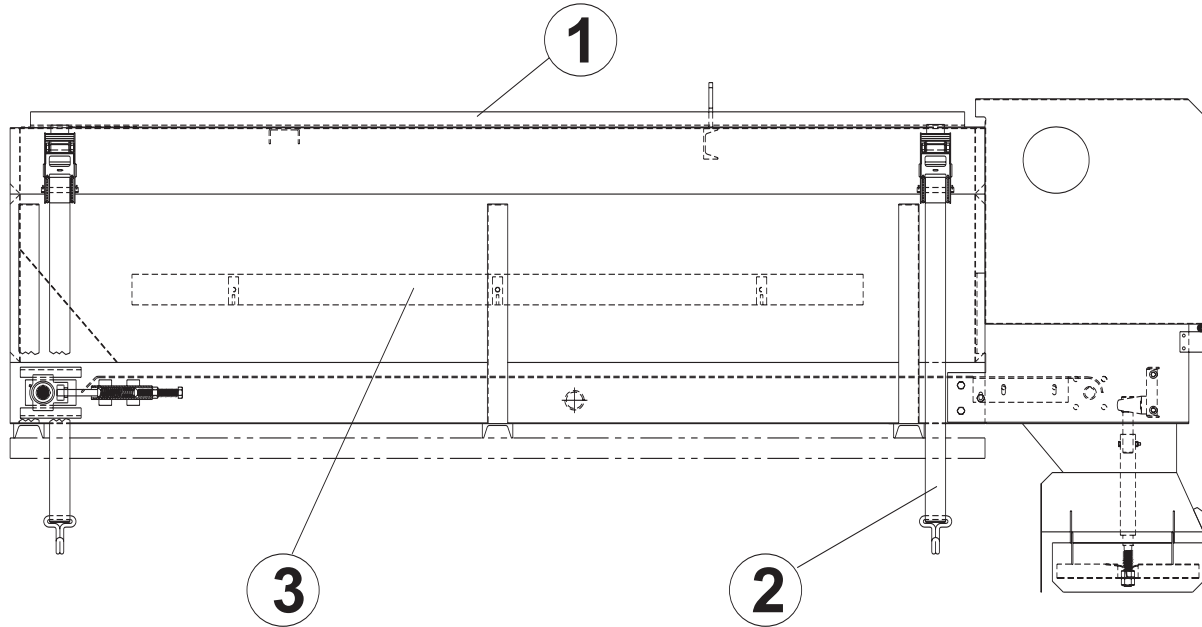
Discontinued Model



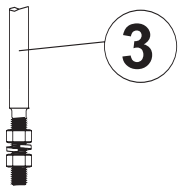
SCHEM REF.#	ITEM PART#	RECOMMEND DEALER STOCK	DESCRIPTION	QTY/ UNIT
1	1TBP21A1-LD		7 1/2' LIGHT DUTY MOLDBOARD KIT	1
1	1TBP21A1		7 1/2' MOLDBOARD KIT	1
1	1TBP21B1		8' MOLDBOARD KIT	1
1	1TBP21J1		8 1/2' MOLDBOARD KIT	1
1	1TBP21C1		9' MOLDBOARD KIT	1
2	1TBP22B1		TRIP FRAME	1
3*12	1TBP23	*	1" X 4" CLEVIS PIN	1
4	1TBP24	*	3/16" X 1 1/2" COTTER PIN	4
5	1TBP25	*	1"-8 X 6" GR. 8 BOLT	1
6	1TBP26	*	1"-8 NYLON LOCKNUT	1
7	1TBP27	*	10" ANGLE PISTON	2
N/S	1TBP27SK	*	SEAL KIT (FITS ALL HYDRAULIC PISTONS)	4
N/S	1TBP98G	*	90 DEG. ELBOW	2
8*37	1TBP28	*	3/4" X 4 1/4" HITCH PIN	4
9	1TBP29	*	A-FRAME ASSEMBLY - FRAME ONLY	1
10	1TBP30	*	5/16" X 24" CHAIN	1
11	1TBP31	*	5/16" ANCHOR SHACKLE	1
13	1TBP73	*	1" X 3" CLEVIS PIN	1
13	1TBP33	*	TRIP SPRING	1
14	1TBP34	*	SPRING EYEBOLT W/ NUT	1
15	1TBP35	*	5/8" FLAT WASHER	3
16	1TBP36	*	5/8"-11 NYLON LOCKNUT	3
17	1TBP37	*	BLADE MARKERS (SET OF 2)	1
18	1TBP38	*	LIFT FRAME ASSEMBLY - COMPLETE	1
19	1TBP39	*	LIGHT KIT (SET OF 2)	1
20	1TBP40	*	LIFT ARM	1
21	1TBP41	*	5/32" X 1 1/4" COTTER PIN	3
22	1TBP42	*	3/4" X 4 1/2" CLEVIS PIN	1
23	1TBP43	*	3/4" X 2 3/4" CLEVIS PIN	1
24	1TBP44	*	7 1/2" LIFT PISTON	1
26	1TBP46	*	45 DEG. ELBOW	1
27	1TBP47	*	MALE NIPPLE	1
28	1TBP48	*	LIGHT KIT HARNESS	1
29	1TBP49LD	*	7 1/2' LIGHT DUTY CUTTING EDGE	1
29	1TBP49A	*	7 1/2' CUTTING EDGE	1
29	1TBP49B	*	8' CUTTING EDGE	1
29	1TBP49J	*	8 1/2' CUTTING EDGE	1
29	1TBP49C	*	9' CUTTING EDGE	1
30	1TBP5	*	SKID SHOES	2
31	1TBP51R	*	PLOW CONTROL HARNESS COMPLETE	1
33	1TBP53	*	HI-AMP BATTERY LEAD	2
35	1TBP98D	*	LEFT ANGLE HOSE - 28"	1
35	1TBP98C	*	RIGHT ANGLE HOSE - 19"	1
36	1TBP56	*	LIFT HOSE - 37 1/2"	1
38	1TBP58	*	A-FRAME COVER	1
ADDITIONAL ITEMS NOT SHOWN ON SCHEMATIC ASSEMBLY				
N/S	1TBP60A	*	SWITCH PANEL CONTROL KIT	1
N/S	1TBP60A-1	*	LIFT SWITCH ONLY	1
N/S	1TBP60A-2	*	ANGLE SWITCH ONLY	1
N/S	1TBP48A	*	PLOW LIGHT SWITCH ONLY	1
N/S	1TBP61A	*	SOLENOID	1
N/S	1TBP62	*	#4 CABLE 90"	1
N/S	1TBM32	*	DRAIN CAP	1
N/S	1TBP23	*	RESERVOIR - SNO-PRO 2000	1
N/S	1TBP63	*	RESERVOIR CAP - SNO-PRO 2000	1
N/S	1TBP64	*	INSTALLATION & OWNER'S MANUAL	1

1TS17/25 Spreader Parts List

Hopper Accessories

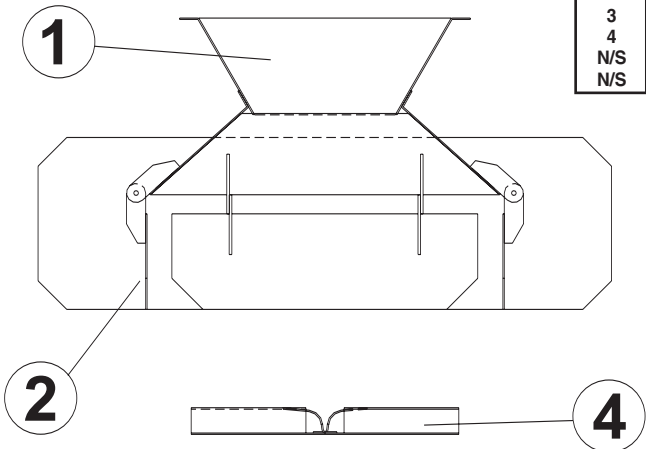


Schem. Ref#	Item Part#	Description	Qty/ Unit
1	1TS17-ESC-8	TOP SCREEN - 8 FT.	1
N/S	1TS17-E134	LOCKING CLIP FOR TOP SCREEN	1
2	1TS17-EHD	HEAVY DUTY STRAP ASSEMBLY-ALL INCLUSIVE (1 ONLY)	4
3	1TS17-EINV	INVERTED VEE CONVEYOR BELT	1
N/S	1TBS17P2	CHUTE EXTENSION KIT (INCLUDES SHAFT)	OPTIONAL



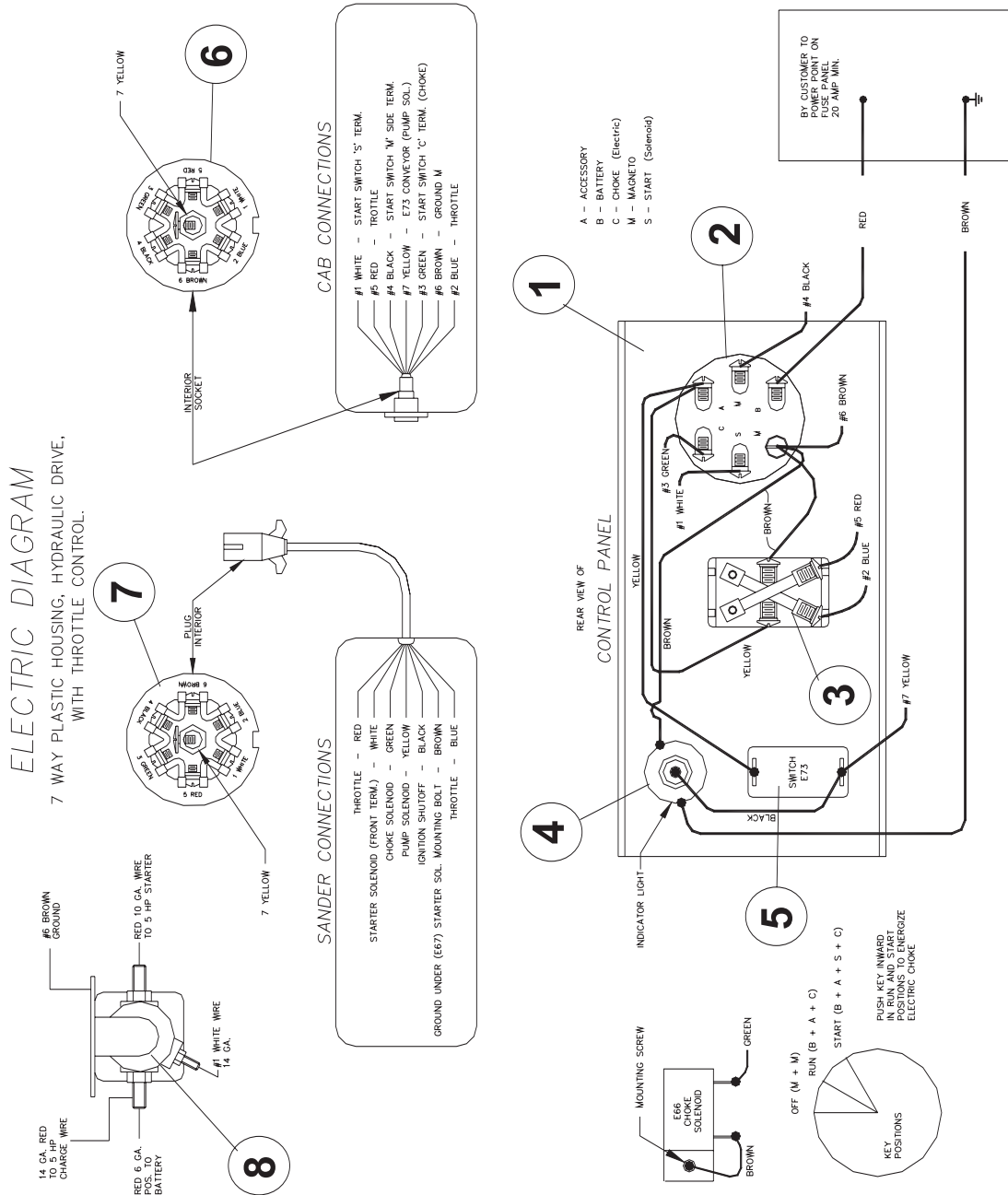
Discharge Assembly

SCHEM REF.#	ITEM PART#	DESCRIPTION	QTY/ UNIT
1	1TS17-C7	MATERIAL CHUTE	1
1	1TS17A-C7	MATERIAL CHUTE (STAINLESS STEEL)	1
2	1TS17-E6	MATERIAL DEFLECTOR	3
3	1TS17-C17A	STANDARD SPINNER SHAFT (21 1/4")	1
4	1TS17-E18	14" SPINNER DISC	1
N/S	1TS17-EX19L	PILLOW BLOCK MOUNT (LOWER)	1
N/S	1TS17-E8C	MATERIAL GATE	1



1TS17/25 Spreader Parts List

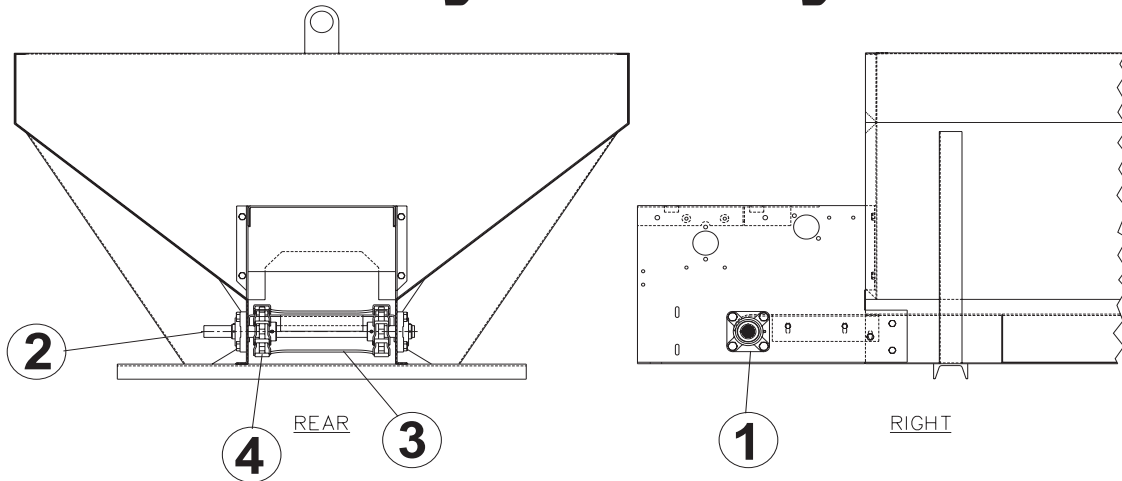
Control System



SCHEM REF.#	ITEM PART#	DESCRIPTION	QTY/ UNIT
1	1TS17-C70	CONTROL PANEL	1
2	1TS17-C70B	KEYED IGNITION SWITCH	1
3	1TS17-C70C	ELECTRIC THROTTLE SWITCH	1
4	1TS17-C70D	PILOT LIGHT	1
5	9TS01	CONVEYOR ON/OFF SWITCH	1
6	1TS17-C44	CAB-SIDE WIRING HARNESS	1
7	1TS17-C43	7 WAY CAB-SIDE HARNESS PLUG ENG	1
N/S	1TS17-C43A	SPREADER SIDE WIRING HARNESS	1
N/S	1TS17-C42	7 WAY SPREADER-SIDE HARNESS PLUG END BATTERY	1
N/S	1TS17-C42A	BATTERY BOX	1
N/S	1TS17-C42B	BATTERY HOLD DOWN	1
N/S	1TS17-C32N	NEGATIVE BATTERY CABLE	1
N/S	1TS17-C36P	POSITIVE BATTERY CABLE	1
8	1TBP61A	STARTER SOLENOID	1

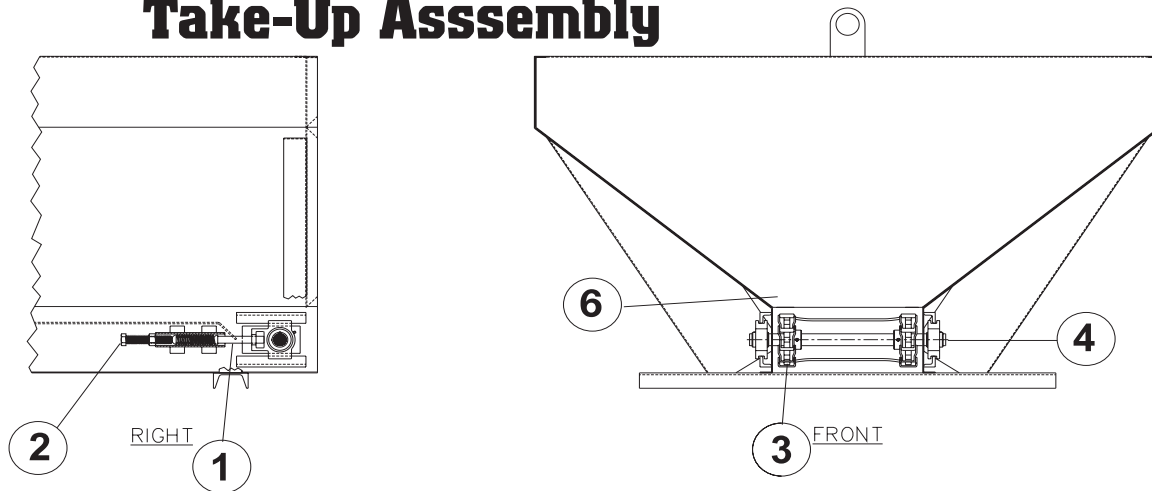
1TS17/25 Spreader Parts List

Conveyor Assembly



* Schem. Ref#	Item Part#	Description	Qty/Unit
1	1TS17-E13	4 BOLT BEARING	2
5	1TS17-E14-1	KEYWAY 807	1
2	1TS17-E14	CONVEYOR DRIVE SHAFT	1
3	1TS17-E15	CONVEYOR CHAIN OVERALL 18'2" BAR 17'6"	1
4	1TS17-E11	8 TOOTH SPROCKET	4
N/S	1TS17-E15LPS	MASTER LINK	1
N/S	1TS17-E15-SEC	CROSS BAR MASTER LINK 12"	1

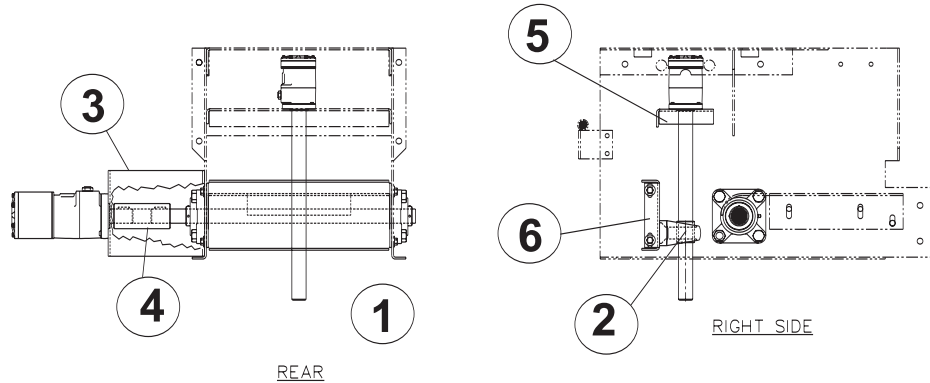
Take-Up Assembly



Schem. Ref#	Item Part#	Description	Qty/Unit
1	1TS17-E101	BH RIVET - 5/8" X 4"	2
N/S	1TS17-E103	TAKEUP SPRING - 5"	2
2	1TS17-E104	TAKEUP BOLT - 5/8"-11 X 5"	2
N/S	1TS17-E106	BH RIVET - 1/2" X 1 1/4"	2
3	1TS17-E11	8 TOOTH SPROCKET	4
4	1TS17-E12	TAKEUP SHAFT	1
5	1TS17-E10	TAKEUP BEARING	2
6	1TS17-E1-5CG	CHAIN GUARD	2
6	1TS17-E1-5CGS	STAINLESS CHAIN GUARD	2

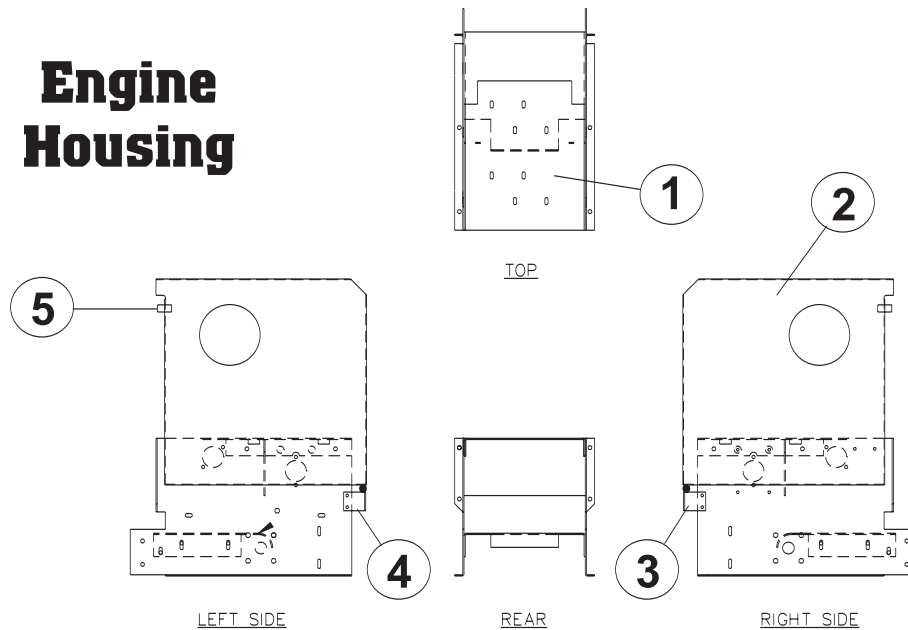
1TS17/25 Spreader Parts List

Hydraulic Drive Assembly



Schem. Ref#	Item Part#	Description	Qty/Unit
1	1TS17-C17A	SPINNER SHAFT - 1" X 21 1/4"	1
N/S	1TS17-EX36S	SPINNER SHAFT - 1" X 33 1/4" (CHUTE EXTENSION)	1*
2	1TS17-EX36P	PILLOW BLOCK BEARING	1
3	1TS17-EH200	CONVEYOR MOTOR	1
4	1TS17-T220208	CONVEYOR MOTOR COUPLING (4")	1
5	1TS17-C19M	SPINNER MOTOR MOUNT BRACKET	1
6	1TS17-EX19	PILLOW BLOCK MOUNT (UPPER)	1
N/S	1TS17-C25-1	PUMP MOUNTING BRACKET	1
N/S	1TS17-C25-C4	PUMP COUPLING	1
N/S	1TS17-C25-C4A	3/4" BORE COUPLING	1
N/S	1TS17-C25-C4B	7/16" COUPLING HALF	1
N/S	1TS17-C25-C4C	COUPLING INSERT (NITRILE)	1

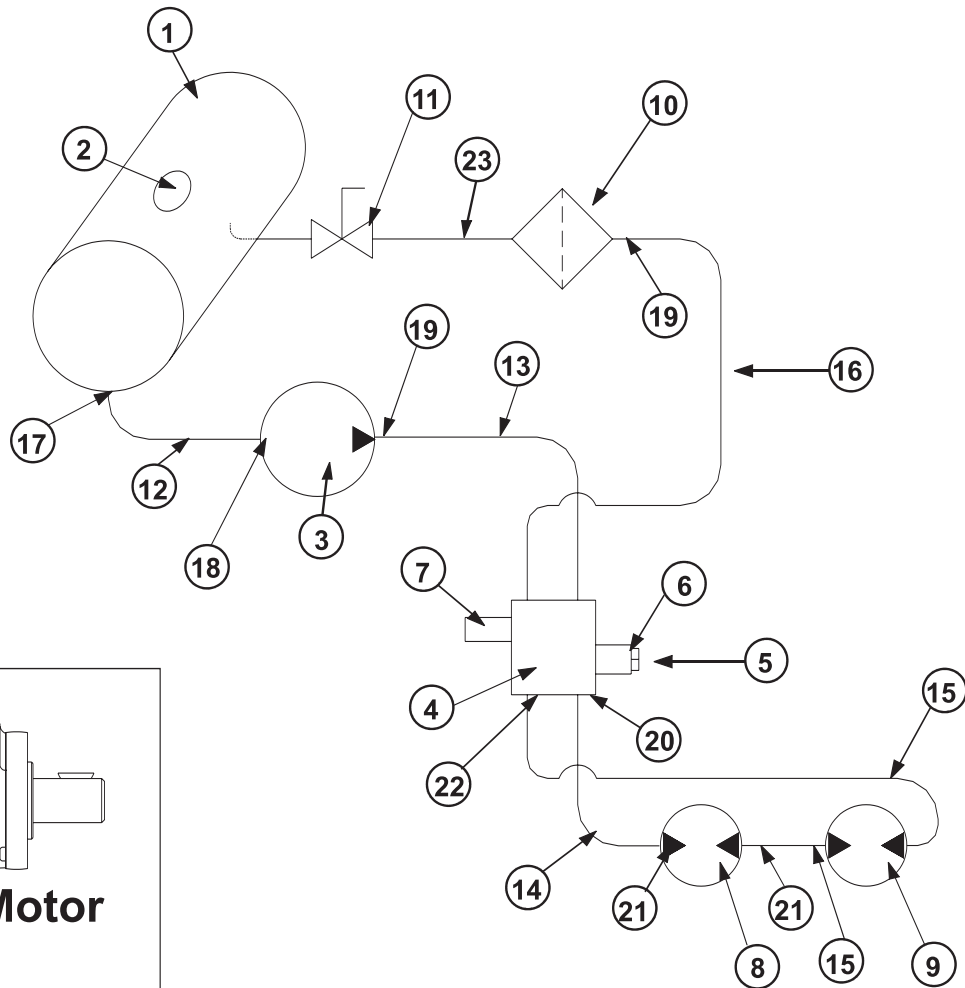
Engine Housing



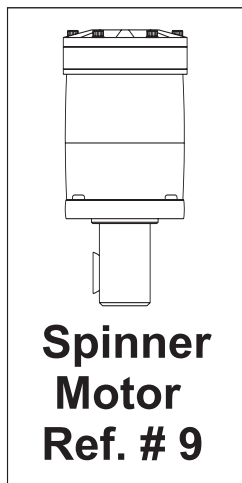
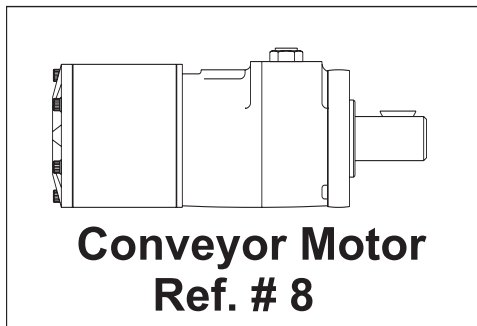
Schem. Ref#	Item Part#	Description	Qty/Unit
1	1TS17-C02-K	REAR MOUNT ASSEMBLY	1
2	1TS17-C3	ENGINE COVER (HOOD)	1
3	1TS17-E3-10D	HINGE ROD	1
4	1TS17-E3-10	HOOD HINGE	2
5	9PRTM	HOOD LATCH	2

1TS17/25 Spreader Parts List

Hydraulic Plumbing



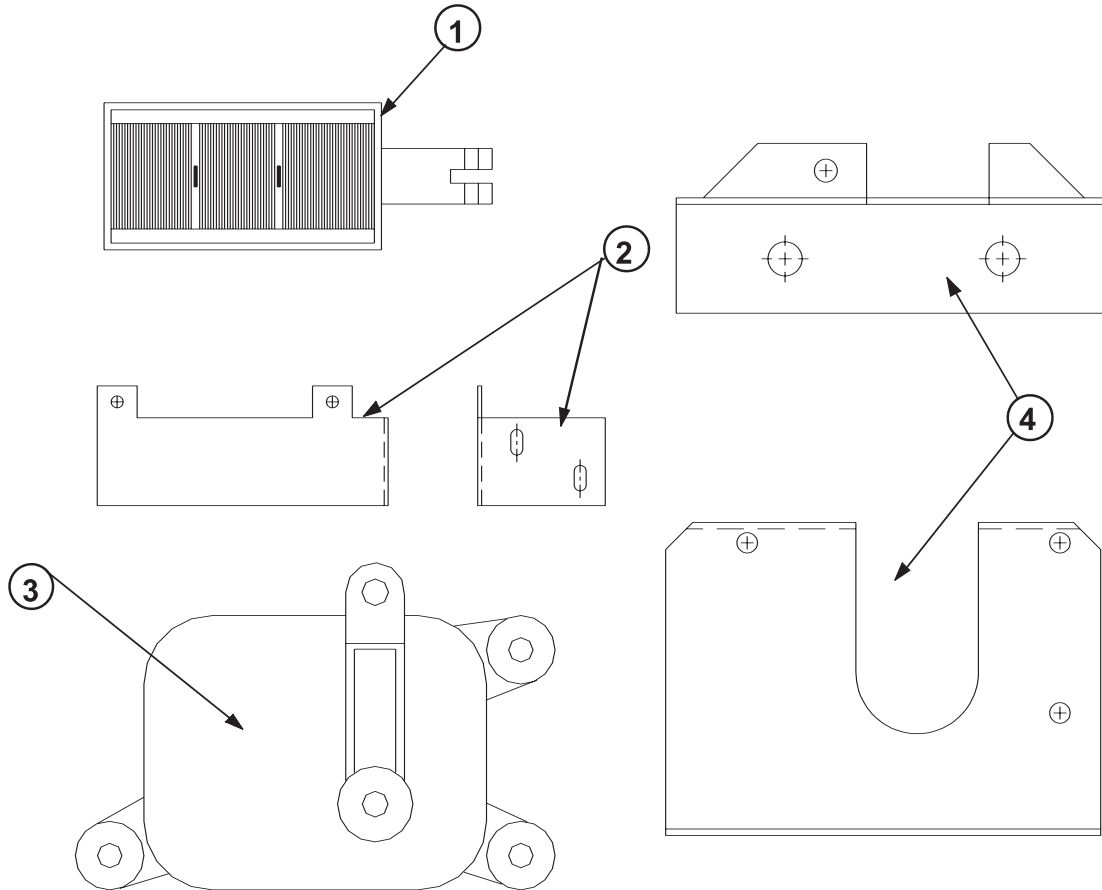
Reference Fig # 7



SCHEM REF.#	ITEM PART#	DESCRIPTION	QTY/ UNIT
1	1TS17-C81	HYDRAULIC RESERVOIR	1
2	1TS17-C81-4	FILLER BREATHER ASSEMBLY W/SCREEN	1
3	1TS17-C4	HYDRAULIC PUMP	
4	1TS17-C83	RELIEF BLOCK COMPLETE	1
5	1TS17-C83-2	SOLENOID VALVE	1
6	1TS17-C83-3	12VDC SOLENOID COIL	1
7	1TS17-C83-4	RELIEF VALVE	1
8	1TS17-CCM-1	CONVEYOR MOTOR	1
9	1TS17-CSM-1	SPINNER MOTOR	1
N.S	1TS17-C84-1	FILTER ELEMENT	1
10	1TS17-C84-2	FILTER HEAD ONLY	1
11	1TS17-C85	SHUT-OFF VALVE	1
12	1TS17-CH96	SUCTION HOSE (RESERVOIR TO PUMP)	1
13	1TS17-CH97	15" HOSE ASSEMBLY (PUMP TO RELIEF BLOCK)	1
14	1TS17-CH99	14" HOSE ASSEMBLY (RELIEF BLOCK TO CONVEYOR MOTOR)	1
15	1TS17-CH94	18 1/2" HOSE ASSEMBLY (CONVEYOR TO SPIN/SPIN TO RELIEF BLOCK)	12
16	1TS17-CH98	13" HOSE ASSEMBLY (RELIEF BLOCK TO FILTER HEAD)	1
17	1TS17-C86	ELBOW - 90 DEG. MALE NPT X JIC -8-8 (RESERVOIR SUCTION)	1
18	1TS17-CH96A	HOSE COUPLING MALE BARB X MNALE NPT -8-6 (PUMP INLET)	1
19	1TS17-C92	ELBOW - 90 DEG. MALE NPT X JIC -6-6 (PUMP OUTLET/FILTER IN)	2
20	1TS17-C93	ELBOW - 90 DEG. MALE NWO X JIC -6-6 (RELIEF BLOCK TO CONVEYOR)	1
21	1TS17-C89A	ELBOW - 90 DEG. MALE NPT X JIC -6-8 (CONVEYOR MOTOR)	2
22	1TS17-C88	ADAPTER - MALE O-RING X JIC -6-6 (RELIEF BLOCK TO SPIN)	1
23	1TS17-C91	ADAPTER - MALE NPT X MALE NPT -6-6 (FILTER HEAD TO SHUT-OFF)	1

1TS17/25 Spreader Parts List

Engine Electrical

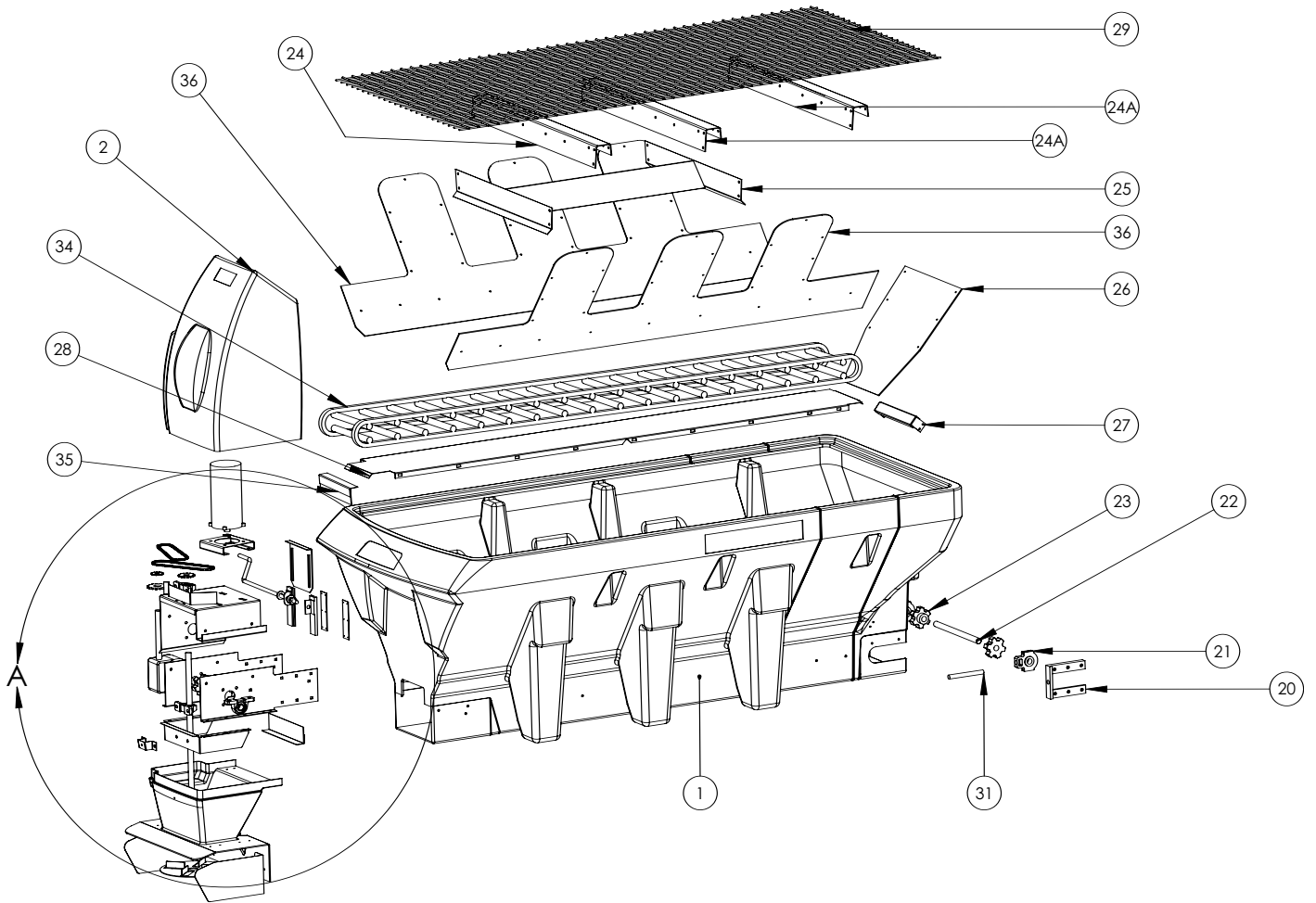


Schem. Ref#	Item Part#	Description	Qty/Unit
1	1TS17-E66	CHOKE SOLENOID	1
N/S	1TS17-E66-1	CHOKE RETURN SPRING	1
2	1TS17-C69-TC	TECUMSEH CHOKE BRACKET	1
3	1TS17-E75BTH	HONDA CHOKE PUSH ROD	1
3	1TS17P4-1	ELECTRIC THROTTLE MOTOR	1
4	1TS17-C69BT	TECUMSEH THROTTLE BRACKET	1
4	1TS17-C69BTH	HONDA THROTTLE BRACKET	1
N/S	1TS17-C75-5TT	THROTTLE MOTOR PUSH-ROD	1
5	1TS17-C75-5TTH	HONDA THROTTLE PUSH ROD	1
N/S	1TS17-C25-T	5 HP TECUMSEH ENGINE	1
6	1TS17P1	5.5 HONDA ENGINE	1
MISCELLANEOUS STAINLESS STEEL SPREADER PARTS			
(3) Fig #1	1TS17A-EINV	INVERTED VEE CONVEYOR BRIDGE	1
(5) Fig #6	1TS17A-C19M	SPINNER MOTOR MOUNT BRACKET	1
(2) Fig #9	1TS17A-C3	ENGINE COVER (HOOD)	1
(1) Fig #2	1TS17A-C7	MATERIAL CHUTE	1
(2) Fig #2	1TS17A-E6	MATERIAL DEFLECTOR	3
N/S	1TS17AP2	CHUTE EXTENSION KIT-STAINLESS STEEL (INCLUDES SHAFT)	OPTIONAL
(1) Fig #9	1TS17A-C02-K	REAR MOUNT ASSEMBLY	1
(6) Fig #6	1TS17A-EX19	PILLOW BLOCK MOUNT (UPPER)	1
N/S	1TS17A-EX19L	PILLOW BLOCK MOUNT (LOWER)	1
N/S	1TS17A-E8C	MATERIAL GATE	1
N/S	1TS17A-C42A	BATTERY BOX	1
N/S	1TS17A-C42B	BATTERY HOLD DOWN	1

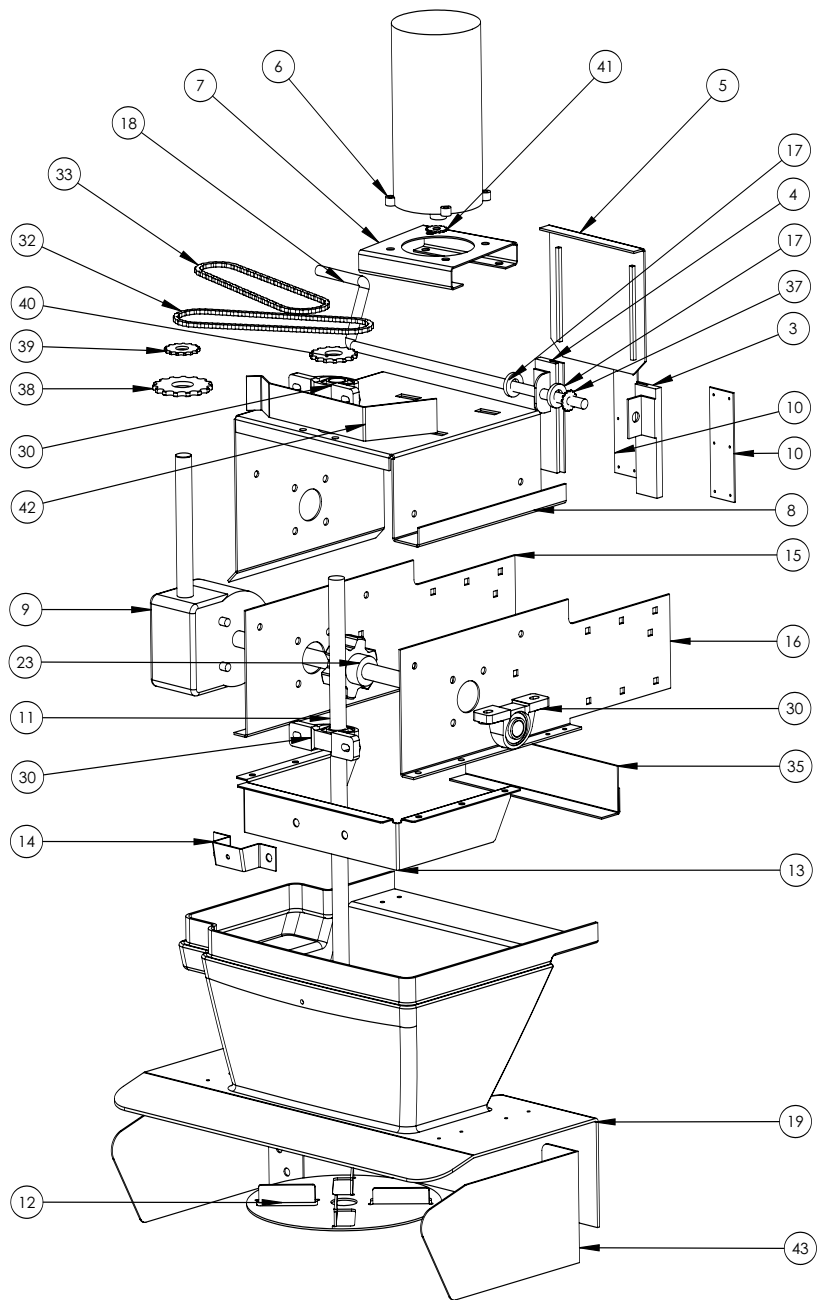
Fast Cast Polyethylene Spreader

P/N: 1PESP1.8 & 1PESP2.1

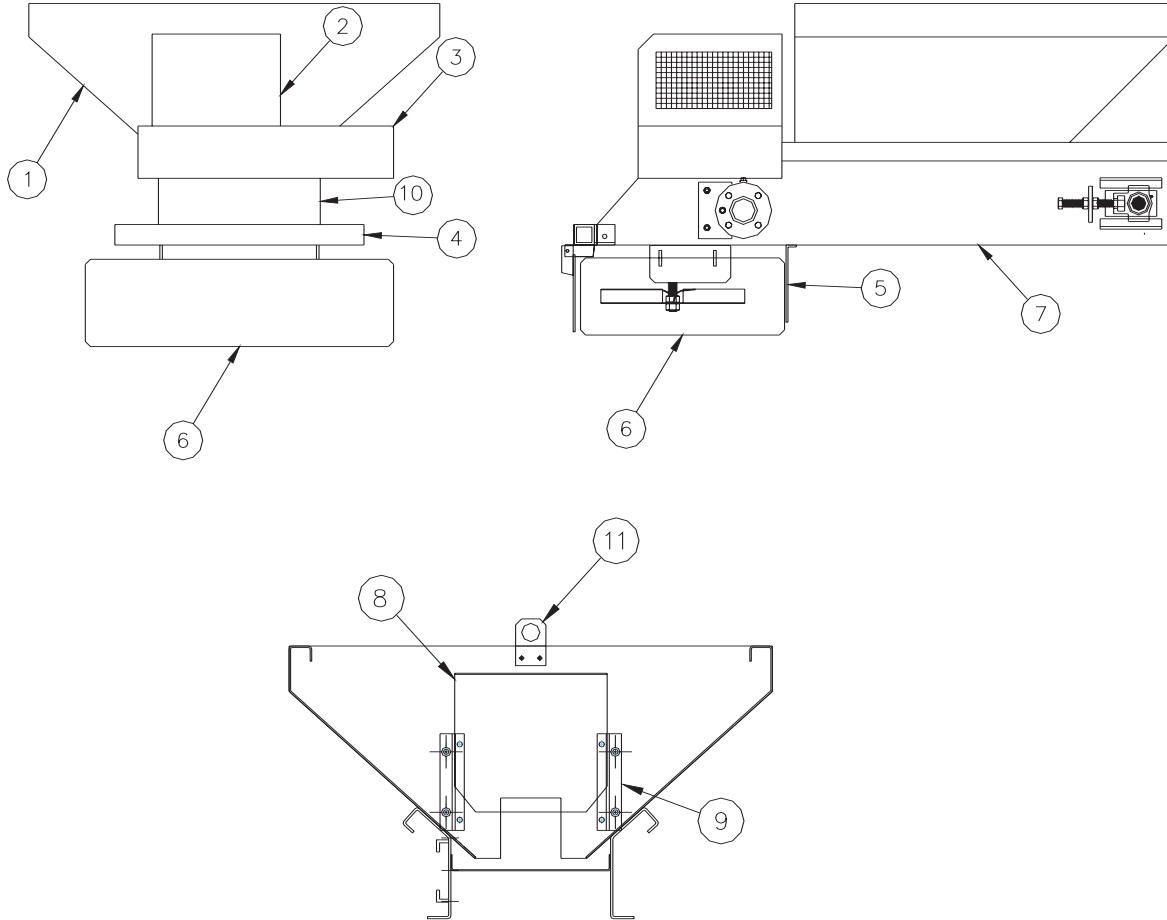
Service Parts Breakdown



Fast Cast Polyethylene Spreader P/N: 1PESP1.8 & 1PESP2.1 Service Parts Breakdown

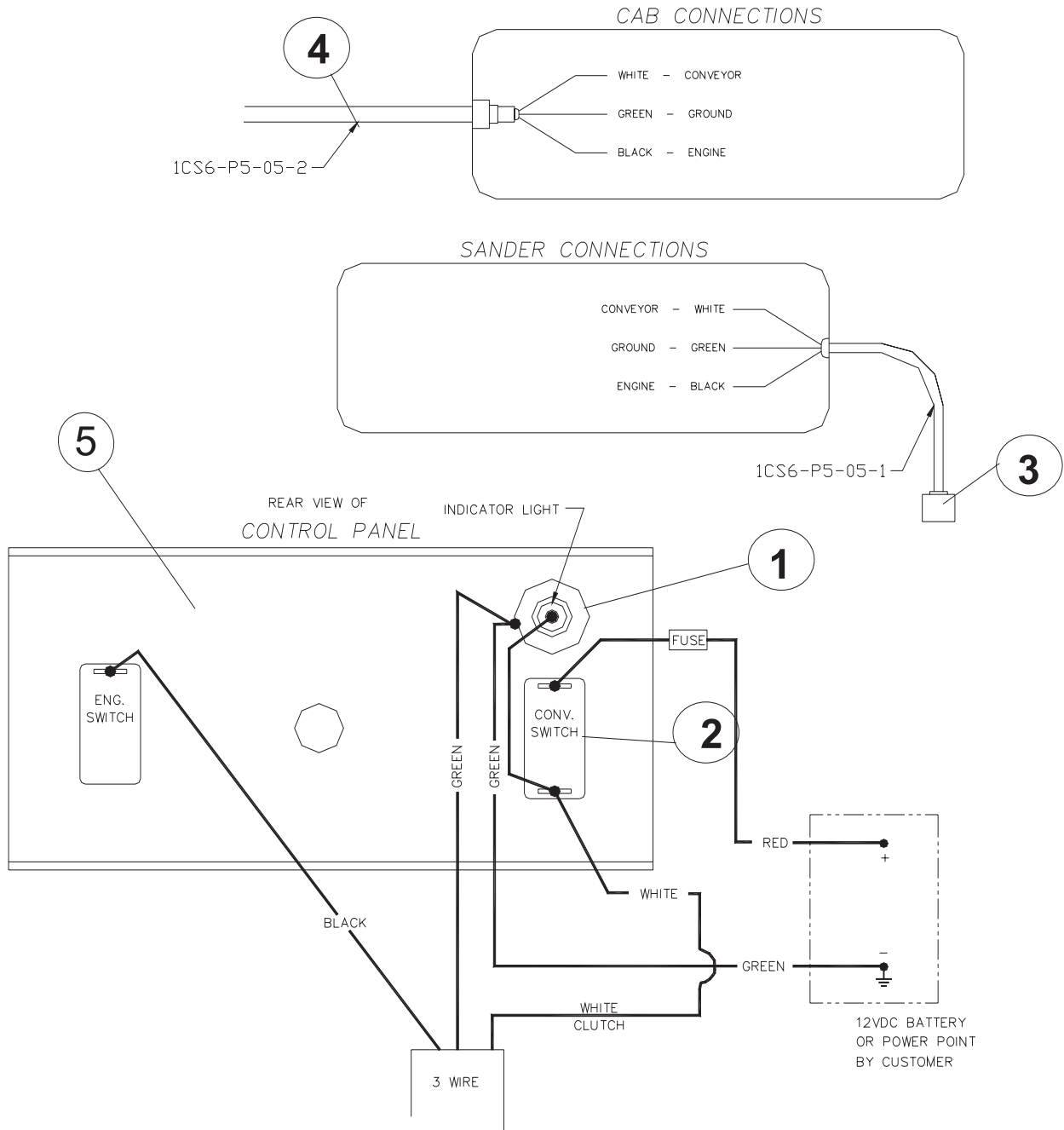


1CS6 Fast Cast 550 Parts Hopper Assembly



Schem. Ref#	Item Part#	Description	Qty/ Unit
1		HOPPER ASSEMBLY (NOT SOLD SEPARATELY)	1
2	1CS6-P3-A00	ENGINE COVER	1
3	1CS6-P3-01	MOTORBED PLATE	1
4	1CS6-P2-A00	BUMPER	1
5	1CS6-P2-08	DEFLECTOR - FIXED	1
6	1CS6-P2-09	DEFLECTORS - ADJUSTABLE	3
7		CONVEYOR BED ASSEMBLY (NOT SOLD SEPARATELY)	1
8	1CS6-P1-11	GATE	1
9	1CS6-P1-12	GATE GUIDE	1
10	1CS6-P2-06	SPINNER COVER	1
11	1CS6-P1-14	LIFTING EYE	1
N/S	1CS6-P6-01	1" RATCHET STRAP	4
N/S	1CS6-P3-11	ENGINE COVER LATCH	2

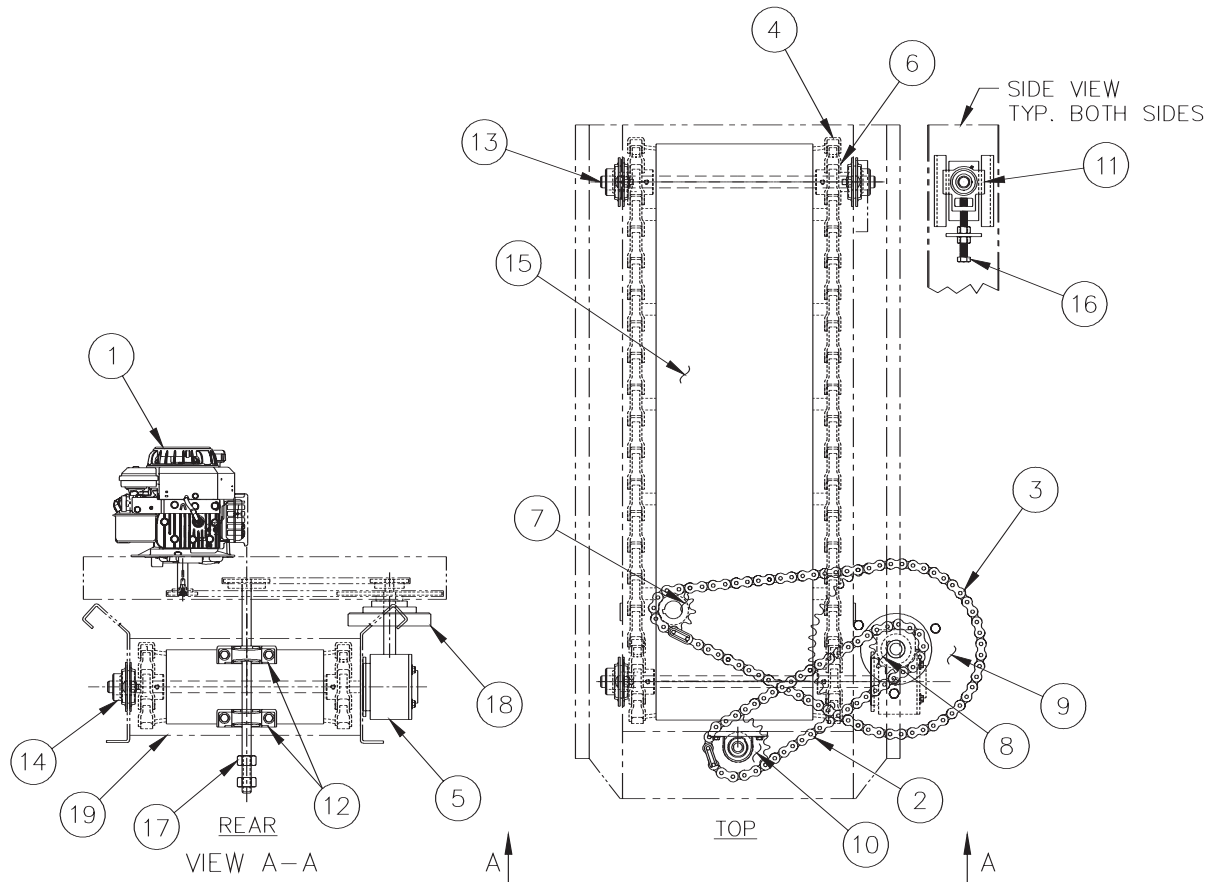
1CS6 Fast Cast 550 Parts Electrical Control



Schem. Ref#	Item Part#	Description	Qty/Unit
1	1TS17-C70-D	CONVEYOR PILOT LIGHT	1
2	9TS01	CONVEYOR ON/OFF SWITCH	1
3	1CS6-P5-05-1	SPREADER SIDE HARNESS	1
4	1CS6-P5-05-2	CAB SIDE HARNESS	1
5	1CS6-P5-A00	CONTROL PANEL COMPLETE	1

1CS6 Fast Cast 550 Parts List

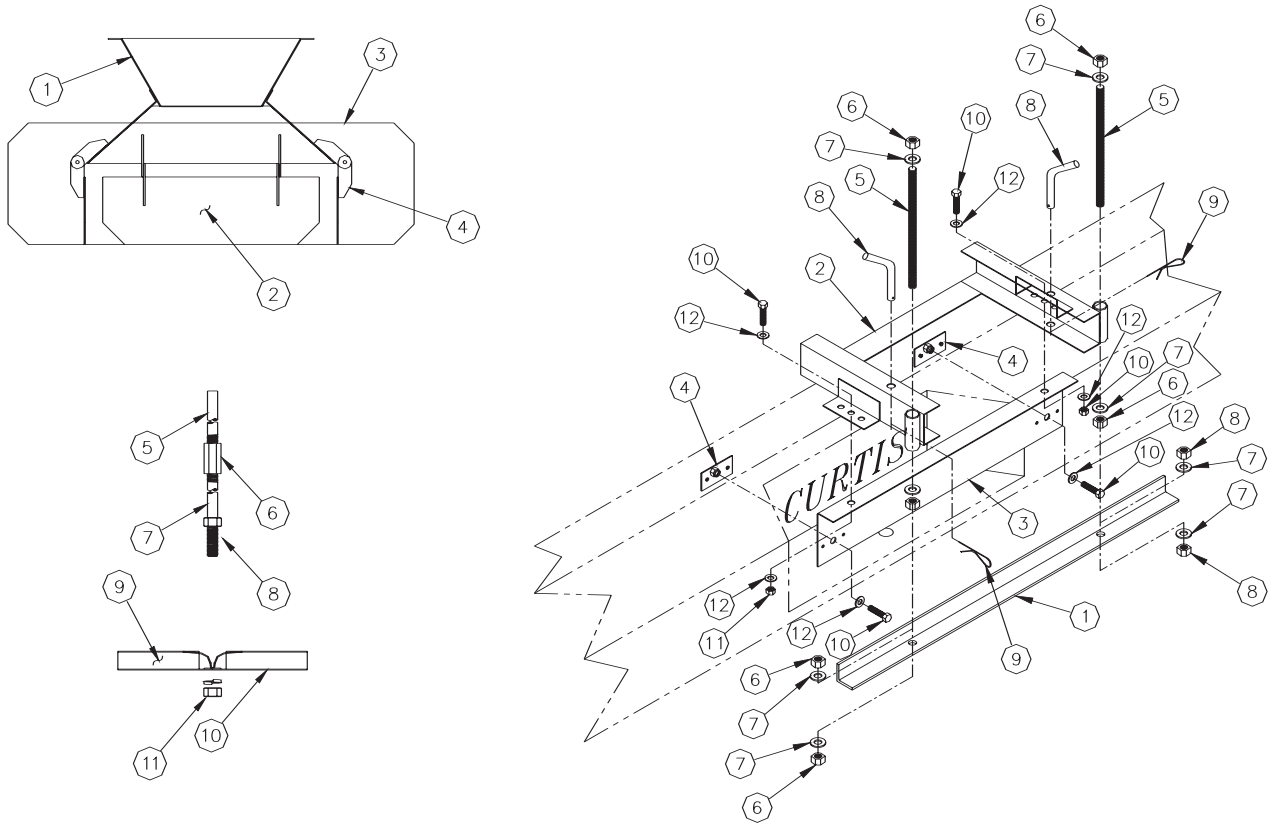
Driver Assembly



Schem. Ref#	Item Part#	Description	Qty/Unit
1	1CS6-P3-375	3.75 HP ENGINE	1
2	1CS6-P4-02	#40 SPINNER DRIVE CHAIN 28 3/4"	1
3	1CS6-P4-03	#40 CLUTCH DRIVE CHAIN 37"	1
4	1CS6-P4-04	CONVEYOR CHAIN	1
5	1CS6-P4-05	GEAR BOX	1
6	1TS17-E11	8 TOOTH SPROCKET - 1" BORE	4
7	1CS6-P4-06	11 TOOTH SPROCKET - 7/8" BORE	1
8	1CS6-P4-07	16 TOOTH SPROCKET - 1" BORE	1
9	1CS6-P4-08	52 TOOTH SPROCKET - 3" BORE	1
10	1CS6-P4-09	24 TOOTH SPROCKET - 3/4" BORE	1
11	1TS17-E10	1" TAKE-UP BEARING	2
12	1CS6-P4-11	3/4" PILLOW BLOCK BEARING	2
13	1CS6-P4-12	1" TAKE-UP SHAFT	1
14	1TS17-E13	4 - BOLT BEARING	1
15	1CS6-P4-A04	CONVEYOR BELT	1
16	1TS17-E104	5/8" TAKE-UP BOLT	2
17	1CS6-P4-16	SPINNER SHAFT NUTS	2
18	1CS6-P5-03	CLUTCH	1
19	1CS6-P2-01	PILLOW BLOCK BRACKET	1
20	1CS6-P4-18	SPINNER DISC	1

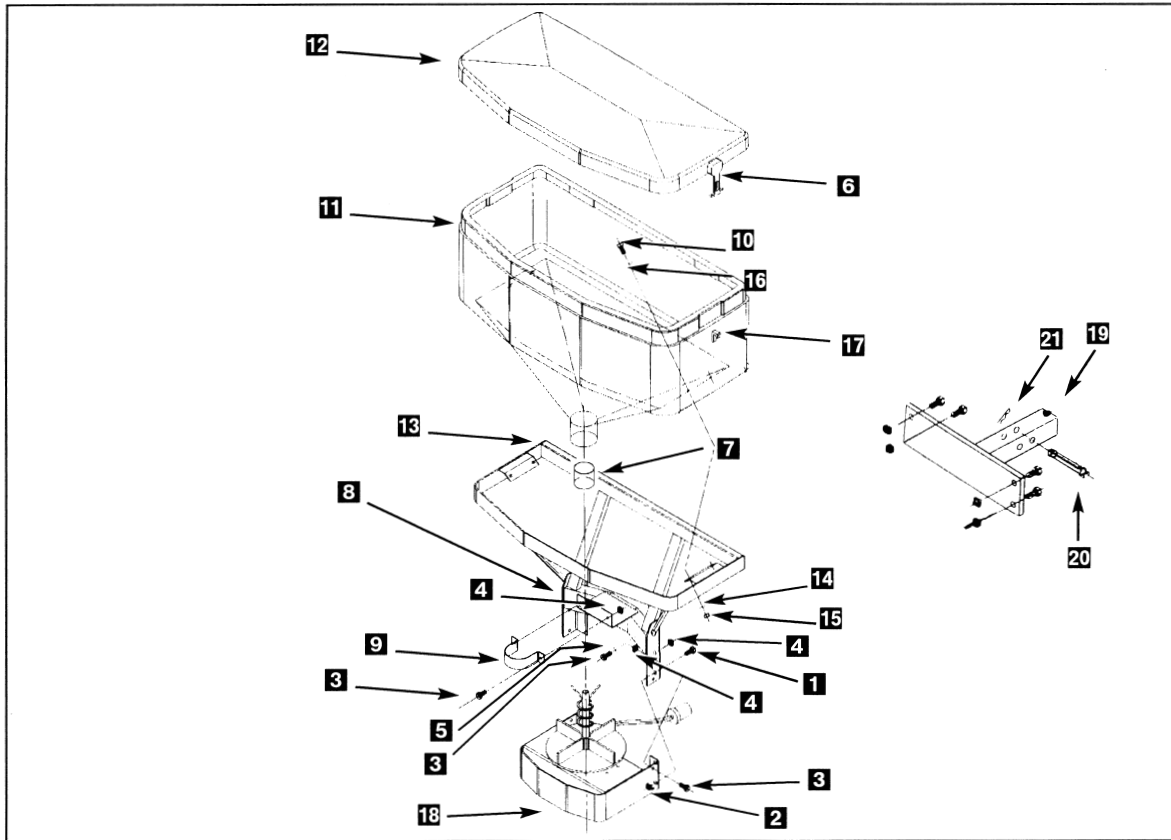
1CS6 Fast Cast 550 Parts List

1SM6 Optional P/U Truck Mount



Schem. Ref#	Item Part#	Description	Qty/Unit
FIGURE 7			
1	1CS6-P10-00	MATERIAL CHUTE ASSEMBLY	1
2	1TS17A-E6	MATERIAL DEFLECTOR - ADJUSTABLE	3
3	N/A	MATERIAL DEFLECTOR - FIXED (NOT SOLD SEPARATELY)	1
4	1CS6-P4-24	HINGE	6
5	1CS6-P4-17	EXISTING SHAFT - 17"	1
6	1CS6-P10-06	COUPLING NUT - 3/4"-10 X 2 1/4"	1
7	1CS6-P10-05	6" EXTENSION STUD - 3/4" - 10 X 6"	1
8	1CS6-P4-16	3/4" NUTS & LOCK WASHER	2
10	1CS6-P4-18	14" SPINNER DISC	1
FIGURE 9			
1	1CS6P10-01	BUMPER ANGLE	1
2	1CS6-P10-20	RECEIVER MOUNT	1
3	1CS6-P10-04	SILL MOUNTING ANGLE	1
4	1CS6-P10-07	SILL MOUNTING BRACKET	1
N/S	1CS6-P10-A10-HW	HARDWARE KIT	1

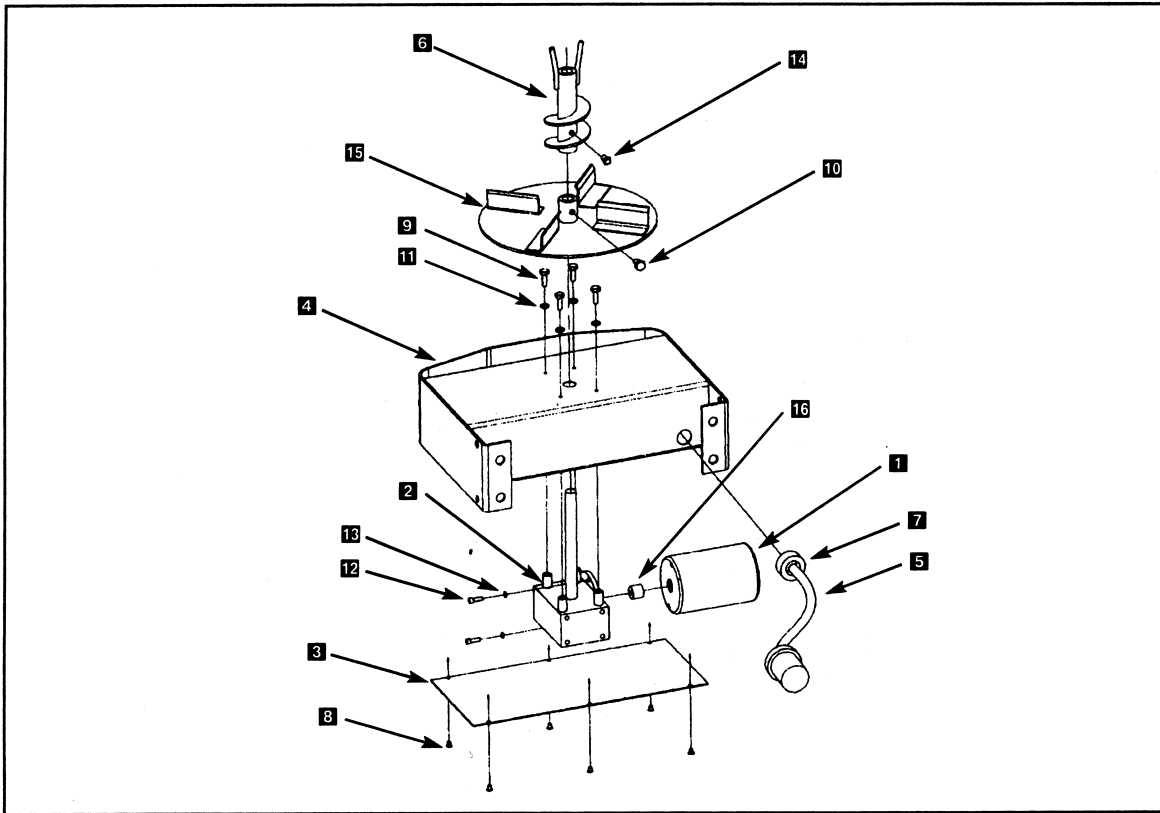
1CS1 Fast Cast 2000 Parts List Including 1SM2 Receiver Mount



FAST CAST 2000 SCHEMATIC ASSEMBLY			
Schem. Ref#	Item Part#	Description	Qty/ Unit
1	1CS1P10	1/2"-13 X 1 1/2" HEX BOLT	4
2	1CS1P11	1/2" LOCK NUT	4
3	1CS1P8	3/8"-16 X 1" HEX BOLT	8
4	1CS1P9	3/8" LOCK NUT	8
5	1CS1P41	3/8" FLAT WASHER	2
6	1CS1P2	FLEXIBLE DRAW LATCH	2
7	1CS1P42	STAINLESS THROAT LINER	1
8	1CS1P12	DEFLECTOR - 20"	1
9	1CS1P5	THROAT CLAMP	1
10	1CS1P6	5/16"-18 X 1 1/4" STAINLESS PAN HEAD BOLT (5 PACK)	2
11	1CS1P3	HOPPER	1
12	1CS1P1	LID W/LATCHES	1
13	1CS1P4	MAIN FRAME	1
14	1CS1P46	5/16" FLAT WASHER	2
15	1CS1P7	5/16" HEX NUT	4
16	1CS1P47	3/8" STAINLESS WASHER	2
17	1CS1P48	LATCH KEEPER	2
18	1CS1P49	COMPLETE DRIVE ASSEMBLY	1
OPTIONAL RECEIVER MOUNT			
19	1SM2P1	2" RECEIVER HITCH	1
20	1SM2P2	5/8" X 5 1/2" HITCH PIN	1
21	1SM2P3	1 5/16" HAIR PIN CLIP	1

1CS1 Fast Cast 2000 Parts List

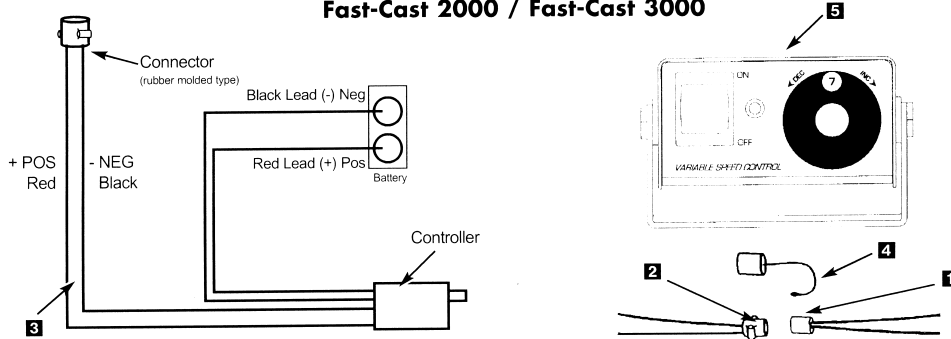
Drive Assembly



Schem. Ref#	Item Part#	Description	Qty/Unit
1	1CS1P16	MOTOR 12 VOLT DC	1
2	1CS1P53	TRANSMISSION	1
3	1CS1P17	MOTOR COVER	1
4	1CS1P13	DRIVE ENCLOSURE	1
5	1CS3P7	FAST CAST 3000 POWER CABLE	1
5	1CS1P21	FAST CAST 2000 POWER CABLE	1
6	1CS1P19	AUGER	1
7	1CS1P22	CORD RESTRAINT	1
8	1CS1P29	3/16" ALUMINUM RIVET	6
9	1CS1P25	1/4"-20 X 3/4" STAINLESS HEX BOLT	4
10	1CS1P24	5/16"-18 X 1/2" HEX BOLT	1
11	1CS1P30	1/4" STAINLESS LOCK WASHER	4
12	1CS1P27	#10-32 X 5/8" CAP SCREW	2
13	1CS1P28	#10 LOCK WASHER	2
14	1CS1P23	5/16"-18 X 3/8" SET SCREW	1
15	1CS1P18	10" STEEL SPINNER DISC	1
16	1CS1P51	MOTOR DRIVE COUPLER	1

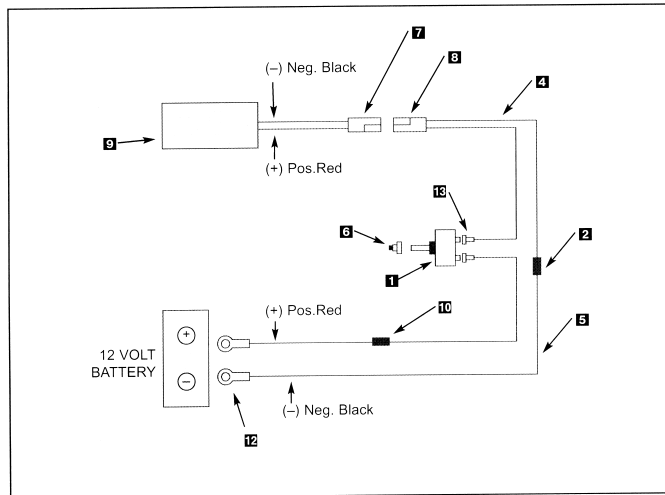
1CS1 Fast Cast 2000 Parts List Control System

Control Parts / Wiring Schematic
 Fast-Cast 2000 / Fast-Cast 3000



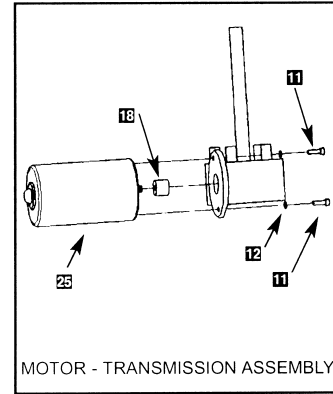
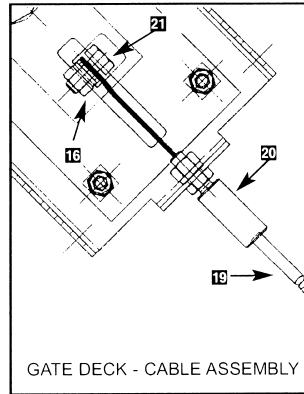
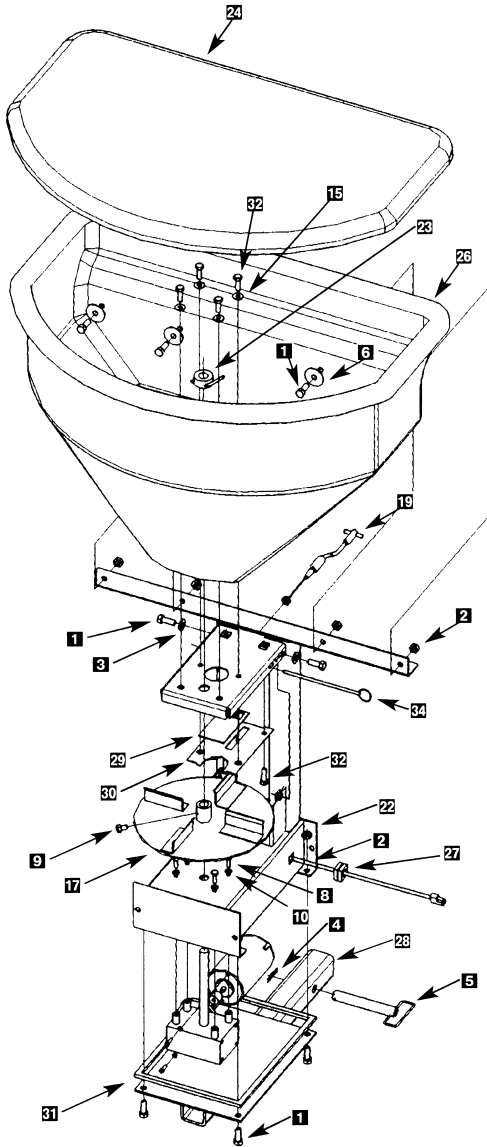
Schem. Ref#	Item Part#	Description	Qty/ Unit
1	1CS1P39	MALE SPLICE CORD - 18"	1
2	1CS1P38	FEMALE SPLICE CORD - 18"	1
3	1CS1P35	WIRING HARNESS - 24'	1
4	1CS1P36	DUST COVER	1
5	1CS1P32	CONTROLLER	1

1CS2 Fast Cast 175 Parts List Control System



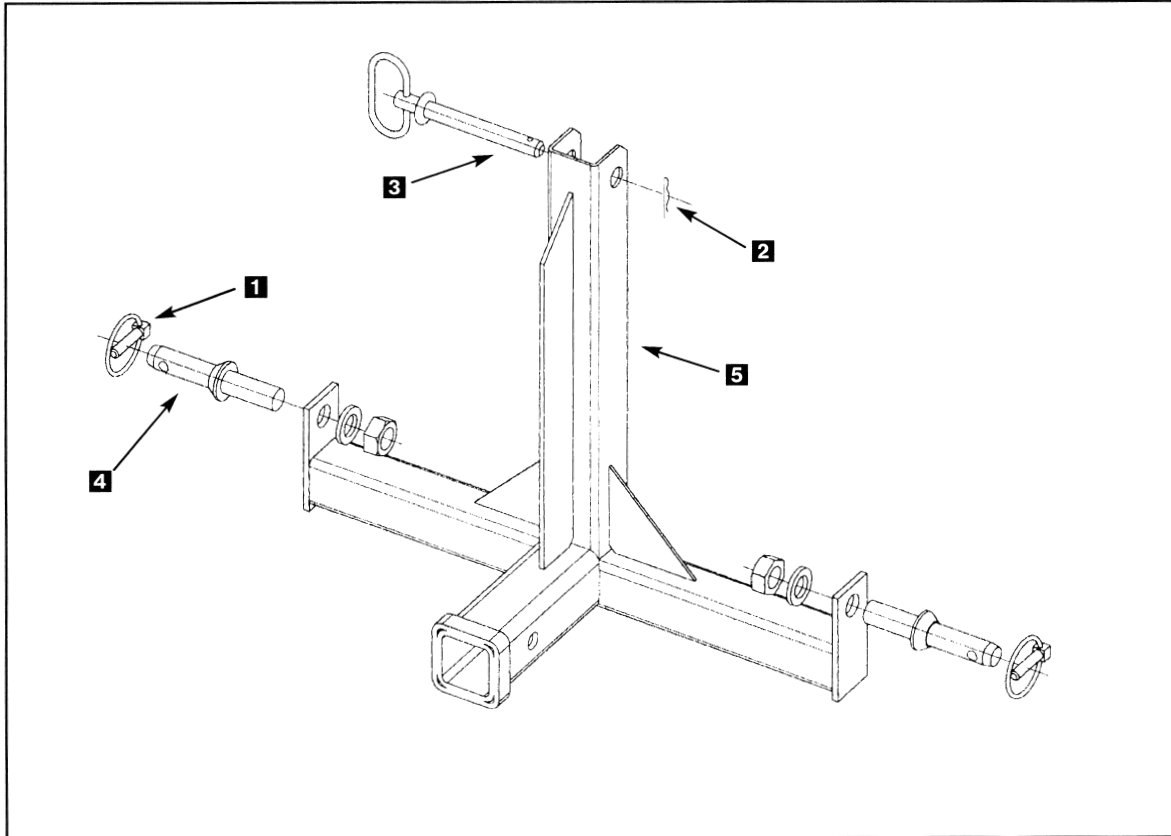
Schem. Ref#	Item Part#	Description	Qty/ Unit
1	9TS01	ON/OFF SWITCH	1
4	1CS2P27	20' VEHICLE HARNESS	1
5	1CS2P28	10' BATTERY HARNESS	1
6	1CS2P29	RUBBER SWITCH BOOT	1
7	1CS2P30	SPREADER SPLICE CORD - 10"	1
8	1CS2P31	HARNESS SPLICE CORD - 10"	1
9	1CS2P10	MOTOR 12 VOLT DC	1
11	1CS2P33	FUSE HOLDER	1

1CS2 Fast Cast 175 Parts List



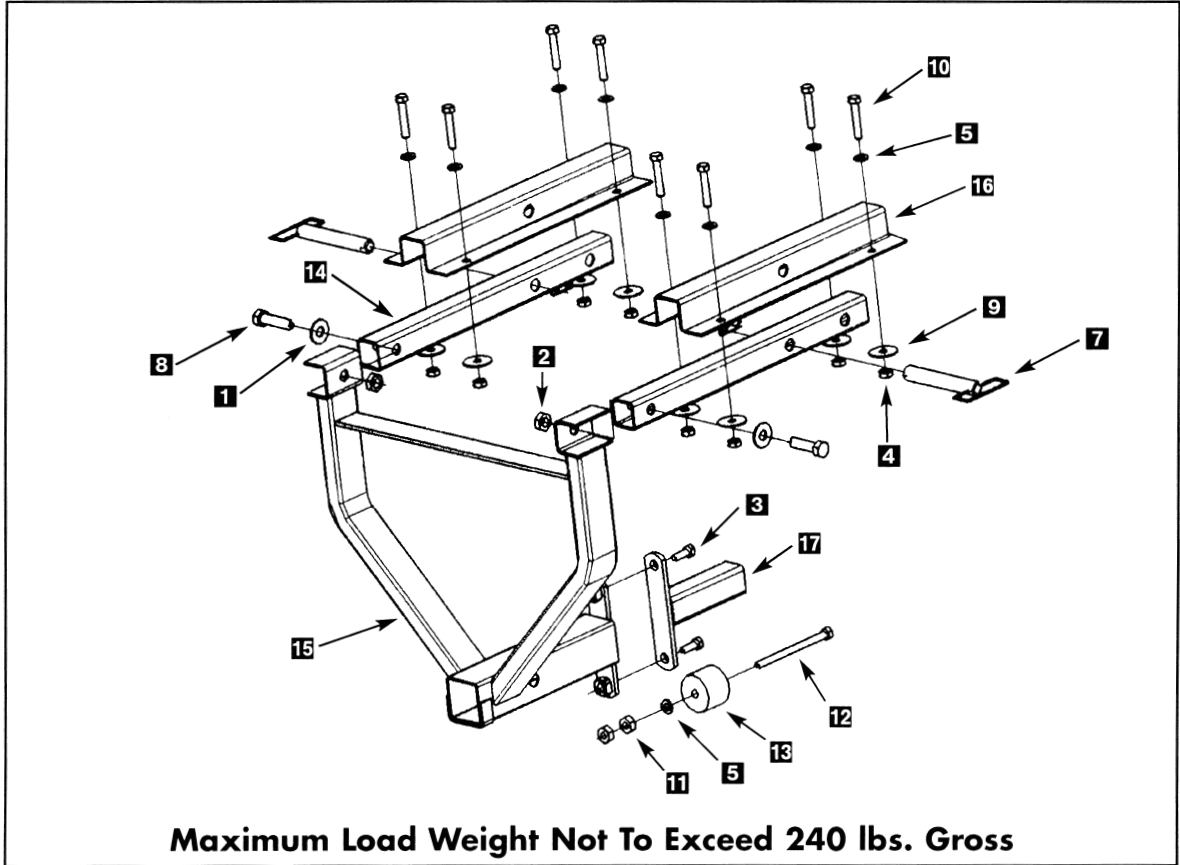
SCHEM REF.#	ITEM PART#	DESCRIPTION	QTY/ UNIT
1	1CS1P8	3/8"-16 x 1" HEX BOLT	10
2	1CS1P9	3/8" LOCK NUT	10
3	1CS1P41	3/8" FLAT WASHER	2
4	1SM1P3	2 5/16" HAIR PIN CLIP	1
5	1SM1P2	5/8" X 5 1/2" HITCH PIN	1
6	1CS2P15	3/8" FENDER WASHER	4
7	1CS1P53	TRANSMISSION	1
8	1CS1P25	1/4"-20 X 3/4" STAINLESS HEX BOLT	4
9	1CS1P24	5/16"-18 X 1/2" HEX BOLT	1
10	1CS1P30	1/4" STAINLESS LOCK WASHER	4
11	1CS1P27	#10-32 X 5/8" HEX MACHINE SCREW	2
12	1CS1P28	#10-32 LOCK WASHER	2
13	1SM5P1	5/16" LOCK NUT	6
14	1CS1P46	5/16" LOCK WASHER	1
15	1CS2P21	5/16" FLAT WASHER	4
16	1CS1P7	5/16"-18 HEX NUT	1
17	1CS1P18	10" STEEL SPINNER DISC	1
18	1CS1P51	MOTOR DRIVE COUPLER	1
19	1GC1A	T-HANDLE CABLE - 10"	1
20	1CS2P16	BULKHEAD CABLE FITTING	1
21	1CS2P17	5/16"-16 X 3/4" BOLT W/HOLE	1
22	1CS2P3	MAIN FRAME	1
23	1CS2P7	AGITATOR SPRING	1
24	1CS2P9	WEATHER COVER	1
25	1CS2P10	MOTOR 12 VOLT DC	1
26	1CS2P20	HOPPER	1
27	1CS2P11	CORD RESTRAINT	1
28	1CS2P12	BOTTOM COVER ASSEMBLY	1
29	1CS2P13	GATE SLIDE	1
30	1CS2P14	GATE TRACK	1
31	1CS2P18	FOAM SEAL - 40"	1
32	1CS2P19	5/16"-18 X 1" STAINLESS HEX BOLT	6
33	1CS2P22	GATE DECK	1
34	1CS2P24	GATE SLIDE STOP PIN	1

1SM3 3-Point Hitch Mount Parts List for Fast Cast 2000



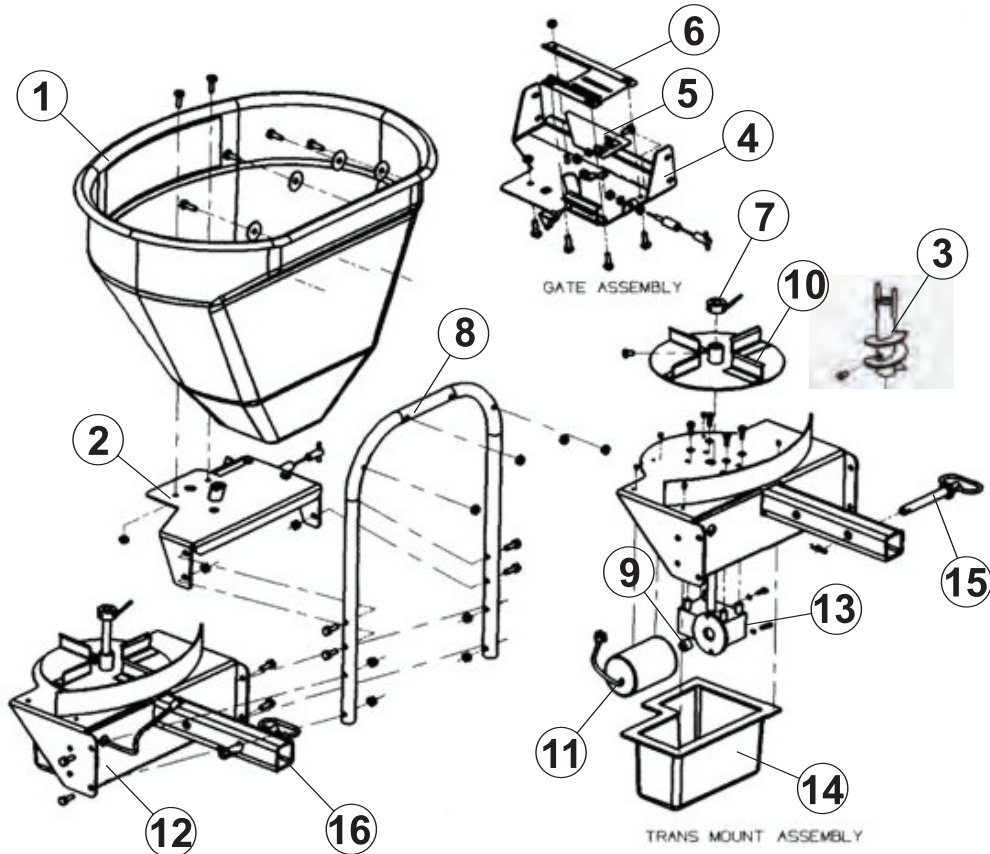
Schem. Ref#	Item Part#	Description	Qty/ Unit
1	1SM1P7	5/16" LINCH PIN	2
2	1SM1P3	2 5/16" HAIR PIN CLIP	1
3	1SM1P2	5/8" X 5 1/2" HITCH PIN	1
4	1SM1P6	7/8" X 5 1/2" LIFT ARM PIN	2
5	1SM1P1	3-POINT HITCH FRAME	1

1SM4 Drop Utility Hitch Parts List for Fast Cast 2000



Schem. Ref#	Item Part#	Description	Qty/ Unit
1	1SM3P4	1/2" FLAT WASHER	2
2	1CS1P11	1/2" LOCK NUT	2
3	1CS1P8	3/8"-16 X 1" HEX BOLT	2
4	1CS1P9	3/8" LOCK NUT	8
5	1CS1P41	3/8" FLAT WASHER	9
6	1SM1P3	2 5/16" HAIR PIN CLIP	2
7	1SM1P2	5/8" X 5 1/2" HITCH PIN	2
8	1SM4P10	1/2"-13 X 2" HEXT BOLT	2
9	1CS2P15	3/8" FENDER WASHER	8
10	1SM4P2	3/8"-16 X 2" TRUSS BOLT FULL THREAD	8
11	1SM4P3	3/8"-16 HEX NUT	2
12	1SM4P4	3/8"-16 X 5 HEX BOLT	1
13	1SM4P5	2" RUBBER STOPPER	1
14	1SM4P9	MOUNTING RAIL	2
15	1SM4P6	DROP MOUNT WELDMENT	1
16	1SM4P7	MOUNTING RAIL HAT SECTION	2
17	1SM4P8	MULE ADAPTER	1

Fast Cast 300 & 400 P/N: 1CS9 & 1CS10 Service Parts Breakdown



FAST CAST 300 SPREADER ONLY			
Schem. Ref#	Item Part#	Description	Qty/Unit
1	1CS9P1	HOPPER - SALTER ONLY	1
2	1CS9P2	GATE DECK - SALTER ONLY	1
3	1CS1P19	AUGER - SALTER ONLY	1
FAST CAST 400 SPREADER ONLY			
1	1CS10P1	HOPPER - SEEDER ONLY	1
4	1CS10P2	GATE DECK - SEEDER ONLY	1
5	1CS10P3	GATE SLIDE - SEEDER ONLY	1
6	1CS10P4	GATE TRACK - SEEDER ONLY	1
N/S	1CS10P5	GATE STOP - SEEDER ONLY	1
N/S	1CS10P6	GATE KNOB - SEEDER ONLY	1
N/S	1GC1A	T-HANDLE CABLE - 10"	1
N/S	1CS2P16	BULKHEAD CABLE FITTING	1
7	1CS2P7	AGITATOR - SEEDER ONLY	1
N/S	1CS2P17	5/16" X 3/4" BOLT W/HOLE	1
FAST CAST 300 COMMON PARTS			
8	1CS9P3	HOPPER TUBE SUPPORT	1
9	1CS1P51	MOTOR DRIVE COUPLER	1
10	1CS1P18	10" SPINNER DISC	1
11	1CS2P10	12VDC MOTOR	1
12	1CS9P4	TRANSMISSION MOUNT	1
13	1CS9P5	TRANSMISSION	1
14	1CS9P6	PLASTIC BOTTOM COVER	1
15	1SM1P2	5/8" X 5 1/2" HITCH PIN	1

Notes...



CURTIS INDUSTRIES, LLC.

111 Higgins Street • Worcester, MA 01606
Telephone: (800) 343-7676 • Fax: (800) 876-9104

www.curtisplow.com