

## Launch of new product

# Curvifocus (gas-burning)

Available immediately

Production time from order: 8 weeks

Price: € 8 495 (exclusive of sales tax)

Option: mains adaptor €35 (exclusive of sales tax)

---

Focus has devoted this autumn season to gas. In line with this, we are pleased to present the spearhead of our gas fireplace range: the Curvifocus!

The world's first fire with a concave face, the Curvifocus offers an outstanding view of the flames, drawing all eyes to the fire. The sober design conceals exceptional heat performance that meets European standards and is environmentally sound.

The gas-burning Curvifocus with a base is a balanced-flue fire that can burn either natural gas or propane (LPG). The model is CE certified: the list of countries in which it can be sold can be found on page 9. The fire is designed so it does not require an air inlet in the room, so it can be installed in low-energy (passive) buildings.

This fire is delivered with the burner pre-installed. Two types of hearth furnishings are available: ceramic logs or a ripped steel base (see page 6).

The choice of furnishings should be specified on order.

The installation of this fire does not require an electrical connection as it is powered by batteries. However, we can offer a mains adaptor on option if an electrical source is desired.

The burner connection must be made by a licensed gas professional. The burner can be operated and adjusted with a remote control (see page 5).

An annual maintenance check of the burner is required.

The model is supplied with 6 ml of ceramic sealant to allow the gas professional to reseal the front panel after maintenance visits.

**Please note:** We advise you to consult the model information sheet for details regarding installation and gas connection.



Performance with natural gas:

- heat output : de 7,3 à 9 kW
- fuel consumption : 0,723 à 0,892 m<sup>3</sup>/hour

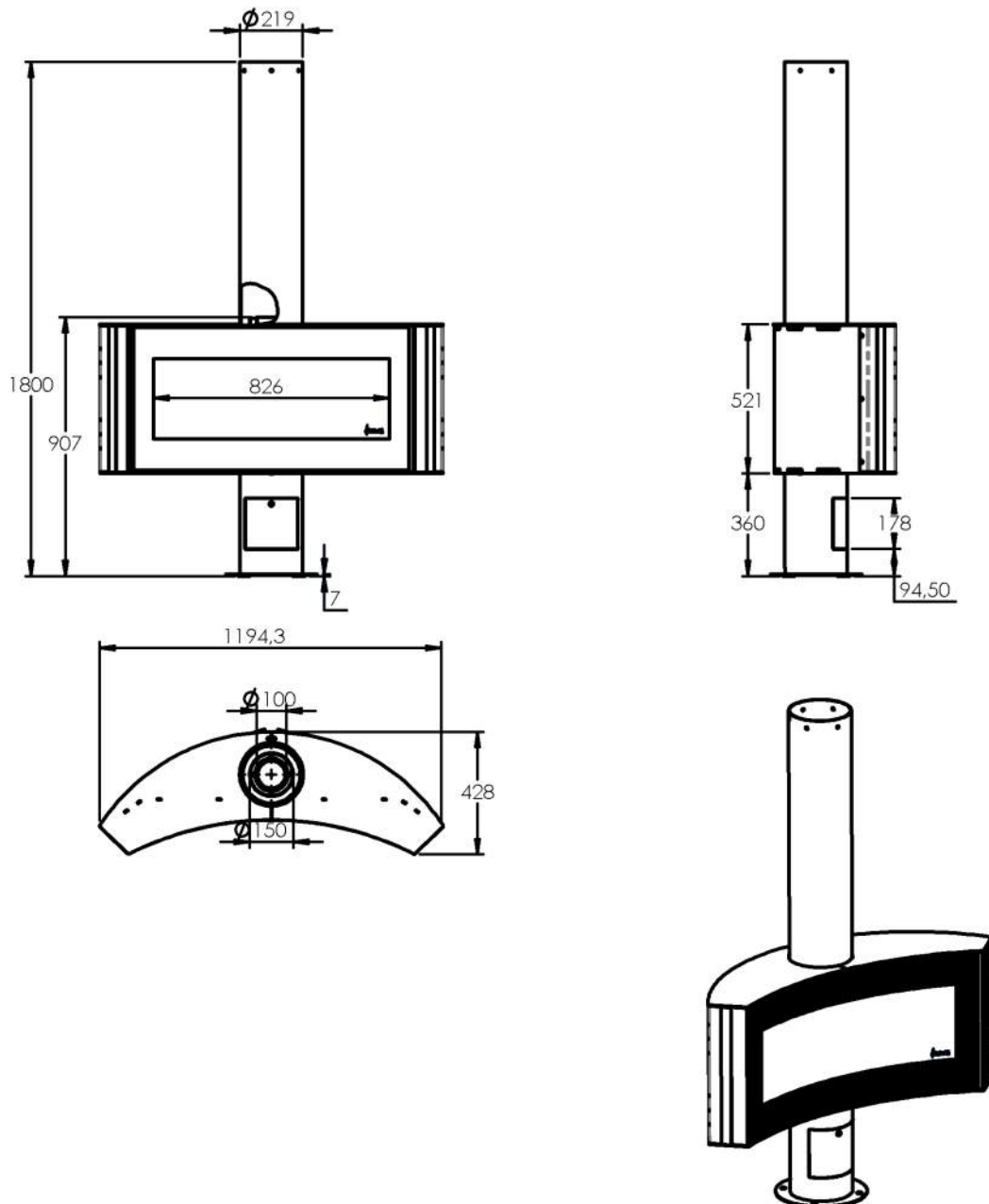
Performances avec une alimentation au gaz propane :

- heat output : de 6,5 à 7,5 kW
- fuel consumption : 0,207 à 0,270 m<sup>3</sup>/hour

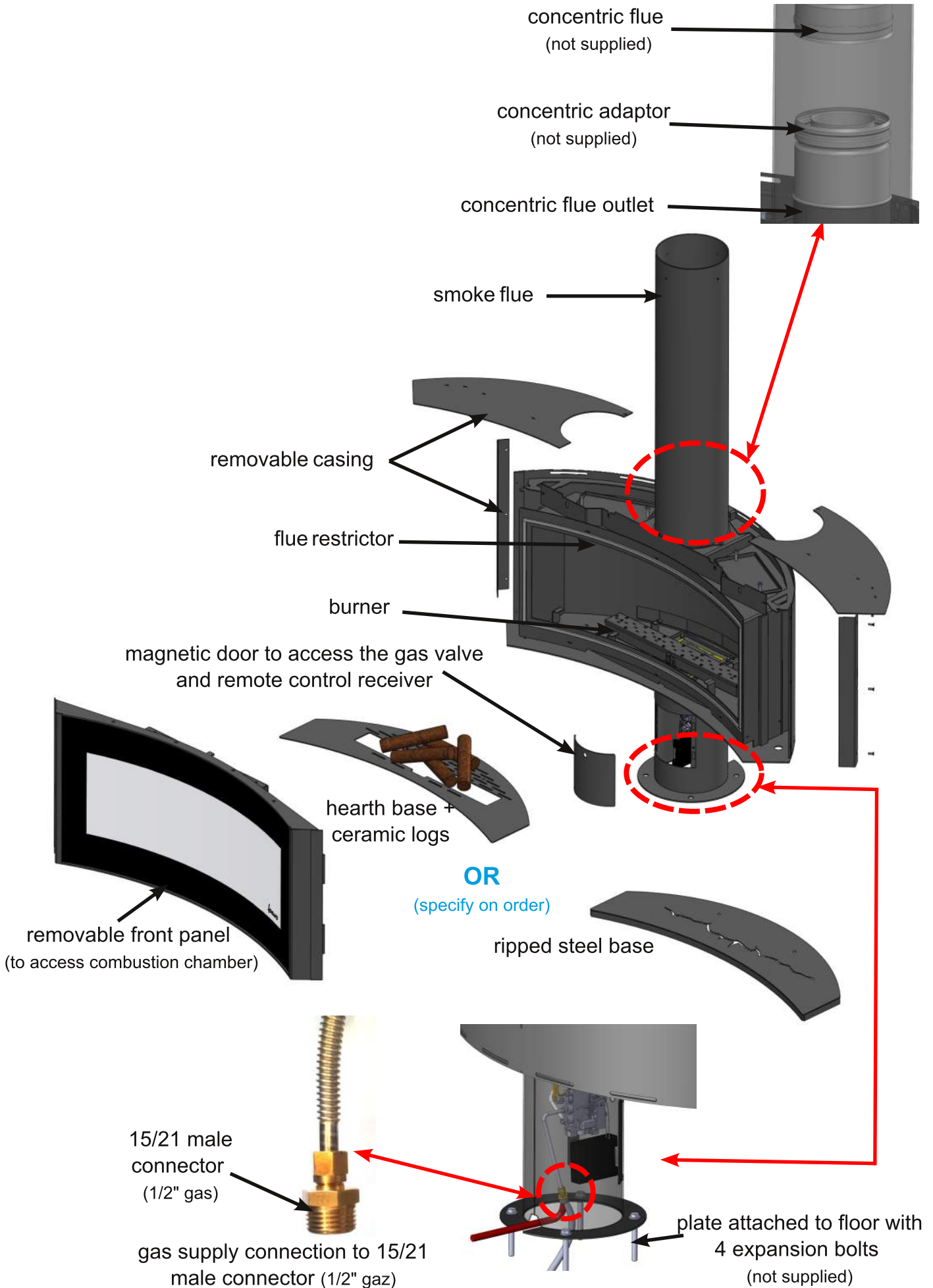
Finish:

- matte black paint (standard)
- slate grey paint (on option)

## Dimensions



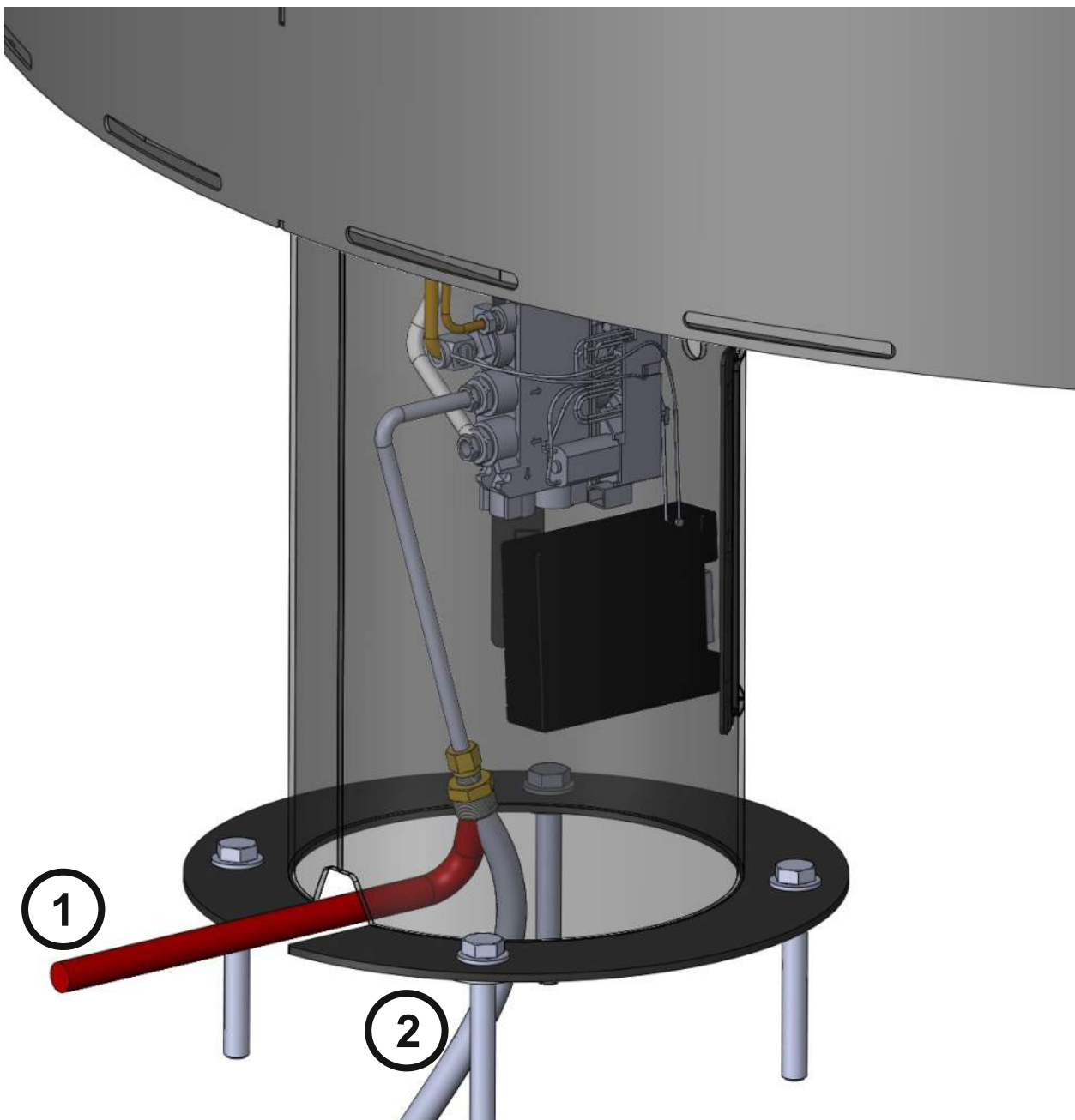
# Components of the fire



## gas supply

The gas intake is located in the base, allowing two possible installation configurations:

- 1 **Visible gas intake** (above the floor): an opening is provided to allow the gas pipe to pass behind the base.
- 2 **Invisible gas intake** (below the floor): the plate that attaches to the floor is designed to allow the gas intake to be installed below the base.



## Concentric flues

The fire is designed so it does not require an air inlet in the room. The combustion air is drawn in by a flue composed of two concentric pipes (100/150) that exit directly outside, either horizontally through the wall or vertically through the roof.

The fire is certified with the following types of flues:

- Poujoulat PGI flues
- Métaloterm ONTOP flues
- Muelink & Grol Concentric Flue Systems



## Remote control



The burner operates with a remote control that includes the following functionalities:

- temperature control (Fahrenheit or Celsius)
- time control
- flame height adjustment
- timer
- thermostatic mode
- programme mode
- 'eco' mode ("dancing flames")
- standby mode (pilot light)
- childproof mode.

The batteries for the remote control and the receiver (located in the base of the fire) are supplied.

## hearth furnishings



ripped steel base



ceramic log kit: logs and embers with incandescent fibres



## Burner characteristics

natural gas

Curvifocus LPG

Gas type		G30/G31		G31	
		l <sub>3</sub> B/P(30/50)	l <sub>3</sub> +	l <sub>3</sub> P(37,50)	l <sub>3</sub> P(30)
Supply Pressure	mbar	30/50	28-30/37	37/50	30
Nominal Heat Input Gross (H <sub>g</sub> )	kW	7.5	7.5	7.5	6.5
Nominal Heat Input Nett (H <sub>n</sub> )	kW	6.9	6.9	6.9	6.0
Consumption	m <sup>3</sup> /hr	0.207	0.207	0.270	0.231
Burner Pressure (hot)	mbar	28.7	28.7	36.6	29.6
Injector Marking		220			
Pilot		446.1385.24			
Efficiency Class		2			
Nox Class		5			

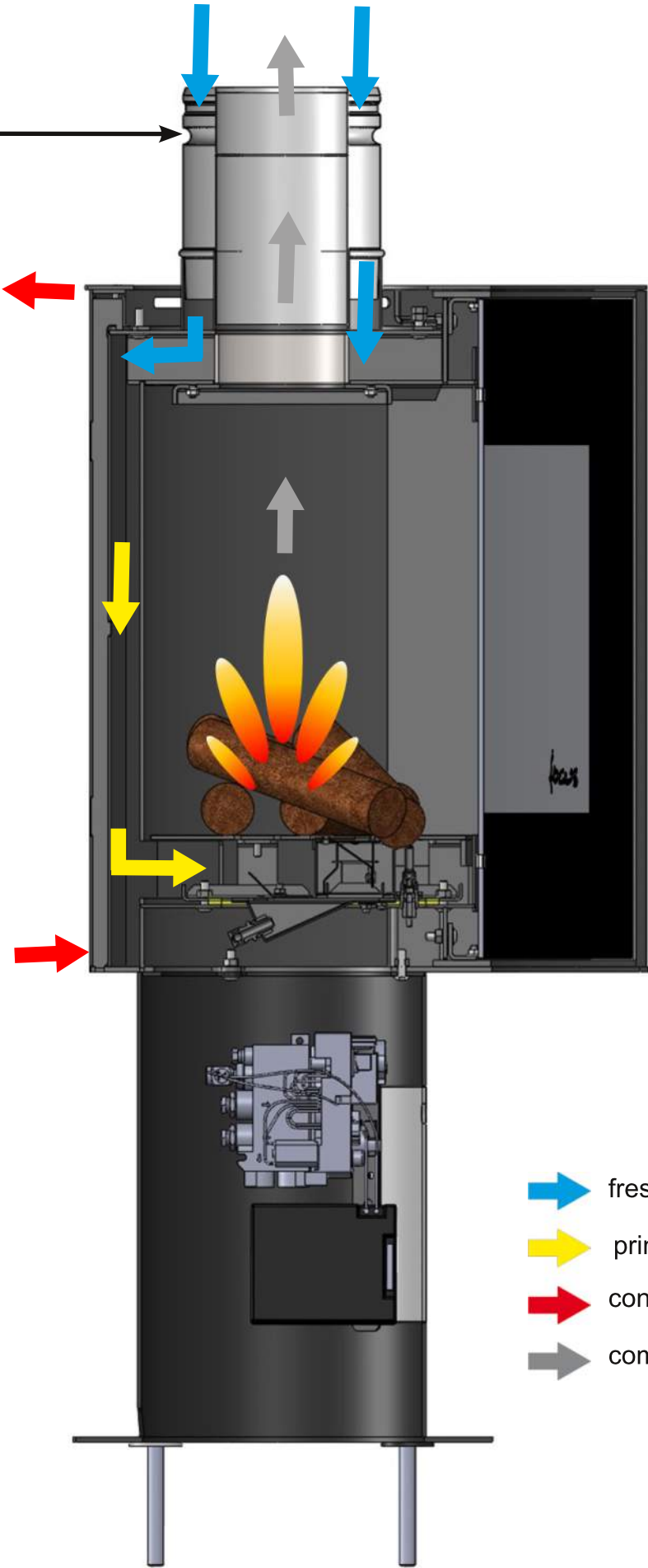
propane

Curvifocus LPG

Gas type		G30/G31		G31	
		l <sub>3</sub> B/P(30/50)	l <sub>3</sub> +	l <sub>3</sub> P(37,50)	l <sub>3</sub> P(30)
Supply Pressure	mbar	30/50	28-30/37	37/50	30
Nominal Heat Input Gross (H <sub>g</sub> )	kW	7.5	7.5	7.5	6.5
Nominal Heat Input Nett (H <sub>n</sub> )	kW	6.9	6.9	6.9	6.0
Consumption	m <sup>3</sup> /hr	0.207	0.207	0.270	0.231
Burner Pressure (hot)	mbar	28.7	28.7	36.6	29.6
Injector Marking		220			
Pilot		446.1385.24			
Efficiency Class		2			
Nox Class		5			

# Air flow diagram

100/150  
balanced flue



- fresh air from exterior
- primary air
- convection air
- combustion



## list of countries in which the gas-burning Curvifocus is certified

Country	Natural	LPG
AT -Austria	l <sub>2H</sub> , G20 at 20 mbar	l <sub>3P(50)</sub> ,G31 at 50 mbar; l <sub>3B/P(50)</sub> ,G30/G31 at 50 mbar
BE -Belgium	l <sub>2E+</sub> , G20/G25 at 20/25 mbar	l <sub>3+</sub> ,G31/G31 at 28/37 mbar; l <sub>3P(37)</sub> ,G31 at 37 mbar; l <sub>3B/P(30)</sub> ,G30/G31 at 30 mbar
BG -Bulgaria	l <sub>2H</sub> , G20 at 20 mbar	l <sub>3B/P(30)</sub> ,G30/G31 at 30 mbar
CH - Switzerland	l <sub>2H</sub> , G20 at 20 mbar	l <sub>3P(50)</sub> ,G31 at 50 mbar; l <sub>3+</sub> ,G31/G31 at 28/37 mbar; l <sub>3P(37)</sub> ,G31 at 37 mbar; l <sub>3B/P(50)</sub> ,G30/G31 at 50
CY -Cyprus	l <sub>2H</sub> , G20 at 20 mbar	l <sub>3+</sub> ,G31/G31 at 28/37 mbar; l <sub>3B/P(30)</sub> ,G30/G31 at 30 mbar
CZ -Czech Republic	l <sub>2H</sub> , G20 at 20 mbar	l <sub>3P(50)</sub> ,G31 at 50 mbar; l <sub>3+</sub> ,G31/G31 at 28/37 mbar; l <sub>3P(37)</sub> ,G31 at 37 mbar; l <sub>3B/P(50)</sub> ,G30/G31 at 50
DE -Germany	l <sub>2ELL</sub> , G25 at 20 mbar <sup>1</sup> ; l <sub>2E</sub> , G20 at 20 mbar	l <sub>3P(50)</sub> ,G31 at 50 mbar; l <sub>3B/P(50)</sub> ,G30/G31 at 50
DK -Denmark	l <sub>2H</sub> , G20 at 20 mbar	l <sub>3B/P(30)</sub> ,G30/G31 at 30 mbar
EE -Estonia	l <sub>2H</sub> , G20 at 20 mbar	l <sub>3B/P(30)</sub> ,G30/G31 at 30 mbar
ES -Spain	l <sub>2H</sub> , G20 at 20 mbar	l <sub>3+</sub> ,G31/G31 at 28/37 mbar; l <sub>3P(37)</sub> ,G31 at 37 mbar
FI -Finland	l <sub>2H</sub> , G20 at 20 mbar	l <sub>3P(30)</sub> ,G31 at 30 mbar; l <sub>3B/P(30)</sub> ,G30/G31 at 30 mbar
FR -France	l <sub>2E+</sub> , G20/G25 at 20/25 mbar	l <sub>3+</sub> ,G31/G31 at 28/37 mbar; l <sub>3P(37)</sub> ,G31 at 37 mbar; l <sub>3B/P(30)</sub> ,G30/G31 at 30 mbar; l <sub>3B/P(50)</sub> ,G30/G31 at 50
GB -United Kingdom	l <sub>2H</sub> , G20 at 20 mbar	l <sub>3+</sub> ,G31/G31 at 28/37 mbar; l <sub>3P(37)</sub> ,G31 at 37 mbar; l <sub>3B/P(30)</sub> ,G30/G31 at 30 mbar
GR -Greece	l <sub>2H</sub> , G20 at 20 mbar	l <sub>3+</sub> ,G31/G31 at 28/37 mbar; l <sub>3P(37)</sub> ,G31 at 37 mbar; l <sub>3B/P(30)</sub> ,G30/G31 at 30 mbar
HU -Hungary		l <sub>3B/P(30)</sub> ,G30/G31 at 30 mbar
HR -Croatia	l <sub>2H</sub> , G20 at 20 mbar	l <sub>3P(37)</sub> ,G31 at 37 mbar; l <sub>3B/P(30)</sub> ,G30/G31 at 30 mbar
IE -Ireland	l <sub>2H</sub> , G20 at 20 mbar	l <sub>3+</sub> ,G31/G31 at 28/37 mbar; l <sub>3P(37)</sub> ,G31 at 37 mbar
IS -Iceland		
IT -Italy	l <sub>2H</sub> , G20 at 20 mbar	l <sub>3+</sub> ,G31/G31 at 28/37 mbar; l <sub>3P(37)</sub> ,G31 at 37 mbar; l <sub>3B/P(30)</sub> ,G30/G31 at 30 mbar
LT -Lithuania	l <sub>2H</sub> , G20 at 20 mbar	l <sub>3+</sub> ,G31/G31 at 28/37 mbar; l <sub>3P(37)</sub> ,G31 at 37 mbar; l <sub>3B/P(30)</sub> ,G30/G31 at 30 mbar
LU -Luxembourg	l <sub>2E</sub> , G20 at 20 mbar	
LV -Latvia	l <sub>2H</sub> , G20 at 20 mbar	
MT -Malta		l <sub>3B/P(30)</sub> ,G30/G31 at 30 mbar
NL -The Netherlands	l <sub>2L</sub> , G25 at 25 mbar	l <sub>3P(50)</sub> ,G31 at 50 mbar; l <sub>3P(30)</sub> ,G31 at 30 mbar; l <sub>3P(37)</sub> ,G31 at 37 mbar; l <sub>3B/P(30)</sub> ,G30/G31 at 30 mbar
NO -Norway	l <sub>2H</sub> , G20 at 20 mbar	l <sub>3B/P(30)</sub> ,G30/G31 at 30 mbar
PL -Poland	l <sub>2E</sub> , G20 at 20 mbar	l <sub>3P(37)</sub> ,G31 at 37 mbar
PT -Portugal	l <sub>2H</sub> , G20 at 20 mbar	l <sub>3+</sub> ,G31/G31 at 28/37 mbar; l <sub>3P(37)</sub> ,G31 at 37 mbar
RO -Romania	l <sub>2E</sub> , G20 at 20 mbar	l <sub>3P(30)</sub> ,G31 at 30 mbar; l <sub>3B/P(30)</sub> ,G30/G31 at 30 mbar
SE - Sweden	l <sub>2H</sub> , G20 at 20 mbar	l <sub>3B/P(30)</sub> ,G30/G31 at 30 mbar
SL -Slovenia	l <sub>2H</sub> , G20 at 20 mbar	l <sub>3+</sub> ,G31/G31 at 28/37 mbar; l <sub>3P(37)</sub> ,G31 at 37 mbar; l <sub>3B/P(30)</sub> ,G30/G31 at 30 mbar
SK -Slovakia	l <sub>2H</sub> , G20 at 20 mbar	l <sub>3P(50)</sub> ,G31 at 50 mbar; l <sub>3+</sub> ,G31/G31 at 28/37 mbar; l <sub>3P(37)</sub> ,G31 at 37 mbar; l <sub>3B/P(30)</sub> ,G30/G31 at 30 mbar; l <sub>3B/P(50)</sub> ,G30/G31 at 50
TR -Turkey	l <sub>2H</sub> , G20 at 20 mbar	l <sub>3+</sub> ,G31/G31 at 28/37 mbar; l <sub>3P(37)</sub> ,G31 at 37 mbar; l <sub>3B/P(30)</sub> ,G30/G31 at 30 mbar

## Packaging



Outer dimensions of the crate: 1550 x 600 x 1380 mm  
The smoke flue is packed in the crate.  
Weight = 140 kg