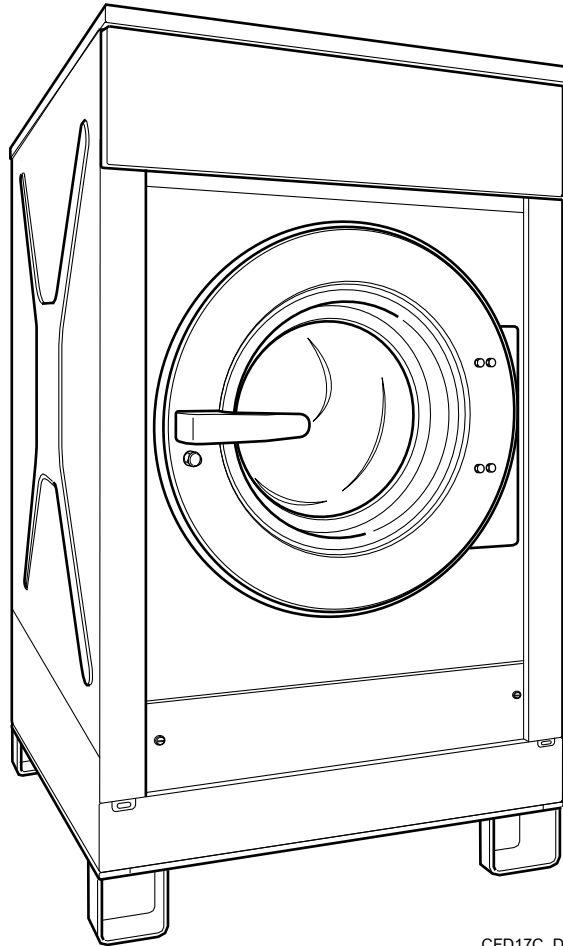


Washer-Extractor

Cabinet Freestanding
Refer to Page 5 for Model Numbers



CFD17C_D0050

Table of Contents

Title	Page
Parts Ordering Information.....	3
Serial Plate Location	3
Model Identification	5
Cabinet Freestanding Washer-Extractor Product Overview (Drawing 1 of 2).....	6
Cabinet Freestanding Washer-Extractor Product Overview (Drawing 2 of 2).....	8
Frame.....	10
Shock and Spring Assembly	12
Shock and Spring Assembly - Models Starting 3/31/10.....	14
Shell.....	16
Bearing Assembly - Models Through 2/21/10.....	18
Bearing Assembly - Models Starting 2/22/10 Through 1/30/11	20
Bearing Assembly - Models Starting 1/31/11	22
Basket, Pulley and Belt	24
Motor and Belt.....	26
Drain Assembly - Models Through 3/30/10.....	28
Drain Assembly - Models Starting 3/31/10.....	30
Door Lock.....	32
Door	34
Control Panel - SX Models.....	36
Control Panel - UX Models	38
Control Panel - Cygnus Professional OPL Models	40
Control Panel - Cygnus Premium OPL Models.....	42
Control Panel - Cygnus Premium Coin Models.....	44
Control Panel - Cygnus Standard/Commercial OPL Models	46
Control Panel - Cygnus Standard/Commercial Coin Models	48
Control Panel - Micro-20 OPL Models	50
Control Panel - Micro-20 and Sigma Coin Models.....	52
Control Panel - Sigma OPL Models	54
Control Panel - PS40F Models	56
Coin Drop - Mechanical Coin Meter.....	58
Coin Drop - Electronic Coin Meter	60
Top, Right Side and Lower Back Panels	62
Front, Left Side and Upper Back Panels.....	64
Upper Back Panel - Cygnus Control Models	66
Upper Back Panel with Circular Ventilation - All Models Except Cygnus Control.....	68
Upper Back Panel with Rectangular Ventilation - All Models Except Cygnus Control.....	70
AC Drive - Cygnus Control Models	72
AC Drive - All Models Except Cygnus Control.....	74
Main Switch and Noise Filter	76
Soap Injection, Network Connection and Central Operating Panel Connection Printboards.....	78
Soap Injection Printboard, Network Connection Printboard and Noise Filter - All Models Except Cygnus Control	80

© Copyright 2017, Alliance Laundry Systems LLC

All rights reserved. No part of the contents of this book may be reproduced or transmitted in any form or by any means without the expressed written consent of the publisher.

Relay, Frequency Inverter, Network Connection and Main Printboards - Cygnus Control Models.....	82
Control Module.....	84
Balance Switch	86
Supply Dispenser with Round Ventilation Opening	88
Supply Dispenser with Rectangular Ventilation Opening.....	90
Electric and Steam Heating Options	92
Soap Pumps	94
Liquid Supply Pump	96
Parts Index.....	99

Parts Ordering Information

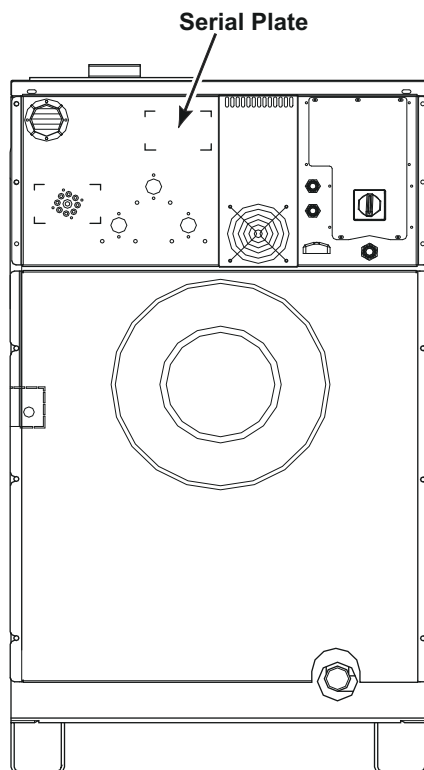
If literature or replacement parts are required, contact the source from whom the machine was purchased or contact Alliance Laundry Systems at (920) 748-3950 for the name and address of the nearest authorized parts distributor.

For technical assistance, call the number listed below:

(920) 748-3121 Ripon, Wisconsin

Serial Plate Location

When calling or writing about your product, be sure to mention model and serial numbers. Model and serial numbers are located on serial plate(s) as shown.



CFD280P_D0050

Model Identification

Information in this manual is applicable to these washer-extractor models:

CHF033ANH	HF150_CYGNUS-COMM_COIN	IHF033ANH	IHF185ANH
CHF033MCH	HF150_CYGNUS-COMM_OPL	IHF033MCH	IHF185MCH
CHF033MDH	HF150_CYGNUS-PREM_COIN	IHF033MDH	IHF185MDH
CHF033MEH	HF150_CYGNUS-PREM_OPL	IHF033MEH	IHF185MEH
CHF033MLH	HF150_CYGNUS-PRO	IHF033MLH	IHF185MLH
CHF033MNH	HF150_CYGNUS-STANDARD_COIN	IHF033MNH	IHF185MNH
CHF033MXH	HF150_CYGNUS-STANDARD_OPL	IHF033MXH	IHF185MXH
CHF033MYH	HF150_MICRO-20_COIN	IHF033MYH	IHF185MYH
CHF045ANH	HF150_MICRO-20_OPL	IHF033SCH	IHF185SCH
CHF045MCH	HF150_PS40F	IHF033SDH	IHF185SDH
CHF045MDH	HF150_SIGMA_COIN	IHF033SEH	IHF185SEH
CHF045MEH	HF150_SIGMA_OPL	IHF033SLH	IHF185SLH
CHF045MLH	HF185_CYGNUS-COMM_COIN	IHF033SRH	IHF185SRH
CHF045MNH	HF185_CYGNUS-COMM_OPL	IHF033SXH	IHF185SXH
CHF045MXH	HF185_CYGNUS-PREM_COIN	IHF033SYH	IHF185SYH
CHF045MYH	HF185_CYGNUS-PREM_OPL	IHF045ANH	IHF185ZNH
CHF150ANH	HF185_CYGNUS-PRO	IHF045MCH	SX33BVPA7
CHF150MCH	HF185_CYGNUS-STANDARD_COIN	IHF045MDH	SX33BVQA7
CHF150MDH	HF185_CYGNUS-STANDARD_OPL	IHF045MEH	SX33BVXA7
CHF150MEH	HF185_MICRO-20_COIN	IHF045MLH	SX33BVXM7
CHF150MLH	HF185_MICRO-20_OPL	IHF045MNH	SX40BVPA7
CHF150MNH	HF185_PS40F	IHF045MXH	SX40BVQA7
CHF150MXH	HF185_SIGMA_COIN	IHF045MYH	SX40BVXA7
CHF150MYH	HF185_SIGMA_OPL	IHF045SCH	SX40BVXM7
CHF185ANH		IHF045SDH	UX33PVNA7
CHF185MCH		IHF045SEH	UX33PVPA7
CHF185MDH		IHF045SLH	UX33PVQA7
CHF185MEH		IHF045SRH	UX33PVQM7
CHF185MLH		IHF045SXH	UX33PVXA7
CHF185MNH		IHF045SYH	UX33PVXM7
CHF185MXH		IHF150ANH	UX40PVNA7
CHF185MYH		IHF150MCH	UX40PVPA7
		IHF150MDH	UX40PVQA7
		IHF150MEH	UX40PVQM7
		IHF150MLH	UX40PVXA7
		IHF150MNH	UX40PVXM7
		IHF150MXH	
		IHF150MYH	
		IHF150SCH	
		IHF150SDH	
		IHF150SEH	
		IHF150SLH	
		IHF150SRH	
		IHF150SXH	
		IHF150SYH	
		IHF150ZNH	

Cabinet Freestanding Washer-Extractor Product Overview (Drawing 1 of 2)

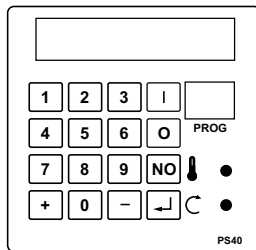
1
2
3
4
5
6
7

Model No: IHF150MNHX10U02		Serial No: 0805F50119	
Volts Hertz: 200-240 50/60		Type: HF150C	
Phase: 1/3		Capacity: 35/14,5 lbs/kg	
Amps: 16 amps		Water 30-85 psi	
Recommended Circuit Breaker: 20 amps		Pressure: 2.07-5.86 bar	
Interrupt Current: 10 kA		Max Speed: 1000 rpm	
Motor: 3 hp		Net 811 lbs	
2.2 kW		Weight: 368 kg	
Elec Heat: N/A kW		IPX4	
Steam heat: N/A psi		sfc: 750047	
Steam heat: N/A bar			

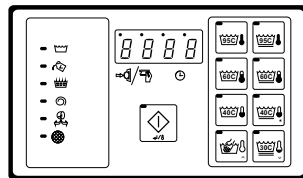
Alliance International BVBA
Made in Belgium

TEL 1-920-748-3121
www.comlaundry.com

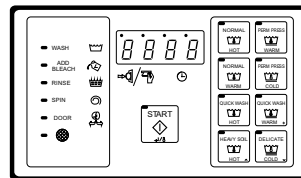
106749
Conforms to ANSI/UL STD 2157
Certified to CAN/CSA STD. C22.2 NO 149-94



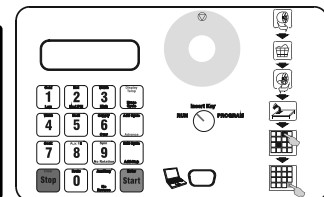
PS40



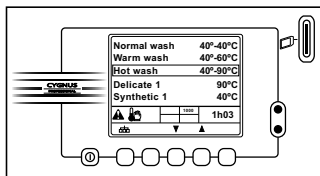
B Computer (International)



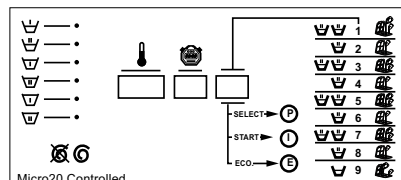
B Computer (Domestic)



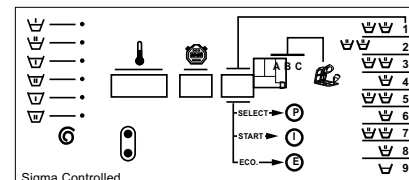
WE-8 Micro



Cygnus Professional



Micro 20



Sigma

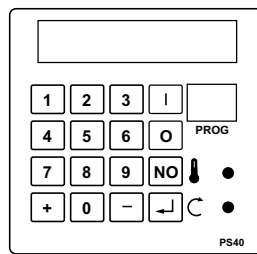
CFD295P_D0050

Cabinet Freestanding Washer-Extractor Product Overview (Drawing 1 of 2)

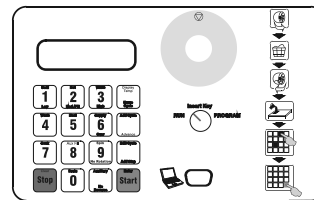
REF	PART NO.	DESCRIPTION	COMMENTS
1	-	Product Family	CHF HF IHF SX UX
2	-	Capacity	033 045 33 40 150 185
3	-	Control	A (PS40F) B (B Computer) Cygnus-Comm Cygnus-Prem Cygnus-Standard M (Micro-20) P (WE-8 Computer) S (Sigma) Z (Cygnus-Pro)
4	-	Actuation	C (Coin Drop Meter) D (Dual Coin Drop) E (Electronic Drop) L (Prep for Remote or Central Pay) N (Non-Coin) R (Smart Card Ready) X (Prep for Coin) Y (Card Ready)
5	-	Speed	H (High) V (Variable)
6	-	Voltage	N (440-480/50-60/3/3) P (380-415/50-60/3/3) Q (200-240/50-60/3/3) X (200-240/50-60/1/3)
7	-	Design	1

Cabinet Freestanding Washer-Extractor Product Overview (Drawing 2 of 2)

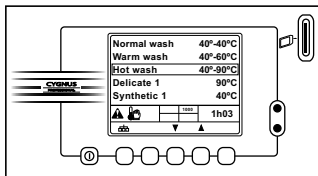
Type:	1	2
	HF150C	No: 08050F50123
Voltage:	3 ~ 380V 50Hz	Poids: 368 kg
Moteur:	2,2 kW 10,00	Capacité: 145 L
Chauffage:	18 kW 30 A	Linge sec: 14,5 Kg
Total:	20.20 kW	Tambour: 680 mm
Energie cinétique:	2736 N	Vitesse: 1000 rpm
Fabriquée en:	2008	
Water pressure: min 4 - max 6 bar IPX4		
sfc: 750068		
Alliance International BVBA  IPSO		Nieuwstraat 146 8560 Wevelgem Belgium Tel: +32 56 41 20 54 Fax: +32 56 41 86 74 www.ipso.be
		



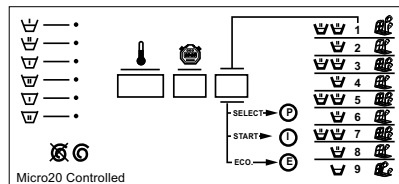
PS40



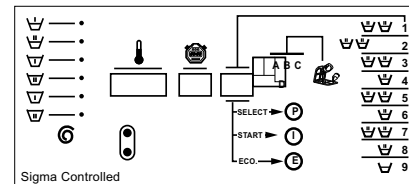
WE-8 Micro



Cygnus Professional



Micro 20



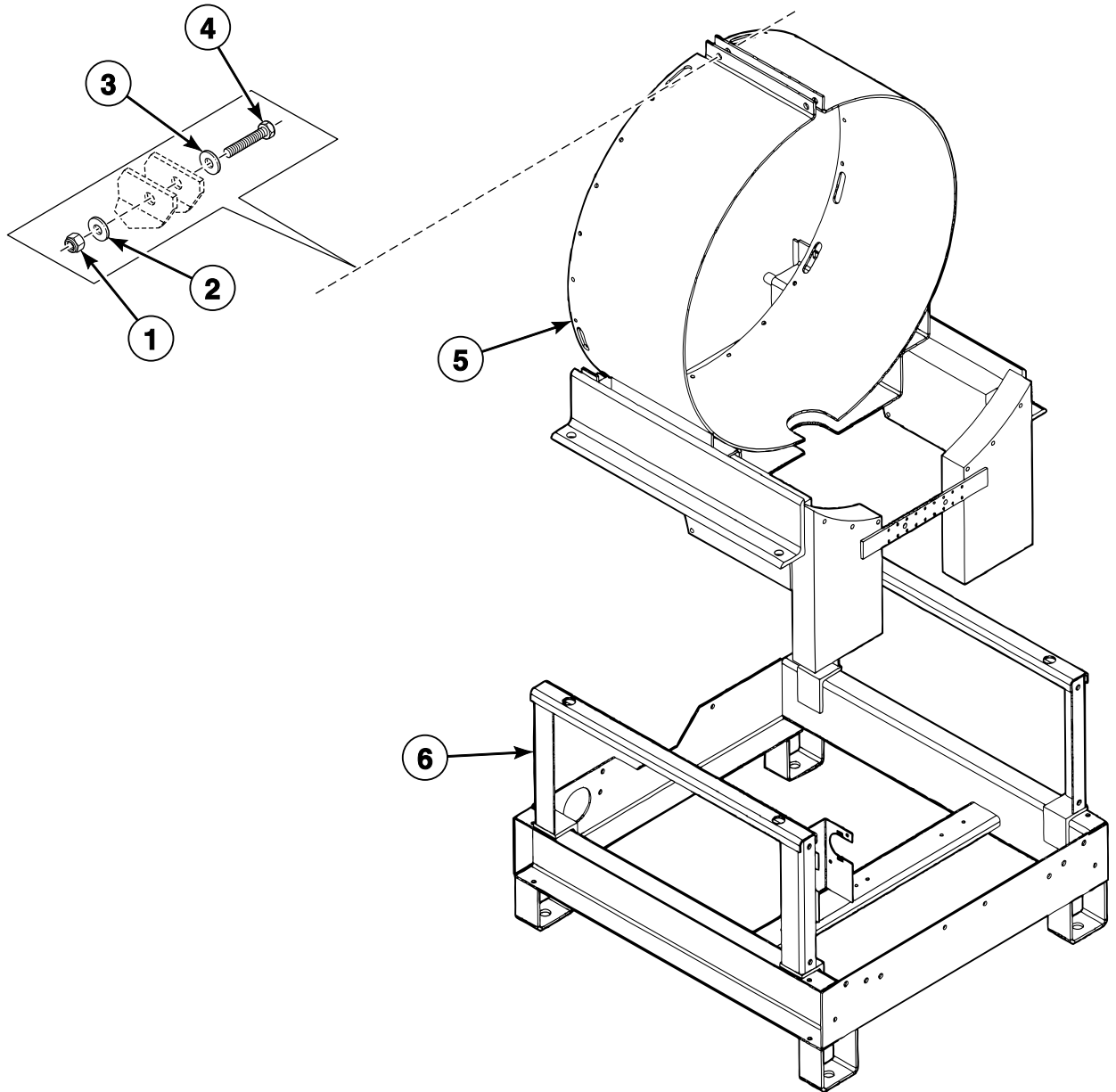
Sigma

CFD281P_D0050

Cabinet Freestanding Washer-Extractor Product Overview (Drawing 2 of 2)

REF	PART NO.	DESCRIPTION	COMMENTS
1	-	Product Family	HF
2	-	Capacity	150 185

Frame

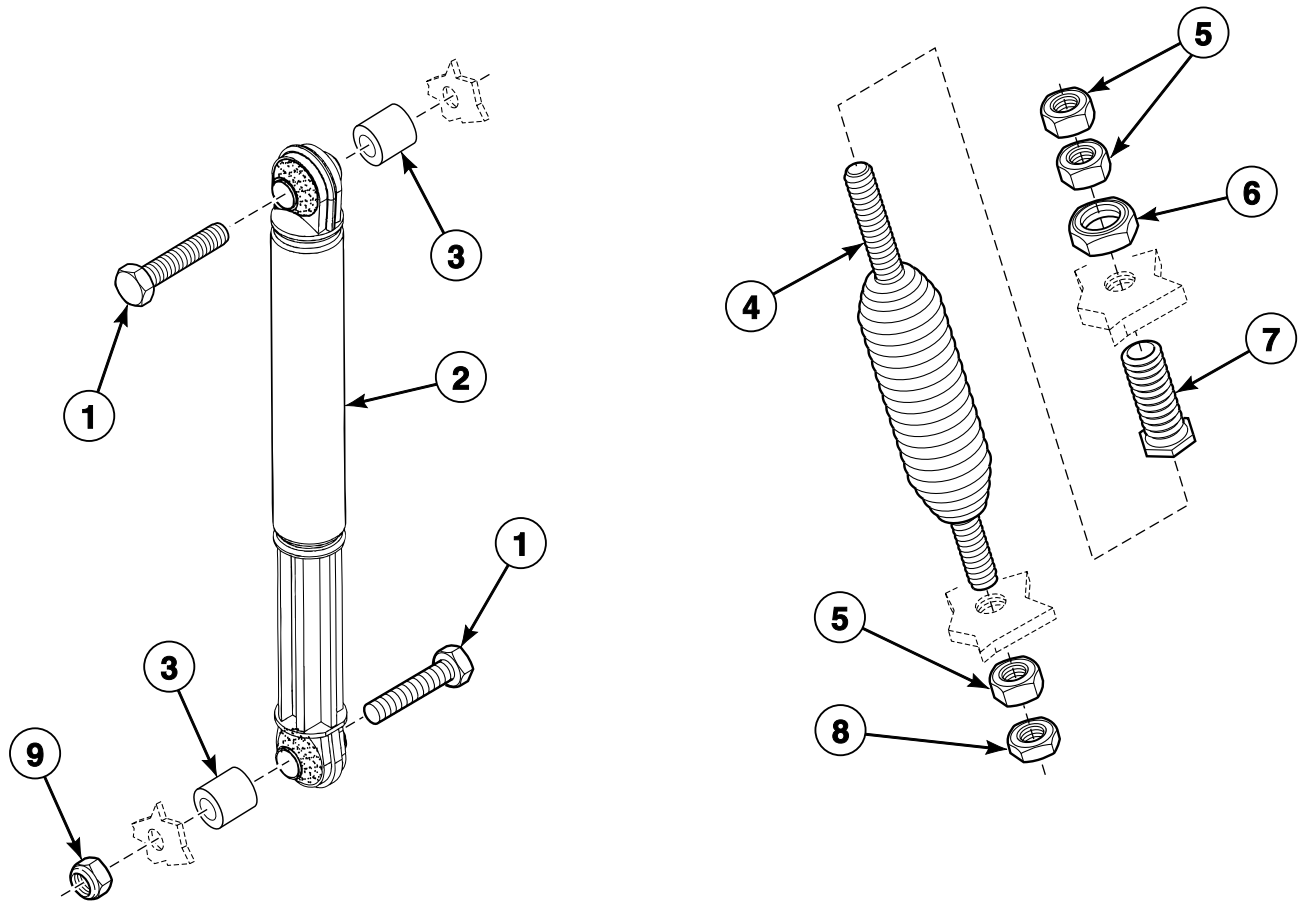


BE000632P_D0050

Frame

REF	PART NO.	DESCRIPTION	COMMENTS
1	204/00111/00	Nut	
2	201/00005/00	Washer	
3	203/00001/00	Washer	
4	206/00053/00	Screw	
5	150/00108/00	Tub Support Assembly	*33 and *150 models
	185/00108/00	Tub Support Assembly	*40, *45 and *185 models
6	150/00111/50	Frame	*33 and *150 models
	185/00111/50	Frame	*40, *45 and *185 models

Shock and Spring Assembly

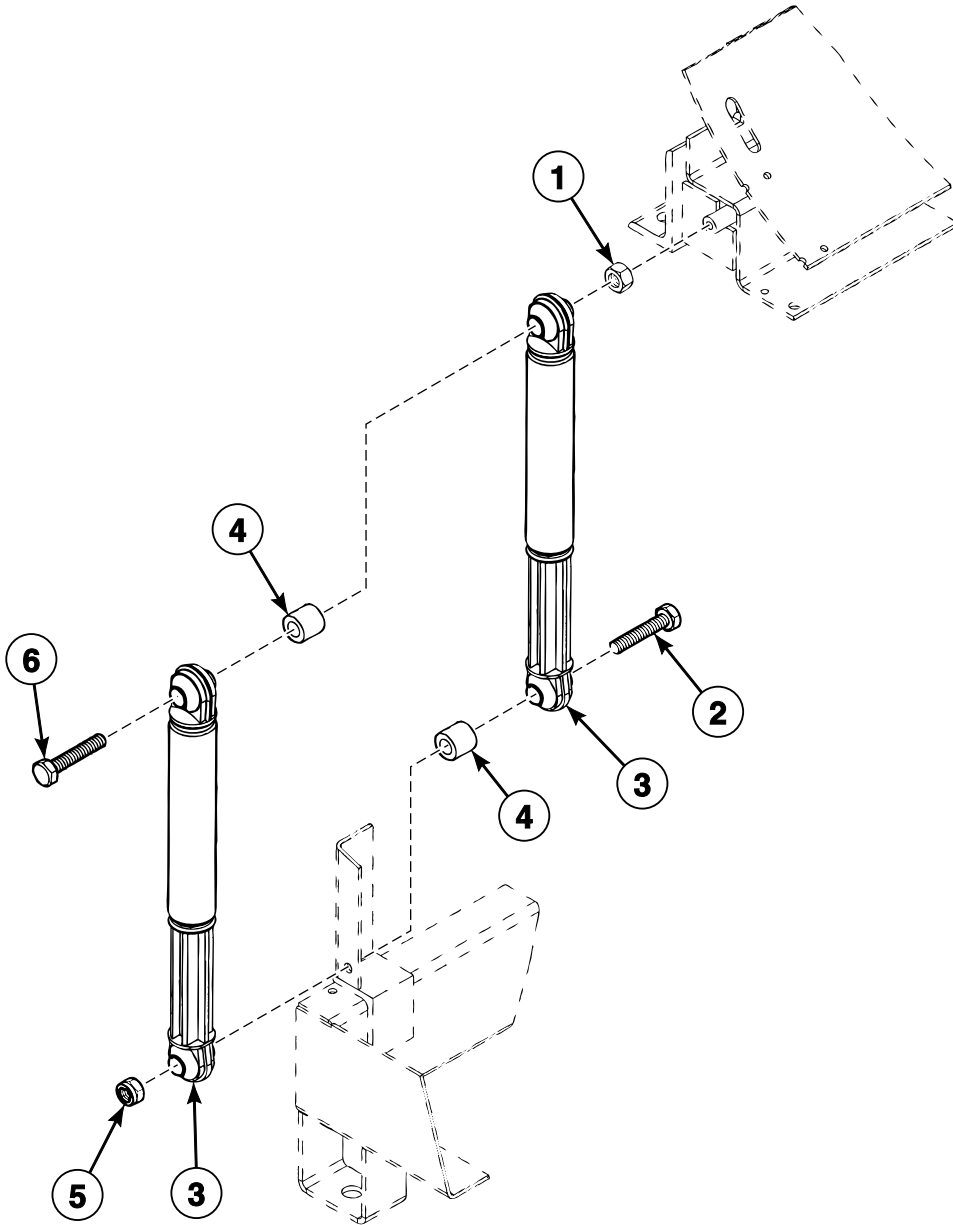


BE000647P_D0050

Shock and Spring Assembly

REF	PART NO.	DESCRIPTION	COMMENTS
1	206/00037/00	Bolt	
2	F250500	Shock Absorber	
3	224/00054/00	Separator	
4	247/00010/01	Suspension Spring	
5	204/00012/00	Nut	
6	204/00016/00	Nut	
7	224/00046/00	Bolt	
8	204/00019/00	Nut	
9	204/00110/00	Nut	

Shock and Spring Assembly - Models Starting 3/31/10

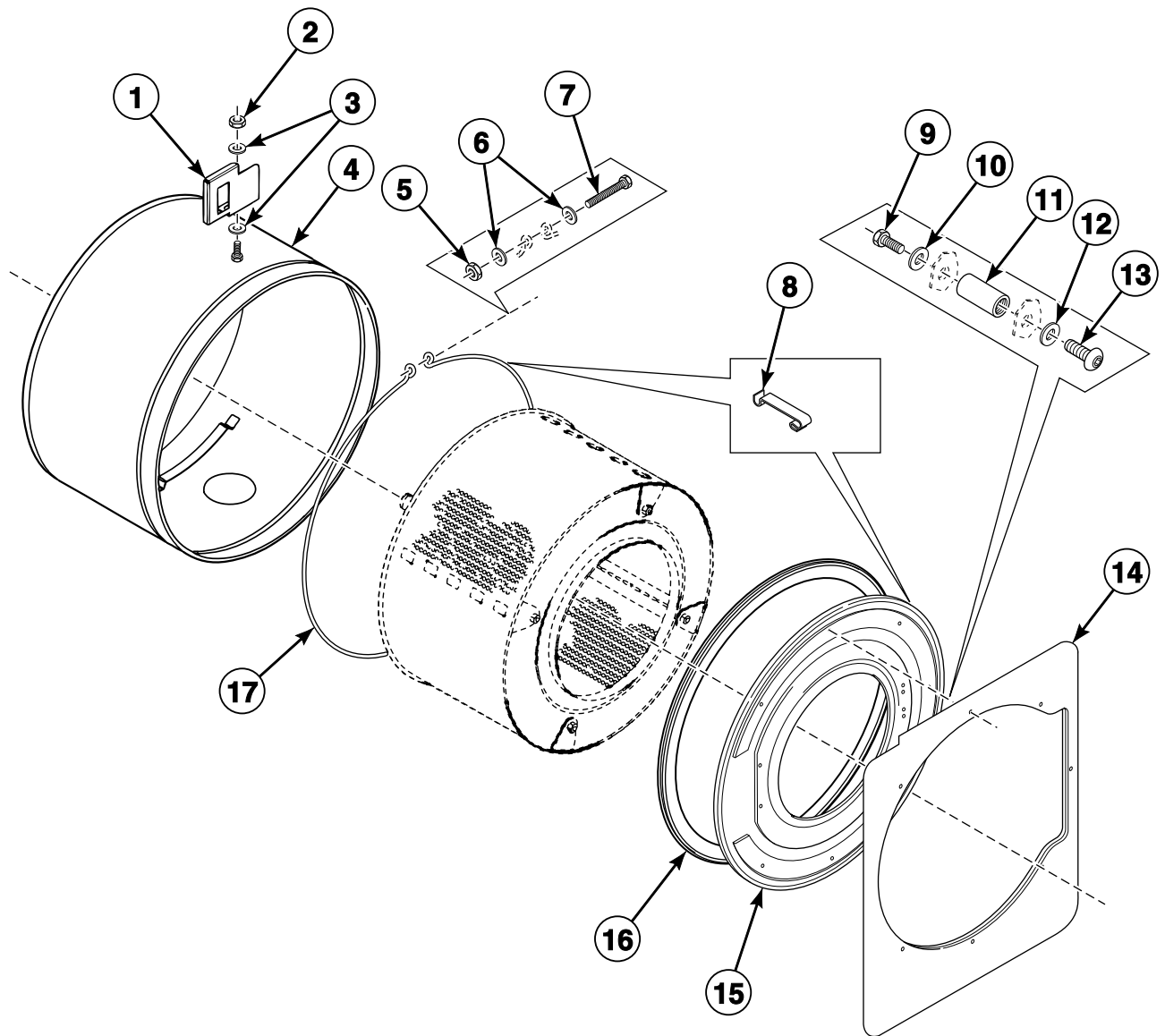


CFD336P_D0050

Shock and Spring Assembly - Models Starting 3/31/10

REF	PART NO.	DESCRIPTION	COMMENTS
1	204/00003/00	Nut	
2	206/00052/00	Bolt	
3	F250500	Shock Absorber	
4	224/00054/00	Separator	
5	204/00110/00	Nut	
6	206/00060/00	Bolt	

Shell

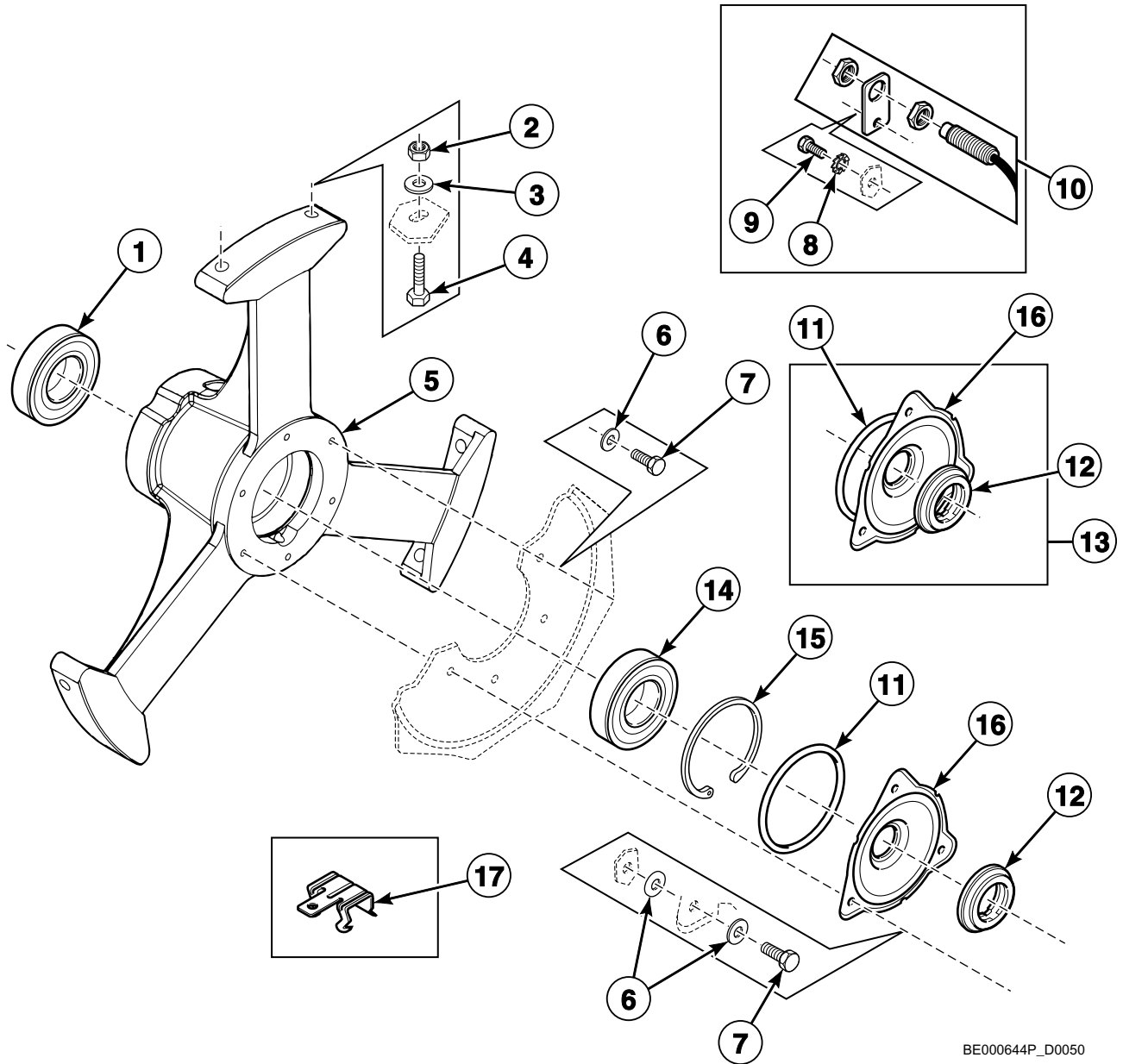


CFD648P_D0050

Shell

REF	PART NO.	DESCRIPTION	COMMENTS
1	111/01854/00	Tilt Detector Plate	
2	204/00110/00	Nut	
3	201/00010/00	Washer	
4	B12329501	Tub	*33 and *150 models; Electric heat; Models through Serial No. 10080F50178
	B12329601	Tub	*33 and *150 models; Boiler; Models through Serial No. 10080F50178
	B12329701	Tub	*33 and *150 models; Standard and with steam heat; Models through Serial No. 10080F50178
	B12329801	Tub	*40, *45 and *185 models; Electric heat; Models through Serial No. 10080F80161
	B12329901	Tub	*40, *45 and *185 models; Boiler; Models through Serial No. 10080F80161
	B12330001	Tub	*40, *45 and *185 models; Standard and with steam heat; Models through Serial No. 10080F80161
	B12328501	Tub	*33 and *150 models; Electric heat; Models starting Serial No. 10080F50178
	B12328601	Outer Tub	*33 and *150 models; Boiler; Models starting Serial No. B10080F50178
	B12328701	Outer Tub	*33 and *150 models; Standard and with steam heat; Models starting Serial No. B10080F50178
	B12323801	Tub	*40, *45 and *185 models; Electric heat; Models starting Serial No. B10080F80161
	B12328801	Tub	*40, *45 and *185 models; Boiler; Models starting Serial No. B10080F80161
	B12330001	Tub	*40, *45 and *185 models; Standard and with steam heat; Models starting Serial No. B10080F80161
5	204/00009/00	Nut	
6	201/00007/00	Washer	
7	206/00032/00	Bolt	
8	217/00008/00	Tub Front Panel Clip	
9	205/00107/00	Bolt	
10	201/00202/00	Washer	
11	150/00210/00	Coupling	
12	202/00101/00	Washer	
13	208/00120/00	Screw	
14	150/10113/00	Front Plate	
15	185/00049/00	Tub Front Panel	
16	223/00242/00	Tub Front Gasket	Sold per meter
17	219/00007/00	Tub Front Ring Clamp	

Bearing Assembly - Models Through 2/21/10

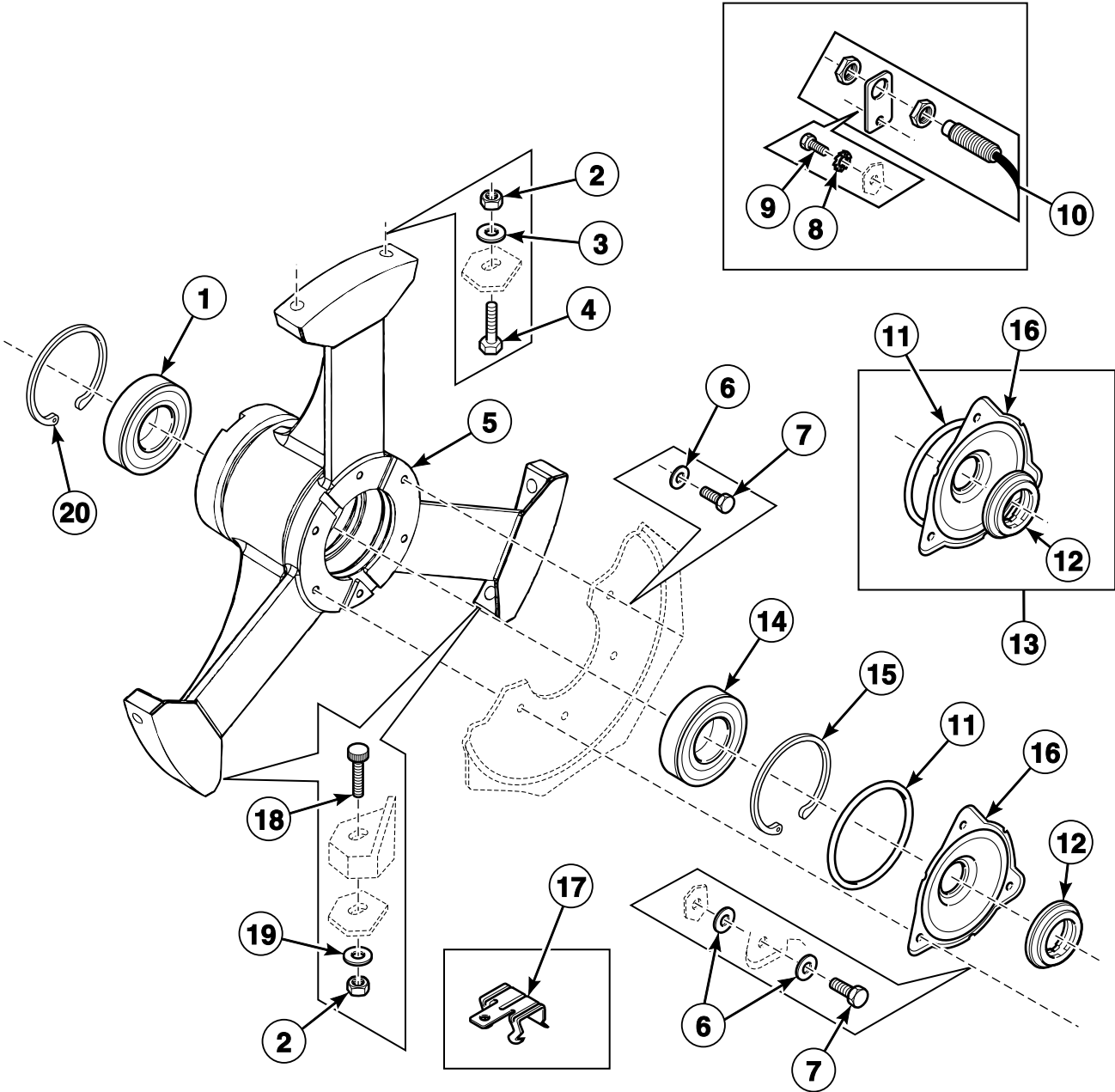


BE000644P_D0050

Bearing Assembly - Models Through 2/21/10

REF	PART NO.	DESCRIPTION	COMMENTS
1	F100134	Bearing	
2	204/00111/00	Nut	
3	201/00012/00	Washer	
4	206/00057/00	Screw	
5	150/10118/00	Bearing Housing	
6	201/00201/00	Washer	
7	205/00102/00	Bolt	
8	203/00004/00	Washer	
9	205/00104/00	Bolt	
10	210/00213/00	Speed Detector	Cygnus models
	210/00074/00	Speed Detector	All other models
11	217/00002/00	O-Ring	
12	219/00004/00	Counter Ring	
13	119/00001/01	Seal Holder Assembly	
14	212/00004/00	Ball Bearing	
15	212/00006/00	Retainer Ring	
16	219/00001/00	Seal Cover	
17	224/00051/00	Caddy Bracket	4H58-4
	224/00052/00	Caddy Bracket	4H912

Bearing Assembly - Models Starting 2/22/10 Through 1/30/11

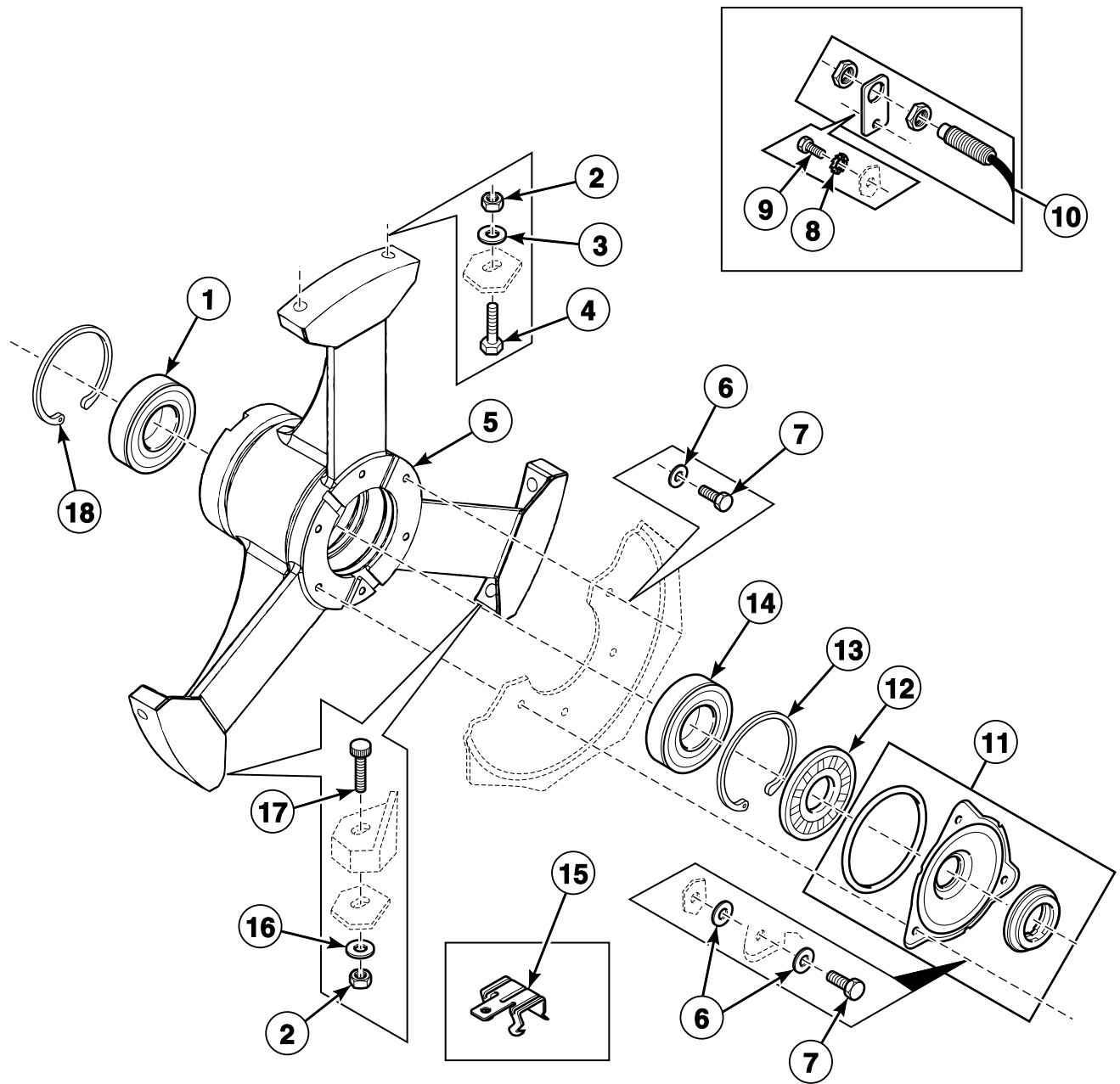


CFD340P_D0050

Bearing Assembly - Models Starting 2/22/10 Through 1/30/11

REF	PART NO.	DESCRIPTION	COMMENTS
	382P3	Bearing Replacement Tool Kit	
	KBRGWE234	Bearing Replacement Kit	Includes items 1, 6, 7, 13-15, 219/00004/00 Counter Ring, 223/00242/40 Tub Front Panel Gasket, F8382001P Deflector Inlet, and F8388601P Deflector Inlet
1	F100134	Bearing	
2	204/00112/00	Nut	
3	201/00012/00	Washer	
4	206/00187/00	Screw	
5	150/10118/00	Bearing Housing	Includes items 1 and 14
6	201/00201/00	Washer	
7	205/00102/00	Bolt	
8	203/00004/00	Washer	
9	205/00104/00	Bolt	
10	210/00213/00	Speed Detector	Cygnus models
	210/00074/00	Speed Detector	All other models
11	217/00002/00	O-Ring	Used with 136/00021/00 Drum or B12326901 Drum
12	219/00003/00	Shaft Seal	Used with 136/00021/00 Drum or B12326901 Drum
13	119/00001/01	Seal Holder Assembly	Used with 136/00021/00 Drum or B12326901 Drum
14	212/00004/00	Ball Bearing	
15	212/00006/00	Retainer Ring	
16	219/00001/00	Seal Cover	Used with 136/00021/00 Drum or B12326901 Drum
17	224/00051/00	Caddy Bracket	4H58-4
	224/00052/00	Caddy Bracket	4H912
18	206/00055/00	Screw	
19	201/00013/00	Washer	
20	212/00037/00	Retainer Ring	

Bearing Assembly - Models Starting 1/31/11

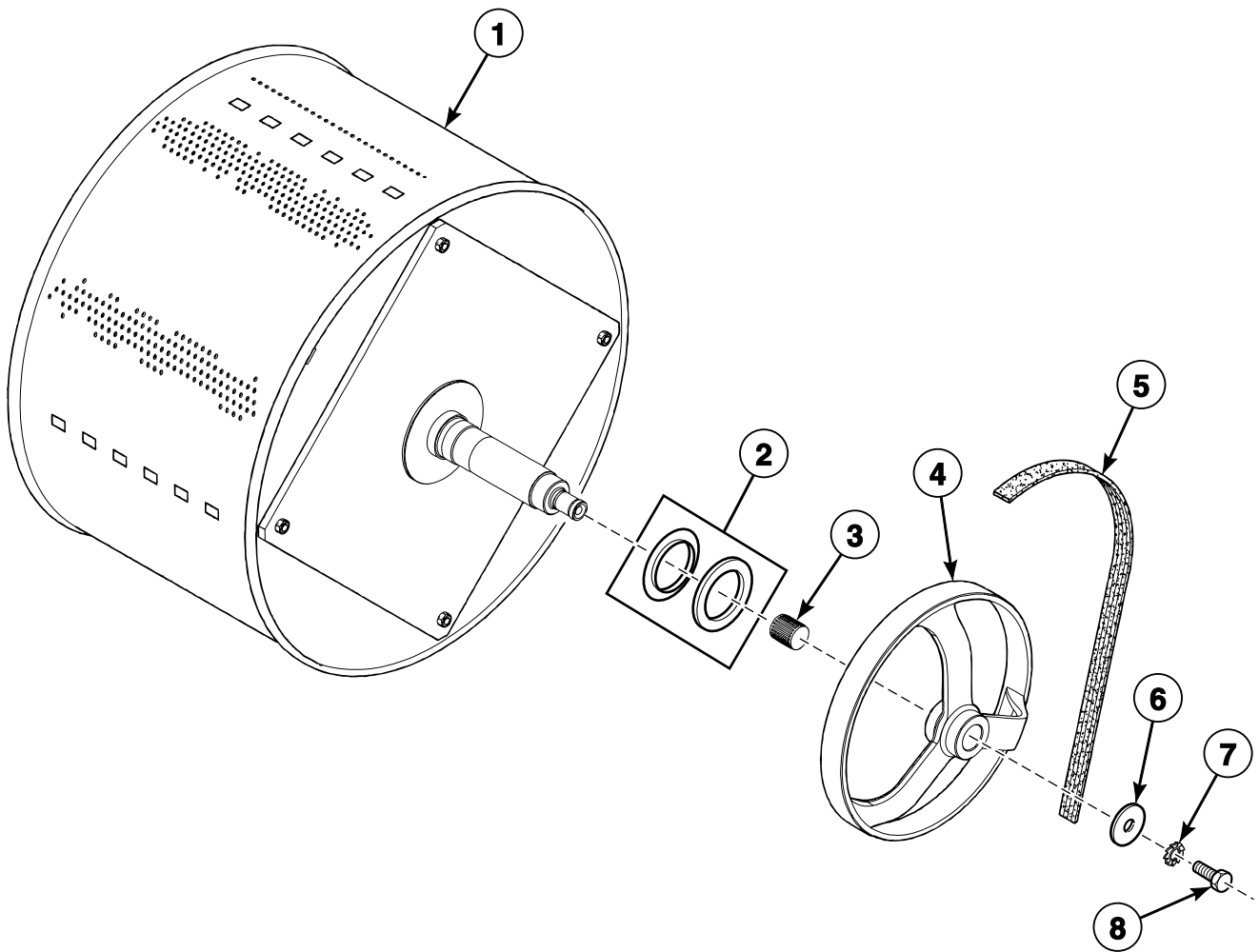


CFD649P_D0050

Bearing Assembly - Models Starting 1/31/11

REF	PART NO.	DESCRIPTION	COMMENTS
	382P3	Bearing Replacement Tool Kit	
	3883P	Bearing Kit	Includes items 1, 6, 7, 11-14 219/00004/00 Counter Ring and 223/00242/40 Tub Front Panel Gasket
1	F100134	Bearing	
2	204/00112/00	Nut	
3	201/00012/00	Washer	
4	206/00187/00	Screw	
5	150/10118/00	Bearing Housing	Includes items 1 and 14
6	201/00201/00	Washer	
7	205/00102/00	Bolt	
8	203/00004/00	Washer	
9	205/00104/00	Bolt	
10	210/00213/00	Speed Detector	Cygnus models
	210/00074/00	Speed Detector	All other models
11	B12333701	Seal Plate Assembly	Used with B12380301, B12380401, B12380701 or B12380801 Drums
12	B12332301	Lip Seal	
13	212/00004/00	Ball Bearing	
14	212/00006/00	Retainer Ring	
15	224/00051/00	Caddy Bracket	4H58-4
	224/00052/00	Caddy Bracket	4H912
16	206/00055/00	Screw	
17	201/00013/00	Washer	
18	212/00037/00	Retainer Ring	

Basket, Pulley and Belt

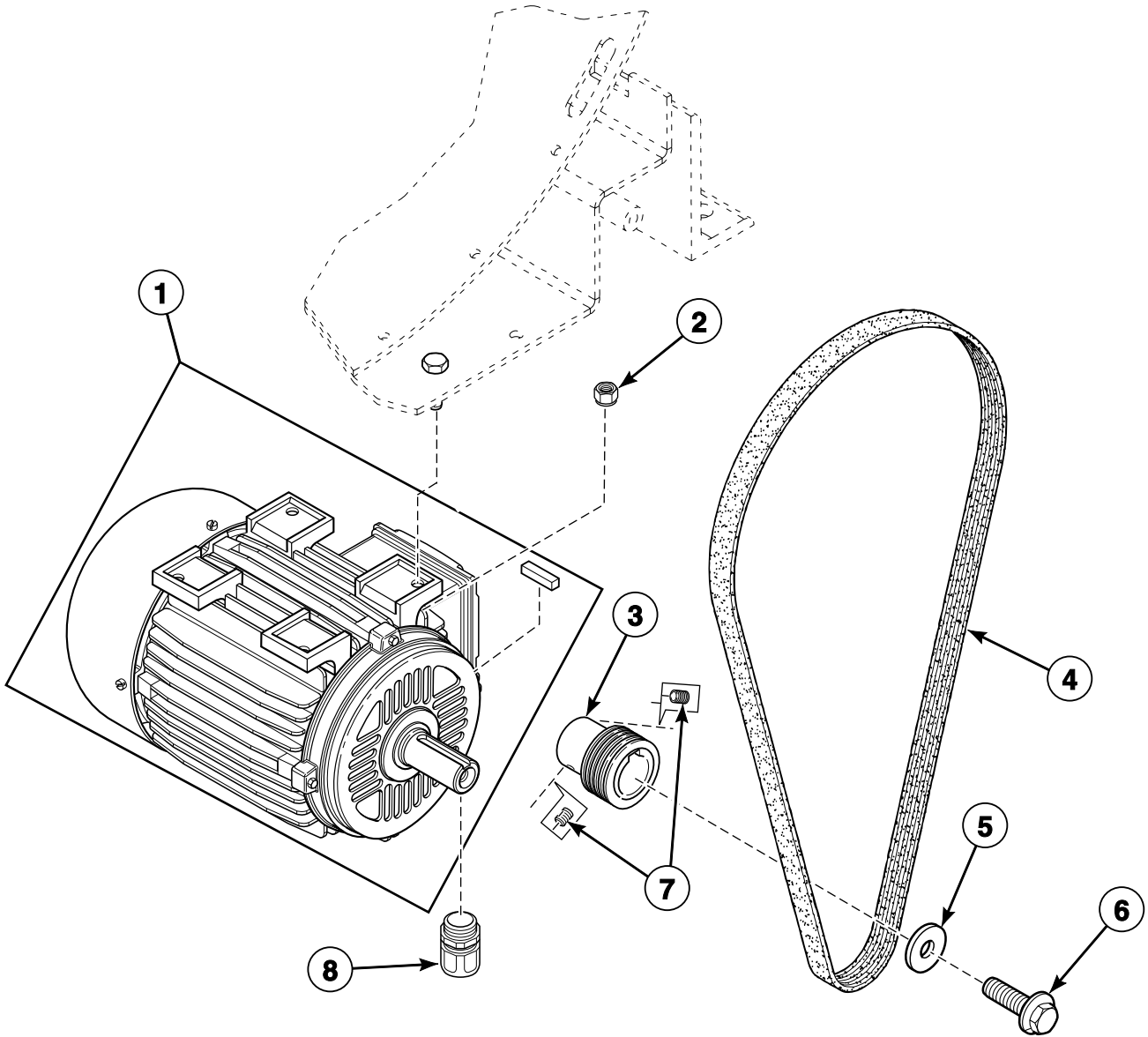


BE000645P_D0050

Basket, Pulley and Belt

REF	PART NO.	DESCRIPTION	COMMENTS
1	136/00021/00	Drum	*33 and *150 models; Models through 1/30/11; Used with 119/00001/01 Seal Holder Assembly
	B12545901	Basket Kit	*33 and *150 models; Models through 1/30/11; Includes B12380301 Drum and 3883P Bearing Kit
	B12380301	Drum	*33 and *150 models; Models starting 1/31/11; 3 mm; Used with B12333701 Shaft Holder Assembly
	B12380401	Drum	*33 and *150 models; Models starting 1/31/11; 9 mm; Used with B12333701 Shaft Holder Assembly
	B12326901	Drum	*40, *45 and *185 models; Models through 1/30/11; Used with 119/00001/01 Seal Holder Assembly
	B12543101	Basket Kit	*40, *45 and *185 models; Models through 1/30/11; Includes B12380701 Drum and 3883P Bearing Kit
	B12380701	Drum	*40, *45 and *185 models; Models starting 1/31/11; 3 mm; Used with B12333701 Shaft Holder Assembly
	B12380801	Drum	*40, *45 and *185 models; Models starting 1/31/11; 9 mm; Used with B12333701 Shaft Holder Assembly
2	219/00004/00	Counter Ring	
3	215/00004/00	Tolerance Ring	
4	255/00117/00	Pulley	
5	226/00124/00	Belt	
6	201/00015/00	Washer	
7	203/00002/00	Washer	
8	206/00005/00	Bolt	

Motor and Belt

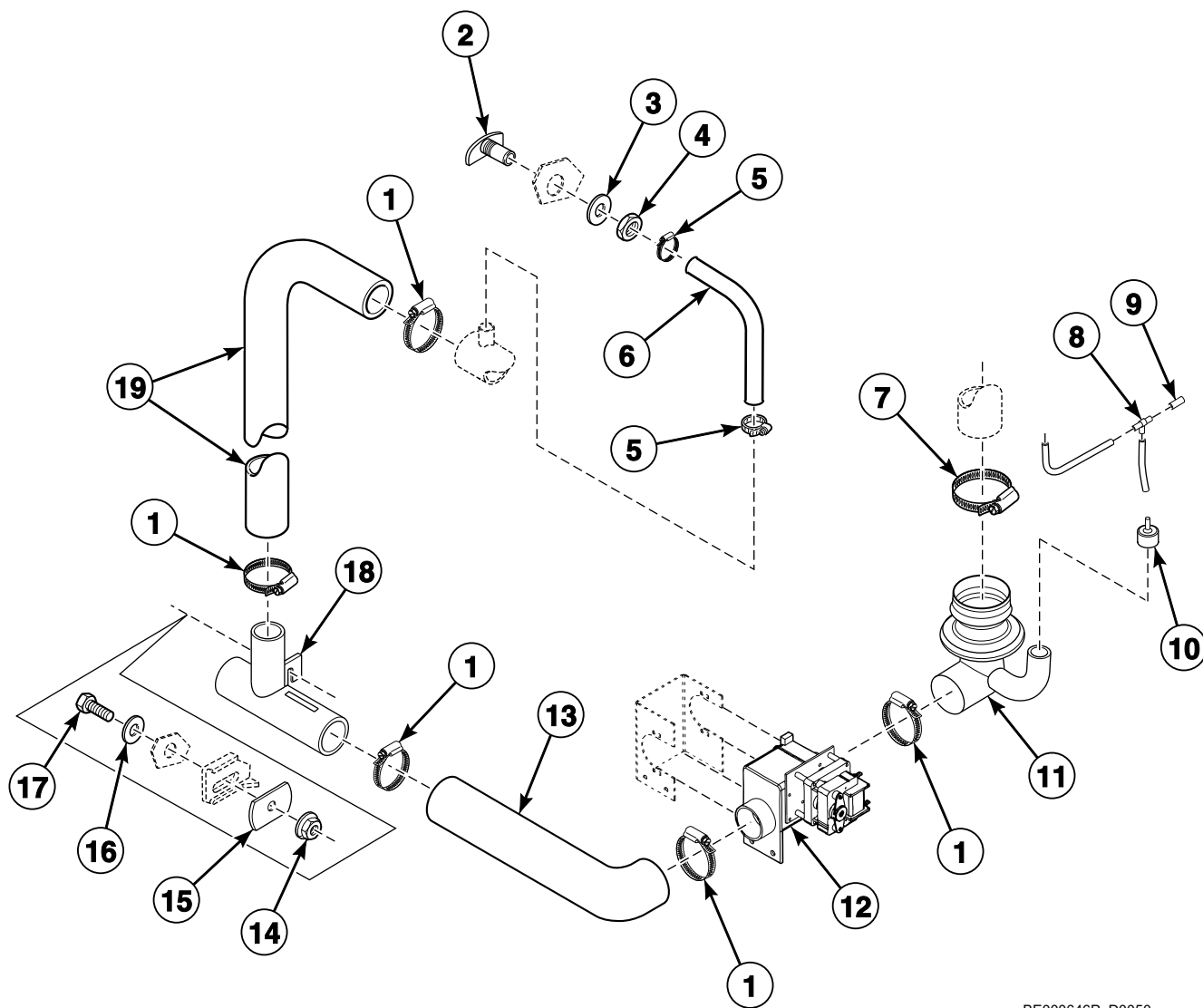


BE000643P_D0050

Motor and Belt

REF	PART NO.	DESCRIPTION	COMMENTS
1	B12510701	Motor	
2	204/00110/00	Nut	
3	185/00086/00	Pulley	
4	226/00124/00	Belt	
5	201/00004/00	Washer	
6	206/00006/00	Bolt	
7	206/00056/00	Screw	
8	271/35945/00	Nut	

Drain Assembly - Models Through 3/30/10

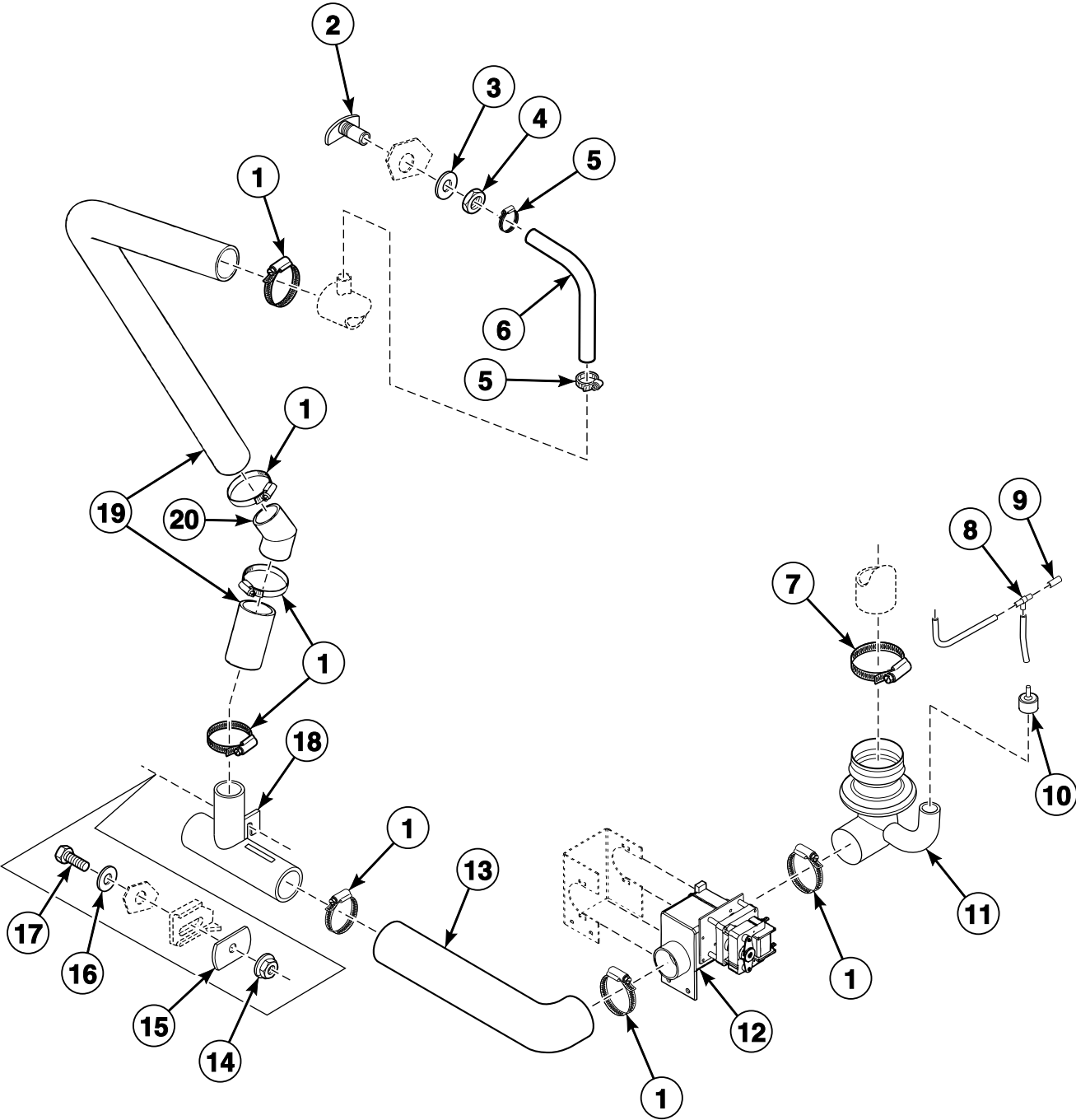


BE000646P_D0050

Drain Assembly - Models Through 3/30/10

REF	PART NO.	DESCRIPTION	COMMENTS
1	223/00013/00	Hose Clamp	
2	223/00001/00	Soap Box	
3	201/00002/00	Washer	
4	204/00201/00	Nut	
5	223/00010/00	Hose Clamp	
6	223/00044/00	Water Hose	Sold per meter
7	223/00014/00	Hose Clamp	
8	223/00173/10	Pressure Switch Hose Tee	
9	B12700018	Pressure Hose	Sold per meter
10	223/00035/02	Pressure Switch Cap	
11	255/00010/00	Tub to Drain Valve Hose	
12	209/00463/00	Drain Valve	
13	223/00309/00	Drain Hose	
14	206/00101/00	Nut	
15	101/00007/00	Outlet Pipe Plate Assembly	
16	201/00007/00	Washer	
17	206/00033/00	Bolt	
18	223/00146/00	Drain Piece	
19	223/00150/00	Overflow Hose	

Drain Assembly - Models Starting 3/31/10

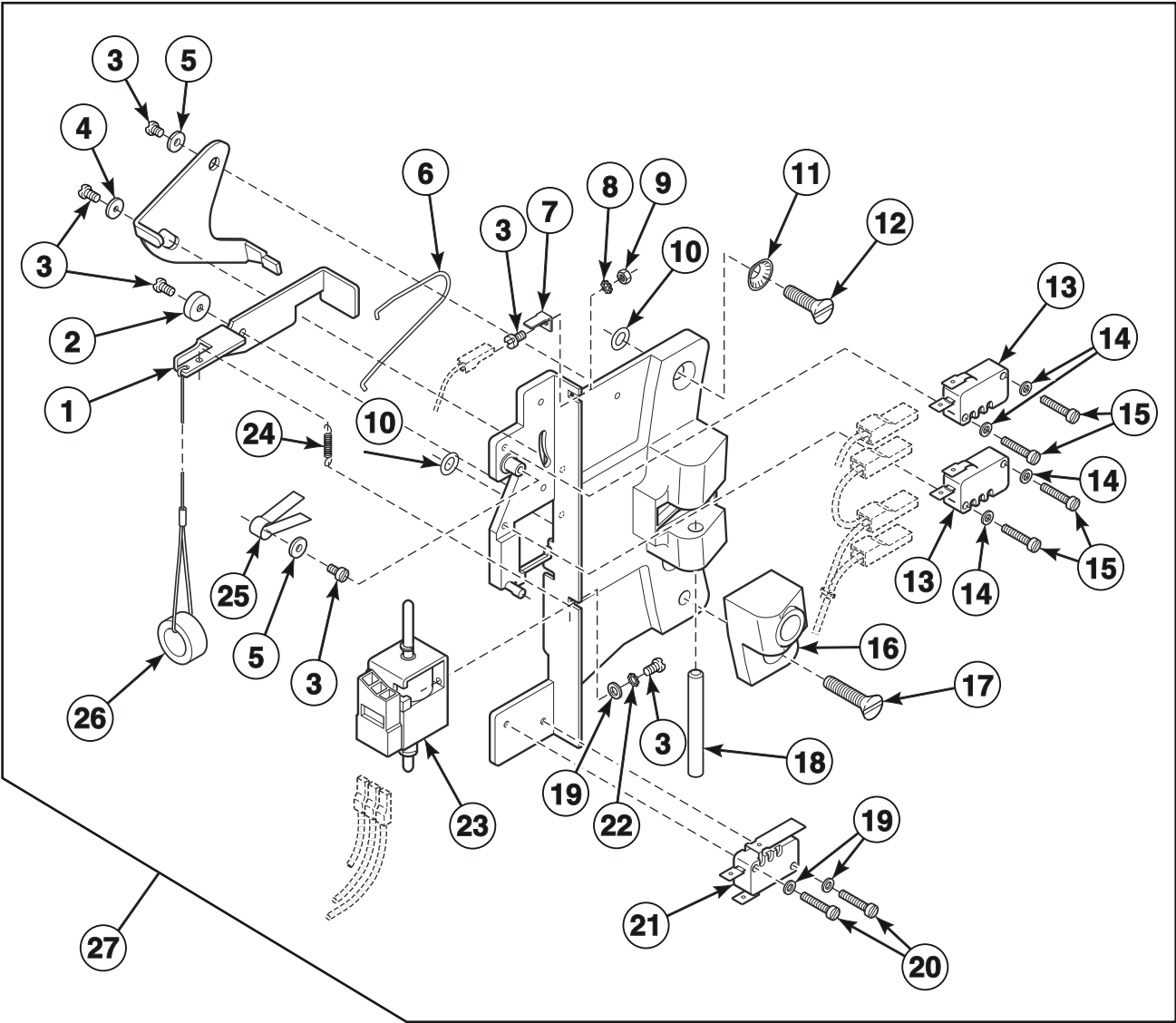


CFD339P_D0050

Drain Assembly - Models Starting 3/31/10

REF	PART NO.	DESCRIPTION	COMMENTS
1	223/00013/00	Hose Clamp	
2	223/00001/00	Soap Box	
3	201/00002/00	Washer	
4	204/00201/00	Nut	
5	223/00010/00	Hose Clamp	
6	223/00044/00	Water Hose	Sold per meter
7	223/00014/00	Hose Clamp	
8	223/00173/10	Pressure Switch Hose Tee	
9	B12700018	Pressure Hose	Sold per meter
10	223/00035/02	Pressure Switch Cap	
11	255/00010/00	Tub to Drain Valve Hose	
12	209/00463/00	Drain Valve	
13	223/00309/00	Drain Hose	
14	206/00101/00	Nut	
15	101/00007/00	Outlet Pipe Plate Assembly	
16	201/00007/00	Washer	
17	206/00033/00	Bolt	
18	223/00146/00	Drain Piece	
19	223/00150/00	Overflow Hose	
20	223/00419/00	Elbow	

Door Lock

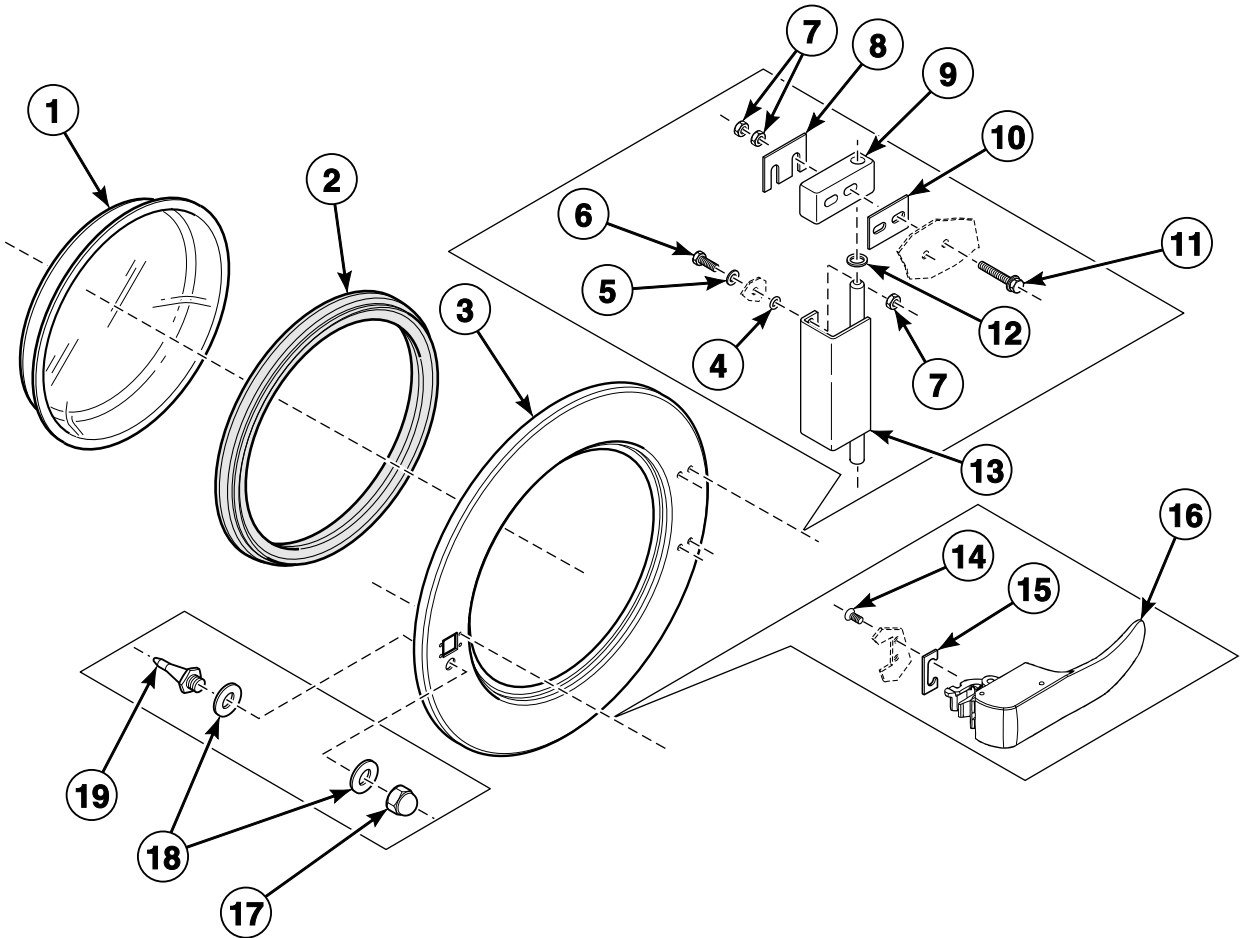


CFD128P_D0050

Door Lock

REF	PART NO.	DESCRIPTION	COMMENTS
1	217/00052/04	Interlock Lever	
2	217/00052/03	Door Lock Spacer	
3	207/00135/00	Screw	
4	202/00124/00	Washer	
5	201/00017/00	Washer	
6	224/00040/00	Lever Spring	
7	210/10015/00	Ground Terminal	
8	203/00007/00	Washer	
9	204/00008/00	Nut	
10	217/00021/00	O-Ring	
11	203/00010/00	Washer	
12	207/00112/00	Screw	
13	209/00272/00	Door Lock Microswitch	
14	201/00018/00	Washer	
15	207/00009/00	Screw	
16	217/00052/11	Door Lock Bracket	
17	207/00102/00	Screw	
18	217/00017/03	Lock Shaft	
19	201/00018/00	Washer	
20	207/00009/00	Screw	
21	B12625101	Microswitch	
22	203/00007/00	Washer	
23	B12495102	Door Solenoid Assembly	
24	224/00043/00	Interlock Coil Spring	
25	224/00049/00	Door Lock Spring	
26	217/00052/07	Door Release Wire	
27	B12517701	Door Lock Assembly	

Door

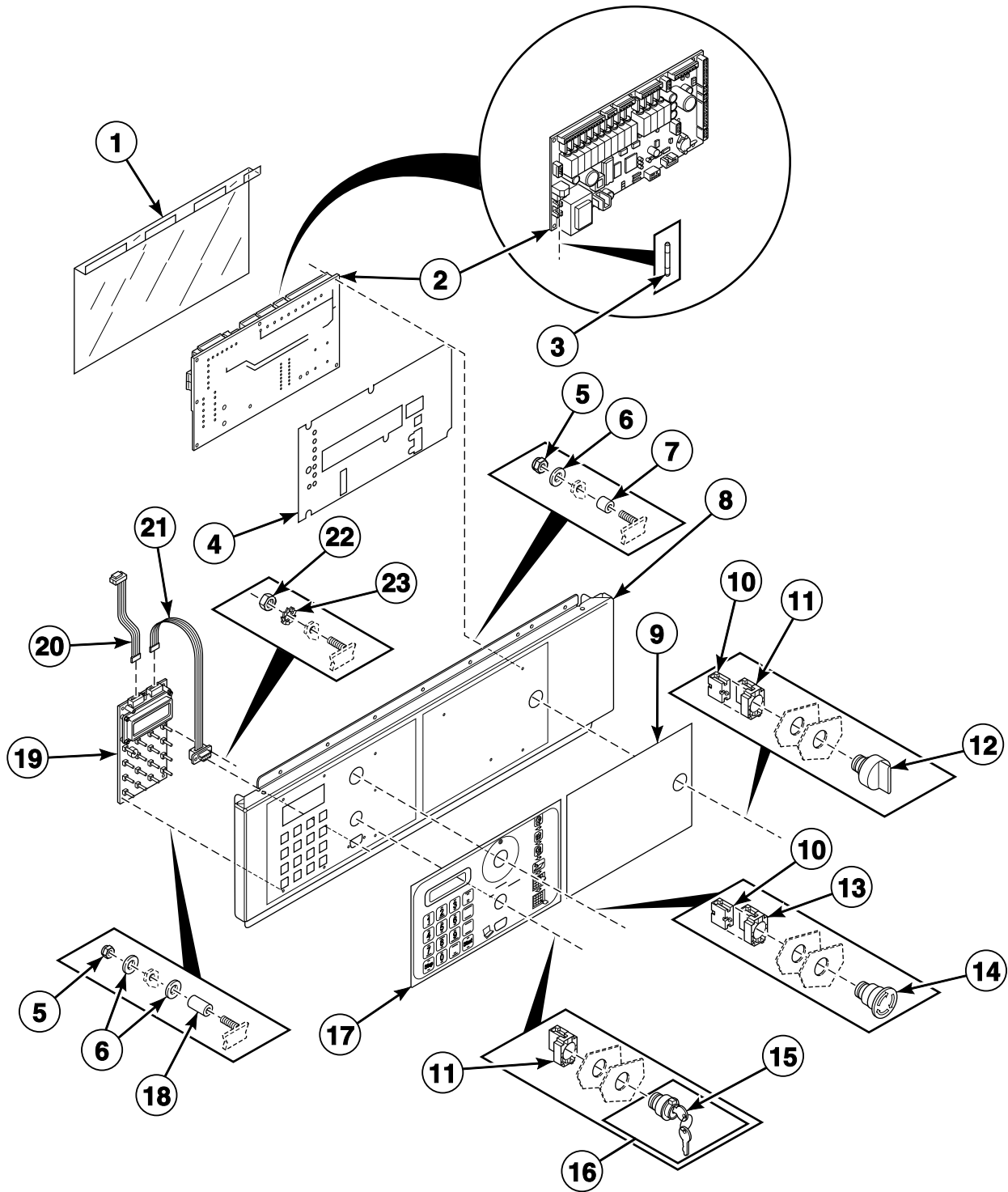


BE000190CP_D0050

Door

REF	PART NO.	DESCRIPTION	COMMENTS
1	B12449801	Door Glass	
2	223/00068/00	Door Glass Seal	
3	118/00125/00	Door	
4	217/00021/00	O-Ring	
5	202/00101/00	Washer	
6	205/00104/00	Bolt	
7	204/00106/00	Nut	
8	111/00003/00	Door Hinge Plate Assembly	
9	253/00022/00	Door Hinge Block	
10	118/00124/00	Door Hinge Spacer	2 mm
11	207/00126/00	Screw	
12	202/00104/00	Washer	
13	221/00004/00	Hinge	
14	B12500801	Screw	
15	217/00016/00	Door Handle Stop	
16	217/00059/00	Door Handle	
17	204/00103/00	Nut	
18	202/00111/00	Washer	
19	211/00109/02	Door Lock Pin Kit	

Control Panel - SX Models

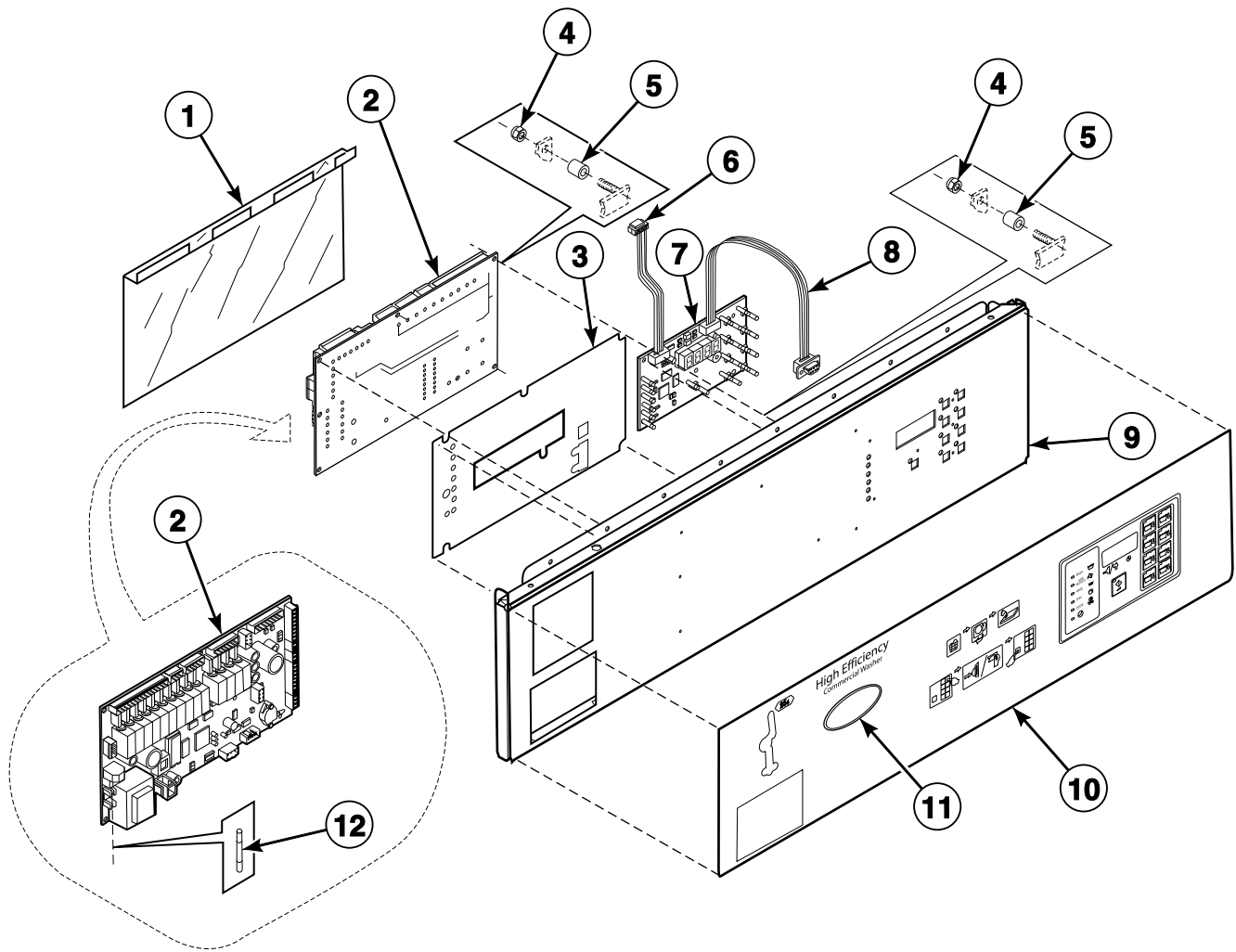


CFD188P_D0050

Control Panel - SX Models

REF	PART NO.	DESCRIPTION	COMMENTS
1	229/00289/00	Circuit Board Cover	
2	209/00580/00-00	Main Control	Models with 3 compartment supply dispenser
	B12565801	Main Control	Models with 4 compartment supply dispenser
3	209/00372/01	Fuse	
4	229/00255/00	Insulating Sticker	
5	204/00116/00	Nut	
6	223/00123/00	Washer	
7	211/00107/00	Spacer	
8	111/00181/04	Control Panel	
9	225/00392/00	Overlay	
10	44018901	Contact Block	
11	209/00099/25	Switch Base	
12	209/00099/29	Switch Knob	Steam and electric heat
13	44018701	Contact Block	
14	44018801	Pushbutton	
15	209/00326/21	Programming Key	
16	209/00326/20	Programming Key Contact Switch	Includes item 15
17	F9001561	Overlay	Control
18	211/00140/00	Spacer	
19	209/00580/03	Display	
20	B12388302	Ribbon Assembly	
21	B12388303	Programming Cable	
22	204/00008/00	Nut	
23	203/00007/00	Washer	

Control Panel - UX Models



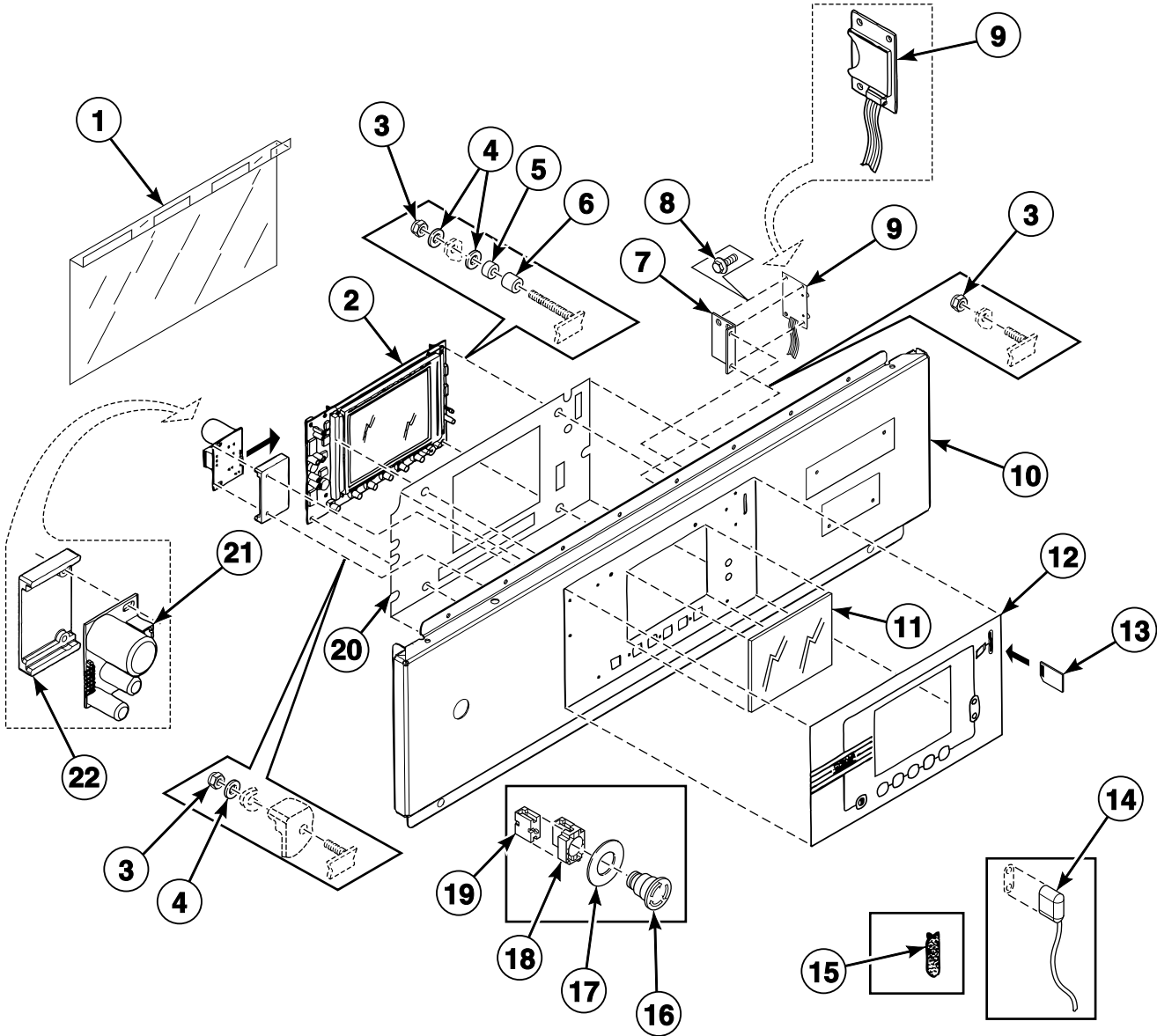
CFD166P_D0050

Control Panel - UX Models

REF	PART NO.	DESCRIPTION	COMMENTS
1	229/00283/00	Graphic Overlay	
2	209/00580/00-00	Main Control	Models with 3 compartment supply dispenser
	B12565801	Main Control	Models with 4 compartment supply dispenser
3	229/00255/00	Insulating Sticker	
4	204/00116/00	Nut	
5	211/00107/00	Spacer	
6	B12388302	Ribbon Assembly	Program switch
7	209/00580/02	Computer Board	
8	B12388303	Programming Cable	
9	N/A	Control Panel	
10	225/00424/00	Control Panel Decal	Icon
	225/00425/00	Control Panel Decal	English
11	800921	Domed Label	Blue text
	800922	Domed Label	Yellow text
	800923	Domed Label	Red text
12	209/00372/01	Fuse	

N/A = Part no longer available

Control Panel - Cygnus Professional OPL Models

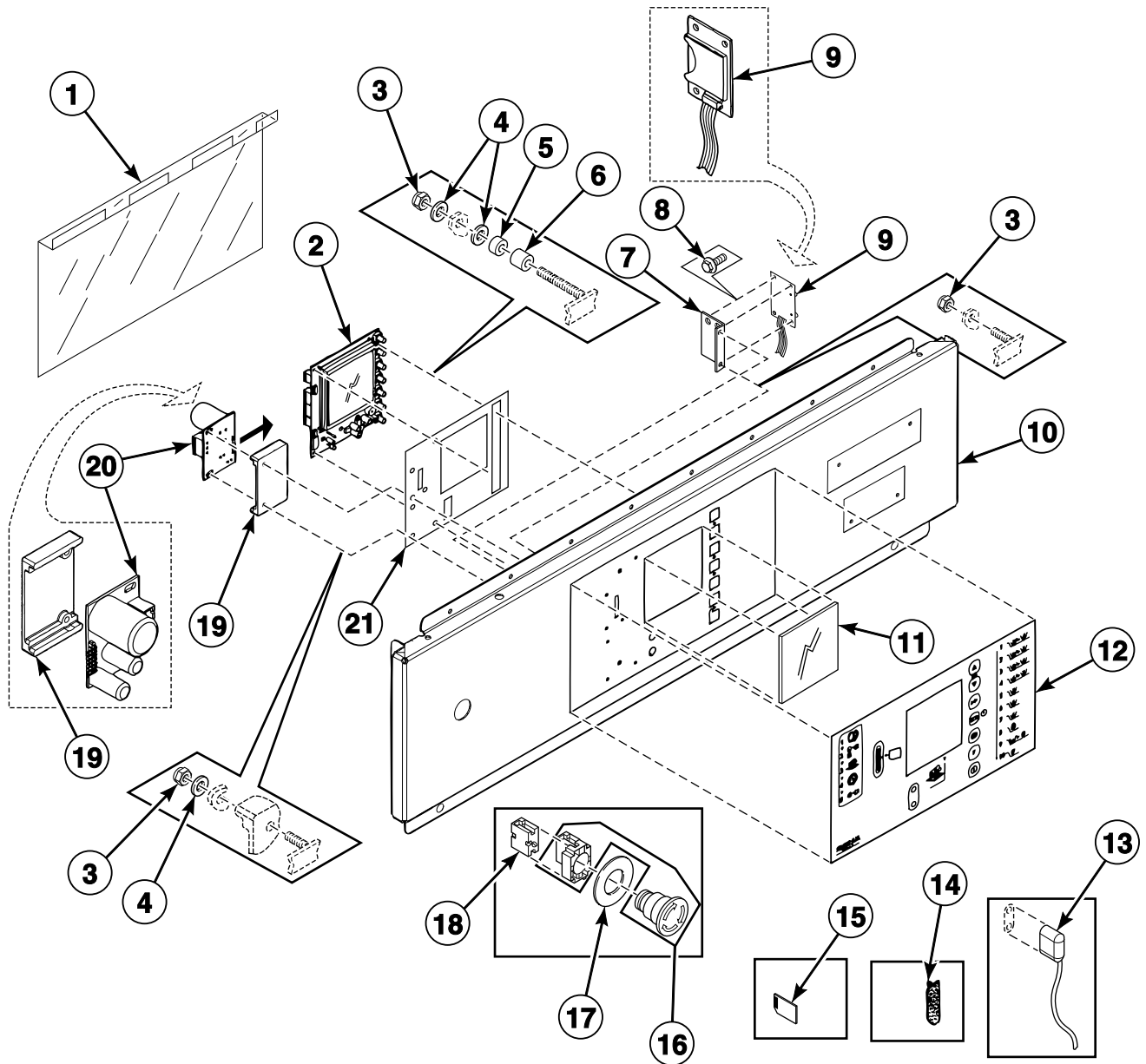


BE000885P_D0050

Control Panel - Cygnus Professional OPL Models

REF	PART NO.	DESCRIPTION	COMMENTS
1	229/00289/00	Circuit Board Cover	
2	209/02002/00	Display PC-Board	
3	204/00116/00	Nut	
4	223/00123/00	Washer	
5	211/00128/00	Printboard Separator	
6	211/00122/00	Standoff	
7	111/01893/00	Printboard Support Card	
8	211/00145/00	Standoff	
9	B12305201	Memory Card PC-Board	Models prior to 4/5/11 require a firmware upgrade
	B12538301	Data Card Ribbon Assembly	
10	150/01812/00	Upper Front Panel	
11	225/00321/00	Plexi Frame	
12	225/10313/00	Operating Sticker	
	225/10426/00	Operating Sticker	
13	209/02022/00	Datacard	
14	210/00902/00	Infrared Cable	
15	223/00348/00	Datacard Cover	
16	209/00099/20	Emergency Switch Pushbutton	
17	209/00520/00	Telem Sticker	
18	44018901	Contact Block	
19	229/00268/00	Insulating Sticker	
20	209/02010/00	Door Lock PC-Board	
21	223/00374/00	Mounting Plate	

Control Panel - Cygnus Premium OPL Models

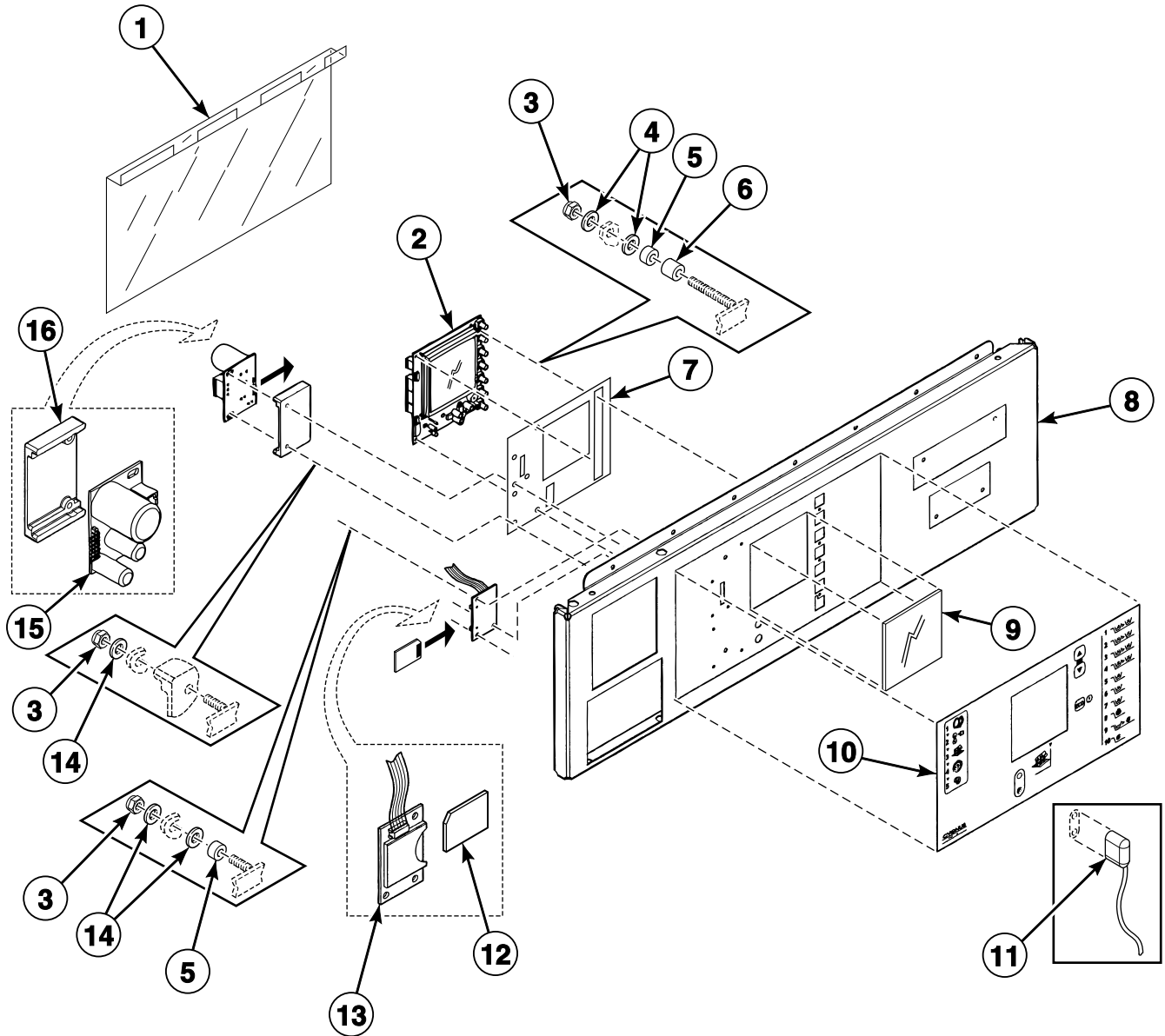


BE000886P_D0050

Control Panel - Cygnus Premium OPL Models

REF	PART NO.	DESCRIPTION	COMMENTS
1	229/00289/00	Circuit Board Cover	
2	209/02015/02	Printboard	Cygnus premium
3	204/00116/00	Nut	
4	223/00123/00	Washer	
5	211/00128/00	Printboard Separator	
6	211/00122/00	Standoff	
7	111/01893/00	Printboard Support Card	
8	211/00145/00	Standoff	
9	B12305201	Memory Card PC-Board	Models prior to 4/5/11 require a firmware upgrade
	B12538301	Data Card Ribbon Assembly	
10	111/01910/00	Upper Front Panel	
11	225/00323/00	Plexi Frame	
12	225/10404/00	Operating Sticker	Cygnus premium OPL with dataflash memory card
	225/10405/00	Operating Sticker	Cygnus premium central panel and start
	225/10427/00	Operating Sticker	Cygnus premium OPL with dataflash memory card inside
13	210/00902/00	Infrared Cable	
14	223/00348/00	Datacard Cover	
15	209/02022/00	Datacard	
16	209/00099/20	Emergency Switch Pushbutton	
17	209/00520/00	Telem Sticker	
18	44018901	Contact Block	
19	223/00374/00	Mounting Plate	
20	209/02010/00	Door Lock PC-Board	
21	229/00291/00	Insulating Sticker	

Control Panel - Cygnus Premium Coin Models

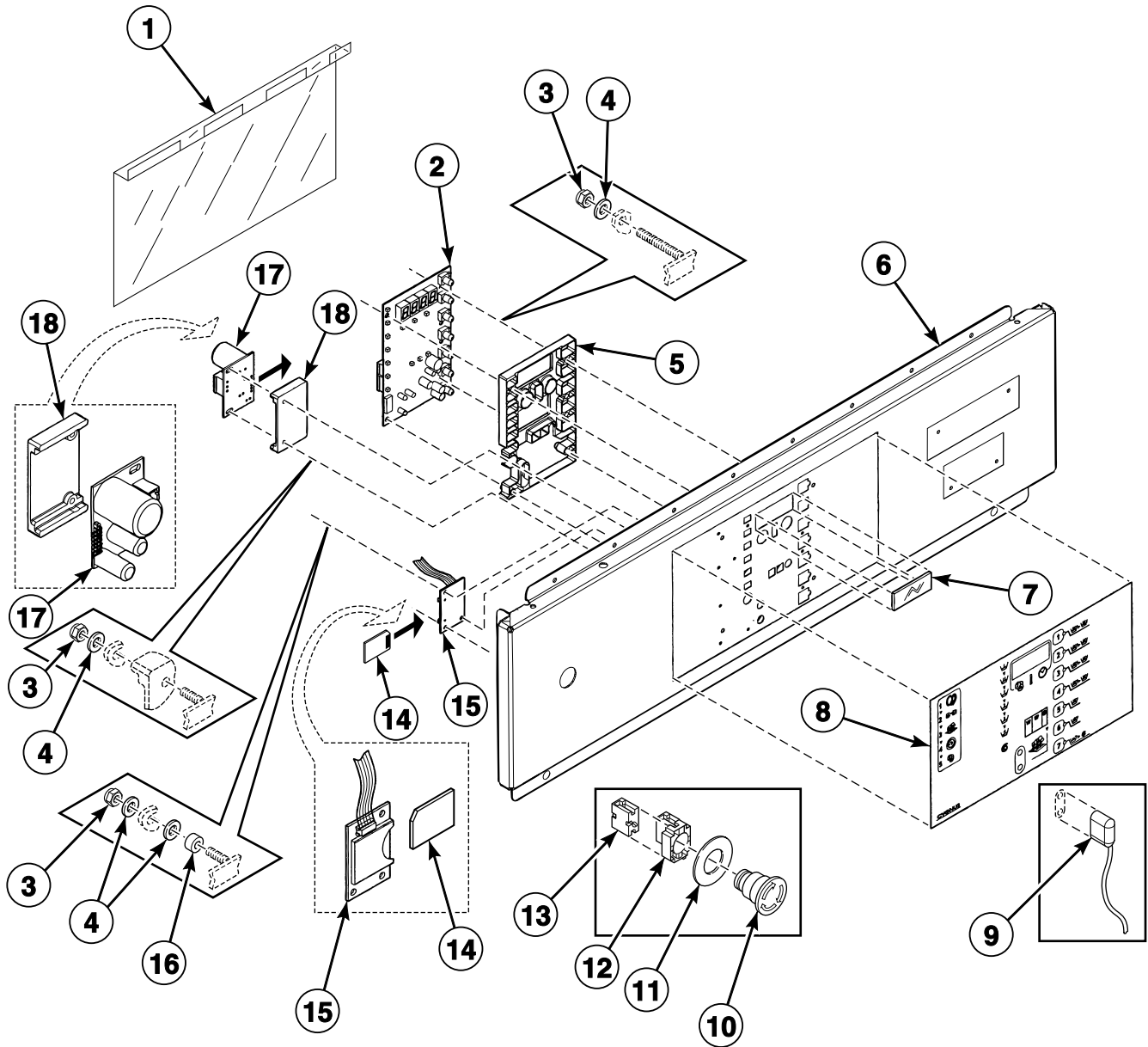


BE000872AP_D0050

Control Panel - Cygnus Premium Coin Models

REF	PART NO.	DESCRIPTION	COMMENTS
1	229/00289/00	Circuit Board Cover	
2	209/02015/02	Printboard	Cygnus premium
3	204/00116/00	Nut	
4	223/00123/00	Washer	
5	211/00128/00	Printboard Separator	
6	211/00122/00	Standoff	
7	229/00291/00	Insulating Sticker	
8	111/01911/00	Upper Front Panel	
9	225/00323/00	Plexi Frame	
10	225/10403/00	Operating Sticker	
11	210/00901/00	Optic Cable	
12	209/02022/00	Datacard	
13	B12305201	Memory Card PC-Board	Models prior to 4/5/11 require a firmware upgrade
	B12538301	Data Card Ribbon Assembly	
14	209/02010/00	Door Lock PC-Board	
15	223/00374/00	Mounting Plate	

Control Panel - Cygnus Standard/Commercial OPL Models

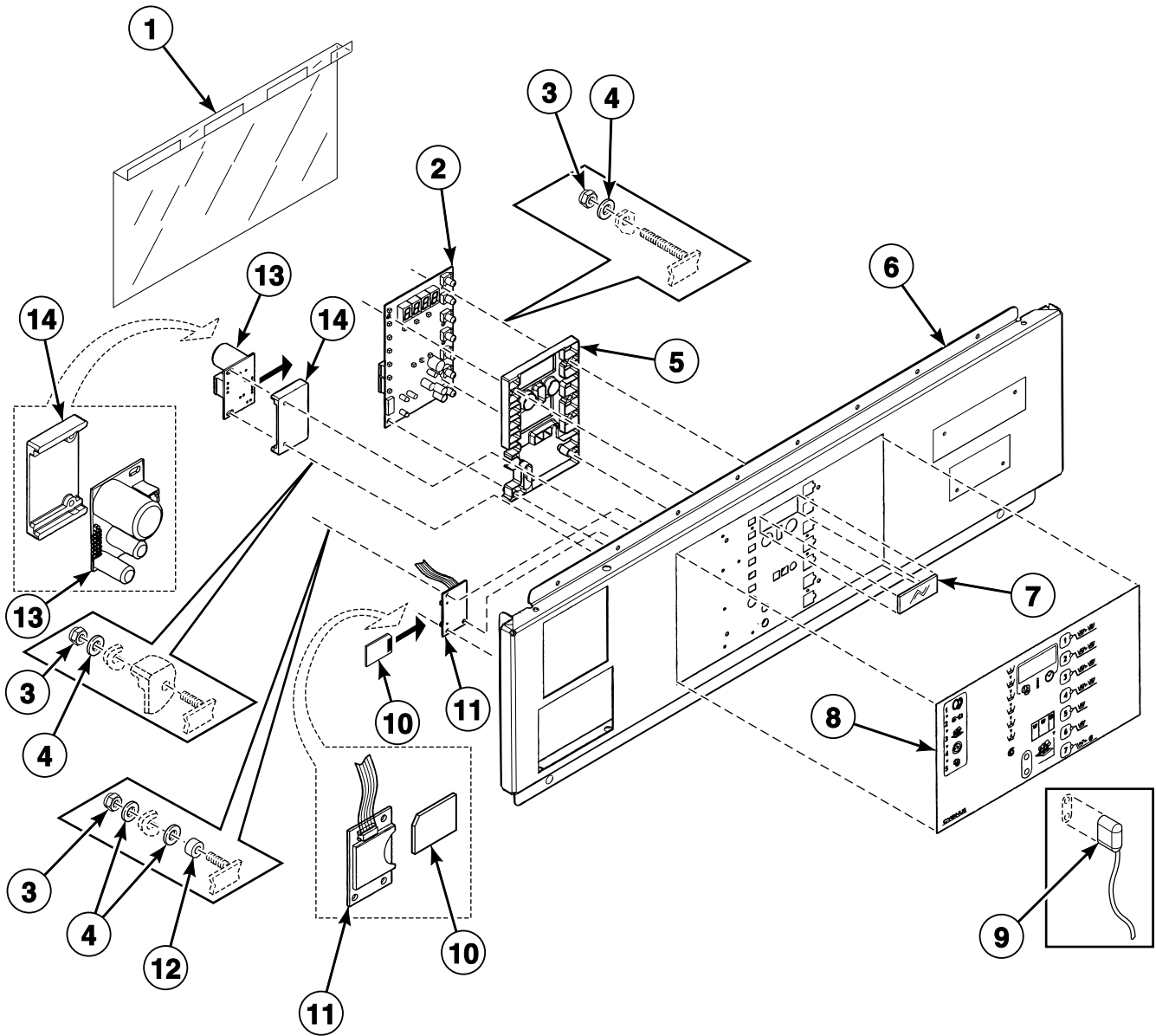


BE000888P_D0050

Control Panel - Cygnus Standard/Commercial OPL Models

REF	PART NO.	DESCRIPTION	COMMENTS
1	229/00289/00	Circuit Board Cover	
2	209/02001/02	Printboard	
3	204/00116/00	Nut	
4	223/00123/00	Washer	
5	223/00330/00	Protection LED	
6	111/01908/00	Upper Front Panel	
7	225/00322/00	Plexi Frame	
8	225/10307/00	Operating Sticker	Models HF150_CYGNUS-STANDARD_OPL and HF185_CYGNUS-STANDARD_OPL
	225/10308/00	Operating Sticker	Models HF150_CYGNUS-COMM_OPL and HF185_CYGNUS-COMM_OPL
9	210/00901/00	Optic Cable	
10	44018801	Pushbutton	
11	209/00520/00	Telem Sticker	
12	209/00099/20	Emergency Switch Pushbutton	
13	44018901	Contact Block	
14	209/02022/00	Datacard	
15	B12305201	Memory Card PC-Board	Models prior to 4/5/11 require a firmware upgrade
	B12538301	Data Card Ribbon Assembly	
16	211/00128/00	Printboard Separator	
17	209/02010/00	Door Lock PC-Board	
18	223/00374/00	Mounting Plate	

Control Panel - Cygnus Standard/Commercial Coin Models

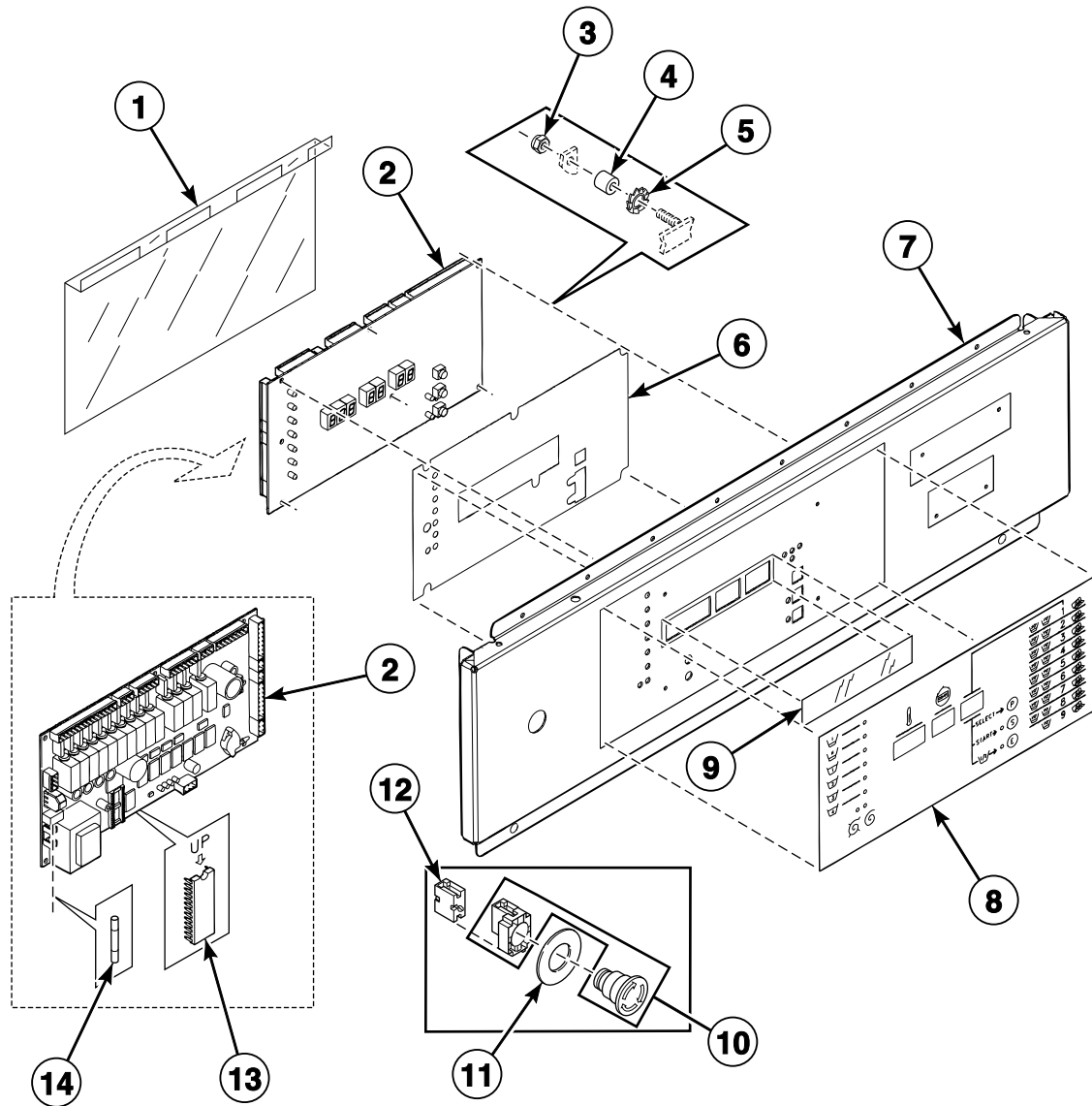


BE000889P_D0050

Control Panel - Cygnus Standard/Commercial Coin Models

REF	PART NO.	DESCRIPTION	COMMENTS
1	229/00289/00	Circuit Board Cover	
2	209/02001/02	Printboard	
3	204/00116/00	Nut	
4	223/00123/00	Washer	
5	223/00330/00	Protection LED	
6	111/01909/00	Upper Front Panel	
7	225/00322/00	Plexi Frame	
8	225/10305/00	Operating Sticker	Models HF150_CYGNUS-STANDARD_COIN and HF185_CYGNUS-STANDARD_COIN
	225/10306/00	Operating Sticker	Models HF150_CYGNUS-COMM_COIN and HF185_CYGNUS-COMM_COIN
9	210/00901/00	Optic Cable	
10	209/02022/00	Datacard	
11	B12305201	Memory Card PC-Board	Models prior to 4/5/11 require a firmware upgrade
	B12538301	Data Card Ribbon Assembly	
12	211/00128/00	Printboard Separator	
13	209/02010/00	Door Lock PC-Board	
14	223/00374/00	Mounting Plate	

Control Panel - Micro-20 OPL Models

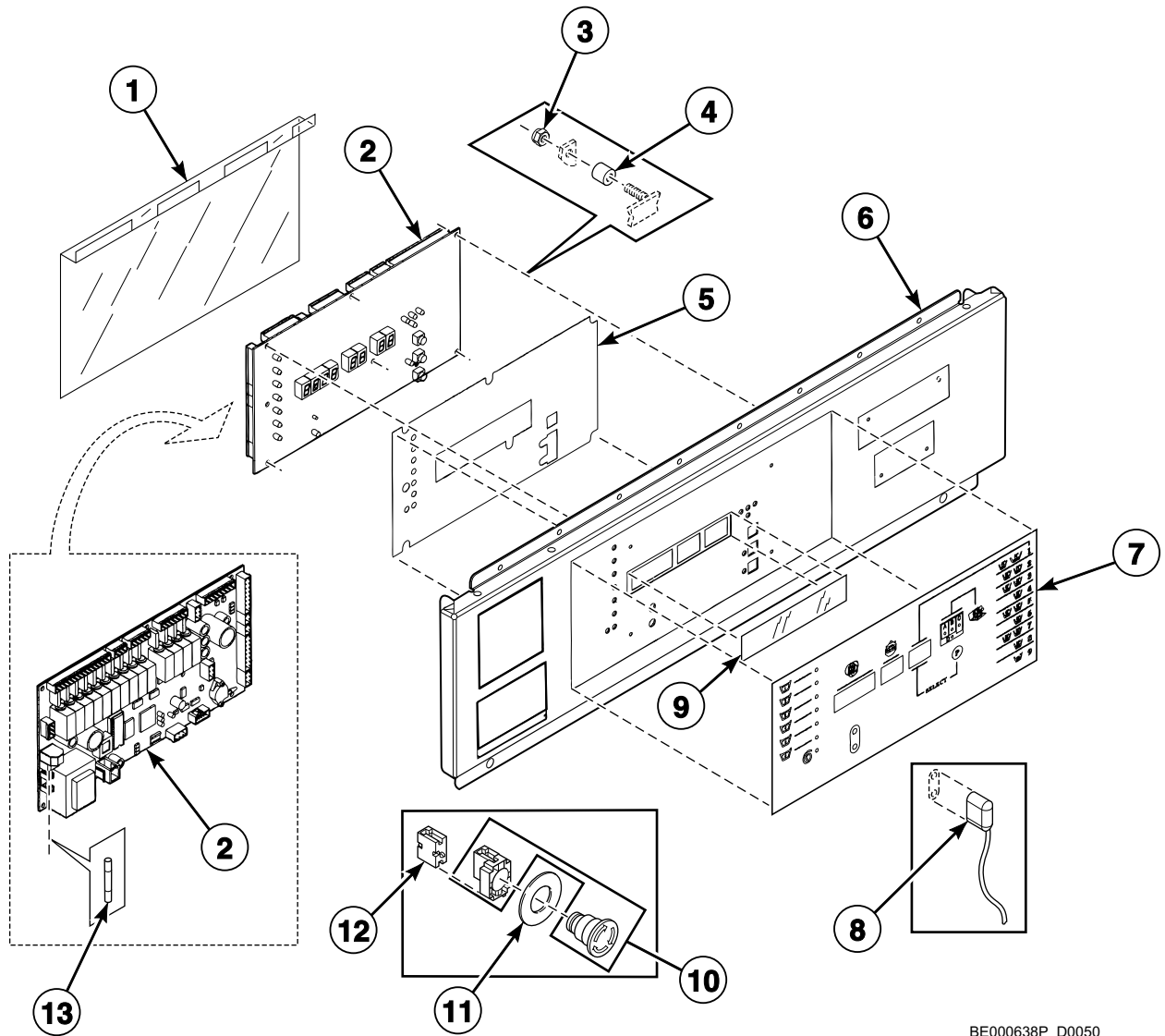


BE000635P_D0050

Control Panel - Micro-20 OPL Models

REF	PART NO.	DESCRIPTION	COMMENTS
1	229/00262/00	Circuit Board Cover	
2	209/00440/00	Printboard	230 Volt
	209/00440/70	Printboard	220 Volt
3	204/00116/00	Nut	
4	211/00122/00	Standoff	
5	203/00006/00	Washer	
6	229/00255/00	Insulating Sticker	
7	150/01816/00	Upper Front Panel	
8	225/00408/00	Operating Sticker	
	225/00407/00	Keypad Sticker	
9	225/00316/00	Plexi Frame	
10	44018801	Pushbutton	
11	209/00520/00	Telem Sticker	
12	44018901	Contact Block	
13	209/00266/01	Eprom	
14	209/00439/00	Fuse	500 mA; 250 Volt

Control Panel - Micro-20 and Sigma Coin Models

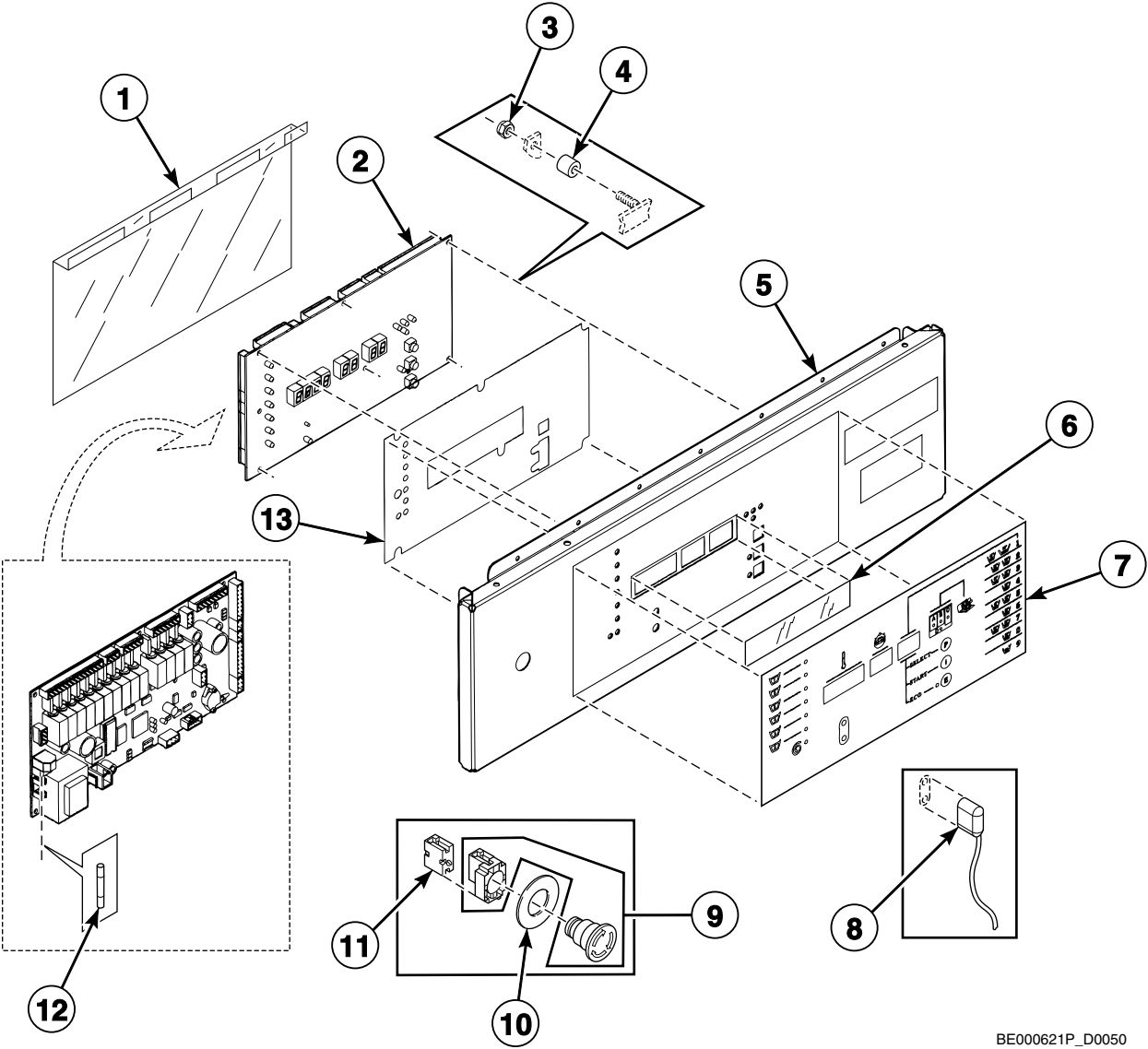


BE000638P_D0050

Control Panel - Micro-20 and Sigma Coin Models

REF	PART NO.	DESCRIPTION	COMMENTS
1	229/00262/00	Circuit Board Cover	
2	209/00547/00	Control Board	Sigma models
	209/00440/70	Printboard	Micro-20 models; 220 Volt
	209/00440/80	Printboard	Micro-20 models; 115 Volt
3	204/00116/00	Nut	
4	211/00122/00	Standoff	
5	229/00255/00	Insulating Sticker	
6	150/01811/00	Upper Front Panel	
7	225/00403/00	Decal	Sigma models
	225/00406/00	Operating Label	Micro-20 models
8	210/00902/00	Infrared Cable	
9	225/00316/00	Plexi Frame	
10	44018801	Pushbutton	
11	209/00520/00	Telem Sticker	
12	44018901	Contact Block	
13	209/00439/00	Fuse	500 mA; 250 Volt

Control Panel - Sigma OPL Models

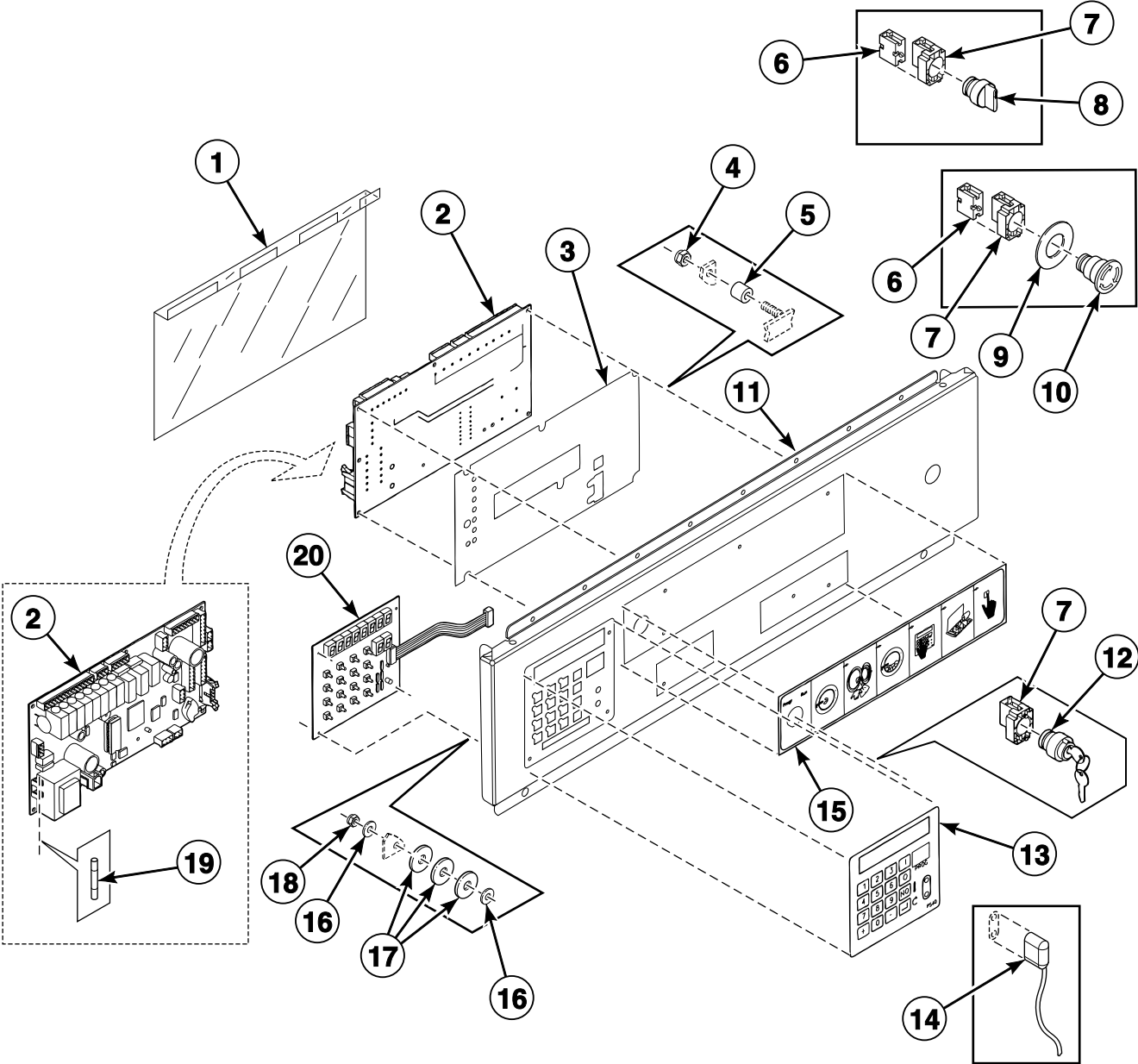


BE000621P_D0050

Control Panel - Sigma OPL Models

REF	PART NO.	DESCRIPTION	COMMENTS
1	229/00262/00	Circuit Board Cover	
2	209/00547/00	Control Board	
3	204/00116/00	Nut	
4	211/00122/00	Standoff	
5	150/01816/00	Upper Front Panel	
6	225/00316/00	Plexi Frame	
7	225/00404/00	Operating Sticker	
	225/00405/00	Operating Sticker	Central panel
8	210/00902/00	Infrared Cable	
9	44018801	Pushbutton	
10	209/00520/00	Telem Sticker	
11	44018901	Contact Block	
12	209/00439/00	Fuse	500 mA; 250 Volt
13	229/00255/00	Insulating Sticker	

Control Panel - PS40F Models

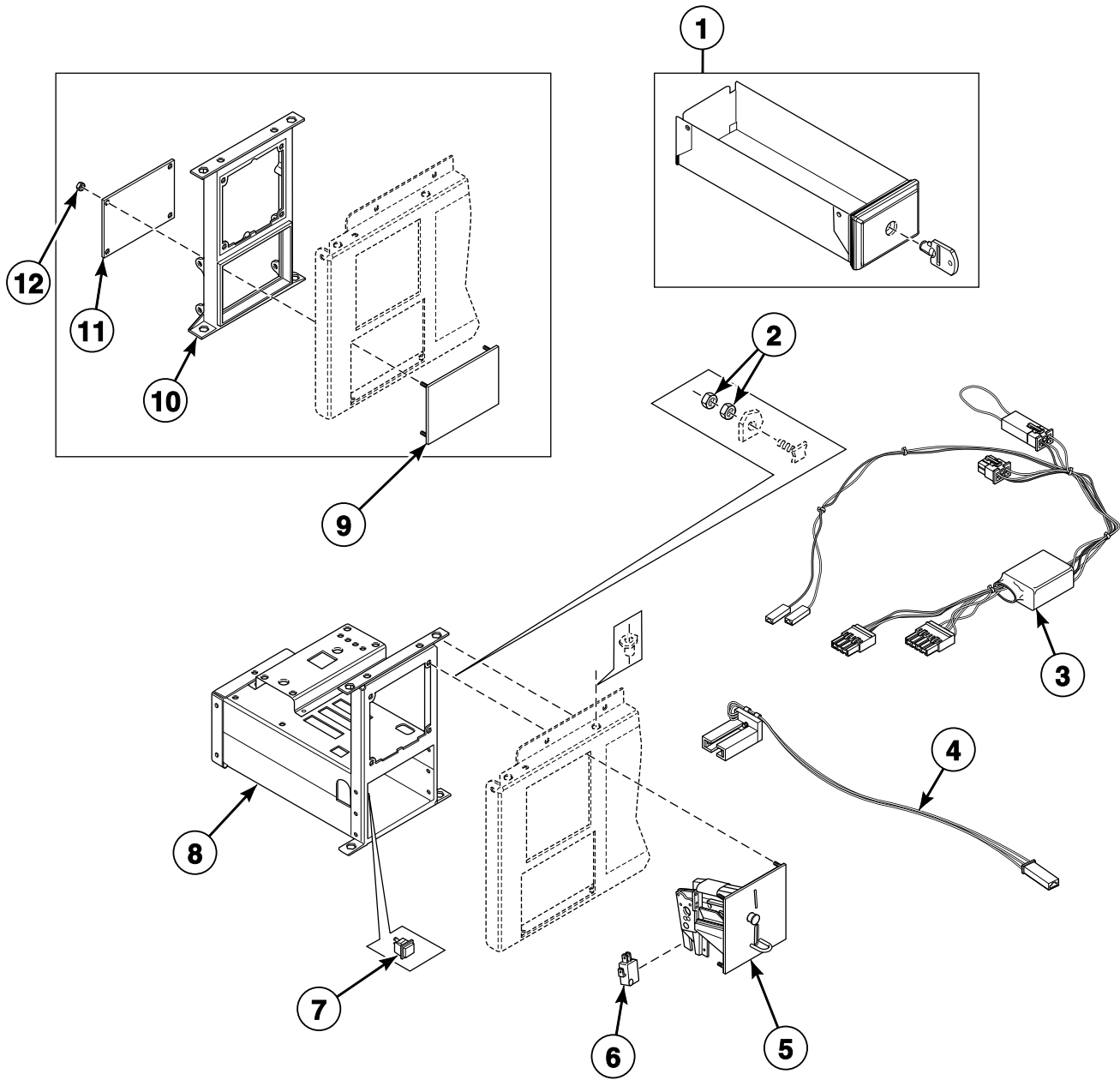


BE000636P_D0050

Control Panel - PS40F Models

REF	PART NO.	DESCRIPTION	COMMENTS
1	229/00262/00	Circuit Board Cover	
2	B12351701	Main Board	
3	229/00255/00	Insulating Sticker	
4	204/00116/00	Nut	
5	211/00122/00	Standoff	
6	44018901	Contact Block	
7	209/00099/25	Switch Base	
8	209/00099/29	Switch Knob	
9	209/00520/00	Telem Sticker	
10	44018801	Pushbutton	
11	150/01850/00	Upper Front Panel	
12	209/00326/00	Programming Switch	
13	225/00397/00	Label	
14	210/00902/00	Infrared Cable	
15	225/00400/00	Operating Sticker	
16	223/00123/00	Washer	
17	223/00051/10	Washer	
18	204/00116/00	Nut	
19	209/00372/01	Fuse	125 mA
20	209/00552/01	Keypad	

Coin Drop - Mechanical Coin Meter

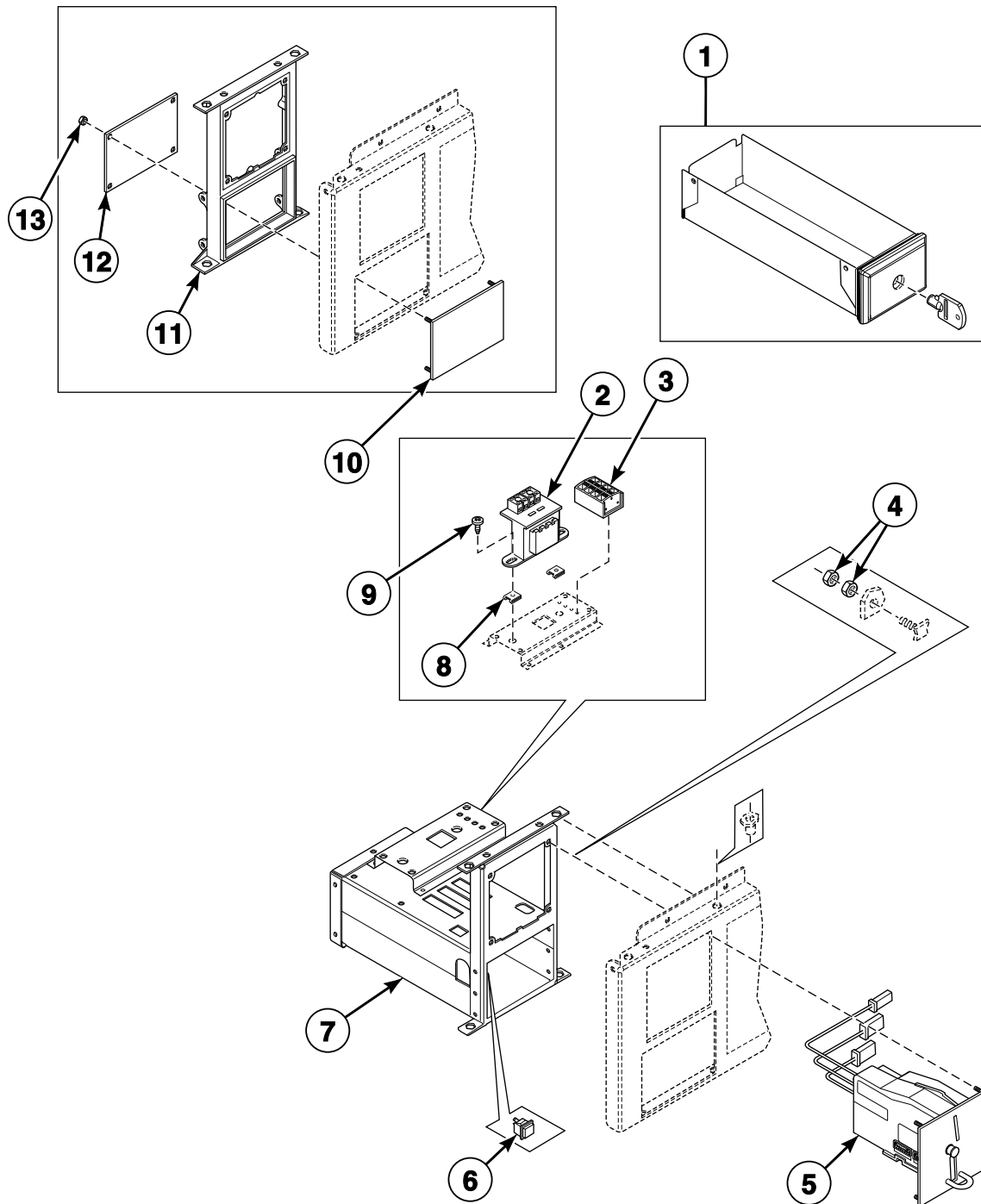


CFD512P_D0050

Coin Drop - Mechanical Coin Meter

REF	PART NO.	DESCRIPTION	COMMENTS
	B12388101	Single Drop Optical Sensor Kit	Includes items 3 and 4
	B12388102	Dual Drop Optical Sensor Kit	Includes items 3 and 4
1	254/00077/00	Coin Box	
	254/00077/02	Key	
2	204/00008/00	Nut	
3	B12359901	Wire Assembly	Micro-20 and Sigma models
4	209/00781/00	Optical Switch	Micro-20 and Sigma models
5	B12311224	Coin Drop	Mechanical; Jeton 5K
	B12311206	Coin Drop	Mechanical; Jeton 7K
	B12311201	Coin Drop	Mechanical; Jeton 10K
	B12311210	Coin Drop	Mechanical; Jeton 12K
	B12311252	Coin Drop	Mechanical; Jeton 10K and .5 euro
	B12311211	Coin Drop	Mechanical; Jeton 7K and 1 euro
	B12323901	Coin Drop	Mechanical; Jeton 15K and 7K
	B12311204	Coin Drop	Mechanical; Jeton gettone
	B12311234	Coin Drop	Mechanical; Jeton crouzet
	B12311247	Coin Drop	Mechanical; Jeton 118-1
	B12311248	Coin Drop	Mechanical; Jeton 118-5
	B12311222	Coin Drop	Mechanical; 1 euro
	B12311214	Coin Drop	Mechanical; .5 euro
	B12311202	Coin Drop	Mechanical; .5 and 1 euro
	B12311239	Coin Drop	Mechanical; .5 and 2 euro
	B12311205	Coin Drop	Mechanical; .2 and 1 euro
	B11211209	Coin Drop	Mechanical; .2 and .5 euro
	B12311218	Coin Drop	Mechanical; 1 and 1 euro
	B12311219	Coin Drop	Mechanical; 1 and 2 euro
	B12311203	Coin Drop	Mechanical; 1 and 2 frank
	B12311207	Coin Drop	Mechanical; 1 Deense kroon
	B12311225	Coin Drop	Mechanical; 10 Deense kronen
	B12311235	Coin Drop	Mechanical; 10 Tsjechische kronen
	B12311244	Coin Drop	Mechanical; 10 Noorse kronen
	B12311208	Coin Drop	Mechanical; 100 and 500 yen
	B12311212	Coin Drop	Mechanical; 15K
	B12311215	Coin Drop	Mechanical; 1 kro
	B12311226	Coin Drop	Mechanical; Australia 1.00
	B12311216	Coin Drop	Mechanical; Australia .2 and 1.00
	B12311220	Coin Drop	Mechanical; New Zealand 1.00
	B12311221	Coin Drop	Mechanical; .5 and 2 zwitsers
	B12311241	Coin Drop	Mechanical; Hong Kong 1.00
	B12311249	Coin Drop	Mechanical; Hong Kong 5.00
	B12311301	Coin Drop	Mechanical; U.S. \$0.25
	B12311302	Coin Drop	Mechanical; U.S. \$0.25 and \$1.00
	B12311304	Coin Drop	Mechanical; Canada 1.00 and .25
	B12323401	Coin Drop	Mechanical; Singapore 1.00
6	209/00600/01P	Switch	
7	209/00396/00	Pushbutton	
8	152/00112/00	Mechanical Coin Meter Housing	
9	111/01001/00	Top Panel	Gray
	111/01000/00	Front Plate	Black
10	217/00060/00	Fastening Piece	
11	111/01002/00	Backplate	
12	204/00116/00	Nut	

Coin Drop - Electronic Coin Meter

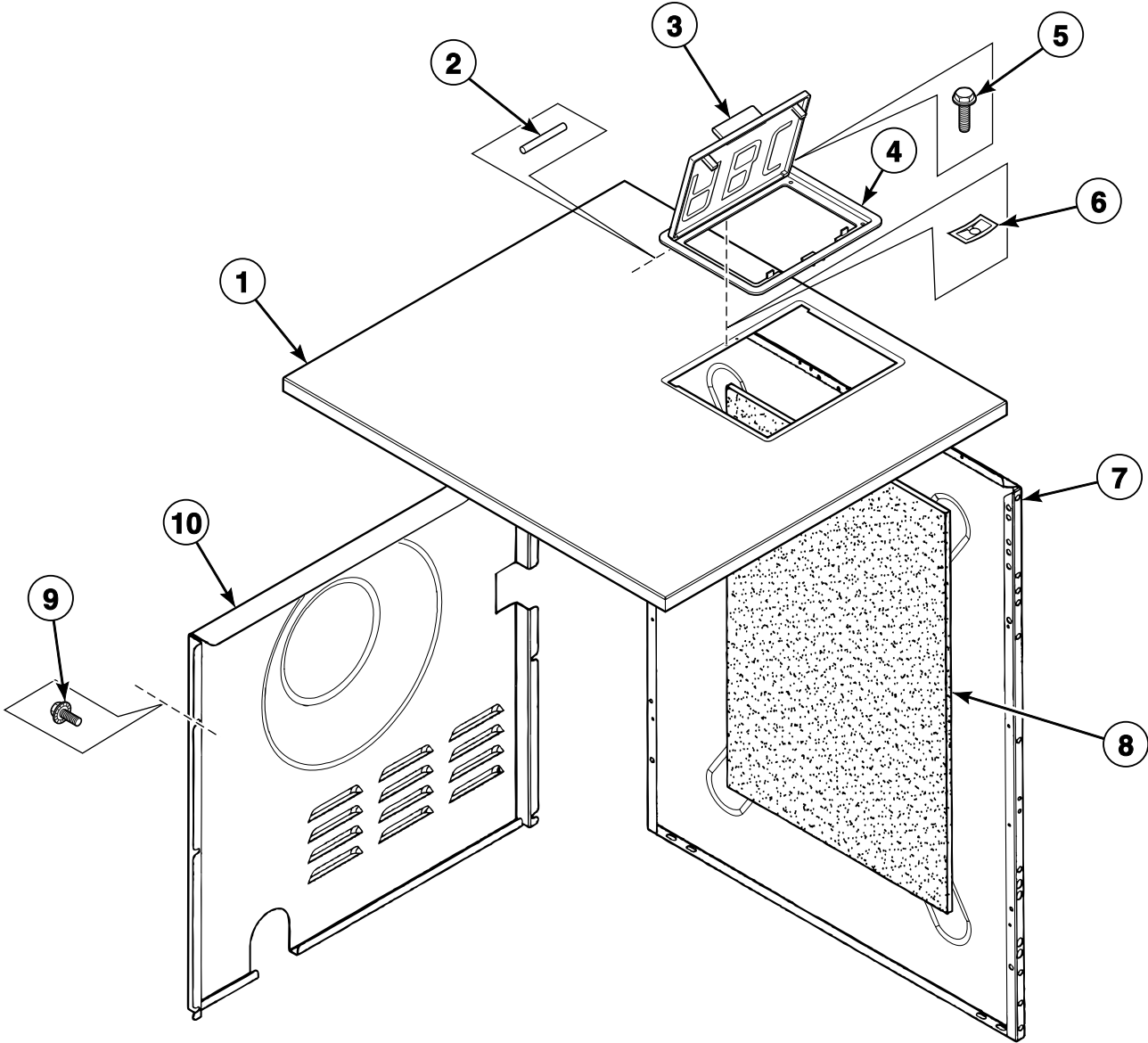


CFD511P_D0050

Coin Drop - Electronic Coin Meter

REF	PART NO.	DESCRIPTION	COMMENTS
1	254/00077/00	Coin Box	
	254/00077/02	Key	
2	209/00682/00	Transformer	
3	209/00683/00	Input Block	
4	204/00008/00	Nut	
5	B12311401	Coin Drop	Electronic; Cygnus models
6	209/00396/00	Pushbutton	
7	152/00112/50	Electronic Coin Meter Housing	
8	208/00002/00	Nut	
9	208/00014/00	Screw	
10	111/01001/00	Top Panel	Gray
	111/01000/00	Front Plate	Black
11	217/00060/00	Fastening Piece	
12	111/01002/00	Backplate	
13	204/00116/00	Nut	

Top, Right Side and Lower Back Panels

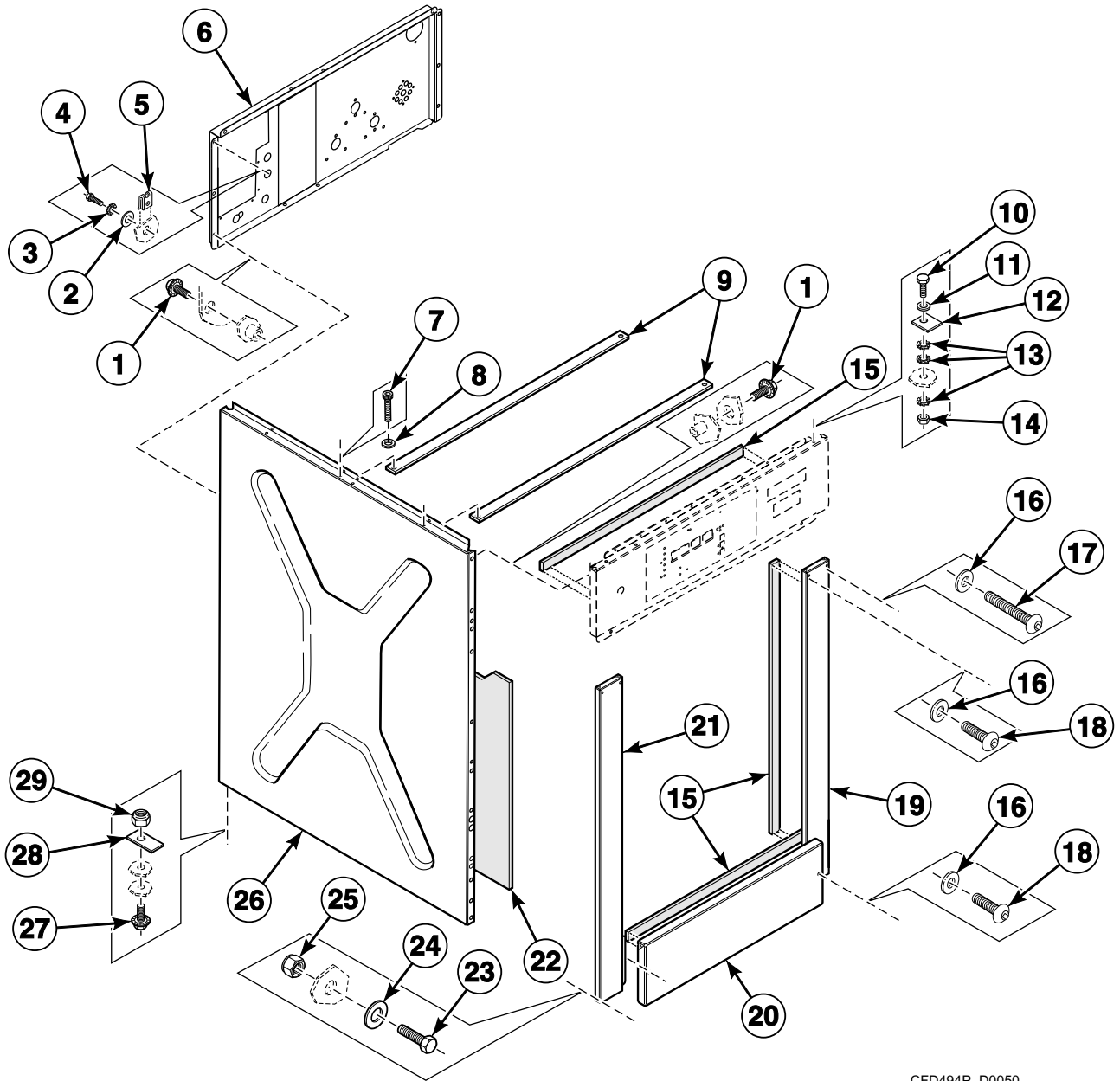


BE000633P_D0050

Top, Right Side and Lower Back Panels

REF	PART NO.	DESCRIPTION	COMMENTS
1	111/22741/00	Top Panel	*33 and *150 models; Stainless steel
	111/50004/00	Top Panel	*33 and *150 models; White
	111/22743/00	Top Panel	*40, *45 and *185 models; Stainless steel
	111/50005/00	Top Panel	*40, *45 and *185 models; White
2	223/00103/04	Soap Dispenser Cover Hinge Rod	2 required
3	223/00103/01	Soap Dispenser Cover	
4	223/00103/03	Soap Dispenser Frame	
5	207/00125/00	Bolt	
6	208/00104/00	Nut	
7	111/22723/10	Side Panel	*33 and *150 models; Stainless steel; Right
	111/50035/00	Side Panel	*33 and *150 models; White; Right
	111/22728/10	Side Panel	*40, *45 and *185 models; Stainless steel; Right
	111/50036/00	Side Panel	*40, *45 and *185 models; White; Right
8	246/00079/00	Side Panel Gasket	
9	206/00099/00	Bolt	
10	152/00053/02	Back Panel	

Front, Left Side and Upper Back Panels

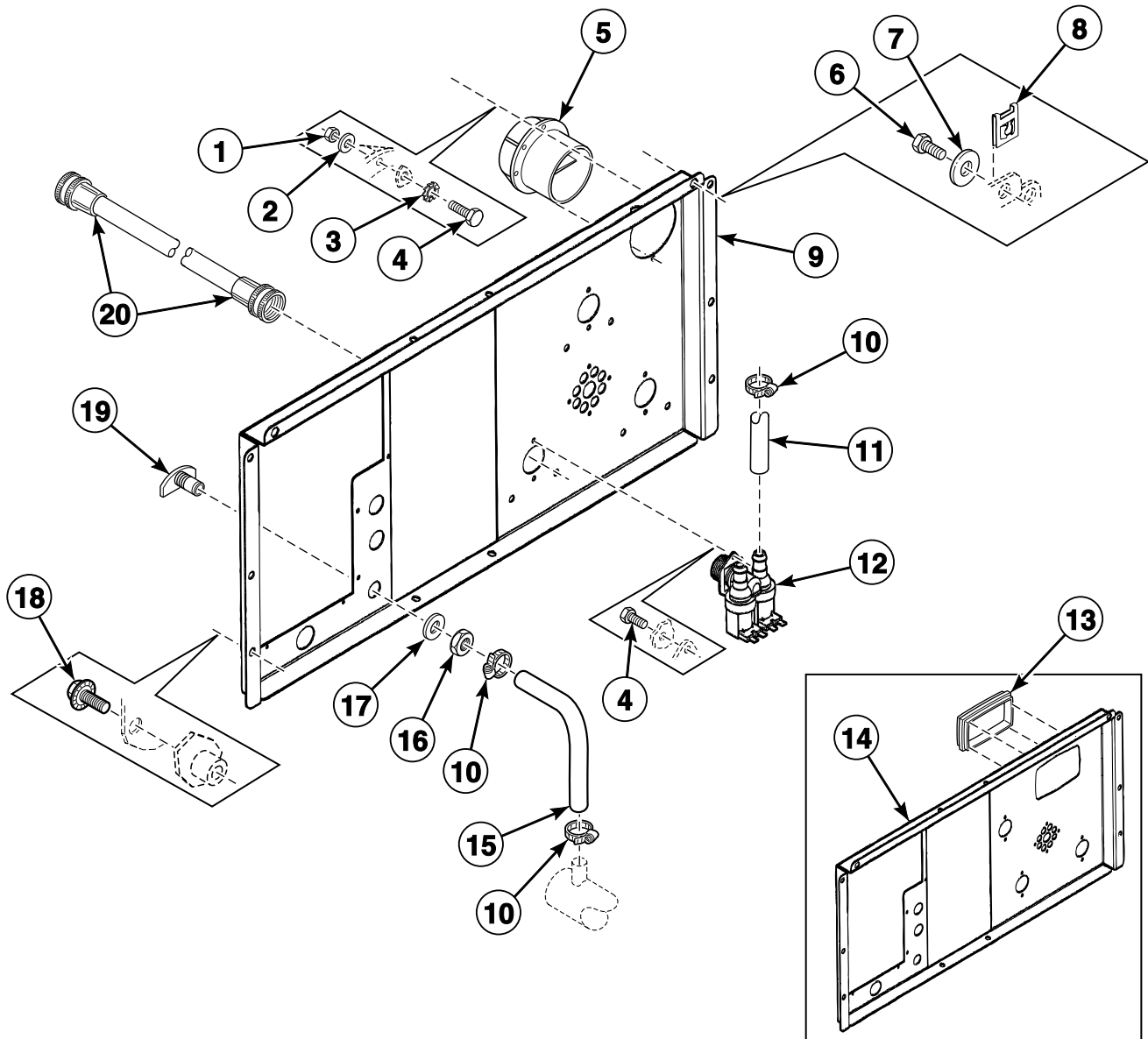


CFD494P_D0050

Front, Left Side and Upper Back Panels

REF	PART NO.	DESCRIPTION	COMMENTS
1	206/00099/00	Bolt	
2	201/00006/00	Washer	
3	203/00015/00	Washer	
4	208/00014/00	Screw	
5	208/00025/00	Nut	
6	111/01833/00	Backbridge	
7	206/00113/00	Screw	
8	B12421401	Washer	
9	111/00969/00	Crossbar	
	155/00162/00	Crossbar	
10	205/00106/00	Bolt	
11	202/00003/00	Washer	
12	117/00042/00	Retaining Ring	
13	203/00005/00	Washer	
14	204/00006/00	Nut	
15	246/00149/00	Gasket	
16	201/00007/00	Washer	
17	208/00121/00	Screw	
18	208/00124/00	Screw	
19	150/00003/10	Right Front Panel	Stainless steel
	111/50049/00	Right Front Panel	White
20	150/01803/00	Lower Front Panel	Stainless steel
	111/50051/00	Lower Front Panel	White
21	150/00003/20	Left Front Panel	Stainless steel
	111/50050/00	Left Front Panel	White
22	246/00079/00	Side Panel Gasket	
23	206/00042/00	Bolt	
24	201/00010/00	Washer	
25	204/00109/00	Nut	
26	111/22723/10	Side Panel	*33 and *150 models; Stainless steel; Left
	111/50035/00	Side Panel	*33 and *150 models; White; Left
	111/22728/10	Side Panel	*40, *45 and *185 models; Stainless steel; Left
	111/50036/00	Side Panel	*40, *45 and *185 models; White; Left
27	205/00105/00	Bolt	
28	101/00007/00	Outlet Pipe Plate Assembly	
29	204/00009/00	Nut	

Upper Back Panel - Cygnus Control Models

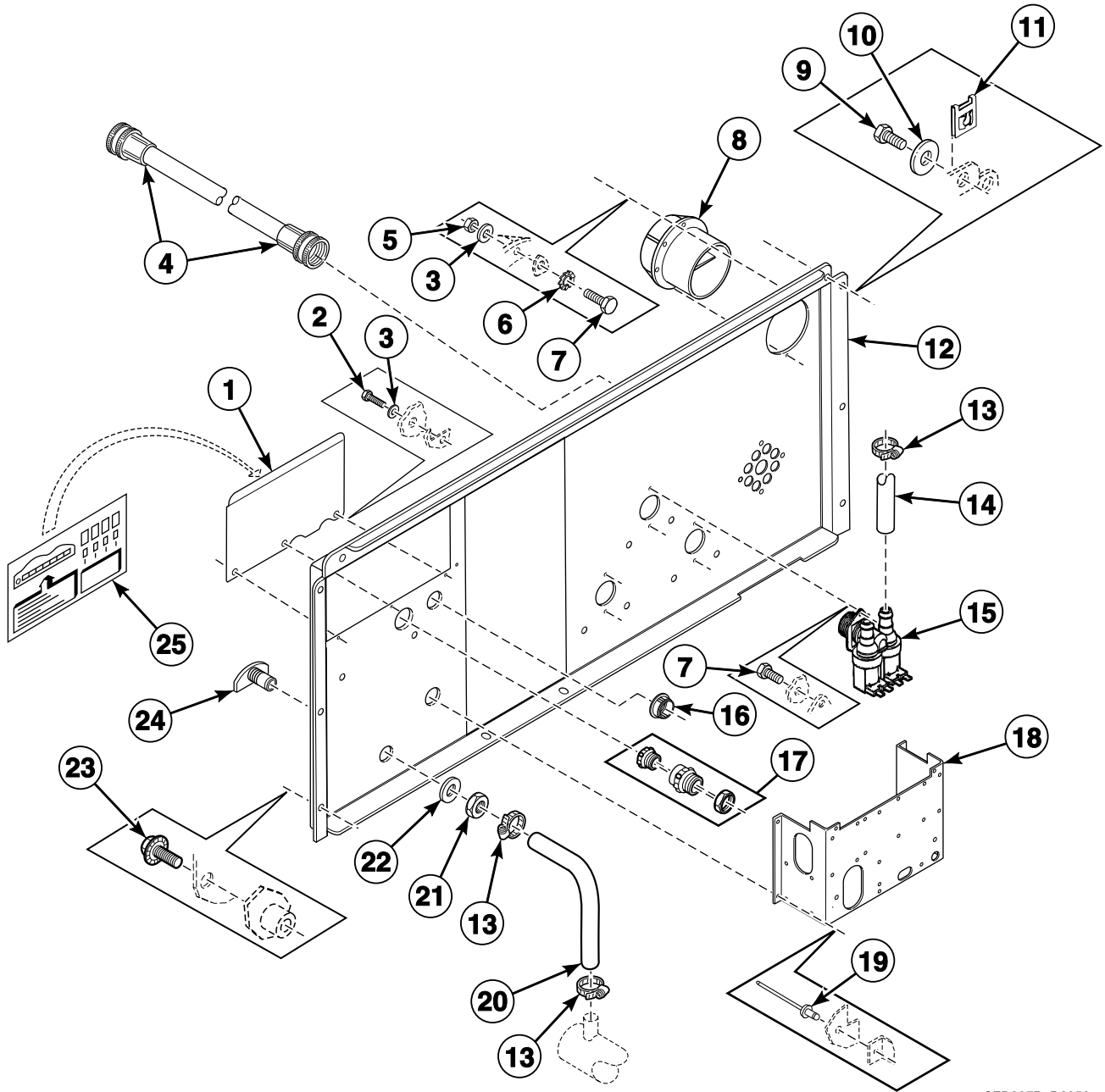


CFD328P_D0050

Upper Back Panel - Cygnus Control Models

REF	PART NO.	DESCRIPTION	COMMENTS
1	204/00007/00	Nut	
2	202/00004/00	Washer	
3	203/00006/00	Washer	
4	206/00027/00	Bolt	
5	223/00102/07	Hose Vent	
6	208/00014/00	Screw	
7	201/00006/00	Washer	
8	208/00002/00	Nut	
9	111/01833/00	Backbridge	Circular ventilation
10	223/00010/00	Hose Clamp	
11	223/00044/00	Water Hose	
12	209/00110/00	2-Way Inlet Valve	Metric thread
	B12519501	2-Way Inlet Valve	Standard thread; G581P3 Repair Kit
13	223/00226/00	Vent Tube	
14	111/01833/10	Backbridge	Rectangular ventilation
15	223/00044/00	Water Hose	
16	204/00201/00	Nut	
17	201/00002/00	Washer	
18	206/00099/00	Bolt	
19	223/00001/04	Prewash and Mainwash Nozzle	
20	F200164	Water Hose	Standard thread
	F200166	Water Hose	Metric thread

Upper Back Panel with Circular Ventilation - All Models Except Cygnus Control

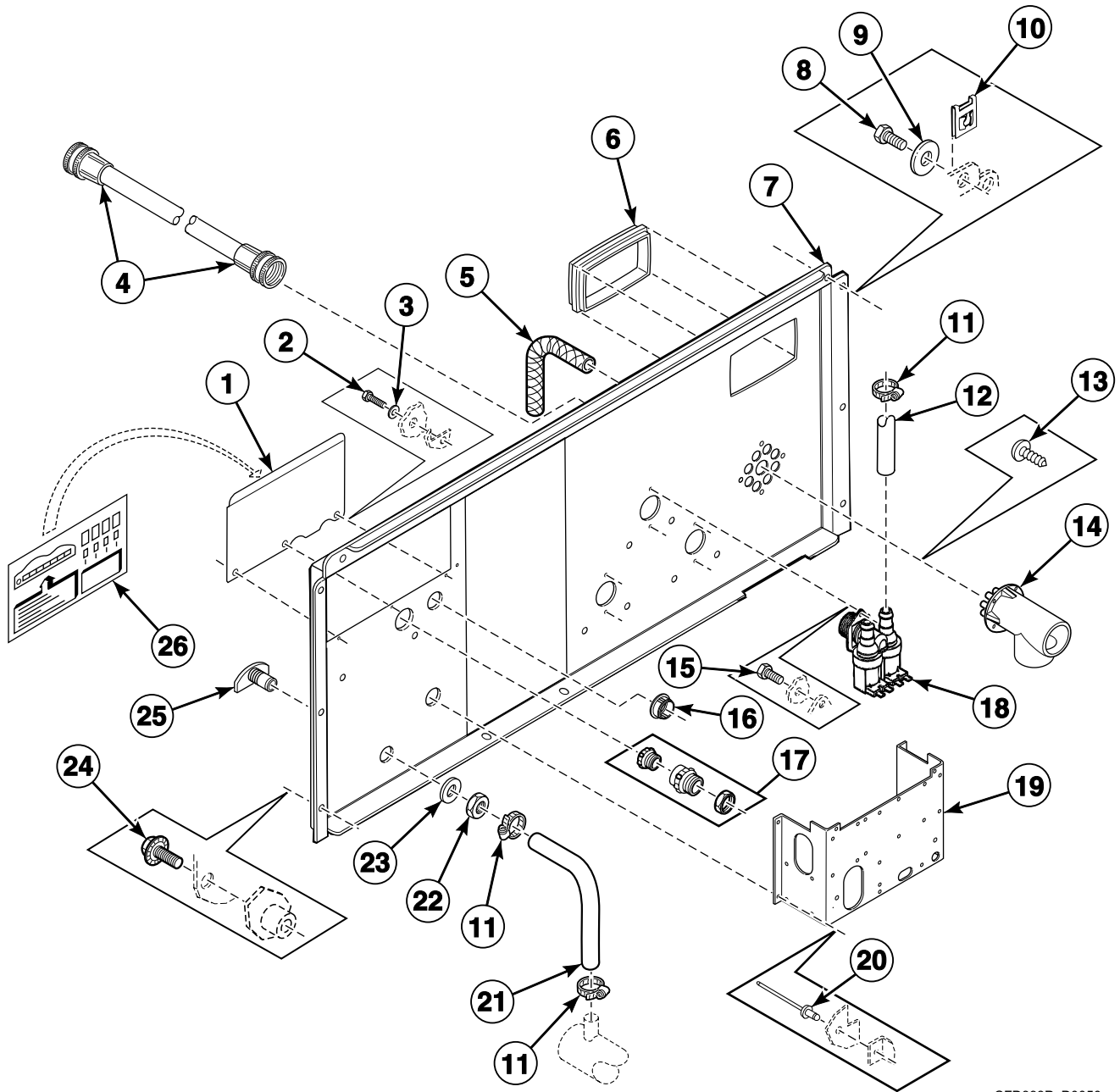


CFD337P_D0050

Upper Back Panel with Circular Ventilation - All Models Except Cygnus Control

REF	PART NO.	DESCRIPTION	COMMENTS
1	111/00094/10	Electrical Connection Plate	
2	206/00014/00	Bolt	
3	202/00004/00	Washer	
4	F200164	Water Hose	Standard thread
	F200166	Water Hose	Metric thread
5	204/00007/00	Nut	
6	203/00006/00	Washer	
7	206/00027/00	Bolt	
8	223/00102/07	Hose Vent	
9	208/00014/00	Screw	
10	201/00006/00	Washer	
11	208/00002/00	Nut	
12	111/01822/00	Backbridge	
13	223/00010/00	Hose Clamp	
14	223/00044/00	Water Hose	
15	209/00110/00	2-Way Inlet Valve	Metric thread
	B12519501	2-Way Inlet Valve	Standard thread; G581P3 Repair Kit
16	211/00091/00	Plug	
17	271/35945/00	Nut	
18	111/00188/06	Electrical Connection Plate	
19	208/00017/00	Rivet	
20	223/00044/00	Water Hose	
21	204/00201/00	Nut	
22	201/00002/00	Washer	
23	206/00099/00	Bolt	
24	223/00001/04	Prewash and Mainwash Nozzle	
25	229/00068/02	Electrical Connection Sticker	

Upper Back Panel with Rectangular Ventilation - All Models Except Cygnus Control

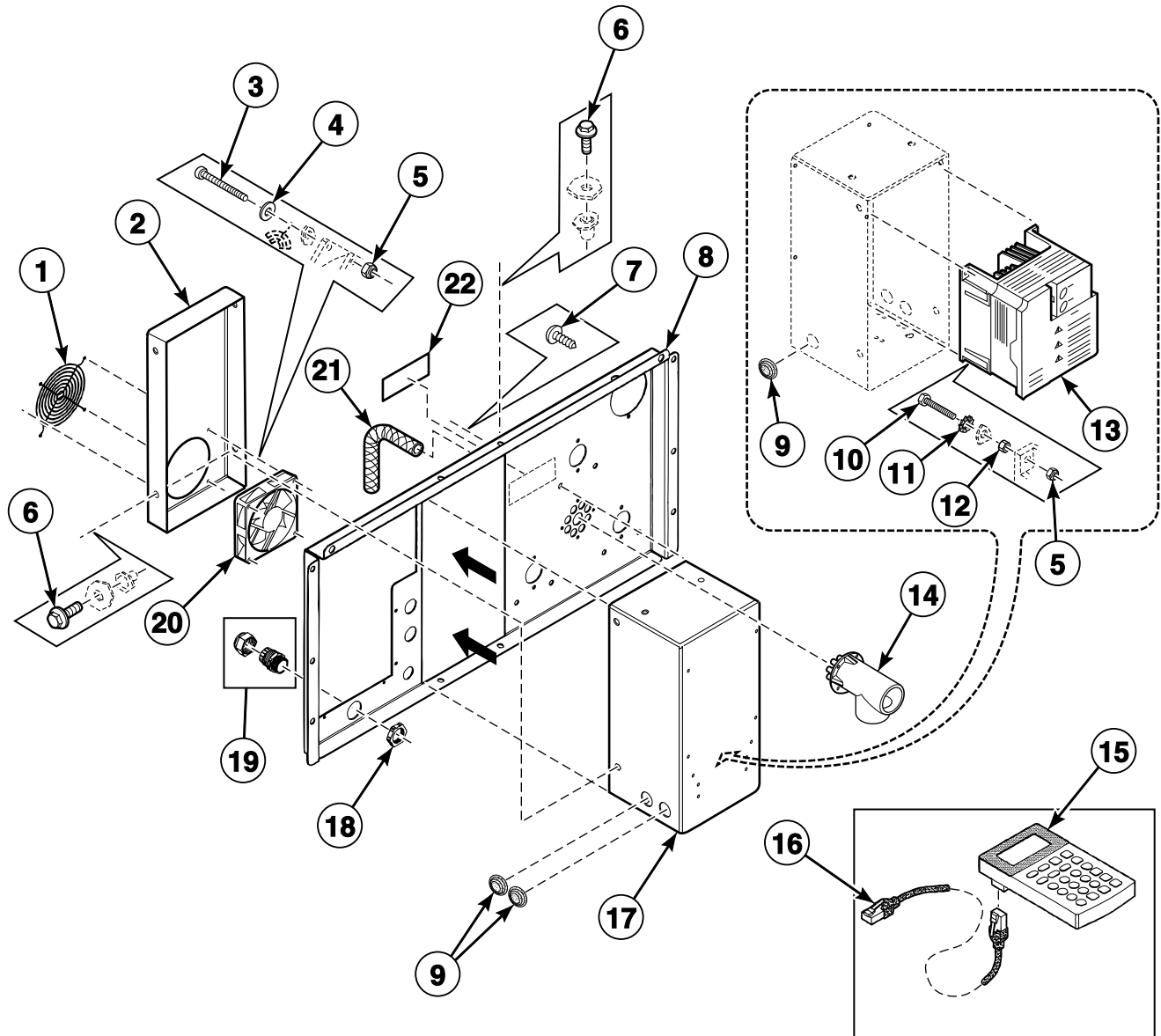


CFD338P_D0050

Upper Back Panel with Rectangular Ventilation - All Models Except Cygnus Control

REF	PART NO.	DESCRIPTION	COMMENTS
1	111/00094/10	Electrical Connection Plate	
2	206/00014/00	Bolt	
3	202/00004/00	Washer	
4	F200164	Water Hose	Standard thread
	F200166	Water Hose	Metric thread
5	223/00179/10	Pressure Hose	
6	223/00226/00	Vent Tube	
7	111/01859/00	Backbridge	
8	208/00014/00	Screw	
9	201/00006/00	Washer	
10	208/00025/00	Nut	
11	223/00010/00	Hose Clamp	
12	223/00044/00	Water Hose	
13	208/00130/00	Screw	
14	223/00250/00	Liquid Soap Manifold	
15	206/00027/00	Bolt	
16	211/00091/00	Plug	
17	271/35945/00	Nut	
18	209/00110/00	2-Way Inlet Valve	Metric thread
	B12519501	2-Way Inlet Valve	Standard thread; G581P3 Repair Kit
19	111/00188/06	Electrical Connection Plate	
20	208/00017/00	Rivet	
21	223/00044/00	Water Hose	
22	204/00201/00	Nut	
23	201/00002/00	Washer	
24	206/00099/00	Bolt	
25	223/00001/04	Prewash and Mainwash Nozzle	
26	229/00068/02	Electrical Connection Sticker	

AC Drive - Cygnus Control Models



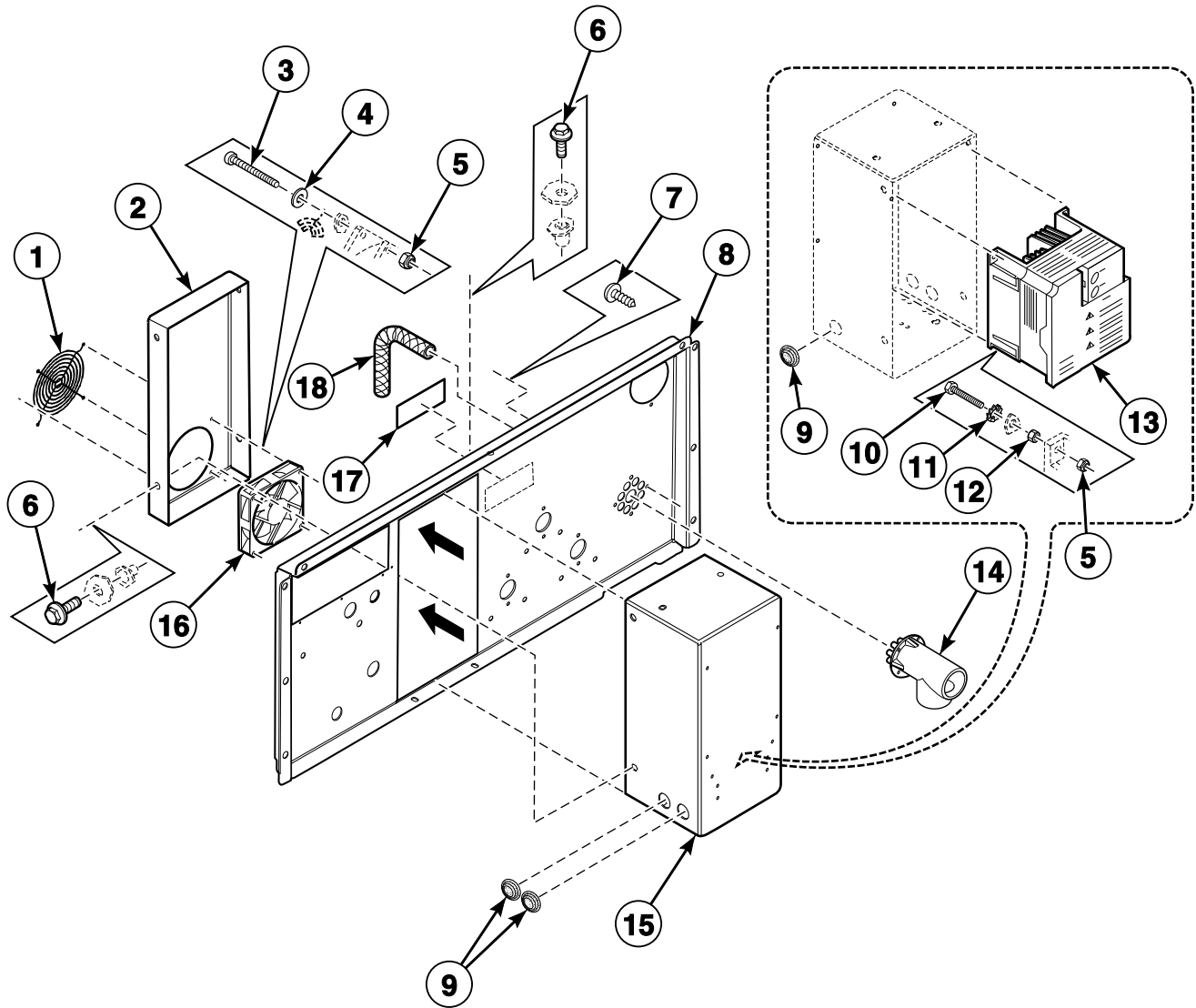
CFD459P_D0050

AC Drive - Cygnus Control Models

REF	PART NO.	DESCRIPTION	COMMENTS
1	209/00287/01	Fan Grill	
2	111/01174/01	Inverter Box Cover	
3	207/00121/00	Screw	
4	202/00004/00	Washer	
5	204/00114/00	Nut	
6	206/00099/00	Bolt	
7	208/00130/00	Screw	
8	111/01833/00	Backbridge	
9	223/00174/00	Grommet	
10	206/00088/00	Bolt	
11	203/00006/00	Washer	
12	204/00007/00	Nut	
13	N/A	Inverter Drive	FR-E520 series; 1 x 230 Volt
	227/00168/00	Inverter Drive	FR-E540 series; 3 x 400 Volt
	227/00237/00	Inverter Drive	FR-D740 series; 3 x 400 Volt
	227/00229/00	Inverter Drive	FR-D720 series; 1 x 230 Volt
14	223/00250/00	Liquid Soap Manifold	
15	227/00171/00	Parameter Unit Assembly	Hand held
	F8410901	Parameter Unit Assembly	Used with 500-series inverter drives; Inverter mounted
16	227/00171/10	Parameter Unit Program Cable	
17	111/01174/00	Inverter Drive Box	
18	271/35946/00	Nut	
19	271/35945/00	Nut	
20	209/00287/00	Cooling Fan	
21	223/00179/10	Pressure Hose	
22	B12355001	Voltage Discharge Decal	

N/A = Part no longer available

AC Drive - All Models Except Cygnus Control

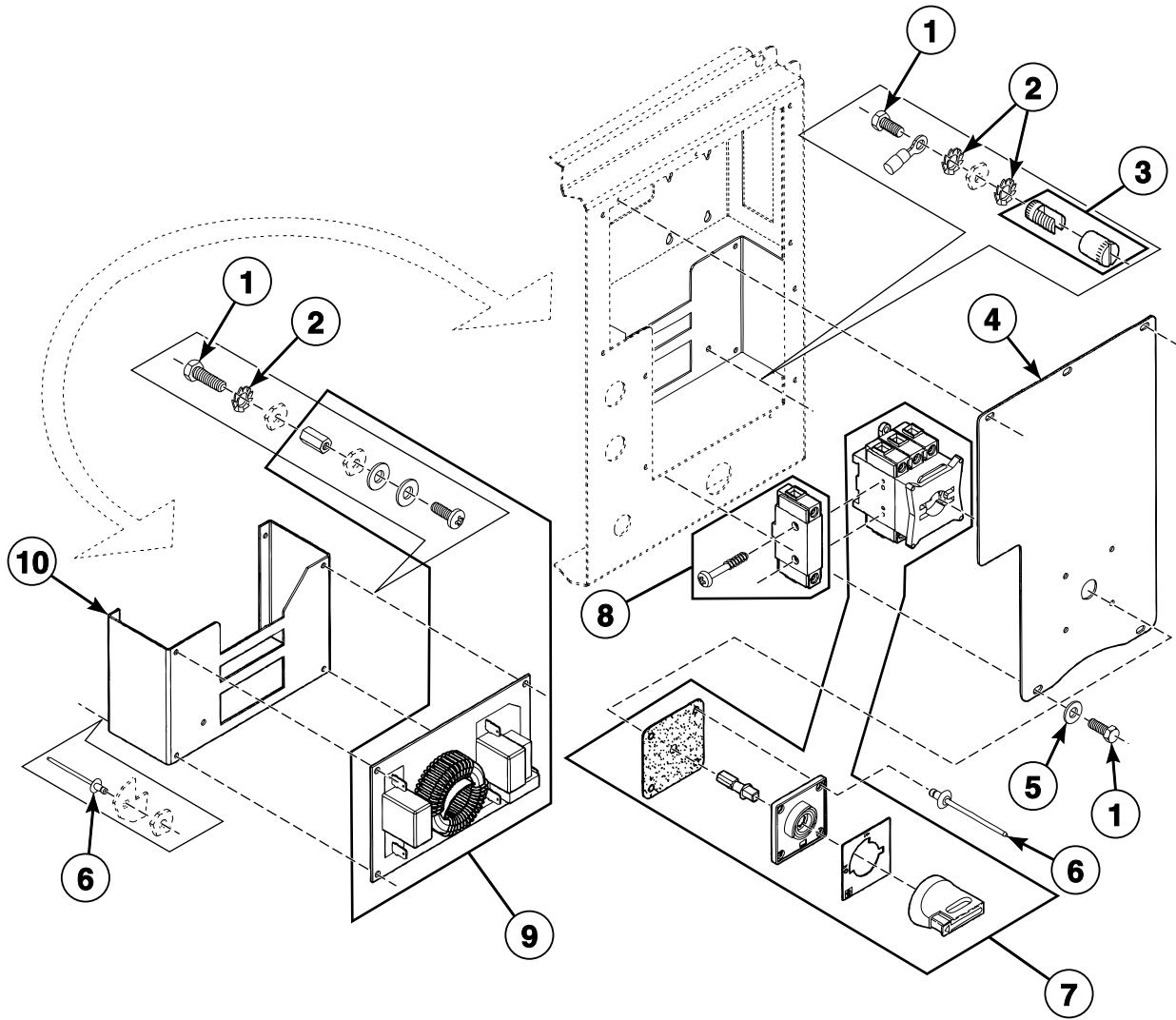


CFD560P_D0050

AC Drive - All Models Except Cygnus Control

REF	PART NO.	DESCRIPTION	COMMENTS
	F8410901	Parameter Unit Assembly	Used with 500-series inverter drives; Inverter mounted
	227/00171/00	Parameter Unit Assembly	Hand held
1	209/00287/01	Fan Grill	
2	111/01174/01	Inverter Box Cover	
3	207/00121/00	Screw	
4	202/00004/00	Washer	
5	204/00114/00	Nut	
6	206/00099/00	Bolt	
7	208/00130/00	Screw	
8	111/01822/00	Backbridge	
9	223/00174/00	Grommet	
10	206/00088/00	Bolt	
11	203/00006/00	Washer	
12	204/00007/00	Nut	
13	N/A	Inverter Drive	FR-E520 series; 1 x 230 Volt
	227/00168/00	Inverter Drive	FR-E540 series; 3 x 400 Volt
	F8421101	Drive	700-series; *33 and *150 PS40F, Micro-20 and Sigma control models; Models SX33BVPA7, SX33BVQA7, SX33BVXA7, SX33BVXM7, UX33PVPA7, UX33PVQA7, UX33PVQM7, UX33PVXA7 and UX33PVXM7; 200 Volt/1 Phase; Models with 2.2 kW motor
	F8421102	Drive	700-series; *33 and *150 PS40F, Micro-20 and Sigma control models; Model UX33PVNA7; 400 Volt/3 Phase; Models with 2.2 kW motor
	F8421103	Drive	700-series; *45 and *185 PS40F, Micro-20 and Sigma control models; Models SX40BVPA7, SX40BVQA7, SX40BVXA7, SX40BVXM7, UX40PVPA7, UX40PVQA7, UX40PVQM7, UX40PVXA7 and UX40PVXM7; 200 Volt/1 Phase; Models with 2.2 kW motor
	F8421104	Drive	700-series; *45 and *185 PS40F, Micro-20 and Sigma control models; Model UX40PVNA7; 400 Volt/3 Phase; Models with 2.2 kW motor
	F8421001	Inverter Kit	700-series; *33 and *150 PS40F, Micro-20 and Sigma control models; Models SX33BVPA7, SX33BVQA7, SX33BVXA7, SX33BVXM7, UX33PVPA7, UX33PVQA7, UX33PVQM7, UX33PVXA7 and UX33PVXM7; 200 Volt/1 Phase; Models with 2.2 kW motor; Includes F8421101 Drive, F8409501 Mounting Plate Assembly and F430903 Screw
	F8421002	Inverter Kit	700-series; *33 and *150 PS40F, Micro-20 and Sigma control models; Model UX33PVNA7; 400 Volt/3 Phase; Models with 2.2 kW motor; Includes F8421102 Drive, F8409501 Mounting Plate Assembly and F430903 Screw
	F8421003	Inverter Kit	700-series; *45 and *185 PS40F, Micro-20 and Sigma control models; Models SX40BVPA7, SX40BVQA7, SX40BVXA7, SX40BVXM7, UX40PVPA7, UX40PVQA7, UX40PVQM7, UX40PVXA7 and UX40PVXM7; 200 Volt/1 Phase; Models with 2.2 kW motor; Includes F8421103 Drive, F8409501 Mounting Plate Assembly and F430903 Screw
	F8421004	Inverter Kit	700-series; *45 and *185 PS40F, Micro-20 and Sigma control models; Model UX40PVNA7; 400 Volt/3 Phase; Models with 2.2 kW motor; Includes F8421104 Drive, F8409501 Mounting Plate Assembly and F430903 Screw
14	223/00250/00	Liquid Soap Manifold	
15	111/01174/00	Inverter Drive Box	
16	209/00287/00	Cooling Fan	
17	B12355001	Voltage Discharge Decal	
18	223/00179/10	Pressure Hose	

Main Switch and Noise Filter

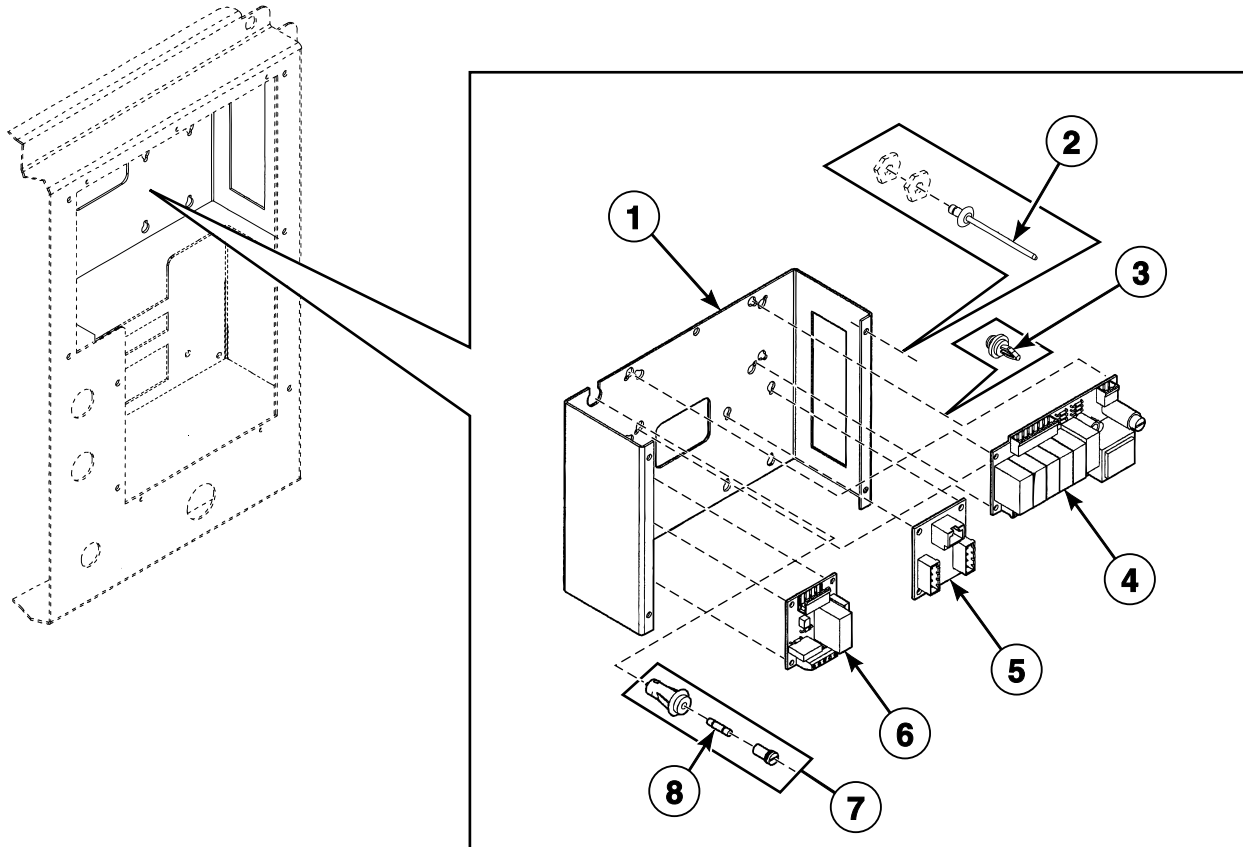


BE000799P_D0050

Main Switch and Noise Filter

REF	PART NO.	DESCRIPTION	COMMENTS
1	206/00027/00	Bolt	
2	203/00006/00	Washer	
3	209/00006/01	Ground Terminal	
4	111/01834/00	Main Switch Cover	
5	202/00004/00	Washer	
6	208/00017/00	Rivet	
7	209/00529/00	Main Switch	25A
	209/00672/00	Main Switch	40A
	209/00526/00	Main Switch	80A
8	209/00530/00	Terminal Block	25A
	209/00527/00	Terminal Block	63/80A
9	210/00027/UL00	Filter	16A1
	227/00242/00	Noise Filter	16A3
	227/00179/00	Filter	40A3
	227/00180/00	Filter	45A1
	227/00183/00	Filter	53A3
10	111/01837/01	Filter Bracket	

Soap Injection, Network Connection and Central Operating Panel Connection Printboards

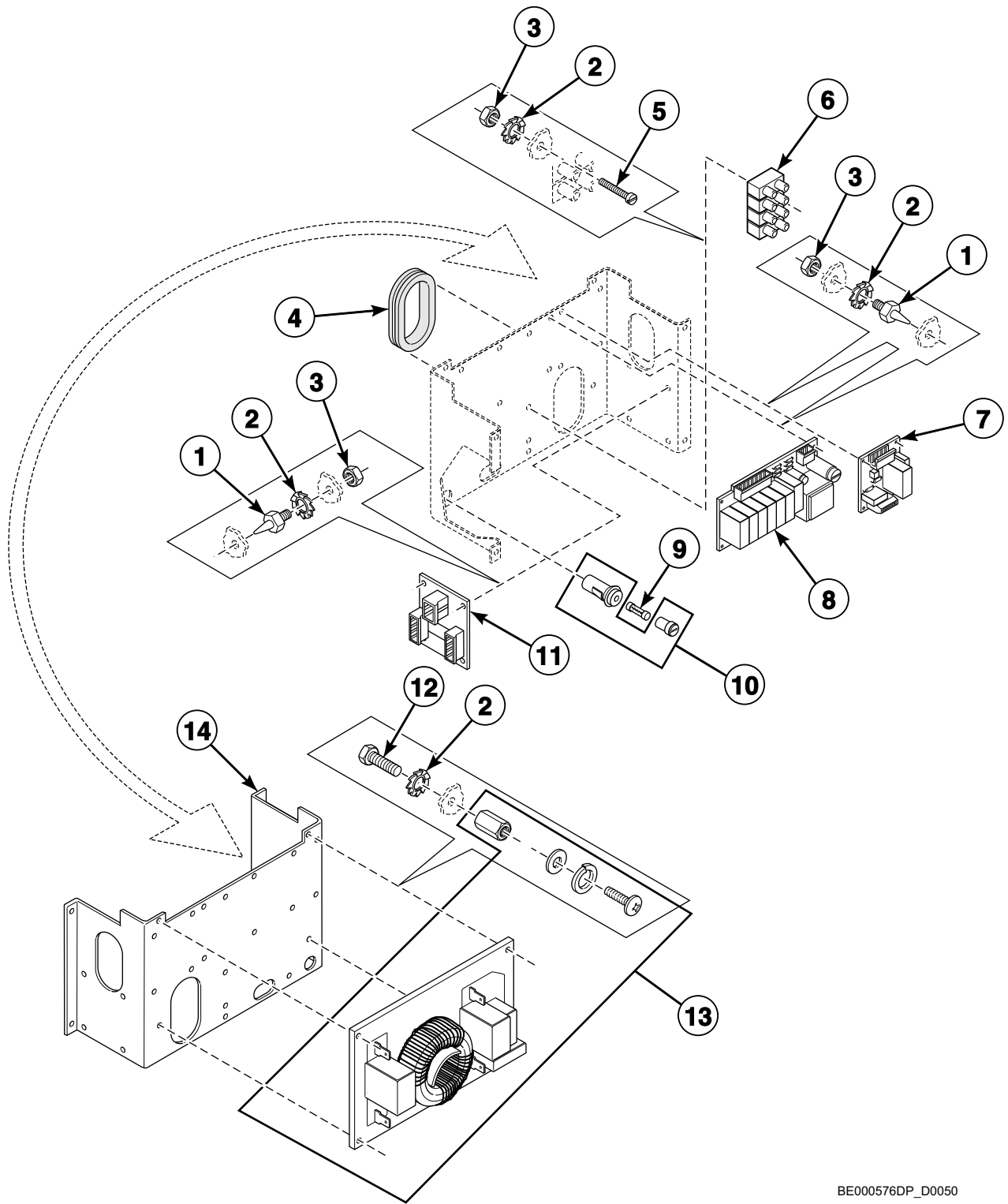


BE000800P_D0050

Soap Injection, Network Connection and Central Operating Panel Connection Printboards

REF	PART NO.	DESCRIPTION	COMMENTS
1	111/01838/10	Printboard Support	
2	208/00017/00	Rivet	
3	211/00146/00	Standoff	
4	209/00218/13	Soap Injection PCB with Fuse	
5	209/00540/01	Network Connection Printboard	
6	209/00438/50	Central Control Board	
7	209/00202/00	Fuse Holder	
	209/00202/01	Fuse Holder	Includes item 8
8	209/00468/00	Fuse	3 Amp

Soap Injection Printboard, Network Connection Printboard and Noise Filter - All Models Except Cygnus Control

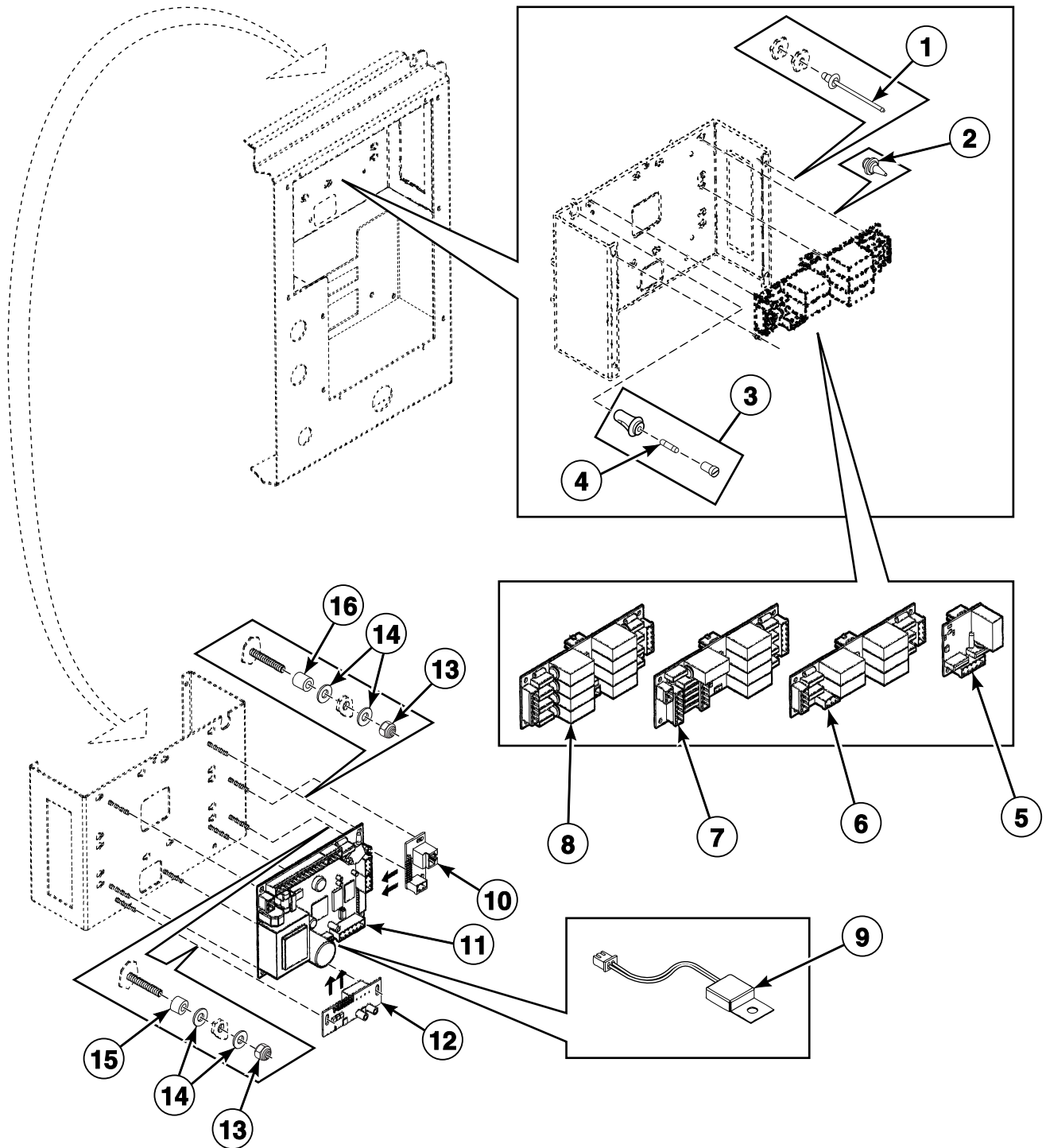


BE000576DP_D0050

Soap Injection Printboard, Network Connection Printboard and Noise Filter - All Models Except Cygnus Control

REF	PART NO.	DESCRIPTION	COMMENTS
1	211/00120/00	Standoff	
2	203/00006/00	Washer	
3	204/00007/00	Nut	
4	223/00203/00	Grommet	
5	207/00031/00	Screw	
6	209/00058/00	Terminal Block	
7	209/00438/50	Central Control Board	
8	209/00218/13	Soap Injection PCB with Fuse	
9	209/00468/00	Fuse	
10	209/00202/00	Fuse Holder	
	209/00202/01	Fuse Holder	Includes item 9
11	209/00540/01	Network Connection Printboard	
12	206/00027/00	Bolt	
13	210/00027/UL00	Filter	16A1
	227/00242/00	Noise Filter	16A3
	227/00179/00	Filter	40A3
	227/00180/00	Filter	45A1
	227/00183/00	Filter	53A3
14	111/00188/06	Electrical Connection Plate	

Relay, Frequency Inverter, Network Connection and Main Printboards - Cygnus Control Models

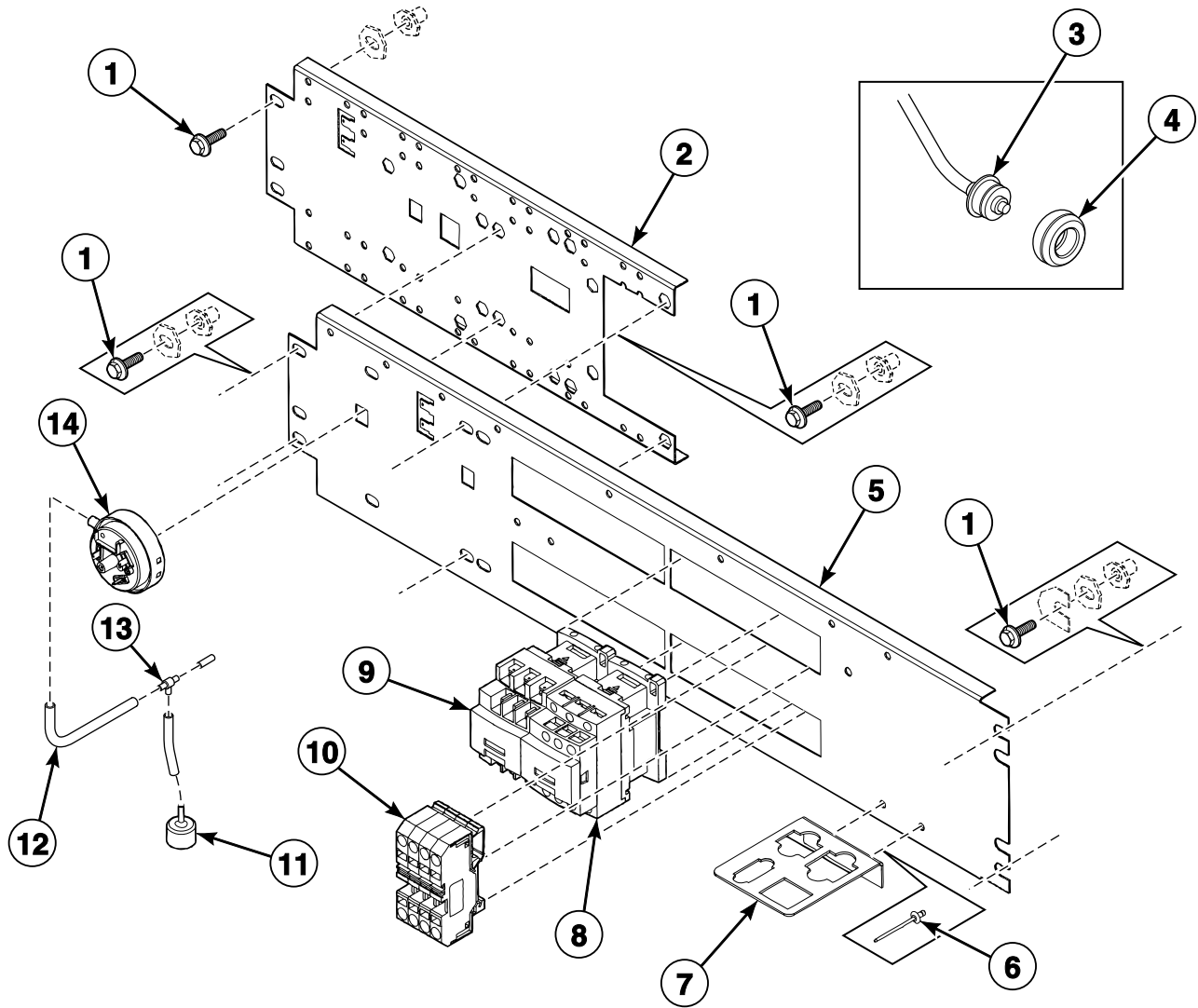


BE000801AP_D0050

Relay, Frequency Inverter, Network Connection and Main Printboards - Cygnus Control Models

REF	PART NO.	DESCRIPTION	COMMENTS
1	208/00017/00	Rivet	
2	211/00146/00	Standoff	
3	209/00468/00	Fuse	3 Amp
4	209/00202/00	Fuse Holder	
	209/00202/01	Fuse Holder	Includes item 3
5	209/02016/00	Relay PC-Board	1 in, 1 out
6	209/02005/00	Detergent PC-Board	1 in, 5 out
7	209/02014/00	Relay PC-Board	5 in, 5 out
8	209/02008/00	Detergent PC-Board	1 in, 8 out
9	209/02020/00	ID Chip	
10	209/02006/00	Inverter PC-Board	
11	209/02025/00	Microprocessor	
12	209/02007/00	Network Connection Printboard	
13	204/00116/00	Nut	
14	223/00123/00	Washer	
15	211/00128/00	Printboard Separator	
16	211/00122/00	Standoff	

Control Module

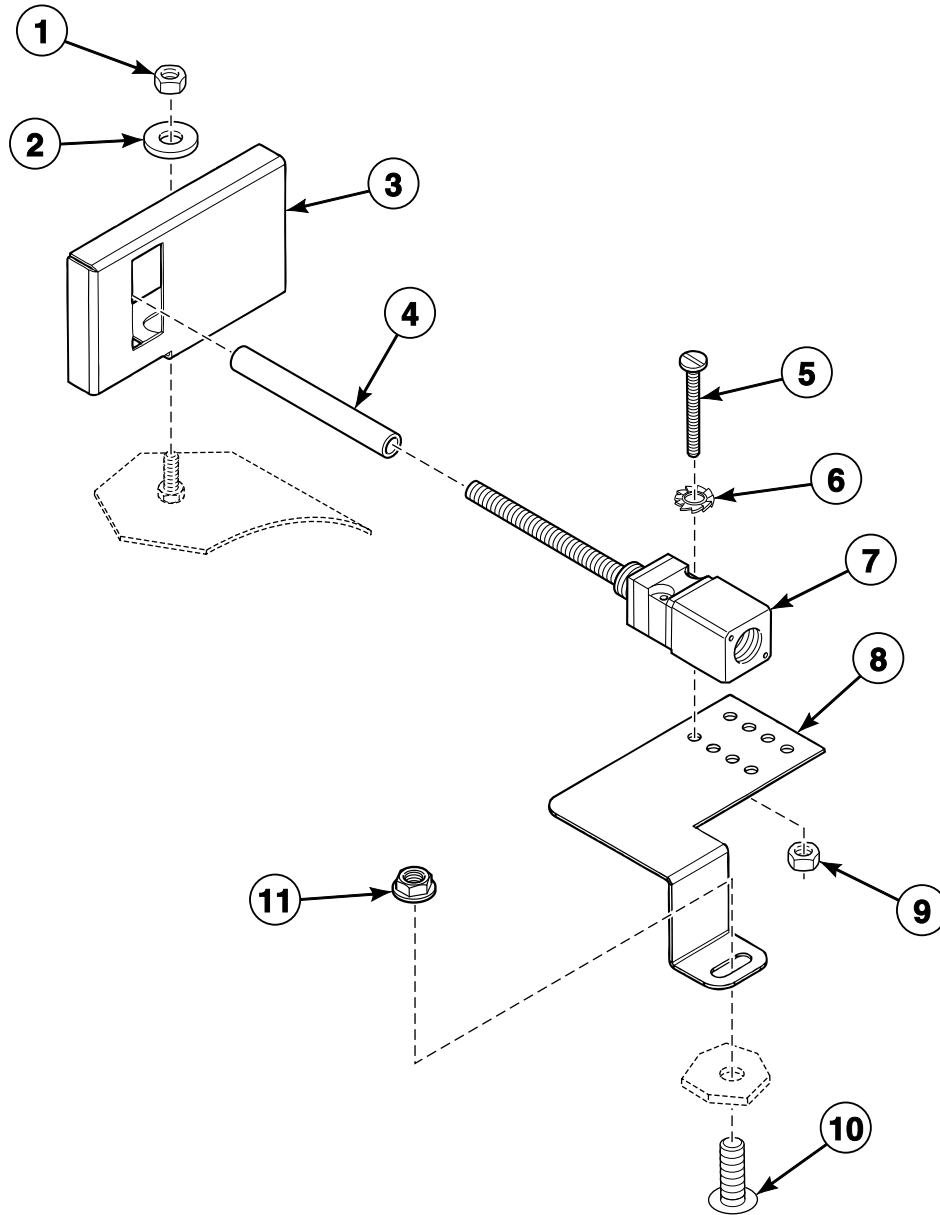


BE000802P_D0050

Control Module

REF	PART NO.	DESCRIPTION	COMMENTS
1	206/00099/00	Bolt	
2	111/10003/40	Electrical Component Mounting Plate	
3	210/01064/16	Thermostat	
4	225/10004/00	Thermostat Grommet	
5	111/10003/30	Electrical Component Mounting Plate	
6	208/00017/00	Rivet	
7	111/10003/10	Support Connector	
8	209/06148/02	Heating Contactor	
9	209/00641/04	Heating Contactor	
10	209/00619/00	Overload Contactor	2006-1201
	209/00620/00	Overload Contactor	2006-1204
	209/00621/00	Overload Contactor	2006-1304
	209/00622/00	Overload Contactor	2006-1301
	209/00623/00	Overload Contactor	2010-1201
	209/00624/00	Overload Contactor	2010-1204
	209/01625/00	Terminal Block	2010-1301
	209/00619/01	Connection Clamp	2 pole; 6 mm
	209/00622/01	Connection Clamp	3 pole; 6 mm
209/00625/01	Connection Clamp	3 pole; 10 mm	
11	223/00035/02	Pressure Switch Cap	
12	B12700018	Pressure Hose	
13	223/00173/10	Pressure Switch Hose Tee	
14	209/00027/10	Pressure Switch	

Balance Switch

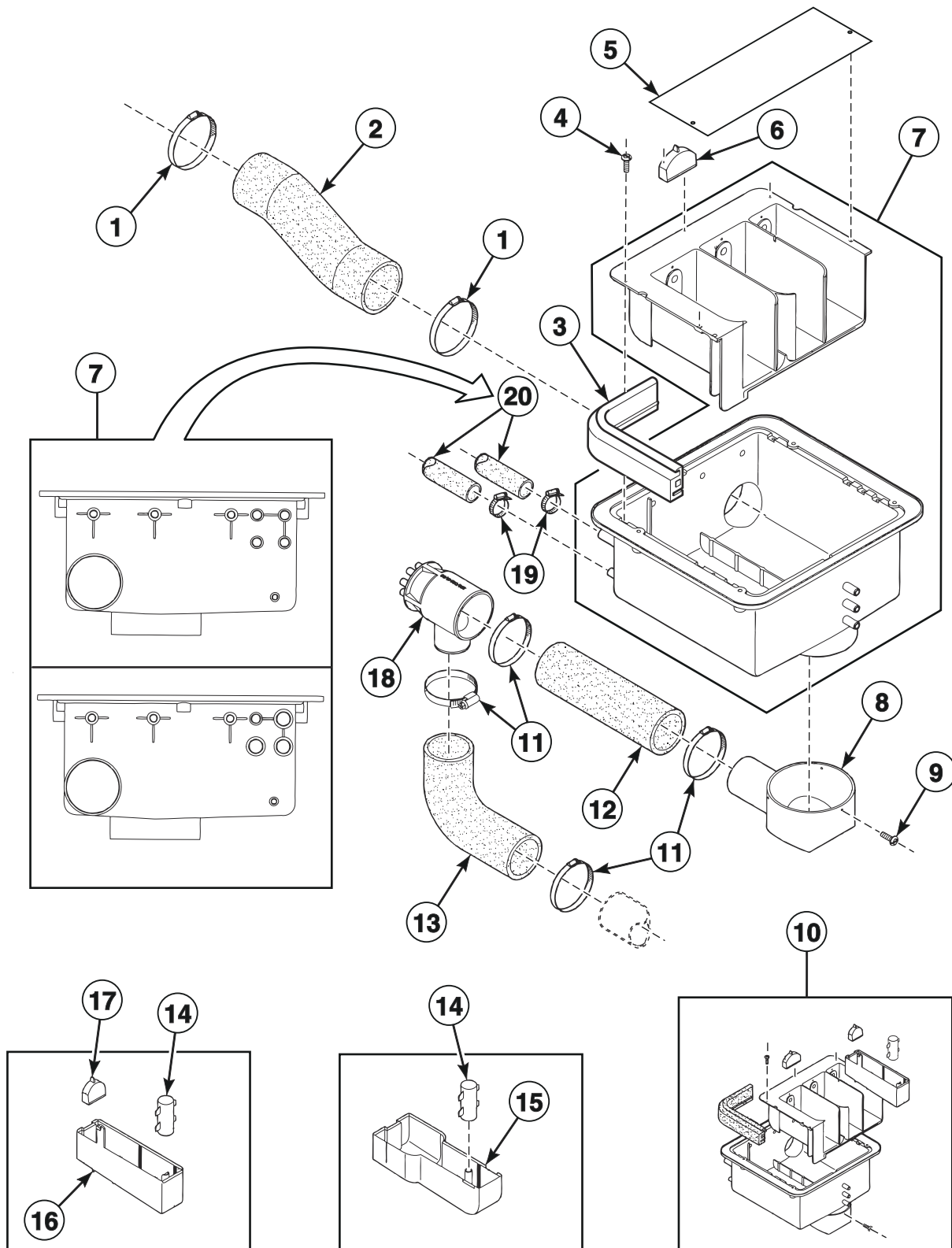


BE000536AP_D0050

Balance Switch

REF	PART NO.	DESCRIPTION	COMMENTS
1	204/00110/00	Nut	
2	201/00010/00	Washer	
3	111/00108/01	Tilt Detector Plate	
4	223/00246/00	Out-of-Balance Switch Boot	
5	207/00018/00	Screw	
6	203/00006/00	Washer	
7	209/00255/00	Out-of-Balance Switch	
8	111/00107/01	Tilt Switch Bracket	
9	204/00007/00	Nut	
10	208/00120/00	Screw	
11	206/00101/00	Nut	

Supply Dispenser with Round Ventilation Opening

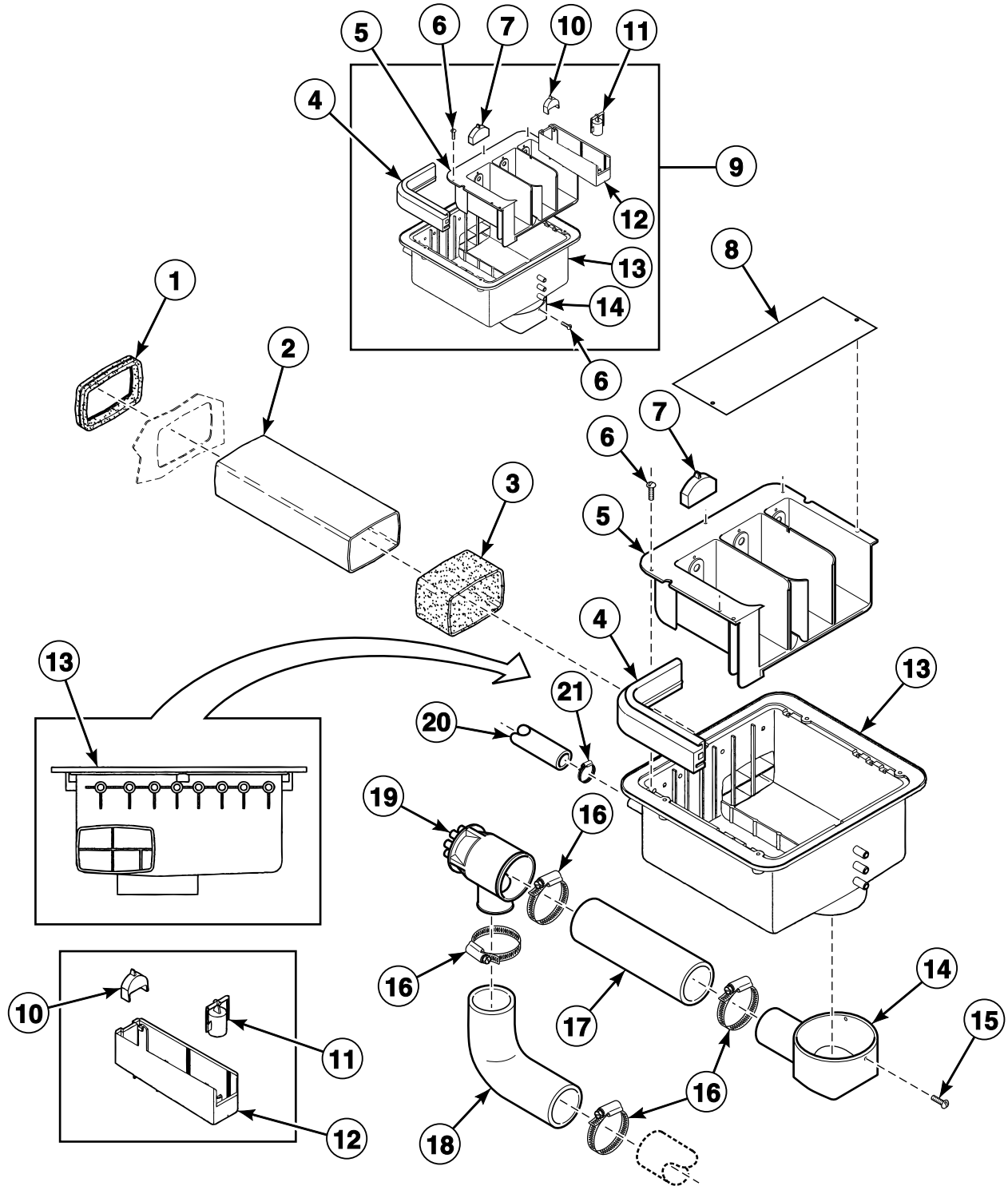


CFD330P_D0050

Supply Dispenser with Round Ventilation Opening

REF	PART NO.	DESCRIPTION	COMMENTS
1	223/00014/00	Hose Clamp	
2	223/00107/00	Soap Dispenser Air Breather Hose	*33 and *150 models
	223/00107/01	Ventilating Hose	*40, *45 and *185 models
3	223/00109/00	Soap Dispenser Gasket	
4	B12347501	Screw	
5	123/00107/00	Anti-Splash Plate	Sigma control models
	123/00103/06	Soap Box Assembly Plate	All other models
6	223/00102/06	Soap Spray Nozzle	
7	223/00102/30	Soap Dispenser Assembly	
8	223/00195/00	Dispenser Drain Funnel	
9	B12350903	Screw	
10	223/00102/50	Soap Dispenser Assembly	
11	223/00013/00	Hose Clamp	
12	223/00261/00	Soap Dispenser Hose	*33 and *150 models
	223/00262/00	Siphon Break Dispenser Hose	*40, *45 and *185 models
13	B12310304	Siphon Break Hose	*33 and *150 models
	B12310306	Siphon Break Hose	*40, *45 and *185 models
14	223/00102/04	Soap Dispenser Rinse Siphon	
15	223/00102/08	Liquid Soap Dispenser Insert	
16	223/00102/03	Rinse Insert	
17	223/00102/05	Softener Spray Nozzle	
18	223/00250/00	Liquid Soap Manifold	
19	223/00010/00	Hose Clamp	
20	223/00044/00	Water Hose	

Supply Dispenser with Rectangular Ventilation Opening

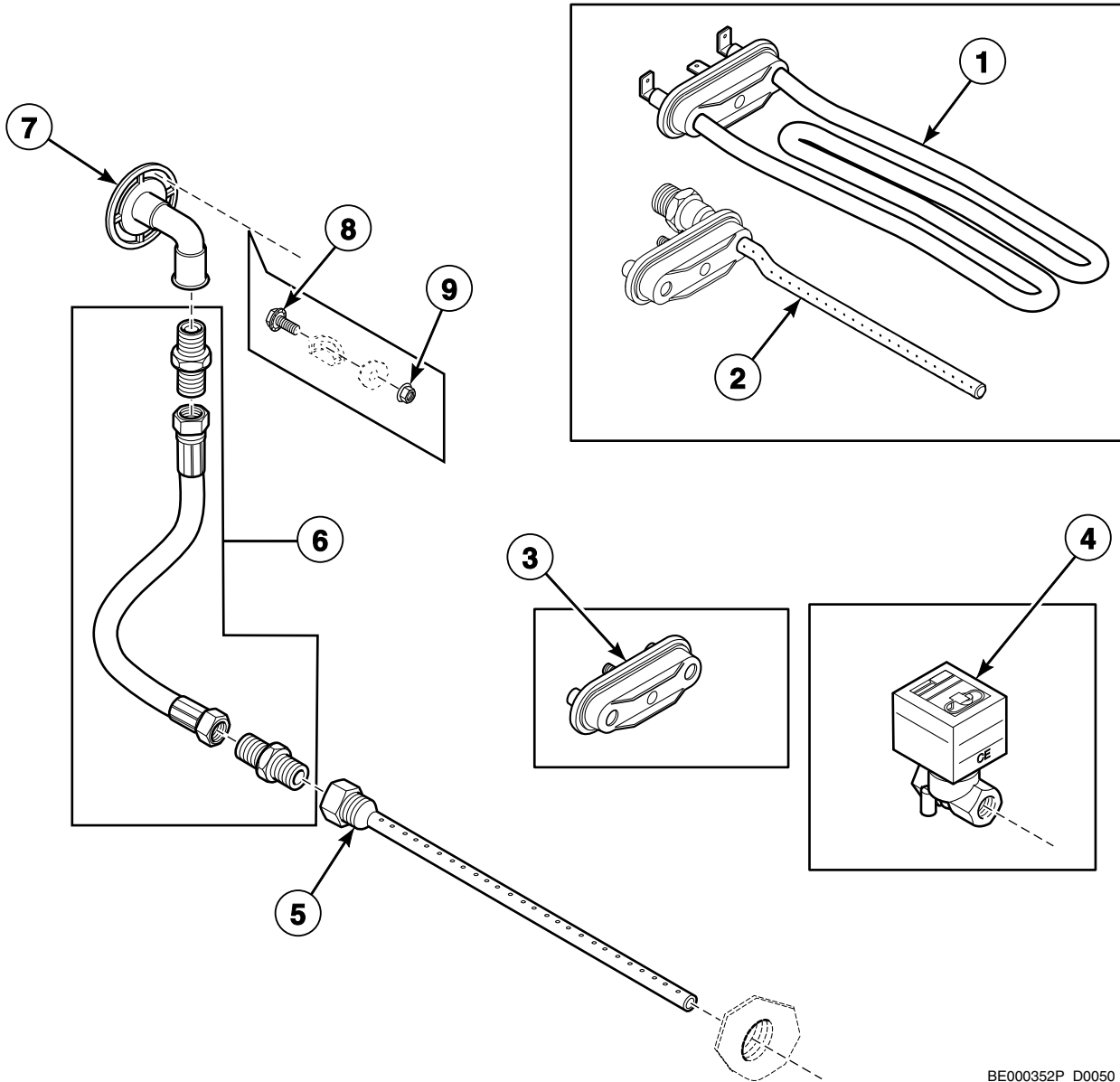


CFD331P_D0050

Supply Dispenser with Rectangular Ventilation Opening

REF	PART NO.	DESCRIPTION	COMMENTS
1	223/00226/00	Vent Tube	
2	223/00229/00	Vent Tube	
3	223/00245/00	Shrink Fit	
4	223/00109/00	Soap Dispenser Gasket	
5	223/00222/60	Outer and Inner Box Kit	
6	B12347501	Screw	
7	223/00102/06	Soap Spray Nozzle	
8	123/00107/00	Anti-Splash Plate	Sigma control models
	123/00103/06	Soap Box Assembly Plate	All other models
9	223/00222/00	Soap Dispenser	
10	223/00222/03	Softener Spray Nozzle	
11	223/00222/04	Siphon Break	
12	223/00222/05	Rinsing Box	
13	223/00222/60	Outer and Inner Box Kit	
14	223/00195/00	Dispenser Drain Funnel	
15	B12350903	Screw	
16	223/00013/00	Hose Clamp	
17	223/00261/00	Soap Dispenser Hose	*33 and *150 models
	223/00262/00	Siphon Break Dispenser Hose	*40, *45 and *185 models
18	B12310304	Siphon Break Hose	*33 and *150 models
	B12310306	Siphon Break Hose	*40, *45 and *185 models
19	223/00250/00	Liquid Soap Manifold	
20	223/00044/00	Water Hose	
21	223/00010/00	Hose Clamp	

Electric and Steam Heating Options

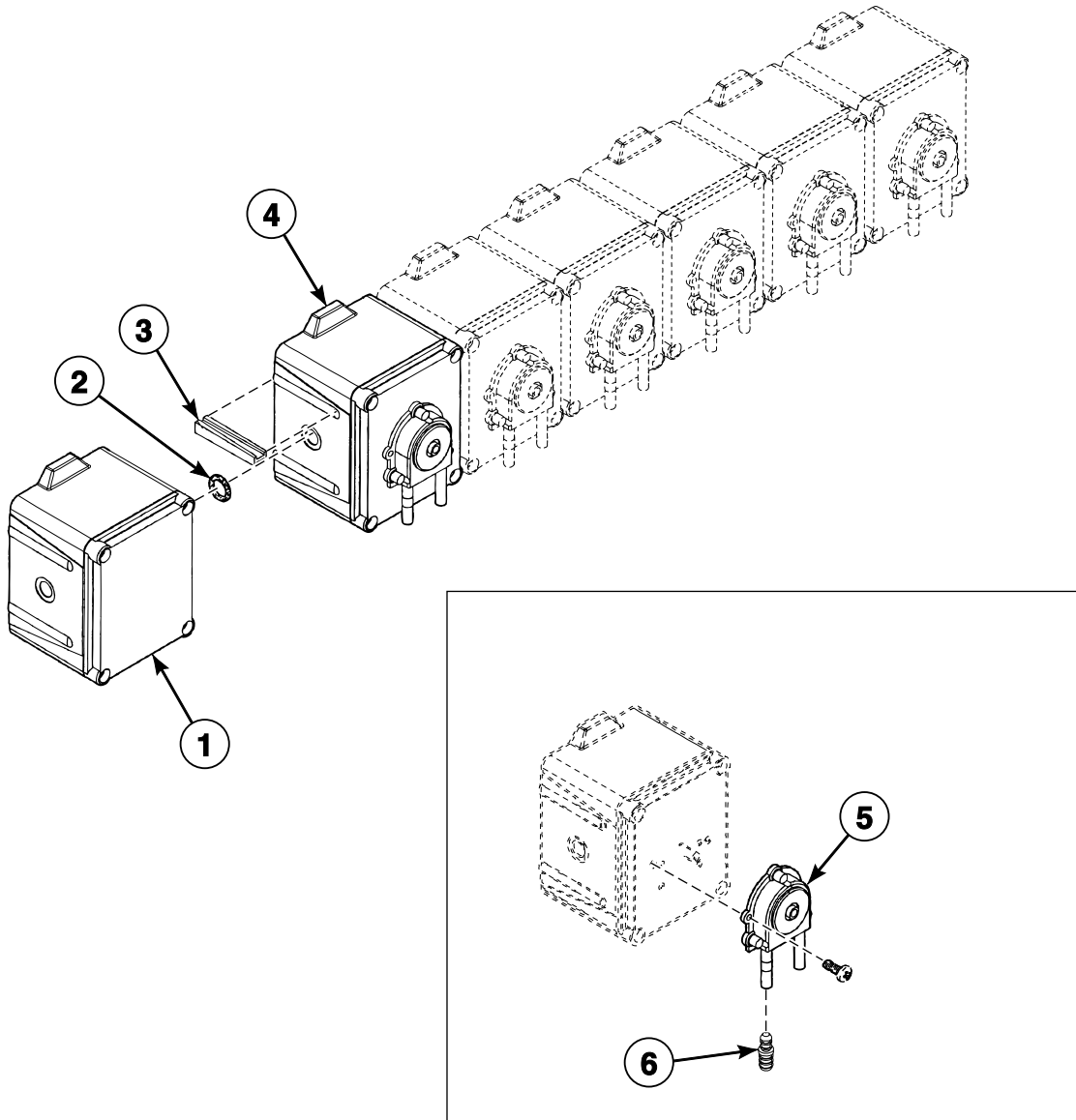


BE000352P_D0050

Electric and Steam Heating Options

REF	PART NO.	DESCRIPTION	COMMENTS
1	209/00581/10	Heating Element	4000W
	209/00562/20	Heating Element	3000W
	209/00563/20	Heating Element	2000W
	209/00564/10	Heating Element	1400W
2	118/00105/01	Steam Injector	
3	F360202	Heating Element Plug	
4	209/00477/00	Steam Valve	
5	119/00082/00	Steam Injector	
6	217/00025/00	Steam Hose	
7	118/01063/00	Steam Inlet	
8	206/00099/00	Bolt	
9	206/00101/00	Nut	

Soap Pumps

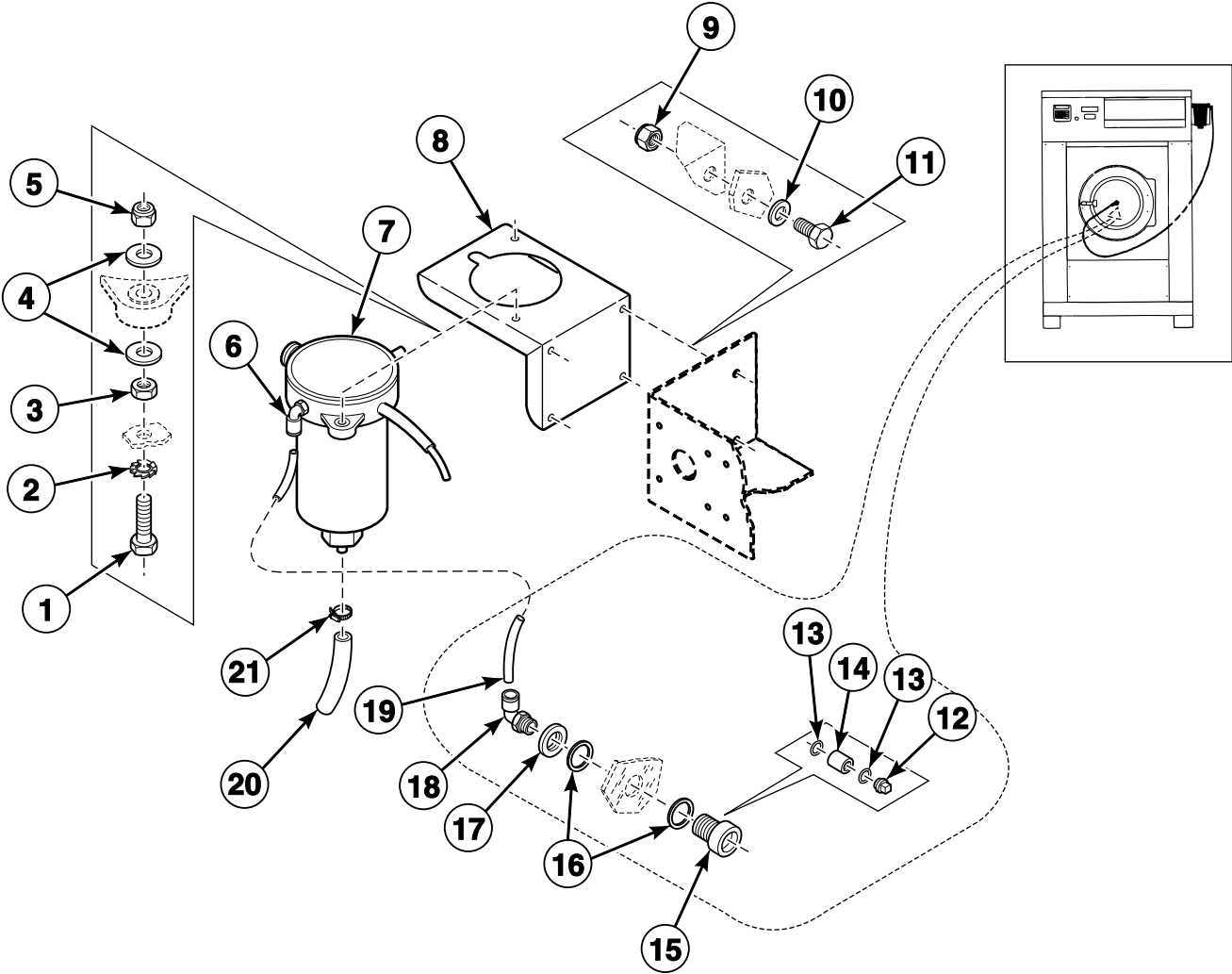


BE000527AP_D0050

Soap Pumps

REF	PART NO.	DESCRIPTION	COMMENTS
1	209/00554/01	Soap Pump Assembly	1 pump
	209/00554/02	Soap Pump Assembly	2 pumps
	209/00554/03	Soap Pump Assembly	3 pumps
	209/00554/04	Soap Pump Assembly	4 pumps
	209/00554/05	Soap Pump Assembly	5 pumps
	209/00554/06	Soap Pump Assembly	6 pumps
	209/00554/51	Feeding Liquid Soap Dosing Pump	
2	209/00554/52	Liquid Soap Dosing Pump O-Ring	
3	209/00554/53	Liquid Soap Dosing Pump Connection Piece	
4	209/00554/50	Pump	
5	209/00554/98	Hose	
6	209/00554/99	Hose Connector	

Liquid Supply Pump



BE000068P_D0050

Liquid Supply Pump

REF	PART NO.	DESCRIPTION	COMMENTS
1	205/00103/00	Bolt	
2	203/00004/00	Washer	
3	204/00106/00	Nut	
4	202/00101/00	Washer	
5	204/00009/00	Nut	
6	223/00181/00	Soap Injector Elbow Coupling	
7	209/00369/00	Liquid Soap Spray Pump	
8	111/10179/00	Spray Pump Mounting Plate	
9	204/00009/00	Nut	
10	201/00007/00	Washer	
11	205/00107/00	Bolt	
12	223/00178/00	Soap Injector Orifice	
13	223/00177/00	O-Ring	
14	211/00126/00	Soap Injector Orifice Nipple	
15	211/00127/00	Soap Injector Connector	
16	223/00176/00	O-Ring	
17	211/10106/00	Nut	
18	223/00182/00	Soap Injector Coupling	
19	223/00180/00	Soap Injector Hose	
20	223/00179/10	Pressure Hose	
21	F140605	Cable Tie	

Parts Index

A

Anti-Splash Plate	
123/00107/00	89, 91

B

Back Panel	
152/00053/02	63
Backbridge	
111/01822/00	69, 75
111/01833/00	65, 67, 73
111/01833/10	67
111/01859/00	71
Backplate	
111/01002/00	59, 61
Ball Bearing	
212/00004/00	19, 21, 23
Basket Kit	
B12543101	25
B12545901	25
Bearing	
F100134	19, 21, 23
Bearing Housing	
150/10118/00	19, 21, 23
Bearing Kit	
3883P	23
Bearing Replacement Kit	
KBRGWE234	21
Bearing Replacement Tool Kit	
382P3	21, 23
Belt	
226/00124/00	25, 27
Bolt	
205/00102/00	19, 21, 23
205/00103/00	97
205/00104/00	19, 21, 23, 35
205/00105/00	65
205/00106/00	65
205/00107/00	17, 97
206/00005/00	25
206/00006/00	27
206/00014/00	69, 71
206/00027/00	67, 69, 71, 77, 81
206/00032/00	17
206/00033/00	29, 31
206/00037/00	13
206/00042/00	65
206/00052/00	15
206/00060/00	15
206/00088/00	73, 75
206/00099/00	63, 65, 67, 69, 71, 73, 75, 85, 93
207/00125/00	63
224/00046/00	13

C

Cable Tie	
F140605	97

Caddy Bracket	
224/00051/00	19, 21, 23
224/00052/00	19, 21, 23
Central Control Board	
209/00438/50	79, 81
Circuit Board Cover	
229/00262/00	51, 53, 55, 57
229/00289/00	37, 41, 43, 45, 47, 49
Coin Box	
254/00077/00	59, 61
Coin Drop	
B11211209	59
B12311201	59
B12311202	59
B12311203	59
B12311204	59
B12311205	59
B12311206	59
B12311207	59
B12311208	59
B12311210	59
B12311211	59
B12311212	59
B12311214	59
B12311215	59
B12311216	59
B12311218	59
B12311219	59
B12311220	59
B12311221	59
B12311222	59
B12311224	59
B12311225	59
B12311226	59
B12311234	59
B12311235	59
B12311239	59
B12311241	59
B12311244	59
B12311247	59
B12311248	59
B12311249	59
B12311252	59
B12311301	59
B12311302	59
B12311304	59
B12311401	61
B12323401	59
B12323901	59
Computer Board	
209/00580/02	39
Connection Clamp	
209/00619/01	85
209/00622/01	85
209/00625/01	85
Contact Block	
44018701	37
44018901	37, 41, 43, 47, 51, 53, 55, 57
Control Board	
209/00547/00	53, 55
Control Panel	
111/00181/04	37
Control Panel Decal	
225/00424/00	39

N/A items do not appear in index.

225/00425/00	39
Cooling Fan	
209/00287/00	73, 75
Counter Ring	
219/00004/00	19, 25
Coupling	
150/00210/00	17
Crossbar	
111/00969/00	65
155/00162/00	65

D

Data Card Ribbon Assembly	
B12538301	41, 43, 45, 47, 49
Datacard	
209/02022/00	41, 43, 45, 47, 49
Datacard Cover	
223/00348/00	41, 43
Decal	
225/00403/00	53
Detergent PC-Board	
209/02005/00	83
209/02008/00	83
Dispenser Drain Funnel	
223/00195/00	89, 91
Display	
209/00580/03	37
Display PC-Board	
209/02002/00	41
Domed Label	
800921	39
800922	39
800923	39
Door	
118/00125/00	35
Door Glass	
B12449801	35
Door Glass Seal	
223/00068/00	35
Door Handle	
217/00059/00	35
Door Handle Stop	
217/00016/00	35
Door Hinge Block	
253/00022/00	35
Door Hinge Plate Assembly	
111/00003/00	35
Door Hinge Spacer	
118/00124/00	35
Door Lock Assembly	
B12517701	33
Door Lock Bracket	
217/00052/11	33
Door Lock Microswitch	
209/00272/00	33
Door Lock PC-Board	
209/02010/00	41, 43, 45, 47, 49
Door Lock Pin Kit	
211/00109/02	35
Door Lock Spacer	
217/00052/03	33

Door Lock Spring	
224/00049/00	33
Door Release Wire	
217/00052/07	33
Door Solenoid Assembly	
B12495102	33
Drain Hose	
223/00309/00	29, 31
Drain Piece	
223/00146/00	29, 31
Drain Valve	
209/00463/00	29, 31
Drive	
F8421101	75
F8421102	75
F8421103	75
F8421104	75
Drum	
B12326901	25
B12380301	25
B12380401	25
B12380701	25
B12380801	25
136/00021/00	25
Dual Drop Optical Sensor Kit	
B12388102	59

E

Elbow	
223/00419/00	31
Electrical Component Mounting Plate	
111/10003/30	85
111/10003/40	85
Electrical Connection Plate	
111/00094/10	69, 71
111/00188/06	69, 71, 81
Electrical Connection Sticker	
229/00068/02	69, 71
Electronic Coin Meter Housing	
152/00112/50	61
Emergency Switch Pushbutton	
209/00099/20	41, 43, 47
Eprom	
209/00266/01	51

F

Fan Grill	
209/00287/01	73, 75
Fastening Piece	
217/00060/00	59, 61
Feeding Liquid Soap Dosing Pump	
209/00554/51	95
Filter	
210/00027/UL00	77, 81
227/00179/00	77, 81
227/00180/00	77, 81
227/00183/00	77, 81
Filter Bracket	
111/01837/01	77

N/A items do not appear in index.

Frame	
150/00111/50.....	11
185/00111/50.....	11
Front Plate	
111/01000/00.....	59, 61
150/10113/00.....	17
Fuse	
209/00372/01.....	37, 39, 57
209/00439/00.....	51, 53, 55
209/00468/00.....	79, 81, 83
Fuse Holder	
209/00202/00.....	79, 81, 83
209/00202/01.....	79, 81, 83

G

Gasket	
246/00149/00.....	65
Graphic Overlay	
229/00283/00.....	39
Grommet	
223/00174/00.....	73, 75
223/00203/00.....	81
Ground Terminal	
209/00006/01.....	77
210/10015/00.....	33

H

Heating Contactor	
209/00641/04.....	85
209/06148/02.....	85
Heating Element	
209/00562/20.....	93
209/00563/20.....	93
209/00564/10.....	93
209/00581/10.....	93
Heating Element Plug	
F360202.....	93
Hinge	
221/00004/00.....	35
Hose	
209/00554/98.....	95
Hose Clamp	
223/00010/00.....	29, 31, 67, 69, 71, 89, 91
223/00013/00.....	29, 31, 89, 91
223/00014/00.....	29, 31, 89
Hose Connector	
209/00554/99.....	95
Hose Vent	
223/00102/07.....	67, 69

I

ID Chip	
209/02020/00.....	83
Infrared Cable	
210/00902/00.....	41, 43, 53, 55, 57
Inlet Valve, 2-Way	
B12519501.....	67, 69, 71
209/00110/00.....	67, 69, 71

Input Block	
209/00683/00.....	61
Insulating Sticker	
229/00255/00.....	37, 39, 51, 53, 55, 57
229/00268/00.....	41
229/00291/00.....	43, 45
Interlock Coil Spring	
224/00043/00.....	33
Interlock Lever	
217/00052/04.....	33
Inverter Box Cover	
111/01174/01.....	73, 75
Inverter Drive	
227/00168/00.....	73, 75
227/00229/00.....	73
227/00237/00.....	73
Inverter Drive Box	
111/01174/00.....	73, 75
Inverter Kit	
F8421001.....	75
F8421002.....	75
F8421003.....	75
F8421004.....	75
Inverter PC-Board	
209/02006/00.....	83

K

Key	
254/00077/02.....	59, 61
Keypad	
209/00552/01.....	57
Keypad Sticker	
225/00407/00.....	51

L

Label	
225/00397/00.....	57
Left Front Panel	
111/50050/00.....	65
150/00003/20.....	65
Lever Spring	
224/00040/00.....	33
Lip Seal	
B12332301.....	23
Liquid Soap Dispenser Insert	
223/00102/08.....	89
Liquid Soap Dosing Pump Connection Piece	
209/00554/53.....	95
Liquid Soap Dosing Pump O-Ring	
209/00554/52.....	95
Liquid Soap Manifold	
223/00250/00.....	71, 73, 75, 89, 91
Liquid Soap Spray Pump	
209/00369/00.....	97
Lock Shaft	
217/00017/03.....	33
Lower Front Panel	
111/50051/00.....	65
150/01803/00.....	65

N/A items do not appear in index.

M

Main Board	
B12351701	57
Main Control	
B12565801	37, 39
209/00580/00-00	37, 39
Main Switch	
209/00526/00	77
209/00529/00	77
209/00672/00	77
Main Switch Cover	
111/01834/00	77
Mechanical Coin Meter Housing	
152/00112/00	59
Memory Card PC-Board	
B12305201	41, 43, 45, 47, 49
Microprocessor	
209/02025/00	83
Microswitch	
B12625101	33
Motor	
B12510701	27
Mounting Plate	
223/00374/00	41, 43, 45, 47, 49

N

Network Connection Printboard	
209/00540/01	79, 81
209/02007/00	83
Noise Filter	
227/00242/00	77, 81
Nut	
204/00003/00	15
204/00006/00	65
204/00007/00	67, 69, 73, 75, 81, 87
204/00008/00	33, 37, 59, 61
204/00009/00	17, 65, 97
204/00012/00	13
204/00016/00	13
204/00019/00	13
204/00103/00	35
204/00106/00	35, 97
204/00109/00	65
204/00110/00	13, 15, 17, 27, 87
204/00111/00	11, 19
204/00112/00	21, 23
204/00114/00	73, 75
204/00116/00	37, 39, 41, 43, 45, 47, 49, 51, 53, 55, 57, 59, 61, 83
204/00201/00	29, 31, 67, 69, 71
206/00101/00	29, 31, 87, 93
208/00002/00	61, 67, 69
208/00025/00	65, 71
208/00104/00	63
211/10106/00	97
271/35945/00	27, 69, 71, 73
271/35946/00	73

O

Operating Label	
225/00406/00	53
Operating Sticker	
225/00400/00	57
225/00404/00	55
225/00405/00	55
225/00408/00	51
225/10305/00	49
225/10306/00	49
225/10307/00	47
225/10308/00	47
225/10313/00	41
225/10403/00	45
225/10404/00	43
225/10405/00	43
225/10426/00	41
225/10427/00	43
Optic Cable	
210/00901/00	45, 47, 49
Optical Switch	
209/00781/00	59
O-Ring	
217/00002/00	19, 21
217/00021/00	33, 35
223/00176/00	97
223/00177/00	97
Outer and Inner Box Kit	
223/00222/60	91
Outer Tub	
B12328601	17
B12328701	17
Outlet Pipe Plate Assembly	
101/00007/00	29, 31, 65
Out-of-Balance Switch	
209/00255/00	87
Out-of-Balance Switch Boot	
223/00246/00	87
Overflow Hose	
223/00150/00	29, 31
Overlay	
F9001561	37
225/00392/00	37
Overload Contactor	
209/00619/00	85
209/00620/00	85
209/00621/00	85
209/00622/00	85
209/00623/00	85
209/00624/00	85

P

Parameter Unit Assembly	
F8410901	73, 75
227/00171/00	73, 75
Parameter Unit Program Cable	
227/00171/10	73
Plexi Frame	
225/00316/00	51, 53, 55
225/00321/00	41
225/00322/00	47, 49

N/A items do not appear in index.

225/00323/00	43, 45
Plug	
211/00091/00	69, 71
Pressure Hose	
B12700018	29, 31, 85
223/00179/10	71, 73, 75, 97
Pressure Switch	
209/00027/10	85
Pressure Switch Cap	
223/00035/02	29, 31, 85
Pressure Switch Hose Tee	
223/00173/10	29, 31, 85
Prewash and Mainwash Nozzle	
223/00001/04	67, 69, 71
Printboard	
209/00440/00	51
209/00440/70	51, 53
209/00440/80	53
209/02001/02	47, 49
209/02015/02	43, 45
Printboard Separator	
211/00128/00	41, 43, 45, 47, 49, 83
Printboard Support	
111/01838/10	79
Printboard Support Card	
111/01893/00	41, 43
Programming Cable	
B12388303	37, 39
Programming Key	
209/00326/21	37
Programming Key Contact Switch	
209/00326/20	37
Programming Switch	
209/00326/00	57
Protection LED	
223/00330/00	47, 49
Pulley	
185/00086/00	27
255/00117/00	25
Pump	
209/00554/50	95
Pushbutton	
209/00396/00	59, 61
44018801	37, 47, 51, 53, 55, 57

R

Relay PC-Board	
209/02014/00	83
209/02016/00	83
Retainer Ring	
212/00006/00	19, 21, 23
212/00037/00	21, 23
Retaining Ring	
117/00042/00	65
Ribbon Assembly	
B12388302	37, 39
Right Front Panel	
111/50049/00	65
150/00003/10	65
Rinse Insert	
223/00102/03	89

Rinsing Box	
223/00222/05	91
Rivet	
208/00017/00	69, 71, 77, 79, 83, 85

S

Screw	
B12347501	89, 91
B12350903	89, 91
B12500801	35
206/00053/00	11
206/00055/00	21, 23
206/00056/00	27
206/00057/00	19
206/00113/00	65
206/00187/00	21, 23
207/00009/00	33
207/00018/00	87
207/00031/00	81
207/00102/00	33
207/00112/00	33
207/00121/00	73, 75
207/00126/00	35
207/00135/00	33
208/00014/00	61, 65, 67, 69, 71
208/00120/00	17, 87
208/00121/00	65
208/00124/00	65
208/00130/00	71, 73, 75
Seal Cover	
219/00001/00	19, 21
Seal Holder Assembly	
119/00001/01	19, 21
Seal Plate Assembly	
B12333701	23
Separator	
224/00054/00	13, 15
Shaft Seal	
219/00003/00	21
Shock Absorber	
F250500	13, 15
Shrink Fit	
223/00245/00	91
Side Panel	
111/22723/10	63, 65
111/22728/10	63, 65
111/50035/00	63, 65
111/50036/00	63, 65
Side Panel Gasket	
246/00079/00	63, 65
Single Drop Optical Sensor Kit	
B12388101	59
Siphon Break	
223/00222/04	91
Siphon Break Dispenser Hose	
223/00262/00	89, 91
Siphon Break Hose	
B12310304	89, 91
B12310306	89, 91
Soap Box	
223/00001/00	29, 31
Soap Box Assembly Plate	
123/00103/06	89, 91

N/A items do not appear in index.

Soap Dispenser 223/00222/00	91	Steam Inlet 118/01063/00	93
Soap Dispenser Air Breather Hose 223/00107/00	89	Steam Valve 209/00477/00	93
Soap Dispenser Assembly 223/00102/30	89	Support Connector 111/10003/10	85
223/00102/50	89	Suspension Spring 247/00010/01	13
Soap Dispenser Cover 223/00103/01	63	Switch 209/00600/01P	59
Soap Dispenser Cover Hinge Rod 223/00103/04	63	Switch Base 209/00099/25	37, 57
Soap Dispenser Frame 223/00103/03	63	Switch Knob 209/00099/29	37, 57
Soap Dispenser Gasket 223/00109/00	89, 91		
Soap Dispenser Hose 223/00261/00	89, 91		
Soap Dispenser Rinse Siphon 223/00102/04	89		
Soap Injection PCB with Fuse 209/00218/13	79, 81		
Soap Injector Connector 211/00127/00	97		
Soap Injector Coupling 223/00182/00	97		
Soap Injector Elbow Coupling 223/00181/00	97		
Soap Injector Hose 223/00180/00	97		
Soap Injector Orifice 223/00178/00	97		
Soap Injector Orifice Nipple 211/00126/00	97		
Soap Pump Assembly 209/00554/01	95		
209/00554/02	95		
209/00554/03	95		
209/00554/04	95		
209/00554/05	95		
209/00554/06	95		
Soap Spray Nozzle 223/00102/06	89, 91		
Softener Spray Nozzle 223/00102/05	89		
223/00222/03	91		
Spacer 211/00107/00	37, 39		
211/00140/00	37		
Speed Detector 210/00074/00	19, 21, 23		
210/00213/00	19, 21, 23		
Spray Pump Mounting Plate 111/10179/00	97		
Standoff 211/00120/00	81		
211/00122/00	41, 43, 45, 51, 53, 55, 57, 83		
211/00145/00	41, 43		
211/00146/00	79, 83		
Steam Hose 217/00025/00	93		
Steam Injector 118/00105/01	93		
119/00082/00	93		
		T	
		Telem Sticker 209/00520/00	41, 43, 47, 51, 53, 55, 57
		Terminal Block 209/00058/00	81
		209/00527/00	77
		209/00530/00	77
		209/01625/00	85
		Thermostat 210/01064/16	85
		Thermostat Grommet 225/10004/00	85
		Tilt Detector Plate 111/00108/01	87
		111/01854/00	17
		Tilt Switch Bracket 111/00107/01	87
		Tolerance Ring 215/00004/00	25
		Top Panel 111/01001/00	59, 61
		111/22741/00	63
		111/22743/00	63
		111/50004/00	63
		111/50005/00	63
		Transformer 209/00682/00	61
		Tub B12323801	17
		B12328501	17
		B12328801	17
		B12329501	17
		B12329601	17
		B12329701	17
		B12329801	17
		B12329901	17
		B12330001	17
		Tub Front Gasket 223/00242/00	17
		Tub Front Panel 185/00049/00	17
		Tub Front Panel Clip 217/00008/00	17
		Tub Front Ring Clamp 219/00007/00	17
		Tub Support Assembly 150/00108/00	11
		185/00108/00	11

N/A items do not appear in index.

Tub to Drain Valve Hose	
255/00010/00	29, 31

Wire Assembly	
B12359901	59

U

Upper Front Panel	
111/01908/00	47
111/01909/00	49
111/01910/00	43
111/01911/00	45
150/01811/00	53
150/01812/00	41
150/01816/00	51, 55
150/01850/00	57

V

Vent Tube	
223/00226/00	67, 71, 91
223/00229/00	91
Ventilating Hose	
223/00107/01	89
Voltage Discharge Decal	
B12355001	73, 75

W

Washer	
B12421401	65
201/00002/00	29, 31, 67, 69, 71
201/00004/00	27
201/00005/00	11
201/00006/00	65, 67, 69, 71
201/00007/00	17, 29, 31, 65, 97
201/00010/00	17, 65, 87
201/00012/00	19, 21, 23
201/00013/00	21, 23
201/00015/00	25
201/00017/00	33
201/00018/00	33
201/00201/00	19, 21, 23
201/00202/00	17
202/00003/00	65
202/00004/00	67, 69, 71, 73, 75, 77
202/00101/00	17, 35, 97
202/00104/00	35
202/00111/00	35
202/00124/00	33
203/00001/00	11
203/00002/00	25
203/00004/00	19, 21, 23, 97
203/00005/00	65
203/00006/00	51, 67, 69, 73, 75, 77, 81, 87
203/00007/00	33, 37
203/00010/00	33
203/00015/00	65
223/00051/10	57
223/00123/00	37, 41, 43, 45, 47, 49, 57, 83
Water Hose	
F200164	67, 69, 71
F200166	67, 69, 71
223/00044/00	29, 31, 67, 69, 71, 89, 91

N/A items do not appear in index.

