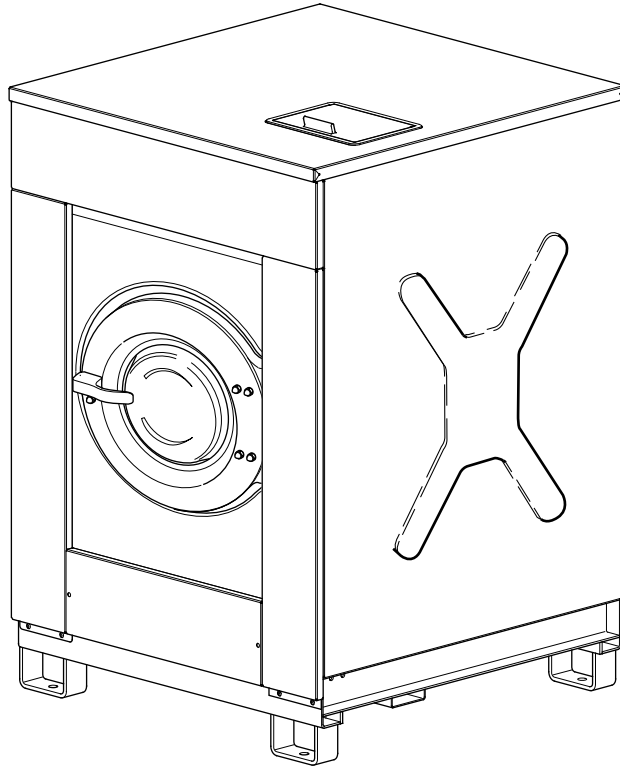


Washer-Extractor

Cabinet Freestanding
Refer to Page 5 for Model Numbers



CFD22C_D0055

Table of Contents

Title	Page
Parts Ordering Information.....	3
Serial Plate Location	3
Model Identification	5
Cabinet Freestanding Washer-Extractor Product Overview	6
Frame.....	8
Shock Absorber	10
Shell	12
Bearing Housing (Drawing 1 of 2) - Models Through January 30, 2011	14
Bearing Housing (Drawing 2 of 2) - Models Through January 30, 2011	16
Bearing Housing - Models Starting January 31, 2011	18
Basket, Pulley and Belt - Models Through January 30, 2011	20
Basket, Pulley and Belt - Models Starting January 31, 2011	22
Motor	24
Drain Plumbing - Single Drain.....	26
Drain Plumbing - Dual Drain	28
Drain Valve - Normally Open	30
Drain Valve - Normally Closed.....	32
Door Lock.....	34
Door - Models Through May 3, 2009	36
Door - Models Starting May 4, 2009	38
Control Panel - Cygnus Professional	40
Control Panel - PRO	42
Control Panel - Cygnus Premium and Cygnus Ultra.....	44
Control Panel - PS40F	46
Control Panel - PS40	48
Electrical Component Mounting Plate - Models Through March 22, 2007.....	50
Electrical Component Mounting Plate - Models Starting March 23, 2007.....	52
Front, Left Side and Top Panels	54
Right Side and Back Panels	56
Upper Back Panel (Drawing 1 of 2)	58
Upper Back Panel (Drawing 2 of 2)	60
Inverter Drive (Drawing 1 of 2).....	62
Inverter Drive (Drawing 2 of 2).....	64
Main Board and Printboard - Cygnus Models	66
Supply Dispenser - Models Through April 26, 2009	68
Supply Dispenser - Models Starting April 27, 2009	70
Supply Dispenser Plumbing - Models Through April 26, 2009.....	72
Supply Dispenser Plumbing - Models Starting April 27, 2009 Through May 17, 2011	74
Supply Dispenser Plumbing - Models Starting May 18, 2011	76
Soap Pumps	78
Liquid Supply Pump	80

© Copyright 2017, Alliance Laundry Systems LLC

All rights reserved. No part of the contents of this book may be reproduced or transmitted in any form or by any means without the expressed written consent of the publisher.

Electric and Steam Heating Options	82
Balance Switch	84
Parts Index.....	87

Parts Ordering Information

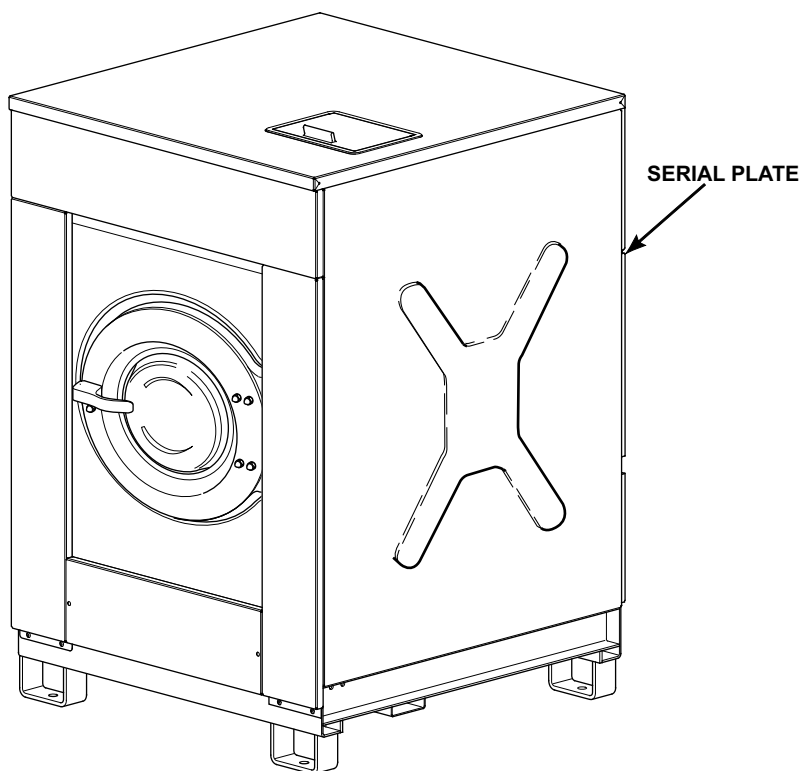
If literature or replacement parts are required, contact the source from whom the machine was purchased or contact Alliance Laundry Systems at (920) 748-3950 for the name and address of the nearest authorized parts distributor.

For technical assistance, call the number listed below:

(920) 748-3121 Ripon, Wisconsin

Serial Plate Location

When calling or writing about your product, be sure to mention model and serial numbers. Model and serial numbers are located on serial plate(s). The serial plate is located at the rear of the machine as shown.



CFD22CA_D0055



Model Identification

Information in this manual is applicable to these washer-extractor models:

CHF100ANH	IHF100ANH
CHF135ANH	IHF100ZNH
CS100_CYGNUS-ULTRA	IHF135ANH
CS135_CYGNUS-ULTRA	IHF135ZNH
HF455_CYGNUS-PREM_OPL_THROUGH-MARCH-30-2014	IHF455ANH
HF455_CYGNUS-PRO_THROUGH-MARCH-30-2014	IHF455ZNH
HF455_PS40	IHF575ANH
HF455_PS40F	IHF575ZNH
HF575_CYGNUS-PREM_OPL_THROUGH-MARCH-30-2014	SX100Z
HF575_CYGNUS-PRO_THROUGH-MARCH-30-2014	UX100Z
HF575_PS40	UX135Z
HF575_PS40F	



Cabinet Freestanding Washer-Extractor Product Overview

1 2

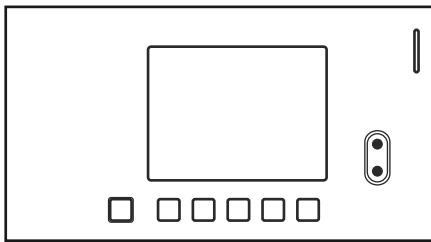
Type:	HF455P	Nr:	07110580147
Voltage:	3 ~ 380V 50Hz	Weight:	1787 kg
Motor:	7.5 kW 20 A	Capacity:	575 L
Heating:	36 kW 60 A	Dry Load:	57 kg
Total:	43.50 kW	Drum:	980 mm
Kinetic energy:	23257N/M	Speed:	800 rpm
Manufactured in:	2007		
Water Pressure: min. 2.07 max. 5.86 Kg/cm ² IPX4 min. 20.7 max. 58.6 N/cm ²			
sfc 741295			
 Alliance International BVBA Nieuwstraat 146 8560 Wevelgem Belgium Tel: +32 56 41 20 54 Fax: +32 56 41 86 74 www.ipso.be			

Label 1

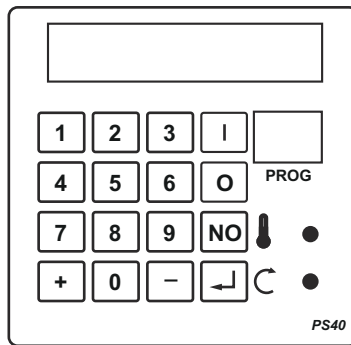
1 2 3 4 5 6 7

Model No:	IHF100ANHX10U01	Serial No:	0710740113
Volts Hertz:	208-240 50/60	Type:	HF730P
Phase:	3	Capacity:	165/73 lbs/kg
Amps:	20 amps	Water	30-85 psi
Recommended		Pressure:	2.07-5.86 bar
Circuit Breaker:	25 amps	Max Speed:	750 rpm
Interrupt Current:	10 kA	Motor:	15 hp
Motor:	11 kW	Net	3520 lbs
Elec Heat:	N/A kW	Weight:	5070 kg
Steam	N/A psi		IPX4
heat:	N/A bar		
 Alliance International BVBA Made in Belgium TEL 1-920-748-3121 www.comlaundry.com		 INTERTEK LISTED C US 100740 CONFORMS TO ANSUL STD 2157 CERTIFIED TO CAN/CSA STD C22.2 NO.189	

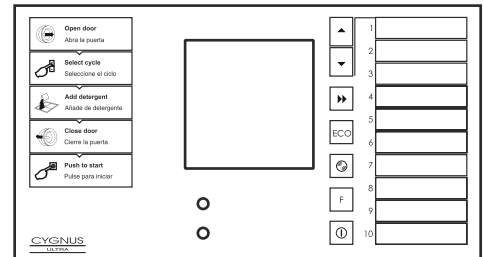
Label 2



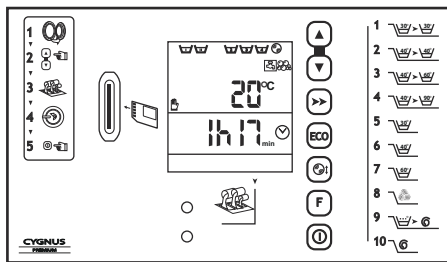
PRO



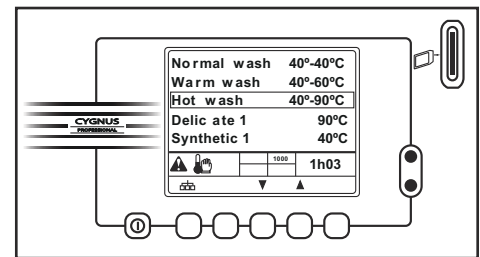
PS40



Cygnus Ultra



Cygnus Premium



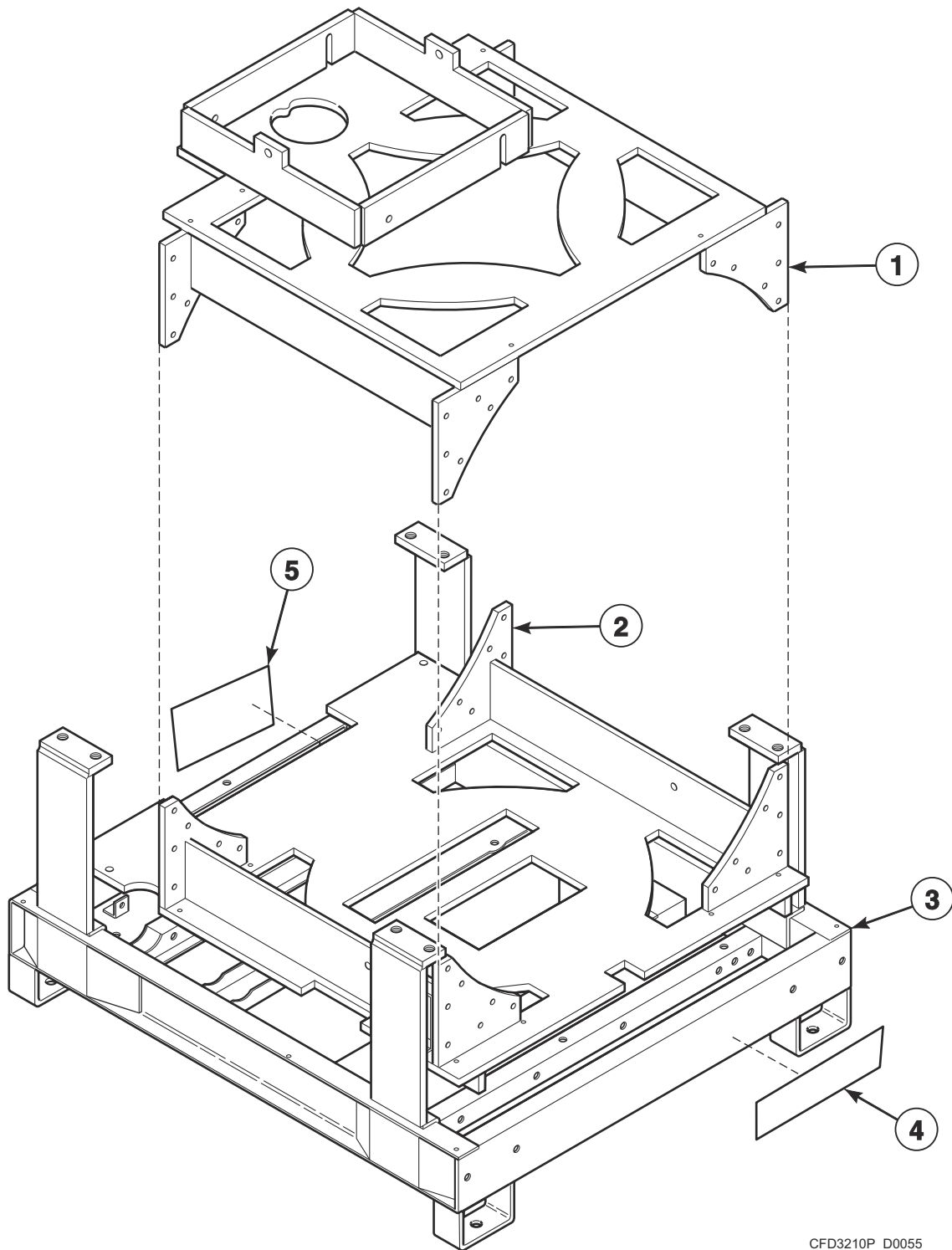
Cygnus Professional

CFD2516P_D0055

Cabinet Freestanding Washer-Extractor Product Overview

REF	PART NO.	DESCRIPTION	COMMENTS
1	-	Product Family	CHF HF IHF
2	-	Capacity (Pounds)	100 135 455 575
3	-	Control	A (PS40F) Cygnus-Prem Cygnus-Ultra U (Cygnus-Ultra) PS40 Z (Cygnus-Pro or PRO)
4	-	Actuation	N (Non-Coin)
5	-	Speed	H (High Speed)
6	-	Voltage	N (440-480/50-60/3/3) P (380-415/50-60/3/3) Q (208-240/50-60/3/3) X (200-240/50-60/1/3)
7	-	Design	1

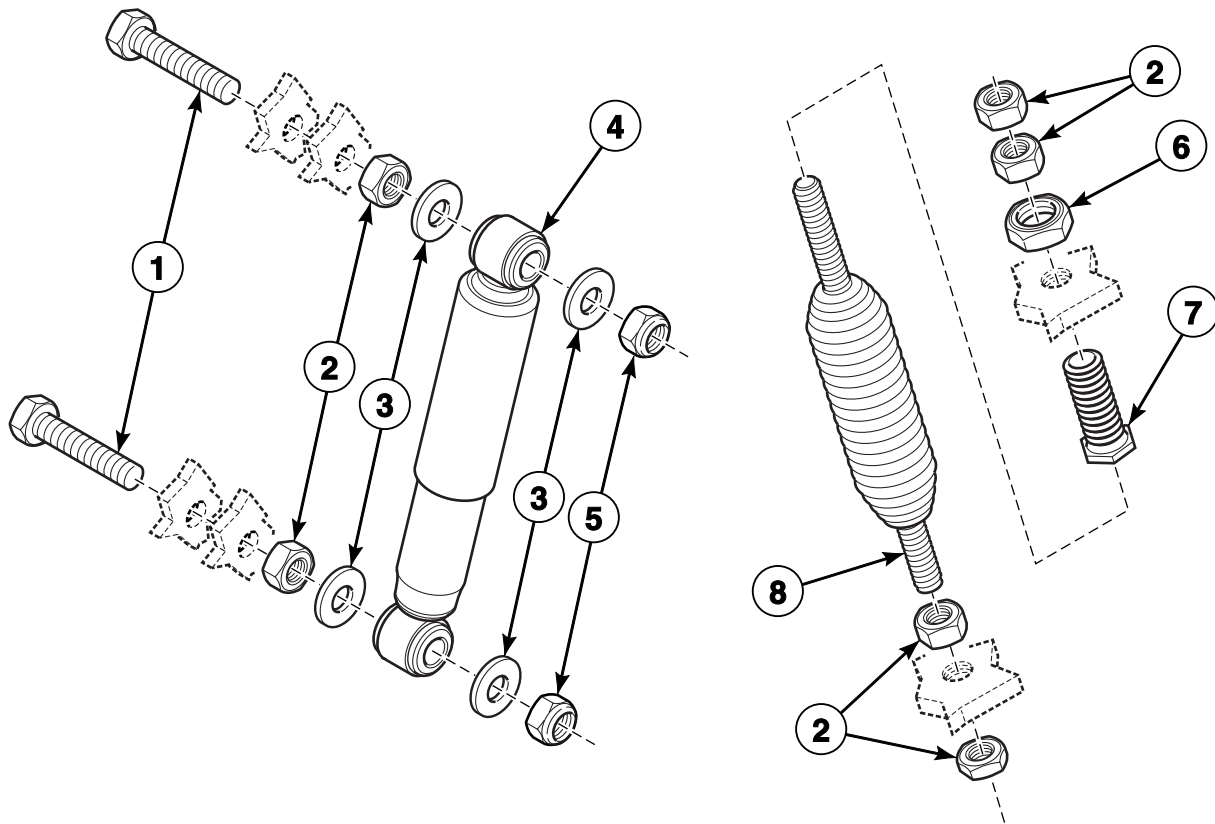
Frame



Frame

REF	PART NO.	DESCRIPTION	COMMENTS
1	253/10111/00	Upper Support	*HF100 and *HF455 models
	253/10112/00	Upper Support	*HF135 and *HF575 models
2	253/10011/00	Lower Support	*HF100 and *HF455 models
	253/10012/00	Lower Support	*HF135 and *HF575 models
3	253/10009/00	Frame	*HF100 and *HF455 models
	253/10010/00	Frame	*HF135 and *HF575 models
4	153/10009/11	Front Shipping Brace	
5	153/10009/12	Rear Shipping Brace	

Shock Absorber

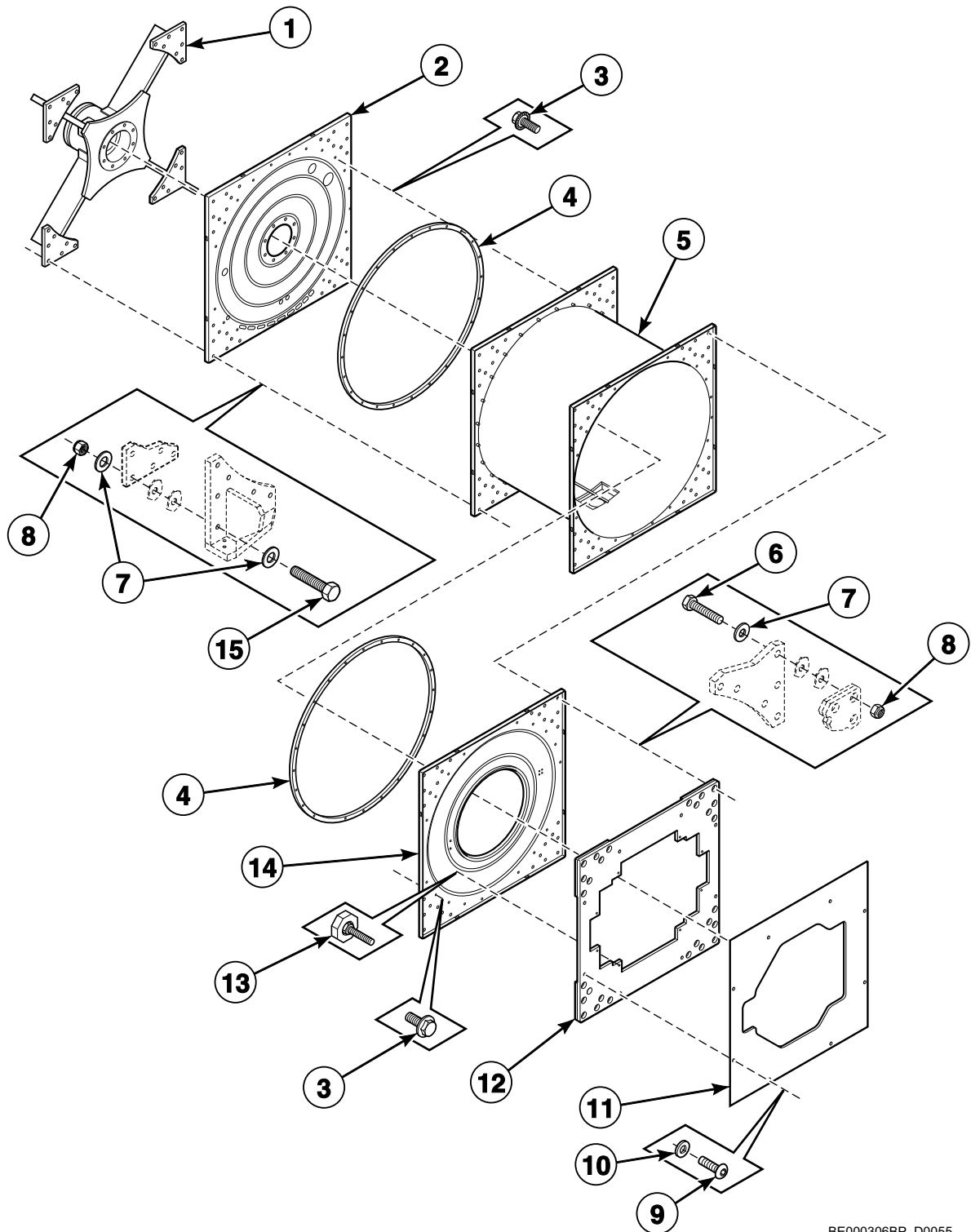


BE000333P_D0055

Shock Absorber

REF	PART NO.	DESCRIPTION	COMMENTS
1	206/00071/00	Bolt	
2	204/00012/00	Nut	
3	201/00001/00	Washer	
4	247/00008/00	Shock Absorber	
5	204/00113/00	Nut	
6	204/00016/00	Nut	
7	224/00046/00	Bolt	
8	B12456301	Suspension Spring	

Shell

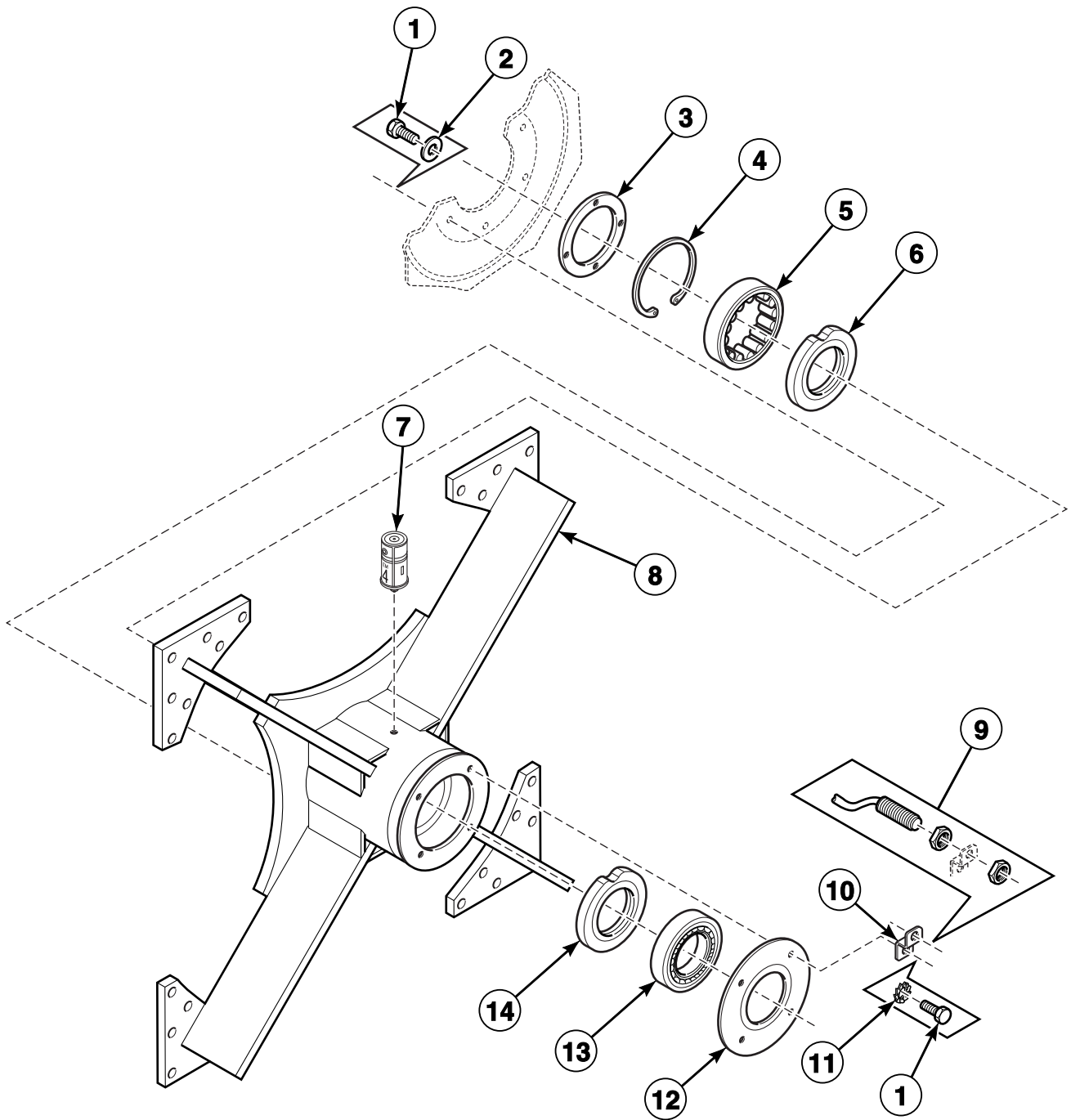


BE000306BP_D0055

Shell

REF	PART NO.	DESCRIPTION	COMMENTS
1	153/10004/00	Bearing Housing Assembly	
2	153/00076/10	Tub Back Plate	Steam heat
	153/00075/10	Tub Back Plate	Electric and steam heat
3	206/00099/00	Bolt	
4	223/00168/00	Tub Gasket	
5	153/00077/00	Tub	*HF100 and *HF455 models; Electric and steam heat
	153/00078/00	Tub	*HF100 and *HF455 models; Steam heat
	153/00075/00	Tub	*HF135 and *HF575 models; Electric and steam heat
	153/00076/00	Tub	*HF135 and *HF575 models; Steam heat
6	206/00122/00	Bolt	
7	B12522101	Washer	
8	204/00113/00	Nut	
9	205/00102/00	Bolt	
10	202/00105/00	Washer	
11	153/10113/00	Door Front Panel	Round
	153/10114/00	Door Front Panel	Square
12	253/10013/00	Counterweight	
13	252/00006/00	Leveling Leg	
14	153/10013/00	Tub Front Panel	

Bearing Housing (Drawing 1 of 2) - Models Through January 30, 2011

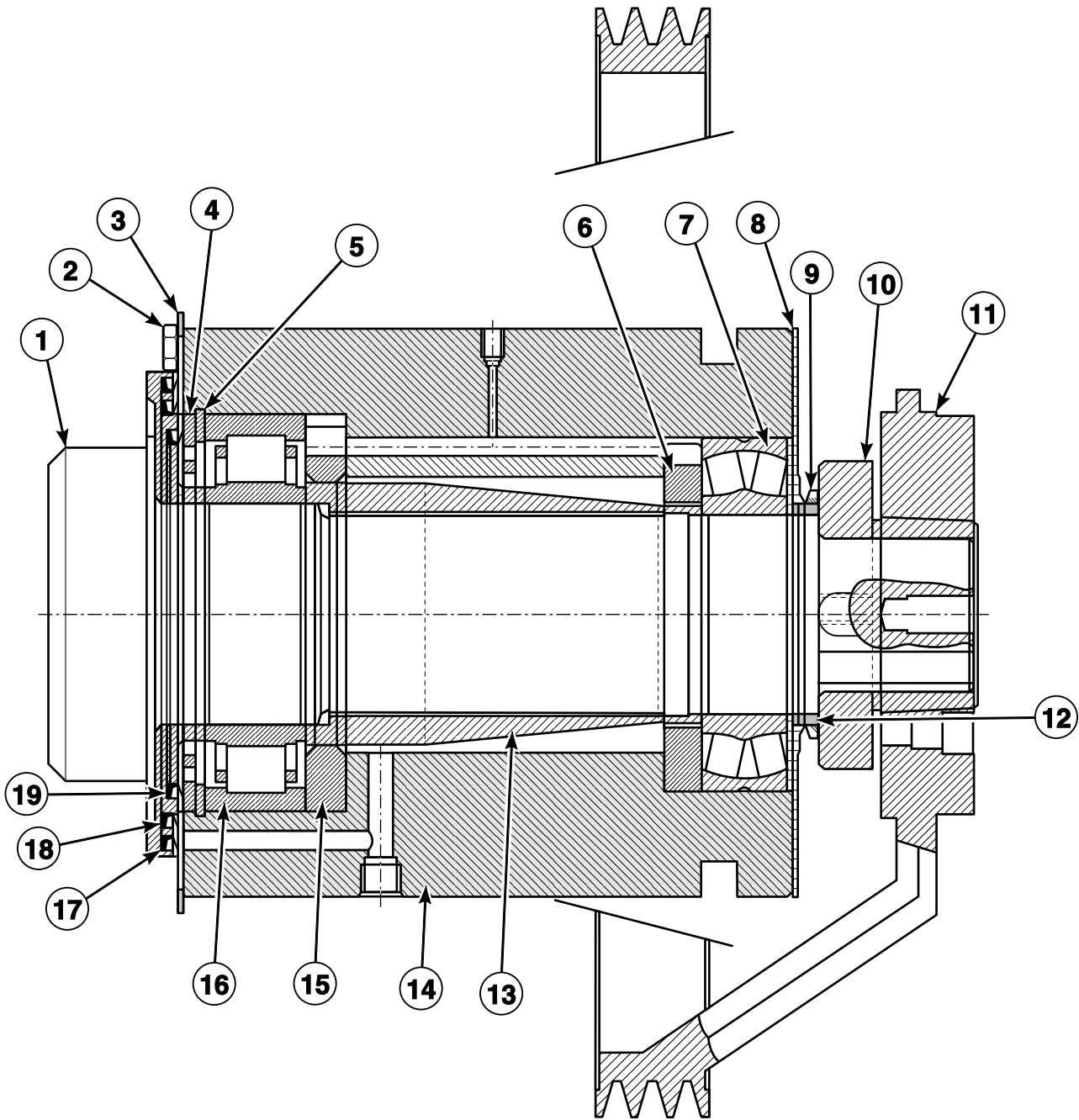


BE000307P_D0055

Bearing Housing (Drawing 1 of 2) - Models Through January 30, 2011

REF	PART NO.	DESCRIPTION	COMMENTS
	245/00054/00	Bearing Replacement Tool Kit	
	894P3	Bearing Replacement Kit	Includes items 2, 5, 7, 13, 223/00168/00 Tub Gasket, 253/00151/00 V-Ring Seal, 253/00152/00 V-Ring Seal, 253/00153/00 V-Ring Seal and 254/00154/00 V-Ring Seal
1	205/00102/00	Bolt	
2	201/00202/00	Washer	
3	253/10127/00	Bearing Housing Cover	
4	253/00157/00	Retaining Ring	
5	253/00155/00	Roller Bearing	
6	253/10120/00	Spacer	
7	212/00002/00	Lubricator	
8	153/10004/00	Bearing Housing Assembly	
9	209/00400/00	Speed Detector	
10	153/00041/02	Speed Sensor Bracket	
11	203/00002/00	Washer	
12	153/00069/00	Bearing Cover Plate	
13	253/00156/00	Roller Bearing	
14	B12360807	Bearing Spacer	

Bearing Housing (Drawing 2 of 2) - Models Through January 30, 2011

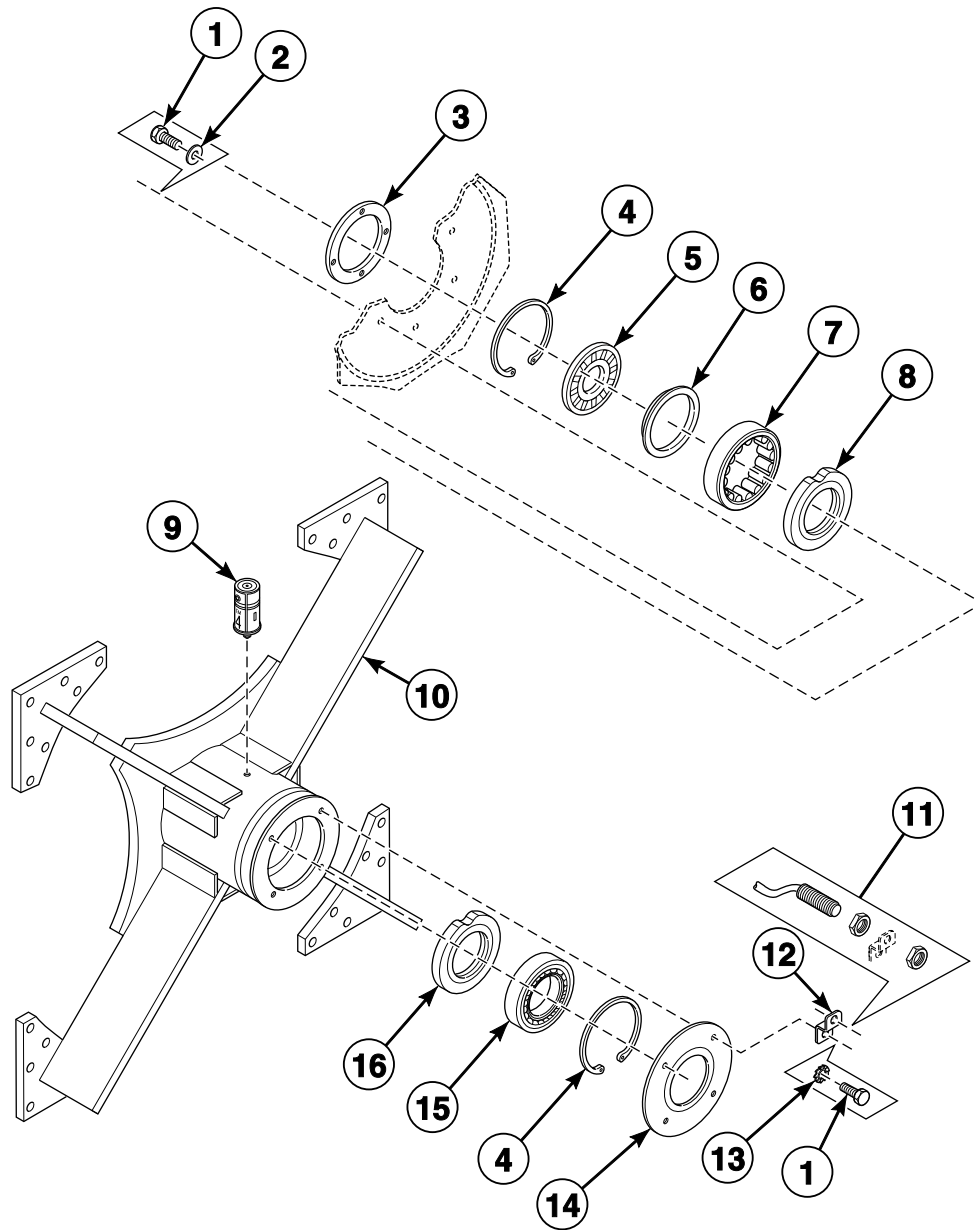


BE000361P_D0055

Bearing Housing (Drawing 2 of 2) - Models Through January 30, 2011

REF	PART NO.	DESCRIPTION	COMMENTS
1	B12374401	Drum Assembly	
2	205/00102/00	Bolt	
3	201/00202/00	Washer	
4	253/10127/00	Bearing Housing Cover	
5	253/00157/00	Retaining Ring	
6	B12360807	Bearing Spacer	
7	253/00156/00	Roller Bearing	
8	153/00069/00	Bearing Cover Plate	
9	253/00154/00	V-Ring Seal	
10	253/00026/00	Pulley	
11	253/00026/01	Pulley	
12	253/00124/00	Bushing	
13	253/00125/00	Spacer	
14	153/10004/00	Bearing Housing Assembly	
15	253/10120/00	Spacer	
16	253/00155/00	Roller Bearing	
17	253/00151/00	V-Ring Seal	
18	253/00152/00	V-Ring Seal	
19	253/00153/00	V-Ring Seal	

Bearing Housing - Models Starting January 31, 2011

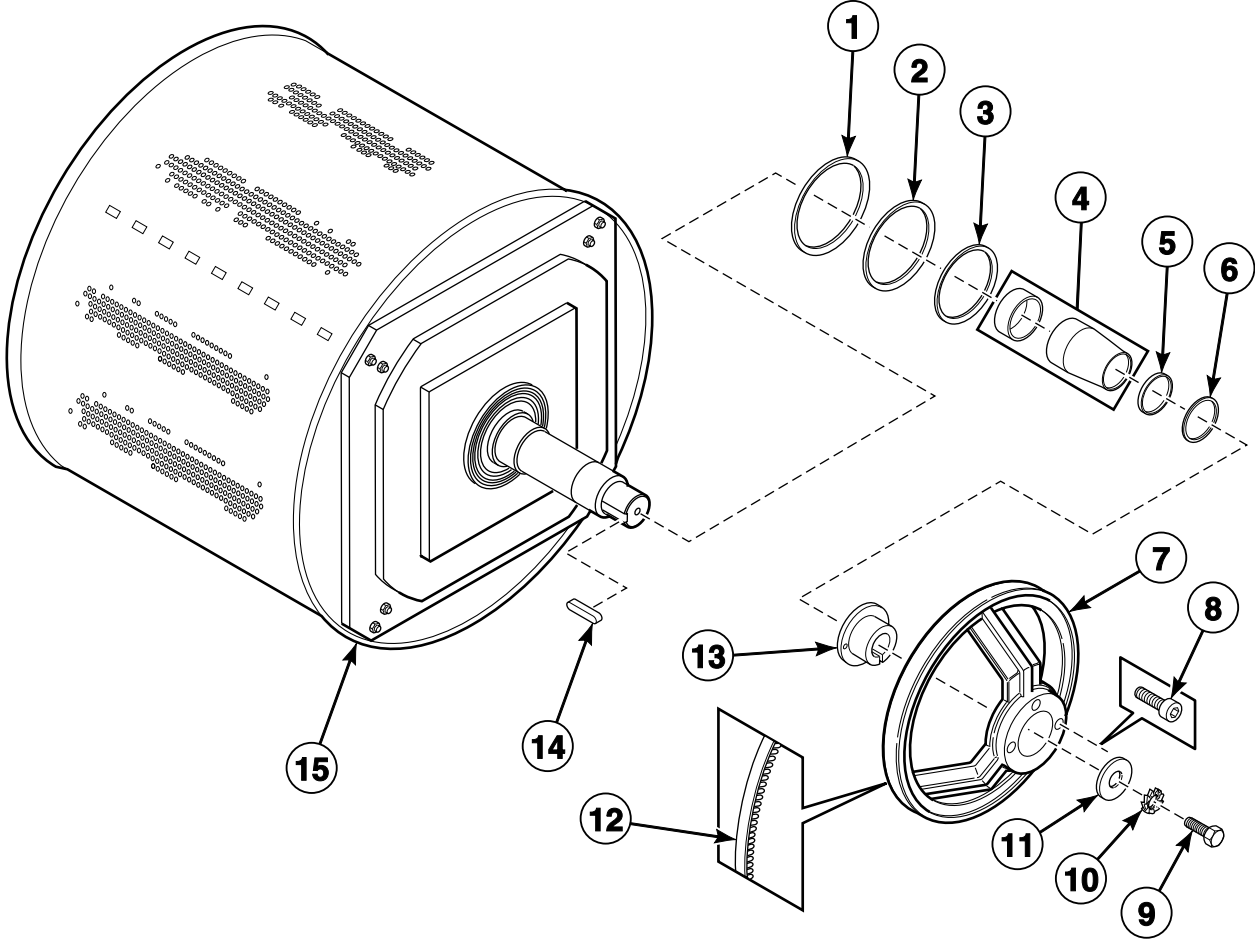


CFD638P_D0055

Bearing Housing - Models Starting January 31, 2011

REF	PART NO.	DESCRIPTION	COMMENTS
	245/00054/00	Bearing Replacement Tool Kit	
	3885P	Bearing Kit	Includes items 2, 3, 5-7, 9, 15, B12378901 (VL200) Seal, B12378801 (VL180) Seal, 253/00154/00 (VA100) Seal, 204/00113/00 Nut and 223/00168/00 Tub Gasket
1	205/00102/00	Bolt	
2	201/00202/00	Washer	
3	153/00121/00	Seal Wear Plate	
4	253/00157/00	Retaining Ring	
5	253/00182/00	Lip Seal	
6	253/00131/00	Grease Ring Holder	
7	253/00155/00	Roller Bearing	
8	B12360810	Spacer	
9	212/00002/00	Lubricator	
10	153/10004/00	Bearing Housing Assembly	
11	209/00400/00	Speed Detector	
12	153/00041/02	Speed Sensor Bracket	
13	203/00002/00	Washer	
14	153/00069/00	Bearing Cover Plate	
15	253/00156/00	Roller Bearing	
16	B12360807	Bearing Spacer	

Basket, Pulley and Belt - Models Through January 30, 2011



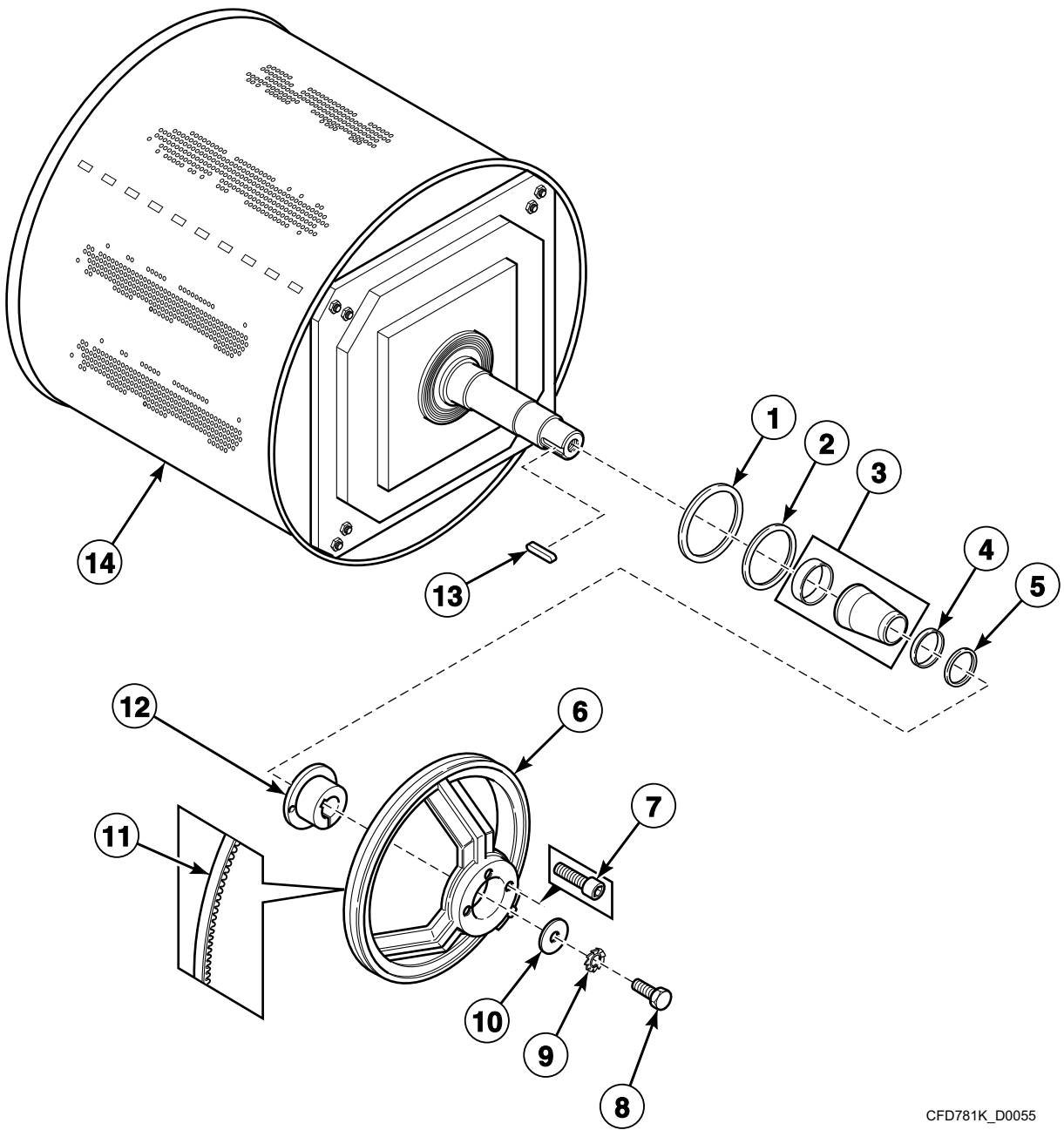
BE000308P_D0055

Basket, Pulley and Belt - Models Through January 30, 2011

REF	PART NO.	DESCRIPTION	COMMENTS
1	253/00151/00	V-Ring Seal	246/00302/00 Seal Grease
2	253/00152/00	V-Ring Seal	
3	253/00153/00	V-Ring Seal	
4	253/00125/00	Spacer	
5	253/00124/00	Bushing	
6	253/00154/00	V-Ring Seal	
7	253/00026/01	Pulley	Models through 11/23/10; 450 mm (17.7 inches)
	253/00078/00	Pulley	Models starting 11/24/10; 505 mm (19.9 inches)
8	206/00053/00	Screw	
9	206/00147/00	Bolt	
10	203/00016/00	Washer	
11	201/00025/00	Washer	
12	253/00148/00	Belt	XPA 2360
	226/00155/00	Belt	*HF455 models starting Serial No. 10110440133; *HF575 models starting Serial No. 10110580127; XPA 2430
13	253/00026/00	Pulley	
14	253/00033/00	Key	
15	153/00035/50	Cylinder and Trunnion Assembly	*HF100 and *HF455 models
	B12543301	Basket Kit	*HF100 and *HF455 models; For replacement of 153/00035/50 Cylinder and Trunnion Assembly; Includes B12472401 Basket and 3885P Bearing Kit
	N/A	Drum Assembly	*HF135 and *HF575 models; No longer available; Order B12543401 Basket Kit
	B12543401	Basket Kit	*HF135 and *HF575 models; For replacement of basket used before 1/30/11; Includes B12374401 Drum Assembly and 3885P Bearing Kit

N/A = Part no longer available

Basket, Pulley and Belt - Models Starting January 31, 2011

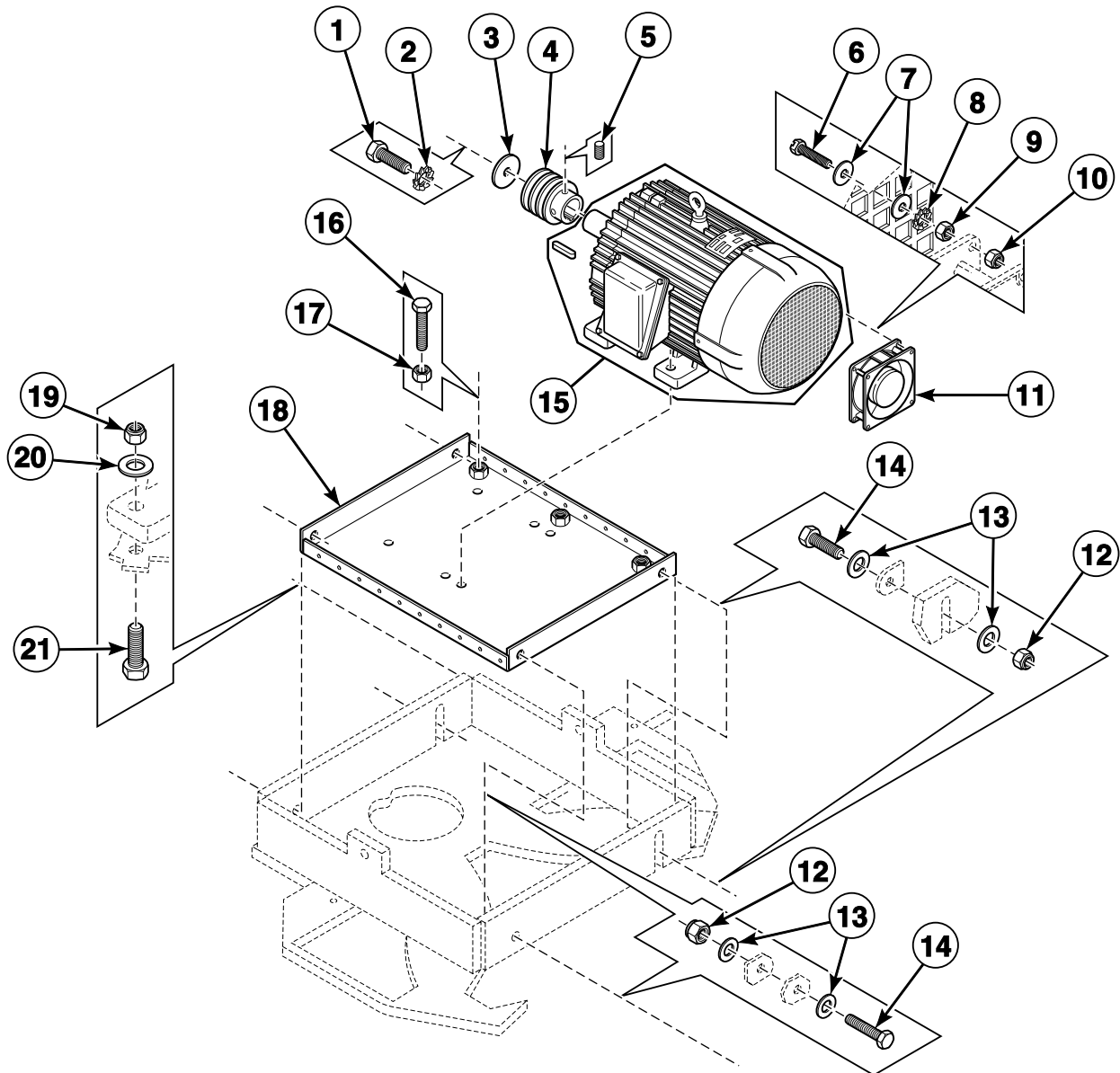


CFD781K_D0055

Basket, Pulley and Belt - Models Starting January 31, 2011

REF	PART NO.	DESCRIPTION	COMMENTS
1	B12378901	Seal	VL200
2	B12378801	Seal	VL180
3	253/00125/00	Spacer	
4	253/00124/00	Bushing	
5	253/00154/00	V-Ring Seal	VA100
6	253/00026/01	Pulley	
	253/00078/00	Pulley	505 mm (19.9 inches)
7	206/00053/00	Screw	
8	206/00147/00	Bolt	
9	203/00016/00	Washer	
10	201/00025/00	Washer	
11	253/00148/00	Belt	XPA 2360
	226/00155/00	Belt	*HF455 models starting Serial No. 10110440133; *HF575 models starting Serial No. 10110580127; XPA 2430
12	253/00026/00	Pulley	
13	253/00033/00	Key	
14	B12472401	Basket	*HF100 and *HF455 models
	B12374401	Drum Assembly	*HF135 and *HF575 models

Motor

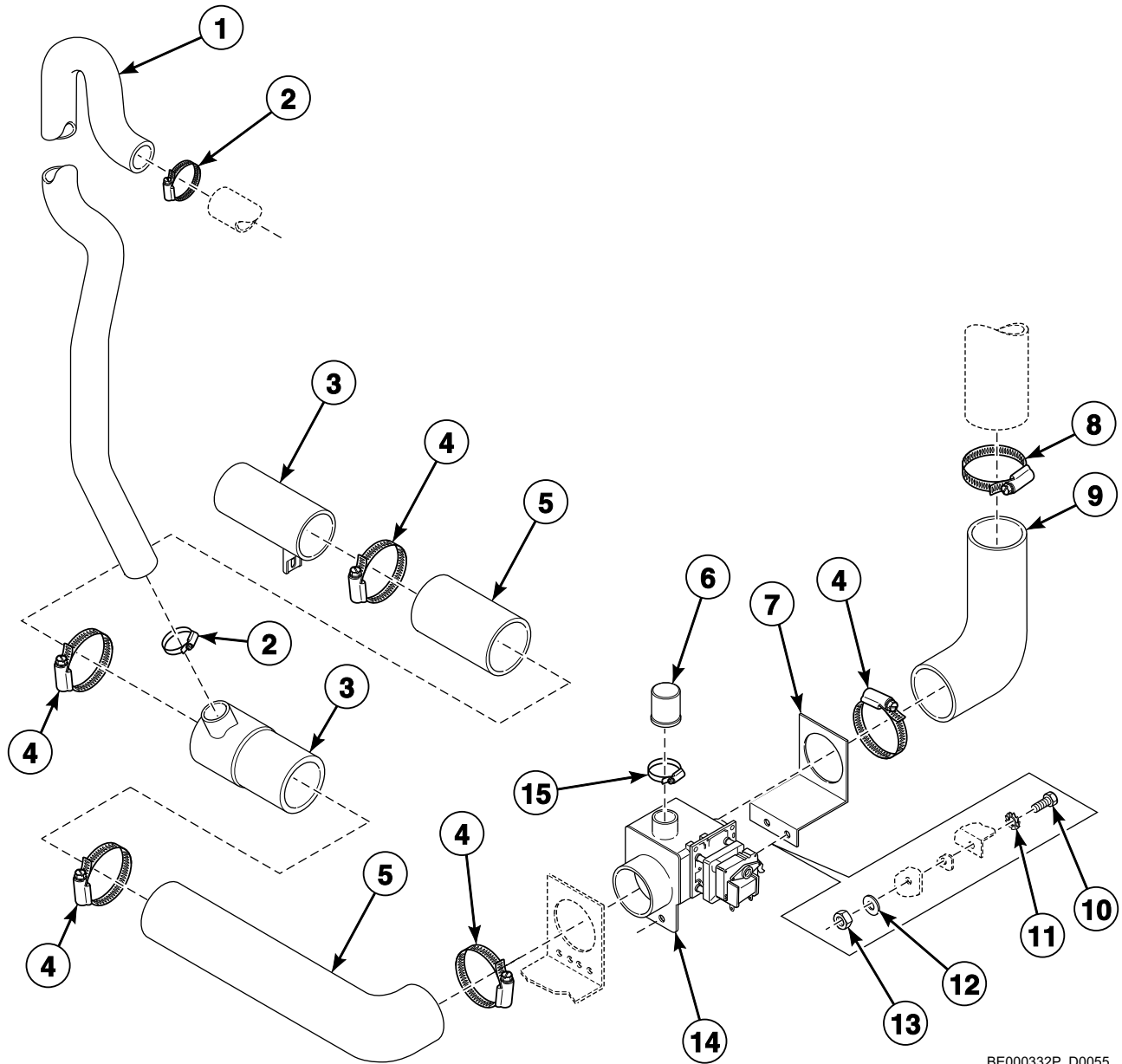


BE000309P_D0055

Motor

REF	PART NO.	DESCRIPTION	COMMENTS
1	206/00004/00	Bolt	
2	203/00001/00	Washer	
3	201/00011/00	Washer	
4	253/00147/00	Pulley	Models through 11/24/10; 90 mm (3.5 inches)
	253/00079/00	Pulley	*HF455 models starting Serial No. 10110440133; *HF575 models starting Serial No. 10110580127; Models starting 11/24/10; 85 mm (3.3 inches)
5	206/00031/00	Screw	
6	207/00003/00	Screw	
7	201/00008/00	Washer	
8	203/00006/00	Washer	
9	204/00007/00	Nut	
10	204/00114/00	Nut	
11	209/00287/00	Cooling Fan	
12	204/00113/00	Nut	
13	201/00001/00	Washer	
14	248/00114/00	Bolt	
15	B12511401	Motor	*HF135 and *HF575 models
	227/00132/00	Motor	*HF100 and *HF455 models
16	206/00125/00	Screw	
17	204/00012/00	Nut	
18	B12369701	Motor Plate	
19	204/00111/00	Nut	
20	201/00004/00	Washer	
21	206/00142/00	Bolt	

Drain Plumbing - Single Drain

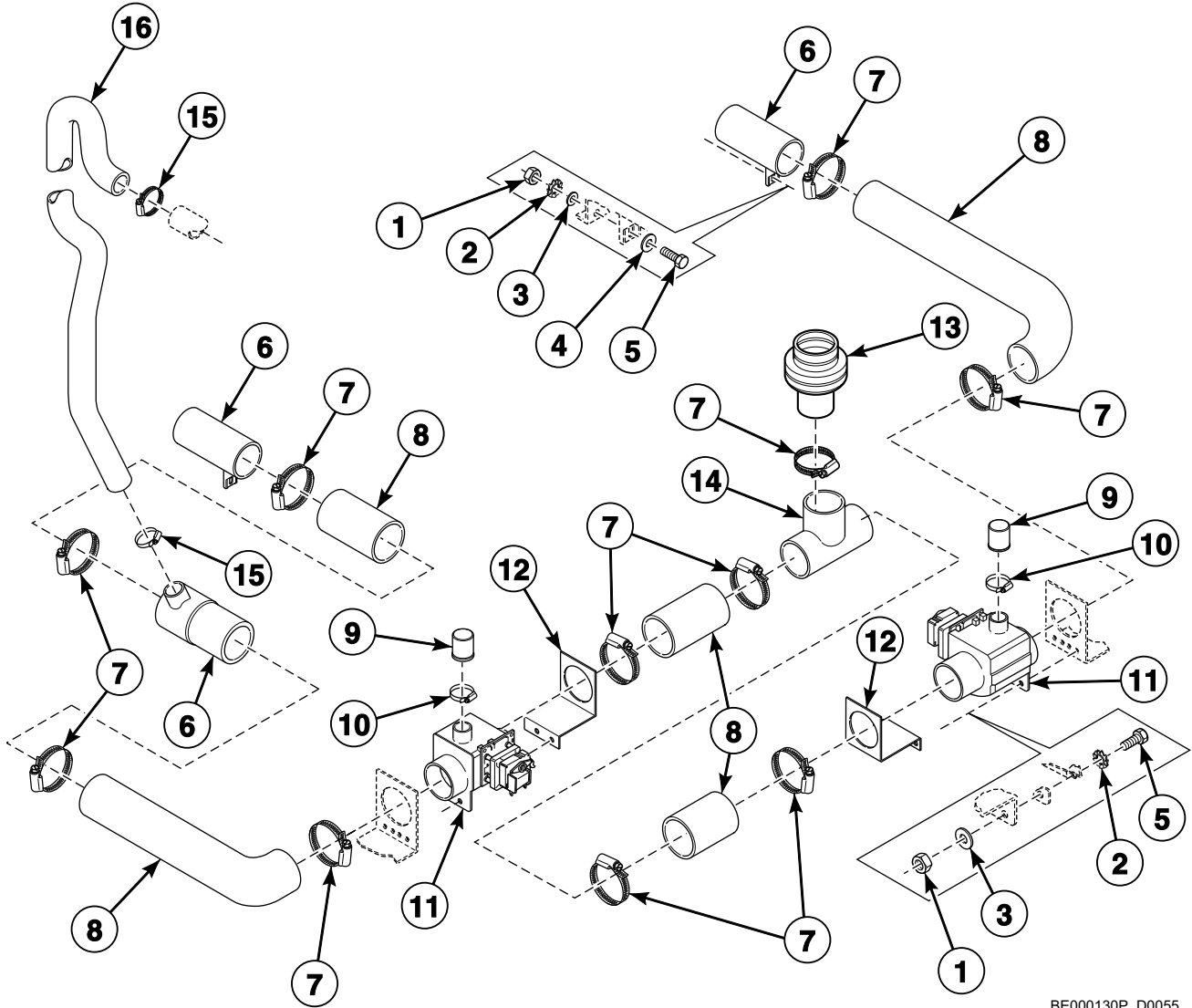


BE000332P_D0055

Drain Plumbing - Single Drain

REF	PART NO.	DESCRIPTION	COMMENTS
1	223/00184/00	Overflow Hose	
2	223/00013/00	Hose Clamp	
3	223/00106/00	Drain Pipe	
4	223/00071/00	Hose Clamp	
5	223/00141/00	Drain Valve to Drain Pipe Hose	
6	223/00086/00	Drain Valve Overflow Plug	
7	114/00010/00	Drain Valve Plate Assembly	
8	223/00223/00	Hose Clamp	
9	223/00133/00	Drain Tub to Drain Valve Hose	
10	206/00009/00	Bolt	
11	203/00003/00	Washer	
12	202/00002/00	Washer	
13	204/00004/00	Nut	
14	B12630701	Drain Valve Kit	
15	229/00012/00	Hose Clamp	

Drain Plumbing - Dual Drain

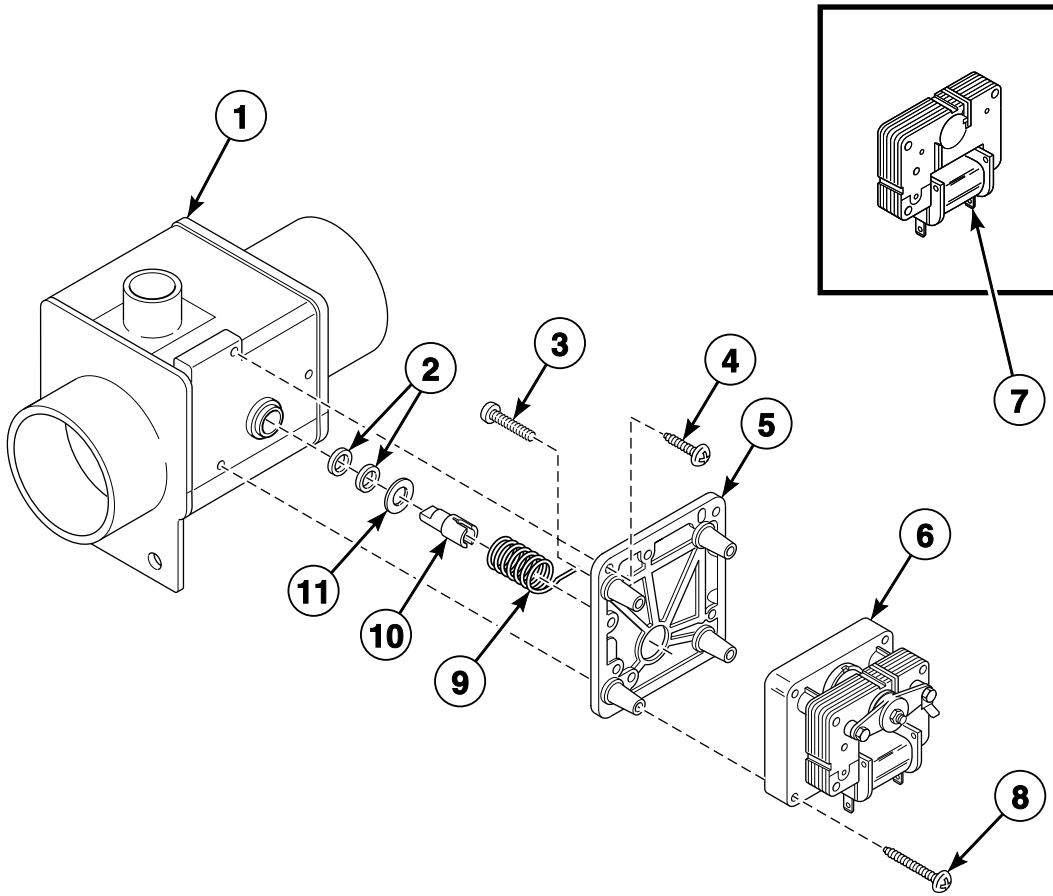


BE000130P_D0055

Drain Plumbing - Dual Drain

REF	PART NO.	DESCRIPTION	COMMENTS
1	204/00004/00	Nut	
2	203/00003/00	Washer	
3	202/00002/00	Washer	
4	201/00010/00	Washer	
5	206/00009/00	Bolt	
6	223/00106/00	Drain Pipe	
7	223/00071/00	Hose Clamp	
8	223/00141/00	Drain Valve to Drain Pipe Hose	
9	223/00086/00	Drain Valve Overflow Plug	
10	223/00012/00	Hose Clamp	
11	B12630701	Drain Valve Kit	
12	114/00010/00	Drain Valve Plate Assembly	
13	223/00170/00	Exhaust Valve Hose	
14	253/00006/00	T-Piece	
15	223/00013/00	Hose Clamp	
16	223/00184/00	Overflow Hose	

Drain Valve - Normally Open

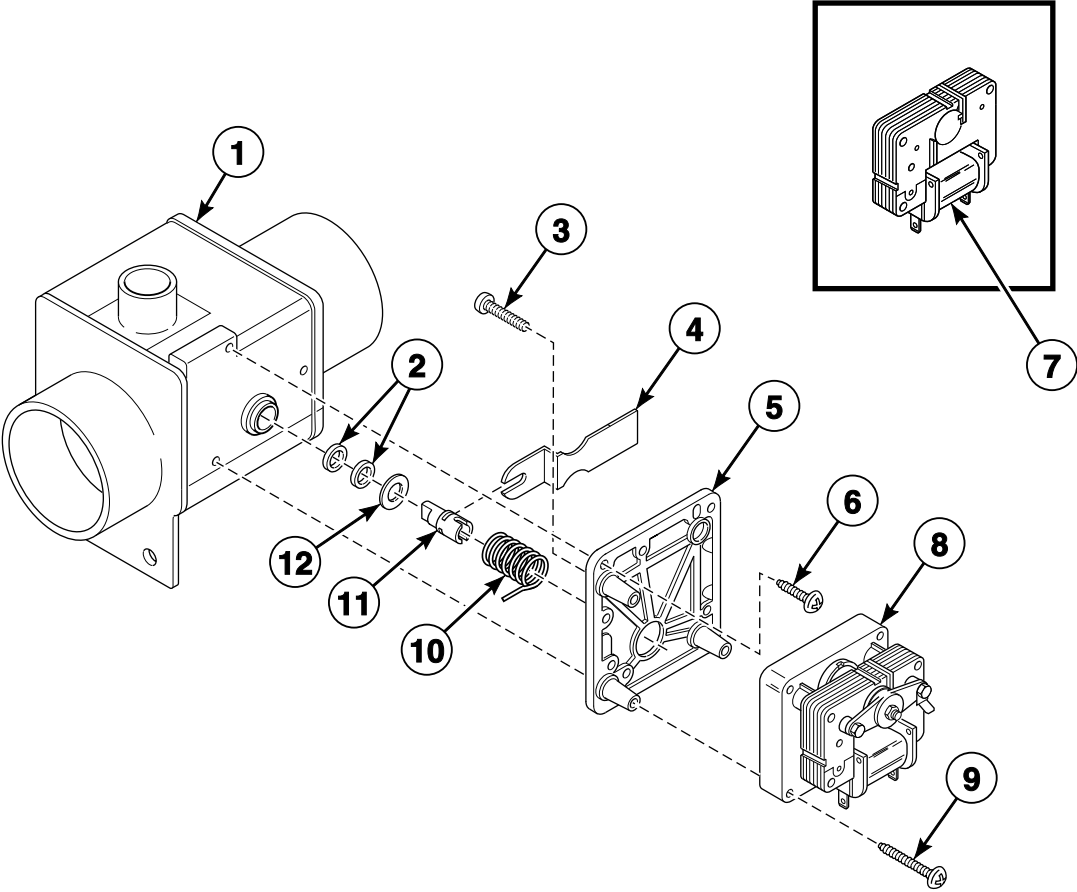


BE000058P_D0055

Drain Valve - Normally Open

REF	PART NO.	DESCRIPTION	COMMENTS
1	209/00075/05	Drain Valve	
2	209/00025/10	Drain Valve Shaft Seal	
3	209/00025/08	Screw	
4	209/00170/05	Screw	
5	209/00025/07	Drain Valve Motor Mounting Plate	
6	209/00203/11	Drain Valve Motor	24 Volt
	209/00052/11	Drain Valve Motor	110 Volt/60 Hertz
	209/00051/11	Drain Valve Motor	220 Volt/50 or 60 Hertz
7	209/00203/21	Coil	24 Volt
	209/00052/21	Coil	115 Volt/60 Hertz
	209/00051/21	Coil	220 Volt/50 or 60 Hertz
8	209/00170/07	Screw	
9	209/00025/13	Drain Valve Spring	
10	209/00170/10	Drain Valve Shaft	
11	209/00025/12	Washer	

Drain Valve - Normally Closed

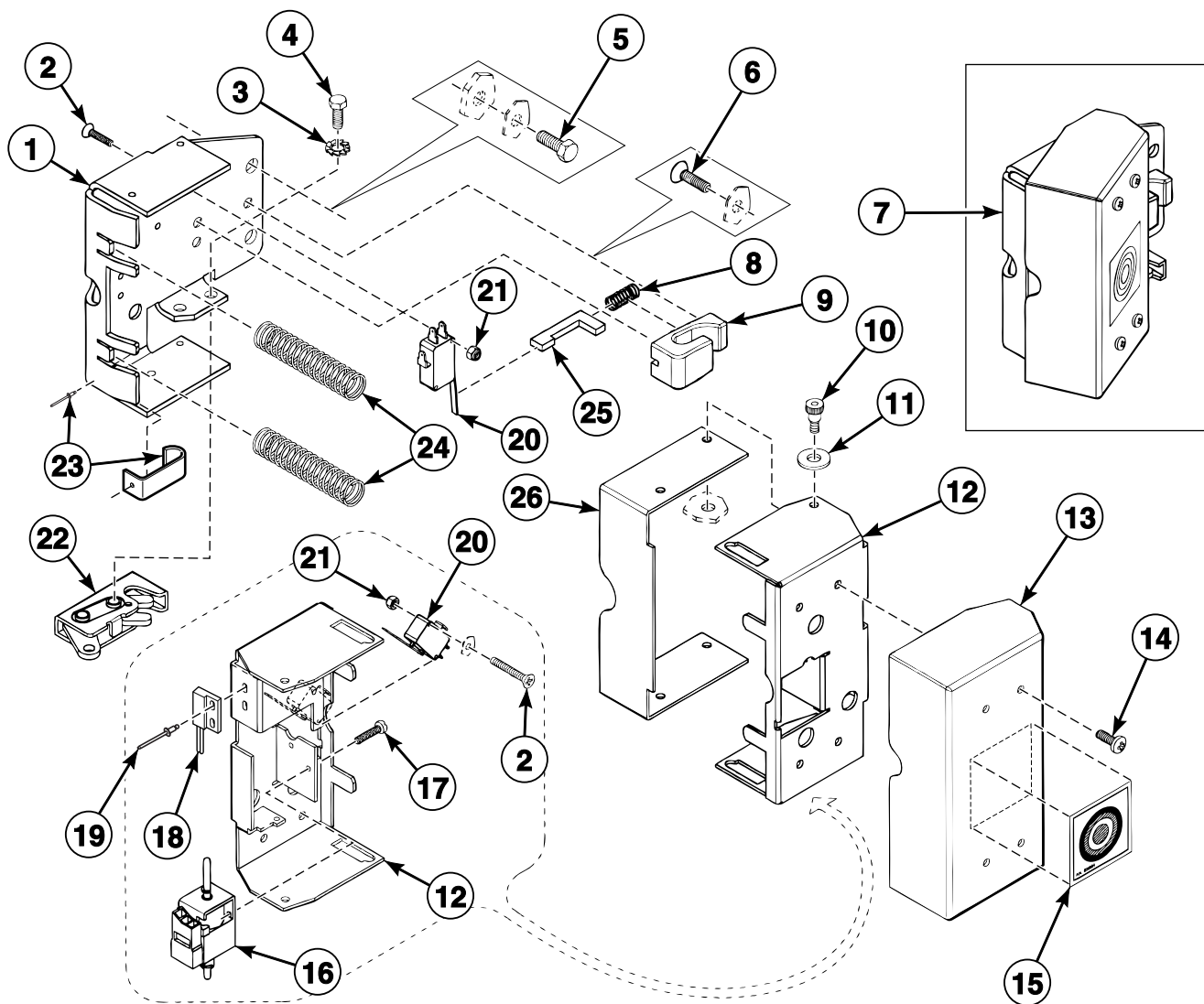


BE000057P_D0055

Drain Valve - Normally Closed

REF	PART NO.	DESCRIPTION	COMMENTS
1	209/00075/05	Drain Valve	
2	209/00025/10	Drain Valve Shaft Seal	
3	209/00025/08	Screw	
4	209/00115/11	Drain Valve Handle	
5	209/00115/04	Drain Valve Motor Mounting Plate	
6	209/00170/05	Screw	
7	209/00203/21	Coil	24 Volt
	209/00052/21	Coil	115 Volt/60 Hertz
	209/00051/21	Coil	220 Volt/50 or 60 Hertz
8	209/00203/12	Drain Valve Motor	24 Volt
	209/00052/12	Drain Valve Motor	110 Volt/60 Hertz
	209/00170/06	Drain Valve Motor Assembly	220 Volt/50 or 60 Hertz
9	209/00170/07	Screw	
10	209/00170/02	Drain Valve Spring	
11	209/00170/10	Drain Valve Shaft	
12	209/00025/12	Washer	

Door Lock

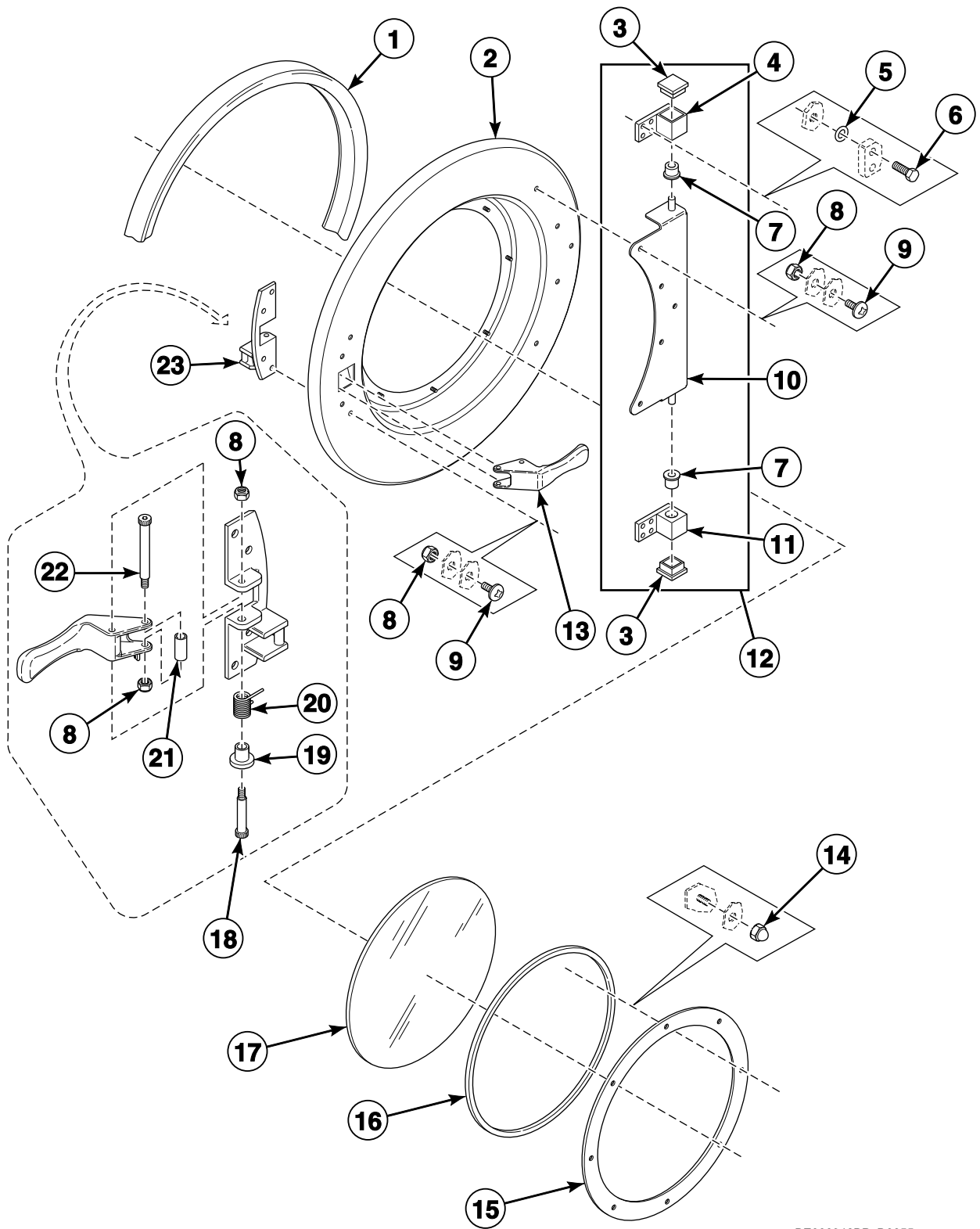


CFD499P_D0055

Door Lock

REF	PART NO.	DESCRIPTION	COMMENTS
	C003286	Door Lock Harness	Models starting 7/15/11
	C001036M	Door Lock Kit	Includes C001036 Door Lock Assembly, F8390801 Magnet, C002994 Door Magnet Mounting Bracket and F431223 Pop Rivet
1	253/00158/684	Door Lock Plate	
2	253/00158/614	Screw	
3	253/00158/571	Washer	
4	253/00158/567	Screw	
5	205/00123/00	Bolt	
6	253/00158/612	Screw	
7	253/00159/1036	Door Latch Assembly	
8	253/00158/276	Door Lock Spring	
9	C000185	Door Lock Catch	
10	C000430	Bolt	
11	201/00007/00	Washer	
12	253/00158/686	Door Lock Solenoid Bracket	
13	253/00158/688	Door Lock Cover	
14	253/00158/1047	Screw	
15	253/00158/694	Door Release Decal	
16	B12495102	Door Solenoid Assembly	
17	207/00135/00	Screw	
18	C003000	Reed Switch Assembly	Models starting 7/15/11
19	F8245101	Blind Rivet	Models starting 7/15/11
20	C000278	Door Lock Microswitch	
21	253/00158/578	Nut	
22	C001244	Door Latch	
23	211/00072/00	Lock Spring Leaf	*HF455 models starting Serial No. 10090440106; *HF575 models starting Serial No. 10090580094
24	C000431	Spring	
25	253/00158/271	Door Lock Switch Actuator	
26	253/00158/687	Door Lock Spring Cover	

Door - Models Through May 3, 2009

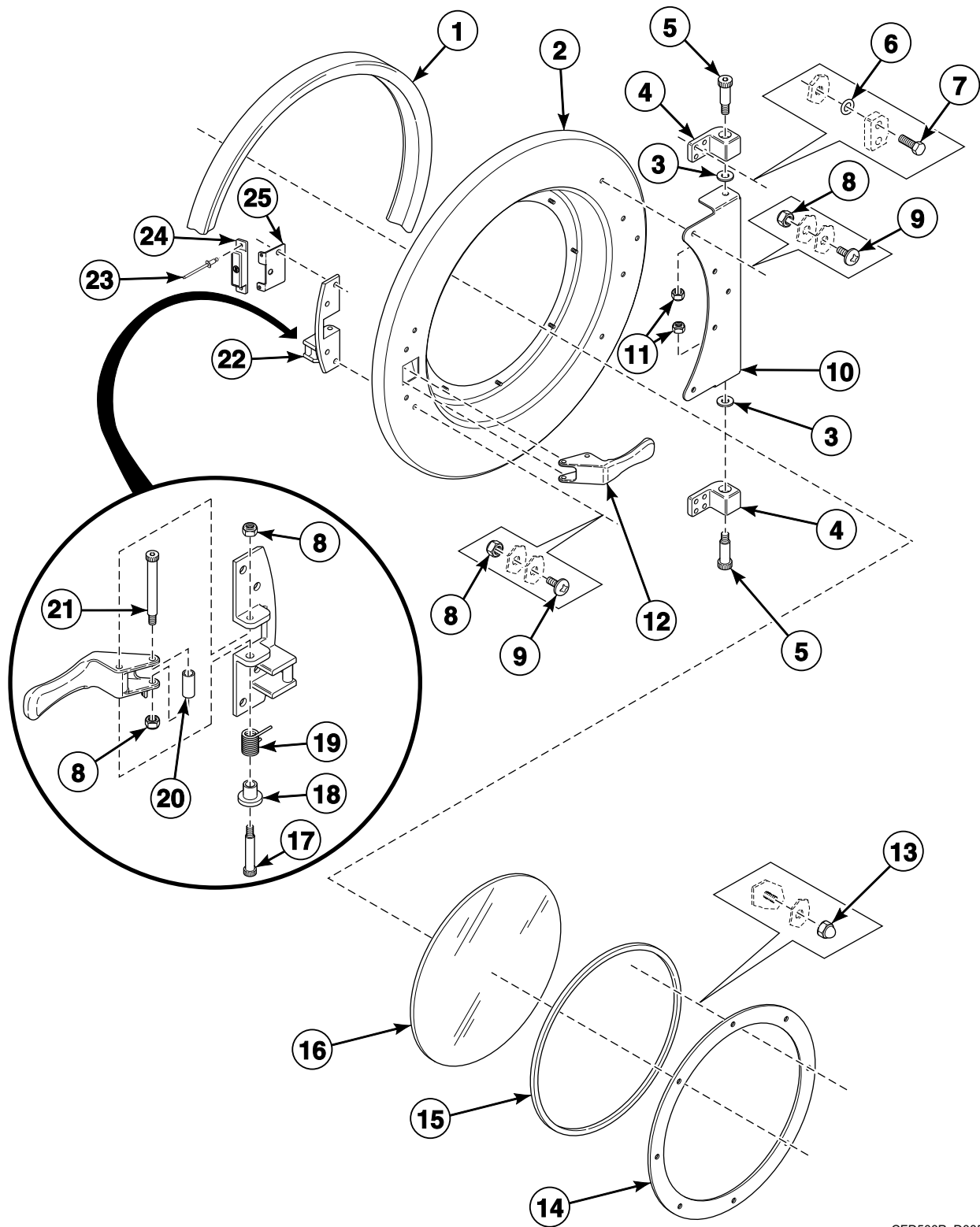


BE000346BP_D0055

Door - Models Through May 3, 2009

REF	PART NO.	DESCRIPTION	COMMENTS
1	253/00162/01	Door Gasket	
2	153/00082/00	Door	
3	223/00396/00	Cap	
4	253/00178/00	Hinge Block	
5	223/00244/00	O-Ring	
6	205/00122/00	Bolt	
7	253/10528/00	Hinge Plate	
8	253/00158/560	Nut	
9	208/00132/00	Bolt	
10	253/00177/00	Hinge Plate	
11	253/00178/10	Hinge Block	
12	253/00176/50	Hinge Plate	
13	253/00158/028	Handle	
14	253/00158/562	Nut	
15	253/10128/00	Door Glass Retainer	
16	223/00346/00	Door Glass Seal	
17	217/00102/00	Door Glass	
18	C001785	Bolt	
19	253/00158/192	Door Handle Spring Bushing	
20	C001786	Door Handle Torsion Spring	
21	C000181	Door Handle Bushing	
22	253/00158/180	Bolt	
23	253/00158/470	Handle Hinge	

Door - Models Starting May 4, 2009

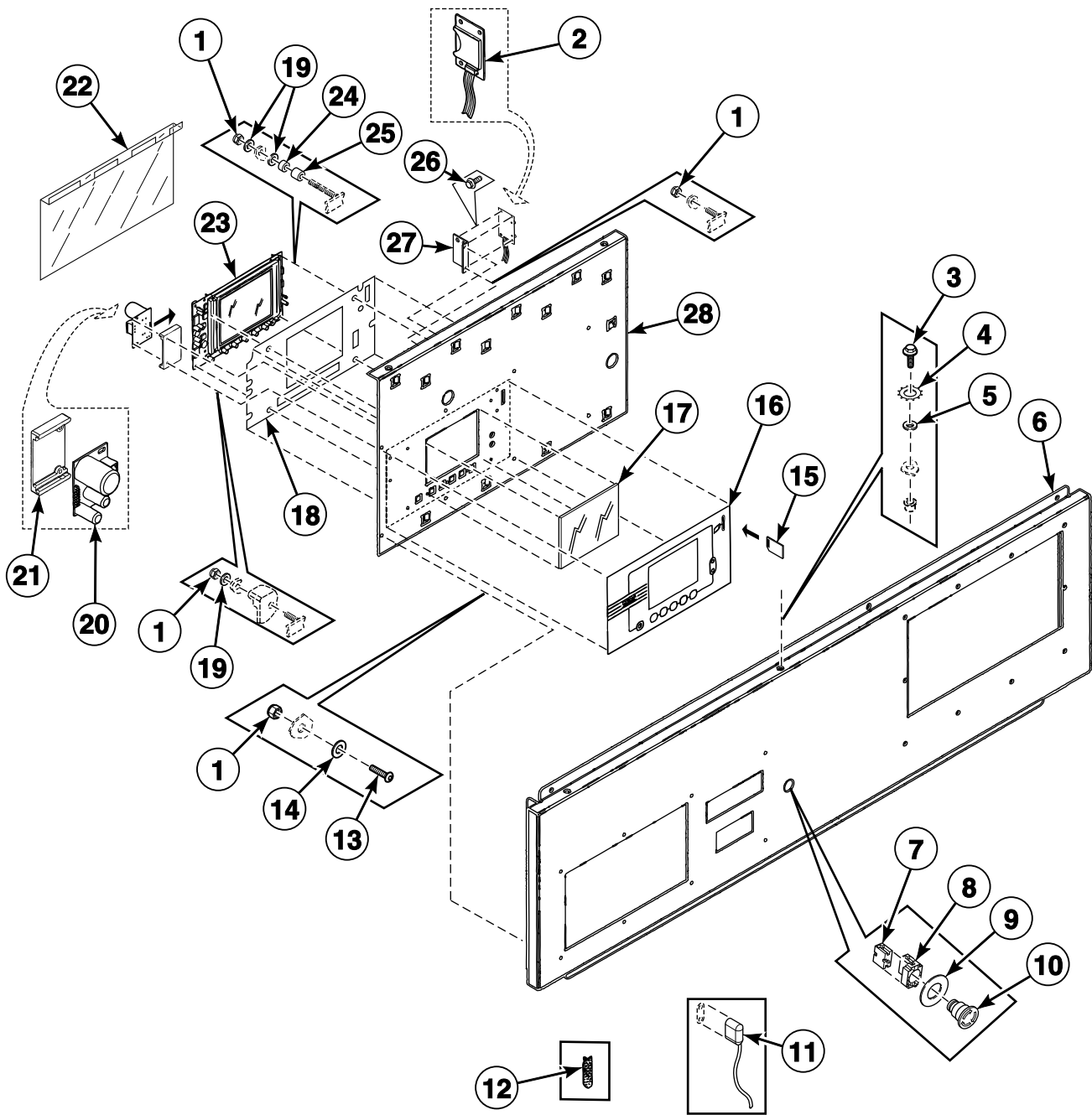


CFD500P_D0055

Door - Models Starting May 4, 2009

REF	PART NO.	DESCRIPTION	COMMENTS
1	253/00162/01	Door Gasket	
2	253/00158/131	Door	
3	253/00158/177	Washer	
4	253/00158/175	Door Hinge Block	
5	C001784	Bolt	
6	223/00244/00	O-Ring	
7	205/00122/00	Bolt	
8	253/00158/560	Nut	
9	C000561	Bolt	
10	253/00176/50	Hinge Plate	
11	253/00158/558	Nut	
12	253/00158/028	Handle	
13	253/00158/562	Nut	
14	253/00158/607	Door Glass Retainer	
15	C000140	Door Glass Gasket	
16	253/00158/139	Door Glass	
17	C001785	Bolt	
18	253/00158/192	Door Handle Spring Bushing	
19	C001786	Door Handle Torsion Spring	
20	C000181	Door Handle Bushing	
21	253/00158/180	Bolt	
22	253/00158/470	Handle Hinge	
23	F431223	Pop Rivet	Models starting 7/15/11
24	F8390801	Magnet	Models starting 7/15/11
25	C002994	Door Magnet Mounting Bracket	Models starting 7/15/11

Control Panel - Cygnus Professional

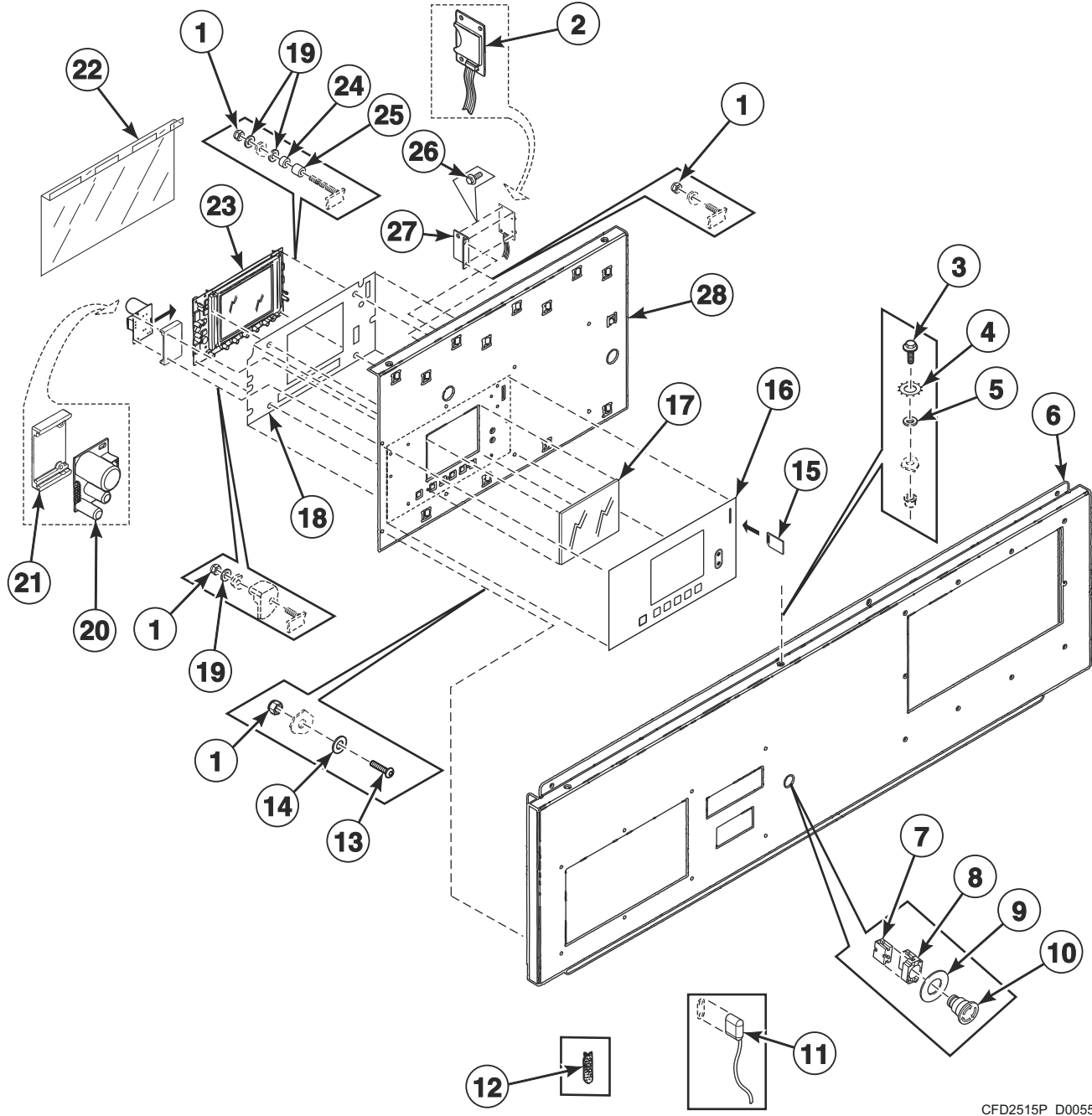


CFD432P_D0055

Control Panel - Cygnus Professional

REF	PART NO.	DESCRIPTION	COMMENTS
1	204/00116/00	Nut	
2	B12305201	Memory Card PC-Board	Models made prior to 4/5/11 require a firmware upgrade
3	205/00105/00	Bolt	
4	B12300701	Washer	
5	B12300601	Washer	
6	153/10108/20	Upper Front Panel	
7	209/00099/26	Contact Switch	
8	209/00099/20	Emergency Switch Pushbutton	
9	209/00520/00	Telem Sticker	
10	209/00248/20	Mushroom Pushbutton	
11	210/00902/00	Infrared Cable	
12	223/00348/00	Datacard Cover	
13	207/00113/00	Screw	
14	202/00004/00	Washer	
15	209/02022/00	Datacard	
16	225/10313/00	Operating Sticker	
17	225/00321/00	Plexi Frame	
18	229/00268/00	Insulating Sticker	
19	223/00123/00	Washer	
20	209/02010/00	Door Lock PC-Board	
21	223/00374/00	Mounting Plate	
22	229/00289/00	Circuit Board Cover	
23	209/02002/Z02	Display and Printboard	
24	211/00128/00	Printboard Separator	
25	211/00122/00	Standoff	
26	211/00145/00	Standoff	
27	111/01893/00	Printboard Support Card	
28	173/00013/20	Printboard Display Plate Assembly	

Control Panel - PRO

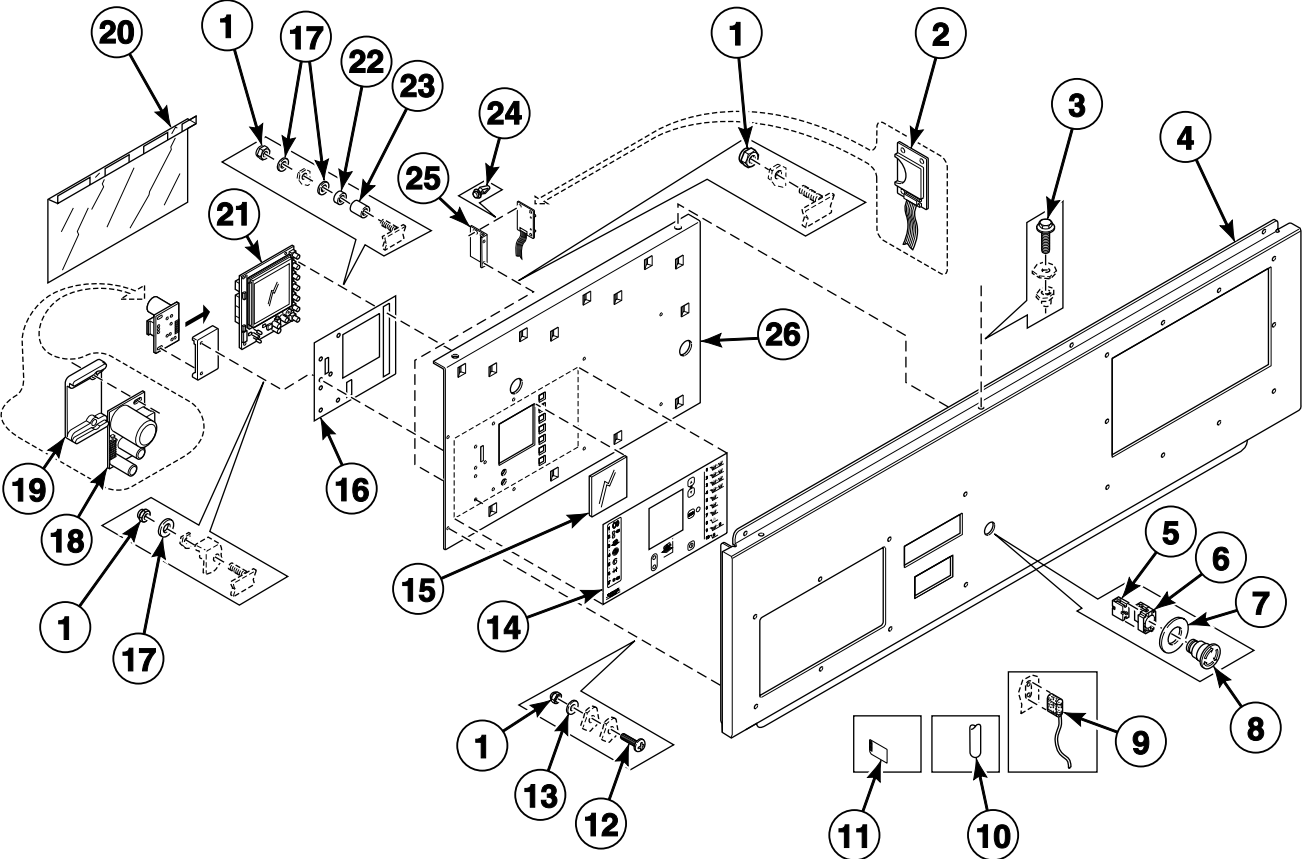


CFD2515P_D0055

Control Panel - PRO

REF	PART NO.	DESCRIPTION	COMMENTS
1	204/00116/00	Nut	
2	B12305201	Memory Card PC-Board	Models made prior to 4/5/11 require a firmware upgrade
3	205/00105/00	Bolt	
4	B12300701	Washer	
5	B12300601	Washer	
6	B12570301	Control Panel	Models UX100Z and UX135Z
	B12570401	Control Panel	Model SX100Z
7	209/00099/26	Contact Switch	
8	209/00099/20	Emergency Switch Pushbutton	
9	209/00520/00	Telem Sticker	
10	209/00248/20	Mushroom Pushbutton	
11	210/00902/00	Infrared Cable	
12	223/00348/00	Datacard Cover	
13	207/00113/00	Screw	
14	202/00004/00	Washer	
15	209/02022/00	Datacard	
16	B12568801	Overlay	Models UX100Z and UX135Z
	B12568901	Overlay	Model SX100Z
17	225/00321/00	Plexi Frame	
18	229/00268/00	Insulating Sticker	
19	223/00123/00	Washer	
20	209/02010/00	Door Lock PC-Board	
21	223/00374/00	Mounting Plate	
22	229/00289/00	Circuit Board Cover	
23	209/02002/Z02	Display and Printboard	
24	211/00128/00	Printboard Separator	
25	211/00122/00	Standoff	
26	211/00145/00	Standoff	
27	111/01893/00	Printboard Support Card	
28	173/00013/20	Printboard Display Plate Assembly	

Control Panel - Cygnus Premium and Cygnus Ultra

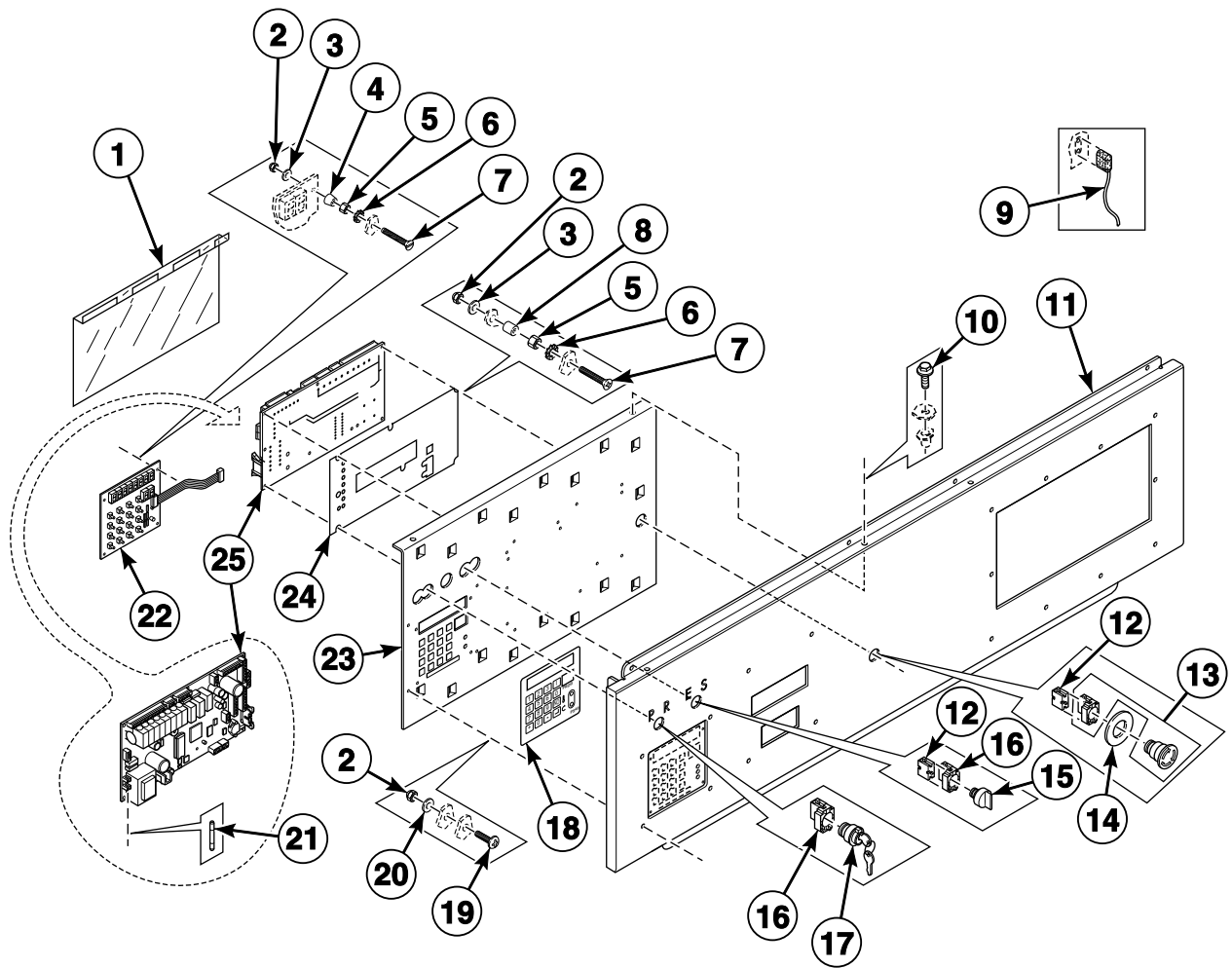


BE000891P_D0055

Control Panel - Cygnus Premium and Cygnus Ultra

REF	PART NO.	DESCRIPTION	COMMENTS
1	204/00116/00	Nut	
2	B12305201	Memory Card PC-Board	Models made prior to 4/5/11 require a firmware upgrade
3	206/00099/00	Bolt	
4	153/10108/20	Upper Front Panel	
5	209/00099/26	Contact Switch	
6	209/00099/20	Emergency Switch Pushbutton	
7	209/00520/00	Telem Sticker	
8	209/00248/20	Mushroom Pushbutton	
9	210/00902/00	Infrared Cable	
10	223/00348/00	Datacard Cover	
11	209/02022/00	Datacard	
12	207/00113/00	Screw	
13	202/00004/00	Washer	
14	225/10427/00	Operating Sticker	Models HF455_CYGNUS-PREM_OPL_THROUGH-MARCH-30-2014 and HF575_CYGNUS-PREM_OPL_THROUGH-MARCH-30-2014; Models without data card opening
	225/10404/00	Operating Sticker	Models HF455_CYGNUS-PREM_OPL_THROUGH-MARCH-30-2014 and HF575_CYGNUS-PREM_OPL_THROUGH-MARCH-30-2014; Models with data card opening
	B12456701	Operating Sticker	Models CS100_CYGNUS-ULTRA and CS135_CYGNUS-ULTRA
15	225/00323/00	Plexi Frame	
16	229/00268/00	Insulating Sticker	
17	223/00123/00	Washer	
18	209/02010/00	Door Lock PC-Board	
19	223/00374/00	Mounting Plate	
20	229/00289/00	Circuit Board Cover	
21	209/02015/02	Printboard	
22	211/00128/00	Printboard Separator	
23	211/00122/00	Standoff	
24	211/00145/00	Standoff	
25	111/01893/00	Printboard Support Card	
26	173/00013/30	Printboard Display Plate Assembly	

Control Panel - PS40F

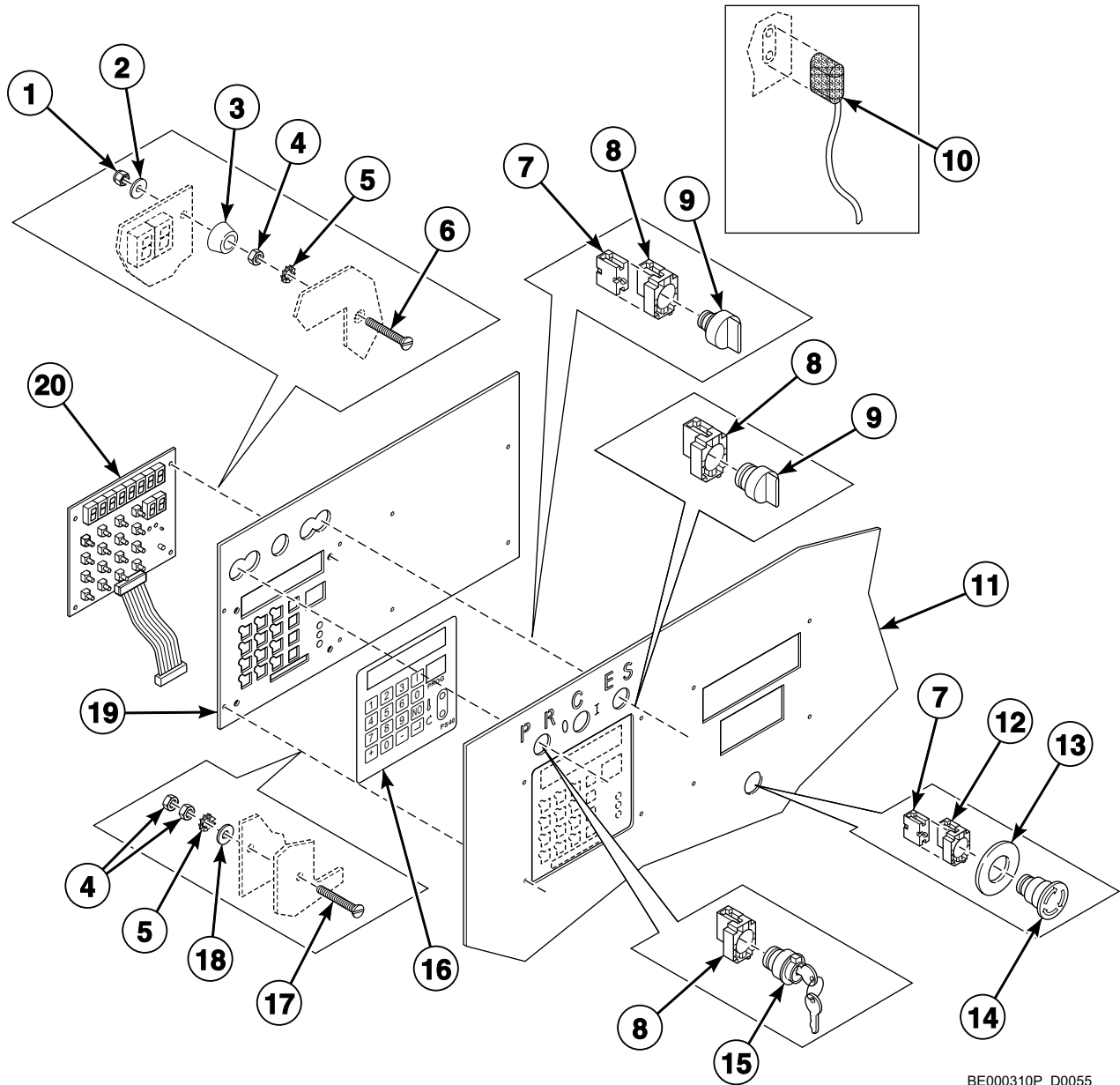


BE000567P_D0055

Control Panel - PS40F

REF	PART NO.	DESCRIPTION	COMMENTS
1	229/00262/00	Circuit Board Cover	
2	204/00116/00	Nut	
3	223/00123/00	Washer	
4	223/00008/01	Handle Grommet	
5	204/00008/00	Nut	
6	203/00007/00	Washer	
7	207/00025/00	Screw	
8	211/00122/00	Standoff	
9	210/00902/00	Infrared Cable	
10	206/00099/00	Bolt	
11	153/10108/10	Upper Front Panel	
12	209/00099/26	Contact Switch	
13	209/00248/20	Mushroom Pushbutton	
14	209/00520/00	Telem Sticker	
15	209/00099/29	Switch Knob	
16	209/00099/25	Switch Base	
17	209/00326/20	Programming Key Contact Switch	
18	225/00365/00	Overlay	
19	207/00113/00	Screw	
20	202/00004/00	Washer	
21	209/00372/01	Fuse	
22	209/00502/01	Keypad	
23	173/00012/00	Mounting Plate	
24	229/00255/00	Insulating Sticker	
25	B12351701	Main Board	

Control Panel - PS40

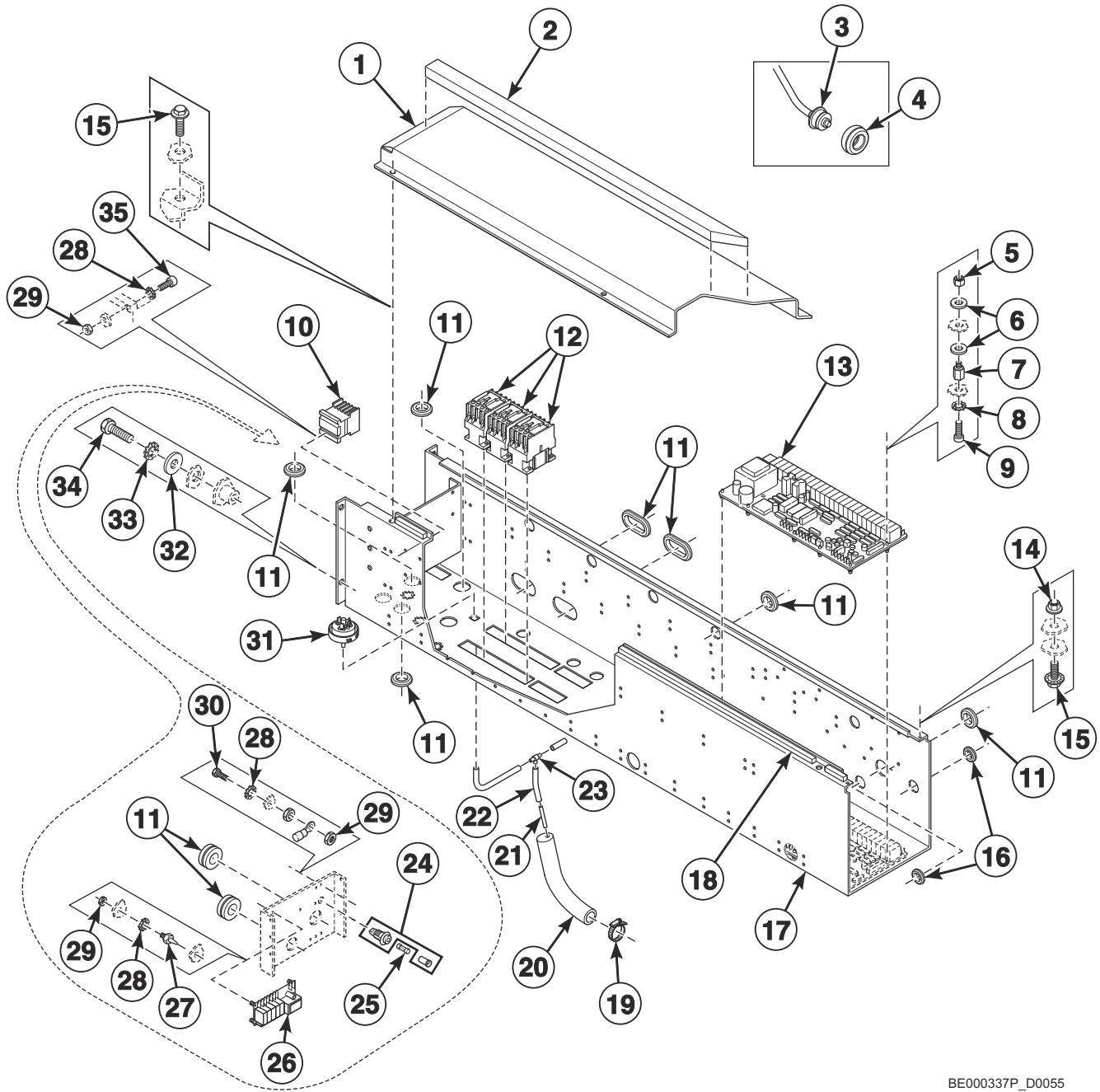


BE000310P_D0055

Control Panel - PS40

REF	PART NO.	DESCRIPTION	COMMENTS
1	204/00116/00	Nut	
2	223/00123/00	Washer	
3	223/00008/01	Handle Grommet	
4	204/00008/00	Nut	
5	203/00007/00	Washer	
6	207/00025/00	Screw	
7	209/00099/06	Contact Switch	
8	209/00099/25	Switch Base	
9	209/00099/29	Switch Knob	
10	210/00902/00	Infrared Cable	
11	153/10107/00	Upper Front Panel	With frontal supply dispenser
	153/10107/10	Upper Front Panel	
12	209/00253/00	Emergency Stop Button Kit	
13	209/00520/00	Telem Sticker	
14	209/00248/20	Mushroom Pushbutton	
15	209/00326/20	Programming Key Contact Switch	
16	225/00365/00	Overlay	
17	207/00108/00	Screw	
18	202/00004/00	Washer	
19	173/00012/00	Mounting Plate	
20	209/00552/01	Keypad	

Electrical Component Mounting Plate - Models Through March 22, 2007

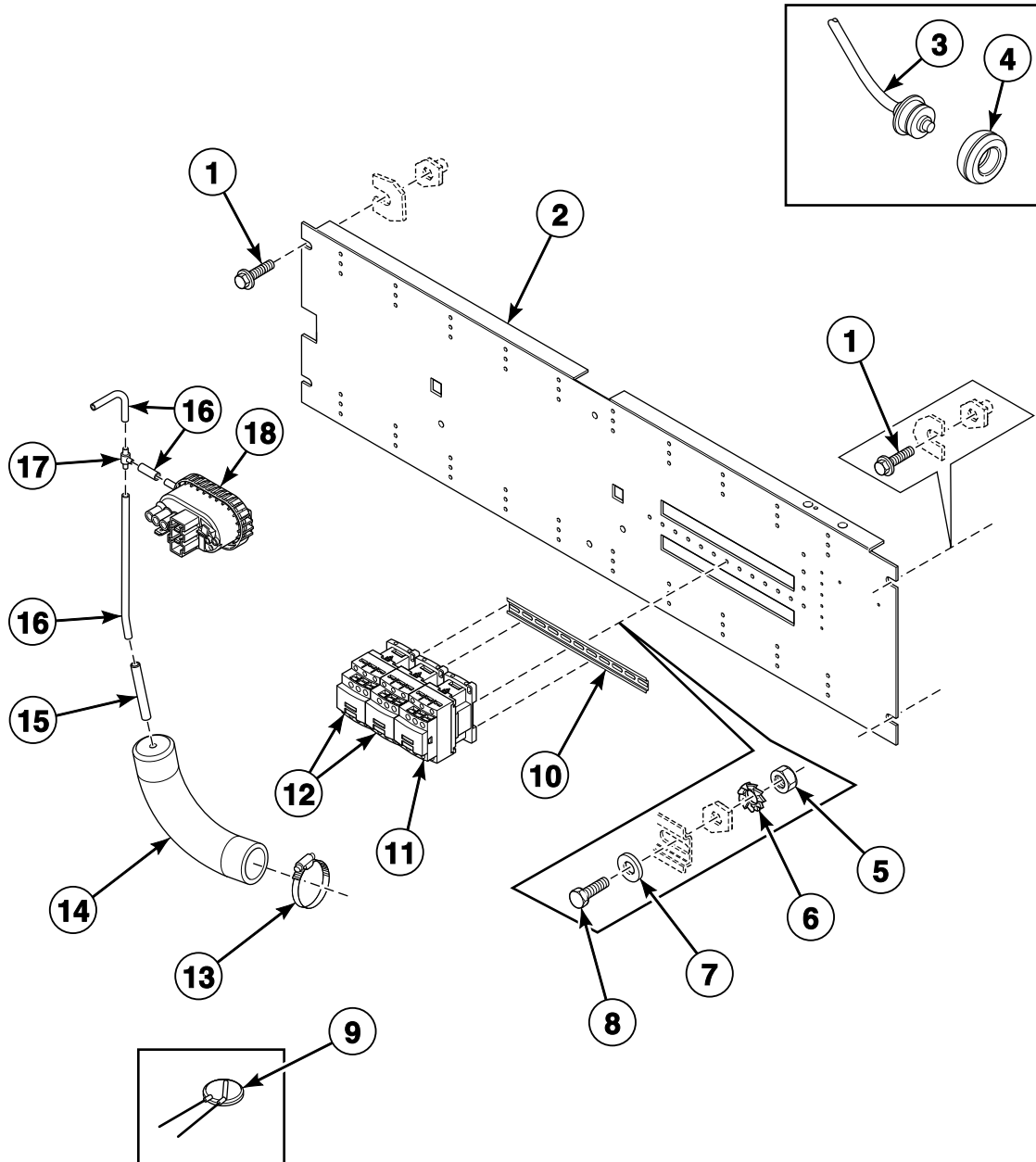


BE000337P_D0055

Electrical Component Mounting Plate - Models Through March 22, 2007

REF	PART NO.	DESCRIPTION	COMMENTS
1	153/00111/01	Top Cover Plate	*HF100 and *HF455 models
	153/00112/01	Top Cover Plate	*HF135 and *HF575 models
2	246/00149/00	Gasket	
3	210/01064/16	Thermostat	Cygnus models
	210/01304/16	Thermostat	All other models
4	225/10004/00	Thermostat Grommet	
5	204/00116/00	Nut	
6	223/00123/00	Washer	
7	206/00141/00	Separator	
8	203/00007/00	Washer	
9	207/00135/00	Screw	
10	209/00124/00	Contactora	
11	223/00198/00	Grommet	
12	209/00148/02	Contactora	
13	209/00542/02	Printboard	115 Volt
	209/00505/02	Printboard	230 Volt
14	206/00101/00	Nut	
15	206/00099/00	Bolt	
16	223/00174/00	Grommet	
17	153/00111/10	Electrical Plate Assembly	*HF100 and *HF455 models
	153/00112/10	Electrical Plate Assembly	*HF135 and *HF575 models
18	246/00092/00	Gasket	
19	223/00011/00	Hose Clamp	
20	223/00210/00	Pressure Switch Elbow	
21	223/00016/00	Hose Barb	
22	B12700018	Pressure Hose	
23	223/00035/01	Hose Tee	
24	209/00202/00	Fuse Holder	
25	209/00468/00	Fuse	
26	209/00218/13	Soap Injection PCB with Fuse	
27	211/00120/00	Standoff	
28	203/00006/00	Washer	
29	204/00007/00	Nut	
30	206/00027/00	Bolt	
31	209/00007/50	Pressure Switch	
32	201/00007/00	Washer	
33	203/00004/00	Washer	
34	205/00105/00	Bolt	
35	207/00003/00	Screw	

Electrical Component Mounting Plate - Models Starting March 23, 2007

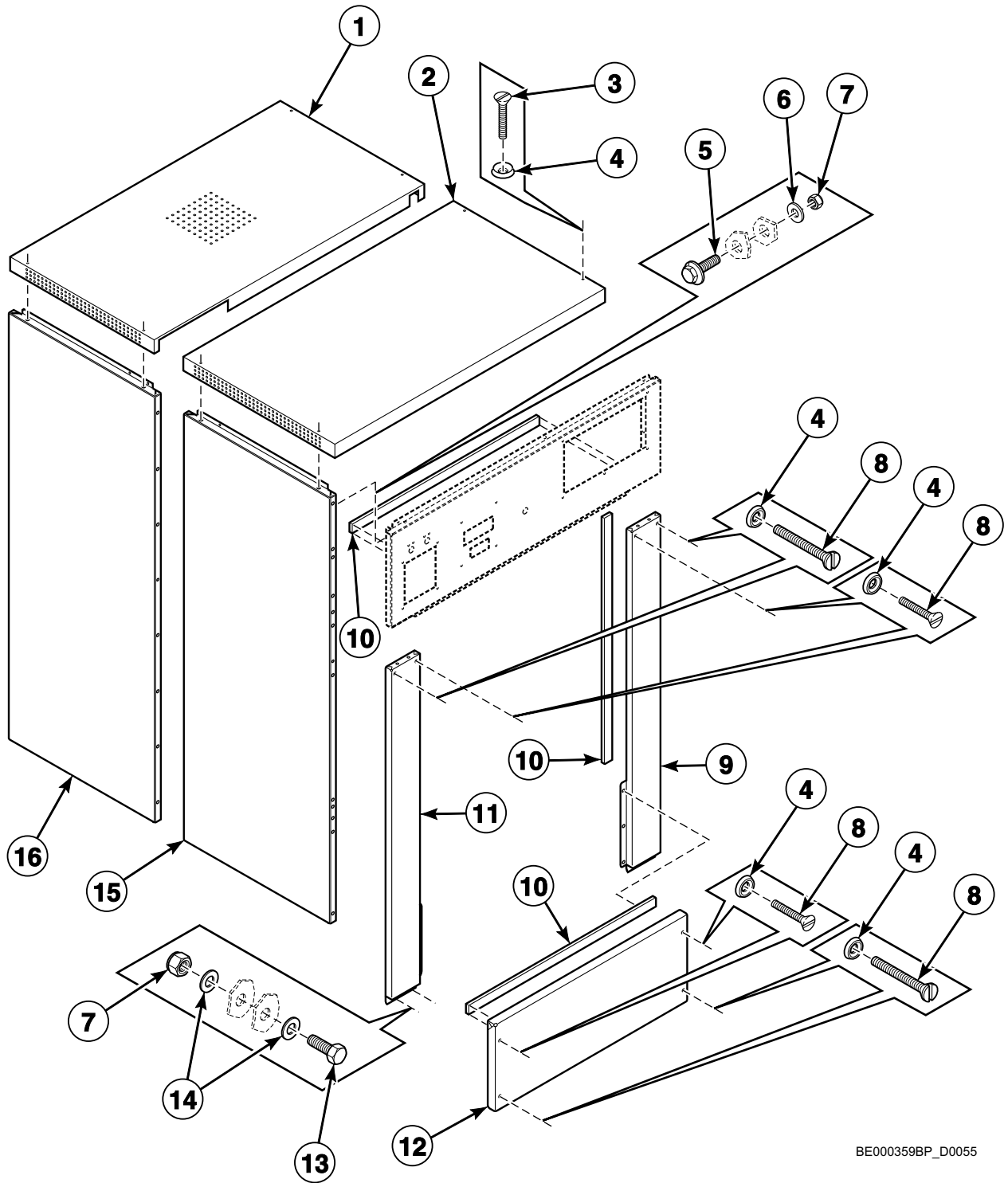


BE000337BP_D0055

Electrical Component Mounting Plate - Models Starting March 23, 2007

REF	PART NO.	DESCRIPTION	COMMENTS
1	206/00099/00	Bolt	
2	153/00112/60	Plate Assembly	*HF100 and *HF455 models
	173/00013/10	Plate Assembly	*HF135 and *HF575 models
3	210/01064/16	Thermostat	Cygnus models
	210/01304/16	Thermostat	All other models
4	225/10004/00	Thermostat Grommet	
5	204/00007/00	Nut	
6	203/00006/00	Washer	
7	201/00008/00	Washer	
8	206/00027/00	Bolt	
9	209/00356/00	Noise Suppressor	
10	720/00110/01	Rail	
11	209/00641/04	Heating Contactor	
12	209/06148/02	Heating Contactor	
13	223/00223/00	Hose Clamp	
14	223/00210/00	Pressure Switch Elbow	
15	223/00016/00	Hose Barb	
16	B12700018	Pressure Hose	
17	223/00173/10	Pressure Switch Hose Tee	
18	B12548601	Water Level Switch	

Front, Left Side and Top Panels

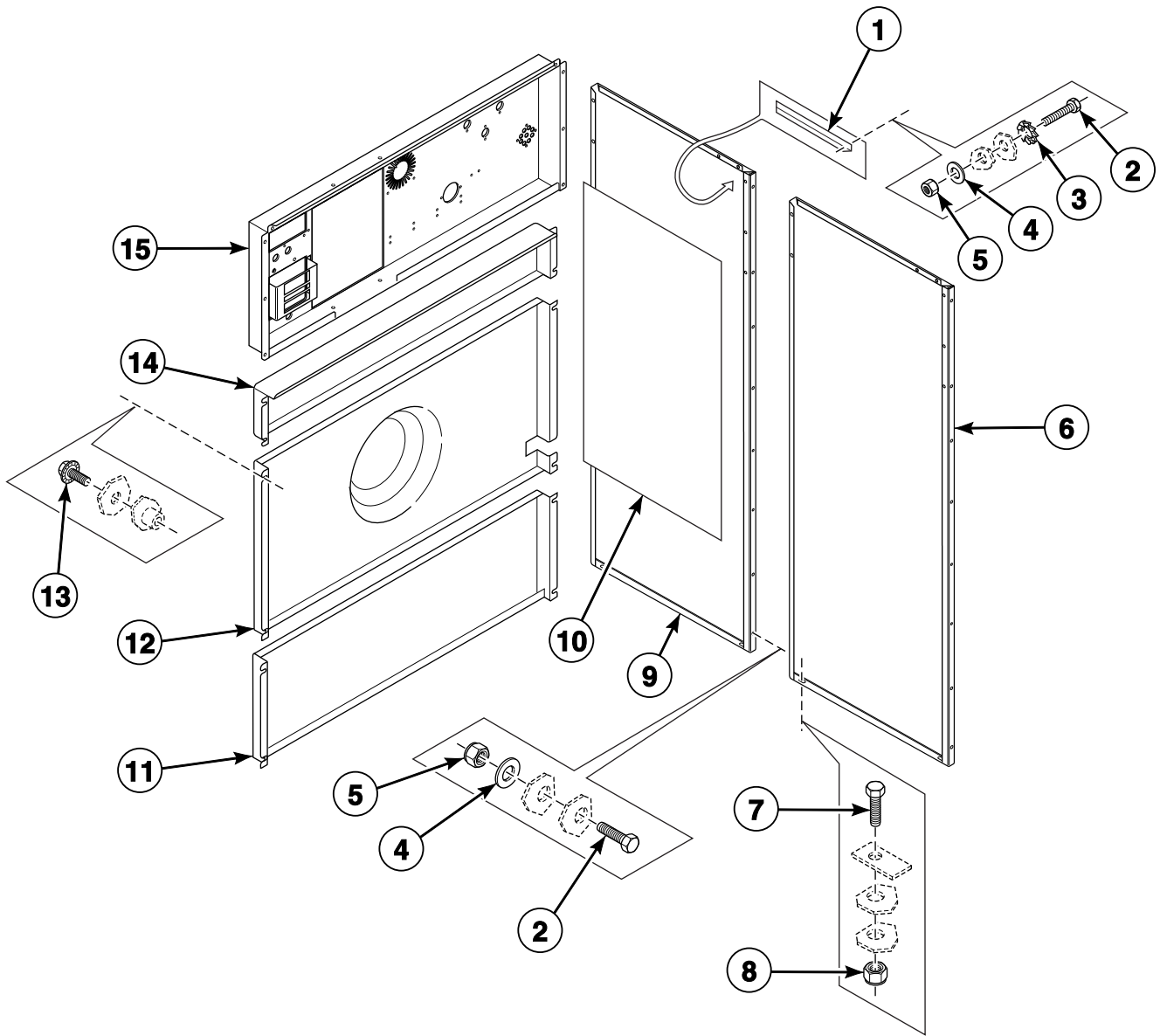


BE000359BP_D0055

Front, Left Side and Top Panels

REF	PART NO.	DESCRIPTION	COMMENTS
1	153/00033/02	Rear Cabinet Top	*HF100 and *HF455 models
	153/00034/02	Rear Cabinet Top	*HF135 and *HF575 models
2	153/00033/01	Front Cabinet Top	*HF100 and *HF455 models
	153/00034/01	Front Cabinet Top	*HF135 and *HF575 models
3	207/00123/00	Screw	
4	208/00009/00	Washer	
5	206/00099/00	Bolt	
6	201/00007/00	Washer	
7	204/00106/00	Nut	
8	207/00102/00	Screw	
9	153/10116/00	Front Panel Right	
10	246/00149/00	Gasket	
11	153/10115/00	Front Panel	
12	153/10117/00	Kickplate	
13	206/00042/00	Bolt	
14	202/00002/00	Washer	
15	153/00104/00	Side Panel	*HF100 and *HF455 models
	153/00106/00	Side Panel	*HF135 and *HF575 models
16	153/00103/00	Side Panel	*HF100 and *HF455 models
	153/00105/00	Side Panel	*HF135 and *HF575 models

Right Side and Back Panels

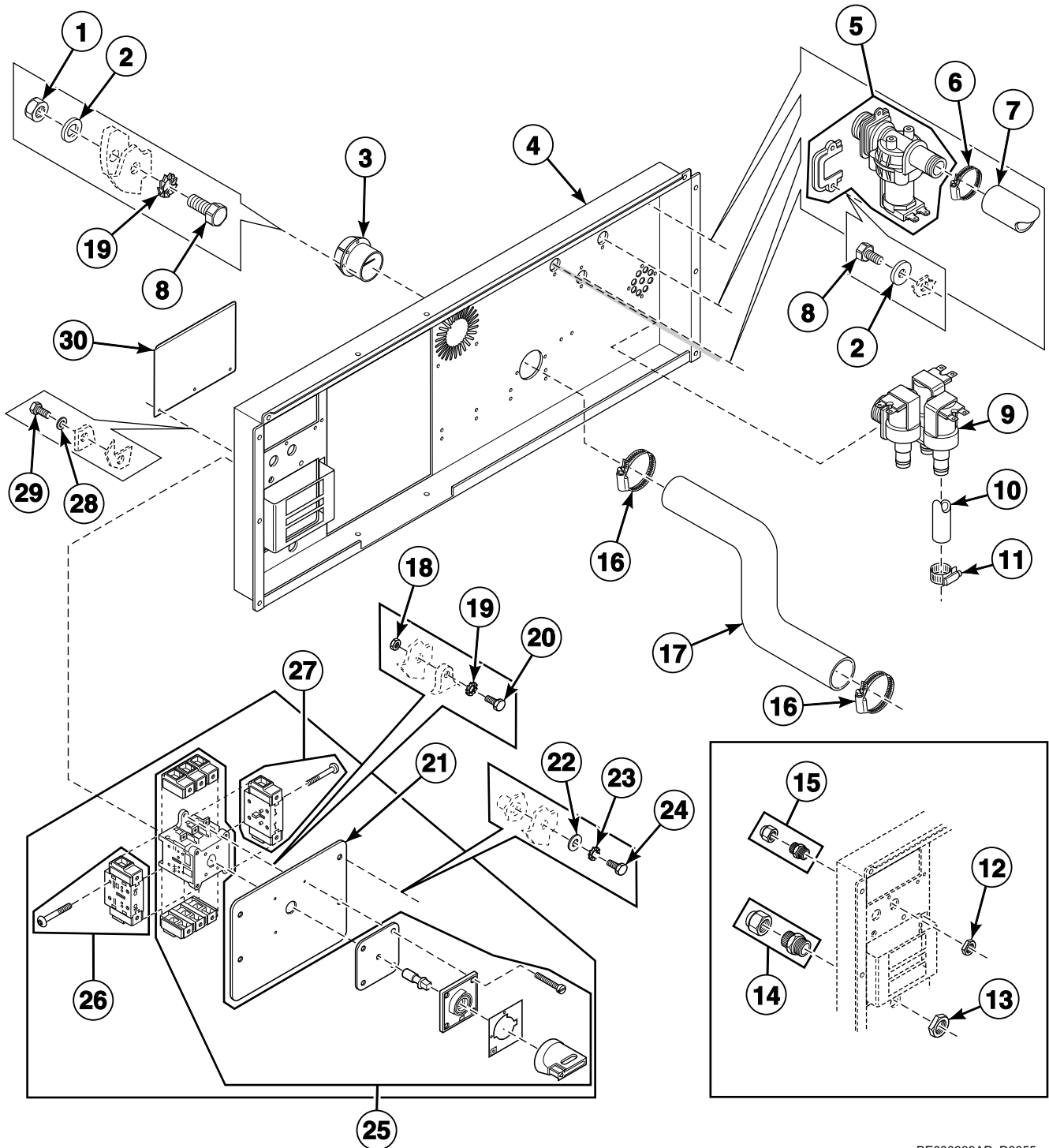


BE000358AP_D0055

Right Side and Back Panels

REF	PART NO.	DESCRIPTION	COMMENTS
1	153/00103/01	Side Panel Support Assembly	
2	205/00104/00	Bolt	
3	203/00004/00	Washer	
4	202/00110/00	Washer	
5	204/00106/00	Nut	
6	153/00103/00	Side Panel	*HF100 and *HF455 models
	153/00105/00	Side Panel	*HF135 and *HF575 models
7	205/00105/00	Bolt	
8	204/00009/00	Nut	
9	153/00104/00	Side Panel	*HF100 and *HF455 models
	153/00106/00	Side Panel	*HF135 and *HF575 models
10	246/00079/00	Side Panel Gasket	
11	153/00114/C0	Back Panel Support Assembly	
12	153/00114/B0	Back Panel Support Assembly	
13	206/00099/00	Bolt	
14	153/00114/A1	Back Panel Support Assembly	
15	153/10027/90	Backbridge	

Upper Back Panel (Drawing 1 of 2)

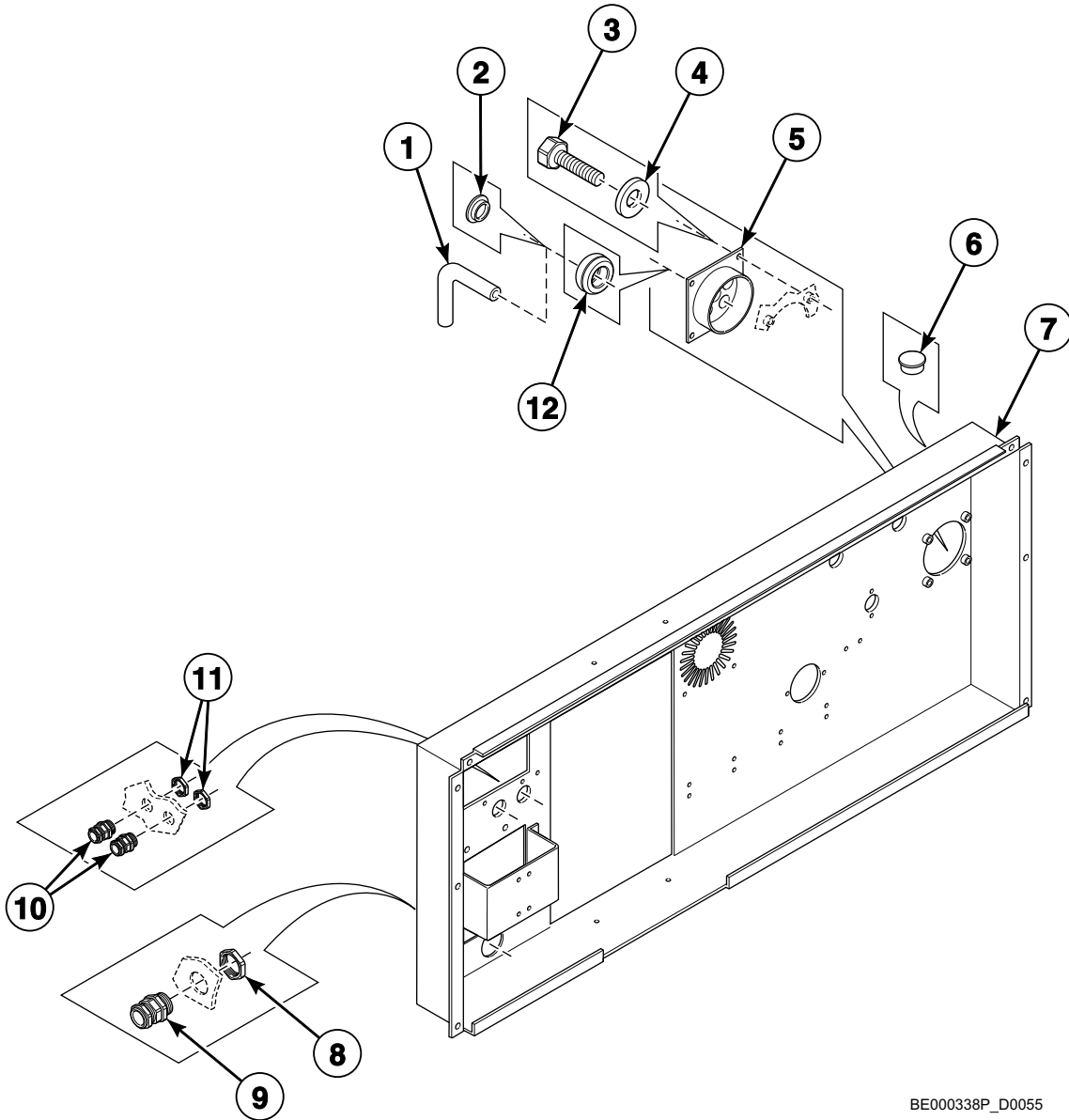


BE000339AP_D0055

Upper Back Panel (Drawing 1 of 2)

REF	PART NO.	DESCRIPTION	COMMENTS
1	204/00007/00	Nut	
2	202/00004/00	Washer	
3	223/00102/07	Hose Vent	
4	153/10027/90	Backbridge	
5	209/00137/00	Inlet Valve	
6	223/00011/00	Hose Clamp	
7	223/00059/00	Water Hose	
8	206/00027/00	Bolt	
9	209/00277/00	3-Way Inlet Valve	
10	223/00044/00	Water Hose	
11	223/00010/00	Hose Clamp	
12	211/00170/00	Nut	
13	211/00172/00	Nut	
14	211/00183/00	Nut	
15	211/00181/00	Strain Relief Connector	
16	223/00014/00	Hose Clamp	
17	223/00185/00	Hose	
18	204/00105/00	Nut	
19	203/00006/00	Washer	
20	205/00116/00	Bolt	
21	153/00027/22	Switch Bracket	
22	202/00101/00	Washer	
23	203/00004/00	Washer	
24	205/00104/00	Bolt	
25	209/00672/00	Main Switch	40 Amp
	209/00526/00	Main Switch	80 Amp
	209/00532/00	Main Switch	125 Amp
26	209/00527/00	Terminal Block	
27	209/00533/00	Terminal Block	
	209/00528/00	Terminal Block	
28	207/00139/00	Ring	
29	207/00110/00	Screw	
30	140/00010/01	Electrical Connection Cover	

Upper Back Panel (Drawing 2 of 2)

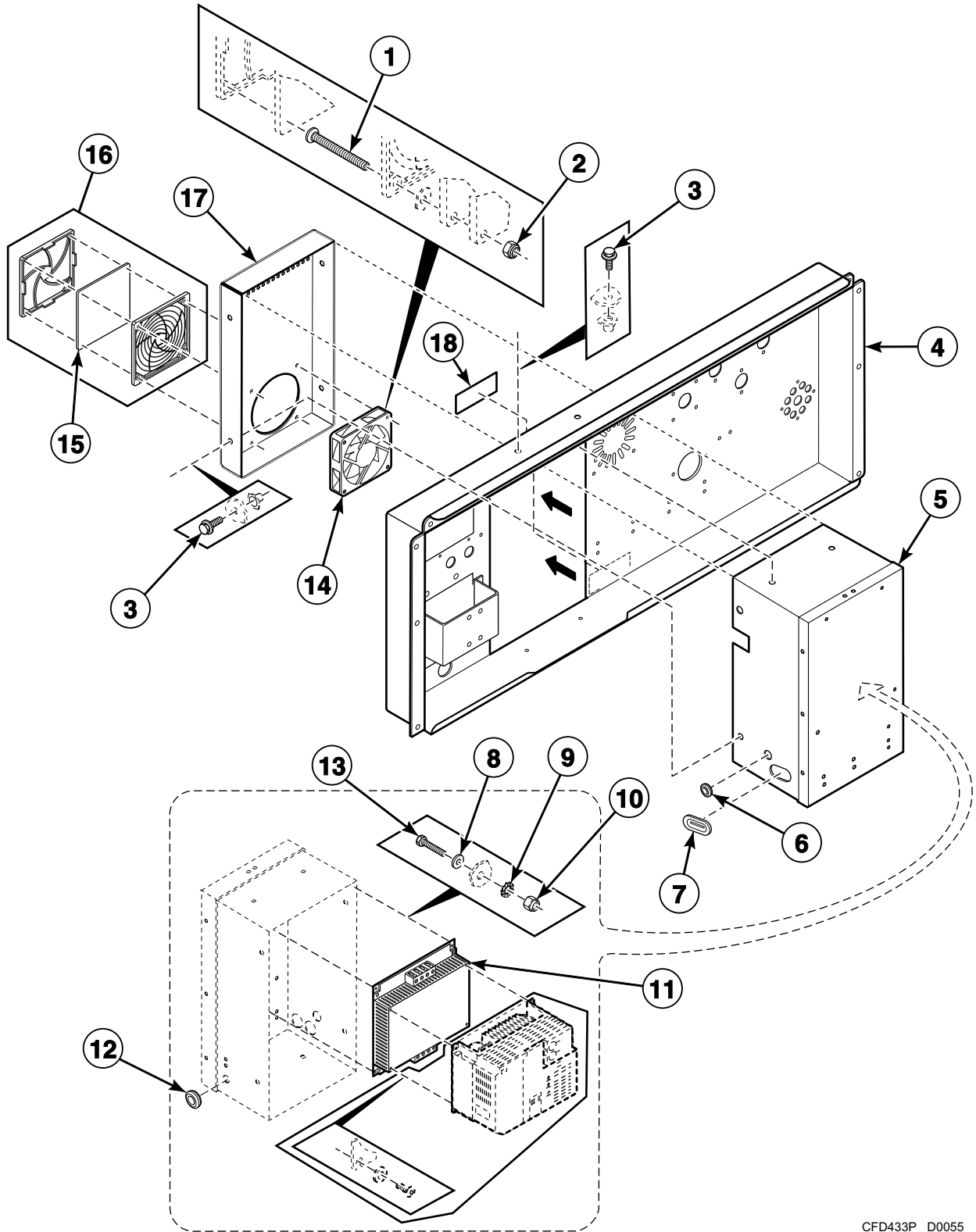


BE000338P_D0055

Upper Back Panel (Drawing 2 of 2)

REF	PART NO.	DESCRIPTION	COMMENTS
1	223/00179/10	Pressure Hose	
2	211/00129/00	Plug	
3	205/00104/00	Bolt	
4	202/00110/00	Washer	
5	153/00043/00	Inlet	
6	211/00087/00	Plug	
7	153/10027/00	Backbridge	
8	211/00097/00	Cordlock	
9	211/00097/01	Cordlock	
10	211/00117/00	Cordlock	
11	211/00118/00	Cordlock	
12	223/00198/00	Grommet	

Inverter Drive (Drawing 1 of 2)

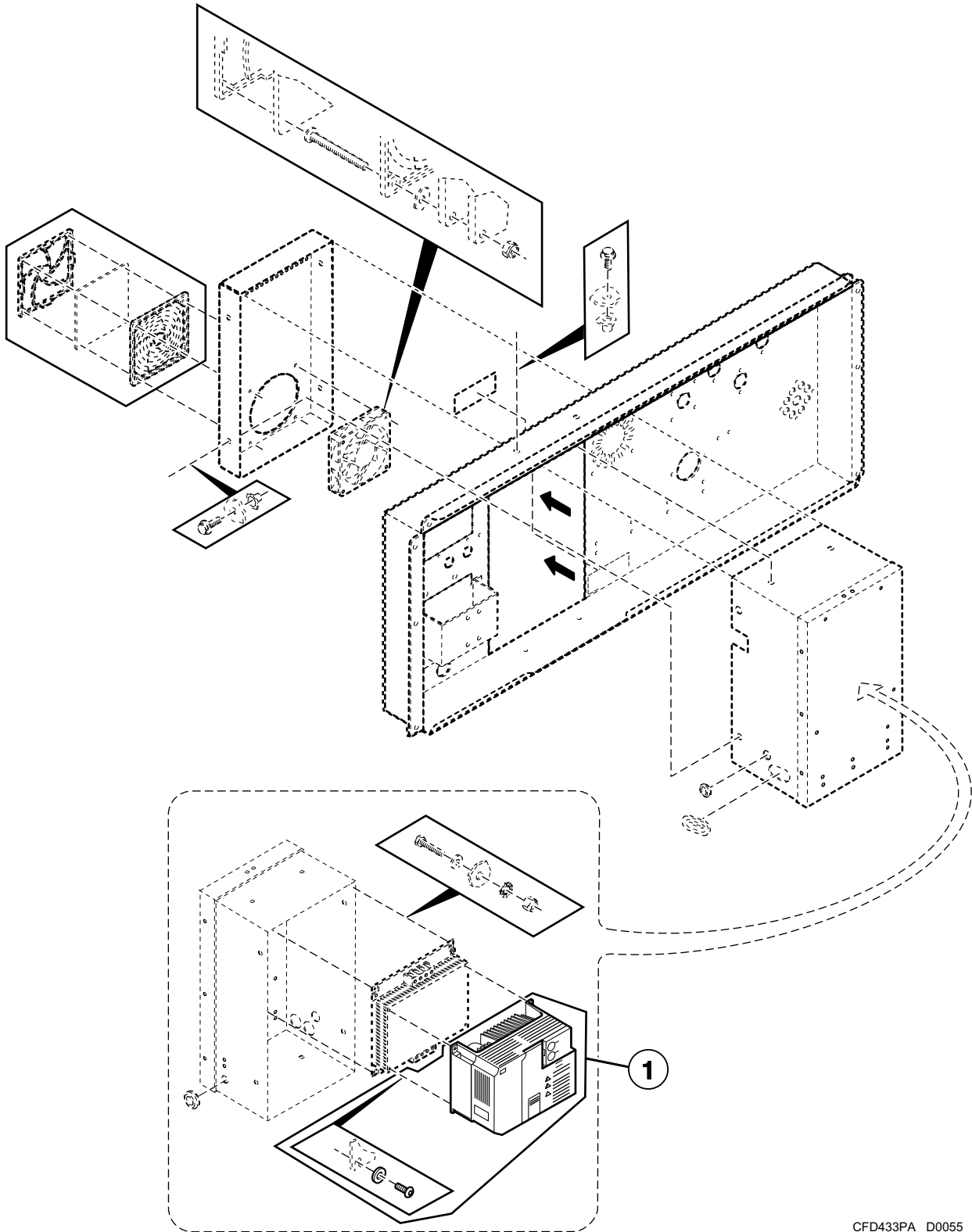


CFD433P_D0055

Inverter Drive (Drawing 1 of 2)

REF	PART NO.	DESCRIPTION	COMMENTS
	F8410901	Parameter Unit Assembly	*E500-series; Inverter mounted
	227/00171/00	Parameter Unit Assembly	*E500-series; Hand held
1	207/00021/00	Screw	
2	204/00114/00	Nut	
3	206/00099/00	Bolt	
4	153/10027/90	Backbridge	
5	111/01147/00	Inverter Drive Box	
6	223/00213/00	Grommet	
7	223/00203/00	Grommet	
8	202/00003/00	Washer	
9	203/00005/00	Washer	
10	204/00006/00	Nut	
11	227/00163/00	Noise Filter	
12	223/00198/00	Grommet	
13	205/00108/00	Bolt	
14	209/00287/00	Cooling Fan	
15	209/00287/21	Filter	
16	209/00287/11	AC Drive Filter	
17	153/00027/14	Fan Inverter Cover	
18	B12355001	Voltage Discharge Decal	

Inverter Drive (Drawing 2 of 2)

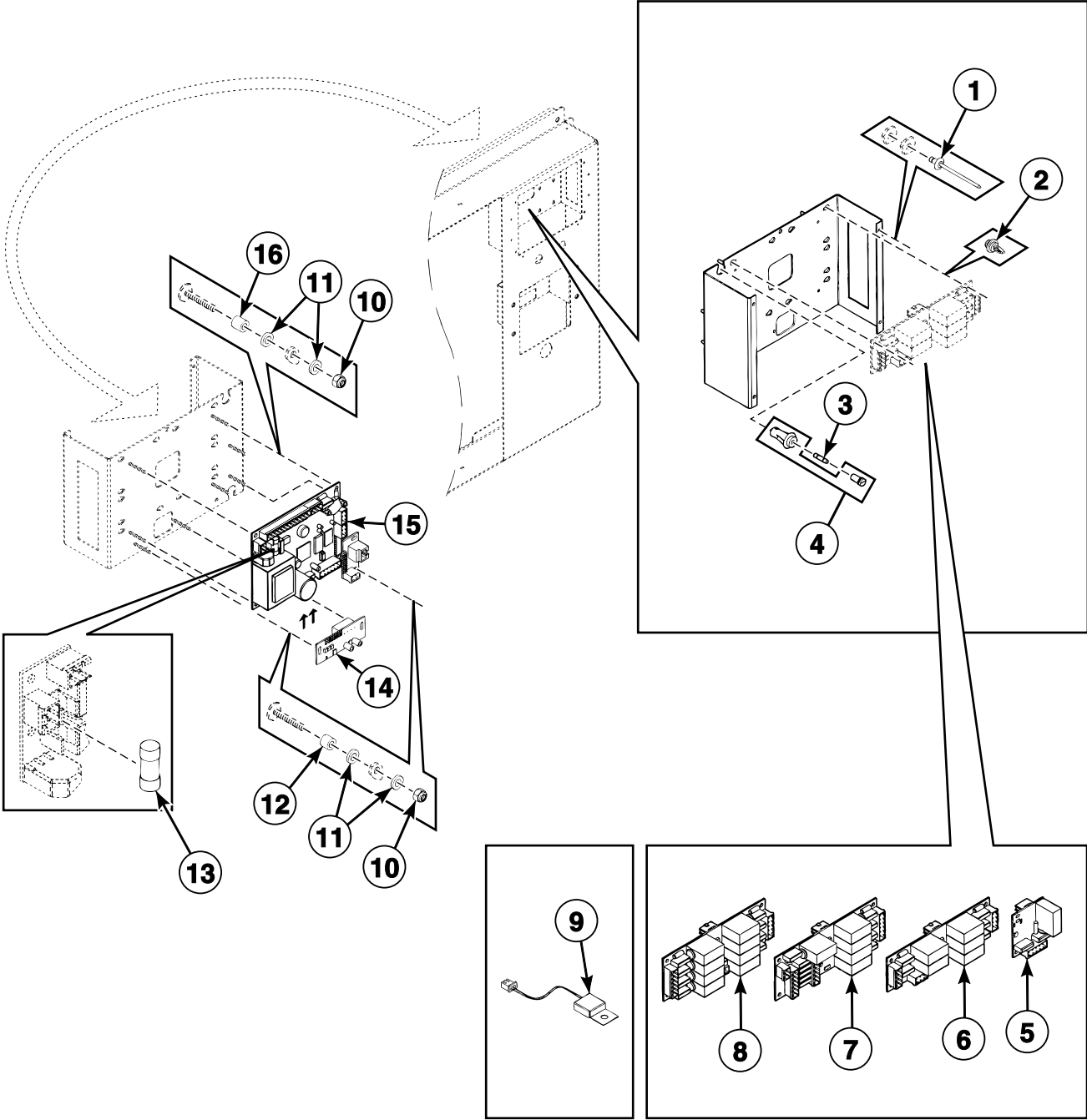


CFD433PA_D0055

Inverter Drive (Drawing 2 of 2)

REF	PART NO.	DESCRIPTION	COMMENTS
1	227/00130/00	Inverter	FR-E520 series; 5.5 kW; 3 x 240 Volt; 100 and 455 models
	227/00135/00	Inverter	FR-E540 series; 5.5 kW; 3 x 380 Volt; 100 and 455 models
	227/00131/00	Inverter	FR-E520 series; 7.5 kW; 3 x 240 Volt
	227/00136/00	Inverter	FR-E540 series; 7.5 kW; 3 x 380 Volt
	F8645701P	Inverter	FR-D720-238-NA series; 5.5 kW; 3 x 230 Volt; 100 and 455 Cygnus Control Models
	F8645801P	Inverter	FR-D740-120-NA series; 5.5 kW; 3 x 400 Volt; 100 and 455 Cygnus Control Models
	F8645901P	Inverter	FR-D720-318-NA series; 7.5 kW; 3 x 240 Volt; 135 and 575 Cygnus Control Models
	F8646001P	Inverter	FR-D740-160-NA series; 7.5 kW; 3 x 400 Volt; 135 and 575 Cygnus Control Models
	F8421013	Inverter Drive Retrofit Kit	200 Volt/3 Phase; Used with a 5.5 kW motor; 5:1 pulley ratio; Used to convert from 500 to 700 series inverter drive; Includes F8421113 Inverter Drive; 100 and 455 PS40 and PS40F Control Models
	F8421113	Inverter Drive	200 Volt/3 Phase; Used with a 5.5 kW motor; 5:1 pulley ratio; 700 series inverter drive; 100 and 455 PS40 and PS40F Control Models
	F8421015	Inverter Drive Retrofit Kit	200 Volt/3 Phase; Used with a 5.5 kW motor; 6:1 pulley ratio; Used to convert from 500 to 700 series inverter drive; Includes F8421115 Inverter Drive; 100 and 455 PS40 and PS40F Control Models
	F8421115	Inverter Drive	200 Volt/3 Phase; Used with a 5.5 kW motor; 6:1 pulley ratio; 700 series inverter drive; 100 and 455 PS40 and PS40F Control Models
	F8421014	Inverter Drive Retrofit Kit	400 Volt/3 Phase; Used with a 5.5 kW motor; 5:1 pulley ratio; Used to convert from 500 to 700 series inverter drive; Includes F8421114 Inverter Drive; 100 and 455 PS40 and PS40F Control Models
	F8421114	Inverter Drive	400 Volt/3 Phase; Used with a 5.5 kW motor; 5:1 pulley ratio; 700 series inverter drive; 100 and 455 PS40 and PS40F Control Models
	F8421016	Inverter Drive Retrofit Kit	400 Volt/3 Phase; Used with a 5.5 kW motor; 6:1 pulley ratio; Used to convert from 500 to 700 series inverter drive; Includes F8421116 Inverter Drive; 100 and 455 PS40 and PS40F Control Models
	F8421116	Inverter Drive	400 Volt/3 Phase; Used with a 5.5 kW motor; 6:1 pulley ratio; 700 series inverter drive; 100 and 455 PS40 and PS40F Control Models
	F8421017	Inverter Drive Retrofit Kit	200 Volt/3 Phase; Used with a 7.5 kW motor; 5:1 pulley ratio; Used to convert from 500 to 700 series inverter drive; Includes F8421117 Inverter Drive; 135 and 575 PS40 and PS40F Control Models
	F8421117	Inverter Drive	200 Volt/3 Phase; Used with a 7.5 kW motor; 5:1 pulley ratio; 700 series inverter drive; 135 and 575 PS40 and PS40F Control Models
	F8421019	Inverter Drive Retrofit Kit	200 Volt/3 Phase; Used with a 7.5 kW motor; 6:1 pulley ratio; Used to convert from 500 to 700 series inverter drive; Includes F8421119 Inverter Drive; 135 and 575 PS40 and PS40F Control Models
	F8421119	Inverter Drive	200 Volt/3 Phase; Used with a 7.5 kW motor; 6:1 pulley ratio; 700 series inverter drive; 135 and 575 PS40 and PS40F Control Models
	F8421018	Inverter Drive Retrofit Kit	400 Volt/3 Phase; Used with a 7.5 kW motor; 5:1 pulley ratio; Used to convert from 500 to 700 series inverter drive; Includes F8421118 Inverter Drive; 135 and 575 PS40 and PS40F Control Models
	F8421118	Inverter Drive	400 Volt/3 Phase; Used with a 7.5 kW motor; 5:1 pulley ratio; 700 series inverter drive; 135 and 575 PS40 and PS40F Control Models
	F8421020	Inverter Drive Retrofit Kit	400 Volt/3 Phase; Used with a 7.5 kW motor; 6:1 pulley ratio; Used to convert from 500 to 700 series inverter drive; Includes F8421120 Inverter Drive; 135 and 575 PS40 and PS40F Control Models
	F8421120	Inverter Drive	200 Volt/3 Phase; Used with a 7.5 kW motor; 6:1 pulley ratio; 700 series inverter drive; 135 and 575 PS40 and PS40F Control Models

Main Board and Printboard - Cygnus Models

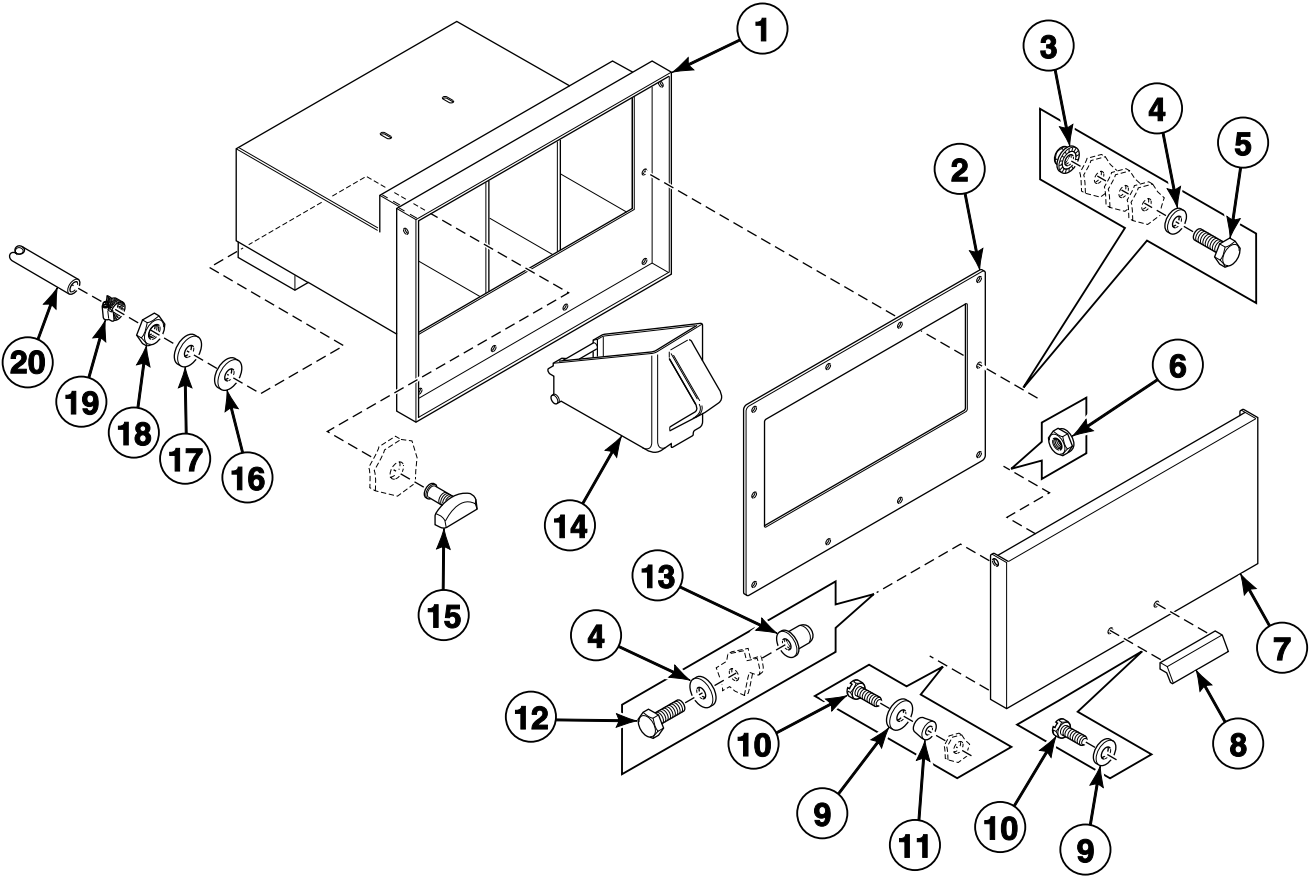


CFD442P_D0055

Main Board and Printboard - Cygnus Models

REF	PART NO.	DESCRIPTION	COMMENTS
1	206/00017/00	Rivet	
2	211/00146/00	Standoff	
3	209/00468/00	Fuse	
4	209/00202/00	Fuse Holder	Includes item 3
	209/00202/01	Fuse Holder	
5	209/02016/00	Relay PC-Board	
6	209/02005/00	Detergent PC-Board	
7	209/02014/00	Relay PC-Board	
8	209/02008/00	Detergent PC-Board	
9	209/02020/00	ID Chip	
10	204/00116/00	Nut	
11	223/00123/00	Washer	
12	211/00128/00	Printboard Separator	
13	209/00766/00	Fuse	
14	209/02007/00	Network Connection Printboard	
15	209/02025/00	Microprocessor	With PC-Board
16	211/00122/00	Standoff	

Supply Dispenser - Models Through April 26, 2009

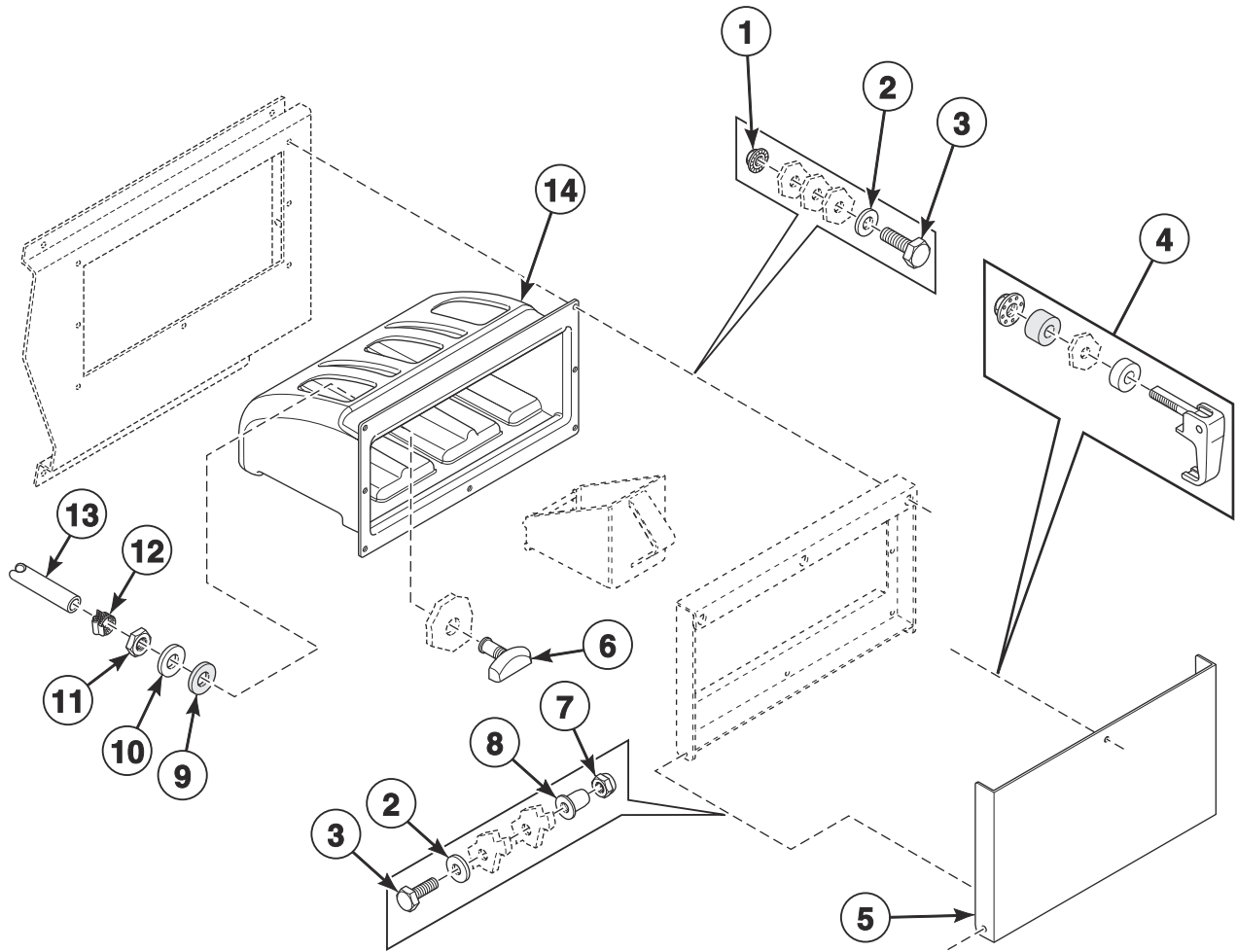


BE000354P_D0055

Supply Dispenser - Models Through April 26, 2009

REF	PART NO.	DESCRIPTION	COMMENTS
1	153/00072/00	Soap Dispenser	
2	153/00071/00	Soap Dispenser Cover Plate	
3	206/00101/00	Nut	
4	202/00101/00	Washer	
5	205/00105/00	Bolt	
6	204/00009/00	Nut	
7	153/00070/00	Soap Dispenser Cover	
8	223/00008/05	Soap Dispenser Cover Handle	
9	207/00139/00	Ring	
10	207/00110/00	Screw	
11	223/00008/01	Handle Grommet	
12	207/00126/00	Screw	
13	204/00301/00	Bushing	
14	253/00012/02	Soap Dispenser Cup	
15	223/00001/04	Prewash and Mainwash Nozzle	
16	223/00001/07	Washer	
17	201/00002/00	Washer	
18	204/00201/00	Nut	
19	223/00010/00	Hose Clamp	
20	223/00044/00	Water Hose	

Supply Dispenser - Models Starting April 27, 2009

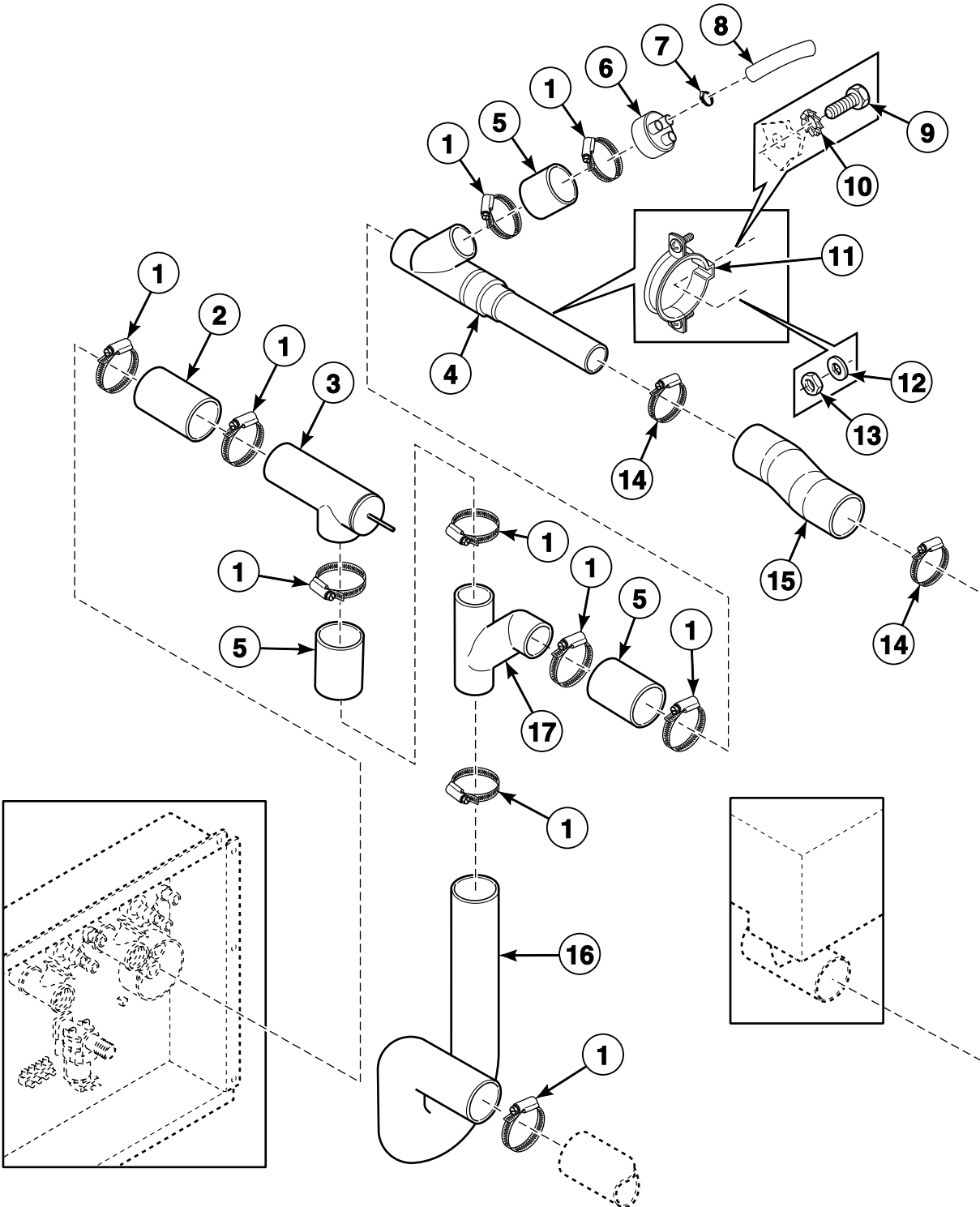


BE000920P_D0055

Supply Dispenser - Models Starting April 27, 2009

REF	PART NO.	DESCRIPTION	COMMENTS
1	206/00101/00	Nut	
2	202/00101/00	Washer	
3	205/00104/00	Bolt	
4	223/00392/00	Supply Dispenser Handle	
5	153/00089/00	Supply Dispenser Cover	
6	223/00001/04	Prewash and Mainwash Nozzle	
7	204/00009/00	Nut	
8	204/00301/00	Bushing	
9	223/00001/07	Washer	
10	201/00002/00	Washer	
11	204/00201/00	Nut	
12	223/00010/00	Hose Clamp	
13	223/00044/00	Water Hose	
14	223/00345/01	Supply Dispenser Box	

Supply Dispenser Plumbing - Models Through April 26, 2009

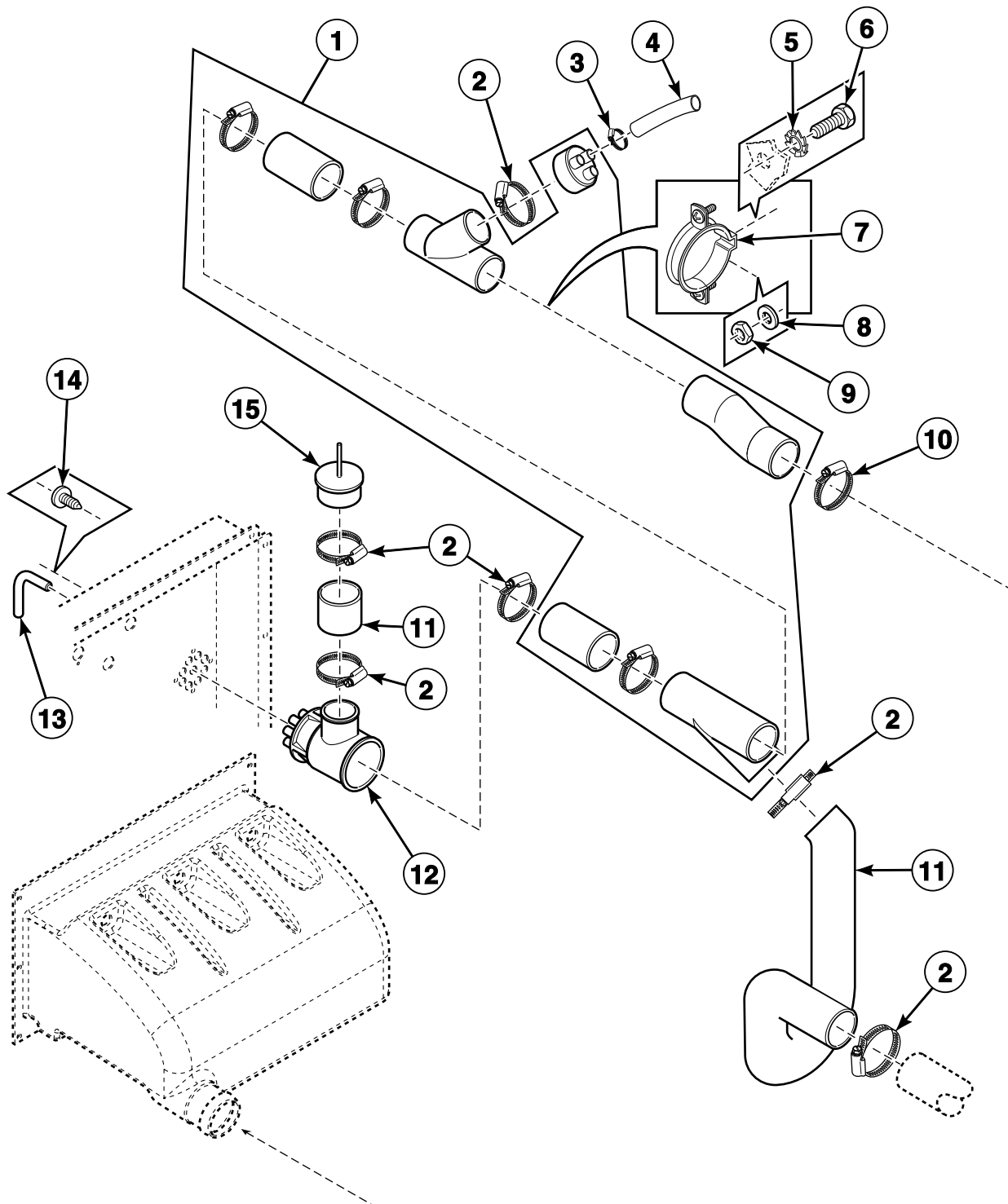


BE000356P_D0055

Supply Dispenser Plumbing - Models Through April 26, 2009

REF	PART NO.	DESCRIPTION	COMMENTS
1	223/00071/00	Hose Clamp	
2	223/00219/00	Soap Inlet Hose Kit	
3	253/00029/00	Elbow	
4	253/00021/00	Reducing Tee	
5	223/00141/00	Drain Valve to Drain Pipe Hose	
6	223/00289/00	Water Inlet Grid	
7	223/00011/00	Hose Clamp	
8	223/00059/00	Water Hose	
9	205/00105/00	Bolt	
10	203/00004/00	Washer	
11	253/00019/00	Clamp	
12	202/00110/00	Washer	
13	204/00106/00	Nut	
14	223/00014/00	Hose Clamp	
15	223/00107/03	Vent Hose	
16	223/00187/00	Soap Dispenser to Tub Hose	
17	253/00030/00	Y Pipe	

Supply Dispenser Plumbing - Models Starting April 27, 2009 Through May 17, 2011

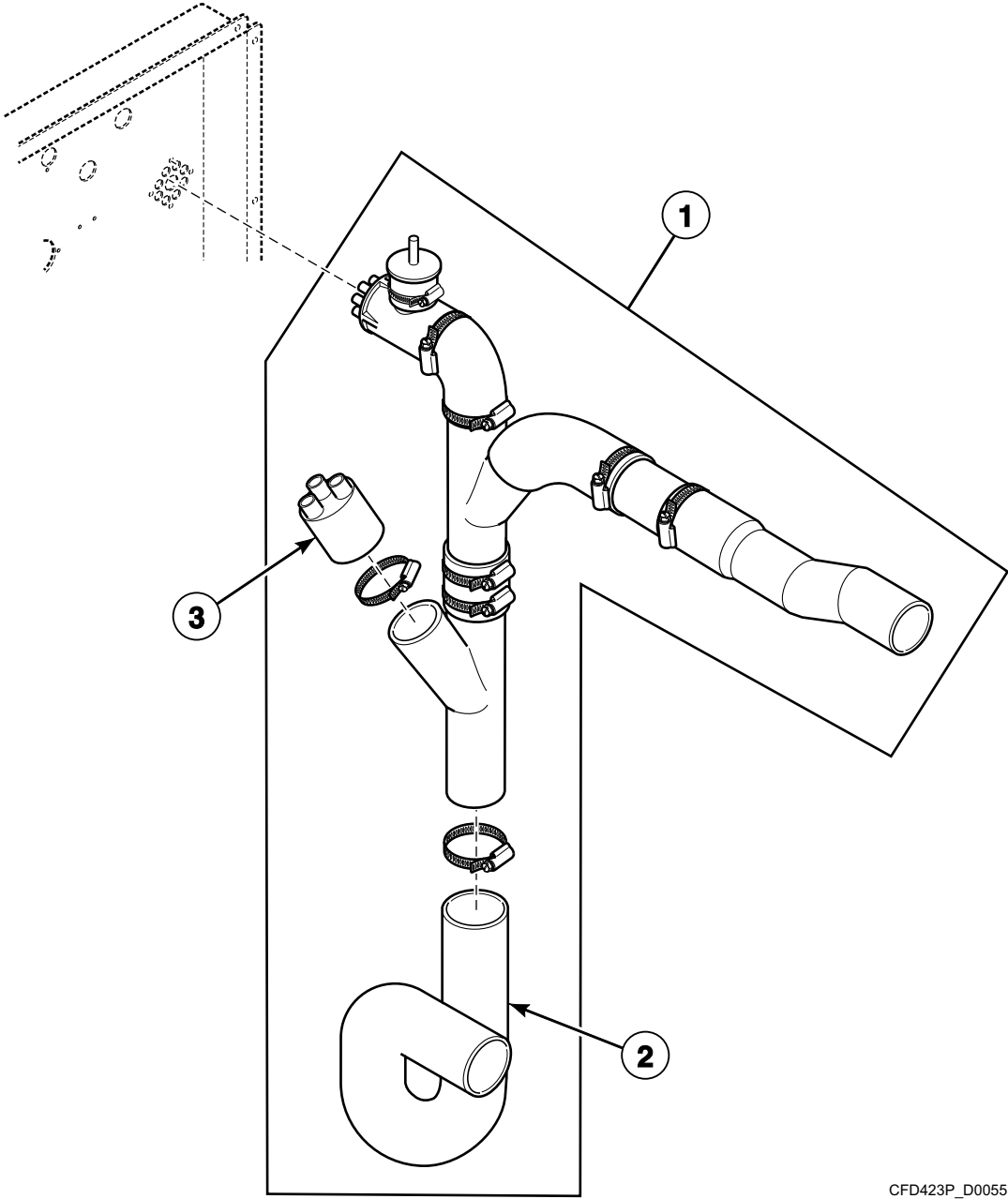


BE000356BP_D0055

Supply Dispenser Plumbing - Models Starting April 27, 2009 Through May 17, 2011

REF	PART NO.	DESCRIPTION	COMMENTS
1	223/00299/00	Connector	*HF100 and *HF455 models
	223/00300/00	Connector	*HF135 and *HF575 models
2	223/00071/00	Hose Clamp	
3	223/00011/00	Hose Clamp	
4	223/00059/00	Water Hose	
5	203/00004/00	Washer	
6	205/00105/00	Bolt	
7	253/00036/00	Clamp	
8	202/00110/00	Washer	
9	204/00106/00	Nut	
10	223/00014/00	Hose Clamp	
11	223/00187/00	Soap Dispenser to Tub Hose	
12	223/00249/00	Liquid Soap Manifold	
13	223/00179/10	Pressure Hose	
14	B12347501	Screw	
15	253/00035/00	Y Pipe	

Supply Dispenser Plumbing - Models Starting May 18, 2011

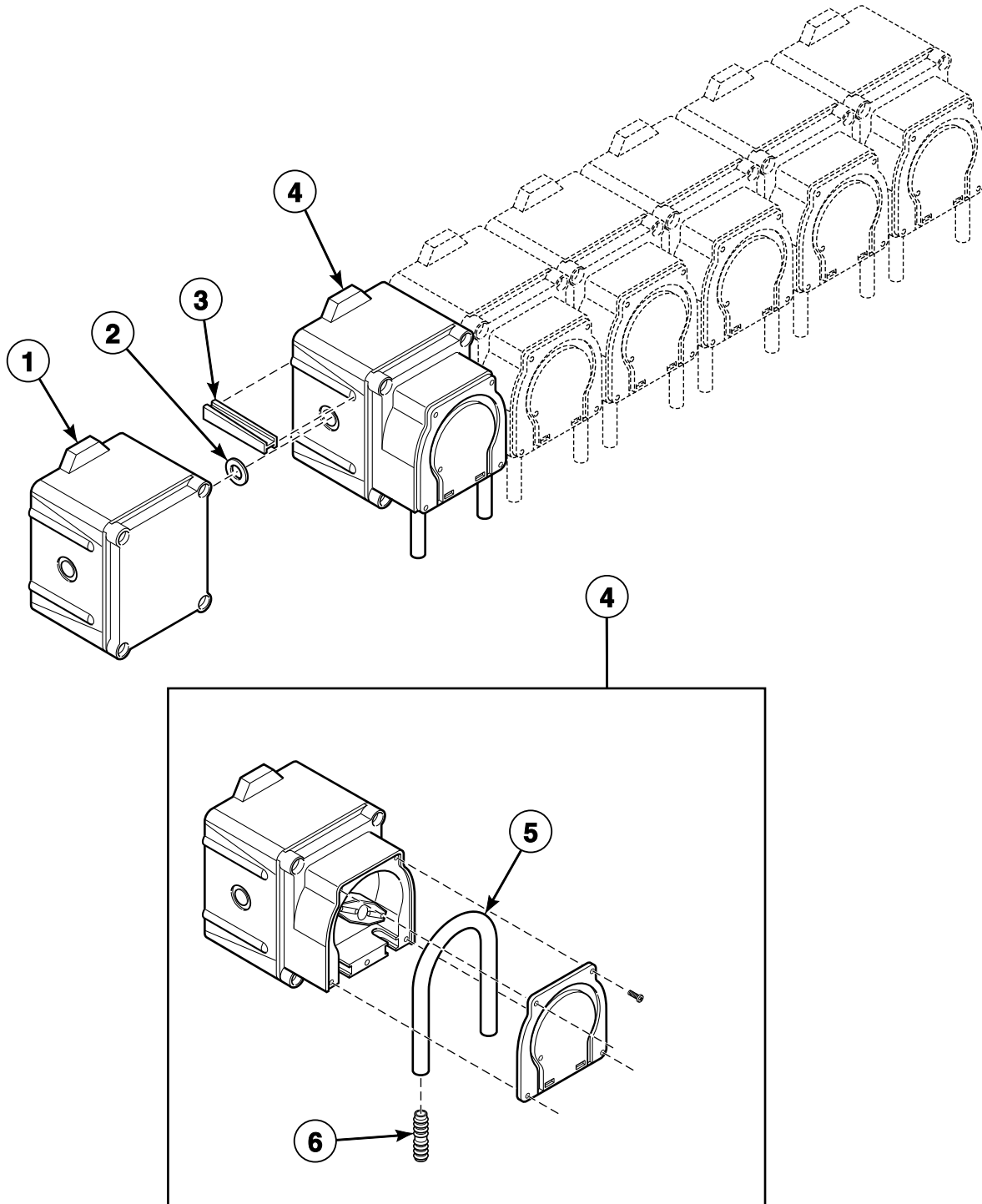


CFD423P_D0055

Supply Dispenser Plumbing - Models Starting May 18, 2011

REF	PART NO.	DESCRIPTION	COMMENTS
1	B12374001	Plumbing Assembly	*HF100 and *HF455 models
	223/00413/00	Plumbing Assembly	*HF135 and *HF575 models
2	223/00187/00	Soap Dispenser to Tub Hose	
3	223/00289/00	Water Inlet Grid	

Soap Pumps

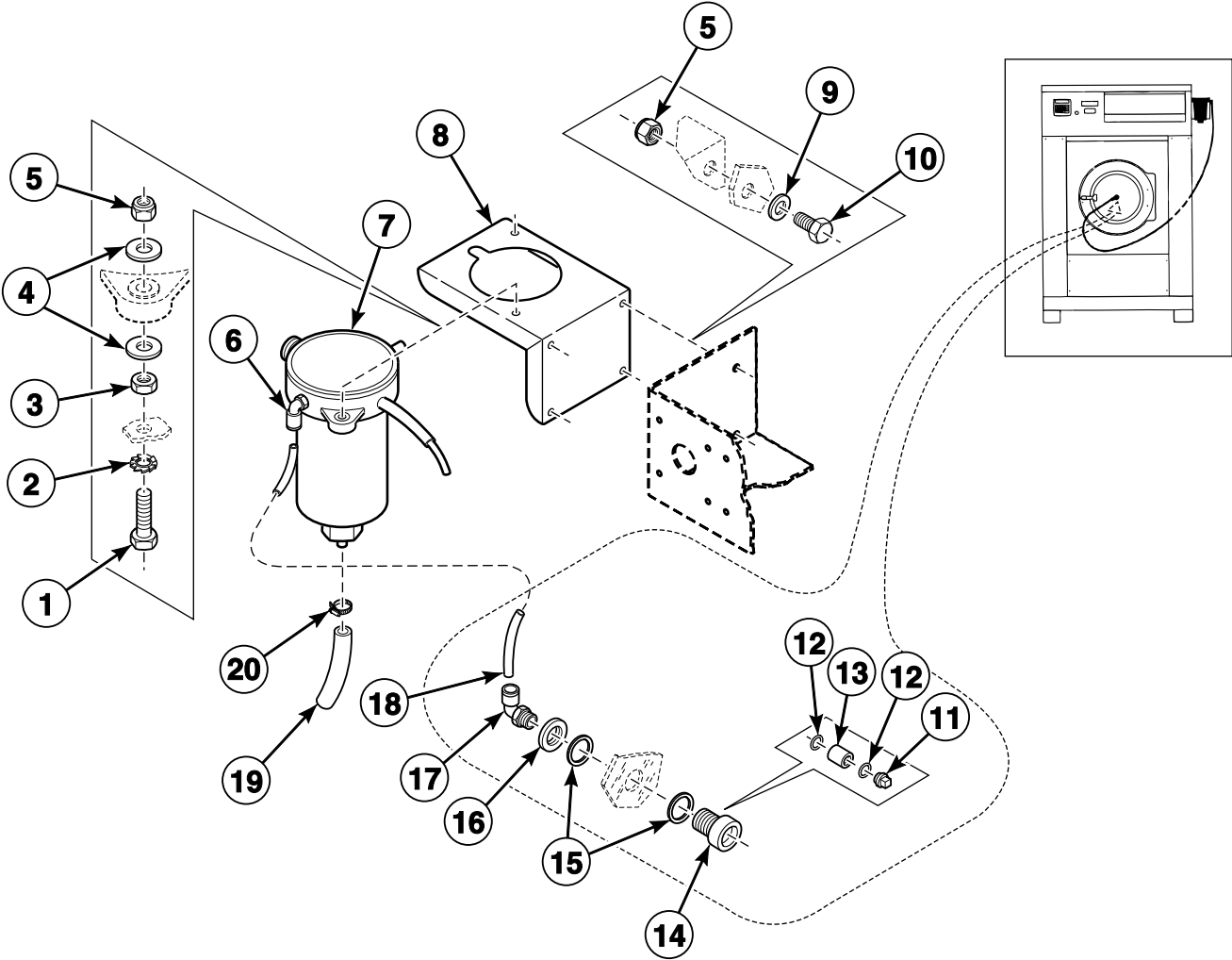


BE000499AP_D0055

Soap Pumps

REF	PART NO.	DESCRIPTION	COMMENTS
1	209/00555/01	Soap Pump Assembly	Feeding and 1 pump
	209/00555/02	Soap Pump Assembly	Feeding and 2 pumps
	209/00555/03	Soap Pump Assembly	Feeding and 3 pumps
	209/00555/04	Soap Pump Assembly	Feeding and 4 pumps
	209/00555/05	Soap Pump Assembly	Feeding and 5 pumps
	209/00555/06	Soap Pump Assembly	Feeding and 6 pumps
	209/00554/51	Feeding Liquid Soap Dosing Pump	
2	209/00554/52	Liquid Soap Dosing Pump O-Ring	
3	209/00554/53	Liquid Soap Dosing Pump Connection Piece	
4	209/00555/50	Liquid Soap Dosing Pump	
5	209/00555/98	Dosing Pump Hose	
6	209/00555/99	Dosing Pump Hose Connector	

Liquid Supply Pump

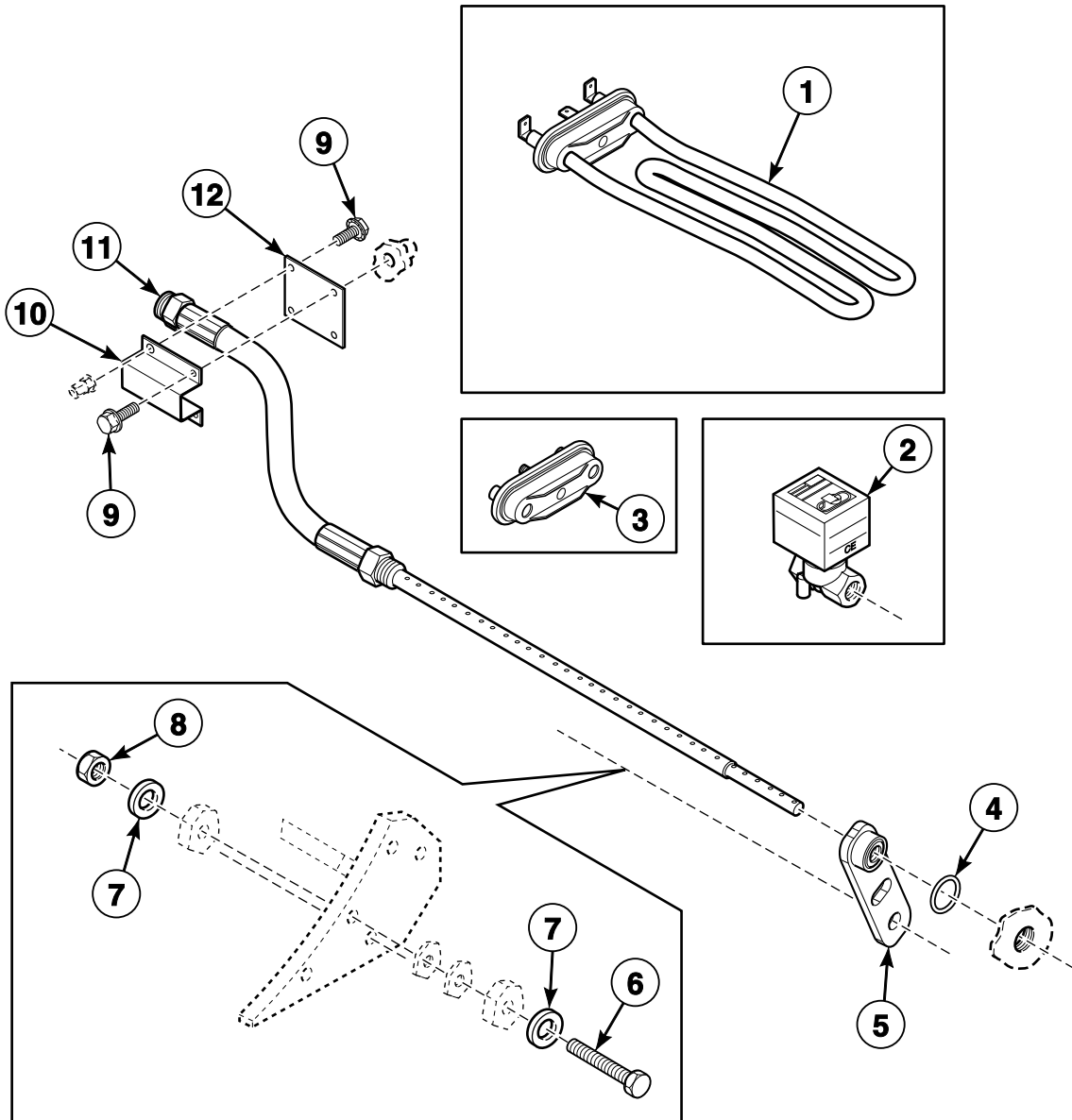


BE000068P_D0055

Liquid Supply Pump

REF	PART NO.	DESCRIPTION	COMMENTS
1	205/00103/00	Bolt	
2	203/00004/00	Washer	
3	204/00106/00	Nut	
4	202/00101/00	Washer	
5	204/00009/00	Nut	
6	223/00181/00	Soap Injector Elbow Coupling	
7	209/00369/00	Liquid Soap Spray Pump	
8	111/10179/00	Spray Pump Mounting Plate	
9	201/00007/00	Washer	
10	205/00107/00	Bolt	
11	223/00178/00	Soap Injector Orifice	
12	223/00177/00	O-Ring	
13	211/00126/00	Soap Injector Orifice Nipple	
14	211/00127/00	Soap Injector Connector	
15	223/00176/00	O-Ring	
16	211/10106/00	Nut	
17	223/00182/00	Soap Injector Coupling	
18	223/00180/00	Soap Injector Hose	
19	223/00179/10	Pressure Hose	
20	211/00088/00	Cable Tie	

Electric and Steam Heating Options

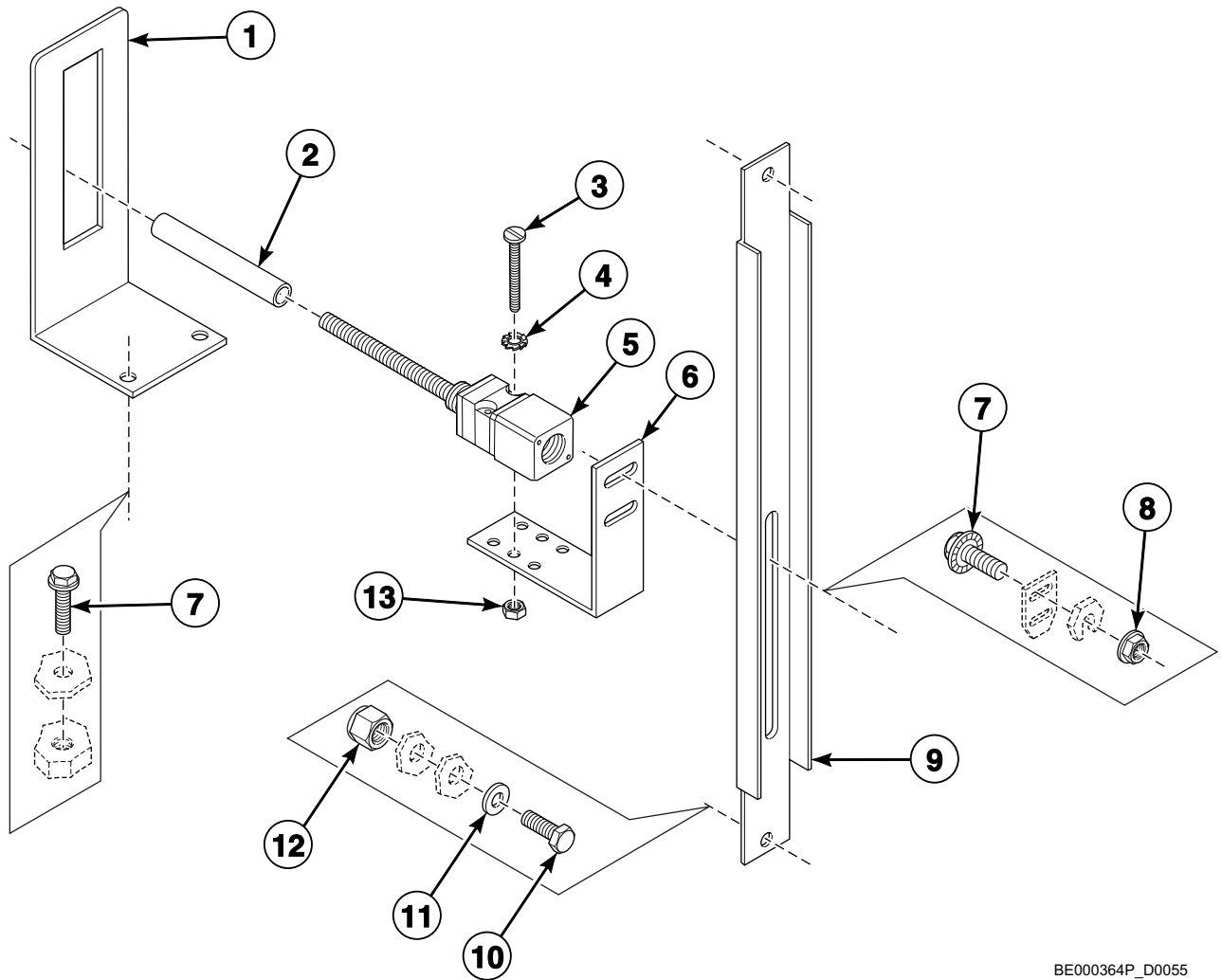


BE000353BP_D0055

Electric and Steam Heating Options

REF	PART NO.	DESCRIPTION	COMMENTS
	809P3	Steam Kit	Includes 9001685 Steam Injector, 9001686 Steam Injector Bracket, 9001687 Steam Injector Plate, 9001751 Harness, F380787 Steam Valve, F605220 Steam Valve Harness, 9001310 Bolt and 9001311 Nut
1	209/00562/20	Heating Element	3000W; 220/240 Volt
	209/00581/10	Heating Element	4000W; 380 Volt
2	209/00476/00	Steam Valve	
3	209/00196/00	Heating Element Plug	
4	223/00349/00	O-Ring	
5	B12365603	Connecting Piece	
6	206/00047/00	Bolt	
7	201/00001/00	Washer	
8	204/00113/00	Nut	
9	206/00099/00	Bolt	
10	153/00051/10	Bracket	
11	153/00051/50	Steam Injector	
12	153/00051/11	Steam Injector Plate	

Balance Switch



BE000364P_D0055

Balance Switch

REF	PART NO.	DESCRIPTION	COMMENTS
1	153/00046/00	Out-of-Balance Detector Plate	
2	223/00246/00	Out-of-Balance Switch Boot	
3	207/00018/00	Screw	
4	203/00006/00	Washer	
5	209/00255/00	Out-of-Balance Switch	
6	111/00107/00	Tilt Switch Bracket	
7	206/00099/00	Bolt	
8	206/00101/00	Nut	
9	153/00045/00	Out-of-Balance Switch Plate	
10	205/00107/00	Bolt	
11	202/00101/00	Washer	
12	204/00009/00	Nut	
13	204/00007/00	Nut	

Parts Index

A

AC Drive Filter	
209/00287/11	63

B

Back Panel Support Assembly	
153/00114/A1	57
153/00114/B0	57
153/00114/C0	57
Backbridge	
153/10027/00	61
153/10027/90	57, 59, 63
Basket	
B12472401	23
Basket Kit	
B12543301	21
B12543401	21
Bearing Cover Plate	
153/00069/00	15, 17, 19
Bearing Housing Assembly	
153/10004/00	13, 15, 17, 19
Bearing Housing Cover	
253/10127/00	15, 17
Bearing Kit	
3885P	19
Bearing Replacement Kit	
894P3	15
Bearing Replacement Tool Kit	
245/00054/00	15, 19
Bearing Spacer	
B12360807	15, 17, 19
Belt	
226/00155/00	21, 23
253/00148/00	21, 23
Blind Rivet	
F8245101	35
Bolt	
C000430	35
C000561	39
C001784	39
C001785	37, 39
205/00102/00	13, 15, 17, 19
205/00103/00	81
205/00104/00	57, 59, 61, 71
205/00105/00	41, 43, 51, 57, 69, 73, 75
205/00107/00	81, 85
205/00108/00	63
205/00116/00	59
205/00122/00	37, 39
205/00123/00	35
206/00004/00	25
206/00009/00	27, 29
206/00027/00	51, 53, 59
206/00042/00	55
206/00047/00	83
206/00071/00	11
206/00099/00	13, 45, 47, 51, 53, 55, 57, 63, 83, 85
206/00122/00	13

206/00142/00	25
206/00147/00	21, 23
208/00132/00	37
224/00046/00	11
248/00114/00	25
253/00158/180	37, 39

Bracket	
153/00051/10	83
Bushing	
204/00301/00	69, 71
253/00124/00	17, 21, 23

C

Cable Tie	
211/00088/00	81
Cap	
223/00396/00	37
Circuit Board Cover	
229/00262/00	47
229/00289/00	41, 43, 45
Clamp	
253/00019/00	73
253/00036/00	75
Coil	
209/00051/21	31, 33
209/00052/21	31, 33
209/00203/21	31, 33
Connecting Piece	
B12365603	83
Connector	
223/00299/00	75
223/00300/00	75
Contact Switch	
209/00099/06	49
209/00099/26	41, 43, 45, 47
Contacto	
209/00124/00	51
209/00148/02	51
Control Panel	
B12570301	43
B12570401	43
Cooling Fan	
209/00287/00	25, 63
Cordlock	
211/00097/00	61
211/00097/01	61
211/00117/00	61
211/00118/00	61
Counterweight	
253/10013/00	13
Cylinder and Trunnion Assembly	
153/00035/50	21

D

Datacard	
209/02022/00	41, 43, 45

N/A items do not appear in index.

Datacard Cover			
223/00348/00	41, 43, 45		
Detergent PC-Board			
209/02005/00	67		
209/02008/00	67		
Display and Printboard			
209/02002/Z02	41, 43		
Door			
153/00082/00	37		
253/00158/131	39		
Door Front Panel			
153/10113/00	13		
153/10114/00	13		
Door Gasket			
253/00162/01	37, 39		
Door Glass			
217/00102/00	37		
253/00158/139	39		
Door Glass Gasket			
C000140	39		
Door Glass Retainer			
253/00158/607	39		
253/10128/00	37		
Door Glass Seal			
223/00346/00	37		
Door Handle Bushing			
C000181	37, 39		
Door Handle Spring Bushing			
253/00158/192	37, 39		
Door Handle Torsion Spring			
C001786	37, 39		
Door Hinge Block			
253/00158/175	39		
Door Latch			
C001244	35		
Door Latch Assembly			
253/00159/1036	35		
Door Lock Catch			
C000185	35		
Door Lock Cover			
253/00158/688	35		
Door Lock Harness			
C003286	35		
Door Lock Kit			
C001036M	35		
Door Lock Microswitch			
C000278	35		
Door Lock PC-Board			
209/02010/00	41, 43, 45		
Door Lock Plate			
253/00158/684	35		
Door Lock Solenoid Bracket			
253/00158/686	35		
Door Lock Spring			
253/00158/276	35		
Door Lock Spring Cover			
253/00158/687	35		
Door Lock Switch Actuator			
253/00158/271	35		
Door Magnet Mounting Bracket			
C002994	39		
Door Release Decal			
253/00158/694	35		
Door Solenoid Assembly			
B12495102	35		
Dosing Pump Hose			
209/00555/98	79		
Dosing Pump Hose Connector			
209/00555/99	79		
Drain Pipe			
223/00106/00	27, 29		
Drain Tub to Drain Valve Hose			
223/00133/00	27		
Drain Valve			
209/00075/05	31, 33		
Drain Valve Handle			
209/00115/11	33		
Drain Valve Kit			
B12630701	27, 29		
Drain Valve Motor			
209/00051/11	31		
209/00052/11	31		
209/00052/12	33		
209/00203/11	31		
209/00203/12	33		
Drain Valve Motor Assembly			
209/00170/06	33		
Drain Valve Motor Mounting Plate			
209/00025/07	31		
209/00115/04	33		
Drain Valve Overflow Plug			
223/00086/00	27, 29		
Drain Valve Plate Assembly			
114/00010/00	27, 29		
Drain Valve Shaft			
209/00170/10	31, 33		
Drain Valve Shaft Seal			
209/00025/10	31, 33		
Drain Valve Spring			
209/00025/13	31		
209/00170/02	33		
Drain Valve to Drain Pipe Hose			
223/00141/00	27, 29, 73		
Drum Assembly			
B12374401	17, 23		

E

Elbow			
253/00029/00	73		
Electrical Connection Cover			
140/00010/01	59		
Electrical Plate Assembly			
153/00111/10	51		
153/00112/10	51		
Emergency Stop Button Kit			
209/00253/00	49		
Emergency Switch Pushbutton			
209/00099/20	41, 43, 45		
Exhaust Valve Hose			
223/00170/00	29		

N/A items do not appear in index.

F

Fan Inverter Cover	
153/00027/14	63
Feeding Liquid Soap Dosing Pump	
209/00554/51	79
Filter	
209/00287/21	63
Frame	
253/10009/00	9
253/10010/00	9
Front Cabinet Top	
153/00033/01	55
153/00034/01	55
Front Panel	
153/10115/00	55
Front Panel Right	
153/10116/00	55
Front Shipping Brace	
153/10009/11	9
Fuse	
209/00372/01	47
209/00468/00	51, 67
209/00766/00	67
Fuse Holder	
209/00202/00	51, 67
209/00202/01	67

G

Gasket	
246/00092/00	51
246/00149/00	51, 55
Grease Ring Holder	
253/00131/00	19
Grommet	
223/00174/00	51
223/00198/00	51, 61, 63
223/00203/00	63
223/00213/00	63

H

Handle	
253/00158/028	37, 39
Handle Grommet	
223/00008/01	47, 49, 69
Handle Hinge	
253/00158/470	37, 39
Heating Contactor	
209/00641/04	53
209/06148/02	53
Heating Element	
209/00562/20	83
209/00581/10	83
Heating Element Plug	
209/00196/00	83
Hinge Block	
253/00178/00	37
253/00178/10	37

Hinge Plate	
253/00176/50	37, 39
253/00177/00	37
253/10528/00	37
Hose	
223/00185/00	59
Hose Barb	
223/00016/00	51, 53
Hose Clamp	
223/00010/00	59, 69, 71
223/00011/00	51, 59, 73, 75
223/00012/00	29
223/00013/00	27, 29
223/00014/00	59, 73, 75
223/00071/00	27, 29, 73, 75
223/00223/00	27, 53
229/00012/00	27
Hose Tee	
223/00035/01	51
Hose Vent	
223/00102/07	59

I

ID Chip	
209/02020/00	67
Infrared Cable	
210/00902/00	41, 43, 45, 47, 49
Inlet	
153/00043/00	61
Inlet Valve	
209/00137/00	59
Inlet Valve, 3-Way	
209/00277/00	59
Insulating Sticker	
229/00255/00	47
229/00268/00	41, 43, 45
Inverter	
F8645701P	65
F8645801P	65
F8645901P	65
F8646001P	65
227/00130/00	65
227/00131/00	65
227/00135/00	65
227/00136/00	65
Inverter Drive	
F8421113	65
F8421114	65
F8421115	65
F8421116	65
F8421117	65
F8421118	65
F8421119	65
F8421120	65
Inverter Drive Box	
111/01147/00	63
Inverter Drive Retrofit Kit	
F8421013	65
F8421014	65
F8421015	65
F8421016	65
F8421017	65
F8421018	65
F8421019	65

N/A items do not appear in index.

F8421020 65

K

Key
253/00033/00 21, 23

Keypad
209/00502/01 47
209/00552/01 49

Kickplate
153/10117/00 55

L

Leveling Leg
252/00006/00 13

Lip Seal
253/00182/00 19

Liquid Soap Dosing Pump
209/00555/50 79

Liquid Soap Dosing Pump Connection Piece
209/00554/53 79

Liquid Soap Dosing Pump O-Ring
209/00554/52 79

Liquid Soap Manifold
223/00249/00 75

Liquid Soap Spray Pump
209/00369/00 81

Lock Spring Leaf
211/00072/00 35

Lower Support
253/10011/00 9
253/10012/00 9

Lubricator
212/00002/00 15, 19

M

Magnet
F8390801 39

Main Board
B12351701 47

Main Switch
209/00526/00 59
209/00532/00 59
209/00672/00 59

Memory Card PC-Board
B12305201 41, 43, 45

Microprocessor
209/02025/00 67

Motor
B12511401 25
227/00132/00 25

Motor Plate
B12369701 25

Mounting Plate
173/00012/00 47, 49
223/00374/00 41, 43, 45

Mushroom Pushbutton
209/00248/20 41, 43, 45, 47, 49

N/A items do not appear in index.

N

Network Connection Printboard
209/02007/00 67

Noise Filter
227/00163/00 63

Noise Suppressor
209/00356/00 53

Nut
204/00004/00 27, 29
204/00006/00 63
204/00007/00 25, 51, 53, 59, 85
204/00008/00 47, 49
204/00009/00 57, 69, 71, 81, 85
204/00012/00 11, 25
204/00016/00 11
204/00105/00 59
204/00106/00 55, 57, 73, 75, 81
204/00111/00 25
204/00113/00 11, 13, 25, 83
204/00114/00 25, 63
204/00116/00 41, 43, 45, 47, 49, 51, 67
204/00201/00 69, 71
206/00101/00 51, 69, 71, 85
211/00170/00 59
211/00172/00 59
211/00183/00 59
211/10106/00 81
253/00158/558 39
253/00158/560 37, 39
253/00158/562 37, 39
253/00158/578 35

O

Operating Sticker
B12456701 45
225/10313/00 41
225/10404/00 45
225/10427/00 45

O-Ring
223/00176/00 81
223/00177/00 81
223/00244/00 37, 39
223/00349/00 83

Out-of-Balance Detector Plate
153/00046/00 85

Out-of-Balance Switch
209/00255/00 85

Out-of-Balance Switch Boot
223/00246/00 85

Out-of-Balance Switch Plate
153/00045/00 85

Overflow Hose
223/00184/00 27, 29

Overlay
B12568801 43
B12568901 43
225/00365/00 47, 49

P

Parameter Unit Assembly	
F8410901	63
227/00171/00	63
Plate Assembly	
153/00112/60	53
173/00013/10	53
Plexi Frame	
225/00321/00	41, 43
225/00323/00	45
Plug	
211/00087/00	61
211/00129/00	61
Plumbing Assembly	
B12374001	77
223/00413/00	77
Pop Rivet	
F431223	39
Pressure Hose	
B12700018	51, 53
223/00179/10	61, 75, 81
Pressure Switch	
209/00007/50	51
Pressure Switch Elbow	
223/00210/00	51, 53
Pressure Switch Hose Tee	
223/00173/10	53
Prewash and Mainwash Nozzle	
223/00001/04	69, 71
Printboard	
209/00505/02	51
209/00542/02	51
209/02015/02	45
Printboard Display Plate Assembly	
173/00013/20	41, 43
173/00013/30	45
Printboard Separator	
211/00128/00	41, 43, 45, 67
Printboard Support Card	
111/01893/00	41, 43, 45
Programming Key Contact Switch	
209/00326/20	47, 49
Pulley	
253/00026/00	17, 21, 23
253/00026/01	17, 21, 23
253/00078/00	21, 23
253/00079/00	25
253/00147/00	25

R

Rail	
720/00110/01	53
Rear Cabinet Top	
153/00033/02	55
153/00034/02	55
Rear Shipping Brace	
153/10009/12	9
Reducing Tee	
253/00021/00	73

Reed Switch Assembly	
C003000	35
Relay PC-Board	
209/02014/00	67
209/02016/00	67
Retaining Ring	
253/00157/00	15, 17, 19
Ring	
207/00139/00	59, 69
Rivet	
206/00017/00	67
Roller Bearing	
253/00155/00	15, 17, 19
253/00156/00	15, 17, 19

S

Screw	
B12347501	75
206/00031/00	25
206/00053/00	21, 23
206/00125/00	25
207/00003/00	25, 51
207/00018/00	85
207/00021/00	63
207/00025/00	47, 49
207/00102/00	55
207/00108/00	49
207/00110/00	59, 69
207/00113/00	41, 43, 45, 47
207/00123/00	55
207/00126/00	69
207/00135/00	35, 51
209/00025/08	31, 33
209/00170/05	31, 33
209/00170/07	31, 33
253/00158/1047	35
253/00158/567	35
253/00158/612	35
253/00158/614	35
Seal	
B12378801	23
B12378901	23
Seal Wear Plate	
153/00121/00	19
Separator	
206/00141/00	51
Shock Absorber	
247/00008/00	11
Side Panel	
153/00103/00	55, 57
153/00104/00	55, 57
153/00105/00	55, 57
153/00106/00	55, 57
Side Panel Gasket	
246/00079/00	57
Side Panel Support Assembly	
153/00103/01	57
Soap Dispenser	
153/00072/00	69
Soap Dispenser Cover	
153/00070/00	69
Soap Dispenser Cover Handle	
223/00008/05	69

N/A items do not appear in index.

Soap Dispenser Cover Plate 153/00071/00	69
Soap Dispenser Cup 253/00012/02	69
Soap Dispenser to Tub Hose 223/00187/00	73, 75, 77
Soap Injection PCB with Fuse 209/00218/13	51
Soap Injector Connector 211/00127/00	81
Soap Injector Coupling 223/00182/00	81
Soap Injector Elbow Coupling 223/00181/00	81
Soap Injector Hose 223/00180/00	81
Soap Injector Orifice 223/00178/00	81
Soap Injector Orifice Nipple 211/00126/00	81
Soap Inlet Hose Kit 223/00219/00	73
Soap Pump Assembly 209/00555/01	79
209/00555/02	79
209/00555/03	79
209/00555/04	79
209/00555/05	79
209/00555/06	79
Spacer B12360810	19
253/00125/00	17, 21, 23
253/10120/00	15, 17
Speed Detector 209/00400/00	15, 19
Speed Sensor Bracket 153/00041/02	15, 19
Spray Pump Mounting Plate 111/10179/00	81
Spring C000431	35
Standoff 211/00120/00	51
211/00122/00	41, 43, 45, 47, 67
211/00145/00	41, 43, 45
211/00146/00	67
Steam Injector 153/00051/50	83
Steam Injector Plate 153/00051/11	83
Steam Kit 809P3	83
Steam Valve 209/00476/00	83
Strain Relief Connectort 211/00181/00	59
Supply Dispenser Box 223/00345/01	71
Supply Dispenser Cover 153/00089/00	71
Supply Dispenser Handle 223/00392/00	71
Suspension Spring B12456301	11

Switch Base 209/00099/25	47, 49
Switch Bracket 153/00027/22	59
Switch Knob 209/00099/29	47, 49

T

Telem Sticker 209/00520/00	41, 43, 45, 47, 49
Terminal Block 209/00527/00	59
209/00528/00	59
209/00533/00	59
Thermostat 210/01064/16	51, 53
210/01304/16	51, 53
Thermostat Grommet 225/10004/00	51, 53
Tilt Switch Bracket 111/00107/00	85
Top Cover Plate 153/00111/01	51
153/00112/01	51
T-Piece 253/00006/00	29
Tub 153/00075/00	13
153/00076/00	13
153/00077/00	13
153/00078/00	13
Tub Back Plate 153/00075/10	13
153/00076/10	13
Tub Front Panel 153/10013/00	13
Tub Gasket 223/00168/00	13

U

Upper Front Panel 153/10107/00	49
153/10107/10	49
153/10108/10	47
153/10108/20	41, 45
Upper Support 253/10111/00	9
253/10112/00	9

V

Vent Hose 223/00107/03	73
Voltage Discharge Decal B12355001	63
V-Ring Seal 253/00151/00	17, 21
253/00152/00	17, 21
253/00153/00	17, 21

N/A items do not appear in index.

W

Washer

B12300601	41, 43
B12300701	41, 43
B12522101	13
201/00001/00	11, 25, 83
201/00002/00	69, 71
201/00004/00	25
201/00007/00	35, 51, 55, 81
201/00008/00	25, 53
201/00010/00	29
201/00011/00	25
201/00025/00	21, 23
201/00202/00	15, 17, 19
202/00002/00	27, 29, 55
202/00003/00	63
202/00004/00	41, 43, 45, 47, 49, 59
202/00101/00	59, 69, 71, 81, 85
202/00105/00	13
202/00110/00	57, 61, 73, 75
203/00001/00	25
203/00002/00	15, 19
203/00003/00	27, 29
203/00004/00	51, 57, 59, 73, 75, 81
203/00005/00	63
203/00006/00	25, 51, 53, 59, 85
203/00007/00	47, 49, 51
203/00016/00	21, 23
208/00009/00	55
209/00025/12	31, 33
223/00001/07	69, 71
223/00123/00	41, 43, 45, 47, 49, 51, 67
253/00158/177	39
253/00158/571	35

Water Hose

223/00044/00	59, 69, 71
223/00059/00	59, 73, 75

Water Inlet Grid

223/00289/00	73, 77
--------------------	--------

Water Level Switch

B12548601	53
-----------------	----

Y

Y Pipe

253/00030/00	73
253/00035/00	75
