

# D9412GV2/D7412GV2



Security Systems

EN | Operation and Installation Guide  
Control Panels

**BOSCH**

## Trademarks

CoBox™ is a registered trademark of Lantronix®.

Windows® is a registered trademark of Microsoft Corporation in the United States or in other countries.

Molex® is a registered trademark of Molex Incorporated.

## Certifications and Approvals

The D9412GV2/D7412GV2 Literature Pack includes the *D9412GV2/D7412GV2 Approved Applications Compliance Guide* (P/N: F01U003639). Refer to this guide for additional guidelines on installing the control panels in Underwriters Laboratories Inc. (UL) and fire-specific applications.

## Listings and Approvals

### Fire

#### UL

Underwriters Laboratories Inc. (UL) lists the D9412GV2/D7412GV2 Control Panels as Signal System Control Units for: Central Station, Local, Auxiliary, Remote Station, Proprietary, and Household Fire Warning.

### Burglary

#### UL

UL lists the D9412GV2/D7412GV2 Control Panels for: Central Station, Local, Police Connect, Bank Safe and Vault, Mercantile Safe and Vault, and Grade A Household Systems.

### Department of Defense (DOD)

The D9412GV2/D7412GV2 was granted approval for Department of Defense (DoD) installations in Sensitive Compartmented Information Facilities (SCIF).

## Federal Communications Commission (FCC) Rules

### Part 15

This equipment was tested and found to comply with the limits for a Class A digital device, pursuant to Part 15 of the FCC rules. These limits are designed to provide reasonable protection against harmful interference when the equipment is operated in a commercial environment.

This equipment generates, uses, and can radiate radio frequency energy; and if not installed and used according to the instructions, can cause harmful interference to radio communications.

Operation of this equipment in a residential area is likely to cause harmful interference, in which case the user is required to correct the interference at his or her own expense.

### Part 68

This equipment complies with Part 68 of FCC rules. A label contains, among other information, the FCC registration number and ringer equivalence number (REN). If requested, this information must be provided to the telephone company.

The D9412GV2 and D7412GV2 Control Panels are registered for connection to the public telephone network using an RJ38X or RJ31X jack.

The REN is used to determine the number of devices that can be connected to the telephone line. Excessive RENs on the telephone line may result in the devices not ringing in response to an incoming call. In most, but not all areas, the sum of the RENs should not exceed five. To be certain of the number of devices that may be connected to the line, as determined by the RENs, contact the telephone company to determine the maximum REN for the calling area.

If you experience trouble with the D9412GV2 or D7412GV2 Control Panel, please contact Bosch Security Systems Customer Service for repair and warranty information. If the trouble is causing harm to the telephone network, the telephone company may request that the equipment be removed from the network until the problem is resolved. User repairs must not be made, and doing so will void the user's warranty.

If the D9412GV2 or D7412GV2 Control Panel causes harm to the telephone network, the telephone company attempts to notify you in advance. If advance notice is not practical, the telephone company notifies you as soon as possible. Also, you will be advised of your right to file a complaint with the FCC if you believe it is necessary.

The telephone company may make changes in its facilities, equipment, operations, or procedures that could affect the operation of the equipment. If this happens, the telephone company provides advance notice in order for the necessary modifications to be made in order to maintain uninterrupted service.

This equipment cannot be used on public coin service provided by the telephone company. Connection to Party Line service is subject to state tariffs. (Contact your state public utilities commission for information.)

FCC Registration Number: AJ9MUL-46532-AL-E

Service Center in USA: National Repair Center

130 Perinton Parkway

Fairport, NY 14450

(800) 289-0096

Ringer Equivalence: 0.4B

## Contents

<b>1.0</b>	<b>Introduction</b> .....	<b>7</b>	4.6.5	Powering Up.....	18
<b>2.0</b>	<b>Lightning Strikes</b> .....	<b>8</b>	4.7	Programming the Control Panel .....	19
2.1	Effects.....	8	4.8	Installing the Point Chart Label .....	19
2.2	Precautions during Installation.....	8	4.9	Testing the System .....	19
<b>3.0</b>	<b>Overview</b> .....	<b>9</b>	<b>5.0</b>	<b>Power Supply</b> .....	<b>20</b>
3.1	Configuration and Parts .....	9	5.1	Primary Power Terminals 1 and 2 .....	20
3.1.1	Parts List .....	10	5.1.1	Primary (AC) Power Circuit .....	20
3.1.2	Parts Available by Separate Order.....	10	5.1.2	Installing the Transformer.....	20
3.2	Accessories .....	11	5.2	Secondary Power Terminals .....	20
3.3	Features in the D9412GV2 and D7412GV2 .....	12	5.2.1	Secondary (DC) Power .....	20
3.3.1	SDI Molex Connector .....	12	5.2.2	Installing the Battery.....	21
3.3.2	Tip and Ring Posts .....	12	5.2.3	Replacing the Battery .....	22
3.3.3	Super Capacitor .....	12	5.2.4	Battery Supervision .....	23
3.3.4	Telephone Line Sniff.....	12	5.2.5	Battery Charging Circuit.....	23
3.3.5	Points.....	12	5.2.6	Battery Discharge and Recharge Schedule ...	23
3.3.6	Areas and Accounts.....	12	<b>6.0</b>	<b>Power Outputs</b> .....	<b>25</b>
3.3.7	Digital Communicator .....	12	6.1	Circuit Protection .....	25
3.3.8	Keypads .....	13	6.2	Total Available Power .....	25
3.3.9	Keyswitch .....	13	6.3	Continuous Power Output Terminals 3, 8, 24, and 32.....	25
3.3.10	Access Control.....	13	6.4	Programmable Power Output Terminals 6, 7, and 8 .....	25
3.3.11	Event Memory .....	13	6.4.1	Programming .....	25
3.3.12	Event Log .....	13	6.4.2	Terminals 6 and 7 .....	26
3.3.13	Ground Fault Detection .....	13	6.4.3	Fire System Power Formula.....	26
3.3.14	Ground Fault Detection Added Feature .....	13	6.4.4	Terminal 8.....	26
3.3.15	NetCom Functions .....	14	<b>7.0</b>	<b>Telephone Connections</b> .....	<b>27</b>
3.3.16	Programming .....	14	7.1	Registration .....	27
3.3.17	Other Features .....	14	7.2	Notification .....	27
<b>4.0</b>	<b>Installation</b> .....	<b>15</b>	7.3	Location.....	27
4.1	Installation Preparation.....	15	7.4	Telephone Cord Connection.....	27
4.2	Enclosure Options .....	15	7.5	Phone LED (Red).....	28
4.3	Mounting Enclosure.....	15	7.6	Operation Monitor LED (Green).....	28
4.4	Installing the Control Panel.....	16	7.7	Dialing Format.....	28
4.5	Connecting Earth Ground.....	16	7.8	Telephone Line Monitor .....	28
4.5.1	Terminal 10.....	16	7.9	Called Party Disconnect.....	28
4.5.2	Ground Fault Detect Enable .....	16	7.10	Communication Failure.....	28
4.5.3	Enabling Ground Fault Detection .....	17	7.11	D928 Dual Phone Line Switcher.....	29
4.5.4	D9412GV2 and D7412GV2 Ground Fault Specifications.....	17	7.11.1	Description.....	29
4.5.5	Locking the Reset Pin .....	17	7.11.2	Operation .....	29
4.6	Completing the Installation.....	18	7.11.3	Installing the D928.....	30
4.6.1	Charging the Battery .....	18	7.11.4	D928 Status LEDs .....	30
4.6.2	Installing and Wiring Detection Devices.....	18	<b>8.0</b>	<b>On-Board Points</b> .....	<b>31</b>
4.6.3	Installing Modules and Relays.....	18	8.1	Terminals 11 to 22 Description .....	31
4.6.4	Connecting the On-board Points and Keypads.....	18	8.2	Point Sensor Loops .....	31
			8.3	Point Parameters.....	31
			8.4	Point Response Time .....	32

8.5	Wiring Information for Installations Using the Ademco AB-12 Bell/Housing.....	32	11.2.2	Installation.....	53
<b>9.0</b>	<b>Off-Board Points .....</b>	<b>34</b>	11.3	D268/D269 Independent Zone Control, D279A Independent Zone Control.....	55
9.1	Point (Zonex) Bus: D9412GV2 Terminals and D7412GV2 Terminals .....	34	11.4	Keyswitch .....	55
9.1.1	POPIT Modules.....	34	11.4.1	Description .....	55
9.1.2	POPEX Modules .....	34	11.4.2	Programming .....	55
9.1.3	Missing Conditions.....	34	11.4.3	Installation.....	55
9.1.4	Extra Point Events.....	34	<b>12.0</b>	<b>SDI Devices.....</b>	<b>57</b>
9.1.5	D7212GV2 Responses to Missing Point Conditons.....	35	12.1	Description.....	57
9.2	D8125, D8127 and D9127 POPIT Modules.	35	12.2	Installation.....	57
9.3	Installing the D8125 POPEX Module .....	38	12.3	D9131A Parallel Printer Interface Module .....	57
9.3.1	Mounting .....	38	12.3.1	Switch Settings.....	57
9.3.2	Wiring the D8125 to the Control Panel.....	38	12.3.2	Supervision.....	57
9.3.3	Wiring POPITs to the Data Expansion Loop .....	38	12.4	D9210B Wiegand Control Interface Module .....	57
9.3.4	Wiring Data Expansion Loops to POPEX Modules .....	39	12.4.1	Access .....	58
9.3.5	POPIT Sensor Loops .....	39	12.4.2	Switch Settings.....	58
9.3.6	POPIT Module Point Assignments .....	39	12.5	SDI Address 80.....	58
9.3.7	Program Record Sheet.....	39	12.5.1	Serial Interface Modules (SIMs).....	58
9.3.8	POPIT Labels .....	40	12.5.2	Address Settings .....	58
9.4	D8128D OctoPOPIT Module.....	40	12.5.3	Supervision.....	59
9.4.1	Description .....	40	12.6	SDI Address 88.....	59
9.4.2	Listings.....	40	12.6.1	D9133DC Direct Connect Programming Module .....	59
9.4.3	Installation .....	41	12.6.2	Network Interface Modules .....	59
9.4.4	Setting the OctoPOPIT Switches.....	41	12.6.3	Address Settings .....	60
9.4.5	Mounting OctoPOPITs.....	42	12.6.4	Supervision.....	60
9.4.6	Wiring OctoPOPITs.....	42	<b>13.0</b>	<b>Programmer and Accessory Connections.....</b>	<b>61</b>
9.4.7	OctoPOPIT Sensor Loops.....	46	13.1	Programmer Connector.....	61
9.5	Testing Off-Board Points .....	47	13.2	Programmer Access Reports.....	61
<b>10.0</b>	<b>Off-Board Relays .....</b>	<b>48</b>	13.3	Accessory Connector .....	61
10.1	D8129 OctoRelay.....	48	<b>14.0</b>	<b>Faceplates .....</b>	<b>62</b>
10.1.1	Configuring the D8129 OctoRelay .....	49	14.1	D9412GV2 Faceplate .....	62
10.1.2	Relay Outputs .....	49	14.2	D7412GV2 Faceplate .....	63
10.1.3	Installation.....	49	<b>Appendix A: System Wiring Diagrams, Issue A .....</b>	<b>64</b>	
10.1.4	Wiring Connections .....	50	A.1	D9412GV2 Control Panel.....	64
10.2	D811 Arm Status Relay Module.....	50	A.2	D7412GV2 Control Panel.....	67
10.2.1	Relay Output.....	50	<b>Appendix B: Point Address Charts .....</b>	<b>70</b>	
10.2.2	Installation.....	51	B.1	Zonex 1, Points 9 to 127 (D9412GV2); Zonex 1, Points 9 to 75 (D7412GV2) .....	70
10.2.3	Wiring Connections .....	51	B.2	Zonex 2, Points 129 to 247 (D9412GV2 Only) .....	71
<b>11.0</b>	<b>Arming Devices.....</b>	<b>53</b>	<b>Specifications.....</b>	<b>72</b>	
11.1	Description .....	53			
11.2	Keypad Terminals 29 to 32.....	53			
11.2.1	Assigning an Address for the Keypad.....	53			

## Figures

Figure 1:	System Configuration .....	9
Figure 2:	Enclosure Mounting.....	15
Figure 3:	Ground Fault Detection.....	16
Figure 4:	Reset Pin.....	17
Figure 5:	Non-Power-Limited Wiring .....	22
Figure 6:	Charging and Battery LEDs.....	23
Figure 7:	RJ31X Wiring .....	27
Figure 8:	Phone Connector, Phone LED, and Operation Monitor LED Locations.....	27
Figure 9:	D928 Dual Phone Line Switcher .....	29
Figure 10:	On-board Point Sensor Loop Wiring.....	31
Figure 11:	Wiring for Installation Using the Ademco AB-12 Bell/Housing .....	33
Figure 12:	Connecting the D8125 POPEX to the D9412GV2 Control Panel.....	36
Figure 13:	Connecting the D8125 POPEX to the D7412GV2 Panel .....	37
Figure 14:	Program Record Sheet.....	40
Figure 15:	D8128D OctoPOPIT Layout.....	41
Figure 16:	Connecting D8128D OctoPOPITs to the D9412GV2 .....	44
Figure 17:	Connecting D8128D OctoPOPITs to the D7412GV2.....	45
Figure 18:	Wiring Multiple D8128Ds Using Molex® Connectors .....	46
Figure 19:	D8128D OctoPOPIT Sensor Loops.....	47
Figure 20:	D8129 Connections to the D9412GV2.....	48
Figure 21:	D8129 Connections to the D7412GV2 .....	49
Figure 22:	D811 Module Wiring to the D9412GV2 .....	51
Figure 23:	D811 Module Wiring to the D7412GV2 .....	52
Figure 24:	Power at Keypads.....	54
Figure 25:	Keyswitch Wiring.....	55
Figure 26:	D9133 Jumper Setting for Address 80 .....	58
Figure 27:	DX4020i DIP Switch Settings .....	59
Figure 28:	DX4020 DIP Switch Settings .....	60
Figure 29:	D9133TTL-E Jumper Setting for Address 88.....	60
Figure 30:	Reset Pin.....	61
Figure 31:	Programmer and Accessory Connections .....	61
Figure 32:	D9412GV2 Faceplate .....	62
Figure 33:	D7412GV2 .....	63
Figure 34:	D9412GV2, Power Supply Side .....	64

Figure 35:	D9412GV2, Input Points and Peripheral Devices .....	65
Figure 36:	D9412GV2, SDI Devices.....	66
Figure 37:	D7412GV2, Power Supply Side.....	67
Figure 38:	D7412GV2, Input Points and Peripheral Devices .....	68
Figure 39:	D7412GV2, SDI Devices.....	69

## Tables

Table 1:	Related Documentation.....	7
Table 2:	9000GV2 Series Control Panel Differences .....	9
Table 3:	Compatible Accessories .....	11
Table 4:	Compatible Keypads .....	13
Table 5:	Ground Fault Detection Status .....	17
Table 6:	Ground Fault Impedance Specifications	17
Table 7:	Battery Discharge and Recharge Schedule .....	23
Table 8:	Charging Status and Low Battery LEDs	24
Table 9:	Phone Cord Lengths.....	30
Table 10:	Point Parameters .....	31
Table 11:	POPEX Modules.....	34
Table 12:	Extra Point Events .....	34
Table 13:	Off-Board Point Errors.....	35
Table 14:	Data Expansion Loop Wire Specifications .....	38
Table 15:	D8128D OctoPOPIT Switch Settings for D9412GV2 and D7412GV2.....	42
Table 16:	Switch 5 Settings for Line Termination..	42
Table 17:	Terminal Strip Connections.....	43
Table 18:	D8129 OctoRelay Switch Settings .....	49
Table 19:	Number of D8128Ds Used with D8129s.....	50
Table 20:	Keypad Address Settings.....	53
Table 21:	Keypad Connections .....	53
Table 22:	SDI Device Connections.....	57
Table 23:	Printer Address Switch Settings.....	57
Table 24:	Address Switch Settings for Access Control Module.....	58
Table 25:	Zonex 1 Point Address Chart.....	70
Table 26:	Zonex 2 Point Address Chart.....	71
Table 27:	Specifications .....	72

## 1.0 Introduction

This manual addresses the operation and installation of the D9412GV2 and D7412GV2 Control Panels.

Throughout this guide, the words “control panel” refer to both control panels (D9412GV2 and D7412GV2).

Table 2 on page 9 provides an overview of the differences between the D9412GV2 and D7412GV2 control panels.

<b>Name of Documentation*</b>	<b>Part Number</b>
<i>D1255 Installation Instructions</i>	74-06819-000
<i>D1256/D1257 Installation Instructions</i>	74-06925-000
<i>D1260 Installation Guide</i>	48101
<i>D1260 Owner's Manual</i>	50410
<i>D5200 Operation Manual</i>	74-06176-000
<i>D720 Installation Instructions</i>	74-06918-000
<i>D7412GV2 Release Notes</i>	43856
<i>D8125MUX Operation &amp; Installation Guide</i>	36796
<i>D9210B Operation and Installation Guide</i>	32206
<i>D9412GV2 Release Notes</i>	F01U003637
<i>D9412V2G/D7412V2G Approved Applications Compliance Guide</i>	F01U003639
<i>D9412GV2/D7412GV2 Installation and Troubleshooting Quick Reference Guide</i>	F01U003638
<i>D9412GV2/D7412GV2 New Features</i>	43746
<i>D9412GV2/D7412GV2 Operation and Installation Guide (this document)</i>	F01U003641
<i>D9412G/D7412G Program Entry Guide</i>	F01U003636
<i>D9412GV2/D7412V2G Program Record Sheet</i>	F01U003635
<i>RPS Operations Manual</i>	38849
<i>Security System Owner's Manual</i>	71-06633-000
<i>Security System Owner's Manual Supplement</i>	33267
<i>UL Certificated Bank Safe and Vault Applications Technogram</i>	73-07302-000
<i>9000/G/GV2 Series Technical Service Note: UL Smoke Detector Compatibility</i>	33284
<i>D8128D Installation Guide</i>	41323
<i>D268/D269 Operation and Installation Instructions</i>	74-004758-000
<i>D279A Operation and Installation Instructions</i>	46458
* To obtain any of these documents, please contact Bosch Security Systems Technical Support and request the documentation by its corresponding part number.	

## 2.0 Lightning Strikes

The control panels are designed to significantly reduce electromagnetic interference and malfunction generally caused by lightning.

### 2.1 Effects

Any electronic system can be struck directly by lightning or be adversely affected by a lightning strike near the system. When lightning strikes, several things happen:

- An electromagnetic wave spreads from the point of the strike inducing high voltages in nearby conductors.
- The voltage changes substantially on electrical grounds near the lightning strike.
- High voltages are induced upon anything directly struck by lightning.

Symptoms of installations that lightning might strike or affect are Missing Trouble, Missing Alarm, or Point Bus Trouble events. Occasionally, Reboot and Watchdog events might be sent because the control panel tried to reset itself.

Electronic systems, including control panels, cannot be completely immune to direct or indirect lightning strikes; however, some proven installation practices might greatly reduce the risk of undesirable affects.

### 2.2 Precautions during Installation

To minimize the risk of undesirable effects from lightning strikes on high risk installations that use a point-bus technology:

- Do not run wiring outside the building.
- If you must install the unit in a metal building, keep the wiring at least 0.61 m (2 ft) away from external metal surfaces.
- Earth ground the unit correctly. Do not use an electrical ground or telephone ground.
- Avoid running wires near telephone, data, or power lines inside a building. Historical evidence shows that locating control panel wiring at least 0.61 m (2 ft) away from telephone, data, or power lines is successful at minimizing lightning damage. When your data lines must cross the path of AC or other wiring, cross the lines perpendicularly.



### 3.0 Overview

#### 3.1 Configuration and Parts

Figure 1: System Configuration

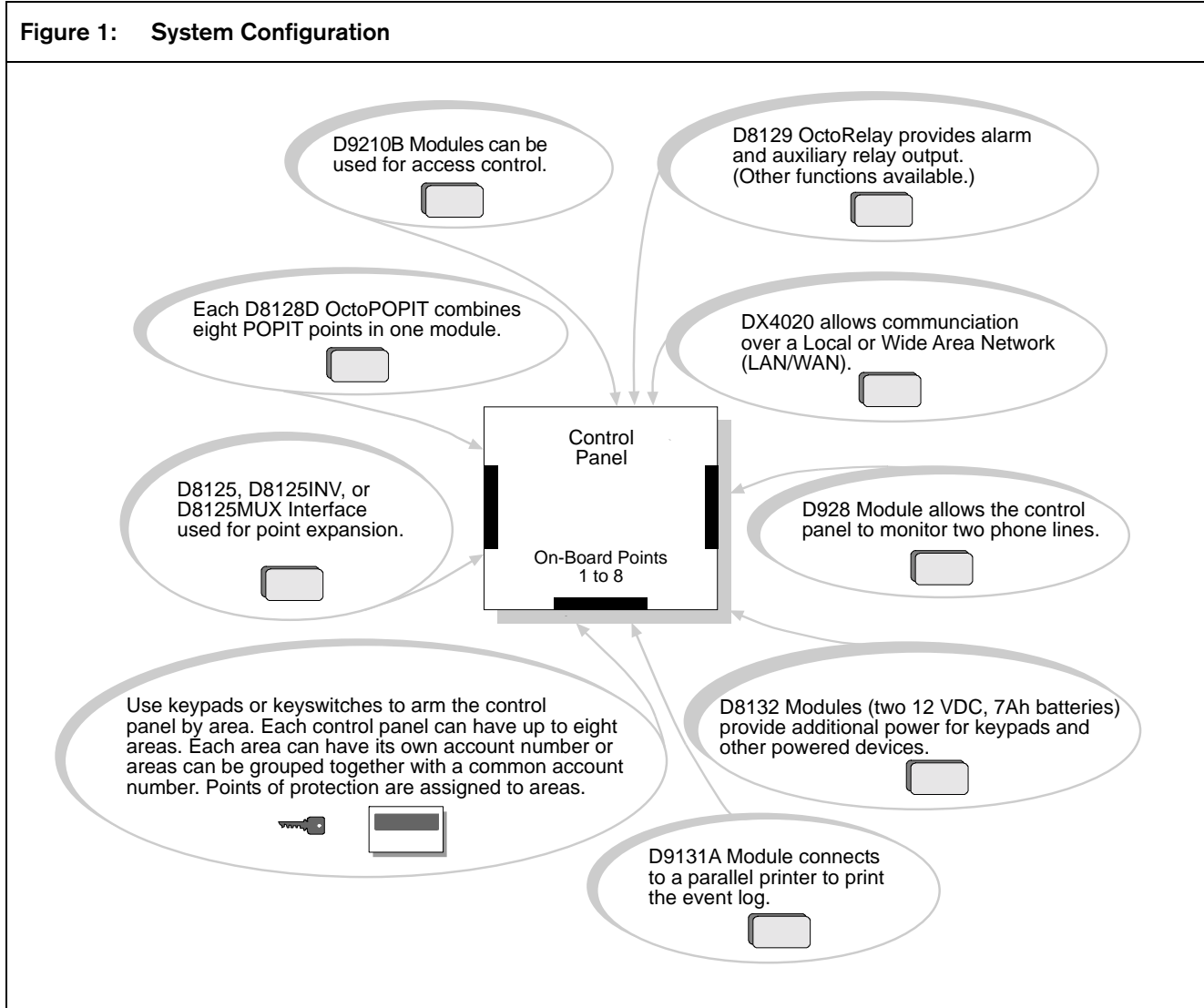


Table 2: GV2 Series Control Panel Differences

Features	D9412GV2	D7412GV2	D7212GV2
Access Control	Yes - 8 doors	Yes - 2 doors	No
Arm/Disarm Passcodes	249	99	99
Cards/Tokens	996	396	N/A
Passcode-Protected Custom Functions	16	4	4
Number of Printers	3	1	1
Number of Points	246	75	40
Number of Relays	128	64	24
Number of Areas	8	8	4

### 3.1.1 Parts List

The D9412GV2 and D7412GV2 Control Panels are shipped assembled from the factory with the following parts:

#### Literature Pack

- *D9412GV2/D7412GV2/D7212GV2 Installation and Troubleshooting Quick Reference Guide* (P/N: F01U003638)
- *D9412GV2/D7412GV2 Program Record Sheet* (P/N: F01U003635)
- *9000/G/GV2 Series Technical Service Note: UL Smoke Detector Compatibility* (P/N: 33284)
- *7000/9000 Series Point Chart Label* (P/N: 79-06660-000)

#### Assembly

- PC board
- Faceplate shield
- Mounting skirt
- One #6 x 1/4-in. screw

### 3.1.2 Parts Available by Separate Order

Order the following components separately to complete a basic eight-point installation.

- D1255, D1256, D1257, D1260, or D720 Command Center (or keypad)
- D1640 Transformer
- D126 or D1218 Battery
- D161 or D162 Phone Cord (order two cords if using the D928 Dual Phone Switcher)
- D8103, D8108A, or D8109 Enclosure

Configured packages are also available. Please consult the Bosch Security Systems product catalog.

The following literature is available in a separate literature package for dealers.

- *D9412GV2/D7412GV2 Operation and Installation Guide* (P/N: F01U003641)
- *D9412GV2/D7412GV2 Approved Applications Compliance Guide* (P/N: F01U003639)
- *D9412GV2/D7412GV2 Program Entry Guide* (P/N: F01U003636)
- *D9412GV2/D7412GV2 Program Record Sheet* (P/N: F01U003635)

## 3.2 Accessories

Refer to the Bosch Security Systems product catalog for additional information.

<b>Table 3: Compatible Accessories</b>			
<b>Model</b>	<b>Title</b>	<b>Model</b>	<b>Title</b>
D122/D122L	Dual Battery Harness	D1260	Alpha V Command Center
D125B	Powered Loop Interface Module	D1640	16.5 VAC 40 VA Transformer
D127	Reversing Relay	D5200	Programmer
D129	Dual Class A Initiation Circuit Module	D5500	Remote Programming Software (RPS)
D130	Relay Module	D8004	Transformer Enclosure
D136	Plug-In Relay	D8121A, D8122	Derived Channel STU
D161	Phone Cord [2.4 m (8 ft)]	D8125	POPEX Module
D162	Phone Cord [0.6 m (2 ft)]	D8125MUX	Multiplex Bus Interface
D185	Reverse Polarity Module	D8125INV*	Wireless Interface Module
D192C/D192G	Bell Circuit Supervision Module	D8128D	OctoPOPIT Module
D279A	Independent Zone Control (On-Board and OctoPOPIT Points)	D8129	OctoRelay Module
D442	Bells [4 cm (10 in.)]	D8130	Release Module
D448/D449	Mini-horns	D8132	Battery Charger Module
D720	Command Center (Area LED)	D9002-5	Accessory Module Mounting Skirt
D720R	LED Command Center (red)	D9127U/T	POPIT Module
D720W	LED Command Center (white)	D9131A	Parallel Printer Interface Module
D928	Dual Phone Line Switcher	D9210B	Access Control Interface Module
D1218	12 V, 17.2 Ah Rechargeable Battery	ZX776Z	PIR Motion Sensor [15 m (50 ft)] with POPIT
D1255	Command Center (General Purpose)	ZX794Z	PIR Motion Sensor [24 m (80 ft)] with POPIT
D1255R	Text Command Center (red)	ZX865	PIR/Microwave Motion Sensor [+1.7°C (+35°F)] with POPIT
D1255W	Text Command Center (white)	ZX938Z	PIR Motion Sensor [18 m (60 ft)] with POPIT
D1256	Fire Command Center	ZX970	PIR/Microwave Motion Sensor [+1.7°C (+35°F)] with POPIT
D1257	Fire Annunciator		

\* The D8125INV was not investigated by UL. Do not use D8125INV in UL Listed installations.

### 3.3 Features in the D9412GV2 and D7412GV2

#### 3.3.1 SDI Molex Connector

Use the SDI Molex Connector to connect easily an SDI device with the SDI bus, without needing to disconnect wires connected to the SDI terminals. Possible applications include:

- Connecting a DX4010i to program the control panel with Remote Programming Software (RPS) at the premises
- Connecting a keypad to test the control panel.



For a D1260ATM keypad, set the address of the DIP switch to 7. The default for Address 7 has the Area Scope and Enhanced CMD Ctr parameters set to **Yes**.



Do not connect the D5200 Programmer to the SDI Molex connector.

#### 3.3.2 Tip and Ring Posts

The tip and ring posts allow connecting a phone or buttset for the purpose of troubleshooting communications between the control panel and the central station. With this connection, the dial tone, ACK tone handshake, and ACK and NACK signals can be monitored.

#### 3.3.3 Super Capacitor

The D9412GV2 and D7412GV2 have a capacitor called Super Cap. This component preserves the parameters stored in the control panel's RAM chip when the lithium battery is replaced. The Super Cap can retain voltage for up to 30 minutes after the lithium battery is removed.

Plan to replace the lithium battery after 3 to 5 years of continual service.



When replacing the lithium battery, ensure that you disconnect the primary AC power and secondary battery power from the control panel **before** you remove the old battery. Then install the new battery and connect the primary AC and secondary battery power to the control panel.

#### 3.3.4 Telephone Line Sniff

The D9412GV2 and D7412GV2 control panels monitor the phone line for the programmed supervision interval before indicating a phone line trouble. Phone line trouble occurs when the phone line voltage drops to 6 V or below, without a corresponding 8 mA to 13 mA increase in current.

#### 3.3.5 Points

The Bosch Security Systems D9412GV2 Control Panel provides up to 246 points of protection. The D7412GV2 Control Panel provides up to 75 points of protection. Point programming parameters determine the control panel response to open and shorted conditions on the sensor loop for the point. Several options allow individual point programming to custom-fit the protection to the installation.

Points 1 to 8 are located on the circuit board (on-board points). They are standard sensor loops. The remaining off-board points are POPIT points using D8128D OctoPOPITs, D8125 POPEX Modules and D9127 or D8127 POPITs. MUX devices can also be used with D8125MUX or wireless transmitters with the D8125INV.

#### 3.3.6 Areas and Accounts

The system supports up to eight separate areas. You can assign all points to a single area or distribute them over as many as eight areas.

The control panel is armed and disarmed by area, and several areas can be armed and disarmed with one menu function. A passcode can also be assigned an authority level that allows a user to arm an area from a remote keypad in another area. Assigning each area its own account number creates eight separate accounts in one control panel. Assigning the same account number to different areas groups them together in a single account.

Area options include exit tone and delay, separate fire and burglary outputs, and multiple opening and closing windows. Area type can be used to create area interdependencies for arming purposes.

#### 3.3.7 Digital Communicator

The control panel uses a built-in digital communicator to send reports to the receiver. The control panel sends reports in either the Modem IIIa<sup>2</sup> or BFSK format. The MPU and line cards for the D6500 or D6600 receiver must have software revision 8.00 (or greater) installed to accept Modem IIIa<sup>2</sup> reports from the control panel. Refer to the D6500 or D6600 literature to determine the MPU software version.

The control panel connects to an RJ31X or RJ38X jack for telephone line seizure. Connecting to the RJ31X complies with FCC regulations for using the public telephone network. The control panel can be programmed to direct reports to four separate telephone numbers. Adding the D928 Dual Phone Line Switcher Module allows connecting and supervising a second telephone line.

The system can route groups of Event Reports to four different destinations. Each report group can be programmed to send reports to one or more destinations. Primary and backup reporting paths can be programmed for each destination and each report group. A custom option allows specification of individual Event Reports to be sent.

### 3.3.8 Keypads

Up to 32 unsupervised keypads can be connected to the system. The available power, number of supervised keypads, and number of areas covered affect the total number of keypads that can be connected.

The system can supervise up to eight keypads. The control panel sends a Serial Device Trouble Report, SDI FAILURE in the Modem IIIa<sup>2</sup> format or TROUBLE ZN D in the BFSK format, if it loses communication with a supervised keypad.

More than eight keypads can be added, but supervision of only eight is possible. *Table 4* on page 13 shows the compatible keypads with the D9412GV2 and D7412GV2 Control Panels. Refer to *Keypad* in the *D9412GV2/D7412GV2 Program Entry Guide* (P/N: F01U003639) for complete details on programming keypad options.

Table 4: Compatible Keypads		
Model	Display	Application
D1255	16-character alphanumeric	Fire/Burglary/Access
D1256	16-character alphanumeric	Fire
D1257	16-character alphanumeric	Fire
D1260	4-line by 20-character	Fire/Burglary
D720	8 LED	Fire/Burglary

### 3.3.9 Keyswitch

Maintained or momentary closure devices such as keyswitches allow any of the four available areas to be armed or disarmed. Point programming determines the loop responses and which area a keyswitch controls.

### 3.3.10 Access Control

The D9412GV2 can control eight access doors (each requiring the optional D9210B Wiegand Control Interface Module) with up to 996 uniquely identified cards or tokens. The D7412GV2 can control two access doors with up to 396 uniquely identified cards or tokens. Any of the following can grant access:

- Wiegand-style access control device (card reader) connected to the D9210B Access Control Interface Module

- Request to enter (RTE) or request to exit (REX) input
- Keypad

The access control features of the D9412GV2 and D7412GV2 can deny access during armed periods. The control panel can also grant access only to certain authorized users depending on whether the area is master armed, perimeter armed, or disarmed. Programming for automatic disarming when designated authorized users are granted access is also possible.

### 3.3.11 Event Memory

The system uses event memory to store events for each area. A D1255 Keypad or D1260 Keypad assigned to an area allows viewing of the events for the area. The control panel clears the events for an area from event memory and starts storing new events when the area is master armed.

### 3.3.12 Event Log

The system stores 500 to 1000 events and event modifiers from all areas in its event log. Event modifiers add information about an event to the log. Some events are always followed by a modifier. For example, the system adds at least two items to the log each time an area is armed or disarmed, the open (or close) event and an event modifier showing the previous arming state.

All events and their modifiers can be stored even if the control panel does not send a report for them. The log can be viewed at a keypad, printed locally using the D9131A Parallel Printer Interface Module and a parallel printer, or uploaded using Remote Programming Software (RPS).

For a list of the log events and event modifiers, refer to the appendix in the user's guide for the keypad.

### 3.3.13 Ground Fault Detection

The Earth Ground Terminal on the control panels is electrically isolated from all other terminals to allow the D9412GV2 and the D7412GV2 to detect ground fault conditions. A Ground Fault Detect Enable switch (S4) is located just under Terminal 10, Earth Ground, on the control panel. Refer to *Section 4.5.2 Ground Fault Detect Enable* on page 16 for information on operating this function.

### 3.3.14 Ground Fault Detection Added Feature

When Ground Fault Detect is enabled (S4 closed), Points 1 to 8 can be used for non-powered fire-initiating devices such as heat detectors, four-wire smoke detectors, and pull stations. A D125B Powered Loop Interface or a D129 Dual Class A Interface Module is not required when connecting the non-powered fire-initiating devices to Points 1 to 8.

### 3.3.15 NetCom Functions

The D6600 NetCom System supports data network communications. NetCom allows the D6600 receiver to connect to various network topologies, specifically Ethernet and token-ring. NetCom also allows this receiver to process messages to and from most networks using TCP/IP protocols. Connecting to a data network is possible using the COM4 or COM1 connection from the D6600 receiver to the D6680 Network Adapter. Alarm control panels can send reports through telephone lines or Ethernet and token-ring data networks to the D6600 receiver and then to the central station automation software or the network printer through a local area network (LAN) or wide area network (WAN). The network can monitor the status of alarm control panels.

### 3.3.16 Programming

Use the Bosch Security Systems D5200 Programmer or the Remote Programming Software (RPS) to program the D9412GV2 and D7412GV2 Control Panels. Refer to the *D9412GV2/D7412GV2 Program Entry Guide* (P/N: F01U003636) for programming options.

### 3.3.17 Other Features

D9412GV2 and D7412GV2 Control Panels have many programmable features. Some of the features are listed below. Complete details on all features are in the *D9412GV2/D7412GV2 Program Entry Guide* (P/N: F01U003636).

- Supervision of AC (primary power), battery (secondary power), Zonex and SDI buses, central processing unit (CPU), up to three printers, and two telephone lines
- Automatic System Test Reports
- Remote access for programming, diagnostics, and log uploads using the remote programming software (RPS)
- Fire alarm verification
- Programmable alarm output
- Programmable relay output using the D8129 OctoRelay Module
- Opening and closing windows
- Skeds (scheduled events)

## 4.0 Installation

### 4.1 Installation Preparation

This section contains a general installation procedure and refers to other sections of the document for detailed instructions.

Review this document and the *D9412GV2/D7412GV2 Program Entry Guide* (P/N: F01U003636) before beginning the installation to determine the hardware and wiring requirements for the features used.

Have the following documentation available when reading through this guide:

- D9412GV2/D7412GV2 Program Record Sheet (P/N: F01U003635)
- Security System Owner's Manual (P/N: 71-06633-000) and Security System Owner's Manual Supplement (P/N: 33267)
- Command center (keypad) installation manual (D1255, D1256, D1257, D1260, or D720)

Before installation, become familiar with the operation of the D5200 Programmer or the RPS.

### 4.2 Enclosure Options

Mount the control panel assembly in any of the Bosch Security Systems enclosures listed:

- D8103 Universal Enclosure (tan)
- D8109 Fire Enclosure (red)
- D8108A Attack Resistant Enclosure (tan)

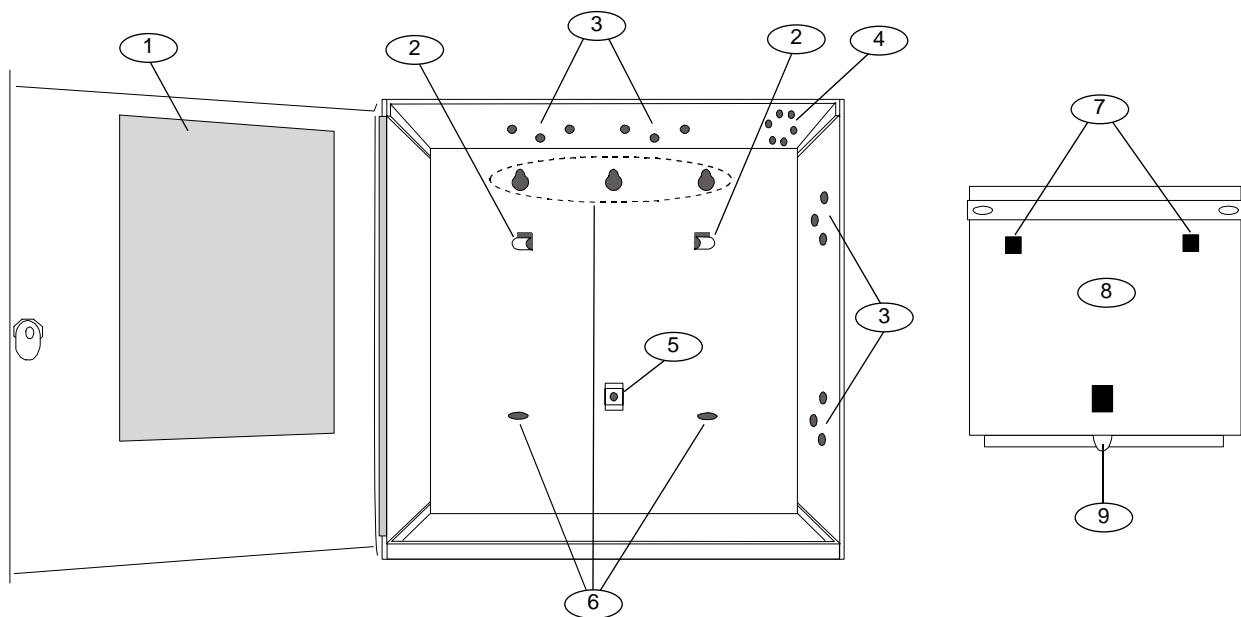
Refer to the *D9412GV2/D7412GV2 Approved Applications Compliance Guide* (P/N: F01U003639) to determine if the application requires a specific enclosure.

### 4.3 Mounting Enclosure

1. Run the necessary wiring throughout the premises.
2. Mount the enclosure in the desired location. Use all five enclosure mounting holes. Refer to *Figure 2*.
3. Pull the wires into the enclosure.

Electro-Magnetic Interference (EMI) can cause problems on long wire runs. Refer to *EMI on Long Wire Runs* in the *D9412GV2/D7412GV2/D7212GV2 Installation and Troubleshooting Quick Reference Guide* (P/N: F01U003638).

**Figure 2: Enclosure Mounting**



1 - Point chart label

2 - Mounting skirt hooks (2)

3 - Module mounting holes (12)

4 - Tamper switch mounting holes (5)

5 - Skirt mounting hole (1)

6 - Enclosure mounting holes (5)

7 - Mounting skirt hook holes (2)

8 - Back of D9412GV2/D7412GV2 Control Panel

9 - Lock down tab


#### 4.4 Installing the Control Panel

1. Place the control panel over the inside back of the enclosure, aligning the large rectangular openings of the mounting skirt with the mounting hooks of the enclosure. Slide the control panel down so that it hangs on the hooks. Refer to *Figure 2*, Item 2 on page 15.
2. Remove the tape from the #6 x 1/4-in. screw in the mounting tab on the control panel. The screw passes through the mounting tab and into the skirt mounting hole in the enclosure. Tighten the screw to secure the control panel in the enclosure.
3. Connect earth ground to the control panel before making any other connections. Refer to *Section 4.5 Connecting Earth Ground*.

#### 4.5 Connecting Earth Ground

##### 4.5.1 Terminal 10

To help prevent damage from electrostatic charges or other transient electrical surges, connect the system to earth ground at Terminal 10 before making other connections. Recommended earth ground references are a grounding rod or a cold water pipe.



**Warning:**

**Do not use** telephone or electrical ground for the earth ground connection. Use 1.8 mm (14 AWG) to 1.5 mm (16 AWG) wire when making the connection.


**Do not connect** other control panel terminals to earth ground.

##### 4.5.2 Ground Fault Detect Enable

- A ground fault is a circuit impedance to earth ground. The control panel has a ground fault detection circuit that, when enabled, detects ground faults on Terminals 1 to 9 and 11 to 32. The control panel also detects and annunciates ground faults on any device connected to it.
- To enable ground fault detection, the Ground Fault Detect Enable jumper (S4) (*Figure 3*) must be locked (closed) and a non-zero value must be entered in the Area 5 Silent Alarm Relay. When jumper S4 is in the unlocked (open) position, the control panel does not detect ground fault conditions.

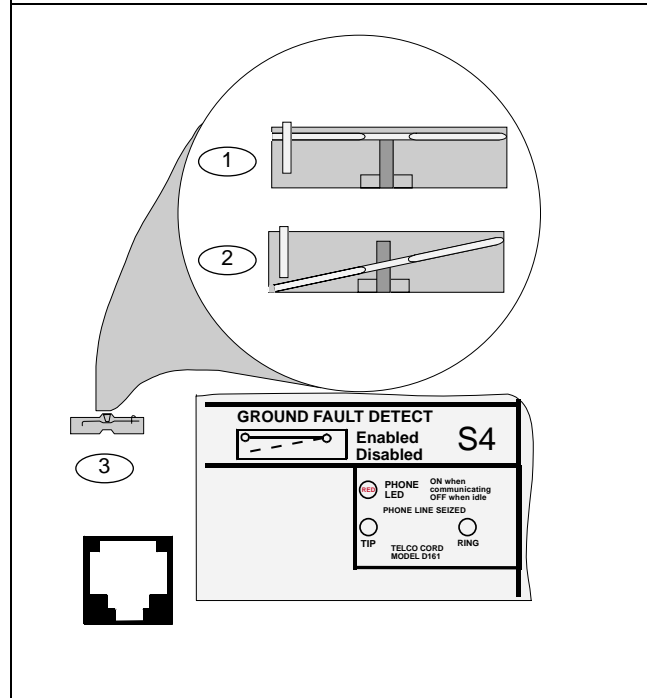
- If a ground fault condition occurs, the keypads display `SERV GND FAULT` and the control panel transmits a `GROUND FAULT TROUBLE, AREA 1` (Modem IIIa<sup>2</sup> format only).

When the control panel recognizes that the ground fault condition is corrected, and remains corrected for between 5 to 45 consecutive seconds, a Restoral Report is sent.



The D9412GV2 and D7412GV2 Control Panels log and print a Ground Fault event as a Trouble Point 256 if communicating in Modem IIIa<sup>2</sup> format. If communicating in BFSK format, the control panels generate an Alarm Zone 5 event.

**Figure 3: Ground Fault Detection**



- 1 - With S4 closed, control panel detects ground faults.
- 2 - With S4 open, control panel does not detect ground faults.
- 3 - S4, Ground fault detect enable.



### 4.5.3 Enabling Ground Fault Detection

To configure the D9412GV2 and D7412GV2 Control Panels to enable ground fault detection:

1. Set the silent relay in Area 5 to any value from 1 to 128. **Do not use a zero (0) value.**



The default value for the Area 5 silent relay is 0 (zero). The 0 value disables the ground fault detection function.

2. Close Switch S4 (*Figure 3* on page 16). Refer to *Table 5* for information about the conditions for enabling and disabling the Ground Fault Detection Circuit.

Ground Fault Detection Circuit	Switch S4	Value of Area 5 Silent Relay Alarm
Enabled	Closed	1 to 128
Disabled	Closed	0
	Open	0 to 128

### 4.5.4 D9412GV2 and D7412GV2 Ground Fault Specifications

*Table 6* provides the impedance specifications for detecting ground faults when any terminal or field wiring is shorted to ground.

Impedance	Control Panel Detects Ground Fault
$\leq 300 \Omega$	Yes
300 $\Omega$ to 200 k $\Omega$	No
$\geq 200 \text{ k}\Omega$	Detection depends upon the terminal

### 4.5.5 Locking the Reset Pin

Locking the reset pin disables the control panel (*Figure 4*). When the control panel is disabled, the system ignores the keypads and points. CALL FOR SERVICE appears in keypad displays when the pin is locked down.

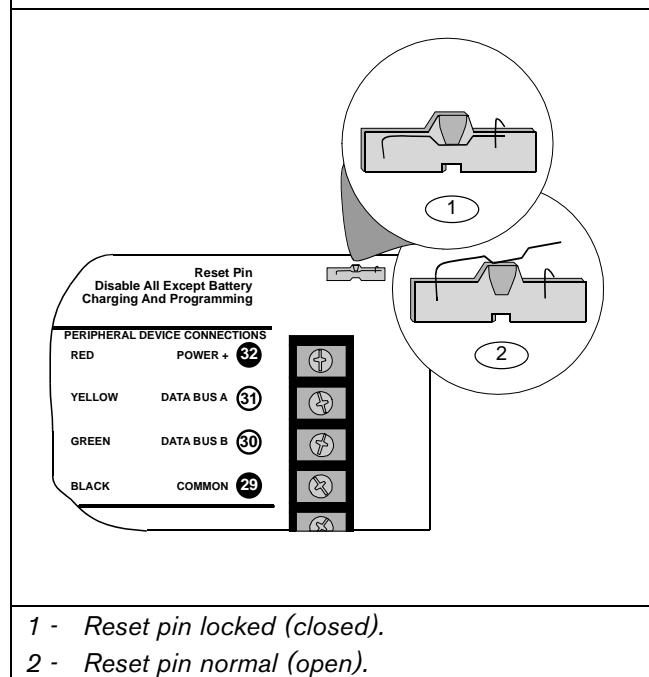
On-board relays (Terminals 6 and 7) and off-board relays deactivate when the control panel is reset. Terminal 8 has power when the relay is deactivated. Activation interrupts power at that terminal. The on-board relay (Terminal 8) remains deactivated when the reset pin is locked in the disable position.

Releasing the reset pin from the closed position resets the control panel. The control panel resets all its timers, counters, indexes, and buffers. Any points that restore after a reset do not generate Restoral Reports.

If the reset pin is placed in the disable position when all areas are armed, there must be an entry in the Answer Armed program item. Refer to *RPS Parameters* in the *D9412GV2/D7412GV2 Program Entry Guide* (P/N: F01U003636).

Locking the pin in the disable position applies power to the control panel and charges the battery while the detection devices and keypads are installed.

**Figure 4: Reset Pin**



## 4.6 Completing the Installation

If not already complete, make the earth ground connection to Terminal 10 and lock the reset pin in the closed position.

### 4.6.1 Charging the Battery

Connect the battery, then the transformer to allow the control panel to charge the battery while you complete the installation. Refer to *Section 5.0 Power Supply* on page 20 for instructions.

#### On-board Buzzer Sounds at Power Up and Reset:

The system performs a series of self-diagnostic tests of hardware, software, and programming at power up and at reset. The buzzer on the control panel sounds during the tests. The self-diagnostics tests complete in approximately 1 to 3 seconds.

If the control panel fails any test, the buzzer continues sounding and a System Trouble message appears at the keypads. Refer to *Problems Found during Self-Diagnostics* in the *D9412GV2/D7412GV2/D7212GV2 Installation and Troubleshooting Quick Reference Guide* (P/N: F01U003638) for a description of each system trouble message.

**Touch Terminal 10 First:** If the on-board buzzer sounds briefly when the control panel is touched, any static charge you carry discharges to the control panel.



Avoid electrostatic discharge. Always touch Terminal 10, the earth ground connection, before beginning work on the control panel.

If the control panel receives an electrostatic discharge, it might generate Watchdog Reset and Param Fail events. Refer to *Watchdog Reset Reports* in the *D9412GV2/7412G/D7212GV2 Installation and Troubleshooting Quick Reference Guide* (P/N: F01U003638) for a description of these events.

### 4.6.2 Installing and Wiring Detection Devices

Install and wire detection devices and keypads at their locations throughout the premises. **Do not** connect the control panel yet.

*Section 8.0 On-Board Points* on page 31 contains instructions for wiring the on-board points to detection devices. *Section 11.0 Arming Devices* on page 53 contains instructions for wiring the keypads.

Instructions for wiring the off-board point POPIT sensor loops are found in the instructions packaged with the POPIT modules.

### 4.6.3 Installing Modules and Relays

1. Power down the unit by unplugging the transformer and disconnecting the battery.



Always power down the unit when installing modules or relays, or when making wiring connections to the control panel.

2. Install and wire any modules required for the installation as described in the module's installation instructions.

Instructions for the D8125 POPEX Module, D8128D OctoPOPIT Module, D8129 OctoRelay Module, D811 Arm Status Relay Module, and D928 Dual Phone Line Switcher appear in this guide.

Refer to *Section 9.0 Off-Board Points* on page 34 for D8125 and D8128D instructions. Refer to *Section 10.0 Off-Board Relays* on page 48 for D8129 and D811 instructions. Refer to *Section 7.11 D928 Dual Phone Line Switcher* on page 29 for D928 instructions.

3. If using the power outputs at Terminals 7 or 8, install a D136 relay in the appropriate sockets. Refer to *Section Programmable Power Output Terminals 6, 7, and 8* on page 25 for instructions.

### 4.6.4 Connecting the On-board Points and Keypads

Connect the on-board points and keypad wiring to the system. Refer to *Section 8.0 On-Board Points* on page 31 and *Section 11.0 Arming Devices* on page 53 for instructions.

### 4.6.5 Powering Up

Reconnect the battery, then plug in the transformer. The buzzer sounds for 2 seconds when the control panel is powered up. Leave the reset pin in the locked position.

**Yellow Charging Status LED Remains Lit:** If the yellow charging status LED remains lit after five minutes of powering up the control panel, either the battery is deeply discharged or too many powered devices were connected to the control panel.

Combined continuous current draw for Terminals 3, 8, 24, and 32, and the accessory connector cannot exceed 1.4 A. Refer to *Section 6.0 Power Outputs* on page 25 for help.

## 4.7 Programming the Control Panel

If the control panel is not already programmed, review the *D9412GV2/D7412GV2 Program Entry Guide* (P/N: F01U003636). Ensure that all accessory modules for desired features are available for installation. Place the reset pin in the locked position to copy or send information to and from the control panel.

Use the D5200 Programmer or the RPS to load a custom program into the control panel.

Move the reset pin to the normal position refer to (*Figure 4* on page 17). The control panel sends Reboot and Battery Reports to the receiver if programmed for reporting

## 4.8 Installing the Point Chart Label



The point chart label is required for fire systems with verifications points.

A point chart label comes in the literature pack. Install the point chart label for fire or combined fire-and-burglary systems that use verification points.

Use the *D9412GV2/D7412GV2 Program Record Sheet* (P/N: F01U003635) to gather the necessary information for completing the point chart. Fill out the label and install it on the inside of the enclosure door (refer to *Figure 2* on page 15).



Avoid smearing the entries on the chart. Use the peel-off backing to press the label in place.

## 4.9 Testing the System

After installing and programming the control panel, test the system completely. Test the control panel and all devices for proper operation. Test after initially programming the control panel and after subsequent programming sessions.

Refer to the *D9412GV2/D7412GV2/D7212GV2 Installation and Troubleshooting Quick Reference Guide* (P/N: F01U003638) for complete Service Walk Test instructions.

**Clear after Test:** To clear the event memory and report buffer, momentarily close the reset pin. Events stored in the control panel's event log are not cleared.

## 5.0 Power Supply

### 5.1 Primary Power Terminals 1 and 2

#### 5.1.1 Primary (AC) Power Circuit

The primary source is a 16.5 VAC, 40 VA, internally-fused transformer (Bosch Security Systems Model D1640). The control panel draws 200 mA when idle and 500 mA when in an alarm state. The total available auxiliary current is 1.4 A.

Transient suppressors and spark gaps protect the circuit from power surges. This protection relies on the ground connection at Terminal 10. Ensure that you connect Terminal 10 to a proper ground. Refer to *Section 4.5 Connecting Earth Ground* on page 16.

#### AC Power Failure

The system indicates an AC power failure when Terminals 1 and 2 do not have power. The AC Fail Time program item sets the number of minutes or seconds without AC power before the control panel acknowledges the failure and the number of minutes or seconds after the power returns before the control panel acknowledges restored power. Refer to the *D9412GV2/D7412GV2 Program Entry Guide* (P/N: F01U003636) for additional information about AC Fail Time.

#### 5.1.2 Installing the Transformer



**Do not short the terminals of the transformer:** Shorting the terminals opens the internal fuse, causing permanent failure. Connect the transformer to Terminals 1 and 2 of the control panel before plugging it into the power source.

1. Use 1.22 mm (18 AWG) wire (minimum) to connect the transformer to the control panel.  
The wire length should be as short as possible. The maximum length is 15 m (50 ft.). Connect the battery and plug in the transformer.
2. Route telephone and sensor loop wiring away from any AC conductors, including the transformer wire.

AC wiring can induce noise and low level voltage into adjacent wiring. Route data wiring away from AC and telephone wiring.



Always connect the battery first and then plug in the transformer.

3. Connect the battery. Refer to *Section 5.2.2 Installing the Battery* on page 21.
4. Plug the transformer into an unswitched, 120 VAC, 60 Hz power outlet only.

5. Secure the transformer to the outlet with the screw provided.

**D8004 Transformer Enclosure Required for Fire Systems:** Use the D8004 Transformer Enclosure for the D1640 Transformer in fire and combined fire and burglary applications.

Check with the Authority Having Jurisdiction (AHJ) about mounting transformers on specific circuits.

### 5.2 Secondary Power Terminals

#### 5.2.1 Secondary (DC) Power

A 12 V, 7 Ah (up to 14 Ah) sealed lead-acid rechargeable battery (D126) supplies secondary power for auxiliary and alarm outputs, and powers the system during interruptions in primary (AC) power.



**Warning - Use Lead Acid Batteries Only:** The charging circuit is calibrated for lead-acid batteries. Do not use gel-cell or nicad batteries.

**Extra Batteries Increase Back-up Time:** To increase battery back-up time, connect a second 12 V, 7 Ah battery in parallel to the first battery to form a 12 V, 14 Ah battery. Use a D122 Dual Battery Harness to ensure proper and safe connection.



**Caution:** When connecting two D1218 Batteries to the control panel, both must have the same capacity (use two 17.2 Ah batteries or two 18 Ah batteries).

#### D1218 Battery

The D1218 is a 12 V, 17.2 or 18 Ah battery for use in applications requiring extended battery standby time. Up to two D1218 batteries can be connected when used with a D122 Dual Battery Harness.

### 5.2.2 Installing the Battery

1. Place the battery upright in the base of the enclosure.
2. Locate the red and black leads supplied in the literature pack.
3. Connect the black battery lead to Terminal 4, and then to the negative (-) side of the battery.
4. Connect the red battery lead to Terminal 5, and then to the positive (+) side of the battery.

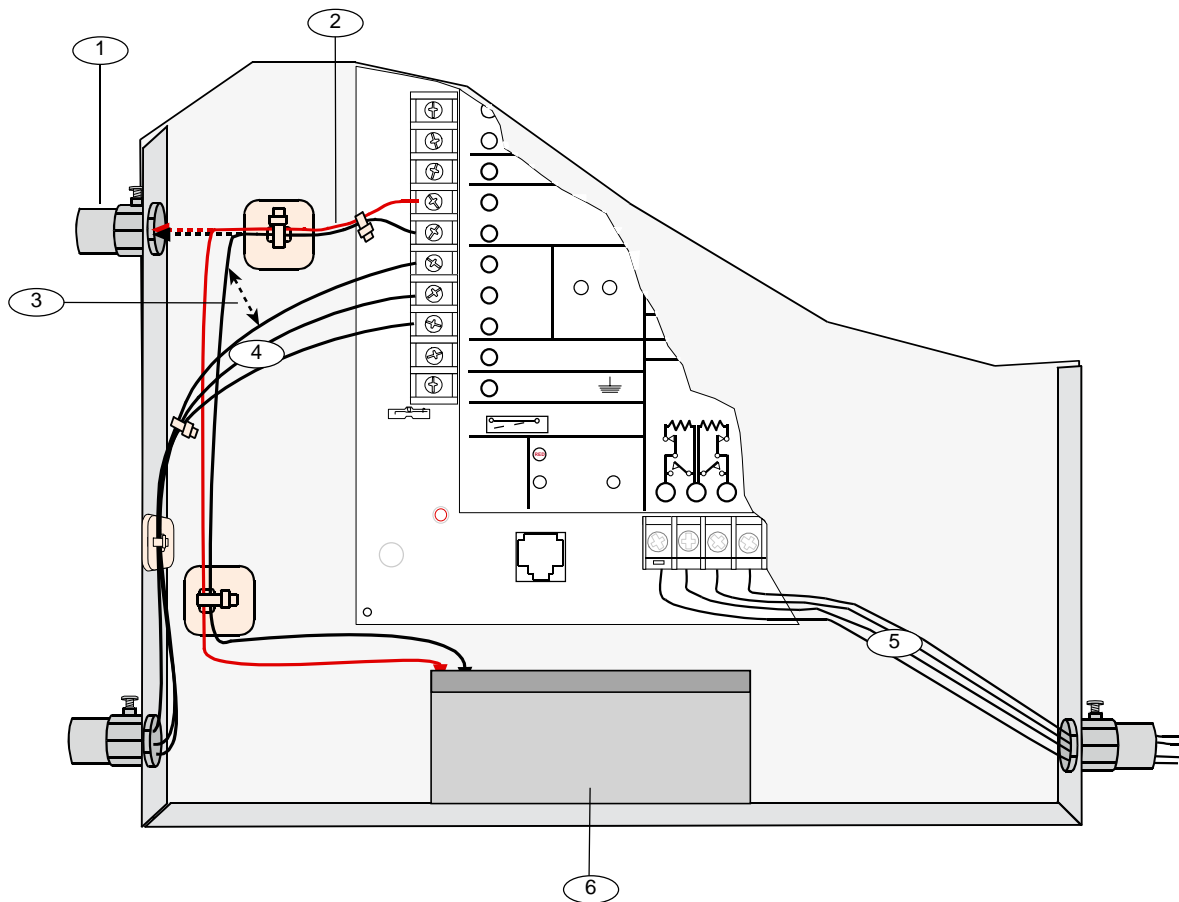


**Warning:** High current arcs are possible. The positive (red) battery lead and Terminal 5 can create high current arcs if shorted to other terminals or the enclosure. Use caution when working with the positive lead and Terminal 5. Always disconnect the positive (red) lead from the battery before removing it from Terminal 5.



**Caution:** The battery terminals and wire are **not** power limited. A 6.4 mm (0.250 in.) space must be maintained between the battery terminals, battery wiring, and all other wiring. Battery wiring cannot share the same conduit, conduit fittings, or conduit knock-outs with other wiring. Refer to *Figure 5* on page 22.

Figure 5: Non-Power-Limited Wiring



- |  |   |
|--|---|
| <p>1 - Conduit, required only if external batteries are used.</p> <p>2 - Battery wires</p> <p>3 - 6.4 mm (0.25 in.) minimum. To ensure proper spacing, use tie-wraps or similar devices to secure wires.</p> | <p>4- Option wires</p> <p>5- Output or zone wires</p> <p>6- Standby battery</p> |
|--|---|

### 5.2.3 Replacing the Battery

Replace batteries every 3 to 5 years under normal use. Record the date of installation directly on the battery.



**Caution:** Exceeding the maximum output ratings or installing the transformer in an outlet that is routinely switched off causes heavy discharges. Routine heavy discharges can lead to premature battery failure.

**D8132 Boost Battery Backup:** Adding a D8132 Battery Charger Module supports additional batteries of up to 27 Ah capacity, if required. The D8132 Battery Charger Module can be used to connect two additional batteries for a total of four.

The control panel plus any connected D8132 Modules and auxiliary power supplies must be on the same AC circuit to discharge evenly if AC power fails. The number of D8132 Modules is determined by the number of available outlets on the same circuit. Refer to the *Standby Battery and Current Rating Chart* in the *D9412GV2/D7412GV2 Approved Applications Compliance Guide* (P/N: F01U003639) for battery standby time calculations.



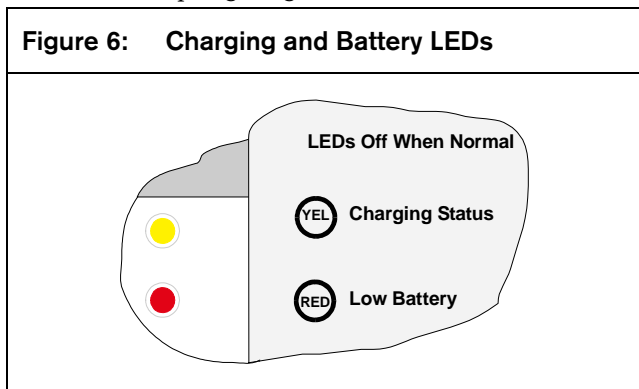
In applications where the supervision of two batteries is required by the AHJ, use a D113 Battery Supervision Module.

### 5.2.4 Battery Supervision

When battery voltage drops to 13.8 VDC, the yellow Charging Status LED illuminates. When the battery voltage drops to 12 VDC to 11.8 VDC, the red Low Battery LED lights, and the keypad or keypads display `SERV C LOW BATT`. The control panel (if programmed for power supervision) sends a `BATTERY LOW` report in the Modem IIIa<sup>2</sup> communication format. It sends a `TROUBLE ZN 9` report in the BFSK format.

If the battery is missing or shorted, the red Low Battery LED flashes at the same rate as the green Operation Monitor LED. If the control panel is programmed for power supervision, it sends a `BATTERY MISSING` report in the Modem IIIa<sup>2</sup> communication format, or `TROUBLE ZN 9` report in the BFSK format.

When battery voltage returns to 13.7 VDC, the Low Battery LED turns off and the keypad or keypads clear the `SERV C LOW BATT` message. If the control panel is programmed for power supervision, it sends a `BATTERY RESTORAL` report in the Modem IIIa<sup>2</sup> communication format or a `RESTORAL ZN 9` report in the BFSK format. At 13.9 VDC, the yellow Charging Status LED stops lighting.



**Investigate Low Battery reports immediately:** If primary (AC) power is off and the discharge continues, the control panel becomes inoperative when the battery voltage drops below 10.2 VDC.

### 5.2.5 Battery Charging Circuit

#### Float Charge

The float voltage for the battery charging circuit is 13.9 VDC at a maximum current of 1.4 A, less any devices connected to the control panel. If the float voltage drops below 13.8 VDC due to overload or battery discharge, the yellow Charging Status LED lights.

#### Loss of AC Load Shed Relay protects battery:

During an AC power loss, the battery supplies all power to the security system. If the battery voltage falls below 10.0 V during an AC power loss, a load shed relay isolates the battery from the control panel and disables the control panel. Load shed protects the battery from being damaged by deep discharge. When AC power restores, the load shed relay reconnects the charging circuit on the control panel to the battery and the battery begins to recharge.

**Overcharge Load Shed With AC Present:** If more than 1.4 A of auxiliary current draw from the control panel occurs, the battery supplies the current and begins to discharge. If this situation is not corrected, the battery continues to discharge and at 11.8 VDC to 12.0 VDC, the keypads display `Serv Low Batt`.

When the battery voltage drops below 10.0 VDC, the control panel shuts down. Remove all loads to the control panel and disconnect AC power. Add a new battery and reconnect AC power.

Reset the control panel by momentarily placing the reset pin in the disable position. Refer to *Figure 4* on page 17. The red Low Battery LED continues flashing until the control panel resets.

A shorted battery condition is created either by a shorted cell inside the battery or by a short on Terminals 4 and 5. A shorted battery might cause the control panel to operate in an unsafe way. This condition generates `WATCHDOG RESET` reports.

### 5.2.6 Battery Discharge and Recharge Schedule

**Table 7: Battery Discharge and Recharge Schedule**

Discharge Cycle	
AC Off:	AC Fail Report when AC fails, if control panel is programmed to report AC failure at occurrence.
13.9 VDC:	Charging float level.
13.8 VDC:	Charging status LED on.
12.0 VDC:	Low Battery and AC Fail Reports if programmed. Low battery LED on.
< 10.0 VDC:	Battery load shed (processing functions continue if AC is present).
Recharge Cycle	
AC On:	Load shed relay reset; battery charging begins; Battery Trouble and AC Restoral Reports sent.
13.7 VDC:	Battery Restoral Reports sent. Low battery LED off.
13.9 VDC:	Changing status LED off; battery float charged.

**Table 8: Charging Status and Low Battery LEDs**

Type	LED		Action
	Color	State	
Charging Status LED	Yellow		Shows the changing status of the battery. Refer to <i>Figure 6</i> on page 23 for location.
	Yellow	Off	Battery is fully charged. If the battery is missing, shorted, or reversed, the Charging Status LED is off, but the red Low Battery LED is flashing.
	Yellow	On	Battery float charge is below 13.8 VDC. If AC is present, the battery is charging. Indicates the combined current draw from all outputs exceeds 1.4 A. This is normal under alarm conditions for non-fire systems with sirens or bells drawing more than 1.4 A. If the LED lights regularly for extended periods or does not go out, check the current draw for devices connected to the power outputs. Refer to <i>Section 6.0 Power Outputs</i> on page 25 for instructions.
	Yellow	Flash once per minute	System is checking the battery.
Low Battery LED	Red		Shows the condition of the battery. Refer to <i>Figure 6</i> on page 23 for location.
	Red	Off	Battery is fully charged.
	Red	On	Battery voltage dropped to between 12.0 VDC and 11.8 VDC. LED turns off when voltage reaches 13.7 VDC.
	Red	Flash (same as green LED)	Green LED is Operation Monitor LED. Battery is missing or shorted.



## 6.0 Power Outputs

### 6.1 Circuit Protection

Three Positive Temperature Coefficients (PTCs) protect the control panel from short circuits on the continuous and programmable power outputs. If the control panel is programmed for power supervision and a short circuit occurs on one of the power outputs, the control panel sends a BATTERY LOW or BATTERY MISSING for Bosch Security Systems Modem IIIa<sup>2</sup> Communication Format, or TROUBLE ZN 9 for BFSK. One PTC protects :

- Terminal 3: Auxiliary Power
- Terminal 24: Zonex Power.



A short-circuit on one terminal disrupts power to the other terminal.

Another PTC protects:

- Terminal 6: Alarm Power Output
- Terminal 7: Alternate Alarm Power Output
- Terminal 8: Switched Auxiliary Power.



A short-circuit on one of the terminals disrupts power to the other two terminals.

The third PTC protects Terminal 32: Power +.

### 6.2 Total Available Power

The system produces up to 1.4 A of combined power at 10.2 VDC to 13.9 VDC for all powered devices. The outputs listed below share the available power. These outputs are shown as red circles on the faceplate.

**Terminal 3 - Auxiliary Power:** Use this terminal to power devices requiring continuous power.

**Terminal 6 (Relay A) - Alarm Power Output:** Normally open, power on alarm.

**Terminal 7 (Relay B) - Alternate Alarm Power Output:** Normally open, power on alarm.

**Terminal 8 (Relay C) - Switched Auxiliary Power:** Normally closed, switches power off when the Sensor Reset command is executed.

**Terminal 24 - Zonex Power:** Use this terminal to power Zonex modules such as the D8125, D8128D, and D8129 Modules.

**Terminal 32 - Power +:** Use this terminal to power serial device interface (SDI) devices such as keypads, the D9131A Parallel Printer Interface Module, and the D9210B Wiegand Control Interface Module.

**Accessory Connector:** The D928 Dual Phone Line Switcher connects to the accessory connector.

### 6.3 Continuous Power Output Terminals 3, 8, 24, and 32

The continuous current draw for powered devices connected to Terminals 3, 8, 24, and 32, and the accessory connector must not exceed 1.4 A. Devices powered from these outputs must operate over a range of 10.2 VDC to 13.9 VDC.

**Power Restricted for Fire and Combined Fire and Burglary Systems:** Use the Fire System Power Formula to calculate the current available for fire and combined fire and burglary systems (refer to *Section 6.4 Programmable Power Output Terminals* 6, 7, and 8 on page 25).

### 6.4 Programmable Power Output Terminals 6, 7, and 8

#### 6.4.1 Programming

The power outputs at Terminals 6, 7, and 8 are programmed as Relays A, B, and C. All relays are programmed in the Relays section.

Relays are assigned a relay type, (Fire Bell, for example) when they are assigned to an area. Relays can be assigned to one or more areas.

The Bosch Security Systems defaults set Relay A (Terminal 6) as a Steady Alarm Bell output, Relay B (Terminal 7) as a Pulsed Fire Bell output, and Relay C (Terminal 8) as a Verification or Reset output for smoke detectors. The *D9412GV2/D7412GV2 Program Entry Guide* (P/N: F01U003636) contains complete instructions for programming relays. Refer to *Sections 6.4.2 Terminals 6 and 7, 6.4.3 Fire System Power Formula, and 6.4.4 Terminal 8* on page 26 for descriptions of the functions of each terminal.

Refer to the Bell Parameters section of the program to set the Fire Bell, Alarm Bell output responses for relays. Four annunciation patterns are available: Steady, Pulsed, California Standard, and Temporal Code 3.

#### Voltage Output at Terminals 6, 7, and 8

If Terminals 6, 7, and 8 do not provide the expected output, check:

- Programming for Relays A, B, and C in the relays section of the program.
- Bell Parameters section of the program to confirm that the Alarm and Fire Bell responses are programmed for the expected duration and pattern.
- Point Assignments section to confirm that each point is programmed for the expected local response.

### 6.4.2 Terminals 6 and 7

When activated, Terminals 6 (Relay A) and 7 (Relay B), provide positive (+) 10.2 VDC to 13.9 VDC power output. Use the power at Terminals 6 and 7 to power bells, siren drivers, piezoelectric fire sounders, electronic horns, or other devices.

Programming determines the format of the output and the conditions that activate it. One PTC protects Terminals 6, 7, and 8 against shorts.

#### Available Power

The system combines the 1.4 A of primary power produced by the power supply with the secondary power source (the battery) to produce a total of 2.0 A of alarm power at 10.2 VDC to 13.9 VDC. Terminals 6 and 7 share the available alarm power.

**Power Restricted for Fire and Combined Fire and Burglary Systems:** Fire systems are prohibited from using the battery for determining alarm power. Use the fire system power formula that follows to calculate the current available for fire and combined fire and burglary systems.

### 6.4.3 Fire System Power Formula

To calculate the current available at Terminals 6 and 7 for fire and combined fire and burglary systems:

1. Add together the current draws for all devices connected to Terminals 3, 8, 24, and 32, and the accessory connector. This is the total current required for the normal standby condition (NSC).
2. The current available for NSC is 1.4 A. Subtract the NSC current required calculated in *Step 1* from the NSC current available, 1.4 A. The difference is the alarm current available for Terminals 6 and 7.

In formula format:

$$1.4 \text{ A} - \text{NSC current required (Step 1)} = \text{Alarm current available}$$

Refer to the *D9412GV2/D7412GV2 Approved Applications Compliance Guide* (P/N: F01U003639) for module or accessory current requirements.

### 6.4.4 Terminal 8

Terminal 8 provides continuous positive (+) 10.2 VDC to 13.9 VDC power. Relay C interrupts the power at Terminal 8 when activated. Use Terminal 8 to power smoke detectors or other devices that are reset by interrupting power. One self-resetting circuit breaker protects Terminals 6, 7, and 8 against shorts.

#### Verification/Reset Relay

The default program sets Relay C (Terminal 8) as a verification and reset relay. Refer to *Relay Parameters* and *Point Assignments* in the *D9412GV2/D7412GV2 Program Entry Guide* (P/N: F01U003636) for instructions on programming verification and reset relays and points.

Performing a sensor reset at a keypad produces a five-second relay activation of verification/reset relays. The control panel ignores verification/reset points during the five seconds.

## 7.0 Telephone Connections

### 7.1 Registration

The Bosch Security Systems D9412GV2/D7412GV2 Control Panels are registered with the Federal Communication Commission (FCC) under Part 68, for connection to the public telephone system using an RJ31X or RJ38X jack installed by the local telephone company.



An RJ31X jack can be modified by placing a jumper wire between Terminals 2 and 7 to become an RJ38X jack.

### 7.2 Notification

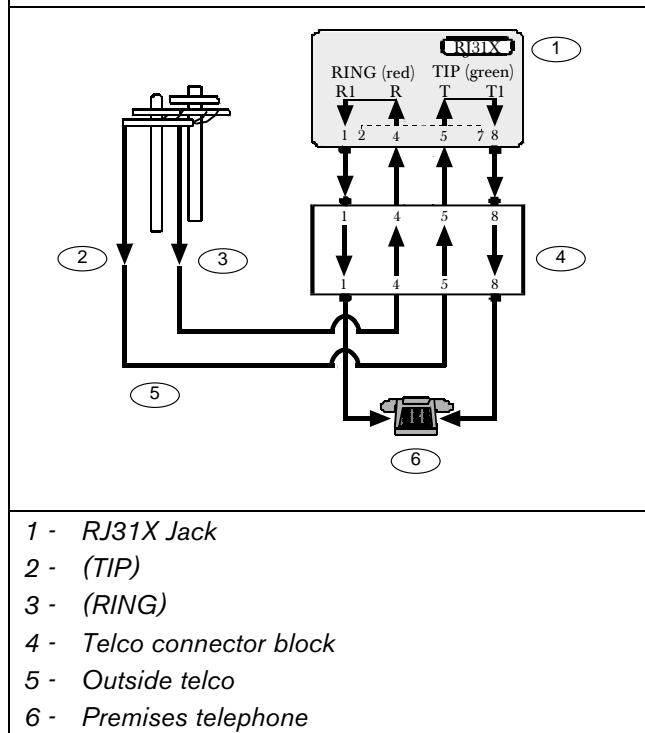
Do not connect registered equipment to party lines or coin-operated telephones. Notify the local telephone company and provide the following information before connecting the control panel to the telephone network:

- The particular line to which the control panel will be connected
- Make (Bosch Security Systems), model (D9412GV2 or D7412GV2), and serial number of the control panel
- FCC registration number: AJ9MUL-46532-AL-E
- Ringer equivalence for the control panel: 0.4B

### 7.3 Location

To prevent jamming of signals, wire the RJ31X or RJ38X jack before the in-house telephone system to support line seizure (*Figure 7*). Install the jack on the street side of the telephone switch, wired ahead of any PBX equipment. Line seizure temporarily interrupts normal telephone usage while the control panel sends data. After installation, confirm that the control panel seizes the line, acquires dial tone, reports correctly to the receiver, and releases the telephone line to the in-house telephone system.

Figure 7: RJ31X Wiring



- 1 - RJ31X Jack
- 2 - (TIP)
- 3 - (RING)
- 4 - Telco connector block
- 5 - Outside telco
- 6 - Premises telephone

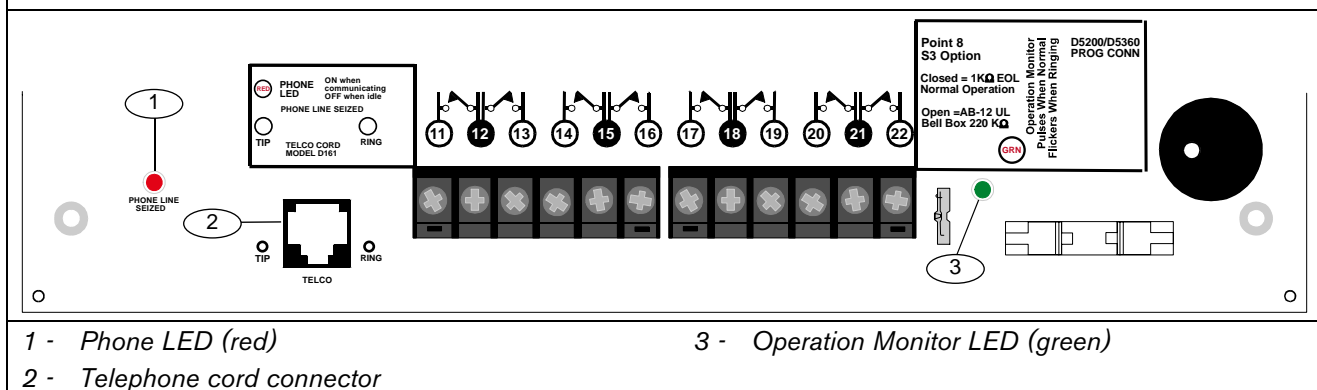
### 7.4 Telephone Cord Connection

Connect one end of a D161 (2.1 m [7 ft.]) or a D162 [61 cm (2 ft.)] Telephone Cord to the telco cord connector located on the bottom left corner of the control panel. Refer to *Figure 8*. Connect the other end to the RJ31X or RJ38X jack.



To supervise the phone cord, use an RJ38X jack.

Figure 8: Phone Connector, Phone LED, and Operation Monitor LED Locations



1 - Phone LED (red)

2 - Telephone cord connector

3 - Operation Monitor LED (green)

## 7.5 Phone LED (Red)

The red Phone LED illuminates when the control panel seizes the telephone line and remains illuminated until the control panel returns the telephone line. Refer to *Figure 8* on page 27 for the location of the red LED.

## 7.6 Operation Monitor LED (Green)

The green Operation Monitor LED indicates the operation of the central processing unit (CPU). When the CPU is operating normally, the LED flashes 0.5 sec on, 0.5 sec off.

This green LED also serves as a ring indicator. The LED is located on the lower right side (*Figure 8* on page 27). When there is ring voltage on the telephone line (the telephone is ringing), the green LED flashes at a faster rate for the duration of each ring. Ring voltage must reach a minimum of 45 VAC before the system detects it.

## 7.7 Dialing Format

The system can be programmed to use DTMF or pulse dialing. Refer to *Phone Parameters* in the *D9412GV2/D7412GV2 Program Entry Guide* (P/N: F01U003636).

## 7.8 Telephone Line Monitor

The control panel has a built-in telephone line monitor that tests the telephone line for voltage and current. If the D928 Dual Phone Line Switcher is used to connect two telephone lines to the control panel, the control panel monitors both lines. The normal voltage on a telephone line is approximately 48 VDC (24 VDC for some telephone systems). The telephone line monitor senses trouble if voltage on the line falls to 5.0 to 7.0 VDC without a corresponding 13 mA of current.

If the monitor senses trouble, it starts a programmable telephone line trouble timer, which continues to run as long as the monitor senses trouble. It resets to zero when the control panel senses a normal line. If the timer reaches the delay time in the Phone Supervision program item, it begins a telephone line trouble response. Programming determines what the response is. Refer to *Phone Parameters* in the *D9412GV2/D7412GV2 Program Entry Guide* (P/N: F01U003636).

Any time the control panel uses the telephone line to make a call or is on-line with the remote programming software (RPS), it stops monitoring the telephone line during this process. When the telephone line on the control panel is no longer in use, it begins to monitor the telephone line again.

**Bad Line Might Test OK:** The telephone line monitor uses voltage levels to test the status of the telephone line. In some instances, a given telephone line might be out of service without affecting the voltage on the line. The telephone line monitor cannot recognize this trouble condition.

## 7.9 Called Party Disconnect

Telephone companies provide “called party disconnect” to allow the called party to terminate a call. The called party must go on hook (hang up) for a fixed interval before a dial tone is available for a new call. This interval varies with telephone company equipment. Control panel firmware allows for “called party disconnect” by adding a 35-second, “on hook” interval to the dial tone detect function. If the control panel does not detect a dial tone in 7 seconds, it puts the telephone line on hook for 35 seconds to activate “called party disconnect,” goes off hook, and begins a seven-second dial tone detect. If no dial tone is detected, the control panel dials the number anyway. Each time the number is dialed, the control panel records this as an attempt.

## 7.10 Communication Failure

After two attempts to reach the receiver, the control panel generates and sends a COMM FAIL PH # event. The event that triggered the telephone call to the central station follows the COMM FAIL PH # event.

After ten attempts to reach the receiver, the control panel enters communication failure. The control panel clears any reports in its telephone buffer and COMM FAIL RTE # event is generated, which appears in the display at keypads. A trouble sounder can be programmed to annunciate at the keypads.

One hour after the COMM FAIL RTE # is generated, the control panel attempts to send this event. If the COMM FAIL RTE # event is the only event in the queue and cannot reach the central station, the keypads do not turn on the trouble sounder again.

If the D928 Dual Phone Line Switcher is used, the control panel makes a total of ten attempts before entering communication failure.

### Enhanced Communication

The D9412GV2 and D7412GV2 Control Panels can send events over the SDI Bus to a DX4020 or D9133TTL-E Network Interface Module (NIM). For more information on the enhanced communications capabilities, refer to *GV2AUX* in the *D9412GV2/D7412GV2 Program Entry Guide* (P/N: F01U003636).

## 7.11 D928 Dual Phone Line Switcher

### 7.11.1 Description

The optional D928 Dual Phone Line Switcher allows the control panel to send reports over two separate telephone lines. The control panel monitors both lines. If a line generates a signal and the control panel senses that a line is bad, the control panel attempts to use the other telephone line to send the message. If trouble is detected, the control panel keeps the faulty telephone line in memory.

#### Set the Ring Count above 2 on Answering

**Machines:** The control panel's RPS line monitor feature might not operate correctly if an answering machine with a ring count of less than two rings is connected to a telephone line used by the D928 Module.

### 7.11.2 Operation

Refer to *Phone* in the *D9412GV2/D7412GV2 Program Entry Guide* (P/N: F01U003636) for telephone supervision and reporting options. To use the D928, set the **Two Phone Lines** prompt to **Yes**.

When the D928 is installed, the control panel alternates between Phone Line 1 and Phone Line 2 to send its first report. For example, on day one, the control panel first attempts to communicate on Phone Line 1. On day two, the control panel switches and attempts to communicate on Phone Line 2.



Any time the control panel resets or is powered down or up, the next reported event always attempts to call out on Phone Line 1 first.

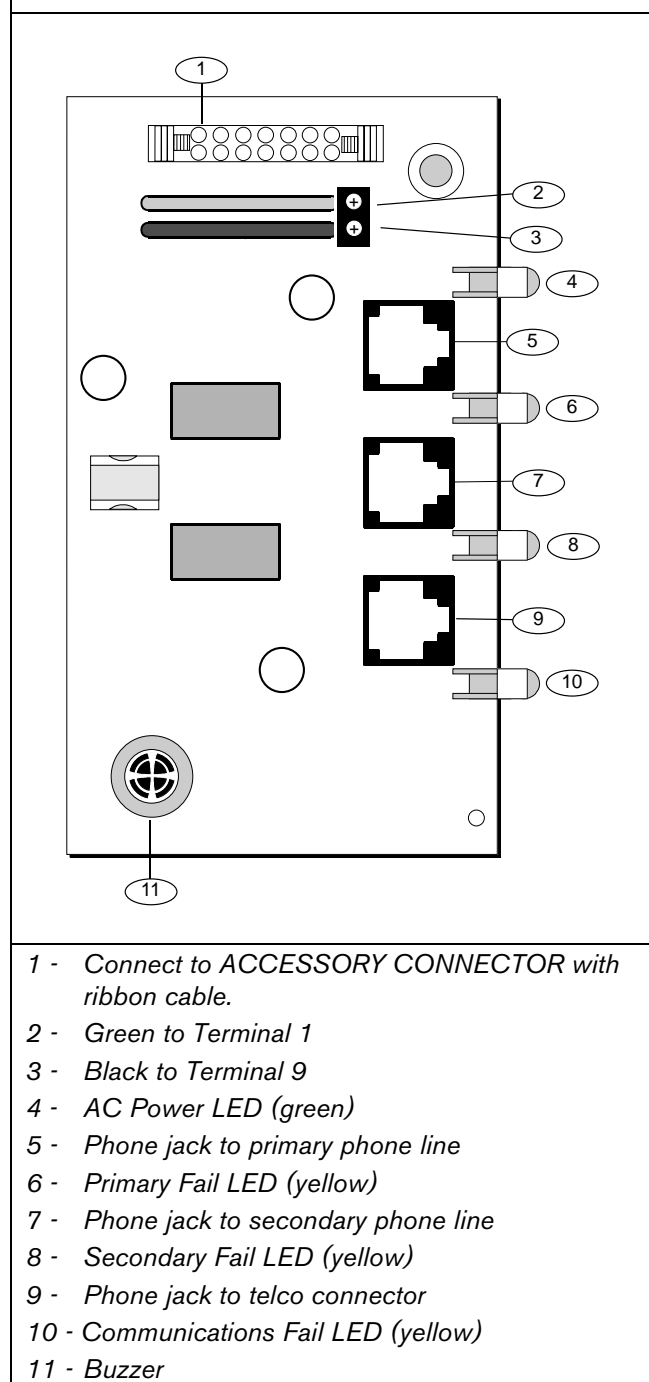


If Phone Line 2 is not in service on "Day 2", the control panel switches to the primary phone line to send the report.

With the D928 Dual Phone Line Switcher installed, the control panel uses two telephone lines (primary and secondary) to dial up to four telephone numbers.

When using a primary and a backup device within a **Route Group #**, the control panel makes two attempts on the primary telephone line using the **Primary Device #** as programmed. If these two attempts fail, the control panel switches to the secondary telephone line using the **Backup Device #** as programmed. This pattern continues for a total of ten attempts. After ten unsuccessful attempts, the control panel generates a Comm Fail event for the given **Route Group #**.

Figure 9: D928 Dual Phone Line Switcher



### 7.11.3 Installing the D928

#### Mounting

Mount the D928 on the lower right side of the enclosure using the screws provided with the switcher.

#### Wiring

The D928 has two flying leads. The green lead monitors AC power. The black lead is the ground reference for the AC Power LED.

1. Connect the green lead from the D928 to Terminal 1.
2. Connect the black lead from the D928 to Terminal 9.

#### Telephone Connections

1. Plug one end of the ribbon cable provided into J4 on the control panel. Plug the other end of the ribbon cable into the ACCESSORY connector on the control panel.
2. Plug one end of the D162 phone cord provided into the telco jack. Plug the other end of the phone cord into the telco jack on the control panel. Refer to **Error! Reference source not found.** for phone cord lengths.

Phone Cord	Length
D161	2.4 m (8 ft)
D162	61 cm (2 ft)

3. Plug one end of a D161 or D162 phone cord into J1 on the control panel. Plug the other end of the phone cord into the RJ31X or RJ138X for the primary telephone line.
4. Plug one end of a D161 or D162 phone cord into J2 on the control panel. Plug the other end of the phone cord into the RJ31X or RJ138X for the secondary telephone line. Refer to **Error! Reference source not found.** for phone cord lengths.



If you installed a D928 before November 19, 2001 on a D9412GV2 or D7412GV2, disconnect AC power from the control panel (battery must remain connected) and observe the green LED.

If this LED glows dimly, contact Customer Service at (800)289-0096 for a replacement module at no charge.

### 7.11.4 D928 Status LEDs

Four LEDs mounted on the front edge of the D928 Module show the status of AC power for the control panel, the status of the two telephone lines, and communication failure (*Figure 11* on page 33). When programmed and operating normally, only the green AC power status LED is lit.

#### AC Power LED

The green AC Power Status LED lights when AC power is applied to Terminals 1 and 2 on the control panel.

#### Phone Line Fail LEDs

Two yellow Phone Line Status LEDs (one for the primary telephone line, one for the secondary telephone line) light if the voltage on the telephone line falls to between 5.0 and 7.0 VDC, without the corresponding current of 13 mA. The control panel monitors the faulty telephone line for the programmed interval before indicating a trouble condition. Refer to *Section 7.8 Telephone Line Monitor* on page 28 for a description of phone line monitor operation.

#### Communication Failure LED

The yellow Communication Failure LED lights when the system is in communication failure. The LED turns off when communication restores. Refer to *Section 7.10 Communication Failure* on page 28.

## 8.0 On-Board Points

### 8.1 Terminals 11 to 22 Description

The control panel provides eight on-board points. Each point functions independently and does not interfere with the operation of the others. The control panel monitors the sensor loops for normal, shorted, or open conditions between an input terminal (11, 13, 14, 16, 17, 19, 20, or 22) and any of the point common terminals (12, 15, 18, and 21). Programming for the point determines how the control panel responds to those conditions. Refer to the *D9412GV2/D7412GV2 Program Entry Guide* (P/N: F01U003636) for point programming options. The control panel also monitors the sensor loops for ground fault conditions if S4 is latched (ground fault detect enabled).

### 8.2 Point Sensor Loops

When wiring the on-board points (*Figure 10*), install a 1 kΩ resistor at the far end of the sensor loop to provide a reference for supervision. Dry-contact sensing devices can be connected in series (normally-closed) or in parallel (normally-open) to any of these loops.

The number of normally-open and normally-closed detection devices each sensor loop can supervise is limited only by the resistance on the loop. The total resistance for the wire length and contacts, minus the end-of-line (EOL) resistor, must not exceed 100 Ω.

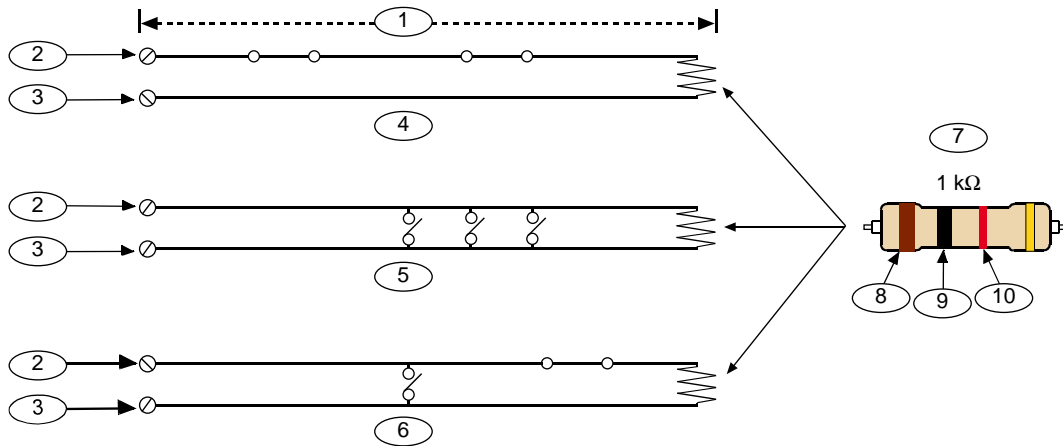
### 8.3 Point Parameters

The condition of on-board Points 1 to 8 is determined by measuring the voltage across the point input terminal and one of the common terminals. The sensor loops must be connected and the 1 kΩ EOL resistor in place.

**Table 10: Point Parameters**

Loop	Voltage Range
Open	Greater than 3.7 VDC, but less than 5.0 VDC.
Normal	Greater than 2.0 VDC, but less than 3.0 VDC.
Shorted	Greater than 0.0 VDC, but less than 1.3 VDC.

**Figure 10: On-board Point Sensor Loop Wiring**



- |  |   |
|--|---|
| 1 - 100 Ω maximum  | 7 - P105F (Package of 8 EOL resistors) or P105BL (Package of 8 UL Listed EOL resistors) (P/N: 15093130-004) |
| 2 - Point input terminal   | 8 - Brown   |
| 3 - Common   | 9 - Black   |
| 4 - Normally-closed contacts (NC)  | 10 - Red  |
| 5 - Normally-open contacts (NO)  |   |
| 6 - Combination: Normally-open contacts and normally-closed contacts (NO/NC) |   |

## 8.4 Point Response Time

The control panel scans both on-board and off-board point sensor loops every 300 ms. The Debounce program item in the Point Assignment section of the software determines point response time by setting the number of times the control panel scans a point before generating an alarm.

The debounce count can range from 2 to 15; therefore, point response time ranges from 600 ms to 4.5 sec. The Bosch Security Systems default for debounce count is 2.



Increasing debounce might cause missed alarms. If you increase the debounce count, detection devices can enter alarm and reset without exceeding the point response time.

Use a debounce count of 2 for all points except for Interior Follower points. Program Interior Follower points as 3. Program door points connected to a D9210B Access Control Interface Module with a debounce of 4.

## 8.5 Wiring Information for Installations Using the Ademco AB-12 Bell/Housing

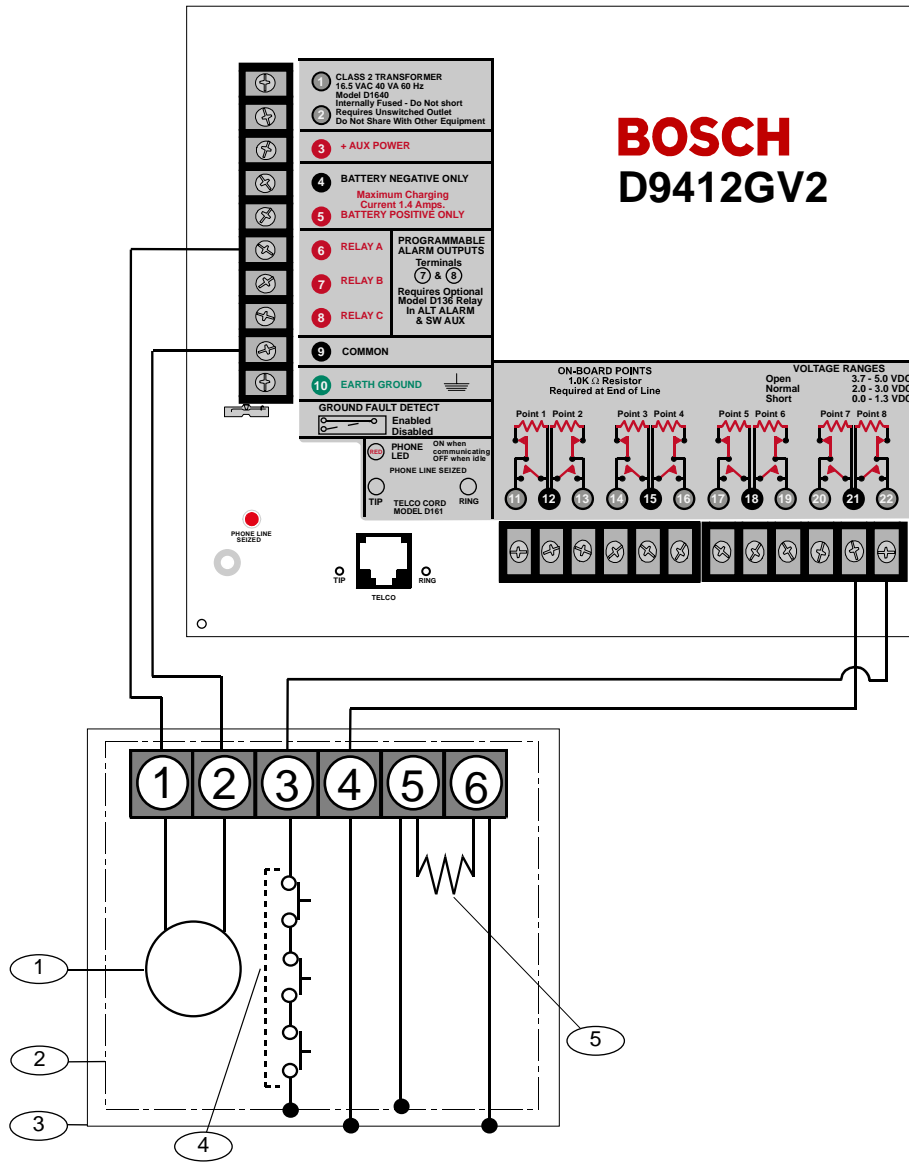
1. Disconnect the wire jumper from Terminal 4 to the inner housing of the Bell Box to prevent a ground fault condition.
2. Connect wiring between the control and Bell Box (*Figure 11* on page 33).

To use the AB-12 Bell/Housing, place the S3 switch in the disabled (open) position. The EOL used in the AB-12 Bell/Housing must be a 220 k $\Omega$ , 0.5 W resistor.

3. Program Point 8 as 24-hour, alarm on, open, and short. (PT TYPE 0, PT RESPONSE 0).



Figure 11: Wiring for Installation Using the Ademco AB-12 Bell/Housing



- |   |   |
|---|---|
| <ul style="list-style-type: none"> <li>1 - Bell</li> <li>2 - Inner bell box lining</li> <li>3 - Outer bell box</li> </ul> | <ul style="list-style-type: none"> <li>4 - Bell tampers</li> <li>5 - 220 k<math>\Omega</math> 0.5 W EOL resistor (provided with the Ademco AB-12 Bell/Housing)</li> </ul> |
|---|---|

## 9.0 Off-Board Points

### 9.1 Point (Zonex) Bus: D9412GV2 Terminals and D7412GV2 Terminals

#### 9.1.1 POPIT Modules

The D9412GV2 can use point of protection input transponder (POPIT) modules to provide a maximum of 238 off-board points, bringing the total number of points the D9412GV2 can monitor to 246. The D7412GV2 provides up to 67 off-board points, bringing the total number of points the D7412GV2 monitors to 75. Each off-board point requires a POPIT Module.

#### 9.1.2 POPEX Modules

POPITs connect to supervised two-wire data expansion loops run from POPIT to POPIT throughout the premises. Data expansion loops connect to a D8125 Point of Protection Expander (POPEX) Module. POPEX Modules have power and data connections to the point bus on the control panel (*Table 11*).

Table 11: POPEX Modules		
Model	Power	Data
D9412G	Terminals 23 and 24	Terminals 25 and 26 or Terminals 27 and 28
D7412G	Terminals 3 and 9	Terminals 22 and 28

#### 9.1.3 Missing Conditions

If a programmed POPIT is disconnected from the expansion loop, a missing condition appears immediately and the event is logged. The missing condition might also be sent to a central station or printed to an on-site printer, if programmed to do so. Refer to the *D9412GV2/D7412GV2 Program Entry Guide* (P/N: F01U003636) for programming options.

#### 9.1.4 Extra Point Events

Extra Point events are generated when a POPIT connected to the data expansion bus does not have an assigned Point Index. *Table 12* shows when an Extra Point event is or is not generated. *Table 13* on page 35 shows additional error conditions that can occur for the off-board points.

Table 12: Extra Point Events		
A POPIT connected to the data expansion bus does not have an assigned Point Index and:	Extra Point event?	Additional Information
Data expansion bus is disconnected	No	Keypad does not annunciate or display a trouble condition.
Data expansion bus restores to normal condition after an open condition	Yes	<ul style="list-style-type: none"> <li>Keypad annunciates and displays a trouble condition</li> <li>Extra Point is logged and might be programmed to send reports to the central station or to an on-site printer.</li> </ul>
Point input changes status from normal to open or shorted	No	Keypad does not annunciate or display a trouble condition.
During a Service Walk Test, the point input changes status from normal to open or shorted	Yes*	<ul style="list-style-type: none"> <li>Keypad annunciates and displays a trouble condition</li> <li>Extra Point is logged and might be programmed to send reports to the central station or to an on-site printer.</li> </ul>

\* The Service Walk Test never shows the electrical state of a point as "Extra."

**Table 13: Off-Board Point Errors**

Error Condition	Result	Additional Information
+/- leg of the data expansion bus has a short-circuit to earth ground, with Ground Fault Detect enabled	Ground Fault event	
+/- leg of the data expansion bus is disconnected	All POPITs beyond the disconnection send Missing report	
Data expansion bus has a short-circuit	<ul style="list-style-type: none"> <li>All POPITs send Missing report</li> <li>Pt Bus Trouble event</li> </ul>	When the data expansion bus restores, Pt Bus Restore event occurs. If any POPIT is connected to the data expansion bus without an assigned Point Index, an Extra Point event occurs.
+/- leg of the data expansion bus has a short-circuit to the Common terminal on the D7212G	<ul style="list-style-type: none"> <li>All POPITs send Missing report</li> <li>Pt Bus Trouble event</li> </ul>	
Terminal 28 has a short-circuit to a Common terminal	No Pt Bus Trouble event occurs	
Terminal 27 has a short-circuit to a Common terminal	<ul style="list-style-type: none"> <li>Pt Bus Trouble event</li> <li>Keypad displays: SERVC ZONEX 1</li> </ul>	
Terminals 27 and 28 have a short-circuit together	<ul style="list-style-type: none"> <li>Pt Bus Trouble event</li> <li>Keypad displays: SERVC ZONEX 1</li> </ul>	

### 9.1.5 D9412GV2/D7412GV2 Responses to Missing Point Conditions

The D9412GV2 and D7412GV2 respond to missing point conditions based on the point's programming and the armed state of the point's area. For example, if an interior motion detector point is missing during a disarmed state, a Missing Trouble event is generated; however, if the point is missing while the area is Master Armed, a Missing Alarm event is generated. Non-fire, 24-hour points always generate a Missing Alarm event whereas Fire points always generate a Missing Fire Trouble event.

## 9.2 D8125, D8127 and D9127 POPIT Modules

D8127 and D9127 POPITs use the D8125 POPEX Module to report to the control panel. Each D8125 supports up to 119 POPIT points. Connect two D8125 Modules to the D9412GV2 to bring the combined total number of POPIT and on-board points to 246. Points 9 to 127 connect to the first POPEX Module. Points 129 to 247 connect to the second POPEX Module. The D9412GV2 reserves Points 128 and 248 for internal use. The control panel annunciates activity only for each POPIT, not for each detection device connected to the sensor loop.

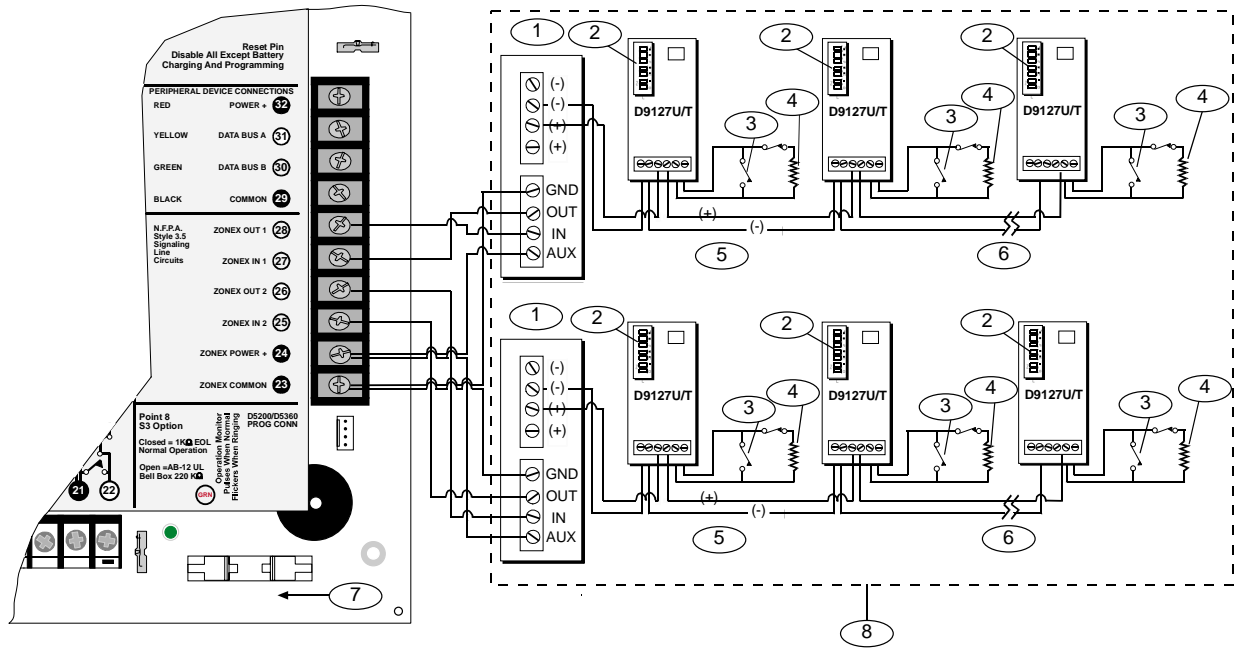
There are two versions of the D8127 and D9127 Modules. Both module enclosures are made of UL Listed fire resistant material. D8127T and D9127T Modules contain tamper switches. D8127U and D9127U Modules include untampered covers. Unless the module is mounted in a tampered enclosure, UL requires D8127T and D9127T Modules for certificated accounts.

### Listings

The D8125 POPEX and the D8127 and D9127 POPIT Modules are UL Listed for Local or Police Connected Burglar Alarm, Central Station Burglar Alarm, Household Burglar Alarm, Central Station Fire, Local Fire, Remote Station Fire, Household Fire, and Electrically Actuated Transmitter Applications.

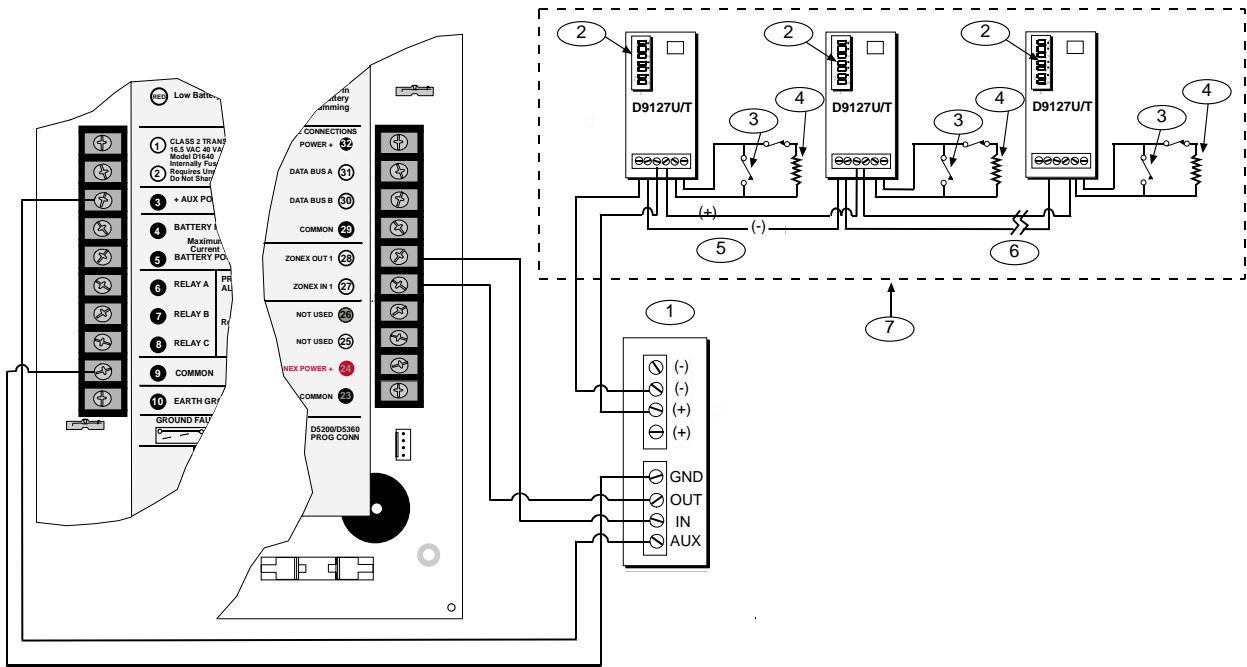
Refer to the *D9412GV2/D7412GV2 Approved Applications Compliance Guide* (P/N: F01U003639) to determine the required equipment and enclosures for the application.

Figure 12: Connecting the D8125 POPEX to the D9412GV2 Control Panel



- |   |                         |
|---|-------------------------|
| 1 - D8125 POPEX Module                                | 5 - Zone expansion loop |
| 2 - Switch block                                      | 6 - Up to 119 POPITs    |
| 3 - D9127 Sensor Loop                                 | 7 - On-board points     |
| 4 - 33 kΩ EOL resistor (PIN: P106F, package of eight) | 8 - Expansion zones     |

Figure 13: Connecting the D8125 POPEX to the D7412GV2 Panel



- |   |                         |
|---|-------------------------|
| 1 - D8125 POPEX Module                                | 5 - Zone expansion loop |
| 2 - Switch block                                      | 6 - Up to 67 POPITs     |
| 3 - D9127 Sensor Loop                                 | 7 - Expansion zones     |
| 4 - 33 kΩ EOL resistor (P/N: P106F, package of eight) |                         |

### 9.3 Installing the D8125 POPEX Module



For information on the Multiplex Bus Interface, refer to the *D8125 Multiplex Bus Interface Operation and Installation Guide* (P/N: 36796).

**Save the POPIT Label Sheets:** The D8125 is packaged with two sets of POPIT label sheets. One set is marked “Bank 1” for use with the D7412GV2 and D7212GV2. The other set is marked “Bank 2” for use with the D9412GV2 and D9112. Use the sheets later to label the POPITs. Refer to *Section 9.3.6 POPIT Module Point Assignments* on page 40.

#### 9.3.1 Mounting

To install the D8125 in the enclosure with the control panel:

1. Align the D8125 POPEX Module with any of the four mounting locations in the enclosure (*Figure 2* on page 15).
2. Using the screws provided with the module, secure it in the enclosure.

#### 9.3.2 Wiring the D8125 to the Control Panel

To wire one or two D8125 Modules to the control panel (*Figure 12* on page 36 and *Figure 13* on page 37):

**Power Down the Control Panel:** Disconnect the positive (red) battery lead at the battery and unplug the transformer.

For Points 9 to 127 (9 to 75 on D7412GV2):

1. Connect the GND terminal of the D8125 to Terminal 23 on the D9412GV2 or to Terminal 9 on the D7412GV2.
2. Connect the OUT terminal of the D8125 POPEX Module to ZONEX IN 1, Terminal 27.
3. Connect the IN terminal of the D8125 POPEX Module to ZONEX OUT 1, Terminal 28.
4. Connect the AUX terminal of the D8125 to Terminal 24 on the D9412GV2 or to Terminal 3 on the D7412GV2.

For Points 129 to 247 (D9412GV2 only):

1. Connect the GND terminal of the D8125 to Terminal 23.
2. Connect the OUT terminal of the D8125 POPEX Module to ZONEX IN 2, Terminal 25.
3. Connect the IN terminal of the D8125 POPEX Module to ZONEX OUT 2, Terminal 26.
4. Connect the AUX terminal of the D8125 to Terminal 24.

Refer to *Section 9.3.4 Wiring Data Expansion Loops to POPEX Modules* on page 39 for instructions on connecting POPITs to the D8125 POPEX Module.

#### 9.3.3 Wiring POPITs to the Data Expansion Loop

Use one two-wire data expansion loop or distribute the POPITs on up to three loops. Setting DIP switches on the POPIT Modules assigns them to point numbers. Refer to *Section 9.3.6 POPIT Module Point Assignments* on page 39.

Review *Section 4.6.2 Installing and Wiring Detection Devices* on page 18 to determine if shielded wire is required. Determine the wire gauge for the length of each data expansion loop using *Table 14*

**Table 14: Data Expansion Loop Wire Specifications**

Maximum Length of All Data Expansion Loops Combined	
AWG	Length in Meters (Feet)
22	548 (1800)
20	881 (2890)
18	1402 (4600)
16	2231 (7320)
14	3551 (11,650)

**Combine Data Expansion Loops:** The maximum lengths shown in *Table 14* are for all data expansion loops connected to the same POPEX Module combined.

**Wiring POPITs Together:** Do **not** connect POPITs to each other in series or with a T-tap. Doing so might cause random missing POPIT conditions.

To connect POPITs to one another in parallel:

1. Connect the positive (+) data terminal from one POPIT to the positive (+) data terminal on the next POPIT.
2. Connect the negative (-) data terminal from one POPIT to the negative (-) data terminal on the next POPIT.
3. Repeat Steps 1 and 2 to connect all POPITs to the expansion loop. It is not necessary to wire the POPITs in any particular order on the loop. The switch setting on each POPIT assigns it a point number, regardless of its physical location.



Before installing the POPITs, make sure the resistance on the data expansion loop is no more than 40  $\Omega$ .

#### **Three-inch Clearance for Tampered POPITs:**

Mount tampered POPIT modules at least 7.6 cm (3 in.) apart to prevent the tamper magnets from interfering with each other.

### 9.3.4 Wiring Data Expansion Loops to POPEX Modules

Each POPEX Module has two positive (+) and two negative (-) data expansion loop terminals. Up to 119 POPITs can be connected to one D8125 on the D9412GV2; 67 for the D7412GV2 (*Figure 12* on page 36 and *Figure 13* on page 37).

To connect the data expansion loops to the D8125 POPEX Module:

1. Connect the positive (+) data terminal from the first POPIT on the data expansion loop to one of the D8125's positive (+) terminals.
2. Connect the negative (-) data terminal from the first POPIT on the data expansion loop to one of the D8125's negative (-) terminals.

### 9.3.5 POPIT Sensor Loops

The number of normally-open and normally-closed detection devices each sensor loop can supervise is limited only by the resistance on the loop. Resistance on each sensor loop must be less than 100  $\Omega$  not including the EOL resistor.

Certain UL and NFPA applications can limit the number of detection devices. Consult the appropriate UL or NFPA standards.

POPITs detect open, shorted, normal, and grounded circuit conditions on their sensor loops. They send the condition of their loops to the control panel. A ground on the sensor loop sends a general system ground-fault condition report. Refer to *Ground Fault* in the *D9412GV2/D7412GV2/D7212GV2 Installation and Troubleshooting Quick Reference Guide* (P/N: F01U003638). Each POPIT is programmed and sends signals to the control panel separately.

Terminate each POPIT sensor loop with the 33 k $\Omega$  EOL resistor (D106F) included with each POPIT.

Use a twisted-pair wire (six twists per foot) in all POPEX and POPIT installations for both the data expansion loop wiring and the POPIT sensor loops. Run wires away from AC sources to prevent AC induction. If a noisy environment is suspected, use shielded cable. Refer to *Section 9.3 Installing the D8125 POPEX Module* on page 38.

### 9.3.6 POPIT Module Point Assignments

Six switches on each POPIT assign the module to a point number. For POPIT switch settings, refer to *Point Assignment* in the *D9412GV2/D7412GV2 Program Record Sheet* (P/N: F01U003635). The program record sheet provides information about the Point Assignments tables. *Figure 14* on page 40 is an example of the tables.



For the D9412GV2, Points 73 to 127 and 193 to 247 must use the D9127 POPITs. Points 9 to 72 and 129 to 192 can use either D8127 or D9127 POPITs.

For the D7412GV2, Points 9 to 72 can use either D8127 or D9127 POPITs; however, D9127 POPITs must be used for Points 73 to 75.

### 9.3.7 Program Record Sheet

The first column of the table in *Figure 14* on page 40 contains the **POPIT Switch Settings** for the D8127 POPITs. On the D8127 POPITs, the switches are numbered 1 to 6, from left to right. On the D9127 POPIT, switches are numbered 0 to 6, from left to right. Set the indicated switches to the ON position. If a dash (-) appears in the switch position, set the switch to the OFF position.

The second column contains the **Translation** of the point number into the Zonex format. Refer to *Point User Flag* in the *D9412GV2/D7412GV2 Program Entry Guide* (P/N: F01U003636) for an explanation of this feature.

The third column contains the **Point Number** as shown at keypads.

The fourth column contains the **Point Index**. Refer to *Point Index Parameters* in the *D9412GV2/D7412GV2 Program Entry Guide* (P/N: F01U003636) for an explanation of the point index.

The fifth column, **Area Assign**, shows the area to which the point is assigned.

The sixth column shows the **Debounce Count** for the point. Refer to *Debounce Count* in the *D9412GV2/D7412GV2 Program Entry Guide* (P/N: F01U003636).

The seventh column shows the **BFSK/Relay** report code, which is the point number reported for this point when the control panel is using the BFSK format.

The eighth column contains the **Custom Point Text** displayed at keypads for the point. The text is sent to the receiver when the control panel uses the Modem IIIa<sup>2</sup> format.

Figure 14: Program Record Sheet

D9412GV2/D7412GV2   Program Record Sheet   RADXPNTS Handler							EN   25	
Default values are shown in ( ) or in bold								
Point Assignments (001 through 040)								
POPIT Switch Setting	Translation	Point #	Point Index	Area Assign	Debounce	BFSK/Relay	Custom Point Text	
	100	001	(3) --	(1) --	(2) --	(1) --	P1 FIRE _____	
	200	002	(1) --	(1) --	(2) --	(2) --	P2 PANIC _____	
	300	003	(25) --	(1) --	(2) --	(3) --	P3 DELAY _____	
	400	004	(13) --	(1) --	(2) --	(4) --	P4 FOLLOW _____	
	500	005	(7) --	(1) --	(2) --	(5) --	P5 INSTANT _____	
	600	006	(7) --	(1) --	(2) --	(6) --	P6 INSTANT _____	
	700	007	(7) --	(1) --	(2) --	(7) --	P7 INSTANT _____	
	800	008	(7) --	(1) --	(2) --	(8) --	P8 INSTANT _____	
0 1 2 3 4 5 6	101	009	--	(1) --	(2) --	(1) --	P9 _____	

### 9.3.8 POPIT Labels

D9412GV2 off-board points are numbered 9 to 127 and 129 to 247. The D7412GV2 uses Points 9 to 75 only. The D9412GV2 reserves Points 128 and 248 for internal use. POPITs must be connected for Points 129 to 247 to expansion loops connected to POPEX #2.

Two sheets of peel-off POPIT labels are supplied with the D8125 POPEX Module. Use the sheet marked “Bank1” for Points 9 to 127. Use the sheet marked “Bank2” for Points 129 to 247.

Each label has two parts. Place the smaller part (with only the point number) on the chip. Place the larger part (with the switch settings) on the base of the POPIT. Set the switches and cover the POPIT.

Do **not** program two POPITs for the same point number. After programming all the points, perform a Service Walk Test. The *D9412GV2/D7412GV2/D7212GV2 Installation and Troubleshooting Quick Reference Guide* (P/N: F01U003638) contains instructions for performing a Service Walk Test. If a point does not test, check the programming for a duplicated address.

**Walk Test and Service Walk Test Do Not Show Extra Points:** If the point assignment switches on a POPIT or OctoPOPIT are set incorrectly, it can create both missing and extra points. If the same point number is assigned to two or more POPITs or OctoPOPITs, none of the points with that number test correctly. Refer to *Section 9.1 Point (Zonex) Bus: D9412GV2 Terminals and D7412GV2 Terminals* on page 34.

### 9.4 D8128D OctoPOPIT Module



Modules D8128, D8128A, or D8128B are incompatible with the D9412GV2 or D7412GV2. Use only the D8128D OctoPOPIT Module. Using Modules D8128, D8128A, or D8128B can cause intermittent Missing and Restoral Reports.

#### 9.4.1 Description

The D8128D OctoPOPIT Module combines the functions of the D8125 POPEX Module and the D8127/D9127 POPIT Modules to provide eight off-board points in a single module. You can wire both D8128D OctoPOPIT and D8125 POPEX Modules in parallel to the Zonex Bus terminals on the same control panel.

Review *Section 6.0 Power Outputs* on page 25 to ensure there is enough power for the OctoPOPITs and other powered devices that will be connected to the system.

Up to thirty D8128D Modules can be connected to the D9412GV2 Control Panel. A maximum of nine D8128Ds can be connected to the D7412GV2 Control Panel (three points can be used on the last OctoPOPIT).


#### 9.4.2 Listings

The D8128D OctoPOPIT Module is UL Listed for Local or Police Connected Burglary Alarm, Central Station Burglary Alarm, Household Burglary Alarm applications, and commercial fire applications (UL 864 and NFPA 72).



The D8128D is also suitable for fire supervisory applications, such as indicating circuit supervision (using the D192C/D192G Bell Circuit Supervision Module), sprinkler supervision, and valve tamper protection.

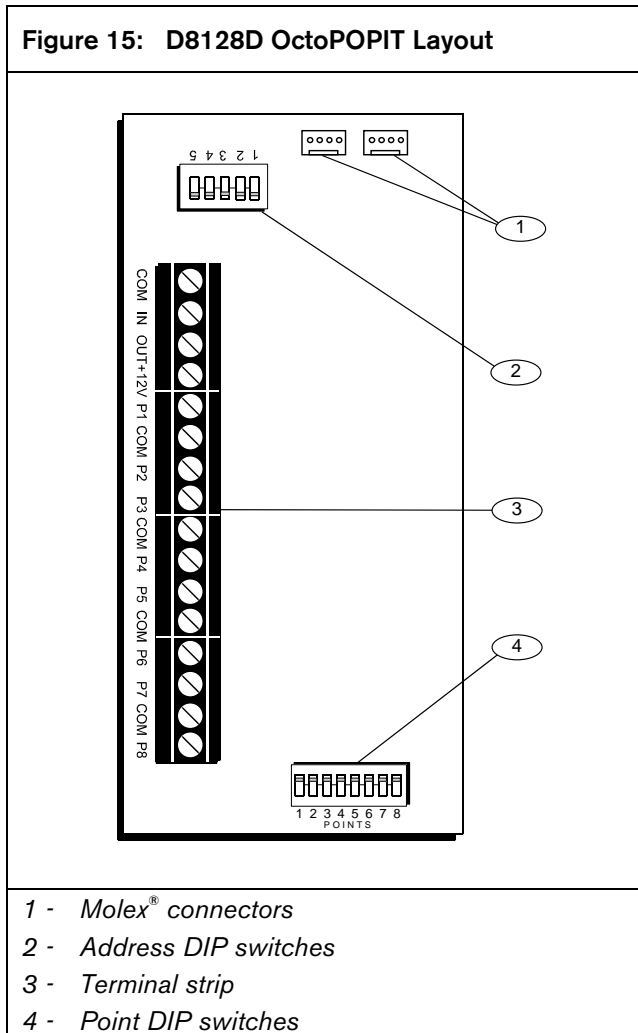
**Requirements for Fire Initiation Applications**



Non-powered, fire initiating devices such as pull-stations, heat detectors, and UL Listed four-wire smoke detectors can be connected directly to the point inputs on the D8128D.

The D125B Dual Powered Loop Interface Module or the D129 Dual Class “A” Module zone outputs can be connected directly to the point inputs on the D8128D. Use the D125B to connect two-wire smoke detectors. Typically, the D129 is used for connecting waterflow switches.

The D125B or D129 and the OctoPOPIT can be mounted in the same enclosure with the control panel or in a separate enclosure connected to the control panel’s enclosure by a conduit not more than 6 m (20 ft.) in length.



**9.4.3 Installation**

For the most effective installation, use the following four-step process:

1. Set the OctoPOPIT switches. Refer to *Section 9.4.4 Setting the OctoPOPIT Switches*.
2. Physically mount the OctoPOPIT in the enclosure. Refer to *Section 9.4.5 Mounting OctoPOPITs*, page 42.
3. Wire the OctoPOPIT. Refer to *Section 9.4.6 Wiring OctoPOPITs* on page 42.
4. Wire the OctoPOPIT sensor loops. Refer to *Section 9.4.7 OctoPOPIT Sensor Loops* on page 46.

**9.4.4 Setting the OctoPOPIT Switches**

The D8128D OctoPOPIT has two sets of DIP switches (*Figure 15*). Use the DIP switches on the top of the unit (with the terminal strip along the left edge) to set the address for the OctoPOPIT. Use the DIP switches at the bottom of the unit to enable or disable individual points connected to the OctoPOPIT.

**Address Switches**

The switches on the D8128D OctoPOPIT set point assignments and line termination. These switches are easier to set before mounting the D8128D in the enclosure.


Switches 1, 2, 3, and 4 assign the OctoPOPIT sensor loops to point numbers on the control panel. *Table 15* on page 42 shows the OctoPOPIT switch settings for point assignments.

Switch 5 sets line termination. Refer to *Table 16* on page 42.

**Table 15: D8128D OctoPOPIT Switch Settings for D9412GV2 and D7412GV2**

ZONEX 1	D8128D Address Switches					ZONEX 2
Points 9 to 127	1	2	3	4	5	Points 129 to 247
9 to 16	ON	ON	ON	ON	*	129 to 136
17 to 24	ON	ON	ON	OFF	*	137 to 144
25 to 32	ON	ON	OFF	ON	*	145 to 152
33 to 40	ON	ON	OFF	OFF	*	153 to 160
41 to 48	ON	OFF	ON	ON	*	161 to 168
49 to 56	ON	OFF	ON	OFF	*	169 to 176
57 to 64	ON	OFF	OFF	ON	*	177 to 184
65 to 72	ON	OFF	OFF	OFF	*	185 to 192
73 to 80	OFF	ON	ON	ON	*	193 to 200
81 to 88	OFF	ON	ON	OFF	*	201 to 208
89 to 96	OFF	ON	OFF	ON	*	209 to 216
97 to 104	OFF	ON	OFF	OFF	*	217 to 224
105 to 112	OFF	OFF	ON	ON	*	225 to 232
113 to 120	OFF	OFF	ON	OFF	*	233 to 240
121 to 127	OFF	OFF	OFF	ON	*	241 to 247

\* Line Termination Switch

 For the D8128D OctoPOPITs assigned to Points 121 to 127, 241, and 247, set Point Input Switch 8 to the OPEN position.  
 D9412GV2 uses Points 9 to 127 on Zonex 1 and Points 129 to 247 on Zonex 2.  
 D7412GV2 uses Points 9 to 75 on Zonex 1 only.

**Table 16: Switch 5 Settings for Line Termination**

Is a D8125 POPEX Module connected?	Zonex No.	Switch 5 Setting(s) on D8128D OctoPOPIT(s)
No	NA	Set Switch 5 of only <b>one</b> D8128D to <b>ON</b>
Yes	1	Set Switch 5 of <b>all</b> D8128Ds to <b>OFF</b>
No	NA	Set Switch 5 of only <b>one</b> D8128D to <b>ON</b>
Yes	2	Set Switch 5 of <b>all</b> D8128Ds to <b>OFF</b>

**Point DIP Switches**

Each point connected to the D8128D is enabled by closing the respective DIP switch, or disabled by opening the DIP switch. For example, to disable a device connected to the P3 Terminal (Point 3), move DIP switch number 3 to the OPEN position.

Use the point DIP switches to disable conflicting points, such as when a D9210B Access Control Module must be assigned to a point that falls within the range of the D8128D OctoPOPIT. In this example, a D9210B is assigned to Point 20. On the same system, a D8128D OctoPOPIT is assigned to Points 17 through 24. Moving the DIP switch for Point 4 to the OFF position would effectively disable Point 20, allowing normal operation of the D9210B and the OctoPOPIT.

Terminate each OctoPOPIT sensor loop with a 1 kΩ EOL resistor. Attach a resistor even if you do not enable the loop.


**9.4.5 Mounting OctoPOPITs**

The D8128D OctoPOPIT Module can be installed in the enclosure with the control panel using standard four-conductor 0.8 mm (22 AWG) wire, or in a separate enclosure (Model D8103, D8103A, or D8109) up to 61 m (200 ft.) from the control panel using shielded (recommended) standard four-conductor 0.8 mm (22 AWG) wire. If using the D125B or D129, refer to the *Specifications* section of the *D8128D Installation Guide* (P/N: 41323) for cabling requirements.

For UL Listed systems, mount the D8128D in a tamper-proof enclosure. To install OctoPOPITs in the control panel’s enclosure, complete the following procedure. Use the D137 Mounting Bracket to install OctoPOPITs in enclosures with no module-mounting locations available.

1. Align the OctoPOPIT module using any of the four mounting locations in the enclosure. Refer to *Figure 2* on page 15.
2. Use the screws provided with the module to secure it in the enclosure.

**9.4.6 Wiring OctoPOPITs**

 **Warning:** Disconnect all power to the control panel before beginning any work with the internal components. Serious injury could result from electrical shock.

1. Power down the control panel:
  - a. Disconnect the positive (red) battery lead at the battery.
  - b. Unplug the transformer.



A D8128D OctoPOPIT can be installed up to 61 m (200 ft.) from the control panel.

2. Connect the D8128D to the control panel:
  - Wire the D8128D to the terminal strip on the side of the POPEX Module (), **or**
  - Connect the D8128D using the Molex<sup>®</sup> connectors (P1 and P2). Refer to *Using Molex<sup>®</sup> Connectors* on page 46.



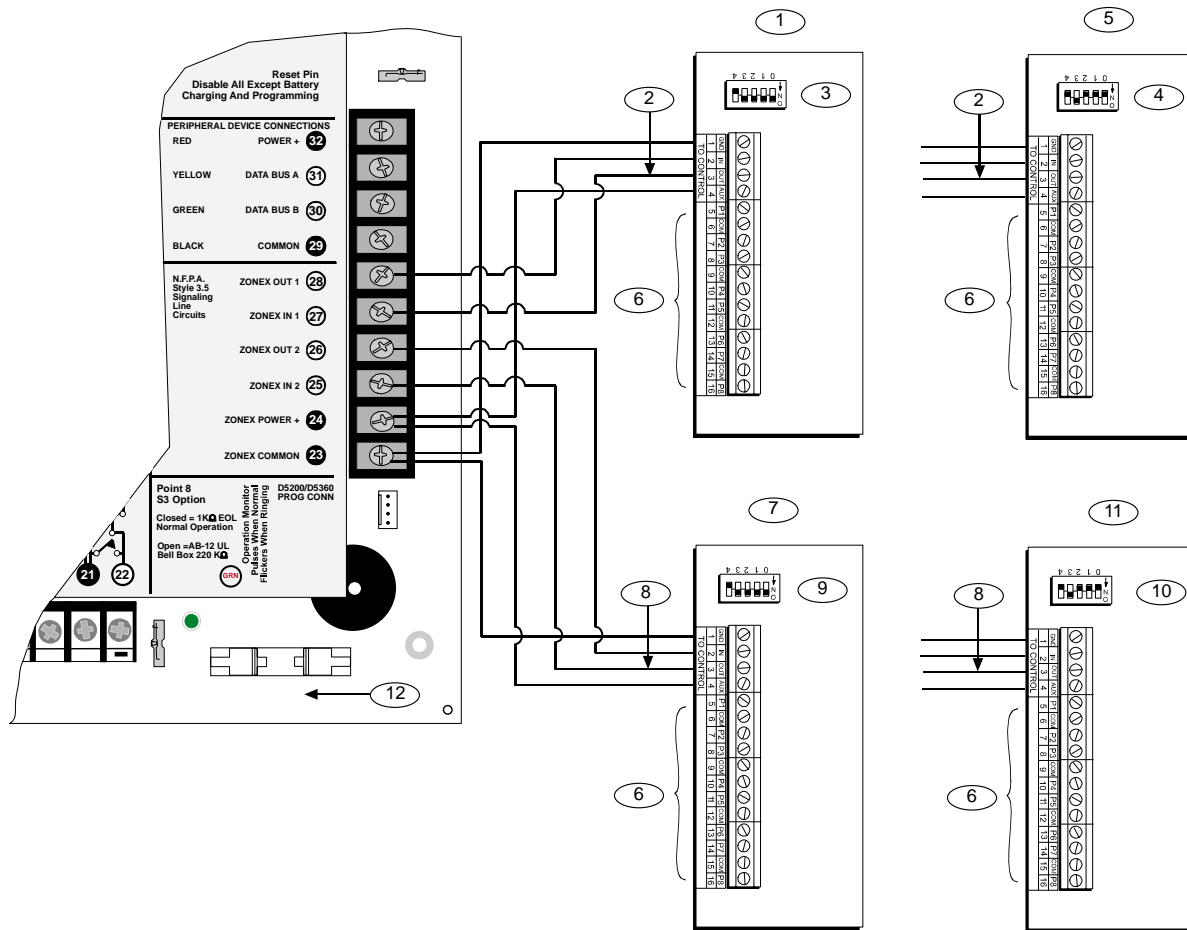
**Caution - AC induction:** Avoid installing Zonex data wires and Zonex input (sensor loop) wires around any AC conduit, wiring, or electrical devices that emit fields of electromagnetic interference (EMI).

### Using the Terminal Strip

Refer to *Table 17*, *Figure 16* on page 44, and *Figure 17* on page 45 when using the terminal strip to connect the D8128D OctoPOPIT to the control panel.

D8128D	D9412GV2	D7412GV2
Common	Terminal 23	Terminal 23
Out	Zonex 1 = Terminal 27 Zonex 2 = Terminal 25	Terminal 27
In	Zonex 1 = Terminal 28 Zonex 2 = Terminal 26	Terminal 28
+12 V	Terminal 24	Terminal 24

Figure 16: Connecting D8128D OctoPOPITs to the D9412GV2

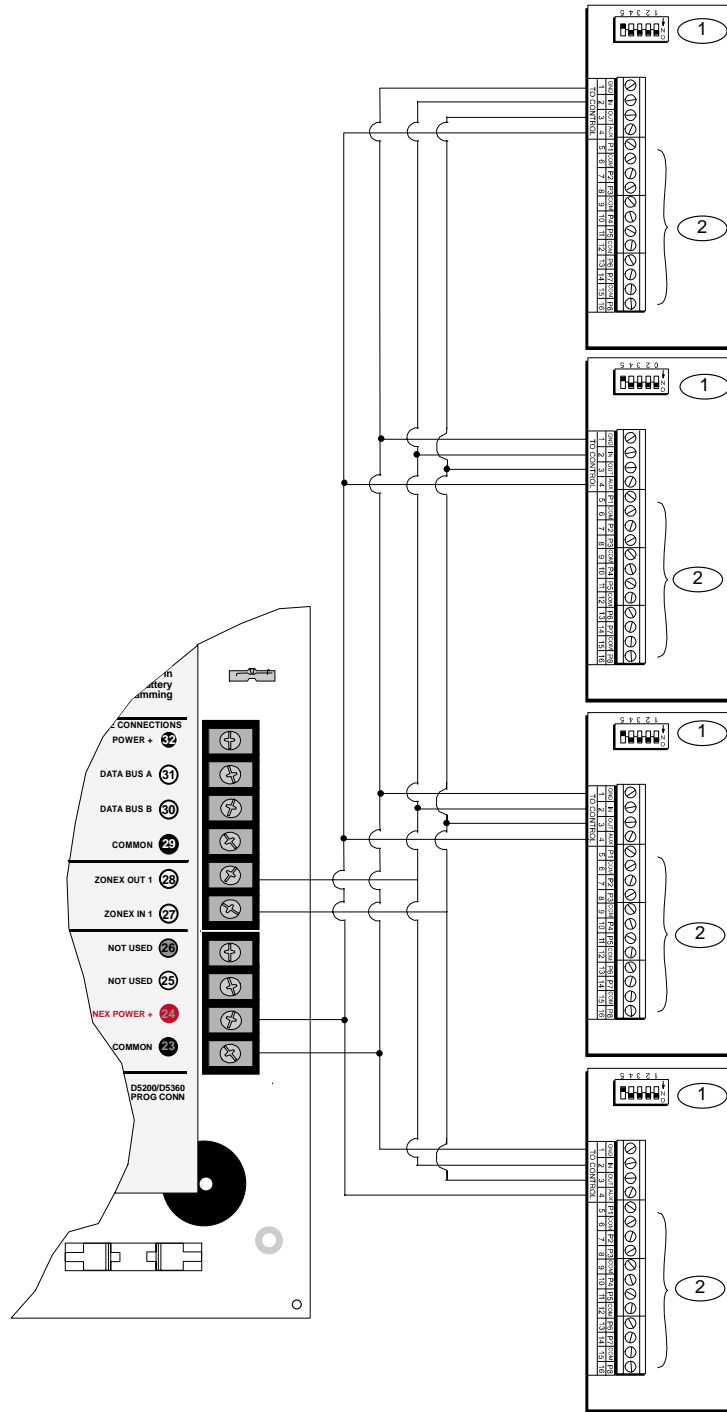


- |  |  |
|--|--|
| 1 - Zonex Bus 1, Switch 1 ON (Points 9 to 72)    | 8 - Bus 2  |
| 2 - Bus 1  | 9 - First address on Zonex Bus 2                   |
| 3 - First address on Zonex Bus 1                 | 10 - Last address on Zonex Bus 2                   |
| 4 - Last address on Zonex Bus 1                  | 11 - Zonex Bus 2, Switch 1 OFF (Points 193 to 240) |
| 5 - Zonex Bus 1, Switch 1 OFF (Points 73 to 127) | 12 - On-board points                               |
| 6 - Sensor loops                                 |  |
| 7 - Zonex Bus 2, Switch 1 ON (Points 129 to 192) |  |



Refer to Address Switches in Section 9.4.4 Setting the OctoPOPIT Switches on page 41 for information about making these switch settings.

Figure 17: Connecting D8128D OctoPOPITs to the D7412GV2



1 - First address on Zonex Bus 1

2 - Sensor loops



Refer to *Address Switches* in Section 9.4.4 *Setting the OctoPOPIT Switches* on page 41 for information about making these switch settings.

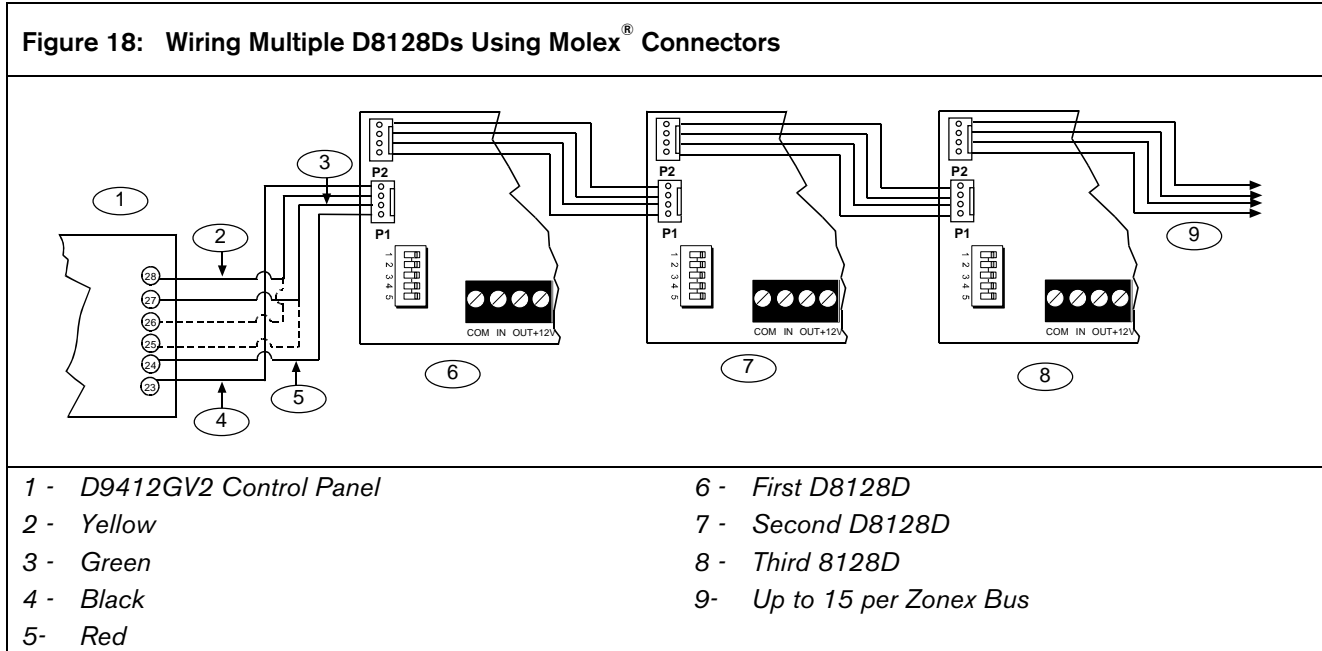
### Using Molex® Connectors

Each D8128D Module is supplied with a 30 cm (12 in.) female-to-female Molex cable assembly.

P1 and P2 are Molex connectors that parallel the COM, IN, OUT, and +12 VDC terminals on the terminal strip. In installations with multiple D8128Ds, use these connectors (as opposed to terminals) with the supplied cable; however, when connecting D8128D Modules directly to the control panel, the terminal strip is easier to use.

The Molex connectors provided are "keyed" (Molex plug can only fit in one direction). Ensure the connector is attached correctly: the red wire is on the bottom of P1 (or P2) and the black wire is on the top.

When connecting multiple D8128Ds to a control panel, you can connect the control panel terminals to P1 or the COM, IN, OUT, and +12V terminals on the first D8128D. Then connect P2 of the first D8128D to P1 of the second D8128D and so on (*Figure 18*).



#### 9.4.7 OctoPOPIT Sensor Loops

Only the resistance on the loop limits the number of normally-open or normally-closed detection devices each sensor loop can supervise. Resistance on each sensor loop must be less than 100 Ω with the detection devices connected.

Certain UL and NFPA applications can limit the number of detection devices. Consult the appropriate UL or NFPA standards.

The OctoPOPIT detects open, short, closed, normal, and grounded circuit conditions on its sensor loops and sends the conditions to the control panel. Each sensor loop has an assigned point number and sends signals to the control panel separately.

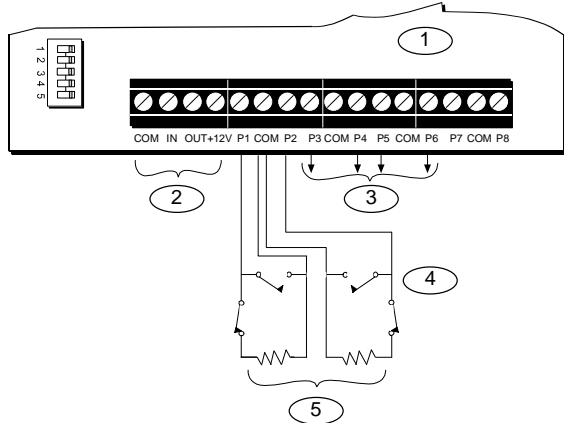
Use twisted-pair wire for the OctoPOPIT sensor loops to avoid EMI problems. Run wires away from the premises telephone and AC wiring. If you suspect a noisy environment, use shielded cable.

The OctoPOPIT has two rows of terminal numbers. In the row nearest to the terminal blocks, the positive outputs for the sensor loops are labeled P1 to P8. Sensor loop outputs P1 and P2, P3 and P4, P5 and P6, and P7 and P8 share common terminals. The common terminals for each pair are labeled COM.

Terminate each OctoPOPIT sensor loop with a 1 kΩ EOL resistor. Attach a resistor even if you do not enable the loop. The OctoPOPIT includes a D105BL resistor for each sensor loop. Refer to *Figure 19* on page 47.

Do not duplicate point assignments. Points do not function properly if assigned to an OctoPOPIT sensor loop and a POPIT, to two OctoPOPIT sensor loops, or to two POPITs.

Figure 19: D8128D OctoPOPIT Sensor Loops



- 1 - D8128D OctoPOPIT
- 2 - To control panel
- 3 - To additional OctoPOPIT sensor loops
- 4 - OctoPOPIT sensor loops
- 5 - 1 kΩ EOL resistor (P/N: P105BL, package of eight)

## 9.5 Testing Off-Board Points

Use the Service Walk Test to test off-board points. Refer to the *D9412GV2/D7412GV2/D7212GV2 Installation and Troubleshooting Quick Reference Guide* (P/N: F01U003638) for instructions. Test to ensure that all off-board points operate properly.

**Walk Test and Service Walk Test Do Not Show Extra Points:** If the point assignment switches on a POPIT or OctoPOPIT are set incorrectly, missing and extra points can occur. If the same point number is assigned to two or more POPITs or OctoPOPITs, none of the points with that number test correctly. Refer to *Section 9.1 Point (Zonex) Bus: D9412GV2 Terminals and D7412GV2 Terminals* on page 34.

## 10.0 Off-Board Relays

### 10.1 D8129 OctoRelay

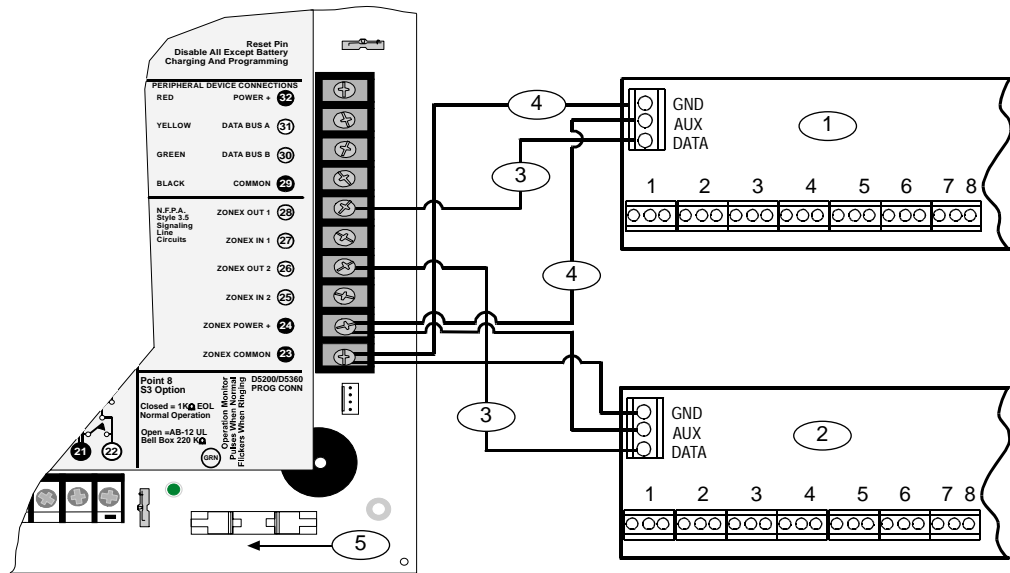
Use the D8129 OctoRelay to add relay outputs to the system in groups of eight. On the D9412GV2, up to 128 OctoRelay outputs (relay numbers 1 to 128) can be added to the system using 16 OctoRelays. D7412GV2 allows up to 64 relay outputs. Review *Section 6.0 Power Outputs* on page 25 to ensure that enough power is provided for the OctoRelays and other powered devices that are connected to the system.

OctoRelays for relay numbers 1 to 64 connect to Zonex 1, Terminal 28. OctoRelays for relay numbers 65 to 128 connect to Zonex 2 (D9412GV2 only), Terminal 26 on the D9412GV2. Refer to *Figure 20* on this page and *Figure 21* on page 49.

Alarm output, auxiliary relay, sensor reset, arming status, point status, alarm memory, or remote functions can be assigned to the OctoRelay outputs individually. Refer to *Relay Parameters* in the *D9412GV2/D7412GV2 Program Entry Guide* (P/N: F01U003635) for programming details.

**D8129 Restricted for Fire Systems:** D8129 relay outputs are not supervised and cannot be used in fire or combined fire and burglary installations for primary indicating devices.

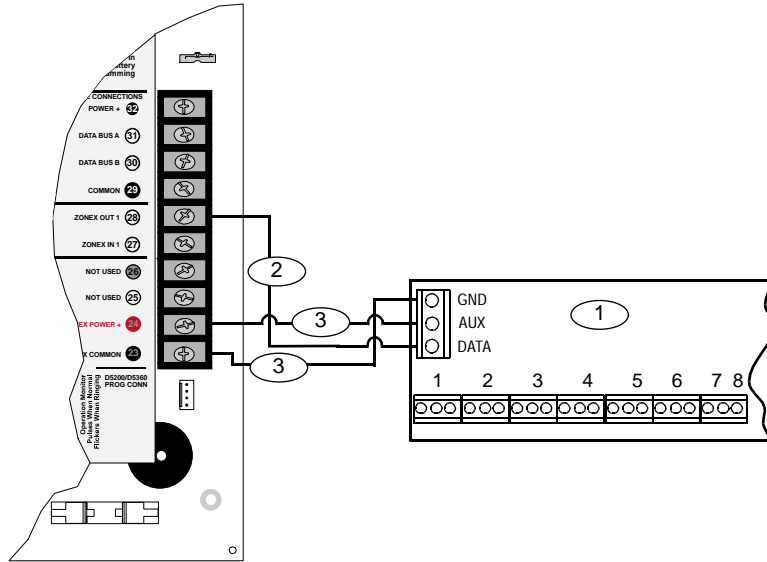
Figure 20: D8129 Connections to the D9412GV2



- |  |                               |
|--|-------------------------------|
| 1 - D8129 OctoRelays for relay numbers 1 to 64.<br>Connect OctoRelays in parallel.   | 3 - Power limited             |
| 2 - D8129 OctoRelays for relay numbers 65 to 128.<br>Connect OctoRelays in parallel. | 4 - Supervised, power limited |
|  | 5 - On-board points           |



Figure 21: D8129 Connections to the D7412GV2



1 - D8129 OctoRelays for relay numbers 1 to 64. Connect OctoRelays in parallel.

2 - Power limited

3 - Supervised, power limited

### 10.1.1 Configuring the D8129 OctoRelay

Five switches on the OctoRelay determine the relay numbers for the eight relay outputs (**Error! Reference source not found.**).

Table 18: D8129 OctoRelay Switch Settings

Panel Relay Number	D8129 OctoRelay Switch Setting	On Panel, Connect D8129 to:
1 to 8	Off-On-On-On-On	Zonex 1 Terminal 28
9 to 16	On-Off-On-On-On	Zonex 1 Terminal 28
17 to 24	Off-Off-On-On-On	Zonex 1 Terminal 28
25 to 32	On-On-Off-On-On	Zonex 1 Terminal 28
33 to 40	Off-On-Off-On-On	Zonex 1 Terminal 28
41 to 48	On-Off-Off-On-On	Zonex 1 Terminal 28
49 to 56	Off-Off-Off-On-On	Zonex 1 Terminal 28
57 to 64	On-On-On-Off-On	Zonex 1 Terminal 28
D7412G Maximum		
65 to 72	Off-On-On-On-On	Zonex 2 Terminal 26
73 to 80	On-Off-On-On-On	Zonex 2 Terminal 26
81 to 88	Off-Off-On-On-On	Zonex 2 Terminal 26
89 to 96	On-On-Off-On-On	Zonex 2 Terminal 26
97 to 104	Off-On-Off-On-On	Zonex 2 Terminal 26
105 to 112	On-Off-Off-On-On	Zonex 2 Terminal 26
113 to 120	Off-Off-Off-On-On	Zonex 2 Terminal 26
121 to 128	On-On-On-Off-On	Zonex 2 Terminal 26

### 10.1.2 Relay Outputs



Relay outputs can activate when you are setting the OctoRelay switches or programming the control panel.

Disconnect equipment connected to relay outputs when you perform these functions.

Each OctoRelay output provides a Form C dry contact rated for 1.0 A at 12 VDC. Normally-open, common, and normally-closed terminals are available for each relay output. When an individual output is activated, there is continuity between the normally-open and common terminals. When the output is not activated, there is continuity between the normally-closed and common terminals.

### 10.1.3 Installation

Set the switches on the OctoRelay before installing it in the enclosure. Refer to *Section 10.1.1 Configuring the D8129 OctoRelay* on this page.

Install the OctoRelay in the enclosure with the control panel (*Figure 2* on page 9) or in an adjacent enclosure that is no more than 1.5 m (5 ft.) from the control panel. Use 1.5 mm (16 AWG) to 0.8 mm (22 AWG) wire.


To install OctoRelays in the enclosure with the control panel:

1. Align the module with one of the mounting locations in the enclosure (refer to *Figure 2* on page 9).
2. Using the screws provided with the module, secure the module in the enclosure.

Use the D137 Mounting Bracket or D9002 Mounting Skirt to install OctoRelays in enclosures with no available module mounting locations.


### 10.1.4 Wiring Connections

Power down the control panel to connect OctoRelays. Refer to *Figure 20* on page 48 and *Figure 21* on page 49.

	OctoRelays for Relays 1 to 64 connect to Zonex 1, Terminal 28.
	OctoRelays for Relays 65 to 128 connect to Zonex 2, Terminal 26 on the D9412GV2 only.

Only one OctoRelay is shown wired to each Zonex bus in *Figure 20* on page 48 and *Figure 21* on page 49. Wire additional OctoRelays in parallel. Review *Section 6.0 Power Outputs* on page 25 for information about providing enough power for the relays.

The number of D8129 OctoRelays that can be connected to each Zonex terminal on the D9412GV2 control panels is limited by the number of D8128D OctoPOPITs connected.

	Using D8129 OctoRelays and D8128D OctoPOPITs together on the same Zonex terminals is limited and depends on the number of D8128 OctoPOPITs and D8129 OctoRelays connected to a single Zonex Bus.
	Refer to <i>Table 19</i> for information about the maximum number of D8128Ds and D8129s you can connect to a single Zonex bus.

**Table 19: Number of D8128Ds Used with D8129s**

If the number of D8128Ds connected to a single Zonex bus is:	Do not connect more than this number of D8129s:
9	6
10	5
11	4
12	3
13	1
14	1

## 10.2 D811 Arm Status Relay Module


The D811 Arm Status Relay Module allows the addition of a single off-board relay output to the system. Alarm output, auxiliary relay, sensor reset, arming status, point status, alarm memory, or remote functions can be assigned to the D811 relay output. It is not restricted to the Arming Status Mode only.

**Relay Numbers for D811 Not Programmable:** If the D811 is connected to Zonex 1, Terminal 28, use relay number 53 for the relay output. If the D811 is connected to Zonex 2, Terminal 26 on the D9412GV2, use relay number 117 for the relay output.

D811 Modules connect as shown in *Figure 22* on page 51 and *Figure 23* on page 52. Review *Section 6.0 Power Outputs* on page 25 to ensure that enough power is provided for the powered devices that connect to the system. Refer to *Relay Parameters* in the *D9412GV2/D7412GV2 Program Entry Guide* (P/N: F01U003636) for programming details.

**D811 Restricted for Fire Systems:** The D811 relay output is not supervised and cannot be used in fire or combined fire and burglary installations for primary indication devices.

### 10.2.1 Relay Output

	Relay outputs can activate when you are programming the control panel.
	Disconnect equipment connected to relay outputs when you perform this function.

Each D811 relay output provides a Form C dry contact rated for 1.0 A at 12 VDC. Normally-open, common, and normally-closed terminals are available. When an individual output is activated, continuity exists between the normally-open and common terminals. When the output is not activated, continuity exists between the normally-closed and common terminals.

**10.2.2 Installation**

Install the D811 in the enclosure with the control panel (Figure 22) or in an adjacent enclosure no more than 1.5 m (5 ft.) from the control panel. Use 1.5 mm (16 AWG) to 0.8 mm (22 AWG) wire.

To install D811 Modules in the enclosure with the control panel:

1. Align the D811 Module with any of the four mounting locations in the enclosure (Figure 2 on page 15).
2. Using the screws provided with the module, secure it in the enclosure.

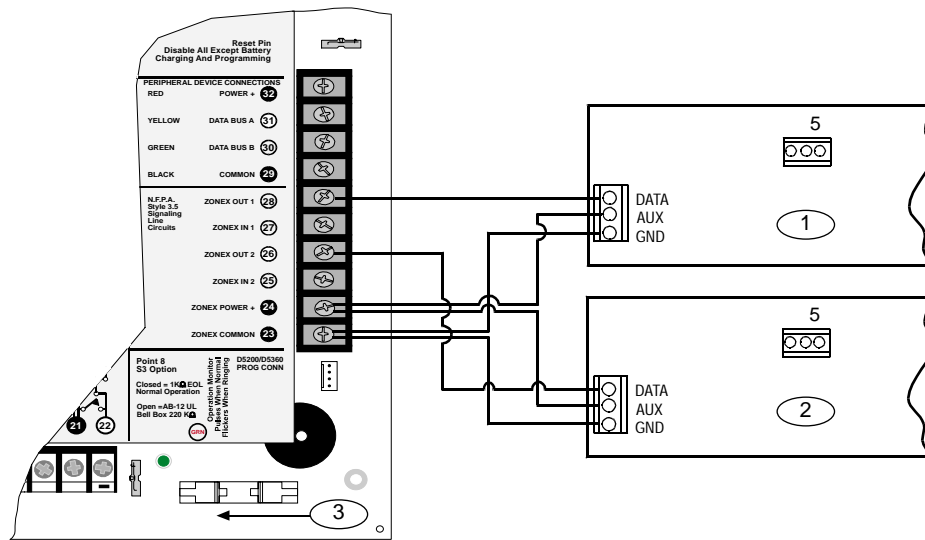
Use the D137 Mounting Bracket or D9002 Mounting Skirt to install D811 Modules in enclosures with no available module mounting locations.

**10.2.3 Wiring Connections**

Power down the control panel to connect D811 Modules as shown in Figure 22 on this page and Figure 23 on page 52.

	The D811 for Relay 53 connects to Zonex 1.
	The D811 for Relay 117 connects to Zonex 2 on the D9412GV2.

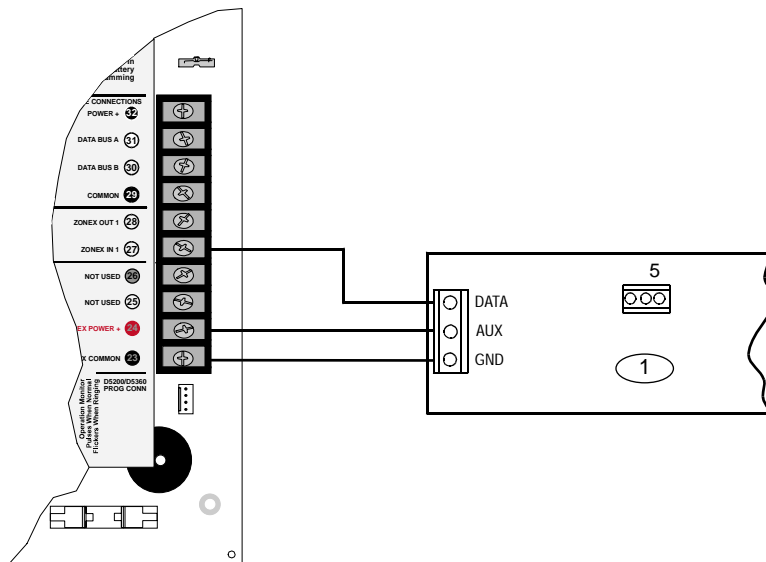
**Figure 22: D811 Module Wiring to the D9412GV2**



- 1 - D811 for Relay 53
- 2 - D811 for Relay 117

3- On-board points

**Figure 23: D811 Module Wiring to the D7412GV2**



1 - D811 for Relay 53

## 11.0 Arming Devices

### 11.1 Description

Keypads, maintained or momentary contact keyswitches, or a combination of the two are used to arm and disarm areas. The control panel can contain up to eight areas. Refer to 3.3.6 *Areas and Accounts* on page 12 for a description of areas.

### 11.2 Keypad Terminals 29 to 32

The Bosch Security Systems keypad is a four-wire powered device used to arm and disarm areas, announce complete system status, initiate system tests, and control many functions of the security system.

The system can supervise up to eight keypads. The control panel sends a Serial Device Trouble Report, SDI FAILURE, in the Modem IIIa<sup>2</sup> format or TROUBLE ZN D in the BFSK format, if it loses communication with a supervised keypad. CALL FOR SERVICE appears in any keypad that loses communication with the control panel, if the keypad has text display capability. SERVC KEYPAD appears at all other keypads connected to the system.

A total of 32 unsupervised keypads can be connected to the system. The number of supervised keypads, number of areas, and the available power affect the total number of keypads that can be connected to the system. Refer to *Keypad* in the *D9412GV2/D7412GV2 Program Entry Guide* (P/N: F01U003636) for complete programming details on keypad options.

Five types of keypads are available for use with the system.

- D1255 – 16-character alphanumeric display for general use.
- D1256 – text display keypad with keys designated for local fire alarm control.
- D1257 – text display keypad for fire annunciation.
- D1260 – easy-to-read, 4-line by 20-character LCD display with eight “soft” keys to display simple selections.
- D720 – LED display keypad appropriate for use as a single area keypad with up to eight points.



D1255 and D720 are available in white (D1255W and D720W) or red (D1255R and D720R).

For operational information, refer to the user’s guide for the specific keypad.

### 11.2.1 Assigning an Address for the Keypad

Switches on the keypad assign an address (1 to 8). The address determines if the keypad is supervised, the scope of the keypad, and to what area the keypad is assigned. Refer to *Keypad Assignment* in the *D9412GV2/D7412GV2 Program Entry Guide* (P/N: F01U003636) for a complete description of addresses.

Table 20 shows the correct switch setting for each address.

Address	Switch					
	1	2	3	4	5	6
Address #1	ON	ON	ON	ON	Tone ON/OFF Encoding	ON
Address #2	OFF	ON	ON	ON		ON
Address #3	ON	OFF	ON	ON		ON
Address #4	OFF	OFF	ON	ON		ON
Address #5	ON	ON	OFF	ON		ON
Address #6	OFF	ON	OFF	ON		ON
Address #7	ON	OFF	OFF	ON		ON
Address #8	OFF	OFF	OFF	ON		ON

### 11.2.2 Installation

Refer to the keypad installation manuals for installation and mounting instructions. Keypads connect to the control panel in parallel (Table 21).

D7212GV2 Terminal	Function	Keypad Wire Color	Function
32*	POWER +	Red	12 VDC
31	DATA BUS A	Yellow	Data – In
30	DATA BUS B	Green	Data – Out
29	COMMON	Black	Common

\* Connect with at least 1.5 m (5 ft.) or 0.8 mm (22 AWG) wire (4.3 m [14 ft.] of 1.2 mm [18 AWG] wire).

### Switching the Green and Yellow Wires Affects

**Other Keypads:** Connecting the green wire incorrectly from the keypad to Terminal 31 and the yellow wire to Terminal 30 causes other keypads connected to the control panel to go blank or to sound random beep tones.

You can connect devices to the data bus (Terminals 30 and 31) by parallel wire run from the control panel to each device, wire from device to device, or a combination of the two using a maximum of 4572 m (15000 ft) of 0.8 mm (22 AWG) wire for all devices connected to the SDI Bus combined.

**Wire Limits for Individual Keypads**

- Limit most keypads to 610 m (2000 ft) per run.
- Limit D9210B Modules to 457 m (1500 ft) per run (762 m [2,500 ft] if using an external power supply).
- Limit D9131A Modules to 305 m (1000 ft) per run.

**Extra Power for More Keypads**

The D1255 Command Center draws 104 mA when idle. It draws 206 mA with the keys lit and the sounder activated. Review *Section 6.0 Power Outputs* on page 25 to determine the total power output requirements for the system.

One or more D8132 Battery Charger/Power Supply Modules can be added for the number of keypads used. *Figure 24* shows the D8132 powering keypads in a stand-alone configuration.

For UL Certificated accounts, use a UL Listed auxiliary 12 VDC or 24 VDC regulated, power-limited power supply for Fire Protective Signaling Units and Commercial or Residential Burglar Units. The D8132 is not UL Listed as a stand-alone power supply.

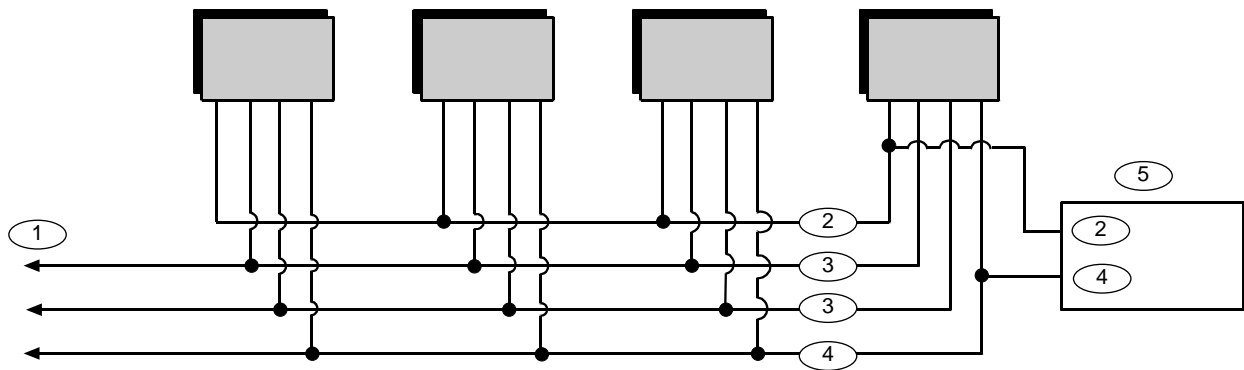


**The control panel and the D8132 (or other power supply) must share COMMON.**

*Figure 24* shows the common form of the D8132 Module connected to the common on the keypad and the common on the control panel. Any stand-alone power supply, powering any device connected to the control panel, must also be connected to a common terminal on the control panel.

If using the ground fault detection capability on the D9412GV2 and D7412GV2 Control Panels with an external power supply, ensure that the external selected power supply isolates its earth ground connection from the negative side of the auxiliary power output. External power supplies that do not isolate earth ground can cause ground fault conditions on the control panel.

**Figure 24: Power at Keypads**



- 1 - To control panel
- 2 - +12 VDC
- 3 - Data

- 4 - Common
- 5 - D8132 or external power supply

### 11.3 D268/D269 Independent Zone Control, D279A Independent Zone Control

Any on-board or OctoPOPIT point can be programmed so that the D268/D269 or D279A Independent Zone Control operates as independent point control (arming and disarming the point).

Refer to *Point Assignments* in the *D7212GV2 Program Entry Guide* (P/N: F01U003636) for programming information. Refer to the *D268/D269 Operation and Installation Instructions* (P/N: 74-004758-000) or the *D279A Operation and Installation Instructions* (P/N: 46458) for wiring and operation instructions.

### 11.4 Keyswitch

#### 11.4.1 Description

A maintained or momentary contact arming station (keyswitch) can be connected to master arm or disarm any of the areas in the system. The keyswitch is connected to an on-board or off-board point's sensor loop. Relays can be programmed to activate arming status LEDs for keyswitch arming stations. Refer to *Relays* in the *D9412GV2/D7412GV2 Program Entry Guide* (P/N: F01U003636)

#### 11.4.2 Programming

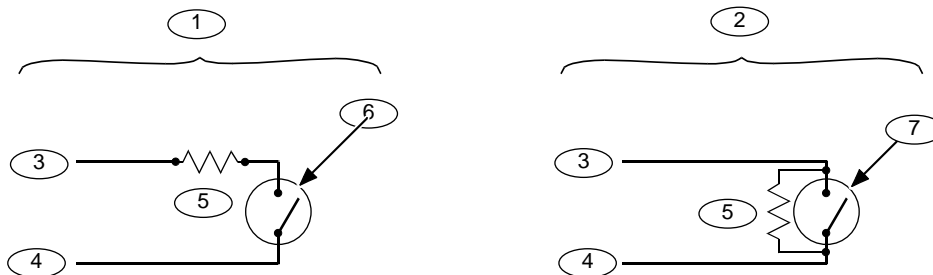
Refer to *Point Assignments* in the *D9412GV2/D7412GV2 Program Entry Guide* (P/N: F01U003636) for the correct programming for points used for keyswitches.

#### 11.4.3 Installation

For maintained switches, connect the EOL resistor for the point at the keyswitch so that the switch opens the circuit when it operates. A short on the circuit produces an alarm if the area is armed and a trouble if it is disarmed. Refer to *Figure 25*.

For momentary keyswitches, connect the EOL resistor at the keyswitch point so that when the keyswitch operates, it shorts the resistor. An open on the circuit causes an alarm if the area is armed and a trouble if it is disarmed. Refer to *Figure 25*.

**Figure 25: Keyswitch Wiring**



- 1 - Maintained keyswitch
- 2 - Momentary keyswitch
- 3 - Common
- 4 - Point input

- 5 - 1 kΩ or 33 kΩ resistor \*
- 6 - Open on a circuit arms the area
- 7 - Short on a circuit toggles the arming state

\* Use 1 kΩ EOL resistors if using one of the zones on the control panel or an OctoPOPIT. Use a 33 kΩ resistor if using a POPIT.

#### Maintained Contact

If the point to which the keyswitch is connected is programmed for a maintained contact, an open on the arming circuit arms the area. All faulted points are force armed, regardless of the entry in the FA Bypass Max program item. Returning the circuit to normal disarms the area. Refer to *Area Parameters* and *Point Assignments* in the *D7212 Program Entry Guide* (P/N: F01U003804)

**Momentary Contact**

If the point to which the keyswitch is connected is programmed for a momentary contact, shorting the arming circuit toggles the area's arming state between armed and disarmed. All faulted points are force armed, regardless of the entry in the FA Bypass Max program item. Refer to *Point Assignments* in the *D9412GV2/D7412GV2 Program Entry Guide* (P/N: F01U003636).

**Silencing the Bell**

To silence the bell (stop Alarm Bell output) if the system is armed, position the keyswitch to disarm the area. If the area is disarmed, turn the keyswitch once to start the arming process. Turning the keyswitch a second time stops the arming process and silences the bell.



## 12.0 SDI Devices

### 12.1 Description

D9412GV2 or D7412GV2 Control Panels can support a number of accessory devices from the SDI Bus using Terminals 29 through 32. Some devices include the D1255 Command Center (keypad) (refer to *Section 11.0 Arming Devices* on page 53), D9131A Parallel Printer Interface Module, D9210B Wiegand Control Interface Module, DX4010i RS-232 Serial Interface Module, D9133 Serial Interface Module, DX4020 Network Interface Module, and D9133TTL-E Network Interface Module.

### 12.2 Installation

For complete installation instructions, consult the operation and installation guide for the specific SDI device. SDI devices connect to the control panel in parallel (*Table 22*).

These devices can share power with the control panel or be powered by a stand-alone power source.

**Table 22: SDI Device Connections**

D9412GV2/D7412GV2		SDI Devices	
Terminal	Function	Wire Color	Function
32	POWER +	Red	+12 VDC
31	DATA BUS 1	Yellow	Data - In
30	DATABUS B	Green	Data - Out
29	COMMON	Black	Common



A stand-alone power supply powering the SDI device must also be connected to a common terminal on the control panel.

Do not connect the earth ground for the stand-alone power supply to Terminal 10 on the control panel.

### 12.3 D9131A Parallel Printer Interface Module

The Bosch Security Systems D9131A Parallel Printer Interface Module is a four-wire powered device used to connect a standard parallel printer to a control panel. D9412GV2 can supervise three printers and D7412GV2 can supervise one printer. A separate D9131A Parallel Printer Interface Module is necessary for each printer. The D9131A connects to the printer using a standard parallel printer cable.

### 12.3.1 Switch Settings

Switches on the D9131A assign a unique address (17 to 19) for each printer. The address determines if the printer is supervised, the area scope of the printers, and the area to which the printer is assigned. Refer to *Printer Parameters* in the *D9412GV2/D7412GV2 Program Entry Guide* (P/N: F01U003636) for a complete description of addresses.

*Table 23* shows the correct switch setting for each address.

**Table 23: Printer Address Switch Settings**

Printer	Switch					
	1	2	3	4 <sup>2</sup>	5	6
17	ON	ON	ON	ON	ON	ON
18 <sup>1</sup>	OFF	ON	ON	ON	ON	ON
19 <sup>1</sup>	ON	OFF	ON	ON	ON	ON

<sup>1</sup> D9412GV2 only.  
<sup>2</sup> Switch 4: ON = Header and form feed  
OFF = No header and form feed

### 12.3.2 Supervision

Supervision includes:

- Proper operation of the SDI bus
- Proper connection of the printer cable between the printer and the D9131A
- Printer paper supply
- Printer selected (on-line)
- Printer power.

The control panel sends an SDI Failure Report to the receiver if communication with the printer interface fails. If an SDI failure occurs, `SERVC PRINTER` appears at the keypad. The report to the receiver includes the address of the troubled D9131A to indicate which printer needs service.

If an SDI device is supervised and Terminal SDI A becomes disconnected, the device can continue to operate normally, depending upon environmental conditions.

### 12.4 D9210B Wiegand Control Interface Module

The Bosch Security Systems D9210B Wiegand Control Interface Module is a four-wire powered device providing connections for an access door point and door strike. The D9412GV2 can supervise eight Wiegand Control Modules, the D7412GV2 can supervise two. Each D9210B supports one door to control access. Programming allows each access door to be configured independently.

### 12.4.1 Access

Using Wiegand style cards or tokens, the D9210B can allow access for up to 996 cards or tokens on the D9412GV2, and up to 396 on the D7412GV2. User access authority can be configured to restrict access to certain doors or to certain periods of time. The reading of access cards, in addition to granting access, can control whether the system disarms. Used with the D9412GV2, the D9210B recognizes 249 master users by user name, passcode, and access authority. The D9210B recognizes 99 master users when used with the D7412GV2. Each master user supports three sub-users with unique cards or tokens having the same access level as the master user.

### 12.4.2 Switch Settings

Switches on the D9210B assign a unique address (1 to 8) to each module. *Table 24* shows the correct switch setting for each D9210B address.

Table 24: Address Switch Settings for Access Control Module						
Door Module Addresses	DIP Switch Settings					
	1	2	3	4 <sup>1</sup>	5 <sup>2</sup>	6 <sup>2</sup>
1	ON	ON	ON		ON	ON
2	OFF	ON	ON		ON	ON
-----D7412GV2 Maximum-----						
3	ON	OFF	ON		ON	ON
4	OFF	OFF	ON		ON	ON
5	ON	ON	OFF		ON	ON
6	OFF	ON	OFF		ON	ON
7	ON	OFF	OFF		ON	ON
8	OFF	OFF	OFF		ON	ON

<sup>1</sup> Switch 4, Fail Safe Mode:  
 ON = If SDI bus fails, relay energizes.  
 OFF = If SDI bus fails, relay de-energizes.

<sup>2</sup> Switches 5 and 6 must remain in the ON position.

## 12.5 SDI Address 80

SDI Address 80, available on the D9412GV2 and D7412GV2 Control Panels, allows for two-way SDI to RS-232 information. This address is used with home or building automation software. A D9133 Serial Interface Module is required for this application.

### 12.5.1 Serial Interface Modules (SIMs)

The DX4010i RS-232 Serial Interface Module and the D9133 Serial Interface Module are four-wire powered SDI devices that provide connection for RS-232 devices to the D9412GV2 and D7412GV2 Control Panels. They use a specific communication protocol that is provided upon request. Contact Bosch Security Systems Technical Support Monday through Friday from 5 AM to 5 PM EST at 888-886-6189.

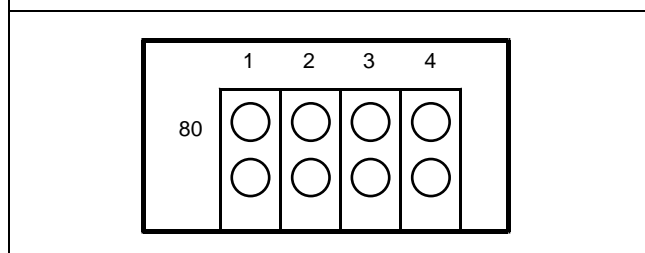
The DX4010i can be installed up to 305 m (1000 ft.) from the control panel, using 0.8 mm (22 AWG) wire. The DX4010i was not investigated by UL. Do not use DX4010i in UL Listed installations.

The D9133 can be installed up to 305 m (1000 ft.) from the control panel using 1.2 mm (18 AWG) wire. The D9133 was not investigated by UL. Do not use D9133 in UL Listed installations.

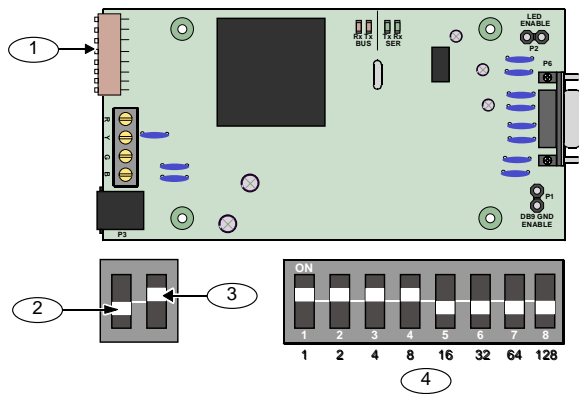
### 12.5.2 Address Settings

No jumper settings are required for the D9133 (SDI Address 80) for home or building automation purposes (*Figure 26*). Remove the jumper shunts for this purpose.

Figure 26: D9133 Jumper Setting for Address 80



The DX4010i has specific DIP switch settings for SDI Address 80 when home or building automation is desired. *Figure 27* on page 59 shows the correct settings for Address 80.

**Figure 27: DX4020i DIP Switch Settings**

- 1 - Address DIP switches
- 2 - OFF position
- 3 - ON position
- 4 - SDI Address 80 switch settings

### 12.5.3 Supervision

Supervision of the serial interface module is available through programming. Supervision is not required to use a DX4010i or a D9133.

If supervised, and the serial interface module does not respond to control panel supervision polls, the control panel sends an SDI Failure Report to the receiver. If it fails to communicate with the DX4010i or the D9133, SERVC SDI 80 displays at the keypad. The SDI Failure Report includes the address of the troubled module indicating which module needs service.

## 12.6 SDI Address 88

SDI Address 88 is available with the D9412GV2 and D7412GV2 Control Panels and is used for several different applications. When using SDI Address 88, connect only one listed device at a time.

### 12.6.1 D9133DC Direct Connect Programming Module

Use the D9133DC Direct Connect Programming Module to handle local programming of the D9412GV2 and D7412GV2 Control Panels. In addition, the D9133DC allows diagnostic and history retrieval. D9133DC is not UL Listed.

#### Connecting the D9133DC

1. Configure D9133DC for SDI Address 88. To program the control panel when the reset pin is in the unlocked position, program Enable SDI RPS to **Yes** in the GV2AUX handler.

2. Connect D9133DC to Com Port 1 or Com Port 2 on the PC. The D9133DC has a DB-9 female serial connector. A null-modem cable must be purchased separately to connect the D9133DC to a PC.
3. Using 0.8 mm (22 AWG) or 1.2 mm (18 AWG) wire, connect the D9133DC SDI terminals (SDI PWR, SDI A, SDI B, and SDI COM) to the control panel's SDI terminals (Terminals 29 to 32).

To send or receive the control panel's program, place the Reset Pin in the **Locked** or **Unlocked** position.



Locking the Reset Pin when programming the control panel improves the uploading and downloading times.

### Used as an External Modem

The D9133DC can operate as an external modem when using Remote Programming Software (RPS) with the control panel. Refer to the *D9412GV2/D7412GV2 Program Entry Guide* (P/N: F01U003636) for programming details.

### 12.6.2 Network Interface Modules

The Bosch Security Systems DX4020 Network Interface Module and D9133TTL-E Network Interface Module are four-wire powered SDI devices that provide connection for two-way communication over Ethernet networks to D9412GV2 and D7412GV2.

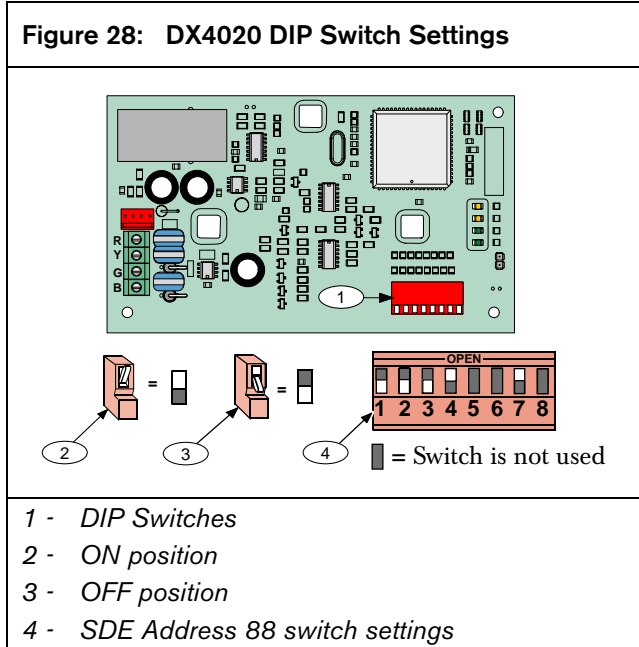
For programming information on enhanced communications, refer to the *D9412GV2/D7412GV2 Program Entry Guide* (P/N: F01U003636).

The DX4020 can be installed up to 305 m (1000 ft) from the control panel using 0.8 mm (22 AWG) wire.

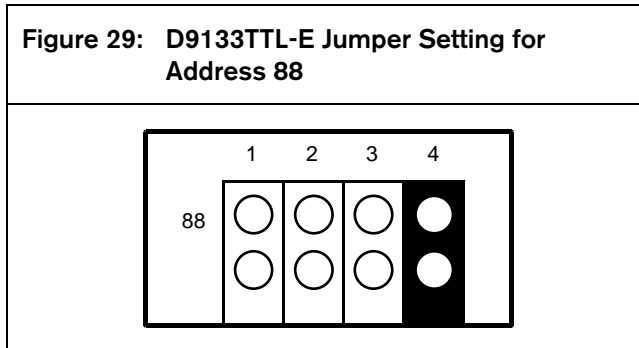
The D9133TTL-E can be installed up to 305 m (1000 ft) from the control panel using 1.2 mm (18 AWG) wire.

### 12.6.3 Address Settings

The DX4020 has specific DIP switch settings for SDI Address 88 when using the DX4020 for Remote Programming Software (RPS) or enhanced communications in a LAN or WAN environment. Refer to *Figure 28* for the correct switch settings.



Place a jumper over Pin 8 for the D9133TTL-E (SDI Address 88) to be used for RPS or enhanced communications in a LAN or WAN environment.



### 12.6.4 Supervision

Supervision of the D9133DC, D9133TTL-E, and D9133TTL-TR at SDI Address 88 is available through programming that ensures operation between the module and the control panel.

If supervised and the module does not respond to control panel supervision polls, `SERV SDI 88` appears at the keypad. The report to the receiver includes the address of the troubled module indicating which module needs service.

## 13.0 Programmer and Accessory Connections

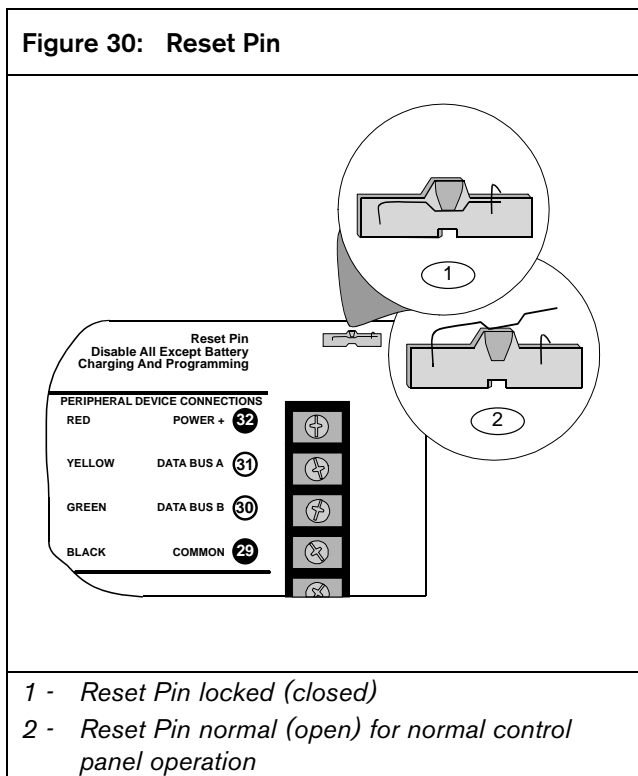
### 13.1 Programmer Connector

Refer to the *D5200 Operation Manual* (P/N: 74-06176-000) for complete information on using the D5200 programmer.

To connect and disconnect the programmer:

1. Lock the Reset Pin (*Figure 30*).
2. Connect the D5200 Data/Power cord to the programming connector on the control panel (*Figure 31*).
3. Perform the desired programming function (send or receive program).
4. Disconnect the programmer.

**Figure 30: Reset Pin**

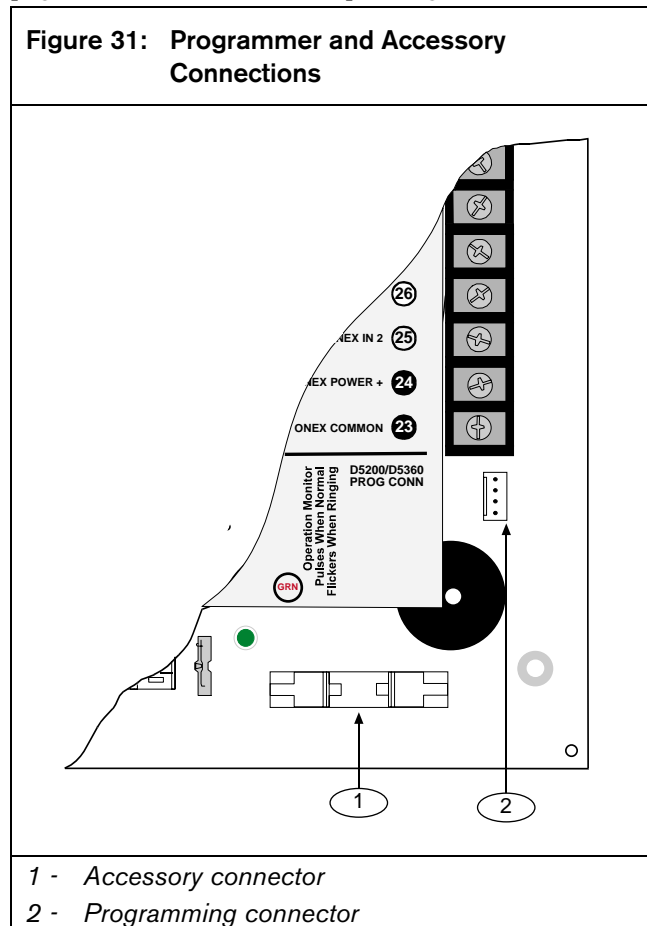


### 13.3 Accessory Connector

Use the accessory connector to connect the control panel to the D928 Dual Phone Line Switcher. The accessory connector is on the bottom right corner of the I/O board (*Figure 31*). The D928 lets the control panel use two telephone lines to send reports.

Refer to *Section 7.11 D928 Dual Phone Line Switcher* on page 29 for installation and operating instructions.

**Figure 31: Programmer and Accessory Connections**



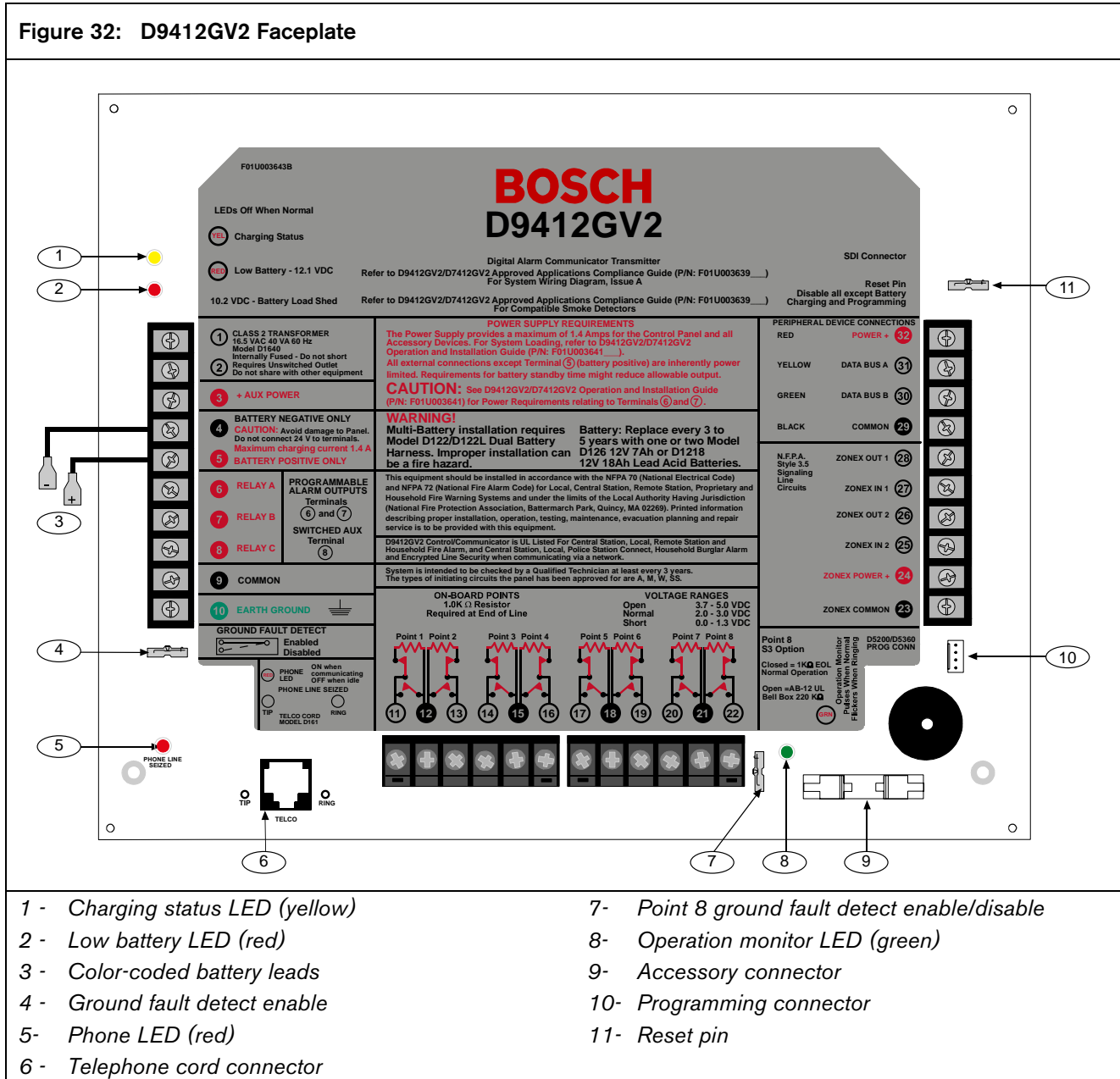
### 13.2 Programmer Access Reports

When a program is sent to the control panel, the control panel sends a Prog Access OK report 10 seconds after the handler exits or when the programmer disconnects. The prompt in routing must be programmed **Yes** to send this report.

# 14.0 Faceplates

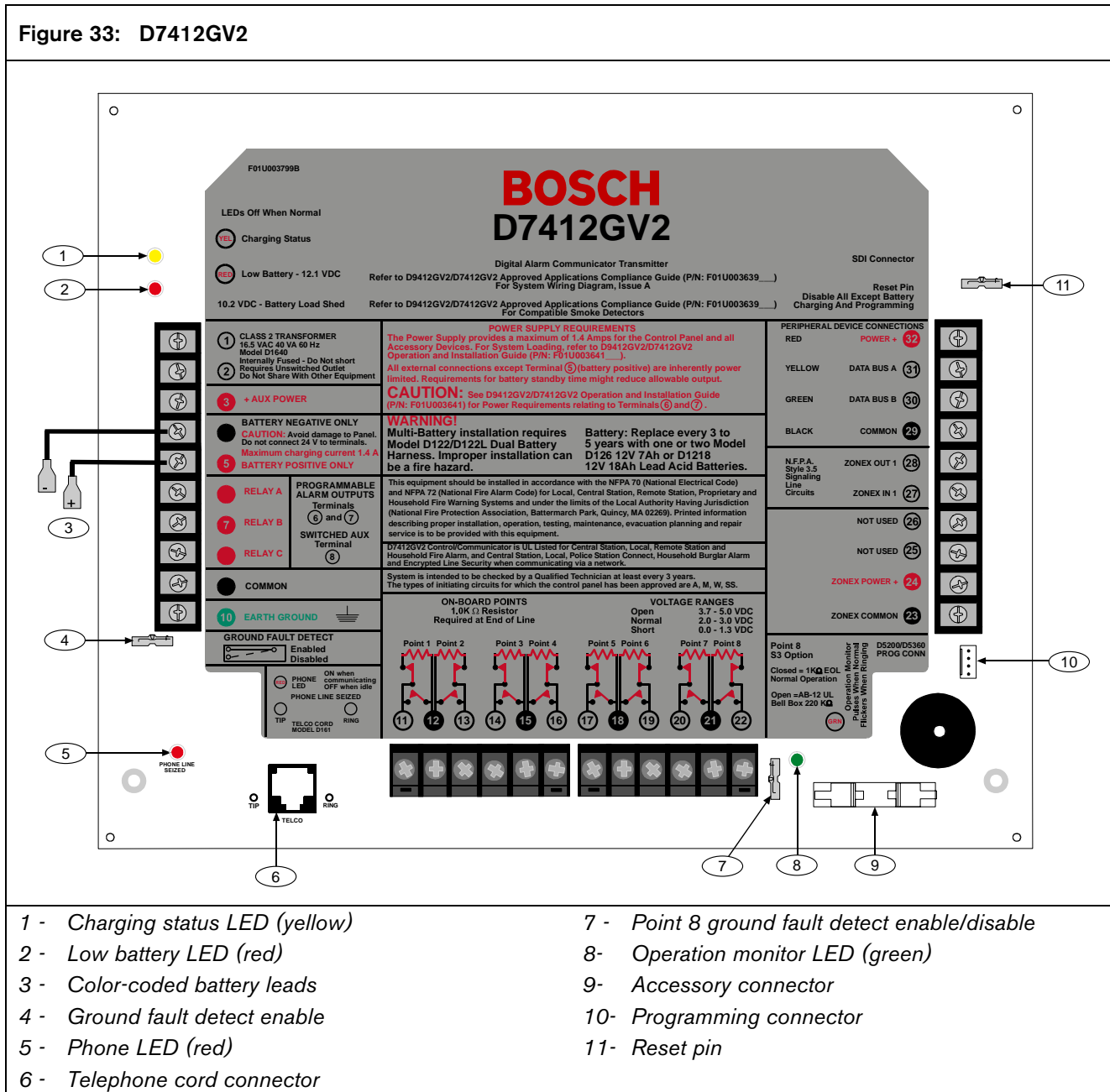
## 14.1 D9412GV2 Faceplate

Figure 32: D9412GV2 Faceplate



14.2 D7412GV2 Faceplate

Figure 33: D7412GV2

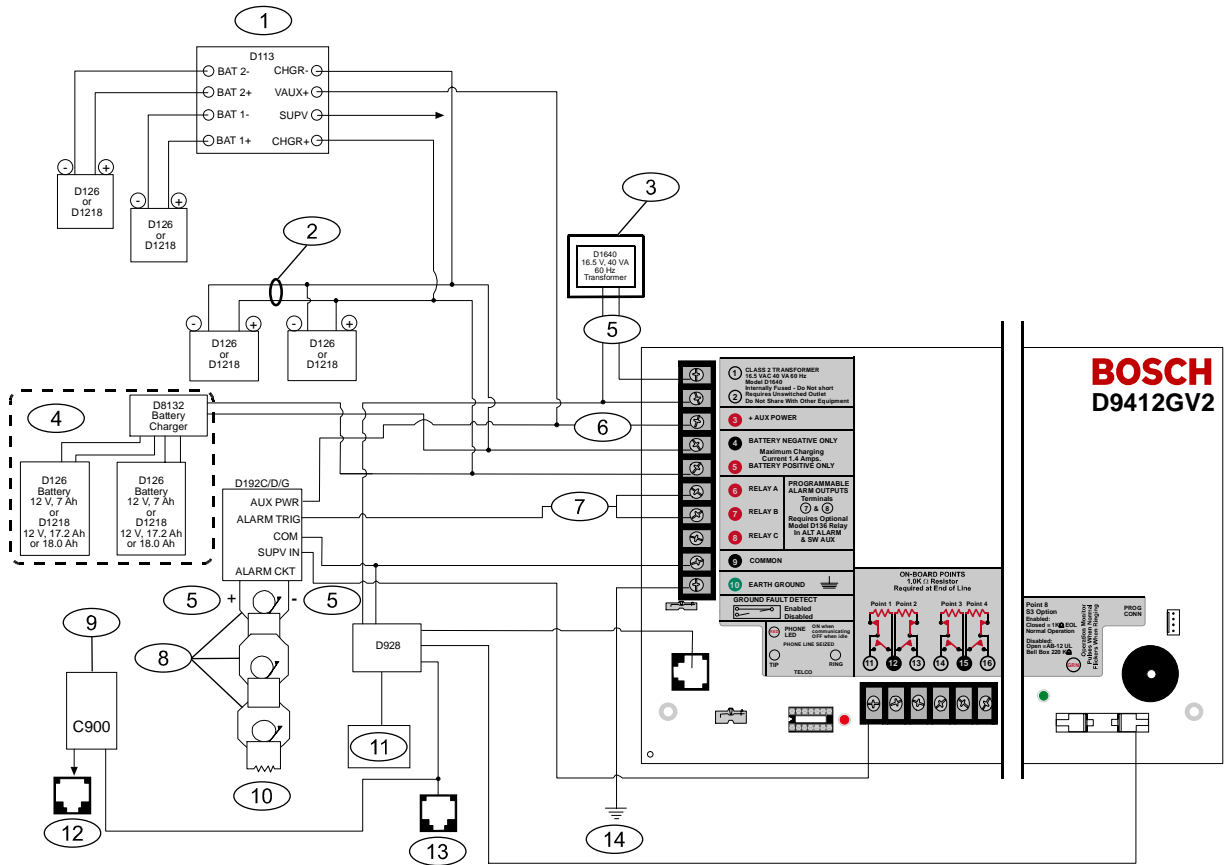


- 1 - Charging status LED (yellow)
- 2 - Low battery LED (red)
- 3 - Color-coded battery leads
- 4 - Ground fault detect enable
- 5 - Phone LED (red)
- 6 - Telephone cord connector
- 7 - Point 8 ground fault detect enable/disable
- 8 - Operation monitor LED (green)
- 9 - Accessory connector
- 10 - Programming connector
- 11 - Reset pin

## Appendix A: System Wiring Diagrams, Issue A

### A.1 D9412GV2 Control Panel

Figure 34: D9412GV2, Power Supply Side

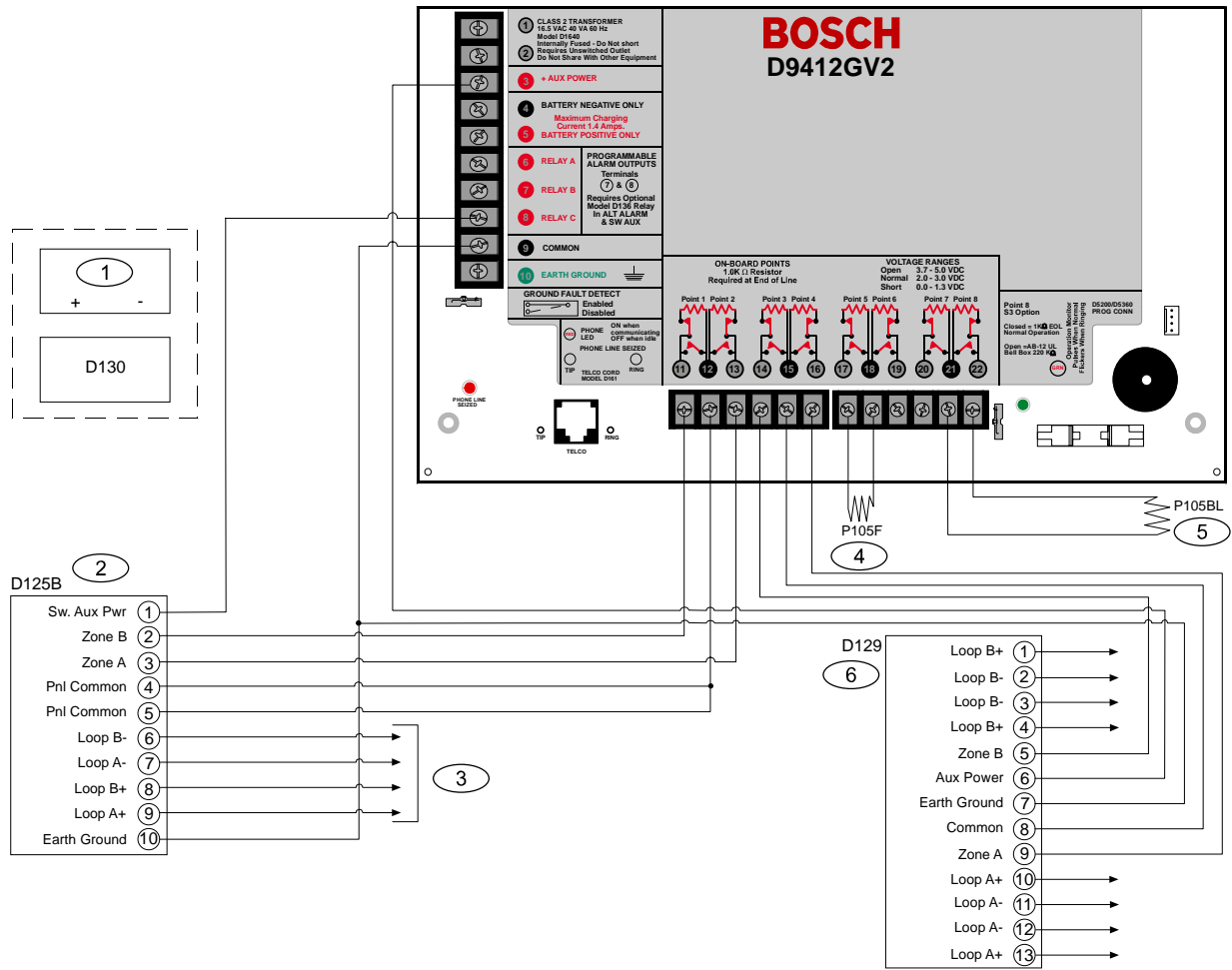


- 1 - If required by local AHJ, connect D113 Battery Lead Supervision Module.
- 2 - D122 Dual Battery Harness, as required.
- 3 - D1640 Transformer and D8004 Transformer Enclosure required for NFPA Applications
- 4 - D8132 Dual Battery Charger with two batteries (batteries are not supervised)
- 5 - Power limited, supervised
- 6 - Power limited
- 7 - To Relay A or Relay B

- 8 - Listed Audible Signaling Devices rated at 10.2 to 13.8 VDC (Do not use vibrating type horns.)
- 9 - Optional
- 10 - 560  $\Omega$ , 2  $\Omega$  EOL Resistor (P/N: 15-03130-005)
- 11 - RJ31X, Secondary phone line
- 12 - RJ31X, Jack
- 13 - RJ31X, Primary phone line
- 14 - To earth ground



Figure 35: D9412GV2, Input Points and Peripheral Devices

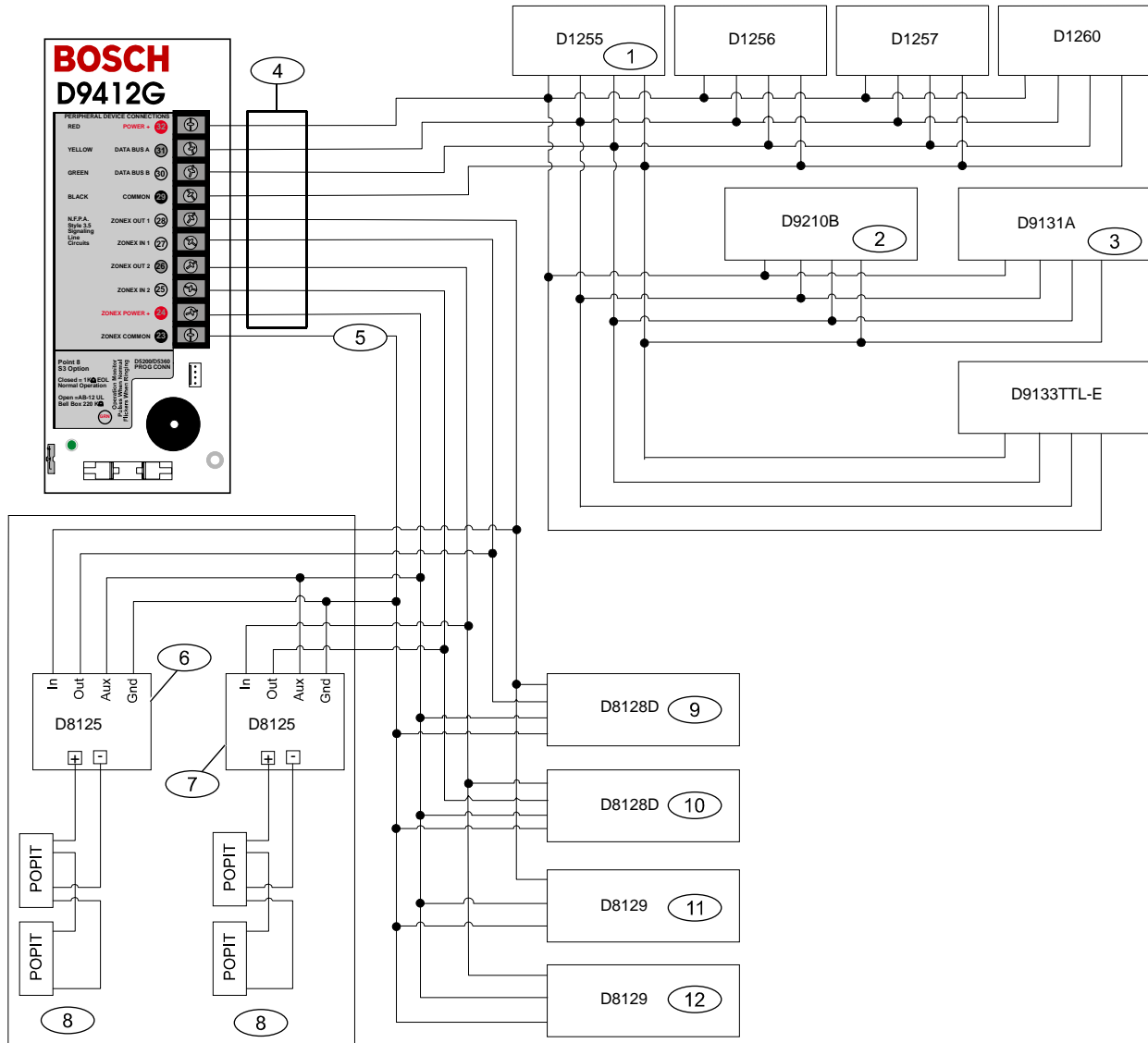


- 1 - (Optional): For 24 V applications use a UL Listed 24 VDC power supply with a D130 Relay Module. Refer to the D130 Installation Instructions (P/N: 74-06262-00) for correct wiring requirements.
- 2 - To UL Listed two-wire smoke detectors. Refer to the 9000/G/GV2 Series Technical Service Note: UL Smoke Detector Compatibility (P/N: 33284) for a listing of compatible two-wire smoke detectors.
- 3 - P105 1 kΩ EOLR (P/N: 14-03130-004): Suitable for non-powered initiating and supervisory devices such as pull stations, heat sensors, and valve tamper.
- 4 - P105BL1 1kΩ EOLR (P/N: 14-0130-004): For typical burglar alarm applications.
- 5 - D129 provides optional Waterflow Retard feature. Not suitable for two-wire smoke detectors. (Note: Use Zero Retard except for waterflow devices.)



All external connections except Terminal 5 (battery positive) are power limited.

Figure 36: D9412GV2, SDI Devices



- 1 - Up to 8 supervised keypads
- 2 - Up to 8 D9210Bs
- 3 - Up to 3 supervised 9131As
- 4 - Power limited, supervised
- 5 - Power limited
- 6 - POPEX 1
- 7 - POPEX 2

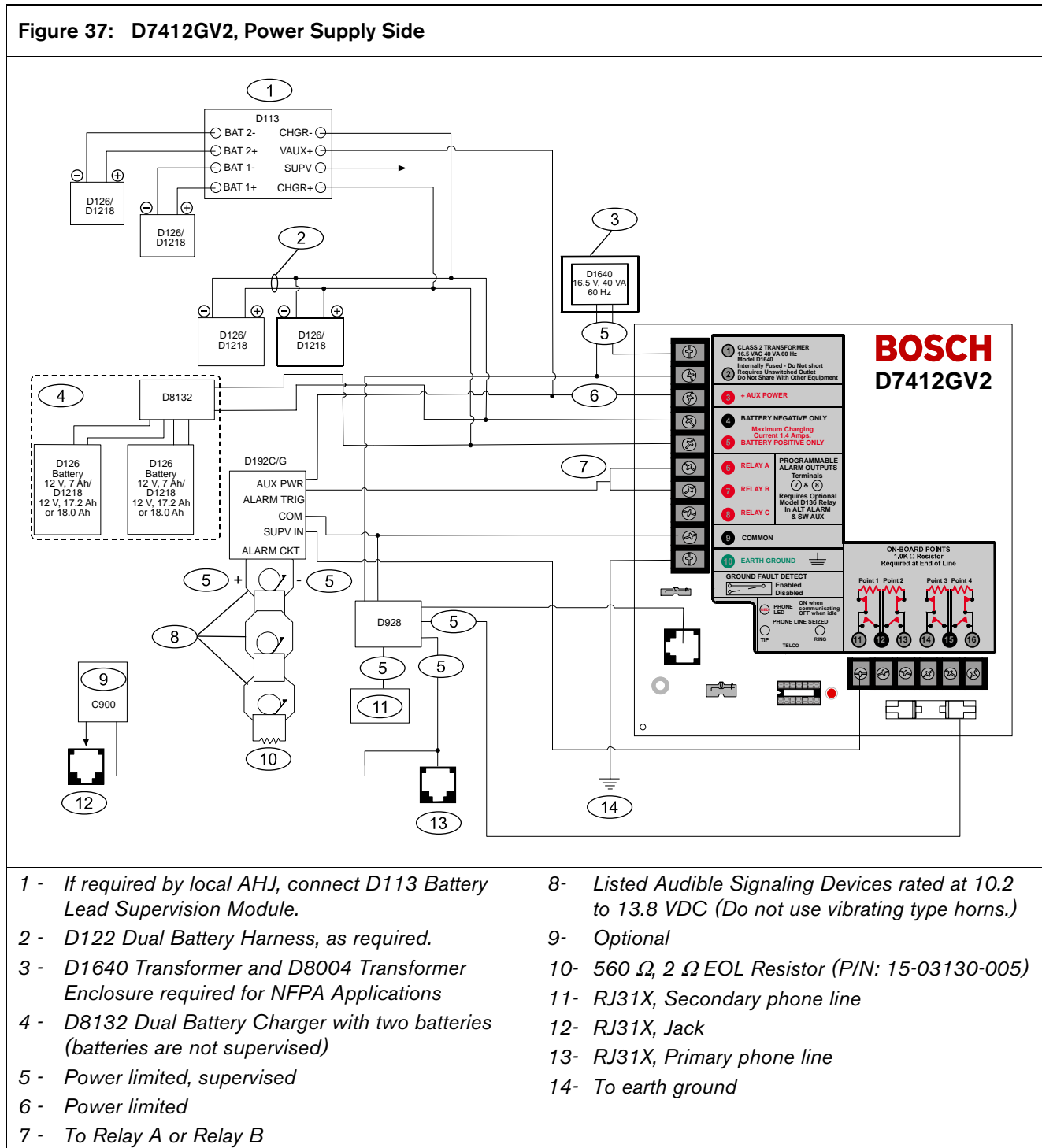
- 8 - Up to 119 D9127U/T POPITs or up to 63 D8127U/T POPITs
- 9 - Zonex 1: 15 D8128Ds
- 10 - Zonex 2: 15 D8128s
- 11 - Zonex 1: Up to 8 maximum
- 12 - Zonex 2: Up to 8 maximum



All external connections except Terminal 5 (battery position) are power limited.

## A.2 D7412GV2 Control Panel

Figure 37: D7412GV2, Power Supply Side



1 - If required by local AHJ, connect D113 Battery Lead Supervision Module.

2 - D122 Dual Battery Harness, as required.

3 - D1640 Transformer and D8004 Transformer Enclosure required for NFPA Applications

4 - D8132 Dual Battery Charger with two batteries (batteries are not supervised)

5 - Power limited, supervised

6 - Power limited

7 - To Relay A or Relay B

8 - Listed Audible Signaling Devices rated at 10.2 to 13.8 VDC (Do not use vibrating type horns.)

9 - Optional

10- 560 Ω, 2 Ω EOL Resistor (P/N: 15-03130-005)

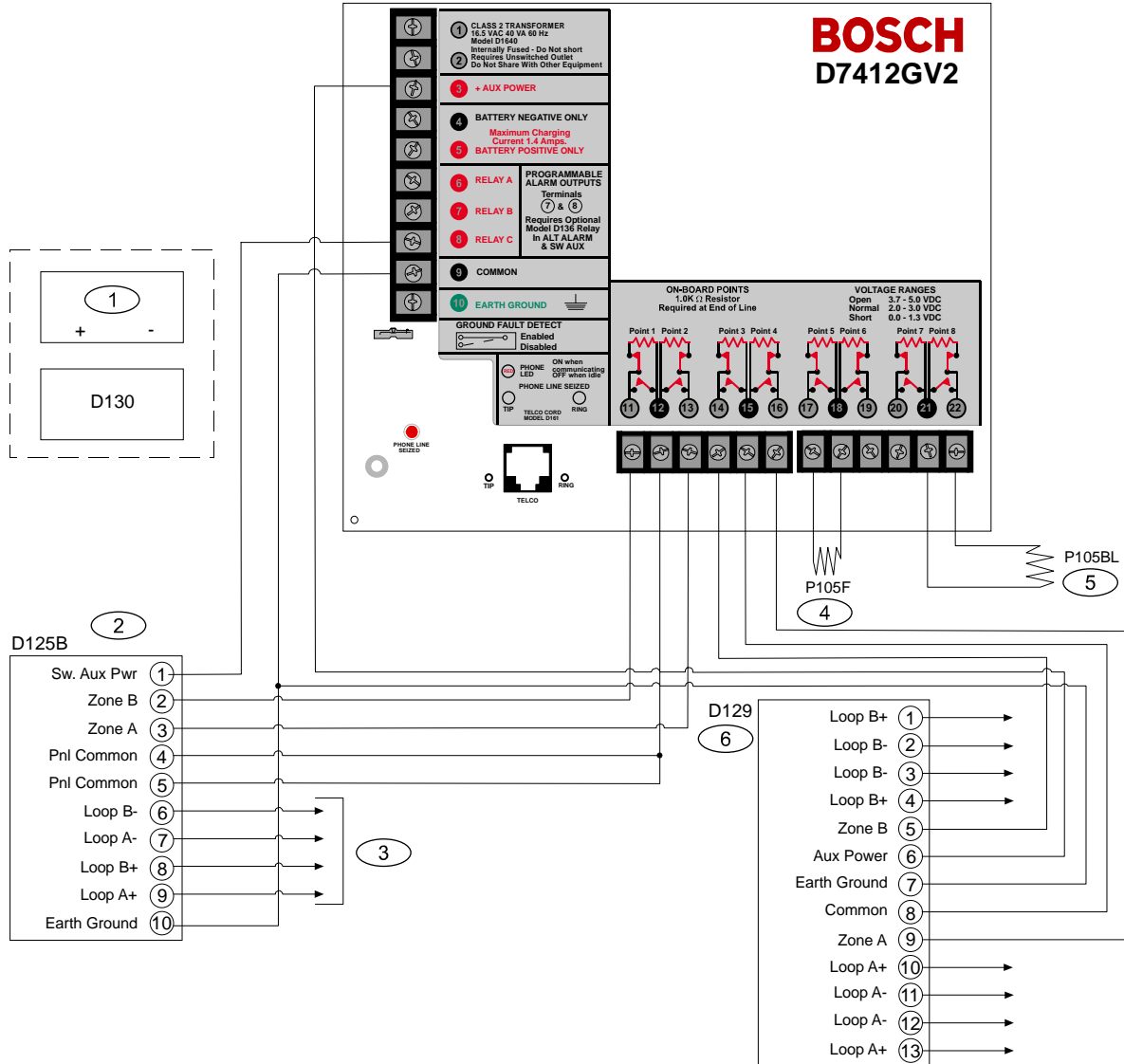
11- RJ31X, Secondary phone line

12- RJ31X, Jack

13- RJ31X, Primary phone line

14- To earth ground

Figure 38: D7412GV2, Input Points and Peripheral Devices

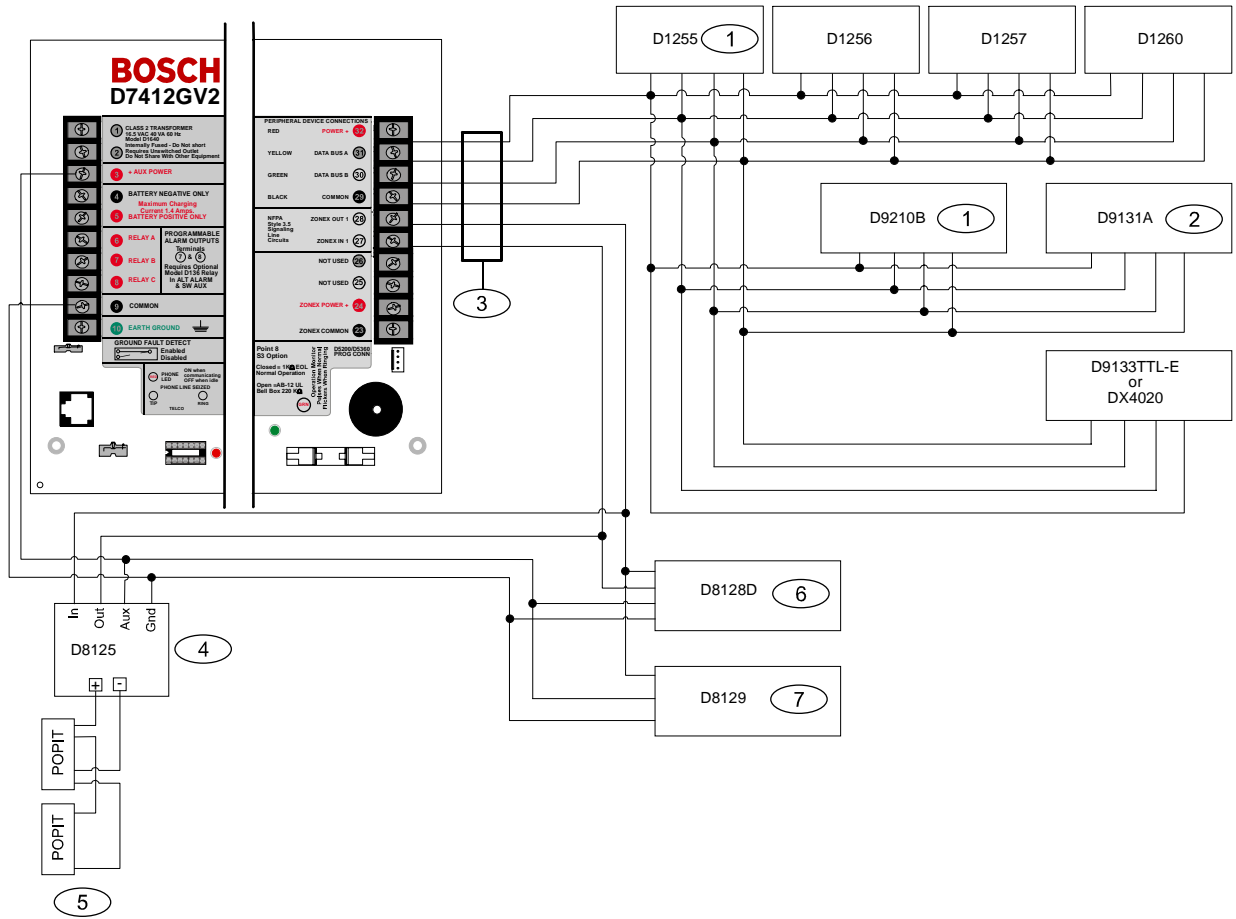


- 1 - (Optional): For 24 V applications, use a UL Listed 24 VDC power supply with a D130 Relay Module. Refer to the D130 Installation Instructions (P/N: 74-06262-000) for correct wiring requirements.
- 2 - To UL Listed two-wire smoke detectors. Refer to the 9000/G/GV2 Series Technical Service Note: UL Smoke Detector Compatibility (P/N: 33284) for a listing of compatible two-wire smoke detectors.
- 3 - P105 1 kΩ EOLR (P/N: 14-03130-004): Suitable for non-powered initiating and supervisory devices such as pull stations, heat sensors, and valve tampers.
- 4- P105BL1 1kΩ EOLR (P/N: 14-0130-004): For typical burglar alarm applications.
- 5 - D129 provides optional Waterflow Retard feature. Not suitable for two-wire smoke detectors. (Note: Use Zero Retard except for waterflow devices.)



All external connections except Terminal 5 (battery positive) are power limited.

Figure 39: D7412GV2, SDI Devices



- |                               |   |
|-------------------------------|---|
| 1 - Up to 8 supervised        | 5 - Up to 119 D9127U/T POPITs or up to 63 D8127U/T POPITs |
| 2 - Up to 3 supervised        | 6 - Zonex 1: 15 D8128Ds                                   |
| 3 - Power limited, supervised | 7 - Zonex 1: Up to 8 maximum                              |
| 4 - POPEX 1                   |   |



All external connections except Terminal 5 (battery positive) are power limited.

## Appendix B: Point Address Charts

### B.1 Zonex 1, Points 9 to 127 (D9412GV2); Zonex 1, Points 9 to 75 (D7412GV2)



Place the labels on the base of the POPIT. Do **not** attach labels to the POPIT cover.

A bullet (•) in the switch column indicates that the switch is set to ON.

D8127 or D9127 POPITs can be used for Points 9 to 72; however, only D9127 POPITs can be used for Points 73 to 127.

D8127 POPITs have DIP switches 1 to 6; D9127 POPITs have DIP switches 0 to 6.

**Table 25: Zonex 1 Point Address Chart**

Switch <sup>2</sup>		Switch <sup>2</sup>								Switch <sup>2</sup>													
Address <sup>1</sup>	0	1	2	3	4	5	6	Address <sup>1</sup>	0	1	2	3	4	5	6	Address <sup>1</sup>	0	1	2	3	4	5	6
009	•	•	•	•	•	•	•	049	•		•		•	•	•	089		•		•	•	•	•
010	•	•	•	•	•	•		050	•		•		•	•		090		•		•	•	•	
011	•	•	•	•	•		•	051	•		•		•		•	091		•		•	•		•
012	•	•	•	•	•			052	•		•		•			092		•		•	•		
013	•	•	•	•		•	•	053	•					•	•	093		•		•		•	•
014	•	•	•	•		•		054	•		•			•		094		•		•		•	
015	•	•	•	•			•	055	•		•				•	095		•		•			•
016	•	•	•	•				056	•		•					096		•		•			
017	•	•	•		•	•	•	057	•			•	•	•	•	097		•			•	•	•
018	•	•	•		•	•		058	•			•	•	•		098		•			•	•	
019	•	•	•			•	•	059	•			•	•	•		099		•			•		•
020	•	•	•		•			060	•			•	•			100		•			•		
021	•	•	•			•	•	061	•			•		•	•	101		•				•	•
022	•	•	•			•		062	•			•		•		102		•				•	
023	•	•	•				•	063	•			•			•	103		•					•
024	•	•	•					064	•			•				104		•					
025	•	•		•	•	•	•	065	•				•	•	•	105			•	•	•	•	•
026	•	•		•	•	•		066	•				•	•		106			•	•	•	•	
027	•	•		•	•		•	067	•				•		•	107			•	•	•		•
028	•	•		•	•			068	•				•			108			•	•	•		
029	•	•		•		•	•	069	•					•	•	109			•	•		•	•
030	•	•		•		•		070	•					•		110			•	•		•	•
031	•	•		•			•	071	•					•		111			•	•			6
032	•	•		•				072	•							112			•	•			
033	•	•			•	•	•	073		•	•	•	•	•	•	113			•		•	•	•
034	•	•			•	•		074		•	•	•	•	•		114			•		•	•	
035	•	•			•		•	075		•	•	•	•		•	115			•		•		•
036	•	•			•			076		•	•	•	•			116			•		•		
037	•	•				•	•	077		•	•	•		•	•	117			•			•	•
038	•	•				•		078		•	•	•		•		118			•			•	
039	•	•					•	079		•	•	•			•	119			•				•
040	•	•						080		•	•	•				120			•				
041	•		•	•	•	•	•	081		•	•		•	•	•	121				•	•	•	•
042	•		•	•	•	•		082		•	•		•	•		122				•	•	•	
043	•		•	•	•		•	083		•	•		•		•	123				•	•		•
044	•		•	•	•			084		•	•		•			124				•	•		
045	•		•	•		•	•	085		•	•			•	•	125				•		•	•
046	•		•	•		•		086		•	•			•		126				•		•	
047	•		•	•			•	087		•	•				•	127				•			•
048	•		•	•				088		•	•					128 <sup>3</sup>							

1 - Points 9 to 127 (D9412GV2); Points 9 to 75 (D7412GV2).  
 2 - A dot (•) in the Switch column indicates the switch is set to ON.  
 3 - The control panel reserves Point 128 for internal use.

## B.2 Zonex 2, Points 129 to 247 (D9412GV2 Only)



Place the labels on the base of the POPIT. Do **not** attach labels to the POPIT cover.

A number in the switch column indicates that the switch is set to ON.

**Table 26: Zonex 2 Point Address Chart**

Switch <sup>2</sup>								Switch <sup>2</sup>								Switch <sup>2</sup>							
Address <sup>1</sup>	0	1	2	3	4	5	6	Address <sup>1</sup>	0	1	2	3	4	5	6	Address <sup>1</sup>	0	1	2	3	4	5	6
129	.	.	.	.	.	.	.	169	.	.	.	.	.	.	.	209	.	.	.	.	.	.	.
130	.	.	.	.	.	.	.	170	.	.	.	.	.	.	.	210	.	.	.	.	.	.	.
131	.	.	.	.	.	.	.	171	.	.	.	.	.	.	.	211	.	.	.	.	.	.	.
132	.	.	.	.	.	.	.	172	.	.	.	.	.	.	.	212	.	.	.	.	.	.	.
133	.	.	.	.	.	.	.	173	.	.	.	.	.	.	.	213	.	.	.	.	.	.	.
134	.	.	.	.	.	.	.	174	.	.	.	.	.	.	.	214	.	.	.	.	.	.	.
135	.	.	.	.	.	.	.	175	.	.	.	.	.	.	.	215	.	.	.	.	.	.	.
136	.	.	.	.	.	.	.	176	.	.	.	.	.	.	.	216	.	.	.	.	.	.	.
137	.	.	.	.	.	.	.	177	.	.	.	.	.	.	.	217	.	.	.	.	.	.	.
138	.	.	.	.	.	.	.	178	.	.	.	.	.	.	.	218	.	.	.	.	.	.	.
139	.	.	.	.	.	.	.	179	.	.	.	.	.	.	.	219	.	.	.	.	.	.	.
140	.	.	.	.	.	.	.	180	.	.	.	.	.	.	.	220	.	.	.	.	.	.	.
141	.	.	.	.	.	.	.	181	.	.	.	.	.	.	.	221	.	.	.	.	.	.	.
142	.	.	.	.	.	.	.	182	.	.	.	.	.	.	.	222	.	.	.	.	.	.	.
143	.	.	.	.	.	.	.	183	.	.	.	.	.	.	.	223	.	.	.	.	.	.	.
144	.	.	.	.	.	.	.	184	.	.	.	.	.	.	.	224	.	.	.	.	.	.	.
145	.	.	.	.	.	.	.	185	.	.	.	.	.	.	.	225	.	.	.	.	.	.	.
146	.	.	.	.	.	.	.	186	.	.	.	.	.	.	.	226	.	.	.	.	.	.	.
147	.	.	.	.	.	.	.	187	.	.	.	.	.	.	.	227	.	.	.	.	.	.	.
148	.	.	.	.	.	.	.	188	.	.	.	.	.	.	.	228	.	.	.	.	.	.	.
149	.	.	.	.	.	.	.	189	.	.	.	.	.	.	.	229	.	.	.	.	.	.	.
150	.	.	.	.	.	.	.	190	.	.	.	.	.	.	.	230	.	.	.	.	.	.	.
151	.	.	.	.	.	.	.	191	.	.	.	.	.	.	.	231	.	.	.	.	.	.	.
152	.	.	.	.	.	.	.	192	.	.	.	.	.	.	.	232	.	.	.	.	.	.	.
153	.	.	.	.	.	.	.	193	.	.	.	.	.	.	.	233	.	.	.	.	.	.	.
154	.	.	.	.	.	.	.	194	.	.	.	.	.	.	.	234	.	.	.	.	.	.	.
155	.	.	.	.	.	.	.	195	.	.	.	.	.	.	.	235	.	.	.	.	.	.	.
156	.	.	.	.	.	.	.	196	.	.	.	.	.	.	.	236	.	.	.	.	.	.	.
157	.	.	.	.	.	.	.	197	.	.	.	.	.	.	.	237	.	.	.	.	.	.	.
158	.	.	.	.	.	.	.	198	.	.	.	.	.	.	.	238	.	.	.	.	.	.	.
159	.	.	.	.	.	.	.	199	.	.	.	.	.	.	.	239	.	.	.	.	.	.	.
160	.	.	.	.	.	.	.	200	.	.	.	.	.	.	.	240	.	.	.	.	.	.	.
161	.	.	.	.	.	.	.	201	.	.	.	.	.	.	.	241	.	.	.	.	.	.	.
162	.	.	.	.	.	.	.	202	.	.	.	.	.	.	.	242	.	.	.	.	.	.	.
163	.	.	.	.	.	.	.	203	.	.	.	.	.	.	.	243	.	.	.	.	.	.	.
164	.	.	.	.	.	.	.	204	.	.	.	.	.	.	.	244	.	.	.	.	.	.	.
165	.	.	.	.	.	.	.	205	.	.	.	.	.	.	.	245	.	.	.	.	.	.	.
166	.	.	.	.	.	.	.	206	.	.	.	.	.	.	.	246	.	.	.	.	.	.	.
167	.	.	.	.	.	.	.	207	.	.	.	.	.	.	.	247	.	.	.	.	.	.	.
168	.	.	.	.	.	.	.	208	.	.	.	.	.	.	.	248 <sup>3</sup>	.	.	.	.	.	.	.

1 - Points 129 to 247 (D9412GV2 only).  
 2 - A dot (·) in the Switch column indicates the switch is set to ON.  
 3 - The control panel reserves Point 248 for internal use.

## Specifications

Table 27: Specifications			
<b>Voltage Input (Power Supply)</b>	Primary:	Terminals 1 and 2	16.5 VAC 40 VA class 2 plug-in transformer (D1640)
	Secondary:	Terminals 4 and 5	Sealed lead-acid rechargeable battery (12 VDC, 7 Ah or 12 VDC, 17.2 or 18 Ah). The control panel supports up to two 12 VDC, 7 Ah batteries using the D122 Dual Battery Harness or two D1218 (12 VDC, 17.2 or 18 Ah) batteries using a D122.
<b>Current Requirements</b>	Control Panel: Idle 200mA; Alarm 500 mA Refer to the <i>Current Rating Chart for Standby Battery Calculations</i> section in the <i>D9412GV2/D7412GV2 Approved Applications Compliance Guide</i> (P/N: F01U003639) for the current draw requirements of other system components.		
<b>Power Outputs*</b>	All external connections are power-limited except battery terminals.		
	Continuous Power Outputs	Terminals 3, 24, and 32	1.4 A maximum at 10.2 VDC to 13.9 VDC (continuous supply) total for all devices and outputs supplied at Terminals 3, 24, and 32 and at the accessory and programming connectors.
	Alarm Power Output	Terminals 6 and 7	2.0 A maximum at 10.2 VDC to 13.9 VDC output. Output can be steady or one of three pulsed patterns depending on programming. Refer to <i>Relays</i> in the <i>D9412GV2/D7412GV2 Program Entry Guide</i> (P/N: F01U003636).
	Switched Aux Power	Terminal 8	1.4 A maximum at 10.2 VDC to 13.9 VDC output. Continuous output is interrupted by Sensor Reset or alarm verification depending on programming. Refer to <i>Relays</i> in the <i>D9412GV2/D7412GV2 Program Entry Guide</i> (P/N: F01U003636).
	Fire and Fire/Burglary Systems	To comply with UL 985 and 864 listing standards for fire alarm systems (effective March 1, 1989), the total combined continuous and alarm current draw for the system during alarm conditions must be limited to 1.4 A provided by the primary power supply (rectified AC). If current draw for the system exceeds 1.4 A, remove connected devices until the current draw falls below 1.4 A. Then, connect the removed devices to a D8132 Battery Charger Module or to an external power supply (refer to <i>Figure 25</i> on page 55).	
<b>Minimum Operating Voltage</b>	10.2 VDC		
<b>SDI Bus</b>	SDI Bus A (+):	9 VDC 4572 m (15000 ft) maximum	
	SDI Bus B (-):	9 VDC 4572 m (15000 ft) maximum	
<b>Telephone Connections</b>	Connection: Two telco lines:	RJ31X or RJ38X jack can connect the control panels. Bosch Security Systems D928 Dual Phone Line Module required for two phone line service. Supervision supplied by the control panel.	
<b>Battery Discharge/Recharge Schedule</b>	Discharge Cycle	13.9 VDC 13.8 VDC 12.1 VDC 10.2 VDC 10.0 VDC	Charging float level. Charging status LED on. Low Battery and AC Fail Reports if programmed. Low Battery LED on. Minimum operational voltage Battery load shed (processing functions continue if AC is present).
	Recharge Cycle	AC ON  13.7 VDC 13.9 VDC	Load shed relay resets, battery charging begins, Battery Trouble and AC Restoral Reports sent. Battery Restoral Report sent, Low Battery LED off. Charging status LED off, battery float charged.
<b>Environmental</b>	Temperature:	0°C to +50°C (+32°F to +122°F)	
	Relative Humidity:	Maximum 95% non-condensing	
<b>Arming Stations</b>	D720 Command Center, D1255 Command Center, D1256 Fire Command Center; D1257 Fire Alarm Annunciator; D1260 Alpha V Command Center; Keyswitch		
<b>Point Thresholds</b>	On-board Points 1 to 8	Open	Greater than 3.7 VDC, but less than 5.0 VDC.
		Normal	Greater than 2.0 VDC, but less than 3.0 VDC.
		Short	Greater than 0.0 VDC, but less than 1.3 VDC.
<b>Compatible Enclosures</b>	D8103 Universal Enclosure, D8109 Fire Enclosure, D8108A Attack Resistant Enclosure, BATB-40 Battery Box		



## Notes

Bosch Security Systems, Inc.  
130 Perinton Parkway  
Fairport, NY 14450-9199  
Customer Service: (800) 289-0096  
Technical Support: (888) 886-6189

© 2005 Bosch Security Systems  
F01U003641B



Recyclable

**BOSCH**