

Installation Guide

DC260 - stand alone access control unit for 2000 users



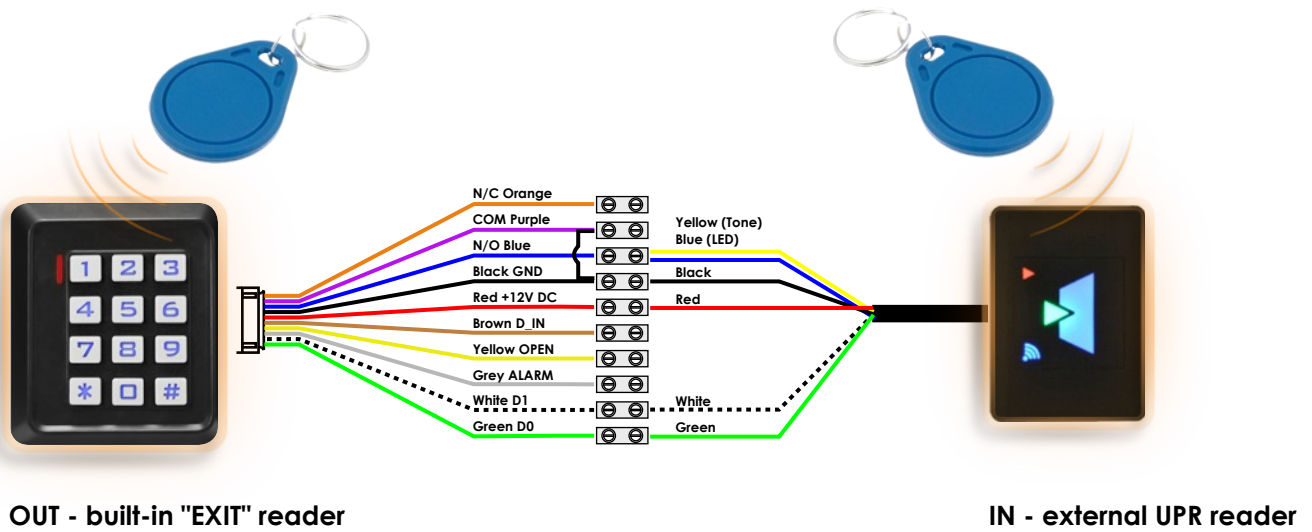
1 Locating the control unit

The DC260 control unit should be fitted close to the door through which you wish to control access. It should be on the secure side. When programming the unit, you will need access to both the reader and controller, therefore you should arrange them reasonably close together.

2 Connecting the reader

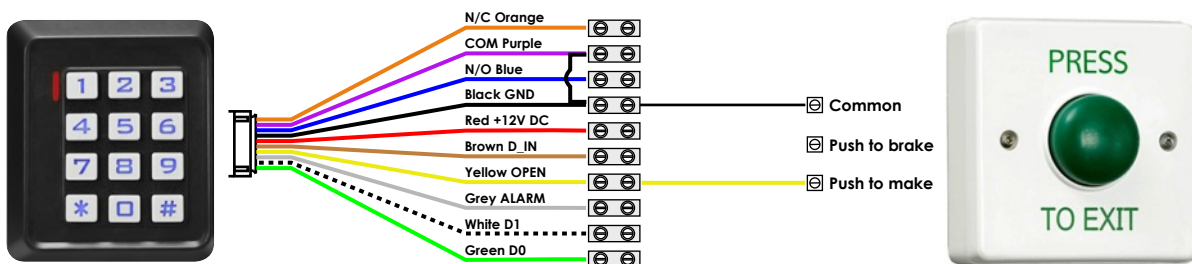
The DC260 can control access both in and out of the controlled door when using the built-in "EXIT" reader with the external UPR reader.

The distance between the UPR reader and the controller can be extended up to 25 meters using BEL9536 cable or equivalent.



3 Egress button

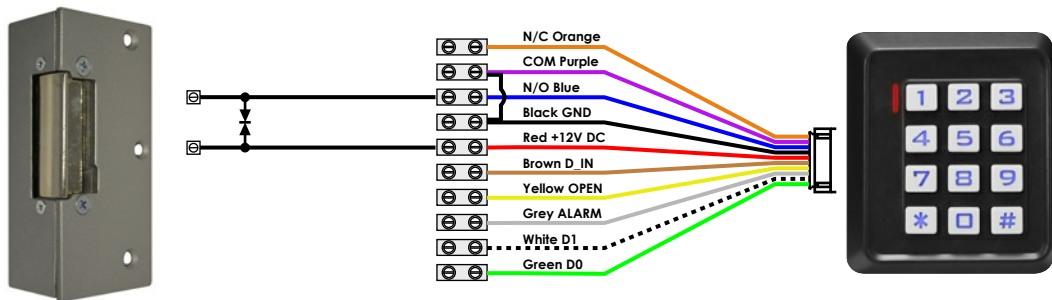
Pressing the egress button (push to make switch) will operate the door opening timer. The timer starts when the button is pressed and released, a time clock may be used for real time door unlocking.



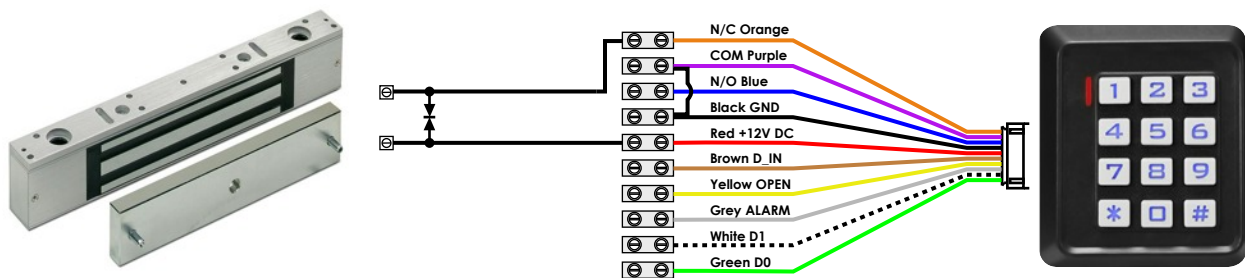
4 Locking Devices

The lock release should match the supply input and have lock suppressor connected directly across its terminals (as shown & supplied).

Locking - Fail locked

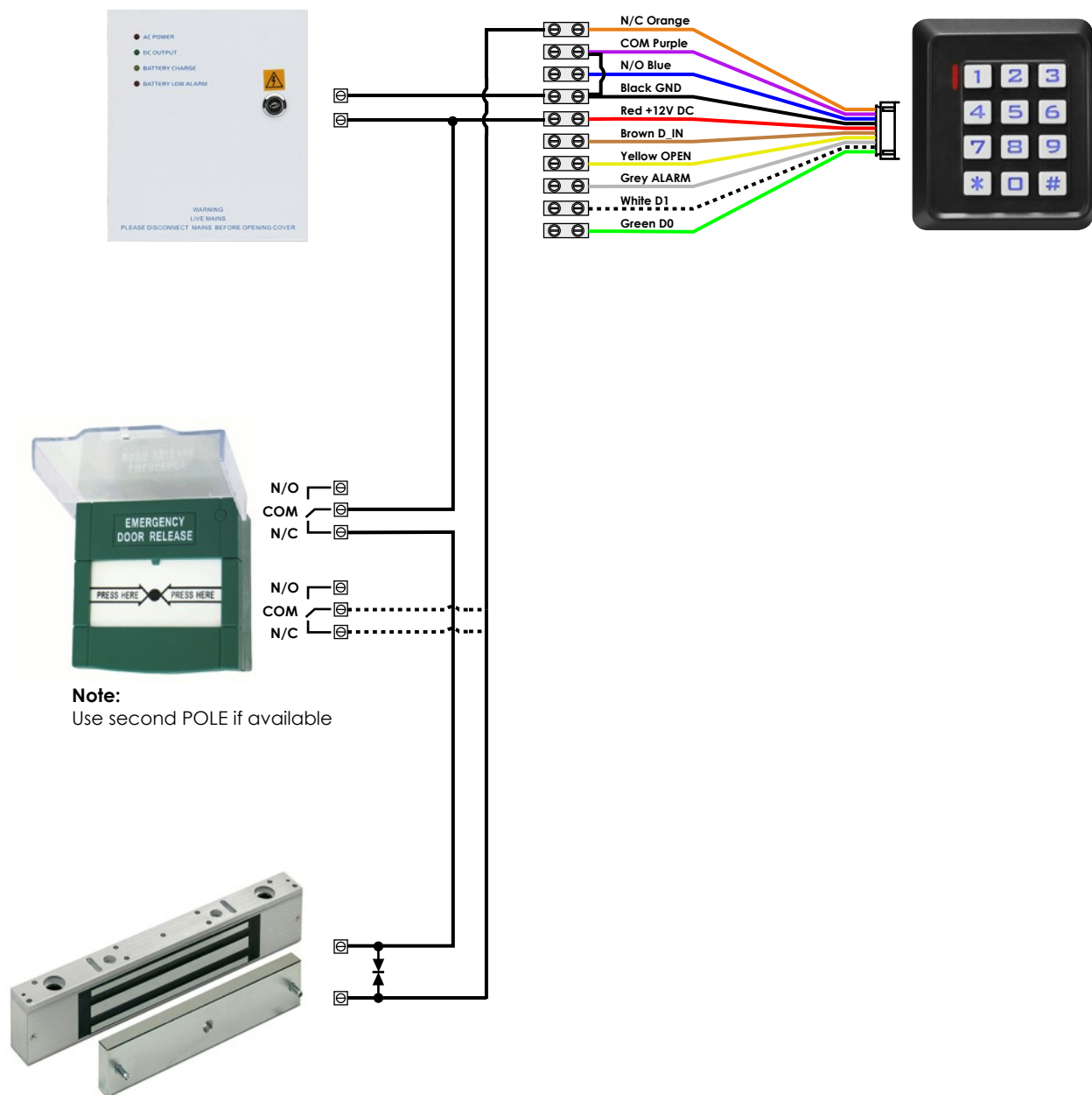


Locking - Fail unlocked



5 Break Glass

If the controlled door is on a fire escape route, you should fit fail safe locking devices and a breaking glass unit for emergency exit

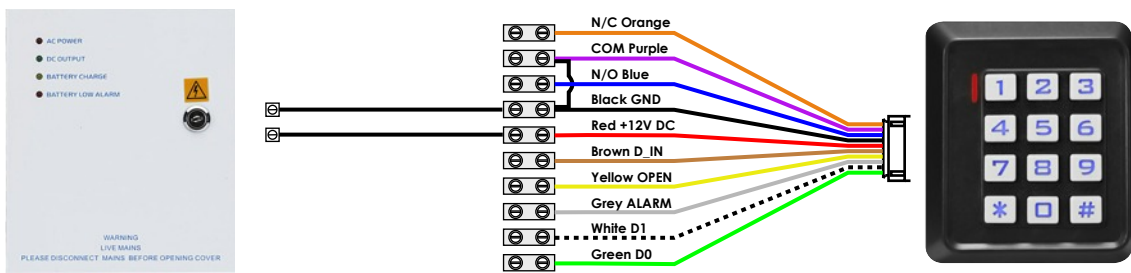


6 Power Supply

With no locks connected, DC260 Access Control Unit power consumption is 12V DC 25mA (quiescent) and 60mA (operating).

Maximum power available for lock (from power supply provided) is 12V DC 1A (continuous).

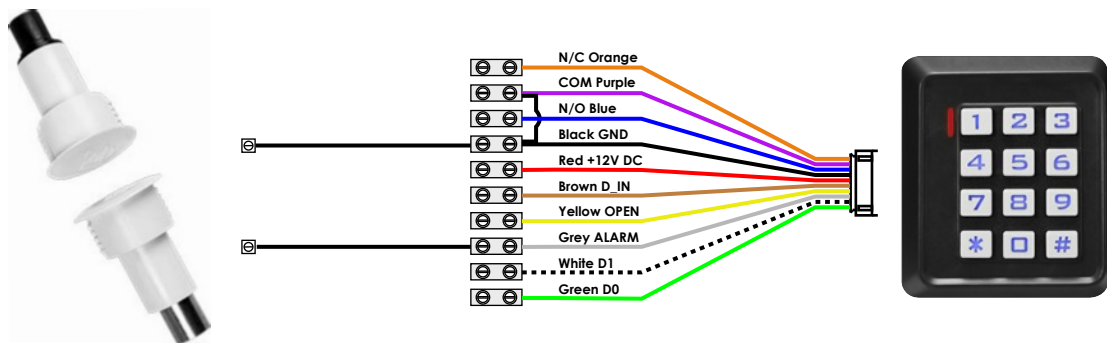
Maximum lock relay contact rating is 24V DC 2A.



7 Door Monitor

Door monitor contact input, if fitted will re-lock the door 2 seconds after door opens.

A monitored release or lock may be used in place of the door contact.













8 Setting the Programming Code

You should set your OWN programming code since the factory set code (999999) is easy to guess.

- While power is supplied to the controller, press "*" and enter "999999" followed by "#" to enter programming mode.
- Press "0" followed by the new programming code between 6 and 8 digits followed by "#".
- Re-enter the new programming code entered above at step b. followed again by "#".
- The new programming code is set. To exit programming mode press "*".

Appendix

DC260 - stand alone access control unit for 2000 users

	DC260 - CONTROLLER	PROXIMITY READER - UPR	DIN POWER SUPPLY 1.5 Amp 12V DC	BOX POWER SUPPLY 1.0 Amp	PROXIMITY ISO CARDS - 260-01	PROXIMITY TAGS - 260-03	MAGNETIC LOCK - EMU275-01	EGRESS BUTTON - PRESS TO EXIT	BREAK GLASS - RESETTABLE	LOCK RELEASE - 615220 + 615310		code
											contents of kits	
●	●	●										KDC260/08
●	●	●			●							KDC260PC
●	●	●				●						KDC260PT
●	●		●	●			●	●	●			KDC260PCM
●	●		●	●						●		KDC260PCR