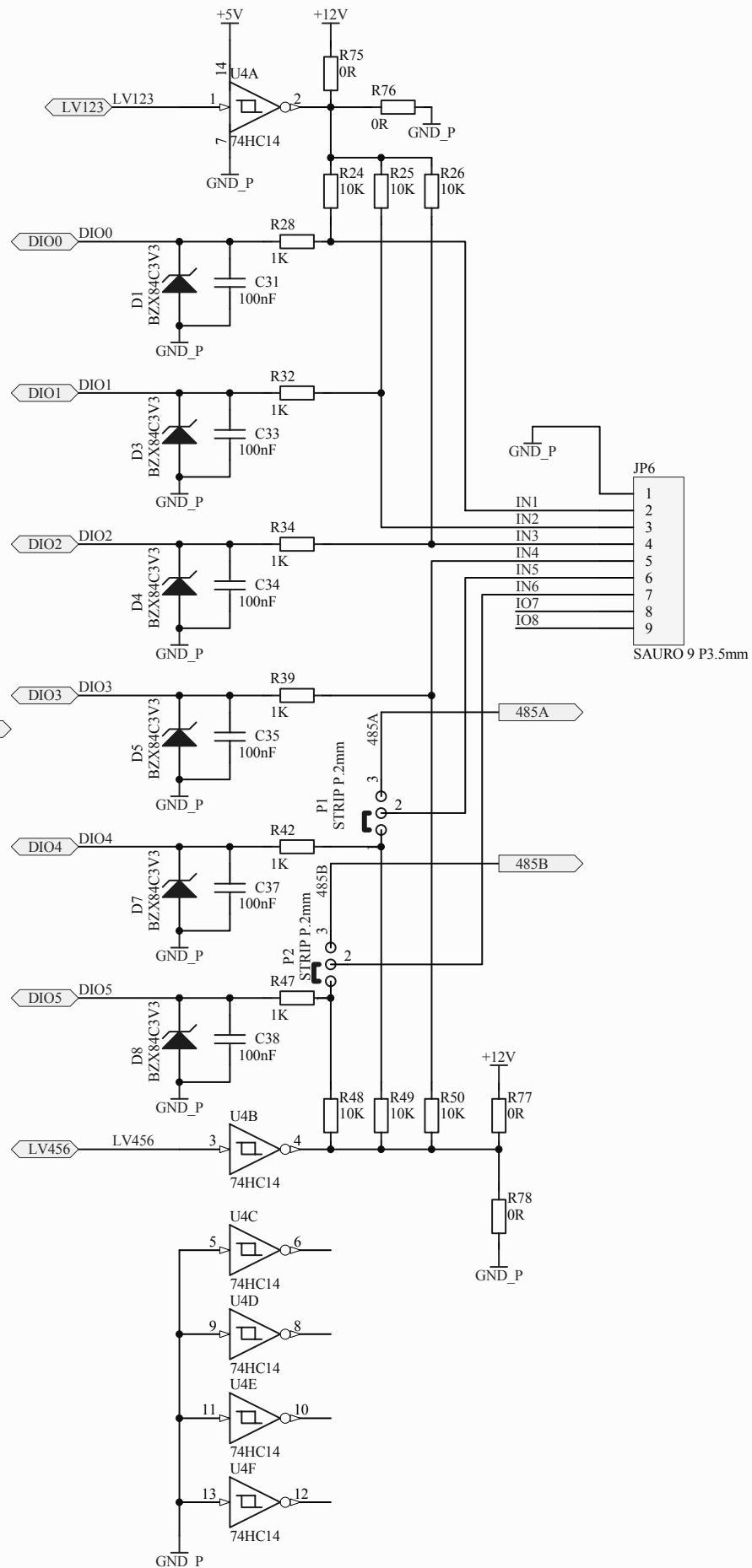
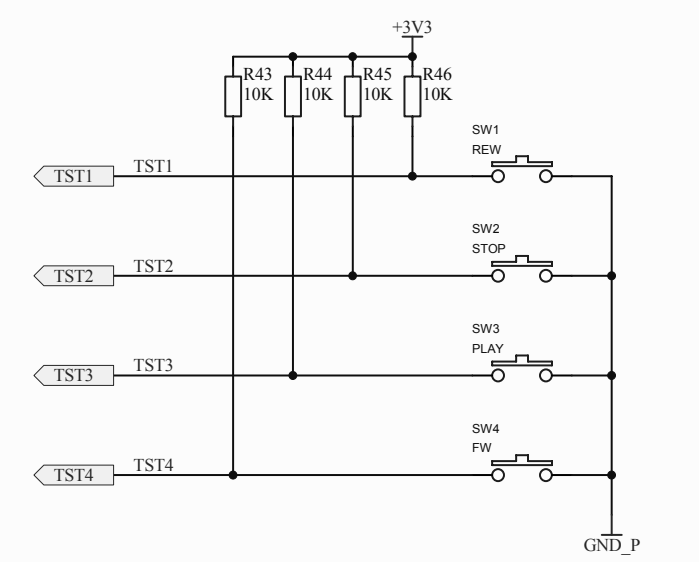
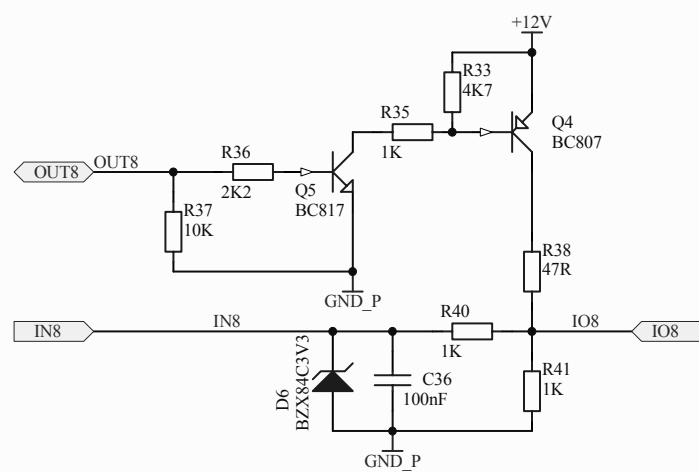
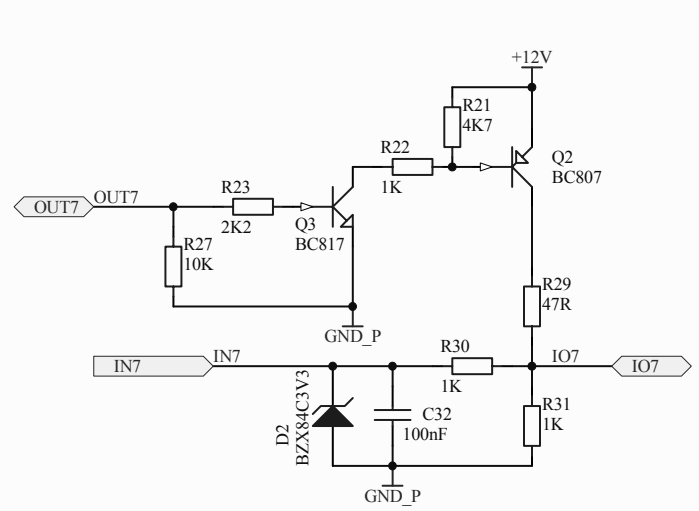


PCB Cod. CS012R1



Schematic AMIS-DMA1 Digital Message Announcer

Size A3	FCSM No.	DWG No.	Rev
Scale	PRINT DATA REVISION DATA	18/05/2006 01/02/2006	Sheet 3/3

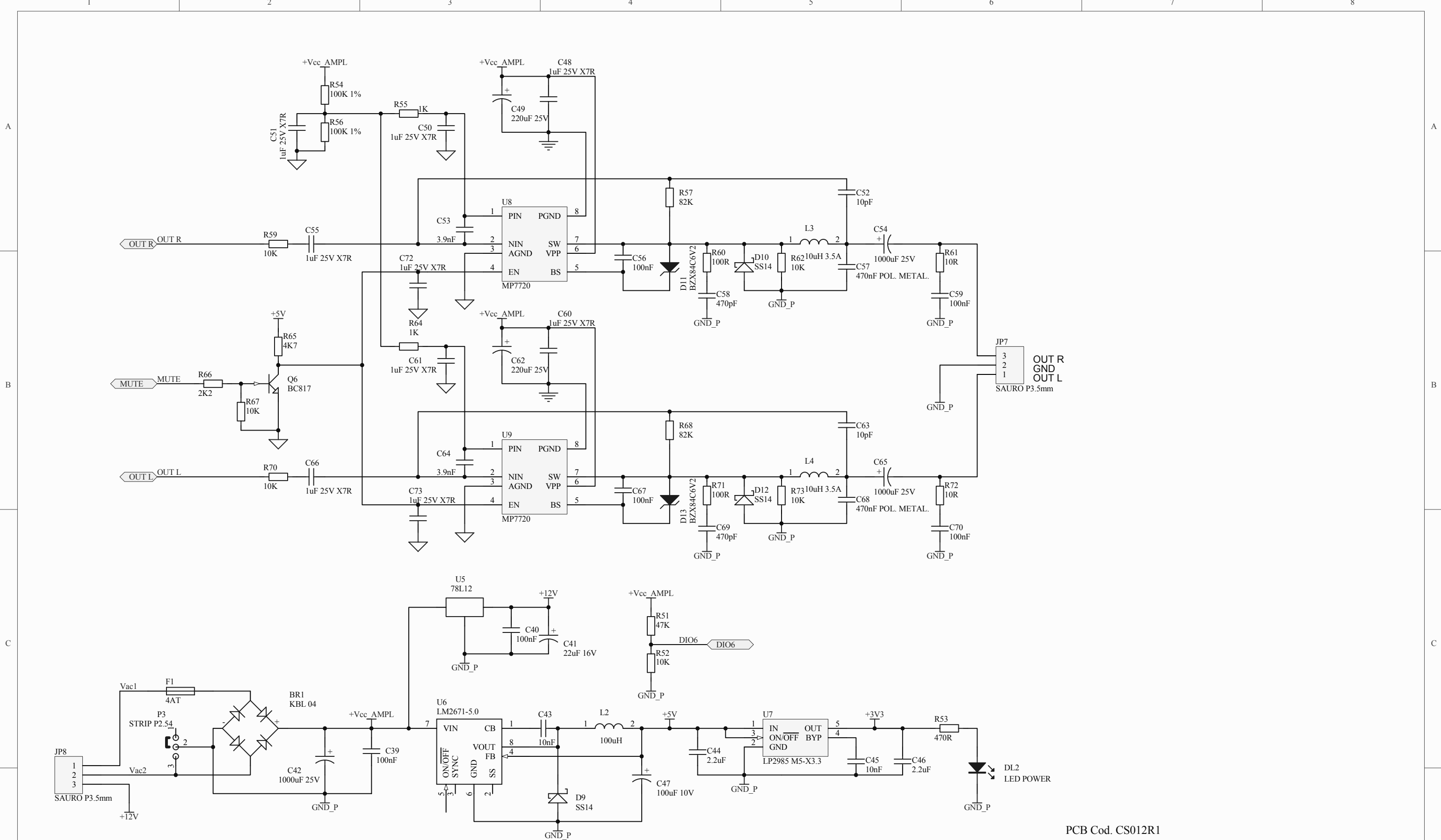


PCB Cod. CS012R1



Schematic AMIS-DMA1 Digital Message Announcer

Size A3	FCSM No.	DWG No.	Rev
Scale	PRINT DATA REVISION DATA	18/05/2006 01/02/2006	Sheet 2/3



PCB Cod. CS012R1



Schematic AMIS-DMA1 Digital Message Announcer

Size A3	FCSM No.	DWG No.	Rev
Scale	PRINT DATA REVISION DATA	18/05/2006 01/02/2006	Sheet 1/3