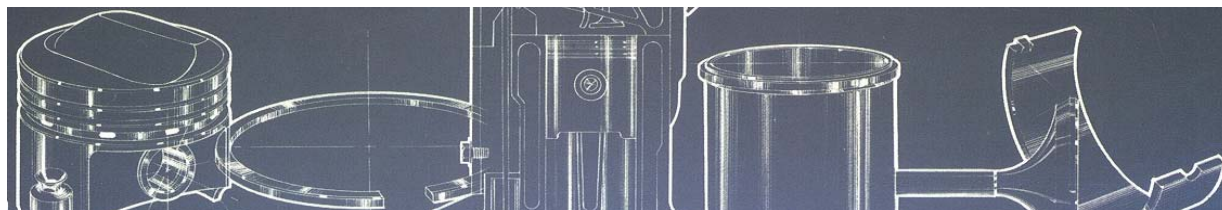


# **DYNAMAX** INDUSTRIES

## **PARTS CATALOG**

REPLACEMENT PARTS FOR  
**CUMMINS® ENGINES**



**DM DIESEL™**

**PREMIUM ENGINE PARTS WORLDWIDE™**

DYNAMAX INDUSTRIES  
P.O.Box 1741 • Mount Laurel • New Jersey 08054 USA  
Tel: 856-498-0794 • Fax: 856-722-5401  
info@dynamaxindustries.com  
www.dynamaxindustries.com


DDM-PCC-2007

# TABLE OF CONTENTS

## ALPHABETICAL LISTINGS

ITEM DESCRIPTION	PAGE	ITEM DESCRIPTION	PAGE
ACCESSORY DRIVE COMPONENTS	49	INJECTORS	35
AFTERCOOLERS & COMPONENTS	42	LINERS & LINER KITS	6
AIR COMPRESSOR COMPONENTS	50, 51	MAIN BEARING SETS	2
BUSHINGS	30	OIL COOLERS & COMPONENTS	44, 45
CAM BEARINGS	4	OIL PUMPS & COMPONENTS	43
CAM FOLLOWER & PUSH RODS	31	OIL SEALS	1
CAM GEARS	4	PINS	31
CAMSHAFTS	5	PISTON COOLING NOZZLES	43
COILS	37	PISTON RING SETS	8, 9
CON ROD BEARINGS	3	PISTON KITS	7-9
CRANKSHAFTS, SEALS & SLEEVES	1	PUSH RODS	31
CYLINDER HEADS & COMPONENTS	27	REAR CRANKSHAFT SEALS	1
CYLINDER KITS	8,9-23-25	REAR CRANKSHAFT SLEEVES	1
CYLINDER KITS BY CPL	10-22	ROCKER ARM COMPONENTS	30
CYLINDER LINERS & LINER KITS	6	ROD BEARINGS	3
EXHAUST MANIFOLD	41	ROLLERS	31
FRONT COVER	26	SHUTDOWN SOLENOIDS	37
FRONT CRANKSHAFT SEALS	1	THERMOSTATS	47, 48
FUEL GEAR PUMPS	36	TURBOCHARGERS & COMPONENTS	52-54
FUEL INJECTION PARTS	32-38	VALVE GUIDES	28
FUEL TRANSFER PUMPS	37	VALVE INSERTS	28
GASKET SET	39, 40	VALVE LOCKS	28
GOVERNOR PLUNGERS	38	VALVE SPRINGS	28
IMPELLERS	47	VALVE TRAIN COMPONENTS	28, 29
INJECTOR BARRELS & PLUNGERS	33, 34	VIBRATION DAMPERS	2
INJECTOR CUPS	32	WATER MANIFOLD COMPONENTS	48
INJECTOR TUBES	27	WATER PUMPS & COMPONENTS	46, 47

## GENERAL INFORMATION

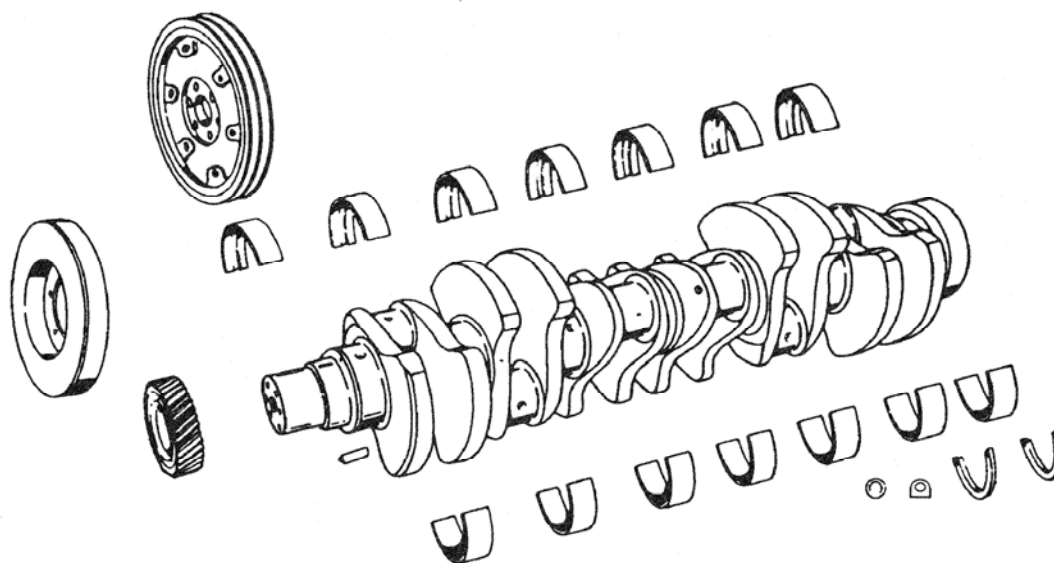
- This catalog does not replace Original Equipment Manufacturers' parts catalogs or service manuals. It is strongly recommended to consult your Original Equipment Manufacturers' catalogs and/or service manuals, and your local dealers .
- All manufacturers' numbers, names, symbols and descriptions are used for reference purposes and it is not implied that any part listed is the product of these manufacturers.
- Cummins® is a registered trademarks of Cummins Engine Co.
- DM DIESEL  is a trademark of DYNAMAX Industries.
- DYNAMAX Industries will not be responsible for any error may occur in typing or printing of this catalog. This catalog is prepared as supplemental reference for DYNAMAX Industries' customers and users.



**CUMMINS® CRANKSHAFTS, SEALS & SLEEVES Group 1.10**

ENGINE	CRANKSHAFT PART NO.	FRONT GEAR	FRONT SEAL	FRONT SLEEVE	REAR SEAL	REAR SLEEVE
4BT 3.9	DM-3929036		DM-3904353	DM-3906080	DM-3909410	DM-3906081
6BT 5.9	DM-3929037		DM-3934353	DM-3906080	DM-3909410	DM-3906081
6CT 8.3	DM-3918986		DM-3353977	DM-3906080	DM-3909410	DM-3906081
V,VT378	DM-195240	DM-177086	DM-3010457	DM-3010464	DM-3010459	DM-3010465
V,VT504	DM-194840	DM-177086	DM-3010457	DM-3010464	DM-3010459	DM-3010465
V,VT555	DM-201950	DM-177086	DM-3010461	DM-3010465	DM-3010459	DM-3010465
L10	DM-3819989			DM-3820918	DM-3800968	DM-3819774
M11	DM-3073707			DM-3820918		DM-3819774
N743	DM-3029341		DM-3020183		DM-3006737	DM-3006743
NT855	DM-3029340	DM-142804	DM-3010457		DM-3006737	DM-3006743
NTC855	TAPD	DM-3014614	DM-3006736	DM-3006742	DM-3006737	DM-3006743
	DM-3608833				DM-3006738*	
N14	SNUB		DM-3006736	DM-3006742	DM-3006737	DM-3006743
V,VT903			DM-3020184	DM-3006740	DM-3023867	DM-3006741
V,VT1710	DM-3064291		DM-3020182	DM-3006744	DM-3016793	DM-3006238
					DM-3005887	
KTA 19			DM-3016792	DM-3006236	DM-3005885	DM-3006237
					DM-3005886*	
KTA 38	DM-3096362		DM-3016792	DM-3006236	DM-3016793	DM-3006238
					DM-3005887	
KTA 50			DM-3016792	DM-3006236	DM-3016793	DM-3006238
					DM-3005887*	

\* WET OIL SEAL



**TYPICAL FFC CRANKSHAFT, MAIN BEARINGS, AND VIBRATION DAMPER**

**CUMMINS® MAIN BEARING SETS VIBRATION DAMPERS Group 1.11**

**MAIN BEARING SETS**

ENGINE	STANDARD SET	.25 MM	.50 MM	.75 MM	1.00 MM
4BT 3.9 6BT 5.9 6CT 8.3	DM-3802010 DM-3802070 DM-3802210	DM-3802011 DM-3802071 DM-3802211	DM-3802012 DM-3802072 DM-3802212	DM-3802013 DM-3802073 DM-3802213	DM-3802014 DM-3802074 DM-3802214

ENGINE	STANDARD SET	.010 OS SET	.020 OS SET	.030 OS SET	.040 OS SET	.010 THRUST WASHER
V,VT378 V,VT504 V,VT555	DM-BM98930 DM-BM99820 DM-BM99820	DM-BM98931 DM-BM99821 DM-BM99821	DM-BM98932 DM-BM99822 DM-BM99822	DM-BM98933 DM-BM99823 DM-BM99823	DM-BM98934 DM-BM99824 DM-BM99824	
L10, M11 N743 NH,NT855 N14 V,VT903 V,VT1710*	DM-3801150 DM-3801260 DM-3801260 DM-3801260 DM-AR3640 DM-AR4220	DM-3801151 DM-3801261 DM-3801261 DM-3801261 DM-AR3641 DM-AR4221	DM-3801152 DM-3801262 DM-3801262 DM-3801262 DM-AR3642 DM-AR4222	DM-3801153 DM-3801263 DM-3801263 DM-3801263 DM-AR3643 DM-AR4223	DM-3801264 DM-3801264 DM-3801264	DM-3074361 DM-3074361
KTA19 KTA38 KTA50	DM-AR12270 DM-AR12250 DM-3018210	DM-AR12271 DM-AR12251 DM-3018211	DM-AR12272 DM-AR12252 DM-3018212	DM-AR12273		

\* PHASE 3 ONLY

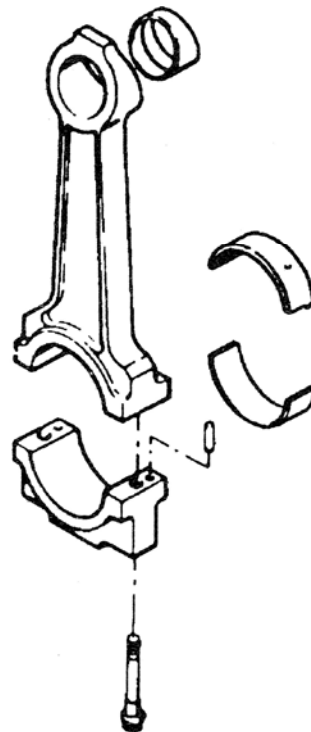
**VIBRATION DAMPERS**

PART NUMBER	DESCRIPTION	SIZE	COMMENTS
DM-186377 DM-193079 DM-3014477 DM-211914 DM-211915 DM-217321 DM-217322 DM-217323 DM-204165	DAMPER DAMPER DAMPER DAMPER DAMPER DAMPER DAMPER DAMPER BOLT, DAMPER	12.3 INCH 12.3 INCH 13.55 INCH 13.55 INCH	V,VT378 V,VT504 V,VT504 BIG CAM NHHTC 290 SUPER 250 855 SUB EXCEPT NTC400 855 TAPERED KTA19, NTA370, NTA420 855 SNUB NTC 400 & UP N14 SNUB NOSE CRANK

**CUMMINS® CON ROD BEARINGS COMPONENTS Group 1.12**

ENGINE	PART NO. STD.	PART NO. .010	PART NO. .020	PART NO. .030	PART NO. .040	ROD BUSHING	ROD BOLT	ROD NUT
V,VT378	DM-157620	DM-157621	DM-157622	DM-157623	DM-157624	DM-3277332	DM-551143	DM-152838
V,VT505	DM-157620	DM-157621	DM-157622	DM-157623	DM-157624	DM-3277332	DM-551143	DM-152838
V555	DM-556350	DM-556351	DM-556352	DM-556353		DM-555421		
VT555	DM-556350	DM-556351	DM-556352	DM-556353		DM-555420		
L10, M11	DM-3016760	DM-3016761	DM-3016762	DM-3016763		DM-3027105		
N743	DM-203670	DM-203671	DM-203672	DM-203673	DM-203674	DM-43067	DM-9195-3	DM-69936
NT855 S/C	DM-203660	DM-203661	DM-203662	DM-203663	DM-203664	DM-187420	DM-9195-3	DM-69936
NTC855	DM-214950	DM-214951	DM-214952	DM-214953	DM-214954	DM-187420	DM-219153	
B/C	DM-3055145	DM-3055146	DM-3055147	DM-3055148		DM-3064295	DM-3349806	
N14	DM-189770	DM-189771	DM-189772	DM-189773		DM-187963		
V,VT903	DM-200600	DM-200601	DM-200602	DM-200603		DM-187420		
V,VT1710	DM-205840	DM-205841	DM-205840	DM-205840	DM-205840	DM-3043909	DM-3013265	
KT1150	DM-205840	DM-205841	DM-205840	DM-205840	DM-205840	DM-3043909	DM-3013265	
KTA 19	DM-3047390	DM-3047391	DM-3047392	DM-3047393	DM-3047394	DM-3043909	DM-3013265	
KT2300	DM-3047390	DM-3047391	DM-3047392	DM-3047393	DM-3047394	DM-3043909	DM-3013265	
KTA38	DM-3047390	DM-3047391	DM-3047392	DM-3047393	DM-3047394	DM-3043909	DM-3013265	
KT3067	DM-3047390	DM-3047391	DM-3047392	DM-3047393	DM-3047394	DM-3043909	DM-3013265	
KTA50	DM-3047390	DM-3047391	DM-3047392	DM-3047393	DM-3047394	DM-3043909	DM-3013265	

ENGINE	PART NO. STD.	PART NO. .25 MM	PART NO. .50 MM	PART NO. .75 MM	PART NO. 1.00 MM	ROD BUSHING
4BT 3.9	DM-3901170	DM-3901171	DM-3901172	DM-3901173	DM-3901174	DM-3901085
6BT 5.9	DM-3901170	DM-3901171	DM-3901172	DM-3901173	DM-3901174	DM-3901085
6CT 8.3	DM-3901430	DM-3901431	DM-3901432	DM-3901433	DM-3901434	DM-3913990



**TYPICAL BIG CAM CONNECTING ROD AND BEARINGS**

## CUMMINS® CAM BEARINGS COMPONENTS Group 1.13

ENGINE	PART NUMBER	DESCRIPTION	LOCATION	PART NUMBER	LOCATION
4BT 3.9	DM-3901306	CAM BUSHING	#1 ONLY		
6BT 5.9	DM-3901306	CAM BUSHING	#1 ONLY		
6CT 8.3	DM-3901685	CAM BUSHING	ALL ( 7 REQ.)		
L10	DM-3017325	CAM BUSHING	ALL (7 REQ.)		
V,VT378	DM-3278345	CAM BUSHING	POSITION 1 & 4	DM-3031037	POSITION 2 & 3
V,VT504	DM-3278345	CAM BUSHING	POSITION 1 & 5	DM-3031037	POSITION 2, 3, 4
V,VT555	DM-3278345	CAM BUSHING	POSITION 1 & 5	DM-3031037	POSITION 2, 3, 4
N743	DM-BM27253	CAM BUSHING SET			
NH,NT855	DM-BM27253	CAM BUSHING SET	SMALL CAM		
NTC855	DM-3801106	CAM BUSHING SET	BIG CAM		
NTC855	DM-3007689	CAM BUSHING SET	BIG CAM, THIN		
N14	DM-3028075	CAM BUSHING SET	POSITION 1,2,4,6	DM-3028269	POSITION 3, 5
				DM-3011951	POSITION 7
V,VT903	DM-200780	CAM BUSHING SET	POSITION 1 & 5	DM-200790	POSITION 2, 3, 4
VTA28	DM-70437	CAM BUSHING SET	ALL (28 REQ.)		V,VT1710
KTA19	DM-3002834	CAM BUSHING SET	ALL (7 REQ.)		KT1150
KTA38	DM-205230	CAM BUSHING SET	ALL (26 REQ.)		KT2300
KTA50	DM-205230	CAM BUSHING SET	ALL (34 REQ.)		KT3067

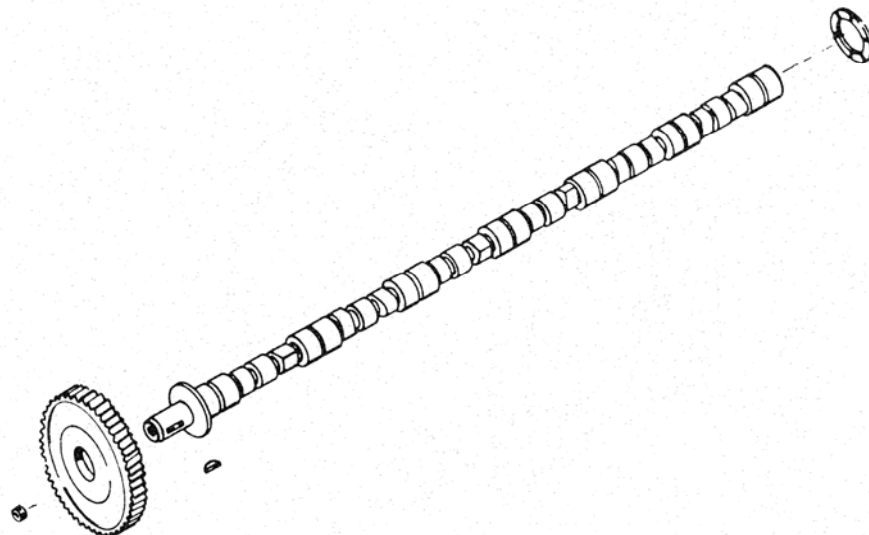
NOTE: S/C ONLY. SMALL VEE CAM BUSHINGS MUST BE USED WITH LATE CAMSHAFTS ONLY. DO NOT USE WITH OLD STYLE PART NUMBERS 201050 & 201060

## CUMMINS® CAM GEARS & COMPONENTS Group 1.14

ENGINE	PART NUMBER	DESCRIPTION	COMMENTS
4BT3.9	DM-3925031	TAPPET	8 REQ.
6BT5.9	DM-3925031	TAPPET	12 REQ.
6CT8.3	DM-3925031	TAPPET	12 REQ.
V378	DM-187649	CAM GEAR	
V504	DM-187649	CAM GEAR	
V504	DM-167305	CAM THRUST WASHER	
V555	DM-187649	CAM GEAR	
V55	DM-167305	CAM THRUST WASHER	
NTC855 B/C	DM-708124	CAM SUPPORT	FLANGED CAM
NTC855 B/C	DM-3008530	CAM SUPPORT	FLANGELESS CAM
N743	DM-9235-1	CAM THRUST WASHER	
N855	DM-215966	CAM GEAR	S/C & B/C
743 – 855 – 1710	DM-9235-1	CAM THRUST WASHER	S/C
N855	DM-AR1176	SHIM KIT	S/C & B/C
NTC855	DM-215233	CAM THRUST WASHER	B/C
NTC855	DM-3002901	CAM GEAR	B/C II, III, IV
N855, VT1710	DM-3021592	CAM KEY 3/4"	
N855, VT1710	DM-3021593	CAM KEY 3/4"	
N855, VT1710	DM-3021594	CAM KEY 3/4"	
N855, VT1710	DM-3021595	CAM KEY 3/4"	
N855, VT1710	DM-3021596	CAM KEY 3/4"	
N855, VT1710	DM-3021597	CAM KEY 3/4"	
N855, VT1710	DM-3021598	CAM KEY 3/4"	
N855, VT1710	DM-3021599	CAM KEY 3/4"	
N855, VT1710	DM-3021600	CAM KEY 3/4"	
NTC855	DM-3022352	CAM KEY 3/4" MVT	
NT855	DM-3022353	CAM KEY 3/4" MVT	

**CUMMINS® CAMSHAFT Group 1.15**

PART NUMBER	DESCRIPTION	COMMENTS
DM-3925582	CAMSHAFT	4BT 3.9
DM-3914639	CAMSHAFT	6BT 5.9
DM-3924471	CAMSHAFT	6CT 8.3
DM-3036117	CAMSHAFT	L10
DM-3037523	CAMSHAFT	L10
DM-3895679	CAMSHAFT	L10 REPLACES DM-3036117
DM-3087856	CAMSHAFT	M11
DM-3277463	CAMSHAFT	V378, S/C
DM-3278029	CAMSHAFT	VT378, B/C
DM-3277462	CAMSHAFT	V504, S/C – V555, S/C
DM-3278031	CAMSHAFT	VT504, B/C – VT555, B/C, N927
DM-3023177	CAMSHAFT	N743 – NH NT855, S/C
DM-3801030	CAMSHAFT	N743 – NH NT855, S/C, N927
DM-3026972	CAMSHAFT	NTC855, B/C
DM-3049024	CAMSHAFT	NTC855, B/C FLANGELESS
DM-3608786	CAMSHAFT	NTC855, B/C
DM-3801426	CAMSHAFT	NTC855, B/C MVT
DM-3801448	CAMSHAFT	NTC855, B/C IV HI-LIFT
DM-3803903	CAMSHAFT	NTC855, B/C IV HI-LIFT
DM-3801668	CAMSHAFT	NTC855, B/C S.T.C.
DM-3801749	CAMSHAFT	NTC855, B/C S.T.C.
DM-3801763	CAMSHAFT	NTC855, B/C FLANGED
DM-199180	CAMSHAFT	VT903, 1.2:1 ROCKER RATIO
DM-215580	CAMSHAFT	VT903, 1:1 ROCKER RATIO
DM-3066877	CAMSHAFT	KT1150 - KTA19
DM-3066884	CAMSHAFT	KT2300 – KTA38
DM-3066885	CAMSHAFT	KT2300 – KTA38



**TYPICAL SMALL CAM CAMSHAFT AND GEAR**



**CUMMINS® CYLINDER LINERS & LINER KITS Group 2.10**

ENGINE	LINER PART NO.	LINER SEAL	CREVICE SEAL	LINER KIT PART NO.	COMMENT
4BT 3.9	DM-3904166	N/A	N/A	N/A	REPAIR SLEEVE
6BT 5.9	DM-3904166	N/A	N/A	N/A	REPAIR SLEEVE
6CT 8.3	DM-3907792	N/A	DM-3907177	DM-3802370	PRE 1992
	DM-3919937	N/A	DM-3907177	DM-3802407	1992 & AFTER
L10	DM-3080760	N/A	DM-3047188	DM-3803703	
M11	DM-3080760	N/A	DM-3047188	DM-3803703	
V,VT378	DM-3022530	DM-216284 (2)	DM-216283	DM-3277592	STANDARD
V,VT504	DM-3022530	DM-216284 (2)	DM-216283	DM-3277592	STANDARD
V,VT555	DM-3022529	DM-216284 (2)	DM-216283	DM-3277608	STANDARD
N743	DM-184400	DM-181449 DM-216879	DM-215983	DM-BM98224	NH220, 4 VALVE HEAD
743	DM-184420	DM-181449 DM-216879	DM-215983	DM-BM98226	HR-6, 2 VALVE HEAD
NH,NT855	DM-3055099	DM-3032874 (2)	DM-215090	DM-3801826	STANDARD
855TT	DM-3046325	DM-3032874 (2)	DM-215090	DM-3801387	.020 OVERSIZE
	DM-3065405	DM-3032874 (2)	DM-215090	DM-3803219	.020/.040 OVERSIZE
N14	DM-3055099	DM-3032874 (2)	DM-215090	DM-3801826	STANDARD
	DM-3046325	DM-3032874 (2)	DM-215090	DM-3801387	.020 OVERSIZE
	DM-3065405	DM-3032874 (2)	DM-215090	DM-3803219	.020/.040 OVERSIZE
V,VT903	DM-203170	DM-3032874 (2)	DM-3044795	DM-AR8069	STANDARD
VT1710	DM-3055099	DM-3032874 (2)	DM-215090	DM-3801826	STANDARD
VTA28	DM-3046325	DM-3032874 (2)	DM-215090	DM-3801387	.020 OVERSIZE
	DM-3065405	DM-3032874 (2)	DM-215090	DM-3803219	.020/.040 OVERSIZE
KT1150	DM-3007710	DM-3011076 DM-3014668	DM-3081489	DM-3009549	STANDARD THIN FLANGE 0.306 THICK
KTA19	DM-3202240	DM-3011076 DM-3014668	DM-3081489	DM-3028434	STANDARD THICK FLANGE 0.526 THICK
KT1150	DM-3022241	DM-3014668	DM-3081489	DM-3028430	LATE BLOCK
KTA19		DM-3011076			.020 ONLY
KT1150	DM-3022242	DM-3014668	DM-3081489	DM-3028431	LATE BLOCK
KTA19		DM-3011076			.040 ONLY
KT1150	DM-3074552	DM-3014668	DM-3081489	DM-3803510	EARLY & LATE BLOCK
KTA19		DM-3011076			
KT1150	DM-3053800	DM-3014668	DM-3081489	DM-3028433	EARLY & LATE BLOCK
KTA19		DM-3011076			
KTA38	DM-3022157	DM-3014668	DM-3081489	DM-3007525	STANDARD
KTA50		DM-3011076			
KTA38	DM-3023019	DM-3014668	DM-3081489	DM-3801268	.030 OVERSIZE
KTA50		DM-3011076			

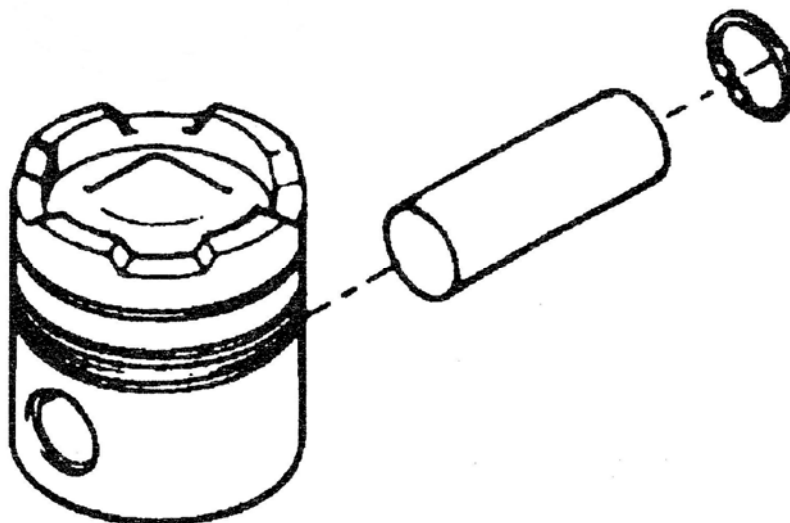
NOTE: REFER TO CUMMINS SERVICE MANUALS

**CUMMINS® PISTON KITS Group 2.15**

**855 PISTON KITS**

PISTON KIT	COMP RATIO	PISTON BODY	PISTON PIN	RETAINERS	COMMENTS
DM-3801057	15.0:1	DM-3017348	DM-191970	DM-175755	SINGLE NI-RESIST, NON COOLED
DM-3801058	14.5:1	DM-3017349	DM-191970	DM-175755	SINGLE NI-RESIST, NON COOLED
DM-3801231	14.5:1	DM-3028686	DM-191970	DM-175755	SINGLE NI-RESIST, HI LIFT CAMS
DM-3801229	15.3:1	DM-3028706	DM-191970	DM-175755	SINGLE NI-RESIST, HI LIFT CAMS
DM-3801233	14.0:1	DM-3028685	DM-191970	DM-175755	SINGLE NI-RESIST, HI LIFT CAMS
DM-3801393	13.5:1	DM-3051557	DM-191970	DM-175755	SINGLE NI-RESIST
DM-3801535	15.5:1	DM-3042320	DM-191970	DM-175755	SINGLE NI-RESIST, TURBO COOLED
DM-3801703	15.5:1	DM-3048650	DM-191970	DM-175755	SINGLE NI-RESIST
DM-3801766	16.0:1	DM-3051553	DM-191970	DM-175755	SINGLE NI-RESIST
DM-3801770	14.5:1	DM-3051555	DM-191970	DM-175755	SINGLE NI-RESIST, PISTON COOLED
DM-3801773	14.0:1	DM-3051556	DM-191970	DM-175755	SINGLE NI-RESIST, PISTON COOLED
DM-3801876	15.0:1	DM-3051554	DM-191970	DM-175755	SINGLE NI-RESIST, PISTON COOLED
DM-3801533	14.5:1	DM-3042318	DM-191970	DM-175755	SINGLE NI-RESIST
DM-3801660	15.0:1	DM-3042319	DM-191970	DM-175755	SINGLE NI-RESIST
DM-3801534	14.5:1	DM-3045948	DM-191970	DM-175755	DUAL NI-RESIST, AFTER COOLED
DM-3801819	14.0:1	DM-3048808	DM-191970	DM-175755	DUAL NI-RESIST, AFTER COOLED
DM-3801820	15.0:1	DM-3048809	DM-191970	DM-175755	DUAL NI-RESIST, AFTER COOLED
DM-3801818	15.5:1	DM-3050366	DM-191970	DM-175755	DUAL NI-RESIST, AFTER COOLED
DM-3801744	14.0:1	DM-3050480	DM-191970	DM-175755	DUAL NI-RESIST, AFTER COOLED
DM-3801954	15.5:1	DM-3052794	DM-191970	DM-175755	DUAL NI-RESIST, AFTER COOLED
DM-3803344	17.0:1	DM-3069212	DM-191970	DM-175755	DUAL NI-RESIST, AFTER COOLED

NH, NT855 ENGINES: USE DM-3801056 PREMIUM RING SET OR DM-3803471 PREMIUM PLUS RING SET  
DUAL NI-RESIST PISTONS MUST BE PISTON COOLED OR AFTERCOOLED



TYPICAL 855 PISTON KIT

## CUMMINS® PISTON KITS Group 2.15

### B SERIES PISTON KITS

ENGINE	PISTON KIT	PISTON BODY	RETAINERS	RING SET	COMMENTS
4BT3.9-6BT5.9	DM-3802060	DM-3906223	DM-3901706	DM-3802040	17.3:1 STD.
4BT3.9-6BT5.9	DM-3802062	DM-3906209	DM-3901706	DM-3802042	17.3:1 .50MM O.S.
4BT3.9-6BT5.9	DM-3802064	DM-3906208	DM-3901706	DM-3802044	17.3:1 1.00MM O.S.
4BT3.9-6BT5.9	DM-3802100	DM-3907156	DM-3901706	DM-3802230	16.5:1 STD.
4BT3.9-6BT5.9	DM-3802102	DM-3907157	DM-3901706	DM-3802232	16.5:1 .50MM O.S.
4BT3.9-6BT5.9	DM-3802104	DM-3907158	DM-3901706	DM-3802234	16.5:1 1.00MM O.S.
4BT3.9-6BT5.9	DM-3802160	DM-3907163	DM-3901706	DM-3802230	17.5:1 STD.
4BT3.9-6BT5.9	DM-3802132	DM-3908815	DM-3901706	DM-3802232	17.5:1 .50MM O.S.
4BT3.9-6BT5.9	DM-3802134	DM-3908816	DM-3901706	DM-3802234	17.5:1 1.00MM O.S.
4BT3.9-6BT5.9	DM-3802170	DM-3911400	DM-3901706	DM-3802230	17.5:1 STD.
4BT3.9-6BT5.9	DM-3802172	DM-3912049	DM-3901706	DM-3802232	17.5:1 .50MM O.S.
4BT3.9-6BT5.9	DM-3802174	DM-3912050	DM-3901706	DM-3802234	17.5:1 1.00MM O.S.
4BT3.9-6BT5.9	DM-3802030	DM-3903579	DM-3901706	DM-3802230	17.2:1 STD.
4BT3.9-6BT5.9	DM-3802251	DM-3917619	DM-3901706	DM-3802230	17.3:1 STD.
4BT3.9-6BT5.9	DM-3802248	DM-3919041	DM-3901706	DM-3802421	17.5:1 STD.
4BT3.9-6BT5.9	DM-3802487	DM-3922571	DM-3901706	DM-3802421	
4BT3.9-6BT5.9	DM-3802562	DM-3926632	DM-3901706	DM-3802230	

PISTON KITS INCLUDE PISTON, RETAINERS AND RING SET

### C SERIES PISTON KITS

ENGINE	PISTON KIT	PISTON BODY	RETAINERS	RING SET	COMMENTS
6CT 8.3	DM-3802263	DM-3917707	DM-3901996	DM-3802439	
6CT 8.3	DM-3802280	DM-3919566	DM-3901996	DM-3802439	
6CT 8.3	DM-3802344	DM-3919247	DM-3901996	DM-3802439	
6CT 8.3	DM-3802396	DM-3923165	DM-3901996	DM-3802439	
6CT 8.3	DM-3802397	DM-3926163	DM-3901996	DM-3802439	
6CT 8.3	DM-3802398	DM-3923164	DM-3901996	DM-3802439	

PISTON KITS INCLUDE PISTON, RETAINERS AND RING SET

### L10 & M11 PISTON KITS

ENGINE	PISTON KIT	PISTON BODY	PISTON PIN	RETAINERS	RING SET	CYLINDER KIT
L10-M11	DM-3801542	DM-3044448	DM-3016650	DM-3016652	DM-3803961	DM-3800801
L10-M11	DM-3803022	DM-3055622	DM-3016650	DM-3016652	DM-3803961	DM-3800800
L10-M11	DM-3803624	DM-3044448	DM-3016650	DM-3016652	DM-3803961	DM-3800801
L10-M11	DM-3803966	DM-3045907	DM-3016650	DM-3016652	DM-3803961	DM-3803974

PISTON KITS INCLUDE PISTON, PISTON PIN, RETAINERS AND RING SET  
REFER TO SERIAL NUMBER TO IDENTIFY PARTS COMPONENTS FOR L10 OR M11 APPLICATIONS

**CUMMINS® PISTON KITS Group 2.15**

ENGINE	PISTON KIT	PISTON BODY	PISTON PIN	RETAINERS	RING SET	CYLLINDER KIT
V,VT378 V,VT378	DM-3020737 DM-AR60740	DM-3277336 DM-200800	DM-151770 DM-151770	DM-157978 DM-157978	DM-3278723 DM-3278723	DM-3277991 DM-AR61504
V,VT504 V,VT504	DM-3020737 DM-AR60740	DM-3277336 DM-200800	DM-151770 DM-151770	DM-157978 DM-157978	DM-3278723 DM-3278723	DM-3277991 DM-AR61504
V,VT555 V,VT555	DM-3019634 DM-3275949	DM-3019369 DM-3275431	DM-554785 DM-554785	DM-157978 DM-157978	DM-3278723 DM-3278723	DM-3277634 DM-3277626
HR-6 NS743 NT743 NH220	DM-AR7420 DM-AR7440 DM-AR7510	DM-200680 DM-200710 DM-199821	DM-203070 DM-203070 DM-203070	DM-175755 DM-175755 DM-175755	DM-AR12098 DM-AR12098 DM-AR12098	DM-AR7375 DM-AR7399 DM-AR7383
V,VT903 V,VT903	DM-3019287 DM-AR11929	DM-3037413 DM-3037413	DM-215390 DM-140120	DM-155267 DM-155267	DM-AR11930 DM-AR11930	DM-AR11909 DM-AR11928
V,VT1710 V,VT1710 V,VT1710	DM-AR3550 DM-AR5720 DM-AR45653	DM-175760 DM-3003176 DM-3003175	DM-191970 DM-191970 DM-191970	DM-175755 DM-175755 DM-175755	DM-AR7670 DM-3803471 DM-3801056	DM-3801828 DM-3801829 DM-3801833
V,VT1710 V,VT1710 V,VT1710 V,VT1710 V,VT1710	DM-3801267 DM-AR12357 DM-3801434 DM-AR12359 DM-3801666	DM-3031213 DM-3031049 DM-3031214 DM-3011295 DM-3040097	DM-191970 DM-191970 DM-191970 DM-191970 DM-191970	DM-175755 DM-175755 DM-175755 DM-175755 DM-175755	DM-3803471 DM-3803471 DM-3803471 DM-3803471 DM-3803471	DM-3801834 DM-3801832 DM-3801835 DM-3801831 DM-3801836
N14E N14E N14STC N14STC	DM-3803752 DM-3803754 DM-3803756 DM-3803758	DM-3081266 DM-3081268 DM-3081267 DM-3081269	DM-3064304 DM-3064304 DM-3064304 DM-3064304	DM-3064305 DM-3064305 DM-3043605 DM-3043605	DM-3804500 DM-3804500 DM-3804500 DM-3804500	DM-3803753 DM-3803755 DM-3803757 DM-3803759
K SERIES K SERIES K SERIES K SERIES K SERIES K SERIES K SERIES	DM-AR12313 DM-3026333 DM-3803312 DM-3803313 DM-3803314 DM-3803315 DM-3803316	DM-3004730 DM-3026270 DM-3070703 DM-3070705 DM-3070706 DM-3070707 DM-3070708	DM-205200 DM-205200 DM-205200 DM-205200 DM-205200 DM-205200 DM-205200	DM-205269 DM-205269 DM-205269 DM-205269 DM-205269 DM-205269 DM-205269	DM-3803472 DM-3803472 DM-3803472 DM-3803472 DM-3803472 DM-3803472 DM-3803472	

ABOVE PISTON KITS INCLUDE PISTON, PISTON PIN AND RETAINERS  
N14 PISTON KITS INCLUDE PISTON AND RETAINERS

**CUMMINS® CYLINDER KITS Group 2.16**

**855 CYLINDER KITS BY CPL**

**5 1/8" BORE**

CPL	ENGINE MODEL	PISTON BODY	COMP RATIO	PREMIUM CYL.KIT	PREMIUM + CYL.KIT	DUAL NI-RESIST CYL.KIT
1	NT855 S/C	DM-3017349	14.5:1	DM-3801872	DM-3801873	
2	NT855 S/C	DM-3017349	14.5:1	DM-3801872	DM-3801873	
3	NT855 S/C	DM-3051555	14.5:1	DM-3801779	DM-3801768	
4	NT855 S/C	DM-3051555	14.5:1	DM-3801779	DM-3801768	
5	NT290/365	DM-3051555	14.5:1	DM-3801779	DM-3801768	
6	NT855 S/C	DM-3051555	14.5:1	DM-3801779	DM-3801768	
7	NT855 S/C	DM-3051555	14.5:1	DM-3801779	DM-3801768	
8	NTA380 S/C	DM-3051555	14.5:1	DM-3801779	DM-3801768	DM-3801817
9	NT380S/C	DM-3051555	14.5:1	DM-3801779	DM-3801768	
10	NTA380 S/C	DM-3051555	14.5:1	DM-3801779	DM-3801768	DM-3801817
11	NTA380 S/C	DM-3051555	14.5:1	DM-3801779	DM-3801768	DM-3801817
12	NT380 S/C	DM-3051555	14.5:1	DM-3801779	DM-3801768	DM-3801817
13	NTA400 S/C	DM-3051555	14.5:1	DM-3801779	DM-3801768	DM-3801817
14	NHCT270	DM-3017349	14.5:1	DM-3801872	DM-3801873	
16	NHCT-CT	DM-3017349	14.5:1	DM-3801872	DM-3801873	
17	NH250 S/C	DM-3048650	15.5:1	DM-3801795	-	
18	NT280 S/C	DM-3017349	14.5:A	DM-3801872	DM-3801873	
19	NT280-B1	DM-3051555	14.5:1	DM-3801779	DM-3801768	
20	NT335M	DM-3051555	14.5:1	DM-3801779	DM-3801768	
21	NTC350	DM-3051555	14.5:1	DM-3801779	DM-3801768	DM-3801817
22	NTC370	DM-3051557	13.5:1	DM-3801781	DM-3801782	
23	NTA420 S/C	DM-3051557	13.5:1	DM-3801781	DM-3801782	
24	NHTF295	DM-3017349	14.5:1	DM-3801872	DM-3801873	
25	NTF365	DM-3051555	14.5:1	DM-3801779	DM-3801768	
26	NH230 S/C	DM-3048650	15.5:1	DM-3801795		
69	NTC335 S/C	DM-3051555	14.5:1	DM-3801779	DM-3801768	
70	NT335 S/C	DM-3017349	14.5:1	DM-3801872	DM-3801873	
71	NT310	DM-3051555	14.5:1	DM-3801779	DM-3801768	
75	NT335-B1	DM-3051555	14.5:1	DM-3801779	DM-3801768	
76	NT855-R2	DM-3051557	13.5:1	DM-3801781	DM-3801781	

**CUMMINS® CYLINDER KITS Group 2.16**

**855 CYLINDER KITS BY CPL**

**5 1/8" BORE**

CPL	ENGINE MODEL	PISTON BODY	COMP RATIO	PREMIUM CYL.KIT	PREMIUM + CYL.KIT	DUAL NI-RESIST CYL.KIT
77	NHTC270	DM-3051555	14.5:1	DM-3801779	DM-3801768	
85	NT380M	DM-3051555	14.5:1	DM-3801779	DM-3801769	
101	NTC290	DM-3051555	14.5:1	DM-3801779	DM-3801769	
102	NT280-IF	DM-3017349	14.5:1	DM-3801872	DM-3801873	
104	NT310	DM-3017349	14.5:1	DM-3801872	DM-3801873	
107	NTA420 S/C	DM-3051557	13.5:A	DM-3801781	DM-3801782	
108	NT855-R	DM-3051555	14.5:1	DM-3801779	DM-3801768	
109	NT335	DM-3051555	14.5:1	DM-3801779	DM-3801768	
113	NTC270	DM-3051555	14.5:1	DM-3801779	DM-3801768	
117	NHCT270	DM-3017349	14.5:1	DM-3801872	DM-3801873	
120	NT280	DM-3051555	14.5:1	DM-3801779	DM-3801768	
121	NH230/250T	DM-3042320	15.5:1	DM-3801774	DM-3801775	
123	NT280-IF	DM-3051555	14.5:1	DM-3801779	DM-3801768	
132	NTC335-E	DM-3017349	14.5:1	DM-3801872	DM-3801873	
135	NTA400/420	DM-3051557	13.5:A	DM-3801781	DM-3801782	
144	NTA380	DM-3051555	14.5:1	DM-3801779	DM-3801768	DM-3801817
146	NTA855	DM-3051555	14.5:1	DM-3801779	DM-3801768	DM-3801817
147	NTC350	DM-3051555	14.5:1	DM-3801779	DM-3801768	DM-3801817
152	NTA855 S/C	DM-3051555	14.5:1	DM-3801779	DM-3801768	
154	NTC350	DM-3051555	14.5:1	DM-3801779	DM-3801768	DM-3801817
155	NT-290/365	DM-3051555	14.5:1	DM-3801779	DM-3801768	
156	NTC290-R	DM-3051555	14.5:1	DM-3801779	DM-3801768	
160	NTC350	DM-3051555	14.5:1	DM-3801779	DM-3801768	DM-3801817
161	NT855-400	DM-3051555	14.5:1	DM-3801779	DM-3801768	
162	NTA400	DM-3051557	13.5:A	DM-3801781	DM-3801782	
163	NTA370	DM-3051557	13.5:A	DM-3801781	DM-3801782	
164	N855-250	DM-3048650	15.5:1	DM-3801795	-	
166	NT855-310	DM-3051555	14.5:1	DM-3801779	DM-3801768	DM-3801817
168	NT855-R2	DM-3051555	14.5:1	DM-3801779	DM-3801768	DM-3801817
170	N855	DM-3808650	15.5:1	DM-3801795		

**CUMMINS® CYLINDER KITS Group 2.16**

**855 CYLINDER KITS BY CPL**

**5 1/8" BORE**

CPL	ENGINE MODEL	PISTON BODY	COMP RATIO	PREMIUM CYL.KIT	PREMIUM + CYL.KIT	DUAL NI-RESIST CYL.KIT
172	NHC250	DM-3048650	15.5:1	DM-3801795	-	
173	NT855-280	DM-3017349	14.5:1	DM-3801872	DM-3801873	
174	NTC290/335	DM-3051555	14.5:1	DM-3801779	DM-3801768	
175	PT270	DM-3051555	14.5:1	DM-3801779	DM-3801768	
178	NTC230	DM-3051553	16.0:1	DM-3801764	DM-3801765	
180	NT855-280	DM-3051555	14.5:1	DM-3801779	DM-3801768	
181	PT270	DM-3051555	14.5:1	DM-3801779	DM-3801768	
182	NTC335	DM-3051555	14.5:1	DM-3801779	DM-3801768	
187	NTF295	DM-3051555	14.5:1	DM-3801779	DM-3801768	
188	NTC230	DM-3051553	16.0:1	DM-3801764	DM-3801765	
189	NTC250	DM-3051553	16.0:1	DM-3801764	DM-3801765	
190	NTCC335	DM-3051555	14.5:1	DM-3801779	DM-3801768	
196	NTC350-Y	DM-3051555	14.5:1	DM-3801779	DM-3801768	DM-3801817
197	NTC335-E	DM-3051555	14.5:1	DM-3801779	DM-3801768	
198	NTC355	DM-3051555	14.5:1	DM-3801779	DM-3801768	DM-3801817
199	NTC290	DM-3051553	16.0:1	DM-3801764	DM-3801765	
200	N855-B	DM-3048650	15.5:1	DM-3801795	-	
201	NT855 S/C	DM-3017349	14.5:1	DM-3801872	DM-3801873	
202	NTA855-GS	DM-3051557	13.5:1	DM-3801781	DM-3801782	
204	NTCC350	DM-3051555	14.5:1	DM-3801779	DM-3801768	DM-3801817
205	NTA400 B/C	DM-3051557	13.5:1	DM-3801781	DM-3801782	
207	PT270	DM-3051555	14.5:1	DM-3801779	DM-3801768	
214	N855-250	DM-3048650	15.5:1	DM-3801795	-	
215	NTC290-E	DM-3017349	14.5:1	DM-3801872	DM-3801873	
217	NTC290	DM-3051553	16.0:1	DM-3801764	DM-3801765	
220	NTC230	DM-3051553	16.0:1	DM-3801764	DM-3801765	
221	NTC250-E	DM-3051553	16.0:1	DM-3801764	DM-3801765	
222	NTC250	DM-3051553	16.0:1	DM-3801764	DM-3801765	
226	NTA380 S/C	DM-3051555	14.5:1	DM-3801779	DM-3801768	DM-3801817
227	NTC290	DM-3051555	14.5:1	DM-3801779	DM-3801768	



**CUMMINS® CYLINDER KITS Group 2.16**

**855 CYLINER KITS BY CPL**

**5 1/8" BORE**

CPL	ENGINE MODEL	PISTON BODY	COMP RATIO	PREMIUM CYL.KIT	PREMIUM + CYL.KIT	DUAL NI-RESIST CYL.KIT
233	NTC290 B/C	DM-3051553	16.0:1	DM-3801764	DM-3801765	
246	NTFE295	DM-3051555	14.5:1	DM-3801779	DM-3801768	DM-3801817
248	NTC350 B/C	DM-3051555	14.5:1	DM-3801779	DM-3801768	DM-3801817
249	NTCC290	DM-3051553	16.0:1	DM-3801764	DM-3801765	
250	NTCC350	DM-3051554	15.0:1	DM-3801776	DM-3801777	DM-3801824
254	NTC350 B/C	DM-3051554	15.0:1	DM-3801776	DM-3801777	
255	N855	DM-3048650	15.5:1	DM-3801795	-	
256	NT855	DM-3051555	14.5:1	DM-3801779	DM-3801768	
258	N855	DM-3048650	15.5:1	DM-3801795	-	
259	NTA855-420	DM-3051557	13.5:1	DM-3801781	DM-3801782	
260	NTA855-350	DM-3051555	14.5:1	DM-3801779	DM-3801768	DM-3801817
266	NTC350	DM-3051554	15.0:1	DM-3801776	DM-3801777	DM-3801824
267	NTC400 B/C	DM-3051555	14.5:1	DM-3801779	DM-3801768	DM-3801817
270	NTCC230	DM-3051553	16.0:1	DM-3801764	DM-3801765	
271	NT855-250	DM-3048650	15.5:1	DM-3801795	-	
272	NTA855-400	DM-3051557	13.5:1	DM-3801781	DM-3801782	
276	NT855	DM-3051555	14.5:1	DM-3801779	DM-3801768	
277	NTCC250	DM-3051554	15.0:1	DM-3801776	DM-3801777	
278	NTC350 S/C	DM-3051555	14.5:1	DM-3801779	DM-3801768	DM-3801817
281	NTCC400	DM-3051555	14.5:1	DM-3801779	DM-3801768	DM-3801817
288	NT855-R4	DM-3051555	14.5:1	DM-3801779	DM-3801768	DM-3801817
294	NTCC350	DM-3051554	15.0:1	DM-3801776	DM-3801777	DM-3801824
298	NTC350 B/C	DM-3051554	15.0:1	DM-3801776	DM-3801777	DM-3801824
299	NTCE365	DM-3051555	14.5:1	DM-3801779	DM-3801768	DM-3801817
300	NT855GS	DM-3051555	14.5:1	DM-3801779	DM-3801768	
306	NTCC290	DM-3051554	15.0:1	DM-3801776	DM-3801777	DM-3801824
307	NTC350 B/C	DM-3051555	14.5:1	DM-3801779	DM-3801768	DM-3801817
308	NTCC350	DM-3051555	14.5:1	DM-3801779	DM-3801768	DM-3801817
309	NTC350	DM-3051555	14.5:1	DM-3801779	DM-3801768	DM-3801817
310	NTCC400	DM-3051555	14.5:1	DM-3801779	DM-3801768	DM-3801817
312	N855M	DM-3048650	15.5:1	DM-3801795	-	



**CUMMINS® CYLINDER KITS Group 2.16**

**855 CYLINER KITS BY CPL**

**5 1/8" BORE**

CPL	ENGINE MODEL	PISTON BODY	COMP RATIO	PREMIUM CYL.KIT	PREMIUM + CYL.KIT	DUAL NI-RESIST CYL.KIT
314	NTC350-Y	DM-3051555	14.5:1	DM-3801779	DM-3801768	DM-3801817
315	NTC350	DM-3051554	15.0:1	DM-3801776	DM-3801777	DM-3801824
316	NTA855-400	DM-3051557	13.5:1	DM-3801781	DM-3801782	
317	NTA855-360	DM-3051555	14.5:1	DM-3801779	DM-3801768	DM-3801817
318	NT855-335	DM-3051555	14.5:1	DM-3801779	DM-3801768	
319	NTA855-GS	DM-3051557	13.5:1	DM-3801781	DM-3801782	
320	NTE290	DM-3051554	15.0:1	DM-3801776	DM-3801777	
322	NTC290	DM-3051553	16.0:1	DM-3801764	DM-3801765	
323	NTC250	DM-3051553	16.0:1	DM-3801764	DM-3801765	
324	NTC400	DM-3051555	14.5:1	DM-3801779	DM-3801768	DM-3801817
325	NT855M	DM-3051555	14.5:1	DM-3801779	DM-3801768	
326	NT855M	DM-3051555	14.5:1	DM-3801779	DM-3801768	DM-3801817
327	NTC350	DM-3051555	14.5:1	DM-3801779	DM-3801768	DM-3801817
328	NTCC350	DM-3051555	14.5:1	DM-3801779	DM-3801768	DM-3801817
329	NTC350	DM-3051555	14.5:1	DM-3801779	DM-3801768	DM-3801817
330	NTC475 B/C II	DM-3031227	14.0:1		DM-3801783	
331	NT380	DM-3051555	14.5:1	DM-3801779	DM-3801768	
332	NTCC290	DM-3051555	14.5:1	DM-3801779	DM-3801768	DM-3801817
338	NTC290	DM-3051554	15.0:1	DM-3801776	DM-3801777	
339	NTC350	DM-3051555	14.5:1	DM-3801779	DM-3801768	DM-3801817
344	NTC290	DM-3051553	16.0:1	DM-3801764	DM-3801765	
345	NTC250	DM-3051553	16.0:1	DM-3801764	DM-3801765	
346	NT855 S/C	DM-3051555	14.5:1	DM-3801779	DM-3801768	
347	NTE350 B/C	DM-3051555	14.5:1	DM-3801779	DM-3801768	DM-3801817
348	NTE370	DM-3051555	14.5:1	DM-3801779	DM-3801768	DM-3801817
349	NTC400 B/C II	DM-3051555	14.5:1	DM-3801779	DM-3801768	DM-3801817
353	NTC290	DM-3051554	15.0:1	DM-3801776	DM-3801777	
354	NTC250	DM-3051554	15.0:1	DM-3801776	DM-3801777	
356	N855CP	DM-3051554	15.0:1	DM-3801776	DM-3801777	
357	N855CLP	DM-3051554	15.0:1	DM-3801776	DM-3801777	

**CUMMINS® CYLINDER KITS Group 2.16**

**855 CYLINDER KITS BY CPL**

**5 1/8" BORE**

CPL	ENGINE MODEL	PISTON BODY	COMP RATIO	PREMIUM CYL.KIT	PREMIUM + CYL.KIT	DUAL NI-RESIST CYL.KIT
358	NT855C	DM-3051554	15.0:1	DM-3801776	DM-3801777	
359	NT855CP	DM-3051555	14.5:1	DM-3801779	DM-3801768	
360	NT855CPLR	DM-3051555	14.5:1	DM-3801779	DM-3801768	
362	NT855P	DM-3051555	14.5:1	DM-3801779	DM-3801768	
363	NTA360	DM-3051555	14.5:1	DM-3801779	DM-3801768	DM-3801817
364	NTA855P	DM-3051555	14.5:1	DM-3801779	DM-3801768	DM-3801817
365	NTA855CPR	DM-3051555	14.5:1	DM-3801779	DM-3801768	DM-3801817
366	NTA855PR	DM-3051555	14.5:1	DM-3801779	DM-3801768	DM-3801817
369	NTC350	DM-3051555	14.5:1	DM-3801779	DM-3801768	DM-3801817
370	NTCE290	DM-3051555	14.5:1	DM-3801779	DM-3801768	
371	NTCE250	DM-3051553	16.0:1	DM-3801764	DM-3801765	
372	NTC230	DM-3051553	16.0:1	DM-3801764	DM-3801765	
373	NTC250	DM-3051553	16.0:1	DM-3801764	DM-3801765	
374	NTC290	DM-3051553	16.0:1	DM-3801764	DM-3801765	
375	NTC350	DM-3051555	14.5:1	DM-3801779	DM-3801768	DM-3801817
376	NTC400	DM-3051555	14.5:1	DM-3801779	DM-3801768	DM-3801817
377	NTE290	DM-3051554	15.0:1	DM-3801776	DM-3801777	DM-3801824
380	NTCC290	DM-3051554	15.0:1	DM-3801776	DM-3801777	DM-3801824
381	NTCC350	DM-3051554	15.0:1	DM-3801776	DM-3801777	DM-3801817
382	NTCC400	DM-3051555	14.5:1	DM-3801779	DM-3801768	DM-3801817
384	NTC350	DM-3051555	14.5:1	DM-3801779	DM-3801768	DM-3801817
391	NTE370 B/C II	DM-3051555	14.5:1	DM-3801779	DM-3801768	DM-3801817
392	NTE350 B/C II	DM-3051555	14.5:1	DM-3801779	DM-3801768	DM-3801817
393	NTC400 B/C	DM-3051555	14.5:1	DM-3801779	DM-3801768	
394	NT855M	DM-3051555	14.5:1	DM-3801779	DM-3801768	
395	NTA855M	DM-3051555	14.5:1	DM-3801779	DM-3801768	DM-3801817
396	NTA855G	DM-3051557	13.5:1	DM-3801781	DM-3801782	
397	NTA855G	DM-3051557	13.5:1	DM-3801781	DM-3801782	

**CUMMINS® CYLINDER KITS Group 2.16**

**855 CYLINER KITS BY CPL**

**5 1/8" BORE**

CPL	ENGINE MODEL	PISTON BODY	COMP RATIO	PREMIUM CYL.KIT	PREMIUM + CYL.KIT	DUAL NI-RESIST CYL.KIT
408	NTCC230	DM-3017348	15.0:1	DM-3801874	DM-3801875	
413	N855	DM-3048650	15.5:1	DM-3801795	-	
414	NTC300	DM-3051554	15.0:1	DM-3801776	DM-3801777	DM-3801824
416	NTA400	DM-3051557	13.5:1	DM-3801781	DM-3801782	
419	NTE350	DM-3051555	14.5:1	DM-3801779	DM-3801768	DM-3801817
431	NTC350	DM-3051555	14.5:1	DM-3801779	DM-3801768	DM-3801817
432	NTC290	DM-3051554	15.0:1	DM-3801776	DM-3801777	DM-3801824
433	NTC300	DM-3051554	15.0:1	DM-3801776	DM-3801777	DM-3801824
435	NTE370	DM-3051555	14.5:1	DM-3801779	DM-3801768	DM-3801817
436	NTC350	DM-3051555	14.5:1	DM-3801779	DM-3801768	
448	NTCC230	DM-3048650	15.5:1	DM-3801795	-	
449	NTC400 B/C II	DM-3051556	14.0:1	DM-3801780	DM-3801771	DM-3801823
450	NTC350 B/C II	DM-3051555	14.5:1	DM-3801779	DM-3801768	DM-3801817
454	NTCC400 B/C II	DM-3051555	14.5:1	DM-3801779	DM-3801768	DM-3801817
455	NTCC350 B/C II	DM-3051555	14.5:1	DM-3801779	DM-3801768	DM-3801817
456	NTCC300 B/C II	DM-3051554	15.0:1	DM-3801776	DM-3801777	DM-3801824
457	NTCC400 B/C II	DM-3051555	14.5:1	DM-3801779	DM-3801768	DM-3801817
458	NTCC350 B/C II	DM-3051555	14.5:1	DM-3801779	DM-3801768	DM-3801817
459	NTCC300 B/C II	DM-3051554	15.0:1	DM-3801776	DM-3801777	
460	NT855G	DM-3051555	14.5:1	DM-3801779	DM-3801768	
461	NT855G	DM-3051555	14.5:1	DM-3801779	DM-3801768	
462	NTA360	DM-3051555	14.5:1	DM-3801779	DM-3801768	DM-3801817
463	NT855	DM-3051555	14.5:1	DM-3801779	DM-3801768	
469	NTA855P	DM-3051555	14.5:1	DM-3801779	DM-3801768	DM-3801817
470	NT855P	DM-3051555	14.5:1	DM-3801779	DM-3801768	
471	NTC300 B/C II	DM-3042320	15.5:1	DM-3801774	DM-3801775	DM-3801822
472	NTC250	DM-3051554	15.0:1	DM-3801776	DM-3801777	
481	NTC400	DM-3051556	14.0:1	DM-3801780	DM-3801771	DM-3801823

**CUMMINS® CYLINDER KITS Group 2.16**

**855 CYLINDER KITS BY CPL**

**5 1/8" BORE**

CPL	ENGINE MODEL	PISTON BODY	COMP RATIO	PREMIUM CYL.KIT	PREMIUM + CYL.KIT	DUAL NI-RESIST CYL.KIT
482	NTC350	DM-3051556	14.0:1	DM-3801780	DM-3801771	DM-3801823
483	NTC350	DM-3051555	14.5:1	DM-3801779	DM-3801768	DM-3801817
485	NTC300	DM-3051554	15.0:1	DM-3801776	DM-3801777	
488	NTC230	DM-3017348	15.0:1	DM-3801874	DM-3801875	
491	NTC270 B/C II	DM-3051554	15.0:1	DM-3801776	DM-3801777	
492	NTC270	DM-3051554	15.0:1	DM-3801776	DM-3801777	
494	NHHTCC290	DM-3051554	15.0:1	DM-3801776	DM-3801777	
495	NHHTCC350	DM-3051555	15.5:1	DM-3801779	DM-3801768	DM-3801817
497	NTC240	DM-3017348	15.0:1	DM-3801874	DM-3801875	
499	NT855	DM-3051554	15.0:1	DM-3801776	DM-3801777	
500	NTE370/400	DM-3051556	14.0:1	DM-3801780	DM-3801771	DM-3801823
506	FLEET270	DM-3042320	15.5:1	DM-3801774	DM-3801775	DM-3801822
509	NTC350	DM-3051555	14.5:1	DM-3801779	DM-3801768	DM-3801817
510	NTC400	DM-3051556	14.0:1	DM-3801780	DM-3801771	DM-3801823
511	NT855C	DM-3051555	14.5:1	DM-3801779	DM-3801768	DM-3801817
516	NTC350	DM-3051555	14.5:1	DM-3801779	DM-3801768	DM-3801817
517	NTA855C	DM-3051554	15.0:1	DM-3801776	DM-3801777	DM-3801824
518	NTTC475 B/C II	DM-3031227	-	-	DM-3801783	
523	NTTA855G	DM-3031227	-	-	DM-3801783	
529	NTC300 B/C III	DM-3042320	15.5:1	DM-3801774	DM-3801775	DM-3801822
530	NTC350 B/C III	DM-3051555	14.5:1	DM-3801779	DM-3801768	DM-3801817
531	NTC400 B/C III	DM-3051556	14.0:1	DM-3801780	DM-3801771	DM-3801823
536	NTC300	DM-3051554	15.0:1	DM-3801776	DM-3801777	DM-3801824
538	NT855C	DM-3051554	15.0:1	DM-3801776	DM-3801777	
539	NT855	DM-3051555	14.5:1	DM-3801779	DM-3801768	
540	NT855G	DM-3051555	14.5:1	DM-3801779	DM-3801768	
541	NTA855P	DM-3051555	14.5:1	DM-3801779	DM-3801768	DM-3801817
542	NTA855G	DM-3051557	13.5:1	DM-3801781	DM-3801782	
543	NTC350	DM-3051555	14.5:1	DM-3801779	DM-3801768	DM-3801817

**CUMMINS® CYLINDER KITS Group 2.16**

**855 CYLINDER KITS BY CPL**

**5 1/8" BORE**

CPL	ENGINE MODEL	PISTON BODY	COMP RATIO	PREMIUM CYL.KIT	PREMIUM + CYL.KIT	DUAL NI-RESIST CYL.KIT
544	NH230	DM-3048650	15.5:1	DM-3801795	-	
545	NTA855P	DM-3051555	14.5:1	DM-3801779	DM-3801768	DM-3801817
547	NTC240/270	DM-3017348	15.0:1	DM-3801874	DM-3801875	
551	NTA855F	DM-3051555	14.5:1	DM-3801779	DM-3801768	DM-3801817
552	NT855F	DM-3051555	14.5:1	DM-3801779	DM-3801768	DM-3801817
553	NTA855	DM-3051555	14.5:1	DM-3801779	DM-3801768	DM-3801817
554	NTA855 B/C III	DM-3051556	14.0:1	DM-3801780	DM-3801771	DM-3801823
558	NTCC240	DM-3048650	15.5:1	DM-3801795	-	
566	NT855P	DM-3051555	14.5:1	DM-3801779	DM-3801768	DM-3801817
567	N855P	DM-3051554	15.0:1	DM-3801776	DM-3801777	
572	NTC350	DM-3051555	14.5:1	DM-3801779	DM-3801768	DM-3801817
573	NTA855G	DM-3051554	15.0:1	DM-3801776	DM-3801777	DM-3801824
574	NTA855G	DM-3051554	15.0:1	DM-3801776	DM-3801777	DM-3801824
575	NTA855R	DM-3051556	14.0:1	DM-3801780	DM-3801771	DM-3801823
578	NTE290	DM-3051554	15.0:1	DM-3801776	DM-3801777	
579	NTC270 B/C III	DM-3042320	15.5:1	DM-3801774	DM-3801775	
581	FLT270 B/C III	DM-3042320	15.5:1	DM-3801774	DM-3801775	DM-3801822
582	NT855G	DM-3051554	15.0:1	DM-3801776	DM-3801777	
583	NT855G	DM-3051554	15.0:1	DM-3801776	DM-3801777	
585	NTC300 B/C III	DM-3042320	15.5:1	DM-3801774	DM-3801775	DM-3801822
586	NTC475 B/C III	DM-3031227	-	-	DM-3801783	
588	NTC400 B/C III	DM-3051556	14.0:1	DM-3801780	DM-3801771	DM-3801823
606	FLT300 B/C III	DM-3051555	14.5:1	DM-3801779	DM-3801768	DM-3801817
609	NT855	DM-3051554	15.0:1	DM-3801776	DM-3801777	
611	NTC350	DM-3051555	14.5:1	DM-3801779	DM-3801768	DM-3801817
612	NTC270	DM-3042320	15.5:1	DM-3801774	DM-3801775	
614	NTCC400 B/C III	DM-3050366	-	-	-	DM-3801822
615	NTCC350 B/C III	DM-3050366	-	-	-	DM-3801822
616	NTCC300 B/C III	DM-3034185	-	-	DM-3801800	
617	NTCC240	DM-3034185	-	-	DM-3801800	

**CUMMINS® CYLINDER KITS Group 2.16**

**855 CYLINER KITS BY CPL**

**5 1/8" BORE**

CPL	ENGINE MODEL	PISTON BODY	COMP RATIO	PREMIUM CYL.KIT	PREMIUM + CYL.KIT	DUAL NI-RESIST CYL.KIT
625	NTC400 B/C III	DM-3051556	14.0:1	DM-3801780	DM-3801771	DM-3801823
632	NTC350 B/C III	DM-3051555	14.5:1	DM-3801779	DM-3801768	DM-3801817
633	NTC300 B/C III	DM-3042320	15.5:1	DM-3801774	DM-3801775	DM-3801822
634	FLT300 B/C III	DM-3051555	14.5:1	DM-3801779	DM-3801768	DM-3801817
635	NTC475 B/C III	DM-3031227	-	-	DM-3801783	
636	NTC300 S/C	DM-3042320	15.5:1	DM-3801774	DM-3801775	DM-3801822
637	NTC350 S/C	DM-3051555	14.5:1	DM-3801779	DM-3801768	DM-3801817
642	NTC400 B/C IV	DM-3028685	-	-	DM-3801796	DM-3801746
647	NTC320	DM-3028706	-	-	DM-3801230	
650	NTA855 B/C III	DM-3051555	14.5:1	DM-3801779	DM-3801768	DM-3801817
651	NTE430	DM-3028685	-	-	DM-3801796	
653	NTTA855	DM-3031227	-	-	DM-3801783	
654	NTTA855A	DM-3031227	-	-	DM-3801783	
657	NTA855 B/C III	DM-3051556	14.0:1	DM-3801780	DM-3801771	DM-3801823
658	NTTA855	DM-3031227	-	-	DM-3801783	
659	NTE350	DM-3028685	-	-	DM-3801796	
669	NTC350	DM-3051555	14.5:1	DM-3801779	DM-3801768	DM-3801817
670	NT855-R5	DM-3051554	15.0:1	DM-3801776	DM-3801777	
673	FLT300 B/C IV	DM-3042319	-	-	DM-3801798	DM-3801824
674	NTC300 B/C IV	DM-3042320	15.5:1	DM-3801774	DM-3801775	DM-3801822
675	NTC350 B/C IV	DM-3042318	14.5:1	-	DM-3801797	DM-3801817
676	NTC400 B/C IV	DM-3028685	-	-	DM-3801796	DM-3801746
677	NHHTC300	DM-3050366				DM-3801822
695	NTC400 S/C	DM-3051556	14.0:1	DM-3801780	DM-3801771	DM-3801823
699	NT855G	DM-3051554	15.0:1	DM-3801776	DM-3801777	
700	NTA855M	DM-3051555	14.5:1	DM-3801779	DM-3801768	DM-3801817
701	NTA855M	DM-3051555	14.5:1	DM-3801779	DM-3801768	DM-3801817
702	NTTA855G	DM-3031227	-	-	DM-3801783	
706	NTA855C	DM-3051555	14.5:1	DM-3801779	DM-3801768	DM-3801817
709	NHC250	DM-3048650	15.5:1	DM-3801795	-	

**CUMMINS® CYLINDER KITS Group 2.16**

**855 CYLINDER KITS BY CPL**

**5 1/8" BORE**

CPL	ENGINE MODEL	PISTON BODY	COMP RATIO	PREMIUM CYL.KIT	PREMIUM + CYL.KIT	DUAL NI-RESIST CYL.KIT
718	FLT300 B/C IV	DM-3045948	-	-	-	DM-3801817
719	NT855	DM-3051554	15.0:1	DM-3801776	DM-3801777	DM-3801824
731	NT855M	DM-3051555	14.5:1	DM-3801779	DM-3801768	DM-3801817
732	NT855C	DM-3051554	15.0:1	DM-3801776	DM-3801777	
733	NT855G	DM-3051554	15.0:1	DM-3801776	DM-3801777	
743	NTC300	DM-3042320	15.5:1	DM-3801774	DM-3801775	DM-3801822
744	NTC350	DM-3051555	14.5:1	DM-3801779	DM-3801768	DM-3801817
745	NTC400	DM-3051556	14.0:1	DM-3801780	DM-3801771	DM-3801823
749	NTC315	DM-3042319	15.0:1	-	DM-3801798	DM-3801824
757	NTA855G	DM-3051556	14.0:1	DM-3801780	DM-3801771	DM-3801823
769	NTC350 B/C III	DM-3045948	14.5:1	-	-	DM-3801817
794	NTCC315 B/C IV	DM-3050366	15.5:1	-	-	DM-3801822
795	NTCC350 B/C IV	DM-3050366	15.5:1	-	-	DM-3801822
796	NTC315	DM-3048809	15.0:1	-	-	DM-3801824
797	NTC350	DM-3045948	14.5:1	-	-	DM-3801817
798	NTC400	DM-3048808	14.0:1	-	-	DM-3801823
806	NTCC365	DM-3050481	-	-	-	DM-3801747
808	NTA855G	DM-3051556	14.0:1	DM-3801780	DM-3801771	DM-3801823
811	NTC300 B/C IV	DM-3050366	15.5:1	-	-	DM-3801822
812	NTC315 B/C IV	DM-3048809	15.0:1	-	-	DM-3801824
813	NTC350 B/C IV	DM-3045948	14.5:1	-	-	DM-3801817
814	NTC400 B/C IV	DM-3050480	-	-	-	DM-3801746
821	NTC444	DM-3050480	-	-	-	DM-3801746
827	NTC365/400	DM-3052794	-	-	-	DM-3801956
832	NTC300 B/C IV	DM-3050366	15.5:1	-	-	DM-3801822
833	NTC365/400	DM-3050480	-	-	-	DM-3801746
838	NTC300/315	DM-3069212	-	-	-	DM-3803346
840	NTC350	DM-3069212	-	-	-	DM-3803346
849	NT855G	DM-3051556	14.0:1	DM-3801780	DM-3801771	DM-3801823
880	NTA855M	DM-3051556	14.0:1	DM-3801780	DM-3801771	DM-3801823



**CUMMINS® CYLINDER KITS Group 2.16**

**855 CYLINDER KITS BY CPL**

**5 1/8" BORE**

CPL	ENGINE MODEL	PISTON BODY	COMP RATIO	PREMIUM CYL.KIT	PREMIUM + CYL.KIT	DUAL NI-RESIST CYL.KIT
891	NTC400	DM-3048808	14.0:1	-	-	DM-3801823
903	NTC444	DM-3050480	-	-	-	DM-3801746
904	NTC365/400	DM-3050480	-	-	-	DM-3801746
905	NTC300/320	DM-3045948	14.5:1	-	-	DM-3801817
907	NTC300	DM-3050366	15.5:1	-	-	DM-3801822
908	NTA855C	DM-3048808	14.0:1	-	-	DM-3801823
910	NTC444	DM-3074493	-	-	-	DM-3803545
911	NT315E	DM-3052794	-	-	-	DM-3801956
972	NT855	DM-3051554	15.0:1	DM-3801774	DM-3801775	DM-3801824
974	NTC365/400	DM-3051555	14.5:1	DM-3801776	DM-3801777	DM-3801817
989	NTA855G	DM-3031227	14.0:1	-	DM-3801783	
990	NTA855G/GS	DM-3031227	14.0:1	-	DM-3801783	
991	NTA855G2	DM-3031227	14.0:1	-	DM-3801783	
992	NT350E	DM-3052794	15.5:1	-	-	DM-3801956
1167	NTA855M	DM-3051556	14.0:1	DM-3801780	DM-3801771	DM-3801823
1171	NTA855/370	DM-3051556	14.0:1	DM-3801780	DM-3801771	DM-3801823
1181	NTA855R1	DM-3051555	14.5:1	DM-3801779	DM-3801768	
1182	NTA855R1	DM-3051555	14.5:1	DM-3801779	DM-3801768	
1183	NTA855G	DM-3051556	14.0:1	DM-3801780	DM-3801771	DM-3801823
1185	NTC365/400	DM-3052794	15.5:1	-	-	DM-3801956
1186	NTE465 B/C IV	DM-3050480	14.0:1	-	-	DM-3801746
1187	FLT285 B/C IV	DM-3069212	17.0:1	-	-	DM-3803346
1188	FLT350 B/C IV	DM-3052794	15.5:1	-	-	DM-3801956
1193	NTA855	DM-3048808	14.0:1	-	-	DM-3801823
1194	NTA855	DM-3051556	14.0:1	DM-3801780	DM-3801771	DM-3801823
1197	NTTA855	DM-3051556	14.0:1	DM-3801780	DM-3801771	DM-3801823
1203	N855C	DM-3048650	15.5:1	DM-3801795	-	
1204	NTA855	DM-3051555	14.5:1	DM-3801779	DM-3801768	DM-3801817
1205	NT855	DM-3051554	15.0:1	DM-3801776	DM-3801777	
1210	NTC444	DM-3074493	-	-	-	
1211	NTC365/400	DM-3052794	15.5:1	-	-	DM-3801956



**CUMMINS® CYLINDER KITS Group 2.16**

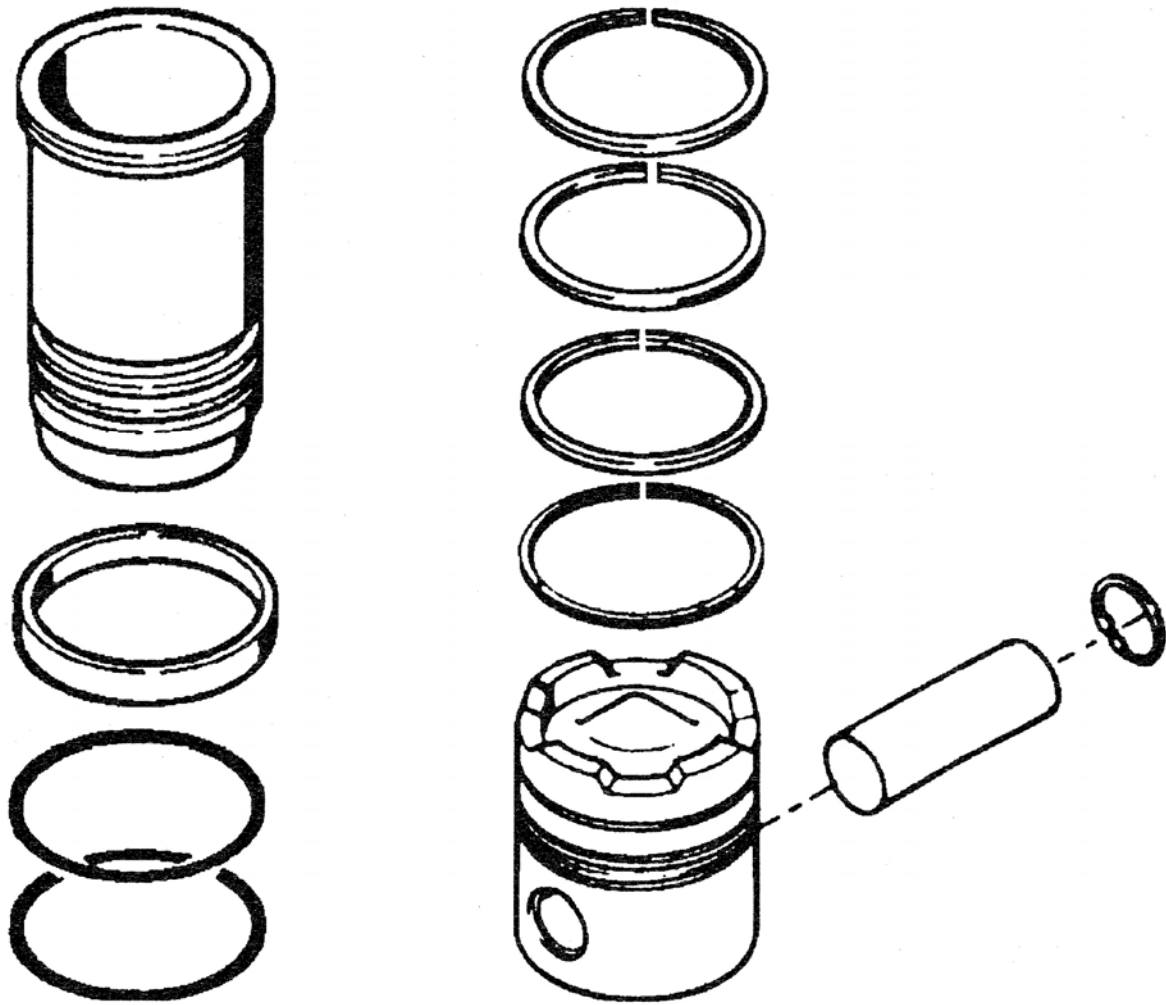
**855 CYLINDER KITS BY CPL**

**5 1/8" BORE**

CPL	ENGINE MODEL	PISTON BODY	COMP RATIO	PREMIUM CYL.KIT	PREMIUM + CYL.KIT	DUAL NI-RESIST CYL.KIT
1215	NTC444/450	DM-3050480	-	-	-	DM-3801746
1252	NTA855/400	DM-3048808	14.0:1	-	-	DM-3801823
1255	NTA855/360	DM-3045978	14.5:1	-	-	DM-3801817
1310	NT855 B/C III	DM-3048650	15.5:1	DM-3801795	-	
1314	NTA855	DM-3048808	14.0:1	-	-	DM-3801823
1315	NTA855R 3,4	DM-3042320	15.5:1	DM-3801774	DM-3801775	DM-3801822
1350	NTC400	DM-3028685	14.0:1		DM-3801796	DM-3801823
1352	FLT300	DM-3069212	17.0:1	-	-	DM-3803346
1381	NT855G	DM-3048808	14.0:1	-	-	DM-3801823
1383	NTA855G	DM-3028706	15.3:1	-	DM-3801230	
1401	NTA855R1	DM-3051555	14.5:1	DM-3801779	DM-3801768	DM-3801817
1402	NTAA410	DM-3042320	15.5:1	DM-3801774	DM-3801775	DM-3801822
1409	NTA855C	DM-3051555	14.5:1	DM-3801779	DM-3801768	DM-3801817
1410	NTA855	DM-3051555	14.5:1	DM-3801779	DM-3801768	DM-3801817
1411	NTA855-400	DM-3051556	14.0:1	DM-3801780	DM-3801781	DM-3801823
1415	NTA855	DM-3051555	14.5:1	DM-3801779	DM-3801768	DM-3801817
1416	NTA855	DM-3045948	14.5:1	-	-	DM-3801817
1417	NTA855	DM-3048808	14.0:1	-	-	DM-3801823
1418	NTA855	DM-3048808	14.0:1	-	-	DM-3801823
1421	NTA855C	DM-3048808	14.0:1	-	-	DM-3801823
1425	NTA855	DM-3048809	15.0:1	-	-	DM-3801824
1436	NTA855G	DM-3048808	14.0:1	-	-	DM-3801823
1502	NTA855/400	DM-3048809	15.0:1	-	-	DM-3801824
1557	NTA360/375	DM-3048808	14.0:1	-	-	DM-3801823
1573	N14E370/430	DM-3081268				DM-3803755
1574	N14E310/350	DM-3081266				DM-3803753
1575	N14-460E	DM-3081268				DM-3803755
1576	NTA855CP	DM-3048808	14.0:1			DM-3801823
1580	N14-460E	DM-3081268				DM-3803755
1583	N14E370/460	DM-3081268				DM-3803755

**CUMMINS® CYLINDER KITS Group 2.16**

**855 CYLINDER KITS**



**TYPICAL 855 CYLINDER KIT**

**CUMMINS® CYLINDER KITS Group 2.16**

**855 CYLINDER KITS**

**5 1/8" BORE**

CYLINDER KIT	COMP RATIO	LINER	PISTON BODY	RING SET	PISTON PIN	RETAINERS
DM-3801230	15.3:1	DM-3055099	DM-3028706	DM-3803471	DM-191970	DM-175755
DM-3801232	14.5:1	DM-3055099	DM-3028686	DM-3803471	DM-191970	DM-175755
DM-3801746	14.0:1	DM-3055099	DM-3050480	DM-3803471	DM-191970	DM-175755
DM-3801764	16.0:1	DM-3055099	DM-3051553	DM-3801056	DM-191970	DM-175755
DM-3801765	16.0:1	DM-3055099	DM-3051553	DM-3803471	DM-191970	DM-175755
DM-3801767	15.5:1	DM-3046325	DM-3042320	DM-3803471	DM-191970	DM-175755
DM-3801768	14.5:1	DM-3055099	DM-3051555	DM-3803471	DM-191970	DM-175755
DM-3801769	14.5:1	DM-3046325	DM-3051555	DM-3803471	DM-191970	DM-175755
DM-3801771	14.0:1	DM-3055099	DM-3051556	DM-3803471	DM-191970	DM-175755
DM-3801772	14.0:1	DM-3055099	DM-3051556	DM-3803471	DM-191970	DM-175755
DM-3801774	15.5:1	DM-3055099	DM-3042320	DM-3801056	DM-191970	DM-175755
DM-3801775	15.5:1	DM-3055099	DM-3042320	DM-3803471	DM-191970	DM-175755
DM-3801776	15.0:1	DM-3055099	DM-3051554	DM-3801056	DM-191970	DM-175755
DM-3801777	15.0:1	DM-3055099	DM-3051554	DM-3803471	DM-191970	DM-175755
DM-3801778	15.0:1	DM-3046325	DM-3051554	DM-3803471	DM-191970	DM-175755
DM-3801779	14.5:1	DM-3055099	DM-3051555	DM-3801056	DM-191970	DM-175755
DM-3801780	14.0:1	DM-3055099	DM-3051556	DM-3801056	DM-191970	DM-175755
DM-3801781	13.5:1	DM-3055099	DM-3051557	DM-3801056	DM-191970	DM-175755
DM-3801782	13.5:1	DM-3055099	DM-3051557	DM-3803471	DM-191970	DM-175755
DM-3801783	14.0:1	DM-3055099	DM-3031227	DM-3803471	DM-191970	DM-175755
DM-3801795	15.5:1	DM-3055099	DM-3048650	DM-3801056	DM-191970	DM-175755
DM-3801796	14.0:1	DM-3055099	DM-3028685	DM-3803471	DM-191970	DM-175755
DM-3801797	14.5:1	DM-3055099	DM-3042318	DM-3803471	DM-191970	DM-175755
DM-3801798	15.0:1	DM-3055099	DM-3042319	DM-3803471	DM-191970	DM-175755
DM-3801811	14.0:1	DM-3046325	DM-3028685	DM-3803471	DM-191970	DM-175755
DM-3801817	14.5:1	DM-3055099	DM-3045948	DM-3803471	DM-191970	DM-175755
DM-3801822	15.5:1	DM-3055099	DM-3050366	DM-3803471	DM-191970	DM-175755
DM-3801823	14.0:1	DM-3055099	DM-3048808	DM-3803471	DM-191970	DM-175755
DM-3801824	15.0:1	DM-3055099	DM-3048809	DM-3803471	DM-191970	DM-175755
DM-3801872	14.5:1	DM-3055099	DM-3017349	DM-3801056	DM-191970	DM-175755
DM-3801873	14.5:1	DM-3055099	DM-3017349	DM-3803471	DM-191970	DM-175755
DM-3801874	15.0:1	DM-3055099	DM-3017348	DM-3801056	DM-191970	DM-175755
DM-3801875	15.0:1	DM-3055099	DM-3017348	DM-3803471	DM-191970	DM-175755
DM-3801920	16.0:1	DM-3046325	DM-3051553	DM-3803471	DM-191970	DM-175755
DM-3801956	15.5:1	DM-3055099	DM-3052794	DM-3803471	DM-191970	DM-175755
DM-3803209	14.0:1	DM-3065405	DM-3028685	DM-3803471	DM-191970	DM-175755
DM-3803210	15.5:1	DM-3065405	DM-3042320	DM-3803471	DM-191970	DM-175755
DM-3803211	16.0:1	DM-3065405	DM-3051553	DM-3803471	DM-191970	DM-175755
DM-3803212	15.0:1	DM-3065405	DM-3051554	DM-3803471	DM-191970	DM-175755
DM-3803213	14.5:1	DM-3065405	DM-3051555	DM-3803471	DM-191970	DM-175755
DM-3803214	14.0:1	DM-3065405	DM-3051556	DM-3803471	DM-191970	DM-175755
DM-3803215	15.0:1	DM-3055099	DM-3048809	DM-3803471	DM-191970	DM-175755
DM-3803216	14.5:1	DM-3065405	DM-3045948	DM-3803471	DM-191970	DM-175755
DM-3803217	14.0:1	DM-3065405	DM-3048808	DM-3803471	DM-191970	DM-175755
DM-3803218	15.5:1	DM-3065405	DM-3052794	DM-3803471	DM-191970	DM-175755
DM-3803221	15.5:1	DM-3065405	DM-3048650	DM-3803471	DM-191970	DM-175755
DM-3803223	15.0:1	DM-3065405	DM-3017348	DM-3803471	DM-191970	DM-175755
DM-3803224	15.0:1	DM-3065405	DM-3042319	DM-3803471	DM-191970	DM-175755
DM-3803225	14.5:1	DM-3065405	DM-3042318	DM-3803471	DM-191970	DM-175755
DM-3803226	14.5:1	DM-3065405	DM-3017349	DM-3803471	DM-191970	DM-175755
DM-3803227	14.0:1	DM-3065405	DM-3031227	DM-3803471	DM-191970	DM-175755
DM-3803228	13.5:1	DM-3065405	DM-3051557	DM-3803471	DM-191970	DM-175755
DM-3803233	14.0:1	DM-3065405	DM-3050480	DM-3803471	DM-191970	DM-175755
DM-3803346	17.0:1	DM-3055099	DM-3069212	DM-3803471	DM-191970	DM-175755

**CUMMINS® CYLINDER KITS Group 2.16**

**855 CYLINDER KITS**

**5 1/8" BORE**

CYLINDER KIT	COMP RATIO	LINER	PISTON BODY	RING SET	PISTON PIN	RETAINERS
DM-3804346	16.0:1	DM-3055099	DM-3095757	DM-4024942	DM-191970	DM-175755
DM-3804348	15.5:1	DM-3055099	DM-3095711	DM-4024942	DM-191970	DM-175755
DM-3804351	15.0:1	DM-3055099	DM-3095702	DM-4024942	DM-191970	DM-175755
DM-3804354	14.5:1	DM-3055099	DM-3095703	DM-4024942	DM-191970	DM-175755
DM-3804357	14.0:1	DM-3055099	DM-3095704	DM-4024942	DM-191970	DM-175755
DM-3804359	13.5:1	DM-3055099	DM-3095705	DM-4024942	DM-191970	DM-175755
DM-3804360	16.5:1	DM-3055099	DM-3076813	DM-4024942	DM-191970	DM-175755
DM-3804362	15.5:1	DM-3055099	DM-3076816	DM-4024942	DM-191970	DM-175755
DM-3804363	15.0:1	DM-3055099	DM-3076810	DM-4024942	DM-191970	DM-175755
DM-3804366	14.5:1	DM-3055099	DM-3076811	DM-4024942	DM-191970	DM-175755
DM-3804368	14.0:1	DM-3055099	DM-3076809	DM-4024942	DM-191970	DM-175755
DM-3804376	16.0:1	DM-3065405	DM-3095757	DM-4024942	DM-191970	DM-175755
DM-3804378	15.5:1	DM-3065405	DM-3095711	DM-4024942	DM-191970	DM-175755
DM-3804381	15.0:1	DM-3065405	DM-3095702	DM-4024942	DM-191970	DM-175755
DM-3804384	14.5:1	DM-3065405	DM-3095703	DM-4024942	DM-191970	DM-175755
DM-3804387	14.0:1	DM-3065405	DM-3095704	DM-4024942	DM-191970	DM-175755
DM-3804389	13.5:1	DM-3065405	DM-3095705	DM-4024942	DM-191970	DM-175755
DM-3804390	16.5:1	DM-3065405	DM-3076813	DM-4024942	DM-191970	DM-175755
DM-3804392	15.5:1	DM-3065405	DM-3076816	DM-4024942	DM-191970	DM-175755
DM-3804393	15.0:1	DM-3065405	DM-3076810	DM-4024942	DM-191970	DM-175755
DM-3804396	14.5:1	DM-3065405	DM-3076811	DM-4024942	DM-191970	DM-175755
DM-3804398	14.0:1	DM-3065405	DM-3076809	DM-4024942	DM-191970	DM-175755
DM-3804436	16.0:1	DM-3055099	DM-3095757	DM-3804500	DM-191970	DM-175755
DM-3804441	15.0:1	DM-3055099	DM-3095738	DM-3804500	DM-191970	DM-175755
DM-3804444	14.5:1	DM-3055099	DM-3095739	DM-3804500	DM-191970	DM-175755
DM-3804447	14.0:1	DM-3055099	DM-3095740	DM-3804500	DM-191970	DM-175755
DM-3804449	13.5:1	DM-3055099	DM-3095741	DM-3804500	DM-191970	DM-175755
DM-3804450	16.5:1	DM-3055099	DM-3095064	DM-3804500	DM-191970	DM-175755
DM-3804452	15.5:1	DM-3055099	DM-3095067	DM-3804500	DM-191970	DM-175755
DM-3804453	15.0:1	DM-3055099	DM-3095061	DM-3804500	DM-191970	DM-175755
DM-3804456	14.5:1	DM-3055099	DM-3095062	DM-3804500	DM-191970	DM-175755
DM-3804458	14.0:1	DM-3055099	DM-3095060	DM-3804500	DM-191970	DM-175755
DM-3804466	16.0:1	DM-3065405	DM-3095757	DM-3804500	DM-191970	DM-175755
DM-3804471	15.0:1	DM-3065405	DM-3095738	DM-3804500	DM-191970	DM-175755
DM-3804474	14.5:1	DM-3065405	DM-3095739	DM-3804500	DM-191970	DM-175755
DM-3804477	14.0:1	DM-3065405	DM-3095740	DM-3804500	DM-191970	DM-175755
DM-3804479	13.5:1	DM-3065405	DM-3095741	DM-3804500	DM-191970	DM-175755
DM-3804480	16.5:1	DM-3065405	DM-3095064	DM-3804500	DM-191970	DM-175755
DM-3804482	15.5:1	DM-3065405	DM-3095067	DM-3804500	DM-191970	DM-175755
DM-3804483	15.0:1	DM-3065405	DM-3095061	DM-3804500	DM-191970	DM-175755
DM-3804486	14.5:1	DM-3065405	DM-3095062	DM-3804500	DM-191970	DM-175755
DM-3804488	14.0:1	DM-3065405	DM-3095060	DM-3804500	DM-191970	DM-175755

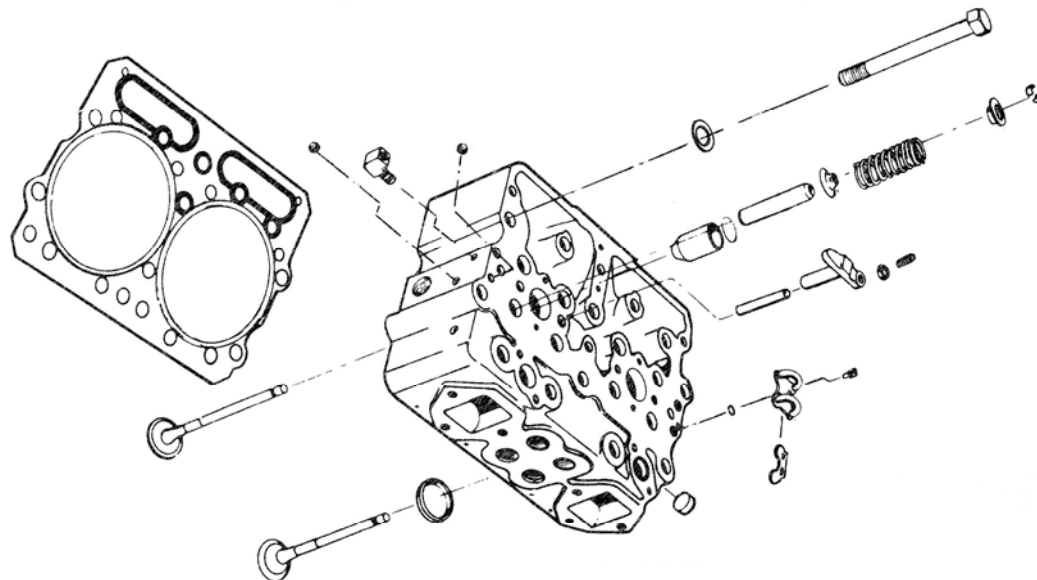
USE DM-AR51477 LINER O RING PACKING KIT  
PISTONS TAKES 2 RETAINERS DM-175755

**CUMMINS® FRONT COVER Group 2.18**

PART NUMBER	DESCRIPTION	COMMENTS
DM-3914385	GASKET, FRONT COVER	4B3.9, 6B5.9
DM-3916131	GASKET, FRONT COVER	4B3.9, 6B5.9
DM-3904353	FRONT CRANK SEAL	4B3.9, 6B5.9
DM-3903475	O RING, FRONT COVER PLATE	4B3.9, 6B5.9
DM-3917780	GASKET, GEAR COVER	6C8.3
DM-3281721	GASKET, GEAR HOUSING	6C8.3
DM-3353977	FRONT CRANK SEAL	6C8.3
DM-3058148	GASKET, GEAR COVER	L10
DM-3600925	GASKET, END PLATE	L10
DM-3803896	FRONT CRANK SEAL	L10
DM-214633	GASKET, FRONT COVER	N743
DM-3021704	GASKET, FRONT COVER	855 – SINGLE PIECE
DM-3021705	GASKET, FRONT COVER	855 – SPLIT TYPE
DM-3067618	GASKET, FRONT COVER	N14
DM-708124	SUPPORT	855 – FLANGED CAMSHAFT
DM-3008530	SUPPORT	855 – FLANGELESS CAMSHAFT
DM-215705	PACKING, SUPPORT	855,V1710
DM-AR1176	SHIM KIT	855,V1710
DM-132770	BUSHING, FRONT COVER	855,V1710
DM-3004316	SEAL, ACCESSORY DRIVE OIL	855
DM-190397	SLEEVE, ACCESSORY DRIVE	855
DM-181187	GASKET, GEAR COVER	V1710
DM-181085	GASKET, GEAR HOUSING	V1710
DM-116391	BUSHING, FRONT COVER	V1710
DM-3020187	SEAL, FRONT COVER	V1710
DM-3044762	GASKET, FRONT COVER	KT19
DM-3037282	GASKET, END PLATE	KT19
DM-3001318	GASKET, FRONT COVER	KT19
DM-3177160	GASKET, FRONT COVER	KT38,50
DM-3178076	GASKET, GEAR HOUSING	KT38,50

**CUMMINS® CYLINDER HEADS & COMPONENTS Group 3.10**

ENGINE	BARE HEAD	COMPLETE HEAD	INJECTOR TUBE	INJECTOR TUBE SEAL	HEAD BOLT
4BT 3.9 6BT 5.9 6CT 8.3 V,VT378 V,VT504 V,VT555		DM-3920611 DM-3913391			
L10/M11 N743 NH, NT855 S/C & B/C NTC855, B/C	DM-3041992	DM-3041993	DM-169630 DM-169630 DM-169630	DM-3007759 DM-3007759 DM-3007759	
NTC855, B/C	DM-3041992	DM-3041993	DM-3070486 DM-202605 DM-3070486 DM-3071147 DM-3071147 THICK WALL DM-3070486 THIN WALL DM-3070486	DM-3007759 NONE DM-3007759 DM-3007759 DM-3007759 DM-3007759	DM-188329 DM-209700 6 1/4" LONG DM-3013623 7 1/4" LONG DM-3013623
N14			DM-3070486 DM-3070486	DM-3007759 DM-3007759	DM-3071161
V,VT903 V,VT1710			DM-3070486 DM-3070486	DM-3007759 DM-3007759	DM-209700 DM-177734
KTA19/KT1150 KTA 38/KT2300 KTA 50/KT3067					DM-3032633 DM-3032633 DM-3032633



**TYPICAL 855 CYLINDER HEAD**

**CUMMINS® VALVE TRAIN COMPONENTS Group 3.11**

ENGINE	INT VALVE KIT INT VALVE	EXH VALVE KIT EXH VALVE	VALVE LOCKS	VALVE SPRING	VALVE GUIDE	SEAL INT SEAL EXH	INT INSERT EXH INSET
B SERIES	DM-3802355 DM-3901117	DM-3802356 DM-3901607	DM-3900250	DM-3900276	DM-3904408 DM-3904409 DM-3906206	DM-3921640	DM-3906854 DM-3904105
C SERIES	DM-3802463 DM-3924492	DM-3802085 DM-3902254	DM-3901177	DM-3906412	DM-3923564	DM-3915707 DM-3919038	DM-3924582 DM-3924583
V,VT378	DM-3275356	DM-3275356	DM-3275354	DM-163037	DM-3278173	DM-156541	DM-195000 DM-154390
V,VT504	DM-3275356	DM-3275356	DM-3275354	DM-163037	DM-3278173	DM-156541	DM-195000 DM-154390
V,VT555	DM-3275356	DM-3275356	DM-3275354	DM-163037	DM-3278173	DM-156541	DM-195000 DM-154390
L10	DM-3801356 DM-3033234	DM-3801357 DM-3818520	DM-3275354	DM-3033232* DM-3033233**	DM-3073512 DM-3033314		DM-3028070
M11	DM-3800636 (DM-3417778) DM-3800638 (DM-3418020)	DM-3800637 (DM-3417779) DM-3800639 (DM-3418021)	DM-3275354	DM-3895860	DM-3073512		DM-3090703 DM-3088978 DM-3090704 DM-3088980
N743	DM-150288	DM-144911	DM-S2037	DM-111446	DM-066890		DM-69965
NT855	DM-3803512 DM-135957	DM-3803524 DM-145701	DM-127554	DM-211999	DM-3006456 DM-3050369		DM-200354 DM-3017759
88 B/C IV	DM-135957	DM-3040830	DM-127554	DM-3035996	DM-3050369		DM-3054590 DM-3054600
N14-91	DM-3803360 DM-3068519	DM-3803770 DM-3070473	DM-3072369	DM-3070460	DM-3064312 DM-3072321	DM-3064281	DM-3054590 DM-3069692
N14-94	DM-3803854 DM-3084045	DM-3803726 DM-3069672	DM-3072369	DM-3070460	DM-3064312 DM-3072322	DM-3064281	DM-3076515 DM-3084020
V,VT903	DM-216707	DM-138887	DM-127554	DM-146731* DM-146732**	DM-138937	DM-156541	DM-212217 DM-212940
V,VT1710	DM-135957	DM-145701	DM-127554	DM-211999	DM-3050369		DM-200354 DM-3017759
K SERIES	DM-207241 STD.	DM-3035110 STD.	DM-205091	DM-3629006 STD.	DM-3018818 STD.		DM-3026296 DM-205093
K SERIES	DM-3803518 DM-3052820 PREMIUM	DM-3803528 DM-3038427 PREMIUM	DM-205091	DM-3630628	DM-3202210 PREMIUM		DM-3052819 PREMIUM

\* OUTER \*\* INNER

CHECK CPL NUMBERS AND CUMMINS MANUALS



**CUMMINS® VALVE TRAIN COMPONENTS Group 3.11**

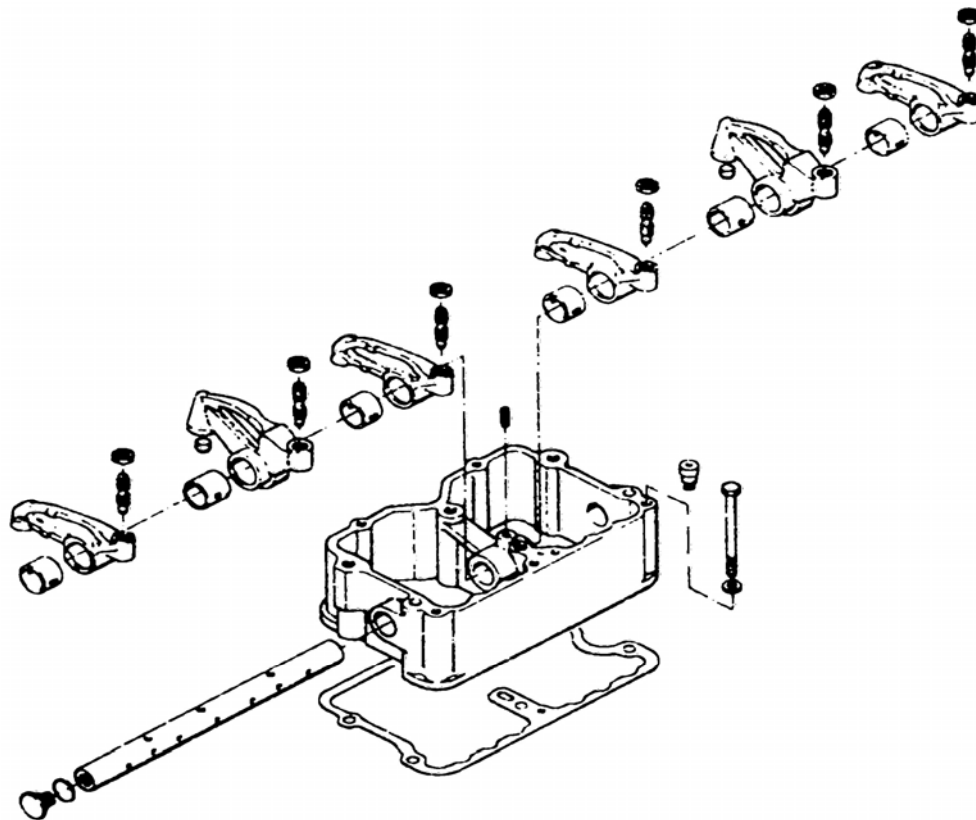
CONTINUED

ENGINE	RETAINER VALVE SPRING	SEAT VALVE SPRING	CROSSHEAD (INT) CROSSHEAD (EXH)	CROSSHEAD GUIDE
V378	DM-155441			
V504	DM-155441			
V555	DM-155441			
N743				DM-123558
855 S/C	DM-170296	DM-3042745	DM-3030038 DM-3030038	DM-123558 DM-123558
855 B/C	DM-170296	DM-3042745	DM-2028293 DM-3028293	DM-3006456 DM-3006456
855 B/C IV	DM-3036966	DM-3047395		
N14	DM-3064247			
V903	DM-146733			
V1710	DM-170296	DM-3042745	DM-3030038 DM-3030038	DM-123558 DM-123558
KT19				DM-205169
KT38				DM-205169
KT50				DM-205169



**CUMMINS® ROCKER ARM BUSHING & COMPONENTS Group 3.12**

ENGINE	VALVE BUSHING	INJECTOR BUSHING	ADJUSTING SCREW	NUT	INJECTOR LEVER SOCKET	ROCKER HOUSING GASKET	VALVE COVER GASKET
V,VT378	DM-152937	DM-152936	DM-168306	DM-S212	DM-194037		DM-154019 EARLY DM-3277100 LATE
V,VT504	DM-152937	DM-152936	DM-168306	DM-S212	DM-194037		DM-154018 EARLY DM-3277099 LATE
V,VT555	DM-152937	DM-152936	DM-168306	DM-S212	DM-194037		DM-154018 EARLY DM-3277099 LATE
N743	DM-140330	DM-218153	DM-168306	DM-S212			DM-108692
855 S/C	DM-140330	DM-218153	DM-168306	DM-S212	DM-194037	DM-3017750	DM-3054841
855 B/C	DM-140330	DM-218153	DM-168306	DM-S212	DM-194037	DM-3017750	DM-3054841
855 B/C IV			DM-168306	DM-S212	DM-194037	DM-3049187	DM-3058532
N14						DM-3076292	DM-3066311
V,VT903			DM-168306	DM-S212	DM-194037		DM-3026315 DM-3028673
V,VT1710	DM-140330	DM-218153	DM-168306	DM-S212	DM-194037	DM-3036100	DM-3077198
KT,KTA19			DM-168306	DM-S212	DM-194037	DM-3201517	DM-3629140
KT,KTA38			DM-168306	DM-S212	DM-194037	DM-3201517	DM-3629140
KT,KTA50			DM-168306	DM-S212	DM-194037	DM-3201517	DM-3629140



**CUMMINS® CAM FOLLOWER & PUSH RODS Group 3.13**

ENGINE	LOCK PIN, VALVE	LOCK PIN, INJECTOR	VALVE ROLLER	INJECTOR ROLLER	PIN, VALVE ROLLER	PIN, INJECTOR ROLLER	BUSHING/ SOCKET INT&EXH	BUSHING/ SOCKET INJECTOR
V378	DM-108186	DM-111272	DM-153679	DM-154571	DM-169154	DM-114223	DM-218853	DM-218853
V504	DM-108186	DM-111272	DM-153679	DM-154571	DM-169154	DM-114223		DM-107738
V555	DM-108186	DM-111272	DM-153679	DM-154571	DM-169154	DM-114223		DM-107738
N743	DM-118939	DM-118939	DM-9260-1	DM-3062096	DM-68513	DM-3017544	DM-118378	DM-118377
855 S/C	DM-118939	DM-118939	DM-9260-1	DM-3062096	DM-68513	DM-3017544	DM-118378	DM-118377
855 B/C	DM-118939	DM-118939	DM-3036933	DM-3036934	DM-3013331	DM-3013330	DM-118378	DM-118377
N14	DM-3066220	DM-3066220	DM-3036933	DM-3038179	DM-3013331			
V903	DM-108186		DM-152082	DM-213061	DM-169327	DM-213058	DM-218853	DM-213559
V1710			DM-3006699	DM-3017511	DM-113749	DM-163815	DM-213559	DM-213559
KT19			DM-3016826	DM-3016825	DM-205071	DM-205068	DM-213559	DM-213559
KT38			DM-3016826	DM-3016825	DM-205071	DM-205068	DM-213559	DM-213559
KT50			DM-3016826	DM-3016825	DM-205071	DM-205068	DM-213559	DM-213559

ENGINE	PUSH ROD INTAKE	PUSH ROD EXHAUST	PUSH ROD INJECTOR
V378	DM-168209	DM-168209	DM-168209
V504	DM-168209	DM-168209	DM-168209
V555			
N743	DM-3053377	DM-3046418	DM-3046431
855 S/C	DM-3053377	DM-3046418	DM-3046431
855 B/C	DM-3046420	DM-3046420	DM-3046430
N14	DM-3066291	DM-3066291	DM-3067932
V903	DM-169351	DM-169351	DM-3003602
V1710	DM-3046419	DM-3046419	DM-3046432
KT19	DM-205492	DM-205492	DM-3017961
KT38	DM-3057139	DM-3057139	DM-3017961
KT50	DM-3057139	DM-3057139	DM-3017961

**CUMMINS® FUEL INJECTION PARTS Group 4.10**

**INJECTOR CUPS**

PART NUMBER	SPRAY HOLE	ENGINE CODE
DM-BM28818	7-.007 X 18°	G
DM-BM28826	7-.007 X 21°	B
DM-BM30023	7-.009 X 21°	B
DM-BM30659	7-.011 X 16°	F
DM-BM30662	7-.010 X 16°	F
DM-BM32321	7-.006 X 18°	G
DM-BM40248	7-.007 X 17°	B
DM-BM47650	7-.012 X 16°	F
DM-BM54732	7-.006 X 16°	G
DM-BM64830	8-.008 X 18°	B
DM-BM67201	7-.006 X 21°	B
DM-BM68672	8-.0065 X 18°	B
DM-BM70194	8-.006 X 14°	G
DM-BM71382	9-.0065 X 2°	A
DM-BM90855	8-.006 X 2°	A
DM-3000798	9-.007 X 4°	A
DM-3001314	10-.0085 X 10°	C
DM-3003923	7-.007 X 17°	B
DM-3003924	7-.006 X 21°	B
DM-3003925	8-.008 X 18°	B
DM-3003926	8-.0065 X 18°	B
DM-3003927	8-.009 X 18°	B
DM-3003928	9-.0058 X 4°	A
DM-3003929	7-.0075 X 4°	A
DM-3003930	7-.008 X 4°	A
DM-3003931	7-.0075 X 6°	A
DM-3003932	9-.0085 X 7°	C
DM-3003933	9-.0085 X 10°	C
DM-3004054	9-.007 X 6°	A
DM-3005963	10-.0075 X 10°	C
DM-3006502	9-.008 X 18°	B
DM-3006539	7-.007 X 21°	B
DM-3006540	8-.006 X 2°	A
DM-3006541	8-.0065 X 2°	A
DM-3006542	9-.005 X 4°	A
DM-3006543	9-.0065 X 2°	A
DM-3006544	9-.008 X 4°	A
DM-3006545	8-.008 X 14°	A
DM-3010511	7-.007 X 4°	A
DM-3012535	8-.007 X 18°	B
DM-3012536	8-.008 X 18°	B
DM-3012537	8-.0065 X 18°	B
DM-3012538	9-.008 X 18°	B
DM-3016662	8-.005 X 5°	D
DM-3018777	10-.0065 X 12°	H
DM-3018813	10-.0065 X 18°	B
DM-3018814	10-.007 X 18°	B
DM-3018860	7-.007 X 17°	B
DM-3018861	7-.006 X 21°	B
DM-3018862	8-.009 X 18°	B
DM-3018863	7-.007 X 21°	B
DM-3020793	8-.0055 X 4°	D

PART NUMBER	SPRAY HOLE	ENGINE CODE
DM-3020797	8-.006 X 5°	D
DM-3022154	8-.006 X 4°	A
DM-3023216	10-.006 X 8°	H
DM-3023556	9-.0085 X 18°	B
DM-3024148	9-.009 X 18°	B
DM-3026537	10-.007 X 13°	I
DM-3028068	9-.007 X 10°	H
DM-3031504	10-.0056 X 12°	I
DM-3034761	10-.0064 X 12°	I
DM-3042443	10-.0056 X 12°	I
DM-3042446	10-.0064 X 12°	I
DM-3042448	10-.007 X 12°	I
DM-3047503	9-.0073 X 6°	A
DM-3049436	10-.0126X18&28°	C
DM-3052229	8-.0093 X 18°	B
DM-3052522	8-.008 X 18°	B
DM-3052630	8-.009 X 18°	B
DM-3053742	9-.0086 X 18°	B
DM-3055135	10-.010 X 10°	C
DM-3056341	10-.006 X 10°	H
DM-3058513	8-.008 X 6°	A
DM-3059399	8-.008 X 18°	B
DM-3059423	8-.007 X 14°	A
DM-3059929	10-.010 X 10°	C
DM-3062094	10-.0095 X 10°	C
DM-3063227	8-.007 X 14°	B
DM-3064252	9-.007 X 14°	B
DM-3066731	8-.007 X 17°	H
DM-3066916	8-.007 X 18°	B
DM-3067404	7-.0083 X 14°	B
DM-3068071	8-.0069 X 14°	H
DM-3068399	8-.007 X 17°	H
DM-3068895	8-.0078 X 14°	B
DM-3069700	8-.0078 X 14°	I
DM-3069717	8-.007 X 14°	H
DM-3069756	10-.006 X 10°	H
DM-3069764	8-.007 X 14°	B
DM-3070615	8-.007 X 18°	B
DM-3070650	8-.009 X 6°	A
DM-3071046	7-.0073 X 14°	B
DM-3071564	8-.0067 X 14°	H
DM-3073573	8-.0075 X 17°	B
DM-3073575	8-.0076 X 17°	B
DM-3073753	9-.0072 X 10°	H
DM-3202078	8-.006 X 10°	H
DM-3275265	7-.0055 X 4°	D
DM-3275266	7-.006 X 4°	D
DM-3275267	7-.006 X 3°	D
DM-3275417	7-.0055 X 6°	D
DM-3278446	9-.006 X 10°	H
DM-3279720	10-.0095 X 10°	C
DM-3279755	10-.009 X 10°	C

**ENGINE CODE:** A - V-903, V6-200, V8-265, V8-350    B - NH, NT, V1710    C - K6, K12, K16    D - V-378, V-504, V-555    E - V6-140, V-185  
F - L, LR, LRT    G - C, J    H - L-10    I - N-14

**CUMMINS® FUEL INJECTION PARTS Group 4.10**

**INJECTOR BARRELS**

SIZE	PART NUMBER	TYPE	APPLICATION
5/16	DM-187326	LOW FLOW	SMALL VEE
5/16	DM-555729	HIGH FLOW	SMALL VEE
3/8	DM-187370	LOW FLOW	PTD & TOP STOP
3/8	DM-190190	STANDARD FLOW	PTD & TOP STOP
3/8	DM-3009469	HIGH FLOW	PTD & TOP STOP
3/8	DM-3012944	DIRECT FEED STANDARD CAP	PTD & TOP STOP
3/8	DM-3017285	DIRECT FEED HIGH FLOW	PTD & TOP STOP
3/8	DM-3026072	DIRECT FEED LOW FLOW	PTD & TOP STOP
3/8	DM-3047054	DIRECT FEED HIGH FLOW	PTD & TOP STOP
3/8	DM-3202184	DIRECT FEED STANDARD FLOW	PTD & TOP STOP
K	DM-205458	STANDARD FLOW	K ENGINE
K	DM-3014590	DIRECT FEED STANDARD FLOW	K ENGINE

**INJECTOR BARREL AND PLUNGER ASSEMBLIES**

ASSEMBLY PART NUMBER	BARREL PART NUMBER	TYPE	PLUNGER	APPLICATION
DM-AR73665	DM-555729	HIGH FLOW	STEEL	SMALL VEE
DM-AR40063	DM-187326	LOW FLOW	STEEL	SMALL VEE
DM-3011964	DM-187370	STANDARD CAP LOW FLOW	STEEL	PTD
DM-3011965	DM-190190	STANDARD CAP LOW FLOW	STEEL	PTD
DM-3013981	DM-3009469	HIGH CAP HIGH FLOW	STEEL	PTD
DM-3018219	DM-3047054	DIRECT FEED HIGH FLOW	STEEL	PTD
DM-3018322	DM-187370	STANDARD CAP LOW FLOW	CHROME	PTD
DM-3018324	DM-190190	STANDARD CAP LOW FLOW	CHROME	PTD
DM-3018325	DM-3009469	HIGH CAP HIGH FLOW	CHROME	PTD
DM-3108588	DM-3202184	DIRECT FEED HIGH FLOW	CHROME	PTD
DM-3022552	DM-3017285	DIRECT FEED HIGH FLOW	CHROME	PTD
DM-3042417	DM-3026072	DIRECT FEED LOW FLOW	CHROME	PTD
DM-3047964	DM-3047054	DIRECT FEED HIGH FLOW	CHROME	PTD
DM-3054532	DM-3202184	DIRECT FEED LOW FLOW	CHROME	PTD
DM-3018366	DM-190190	STANDARD CAP HIGH FLOW	CHROME	TOP STOP
DM-3018367	DM-187370	STANDARD CAP LOW FLOW	CHROME	TOP STOP
DM-3022968	DM-3009469	HIGH CAP HIGH FLOW	CHROME	TOP STOP
DM-3018586	DM-3012944	DIRECT FEED STD. CAP HIGH FLOW	CHROME	TOP STOP
DM-3018587	DM-3017285	DIRECT FEED HIGH CAP HIGH FLOW	CHROME	TOP STOP
DM-3018367	DM-3026072	DIRECT FEED LOW FLOW	CHROME	TOP STOP
DM-3047963	DM-3047054	DIRECT FEED HIGH FLOW	CHROME	TOP STOP
DM-3054533	DM-3202184	DIRECT FEED LOW FLOW	CHROME	TOP STOP
DM-AR40178	DM-205458	STANDARD CAP	CHROME	K ENGINE
DM-3037292	DM-3014590	DIRECT FEED STANDARD CAP	CHROME	K ENGINE
DM-3016671	DM-3014590	DIRECT FEED K ENGINE	CHROME	K ENGINE
DM-3018779	DM-3012944	DIRECT FEED HIGH FLOW	CHROME	L-10
DM-3046337	DM-3202184	DIRECT FEED	CHROME	L-10
DM-3049996	DM-3202184	DIRECT FEED	CHROME	L-10

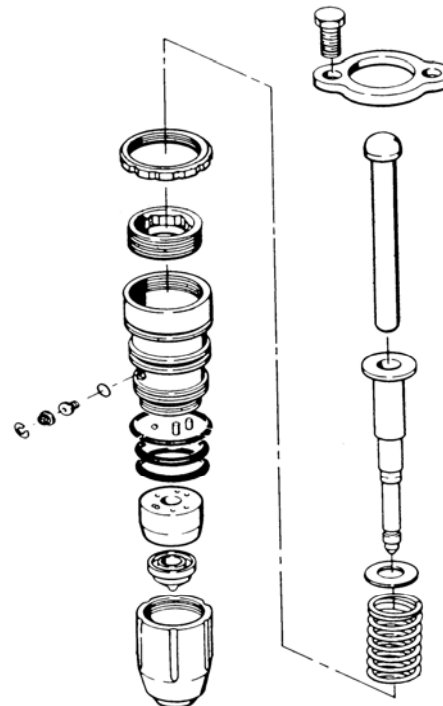
**CUMMINS® FUEL INJECTION PARTS Group 4.10**

**INJECTOR BARREL AND PLUNGER ASSEMBLIES -STC**

ASSEMBLY PART NUMBER	BARREL PART NUMBER	TYPE	PLUNGER PART NUMBER	APPLICATION
DM-3036446	DM-3017285	DIRECT FEED	DM-3018365	STC
DM-3036447	DM-3014590	DIRECT FEED	DM-3037290	STC - K
DM-3042439	DM-3942440	DIRECT FEED	DM-3042442	STC
DM-3047965	DM-3047054	DIRECT FEED	DM-3018365	STC
DM-3052222	DM-3047054	DIRECT FEED	DM-3018365	STC
DM-3052223	DM-3050657	DIRECT FEED, RDF	DM-3037290	STC - K
DM-3052224	DM-3014590	DIRECT FEED	DM-3037290	STC - K
DM-3058851	DM-3058850	DIRECT FEED, RDF	DM-3042442	STC
DM-3062577	DM-3058514	DIRECT FEED	DM-3018365	STC
DM-3053483	DM-3053422	DIRECT FEED, RDF	DM-3053426	STC
DM-3053485	DM-3053425	DIRECT FEED, RDF	DM-3042424	STC
DM-3065348	DM-3065346	DIRECT FEED	DM-3042424	STC
DM-3068073	DM-3068083	DIRECT FEED, RDF	DM-3066699	STC
DM-3069707	DM-3069715	DIRECT FEED, RDF	DM-3069709	STC
DM-3069718	DM-3068083	DIRECT FEED, RDF	DM-3069709	STC

**INJECTOR MOUNTING O RING**

ENGINE	PART NUMBER	QUANTITY
V378	DM-193736	18
V504	DM-193736	24
V555	DM-193736	24
NH, NTC855	DM-193736	18
V903	DM-193736	24
V,VT1710	DM-193736	36
L10, N/C	DM-193736	18
M11, SELECT	DM-3070136	6
	DM-3070137	6
	DM-3070138	6
N14	DM-3070136	6
	DM-3070137	6
	DM-3070138	6
K SERIES	DM-3010510	6
	DM-204216	6
	DM-193736	6



**855 INJECTOR ASSEMBLY**

**CUMMINS® FUEL INJECTION PARTS Group 4.10**

**FUEL INJECTORS & COMPONENTS**

ENGINE	INJECTOR	BODY	B&P ASY	CUP	SPRING	SCREEN
V378	DM-3275538		DM-AR40063	DM-3275265	DM-166009	DM-3008706
V504	DM-3275539		DM-AR40063	DM-3275266	DM-166009	DM-3008706
V555	DM-3275989		DM-AR73665	DM-3275266	DM-166009	DM-3008706
L10	DM-3045102		DM-3049996	DM-3028068	DM-166009	DM-3008706
L10	DM-3066486					
L10	DM-3069759					
KTA19	DM-3016675	DM-205463	DM-3037292	DM-3003933		DM-3008706
KTA19	DM-3016676	DM-205463	DM-3037292	DM-3001314		DM-3008706
KTA38	DM-3052255					
KTA50	DM-3053124					

**PTD STANDARD**

ENGINE	INJECTOR	BODY	B&P ASY	CUP	SPRING	SCREEN
NH, NT855	DM-3054058	DM-185139	DM-3018324	DM-3012537	DM-166009	DM-3008706
NH, NT855	DM-3054250	DM-185139	DM-3011965	DM-3012536	DM-166009	DM-3008706
NH, NT855	DM-3054211	DM-185139	DM-3018324	DM-3012537	DM-166009	DM-3008706
NH, NT855	DM-3054086	DM-185139	DM-3018324	DM-3012536	DM-166009	DM-3008706
NH, NT855	DM-3054218	DM-185139	DM-3047964	DM-3012536	DM-166009	DM-3008706
NTC855	DM-3054247	DM-185139	DM-3018324	DM-3012536	DM-166009	DM-3008706
NTC855	DM-3054249	DM-185139	DM-3018324	DM-3012537	DM-166009	DM-3008706

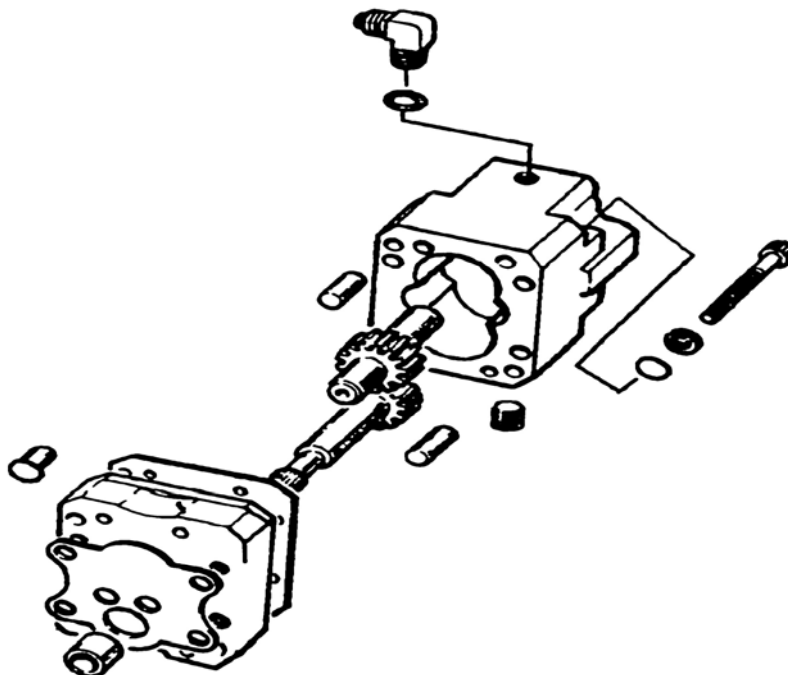
**PTD TOP STOP**

ENGINE	INJECTOR	BODY	B&P ASY	CUP	SPRING	SCREEN
NTC855	DM-3054228	DM-3000464	DM-3022968	DM-3012536	DM-166009	DM-3008706
NTC855	DM-3054071	DM-3000464	DM-3022968	DM-3012538	DM-166009	DM-3008706
NTC855	DM-3054231	DM-3000464	DM-3047963	DM-3012538	DM-166009	DM-3008706
NTC855	DM-3054068	DM-3000464	DM-3022968	DM-3012538	DM-166009	DM-3008706
NTC855	DM-3054232	DM-3000464	DM-3022968	DM-3012536	DM-166009	DM-3008706
NTC855	DM-3047973	DM-3000464	DM-3047963	DM-3012536	DM-166009	DM-3008706
NTC855	DM-3069767	DM-3000464			DM-166009	DM-3008706

**CUMMINS® FUEL INJECTION PARTS Group 4.10**

**FUEL GEAR PUMPS**

ENGINE	GEAR PUMP	SIZE ROTATION	GEAR	DRIVE SHAFT	IDLER SHAFT	MOUNTING GASKET	BODY GASKET
V378	DM-3034232	7/16" L.H. STD.	DM-167166	DM-167169	DM-175866	DM-3026163	DM-110855
V504	DM-3034232	7/16" L.H. STD.	DM-167166	DM-167169	DM-175866	DM-3026163	DM-110855
V555	DM-3034234	3/4" L.H. STD.	DM-119363	DM-100215	DM-175864	DM-3026163	DM-110855
L10	DM-3034217	3/4" R.H. STD.	DM-119363	DM-100215	DM-175864	DM-3026163	DM-110855
L10 CELECT		1 1/4"	DM-119364		DM-175865	DM-3080837	DM-110855
M11 IND		3/4" R.H.	DM-119363	DM-100215	DM-175864	DM-3080837	DM-110855
M11 CELECT		1 1/4"	DM-119364		DM-175865	DM-3080837	DM-110855
NH220,743	DM-3034233	3/4" R.H. STD.	DM-119363	DM-100215	DM-175864	DM-3026163	DM-110855
855	DM-3034215	7/16" R.H. STD.	DM-167166	DM-167169	DM-175866	DM-3026163	DM-110855
855	DM-3034216	7/16" L.H. STD.	DM-167166	DM-167169	DM-175866	DM-3026163	DM-110855
855	DM-3034217	3/4" R.H. STD.	DM-119363	DM-100215	DM-175864	DM-3026163	DM-110855
855	DM-3034218	3/4" L.H. STD.	DM-119363	DM-100215	DM-175864	DM-3026163	DM-110855
855	DM-3034219	1" R.H. STD.	DM-170942	DM-100216	DM-100133	DM-3026163	DM-110855
855	DM-3034231	7/16" R.H. STD.	DM-167166	DM-167169	DM-175866	DM-3069017	DM-110855
855	DM-3034233	3/4" R.H. STD.	DM-119363	DM-100215	DM-175864	DM-3069017	DM-110855
V,VT903	DM-3034218	3/4" L.H. STD.	DM-119363	DM-100215	DM-175864		DM-110855
V,VT903	DM-3034220	1" L.H. STD.	DM-170942	DM-100216	DM-100133		DM-110855
V,VT1710	DM-3034220	1" L.H. STD.	DM-170942	DM-100216	DM-100133	DM-3026163	DM-110855
V,VT1710	DM-3034222	1 1/4" L.H. H.D.	DM-119364	DM-100217	DM-175865	DM-3026163	DM-110855
KT1150	DM-3034217	3/4" R.H. STD.	DM-119363	DM-100215	DM-175864	DM-3026163	DM-110855
KTA19	DM-3034219	1" R.H. STD.	DM-170942	DM-100216	DM-100133	DM-3026163	DM-110855
KT2300	DM-3034217	3/4" R.H. STD.	DM-119363	DM-100215	DM-175864	DM-3026163	DM-110855
KTA38	DM-3034219	1" R.H. STD.	DM-170942	DM-100216	DM-100133	DM-3026163	DM-110855
KT3067	DM-3034219	1" R.H. STD.	DM-170942	DM-100216	DM-100133	DM-3026163	DM-110855
KTA50	DM-3034221	1 1/4" R.H. H.D.	DM-119364	DM-100217	DM-175865	DM-3026163	DM-110855
	DM-3034235	1" R.H.					
	DM-3034236	1" L.H.					
	DM-3034237	1 1/4" R.H.					
	DM-3034238	1 1/4" L.H.					





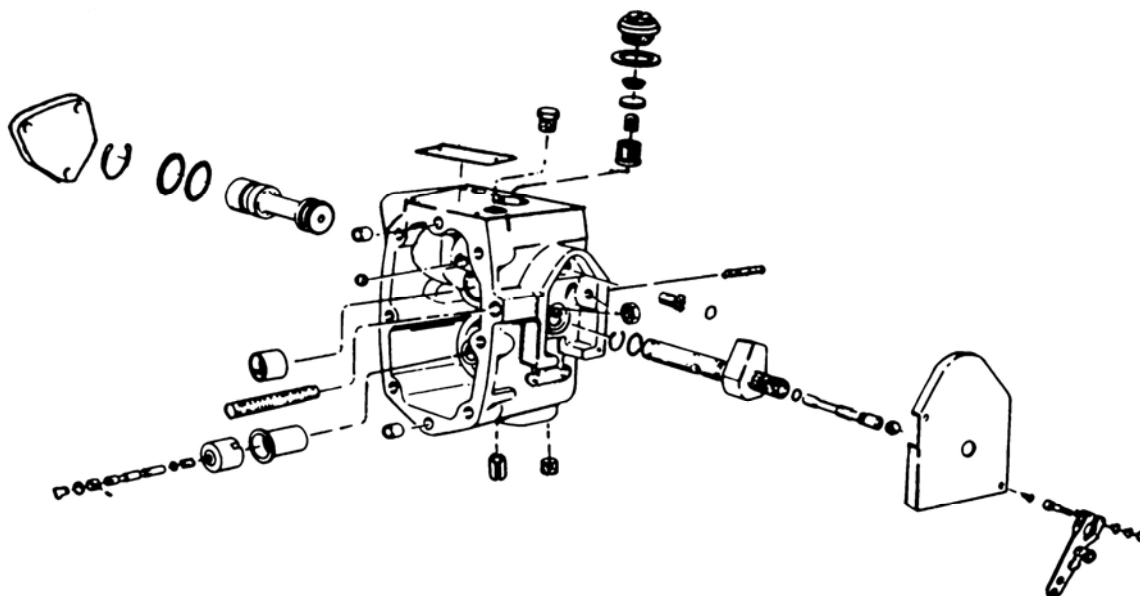
**CUMMINS® FUEL INJECTION PARTS Group 4.10**

**SHUTDOWN SOLENOIDS**

**FUEL TRANSFER PUMPS**

ENGINE	SHUTDOWN SOLENOID	COMMENT
ALL(BUT B&C SERIES)	DM-3035342	12 VOLT
ALL(BUT B&C SERIES)	DM-3035344	24 VOLT
ALL(BUT B&C SERIES)	DM-3035345	12 VOLT, 2TE
ALL(BUT B&C SERIES)	DM-3035346	24 VOLT, 2TE
B&C SERIES	DM-3921978	12 VOLT
B&C SERIES	DM-3921980	24 VOLT
855	DM-3048294	THROTTLE
855	DM-3048295	THROTTLE
855	DM-3048296	THROTTLE

ENGINE	FUEL TRANSFER PUMP	MOUNTING GASKET
B SERIES	DM-3904374	DM-3914304
B SERIES	DM-3918000	DM-3914304
B SERIES	DM-3918076	DM-3914304
C SERIES	DM-3917998	DM-3914304
C SERIES	DM-3917999	DM-3914304



**COILS**

**FUEL PUMP GASKET SETS**

PART NUMBER	DESCRIPTION
DM-3054610	COIL 24V 1 TERMINAL
DM-3054611	COIL 12V 1 TERMINAL
DM-134075	COIL 12V 2 TERMINAL
DM-134076	COIL 24V 2 TERMINAL
DM-134077	COIL 32V 2 TERMINAL

PART NUMBER	DESCRIPTION
DM-BM68356	PT TYPE G STANDARD GOVERNOR SEAL KIT, MVS GOVERNOR
DM-BM98776	PT TYPE G PRESSURE REGULATOR
DM-3010240	PT TYPE G AFC-VS
DM-3010242	



**CUMMINS® FUEL INJECTION PARTS Group 4.10**

**GOVERNOR PLUNGERS**

**PTG PUMP**

PART NUMBER	SIZE	COLOR CODE
DM-169660	STANDARD	RED
DM-169660-8	8	
DM-169660-9	9	
DM-169660-10	10	
DM-169660-11	11	
DM-169660-12	12	
DM-169660-13	13	
DM-169660-14	14	
DM-169660-15	15	
DM-169660-16	16	

PART NUMBER	SIZE	COLOR CODE
DM-169660-17	17	
DM-169660-18	18	
DM-169660-19	19	
DM-169660-20	20	
DM-169661	0.3749	BLUE
DM-169662	0.3751	GREEN
DM-169663	0.3753	YELLOW
DM-169664	0.3755	ORANGE
DM-169665	0.3757	BLACK
DM-169666	0.3759	GRAY
DM-169667	0.3761	VOILET

**AFC & PTG**

PART NUMBER	SIZE	COLOR CODE
DM-203350	STANDARD	RED
DM-203350-8	8	
DM-203350-9	9	
DM-203350-10	10	
DM-203350-11	11	
DM-203350-12	12	
DM-203350-13	13	
DM-203350-14	14	
DM-203350-15	15	
DM-203350-16	16	

PART NUMBER	SIZE	COLOR CODE
DM-203350-17	17	
DM-203350-18	18	
DM-203350-19	19	
DM-203350-20	20	
DM-203351	0.37474	BLUE
DM-203352	0.37484	GREEN
DM-203353	0.37494	YELLOW
DM-203354	0.37504	ORANGE
DM-203355	0.37514	BLACK
DM-203356	0.37524	GRAY
DM-203357	0.37534	VOILET

**AFC WITH TAPERED SEAT**

PART NUMBER	SIZE	COLOR CODE
DM-3003980	STANDARD	RED
DM-3003980-8	8	
DM-3003980-9	9	
DM-3003980-10	10	
DM-3003980-11	11	
DM-3003980-12	12	
DM-3003980-13	13	
DM-3003980-14	14	
DM-3003980-15	15	
DM-3003980-16	16	

PART NUMBER	SIZE	COLOR CODE
DM-3003980-17	17	
DM-3003980-18	18	
DM-3003980-19	19	
DM-3003980-20	20	
DM-3003981	0.37474	BLUE
DM-3003982	0.37484	GREEN
DM-3003983	0.37494	YELLOW
DM-3003984	0.37504	ORANGE
DM-3003985	0.37514	BLACK
DM-3003986	0.37524	GRAY
DM-3003987	0.37534	VOILET

**AFC**

PART NUMBER	SIZE	COLOR CODE
DM-3040750	STANDARD	RED
DM-3040750-8	8	
DM-3040750-9	9	
DM-3040750-10	10	
DM-3040750-11	11	
DM-3040750-12	12	
DM-3040750-13	13	
DM-3040750-14	14	
DM-3040750-15	15	
DM-3040750-16	16	

PART NUMBER	SIZE	COLOR CODE
DM-3040750-17	17	
DM-3040750-18	18	
DM-3040750-19	19	
DM-3040750-20	20	
DM-3040751	0.37474	BLUE
DM-3040752	0.37484	GREEN
DM-3040753	0.37494	YELLOW
DM-3040754	0.37504	ORANGE
DM-3040755	0.37514	BLACK
DM-3040756	0.37524	GRAY
DM-3040757	0.37534	VOILET

**CUMMINS® GASKETS Group 5.10**

ENGINE	UPPER SET	LOWER SET	HEAD GASKET	PAN GASKET	VALVE COVER	SINGLE HEAD
4BT 3.9 6BT 5.9	DM-3804896 DM-3802363	DM-3802375 DM-3802376	DM-3921393 DM-3921394	DM-3911535 DM-3902666	DM-3902666 DM-3902666	
6CT 8.3	DM-3802624	DM-3802389	DM-3921850	DM-3914017	DM-3905449	
V,VT378	DM-3277752	DM-3801657	DM-3017063	DM-175726	DM-154019 EARLY STYLE DM-3277100 LATE STYLE	
V,VT504	DM-3277753	DM-3801658	DM-3017062	DM-175727	DM-157018 EARLY STYLE DM-3277099 LATE STYLE	
V,VT555	DM-AR63520	DM-3801659	DM-3017062	DM-175727	DM-157018 EARLY STYLE DM-3277099 LATE STYLE DM-3882433	
L10 EARLY L10 M11	DM-3804843 DM-3803293 DM-4025157	DM-3803404 DM-3803404 DM-3800704		DM-3882433		
N743 NH220	DM-3802076 DM-3802077	DM-3802075 DM-3801466	DM-107371 DM-107371	DM-3032861 DM-3032861	DM-108692 DM-106692	DM-AR2883 DM-AR2883
N14 CELECT N14 STC	DM-3803716 DM-3803713	DM-3803613 DM-3803613		DM-3032861 DM-3032861	DM-3066311 DM-3066311	DM-3803608
V,VT903	DM-3013497	DM-3014458	DM-21224	DM-196949	DM-3026315 DM-3028673 DM-3077198	DM-3013498
V,VT1710 VTA28	DM-3803697	DM-3017564	DM-BM98021	DM-181256		
KT1150 KT19 KTA1150 KTA19 KT2300 KTA38 KT3067 KTA50	DM-3803597 DM-3803598 DM-3803600 DM-3803601	DM-3801006* DM-3801007** DM-3801719 DM-3801717	DM-3022340 DM-3022340 DM-3022340 DM-3022340	DM-3042588 DM-3042590 DM-3042587 DM-3042590 DM-3043212 DM-3043213	DM-3629140 DM-3629140 DM-3629140 DM-3629140	DM-3803596 DM-3803596 DM-3803596 DM-3803596

\* FOR USE WITH GEAR COVER & GEAR HOUSING ONLY

\*\* FOR USE WITH GEAR COVER & STEEL PLATE DESIGN ONLY

**CUMMINS® GASKETS Group 5.10**

**855 SMALL CAM**

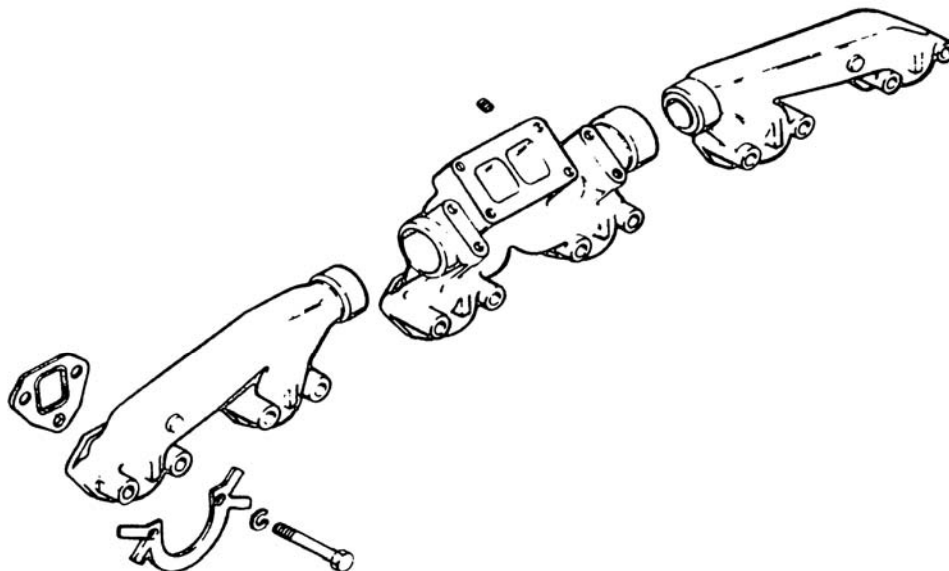
PART NUMBER	DESCRIPTION	COMMENTS	SINGLE SET	HEAD GASKET
DM-3801330 DM-3801348	GASKET SET, UPPER GASKET SET, UPPER	STD. FFC O/S WATER GROMMET	DM-3801328 DM-3801329	DM-3074982 DM-3049998
DM-3801397	GASKET SET, UPPER		DM-3801324	DM-3074982
DM-3801463	GASKET SET, LOWER	NON FFC		
DM-3801464	GASKET SET, LOWER	NON PISTON COOLING		
DM-3014459	GASKET SET, LOWER	NON FFC PISTON COOLING FFC & PISTON COOLING		

**855 BIG CAM**

PART NUMBER	DESCRIPTION	COMMENTS	SINGLE SET	HEAD GASKET
DM-3801330	GASKET SET, UPPER	BIG CAM I, II, III	DM-3801328	DM-3074982
DM-3801348	GASKET SET, UPPER	O/S WATER GROMMET	DM-3801329	DM-3049998
DM-3801332	GASKET SET, UPPER	BIG CAM I, II, III	DM-3801328	DM-3074982
DM-3013479	GASKET SET, UPPER	NTC475 & NTCC WITH MVT	DM-3801328	DM-3074982
DM-3801451	GASKET SET, UPPER	NTE NTE290	DM-3801453	DM-3074982
DM-3801754	GASKET SET, UPPER	BIG CAM IV STANDARD	DM-3801753	DM-3074982
DM-3801754	GASKET SET, UPPER	BIG CAM IV S.T.C.	DM-3801753	DM-3074982
DM-3803040	GASKET SET, UPPER	88 BIG CAM IV	DM-3803150	DM-3074982
DM-3801468	GASKET SET, LOWER	BIG CAM I, II		
DM-3801469	GASKET SET, LOWER	NTC400 & BELOW		
DM-3801235	GASKET SET, LOWER	BIG CAM I, II		
DM-3801529	GASKET SET, LOWER	NTC475 & NTCC STD, MVT		
DM-3801470	GASKET SET, LOWER	BIG CAM III		
		NTC400 & BELOW		
		BIG CAM III, MVT		
		NTC475 & NTCC		
		BIG CAM NTE		

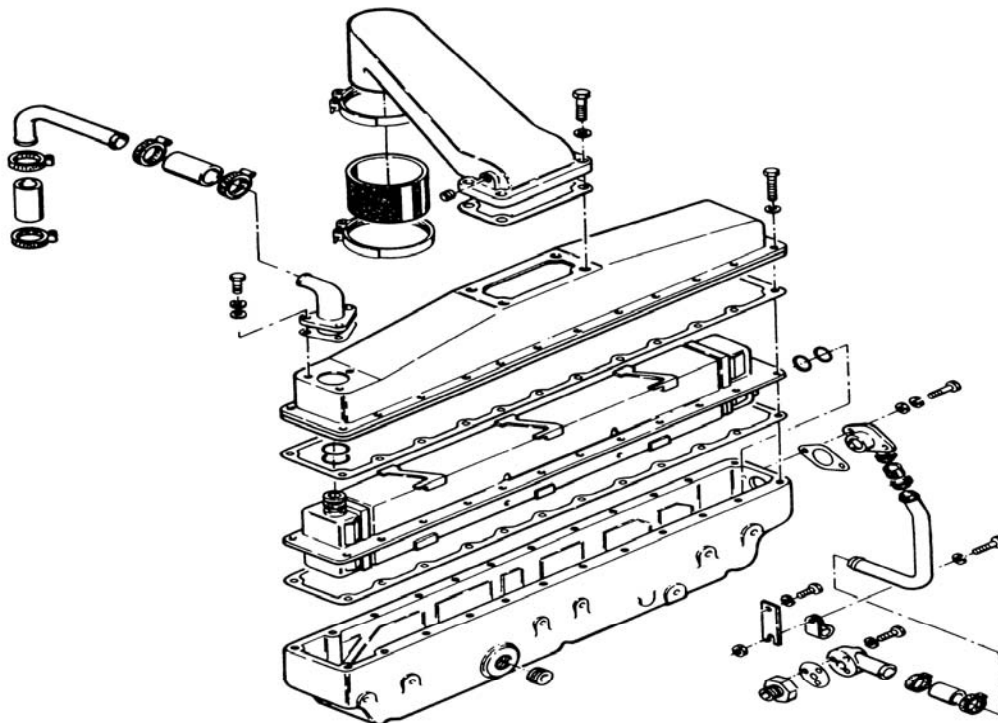
**CUMMINS® EXHAUST MANIFOLD Group 6.10**

PART NUMBER	DESCRIPTION	COMMENTS
DM-3905443 DM-3929012	GASKET, EXHAUST MANIFOLD GASKET, EXHAUST MANIFOLD	4BT3.9 – 6BT5.9 6CT8.3
DM-556356 DM-556355	GASKET, EXHAUST MANIFOLD GASKET, EXHAUST MANIFOLD	V378 V504 – V555
DM-3819760	GASKET, EXHAUST MANIFOLD	L10 – M11
DM-147263 DM-3020943	GASKET, EXHAUST MANIFOLD GASKET, EXHAUST MANIFOLD	N743, 2 VALVE HEAD N743, 4 VALVE HEAD
DM-3801915 DM-3052859 DM-3053138 DM-3053137	PULSE MANIFOLD KIT MANIFOLD, CENTER MANIFOLD, FRONT MANIFOLD, REAR	NT855 NT855 NT855 NT855
DM-3020943 DM-116982 DM-200566	GASKET, EXHAUST MANIFOLD LOCK PLATE MANIFOLD CENTER	NH,NT855 NH,NT855 NH,NT855
DM-3028665 DM-3045941	GASKET, EXHAUST MANIFOLD GASKET, EXHAUST MANIFOLD	V,VT903 V,VT1710
DM-3043097 DM-3037821 DM-3037821	GASKET, EXHAUST MANIFOLD GASKET, EXHAUST MANIFOLD GASKET, EXHAUST MANIFOLD	KT19 KT38 KT50



**CUMMINS® AFTERCOOLERS & COMPONENTS Group 6.20**

PART NUMBER	DESCRIPTION	COMMENTS
DM-3801611	AFTERCOOLER	
DM-214836	ELEMENT, AFTERCOOLER	855 S/C
DM-3068724	ELEMENT, AFTERCOOLER	855 B/C, VTA1710
DM-216486	GASKET, AFTERCOOLER CORE	S/C & B/C – QTY 2
DM-195952	SEAL, AFTERCOOLER CORE	S/C & B/C – QTY 4
DM-3032348	GASKET, AFTERCOOLER	S/C & B/C
DM-215044	GASKET, AFTERCOOLER	S/C & B/C
DM-195950	GASKET, AFTERCOOLER	S/C & B/C
DM-216487	GASKET, AFTERCOOLER	S/C & B/C
DM-109080	O RING	S/C & B/C
DM-215045	GASKET, AFTERCOOLER	S/C & B/C
DM-3008591	GASKET, INTAKE	S/C & B/C – QTY 3
DM-3069098	GASKET, AFTERCOOLER	
DM-3019227	GASKET AFTERCOOLER	
DM-3001304	GASKET, AFTERCOOLER	KT19-KTA19 – QTY 2
DM-3032161	GASKET	KT19-KTA19 – QTY 1
DM-3001305	GASKET	KT19-KTA19 – QTY 2
DM-3002158	PLUG, PIPE	KT19-KTA19 – QTY 1
DM-3014304	SLEEVE, RUBBER	KT19-KTA19 – QTY 24
DM-206808	SEAL	KT19-KTA19 – QTY 2
DM-3023066	O RING	KT19-KTA19 – QTY 2
DM-109557	WASHER	KT19-KTA19 – QTY 4
DM-S604	LOCKWASHER	KT19-KTA19 – QTY 4



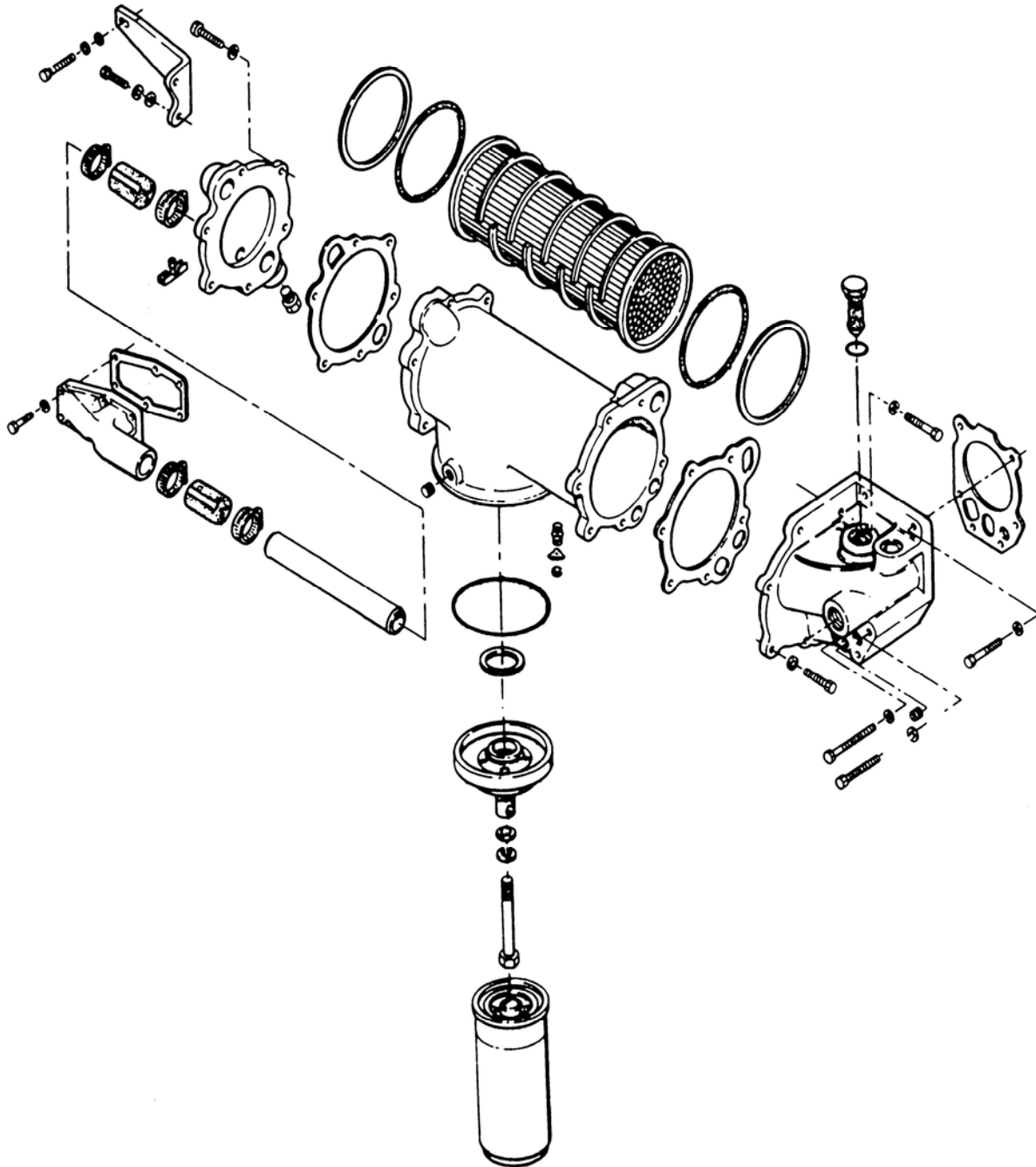
**CUMMINS® OIL PUMPS & COMPONENTS Group 6.30**

ENGINE	PART NUMBER	DESCRIPTION	COMMENTS
4BT 6BT	DM-3926202 DM-3926203	OIL PUMP OIL PUMP	
V504,V55	DM-AR62181 DM-183014 DM-135527 DM-3201388	OIL PUMP VALVE, PRESSURE REGULATOR SPRING, PRESSURE REGULATOR GASKET, TUBE TO PUMP	S.S. DM-AR60801
V504, V555	DM-3275912	OIL PUMP	SAME AS DM-AR62181 EXCEPT DM-3277006 REGULATOR SPRING
NH,NT855 SMALL CAM BIG CAM I	DM-AR10172 DM-3067613 DM-109333 DM-157551	OIL PUMP GASKET, PUMP TO BLOCK VALVE, PRESSURE REGULATOR GASKET, SUCTION TUBE	NTC270-NTC400
NTC855 BIG CAM II,III,IV	DM-3821572  DM-3067613 DM-3004242	OIL PUMP  GASKET, PUMP TO BLOCK GASKET, OIL PUMP COVER	DEMAND FLOW COOLING
ALL	DM-154916	GASKET, PUMP	
ALL	DM-101322	CAP, OIL FILL, 2 INCH	
ALL	DM-216484	DIPSTICK	UNIVERSAL 90" LONG
ALL	DM-108470	SEAL, DIPSTICK	

**PISTON COOLING NOZZLES**

ENGINE	PART NUMBER	DESCRIPTION	COMMENTS
4BT 6BT	DM-3930139 DM-3930139	PISTON COOLED NOZZLE PISTON COOLED NOZZLE	QUANTITY 4 QUANTITY 6
6CT 8.3 6CT 8.3	DM-3905928 DM-3928031	PISTON COOLED NOZZLE PISTON COOLED NOZZLE	QUANTITY 6 QUANTITY 12
N14 NH,NT855	DM-3068526 DM-3013591	PISTON COOLED NOZZLE PISTON COOLED NOZZLE	QUANTITY 6 QUANTITY 6

**CUMMINS® OIL COOLERS & COMPONENTS Group 6.40**



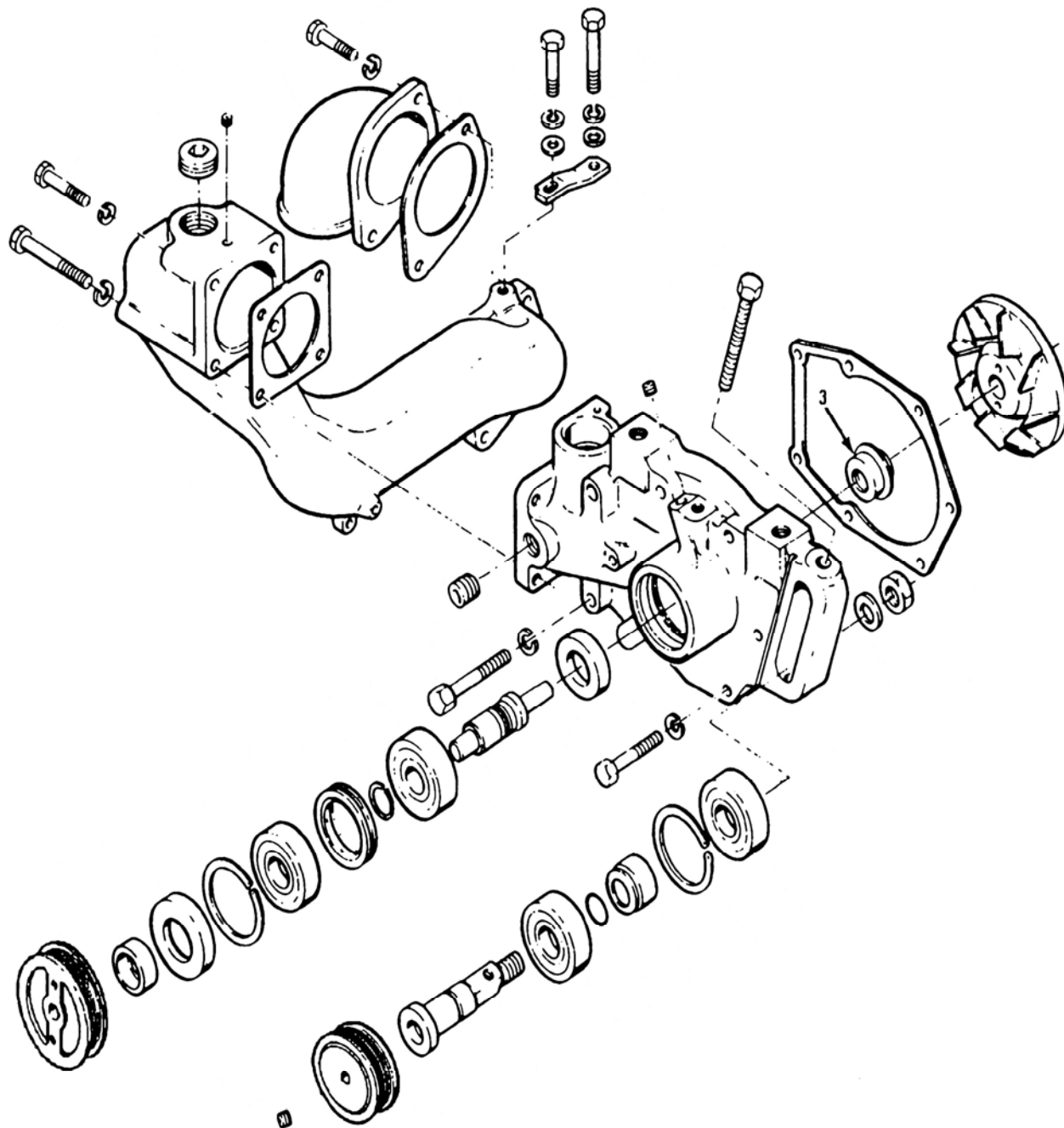
**TYPICAL NT-855 OIL COOLER**



**CUMMINS® OIL COOLERS & COMPONENTS Group 6.40**

ENGINE	OIL COOLER	MOUNTING GASKETS	SEALS	RETAINERS	GASKET SET	COMMENTS
4BT 3.9	DM-3921557	DM-3926760 DM-3918257				
6BT 5.9	DM-3921558	DM-3926760 DM-3918257				
V,VT378	DM-110848	DM-166407 DM-165153	DM-3019116 (2)	DM-110827		
V,VT504	DM-110848	DM-166407 DM-165153	DM-3019116 (2)	DM-110827		
V,VT555	DM-173287	DM-554320 DM-554321	DM-216285 (2)	DM-3006745		
6CT 8.3	DM-3918175	DM-3918174 DM-3914308				
M11	DM-3161781	DM-3892625	DM-3080769			
743/NH220	DM-110848	DM-68210 DM-3008017	DM-3019116 (2)	DM-110827		AUTOMOTIVE
NH855	DM-110848	DM-68210 DM-3008017	DM-3019116 (2)	DM-110827		
NT855	DM-142608	DM-146309 DM-203922	DM-3007713 (2)	DM-3006745		16" CORE
NTC855 S/C & B/C	DM-3021581	DM-218245 DM-3008017	DM-3007713 (2)	DM-3006745	DM-3801198	13" CORE
NTC855 B/C III & IV	DM-3412285	DM-3047464 DM-3047465 DM-3069014	DM-3018695 (2)		DM-3801199	
V,VT903	DM-186348	DM-209865 DM-187608	DM-3007713 (2)	DM-3006745		
KT19	DM-3201785	DM-3065791 DM-3200550 DM-206973 (4)	DM-206021 (6) DM-212161 (12)			
KT38 KT50	DM-3627295 DM-3627295	DM-3009324 (3) DM-3009324 (4)	DM-212161 (12) DM-212161 (16)	DM-206021 (6) DM-206021 (8)		

**CUMMINS® WATER PUMPS & COMPONENTS Group 6.50**



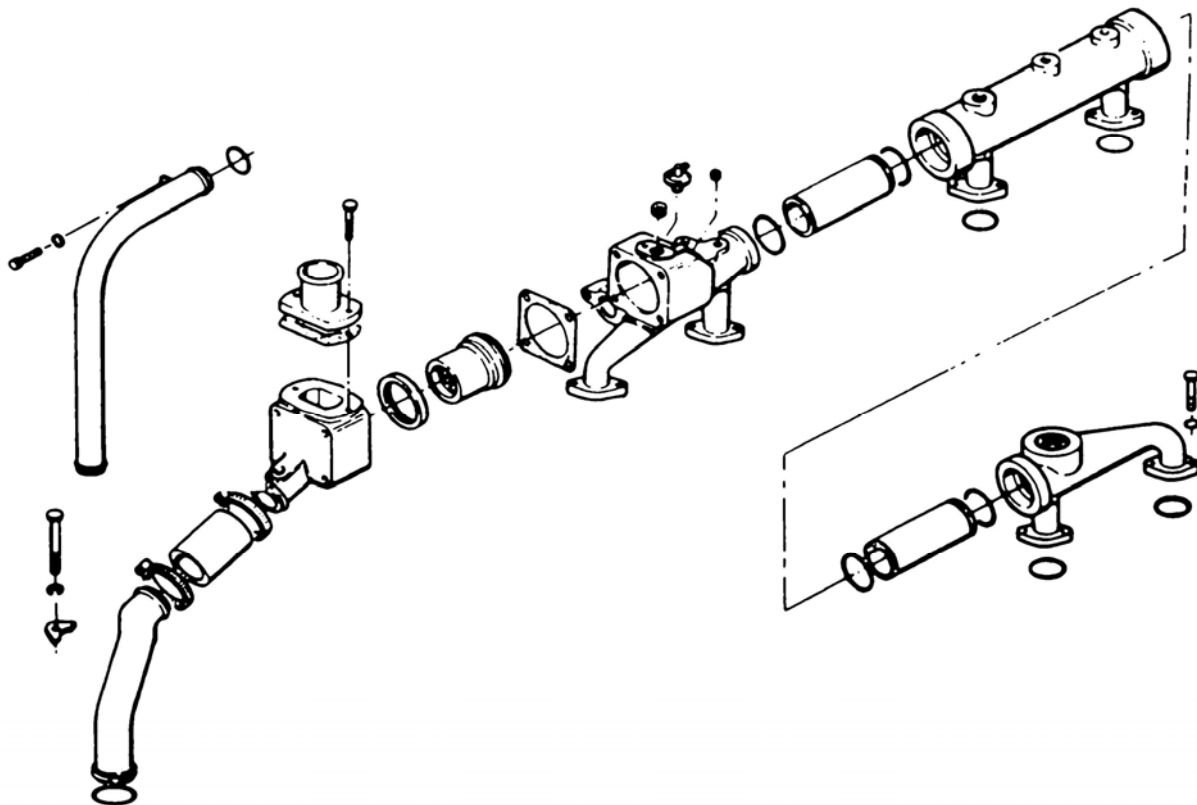
**TYPICAL BIG CAM FFC WATER PUMP AND IDLER**

**CUMMINS® WATER PUMPS & COMPONENTS Group 6.50**

ENGINE	WATER PUMP GASKET	REPAIR KIT	IDLER ASSY W/P PULLEY	SHAFT RETAINERS	IMPELLER SEAL ASSY.	BEARING INNER BEARING OUTER	THERMOSTAT AND SEAL
B SERIES	DM-3802358 DM-3906698						DM-3802273
C SERIES	DM-3802081 DM-3902089			DM-3903787			DM-3928639 DM-3914310
L10/M11	DM-3803403 DM-145564	DM-3803261 3 HOLE		DM-3819632 DM-160586 DM-112302	DM-3035679	DM-S16002	DM-201737 DM-186780
	DM-3803402 DM-145564	DM-3801179 4 HOLE		DM-3040964 DM-160586 DM-112302	DM-3029099	DM-S16002 DM-S16054	DM-201737 DM-186780 L10 ONLY
V,VT378 V,VT504	DM-AR61788 DM-169042	DM-AR61392	DM-553093	DM-553090 DM-160586	DM-554438 DM-3029099	DM-177596 DM-552335	DM-201737 DM-186780
V504	DM-AR61789				DM-554438 DM-3029099	DM-177596 DM-552335	
N743	DM-BM76506 DM-9097				DM-201766 DM-3029099	DM-177596	DM-135875 DM-186780
V,VT903		DM-3390118		DM-3054160 DM-70183	DM-3002483 DM-3029099	DM-3017034 DM-3017035	DM-135875 DM-186780
NH855	DM-AR4284 DM-130240 DM-130226		DM-154966	DM-199410 DM-112302	DM-3020479 DM-3029099	DM-3063246 DM-3063246	DM-135675 DM-186780
NT855 S/C FFC	DM-3801715 DM-3002385	DM-3801716	DM-3064920 DM-3007075	DM-3050394 DM-112302	DM-208134 DM-3029099	DM-3063246 DM-3063246	DM-135675 V DM-201737 N/V DM-186780
NTC855 B/C I, II	DM-3801788 DM-3002385	DM-3801712	DM-3064919 DM-3025935	DM-3050394 DM-112302	DM-3602788 DM-3029099	DM-3063246 DM-3063246	DM-204586 DM-186780
NTC855 B/C I, II, III, IV	DM-3801708 DM-3002385	DM-3801712	DM-3064919 DM-3025935	DM-3050394 DM-112302	DM-3000888 DM-3029099	DM-3063246 DM-3063246	DM-201737 DM-186780
NTC855 SHORT B/C	DM-3801711 DM-130226	DM-3801712	DM-3064919	DM-3050394	DM-3000888 DM-3029099	DM-3063246 DM-3063246	
NTC230 SHORT S/C	DM-3801713 DM-130226	DM-3801712	DM-3064920	DM-3050394	DM-3010646 DM-3029099	DM-3063246 DM-3063246	
NTC855 88 B/C IV	DM-3803138 DM-3002385						
855 S/C		DM-3801714					
NH/NT855 S/C & B/C		DM-3801709 DM-3801710					
NH/NT855		DM-3803202 DM-3803203					
N14	DM-3803605 DM-3076522						DM-3076489 DM-186780
KT19		DM-3803153		DM-3042827 DM-70183 DM-205258	DM-3029099	DM-S16002 DM-S16069	DM-201737 DM-204586 DM-186780

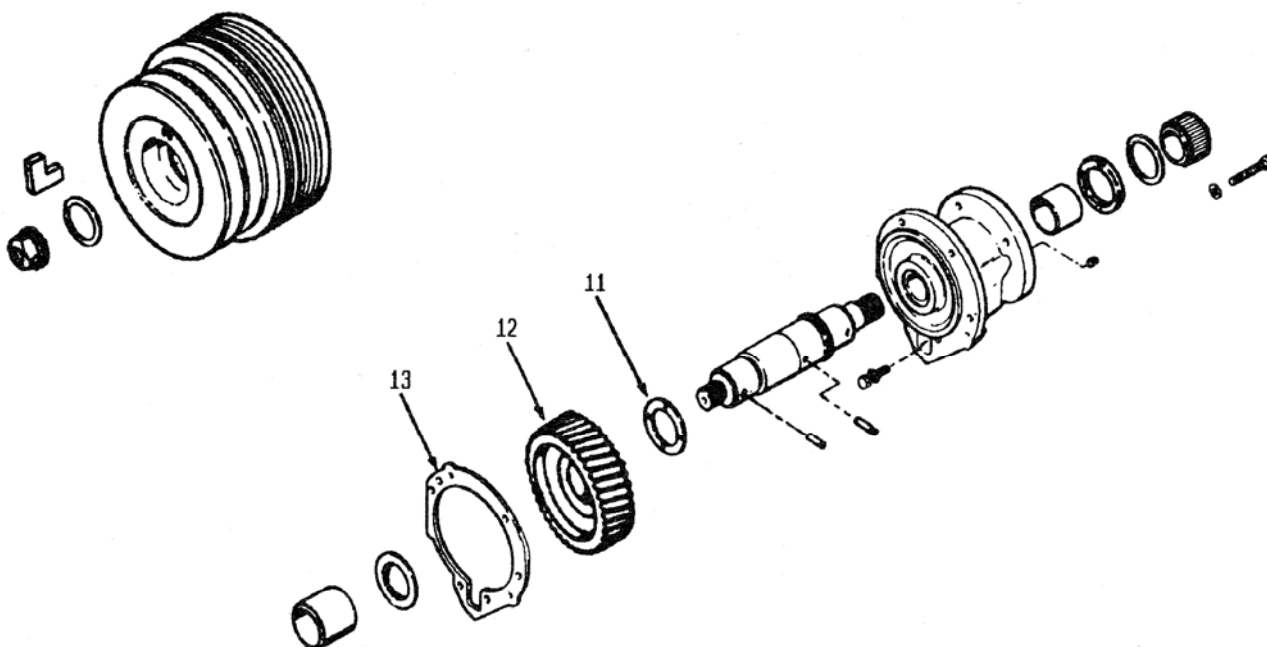
**CUMMINS® WATER MANIFOLD COMPONENTS Group 6.60**

PART NUMBER	DESCRIPTION	COMMENTS
DM-146076	THERMOSTAT, 160 DEGREE	855
DM-135675	THERMOSTAT, 180 DEGREE	855 – VENTED
DM-204586	THERMOSTAT, 175 DEGREE	855
DM-201737	THERMOSTAT, 180 DEGREE	855 – NON-VENTED
DM-3024709	SEAL RING, WATER MANIFOLD	855 – QUANTITY 6
DM-70624	O RING, COUPLING	855 – QUANTITY 4
DM-208128	GASKET, THERMOSTAT HOUSING	855
DM-186780	SEAL, THERMOSTAT HOUSING	855
DM-3019158	GASKET, WATER OUTLET	855
DM-43643A	O RING, FRONT WATER BYPASS	855 – QUANTITY 1
DM-212161	O RING, WATER TRANSFER TUBE	855 – QUANTITY 2
DM-3063618	O RING, WATER MANIFOLD	855 – B/C IV – QUANTITY 6
DM-3050667	O RING, WATER MANIFOLD TUBE	855 – B/C IV – QUANTITY 6
DM-157098	GATE VALVE, HEATER HOSE	855 – 5/8
DM-179901	GATE VALVE, HEATER HOSE	855 – 3/8
DM-130394	TUBE, TRANSFER	855
DM-215041	TUBE, CONNECTOR	855

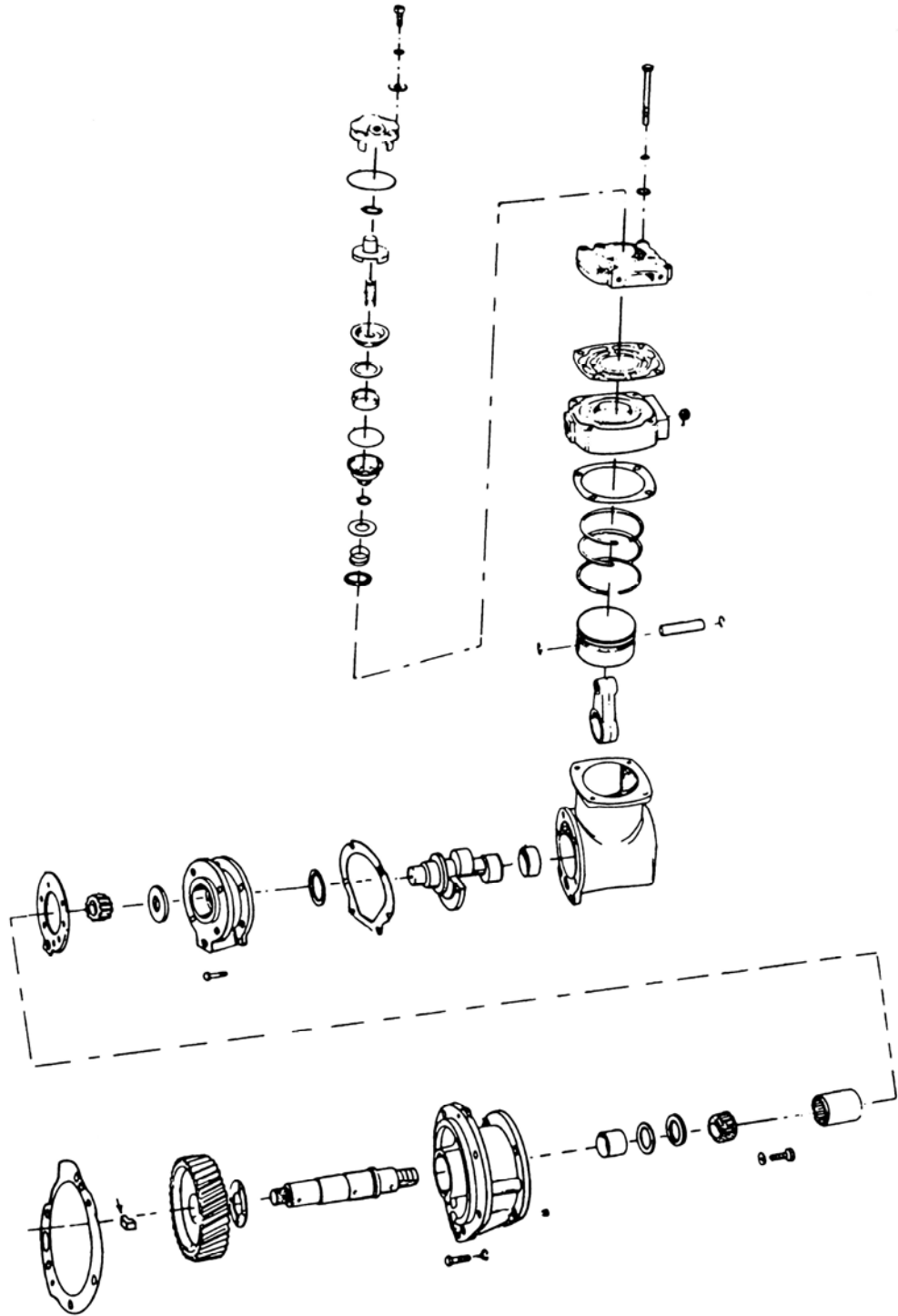


**CUMMINS® ACCESSORY DRIVE COMPONENTS Group 7.10**

PART NUMBER	DESCRIPTION	COMMENTS
DM-AR56724	HOUSING	
DM-3005133	ACCESSORY DRIVE	855 S/C & B/C
DM-116391	BUSHING, ACCESSORY DRIVE	855 S/C & B/C – QTY 1
DM-132770	BUSHING, GEAR COVER	855 S/C & B/C
DM-190397	SLEEVE, PULLEY	855 S/C & B/C – QTY 1
DM-3004316	SEAL, FRONT COVER	855 S/C & B/C – QTY 1
DM-3008947	SEAL, ACCESSORY DRIVE SHAFT	855 S/C & B/C – QTY 1
DM-3014103	WASHER	855 S/C & B/C – QTY 1
DM-3026556	THRUST WASHER, ACCESSORY DRIVE	855 S/C & B/C – QTY 1
DM-3026557	THRUST WASHER, ACCESSORY DRIVE	855 S/C & B/C – QTY 1
DM-3069101	GASKET	855 S/C & B/C
DM-3000171	SHAFT, ACCESSORY DRIVE	855 S/C & B/C – QTY 1
DM-3000174	HUB, SPLINE	855 S/C & B/C – QTY 1
DM-3012526	NUT, ACCESSORY DRIVE SHAFT	855 S/C & B/C – QTY 1
DM-193136	WASHER, ACCESSORY DRIVE SHAFT	855 S/C & B/C – QTY 1
DM-3006483	ACCESSORY DRIVE SHAFT KIT	855 S/C & B/C
DM-3000175	HUB, JAW COUPLING	855 S/C & B/C 1710



**CUMMINS® AIR COMPRESSOR COMPONENTS Group 8.10**

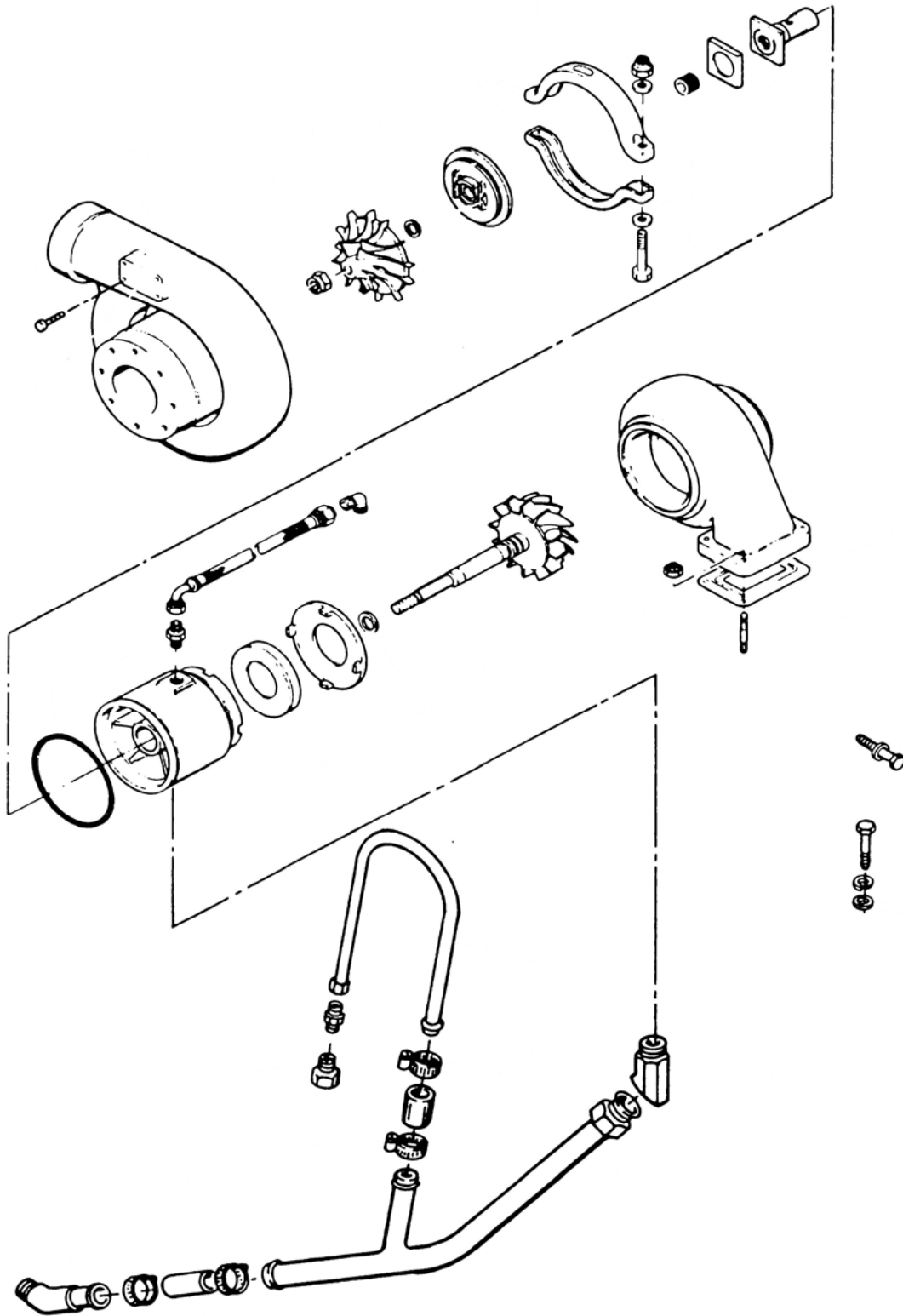


**CUMMINS® AIR COMPRESSOR COMPONENTS Group 8.10**

PART NUMBER	DESCRIPTION	COMMENTS
DM-3045670	PISTON, AIR COMPRESSOR	C SERIES, L10
DM-3045620	PISTON BODY	855 – O.S. .010 TO .030
DM-119810	PIN, PISTON	855
DM-3558754	RETAINER, PISTON PIN	855
DM-3801740	PISTON KIT, AIR COMPRESSOR	855 – O.S. .010 TO .030
DM-3801630	PISTON KIT, WITH PIN & RING SET, STD.	855 – O.S. .010 TO .030
DM-AR73350	RING SET, PISTON, STD.	855 – O.S. .010 TO .030
DM-AR10922	CRANKSHAFT, COMPRESSOR	855
DM-3050368	CRANKSHAFT, COMPRESSOR	6 SERIES
DM-3558653	CRANKCASE	855
DM-3558954	CRANKCASE	M11
DM-147610	BUSHING, CRANKCASE	855
DM-3018151	CONNECTING ROD	855
DM-3018153	BUSHING, CONNECTING ROD	855
DM-162426	SPIDER, BLACK	855
DM-3046200	SPIDER, GREEN	855
DM-154018	GASKET, HEAD TO SUPPORT	855
DM-3558762	HEAD, CYLINDER COMPRESSION	855
DM-3047159	GASKET, COVER TO HEAD	855
DM-153964	COVER, CYLINDER HEAD	855
DM-3046298	BODY, UNLOADER	855
DM-191037	CAP, UNLOADER	855
DM-145028	SEAT, INTAKE VALVE	855
DM-144714	SEAT, EXHAUST VALVE	855
DM-3023101	SPRING, UNLOADER CAP	855
DM-144948	VALVE, INTAKE	855
DM-127940	VALVE, EXHAUST	855
DM-190334	SPRING, INTAKE VALVE	855
DM-128080	SPRING, EXHAUST VALVE	855
DM-128086	O RING, EXHAUST VALVE	855
DM-128085	O RING, INTAKE VALVE	855
DM-183429	PLATE, WAER	855
DM-43828A	CLAMP, HOSE	855
DM-3069102	GASKET, AFTERCOOLING MOUNTING	855
DM-S1003A	SLEEVE, RUBBER	855
DM-3201386	GASKET, INLET CONNECTING	855
DM-AR73308	GASKET SET, AIR COMPRESSOR	855
DM-AR12719	REPAIR KIT, MINOR, AIR COMPRESSOR	855 - UNLOADER
DM-3801733	REPAIR KIT, UNLOADER	855 – REMOTE MOUNT
DM-3801735	REPAIR KIT, UNLOADER	855 – USE WITH DM-145087 CAP
DM-3801728	REPAIR KIT, COMPRESSOR	855 – DIRECT MOUNT
DM-3801808	REPAIR KIT, MAJOR, AIR COMPRESSOR	C SERIES



**CUMMINS® TURBOCHARGERS & COMPONENTS Group 9.10**





**CUMMINS® TURBOCHARGER & COMPONENTS Group 9.10**

CONTINUED

PART NUMBER	DESCRIPTION	TURBO MODEL	COMMENTS
DM-202860 DM-70502 DM-3722366 DM-3751948	RING, PISTON SNAP RING BEARING O RING	T18A HC-3 HC-3 HC-3	
DM-114753 DM-3069177 DM-3709749 DM-3901356 DM-3911941 DM-206576	GASKET, TURBO MOUNTING GASKET, TURBO MOUNTING GASKET, TURBO MOUNTING GASKET, TURBO MOUNTING GASKET, TURBO MOUNTING GASKET, TURBO MOUNTING	T35  HC-3	6 HOLE 4 HOLE  B SERIES C SERIES K SERIES
DM-3202117 DM-100918 DM-196932 DM-3000560	GASKET, TURBO DRAIN GASKET, COMP. HOUSING FITTING, OIL FEED FITTING, OUTLET	ST50, VT50 ST50, VT50 ST50, VT50	K SERIES NT855, NTC855  45 DEGREE
DM-209955 DM-209956 DM-209957 DM-209958 DM-209959 DM-209960 DM-209961 DM-209962 DM-209963 DM-209964	HOSE, TURBO FEED HOSE, TURBO FEED HOSE, TURBO FEED HOSE, TURBO FEED HOSE, TURBO FEED HOSE, TURBO FEED HOSE, TURBO FEED HOSE, TURBO FEED HOSE, TURBO FEED HOSE, TURBO FEED	ALL ALL ALL ALL ALL ALL ALL ALL ALL ALL	22 INCHES LONG 28 INCHES LONG 29 INCHES LONG 34 INCHES LONG 36 INCHES LONG 37 INCHES LONG 39 INCHES LONG 50 INCHES LONG 54 INCHES LONG 58 INCHES LONG
DM-AR7051 DM-3803042 DM-3801096 DM-3801101 DM-3801522 DM-3801523 DM-3032634	KIT, MAJOR REPAIR KIT, MAJOR REPAIR KIT, SEAL & BEARING SEAL, BEARING & SLEEVE SEAL KIT KIT, SEAL & BEARING KIT, TURBO REPAIR	VT50 T50,ST50,VT50,T46 T50,ST50,VT50,T46 T50,ST50,VT50,T46 HT3B HT3B T18A	