

1. PART LIST OF DVD-950E/DVD-1050E				
0110-EY650E-00 MAIN ASSEMBLY FOR DVD-950E/DVD-1050E				
Item	Part Number	Description	Quantity	Remarks
1	4100-CB0000-T0	SMD RESISTOR 0 OHM 1/8W +/-5% (0805 TYPE: 2 X 1.25mm) TAPE TYPE	4	L205,R246,R247,R2F9
2	4100-CB0510-T0	SMD RESISTOR 5.1 OHM 1/8W +/-5% (2x1.25mm) TAPE TYPE	3	R224,R225,R229
3	4100-CB1000-T0	SMD RESISTOR 10 OHM 1/8W +/-5% (0805 TYPE : 2 X 1.25mm) TAPE TYPE	14	R233,R234,R235,R237,R238,R239,R240,R241,R242,R243,R244,R245,R282,R291
4	4100-CB1010-T0	SMD RESISTOR 100 OHM 1/8W +/-5% (0805 TYPE : 2 X 1.25mm) TAPE TYPE	9	R249,R251,R2A8,R2A9,R2B0,R2B1,R2B2,R2B3,R2F6
5	4100-CB1020-T0	SMD RESISTOR 1K OHM 1/8W +/-5% (0805 TYPE : 2 X 1.25mm) TAPE TYPE	7	R203,R209,R211,R255,R258,R289,R2E0
6	4100-CB1030-T0	SMD RESISTOR 10K OHM 1/8W +/-5% (0805 TYPE : 2 X 1.25mm) TAPE TYPE	10	R206,R298,R2C6,R2C7,R2C8,R2C9,R2D0,R2D1,R2H2,R2H5
7	4100-CB1040-T0	SMD RESISTOR 100K OHM 1/8W +/-5% (0805 TYPE : 2 X 1.25mm) TAPE TYPE	7	R2E7,R2E8,R2E9,R2F0,R2F1,R2F2,R2H6
8	4100-CB1050-T0	SMD RESISTOR 1M OHM 1/8W +/-5% (0805 TYPE : 2 X 1.25mm) TAPE TYPE	2	R2E2,R2H8
9	4100-CB1060-T0	SMD RESISTOR 10M OHM 1/8W +/-5% (2 X 1.25mm) TAPE TYPE	1	R2E1
10	4100-CB1830-T0	SMD RESISTOR 18K OHM 1/8W +/-5% (2x1.25mm) TAPE TYPE	4	R2B6,R2B7,R2B8,R2B9
11	4100-CB2030-T0	SMD RESISTOR 20K OHM 1/8W +/-5% (0805 TYPE : 2 X 1.25mm) TAPE TYPE	4	R2B4,R2B5,R2D2,R2D3
12	4100-CB2210-T0	SMD RESISTOR 220 OHM 1/8W +/-5% (2 X 1.25mm) TAPE TYPE	4	R223,R227,R231,R267
13	4100-CB2220-T0	SMD RESISTOR 2.2K OHM 1/8W +/-5% (0805 TYPE : 2 X 1.25mm) TAPE TYPE	2	R2H3,R2H4
14	4100-CB2230-T0	SMD RESISTOR 22K OHM 1/8W +/-5% (0805 TYPE : 2 X 1.25mm) TAPE TYPE	2	R2A1,R2H7
15	4100-CB2710-T0	SMD RESISTOR 270 OHM 1/8W +/-5% (0805 TYPE : 2 X 1.25mm) TAPE TYPE	1	R217
16	4100-CB3300-T0	SMD RESISTOR 33 OHM 1/8W +/-5% (0805 TYPE : 2 X 1.25mm) TAPETYPE	47	R205,R207,R208,R210,R212,R214,R216,R219,R230,R236,R252,R257,R259,R264,R265,R268,R269,R270,R271,R272,R273,R276,R277,R278,R279,R280,R281,R283,R284,R285,R286,R287,R293,R296,R297,R299,R2F4,R2G0,R2G1,R2G2,R2G3,R2G4,R
20	4100-CB3310-T0	SMD RESISTOR 330 OHM 1/8W +/-5% (0805 TYPE : 2 X 1.25mm) TAPE TYPE	3	R222,R2F3,R2F5
21	4100-CB3910-T0	SMD RESISTOR 390 OHM 1/8W +/-5% (0805 TYPE : 2 X 1.25mm) TAPE TYPE	1	R290
22	4100-CB3920-T0	SMD RESISTOR 3.9K OHM 1/8W +/-5% (2 X 1.25mm) TAPE TYPE	7	R204,R2C0,R2C1,R2C2,R2C3,R2C4,R2C5,
23	4100-CB4700-T0	SMD RESISTOR 47 OHM 1/8W +/-5% (2x1.25mm) TAPE TYPE	8	R201,R220,R221,R226,R260,R261,R262,R263
24	4100-CB4710-T0	SMD RESISTOR 470 OHM 1/8W +/-5% (0805 TYPE : 2 X 1.25mm) TAPE TYPE	6	R2A2,R2A3,R2A4,R2A5,R2A6,R2A7
25	4100-CB4720-T0	SMD RESISTOR 4.7K OHM 1/8W +/-5% (0805 TYPE : 2 X 1.25mm) TAPE TYPE	8	R202,R228,R250,R256,R274,R275,R292,R295
26	4100-CB6820-T0	SMD RESISTOR 6.8K OHM 1/8W +/-5% (0805 TYPE : 2 X 1.25mm) TAPE TYPE	1	R2A0
27	4100-CB7510-T0	SMD RESISTOR 750 OHM 1/8W +/-5% (2x1.25mm) TAPE TYPE	1	R294
28	4300-BC106E-00	ELECTROLYTIC CAPACITOR 10UF 16V +/-20%OR 4300-BD106E-00 OR 4300-BF106	11	C211,C273,C278,C279,C292,C293,C294,C295,C296,C297,C2B
29	4300-BC107E-00	ELECTROLYTIC CAPACITOR 100UF 16V +/-20%	6	C206,C212,C233,C266,C286,C2E1
30	4300-BC227E-00	ELECTROLYTIC CAPACITOR 220UF 16V +/-20%	5	C252,C259,C260,C285,C2B6
31	4300-BC476E-00	ELECTROLYTIC CAPACITOR 47UF 16V +/-20%	3	C223,C263,C267
32	4300-CF103D-T1	SMD CERAMIC CHIP CAPACITOR 0.01uF 50V +/-10% (2X 1.25mm) TAPE TYPE	1	C271
33	4300-CF104E-T1	SMD CERAMIC CHIP CAPACITOR 0.1uF 50V +/-20% (2 X 1.25mm) TAPE TYPE	48	C201,C207,C208,C209,C210,C213,C214,C215,C216,C218,C219,C220,C221,C226,C229,C232,C236,C237,C250,C251,C253,C254,C256,C257,C258,C261,C262,C264,C265,C268,C269,C270,C272,C280,C282,C283,C284,C287,C288,C289,C290,C298,C29
34	4300-CF222D-T1	SMD CERAMIC CHIP CAPACITOR 2200PF 50V +/-10% (2X 1.25mm) TAPE TYPE	6	C2A8,C2A9,C2B0,C2B1,C2B2,C2B3
35	4300-CF683D-T1	SMD CERAMIC CHIP CAPACITOR 0.068uF 50V +/-10% (2X 1.25mm) TAPE TYPE	6	C2B5,C2B7,C2B8,C2B9,C2C0,C2C1

36	4300-NF150C-T1	SMD NPO CERAMIC CHIP CAPACITOR 15PF 50V+/-5% (2 X 1.25mm)TAPE TYPE	1	C291
37	4300-NF151C-T1	SMD NPO CERAMIC CHIP CAPACITOR 150PF 50V+/-5% (2 X 1.25mm)TAPE TYPE	6	C2A2,C2A3,C2A4,C2A5,C2A6,C2A7
38	4300-NF181C-T1	SMD NPO CERAMIC CHIP CAPACITOR 180PF 50V+/-5% (2 X 1.25mm)TAPE TYPE	6	C228,C239,C241,C243,C245,C248
39	4300-NF220C-T1	SMD NPO CERAMIC CHIP CAPACITOR 22PF 50V+/-5% (2 X 1.25mm)TAPE TYPE	5	C202,C240,C244,C247,C249
40	4300-NF221C-T1	SMD NPO CERAMIC CHIP CAPACITOR 220PF 50V+/-5% (2 X 1.25mm)TAPE TYPE	1	C227
41	4300-NF360C-T1	SMD NPO CERAMIC CHIP CAPACITOR 36PF 50V+/-5% (2 X 1.25mm)TAPE TYPE	2	C204,C205
42	4500-141481-T0	NORMAL RECTIFIER DIODE 1N4148 150mA/100V(TAPE TYPE)	7	D201,D202,D203,D204,D205,D206,D207
43	4500-400051-00	ZENER DIODE 5V1 1/2W	1	D210
44	4607-S90120-00	TRANSISTOR SS9012H SAMSUNG	3	Q210,Q211,Q216
45	4607-S90140-00	TRANSISTOR SS9014 C/D SAMSUNG	8	Q203,Q204,Q205,Q206,Q207,Q208,Q209,Q215
46	4707-H74245-20	I.C. M74HC245M1R SGS (OCTAL BUS TRANSCEIVER NON INVERTING) SO-20 PAC	1	IC214
47	4707-H74270-20	I.C. M74HC273M1R SGS (OCTAL D-TYPE FLIPFLOP WITH CLEAR) SOIC PACKAGE	1	IC215
48	4707-T45580-08	I.C. TJM4558CD SGS (WIDE BANDWIDTH AMPLIFIERS)	3	IC210,IC211,IC212
49	471D-M10850-03	I.C. AMS1085CT AMS(3A LOW DROPOUT VOLTAGE REGULATOR) TO-220	1	IC208
50	471N-V63000-05	I.C. V6300 EM(ULTRA LOW POWER VOLTAGE SURVEILLANCE W/TIME-OUT)SM	1	IC209
51	471Z-B29040-32	I.C. BM29F040-90NC BRIGHT (4M-BIT ERASECMOS FLASH MEMORY) DIP PACKA	1	IC204
52	4722-C7404D-14	I.C. SN74HCU04D TEXAS INSTR. HEX INVERTERS(PLASTIC SMALL-OUTLINE(D))	1	IC213
53	4727-A24C01-08	I.C. AT24C01A-10SC ATMEL (1K 2-WIRE SERIAL EEPROM) 8 PIN SOIC PACKAGE	1	IC206
54	4760-A14280-A0	I.C. AV1428 AVS (DIGITAL VIDEO AND AUDIOANALOG COMPANION) PQFP PAK	1	IC207
55	4762-E44080-K8	I.C. SWAN(TM) ES4408 ESS (DVD PROCESSORCHIP) 208 PIN PQFP PACKAGE	1	IC201
56	4783-C43340-08	I.C. CS4334-KS CRYSTAL (24-BIT,96KHz STEREO D/A CONVERTER) SOIC PACKA	2	IC205,IC216
57	4792-M16161-50	I.C. M12L16161A-7T ELITE (512Kx16BITx2 BANKS SDRAM) TSOP(II) PACKAGE	2	IC202,IC203
58	4800-010180-00	PEAKING COIL 1.8UH +/-10%	3	L202,L203,L204
59	4800-010470-00	PEAKING COIL 4.7uH	1	L201
60	4900-127052-01	CRYSTAL 27.000000MHz HC-49/U CL:20PF +/-10PPM FOR DVD	1	Y201
61	5301-051320-00	FIBER-OPTIC FOR DIGITAL AUDIO INTERFACEGP1F32T OR GP1FA550TZ	1	CP204
62	5400-925000-03	WAFER 2.5mm H X 3 PIN	1	CN203
63	5400-925000-06	WAFER 2.5MM H X 6 PIN	1	CN204
64	5400-925000-07	WAFER 2.5MM H X 7 PIN	1	CN202
65	5400-985000-06	WAFER 2MM H X 6 PIN	1	CN206
66	5400-990010-16	FFC/FPC CONNECTOR 16 PIN PITCH=1mm H-TYPE FOR VCD	1	CN207
67	5400-990010-26	FFC/FPC CONNECTOR 26 PIN PITCH=1mm H-TYPE FOR VCD	1	CN208
68	5800-TCB012-01	DECODER P.C.BOARD 153 X 103 X 1.6mm FORDVD-750E	1	
69	5900-F142A1-16	FILM FLAT CABLE 16 PIN PITCH=1mm L=130+5mm+5mm (DIFFERENT SIDE CONN	1	FROM CN207 TO LOADER
70	5900-F142A1-26	FILM FLAT CABLE 26 PIN PITCH=1mm L=130+5mm+5mm (DIFFERENT SIDE CONN	1	FROM CN208 TO LOADER
71	6100-010320-00	IC SOCKET 32 PINS DIP SOLDER TYPE 2.54mmW/O BAR	1	FOR IC204
72	6100-161351-41	RCA JACK H=13.5mm W/MOUNTING BOSS YELLOWH-TYPE W/SHIELD PLATE	1	CP203
73	6100-166298-01	RCA JACKx6 H-TYPE (RED,WHITE,GREY)X2 FORPCB-MTG PITCH=14mm W/SHIEL	1	CP202
74	6100-171600-00	Y/C SOCKET + RCA JACK YELLOW H=34.5mm W/MOUNTING BOSS	1	CP201
75	6400-020501-00	FERRITE BEAD 3.5 X 1 X 5mm W/JUMPER	13	D208,D209,FB201,FB202,FB203,FB204,FB205,FB206,FB207,FB208,FB209,FB210,FB211

0DD0-HH0001-00 DVD LOADER MODULE FOR DVD				
Item	Part Number	Description	Quantity	Remarks
1	5335-103300-01	DVD TRAY LOADER SANYO DV33FS	1	
2	5400-321182-09	HOUSING 09 + HOUSING 09(PHx2) + 180mm FLAT CABLE UL20080 AWG28	1	FROM LOADER TO MPEG BOARD
3	5400-320262-05	HOUSING 05 + HOUSING 05 (PHX2) + 260mm FLAT CABLE UL2468 AWG26	1	FROM LOADER TO MPEG BOARD
4	5900-F20203-24	FILM FLAT CABLE 24 PIN PITCH=0.5mm L=190mm + 5mm + 5mm	1	FROM LOADER TO MPEG BOARD
0ED0-D0950E-00 CONTROL ASSEMBLY FOR DVD-950E				
Item	Part Number	Description	Quantity	Remarks
1	4100-AD1030-T0	CARBON FILM RESISTOR 10K OHM 1/4W +/-5%(TAPE TYPE)	2	R006,R007
2	4100-AD2720-T0	CARBON FILM RESISTOR 2.7K OHM 1/4W +/-5% (TAPE TYPE)	1	R016
3	4100-AD3330-T0	CARBON FILM RESISTOR 33K OHM 1/4W +/-5% (TAPE TYPE)	9	R001,R002,R003,R004,R005,R010,R011,R012,R013
4	4300-AF102D-T0	CERAMIC CAPACITOR 0.001UF 50V +/-10% (TAPE TYPE)	4	C004,C005,C007,C008
5	4300-AF104H-T0	CERAMIC CAPACITOR 0.1UF 50V +80-20% (TAPE TYPE)	2	C001,C002
6	4300-BC107E-T0	ELECTROLYTIC CAPACITOR 100UF 16V +/-20% (TAPE TYPE)	1	C003
7	4500-141481-T0	NORMAL RECTIFIER DIODE 1N4148 150MA/100V (TAPE TYPE)	5	D001,D002,D003,D004,D005
8	4742-PT6312-44	I.C. PT6312LQ (VACUUM FLUORESCENT DISPLAY CONTROLLER DRIVER)	1	IC001
9	5300-142711-00	INFRARED RECEIVER MODULE 38KHz GPIU271R90 DEGREE PIN TYPE	1	IC002
10	5400-220122-03	HOUSING 03 + 120mm WIRE X 2 1=RED 3=BLACK UL1007 AWG24	1	FORM CP003 TO LED
11	5400-420202-06	90 DEGREE PIN 06 + HOUSING 06 + 200mm FLAT CABLE UL2468 AWG26	1	FROM CP001 TO MPEG
12	5400-924000-03	90 DEGREE WAFER 2.5mm PITCH 3 PINS	1	CP003
13	5401-420132-04	90 DEGREE PIN 04 + HOUSING 04 (TJC3) + 130mm FLAT CABLE UL2468 AWG26	1	FROM CP002 TO POWER
14	5500-110150-00	TACT SWITCH VERTICAL TYPE H = 5mm KPT-1105A 4 PINS	17	SW001,SW002,SW003,SW004,SW005,SW006,SW007,SW008,SW009,SW010,SW011,SW012,SW013,SW014,SW015,SW016,SW017
15	5700-126120-00	LED LIGHT EMISSION 2 X 4.5mm H=8mm TOWERTYPE RED LONG LEAD	1	LED001
16	5714-06SS51-00	VACUUM FLUORESCENT DISPLAY HNV-06SS51	1	VFD001
17	5800-TCD025-00	CONTROL P.C.BOARD 360 X 66 X 1.6mm FOR DVD-950	1	
18	5900-B90118-01	MULTI TWIST WIRE AWG18 UL1007 BLACK 90mmW/SOLDERING PLATE	2	FOR P001,P002
19	5900-G40106-00	COPPER JUMPER 0.6MM DIA. L=40mm	13	J001,J002,J003,J004,J005,J006,J007,J008,J009,J010,J012,R014
0ED0-D1050D-00 CONTROL ASSEMBLY FOR DVD-1050E				
Item	Part Number	Description	Quantity	Remarks
1	4100-AD1030-T0	CARBON FILM RESISTOR 10K OHM 1/4W +/-5%(TAPE TYPE)	2	R006,R007
2	4100-AD2720-T0	CARBON FILM RESISTOR 2.7K OHM 1/4W +/-5% (TAPE TYPE)	1	R016
3	4100-AD3330-T0	CARBON FILM RESISTOR 33K OHM 1/4W +/-5% (TAPE TYPE)	9	R001,R002,R003,R004,R005,R010,R011,R012,R013
4	4100-AD7500-T0	CARBON FILM RESISTOR 75 OHM 1/4W +/-5% (TAPE TYPE)	2	R014,R015
5	4200-310320-03	ROTARY VOLUME RESISTOR 10KB +/-20%(V) 20mm FOR VCD-300	2	VR001,VR002
6	4300-AF104H-T0	CERAMIC CAPACITOR 0.1UF 50V +80-20% (TAPE TYPE)	3	C001,C003,C006

7	4300-BC107E-T0	ELECTROLYTIC CAPACITOR 100UF 16V +/-20% (TAPE TYPE)	1	C005
8	4500-141481-T0	NORMAL RECTIFIER DIODE 1N4148 150MA/100V (TAPE TYPE)	5	D001,D002,D003,D004,D005
9	4742-PT6312-44	I.C. PT6312LQ (VACUUM FLUORESCENT DISPLAY CONTROLLER DRIVER)	1	IC001
10	5300-142711-00	INFRARED RECEIVER MODULE 38KHz GPIU271R90 DEGREE PIN TYPE	1	IC002
11	5400-220122-03	HOUSING 03 + 120mm WIRE X 2 1=RED 3=BLACK UL1007 AWG24	1	FOR CP004 CP005
12	5400-420202-06	90 DEGREE PIN 06 + HOUSING 06 + 200mm FLAT CABLE UL2468 AWG26	1	FROM CP001 TO MPEG
13	5400-924000-03	90 DEGREE WAFER 2.5mm PITCH 3 PINS	2	CP004,CP005
14	5401-420182-04	90 DEGREE PIN 04 + HOUSING 04 (TJC3) + 180mm FLAT CABLE UL2468 AWG26	1	FROM CP002 TO POWER
15	5500-110150-00	TACT SWITCH VERTICAL TYPE H = 5mm KPT-1105A 4 PINS	17	SW001,SW002,SW003,SW004,SW005,SW006,SW007,SW008,SW009,SW010,SW011,SW012,SW013,SW014,SW015,SW016,SW017
16	5700-136160-00	LED LIGHT EMISSION 5 X 3mm CLEAR W/BLUELIGHT LONG LEAD	4	D007,D008,D009,D010
17	5700-150120-00	LED LIGHT EMISSION 3.1mm RED LONG LEAD	1	D006
18	5714-06SS51-00	VACUUM FLUORESCENT DISPLAY HNV-06SS51	1	VFD001
19	5800-TCD022-00	CONTROL P.C.BOARD 268 X 68 X 1.6mm FORDVD-1050	1	
20	5900-B80124-00	MUTLI TWIST WIRE #AWG24 1007 BLACK 80mm	1	CN002
21	5900-B80124-20	MUTLI TWIST WIRE #AWG24 1007 RED 80mm	1	FOR CN002
22	5900-B90118-01	MULTI TWIST WIRE AWG18 UL1007 BLACK 90mmW/SOLDERING PLATE	2	FOR P001,P002
23	5900-G40106-00	COPPER JUMPER 0.6MM DIA. L=40mm	6	J001,J003,J004,J010,J011,J012

0GD0-00001-00 HANDSET ASSEMBLY(HS09) FOR DVD

Item	Part Number	Description	Quantity	Remarks
1	4100-AD0100-00	CARBON FILM RESISTOR 1 OHM 1/4W +/-5%	1	R801
2	4100-AD1040-00	CARBON FILM RESISTOR 100K OHM 1/4W +/-5%	1	R802
3	4300-AF101C-00	CERAMIC CAPACITOR 100PF 50V +/-5%	2	C802,C803
4	4300-BA476E-02	ELECTROLYTIC CAPACITOR 47UF 4V-6.3V +/-20% (4 x 5mm)	1	C801
5	4500-141481-00	NORMAL RECTIFIER DIODE 1N4148 150MA/100V	1	D802
6	4500-800103-00	INFRARED DIODE	1	D801
7	4600-C21200-00	TRANSISTOR 2SC2120Y	1	Q801
8	4725-PT2222-24	INFRARED REMOTE CONTROL TRANSMITTER PT2222	1	IC801
9	4900-245532-00	CERAMIC RESONATOR 455KHz TW455E FOR HANDSET	1	X801
10	5800-FTW002-00	HANDSET P.C.BOARD 197 X 47 X 1.6mm HS09MODEL FOR TV, DVD	1	
11	5900-G40106-00	COPPER JUMPER 0.6MM DIA. L=40mm	1	J801

0ID0-H0650E-00 HEADPHONE ASSEMBLY FOR DVD-950E

Item	Part Number	Description	Quantity	Remarks
1	4100-AD1030-00	CARBON FILM RESISTOR 10K OHM 1/4W +/-5%	6	R901,R905,R907,R908,R911,R912
2	4100-AD2730-00	CARBON FILM RESISTOR 27K OHM 1/4W +/-5%	2	R902,R913
3	4100-DG1010-01	METAL OXIDE FILM RESISTOR 100 OHM 1W +/-5%	2	R906,R909
4	4200-510320-00	ROTARY VOLUME RESISTOR 10KBX2(H) 20mm +/-20%	1	VR901

5	4300-AF101C-00	CERAMIC CAPACITOR 100PF 50V +/-5%	2	C904,C906
6	4300-BC105E-00	ELECTROLYTIC CAPACITOR 1UF 16V +/-20%	4	C902,C903,C905,C907
7	4300-BC107E-00	ELECTROLYTIC CAPACITOR 100UF 16V +/-20%	1	C910
8	4300-BC476E-00	ELECTROLYTIC CAPACITOR 47UF 16V +/-20%	3	C901,C908,C909
9	4600-C23830-00	TRANSISTOR 2SC2383-O	2	Q901,Q902
10	4740-A15218-08	I.C. BA15218 ROHM (OPERATIONAL AMPLIFIER)	1	IC901
11	5401-021422-04	PIN 04 + HOUSING 04 (TJC3) + 420mm FLATCABLE UL2468 AWG26	1	CP901
12	5800-TCM024-00	HEADPHONE JACK P.C.BOARD 82 X 55 X 1.6mm FOR DVD-852E	1	
13	5900-G40106-00	COPPER JUMPER 0.6MM DIA. L=40mm	3	J901,J902,J903
14	6100-020007-00	EARPHONE JACK 6.35mm FOR VCD	1	M901

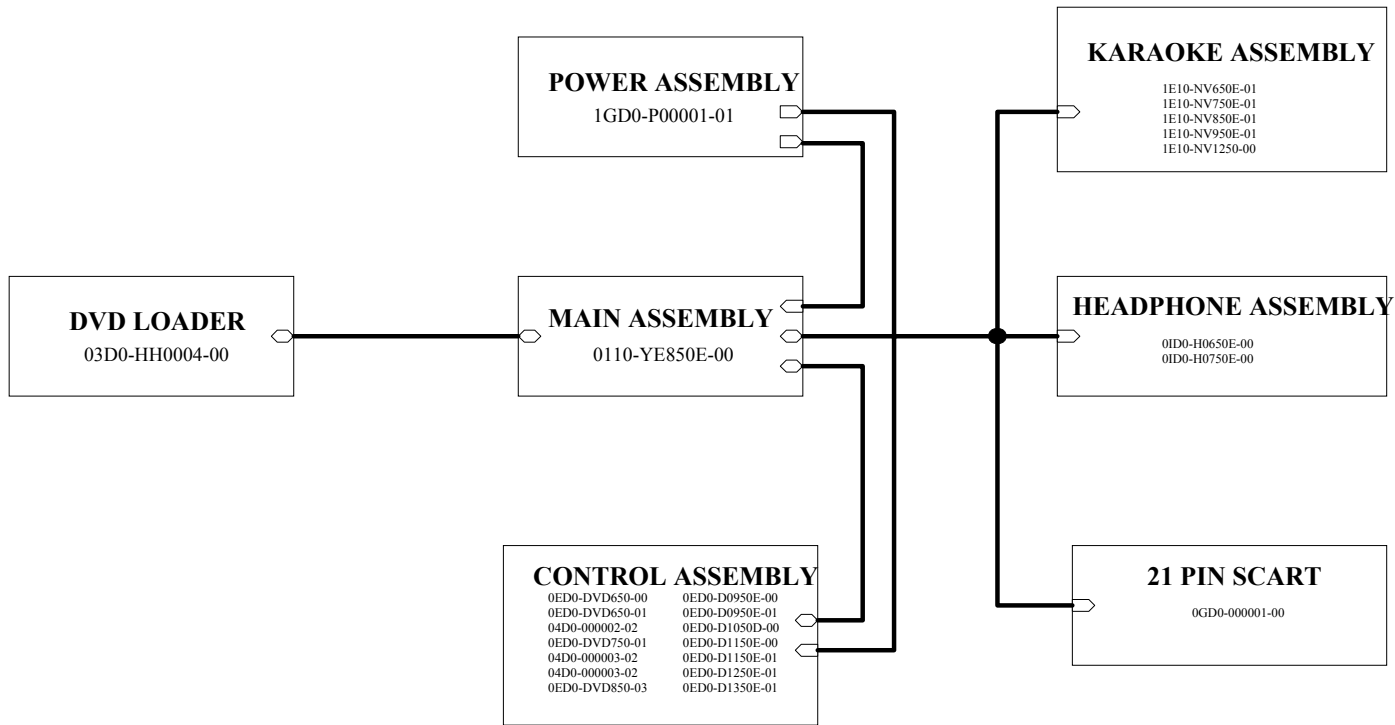
1E10-NV950E-01 KARAOKE ASSEMBLY FOR DVD-950E/DVD-1050E(IC.PT2399)(*)

Item	Part Number	Description	Quantity	Remarks
1	4100-AB1010-T0	CARBON FILM RESISTOR 100 OHM 1/16-1/6W+/-5% (TAPE TYPE)	1	R921
2	4100-AB1020-T0	CARBON FILM RESISTOR 1K OHM 1/16-1/6W+/-5% (TAPE TYPE)	2	R915,R919
3	4100-AB1030-T0	CARBON FILM RESISTOR 10K OHM 1/16-1/6W+/-5% (TAPE TYPE)	5	R907,R910,R911,R912,R913
4	4100-AB1040-T0	CARBON FILM RESISTOR 100K OHM 1/16-1/6W+/-5% (TAPE TYPE)	2	R906,R917
5	4100-AB1530-T0	CARBON FILM RESISTOR 15K OHM 1/16-1/6W+/-5% (TAPE TYPE)	7	R903,R904,R905,R908,R909,R914,R916
6	4100-AB5610-T0	CARBON FILM RESISTOR 560 OHM 1/16-1/6W+/-5% (TAPE TYPE)	3	R901,R902,R920
7	4100-AB5620-T0	CARBON FILM RESISTOR 5.6K OHM 1/16-1/6W+/-5% (TAPE TYPE)	1	R918
8	4200-510312-00	ROTARY VOLUME RESISTOR 10KB(V) FOR VCD	2	VR901,VR902
9	4300-AF104H-T0	CERAMIC CAPACITOR 0.1UF 50V +80-20% (TAPE TYPE)	5	C904,C907,C910,C911,C926
10	4300-AF151C-T0	CERAMIC CAPACITOR 150PF 50V +/-5% (TAPE TYPE)	1	C924
11	4300-AF332D-T0	CERAMIC CAPACITOR 0.0033uF 50V +/-10% (TAPE TYPE)	1	C915
12	4300-AF471C-T0	CERAMIC CAPACITOR 470PF 50V +/-5% (TAPE TYPE)	1	C903
13	4300-AF561C-T0	CERAMIC CAPACITOR 560PF 50V +/-5% (TAPE TYPE)	2	C914,C921
14	4300-AF562H-T0	CERAMIC CAPACITOR 0.0056UF 50V +80% - 20% (TAPE TYPE)	1	C920
15	4300-BC106E-T0	ELECTROLYTIC CAPACITOR 10UF 16V +/-20%(TAPE TYPE)	7	C901,C902,C906,C917,C918,C923,C925
16	4300-BC107E-T0	ELECTROLYTIC CAPACITOR 100UF 16V +/-20% (TAPE TYPE)	2	C908,C927
17	4300-BC476E-T0	ELECTROLYTIC CAPACITOR 47UF 16V +/-20%(TAPE TYPE)	2	C905,C909
18	4300-BD475E-T0	ELECTROLYTIC CAPACITOR 4.7UF 25V +/-20%(TAPE TYPE)	2	C919,C922
19	4300-MG822D-T0	MYLAR CAPACITOR 0.0082uF 100V +/-10% (TAPE TYPE)	3	C912,C913,C916
20	4707-L78L05-03	I.C. L78L05ACZ SGS (POSITIVE VOLTAGE REGULATORS)	1	IC903
21	4740-A15218-08	I.C. BA15218 ROHM (OPERATIONAL AMPLIFIER)	1	IC901
22	4742-PT2399-16	I.C. PT2399 (ECHO AUDIO PROCESSOR)	1	IC902
23	5401-020482-03	PIN 03 + HOUSING 03(TJC3) + 480mm FLAT CABLE UL2468 AWG24	1	CP901
24	5800-TCM021-00	KARAOKE P.C.BOARD 93 X 55 X 1.6mm FOR DVD-1050	1	
25	5900-B90118-01	MULTI TWIST WIRE AWG18 UL1007 BLACK 90mmW/SOLDERING PLATE	1	FOR GND
26	6100-032601-00	MIC JACK 6.35mm W/SWITCH FOR VCD	2	M901,M902
27	6400-020501-00	FERRITE BEAD 3.5 X 1 X 5mm W/JUMPER	1	L901

2ID0-000001-00		ACCESSORY ASSEMBLY FOR DVD			
Item	Part Number	Description	Quantity	Remarks	
1	5900-V15001-01	RCA TO RCA JACK VIDEO CABLE 1500mm YELLOW	1	*	
2	5900-V15001-02	RCA TO RCA JACK AUDIO CABLE 1500mm X 2 RED, WHITE	1	*	
	* maybe change				

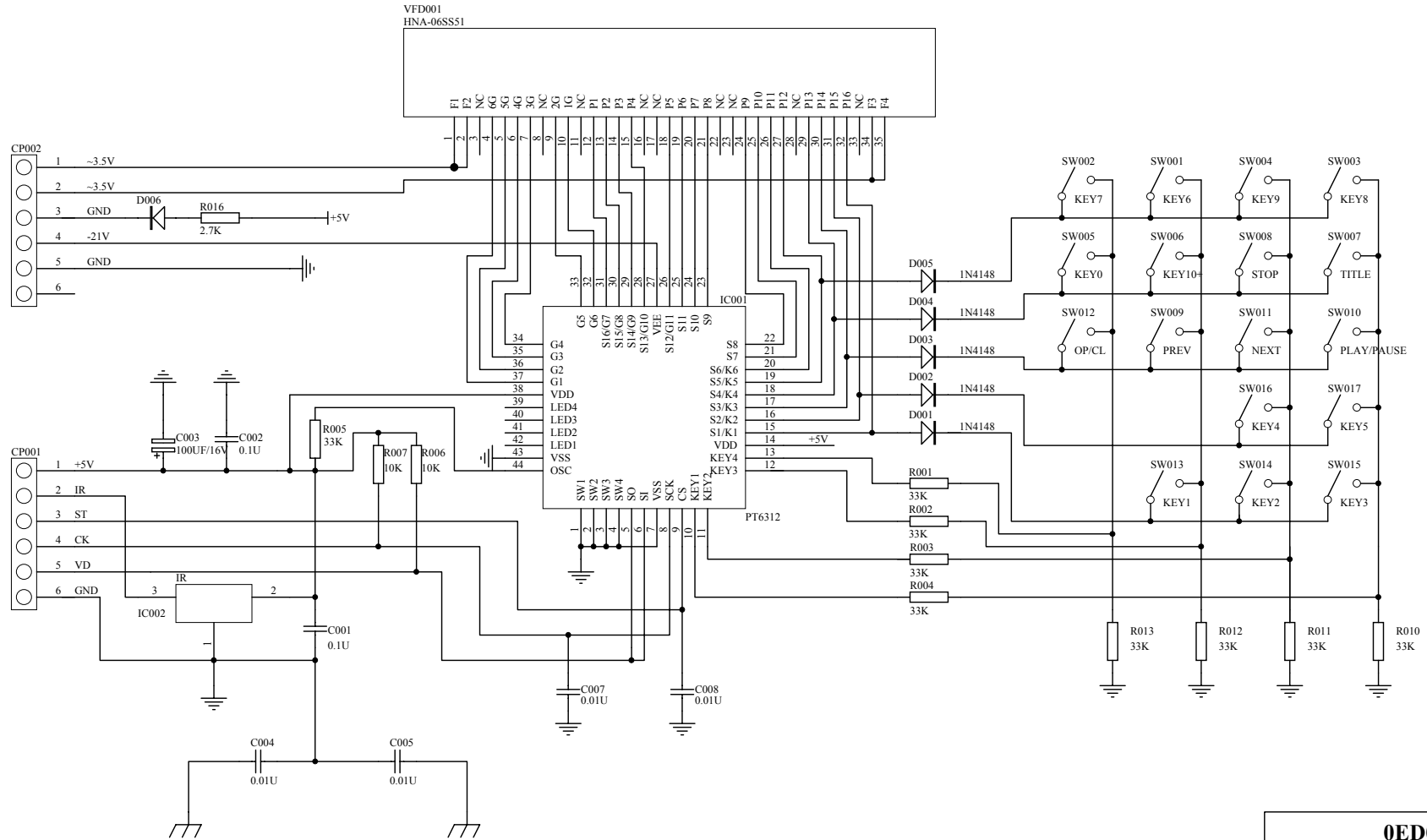
Specifications of DVD(5.1ch)

- Format: Support DVD Video, Super-VCD, VCD1.1, VCD2.0, CD-DA, CD-R/RW, MP3
- Standards: Video system NTSC, PAL
Audio system PCM(44.1, 48 or 96KHz), 2-channel MPEG Layer2, 5.1 channel AC-3.
- Features: Standby power
VFD display
Infrared remote
Composite, S-video and Y, U, V, output
2-channel analog stereo out
IEC958 optical digital audio output
Karaoke (key up/down, level up/down)
Password-protected Parental Control
CSS-encrypted disc play
Scart out
2 MIC inputs or Headphone out
- Power: Input range: 85~240VAC 50-60Hz, 30W MAX
- Performance: Video: DAC resolution: 10bits, all outputs
Noise: -55dB
Nominal Output load: 75 ohms, all outputs
Composite Video Level: 1Vp-p into 75ohms(NTSC)
S-video Level: Y: 1Vp-p into 75 ohms
C: 0.4Vp-p into 75 ohms
Audio: Line Level: 0dB=2Vrms into 10K ohms
Frequency response: 20Hz~20kHz
S/N ratio: 90dB
Dynamic range: 80dB(1kHz)
THD+N: 80dB(1kHz)



Title			CIRCUIT DIADRAM OF DVD		
Size	Number			Revision	1.0
B					
Date:	21-Oct-2001			Sheet of	
File:	D:\MYDOCU-1\SERVICE\1\SANYO6.SQ		Drawn By:		

0ED0-D0950E-00

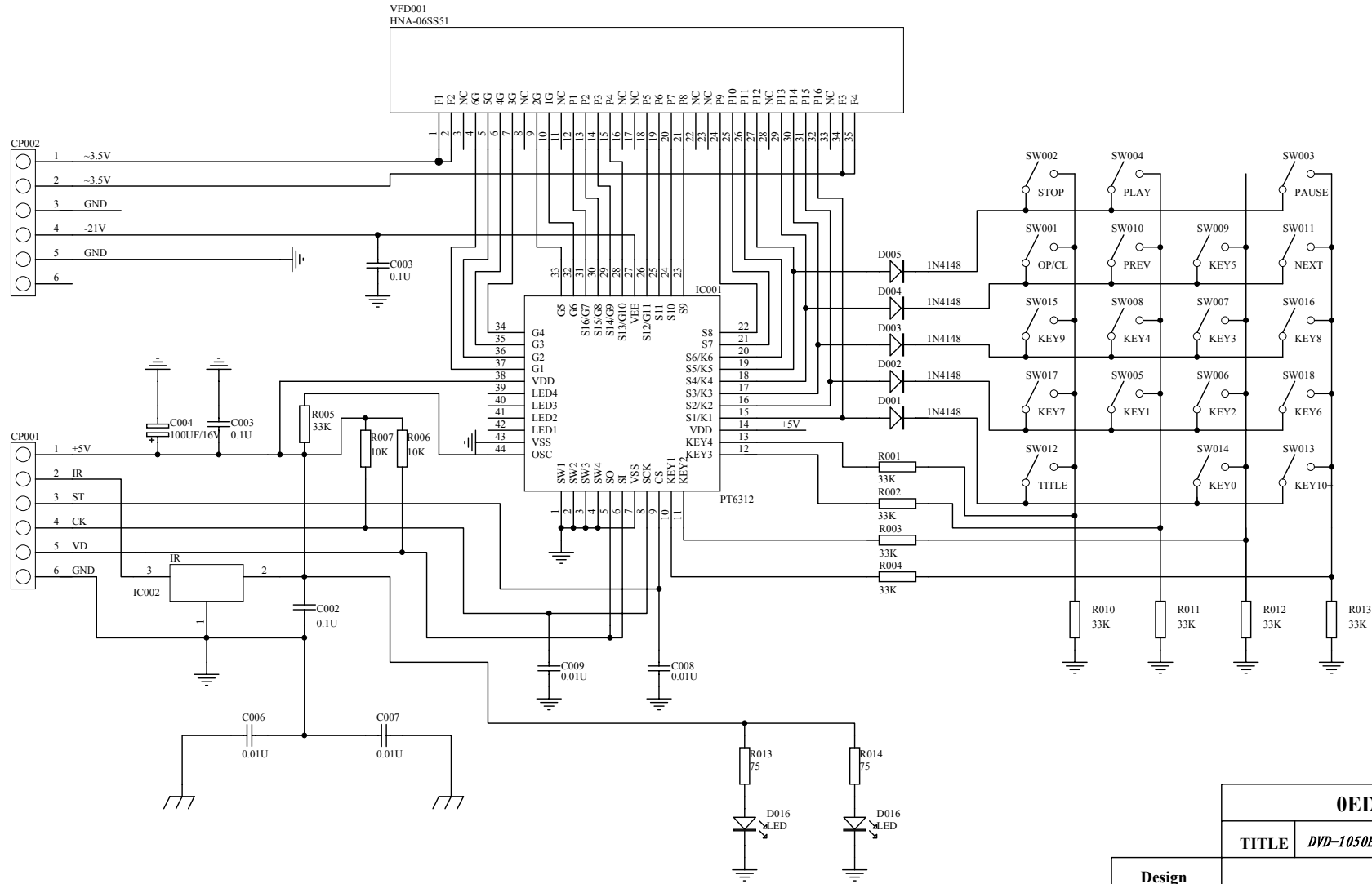


0ED0-D0950E-00

TITLE DVD-950B CONTROL SCHEMATIC

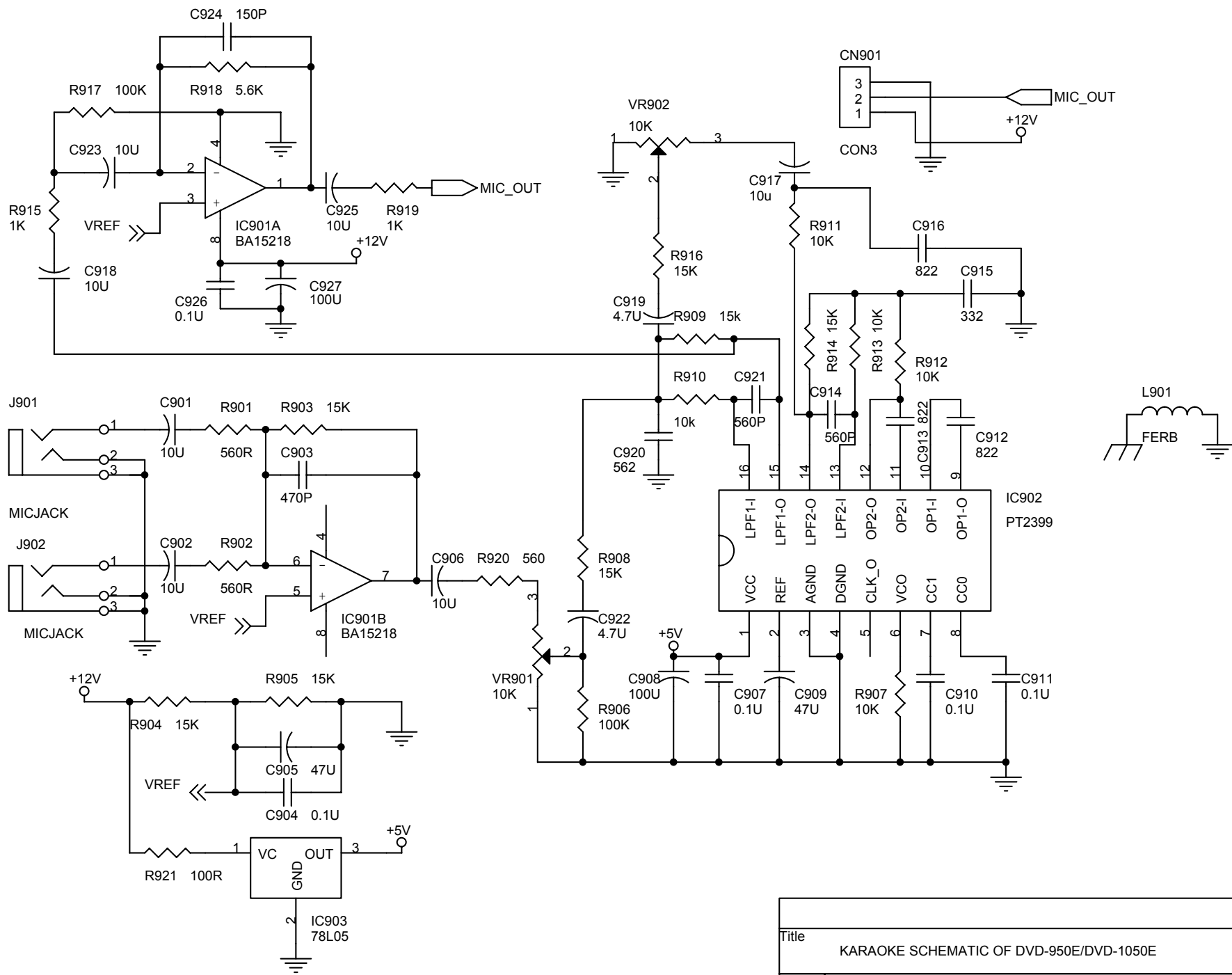
Design	
Check	
Approval	

0ED0-D1050D-00

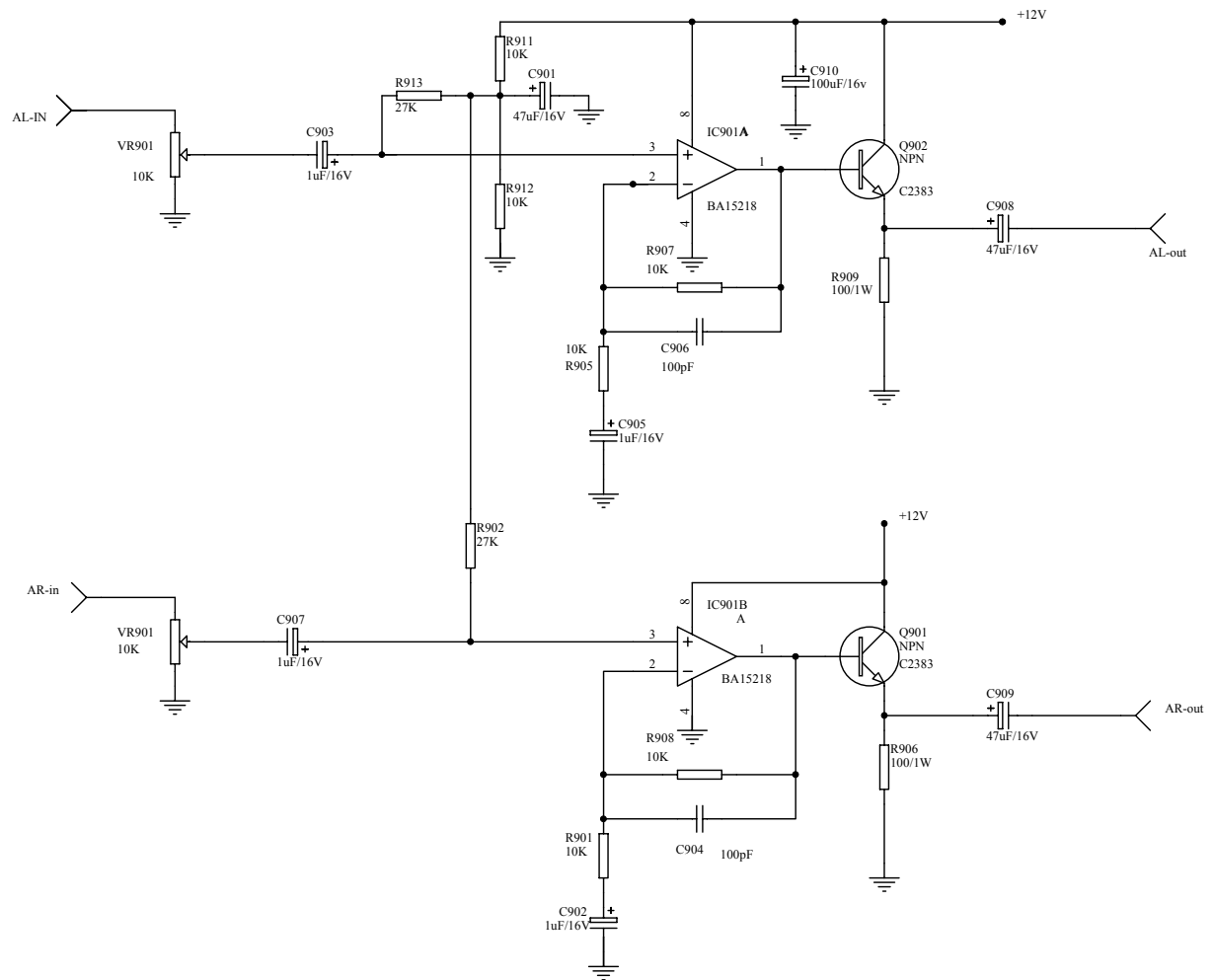


0ED0-D1050D-00	
TITLE	<i>DVD-1050B CONTROL SCHEMATIC</i>

Design	
Check	
Approval	

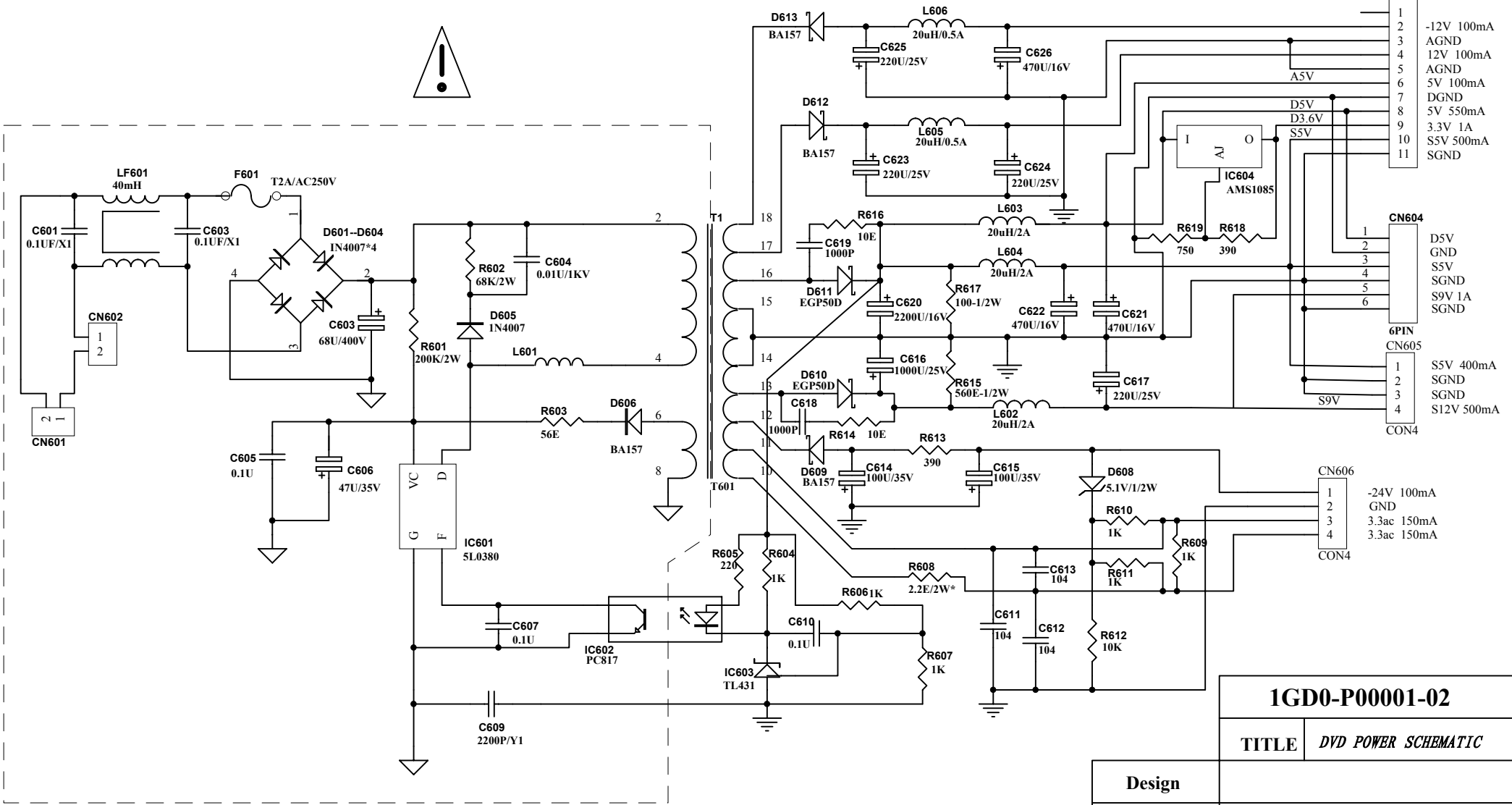


Title		
KARAOKE SCHEMATIC OF DVD-950E/DVD-1050E		
Size	Document Number	Rev
A	1E10-NV950E-01	1.0
Date:	Thursday, October 11, 2001	Sheet 1 of 1



Title			HEADPHONE SCHEMATIC OF DVD		
Size	Number			Revision	1.0
B					
Date:	12-Oct-2001	Sheet of	1/1		
File:	D:\DESIGN\OUT\PHONE--1\HP.SCH	Drawn By:			

1GDO-P00001-02



- CN603**
- 1 -12V 100mA
 - 2 AGND
 - 3 12V 100mA
 - 4 AGND
 - 5 5V 100mA
 - 6 DGND
 - 7 5V 550mA
 - 8 3.3V 1A
 - 9 S5V 500mA
 - 10 SGND
 - 11

- CN604**
- 1 D5V
 - 2 GND
 - 3 S5V
 - 4 SGND
 - 5 S9V 1A
 - 6 SGND

- 6PIN CN605**
- 1 S5V 400mA
 - 2 SGND
 - 3 SGND
 - 4 S12V 500mA

- CN606**
- 1 -24V 100mA
 - 2 GND
 - 3 3.3ac 150mA
 - 4 3.3ac 150mA

1GDO-P00001-02

TITLE DVD POWER SCHEMATIC

Design	
Check	
Approval	

SWAN ES4308

LCEx#	FUNCTION
0	
1	
2	IO EXPAND
3	ROM/FLASH

AUXx	FUNCTION
0	I2C DATA
1	I2C CLOCK
2	VFD DATA
3	CS
4	IR
5	D/A RST#
6	VFD CS#
7	VFD CLK

ESS ES4308/ES4408 DVD BOARD

PAGE	
1	INDEX
2	SWAN ES4318/4408 CHIP
3	MEMORY - SDRAM, ROM
4	DVD LOADER INTERFACE
5	CLOCK CIRCUIT
6	VIDEO/AUDIO ENCODER &Karaoke
7	6 CHANNEL

GROUND

NAME	TYPE
GND	DIGITAL GROUND
GNDV	VIDEO GROUND

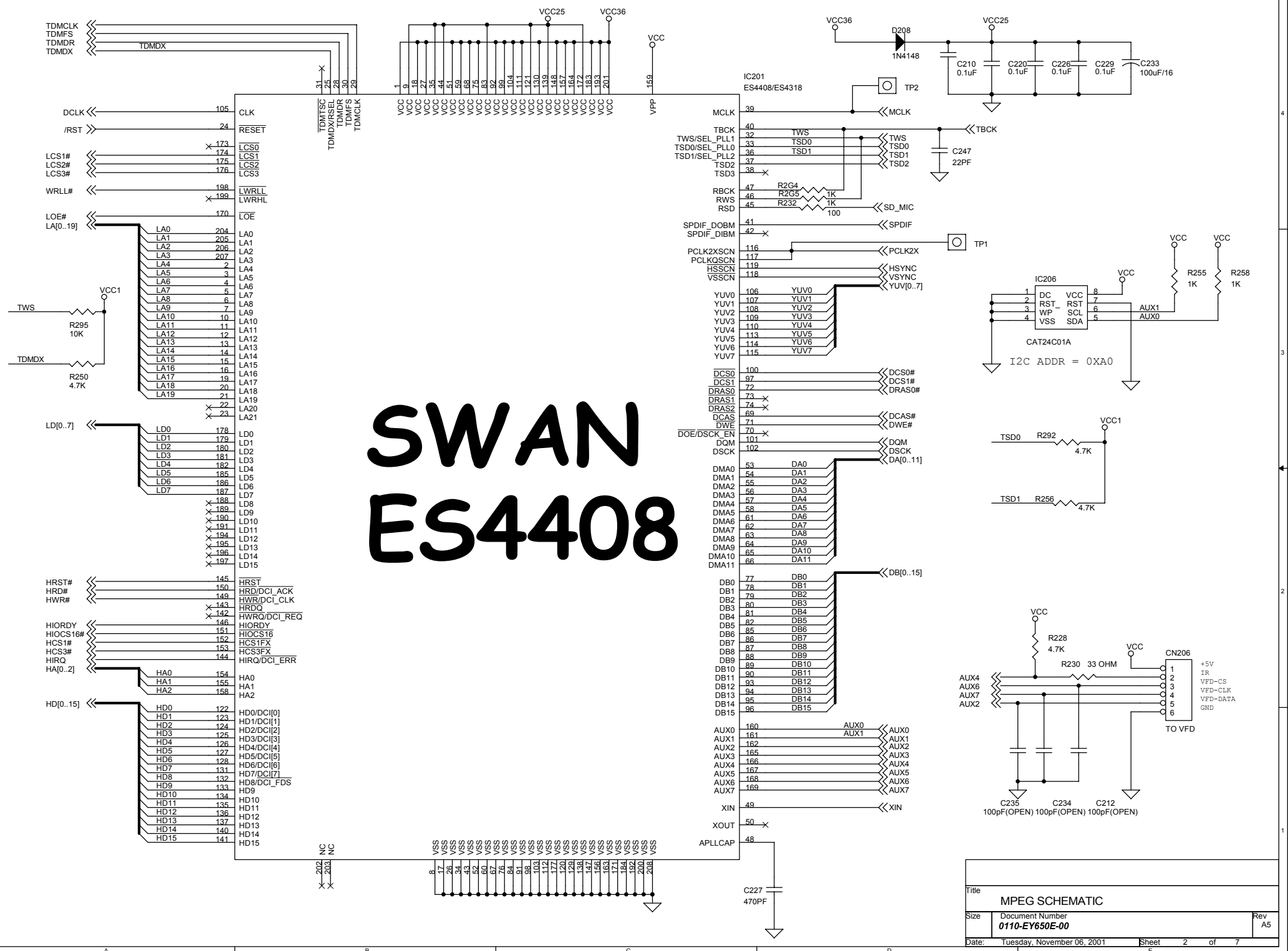
POWER

NAME	TYPE	DEVICE
VCC	DIGITAL 5V	SUPPLY
VCC3	DIGITAL +3.6V	SDRAM
VCC36	DIGITAL +3.6V	ES4318/ES4408
VCC25	DIGITAL +2.5V	ES4408

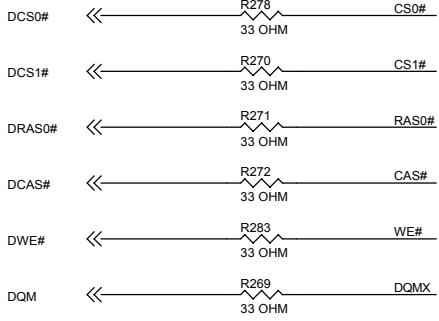
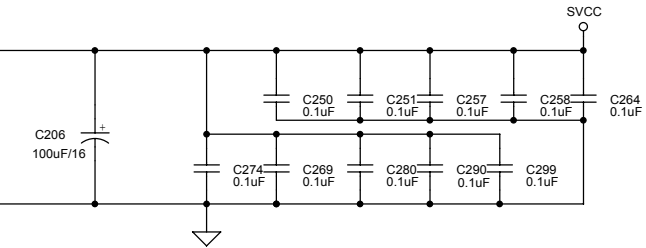
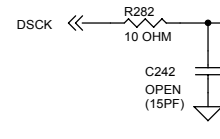
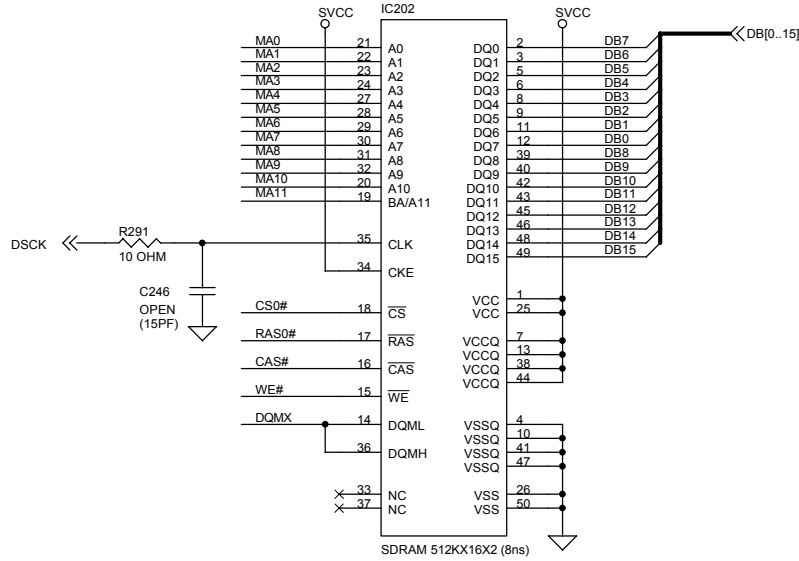
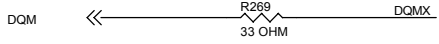
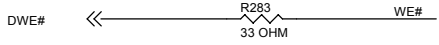
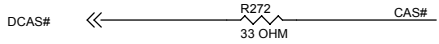
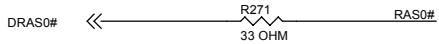
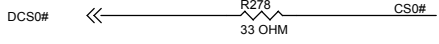
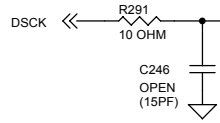
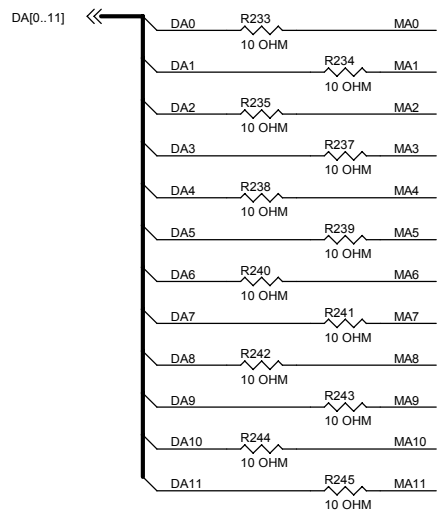
THE INFORMATION HAS BEEN CHECKED AND IS BELIEVED TO BE RELIABLE. HOWEVER, NO RESPONSIBILITY IS ASSUMED FOR INNACCURACIES. CIRCUIT DIAGRAMS ARE PROVIDED AS A MEANS OF ILLUSTRATING TYPICAL APPLICATIONS; CONSEQUENTLY COMPLETE INFORMATION FOR CONSTRUCTION PURPOSES IS NOT NECESSARILY GIVEN. ESS RESERVES THE RIGHT TO MAKE CHANGES AT ANY TIME IN ORDER TO IMPROVE THE DESIGN.

Title		
MPEG SCHEMATIC		
Size	Document Number	Rev
	0110-EY650E-00	A5
Date:	Monday, November 05, 2001	Sheet 1 of 7

SWAN ES4408



Title MPEG SCHEMATIC		
Size	Document Number 0110-EY650E-00	Rev A5
Date:	Tuesday, November 06, 2001	Sheet 2 of 7



CRITICAL TRACES

MOST

↓

LEAST

CLOCKS

ADDRESS

CAS

WE

RAS

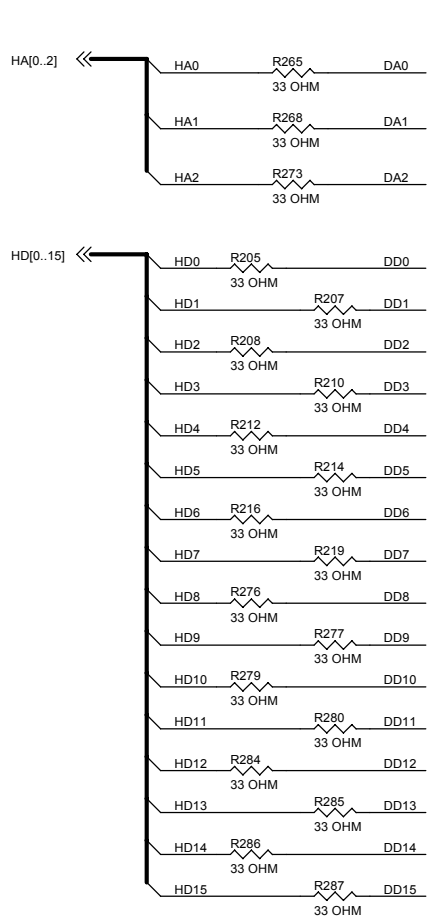
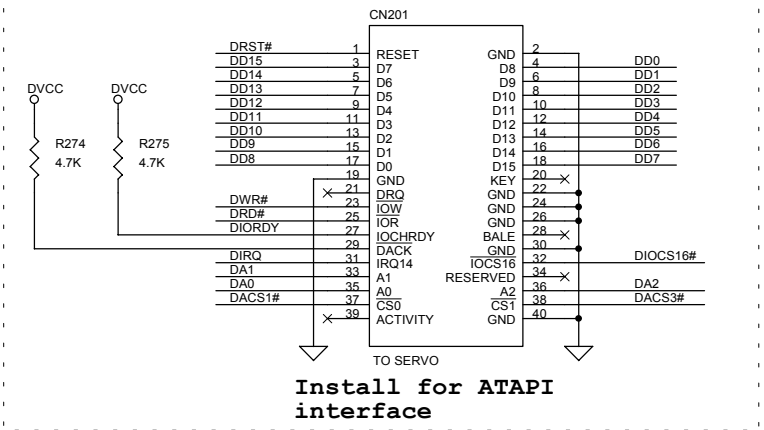
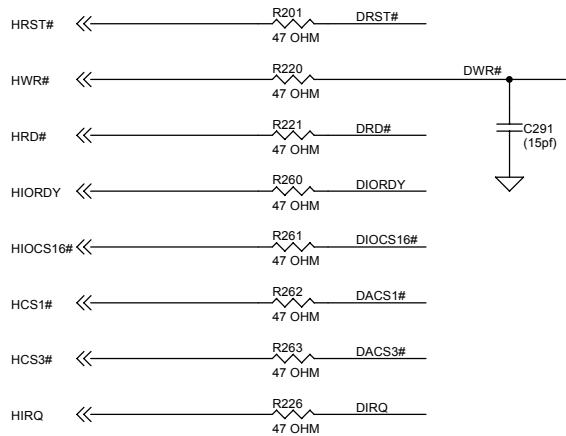
CSx

DQM

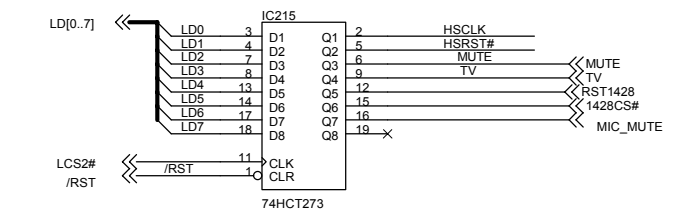
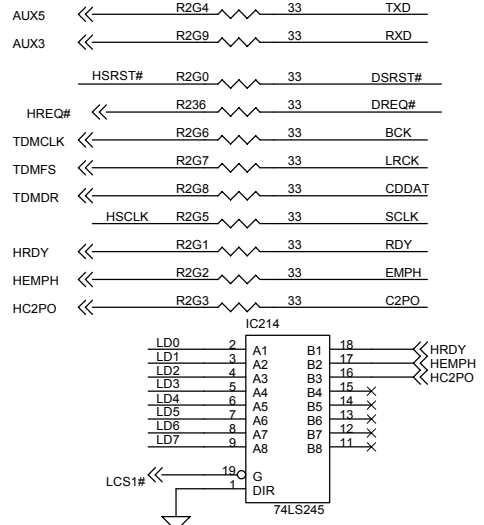
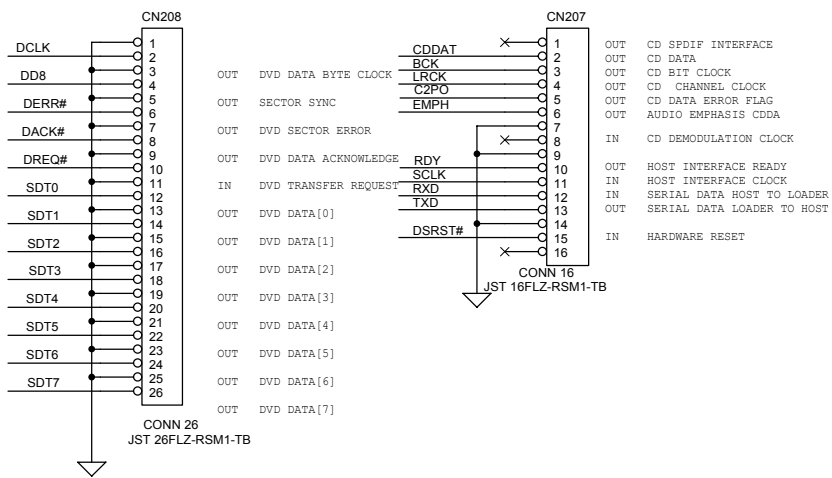
INSTALL R46,R47, NOT INSTALL R13,R47 FOR USE EEPROM SST 28SF040

INSTALL R13,R48, NOT INSTALL R46,R48 FOR USE EEPROM NORMAL (29FS040)

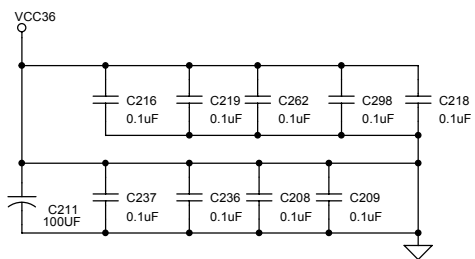
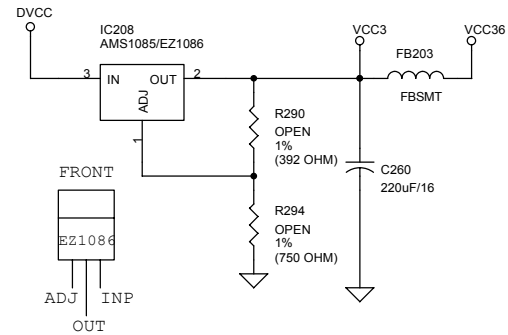
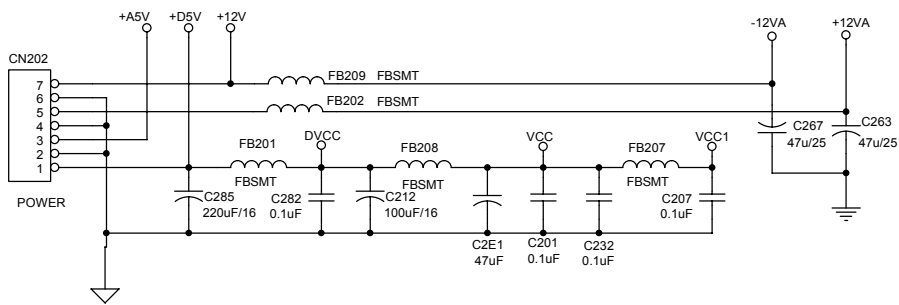
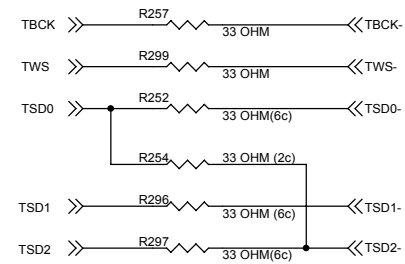
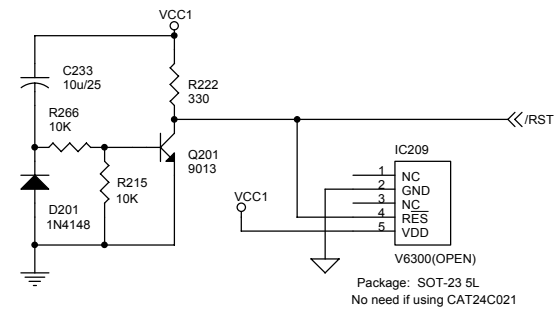
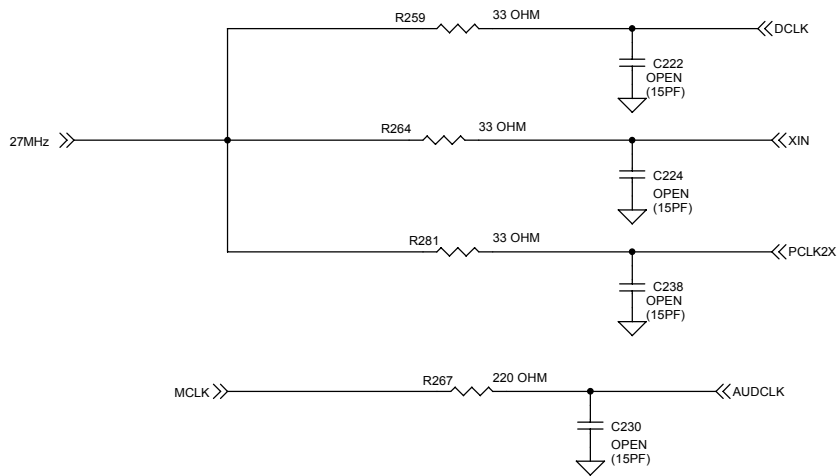
Title		
MPEG SCHEMATIC		
Size	Document Number	Rev
	0110-EY650E-00	A5
Date:	Tuesday, November 06, 2001	Sheet 3 of 7



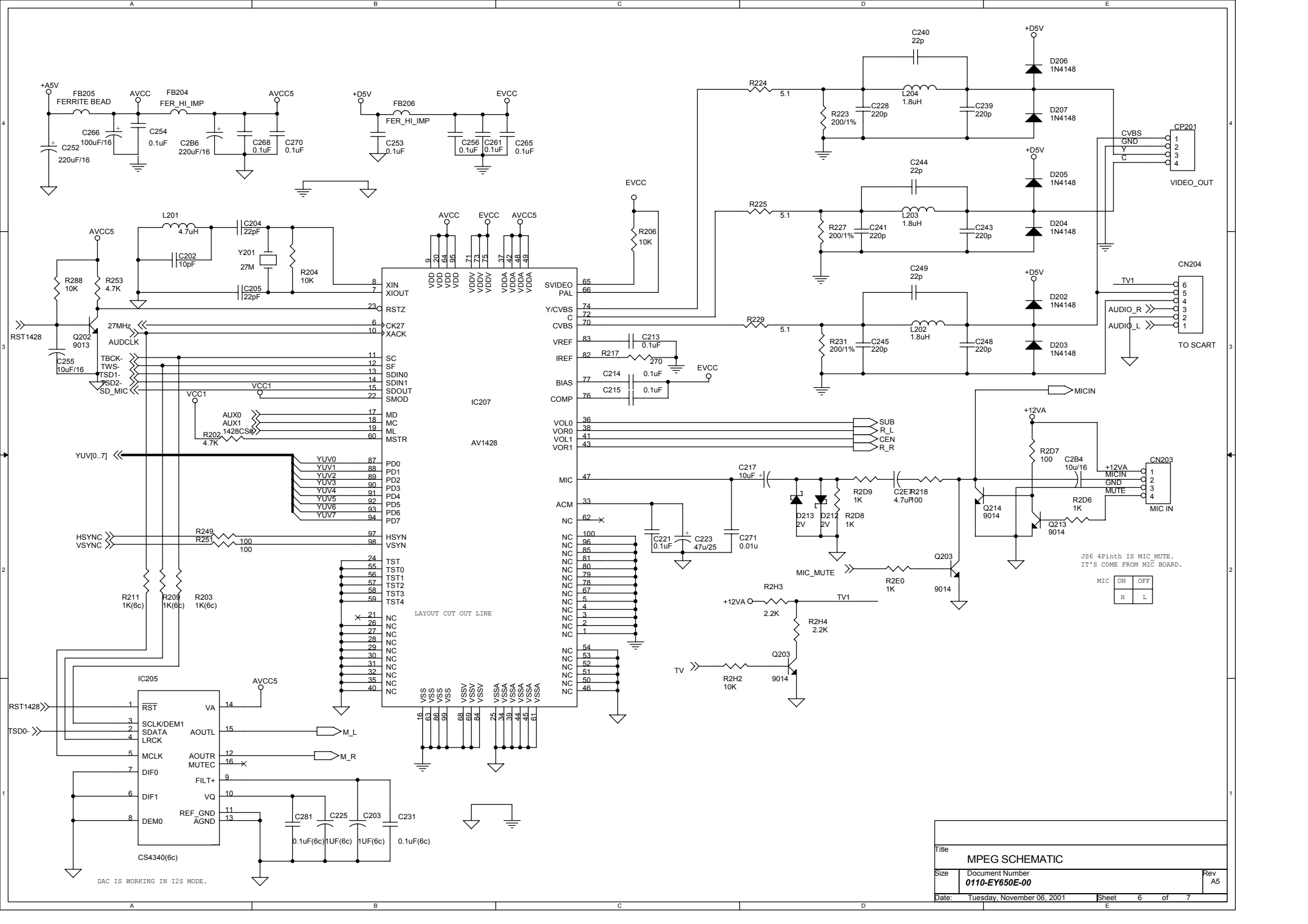
Install for ATAPI interface



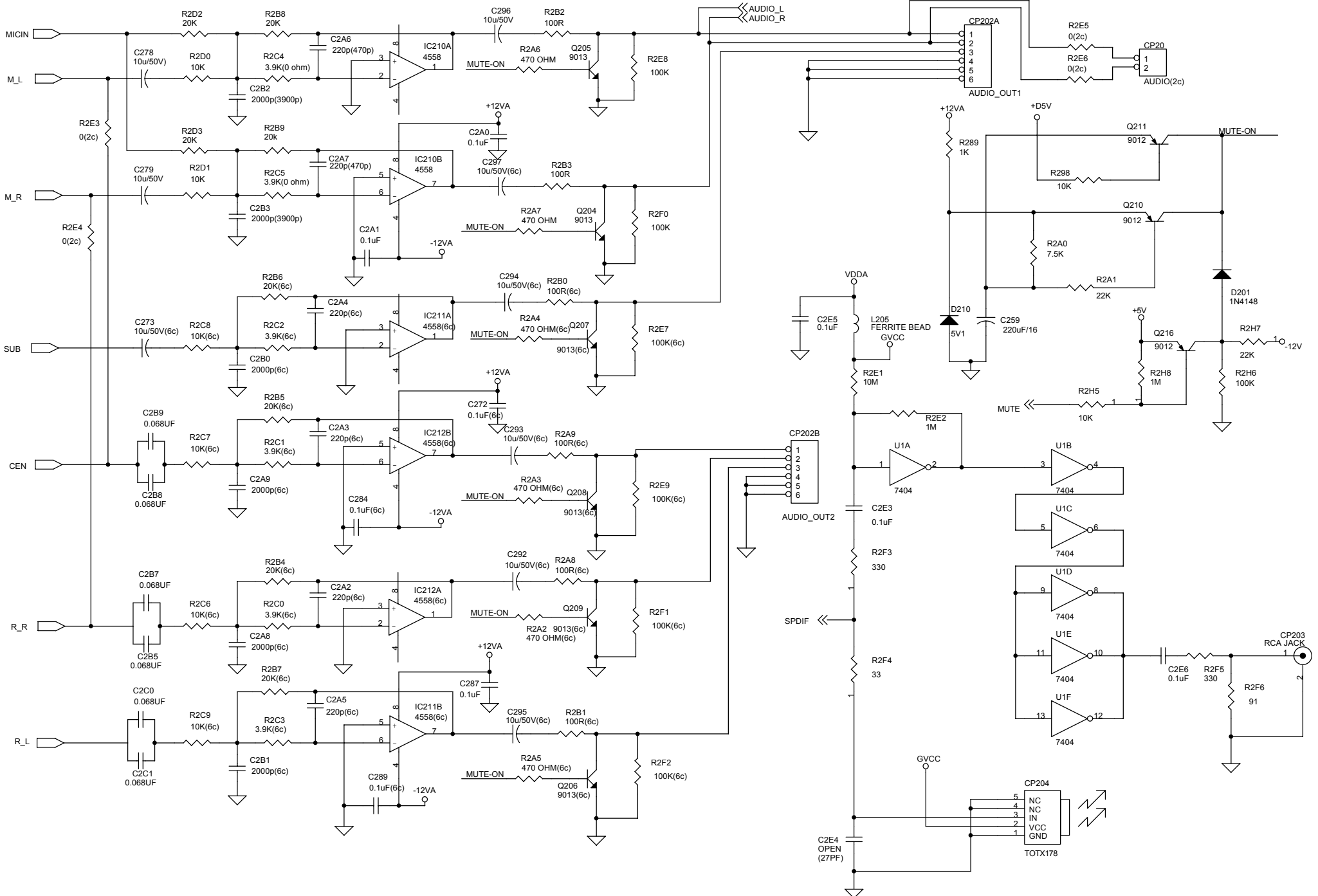
Title		
MPEG SCHEMATIC		
Size	Document Number	Rev
	0110-EY650E-00	A5
Date:	Tuesday, November 06, 2001	Sheet 4 of 7



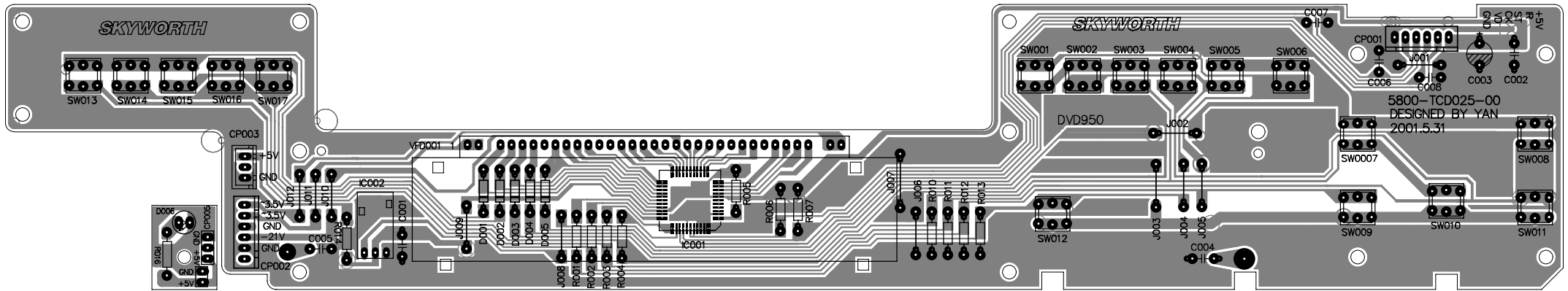
Title		
MPEG SCHEMATIC		
Size	Document Number	Rev
	0110-EY650E-00	A5
Date:	Tuesday, November 06, 2001	Sheet 5 of 7



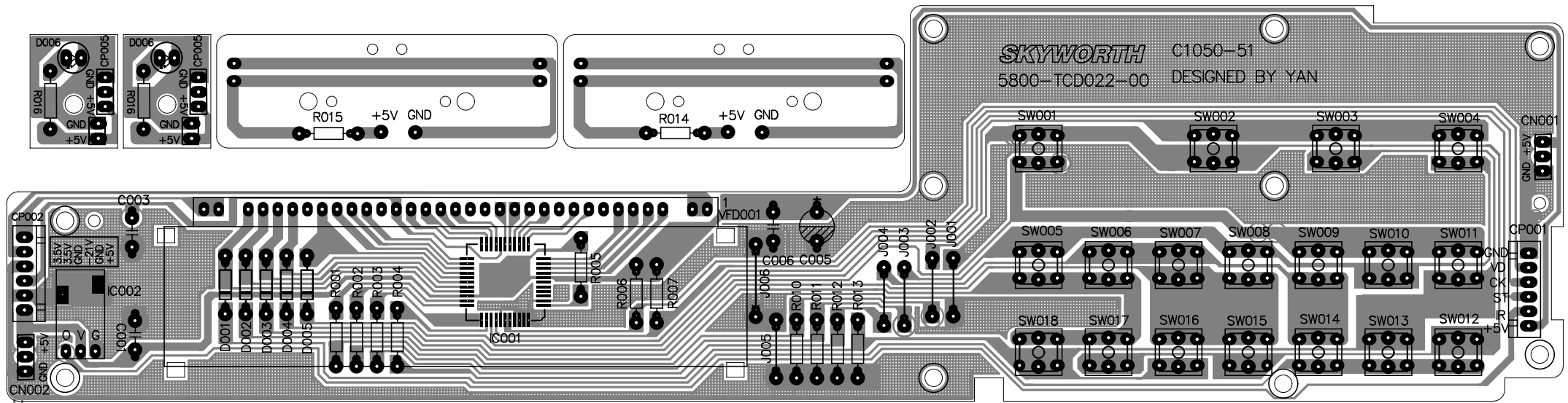
Title		
MPEG SCHEMATIC		
Size	Document Number	Rev
	0110-EY650E-00	A5
Date:	Tuesday, November 06, 2001	Sheet 6 of 7



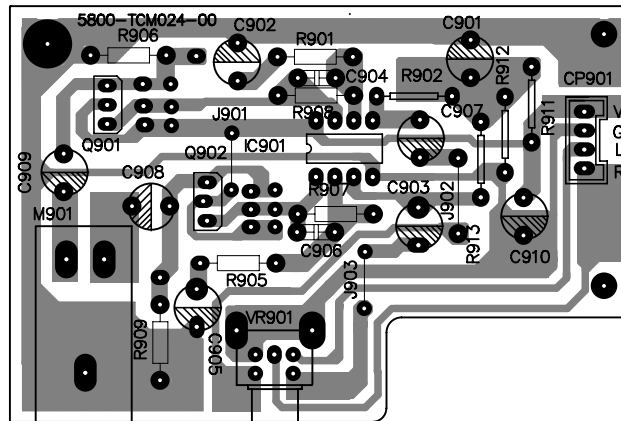
Title		
MPEG SCHEMATIC		
Size	Document Number	Rev
	0110-EY650E-00	A5
Date:	Tuesday, November 06, 2001	Sheet 7 of 7



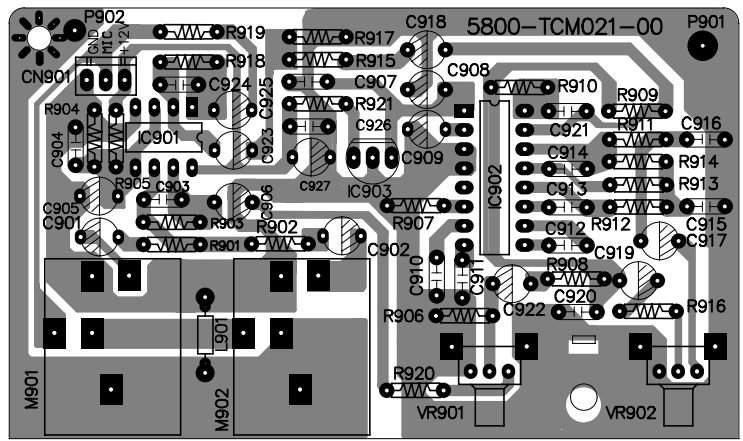
CONTROL BOARD OF DVD-950E
OED0-D0950E-00



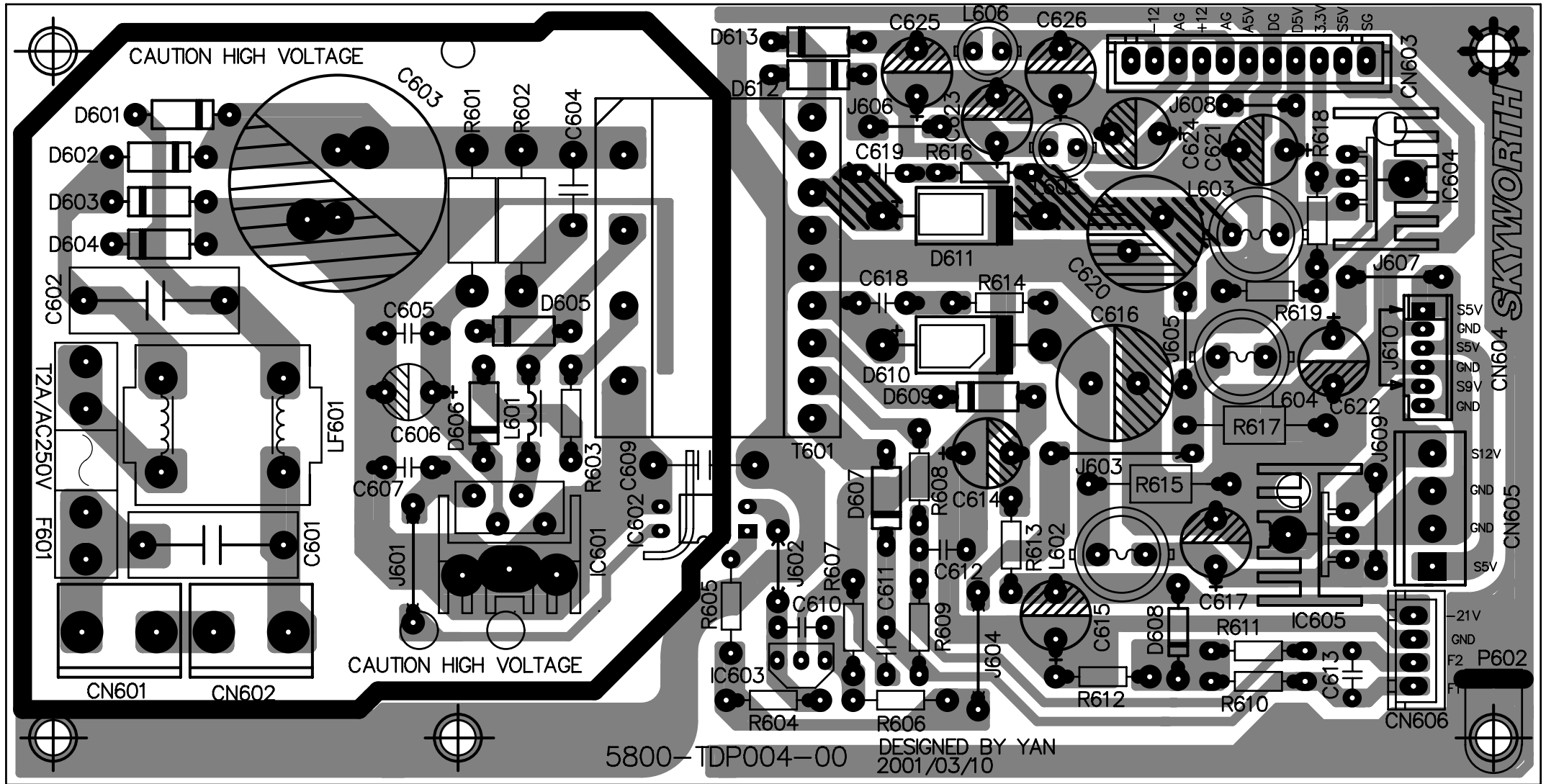
CONTROL BOARD OF DVD-1050E
 OED0-D1050D-00



Headphone Schematic of DVD-650E/850E/950E/1050E/1150E
 OIDO-H0650E-00

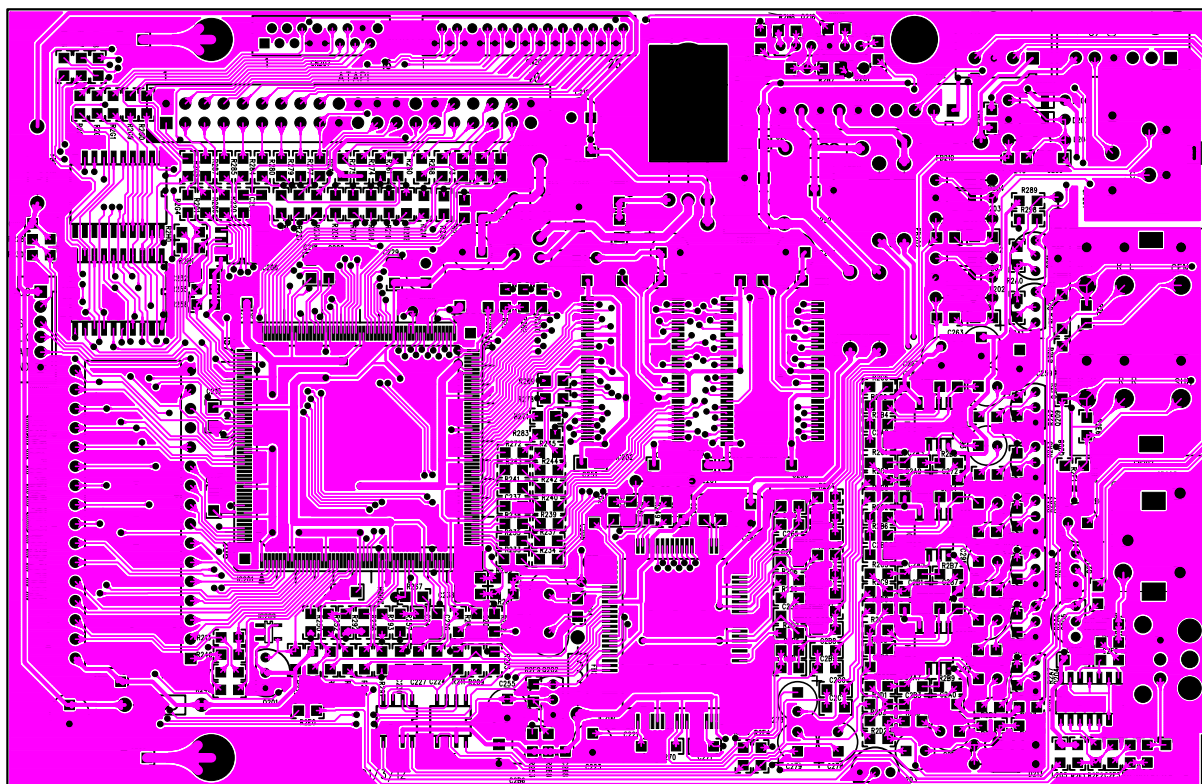


KARAOKE BOARD OF DVD-950E/DVD-1050E
1E10-NV950E-01

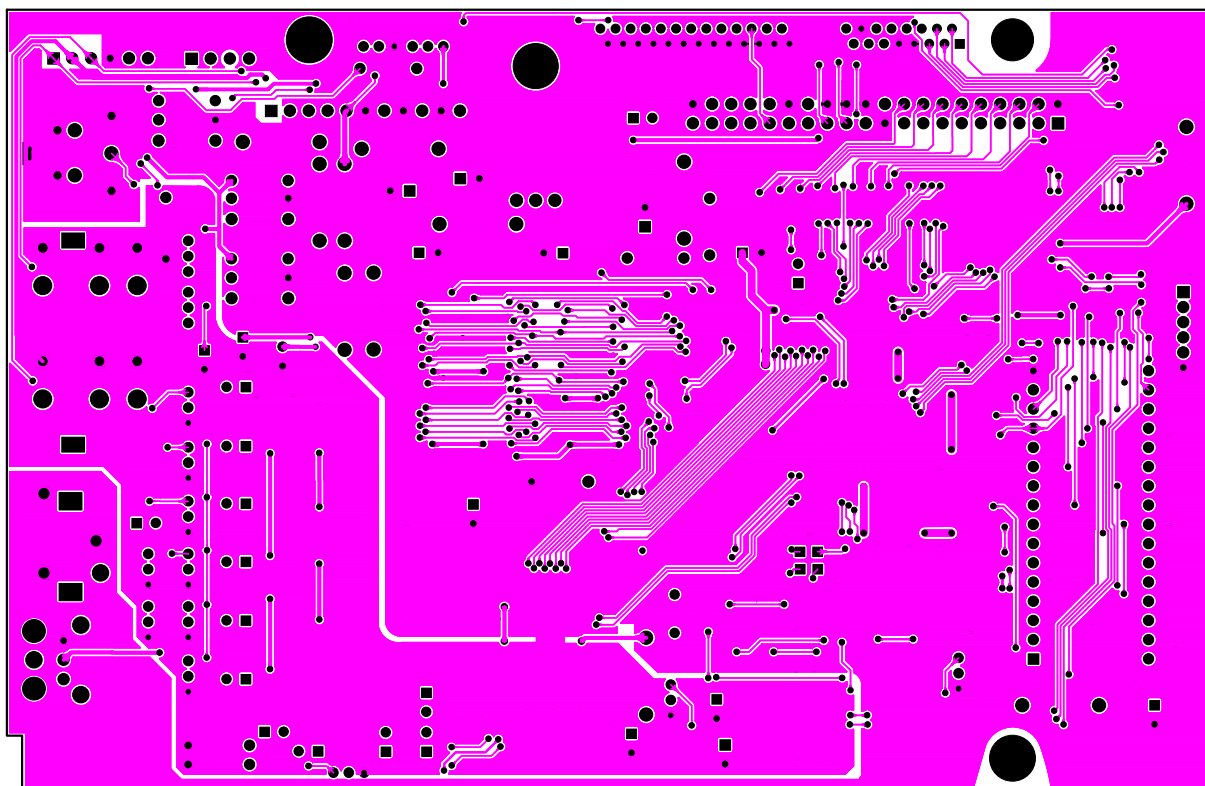


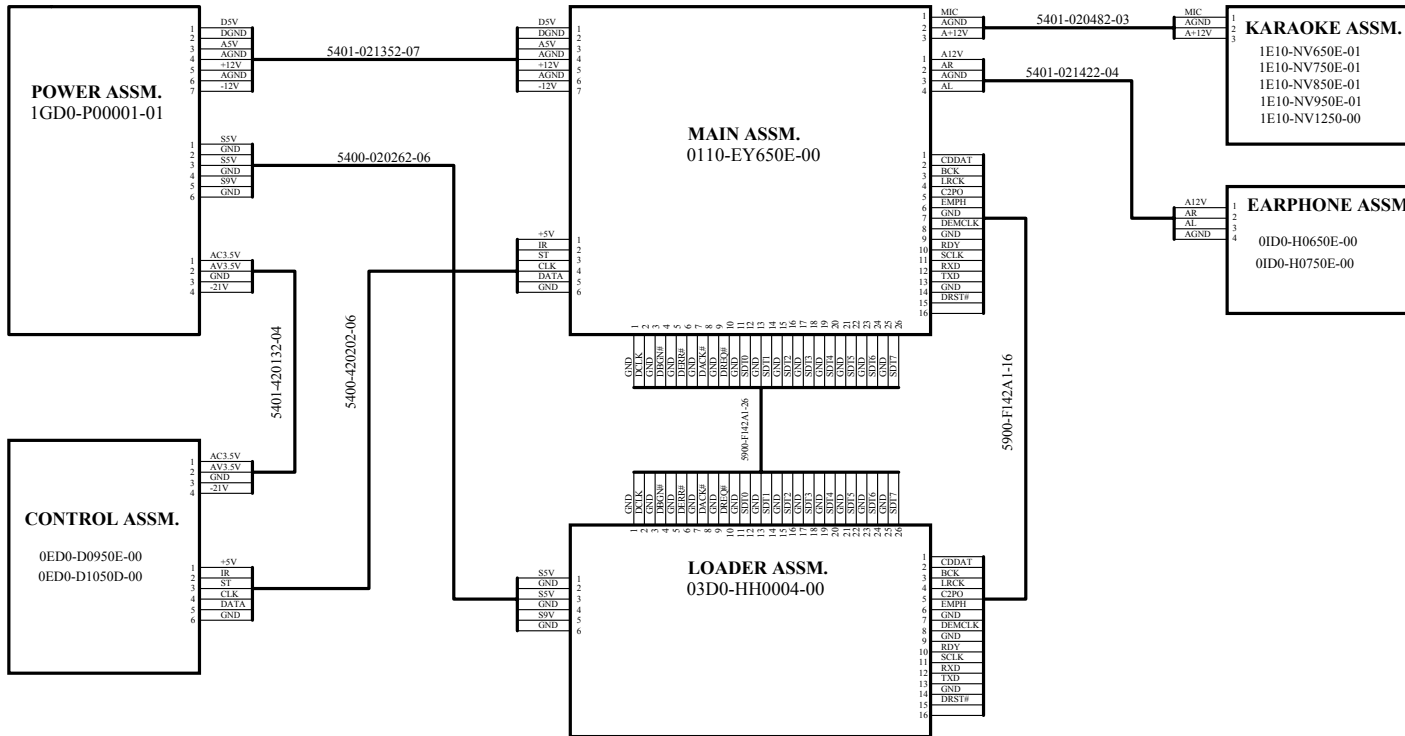
POWER SCHEMATIC OF DVD

1GD0-P00001-02



TOP LAYER





Title		
Wire diagram of DVD		
Size	Number	Revision
C		
Date:	6-Nov-2001	Sheet of
File:	D:\MYDOCU-1\SERVICE\115063\X.S	Drawn By:

Instrument and Equipment

TV SET	1 SET
SVCD DISC	1 PIECE
MICROPHONE	1 PIECE
TEST DISC TCD784	1 PIECE
TEST DISC TCD725	1 PIECE

Alignment Step

1. Press POWER button to turn on power,VFD is indicator.
2. Press OPEN/CLOSE button to load disc on disc tray.
3. Press REV FF NEXT PREV button to normal work.
4. Play VCD disc , main features are normal work.(include picture and sound)
5. Press ECHO button and plug microphone, audio output is normal work.
6. To load disc TCD784 and play track No. 2.Audio output right and left channel is 2.0V,on reading distortion meter .Channel difference is less than 1dB between right to left. Distortion is less than 0.1% when signal range is 2.0V on reading oscillo Scope.
7. Play track no. 3 and 6 ,Frequency response is 20Hz to 20kHz
8. Play track no. 7 , s/n is more than 80 dB.
9. To load disc TCD725 and play track no.3 ,no.9,no.15.Audio and picture output are normal.