



DVD-RECORDER

Chassis : Nexus (4rd Generation)

BASIC : DVD-HR755

Application Models

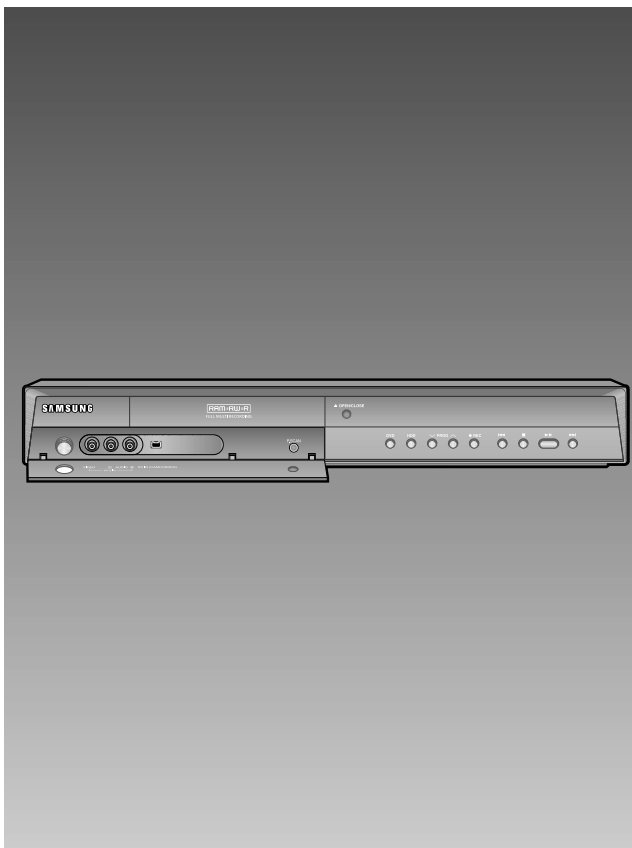
: DVD-HR750 / DVD-HR751 /
DVD-HR753 / DVD-HR755 /
DVD-HR756

Application Areas

: EUR, SED, XEB, XEC, XEE, XEF, XEG, XEH,
XEN, XEO, XET, XEU, XER, NWT, AND, AFR,
AND, SMR, UMG, XSG, XFA, XSA, RAD,
XSH, XSS, XST, XTL, SAM, XSE, XSV,
CHN, HAC, TAW, SEO

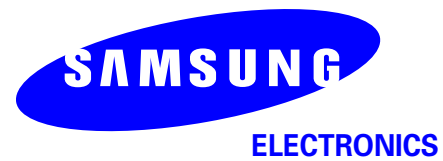
SERVICE Manual

DVD-RECORDER



Merit & Character regarding Product

- ① Multi format Recording
DVD-RW/DVD+RW/DVD-R/DVD+R/DVD RAM
- ② Multi format playback
DVD/DVD-RW/DVD+RW/DVD-R/DVD+R/
DVD RAM/MP3/JPEG/DIVX
- ③ Recording mode
XP(1Hour) / SP(2Hour) / LP(4Hour) /
EP(6~8Hour)
- ④ Progressive scan
- ⑤ Automatic Chapter product on
- ⑥ 59mm Slim Design



SAMSUNG

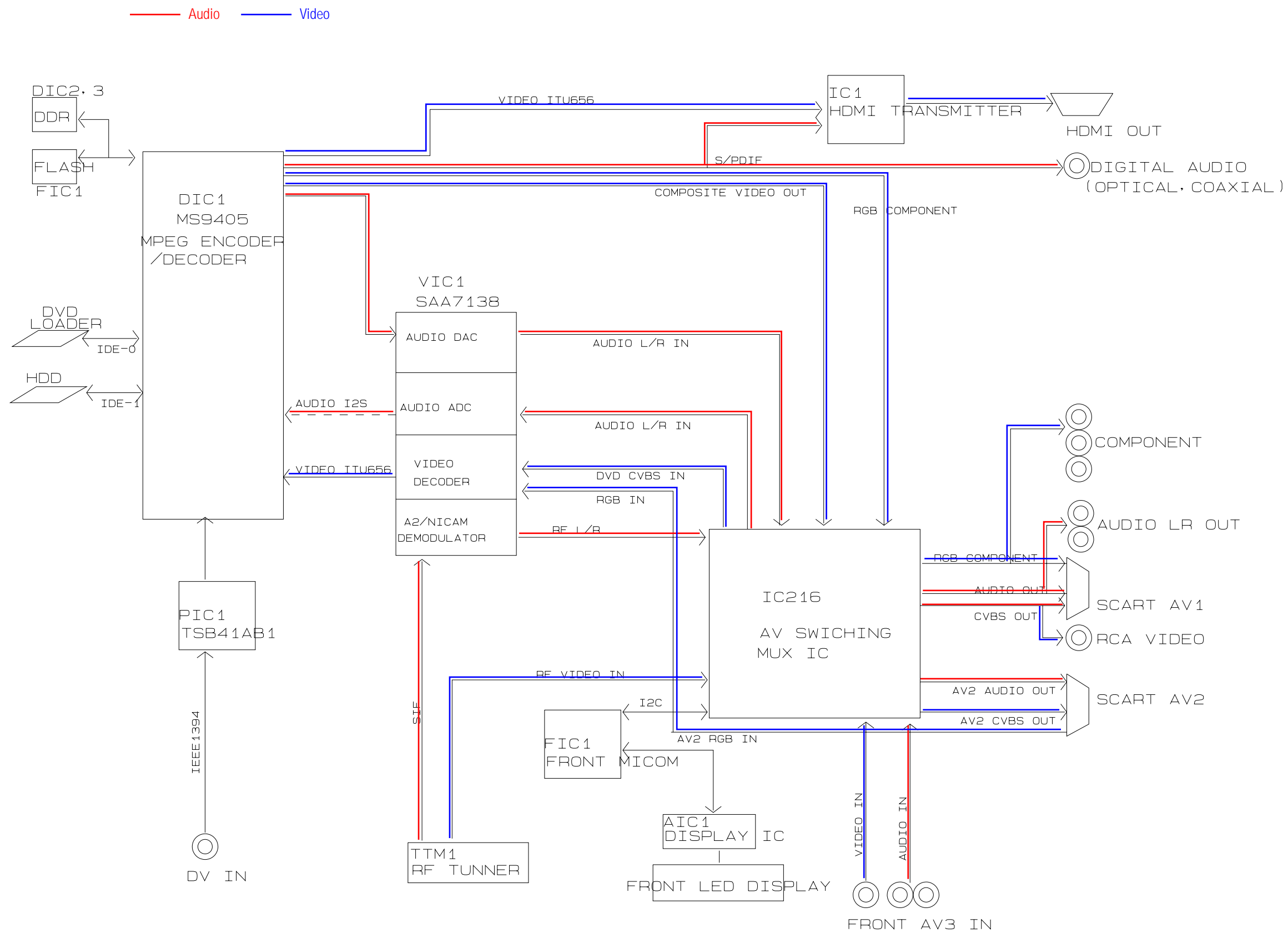
SERVICE MANUAL

DVD-HR750/ DVD-HR751/ DVD-HR753/ DVD-HR755/ DVD-HR756

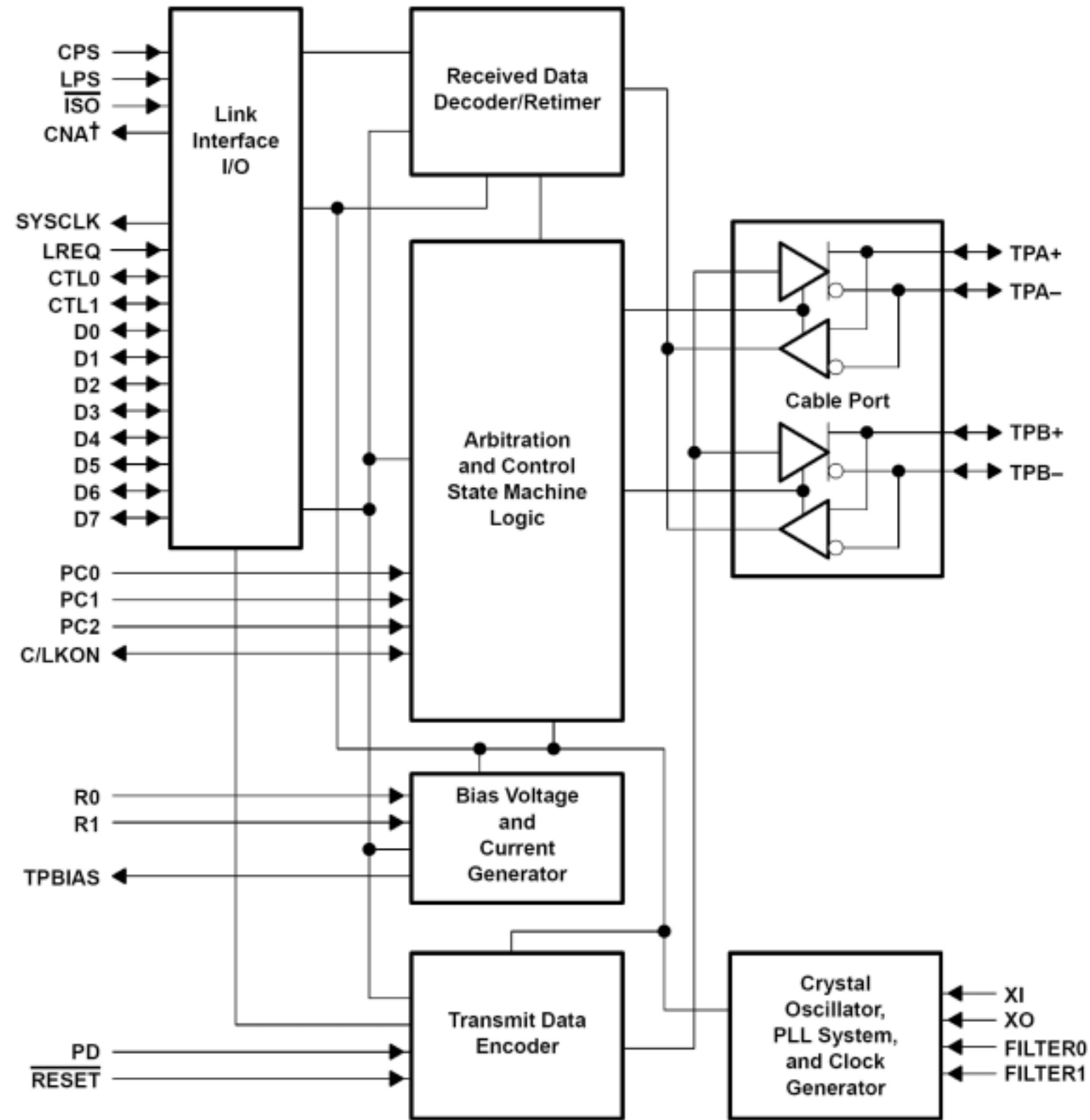
This Service Manual is a property of Samsung Electronics Co.,Ltd.
Any unauthorized use of Manual can be punished under applicable
international and/or domestic law.

© Samsung Electronics Co., Ltd. FEB. 2007
Printed in Korea
AK82-01208A

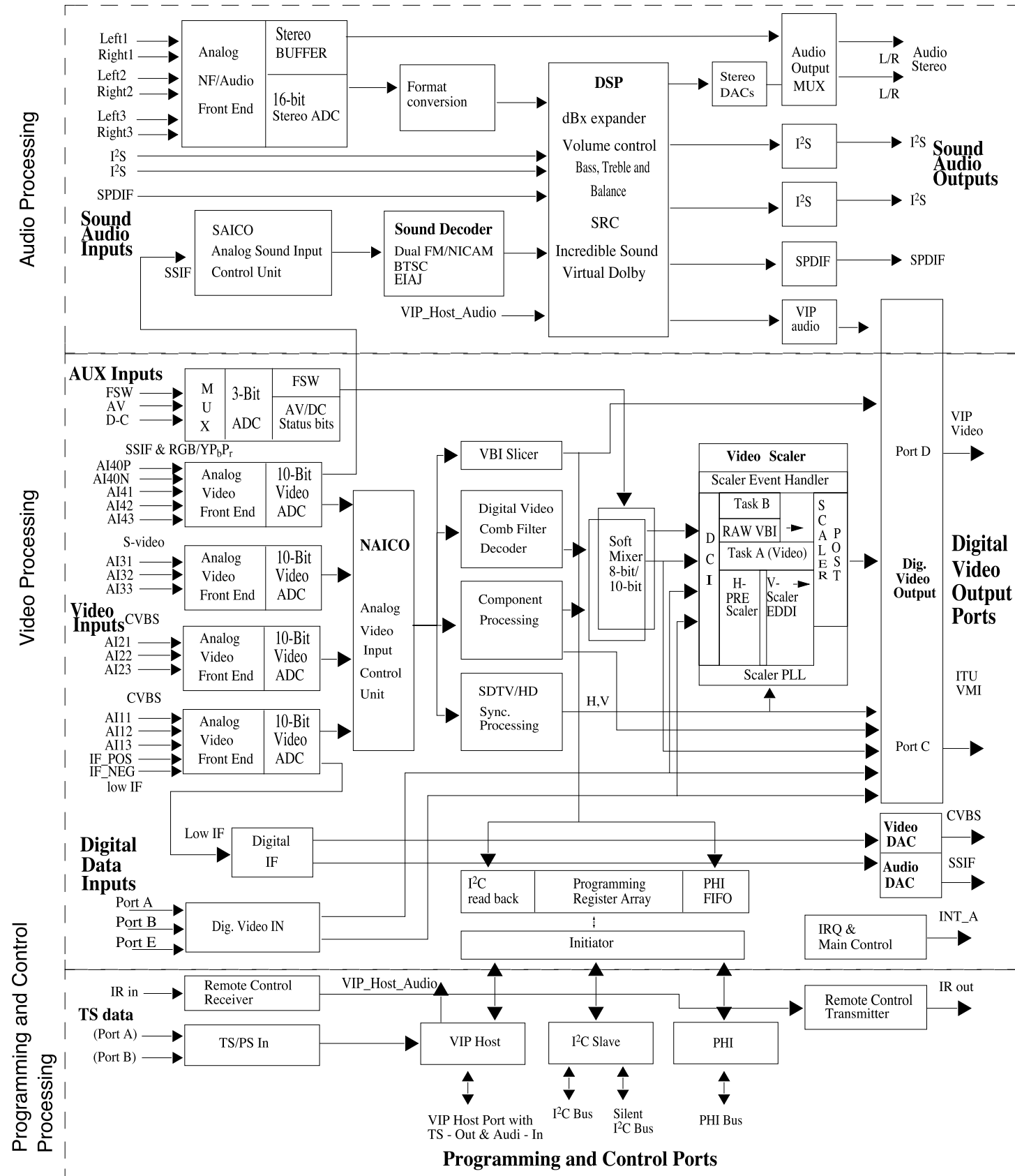
8-1 All Block Diagram



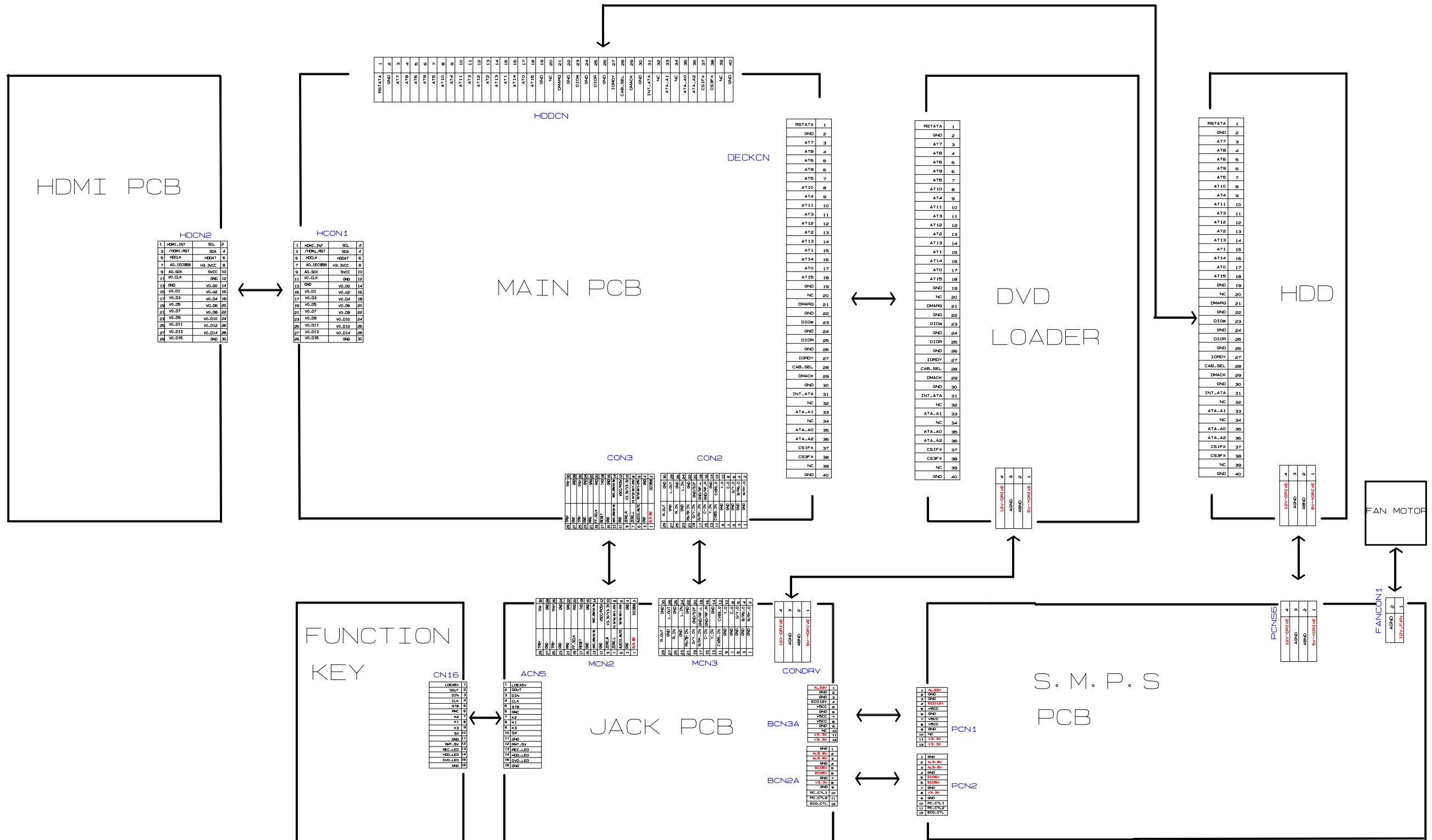
8-2 PIC1 (TSB4AB1) Block Diagram



8-3 VIC1 (SAA7138) Block Diagram

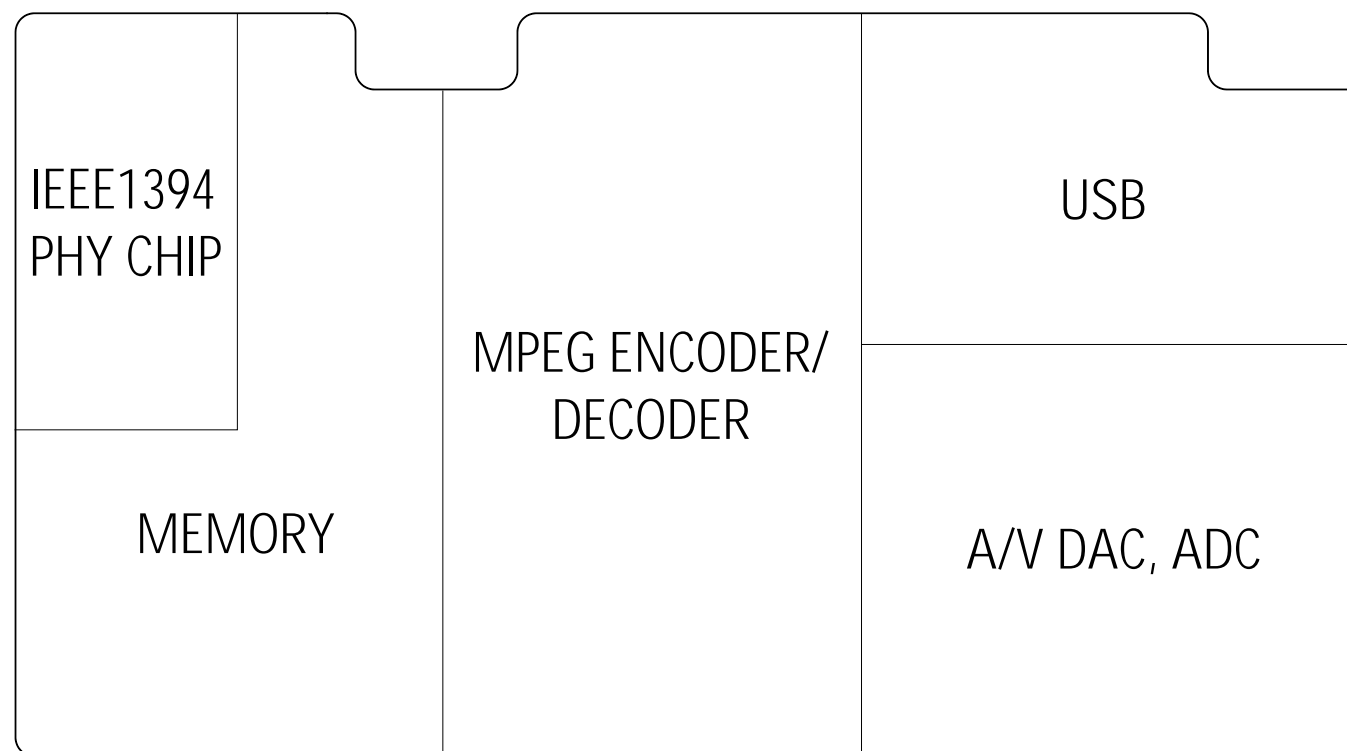


9. Wiring Diagram

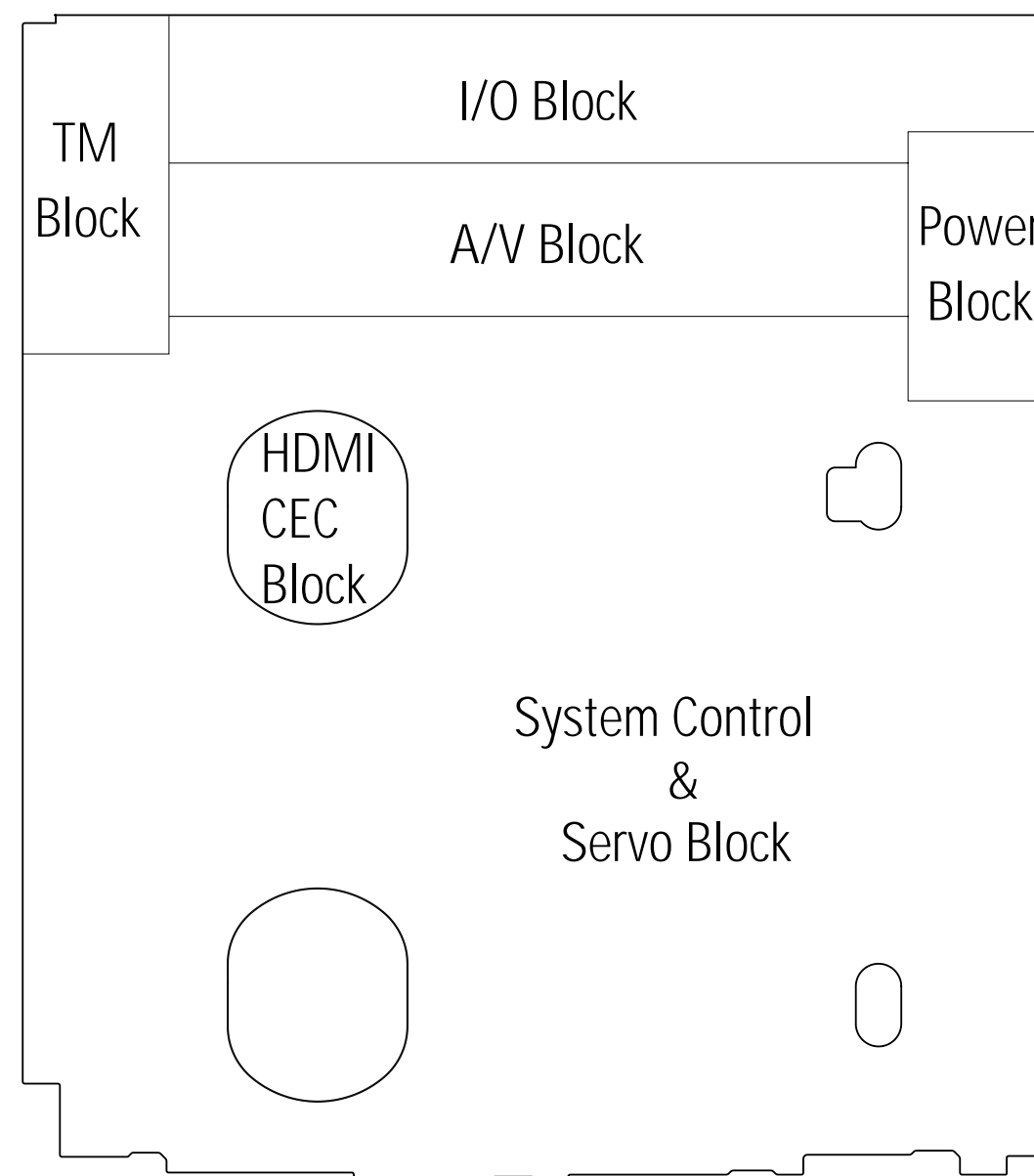


◆ Block Identification of Main PCB

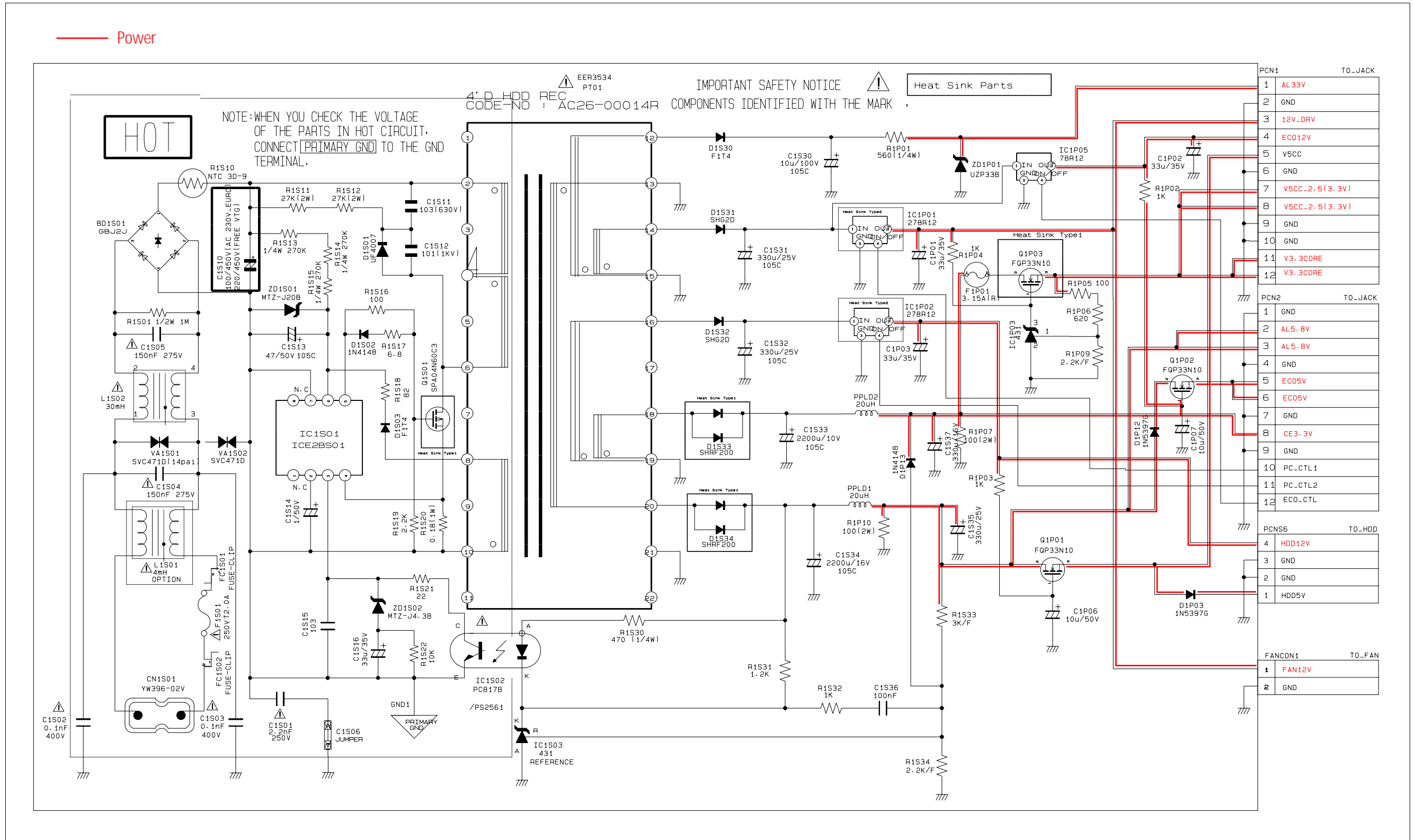
- Main PCB



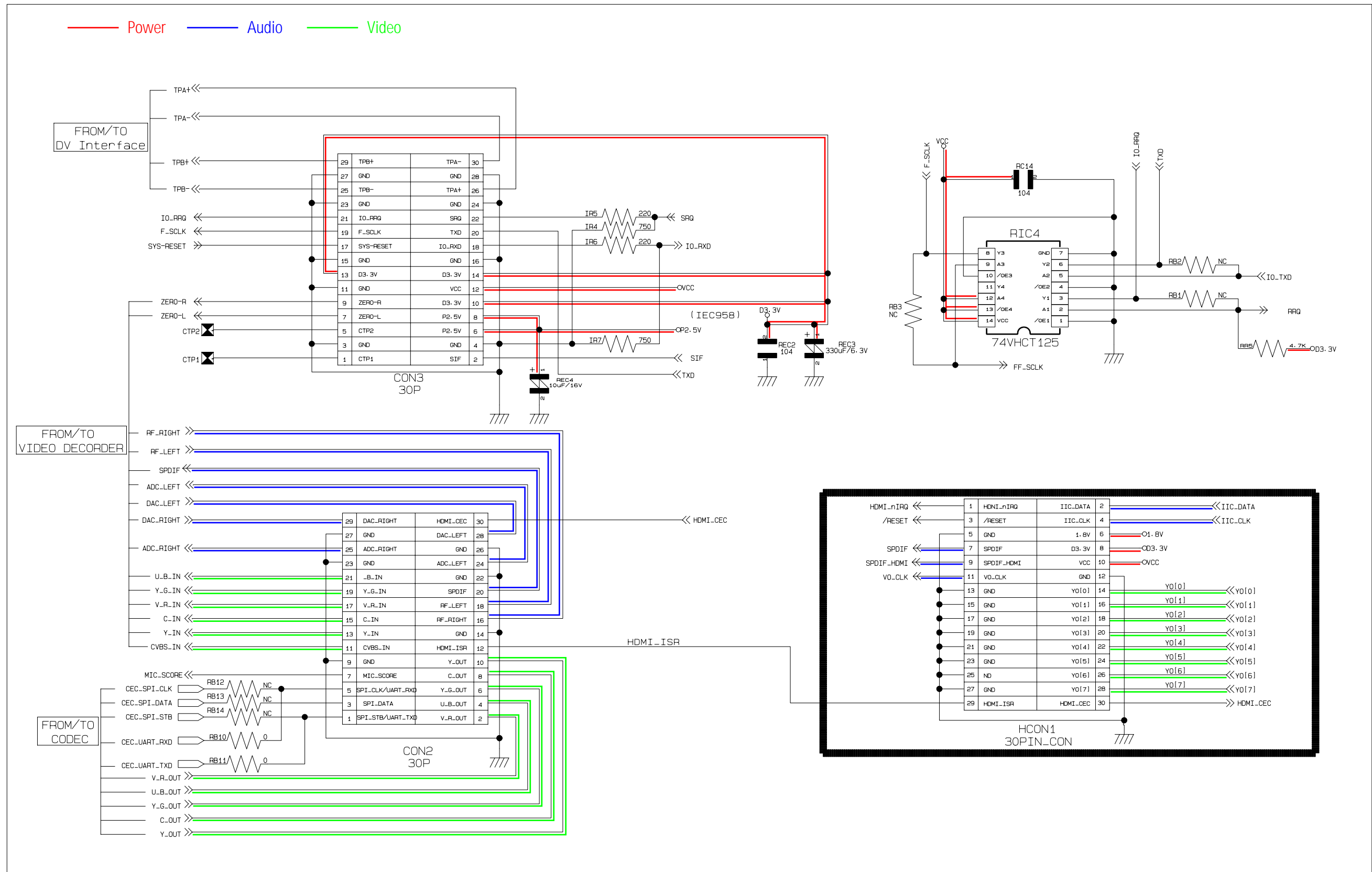
- Jack PCB



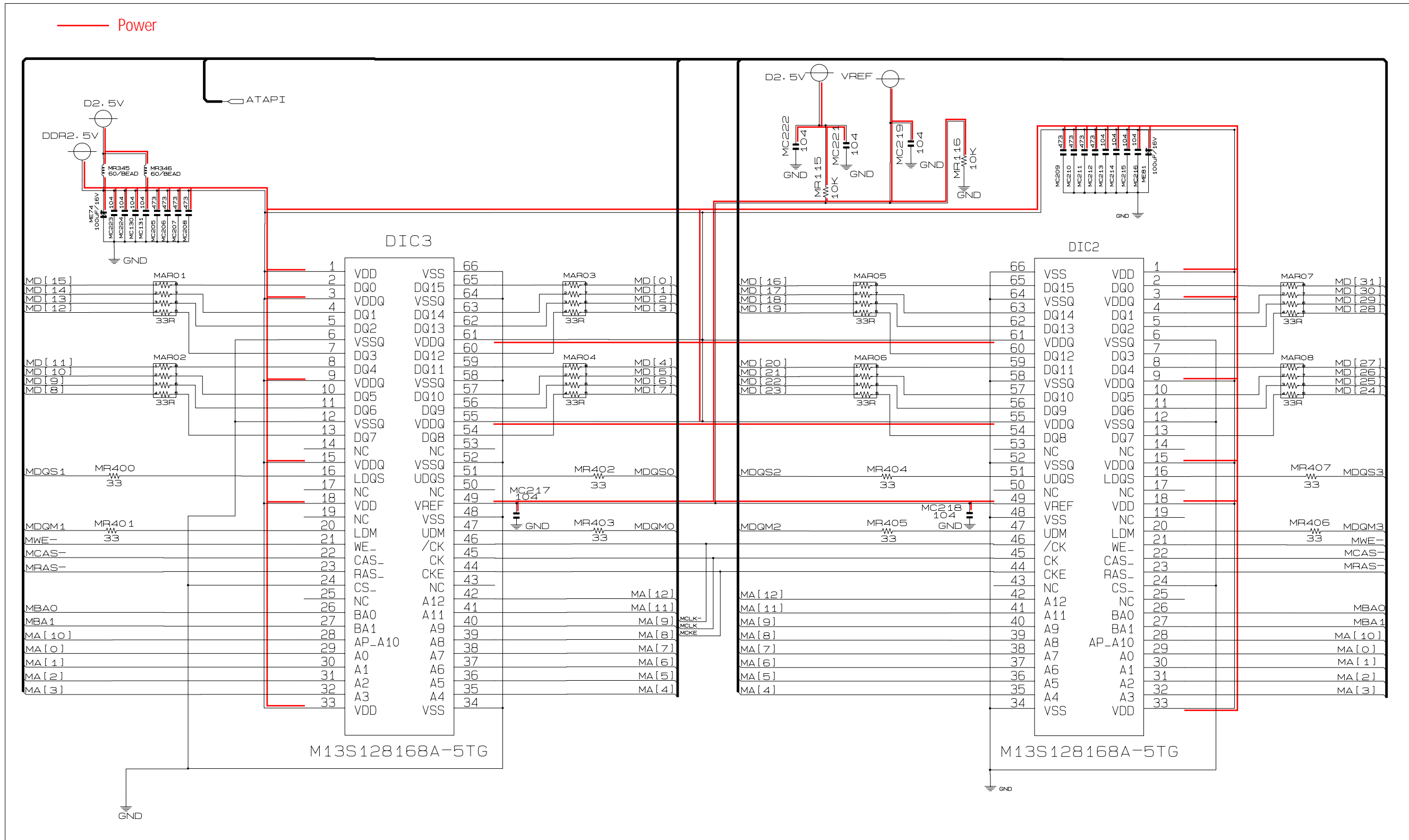
11-1 S.M.P.S (SMPS PCB)



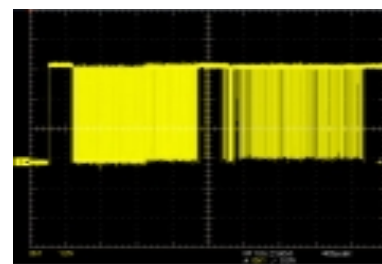
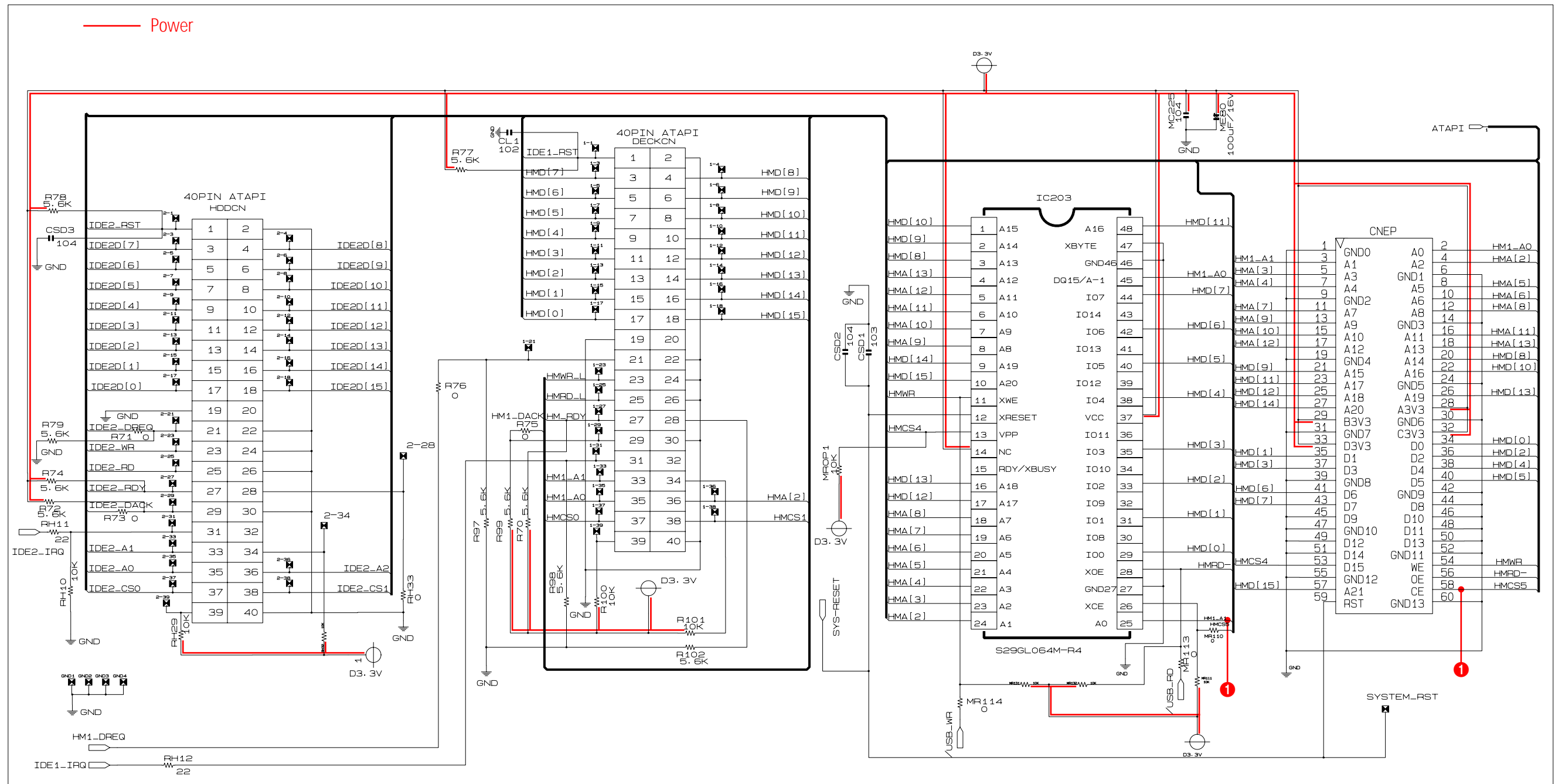
11-2 Main Connector (Main PCB)



11-3 DRAM (Main PCB)



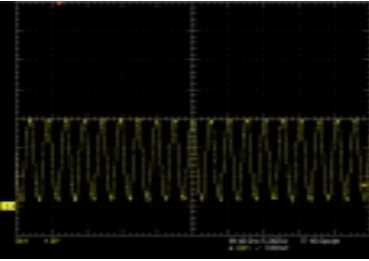
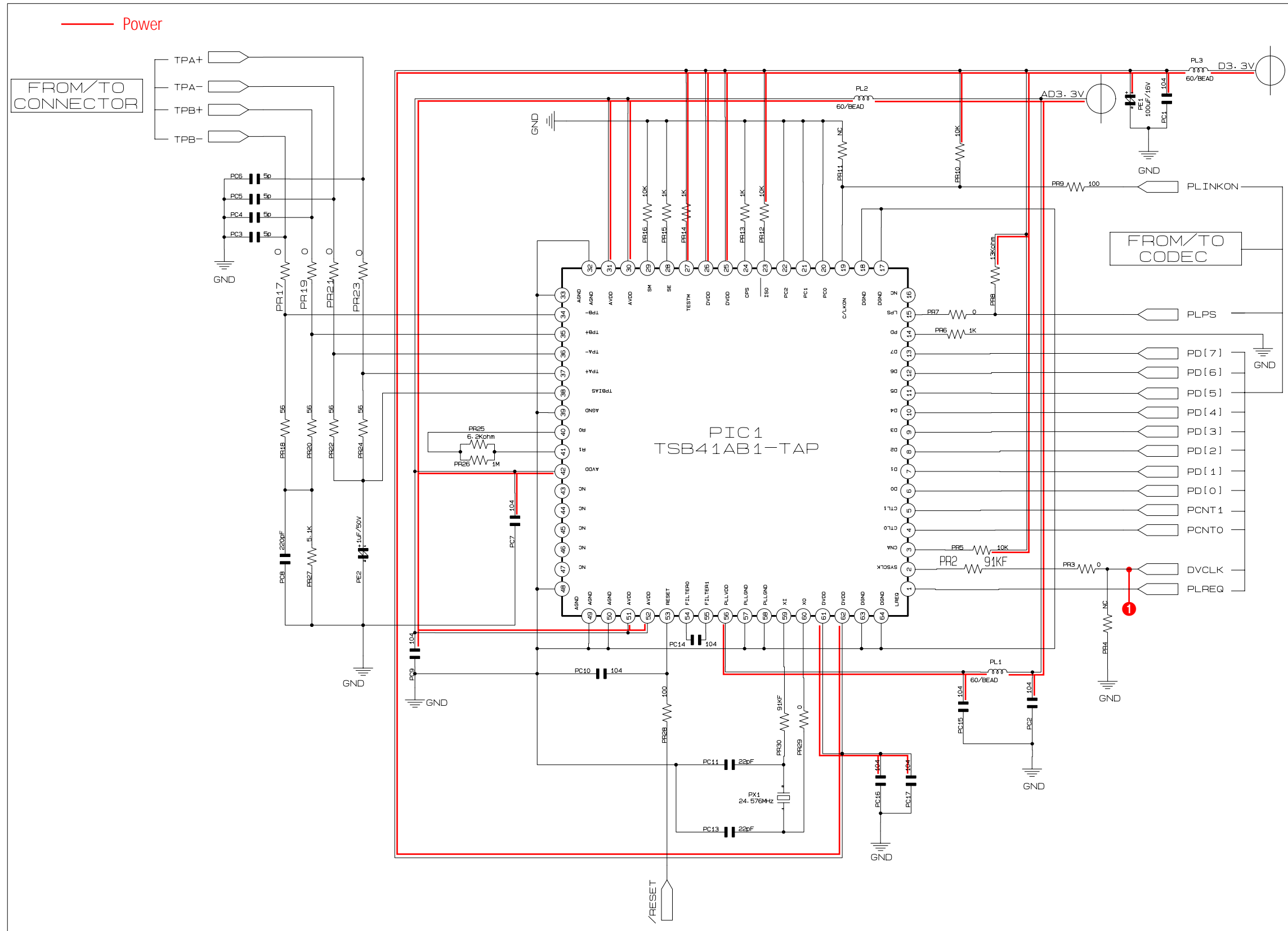
11-4 ATAPI (Main PCB)



① Flash CS5

◆ These are the waveforms of DVD-HR750/DVD-HR751/DVD-HR753/DVD-HR755/DVD-HR756. Caution There can be some differences (Voltage, Frequency, etc.) among cameras.

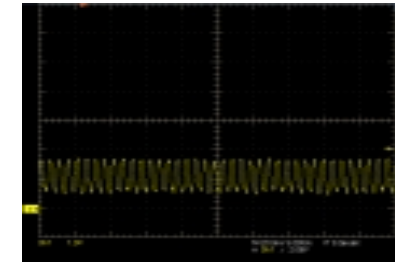
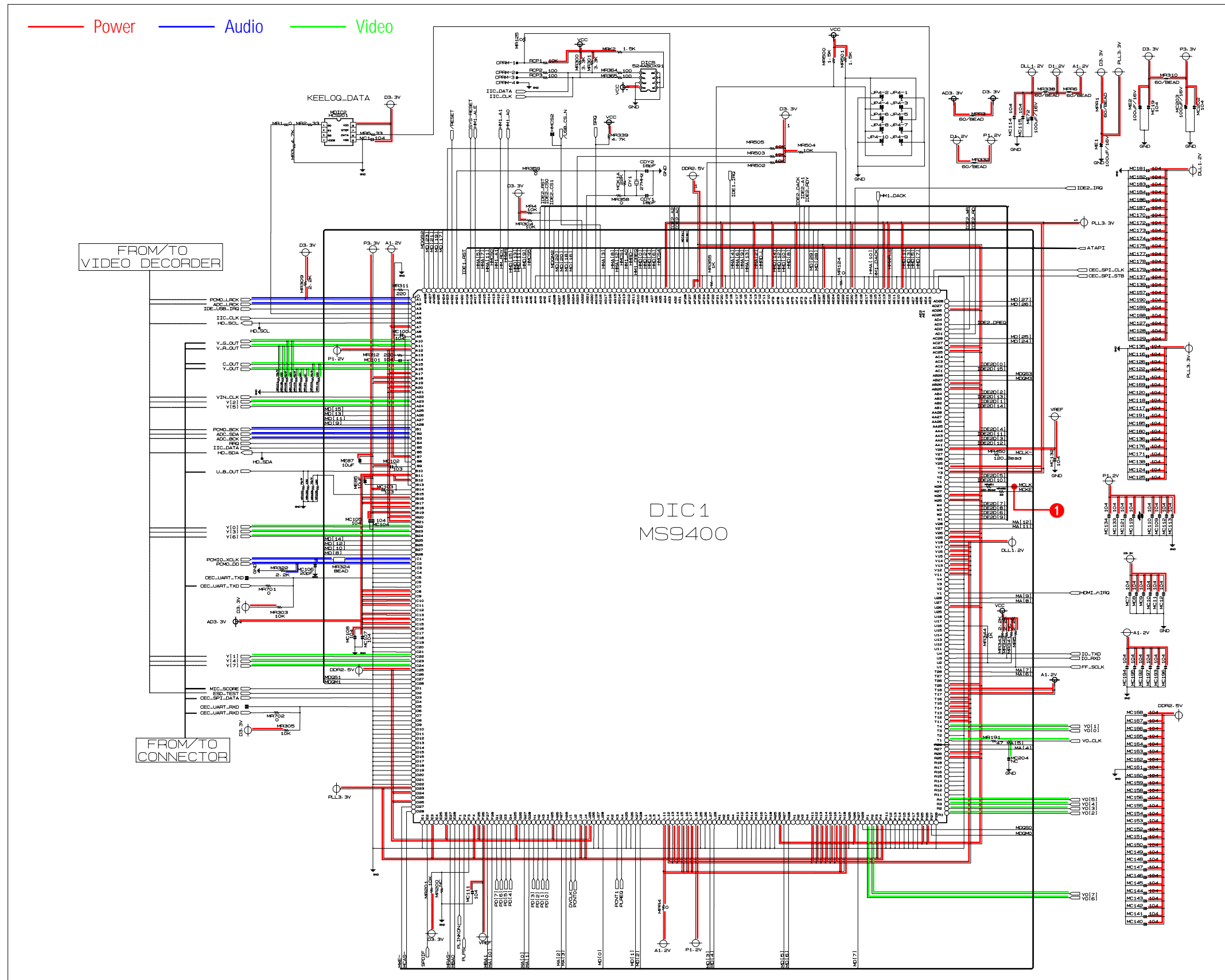
11-5 DV Interface (Main PCB)



1 DV IN CLK

◆ These are the waveforms of DVD-HR750/DVD-HR751/DVD-HR753/DVD-HR755/DVD-HR756. Caution There can be some differences (Voltage, Frequency, etc.) among cameras.

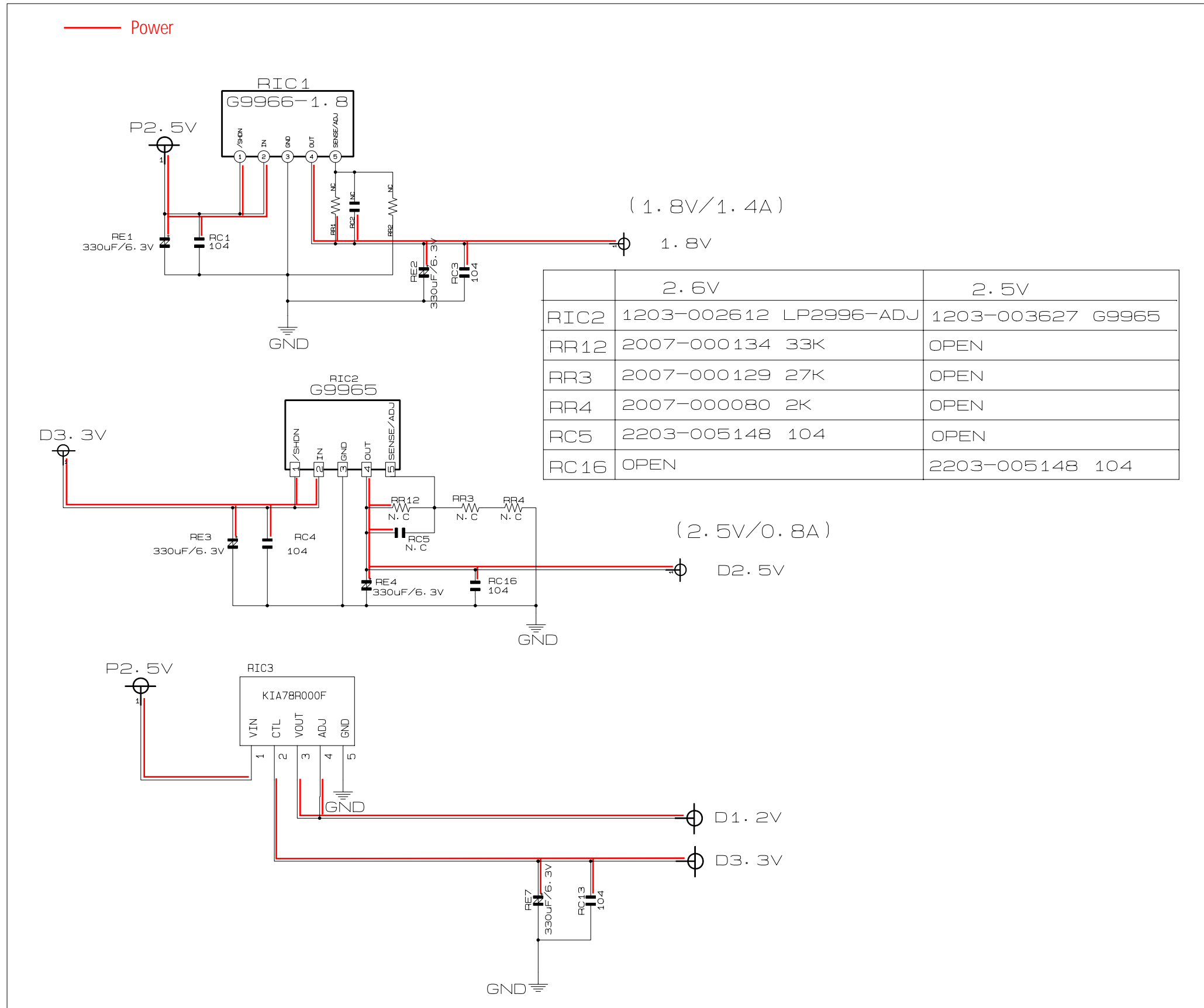
11-6 MS9400 Codec (Main PCB)



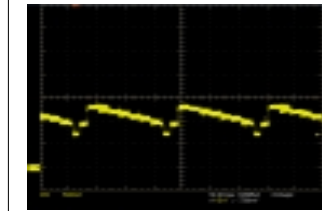
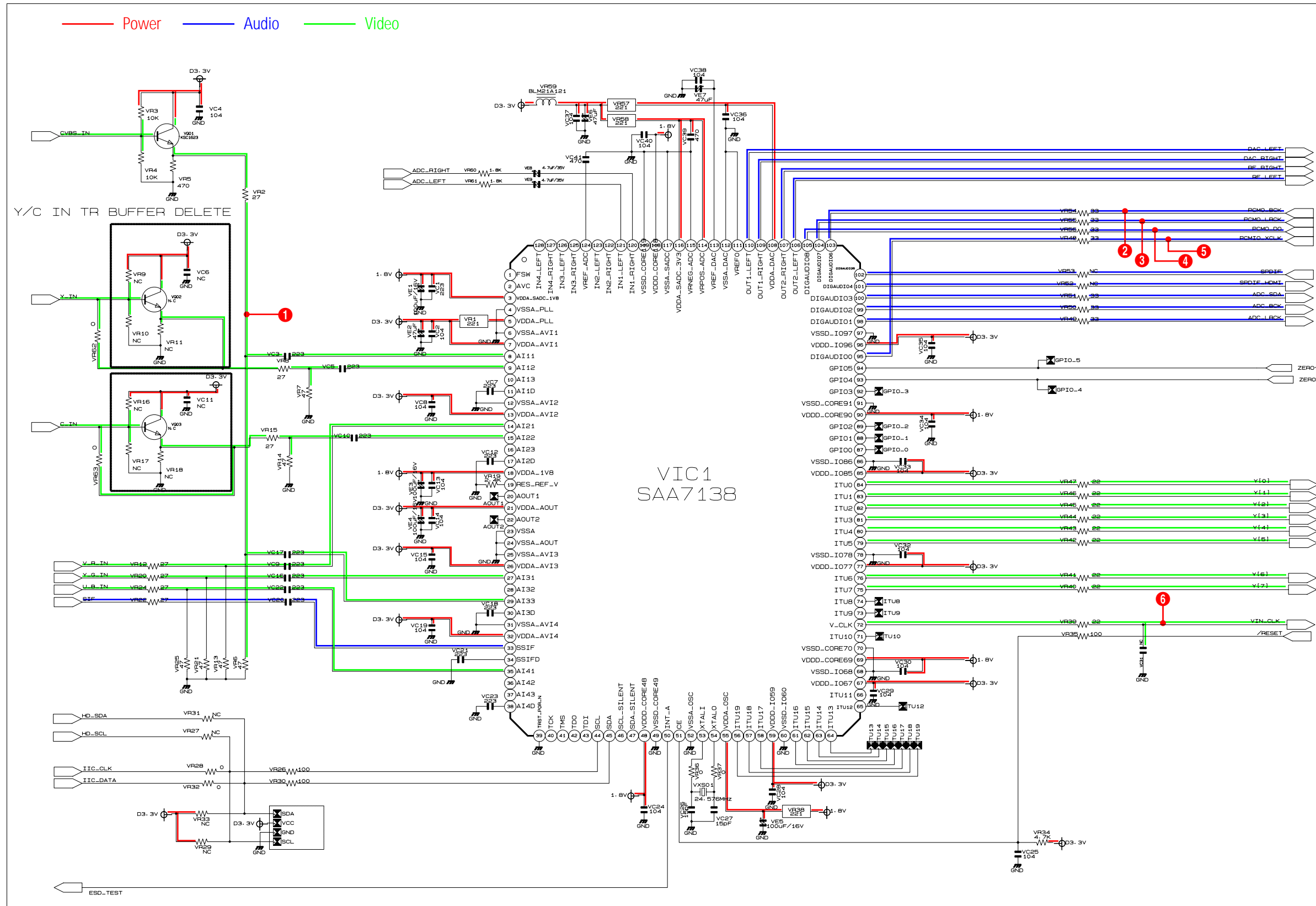
1 DDR Clock

◆ These are the waveforms of DVD-750/
 DVD-HR751/DVD-HR753/
 DVD-HR755/DVD-HR756.
 Caution There can be some differences
 (Voltage, Frequency, etc.) among
 cameras.

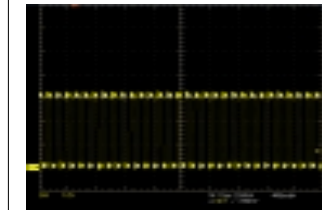
11-7 Power (Main PCB)



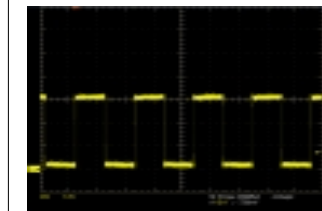
11-8 SAA7138 Video Decoder (Main PCB)



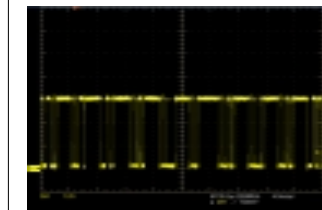
1 CVBS Input



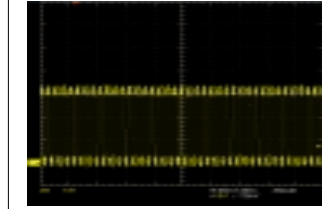
2 PCMO BCK



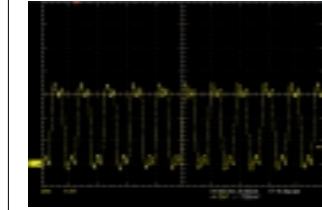
3 PCMO LRCLK



4 PCMO Data Out



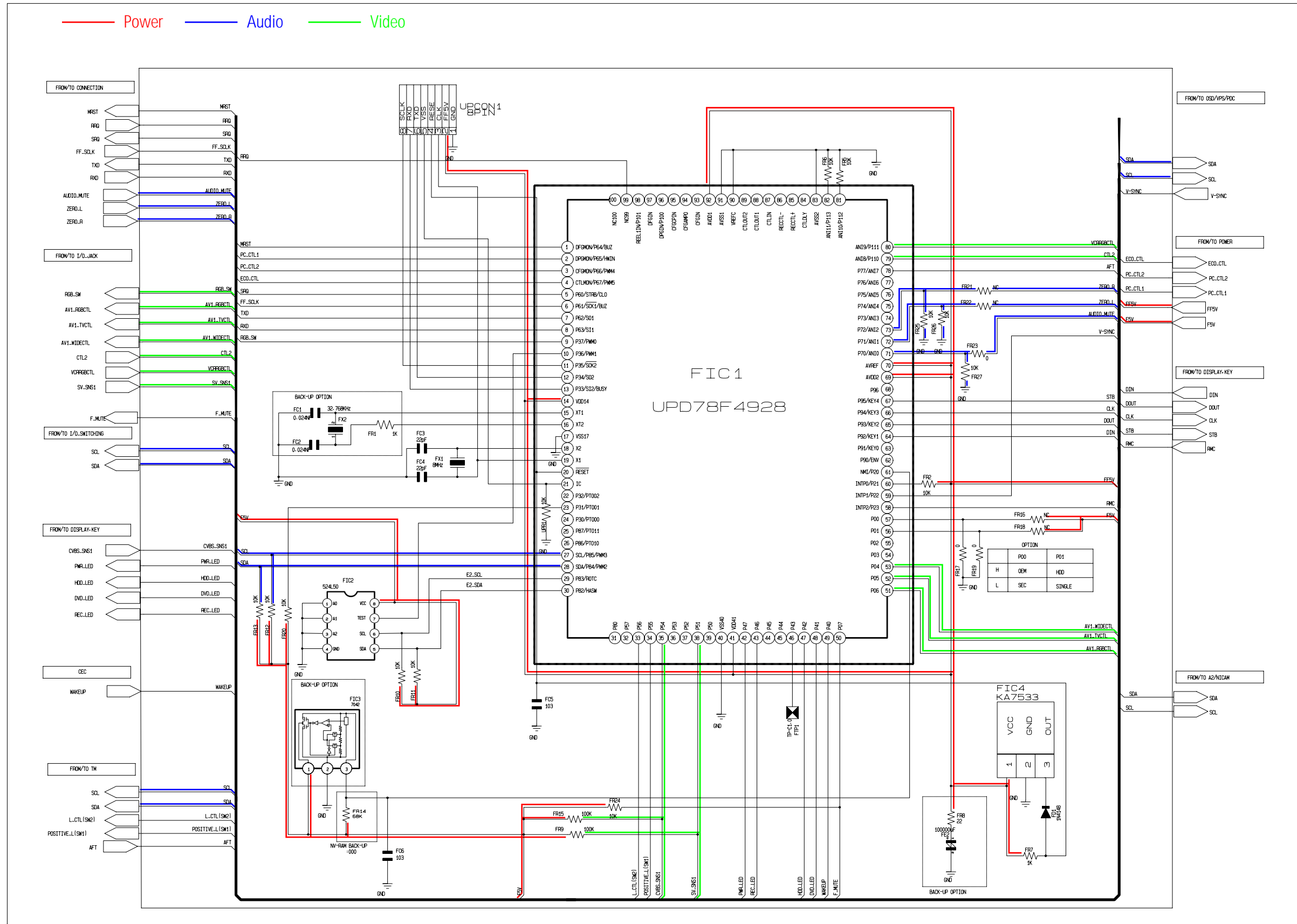
5 PCMO XCLK



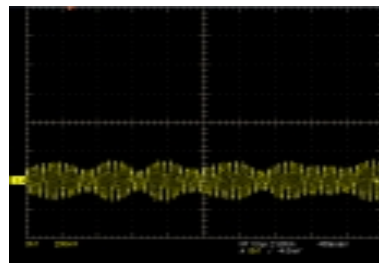
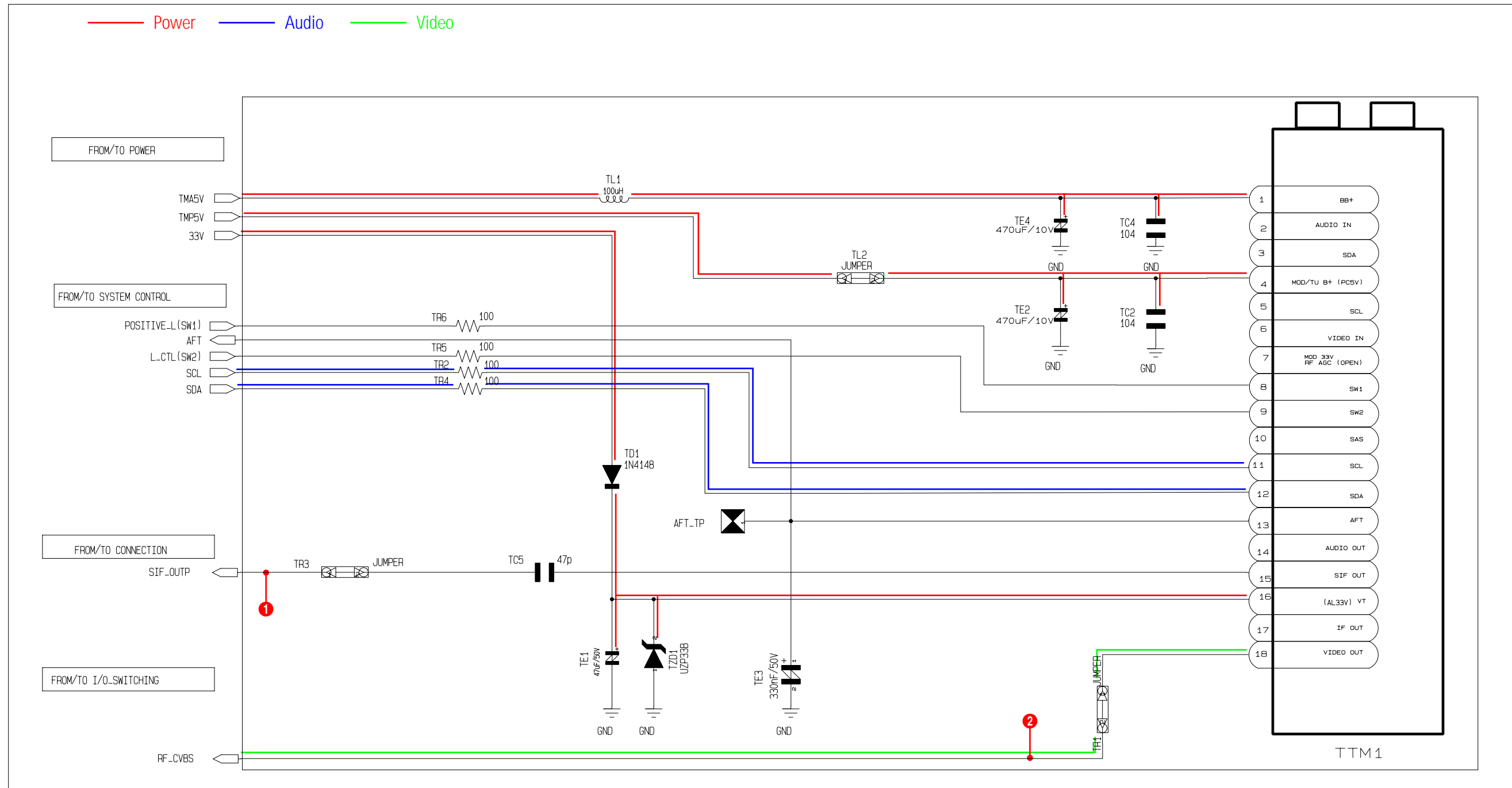
6 VIN CLK

◆ These are the waveforms of DVD-HR750/DVD-HR751/DVD-HR753/DVD-HR755/DVD-HR756. Caution There can be some differences (Voltage, Frequency, etc.) among cameras.

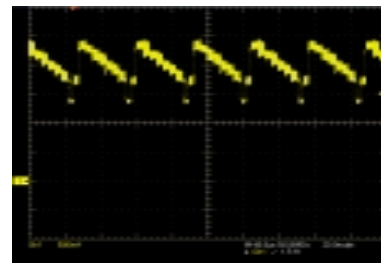
11-11 System Control (Jack PCB)



11-12 TM (Jack PCB)



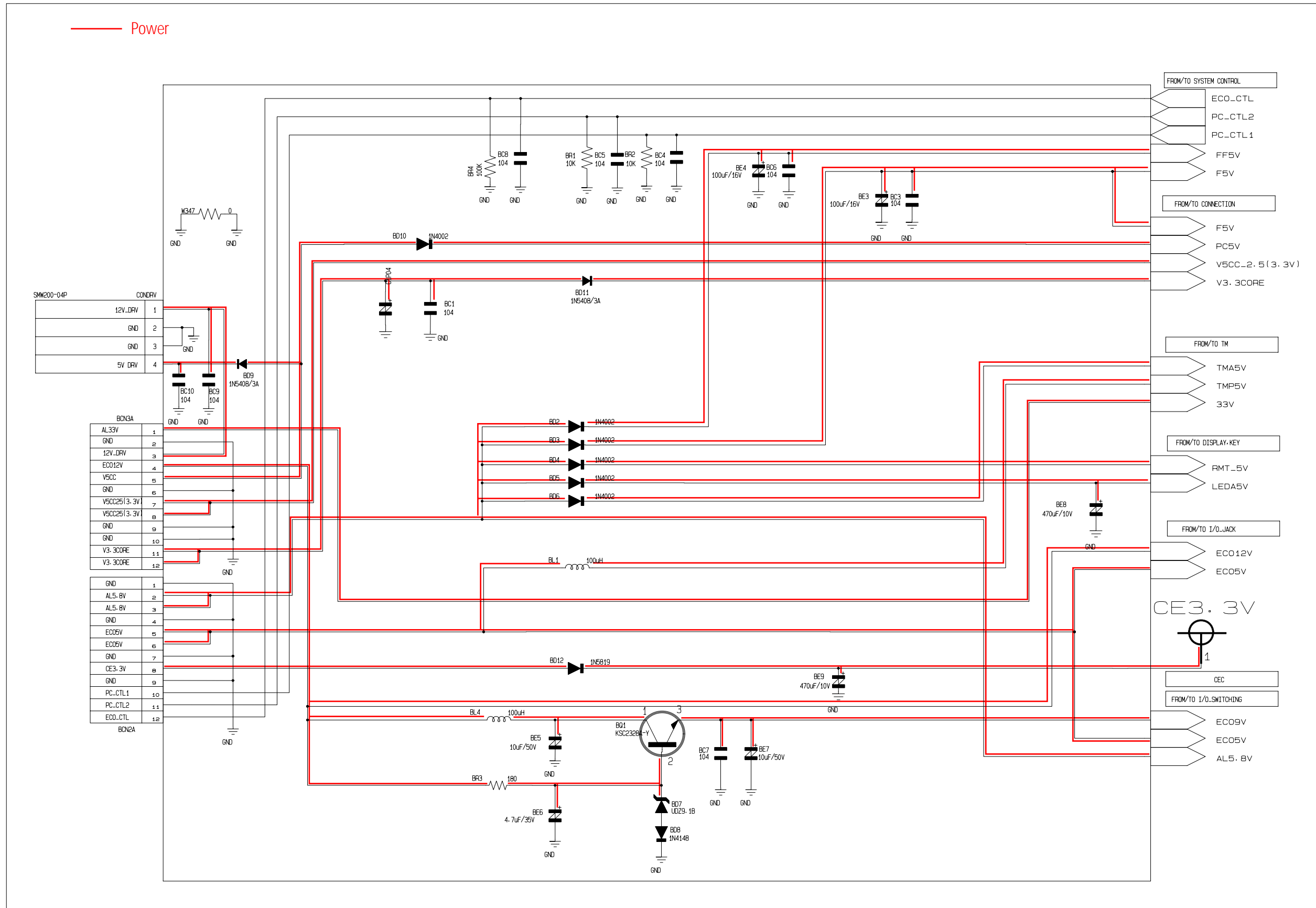
① SIF Out of RF



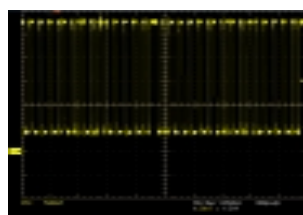
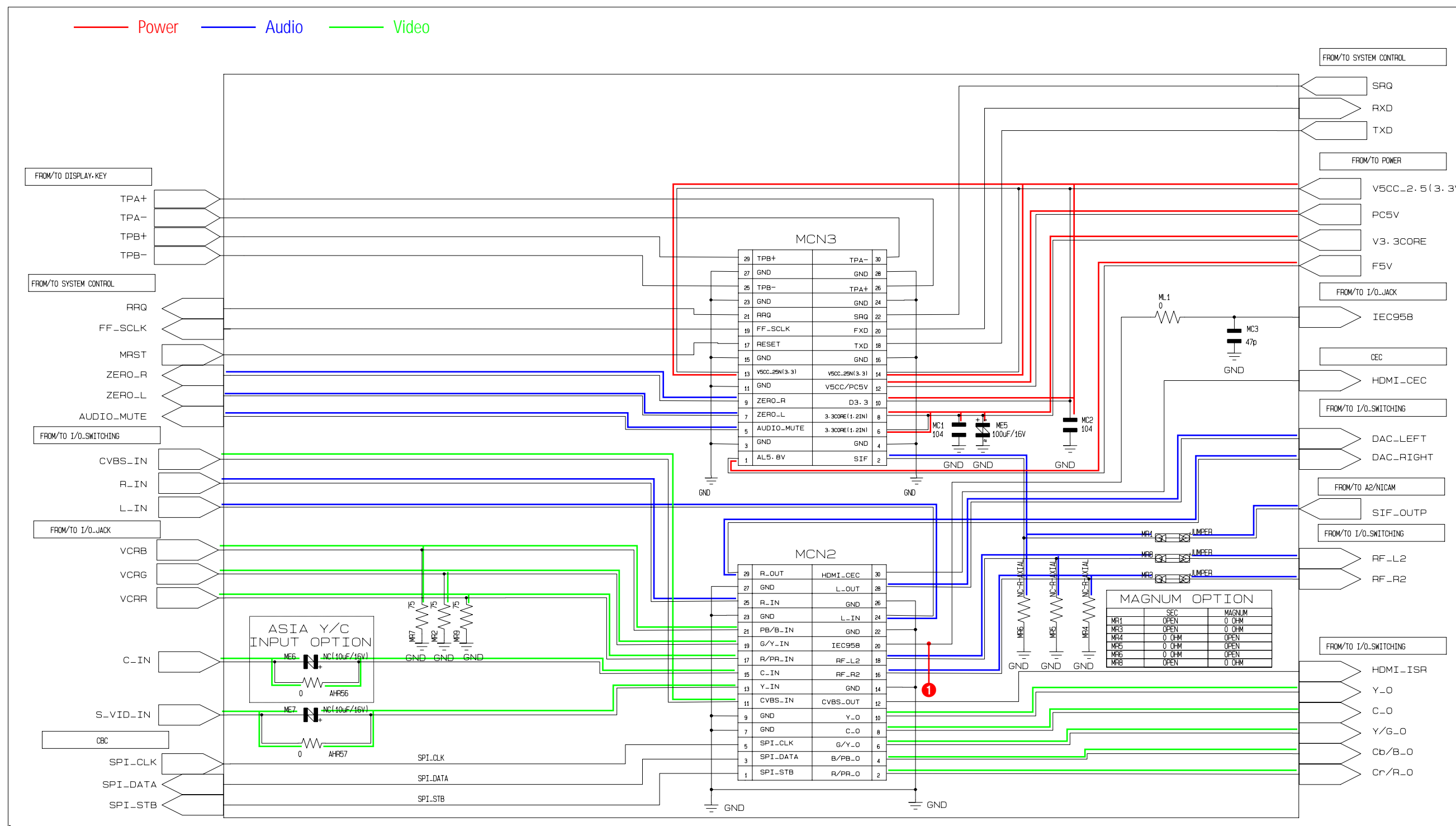
② Vout of RF

◆ These are the waveforms of DVD-HR750/DVD-HR751/DVD-HR753/DVD-HR755/DVD-HR756.
 Caution There can be some differences (Voltage, Frequency, etc.) among cameras.

11-13 Power (Jack PCB)



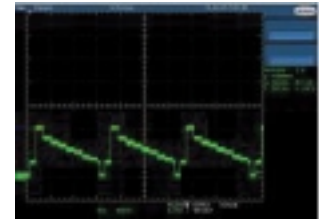
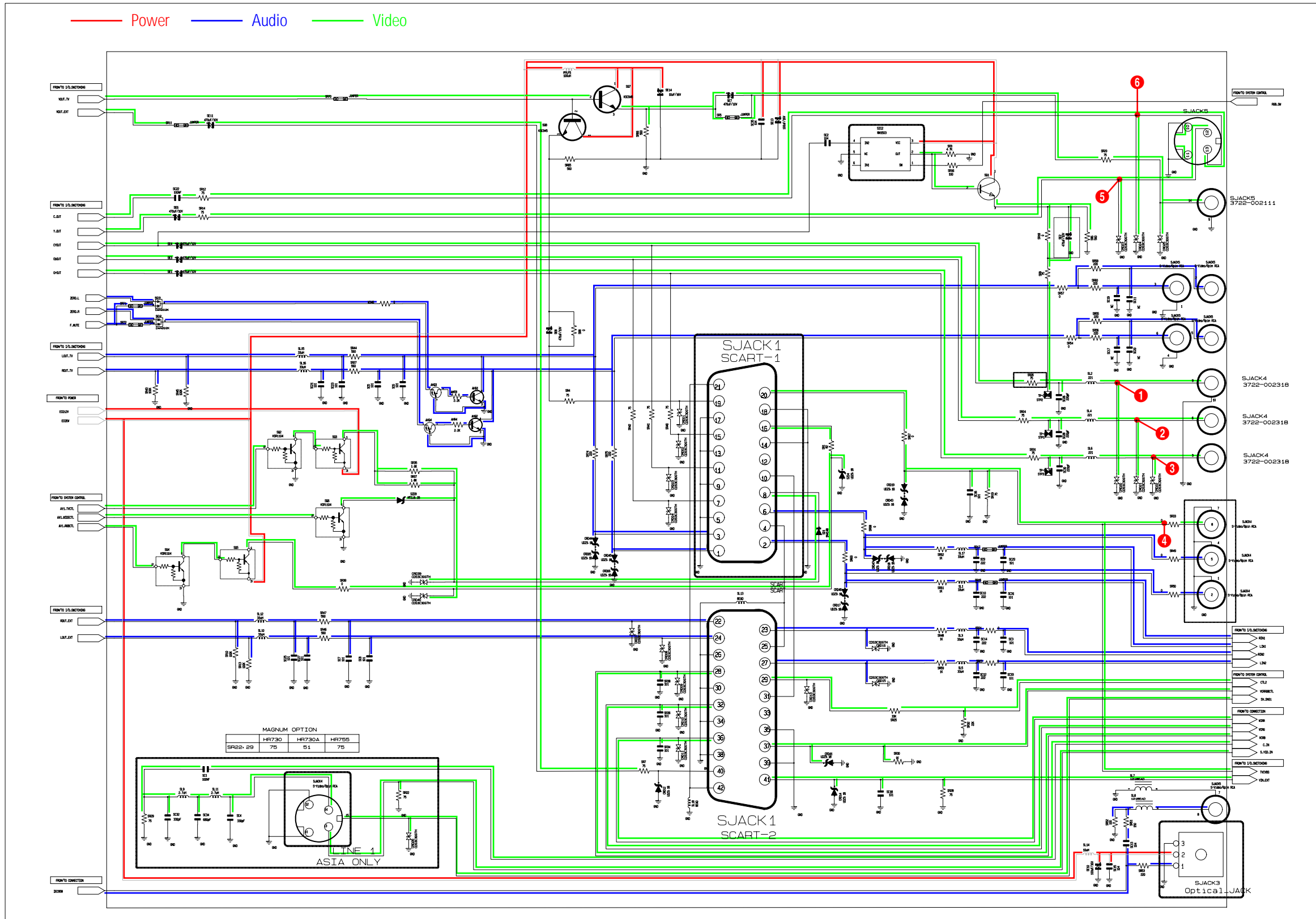
11-14 Connection (Jack PCB)



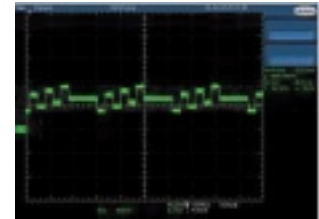
① IEC958 Digital Audio

◆ These are the waveforms of DVD-HR750/DVD-HR751/DVD-HR753/DVD-HR755/DVD-HR756. Caution There can be some differences (Voltage, Frequency, etc.) among cameras.

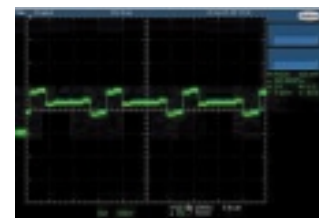
11-15 I/O Jack (Jack PCB)



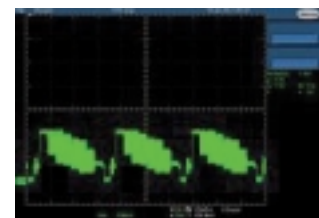
1 Y(Color-bar)



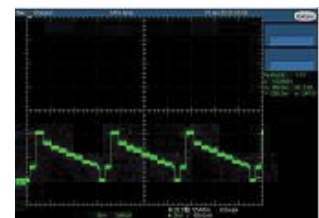
2 Pb(Color-bar)



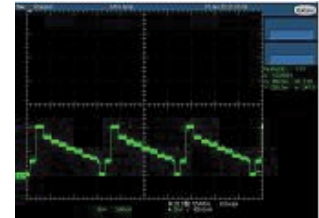
3 Pr(Color-bar)



4 CVBS(Color-bar)



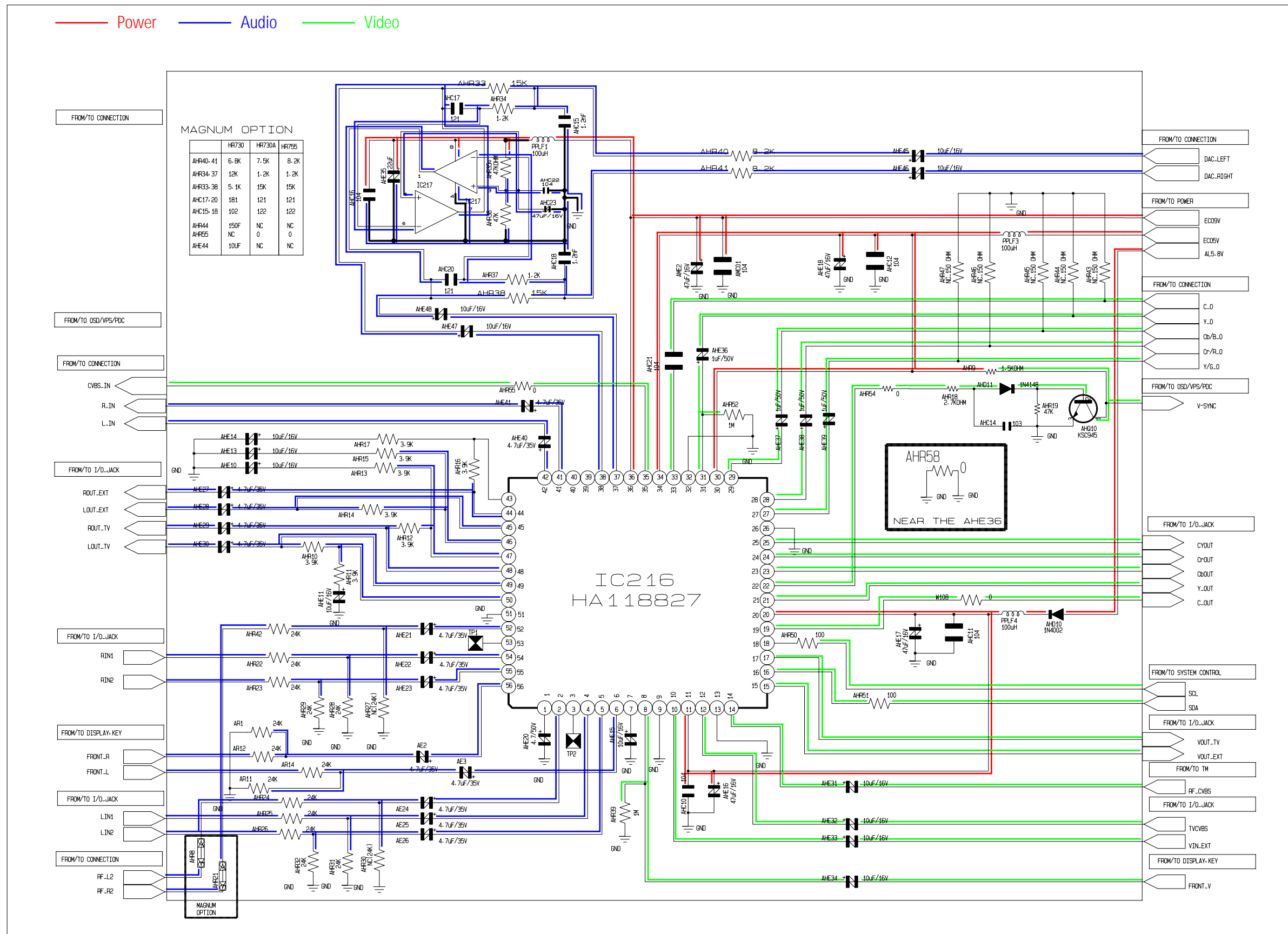
5 Y(Color-bar)



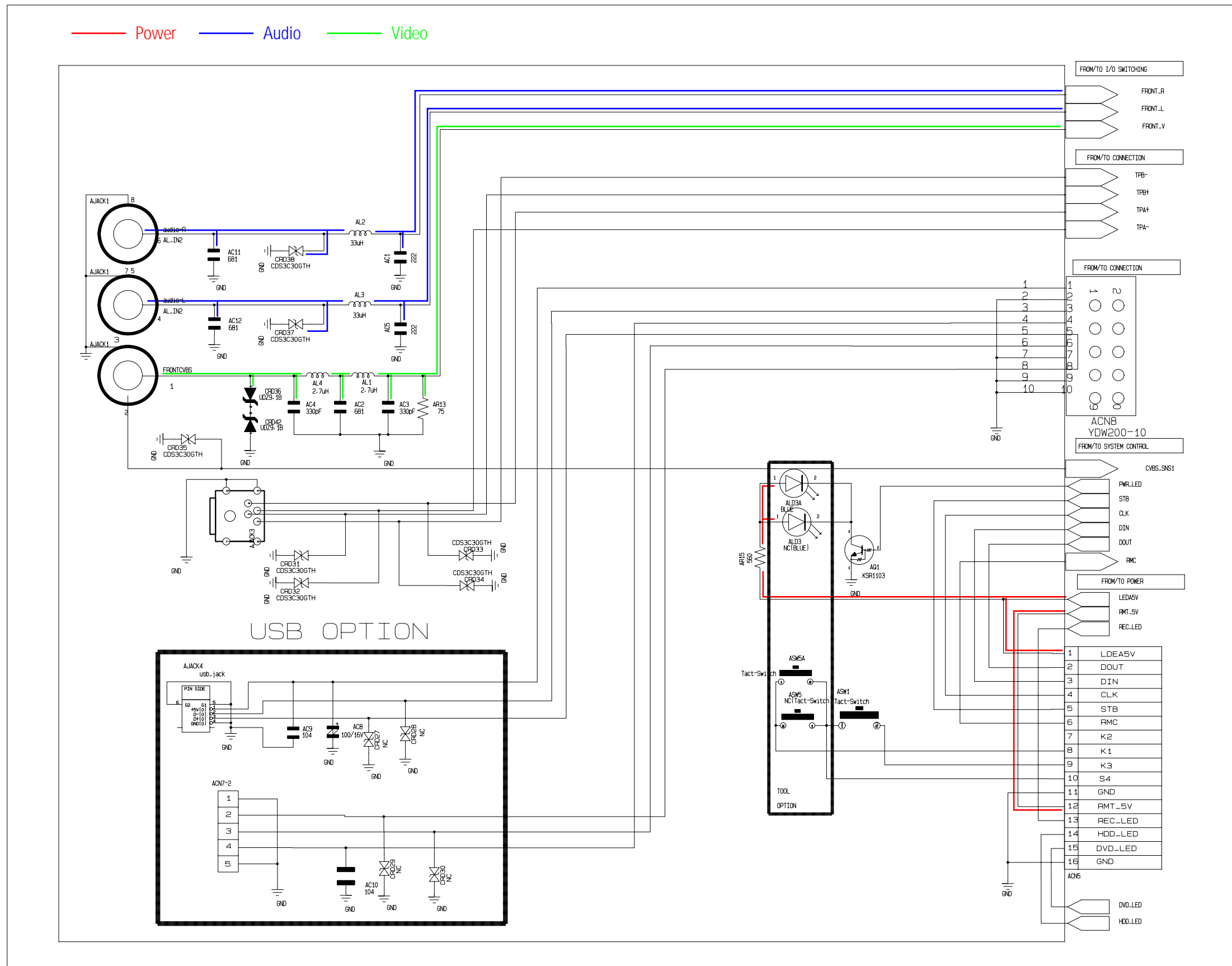
6 C(Color-bar)

◆ These are the waveforms of DVD-HR750/DVD-HR751/DVD-HR753/DVD-HR755/DVD-HR756. Caution There can be some differences (Voltage, Frequency, etc.) among cameras.

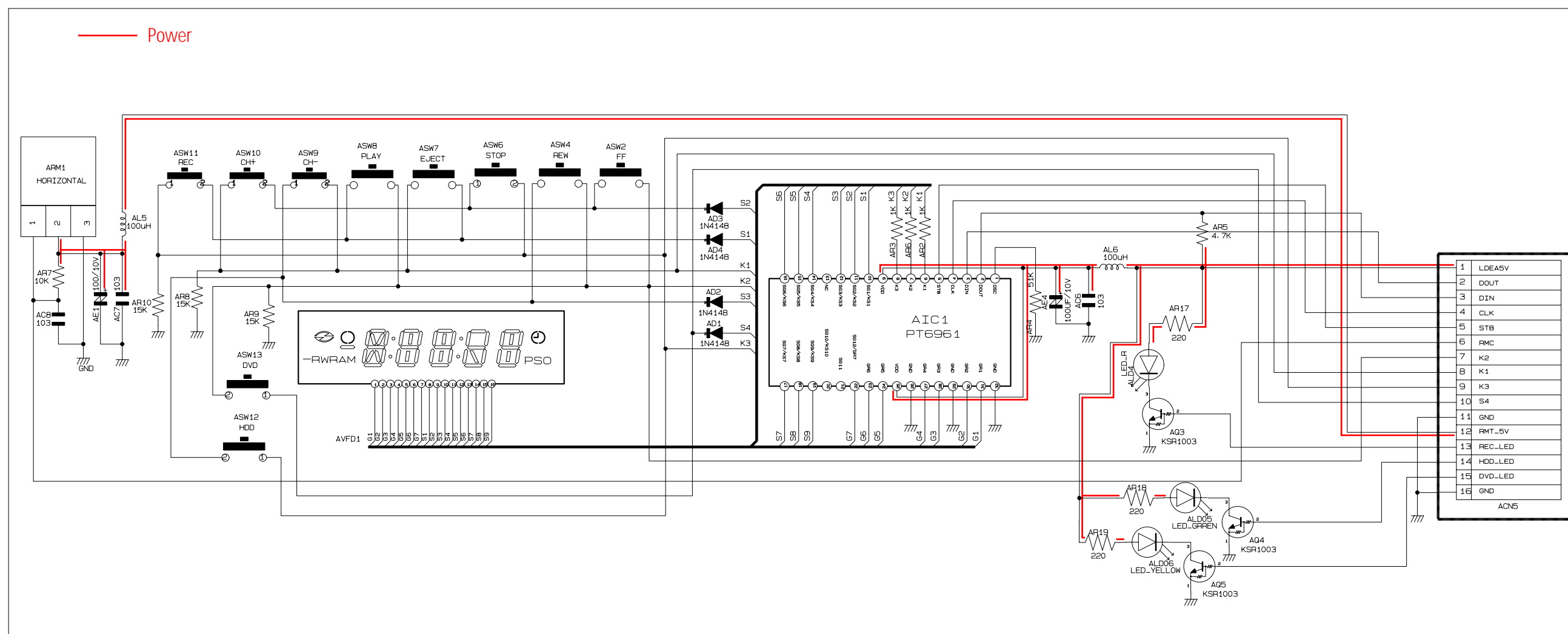
11-16 I/O_Switching (Jack PCB)



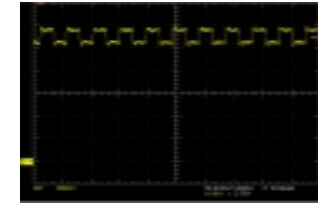
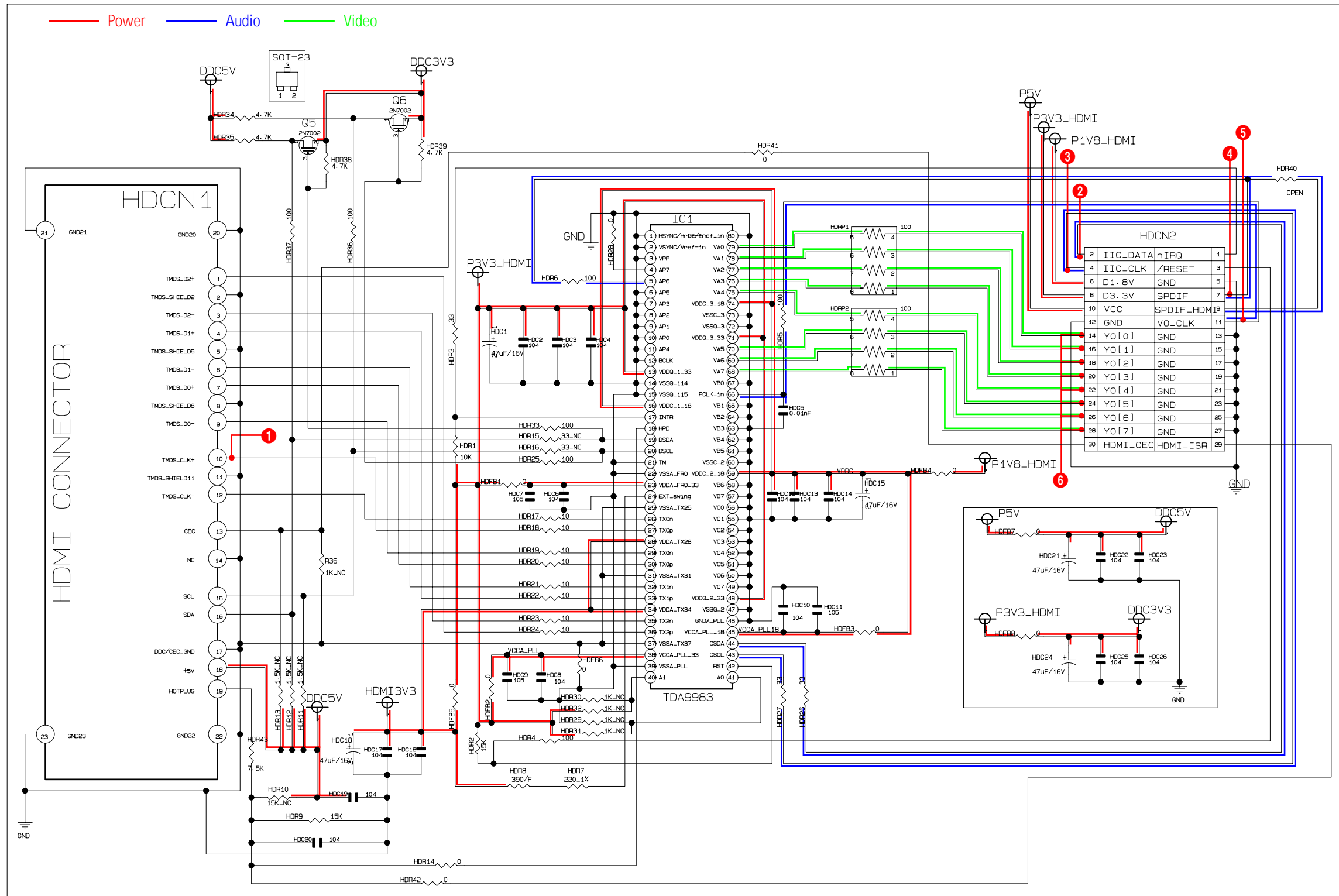
11-17 Display Key (Jack PCB)



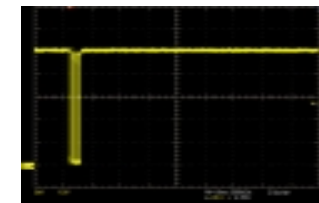
11-18 Display Key (Function PCB)



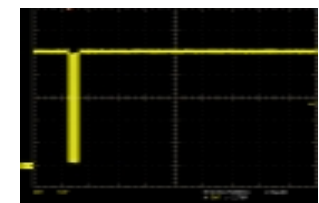
11-19 HDMI Connector (HDMI PCB)



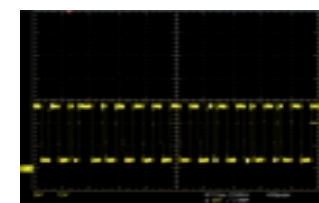
1 TMS Clock



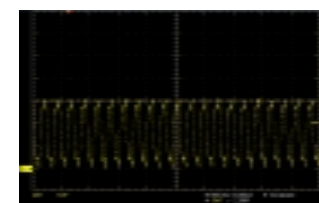
2 I2C Data



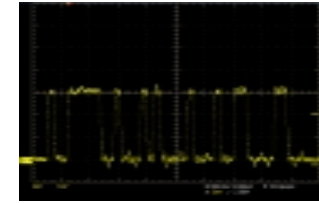
3 I2C Clock



4 SPDIF HDMI



5 VOut Clock



6 VOut Data of ITU656

◆ These are the waveforms of DVD-HR750/DVD-HR751/DVD-HR753/DVD-HR755/DVD-HR756. Caution There can be some differences (Voltage, Frequency, etc.) among cameras.