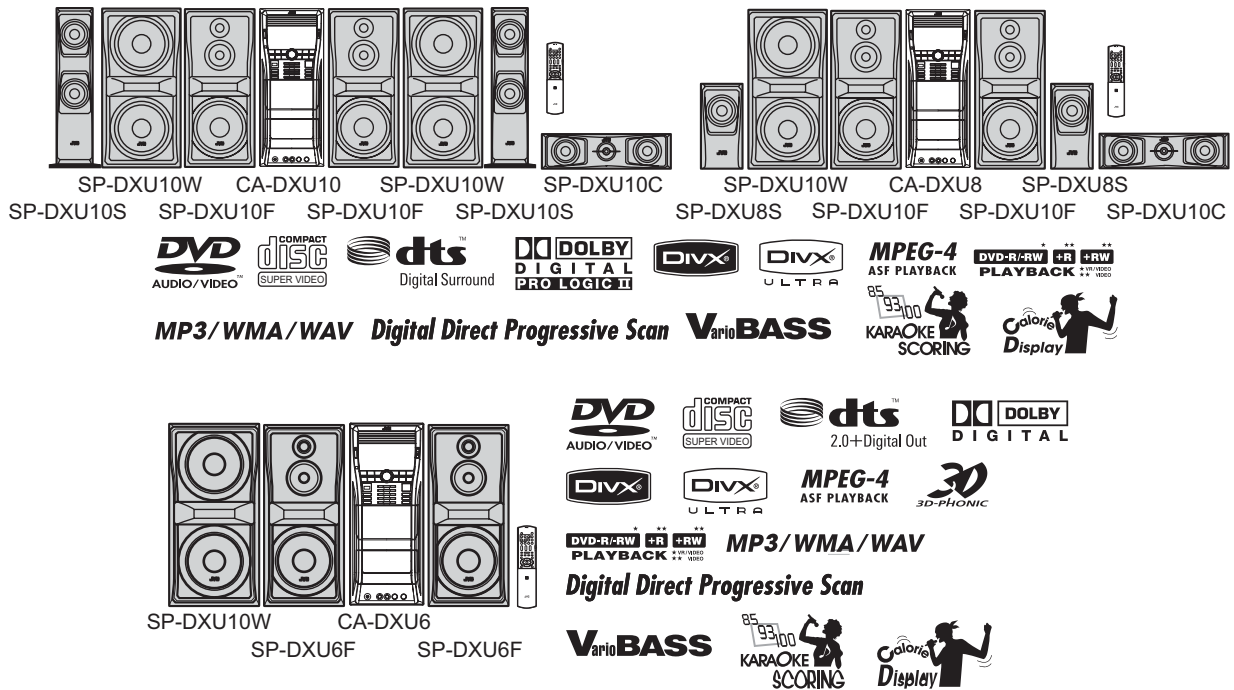


JVC

SERVICE MANUAL

COMPACT COMPONENT SYSTEM

**DX-U10A, DX-U10US, DX-U10UX, DX-U10UG,
DX-U10UN, DX-U8US, DX-U8UX, DX-U8UG,
DX-U8UN, DX-U6US, DX-U6UX, DX-U6UG,
DX-U6UN, DX-U10UH**



Lead free solder used in the board (material : Sn-Ag-Cu, melting point : 219 Centigrade)
Lead free solder used in the board (material : Sn-Cu, melting point : 230 Centigrade)

TABLE OF CONTENTS

1	PRECAUTION	1-4
2	SPECIFIC SERVICE INSTRUCTIONS	1-7
3	DISASSEMBLY	1-8
4	ADJUSTMENT	1-34
5	TROUBLESHOOTING	1-35

SPECIFICATION

DX-U10/DX-U8

Amplifier section	Output Power	FRONT SPEAKERS		150 W per channel, min. RMS, driven into 4 Ω at 1 kHz with no more than 10% total harmonic distortion.
		CENTER SPEAKER	CA-DXU10	140 W per channel, min. RMS, driven into 6 Ω at 1 kHz with no more than 10% total harmonic distortion.
			CA-DXU8	50 W per channel, min. RMS, driven into 6 Ω at 1 kHz with no more than 10% total harmonic distortion.
		SURROUND SPEAKERS	CA-DXU10	130 W per channel, min. RMS, driven into 6 Ω at 1 kHz with no more than 10% total harmonic distortion.
			CA-DXU8	50 W per channel, min. RMS, driven into 6 Ω at 1 kHz with no more than 10% total harmonic distortion.
	SUBWOOFERS		150 W, min. RMS, driven into 4 Ω at 63 Hz with no more than 10% total harmonic distortion.	
	Digital output	OPTICAL DIGITAL OUTPUT		-21 dBm to -15 dBm (660 nm ±30 nm)
	Digital input	USB memory		
	Audio input sensitivity/ Impedance	AUX(STEREO)	400 mV/47 kΩ	
		MIC1/MIC2	3.0 mV/50 kΩ	
	VIDEO OUT	Color system		PAL/PAL PROG/NTSC/NTSC PROG selectable
VIDEO (composite)		1 V(p-p)/75 Ω		
S-VIDEO		Y (luminance) : 1 V(p-p)/75 Ω C (chrominance, burst) : PAL : 0.3 V(p-p)/75 Ω C (chrominance, burst) : NTSC : 0.286 V(p-p)/75 Ω		
COMPONENT (Interlace/Progressive)		(Y) : 1 V(p-p)/75 Ω (PB/PR) : 0.7 V(p-p)/75 Ω		
Speaker Terminals		4 Ω - 16 Ω (front speakers/subwoofers) 6 Ω - 16 Ω (surround/center speakers)		
Tuner section	FM tuning range		87.50 MHz - 108.00 MHz	
	AM (MW) tuning range		531 kHz - 1 710 kHz (at 9 kHz) 530 kHz - 1 710 kHz (at 10 kHz)	
	AM (MW) tuning range for Saudi Arabia		531 kHz to 1 602 kHz (9 kHz) 530 kHz to 1 600 kHz (10 kHz)	
Disc/file player section	Region codes		Middle East: 2 South East Asia: 3 Central and South America, Australia: 4	
	Playable disc		DVD Video/DVD Audio/CD/VCD/SVCD CD-R/CD-RW (CD/VCD/SVCD/MP3/WMA/WAV/JPEG/MPEG-1/MPEG-2/ASF/DivX format) CD-ROM (MP3/WMA/WAV/JPEG/MPEG-1/MPEG-2/ASF/DivX format) DVD-R/-RW (DVD-VR/DVD Video/DVD Audio/MP3/WMA/WAV/JPEG/MPEG-1/MPEG-2/ASF/DivX format) +R/+RW (DVD Video/DVD Audio/MP3/WMA/WAV/JPEG/MPEG-1/MPEG-2/ASF/DivX format) DVD-ROM (DVD Video/MP3/WMA/WAV/JPEG/MPEG-1/MPEG-2/ASF/DivX format)	
	Playable file		MP3, WMA, WAV, JPEG, MPEG-1, MPEG-2, ASF, DivX format	
	Dynamic range		80 dB	
	Horizontal resolution		500 lines	
	Wow and flutter		Immeasurable	
USB storage section	USB specification		Compatible with USB 2.0 Full Speed	
	Compatible device		Mass Storage Class	
	Compatible file system		FAT16, FAT32	
	Bus power supply		5 V / 500 mA	
Cassette deck section	Frequency response: Normal (type I)		50 Hz - 14 000 Hz	
	Wow and flutter		0.15% (WRMS)	
General	Power requirement		AC 110 V / AC 127 V / AC 220 V / AC 230 V - AC 240 V , (adjustable with the voltage selector), 50 Hz / 60 Hz	
	Power requirement: For Australia		AC 240 V , 50 Hz	
	Power consumption	CA-DXU10	300 W (at operation) / 22 W (on standby)	
		CA-DXU8	270 W (at operation) / 21 W (on standby)	
	Dimensions (W/H/D) (approx.)		185 mm × 460 mm × 370 mm	
	Mass (approx.)	CA-DXU10	11.5 kg	
CA-DXU8		11.4 kg		

Measured at 1 kHz, with tape recording signal 400 mV
Design and specifications are subject to change without notice.

DX-U6

Amplifier section	Output Power	FRONT SPEAKERS	150 W per channel, min. RMS, driven into 4 Ω at 1 kHz with no more than 10% total harmonic distortion.
		SUBWOOFER	150 W, min. RMS, driven into 4 Ω at 63 Hz with no more than 10% total harmonic distortion.
	Digital output	OPTICAL DIGITAL OUTPUT	-21 dBm to -15 dBm (660 nm \pm 30 nm)
	Digital input		USB memory
	Audio input sensitivity/ Impedance	AUX	400 mV/47 k Ω
		MIC1/MIC2	3.0 mV/50 k Ω
	VIDEO OUT	Color system	PAL/PAL PROG/NTSC/NTSC PROG selectable
		VIDEO (composite)	1 V(p-p)/75 Ω
		S-VIDEO	Y (luminance) : 1 V(p-p)/75 Ω C (chrominance, burst) : PAL : 0.3 V(p-p)/75 Ω C (chrominance, burst) : NTSC : 0.286 V(p-p)/75 Ω
		COMPONENT (Interlace/Progressive)	(Y) : 1 V(p-p)/75 Ω (PB/PR) : 0.7 V(p-p)/75 Ω
Speaker Terminals		4 Ω - 16 Ω (main speakers/subwoofer) 16 Ω - 32 Ω (matrix surround speakers)	
Tuner section	FM tuning range		87.50 MHz - 108.00 MHz
	AM (MW) tuning range		531 kHz - 1 710 kHz (at 9 kHz) 530 kHz - 1 710 kHz (at 10 kHz)
	AM (MW) tuning range: For Saudi Arabia		531 kHz to 1 602 kHz (9 kHz) 530 kHz to 1 600 kHz (10 kHz)
Disc/file player section	Region codes		Middle East: 2 South East Asia: 3 Central and South America, Australia: 4
	Playable disc		DVD Video/DVD Audio/CD/VCD/SVCD CD-R/CD-RW (CD/VCD/SVCD/MP3/WMA/WAV/JPEG/MPEG-1/ MPEG-2/ASF/DivX format) CD-ROM (MP3/WMA/WAV/JPEG/MPEG-1/MPEG-2/ASF/DivX format) DVD-R/-RW (DVD-VR/DVD Video/DVD Audio/MP3/WMA/WAV/ JPEG/MPEG-1/MPEG-2/ASF/DivX format) +R/+RW (DVD Video/DVD Audio/MP3/WMA/WAV/JPEG/MPEG-1/ MPEG-2/ASF/DivX format) DVD-ROM (DVD Video/MP3/WMA/WAV/JPEG/MPEG-1/MPEG-2/ ASF/DivX format)
	Playable file		MP3, WMA, WAV, JPEG, MPEG-1, MPEG-2, ASF, DivX format
	Dynamic range		80 dB
	Horizontal resolution		500 lines
	Wow and flutter		Immeasurable
	USB storage section	USB specification	
Compatible device			Mass Storage Class
Compatible file system			FAT16, FAT32
Bus power supply			5 V / 500 mA
Cassette deck section	Frequency response: Normal (type I)		50 Hz - 14 000 Hz
	Wow and flutter		0.15% (WRMS)
General	Power requirement		AC 110 V / AC 127 V / AC 220 V / AC 230 V - AC 240 V , (adjustable with the voltage selector), 50 Hz / 60 Hz
	Power requirement: For Australia		AC 240 V , 50 Hz
	Power consumption		200 W (at operation) 19 W (on standby)
	Dimensions (W/H/D) (approx.)		185 mm \times 460 mm \times 370 mm
	Mass (approx.)		10.5 kg

Measured at 1 kHz, with tape recording signal 400 mV
Design and specifications are subject to change without notice.

SECTION 1 PRECAUTION

1.1 Safety Precautions

- (1) This design of this product contains special hardware and many circuits and components specially for safety purposes. For continued protection, no changes should be made to the original design unless authorized in writing by the manufacturer. Replacement parts must be identical to those used in the original circuits. Services should be performed by qualified personnel only.
- (2) Alterations of the design or circuitry of the product should not be made. Any design alterations of the product should not be made. Any design alterations or additions will void the manufacturer's warranty and will further relieve the manufacturer of responsibility for personal injury or property damage resulting therefrom.
- (3) Many electrical and mechanical parts in the products have special safety-related characteristics. These characteristics are often not evident from visual inspection nor can the protection afforded by them necessarily be obtained by using replacement components rated for higher voltage, wattage, etc. Replacement parts which have these special safety characteristics are identified in the Parts List of Service Manual. Electrical components having such features are identified by shading on the schematics and by (Δ) on the Parts List in the Service Manual. The use of a substitute replacement which does not have the same safety characteristics as the recommended replacement parts shown in the Parts List of Service Manual may create shock, fire, or other hazards.
- (4) The leads in the products are routed and dressed with ties, clamps, tubings, barriers and the like to be separated from live parts, high temperature parts, moving parts and/or sharp edges for the prevention of electric shock and fire hazard. When service is required, the original lead routing and dress should be observed, and it should be confirmed that they have been returned to normal, after reassembling.

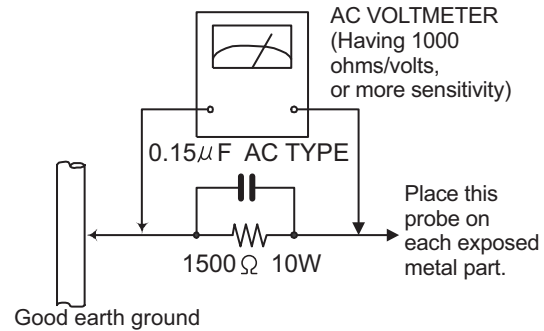
(5) Leakage shock hazard testing

After reassembling the product, always perform an isolation check on the exposed metal parts of the product (antenna terminals, knobs, metal cabinet, screw heads, headphone jack, control shafts, etc.) to be sure the product is safe to operate without danger of electrical shock. Do not use a line isolation transformer during this check.

- Plug the AC line cord directly into the AC outlet. Using a "Leakage Current Tester", measure the leakage current from each exposed metal part of the cabinet, particularly any exposed metal part having a return path to the chassis, to a known good earth ground. Any leakage current must not exceed 0.5mA AC (r.m.s.).
- Alternate check method
Plug the AC line cord directly into the AC outlet. Use an AC voltmeter having, 1,000 Ω per volt or more sensitivity in the following manner. Connect a 1,500 Ω 10W resistor paralleled by a 0.15 μ F AC-type capacitor between an exposed metal part and a known good earth ground. Measure the AC voltage across the resistor with the AC

voltmeter.

Move the resistor connection to each exposed metal part, particularly any exposed metal part having a return path to the chassis, and measure the AC voltage across the resistor. Now, reverse the plug in the AC outlet and repeat each measurement. Voltage measured any must not exceed 0.75 V AC (r.m.s.). This corresponds to 0.5 mA AC (r.m.s.).



1.2 Warning

- (1) This equipment has been designed and manufactured to meet international safety standards.
- (2) It is the legal responsibility of the repairer to ensure that these safety standards are maintained.
- (3) Repairs must be made in accordance with the relevant safety standards.
- (4) It is essential that safety critical components are replaced by approved parts.
- (5) If mains voltage selector is provided, check setting for local voltage.

1.3 Caution

Burrs formed during molding may be left over on some parts of the chassis.

Therefore, pay attention to such burrs in the case of pre-forming repair of this system.

1.4 Critical parts for safety

In regard with component parts appearing on the silk-screen printed side (parts side) of the PWB diagrams, the parts that are printed over with black such as the resistor (■), diode (■) and ICP (●) or identified by the " Δ " mark nearby are critical for safety. When replacing them, be sure to use the parts of the same type and rating as specified by the manufacturer. (This regulation does not Except the J and C version)

1.5 Preventing static electricity

Electrostatic discharge (ESD), which occurs when static electricity stored in the body, fabric, etc. is discharged, can destroy the laser diode in the traverse unit (optical pickup). Take care to prevent this when performing repairs.

1.5.1 Grounding to prevent damage by static electricity

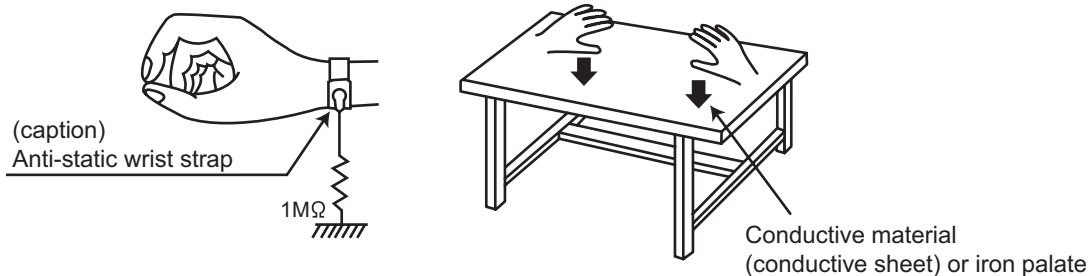
Static electricity in the work area can destroy the optical pickup (laser diode) in devices such as laser products. Be careful to use proper grounding in the area where repairs are being performed.

(1) Ground the workbench

Ground the workbench by laying conductive material (such as a conductive sheet) or an iron plate over it before placing the traverse unit (optical pickup) on it.

(2) Ground yourself

Use an anti-static wrist strap to release any static electricity built up in your body.



(3) Handling the optical pickup

- In order to maintain quality during transport and before installation, both sides of the laser diode on the replacement optical pickup are shorted. After replacement, return the shorted parts to their original condition. (Refer to the text.)
- Do not use a tester to check the condition of the laser diode in the optical pickup. The tester's internal power source can easily destroy the laser diode.

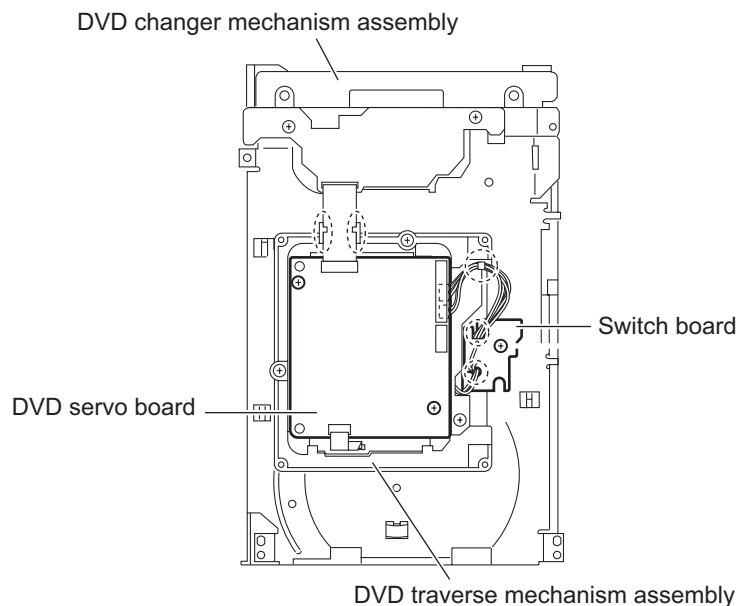
1.6 Handling the traverse unit (optical pickup)

- (1) Do not subject the traverse unit (optical pickup) to strong shocks, as it is a sensitive, complex unit.
- (2) Cut off the shorted part of the flexible cable using nippers, etc. after replacing the optical pickup. For specific details, refer to the replacement procedure in the text. Remove the anti-static pin when replacing the traverse unit. Be careful not to take too long a time when attaching it to the connector.
- (3) Handle the flexible cable carefully as it may break when subjected to strong force.
- (4) It is not possible to adjust the semi-fixed resistor that adjusts the laser power. Do not turn it.

1.7 Attention when traverse unit is decomposed

***Please refer to "Disassembly method" in the text for the pickup unit.**

- Apply solder to the short land sections before the card wire is disconnected from the connector on the servo board. (If the card wire is disconnected without applying solder, the pickup may be destroyed by static electricity.)
- In the assembly, be sure to remove solder from the short land sections after connecting the card wire.



1.8 Important for laser products

1.CLASS 1 LASER PRODUCT

2.CAUTION :

(For U.S.A.) Visible and/or invisible class II laser radiation when open. Do not stare into beam.

(Others) Visible and/or invisible class 1M laser radiation when open. Do not view directly with optical instruments.

3.CAUTION : Visible and/or invisible laser radiation when open and inter lock failed or defeated. Avoid direct exposure to beam.

4.CAUTION : This laser product uses visible and/or invisible laser radiation and is equipped with safety switches which prevent emission of radiation when the drawer is open and the safety interlocks have failed or are defeated. It is dangerous to defeat the safety switches.

(For U.S.A.)

CAUTION : Visible and/or invisible class II laser radiation when open. Do not stare into beam.

(Others)

CAUTION : Visible and/or invisible class 1M laser radiation when open. Do not view directly with optical instruments

ACHTUNG: Sichtbare und/oder unsichtbare Laserstrahlung der Klasse 1M bei offenen Abdeckungen. Nicht direkt mit optischen Instrumenten betrachten.

ATTENTION: Rayonnement laser visible et/ou invisible de classe 1M une fois ouvert. Ne pas regarder directement avec des instruments optiques.

VOORZICHTIG: Zichtbare en/of onzichtbare klasse 1M laserstralen indien geopend. Bekijk niet direct met optische instrumenten.

ATTENZIONE: Radiazione laser in classe 1M visibile e/o invisibile quando aperto. Non osservare direttamente con strumenti ottici.

WARNING: Synlig och/eller osynlig laserstrålning, klass 1M, när denna del är öppnad. Betrakta ej strålen med optiska instrument.

VARO! Avattaessa olet alttiina nakyyvalle ja/tai näkymättömälle luokan 1M lasersateilylle. Älä tarkastele sitä optisen laitteen läpi.

ADVASEL: Synlig og/eller usynlig klasse 1M-laserstråling ved åbning. Se ikke direkte med optiske instrumenter.

AVISO: Radiación láser de clase 1M visible y/o invisible cuando está abierto. No mirar directamente con instrumental óptico.

PRECAUÇÃO: Radiação laser de classe 1M visível e/ou invisível quando aberto. Não olhe diretamente com instrumentos ópticos.

5.CAUTION : If safety switches malfunction, the laser is able to function.

6.CAUTION : Use of controls, adjustments or performance of procedures other than those specified here in may result in hazardous radiation exposure.



CAUTION Please use enough caution not to see the beam directly or touch it in case of an adjustment or operation check.

PRECAUÇÃO: Radiação laser de classe 1M visível e/ou invisível quando aberto. Não olhe diretamente com instrumentos ópticos.

ПРЕДУПРЕЖДЕНИЕ: В открытом состоянии происходит видимое и/или невидимое излучение лазера класса 1M. Не смотрите непосредственно в оптические инструменты.

UWAGA: Otwarcie spowoduje narażenie na widzialne i/lub niewidzialne promieniowanie lasera klasy 1M. Nie patrzeć bezpośrednio w przyrządy optyczne.

UPOZORNĚNÍ: Při otevření vydává viditelné popř. neviditelné laserové ozáření třídy 1M. Nedívejte se do otvoru přímo s optickými nástroji.

FIGYELMEZTETÉS: Látható és/vagy láthatatlan 1M osztályú sugárzás nyitott állapotban. Ne nézze közvetlenül optikai műszerekkel.

注意: 打開蓋板可能會產生可見或不可見的 1M 級鐳射。不要使用光學儀器直接進行窺視。

注意: 打开蓋板可能会产生可见或不可见的 1M 级辐射。不要使用光学仪器直接进行窥视。

تنبيه: يوجد إشعاع ليزري مرئي و/أو غير مرئي من الفئة 1M عندما يكون الجهاز مفتوحاً. تجنب النظر مباشرة داخل الجهاز باستخدام أدوات بصرية.

احتياط: هنگامی که باز گردد، تشعشع مرئی و یا نامرئی کلاس 1M لیزر وجود دارد. با لوازم چشمی مستقیماً به آن نگاه نکنید.

주의: 개방하면 가시 및/또는 비가시 클래스 1M 레이저 방사선이 나옵니다. 광학 기구로 직접 들여다보지 마십시오.

REPRODUCTION AND POSITION OF LABELS and PRINT WARNING LABEL and PRINT



CAUTION VISIBLE AND/OR INVISIBLE CLASS 1M LASER RADIATION WHEN OPEN. DO NOT VIEW DIRECTLY WITH OPTICAL INSTRUMENTS. IEC60825-1:2001 (ENG)	ATTENTION RAYONNEMENT LASER VISIBLE ET/OU INVISIBLE DE CLASSE 1M UNE FOIS OUVERT. NE PAS REGARDER DIRECTEMENT AVEC DES INSTRUMENTS OPTIQUES. (FRA)	AVISO RADIACIÓN LÁSER DE CLASE 1M VISIBLE Y/O INVISIBLE CUANDO ESTÁ ABIERTO. NO MIRAR DIRECTAMENTE CON INSTRUMENTAL ÓPTICO. (ESP)	WARNING SYNLIG OCH/ELLER OSYNLIG LASERSTRÅLNING, KLASS 1M, NÄR DENNA DEL ÄR ÖPPNAD. BETRAKTA EJ STRÅLEN MED OPTISKA INSTRUMENT. (SWE)	注意 ニニも顯くと不可視 及び/または不可視 のクラス1M レーザー放射が 出ます。 光学装置で直接 見ないでください。 (JPN)	CAUTION VISIBLE AND/OR INVISIBLE CLASS II LASER RADIATION WHEN OPEN. DO NOT STARE INTO BEAM. FDA 21 CFR (ENG) LV44603-003A
--	--	---	---	---	---

SECTION 2
SPECIFIC SERVICE INSTRUCTIONS

This service manual does not describe SPECIFIC SERVICE INSTRUCTIONS.

SECTION 3 DISASSEMBLY

3.1 Main body (Using figures are DX-U10)

3.1.1 Removing the METAL COVER

(See Fig.1, 2)

- (1) Remove the eight screws **A** attaching the METAL COVER. (See Fig.1)
- (2) Remove the six screws **B** attaching the both side of the METAL COVER. (See Fig.2)

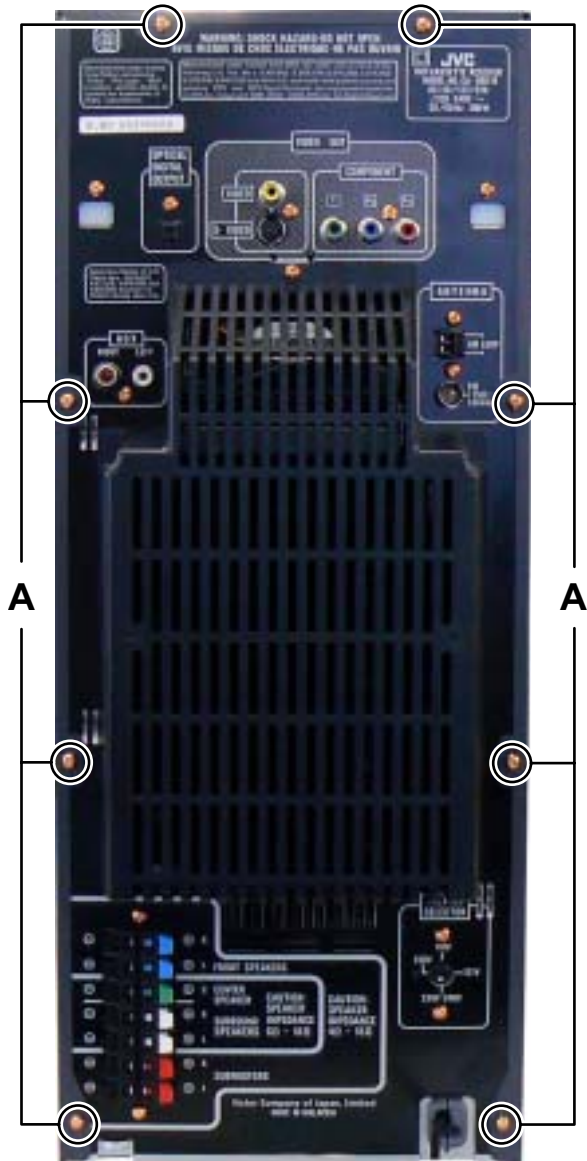


Fig.1

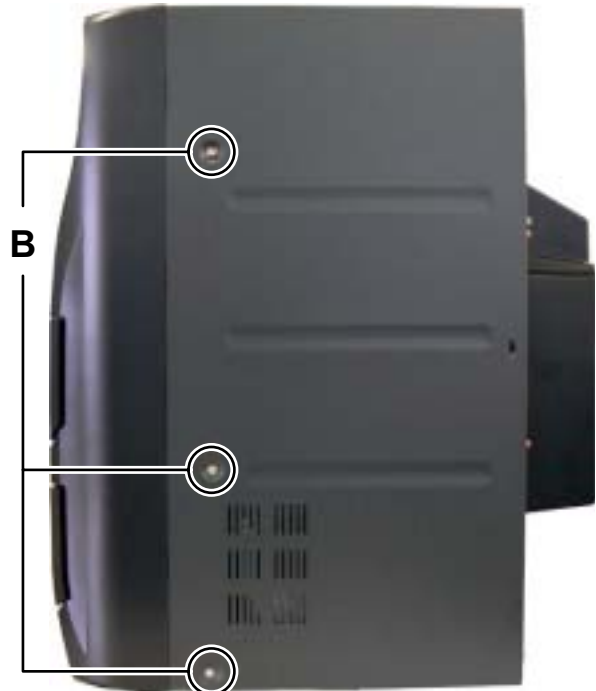


Fig.2

3.1.2 Removing the DVD CHANGER MECHANISM assembly (See Fig.3 to 6)

- (1) Remove the two screws **C** attaching the DVD MECHANISM assembly. (See Fig.3)
- (2) Disconnect the card wires from DVD MECHANISM assembly connected to connector **CN800** and **CN810** of the MAIN BOARD assembly. (See Fig.4)
- (3) Disconnect the connector wire from USB board connected to connector **CN811** of the DVD BOARD assembly. (See Fig.5)
- (4) Disconnect the card wires from DVD BOARD assembly connected to connector **CN921** and **CN930** of the VIDEO board assembly. (See Fig.6)

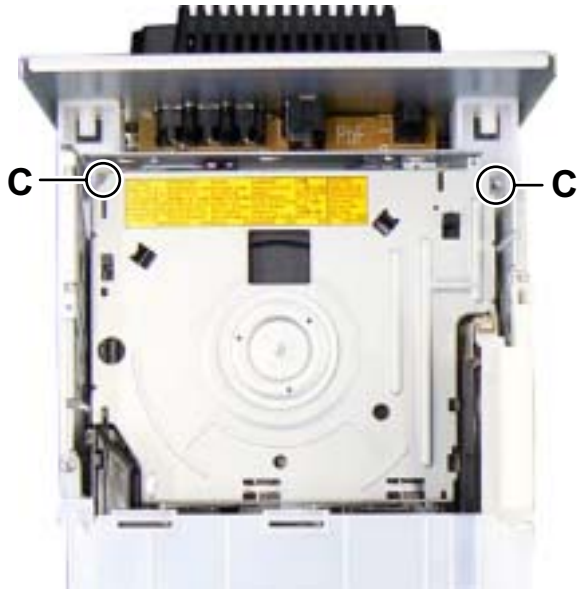


Fig.3

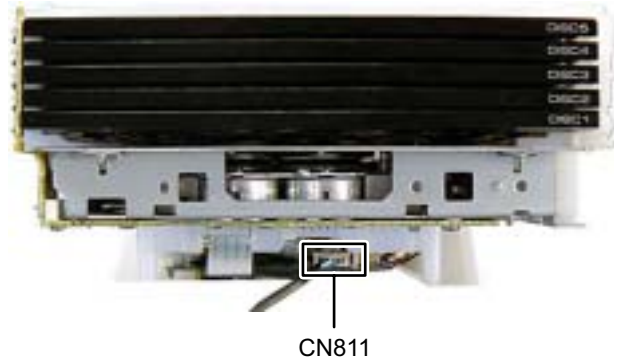


Fig.5

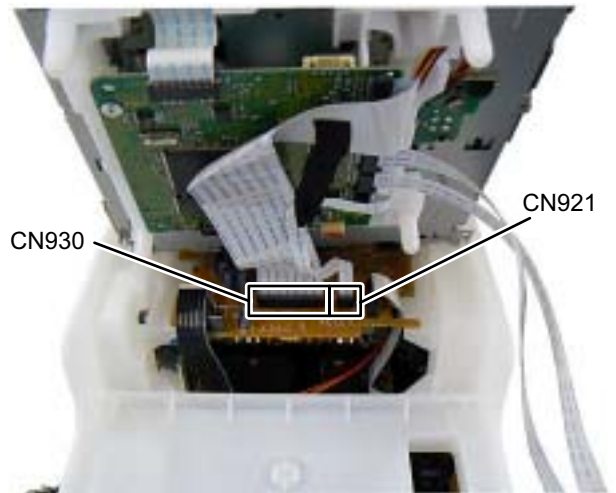


Fig.6

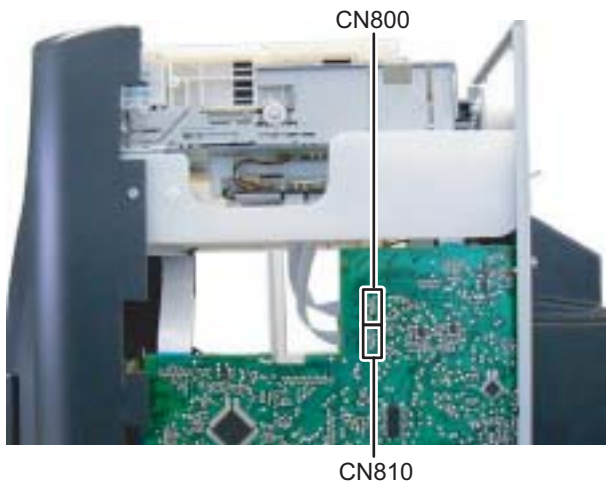


Fig.4

3.1.3 Removing the VIDEO BOARD assembly (See Fig.7, 8)

- (1) Disconnect the card wire from MAIN BOARD assembly connected to connector [CN920](#) of the VIDEO BOARD assembly. (See Fig.7)
- (2) Disconnect the card wire from SURROUND AMP BOARD assembly connected to connector [CN931](#) of the VIDEO BOARD assembly. (See Fig.7)
- (3) Remove the three screws **D** attaching the VIDEO BOARD assembly. (See Fig.8)

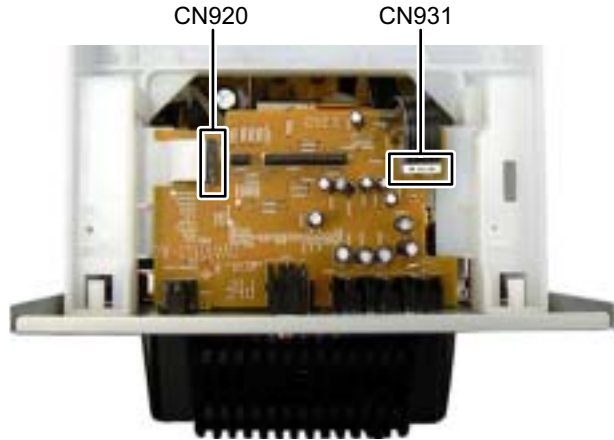


Fig.7

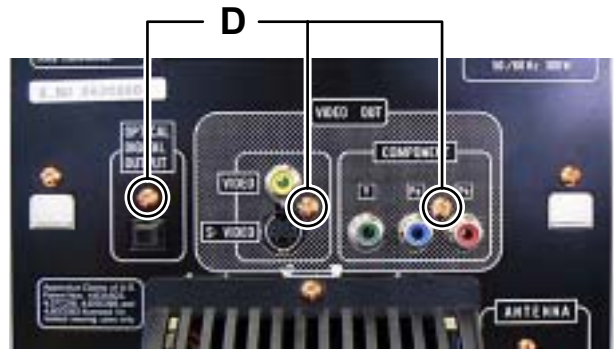


Fig.8

3.1.4 Removing the MECHA CHASSIS (See Fig.9, 10)

- (1) Remove the two screws **E** attaching the MECHA CHASSIS. (See Fig.9)
- (2) Remove the two screws **F** attaching the both side of MECHA CHASSIS (See Fig.10)

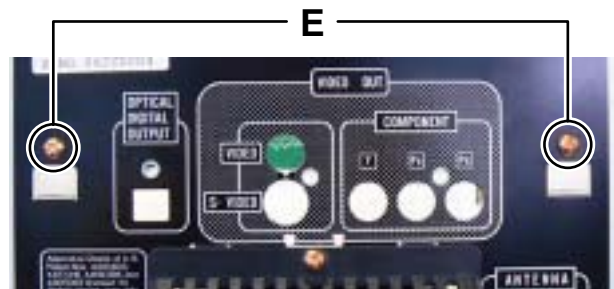


Fig.9

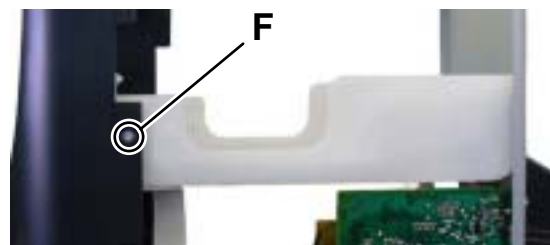


Fig.10

3.1.5 Removing the REAR COVER with FAN (See Fig.11, 12)

- (1) Remove the One screw **G** attaching the REAR COVER.
(See Fig.11)
- (2) Disengage six hooks **a** engaged REAR COVER. (See Fig.11)
- (3) Disconnect the connector wire from FAN connected to connector **CN304** of the SURROUND AMP BOARD assembly.
(See Fig.12)

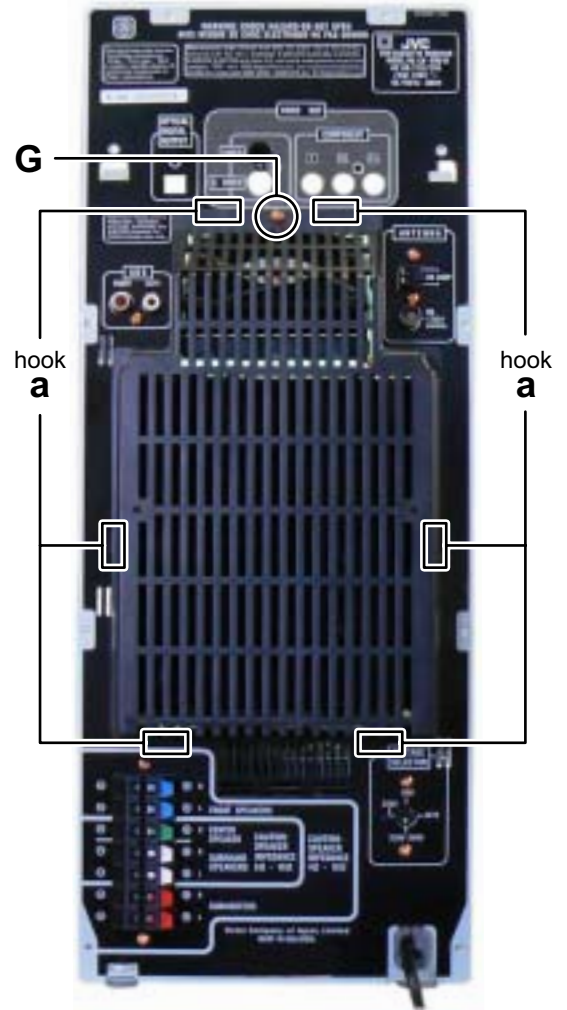


Fig.11

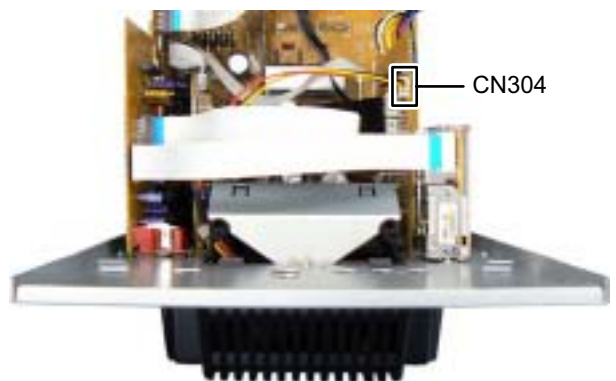


Fig.12

3.1.6 Removing the TUNER PACK (See Fig.13, 14)

- (1) Disconnect the card wire from TUNER PACK connected to connector [CN750](#) of the MAIN BOARD assembly. (See Fig. 13)
- (2) Remove the two screws **H** attaching the TUNER PACK. (See Fig.14)

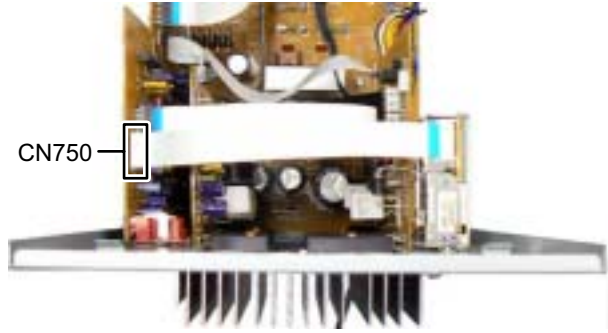


Fig.13

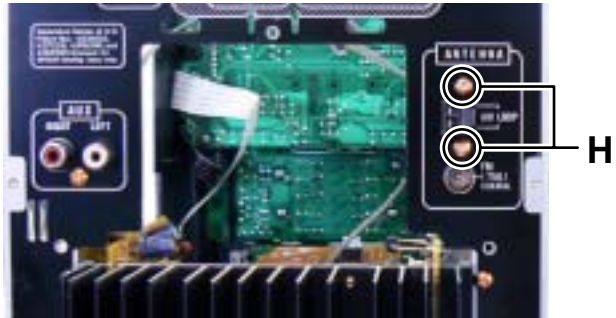


Fig.14

3.1.7 Removing the REAR PANEL (See Fig.15, 16)

- (1) Remove the four screws **J** attaching the HEAT SINK by order. (See Fig.15)
- (2) Remove the five screws **K** attaching the REAR PANEL. (See Fig.15)
- (3) Disengage two hooks **b** engaged both side of the REAR PANEL. (See Fig.16)

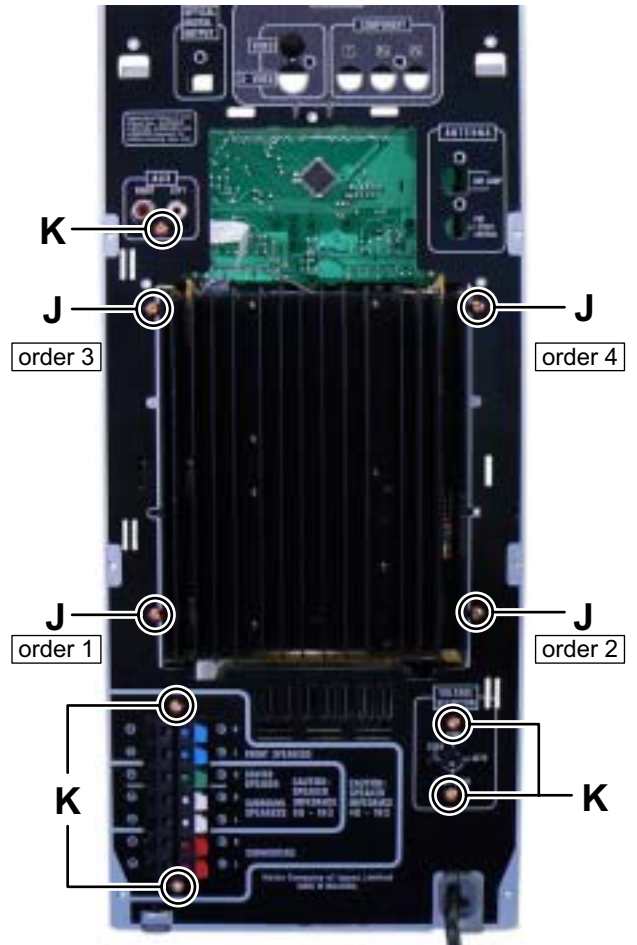


Fig.15

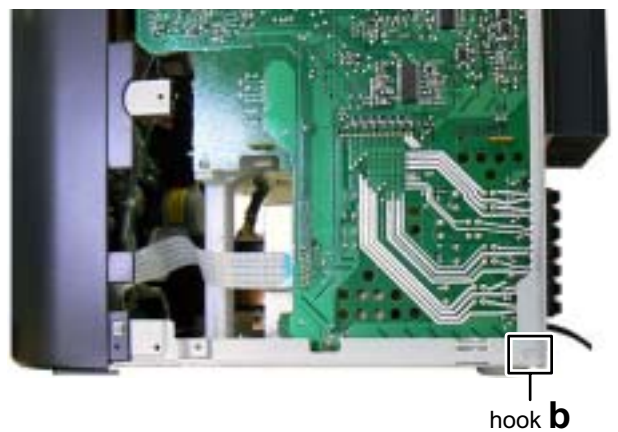


Fig.16

3.1.8 Removing the MAIN BOARD assembly (See Fig.17, 18)

- (1) Disconnect the card wire from FL BOARD assembly connected to connector [CN720](#) of the MAIN BOARD assembly. (See Fig.17)
- (2) Disconnect the card wire from CASSETTE MECHANISM A connected to connector [CN730](#) of the MAIN BOARD assembly. (See Fig.17)
- (3) Disconnect the card wire from SUBWOOFER AMP BOARD assembly connected to connector [CN820](#) of the MAIN BOARD assembly. (See Fig.17)
- (4) Disconnect the card wire from SURROUND AMP BOARD assembly connected to connector [CN830](#) of the MAIN BOARD assembly. (See Fig.17)
- (5) Disconnect the card wire from MIC BOARD assembly connected to connector [CN740](#) of the MAIN BOARD assembly. (See Fig.18)
- (6) Remove the two screws **L** attaching the MAIN BOARD assembly. (See Fig.18)
- (7) Disconnect the BOARD TO BOARD connector [CN850](#) connected the MAIN BOARD assembly and REGULATOR BOARD assembly. (See Fig.18)

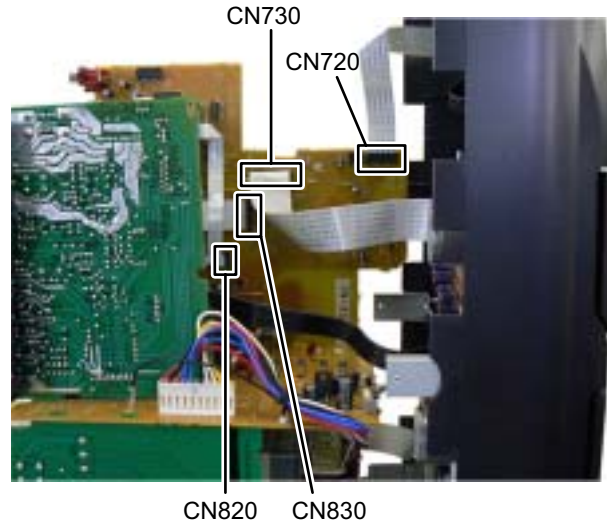


Fig.17

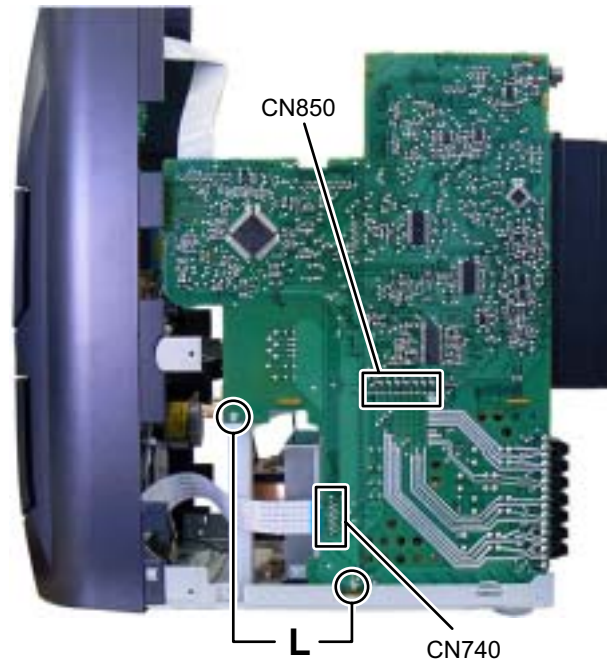


Fig.18

3.1.9 Removing the REGULATOR BOARD assembly (See Fig.19, 20)

- (1) Disconnect the card wire from REGULATOR BOARD assembly connected to connector [CN305](#) and [CN306](#) of the SURROUND AMP BOARD assembly. (See Fig.19)
- (2) Disconnect the card wire from FL BOARD assembly connected to connector [CN207](#) of the REGULATOR BOARD assembly. (See Fig.19)
- (3) Disconnect the connector wire from TRANS BOARD assembly connected to connector [CN201](#) of the REGULATOR BOARD assembly. (See Fig.19)
- (4) Disconnect the EARTH WIRE from TRANS BOARD assembly connected to pin [PP201](#) of the REGULATOR BOARD assembly. (See Fig.19)
- (5) Remove the one screw **M** attaching the REGULATOR BOARD assembly. (See Fig.19)
- (6) Disconnect the BOARD TO BOARD connectors [CN204](#) and [CN205](#) connected to SURROUND AMP BOARD assembly and SUBWOOFER AMP BOARD assembly. (See Fig.20)

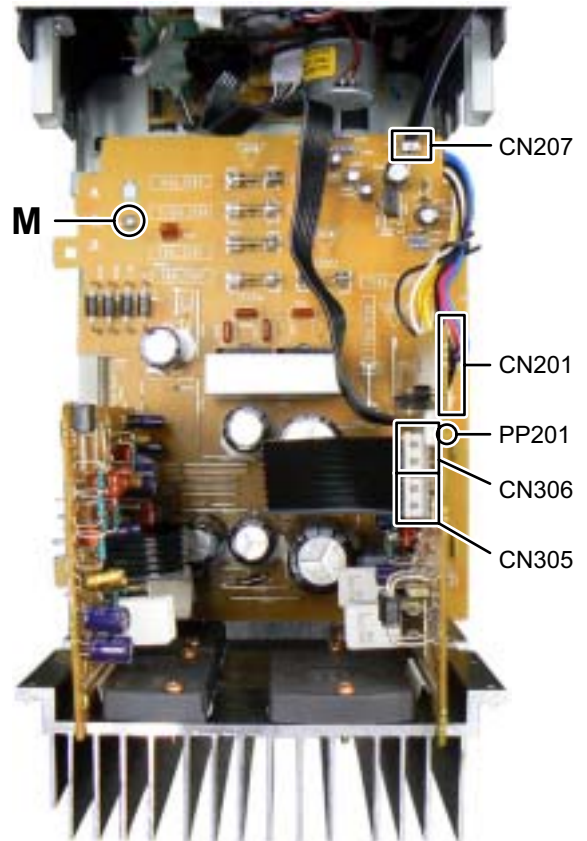


Fig.19

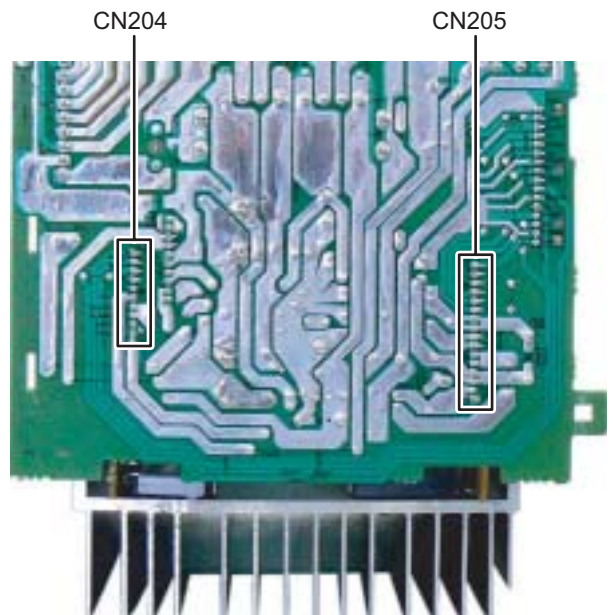


Fig.20

**3.1.10 Removing the SURROUND AMP BOARD assembly
(See Fig.21)**

- (1) Remove the two screws **N** attaching the POWER AMP IC.
- (2) Remove the one screw **P** attaching the IC BRACKET.

**3.1.11 Removing the SUBWOOFER AMP BOARD assembly
(See Fig.21)**

- (1) Remove the four screws **Q** attaching the POWER AMP ICs.

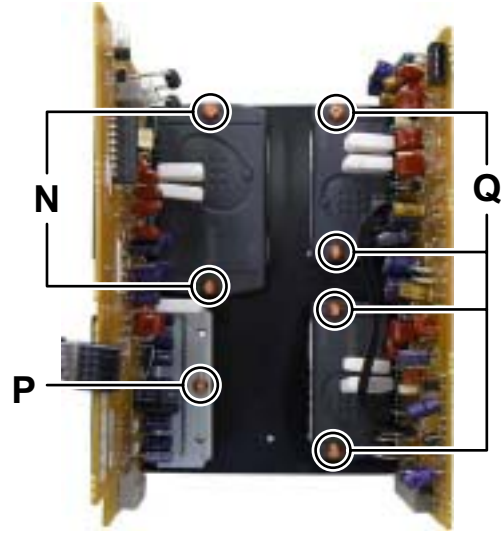


Fig.21

**3.1.12 Removing the FRONT PANEL assembly
(See Fig.22, 23)**

- (1) Remove the one screw **R** attaching the EARTH WIRE from MIC BOARD assembly. (See Fig.22)
- (2) Remove the two screws **S** attaching the FRONT PANEL assembly. (See Fig.23)
- (3) Disengage two hooks **c** engaged both side of FRONT PANEL assembly. (See Fig.22)

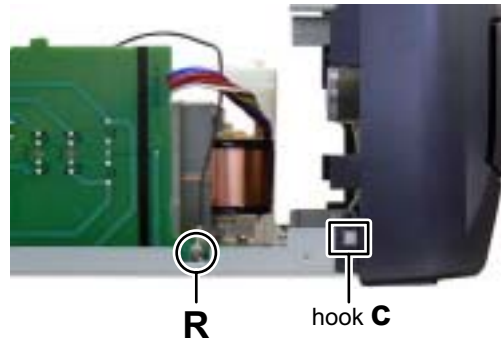


Fig.22



Fig.23

3.1.13 Removing the CASSETTE MECHANISM B (See Fig.24)

- (1) Disconnect the card wire from CASSETTE MECHANISM B connected to connector [CN120](#) of the CASSETTE MECHANISM BOARD assembly of the CASSETTE MECHANISM A.
- (2) Disconnect the connector wire from CASSETTE MECHANISM B connected to connector [CN200](#) of the CASSETTE MECHANISM BOARD assembly of the CASSETTE MECHANISM A.
- (3) Remove the four screws **T** attaching the CASSETTE MECHANISM B.

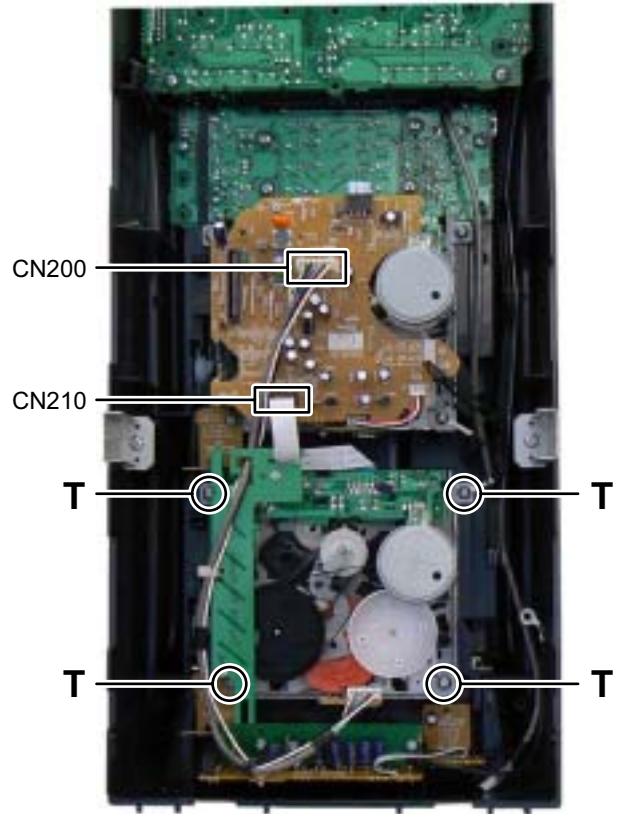


Fig.24

3.1.14 Removing the CASSETTE MECHANISM A (See Fig.25)

- (1) Remove the four screws **U** attaching the CASSETTE MECHANISM A.

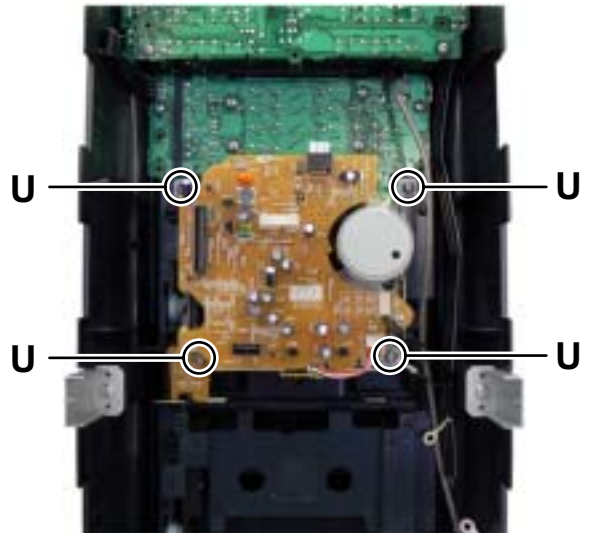


Fig.25

3.1.15 Removing the FL BOARD assembly and SWITCH BOARD assembly (See Fig.26)

- (1) Remove the four screws **V** attaching the FL BOARD assembly.
- (2) Remove the six screws **W** attaching the SWITCH BOARD assembly.

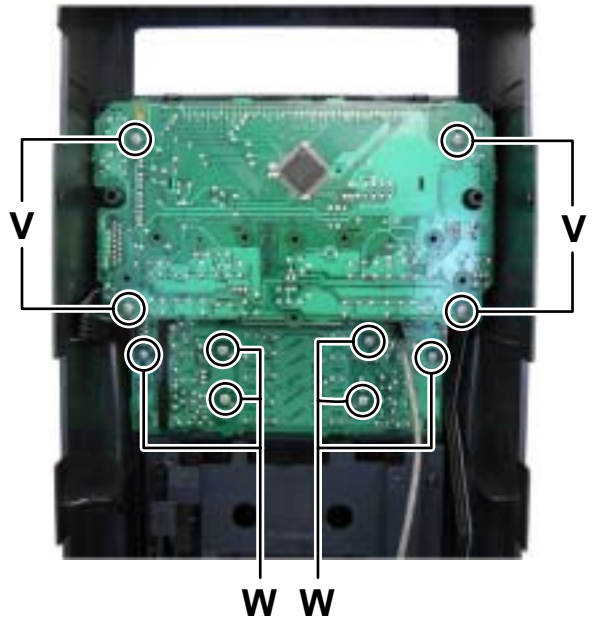


Fig.26

3.1.16 Removing the MIC BOARD assembly (See Fig.27)

- (1) Remove the two volume knobs.
- (2) Remove the three screws **X** attaching the MIC BOARD assembly.

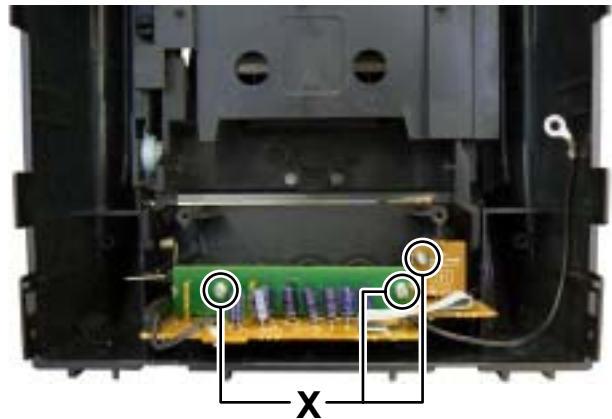


Fig.27

3.2 DVD changer mechanism assembly section

Remove the DVD changer mechanism assembly from the main body. (See "Removing the DVD changer mechanism assembly".)

3.2.1 Removing the tray assemblies

(See Figs.1 to 5)

- (1) From the top side of the main body, remove the two screws **A** from the top cover and release the two joints **a** on the both sides of the DVD changer mechanism assembly. (See Figs.1 and 2.)
- (2) Remove the two rods from the top cover and remove the top cover from the lifter assembly. (See Figs.1 and 2.)
- (3) Remove the open det. lever on the left side of the DVD changer mechanism assembly. (See Fig.3.)
- (4) From the right side of the DVD changer mechanism assembly, draw out the tray assemblies toward the front while pushing the part **b** of the side (R) assembly. (See Figs.4 and 5.)

Note:

The tray can be locked if all tray assemblies are attached.

- (5) From the topside of the DVD changer mechanism assembly, move the stopper tabs **c** in the direction of the arrow and release them. Pull out the tray assemblies from the DVD changer mechanism assembly. (See Fig. 5.)

Note:

Remove the tray assembly from top tray 5 in order.

Reference:

When reattaching the tray assembly, or when removing the disc remaining inside, refer to another section "3.3.15 Taking out the disc in the play mode".

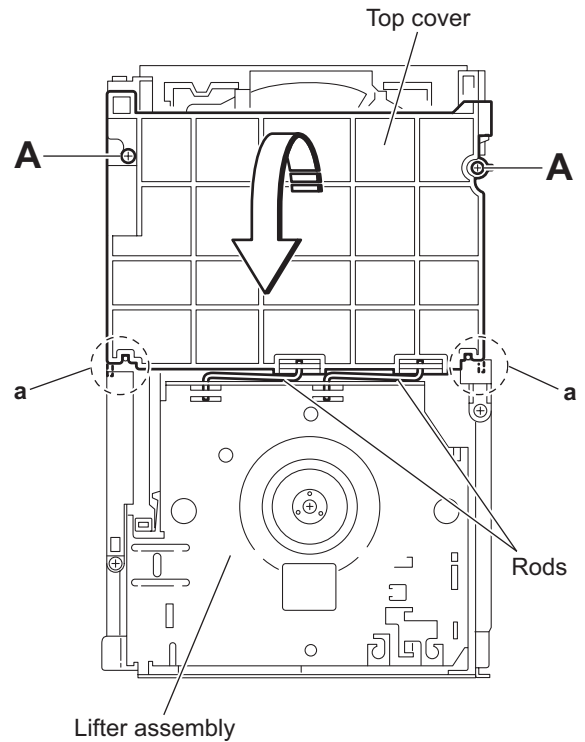


Fig.1

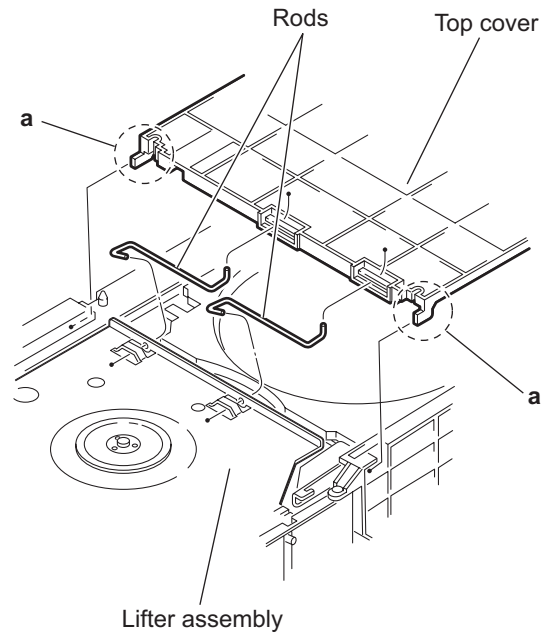


Fig.2

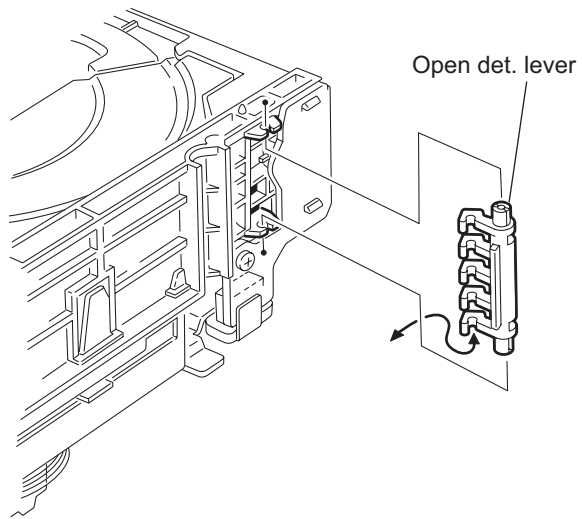


Fig.3

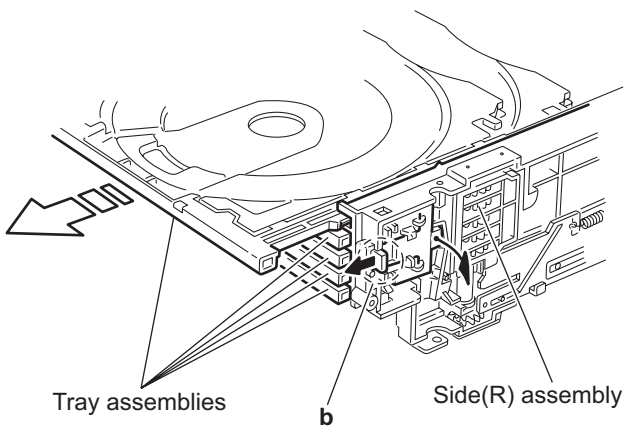


Fig.4

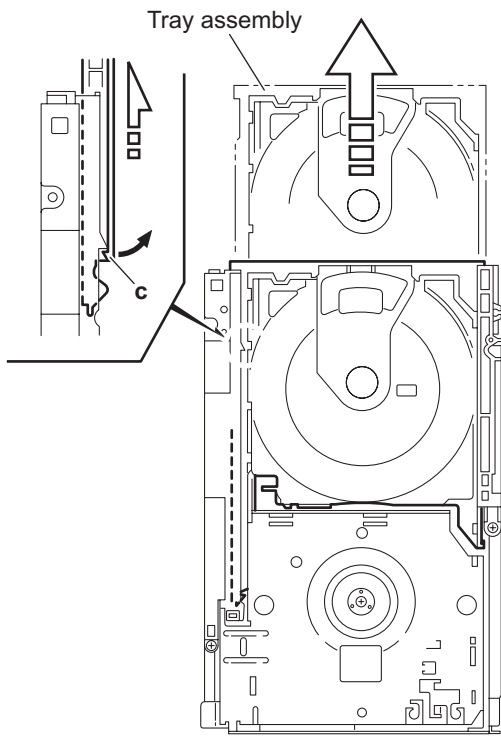


Fig.5

3.2.2 Removing the DVD servo board (See Figs.6 to 8)

Caution:

Solder the short land sections **d** on the DVD pickup before disconnecting the card wire extending from the DVD pickup. If you do not follow this instruction, the DVD pickup may be damaged.

- (1) From the topside of the DVD changer mechanism assembly, solder the short land sections **d** on the DVD pick up. (See Fig.6.)
- (2) From the bottom side of the DVD changer mechanism assembly, disconnect the card wire from the connectors (CN201, CN451) on the DVD servo board. (See Fig.7.)

Reference:

When connecting the card wire to the connector CN451, pass it through the sections **e** on the DVD traverse mechanism assembly. (See Fig.7.)

- (3) Disconnect the wires from the connectors (CN452, CN453) on the DVD servo board. (See Fig.7.)
- (4) Remove the two screws **B** attaching the DVD servo board. (See Fig.7.)
- (5) From the reverse side of the DVD servo board, release the lock of the connector CN101 in the direction of the arrow and disconnect the card wire. (See Fig.8.)

Caution:

Unsolder the solders from the short land sections **d** after reassembling. (See Fig.6.)

3.2.3 Removing the switch board (See Fig.7)

- (1) From the bottom side of the DVD changer mechanism assembly, remove the screw **C** attaching the switch board on the DVD changer mechanism assembly.
- (2) Disconnect the wires from the connectors (CN452, CN453) on the DVD servo board.
- (3) Release the wires from the section **f** and remove the switch board.
- (4) Release the wires from the sections **g** and remove the switch board.

Reference:

When reassembling, pass the wires through the sections (f, g) as before.

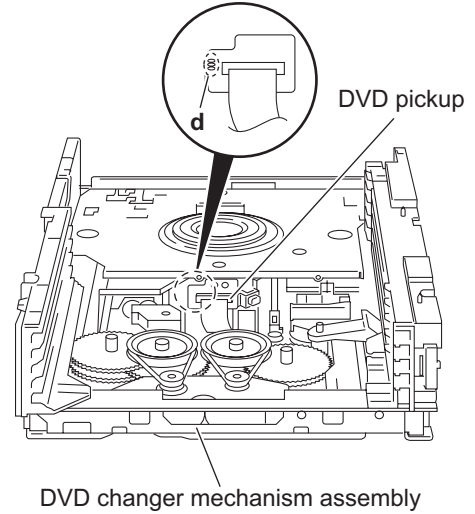


Fig.6

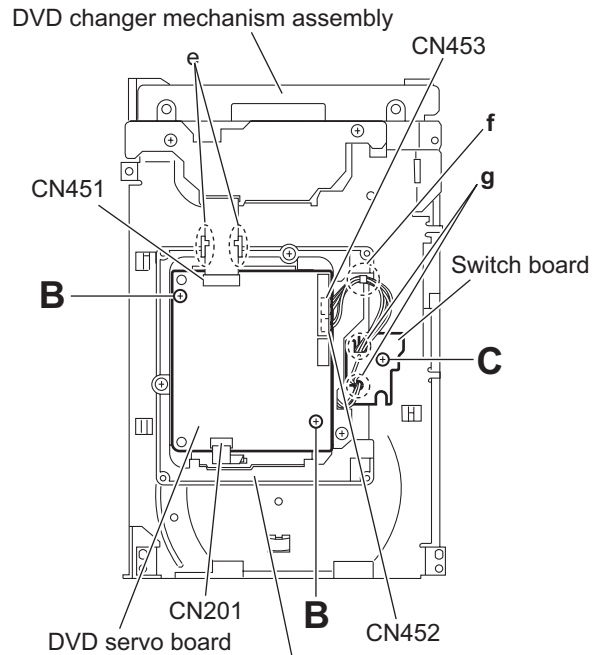


Fig.7

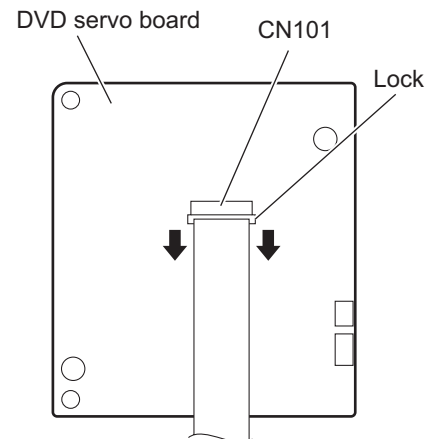


Fig.8

3.2.4 Removing the motor board (See Figs.9 and 10)

- (1) From the top side of the DVD changer mechanism assembly, remove the two belts from the motor pulleys. (See Fig.9.)

Note:

Take care not to attach grease on the belt.

- (2) Remove the two screws **D** attaching the motors to the loader assembly. (See Fig.9.)
- (3) From the bottom side of the DVD changer mechanism assembly, remove the two screws **E**. (See Fig.10.)
- (4) Disconnect the connector **CN2** on the motor board from the tray switch board and remove the motor board. (See Fig.10.)
- (5) Disconnect the card wire from the connector **CN1** on the forward side of the motor board. (See Fig.10.)

Note:

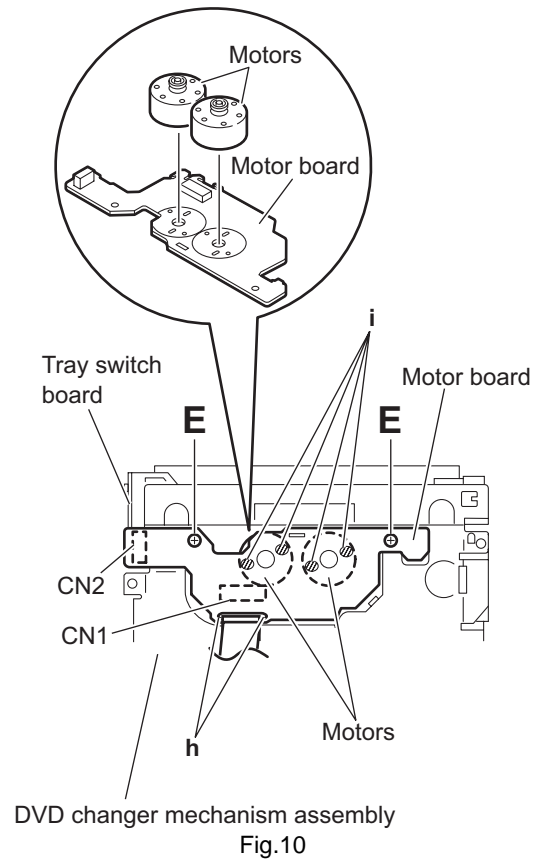
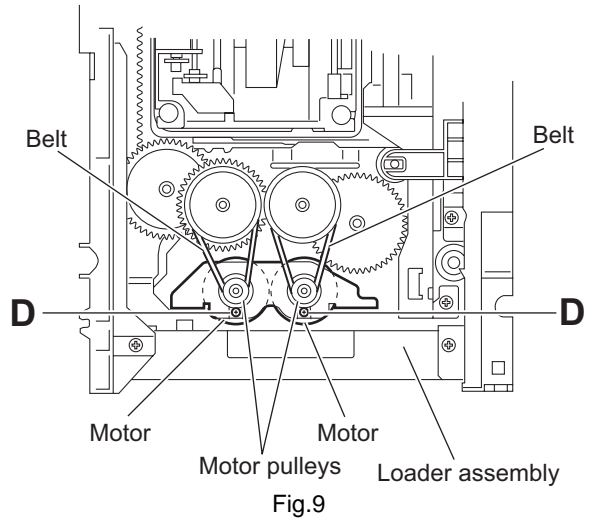
When connecting the card wire, let the card wire through the slots **h** of the motor board. (See Fig.10.)

Reference:

You need not to remove the tray assemblies, and in such case, move it.

3.2.5 Removing the motor (See Fig. 10)

- Remove the motor board.
 - (1) From the reverse side of the motor board, unsolder the four soldered sections **i** on the motor board.
 - (2) From the forward side of the motor board, remove the motors.



3.2.6 Removing the DVD traverse mechanism assembly (See Fig.11)

- Remove the tray assemblies and DVD servo board.
 - From the bottom side of the DVD changer mechanism assembly, remove the three screws **F** attaching the DVD traverse mechanism assembly.
 - Remove the wires from the section **j**.
 - Take out the DVD traverse mechanism assembly from the DVD changer mechanism assembly.

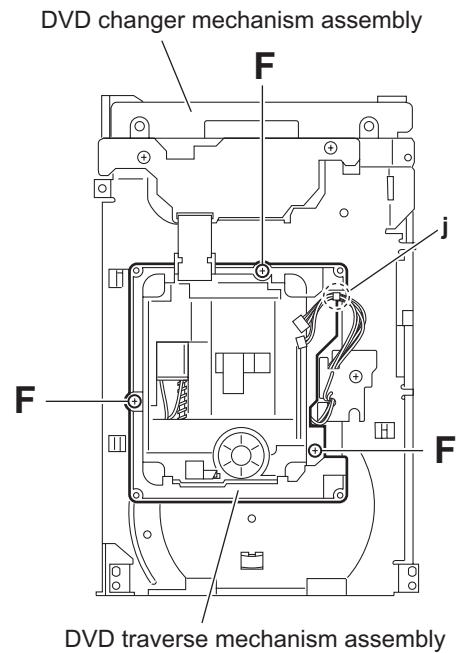


Fig.11

3.2.7 Removing the DVD pickup (See Figs.12 to 14)

- Remove the tray assemblies, DVD servo board and DVD traverse mechanism assembly.
 - (1) From the top side of the DVD traverse mechanism assembly, release the lock of the connector on the DVD pickup and disconnect the card wire in the direction of the arrow. (See Fig.12.)
 - (2) Turn the screw shaft gear in the direction of the arrow 1 to move the DVD pickup in the direction of the arrow 2. (See Fig.12.)
 - (3) Remove the screw **G** attaching the feed bracket and remove the feed bracket from the sections **k**. (See Fig.12.)
 - (4) Release the claw **m** of the thrust spring in the direction of the arrow and remove the thrust spring. (See Fig.12.)
 - (5) Remove the guide shaft from the sections (**n**, **p**) on the C.TM chassis. (See Fig.13.)
 - (6) Remove the section **q** of the DVD pickup. (See Fig.13.)
 - (7) Remove the two screws **H** attaching the rack arm spring and rack arm. (See Fig.14.)
 - (8) Pull the guide shaft from the DVD pickup in the direction of the arrow. (See Fig.14.)

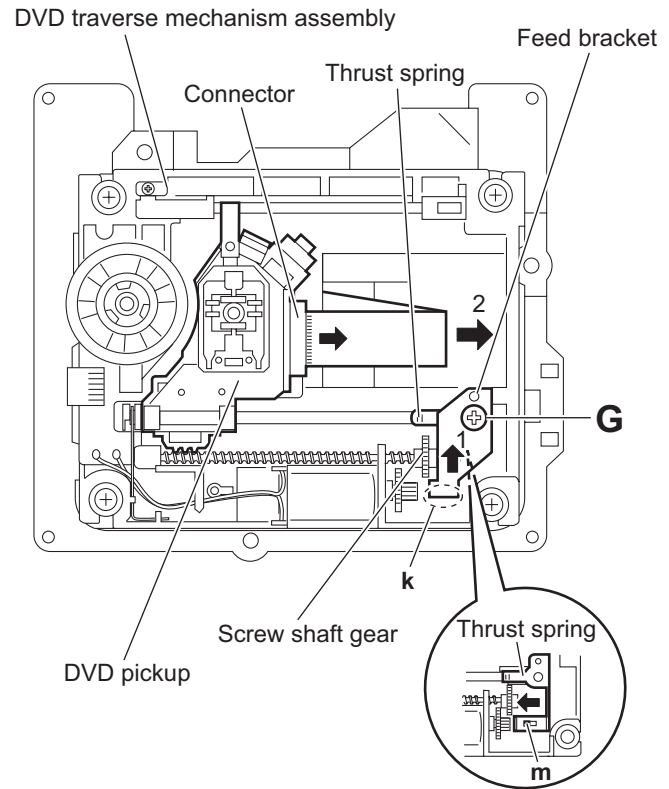


Fig.12

3.2.8 Attaching the DVD pickup (See Figs.12 to 14)

- (1) Attach the guide shaft to the DVD pickup and attach the rack arm spring and rack arm with the screws **H**. (See Fig.14.)
- (2) Attach the section **q** of the DVD pickup to the C.TM chassis first and attach the guide shaft to the sections (**n**, **p**). (See Fig.13.)

Reference:

When attaching the guide shaft to the section **p**, attach it under the rod spring. (See Fig.13.)

- (3) Attach the thrust spring and feed bracket with the screw **G**. (See Fig.12.)
- (4) Turn the screw shaft gear in the direction of the arrow 1 to move the DVD pickup in the direction of the arrow 2. (See Fig.15.)
- (5) Connect the card wire to the connector on the DVD pickup. (See Fig.15.)

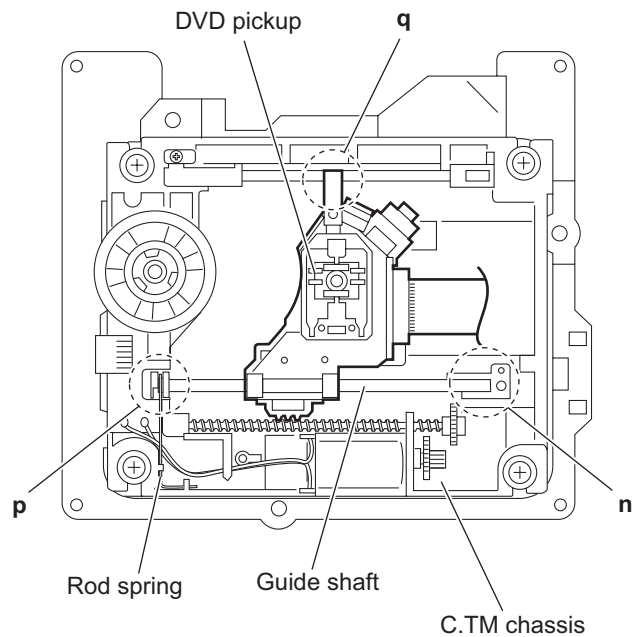


Fig.13

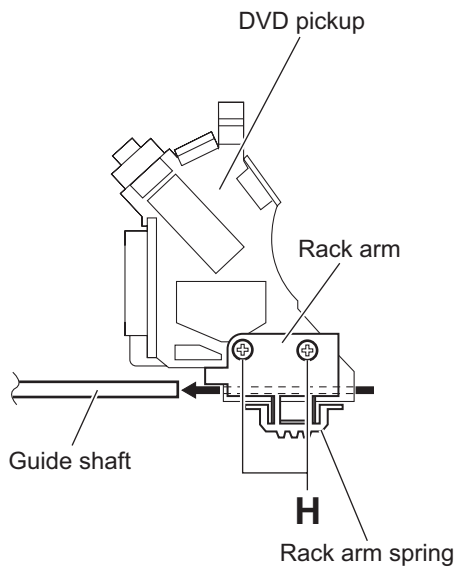


Fig.14

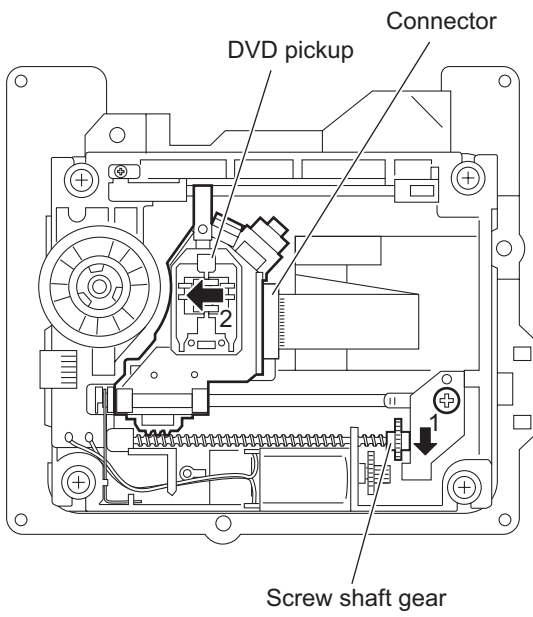


Fig.15

3.2.9 Removing the spindle motor board (See Figs.16 and 17)

- Remove the tray assemblies, DVD servo board and DVD traverse mechanism assembly.
 - From the top side of the DVD traverse mechanism assembly, remove the wires from the soldered sections **r** on the spindle motor board. (See Fig.16.)
 - From the bottom side of the DVD traverse mechanism assembly, remove the three screws **J** attaching the spindle motor board. (See Fig.17.)

Reference:

When attaching the spindle motor board, let the card wire through the hole **s** on the C.TM chassis. (See Fig.17.)

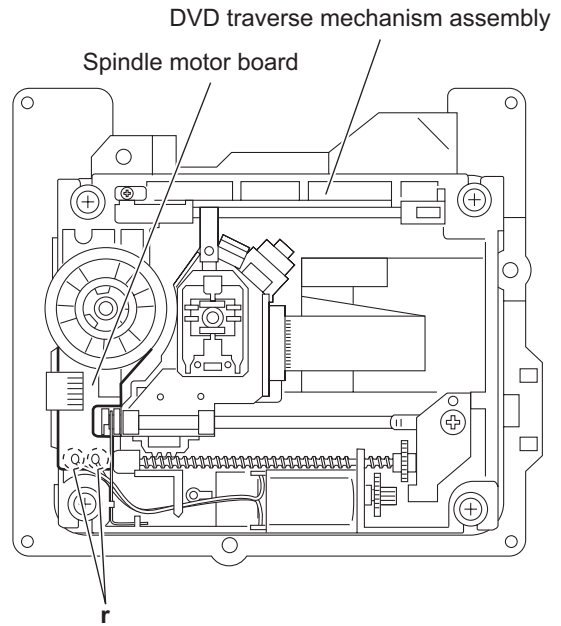
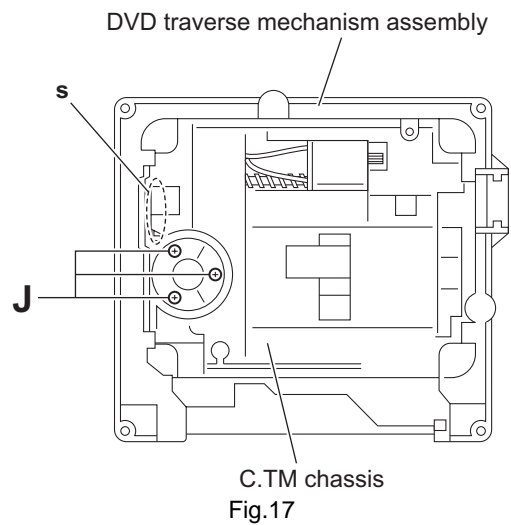


Fig.16



C.TM chassis
Fig.17

3.2.10 Removing the feed motor (See Figs.18 and 19)

- Remove the tray assemblies and DVD traverse mechanism assembly.
 - (1) From the top side of the DVD traverse mechanism assembly, remove the screw **K** attaching the feed bracket and remove the feed bracket from the sections **t**. (See Fig.18.)
 - (2) Release the claw **u** of the thrust spring in the direction of the arrow and remove the thrust spring. (See Fig.18.)
 - (3) Remove the screw shaft from the section **v** and remove it in the direction of the arrow. (See Fig.19.)
 - (4) Remove the middle gear. (See Fig.19.)
 - (5) Remove the screw **L** attaching the feed motor to the C.TM chassis. (See Fig.19.)
 - (6) Remove the wires from the soldered sections **w** on the spindle motor board. (See Fig.19.)
 - (7) Take out the feed motor from the motor base.

Reference:

After attaching the feed motor, pass the wires through the sections **x** on the C.TM chassis as before. (See Fig.19.)

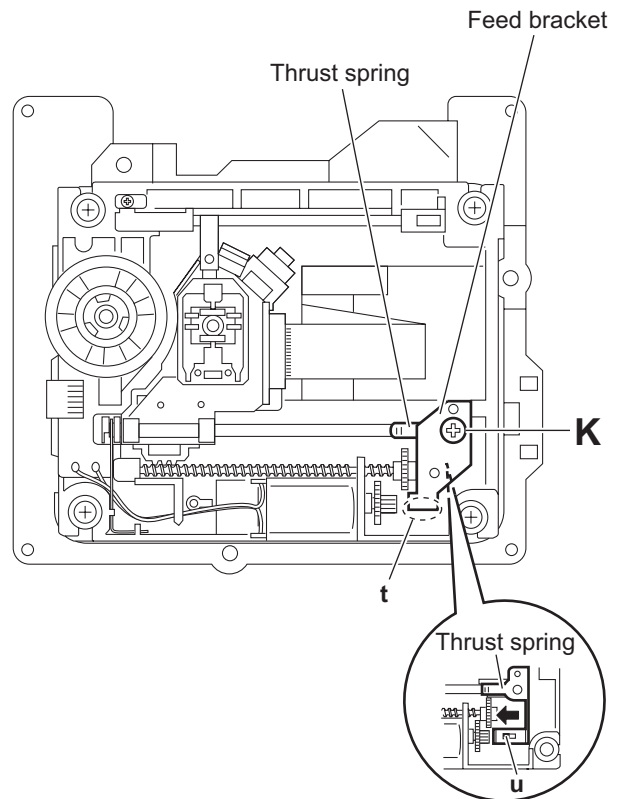


Fig.18

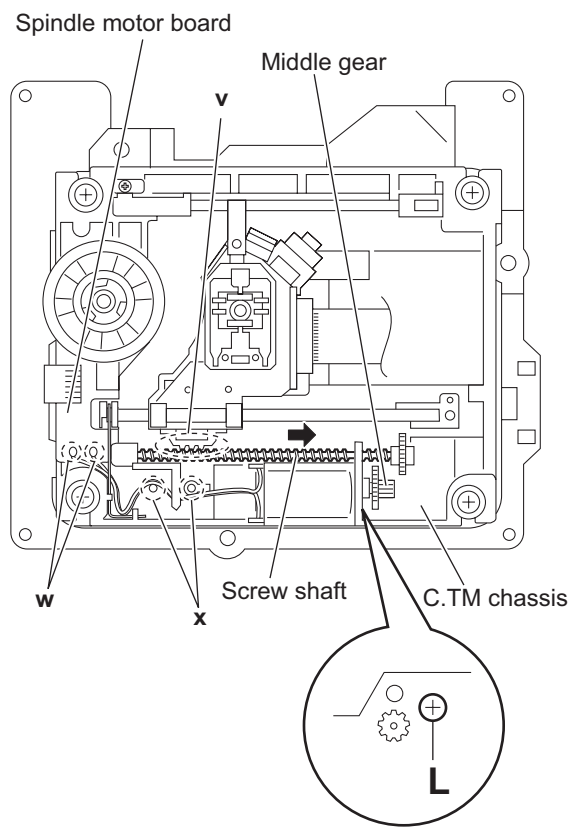
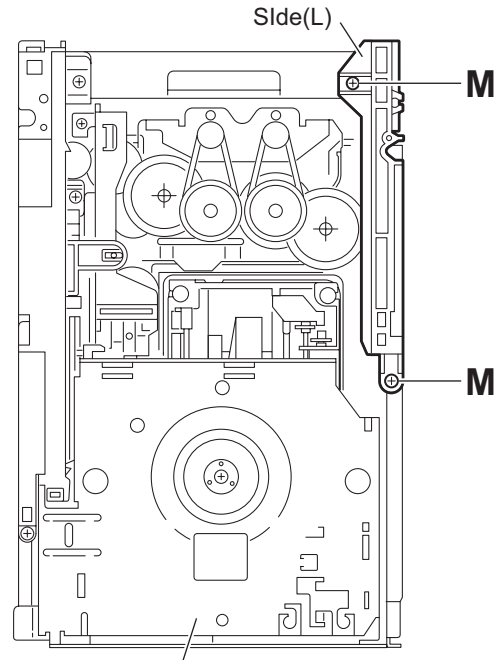


Fig.19

3.2.11 Removing the side (L) and tray switch board (See Figs.20 to 22)

- Remove the tray assemblies.
 - From the topside of the DVD changer mechanism assembly, remove the two screws **M** attaching the side (L). (See Fig.20.)
 - From the left side of the DVD changer mechanism assembly, disconnect the connector **CN3** on the tray switch board from the motor board and detach the side (L) in an upward direction. (See Fig.21.)
 - Remove the screw **N** attaching the tray switch board to the side (L). (See Fig.22.)
 - Release the joint tab **y** of the side (L) in the direction of the arrow 1 and release the joint tab **z** while removing the tray switch board in the direction of the arrow 2. (See Fig.22.)



DVD changer mechanism assembly
Fig.20

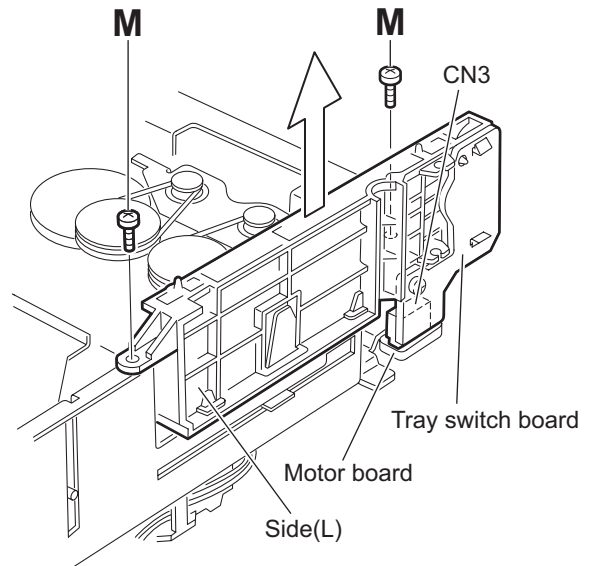


Fig.21

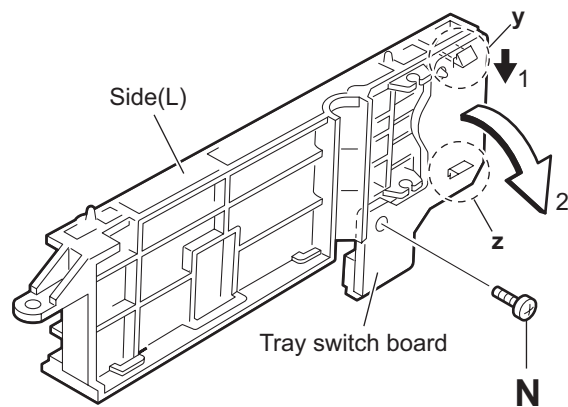


Fig.22

3.2.12 Removing the side (R) assembly (See Fig.23 to 27)

- Remove the tray assemblies and DVD servo board.
 - From the inside of the side (R) assembly, release the two tabs **aa** of the gear cover and remove the gear cover outward. (See Figs.23 and 24.)
 - From the right side of the DVD changer mechanism assembly, remove the elevator spring attached to the hook **ab** of the loader assembly. (See Figs.24 and 25.)
 - From the top side of the DVD changer mechanism assembly, turn the gear 1 clockwise to move the elevator cam rearward. (See Fig.25.)
 - Move the two slots **ac** and joint **ad** of the elevator cam and remove the elevator cam outward. (See Fig.25.)
 - Remove the three screws **P** and detaches the side (R) assembly upward. (See Figs.26 and 27.)

Note:

When reattaching the side (R) assembly, make sure to fit the shaft (part **ae**) into the slot of the select lever. (See Fig.26.)

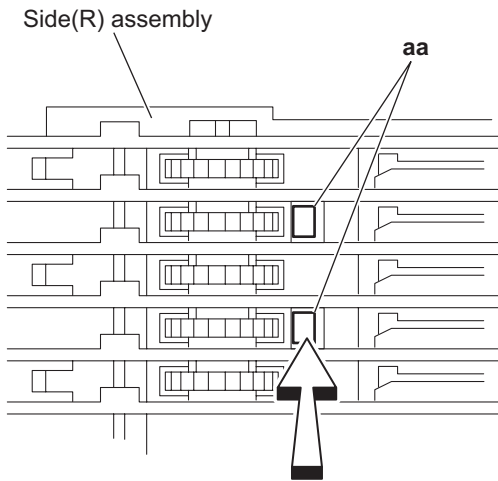
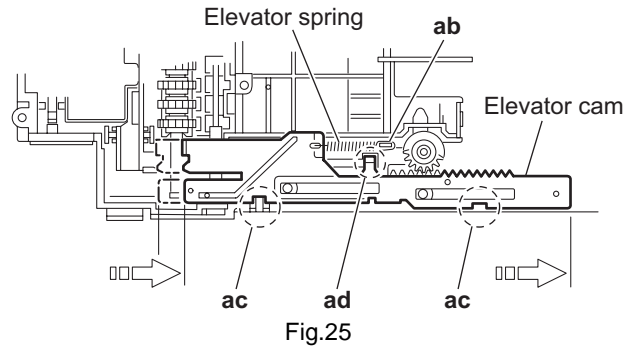


Fig.23

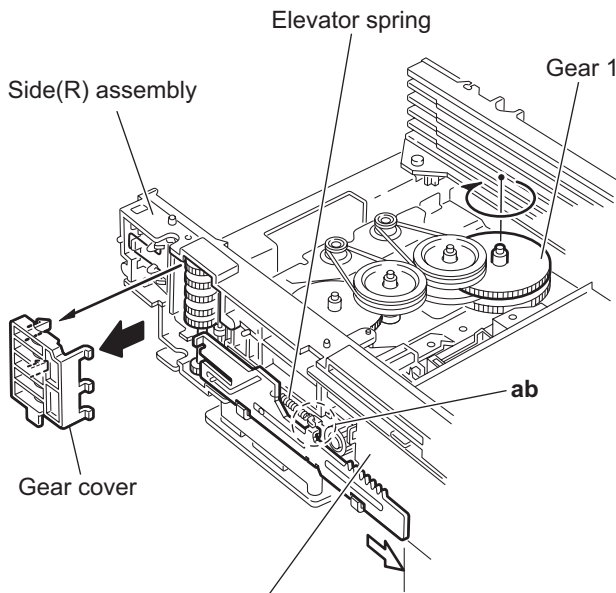


Fig.24

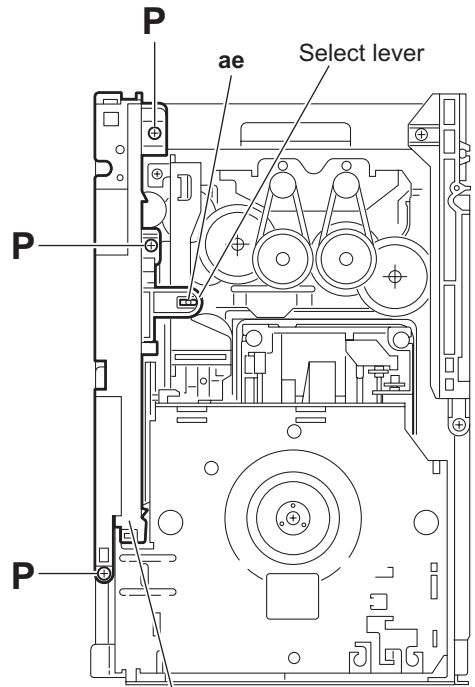


Fig.26

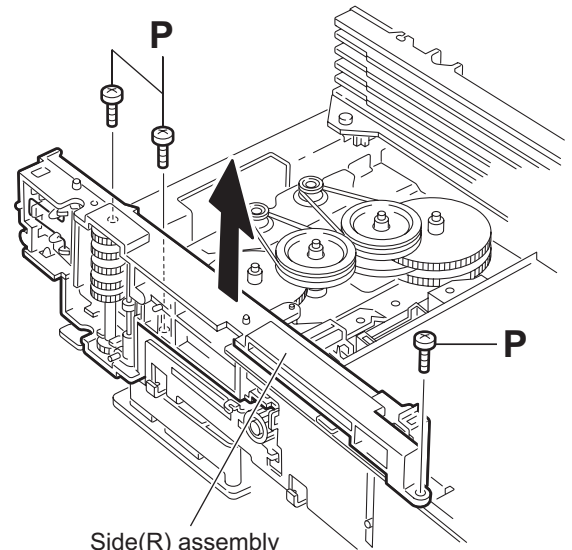


Fig.27

3.2.13 Removing the lifter assembly (See Figs.28 to 32)

- Remove the tray assemblies, DVD servo board, side (L) and side (R) assembly.
 - (1) From the top side of the DVD changer mechanism assembly, turn the gear 1 clockwise to move the lifter assembly upward. (See Figs.28 and 29.)
 - (2) Turn the gear 2 clockwise to move the hook toward the front until it stops. (See Figs.28 and 29.)
 - (3) Move the hook stopper in the direction of the arrow 2 while pushing the tab **af** of the hook stopper to unlock it in the direction of the arrow 1 and release four joints **ag** to detach from the rack holder. (See Fig.30.)
 - (4) Release the rod (L) from part **ah**. (See Fig.30.)
 - (5) Turn the gear 1 clockwise again to move the lifter assembly upward. (See Fig.31.)
 - (6) Remove the lifter assembly from the DVD changer mechanism assembly upward at the positions **ai** where the four pins on the both sides of the lifter assembly fit to the notches of the loader assembly. (See Fig.31.)
 - (7) Move the lifter assembly in the direction of the arrow and release it from the hook. (See Fig.32.)

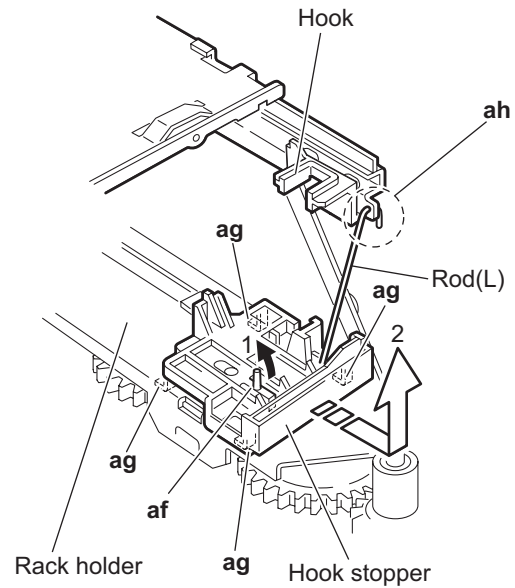
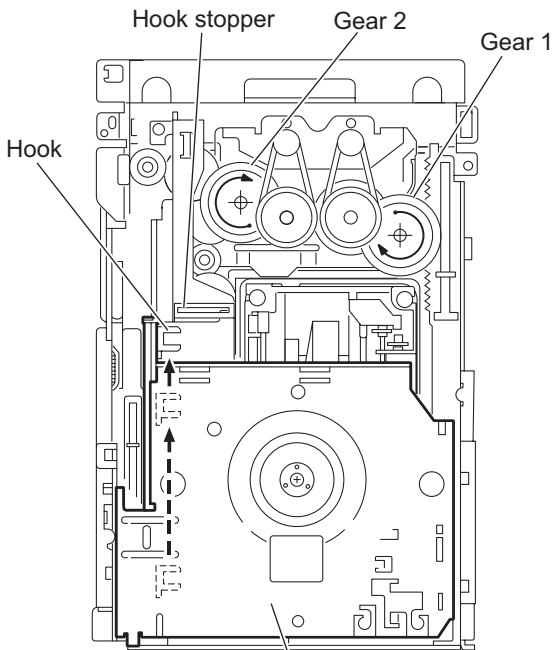


Fig.30



Lifter assembly
Fig.28

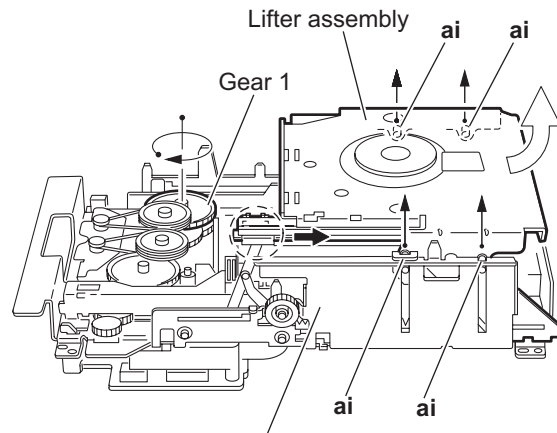


Fig.31

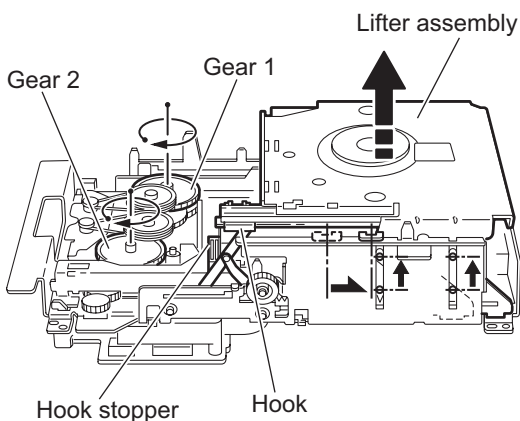


Fig.29

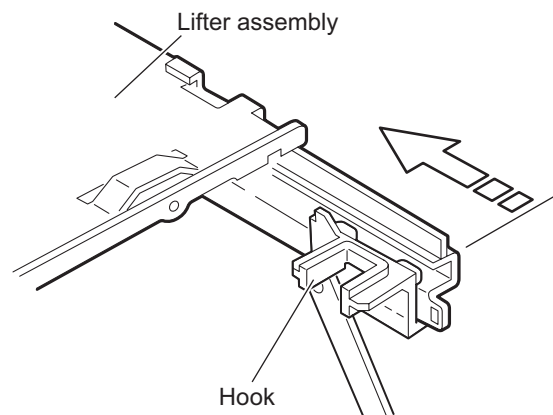


Fig.32

3.2.14 Removing the sensor board and SV resistor (See Fig.33)

- Remove the tray assemblies, side (L), side (R) assembly and lifter assembly.
 - Remove the solders from the soldered sections **aj** on the sensor board and remove the wires.
 - Remove the two screws **Q** and take out the sensor board with the SV resistor.

Reference:

- Remove the soldered section **ap** on the sensor board as required.
- When reassembling, pass the wires through the slot **ak** of the sensor board as before.

Note:

When reattaching the SV. resistor, fit the projection **am** on the bottom of the SV. resistor into slot **an** of the sensor slider.

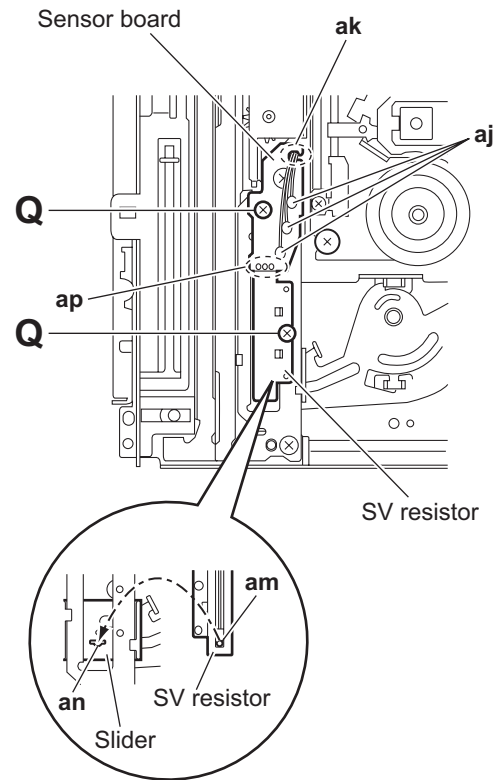


Fig.33

3.2.15 Taking out the disc in the play mode (See Fig.34 to 37)

Reference:

Refer to "Removing the tray assemblies".

- (1) From the top side of the DVD changer mechanism assembly, remove the top cover.
- (2) Unlock the tray assemblies and draw out the tray assemblies toward the front.
- (3) From the top side of the DVD changer mechanism assembly, turn the gear 1 clockwise to move the lifter assembly upward. (See Fig.34.)
- (4) Turn the gear 2 clockwise to move the sub tray remaining inside the lifter assembly toward the front, then pull out.
- (5) Take out the disc on the sub tray. (See Fig.35.)
- (6) After clearing away the disc, insert the sub tray into the main tray. (See Fig.36.)

Note:

When reattaching the sub tray, move the tray stopper on the bottom of the main tray in the direction of the arrow to lock the sub tray certainly. (See Figs.36 and 37.)

- (7) Push the tray assembly toward the DVD changer mechanism assembly and reattach.

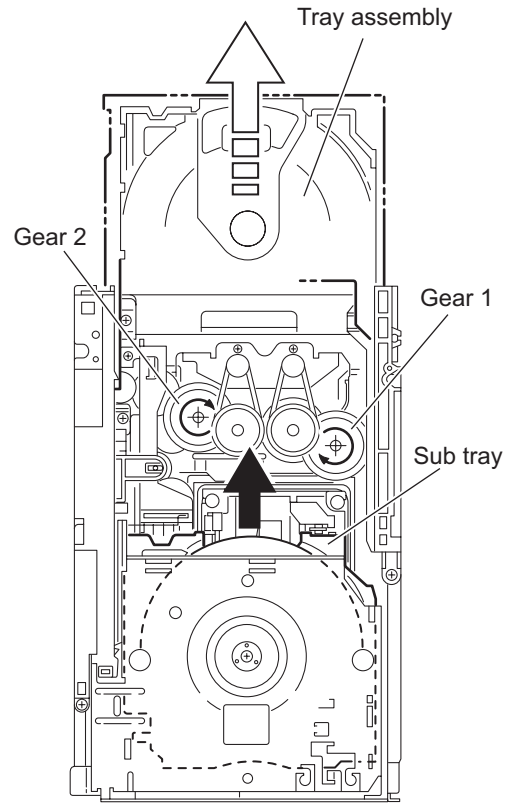


Fig.34

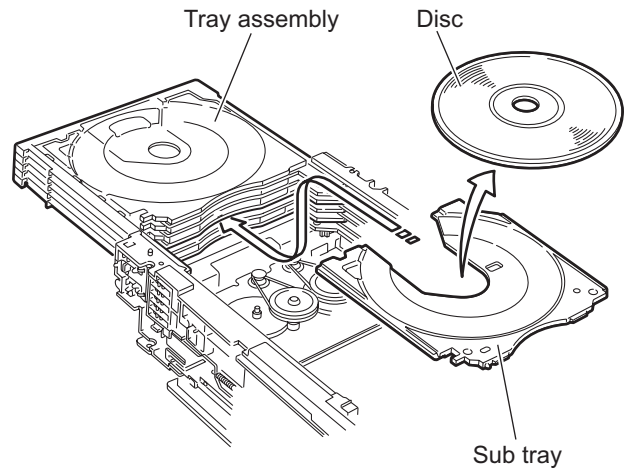


Fig.35

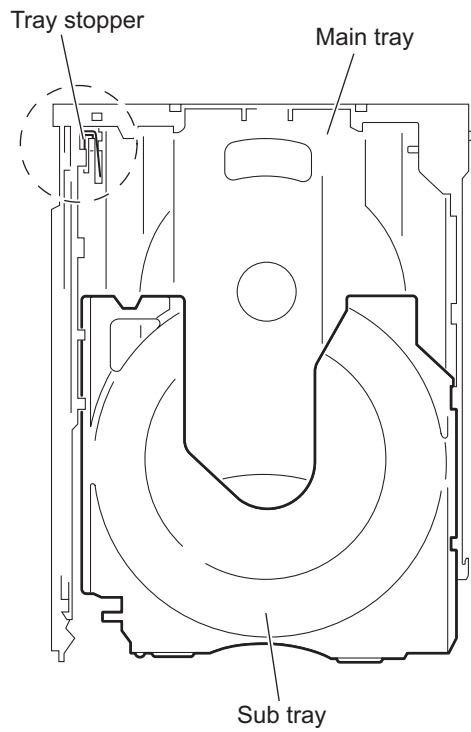


Fig.36

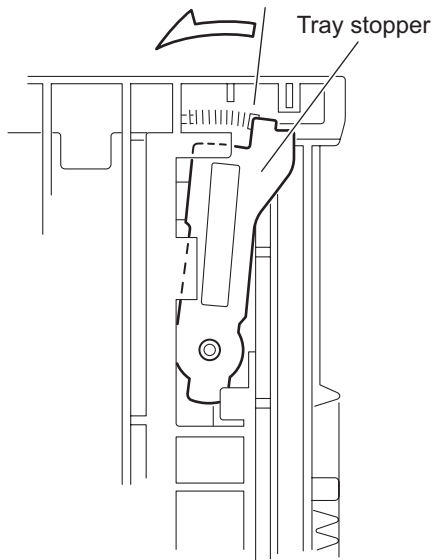


Fig.37

SECTION 4 ADJUSTMENT

4.1 Attention in service of DVD section

- (1) When pickup, Flash ROM, DVD module board were changed, initialize EEPROM by all means.
- (2) When full initialization was executed, execute learning with a DVD test disk by all means.
 Test disc : VT-501, VT-502
 Learning method : It is adjusted automatically by normal playback of a DVD test disc.

4.2 TO ENTER DVD TEST MODE.

- a) AC Power OFF.
- b) Press and hold STOP + DVD PLAY keys on the front panel. Then AC power ON while holding these keys.
- c) DVD Mecha will start in TEST MODE. The following will be display on the set. T x x y v w
 xx = Destination information as follows; JC/1U/D/E/2U/3U/UB/UT/4U/UJ/EE/UF
 y = region number
 v = study state information from MECHA-CON

'v' Status	0	1	2	3
DVD Learned	Y	N	Y	N
'CD Learned	Y	Y	N	N

'w' Status	0	3	BLANK(0xFF)
Initialize Status	Normal	Full	Not Initialize

w = initialization state from MECHA-CON

4.3 TO EXIT DVD TEST MODE

During TEST MODE, press POWER key.

4.4 DVD MODULE EEPROM INITIALIZATION

No	STEP	NORMAL INITIALIZE	FULL INITIALIZE
1)	During DVD TEST MODE	Press key on front panel.	Press STOP key on front panel and hold for 4 seconds.
2)	System display -> w status	w = 0 (Normal initialize)	w = 3 (Full initialize)

4.5 DEVICE KEY CHECKSUM DISPLAY

- a) During TEST MODE, press MENU key on remocon to enter DEVICE KEY CHECKSUM display for DVD-AUDIO (CPPM).
 (KEY INDEX)
 (DEVICE KEY INFO)
 (DEVICE KEY CHECKSUM)

C P P M x x x x

- b) System will display as follows.
- c) Press MENU again to enter DEVICE KEY CHECKSUM display for DVD-VR MODE (CPRM).
 (KEY INDEX)
 (DEVICE KEY INFO)
 (DEVICE KEY CHECKSUM)

C P R M x x x x

- d) System will display as follows.

4.6 DVD CHECK MODES

- a) Press MENU key again to enter CHECK MODE.
 (TEST MODE, MODE STATUS, CHECK MODE)
- i) During CHECK mode, press '1' key on REMOTE CONTROL to START PLAYBACK.
P L A Y B A C K
- ii) During CHECK mode, press '2' key on REMOTE CONTROL to perform SEARCH TNO+1
 (2 seconds)
 Status: AA 00 cc cc jj jj
W O B B L E
c c c c j j j j
- iii) During CHECK mode, press '3' key on REMOTE CONTROL to perform SEARCH TNO-1
C H E C K
- iv) During CHECK mode, press '4' key on REMOTE CONTROL to light up CD_LD and display CD laser current.
 (2 seconds)
 (Static)
C D L D L S R
c c c c j j j j
- v) During CHECK mode, press '5' key on REMOTE CONTROL to light up DVD_LD and display DVD laser current.
 (2 seconds)
 (Static)
D V D L D L S R
c c c c j j j j
- vi) During CHECK mode, press '6' key on REMOTE CONTROL to enter DVD x 2 JITTER MEASUREMENT MODE.
 (2 seconds)
 (Static)
J I T X 1
c c c c j j j j
- vii) During CHECK mode, press '7' key on REMOTE CONTROL to view DVD module EEPROM content in -1 address step.
 (2 seconds)
 (Static)
E E P B W D
c c c c j j j j

viii) During CHECK mode, press '8' key on REMOTE CONTROL to view DVD module EEPROM content in +1 address step.

(2 seconds)
(Static)

E	E	P	F	W	D		
c	c	c	c	j	j	j	j

ix) During CHECK mode, press '9' key on REMOTE CONTROL to perform TEMPERATURE SENSOR VALUE.

(2 seconds)
(Static)

T	E	M	P				
c	c	c	c	j	j	j	j

x) During CHECK mode, press '10' key on REMOTE CONTROL to perform SEARCH DVD_DL PARALLEL DISC DESIGNATED POSITION and JITTER MEASUREMENT

(2 seconds)
(Static)

D	V	D	-	D	L		
c	c	c	c	j	j	j	j

xi) During CHECK mode, press '0' key on REMOTE CONTROL to perform monitor output.

(2 seconds)
(Static)

M	O	N	I	T	O	R	
c	c	c	c	j	j	j	j

xii) During CHECK mode, press '+10' key to INITIALIZE DVD module EEPROM.

I	N	I	T				
---	---	---	---	--	--	--	--

xiii) During CHECK mode, press PLAY key on REMOTE CONTROL to start PLAYING and obtain LASER CURRENT and JITTER value.

(2 seconds)
(Static)

L	S	R	J	I	T		
c	c	c	c	j	j	j	j

xiv) During CHECK mode, press STOP key on REMOTE CONTROL to stop JITTER measurement.

(Static)

c	c	c	c	j	j	j	j
---	---	---	---	---	---	---	---

b) During CHECK mode, at any time press MENU key to exit CHECK mode and return to starting screen of DVD TEST MODE.

SECTION 5 TROUBLESHOOTING

This service manual does not describe TROUBLESHOOTING.



JVC

Victor company of Japan, Limited
Audio/Video Systems category 10-1,1chome,Ohwatari-machi,Maebashi-city,371-8543,Japan

(No.MB616<Rev.002>)



Printed in Japan
VPT

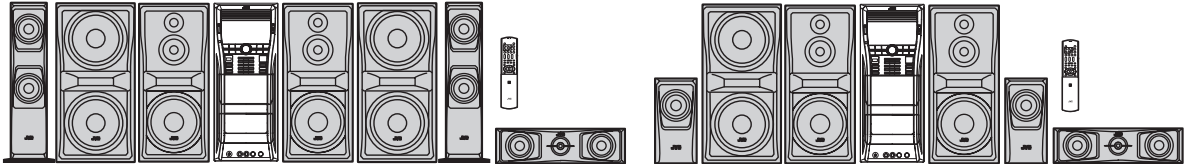
JVC

SCHEMATIC DIAGRAMS

COMPACT COMPONENT SYSTEM

DX-U10A,DX-U10US,DX-U10UX DX-U10UG,DX-U10UN,DX-U8US DX-U8UX,DX-U8UG,DX-U8UN DX-U6US,DX-U6UX,DX-U6UG DX-U6UN

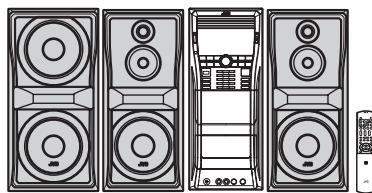
CD-ROM No.SML200706



SP-DXU10W CA-DXU10 SP-DXU10W SP-DXU10C SP-DXU10W CA-DXU8 SP-DXU8S
SP-DXU10S SP-DXU10F SP-DXU10F SP-DXU10S SP-DXU8S SP-DXU10F SP-DXU10F SP-DXU10C



MP3/WMA/WAV Digital Direct Progressive Scan VarioBASS KARAOKE SCORING Color Display



SP-DXU10W CA-DXU6
SP-DXU6F SP-DXU6F



DVD-R/RW +R +RW PLAYBACK MP3/WMA/WAV

Digital Direct Progressive Scan

VarioBASS KARAOKE SCORING Color Display

Lead free solder used in the board (material : Sn-Ag-Cu, melting point : 219 Centigrade)

Lead free solder used in the board (material : Sn-Cu, melting point : 230 Centigrade)

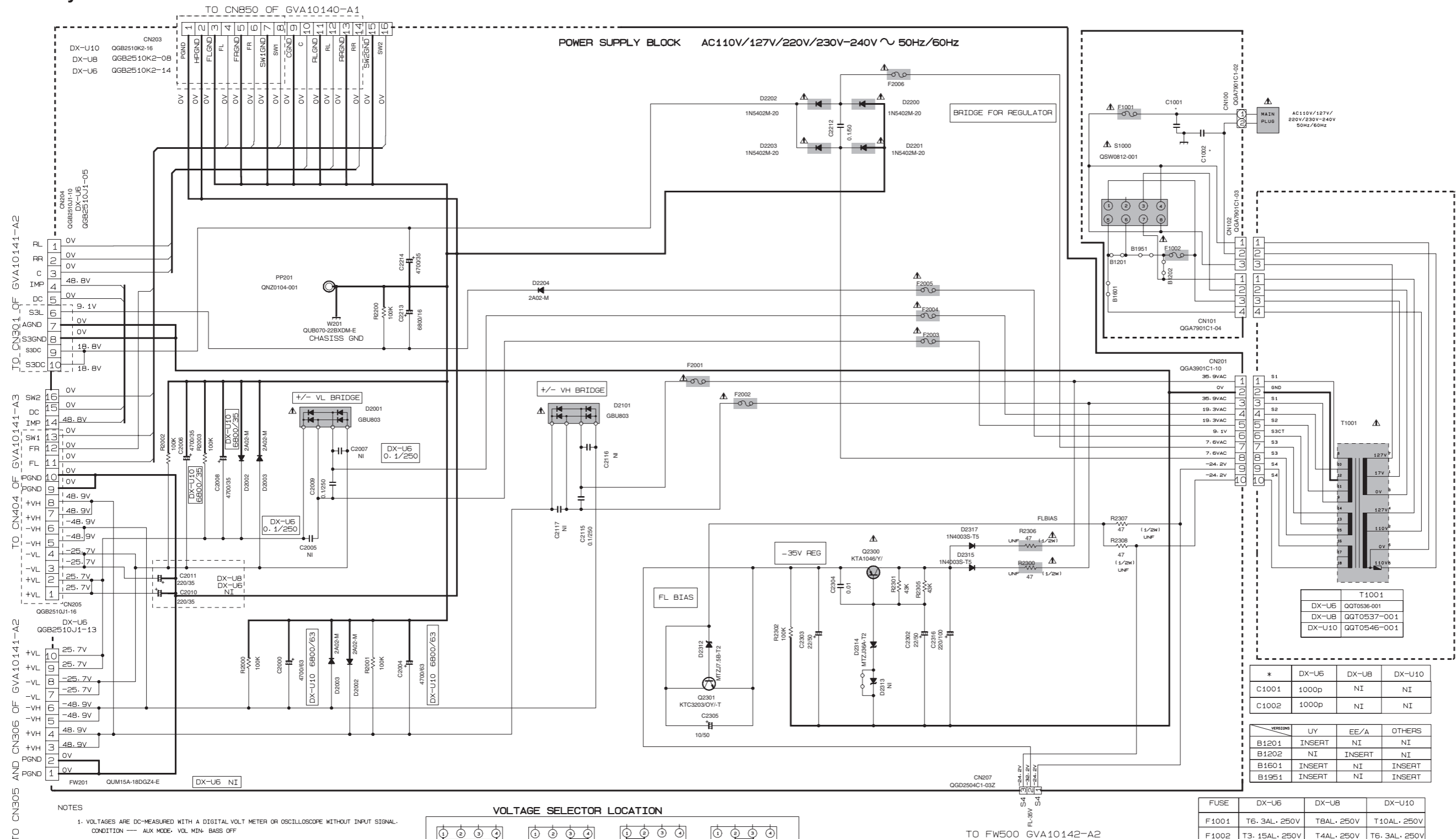
Contents

Block diagrams	2-1
Standard schematic diagrams	2-2
Printed circuit boards	2-16 to 19

In regard with component parts appearing on the silk-screen printed side (parts side) of the PWB diagrams, the parts that are printed over with black such as the resistor (■), diode (▣) and ICP (●) or identified by the "▲" mark nearby are critical for safety.

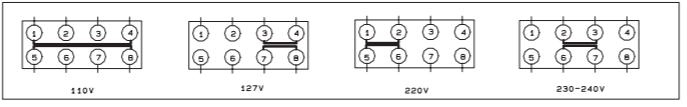
Standard schematic diagrams

■ Primary section



NOTES

- VOLTAGES ARE DC-MEASURED WITH A DIGITAL VOLT METER OR OSCILLOSCOPE WITHOUT INPUT SIGNAL. CONDITION --- AUX MODE, VOL MIN, BASS OFF
- UNLESS OTHERWISE SPECIFIED RESISTORS ARE 1/4W ± 5% CARBON RESISTOR. ALL RESISTANCE VALUES ARE IN OHM (Ω). ALL CAPACITORS ARE CERAMIC CAPACITOR OR MYLAR CAPACITOR. ALL CAPACITANCE VALUES ARE IN #F (pF). ALL INDUCTANCE VALUES ARE IN #H (mH). ALL E-CAPACITORS ARE SHOWN IN THE FORM OF CAPACITANCE (#F)/RATED VOLTAGE (V).



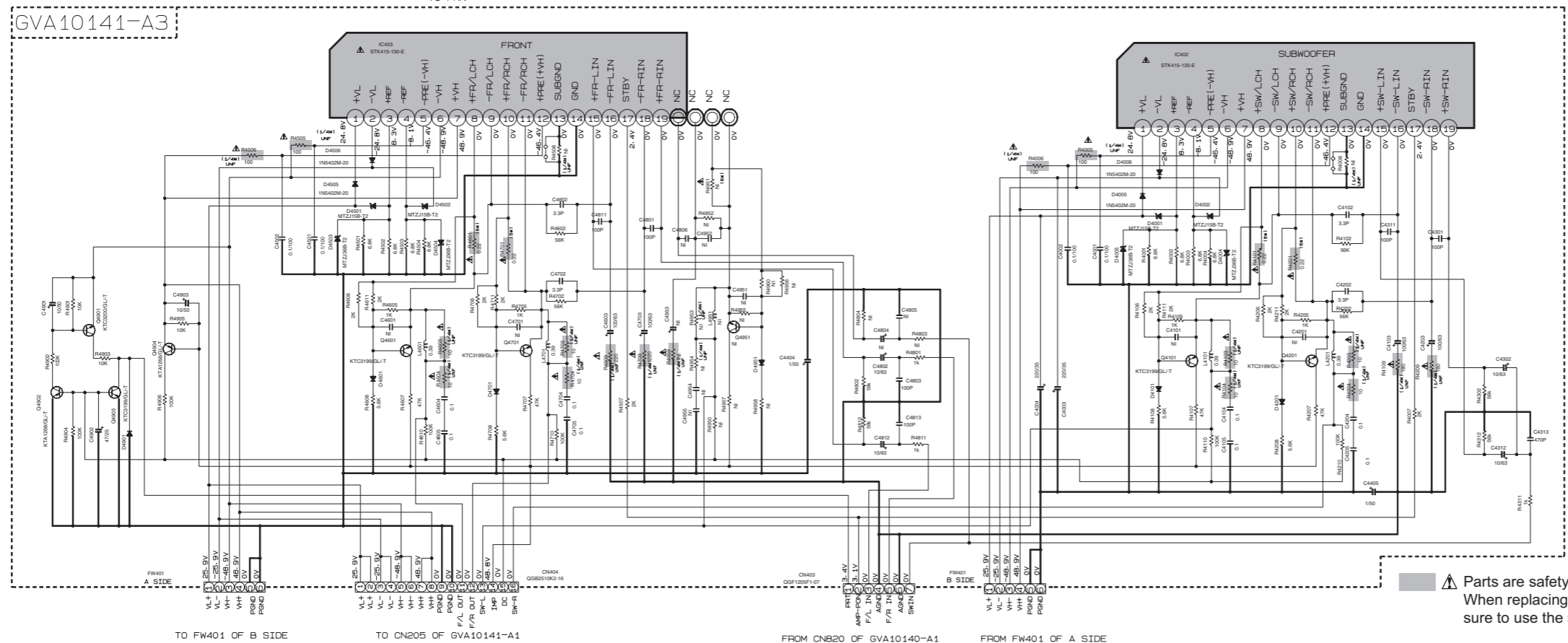
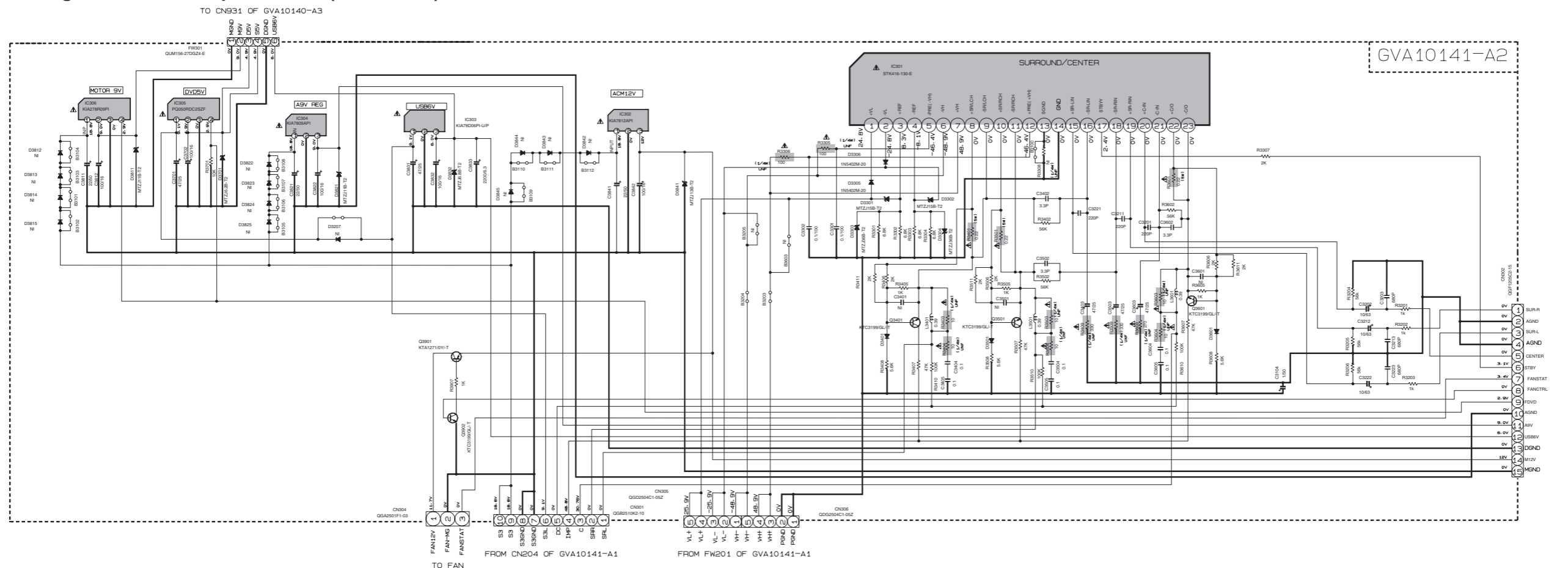
*	DX-U6	DX-UB	DX-U10
C1001	1000p	NI	NI
C1002	1000p	NI	NI

VERSIONS	UY	EE/A	OTHERS
B1201	INSERT	NI	NI
B1202	NI	INSERT	NI
B1601	INSERT	NI	INSERT
B1951	INSERT	NI	INSERT

FUSE	DX-U6	DX-UB	DX-U10
F1001	T6. 3AL. 250V	T8AL. 250V	T10AL. 250V
F1002	T3. 15AL. 250V	T4AL. 250V	T6. 3AL. 250V
F2001	T10AL. 250V	T10AL. 250V	T10AL. 250V
F2002	T10AL. 250V	T10AL. 250V	T10AL. 250V
F2003	T6. 3AL. 250V	T8AL. 250V	T8AL. 250V
F2004	T6. 3AL. 250V	T8AL. 250V	T8AL. 250V
F2005	T1. 6AL. 250V	T1. 6AL. 250V	T1. 6AL. 250V
F2006	T4AL. 250V	T4AL. 250V	T4AL. 250V

▲ Parts are safety assurance parts. When replacing those parts make sure to use the specified one.

■ DC regulator/Audio output section (for DX-U10)



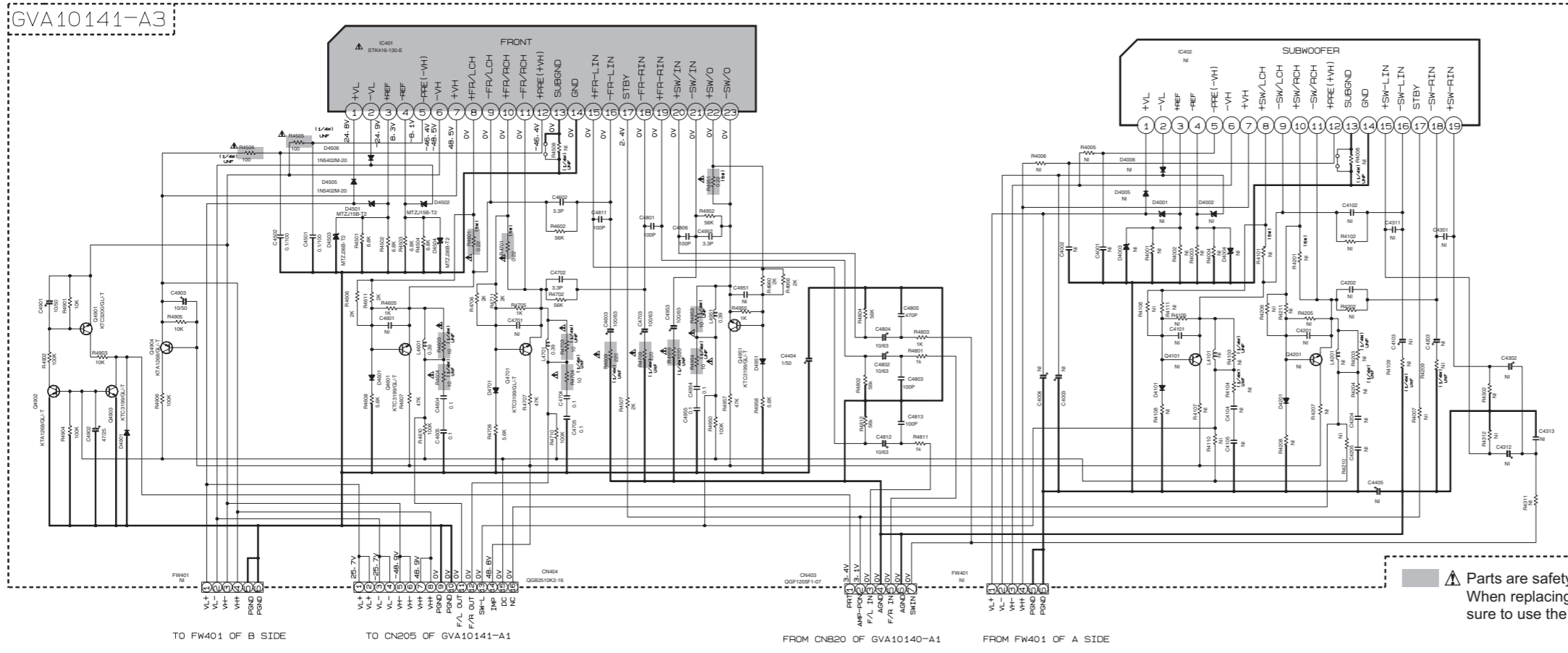
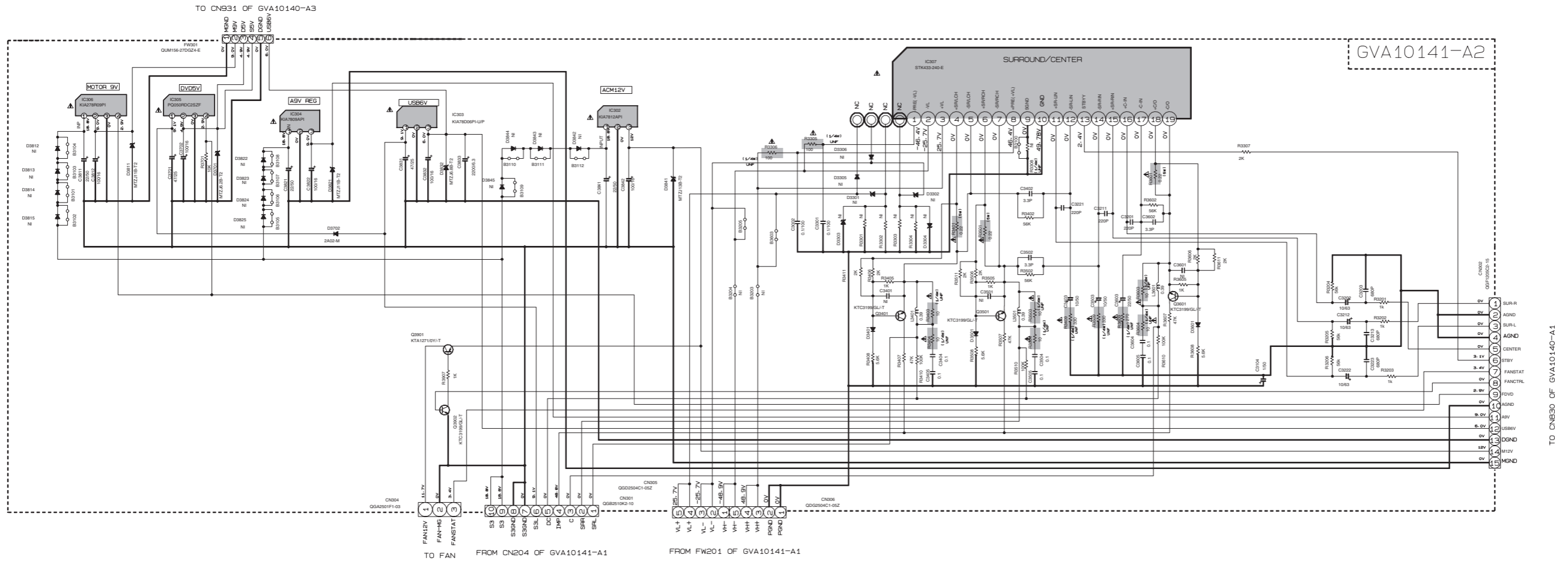
NOTES

1. VOLTAGES ARE DC-MEASURED WITH A DIGITAL VOLT METER OR OSCILLOSCOPE WITHOUT INPUT SIGNAL.
- CONDITION — AIR MODE, VOL. HOLD, BASS OFF
2. UNLESS OTHERWISE SPECIFIED

RESISTORS ARE 1/4W ±5% CARBON RESISTOR.
ALL RESISTANCE VALUES ARE IN OHM Ω.
ALL CAPACITANCE VALUES ARE IN μF (μF).
ALL CAPACITORS ARE CERAMIC CAPACITOR OR MYLAR CAPACITOR.
ALL INDUCTANCE VALUES ARE IN mH (mH).
ALL ELECTROLYTIC CAPACITORS ARE SHOWN IN THE FORM OF CAPACITANCE (μF)/RATED VOLTAGE (V).
ALL DIODES ARE 1SS133-T2

▲ Parts are safety assurance parts.
When replacing those parts make
sure to use the specified one.

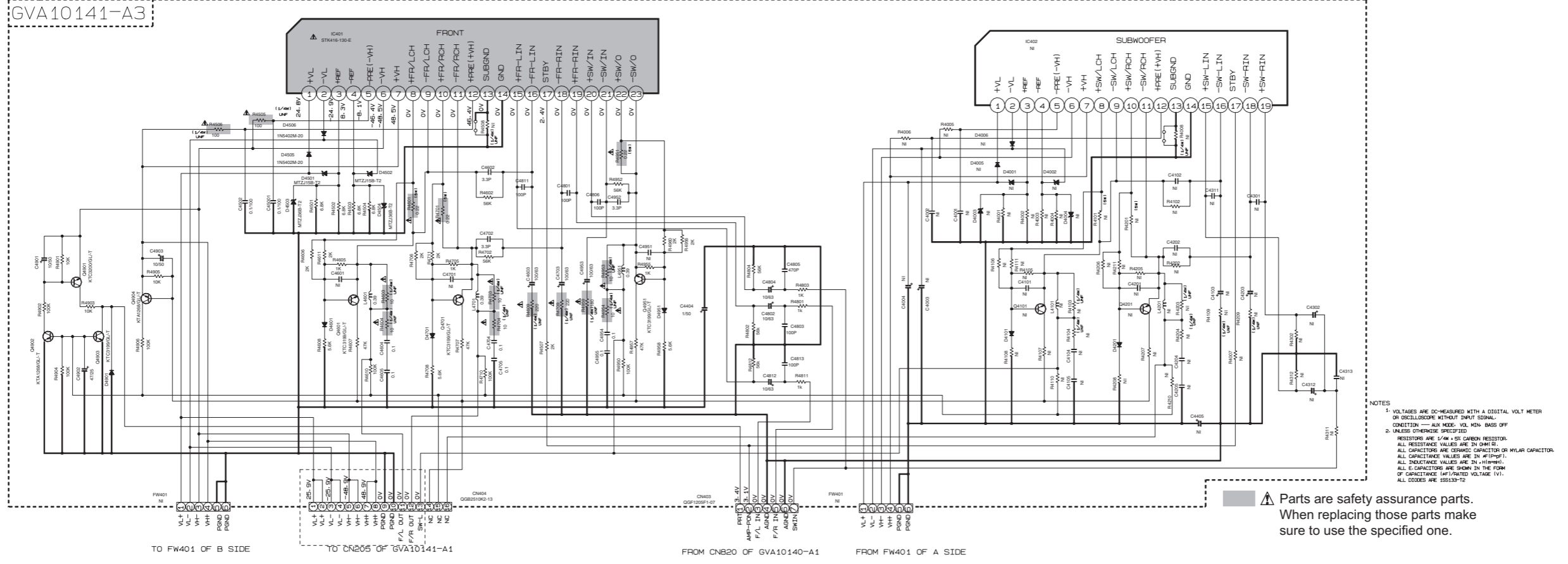
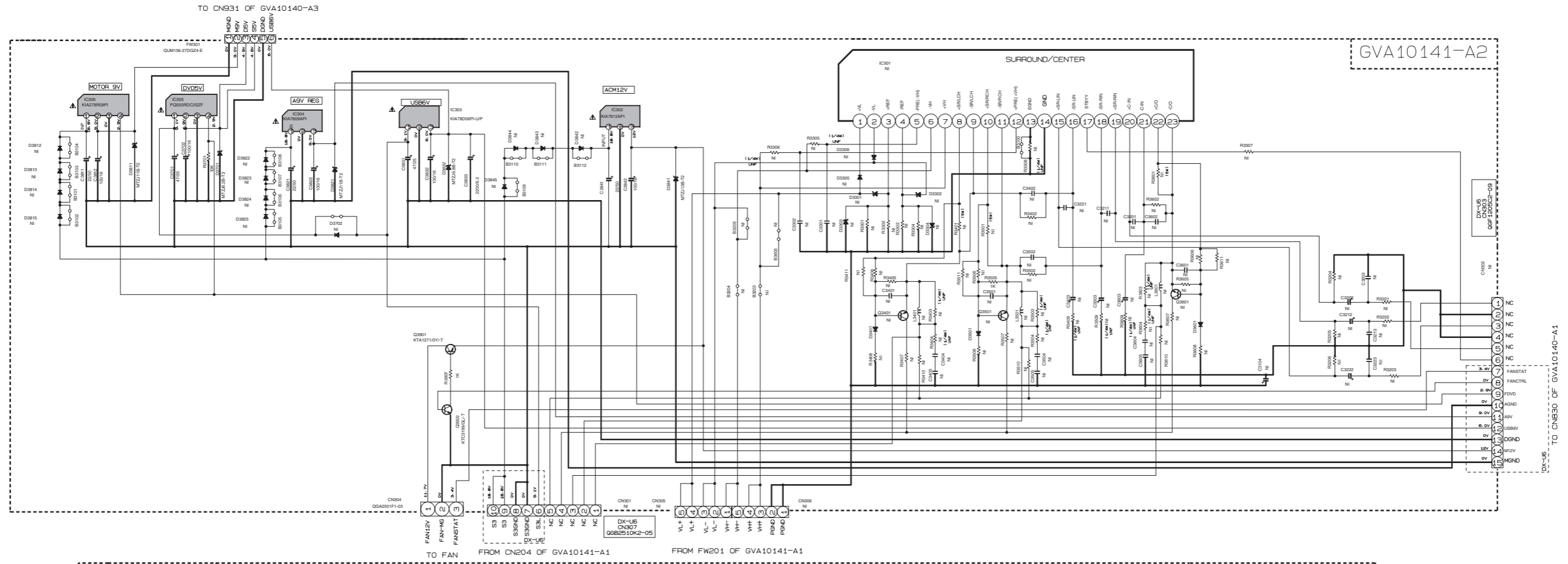
■ DC regulator/Audio output section (for DX-U8)



NOTES
 1. VOLTAGES ARE MEASURED WITH A DIGITAL VOLT METER OR OSCILLOSCOPE WITHOUT INPUT SIGNAL.
 CONDITION — ALL MODES VOL. MIN. BASS OFF
 2. UNLESS OTHERWISE SPECIFIED:
 RESISTORS ARE 1/4W ± 5% CARBON RESISTOR.
 ALL RESISTANCE VALUES ARE IN OHM (Ω).
 ALL CAPACITORS ARE CERAMIC CAPACITOR OR MYLAR CAPACITOR.
 ALL CAPACITANCE VALUES ARE IN μF (μF).
 ALL INDUCTANCE VALUES ARE IN mH (mH).
 ALL ELECTROLYTIC CAPACITORS ARE SHOWN IN THE FORM OF CAPACITANCE (μF) / RATED VOLTAGE (V).
 ALL DIMENSIONS ARE IN MILLIMETERS (mm).

▲ Parts are safety assurance parts.
 When replacing those parts make sure to use the specified one.

■ DC regulator/Audio output section (for DX-U6)



NOTES
 1. VOLTAGES ARE DC-MEASURED WITH A DIGITAL VOLT METER OR OSCILLOSCOPE WITHOUT INPUT SIGNAL.
 CONDITION — AMP MODE, VOL. MDN, BASS OFF
 2. UNLESS OTHERWISE SPECIFIED:
 RESISTORS ARE 1/4W ± 5% CARBON RESISTOR.
 ALL RESISTANCE VALUES ARE IN OHMS Ω.
 ALL CAPACITORS ARE CERAMIC CAPACITOR OR MYLAR CAPACITOR.
 ALL CAPACITANCE VALUES ARE IN #F(P#P#).
 ALL INDUCTANCE VALUES ARE IN #H(M#H#).
 ALL E-CAPACITORS ARE SHOWN IN THE FORM OF CAPACITANCE (µF)/RATED VOLTAGE (V).
 ALL DIMENSIONS ARE 100±0.12

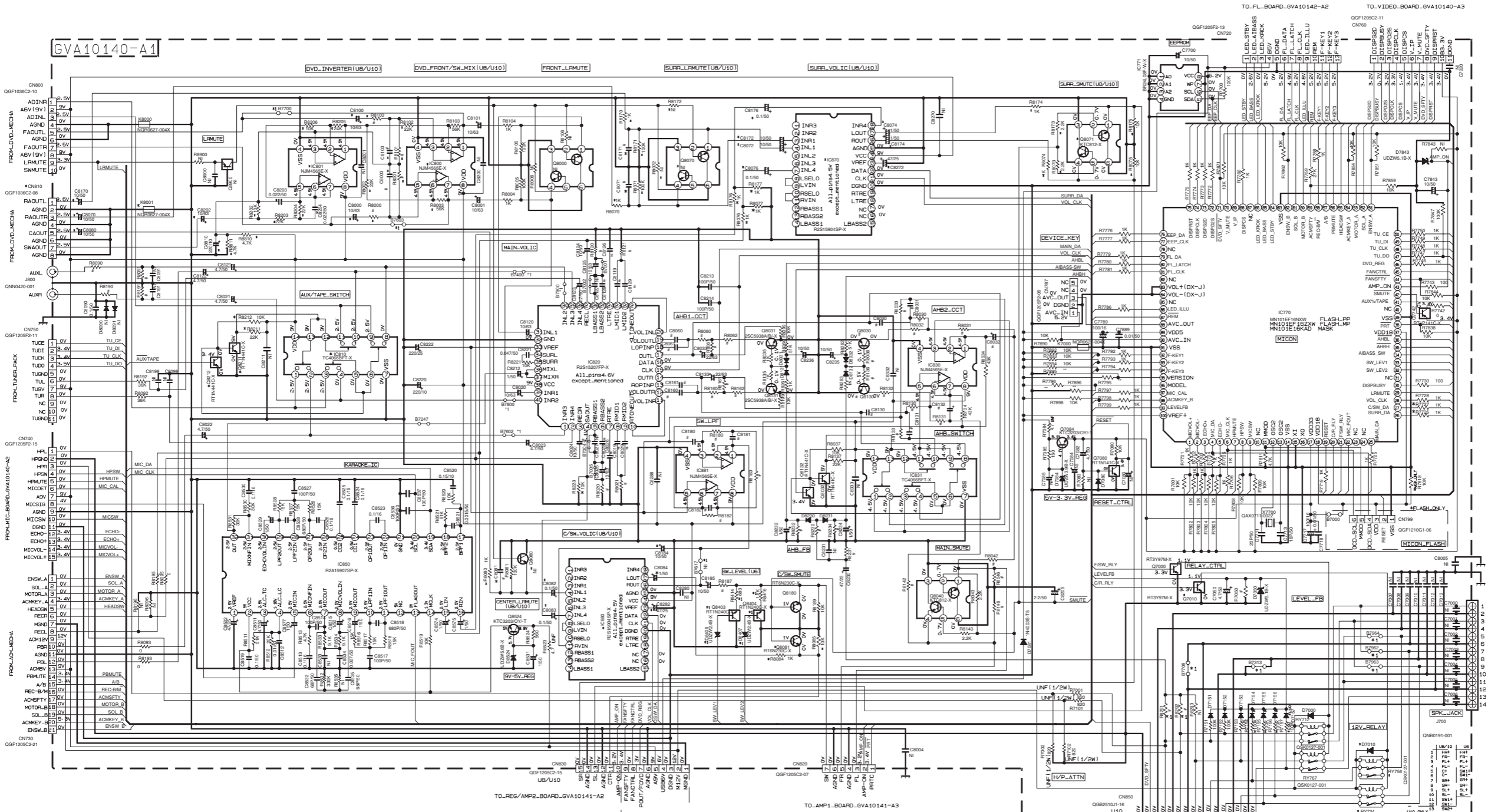
⚠ Parts are safety assurance parts.
 When replacing those parts make
 sure to use the specified one.

System control/External input/Source selector section

IC770

PIN.NO.	1	2	3	4	5	6	7	8	9	10	11	12	13	14	15	16	17	18	19	20	21	22	23	24	25	26	27	28	29	30	31	32	33	34	35	36	37	38	39	40	41	42	43	44	45	46	47	48	49	50				
VOLTAGE	3.4	3.4	3.4	3.4	3.4	3.4	0	0	0	0	0	1.6	1.6	0	0	3.4	3.4	3.4	3.4	3.4	3.3	3.3	0	0	0	0	0	0	0	0	0.7	0	0	0	3.4	0	0	3.4	0	3.4	0	0	3.4	0	3.4	0	3.4	0	3.4	0	3.5	3.4	3.4	0

PIN.NO.	51	52	53	54	55	56	57	58	59	60	61	62	63	64	65	66	67	68	69	70	71	72	73	74	75	76	77	78	79	80	81	82	83	84	85	86	87	88	89	90	91	92	93	94	95	96	97	98	99	100
VOLTAGE	0	0	0	3.4	0	3.4	3.4	0	0	0	0	3.4	0	0	2.6	0	0	1.4	3.4	3.4	3.4	3.4	3.2	3.2	3.3	3.4	0	0	5.2	5.0	5.2	0	0	0	5.2	5.2	0	5.3	5.3	0	5.3	5.3	5.3	5.3	0	5.3	0	5.3	0	5.3



NOTE:
 *MEANS_INSERT_ONLY_FOR_DX-U&U10-ONLY-DX-U&U10-NI
 #MEANS_INSERT_ONLY_FOR_DX-U&U10-ONLY-DX-U&U10-NI

MARK	US	UB	U10
CB02B, CB12B	0.1/50	0.047/50	0.068/50
RB020, RB120	3K	10K	12K
CB02E, CB12E	0.0047dp	0.0033dp	0.0047dp
CB019, CB119	0.027	0.022	0.047
CB025, CB125	750	750	750
RB021, RB121	6.8K	6.8K	3K
CB050, CB150	0.27/50	0.27/50	0.27/50
CB051, CB151	0.1/50	0.1/50	0.12/50
RB050, RB150	3.6K	3.6K	3K
RB051, RB151	2.2K	2K	2.2K
RB052, RB152	10K	10K	13K
RB000, RB100	NI	47K	4.7K
RB001, RB101	NI	47K	5.6K
CB003, CB103	NI	150P/50	270P/50
CB071, CB171	NI	NI	0.015/50
CB081	NI	NI	0.01/50

MARK	US	UB	U10
CB030, CB130	0.1/50	0.1/50	0.15/50
CB031, CB131	0.1/50	0.047/50	0.082/50
RB030, RB130	4.7K	6.8K	4.3K
RB031, RB131	2.2K	2.2K	2.2K
RB032, RB132	10K	39K	10K
RB033, RB133	120K	27K	120K
CB032, CB132	22/50 FG	22/50 FG	10/50 FG
CB180	0.012/50	0.012/50	NI
RB182	27K	27K	30K
CB180	0.015/50	0.015/50	0.022/50
RB180	22K	27K	18K
CB181	0.1/50	0.068/50	0.12/50
RB183	22K	22K	18K
RB030, RB130	RTN140C-X	RTN140C-X	RTN140C-X
RB036, RB136	SHORT	SHORT	1K

MARK	MODEL	US	UB	U10
RB042, RB142	2.2K	2.2K	1K	
RB045, RB145	10K	10K	47K	
RB187	1.6K	2.4K	1K	
RB231	5.6K	5.6K	5.6K	
RB230	5.1K	5.1K	3K	
RB232	68K	75K	68K	
RB234	75K	62K	62K	
RB291, RB292	62K	68K	62K	
RB090, RB190	27K	22K	22K	
RB091, RB191	32K	32K	1M	
RB092	62K	62K	75K	

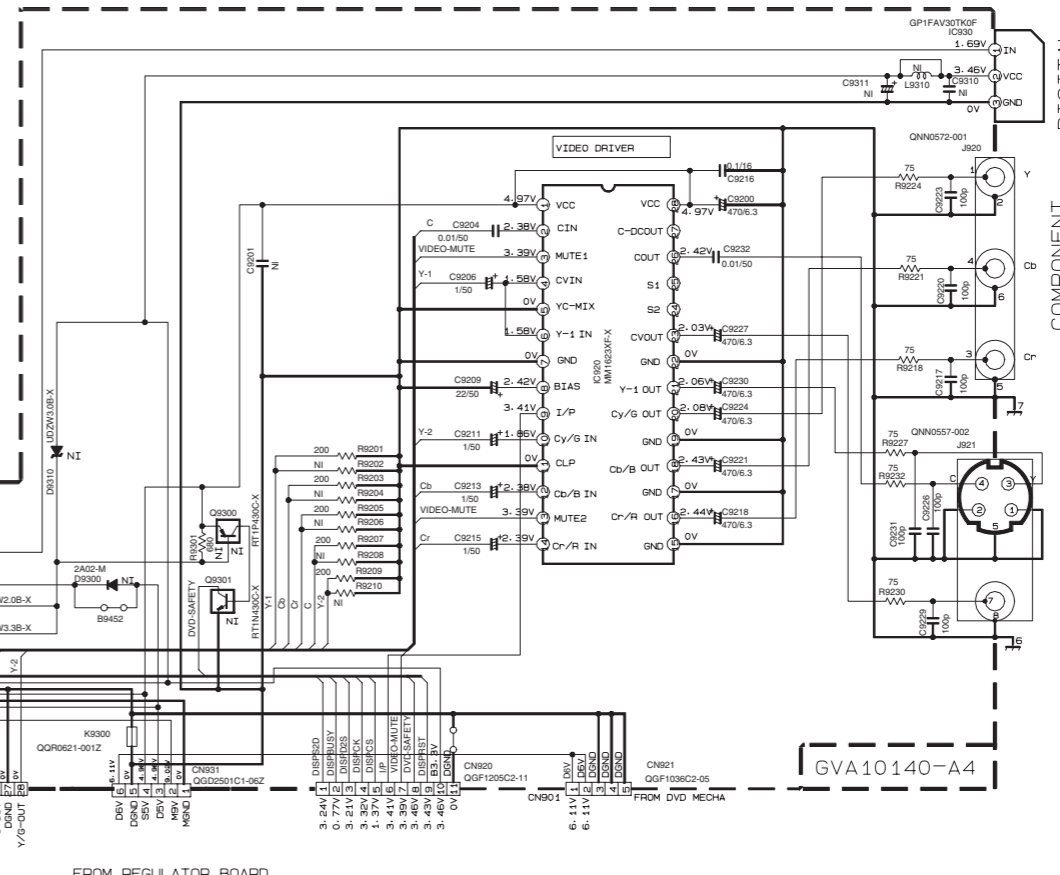
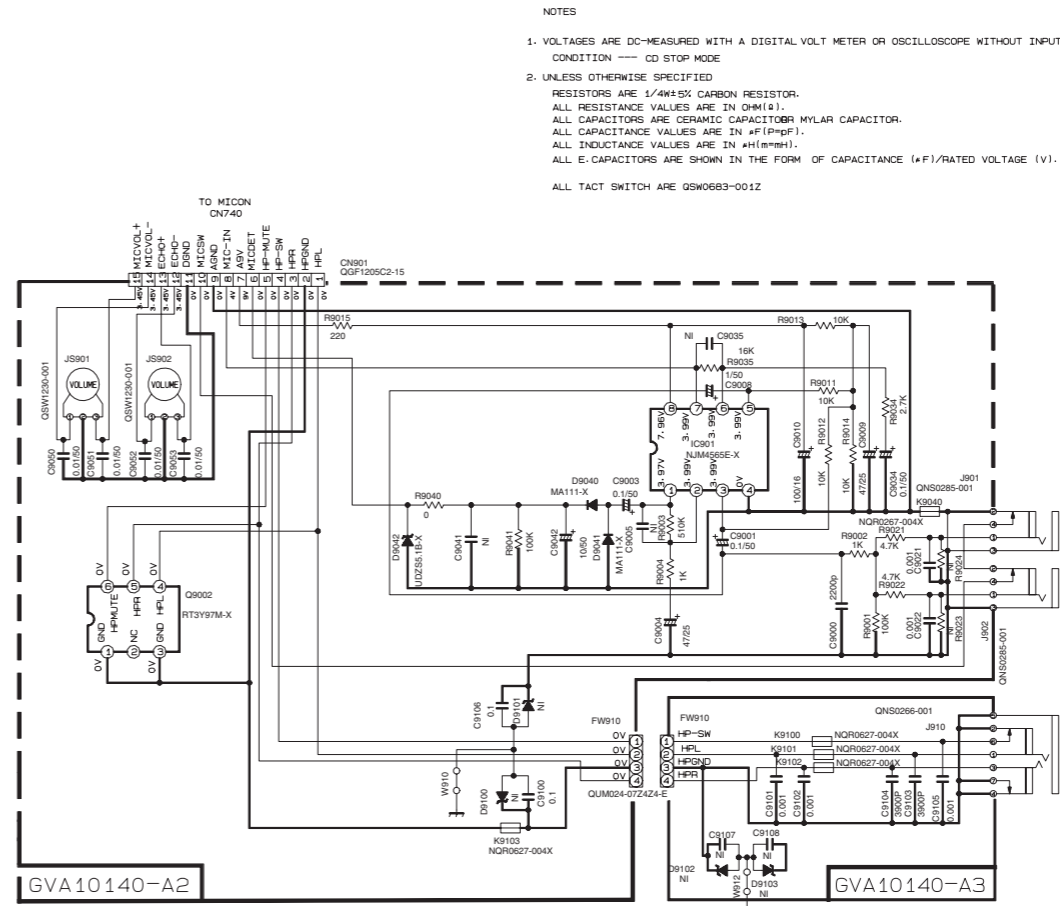
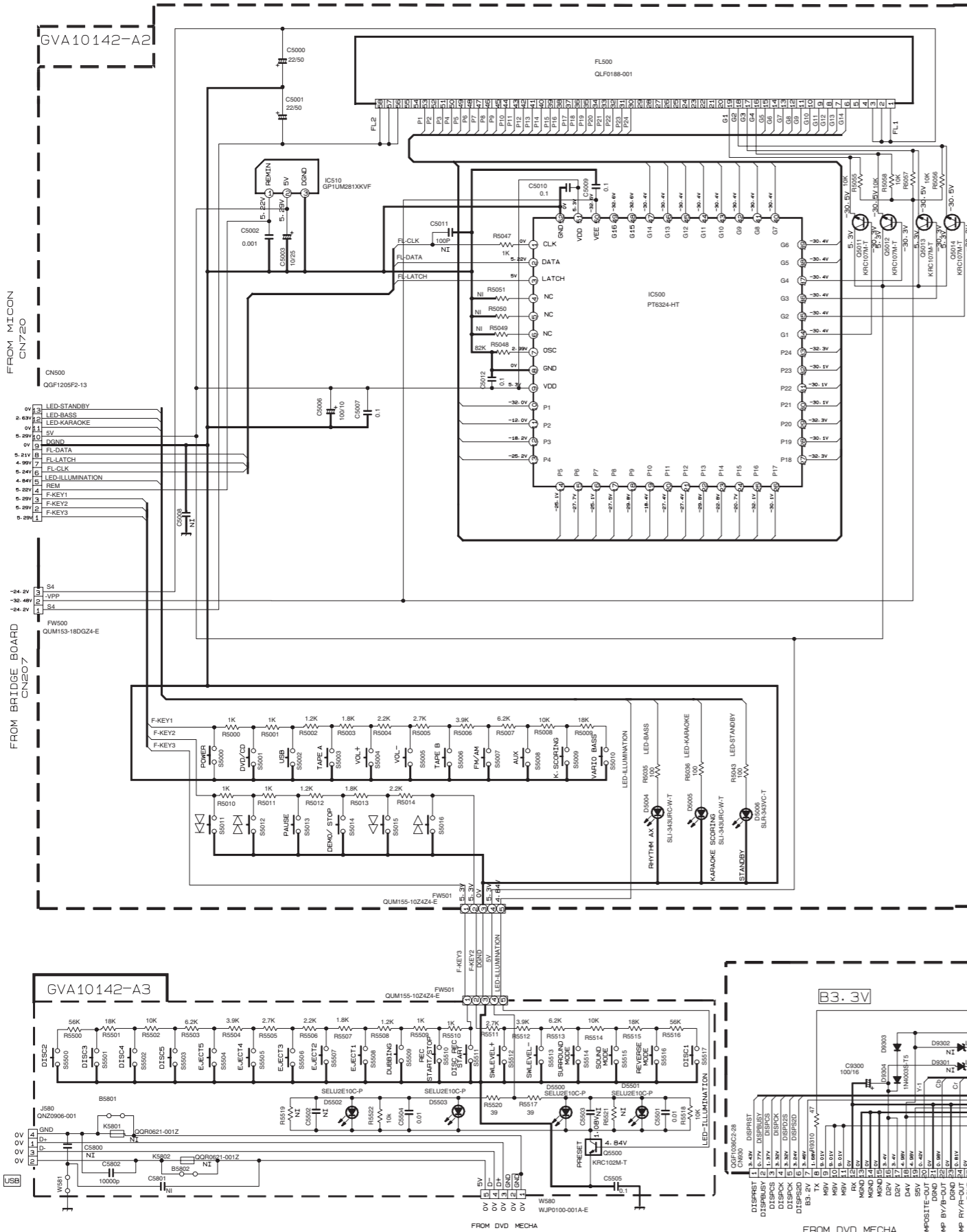
MARK	MODEL	US	UB	U10
CB030, CB130	0.1/50	0.1/50	0.15/50	
CB031, CB131	0.1/50	0.047/50	0.082/50	
RB030, RB130	4.7K	6.8K	4.3K	
RB031, RB131	2.2K	2.2K	2.2K	
RB032, RB132	10K	39K	10K	
RB033, RB133	120K	27K	120K	
CB032, CB132	22/50 FG	22/50 FG	10/50 FG	
CB180	0.012/50	0.012/50	NI	
RB182	27K	27K	30K	
CB180	0.015/50	0.015/50	0.022/50	
RB180	22K	27K	18K	
CB181	0.1/50	0.068/50	0.12/50	
RB183	22K	22K	18K	
RB030, RB130	RTN140C-X	RTN140C-X	RTN140C-X	
RB036, RB136	SHORT	SHORT	1K	

***MARK_MICON_SETTING**
 MODEL US UB U10
 R7796 10K NI
 R7896 5.6K 10K
 VERSION EE LM/LN/LS/LN/LS/UN/UN/UX
 R7796 NI 10K 10K 10K
 R7896 10K 18K NI 5.6K

NOTES
 1. VOLTAGES ARE DC-MEASURED WITH A DIGITAL VOLT METER OR OSCILLOSCOPE WITHOUT INPUT SIGNAL. CONDITION --- CD STOP MODE
 2. UNLESS OTHERWISE SPECIFIED, ALL RESISTORS ARE 1/4W ± 5% CARBON FILM RESISTOR OR 0.063W ± 5% THICK FILM CHIP RESISTOR
 ALL CAPACITORS ARE CERAMIC CAPACITOR OR MYLAR CAPACITOR.
 3. SOUND_SETTINGS---DEFAULT_FACTORY_SETTING---AFTER_COLD_START
 VOL_15:ROCK-MODE-V_BASS-AUTO-S_WOOFER-LEVEL-MAX-ALL-CH-STEREO
 ALL-CH-LEVEL-TRIMMING#4dB

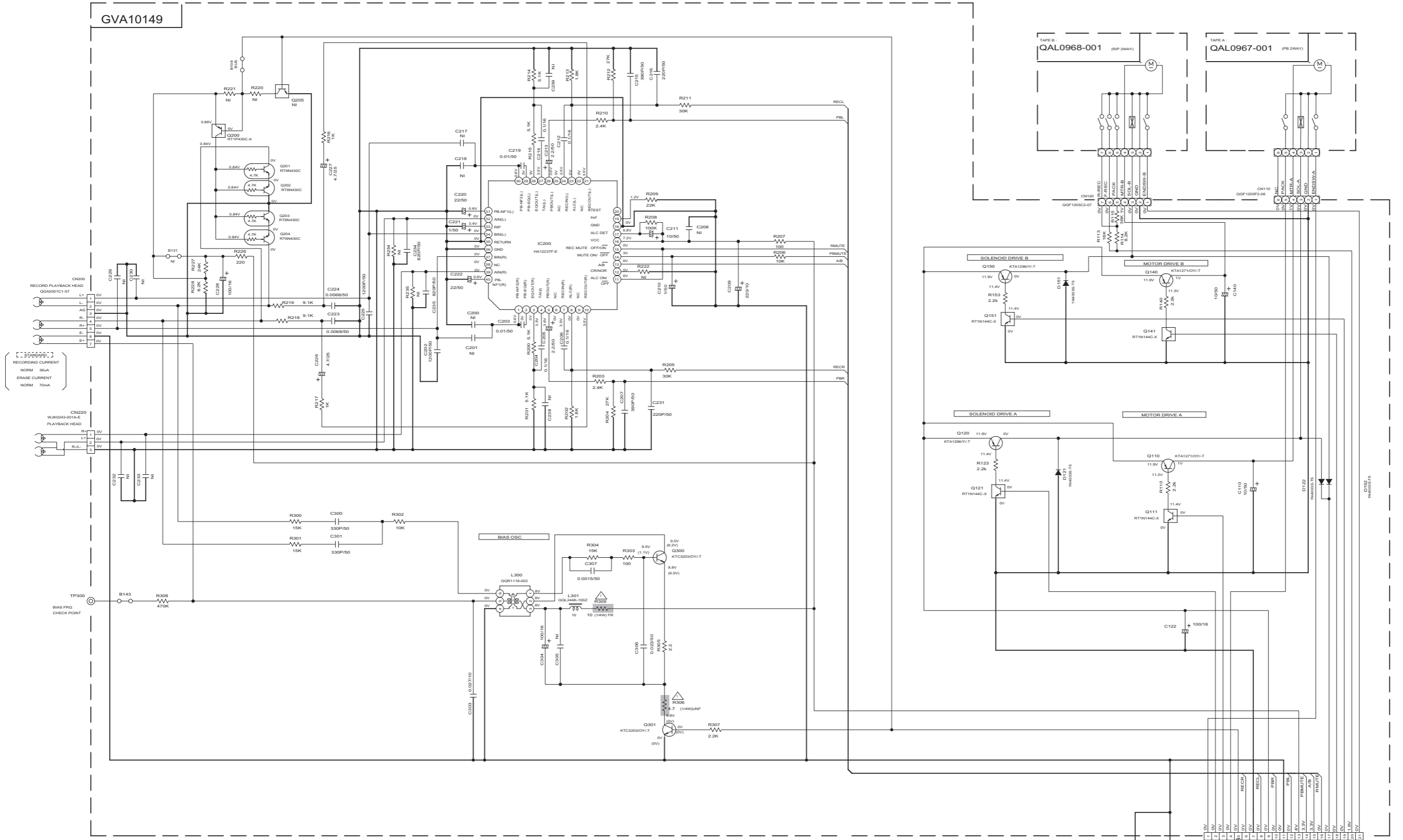
ALL RESISTANCE VALUES ARE IN OHM(Ω).
 ALL CAPACITANCE VALUES ARE IN PICO(FEMTO).
 ALL E-CAPACITORS ARE SHOWN IN THE FORM OF CAPACITANCE(μF)/RATED VOLTAGE (V).
 ALL INDUCTIVE VALUES ARE IN MH(MILLI-HENRY).
 ALL DIODES ARE MA111-X

Video output/Mic circuit/FL display/User control key section

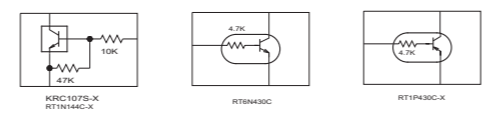


NOTES
 1. VOLTAGES ARE DC-MEASURED WITH A DIGITAL VOLT METER OR OSCILLOSCOPE WITHOUT INPUT SIGNAL. CONDITION — CD STOP MODE
 2. UNLESS OTHERWISE SPECIFIED
 RESISTORS ARE 1/4W5% CARBON RESISTOR.
 ALL RESISTANCE VALUES ARE IN OHM(S).
 ALL CAPACITORS ARE CERAMIC CAPACITOR MYLAR CAPACITOR.
 ALL CAPACITANCE VALUES ARE IN pF(pF/pF).
 ALL INDUCTANCE VALUES ARE IN mH(mH).
 ALL E-CAPACITORS ARE SHOWN IN THE FORM OF CAPACITANCE (pF)/RATED VOLTAGE (V).
 ALL TACT SWITCH ARE QSW06B3-001Z

Cassette mechanism control section

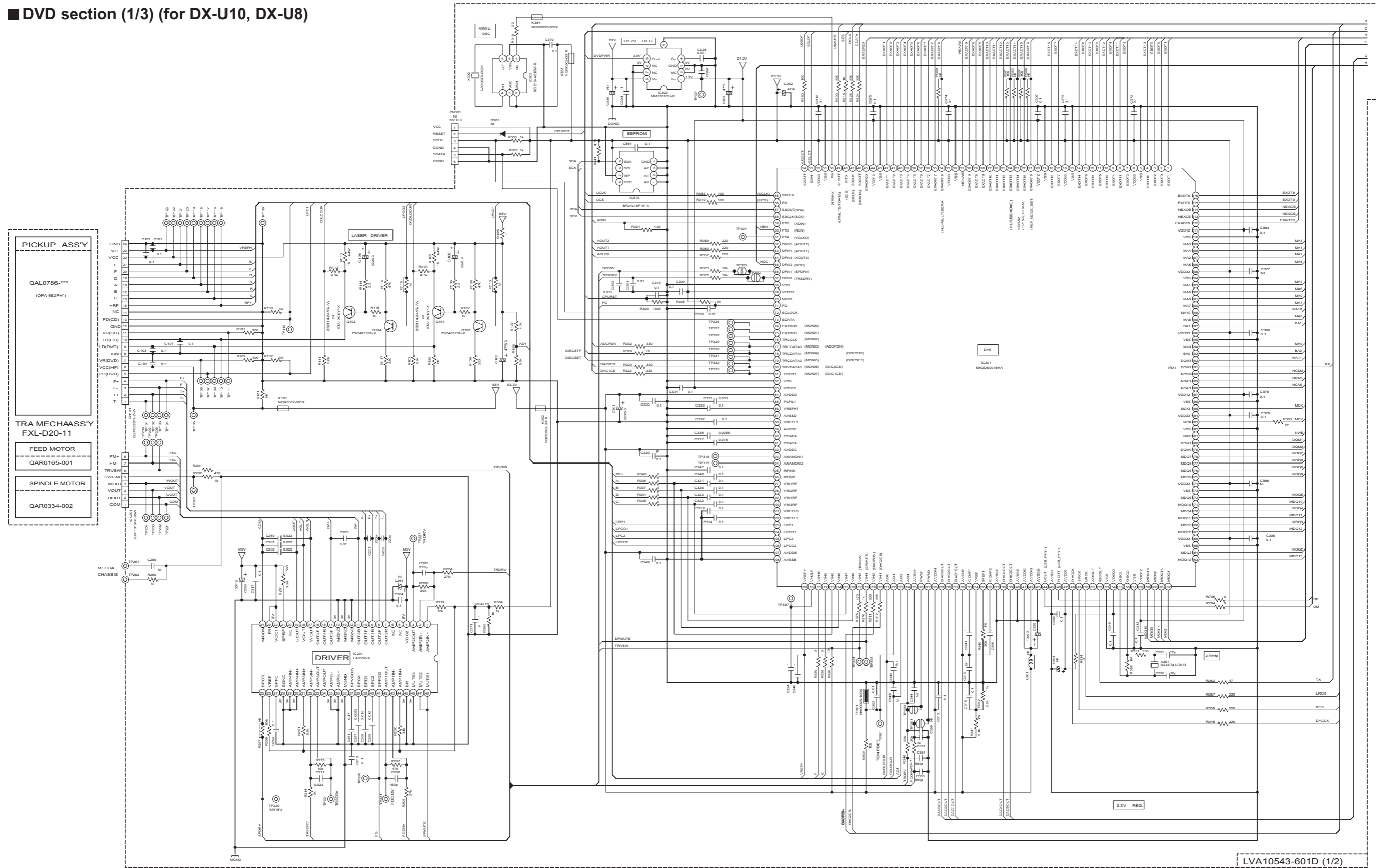


- NOTES**
- VOLTAGES ARE DC-MEASURED WITH A DIGITAL VOLT METER OR OSCILLOSCOPE WITHOUT INPUT SIGNAL.
CONDITION : MECHA STOP MODE
 - UNLESS OTHERWISE SPECIFIED, RESISTORS ARE 1/10W ±5% METAL GLAZE RESISTOR.
ALL RESISTANCE VALUES ARE IN OHM (Ω).
ALL CAPACITORS ARE CERAMIC CAPACITOR OR MYLAR CAPACITOR.
ALL CAPACITANCE VALUES ARE IN μF (μF).
ALL INDUCTANCE VALUES ARE IN μH (μH).
ALL ELECTROLYTIC CAPACITORS ARE SHOWN IN THE FORM OF CAPACITANCE (μF) RATED VOLTAGE (V).
POLYPROPYLENE CAPACITOR



⚠ Parts are safety assurance parts.
When replacing those parts make sure to use the specified one.

■ DVD section (1/3) (for DX-U10, DX-U8)

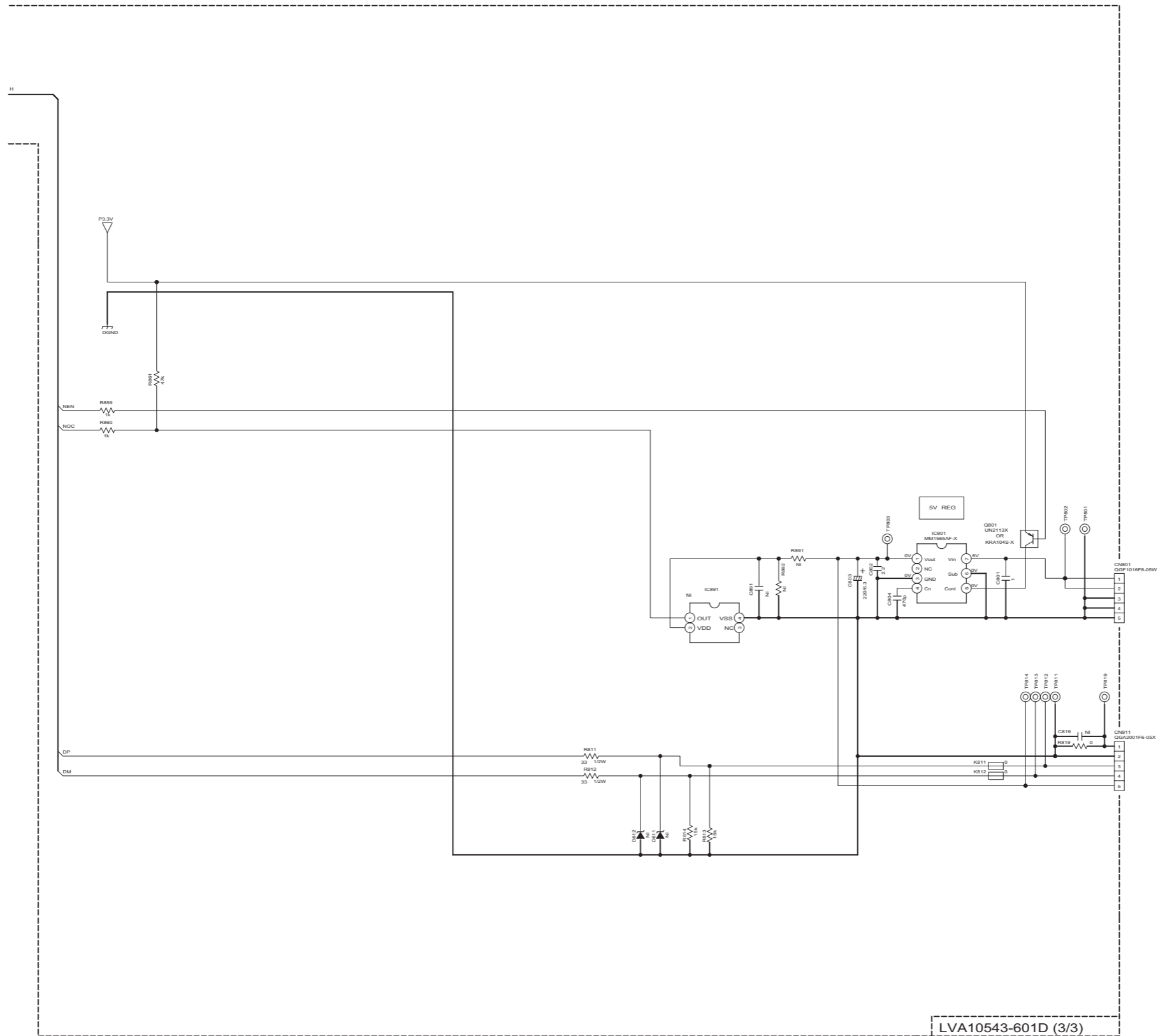


NOTES

- VOLTAGES ARE DC-MEASURED WITH A DIGITAL VOLT METER, WITHOUT INPUT SIGNAL. CONDITION — A DVD disc in the Tray 1, and STOP mode.
- UNLESS OTHERWISE SPECIFIED, ALL RESISTORS ARE 1/16W ±5% METAL GLAZE RESISTOR, OR 0.5% METAL GLAZE RESISTOR. ALL CAPACITORS ARE 50V, 25V, 16V, 10V or 6.3V CERAMIC CAPACITOR. ALL RESISTANCE VALUES ARE IN OHMS(Ω). ALL CAPACITANCE VALUES ARE IN μF(μF) OR pF(pF). ALL ELECTROLYTIC CAPACITORS ARE SHOWN IN THE FORM OF CAPACITANCE(±)F/RATED VOLTAGE (V). ALL INDUCTANCE VALUES ARE IN μH(μH) OR mH(mH).
- NI STANDS FOR NOT INSERTED PARTS.

LVA10543-601D (1/2)

■ DVD section (3/3) (for DX-U10, DX-U8)



LVA10543-601D (3/3)

NOTES

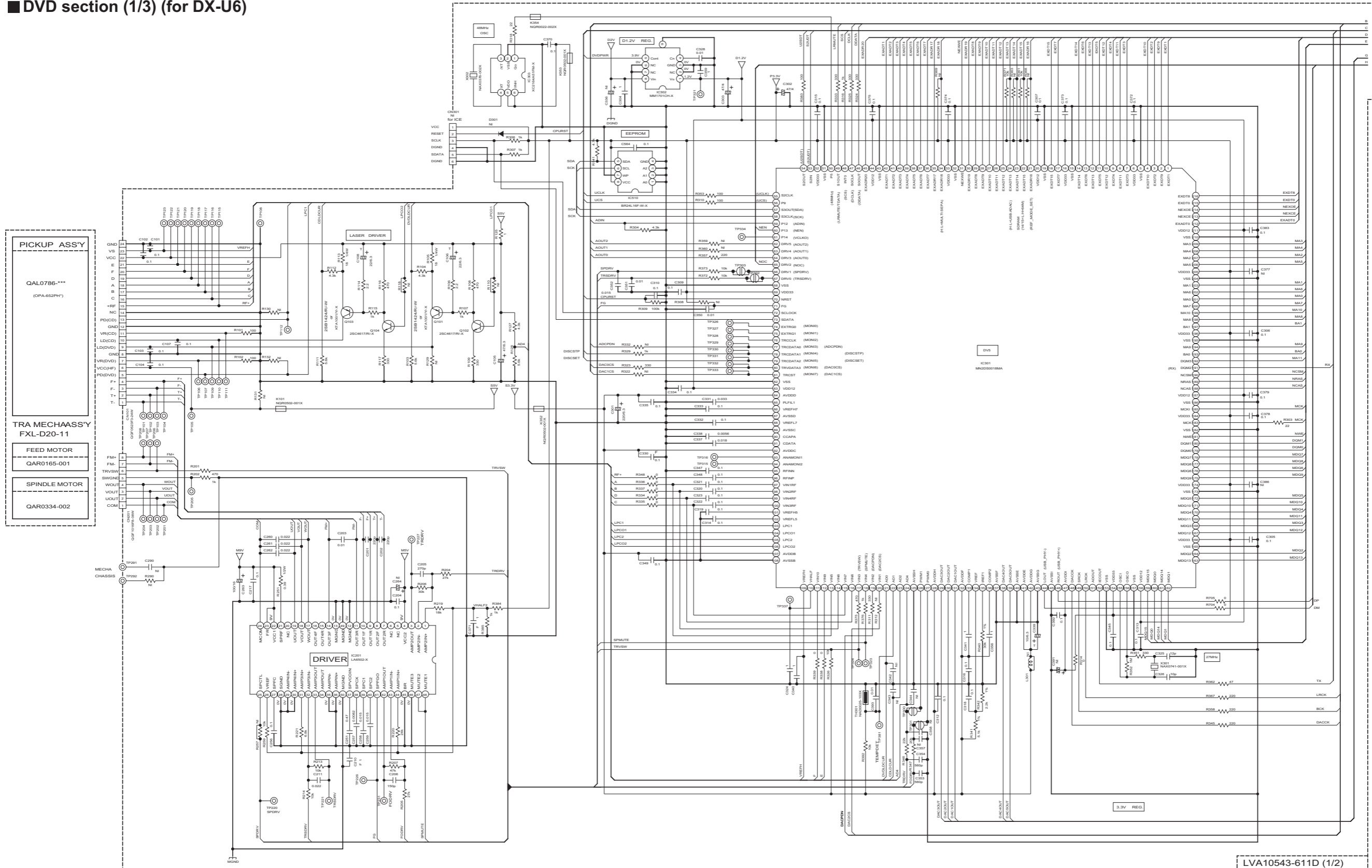
1. VOLTAGES ARE DC-MEASURED WITH A DIGITAL VOLT METER WITHOUT INPUT SIGNAL.
CONDITION — A DVD disc in the Tray 1, and STOP mode.
2. UNLESS OTHERWISE SPECIFIED.
ALL RESISTORS ARE 1/16W ±5% METAL GLAZE RESISTOR, OR 0.5% METAL GLAZE RESISTOR.
ALL CAPACITORS ARE 50V, 25V, 16V, 10V or 6.3V CERAMIC CAPACITOR.
ALL RESISTANCE VALUES ARE IN OHM(Ω).
ALL CAPACITANCE VALUES ARE IN μF(μpF).
ALL E.CAPACITORS ARE SHOWN IN THE FORM OF CAPACITANCE(μF) / RATED VOLTAGE (V).
ALL INDUCTANCE VALUES ARE IN μH(mmhF).

3. NI STANDS FOR NOT INSERTED PARTS.

4. DIGITAL TRANSISTOR



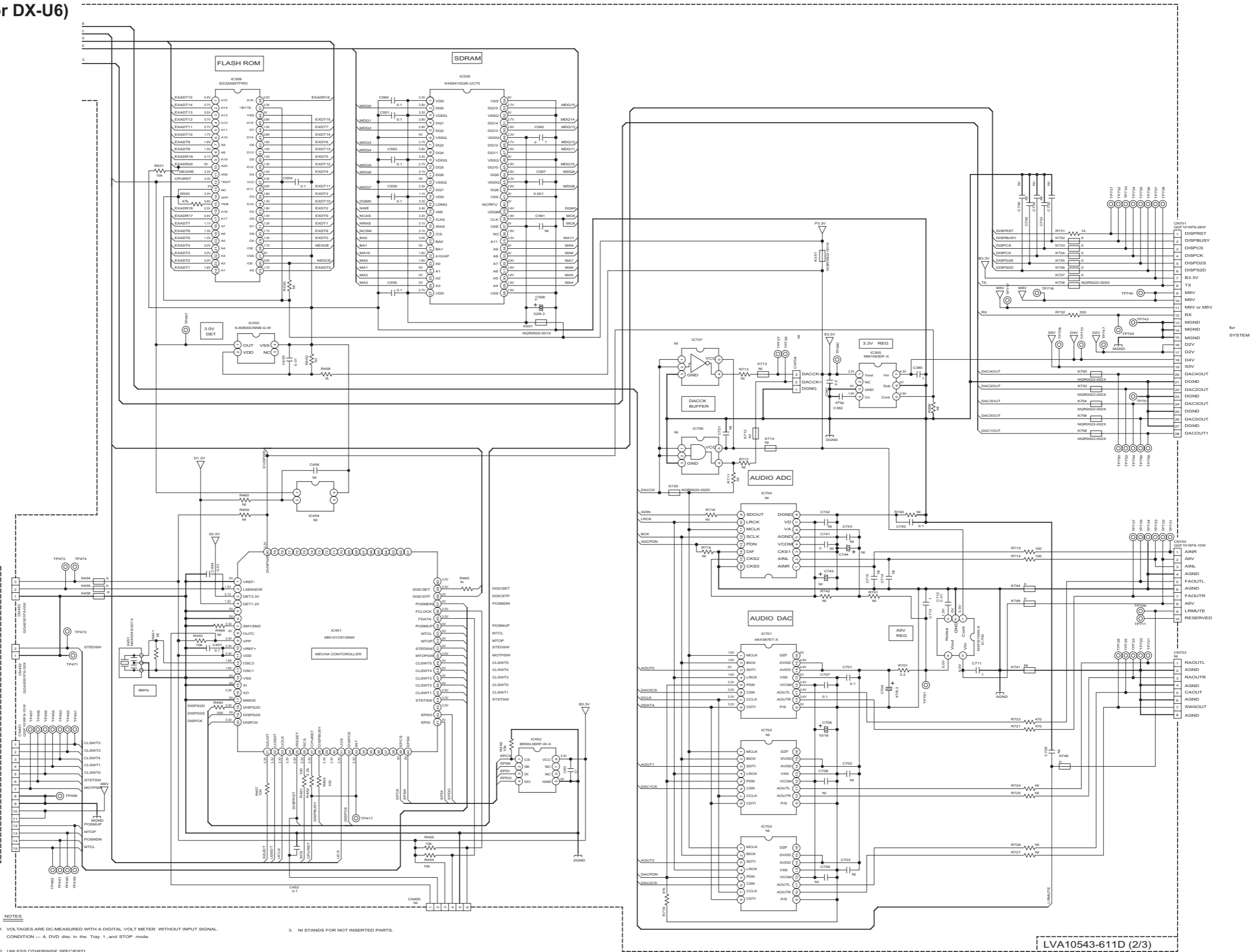
■ DVD section (1/3) (for DX-U6)



LVA10543-611D (1/2)

- NOTES**
- VOLTAGES ARE DC-MEASURED WITH A DIGITAL VOLT METER WITHOUT INPUT SIGNAL. CONDITION --- A DVD disc in the Tray 1, and STOP mode.
 - UNLESS OTHERWISE SPECIFIED, ALL RESISTORS ARE 1/16W ±5% METAL GLAZE RESISTOR, OR 0.5% METAL GLAZE RESISTOR. ALL CAPACITORS ARE 50V, 20V, 16V, 10V or 6.3V CERAMIC CAPACITOR. ALL RESISTANCE VALUES ARE IN OHMS(Ω). ALL CAPACITANCE VALUES ARE IN μF(μF). ALL E-CAPACITORS ARE SHOWN IN THE FORM OF CAPACITANCE(μF)/RATED VOLTAGE (V). ALL INDUCTANCE VALUES ARE IN μH(mH).
 - NI STANDS FOR NOT INSERTED PARTS.

■ DVD section (2/3) (for DX-U6)

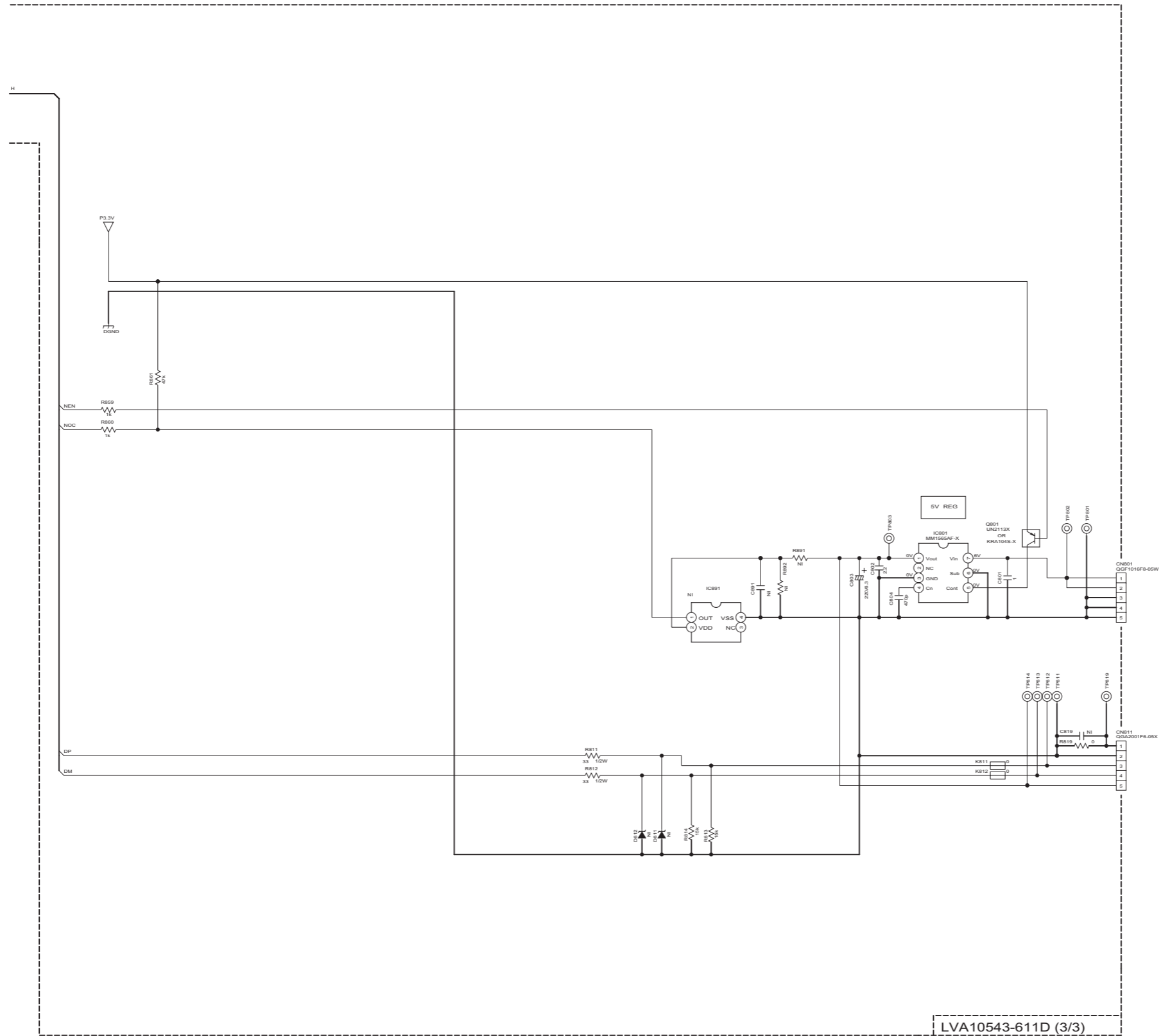


See
LVS20135-002A

NOTES
 1. VOLTAGES ARE DC-MEASURED WITH A DIGITAL VOLT METER WITHOUT INPUT SIGNAL.
 CONDITION — A DVD disc in the Tray 1, and STOP mode.
 2. UNLESS OTHERWISE SPECIFIED.
 ALL RESISTORS ARE 1/16W ±5% METAL GLAZE RESISTOR, OR 0.5% METAL GLAZE RESISTOR.
 ALL CAPACITORS ARE 50V, 20V, 16V, 10V or 6.3V CERAMIC CAPACITOR.
 ALL RESISTANCE VALUES ARE IN OHM(Ω).
 ALL CAPACITANCE VALUES ARE IN μF(μF).
 ALL E-CAPACITORS ARE SHOWN IN THE FORM OF CAPACITANCE(μF)/RATED VOLTAGE (V).
 ALL INDUCTANCE VALUES ARE IN μH(μmH).

3. NI STANDS FOR NOT INSERTED PARTS.

LVA10543-611D (2/3)



NOTES

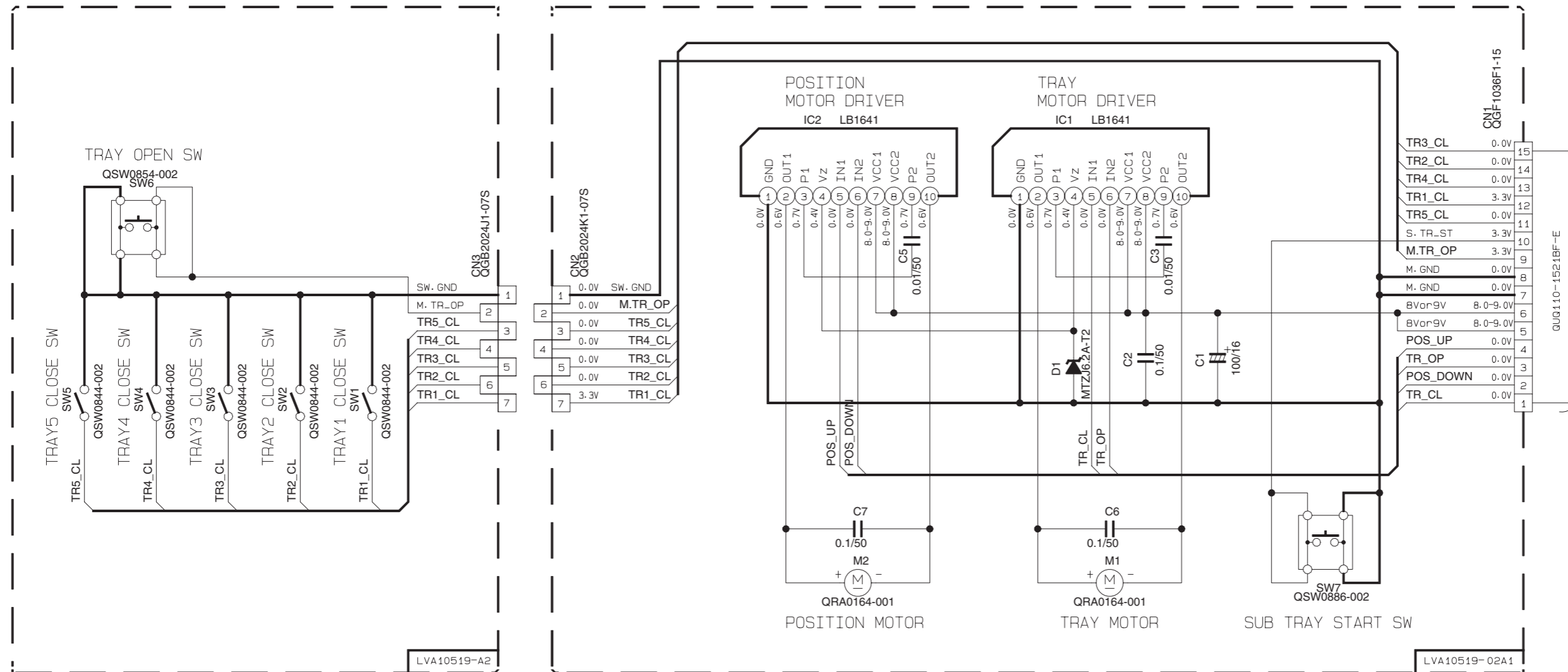
- VOLTAGES ARE DC-MEASURED WITH A DIGITAL VOLT METER WITHOUT INPUT SIGNAL.
CONDITION — A DVD disc in the Tray 1, and STOP mode.
- UNLESS OTHERWISE SPECIFIED.
ALL RESISTORS ARE 1/16W ±5% METAL GLAZE RESISTOR, OR 0.5% METAL GLAZE RESISTOR.
ALL CAPACITORS ARE 50V, 25V, 16V, 10V or 6.3V CERAMIC CAPACITOR.
ALL RESISTANCE VALUES ARE IN OHM(Ω).
ALL CAPACITANCE VALUES ARE IN μF(μF).
ALL CAPACITORS ARE SHOWN IN THE FORM OF CAPACITANCE(μF)/RATED VOLTAGE (V).
ALL INDUCTANCE VALUES ARE IN μH(mmh).

3. NI STANDS FOR NOT INSERTED PARTS.

4. DIGITAL TRANSISTOR

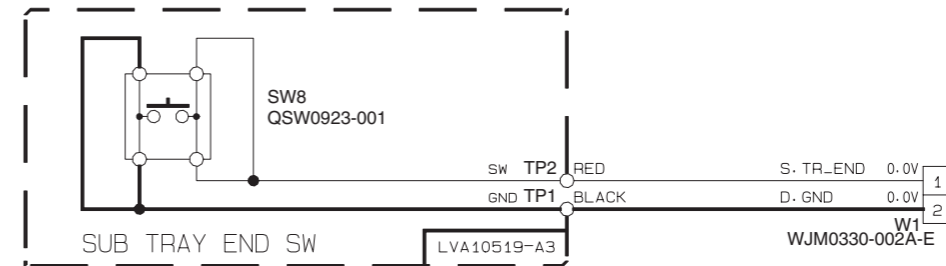
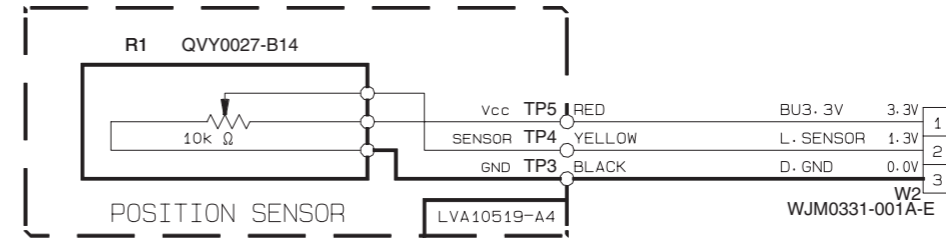


■ Loader section



NOTES

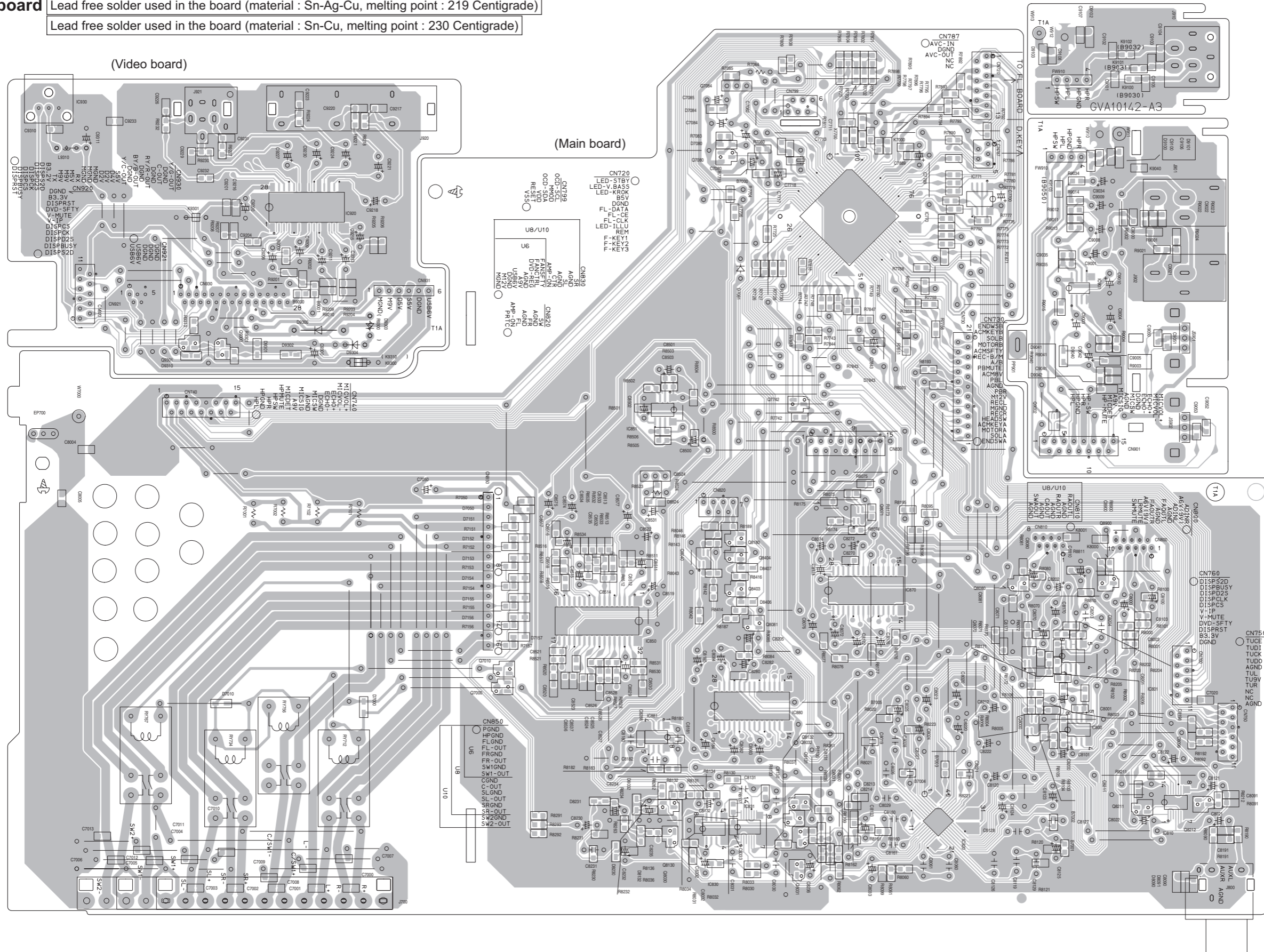
1. VOLTAGES ARE DC-MEASURED WITH A DIGITAL VOLT METER. CONDITION: DISC1 STOP
2. UNLESS OTHERWISE SPECIFIED. ALL CAPACITORS ARE SHOWN IN THE FORM OF CAPACITANCE (μF)/RATED VOLTAGE (V).
3. NI STANDS FOR NOT INSERTED PARTS.



TO POWER AND MECHA CONTROL MICOM

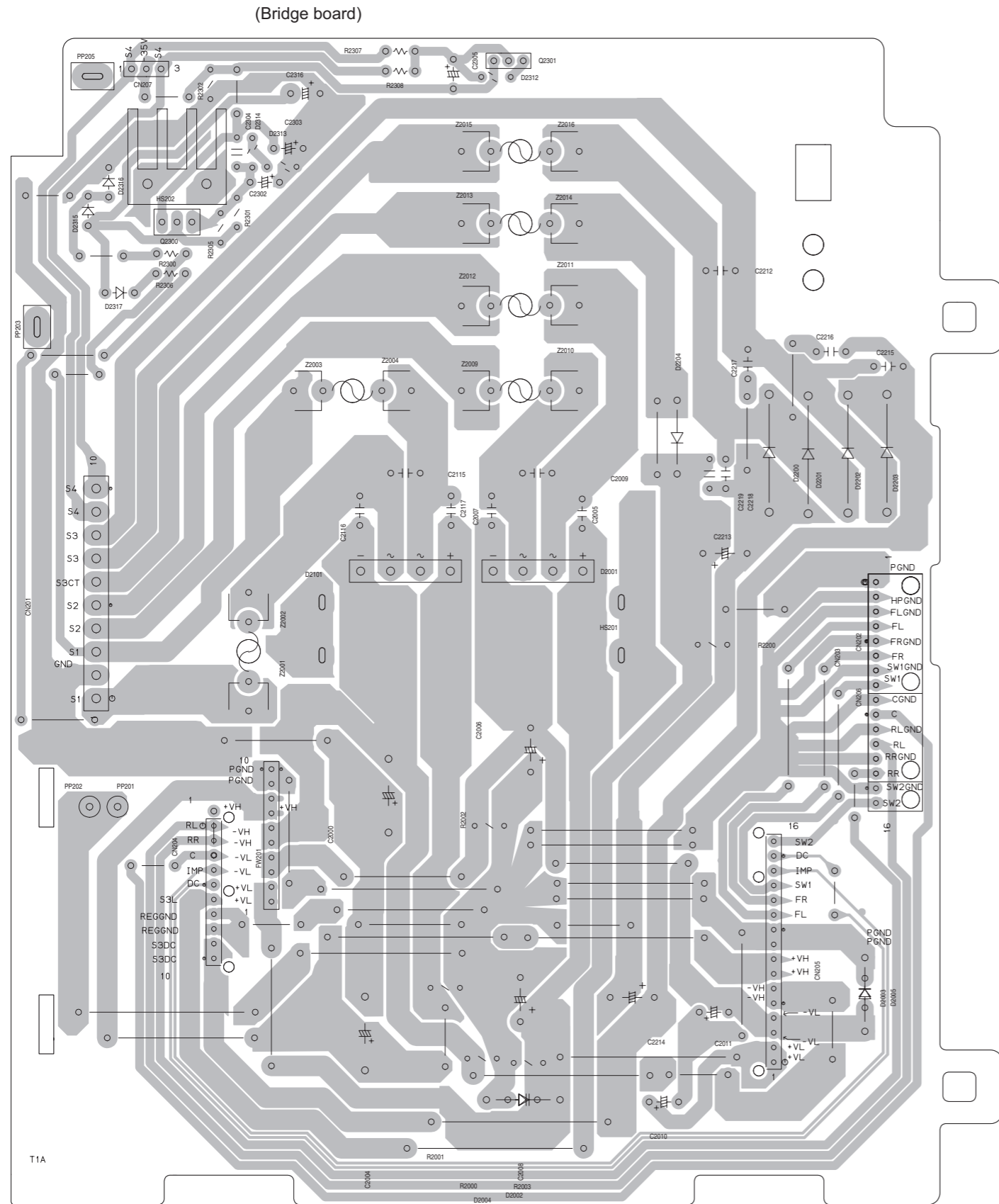
Printed circuit boards

- Main board Lead free solder used in the board (material : Sn-Ag-Cu, melting point : 219 Centigrade)
- Lead free solder used in the board (material : Sn-Cu, melting point : 230 Centigrade)

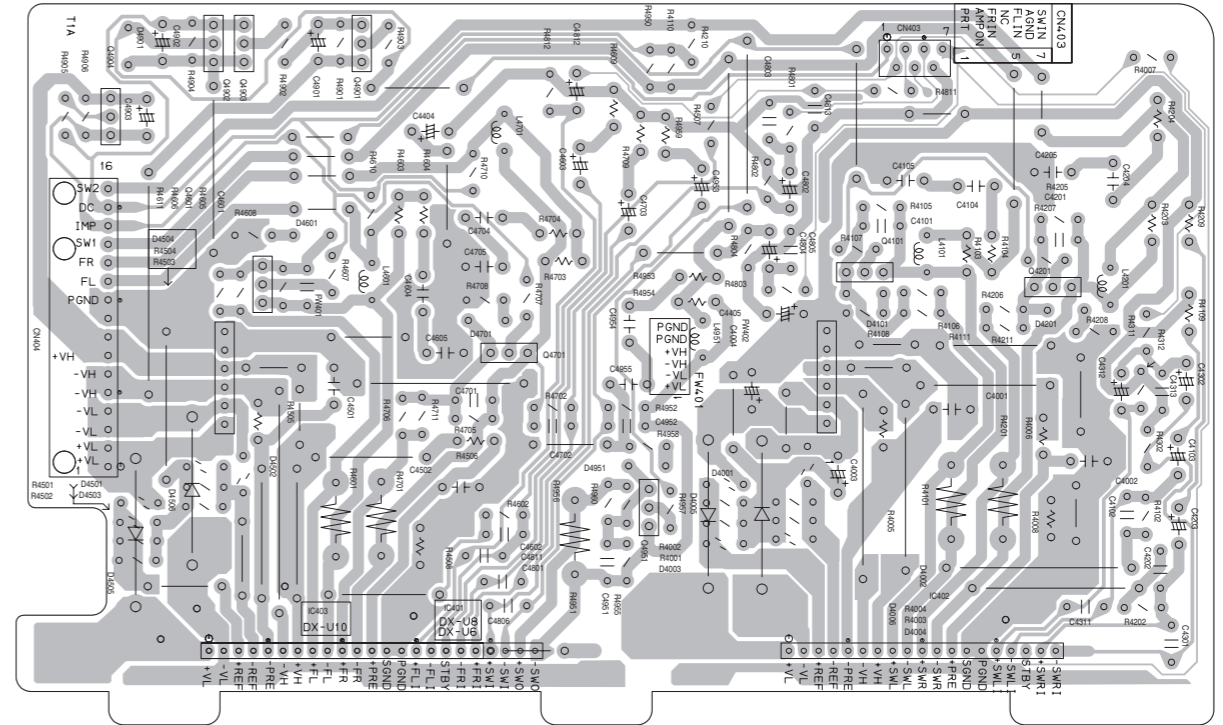


■ Amplifier board Lead free solder used in the board (material : Sn-Ag-Cu, melting point : 219 Centigrade)

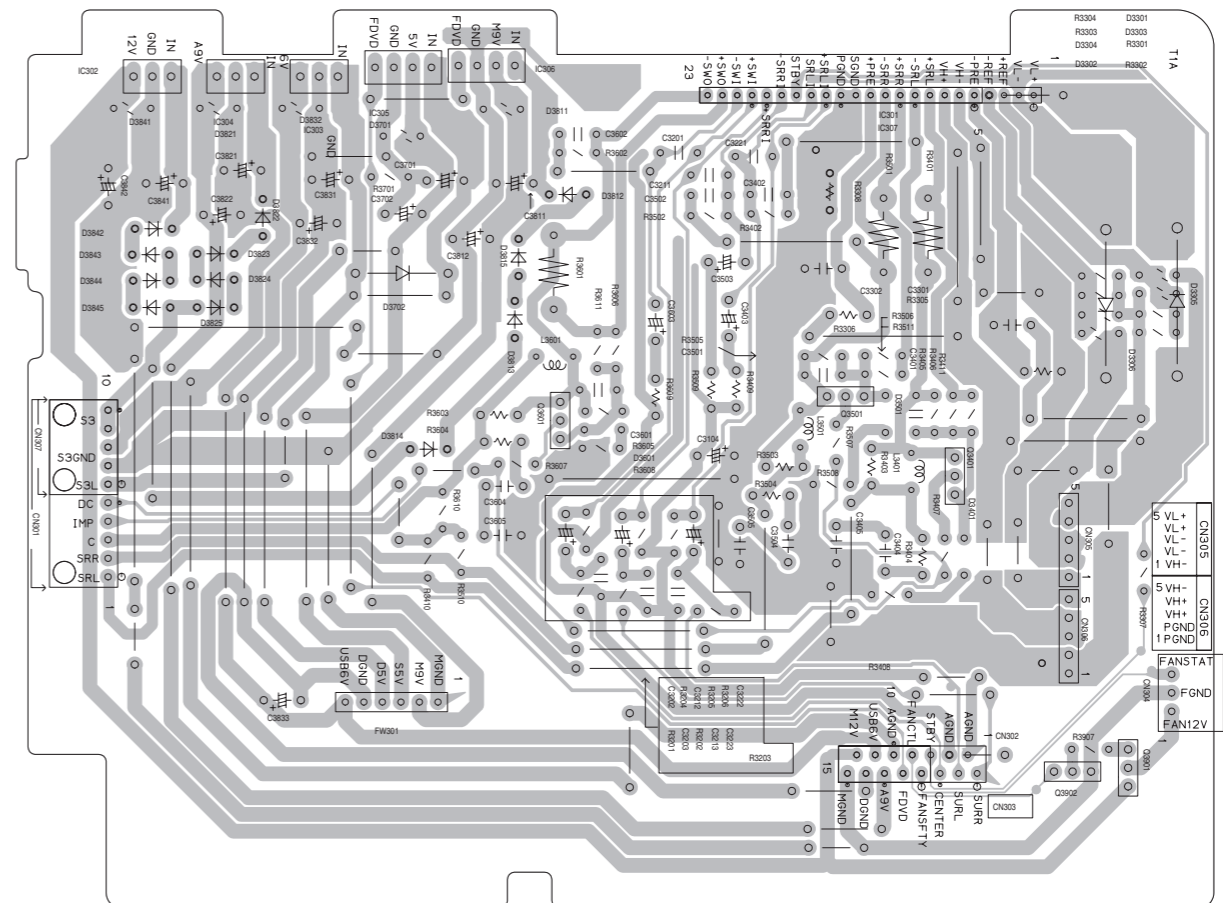
Lead free solder used in the board (material : Sn-Cu, melting point : 230 Centigrade)



(Amplifier 2 board)



(Amplifier 1 board)

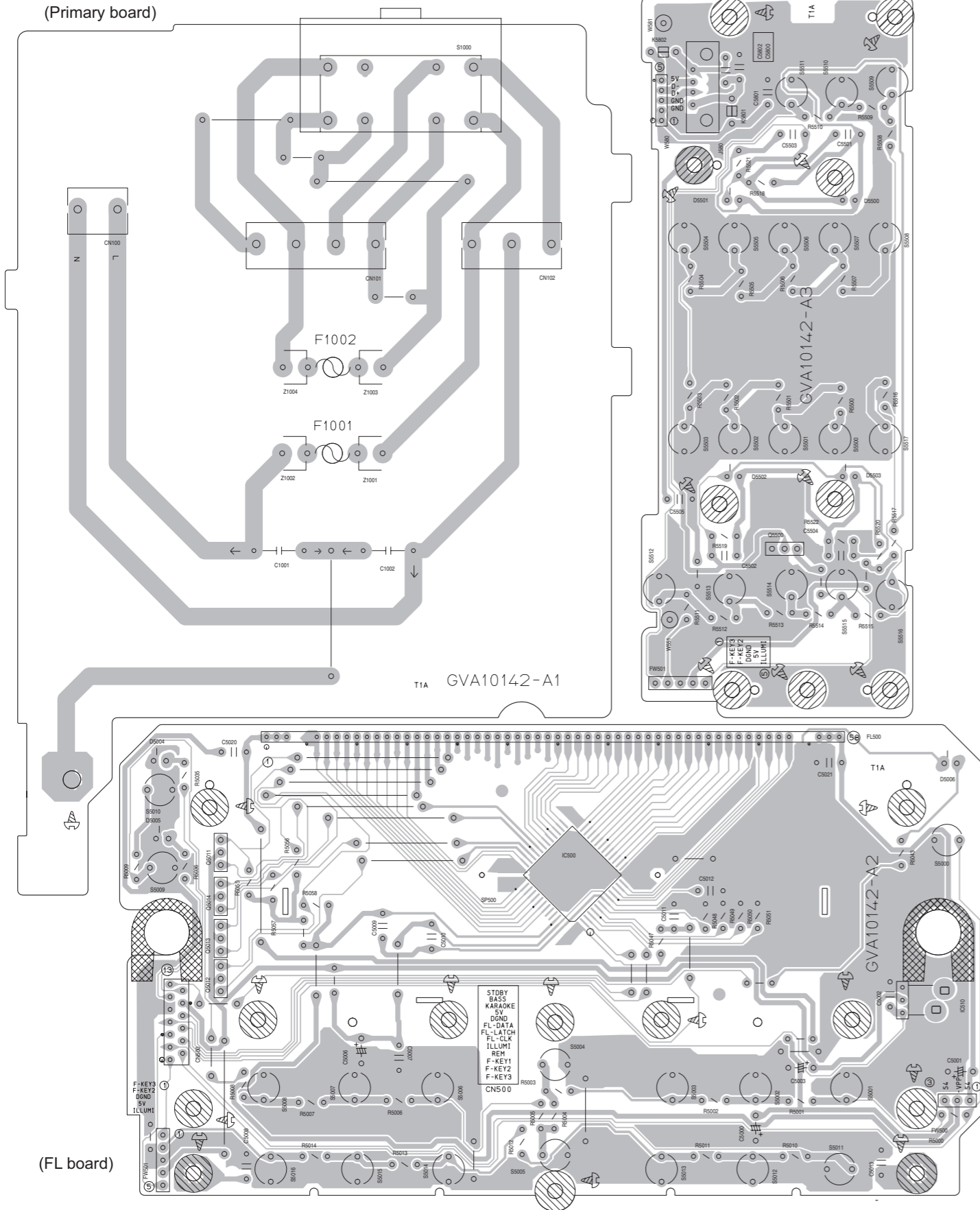


■ Display board

Lead free solder used in the board (material : Sn-Ag-Cu, melting point : 219 Centigrade)

Lead free solder used in the board (material : Sn-Cu, melting point : 230 Centigrade)

(Switch board)

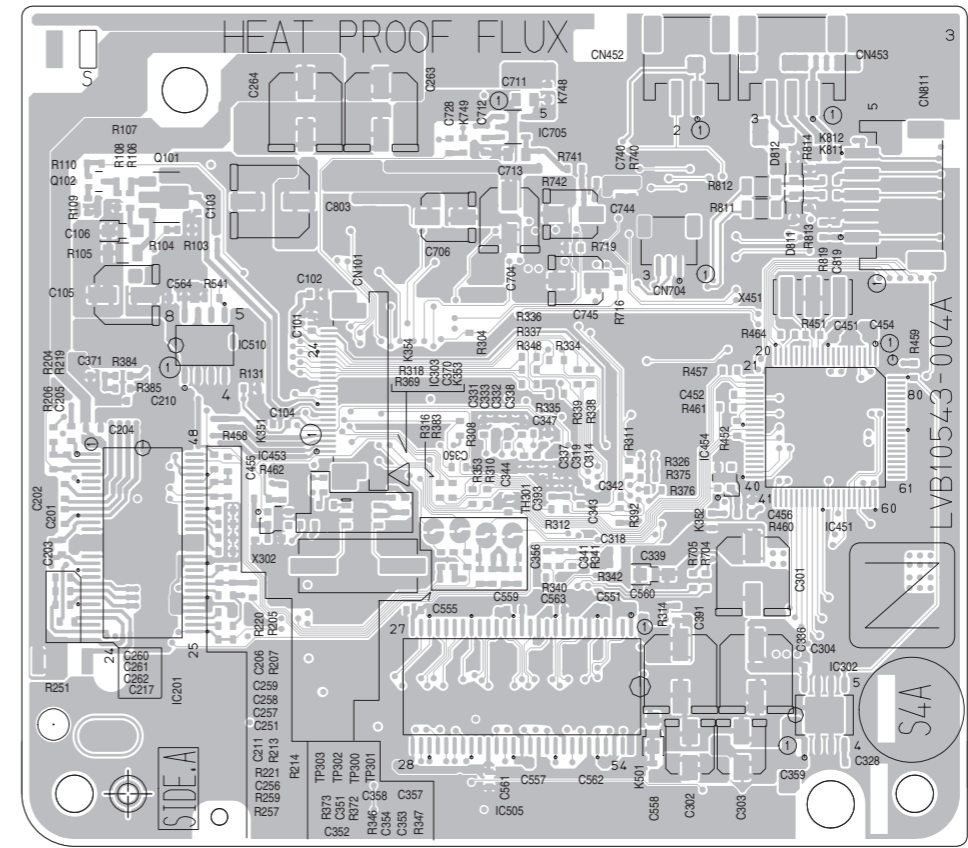


■ DVD board

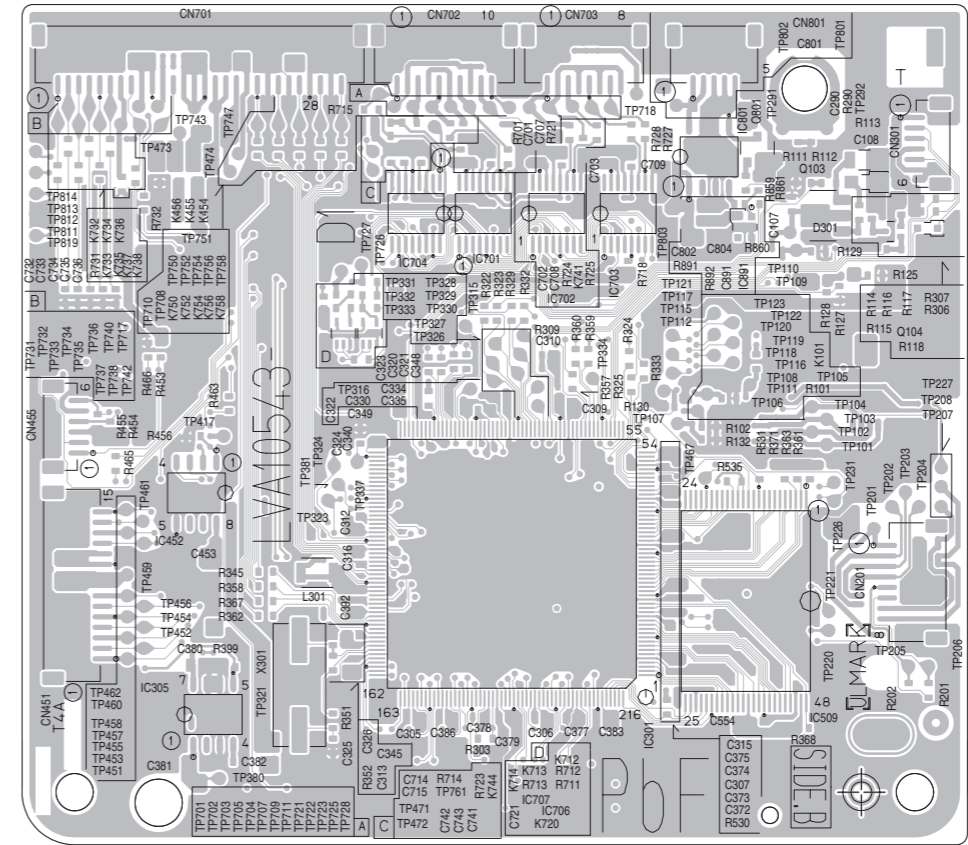
Lead free solder used in the board (material : Sn-Ag-Cu, melting point : 219 Centigrade)

Lead free solder used in the board (material : Sn-Cu, melting point : 230 Centigrade)

forward side



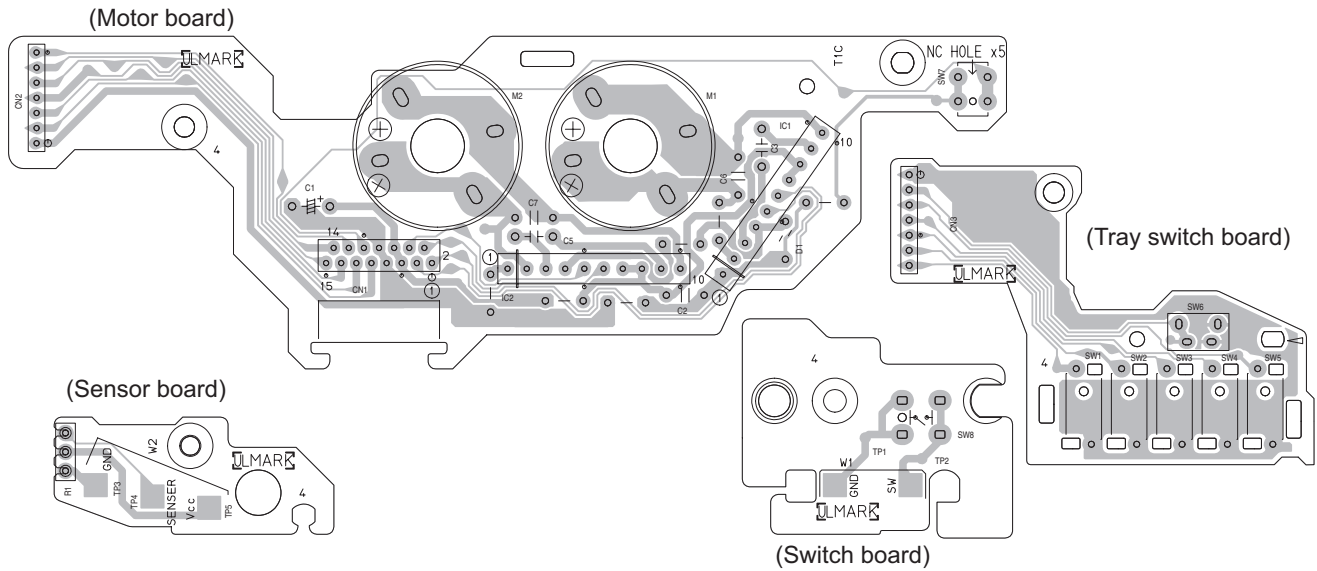
reverse side



■ **Loader board**

Lead free solder used in the board (material : Sn-Ag-Cu, melting point : 219 Centigrade)

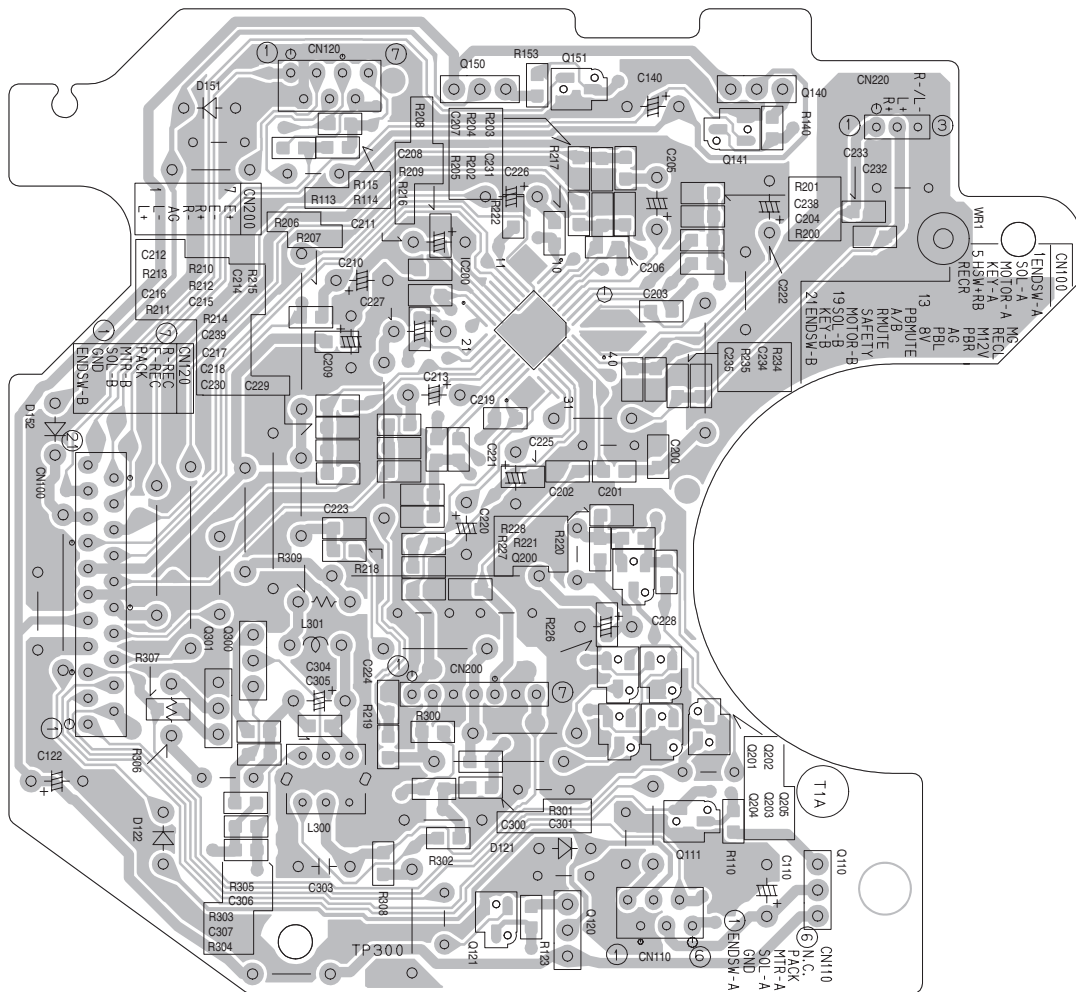
Lead free solder used in the board (material : Sn-Cu, melting point : 230 Centigrade)



■ **Cassette board**

Lead free solder used in the board (material : Sn-Ag-Cu, melting point : 219 Centigrade)

Lead free solder used in the board (material : Sn-Cu, melting point : 230 Centigrade)



JVC

Victor Company of Japan, Limited

Audio/Video Systems Category 10-1, 1chome, Ohwatari-machi, Maebashi-city, 371-8543, Japan

(No.MB616SCH)



Printed in Japan
VPT

PARTS LIST

DX-U10A,DX-U10US,DX-U10UX
DX-U10UG,DX-U10UN,DX-U8US
DX-U8UX,DX-U8UG,DX-U8UN
DX-U6US,DX-U6UX,DX-U6UG
DX-U6UN,DX-U10UH

* All printed circuit boards and its assemblies are not available as service parts.

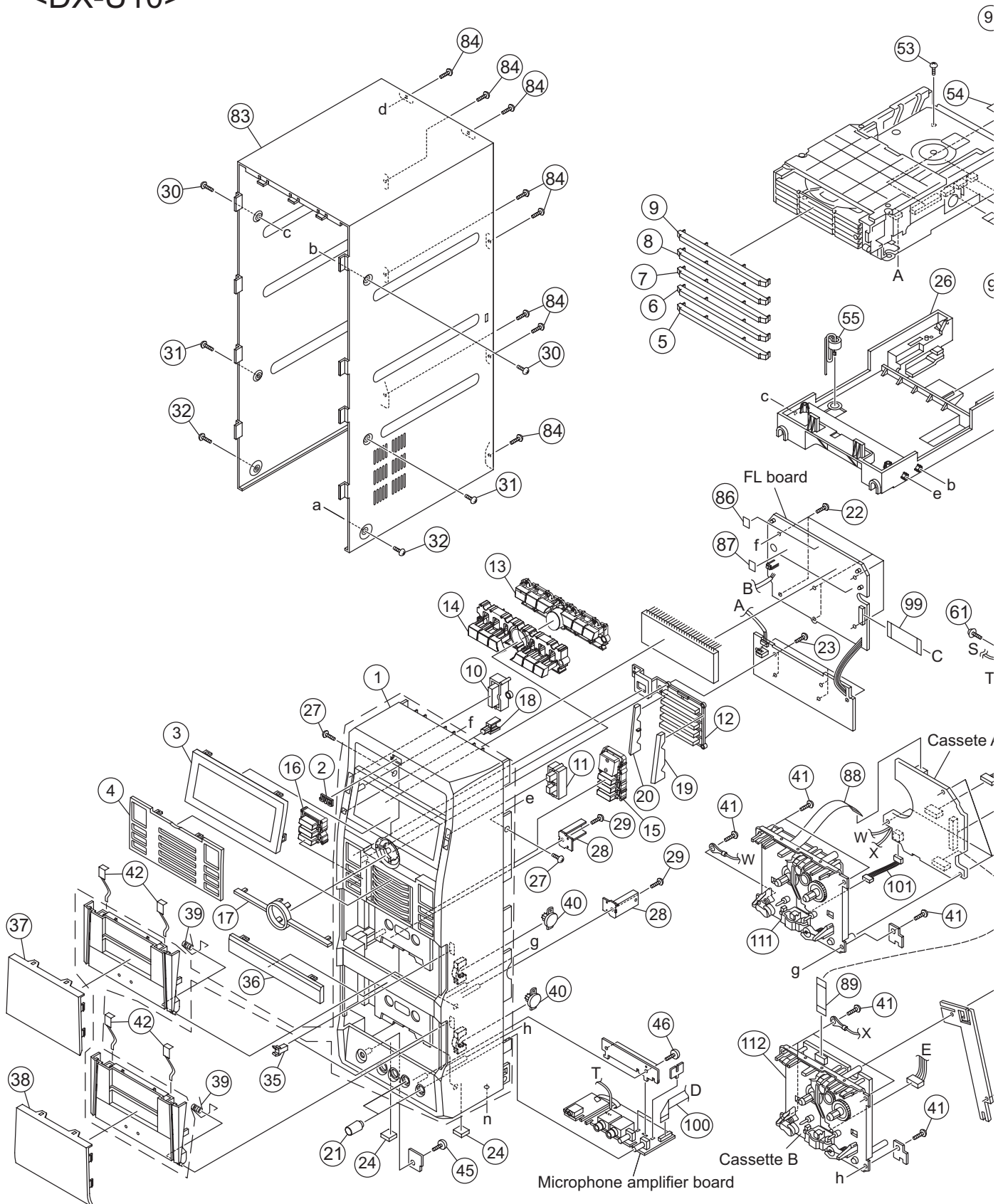
- Contents -

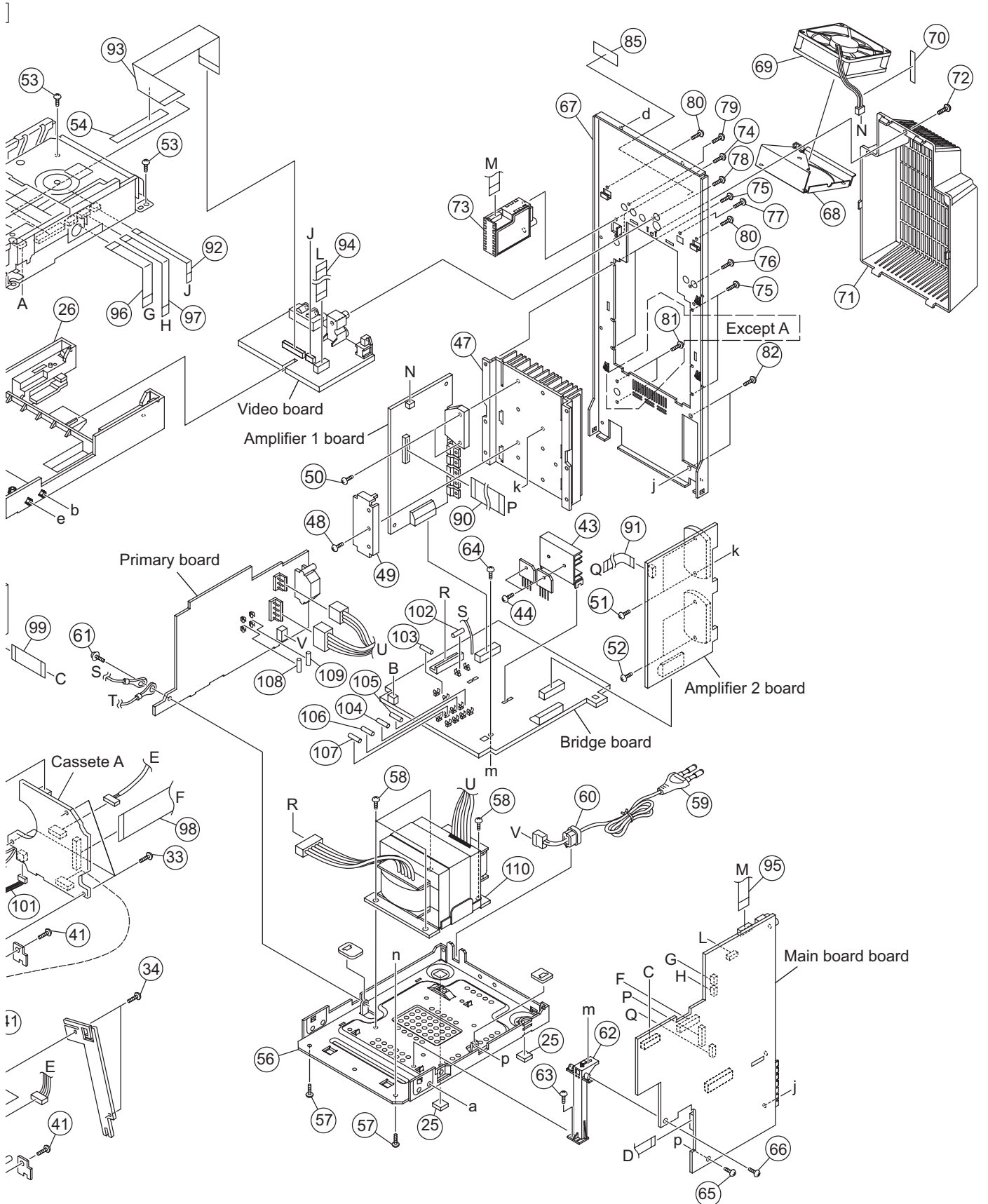
Exploded view of general assembly and parts list (Block No.M1)(DX-U10).....	3- 2
Exploded view of general assembly and parts list(Block No.M2)(DX-U8)	3- 6
Exploded view of general assembly and parts list(Block No.M3)(DX-U6).....	3-10
DVD mechanism assembly and parts list (Block No.MJ)	3-14
DVD changer assembly and parts list (Block No.MK)(Except DX-U6)	3-16
DVD changer assembly and parts list (Block No.MT)(Only DX-U6)	3-18
Electrical parts list (Block No.01~10).....	3-20
Packing materials and accessories parts list (Block No.M4)(DX-U10).....	3-40
Packing materials and accessories parts list (Block No.M5)(DX-U8).....	3-42
Packing materials and accessories parts list (Block No.M6)(DX-U6).....	3-44

Exploded view of general assembly and parts list

<DX-U10>

Block No. M 1 M M





General Assembly (DX-U10)

Block No. [M][1][M][M]

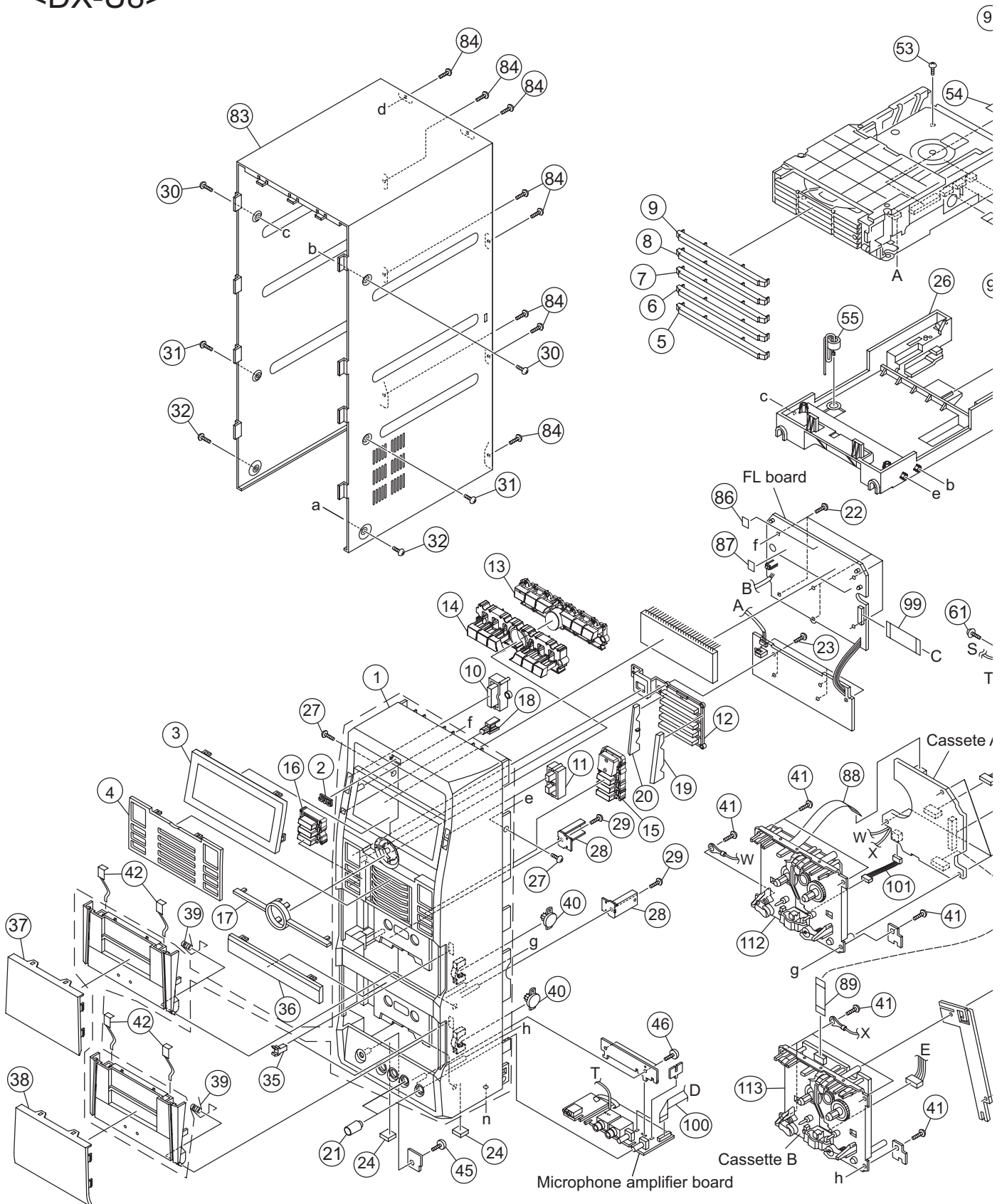
△	Symbol No.	Part No.	Part Name	Description	Local
	1	GV10377-001A	FRONT PANEL ASSY		
	2	GV40753-001A	JVC BADGE		
	3	GV20464-003A	FL LENS		
	4	GV20465-001A	BUTTON LENS		
	5	GV31000-001A	TRAY FITTING 1		
	6	GV31001-001A	TRAY FITTING 2		
	7	GV31002-001A	TRAY FITTING 3		
	8	GV31003-001A	TRAY FITTING 4		
	9	GV31004-001A	TRAY FITTING 5		
	10	GV31013-001A	POWER BUT.ASSY		
	11	GV31014-001A	KARAOKE BUT.ASS		
	12	GV20466-002A	CENTER BUTTON		
	13	GV20467-001A	BUTTON A		
	14	GV20468-001A	BUTTON B		
	15	GV31007-002A	SUBWFR BUTTON		
	16	GV31008-001A	REC BUTTON		
	17	GV31009-002A	VOL.RING FRAME		
	18	GV40738-001A	REMOTE LENS		
	19	GV40739-001A	DISC IND.(R)		
	20	GV40740-001A	DISC IND.(L)		
	21	GV40741-003A	MIC VOL.KNOB	(x2)	
	22	QYSDSF2608ZA	TAP SCREW	M2.6 x 8mm(x6)	
	23	QYSDSF2608ZA	TAP SCREW	M2.6 x 8mm(x6)	
	24	GV40313-001A	FELT SPACER	(x2)	
	25	GV40313-002A	FELT SPACER	(x2)	
	26	GV10355-002A	MECHA CHASSIS		
	27	QYSSSF3010ZA	TAP SCREW	M3 x 10mm(x2)	
	28	GV40754-001A	METAL COVER BKT	(x2)	
	29	QYSBSF3010ZA	TAP SCREW	M3 x 10mm(x2)	
	30	QYSDSG3008NA	TAP SCREW	M3 x 8mm(x2)	
	31	QYSDSG3008NA	TAP SCREW	M3 x 8mm(x2)	
	32	QYSDSG3008NA	TAP SCREW	M3 x 8mm(x2)	
	33	QYSDSF2006ZA	TAP SCREW	M2 x 6mm(x3)	
	34	QYSDSF2006ZA	TAP SCREW	M2 x 6mm(x2)	
	35	GV40220-001A	LATCH	(x2)	
	36	GV31010-002A	ORNAMENT LENS		
	37	GV20469-001A	CASS.LENS (A)		
	38	GV20470-003A	CASS.LENS (B)		10A,10UX,10UG
	38	GV20470-001A	CASS.LENS (B)		10US,10UN,10UH
	39	GV40755-001A	DOOR SPRING	(x2)	
	40	GV40034-001A	DAMPER ASSY	(x2)	
	41	QYSBSF3010ZA	TAP SCREW	M3 x 10mm(x8)	
	42	VKY4180-401	CASSETTE SPRING	(x4)	
	43	QZW0138-001	HEAT SINK	HS201	
	44	QYSBST3008ZA	TAP SCREW	M3 x 8mm(x2)	
	45	QYSBSF3010ZA	TAP SCREW	M3 x 10mm	
	46	QYSBSF3010ZA	TAP SCREW	M3 x 10mm(x2)	
	47	GV31011-006A	HEAT SINK		
	48	QYSBSG3016EA	TAP SCREW	M3 x 16mm	
	49	GV40488-001A	LEAF SPRING		
	50	QYSBSG3016EA	TAP SCREW	M3 x 16mm(x2)	
	51	QYSBSG3016EA	TAP SCREW	M3 x 16mm(x2)	
	52	QYSBSG3016EA	TAP SCREW	M3 x 16mm(x2)	
	53	QYSBSF3010ZA	TAP SCREW	M3 x 10mm(x2)	
	54	GV30349-073A	SPACER		
	55	QQR1804-001	FERRITE RING		
	56	GV10253-005A	BOTTOM CHASSIS		
	57	QYSBSG3010ZA	TAP SCREW	M3 x 10mm(x2)	
	58	QYSDSTL4008EA	TAP SCREW	M4 x 8mm(x4)	
△	59	QMPG150-244-JC	POWER CORD(AST)	2.44m BLACK	10A
△	59	QMPK200-200-JD	POWER CORD(EU)	2m BLACK	10US,10UX,10UG,10UN
△	59	QMPRB300-200-K2	POWER CORD(EU)	2m BLACK	10UH
	60	QZW0033-001	STRAIN RELIEF		
	61	QYSBSGG3008EA	TAP SCREW	M3 x 8mm	
	62	GV30706-001A	SUPPORT BKT		
	63	QYSBST3006ZA	TAP SCREW	M3 x 6mm	
	64	QYSBSF3010ZA	TAP SCREW	M3 x 10mm	
	65	QYSBSG3010ZA	TAP SCREW	M3 x 10mm	
	66	QYSBSF3010ZA	TAP SCREW	M3 x 10mm	
	67	GV10255-072A	REAR PANEL		10A
	67	GV10255-070A	REAR PANEL		10US,10UN,10UH
	67	GV10255-071A	REAR PANEL		10UX,10UG
	68	GV30686-002A	FAN BKT		
	69	QAR0454-001	FAN		

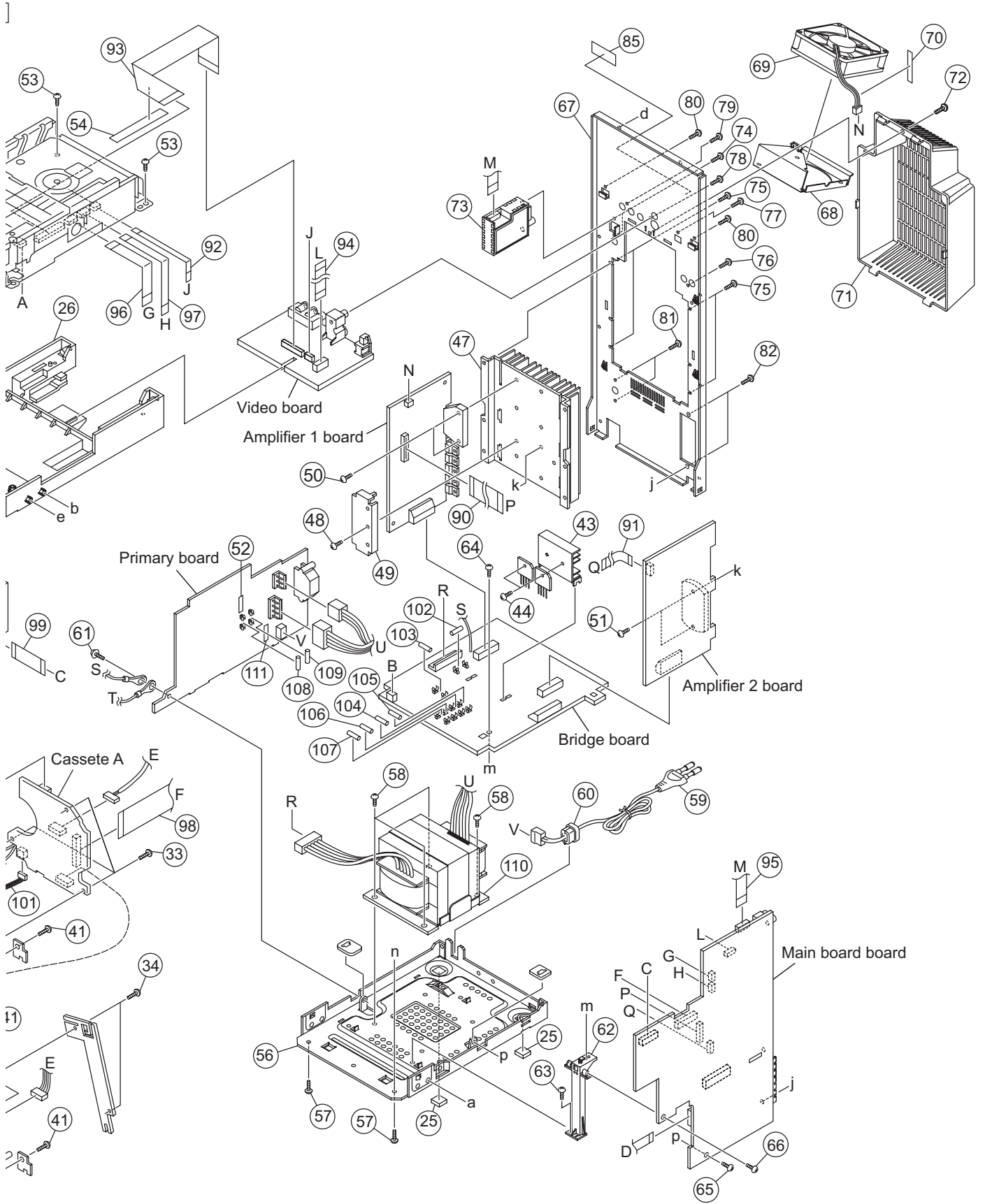
△	Symbol No.	Part No.	Part Name	Description	Local
	70	GV30349-026A	SPACER		
	71	GV10263-002A	REAR COVER		
	72	QYSBSGY3008EA	TAP SCREW	M3 x 8mm	
	73	QAU0492-001	TUNER		
	74	QYSBSGY3008EA	TAP SCREW	M3 x 8mm(x2)	
	75	QYSBSGY3008EA	TAP SCREW	M3 x 8mm(x4)	
	76	QYSBSGY3008EA	TAP SCREW	M3 x 8mm	
	77	QYSBSGY3008EA	TAP SCREW	M3 x 8mm	
	78	QYSBSGY3008EA	TAP SCREW	M3 x 8mm	
	79	QYSBSGY3008EA	TAP SCREW	M3 x 8mm	
	80	QYSBSGY3008EA	TAP SCREW	M3 x 8mm(x2)	
	81	QYSBSGY3008EA	TAP SCREW	M3 x 8mm(x2)	10US,10UX,10UG,10UN,10UH
	82	QYSBSGY3008EA	TAP SCREW	M3 x 8mm(x2)	
	83	GV10254-005A/S/	METAL COVER		
	84	QYSBSGY3008EA	TAP SCREW	M3 x 8mm(x8)	
	85	GV30893-001A	NUMBER LABEL		
	86	GV30349-077A	SPACER		
	87	GV30349-049A	SPACER	(x2)	
	88	QUQU12-0606AJ-E	FFC WIRE	FC110 6pin 6cm	
	89	QUQU12-0710BJ-E	FFC WIRE	FC120 7pin 10cm	
	90	QUQU12-1515AJ-E	FFC WIRE	FC302 15pin 15cm	
	91	QUQU12-0712BJ-E	FFC WIRE	FC403 7pin 12cm	
	92	QUR110-0515AJ-E	FFC WIRE	FC921	
	93	QUR110-2821AJ-E	FFC WIRE	FC930	
	94	QUQU12-1113BJ-E	FFC WIRE	FC920 11pin 13cm	
	95	QUQU12-1116AJ-E	FFC WIRE	FC750 11pin 16cm	
	96	QUR110-1016AJ-E	FFC WIRE	FC800	
	97	QUR110-0816AJ-E	FFC WIRE	FC810	
	98	QUQU12-2118AJ-E	FFC WIRE	FC730 21pin 18cm	
	99	QUQU12-1317AJ-E	FFC WIRE	FC720 13pin 17cm	
	100	QUQU12-1516BJ-E	FFC WIRE	FC740 15pin 16cm	
	101	WJN0229-004A-E	SHIELDWIRE		
△	102	QMFZ051-100-J8	FUSE	F2001 10A	
△	103	QMFZ051-100-J8	FUSE	F2002 10A	
△	104	QMFZ051-8R0-J8	FUSE	F2003 8A	
△	105	QMFZ051-8R0-J8	FUSE	F2004 8A	
△	106	QMF51W2-1R6-J8	FUSE	F2005 1.6A AC250V	
△	107	QMF51W2-4R0-J8	FUSE	F2006 4A AC250V	
△	108	QMFZ051-100-J8	FUSE	F1001 10A	
△	109	QMF51W2-6R3-J8	FUSE	F1002 6.3A AC250V	
△	110	QQT0546-001	POWER TRANSF	T1001	
	111	QAL0967-001	CASS MECHA ASSY		
	112	QAL0968-001	CASS MECHA ASSY		

Exploded view of general assembly and parts list

<DX-U8>

Block No. M 2 M M





General Assembly (DX-U8)

Block No. [M][2][M][M]

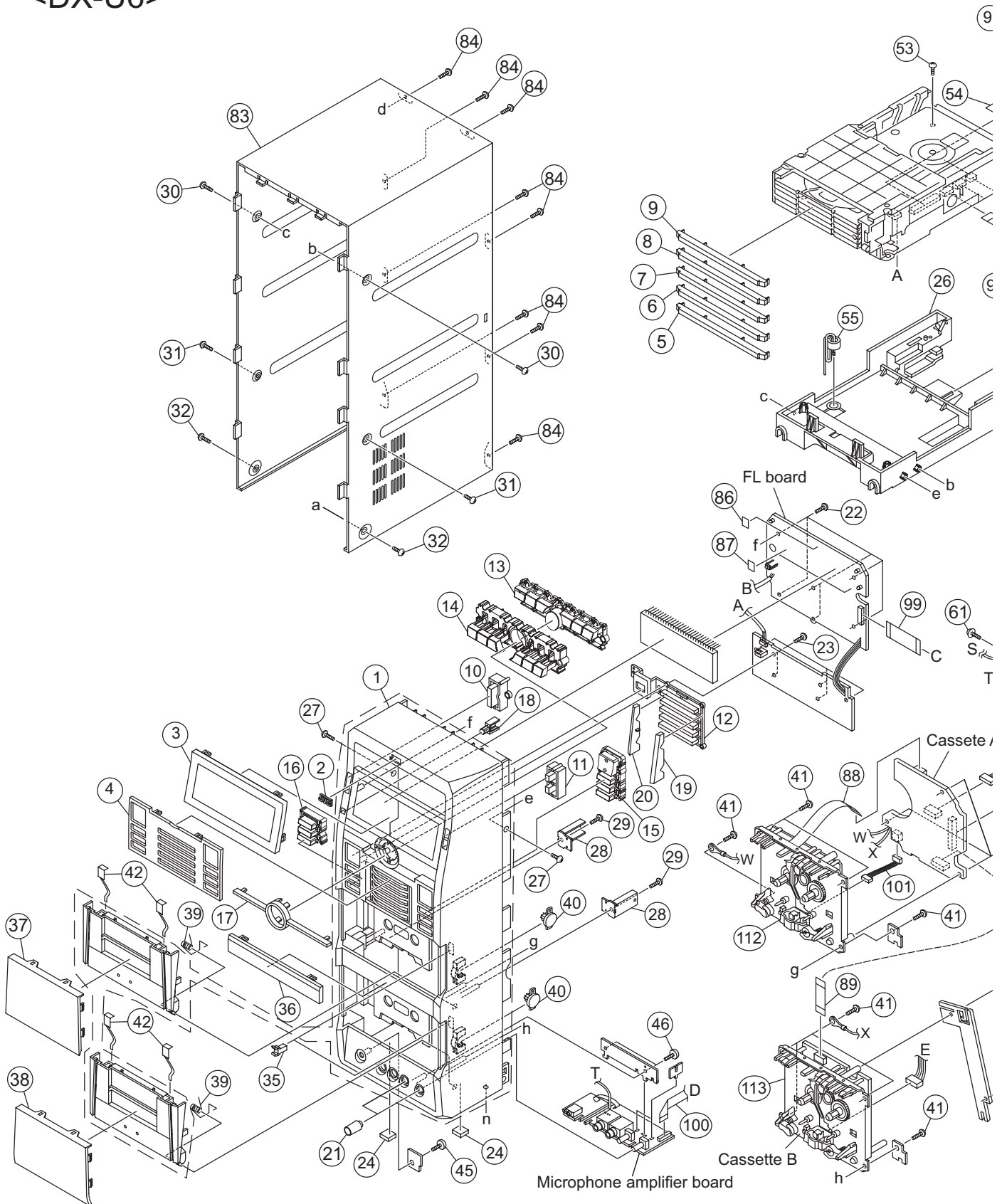
△	Symbol No.	Part No.	Part Name	Description	Local
	1	GV10377-001A	FRONT PANEL ASSY		
	2	GV40753-001A	JVC BADGE		
	3	GV20464-002A	FL LENS		
	4	GV20465-001A	BUTTON LENS		
	5	GV31000-001A	TRAY FITTING 1		
	6	GV31001-001A	TRAY FITTING 2		
	7	GV31002-001A	TRAY FITTING 3		
	8	GV31003-001A	TRAY FITTING 4		
	9	GV31004-001A	TRAY FITTING 5		
	10	GV31013-001A	POWER BUT.ASSY		
	11	GV31014-001A	KARAOKE BUT.ASS		
	12	GV20466-002A	CENTER BUTTON		
	13	GV20467-001A	BUTTON A		
	14	GV20468-001A	BUTTON B		
	15	GV31007-002A	SUBWFR BUTTON		
	16	GV31008-001A	REC BUTTON		
	17	GV31009-002A	VOL.RING FRAME		
	18	GV40738-001A	REMOTE LENS		
	19	GV40739-001A	DISC IND.(R)		
	20	GV40740-001A	DISC IND.(L)		
	21	GV40741-003A	MIC VOL.KNOB	(x2)	
	22	QYSDSF2608ZA	TAP SCREW	M2.6 x 8mm(x6)	
	23	QYSDSF2608ZA	TAP SCREW	M2.6 x 8mm(x6)	
	24	GV40313-001A	FELT SPACER	(x2)	
	25	GV40313-002A	FELT SPACER	(x2)	
	26	GV10355-002A	MECHA CHASSIS		
	27	QYSSSF3010ZA	TAP SCREW	M3 x 10mm(x2)	
	28	GV40754-001A	METAL COVER BKT	(x2)	
	29	QYSBSF3010ZA	TAP SCREW	M3 x 10mm(x2)	
	30	QYSDSG3008NA	TAP SCREW	M3 x 8mm(x2)	
	31	QYSDSG3008NA	TAP SCREW	M3 x 8mm(x2)	
	32	QYSDSG3008NA	TAP SCREW	M3 x 8mm(x2)	
	33	QYSDSF2006ZA	TAP SCREW	M2 x 6mm(x3)	
	34	QYSDSF2006ZA	TAP SCREW	M2 x 6mm(x2)	
	35	GV40220-001A	LATCH	(x2)	
	36	GV31010-002A	ORNAMENT LENS		
	37	GV20469-001A	CASS.LENS (A)		
	38	GV20470-001A	CASS.LENS (B)		8US,8UN
	38	GV20470-003A	CASS.LENS (B)		8UX,8UG
	39	GV40755-001A	DOOR SPRING	(x2)	
	40	GV40034-001A	DAMPER ASSY	(x2)	
	41	QYSBSF3010ZA	TAP SCREW	M3 x 10mm(x8)	
	42	VKY4180-401	CASSETTE SPRING	(x4)	
	43	QZW0138-001	HEAT SINK	HS201	
	44	QYSBST3008ZA	TAP SCREW	M3 x 8mm(x2)	
	45	QYSBSF3010ZA	TAP SCREW	M3 x 10mm	
	46	QYSBSF3010ZA	TAP SCREW	M3 x 10mm(x2)	
	47	GV31011-004A	HEAT SINK		
	48	QYSBSG3016EA	TAP SCREW	M3 x 16mm	
	49	GV40488-001A	LEAF SPRING		
	50	QYSBSG3016EA	TAP SCREW	M3 x 16mm(x2)	
	51	QYSBSG3016EA	TAP SCREW	M3 x 16mm(x2)	
	52	GV40691-023A	FUSE LABEL		
	53	QYSBSF3010ZA	TAP SCREW	M3 x 10mm(x2)	
	54	GV30349-073A	SPACER		
	55	QQR1804-001	FERRITE RING		
	56	GV10253-005A	BOTTOM CHASSIS		
	57	QYSBSG3010ZA	TAP SCREW	M3 x 10mm(x2)	
	58	QYSDSTL4008EA	TAP SCREW	M4 x 8mm(x4)	
△	59	QMPK200-200-JD	POWER CORD(EU)	2m BLACK	
	60	QZW0033-001	STRAIN RELIEF		
	61	QYSBSGG3008EA	TAP SCREW	M3 x 8mm	
	62	GV30706-001A	SUPPORT BKT		
	63	QYSBST3006ZA	TAP SCREW	M3 x 6mm	
	64	QYSBSF3010ZA	TAP SCREW	M3 x 10mm	
	65	QYSBSG3010ZA	TAP SCREW	M3 x 10mm	
	66	QYSBSF3010ZA	TAP SCREW	M3 x 10mm	
	67	GV10255-066A	REAR PANEL		8US,8UN
	67	GV10255-067A	REAR PANEL		8UX,8UG
	68	GV30686-002A	FAN BKT		
	69	QAR0454-001	FAN		
	70	GV30349-026A	SPACER		
	71	GV10263-002A	REAR COVER		
	72	QYSBSGY3008EA	TAP SCREW	M3 x 8mm	

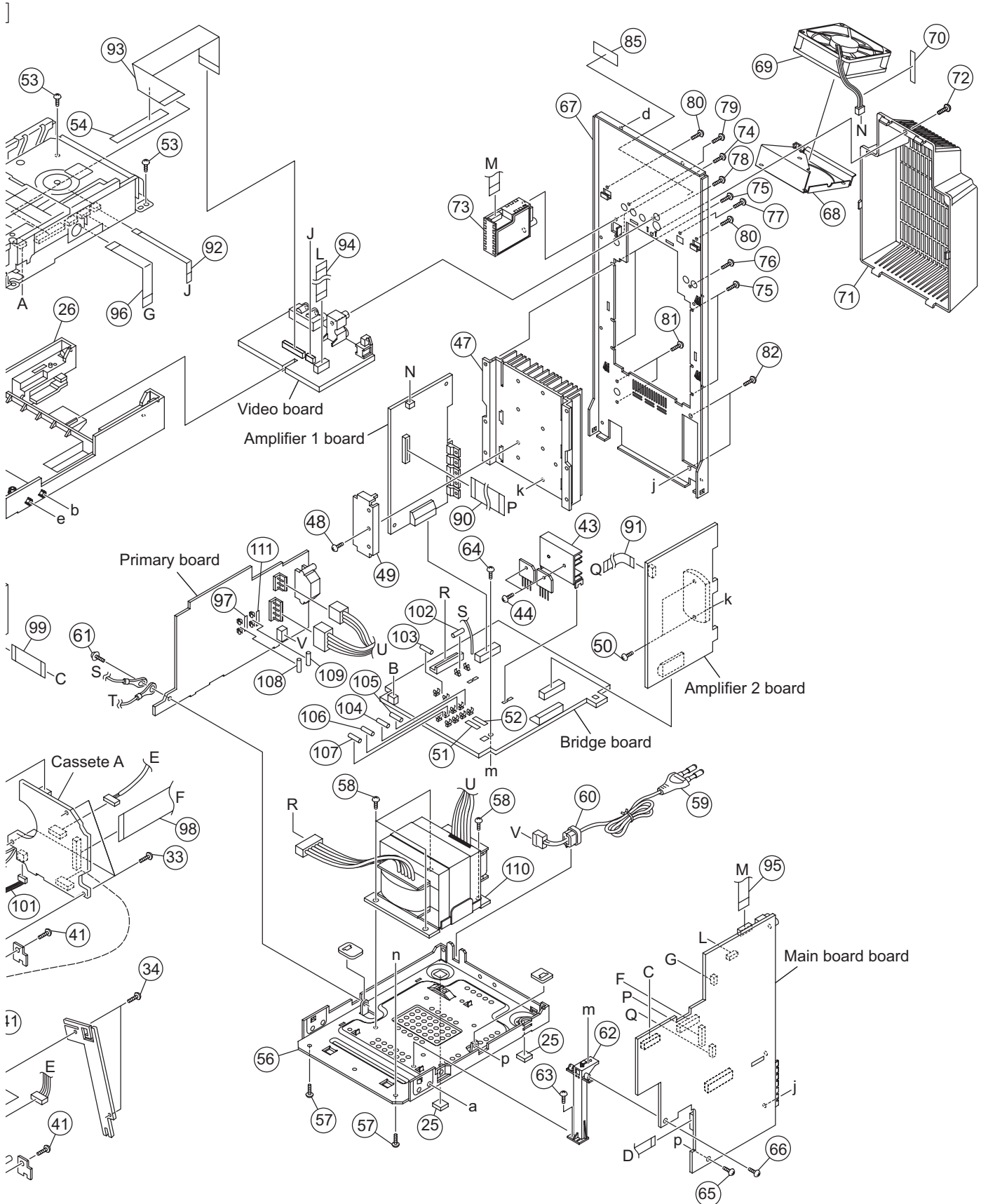
△	Symbol No.	Part No.	Part Name	Description	Local
	73	QAU0492-001	TUNER		
	74	QYSBSGY3008EA	TAP SCREW	M3 x 8mm(x2)	
	75	QYSBSGY3008EA	TAP SCREW	M3 x 8mm(x4)	
	76	QYSBSGY3008EA	TAP SCREW	M3 x 8mm	
	77	QYSBSGY3008EA	TAP SCREW	M3 x 8mm	
	78	QYSBSGY3008EA	TAP SCREW	M3 x 8mm	
	79	QYSBSGY3008EA	TAP SCREW	M3 x 8mm	
	80	QYSBSGY3008EA	TAP SCREW	M3 x 8mm(x2)	
	81	QYSBSGY3008EA	TAP SCREW	M3 x 8mm(x2)	
	82	QYSBSGY3008EA	TAP SCREW	M3 x 8mm(x2)	
	83	GV10254-005A/S/	METAL COVER		
	84	QYSBSGY3008EA	TAP SCREW	M3 x 8mm(x8)	
	85	GV30893-001A	NUMBER LABEL		
	86	GV30349-077A	SPACER		
	87	GV30349-049A	SPACER	(x2)	
	88	QUQU12-0606AJ-E	FFC WIRE	FC110 6pin 6cm	
	89	QUQU12-0710BJ-E	FFC WIRE	FC120 7pin 10cm	
	90	QUQU12-1515AJ-E	FFC WIRE	FC302 15pin 15cm	
	91	QUQU12-0712BJ-E	FFC WIRE	FC403 7pin 12cm	
	92	QUR110-0515AJ-E	FFC WIRE	FC921	
	93	QUR110-2821AJ-E	FFC WIRE	FC930	
	94	QUQU12-1113BJ-E	FFC WIRE	FC920 11pin 13cm	
	95	QUQU12-1116AJ-E	FFC WIRE	FC750 11pin 16cm	
	96	QUR110-1016AJ-E	FFC WIRE	FC800	
	97	QUR110-0816AJ-E	FFC WIRE	FC810	
	98	QUQU12-2118AJ-E	FFC WIRE	FC730 21pin 18cm	
	99	QUQU12-1317AJ-E	FFC WIRE	FC720 13pin 17cm	
	100	QUQU12-1516BJ-E	FFC WIRE	FC740 15pin 16cm	
	101	WJN0229-004A-E	SHIELDWIRE		
△	102	QMFZ051-100-J8	FUSE	F2001 10A	
△	103	QMFZ051-100-J8	FUSE	F2002 10A	
△	104	QMFZ051-8R0-J8	FUSE	F 2003 8A	
△	105	QMFZ051-8R0-J8	FUSE	F2004 8A	
△	106	QMF51W2-1R6-J8	FUSE	F2005 1.6A AC250V	
△	107	QMF51W2-4R0-J8	FUSE	F2006 4A AC250V	
△	108	QMFZ051-8R0-J8	FUSE	F1001 8A	
△	109	QMF51W2-4R0-J8	FUSE	F1002 4A AC250V	
△	110	QQT0537-001	POWER TRANSF	T1001	
	111	GV40691-019A	FUSE LABEL	FL102	
	112	QAL0967-001	CASS MECHA ASSY		
	113	QAL0968-001	CASS MECHA ASSY		

Exploded view of general assembly and parts list

<DX-U6>

Block No. M 3 M M





General Assembly (DX-U6)

Block No. [M][3][M][M]

△	Symbol No.	Part No.	Part Name	Description	Local
	1	GV10377-001A	FRONT PANEL ASSY		
	2	GV40753-001A	JVC BADGE		
	3	GV20464-001A	FL LENS		
	4	GV20465-001A	BUTTON LENS		
	5	GV31000-001A	TRAY FITTING 1		
	6	GV31001-001A	TRAY FITTING 2		
	7	GV31002-001A	TRAY FITTING 3		
	8	GV31003-001A	TRAY FITTING 4		
	9	GV31004-001A	TRAY FITTING 5		
	10	GV31013-001A	POWER BUT.ASSY		
	11	GV31014-001A	KARAOKE BUT.ASS		
	12	GV20466-001A	CENTER BUTTON		
	13	GV20467-001A	BUTTON A		
	14	GV20468-001A	BUTTON B		
	15	GV31007-001A	SUBWFR BUTTON		
	16	GV31008-001A	REC BUTTON		
	17	GV31009-001A	VOL.RING FRAME		
	18	GV40738-001A	REMOTE LENS		
	19	GV40739-001A	DISC IND.(R)		
	20	GV40740-001A	DISC IND.(L)		
	21	GV40741-003A	MIC VOL.KNOB	(x2)	
	22	QYSDSF2608ZA	TAP SCREW	M2.6 x 8mm(x6)	
	23	QYSDSF2608ZA	TAP SCREW	M2.6 x 8mm(x6)	
	24	GV40313-001A	FELT SPACER	(x2)	
	25	GV40313-002A	FELT SPACER	(x2)	
	26	GV10355-002A	MECHA CHASSIS		
	27	QYSSSF3010ZA	TAP SCREW	M3 x 10mm(x2)	
	28	GV40754-001A	METAL COVER BKT	(x2)	
	29	QYSBSF3010ZA	TAP SCREW	M3 x 10mm(x2)	
	30	QYSDSG3008NA	TAP SCREW	M3 x 8mm(x2)	
	31	QYSDSG3008NA	TAP SCREW	M3 x 8mm(x2)	
	32	QYSDSG3008NA	TAP SCREW	M3 x 8mm(x2)	
	33	QYSDSF2006ZA	TAP SCREW	M2 x 6mm(x3)	
	34	QYSDSF2006ZA	TAP SCREW	M2 x 6mm(x2)	
	35	GV40220-001A	LATCH	(x2)	
	36	GV31010-001A	ORNAMENT LENS		
	37	GV20469-001A	CASS.LENS (A)		
	38	GV20470-001A	CASS.LENS (B)		6US,6UN
	38	GV20470-003A	CASS.LENS (B)		6UX,6UG
	39	GV40755-001A	DOOR SPRING	(x2)	
	40	GV40034-001A	DAMPER ASSY	(x2)	
	41	QYSBSF3010ZA	TAP SCREW	M3 x 10mm(x8)	
	42	VKY4180-401	CASSETTE SPRING	(x4)	
	43	QZW0138-001	HEAT SINK		
	44	QYSBST3008ZA	TAP SCREW	M3 x 8mm(x2)	
	45	QYSBSF3010ZA	TAP SCREW	M3 x 10mm	
	46	QYSBSF3010ZA	TAP SCREW	M3 x 10mm(x2)	
	47	GV31011-002A	HEAT SINK		
	48	QYSBSG3016EA	TAP SCREW	M3 x 16mm	
	49	GV40488-001A	LEAF SPRING		
	50	QYSBSG3016EA	TAP SCREW	M3 x 16mm(x2)	
	51	GV40691-022A	FUSE LABEL	FL203	
	52	GV40691-022A	FUSE LABEL	FL204	
	53	QYSBSF3010ZA	TAP SCREW	M3 x 10mm(x2)	
	54	GV30349-073A	SPACER		
	55	QQR1804-001	FERRITE RING		
	56	GV10253-005A	BOTTOM CHASSIS		
	57	QYSBSG3010ZA	TAP SCREW	M3 x 10mm(x2)	
	58	QYSDSTL4008EA	TAP SCREW	M4 x 8mm(x4)	
△	59	QMPK200-200-JD	POWER CORD(EU)	2m BLACK	
	60	QZW0033-001	STRAIN RELIEF		
	61	QYSBSGG3008EA	TAP SCREW	M3 x 8mm	
	62	GV30706-001A	SUPPORT BKT		
	63	QYSBST3006ZA	TAP SCREW	M3 x 6mm	
	64	QYSBSF3010ZA	TAP SCREW	M3 x 10mm	
	65	QYSBSG3010ZA	TAP SCREW	M3 x 10mm	
	66	QYSBSF3010ZA	TAP SCREW	M3 x 10mm	
	67	GV10255-062A	REAR PANEL		6US,6UN
	67	GV10255-063A	REAR PANEL		6UX,6UG
	68	GV30686-002A	FAN BKT		
	69	QAR0454-001	FAN		
	70	GV30349-026A	SPACER		
	71	GV10263-002A	REAR COVER		
	72	QYSBSGY3008EA	TAP SCREW	M3 x 8mm	

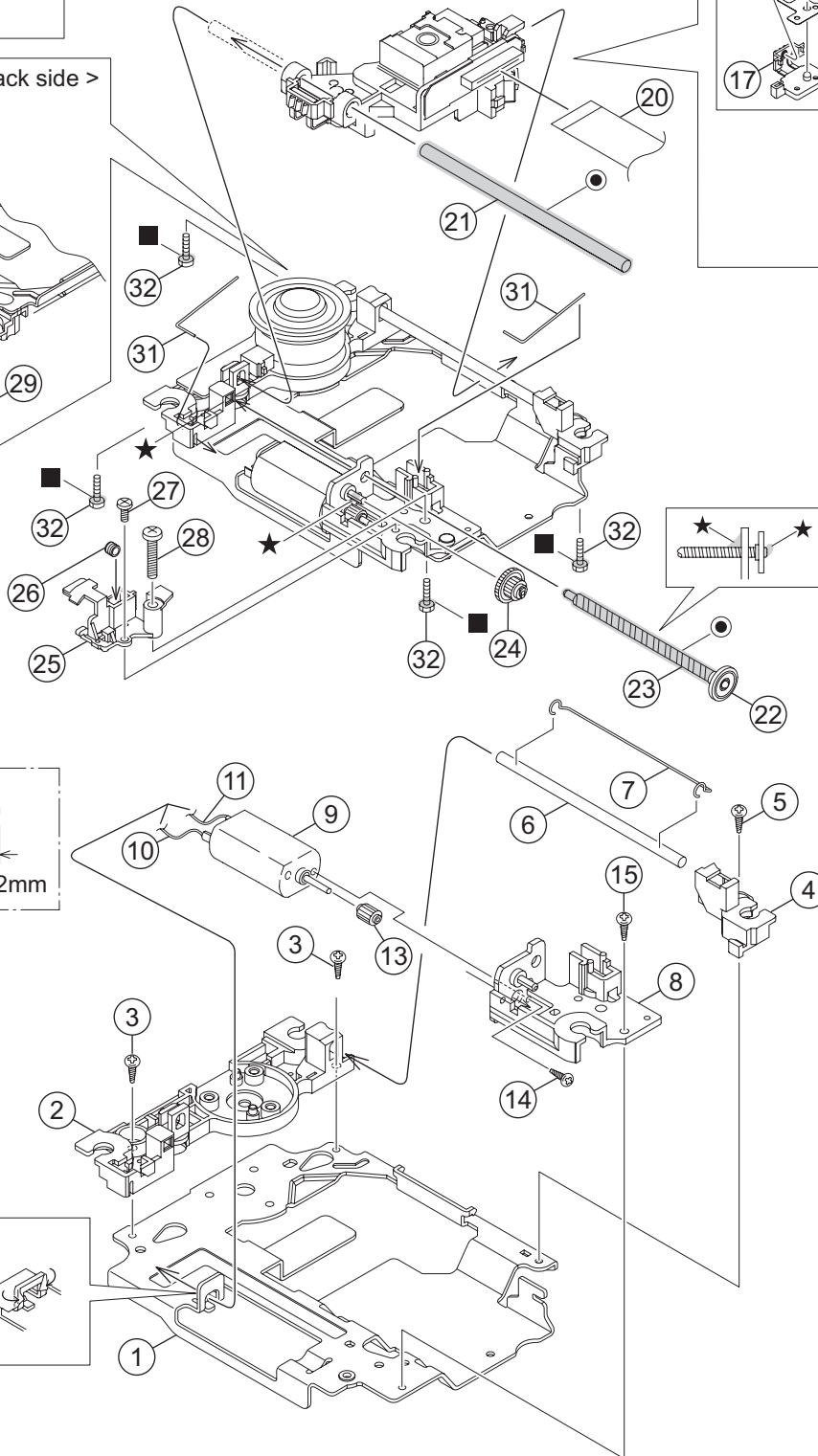
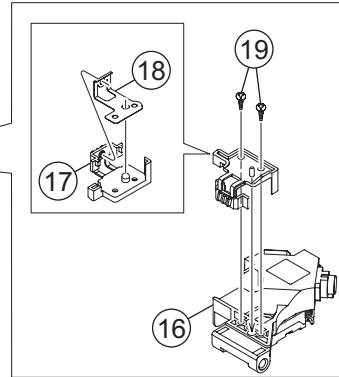
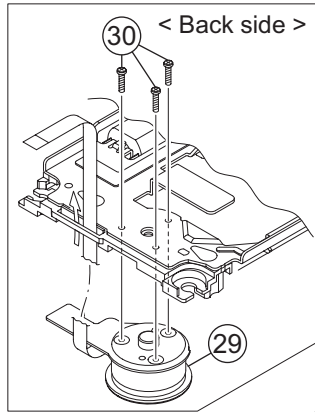
△	Symbol No.	Part No.	Part Name	Description	Local
	73	QAU0492-001	TUNER		
	74	QYSBSGY3008EA	TAP SCREW	M3 x 8mm(x2)	
	75	QYSBSGY3008EA	TAP SCREW	M3 x 8mm(x4)	
	76	QYSBSGY3008EA	TAP SCREW	M3 x 8mm	
	77	QYSBSGY3008EA	TAP SCREW	M3 x 8mm	
	78	QYSBSGY3008EA	TAP SCREW	M3 x 8mm	
	79	QYSBSGY3008EA	TAP SCREW	M3 x 8mm	
	80	QYSBSGY3008EA	TAP SCREW	M3 x 8mm(x2)	
	81	QYSBSGY3008EA	TAP SCREW	M3 x 8mm(x2)	
	82	QYSBSGY3008EA	TAP SCREW	M3 x 8mm(x2)	
	83	GV10254-005A/S/	METAL COVER		
	84	QYSBSGY3008EA	TAP SCREW	M3 x 8mm(x8)	
	85	GV30893-001A	NUMBER LABEL		
	86	GV30349-077A	SPACER		
	87	GV30349-049A	SPACER	(x2)	
	88	QUQU12-0606AJ-E	FFC WIRE	FC110 6pin 6cm	
	89	QUQU12-0710BJ-E	FFC WIRE	FC120 7pin 10cm	
	90	QUQU12-0915AJ-E	FFC WIRE	FC303 9pin 15cm	
	91	QUQU12-0712BJ-E	FFC WIRE	FC403 7pin 12cm	
	92	QUR110-0515AJ-E	FFC WIRE	FC921	
	93	QUR110-2821AJ-E	FFC WIRE	FC930	
	94	QUQU12-1113BJ-E	FFC WIRE	FC920 11pin 13cm	
	95	QUQU12-1116AJ-E	FFC WIRE	FC750 11pin 16cm	
	96	QUR110-1016AJ-E	FFC WIRE	FC800	
	97	GV40691-022A	FUSE LABEL	FL101	
	98	QUQU12-2118AJ-E	FFC WIRE	FC730 21pin 18cm	
	99	QUQU12-1317AJ-E	FFC WIRE	FC720 13pin 17cm	
	100	QUQU12-1516BJ-E	FFC WIRE	FC740 15pin 16cm	
	101	WJN0229-004A-E	SHIELDWIRE		
△	102	QMFZ051-100-J8	FUSE	F2001 10A	
△	103	QMFZ051-100-J8	FUSE	F2002 10A	
△	104	QMF51W2-6R3-J8	FUSE	F2003 6.3A AC250V	
△	105	QMF51W2-6R3-J8	FUSE	F2004 6.3A AC250V	
△	106	QMF51W2-1R6-J8	FUSE	F2005 1.6A AC250V	
△	107	QMF51W2-4R0-J8	FUSE	F2006 4A AC250V	
△	108	QMF51W2-6R3-J8	FUSE	F1001 6.3A AC250V	
△	109	QMF51W2-3R15-J8	FUSE	F1002 3.15A AC250V	
△	110	QQT0536-001	POWER TRANSF	T1001	
	111	GV40691-018A	FUSE LABEL	FL102	
	112	QAL0967-001	CASS MECHA ASSY		
	113	QAL0968-001	CASS MECHA ASSY		

DVD mechanism assembly and parts list

Block No. M J M M

Grease
 ★ =JVG-31N
 ● =JVS-1003
 ■ =1401C

FXL-D20-11M



7.0mm ± 0.2mm

The parts without symbol number are not service.

DVD mechanism

Block No. [M][J][M][M]

△	Symbol No.	Part No.	Part Name	Description	Local
	1	LV22234-001A	TM.CHASSIS		
	2	LV22294-001A	C.SPINDLE BASE		
	3	QYSDST2005ZA	TAP SCREW	M2 x 5mm(x2)	
	4	LV36791-001A	C.G.S.HOLDER		
	5	QYSDST2005ZA	TAP SCREW	M2 x 5mm	
	6	LV44041-002A	GUIDE SHAFT		
	7	LV44479-001A	BAR SPRING		
	8	LV22236-001A	FEED HOLDER		
	9	QAR0165-001	FEED MOTOR		
	10	QUB549-05A1A1-E	SIN TWIST WIRE		
	11	QUB544-05A1A1-E	SIN TWIST WIRE		
	12	LV30225-0X5A	SPACER		
	13	LV36557-001A	F.M.GEAR		
	14	QYSPSPT2030MA	SCREW	M2 x 3mm	
	15	QYSDST2005ZA	TAP SCREW	M2 x 5mm	
	16	QAL0786-004	P.UP		
	17	LV22237-001A	RACK ARM		
	18	LV36560-001A	RACK ARM SPRING		
	19	QYSPSFU1740ZA	TAP SCREW	M1.7 x 4mm(x2)	
	20	QUQK05-2415AC-E	FFC WIRE	24pin 15cm	
	21	LV44041-002A	GUIDE SHAFT		
	22	LV36559-001A	L.S.GEAR		
	23	LV41517-003A	LEAD SCREW		
	24	LV36558-001A	MIDDLE GEAR		
	25	LV36556-001A	SPRING HOLDER		
	26	LV44623-001A	COMP.SPRING		
	27	QYSDST2005ZA	TAP SCREW	M2 x 5mm	
	28	QYSDST2616MA	TAP SCREW	M2.6 x 16mm	
	29	QAR0334-002	S.MOTOR		
	30	QYSPSPU1775ZA	SCREW	M1.7 x 7.5mm(x3)	
	31	LV44042-001A	ROD SPRING	(x2)	
	32	LE40858-002A	SPECIAL SCREW	(x4)	

DVD changer mechanism assembly and parts list (Except DX-U6)

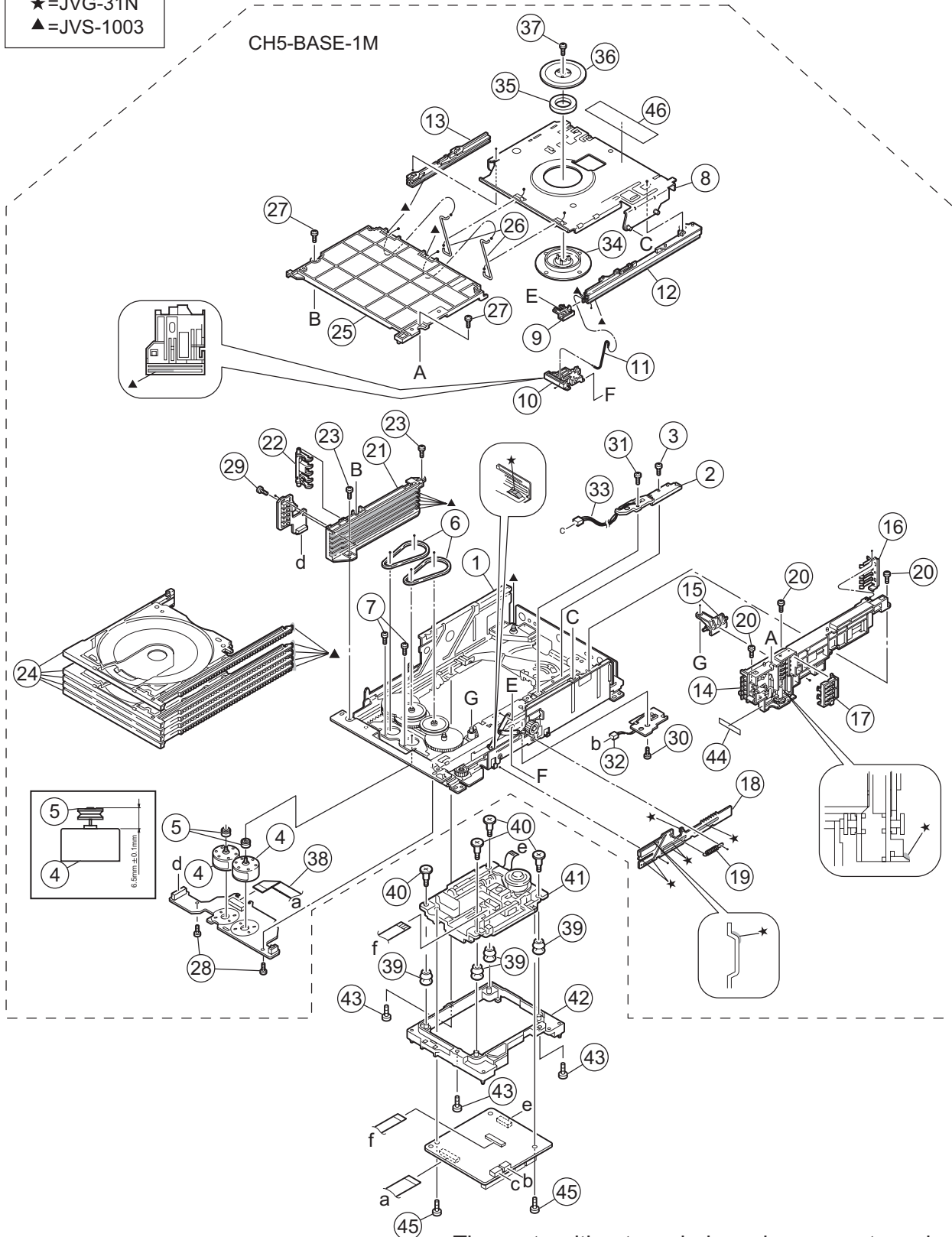
FMU-SB6-1M

Block No. M K M M

Grease

- ★=JVG-31N
- ▲=JVS-1003

CH5-BASE-1M



The parts without symbol number are not service.

DVD changer mechanism (Except DX-U6)

Block No. [M][K][M][M]

△	Symbol No.	Part No.	Part Name	Description	Local
	1	LV10913-001A	LOADER ASSY		
	2	QVY0027-B14	S V RESISTOR		
	3	QYSDST2004Z	SCREW	2mm x 4mm	
	4	QAR0164-001	MOTOR	(x2)	
	5	LV42340-001A	MOTOR PULLEY	(x2)	
	6	LV41431-002A	BELT	(x2)	
	7	QYSPSPU1725N	SCREW	1.7mm x 2.5mm(x2)	
	8	LV33965-004A	LIFTER ASSY		
	9	LV33963-001A	HOOK		
	10	LV33964-002A	HOOK STOPPER		
	11	LV43285-001A	ROD (L)		
	12	LV21408-002A	RAIL(R)		
	13	LV21409-002A	RAIL(L)		
	14	LV21520-004A	SIDE(R) ASSY		
	15	LV33974-001A	SELECT LEVER		
	16	LV33977-002A	CLICK SPRING		
	17	LV33975-001A	GEAR COVER		
	18	LV33976-001A	ELEVATOR CAM		
	19	LV43287-001A	ELEVATOR SPRING		
	20	QYSDST2605Z	SCREW	2.6mm x 5mm(x3)	
	21	LV10749-002A	SIDE(L)		
	22	LV33980-001A	OPEN DET.LEVER		
	23	QYSDST2605Z	SCREW	2.6mm x 5mm(x2)	
	24	LV10746-003A	TRAY ASSY	(x5)	
	25	LV10750-002A	TOP COVER		
	26	LV43289-002A	ROD	(x2)	
	27	QYSDSF2608Z	SCREW	2.6mm x 8mm(x2)	
	28	QYSDST2605Z	SCREW	2.6mm x 5mm(x2)	
	29	QYSDSF2608Z	SCREW	2.6mm x 8mm	
	30	QYSDST2605Z	SCREW	2.6mm x 5mm	
	31	QYSDST2004Z	SCREW	2mm x 4mm	
	32	WJM0330-002A	E-SI C WIRE C-F		
	33	WJM0331-001A	E-SI C WIRE C-F		
	34	LV32417-001A	CLAMPER		
	35	LV42930-003A	P.C.MAGNET		
	36	LV33992-001A	DVD YOKE		
	37	LV41741-001A	SPECIAL SCREW		
	38	QUQ110-1508BJ	FFC WIRE		
	39	LV44043-001A	INSULATOR	(x4)	
	40	LV44045-001A	SPECIAL SCREW	(x4)	
	41	-----	DVD TRAMECHA		
	42	LV11281-002A	TM CB HOLDER		
	43	QYSDST2605ZA	TAP SCREW	M2.6 x 5mm(x3)	
	44	LV30227-044A	SPACER		
	45	LV44209-001A	WASHER SCREW	(x2)	
	46	LV44603-003A	LASER CAUTION		

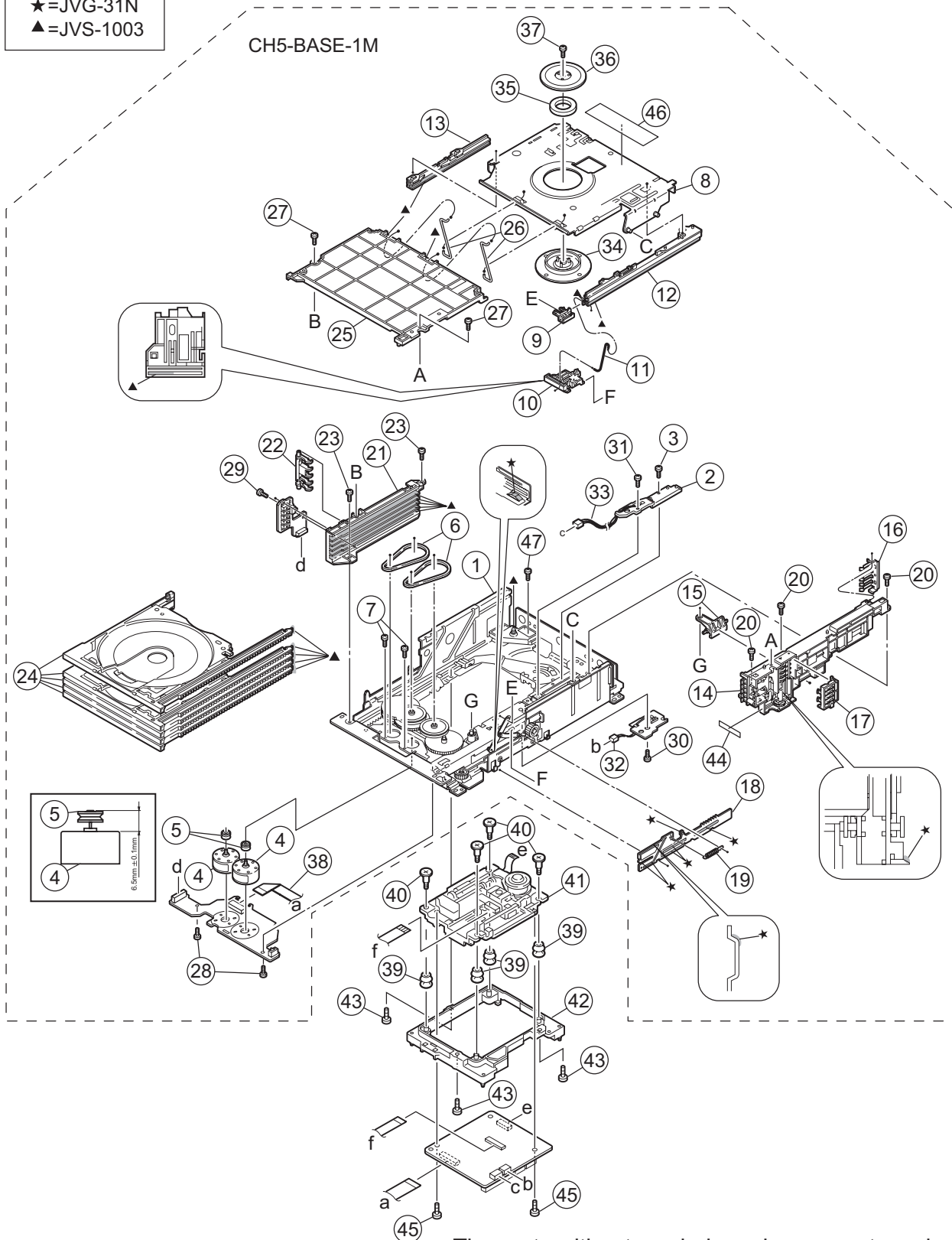
DVD changer mechanism assembly and parts list (Only DX-U6)

FMU-SB6-11M

Block No. M T M M

Grease

- ★=JVG-31N
- ▲=JVS-1003



The parts without symbol number are not service.

DVD changer mechanism (Only DX-U6)

Block No. [M][T][M][M]

△	Symbol No.	Part No.	Part Name	Description	Local
	1	LV10913-004A	LOADER ASSY		
	2	QVY0027-B14	S V RESISTOR		
	3	QYSDST2004ZA	TAP SCREW	M2 x 4mm	
	4	QAR0164-001	MOTOR	(x2)	
	5	LV42340-001A	MOTOR PULLEY	(x2)	
	6	LV41431-002A	BELT	(x2)	
	7	QYSPSPU1725NA	SCREW	M1.7 x 2.5mm(x2)	
	8	LV33965-004A	LIFTER ASSY		
	9	LV33963-001A	HOOK		
	10	LV33964-002A	HOOK STOPPER		
	11	LV43285-001A	ROD (L)		
	12	LV21408-002A	RAIL(R)		
	13	LV21409-002A	RAIL(L)		
	14	LV21520-004A	SIDE(R) ASSY		
	15	LV33974-002A	SELECT LEVER		
	16	LV33977-002A	CLICK SPRING		
	17	LV33975-001A	GEAR COVER		
	18	LV33976-002A	ELEVATOR CAM		
	19	LV43287-001A	ELEVATOR SPRING		
	20	QYSDST2605ZA	TAP SCREW	M2.6 x 5mm(x3)	
	21	LV10749-002A	SIDE(L)		
	22	LV33980-002A	OPEN DET.LEVER		
	23	QYSDST2605ZA	TAP SCREW	M2.6 x 5mm(x2)	
	24	LV10746-006A	TRAY ASSY	(x5)	
	25	LV10750-003A	TOP COVER		
	26	LV43289-003A	ROD	(x2)	
	27	QYSDSF2608ZA	TAP SCREW	M2.6 x 8mm(x2)	
	28	QYSDST2605ZA	TAP SCREW	M2.6 x 5mm(x2)	
	29	QYSDSF2608ZA	TAP SCREW	M2.6 x 8mm	
	30	QYSDST2605ZA	TAP SCREW	M2.6 x 5mm	
	31	QYSDST2004ZA	TAP SCREW	M2 x 4mm	
	32	WJM0330-002A-E	E-SI C WIRE C-F		
	33	WJM0331-001A-E	E-SI C WIRE C-F		
	34	LV32417-001A	CLAMPER		
	35	LV42930-003A	P.C.MAGNET		
	36	LV33992-001A	DVD YOKE		
	37	LV41741-003A	SPECIAL SCREW		
	38	QUQ110-1508BJ	FFC WIRE	15pin 8cm	
	39	LV44043-001A	INSULATOR	(x4)	
	40	LV44045-001A	SPECIAL SCREW	(x4)	
	41	-----	DVD TRAMECHA		
	42	LV11281-002A	TM CB HOLDER		
	43	QYSDST2605ZA	TAP SCREW	M2.6 x 5mm(x3)	
	44	LV30227-044A	SPACER		
	45	LV44209-001A	WASHER SCREW	(x2)	
	46	LV44603-003A	LASER CAUTION		
	47	QYSDST2605ZA	SCREW	M2.6 x 5 mm	

Electrical parts list

Main board

Block No. [0][1]

△ Symbol No.	Part No.	Part Name	Description	Local
IC770	-----	MICON IC		
IC771	BR24L08F-W-X	IC(DIGITAL)		
IC800	NJM4565E-X	IC		10A,10US,10UX, 10UG,10UN,8US, 8UX,8UG,8UN, 10UH
IC801	NJM4565E-X	IC		10A,10US,10UX, 10UG,10UN,8US, 8UX,8UG,8UN, 10UH
IC810	TC4066BFT-X	IC(DIGITAL)		10A,10US,10UX, 10UG,10UN,8US, 8UX,8UG,8UN, 10UH
IC820	R2S15207FP-X	IC		
IC830	NJM4565E-X	IC		
IC831	TC4066BFT-X	IC(DIGITAL)		
IC850	R2A15907SP-X	POWER IC		
IC870	R2S15904SP-X	IC		10A,10US,10UX, 10UG,10UN,8US, 8UX,8UG,8UN, 10UH
IC880	R2S15904SP-X	IC		10A,10US,10UX, 10UG,10UN,8US, 8UX,8UG,8UN, 10UH
IC881	NJM4565E-X	IC		
IC901	NJM4565E-X	IC		
IC920	MM1623XF-X	IC		
IC930	GP1FAV30TK0F	OPT TRANSMITTER		
Q7000	RT1N230C-X	TRANSISTOR		
Q7010	RT1N230C-X	TRANSISTOR		10A,10US,10UX, 10UG,10UN,8US, 8UX,8UG,8UN, 10UH
Q7080	RT1N141C-X	DIGI TRANSISTOR		
Q7084	KTC3203/OY/-T	TRANSISTOR		
Q7742	RT1P141C-X	DIGI TRANSISTOR		
Q8030	2SC5938A/B/-X	TRANSISTOR		10A,10US,10UX, 10UG,10UN, 10UH
Q8030	RT6N140C-X	TRANSISTOR		8US,8UX,8UG,8 UN,6US,6UX, 6UG,6UN
Q8031	2SC5938A/B/-X	TRANSISTOR		
Q8032	RT1N441C-X	TRANSISTOR		
Q8040	KTC812T-X	PAIR TRANSISTOR		10A,10US,10UX, 10UG,10UN,8US, 8UX,8UG,8UN, 6US,6UX,6UG, 6UN
Q8040	IMX9-W	PAIR TRANSISTOR		10UH
Q8071	KTC812T-X	PAIR TRANSISTOR		10A,10US,10UX, 10UG,10UN,8US, 8UX,8UG,8UN
Q8071	IMX9-W	PAIR TRANSISTOR		10UH
Q8081	RT6N230C-X	DIGI TRANSISTOR		10A,10US,10UX, 10UG,10UN,8US, 8UX,8UG,8UN, 10UH
Q8130	2SC5938A/B/-X	TRANSISTOR		10A,10US,10UX, 10UG,10UN, 10UH
Q8130	RT6N140C-X	TRANSISTOR		8US,8UX,8UG, 8UN,6US,6UX, 6UG,6UN
Q8131	2SC5938A/B/-X	TRANSISTOR		
Q8132	RT1N441C-X	TRANSISTOR		
Q8180	RT6N230C-X	DIGI TRANSISTOR		
Q8211	RT1N441C-X	TRANSISTOR		10A,10US,10UX, 10UG,10UN,8US, 8UX,8UG,8UN, 10UH

△ Symbol No.	Part No.	Part Name	Description	Local
Q8212	RT1N441C-X	TRANSISTOR		10A,10US,10UX, 10UG,10UN,8US, 8UX,8UG,8UN,1 0UH
Q8403	RT1N240C-X	TRANSISTOR		6US,6UX,6UG, 6UN
Q8404	RT1N240C-X	TRANSISTOR		6US,6UX,6UG, 6UN
Q8524	KTC3203/OY/-T	TRANSISTOR		
Q9002	RT3Y97M-X	TR ARRAY		
D7000	MA111-X	SI DIODE		
D7010	MA111-X	SI DIODE		10A,10US,10UX, 10UG,10UN,8US, 8UX,8UG,8UN, 10UH
D7050	UDZW5.1B-X	SB DIODE		
D7080	MA111-X	SI DIODE		
D7081	1N4003S-T5	SI DIODE		
D7084	UDZW3.9B-X	Z DIODE		
D7151	MA111-X	SI DIODE		
D7152	MA111-X	SI DIODE		
D7153	MA111-X	SI DIODE		
D7154	MA111-X	SI DIODE		10A,10US,10UX, 10UG,10UN,8US, 8UX,8UG,8UN, 10UH
D7155	MA111-X	SI DIODE		10A,10US,10UX, 10UG,10UN,8US, 8UX,8UG,8UN, 10UH
D7156	MA111-X	SI DIODE		10A,10US,10UX, 10UG,10UN,8US, 8UX,8UG,8UN, 10UH
D7157	MA111-X	SI DIODE		10A,10US,10UX, 10UG,10UN, 10UH
D7843	UDZW5.1B-X	SB DIODE		
D8031	MA111-X	SI DIODE		
D8032	MA111-X	SI DIODE		
D8131	MA111-X	SI DIODE		
D8132	MA111-X	SI DIODE		
D8230	MA111-X	SI DIODE		
D8231	MA111-X	SI DIODE		
D8406	UDZW2.4B-X	Z DIODE		6US,6UX,6UG, 6UN
D8407	UDZW2.4B-X	Z DIODE		6US,6UX,6UG, 6UN
D8524	UDZW5.6B-X	Z DIODE		
D9040	MA111-X	SI DIODE		
D9041	MA111-X	SI DIODE		
D9042	UDZW5.1B-X	SB DIODE		
D9303	1N4003S-T5	SI DIODE		
D9304	1N4003S-T5	SI DIODE		
C7050	QETN1HM-475Z	E CAPACITOR	4.7uF 50V M	
C7082	QETN1HM-475Z	E CAPACITOR	4.7uF 50V M	
C7700	QETN1HM-106Z	E CAPACITOR	10uF 50V M	
C7711	NCS31HJ-200X	C CAPACITOR	20pF 50V J	10A,10US,10UX, 10UG,10UN,8US, 8UX,8UG,8UN, 6US,6UX,6UG, 6UN
C7711	NDC31HJ-200X	C CAPACITOR	20pF 50V J	10UH
C7713	NCS31HJ-220X	C CAPACITOR	22pF 50V J	10A,10US,10UX, 10UG,10UN,8US, 8UX,8UG,8UN, 6US,6UX,6UG, 6UN
C7713	NDC31HJ-220X	C CAPACITOR	22pF 50V J	10UH
C7717	QETN1CM-107Z	E CAPACITOR	100uF 16V M	
C7718	NCB31HK-103X	C CAPACITOR	0.01uF 50V K	
C7789	QETN1CM-107Z	E CAPACITOR	100uF 16V M	
C7843	QETN1HM-106Z	E CAPACITOR	10uF 50V M	
C7889	NCB31HK-103X	C CAPACITOR	0.01uF 50V K	
C8000	QTE1J46-106Z	E CAPACITOR	10uF 63V	10A,10US,10UX, 10UG,10UN,8US, 8UX,8UG,8UN, 10UH

△ Symbol No.	Part No.	Part Name	Description	Local	△ Symbol No.	Part No.	Part Name	Description	Local
C8001	QTE1J46-106Z	E CAPACITOR	10uF 63V		C8076	QETN1HM-104Z	E CAPACITOR	0.1uF 50V M	10A,10US,10UX, 10UG,10UN,8US, 8UX,8UG,8UN, 10UH
C8003	NDC31HJ-271X	C CAPACITOR	270pF 50V J	10A,10US,10UX, 10UG,10UN, 10UH	C8080	QETN1HM-106Z	E CAPACITOR	10uF 50V M	10A,10US,10UX, 10UG,10UN,8US, 8UX,8UG,8UN, 10UH
C8003	NDC31HJ-151X	C CAPACITOR	150pF 50V J	8US,8UX,8UG, 8UN	C8081	NCB31HK-103X	C CAPACITOR	0.01uF 50V K	10A,10US,10UX, 10UG,10UN, 10UH
C8019	QFLC1HJ-473Z	M CAPACITOR	0.047uF 50V J	10A,10US,10UX, 10UG,10UN,1 0UH	C8082	QETN1HM-104Z	E CAPACITOR	0.1uF 50V M	10A,10US,10UX, 10UG,10UN,8US, 8UX,8UG,8UN, 10UH
C8019	QFLC1HJ-223Z	M CAPACITOR	0.022uF 50V J	8US,8UX,8UG, 8UN	C8083	QETN1HM-104Z	E CAPACITOR	0.1uF 50V M	10A,10US,10UX, 10UG,10UN,8US, 8UX,8UG,8UN, 10UH
C8019	QFLC1HJ-273Z	M CAPACITOR	0.027uF 50V J	6US,6UX,6UG, 6UN	C8084	QETN1HM-105Z	E CAPACITOR	1uF 50V M	10A,10US,10UX, 10UG,10UN,8US, 8UX,8UG,8UN, 10UH
C8020	QTE1J46-106Z	E CAPACITOR	10uF 63V		C8090	NCB31HK-104X	C CAPACITOR	0.1uF 50V K	
C8021	QETN1HM-475Z	E CAPACITOR	4.7uF 50V M		C8100	QTE1J46-106Z	E CAPACITOR	10uF 63V	10A,10US,10UX, 10UG,10UN,8US, 8UX,8UG,8UN, 10UH
C8022	QETN1HM-475Z	E CAPACITOR	4.7uF 50V M		C8101	QTE1J46-106Z	E CAPACITOR	10uF 63V	
C8023	QETN1HM-475Z	E CAPACITOR	4.7uF 50V M		C8103	NDC31HJ-271X	C CAPACITOR	270pF 50V J	10A,10US,10UX, 10UG,10UN, 10UH
C8024	QETN1HM-106Z	E CAPACITOR	10uF 50V M		C8103	NDC31HJ-151X	C CAPACITOR	150pF 50V J	8US,8UX,8UG, 8UN
C8025	QTE1J46-106Z	E CAPACITOR	10uF 63V		C8119	QFLC1HJ-473Z	M CAPACITOR	0.047uF 50V J	10A,10US,10UX, 10UG,10UN, 10UH
C8026	QFG32AJ-472Z	PP CAPACITOR	4700pF 100V J	10A,10US,10UX, 10UG,10UN,6US, 6UX,6UG,6UN, 10UH	C8119	QFLC1HJ-223Z	M CAPACITOR	0.022uF 50V J	8US,8UX,8UG, 8UN
C8026	QFG32AJ-332Z	PP CAPACITOR	3300pF 100V J	8US,8UX,8UG, 8UN	C8119	QFLC1HJ-273Z	M CAPACITOR	0.027uF 50V J	6US,6UX,6UG, 6UN
C8028	QFLC1HJ-683Z	M CAPACITOR	0.068uF 50V J	10A,10US,10UX, 10UG,10UN, 10UH	C8120	QTE1J46-106Z	E CAPACITOR	10uF 63V	
C8028	QFLC1HJ-473Z	M CAPACITOR	0.047uF 50V J	8US,8UX,8UG, 8UN	C8121	QETN1HM-475Z	E CAPACITOR	4.7uF 50V M	
C8028	QFLC1HJ-104Z	M CAPACITOR	0.1uF 50V J	6US,6UX,6UG, 6UN	C8122	QETN1HM-475Z	E CAPACITOR	4.7uF 50V M	
C8029	QFLC1HJ-473Z	M CAPACITOR	0.047uF 50V J	10A,10US,10UX, 10UG,10UN, 10UH	C8123	QETN1HM-475Z	E CAPACITOR	4.7uF 50V M	
C8029	QFLC1HJ-223Z	M CAPACITOR	0.022uF 50V J	8US,8UX,8UG, 8UN	C8124	QETN1HM-106Z	E CAPACITOR	10uF 50V M	
C8029	QFLC1HJ-273Z	M CAPACITOR	0.027uF 50V J	6US,6UX,6UG, 6UN	C8125	QTE1J46-106Z	E CAPACITOR	10uF 63V	
C8030	QFVF1HJ-154Z	MF CAPACITOR	0.15uF 50V J	10A,10US,10UX, 10UG,10UN, 10UH	C8126	QFG32AJ-472Z	PP CAPACITOR	4700pF 100V J	10A,10US,10UX, 10UG,10UN,6US, 6UX,6UG,6UN, 10UH
C8030	QFLC1HJ-104Z	M CAPACITOR	0.1uF 50V J	8US,8UX,8UG, 8UN,6US,6UX, 6UG,6UN	C8126	QFG32AJ-332Z	PP CAPACITOR	3300pF 100V J	8US,8UX,8UG, 8UN
C8031	QFLC1HJ-823Z	M CAPACITOR	0.082uF 50V J	10A,10US,10UX, 10UG,10UN, 10UH	C8128	QFLC1HJ-683Z	M CAPACITOR	0.068uF 50V J	10A,10US,10UX, 10UG,10UN, 10UH
C8031	QFLC1HJ-473Z	M CAPACITOR	0.047uF 50V J	8US,8UX,8UG, 8UN	C8128	QFLC1HJ-473Z	M CAPACITOR	0.047uF 50V J	8US,8UX,8UG, 8UN
C8031	QFLC1HJ-104Z	M CAPACITOR	0.1uF 50V J	6US,6UX,6UG, 6UN	C8128	QFLC1HJ-104Z	M CAPACITOR	0.1uF 50V J	6US,6UX,6UG, 6UN
C8032	QTE1H53-106Z	E CAPACITOR	10uF 50V	10A,10US,10UX, 10UG,10UN, 10UH	C8129	QFLC1HJ-473Z	M CAPACITOR	0.047uF 50V J	10A,10US,10UX, 10UG,10UN, 10UH
C8032	QTE1H53-226Z	E CAPACITOR	22uF 50V	8US,8UX,8UG, 8UN,6US,6UX, 6UG,6UN	C8129	QFLC1HJ-223Z	M CAPACITOR	0.022uF 50V J	8US,8UX,8UG, 8UN
C8033	QTE1J46-226Z	E CAPACITOR	22uF 63V		C8129	QFLC1HJ-273Z	M CAPACITOR	0.027uF 50V J	6US,6UX,6UG, 6UN
C8060	QFVF1HJ-274Z	MF CAPACITOR	0.27uF 50V J		C8130	QFVF1HJ-154Z	MF CAPACITOR	0.15uF 50V J	10A,10US,10UX, 10UG,10UN, 10UH
C8061	QFVF1HJ-124Z	MF CAPACITOR	0.12uF 50V J	10A,10US,10UX, 10UG,10UN, 10UH	C8130	QFLC1HJ-104Z	M CAPACITOR	0.1uF 50V J	8US,8UX,8UG, 8UN,6US,6UX, 6UG,6UN
C8061	QFLC1HJ-104Z	M CAPACITOR	0.1uF 50V J	8US,8UX,8UG, 8UN,6US,6UX, 6UG,6UN	C8131	QFLC1HJ-823Z	M CAPACITOR	0.082uF 50V J	10A,10US,10UX, 10UG,10UN, 10UH
C8070	QETN1HM-106Z	E CAPACITOR	10uF 50V M	10A,10US,10UX, 10UG,10UN,8US, 8UX,8UG,8UN, 10UH	C8131	QFLC1HJ-473Z	M CAPACITOR	0.047uF 50V J	8US,8UX,8UG, 8UN
C8071	NCB31HK-153X	C CAPACITOR	0.015uF 50V K	10A,10US,10UX, 10UG,10UN, 10UH	C8131	QFLC1HJ-104Z	M CAPACITOR	0.1uF 50V J	6US,6UX,6UG, 6UN
C8072	QETN1HM-106Z	E CAPACITOR	10uF 50V M	10A,10US,10UX, 10UG,10UN,8US, 8UX,8UG,8UN, 10UH	C8132	QTE1H53-106Z	E CAPACITOR	10uF 50V	10A,10US,10UX, 10UG,10UN, 10UH
C8074	QETN1HM-105Z	E CAPACITOR	1uF 50V M	10A,10US,10UX, 10UG,10UN,8US, 8UX,8UG,8UN, 10UH					

△ Symbol No.	Part No.	Part Name	Description	Local	△ Symbol No.	Part No.	Part Name	Description	Local
C8132	QTE1H53-226Z	E CAPACITOR	22uF 50V	8US,8UX,8UG, 8UN,6US,6UX, 6UG,6UN	C8512	NCB31HK-103X	C CAPACITOR	0.01uF 50V K	
C8133	QTE1J46-226Z	E CAPACITOR	22uF 63V		C8513	NCB31CK-104X	C CAPACITOR	0.1uF 16V K	
C8160	QFVF1HJ-274Z	MF CAPACITOR	0.27uF 50V J		C8514	NDC31HJ-101X	C CAPACITOR	100pF 50V J	
C8161	QFVF1HJ-124Z	MF CAPACITOR	0.12uF 50V J	10A,10US,10UX, 10UG,10UN, 10UH	C8515	QETN1HM-105Z	E CAPACITOR	1uF 50V M	
C8161	QFLC1HJ-104Z	M CAPACITOR	0.1uF 50V J	8US,8UX,8UG, 8UN,6US,6UX, 6UG,6UN	C8516	QETN1HM-105Z	E CAPACITOR	1uF 50V M	
C8170	QETN1HM-106Z	E CAPACITOR	10uF 50V M	10A,10US,10UX, 10UG,10UN,8US, 8UX,8UG,8UN, 10UH	C8517	NDC31HJ-101X	C CAPACITOR	100pF 50V J	
C8171	NCB31HK-153X	C CAPACITOR	0.015uF 50V K	10A,10US,10UX, 10UG,10UN, 10UH	C8518	NCB31HK-681X	C CAPACITOR	680pF 50V K	
C8172	QETN1HM-106Z	E CAPACITOR	10uF 50V M	10A,10US,10UX, 10UG,10UN,8US, 8UX,8UG,8UN, 10UH	C8519	QFVF1HJ-104Z	MF CAPACITOR	0.1uF 50V J	
C8174	QETN1HM-105Z	E CAPACITOR	1uF 50V M	10A,10US,10UX, 10UG,10UN,8US, 8UX,8UG,8UN, 10UH	C8520	NCB31AK-154X	C CAPACITOR	0.15uF 10V K	
C8176	QETN1HM-104Z	E CAPACITOR	0.1uF 50V M	10A,10US,10UX, 10UG,10UN,8US, 8UX,8UG,8UN, 10UH	C8521	NCB31HK-152X	C CAPACITOR	1500pF 50V K	
C8180	QFLC1HJ-223Z	M CAPACITOR	0.022uF 50V J	10A,10US,10UX, 10UG,10UN, 10UH	C8522	QETN1EM-476Z	E CAPACITOR	47uF 25V M	
C8180	QFLC1HJ-153Z	M CAPACITOR	0.015uF 50V J	8US,8UX,8UG, 8UN,6US,6UX, 6UG,6UN	C8523	NCB31CK-104X	C CAPACITOR	0.1uF 16V K	
C8181	QFVF1HJ-124Z	MF CAPACITOR	0.12uF 50V J	10A,10US,10UX, 10UG,10UN,10U H	C8524	NCB31CK-104X	C CAPACITOR	0.1uF 16V K	
C8181	QFLC1HJ-683Z	M CAPACITOR	0.068uF 50V J	8US,8UX,8UG, 8UN	C8525	NCB31CK-104X	C CAPACITOR	0.1uF 16V K	
C8181	QFLC1HJ-104Z	M CAPACITOR	0.1uF 50V J	6US,6UX,6UG, 6UN	C8526	NCB31CK-104X	C CAPACITOR	0.1uF 16V K	
C8182	QFLC1HJ-123Z	M CAPACITOR	0.012uF 50V J	8US,8UX,8UG, 8UN,6US,6UX, 6UG,6UN	C8527	NDC31HJ-101X	C CAPACITOR	100pF 50V J	
C8184	QTE1J46-106Z	E CAPACITOR	10uF 63V	10A,10US,10UX, 10UG,10UN,8US, 8UX,8UG,8UN, 10UH	C8528	NCB31HK-681X	C CAPACITOR	680pF 50V K	
C8185	QTE1J46-106Z	E CAPACITOR	10uF 63V		C8529	QETN1HM-105Z	E CAPACITOR	1uF 50V M	
C8202	QTE1J46-106Z	E CAPACITOR	10uF 63V	10A,10US,10UX, 10UG,10UN,8US, 8UX,8UG,8UN, 10UH	C8530	NCB31CK-104X	C CAPACITOR	0.1uF 16V K	
C8203	QFLC1HJ-223Z	M CAPACITOR	0.022uF 50V J	10A,10US,10UX, 10UG,10UN,8US, 8UX,8UG,8UN, 10UH	C8531	QETN1HM-105Z	E CAPACITOR	1uF 50V M	
C8204	QFLC1HJ-223Z	M CAPACITOR	0.022uF 50V J	10A,10US,10UX, 10UG,10UN,8US, 8UX,8UG,8UN, 10UH	C8532	NDC31HJ-680X	C CAPACITOR	68pF 50V J	
C8205	QETN1HM-225Z	E CAPACITOR	2.2uF 50V M		C8534	NCB31EK-273X	C CAPACITOR	0.027uF 25V K	
C8212	QETN1HM-105Z	E CAPACITOR	1uF 50V M		C8535	NDC31HJ-680X	C CAPACITOR	68pF 50V J	
C8213	NDC31HJ-101X	C CAPACITOR	100pF 50V J		C8536	NDC31HJ-101X	C CAPACITOR	100pF 50V J	
C8214	NDC31HJ-101X	C CAPACITOR	100pF 50V J		C8574	QETN1HM-105Z	E CAPACITOR	1uF 50V M	
C8220	QETN1AM-227Z	E CAPACITOR	220uF 10V M		C8575	QETN1HM-105Z	E CAPACITOR	1uF 50V M	
C8221	QFLC1HJ-473Z	M CAPACITOR	0.047uF 50V J		C8577	QETN1HM-105Z	E CAPACITOR	1uF 50V M	
C8222	QTE1E46-227Z	E CAPACITOR	220uF 25V		C8810	QETN1AM-227Z	E CAPACITOR	220uF 10V M	10A,10US,10UX, 10UG,10UN,8US, 8UX,8UG,8UN, 10UH
C8230	QETN1EM-476Z	E CAPACITOR	47uF 25V M		C9000	NCB31HK-222X	C CAPACITOR	2200pF 50V K	
C8232	QETN1HM-105Z	E CAPACITOR	1uF 50V M		C9001	QETN1HM-104Z	E CAPACITOR	0.1uF 50V M	
C8234	QETN1HM-105Z	E CAPACITOR	1uF 50V M		C9003	QETN1HM-104Z	E CAPACITOR	0.1uF 50V M	
C8235	QETN1HM-106Z	E CAPACITOR	10uF 50V M		C9004	QETN1EM-476Z	E CAPACITOR	47uF 25V M	
C8236	QETN1HM-106Z	E CAPACITOR	10uF 50V M		C9008	QETN1HM-105Z	E CAPACITOR	1uF 50V M	
C8272	QETN1EM-476Z	E CAPACITOR	47uF 25V M	10A,10US,10UX, 10UG,10UN,8US, 8UX,8UG,8UN, 10UH	C9009	QETN1EM-476Z	E CAPACITOR	47uF 25V M	
C8282	QETN1EM-476Z	E CAPACITOR	47uF 25V M	10A,10US,10UX, 10UG,10UN,8US, 8UX,8UG,8UN, 10UH	C9010	QETN1CM-107Z	E CAPACITOR	100uF 16V M	
C8511	QETN1HM-475Z	E CAPACITOR	4.7uF 50V M		C9021	NCB31HK-102X	C CAPACITOR	1000pF 50V K	
					C9022	NCB31HK-102X	C CAPACITOR	1000pF 50V K	
					C9034	QETN1HM-104Z	E CAPACITOR	0.1uF 50V M	
					C9035	NCS31HJ-470X	C CAPACITOR	47pF 50V J	
					C9042	QETN1HM-106Z	E CAPACITOR	10uF 50V M	
					C9050	NCB31HK-103X	C CAPACITOR	0.01uF 50V K	
					C9051	NCB31HK-103X	C CAPACITOR	0.01uF 50V K	
					C9052	NCB31HK-103X	C CAPACITOR	0.01uF 50V K	
					C9053	NCB31HK-103X	C CAPACITOR	0.01uF 50V K	
					C9100	NCB31HK-104X	C CAPACITOR	0.1uF 50V K	
					C9101	NCB31HK-102X	C CAPACITOR	1000pF 50V K	
					C9102	NCB31HK-102X	C CAPACITOR	1000pF 50V K	
					C9103	NCB31HK-392X	C CAPACITOR	3900pF 50V K	
					C9104	NCB31HK-392X	C CAPACITOR	3900pF 50V K	
					C9105	NCB31HK-102X	C CAPACITOR	1000pF 50V K	
					C9106	NCB31HK-104X	C CAPACITOR	0.1uF 50V K	
					C9200	QETN0JM-477Z	E CAPACITOR	470uF 6.3V M	
					C9204	NCB31HK-103X	C CAPACITOR	0.01uF 50V K	
					C9206	QETN1HM-105Z	E CAPACITOR	1uF 50V M	
					C9209	QETN1HM-226Z	E CAPACITOR	22uF 50V M	
					C9211	QETN1HM-105Z	E CAPACITOR	1uF 50V M	
					C9213	QETN1HM-105Z	E CAPACITOR	1uF 50V M	
					C9215	QETN1HM-105Z	E CAPACITOR	1uF 50V M	
					C9216	NCB31CK-104X	C CAPACITOR	0.1uF 16V K	
					C9217	NDC31HK-101X	C CAPACITOR	100pF 50V K	
					C9218	QETN0JM-477Z	E CAPACITOR	470uF 6.3V M	
					C9220	NDC31HK-101X	C CAPACITOR	100pF 50V K	
					C9221	QETN0JM-477Z	E CAPACITOR	470uF 6.3V M	
					C9223	NDC31HK-101X	C CAPACITOR	100pF 50V K	
					C9224	QETN0JM-477Z	E CAPACITOR	470uF 6.3V M	
					C9226	NDC31HK-101X	C CAPACITOR	100pF 50V K	
					C9227	QETN0JM-477Z	E CAPACITOR	470uF 6.3V M	
					C9229	NDC31HK-101X	C CAPACITOR	100pF 50V K	
					C9230	QETN0JM-477Z	E CAPACITOR	470uF 6.3V M	
					C9231	NDC31HK-101X	C CAPACITOR	100pF 50V K	
					C9232	NCB31HK-103X	C CAPACITOR	0.01uF 50V K	
					C9300	QETN1CM-107Z	E CAPACITOR	100uF 16V M	
					R7001	QRZ0253-821X	OMF TRANSISTOR	820Ω	
					R7002	QRZ0253-821X	OMF TRANSISTOR	820Ω	

△ Symbol No.	Part No.	Part Name	Description	Local	△ Symbol No.	Part No.	Part Name	Description	Local
R7050	NRSA63J-753X	MG RESISTOR	75kΩ 1/16W J	10A,10US,10UX,10UG,10UN,10UH	R7805	NRSA63J-103X	MG RESISTOR	10kΩ 1/16W J	
R7050	NRSA63J-623X	MG RESISTOR	62kΩ 1/16W J	8US,8UX,8UG,8UN,6US,6UX,6UG,6UN	R7808	NRSA63J-103X	MG RESISTOR	10kΩ 1/16W J	
R7080	NRSA63J-103X	MG RESISTOR	10kΩ 1/16W J		R7809	NRSA63J-103X	MG RESISTOR	10kΩ 1/16W J	
R7084	QRJ146J-4R7X	UNF C RESISTOR	4.7Ω 1/4W J		R7811	NRSA63J-472X	MG RESISTOR	4.7kΩ 1/16W J	
R7085	NRSA63J-151X	MG RESISTOR	150Ω 1/16W J		R7838	NRSA63J-103X	MG RESISTOR	10kΩ 1/16W J	
R7101	QRZ0253-821X	OMF TRANSISTOR	820Ω		R7844	NRSA63J-103X	MG RESISTOR	10kΩ 1/16W J	
R7102	QRZ0253-821X	OMF TRANSISTOR	820Ω		R7847	NRSA63J-104X	MG RESISTOR	100kΩ 1/16W J	
R7151	NRSA63J-104X	MG RESISTOR	100kΩ 1/16W J		R7851	NRSA63J-103X	MG RESISTOR	10kΩ 1/16W J	
R7152	NRSA63J-104X	MG RESISTOR	100kΩ 1/16W J		R7854	NRSA63J-103X	MG RESISTOR	10kΩ 1/16W J	
R7153	NRSA63J-104X	MG RESISTOR	100kΩ 1/16W J		R7859	NRSA63J-103X	MG RESISTOR	10kΩ 1/16W J	
R7154	NRSA63J-104X	MG RESISTOR	100kΩ 1/16W J	10A,10US,10UX,10UG,10UN,8US,8UX,8UG,8UN,10UH	R7862	NRSA63J-103X	MG RESISTOR	10kΩ 1/16W J	
R7155	NRSA63J-104X	MG RESISTOR	100kΩ 1/16W J	10A,10US,10UX,10UG,10UN,8US,8UX,8UG,8UN,10UH	R7871	NRSA63J-103X	MG RESISTOR	10kΩ 1/16W J	
R7156	NRSA63J-104X	MG RESISTOR	100kΩ 1/16W J	10A,10US,10UX,10UG,10UN,8US,8UX,8UG,8UN,10UH	R7890	NRSA63J-103X	MG RESISTOR	10kΩ 1/16W J	
R7157	NRSA63J-104X	MG RESISTOR	100kΩ 1/16W J	10A,10US,10UX,10UG,10UN,10UH	R7892	NRSA63J-103X	MG RESISTOR	10kΩ 1/16W J	
R7700	NRSA63J-104X	MG RESISTOR	100kΩ 1/16W J		R7893	NRSA63J-103X	MG RESISTOR	10kΩ 1/16W J	
R7701	NRSA63J-102X	MG RESISTOR	1kΩ 1/16W J		R7894	NRSA63J-103X	MG RESISTOR	10kΩ 1/16W J	
R7702	NRSA63J-102X	MG RESISTOR	1kΩ 1/16W J		R7895	NRSA63J-562X	MG RESISTOR	5.6kΩ 1/16W J	10UX,10UG,8UX,8UG,6UX,6UG
R7703	NRSA63J-102X	MG RESISTOR	1kΩ 1/16W J		R7896	NRSA63J-103X	MG RESISTOR	10kΩ 1/16W J	10A,10US,10UX,10UG,10UN,8US,8UX,8UG,8UN,10UH
R7704	NRSA63J-102X	MG RESISTOR	1kΩ 1/16W J		R7896	NRSA63J-562X	MG RESISTOR	5.6kΩ 1/16W J	6US,6UX,6UG,6UN
R7705	NRSA63J-102X	MG RESISTOR	1kΩ 1/16W J		R7898	NRSA63J-103X	MG RESISTOR	10kΩ 1/16W J	
R7706	NRSA63J-101X	MG RESISTOR	100Ω 1/16W J		R8000	NRSA63J-472X	MG RESISTOR	4.7kΩ 1/16W J	10A,10US,10UX,10UG,10UN,10UH
R7719	NRSA63J-102X	MG RESISTOR	1kΩ 1/16W J		R8000	NRSA63J-473X	MG RESISTOR	47kΩ 1/16W J	8US,8UX,8UG,8UN
R7725	NRSA63J-102X	MG RESISTOR	1kΩ 1/16W J		R8001	NRSA63J-562X	MG RESISTOR	5.6kΩ 1/16W J	10A,10US,10UX,10UG,10UN,10UH
R7726	NRSA63J-102X	MG RESISTOR	1kΩ 1/16W J	10A,10US,10UX,10UG,10UN,8US,8UX,8UG,8UN,10UH	R8001	NRSA63J-473X	MG RESISTOR	47kΩ 1/16W J	8US,8UX,8UG,8UN
R7727	NRSA63J-102X	MG RESISTOR	1kΩ 1/16W J	10A,10US,10UX,10UG,10UN,8US,8UX,8UG,8UN,10UH	R8002	NRSA63J-223X	MG RESISTOR	22kΩ 1/16W J	10A,10US,10UX,10UG,10UN,8US,8UX,8UG,8UN,10UH
R7728	NRSA63J-102X	MG RESISTOR	1kΩ 1/16W J		R8003	NRSA63J-563X	MG RESISTOR	56kΩ 1/16W J	10A,10US,10UX,10UG,10UN,8US,8UX,8UG,8UN,10UH
R7730	NRSA63J-101X	MG RESISTOR	100Ω 1/16W J		R8004	NRSA63J-102X	MG RESISTOR	1kΩ 1/16W J	
R7742	NRSA63J-302X	MG RESISTOR	3kΩ 1/16W J		R8005	NRSA63J-104X	MG RESISTOR	100kΩ 1/16W J	
R7743	NRSA63J-101X	MG RESISTOR	100Ω 1/16W J		R8020	NRSA63J-123X	MG RESISTOR	12kΩ 1/16W J	10A,10US,10UX,10UG,10UN,10UH
R7746	NRSA63J-102X	MG RESISTOR	1kΩ 1/16W J		R8020	NRSA63J-103X	MG RESISTOR	10kΩ 1/16W J	8US,8UX,8UG,8UN
R7747	NRSA63J-102X	MG RESISTOR	1kΩ 1/16W J		R8020	NRSA63J-302X	MG RESISTOR	3kΩ 1/16W J	6US,6UX,6UG,6UN
R7748	NRSA63J-102X	MG RESISTOR	1kΩ 1/16W J		R8021	NRSA63J-302X	MG RESISTOR	3kΩ 1/16W J	10A,10US,10UX,10UG,10UN,10UH
R7749	NRSA63J-102X	MG RESISTOR	1kΩ 1/16W J		R8021	NRSA63J-682X	MG RESISTOR	6.8kΩ 1/16W J	8US,8UX,8UG,8UN,6US,6UX,6UG,6UN
R7750	NRSA63J-102X	MG RESISTOR	1kΩ 1/16W J		R8030	NRSA63J-432X	MG RESISTOR	4.3kΩ 1/16W J	10A,10US,10UX,10UG,10UN,10UH
R7758	NRSA63J-102X	MG RESISTOR	1kΩ 1/16W J		R8030	NRSA63J-682X	MG RESISTOR	6.8kΩ 1/16W J	8US,8UX,8UG,8UN
R7759	NRSA63J-273X	MG RESISTOR	27kΩ 1/16W J		R8030	NRSA63J-472X	MG RESISTOR	4.7kΩ 1/16W J	6US,6UX,6UG,6UN
R7768	NRSA63J-102X	MG RESISTOR	1kΩ 1/16W J		R8031	NRSA63J-222X	MG RESISTOR	2.2kΩ 1/16W J	
R7772	NRSA63J-102X	MG RESISTOR	1kΩ 1/16W J		R8032	NRSA63J-103X	MG RESISTOR	10kΩ 1/16W J	10A,10US,10UX,10UG,10UN,6US,6UX,6UG,6UN,10UH
R7773	NRSA63J-102X	MG RESISTOR	1kΩ 1/16W J		R8032	NRSA63J-393X	MG RESISTOR	39kΩ 1/16W J	8US,8UX,8UG,8UN
R7774	NRSA63J-102X	MG RESISTOR	1kΩ 1/16W J		R8033	NRSA63J-124X	MG RESISTOR	120kΩ 1/16W J	10A,10US,10UX,10UG,10UN,6US,6UX,6UG,6UN,10UH
R7775	NRSA63J-102X	MG RESISTOR	1kΩ 1/16W J		R8033	NRSA63J-274X	MG RESISTOR	270kΩ 1/16W J	8US,8UX,8UG,8UN
R7776	NRSA63J-102X	MG RESISTOR	1kΩ 1/16W J		R8034	NRSA63J-433X	MG RESISTOR	43kΩ 1/16W J	
R7777	NRSA63J-102X	MG RESISTOR	1kΩ 1/16W J		R8035	NRSA63J-102X	MG RESISTOR	1kΩ 1/16W J	
R7779	NRSA63J-102X	MG RESISTOR	1kΩ 1/16W J		R8036	NRSA63J-102X	MG RESISTOR	1kΩ 1/16W J	10A,10US,10UX,10UG,10UN,10UH
R7780	NRSA63J-102X	MG RESISTOR	1kΩ 1/16W J						
R7781	NRSA63J-102X	MG RESISTOR	1kΩ 1/16W J						
R7786	NRSA63J-102X	MG RESISTOR	1kΩ 1/16W J						
R7792	NRSA63J-102X	MG RESISTOR	1kΩ 1/16W J						
R7793	NRSA63J-102X	MG RESISTOR	1kΩ 1/16W J						
R7794	NRSA63J-102X	MG RESISTOR	1kΩ 1/16W J						
R7795	NRSA63J-103X	MG RESISTOR	10kΩ 1/16W J						
R7796	NRSA63J-103X	MG RESISTOR	10kΩ 1/16W J	6US,6UX,6UG,6UN					
R7797	NRSA63J-102X	MG RESISTOR	1kΩ 1/16W J						
R7798	NRSA63J-102X	MG RESISTOR	1kΩ 1/16W J						
R7799	NRSA63J-102X	MG RESISTOR	1kΩ 1/16W J						
R7801	NRSA63J-103X	MG RESISTOR	10kΩ 1/16W J						
R7802	NRSA63J-103X	MG RESISTOR	10kΩ 1/16W J						
R7803	NRSA63J-103X	MG RESISTOR	10kΩ 1/16W J						
R7804	NRSA63J-103X	MG RESISTOR	10kΩ 1/16W J						

△ Symbol No.	Part No.	Part Name	Description	Local	△ Symbol No.	Part No.	Part Name	Description	Local
R8036	NRSA63J-0R0X	MG RESISTOR	0Ω 1/16W J	8US,8UX,8UG, 8UN,6US,6UX, 6UG,6UN	R8091	NRSA63J-105X	MG RESISTOR	1MΩ 1/16W J	10A,10US,10UX, 10UG,10UN,8US, 8UX,8UG,8UN, 10UH
R8037	NRSA63J-103X	MG RESISTOR	10kΩ 1/16W J		R8091	NRSA63J-333X	MG RESISTOR	33kΩ 1/16W J	6US,6UX,6UG, 6UN
R8042	NRSA63J-102X	MG RESISTOR	1kΩ 1/16W J	10A,10US,10UX, 10UG,10UN, 10UH	R8092	NRSA63J-363X	MG RESISTOR	36kΩ 1/16W J	
R8042	NRSA63J-222X	MG RESISTOR	2.2kΩ 1/16W J	8US,8UX,8UG, 8UN,6US,6UX, 6UG,6UN	R8093	NRSA63J-0R0X	MG RESISTOR	0Ω 1/16W J	
R8043	NRSA63J-222X	MG RESISTOR	2.2kΩ 1/16W J		R8095	NRSA63J-0R0X	MG RESISTOR	0Ω 1/16W J	
R8046	NRSA63J-473X	MG RESISTOR	47kΩ 1/16W J	10A,10US,10UX, 10UG,10UN, 10UH	R8099	NRSA63J-103X	MG RESISTOR	10kΩ 1/16W J	
R8046	NRSA63J-103X	MG RESISTOR	10kΩ 1/16W J	8US,8UX,8UG, 8UN,6US,6UX, 6UG,6UN	R8100	NRSA63J-472X	MG RESISTOR	4.7kΩ 1/16W J	10A,10US,10UX, 10UG,10UN, 10UH
R8060	NRSA63J-302X	MG RESISTOR	3kΩ 1/16W J	10A,10US,10UX, 10UG,10UN, 10UH	R8100	NRSA63J-473X	MG RESISTOR	47kΩ 1/16W J	8US,8UX,8UG, 8UN
R8060	NRSA63J-362X	MG RESISTOR	3.6kΩ 1/16W J	8US,8UX,8UG, 8UN,6US,6UX, 6UG,6UN	R8101	NRSA63J-562X	MG RESISTOR	5.6kΩ 1/16W J	10A,10US,10UX, 10UG,10UN, 10UH
R8061	NRSA63J-222X	MG RESISTOR	2.2kΩ 1/16W J	10A,10US,10UX, 10UG,10UN,6US, 6UX,6UG,6UN, 10UH	R8101	NRSA63J-473X	MG RESISTOR	47kΩ 1/16W J	8US,8UX,8UG, 8UN
R8061	NRSA63J-202X	MG RESISTOR	2kΩ 1/16W J	8US,8UX,8UG, 8UN	R8102	NRSA63J-223X	MG RESISTOR	22kΩ 1/16W J	10A,10US,10UX, 10UG,10UN,8US, 8UX,8UG,8UN, 10UH
R8062	NRSA63J-682X	MG RESISTOR	6.8kΩ 1/16W J	10A,10US,10UX, 10UG,10UN, 10UH	R8102	NRSA63J-223X	MG RESISTOR	22kΩ 1/16W J	10A,10US,10UX, 10UG,10UN,8US, 8UX,8UG,8UN, 10UH
R8062	NRSA63J-103X	MG RESISTOR	10kΩ 1/16W J	8US,8UX,8UG, 8UN,6US,6UX, 6UG,6UN	R8103	NRSA63J-563X	MG RESISTOR	56kΩ 1/16W J	10A,10US,10UX, 10UG,10UN,8US, 8UX,8UG,8UN, 10UH
R8070	NRSA63J-102X	MG RESISTOR	1kΩ 1/16W J	10A,10US,10UX, 10UG,10UN,8US, 8UX,8UG,8UN, 10UH	R8104	NRSA63J-102X	MG RESISTOR	1kΩ 1/16W J	
R8071	NRSA63J-104X	MG RESISTOR	100kΩ 1/16W J	10A,10US,10UX, 10UG,10UN,8US, 8UX,8UG,8UN, 10UH	R8105	NRSA63J-104X	MG RESISTOR	100kΩ 1/16W J	
R8073	NRSA63J-222X	MG RESISTOR	2.2kΩ 1/16W J	10A,10US,10UX, 10UG,10UN,8US, 8UX,8UG,8UN, 10UH	R8120	NRSA63J-123X	MG RESISTOR	12kΩ 1/16W J	10A,10US,10UX, 10UG,10UN, 10UH
R8074	NRSA63J-102X	MG RESISTOR	1kΩ 1/16W J	10A,10US,10UX, 10UG,10UN,8US, 8UX,8UG,8UN, 10UH	R8120	NRSA63J-103X	MG RESISTOR	10kΩ 1/16W J	8US,8UX,8UG, 8UN
R8075	NRSA63J-103X	MG RESISTOR	10kΩ 1/16W J	10A,10US,10UX, 10UG,10UN,8US, 8UX,8UG,8UN, 10UH	R8120	NRSA63J-302X	MG RESISTOR	3kΩ 1/16W J	6US,6UX,6UG, 6UN
R8076	NRSA63J-102X	MG RESISTOR	1kΩ 1/16W J	10A,10US,10UX, 10UG,10UN,8US, 8UX,8UG,8UN, 10UH	R8121	NRSA63J-302X	MG RESISTOR	3kΩ 1/16W J	10A,10US,10UX, 10UG,10UN, 10UH
R8077	NRSA63J-102X	MG RESISTOR	1kΩ 1/16W J	10A,10US,10UX, 10UG,10UN,8US, 8UX,8UG,8UN, 10UH	R8121	NRSA63J-682X	MG RESISTOR	6.8kΩ 1/16W J	8US,8UX,8UG, 8UN,6US,6UX, 6UG,6UN
R8080	NRSA63J-102X	MG RESISTOR	1kΩ 1/16W J	10A,10US,10UX, 10UG,10UN,8US, 8UX,8UG,8UN, 10UH	R8130	NRSA63J-432X	MG RESISTOR	4.3kΩ 1/16W J	10A,10US,10UX, 10UG,10UN, 10UH
R8081	NRSA63J-104X	MG RESISTOR	100kΩ 1/16W J	10A,10US,10UX, 10UG,10UN,8US, 8UX,8UG,8UN, 10UH	R8130	NRSA63J-682X	MG RESISTOR	6.8kΩ 1/16W J	8US,8UX,8UG, 8UN
R8084	NRSA63J-102X	MG RESISTOR	1kΩ 1/16W J	10A,10US,10UX, 10UG,10UN,8US, 8UX,8UG,8UN, 10UH	R8130	NRSA63J-472X	MG RESISTOR	4.7kΩ 1/16W J	6US,6UX,6UG, 6UN
R8085	NRSA63J-103X	MG RESISTOR	10kΩ 1/16W J	10A,10US,10UX, 10UG,10UN,8US, 8UX,8UG,8UN, 10UH	R8131	NRSA63J-222X	MG RESISTOR	2.2kΩ 1/16W J	
R8090	NRSA63J-223X	MG RESISTOR	22kΩ 1/16W J	10A,10US,10UX, 10UG,10UN,8US, 8UX,8UG,8UN, 10UH	R8132	NRSA63J-103X	MG RESISTOR	10kΩ 1/16W J	10A,10US,10UX, 10UG,10UN,6US, 6UX,6UG,6UN, 10UH
R8090	NRSA63J-273X	MG RESISTOR	27kΩ 1/16W J	6US,6UX,6UG, 6UN	R8132	NRSA63J-393X	MG RESISTOR	39kΩ 1/16W J	8US,8UX,8UG, 8UN
					R8133	NRSA63J-124X	MG RESISTOR	120kΩ 1/16W J	10A,10US,10UX, 10UG,10UN,6US, 6UX,6UG,6UN, 10UH
					R8133	NRSA63J-274X	MG RESISTOR	270kΩ 1/16W J	8US,8UX,8UG, 8UN
					R8134	NRSA63J-433X	MG RESISTOR	43kΩ 1/16W J	
					R8135	NRSA63J-102X	MG RESISTOR	1kΩ 1/16W J	
					R8136	NRSA63J-102X	MG RESISTOR	1kΩ 1/16W J	10A,10US,10UX, 10UG,10UN, 10UH
					R8136	NRSA63J-0R0X	MG RESISTOR	0Ω 1/16W J	8US,8UX,8UG, 8UN,6US,6UX, 6UG,6UN
					R8137	NRSA63J-223X	MG RESISTOR	22kΩ 1/16W J	
					R8142	NRSA63J-102X	MG RESISTOR	1kΩ 1/16W J	10A,10US,10UX, 10UG,10UN, 10UH
					R8142	NRSA63J-222X	MG RESISTOR	2.2kΩ 1/16W J	8US,8UX,8UG, 8UN,6US,6UX, 6UG,6UN
					R8143	NRSA63J-222X	MG RESISTOR	2.2kΩ 1/16W J	
					R8146	NRSA63J-473X	MG RESISTOR	47kΩ 1/16W J	10A,10US,10UX, 10UG,10UN, 10UH

△ Symbol No.	Part No.	Part Name	Description	Local	△ Symbol No.	Part No.	Part Name	Description	Local
R8146	NRSA63J-103X	MG RESISTOR	10kΩ 1/16W J	8US,8UX,8UG, 8UN,6US,6UX, 6UG,6UN	R8191	NRSA63J-105X	MG RESISTOR	1MΩ 1/16W J	10A,10US,10UX, 10UG,10UN,8US, 8UX,8UG,8UN, 10UH
R8160	NRSA63J-302X	MG RESISTOR	3kΩ 1/16W J	10A,10US,10UX, 10UG,10UN, 10UH	R8191	NRSA63J-333X	MG RESISTOR	33kΩ 1/16W J	6US,6UX,6UG, 6UN
R8160	NRSA63J-362X	MG RESISTOR	3.6kΩ 1/16W J	8US,8UX,8UG, 8UN,6US,6UX, 6UG,6UN	R8192	NRSA63J-363X	MG RESISTOR	36kΩ 1/16W J	
R8161	NRSA63J-222X	MG RESISTOR	2.2kΩ 1/16W J	10A,10US,10UX, 10UG,10UN,6US, 6UX,6UG,6UN, 10UH	R8193	NRSA63J-0R0X	MG RESISTOR	0Ω 1/16W J	
R8161	NRSA63J-202X	MG RESISTOR	2kΩ 1/16W J	8US,8UX,8UG, 8UN	R8195	NRSA63J-0R0X	MG RESISTOR	0Ω 1/16W J	
R8162	NRSA63J-682X	MG RESISTOR	6.8kΩ 1/16W J	10A,10US,10UX, 10UG,10UN, 10UH	R8199	NRSA63J-103X	MG RESISTOR	10kΩ 1/16W J	
R8162	NRSA63J-103X	MG RESISTOR	10kΩ 1/16W J	8US,8UX,8UG, 8UN,6US,6UX, 6UG,6UN	R8202	NRSA63J-103X	MG RESISTOR	10kΩ 1/16W J	10A,10US,10UX, 10UG,10UN,8US, 8UX,8UG,8UN, 10UH
R8170	NRSA63J-102X	MG RESISTOR	1kΩ 1/16W J	10A,10US,10UX, 10UG,10UN,8US, 8UX,8UG,8UN, 10UH	R8203	NRSA63J-223X	MG RESISTOR	22kΩ 1/16W J	10A,10US,10UX, 10UG,10UN,8US, 8UX,8UG,8UN, 10UH
R8171	NRSA63J-104X	MG RESISTOR	100kΩ 1/16W J	10A,10US,10UX, 10UG,10UN,8US, 8UX,8UG,8UN, 10UH	R8204	NRSA63J-223X	MG RESISTOR	22kΩ 1/16W J	10A,10US,10UX, 10UG,10UN,8US, 8UX,8UG,8UN, 10UH
R8173	NRSA63J-222X	MG RESISTOR	2.2kΩ 1/16W J	10A,10US,10UX, 10UG,10UN,8US, 8UX,8UG,8UN, 10UH	R8205	NRSA63J-243X	MG RESISTOR	24kΩ 1/16W J	10A,10US,10UX, 10UG,10UN,8US, 8UX,8UG,8UN, 10UH
R8174	NRSA63J-102X	MG RESISTOR	1kΩ 1/16W J	10A,10US,10UX, 10UG,10UN,8US, 8UX,8UG,8UN, 10UH	R8206	NRSA63J-103X	MG RESISTOR	10kΩ 1/16W J	10A,10US,10UX, 10UG,10UN,8US, 8UX,8UG,8UN, 10UH
R8175	NRSA63J-103X	MG RESISTOR	10kΩ 1/16W J	10A,10US,10UX, 10UG,10UN,8US, 8UX,8UG,8UN, 10UH	R8211	NRSA63J-223X	MG RESISTOR	22kΩ 1/16W J	10A,10US,10UX, 10UG,10UN,8US, 8UX,8UG,8UN, 10UH
R8176	NRSA63J-102X	MG RESISTOR	1kΩ 1/16W J	10A,10US,10UX, 10UG,10UN,8US, 8UX,8UG,8UN, 10UH	R8212	NRSA63J-103X	MG RESISTOR	10kΩ 1/16W J	10A,10US,10UX, 10UG,10UN,8US, 8UX,8UG,8UN, 10UH
R8177	NRSA63J-102X	MG RESISTOR	1kΩ 1/16W J	10A,10US,10UX, 10UG,10UN,8US, 8UX,8UG,8UN, 10UH	R8221	NRSA63J-103X	MG RESISTOR	10kΩ 1/16W J	
R8180	NRSA63J-153X	MG RESISTOR	15kΩ 1/16W J	10A,10US,10UX, 10UG,10UN, 10UH	R8223	NRSA63J-103X	MG RESISTOR	10kΩ 1/16W J	10A,10US,10UX, 10UG,10UN,8US, 8UX,8UG,8UN, 10UH
R8180	NRSA63J-273X	MG RESISTOR	27kΩ 1/16W J	8US,8UX,8UG, 8UN	R8230	NRSA63J-302X	MG RESISTOR	3kΩ 1/16W J	10A,10US,10UX, 10UG,10UN, 10UH
R8180	NRSA63J-223X	MG RESISTOR	22kΩ 1/16W J	6US,6UX,6UG, 6UN	R8230	NRSA63J-512X	MG RESISTOR	5.1kΩ 1/16W J	8US,8UX,8UG, 8UN,6US,6UX, 6UG,6UN
R8182	NRSA63J-303X	MG RESISTOR	30kΩ 1/16W J	10A,10US,10UX, 10UG,10UN, 10UH	R8231	NRSA63J-682X	MG RESISTOR	6.8kΩ 1/16W J	10A,10US,10UX, 10UG,10UN, 10UH
R8182	NRSA63J-273X	MG RESISTOR	27kΩ 1/16W J	8US,8UX,8UG, 8UN,6US,6UX, 6UG,6UN	R8231	NRSA63J-562X	MG RESISTOR	5.6kΩ 1/16W J	8US,8UX,8UG, 8UN,6US,6UX, 6UG,6UN
R8183	NRSA63J-153X	MG RESISTOR	15kΩ 1/16W J	10A,10US,10UX, 10UG,10UN, 10UH	R8232	NRSA63J-683X	MG RESISTOR	68kΩ 1/16W J	10A,10US,10UX, 10UG,10UN,6US, 6UX,6UG,6UN, 10UH
R8183	NRSA63J-223X	MG RESISTOR	22kΩ 1/16W J	8US,8UX,8UG, 8UN,6US,6UX, 6UG,6UN	R8232	NRSA63J-753X	MG RESISTOR	75kΩ 1/16W J	8US,8UX,8UG, 8UN
R8187	NRSA63J-102X	MG RESISTOR	1kΩ 1/16W J	10A,10US,10UX, 10UG,10UN, 10UH	R8234	NRSA63J-823X	MG RESISTOR	82kΩ 1/16W J	10A,10US,10UX, 10UG,10UN,8US, 8UX,8UG,8UN, 10UH
R8187	NRSA63J-242X	MG RESISTOR	2.4kΩ 1/16W J	8US,8UX,8UG, 8UN	R8234	NRSA63J-753X	MG RESISTOR	75kΩ 1/16W J	6US,6UX,6UG, 6UN
R8187	NRSA63J-162X	MG RESISTOR	1.6kΩ 1/16W J	6US,6UX,6UG, 6UN	R8260	NRSA63J-513X	MG RESISTOR	51kΩ 1/16W J	
R8189	NRSA63J-103X	MG RESISTOR	10kΩ 1/16W J		R8261	NRSA63J-102X	MG RESISTOR	1kΩ 1/16W J	
R8190	NRSA63J-223X	MG RESISTOR	22kΩ 1/16W J	10A,10US,10UX, 10UG,10UN,8US, 8UX,8UG,8UN, 10UH	R8262	NRSA63J-513X	MG RESISTOR	51kΩ 1/16W J	
R8190	NRSA63J-273X	MG RESISTOR	27kΩ 1/16W J	6US,6UX,6UG, 6UN	R8263	NRSA63J-102X	MG RESISTOR	1kΩ 1/16W J	
					R8291	NRSA63J-623X	MG RESISTOR	62kΩ 1/16W J	10A,10US,10UX, 10UG,10UN, 10UH
					R8291	NRSA63J-683X	MG RESISTOR	68kΩ 1/16W J	8US,8UX,8UG, 8UN
					R8291	NRSA63J-823X	MG RESISTOR	82kΩ 1/16W J	6US,6UX,6UG, 6UN
					R8292	NRSA63J-623X	MG RESISTOR	62kΩ 1/16W J	10A,10US,10UX, 10UG,10UN, 10UH
					R8292	NRSA63J-683X	MG RESISTOR	68kΩ 1/16W J	8US,8UX,8UG, 8UN

△ Symbol No.	Part No.	Part Name	Description	Local	△ Symbol No.	Part No.	Part Name	Description	Local
R8292	NRSA63J-823X	MG RESISTOR	82kΩ 1/16W J	6US,6UX,6UG,6UN	CN740	QGF1208F1-15	CONNECTOR	FFC/FPC (1-15)	10UH
R8414	NRSA63J-681X	MG RESISTOR	680Ω 1/16W J	6US,6UX,6UG,6UN	CN750	QGF1205F2-11	CONNECTOR	FFC/FPC (1-11)	10A,10US,10UX,10UG,10UN,8US,8UX,8UG,8UN,6US,6UX,6UG,6UN
R8416	NRSA63J-162X	MG RESISTOR	1.6kΩ 1/16W J	6US,6UX,6UG,6UN	CN750	QGF1208F1-11	CONNECTOR	FFC/FPC (1-11)	10UH
R8511	NRSA63J-513X	MG RESISTOR	51kΩ 1/16W J		CN760	QGF1205C2-11	CONNECTOR	FFC/FPC (1-11)	10A,10US,10UX,10UG,10UN,8US,8UX,8UG,8UN,6US,6UX,6UG,6UN
R8512	NRSA63J-203X	MG RESISTOR	20kΩ 1/16W J		CN760	QGF1208C1-11	CONNECTOR	FFC/FPC (1-11)	10UH
R8513	NRSA63J-472X	MG RESISTOR	4.7kΩ 1/16W J		CN787	QGF1205F2-05	CONNECTOR	FFC/FPC (1-5)	10A,10US,10UX,10UG,10UN,8US,8UX,8UG,8UN,6US,6UX,6UG,6UN
R8516	NRSA63J-153X	MG RESISTOR	15kΩ 1/16W J		CN787	QGF1208F1-05	CONNECTOR	FFC/FPC (1-5)	10UH
R8517	NRSA63J-153X	MG RESISTOR	15kΩ 1/16W J		CN799	QGF1210G1-06	CONNECTOR	FFC/FPC (1-6)	10A,10US,10UX,10UG,10UN,8US,8UX,8UG,8UN,10UH
R8518	NRSA63J-153X	MG RESISTOR	15kΩ 1/16W J		CN800	QGF1036C2-10	CONNECTOR	FFC/FPC (1-10)	10A,10US,10UX,10UG,10UN,8US,8UX,8UG,8UN,10UH
R8519	NRSA63J-103X	MG RESISTOR	10kΩ 1/16W J		CN810	QGF1036C2-08	CONNECTOR	FFC/FPC (1-8)	10A,10US,10UX,10UG,10UN,8US,8UX,8UG,8UN,10UH
R8520	NRSA63J-103X	MG RESISTOR	10kΩ 1/16W J		CN820	QGF1205C2-07	CONNECTOR	FFC/FPC (1-7)	10A,10US,10UX,10UG,10UN,8US,8UX,8UG,8UN,10UH
R8521	NRSA63J-913X	MG RESISTOR	91kΩ 1/16W J		CN820	QGF1208C1-07	CONNECTOR	FFC/FPC (1-7)	10UH
R8523	QRJ146J-4R7X	UNF C RESISTOR	4.7Ω 1/4W J		CN830	QGF1205C2-15	CONNECTOR	FFC/FPC (1-15)	10A,10US,10UX,10UG,10UN,8US,8UX,8UG,8UN
R8524	NRSA63J-561X	MG RESISTOR	560Ω 1/16W J		CN830	QGF1205C2-09	CONNECTOR	FFC/FPC (1-9)	6US,6UX,6UG,6UN
R8526	NRSA63J-153X	MG RESISTOR	15kΩ 1/16W J		CN830	QGF1208C1-15	CONNECTOR	FFC/FPC (1-15)	10UH
R8527	NRSA63J-153X	MG RESISTOR	15kΩ 1/16W J		CN850	QGB2510J1-16	CONNECTOR	B-B (1-16)	10A,10US,10UX,10UG,10UN,10UH
R8528	NRSA63J-153X	MG RESISTOR	15kΩ 1/16W J		CN850	QGB2510J1-14	CONNECTOR	B-B (1-14)	8US,8UX,8UG,8UN
R8530	NRSA63J-303X	MG RESISTOR	30kΩ 1/16W J		CN850	QGB2510J1-08	CONNECTOR	B-B (1-8)	6US,6UX,6UG,6UN
R8531	NRSA63J-303X	MG RESISTOR	30kΩ 1/16W J		CN901	QGF1205C2-15	CONNECTOR	FFC/FPC (1-15)	10A,10US,10UX,10UG,10UN,8US,8UX,8UG,8UN,6US,6UX,6UG,6UN
R8532	NRSA63J-334X	MG RESISTOR	330kΩ 1/16W J		CN901	QGF1208C1-15	CONNECTOR	FFC/FPC (1-15)	10UH
R8533	NRSA63J-912X	MG RESISTOR	9.1kΩ 1/16W J		CN920	QGF1205C2-11	CONNECTOR	FFC/FPC (1-11)	10A,10US,10UX,10UG,10UN,8US,8UX,8UG,8UN,6US,6UX,6UG,6UN
R8534	NRSA63J-912X	MG RESISTOR	9.1kΩ 1/16W J		CN920	QGF1208C1-11	CONNECTOR	FFC/FPC (1-11)	10UH
R8810	NRSA63J-472X	MG RESISTOR	4.7kΩ 1/16W J	10A,10US,10UX,10UG,10UN,8US,8UX,8UG,8UN,10UH	CN921	QGF1036C2-05	CONNECTOR	FFC/FPC (1-5)	
R8811	NRSA63J-472X	MG RESISTOR	4.7kΩ 1/16W J	10A,10US,10UX,10UG,10UN,8US,8UX,8UG,8UN,10UH	CN930	QGF1036C2-28	CONNECTOR	FFC/FPC (1-28)	
R9001	NRSA63J-104X	MG RESISTOR	100kΩ 1/16W J		CN931	QGD2501C1-06Z	CONNECTOR	FFC/FPC (1-6)	
R9002	NRSA63J-102X	MG RESISTOR	1kΩ 1/16W J		FW910	QUM024-07Z4Z4-E	1.25 CONNECTOR		
R9003	NRSA63J-514X	MG RESISTOR	510kΩ 1/16W J		J700	QNB0317-001	SPK TERMINAL		10A,10US,10UX,10UG,10UN,10UH
R9004	NRSA63J-102X	MG RESISTOR	1kΩ 1/16W J		J700	QNB0316-001	SPK TERMINAL		8US,8UX,8UG,8UN
R9011	NRSA63J-103X	MG RESISTOR	10kΩ 1/16W J		J700	QNB0318-001	SPK TERMINAL		6US,6UX,6UG,6UN
R9012	NRSA63J-103X	MG RESISTOR	10kΩ 1/16W J		J800	QNN0420-001	SURROUND JACK		
R9013	NRSA63J-103X	MG RESISTOR	10kΩ 1/16W J		J901	QNS0285-001	POWER IC		
R9014	NRSA63J-103X	MG RESISTOR	10kΩ 1/16W J		J902	QNS0285-001	POWER IC		
R9015	NRSA63J-221X	MG RESISTOR	220Ω 1/16W J		J910	QNS0266-001	JACK		
R9021	NRSA63J-472X	MG RESISTOR	4.7kΩ 1/16W J		J920	QNN0572-001	PIN JACK		
R9022	NRSA63J-472X	MG RESISTOR	4.7kΩ 1/16W J						
R9034	NRSA63J-272X	MG RESISTOR	2.7kΩ 1/16W J						
R9035	NRSA63J-163X	MG RESISTOR	16kΩ 1/16W J						
R9040	NRSA63J-0R0X	MG RESISTOR	0Ω 1/16W J						
R9041	NRSA63J-104X	MG RESISTOR	100kΩ 1/16W J						
R9201	NRSA63J-201X	MG RESISTOR	200Ω 1/16W J						
R9203	NRSA63J-201X	MG RESISTOR	200Ω 1/16W J						
R9205	NRSA63J-201X	MG RESISTOR	200Ω 1/16W J						
R9207	NRSA63J-201X	MG RESISTOR	200Ω 1/16W J						
R9209	NRSA63J-201X	MG RESISTOR	200Ω 1/16W J						
R9218	NRSA63J-750X	MG RESISTOR	75Ω 1/16W J						
R9221	NRSA63J-750X	MG RESISTOR	75Ω 1/16W J						
R9224	NRSA63J-750X	MG RESISTOR	75Ω 1/16W J						
R9227	NRSA63J-750X	MG RESISTOR	75Ω 1/16W J						
R9230	NRSA63J-750X	MG RESISTOR	75Ω 1/16W J						
R9232	NRSA63J-750X	MG RESISTOR	75Ω 1/16W J						
R9310	NRSA63J-470X	MG RESISTOR	47Ω 1/16W J						
CN720	QGF1205F2-13	CONNECTOR	FFC/FPC (1-13)	10A,10US,10UX,10UG,10UN,8US,8UX,8UG,8UN,6US,6UX,6UG,6UN					
CN720	QGF1208F1-13	CONNECTOR	FFC/FPC (1-13)	10UH					
CN730	QGF1205C2-21	CONNECTOR	FFC/FPC (1-21)	10A,10US,10UX,10UG,10UN,8US,8UX,8UG,8UN,6US,6UX,6UG,6UN					
CN730	QGF1208C1-21	CONNECTOR	FFC/FPC (1-21)	10UH					
CN740	QGF1205F2-15	CONNECTOR	FFC/FPC (1-15)	10A,10US,10UX,10UG,10UN,8US,8UX,8UG,8UN,6US,6UX,6UG,6UN					

△ Symbol No.	Part No.	Part Name	Description	Local	△ Symbol No.	Part No.	Part Name	Description	Local
J921	QNN0557-002	PIN JACK			D2312	MTZJ7.5B-T2	Z DIODE		
JS901	QSW1230-001	MIC ENCODER			D2314	MTZJ36A-T2	Z DIODE		
JS902	QSW1230-001	MIC ENCODER			D2315	1N4003S-T5	SI DIODE		
K7000	NQR0627-004X	FERRITE			D2317	1N4003S-T5	SI DIODE		
K8000	NQR0627-004X	FERRITE			D3301	MTZJ18B-T2	Z DIODE		
K8001	NQR0627-004X	FERRITE		10A,10US,10UX, 10UG,10UN,8US, 8UX,8UG,8UN, 10UH	D3302	MTZJ18B-T2	Z DIODE		
K9040	NQR0627-004X	FERRITE			D3303	MTZJ36B-T2	Z DIODE		
K9100	NQR0627-004X	FERRITE			D3304	MTZJ36B-T2	Z DIODE		
K9101	NQR0627-004X	FERRITE			D3305	1N5402M-20	SI DIODE		
K9102	NQR0627-004X	FERRITE			D3306	1N5402M-20	SI DIODE		
K9103	NQR0627-004X	FERRITE			D3401	1SS133-T2	SI DIODE		
K9300	QQR0621-001Z	COIL			D3501	1SS133-T2	SI DIODE		
PP901	QZW0112-001	WIRE CLAMP			D3601	1SS133-T2	SI DIODE		
RY712	QSK0127-001	RELAY		10A,10US,10UX, 10UG,10UN,8US, 8UX,8UG,8UN, 6UN	D3701	MTZJ6.2B-T2	Z DIODE		
RY734	QSK0127-001	RELAY		10A,10US,10UX, 10UG,10UN,8US, 8UX,8UG,8UN	D3811	MTZJ11B-T2	Z DIODE		
RY734	QSK0192-001	RELAY		10UH	D3821	MTZJ11B-T2	Z DIODE		
RY756	QSK0127-001	RELAY		10A,10US,10UX, 10UG,10UN,8US, 8UX,8UG,8UN	D3832	MTZJ6.8B-T2	Z DIODE		
RY756	QSK0192-001	RELAY		10UH	D3841	MTZJ13B-T2	Z DIODE		
RY767	QSK0127-001	RELAY		10A,10US,10UX, 10UG,10UN,8US, 8UX,8UG,8UN	D4001	MTZJ18B-T2	Z DIODE		
RY767	QSK0192-001	RELAY		10UH	D4002	MTZJ18B-T2	Z DIODE		
X7700	QAX0711-002Z	CRYSTAL	8.000000MHz		D4003	MTZJ36B-T2	Z DIODE		
					D4004	MTZJ36B-T2	Z DIODE		
					D4005	1N5402M-20	SI DIODE		
					D4006	1N5402M-20	SI DIODE		
					D4101	1SS133-T2	SI DIODE		
					D4201	1SS133-T2	SI DIODE		
					D4501	MTZJ18B-T2	Z DIODE		
					D4502	MTZJ18B-T2	Z DIODE		
					D4503	MTZJ36B-T2	Z DIODE		
					D4504	MTZJ36B-T2	Z DIODE		
					D4505	1N5402M-20	SI DIODE		
					D4506	1N5402M-20	SI DIODE		
					D4601	1SS133-T2	SI DIODE		
					D4701	1SS133-T2	SI DIODE		
					D4901	1SS133-T2	SI DIODE		

AMP board(DX-U10)

Block No. [0][2]

△ Symbol No.	Part No.	Part Name	Description	Local	△ Symbol No.	Part No.	Part Name	Description	Local
△ IC301	STK416-130-E	IC			C2000	QEZ0581-688	E CAPACITOR	6800uF	
△ IC302	KIA7812API	IC			C2004	QEZ0581-688	E CAPACITOR	6800uF	
△ IC303	KIA78D06PI-U/P	IC			C2005	QFZ0228-104Z	M CAPACITOR	0.1uF 250V M	
△ IC304	KIA7809API	IC			C2006	QEZ0786-688	E CAPACITOR	6800uF	
△ IC305	PQ050RDC2SZF	IC			C2007	QFZ0228-104Z	M CAPACITOR	0.1uF 250V M	
△ IC306	KIA278R09PI	IC			C2008	QEZ0786-688	E CAPACITOR	6800uF	
△ IC402	STK415-130-E	IC			C2009	QFZ0228-104Z	M CAPACITOR	0.1uF 250V M	
△ IC403	STK415-130-E	IC			C2010	QETN1VM-227Z	E CAPACITOR	220uF 35V M	
△ Q2300	KTA1046/Y/	TRANSISTOR			C2011	QETN1VM-227Z	E CAPACITOR	220uF 35V M	
Q2301	KTC3203/OY/-T	TRANSISTOR			C2115	QFZ0228-104Z	M CAPACITOR	0.1uF 250V M	
Q3401	KTC3199/GL/-T	TRANSISTOR			C2212	QFLC1HJ-104Z	M CAPACITOR	0.1uF 50V J	
Q3501	KTC3199/GL/-T	TRANSISTOR			C2213	QETM1CM-688	E CAPACITOR	6800uF 16V M	
Q3601	KTC3199/GL/-T	TRANSISTOR			C2214	QETM1VM-478	E CAPACITOR	4700uF 35V M	
Q3901	KTA1271/OY/-T	TRANSISTOR			C2215	QFLC1HJ-104Z	M CAPACITOR	0.1uF 50V J	
Q3902	KTC3199/GL/-T	TRANSISTOR			C2218	QFLC1HJ-104Z	M CAPACITOR	0.1uF 50V J	
Q4101	KTC3199/GL/-T	TRANSISTOR			C2302	QETN1HM-226Z	E CAPACITOR	22uF 50V M	
Q4201	KTC3199/GL/-T	TRANSISTOR			C2303	QETN1HM-226Z	E CAPACITOR	22uF 50V M	
Q4601	KTC3199/GL/-T	TRANSISTOR			C2304	QCB1HK-103Y	C CAPACITOR	0.01uF 50V K	
Q4701	KTC3199/GL/-T	TRANSISTOR			C2305	QETN1HM-106Z	E CAPACITOR	10uF 50V M	
Q4901	KTC3200/GL/-T	TRANSISTOR			C2316	QETM2AM-227	E CAPACITOR	220uF 100V M	
Q4902	KTA1268/GL/-T	TRANSISTOR			C3104	QETN1HM-105Z	E CAPACITOR	1uF 50V M	
Q4903	KTC3199/GL/-T	TRANSISTOR			C3201	QCB1HK-221Y	C CAPACITOR	220pF 50V K	
Q4904	KTA1268/GL/-T	TRANSISTOR			C3202	QETN1HM-106Z	E CAPACITOR	10uF 50V M	
△ D2001	GBU803	BRIDGE DIODE			C3203	QDGB1HK-681Y	C CAPACITOR	680pF 50V K	
D2002	2A02-M	DIODE			C3211	QCB1HK-221Y	C CAPACITOR	220pF 50V K	
D2003	2A02-M	DIODE			C3212	QETN1HM-106Z	E CAPACITOR	10uF 50V M	
△ D2101	GBU803	BRIDGE DIODE			C3213	QDGB1HK-681Y	C CAPACITOR	680pF 50V K	
△ D2200	1N5402M-20	SI DIODE			C3221	QCB1HK-221Y	C CAPACITOR	220pF 50V K	
△ D2201	1N5402M-20	SI DIODE			C3222	QETN1HM-106Z	E CAPACITOR	10uF 50V M	
△ D2202	1N5402M-20	SI DIODE			C3223	QDGB1HK-681Y	C CAPACITOR	680pF 50V K	
△ D2203	1N5402M-20	SI DIODE			C3301	QFZ0212-104Z	M CAPACITOR	0.1uF 100V J	
					C3302	QFZ0212-104Z	M CAPACITOR	0.1uF 100V J	
					C3402	QCSB1HK-3R3Y	C CAPACITOR	3.3pF 50V K	
					C3403	QETN1EM-476Z	E CAPACITOR	47uF 25V M	
					C3404	QFLC1HJ-104Z	M CAPACITOR	0.1uF 50V J	
					C3405	QFLC1HJ-104Z	M CAPACITOR	0.1uF 50V J	
					C3502	QCSB1HK-3R3Y	C CAPACITOR	3.3pF 50V K	
					C3503	QETN1EM-476Z	E CAPACITOR	47uF 25V M	
					C3504	QFLC1HJ-104Z	M CAPACITOR	0.1uF 50V J	
					C3505	QFLC1HJ-104Z	M CAPACITOR	0.1uF 50V J	
					C3602	QCSB1HK-3R3Y	C CAPACITOR	3.3pF 50V K	
					C3603	QETN1EM-476Z	E CAPACITOR	47uF 25V M	

△ Symbol No.	Part No.	Part Name	Description	Local	△ Symbol No.	Part No.	Part Name	Description	Local
C3604	QFLC1HJ-104Z	M CAPACITOR	0.1uF 50V J		R3402	QRE141J-563Y	C RESISTOR	56kΩ 1/4W J	
C3605	QFLC1HJ-104Z	M CAPACITOR	0.1uF 50V J		△ R3403	QRJ146J-100X	UNF C RESISTOR	10Ω 1/4W J	
C3701	QETN1EM-476Z	E CAPACITOR	47uF 25V M		△ R3404	QRJ146J-100X	UNF C RESISTOR	10Ω 1/4W J	
C3702	QETN1CM-107Z	E CAPACITOR	100uF 16V M		R3405	QRE141J-102Y	C RESISTOR	1kΩ 1/4W J	
C3811	QETN1HM-226Z	E CAPACITOR	22uF 50V M		R3406	QRE141J-202Y	C RESISTOR	2kΩ 1/4W J	
C3812	QETN1CM-107Z	E CAPACITOR	100uF 16V M		R3407	QRE141J-473Y	C RESISTOR	47kΩ 1/4W J	
C3821	QETN1HM-226Z	E CAPACITOR	22uF 50V M		R3408	QRE141J-562Y	C RESISTOR	5.6kΩ 1/4W J	
C3822	QETN1CM-107Z	E CAPACITOR	100uF 16V M		△ R3409	QRJ146J-331X	UNF C RESISTOR	330Ω 1/4W J	
C3831	QETN1EM-476Z	E CAPACITOR	47uF 25V M		R3410	QRE141J-104Y	C RESISTOR	100kΩ 1/4W J	
C3832	QETN1CM-107Z	E CAPACITOR	100uF 16V M		R3411	QRE141J-202Y	C RESISTOR	2kΩ 1/4W J	
C3833	QETN0JM-228Z	E CAPACITOR	2200uF 6.3V M		△ R3501	QRZ0224-R22	EMIT RESISTOR	0.22Ω	
C3841	QETN1HM-226Z	E CAPACITOR	22uF 50V M		R3502	QRE141J-563Y	C RESISTOR	56kΩ 1/4W J	
C3842	QETN1CM-477Z	E CAPACITOR	470uF 16V M		△ R3503	QRJ146J-100X	UNF C RESISTOR	10Ω 1/4W J	
C4001	QFZ0212-104Z	M CAPACITOR	0.1uF 100V J		△ R3504	QRJ146J-100X	UNF C RESISTOR	10Ω 1/4W J	
C4002	QFZ0212-104Z	M CAPACITOR	0.1uF 100V J		R3505	QRE141J-102Y	C RESISTOR	1kΩ 1/4W J	
C4003	QETN1VM-227Z	E CAPACITOR	220uF 35V M		R3506	QRE141J-202Y	C RESISTOR	2kΩ 1/4W J	
C4004	QETN1VM-227Z	E CAPACITOR	220uF 35V M		R3507	QRE141J-473Y	C RESISTOR	47kΩ 1/4W J	
C4102	QCSB1HK-3R3Y	C CAPACITOR	3.3pF 50V K		R3508	QRE141J-562Y	C RESISTOR	5.6kΩ 1/4W J	
C4103	QETN1JM-107Z	E CAPACITOR	100uF 63V M		△ R3509	QRJ146J-331X	UNF C RESISTOR	330Ω 1/4W J	
C4104	QFLC1HJ-104Z	M CAPACITOR	0.1uF 50V J		R3510	QRE141J-104Y	C RESISTOR	100kΩ 1/4W J	
C4105	QFLC1HJ-104Z	M CAPACITOR	0.1uF 50V J		R3511	QRE141J-202Y	C RESISTOR	2kΩ 1/4W J	
C4202	QCSB1HK-3R3Y	C CAPACITOR	3.3pF 50V K		△ R3601	QRZ0224-R22	EMIT RESISTOR	0.22Ω	
C4203	QETN1JM-107Z	E CAPACITOR	100uF 63V M		R3602	QRE141J-563Y	C RESISTOR	56kΩ 1/4W J	
C4204	QFLC1HJ-104Z	M CAPACITOR	0.1uF 50V J		△ R3603	QRJ146J-100X	UNF C RESISTOR	10Ω 1/4W J	
C4205	QFLC1HJ-104Z	M CAPACITOR	0.1uF 50V J		△ R3604	QRJ146J-100X	UNF C RESISTOR	10Ω 1/4W J	
C4301	QCB1HK-101Y	C CAPACITOR	100pF 50V K		R3605	QRE141J-102Y	C RESISTOR	1kΩ 1/4W J	
C4302	QTE1J46-106Z	E CAPACITOR	10uF 63V		R3606	QRE141J-202Y	C RESISTOR	2kΩ 1/4W J	
C4311	QCB1HK-101Y	C CAPACITOR	100pF 50V K		R3607	QRE141J-473Y	C RESISTOR	47kΩ 1/4W J	
C4312	QTE1J46-106Z	E CAPACITOR	10uF 63V		R3608	QRE141J-562Y	C RESISTOR	5.6kΩ 1/4W J	
C4313	QCB1HK-471Y	C CAPACITOR	470pF 50V K		△ R3609	QRJ146J-271X	UNF C RESISTOR	270Ω 1/4W J	
C4404	QETN1HM-105Z	E CAPACITOR	1uF 50V M		R3610	QRE141J-104Y	C RESISTOR	100kΩ 1/4W J	
C4405	QETN1HM-105Z	E CAPACITOR	1uF 50V M		R3611	QRE141J-202Y	C RESISTOR	2kΩ 1/4W J	
C4501	QFZ0212-104Z	M CAPACITOR	0.1uF 100V J		R3701	QRE141J-103Y	C RESISTOR	10kΩ 1/4W J	
C4502	QFZ0212-104Z	M CAPACITOR	0.1uF 100V J		R3907	QRE141J-102Y	C RESISTOR	1kΩ 1/4W J	
C4602	QCSB1HK-3R3Y	C CAPACITOR	3.3pF 50V K		R4001	QRE141J-682Y	C RESISTOR	6.8kΩ 1/4W J	
C4603	QETN1JM-107Z	E CAPACITOR	100uF 63V M		R4002	QRE141J-682Y	C RESISTOR	6.8kΩ 1/4W J	
C4604	QFLC1HJ-104Z	M CAPACITOR	0.1uF 50V J		R4003	QRE141J-682Y	C RESISTOR	6.8kΩ 1/4W J	
C4605	QFLC1HJ-104Z	M CAPACITOR	0.1uF 50V J		R4004	QRE141J-682Y	C RESISTOR	6.8kΩ 1/4W J	
C4702	QCSB1HK-3R3Y	C CAPACITOR	3.3pF 50V K		△ R4005	QRJ146J-101X	UNF C RESISTOR	100Ω 1/4W J	
C4703	QETN1JM-107Z	E CAPACITOR	100uF 63V M		△ R4006	QRJ146J-101X	UNF C RESISTOR	100Ω 1/4W J	
C4704	QFLC1HJ-104Z	M CAPACITOR	0.1uF 50V J		R4007	QRE141J-202Y	C RESISTOR	2kΩ 1/4W J	
C4705	QFLC1HJ-104Z	M CAPACITOR	0.1uF 50V J		△ R4101	QRZ0224-R22	EMIT RESISTOR	0.22Ω	
C4801	QCB1HK-101Y	C CAPACITOR	100pF 50V K		R4102	QRE141J-563Y	C RESISTOR	56kΩ 1/4W J	
C4802	QTE1J46-106Z	E CAPACITOR	10uF 63V		△ R4103	QRJ146J-100X	UNF C RESISTOR	10Ω 1/4W J	
C4803	QCB1HK-101Y	C CAPACITOR	100pF 50V K		△ R4104	QRJ146J-100X	UNF C RESISTOR	10Ω 1/4W J	
C4811	QCB1HK-101Y	C CAPACITOR	100pF 50V K		R4105	QRE141J-102Y	C RESISTOR	1kΩ 1/4W J	
C4812	QTE1J46-106Z	E CAPACITOR	10uF 63V		R4106	QRE141J-202Y	C RESISTOR	2kΩ 1/4W J	
C4813	QCB1HK-101Y	C CAPACITOR	100pF 50V K		R4107	QRE141J-473Y	C RESISTOR	47kΩ 1/4W J	
C4901	QETN1HM-106Z	E CAPACITOR	10uF 50V M		R4108	QRE141J-562Y	C RESISTOR	5.6kΩ 1/4W J	
C4902	QETN1EM-476Z	E CAPACITOR	47uF 25V M		△ R4109	QRJ146J-181X	UNF C RESISTOR	180Ω 1/4W J	
C4903	QETN1HM-106Z	E CAPACITOR	10uF 50V M		R4110	QRE141J-104Y	C RESISTOR	100kΩ 1/4W J	
					R4111	QRE141J-202Y	C RESISTOR	2kΩ 1/4W J	
R2000	QRE141J-104Y	C RESISTOR	100kΩ 1/4W J		△ R4201	QRZ0224-R22	EMIT RESISTOR	0.22Ω	
R2001	QRE141J-104Y	C RESISTOR	100kΩ 1/4W J		R4202	QRE141J-563Y	C RESISTOR	56kΩ 1/4W J	
R2002	QRE141J-104Y	C RESISTOR	100kΩ 1/4W J		△ R4203	QRJ146J-100X	UNF C RESISTOR	10Ω 1/4W J	
R2003	QRE141J-104Y	C RESISTOR	100kΩ 1/4W J		△ R4204	QRJ146J-100X	UNF C RESISTOR	10Ω 1/4W J	
R2200	QRE141J-104Y	C RESISTOR	100kΩ 1/4W J		R4205	QRE141J-102Y	C RESISTOR	1kΩ 1/4W J	
△ R2300	QRK126J-470X	UNF C RESISTOR	47Ω 1/2W J		R4206	QRE141J-202Y	C RESISTOR	2kΩ 1/4W J	
R2301	QRE141J-153Y	C RESISTOR	15kΩ 1/4W J		R4207	QRE141J-473Y	C RESISTOR	47kΩ 1/4W J	
R2302	QRE141J-104Y	C RESISTOR	100kΩ 1/4W J		R4208	QRE141J-562Y	C RESISTOR	5.6kΩ 1/4W J	
R2305	QRE141J-153Y	C RESISTOR	15kΩ 1/4W J		△ R4209	QRJ146J-181X	UNF C RESISTOR	180Ω 1/4W J	
△ R2306	QRK126J-470X	UNF C RESISTOR	47Ω 1/2W J		R4210	QRE141J-104Y	C RESISTOR	100kΩ 1/4W J	
R2307	QRK126J-470X	UNF C RESISTOR	47Ω 1/2W J		R4211	QRE141J-202Y	C RESISTOR	2kΩ 1/4W J	
R2308	QRK126J-470X	UNF C RESISTOR	47Ω 1/2W J		R4302	QRE141J-563Y	C RESISTOR	56kΩ 1/4W J	
R3201	QRE141J-102Y	C RESISTOR	1kΩ 1/4W J		R4311	QRE141J-102Y	C RESISTOR	1kΩ 1/4W J	
R3202	QRE141J-102Y	C RESISTOR	1kΩ 1/4W J		R4312	QRE141J-563Y	C RESISTOR	56kΩ 1/4W J	
R3203	QRE141J-102Y	C RESISTOR	1kΩ 1/4W J		R4501	QRE141J-682Y	C RESISTOR	6.8kΩ 1/4W J	
R3204	QRE141J-563Y	C RESISTOR	56kΩ 1/4W J		R4502	QRE141J-682Y	C RESISTOR	6.8kΩ 1/4W J	
R3205	QRE141J-563Y	C RESISTOR	56kΩ 1/4W J		R4503	QRE141J-682Y	C RESISTOR	6.8kΩ 1/4W J	
R3206	QRE141J-563Y	C RESISTOR	56kΩ 1/4W J		R4504	QRE141J-682Y	C RESISTOR	6.8kΩ 1/4W J	
R3301	QRE141J-682Y	C RESISTOR	6.8kΩ 1/4W J		△ R4505	QRJ146J-101X	UNF C RESISTOR	100Ω 1/4W J	
R3302	QRE141J-682Y	C RESISTOR	6.8kΩ 1/4W J		△ R4506	QRJ146J-101X	UNF C RESISTOR	100Ω 1/4W J	
R3303	QRE141J-682Y	C RESISTOR	6.8kΩ 1/4W J		R4507	QRE141J-202Y	C RESISTOR	2kΩ 1/4W J	
R3304	QRE141J-682Y	C RESISTOR	6.8kΩ 1/4W J		△ R4601	QRZ0224-R22	EMIT RESISTOR	0.22Ω	
△ R3305	QRJ146J-101X	UNF C RESISTOR	100Ω 1/4W J		R4602	QRE141J-563Y	C RESISTOR	56kΩ 1/4W J	
△ R3306	QRJ146J-101X	UNF C RESISTOR	100Ω 1/4W J		△ R4603	QRJ146J-100X	UNF C RESISTOR	10Ω 1/4W J	
R3307	QRE141J-202Y	C RESISTOR	2kΩ 1/4W J		△ R4604	QRJ146J-100X	UNF C RESISTOR	10Ω 1/4W J	
△ R3401	QRZ0224-R22	EMIT RESISTOR	0.22Ω		R4605	QRE141J-102Y	C RESISTOR	1kΩ 1/4W J	

△ Symbol No.	Part No.	Part Name	Description	Local
R4606	QRE141J-561Y	C RESISTOR	560Ω 1/4W J	
R4607	QRE141J-473Y	C RESISTOR	47kΩ 1/4W J	
R4608	QRE141J-562Y	C RESISTOR	5.6kΩ 1/4W J	
△ R4609	QRJ146J-221X	UNF C RESISTOR	220Ω 1/4W J	
R4610	QRE141J-104Y	C RESISTOR	100kΩ 1/4W J	
R4611	QRE141J-561Y	C RESISTOR	560Ω 1/4W J	
△ R4701	QRZ0224-R22	EMIT RESISTOR	0.22Ω	
R4702	QRE141J-563Y	C RESISTOR	56kΩ 1/4W J	
△ R4703	QRJ146J-100X	UNF C RESISTOR	10Ω 1/4W J	
△ R4704	QRJ146J-100X	UNF C RESISTOR	10Ω 1/4W J	
R4705	QRE141J-102Y	C RESISTOR	1kΩ 1/4W J	
R4706	QRE141J-561Y	C RESISTOR	560Ω 1/4W J	
R4707	QRE141J-473Y	C RESISTOR	47kΩ 1/4W J	
R4708	QRE141J-562Y	C RESISTOR	5.6kΩ 1/4W J	
△ R4709	QRJ146J-221X	UNF C RESISTOR	220Ω 1/4W J	
R4710	QRE141J-104Y	C RESISTOR	100kΩ 1/4W J	
R4711	QRE141J-561Y	C RESISTOR	560Ω 1/4W J	
R4801	QRE141J-102Y	C RESISTOR	1kΩ 1/4W J	
R4802	QRE141J-563Y	C RESISTOR	56kΩ 1/4W J	
R4811	QRE141J-102Y	C RESISTOR	1kΩ 1/4W J	
R4812	QRE141J-563Y	C RESISTOR	56kΩ 1/4W J	
R4901	QRE141J-103Y	C RESISTOR	10kΩ 1/4W J	
R4902	QRE141J-104Y	C RESISTOR	100kΩ 1/4W J	
R4903	QRE141J-103Y	C RESISTOR	10kΩ 1/4W J	
R4904	QRE141J-104Y	C RESISTOR	100kΩ 1/4W J	
R4905	QRE141J-103Y	C RESISTOR	10kΩ 1/4W J	
R4906	QRE141J-104Y	C RESISTOR	100kΩ 1/4W J	
L3401	QQLZ035-R39	COIL	0.39uH	
L3401	QQLZ042-R45	COIL	0.45uH	10UH
L3501	QQLZ035-R39	COIL	0.39uH	
L3501	QQLZ042-R45	COIL	0.45uH	10UH
L3601	QQLZ035-R39	COIL	0.39uH	
L3601	QQLZ042-R45	COIL	0.45uH	10UH
L4101	QQLZ035-R39	COIL	0.39uH	
L4101	QQLZ042-R45	COIL	0.45uH	10UH
L4201	QQLZ035-R39	COIL	0.39uH	
L4201	QQLZ042-R45	COIL	0.45uH	10UH
L4601	QQLZ035-R39	COIL	0.39uH	
L4601	QQLZ042-R45	COIL	0.45uH	10UH
L4701	QQLZ035-R39	COIL	0.39uH	
L4701	QQLZ042-R45	COIL	0.45uH	10UH
CN201	QGA3901C1-10	CONNECTOR	W-B (1-10)	
CN203	QGB2510K2-16	CONNECTOR	B-B (1-16)	
CN204	QGB2510J1-10	CONNECTOR	B-B (1-10)	
CN205	QGB2510J1-16	CONNECTOR	B-B (1-16)	
CN207	QGD2504C1-03Z	CONNECTOR	(1-3)	
CN301	QGB2510K2-10	CONNECTOR	B-B (1-10)	
CN302	QGF1205C2-15	CONNECTOR	FFC/FPC (1-15)	
CN302	QGF1208C1-15	CONNECTOR	FFC/FPC (1-15)	10UH
CN304	QGA2501F1-03	CONNECTOR	W-B (1-3)	
CN305	QGD2504C1-05Z	CONNECTOR	(1-5)	
CN306	QGD2504C1-05Z	CONNECTOR	(1-5)	
CN403	QGF1205F2-07	CONNECTOR	FFC/FPC (1-7)	
CN403	QGF1208F1-07	CONNECTOR	FFC/FPC (1-7)	10UH
CN404	QGB2510K2-16	CONNECTOR	B-B (1-16)	
FW201	QUM15A-18DGZ4-E	WIRE		
FW301	QUM156-27DGZ4-E	CONNECTOR		
FW401	QUM156-12Z4Z4-E	FLAT WIRE		
PP201	QNZ0104-001	POST PIN		
PP203	QZW0112-001	WIRE CLAMP		
Z2001	QNG0003-001Z	FUSE CLIP		
Z2002	QNG0003-001Z	FUSE CLIP		
Z2003	QNG0003-001Z	FUSE CLIP		
Z2004	QNG0003-001Z	FUSE CLIP		
Z2009	QNG0003-001Z	FUSE CLIP		
Z2010	QNG0003-001Z	FUSE CLIP		
Z2011	QNG0003-001Z	FUSE CLIP		
Z2012	QNG0003-001Z	FUSE CLIP		
Z2013	QNG0003-001Z	FUSE CLIP		
Z2014	QNG0003-001Z	FUSE CLIP		
Z2015	QNG0003-001Z	FUSE CLIP		
Z2016	QNG0003-001Z	FUSE CLIP		

AMP board(DX-U8)

Block No. [0][3]

△ Symbol No.	Part No.	Part Name	Description	Local
△ IC302	KIA7812API	IC		
△ IC303	KIA78D06PI-U/P	IC		
△ IC304	KIA7809API	IC		
△ IC305	PQ050RDC2SZF	IC		
△ IC306	KIA278R09PI	IC		
△ IC307	STK433-240A-E	IC		
△ IC401	STK416-130-E	IC		
△ Q2300	KTA1046/Y/	TRANSISTOR		
Q2301	KTC3203/OY/-T	TRANSISTOR		
Q3401	KTC3199/GL/-T	TRANSISTOR		
Q3501	KTC3199/GL/-T	TRANSISTOR		
Q3601	KTC3199/GL/-T	TRANSISTOR		
Q3901	KTA1271/OY/-T	TRANSISTOR		
Q3902	KTC3199/GL/-T	TRANSISTOR		
Q4601	KTC3199/GL/-T	TRANSISTOR		
Q4701	KTC3199/GL/-T	TRANSISTOR		
Q4901	KTC3200/GL/-T	TRANSISTOR		
Q4902	KTA1268/GL/-T	TRANSISTOR		
Q4903	KTC3199/GL/-T	TRANSISTOR		
Q4904	KTA1268/GL/-T	TRANSISTOR		
Q4951	KTC3199/GL/-T	TRANSISTOR		
△ D2001	GBU803	BRIDGE DIODE		
D2002	2A02-M	DIODE		
D2003	2A02-M	DIODE		
△ D2101	GBU803	BRIDGE DIODE		
△ D2200	1N5402M-20	SI DIODE		
△ D2201	1N5402M-20	SI DIODE		
△ D2202	1N5402M-20	SI DIODE		
△ D2203	1N5402M-20	SI DIODE		
D2312	MTZJ7.5B-T2	Z DIODE		
D2314	MTZJ36A-T2	Z DIODE		
D2315	1N4003S-T5	SI DIODE		
D2317	1N4003S-T5	SI DIODE		
D3401	1SS133-T2	SI DIODE		
D3501	1SS133-T2	SI DIODE		
D3601	1SS133-T2	SI DIODE		
D3701	MTZJ6.2B-T2	Z DIODE		
D3811	MTZJ11B-T2	Z DIODE		
D3821	MTZJ11B-T2	Z DIODE		
D3832	MTZJ6.8B-T2	Z DIODE		
D3841	MTZJ13B-T2	Z DIODE		
D4501	MTZJ18B-T2	Z DIODE		
D4502	MTZJ18B-T2	Z DIODE		
D4503	MTZJ36B-T2	Z DIODE		
D4504	MTZJ36B-T2	Z DIODE		
D4505	1N5402M-20	SI DIODE		
D4506	1N5402M-20	SI DIODE		
D4601	1SS133-T2	SI DIODE		
D4701	1SS133-T2	SI DIODE		
D4901	1SS133-T2	SI DIODE		
D4951	1SS133-T2	SI DIODE		
C2000	QEZO581-478	E CAPACITOR	4700uF 63V M	
C2004	QEZO581-478	E CAPACITOR	4700uF 63V M	
C2005	QFZO228-104Z	M CAPACITOR	0.1uF 250V M	
C2006	QETM1VM-478	E CAPACITOR	4700uF 35V M	
C2007	QFZO228-104Z	M CAPACITOR	0.1uF 250V M	
C2008	QETM1VM-478	E CAPACITOR	4700uF 35V M	
C2009	QFZO228-104Z	M CAPACITOR	0.1uF 250V M	
C2010	QETN1VM-227Z	E CAPACITOR	220uF 35V M	
C2011	QETN1VM-227Z	E CAPACITOR	220uF 35V M	
C2115	QFZO228-104Z	M CAPACITOR	0.1uF 250V M	
C2212	QFLC1HJ-104Z	M CAPACITOR	0.1uF 50V J	
C2213	QETM1CM-688	E CAPACITOR	6800uF 16V M	
C2214	QETM1VM-478	E CAPACITOR	4700uF 35V M	
C2215	QFLC1HJ-104Z	M CAPACITOR	0.1uF 50V J	
C2218	QFLC1HJ-104Z	M CAPACITOR	0.1uF 50V J	
C2302	QETN1HM-226Z	E CAPACITOR	22uF 50V M	
C2303	QETN1HM-226Z	E CAPACITOR	22uF 50V M	
C2304	QCBB1HK-103Y	C CAPACITOR	0.01uF 50V K	
C2305	QETN1HM-106Z	E CAPACITOR	10uF 50V M	
C2316	QETM2AM-227	E CAPACITOR	220uF 100V M	

△ Symbol No.	Part No.	Part Name	Description	Local	△ Symbol No.	Part No.	Part Name	Description	Local
C3104	QETN1HM-105Z	E CAPACITOR	1uF 50V M		R3201	QRE141J-102Y	C RESISTOR	1kΩ 1/4W J	
C3201	QCBB1HK-221Y	C CAPACITOR	220pF 50V K		R3202	QRE141J-102Y	C RESISTOR	1kΩ 1/4W J	
C3202	QETN1HM-106Z	E CAPACITOR	10uF 50V M		R3203	QRE141J-102Y	C RESISTOR	1kΩ 1/4W J	
C3203	QDGB1HK-681Y	C CAPACITOR	680pF 50V K		R3204	QRE141J-563Y	C RESISTOR	56kΩ 1/4W J	
C3211	QCBB1HK-221Y	C CAPACITOR	220pF 50V K		R3205	QRE141J-563Y	C RESISTOR	56kΩ 1/4W J	
C3212	QETN1HM-106Z	E CAPACITOR	10uF 50V M		R3206	QRE141J-563Y	C RESISTOR	56kΩ 1/4W J	
C3213	QDGB1HK-681Y	C CAPACITOR	680pF 50V K		△ R3305	QRJ146J-101X	UNF C RESISTOR	100Ω 1/4W J	
C3221	QCBB1HK-221Y	C CAPACITOR	220pF 50V K		△ R3306	QRJ146J-101X	UNF C RESISTOR	100Ω 1/4W J	
C3222	QETN1HM-106Z	E CAPACITOR	10uF 50V M		R3307	QRE141J-202Y	C RESISTOR	2kΩ 1/4W J	
C3223	QDGB1HK-681Y	C CAPACITOR	680pF 50V K		△ R3401	QRZ0224-R22	EMIT RESISTOR	0.22Ω	
C3301	QFZ0212-104Z	M CAPACITOR	0.1uF 100V J		R3402	QRE141J-563Y	C RESISTOR	56kΩ 1/4W J	
C3302	QFZ0212-104Z	M CAPACITOR	0.1uF 100V J		△ R3403	QRJ146J-100X	UNF C RESISTOR	10Ω 1/4W J	
C3402	QCSB1HK-3R3Y	C CAPACITOR	3.3pF 50V K		△ R3404	QRJ146J-100X	UNF C RESISTOR	10Ω 1/4W J	
C3403	QETN1HM-106Z	E CAPACITOR	10uF 50V M		R3405	QRE141J-102Y	C RESISTOR	1kΩ 1/4W J	
C3404	QFLC1HJ-104Z	M CAPACITOR	0.1uF 50V J		R3406	QRE141J-202Y	C RESISTOR	2kΩ 1/4W J	
C3405	QFLC1HJ-104Z	M CAPACITOR	0.1uF 50V J		R3407	QRE141J-473Y	C RESISTOR	47kΩ 1/4W J	
C3502	QCSB1HK-3R3Y	C CAPACITOR	3.3pF 50V K		R3408	QRE141J-562Y	C RESISTOR	5.6kΩ 1/4W J	
C3503	QETN1HM-106Z	E CAPACITOR	10uF 50V M		△ R3409	QRJ146J-331X	UNF C RESISTOR	330Ω 1/4W J	
C3504	QFLC1HJ-104Z	M CAPACITOR	0.1uF 50V J		R3410	QRE141J-104Y	C RESISTOR	100kΩ 1/4W J	
C3505	QFLC1HJ-104Z	M CAPACITOR	0.1uF 50V J		R3411	QRE141J-202Y	C RESISTOR	2kΩ 1/4W J	
C3602	QCSB1HK-3R3Y	C CAPACITOR	3.3pF 50V K		△ R3501	QRZ0224-R22	EMIT RESISTOR	0.22Ω	
C3603	QETN1HM-226Z	E CAPACITOR	22uF 50V M		R3502	QRE141J-563Y	C RESISTOR	56kΩ 1/4W J	
C3604	QFLC1HJ-104Z	M CAPACITOR	0.1uF 50V J		△ R3503	QRJ146J-100X	UNF C RESISTOR	10Ω 1/4W J	
C3605	QFLC1HJ-104Z	M CAPACITOR	0.1uF 50V J		△ R3504	QRJ146J-100X	UNF C RESISTOR	10Ω 1/4W J	
C3701	QETN1EM-476Z	E CAPACITOR	47uF 25V M		R3505	QRE141J-102Y	C RESISTOR	1kΩ 1/4W J	
C3702	QETN1CM-107Z	E CAPACITOR	100uF 16V M		R3506	QRE141J-202Y	C RESISTOR	2kΩ 1/4W J	
C3811	QETN1HM-226Z	E CAPACITOR	22uF 50V M		R3507	QRE141J-473Y	C RESISTOR	47kΩ 1/4W J	
C3812	QETN1CM-107Z	E CAPACITOR	100uF 16V M		R3508	QRE141J-562Y	C RESISTOR	5.6kΩ 1/4W J	
C3821	QETN1HM-226Z	E CAPACITOR	22uF 50V M		△ R3509	QRJ146J-331X	UNF C RESISTOR	330Ω 1/4W J	
C3822	QETN1CM-107Z	E CAPACITOR	100uF 16V M		R3510	QRE141J-104Y	C RESISTOR	100kΩ 1/4W J	
C3831	QETN1EM-476Z	E CAPACITOR	47uF 25V M		R3511	QRE141J-202Y	C RESISTOR	2kΩ 1/4W J	
C3832	QETN1CM-107Z	E CAPACITOR	100uF 16V M		△ R3601	QRZ0224-R22	EMIT RESISTOR	0.22Ω	
C3833	QETNOJM-228Z	E CAPACITOR	2200uF 6.3V M		R3602	QRE141J-563Y	C RESISTOR	56kΩ 1/4W J	
C3841	QETN1HM-226Z	E CAPACITOR	22uF 50V M		△ R3603	QRJ146J-100X	UNF C RESISTOR	10Ω 1/4W J	
C3842	QETN1CM-477Z	E CAPACITOR	470uF 16V M		△ R3604	QRJ146J-100X	UNF C RESISTOR	10Ω 1/4W J	
C4003	QETN1VM-227Z	E CAPACITOR	220uF 35V M		R3605	QRE141J-102Y	C RESISTOR	1kΩ 1/4W J	
C4004	QETN1VM-227Z	E CAPACITOR	220uF 35V M		R3606	QRE141J-202Y	C RESISTOR	2kΩ 1/4W J	
C4404	QETN1HM-105Z	E CAPACITOR	1uF 50V M		R3607	QRE141J-473Y	C RESISTOR	47kΩ 1/4W J	
C4405	QETN1HM-105Z	E CAPACITOR	1uF 50V M		R3608	QRE141J-562Y	C RESISTOR	5.6kΩ 1/4W J	
C4501	QFZ0212-104Z	M CAPACITOR	0.1uF 100V J		△ R3609	QRJ146J-271X	UNF C RESISTOR	270Ω 1/4W J	
C4502	QFZ0212-104Z	M CAPACITOR	0.1uF 100V J		R3610	QRE141J-104Y	C RESISTOR	100kΩ 1/4W J	
C4602	QCSB1HK-3R3Y	C CAPACITOR	3.3pF 50V K		R3611	QRE141J-202Y	C RESISTOR	2kΩ 1/4W J	
C4603	QETN1JM-107Z	E CAPACITOR	100uF 63V M		R3701	QRE141J-103Y	C RESISTOR	10kΩ 1/4W J	
C4604	QFLC1HJ-104Z	M CAPACITOR	0.1uF 50V J		R3907	QRE141J-102Y	C RESISTOR	1kΩ 1/4W J	
C4605	QFLC1HJ-104Z	M CAPACITOR	0.1uF 50V J		R4501	QRE141J-682Y	C RESISTOR	6.8kΩ 1/4W J	
C4702	QCSB1HK-3R3Y	C CAPACITOR	3.3pF 50V K		R4502	QRE141J-682Y	C RESISTOR	6.8kΩ 1/4W J	
C4703	QETN1JM-107Z	E CAPACITOR	100uF 63V M		R4503	QRE141J-682Y	C RESISTOR	6.8kΩ 1/4W J	
C4704	QFLC1HJ-104Z	M CAPACITOR	0.1uF 50V J		R4504	QRE141J-682Y	C RESISTOR	6.8kΩ 1/4W J	
C4705	QFLC1HJ-104Z	M CAPACITOR	0.1uF 50V J		△ R4505	QRJ146J-101X	UNF C RESISTOR	100Ω 1/4W J	
C4801	QCBB1HK-101Y	C CAPACITOR	100pF 50V K		△ R4506	QRJ146J-101X	UNF C RESISTOR	100Ω 1/4W J	
C4802	QTE1J46-106Z	E CAPACITOR	10uF 63V		R4507	QRE141J-202Y	C RESISTOR	2kΩ 1/4W J	
C4803	QCBB1HK-101Y	C CAPACITOR	100pF 50V K		△ R4601	QRZ0224-R22	EMIT RESISTOR	0.22Ω	
C4804	QTE1J46-106Z	E CAPACITOR	10uF 63V		R4602	QRE141J-563Y	C RESISTOR	56kΩ 1/4W J	
C4805	QCBB1HK-471Y	C CAPACITOR	470pF 50V K		△ R4603	QRJ146J-100X	UNF C RESISTOR	10Ω 1/4W J	
C4806	QCBB1HK-101Y	C CAPACITOR	100pF 50V K		△ R4604	QRJ146J-100X	UNF C RESISTOR	10Ω 1/4W J	
C4811	QCBB1HK-101Y	C CAPACITOR	100pF 50V K		R4605	QRE141J-102Y	C RESISTOR	1kΩ 1/4W J	
C4812	QTE1J46-106Z	E CAPACITOR	10uF 63V		R4606	QRE141J-202Y	C RESISTOR	2kΩ 1/4W J	
C4813	QCBB1HK-101Y	C CAPACITOR	100pF 50V K		R4607	QRE141J-473Y	C RESISTOR	47kΩ 1/4W J	
C4901	QETN1HM-106Z	E CAPACITOR	10uF 50V M		R4608	QRE141J-562Y	C RESISTOR	5.6kΩ 1/4W J	
C4902	QETN1EM-476Z	E CAPACITOR	47uF 25V M		△ R4609	QRJ146J-221X	UNF C RESISTOR	220Ω 1/4W J	
C4903	QETN1HM-106Z	E CAPACITOR	10uF 50V M		R4610	QRE141J-104Y	C RESISTOR	100kΩ 1/4W J	
C4952	QCSB1HK-3R3Y	C CAPACITOR	3.3pF 50V K		R4611	QRE141J-202Y	C RESISTOR	2kΩ 1/4W J	
C4953	QETN1JM-107Z	E CAPACITOR	100uF 63V M		△ R4701	QRZ0224-R22	EMIT RESISTOR	0.22Ω	
C4954	QFLC1HJ-104Z	M CAPACITOR	0.1uF 50V J		R4702	QRE141J-563Y	C RESISTOR	56kΩ 1/4W J	
C4955	QFLC1HJ-104Z	M CAPACITOR	0.1uF 50V J		△ R4703	QRJ146J-100X	UNF C RESISTOR	10Ω 1/4W J	
					△ R4704	QRJ146J-100X	UNF C RESISTOR	10Ω 1/4W J	
R2000	QRE141J-104Y	C RESISTOR	100kΩ 1/4W J		R4705	QRE141J-102Y	C RESISTOR	1kΩ 1/4W J	
R2001	QRE141J-104Y	C RESISTOR	100kΩ 1/4W J		R4706	QRE141J-202Y	C RESISTOR	2kΩ 1/4W J	
R2002	QRE141J-104Y	C RESISTOR	100kΩ 1/4W J		R4707	QRE141J-473Y	C RESISTOR	47kΩ 1/4W J	
R2003	QRE141J-104Y	C RESISTOR	100kΩ 1/4W J		R4708	QRE141J-562Y	C RESISTOR	5.6kΩ 1/4W J	
R2200	QRE141J-104Y	C RESISTOR	100kΩ 1/4W J		△ R4709	QRJ146J-221X	UNF C RESISTOR	220Ω 1/4W J	
△ R2300	QRK126J-470X	UNF C RESISTOR	47Ω 1/2W J		R4710	QRE141J-104Y	C RESISTOR	100kΩ 1/4W J	
R2301	QRE141J-153Y	C RESISTOR	15kΩ 1/4W J		R4711	QRE141J-202Y	C RESISTOR	2kΩ 1/4W J	
R2302	QRE141J-104Y	C RESISTOR	100kΩ 1/4W J		R4801	QRE141J-102Y	C RESISTOR	1kΩ 1/4W J	
R2305	QRE141J-153Y	C RESISTOR	15kΩ 1/4W J		R4802	QRE141J-563Y	C RESISTOR	56kΩ 1/4W J	
△ R2306	QRK126J-470X	UNF C RESISTOR	47Ω 1/2W J		R4803	QRE141J-102Y	C RESISTOR	1kΩ 1/4W J	
R2307	QRK126J-470X	UNF C RESISTOR	47Ω 1/2W J		R4804	QRE141J-563Y	C RESISTOR	56kΩ 1/4W J	
R2308	QRK126J-470X	UNF C RESISTOR	47Ω 1/2W J		R4811	QRE141J-102Y	C RESISTOR	1kΩ 1/4W J	

△ Symbol No.	Part No.	Part Name	Description	Local	△ Symbol No.	Part No.	Part Name	Description	Local
R4812	QRE141J-563Y	C RESISTOR	56kΩ 1/4W J		Q4902	KTA1268/GL-T	TRANSISTOR		
R4901	QRE141J-103Y	C RESISTOR	10kΩ 1/4W J		Q4903	KTC3199/GL-T	TRANSISTOR		
R4902	QRE141J-104Y	C RESISTOR	100kΩ 1/4W J		Q4904	KTA1268/GL-T	TRANSISTOR		
R4903	QRE141J-103Y	C RESISTOR	10kΩ 1/4W J		Q4951	KTC3199/GL-T	TRANSISTOR		
R4904	QRE141J-104Y	C RESISTOR	100kΩ 1/4W J		△ D2001	GBU803	BRIDGE DIODE		
R4905	QRE141J-103Y	C RESISTOR	10kΩ 1/4W J		D2002	2A02-M	DIODE		
R4906	QRE141J-104Y	C RESISTOR	100kΩ 1/4W J		D2003	2A02-M	DIODE		
R4950	QRE141J-104Y	C RESISTOR	100kΩ 1/4W J		△ D2101	GBU803	BRIDGE DIODE		
△ R4951	QRZ0224-R22	EMIT RESISTOR	0.22Ω		△ D2200	1N5402M-20	SI DIODE		
R4952	QRE141J-563Y	C RESISTOR	56kΩ 1/4W J		△ D2201	1N5402M-20	SI DIODE		
△ R4953	QRJ146J-100X	UNF C RESISTOR	10Ω 1/4W J		△ D2202	1N5402M-20	SI DIODE		
△ R4954	QRJ146J-100X	UNF C RESISTOR	10Ω 1/4W J		△ D2203	1N5402M-20	SI DIODE		
R4955	QRE141J-102Y	C RESISTOR	1kΩ 1/4W J		D2312	MTZJ7.5B-T2	Z DIODE		
R4956	QRE141J-202Y	C RESISTOR	2kΩ 1/4W J		D2314	MTZJ36A-T2	Z DIODE		
R4957	QRE141J-473Y	C RESISTOR	47kΩ 1/4W J		D2315	1N4003S-T5	SI DIODE		
R4958	QRE141J-562Y	C RESISTOR	5.6kΩ 1/4W J		D2317	1N4003S-T5	SI DIODE		
△ R4959	QRJ146J-221X	UNF C RESISTOR	220Ω 1/4W J		D3701	MTZJ6.2B-T2	Z DIODE		
R4960	QRE141J-202Y	C RESISTOR	2kΩ 1/4W J		D3811	MTZJ11B-T2	Z DIODE		
L3401	QQLZ035-R39	COIL	0.39uH		D3821	MTZJ11B-T2	Z DIODE		
L3501	QQLZ035-R39	COIL	0.39uH		D3832	MTZJ6.8B-T2	Z DIODE		
L3601	QQLZ035-R39	COIL	0.39uH		D3841	MTZJ13B-T2	Z DIODE		
L4601	QQLZ035-R39	COIL	0.39uH		D4501	MTZJ18B-T2	Z DIODE		
L4701	QQLZ035-R39	COIL	0.39uH		D4502	MTZJ18B-T2	Z DIODE		
L4951	QQLZ035-R39	COIL	0.39uH		D4503	MTZJ36B-T2	Z DIODE		
CN201	QGA3901C1-10	CONNECTOR	W-B (1-10)		D4504	MTZJ36B-T2	Z DIODE		
CN204	QGB2510J1-10	CONNECTOR	B-B (1-10)		D4505	1N5402M-20	SI DIODE		
CN205	QGB2510J1-16	CONNECTOR	B-B (1-16)		D4506	1N5402M-20	SI DIODE		
CN206	QGB2510K2-14	CONNECTOR	B-B (1-14)		D4601	1SS133-T2	SI DIODE		
CN207	QGD2504C1-03Z	CONNECTOR	(1-3)		D4701	1SS133-T2	SI DIODE		
CN301	QGB2510K2-10	CONNECTOR	B-B (1-10)		D4901	1SS133-T2	SI DIODE		
CN302	QGF1205C2-15	CONNECTOR	FFC/FPC (1-15)		D4951	1SS133-T2	SI DIODE		
CN304	QGA2501F1-03	CONNECTOR	W-B (1-3)		C2000	QEZO581-478	E CAPACITOR	4700uF 63V M	
CN305	QGD2504C1-05Z	CONNECTOR	(1-5)		C2004	QEZO581-478	E CAPACITOR	4700uF 63V M	
CN306	QGD2504C1-05Z	CONNECTOR	(1-5)		C2005	QFZO228-104Z	M CAPACITOR	0.1uF 250V M	
CN403	QGF1205F2-07	CONNECTOR	FFC/FPC (1-7)		C2006	QETM1VM-478	E CAPACITOR	4700uF 35V M	
CN404	QGB2510K2-16	CONNECTOR	B-B (1-16)		C2007	QFZO228-104Z	M CAPACITOR	0.1uF 250V M	
FW201	QUM15A-18DGZ4-E	WIRE			C2008	QETM1VM-478	E CAPACITOR	4700uF 35V M	
FW301	QUM156-27DGZ4-E	CONNECTOR			C2009	QFZO228-104Z	M CAPACITOR	0.1uF 250V M	
PP201	QNZ0104-001	POST PIN			C2010	QETN1VM-227Z	E CAPACITOR	220uF 35V M	
PP203	QZW0112-001	WIRE CLAMP			C2011	QETN1VM-227Z	E CAPACITOR	220uF 35V M	
Z2001	QNG0003-001Z	FUSE CLIP			C2115	QFZO228-104Z	M CAPACITOR	0.1uF 250V M	
Z2002	QNG0003-001Z	FUSE CLIP			C2212	QFLC1HJ-104Z	M CAPACITOR	0.1uF 50V J	
Z2003	QNG0003-001Z	FUSE CLIP			C2213	QETM1CM-688	E CAPACITOR	6800uF 16V M	
Z2004	QNG0003-001Z	FUSE CLIP			C2214	QETM1VM-478	E CAPACITOR	4700uF 35V M	
Z2009	QNG0003-001Z	FUSE CLIP			C2215	QFLC1HJ-104Z	M CAPACITOR	0.1uF 50V J	
Z2010	QNG0003-001Z	FUSE CLIP			C2218	QFLC1HJ-104Z	M CAPACITOR	0.1uF 50V J	
Z2011	QNG0003-001Z	FUSE CLIP			C2302	QETN1HM-226Z	E CAPACITOR	22uF 50V M	
Z2012	QNG0003-001Z	FUSE CLIP			C2303	QETN1HM-226Z	E CAPACITOR	22uF 50V M	
Z2013	QNG0003-001Z	FUSE CLIP			C2304	QCB1HK-103Y	C CAPACITOR	0.01uF 50V K	
Z2014	QNG0003-001Z	FUSE CLIP			C2305	QETN1HM-106Z	E CAPACITOR	10uF 50V M	
Z2015	QNG0003-001Z	FUSE CLIP			C2316	QETM2AM-227	E CAPACITOR	220uF 100V M	
Z2016	QNG0003-001Z	FUSE CLIP			C3701	QETN1EM-476Z	E CAPACITOR	47uF 25V M	
					C3702	QETN1CM-107Z	E CAPACITOR	100uF 16V M	
					C3811	QETN1HM-226Z	E CAPACITOR	22uF 50V M	
					C3812	QETN1CM-107Z	E CAPACITOR	100uF 16V M	
					C3821	QETN1HM-226Z	E CAPACITOR	22uF 50V M	
					C3822	QETN1CM-107Z	E CAPACITOR	100uF 16V M	
					C3831	QETN1EM-476Z	E CAPACITOR	47uF 25V M	
					C3832	QETN1CM-107Z	E CAPACITOR	100uF 16V M	
					C3833	QETN0JM-228Z	E CAPACITOR	2200uF 6.3V M	
					C3841	QETN1HM-226Z	E CAPACITOR	22uF 50V M	
					C3842	QETN1CM-477Z	E CAPACITOR	470uF 16V M	
					C4003	QETN1VM-227Z	E CAPACITOR	220uF 35V M	
					C4004	QETN1VM-227Z	E CAPACITOR	220uF 35V M	
					C4404	QETN1HM-105Z	E CAPACITOR	1uF 50V M	
					C4405	QETN1HM-105Z	E CAPACITOR	1uF 50V M	
					C4501	QFZO212-104Z	M CAPACITOR	0.1uF 100V J	
					C4502	QFZO212-104Z	M CAPACITOR	0.1uF 100V J	
					C4602	QCSB1HK-3R3Y	C CAPACITOR	3.3pF 50V K	
					C4603	QETN1JM-107Z	E CAPACITOR	100uF 63V M	
					C4604	QFLC1HJ-104Z	M CAPACITOR	0.1uF 50V J	
					C4605	QFLC1HJ-104Z	M CAPACITOR	0.1uF 50V J	
					C4702	QCSB1HK-3R3Y	C CAPACITOR	3.3pF 50V K	
					C4703	QETN1JM-107Z	E CAPACITOR	100uF 63V M	
					C4704	QFLC1HJ-104Z	M CAPACITOR	0.1uF 50V J	
					C4705	QFLC1HJ-104Z	M CAPACITOR	0.1uF 50V J	

AMP board(DX-U6)

Block No. [0][4]

△ Symbol No.	Part No.	Part Name	Description	Local
△ IC302	KIA7812API	IC		
△ IC303	KIA78D06PI-U/P	IC		
△ IC304	KIA7809API	IC		
△ IC305	PQ050RDC2SZF	IC		
△ IC306	KIA278R09PI	IC		
△ IC401	STK416-130-E	IC		
△ Q2300	KTA1046/Y/	TRANSISTOR		
Q2301	KTC3203/OY/-T	TRANSISTOR		
Q3901	KTA1271/OY/-T	TRANSISTOR		
Q3902	KTC3199/GL/-T	TRANSISTOR		
Q4601	KTC3199/GL/-T	TRANSISTOR		
Q4701	KTC3199/GL/-T	TRANSISTOR		
Q4901	KTC3200/GL/-T	TRANSISTOR		

△ Symbol No.	Part No.	Part Name	Description	Local
C4801	QCBB1HK-101Y	C CAPACITOR	100pF 50V K	
C4802	QTE1J46-106Z	E CAPACITOR	10uF 63V	
C4803	QCBB1HK-101Y	C CAPACITOR	100pF 50V K	
C4804	QTE1J46-106Z	E CAPACITOR	10uF 63V	
C4805	QCBB1HK-471Y	C CAPACITOR	470pF 50V K	
C4806	QCBB1HK-101Y	C CAPACITOR	100pF 50V K	
C4811	QCBB1HK-101Y	C CAPACITOR	100pF 50V K	
C4812	QTE1J46-106Z	E CAPACITOR	10uF 63V	
C4813	QCBB1HK-101Y	C CAPACITOR	100pF 50V K	
C4901	QETN1HM-106Z	E CAPACITOR	10uF 50V M	
C4902	QETN1EM-476Z	E CAPACITOR	47uF 25V M	
C4903	QETN1HM-106Z	E CAPACITOR	10uF 50V M	
C4952	QCSB1HK-3R3Y	C CAPACITOR	3.3pF 50V K	
C4953	QETN1JM-107Z	E CAPACITOR	100uF 63V M	
C4954	QFLC1HJ-104Z	M CAPACITOR	0.1uF 50V J	
C4955	QFLC1HJ-104Z	M CAPACITOR	0.1uF 50V J	
R2000	QRE141J-104Y	C RESISTOR	100kΩ 1/4W J	
R2001	QRE141J-104Y	C RESISTOR	100kΩ 1/4W J	
R2002	QRE141J-104Y	C RESISTOR	100kΩ 1/4W J	
R2003	QRE141J-104Y	C RESISTOR	100kΩ 1/4W J	
R2200	QRE141J-104Y	C RESISTOR	100kΩ 1/4W J	
△ R2300	QRK126J-470X	UNF C RESISTOR	47Ω 1/2W J	
R2301	QRE141J-153Y	C RESISTOR	15kΩ 1/4W J	
R2302	QRE141J-104Y	C RESISTOR	100kΩ 1/4W J	
R2305	QRE141J-153Y	C RESISTOR	15kΩ 1/4W J	
△ R2306	QRK126J-470X	UNF C RESISTOR	47Ω 1/2W J	
R2307	QRK126J-470X	UNF C RESISTOR	47Ω 1/2W J	
R2308	QRK126J-470X	UNF C RESISTOR	47Ω 1/2W J	
R3701	QRE141J-103Y	C RESISTOR	10kΩ 1/4W J	
R3907	QRE141J-102Y	C RESISTOR	1kΩ 1/4W J	
R4501	QRE141J-682Y	C RESISTOR	6.8kΩ 1/4W J	
R4502	QRE141J-682Y	C RESISTOR	6.8kΩ 1/4W J	
R4503	QRE141J-682Y	C RESISTOR	6.8kΩ 1/4W J	
R4504	QRE141J-682Y	C RESISTOR	6.8kΩ 1/4W J	
△ R4505	QRJ146J-101X	UNF C RESISTOR	100Ω 1/4W J	
△ R4506	QRJ146J-101X	UNF C RESISTOR	100Ω 1/4W J	
R4507	QRE141J-202Y	C RESISTOR	2kΩ 1/4W J	
△ R4601	QRZ0224-R22	EMIT RESISTOR	0.22Ω	
R4602	QRE141J-563Y	C RESISTOR	56kΩ 1/4W J	
△ R4603	QRJ146J-100X	UNF C RESISTOR	10Ω 1/4W J	
△ R4604	QRJ146J-100X	UNF C RESISTOR	10Ω 1/4W J	
R4605	QRE141J-102Y	C RESISTOR	1kΩ 1/4W J	
R4606	QRE141J-202Y	C RESISTOR	2kΩ 1/4W J	
R4607	QRE141J-473Y	C RESISTOR	47kΩ 1/4W J	
R4608	QRE141J-562Y	C RESISTOR	5.6kΩ 1/4W J	
△ R4609	QRJ146J-221X	UNF C RESISTOR	220Ω 1/4W J	
R4610	QRE141J-104Y	C RESISTOR	100kΩ 1/4W J	
R4611	QRE141J-202Y	C RESISTOR	2kΩ 1/4W J	
△ R4701	QRZ0224-R22	EMIT RESISTOR	0.22Ω	
R4702	QRE141J-563Y	C RESISTOR	56kΩ 1/4W J	
△ R4703	QRJ146J-100X	UNF C RESISTOR	10Ω 1/4W J	
△ R4704	QRJ146J-100X	UNF C RESISTOR	10Ω 1/4W J	
R4705	QRE141J-102Y	C RESISTOR	1kΩ 1/4W J	
R4706	QRE141J-202Y	C RESISTOR	2kΩ 1/4W J	
R4707	QRE141J-473Y	C RESISTOR	47kΩ 1/4W J	
R4708	QRE141J-562Y	C RESISTOR	5.6kΩ 1/4W J	
△ R4709	QRJ146J-221X	UNF C RESISTOR	220Ω 1/4W J	
R4710	QRE141J-104Y	C RESISTOR	100kΩ 1/4W J	
R4711	QRE141J-202Y	C RESISTOR	2kΩ 1/4W J	
R4801	QRE141J-102Y	C RESISTOR	1kΩ 1/4W J	
R4802	QRE141J-563Y	C RESISTOR	56kΩ 1/4W J	
R4803	QRE141J-102Y	C RESISTOR	1kΩ 1/4W J	
R4804	QRE141J-563Y	C RESISTOR	56kΩ 1/4W J	
R4811	QRE141J-102Y	C RESISTOR	1kΩ 1/4W J	
R4812	QRE141J-563Y	C RESISTOR	56kΩ 1/4W J	
R4901	QRE141J-103Y	C RESISTOR	10kΩ 1/4W J	
R4902	QRE141J-104Y	C RESISTOR	100kΩ 1/4W J	
R4903	QRE141J-103Y	C RESISTOR	10kΩ 1/4W J	
R4904	QRE141J-104Y	C RESISTOR	100kΩ 1/4W J	
R4905	QRE141J-103Y	C RESISTOR	10kΩ 1/4W J	
R4906	QRE141J-104Y	C RESISTOR	100kΩ 1/4W J	
R4950	QRE141J-104Y	C RESISTOR	100kΩ 1/4W J	
△ R4951	QRZ0224-R22	EMIT RESISTOR	0.22Ω	
R4952	QRE141J-563Y	C RESISTOR	56kΩ 1/4W J	
△ R4953	QRJ146J-100X	UNF C RESISTOR	10Ω 1/4W J	
△ R4954	QRJ146J-100X	UNF C RESISTOR	10Ω 1/4W J	
R4955	QRE141J-102Y	C RESISTOR	1kΩ 1/4W J	

△ Symbol No.	Part No.	Part Name	Description	Local
R4956	QRE141J-202Y	C RESISTOR	2kΩ 1/4W J	
R4957	QRE141J-473Y	C RESISTOR	47kΩ 1/4W J	
R4958	QRE141J-562Y	C RESISTOR	5.6kΩ 1/4W J	
△ R4959	QRJ146J-181X	UNF C RESISTOR	180Ω 1/4W J	
R4960	QRE141J-202Y	C RESISTOR	2kΩ 1/4W J	
L4601	QQLZ035-R39	COIL	0.39uH	
L4701	QQLZ035-R39	COIL	0.39uH	
L4951	QQLZ035-R39	COIL	0.39uH	
CN201	QGA3901C1-10	CONNECTOR	W-B (1-10)	
CN202	QGB2510K2-08	CONNECTOR	B-B (1-8)	
CN204	QGB2510J1-05	CONNECTOR	B-B (1-5)	
CN205	QGB2510J1-13	CONNECTOR	B-B (1-13)	
CN207	QGD2504C1-03Z	CONNECTOR	(1-3)	
CN303	QGF1205C2-09	CONNECTOR	FFC/FPC (1-9)	
CN304	QGA2501F1-03	CONNECTOR	W-B (1-3)	
CN307	QGB2510K2-05	CONNECTOR	B-B (1-5)	
CN403	QGF1205F2-07	CONNECTOR	FFC/FPC (1-7)	
CN404	QGB2510K2-13	CONNECTOR	B-B (1-13)	
FW301	QUM156-27DGZ4-E	CONNECTOR		
PP201	QNZ0104-001	POST PIN		
PP203	QZW0112-001	WIRE CLAMP		
Z2001	QNG0003-001Z	FUSE CLIP		
Z2002	QNG0003-001Z	FUSE CLIP		
Z2003	QNG0003-001Z	FUSE CLIP		
Z2004	QNG0003-001Z	FUSE CLIP		
Z2009	QNG0003-001Z	FUSE CLIP		
Z2010	QNG0003-001Z	FUSE CLIP		
Z2011	QNG0003-001Z	FUSE CLIP		
Z2012	QNG0003-001Z	FUSE CLIP		
Z2013	QNG0003-001Z	FUSE CLIP		
Z2014	QNG0003-001Z	FUSE CLIP		
Z2015	QNG0003-001Z	FUSE CLIP		
Z2016	QNG0003-001Z	FUSE CLIP		

FL board

Block No. [0][5]

△ Symbol No.	Part No.	Part Name	Description	Local
IC500	PT6324-HT	FL DRIVER		
IC510	GP1UM281XKVF	IR DETECT UNIT		
Q5011	KRC107M-T	DIGI TRANSISTOR		
Q5012	KRC107M-T	DIGI TRANSISTOR		
Q5013	KRC107M-T	DIGI TRANSISTOR		
Q5014	KRC107M-T	DIGI TRANSISTOR		
Q5500	KRC102M-T	DIGI TRANSISTOR		
D5004	SLI-343U8RC-T	LED		
D5005	SLI-343U8RC-T	LED		
D5006	SLR-343VC-T	LED		
D5500	SELU2E10C-P	LED		10A,10US, 10UX,10UG, 10UN,8US, 8UX,8UG, 8UN,8US, 6UX,6UG, 6UN
D5500	SELT2E10C-S	LED		10UH
D5501	SELU2E10C-P	LED		10A,10US, 10UX,10UG, 10UN,8US, 8UX,8UG, 8UN,6US, 6UX,6UG, 6UN
D5501	SELT2E10C-S	LED		10UH
D5502	SELU2E10C-P	LED		10A,10US, 10UX,10UG, 10UN,8US, 8UX,8UG, 8UN,6US, 6UX,6UG, 6UN

△ Symbol No.	Part No.	Part Name	Description	Local	△ Symbol No.	Part No.	Part Name	Description	Local
D5502	SELT2E10C-S	LED		10UH	CN500	QGF1205F2-13	CONNECTOR	FFC/FPC (1-13)	10A,10US, 10UX,10UG, 10UN,8US, 8UX,8UG, 8UN,6US, 6UX,6UG, 6UN
D5503	SELU2E10C-P	LED		10UH	CN500	QGF1208F1-13	CONNECTOR	FFC/FPC (1-13)	10UH
D5503	SELT2E10C-S	LED		10UH	FL500	QLF0188-001	FL TUBE		
C1001	QCZ9134-102	C CAPACITOR	1000pF	6US,6UX, 6UG,6UN	FW500	QUM153-25DGZ4-E	FLAT WIRE		
C1002	QCZ9134-102	C CAPACITOR	1000pF	6US,6UX, 6UG,6UN	FW501	QUM155-11Z4Z4-E	FLAT WIRE		
C5000	QER61HM-226Z	E CAPACITOR	22uF 50V M		J580	QNZ0906-001	USB JACK		
C5001	QER61HM-226Z	E CAPACITOR	22uF 50V M		△ S1000	QSW0812-001	VOLTAGE SWITCH		10US,10UX, 10UG,10UN, 8US,8UX, 8UG,8UN, 6US,6UX, 6UG,6UN, 10UH
C5002	QDGB1HK-102Y	C CAPACITOR	1000pF 50V K		S5000	QSW0683-001Z	PUSH SW		
C5003	QER61EM-106Z	E CAPACITOR	10uF 25V M		S5001	QSW0683-001Z	PUSH SW		
C5006	QER61AM-107Z	E CAPACITOR	100uF 10V M		S5002	QSW0683-001Z	PUSH SW		
C5007	QCBB1HK-104Y	C CAPACITOR	0.1uF 50V K		S5003	QSW0683-001Z	PUSH SW		
C5009	QCBB1HK-104Y	C CAPACITOR	0.1uF 50V K		S5004	QSW0683-001Z	PUSH SW		
C5010	QCBB1HK-104Y	C CAPACITOR	0.1uF 50V K		S5005	QSW0683-001Z	PUSH SW		
C5012	QCBB1HK-104Y	C CAPACITOR	0.1uF 50V K		S5006	QSW0683-001Z	PUSH SW		
C5501	QCBB1HK-103Y	C CAPACITOR	0.01uF 50V K		S5007	QSW0683-001Z	PUSH SW		
C5504	QCBB1HK-103Y	C CAPACITOR	0.01uF 50V K		S5008	QSW0683-001Z	PUSH SW		
C5802	QCBB1HK-103Y	C CAPACITOR	0.01uF 50V K		S5009	QSW0683-001Z	PUSH SW		
R5000	QRE141J-102Y	C RESISTOR	1kΩ 1/4W J		S5010	QSW0683-001Z	PUSH SW		
R5001	QRE141J-102Y	C RESISTOR	1kΩ 1/4W J		S5011	QSW0683-001Z	PUSH SW		
R5002	QRE141J-122Y	C RESISTOR	1.2kΩ 1/4W J		S5012	QSW0683-001Z	PUSH SW		
R5003	QRE141J-182Y	C RESISTOR	1.8kΩ 1/4W J		S5013	QSW0683-001Z	PUSH SW		
R5004	QRE141J-222Y	C RESISTOR	2.2kΩ 1/4W J		S5014	QSW0683-001Z	PUSH SW		
R5005	QRE141J-272Y	C RESISTOR	2.7kΩ 1/4W J		S5015	QSW0683-001Z	PUSH SW		
R5006	QRE141J-392Y	C RESISTOR	3.9kΩ 1/4W J		S5016	QSW0683-001Z	PUSH SW		
R5007	QRE141J-622Y	C RESISTOR	6.2kΩ 1/4W J		S5500	QSW0683-001Z	PUSH SW		
R5008	QRE141J-103Y	C RESISTOR	10kΩ 1/4W J		S5501	QSW0683-001Z	PUSH SW		
R5009	QRE141J-183Y	C RESISTOR	18kΩ 1/4W J		S5502	QSW0683-001Z	PUSH SW		
R5010	QRE141J-102Y	C RESISTOR	1kΩ 1/4W J		S5503	QSW0683-001Z	PUSH SW		
R5011	QRE141J-102Y	C RESISTOR	1kΩ 1/4W J		S5504	QSW0683-001Z	PUSH SW		
R5012	QRE141J-122Y	C RESISTOR	1.2kΩ 1/4W J		S5505	QSW0683-001Z	PUSH SW		
R5013	QRE141J-182Y	C RESISTOR	1.8kΩ 1/4W J		S5506	QSW0683-001Z	PUSH SW		
R5014	QRE141J-222Y	C RESISTOR	2.2kΩ 1/4W J		S5507	QSW0683-001Z	PUSH SW		
R5035	QRE141J-161Y	C RESISTOR	160Ω 1/4W J		S5508	QSW0683-001Z	PUSH SW		
R5036	QRE141J-161Y	C RESISTOR	160Ω 1/4W J		S5509	QSW0683-001Z	PUSH SW		
R5043	QRE141J-271Y	C RESISTOR	270Ω 1/4W J		S5510	QSW0683-001Z	PUSH SW		
R5047	QRE141J-103Y	C RESISTOR	10kΩ 1/4W J		S5511	QSW0683-001Z	PUSH SW		
R5048	QRE141J-823Y	C RESISTOR	82kΩ 1/4W J		S5512	QSW0683-001Z	PUSH SW		
R5055	QRE141J-103Y	C RESISTOR	10kΩ 1/4W J		S5513	QSW0683-001Z	PUSH SW		
R5056	QRE141J-103Y	C RESISTOR	10kΩ 1/4W J		S5514	QSW0683-001Z	PUSH SW		
R5057	QRE141J-103Y	C RESISTOR	10kΩ 1/4W J		S5515	QSW0683-001Z	PUSH SW		
R5058	QRE141J-103Y	C RESISTOR	10kΩ 1/4W J		S5516	QSW0683-001Z	PUSH SW		
R5500	QRE141J-563Y	C RESISTOR	56kΩ 1/4W J		S5517	QSW0683-001Z	PUSH SW		
R5501	QRE141J-183Y	C RESISTOR	18kΩ 1/4W J		SP500	GV40205-004A	IC HOLDER		
R5502	QRE141J-103Y	C RESISTOR	10kΩ 1/4W J		Z1001	QNG0003-001Z	FUSE CLIP		
R5503	QRE141J-622Y	C RESISTOR	6.2kΩ 1/4W J		Z1002	QNG0003-001Z	FUSE CLIP		
R5504	QRE141J-392Y	C RESISTOR	3.9kΩ 1/4W J		Z1003	QNG0003-001Z	FUSE CLIP		
R5505	QRE141J-272Y	C RESISTOR	2.7kΩ 1/4W J		Z1004	QNG0003-001Z	FUSE CLIP		
R5506	QRE141J-222Y	C RESISTOR	2.2kΩ 1/4W J						
R5507	QRE141J-182Y	C RESISTOR	1.8kΩ 1/4W J						
R5508	QRE141J-122Y	C RESISTOR	1.2kΩ 1/4W J						
R5509	QRE141J-102Y	C RESISTOR	1kΩ 1/4W J						
R5510	QRE141J-102Y	C RESISTOR	1kΩ 1/4W J						
R5511	QRE141J-272Y	C RESISTOR	2.7kΩ 1/4W J						
R5512	QRE141J-392Y	C RESISTOR	3.9kΩ 1/4W J						
R5513	QRE141J-622Y	C RESISTOR	6.2kΩ 1/4W J						
R5514	QRE141J-103Y	C RESISTOR	10kΩ 1/4W J						
R5515	QRE141J-183Y	C RESISTOR	18kΩ 1/4W J						
R5516	QRE141J-563Y	C RESISTOR	56kΩ 1/4W J						
R5517	QRE141J-390Y	C RESISTOR	39Ω 1/4W J						
R5518	QRE141J-103Y	C RESISTOR	10kΩ 1/4W J						
R5520	QRE141J-390Y	C RESISTOR	39Ω 1/4W J						
R5522	QRE141J-103Y	C RESISTOR	10kΩ 1/4W J						
CN100	QGA7901C1-02	CONNECTOR	W-B (1-2)						
CN101	QGA7901C1-04	CONNECTOR	W-B (1-4)						
CN102	QGA7901C1-03	CONNECTOR	W-B (1-3)						

Cassette board

Block No. [0][6]

△ Symbol No.	Part No.	Part Name	Description	Local
IC200	HA12237F-E	IC		
Q110	KTA1271/OY/-T	TRANSISTOR		
△ Q111	RT1N144C-X	DIGI TRANSISTOR		
Q120	KTA1296/Y/-T	TRANSISTOR		
Q121	RT1N144C-X	DIGI TRANSISTOR		
Q140	KTA1271/OY/-T	TRANSISTOR		
Q141	RT1N144C-X	DIGI TRANSISTOR		
Q150	KTA1296/Y/-T	TRANSISTOR		
Q151	RT1N144C-X	DIGI TRANSISTOR		
Q200	RT1P430C-X	TRANSISTOR		

△ Symbol No.	Part No.	Part Name	Description	Local
Q201	RT6N430C-X	TRANSISTOR		
Q202	RT6N430C-X	TRANSISTOR		
Q203	RT6N430C-X	TRANSISTOR		
Q204	RT6N430C-X	TRANSISTOR		
Q300	KTC3203/OY/-T	TRANSISTOR		
Q301	KTC3203/OY/-T	TRANSISTOR		
D121	1N4003S-T5	SI DIODE		
D122	1N4003S-T5	SI DIODE		
D151	1N4003S-T5	SI DIODE		
D152	1N4003S-T5	SI DIODE		
C110	QETN1HM-106Z	E CAPACITOR	10uF 50V M	
C122	QETN1CM-107Z	E CAPACITOR	100uF 16V M	
C140	QETN1HM-106Z	E CAPACITOR	10uF 50V M	
C202	NCB31HK-122X	C CAPACITOR	1200pF 50V K	
C203	NCB31HK-103X	C CAPACITOR	0.01uF 50V K	
C204	NCB31CK-104X	C CAPACITOR	0.1uF 16V K	
C205	QETN1HM-225Z	E CAPACITOR	2.2uF 50V M	
C206	NCB31CK-104X	C CAPACITOR	0.1uF 16V K	
C207	NCB31HK-391X	C CAPACITOR	390pF 50V K	
C209	QETN1AM-227Z	E CAPACITOR	220uF 10V M	
C210	QETN1HM-105Z	E CAPACITOR	1uF 50V M	
C211	QETN1HM-106Z	E CAPACITOR	10uF 50V M	
C212	NCB31CK-104X	C CAPACITOR	0.1uF 16V K	
C213	QETN1HM-225Z	E CAPACITOR	2.2uF 50V M	
C214	NCB31CK-104X	C CAPACITOR	0.1uF 16V K	
C215	NCB31HK-391X	C CAPACITOR	390pF 50V K	
C216	NCB31HK-221X	C CAPACITOR	220pF 50V K	
C219	NCB31HK-103X	C CAPACITOR	0.01uF 50V K	
C220	QETN1HM-226Z	E CAPACITOR	22uF 50V M	
C221	QETN1HM-105Z	E CAPACITOR	1uF 50V M	
C222	QETN1HM-226Z	E CAPACITOR	22uF 50V M	
C223	NCB31HK-682X	C CAPACITOR	6800pF 50V K	
C224	NCB31HK-682X	C CAPACITOR	6800pF 50V K	
C225	NCB31HK-122X	C CAPACITOR	1200pF 50V K	
C226	QETN1EM-475Z	E CAPACITOR	4.7uF 25V M	
C227	QETN1EM-475Z	E CAPACITOR	4.7uF 25V M	
C228	QETN1CM-107Z	E CAPACITOR	100uF 16V M	
C231	NCB31HK-221X	C CAPACITOR	220pF 50V K	
C234	NCB31HK-821X	C CAPACITOR	820pF 50V K	
C235	NCB31HK-821X	C CAPACITOR	820pF 50V K	
C300	NCB31HK-331X	C CAPACITOR	330pF 50V K	
C301	NCB31HK-331X	C CAPACITOR	330pF 50V K	
C303	QFG32AJ-273Z	PP CAPACITOR	0.027uF 100V J	
C304	QETN1CM-107Z	E CAPACITOR	100uF 16V M	
C306	NCB31HK-223X	C CAPACITOR	0.022uF 50V K	
C307	NCB31HK-152X	C CAPACITOR	1500pF 50V K	
R110	NRSA63J-222X	MG RESISTOR	2.2kΩ 1/16W J	
R113	NRSA63J-183X	MG RESISTOR	18kΩ 1/16W J	
R114	NRSA63J-822X	MG RESISTOR	8.2kΩ 1/16W J	
R115	NRSA63J-363X	MG RESISTOR	36kΩ 1/16W J	
R123	NRSA63J-222X	MG RESISTOR	2.2kΩ 1/16W J	
R140	NRSA63J-222X	MG RESISTOR	2.2kΩ 1/16W J	
R153	NRSA63J-222X	MG RESISTOR	2.2kΩ 1/16W J	
R200	NRSA63J-512X	MG RESISTOR	5.1kΩ 1/16W J	
R201	NRSA63J-512X	MG RESISTOR	5.1kΩ 1/16W J	
R202	NRSA63J-182X	MG RESISTOR	1.8kΩ 1/16W J	
R203	NRSA63J-242X	MG RESISTOR	2.4kΩ 1/16W J	
R204	NRSA63J-273X	MG RESISTOR	27kΩ 1/16W J	
R205	NRSA63J-303X	MG RESISTOR	30kΩ 1/16W J	
R206	NRSA63J-103X	MG RESISTOR	10kΩ 1/16W J	
R207	NRSA63J-101X	MG RESISTOR	100Ω 1/16W J	
R208	NRSA63J-104X	MG RESISTOR	100kΩ 1/16W J	
R209	NRSA63J-223X	MG RESISTOR	22kΩ 1/16W J	
R210	NRSA63J-242X	MG RESISTOR	2.4kΩ 1/16W J	
R211	NRSA63J-303X	MG RESISTOR	30kΩ 1/16W J	
R212	NRSA63J-273X	MG RESISTOR	27kΩ 1/16W J	
R213	NRSA63J-182X	MG RESISTOR	1.8kΩ 1/16W J	
R214	NRSA63J-512X	MG RESISTOR	5.1kΩ 1/16W J	
R215	NRSA63J-512X	MG RESISTOR	5.1kΩ 1/16W J	
R216	NRSA63J-102X	MG RESISTOR	1kΩ 1/16W J	
R217	NRSA63J-102X	MG RESISTOR	1kΩ 1/16W J	
R218	NRSA63J-912X	MG RESISTOR	9.1kΩ 1/16W J	
R219	NRSA63J-912X	MG RESISTOR	9.1kΩ 1/16W J	
R226	NRSA63J-221X	MG RESISTOR	220Ω 1/16W J	
R227	NRSA63J-243X	MG RESISTOR	24kΩ 1/16W J	

△ Symbol No.	Part No.	Part Name	Description	Local
R228	NRSA63J-822X	MG RESISTOR	8.2kΩ 1/16W J	
R300	NRSA63J-153X	MG RESISTOR	15kΩ 1/16W J	
R301	NRSA63J-153X	MG RESISTOR	15kΩ 1/16W J	
R302	NRSA63J-103X	MG RESISTOR	10kΩ 1/16W J	
R303	NRSA63J-101X	MG RESISTOR	100Ω 1/16W J	
R304	NRSA63J-153X	MG RESISTOR	15kΩ 1/16W J	
R305	NRSA63J-2R2X	MG RESISTOR	2.2Ω 1/16W J	
△ R306	QRJ146J-4R7X	UNF C RESISTOR	4.7Ω 1/4W J	
R307	NRSA63J-222X	MG RESISTOR	2.2kΩ 1/16W J	
R308	NRSA63J-474X	MG RESISTOR	470kΩ 1/16W J	
△ R309	QRZ9005-100X	FUSI RESISTOR	10Ω	
L300	QQR1118-002	OSC COIL(BIAS)		
L301	QQL244K-100Z	COIL	10uH K	
CN100	QGF1205C2-21	CONNECTOR	FFC/FPC (1-21)	
CN110	QGF1205F2-06	CONNECTOR	FFC/FPC (1-6)	
CN120	QGF1205C2-07	CONNECTOR	FFC/FPC (1-7)	
CN200	QGA2001C1-07	CONNECTOR	W-B (1-7)	
CN220	WJK0243-001A-E	E-SIC WIRE CB		
WR1	WJZ0160-004A-E	S.WIRE		

DVD servo board(Except DX-U6)

Block No. [0][7]

△ Symbol No.	Part No.	Part Name	Description	Local
IC201	LA6502-X	IC		
IC301	MN2DS0018MA	IC		
IC302	MM1701CH-X	IC		
IC303	XC2164A51FM-X	IC		
IC305	MM1563DF-X	IC		
IC451	MN101C61GNW	IC		
IC452	BR93L56RF-W-X	IC		
IC453	S-80830CNNB-G-W	IC		
IC505	K4S641632K-UC75	IC		
IC505	or K4S641632H-UC75	IC		
IC509	-----	IC(MICRO C ROM)		
IC510	BR24L16F-W-X	IC(DIGITAL)		
IC701	AK4387ET-X	IC		
IC702	AK4387ET-X	IC		
IC703	AK4387ET-X	IC		
IC704	AK5358ET-X	IC		
IC704	or AK5358AET-X	IC		
IC705	MM1615AN-X	IC		
IC801	MM1565AF-X	IC		
Q101	KTA1001/Y/-X	TRANSISTOR		
Q101	or 2SB1424/R/-W	TRANSISTOR		
Q102	2SC4617/R/-X	TRANSISTOR		
Q103	KTA1001/Y/-X	TRANSISTOR		
Q103	or 2SB1424/R/-W	TRANSISTOR		
Q104	2SC4617/R/-X	TRANSISTOR		
Q801	KRA104S-X	DIGI TRANSISTOR		
Q801	or UN2113-X	TRANSISTOR		
C101	NCB31CK-104X	C CAPACITOR	0.1uF 16V K	
C102	NCB31CK-104X	C CAPACITOR	0.1uF 16V K	
C103	NCB31CK-104X	C CAPACITOR	0.1uF 16V K	
C104	NCB31CK-104X	C CAPACITOR	0.1uF 16V K	
C105	NEAF0JM-476X	E CAPACITOR	47uF 6.3V M	
C106	NBE20JM-226X	TA E CAPACITOR	22uF 6.3V M	
C107	NCB31CK-104X	C CAPACITOR	0.1uF 16V K	
C108	NBE20JM-226X	TA E CAPACITOR	22uF 6.3V M	
C201	NDC31HJ-221X	C CAPACITOR	220pF 50V J	
C202	NDC31HJ-221X	C CAPACITOR	220pF 50V J	
C203	NCB31HK-103X	C CAPACITOR	0.01uF 50V K	
C204	NCB31CK-104X	C CAPACITOR	0.1uF 16V K	
C205	NCB31HK-271X	C CAPACITOR	270pF 50V K	
C206	NDC31HJ-151X	C CAPACITOR	150pF 50V J	
C210	NCF31AZ-105X	C CAPACITOR	1uF 10V Z	
C211	NCB31HK-223X	C CAPACITOR	0.022uF 50V K	
C217	NCB31CK-104X	C CAPACITOR	0.1uF 16V K	
C251	NCB31AK-474X	C CAPACITOR	0.47uF 10V K	

△ Symbol No.	Part No.	Part Name	Description	Local	△ Symbol No.	Part No.	Part Name	Description	Local
C256	NCB31CK-104X	C CAPACITOR	0.1uF 16V K		C559	NCB31CK-104X	C CAPACITOR	0.1uF 16V K	
C257	NCB31HK-822X	C CAPACITOR	8200pF 50V K		C560	NCB31CK-104X	C CAPACITOR	0.1uF 16V K	
C258	NCB31CK-153X	C CAPACITOR	0.015uF 16V K		C562	NCF31AZ-105X	C CAPACITOR	1uF 10V Z	
C259	NCB31CK-153X	C CAPACITOR	0.015uF 16V K		C563	NCB31CK-104X	C CAPACITOR	0.1uF 16V K	
C260	NCB31HK-223X	C CAPACITOR	0.022uF 50V K		C564	NCB31CK-104X	C CAPACITOR	0.1uF 16V K	
C261	NCB31HK-223X	C CAPACITOR	0.022uF 50V K		C701	NCB31CK-104X	C CAPACITOR	0.1uF 16V K	
C262	NCB31HK-223X	C CAPACITOR	0.022uF 50V K		C702	NCB31CK-104X	C CAPACITOR	0.1uF 16V K	
C263	NEAF1CM-107X	E CAPACITOR	100uF 16V M		C703	NCB31CK-104X	C CAPACITOR	0.1uF 16V K	
C301	NEAF0JM-227X	E CAPACITOR	220uF 6.3V M		C704	NEAF0JM-476X	E CAPACITOR	47uF 6.3V M	
C302	NEAF0GM-476X	E CAPACITOR	47uF 4V M		C706	NEAF1CM-106X	E CAPACITOR	10uF 16V M	
C303	NEAF0GM-476X	E CAPACITOR	47uF 4V M		C707	NCB31CK-104X	C CAPACITOR	0.1uF 16V K	
C304	NCB30JK-105X	C CAPACITOR	1uF 6.3V K		C708	NCB31CK-104X	C CAPACITOR	0.1uF 16V K	
C305	NCB31CK-104X	C CAPACITOR	0.1uF 16V K		C709	NCB31CK-104X	C CAPACITOR	0.1uF 16V K	
C306	NCB31CK-104X	C CAPACITOR	0.1uF 16V K		C711	NCB21CK-105X	C CAPACITOR	1uF 16V K	
C307	NCB31CK-104X	C CAPACITOR	0.1uF 16V K		C712	NCB31HK-103X	C CAPACITOR	0.01uF 50V K	
C309	NCB31CK-104X	C CAPACITOR	0.1uF 16V K		C713	NCB21CK-105X	C CAPACITOR	1uF 16V K	
C310	NCB31CK-104X	C CAPACITOR	0.1uF 16V K		C740	NCB31CK-104X	C CAPACITOR	0.1uF 16V K	
C312	NCB31CK-104X	C CAPACITOR	0.1uF 16V K		C741	NCF31AZ-105X	C CAPACITOR	1uF 10V Z	
C313	NCB31CK-104X	C CAPACITOR	0.1uF 16V K		C742	NCB31CK-104X	C CAPACITOR	0.1uF 16V K	
C314	NCB31CK-104X	C CAPACITOR	0.1uF 16V K		C743	NCB31CK-104X	C CAPACITOR	0.1uF 16V K	
C315	NCB31CK-104X	C CAPACITOR	0.1uF 16V K		C744	NEAF1CM-106X	E CAPACITOR	10uF 16V M	
C316	NCB31CK-104X	C CAPACITOR	0.1uF 16V K		C745	NEAF1CM-106X	E CAPACITOR	10uF 16V M	
C318	NCB31CK-104X	C CAPACITOR	0.1uF 16V K		C801	NCB21CK-105X	C CAPACITOR	1uF 16V K	
C319	NCB31CK-104X	C CAPACITOR	0.1uF 16V K		C802	NCB21AK-225X	C CAPACITOR	2.2uF 10V K	
C320	NCB31CK-104X	C CAPACITOR	0.1uF 16V K		C803	NEAF0JM-227X	E CAPACITOR	220uF 6.3V M	
C321	NCB31CK-104X	C CAPACITOR	0.1uF 16V K		C804	NCB31HK-471X	C CAPACITOR	470pF 50V K	
C322	NCB31CK-104X	C CAPACITOR	0.1uF 16V K						
C323	NCB31CK-104X	C CAPACITOR	0.1uF 16V K		R101	NRSA63J-101X	MG RESISTOR	100Ω 1/16W J	
C324	NCB30JK-105X	C CAPACITOR	1uF 6.3V K		R102	NRSA63J-101X	MG RESISTOR	100Ω 1/16W J	
C325	NDC31HJ-120X	C CAPACITOR	12pF 50V J		R103	NRSA63J-562X	MG RESISTOR	5.6kΩ 1/16W J	
C326	NDC31HJ-100X	C CAPACITOR	10pF 50V J		R104	NRSA63J-432X	MG RESISTOR	4.3kΩ 1/16W J	
C328	NCB31HK-103X	C CAPACITOR	0.01uF 50V K		R105	NRS181J-180X	MG RESISTOR	18Ω 1/8W J	
C330	NCB31CK-104X	C CAPACITOR	0.1uF 16V K		R106	NRSA63J-2R2X	MG RESISTOR	2.2Ω 1/16W J	
C331	NCB31CK-333X	C CAPACITOR	0.033uF 16V K		R107	NRSA63J-102X	MG RESISTOR	1kΩ 1/16W J	
C332	NCB31CK-104X	C CAPACITOR	0.1uF 16V K		R108	NRSA63J-471X	MG RESISTOR	470Ω 1/16W J	
C333	NCB31CK-104X	C CAPACITOR	0.1uF 16V K		R109	NRSA63J-331X	MG RESISTOR	330Ω 1/16W J	
C334	NCB31CK-104X	C CAPACITOR	0.1uF 16V K		R111	NRSA63J-562X	MG RESISTOR	5.6kΩ 1/16W J	
C335	NCB31CK-104X	C CAPACITOR	0.1uF 16V K		R112	NRSA63J-432X	MG RESISTOR	4.3kΩ 1/16W J	
C337	NCB31CK-183X	C CAPACITOR	0.018uF 16V K		R113	NRS181J-180X	MG RESISTOR	18Ω 1/8W J	
C338	NCB31HK-562X	C CAPACITOR	5600pF 50V K		R114	NRSA63J-2R2X	MG RESISTOR	2.2Ω 1/16W J	
C339	NBE20JM-106X	TA E CAPACITOR	10uF 6.3V M		R115	NRSA63J-102X	MG RESISTOR	1kΩ 1/16W J	
C340	NCB30JK-105X	C CAPACITOR	1uF 6.3V K		R116	NRSA63J-471X	MG RESISTOR	470Ω 1/16W J	
C341	NCB30JK-105X	C CAPACITOR	1uF 6.3V K		R117	NRSA63J-331X	MG RESISTOR	330Ω 1/16W J	
C345	NCB31CK-104X	C CAPACITOR	0.1uF 16V K		R125	NRSA63J-1R0X	MG RESISTOR	1Ω 1/16W J	
C347	NCB31CK-104X	C CAPACITOR	0.1uF 16V K		R127	NRSA63J-432X	MG RESISTOR	4.3kΩ 1/16W J	
C348	NCB31CK-104X	C CAPACITOR	0.1uF 16V K		R128	NRSA63J-562X	MG RESISTOR	5.6kΩ 1/16W J	
C349	NCB31CK-104X	C CAPACITOR	0.1uF 16V K		R201	NRSA63J-471X	MG RESISTOR	470Ω 1/16W J	
C350	NCB31HK-103X	C CAPACITOR	0.01uF 50V K		R202	NRSA63J-102X	MG RESISTOR	1kΩ 1/16W J	
C351	NCB31HK-103X	C CAPACITOR	0.01uF 50V K		R204	NRSA63J-273X	MG RESISTOR	27kΩ 1/16W J	
C352	NCB31CK-153X	C CAPACITOR	0.015uF 16V K		R205	NRSA63J-273X	MG RESISTOR	27kΩ 1/16W J	
C353	NCB31HK-561X	C CAPACITOR	560pF 50V K		R206	NRSA63J-303X	MG RESISTOR	30kΩ 1/16W J	
C354	NCB31HK-561X	C CAPACITOR	560pF 50V K		R207	NRSA63J-473X	MG RESISTOR	47kΩ 1/16W J	
C356	NCB30JK-105X	C CAPACITOR	1uF 6.3V K		R213	NRSA63J-103X	MG RESISTOR	10kΩ 1/16W J	
C359	NCB30JK-105X	C CAPACITOR	1uF 6.3V K		R214	NRSA63J-103X	MG RESISTOR	10kΩ 1/16W J	
C370	NCB31CK-104X	C CAPACITOR	0.1uF 16V K		R219	NRSA63J-183X	MG RESISTOR	18kΩ 1/16W J	
C371	NCF31AZ-105X	C CAPACITOR	1uF 10V Z		R220	NRSA63J-243X	MG RESISTOR	24kΩ 1/16W J	
C372	NCB31CK-104X	C CAPACITOR	0.1uF 16V K		R221	NRSA63J-682X	MG RESISTOR	6.8kΩ 1/16W J	
C373	NCB31CK-104X	C CAPACITOR	0.1uF 16V K		R251	NRS125J-R39X	MG RESISTOR	0.39Ω 1/2W J	
C374	NCB31CK-104X	C CAPACITOR	0.1uF 16V K		R259	NRSA63J-103X	MG RESISTOR	10kΩ 1/16W J	
C375	NCB31CK-104X	C CAPACITOR	0.1uF 16V K		R303	NRSA63J-220X	MG RESISTOR	22Ω 1/16W J	
C378	NCB31CK-104X	C CAPACITOR	0.1uF 16V K		R304	NRSA63J-432X	MG RESISTOR	4.3kΩ 1/16W J	
C379	NCB31CK-104X	C CAPACITOR	0.1uF 16V K		R306	NRSA63J-102X	MG RESISTOR	1kΩ 1/16W J	
C380	NCB21CK-105X	C CAPACITOR	1uF 16V K		R307	NRSA63J-102X	MG RESISTOR	1kΩ 1/16W J	
C381	NCB21AK-225X	C CAPACITOR	2.2uF 10V K		R309	NRSA63J-104X	MG RESISTOR	100kΩ 1/16W J	
C382	NCB31HK-471X	C CAPACITOR	470pF 50V K		R310	NRSA63J-101X	MG RESISTOR	100Ω 1/16W J	
C383	NCB31CK-104X	C CAPACITOR	0.1uF 16V K		R311	NRSA63J-331X	MG RESISTOR	330Ω 1/16W J	
C392	NCB31CK-104X	C CAPACITOR	0.1uF 16V K		R312	NRSA63J-331X	MG RESISTOR	330Ω 1/16W J	
C393	NCB31HK-103X	C CAPACITOR	0.01uF 50V K		R314	NRSA63J-0R0X	MG RESISTOR	0Ω 1/16W J	
C451	NCB31CK-104X	C CAPACITOR	0.1uF 16V K		R316	NRSA63J-102X	MG RESISTOR	1kΩ 1/16W J	
C452	NCB31CK-104X	C CAPACITOR	0.1uF 16V K		R318	NRSA63J-220X	MG RESISTOR	22Ω 1/16W J	
C453	NCB31CK-104X	C CAPACITOR	0.1uF 16V K		R322	NRSA63J-331X	MG RESISTOR	330Ω 1/16W J	
C454	NCB31HK-103X	C CAPACITOR	0.01uF 50V K		R323	NRSA63J-331X	MG RESISTOR	330Ω 1/16W J	
C455	NCB31HK-103X	C CAPACITOR	0.01uF 50V K		R324	NRSA63J-331X	MG RESISTOR	330Ω 1/16W J	
C551	NCB31CK-104X	C CAPACITOR	0.1uF 16V K		R325	NRSA63J-331X	MG RESISTOR	330Ω 1/16W J	
C554	NCB31CK-104X	C CAPACITOR	0.1uF 16V K		R326	NRSA63J-103X	MG RESISTOR	10kΩ 1/16W J	
C555	NCB31CK-104X	C CAPACITOR	0.1uF 16V K		R329	NRSA63J-102X	MG RESISTOR	1kΩ 1/16W J	
C557	NCB31HK-102X	C CAPACITOR	1000pF 50V K		R332	NRSA63J-331X	MG RESISTOR	330Ω 1/16W J	
C558	NBE20JM-226X	TA E CAPACITOR	22uF 6.3V M		R333	NRSA63J-331X	MG RESISTOR	330Ω 1/16W J	

△ Symbol No.	Part No.	Part Name	Description	Local	△ Symbol No.	Part No.	Part Name	Description	Local
R334	NRSA63J-0R0X	MG RESISTOR	0Ω 1/16W J		CN701	QGF1016F8-28W	CONNECTOR	FFC/FPC (1-28)	
R335	NRSA63J-0R0X	MG RESISTOR	0Ω 1/16W J		CN702	QGF1016F8-10W	CONNECTOR	FFC/FPC (1-10)	
R336	NRSA63J-0R0X	MG RESISTOR	0Ω 1/16W J		CN703	QGF1016F8-08W	CONNECTOR	FFC/FPC (1-8)	
R337	NRSA63J-0R0X	MG RESISTOR	0Ω 1/16W J		CN801	QGF1016F8-05W	CONNECTOR	FFC/FPC (1-5)	
R338	NRSA63J-0R0X	MG RESISTOR	0Ω 1/16W J		CN811	QGA2001F6-05X	CONNECTOR	W-B (1-5)	
R339	NRSA63J-0R0X	MG RESISTOR	0Ω 1/16W J		K101	NQR0502-001X	FERRITE BEADS		
R340	NRSA63D-303X	MG RESISTOR	30kΩ 1/16W D		K351	NQR0502-001X	FERRITE BEADS		
R341	NRSA63D-512X	MG RESISTOR	5.1kΩ 1/16W D		K352	NQR0502-001X	FERRITE BEADS		
R342	NRSA63D-222X	MG RESISTOR	2.2kΩ 1/16W D		K353	NQR0502-001X	FERRITE BEADS		
R345	NRSA63J-221X	MG RESISTOR	220Ω 1/16W J		K354	NQR0022-002X	FERRITE BEADS		
R346	NRSA63J-223X	MG RESISTOR	22kΩ 1/16W J		K454	NRSA63J-0R0X	MG RESISTOR	0Ω 1/16W J	
R347	NRSA63J-203X	MG RESISTOR	20kΩ 1/16W J		K455	NRSA63J-0R0X	MG RESISTOR	0Ω 1/16W J	
R348	NRSA63J-0R0X	MG RESISTOR	0Ω 1/16W J		K456	NRSA63J-0R0X	MG RESISTOR	0Ω 1/16W J	
R351	NRSA63J-331X	MG RESISTOR	330Ω 1/16W J		K501	NQR0502-001X	FERRITE BEADS		
R352	NRSA63J-105X	MG RESISTOR	1MΩ 1/16W J		K720	NQR0022-002X	FERRITE BEADS		
R353	NRSA63J-101X	MG RESISTOR	100Ω 1/16W J		K732	NRSA63J-0R0X	MG RESISTOR	0Ω 1/16W J	
R357	NRSA63J-221X	MG RESISTOR	220Ω 1/16W J		K733	NRSA63J-0R0X	MG RESISTOR	0Ω 1/16W J	
R358	NRSA63J-221X	MG RESISTOR	220Ω 1/16W J		K734	NRSA63J-0R0X	MG RESISTOR	0Ω 1/16W J	
R359	NRSA63J-221X	MG RESISTOR	220Ω 1/16W J		K735	NRSA63J-0R0X	MG RESISTOR	0Ω 1/16W J	
R360	NRSA63J-221X	MG RESISTOR	220Ω 1/16W J		K736	NRSA63J-0R0X	MG RESISTOR	0Ω 1/16W J	
R361	NRSA63J-103X	MG RESISTOR	10kΩ 1/16W J		K737	NRSA63J-0R0X	MG RESISTOR	0Ω 1/16W J	
R362	NRSA63J-470X	MG RESISTOR	47Ω 1/16W J		K738	NQR0022-005X	FERRITE BEADS		
R367	NRSA63J-221X	MG RESISTOR	220Ω 1/16W J		K741	NRSA63J-0R0X	MG RESISTOR	0Ω 1/16W J	
R371	NRSA63J-103X	MG RESISTOR	10kΩ 1/16W J		K744	NRSA63J-0R0X	MG RESISTOR	0Ω 1/16W J	
R372	NRSA63J-103X	MG RESISTOR	10kΩ 1/16W J		K748	NRSA63J-0R0X	MG RESISTOR	0Ω 1/16W J	
R373	NRSA63J-103X	MG RESISTOR	10kΩ 1/16W J		K749	NRSA63J-0R0X	MG RESISTOR	0Ω 1/16W J	
R375	NRSA63J-471X	MG RESISTOR	470Ω 1/16W J		K750	NQR0022-002X	FERRITE BEADS		
R376	NRSA63J-102X	MG RESISTOR	1kΩ 1/16W J		K752	NQR0022-002X	FERRITE BEADS		
R383	NRSA63J-101X	MG RESISTOR	100Ω 1/16W J		K754	NQR0022-002X	FERRITE BEADS		
R384	NRSA63J-102X	MG RESISTOR	1kΩ 1/16W J		K756	NQR0022-002X	FERRITE BEADS		
R385	NRSA63J-102X	MG RESISTOR	1kΩ 1/16W J		K758	NQR0022-002X	FERRITE BEADS		
R392	NRSA63J-103X	MG RESISTOR	10kΩ 1/16W J		K811	NRSA63J-0R0X	MG RESISTOR	0Ω 1/16W J	
R452	NRSA63J-222X	MG RESISTOR	2.2kΩ 1/16W J		K812	NRSA63J-0R0X	MG RESISTOR	0Ω 1/16W J	
R453	NRSA63J-103X	MG RESISTOR	10kΩ 1/16W J		TH301	NAD0025-103X	N THERMISTOR	10kΩ	
R454	NRSA63J-103X	MG RESISTOR	10kΩ 1/16W J		X301	NAX0741-001X	CRYSTAL	27.000MHz	
R455	NRSA63J-103X	MG RESISTOR	10kΩ 1/16W J		X302	NAX0376-002X	CRYSTAL		
R456	NRSA63J-103X	MG RESISTOR	10kΩ 1/16W J		X451	NAX0248-001X	C OSCILLATOR	8.000MHz	
R457	NRSA63J-101X	MG RESISTOR	100Ω 1/16W J						
R458	NRSA63J-102X	MG RESISTOR	1kΩ 1/16W J						
R461	NRSA63J-101X	MG RESISTOR	100Ω 1/16W J						
R463	NRSA63J-101X	MG RESISTOR	100Ω 1/16W J						
R464	NRSA63J-101X	MG RESISTOR	100Ω 1/16W J						
R465	NRSA63J-102X	MG RESISTOR	1kΩ 1/16W J						
R531	NRSA63J-103X	MG RESISTOR	10kΩ 1/16W J						
R535	NRSA63J-473X	MG RESISTOR	47kΩ 1/16W J						
R541	NRSA63J-472X	MG RESISTOR	4.7kΩ 1/16W J						
R701	NRSA63J-2R2X	MG RESISTOR	2.2Ω 1/16W J						
R704	NRSA63J-0R0X	MG RESISTOR	0Ω 1/16W J						
R705	NRSA63J-0R0X	MG RESISTOR	0Ω 1/16W J						
R714	NRSA63J-101X	MG RESISTOR	100Ω 1/16W J						
R715	NRSA63J-101X	MG RESISTOR	100Ω 1/16W J						
R716	NRSA63J-222X	MG RESISTOR	2.2kΩ 1/16W J						
R718	NRSA63J-473X	MG RESISTOR	47kΩ 1/16W J						
R719	NRSA63J-473X	MG RESISTOR	47kΩ 1/16W J						
R721	NRSA63J-471X	MG RESISTOR	470Ω 1/16W J						
R723	NRSA63J-471X	MG RESISTOR	470Ω 1/16W J						
R724	NRSA63J-471X	MG RESISTOR	470Ω 1/16W J						
R725	NRSA63J-471X	MG RESISTOR	470Ω 1/16W J						
R727	NRSA63J-471X	MG RESISTOR	470Ω 1/16W J						
R728	NRSA63J-471X	MG RESISTOR	470Ω 1/16W J						
R731	NRSA63J-102X	MG RESISTOR	1kΩ 1/16W J						
R732	NRSA63J-331X	MG RESISTOR	330Ω 1/16W J						
R741	NRSA63J-0R0X	MG RESISTOR	0Ω 1/16W J						
R742	NRSA63J-5R1X	MG RESISTOR	5.1Ω 1/16W J						
R811	NRS181J-330X	MG RESISTOR	33Ω 1/8W J						
R812	NRS181J-330X	MG RESISTOR	33Ω 1/8W J						
R813	NRSA63J-153X	MG RESISTOR	15kΩ 1/16W J						
R814	NRSA63J-153X	MG RESISTOR	15kΩ 1/16W J						
R819	NRSA63J-0R0X	MG RESISTOR	0Ω 1/16W J						
R859	NRSA63J-102X	MG RESISTOR	1kΩ 1/16W J						
R860	NRSA63J-102X	MG RESISTOR	1kΩ 1/16W J						
R861	NRSA63J-473X	MG RESISTOR	47kΩ 1/16W J						
CN101	QGF0523F3-24W	CONNECTOR	FFC/FPC (1-24)						
CN201	QGF1016F8-08W	CONNECTOR	FFC/FPC (1-8)						
CN451	QGF1016F8-15W	CONNECTOR	FFC/FPC (1-15)						
CN452	QGA2001F6-02X	CONNECTOR	W-B (1-2)						
CN453	QGA2001F6-03X	CONNECTOR	W-B (1-3)						

DVD loading board(Except DX-U6)

Block No. [0][8]

△ Symbol No.	Part No.	Part Name	Description	Local
IC1	LB1641	IC		
IC2	LB1641	IC		
D1	MTZJ6.2A-T2	Z DIODE		
C1	QKFC1AM-107Z	E CAPACITOR	100uF 10V M	
C2	QCFB1HZ-104Y	C CAPACITOR	0.1uF 50V Z	
C3	QFLC1HJ-103Z	M CAPACITOR	0.01uF 50V J	
C5	QFLC1HJ-103Z	M CAPACITOR	0.01uF 50V J	
C6	QCFB1HZ-104Y	C CAPACITOR	0.1uF 50V Z	
C7	QCFB1HZ-104Y	C CAPACITOR	0.1uF 50V Z	
CN1	QGF1036F1-15	CONNECTOR	FFC/FPC (1-15)	
CN2	QGB2024K1-07S	CONNECTOR	B-B (1-7)	
CN3	QGB2024J1-07S	CONNECTOR	B-B (1-7)	
SW1	QSW0844-001	PUSH SWITCH		
SW2	QSW0844-001	PUSH SWITCH		
SW3	QSW0844-001	PUSH SWITCH		
SW4	QSW0844-001	PUSH SWITCH		
SW5	QSW0844-001	PUSH SWITCH		
SW6	QSW0854-002	PUSH SW		
SW8	QSW0923-001	DETECT SWITCH		

DVD servo board(Only DX-U6)

Block No. [0][9]

△ Symbol No.	Part No.	Part Name	Description	Local
IC201	LA6502-X	IC		
IC301	MN2DS0018MA	IC		
IC302	MM1701CH-X	IC		
IC303	XC2164A51FM-X	IC		
IC305	MM1563DF-X	IC		
IC451	MN101C61GNW	IC		
IC452	BR93L56RF-W-X	IC		
IC453	S-80830CNNB-G-W	IC		
IC505	K4S641632K-UC75	IC		
IC505	or K4S641632H-UC75	IC		
IC509	-----	IC(MICRO C ROM)		
IC510	BR24L16F-W-X	IC(DIGITAL)		
IC701	AK4387ET-X	IC		
IC705	MM1615AN-X	IC		
IC801	MM1565AF-X	IC		
Q101	KTA1001/Y/-X	TRANSISTOR		
Q101	or 2SB1424/R/-W	TRANSISTOR		
Q102	2SC4617/R/-X	TRANSISTOR		
Q103	KTA1001/Y/-X	TRANSISTOR		
Q103	or 2SB1424/R/-W	TRANSISTOR		
Q104	2SC4617/R/-X	TRANSISTOR		
Q801	KRA104S-X	DIGI TRANSISTOR		
Q801	or UN2113-X	TRANSISTOR		
C101	NCB31CK-104X	C CAPACITOR	0.1uF 16V K	
C102	NCB31CK-104X	C CAPACITOR	0.1uF 16V K	
C103	NCB31CK-104X	C CAPACITOR	0.1uF 16V K	
C104	NCB31CK-104X	C CAPACITOR	0.1uF 16V K	
C105	NEAF0JM-476X	E CAPACITOR	47uF 6.3V M	
C106	NBE20JM-226X	TA E CAPACITOR	22uF 6.3V M	
C107	NCB31CK-104X	C CAPACITOR	0.1uF 16V K	
C108	NBE20JM-226X	TA E CAPACITOR	22uF 6.3V M	
C201	NDC31HJ-221X	C CAPACITOR	220pF 50V J	
C202	NDC31HJ-221X	C CAPACITOR	220pF 50V J	
C203	NCB31HK-103X	C CAPACITOR	0.01uF 50V K	
C204	NCB31CK-104X	C CAPACITOR	0.1uF 16V K	
C205	NCB31HK-271X	C CAPACITOR	270pF 50V K	
C206	NDC31HJ-151X	C CAPACITOR	150pF 50V J	
C210	NCF31AZ-105X	C CAPACITOR	1uF 10V Z	
C211	NCB31HK-223X	C CAPACITOR	0.022uF 50V K	
C217	NCB31CK-104X	C CAPACITOR	0.1uF 16V K	
C251	NCB31AK-474X	C CAPACITOR	0.47uF 10V K	
C256	NCB31CK-104X	C CAPACITOR	0.1uF 16V K	
C257	NCB31HK-822X	C CAPACITOR	8200pF 50V K	
C258	NCB31CK-153X	C CAPACITOR	0.015uF 16V K	
C259	NCB31CK-153X	C CAPACITOR	0.015uF 16V K	
C260	NCB31HK-223X	C CAPACITOR	0.022uF 50V K	
C261	NCB31HK-223X	C CAPACITOR	0.022uF 50V K	
C262	NCB31HK-223X	C CAPACITOR	0.022uF 50V K	
C263	NEAF1CM-107X	E CAPACITOR	100uF 16V M	
C301	NEAF0JM-227X	E CAPACITOR	220uF 6.3V M	
C302	NEAF0GM-476X	E CAPACITOR	47uF 4V M	
C303	NEAF0GM-476X	E CAPACITOR	47uF 4V M	
C304	NCB30JK-105X	C CAPACITOR	1uF 6.3V K	
C305	NCB31CK-104X	C CAPACITOR	0.1uF 16V K	
C306	NCB31CK-104X	C CAPACITOR	0.1uF 16V K	
C307	NCB31CK-104X	C CAPACITOR	0.1uF 16V K	
C309	NCB31CK-104X	C CAPACITOR	0.1uF 16V K	
C310	NCB31CK-104X	C CAPACITOR	0.1uF 16V K	
C312	NCB31CK-104X	C CAPACITOR	0.1uF 16V K	
C313	NCB31CK-104X	C CAPACITOR	0.1uF 16V K	
C314	NCB31CK-104X	C CAPACITOR	0.1uF 16V K	
C315	NCB31CK-104X	C CAPACITOR	0.1uF 16V K	
C316	NCB31CK-104X	C CAPACITOR	0.1uF 16V K	
C318	NCB31CK-104X	C CAPACITOR	0.1uF 16V K	
C319	NCB31CK-104X	C CAPACITOR	0.1uF 16V K	
C320	NCB31CK-104X	C CAPACITOR	0.1uF 16V K	
C321	NCB31CK-104X	C CAPACITOR	0.1uF 16V K	
C322	NCB31CK-104X	C CAPACITOR	0.1uF 16V K	
C323	NCB31CK-104X	C CAPACITOR	0.1uF 16V K	
C324	NCB30JK-105X	C CAPACITOR	1uF 6.3V K	
C325	NDC31HJ-120X	C CAPACITOR	12pF 50V J	
C326	NDC31HJ-100X	C CAPACITOR	10pF 50V J	

△ Symbol No.	Part No.	Part Name	Description	Local
C328	NCB31HK-103X	C CAPACITOR	0.01uF 50V K	
C330	NCB31CK-104X	C CAPACITOR	0.1uF 16V K	
C331	NCB31CK-333X	C CAPACITOR	0.033uF 16V K	
C332	NCB31CK-104X	C CAPACITOR	0.1uF 16V K	
C333	NCB31CK-104X	C CAPACITOR	0.1uF 16V K	
C334	NCB31CK-104X	C CAPACITOR	0.1uF 16V K	
C335	NCB31CK-104X	C CAPACITOR	0.1uF 16V K	
C337	NCB31CK-183X	C CAPACITOR	0.018uF 16V K	
C338	NCB31HK-562X	C CAPACITOR	5600pF 50V K	
C339	NBE20JM-106X	TA E CAPACITOR	10uF 6.3V M	
C340	NCB30JK-105X	C CAPACITOR	1uF 6.3V K	
C341	NCB30JK-105X	C CAPACITOR	1uF 6.3V K	
C345	NCB31CK-104X	C CAPACITOR	0.1uF 16V K	
C347	NCB31CK-104X	C CAPACITOR	0.1uF 16V K	
C348	NCB31CK-104X	C CAPACITOR	0.1uF 16V K	
C349	NCB31CK-104X	C CAPACITOR	0.1uF 16V K	
C350	NCB31HK-103X	C CAPACITOR	0.01uF 50V K	
C351	NCB31HK-103X	C CAPACITOR	0.01uF 50V K	
C352	NCB31CK-153X	C CAPACITOR	0.015uF 16V K	
C353	NCB31HK-561X	C CAPACITOR	560pF 50V K	
C354	NCB31HK-561X	C CAPACITOR	560pF 50V K	
C356	NCB30JK-105X	C CAPACITOR	1uF 6.3V K	
C359	NCB30JK-105X	C CAPACITOR	1uF 6.3V K	
C370	NCB31CK-104X	C CAPACITOR	0.1uF 16V K	
C371	NCF31AZ-105X	C CAPACITOR	1uF 10V Z	
C372	NCB31CK-104X	C CAPACITOR	0.1uF 16V K	
C373	NCB31CK-104X	C CAPACITOR	0.1uF 16V K	
C374	NCB31CK-104X	C CAPACITOR	0.1uF 16V K	
C375	NCB31CK-104X	C CAPACITOR	0.1uF 16V K	
C378	NCB31CK-104X	C CAPACITOR	0.1uF 16V K	
C379	NCB31CK-104X	C CAPACITOR	0.1uF 16V K	
C380	NCB21CK-105X	C CAPACITOR	1uF 16V K	
C381	NCB21AK-225X	C CAPACITOR	2.2uF 10V K	
C382	NCB31HK-471X	C CAPACITOR	470pF 50V K	
C383	NCB31CK-104X	C CAPACITOR	0.1uF 16V K	
C392	NCB31CK-104X	C CAPACITOR	0.1uF 16V K	
C393	NCB31HK-103X	C CAPACITOR	0.01uF 50V K	
C451	NCB31CK-104X	C CAPACITOR	0.1uF 16V K	
C452	NCB31CK-104X	C CAPACITOR	0.1uF 16V K	
C453	NCB31CK-104X	C CAPACITOR	0.1uF 16V K	
C454	NCB31HK-103X	C CAPACITOR	0.01uF 50V K	
C455	NCB31HK-103X	C CAPACITOR	0.01uF 50V K	
C551	NCB31CK-104X	C CAPACITOR	0.1uF 16V K	
C554	NCB31CK-104X	C CAPACITOR	0.1uF 16V K	
C555	NCB31CK-104X	C CAPACITOR	0.1uF 16V K	
C557	NCB31HK-102X	C CAPACITOR	1000pF 50V K	
C558	NBE20JM-226X	TA E CAPACITOR	22uF 6.3V M	
C559	NCB31CK-104X	C CAPACITOR	0.1uF 16V K	
C560	NCB31CK-104X	C CAPACITOR	0.1uF 16V K	
C562	NCF31AZ-105X	C CAPACITOR	1uF 10V Z	
C563	NCB31CK-104X	C CAPACITOR	0.1uF 16V K	
C564	NCB31CK-104X	C CAPACITOR	0.1uF 16V K	
C701	NCB31CK-104X	C CAPACITOR	0.1uF 16V K	
C704	NEAF0JM-476X	E CAPACITOR	47uF 6.3V M	
C706	NEAF1CM-106X	E CAPACITOR	10uF 16V M	
C707	NCB31CK-104X	C CAPACITOR	0.1uF 16V K	
C711	NCB21CK-105X	C CAPACITOR	1uF 16V K	
C712	NCB31HK-103X	C CAPACITOR	0.01uF 50V K	
C713	NCB21CK-105X	C CAPACITOR	1uF 16V K	
C740	NCB31CK-104X	C CAPACITOR	0.1uF 16V K	
C801	NCB21CK-105X	C CAPACITOR	1uF 16V K	
C802	NCB21AK-225X	C CAPACITOR	2.2uF 10V K	
C803	NEAF0JM-227X	E CAPACITOR	220uF 6.3V M	
C804	NCB31HK-471X	C CAPACITOR	470pF 50V K	
R101	NRSA63J-101X	MG RESISTOR	100Ω 1/16W J	
R102	NRSA63J-101X	MG RESISTOR	100Ω 1/16W J	
R103	NRSA63J-562X	MG RESISTOR	5.6kΩ 1/16W J	
R104	NRSA63J-432X	MG RESISTOR	4.3kΩ 1/16W J	
R105	NRS181J-180X	MG RESISTOR	18Ω 1/8W J	
R106	NRSA63J-2R2X	MG RESISTOR	2.2Ω 1/16W J	
R107	NRSA63J-102X	MG RESISTOR	1kΩ 1/16W J	
R108	NRSA63J-471X	MG RESISTOR	470Ω 1/16W J	
R109	NRSA63J-331X	MG RESISTOR	330Ω 1/16W J	
R111	NRSA63J-562X	MG RESISTOR	5.6kΩ 1/16W J	
R112	NRSA63J-432X	MG RESISTOR	4.3kΩ 1/16W J	
R113	NRS181J-180X	MG RESISTOR	18Ω 1/8W J	
R114	NRSA63J-2R2X	MG RESISTOR	2.2Ω 1/16W J	

△ Symbol No.	Part No.	Part Name	Description	Local	△ Symbol No.	Part No.	Part Name	Description	Local
R115	NRSA63J-102X	MG RESISTOR	1kΩ 1/16W J		R541	NRSA63J-472X	MG RESISTOR	4.7kΩ 1/16W J	
R116	NRSA63J-471X	MG RESISTOR	470Ω 1/16W J		R701	NRSA63J-2R2X	MG RESISTOR	2.2Ω 1/16W J	
R117	NRSA63J-331X	MG RESISTOR	330Ω 1/16W J		R704	NRSA63J-0R0X	MG RESISTOR	0Ω 1/16W J	
R125	NRSA63J-1R0X	MG RESISTOR	1Ω 1/16W J		R705	NRSA63J-0R0X	MG RESISTOR	0Ω 1/16W J	
R127	NRSA63J-432X	MG RESISTOR	4.3kΩ 1/16W J		R714	NRSA63J-101X	MG RESISTOR	100Ω 1/16W J	
R128	NRSA63J-562X	MG RESISTOR	5.6kΩ 1/16W J		R715	NRSA63J-101X	MG RESISTOR	100Ω 1/16W J	
R201	NRSA63J-471X	MG RESISTOR	470Ω 1/16W J		R718	NRSA63J-473X	MG RESISTOR	47kΩ 1/16W J	
R202	NRSA63J-102X	MG RESISTOR	1kΩ 1/16W J		R721	NRSA63J-471X	MG RESISTOR	470Ω 1/16W J	
R204	NRSA63J-273X	MG RESISTOR	27kΩ 1/16W J		R723	NRSA63J-471X	MG RESISTOR	470Ω 1/16W J	
R205	NRSA63J-273X	MG RESISTOR	27kΩ 1/16W J		R731	NRSA63J-102X	MG RESISTOR	1kΩ 1/16W J	
R206	NRSA63J-303X	MG RESISTOR	30kΩ 1/16W J		R732	NRSA63J-331X	MG RESISTOR	330Ω 1/16W J	
R207	NRSA63J-473X	MG RESISTOR	47kΩ 1/16W J		R811	NRS181J-330X	MG RESISTOR	33Ω 1/8W J	
R213	NRSA63J-103X	MG RESISTOR	10kΩ 1/16W J		R812	NRS181J-330X	MG RESISTOR	33Ω 1/8W J	
R214	NRSA63J-103X	MG RESISTOR	10kΩ 1/16W J		R813	NRSA63J-153X	MG RESISTOR	15kΩ 1/16W J	
R219	NRSA63J-183X	MG RESISTOR	18kΩ 1/16W J		R814	NRSA63J-153X	MG RESISTOR	15kΩ 1/16W J	
R220	NRSA63J-243X	MG RESISTOR	24kΩ 1/16W J		R819	NRSA63J-0R0X	MG RESISTOR	0Ω 1/16W J	
R221	NRSA63J-682X	MG RESISTOR	6.8kΩ 1/16W J		R859	NRSA63J-102X	MG RESISTOR	1kΩ 1/16W J	
R251	NRS125J-R39X	MG RESISTOR	0.39Ω 1/2W J		R860	NRSA63J-102X	MG RESISTOR	1kΩ 1/16W J	
R259	NRSA63J-103X	MG RESISTOR	10kΩ 1/16W J		R861	NRSA63J-473X	MG RESISTOR	47kΩ 1/16W J	
R303	NRSA63J-220X	MG RESISTOR	22Ω 1/16W J		CN101	QGF0523F3-24W	CONNECTOR	FFC/FPC (1-24)	
R304	NRSA63J-432X	MG RESISTOR	4.3kΩ 1/16W J		CN201	QGF1016F8-08W	CONNECTOR	FFC/FPC (1-8)	
R306	NRSA63J-102X	MG RESISTOR	1kΩ 1/16W J		CN451	QGF1016F8-15W	CONNECTOR	FFC/FPC (1-15)	
R307	NRSA63J-102X	MG RESISTOR	1kΩ 1/16W J		CN452	QGA2001F6-02X	CONNECTOR	W-B (1-2)	
R309	NRSA63J-104X	MG RESISTOR	100kΩ 1/16W J		CN453	QGA2001F6-03X	CONNECTOR	W-B (1-3)	
R310	NRSA63J-101X	MG RESISTOR	100Ω 1/16W J		CN701	QGF1016F8-28W	CONNECTOR	FFC/FPC (1-28)	
R311	NRSA63J-331X	MG RESISTOR	330Ω 1/16W J		CN702	QGF1016F8-10W	CONNECTOR	FFC/FPC (1-10)	
R314	NRSA63J-0R0X	MG RESISTOR	0Ω 1/16W J		CN801	QGF1016F8-05W	CONNECTOR	FFC/FPC (1-5)	
R316	NRSA63J-102X	MG RESISTOR	1kΩ 1/16W J		CN811	QGA2001F6-05X	CONNECTOR	W-B (1-5)	
R318	NRSA63J-220X	MG RESISTOR	22Ω 1/16W J		K101	NQR0502-001X	FERRITE BEADS		
R323	NRSA63J-331X	MG RESISTOR	330Ω 1/16W J		K351	NQR0502-001X	FERRITE BEADS		
R324	NRSA63J-331X	MG RESISTOR	330Ω 1/16W J		K352	NQR0502-001X	FERRITE BEADS		
R325	NRSA63J-331X	MG RESISTOR	330Ω 1/16W J		K353	NQR0502-001X	FERRITE BEADS		
R326	NRSA63J-103X	MG RESISTOR	10kΩ 1/16W J		K354	NQR0022-002X	FERRITE BEADS		
R329	NRSA63J-102X	MG RESISTOR	1kΩ 1/16W J		K454	NRSA63J-0R0X	MG RESISTOR	0Ω 1/16W J	
R333	NRSA63J-331X	MG RESISTOR	330Ω 1/16W J		K455	NRSA63J-0R0X	MG RESISTOR	0Ω 1/16W J	
R334	NRSA63J-0R0X	MG RESISTOR	0Ω 1/16W J		K456	NRSA63J-0R0X	MG RESISTOR	0Ω 1/16W J	
R335	NRSA63J-0R0X	MG RESISTOR	0Ω 1/16W J		K501	NQR0502-001X	FERRITE BEADS		
R336	NRSA63J-0R0X	MG RESISTOR	0Ω 1/16W J		K720	NQR0022-002X	FERRITE BEADS		
R337	NRSA63J-0R0X	MG RESISTOR	0Ω 1/16W J		K732	NRSA63J-0R0X	MG RESISTOR	0Ω 1/16W J	
R338	NRSA63J-0R0X	MG RESISTOR	0Ω 1/16W J		K733	NRSA63J-0R0X	MG RESISTOR	0Ω 1/16W J	
R339	NRSA63J-0R0X	MG RESISTOR	0Ω 1/16W J		K734	NRSA63J-0R0X	MG RESISTOR	0Ω 1/16W J	
R340	NRSA63D-303X	MG RESISTOR	30kΩ 1/16W D		K735	NRSA63J-0R0X	MG RESISTOR	0Ω 1/16W J	
R341	NRSA63D-512X	MG RESISTOR	5.1kΩ 1/16W D		K736	NRSA63J-0R0X	MG RESISTOR	0Ω 1/16W J	
R342	NRSA63D-222X	MG RESISTOR	2.2kΩ 1/16W D		K737	NRSA63J-0R0X	MG RESISTOR	0Ω 1/16W J	
R345	NRSA63J-221X	MG RESISTOR	220Ω 1/16W J		K738	NQR0022-005X	FERRITE BEADS		
R346	NRSA63J-223X	MG RESISTOR	22kΩ 1/16W J		K744	NRSA63J-0R0X	MG RESISTOR	0Ω 1/16W J	
R347	NRSA63J-203X	MG RESISTOR	20kΩ 1/16W J		K748	NRSA63J-0R0X	MG RESISTOR	0Ω 1/16W J	
R348	NRSA63J-0R0X	MG RESISTOR	0Ω 1/16W J		K749	NRSA63J-0R0X	MG RESISTOR	0Ω 1/16W J	
R351	NRSA63J-331X	MG RESISTOR	330Ω 1/16W J		K750	NQR0022-002X	FERRITE BEADS		
R352	NRSA63J-105X	MG RESISTOR	1MΩ 1/16W J		K752	NQR0022-002X	FERRITE BEADS		
R353	NRSA63J-101X	MG RESISTOR	100Ω 1/16W J		K754	NQR0022-002X	FERRITE BEADS		
R357	NRSA63J-221X	MG RESISTOR	220Ω 1/16W J		K756	NQR0022-002X	FERRITE BEADS		
R358	NRSA63J-221X	MG RESISTOR	220Ω 1/16W J		K758	NQR0022-002X	FERRITE BEADS		
R361	NRSA63J-103X	MG RESISTOR	10kΩ 1/16W J		K811	NRSA63J-0R0X	MG RESISTOR	0Ω 1/16W J	
R362	NRSA63J-470X	MG RESISTOR	47Ω 1/16W J		K812	NRSA63J-0R0X	MG RESISTOR	0Ω 1/16W J	
R367	NRSA63J-221X	MG RESISTOR	220Ω 1/16W J		TH301	NAD0025-103X	N THERMISTOR	10kΩ	
R371	NRSA63J-103X	MG RESISTOR	10kΩ 1/16W J		X301	NAX0741-001X	CRYSTAL	27.000MHz	
R372	NRSA63J-103X	MG RESISTOR	10kΩ 1/16W J		X302	NAX0376-002X	CRYSTAL		
R373	NRSA63J-103X	MG RESISTOR	10kΩ 1/16W J		X451	NAX0248-001X	C OSCILLATOR	8.000MHz	
R375	NRSA63J-471X	MG RESISTOR	470Ω 1/16W J						
R376	NRSA63J-102X	MG RESISTOR	1kΩ 1/16W J						
R383	NRSA63J-101X	MG RESISTOR	100Ω 1/16W J						
R384	NRSA63J-102X	MG RESISTOR	1kΩ 1/16W J						
R385	NRSA63J-102X	MG RESISTOR	1kΩ 1/16W J						
R392	NRSA63J-103X	MG RESISTOR	10kΩ 1/16W J						
R452	NRSA63J-222X	MG RESISTOR	2.2kΩ 1/16W J						
R453	NRSA63J-103X	MG RESISTOR	10kΩ 1/16W J						
R454	NRSA63J-103X	MG RESISTOR	10kΩ 1/16W J						
R455	NRSA63J-103X	MG RESISTOR	10kΩ 1/16W J						
R456	NRSA63J-103X	MG RESISTOR	10kΩ 1/16W J						
R457	NRSA63J-101X	MG RESISTOR	100Ω 1/16W J						
R458	NRSA63J-102X	MG RESISTOR	1kΩ 1/16W J						
R461	NRSA63J-101X	MG RESISTOR	100Ω 1/16W J						
R463	NRSA63J-101X	MG RESISTOR	100Ω 1/16W J						
R464	NRSA63J-101X	MG RESISTOR	100Ω 1/16W J						
R465	NRSA63J-102X	MG RESISTOR	1kΩ 1/16W J						
R531	NRSA63J-103X	MG RESISTOR	10kΩ 1/16W J						
R535	NRSA63J-473X	MG RESISTOR	47kΩ 1/16W J						

DVD loading board(Only DX-U6)

Block No. [1][0]

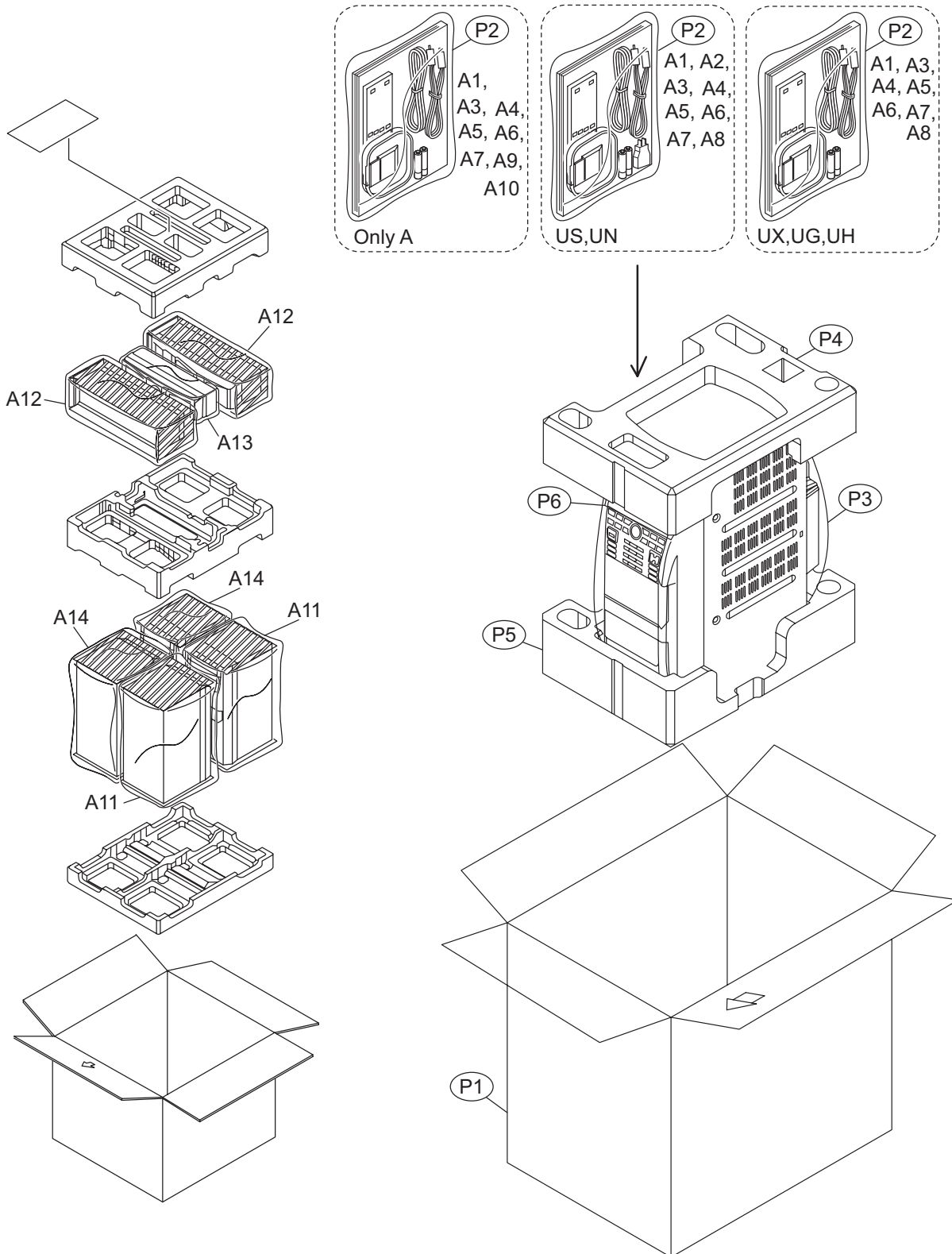
△ Symbol No.	Part No.	Part Name	Description	Local
IC1	LB1641	IC		
IC2	LB1641	IC		
D1	MTZJ6.2A-T2	Z DIODE		
C1	QEK1AM-107Z	E CAPACITOR	100uF 10V M	
C2	QCBB1HK-104Y	C CAPACITOR	0.1uF 50V K	
C3	QFLC1HJ-103Z	M CAPACITOR	0.01uF 50V J	
C5	QFLC1HJ-103Z	M CAPACITOR	0.01uF 50V J	
C6	QCBB1HK-104Y	C CAPACITOR	0.1uF 50V K	
C7	QCBB1HK-104Y	C CAPACITOR	0.1uF 50V K	
CN1	QGF1036F1-15	CONNECTOR	FFC/FPC (1-15)	
CN2	QGB2024K1-07S	CONNECTOR	B-B (1-7)	
CN3	QGB2024J1-07S	CONNECTOR	B-B (1-7)	
SW1	QSW0844-001	PUSH SWITCH		
SW2	QSW0844-001	PUSH SWITCH		
SW3	QSW0844-001	PUSH SWITCH		
SW4	QSW0844-001	PUSH SWITCH		
SW5	QSW0844-001	PUSH SWITCH		
SW6	QSW0854-002	PUSH SW		
SW8	QSW0923-001	DETECT SWITCH		

Packing materials and accessories parts list

<DX-U10>

Block No. M 4 M M

No additional / supplemental order of WARRANTY CARDS are available



The parts without symbol number are not service.

Packing and Accessories (DX-U10)

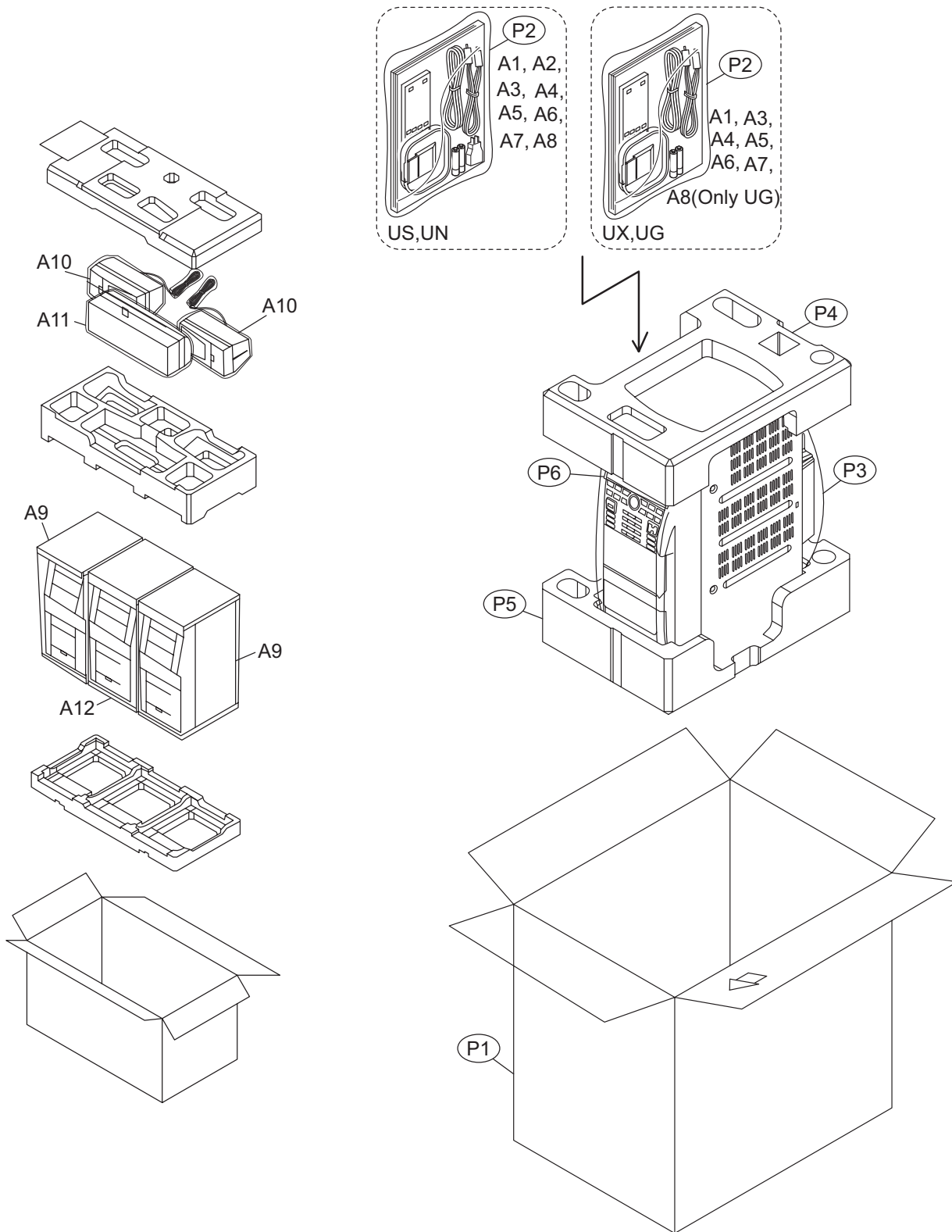
Block No. [M][4][M][M]

△	Symbol No.	Part No.	Part Name	Description	Local
	A 1	QAL0014-003	AM LOOP ANT		
	A 1	or QAL0476-003	AM LOOP ANT		10UH
△	A 2	QAM0112-002	CONVERSION PLUG		10US,10UN
	A 3	QAM0944-001	PIN CABLE		
	A 4	RM-SDXU10U	REMOCON		
	A 5	QAL0457-001	ANT.WIRE		
	A 6	-----	BATTERY	1.5V(x2)	
	A 7	GVT0210-001A	INST BOOK	ENG	
	A 8	GVT0210-005A	INST BOOK	CHI(PEKIN)	10US,10UN,10UH
	A 8	GVT0210-006A	INST BOOK	ARA PER	10UX,10UG
	A 9	-----	WARRANTY CARD	BT-56017-1	10A
	A 10	-----	WARRANTY CARD	BT-56016-1	10A
	A 11	ASL5MDXU6-EB01	SPK WITH BOX-F	(x2)	
	A 12	ASLUDXU10-EB02	SPK WITH BOX-S	(x2)	10A,10UX,10UG
	A 12	ASLUDXU10-EB01	SPK WITH BOX-S	(x2)	10US,10UN,10UH
	A 13	ASL5CDXU8-EB01	SPK WITH BOX-C		
	A 14	ASL5WDXU8-EB01	SPK WITH BOX-WO	(x2)	
	P 1	GV20484-002A	CARTON ASSY.		10A,10US,10UN,10UH
	P 1	GV20484-001A	CARTON ASSY.		10UX,10UG
	P 2	QPC02503515PB	POLY BAG	25cm x 35cm	
	P 3	QPC07507530PB	POLY BAG	75cm x 75cm	
	P 4	GV10378-001A	CUSHION (TOP)		
	P 5	GV10379-001A	CUSHION (BOT)		
	P 6	GV40168-015A	SHEET		

Packing materials and accessories parts list

Block No. M 5 M M

<DX-U8>



The parts without symbol number are not service.

Packing and Accessories (DX-U8)

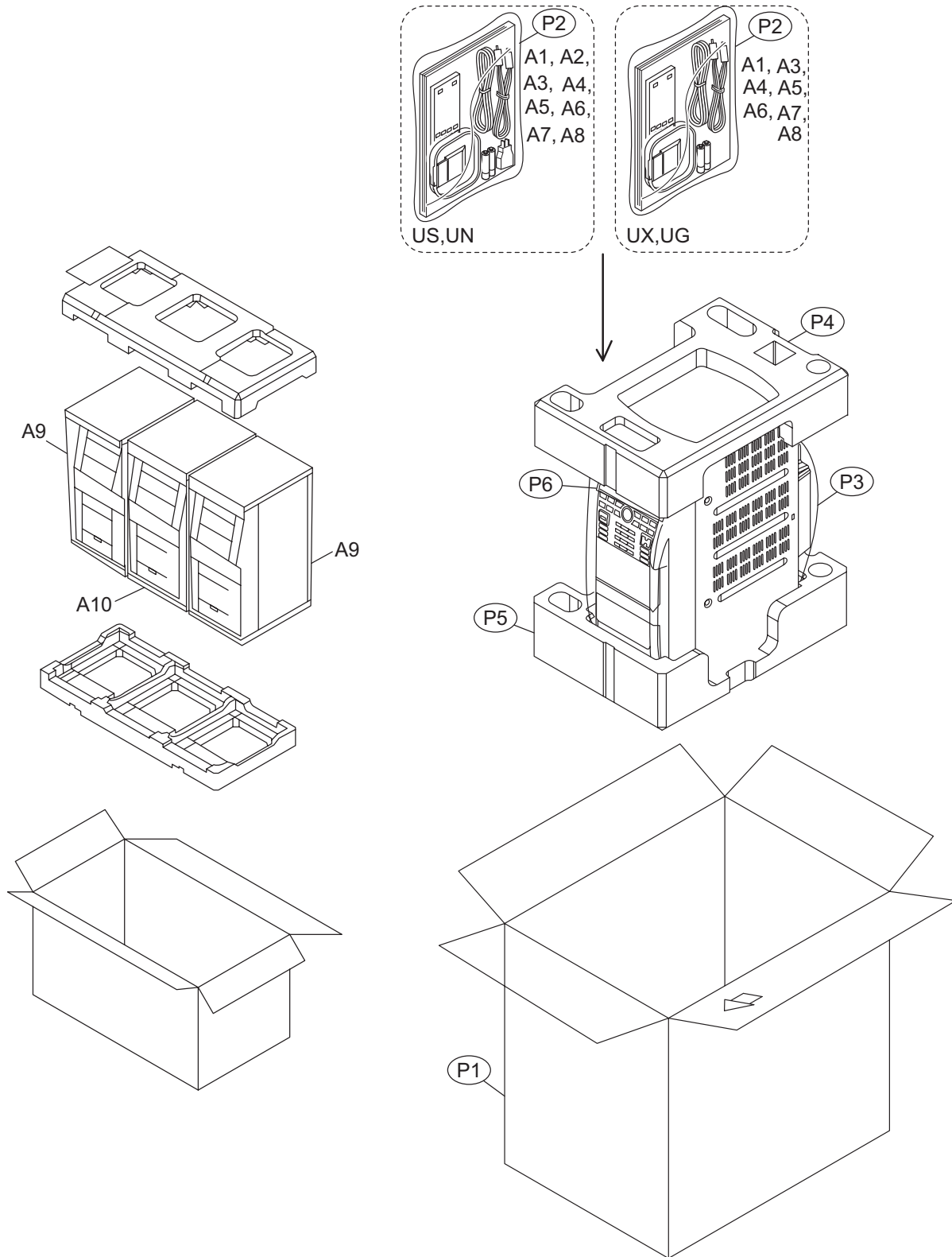
Block No. [M][5][M][M]

△	Symbol No.	Part No.	Part Name	Description	Local
	A 1	QAL0014-003	AM LOOP ANT		
△	A 2	QAM0112-002	CONVERSION PLUG		8US,8UN
	A 3	QAM0944-001	PIN CABLE		
	A 4	RM-SDXU10U	REMOCON		
	A 5	QAL0457-001	ANT.WIRE		
	A 6	-----	BATTERY	1.5V(x2)	
	A 7	GVT0210-001A	INST BOOK	ENG	
	A 8	GVT0210-005A	INST BOOK	CHI(PEKIN)	8US,8UN
	A 8	GVT0210-006A	INST BOOK	ARA PER	8UX,8UG
	A 9	ASL5MDXU6-EB01	SPK WITH BOX-F	(x2)	
	A10	ASL5UDXU8-EB01	SPK WITH BOX-S	(x2)	8US,8UN
	A10	ASL5UDXU8-EB02	SPK WITH BOX-S	(x2)	8UX,8UG
	A11	ASL5CDXU8-EB01	SPK WITH BOX-C		
	A12	ASL5WDXU8-EB01	SPK WITH BOX-WO		
	P 1	GV20483-002A	CARTON ASSY.		8US,8UN
	P 1	GV20483-001A	CARTON ASSY.		8UX,8UG
	P 2	QPC02503515PB	POLY BAG	25cm x 35cm	
	P 3	QPC07507530PB	POLY BAG	75cm x 75cm	
	P 4	GV10378-001A	CUSHION (TOP)		
	P 5	GV10379-001A	CUSHION (BOT)		
	P 6	GV40168-015A	SHEET		

Packing materials and accessories parts list

Block No. **M** **6** **M** **M**

<DX-U6>



The parts without symbol number are not service.

Packing and Accessories (DX-U6)

Block No. [M][6][M][M]

△	Symbol No.	Part No.	Part Name	Description	Local
	A 1	QAL0014-003	AM LOOP ANT		
△	A 2	QAM0112-002	CONVERSION PLUG		6US,6UN
	A 3	QAM0944-001	PIN CABLE		
	A 4	RM-SDXU6U	REMOCON		
	A 5	QAL0457-001	ANT.WIRE		
	A 6	-----	BATTERY	1.5V(x2)	
	A 7	GVT0209-001A	INST BOOK	ENG	
	A 8	GVT0209-003A	INST BOOK	CHI(PEKIN)	6US,6UN
	A 8	GVT0209-004A	INST BOOK	ARA PER	6UX,6UG
	A 9	ASL5MDXU6-EB01	SPK WITH BOX-F	(x2)	
	A10	ASL5WDXU6-EB01	SPK WITH BOX-WO		
	P 1	GV20482-002A	CARTON ASSY.		6US,6UN
	P 1	GV20482-001A	CARTON ASSY.		6UX,6UG
	P 2	QPC02503515PB	POLY BAG	25cm x 35cm	
	P 3	QPC07507530PB	POLY BAG	75cm x 75cm	
	P 4	GV10378-001A	CUSHION (TOP)		
	P 5	GV10379-001A	CUSHION (BOT)		
	P 6	GV40168-015A	SHEET		