

MENDOTA GAS DIRECT VENT FIREPLACE

with

Premium Texture Fiber Logs Combustion System

Model DXV-35 DEEP TIMBER IV

INSTALLATION & OPERATING INSTRUCTIONS

NATIONAL



www.nficertified.org

We recommend that our gas hearth products be installed and serviced by professionals who are certified in the U.S. by the National Fireplace Institute® (NFI) as NFI Gas Specialists.



NO. DT4-0616

WARNING

If you do not follow these instructions exactly, a fire or explosion may result causing property damage, personal injury or loss of life.

CAUTION: Keep gasoline and other liquids having flammable vapors away.

WHAT TO DO IF YOU SMELL GAS

- Do not try to light any appliance.
- Do not touch any electrical switch; do not use any phone in your building.
- Immediately call your gas supplier from a neighbor's phone. Follow the gas supplier's instructions.
- If you cannot reach your gas supplier, call the fire department.

WARNING

Do NOT use this appliance if any part has been under water. Immediately call a qualified service technician to inspect the appliance and to replace any part of the control system and any gas control, which has been under water.

WARNING: Improper installation, adjustment, alteration, service or maintenance can cause injury or property damage. Refer to this manual. For assistance or additional information consult a qualified installer, service agency or the gas supplier.

AVERTISSEMENT. Quiconque ne respecte pas à la lettre les instructions dans la présente notice risque de déclencher un incendie ou une explosion entraînant des dommages, des blessures ou la mort.

ATTENTION. Garder l'essence ou autres liquides produisant des vapeurs inflammables loin de l'appareil.

QUE FAIRE SI VOUS SENTEZ UNE ODEUR DE GAZ :

- Ne pas tenter d'allumer d'appareil.
- Ne touchez à aucun interrupteur; ne pas vous servir des téléphones se trouvant dans le bâtiment.
- Appelez immédiatement votre fournisseur de gaz depuis un voisin. Suivez les instructions du fournisseur.
- Si vous ne pouvez rejoindre le fournisseur, appelez le service des incendies.

N'utilisez pas cet appareil s'il a été plongé dans l'eau, même partiellement. Faites inspecter l'appareil par un technicien qualifié et remplacez toute partie du système de contrôle et toute commande qui ont été plongés dans l'eau.

AVERTISSEMENT : Une installation, un réglage, une modification, une réparation ou un entretien mal effectué peut causer des dommages matériels ou des blessures. Voir la notice de l'utilisateur qui accompagne l'appareil. Pour de l'aide ou des renseignements supplémentaires, consultez un installateur, un technicien agréé ou le fournisseur de gaz.

FOR YOUR SAFETY READ BEFORE LIGHTING

POUR PLUS DE SÉCURITÉ, LIRE AVANT D'ALLUMER

WARNING

Do not operate this appliance with the glass removed, cracked or broken. A licensed or qualified person should do replacement of glass.

Attention. Ne pas utiliser l'appareil si le panneau frontal en verre n'est pas en place, est craqué ou brisé. Confiez le remplacement du panneau à un technicien agréé.

This appliance must be installed in accordance with local codes, if any; if none, follow the National Fuel Gas Code, ANSI Z223.1, or Canadian Installation Codes, CAN/CGA-B149. Gas and Propane Installation Code, CSA B149.1

Installer l'appareil selon les codes ou règlements locaux, ou, en l'absence de tels règlements, selon les codes d'installation ANSI Z223.1, National Fuel Gas Code ou CAN/CGA-B149 en vigueur.

This appliance is only for use with the type(s) of gas indicated on the rating plate and may be installed in an aftermarket, permanently located, manufactured home (USA only) or mobile home, where not prohibited by local codes. See owner's manual for details.

Cet appareil doit être utilisé uniquement avec le type de gaz indiqué sur la plaque signalétique. Cet appareil peut être installé dans une maison préfabriquée ou mobile (É.-U. seulement) installée à demeure si les règlements locaux le permettent. Voir la notice de l'utilisateur pour plus de renseignements.

Caution: Label all wires prior to disconnection when servicing controls. Wiring errors can cause improper and dangerous operation.

Attention. Au moment de l'entretien des commandes, étiquetez tous les fils avant de les débrancher. Des erreurs de câblage peuvent entraîner un fonctionnement inadéquat et dangereux.

In the Commonwealth of Massachusetts:

- Installation must be performed by a licensed plumber or gas fitter;
- A CO detector shall be installed in the room where the appliance is installed.

CAUTION

THESE INSTRUCTIONS ARE TO REMAIN WITH THE HOMEOWNER.

DXV35 DT4 FEATURES - QUICK REFERENCE INFORMATION

EXTERNAL DIMENSIONS: 35-7/8" Wide X 31-1/2" High X 15-1/2" Deep

MINIMUM FRAMING DIMENSIONS: 37-1/8" WIDE x 31-7/16" HIGH X 15-1/8" DEEP

GLASS SIZE: NeoCeram Glass with non-reflective coating. Visible Glass measures 456 in². Actual Glass size is 580 in².

MANTEL ALLOWANCE: 8" Deep Mantel at 14" Above Top Convection Opening

VENT SYSTEM ALLOWANCE: Top Vent Only. 12" Vertical Minimum with 6" max horizontal. 55 feet Vertical Maximum. 4" exhaust and 6-5/8" combustion air intake coaxial vent pipe required. 12' maximum horizontal run allowed with 4' minimum vertical starter section.

VENT DAMPER ADJUSTMENT AVAILABLE: There is one exhaust vent damper included in this unit and located in the top convection chamber at the center.

CONTROLS: IPI Electronic Ignition System with AC Primary Power and DC Backup Power. Accent light and Blowers operate on AC Power only.

BLOWER SYSTEM: 210 CFM Dual Blower System. 120VAC, 2Amps. Dedicated Hot Power only. No switches, Fan Speed Controls or Light Dimmers are allowed in same circuit.

Accent Light System: Accent Light System Included. Light can be turned on or off or dimmed using dimmer mounted behind lower grill.

BURNER SYSTEM: Dual 304 Stainless Steel Tubular burners.

BURNER AIR SHUTTER SYSTEMS: Externally controllable Rear Burner air shutter and Internal rotary Front Burner air shutter.

LOG SET: 9-piece, Premium Definition Log Set with Extreme glow and realism ember bed.

REFRACTORY PANELS: High Detail Red Clinker Fiber Brick Panels included. Brick Panels required for operation.

NATURAL GAS INFORMATION: Factory equipped for Natural Gas. 4.5"WC Minimum inlet pressure required. For NG applications, Front Burner Orifice Size is #49 and the Rear Burner Orifice Size is #44.

LPG INFORMATION: LP conversion kit #HA-30-00501 is required. 12"WC Minimum inlet pressure required. For the DXV35 DT4 LPG application, both front and rear burner orifices are to be drill size 3/64". For higher altitude, adjustment to orifice size may be necessary.

INITIAL STARTUP ADVICE

PAINT CURING CYCLE RECOMMENDATION: It is recommended that you run this Fireplace on maximum flame height, for 3 cycles of 2 hours ON and 2 hours OFF, initially, to cure the paint.

BLOWER BREAK-IN PERIOD: The integrated blowers in this Insert may exhibit some bearing noise and electrical static noise during the first few days of operation. This is normal during the break-in period. It is recommended that following the Paint Curing Cycle, the blowers be run at their maximum speed for two 3-hour periods. The burner flames must be on during these cycles. The blowers in a few fireplaces may take longer to break-in and may require additional operation time before all extraneous noise is eliminated. Please allow adequate operational time for the blowers to break-in before you contact your dealer for service.

TABLE OF CONTENTS

FOR YOUR SAFETY READ BEFORE LIGHTING 1

DXV35 DT4 FEATURES - QUICK REFERENCE INFORMATION 2

INITIAL STARTUP ADVICE 2

SPECIFICATIONS 5

MINIMUM CLEARANCES FROM COMBUSTIBLE CONSTRUCTION..... 5

BUILDING PERMIT AND INSTALLATION INSPECTION APPROVAL REQUIREMENTS 5

SPECIFIC REQUIREMENTS FOR THE COMMON WEALTH OF MASSACHUSETTS 6

SAFETY AND WARNING INFORMATION..... 7

CONGRATULATIONS 8

GENERAL INFORMATION..... 9

 SAFETY AND STRUCTURAL CONCERNS..... 9

 VENTING REQUIREMENTS 9

 HEATING PERFORMANCE 9

 AESTHETIC CONSIDERATIONS..... 9

 ELECTRICAL REQUIREMENTS 9

VENT OPTIONS DISCUSSION 10

GAS SUPPLY REQUIREMENTS 11

 GAS SUPPLY LINE SIZING..... 11

 GAS PRESSURE CHECKING REQUIREMENTS..... 11

GAS PRESSURE REQUIREMENTS..... 12

 GAS PRESSURE REQUIREMENTS..... 12

EXTERIOR VENT LOCATIONS AND RESTRICTIONS..... 13

GENERAL FLUE VENTING INSTRUCTIONS 14

 VENT COMPONENTS "TWIST-LOCK" CONNECTION PROCEDURE..... 14

GENERAL INSTALLATION INSTRUCTIONS 15

SPECIFICATIONS & CLEARANCES 16

TOP FLUE VENTING COMPONENTS..... 17

FLUE VENTING ALLOWANCE CHART..... 18

L.P. GAS MINIMUM HEIGHT HORIZONTAL TERMINATION..... 19

MINIMUM RISE THROUGH-THE-WALL VENTING:..... 20

VENTING COMPONENTS LIST..... 21

ELEVATED VERTICAL RISE THROUGH-THE-WALL VENTING 22

VERTICAL THROUGH-THE-ROOF VENTING 23

DOOR REMOVAL AND REPLACEMENT 24

 To Remove Glass Frame: 24

 To Install Glass Frame: 24

 GLASS FRAME ASSEMBLY REPAIR AND REPLACEMENT 25

 TO REPLACE DAMAGED GLASS 25

DXV-35 DT4 DEEP TIMBER LOG SET INSTALLATION INSTRUCTIONS..... 26

INSTALLATION CHECK OFF LIST 37

LIGHTING CHECK OFF LIST..... 37

BEFORE YOU BEGIN 38

CONTROL PANEL FUNCTIONS IDENTIFICATION	38
“FIRST TIME” LIGHTING INSTRUCTIONS	39
OPERATING DURING POWER OUTAGES.....	39
THERMOSTAT OR REMOTE CONTROL OPERATION	40
HOW TO CONNECT A THERMOSTAT OR WALL SWITCH TO THIS FIREPLACE	40
BLOWER OPERATION AND WIRING.....	41
TROUBLE SHOOTING MENDOTA GAS DXV FIREPLACE.....	42
FLAME ADJUSTMENT	42
CUSTOMER INFORMATION AND TROUBLE-SHOOTING.....	43
OPERATION DURING POWER OUTAGES.....	43
MAINTENANCE	44
WIRING SCHEMATICS	45
IGNITION SYSTEM WIRING SCHEMATIC	45
BLOWER SYSTEM WIRING SCHEMATIC.....	45
NATURAL TO LP GAS CONVERSION INSTRUCTIONS.....	46
ORIFICE SIZES REQUIREMENT:.....	46
RECOMMENDED PROCEDURE TO CONVERT THIS FIREPLACE TO BURN LPG.....	46
INSTALLING THE LP PRESSURE REGULATOR	49
LP GAS PRESSURE REQUIREMENTS	50
LPG PROPER INPUT RATES	50
LEAK TESTING REQUIREMENTS.....	50
PILOT FLAME AND MAIN BURNER RELATIONSHIP VERIFICATION	50
PILOT FLAME LENGTH ADJUSTMENT	50
CHECKING FOR NORMAL BURNER (S) IGNITION CHARACTERISTICS.....	51
ATTACHING LPG CONVERSION LABELS AND HIGH ALTITUDE DERATION LABEL	51
REPLACEMENT PARTS	52
MENDOTA DESIGNER FRONTS INSTALLATION INFORMATION	53
INFORMATION SPECIFIC TO THE INSTALLATION OF THE ANDOVER, BENTLEY AND PRAIRIE FRONTS.....	53
INFORMATION SPECIFIC TO THE INSTALLATION OF MILLENNIA GRILLS, VICTORIA AND TUSCANY FILIGREES	54
INFORMATION SPECIFIC TO THE INSTALLATION OF THE WELLINGTON FIRESCREEN FRONT	54
RATING LABEL REPRESENTATION	55
MENDOTA WARRANTY QUALIFICATION & SERVICE REFERENCE FORM	56
MENDOTA EXTENDED LIFETIME PROTECTION AND LIMITED WARRANTY.....	58

SPECIFICATIONS

MODEL DXV-35 DT4

INPUT RATES (Btu/Hr)

	<u>High Fire -</u>	<u>Adjustable to -</u>	<u>Low Fire</u>
NAT. GAS	33,000		10,000
LP GAS	33,000		13,000

NOTE: LP CONVERSION KIT #HA-30-00501 MUST BE PURCHASED SEPARATELY TO BURN LPG.

MAIN ORIFICES...REAR BURNER: #44 NAT. GAS [3/64" L.P. GAS] – FRONT BURNER: #49 NAT. [3/64" LP]

OVERALL EFFICIENCY Exceeds D.O.E. Efficiency Requirements (A.F.U.E.) For Direct Vent Wall Heaters.
78.5% Steady State Efficiency

CO-AXIAL DIRECT VENT FLUE ... Top Vent: 4" Inner, 6 5/8" Outer

APPROVED VENT SYSTEMS: Amerivent, Duravent, Selkirk Metalbestos, Security Chimney and ICC

NET WEIGHT..... 185 POUNDS

SAFETY AGA CERTIFIED PILOT GENERATOR, MILLIVOLT SYSTEM
ACTIVATED WITH SWITCH, THERMOSTAT OR REMOTE CONTROL.

GAS REQUIREMENTS **SUPPLY PRESSURE:** GAS INLET: 3/8" N.P.T.at Gas Valve Entry Point
NAT. GAS: **7" W.C.** (5" W.C. MIN., 11" W.C. MAX.)
L.P. GAS: **12.0" W.C.** (12" W.C. MIN., 14" W.C. MAX.)

ELECTRICAL REQUIREMENTS 115 VOLT, LESS THAN 2 amps, Un-switched direct power.

MINIMUM CLEARANCES FROM COMBUSTIBLE CONSTRUCTION

Unit to floor	0 in.	Unit to enclosure sidewalls	0.5 in.
Unit to enclosure sidewall	0.5 in.	Unit top to ceiling	18 in.
Vent to enclosed	1 in.	Wall Pass-Through to framing	1 in.
Vent to adjacent sidewall	10 in.	Mantle above discharge air opening	14 in.

Certified under ANSI Z21.88 (2005) •CSA 2-33 (2005) "Vented Gas Fireplace Heaters" not for use with solid fuel. Approved or bedroom installations and mobile homes. UL307B approved for "mobile homes, after first sale of home, not for recreational vehicles."

Gas appliances must be tested and certified by a nationally recognized testing and certification agency to American National Standards Institute - ANSI Gas Appliance Safety Standards. The Mendota Gas DXV Fireplace has been tested and certified by Intertek Testing Services 8431 Murphy Drive, Middleton, WI

Fireplace Includes A Sealed Combustion System, 9-Piece Ceramic Fiber Log Set & Coals, Firebrick Lined Firebox, Neo-Ceram Glass, Piezo Igniter, Dual Blowers, Aga Certified Safety System, And Wall Thermostat.

Options: Black, Brass, Classic Brass Or Classic Silver Tone Grill Sets, Black Or 24k Gold "Victoria" & "Tuscany" Filigree Fronts, Bentley Arched Doors, Andover Arched Doors & 4 Color Overlay Fronts, Prairie Rectangular Doors & 4 Color Overlay Fronts, Deerfield Front, Wellington Front, Versiheat Remote Forced Air Heat Transfer System, Versiheat II Forced Air Heat Transfer System, Thermostats, Remote Control Kits.

Building Permit and Installation Inspection Approval Requirements



NATIONAL FIREPLACE INSTITUTE
NFI
CERTIFIED
www.nficertified.org

We recommend that our gas hearth products be installed and serviced by professionals who are certified in the U.S. by the National Fireplace Institute® (NFI) as NFI Gas Specialists.

All installations of Mendota Fireplaces and Inserts must comply with all the requirements stated in this Installation and Operating Instructions Manual. The Dealer and/or installer must also obtain all required Building Permits and Inspection Approval from the local building inspection department or the local body having jurisdiction. In order to validate warranty coverage, Mendota may require facsimile copies of the Building Permit and Inspection Approval forms. Failure to provide adequate proof that the installation conforms to all local requirements and the requirements stated in the Installation and Operating Instructions Manual will void all applicable warranty.

INSTALLER: THESE INSTRUCTIONS ARE TO REMAIN WITH HOMEOWNER.

Specific Requirements for the Common Wealth of Massachusetts

The information in this section applies to all installations performed in the Common Wealth of Massachusetts only.

- a) For all side wall horizontally vented gas fueled equipment installed in every dwelling, building or structure used in whole or in part for residential purposes and where the side wall exhaust vent termination is less than seven (7) feet above grade, the following requirements shall be satisfied:
 1. If there is no carbon monoxide detector with an alarm already installed in compliance with the most current edition of NFPA 720, NFPA 70 and the Massachusetts State Building code in the residential unit served by the side wall horizontally vented gas fueled equipment, a battery operated carbon monoxide detector with an alarm shall be installed in compliance with the most current edition of NFPA 720, NFPA 70 and the Massachusetts State Building Code.
 2. In addition to the above requirements, if there is not one already present, a carbon monoxide detector with an alarm and a battery backup shall be installed and located in accordance with the installation requirements supplied with the detector on the floor level where the gas equipment is installed. The carbon monoxide detector with an alarm shall comply with 527 CMR, ANSI/UL 2034 Standards or CSA 6.19 and the most current edition of NFPA 720. In the event that the requirements of this subdivision cannot be met at the time of the completion of the installation of the equipment, the installer shall have a period of thirty (30) days to comply with this requirement; provided, however, that during said thirty (30) day period, a battery operated carbon monoxide detector with an alarm shall be installed in compliance with the most current edition of NFPA 720, NFPA 70 and the Massachusetts State Building Code. In the event that the side wall horizontally vented gas fueled equipment is installed in a crawl space or an attic, the carbon monoxide detector may be installed on the next adjacent habitable floor level. Such detector may be a battery operated carbon monoxide detector with an alarm and shall be installed in compliance with the most current edition of NFPA 720, NFPA 70 and the Massachusetts State Building Code.
 3. A metal or plastic identification plate shall be permanently mounted to the exterior of the building at a minimum height of eight (8) feet above grade directly in line with the exhaust vent terminal for the horizontally vented gas fueled heating appliance or equipment. The sign shall read, in print size no less than one-half (1/2) inch in size, "GAS VENT DIRECTLY BELOW, KEEP CLEAR OF ALL OBSTRUCTIONS"
 4. A final inspection by the state or local gas inspector of the side wall horizontally vented equipment shall not be performed until proof is provided that the state or local electrical inspector having jurisdiction has granted a permit for installation of carbon monoxide detectors and alarms as required above.
- (b) EXEMPTIONS: The following equipment is exempt from 248 CMR 5.08(2) (a) 1 through 4:
 1. The equipment listed in Chapter 10 entitled "Equipment Not Required To Be Vented" in the most current edition of NFPA 54 as adopted by the Board; and
 2. Product Approved side wall horizontally vented gas fueled equipment installed in a room or structure separate from the dwelling, building or structure used in whole or in part for residential purposes.
- (c) When the manufacturer of Product Approved side wall horizontally vented gas equipment provides a venting system design or venting system components with the equipment, the instructions for installation of the equipment and the venting system shall include:
 1. A complete parts list for the venting system design or venting system; and
 2. Detailed instructions for the installation of the venting system design or the venting system components.
- (d) When the manufacturer of a Product Approved side wall horizontally vented gas fueled equipment does not provide the parts for venting the flue gases, but identifies "special venting systems", the following shall be satisfied:
 1. The referenced "special venting system" instructions shall be included with the appliance or equipment installation instructions; and
 2. The "special venting systems" shall be Product Approved by the Board, and the instructions for that system shall include a parts list and detailed installation instructions.
- (e) A copy of all installation instructions for all Product Approved side wall horizontally vented gas fueled equipment, all venting instructions, all parts lists for venting instructions, and/or all venting design instructions shall remain with the appliance or equipment at the completion of the installation.

SAFETY AND WARNING INFORMATION

READ and UNDERSTAND all instructions carefully before starting the appliance. **FAILURE TO FOLLOW** these instructions may result in a possible fire hazard and will void the warranty.

Any safety screen or guard removed for servicing must be replaced before operating this appliance.

DO NOT USE this appliance if any part has been under water. Immediately **CALL** a qualified service technician to inspect the appliance and to replace any part of the control system and any gas control, which has been underwater.

THIS UNIT IS NOT FOR USE WITH SOLID FUEL.

Installation and repair should be **PERFORMED** by a qualified service person. The appliance and venting system should be **INSPECTED** before initial use and at least annually by a professional service person. More frequent cleaning may be required due to excessive lint from carpeting, bedding, material, etc. It is **IMPERATIVE** that the unit's control compartment, burners, and circulating air passageways **ARE KEPT CLEAN** to provide for adequate combustion and ventilation air.

Always **KEEP** the appliance clear and free from combustible materials, gasoline, and other flammable vapors and liquids.

NEVER OBSTRUCT the flow of combustion and ventilation air. Keep the front of the appliance **CLEAR** of all obstacles and materials for servicing and proper operation.

Due to high temperature, the appliance should be **LOCATED** out of traffic areas and away from furniture and draperies. Clothing or flammable material **SHOULD NOT BE PLACED** on or near the appliance.

Children and adults should be **ALERTED** to the hazards of high surface temperature and should **STAY AWAY** to avoid burns or clothing ignition. Young children should be **CAREFULLY SUPERVISED** when they are in the same room as the appliance.

These units **MUST** use one of the vent systems described in the Installing Your Fireplace section of the Installers Guide. **NO OTHER** vent systems or components **MAY BE USED**.

This gas fireplace and vent assembly **MUST** be vented directly to the outside and **MUST NEVER** be attached to a chimney serving a separate solid fuel-burning appliance. Each gas appliance **MUST USE** a separate vent system. Common vent systems are **PROHIBITED**.

If the vent-air intake system is disassembled for any reason, reinstall per the instructions provided for the initial installation.

The vent system assembly for this fireplace must be periodically examined by a qualified service agency.

INSPECT the external vent cap on regular basis to make sure that no debris is interfering with the airflow. The flow of combustion and ventilation air not to be obstructed

DO NOT abuse the glass door by striking the glass, slamming the door shut, etc.

Use only authorized parts and materials obtained from Johnson Gas Appliance Company when replacing defective or damaged glass.

DO NOT USE abrasive cleaners on the glass door assembly. **DO NOT ATTEMPT** to clean the glass door when it is hot.

Turn off the gas before servicing this appliance. It is recommended that a qualified service technician perform an appliance check-up at the beginning of each heating season.

DO NOT place furniture or any other combustible household objects within 36 inches of the fireplace front.

CAUTION: Do not operate the appliance with glass removed, cracked or broken. Replacement of the panel(s) should be done by a licensed or qualified service person.

CONGRATULATIONS

You are the owner of a world-class heat producing gas direct vent sealed combustion fireplace.

This elegant, highly efficient Fireplace will be a constant source of comfort and fascination. It will be the focal point of beauty and interest in your home.

The Mendota Gas Fireplace is a true heating appliance incorporating the traditional aesthetics of fireplace fire viewing with the controllability and fuel efficiency of a home gas furnace. Of particular interest is the low fuel consumption and brilliant fire viewing afforded by the realistic Premium Fiber wood fire-like combustion system.

Carefully read the following instructions prior to actual installation. Proper Mendota Gas Fireplace installation and operation will give you years of safe, trouble free comfort and enjoyment.

If you have any questions regarding installation or operation of your Mendota Fireplace please contact your local dealer.

CAUTION

Due to high temperatures, the Fireplace should be located out of traffic and away from furniture and draperies. Children and adults should be alerted to the hazards of high surface temperature and should stay away to avoid burns or clothing ignition. Young children should be carefully supervised when they are in the same room as the Mendota Gas Fireplace.

Clothing or other flammable material should not be placed on or near the Fireplace.

Any safety screen or guard removed for servicing an appliance must be replaced prior to operating this appliance.

The Mendota Gas Fireplace is a powerful and efficient heating unit. It has been designed as a major source of supplemental heat. As with any mechanical appliance there can be component shut downs. It is advisable to have an alternate heat supply.

Installation, repair and any adjustments to logs or burner must be done by a qualified service person. The appliance should be inspected before use and at least annually by a professional service person. More frequent cleaning may be required due to excessive lint from carpeting, bedding material, carbon build-up, etc. It is imperative that control compartments, burners and circulating air passageways of the appliance be kept clean. The burner and pilot flames and logs should be visually checked periodically.

DO NOT use this appliance if any part has been under water or exposed to moisture corrosion. Immediately call a qualified service technician to inspect the Fireplace and replace any part of the control system and any gas control, which has been under water. DO NOT use this fireplace if the burner does not light immediately. Turn unit off and call Mendota approved service person if there is any delay in burner light off.

It is Johnson Gas Appliance Company's policy that no responsibility is assumed by the Company or by any of its employees or representatives for any damages caused by an inoperable, inadequate, or unsafe condition which is the result, either directly or indirectly, of any improper operation, installation or servicing procedures.

Building Permit and Installation Inspection Approval Requirements

All installations of Mendota Fireplaces and Inserts must comply with all the requirements stated in this Installation and Operating Instructions Manual. The Dealer and/or installer must also obtain all required Building Permits and Inspection Approval from the local building inspection department or the local body having jurisdiction. In order to validate warranty coverage, Mendota may require facsimile copies of the Building Permit and Inspection Approval forms. Failure to provide adequate proof that the installation conforms to all local requirements and the requirements stated in the Installation and Operating Instructions Manual will void all applicable warranty.

INSTALLER: THESE INSTRUCTIONS ARE TO REMAIN WITH HOMEOWNER.

HIGH ALTITUDE INSTALLATION INFORMATION: Prior to installing at altitudes higher than 7500, please contact the Mendota technical service department for specific venting requirements and venting restrictions.

GENERAL INFORMATION

Your Mendota Gas Fireplace has a state-of-the-art co-axial direct vent, sealed combustion system. This advanced, highly efficient system brings in outside air for combustion and efficiently heats and re-circulates room air. The Mendota system maintains high air quality, maximizes efficiency and assures proper operation in today's "tight" homes.

SAFETY AND STRUCTURAL CONCERNS

This Fireplace must be installed and serviced by a Mendota approved service person. Any adjustments to burner, pilot, logs or coal bed must be made by a Mendota approved service person. If pilot goes out always wait five (5) minutes before relighting pilot. **ALWAYS!**

VENTING REQUIREMENTS

This Mendota Fireplace can be vented using AMERIVENT, DURAVENT, SELKIRK METALBESTOS, SECURITY CHIMNEY and ICC brands of coaxial pipe off the top. Use only Mendota specified vents and vent caps when installing your fireplace. Closely follow venting locations, directions and requirements. Observe the restrictions relating to vent position on exterior of home. Be sure all vent pipe sections are fully twist-locked and leak-proof. Be sure Milpak Sealant is used on the inner pipe joints of all Simpson DuraVent pipe components and all adjustable pipe sections manufactured by Simpson DuraVent and American Metals.

REMOVE THE GLASS WHEN LIGHTING THE PILOT FOR THE FIRST TIME. The burners must light immediately & the flame must travel promptly and smoothly around "curves" and light entire burner. The flame must not "lift" off burners. DO NOT operate unit if burner does not light immediately or if flame lifts off burner.

This Mendota Direct Vent Fireplace may be placed within inches of adjacent sidewalls. (See [Figure 4: Specifications & Clearances](#)). The fireplace may be placed directly on concrete or wood flooring. If the appliance is to be installed on carpeting, vinyl or other combustible material other than wood flooring, the appliance shall be installed on a metal or wood panel extending the full width and depth of the appliance. Combustible mantels may be installed above top of the heat outlet grills. How far out the mantel may protrude past the front face of this appliance is dependent on the distance from upper grill. See [Figure 4: Specifications & Clearances](#). Non-combustible (marble, brick, stone, etc.) mantels or mantels with steel protector plate on underside can be installed at any desired height above upper grill.

Never block upper or lower grills. Always use Mendota grills and Mendota approved vent systems and vent caps.

A non-combustible hearth protector is required and must extend a minimum of 12" in front of the fireplace. If fireplace is raised off floor 6" or more, no hearth protector is required.

HEATING PERFORMANCE

Mendota Gas Built-in Fireplaces are true, high efficiency gas heaters. With its high heat output the Mendota Fireplace will heat a large area of your home if situated to maximize heat circulation. Air movement options for maximizing heat circulation, which can be considered, are through-the-wall grills or floor grills, the continuous operation of central heating furnace blowers, or ceiling fan. **The most efficient method for overall heat distribution is a ceiling fan.** The heat output of the Fireplace can be reduced by up to 23,000 BTUH by slowly turning the Hi/Lo temperature knob on the gas valve counter clockwise from "Hi" to "Lo" and also turning OFF the rear burner using the Rear Burner ON/OFF Switch. Blower can also be turned down to reduce heat output.

AESTHETIC CONSIDERATIONS

Burning or static fireplaces are a major aesthetic focus in any room. Locate your gas fireplace as you would a television set. The Mendota Hearth Gas Fireplace will be a continuing source of comfort and fascination. Corner installations will afford you the greatest potential for viewing in many rooms.

We suggest installing the Mendota Fireplace 6 to 12 inches above the floor by utilizing an elevated hearth.

ELECTRICAL REQUIREMENTS

A 115-volt electrical service must be supplied at the fireplace location at the time of installation. It must be electrically grounded in accordance with local codes or in their absence with current edition of the National Electric Code ANSI/NFPA 70. Electrical Service may enter this appliance at the Left Side Junction Box or the Right Side Junction box. The Two integrated junction boxes are internally wired at the factory. Do not disconnect factory installed wiring at either junction box. Power supply to blower must be continuous. DO NOT use switches or speed control devices in power supplied to fireplace.

The blower on this appliance is equipped with a three-prong plug for protection against shock hazard and should be plugged directly into the grounded three-prong receptacle provided with the fireplace. Do not cut or remove the grounding prong from the plug. NOTE: The blower output can be adjusted with the rheostat. There will be delays in blower operation during "heat-up" (approx. 15 min.) and extended blower operation during "cool-down" (approx. ½ hr.) of unit.

Thermostat wire may be connected to this appliance. Use only a Millivolt Rated thermostat (Standard or Set-back type). Thermostat wire is to be run from desired thermostat location to the Main Burner Switch (located behind Courtesy Panel). See Page 39.

VENT OPTIONS DISCUSSION

This Mendota Fireplace can be vented using AMERIVENT, DURAVENT, SELKIRK METALBESTOS, SECURITY CHIMNEY and ICC brands of coaxial pipe off the top. Use only Mendota specified vents and vent caps when installing your fireplace. Closely follow venting locations, directions and requirements provided in this Manual. Observe the restrictions related to vent position on exterior of home.

Make certain that all vent pipe sections are fully twist-locked and leak-proof. Note: When using Dura-vent pipes it is recommended that you use a silicate stove masonry sealant [Milpak Sealant #65-06-00909] on all inner pipe joints. On the exterior (air intake) pipe joints, high temperature foil tape may be used instead of the masonry sealant. Contact your dealer to obtain this sealant material.

TOP VENTING

The DXV-35 Fireplace comes from the factory configured for venting off the top using 4" x 6-5/8" Coaxial Vent Pipes. AMERIVENT, DURAVENT, SELKIRK METALBESTOS, SECURITY CHIMNEY and ICC brand pipes and venting components may be used when venting off the top.

Venting off the top on the DXV-35 Fireplace provides a large degree of flexibility for many venting configurations. However, a few critical limitations must be understood and adhered to.

Limitation 1: A 12" minimum vertical pipe section must be connected to the top starter collar of the DXV-35. With the 12" vertical section connected, you may only install one 90-degree elbow and a run a maximum 6" horizontal pipe section before connecting the horizontal vent cap.

Limitation 2: The maximum horizontal run allowed when venting off the top is 12 feet preceded by a minimum 4 feet vertical run. This 12 feet horizontal run can only be used if a straight vertical run of 48 inches (4 feet) is connected directly to the top of the dxv35. Do not exceed the maximum 12 feet horizontal run. Even if the vertical section you installed is greater than 4 feet, do not exceed the 12 feet maximum horizontal run throughout the entire vent system

GAS SUPPLY REQUIREMENTS

Correct gas pressure and proper gas supply line sizing is imperative to the successful performance of your Mendota gas fireplace. Be sure the gas supplier or plumber carefully checks for correct gas pressure and gas line sizing when installing the fireplace.

It is critical to carefully check for gas leaks when hooking up the fireplace -- check with soap & water solution.

Be sure to install "approved" flex gas line with brass-to-brass fittings to prevent gas leaks at connections.

Gas supply piping must include a drip leg to eliminate the possibility of contaminants entering the gas train.

Adhere strictly to local and national codes for entire installation.

GAS SUPPLY LINE SIZING

The Mendota Gas Fireplace comes equipped with a 12" flexible connector kit including a manual shutoff ball valve. Gas supply piping must enter the Fireplace cabinet from the right side.

The included manual shut-off valve meets Federal Codes. I required by local codes, install an additional manual shutoff valve upstream of the fireplace's manual shutoff valve. The appliance and its individual shut-off valve must be disconnected from the gas supply piping system during any pressure testing of that system at test pressures in excess of ½ PSIG (3.5 kPa).

The appliance must be isolated from the gas supply piping system by closing its individual manual shut-off valve during any pressure testing of the gas supply piping system at test pressures equal to or less than 1/2 PSIG (3.5 kPa).

A proper gas line diameter must be selected to run from the supply regulator to the Fireplace. Refer to the following table for proper gas pipe diameters. Strictly adhere to the correct pipe sizes. If in doubt, use the next larger size.

PIPE LENGTH (FEET)	SCHEDULE 40 PIPE INSIDE DIA.		TUBING, TYPE L OUTSIDE DIA.	
	NAT.	L.P.	NAT.	L.P.
0-10	1/2" (1.3 cm)	3/8" (1.0 cm)	1/2" (1.3 cm)	3/8" (1.0 cm)
10-40	1/2" (1.3 cm)	1/2" (1.3 cm)	5/8" (1.6 cm)	1/2" (1.3 cm)
40-100	1/2" (1.3 cm)	1/2" (1.3 cm)	3/4" (2.0 cm)	1/2" (1.3 cm)
100-150	3/4" (2.0 cm)	1/2" (1.3 cm)	7/8" (2.3 cm)	5/8" (1.6 cm)
150-200	3/4" (2.0 cm)	1/2" (1.3 cm)	7/8" (2.3 cm)	3/4" (2.0 cm)

NOTE: Some areas allow copper tubing or galvanized pipe - check with local approval agencies and codes. NEVER use plastic pipe.

GAS PRESSURE CHECKING REQUIREMENTS

Inlet and manifold gas pressure checking taps are located on gas valve (see Figure 1 on Page 10). A qualified installer should use these fittings for setting the correct gas pressure during initial installation.

NOTE: DO NOT DAMAGE OR KINK THE FLEX CONNECTOR. CHECK FOR GAS LEAKS WITH SOAP AND WATER SOLUTION.

NOTE: 3/8" FLEX OR RIGID PIPING MAY BE USED TO CONNECT GAS SUPPLY TO UNIT DEPENDING ON STATE AND LOCAL CODES.

NOTE: BE SURE TO INSTALL FLEX GAS HOSE WITH BRASS-TO-BRASS FITTINGS TO PREVENT LEAKS AT CONNECTION.

NOTE: THE HARD PLUMBING FITTING PROVIDED IS TO BE USED WITH INSTALLATIONS REQUIRING HARD PLUMBING. IT MAY BE REMOVED IF THE FIREPLACE IS BEING INSTALLED WITH A FLEXIBLE CONNECTOR.

GAS PRESSURE REQUIREMENTS

A MAJOR CAUSE OF OPERATING PROBLEMS WITH GAS APPLIANCES CAN BE IMPROPER GAS PRESSURE!

Problems such as changes in flame color or flame height, pilot or burner outages, intermittent operation, changes in heat output, excessive burner noise, etc. are nearly always the result of changes in gas pressure or improper gas pressure at the time of the installation. The most important item to check during the installation and the first thing to check when problems occur is gas pressure!

Gas supplies normally enter a residence at 1/2 PSI (13" - 15" W.C.) (3. KPA). A regulator is then placed inside the residence, which drops this pressure to 7" W.C. (1.8 KPA) (Nat. Gas). This "inches to inches" regulator is of adequate capacity to service the gas appliances (such as dryer, furnace, etc.). If this regulator's capacity is not sufficient to add the Gas Fireplace, an additional "inches to inches" regulator must be installed for the Fireplace. EXCEPTION: Some codes allow 2-PSI (1.4KPA) supplies to enter the residence, in which case "pounds to inches" regulators are used.

The following table provides information on correct gas pressure requirements. Be sure your gas supplier or plumber carefully follows this table.

GAS PRESSURE REQUIREMENTS

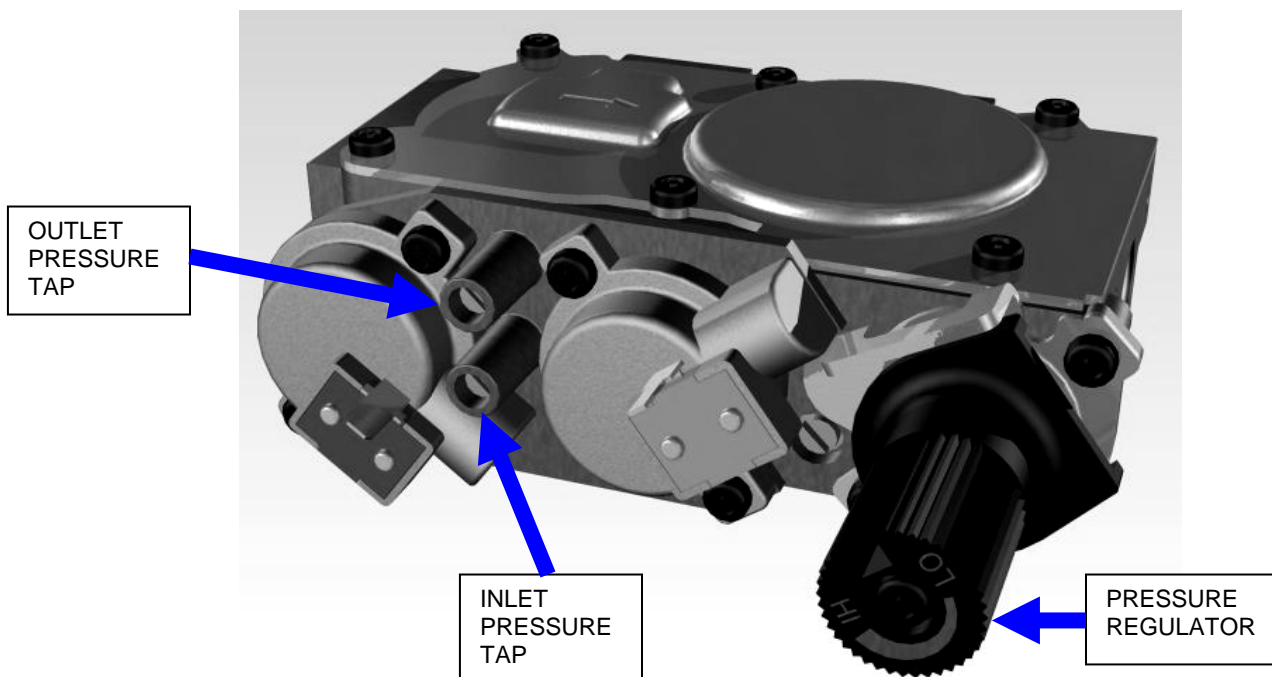
	DESIRED INLET PRESSURE	MINIMUM INLET PRESSURE	MAXIMUM INLET PRESSURE	MANIFOLD OUTLET PRESSURE	AIR SHUTTER POSITION*
NATURAL GAS	7.0" W.C. (1.75 kPa)	5.0" W.C. (1.12 kPa)	11" W.C. (2.61 kPa)	3.5" W.C. (0.87 kPa)	1/16 - 3/16 " OPEN
L.P. GAS	12.0" W.C. (3.00 kPa)	11" W.C. (2.75 kPa)	13.0" W.C. (3.24 kPa)	10.0" W.C. (2.5 kPa)	1/4" OPEN-MIN.

TURN GAS VALVE KNOB TO "HIGH" POSITION. GAS PRESSURES MAY VARY PLUS OR MINUS 5%.

NOTE: For High Altitude (Above 5,000 Feet) Some Variations In Air Shutter Settings May Be Required.

Manifold pressure must be taken at the Output Pressure tap and inlet pressure at the Inlet Pressure tap **with the burner operating** by a qualified installer (see Figure 1: Gas Pressure Test Port).

Figure 1: Gas Pressure Test Ports



EXTERIOR VENT LOCATIONS AND RESTRICTIONS

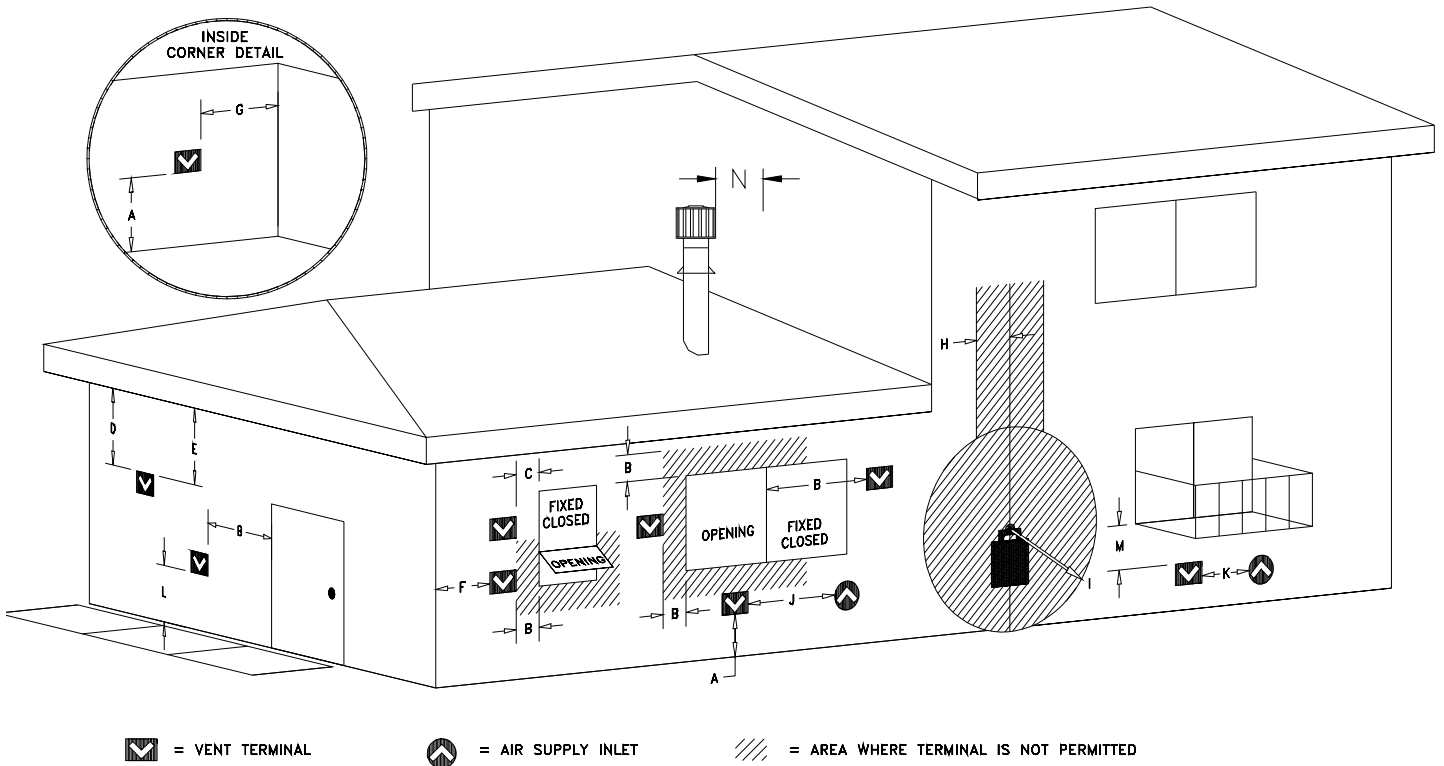


Figure 2: Exterior Vent Locations

ALL MEASUREMENTS GIVEN ARE FROM THE CENTER LINE OF VENT CAP

∨ - Vent Terminal

△ - Air Supply Inlet

≡ - Area where terminal is not permitted

A =	Clearance above grade, veranda, porch, deck, or balcony (*12 inches (30 cm) minimum). Vinyl surfaces require 24" min.	H =	*Not to be installed above a meter/regulator assembly within 3 feet (90 cm) horizontally from the center-line of the regulator
B =	Clearance to window or door that may be opened (*12 inches (30 cm) minimum).	I =	Clearance to service regulator vent outlet (*6 feet (1.8m) minimum)
C =	Clearance to permanently closed window (minimum 12 inches (30 cm)).	J =	Clearance to non-mechanical air supply inlet to building or the combustion air inlet to any other appliance. *12 inches (30 cm) minimum.
D =	Vertical clearance to ventilated soffit located above the terminal from the center-line of the terminal (12 inches (30 cm) minimum) Vinyl surfaces require 24" min.	K =	Clearance to a mechanical air supply inlet (*6 feet (1.8 m) minimum)
E =	Clearance to unventilated soffit (18 inches (46 cm) minimum) Vinyl surfaces require 24" min.	L =	† Clearance above paved side-walk or a paved driveway located on public property (*7 feet (2.1 m) minimum)
F =	Clearance to outside corner - 6 inches (15 cm).	M =	Clearance under veranda, porch, deck, or balcony (*18 inches (30 cm) minimum ‡)
G =	Clearance to inside corner - 12 inches (30 cm). Vinyl surfaces require 24" min.	N =	Minimum 24" horizontal clearance to any surface, such as an exterior surface, for vertical terminations.

† A vent shall not terminate directly above a sidewalk or paved driveway, which is located between two single-family dwellings and serves both dwellings.

‡ Only permitted if veranda, porch, deck, or balcony is fully open on a minimum of two sides beneath the floor.

* As specified in CGA B1:19 Installation Codes (1991). **Note:** Local codes or regulations may require different clearances.

GENERAL FLUE VENTING INSTRUCTIONS

The Mendota Fireplace must be vented using Amerivent, Duravent, Selkirk Metalbestos, Security Chimney or ICC Brand venting systems. All warranties will be voided and serious fire, health or other safety hazards may result from any of the following actions: Installation by unauthorized personnel; installation of any damaged component; unauthorized modification of vent system; installation of any components not approved by Mendota; failure to meet all clearance requirements; failure to properly twist-lock and positively seal all components. Consult local building codes before beginning the installation.

WARNING

Always maintain required clearances (air spaces) to combustibles to prevent a fire hazard. Do not fill air spaces with insulation. Check installation instructions for minimum clearance requirements between the outer walls of the vent pipe and nearby combustible surfaces. Be sure to check the vent termination clearance requirements from decks, windows, soffits, gas regulators, air supply inlets, and public walkways, as specified in these installation instructions and local building codes. **SAFETY PRECAUTIONS FOR THE INSTALLER:** 1) Wear gloves and safety glasses for protection; 2) Exercise extreme caution when using ladders or on rooftops; and 3) be aware of electrical wiring locations in walls and ceilings.

The gas appliance and vent system must be vented directly to the outside of the building, and never attached to a chimney serving another solid fuel or gas burning appliance. Each direct vent gas appliance must have its own separate vent system. Common vent systems are prohibited.

To assure proper venting performance of the high-performance Mendota Direct Vent Fireplace, it is critical that all brands of vent pipe sections are sealed tightly and leak-proof. This means that all pipe sections must be carefully rotated into the fully "twist-locked" position.

We Strongly Recommend That Fixed Length Pipe Sections Be Used In Place Of Telescoping Sections Whenever Possible.

Note: When using vent pipe and components that do not incorporate a fiberglass or graphite gasket at the joints, it is recommended that you use Milpak 1000F silicate stove sealant (#65-06-00909). High temperature foil tape may be used on the outer (air intake) pipe joints.

DO NOT SEPARATE ADJUSTABLE TELESCOPING SECTIONS. THEY MUST BE USED AS COMPLETE ASSEMBLIES.

VENT COMPONENTS "TWIST-LOCK" CONNECTION PROCEDURE

DuraVent and American Metals pipe and fittings are designed with special twist-lock connections. Twist-lock procedure is as follows: four (4) indentations, located on the female ends of pipes and fittings are designed to slide straight in to the male ends of the adjacent pipes and fittings, by orienting the four pipe indentations so that they match and slide into the four entry slots on the male ends (Figure 3).

Push the pipe sections completely together then twist-lock one section clockwise, approximately $\frac{1}{4}$ turn until the two sections are fully locked. The female locking lugs will not be visible from the outside on the black pipe or fittings. They may be located by examining inside of the female ends.

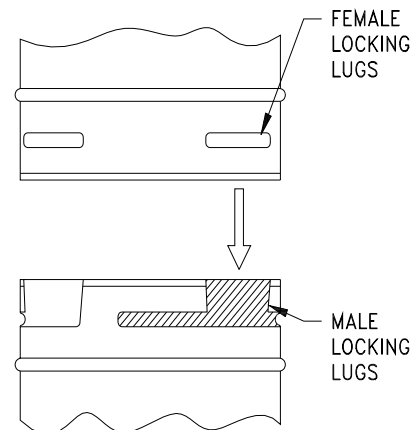


Figure 3: Twist-Lock Piping

GENERAL INSTALLATION INSTRUCTIONS

CAUTION: Each installation must conform to all local, state and national codes. Refer to the national fuel gas code and local zoning and code authorities for details on installation requirements. The Mendota Fireplace must be vented to the outside in accordance with the latest edition of the National Fuel Gas Code. In the absence of local codes, the installation must conform to the most current edition of the National Fuel Gas Code ANSI Z223.1, also known as NFPA 54. NOTE: The Mendota DXV Fireplace is approved for mobile home and bedroom installations.

CAUTION: The Mendota DXV Fireplace may be installed in a manufactured (mobile) home after the first sale of the home. Manufactured home (mobile home) installation must conform with the Manufactured Home Construction and Safety Standard, Title 24 CFR, Part 3280, or, when such a standard is not applicable, the Standard for Manufactured Home Installations, ANSI A225.1/NFPA 501A, or CSA Z240.4-Gas Equipped Mobile Housing. Consult your local building official. Note: For mobile home installations unit must be bolted to the floor and properly grounded.

This Fireplace must be installed by a qualified service person.

1. After selection of the desired fireplace location, prepare the rough opening using framing dimensions on PAGE 164. Be sure to also prepare opening to allow for co-axial vent (see "Flue Venting Instructions").
2. Check to make certain all venting requirements and clearances are being followed.
3. The Fireplace is designed to be installed into rough framing. The drywall will cover the adjustable nailing flanges on the Fireplace sides. Before sliding the Fireplace into the framed opening, adjust the nailing flanges to accommodate the thickness of the wall material. **NOTE:** FRAMING MATERIALS LOCATED ABOVE FIREPLACE BODY MUST MAINTAIN CORRECT CLEARANCES TO VENT PIPE.

WARNING

DO NOT COVER THE 2" BLACK FRONT SURFACE OF THIS UNIT IF YOU INTEND TO USE THE ANDOVER, BENTLEY, DEERFIELD or WELLINGTON TRIMS!!

4. Slide Fireplace into the rough framed opening. When finishing the unit, combustible materials may overlay nailing flanges and come in contact with the edges of the black front surface, but may not overlap the 2" black front surface. Noncombustible material, such as marble, stones or brick, can be installed over the 2" black surface, **only if you are certain that a Deerfield Front, Andover Front, Bentley Front, Prairie Front or a Wellington Front is NOT going to be used as the optional trim**, up to the inside edge of black frame (next to glass). ROUGH FRAMING CAN COME NO CLOSER TO UNIT THAN THE STAND-OFFS.
5. Level the Fireplace and secure into opening by nailing through the nailing flanges on cabinet side panels. Holes are provided in fireplace floor behind grill to secure fireplace to floor using lag screws or drywall screws, if required. NOTE: A removable panel in the enclosure for future visual inspection of flue connection is recommended.
6. Have an electrician install a 115-Volt supply to the junction box on lower left side of the fireplace cabinet. Connect wires to the duplex outlet. This duplex outlet is removable from outside of cabinet for easy wiring. Make sure the outlet is properly grounded and that the installation conforms to all local and national wiring codes.
7. Have gas supplier or qualified plumber install gas supply line to fireplace and connect to gas nipple. Be sure Gas Supply Requirements (see PG. 9-10) and all local and national codes are carefully followed.

IMPORTANT: Any safety screen, guard, glass or grills removed for servicing a fireplace/room heater must be replaced prior to operating the fireplace/room heater.

BLOWER OPERATION

The blower output can be regulated with the included blower speed control rheostat. NOTE: There will be a delay before the blower operates during "heat-up" (approx. 15 minutes) and extended blower operation during "cool-down" of unit (approx. ½ hour).

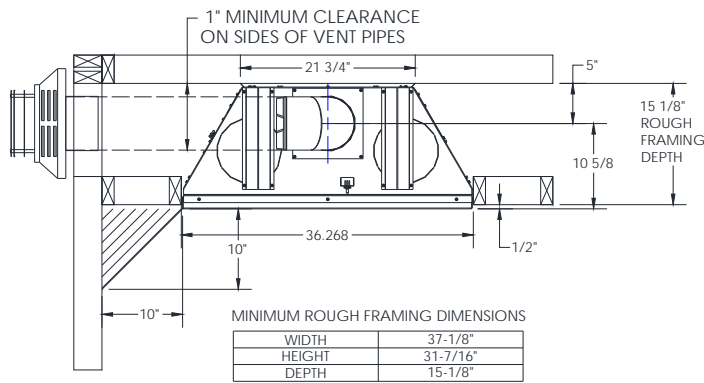
OPERATION DURING POWER OUTAGES

The fireplace is designed to operate during power outages. The blower will not operate, but natural convection can be improved by removing the upper grill and opening the screen doors (depending on the type of optional front installed).

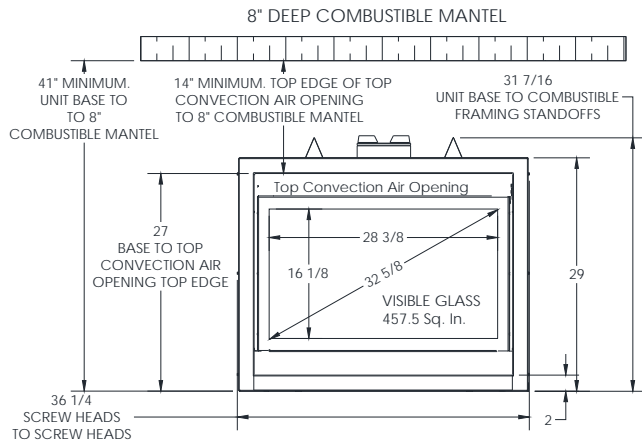
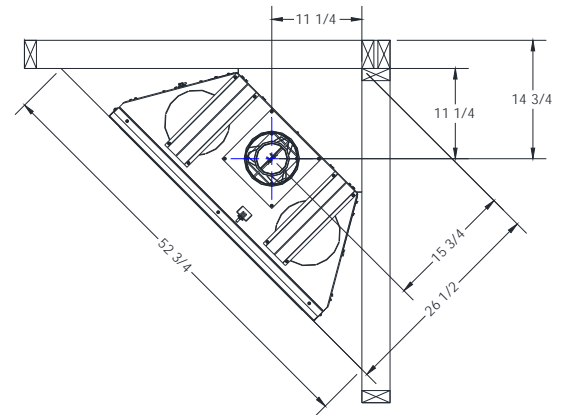
MENDOTA DXV-35 GAS DIRECT VENT FIREPLACE

SPECIFICATIONS & CLEARANCES

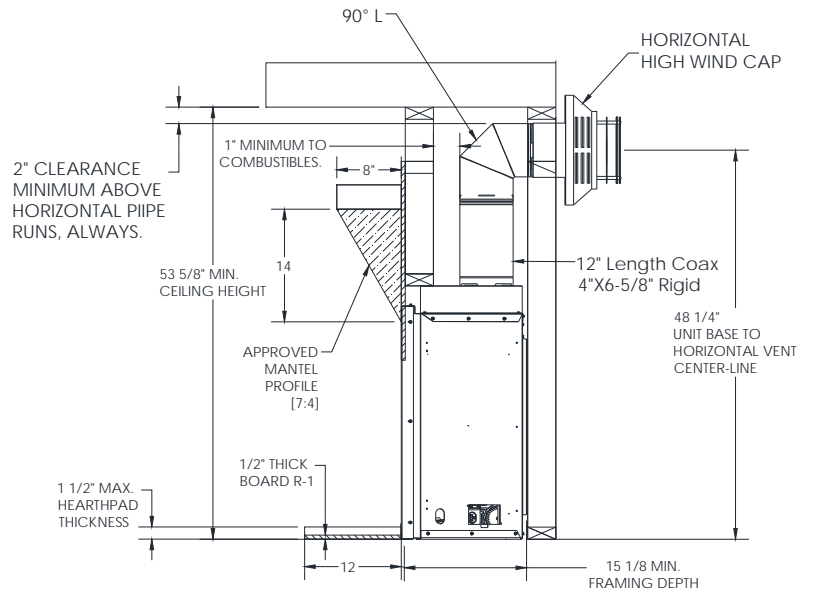
WARNING: Do not cover the 2" faceplate border of the unit with combustible materials.



A wall, Perpendicular and in front of this appliance's glass door face must be at least 12" away from the side edges of the glass frame.
A wall at 45° angle to the front face and starting at the side edge of this appliance is allowed. Projections behind this 45° angle edge (shaded area) are allowed.



IF MANTEL IS CONSTRUCTED OF NON-COMBUSTIBLE MATERIALS, IT MAY BE PLACED AT ANY DISTANCE ABOVE THE TOP CONVECTION AIR OPENING. CAUTION: MATERIALS MADE OF POROUS STONES OR SEDIMENTARY ROCKS MAY CRACK DUE TO EXPANSION OF THE MATERIAL IF PLACED AROUND THIS APPLIANCE. USE SUITABLE MATERIALS WHICH ARE CRACK RESISTANT AROUND THIS APPLIANCE. CRACKS CAN FORM DUE TO EXPANSION IN HOT AREAS AROUND THIS APPLIANCE.



R-1 RATED HEARTH PAD REQUIRED. USE R-1 RATED BOARD AS BASE MATERIAL UNDER HEARTH PAD. FOR EACH 1" THIS UNIT RAISED OFF THE FLOOR, THE HEARTH PAD DEPTH MAY BE REDUCED BY 2". IF UNIT IS RAISED MORE THAN 6", A HEARTH PAD IS NOT REQUIRED.

Figure 4: Specifications & Clearances

NOTE: For L.P. & High Altitude (above 4,000 ft. but below 7500 ft.), 45° elbows must be used in place of 90° elbows. For Installation At Altitudes Above 7,500 Feet, First Call Mendota Technical Hotline For Further Information On The Strict Requirements For Installations At These Altitudes.

Using 45° elbows in place of a 90° elbow **requires 22" minimum** opening to center.

CAUTION: If 90° elbows must be used with LP or at high altitudes, a 2-foot vertical starter section must be used directly off the top of the fireplace.

TOP FLUE VENTING COMPONENTS

ITEM	DESCRIPTION
1	12" VENT STACK
1	24" VENT STACK
1	36" VENT STACK
1	48" VENT STACK
2	90° GALVANIZED ELBOW
3	45° GALVANIZED ELBOW
4	ADJUSTABLE WALL THIMBLE
5	6" or 7" PIPE
9	ATTIC INSULATION SHIELD 12"
10	ROOF FLASHING (0/12 TO 6/12)
10	ROOF FLASHING (7/12 TO 12/12)
11	STORM COLLAR
12	VERTICAL VENT CAP
13	SUPPORT BAND
14	HORIZONTAL VENT CAP
15	FIRESTOP SPACER

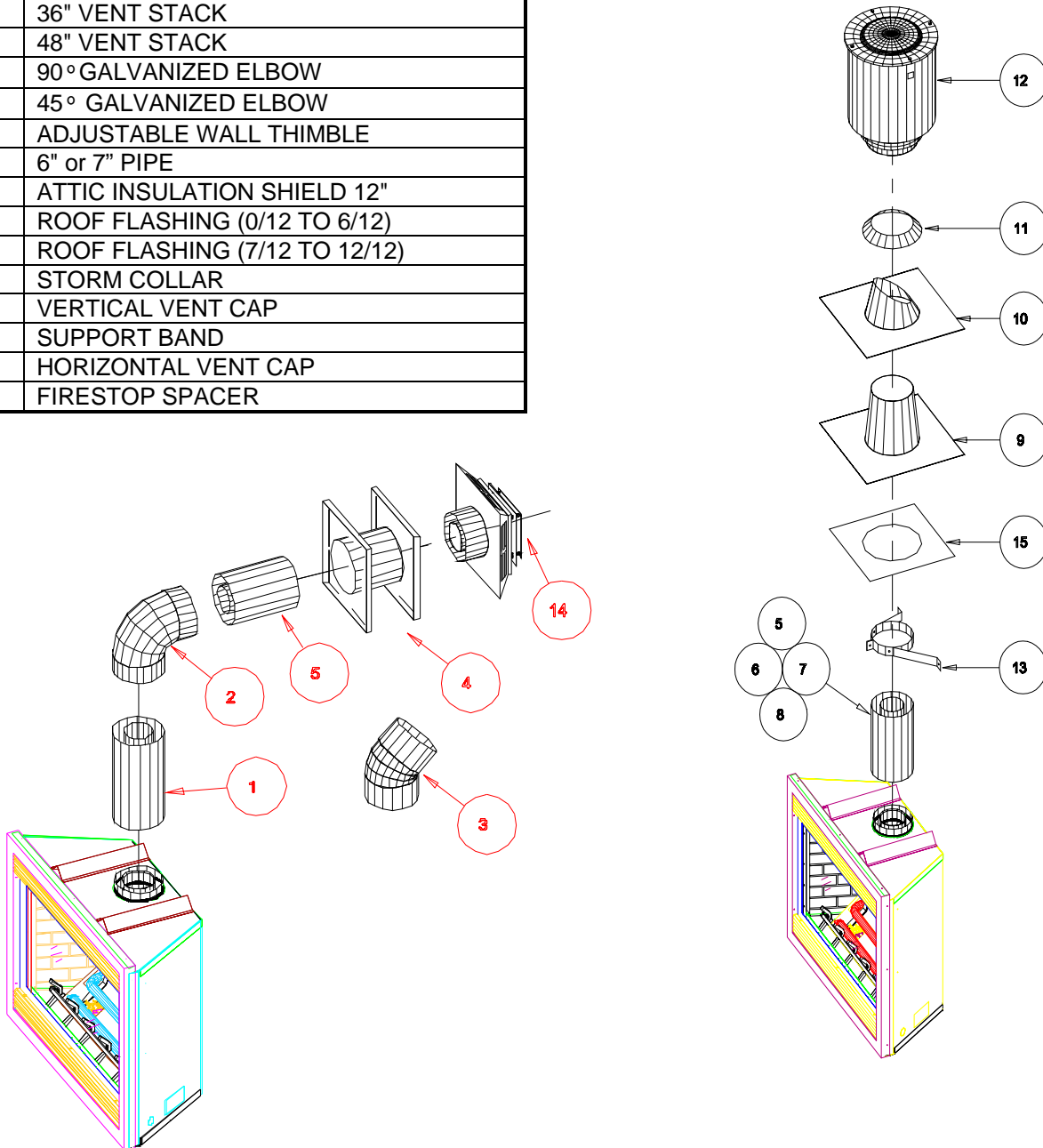


Figure 5: Flue Venting Components

NOTE: DO NOT SEPARATE TELESCOPING SECTIONS. THEY MUST BE USED AS COMPLETE ASSEMBLIES.

FLUE VENTING ALLOWANCE CHART

NOTE: FOR LP GAS & HIGH ALTITUDE, SEE PG. 19

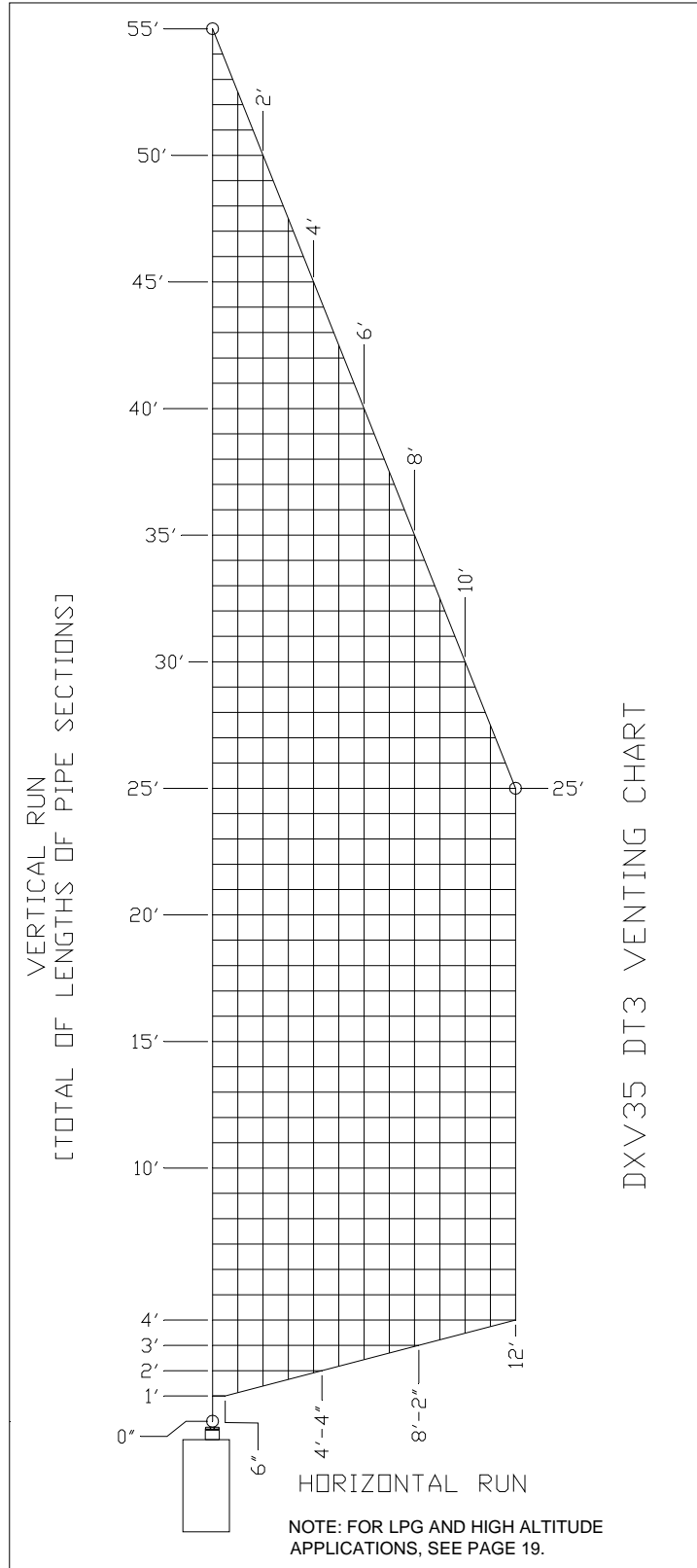


Figure 6: DXV35 Vertical & Horizontal Vent Requirements

NOTE: 12" MINIMUM VERTICAL PIPE CAN BE USED IF NO HORIZONTAL VENT SECTIONS GREATER THAN 6" (or 7") ARE USED. ALL OTHER INSTALLATIONS MUST FALL WITHIN ABOVE SHADED AREA.

L.P. GAS MINIMUM HEIGHT HORIZONTAL TERMINATION

L.P. GAS OR HIGH ALTITUDE (ABOVE 4,000 FT. BUT BELOW 7500 FT.)

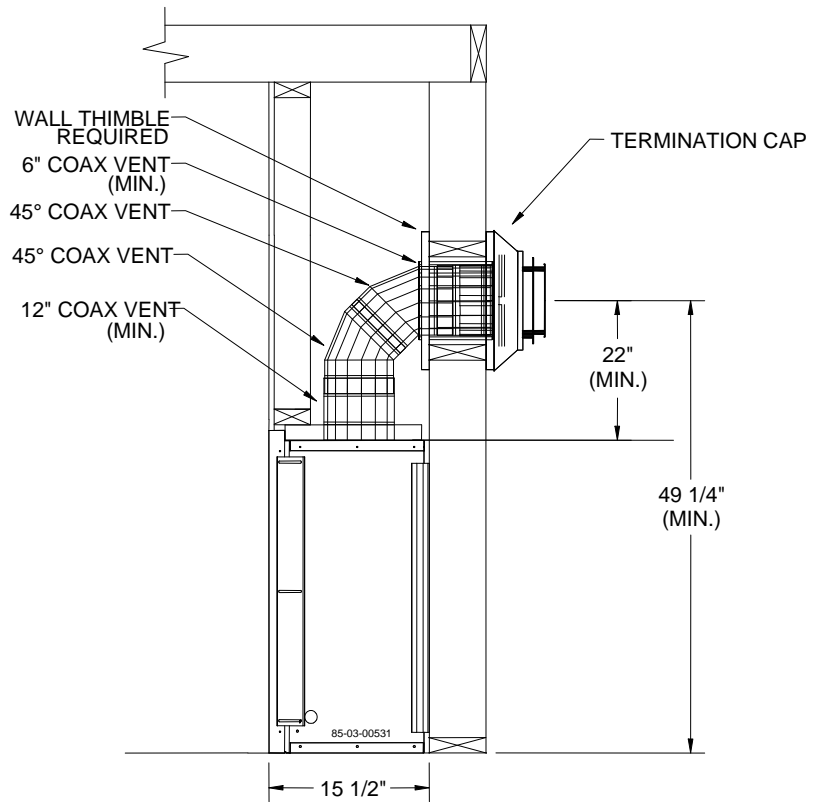


Figure 7: LP MINIMUM VENT

For L.P. gas and high altitude installations (above 4,000 ft.), 45° elbows must be used in place of 90° elbows.

NOTE: This requires 22" minimum height to center of vent cap.

CAUTION: If 90° elbows must be used, a 24 inch vertical starter section must be used off the top of the fireplace.

MINIMUM RISE THROUGH-THE-WALL VENTING:

The minimum vertical rise for vent installation through the wall is 16 1/4" from the top of the fireplace to the centerline of the 90° elbow in installations where only a 6" (or 7") horizontal vent section is used (refer to chart on PG.16 when using horizontal sections). NOTE: We recommend always using the most vertical rise the installation will allow. This maximizes efficiency and flame appearance. This is especially true for LP gas installations and for installations at higher altitudes. Use "fixed" pipe sections in place of adjustable pipe sections wherever possible. 1000° sealant use is recommended on inner pipe joints. Always maintain 1" clearances from vent pipe sides and bottom to combustibles, 2" above pipes on horizontal runs and above elbows. Do not fill air spaces with insulation or other material.

For **L.P. gas and High Altitude (above 4,000 ft.)**, 45° elbows must be used in place of 90° elbows.

NOTE: This requires 19" minimum rough opening depth (see PG. 15). CAUTION: If 90° elbows must be used, a 2-foot vertical starter section must be used directly off the top of the fireplace.

THIS FIREPLACE MUST BE INSTALLED BY A QUALIFIED MENDOTA APPROVED SERVICEPERSON.

IMPORTANT: REFER TO DRAWINGS ON PAGES 14-17 WHILE FOLLOWING THESE INSTRUCTIONS.

1. Position fireplace in desired location. See PG. 11 for guidelines on proper vent cap placement on the exterior of home. Check to determine if wall studs are in the way when venting system is attached. If this is the case, you may want to adjust the fireplace location.
2. Measure from the top of the fireplace up minimum (see Figure 4: Specifications & Clearances, PG. 164) and mark wall directly at the center of where the vent pipe will penetrate the wall.
3. Cut and frame a 9" wide x 10" high rectangle opening in the wall. The hole must be positioned so the vent system will run level or have a 1/4" rise AND be perpendicular to the wall. The height of the opening must be located to meet all local and national building codes and not allow the termination to be easily blocked or obstructed. If wall being penetrated is non-combustible material, i.e. masonry block, brick, etc., a 7-inch diameter hole is acceptable.
4. Assemble the components to the fireplace adapter with pipe seams oriented toward the wall or floor -- as much out of view as possible. Be sure all vent component connections are in their fully twist-locked position and are leak-proof. Be sure 1000° sealant is used on the inner pipe joints of all pipe sections manufactured by Simpson DuraVent. American Metal pipe joints do not require this sealant.

NOTE: DO NOT SEPARATE TELESCOPING SECTIONS. THEY MUST BE USED AS COMPLETE ASSEMBLIES.

5. The length of the horizontal piece that fits through the wall will be determined by the thickness of the wall. When installed, the end of the horizontal piece must be flush with the exterior wall of the home. There **MUST** be a minimum of 1" air space clearance to combustibles from all vent pieces (2" above horizontal runs and on top of elbows).
6. **A wall thimble must always be used when penetrating combustible wall materials.**
NOTE: Combustible wall thickness must be 4" to 8" maximum for the wall thimble. Wall more than 8" thick will require special protection. Contact Mendota Technical services for assistance.
7. From the exterior of the home, slide the horizontal vent cap over the end of the horizontal pipe and tightly secure the cap to the wall with screws. Seal with a high quality caulking.

WARNING: Venting terminal shall never be recessed into wall cladding or siding. Vent Cap must sit on top of siding or cladding.

VENTING COMPONENTS LIST

MENDOTA #	DESCRIPTION
45-01-00186	7" LENGTH
45-01-00187	12" LENGTH
45-01-00188	24" LENGTH
45-01-00189	36" LENGTH
45-01-00190	48" LENGTH
45-01-00191	ADJUSTABLE LENGTH
45-01-00192	45 DEG. ELBOW
45-01-00193	90 DEG. ELBOW
45-01-00194	WALL THIMBLE
45-01-00195	VERTICAL CAP
45-01-00196	HORIZONTAL CAP
45-01-00197	14" SNORKEL CAP
45-01-00198	36" SNORKEL CAP
45-01-00199	WALL STRAP
45-01-00200	FIRESTOP SUPPORT PLATE
45-01-00201	FLASHING: 0/12-6/12 PITCH
45-01-00202	FLASHING: 6/12 - 12/12 PITCH
45-01-00203	STORM COLLAR
45-01-00204	ATTIC INSULATION SHIELD
45-01-00206	CO-LINEAR APPLIANCE ADAPTOR
45-01-00207	CO-LINEAR TOP KIT
45-01-00208	VERTICAL KIT
45-01-00209	HORIZONTAL KIT
45-01-00210	HORIZONTAL KIT #2
45-01-00211	7" LENGTH- BLACK
45-01-00212	12" LENGTH - BLACK
45-01-00213	24" LENGTH - BLACK
45-01-00214	36" LENGTH - BLACK
45-01-00215	48" LENGTH - BLACK
45-01-00216	ADJUSTABLE LENGTH - BLACK
45-01-00217	45 DEG. ELBOW - BLACK
45-01-00218	90 DEG. ELBOW - BLACK
45-01-00219	FACEPLATE, CEILING SUPPORT/ WALL THIMBLE - BLK
45-01-00220	ROOF SUPPORT - BLACK
45-01-00224	36" LENGTH
45-01-00225	48" LENGTH
45-01-00226	ADJUSTABLE LENGTH

NOTE: ALL PART NUMBERS LISTED ABOVE APPLY TO SIMPSON DURAVENT COMPONENTS ONLY.

ELEVATED VERTICAL RISE THROUGH-THE-WALL VENTING

The required MINIMUM vertical rise is 48 in. when used with a maximum horizontal run of 12 ft. For other venting configurations within these maximum limits, see Figure 6, PG. 18.

NOTE: *All horizontal runs of vent pipe must be level or have a ¼" rise for every 1' of run toward the termination. Never allow the vent to run downward. This will cause high temperatures and the possibility of a fire.*

USING OFFSETS AND RETURNS: A single 90° vertical-to-horizontal elbow is already calculated into the allowable maximum 12' horizontal run. Each additional 90° elbow reduces the maximum horizontal distance by 3'. Example: by using three total 90° elbows the maximum horizontal distance has been reduced to 6 ft. (3 - 1 = 2 elbows x 3' = 6'; 12' Max. - 6' of elbows = 6' of horizontal run). Note: 45° elbows reduce the maximum horizontal distance by 1½'.

SUPPORT: Horizontal runs of pipe will require one vent support for every 3 ft. of pipe.

CAUTION: If a vertical-to-horizontal elbow is enclosed within a wall, floor or ceiling, a top air space clearance of 3" must be maintained above the elbow. Be sure to maintain 1" air space to any combustibles on the sides and bottom, 2" above horizontal pipe sections.

THIS FIREPLACE MUST BE INSTALLED BY A QUALIFIED MENDOTA APPROVED SERVICEPERSON.

IMPORTANT: REFER TO DRAWINGS ON PAGES 14-17 WHILE FOLLOWING THESE INSTRUCTIONS.

1. Position fireplace in desired location. See PG. 13 for guidelines on proper vent cap placement on exterior of home. Check to determine if wall studs are in the way when vent system is attached. If this is the case you may want to adjust the fireplace location.
2. Locate the position where vent pipe will pass through any ceilings and will penetrate the outside wall. Since vent pipe sections "overlap" we suggest pre-assembling and measuring the total vent pipe run so you can more accurately locate the point where the vent pipe will penetrate the outside wall (See Figure 2: Exterior Vent Locations, PG. 13). Be sure all vent components are properly twist locked and leak-proof. It is recommended that 1000° sealant be used in the inner pipe joints of all pipe sections manufactured by Simpson DuraVent.

NOTE: DO NOT SEPARATE TELESCOPING SECTIONS. THEY MUST BE USED AS COMPLETE ASSEMBLIES.

3. Cut and frame a 9-1/2" wide x 10" high openings in the outside wall openings and 9" x 9" opening in ceiling openings. The outside wall hole must be positioned so the vent system will run level or have a ¼" on rise AND be perpendicular to the wall. The height of the opening must be located to meet all building codes and not allow the termination to be easily blocked or obstructed. A ceiling fire stop spacer is required at all floor (ceiling) penetrations.
4. Connect vent pipe to the fireplace adapter on top of fireplace vent outlet.
5. The horizontal pipe must end flush with the exterior wall of the home. Horizontal pipes will require proper support every 3 ft. of vent pipe. **THERE MUST BE A MINIMUM OF 1" CLEARANCE TO COMBUSTIBLES ON THE SIDES AND BOTTOM OF ALL VENT PIECES (2" above horizontal runs and above elbows).**
6. **A wall thimble must always be used when penetrating combustible wall materials.**
NOTE: Combustible wall thickness must be 4" to 8" maximum for the wall thimble. Wall more than 8" thick will require special protection. Contact Mendota Technical services for assistance.
7. From the exterior of the home, slide the horizontal vent cap over the end of the horizontal pipe and tightly secure the vent cap to the wall with screws. Seal with high quality caulking.

WARNING: Venting terminal shall never be recessed into wall cladding or siding. Vent Cap must sit on top of siding or cladding.

VERTICAL THROUGH-THE-ROOF VENTING

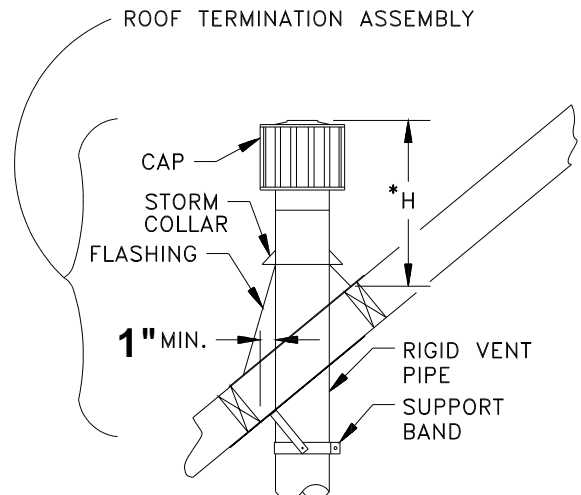
The maximum vertical run of vent pipe is 55 ft. from the top of the fireplace. The fireplace will support a run of a maximum of 55 ft. The vent system must be supported every 3 feet using Support Straps. Maintain 1" air space clearances on all sides of vent components that are positioned vertically and 2" above horizontal pipe sections and components.

THIS FIREPLACE MUST BE INSTALLED BY A QUALIFIED MENDOTA APPROVED SERVICEPERSON.

IMPORTANT: REFER TO DRAWINGS ON PAGES 14-17 WHILE FOLLOWING THESE INSTRUCTIONS.

1. Place the fireplace in its desired location. Drop a plum bob from the ceiling to the position of the fireplace flue exit. Mark the location where the vent will penetrate the ceiling. Drill a small hole at this point. Next, drop a plum bob from the roof to the hole previously drilled in the ceiling. Mark and drill the spot where the vent will penetrate the roof. Determine if ceiling joists, roof rafters or other framing will obstruct the venting system. You may choose to relocate the fireplace or choose to offset the vent system to avoid cutting load bearing members.
2. Cut and frame a 9" x 9" opening in the ceiling centered on the hole drilled in Step 1.
3. To determine the length of the vent pipe required, measure the distance from the fireplace flue outlet to the ceiling, the ceiling thickness, and the vertical rise in the attic or second story and allow sufficient vent height above roofline. For two story installations, fire stops are required at each floor level. If an offset is needed in the attic, additional pipe and elbows will be required.
4. Assemble the desired lengths of vent pipe and elbows to reach from the fireplace flue outlet. Ensure that all vent pipe and elbow connections are in their fully twist-lock position and that inner pipe joints are sealed and are leak-proof. Maintain 1" airspace clearances to combustibles around vertical pipe sections and 3" clearance above horizontal run sections.
5. Cut a 9" x 9" opening in the roof, centered in the small drilled hole placed in the roof in Step 1. The opening should be a sufficient size to meet all clearance requirements. Continue to assemble lengths of pipe and elbows necessary to reach up through the roofline. Galvanized pipe and elbows may be utilized in the attic, as well as above the roofline. The galvanized finish is desirable above the roofline due to its higher corrosive resistance.
 - a) If an offset is necessary, it is important to support the vent pipe every 3 ft. to avoid excessive stress on the elbows and possible separation. Wall straps are available for this purpose.
 - b) Whenever possible, use 45° elbows instead of 90° elbows. The 45° elbow offers less restriction to the flow of flue gases and intake air. If a 90° elbow is necessary there must be a minimum of one pipe section rise between the 90° elbow and the vent cap. A maximum of three 90° elbows are allowed per installation.
6. Slip the flashing over the pipe sections protruding through the roof. Secure the base of the flashing to the roof with roofing nails and seal flashing to roof. Ensure the roofing material overlaps the top edge of the flashing. Verify you have at least the minimum clearance to combustibles at the roofline.
7. Continue to add pipe sections until the pipe and the vent cap meet the minimum building code requirements, as outlined in No. 8 on the following PAGE.
 - a) For multi-story vertical installation, a ceiling fire stop is required at the second floor and any subsequent floors. The opening should be framed to 9" x 9" inside dimensions as described in step No. 5.
 - b) Any occupied areas above the first floor, including closets and storage spaces, which the vertical vent passes through, must be enclosed. The enclosure may be framed and sheet rocked with standard construction materials, however, be sure to maintain minimum allowable clearances between the outside of the vent pipe and the combustible surfaces of the enclosure.
8. Height "*H" of top of vent cap can be determined as follows:
9. Complete installation with storm collar and vent cap.

ROOF PITCH	"H" DIMENSION	
	FEET	METERS
FLAT to 6/12	2	.6
7/12 to 9/12	2	.6
10/12 to 12/12	4	1.2
13/12 to 16/12	6	1.8
17/12 to 21/12	8	2.4



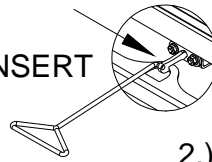
DOOR REMOVAL AND REPLACEMENT

CAUTION: Do not operate the appliance with glass removed, cracked or broken. Replacement of the glass should be done by a licensed or qualified service person. Glass latch tool #HA-57-00743 is supplied with the unit.:

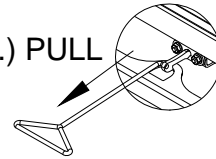
To Unlatch Glass Frame Latches:

1. Insert Glass Latch Tool into hole in latch (two latches exist at top of glass frame).
2. Pull Glass Latch Tool outward about 3/8".
3. Rotate Glass Latch Tool 90 degrees.
4. Slowly Release Glass Latch Tool.
5. Remove Glass Latch Tool.

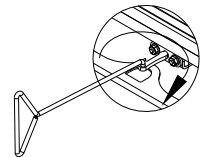
1.) INSERT



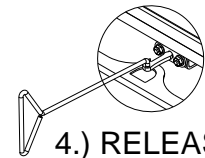
2.) PULL



3.) ROTATE



4.) RELEASE



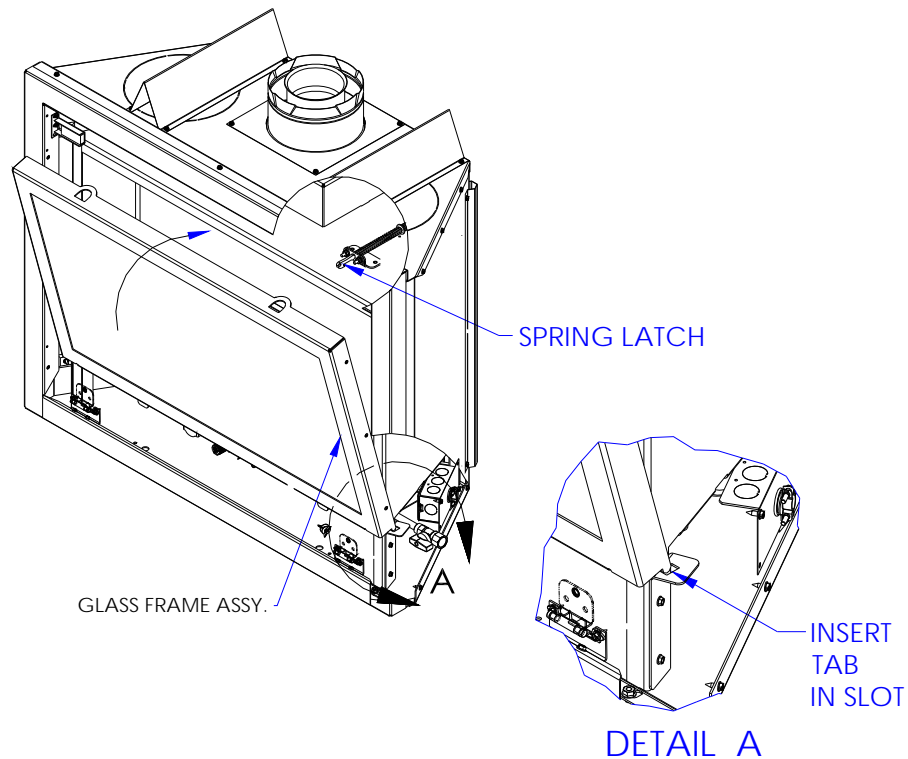
To Latch Glass Frame Latches, reverse steps 5 to 1, above.

To Remove Glass Frame:

1. Rotate top edge of freed glass frame outward about 15 degrees.
2. Lift Glass Frame Up and Out.

To Install Glass Frame:

1. Align and insert tabs in side flanges of Glass Frame into Slots into the slot in the side bracket.
2. Rotate Glass Frame upward until vertical.
3. Latch Glass in place per instructions above.



GLASS FRAME ASSEMBLY REPAIR AND REPLACEMENT

DO NOT substitute other manufacturer's materials or components.

DO NOT operate unit with cracked, broken or missing glass.

DO NOT abuse the glass door by striking the glass, slamming the door shut, etc

WARNING

Use only authorized parts and materials obtained from Johnson Gas Appliance Company when replacing defective or damaged glass.

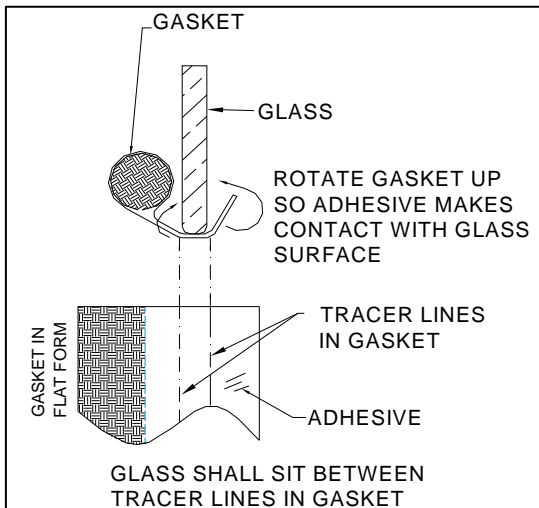
WARNING

Do not operate this appliance with the glass removed, cracked or broken. Glass should be replaced by a licensed or qualified person.

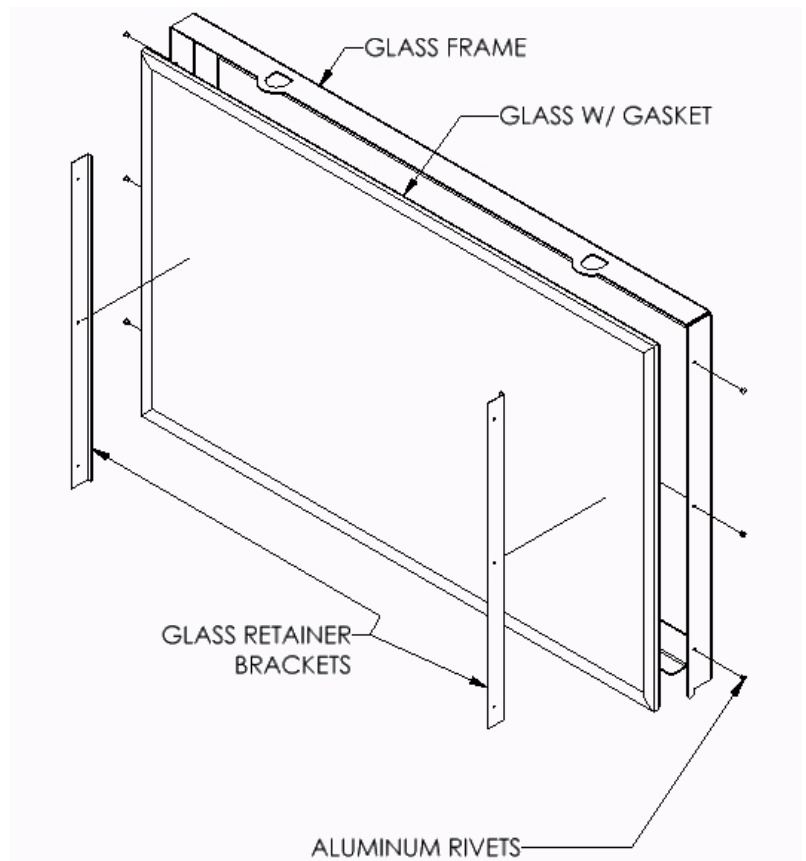
TO REPLACE DAMAGED GLASS

1. Using an 1/8" drill bit, drill through 3 rivets on each side of glass frame.
2. Remove glass retainer brackets and the damaged glass and gasket material. Clean the inner surface of the glass frame.
3. Assemble new gasket on glass edge starting with the bottom left corner. The adhesive on the gasket should make contact with the glass surface. Use tracer lines in gasket to determine where the glass should sit on the gasket surface.
4. Place glass and gasket assembly in glass frame. Carefully attach glass retainer brackets to sides of glass frame using new 1/8" Aluminum rivets.

The glass frame assembly and its individual components are available through Johnson Gas Appliance Company. Contact your dealer for more detailed ordering information.



GLASS FRAME ASSEMBLY REPLACEMENT PARTS LIST		
ITEM	PART NUMBER	DESCRIPTION
1	HA-30-00411	FRAME, WELDMENT, GLASS, DXV35 DT 3
2	65-02-00103	GASKET, TADPOLE, 3/8" BULB, 3/4" TAIL
3	65-06-00463	GLASS, CERAMIC, DXV35 DT4



DXV-35 DT4 DEEP TIMBER LOG SET INSTALLATION INSTRUCTIONS

FOLLOW EACH STEP DEPICTED IN THE DIAGRAMS, BELOW, TO INSTALL THE LOG SET.

CAUTION: LOGS ARE FRAGILE, HANDLE LOG PIECES WITH CARE.

Carefully unpack 9-piece log set, bag of coals and bag of inswool. NOTE: Logs are very fragile, handle with care. Break packaging foam if log pieces are trapped within foam. Do not pull on logs!

Coals must not block pilot or burner flames! Placement of coals has a big effect on front burner flame appearance and "glow" of coals. More coals = less yellow flame and more glow. Fewer coals = more yellow flame and less "glow".

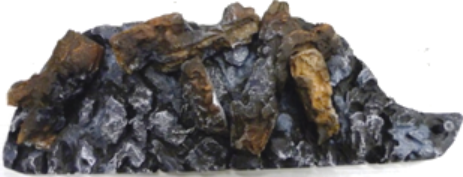
Heat can be reduced by lowering flame height by turning the HI-LO knob. Blowers can also be turned down to reduce heat output.

Do Not "over fire" by increasing Gas Input Rate above Rating Plate specifications.

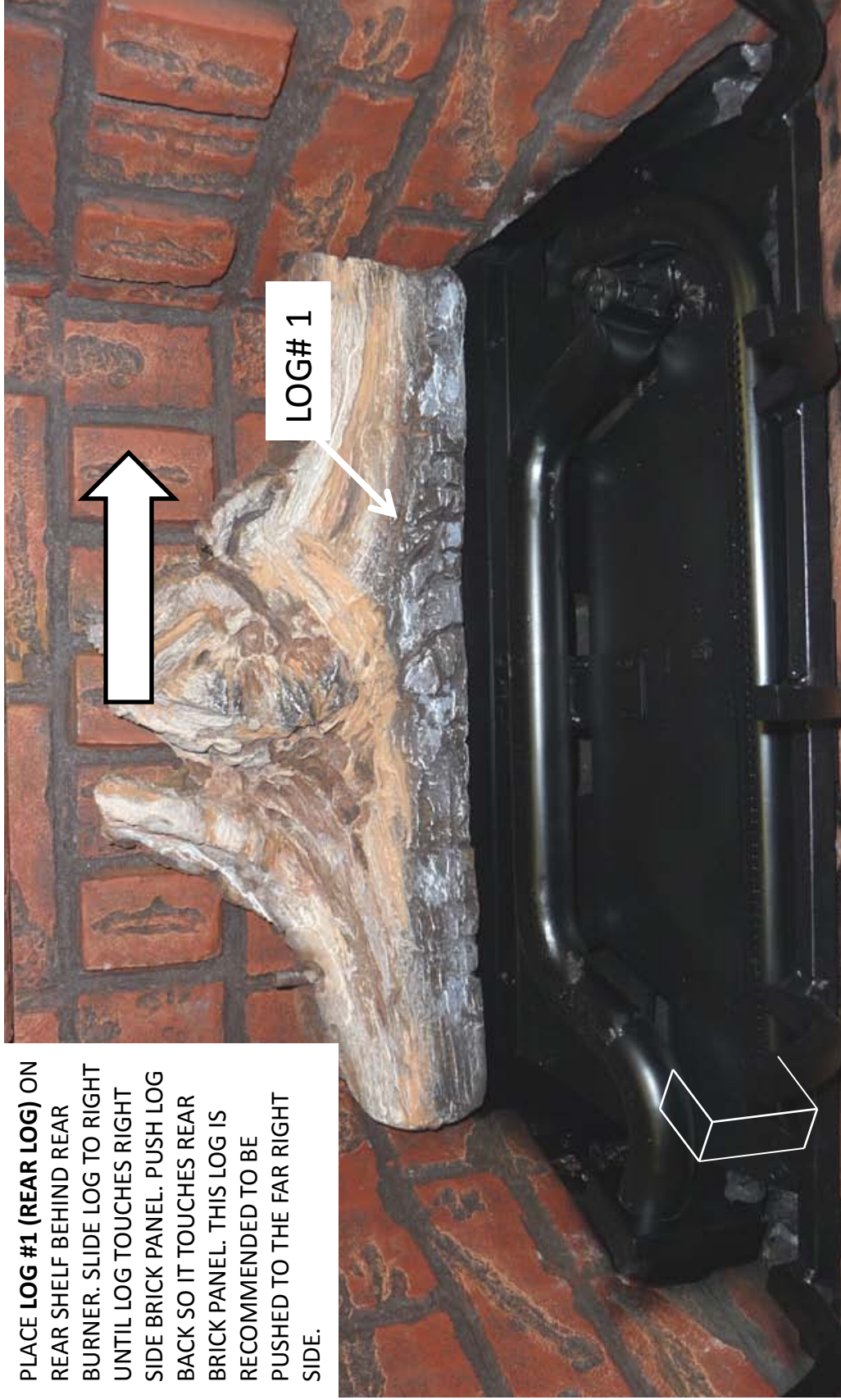
Do Not turn down pilot flame length less than 1 inch long.

DXV35 DT4 LOG SET PARTS IDENTIFICATION

(COALS AND INSWOOL BAGS ARE NOT SHOWN HERE)

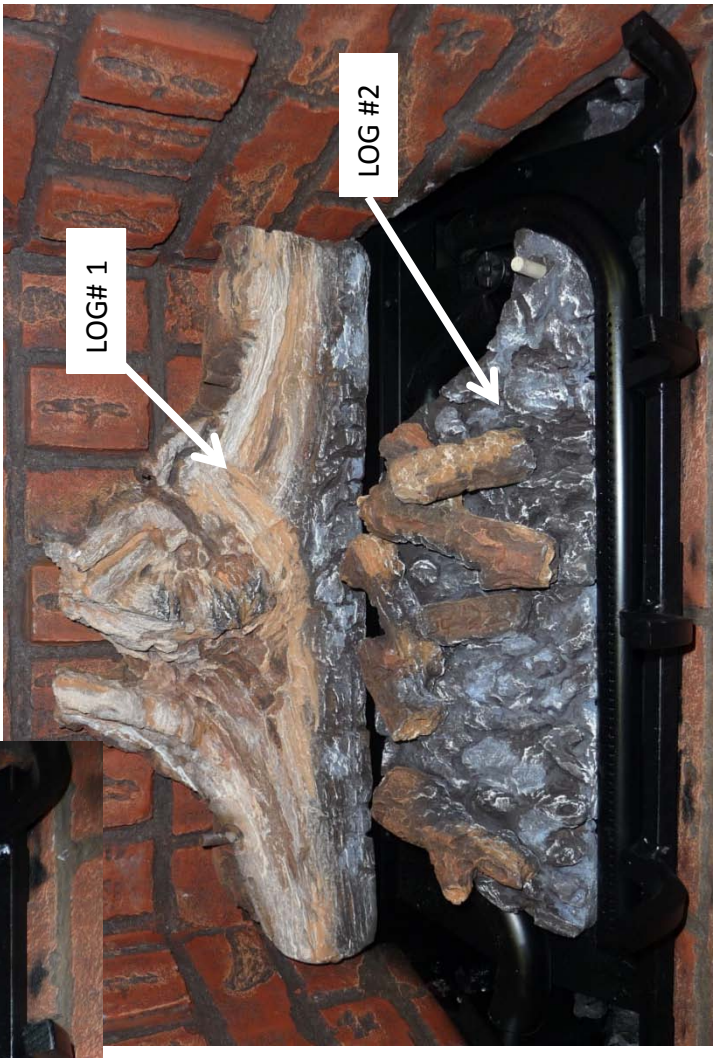
 <p>LOG #1 : REAR LOG 35-01-00581</p>	 <p>LOG #2 : MID EMBER BED 35-01-00582</p>	 <p>LOG #3 : LEFT LOG 35-01-00608</p>
 <p>LOG #4 : RIGHT LOG 35-01-00580</p>	 <p>LOG #5 : LEFT TOP LOG 35-01-00579</p>	 <p>LOG #6 : RIGHT TOP LOG 35-01-00578</p>
 <p>LOG #7 : PILOT SHIELD LOG 35-01-00409</p>	 <p>LOG #8 : LEFT FRONT TWIG 35-01-00577</p>	 <p>LOG #9 : RIGHT FRONT CHUNK 35-01-00576</p>

PLACE LOG #1 (REAR LOG) ON REAR SHELF BEHIND REAR BURNER. SLIDE LOG TO RIGHT UNTIL LOG TOUCHES RIGHT SIDE BRICK PANEL. PUSH LOG BACK SO IT TOUCHES REAR BRICK PANEL. THIS LOG IS RECOMMENDED TO BE PUSHED TO THE FAR RIGHT SIDE.



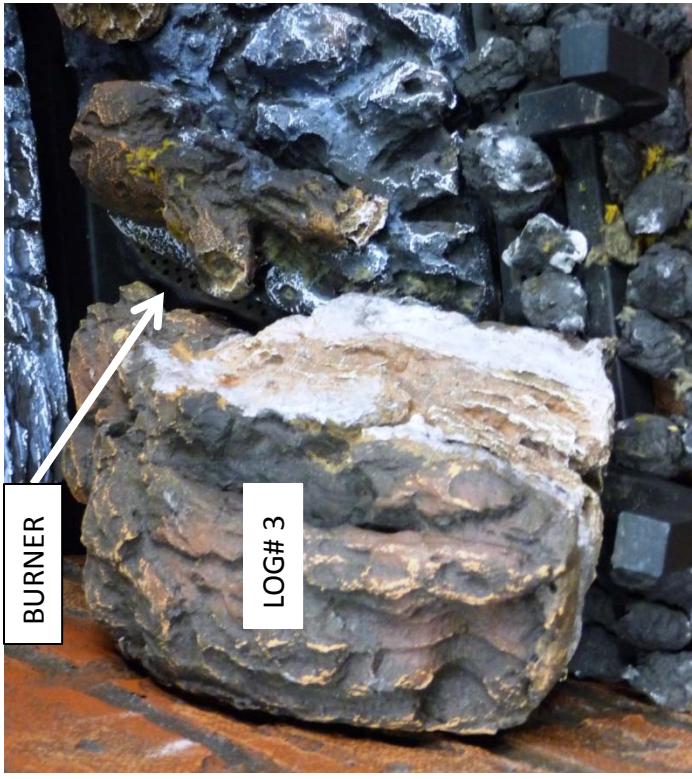
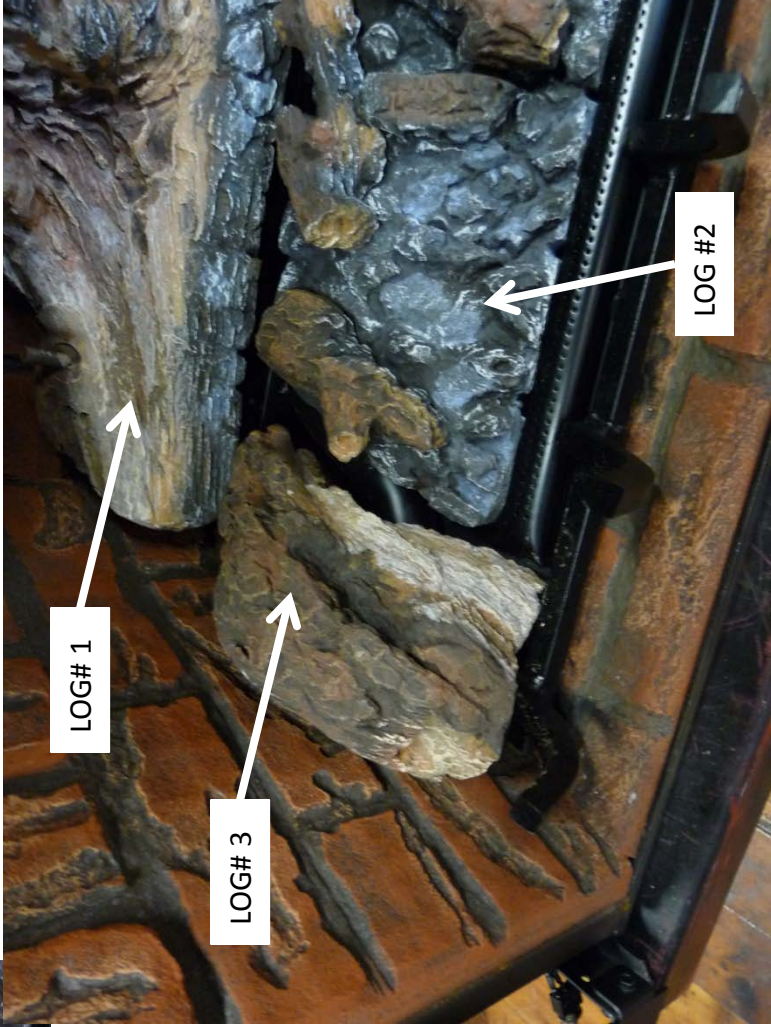
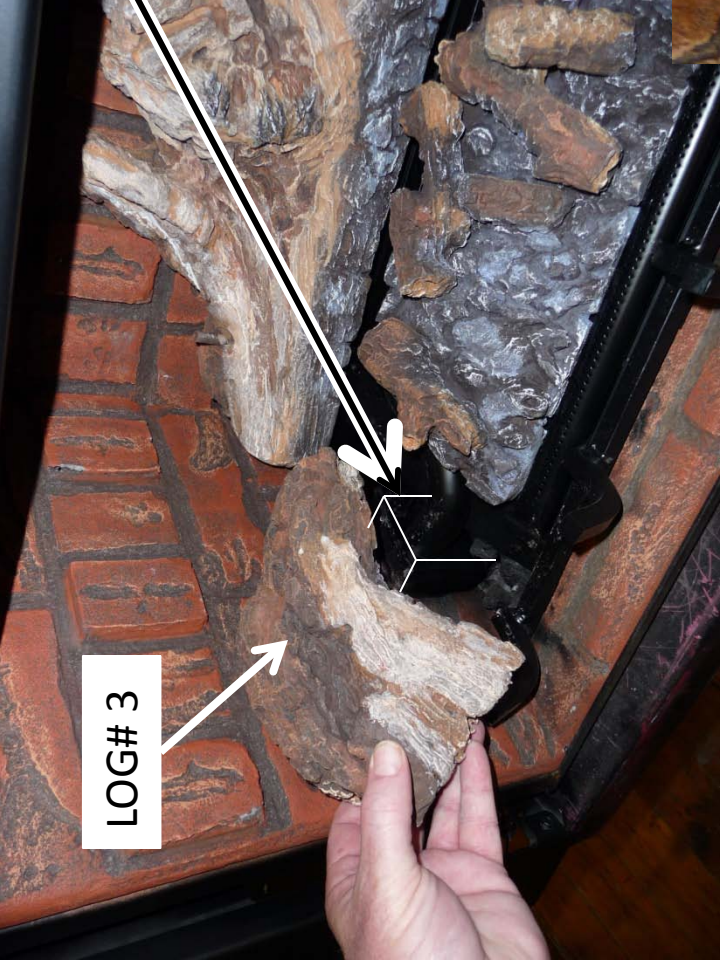
LOG #2 (MID EMBER BED) SITS BETWEEN REAR AND FRONT BURNER, FLAT DOWN ON THE SURFACE OF THE BURNER AIRBOX. ADJUST POSITION OF FRONT AND REAR BURNERS IF LOG #2 DOES NOT SIT BETWEEN REAR AND FRONT BURNER.

PLACE LOG #2 BETWEEN THE TWO BURNERS AND SLIDE TO THE RIGHT UNTIL THE CURVATURE IN THE FRONT BURNER CONTACTS THE CURVATURE ON THE RIGHT FRONT TIP OF LOG #2. PUSH LOG #2 DOWN TO INDENT THE BOTTOM WITH THE TWO BURNER MOUNTING SCREW HEADS. LOG #2 MUST NOT ROCK ON TOP OF THE SCREW HEADS. LOG #2 MUST BE STABLE.



PLACE **LOG #3 (LEFT LOG)** ON TOP OF THE RECTANGLE AIR SHUTTER BOX ON THE LEFT SIDE. LOG #3 HAS A RECTANGULAR NOTCH ON ITS BOTTOM SIDE THAT ALLOWS THE LOG TO SIT SQUARELY ON TO OF THE BOX. ALSO, THERE IS A NOTCH THAT MATES WITH THE LEFT-MOST GRATE BAR. SET LOG #3 ON THE GRATE BAR AND THE RECTANGLE SHAPED AIR SHUTTER BOX TOP SURFACE.

LOG #3 MUST LEAVE CLEARANCE FOR THE REAR BURNER PORTS. SOME ROTATIONAL FLEXIBILITY IS ALLOWED FOR THE REAR END OF THIS LOG TO ROTATE TOWARDS LOG #2. HOWEVER, LOG #3 SHALL NEVER SIT ON TOP OF THE REAR BURNER PORTS. DOING SO WILL LEAD TO SOOT CREATION.



LOG #4 (RIGHT LOG) HAS A HOLE FOR THE PIN ON LOG #2.

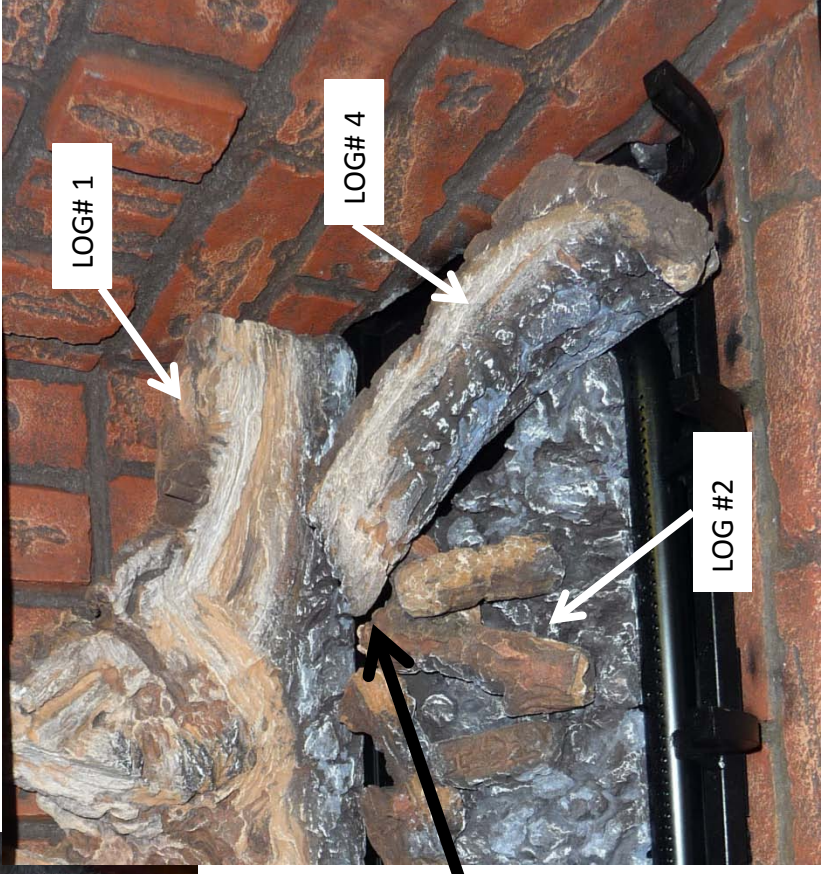
INSERT PIN IN LOG #2 INTO HOLE IN LOG #4. SET RIGHT END OF LOG #4 ON TOP OF THE FIRST GRATE BAR ON THE FAR RIGHT SIDE.

SOME ROTATIONAL FLEXIBILITY IS ALLOWED TO LOG #4 AROUND THE PIN AND HOLE. HOWEVER, DO NOT ROTATE REAR END OF LOG OUTWARD. ROTATE INWARD ONLY IF DESIRED.

ROTATING OUTWARD MAY PLACE LOG #4 ON TOP OF REAR BURNER PORTS AND MAY LEAD TO SOOTING



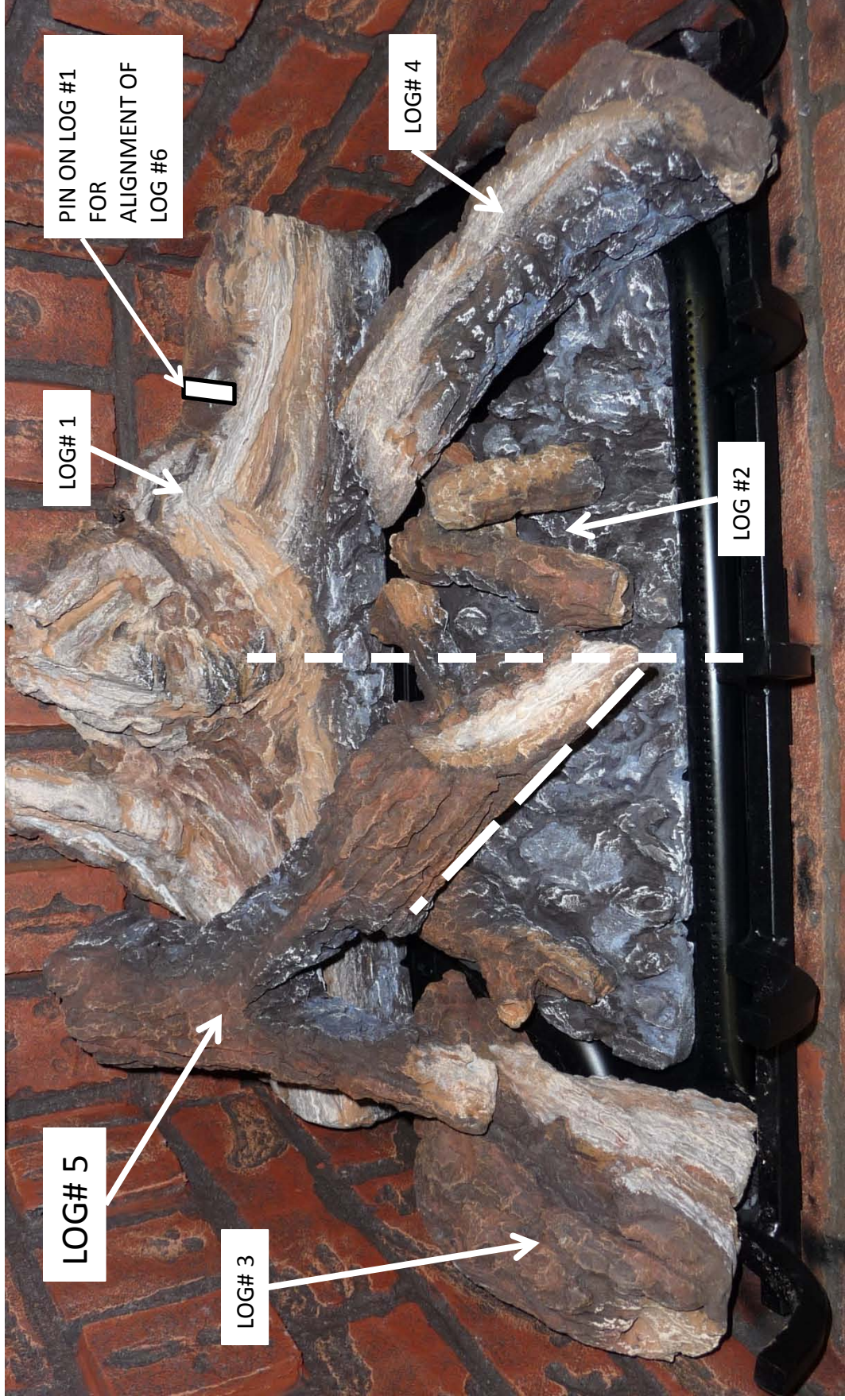
REAR TIP OF LOG #4 MUST SIT ON TOP OF LOG #2, HERE.



LOG #5 (LEFT TOP LOG) SITS ON THE LEFT SHOULDER OF LOG #1 AND ITS TWO BRANCHES SIT ON TOP OF LOG #2 AND LOG #3. LOG #5 HAS A HOLE THAT ALIGNS WITH THE LEFT SIDE PIN ON LOG #1.

THE V-NOTCH BETWEEN THE TWO BRANCHES MUST SIT DIRECTLY ON TOP OF THE REAR BURNER'S LEFT SIDE PORTS AND MUST ALLOW THE FLAMES TO RISE INTO THE V-NOTCH IN THIS LOG.

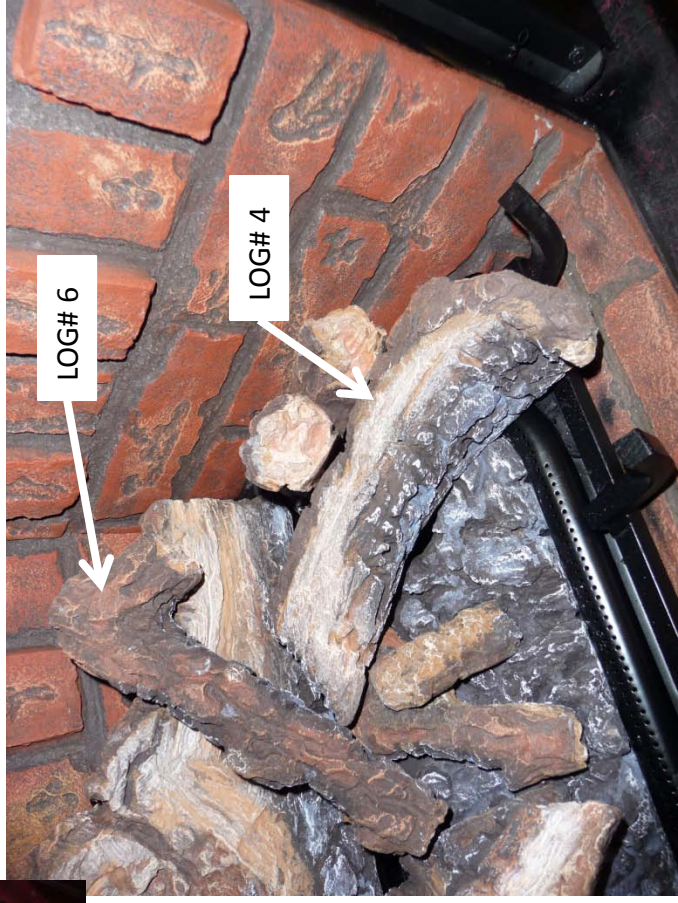
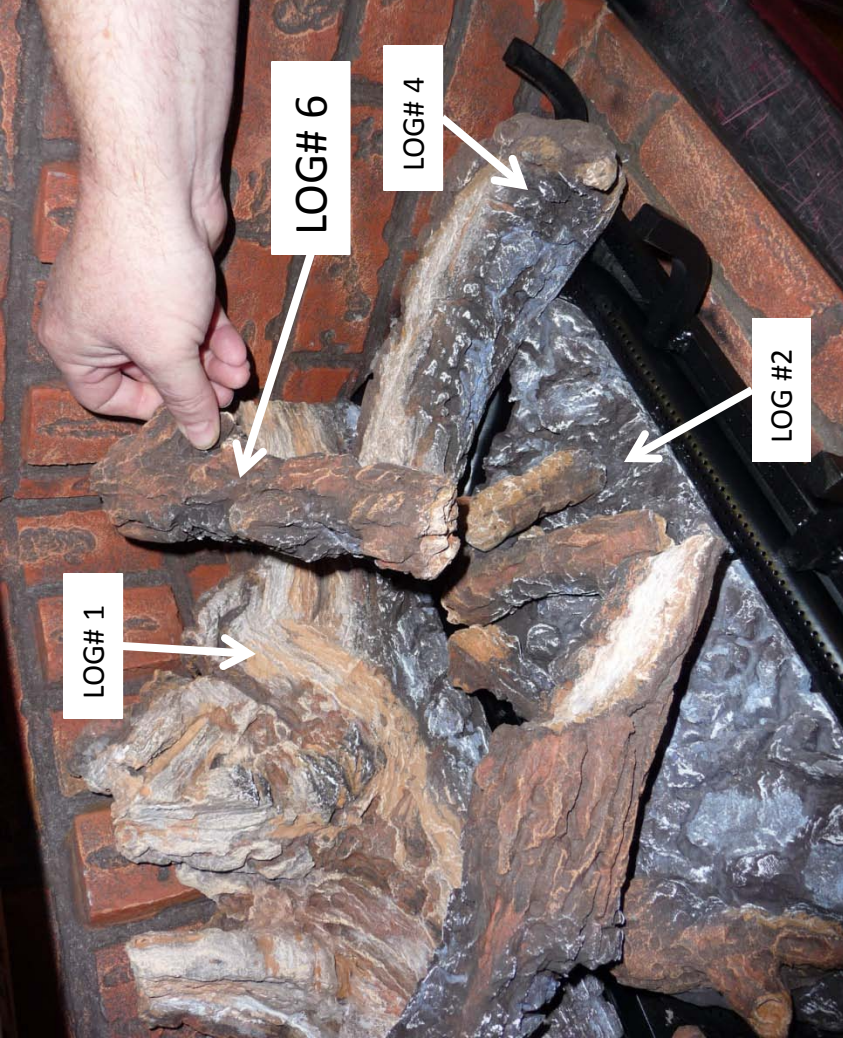
PUSH LOG #5 BACK SO ITS REAR END TOUCHES THE REAR BRICK PANEL.



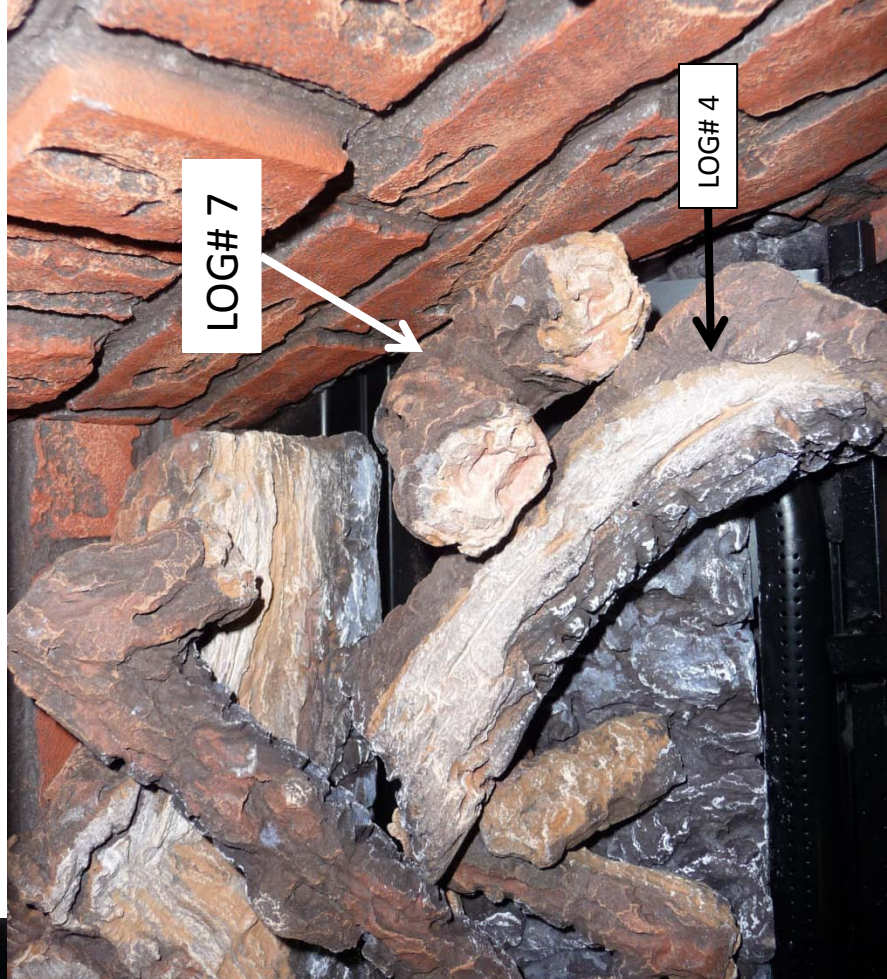
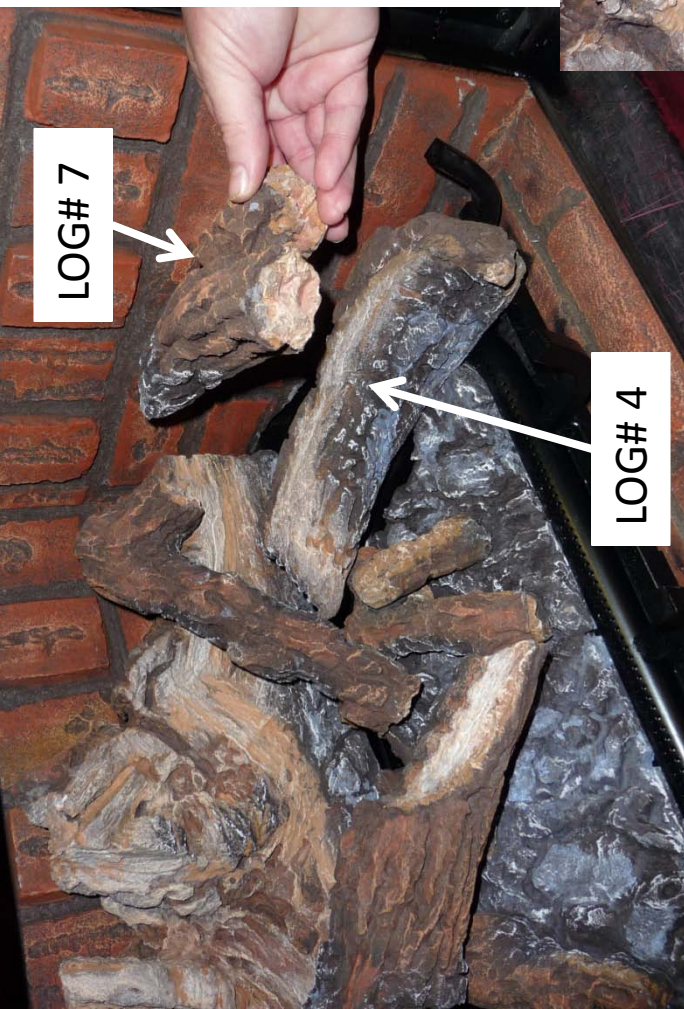
LOG #6 (RIGHT TOP LOG) SITS ON TOP OF LOG #1 USING THE PIN THAT IS ON THE RIGHT SIDE OF LOG #1. LOG #6 HAS A HOLE IN ITS BACK-SIDE TO MATE WITH THIS PIN.

PLACE LOG #6 ON TOP OF LOG #1'S PIN. THE OTHER END OF LOG #6 SITS ON TOP OF LOG #2 AS SHOWN, BELOW.

SOME ROTATIONAL FLEXIBILITY IS ALLOWED FOR LOG #6. THE POSITION OF LOG #4 WILL LIMIT THE ROTATION OF LOG #6.



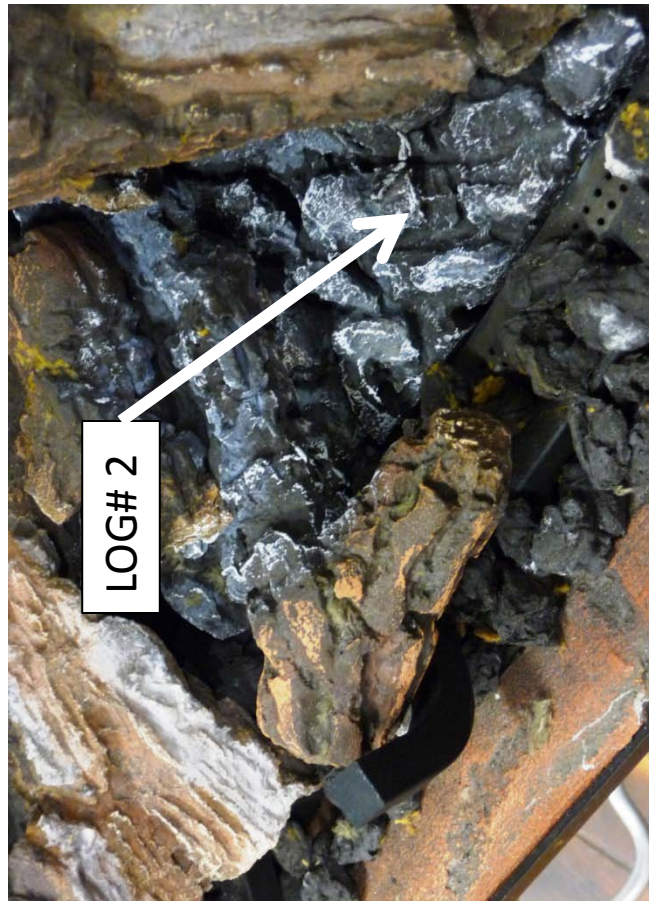
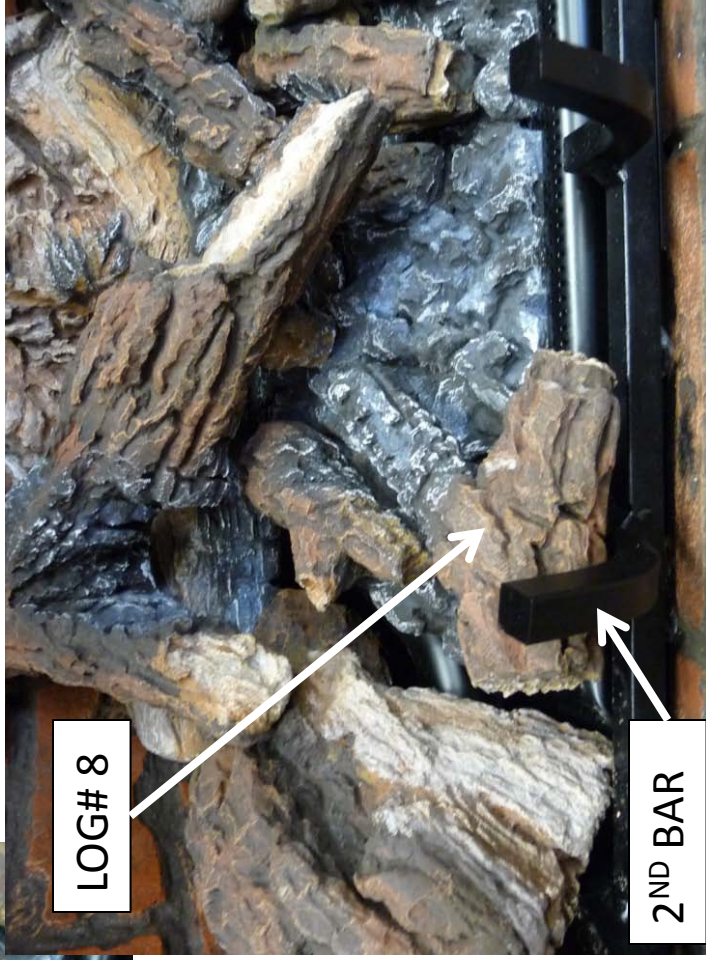
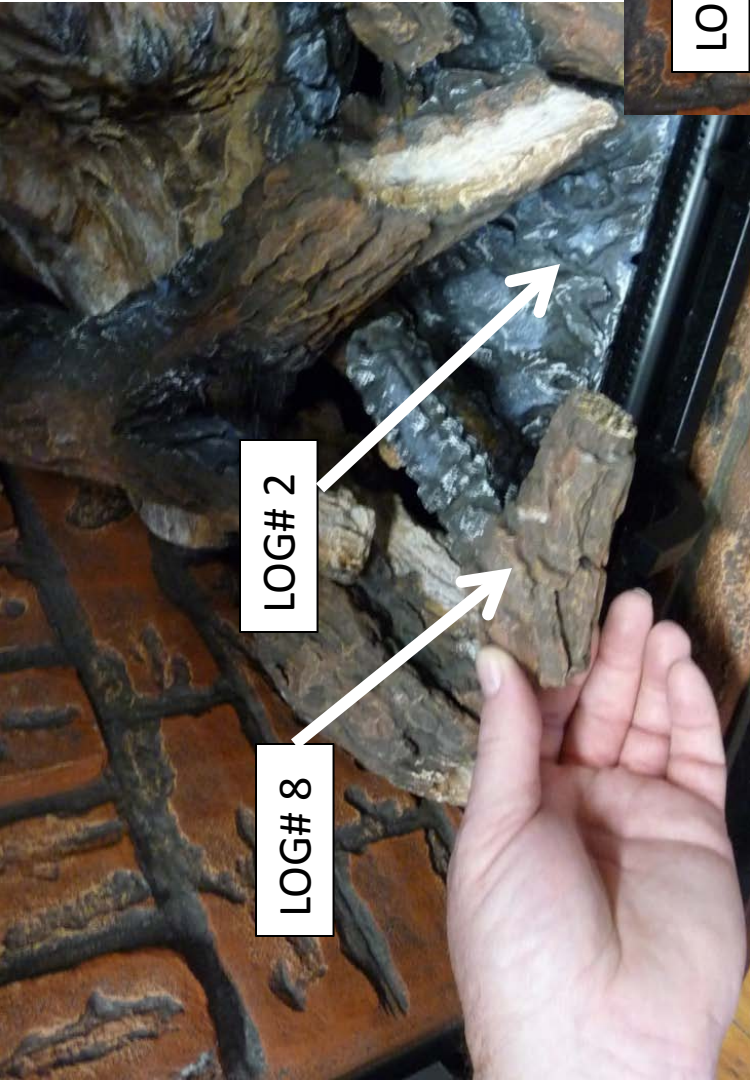
LOG #7 REST ON TOP OF THE FRONT BURNER'S REAR VISIBLE EDGE AND ON TOP OF LOG #4. THIS LOG IS DESIGNED TO HIDE THE PILOT LIGHT. PLACE THIS LOG SO IT PROVIDES CLEARANCE TO ALL BURNER FLAMES AND PILOT FLAMES, YET POSITIONED TO HIDE THE PILOT FLAMES.



PLACE LOG #8 (LEFT FRONT TWIG) IN THE POSITION SHOWN HERE. LOG #8 SITS ON TOP OF LOG #2 AND RESTS AGAINST THE GRATE BAR (2ND FROM LEFT).

ATTEMPT TO POSITION LOG #8 AS SHOWN HERE FOR THE BEST GLOW EFFECT AND REALISTIC LOOK.

DO NOT PINCH FRONT BURNER PORTS WITH LOG #8.



LOG# 9



LOG# 9



LOG #9 (RIGHT FRONT CHUNK) IS TO BE PLACED AT A SEVERE ANGLE AGAINST THE HORIZONTAL GRATE BAR AND FLOATING OVER THE FRONT BURNER PORTS. THE POSITION OF THIS LOG IS NOT CRITICAL. HOWEVER, DO NOT PLACE THIS LOG DIRECTLY ON TOP OF THE FRONT BURNER PORTS AND DO NOT PLACE THIS LOG ON TOP OF LOG #2.

SCATTER SMALL COALS ON THE FLOOR AND BETWEEN THE LOG GRATE'S HORIZONTAL BAR AND THE FRONT BURNER. A FEW COALS MAY SIT ON TOP OF THE FRONT BURNER TUBE BUT AVOID PLACING TOO MANY COALS ON TOP OF THE FRONT BURNER PORTS.

USING A TOOTH BRUSH, BRUSH INSWOOL (GLOWING EMBERS) RANDOMLY OVER LOG #2, THE COALS AND IN AREAS WHERE YOU WISH TO SEE GLOWING EMBER EFFECTS.



COMPLETED LOG SET ASSEMBLY

The following Check Off Lists must be completed prior to final operation of the Fireplace, or manufacturer's warranty and liabilities will be voided:

INSTALLATION CHECK OFF LIST

<input type="checkbox"/>	Co-axial vent rigid pipe, wall vent cap or roof vent cap must be installed by a Mendota approved person in accordance with instructions. All joints must be secured, "twist-locked" and leak-proof. 1000 °F sealant use is recommended on the inner pipe joints of DuraVent pipe sections.
<input type="checkbox"/>	Horizontal or vertical vent cap must be installed " right-side-up " and tightly sealed to structure per instructions. Vent Caps <u>must</u> be Mendota approved.
<input type="checkbox"/>	Clearances to combustibles requirements must be strictly adhered to.
<input type="checkbox"/>	Proper exterior and interior clearances for vent systems and locations for wall vent cap/roof vent cap must be maintained.
<input type="checkbox"/>	Carefully check for correct gas pressure, proper size gas lines and for gas leaks.
<input type="checkbox"/>	115 V electrical service and gas supply must be installed in accordance with instructions and local and national codes.

LIGHTING CHECK OFF LIST

<input type="checkbox"/>	All items on "Installation Check Off List" (see above) <u>must</u> be completed.
<input type="checkbox"/>	Connect thermostat, if desired. Disconnect wires connected to Main On/Off switch and connect thermostat lead wires to these two wires and run to thermostat location.
<input type="checkbox"/>	Check air shutter opening - 1/16" to 1/8" Nat. gas or 1/4" Min. LP gas.
<input type="checkbox"/>	Carefully follow all Lighting and Log Installation Instructions.
<input type="checkbox"/>	Make certain that burner lights <u>immediately</u> and flame runs promptly around "curve" in burner and lights entire burner. DO NOT proceed with operation unless burner cycles "on/off" without delays.
<input type="checkbox"/>	Make certain that the flame is "stable" and does not "lift" off burner. If flame lifts off burner, turn unit off and check that all vent pipes are "twist locked" and leak proof, the vent cap is "right side up". DO NOT proceed with operation if flame is "lifting off" burner. Note: do not separate telescoping sections. They <u>must</u> be used as complete assemblies.
<input type="checkbox"/>	Make certain glass door is in properly closed and "centered" in firebox opening.

BEFORE YOU BEGIN

Read this entire manual before you use your new fireplace. Failure to follow the instructions may result in property damage, bodily injury, or even death.

Intermittent Pilot Light and Standing Pilot Light Features

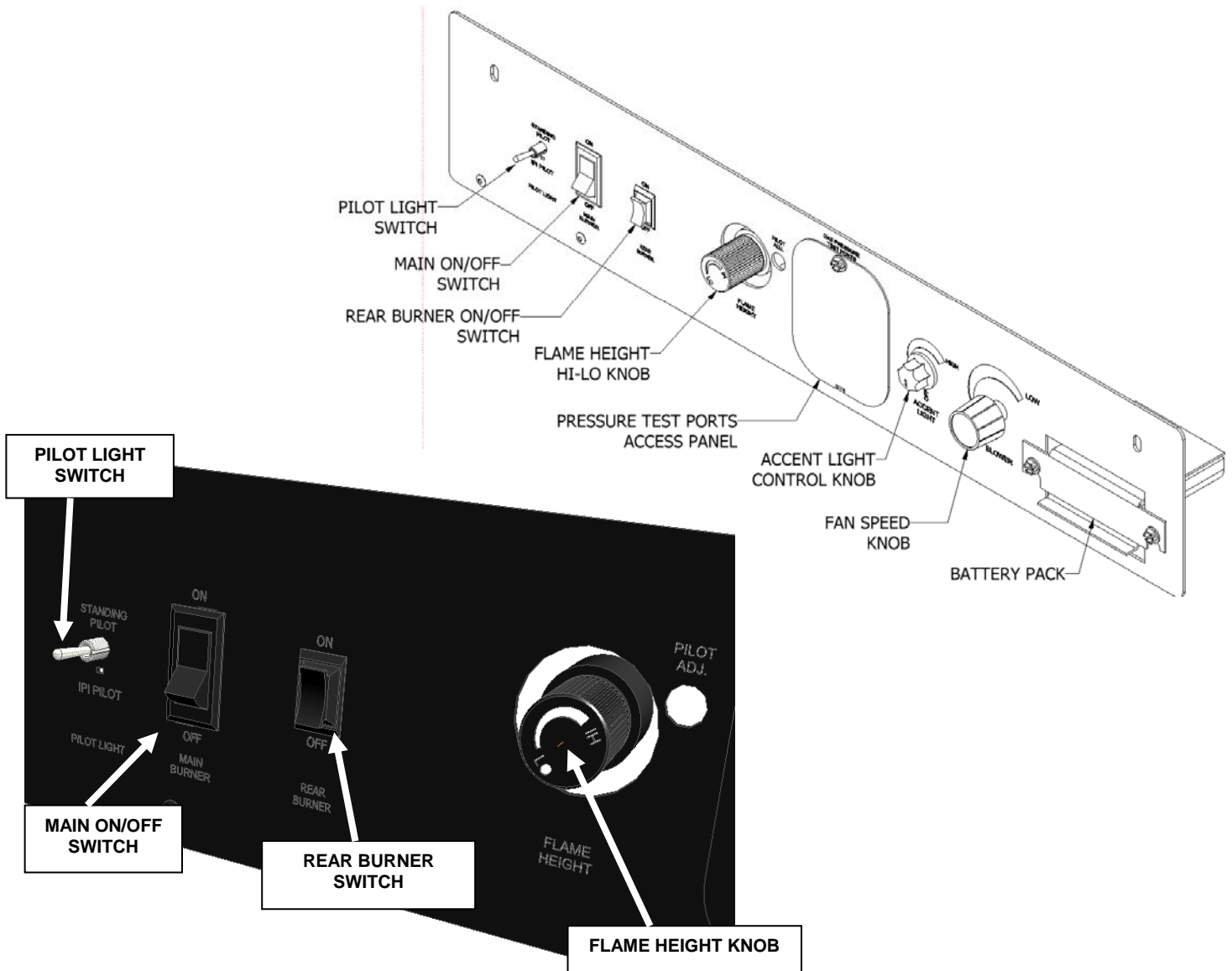
This gas fireplace is equipped with an electronic ignition System that first lights a pilot light then uses the pilot light to ignite the main burners. The pilot light can be set in the "Standing Pilot" mode to allow the pilot light to remain on indefinitely by toggling the "Standing Pilot Switch" to the ON position. If the "Standing Pilot Switch" is toggled to the OFF position, the pilot light will only light and remain ON while the main fireplace burners are operating.

IPI Mode: This mode turns the pilot light "OFF" when the fireplace is not functioning and only lights the pilot light automatically when a call for heat is made by the remote control.

Standing Pilot Mode: If the "Standing Pilot Switch" is toggled to ON, the pilot light will ignite and remain ON as long as the "Standing Pilot Light Switch" is in the ON position.

NOTE: Mendota Fireplaces recommends that the Standing Pilot Mode be used during the winter months when external temperatures fall below 50°F. This will keep the fireplace chimney heated for proper updraft during burner ignition and it will also eliminate excessive condensation of exhaust vapors on the door glass. Further, leaving the fireplace in the Standing Pilot Mode will keep the fireplace body warm and eliminate cold drafts and heat loss to the cold air that is trapped inside the firebox.

CONTROL PANEL FUNCTIONS IDENTIFICATION



“FIRST TIME” LIGHTING INSTRUCTIONS

IMPORTANT: Be sure all items on "INSTALLATION CHECK OFF LIST" in the Installation Manual have been completed!

CAUTION: If the pilot goes out, be sure to wait a minimum of five minutes before attempting to relight the pilot.

1. Make certain that any manual gas supply shut-off valves located upstream of fireplace are open.
2. Make certain that 120VAC power is connected [and ON] to the electrical junction box on the left side of unit.
3. Insert Batteries in the Battery Holder if not already installed at the factory. Note the polarity of batteries and insert as indicated on the battery compartment covers.
4. For the “First Time Lighting”, Remove the Glass Door. This is required to purge the gas line of air and to inspect the pilot lighting spark.
5. Locate the “Standing Pilot ON/OFF Switch”. Toggle “Standing Pilot ON/OFF Switch” to “ON”. You will hear a series of clicks and after a few seconds, you will hear sparking at the pilot spark electrode. Visually inspect the spark at the pilot hood and verify that the spark jumps from the spark electrode to the pilot hood.
6. Allow adequate time for the air in the gas-line to purge. The control system will stop sparking after 30 seconds if the pilot light does not light. After a 30 second delay the control system will start sparking again for 30 seconds more. If the pilot light does not light after the third 30 second spark event, the system will enter “Lock-out” mode. To unlock from “Lock-out” mode, toggle “Standing Pilot ON/OFF Switch to “OFF” and toggle Main ON/OFF Switch to “ON”, wait 30 seconds and toggle Main ON/OFF Switch to OFF. Toggle “Standing Pilot ON/OFF Switch to ON. Repeat this sequence until the pilot flame lights and the pilot is burning steadily.

LOCK OUT MODE: If the pilot light does not light after the third 30 second spark event, the system will enter “Lock-out” mode. To unlock from “Lock-out” mode, toggle “Standing Pilot ON/OFF Switch to “OFF” and toggle Main ON/OFF Switch to “ON” (the sparking will start again); wait 30 seconds and toggle Main ON/OFF Switch to OFF. This will reset the system.

7. Once the pilot flame is lit and well-established, close glass door. **WARNING: NEVER IGNITE MAIN BURNERS WITH GLASS DOOR REMOVED OR OPEN. Doing so will lead to damage to pilot flame sensor wire and spark electrode wire leads.**
8. Toggle Main Burners ON/OFF Switch to “ON”. All burners should ignite and run at “high-fire”. If rear burner does not turn ON, toggle Rear Burner ON/OFF Switch to ON. After 15 seconds, Toggle Main Burners ON/OFF Switch to OFF. Burner Flames will extinguish.
9. Perform gas inlet and outlet pressure tests and leak tests on field installed gas fittings and factory installed fittings in the gas valve compartment, at this time. **Note:** Burners must be ON to check outlet pressures and to leak test gas train fittings upstream of main gas valve.

Backup Batteries: The life span of the backup batteries depends on the quality of the batteries used and how long the batteries have been installed in the wall receiver. These batteries are only utilized during power outages. Replace these batteries every heating season even if you have not experienced any power outages. Batteries drain slowly even when not in use. This is a normal characteristic of all batteries. To prevent the batteries from bleeding while not in use, you may choose to remove the backup batteries and install them only when they are needed.

OPERATING DURING POWER OUTAGES

This electronic ignition system utilizes the supplied 110VAC power when it is available for all functions of this system. If the AC power is interrupted during a power outage, this system utilizes the batteries (installed in the Wall Receiver) as back-up batteries. During the power outage, the appliance’s burners will function. In addition, Flame Height adjustment and Secondary Burner ON/OFF functions will be available. The Fan and Accent Light, which are wholly dependent on 110VAC power, will not function.

This appliance is designed and tested to be operated during power outages. The overall efficiency of this appliance will be reduced by approximately 5% when the blower function is disabled during the power outage period.

THERMOSTAT OR REMOTE CONTROL OPERATION

The Fireplace may be connected to a wall thermostat, a remote control or a wall switch. The thermostat should be placed in the same room as the fireplace, approx. 4-5 ft. off the floor (out of reach of children). **DO NOT** place thermostat within 8 feet of this fireplace or on an outside wall.

CAUTION: In standing pilot mode, burner should light after turning thermostat "on". If burner does not come on immediately, turn the thermostat off and wait 60 seconds before turning on again. If burner does not come on immediately after second try recheck complete installation of logs, pilot, vent system, etc. **Do not** operate fireplace if burner does not light immediately. Call service technician.

NEVER TURN BURNER ON & OFF "QUICKLY" - ALWAYS WAIT 60 SECONDS BETWEEN ON AND OFF!

NOTE: The maximum length of thermostat wire allowed is 25 feet. Use of longer thermostat wires may cause malfunction of the thermostatic function. CAUTION: **NO EXTERNAL POWER SUPPLY CAN OR SHOULD BE USED.**

Use two-wire, copper lead wire per chart below and install as follows:

NOTE: Thermostat Must Be Millivolt Rated

RECOMMENDED MAXIMUM
LEAD LENGTH (TWO-WIRE)
WHEN USING WALL THERMOSTAT

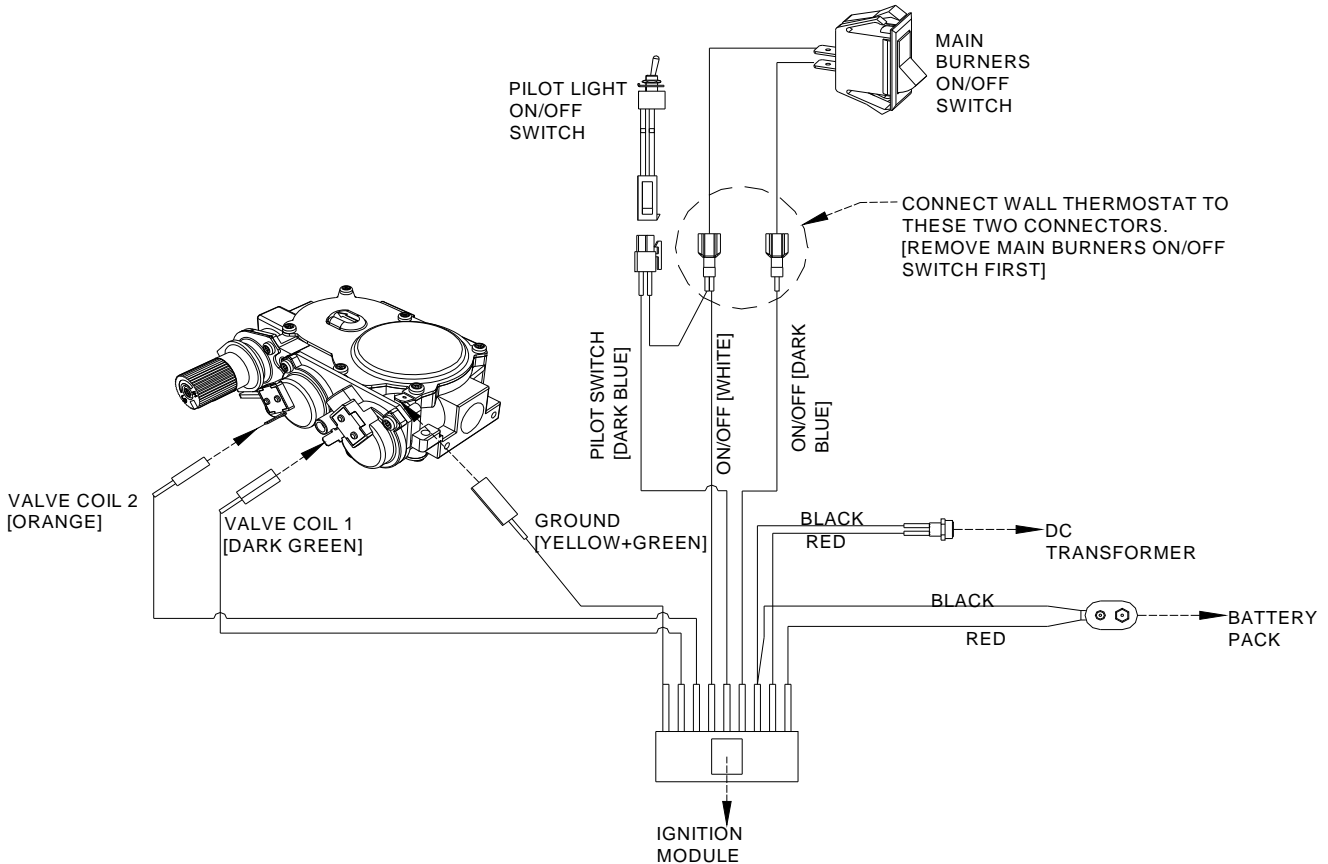
WIRE SIZE	MAX. LENGTH
16 GA.	25 FT.
18 GA.	25 FT.
20 GA.	25 FT.
22 GA.	18 FT.

Figure 8: Thermostat Wiring

NOTE: Thermostat must be millivolt rated (dry contact type only).

HOW TO CONNECT A THERMOSTAT OR WALL SWITCH TO THIS FIREPLACE

Remove Courtesy Panel and disconnect wires from back of Main Burners ON/Off Switch. Connect Thermostat Leads to the two wires you removed from the Main Burners ON/OFF Switch and run to the thermostat location. Connect thermostat to the wire leads. Test thermostat in Standing Pilot Mode first.



BLOWER OPERATION AND WIRING

WARNING: The Electrical Junction box within this appliance must be connected to a grounded LIVE power circuit. No switches, Light Dimmers or Fan Speed Control Devices are allowed within the same electric circuit as this appliance. Connect only to a LIVE electrical power supply that is not controlled by any other switching device.

Dual blowers are provided as standard equipment with this DXV35 DT4 Fireplace. The dual blowers have an air output rating of 210 CFM (in free air).

BLOWER BREAK-IN PERIOD: The integrated blowers in this Insert may exhibit some bearing noise and electrical static noise during the first few hours of operation. This is normal during the break-in period. It is recommended that following the Paint Curing Cycle, the blowers be run at their maximum speed for two 3-hour periods. The blowers in a few units may take longer to break-in and may require additional operation time before all extraneous noise is eliminated. Please allow adequate operational time (a minimum of 2 weeks) for the blowers to break-in before you contact your dealer for service.

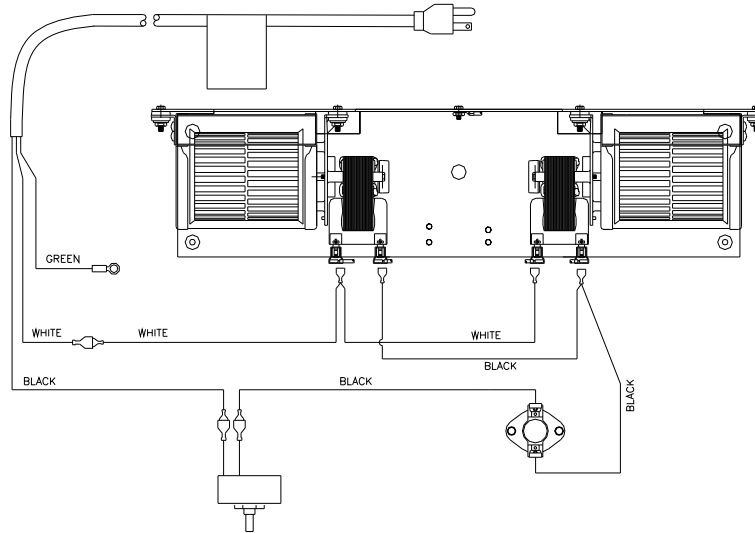
WARNING: Label all wires prior to disconnection when servicing controls. Wiring errors can cause improper and dangerous operation. Verify proper operation after servicing.

BLOWER OPERATION

This Fireplace is designed so the blower operates at all times the fireplace is operating. The blower output can be regulated with the rheostat. NOTE: There will be a time delay in blower operation during "heat-up" (approx. 15 minutes) and extended blower operation during "cool-down" of unit. (Approx. ½ hour). NOTE: Power supply to blower must be continuous. DO NOT use a switch or variable speed control in power supplied to fireplace.

OPERATION DURING POWER OUTAGES

The fireplace is designed to operate during power outages. The blower will not operate, but natural convection can be improved by removing the upper grill and opening the screen doors (depending on the type of optional front installed).



TROUBLE SHOOTING MENDOTA GAS DXV FIREPLACE

SYMPTOM	PROBABLE CAUSES	CORRECTIVE ACTION
1. Thin black coating (soot) forms on viewing glass.	A. Incorrect gas pressure B. Not enough combustion air	Have gas supplier check for correct gas pressure (7" W.C. Nat. Gas; 12" W.C. LP Gas). If sooting continues open air shutter on burner (see "Gas Flame Adjustment" below). If sooting still continues, shut off unit and call Mendota service person. NOTE: To clean glass - remove glass and wipe glass with cloth or paper towel.
2. Humming or whistling coming from Fireplace.	A. Normal operating noise.	Some noise is normal. It is caused by the gas supply flowing through the gas orifice. It is expected from any gas fireplace. Turning the Hi/Lo Knob on the control can reduce the noise. Turning down the flame will reduce the heat output of the unit.
3. A change in flame appearance or burner operation.	A. A change in gas pressure. B. Carbon, dirt or lint	Have your gas supplier check for correct gas 7" W.C. Nat. Gas; 12" W.C. LP Gas). If flame still needs adjustment see "Flame Adjustment" below. Clean out carbon, spider webs, lint, etc. from shutter area. Logs and burner. NEVER BLOCK AIR INTAKE OR OUTLET VENTS.

FLAME ADJUSTMENT

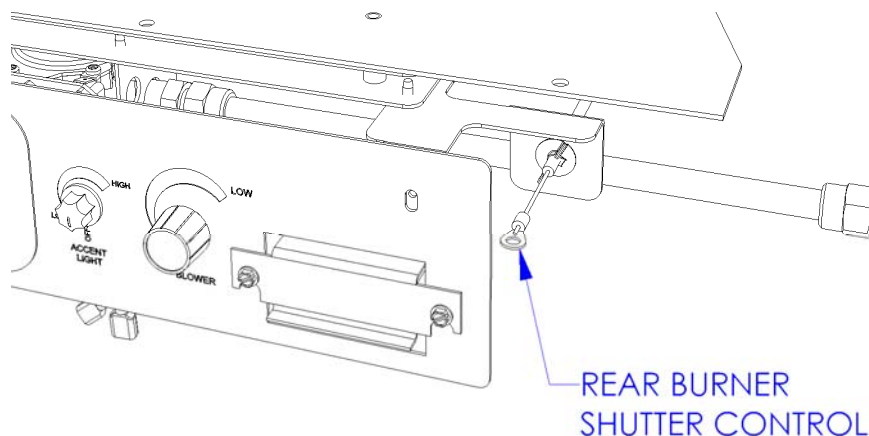
Be sure burner and logs are properly installed. After logs have been properly installed and operated for one to one and a half hours, small additional adjustments to the air shutter may be necessary for final flame appearance. These small shutter adjustments can be made by the following procedure:

NOTE: Very small changes in shutter settings make major changes in flame appearance.

1. One Air Shutter Control is located behind lower hinged grill on the right side. This controls the rear burner shutter. This shutter control controls the rear burner flames. The front burner shutter is of the rotary-type. The front burner shutter is factory adjusted for Natural Gas at 1/8" open. For LPG, open to a minimum 1/4".
2. Light pilot; install logs and glass, and burn unit for 30 minutes.
3. If flame is too "blue" push Air Shutter Control Knob inward until flame turns yellow.
4. If flame is too "orange" or is causing sooting open shutter until flame begins to turn blue. **NOTE: If sooting does not stop, turn off fireplace & call Mendota Service Person.**
5. **IMPORTANT:** Try each new shutter setting approx. 1/2 hour before making additional changes.

NOTE: Changes in front burner flame can be made by re-arranging the coals and rock wool. Densely packed coals will yield more glow and blue flames. Loosely packed coals will yield less glow and yellow flames.

CAUTION: Any changes in pilot flame length must be made by qualified person only.



CUSTOMER INFORMATION AND TROUBLE-SHOOTING

MAXIMUM ALLOWABLE SURFACE TEMPERATURE

Mendota Fireplaces comply with UL Standards for maximum surface temperatures on exposed combustible surfaces adjacent to the unit. The Maximum allowable surface temperature is 117° F. over ambient (room) temperature. Thus, if a room is 70° – 80° the exposed combustible surfaces immediately surrounding the Fireplace can have a surface temperature as high as 187° F. – 197° F. (Too hot to touch).

OVER FIRING OF BURNER

NEVER "over fire" units by adjusting gas pressure or drilling out the orifice to increase BTUH above nameplate specifications. Over firing can cause permanent damage to firebox and deterioration of parts and void warranty.

MAINTAINING CORRECT PILOT-FLAME -- PILOT OUTAGE & RELIGHTING

If pilot flame goes out, always wait 5 minutes before relighting.

CLEANING VIEWING GLASS

The viewing glass should be cleaned periodically. Exterior glass surface may be cleaned with cleaner as desired. The Interior glass surface should be cleaned using only soap and water or KEL KEM "Polish Plus" or comparable product.

CAUTION: Do not use oven cleaner to clean glass. Never touch glass or attempt to clean when glass is hot.

NOTE: Additives that are put in gas (both natural and propane) to make it smell can be harmful to glass and can leave a white film deposit on the glass. This deposit can be removed with cleaners such as KEL KEM "Polish Plus" (part # 65-06-00455) or comparable product (contact your dealer).

In some cases (especially when burning propane) additives can cause "crazing" or etching on the glass. This is not an uncommon occurrence and it is not covered under the warranty. The solution may be to change propane suppliers.

SOOTING

Sooting is caused by improper installation or operation. However, some small areas of soot deposits on log surfaces are deemed acceptable. Open the burner air shutters if you observe sooting. If you observe large soot areas (larger than 1"x2") on log surfaces or signs of sooting on the door glass (usually a thin black film on the Fireplace viewing glass or on the outside of the home around the vent cap), open both burner air shutters. If sooting continues, the unit must be immediately turned off and the local Mendota dealer promptly informed. Mendota dealers will correct "sooting" problems, but Mendota and their dealers are not responsible for damage caused by excessive sooting that has not been immediately brought to their attention.

OPERATION DURING POWER OUTAGES

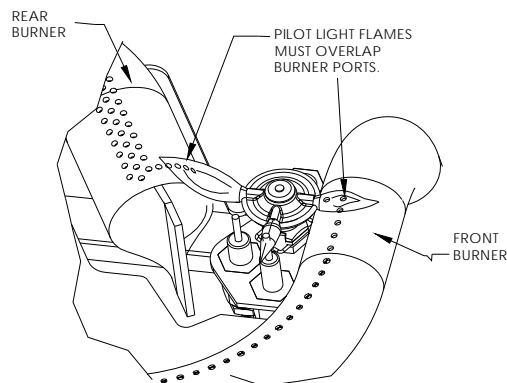
The fireplace is designed to operate during power outages using the backup batteries. The blower will not operate, but natural convection can be improved by removing the upper grill and opening the screen doors (depending on the type of optional front installed).

Hot air convection may be improved by removing upper grill of the Millennia and Deerfield Fronts, opening the doors on the Andover and Prairie Fronts and opening the screen on the Wellington Front.

MAINTENANCE

1. **ANNUAL MAINTENANCE OF MENDOTA UNITS IS REQUIRED.** The following procedures must be performed each year by a Mendota approved service person. NOTE: Any adjustments to burner, pilot or logs must be done by a qualified Mendota service person.
 - A. Replace backup batteries at least 2 times annually. Replace them when the Day Light Savings Time changes.
 - B. Clean all lint and dust build-up around the control. Inspect the condition of any wiring under the burner for melting or damage.
 - C. Remove logs & coals and clean away any foreign matter (lint, Carbon, etc.) on the burner and logs. Be sure the burner ports are "open". Clean the pilot and under side of the logs for any Carbon deposits. NOTE: Logs should be visually checked for Carbon "build-up". If carbon deposits are visible on logs, unit should be turned off and Mendota service person contacted. Be sure logs are re-installed per instructions.
 - D. Check condition of glass door gasket, gasket must seal tightly over firebox, replace if necessary.
 - E. Periodically check to verify that the vent system and vent cap are open and free of blockage.
 - F. Before re-installing glass, have qualified service person check the operation of the pilot
 - G. The viewing glass should be cleaned periodically. Exterior glass surface may be cleaned with cleaner as desired. To clean Interior glass surface, use Kel Kem "polish plus" (part # 65-06-00455) or comparable product. Do not use oven cleaner or abrasive cleaners to clean glass. Do not clean when glass is hot.
 - H. Periodic visual check of pilot flames is required. Pilot Flame must overlap Flame Sensor and burner ignition ports at all times.
 - I. Periodic visual check of main burner's rear and front flames is required.

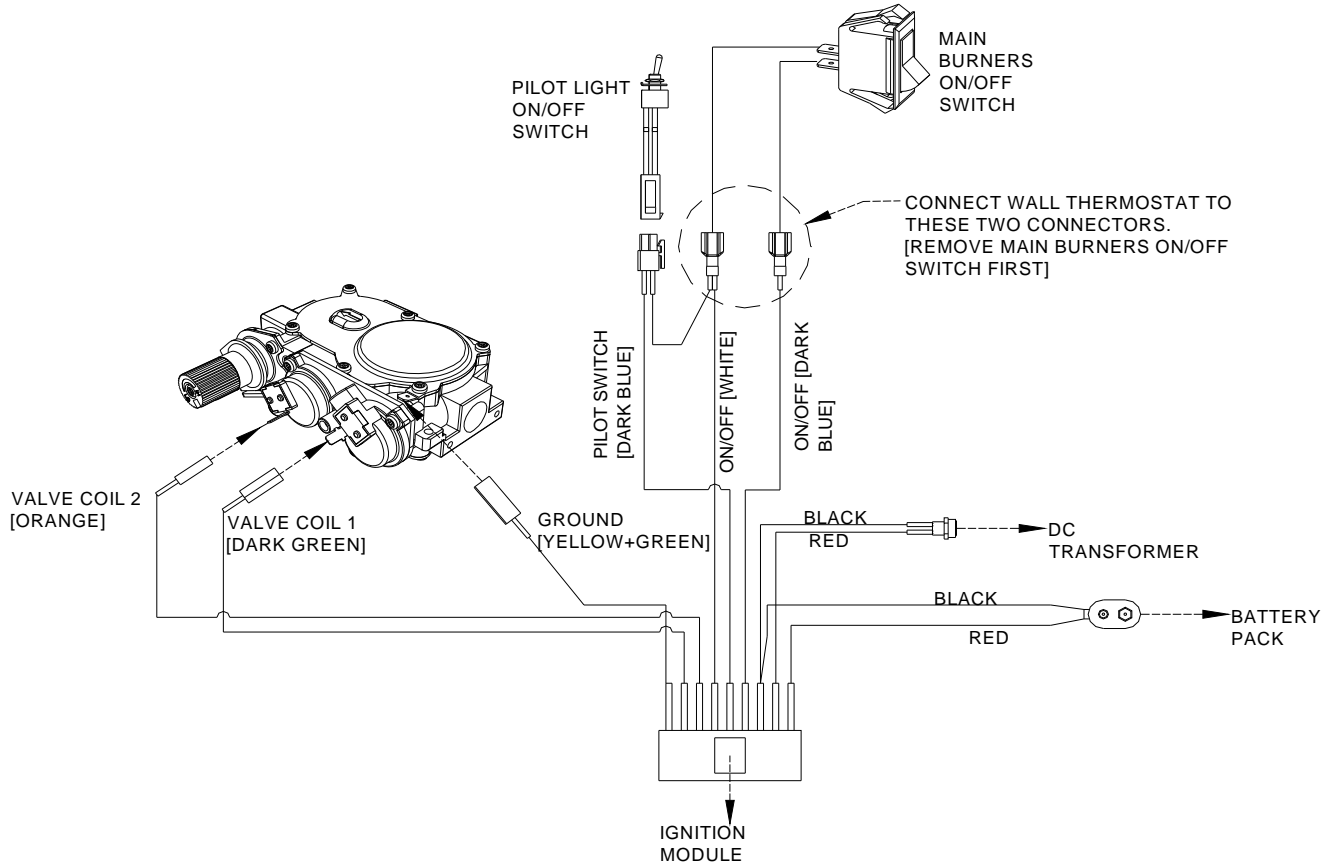
BURNER FLAMES GENERAL HEIGHTS REFERENCE DIAGRAM



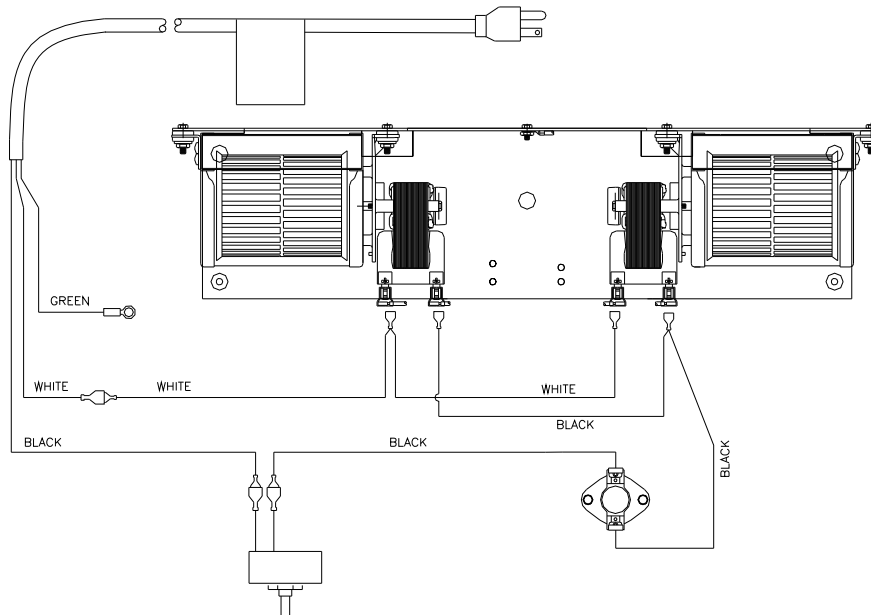
WIRING SCHEMATICS

Note: The DXV35 DT4 ignition system utilizes Transformed DC power for normal ignition functions. In the event of a power outage, the Battery Pack power is utilized.

IGNITION SYSTEM WIRING SCHEMATIC



BLOWER SYSTEM WIRING SCHEMATIC



NATURAL TO LP GAS CONVERSION INSTRUCTIONS

Kit # HA-30-00501 Mendota Model DXV35 DT4

This conversion kit shall be installed by a qualified service agency in accordance with the manufacturer's instructions and all applicable codes and requirements of the authority having jurisdiction. If the information in these instructions is not followed exactly, a fire, explosion or production of carbon monoxide may result causing property damage, personal injury or loss of life. The qualified service agency is responsible for the proper installation of this kit. The installation is not proper and complete until the operation of the converted appliance is checked as specified in the owner instructions supplied with the kit.

Caution: The electrical supply to the fireplace must be turned off prior to performing the conversion. The gas supply must be shut off prior to disconnecting the electrical power.

ORIFICE SIZES REQUIREMENT:

A Natural Gas to LPG conversion kit #HA-30-00501 is optional and must be purchased for this fireplace.

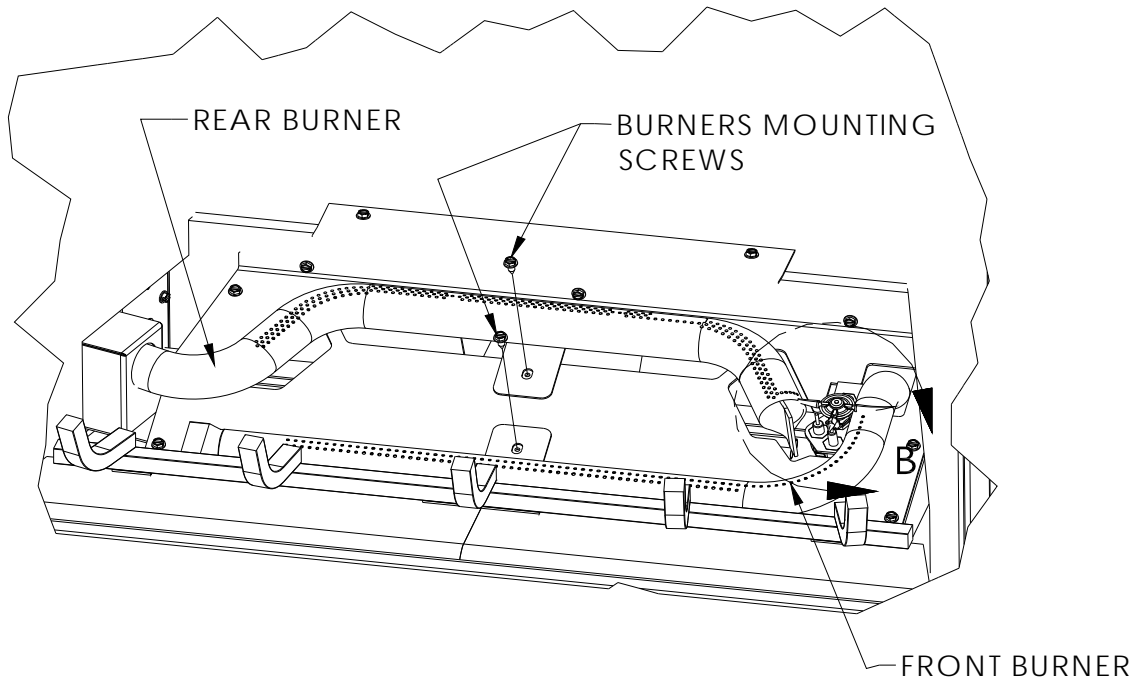
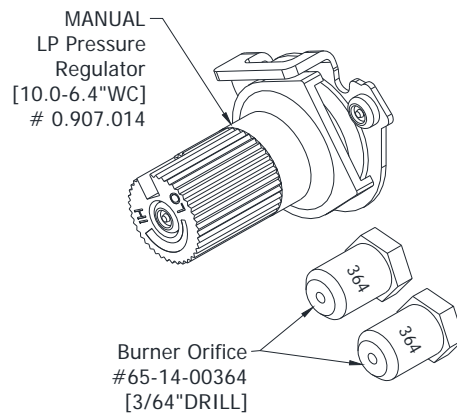
LP Conversion Kit # HA-30-00501 contains the following parts: One Manual LP Pressure Regulator #907.014, and two Cap Orifices #65-14-00364(**drill #3/64"**) and an L-shaped Torx wrench.

RECOMMENDED PROCEDURE TO CONVERT THIS FIREPLACE TO BURN LPG

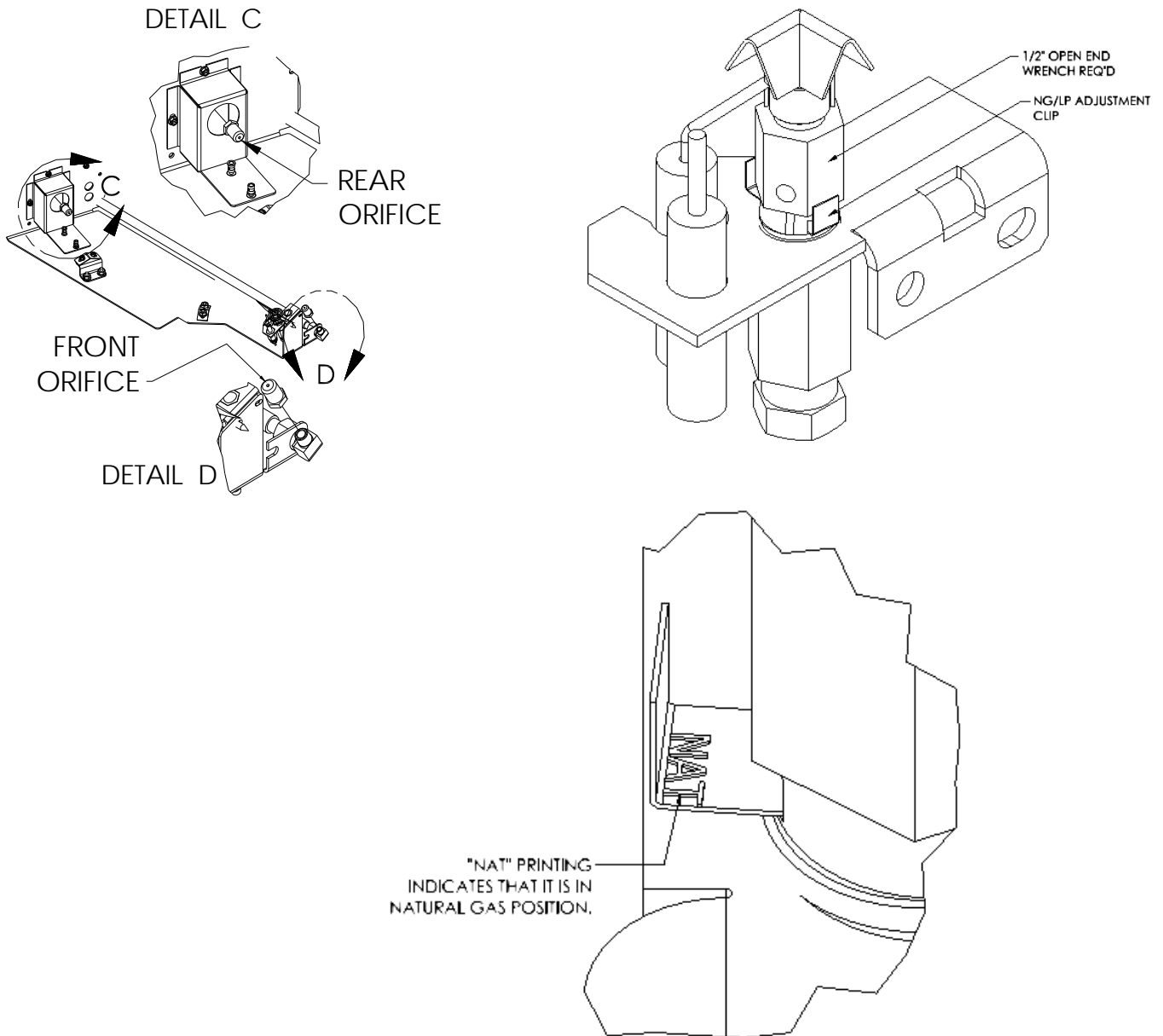
This Fireplace Insert arrives from the factory ready to burn Natural Gas. If you intend to burn LPG, it is highly recommended that you convert this fireplace and its Pressure Regulator, Pilot Orifice Thimble and Burner Orifices prior to placing this fireplace in its fireplace cavity.

See diagrams, on this page, and follow these instructions to prepare this fireplace for conversion to LPG.

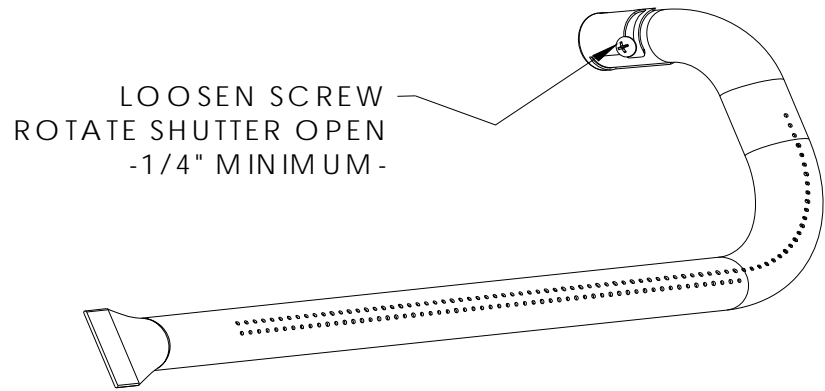
1. Using a 1/4" Hex Driver, remove 2 screws that secure the Rear and Front burners to the Burner Airbox.
2. Lift Up and remove Front Burner.
3. Loosen Front Burner Air Shutter Screw and rotate air shutter open 1/4" minimum. Set burner aside.
4. Slide Rear Burner to the right about 2" and lift up and remove from Firebox.



5. Using a 1/2" deep well socket wrench, remove Front and Rear Orifices.
6. Thread a new 3/64" drilled orifice to both Front and Rear Orifice mounting brass fittings. Tighten down orifices.
7. Locate Pilot Light on left side of firebox. While holding the pilot base body with large vice grips tightly, loosen Pilot Light's hex shape base using a 1/2" open end wrench. Rotate counter clock-wise 1/4 turn to loosen.
8. Pilot arrives from the factory set for NG. Push NG/LP Adjustment Clip inward all the way to set it for LP. See detail view, below. If you see "NAT" printing on the Adjustment Clip, this indicates that the pilot is set to burn NG. Push Clip in so that "NAT" is not visible.
9. Tighten down Hex shaped base of pilot using a 1/2" open end wrench.

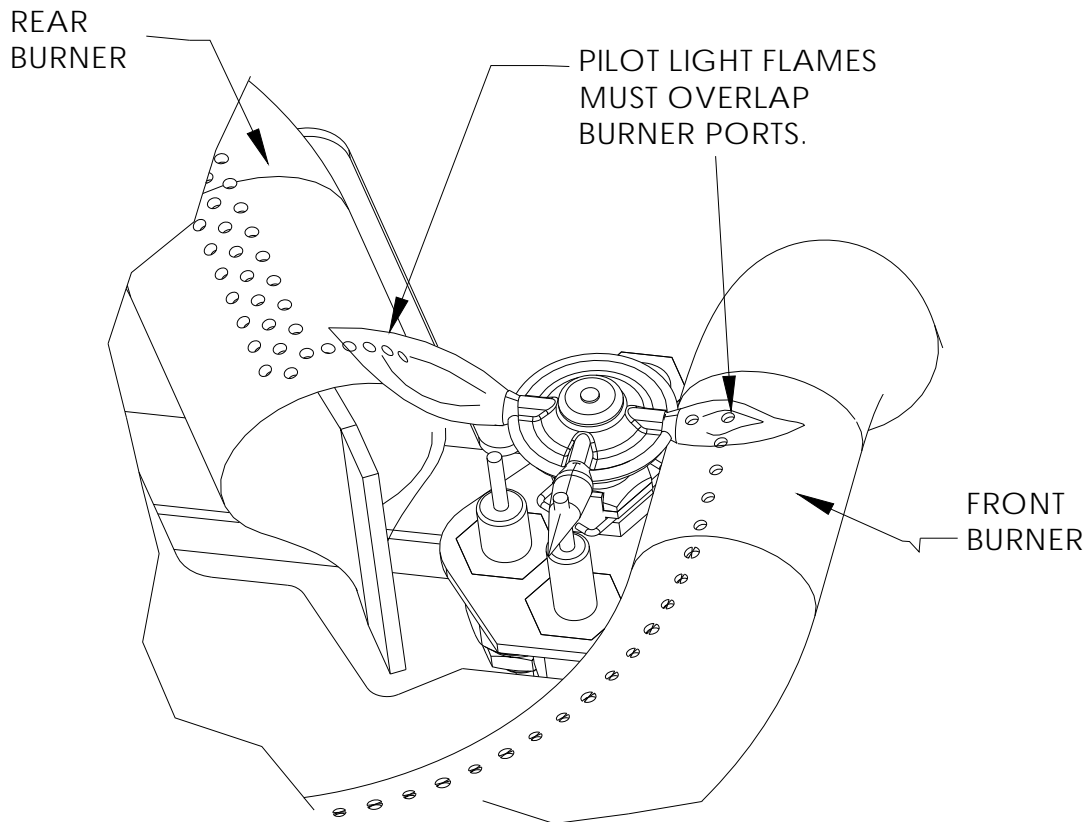


10. Before reinstalling burners, loosen the screw that secures the rotary air shutter on the Front Burner. Rotate the air shutter open to $\frac{1}{4}$ " minimum.
11. Install both rear and front burners in their original locations and positions and secure down using screws you removed earlier.



FRONT BURNER SHUTTER ADJUSTMENT

12. Make certain front burner is running parallel to front face of unit positioned properly so that the pilot light hood pointing to the left is pointed properly towards the burner's flame propagation ports.
13. Make certain Rear Burner is positioned properly so that the pilot light hood pointing to the left is pointed properly towards the burner's flame propagation holes.



INSTALLING THE LP PRESSURE REGULATOR

WARNING: READ AND UNDERSTAND ALL INSTRUCTIONS PACKAGED WITH LP PRESSURE REGULATOR BODY BEFORE YOU ATTEMPT THE CONVERSION. FAILURE TO FOLLOW ALL INSTRUCTIONS WILL RESULT IN A LEAK OR OVERFIRING OF THE APPLIANCE AND CAN LEAD TO AN EXPLOSION OR A FIRE HAZARD.

1. Remove the Courtesy Access Panel mounted behind the lower grill and lay down gently without disconnecting any wires of internal components. **WARNING: DO NOT FORCE. EXCESSIVE FORCE MAY DAMAGE INTERNAL WIRING COMPONENTS!**
2. Pull out and remove Extension Knob on NG Pressure Regulator and set aside.
3. Follow Instructions given below directly from SIT Controls. Replace Extension Knob as the final step.

WARNING!

The installation of this conversion kit must only be undertaken by a qualified and certified gas appliance installer.

HI/LO PRESSURE REGULATOR CONVERSION KIT INSTALLATION OR REPLACEMENT INSTRUCTIONS.

Verify that the following items are present in the package.

- Pressure regulator assembly (E)
- Two (2) screws (F)
- Identification label (G)
- Installation instructions (this document).

- 1** Shut off the gas supply to the valve and shut down the electric supply.
- 2** See Fig. 1. Using a Torx T20, or slotted screwdriver, remove and discard the two (2) pressure regulator mounting screws (A), pressure regulator tower (B), and the spring and diaphragm assembly (C).
- 3** Ensure the rubber gasket (D), which is prefitted as part of assembly (E), is properly positioned, see Fig. 2, otherwise fit the gasket as shown Fig. 2.
- 4** Install the new HI/LO pressure regulator assembly, as shown in Fig. 3 and Fig. 4. Use the supplied screws (F), M4 x 0.7 threaded, length of thread $L=(16\text{ mm} + 0 - 0.5\text{ mm})$, steel material, resistance class 8.8 (see Fig. 5).
- 5** Manually thread the two conversion kit mounting screws into the valve body. Use a standard screwdriver or T20 Torx bit and tighten to the screws with a fixing torque of $25\text{lb-in} \pm 5\%$.
IN THE EVENT THAT THE THREADS OF THE VALVE ARE STRIPPED OR DAMAGED, REPLACE THE VALVE.
- 6** Install the enclosed identification label (G) to the valve body where it can be easily seen.
- 7** Apply gas to system and re-light appliance according to manufacturers instructions.
- 8** With the main burner "ON", test the new pressure regulator assembly for leaks using a soap solution.
- 9** Relight the main burner in both the HI and LO positions, and verify proper burner ignition and operation.

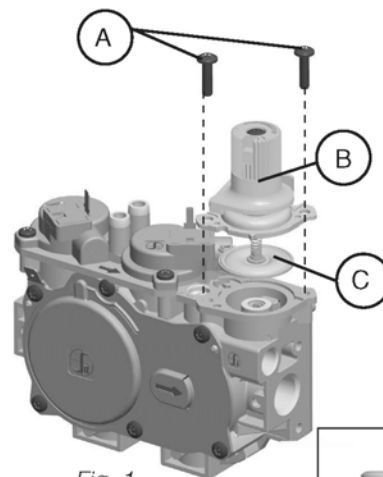


Fig. 1



Fig. 5

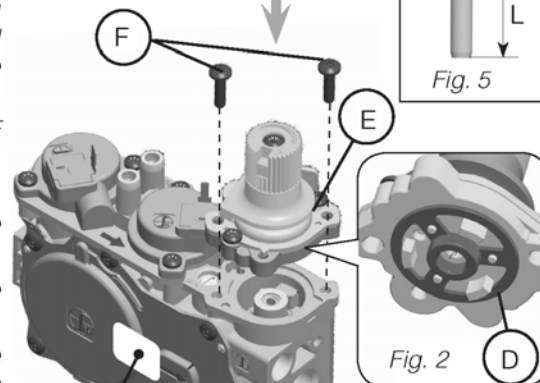


Fig. 2

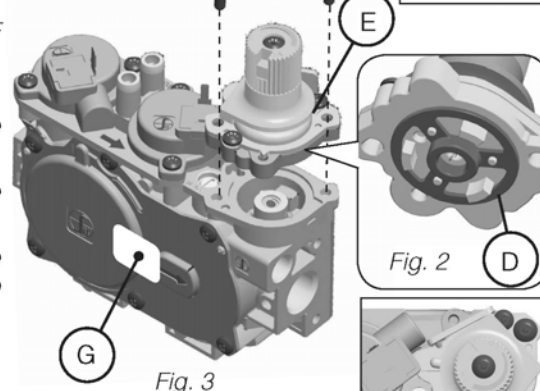


Fig. 3

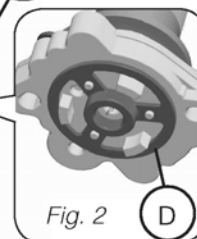


Fig. 4

WARNING!
Installation should be carried out in a clean environment.

WARNING!
This HI/LO conversion kit must ONLY be applied as part of a conversion kit supplied by the APPLIANCE MANUFACTURER for the specific appliance, and type of gas, being converted.

WARNING!
Correct operation of the system cannot be guaranteed if the conversion kit or valve has been dropped or has sustained a strong impact.

INSTALLER NOTICE. These instructions must be left with appliance.

LP GAS PRESSURE REQUIREMENTS

Inlet and manifold gas pressure checking taps are located on gas valve. These ports are only accessible from the outer left side of the fireplace. A qualified installer shall take pressure measurements at these ports to verify and set the correct gas pressures during the LP Kit installation and before fascia materials are installed over the front of this fireplace. Manifold pressure must be taken at the "MANIFOLD PRESSURE" tap and inlet pressure at the "INLET PRESSURE" tap **with the burner operating** by a qualified installer.

	DESIRED INLET PRESSURE	MINIMUM INLET PRESSURE	MAXIMUM INLET PRESSURE	MANIFOLD OUTLET PRESSURE	AIR SHUTTER POSITION
L.P. GAS	11.0" W.C. (2.75 kPa)	11" W.C. (2.75 kPa)	13.0" W.C. (3.24 kPa)	10.0" W.C. (2.5 kPa)	1/4" OPEN MIN. (5 mm)

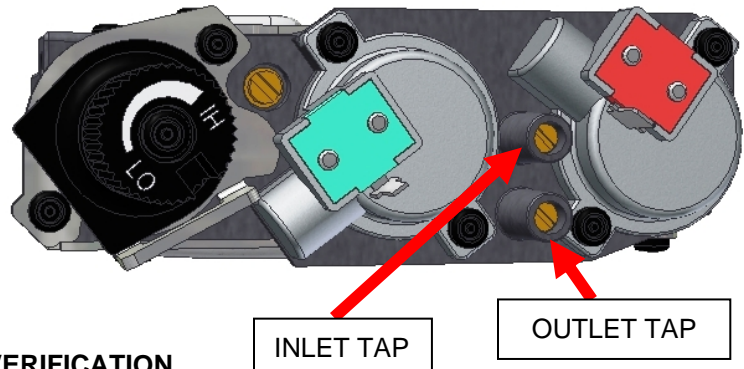
REGULATE THE FLAME HEIGHT TO "HIGH" POSITION. OUTLET GAS PRESSURES MAY VARY PLUS OR MINUS 5%.

LPG PROPER INPUT RATES

With the proper orifices installed, as specified above, this fireplace utilizing LP Gas will have a maximum input rate of 31,000 Btu/Hr.

LEAK TESTING REQUIREMENTS

Prior to completing the conversion process, check for gas leaks with soap and water solution at all plumbing joints prior to placing this appliance into operation. It is recommended that all gas-plumbing joints, factory installed and field installed are checked for leaks.



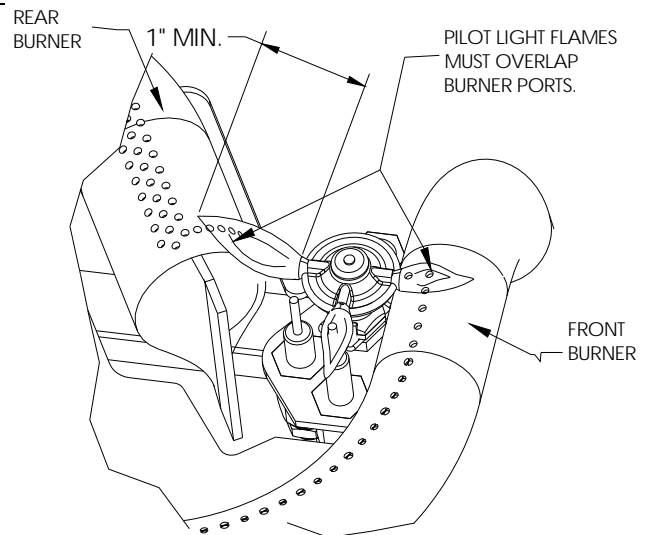
PILOT FLAME AND MAIN BURNER RELATIONSHIP VERIFICATION

Prior to completing the conversion process, the qualified service technician must, light the pilot light and verify the relationship between the pilot light flames and the main burners. The pilot light flames directed towards the propagation ports on the rear and front burner must overlap the propagation ports on the burners. The pilot light flames must be a minimum of 3/4" long and must overlap the propagation ports on both the rear and front burners as shown in the diagram, below. Verify that the burner tubes ignite quickly and the burner flames propagate smoothly along the entire length of the burners.

Figure 9: Pressure Test Port

PILOT FLAME LENGTH ADJUSTMENT

If the pilot light flame length is too short and the system does not maintain a standing pilot, a qualified installer may increase the length of the pilot light flames to meet the two requirements: Minimum pilot light length to maintain a standing pilot light and the pilot light flames must be long enough to overlap the front and rear burner ports, 1 inch long minimum.



CHECKING FOR NORMAL BURNER (S) IGNITION CHARACTERISTICS

Once the conversion to LPG and all the above steps have been completed, light the main burners.

Turn Gas Dial counterclockwise to "ON" then set Thermostat or push Main Burner ON/OFF switch to turn on burners. Main burner should now light IMMEDIATELY and flame should not "lift" off burner. If there is any delay in ignition or if flame is "lifting off" burner, turn off burner and carefully check for proper installation of logs/coals, vent system and proper pilot flame impingement on burner and thermopile. Logs or coals must not block pilot flame or main burner flame. Vent system must be leak proof.

WARNING

DO NOT PROCEED WITH OPERATION OF THIS FIREPLACE
UNLESS BURNER "CYCLES" ON/OFF WITHOUT DELAYS!

ATTACHING LPG CONVERSION LABELS AND HIGH ALTITUDE DERATION LABEL

Two printed informational labels are included with the LPG Conversion Kit. Attach these two labels to the rear surface of this insert adjacent to the Serial Number Plate. If you are derating this appliance at a high altitude, also attach the High Altitude Deration Label, supplied in the Owner's Manual Packet, to this same surface adjacent to other labels.

Prior to attaching the labels, fill in all the information that is requested in these labels.

For installations from 610-1370 meters (2000-4500 ft.) the orifice sizes (DMS) for natural and propane gas are #45R/#49F and #55"R/#3/64"F, respectively. See data plate for additional information. For high altitude installations consult the local gas distributor or the authority having jurisdiction for proper rating methods. If the installer must convert the unit to adjust for varying altitudes, the information sticker must be filled out by the installer and adhered to the appliance at the time of conversion."

«Cet appareil est équipé pour des altitudes comprises entre 0 et 2000 pieds (0-610 m) seulement»

This appliance has been converted for use at an altitude of _____

Orifice size _____ Manifold Pressure _____

Input (Btu/h) _____ Fuel Type _____

Date of conversion _____ Converted by _____

«Cet appereil a été converti au _____

Injecteur _____

Pression à la tubulure d'alimentation _____

Déoit calorifique _____

GAS LEAK TEST REQUIREMENT: It is the responsibility of the installer/service person to assure that each and every gas connection and supply tubing that are a part of this fireplace are leak proof. The qualified/ certified individual connecting the gas supply line, performing pressure tests or performing any service to this fireplace is required to perform a THOROUGH LEAK TEST on ALL gas fittings that are a part of this appliance or the gas supply line connection using soap-water solution or a calibrated combustible gas detector. Failure to perform this leak test may lead to a house fire and/or an explosion. Mendota is not responsible for any damages due to an Installer's failure to conduct a leak test and verify that all connections and supply lines are leak proof.

WARNING: Do not operate appliances with glass front removed, cracked, or broken. Replacement of glass should be done a licensed or qualified service person.

Note: Consult the local or national installation code(s) to assure that adequate combustion and ventilation air is available.

WARNING: It is of the utmost importance that the correct burner orifices be installed for both the rear and front burners.

REPLACEMENT PARTS**MENDOTA GAS DXV-35 DT4 FIREPLACE**

PART NO	DESCRIPTION	PART NO	DESCRIPTION
65-02-00103	TADPOLE GLASS GASKET (106")	05-04-00050	PILOT ASS'Y. NAT.
65-06-00463	GLASS – FLAT	05-04-00052	LP PILOT ORIFICE
HA-30-00415	DOOR FRAME ASSEMBLY – FLAT	HA-30-00501	LP KIT
35-01-00600	DEEP TIMBER III LOG SET	65-06-00149	PIEZO IGNITER
35-01-00240	COALS 12 OZ BAG	65-14-00044	REAR ORIFICE (NAT. GAS) # 44
35-01-00239	GLOWING INSWOOL	65-14-00049	FRONT ORIFICE (NAT. GAS) # 49
35-01-00601	FIREBRICK KIT	65-14-00364	REAR/FRONT ORIFICE (LP GAS) 3/64"
70-01-00130	REAR BURNER TUBE WELDMENT	15-02-00064	R H BLOWER WITH MOTOR
HA-82-00408	FRONT BURNER TUBE WELDMENT	15-02-00065	L H BLOWER WITH MOTOR
HA-30-00405	VALVE ASEMBLY, DXV35 DT4	05-01-00157	SNAP-DISC (FAN TEMP SENSOR)
10-03-00068	REAR FLAME WIRING W/ SWITCH	10-01-00003	RHEOSTAT/BLOWER SPEED CONTROL
05-02-00351	REAR FLAME ON/OFF VALVE	65-06-00125	BLACK PAINT - 12 OZ. SPRAY CAN
05-02-00364	SIT VALVE NAT. GAS	65-06-00455	KEL-KEM GLASS CLEANER/POLISH
05-02-00284	HI-LO EXTENSION KNOB		

WARNING: Use only authorized parts and materials obtained from Johnson Gas Appliance when replacing defective or damaged glass.

DO NOT substitute other manufacturer's materials or components.

DO NOT operate unit with cracked, broken or missing glass.

WARNING: DO NOT OPERATE THIS APPLIANCE WITH THE GLASS REMOVED, CRACKED OR BROKEN. REPLACEMENT OF GLASS SHOULD BE DONE BY A LICENSED OR QUALIFIED PERSON.

MENDOTA DESIGNER FRONTS INSTALLATION INFORMATION

The following Designer Fronts are available for the DXV-35 Fireplace:

1. Andover, Bentley Arched Door Kit or Prairie Rectangular Door kit with Fire screen with optional Overlays as listed below:
 - a. Black Overlay
 - b. Pewter Overlay
 - c. Antique Copper Overlay
 - d. 24K Gold
2. Wellington Fire screen Front
3. Black or 24K Gold Victoria Filigree
4. Black or 24K Gold Tuscany Filigree
5. Millennium Flat Grills in four optional color schemes as listed below:
 - a. Black Millennium Flat Grills
 - b. Full Brass Millennium Flat Grills
 - c. Classic Black and Brass Millennium Flat Grills
 - d. Classic Black and Bright Silver Millennium Flat Grills

Information specific to the installation of the Andover, Bentley and Prairie Fronts

The Andover Door and Prairie Door Fronts are designed to be "Full-Face" trim kits. These two Fronts cover an area equivalent to that shown in the diagram below. Any material that protrudes into this area on the sides, top or bottom edges can only be flush with the front surface of the fireplace faceplate.

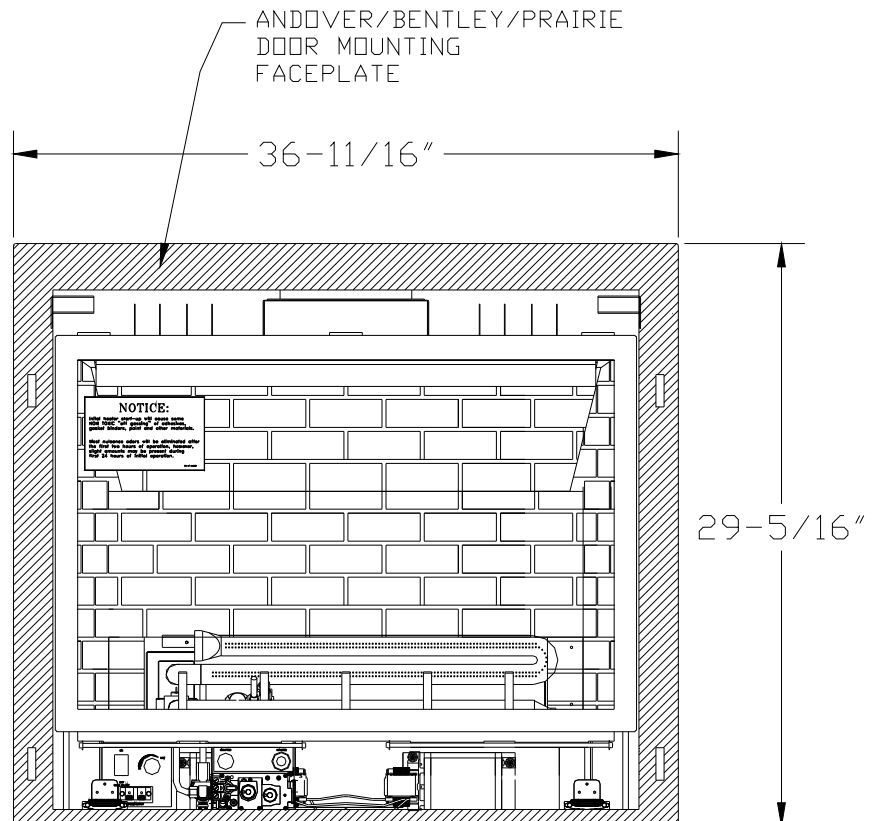
If planning to install either the Andover Door or the Prairie Door Front, **DO NOT COVER THE FACEPLATE OF THE FIREPLACE WITH ANY MATERIALS.** Furthermore, any drywall or wall covering material that is adjacent to the sides, top or bottom of the Fireplace's faceplate may not protrude out past the front surface of the Fireplace Faceplate's front surface.

The Andover, Bentley and Prairie Doors Mounting Faceplate (required for installation of the Andover, Bentley and prairie Doors) may be covered over with noncombustible facing materials. See Figure 11, below.

To install Tile, Marble, Slate, Stone, Rocks or other noncombustible facings to enhance the arch shape of the Andover Doors or the Rectangular shape of the Prairie Doors, do so only after the Andover or Prairie Door Kits have been installed on the DXV-35 Fireplace.

WARNING: COMBUSTIBLE MATERIALS MUST NOT COVER THE FRONT SURFACE OF THE FIREPLACE'S FACEPLATE.

Figure 10

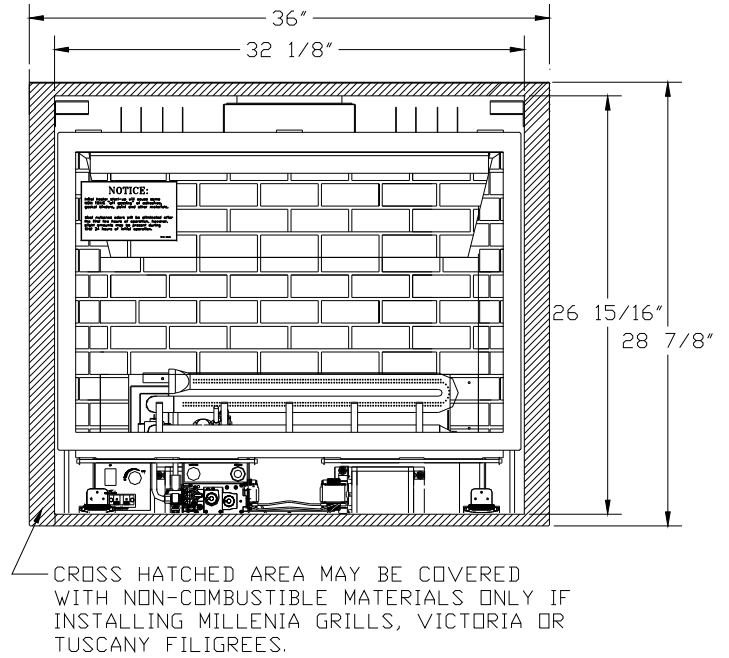


Information specific to the installation of Millennia Flat Grills, Victoria Filigrees and Tuscany Filigrees

The Millennia Flat Grills, Victoria Filigree and Tuscany Filigree are designed to be “inside-fit” trim kits. All of these trim kits fit within the inner perimeter of the Fireplace’s Faceplate and remain flush within the Faceplate’s front surface, see Figure below. This fitting method allows flexibility in covering the black visible surface of the Faceplate with non-combustible materials such as Tile, Marble, Slate, Stone and Brick; as long as enough room is allowed for the removal of these Mendota Designer Fronts and the glass door for servicing,

WARNING: COMBUSTIBLE MATERIALS MUST NOT COVER THE FRONT SURFACE OF THE FIREPLACE’S FACEPLATE.

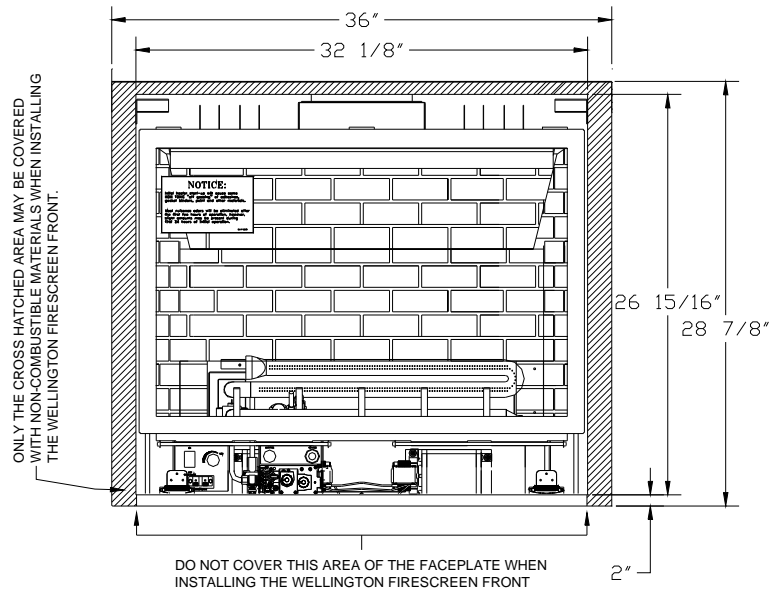
Figure 11



Information specific to the installation of the WELLINGTON FIRESCREEN FRONT:

The Wellington Fire screen Front is designed to be “inside-fit” trim. The top and sides of these trim kits fit within the inner perimeter of the Fireplace’s Faceplate. The bottom member of this trim, however, overlaps the bottom 2” black boarder of the fireplace front faceplate. Therefore, DO NOT COVER THE BOTTOM 2” BOARDER OF THE FIREPLACE FACEPLATE WHEN INSTALLING THE WELLINGTON FIRESCREEN TRIM. The sides and top edges of the black visible surface of the Faceplate may be covered with non-combustible materials such as Tile, Marble, Slate, Stone and Brick; as long as enough room is allowed for the removal of this Mendota Designer Fronts and the glass door for servicing,

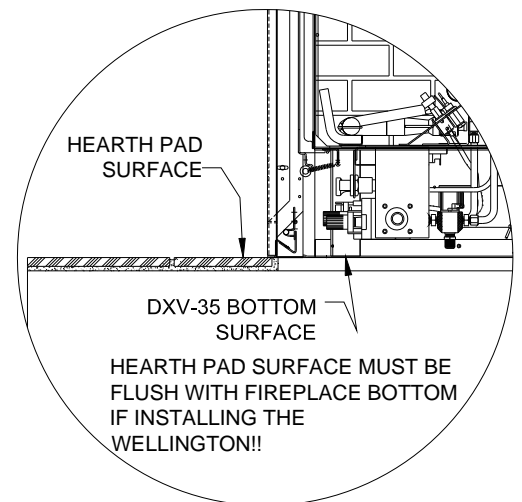
Figure 12



Hearth Protection Pad Installation Information when planning to install the Wellington Front

If planning to install the Wellington Front, the hearth protection pad installed in front of the DXV-35 Fireplace must be designed, built and installed so that the hearth protection pad’s top surface is flush with the bottom-most surface of the DXV35 Fireplace. See FIGURE 21.

Figure 13



RATING LABEL REPRESENTATION

DXV35 DT4



LISTED DIRECT VENT GAS FIREPLACE HEATER
(POELE AU GAZ HOMOLOGUÉ, À AÉRATION DIRECTE)
NOT FOR USE WITH SOLID FUEL
(NE DOIT PAS ÊTRE UTILISÉ AVEC UN COMBUSTIBLE SOLIDE)



MANUFACTURED BY (FABRIQUÉ PAR): EVEN TEMP. INC.
FOR JOHNSON GAS APPLIANCE CO. CEDAR RAPIDS, IOWA
CERTIFIED FOR CANADA HOMOLOGUÉ POUR LE CANADA
TESTED TO (TESTÉ AUX NORMES)
ANSI Z21.88-2005 * CSA 2.33-2005

WARNING: IMPROPER INSTALLATION, ADJUSTMENT, ALTERATION, SERVICE OR MAINTENANCE CAN CAUSE PROPERTY DAMAGE, PERSONAL INJURY, OR LOSS OF LIFE. REFER TO THE OWNER'S INFORMATION MANUAL PROVIDED WITH THIS APPLIANCE. INSTALLATION AND SERVICE MUST BE PERFORMED BY A QUALIFIED INSTALLER. DO NOT OPERATE WITH GLASS DOOR REMOVED, CRACKED, OR BROKEN. THIS VENTED GAS FIREPLACE HEATER IS NOT FOR USE WITH AIR FILTERS. REGISTER KIT MAY BE USED.

MISE EN GARDE: INSTALLATION, RÉGLAGE, MODIFICATION, ENTRETIEN OU DÉPANNAGE NON APPROPRIÉS POURRONT CAUSER DES BLESSURES OU DES DOMMAGES MATÉRIELS. RÉFÉREZ-VOUS AU MANUEL DU PROPRIÉTAIRE FOURNI AVEC CET APPAREIL. POUR ASSISTANCE OU RENSEIGNEMENTS COMPLÉMENTAIRES, VEUILLEZ CONSULTER UN INSTALLATEUR EXPÉRIMENTÉ, UNE AGENCE DE DÉPANNAGE/ENTRETIEN OU VOTRE COMPAGNIE GAZIÈRE, POUR UTILISATION AVEC LES PORTES EN VERRE CERTIFIÉE L'APPAREIL SEULEMENT. NE PAS OPÉRER AVEC LE VERRIÈRE ENLEVER, CRAQUELURE, BRISÉ.

	□ NATURAL GAS (GAZ NATUREL)	□ LP GAS (GAS DE PÉTROLE) LIQUÉFIÉ (GPL))
INPUT RATING (BTR/HR) 0-610m (ENTRÉE NOMINALE)	33,000	33,000
MIN. INPUT RATING (BTU/HR) 0-610m (MINIMALE ENTRÉE NOMINALE)	10,000	13,000
ORIFICE 0-610m (ORIFICE)	#49 Front/#44 Rear	3/64" Front/ 3/64" Rear
ORIFICE 610-1370m (ORIFICE)	#49 Front/#45 Rear	3/64" Front/ #55 Rear
INPUT RATING (BTU/HR) 610-1370m	28,833	28,061
MAXIMUM OUTPUT (BTU/HR) (SORTIE MAXIMALE)	24,057	23,974

THIS APPLIANCE IS ONLY FOR USE WITH THE TYPE OF GAS INDICATED ON THE RATING PLATE AND MAY BE INSTALLED IN AN AFTERMARKET, PERMANENTLY LOCATED MANUFACTURED (MOBILE) HOME WHERE NOT PROHIBITED BY LOCAL CODES. SEE OWNER'S MANUAL FOR DETAILS. THIS APPLIANCE IS SUPPLIED WITH A CONVERSION KIT.

MINIMUM CLEARANCES TO COMBUSTIBLE CONSTRUCTION			
UNIT TO SIDEWALL	10in. (254 mm)	UNIT TOP TO 8" MANTEL	14in. (356mm)

CAUTION: HOT WHILE IN OPERATION. DO NOT TOUCH. KEEP CHILDREN, CLOTHING, FURNITURE, AND FLAMMABLE LIQUIDS OR VAPORS AWAY.
ATTENTION: L'APPAREIL EST CHAUD LORSQU'IL FONCTIONNE. NE PAS TOUCHER L'APPAREIL. SURVEILLER LES ENFANTS. GARDER LES VÊTEMENTS, LES MEUBLES, L'ESSENCE OU AUTRES LIQUIDES À VAPEUR INFLAMMABLES LOIN DE L'APPAREIL.

ELECTRICAL RATING (COURANT NOMINAL): 120 VOLTS 60 HERTZ LESS THAN 1.5 AMPERES

DO NOT REMOVE OR COVER THIS LABEL
VEUILLEZ A NE JAMES ENLEVER NI DISSIMULER CETTE ÉTIQUETTE

MFG. DATE: MODEL: DXV35DT3 SERIAL NO. 65-01-000401

MENDOTA WARRANTY QUALIFICATION & SERVICE REFERENCE FORM

As a part of Mendota's on-going program of customer satisfaction, this Form verifies proper installation and operation. It is important as a reference for future service. It insures long life and trouble-free operation of Mendota fireplaces & stoves and qualifies the owner for Mendota's lifetime limited warranty. Owner should sign Form when completed and mail a copy along with Warranty Registration to Mendota. OPTIONALLY, PLEASE REGISTER AT OUR WEBSITE AT:

WWW.JOHNSONGAS.COM/MENDOTA-REGISTRATION.ASP

HOME OWNER: _____ DEALER: _____
ADDRESS: _____ ADDRESS: _____
CITY/STATE/ZIP: _____ CITY/STATE/ZIP: _____
SIGNATURE: _____ PHONE: _____
MODEL #: DXV-35 _____ SERIAL #: _____ DATE
INSTALLED: _____

Mendota direct vent fireplaces are sophisticated, hi-tech gas appliances. All installation and operating instructions must be carefully followed. The DXV fireplace must be installed and serviced by a qualified Mendota approved service person.

REF: MENDOTA DXV35 DT4 INSTALLATION MANUAL

- APPROVED VENT PIPES AND VENT CAP INSTALLED - Per Manual.
Vent pipes must be fully twist-locked and leak proof.
Check minimum and maximum vertical / horizontal and vent runs.
- CHECK FOR PROPER CLEARANCES TO COMBUSTIBLES & VENT LOCATIONS - Per Manual
- INSTALL PROPER SIZE GAS LINES - CHECK FOR GAS LEAKS - Per Manual
- CHECK FOR CORRECT GAS PRESSURE AT MANIFOLD - Per Manual
 - a. 3.5 Inches Water Column Maximum - Nat. Gas (1/8" WC variation is allowed)
 - b. 10.0 Inches Water Column Maximum - L.P. Gas (1/8" WC variation is allowed)
- CYCLE BURNERS ON/OFF FOR PROMPT IGNITION - Per "LIGHTING INSTRUCTIONS"
Burner must light IMMEDIATELY - Flame must travel promptly around "curve" & light burner.
- INSTALL LOGS AND ADJUST FLAME - Per Manual
Proper pilot flame impingement on flame sensor & burner - Air shutter opening: 1/16" - 1/8" Nat. Gas - 1/4" LP
Check that flame is "stable" and is not "lifting" off burner
- BRIEF OWNER ON OPERATION AND MAINTENANCE OF UNIT
 - Light Pilot
 - Operate Burner
 - Explain blower "delay" operation

WARRANTY REGISTRATION

Your Name _____
Address _____
City _____ State _____ Zip _____
Dealer (Place of Purchase) _____
City _____ State _____ Zip _____
Date of Purchase _____ Serial Number _____
Purchaser's Signature _____

MENDOTA DXV-35DT4 DIRECT VENT FIREPLACE

CUT OUT PAGE AND MAIL TO: JOHNSON GAS APPLIANCE CO., 520 E AVE. N.W., CEDAR RAPIDS, IOWA 52405

PLEASE REGISTER AT OUR WEBSITE AT: <http://mendotahearth.com/gas-fireplace-stove-owners-manual.php>

TAPE SHUT



**JOHNSON GAS APPLIANCE COMPANY
520 E AVENUE N.W.
CEDAR RAPIDS, IA 52405**

MENDOTA EXTENDED LIFETIME PROTECTION AND LIMITED WARRANTY

MENDOTA DXV-35 DT4 DIRECT VENT FIREPLACE

Mendota Division of Johnson Gas Appliance Company, 520 E Avenue N.W. Cedar Rapids, Iowa 52405, extends this Extended Lifetime Protection and Limited Warranty to the original purchaser of a Mendota DXV Fireplace, Serial Number, which is limited and used under normal home conditions.

STANDARD WARRANTY:

JOHNSON GAS APPLIANCE CO., MENDOTA DIVISION, WARRANTS THAT YOUR NEW MENDOTA FIREPLACE IS FREE FROM MANUFACTURING AND MATERIAL DEFECTS FOR A PERIOD OF ONE YEAR FROM THE DATE OF INSTALLATION, SUBJECT TO THE FOLLOWING CONDITIONS AND LIMITATIONS:

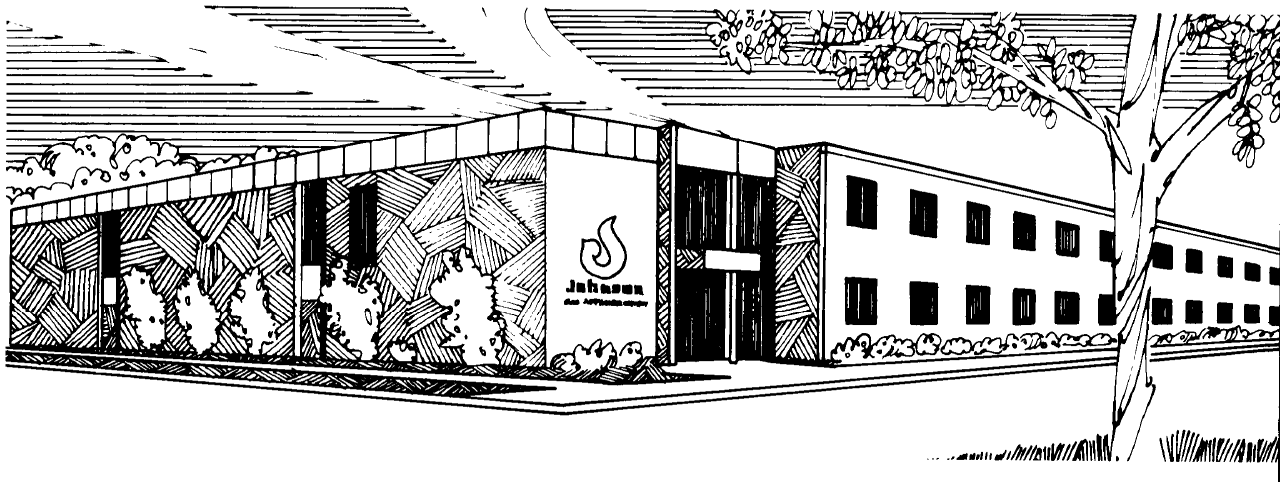
EXTENDED LIFETIME WARRANTY:

THE HEAT EXCHANGER, BURNER TUBE COMBUSTION CHAMBER AND OUTER SHELL OF THIS MENDOTA FIREPLACE ARE WARRANTED FOR THE LIFETIME OF THE ORIGINAL OWNER, SUBJECT TO PROOF OF PURCHASE AND THE FOLLOWING CONDITIONS AND LIMITATIONS:

1. This new Mendota Fireplace must be installed & serviced by a competent, authorized service contractor. It must be installed and operated at all times in accordance with the installation and operating instructions furnished with the Fireplace. All adjustments to logs. Coals or burner must be made by an authorized Mendota person. Any alteration, willful abuse, accident or misuse of the product shall nullify this warranty. This warranty does not cover glass or log breakage.
2. This limited warranty does not cover the cost of service calls, the cost of labor to remove or install parts covered by this limited warranty, freight or other transportation expenses, which may be incurred in connection with obtaining performances under this limited warranty. The remedy for damages as the result of any defects in this product which have been warranted herein is limited to replacement parts and does not include any incidental, indirect or consequential damages or expenses sustained in connection with the product, including damages to property, except as provided by law.
3. This warranty is non-transferable and is made to the original retail purchaser, provided the purchase was made through an Authorized Mendota Dealer.
4. Mendota is not responsible for any damage to or malfunction of the Fireplace unless caused by a defect in material or workmanship from normal home use. Damage caused by abuse, improper installation, improper servicing, and installation by unqualified personnel or breach of conditions of this limited warranty will excuse Mendota from performance of any part of this limited warranty. Mendota has the right to investigate and inspect the exact, original Fireplace and entire installation (without any alterations or tampering) in the event a claim is made to determine whether the claimed damage or malfunction was caused by abuse, improper installation or other cause outside this warranty. Mendota is not responsible for any repairs or material purchases that have not received prior written approval from Mendota.

NOTE: Minor warping of certain parts or discoloration is normal and is not a defect covered by this warranty. Major warping of parts can be caused by over-firing of your Mendota Fireplace. Over-firing above rated nameplate specification is as contrary to the manufacturer's instructions and may void this warranty.

5. This warranty may not be extended by our representatives or any third party in any manner. The company neither assumes, nor authorizes any third party to assume, on its behalf, any other liabilities with respect to the sale of this Mendota product.
6. Mendota may at its discretion, fully discharge all obligations of this warranty by refunding the wholesale price of the defective part(s).
7. All other warranties - expressed or implied - with respect to the product, its components and accessories, or any obligation/liabilities on the part of the company are hereby expressly excluded. Products made by other manufacturers, sold with the Fireplace or thereafter, are not covered by this limited warranty. The use of unauthorized components will make this warranty null and void.
4. This warranty shall be effective only if the original purchaser of the Mendota appliance is registered with Mendota Division within thirty (30) days of the date of purchase. Such registration or the failure to register shall not be deemed to create any obligation or liability by the manufacturer and this warranty with its conditions and limitations shall be the only procedure for obtaining any rights against the manufacturer and expresses the sole obligation and responsibilities of the manufacturer which are offered to the original purchaser and accepted upon purchase of the appliance.
5. Mendota Division, reserves the right to make changes at any time without notice, in design, material, specifications, prices and the right to discontinue styles and products.
6. Some states do not allow the exclusion of limitation of incidental or consequential damages or limitations on how long an implied warranty lasts, so the above limitation or exclusion may not apply to you. This warranty gives you specific legal rights and you may also have other rights which vary from state to state.



Johnson Gas Appliance Company
520 E Avenue N.W. - Cedar Rapids, IA 52405
Mendota Hearth Division

WEBPAGE: www.johnsongas.com or www.mendotahearth.com