



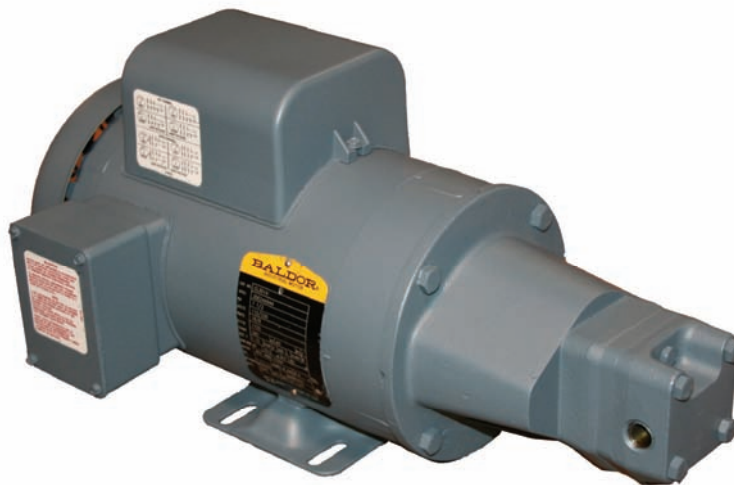
**A Series**



**CW Series**



**C Series**



**INDEX**

	<u>Description</u>	<u>Page</u>
A Series Units		49
C Series Units		51
CW Series Units		53

**WARNING:** The specifications/application data shown in our catalogs and data sheets are intended only as a general guide for the product described (herein). Any specific application should not be undertaken without independent study, evaluation, and testing for suitability.



**A Series Units**

**A1 thru A8 Pump/Motor**

**A21 thru A27 Pump/Motor**



“A” Series pump/motor combinations are high quality pre-engineered packages designed to satisfy medium service, steady load and/or intermittent duty applications: hi-flow, low pressure, lube transfer, recirculation, scavenge and filtration.

As shown below, a variety of performance characteristics are available through the combination of several pump configurations with single and/or three phase TEFC heavy-duty ball bearing motors. All combinations are bi-directional.

The pumps, also available separately, feature high strength cast iron bodies with precision machined internal trapping grooves, hardened alloy gears and shafts, leaded bronze sleeve bearings and Buna-N seals and o-rings to provide long, quiet, trouble-free performance.

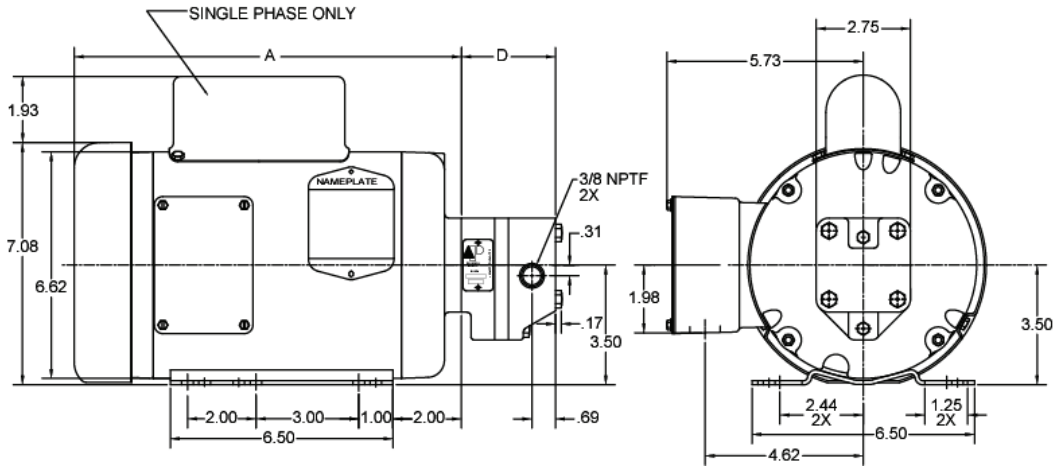
**Pump / Motor Specifications**

Data shown is for continuous duty. For intermittent peaking duty, 30 seconds at peak load, pressure as high as 150% is attainable, limited to 3000 PSI maximum.

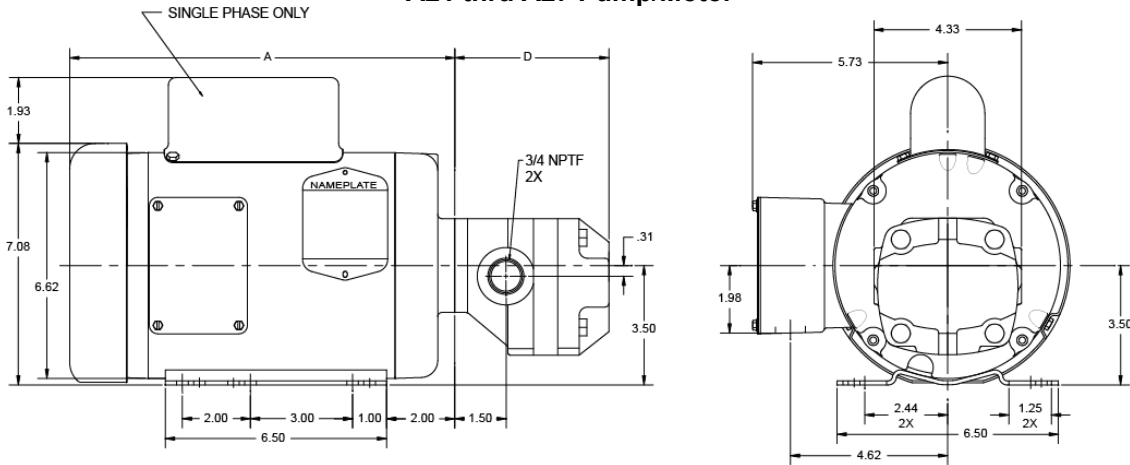
Pump	A1	A2	A4	A6	A8	A21	A23	A25	A27
Motor	.00028 GPR	.00047 GPR	.00081 GPR	.00137 GPR	.00202 GPR	.00178 GPR	.00304 GPR	.00425 GPR	.00633 GPR
A154	.31 GPM	.70 GPM	1.33 GPM	2.32 GPM	3.46 GPM	3.0 GPM	5.3 GPM	7.4 GPM	10.9 GPM
½ HP .1725 RPM	1500 PSI	900 PSI	525 PSI	300 PSI	200 PSI	225 PSI	150 PSI	100 PSI	75 PSI
1 PHASE TEFC	A1+A154	A2+A154	A4+A154	A6+A154	A8+A154	A21+A154	A23+A154	A25+A154	A27+A154
A354	.31 GPM	.70 GPM	1.33 GPM	2.32 GPM	3.46 GPM	3.0 GPM	5.3 GPM	7.4 GPM	10.9 GPM
½ HP .1725 RPM	1500 PSI	900 PSI	525 PSI	300 PSI	200 PSI	225 PSI	150 PSI	100 PSI	75 PSI
3 PHASE TEFC	A1+A354	A2+A354	A4+A354	A6+A354	A8+A354	A21+A354	A23+A354	A25+A354	A27+A354
A174	.25 GPM	.65 GPM	1.28 GPM	2.28 GPM	3.44 GPM	3.0 GPM	5.2 GPM	7.3 GPM	11.0 GPM
¾ HP .1725 RPM	2250 PSI	1350 PSI	775 PSI	450 PSI	300 PSI	350 PSI	200 PSI	150 PSI	100 PSI
1 PHASE TEFC	A1+A174	A2+A174	A4+A174	A6+A174	A8+A174	A21+A174	A23+A174	A25+A174	A27+A174
A374	.25 GPM	.65 GPM	1.28 GPM	2.28 GPM	3.44 GPM	3.0 GPM	5.2 GPM	7.3 GPM	11.0 GPM
¾ HP .1725 RPM	2250 PSI	1350 PSI	775 PSI	450 PSI	300 PSI	350 PSI	200 PSI	150 PSI	100 PSI
3 PHASE TEFC	A1+A374	A2+A374	A4+A374	A6+A374	A8+A374	A21+A374	A23+A374	A25+A374	A27+A374
A1104	.25 GPM	.58 GPM	1.25 GPM	2.25 GPM	3.40 GPM	2.9 GPM	5.2 GPM	7.3 GPM	11.0 GPM
1 HP .1725 RPM	2250 PSI	1800 PSI	1050 PSI	625 PSI	425 PSI	475 PSI	275 PSI	200 PSI	125 PSI
1 PHASE TEFC	A1+A1104	A2+A1104	A4+A1104	A6+A1104	A8+A1104	A21+A1104	A23+A1104	A25+A1104	A27+A1104
A3104	.25 GPM	.58 GPM	1.25 GPM	2.25 GPM	3.40 GPM	2.9 GPM	5.2 GPM	7.3 GPM	11.0 GPM
1 HP .1725 RPM	2250 PSI	1800 PSI	1050 PSI	625 PSI	425 PSI	475 PSI	275 PSI	200 PSI	125 PSI
3 PHASE TEFC	A1+A3104	A2+A3104	A4+A3104	A6+A3104	A8+A3104	A21+A3104	A23+A3104	A25+A3104	A27+A3104
A1154			1.17 GPM	2.18 GPM	3.34 GPM	2.8 GPM	5.1 GPM	7.2 GPM	10.9 GPM
1½ HP .1725 RPM			1550 PSI	925 PSI	625 PSI	70 PSI	425 PSI	300 PSI	200 PSI
1 PHASE TEFC			A4+A1154	A6+A1154	A8+A1154	A21+A1154	A23+A1154	A25+A1154	A27+A1154
A3154			1.17 GPM	2.18 GPM	3.34 GPM	2.8 GPM	5.1 GPM	7.2 GPM	10.9 GPM
1½ HP .1725 RPM			1550 PSI	925 PSI	625 PSI	700 PSI	425 PSI	300 PSI	200 PSI
3 PHASE TEFC			A4+A3154	A6+A3154	A8+A3154	A21+A3154	A23+A3154	A25+A3154	A27+A3154

**WARNING:** The specifications/application data shown in our catalogs and data sheets are intended only as a general guide for the product described (herein). Any specific application should not be undertaken without independent study, evaluation, and testing for suitability.

**A1 thru A8 Pump/Motor**



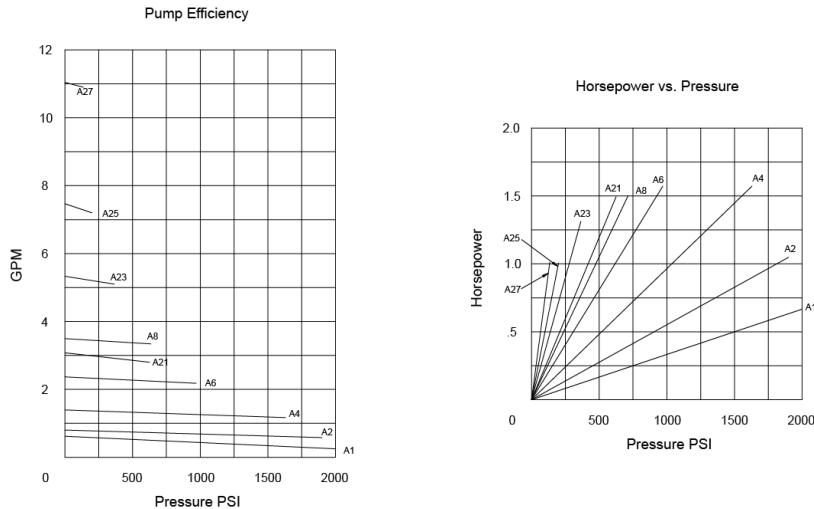
**A21 thru A27 Pump/Motor**



Pump Part No.	A1	A2	A4	A6	A8	A21	A23	A25	A27
Dim. "D"	2.48	2.57	2.74	3.02	3.34	4.24	4.54	4.76	5.32
Motor Part No.	A154	A354	A174	A374	A1104	A3104	A1154	A3154	
Dim. "A"	9.62	9.00	1.62	10.50	11.25	10.00	12.25	10.00	

Note: Motor and Bracket dimensions subject to change due to availability of inventory.

**Performance Data**



**WARNING:** The specifications/application data shown in our catalogs and data sheets are intended only as a general guide for the product described (herein). Any specific application should not be undertaken without independent study, evaluation, and testing for suitability.

**C Series Units**

**C1 thru C8 Pump/Motor Combinations**



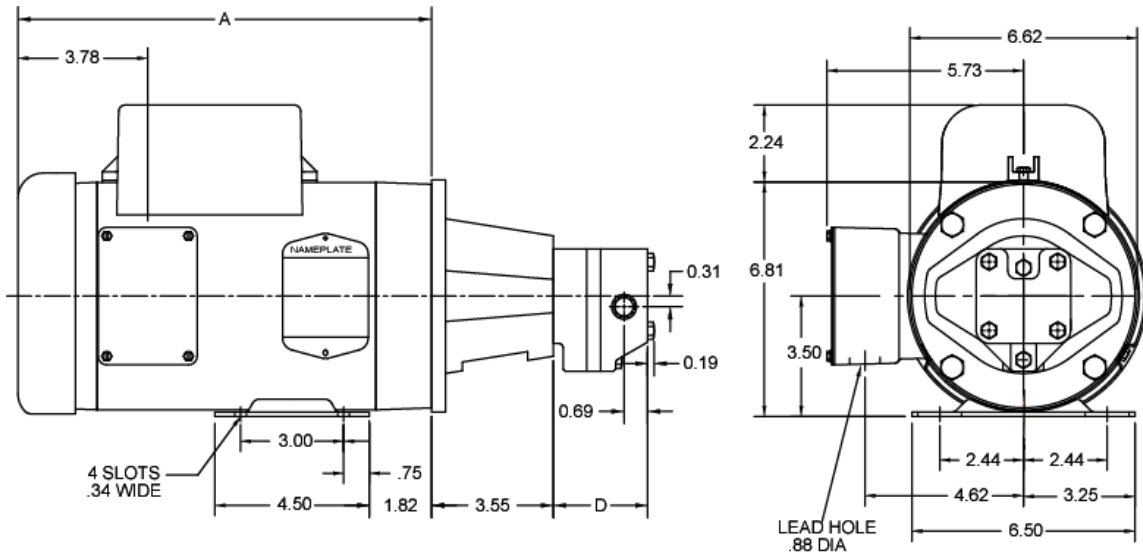
All “C” Series pump/motor units are bi-directional. The precision alignment of the motor to “C” Series is assured by a machined adaptor bracket. The ½ to 1 ½ H.P. electric motors are frame 56, continuous duty, ball-bearing, totally enclosed, fan cooled units of the highest quality. The motors are offered as standard in either single phase 115, 230 volt, 1750 RPM, or 208 , 230, 460 volt, 1750 RPM, 50/60 cycle.

**Pump / Motor Specifications**

Data shown is for continuous duty. For intermittent peaking duty 30 seconds at peak load, pressure as high as 150% is attainable, limited to 3000 PSI maximum.

Motor	Pump	C1 .00028 GPR	C2 .00047 GPR	C4 .00081 GPR	C6 .00137 GPR	C8 .00202 GPR
C154 ½ HP .1725 RPM 1 PHASE TEFC		.31 GPM 1500 PSI C1+C154	.70 GPM 900 PSI C2+C154	1.33 GPM 525 PSI C4+C154	2.32 GPM 300 PSI C6+C154	3.46 GPM 200 PSI C8+C154
C354 ½ HP .1725 RPM 3 PHASE TEFC		.31 GPM 1500 PSI C1+C354	.70 GPM 900 PSI C2+C354	1.33 GPM 525 PSI C4+C354	2.32 GPM 300 PSI C6+C354	3.46 GPM 200 PSI C8+C354
C174 ¾ HP .1725 RPM 1 PHASE TEFC		.25 GPM 2250 PSI C1+C174	.65 GPM 1350 PSI C2+C174	1.28 GPM 775 PSI C4+C174	2.28 GPM 450 PSI C6+C174	3.44 GPM 300 PSI C8+C174
C374 ¾ HP .1725 RPM 3 PHASE TEFC		.25 GPM 2250 PSI C1+C374	.65 GPM 1350 PSI C2+C374	1.28 GPM 775 PSI C4+C374	2.28 GPM 450 PSI C6+C374	3.44 GPM 300 PSI C8+C374
C1104 1 HP .1725 RPM 1 PHASE TEFC		.25 GPM 2250 PSI C1+C1104	.58 GPM 1800 PSI C2+C1104	1.25 GPM 1050 PSI C4+C1104	2.25 GPM 625 PSI C6+C1104	3.40 GPM 425 PSI C8+C1104
C3104 1 HP .1725 RPM 3 PHASE TEFC		.25 GPM 2250 PSI C1+C3104	.58 GPM 1800 PSI C2+C3104	1.25 GPM 1050 PSI C4+C3104	2.25 GPM 625 PSI C6+C3104	3.40 GPM 425 PSI C8+C3104
C1154 1½ HP .1725 RPM 1 PHASE TEFC				1.17 GPM 1550 PSI C4+C1154	2.18 GPM 925 PSI C6+C1154	3.34 GPM 625 PSI C8+C1154
C3154 1½ HP .1725 RPM 3 PHASE TEFC				1.17 GPM 1550 PSI C4+C3154	2.18 GPM 925 PSI C6+C3154	3.34 GPM 625 PSI C8+C3154

**WARNING:** The specifications/application data shown in our catalogs and data sheets are intended only as a general guide for the product described (herein). Any specific application should not be undertaken without independent study, evaluation, and testing for suitability.

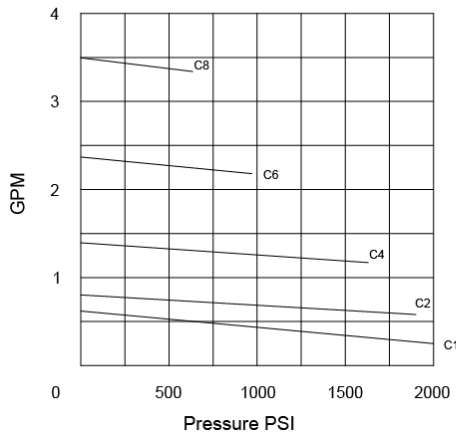


Pump Part	C1	C2	C4	C6	C8			
Dim. "D"	2.48	2.57	2.74	3.02	3.34			
Motor Part	C154	C354	C174	C374	C1104	C3104	C1154	C3154
Dim. "A"	9.62	9.25	10.62	10.50	11.25	10.00	12.25	10.25

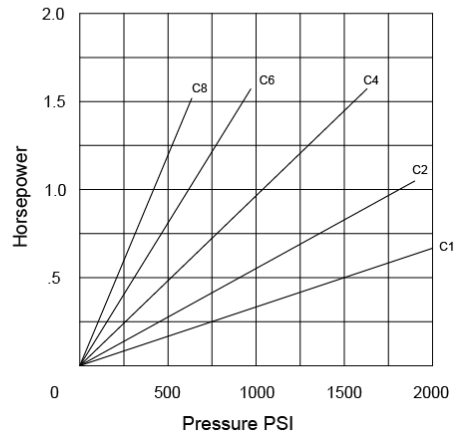
Note: Motor and Bracket dimensions subject to change due to availability of inventory.

**Performance Data**

Pump Efficiency



Horsepower vs. Pressure



**WARNING:** The specifications/application data shown in our catalogs and data sheets are intended only as a general guide for the product described (herein). Any specific application should not be undertaken without independent study, evaluation, and testing for suitability.

**CW Series Units**

**CW21 thru CW27 Pump/Motor Combination**

**CW41 thru CW49 Pump/Motor Combination**



All “CW” Series pump/motor units are bi-directional. The precision alignment of the motor to “CW” Series is assured by a machined adaptor bracket. The 3 to 20 H.P. electric motors are frame 182TC to 256TC, continuous duty, ball-bearing, totally enclosed, fan cooled units of the highest quality. The motors are offered as standard in either three phase 115, 230 volt, 1750 RPM, or 208, 230, 460 volt, 1750 RPM, 50/60 cycle.

**Pump / Motor Specifications**

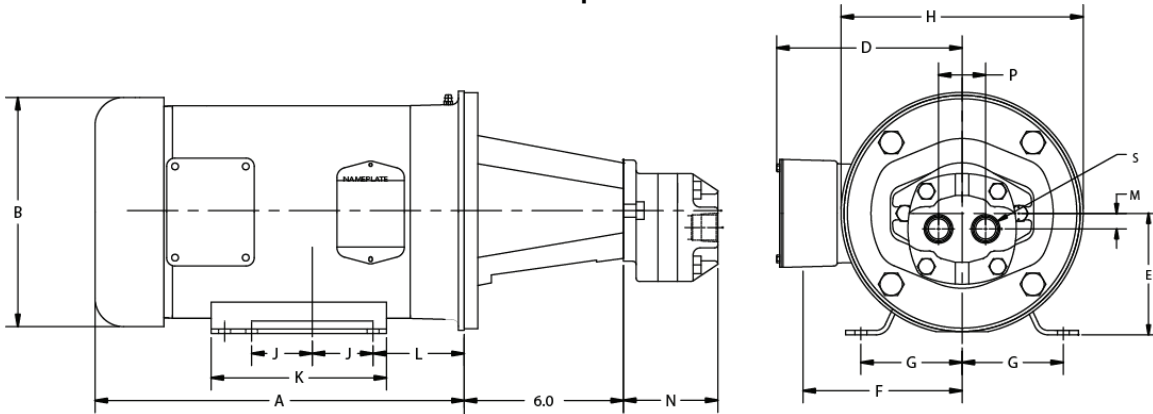
Data shown is for continuous duty. For intermittent peaking duty, 30 seconds at peak load, pressure as high as 150% is attainable, limited to 3000 PSI maximum.

Motor (All 1750 RPM, 3 Phase, TEFC)	Pump								
	CW21 .00178 GPR	CW23 .00304 GPR	CW25 .00425 GPR	CW27 .00633 GPR	CW41 .0068 GPR	CW43 .0102 GPR	CW45 .0132 GPR	CW47 .0169 GPR	CW49 .0192 GPR
<b>3304</b> 3 HP 182TC Frame	<b>CW21-3304</b> 2.4 GPM 1400 PSI	<b>CW23-3304</b> 4.8 GPM 825 PSI	<b>CW25-3304</b> 7.1 GPM 600 PSI	<b>CW27-3304</b> 10.8 GPM 400 PSI	<b>CW41-3304</b> 11.4 GPM 375 PSI	<b>CW43-3304</b> 17.2 GPM 250 PSI	<b>CW45-3304</b> 22.5 GPM 200 PSI	<b>CW47-3304</b> 28.8 GPM 150 PSI	<b>CW49-3304</b> 32.8 GPM 125 PSI
<b>3504</b> 5 HP 184TC Frame	<b>CW21-3504</b> 2.1 GPM 2350 PSI	<b>CW23-3504</b> 4.5 GPM 1375 PSI	<b>CW25-3504</b> 6.6 GPM 1000 PSI	<b>CW27-3504</b> 10.3 GPM 650 PSI	<b>CW41-3504</b> 11.2 GPM 625 PSI	<b>CW43-3504</b> 17.0 GPM 400 PSI	<b>CW45-3504</b> 22.2 GPM 325 PSI	<b>CW47-3504</b> 28.4 GPM 250 PSI	<b>CW49-3504</b> 32.5 GPM 225 PSI
<b>3754</b> 7 ½ HP 213TC Frame		<b>CW23-3754</b> 4.1 GPM 2050 PSI	<b>CW25-3754</b> 6.2 GPM 1475 PSI	<b>CW27-3754</b> 10.2 GPM 1000 PSI	<b>CW41-3754</b> 11.0 GPM 925 PSI	<b>CW43-3754</b> 16.9 GPM 625 PSI	<b>CW45-3754</b> 22.0 GPM 475 PSI	<b>CW47-3754</b> 28.2 GPM 375 PSI	<b>CW49-3754</b> 32.3 GPM 325 PSI
<b>31004</b> 10 HP 215TC Frame			<b>CW25-31004</b> 6.0 GPM 1875 PSI	<b>CW27-31004</b> 9.9 GPM 1325 PSI	<b>CW41-31004</b> 10.9 GPM	<b>CW43-31004</b> 16.8 GPM 825 PSI	<b>CW45-31004</b> 21.8 GPM 625 PSI	<b>CW47-31004</b> 28.0 GPM 500 PSI	<b>CW49-31004</b> 32.0 GPM 425 PSI
<b>31504</b> 15 HP 254TC Frame					<b>CW41-31504</b> 9.7 GPM 1850 PSI	<b>CW43-31504</b> 16.5 GPM 1225 PSI	<b>CW45-31504</b> 21.0 GPM 950 PSI	<b>CW47-31504</b> 27.9 GPM 750 PSI	<b>CW49-31504</b> 31.8 GPM 650 PSI
<b>32004</b> 20 HP 256TC Frame						<b>CW43-32004</b> 16.25 GPM 1650 PSI	<b>CW45-32004</b> 19.8 GPM 1275 PSI	<b>CW47-32004</b> 27.8 GPM 1000 PSI	<b>CW49-32004</b> 31.6 GPM 875 PSI

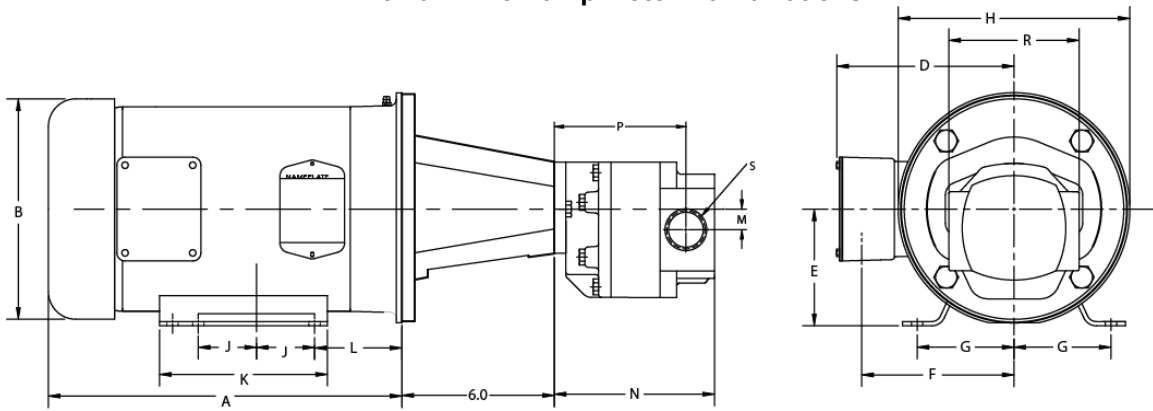
**WARNING:** The specifications/application data shown in our catalogs and data sheets are intended only as a general guide for the product described (herein). Any specific application should not be undertaken without independent study, evaluation, and testing for suitability.



**CW21 thru CW27 Pump/Motor Combinations**



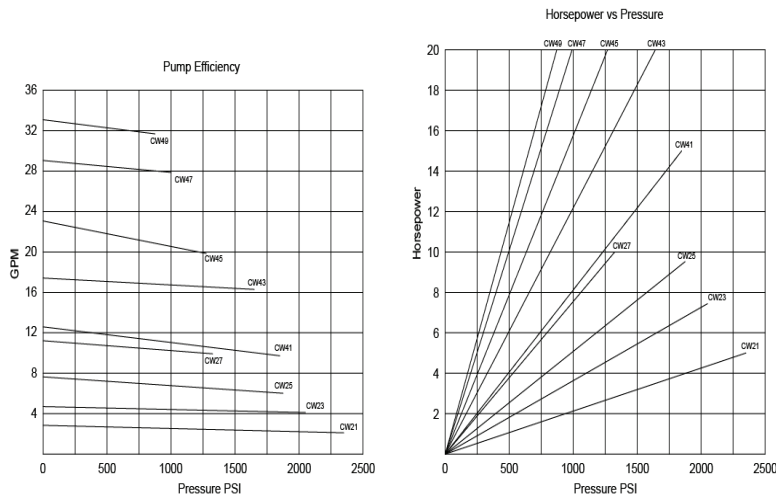
**CW41 thru CW49 Pump/Motor Combinations**



MOTOR MODEL	Dimensions													Pump Model	Dimensions				
	A	B	C	D	E	F	G	H	I	J	K	L	M		M	N	P	R	S
3304	13.13	9.47	-	7.19	4.73	5.69	3.75	9.23	7.25	2.25	5.50	3.38	3.87	CW21	0.63	3.2	1.75	-	3/4 NPTF (2)
3504	14.13	9.47	-	7.19	4.73	5.69	3.75	9.23	7.75	2.75	6.50	3.38	3.87	CW23	0.63	3.5	1.75	-	3/4 NPTF (2)
3754	15.81	10.86	-	8.66	5.43	6.66	4.25	10.69	8.56	2.75	6.50	4.00	4.34	CW25	0.63	3.78	1.75	-	3/4 NPTF (2)
31004	17.31	10.86	-	8.66	5.43	6.66	4.25	10.69	9.31	3.25	8.00	4.00	4.34	CW27	0.63	4.27	1.75	-	3/4 NPTF (2)
31504	18.91	12.56	1.56	9.44	6.28	7.44	5.00	12.56	9.78	4.13	9.50	4.50	5.09	CW41	0.91	5.41	4.22	5.38	1 1/4 NPTF (2)
32004	20.66	12.56	1.56	9.44	6.28	7.44	5.00	12.56	10.66	5.00	11.25	4.50	5.09	CW43	0.91	5.72	4.59	5.38	1 1/4 NPTF (2)
														CW45	0.91	6.06	4.94	5.38	1 1/4 NPTF (2)
														CW47	0.91	6.47	5.41	5.38	1 1/4 NPTF (2)
														CW49	0.91	6.72	5.59	5.38	1 1/4 NPTF (2)

Note: Motor and Bracket dimensions subject to change due to availability of inventory.

**Performance Data**



**WARNING:** The specifications/application data shown in our catalogs and data sheets are intended only as a general guide for the product described (herein). Any specific application should not be undertaken without independent study, evaluation, and testing for suitability.



**B Series**



**CT Series**



**BCV Series**



**INDEX**

	<u>Description</u>	<u>Page</u>
B Series Units		57
CT and CX Series Units		59
BCV Series Units		61

**WARNING:** The specifications/application data shown in our catalogs and data sheets are intended only as a general guide for the product described (herein). Any specific application should not be undertaken without independent study, evaluation, and testing for suitability.



**B Series Power Packages**

**B Series Power Unit with 1 Gallon Tank**



**B Series Power Unit with 5 Gallon Tank**



Caution: Relief valves must be set prior to installation. They are not factory preset. Relief valves will include springs which will allow relief valves settings to the pressures indicated on the chart.

With the 1, 1 ½ or 2 ½ gallon tank and TEFC 56 frame motors, B models are one of the most compact, utilized power packages available today. The 1 and 1 ½ gallon tank unit includes a custom heat dissipating aluminum tank and an externally adjustable relief valve. Units can be mounted horizontally (foot down) or vertically (tank down). TEFC motors are 56 frame specially configured for Delta Power B units, 4 pole motors run at the highly desirable speed of 1725 RPM rather than the 3450 version normally used on competitor's units.

While each unit is a complete power unit, their scope is radically increased by adapting to valve accessories like 85005677 found in section 9 of this catalog. Please refer to Section 9 for other adaptations.

**Pump / Motor Specifications**

Data shown is for continuous duty. For intermittent peaking duty, 30 seconds at peak load, pressure as high as 150% is attainable, limited to 3000 PSI maximum.

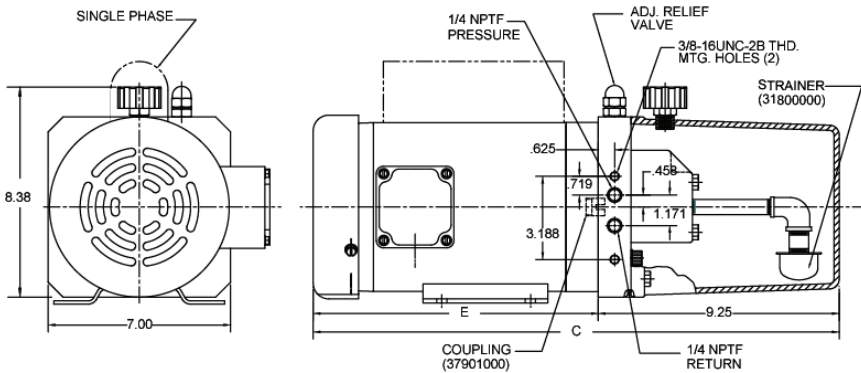
Note: 3 phase motors can run on 50/60 cycles but flow at 50 cycles will be reduced to 5/6 of noted flow since the motor will run at 5/6 of the RPM.

Motor	Pump	B1	B2	B4	B6	B8
		.00028 GPR	.00047 GPR	.0081 GPR	.00137 GPR	.00202 GPR
<b>B154</b>		.31 GPM	.70 GPM	1.33 GPM	2.32 GPM	3.46 GPM
1/2 H.P. 1725 RPM		1500 PSI	900 PSI	525 PSI	300 PSI	200 PSI
1 Phase TEFC		B1+B154	B2+B154	B4+B154	B6+B154	B8+B154
<b>B354</b>		.31 GPM	.70 GPM	1.33 GPM	2.32 GPM	3.46 GPM
1/2 H.P. 1725 RPM		1500 PSI	900 PSI	525 PSI	300 PSI	200 PSI
3 Phase TEFC		B1+B354	B2+B354	B4+B354	B6+B354	B8+B354
<b>B174</b>		.25 GPM	.65 GPM	1.28 GPM	2.28 GPM	3.44 GPM
3/4 H.P. 1725 RPM		2250 PSI	1350 PSI	775 PSI	450 PSI	300 PSI
1 Phase TEFC		B1+B174	B2+B174	B4+B174	B6+B174	B8+B174
<b>B374</b>		.25 GPM	.65 GPM	1.28 GPM	2.28 GPM	3.44 GPM
3/4 H.P. 1725 RPM		2250 PSI	1350 PSI	775 PSI	450 PSI	300 PSI
3 Phase TEFC		B1+B374	B2+B374	B4+B374	B6+B374	B8+B374
<b>B1104</b>		.25 GPM	.58 GPM	1.25 GPM	2.25 GPM	3.40 GPM
1 H.P. 1725 RPM		2250 PSI	1800 PSI	1050 PSI	625 PSI	425 PSI
1 Phase TEFC		B1+B1104	B2+B1104	B4+B1104	B6+B1104	B8+B1104
<b>B3104</b>		.25 GPM	.58 GPM	1.25 GPM	2.25 GPM	3.40 GPM
1 H.P. 1725 RPM		2250 PSI	1800 PSI	1050 PSI	625 PSI	425 PSI
3 Phase TEFC		B1+B3104	B2+B3104	B4+B3104	B6+B3104	B8+B3104
<b>B1154</b>				1.17 GPM	2.18 GPM	3.34 GPM
1-1/2 H.P. 1725 RPM				1550 PSI	925 PSI	625 PSI
1 Phase TEFC				B4+B1154	B6+B1154	B8+B1154
<b>B3154</b>				1.17 GPM	2.18 GPM	3.34 GPM
1-1/2 H.P. 1725 RPM				1550 PSI	925 PSI	625 PSI
3 Phase TEFC				B4+B3154	B6+B3154	B8+B3154
<b>B3204</b>					2.06 GPM	3.26 GPM
2 H.P. 1725 RPM					1225 PSI	850 PSI
3 Phase TEFC					B6+B3204	B8+B3204
<b>B3304</b>					1.90 GPM	3.12 GPM
3 H.P. 1725 RPM					1850 PSI	1250 PSI
3 Phase TEFC					B6+B3304	B8+B3304
Intermittent Duty						

<b>B6+B174</b>	<b>Pump/Motor/1 Gal. Tank</b>
To order Power unit with 1-1/2 gallon tank, specify as follows	
<b>B6+B174-1-1/2 TK</b>	<b>Pump/Motor/1-1/2 Gal. Tank</b>
To order Power unit with 2-1/2 gallon tank, specify as follows	
<b>B6+B174-2-1/2 TK</b>	<b>Pump/Motor/2-1/2 Gal. Tank</b>
To order Power unit with 5 gallon tank, (add letter T), as follows	
<b>BT6+B174</b>	<b>Pump/Motor/5 Gal. Tank</b>
To order Power unit with 5 gallon tank, (add letter X), as follows	
<b>BX6+B174</b>	<b>Pump/Motor/10 Gal. Tank</b>

**WARNING:** The specifications/application data shown in our catalogs and data sheets are intended only as a general guide for the product described (herein). Any specific application should not be undertaken without independent study, evaluation, and testing for suitability.

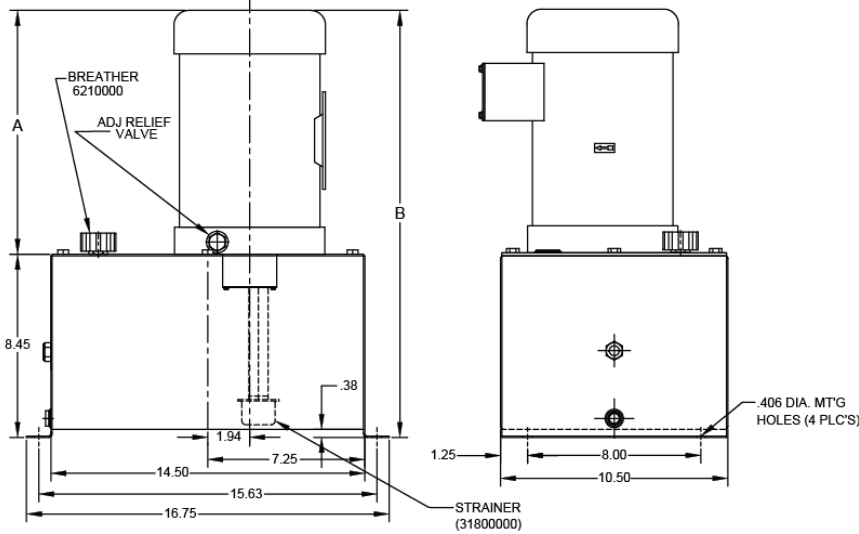
**B Series Power Unit with 1 Gallon Tank**



MOTOR	Dimension			
	A	B	C	E
B154	11.13	19.69	19.38	9.88
B354	10.50	19.06	18.75	9.25
B174	12.00	19.06	18.75	10.75
B374	10.50	19.06	18.75	9.25
B1104	12.13	20.69	20.38	10.88
B3104	11.13	19.56	19.25	9.88
B1154	13.01	21.06	20.75	11.76
B3154	11.00	19.56	19.25	9.75
B3204	12.13	20.69	20.38	10.88
B3304	13.00	21.44	21.13	11.75

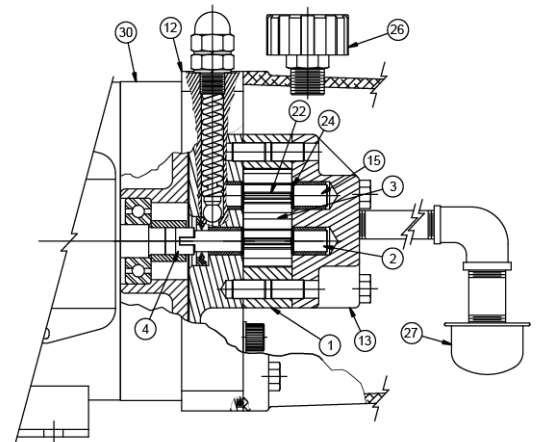
Note: Motor dimensions are approximate dependent on current availability

**B Series Power Unit with 5 Gallon Tank**



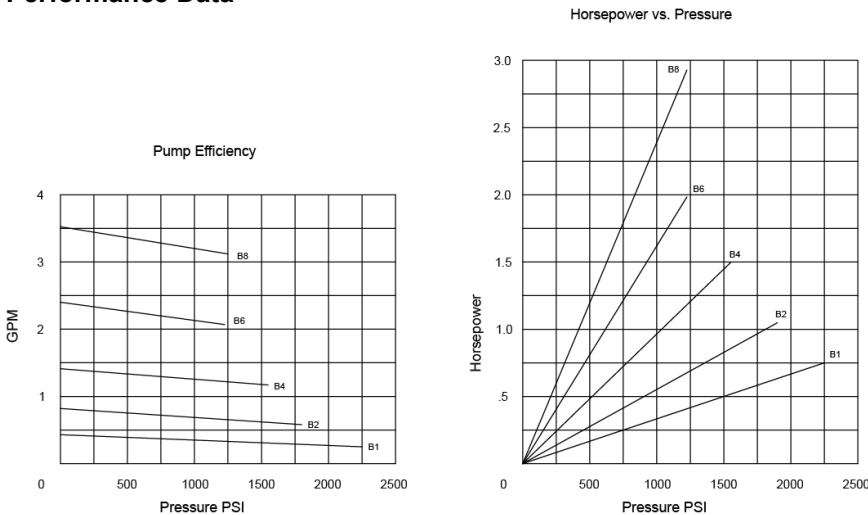
**Ordering - Service Parts**

ITEM #	DESCRIPTION	QTY.
1	GEAR CASE	1
2	DRIVE SHAFT	1
3	GEARS	2
4	COUPLING	1
5	RESERVOIR	1
12	DRIVE PLATE	1
13	END PLATE	1
15	IDLER SHAFT	1
17	INLET STRAINER	1
22	GEAR PIN	2
24	RETAINING RING	4
26	BREATHER	1
30	MOTOR	1



NOTE: WHEN ORDERING PARTS, PLEASE SPECIFY COMPLETE MODEL NUMBER

**Performance Data**



**WARNING:** The specifications/application data shown in our catalogs and data sheets are intended only as a general guide for the product described (herein). Any specific application should not be undertaken without independent study, evaluation, and testing for suitability.

*CT and CX Series Power Packages*



Pump motor combinations are offered with 5 or 10 gallon tanks to form complete hydraulic power packages. When ordering, specify pump, motor, and tank sizes. Adding a “T” to the model numbers of pump and motor in the chart designates a 5 gallon tank. Using an “X” in the number instead of the “T”, designates a 10 gallon tank. For example, CT6 + C354 would specify a complete unit: pump C6, motor size C354, 5 gallon tank “T”. To order a 10 gallon tank combination, the number would be CX6 + C354.

All tanks include the following: suction strainer (100 mesh); breather (40 micron); oil sight level glass; motor mounting holes drilled and tapped. Pump-motor-tank combinations include piping to the suction side of the pump.

The precision alignment of the motor to the “C” Series pump is assured by a machined adaptor bracket. The ½ to 1 ½ H.P. electric motors are frame 56C, continuous duty, ball-bearing, totally enclosed, fan cooled units of the highest quality. The motors are offered as standard in either single phase, 115 and 230 volt, 1750 RPM or three phase, 208, 230 and 460 volt, 1750 RPM, 50/60 cycle current.

**Pump / Motor Specifications**

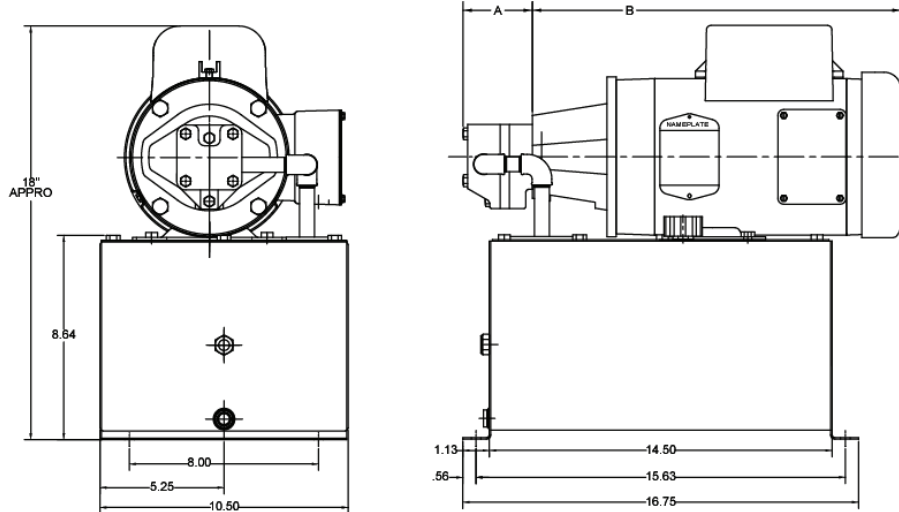
Data shown is for continuous duty. For intermittent peaking duty, 30 seconds at peak load, pressure as high as 150% is attainable, limited to 3000 PSI maximum.

Note: 3 phase motors can run on 50/60 cycles but flow at 50 cycles will be reduced to 5/6 of noted flow since the motor will run at 5/6 of the RPM.

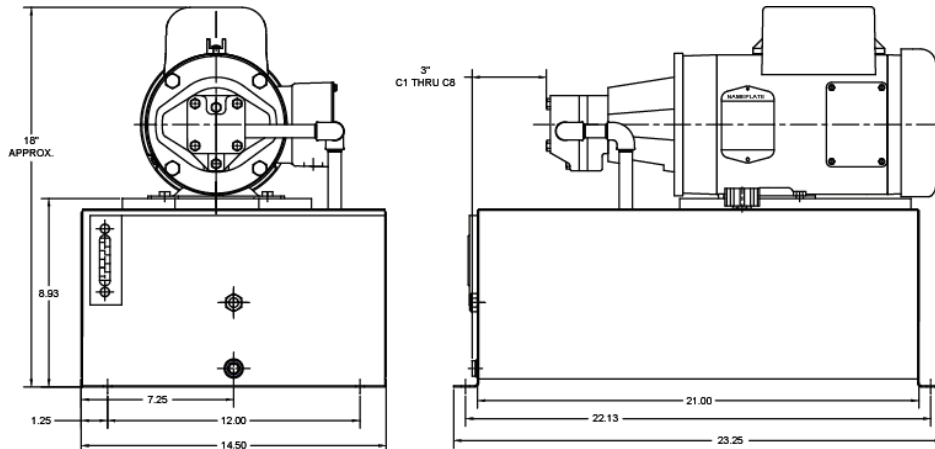
Pump	C1	C2	C4	C6	C8
<b>Motor</b>	.00028 GPR	.00047 GPR	.0081 GPR	.00137 GPR	.00202 GPR
<b>C154</b>	.31 GPM	.70 GPM	1.33 GPM	2.32 GPM	3.46 GPM
1/2 H.P. 1725 RPM	1500 PSI	900 PSI	525 PSI	300 PSI	200 PSI
1 Phase TEFC	C1+C154	C2+C154	C4+C154	C6+C154	C8+C154
<b>C354</b>	.31 GPM	.70 GPM	1.33 GPM	2.32 GPM	3.46 GPM
1/2 H.P. 1725 RPM	1500 PSI	900 PSI	525 PSI	300 PSI	200 PSI
3 Phase TEFC	C1+C354	C2+C354	C4+C354	C6+C354	C8+C354
<b>C174</b>	.25 GPM	.65 GPM	1.28 GPM	2.28 GPM	3.44 GPM
3/4 H.P. 1725 RPM	2250 PSI	1350 PSI	775 PSI	450 PSI	300 PSI
1 Phase TEFC	C1+C174	C2+C174	C4+C174	C6+C174	C8+C174
<b>C374</b>	.25 GPM	.65 GPM	1.28 GPM	2.28 GPM	3.44 GPM
3/4 H.P. 1725 RPM	2250 PSI	1350 PSI	775 PSI	450 PSI	300 PSI
3 Phase TEFC	C1+C374	C2+C374	C4+C374	C6+C374	C8+C374
<b>C1104</b>	.25 GPM	.58 GPM	1.25 GPM	2.25 GPM	3.40 GPM
1 H.P. 1725 RPM	2250 PSI	1800 PSI	1050 PSI	625 PSI	425 PSI
1 Phase TEFC	C1+C1104	C2+C1104	C4+C1104	C6+C1104	C8+C1104
<b>C3104</b>	.25 GPM	.58 GPM	1.25 GPM	2.25 GPM	3.40 GPM
1 H.P. 1725 RPM	2250 PSI	1800 PSI	1050 PSI	625 PSI	425 PSI
3 Phase TEFC	C1+C3104	C2+C3104	C4+C3104	C6+C3104	C8+C3104
<b>C1154</b>			1.17 GPM	2.18 GPM	3.34 GPM
1-1/2 H.P. 1725 RPM			1550 PSI	925 PSI	625 PSI
1 Phase TEFC			C4+C1154	C6+C1154	C8+C1154
<b>C3154</b>			1.17 GPM	2.18 GPM	3.34 GPM
1-1/2 H.P. 1725 RPM			1550 PSI	925 PSI	625 PSI
3 Phase TEFC			C4+C3154	C6+C3154	C8+C3154

**WARNING:** The specifications/application data shown in our catalogs and data sheets are intended only as a general guide for the product described (herein). Any specific application should not be undertaken without independent study, evaluation, and testing for suitability.

**CT Series Power Unit with 5 Gallon Tank**



**CX Series Power Unit with 10 Gallon Tank**

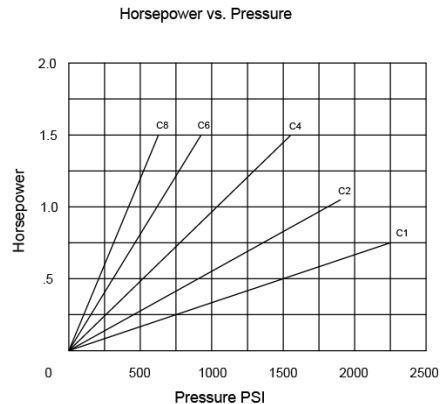
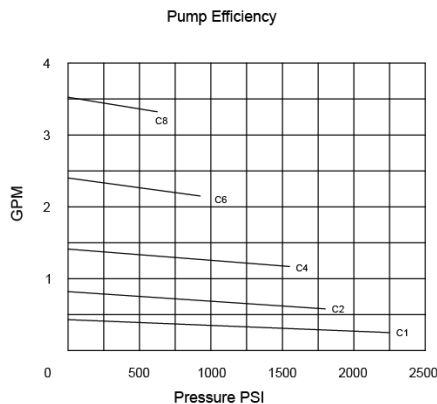


MOTOR	C154	C354	C174	C374	C1104	C3104	C31154	C3154
DIMENSION	13.38	12.75	14.25	12.75	14.43	13.43	15.25	13.38

PUMP	C1	C2	C4	C6	C8
DIMENSION	2.48	2.57	2.74	3.02	3.34

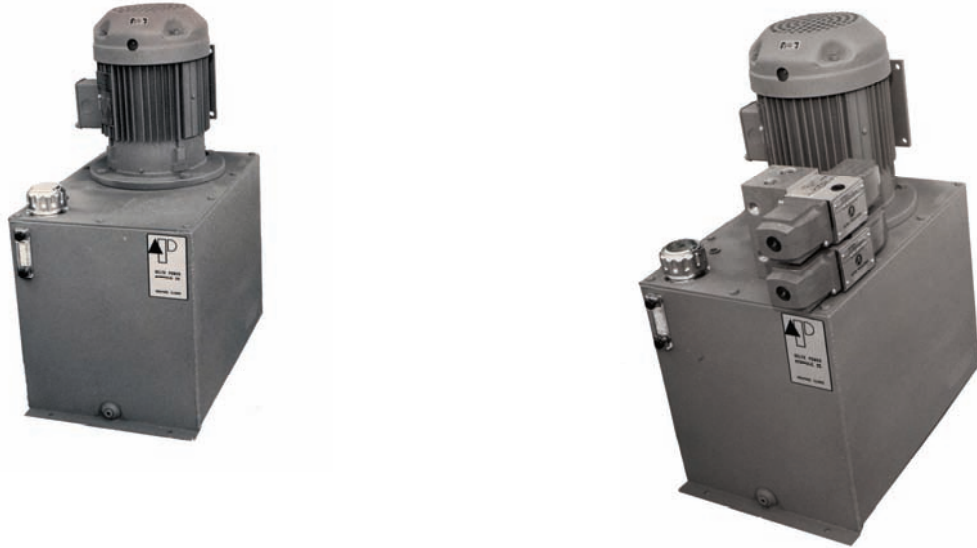
Note: Motor and bracket dimensions subject to change due to availability of inventory.

**Performance Data**



**WARNING:** The specifications/application data shown in our catalogs and data sheets are intended only as a general guide for the product described (herein). Any specific application should not be undertaken without independent study, evaluation, and testing for suitability.

**BCV Series Power Packages**



Vertical Pump Motor, combinations 3.5 to 10.5GPM with 3 to 20 HP, C face, TEFC motors (Pressures to 3000 PSI). Available on 15, 20 and 30 gallon non JIC reservoirs. Each unit features a fixed displacement gear pump submerged below oil level for assured pump filling and quiet operation. Filler breather assembly, suction strainer, sight level and temperature gauge standard. Optional valve systems result in a complete custom hydraulic Power Unit. These units use the PH series pumps noted in the pump section of the catalog.

**Accessories/Options**

- Relief valve
- Pressure gauge and shutoff
- Return line filter
- Directional control valves
- Single-phase motors
- Explosion-proof motors
- Custom manifolds
- Pressure switch

**Pump / Motor Specifications**

Data shown is for continuous duty. For intermittent peaking duty 30 seconds at peak load, pressure as high as 150% is attainable, limited to 3000 PSI maximum.

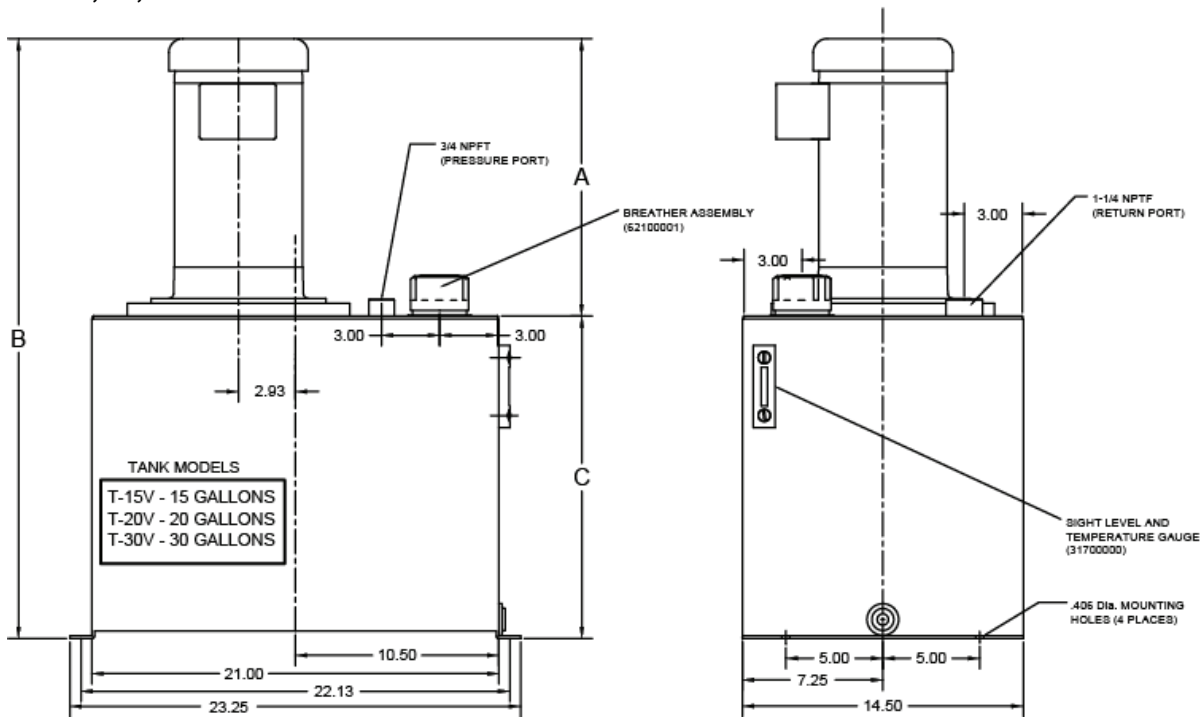
Pump	BCV312	BCV313	BCV314	BCV315	BCV318	BCV319
<b>Motor</b>	.499 CIR	.589 CIR	.677 CIR	.860 CIR	1.220 CIR	1.403 CIR
<b>3304</b>						
3 H.P. 1725 RPM	1225 PSI	1000 PSI	900 PSI	700 PSI	500 PSI	425 PSI
182TC Frame	3.7 GPM	4.4 GPM	5.0 GPM	6.4 GPM	9.1 GPM	10.4 GPM
3 Phase TEFC	BCV312-3304	BCV313-3304	BCV314-3304	BCV315-3304	BCV318-3304	BCV319-3304
<b>3504</b>						
5 H.P. 1725 RPM	2050 PSI	1725 PSI	1500 PSI	1200 PSI	825 PSI	725 PSI
184TC Frame	3.7 GPM	4.4 GPM	5.0 GPM	6.4 GPM	9.1 GPM	10.4 GPM
3 Phase TEFC	BCV312-3504	BCV313-3504	BCV314-3504	BCV315-3504	BCV318-3504	BCV319-3504
<b>3754</b>						
7.5 H.P. 1725 RPM	3000 PSI	2600 PSI	2250 PSI	1725 PSI	1250 PSI	1100 PSI
213TC Frame	3.6 GPM	4.3 GPM	4.9 GPM	6.4 GPM	9.1 GPM	10.3 GPM
3 Phase TEFC	BCV312-3754	BCV313-3754	BCV314-3754	BCV315-3754	BCV318-3754	BCV319-3754
<b>31004</b>						
10 H.P. 1725 RPM		3000 PSI	3000 PSI	2325 PSI	1675 PSI	1450 PSI
215TC Frame		4.3 GPM	4.9 GPM	6.3 GPM	9.0 GPM	10.3 GPM
1 Phase TEFC		BCV313-31004	BCV314-31004	BCV315-31004	BCV318-31004	BCV319-31004
<b>31504</b>						
15 H.P. 1725 RPM				3000 PSI	2500 PSI	2200 PSI
254TC Frame				6.3 GPM	9.0 GPM	10.2 GPM
3 Phase TEFC				BCV315-31504	BCV318-31504	BCV319-31504
<b>32004</b>						
20 H.P. 1725 RPM					2850 PSI	2500 PSI
256TC Frame					9.0 GPM	10.2 GPM
3 Phase TEFC					BCV318-32004	BCV319-32004

Note: 3 phase motors can run on 50/60 cycles but flow at 50 cycles will be reduced to 5/6 of noted flow since the motor will run at 5/6 of the RPM.

**WARNING:** The specifications/application data shown in our catalogs and data sheets are intended only as a general guide for the product described (herein). Any specific application should not be undertaken without independent study, evaluation, and testing for suitability.



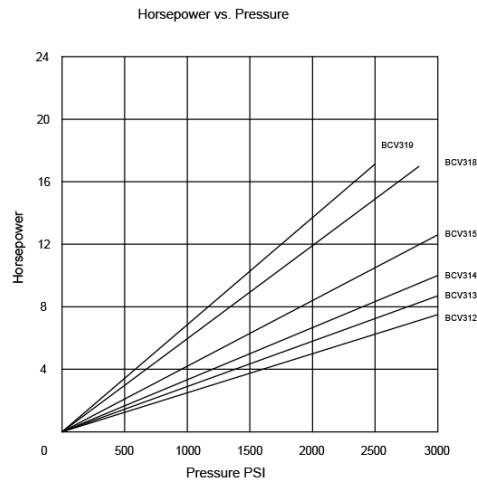
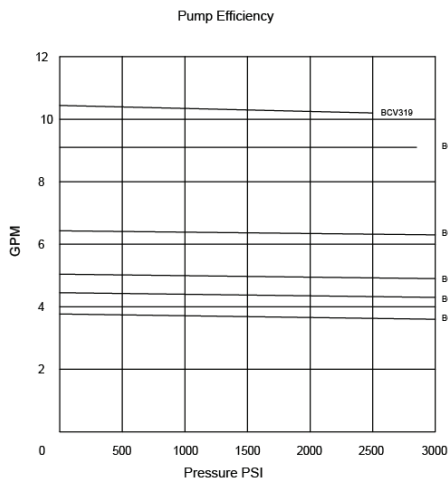
**BCV Series 15, 20, and 30 Gallon Tanks**



MOTOR	TANK "A"	T-15V	T-20V	T-30V
		"B"	"B"	"B"
3304	12.96	25.52	29.52	37.52
3504	13.96	26.52	30.52	38.52
3754	13.99	26.92	29.92	38.92
31004	16.49	29.05	33.05	41.05
31504	17.87	30.43	34.43	42.43
32004	19.63	32.19	36.19	44.19
"C"		12.56	16.56	24.56

Note: Motor and Flange dimensions are approximate dependent on current availability

**Performance Data**



**WARNING:** The specifications/application data shown in our catalogs and data sheets are intended only as a general guide for the product described (herein). Any specific application should not be undertaken without independent study, evaluation, and testing for suitability.

Phone: (815) 397-6628

Fax: (815) 397-2526

E-mail: [delta@delta-power.com](mailto:delta@delta-power.com)



**BV Series**



**INDEX**

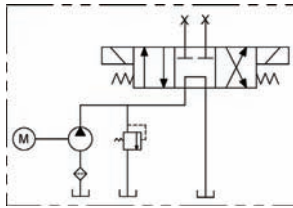
	<u>Description</u>	<u>Page</u>
BV Series Units		65

**WARNING:** The specifications/application data shown in our catalogs and data sheets are intended only as a general guide for the product described (herein). Any specific application should not be undertaken without independent study, evaluation, and testing for suitability.



**BV Series Power Packages**

**BV Series with Valve and 1 Gallon Tank**



Caution: Relief valves must be set prior to installation. They are not factory preset. Relief valves will include springs which will allow relief valve settings to the pressures indicated on the chart.

Delta BV models provide increased flexibility by incorporating a standard 4way 3position valve directly to the power unit. In all, over 100 standard model and combinations to choose from.

Satisfy many custom circuit requirements through use of standard Delta valves, manifolds and stack modules illustrated.

**Pump / Motor Specifications**

Data shown is for continuous duty. For intermittent peaking duty, 30 seconds at peak load, pressure as high as 150% is attainable, limited to 3000 PSI maximum.

Note: 3 phase motors can run on 50/60 cycles but flow at 50 cycles will be reduced to 5/6 of noted flow since the motor will run at 5/6 of the RPM.

Pump	BV1	BV2	BV4	BV6	BV8
<b>Motor</b>	.00028 GPR	.00047 GPR	.0081 GPR	.00137 GPR	.00202 GPR
<b>B154</b>	.31 GPM	.70 GPM	1.33 GPM	2.32 GPM	3.46 GPM
1/2 H.P. 1725 RPM	1500 PSI	900 PSI	525 PSI	300 PSI	200 PSI
1 Phase TEFC	BV1+B154	BV2+B154	BV4+B154	BV6+B154	BV8+B154
<b>B354</b>	.31 GPM	.70 GPM	1.33 GPM	2.32 GPM	3.46 GPM
1/2 H.P. 1725 RPM	1500 PSI	900 PSI	525 PSI	300 PSI	200 PSI
3 Phase TEFC	BV1+B354	BV2+B354	BV4+B354	BV6+B354	BV8+B354
<b>B174</b>	.25 GPM	.65 GPM	1.28 GPM	2.28 GPM	3.44 GPM
3/4 H.P. 1725 RPM	2250 PSI	1350 PSI	775 PSI	450 PSI	300 PSI
1 Phase TEFC	BV1+B174	BV2+B174	BV4+B174	BV6+B174	BV8+B174
<b>B374</b>	.25 GPM	.65 GPM	1.28 GPM	2.28 GPM	3.44 GPM
3/4 H.P. 1725 RPM	2250 PSI	1350 PSI	775 PSI	450 PSI	300 PSI
3 Phase TEFC	BV1+A374	BV2+B374	BV4+B374	BV6+B374	BV8+B374
<b>B1104</b>	.25 GPM	.58 GPM	1.25 GPM	2.25 GPM	3.40 GPM
1 H.P. 1725 RPM	2250 PSI	1800 PSI	1050 PSI	625 PSI	425 PSI
1 Phase TEFC	BV1+B1104	BV2+B1104	BV4+B1104	BV6+B1104	BV8+B1104
<b>B3104</b>	.25 GPM	.58 GPM	1.25 GPM	2.25 GPM	3.40 GPM
1 H.P. 1725 RPM	2250 PSI	1800 PSI	1050 PSI	625 PSI	425 PSI
3 Phase TEFC	BV1+B3104	BV2+B3104	BV4+B3104	BV6+B3104	BV8+B3104
<b>B1154</b>			1.17 GPM	2.18 GPM	3.34 GPM
1-1/2 H.P. 1725 RPM			1550 PSI	925 PSI	625 PSI
1 Phase TEFC			BV4+B1154	BV6+B1154	BV8+B1154
<b>B3154</b>			1.17 GPM	2.18 GPM	3.34 GPM
1-1/2 H.P. 1725 RPM			1550 PSI	925 PSI	625 PSI
3 Phase TEFC			BV4+B3154	BV6+B3154	BV8+B3154
<b>B3204</b>				2.06 GPM	3.26 GPM
2 H.P. 1725 RPM				1225 PSI	850 PSI
3 Phase TEFC				BV6+B3204	BV8+B3204
<b>B3304</b>				1.90 GPM	3.12 GPM
3 H.P. 1725 RPM				1850 PSI	1250 PSI
3 Phase TEFC				BV6+B3304	BV8+B3304
Intermittent Duty					

**BV Series with Valve and 10 Gallon Tank**



**BV6+B174 Pump/Motor/Valve/1 Gal. Tank**  
To order Power unit with 1-1/2 gallon tank, specify as follows  
**BV6+B174-1-1/2 TK Pump/Motor/Valve/1-1/2 Gal. Tank**

To order Power unit with 2-1/2 gallon tank, specify as follows  
**BV6+B174-2-1/2 TK Pump/Motor/Valve/2-1/2 Gal. Tank**

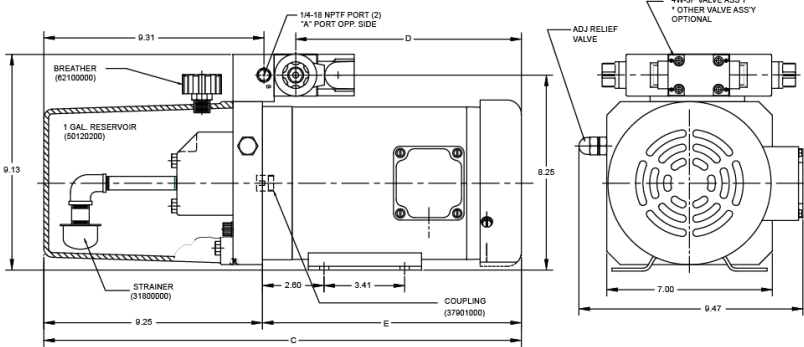
To order Power unit with 5 gallon tank, (add letter T), as follows  
**BVT6+B174 Pump/Motor/Valve/5 Gal. Tank**

To order Power unit with 5 gallon tank, (add letter X), as follows  
**BVX6+B174 Pump/Motor/Valve/10 Gal. Tank**

Pump No.	Slip GPM / 100 PSI	GPM @ 0.PSI 1725 RPM
B1	0.015	0.48
B2	0.017	0.81
B4	0.020	1.40
B6	0.025	2.36
B8	0.030	3.49

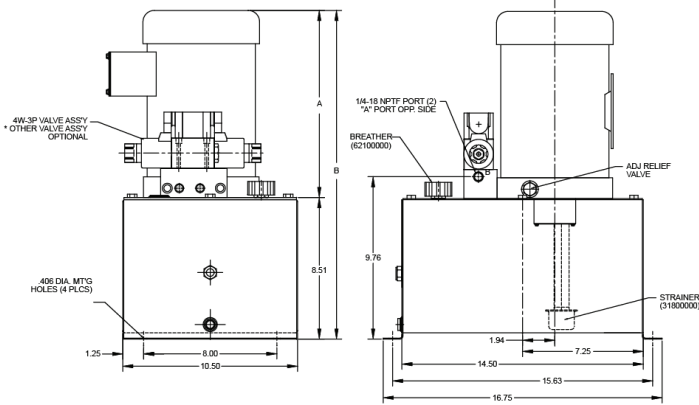
**WARNING:** The specifications/application data shown in our catalogs and data sheets are intended only as a general guide for the product described (herein). Any specific application should not be undertaken without independent study, evaluation, and testing for suitability.

**BV Series Power Unit with 1 Gallon Tank**

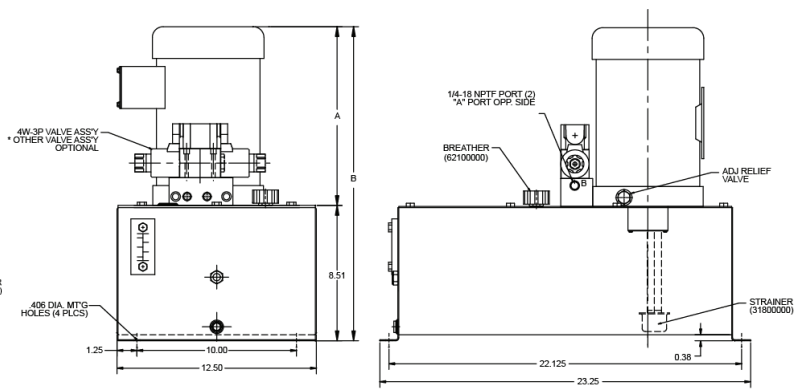


Motor	A	B	C	D	E
B154	11.13	19.69	19.38	9.75	9.88
B354	10.50	19.06	18.75	9.13	9.25
B174	10.50	19.06	18.75	9.13	9.25
B374	10.50	19.06	18.75	9.13	9.25
B1104	12.13	20.69	20.38	10.75	10.88
B3104	11.00	19.56	19.25	9.63	9.75
B1154	12.50	21.06	20.75	11.13	11.25
B3154	11.00	19.56	19.25	9.63	9.75
B3204	12.13	20.69	20.38	10.75	10.88
B3304	12.88	21.44	21.13	11.50	11.63

**BVT Series with Valve and 5 Gallon Tank**



**BVX Series with Valve and 10 Gallon Tank**



**Directional Control Valves and Stack Modules**

SYMBOL	DESCRIPTION	Part Number	
		110 VAC	220 VAC
	4W3P Tandem Center	22020116	22020117
	4W3P Open Center	22020118	22020119
	4W3P Closed Center	22020120	22020121
	4W3P Figure Four	22020122	22020123

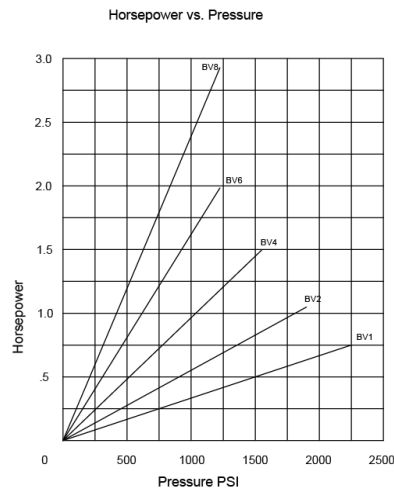
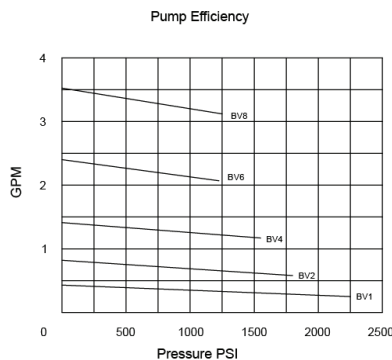
**Accessory Options**

Pressure gauge & shut off including installation with B or BV power units	2 1/2" Dia. Std.	21001003
	2 1/2" Dia. Glyc.	21001007
Pressure switch including installation		21002001
Return line filter including installation (10 micron nominal; 20 GPM maximum)		21004001

**Stack Modules**

SYMBOL	DESCRIPTION	Part No.	Bolt Kit No.
	Flow Control	3000 PSI	BK-7
	Meter In/Out	85004206	BK-7
	Dual Pilot Operated	3000 PSI	BK-7
	Check (4:1 Ratio)	85004025	

**Performance Data**



**WARNING:** The specifications/application data shown in our catalogs and data sheets are intended only as a general guide for the product described (herein). Any specific application should not be undertaken without independent study, evaluation, and testing for suitability.