

# DPO7000, DPO70000/B and DSA70000/B Series Digital Oscilloscopes Programmer Manual



077-0010-06

**Tektronix**



**DPO7000, DPO70000/B and DSA70000/B Series  
Digital Oscilloscopes  
Programmer Manual**

Copyright © Tektronix. All rights reserved. Licensed software products are owned by Tektronix or its subsidiaries or suppliers, and are protected by national copyright laws and international treaty provisions.

Tektronix products are covered by U.S. and foreign patents, issued and pending. Information in this publication supersedes that in all previously published material. Specifications and price change privileges reserved.

TEKTRONIX and TEK are registered trademarks of Tektronix, Inc.

FastFrame, OpenChoice, iView, Pinpoint, RT-Eye, MyScope, TekLink, TekVPI, and MultiView Zoom are trademarks of Tektronix, Inc.

### **Contacting Tektronix**

Tektronix, Inc.  
14200 SW Karl Braun Drive  
P.O. Box 500  
Beaverton, OR 97077  
USA

For product information, sales, service, and technical support:

- In North America, call 1-800-833-9200.
- Worldwide, visit [www.tektronix.com](http://www.tektronix.com) to find contacts in your area.

# Table of Contents

Preface .....	iii
Getting Started .....	1-1
Setting Up Remote Communications .....	1-1
Command Syntax .....	2-1
Backus-Naur Form Notation .....	2-1
Command and Query Structure .....	2-1
Clearing the Instrument .....	2-3
Command Entry .....	2-4
Constructed Mnemonics .....	2-6
Argument Types .....	2-7
Command Groups .....	2-11
Acquisition Command Group .....	2-11
Alias Command Group .....	2-12
Calibration Command Group .....	2-13
Cursor Command Group .....	2-13
Diagnostics Command Group .....	2-16
Display Control Command Group .....	2-17
E-mail Command Group .....	2-19
File System Command Group .....	2-21
Hard Copy Command Group .....	2-22
Histogram Command Group .....	2-23
Horizontal Command Group .....	2-24
Limit Test Command Group .....	2-27
Low Speed Serial Trigger Command Group .....	2-28
Mask Command Group .....	2-31
Math Command Group .....	2-37
Measurement Command Group .....	2-39
Miscellaneous Command Group .....	2-43
Save and Recall Command Group .....	2-44
Search and Mark Command Group .....	2-45
Status and Error Command Group .....	2-54
TekLink Command Group .....	2-55
Trigger Command Group .....	2-56
Vertical Command Group .....	2-63
Waveform Transfer Command Group .....	2-67
Zoom Command Group .....	2-72
Commands Listed in Alphabetical Order .....	2-75
Status and Events .....	3-1
Registers .....	3-1

.....	3-3
Queues .....	3-4
Event Handling Sequence.....	3-5
Synchronization Methods.....	3-6
Appendix A: Character Set .....	A-1
Appendix B: Reserved Words.....	B-1
Appendix C: Factory Default Setup Values.....	C-1
Default Setup.....	C-1
Appendix D: GPIB Interface Specifications .....	D-1
Interface Messages .....	D-1
GPIB Functions .....	D-2
Glossary	
Index	

---

# Preface

This programmer manual provides you with the information required to use GPIB commands for remotely controlling your instrument.

## Documentation



**Quick Start User Manual.** The user manual has information about installing and operating the instrument. It also provides concepts and theories about using the instrument that are not covered in the online help.

**Online Help.** This is an online help system that is integrated with the User Interface application that ships with this product. The online help provides in-depth operation and user interface help.

**Getting Started with OpenChoice™ Solutions Manual.** A book that explores some options for getting data from your instrument into any one of several available analysis tools.

**Specifications and Performance Verification.** Instrument specifications and a performance verification procedure. This is available as a printable PDF file on the Product Software CD-ROM.

**TekVISA Programmer Manual.** This manual is available as a printable PDF file on the Product Software CD-ROM. The manual describes TekVISA, the Tektronix implementation of the VISA Application Programming Interface (API). TekVISA is industry-compliant software for writing interoperable instrument drivers in a variety of Application Development Environments (ADEs).

**Optional Applications Software for Tektronix Windows-Based Instruments (CD-ROM).** This CD-ROM contains trial versions of application-specific programs that you can install and run five times per application. To purchase an application, contact your local Tektronix representative.

**Other Included Documentation.** Installation booklets are included in the Product Software and Operating System Restore Software packages.

**Service Manual.** The service manual includes procedures to service the instrument to the module level. This manual is available as a printable PDF file on the Product Software CD-ROM.

---

The programmer guide is divided into the following major topics:

- **Getting Started.** This topic introduces you to the programming information and provides basic information about setting up your instrument for remote control.
- **Command Groups.** This topic contains all the commands listed in functional groups. Each group consists of an overview of the commands in that group and a table that lists all the commands and queries for that group. You can click a command in the listing to display a detailed description of the command.
- **Command Syntax.** This topic provides an overview of the command syntax that you use to communicate with the instrument and other general information about commands, such as how commands and queries are constructed, how to enter commands, constructed mnemonics, and argument types.
- **Status and Events.** This topic discusses the status and event reporting system for the GPIB interfaces. This system informs you of certain significant events that occur within the instrument. Topics that are discussed include registers, queues, event handling sequences, synchronization methods, and messages that the instrument may return, including error messages.
- **Miscellaneous.** This topic contains miscellaneous information, such as a list of reserved words, a table of the factory initialization (default) settings, and interface specifications that may be helpful when using commands to remotely control the instrument.



---

# Getting Started

This programmer guide provides you with the information required to use GPIB commands for remotely controlling your instrument. With this information, you can write computer programs that will perform functions such as setting the front panel controls, taking measurements, performing statistical calculations, and exporting data for use in other programs, such as spreadsheets.

In addition to the traditional GPIB electronic interface (referred to as the physical GPIB interface), your instrument is provided with a *TekVISA* GPIB-compatible interface (referred to as the virtual GPIB interface). This is a software Application Programming Interface (API) which enables you to communicate with the instrument in a variety of ways, including via the Internet. With the following two exceptions, these interfaces are completely independent:

- **HEADER.** Command headers enabled or disabled on one interface are correspondingly enabled or disabled on the other interface. Refer to the command descriptions for more detailed information.
- **VERBOSE.** Verbosity enabled or disabled on one interface is correspondingly enabled or disabled on the other interface. Refer to the command description for more detailed information.

Most examples in this document require that both **HEADER** and **VERBOSE** are **ON**.

Refer to *Documentation* for information on related manuals and documents.

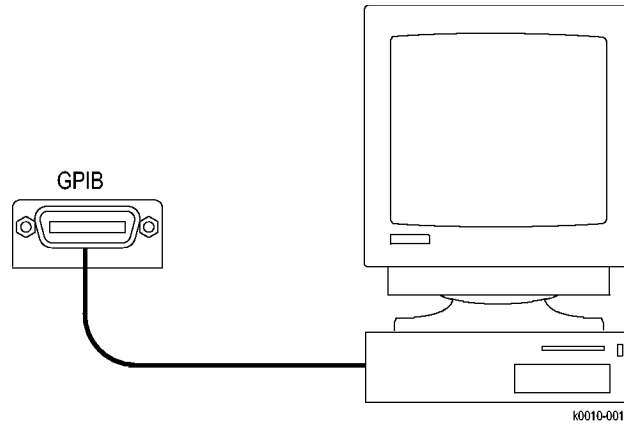
## Setting Up Remote Communications

Before setting up the instrument for remote communications using the electronic (physical) GPIB interface, you should familiarize yourself with the following GPIB requirements:

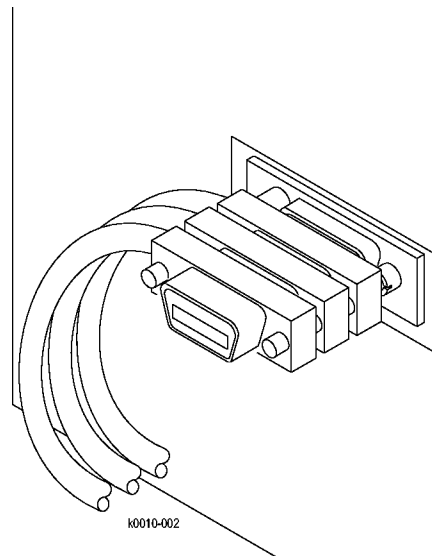
- A unique device address must be assigned to each device on the bus. No two devices can share the same device address.
- No more than 15 devices can be connected to any one line.
- One device should be connected for every 6 feet (2 meters) of cable used.
- No more than 65 feet (20 meters) of cable should be used to connect devices to a bus.
- At least two-thirds of the devices on the network should be powered on while using the network.
- Connect the devices on the network in a star or linear configuration. Do not use loop or parallel configurations.

### Connecting to the Instrument

Your instrument has a 24-pin GPIB connector on its rear (side) panel. This connector has a D-type shell and conforms to IEEE Std 488.1<sup>3</sup>/<sub>4</sub>1987. Attach an IEEE Std 488.1<sup>3</sup>/<sub>4</sub>1987 GPIB cable to this connector and to your controller as shown in the following figure.



If necessary, the GPIB connectors can be stacked as shown in the following figure.



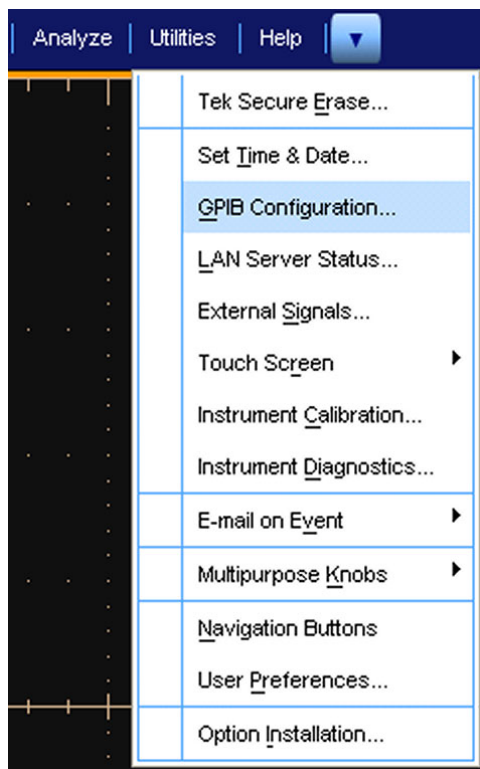
### Setting the GPIB Address

To function correctly, your instrument must have a unique device address. The default settings for the GPIB configuration are:

- GPIB Address 1
- GPIB Mode GPIB Talk/Listen

To change either of the GPIB settings, do the following:

1. Select GPIB Configuration from the Utilities menu.



2. Click the Configuration Talk/Listen button.



3. Change the GPIB Address to a unique address.
4. Click the Close button.

The instrument is now set up for bidirectional communication with your controller.



# Command Syntax

You can control the operations and functions of the instrument through the GPIB interface using commands and queries. The following related topics listed describe the syntax of these commands and queries. The topics also describe the conventions that the instrument uses to process them. See the *Command Groups* topic in the table of contents for a listing of the commands by command group, or use the index to locate a specific command.

## Backus-Naur Form Notation

This documentation describes the commands and queries using Backus-Naur Form (BNF) notation. Refer to the following table for the symbols that are used.

**Table 2-1: Symbols for Backus-Naur Form**

Symbol	Meaning
< >	Defined element
::=	Is defined as
	Exclusive OR
{ }	Group; one element is required
[ ]	Optional; can be omitted
...	Previous element(s) may be repeated
( )	Comment

## Command and Query Structure

Commands consist of set commands and query commands (usually called commands and queries). Commands modify instrument settings or tell the instrument to perform a specific action. Queries cause the instrument to return data and status information.

Most commands have both a set form and a query form. The query form of the command differs from the set form by its question mark on the end. For example, the set command `ACQuire:MODE` has a query form `ACQuire:MODE?`. Not all commands have both a set and a query form. Some commands have set only and some have query only.

### Messages

A command message is a command or query name followed by any information the instrument needs to execute the command or query. Command messages may contain five element types, defined in the following table.

**Table 2-2: Command Message Elements**

<b>Symbol</b>	<b>Meaning</b>
<Header>	This is the basic command name. If the header ends with a question mark, the command is a query. The header may begin with a colon (:) character. If the command is concatenated with other commands, the beginning colon is required. Never use the beginning colon with command headers beginning with an asterisk (*).
<Mnemonic>	This is a header subfunction. Some command headers have only one mnemonic. If a command header has multiple mnemonics, a colon (:) character always separates them from each other.
<Argument>	This is a quantity, quality, restriction, or limit associated with the header. Some commands have no arguments while others have multiple arguments. A <space> separates arguments from the header. A <comma> separates arguments from each other.
<Comma>	A single comma is used between arguments of multiple-argument commands. Optionally, there may be white space characters before and after the comma.
<Space>	A white space character is used between a command header and the related argument. Optionally, a white space may consist of multiple white space characters.

**Commands**

Commands cause the instrument to perform a specific function or change one of the settings. Commands have the structure:

[ : ] <Header> [ <Space> <Argument> [ <Comma> <Argument> ] . . . ]

A command header consists of one or more mnemonics arranged in a hierarchical or tree structure. The first mnemonic is the base or root of the tree and each subsequent mnemonic is a level or branch off the previous one. Commands at a higher level in the tree may affect those at a lower level. The leading colon (:) always returns you to the base of the command tree.

**Queries** Queries cause the instrument to return status or setting information. Queries have the structure:

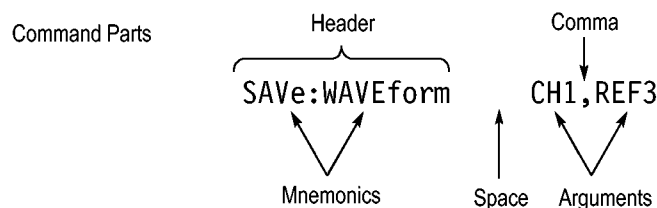
- [ : ] <Header> ?
- [ : ] <Header> ? [ <Space> <Argument> [ <Coma> <Argument> ] . . . ]

You can specify a query command at any level within the command tree unless otherwise noted. These branch queries return information about all the mnemonics below the specified branch or level. For example, HISTogram:STATistics:STDdev? returns the standard deviation of the histogram, while HISTogram:STATistics? returns all the histogram statistics, and HISTogram? returns all the histogram parameters.

**Headers** You can control whether the instrument returns headers as part of the query response. Use the HEADer command to control this feature. If header is on, the query response returns command headers, then formats itself as a valid set command. When header is off, the response includes only the values. This may make it easier to parse and extract the information from the response. The following table shows the difference in responses.

**Table 2-3: Comparison of Header Off and Header On Responses**

Query	Header Off	Header On
TIME?	"14:30:00"	:TIME"14:30:00"
ACQuire:NUMAVg?	100	:ACQUIRE:NUMAVG 100



## Clearing the Instrument

You can clear the Output Queue and reset the instrument to accept a new command or query by using the selected Device Clear (DCL) GPIB function. Refer to your GPIB library documentation for further details about the selected Device Clear operation.

## Command Entry

The following rules apply when entering commands:

- You can enter commands in upper or lower case.
- You can precede any command with white space characters. White space characters include any combination of the ASCII control characters 00 through 09 and 0B through 20 hexadecimal (0 through 9 and 11 through 32 decimal).
- The instrument ignores commands consisting of any combination of white space characters and line feeds.

### Abbreviating

You can abbreviate many instrument commands. Each command in this documentation shows the abbreviations in capitals. For example, you can enter the command ACQuire:NUMAvg simply as ACQ:NUMA or acq:numa.

Abbreviation rules may change over time as new instrument models are introduced. Thus, for the most robust code, use the full spelling.

If you use the HEADer command to have command headers included as part of query responses, you can further control whether the returned headers are abbreviated or are full-length with the VERBose command.

### Concatenating

You can concatenate any combination of set commands and queries using a semicolon (;). The instrument executes concatenated commands in the order received.



When concatenating commands and queries, you must follow these rules:

1. Separate completely different headers by a semicolon and by the beginning colon on all commands except the first one. For example, the commands `TRIGGER:MODE NORMAL` and `ACQUIRE:NUMAVG 10`, can be concatenated into the following single command:

```
TRIGGER:MODE NORMAL;ACQUIRE:NUMAVG 10
```

2. If concatenated commands have headers that differ by only the last mnemonic, you can abbreviate the second command and eliminate the beginning colon. For example, you can concatenate the commands `ACQUIRE:MODE ENVELOPE` and `ACQUIRE:NUMAVG 10` into a single command:

```
ACQUIRE:MODE ENVELOPE; NUMAVG 10
```

The longer version works equally well:

```
ACQUIRE:MODE ENVELOPE;ACQUIRE:NUMAVG 10
```

3. Never precede a star (\*) command with a colon:

```
ACQUIRE:MODE ENVELOPE;*OPC
```

Any commands that follow will be processed as if the star command was not there so the commands, `ACQUIRE:MODE ENVELOPE;*OPC;NUMAVG 10` will set the acquisition mode to envelope and set the number of acquisitions for averaging to 10.

4. When you concatenate queries, the responses to all the queries are concatenated into a single response message. For example, if the display imageview color is temperature and the display recordview color is spectral, the concatenated query `DISPLAY:COLOR:PALETTE:IMAGEVIEW?;RECORDVIEW?` will return the following.

If the header is on:

```
:DISPLAY:COLOR:PALETTE:IMAGEVIEW TEMPERATURE;
:DISPLAY:COLOR:PALETTE:RECORDVIEW SPECTRAL
```

If the header is off:

```
TEMPERATURE;SPECTRAL
```

5. Set commands and queries may be concatenated in the same message. For example,

```
ACQUIRE:MODE SAMPLE;NUMAVG?;STATE?
```

is a valid message that sets the acquisition mode to sample. The message then queries the number of acquisitions for averaging and the acquisition state. Concatenated commands and queries are executed in the order received.

Here are some invalid concatenations:

DISPlay:PERSistance:RESET;ACQUIRE:NUMAVG 10 (no colon before ACQUIRE)

DISPlay:GRaticule FULL;:FILTER SINX (extra colon before FILTER; use DISPlay:GRaticule FULL;FILTER SINX instead)

DISPlay:PERSistance:RESET;:\*OPC (colon before a star (\*) command)

DISPlay:COLOR:MATHCOLOR DEFAULT;COLOR:REFCOLOR INHERIT (levels of the mnemonics are different; either remove the second use of COLOR or place :DISPlay: in front of COLOR:REFCOLOR INHERIT)

**Terminating** This documentation uses <EOM> (End of message) to represent a message terminator.

**Table 2-4: End of Message Terminator**

Symbol	Meaning
<EOM>	Message terminator

The end-of-message terminator must be the END message (EOI asserted concurrently with the last data byte). The last data byte may be an ASCII linefeed (LF) character.

This instrument does not support ASCII LF only message termination. The instrument always terminates outgoing messages with LF and EOI.

## Constructed Mnemonics

Some header mnemonics specify one of a range of mnemonics. For example, a channel mnemonic can be CH1, CH2, CH3, or CH4. You use these mnemonics in the command just as you do any other mnemonic. For example, there is a CH1:POSITION command, and there is also a CH2:POSITION command. In the command descriptions, this list of choices is abbreviated as CH<x>.

**Cursor Position Mnemonics** When cursors are displayed, commands may specify which cursor of the pair to use.

**Table 2-5: Cursor Mnemonics**

Symbol	Meaning
CURSOR<x>	A cursor selector; <x> is either 1 or 2.
POSITION<x>	A cursor selector; <x> is either 1 or 2.
HPOS<x>	A cursor selector; <x> is either 1 or 2.

**Math Specifier Mnemonics** Commands can specify the mathematical waveform to use as a mnemonic in the header.

**Table 2-6: Math Specifier Mnemonics**

Symbol	Meaning
Math<x>	A math waveform specifier; <x> is 1 through 4.

**Measurement Specifier Mnemonics** Commands can specify which measurement to set or query as a mnemonic in the header. Up to eight automated measurements may be displayed.

**Table 2-7: Measurement Specifier Mnemonics**

Symbol	Meaning
MEAS<x>	A measurement specifier; <x> is 1 through 8.

**Channel Mnemonics** Commands specify the channel to use as a mnemonic in the header.

**Table 2-8: Channel Mnemonics**

Symbol	Meaning
CH<x>	A channel specifier; <x> is 1 through 4.

**Reference Waveform Mnemonics** Commands can specify the reference waveform to use as a mnemonic in the header.

**Table 2-9: Reference Waveform Mnemonics**

Symbol	Meaning
REF<x>	A reference waveform specifier; <x> is 1 thru 4.

## Argument Types

**Numeric** Many instrument commands require numeric arguments. The syntax shows the format that the instrument returns in response to a query. This is also the preferred format when sending the command to the instrument though any of the formats will be accepted. This documentation represents these arguments as follows:

**Table 2-10: Numeric Arguments**

Symbol	Meaning
<NR1>	Signed integer value
<NR2>	Floating point value without an exponent
<NR3>	Floating point value with an exponent

Most numeric arguments will be automatically forced to a valid setting, either by rounding or truncating, when an invalid number is input unless otherwise noted in the command description.

**Quoted String**

Some commands accept or return data in the form of a quoted string, which is simply a group of ASCII characters enclosed by a single quote (') or double quote ("). The following is an example of a quoted string: "This is a quoted string". This documentation represents these arguments as follows:

**Table 2-11: Quoted String Argument**

Symbol	Meaning
<QString>	Quoted string of ASCII text

A quoted string can include any character defined in the 7-bit ASCII character set. Follow these rules when you use quoted strings:

1. Use the same type of quote character to open and close the string. For example: "this is a valid string".
2. You can mix quotation marks within a string as long as you follow the previous rule. For example, "this is an 'acceptable' string".
3. You can include a quote character within a string by repeating the quote. For example: "here is a "" mark".
4. Strings can have upper or lower case characters.
5. If you use a GPIB network, you cannot terminate a quoted string with the END message before the closing delimiter.
6. A carriage return or line feed embedded in a quoted string does not terminate the string, but is treated as just another character in the string.
7. The maximum length of a quoted string returned from a query is 255 characters.

Here are some invalid strings:

- "Invalid string argument' (quotes are not of the same type)
- "test<EOI>" (termination character is embedded in the string)

**Block**

Several instrument commands use a block argument form (see the following table).

**Table 2-12: Block Argument**

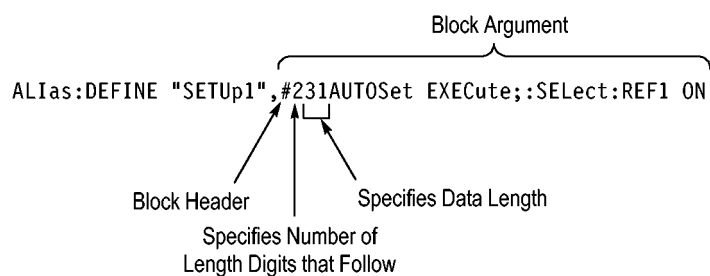
Symbol	Meaning
<NZDig>	A nonzero digit character in the range of 1–9
<Dig>	A digit character, in the range of 0–9

Table 2-12: Block Argument (cont.)

Symbol	Meaning
<DChar>	A character with the hexadecimal equivalent of 00 through FF (0 through 255 decimal)
<Block>	A block of data bytes defined as: <Block> ::= {#<NZDig><Dig>[<Dig>...][<DChar>...]}#0[<DChar>...]<terminator>}

<NZDig> specifies the number of <Dig> elements that follow. Taken together, the <NZDig> and <Dig> elements form a decimal integer that specifies how many <DChar> elements follow.

**NOTE.** The digit <NZDig> is in hexadecimal format. This deviates slightly from the IEEE 488.2 specification that it be in decimal format, as extra allowances must be made for data lengths that are greater than 999,999,999 <DChar> elements (for example 500M record lengths at 2 bytes per point).





# Command Groups

The programmable interface conforms to Tektronix standard codes and formats except where noted. The GPIB interface also conforms to IEEE Std 488.2-1987 except where noted.

## Acquisition Command Group

Use the commands in the Acquisition Command Group to set up the modes and functions that control how the instrument acquires the signals you input to the channels and processes them into waveforms.

Using these commands for acquiring waveforms, you can do the following:

- Start and stop acquisitions.
- Control whether each waveform is simply acquired, averaged, or enveloped over successive acquisitions of that waveform.
- Set the controls or conditions that start and stop acquisitions.
- Determine the action the system takes upon completing an acquisition, such as saving all waveforms and taking a measurement when the acquisition is stopped.
- Control acquisition of acquired channel waveforms.
- Set acquisition parameters.

**Table 2-13: Acquisition Commands**

Command	Description
<a href="#">ACQUIRE?</a>	Returns acquisition parameters
<a href="#">ACQUIRE:INTERPEightbit</a>	Sets or returns the interpolation acquisition mode
<a href="#">ACQUIRE:MODE</a>	Sets or returns acquisition mode
<a href="#">ACQUIRE:NUMFRAMESACQUIRED?</a>	Returns the number of acquisitions that have occurred
<a href="#">ACQUIRE:NUMACQ?</a>	Returns the number of waveform acquisitions that have occurred since starting acquisition with the ACQUIRE:STATE RUN command
<a href="#">ACQUIRE:NUMAVG</a>	Sets or returns number of acquisitions for an averaged waveform
<a href="#">ACQUIRE:NUMENV</a>	Sets or returns number of acquisitions for envelope waveform
<a href="#">ACQUIRE:NUMSAMPLES</a>	Sets or returns the number of samples that make up a WfmDB for single sequence mode and Mask Pass/Fail Completion Test

Table 2-13: Acquisition Commands (cont.)

Command	Description
ACQUIRE:SAMPLINGMODE	This command sets or queries the sampling mode
ACQUIRE:STATE	Starts, stops, or returns acquisition state
ACQUIRE:STOPAFTER	Sets or returns whether the acquisition is continuous or single sequence
FASTACQ?	Enables, disables, or returns state of Fast Acquisition mode
FASTACQ:HIACQRATE	Sets or returns the state of FastAcq optimization for capturing the details with a higher sample rate
FASTACQ:STATE	Returns the Fast Acquisition state

## Alias Command Group

Alias commands allow you to define new commands as a sequence of standard commands. You may find this useful when repeatedly using the same commands to perform certain tasks like setting up measurements.

Aliases are similar to macros but do not include the capability to substitute parameters into alias bodies. The alias mechanism obeys the following rules:

- The alias name must consist of a valid IEEE 488.2 message unit, which may not appear in a message preceded by a colon, comma, or a command or query program header.
- The alias name may not appear in a message followed by program date, a colon, comma, or question mark.
- An alias name must be distinct from any keyword or keyword short form.
- An alias name cannot be redefined without first being deleted using one of the alias deletion functions.
- Alias names do not appear in response messages.
- The Alias commands are defined in Tektronix Standard Codes and Formats. Deviations between that standard and what is specified here will be considered errors unless specifically noted in the command description in this document.

Table 2-14: Alias Commands

Command	Description
ALIAS	Sets or returns the alias state
ALIAS:CATALOG?	Returns a list of the currently defined alias labels



Table 2-14: Alias Commands (cont.)

Command	Description
<a href="#">ALias:DEFine</a>	Assigns a sequence of program messages to an alias label
<a href="#">ALias:DELEte</a>	Removes a specified alias
<a href="#">ALias:DELEte:ALL</a>	Deletes all existing aliases
<a href="#">ALias:DELEte:NAME</a>	Removes a specified alias
<a href="#">ALias:STATE</a>	Sets or returns the alias state

## Calibration Command Group

The Calibration commands provide information about the current state of instrument calibration and allow you to initiate internal signal path calibration (SPC). Commands that are specific to factory calibration are not described in this manual; however, they are described in the service manual (located on your Product Software CD-ROM in PDF format). You can also order a printed copy (see Recommended Accessories in the online help for the instrument).

Command	Description
<a href="#">CALibrate?</a>	Returns the internal and factory calibration status
<a href="#">*CAL?</a>	Instructs the instrument to perform self-calibration and returns the calibration status when complete
<a href="#">CALibrate:CALProbe:CH&lt;x&gt;?</a>	Performs a probe calibration for the selected channel and returns the calibration status
<a href="#">CALibrate:INTERNAL</a>	Starts the internal signal path calibration
<a href="#">CALibrate:INTERNAL:STARt</a>	Starts the internal signal path calibration
<a href="#">CALibrate:INTERNAL:STATus?</a>	Returns the current status of the internal signal path calibration
<a href="#">CALibrate:PRObestate:CH&lt;x&gt;?</a>	Returns the probe calibration status for the probe of the selected channel
<a href="#">CALibrate:RESults?</a>	Returns the status of all calibration subsystems without performing an SPC operation
<a href="#">CALibrate:RESults:SPC?</a>	Returns the results of the last SPC operation

## Cursor Command Group

Use the commands in the Cursor Command Group to control the cursor display and readout. You can use these commands to control the setups for cursor 1 and cursor 2, such as waveform source, cursor position, and cursor color.

You can also use the commands to select one of the following cursor functions:

- **Off.** Shuts off the display of all cursors.
- **Vertical Bars.** Displays vertical bar cursors, which provide traditional horizontal unit readouts for Cursor 1 (bar1), Cursor 2 (bar2), the delta between them, and 1/delta (results in frequency when the horizontal unit is time).
- **Horizontal Bars.** Displays horizontal bar cursors, which provide traditional vertical unit readouts for Cursor 1 (bar1), Cursor 2 (bar2), and the delta between them.
- **Waveform Cursors.** Consists of two cursors you can independently assign to a waveform. These cursors provide the same readouts that the vertical and horizontal bar cursors provide. Waveform cursors enable you to conveniently measure waveform amplitude and time. In XY or XYZ format, waveform cursors indicate the amplitude position of an XY pair (Ch1 vs Ch2 voltage, where Ch1 is the X axis and Ch2 is the Y axis) relative to the trigger.
- **Screen Cursors.** Consists of two pairs of independent horizontal and vertical cursors. You can use these cursors to indicate an arbitrary position within the waveform display area. Screen cursors, depending on the style selected, consist of the intersection of a vertical and horizontal line, an X, or a vertical line with an X. These cursors have no association with any waveform, other than they inherit the color of the waveform they are assigned too.

Command	Description
<a href="#">CURSor?</a>	Returns all cursor settings
<a href="#">CURSor:FUNCTion</a>	Sets or returns the cursor type
<a href="#">CURSor:HBArs?</a>	Returns hbar cursor settings
<a href="#">CURSor:HBArs:DELTA?</a>	Returns hbars cursors vertical difference
<a href="#">CURSor:HBArs:POSITION&lt;x&gt;</a>	Sets or returns the hbar cursor<x> vertical position
<a href="#">CURSor:HBArs:UNIts?</a>	Returns hbar cursor units
<a href="#">CURSor:LINEStyle</a>	Sets or returns the cursor line style
<a href="#">CURSor:MODE</a>	Sets or returns whether cursors move in unison or separately
<a href="#">CURSor:SCREEN:StYle</a>	Sets or returns the cursor type for screen mode
<a href="#">CURSor:SCREEN:XPOSITION&lt;x&gt;</a>	Sets or queries the x position of the specified screen cursor
<a href="#">CURSor:SCREEN:YPOSITION&lt;x&gt;</a>	Sets or queries the y position of the specified screen cursor
<a href="#">CURSor:SOUrce&lt;x&gt;</a>	Sets or returns the source for cursor <x>
<a href="#">CURSor:STATE</a>	Turns cursors on or off or returns their state
<a href="#">CURSor:VBArS</a>	Sets or returns the position of vertical bar cursors

Command	Description
CURSor:VBArS:DELtA?	Returns the difference between vbar cursors
CURSor:VBArS:POSITION<x>	Sets or returns the vbar cursor<x> horizontal position
CURSor:VBArS:POS<x>	Sets or queries the horizontal position for vertical bar cursors
CURSor:VBArS:UNItS	Sets or returns the units for vbar cursors
CURSor:WAVEform	Sets or returns the current settings for waveform cursors
CURSor:WAVEform:HDELTA?	Returns the horizontal difference between waveform cursors
CURSor:WAVEform:HPOS<x>?	Returns the position of waveform cursor <x>
CURSor:WAVEform:POSItion<x>	Sets or returns the position of waveform cursor <x>
CURSor:WAVEform:STYle	Sets or returns the cursor type for waveform mode
CURSor:WAVEform:UNItS	Sets or returns the units for waveform cursors
CURSor:WAVEform:VDELTA?	Returns the vertical difference between waveform cursors
CURSor:XY?	Returns the current settings for XY cursors
CURSor:XY:PRODELtA?	Returns the product of the difference between the cursors X positions and Y positions
CURSor:XY:PRODUCT<x>?	Returns the product of the X and Y positions for the specified cursor
CURSor:XY:RADIUS<x>?	Returns the radius of the specified cursor
CURSor:XY:RATDELtA?	Returns ratio of the difference between the cursors X position and Y position
CURSor:XY:RATIO<x>?	Returns ratio of the X (horizontal) and Y (vertical) position for the specified cursor
CURSor:XY:RDELtA?	Returns the Dr value
CURSor:XY:READOUT	Sets or returns the XY cursor readout mode
CURSor:XY:RECTX<x>	Sets or returns the X cursor position in rectangular coordinates
CURSor:XY:RECTY<x>	Sets or returns the Y cursor position in rectangular coordinates
CURSor:XY:THDELtA?	Returns the XY cursor angle delta in polar coordinates
CURSor:XY:THETA<x>?	Returns the XY cursor angle in polar coordinates
CURSor:XY:XDELtA?	Returns the XY cursor $\Delta X$ value in rectangular coordinates
CURSor:XY:YDELtA?	Returns the XY cursor $\Delta Y$ value in rectangular coordinates

## Diagnostics Command Group

The Diagnostic commands control the selection and execution of diagnostic tests.

Command	Description
DIAg:CONTROL:HALT	Enables or disables halting on first diagnostic failure
DIAg:CONTROL:LOOP	Enables or disables looping of diagnostics
DIAg:FAILURES:CLEAR	Sets and returns the clearing of pass/fail information from data structures, not the Event Log, at the start of diagnostic tests
DIAg:EXECUTE	Executes currently selected set of diagnostics
DIAg:ITEM?	Returns all data associated with a selected menu item
DIAg:ITEM:FAILURES?	Returns the total number of failures that occurred
DIAg:ITEM:NAME?	Returns the name of the selected menu item
DIAg:ITEM:RESULT?	Returns the results of the last test executed on this item
DIAg:ITEM:SUBITEMS?	Returns the number of subitems associated with this item
DIAg:LEVEL	Sets the current level of diagnostic test hierarchy
DIAg:LOOPS?	Returns the number of times the diagnostics were completed during the last execution
DIAg:NAME?	Returns the subsystem name, area, and test name of the current diagnostic test
DIAg:NAME:AREA?	Returns the selected area of the current diagnostic test
DIAg:NAME:SUBSYS?	Returns the subsystem of the current diagnostic test
DIAg:NAME:TEST?	Returns the name of the current diagnostic test
DIAg:NUMITEMS?	Returns the number of items on the currently selected level of test hierarchy
DIAg:RESults?	Returns a brief pass or fail status of the last test execution
DIAg:RESults:VERBose?	Returns a more explanatory message about the results of the last diagnostic execution
DIAg:SElect:ALL	Selects all available diagnostics
DIAg:SElect:AREA	Selects one of the available diagnostic areas
DIAg:SElect:LAST	Sets the last item of a group of items from the same level of test hierarchy

Command	Description
DIAG:SElect:SUBSYS	Selects one of the available diagnostic subsystems
DIAG:SElect:TEST	Selects one of the available diagnostic tests
DIAG:STATE	Sets the instrument operating state
DIAG:STOP	Terminates the execution of diagnostics
TEST	Selects and executes an item at any level of the test hierarchy
TEST:RESults?	Returns a brief pass or fail status of the last test execution
TEST:RESults:VERBose?	Returns a more explanatory message about the results of the last test execution
TEST:STOP	Terminates the execution of the test

## Display Control Command Group

Use the commands in the Display Control Command Group to change the graticule style, the displayed intensities, and to set the characteristics of the waveform display.

You can set the display of date and time; cursor, histogram, mask, and measurement readouts; measurement annotations, and the mode in which waveforms are displayed.

There are six color palettes from which you can select:

- **Normal.** Displays hues and lightness levels for best overall viewing.
- **Temp.** Displays areas of the waveform with the highest sample density in warmer colors (red shades) while the areas of lowest sample density appear in cooler colors (blue shades).
- **Spectral.** Displays areas of the waveform with the highest sample density in blue shades while the areas of lowest sample density appear in red shades.
- **Green.** Displays waveforms in shades of green. Areas of the waveform with the highest sample density appear in lighter green shades while the areas of lowest sample density appear in darker green shades.
- **Gray.** Displays waveforms in shades of gray. Areas of the waveform with the highest sample density appear in lighter gray shades while the areas of lowest sample density appear in darker gray shades.
- **User** Allows you to create a customized color palette.

Use the commands to set the style that best displays your waveforms and graticule display properties.

---

**NOTE.** *The mode you choose globally affects all displayed waveforms.*

---

<b>Command</b>	<b>Description</b>
<a href="#">DISplay?</a>	Returns current display settings
<a href="#">DISplay:CLOCK</a>	Sets or returns the display of the date/time stamp
<a href="#">DISplay:COLOr?</a>	Returns color group settings
<a href="#">DISplay:COLOr:MATHCOLOr</a>	Sets or returns the color to be used for math traces
<a href="#">DISplay:COLOr:PALEtte:IMAGEView</a>	Sets or returns the color palette for imageview waveforms
<a href="#">DISplay:COLOr:PALEtte:RECORDView</a>	Sets or returns the color palette for recordview waveforms
<a href="#">DISplay:COLOr:PALEtte:USER</a>	Returns the user palette group settings
<a href="#">DISplay:COLOr:PALEtte:USER:CARet</a>	Sets or returns the user caret color
<a href="#">DISplay:COLOr:PALEtte:USER:CH&lt;x&gt;</a>	Sets or returns the user palette channel colors
<a href="#">DISplay:COLOr:PALEtte:USER:GRAticule</a>	Sets or returns the user palette graticule
<a href="#">DISplay:COLOr:PALEtte:USER:HIStoqram</a>	Sets or returns the user palette histogram color
<a href="#">DISplay:COLOr:PALEtte:USER:MASK</a>	Sets or returns the user palette mask color
<a href="#">DISplay:COLOr:PALEtte:USER:MASKHighlight</a>	Sets or returns the user palette mask hits color
<a href="#">DISplay:COLOr:PALEtte:USER:MATH&lt;x&gt;</a>	Sets or returns the user palette math colors
<a href="#">DISplay:COLOr:PALEtte:USER:REF&lt;x&gt;</a>	Sets or returns the user palette reference colors
<a href="#">DISplay:COLOr:PALEtte:USER:WAVEform</a>	Sets or queries the user palette waveform colors
<a href="#">DISplay:COLOr:REFCOLOr</a>	Sets or returns the color to be used for reference traces
<a href="#">DISplay:FILTer</a>	Sets or returns the type of interpolation to use for the display
<a href="#">DISplay:FORMat</a>	Sets or returns the display format
<a href="#">DISplay:GRAticule</a>	Sets or returns the type of graticule that is displayed
<a href="#">DISplay:INTENSITy?</a>	Returns the waveform and graticule saturation levels
<a href="#">DISplay:INTENSITy:WAVEform:IMAGEView</a>	Sets or returns the waveform saturation level for imageview waveforms
<a href="#">DISplay:INTENSITy:WAVEform:RECORDView</a>	Sets or returns the waveform saturation level for recordview waveforms
<a href="#">DISplay:PERsistence</a>	Sets or returns display persistence setting

Command	Description
<a href="#">DISplay:PERSistence:RESET</a>	Clears the persistence data
<a href="#">DISplay:SCREExt?</a>	Returns all screen text settings
<a href="#">DISplay:SCREExt:LABel&lt;x&gt;?</a>	Sets or returns the screen text setting for a given label
<a href="#">DISplay:SCREExt:LABel&lt;x&gt;:FONTColor</a>	Sets or queries the screen text label font color
<a href="#">DISplay:SCREExt:LABel&lt;x&gt;:FONTName</a>	Sets or queries the screen text label font name for a given label
<a href="#">DISplay:SCREExt:LABel&lt;x&gt;:FONTSize</a>	Sets or queries the screen text label font size for a given label
<a href="#">DISplay:SCREExt:LABel&lt;x&gt;:FONTStyle</a>	Sets or queries the screen text label font style for a given label
<a href="#">DISplay:SCREExt:LABel&lt;x&gt;:NAME</a>	Sets the text to be displayed for a given label
<a href="#">DISplay:SCREExt:LABel&lt;x&gt;:STATE</a>	Sets or queries the screen text label state for a given label
<a href="#">DISplay:SCREExt:LABel&lt;x&gt;:XPOS</a>	Sets or returns the horizontal position of a given label
<a href="#">DISplay:SCREExt:LABel&lt;x&gt;:YPOS</a>	Sets or returns the vertical position of a given label
<a href="#">DISplay:SCREExt:STATE</a>	Sets or returns the state of the display of screen text
<a href="#">DISplay:SHOWREmote</a>	Sets or queries the state of the remote display feature and is equivalent to selecting Display Remote from the Display menu
<a href="#">DISplay:STYle</a>	Sets or returns data display style
<a href="#">DISplay:TRIGBar</a>	Sets or returns the display setting of the trigger level indicator bar(s)
<a href="#">DISplay:TRIGT</a>	Sets or returns the display of the trigger point indicator
<a href="#">DISplay:VARpersist</a>	Sets or returns the persistence decay time
<a href="#">DISplay:WAVEform</a>	Sets or returns the display of waveform traces

## E-mail Command Group

Commands in the E-mail group allow you to send e-mail to one or more designated recipients whenever a selected event, such as a trigger, mask test failure (Option MTM only), or a limit test failure occurs in the instrument.

Using this feature, you do not have to continually monitor the instrument for the event.

When an event occurs, the instrument will send an SMTP mail message to one or more designated recipients through the specified mail server. The message can include any of the following:

- Screen image
- Waveform data
- Measurement data at the time of the event

---

**NOTE.** *Your instrument must be connected to the Local Area Network (LAN) using Transfer C Protocol/Internet Protocol (TCP/IP). The recipient must also have an SMTP mail server. To send e-mail for a mask test failure, you must have Mask Testing (Option MTM) installed.*

---

Command	Description
<a href="#">EMail</a>	Sends a test e-mail message or sets the current e-mail sent count to zero
<a href="#">EMail:ATTempts</a>	Sets or queries the number of times that an attempt will be made to send e-mail to the SMTP e-mail server
<a href="#">EMail:AUTHLogin</a>	Sets or queries the login name that will be used if the SMTP e-mail server requires one for authentication
<a href="#">EMail:AUTHPassword</a>	Sets the password that will be used if the SMTP e-mail server requires one for authentication
<a href="#">EMail:COUNT?</a>	Returns the number of e-mails that have been sent since Email on Event was armed
<a href="#">EMail:FRom</a>	Sets or queries the From line in the e-mail
<a href="#">EMail:HOSTwanted</a>	Sets or queries the hostname that will be used when e-mail is sent to the SMTP e-mail server
<a href="#">EMail:IMAGe</a>	Sets or queries whether image data is included in the e-mail
<a href="#">EMail:MASK</a>	Sets or queries whether e-mail is sent when a mask test failure occurs
<a href="#">EMail:MAXSize</a>	Sets or queries the maximum size (in megabytes) of e-mail that can be sent to the SMTP server
<a href="#">EMail:MEASUrement</a>	Sets or queries whether measurement data is included in the e-mail
<a href="#">EMail:NUMEMails</a>	Sets or queries the number e-mails that can be sent when Email onEvent is armed
<a href="#">EMail:SMTPPort</a>	Sets or queries the SMTP port number that the e-mail server uses



Command	Description
<a href="#">EMail:SMTPServer</a>	Sets or queries the address of the SMTP mail server
<a href="#">EMail:STATUS?</a>	Queries the status of e-mail
<a href="#">EMail:TIMEOut</a>	Sets or queries the global timeout in seconds
<a href="#">EMail:TO</a>	Sets or queries the address of the recipient(s) of an e-mail. Multiple addresses are separated with a semicolon (;)
<a href="#">EMail:TRIGger</a>	Sets or queries whether e-mail is sent when a trigger occurs
<a href="#">EMail:WAVEform</a>	Sets or queries whether waveform data is included in the e-mail

## File System Command Group

Use the commands in the File System Command Group to help you use the built-in hard disk drive. You can use the commands to do the following:

- List the contents of the default directory
- Create and delete directories
- Create, copy, read, rename, or delete a file

When using these commands, keep the following points in mind:

- File arguments are always enclosed within double quotes:  
"C:\MYDIR\TEK00001.SET"
- File names follow the MSDOS format: [DRIVE:][\PATH\]filename
- Path separators may be either forward slashes (/) or back slashes (\)

---

**NOTE.** *Using back slash as a path separator may produce some unexpected results, depending on how your controller application treats escaped characters. Many applications recognize the sequence of back slash followed by an alphabetic character as an escaped character, and, as such, interpret that alphabetic character as a control character. For example, the sequence "\n" may be interpreted as a newline character; "\t" may be interpreted as a tab character. To ensure that this interpretation does not occur, you can use double back slashes. For example, "C:\\testfile.txt".*

---

- Some FILESystem commands may fail because a file has read-only attributes. You will not be able to delete or replace such files until this attribute is removed. Refer to the operating system help on file properties for further information.

Command	Description
<a href="#">FILESystem?</a>	Returns the file system state
<a href="#">FILESystem:COpy</a>	Copies one or more files to a new file
<a href="#">FILESystem:CWD</a>	Sets or returns the current working directory for FILESystem GPIB commands
<a href="#">FILESystem:DELEte</a>	Deletes a named file or directory
<a href="#">FILESystem:DIR?</a>	Returns a list of directory contents
<a href="#">FILESystem:MKDir</a>	Makes a new directory
<a href="#">FILESystem:PRInt</a>	Prints a named file to the named port
<a href="#">FILESystem:READFile</a>	Copies the named file to the GPIB port
<a href="#">FILESystem:REName</a>	Assigns a new name to an existing file
<a href="#">FILESystem:RMDir</a>	Deletes the named directory
<a href="#">FILESystem:WRITEFile</a>	Copies the GPIB port block data to a named file

## Hard Copy Command Group

Hard Copy commands enable you to make hard copies of data files or send the data to a specified file. In addition, these commands provide you with information about (and the ability to set) file path settings.

Command	Description
<a href="#">EXPort</a>	Copies a waveform to a specified file or returns formatting and file information
<a href="#">EXPort:FILEName</a>	Sets or returns the export file path
<a href="#">EXPort:FORMat</a>	Sets or returns the export image format
<a href="#">EXPort:PALEtte</a>	Sets or returns the export color palette
<a href="#">EXPort:READOuts</a>	Sets or returns the position of the readouts for export
<a href="#">EXPort:VIEW</a>	Sets or returns the export screen capture area
<a href="#">HARDCopy</a>	Sends a screen copy to the selected port or returns the selected port and file path
<a href="#">HARDCopy:FILEName</a>	Sets or returns the hard copy file path
<a href="#">HARDCopy:LAYout</a>	Sets or returns the page orientation for hard copy
<a href="#">HARDCopy:PALEtte</a>	Sets or returns the hard copy color palette
<a href="#">HARDCopy:PORT</a>	Sets or returns whether the hard copy data will be sent to a file or printed on the next hard copy command

Command	Description
<a href="#">HARDCopy:READOuts</a>	Sets or returns the position of the readouts for hardcopy
<a href="#">HARDCopy:VIEW</a>	Sets or returns the area of the screen to be hardcopied

## Histogram Command Group

Histogram commands let you select the type of histogram, what part of the waveform should go into the histogram, and histogram statistics. Use commands from this group to do the following:

- Create a histogram of vertical or horizontal values for a channel, math, or reference waveform
- Adjust the limits of the waveform area from which the histogram data is obtained
- Clear histogram count and restart
- Retrieve the histogram data

Command	Description
<a href="#">HIStogram?</a>	Returns all histogram parameters
<a href="#">HIStogram:BOX</a>	Sets or returns the left, top, right, and bottom positions of the histogram box, in source waveform coordinates
<a href="#">HIStogram:BOXPcnt</a>	Sets or returns same as HIStogram:BOX, but in percentage coordinates, with 0,0 upper left and 100,100 lower right
<a href="#">HIStogram:COUNT</a>	Clears histogram count source data and restarts counting
<a href="#">HIStogram:DATA?</a>	Returns a comma-separated list of histogram data numbers
<a href="#">HIStogram:DISplay</a>	Sets or returns whether histogram data is displayed and the current display type setting
<a href="#">HIStogram:FUNCTion</a>	Sets the type of histogram to create Or returns the current histogram type
<a href="#">HIStogram:MODE</a>	Sets type of histogram to create or turns histograms off Or returns the current histogram type or that histogram display is disabled
<a href="#">HIStogram:SIze</a>	Sets or returns the width (or height) of the histogram on the screen in divisions

Command	Description
<a href="#">HIStogram:SOUrce</a>	Sets or returns which source waveform will be compared against the histogram box when the histogram testing is enabled
<a href="#">HIStogram:STATE</a>	Sets or returns whether histogram calculations are enabled

## Horizontal Command Group

Horizontal commands control the time bases of the instrument. You can set the time per division (or time per point) of the main time base. You can use the Horizontal commands to do the following:

- Set the scale, horizontal position and reference, and units of the time base
- Get the screen resolution, time of first point and time of last point, or get all the horizontal settings
- Enable or disable the display of the time base

You may substitute SECdiv for SCAle in the horizontal commands. This provides program compatibility with earlier models of Tektronix instruments.

Command	Description
<a href="#">HORizontal?</a>	Returns all learnable settings for the horizontal commands
<a href="#">HORizontal:ACQDURATION?</a>	Returns the time base duration
<a href="#">HORizontal:ACQLENGTH?</a>	Returns the record length
<a href="#">HORizontal:DIVisions?</a>	Returns the number of graticule divisions over which the waveform is displayed
<a href="#">HORizontal:FASTframe?</a>	Returns all settings for the horizontal FastFrame commands
<a href="#">HORizontal:FASTframe:COUNt</a>	Sets or returns the FastFrame frame count
	Sets or returns the horizontal record length to the number of sample points in each frame
<a href="#">HORizontal:FASTframe:MAXFRames?</a>	Returns the maximum number of FastFrame frames which can be acquired at the current frame length
<a href="#">HORizontal:FASTframe:MULTipleframes:FRAMESart:&lt;wfm&gt;</a>	Sets or returns the start frame number on the specified waveform for FastFrame multiple frames
<a href="#">HORizontal:FASTframe:MULTipleframes:MODE</a>	Sets or returns the mode for FastFrame multiple frames
<a href="#">HORizontal:FASTframe:MULTipleframes:NUMFRames:&lt;wfm&gt;</a>	Sets or returns the number of frames on the specified waveform for FastFrame multiple frames

Command	Description
HORizontal:FASTframe:REF:FRame	Sets or returns the FastFrame reference frame number
HORizontal:FASTframe:REF:SOUrce	Sets or returns the FastFrame Reference waveform source
HORizontal:FASTframe:SELECTED:CH<x>	Sets or returns the FastFrame selected frame number on the specified waveform
HORizontal:FASTframe:SELECTED:MATH<x>	Sets or returns the FastFrame selected frame number on the specified waveform.
HORizontal:FASTframe:SELECTED:REF<x>	Sets or returns the FastFrame selected frame number on the specified waveform
HORizontal:FASTframe:SELECTED:SOUrce	Sets or returns the FastFrame source waveform
HORizontal:FASTframe:SEQuence	Sets or returns the FastFrame source waveform
HORizontal:FASTframe:STATE	Sets or returns the state of FastFrame acquisition
HORizontal:FASTframe:SUMFrame	Sets or returns the summary frame mode
HORizontal:FASTframe:TIMEStamp:ALL:<wfm>?	Returns the frame number and time stamp for each frame between requested frames, inclusive, within the specified waveform
HORizontal:FASTframe:TIMEStamp:BETWEEN:<wfm>?	Returns the relative trigger for the delta time between the specified frames, within the specified waveform
HORizontal:FASTframe:TIMEStamp:DELTA:<wfm>?	Returns the relative time between the triggers of the FastFrame Selected and the FastFrame Reference, within the specified waveform
HORizontal:FASTframe:TIMEStamp:FRAME:<wfm>?	Returns the absolute trigger date and time for the specified frame and waveform
HORizontal:FASTframe:TIMEStamp:REF?	Returns the absolute trigger date and time for the FastFrame specified reference waveform
HORizontal:FASTframe:TIMEStamp:SELECTED:<wfm>?	Returns the absolute trigger date and time for the FastFrame Selected, within the specified waveform
HORizontal:FASTframe:TRACk	Sets up or returns the state of FastFrame tracking
HORizontal:FASTframe:XZEro:ALL:CH<x>?	Returns the time from the trigger to the start of the specified frames on the specified channel
HORizontal:FASTframe:XZEro:ALL:REF<x>?	Returns the time from the trigger to the start of the specified frames on the specified reference

Command	Description
HORizontal:FASTframe:XZEro:FRame:CH<x>?	Returns the time from the trigger to the start of the specified frame on the specified channel
HORizontal:FASTframe:XZEro:FRame:REF<x>?	Returns the time from the trigger to the start of the specified frame on the specified reference
HORizontal:FASTframe:XZEro:REF?	Sets or returns the time from the trigger to the trigger sample on the reference waveform
HORizontal:FASTframe:XZEro:SELECTED:CH<x>?	Sets or returns the time from the trigger to the trigger sample on the selected channel
HORizontal:FASTframe:XZEro:SELECTED:REF<x>?	Sets or returns the time from the trigger to the trigger sample on the selected reference waveform
HORizontal:MAIn?	Returns the time per division of the main time base
HORizontal[:MAIn]:DElay:MODE	Sets or returns the main time base trigger delay mode
HORizontal[:MAIn]:DElay:POSition	Sets or returns the main time base position when Horizontal Delay Mode is turned off
HORizontal[:MAIn]:DElay:TIME	Sets or returns the main time base trigger delay time
HORizontal:MAIn:INTERPRatio?	Returns the main horizontal time base interpolation ratio
HORizontal[:MAIn]:POSition	Sets or returns the waveform horizontal position on the display
HORizontal:MAIn:UNIts	Sets or returns the units for the horizontal time base
HORizontal:MAIn:UNIts:STRing	Sets or returns the units string for the horizontal main time base trigger delay
HORizontal:MODE	Sets or queries the horizontal mode. Auto mode is the factory default
HORizontal:MODE:AUTO:LIMITrecordlen	Sets or queries the record length limit used by the auto horizontal mode
HORizontal:MODE:RECOrdlength	Sets or queries the record length
HORizontal:MODE:SAMPLERate	Sets or queries the sample rate
HORizontal:MODE:SCALE	Sets or queries the horizontal scale
HORizontal:ROLL	Sets or returns the horizontal roll mode status
HORizontal:TIMEStamp:CH<x>?	Returns the absolute trigger date and time for the specified frame and waveform
HORizontal:TIMEStamp:REF<x>?	Returns the absolute trigger date and time for FastFrame reference

## Limit Test Command Group

Use the commands in the Limit Test Command Group to perform limit testing by selecting channel, math, or reference waveforms and comparing them against a template waveform.

Command	Description
<a href="#">LIMit?</a>	Returns all settings for the Limit commands
<a href="#">LIMit:BEEP</a>	Causes the instrument to beep when the waveform data exceeds the limits set in the limit test
<a href="#">LIMit:COMpare</a>	Resets the limit test comparison template
<a href="#">LIMit:COMpare:CH&lt;x&gt;</a>	Sets or queries the template against which to compare the waveform acquired from the channel specified by x
<a href="#">LIMit:COMpare:MATH&lt;x&gt;</a>	Sets or queries the template against which to compare the math waveform specified by x
<a href="#">LIMit:COMpare:REF&lt;x&gt;</a>	Sets or queries the template against which to compare the reference waveform specified by x
<a href="#">LIMit:EMail</a>	Sets or queries whether an E-mail is generated when the source waveform data exceeds the limits specified for the limit test
<a href="#">LIMit:HARDCopy</a>	Sets or queries whether a hard copy operation is executed on the waveform when any waveform data exceeds the limit set in the limit test. LIMit:STATE must be set to ON for the hard copy operation to execute
<a href="#">LIMit:HIGHLIGHTHits</a>	Sets or queries whether violation highlighting occurs when limit testing is active, and, if the RESET argument is set, clears the highlighting
<a href="#">LIMit:HIGHLIGHTHits:RESet</a>	Resets the hits highlighting for limit testing
<a href="#">LIMit:LOCK</a>	Sets or queries whether vertical scaling and positioning affect both source and template for template comparison pairs
<a href="#">LIMit:LOG</a>	Sets or queries whether a log file is saved when the source waveform data exceeds the test limits
<a href="#">LIMit:SAVEWFM</a>	Sets or queries whether the source waveform is saved when the source waveform data exceeds the test limits
<a href="#">LIMit:SAVEWFM:FILEName</a>	Sets or queries the path where waveforms or log files will be saved when the waveform data exceeds the limits set by the limit test

Command	Description
<a href="#">LIMit:SRQ</a>	Sets or queries whether a Service Request Interrupt (SRQ) is generated when the waveform data falls outside of the test limits
<a href="#">LIMit:STATE</a>	Sets limit testing on or off or queries whether limit testing is in effect
<a href="#">LIMit:STATus?</a>	Queries the state of limit testing
<a href="#">LIMit:STOPOnviation</a>	Sets or queries whether acquisitions are stopped when the waveform data exceeds the test limits
<a href="#">LIMit:TEMPlate:STORe</a>	Saves the specified source waveform to the specified reference or file name
<a href="#">LIMit:TEMPlate:TOLerance:HORIZontal</a>	Sets or queries the amount, in units of horizontal divisions, by which the source waveform is varied horizontally when creating the destination waveform
<a href="#">LIMit:TEMPlate:TOLerance:VERTical</a>	Sets or queries the amount, in units of vertical divisions, by which the source waveform is varied vertically when creating the destination waveform
<a href="#">LIMit:TEMPlate:DESTination</a>	Sets or queries destination reference waveform that the limit template
<a href="#">LIMit:TEMPlate:SOURce</a>	Sets or queries the channel, math waveform, or reference waveform that the <a href="#">LIMit:TEMPlate:STORe</a> command will use

## Low Speed Serial Trigger Command Group

DPO7000 Series only: Use the commands in the Low Speed Serial Trigger Command Group to control serial triggering for the instrument. CAN trigger commands are only available with the CAN option.

Command	Description
<a href="#">TRIGger:A:CAN:CONDition</a>	Sets or returns the CAN condition
<a href="#">TRIGger:A:CAN:DATa:DIRection</a>	Sets or queries the CAN trigger condition to be valid on a READ, WRITE, or either
<a href="#">TRIGger:A:CAN:FORMat</a>	Sets or queries the CAN data format
<a href="#">TRIGger:A:CAN:DATa:LEVel</a>	Sets or queries the CAN Trigger threshold for the CAN data source
<a href="#">TRIGger:A:CAN:DATa:SOURce</a>	Sets or queries the CAN data source
<a href="#">TRIGger:A:CAN:DATa:VALue</a>	Sets or queries the binary data string used for CAN Trigger if the trigger condition is ID or IDANDDATA
<a href="#">TRIGger:A:CAN:FRAMEtype</a>	Sets or queries the CAN trigger frame type



Command	Description
TRIGger:A:CAN:IDENTifier:MODE	Sets or queries the CAN trigger identifier mode
TRIGger:A:CAN:IDENTifier:VALue	Sets or queries the binary address string used for the CAN trigger if the trigger condition is ID or IDANDDATA
TRIGger:A:CAN:PROBE	Sets or queries the probing method used to probe the CAN signal
TRIGger:A:CAN:SPEEd	Sets or queries the bit rate of the CAN system
TRIGger:A:I2C:ADDRess:MODE	Sets or queries the I2C address mode to 7 or 10-bit
TRIGger:A:I2C:ADDRess:RWINClude	Sets or queries the I2C address mode to include the read/write bit as an additional 8th bit of the 7-bit address
TRIGger:A:I2C:ADDRess:TYPE	Sets or queries the I2C address type
TRIGger:A:I2C:ADDRess:VALue	Sets or queries the binary address string used for the I2C trigger if the trigger condition is ADDR or ADDRANDDATA
TRIGger:A:I2C:CLOCK:LEVel	Sets or queries the clock source for the I2C Serial Trigger
TRIGger:A:I2C:CLOCK:SOURce	Sets or queries the clock source for the I2C Serial Trigger
TRIGger:A:I2C:CONDition	Sets or queries the trigger condition for the I2C trigger
TRIGger:A:I2C:DATA:DIRection	Sets or queries the I2C trigger condition valid on a READ, WRITE, or either
TRIGger:A:I2C:DATA:LEVel	Sets or queries the threshold level for the I2C data source
TRIGger:A:I2C:DATA:SOURce	Sets or queries the data source for the I2C serial trigger
TRIGger:A:I2C:DATA:START	Sets or queries the data start byte
TRIGger:A:I2C:DATA:VALue	Sets or queries the binary data string used for I2C triggering if the trigger condition is DATA or ADDRANDDATA
TRIGger:A:I2C:FORMat	Sets or queries the display format for the I2C data value
TRIGger:A:RS232:BAUd	Sets or queries the baud rate for RS232 triggering
TRIGger:A:RS232:DATA:LEVel	Sets or queries the threshold for the RS232 data source
TRIGger:A:RS232:DATA:SOURce	Sets or queries the RS232 data source
TRIGger:A:RS232:DATA:VALue	Sets or queries the binary data string used for RS232 triggering

Command	Description
TRIGger:A:RS232:FORMat	Sets or queries the display format for the RS232 data value
TRIGger:A:RS232:PARity	Sets or queries the state of the RS232 parity bit
TRIGger:A:SERIAL:BITRate	Sets or queries the clock/data bit rate
TRIGger:A:SERIAL:CLOCK:LEVel	Sets or queries the serial trigger clock level
TRIGger:A:SERIAL:CLOCK:POLarity	Sets or queries the serial clock polarity
TRIGger:A:SERIAL:CLOCK:SOUrce	Sets or queries the serial data source channel
TRIGger:A:SERIAL:CODE	Sets or queries the signal code
TRIGger:A:SERIAL:DATA:FORMat	Sets or queries how the Pattern string is formatted
TRIGger:A:SERIAL:DATA:PATtern	Sets or queries the data pattern to allow up to 64 bit serial patterns
TRIGger:A:SERIAL:DATA:PATtern:NRZ	Sets or queries the data pattern to allow up to 64 bit serial patterns
TRIGger:A:SERIAL:DATA:PATtern:S8B10B	Sets or queries the data pattern to allow up to 64 bit serial patterns
TRIGger:A:SERIAL:LOCKLen	Sets or queries the length in bits of the repeating bit pattern for pattern lock trigger
TRIGger:A:SERIAL:LOCKOffset	Sets or queries the current bit offset into the pattern lock trigger bit pattern
TRIGger:A:SERIAL:SOUrce	Sets or queries the serial data source channel
TRIGger:A:SERIAL:STANdard	Sets or queries the standard that identifies the code and bit rate
TRIGger:A:SERIAL:TRIGgeron	Sets or queries the trigger on a designated arbitrary bit pattern or lock on a repeating pattern of known length
TRIGger:A:SPI:CONDition	Sets or queries the trigger condition for SPI triggering
TRIGger:A:SPI:DATA:MISO:ACTIVE	Sets or queries the SPI MISO polarity
TRIGger:A:SPI:DATA:MISO:LEVel	Sets or queries the threshold for the SPI MISO data source
TRIGger:A:SPI:DATA:MISO:SOUrce	Sets or queries the MISO data source for the SPI trigger
TRIGger:A:SPI:DATA:MISO:VALue	Sets or queries the binary data string used for the SPI trigger if the trigger condition is set to MISO or MISOMOSI
TRIGger:A:SPI:DATA:MOSI:ACTIVE	Sets or queries the SPI MOSI polarity
TRIGger:A:SPI:DATA:MOSI:LEVel	Sets or queries the threshold for the SPI MOSI data source

Command	Description
TRIGger:A:SPI:DATA:MOSI:SOURce	Sets or queries the MOSI data source for the SPI trigger
TRIGger:A:SPI:DATA:MOSI:VALue	Sets or queries the binary data string used for the SPI trigger if the trigger condition is set to MOSI or MISOMOSI
TRIGger:A:SPI:DATA:START	Sets or queries the nth data byte on the data source after the signal on the enable slave source switches to the polarity specified by the Slave Select Polarity
TRIGger:A:SPI:FORMat	Sets or queries the SPI trigger data format
TRIGger:A:SPI:SCLK:ACTIVE	Sets or queries the SPI SCLK polarity
TRIGger:A:SPI:SCLK:LEVel	Sets or queries the threshold for the SPI trigger SCLK
TRIGger:A:SPI:SCLK:SOURce	Sets or queries the SPI SCLK source
TRIGger:A:SPI:SS:ACTIVE	Sets or queries the SPI trigger Slave Select (SS) polarity
TRIGger:A:SPI:SS:LEVel	Sets or queries the threshold for the SPI trigger Slave Select (SS) signal
TRIGger:A:SPI:SS:SOURce	Sets or queries the SPI trigger Slave Select (SS) source

## Mask Command Group

Use the commands in the Mask Command Group to compare incoming waveforms against standard or user-defined telecommunications masks. Standard masks are only available when option MTM is installed. Without option MTM, you need to define your masks. When the instrument detects waveforms that fall inside or outside of the mask limits, it can perform tasks such as generating hard copy, saving the waveform, emitting a beep or an SRQ, stopping and waiting for your input, sending an E-mail message with specified data, logging the time/date of the acquired waveform, or some combination of these actions.

A mask is a set of polygonal regions on the screen. Every vertical line of the screen intersects the polygon in zero, one, or two places, but never in more than two places. (A vertical line that intersects a vertical mask border is counted.) You have to break up more complicated polygons into two separate segments. Unlike limit testing, the inside of a mask is the region where waveform data would not normally fall. A telecommunications standard requires up to eight of these segments. Pulse standards always have two segments. Standards with eye patterns usually have three masks, but some have four.

You use the commands in the Mask Command Group to do the following:

- Specify the waveform source to test and the mask to use.
- Specify whether to use, and the size of, mask margins, which allow you to shrink or expand an existing set of polygons by a specified percentage.
- Specify whether to display a readout of hits and the mask on screen. Options also exist for auto fitting the incoming waveforms to match the mask you choose.
- Select industry-standard masks that support a variety of electrical and optical communication standards (available only with option MTM).
- Define and edit your own custom mask; create an entirely new mask, or use a standard mask (option MTM only) as a starting reference, and edit it to meet your needs.
- Enable, disable, or reset the mask counts. Once you turn on mask counting, it remains on until you explicitly turn it off.

Option MTM also provides communication trigger commands that you can use in conjunction with the mask commands, such as TRIGger:A:TYPE Communication. Refer to the Trigger Command Group.

Command	Description
<a href="#">MASK?</a>	Returns the states of all settable mask parameters
<a href="#">MASK:AUTOAdjust</a>	Optimizes signal position within the mask to minimize hits
<a href="#">MASK:AUTOAdjust:HDELTA</a>	Sets or returns how far autofit searches horizontally
<a href="#">MASK:AUTOAdjust:VDELTA</a>	Sets or returns how far autofit searches vertically
<a href="#">MASK:AUTOSet:AUTOAdjust</a>	Controls what happens at the end of a mask autoset. If ON, the horz/vert auto adjustment is run ONCE to potentially improve the result of mask autoset
<a href="#">MASK:AUTOSet:HPOS</a>	Controls whether the algorithm will attempt to change the horizontal position of the signal while attempting to autoset
<a href="#">MASK:AUTOSet:HSCALE</a>	Controls whether the algorithm will attempt to change the horizontal scale while attempting to autoset
<a href="#">MASK:AUTOSet:MODE</a>	Controls whether an autoset will be automatically done after a standard mask is selected

Command	Description
<a href="#">MASK:AUTOSet:OFFSEtAdj</a>	Sets autoset not to enforce the rule that, for pulse standards, requires 0 V to be in a certain place in the mask. Instead, autoset will attempt to measure the DC offset in the signal and use scope offset or position controls to compensate for the DC offset in the signal
<a href="#">MASK:AUTOSet:STANdard</a>	Selects the standard mask in autoset
<a href="#">MASK:AUTOSet:TRIGger</a>	Controls if a MASK:AUTOSet affects the trigger level
<a href="#">MASK:AUTOSet:USER:ONE</a>	Sets or returns the level 1 used by autoset for user masks
<a href="#">MASK:AUTOSet:USER:TYPe</a>	Sets or returns how autoset scales a mask
<a href="#">MASK:AUTOSet:USER:ZERo</a>	Sets or returns the level 0 used by autoset for user masks
<a href="#">MASK:AUTOSet:VPOS</a>	Controls whether the autoset algorithm will affect the vertical position (or offset) of the signal while attempting to autoset
<a href="#">MASK:AUTOSet:VSCAle</a>	Controls whether the autoset algorithm will attempt to change the vertical scale while attempting to autoset
<a href="#">MASK:COpy:USER</a>	Copies the currently displayed mask to the User mask
<a href="#">MASK:COUNT</a>	Resets to zero the number of hits for all mask segments on the specified source
<a href="#">MASK:COUNT:FAILURES?</a>	Returns the number of pass/fail tests that have failed
<a href="#">MASK:COUNT:HITS?</a>	Returns the total number of mask hits on all mask segments
<a href="#">MASK:COUNT:SEG&lt;m&gt;:HITS?</a>	Returns the number of hits in mask segment <m>
<a href="#">MASK:COUNT:STATE</a>	Sets or returns the mask hits count state
<a href="#">MASK:COUNT:TESTS?</a>	Returns the number of pass/fail tests that have occurred
<a href="#">MASK:COUNT:TOTal?</a>	Returns the sum of all hits in all mask segments
<a href="#">MASK:COUNT:VIOLATIONS?</a>	Returns the number of test violations that have occurred in the current pass/fail test
<a href="#">MASK:COUNT:WAVEFORMS?</a>	Returns the number of waveforms that have been acquired and processed during pass/fail testing
<a href="#">MASK:DISPlay</a>	Sets or returns whether the defined masks are displayed on the screen

Command	Description
<a href="#">MASK:FILTER</a>	Sets or returns whether the selected optical reference receiver mask filter is enabled
<a href="#">MASK:HIGHLIGHTHits</a>	Sets or returns whether the hits in a mask are highlighted in different colors than other waveform data
<a href="#">MASK:INVert</a>	Controls whether the mask is drawn inverted
<a href="#">MASK:LOCK</a>	Sets or returns the mask lock to waveform mode
<a href="#">MASK:MARGin:PERCent</a>	Sets or queries the mask margin percentage
<a href="#">MASK:MARGin:STATE</a>	Sets or returns the state of the mask margins
<a href="#">MASK:MASKPRE:AMPLitude</a>	Sets or returns the current mask's nominal pulse amplitude in volts
<a href="#">MASK:MASKPRE:HSCALE</a>	Sets or returns the nominal timing resolution used to draw the current mask, in time/division
<a href="#">MASK:MASKPRE:HTRIGPOS</a>	Sets or returns the nominal trigger position (pulse leading edge) used to draw the current mask as a fraction of the display width
<a href="#">MASK:MASKPRE:PATTERNBITS</a>	Sets or returns the number of bits used for serial trigger for the current mask standard
<a href="#">MASK:MASKPRE:PRESAMPBITS</a>	Sets or returns the number of bits before the (isolated one) pulse leading edge in the serial trigger pass/fail testing
<a href="#">MASK:MASKPRE:RECOrdlength</a>	Sets or returns the nominal record length for pulse mask testing
<a href="#">MASK:MASKPRE:TRIGTOSAMP</a>	Sets or returns the time, in seconds, from the (leading edge) trigger position to the pulse bit sampling position
<a href="#">MASK:MASKPRE:VOFFSet</a>	Sets or returns the nominal vertical offset, in volts, used to vertically offset the input channels
<a href="#">MASK:MASKPRE:VPOS</a>	Sets or returns the nominal vertical position, in divisions, used to vertically position the input channels
<a href="#">MASK:MASKPRE:VSCALE</a>	Sets or returns the nominal vertical scale, in volts per division, used to vertically scale the input channels
<a href="#">MASK:MASKPRE:WIDTH</a>	Sets or returns the nominal bit width in seconds
<a href="#">MASK:POLarity</a>	Sets or returns the input waveform polarity for the pass/fail test
<a href="#">MASK:SEG&lt;m&gt;</a>	Deletes the specified mask segment from the Current mask

Command	Description
<a href="#">MASK:SEG&lt;m&gt;:NR_Pt?</a>	Returns the number of points that make up the specified mask segment of the Current mask
<a href="#">MASK:SEG&lt;m&gt;:POINTS</a>	Sets or returns the X-Y user coordinates of all points in the Current mask segment
<a href="#">MASK:SOUrce</a>	Sets or reports which source will be compared against the mask(s) when counting is turned on
<a href="#">MASK:STANdard</a>	Deletes the existing mask and sets the selected standard mask
<a href="#">MASK:STOPOnvIolation</a>	Sets or returns the stop on violation setting
<a href="#">MASK:TEST:AUX:COMPLetion</a>	Sets or returns the test:aux on pass/fail test completion mode
<a href="#">MASK:TEST:AUX:FAILure</a>	Sets or returns the test:aux status on pass/fail test failure mode
<a href="#">MASK:TEST:BEEP:COMPLetion</a>	Sets or returns the beep on pass/fail test completion mode
<a href="#">MASK:TEST:BEEP:FAILure</a>	Sets or returns the beep status on pass/fail test failure mode
<a href="#">MASK:TEST:DELay</a>	Sets or returns the amount of time, in seconds, to wait after starting pass/fail testing to evaluate waveforms
<a href="#">MASK:TEST:HARDCopy</a>	Sets or returns the hard copy in pass/fail failure mode
<a href="#">MASK:TEST:LOG:FAILure</a>	Sets or returns the log status on pass/fail test failure mode
<a href="#">MASK:TEST:REPeat</a>	Sets or returns the repeat pass/fail test on completion mode
<a href="#">MASK:TEST:SAMple</a>	Sets or returns the minimum number of waveform database (WfmDB) points the instrument can acquire before it stops a single sequence acquisition or stops running a mask test
<a href="#">MASK:TEST:SAMple:THReshold</a>	Sets or returns the minimum number of hits in mask regions needed to cause the pass/fail status to change from PASSING to FAILING
<a href="#">MASK:TEST:SAVEWFM</a>	Sets or returns the save waveform to file on failure setting
<a href="#">MASK:TEST:SAVEWFM:FILEName</a>	Sets or returns the name of the directory and file to use with the MASK:TEST:SAVEWFM command
<a href="#">MASK:TEST:SRQ:COMPLetion</a>	Sets or returns an SRQ on pass/fail test completion mode

Command	Description
<a href="#">MASK:TEST:SRQ:FAILure</a>	Sets or returns the SRQ status on pass/fail test failure mode
<a href="#">MASK:TEST:STATE</a>	Sets or returns the state of mask pass/fail testing
<a href="#">MASK:TEST:STATUS?</a>	Returns the pass/fail test status
<a href="#">MASK:TEST:STOP:FAILure</a>	Sets or returns the stop status on pass/fail test failure mode
<a href="#">MASK:TEST:THReshold</a>	Sets or returns the number of failed tested waveforms needed in each pass/fail test to cause the pass/fail status to change from PASSING to FAILING
<a href="#">MASK:TEST:WAVEform</a>	Sets or returns the number of waveforms to test during pass/fail testing
<a href="#">MASK:USER:AMPLitude</a>	Sets or returns the current mask's nominal pulse amplitude in volts
<a href="#">MASK:USER:BITRate</a>	Sets or returns the user mask's bit rate
<a href="#">MASK:USER:HSCAlle</a>	Sets or returns the nominal timing resolution used to draw the mask, in time/division
<a href="#">MASK:USER:HTRIGPOS</a>	Sets or returns the nominal trigger position (pulse leading edge) used to draw the mask as a fraction of the display width
<a href="#">MASK:USER:LABel</a>	Sets or returns the label assigned to a user mask
<a href="#">MASK:USER:PATTERNBITS</a>	Sets or returns the number of bits used for serial trigger for the User mask standard
<a href="#">MASK:USER:PRESAMPBITS</a>	Sets or returns the number of bits before the (isolated one) pulse leading edge in the serial trigger pass/fail testing
<a href="#">MASK:USER:RECOrdlength</a>	Sets or returns the nominal record length for pulse mask testing
<a href="#">MASK:USER:SEG&lt;m&gt;</a>	Deletes the specified mask segment from the User mask
<a href="#">MASK:USER:SEG&lt;m&gt;:NR_Pt?</a>	Returns the number of points that make up the specified User mask segment
<a href="#">MASK:USER:SEG&lt;m&gt;:POINTS</a>	Sets or returns the X-Y user coordinates of all points in the specified User mask segment
<a href="#">MASK:USER:TRIGTOSAMP</a>	Sets or returns the time, in seconds, from the (leading edge) trigger position to the pulse bit sampling position
<a href="#">MASK:USER:VOFFSet</a>	Sets or returns the nominal vertical offset, in volts, used to vertically offset the input channels



Command	Description
<a href="#">MASK:USER:VPOS</a>	Sets or returns the nominal vertical position, in divisions, used to vertically position the input channels
<a href="#">MASK:USER:VSCALE</a>	Sets or returns the nominal vertical scale, in volts per division, used to vertically scale the input channels
<a href="#">MASK:USER:WIDTH</a>	Sets or returns the nominal bit width in seconds
<a href="#">RECALL:MASK</a>	Recalls a stored mask as the User mask
<a href="#">SAVE:MASK</a>	Saves the User mask to a mass storage file

## Math Command Group

Use the commands in the Math Command Group to create and define math waveforms. You can define and display up to four math waveforms simultaneously on four channel models and up to two on two channel models. Use the available math functions to define your math waveform.

The math waveform you create depends on sources listed in the math expression. If you change these sources, the math waveforms you previously defined will be affected.

Math expressions can be simple, containing no mathematical computation, such as CH1, which specifies that a waveform shows the signal source of channel 1. Math expressions can also be complex, consisting of 100 plus characters and comprising many sources, functions, and operands.

The acquisition of a live waveform can stop for several reasons: You can turn off the channel, stop the waveform (via Run/Stop from the Horiz/Acq menu), or stop the trigger (via Run/Stop from the Trig menu). When you turn off the channel, math continues and data is acquired but is not displayed. When you stop either the waveform or the trigger, the math calculation stops, and the last math calculation performed is displayed.

When a live waveform update or reference waveform is altered, math waveforms containing those waveforms as sources are also updated to reflect the changes. Also, sources must exist but do not need to be displayed to be used in and to update math waveforms.

Command	Description
<a href="#">MATH&lt;x&gt;?</a>	Returns the specified math waveform settings
<a href="#">MATH&lt;x&gt;:DEFine</a>	Sets or returns the math<x> waveform definition for the specified waveform
<a href="#">MATH&lt;x&gt;:FILTer:MODE</a>	Sets or returns the filter rise time parameter (centered or shifted)

Command	Description
MATH<x>:FILTer:RISetime	Sets or returns the filter rise time parameter
MATH<x>:LABel:NAME	Sets or returns the label string used for annotating the displayed math waveform
MATH<x>:LABel:XPOS	Sets or returns the X screen offset where the math waveform label is displayed
MATH<x>:LABel:YPOS	Sets or returns the Y screen offset where the math waveform label is displayed
MATH<x>:NUMAVg	Sets or returns the acquisition number at which the averaging algorithm will begin exponential averaging
MATH<x>:SPECTral?	Returns the specified math waveform spectral setups
MATH<x>:SPECTral:CENTER	Sets or returns the center frequency of the spectral analyzer output data span
MATH<x>:SPECTral:GATEPOS	Sets or returns the position of the center of the gate
MATH<x>:SPECTral:GATEWIDTH	Sets or returns the gate width input to the spectral analyzer
MATH<x>:SPECTral:LOCK	Sets or returns the state of the spectral locking for the specified math waveform
MATH<x>:SPECTral:MAG	Sets or returns the units of the SpectralMag function in the specified math string
MATH<x>:SPECTral:PHASE	Sets or returns the units of the SpectralPhase function in the specified math string
MATH<x>:SPECTral:REFLevel	Sets or returns the vertical position of the output data from the spectral analyzer
MATH<x>:SPECTral:REFLEVELOffset	Sets or returns the spectral reference level offset used for calculating the dB value
MATH<x>:SPECTral:RESBw	Sets or returns the resolution bandwidth of the spectral analyzer
MATH<x>:SPECTral:SPAN	Sets the top of the frequency span to a value that is closest to the specified value Or returns the specified math waveform's current frequency span value
MATH<x>:SPECTral:SUPPress	Sets or returns the phase suppression threshold
MATH<x>:SPECTral:UNWRap	Enables or disables or returns the state of the phase unwrap of the spectral analyzer output data
MATH<x>:SPECTral:WINDow	Sets or returns the window function used to multiply the input data to the spectral analyzer

Command	Description
<a href="#">MATH&lt;x&gt;:UNITString</a>	Sets or returns the units used for the math waveform; command overrides the default unit string
<a href="#">MATH&lt;x&gt;:VERTical:POSition</a>	Sets or returns the specified math waveform vertical position
<a href="#">MATH&lt;x&gt;:VERTical:SCAle</a>	Sets or returns the specified math waveform vertical scale (per div)
<a href="#">MATHArbfit&lt;x&gt;:FILEpath</a>	Sets the file path for a file of filter coefficients and reads the file
<a href="#">MATHArbfit&lt;x&gt;:READFile</a>	Forces a reread of the filter file for the specified arbitrary filter
<a href="#">MATHVAR?</a>	Sets or returns all 8 numerical values you can use within math expressions
<a href="#">MATHVAR:VAR&lt;x&gt;</a>	Sets or returns a numerical value you can use within math expressions

## Measurement Command Group

Use the commands in the Measurement Command Group to control the automated measurement system.

Up to eight automated measurements can be displayed on the screen. In the commands, these measurement readouts are named MEAS<x>, where <x> can be 1 through 8.

In addition to the eight displayed measurements, the measurement commands let you specify an additional measurement, IMMEd. The immediate measurement has no front panel equivalent. Immediate measurements are never displayed. Because they are computed only when needed, immediate measurements slow the waveform update rate less than displayed measurements.

Whether you use displayed or immediate measurements, use the VALue query to obtain measurement results.

Measurement commands can set and query measurement parameters. You can assign parameters, such as waveform sources and reference levels, differently for each measurement.

Command	Description
<a href="#">MEASUrement?</a>	Returns all measurement parameters
<a href="#">MEASUrement:ANNOtation:IMMEDStAte</a>	Sets or returns the state of immediate measurement annotation
<a href="#">MEASUrement:ANNOtation:NUMX?</a>	Returns the number of horizontal measurement annotations being displayed

Command	Description
MEASUrement:ANNOtation:NUMY?	Returns the number of vertical measurement annotations being displayed
MEASUrement:ANNOtation:STATE	Sets or returns the state of visible measurement annotations
MEASUrement:ANNOtation:TYPe	Sets or returns the type of annotations being used
MEASUrement:ANNOtation:X<x>?	Returns the value of the specified annotation
MEASUrement:ANNOtation:Y<x>?	Returns the value of the specified annotation
MEASUrement:GATing	Sets or returns the measurement gating
MEASUrement:IMMed?	Returns all immediate measurement setup parameters
MEASUrement:IMMed:DElAy?	Returns information about the immediate delay measurement
MEASUrement:IMMed:DElAy:DIREction	Sets or returns the search direction to use for immediate delay measurements
MEASUrement:IMMed:DElAy:EDGE[1]	Sets or returns the slope of the edge used for immediate delay "from" waveform measurements
MEASUrement:IMMed:DElAy:EDGE2	Sets or returns the slope of the edge used for immediate delay "to" waveform measurements
MEASUrement:IMMed:METHod	Specifies or queries the method used to calculate the 0% and 100% reference level for immediate measurements
MEASUrement:IMMed:NOISe	Sets or returns the location of the noise measurement on the eye waveform
MEASUrement:IMMed:REFLevel?	Returns the reference levels
MEASUrement:IMMed:REFLevel:ABSolute:HIGH	Sets or returns the high reference level
MEASUrement:IMMed:REFLevel:ABSolute:LOW	Sets or returns the low reference level
MEASUrement:IMMed:REFLevel:ABSolute:MID<x>	Sets or returns the middle reference levels
MEASUrement:IMMed:REFLevel:METHod	Sets or returns the method used to calculate measurements
MEASUrement:IMMed:REFLevel:PERCent:HIGH	Sets or returns the top level for rise time (90% level)
MEASUrement:IMMed:REFLevel:PERCent:LOW	Sets or returns the low level for rise time (10% level)
MEASUrement:IMMed:REFLevel:PERCent:MID<x>	Sets or returns the mid levels for measurements

Command	Description
MEASUrement:IMMed:SOUrce<x>	Sets or returns the source to measure “to” or “from” for phase or delay immediate measurements
MEASUrement:IMMed:SOUrce<x>:SIGType	Sets or returns the type of input signal used for the specified measurement source
MEASUrement:IMMed:TYPe	Sets or returns the type of the immediate measurement
MEASUrement:IMMed:UNIts?	Returns the units of the immediate measurement
MEASUrement:IMMed:VALue?	Returns the value of the immediate measurement
MEASUrement:MEAS<x>?	Returns all measurement parameters for the displayed measurement
MEASUrement:MEAS<x>:COUNT?	Returns the number of values accumulated since the last statistical reset
MEASUrement:MEAS<x>:DELAy?	Returns the delay measurement parameters for specified measurement
MEASUrement:MEAS<x>:DELAy:DIREction	Sets or returns the search direction to use for delay measurements
MEASUrement:MEAS<x>:DELAy:EDGE<x>	Sets or returns the slope of the edge to use for delay “from” or “to” waveform measurements
MEASUrement:MEAS<x>:MAXimum?	Returns the maximum value found since the last statistical reset
MEASUrement:MEAS<x>:MEAN?	Returns the mean value accumulated since the last statistical reset
MEASUrement:MEAS<x>:METHod	Sets or returns the method used to calculate the 0% and 100% reference level
MEASUrement:MEAS<x>:MINImum?	Returns the minimum value found since the last statistical reset
MEASUrement:MEAS<x>:NOISe	Sets or returns the location of the noise measurement on the eye waveform for MEAS<x>
MEASUrement:MEAS<x>:REFLevel?	Returns the reference levels
MEASUrement:MEAS<x>:REFLevel:ABSolute:HIGH	Sets or returns the top level for rise time (90% level)
MEASUrement:MEAS<x>:REFLevel:ABSolute:LOW	Sets or returns the low level for rise time (10%)
MEASUrement:MEAS<x>:REFLevel:ABSolute:MID<x>	Sets or returns the mid1 or mid2 level for measurements
MEASUrement:MEAS<x>:REFLevel:METHod	Sets or returns the reference level units used for measurement calculations
MEASUrement:MEAS<x>:REFLevel:PERCent:HIGH	Sets or returns the top level for rise time (90% level)

Command	Description
MEASUrement:MEAS<x>:REFLevel:PERCent:LOW	Sets or returns the low level for rise time (10% level)
MEASUrement:MEAS<x>:REFLevel:PERCent:MID<x>	Sets or returns the mid1 or mid2 level for delay measurements
MEASUrement:MEAS<x>:SOUrce<x>	Sets or returns the source to measure “from” or “to” for phase or delay measurements
MEASUrement:MEAS<x>:SOUrce<x>:SIGType	Sets or returns the type of input signal used for the specified measurement source for the specified measurement slot
MEASUrement:MEAS<x>:STATE	Sets or returns whether the specified measurement slot is computed and displayed
MEASUrement:MEAS<x>:STDdev?	Returns the standard deviation of values accumulated since the last statistical reset
MEASUrement:MEAS<x>:TYPe	Sets or returns the measurement<x> type
MEASUrement:MEAS<x>:UNIts?	Returns measurement<x> units
MEASUrement:MEAS<x>:VALue?	Returns the value of measurement<x>
MEASUrement:METHod	Sets or returns the method used for calculating reference levels
MEASUrement:NOISe	Sets or returns the location of the noise measurement on the eye waveform
MEASUrement:REFLevel:ABSolute:HIGH	Sets or returns the top reference level for rise time
MEASUrement:REFLevel:ABSolute:LOW	Sets or returns the low reference level for rise time
MEASUrement:REFLevel:ABSolute:MID<x>	Sets or returns the mid1 or mid2 reference level for measurements
MEASUrement:REFLevel:METHod	Sets or returns the method for assigning high and low reference levels
MEASUrement:REFLevel:PERCent:HIGH	Sets or returns the top reference percent level for rise time
MEASUrement:REFLevel:PERCent:LOW	Sets or returns the low reference percent level for rise time
MEASUrement:REFLevel:PERCent:MID<x>	Sets or returns the mid1 or mid 2 reference percent level for waveform measurements
MEASUrement:SOUrce<x>:SIGType	Sets or returns the type of input signal used for the specified measurement source
MEASUrement:STATistics:COUNT	Clears existing measurement statistics from memory

Command	Description
<a href="#">MEASUrement:STATIstics:MODE</a>	Turns measurement statistics on or off and sets or returns which pair of statistical accumulations is displayed
<a href="#">MEASUrement:STATIstics:WEIghting</a>	Sets or returns the 'time constant' for mean and standard deviation statistical accumulations

## Miscellaneous Command Group

Miscellaneous commands do not fit into other categories.

Several commands and queries are common to all 488.2-1987 devices on the GPIB bus. The 488.2-1987 standard defines these commands. The common commands begin with an asterisk (\*) character.

Command	Description
<a href="#">AUXout?</a>	Returns the auxiliary out setup
<a href="#">AUXout:EDGE</a>	Sets or returns the direction in which the trigger output signal will transition when a trigger occurs
<a href="#">AUXout:SOUrce</a>	Sets or returns the trigger source at the BNC connection
<a href="#">AUTOSet</a>	Sets the vertical, horizontal, and trigger controls of the instrument to automatically acquire and display the selected waveform
<a href="#">BELI</a>	In previous models, this command sounded the audio indicator. Provided for backward compatibility
<a href="#">CMDBatch</a>	Turns command batching on or off Or returns the state of command batching
<a href="#">DATE</a>	Sets or returns the date that the instrument can display
<a href="#">*DDT</a>	Sets or returns the commands that will be executed by the group execute trigger
<a href="#">HEADer</a>	Sets or returns the Response Header Enable State
<a href="#">HDR</a>	Sets or returns the Response Header Enable State
<a href="#">ID?</a>	Returns identifying information about the instrument and its firmware
<a href="#">*IDN?</a>	Returns the instrument identification code
<a href="#">LOCK</a>	Sets or returns the front panel lock state
<a href="#">*LRN?</a>	Returns a listing of instrument settings

Command	Description
<a href="#">NEWpass</a>	Changes the password for user protected data
<a href="#">PASSWord</a>	Provides access for changing user protected data
<a href="#">REM</a>	Specifies a comment, which is ignored by the instrument
<a href="#">ROSc:SOUrce</a>	Sets or queries the selected source for the time base reference oscillator
<a href="#">ROSc:STATE?</a>	Returns whether the time base reference oscillator is locked
<a href="#">ROSc:TRACking</a>	Sets or queries the selected source for the time base reference oscillator. The reference oscillator locks to this source
<a href="#">SET?</a>	Returns a listing of instrument settings
<a href="#">TEKSecure</a>	Initializes both waveform and setup memories
<a href="#">TIME</a>	Sets or returns the time displayed by the instrument
<a href="#">*TRG</a>	Performs the group execute trigger (GET)
<a href="#">*TST?</a>	Tests the GPIB interface and returns status
<a href="#">UNLock</a>	Unlocks front panel
<a href="#">VERBose</a>	Sets or returns the verbose state

## Save and Recall Command Group

Use the commands in the Save and Recall Command Group to store and retrieve internal waveforms and settings. When you save a setup, you save all the settings of the instrument. When you recall a setup, the instrument restores itself to the state that it was in when you originally saved that setting.

Command	Description
<a href="#">*RCL</a>	Restores the state of the instrument from a copy of the setting stored in memory
<a href="#">*SAV</a>	Stores the current instrument state to a specified memory location
<a href="#">*SDS</a>	Changes the specified setup to reference the factory setup instead of the user setup
<a href="#">DELEte:SETUp</a>	Removes stored setups from memory and initializes the location with the factory default setups
<a href="#">DELEte:WAVEform</a>	Deletes (one or all of) the stored reference waveforms from memory



Command	Description
<a href="#">FACTory</a>	Resets the instrument to factory default settings
<a href="#">RECAll:SETUp</a>	Recalls saved instrument settings
<a href="#">RECAll:SETUp:DESKew</a>	Sets or queries the deskew values that are affected by a default setup or a recalled setup
<a href="#">RECAll:WAVEform</a>	Recalls a stored waveform to a reference location
<a href="#">SAVe:SETUp</a>	Saves the current front panel setup to a specified memory location or file
<a href="#">SAVe:WAVEform</a>	Saves a waveform to one of four reference memory locations or a mass storage file
<a href="#">SAVe:WAVEform:FILEFormat</a>	Sets or returns the format for saved waveforms
<a href="#">SETUp:NAME</a>	Sets or returns the user-defined setup label

## Search and Mark Command Group

Use Search and Mark commands to seek out and identify information in waveform records that warrant further investigation.

Command	Description
<a href="#">MARK</a>	Moves to the next or previous reference mark, or queries the current mark setup
<a href="#">MARK:CREATE</a>	Creates a mark on a specified waveform or all waveforms in a column
<a href="#">MARK:DELEte</a>	Deletes a mark on a particular waveform, all waveforms in a column, the selected mark, or all marks
<a href="#">MARK:FREE?</a>	Returns how many marks are available for use
<a href="#">MARK:SElected:END?</a>	Returns the end of the selected mark, 0 to 100% of the waveform
<a href="#">MARK:SElected:FOCUS?</a>	Returns the focus of the selected mark, 0 to 100% of the waveform
<a href="#">MARK:SElected:LABel</a>	Set or queries the label for the selected mark
<a href="#">MARK:SElected:MARKSINCOLumn?</a>	Returns the number of marks in the current zoom pixel column
<a href="#">MARK:SElected:OWNer?</a>	Returns the owner of the selected mark
<a href="#">MARK:SElected:SOURCE?</a>	Sets or returns the source waveform for the selected mark
<a href="#">MARK:SElected:START?</a>	Returns the starting point of the selected mark, 0 to 100% of the waveform

Command	Description
MARK:SELEcted:STATe	Returns the on or off state of the selected mark. The selected mark is at or near the center of the display
MARK:SELEcted:ZOOm:POSition?	Returns the position of the selected mark, 0 to 100% of the zoom overview window
MARK:SELEcted:ZOOm:SCAle?	Returns the scale of the selected mark, 0 to 100% of the zoom overview window
MARK:TOTal?	Returns how many marks are currently in use
SEARCH:SEARCH<x>	Converts the specified search marks to the user marks. <x> can be 1 to 8
SEARCH:SEARCH<x>:COPy	Copies the search criteria to the trigger, the trigger criteria to a search, or copy search to search. <x> is the search number
SEARCH:SEARCH<x>:STATE	Selects which search is selected
SEARCH:SEARCH<x>:TOTAL?	Returns the total number of matches for the search. The total number of matches may be more than the number of marks placed
SEARCH:SEARCH<x>:TRIGger:A:DDRMemory:AUTOBitrate	Sets or queries the auto bit rate setting
SEARCH:SEARCH<x>:TRIGger:A:DDRMemory:AUTORefllevel	Sets or queries the auto reference levels setting
SEARCH:SEARCH<x>:TRIGger:A:DDRMemory:BITRate	Sets or queries the DDR memory bit rate
SEARCH:SEARCH<x>:TRIGger:A:DDRMemory:CSActive	Sets or queries whether the expected chip-select will be an active HIGH or LOW
SEARCH:SEARCH<x>:TRIGger:A:DDRMemory:CSLevel	Sets or queries the DDR memory search chip-select level
SEARCH:SEARCH<x>:TRIGger:A:DDRMemory:CMode	Sets or queries the chip-select mode
SEARCH:SEARCH<x>:TRIGger:A:DDRMemory:CSource	Sets or queries the chip select source
SEARCH:SEARCH<x>:TRIGger:A:DDRMemory:DATASource	Sets or queries the DDR memory data source
SEARCH:SEARCH<x>:TRIGger:A:DDRMemory:HYSteresis	Sets or queries the hysteresis percent for DDR memory searches
SEARCH:SEARCH<x>:TRIGger:A:DDRMemory:REFLevel:DATA:HIGH	Sets or queries the value of the data HIGH reference level
SEARCH:SEARCH<x>:TRIGger:A:DDRMemory:REFLevel:DATA:LOW	Sets or queries the value of the data LOW reference level
SEARCH:SEARCH<x>:TRIGger:A:DDRMemory:REFLevel:DATA:MID	Sets or queries the value of the data MID reference level
SEARCH:SEARCH<x>:TRIGger:A:DDRMemory:REFLevel:STROBE:HIGH	Sets or queries the value of the strobe HIGH reference level

Command	Description
SEARCH:SEARCH<x>:TRIGger:A:DDRMemory:REFLevel:STROBE:LOW	Sets or queries the value of the strobe LOW reference level
SEARCH:SEARCH<x>:TRIGger:A:DDRMemory:REFLevel:STROBE:MID	Sets or queries the value of the strobe MID reference level
SEARCH:SEARCH<x>:TRIGger:A:DDRMemory:STANdard	Sets or queries the DDR standard type for a DDR Memory analysis search
SEARCH:SEARCH<x>:TRIGger:A:DDRMemory:STROBEsource	Sets or queries the strobe source for a DDR Memory analysis search
SEARCH:SEARCH<x>:TRIGger:A:EDGE:SLOpe:CH<x>	Sets or returns the slope for an edge trigger search to determine where to place a mark. <x> is the search number or the channel number
SEARCH:SEARCH<x>:TRIGger:A:EDGE:SLOpe:MATH<x>	Sets or returns the slope for an edge trigger search to determine where to place a mark. <x> is the search number or the math waveform number
SEARCH:SEARCH<x>:TRIGger:A:EDGE:SLOpe:REF<x>	Sets or returns the slope for an edge trigger search to determine where to place a mark. <x> is the search number or the reference waveform number
SEARCH:SEARCH<x>:TRIGger:A:EDGE:SOUrce	Sets or returns the source waveform for an edge trigger search to determine where to place a mark. <x> is the search number
SEARCH:SEARCH<x>:TRIGger:A:GLItch:POLarity:CH<x>	Sets or returns the polarity for a glitch trigger search to determine where to place a mark. <x> is the search number or channel number
SEARCH:SEARCH<x>:TRIGger:A:GLItch:POLarity:MATH<x>	Sets or returns the polarity for a glitch trigger search to determine where to place a mark. <x> is the search number or math waveform number
SEARCH:SEARCH<x>:TRIGger:A:GLItch:POLarity:REF<x>	Sets or returns the polarity for a glitch trigger search to determine where to place a mark. <x> is the search number or reference waveform number
SEARCH:SEARCH<x>:TRIGger:A:GLItch:TRIGIF	Sets or returns the accept or reject state for a glitch trigger search to determine where to place a mark. <x> is the search number
SEARCH:SEARCH<x>:TRIGger:A:GLItch:WIDth	Sets or returns the glitch width for a glitch trigger search to determine where to place a mark. <x> is the search number
SEARCH:SEARCH<x>:TRIGger:A:LEVel:CH<x>	Sets or returns the level for an edge trigger search to determine where to place a mark. <x> is the search number or the channel number. Each channel can have an independent level

Command	Description
SEARCH:SEARCH<x>:TRIGger:A:LEVel: MATH<x>	Sets or returns the math waveform level for an edge trigger search to determine where to place a mark. <x> is the search number or math waveform number
SEARCH:SEARCH<x>:TRIGger:A:LEVel: REF<x>	Sets or returns the specified reference waveform level for a trigger search to determine where to place a mark. SEARCH<x> is the search number and REF<x> is the reference channel number
SEARCH:SEARCH<x>:TRIGger:A:LOGIc: FUNctIon	Sets or returns the logic operator for a pattern or state trigger search to determine where to place a mark. <x> is the search number
SEARCH:SEARCH<x>:TRIGger:A:LOGIc: INPut:CH<x>	Sets or returns the Boolean logic criteria for a pattern or state trigger search to determine where to place a mark. <x> is the search number or the channel number
SEARCH:SEARCH<x>:TRIGger:A:LOGIc: INPut:MATH<x>	Sets or returns the Boolean logic criteria for a pattern or state trigger search to determine where to place a mark. <x> is the search number or the math waveform number
SEARCH:SEARCH<x>:TRIGger:A:LOGIc: INPut:REF<x>	Sets or returns the Boolean logic criteria for a pattern or state trigger search to determine where to place a mark. <x> is the search number or the reference channel number
SEARCH:SEARCH<x>:TRIGger:A:LOGIc: THReshold:CH<x>	Sets or returns the channel threshold level for a pattern or state trigger search to determine where to place a mark. SEARCH<x> is the search number and CH<x> is the channel number
SEARCH:SEARCH<x>:TRIGger:A:LOGIc: THReshold:MATH<x>	Sets or returns the math waveform threshold level for a pattern or state trigger search to determine where to place a mark. <x> is the search number or the Math waveform number
SEARCH:SEARCH<x>:TRIGger:A:LOGIc: THReshold:REF<x>	Sets or returns the reference waveform threshold level for a pattern or state trigger search to determine where to place a mark. <x> is the search number or the reference waveform number
SEARCH:SEARCH<x>:TRIGger:A:PATtern: WHEn	Sets or queries the pattern trigger pattern test that determines where to place a mark. <x> is the search number
SEARCH:SEARCH<x>:TRIGger:A:PATtern: WHEn:LESSLimit	Sets or queries the time the pattern trigger less limit test uses to determines where to place a mark. <x> is the search number

Command	Description
SEARCH:SEARCH<x>:TRIGger:A:PATtern: WHEn:MORELimit	Sets or queries the time the pattern trigger more limit test uses to determine where to place a mark. <x> is the search number
SEARCH:SEARCH<x>:TRIGger:A:PULse: SOUrce	Sets or returns the source waveform for a pulse trigger search to determine where to place a mark. <x> is the search number. This is the source for Glitch, Width, Runt, Timeout or Window searches.
SEARCH:SEARCH<x>:TRIGger:A:RUNT: POLarity:CH<x>	Sets or returns the polarity setting for a runt trigger search to determine where to place a mark. <x> is the search number or channel number
SEARCH:SEARCH<x>:TRIGger:A:RUNT: POLarity:MATH<x>	Sets or returns the polarity setting for a runt trigger search to determine where to place a mark. <x> is the search number or math waveform number
SEARCH:SEARCH<x>:TRIGger:A:RUNT: POLarity:REF<x>	Sets or returns the polarity setting for a runt trigger search to determine where to place a mark. <x> is the search number or reference waveform number
SEARCH:SEARCH<x>:TRIGger:A:RUNT: THReshold:HIGH:CH<x>	Sets or returns the channel threshold HIGH level for a runt trigger search to determine where to place a mark. <x> is the search number or the channel number
SEARCH:SEARCH<x>:TRIGger:A:RUNT: THReshold:HIGH:MATH<x>	Sets or returns the math waveform threshold HIGH level for a runt trigger search to determine where to place a mark. <x> is the search number or the math waveform number
SEARCH:SEARCH<x>:TRIGger:A:RUNT: THReshold:HIGH:REF<x>	Sets or returns the reference waveform threshold HIGH level for a runt trigger search to determine where to place a mark. <x> is the search number or the reference waveform number
SEARCH:SEARCH<x>:TRIGger:A:RUNT: THReshold:LOW:CH<x>	Sets or returns the channel threshold LOW level for a runt trigger search to determine where to place a mark. <x> is the search number or the channel number
SEARCH:SEARCH<x>:TRIGger:A:RUNT: THReshold:LOW:MATH<x>	Sets or returns the math waveform threshold LOW level for a runt trigger search to determine where to place a mark. <x> is the search number or the math waveform number

Command	Description
SEARCH:SEARCH<x>:TRIGger:A:RUNT:THRshold:LOW:REF<x>	Sets or returns the reference waveform threshold LOW level for a runt trigger search to determine where to place a mark. <x> is the search number or the reference waveform number
SEARCH:SEARCH<x>:TRIGger:A:RUNT:WHEn	Sets or returns the condition setting for a runt trigger search to determine where to place a mark. <x> is the search number
SEARCH:SEARCH<x>:TRIGger:A:RUNT:WIDth	Sets or returns the width setting for a runt trigger search to determine where to place a mark. <x> is the search number
SEARCH:SEARCH<x>:TRIGger:A:SETHold:CLOCK:EDGE	Sets or returns the clock slope setting for a setup/hold trigger search to determine where to place a mark. <x> is the search number
SEARCH:SEARCH<x>:TRIGger:A:SETHold:CLOCK:SOUrce	Sets or returns the clock source setting for a setup/hold trigger search to determine where to place a mark. <x> is the search number
SEARCH:SEARCH<x>:TRIGger:A:SETHold:CLOCK:THRshold:CH<x>	Sets or returns the clock threshold setting for a setup/hold trigger search to determine where to place a mark. <x> is the search number or channel number
SEARCH:SEARCH<x>:TRIGger:A:SETHold:CLOCK:THRshold:MATH<x>	Sets or returns the clock threshold setting for a setup/hold trigger search to determine where to place a mark. <x> is the search number or math waveform number
SEARCH:SEARCH<x>:TRIGger:A:SETHold:CLOCK:THRshold:REF<x>	Sets or returns the clock threshold setting for a setup/hold trigger search to determine where to place a mark. <x> is the search number or reference waveform number
SEARCH:SEARCH<x>:TRIGger:A:SETHold:DATA:SOUrce	Sets or returns the data source setting for a setup/hold trigger search to determine where to place a mark. <x> is the search number
SEARCH:SEARCH<x>:TRIGger:A:SETHold:DATA:THRshold:CH<x>	Sets or returns the data threshold setting for a setup/hold trigger search to determine where to place a mark. <x> is the search number or channel number
SEARCH:SEARCH<x>:TRIGger:A:SETHold:DATA:THRshold:MATH<x>	Sets or returns the data threshold setting for a setup/hold trigger search to determine where to place a mark. <x> is the search number or math waveform number
SEARCH:SEARCH<x>:TRIGger:A:SETHold:DATA:THRshold:REF<x>	Sets or returns the threshold high voltage level setting for a transition trigger search to determine where to place a mark. <x> is the search number or reference waveform number

Command	Description
SEARCH:SEARCH<x>:TRIGger:A:SETHold:HOLDTime	Sets or returns the hold time setting for a setup/hold trigger search to determine where to place a mark. <x> is the search number
SEARCH:SEARCH<x>:TRIGger:A:SETHold:SETTime	Sets or returns the setup time setting for a setup/hold trigger search to determine where to place a mark. <x> is the search number
SEARCH:SEARCH<x>:TRIGger:A:STATE:CLOCK:EDGE	Sets or returns the clock slope setting for a state trigger search to determine where to place a mark. <x> is the search number
SEARCH:SEARCH<x>:TRIGger:A:STATE:CLOCK:SOUrce	Sets or returns the clock source of the twelve waveforms for a state trigger search to determine where to place a mark. <x> is the search number. The hardware trigger is always on the channel CH4
SEARCH:SEARCH<x>:TRIGger:A:STATE:WHEn	Sets or queries the state trigger search to determine where to place a mark. <x> is the search number
SEARCH:SEARCH<x>:TRIGger:A:TIMEOut:POLarity:CH<x>	Sets or returns the polarity for a timeout trigger search to determine where to place a mark. <x> is the search number or channel number
SEARCH:SEARCH<x>:TRIGger:A:TIMEOut:POLarity:MATH<x>	Sets or returns the polarity for a timeout trigger search to determine where to place a mark. <x> is the search number or math waveform number
SEARCH:SEARCH<x>:TRIGger:A:TIMEOut:POLarity:REF<x>	Sets or returns the polarity for a timeout trigger search to determine where to place a mark. <x> is the search number or reference waveform number
SEARCH:SEARCH<x>:TRIGger:A:TIMEOut:TIME	Sets or returns the time setting for a timeout trigger search to determine where to place a mark. <x> is the search number
SEARCH:SEARCH<x>:TRIGger:A:TRANSition:DELTATime	Sets or returns the transition time setting for a transition trigger search to determine where to place a mark.<x> is the search number
SEARCH:SEARCH<x>:TRIGger:A:TRANSition:POLarity:CH<x>	Sets or returns the polarity setting for a transition trigger search to determine where to place a mark. <x> is the search number or channel number
SEARCH:SEARCH<x>:TRIGger:A:TRANSition:POLarity:MATH<x>	Sets or returns the polarity setting for a transition trigger search to determine where to place a mark. <x> is the search number or math waveform number

Command	Description
SEARCH:SEARCH<x>:TRIGger:A: TRANSition:POLarity:REF<x>	Sets or returns the polarity setting for a transition trigger search to determine where to place a mark. <x> is the search number or reference waveform number
SEARCH:SEARCH<x>:TRIGger:A: TRANSition:THReshold:HIGh:CH<x>	Sets or returns the threshold high voltage level setting for a transition trigger search to determine where to place a mark. <x> is the search number or channel number
SEARCH:SEARCH<x>:TRIGger:A: TRANSition:THReshold:HIGh:MATH<x>	Sets or returns the threshold high voltage level setting for a transition trigger search to determine where to place a mark. <x> is the search number or math waveform number
SEARCH:SEARCH<x>:TRIGger:A: TRANSition:THReshold:HIGh:REF<x>	Sets or returns the threshold high voltage level setting for a transition trigger search to determine where to place a mark. <x> is the search number or reference waveform number
SEARCH:SEARCH<x>:TRIGger:A: TRANSition:THReshold:LOW:CH<x>	Sets or returns the threshold low voltage level setting for a transition trigger search to determine where to place a mark. <x> is the search number or channel number
SEARCH:SEARCH<x>:TRIGger:A: TRANSition:THReshold:LOW:MATH<x>	Sets or returns the threshold low voltage level setting for a transition trigger search to determine where to place a mark. <x> is the search number or math waveform number
SEARCH:SEARCH<x>:TRIGger:A: TRANSition:THReshold:LOW:REF<x>	Sets or returns the threshold low voltage level setting for a transition trigger search to determine where to place a mark. <x> is the search number or reference waveform number
SEARCH:SEARCH<x>:TRIGger:A: TRANSition:WHEN	Sets or returns the condition setting for a transition trigger search to determine where to place a mark. <x> is the search number
SEARCH:SEARCH<x>:TRIGger:A:TYPE	Sets or returns the trigger type setting for a search to determine where to place a mark. <x> is the search number  <b>NOTE.</b> <i>Except EDGE all other options must be purchased.</i>
SEARCH:SEARCH<x>:TRIGger:A:WIDTH: HIGHLimit	Sets or returns the upper time limit setting for a width search to determine where to place a mark. <x> is the search number
SEARCH:SEARCH<x>:TRIGger:A:WIDTH: LOWLimit	Sets or returns the lower time limit setting for a width search to determine where to place a mark. <x> is the search number



Command	Description
SEARCH:SEARCH<x>:TRIGger:A:WIDth: POLarity:CH<x>	Sets or returns the polarity for a width search to determine where to place a mark. <x> is the search number or channel number
SEARCH:SEARCH<x>:TRIGger:A:WIDth: POLarity:MATH<x>	Sets or returns the polarity for a width search to determine where to place a mark. <x> is the search number or math waveform number
SEARCH:SEARCH<x>:TRIGger:A:WIDth: POLarity:REF<x>	Sets or returns the polarity for a width search to determine where to place a mark. <x> is the search number or reference waveform number
SEARCH:SEARCH<x>:TRIGger:A:WIDth: WHEn	Sets or queries the width search to determine where to place a mark. <x> is the search number
SEARCH:SEARCH<x>:TRIGger:A:WINDow: EVENT	Sets or queries the window search to determine where to place a mark. <x> is the search number
SEARCH:SEARCH<x>:TRIGger:A:WINDow: THReshold:HIGH:CH<x>	Sets or returns the channel waveform threshold HIGH level for a window search to determine where to place a mark. <x> is the search number or channel number
SEARCH:SEARCH<x>:TRIGger:A:WINDow: THReshold:HIGH:MATH<x>	Sets or returns the channel waveform threshold HIGH level for a window search to determine where to place a mark. <x> is the search number or math waveform number
SEARCH:SEARCH<x>:TRIGger:A:WINDow: THReshold:HIGH:REF<x>	Sets or returns the channel waveform threshold HIGH level for a window search to determine where to place a mark. <x> is the search number or reference number
SEARCH:SEARCH<x>:TRIGger:A:WINDow: THReshold:LOW:CH<x>	Sets or returns the channel waveform threshold LOW level for a window search to determine where to place a mark. <x> is the search number or channel number
SEARCH:SEARCH<x>:TRIGger:A:WINDow: THReshold:LOW:MATH<x>	Sets or returns the channel waveform threshold LOW level for a window search to determine where to place a mark. <x> is the search number or math waveform number
SEARCH:SEARCH<x>:TRIGger:A:WINDow: THReshold:LOW:REF<x>	Sets or returns the channel waveform threshold LOW level for a window search to determine where to place a mark. <x> is the search number or reference waveform number
SEARCH:SEARCH<x>:TRIGger:A:WINDow: WIDth	Sets or returns the width setting for a window search to determine where to place a mark. <x> is the search number

Command	Description
SEARCH:STOP	Sets or queries the stop of acquisitions when a search finds an event
SEARCH:SEARCH<x>:TRIGger:A:DDRMemory:MARgin	Sets or queries the termination logic margin for back-to-back writes
SEARCH:SEARCH<x>:TRIGger:A:DDRMemory:MAXCas	Sets or queries the maximum distance, in clock periods, to the left of the start of the mark where the instrument looks for the chip-select pulse
SEARCH:SEARCH<x>:TRIGger:A:DDRMemory:MINCas	Sets or queries the minimum distance, in clock periods, to the left of the start of the mark where the instrument looks for the chip-select pulse

## Status and Error Command Group

Use the commands in the Status and Error command Group to determine the status of the instrument and control events.

Several commands and queries used with the instrument are common to all devices on the GPIB bus. The IEEE Std 488.2-1987 defines these commands and queries. The common commands begin with an asterisk (\*) character.

Command	Description
*CLS	Clears status
*ESE	Sets or returns the bits in the Event Status Enable Register
*ESR?	Returns the contents of the Standard Event Status Register
*OPC	Generates the operation complete message in the standard event status register when all pending operations are finished Or returns "1" when all current operations are finished
*OPT?	Returns a list of options installed in the instrument
*PSC	Sets or returns the power on status flag
*PUD	Sets or returns a string of protected user data
*RST	Resets the instrument to factory default settings
*SRE	Sets or returns the bits in the Service Request Enable Register
*STB?	Returns the contents of the Status Byte Register

Command	Description
<a href="#">*WAI</a>	Prevents the instrument from executing further commands until all pending operations finish
<a href="#">ALLEv?</a>	Returns all events and their messages
<a href="#">BUSY?</a>	Returns instrument status
<a href="#">DESE</a>	Sets or returns the bits in the Device Event Status Enable Register
<a href="#">EVENT?</a>	Returns event code from the event queue
<a href="#">EVMsg?</a>	Returns event code, message from the event queue
<a href="#">EVQty?</a>	Returns the number of events in the event queue

## TekLink Command Group

Use the commands in the TekLink command Group to set up TekLink and MultiScope triggering.

Command	Description
<a href="#">TEKLink:CONNECTION?</a>	Returns the current TekLink network connection
<a href="#">TEKLink:REFClk</a>	Sets or queries the current state of the instrument's TekLink Reference Output
<a href="#">TRIGger:MULTIscope</a>	Sets or returns the state of MultiScope triggering, either ENABLE or DISable
<a href="#">TRIGger:MULTIscope:ALIGN:COMPLETED?</a>	Returns whether the oscilloscope has successfully completed the MultiScope trigger align procedure
<a href="#">TRIGger:MULTIscope:ALIGN:DESKEW?</a>	Sets or returns the deskew time, in nanoseconds, for horizontal positioning of the waveform
<a href="#">TRIGger:MULTIscope:ALIGN:MRTTime</a>	Sends or returns the maximum round trip time to each instrument in a calibration cycle
<a href="#">TRIGger:MULTIscope:ALIGN:SETSTATE</a>	Measures the round trip time between sending a trigger out the TekLink port and receiving it back from the port
<a href="#">TRIGger:MULTIscope:ALIGN:VALue?</a>	Queries the delay time, in nanoseconds, for trigger out of the TekLink trigger out line
<a href="#">TRIGger:MULTIscope:ALIGN</a>	Starts the TekLink trigger alignment procedure on all oscilloscopes which are participating with the oscilloscope that is in MultiScope triggering

Command	Description
<a href="#">TRIGger:MULTiscope:DElay?</a>	Returns the delay time for trigger out of the TekLink trigger out line
<a href="#">TRIGger:MULTiscope:LOGic</a>	Sets or queries the role of the instrument in the MultiScope trigger network
<a href="#">TRIGger:MULTiscope:OPTion</a>	Sets or returns the trigger type for the TekLink trigger
<a href="#">TRIGger:MULTiscope:ROLe</a>	Sets or returns the role of the instrument in the MultiScope trigger network, either PRODUCER or CONSUMER

## Trigger Command Group

Use the commands in the Trigger Command Group to control all aspects of triggering for the instrument.

There are two triggers: A and B. Where appropriate, the command set has parallel constructions for each trigger.

You can set the A or B triggers to edge mode. Edge triggering lets you display a waveform at or near the point where the signal passes through a voltage level of your choosing.

You can also set A or B triggers to pulse or logic modes. With pulse triggering, the instrument triggers whenever it detects a pulse of a certain width or height. Logic triggering lets you logically combine the signals on one or more channels. The instrument then triggers when it detects a certain combination of signal levels. Video triggering enables you to trigger on the most common Standard Definition, High Definition, and custom video standards. You can trigger on all fields, all lines, or individual video lines. Video trigger commands are only available on DPO7000 instruments.

If you have Option MTM (Mask Testing) installed, you also have access to a communication mode. When this mode is selected, several communication trigger commands are available that work in conjunction with the mask commands. Refer to Mask Command Group.

Command	Description
<a href="#">TRIGger</a>	Forces a trigger event to occur or returns current trigger parameters for the instrument
<a href="#">TRIGger:A</a>	Sets A trigger level to 50% or returns current A trigger parameters
<a href="#">TRIGger:{A B}:EDGE:COUPling</a>	Sets or returns the type of coupling for the edge trigger
<a href="#">TRIGger:{A B}:EDGE:SLOPe</a>	Sets or returns the slope for the edge trigger
<a href="#">TRIGger:{A B}:EDGE:SLOPe:AUX</a>	Sets or returns the slope for the edge trigger for the AUX In input

Command	Description
TRIGger:{A B}:EDGE:SLOpe:CH<x>	Sets or returns the slope for the edge trigger for the channel
TRIGger:{A B}:EDGE:SOUrce	Sets or returns the source for the edge trigger
TRIGger:{A B}:LEVel	Sets or returns the level for the trigger
TRIGger:{A B}:LEVel:CH<x>	Sets or returns the level for the trigger for the channel
TRIGger:{A B}:EDGE?	bbvannReturns the source, coupling and source for the edge trigger
TRIGger:{A B}:EDGE:COUPling:CH<x>	Sets or queries the type of coupling for the A or B trigger for the specified channel
TRIGger:{A B}:LOGIc:CLAss	Sets or returns the type of trigger logic
TRIGger:{A B}:LOGIc:FUNcTION	Sets or returns the logical combination of the input channels for the logic trigger
TRIGger:{A B}:LOGIc:INPut?	Returns the logic trigger input expected for channel 1, 2, and 3
TRIGger:{A B}:LOGIc:INPut:CH<x>	Sets or queries the logical input for the logic trigger channel specified by x
TRIGger:{A B}:LOGIc:PATtern:INPut:CH<x>	Sets or returns the logic pattern trigger input for the indicated channel
TRIGger:{A B}:LOGIc:PATtern:WHEn	Sets or returns the condition for generating the logic pattern trigger
TRIGger:{A B}:LOGIc:PATtern:WHEn:LESSLimit	Sets or returns the maximum time that the selected pattern may be true and still generate a logic pattern trigger
TRIGger:{A B}:LOGIc:PATtern:WHEn:MORELimit	Sets or returns the minimum time that the selected pattern may be true and still generate a logic pattern trigger
TRIGger:{A B}:LOGIc:PATtern?	Returns the conditions for generating a logic pattern trigger
TRIGger:{A B}:LOGIc:SETHold:CLOCK:EDGE	Sets or returns the clock edge polarity for setup and hold triggering
TRIGger:{A B}:LOGIc:SETHold:CLOCK:SOUrce	Sets or returns the clock source for the logic trigger setup and hold input
TRIGger:{A B}:LOGIc:SETHold:CLOCK:THReshold	Sets or returns the clock voltage threshold for setup and hold trigger
TRIGger:{A B}:LOGIc:SETHold:CLOCK:THReshold:CH<x>	Sets or returns the clock voltage threshold for setup and hold trigger for the channel
TRIGger:{A B}:LOGIc:SETHold:CLOCK?	Returns clock edge polarity, voltage threshold and source input for setup/hold triggering oh good
TRIGger:{A B}:LOGIc:SETHold:DATA:SOUrce	Sets or returns the data source for the setup and hold trigger

Command	Description
TRIGger:{A B}:LOGic:SETHold:DATA:THReshold	Sets or returns the data voltage threshold for setup and hold trigger
TRIGger:{A B}:LOGic:SETHold:DATA:THReshold:CH<x>	Sets or returns the data voltage threshold for setup and hold trigger for the channel
TRIGger:{A B}:LOGic:SETHold:DATA?	Returns the voltage threshold and data source for the setup/hold trigger
TRIGger:{A B}:LOGic:SETHold:HOLDTime	Sets or returns the hold time for the setup and hold violation triggering
TRIGger:{A B}:LOGic:SETHold:QUALify	Sets or returns the setup and hold violation trigger qualifications
TRIGger:{A B}:LOGic:SETHold:SETTime	Sets or returns the setup time for setup and hold violation triggering
TRIGger:{A B}:LOGic:SETHold?	Returns clock edge polarity, voltage threshold and source; data voltage threshold and source; and setup/hold times for setup and hold violation triggering
TRIGger:{A B}:LOGic:STATE:INPut:CH<x>	Sets or returns the slope for indicated channel of the logic state trigger
TRIGger:{A B}:LOGic:STATE:WHEn	Sets or returns the condition for generating a logic state trigger
TRIGger:{A B}:LOGic:STATE?	Returns the data input and trigger criteria for the logic state trigger
TRIGger:{A B}:LOGic:THReshold:CH<x>	Sets or returns the logic state trigger threshold voltage for the specified channel
TRIGger:{A B}:LOWerthreshold:CH<x>	Sets or returns CH<x> lower trigger level for TRIGger: LVLsrcpreference
TRIGger:{A B}:LOGic:THReshold?	Returns the threshold voltage for all channels in logic trigger
TRIGger:{A B}:PULse:CLAss	Sets or returns the type of pulse on which to trigger
TRIGger:{A B}:PULse:GLItch:POLarity	Sets or returns the polarity for the pulse glitch trigger
TRIGger:{A B}:PULse:GLItch:POLarity:CH<x>	Sets or returns the polarity for the A or B pulse glitch trigger for the channel
TRIGger:{A B}:PULse:GLItch:QUALify	Sets or returns the glitch trigger qualifications
TRIGger:{A B}:PULse:GLItch:TRIGIF	Sets or returns the acceptance or rejection of pulse glitch trigger, based on width
TRIGger:{A B}:PULse:GLItch:WIDTH	Sets or returns the width of the A pulse glitch trigger
TRIGger:{A B}:PULse:GLItch?	Returns the current A glitch pulse trigger parameters
TRIGger:{A B}:PULse:RUNT:POLarity	Sets or returns the polarity for the pulse runt trigger

Command	Description
TRIGger:{A B}:PULse:RUNT:POLarity:CH<x>	Sets or returns the polarity for the A or B pulse runt trigger for the channel
TRIGger:{A B}:PULse:RUNT:QUALify	Sets or returns the polarity for the A or B pulse runt trigger
TRIGger:{A B}:PULse:RUNT:THReshold:BOTh	Sets the upper and lower switching thresholds for the A pulse runt trigger
TRIGger:{A B}:PULse:RUNT:THReshold:HIGH	Sets or returns the upper limit for the A pulse runt trigger
TRIGger:{A B}:PULse:RUNT:THReshold:LOW	Sets or returns the lower limit for the A pulse runt trigger
TRIGger:{A B}:PULse:RUNT:THReshold?	Returns the upper and lower thresholds for the A pulse runt trigger
TRIGger:{A B}:PULse:RUNT:WHEn	Sets or returns the type of pulse width the trigger checks for when it uncovers a runt
TRIGger:{A B}:PULse:RUNT:WIDth	Sets or returns the minimum width for A pulse runt trigger
TRIGger:{A B}:PULse:RUNT?	Returns the current A runt pulse trigger parameters
TRIGger:{A B}:PULse:SOUrce	Sets or returns the source for the A pulse trigger
TRIGger:{A B}:PULse:TIMEOut:POLarity	Sets or returns the polarity for the A pulse timeout trigger
TRIGger:{A B}:PULse:TIMEOut:POLarity:CH<x>	Sets or returns the polarity for the A or B pulse timeout trigger for the channel
TRIGger:{A B}:PULse:TIMEOut:QUALify	Sets or returns the timeout trigger qualifications
TRIGger:{A B}:PULse:TIMEOut:TIME	Sets or returns the pulse timeout trigger time
TRIGger:{A B}:PULse:TIMEOut?	Returns the parameters for the A pulse timeout trigger
TRIGger:{A B}:PULse:TRANSition:DELTAime	Sets or returns the delta time used in calculating the transition value
TRIGger:{A B}:PULse:TRANSition:POLarity	Sets or returns the polarity for the A pulse transition trigger
TRIGger:{A B}:PULse:TRANSition:POLarity:CH<x>	Sets or returns the polarity for the A or B pulse transition trigger for the channel
TRIGger:{A B}:PULse:TRANSition:QUALify	Sets or returns the transition trigger qualifications
TRIGger:{A B}:PULse:TRANSition:THReshold:BOTh	Sets the upper and lower thresholds for the transition trigger
TRIGger:{A B}:PULse:TRANSition:THReshold:HIGH	Sets or returns the upper transition trigger threshold
TRIGger:{A B}:PULse:TRANSition:THReshold:LOW	Sets or returns the lower transition trigger threshold

Command	Description
TRIGger:{A B}:PULse:TRANSition:THReshold?	Returns the upper and lower threshold limits for the transition time trigger
TRIGger:{A B}:PULse:TRANSition:WHEn	Sets or queries whether to check for a transitioning signal that is faster or slower than the specified delta time for the transition time trigger
TRIGger:{A B}:PULse:TRANSition?	Returns the delta time, polarity, and both upper and lower threshold limits for the transition time trigger
TRIGger:{A B}:PULse:WIDth:HIGHLimit	Sets or returns the upper limit for the A pulse width trigger
TRIGger:{A B}:PULse:WIDth:LOWLimit	Sets or returns the lower limit for the pulse width trigger
TRIGger:{A B}:PULse:WIDth:POLarity	Sets or returns the polarity for the pulse width trigger
TRIGger:{A B}:PULse:WIDth:POLarity:CH<x>	Sets or returns the polarity for the A or B pulse width trigger for the channel
TRIGger:{A B}:PULse:WIDth:QUALify	Sets or returns the pulse width trigger qualifications
TRIGger:{A B}:PULse:WIDth:WHEn	Sets or returns the criteria for width specification of pulse width trigger events
TRIGger:{A B}:PULse:WIDth?	Returns the trigger pulse width parameters
TRIGger:{A B}:PULse:WINDow:EVENT	Sets or queries the window trigger event
TRIGger:{A B}:PULse:WINDow:QUALify	Sets or returns the window trigger qualifications
TRIGger:{A B}:PULse:WINDow:THReshold:BOTh	Sets both window thresholds
TRIGger:{A B}:PULse:WINDow:THReshold:HIGh	Sets or returns high window threshold
TRIGger:{A B}:PULse:WINDow:THReshold:LOW	Sets or returns low window threshold
TRIGger:{A B}:PULse:WINDow:THReshold?	Returns the upper and lower thresholds for the pulse window trigger
TRIGger:{A B}:PULse:WINDow:WIDTh	Sets or returns minimum width of violation
TRIGger:{A B}:PULse:WINDow?	Returns the current window pulse trigger parameters
TRIGger:{A B}:PULse?	Returns the pulse trigger parameters
TRIGger:{A B}:UPPPerthreshold:CH<x>	Sets or queries the CH<x> upper trigger level for TRIGger:LVLsrcpreference
TRIGger:A:COMMunication:{AMI HDB3 B3ZS B6ZS B8ZS}:PULSEForm	Sets or returns the selected communication pulse form



Command	Description
TRIGger:A:COMMunication: {AMI HDB3 B3ZS B6ZS B8ZS}:THReshold: HIGH	Sets the communication threshold high level
TRIGger:A:COMMunication: {AMI HDB3 B3ZS B6ZS B8ZS}:THReshold: LOW	Sets the communication threshold low level
TRIGger:A:COMMunication:BITRate	Sets or returns the communication bit rate
TRIGger:A:COMMunication:CLOCK: POLarity	Sets or returns the polarity of the clock signal
TRIGger:A:COMMunication:CMI: PULSEForm	Selects the CMI pulse form
TRIGger:A:COMMunication:CODE	Sets the communication signal code
TRIGger:A:COMMunication:SOURce	Sets the communication source channel
TRIGger:A:COMMunication:SOURce:TYPE	Sets the type of communication source channel
TRIGger:A:COMMunication:STANdard	Selects the communication standard that identifies the code and bit rate
TRIGger:A:HOLDoff:ACTUal?	Returns the holdoff time actually used by the A trigger
TRIGger:A:HOLDoff:BY	Sets or returns the type of holdoff for the A trigger
TRIGger:A:HOLDoff:TIME	Sets or returns the A trigger holdoff time
TRIGger:A:HOLDoff?	Returns the A trigger holdoff parameters
TRIGger:A:LOGic?	Returns all of the A trigger logic parameters
TRIGger:A:MODE	Sets or returns the A trigger mode
TRIGger:A:PULse:WINDow:POLarity	Sets or queries the pulse trigger window polarity of the selected trigger Source
TRIGger:A:PULse:WINDow:POLarity: CH<x>	Sets or queries the pulse trigger window polarity of the specified channel
TRIGger:A:TYPE	Sets or returns the type of A trigger
TRIGger:A:VIDeo:CUSTom?	Returns the custom video parameters for the A trigger
TRIGger:A:VIDeo:CUSTom:FORMat	Sets or returns the video scan format when the video standard is set to Custom
TRIGger:A:VIDeo:CUSTom:LINEPeriod	Sets or returns the custom video line period
TRIGger:A:VIDeo:CUSTom:SYNcInterval	Sets or returns the custom video sync interval
TRIGger:A:VIDeo:FIELD	Sets or returns the video field trigger
TRIGger:A:VIDeo:HOLDoff:FIELD	Sets or returns the trigger holdoff in video field units
TRIGger:A:VIDeo:LINE	Sets or returns the trigger delay as a number of video lines
TRIGger:A:VIDeo:POLarity	Sets or returns the polarity of the video trigger

Command	Description
TRIGger:A:VIDeo:SCAN	Sets or returns the video scan rate
TRIGger:A:VIDeo:SOUrce	Sets or returns the video trigger source
TRIGger:A:VIDeo:STANdard	Sets or returns the video standard
TRIGger:A:VIDeo?	Returns the video parameters for the A trigger
TRIGger:AUXLevel	Sets or returns the level for the auxiliary trigger
TRIGger:B	Sets the B trigger level to 50% or returns the B trigger parameters
TRIGger:B:BY	Sets or returns B trigger time or event qualifiers
TRIGger:B:EVENTS:COUNT	Sets or returns the number of events that must occur before the B trigger occurs
TRIGger:B:EVENTS?	Returns the current B trigger events parameter
TRIGger:B:PULse:WINdow:POLarity	Sets or queries the pulse trigger window polarity of the selected trigger Source
TRIGger:B:PULse:WINdow:POLarity:CH<x>	Sets or queries the pulse trigger window polarity of the specified channel
TRIGger:B:RESET:SOUrce	Sets or returns the source for the trigger reset
TRIGger:B:RESET:STATE	Sets or returns the state of the B trigger
TRIGger:B:RESET:THReshold	Sets or returns the threshold for the trigger reset
TRIGger:B:RESET:TIMEOut	Sets or returns the reset time for the timeout trigger reset
TRIGger:B:RESET:TRANSition	Sets or returns the type of transition required for a transition trigger reset
TRIGger:B:RESET:TYPE	Sets or returns the type of A→B sequential trigger reset
TRIGger:B:TIME	Sets or returns the B trigger delay time
TRIGger:B:STATE	Returns the current state of the triggering system
TRIGger:B:TYPE	Sets or returns the type of B trigger
TRIGger:ENHanced	Sets or returns the state of trigger position enhancement.
TRIGger:LVLSrcpreference	Sets or returns how the trigger source and levels interact
TRIGger:STATE?	Returns the current state of the triggering system
TRIGger:SENSITivity	Set or returns the state of trigger sensitivity. When on, the instrument calculates a rolling average for trigger position enhancement

## Vertical Command Group

Use the commands in the Vertical Command Group to control the vertical setup of all live (channel) waveforms for acquisition and to control the display of channel, reference, and math waveforms.

You may replace VOLts with SCALe in the vertical commands. This provides program compatibility with earlier models of Tektronix instruments.

Command	Description
<a href="#">AUXIn:BANdwidth</a>	Sets or returns the selectable low-pass bandwidth limit filter of the AUX In input
<a href="#">AUXIn:COUPling</a>	Sets or returns the input attenuator coupling setting for the AUX In input
<a href="#">AUXIn:OFFSet</a>	Sets or returns the vertical offset for the AUX In input
<a href="#">AUXIn:PRObe:AUTOZero</a>	Sets the probe attached to the AUX In input to autozero
<a href="#">AUXIn:PRObe:DEGAUSS</a>	Starts a degauss cycle of the probe attached to the AUX In input
<a href="#">AUXIn:PRObe:DEGAUSS:STATE?</a>	Returns whether the probe attached to the AUX In input has been degaussed
<a href="#">AUXIn:PRObe:FORCEDRange</a>	Sets the probe attached to the AUX In input to the default range of the probe, or the command returns the default range of the probe
<a href="#">AUXIn:PRObe:GAIN?</a>	Returns the gain factor of the probe that is attached to the AUX In input
<a href="#">AUXIn:PRObe:ID:SERnumber?</a>	Returns the probe serial number
<a href="#">AUXIn:PRObe:ID:TYPE?</a>	Returns the probe type
<a href="#">AUXIn:PRObe:INPUTMode</a>	Sets or returns one of the probe's four input modes
<a href="#">AUXIn:PRObe:INPUTMode:AOFFSet</a>	Sets or returns the requested A mode offset control of the probe that is attached to the AUX In input
<a href="#">AUXIn:PRObe:INPUTMode:BOFFSet</a>	Sets or returns the requested B mode offset control of the probe that is attached to the AUX In input
<a href="#">AUXIn:PRObe:INPUTMode:CMOFFSet</a>	Sets or returns the requested common mode offset control of the probe that is attached to the AUX In input
<a href="#">AUXIn:PRObe:INPUTMode:DMOFFSet</a>	Sets or returns the requested differential mode offset control of the probe that is attached to the AUX In input
<a href="#">AUXIn:PRObe:RANge</a>	Sets or queries the set attenuation range of the probe on the AUX In input

Command	Description
AUXIn:PRObe:RESistance?	Returns the resistance factor of the probe that is attached to the AUX In input
AUXIn:PRObe:SET	Sets or queries aspects of probe accessory user interfaces, for example probe attenuation factors
AUXIn:PRObe:SIGnal	Sets or queries aspects of probe accessory user interfaces
AUXIn:PRObe:TIPtype	Sets or returns the type of probe tip being used
AUXIn:PRObe:UNIts?	Returns a string describing the units of measure for the probe attached to the AUX In input
AUXIn:PROBEFunc:EXTAtten	Sets or returns the input-output ratio, of external attenuation or gain, between the signal and the AUX In input
AUXIn:PROBEFunc:EXTDBatten	Sets or returns the input-output ratio (expressed in decibel units) of external attenuation or gain between the signal and the instrument AUX In input
AUXIn:PROBEFunc:EXTUnits	Sets or returns the unit of measurement for the external attenuator of the AUX In input
CH<x>?	Returns vertical parameters for the specified channel
CH<x>:BANdwidth	Sets or returns the bandwidth of the specified channel
CH<x>:BANdwidth:ENHanced	Sets or queries either the "Bandwidth Enhancement (DSP) Enabled" or "Analog Only" option.
CH<x>:BANdwidth:ENHanced:APPLYtoall	Sets or queries whether the enhanced bandwidth filter applies to all active channels
CH<x>:BANdwidth:ENHanced:FORCe	Sets or returns the Force constant sample rate of the Digital Filters (DSP)
CH<x>:BANdwidth:ENHanced:STATE?	Returns the state of the bandwidth enhancement filter
	Sets or queries the bandwidth enhancement filter type
CH<x>:COUPling	Sets or returns the coupling setting for the specified channel
CH<x>:DESKew	Sets or returns the deskew time for the specified channel
CH<x>:LABel:NAME	Defines or returns the label for the channel waveform
CH<x>:LABel:XPOS	Sets or returns the X display coordinate for the channel waveform label

Command	Description
CH<x>:LABel:YPOS	Sets or returns the Y display coordinate for the channel waveform label
CH<x>:OFFSet	Sets or returns the channel offset
CH<x>:POSition	Sets or returns the channel vertical position
CH<x>:PRObe?	Returns the gain, resistance, units, and ID of the probe that is attached to the specified channel
CH<x>:PRObe:AUTOZero	Autozeros the probe attached to the specified channel
CH<x>:PRObe:DEGAUSS	Starts a degauss cycle of the probe attached to the specified channel
CH<x>:PRObe:DEGAUSS:STATE?	Returns whether the probe attached to the specified channel has been degaussed
CH<x>:PRObe:FORCEDRange	Sets the attached probe to its default range, or it returns the default range of the probe
CH<x>:PRObe:GAIN?	Returns the gain of the probe that is attached to the specified channel
CH<x>:PRObe:ID?	Returns the type and serial number of the probe that is attached to the specified channel
CH<x>:PRObe:ID:TYPe?	Returns the type of probe that is attached to the specified channel
CH<x>:PRObe:ID:SERnumber?	Returns the serial number of the probe that is attached to the specified channel
CH<x>:PRObe:INPUTMode	Sets or queries the input mode of the probe that is attached to the specified channel
CH<x>:PRObe:INPUTMode:AOFFSet	Sets or queries the requested A mode offset control of the probe that is attached to the specified channel
CH<x>:PRObe:INPUTMode:BOFFSet	Sets or queries the requested B mode offset control of the probe that is attached to the specified channel
CH<x>:PRObe:INPUTMode:CMOFFSet	Sets or queries the requested common mode offset control of the probe that is attached to the specified channel
CH<x>:PRObe:INPUTMode:DMOFFSet	Sets or queries the requested differential mode offset control of the probe that is attached to the specified channel
CH<x>:PRObe:RANge	Sets or returns the attenuation range of the probe on the designated channel
CH<x>:PRObe:RESistance?	Returns the resistance of the probe that is attached to the specified channel

Command	Description
CH<x>:PROBe:SET	Sets or queries aspects of probe accessory user interfaces, for example probe attenuation factors
CH<x>:PROBe:SIGnal	Sets or queries aspects of probe accessory user interfaces
CH<x>:PROBe:TIPType	Sets or returns the type of probe tip being used on the specified channel
CH<x>:PROBe:UNIts?	Returns the units of the probe that is attached to the specified channel
CH<x>:PROBECal?	Returns the probe calibration status
CH<x>:PROBEOntrol	Sets or queries the probe range
CH<x>:PROBEFunc:EXTAtten	Sets the attenuation value for the specified channel to the specified scale factor Or returns the user-specified attenuation
CH<x>:PROBEFunc:EXTDBatten	Sets the attenuation value for the specified channel to the specified value, in decibels Or returns the user-specified attenuation, in decibels
CH<x>:PROBEFunc:EXTUnits	Sets the unit of measurement for the external attenuator of the specified channel Or returns the user-specified unit of measurement for the external attenuator
CH<x>:SCAle	Sets or returns the vertical scale of the specified channel
CH<x>:TERmination	Sets channel input termination
REF<x>:HORizontal:POSition	Sets or returns the horizontal position of the specified reference waveform in percent of the waveform that is displayed to the right of the center vertical graticule
REF<x>:LABel?	Returns a branch query containing the waveform label name and the coordinates at which the label is displayed
REF<x>:LABel:NAME	Sets or returns the label of the designated waveform
REF<x>:LABel:XPOS	Sets or returns the position of the reference waveform label on the X axis
REF<x>:LABel:YPOS	Sets or returns the position of the reference waveform label on the Y axis
REF<x>:VERTical:POSition	Sets or returns the vertical position of the specified reference waveform
REF<x>:VERTical:SCAle	Sets or returns the reference waveform vertical scale in vertical units/div
SElect?	Returns information on which waveforms are on or off and which waveform is selected

Command	Description
<code>SElect:&lt;wfm&gt;</code>	Turns on the specified waveform Or returns whether the specified channel is on or off
<code>SElect:CH&lt;x&gt;</code>	Sets or queries the displayed state of the specified channel waveform
<code>SElect:CONTROI</code>	Sets or returns the waveform controlled by the front panel

## Waveform Transfer Command Group

Use the commands in the Waveform Transfer Command Group to transfer waveform data points to and from the instrument. Waveform data points are a collection of values that define a waveform. One data value usually represents one data point in the waveform record. When working with envelope waveforms, each data value is either the minimum or maximum of a min/max pair.

Before you transfer waveform data, you must specify the data format, record length, and waveform source.

**Data Formats.** Acquired waveform data uses eight or more bits to represent each data point. The number of bits used depends on the acquisition mode specified when you acquired the data. Data acquired in SAMple or ENvelope mode uses eight bits per waveform data point. Data acquired in AVERage mode uses up to 14 bits per point.

The instrument can transfer waveform data in either ASCII or binary format. You specify the format with the DATA:ENCdg command. The instrument uses signed, 4 byte integers and floating point values; it does not support unsigned floating point values.

**ASCII data** is represented by signed integer or floating point values. An example ASCII waveform data string may look like this:

```
CURVE<space>-110,-109,-110,-110,-109,-107,
-109,-107,-106,-105,-103,-100,-97,-90,-84,-80
```

Use ASCII to obtain more readable and easier to format output than binary. However, ASCII may require more bytes to send the same values than it does with binary. This may reduce transmission speeds.

**Binary data** can be represented by signed integer or floating point values. The range of the values depends on the byte width specified. When the byte width is one, signed integer data ranges from -128 to 127, and positive integer values range from 0 to 255. When the byte width is two, the values range from -32768 to 32767. When a MATH (or REF that came from a MATH) is used, 32 bit floating point values are used that are four bytes in width.

The defined binary formats specify the order in which the bytes are transferred. The following are the four binary formats:

- RIBinary specifies signed integer data-point representation with the most significant byte transferred first.
- SRIBinary is the same as RIBinary except that the byte order is swapped, meaning that the least significant byte is transferred first. This format is useful when transferring data to PCs.
- RFBinary specifies floating point data-point representation with the most significant byte transferred first.
- SRFBinary is the same as RFBinary except that the byte order is swapped, meaning that the least significant byte is transferred first. This format is useful when transferring data to PCs.

**Waveform Data and Record Lengths.** You can transfer multiple points for each waveform record. You can transfer a portion of the waveform or you can transfer the entire record. You can use the DATA:START and DATA:STOP commands to specify the first and last data points of the waveform record.

When transferring data into the instrument, you must first specify the record length of the destination waveform record. You do this with the WFMInpre:NR\_Pt command. Next, specify the first data point within the waveform record. For example, when you set DATA:START to 1, data points will be stored starting with the first point in the record. The instrument will ignore the value set by DATA:STOP when reading in data. It will stop reading data when there is no more data to read or when it has reached the specified record length.

When transferring data from the instrument, you must specify the first and last data points in the waveform record. Setting DATA:START to 1 and DATA:STOP to the record length will always return the entire waveform.

**Waveform Data Locations and Memory Allocation.** The DATA:SOURce command specifies the waveform source when transferring a waveform from the instrument. Waveforms sent to the instrument are always stored in one of the four reference memory locations. Use the DATA:DESTination command to specify a reference memory location.

**Waveform Preamble.** Each waveform that you transfer has an associated waveform preamble that contains information such as the horizontal scale, the vertical scale, and other settings in effect when the waveform was created. Refer to the individual WFMInpre and WFMOutpre commands for more information.

**Scaling Waveform Data.** Once you transfer the waveform data to the controller, you can convert the data points into voltage values for analysis using information from the waveform preamble.



**Transferring Waveform Data from the Instrument.**

You can transfer waveforms from the instrument to an external controller using the following sequence:

1. Select the waveform source(s) using DATA:SOURce.
2. Specify the waveform data format using DATA:ENCdg.
3. Specify the number of bytes per data point using WFMOutpre:BYT\_Nr.

---

**NOTE.** *MATH waveforms (and REF waveforms that came from a MATH) are always set to four bytes.*

---

4. Specify the portion of the waveform that you want to transfer using DATA:STARt and DATA:STOP.
5. Transfer waveform preamble information using WFMOutpre.
6. Transfer waveform data from the instrument using CURVe.

**Transferring Waveform Data to the Instrument.**

1. Specify waveform reference memory using DATA:DESTination.
2. Set WFMInpre:NR\_Pt to equal the number of data points to be sent.
3. Specify the waveform data format using WFMInpre:ENCdg.
4. Specify the number of bytes per data point using WFMInpre:BYT\_Nr.
5. Specify first data point in the waveform record using DATA:STARt.
6. Transfer waveform preamble information using WFMInpre.
7. Transfer the waveform data using CURVe.

---

**NOTE.** *FastAcq waveforms cannot be returned to the instrument via the CURVe command.*

---

Command	Description
<a href="#">ALLOcate:WAVEform:REF&lt;x&gt;?</a>	Returns the record length for the specified reference waveform, if active, or zero (0) if not active
<a href="#">CURVe</a>	The command format transfers waveform data to the instrument (reference memory location specified by DATA:DESTination) The query format transfers waveform data from instrument specified by the DATA:SOURce command

Command	Description
<a href="#">CURVNext?</a>	Returns unique waveform data from a new acquisition
<a href="#">CURVStream</a>	Transfers continuously the waveform data from the instrument as it is acquired
<a href="#">DATA</a>	Sets the format and location of the waveform data that is transferred with the CURVe Command  Or returns the format and location of the waveform data that is transferred with the CURVe? command
<a href="#">DATA:DESTination</a>	Sets or returns the reference memory location for storing waveform data sent to the instrument
<a href="#">DATA:ENCdg</a>	Sets or returns the format of outgoing waveform data
<a href="#">DATA:FRAMESTART</a>	Sets or queries the starting data frame for waveform transfer
<a href="#">DATA:FRAMESTOP</a>	Sets or queries the ending data frame for waveform transfer
<a href="#">DATA:SOURce</a>	Sets or returns the location of waveform data transferred from the instrument
<a href="#">DATA:START</a>	Sets or returns the starting point in waveform transfer
<a href="#">DATA:STOP</a>	Sets or returns the ending data point in waveform transfer
<a href="#">WAVFrm?</a>	Returns WFMOutpre? and CURVe? data for the waveform as specified by the DATA:SOURce command
<a href="#">WAVFRMStream?</a>	Returns WFMOUTPRE? and CURVESTREAM? data for the waveforms specified by the DATASOURCE command
<a href="#">WFMinpre?</a>	Returns the waveform formatting specification to be applied to the next incoming CURVE command data
<a href="#">WFMinpre:BIT_Nr</a>	Sets or returns the number of bits per binary waveform point
<a href="#">WFMinpre:BN_Fmt</a>	Sets or returns the format of binary data for the incoming waveform
<a href="#">WFMinpre:BYT_Nr</a>	Sets or returns the binary field data width for the first ordered waveform
<a href="#">WFMinpre:BYT_Or</a>	Sets or returns the byte order of waveform points
<a href="#">WFMinpre:ENCdg</a>	Sets or returns the type of encoding for incoming waveform data

Command	Description
<a href="#">WFMinpre:NR_Pt</a>	Sets or returns the number of points in the transmitted waveform record
<a href="#">WFMinpre:PT_Fmt</a>	Sets or returns the point format of incoming waveform data
<a href="#">WFMinpre:PT_Off</a>	Sets or returns the trigger point within the incoming waveform data
<a href="#">WFMinpre:WFId</a>	Allows a waveform extracted from the instrument to be more easily sent back
<a href="#">WFMinpre:XINcr</a>	Sets or returns the horizontal sampling interval between incoming waveform points
<a href="#">WFMinpre:XUNit</a>	Sets or returns the horizontal units of the incoming waveform
<a href="#">WFMinpre:XZEro</a>	Sets or returns the (sub-sample) time between the trigger sample and the occurrence of the actual incoming waveform trigger
<a href="#">WFMinpre:YMUlt</a>	Sets or returns the vertical scale factor, per digitizing level, of the incoming waveform points
<a href="#">WFMinpre:YOFF</a>	Sets or returns the vertical position of the incoming waveform in digitizing levels
<a href="#">WFMinpre:YUNit</a>	Sets or returns the vertical units of the incoming waveform
<a href="#">WFMinpre:YZEro</a>	Sets or returns the offset of the incoming waveform
<a href="#">WFMOutpre?</a>	Returns the waveform formatting data for the waveform specified by the DATA:SOURCE command
<a href="#">WFMOutpre:BIT_Nr</a>	Sets or returns the number of bits per waveform point that outgoing waveforms contain
<a href="#">WFMOutpre:BN_Fmt</a>	Sets or returns the format of binary data for the waveform
<a href="#">WFMOutpre:BYT_Nr</a>	Sets or returns the data width for the waveform
<a href="#">WFMOutpre:BYT_Or</a>	Sets or returns the byte order of waveform points
<a href="#">WFMOutpre:ENCdg</a>	Sets or returns the type of encoding for outgoing waveforms
<a href="#">WFMOutpre:NR_Pt?</a>	Returns the number of points for the waveform transmitted in response to a CURVe? query
<a href="#">WFMOutpre:PT_Fmt?</a>	Returns the point format for the waveform

Command	Description
<a href="#">WFMOutpre:PT_Off?</a>	Returns the trigger point relative to DATA:START for the waveform
<a href="#">WFMOutpre:PT_ORder?</a>	Returns whether the source waveform is DPO
<a href="#">WFMOutpre:WFId?</a>	Returns a string describing the acquisition parameters for the waveform
<a href="#">WFMOutpre:XINcr?</a>	Returns the horizontal sampling interval
<a href="#">WFMOutpre:XUNit?</a>	Returns the horizontal units for the waveform
<a href="#">WFMOutpre:XZEro?</a>	Returns the (sub-sample) time between the trigger sample and the occurrence of the actual waveform trigger
<a href="#">WFMOutpre:YMUIt?</a>	Returns the vertical scale factor per digitizing level for the waveform
<a href="#">WFMOutpre:YOFf?</a>	Returns the vertical offset in digitizing levels for the waveform
<a href="#">WFMOutpre:YUNit?</a>	Returns the vertical units for the waveform
<a href="#">WFMOutpre:YZEro?</a>	Returns the vertical offset for the waveform
<a href="#">WFMIInpre:NR_FR</a>	Sets or returns one frame, indicating the number of frames in the transmitted waveform record
<a href="#">WFMOutpre:NR_FR?</a>	Query-only command returns the number of frames for the <a href="#">DATA:SOURce</a> waveform transmitted in response to a <a href="#">CURVe?</a> query

## Zoom Command Group

Zoom commands let you expand and position the waveform display horizontally and vertically, without changing the time base or vertical settings.

You can specify up to four zoom areas. You can also specify a zoomed waveform as a zoom source, which enables you to zoom in on a zoomed waveform.

Command	Description
<a href="#">ZOOM</a>	Resets the zoom transforms to default values for all traces or live traces. The ZOOM query returns the current vertical and horizontal positioning and scaling of the display
<a href="#">ZOOM:GRAticule:SIZE</a>	Sets or returns the size of the zoom graticule
<a href="#">ZOOM:HORizontal:POSition</a>	Sets or queries the horizontal position around which the zoom waveform is displayed. It is freely movable within the confines of the acquired waveform (0% to 100%) and measured from left to right of the acquired waveform

Command	Description
ZOOm:HORizontal:SCAle	Sets or queries the zoom horizontal scale factor around which the zoom waveform is displayed
ZOOm:MATH<x>:HORizontal:POSition	Sets or queries the horizontal position of the specified math waveform
ZOOm:MATH<x>:HORizontal:SCAle	Sets or queries the zoom horizontal scale factor of the specified math waveform
ZOOm:MATH<x>:VERTical:POSition	Sets or queries the vertical position of the specified math waveform
ZOOm:MATH<x>:VERTical:SCAle	Sets or queries the vertical scale of the specified math waveform
ZOOm:MODe	Sets or returns the zoom mode
ZOOm:REF<x>:HORizontal:POSition	Sets or queries the horizontal position of the specified reference waveform
ZOOm:REF<x>:HORizontal:SCAle	Sets or queries the zoom horizontal scale factor of the specified reference waveform
ZOOm:REF<x>:VERTical:POSition	Sets or queries the vertical position of the specified reference waveform
ZOOm:REF<x>:VERTical:SCAle	Sets or queries the zoom vertical scale of the specified reference waveform
ZOOm:SCROLL:DIREction	Sets or returns the direction of AutoScroll for zoomed waveforms
ZOOm:SCROLL:LOCK	Sets or returns the state of Scroll Lock, on or off
ZOOm:SCROLL:SPEED	Sets or returns the speed of AutoScroll for zoomed waveforms
ZOOm:STATE	Specifies or returns a trace as zoomed, on or off
ZOOm:VERTical:POSition	Sets or queries the vertical position around which the zoom waveform is displayed. It is freely movable within the confines of the acquired waveform (0% to 100%) and measured from left to right of the acquired waveform
ZOOm:VERTical:SCAle	Sets or queries the zoom vertical scale factor around which the zoom waveform is displayed
ZOOm:ZOOM<x>	Sets or returns zoom factors for the specified zoom
ZOOm:ZOOM<x>:<wfm>:HORizontal:POSition	Sets or returns the horizontal zoom position for the specified waveform in the specified zoom
ZOOm:ZOOM<x>:<wfm>:HORizontal:SCAle	Sets or returns the horizontal zoom scale of the specified waveform in the specified zoom

Command	Description
ZOOm:ZOOM<x>:<wfm>:HORizontal:TIMEPosition	Sets or queries the zoom horizontal position of the specified waveform for the specified zoom in time
ZOOm:ZOOM<x>:<wfm>:VERTical:POSition	Sets or returns the vertical zoom position for the specified waveform in the specified zoom
ZOOm:ZOOM<x>:<wfm>:VERTical:SCAle	Sets or returns the vertical zoom scale for the specified waveform in the specified zoom
ZOOm:ZOOM<x>:SCROLLLock	Sets or returns Scroll Lock for the specified zoom
ZOOm:ZOOM<x>:<wfm>:DISplay	Sets or returns the display of the specified waveform for the specified zoom
ZOOm:ZOOM<x>:STATE	Sets or queries the specified zoom on or off, where x is an integer from 1 to 4 representing the desired zoom window

---

# Commands Listed in Alphabetical Order

## ACQUIRE? (Query Only)

This query-only command returns the following current acquisition parameters:

- Stop after
- Acquisition state
- Mode
- Number of envelopes
- Number of averages
- Number of samples
- Sampling mode

**Group** Acquisition

**Syntax** ACQUIRE?

**Related Commands** [ACQUIRE:MODE](#), [ACQUIRE:NUMFRAMESACQUIRED?](#), [ACQUIRE:NUMAVG](#), [ACQUIRE:NUMENV](#), [ACQUIRE:STOPAFTER](#)

**Examples** ACQUIRE? might return the following string for the current acquisition parameters:  
:ACQUIRE:STOPAFTER RUNSTOP;STATE 1;MODE SAMPLE;NUMENV 10;NUMAVG 16;NUMSAMPLES 16000;SAMPLINGMODE IT.

## ACQUIRE:INTERPEIGHTBIT

This command sets or queries the interpolation acquisition mode of the instrument.

**Group** Acquisition

**Syntax** ACQUIRE:INTERPEIGHTBIT {AUTO|ON|OFF}  
ACQUIRE:INTERPEIGHTBIT?

**Arguments** AUTO lets the instrument automatically select the interpolation acquisition mode.  
ON turns on the eight bit interpolation mode.

OFF turns off the eight bit interpolation mode.

Trial

**Examples** ACQUIRE:INTERPEIGHTBIT ON sets the interpolation sampling mode ON.  
 ACQUIRE:INTERPEIGHTBIT? might return :ACQUIRE:INTERPEIGHTBIT  
 AUTO indicating the interpolation sampling mode is set to AUTO.

## ACquire:MODe

This command sets or queries the acquisition mode of the instrument. This affects all live waveforms. This command is equivalent to selecting Horizontal/Acquisition from the Horiz/Acq menu, and then choosing the desired mode from the Acquisition Mode group box.

Waveforms are the displayed data point values taken from acquisition intervals. Each acquisition interval represents a time duration set by the horizontal scale (time per division). The instrument sampling system always samples at the maximum rate and so an acquisition interval may include more than one sample.

The acquisition mode (which you set using this ACquire:MODe command) determines how the final value of the acquisition interval is generated from the many data samples.

**Group** Acquisition

**Syntax** ACquire:MODe  
 {SAMPle|PEAKdetect|HIRes|AVERage|WFMDB|ENVELOpe}  
 ACquire:MODe?

**Related Commands** [ACquire:NUMAVg](#), [CURVe](#)

**Arguments** SAMPle specifies that the displayed data point value is the first sampled value that is taken during the acquisition interval. In sample mode, all waveform data has 8 bits of precision. You can request 16 bit data with a [CURVe](#) query but the lower-order 8 bits of data will be zero. SAMPle is the default mode.

PEAKdetect specifies the display of high-low range of the samples taken from a single waveform acquisition. The high-low range is displayed as a vertical column that extends from the highest to the lowest value sampled during the acquisition interval. PEAKdetect mode can reveal the presence of aliasing or narrow spikes.

HIRes specifies Hi Res mode where the displayed data point value is the average of all the samples taken during the acquisition interval. This is a form of averaging, where the average comes from a single waveform acquisition. The



number of samples taken during the acquisition interval determines the number of data values that compose the average.

**AVERage** specifies averaging mode, in which the resulting waveform shows an average of **SAMPle** data points from several separate waveform acquisitions. The instrument processes the number of waveforms you specify into the acquired waveform, creating a running exponential average of the input signal. The number of waveform acquisitions that go into making up the average waveform is set or queried using the **ACQUIRE:NUMAVg** command.

**ENVELOpe** specifies envelope mode, where the resulting waveform shows the **PEAKdetect** range of data points from several separate waveform acquisitions. The number of waveform acquisitions that go into making up the envelope waveform is set or queried using the **ACQUIRE:NUMENV** command.

**WFMDB** (Waveform Database) mode acquires and displays a waveform pixmap. A pixmap is the accumulation of one or more acquisitions.

The instrument acquires data after each trigger event using **Sample** mode; it then determines the pix map location of each sample point and accumulates it with stored data from previous acquisitions.

A Pix map is a two dimensional array. The value at each point in the array is a counter that reflects the hit intensity. Infinite and noninfinite persist display modes affect how pix maps are accumulated. **Zoom**, **Math**, **FastAcq**, **FastFrame**, **XY**, **Roll**, and **Interpolated Time (IT) Sampling Mode** are conflicting features to **WFMDB acqMode**. Turning on one of them generally turns the other one off. Selection of some standard masks (for example, eye masks, which require option **MTM**) changes the acquisition mode to **WFMDB**.

**Examples** **ACQUIRE:MODE ENVELOPE** sets the acquisition mode to display a waveform that is an envelope of many individual waveform acquisitions.

**ACQUIRE:MODE?** might return **:ACQUIRE:MODE AVERAGE**, indicating that the displayed waveform is the average of the specified number of waveform acquisitions.

## ACQUIRE:NUMACq? (Query Only)

This query-only command returns the number of waveform acquisitions that have occurred since starting acquisition with the **ACQUIRE:STATE RUN** command. This value is reset to zero when any acquisition, horizontal, or vertical arguments that affect the waveform are changed. The maximum number of acquisitions that can be counted is  $2^{30}-1$ . The instrument stops counting when this number is reached. This is the same value that displays in the lower right of the screen.

**Group** Acquisition

**Syntax** ACQuire:NUMACq?

**Related Commands** [ACQuire:STATE](#)

**Examples** ACQUIRE:NUMACQ? might return :ACQUIRE:NUMACQ 350, indicating that 350 acquisitions have occurred since executing an ACQuire:STATE RUN command.

## ACQuire:NUMAVg

This command sets or queries the number of waveform acquisitions that make up an averaged waveform. Use the ACQuire:MODE command to enable the Average mode. Sending this command is equivalent to selecting Horizontal/Acquisition Setup from the Horiz/Acq menu, selecting the Acquisition tab, and choosing Average from the Acquisition Mode group box. Then enter the desired number of waveforms that will be used to make up an averaged waveform in the # of Wfms box.

**Group** Acquisition

**Syntax** ACQuire:NUMAVg <NR1>  
ACQuire:NUMAVg?

**Related Commands** [ACQuire:MODE](#)

**Arguments** NR1 is the number of waveform acquisitions to average.

**Examples** ACQUIRE:NUMAVG 10 specifies that 10 waveform averages will be performed before exponential averaging starts.

ACQUIRE:NUMAVG? might return :ACQUIRE:NUMAVG 75, indicating that there are 75 acquisitions specified for averaging.

## ACQuire:NUMEnv

This command sets or queries the number of waveform acquisitions that make up an envelope waveform. Sending this command is equivalent to setting the # of Wfms in the Acquisition Setup menu when Envelope Acquisition mode is selected.

**NOTE.** Sending *INFI*nite as an argument sets 2e9 envelopes. The query response will be 2e9 not *INFI*nite.

<b>Group</b>	Acquisition
<b>Syntax</b>	ACQuire:NUMEnv {<NR1> INFInite} ACQuire:NUMEnv?
<b>Arguments</b>	NR1 is the number of waveform acquisitions to be enveloped.  INFInite
<b>Examples</b>	ACQUIRE:NUMENV 10 specifies that an enveloped waveform will show the result of combining 10 separately acquired waveforms.  ACQUIRE:NUMENV? might return :ACQUIRE:NUMENV 75, indicating that 75 acquisitions are acquired for enveloped waveforms.

## ACQuire:NUMFRAMESACQuired? (Query Only)

This query-only command returns the number of frames acquired when in FastFrame Single Sequence and acquisitions are running. When the FastFrame single sequence stop condition is set to Stop Manually, this number counts past the number of frames which were requested as new frames are acquired, until STOP is pushed. When not in FastFrame Single Sequence, this value is the same number reported by ACQ:NUMACQ.

<b>Group</b>	Acquisition
<b>Syntax</b>	ACQuire:NUMFRAMESACQuired?
<b>Related Commands</b>	<a href="#">ACQuire:NUMACq?</a>
<b>Examples</b>	ACQUIRE:NUMFRAMESACQUIRED? might return :ACQUIRE:NUMFRAMESACQUIRED 350, indicating that 350 frames have been acquired.

## ACQUIRE:NUMSAMPles

This command sets or queries the minimum number of acquired samples that make up a waveform database (WfmDB) waveform for single sequence mode and Mask Pass/Fail Completion Test. This is equivalent to setting the Waveform Database Samples in the Acquisition Mode side menu.

**Group** Acquisition

**Syntax** ACQUIRE:NUMSAMPles {<NR1>}  
ACQUIRE:NUMSAMPles?

**Arguments** NR1 is the minimum number of acquired samples that make up a waveform database (WfmDB) waveform for single sequence mode and Mask Pass/Fail Completion Test. The default value is 16,000 samples. The range is 5,000 to 2,147,400,000 samples.

In real time mode, if the entire trace is displayed, one triggered acquisition should acquire 5000 samples for a record length of 5000. If you want 5001 samples, the instrument will need to make two acquisitions (10,000 samples). If you request fewer samples than the record length, the number of samples will be the same as the record length.

**Examples** ACQUIRE:NUMSAMPles 5000 specifies that 5000 samples will be acquired in WfmDB mode for single sequence mode and Mask Pass/Fail Completion Test.

ACQUIRE:NUMSAMPles? might return :ACQUIRE:NUMSAMPles 10000, indicating that there are 10,000 samples to be acquired in WfmDB mode for single sequence and Mask Pass/Fail Completion Test.

## ACQUIRE:SAMPlingmode

This command sets or queries the sampling mode.

**Group** Acquisition

**Syntax** ACQUIRE:SAMPlingmode {RT|IT|ET}  
ACQUIRE:SAMPlingmode?

**Arguments** RT sets the sampling mode to real time only.

IT sets the sampling mode to interpolation allowed (OFF in REPET).

ET sets the sampling mode to equivalent time allowed (ON in REPET).

The number of channels selected and the sampling speed affects the mode that the instrument uses to acquire data. At slow sampling speeds the instrument uses real time sampling. At fast sampling speeds, the instrument uses equivalent time sampling or interpolation. For speeds between these extremes, some instruments create waveform records differently, depending on the number of input channels selected.

**Examples** ACQUIRE:SAMPLINGMODE IT specifies that interpolation is allowed.

ACQUIRE:SAMPLINGMODE? might return:ACQUIRE:SAMPLINGMODE RT, indicating that sampling mode is real time only.

## ACQUIRE:STATE

This command starts or stops acquisitions. When state is set to ON or RUN, a new acquisition will be started. If the last acquisition was a single acquisition sequence, a new single sequence acquisition will be started. If the last acquisition was continuous, a new continuous acquisition will be started.

If RUN is issued in the middle of completing a single sequence acquisition (for example, averaging or enveloping), the acquisition sequence is restarted, and any accumulated data is discarded. Also, the instrument resets the number of acquisitions. If the RUN argument is issued while in continuous mode, a reset occurs and acquired data continues to acquire.

If acquire:stopafter is SEQUENCE, pressing the front panel RUN/STOP button is equivalent to sending these commands: ACQUIRE:STOPAFTER RUNSTOP and eitherACQUIRE:STATE ON or ACQUIRE:STATE RUN.

**Group** Acquisition

**Syntax** ACQUIRE:STATE {OFF|ON|RUN|STOP|<NR1>}  
ACQUIRE:STATE?

**Related Commands** [ACQUIRE:STOPAFTER](#)

**Arguments** OFF stops acquisitions.  
STOP stops acquisitions.  
ON starts acquisitions.  
RUN starts acquisitions.

NR1=0 stops acquisitions; any other value starts acquisitions.

**Examples** ACQUIRE:STATE RUN starts the acquisition of waveform data and resets the count of the number of acquisitions.

ACQUIRE:STATE? might return :ACQUIRE:STATE 0, indicating that the acquisition is stopped.

## ACQUIRE:STOPAFTER

This command sets or queries whether the instrument continually acquires acquisitions or acquires a single sequence. Pressing SINGLE on the front panel button is equivalent to sending these commands: ACQUIRE:STOPAFTER SEQUENCE and ACQUIRE:STATE 1.

**Group** Acquisition

**Syntax** ACQUIRE:STOPAFTER {RUNSTOP|SEQUENCE}  
ACQUIRE:STOPAFTER?

**Related Commands** [ACQUIRE:STATE](#)

**Arguments** RUNSTOP specifies that the instrument will continually acquire data, if ACQUIRE:STATE is turned on.  
SEQUENCE specifies that the next acquisition will be a single-sequence acquisition.

**Examples** ACQUIRE:STOPAFTER RUNSTOP sets the instrument to continually acquire data.  
ACQUIRE:STOPAFTER? might return :ACQUIRE:STOPAFTER SEQUENCE, indicating that the next acquisition the instrument makes will be of the single-sequence type.

## ALIAS

This command sets or queries the state of alias functionality.

**Group** Alias

**Syntax** ALIAS {OFF|ON|<NR1>}  
ALIAS?

**Related Commands**    [ALias:STATE](#)

**Arguments**    OFF turns Alias expansion off. If a defined alias is sent when ALias:STATE is off, a command error (102) will be generated.

ON turns Alias expansion on. When a defined alias is received, the specified command sequence is substituted for the alias and executed.

NR1=0 disables Alias mode; any other value enables Alias mode.

**Examples**    ALIAS ON turns the alias feature on. When a defined alias is received, the specified command sequence is substituted for the alias and executed.

ALIAS? might return :ALIAS:STATE 1, indicating that the alias feature is on.

## ALias:CATalog? (Query Only)

This query-only command returns a list of the currently defined alias labels, separated by commas. If no aliases are defined, the query returns the string "".

**Group**    Alias

**Syntax**    ALias:CATalog?

**Examples**    ALIAS:CATALOG? might return the string :ALIAS:CATALOG "SETUP1", "TESTMENU1", "DEFAULT" showing that there are three aliases named SETUP1, TESTMENU1, and DEFAULT.

## ALias:DEFine

This command assigns a sequence of program messages to an alias label. These messages are then substituted for the alias whenever it is received as a command or query, provided that ALias:STATE has been turned on. The query form of this command returns the definitions of a selected alias.

---

**NOTE.** *Attempting to give two aliases the same name causes an error. To give a new alias the name of an existing alias, the existing alias must first be deleted.*

---

**Group**    Alias

**Syntax** ALIAS:DEFINE <QString><,>{<QString>|<Block>}  
ALIAS:DEFINE?

**Related Commands** [ALIAS:STATE](#)

**Arguments** The first <QString> is the alias label.  
  
This label cannot be a command name. Labels must start with a letter and can contain only letters, numbers, and underscores; other characters are not allowed. The label must be less than or equal to 12 characters.  
  
The second <QString> or <Block> is a complete sequence of program messages. The messages can contain only valid commands that must be separated by semicolons and must follow all rules for concatenating commands. The sequence must be less than or equal to 256 characters.

**Examples** ALIAS:DEFINE "ST1",":RECALL:SETUP 5;:AUTOSET EXECUTE;:SELECT:CH1 ON" defines an alias named "ST1" that sets up the instrument.  
  
ALIAS:DEFINE? "ST1" returns :ALIAS:DEFINE "ST1",#246 :RECALL:SETUP 5;:AUTOSET EXECUTE;:SELECT:CH1 ON.

## ALIAS:DELETE (No Query Form)

This command removes a specified alias and is identical to ALIAS:DELETE:NAME. An error message is generated if the named alias does not exist.

**Group** Alias

**Syntax** ALIAS:DELETE <QString>

**Related Commands** [\\*ESR?](#), [ALIAS:DELETE:ALL](#)

**Arguments** <QString> is the name of the alias to be removed. Using ALIAS:DELETE without specifying an alias causes an execution error. <QString> must be a previously defined value.

**Examples** ALIAS:DELETE "SETUP1" deletes the alias named SETUP1.



## ALias:DELEte:ALL (No Query Form)

This command deletes all existing aliases.

**Group** Alias

**Syntax** ALIas:DELEte:ALL

**Related Commands** [ALias:DELEte](#), [ALias:DELEte:NAME](#)

**Examples** ALIAS:DELETE:ALL deletes all existing aliases.

## ALias:DELEte:NAME (No Query Form)

This command removes a specified alias. An error message is generated if the named alias does not exist. This command is identical to ALIAS:DELETE.

**Group** Alias

**Syntax** ALIas:DELEte:NAME <QString>

**Arguments** <QString> is the name of the alias to remove. Using ALIAS:DELETE:NAME without specifying an alias causes an exception error. <QString> must be a previously defined alias.

**Examples** ALIAS:DELETE:NAME "STARTUP" deletes the alias named STARTUP.

## ALias:STATE

This command turns aliases on or off and is identical to the ALIAS command. The query form of this command returns the state of the aliases.

**Group** Alias

**Syntax** ALIas:STATE {OFF|ON|<NR1>}  
ALIas:STATE?

**Arguments** OFF turns alias expansion off. If a defined alias is sent when `ALIAS:STATE` is OFF, the instrument generates a command error (102).

ON turns alias expansion on. When a defined alias is received, the specified command sequence is substituted for the alias and executed.

`<NR1>=0` turns off aliases; any other value turns on aliases.

**Examples** `ALIAS:STATE OFF` turns off the alias feature.

`ALIAS:STATE?` might return `:ALIAS:STATE ON`, indicating that alias expansion is currently turned on.

## ALLEV? (Query Only)

This query-only command prompts the instrument to return all events and their messages (delimited by commas), and removes the returned events from the Event Queue. Use the `*ESR?` query to enable the events to be returned. This command is similar to repeatedly sending `*EVMsg?` queries to the instrument.

**Group** Status and Error

**Syntax** ALLEV?

**Related Commands** [\\*ESR?](#), [EVMsg?](#)

**Examples** `ALLEV?` might return `:ALLEV 2225,"Measurement error, No waveform to measure; "420,"Query UNTERMINATED;"`.

## ALLOCate:WAVEform:REF<x>? (Query Only)

This query-only command returns the record length for the specified reference waveform, if active, or zero (0) if not active (that is, no slot exists for the reference waveform).

**Group** Waveform Transfer

**Syntax** `ALLOCate:WAVEform:REF<x>?`

**Examples** ALLOCATE:WAVEFORM:REF3? might return 5000 if a 5000 point waveform was active in the reference 3 slot.

## AUTOSet (No Query Form)

This command (no query format) sets the vertical, horizontal, and trigger controls of the instrument to automatically acquire and display the selected waveform. (To autose a video waveform, the video trigger must be set to video standard, not custom. Video arguments require video hardware.) This is equivalent to pressing the front panel AUTOSET button. For a detailed description of autose functionality, see *Autose* in the index of the online help for your instrument.

**Group** Miscellaneous

**Syntax** AUTOSet {EXECute|UNDO|VIDeo|VLines|VFields}

**Related Commands** [DISplay:GRAticule](#)

**Arguments** EXECute autose the displayed waveform; this is equivalent to pressing the front panel AUTOSET button. If the display is set to a PAL, MV, or IRE graticule, this argument forces the graticule display to full mode (frame, grid, and cross hair).

UNDO returns the instrument to the setting prior to executing an autose.

VIDeo autose the displayed waveform.

VLines autose the displayed waveform.

VFields autose the displayed waveform.

**Examples** AUTOSET VFields sets the instrument to trigger on all video fields.

## AUXIn:BANdwidth

This command sets or queries the selectable low-pass bandwidth limit filter of the AUX In input. The bandwidth will change with an appropriate probe attached. This is equivalent to selecting Bandwidth from the Vertical menu.

The query form of this command always returns the maximum bandwidth of the AUX In input.

**Group** Vertical

**Syntax**     AUXIn:BAWdwidth <NR3>  
               AUXIn:BAWdwidth?

**Arguments**   <NR3> is one of the supported bandwidths on the attached probe.

**Examples**     AUXIN:BAWdWIDTH 10.0000E+9 sets the bandwidth of AUX In input to 10 GHz.  
                   AUXIN:BAWdWIDTH?, for DPO7054 instruments, might return  
                   :AUXIN:BAWdWIDTH 500.0000E+06, indicating that there is no bandwidth  
                   limiting on the AUX In input.

## AUXIn:COUPLing

This command sets or queries the input attenuator coupling setting for the AUX In input. The coupling will change with an appropriate probe attached. This command is equivalent to selecting Coupling from the Vertical menu.

**Group**        Vertical

**Syntax**     AUXIn:COUPLing <NR3>  
               AUXIn:COUPLing?

**Arguments**   <NR3> is one of the supported input attenuator couplings on the attached probe.

**Examples**     AUXIN:COUPLING GND sets the AUX In input to ground.  
                   AUXIN:COUPLing? might return :AUXIN:COUPLing GND, indicating that AUX  
                   In input is set to GND coupling.

## AUXIn:OFFSet

This command sets or queries the vertical offset for the AUX In input. This command is equivalent to selecting Offset from the Vertical menu.

This command offsets the vertical acquisition window (moves the level at the vertical center of the acquisition window) for the input. Visualize offset as scrolling the acquisition window towards the top of a large signal for increased offset values, and scrolling towards the bottom for decreased offset values. The resolution of the vertical window sets the offset increment for this control.

Offset adjusts only the vertical center of the acquisition window to help determine what data is acquired. The instrument always displays the input signal minus the

offset value. The channel reference marker will move to the vertical graticule position given by the negative of the offset value divided by the scale factor, unless that position is off-screen. If the computed coordinate for the reference mark is off-screen, the mark moves to the nearest screen limit and changes from a right-pointing arrow ( → ) to an arrow pointing in the appropriate off-screen direction.

**Group** Vertical

**Syntax** AUXIn:OFFSet <NR3>  
AUXIn:OFFSet?

**Arguments** <NR3> is the offset value for the specified channel.

**Examples** AUXIN:OFFSet 2.0E-3 sets the offset for AUX In input to 2 mV.  
AUXIN:OFFSet? might return :AUXIN:OFFSET 1.0000E-03, indicating that the offset for AUX In input is set to 1 mV.

## AUXIn:PRObe:AUTOZero (No Query Form)

The command sets the probe attached to the AUX In input to autozero.

**Group** Vertical

**Syntax** AUXIn:PRObe:AUTOZero EXECute

**Arguments** EXECUTE sets the probe to autozero.

**Examples** AUXIN:PROBE:AUTOZERO EXECUTE sets the probe to autozero.

## AUXIn:PRObe:DEGAUSS (No Query Form)

This command starts a degauss cycle of the probe attached to the AUX In input. The degauss cycle will change with an appropriate probe attached.

**Group** Vertical

**Syntax**    `AUXIn:PRObe:DEGAUSS EXECute`

**Arguments**    EXECUTE starts a probe degauss cycle.

**Examples**    `AUXIN:PROBE:DEGAUSS EXECUTE`, degausses the probe attached to the AUX In input.

## **AUXIn:PRObe:DEGAUSS:STATE? (Query Only)**

This command queries whether the probe attached to the AUX In input has been degaussed.

**Group**    Vertical

**Syntax**    `AUXIn:PRObe:DEGAUSS:STATE?`

**Examples**    `AUXIN:PROBE:DEGAUSS:STATE?` might return  
`AUXIN:PROBE:DEGAUSS:STATE PASSED`, indicating that the probe has been degaussed.

## **AUXIn:PRObe:FORCEDRange**

This command sets the probe attached to the AUX In input to the specified range, or the command queries the probe range.

**Group**    Vertical

**Syntax**    `AUXIn:PRObe:FORCEDRange <NR3>`  
`AUXIn:PRObe:FORCEDRange?`

**Arguments**    <NR3> specifies the probe range.

**Examples**    If a TCP0030 current probe is attached the AUX IN input, `AUXIN:PROBE:FORCEDRANGE 5.0` sets the probe to its 5 Ampere range.

`AUXIN:PROBE:FORCEDRANGE` might return `:AUXIN:PROBE:FORCEDRANGE 10.0000E+36`, indicating that the probe range is set to 10.0000E+36 dB.

## AUXIn:PRObe:GAIN? (Query Only)

This query-only command returns the gain factor of the probe that is attached to the AUX In input. The “gain” of a probe is the output divided by the input transfer ratio. For example, a common 10x probe has a gain of 0.1.

**Group** Vertical

**Syntax** AUXIn:PRObe:GAIN?

**Examples** AUXIN:PROBE:GAIN? might return :AUXIN:PROBE:GAIN 0.1000E+00, indicating that the attached 10x probe delivers 0.1 V to the AUX In BNC for every 1.0 V applied to the probe input.

## AUXIn:PRObe:ID:SERnumber? (Query Only)

This query-only command returns the probe serial number.

**Group** Vertical

**Syntax** AUXIn:PRObe:ID:SERnumber?

**Examples** AUXIN:PROBE:ID:SERNUMBER? might return :AUXIN:PROBE:ID:SERNUMBER “B999999”, indicating that the probe serial number is set to B999999.

## AUXIn:PRObe:ID:TYPE? (Query Only)

This query-only command returns the probe type.

**Group** Vertical

**Syntax** AUXIn:PRObe:ID:TYPE?

**Examples** AUXIN:PROBE:ID:TYPE? might return :AUXIN:PROBE:ID:TYPE “TAP1500”, indicating that the probe type is set to TAP1500.

## AUXIn:PRObe:INPUTMode

This command sets or returns one of the probe's four input modes on the AUX In input.

**Group** Vertical

**Syntax** AUXIn:PRObe:INPUTMode  
 {makeEnumList(signalPathMgr\_probeTipMode)}  
 AUXIn:PRObe:INPUTMode?

**Arguments** DEFauLt sets the probe to the default mode.  
 DIFFerential sets the probe to route differential signals to the host.  
 COMMonmode sets the probe to route common-mode signals to the host.  
 A sets the probe to route single-ended A signals to the host.  
 B sets the probe to route single-ended B signals to the host.

**Examples** AUXIN:PROBE:INPUTMODE A sets the probe to route single-ended A signals to the host.  
 AUXIN:PROBE:INPUTMODE? might return :AUXIN:PROBE:INPUTMODE DEFAULT, indicating that the probe input mode on the AUXIN input is set to DEFAULT.

## AUXIn:PRObe:INPUTMode:AOffset

This command sets or returns the requested A mode offset control of the probe that is attached to the AUX In input.

**Group** Vertical

**Syntax** AUXIn:PRObe:INPUTMode:AOffset  
 AUXIn:PRObe:INPUTMode:AOffset?

**Arguments** NR3 specifies the A mode offset control.

**Examples** AUXIN:PROBE:INPUTMODE:AOFFSET 0.2, sets the A mode offset control to 0.2 V.



AUXIN:PROBE:INPUTMODE:AOFFSET? might return :AUXIN:PROBE:INPUTMODE:AOFFSET 0.0000, indicating that the A mode offset control is set to 0 V.

## AUXIn:PRObe:INPUTMode:BOFFSet

This command sets or returns the requested B mode offset control of the probe that is attached to the AUX In input.

<b>Group</b>	Vertical
<b>Syntax</b>	AUXIn:PRObe:INPUTMode:BOFFSet AUXIn:PRObe:INPUTMode:BOFFSet?
<b>Arguments</b>	NR3 specifies the B mode offset control.
<b>Examples</b>	AUXIN:PROBE:INPUTMODE:BOFFSET 0.2 sets the B mode offset control to 0.2 V.  AUXIN:PROBE:INPUTMODE:BOFFSET? might return :AUXIN:PROBE:INPUTMODE:BOFFSET? "0.0000", indicating that the B mode offset control is set to 0 V.

## AUXIn:PRObe:INPUTMode:CMOFFSet

This command sets or returns the requested common mode offset control of the probe that is attached to the AUX In input.

<b>Group</b>	Vertical
<b>Syntax</b>	AUXIn:PRObe:INPUTMode:CMOFFSet AUXIn:PRObe:INPUTMode:CMOFFSet?
<b>Arguments</b>	NR3 specifies the common mode offset control
<b>Examples</b>	AUXIN:PROBE:INPUTMODE:CMOFFSET 0.2 sets the common mode offset control to 0.2 V.

AUXIN:PROBE:INPUTMODE:CMOFFSET? might return :AUXIN:PROBE:INPUTMODE:CMOFFSET? "0.0000", indicating that the common mode offset control is set to 0 V.

## AUXIn:PRObe:INPUTMode:DMOFFSet

This command sets or returns the requested differential mode offset control of the probe that is attached to the AUX In input.

<b>Group</b>	Vertical
<b>Syntax</b>	AUXIn:PRObe:INPUTMode:DMOFFSet AUXIn:PRObe:INPUTMode:DMOFFSet?
<b>Arguments</b>	NR3 specifies the differential mode offset control.
<b>Examples</b>	AUXIN:PROBE:INPUTMODE:DMOFFSET 0.2 sets the differential mode offset control to 0.2 V.  AUXIN:PROBE:INPUTMODE:DMOFFSET? might return :AUXIN:PROBE:INPUTMODE:DMOFFSET? "0.0000", indicating that the differential mode offset control is set to 0 V.

## AUXIn:PRObe:RANge

This command controls or queries the set attenuation range of the probe on the AUX In input.

<b>Group</b>	Vertical
<b>Syntax</b>	AUXIn:PRObe:RANge {ATTEN1X ATTEN1_25X ATTEN1_5X ATTEN1_75X ATTEN2X ATTEN2_5X ATTEN3X ATTEN3_5X ATTEN4X ATTEN4_5X ATTEN5X ATTEN5_5X ATTEN6X ATTEN6_5X ATTEN7X ATTEN7_5X ATTEN8X ATTEN8_5X ATTEN9X ATTEN9_5X ATTEN10X ATTEN12_5X ATTEN15X ATTEN17_5X ATTEN20X ATTEN25X ATTEN30X ATTEN35X ATTEN40X ATTEN45X ATTEN50X ATTEN55X ATTEN60X ATTEN65X ATTEN70X ATTEN75X ATTEN80X ATTEN85X ATTEN90X ATTEN95X ATTEN100X ATTEN125X ATTEN150X ATTEN175X ATTEN200X ATTEN250X ATTEN300X ATTEN350X ATTEN400X ATTEN450X ATTEN500X ATTEN550X ATTEN600X ATTEN650X ATTEN700X ATTEN750X ATTEN800X ATTEN850X ATTEN900X ATTEN950X ATTEN1000X} AUXIn:PRObe:RANge?

**Examples** `AUXIN:PROBE:RANGE ATTEN10X` sets the probe attenuation to 10X.

`AUXIN:PROBE:RANGE?` might return `:AUXIN:PROBE:RANGE ATTEN1_25X`, indicating that the probe attenuation is set to 25X.

## AUXIn:PRObe:RESistance? (Query Only)

This query-only command returns the resistance factor of the probe that is attached to the AUX In input.

**Group** Vertical

**Syntax** `AUXIn:PRObe:RESistance?`

**Examples** `AUXIN:PROBE:RESISTANCE?` might return `:AUXIN:PROBE:RESISTANCE 10.0000E+06`, indicating that the input resistance of the probe attached to the AUXIN input is set to 10 M $\Omega$ .

## AUXIn:PRObe:SET

This command sets or queries aspects of probe accessory user interfaces, for example probe attenuation factors. The available arguments for this command will vary depending on the accessory you attach to the instrument auxiliary trigger input.

For the P7260 probe, you can select between two attenuation factors using either this GPIB command or the push switch on the probe. The probe enables the relevant path and adjusts the settings based on the characteristics of the path in use. The probe signal path selection is not kept in persistent storage. The probe will lose the selection if you reboot the instrument or remove the probe. Also, the instrument does not store the selection in the save/recall setup operation.

**Group** Vertical

**Syntax** `AUXIn:PRObe:SET {<QString>}`  
`AUXIn:PRObe:SET?`

**Arguments** `QString` is a quoted string representing a settable aspect of the attached accessory. Example strings for some probes are shown as follows:

`ATTENUATION 5X` sets the P7260 probe to  $\pm 0.75$  V dynamic range with 6 GHz bandwidth and 5X attenuation.

**ATTENUATION 25X** sets the P7260 probe to  $\pm 3$  V dynamic range with 6 GHz bandwidth and 25X attenuation.

**VTERMSOURCE AUTO** sets the P7380SMA probe voltage termination source to auto.

**VTERMSOURCE INTERNAL** sets the P7380SMA probe voltage termination source to internal.

**VTERMSOURCE EXTERNAL** sets the P7380SMA probe voltage termination source to external.

- Examples**
- AUXIN:PROBE:SET "ATTEN 25X"** sets the P7260 probe to the selection for  $\pm 3$  V dynamic range with 3 GHz bandwidth and 25X attenuation.
- AUXIN:PROBE:SET?** might return **:CH2:PROBE:SET "ATTENUATION 5X"** indicating that the P7260 probe is set to the selection for  $\pm 0.75$  V dynamic range with 6 GHz bandwidth and 5X attenuation.
- AUXIN:PROBE:SET? "ATTEN"** might return **:CH2:PROBE:SET "ATTENUATION 25X"**, indicating that the P7260 probe is set to the selection for  $\pm 3$  V dynamic range with 3 GHz bandwidth and 25X attenuation.

## AUXIn:PRObe:SIGnal

This command sets or queries aspects of probe accessory user interfaces. The available arguments for this command will vary depending on the accessory you attach to the instrument.

**Group** Vertical

**Syntax** **AUXIn:PRObe:SIGna] {PASS|BYPass}**  
**AUXIn:PRObe:SIGna]?**

**Arguments**

**PASS** opens a relay passing your signal to the instrument.

**BYPASS** closes a relay preventing your signal from reaching the instrument. During probe degauss, the signal should be bypassed.

**Examples**

**AUXIN:PROBE:SIGNAL PASS** opens a relay passing your signal to the instrument.

**AUXIN:PROBE:SIGNAL?** might return **:AUXIN:PROBE:SIGNAL BYPASS**, indicating that the relay is closed preventing your signal from reaching the instrument.

## AUXIn:PRObe:TIPType

This command sets or queries the type of probe tip being used.

<b>Group</b>	Vertical
<b>Syntax</b>	AUXIn:PRObe:TIPType {HBWstraightflex OTHER} AUXIn:PRObe:TIPType?
<b>Arguments</b>	HBWstraightflex lets the instrument know you are using a high bandwidth straight-flex probe tip.  OTHER lets the instrument know you are not using a high bandwidth straight-flex probe tip.
<b>Examples</b>	AUXIN:PROBE:TIPTYPE HBWstraightflex sets the auxiliary input probe tip type to HBWstraightflex.  AUXIN:PROBE:TIPTYPE? might return :AUXIN:PROBE:TIPTYPE OTHER, indicating the probe tip is not a HBWstraightflex type.

## AUXIn:PRObe:UNIts? (Query Only)

This query-only command returns a string describing the units of measure for the probe attached to the AUX In input.

<b>Group</b>	Vertical
<b>Syntax</b>	AUXIn:PRObe:UNIts?
<b>Examples</b>	AUXIN:PROBE:UNITS? might return :AUXIN:PROBE:UNITS "V", indicating that the units of measure for the attached probe are volts.

## AUXIn:PROBEFunc:EXTatten

This command sets the input-output ratio, of external attenuation or gain, between the signal and the AUX In input.

The query form of this command returns the user-specified attenuation. Note that this command deals with an attenuation factor, not a gain factor, unlike [CH<x>:PRObe?](#) (This command returns a value independent of the external attenuation). For example, if you specify a 20X attenuation factor, the commands

return the following values (assuming that a 1x probe is presently attached, since the external attenuation is used in combination with the probe attenuation):

```
AUXIN:PROBE:EXTA? 20.00E+0
```

```
AUXIN:PROBE? 1.0E+0
```

This command is equivalent to selecting Attenuation from the Vertical menu, and then either viewing or setting Ext Atten.

**Group** Vertical

**Syntax** AUXIn:PROBEFunc:EXTatten <NR3>  
AUXIn:PROBEFunc:EXTatten?

**Related Commands** [AUXIn:PROBEFunc:EXTDBatten](#)

**Arguments** <NR3> is the attenuation value, which is specified as a multiplier in the range from 1.00E-10 to 1.00E+10.

**Examples** AUXIN:PROBEFUNC:EXTATTEN 167.00E-3 sets specifies an external attenuation, which is connected between the user's input signal and the input of the probe attached to the AUX In input.

AUXIN:PROBEFUNC:EXTATTEN? might return :AUXIN:PROBEFUNC:EXTATTEN 1.0000E+00, indicating that the attached probe is connected directly to the user's signal.

## AUXIn:PROBEFunc:EXTDBatten

This command sets the input-output ratio (expressed in decibel units) of external attenuation or gain between the signal and the instrument AUX In input.

The query form of this command returns the user-specified attenuation in decibels: 1X = 0 dB, 10X = 20 dB, 100X = 40 dB, etc.

This command is equivalent to selecting Attenuation from the Vertical menu, and then either viewing or setting Ext Att(dB).

**Group** Vertical

**Syntax** AUXIn:PROBEFunc:EXTDBatten <NR3>  
AUXIn:PROBEFunc:EXTDBatten?

**Related Commands**    [AUXIn:PROBEFunc:EXTDBatten](#)

**Arguments**    <NR3> is the attenuation value, which is specified in the range from -200.00 dB to 200.00 dB.

**Examples**    `AUXIN:PROBEFUNC:EXTDBATTEN 2.5` sets the attenuation value on the AUX IN input to 2.5 dB .

`AUXIN:PROBEFUNC:EXTDBATTEN?` might return  
`:AUXIN:PROBEFUNC:EXTDBATTEEN 2.5000E+00`, indicating that the attenuation value on the AUX IN input is set to 2.5 dB.

## AUXIn:PROBEFunc:EXTUnits

This command sets the unit of measurement for the external attenuator of the AUX In input. There is also a corresponding query that returns the user-specified unit of measurement for the external attenuator. Unless these units are set to the factory default string value of "None", they become the attenuated units of measurement for the input. It is assumed that the probe connected to the input is of the correct type to receive the output of the user's external transducer or network.

**Group**    Vertical

**Syntax**    `AUXIn:PROBEFunc:EXTUnits`  
`AUXIn:PROBEFunc:EXTUnits?`

**Related Commands**    [AUXIn:PRObe:UNIts?](#)

**Arguments**    <str> can contain a string of up to eight characters to indicate the attenuation unit of measurement for the AUX In input. However, most instrument attenuators only display the first two characters.

**Examples**    `AUXIN:PROBEFUNC:EXTUNITS "Pa"` sets the unit of measurement for the AUX IN external attenuator.

`AUXIN:PROBEFUNC:EXTUNITS?` might return `:AUXIN:PROBEFUNC:EXTUNITS "Pa"`, indicating that the AUX IN external attenuator units of measurement are Pascals.

## AUXout? (Query Only)

This query-only command returns the auxiliary output setup and is equivalent to selecting External Signals. From the Utilities menu, and then viewing the current settings for the AUX OUT Configuration.

**Group** Miscellaneous

**Syntax** AUXout?

**Related Commands** [AUXout:SOURce](#)

**Examples** AUXOUT? might return :AUXOUT:SOURCE ATRIGGER;EDGE RISING, indicating that the source at the BNC connector is set to the A trigger and the polarity is set to the rising edge of the trigger output signal.

## AUXout:EDGE

This command sets or queries the direction in which the trigger output signal will transition when a trigger occurs.

**Group** Miscellaneous

**Syntax** AUXout:EDGE {RISing|FALLing}  
AUXout:EDGE?

**Arguments** RISing sets the polarity to the rising edge.  
FALLing sets the polarity to the falling edge.

**Examples** AUXOUT:EDGE RISING sets the polarity to rising edge.  
AUXOUT:EDGE? might return :AUXOUT:EDGE FALLING, indicating that the polarity is set to falling edge.

## AUXout:SOURce

This command sets or queries the trigger source at the BNC connection. This command is equivalent to selecting AUX OUT Configuration from the Utilities menu and then selecting the desired Configuration setting.



**Group** Miscellaneous

**Syntax** AUXout:SOURCE {ATRIGGER|BTRIGGER|MAIn|DELAyed|EVENT|REFOut}  
AUXout:SOURCE?

**Related Commands** [AUXout?](#)

**Arguments** ATRIGGER sets the source at the BNC connector to the main trigger.  
BTRIGGER sets the source at the BNC connector to the delayed trigger.  
MAIn sets the source at the BNC connector to the main trigger.  
DELAyed sets the source at the BNC connector to the delayed trigger.  
EVENT sets the source at the BNC connector to a specified event.  
REFOut sets the source at the BNC connector to the reference output.

**Examples** AUXOUT:SOURCE? might return :AUXOUT:SOURCE ATRIGGER, indicating that the source at the BNC connector is set to the A trigger.

## BELI (No Query Form)

This command was previously used to beep an audio indicator and is provided for backward compatibility.

**Group** Miscellaneous

**Syntax** BEL1

**Examples** BELL is accepted but does nothing.

## BUSY? (Query Only)

This query-only command returns the status of the instrument. This command allows you to synchronize the operation of the instrument with your application program.

**Group** Status and Error

**Syntax** BUSY?

**Related Commands** [\\*OPC](#), [\\*WAI](#)

**Returns** <NR1>=0 means that the instrument is not busy processing a command whose execution time is extensive.  
 <NR1>=1 means that the instrument is busy processing a command Commands that Generate an OPC Message(See Table 2-18.).

**Examples** BUSY? might return :BUSY 1, indicating that the instrument is currently busy.

## \*CAL? (Query Only)

This query-only command starts signal path compensation and returns the status upon completion.

**Group** Calibration

**Syntax** \*CAL?

**Related Commands** [CALibrate:RESults:SPC?](#)

**Returns** 0 indicates SPC passed.  
 -1 indicates SPC failed.  
 3 indicates the instrument is still in the warm up phase and SPC was not run.

**Examples** \*CAL? starts the internal signal path calibration and returns the status upon completion.

## CALibrate? (Query Only)

This query returns the status of instrument calibration, including internal signal path calibration, factory calibration, and probe calibration.

**Group** Calibration

**Syntax** CALibrate?

**Examples** CALIBRATE? might return :CALIBRATE:INTERNAL:STATUS  
PASS;CALIBRATE:FACTORY:STATUS PASS0;:CALIBRATE:RESULTS:SPC  
PASS;:CALIBRATE:PROBESTATE:CH1 1;CH2 1;CH3 1;CH4 1, indicating  
the calibration status.

## CALibrate:CALProbe:CH<x>? (Query Only)

This query-only command instructs the instrument to perform a probe calibration for the selected channel and returns the calibration status. The Channel <x> range is 1 through 4. This command is equivalent to selecting Probe Cal from the Vertical menu. You must warm up the instrument for at least 20 minutes before running this command.

---

**NOTE.** A probe query takes approximately 30 seconds to complete. No other commands will be executed until calibration is complete.

---

**Group** Calibration

**Syntax** CALibrate:CALProbe:CH<x>?

**Related Commands** CALibrate:PRObestate:CH<x>?, CH<x>:PROBECal?

**Returns** H -1  
Indicating the probe calibration failed for the selected channel.  
H 0  
Indicating the probe calibration passed for the selected channel.  
H 1  
Indicating the probe calibration is initialized for the selected channel.

**Examples** CALibrate:CALProbe:CH2? might return :CALIBRATE:CALPROBE:CH2 0,  
indicating the probe calibration passed for Channel 2.

## CALibrate:INTERNAL (No Query Form)

This command (no query form) starts the internal signal path calibration (SPC) of the instrument. You can use the [CALibrate:INTERNAL:STATUS?](#) query to return the current status of the internal signal path calibration of the instrument.

**Group** Calibration

**Syntax** CALibrate:INTERNAL

**Related Commands** [CALibrate:RESults:SPC?](#)

**Examples** CALIBRATE:INTERNAL starts the internal signal path calibration of the instrument.

## CALibrate:INTERNAL:START (No Query Form)

This command (no query form) starts the internal signal path calibration (SPC) of the instrument. This command is the same as the [CALibrate:INTERNAL](#) command. You can use the [CALibrate:INTERNAL:STATUS?](#) query to return the current status of the internal signal path calibration of the instrument.

**Group** Calibration

**Syntax** CALibrate:INTERNAL:START

**Related Commands** [CALibrate:RESults:SPC?](#)

**Examples** CALIBRATE:INTERNAL:START starts the internal signal path calibration of the instrument.

## CALibrate:INTERNAL:STATUS? (Query Only)

This query-only command returns the current status of the internal signal path calibration.

**Group** Calibration

**Syntax** CALibrate:INTERNAL:STATUS?

**Related Commands** [\\*CAL?](#)

**Returns** This query will return one of the following:

- INIT indicates the instrument has not had internal signal path calibration run.
- WARMUP indicates the instrument has not warmed up for the required time to perform signal path calibration.
- PASS indicates that the signal path calibration completed successfully.
- FAIL indicates that the signal path calibration did not complete successfully.
- TEMPDRIIFT indicates that the instrument has not reached a state of stable temperature adequate for performing signal path calibration.
- RUNNING indicates that the signal path calibration is currently running.

**Examples** CALIBRATE:INTERNAL:STATUS? might return  
:CALIBRATE:INTERNAL:STATUS INIT, indicating that the current status of the internal signal path calibration is that it has not been run.

## CALibrate:PRObestate:CH<x>? (Query Only)

This query-only command returns the probe calibration status for the probe of the selected channel, 1 through 4.

**Group** Calibration

**Syntax** CALibrate:PRObestate:CH<x>?

**Related Commands** [CH<x>:PROBECal?](#)

**Returns** This query will return one of the following:

- -1 Indicating the probe calibration failed for the selected channel.
- 0 Indicating the probe calibration passed for the selected channel.
- 1 Indicating the probe calibration is initialized for the selected channel.
- 2 Indicating that the probe calibration for the selected channel is running.

**Examples**     :CALIBRATE:PROBESTATE:CH1? might return  
                  :CALIBRATE:PROBESTATE:CH1 0, indicating that the probe calibration for  
                  Channel 1 passed.

## CALibrate:RESults? (Query Only)

This query-only command returns the status of internal and factory calibrations, without performing any calibration operations. The results returned do not include the calibration status of attached probes. The CALibrate:RESults? query is intended to support GO/NoGO testing of the instrument calibration readiness: all returned results should indicate PASS status if the instrument is “fit for duty”. It is quite common, however, to use uncalibrated probes (particularly when the instrument inputs are connected into a test system with coaxial cables).

This command is equivalent to selecting Instrument Calibration from the Utilities menu and then viewing the contents of the Status field.

**Group**        Calibration

**Syntax**       CALibrate:RESults?

**Related Commands**   \*CAL?

**Examples**     CALIBRATE:RESULTS? returns the status of all the calibration subsystems. The query might return :CALIBRATE:RESULTS:SPC PASS;FACTORY PASS, indicating that the status of internal and factory calibrations, without performing any calibration operations is set to PASS.

## CALibrate:RESults:SPC? (Query Only)

This query-only command returns the results of the last SPC operation. However, this query does not cause an SPC to be run. This command is equivalent to selecting Instrument Calibration from the Utilities menu.

**Group**        Calibration

**Syntax**       CALibrate:RESults:SPC?

**Related Commands**   \*CAL?

**Examples** CALIBRATE:RESULTS:SPC? returns the results of the last SPC operation: either PASS, FAIL, WARMUP, TEMPDRIFT, INIT, or RUNNING.

## CH<x>? (Query Only)

This query-only command returns the vertical parameters for the specified channel. The channel is specified by x. The value of x can range from 1 through 4. This command is similar to selecting Vertical Setup from the Vertical menu.

**Group** Vertical

**Syntax** CH<x>?

**Examples** CH1? might return the following vertical parameters for channel 1: :CH1:BANDWIDTH 1.0000E+09;COUPLING DC;DESKEW0.0000E+00;OFFSET 0.0000E+00;POSITION 0.0000E+00;SCALE 5.0000E-01;PROBCAL INIT;PROBE:GAIN 1.0000E+00;RESISTANCE 1.0000E+06;UNITS "V";ID:TYPE "1X";SERNUMBER "N/A";:CH1:PROBEFUNC:EXTATTEN 1.0000E+00;EXTUNITS "None";:CH1:LABEL:NAME "";XPOS 5;YPOS 5.

## CH<x>:BANDwidth

This command sets or queries the selectable low-pass bandwidth limit filter of the specified channel. The channel is specified by x. The value of x can range from 1 through 4. This is equivalent to selecting Bandwidth from the Vertical menu.

The query form of this command always returns the approximate realized bandwidth of the channel.

Available arguments depend upon the instrument and the attached accessories.

**Group** Vertical

**Syntax** CH<x>:BANDwidth  
{TWenty|ONEfifty|TWOfifty|FIVE|FULL|<NR3>}  
CH<x>:BANDwidth?

**Arguments** TWenty sets the upper bandwidth limit to 20 MHz.

TWOfifty sets the upper bandwidth limit to 250 MHz.

ONEfifty sets the upper bandwidth limit to 150 MHz.

FIVE sets the upper bandwidth limit to 500 MHz.

FULL disables any optional bandwidth limiting. The specified channel operates at its maximum bandwidth.

<NR3> argument is a double-precision ASCII string. The instrument rounds this value to an available bandwidth using geometric rounding and then uses this value set the upper bandwidth.

**Examples** CH1: BANDWIDTH TWENTY sets the bandwidth of Channel 1 to 20 MHz.

CH2: BANDWIDTH?, for DPO7054 instruments, might return :CH2: BANDWIDTH 500.0000E+06, indicating that there is no bandwidth limiting on Channel 2.

For DPO7104 instruments, this query might return :CH2: BANDWIDTH 1.0000E+09 indicating that there is no bandwidth limiting on Channel 2.

## CH<x>:BANDwidth:ENHanced

This command sets or queries the “Bandwidth Enhancement (DSP) Enabled” or “Analog Only” option.

---

**NOTE.** When possible, use the *CH<x>:BANDwidth* command to choose the enhanced bandwidth DSP filter.

---

**Group** Vertical

**Syntax** CH<x>:BANDwidth:ENHanced {AUTO|OFF}  
CH<x>:BANDwidth:ENHanced?

**Arguments** AUTO allows “Bandwidth Enhanced (DSP) Enabled”, filtering as possible.  
OFF allows “Analog Only”, preventing DSP filtering.

**Examples** CH1: BANDWIDTH: ENHANCED AUTO allows bandwidth enhancement filtering as possible.

CH1: BANDWIDTH: ENHANCED? might return :CH1: BANDWIDTH: ENHANCED AUTO, indicating that the bandwidth will be enhanced if possible.



## CH<x>:BANDwidth:ENHanced:APPLYtoall

This command sets or queries specified channel's bandwidth and bandwidth enhanced selection, "DSP" or "Analog Only" to set the other channels the same. Bandwidth achieved on each channel may further be limited while conditions, such as a lower bandwidth probe, that limited the bandwidth exist. A query will almost certainly return 0, as once the request is processed, ApplyToAll will return to its default state of OFF allowing the channels to continue operating independently.

**Group** Vertical

**Syntax** CH<x>:BANDwidth:ENHanced:APPLYtoall {ON|OFF|1|0}  
CH<x>:BANDwidth:ENHanced:APPLYtoall?

**Arguments** ON sets other channels to bandwidth and bandwidth enhancement filters or analog only of the specified channel.

OFF is the default setting, each channel operates independently regarding bandwidth and bandwidth enhanced (DSP).

1 sets other channels to bandwidth and bandwidth enhancement filters or analog only of the specified channel.

0 is the default and each channel operates independently regarding bandwidth and bandwidth enhanced (DSP).

**Examples** CH1:BANDWIDTH:ENHANCED:APPLYTOALL ON sets the CH1 Bandwidth selection and Digital Filters (DSP) Enabled or Analog Only selection to the other 3 channels. The bandwidth set is influenced by the BW limitations of the channel. If CH1 is not physically limited and has requested 15.0 GHz (DSP) bandwidth, while CH2 has a P7313 probe attached which is limited to 12.5 GHz (HW). A request via CH1 ApplyToAll might result in 13 GHz (DSP) on CH2. If no other Bandwidth selections were made on CH2, subsequent removal of the probe on CH2 would result in 15 GHz (DSP) on CH2 .

CH:BANDWIDTH:ENHANCED:APPLYTOALL? might return  
:CH:BANDWIDTH:ENHANCED:APPLYTOALL 0, indicating that each channel operates independently regarding bandwidth and bandwidth enhanced (DSP).

## CH<x>:BANDwidth:ENHanced:FORCE

This command sets or returns the Force constant sample rate of the Digital Filters (DSP). The bandwidth Enhanced Filter provides you the ability to "Force"

constant sample rate, keeping the system in the sample rate base. This is also known as Bandwidth Enhanced AUTO.

---

**NOTE.** *The bandwidth set is influenced by the requested bandwidth and its channel limitations.*

---



---

**NOTE.** *If Force is ON, a request to lower the sample rate below the DSP supported rate is rejected.*

---

**Group** Vertical

**Syntax** CH<x>:BANDwidth:ENHanced:FORCE {OFF|ON}  
CH<x>:BANDwidth:ENHanced:FORCE?

**Arguments** OFF is the default setting; DSP filtering occurs when sample rate is supported.  
  
ON forces the conditions appropriate for Digital Filtering (DSP) to occur. With this option system changes are made to achieve sample rate that Bandwidth Enhanced Digital Filters (DSP) operate in, a Horizontal Mode of Constant Sample Rate, appropriate DSP BW, and Bandwidth Enhanced Auto on the specified channel would all be selected. Incompatible features would be turned off for example, FastAcq would be inhibited.

**Examples** CH1:BANDWIDTH:ENHANCED:FORCE? might return  
:CH1:BANDWIDTH:ENHANCED:FORCE ON, request to lower the sample rate below the DSP supported rate would be rejected.

## CH<x>:BANDwidth:ENHanced:STATE? (Query Only)

This query-only command returns the state of the bandwidth enhancement filter (DSP).

**Group** Vertical

**Syntax** CH<x>:BANDwidth:ENHanced:STATE?

**Examples** CH1:BANDWIDTH:ENHANCED:STATE? might return  
:CH1:BANDWIDTH:ENHANCED:STATE 1, indicating the bandwidth enhancement filter is on.

## CH<x>:COUPling

This command sets or queries the input attenuator coupling setting for the specified channel. The channel is specified by x. The value of x can range from 1 through 4. This command is equivalent to selecting Coupling from the Vertical menu.

---

**NOTE.** *The available arguments depend on the instrument and the attached accessories.*

---

<b>Group</b>	Vertical
<b>Syntax</b>	CH<x>:COUPling {AC DC GND DCREJect} CH<x>:COUPling?
<b>Arguments</b>	<p>AC sets the specified channel to AC coupling.</p> <p>DC sets the specified channel to DC coupling.</p> <p>GND sets the specified channel to ground. Only a flat, ground-level waveform will be displayed.</p> <p>DCREJect sets DC Reject coupling when probes are attached that have that feature.</p>
<b>Examples</b>	<p>CH2:COUPLING GND sets Channel 2 to ground.</p> <p>CH3:COUPLING? might return :CH3:COUPLING DC, indicating that Channel 3 is set to DC coupling.</p>

## CH<x>:DESKew

This command sets or queries the deskew time for the specified channel. The channel is specified by x. The value of x can range from 1 through 4. This command is equivalent to selecting Deskew from the Vertical Setup menu.

You can adjust the deskew time to add an independent, channel-based delay time to the delay (set by the horizontal position control and common to all channels) from the common trigger point to first sample taken for each channel. This lets you compensate individual channels for different delays introduced by their individual input hook ups.

**Group** Vertical

**Syntax** CH<x>:DESKew <NR3>  
CH<x>:DESKew?

**Arguments** <NR3> is the deskew time for this channel, ranging from -25 ns to +25 ns with a resolution of 1 ps. Out-of-range values are clipped.

**Examples** CH4:DESKEW 5.0E-9 sets the deskew time for Channel 4 to 5 ns.  
CH2:DESKEW? might return :CH2:DESKEW 2.0000E-09, indicating that the deskew time for Channel 2 is set to 2 ns.

## CH<x>:LABel:NAME

This command sets or queries the label attached to the displayed waveform for the specified channel. The channel is specified by x. The value of x can range from 1 through 4. This command is equivalent to selecting Label from the Vertical menu.

**Group** Vertical

**Syntax** CH<x>:LABel:NAME <str>  
CH<x>:LABel:NAME?

**Arguments** <str> is an alphanumeric character string, ranging from 1 through 32 characters in length.

**Examples** CH2:LABEL:NAME "Pressure" changes the waveform label for the Channel 2 waveform to "Pressure".  
CH3:LABEL:NAME? might return :CH3:LABEL:NAME "Force", indicating that the waveform label for the Channel 3 waveform is "Force".

## CH<x>:LABel:XPOS

This command sets or queries the X screen offset at which the label (attached to the displayed waveform of the specified channel) is displayed, relative to the left edge of the screen. The channel is specified by x. The value of x can range from 1 through 4. This command is equivalent to selecting Label from the Vertical menu and either viewing or setting X Pos.

**Group** Vertical

<b>Syntax</b>	CH<x>:LABe1:XPOS <NR1> CH<x>:LABe1:XPOS?
<b>Arguments</b>	<NR1> is the location (control in divisions) where the waveform label for the selected channel is displayed, relative to the left edge of the screen. Arguments should be integers ranging from 0 through 10.
<b>Examples</b>	CH3:LABEL:XPOS 5 moves the waveform label for the Channel 3 that it begins 5 divisions to the right of the left edge of the screen.  CH2:LABEL:XPOS? might return :CH2:LABEL:XPOS 5, indicating that the waveform label for the Channel 2 currently 5 divisions to the right of the left edge of the screen.

## CH<x>:LABe1:YPOS

This command sets or queries the Y screen offset at which the label (attached to the displayed waveform of the specified channel) is displayed, relative to the waveform handle. The channel is specified by x. The value of x can range from 1 through 4. This command is equivalent to selecting Label from the Vertical menu and either viewing or setting Y Pos.

<b>Group</b>	Vertical
<b>Syntax</b>	CH<x>:LABe1:YPOS <NR1> CH<x>:LABe1:YPOS?
<b>Arguments</b>	<NR1> is the location (in divisions) where the waveform label for the selected channel is displayed, relative to the waveform handle. Arguments should be integers ranging from 10 to -10.
<b>Examples</b>	CH3:LABe1:YPOS -2.5 moves the waveform label for the Channel 3 2.5 divisions below the waveform handle.  CH2:LABe1:YPOS? might return :CH2:LABEL:YPOS 0, indicating that the waveform label for the Channel 2 is currently located at the waveform handle.

## CH<x>:OFFSet

This command sets or queries the vertical offset for the specified channel. The channel is specified by x. The value of x can range from 1 through 4. This command is equivalent to selecting Offset from the Vertical menu.

This command offsets the vertical acquisition window (moves the level at the vertical center of the acquisition window) for the selected channel. Visualize offset as scrolling the acquisition window towards the top of a large signal for increased offset values, and scrolling towards the bottom for decreased offset values. The resolution of the vertical window sets the offset increment for this control.

Offset adjusts only the vertical center of the acquisition window for channel waveforms to help determine what data is acquired. The instrument always displays the input signal minus the offset value. The channel reference marker will move to the vertical graticule position given by the negative of the offset value divided by the scale factor, unless that position is off-screen. If the computed coordinate for the reference mark is off-screen, the mark moves to the nearest screen limit and changes from a right-pointing arrow ( → ) to an arrow pointing in the appropriate off-screen direction.

**Group** Vertical

**Syntax** CH<x>:OFFSet <NR3>  
CH<x>:OFFSet?

**Related Commands** [CH<x>:POSition](#)

**Arguments** <NR3> is the offset value for the specified channel.

**Examples** CH3:OFFSet 2.0E-3 sets the offset for Channel 3 to 2 mV.

CH4:OFFSet? might return :CH4:OFFSET 1.0000E-03, indicating that the offset for Channel 4 is set to 1 mV.

## CH<x>:POSition

This command sets or queries the vertical position of the specified channel. The channel is specified by x. The value of x can range from 1 through 4. The position value is applied to the signal before it is digitized. This command is equivalent to selecting Position/Scale from the Vertical menu and either viewing or setting Position.

Increasing the position value of a waveform causes the waveform to move up, and decreasing the position value causes the waveform to move down. Position adjusts only the display position of a waveform, whether it is a channel, math, or reference waveform. The position value determines the vertical graticule coordinate at which input signal values, minus the present offset setting for that channel, are displayed. For example, if the position for Channel 3 is set to 2.0

and the offset is set to 3.0, then input signals equal to 3.0 units are displayed 2.0 divisions above the center of the screen.

**Group** Vertical

**Syntax** CH<x>:POSition <NR3>  
CH<x>:POSition?

**Related Commands** [CH<x>:OFFSet](#), [REF<x>:VERTical:POSition](#), [MATH<x>:VERTical:POSition](#)

**Arguments** <NR3> is the position value, in divisions from the center graticule, ranging from 8 to -8 divisions.

**Examples** CH2:POSition 1.3E+00 positions the Channel 2 input signal 1.3 divisions above the center graticule.  
CH1:POSition? might return :CH1:POSITION -1.3000E+00, indicating that the current position of Channel 1 is 1.3 divisions below the center graticule.

## CH<x>:PRObe? (Query Only)

This query-only command returns all information concerning the probe that is attached to the specified channel. The channel is specified by x. The value of x can range from 1 through 4.

**Group** Vertical

**Syntax** CH<x>:PRObe?

**Related Commands** [CH<x>:PROBECal?](#)

**Examples** CH2:PROBE? might return :CH2:PROBE:GAIN 1.0000E-01; RESISTANCE 1.0000E+07; UNITS "V"; ID:TYPE "10X" ; SERNUMBER "N/A" for a 10X probe, indicating that (among other parameters) the attenuation factor for the probe attached to Channel 2 is 100.0 mV (assuming that probe units are set to volts).

## CH<x>:PRObe:AUTOZero (No Query Form)

This command sets the probe attached to the input to autozero. The channel is specified by x. The value of x can range from 1 through 4.

**Group** Vertical

**Syntax** CH<x>:PRObe:AUTOZero EXECute

**Arguments** EXECUTE sets the probe attached to the specified channel to autozero.

**Examples** CH1:PROBE:AUTOZERO EXECUTE sets the probe attached to the Channel 1 to autozero.

## CH<x>:PRObe:DEGAUSS (No Query Form)

This command starts a degauss cycle of the probe attached to the specified channel. The channel is specified by x. The value of x can range from 1 through 4.

**Group** Vertical

**Syntax** CH<x>:PRObe:DEGAUSS EXECute

**Arguments** EXECUTE starts the degauss cycle.

**Examples** CH1:PROBE:DEGAUSS EXECUTE causes the probe attached to Channel 1 to degauss.

## CH<x>:PRObe:DEGAUSS:STATE? (Query Only)

This command queries whether the probe attached to the specified channel has been degaussed.

**Group** Vertical

**Syntax** CH<x>:PRObe:DEGAUSS:STATE?



**Examples** CH2:PROBE:DEGAUSS:STATE? might return :CH2:PROBE:DEGAUSS:STATE PASSED, indicating that the probe attached to the Channel 2 has been degaussed.

## CH<x>:PRObe:FORCEDRange

This command sets the attached probe to the specified range, or it queries the range of the probe attached to the specified channel. The channel is specified by x. The value of x can range from 1 through 4.

**Group** Vertical

**Syntax** CH<x>:PRObe:FORCEDRange <NR3>  
CH<x>:PRObe:FORCEDRange?

**Arguments** <NR3> specifies the probe range.

**Examples** If a TCP0030 current probe is attached to the Channel 1 input, CH1:PROBE:FORCEDRANGE 5.0 sets the attached probe to its 5 Ampere range.

CH1:PROBE:FORCEDRANGE? might return :CH1:PROBE:FORCEDRANGE 2.5000, indicating that the range of the probe attached to the Channel 1 is set to 2.5 Ampere.

## CH<x>:PRObe:GAIN? (Query Only)

This query-only command returns the gain factor of the probe that is attached to the specified channel. The channel is specified by x. The value of x can range from 1 through 4. The “gain” of a probe is the output divided by the input transfer ratio. For example, a common 10x probe has a gain of 0.1.

**Group** Vertical

**Syntax** CH<x>:PRObe:GAIN?

**Related Commands** [CH<x>:SCAlE](#)

**Examples** CH2:PROBE:GAIN? might return :CH2:PROBE:GAIN 0.1000E+00, indicating that the attached 10X probe delivers 0.1 V to the Channel 2 BNC for every 1.0 V applied to the probe input.

## CH<x>:PRObe:ID? (Query Only)

This query-only command returns the type and serial of the probe that is attached to the specified channel. The channel is specified by x. The value of x can range from 1 through 4.

<b>Group</b>	Vertical
<b>Syntax</b>	CH<x>:PRObe:ID?
<b>Examples</b>	CH2:PROBE:ID? might return :CH2:PROBE:ID:TYPE "10X";SERNUMBER "N/A", indicating that a passive 10X probe of unknown serial number is attached to Channel 2.

## CH<x>:PRObe:ID:SERnumber? (Query Only)

This query-only command returns the serial number of the probe that is attached to the specified channel. The channel is specified by x. The value of x can range from 1 through 4.

---

**NOTE.** For Level 0 and 1 probes, the serial number will be "N/A".

---

<b>Group</b>	Vertical
<b>Syntax</b>	CH<x>:PRObe:ID:SERnumber?
<b>Examples</b>	CH1:PROBE:ID:SERNUMBER? might return :CH1:PROBE:ID:SERNUMBER "B010289", indicating that the serial number of the probe attached to Channel 1 is B010289.

## CH<x>:PRObe:ID:TYPE? (Query Only)

This query-only command returns the type of probe that is attached to the specified channel. The channel is specified by x. The value of x can range from 1 through 4. Level 2 (or higher) probes supply their exact product nomenclature; for Level 0 or 1 probes, a generic 'type string' of "nnX" is returned.

<b>Group</b>	Vertical
--------------	----------

**Syntax** CH<x>:PRObe:ID:TYPE?

**Examples** CH1:PROBE:ID:TYPE? might return :CH1:PROBE:ID:TYPE "P6203", indicating that P6203-type probe is attached to Channel 1.

## CH<x>:PRObe:INPUTMode

This command sets or queries the input mode of the probe that is attached to the specified channel.

**Group** Vertical

**Syntax** CH<x>:PRObe:INPUTMode  
{makeEnumList(signalPathMgr\_probeTipMode)}  
CH<x>:PRObe:INPUTMode?

**Arguments** DEFault sets to the default.  
DIFFerential sets the probe to route differential signals to the host.  
COMMONmode sets the probe to route common-mode signals to the host.  
A sets the probe to route single-ended A signals to the host.  
B sets the probe to route single-ended B signals to the host.

**Examples** CH1:PROBE:INPUTMODE 5.0 sets the attached probe to Channel 1 to its 5 Ampere range.  
CH1:PROBE:INPUTMODE? might return :CH1:PROBE:INPUTMODE A, indicating that the input mode of the probe that is attached to the Channel 1 is set to DEFAULT

## CH<x>:PRObe:INPUTMode:AOffset

This command sets or queries the requested A mode offset control of the probe that is attached to the specified channel.

**Group** Vertical

**Syntax** CH<x>:PRObe:INPUTMode:AOffset  
CH<x>:PRObe:INPUTMode:AOffset?

- Arguments** NR3 specifies the A mode offset control.
- Examples** CH1:PROBE:INPUTMODE:AOFFSET 5.0 sets the requested A mode offset control of the probe that is attached to the Channel 1 to its 5 Ampere range.
- CH1:PROBE:INPUTMODE:AOFFSET? might return  
:CH1:PROBE:INPUTMODE:AOFFSET? 0.0000, indicating that the requested A mode offset control of the probe that is attached to the Channel 1 is set to 0.0.

## CH<x>:PRObe:INPUTMode:BOFFSet

This command sets or queries the requested B mode offset control of the probe that is attached to the specified channel.

- Group** Vertical
- Syntax** CH<x>:PRObe:INPUTMode:BOFFSet  
CH<x>:PRObe:INPUTMode:BOFFSet  
CH<x>:PRObe:INPUTMode:BOFFSet?
- Arguments** NR3 specifies the B mode offset control.
- Examples** CH1:PROBE:INPUTMODE:BOFFSET 5.0 sets the requested B mode offset control of the probe that is attached to the Channel 1 to its 5 Ampere range.
- CH1:PROBE:INPUTMODE:BOFFSET? might return  
:CH1:PROBE:INPUTMODE:BOFFSET 0.0000, indicating that the requested A mode offset control of the probe that is attached to the Channel 1 is set to 0.0.

## CH<x>:PRObe:INPUTMode:CMOFFSet

This command sets or queries the requested common mode offset control of the probe that is attached to the specified channel.

- Group** Vertical
- Syntax** CH<x>:PRObe:INPUTMode:CMOFFSet  
CH<x>:PRObe:INPUTMode:CMOFFSet?
- Arguments** NR3 specifies the common mode offset control.

**Examples** CH1:PROBE:INPUTMODE:CMOFFSET 5.0 sets the requested common mode offset control of the probe that is attached to the Channel 1 to its 5 Ampere range.

CH1:PROBE:INPUTMODE:CMOFFSET? might return  
:CH1:PROBE:INPUTMODE:CMOFFSET 0.0000, indicating that the requested common mode offset control of the probe that is attached to the Channel 1 is set to 0.0.

## CH<x>:PRObe:INPUTMode:DMOFFSet

This command sets or queries the requested common mode differential mode offset control of the probe that is attached to the specified channel.

**Group** Vertical

**Syntax** CH<x>:PRObe:INPUTMode:DMOFFSet  
CH<x>:PRObe:INPUTMode:DMOFFSet?

**Arguments** NR3 specifies the differential mode offset control.

**Examples** CH1:PROBE:INPUTMODE:DMOFFSET 5.0 sets the requested differential mode offset control of the probe that is attached to the Channel 1 to its 5 Ampere range.

CH1:PROBE:INPUTMODE:DMOFFSET? might return  
:CH1:PROBE:INPUTMODE:DMOFFSET 0.0000, indicating that the requested differential mode offset control of the probe that is attached to the Channel 1 is set to 0.0.

## CH<x>:PRObe:RANge

This command controls or queries the attenuation range of the probe on the designated channel.

**Group** Vertical

**Syntax** CH<x>:PRObe:RANge  
{ATTEN1X|ATTEN1\_25X|ATTEN1\_5X|ATTEN1\_75X|ATTEN2X|  
ATTEN2\_5X|ATTEN3X|ATTEN3\_5X|ATTEN4X|ATTEN4\_5X|  
ATTEN5X|ATTEN5\_5X|ATTEN6X|ATTEN6\_5X|ATTEN7X|  
ATTEN7\_5X|ATTEN8X|ATTEN8\_5X|ATTEN9X|ATTEN9\_5X|  
ATTEN10X|ATTEN12\_5X|ATTEN15X|ATTEN17\_5X|ATTEN20X|  
ATTEN25X|ATTEN30X|ATTEN35X|ATTEN40X|ATTEN45X|  
ATTEN50X|ATTEN55X|ATTEN60X|ATTEN65X|ATTEN70X|

```
ATTEN75X|ATTEN80X|ATTEN85X|ATTEN90X|ATTEN95X|
ATTEN100X|ATTEN125X|ATTEN150X|ATTEN175X|ATTEN200X|
ATTEN250X|ATTEN300X|ATTEN350X|ATTEN400X|ATTEN450X|
ATTEN500X|ATTEN550X|ATTEN600X|ATTEN650X|ATTEN700X|
ATTEN750X|ATTEN800X|ATTEN850X|ATTEN900X|ATTEN950X|
ATTEN1000X}
CH<x>:PRObe:RANGE?
```

**Examples** CH1:PROBE:RANGE ATTEN10X sets the attenuation range of the probe attached to Channel 1 to 10X.

CH1:PROBE:RANGE? might return :CH1:PROBE:RANGE ATTEN1\_25X, indicating that the attenuation range of the probe on the designated Channel 1 is set to 25X.

## CH<x>:PRObe:RESistance? (Query Only)

This query-only command returns the resistance factor of the probe that is attached to the specified channel. The channel is specified by x. The value of x can range from 1 through 4.

**Group** Vertical

**Syntax** CH<x>:PRObe:RESistance?

**Examples** CH2:PROBE:RESISTANCE? might return :CH2:PROBE:RESISTANCE 1.0000E+06, indicating that the input resistance of the probe attached to Channel 2 is 1 MΩ.

## CH<x>:PRObe:SET

This command sets or queries aspects of probe accessory user interfaces, for example probe attenuation factors. The available arguments for this command will vary depending on the accessory you attach to the instrument.

For the P7260 probe, you can select between two attenuation factors using either this GPIB command or the push switch on the probe. The probe enables the relevant path and adjusts the set of available vertical settings based on the characteristics of the path in use. The probe signal path selection is not kept in persistent storage. The probe will lose the selection if you reboot the instrument or remove the probe. Also, the instrument does not store the selection in the save/recall setup operation.

<b>Group</b>	Vertical
<b>Syntax</b>	CH<x>:PRObe:SET {<QString>} CH<x>:PRObe:SET?
<b>Arguments</b>	<p>QString is a quoted string representing a settable aspect of the attached accessory. Example strings for some probes are shown as follows:</p> <p>ATTENUATION 5X sets the P7260 probe to <math>\pm 0.75</math> V dynamic range with 6 GHz bandwidth and 5X attenuation.</p> <p>ATTENUATION 25X sets the P7260 probe to <math>\pm 3</math> V dynamic range with 6 GHz bandwidth and 25X attenuation.</p> <p>VTERMSOURCE AUTO sets the P7380SMA probe voltage termination source to auto.</p> <p>VTERMSOURCE INTERNAL sets the P7380SMA probe voltage termination source to internal.</p> <p>VTERMSOURCE EXTERNAL sets the P7380SMA probe voltage termination source to external.</p>
<b>Examples</b>	<p>"ATTEN 25X" sets the P7260 probe to the selection for <math>\pm 3</math> V dynamic range with 3 GHz bandwidth and 25X attenuation.</p> <p>CH1:PRObe:SET? might return :CH2:PROBE:SET "ATTENUATION 5X" indicating that the P7260 probe is set to the selection for <math>\pm 0.75</math> V dynamic range with 6 GHz bandwidth and 5X attenuation.</p> <p>CH2:PRObe:SET? "ATTEN" might return :CH2:PROBE:SET "ATTENUATION 25X", indicating that the P7260 probe is set to the selection for <math>\pm 3</math> V dynamic range with 3 GHz bandwidth and 25X attenuation.</p>

## CH<x>:PRObe:SIGnal

This command sets or queries aspects of probe accessory user interfaces. The available arguments for this command will vary depending on the accessory you attach to the instrument.

<b>Group</b>	Vertical
<b>Syntax</b>	CH<x>:PRObe:SIGnal {PASS BYPass} CH<x>:PRObe:SIGnal?

**Arguments**    `PASS` opens a relay passing your signal to the instrument.  
                   `BYPASS` closes a relay preventing your signal from reaching the instrument.  
                   During probe degauss, the signal should be bypassed.

**Examples**     `CH2:PROBE:SIGNAL PASS` opens a relay passing your signal on Channel 2 to the instrument.  
                   `CH1:PROBE:SIGNAL?` might return `:CH1:PROBE:SIGNAL BYPASS`, indicating that the relay is closed preventing your Channel 1 signal from reaching the instrument.

## CH<x>:PRObe:TIPType

This command sets or queries the type of probe tip being used on the specified channel.

**Group**        Vertical

**Syntax**      `CH<x>:PRObe:TIPType {HBWSTraightflex|OTHER}`  
                   `CH<x>:PRObe:TIPType?`

**Arguments**    `HBWSTraightflex` lets the instrument know you are using a high bandwidth straight-flex probe tip.  
                   `OTHER` lets the instrument know you are not using a high bandwidth straight-flex probe tip.

**Examples**     `CH1:PROBE:TIPTYPEHBWSTRAIGHTFLEX` sets the channel 1 probe tip type to `HBWSTraightflex`.  
                   `CH1:PROBE:TIPTYPE?` might return `:CH1:PROBE:TIPTYPE OTHER`, indicating the probe tip is not an `HBWSTraightflex` type.

## CH<x>:PRObe:UNIts? (Query Only)

This query-only command returns a string describing the units of measure for the probe attached to the specified channel. The channel is specified by x. The value of x can range from 1 through 4.

**Group**        Vertical



**Syntax** CH<x>:PRObe:UNITs?

**Related Commands** CH<x>:PROBEFunc:EXTUnits

**Examples** CH4:PROBE:UNITs? might return :CH4:PROBE:UNITs "V", indicating that the units of measure for the probe attached to Channel 4 are volts.

## CH<x>:PROBECal? (Query Only)

This query-only command returns the probe calibration state for the selected channel. The channel is specified by x. The value of x can range from 1 through 4. This command is equivalent to selecting Probe Cal from the Vertical menu.

**Group** Vertical

**Syntax** CH<x>:PROBECal?

**Returns** This query will return one of the following:

- FAIL signifies that the probe calibration has failed for the selected channel.
- INIT signifies that the probe calibration has not yet been run for the selected channel.
- PASS signifies the probe calibration has passed for the selected channel.

**Examples** CH2:PROBECAl? might return :CH2:PROBECAL PASS indicating that the probe calibration has passed for Channel 2.

## CH<x>:PROBECOntrol

This command allows you to set or query the probe range.

**Group** Vertical

**Syntax** CH<x>:PROBECOntrol {AUTO|MANual}  
CH<x>:PROBECOntrol?

**Arguments** AUTO sets the values. The probe range is automatically calculated.  
 MANua1 allows you to select various valid values for the probe connected to a particular channel.

**Examples** CH2:PROBECONTROL AUTO sets the values and the probe range is automatically calculated.  
 CH2:PROBECONTROL? might return :CH2:PROBECONTROL MANUAL indicating that you can select various valid values for the probe connected to a particular channel.

## CH<x>:PROBEFunc:EXTAtten

This command is used to specify the input-output ratio, of external attenuation or gain, between the signal and the instrument input channels.

The channel is specified by x. The value of x can range from 1 through 4.

The query form of this command returns the user-specified attenuation. Note that this command deals with an attenuation factor, not a gain factor, unlike [CH<x>:PRObe?](#) (This command returns a value independent of the external attenuation). For example, if you specify a 20x attenuation factor for channel 1, the commands return the following values (assuming that a 1x probe is presently attached, since the external attenuation is used in combination with the probe attenuation):

```
CH1:PRObe:EXTA? 20.00E+0
```

```
CH1:PRObe? 1.0E+0
```

This command is equivalent to selecting Attenuation from the Vertical menu, and then either viewing or setting Ext Atten.

**Group** Vertical

**Syntax** CH<x>:PROBEFunc:EXTAtten <NR3>  
 CH<x>:PROBEFunc:EXTAtten?

**Related Commands** [CH<x>:PROBEFunc:EXTDBatten](#)

**Arguments** <NR3> is the attenuation value, which is specified as a multiplier in the range from 1.00E-10 to 1.00E+10.

- Examples** CH1:PROBEFUNC:EXTATTEN 167.00E-3 specifies an external attenuation, which is connected between the user's input signal and the input of the probe attached to Channel 1.
- CH2:PROBEFUNC:EXTATTEN? might return :CH2:PROBEFUNC:EXTATTEN 1.0000E+00, indicating that the probe attached to Channel 2 is connected directly to the user's signal.

## CH<x>:PROBEFunc:EXTDBatten

Use this command to specify the input-output ratio (expressed in decibel units) of external attenuation or gain between the signal and the instrument input channels.

The channel is specified by x. The value of x can range from 1 through 4.

The query form of this command returns the user-specified attenuation in decibels: 1X = 0 dB, 10X = 20 dB, 100X = 40 dB, etc.

This command is equivalent to selecting Attenuation from the Vertical menu, and then either viewing or setting Ext Att (dB).

**Group** Vertical

**Syntax** CH<x>:PROBEFunc:EXTDBatten <NR3>  
CH<x>:PROBEFunc:EXTDBatten?

**Related Commands** [CH<x>:PROBEFunc:EXTAtten](#)

**Arguments** <NR3> is the attenuation value, which is specified in the range from -200.00dB to 200.00 dB.

- Examples** CH3:PROBEFUNC:EXTDBATTEN 2.5 specifies an external 2.5 dB attenuator on Channel 3.
- CH1:PROBEFUNC:EXTDBATTEN? might return :CH1:PROBEFUNC:EXTDBATTEEN 2.5000E+00, indicating that the attenuation for Channel 1 is 2.5 dB.

## CH<x>:PROBEFunc:EXTUnits

This command sets the unit of measurement for the external attenuator of the specified channel. The channel is specified by x. The value of x can range from 1 through 4. There is also a corresponding query that returns the user-specified unit of measurement for the external attenuator. Unless these units are set to

the factory default string value of “None”, they become the attenuated units of measurement for that channel. It is assumed that the probe connected to the specified channel is of the correct type to receive the output of the user’s external transducer or network.

<b>Group</b>	Vertical
<b>Syntax</b>	CH<x>:PROBEFunc:EXTUnits <str> CH<x>:PROBEFunc:EXTUnits?
<b>Related Commands</b>	<a href="#">CH&lt;x&gt;:PRObe:UNIts?</a>
<b>Arguments</b>	<str> can contain a string of up to eight characters to indicate the attenuation unit of measurement for the specified channel. However, most instrument attenuators only display the first two characters.
<b>Examples</b>	CH4:PROBEFunc:EXTUNITS "Pa" sets the unit of measurement for the Channel 4 external attenuator.  CH2:PROBEFunc:EXTUNITS? might return :CH2:PROBEFunc:EXTUNITS "Pa", indicating that the Channel 2 external attenuator units of measurement are Pascals.

## CH<x>:SCALE

This command sets or queries the vertical scale of the specified channel. The channel is specified by x. The value of x can range from 1 through 4. Sending this command is equivalent to selecting Vertical Setup from the Vertical menu and then viewing or setting the Scale.

Each waveform has a vertical scale parameter. For a signal with constant amplitude, increasing the Scale causes the waveform to be displayed smaller. Decreasing the scale causes the waveform to be displayed larger.

Scale affects all waveforms, but affects channel waveforms differently from other waveforms:

- For channel waveforms, this setting controls the vertical size of the acquisition window as well as the display scale. The range and resolution of scale values depends on the probe attached and any other external factors you have specified.
- For reference and math waveforms, this setting controls the display only, graphically scaling these waveforms and having no affect on the acquisition hardware.

<b>Group</b>	Vertical
<b>Syntax</b>	CH<x>:SCALE <NR3> CH<x>:SCALE?
<b>Related Commands</b>	CH<x>:OFFSet, CH<x>:POSition, REF<x>:VERTical:SCALE, MATH<x>:VERTical:SCALE
<b>Arguments</b>	<NR3> is the vertical channel scale in units per division.
<b>Examples</b>	CH4:SCALE 100E-03 sets the Channel 4 scale to 100 mV per division. CH2:SCALE? might return :CH2:SCALE 1.0000E+00, indicating that the current scale setting of Channel 2 is 1 V per division.

## CH<x>:TERmination

This command sets the connected/disconnected status of a 50  $\Omega$  resistor, which may be connected between the specified channel's coupled input and instrument ground. The channel is specified by x. The value of x can range from 1 through 4. There is also a corresponding query that requests the termination parameter and translates this enumeration into one of the two float values. This command is equivalent to selecting Termination from the Vertical menu or toggling between termination values from the VERTICAL area of the front panel.

---

**NOTE.** *The available arguments depend on the instrument and the attached accessories.*

---

<b>Group</b>	Vertical
<b>Syntax</b>	CH<x>:TERmination <NR3> CH<x>:TERmination?
<b>Arguments</b>	<NR3> specifies the channel input resistance, which can be specified as 50 $\Omega$ or 1,000,000 $\Omega$ .
<b>Examples</b>	CH4:TERMINATION 50.0E+0 establishes 50 $\Omega$ impedance on Channel 1. CH2:TERMINATION? might return :CH2:TERMINATION 50.0E+0, indicating that Channel 2 is set to 50 $\Omega$ impedance.

## \*CLS (No Query Form)

This command (no query form) clears the following:

- Event Queue
- Standard Event Status Register
- Status Byte Register (except the MAV bit)

If the \*CLS command immediately follows an <EOI>, the Output Queue and MAV bit (Status Byte Register bit 4) are also cleared. MAV indicates that information is in the output queue. The device clear (DCL) GPIB control message will clear the output queue and thus MAV. \*CLS does not clear the output queue or MAV.

\*CLS can suppress a Service Request that is to be generated by an \*OPC. This will happen if a single sequence acquisition operation is still being processed when the \*CLS command is executed.

**Group** Status and Error

**Syntax** \*CLS

**Related Commands** [DESE](#), [\\*ESE](#), [\\*ESR?](#), [EVENT?](#), [EVMsg?](#), [\\*SRE](#), [\\*STB?](#)

**Examples** \*CLS clears the instrument status data structures.

## CMDBatch

This command sets or queries the state of command batching. By batching commands, database transactions can be optimized, increasing command throughput. Also, batching allows for ALL commands in an individual batch to be order independent and accomplish the same result as if the commands were coupled.

The Batch state is persistent and will be saved across power cycles, but will not be saved and recalled as part of a setup. In a setup scenario, the factory initial value is enabled.

**Group** Miscellaneous

**Syntax** CMDBatch {OFF|ON|<NR1>}  
CMDBatch?

**Arguments** OFF turns command batching off.  
 ON turns command batching on.  
 <NR1> = 0 turns command batching off; any other value turns command batching on.

**Examples** CMDBATC OFF disables command batching.  
 CMDBATC? might return :CMDBATC 1, indicating that command batching is turned on.

## CURSor?

This query-only command returns all of the current cursor settings.

**Group** Cursor

**Syntax** CURSor?

**Examples** CURSOR? might return the following as the current cursor settings:  
 :CURSOR:STATE 1;FUNCTION VBARS;LINESTYLE SOLID;MODE INDEPENDENT;SOURCE1 CH1; SOURCE2 CH1;SCREEN:STYLE LINES; :CURSOR:VBARS:UNITS SECONDS;POSITION1 -1.6000E-6;POSITION2 1.6000E-6; :CURSOR:HBARS:POSITION1 300.0000E-3; POSITION2 -300.0000E-3;UNITS BASE; :CURSOR:WAVEFORM:POSITION1 -1.6000E-6;POSITION2 1.6000E-6; SOURCE2 CH1;UNITS BASE;STYLE LINE\_X;:CURSOR:XY :PRODELTA 99.1000E+36;PRODUCT1 99.1000E+36;PRODUCT2 99.1000E+36; READOUT RECTANGULAR;RADIUS1 99.1000E+36;RADIUS2 99.1000E+36; RATDELTA 99.1000E+36;RATIO1 99.1000E+36;RATIO2 99.1000E+36; RDELTA 99.1000E+36;RECTX1 0.0000;RECTX2 0.0000;RECTY1 0.0000; RECTY2 0.0000;THDELTA 99.1000E+36;THETA1 99.1000E+36; THETA2 99.1000E+36;XDELTA 0.0000;YDELTA 0.0000.

## CURSor:FUNCTioN

This command sets or queries the cursor type. Sending this command is equivalent to selecting Cursor Type from the Cursors menu, and then choosing from the drop-down list.

**Group** Cursor

**Syntax**     `CURSOR:FUNCTION {OFF|HBARS|VBARS|SCREEN|WAVEFORM}`  
`CURSOR:FUNCTION?`

**Related Commands**     [CURSOR:STATE](#)

**Arguments**     OFF removes the cursors from the display but does not change the cursor type.

                      HBARS specifies horizontal bar cursors, which measure in vertical units.

                      VBARS specifies vertical bar cursors, which measure in horizontal units.

                      SCREEN specifies both horizontal and vertical bar cursors, which measure in horizontal and vertical units specified by the Cursor 1 and Cursor 2 Sources. Use these cursors to measure anywhere in the waveform display area.

                      WAVEFORM specifies paired or split cursors in YT display format for measuring waveform amplitude and time. In XY and XYZ format, these cursors indicate the amplitude positions of an XY pair (Ch1 vs Ch2 voltage, where Ch1 is the X axis and Ch2 is the Y axis) relative to the trigger.

**Examples**     `CURSOR:FUNCTION VBARS` selects the vertical bar cursors type.

`CURSOR:FUNCTION?` might return `:CURSOR:FUNCTION HBARS`, indicating that the horizontal bar cursors are currently selected.

## CURSOR:HBARS? (Query Only)

This query-only command returns the current settings for the horizontal bar cursors.

**Group**     Cursor

**Syntax**     `CURSOR:HBARS?`

**Examples**     `CURSOR:HBARS?` might return the horizontal bar setting as `:CURSOR:HBARS:POSITION1 320.0000E-03;POSITION2-320.0000E-03;UNITS BASE`.

## CURSOR:HBARS:DELTA? (Query Only)

This query-only command returns the vertical difference between the two horizontal bar cursors.



<b>Group</b>	Cursor
<b>Syntax</b>	CURSOR:HBARS:DELTA?
<b>Related Commands</b>	<a href="#">CURSOR:HBARS:UNITS?</a>
<b>Returns</b>	A floating point value with an exponent.
<b>Examples</b>	CURSOR:HBARS:DELTA? might return :CURSOR:HBARS:DELTA 5.0800E+00, indicating that the voltage difference between the two cursors is 5.08 V.

## CURSOR:HBARS:POSITION<x>

This command sets or queries the horizontal bar cursor position relative to ground, which is expressed in vertical units (usually volts). The cursor is specified by x, which can be 1 or 2. This command is the equivalent to selecting Cursor Position from the Cursors menu, selecting the H Bars Cursor Type, and then viewing or editing the desired cursor position.

<b>Group</b>	Cursor
<b>Syntax</b>	CURSOR:HBARS:POSITION<x> <NR3> CURSOR:HBARS:POSITION<x>?
<b>Related Commands</b>	<a href="#">CURSOR:FUNCTION</a>
<b>Arguments</b>	<NR3> specifies the cursor position relative to ground.
<b>Examples</b>	CURSOR:HBARS:POSITION1 25.0E-3 positions Cursor 1 of the horizontal cursors at 25 mV.  CURSOR:HBARS:POSITION2? might return :CURSOR:HBARS:POSITION2 -64.0000E-03, indicating that Cursor 2 of the horizontal bar cursors is at -64 mV.

## CURSOR:HBARS:UNITS? (Query Only)

This query-only command returns the units for the horizontal bar cursors.

This query always returns BASE, indicating that the units for the horizontal bar cursors are those of the base waveform to which they were assigned.

**Group** Cursor

**Syntax** CURSOR:HBARs:UNITs?

**Examples** CURSOR:HBARs:UNITs? always returns :CURSOR:HBARs:UNITs BASE indicating that the units for the horizontal bar cursors are base.

## CURSOR:LINEStyle

This command sets or queries the cursors line style used when cursors are displayed.

**Group** Cursor

**Syntax** CURSOR:LINEStyle {SOLID|DASHed|SDASHed}  
CURSOR:LINEStyle?

**Arguments** SOLID displays the cursors as solid lines.  
DASHed displays the cursors as dashed lines.  
SDASHed displays the cursors as solid-dashed lines.

**Examples** CURSOR:LINESTYLE SOLID displays the cursors as solid lines.  
CURSOR:LINESTYLE? might return :CURSOR:LINESTYLE DASHed, indicating that the cursors are displayed as dashed lines.

## CURSOR:MODE

This command sets or queries whether the two cursors move together in unison or separately. This command is the equivalent of selecting Cursor Mode from the Cursors menu, and then choosing from the drop-down list.

**Group** Cursor

<b>Syntax</b>	<code>CURSOR:MODE {TRACK INDEPENDENT}</code> <code>CURSOR:MODE?</code>
<b>Arguments</b>	<p><code>TRACK</code> ties the navigational functionality of the two cursors together. For cursor 1 adjustments, this ties the movement of the two cursors together; however, cursor 2 continues to move independently of cursor 1.</p> <p><code>INDEPENDENT</code> allows independent adjustment of the two cursors.</p>
<b>Examples</b>	<p><code>CURSOR:MODE TRACK</code> specifies that the cursor positions move in unison.</p> <p><code>CURSOR:MODE?</code> might return <code>:CURSOR:MODE TRACK</code>, indicating that the two cursors move in unison.</p>

## **CURSOR:SCREEN:STYLE**

This command sets or queries the cursor type for Screen mode.

<b>Group</b>	Cursor
<b>Syntax</b>	<code>CURSOR:SCREEN:STYLE {LINE_X LINES X}</code> <code>CURSOR:SCREEN:STYLE?</code>
<b>Arguments</b>	<p><code>LINE_X</code> specifies the cursor style to be a line with superimposed X.</p> <p><code>LINES</code> specifies the cursor style to be a line.</p> <p><code>X</code> specifies the cursor style to be an X.</p>
<b>Examples</b>	<p><code>CURSOR:SCREEN:STYLE LINES</code> sets the cursor style to lines.</p> <p><code>CURSOR:SCREEN:STYLE?</code> might return <code>:CURSOR:SCREEN:STYLE X</code>, indicating that the style for screen cursors is X.</p>

## **CURSOR:SCREEN:XPOSITION<x>**

This command sets or queries the x position of the specified screen cursor. The cursor is specified by x, which can be 1 or 2. If the cursor is not specified, it defaults to cursor 1.

<b>Group</b>	Cursor
--------------	--------

**Syntax** CURSor:SCREEN:XPOSITION<x>  
CURSor:SCREEN:XPOSITION<x>?

## CURSor:SCREEN:YPOSITION<x>

This command sets or queries the y position of the specified screen cursor. The cursor is specified by x, which can be 1 or 2. If the cursor is not specified, it defaults to cursor 1.

**Group** Cursor

**Syntax** CURSor:SCREEN:YPOSITION<x>  
CURSor:SCREEN:YPOSITION<x>?

## CURSor:SOURce<x>

This command sets or queries the source(s) for the currently selected cursor type. The cursor is specified by x, which can be 1 or 2. If the cursor is not specified, it defaults to cursor 1.

This command is equivalent to selecting Cursor Setup from the Cursors menu, and then choosing the desired cursor source.

**Group** Cursor

**Syntax** CURSor:SOURce<x> {CH<x>|MATH<x>|REF<x>}  
CURSor:SOURce<x>?

**Arguments** CH<x> sets an input channel waveform as the cursor source. The valid channel waveform range is from 1 through 4.

MATH<x> sets a math waveform as the cursor source. The valid math waveform range is from 1 through 4.

REF<x> sets a reference waveform as the cursor source. The valid reference waveform range is from 1 through 4.

**Returns** Any valid waveform.

**Examples** `CURSOR:SOURCE 1 CH2` sets the Cursor1 source to Channel 2.

`CURSOR:SOURCE 2?` might return `:CURSOR:SOURCE2 CH2` indicating that the Cursor2 source is Channel 2.

`CURSOR:SOURCE?` might return `:CURSOR:SOURCE1 CH2`, indicating that the Cursor1 source is Channel 2. If you do not specify the cursor, the cursor 1 source is returned.

## CURSor:STATE

This command sets or queries the state of cursors. Note that setting the cursor state does not modify the cursor type.

This command is equivalent to pressing the CURSOR button on the front panel.

**Group** Cursor

**Syntax** `CURSor:STATE {ON|OFF|<NR1>}`  
`CURSor:STATE?`

**Related Commands** [CURSor:FUNction](#)

**Arguments** `ON` displays the cursors.

`OFF` removes cursors from the display.

`<NR1> = 0` disables the display cursors; any other value enables the display cursors.

**Examples** `CURSOR:STATE ON` displays the cursors.

`CURSOR:STATE?` might return `:CURSOR:STATE 1`, indicating that the cursors are active on the display.

## CURSor:VBArS

This command sets or queries the current settings for the vertical bar cursors or forces them to snap to positions specified by the `DATA:START` and `DATA:STOP` commands.

**Group** Cursor

<b>Syntax</b>	CURSOR:VBARS SNAP CURSOR:VBARS?
<b>Related Commands</b>	<a href="#">DATA:START</a> , <a href="#">DATA:STOP</a>
<b>Arguments</b>	SNAP forces the position of vertical bar cursor 1 and 2 to snap to the waveform record points specified by the DATA:START and DATA:STOP commands, respectively.
<b>Examples</b>	CURSOR:VBARS SNAP forces vertical bar cursor1 to the DATA:START position and vertical bar cursor 2 to the DATA:STOP position.  CURSOR:VBARS? might return the following vertical bar settings :CURSOR:VBARS:UNITS SECONDS;POSITION1 1.0000E-06;POSITION2 9.0000E-06.

## CURSOR:VBARS:DELTA? (Query Only)

This query-only command returns the horizontal difference between the two vertical bar cursors. The units are specified by the CURSOR:VBARS:UNITS command. The position can appear in units of Base or 1/Base.

<b>Group</b>	Cursor
<b>Syntax</b>	CURSOR:VBARS:DELTA?
<b>Related Commands</b>	<a href="#">CURSOR:VBARS:UNITS</a>
<b>Returns</b>	A floating point value with an exponent.
<b>Examples</b>	CURSOR:VBARS:DELTA? might return :CURSOR:VBARS:DELTA 1.0640E+00, indicating that the time between the vertical bar cursors is 1.064 s.

## CURSOR:VBARS:POSITION<x>

This command sets or queries the horizontal position for vertical bar cursors. The cursor is specified by x, which can be 1 or 2. Values are with respect to trigger position or the zero reference point for the designated waveform (if horizontal units are not set to time). Use the CURSOR:VBARS:UNITS command to specify units. The position can appear in units of base or 1/base.

This command is the equivalent of selecting Cursor Setup from the Cursors menu, selecting V Bars Cursor Type, and then viewing or editing the desired cursor position.

**Group** Cursor

**Syntax** CURSor:VBArS:POSItION<x> <NR3>  
CURSor:VBArS:POSItION<x>?

**Related Commands** [CURSor:VBArS:UNItS](#)

**Arguments** <NR3> specifies the cursor position.

**Returns** A floating point value with an exponent.

**Examples** CURSor:VBArS:POSItION2 9.00E-6 positions the cursor2 vertical bar cursor at 9 ms.

CURSor:VBArS:POSItION1? this command might return  
:CURSor:VBArS:POSItION1 1.0000E-06, indicating that the  
cursor1 vertical bar is positioned at 1 ms.

## CURSor:VBArS:POS<x>

This command sets or queries the horizontal position for vertical bar cursors. The cursor is specified by x, which can be 1 or 2. Values are with respect to trigger position or the zero reference point for the designated waveform (if horizontal units are not set to time). Use the CURSor:VBArS:UNItS command to specify units. The position can appear in units of base or 1/base.

This command is the equivalent of selecting Cursor Setup from the Cursors menu, selecting V Bars Cursor Type, and then viewing or editing the desired cursor position.

**Group** Cursor

**Syntax** CURSor:VBArS:POS<x> <NR3>  
CURSor:VBArS:POS<x>?

**Related Commands** [CURSor:VBArS:UNItS](#)

<b>Arguments</b>	<NR3> specifies the cursor position.
<b>Returns</b>	A floating point value with an exponent.
<b>Examples</b>	CURSOR:VBARS:POS2 9.00E-6 positions the cursor2 vertical bar cursor at 9 ms. CURSOR:VBARS:POS1? this command might return :CURSOR:VBARS:POS1 1.0000E-06, indicating that the cursor1 vertical bar is positioned at 1 ms.

## CURSOR:VBARS:UNITS

This command sets or queries the units for the vertical bar cursors.

<b>Group</b>	Cursor
<b>Syntax</b>	CURSOR:VBARS:UNITS {SECONDS HERTZ} CURSOR:VBARS:UNITS?
<b>Arguments</b>	SECONDS sets the units of the vertical bar cursors for the time domain (seconds). HERTZ sets the units of the vertical bar cursors for the frequency domain (Hertz).
<b>Returns</b>	A string for SECONDS or HERTZ, depending on the current vertical bar cursor units.
<b>Examples</b>	CURSOR:VBARS:UNITS HERTZ sets the units of the vertical bar cursors to 1/seconds. CURSOR:VBARS:UNITS? might return :CURSOR:VBARS:UNITS SECONDS, indicating that the units for the vertical bar cursor are currently set to seconds.

## CURSOR:WAVEform

This command sets or queries the current settings for the waveform cursors or forces them to snap to positions specified by the DATA:START and DATA:STOP commands.

<b>Group</b>	Cursor
<b>Syntax</b>	CURSOR:WAVEform SNAP CURSOR:WAVEform?



**Related Commands**    [DATA:START](#), [DATA:STOP](#)

**Arguments**    SNAP forces the position of waveform cursor 1 and 2 to snap to the waveform record points specified by the DATA:START and DATA:STOP commands, respectively.

**Examples**    `CURSOR:WAVEFORM SNAP` forces waveform cursor1 to the DATA:START position and waveform cursor 2 to the DATA:STOP position.

`CURSOR:WAVEFORM?` might return the following waveform cursor settings:  
`:CURSOR:WAVEFORM:UNITS SECONDS;POSITION1 1.0000E-06;POSITION2 9.0000E-06.`

## CURSor:WAVEform:HDELTA? (Query Only)

This query-only command returns the horizontal difference between the waveform cursors. This is the absolute value of the horizontal position of the first cursor minus the horizontal position of the second cursor. This is equivalent to the waveform delta-time readout value.

**Group**    Cursor

**Syntax**    `CURSor:WAVEform:HDELTA?`

**Examples**    `CURSOR:WAVEFORM:HDELTA?` might return `:CURSOR:WAVEFORM:HDELTA 1.03E-9`, indicating that the time between the waveform cursors is 1.03 ns.

## CURSor:WAVEform:HPOS<x>? (Query Only)

This query-only command returns the position of the specified waveform cursor. The cursor is specified by x, which can be 1 or 2. This corresponds to the v1 or v2 (cursor 1 or cursor 2) cursor readout.

**Group**    Cursor

**Syntax**    `CURSor:WAVEform:HPOS<x>?`

**Examples**    `CURSOR:WAVEform:HPOS1?` might return `:CURSOR:WAVEFORM:HPOS2 0.247344970703`, indicating that cursor 2 is at 247.3 mV with respect to ground on the source waveform.

## CURSor:WAVEform:POStion<x>

This command sets or queries the position of a waveform cursor, which is constrained to be visible in the selected time base. (Use the CURSor:FUNCTion command to set the cursor function to Waveform.) The cursor is specified by x, which can be 1 or 2. This is equivalent to setting a value in the Position control in the Cursor1 or Cursor2 sections of the Cursor Setup dialog box (when Waveform is selected in the Function section).

**Group** Cursor

**Syntax** CURSor:WAVEform:POStion<x> {<NR3>}  
CURSor:WAVEform:POStion<x>?

**Related Commands** [CURSor:FUNCTion](#)

**Arguments** <NR3> specifies the cursor position measured relative to the time of the trigger point of the source waveform.

**Examples** CURSor:WAVEform:POStion2 9.00E-6 sets the waveform cursor 2 position to 9  $\mu$ s.

CURSor:WAVEform:POStion2? might return  
:CURSOR:WAVEFORM:POSITION2 51.0701402806E-009, indicating waveform cursor 2 is at 51.1 ns.

## CURSor:WAVEform:STYle

This command sets or queries the cursor type for Waveform mode.

**Group** Cursor

**Syntax** CURSor:WAVEform:STYle {LINE\_X|LINES|X}  
CURSor:WAVEform:STYle?

**Arguments** LINE\_X specifies the cursor style to be a line with superimposed X.

LINES specifies the cursor style to be a line.

X specifies the cursor style to be an X.

**Examples** `CURSOR:WAVEFORM:STYLE LINES` sets the cursor style to lines.

`CURSOR:WAVEFORM:STYLE?` might return `:CURSOR:WAVEFORM:STYLE X`, indicating that the style for waveform cursors is X.

## **CURSor:WAVEform:UNIts**

This command sets or queries the units for waveform cursors.

**Group** Cursor

**Syntax** `CURSor:WAVEform:UNIts BASE`  
`CURSor:WAVEform:UNIts?`

**Arguments** `BASE` sets cursor units to base.

**Examples** `CURSOR:WAVEFORM:UNITS BASE` sets the waveform cursor units to base.

`CURSOR:WAVEFORM:UNITS?` might return `:CURSOR:WAVEFORM:UNITS BASE`, indicating that the units for waveform cursors are base.

## **CURSor:WAVEform:VDELTA? (Query Only)**

This query-only command returns the vertical difference between the waveform cursors. This is the absolute value of the vertical position of the first cursor minus the vertical position of the second cursor. This is equivalent to the waveform delta-voltage readout value.

**Group** Cursor

**Syntax** `CURSor:WAVEform:VDELTA?`

**Examples** `CURSOR:WAVEFORM:VDELTA?` might return `:CURSOR:WAVEFORM:VDELTA 1.06E-3`, indicating that the voltage between the waveform cursors is 1.06 mV.

## **CURSor:XY? (Query Only)**

This query-only command returns all of the XY cursor parameters.

---

**NOTE.** The values returned for all XY cursor readouts, that do not pertain to the current CURSor:XY:READOUT setting, are returned as the IEEE representation of NAN (Not a Number): 99.1000E+36.

---

<b>Group</b>	Cursor
<b>Syntax</b>	CURSor:XY?
<b>Examples</b>	CURSOR:XY? might return :CURSOR:XY:PRODELTA 99.1000E+36; PRODUCT1 99.1000E+36;PRODUCT2 99.1000E+36;READOUT RECTANGULAR;RADIUS1 99.1000E+36;RADIUS2 99.1000E+36;RATDELTA 99.1000E+36; RATIO 199.1000E+36;RATIO2 99.1000E+36;RDELTA 99.1000E+36;RECTX1 1.0000;RECTX2 1.0200;RECTY1 360.0001E-6;RECTY2360.0001E-6; THDELTA 99.1000E+36;THETA1 99.1000E+36;THETA2 99.1000E+36;XDELTA 20.0000E-3;YDELTA 0.0000.

## CURSor:XY:PRODELta? (Query Only)

This query-only command returns the product of the difference between the cursors X positions and Y positions when the CURSor:XY:READOUT is set to PRODUct. The  $\Delta X \times \Delta Y$  value is calculated as (Cursor 2 X - Cursor 1 X)  $\times$  (Cursor 2 Y - Cursor 1 Y).

---

**NOTE.** This query is only valid when the CURSor:XY:READOUT is set to PRODUct. If the readout is set other than product, the IEEE representation of NAN (Not a Number) is returned: 99.1000E+36.

---

<b>Group</b>	Cursor
<b>Syntax</b>	CURSor:XY:PRODELta?
<b>Examples</b>	CURSOR:XY:PRODELTA? might return :CURSOR:XY:PRODELTA -24.9856, indicating that the $\Delta X \times \Delta Y$ value is -24.9856 VV.

## CURSor:XY:PRODUCT<x>? (Query Only)

This query-only command returns the product of the X and Y positions for the specified cursor when the CURSor:XY:READOUT is set to PRODUct. The cursor is specified by x, which can be 1 or 2.

**NOTE.** This query is only valid when the *CURSor:XY:READOUT* is set to *PRODUct*. If the readout is set other than product, the IEEE representation of NAN (Not a Number) is returned: 99.1000E+36.

<b>Group</b>	Cursor
<b>Syntax</b>	CURSor:XY:PRODUCT<x>?
<b>Examples</b>	CURSor:XY:PRODUCT1? might return :CURSOR:XY:PRODUCT1 806.4004E-3, indicating that the product of the X position times the Y position for Cursor 1 is 806.4004 mVV.

## CURSor:XY:RADIUS<x>? (Query Only)

This query-only command returns the radius of the specified cursor when the *CURSor:XY:READOUT* is set to *POLARCoord*. The cursor is specified by x, which can be 1 or 2.

**NOTE.** This query is only valid when the *CURSor:XY:READOUT* is set to *POLARCoord*. If the readout is set other than polar coordinates, the IEEE representation of NAN (Not a Number) is returned: 99.1000E+36.

<b>Group</b>	Cursor
<b>Syntax</b>	CURSor:XY:RADIUS<x>?
<b>Examples</b>	CURSor:XY:RADIUS2? might return :CURSOR:XY:RADIUS2 4.9600, indicating that the Cursor 2 radius is 4.9600 V.

## CURSor:XY:RATDELta? (Query Only)

This query-only command returns ratio of the difference between the cursors X position and Y position ( $\Delta Y$ ,  $\Delta X$ ) when the *CURSor:XY:READOUT* is set to *RATio*. The ratio is calculated as (Cursor 2 Y - Cursor 1 Y) ÷ (Cursor 2 X - Cursor 1 X).

**NOTE.** This query is only valid when the *CURSor:XY:READOUT* is set to *RATio*. If the readout is set other than ratio, the IEEE representation of NAN (Not a Number) is returned: 99.1000E+36.

<b>Group</b>	Cursor
<b>Syntax</b>	CURSOR:XY:RATDELta?
<b>Examples</b>	CURSOR:XY:RATDELTA? might return :CURSOR:XY:RATDELTA -1.0167, indicating that the $\Delta Y/\Delta X$ ratio is -1.0167.

## CURSOR:XY:RATIO<x>? (Query Only)

This query-only command returns ratio the of the X (horizontal) and Y (vertical) position for the specified cursor when the [CURSOR:XY:READOUT](#) is set to RATIO. The cursor is specified by x, which can be 1 or 2. The ratio is calculated as  $Y \div X$ .

---

**NOTE.** This query is only valid when the [CURSOR:XY:READOUT](#) is set to RATIO. If the readout is set other than ratio, the IEEE representation of NAN (Not a Number) is returned: 99.1000E+36.

---

<b>Group</b>	Cursor
<b>Syntax</b>	CURSOR:XY:RATIO<x>?
<b>Examples</b>	CURSOR:XY:RATIO1? might return :CURSOR:XY:RATIO1 15.8730E-3 indicating that the ratio of the X and Y positions for Cursor 1 is 15.8730E-3.

## CURSOR:XY:RDELta? (Query Only)

This query-only command returns the delta radius ( $\Delta r$ ) value when the is set to POLARCoord.

---

**NOTE.** This query is only valid when the [CURSOR:XY:READOUT](#) is set to POLARCoord. If the readout is set other than polar coordinates, the IEEE representation of NAN (Not a Number) is returned: 99.1000E+36.

---

<b>Group</b>	Cursor
<b>Syntax</b>	CURSOR:XY:RDELta?

**Examples** `CURSOR:XY:RDELTA?` might return `:CURSOR:XY:RDELTA 6.9600`, indicating that the difference between the cursors radius is 6.9600 V.

## CURSor:XY:READOUT

This command sets or queries the XY cursor readout (available when `DISPlay:FORMat` is set to XY).

**Group** Cursor

**Syntax** `CURSor:XY:READOUT {RECTangular|POLARCoord|PRODUCT|RATio}`  
`CURSor:XY:READOUT?`

**Related Commands** [DISPlay:FORMat](#)

**Arguments** `RECTangular` displays the following values: X1, X2, ΔX, Y1, Y2, ΔY, t1, t2, Δt.  
`POLARCoord` displays the following values: r1, r2, Δr, q1, q2, Δq, t1, t2, Δt.  
`PRODuct` displays the following values: X1 x Y1, X2 x Y2, ΔX x ΔY, t1, t2, ΔDt.  
`RATio` displays the following values: Y1 , X1, Y2 , X2, ΔY , x ΔX, t1, t2, Δt.

**Examples** `CURSOR:XY:READOUT RECTangular` sets the XY cursor readout to rectangular.  
`CURSOR:XY:READOUT?` might return `:CURSOR:XY:READOUT RECTANGULAR`, indicating that the XY cursor readout is set to rectangular mode.

## CURSor:XY:RECTX<x>

This command sets or queries the X cursor position in rectangular coordinates. The cursor is specified by x, which can be 1 or 2.

---

**NOTE.** This query is only valid when the `CURSor:XY:READOUT` is set to `RECTangular`. If the readout is set other than rectangular coordinates, the IEEE representation of NAN (Not a Number) is returned: `99.1000E+36`.

---

**Group** Cursor

**Syntax** `CURSor:XY:RECTX<x> {<NR3>}`  
`CURSor:XY:RECTX<x>?`

**Arguments** <NR3> is the X position of the specified cursor in rectangular coordinates.

**Examples** CURSOR:XY:RECTX2 5.04 sets the X position of Cursor 2 to 5.04 V in rectangular coordinates.

CURSOR:XY:RECTX1? might return :CURSOR:XY:RECTX1 5.1200, indicating that the X position of Cursor 1 is set to 5.1200 in rectangular coordinates.

## CURSOR:XY:RECTY<x>

This command sets or queries the Y cursor position in rectangular coordinates. The cursor is specified by x, which can be 1 or 2.

---

**NOTE.** This query is only valid when the *CURSOR:XY:READOUT* is set to *RECTangular*. If the readout is set to other than rectangular coordinates, the IEEE representation of NAN (Not a Number) is returned: 99.1000E+36.

---

**Group** Cursor

**Syntax** CURSOR:XY:RECTY<x> {<NR3>}  
CURSOR:XY:RECTY<x>?

**Arguments** <NR3> is the Y position of the specified cursor in rectangular coordinates.

**Examples** CURSOR:XY:RECTY1 2.5 sets the Y position of Cursor 1 to 2.5 V.

CURSOR:XY:RECTY2? might return :CURSOR:XY:RECTY2 4.8800, indicating that the position of Cursor 2 in rectangular coordinates is 4.88 V.

## CURSOR:XY:THDELta? (Query Only)

This query-only command returns the XY cursor angle delta in polar coordinates.

---

**NOTE.** This query is only valid when the *CURSOR:XY:READOUT* is set to *POLARCoord*. If the readout is set other than polar coordinates, the IEEE representation of NAN (Not a Number) is returned: 99.1000E+36.

---

**Group** Cursor



**Syntax** CURSor:XY:THDELta?

**Examples** CURSOR:XY:THDELTA? might return :CURSOR:XY:THDELTA 136.3748, indicating that the Dq XY cursor angle is 136.3748 degrees.

## CURSor:XY:THETA<x>? (Query Only)

This query-only command returns the XY cursor angle in polar coordinates. The cursor is specified by x, which can be 1 or 2.

---

**NOTE.** This query is only valid when the CURSor:XY:READOUT is set to POLARCoord. If the readout is set other than polar coordinates, the IEEE representation of NAN (Not a Number) is returned: 99.1000E+36.

---

**Group** Cursor

**Syntax** CURSor:XY:THETA<x>?

**Examples** CURSOR:XY:THETA2? might return :CURSOR:XY:THETA2 -89.0906, indicating that the Channel 2 XY cursor angle in polar coordinates is -89.0906 degrees.

## CURSor:XY:XDELta? (Query Only)

This query-only command returns the XY cursor X delta value in rectangular coordinates.

---

**NOTE.** This query is only valid when the CURSor:XY:READOUT is set to RECTangular. If the readout is set to other than rectangular coordinates, the IEEE representation of NAN (Not a Number) is returned: 99.1000E+36.

---

**Group** Cursor

**Syntax** CURSor:XY:XDELta?

**Examples** CURSOR:XY:XDELTA? might return :CURSOR:XY:XDELTA 40.0000E-3, indicating that the DX value is 40 mV.

## CURSor:XY:YDELta? (Query Only)

This query-only command returns the XY cursor Y delta value in rectangular coordinates.

---

**NOTE.** This query is only valid when the [CURSor:XY:READOUT](#) is set to *RECTangular*. If the readout is set to other than rectangular coordinates, the IEEE representation of NAN (Not a Number) is returned: 99.1000E+36.

---

<b>Group</b>	Cursor
<b>Syntax</b>	CURSor:XY:YDELta?
<b>Examples</b>	CURSOR:XY:YDELTA? might return :CURSOR:XY:YDELTA 40.0000E-6, indicating that the DY value is 40 $\mu$ V.

## CURVe

This command transfers waveform data to and from the instrument. Each waveform that is transferred has an associated waveform preamble that contains information such as data format and scale.

The CURVe? query transfers data from the instrument. The data source is specified by the [DATa:SOUrce](#) command. The first and last data points are specified by the [DATa:STARt](#) and [DATa:STOP](#) commands.

The CURVe command transfers waveform data to the instrument. The data is stored in the reference memory location specified by [DATa:DESTination](#), starting with the data point specified by [DATa:STARt](#). Only one waveform can be transferred at a time. The waveform will only be displayed if the reference is displayed.

<b>Group</b>	Waveform Transfer
<b>Syntax</b>	CURVe {<Block> <asc curve>} CURVe?
<b>Related Commands</b>	<a href="#">DATa:DESTination</a> , <a href="#">DATa:SOUrce</a> , <a href="#">DATa:STARt</a> , <a href="#">DATa:STOP</a> , <a href="#">SAVe:WAVEform</a> , <a href="#">SAVe:WAVEform:FILEFormat</a> , <a href="#">WFMInpre?</a> , <a href="#">WFMInpre:BYT_Nr</a> , <a href="#">WFMOutpre?</a> , <a href="#">WFMInpre:NR_FR</a> , <a href="#">WFMOutpre:NR_FR?</a>

**Arguments** <Block> is the waveform data in binary format. The waveform is formatted as: #<x><yyy><data><newline>, where:

<x> is the number of y bytes. For example, if <yyy>=500, then <x>=3)

---

**NOTE.** <x> is hexadecimal format. The letters A-F denote a number of y bytes between 10 and 15 digits.

---

<yyy> is the number of bytes to transfer. If width is 1, then all bytes on the bus are single data points. If width is 2, then all bytes on the bus are 2-byte pairs. If width is 4, then all bytes on the bus are 4-byte pairs. Use the [WFMIpre:BYT\\_Nr](#) command to set the width.

<data> is the curve data.

<newline> is a single byte new line character at the end of the data.

<asc curve> is the waveform data in ASCII format. The format for ASCII data is <NR1>[,<NR1>...], where each <NR1> represents a data point.

**Examples** CURVE <Block> sets the format of the waveform data, transferred to and from the instrument, to binary format.

CURVE? with ASCII encoding, start and stop of 1 and 10 respectively, and a width set to 1 might return :CURVE 61,62,61,60,60,-59,-59,-58,-58,-59

---

**NOTE.** Curve data is transferred from the instrument asynchronously and, depending upon the length of the curve record, such transfers can require several seconds to complete. During this time, the instrument will not respond to user controls. You can interrupt these asynchronous data transfers by sending a device clear message to the instrument or by interrupting the query with another command or query. Verify that curve data has been completely transferred.

It is recommended that you follow such queries with an \*ESR? query and verify that the error bit returned and, if set, check the event queue to ascertain the reason for the error. If the error was caused by an interrupted query, then the asynchronous data transfer had not completed when the \*ESR? query was sent. In this case, you may need increase your program's time-out value to ensure that all data is transferred and read.

---

## CURVNext? (Query Only)

This query-only command returns unique waveform data from the instrument. This query performs just like :CURVe?, except multiple uses guarantee that the waveform returned is always a new acquisition since the previous :CURVNext?. Note that if the instrument is acquiring waveform records at a slow rate (high

resolution mode), you must configure the controller for long timeout thresholds. Data will not be transferred until a new waveform has been acquired since the previous :CURVNext? response.

**Group** Waveform Transfer

**Syntax** CURVNext?

**Related Commands** [CURVe?](#), [DATA:DESTination](#), [DATA:SOURce](#), [DATA:STARt](#), [DATA:STOP](#), [WFMOutpre?](#)

**Examples** CURVENEXT? This query with ASCII encoding, start and stop of 1 and 10 respectively, and a width set to 1 might return :CURVENEXT 61,62,61,60,60,-59,-59,-58,-58,-59.

## CURVEStream

This query continuously transfers waveform data from the instrument as it is acquired. This command puts the instrument into a talk-only mode, allowing the controller to receive waveform records as fast as (and as soon as) they are acquired. Use the [DATA:SOURce](#) command to specify the waveform sources. The command does the same thing as the [CURVe](#) command.

- Control of the instrument through the user interface or other external client is not possible while in streaming mode.
- The GPIB controller must take the instrument out of this continuous talking mode to terminate the query and allow other input sources to resume communication with the instrument. The following options are available to transition out of streaming curve mode: send a device clear over the bus or send another query to the instrument (a MEPE Query Interrupted error will occur, but the instrument will be placed back into its normal talk/listen mode).
- Turning the waveform screen display mode off (:DISPlay:WAVEform OFF) will increase waveform throughput during streaming mode.
- While in streaming mode, two extreme conditions can occur. If the waveform records are being acquired slowly (high resolution), configure the controller for long time-out thresholds, as the data is not sent out until each complete record is acquired. If the waveform records are being acquired rapidly (low resolution), and the controller is not reading the data off the bus fast enough, the trigger rate is slowed to allow each waveform to be sent sequentially.

**Group** Waveform Transfer

**Syntax** CURVEStream {<Block>|<asc curve>}  
CURVEStream?

**Related Commands** CURVe, DATA:DESTination, DATA:SOUrce, DATA:STARt, DATA:STOP, SAVE:WAVEform, SAVE:WAVEform:FILEFormat, WFMInpre?, WFMInpre:BYT\_Nr, WFMOutpre?, WFMInpre:NR\_FR, WFMOutpre:NR\_FR?

**Arguments** See the CURVe command.

**Returns** Waveform data in its native binary format. To save processing time, DATA:ENCdg FASTEST is set and waveform data is shipped in its raw native format.

## DATA

This command sets or queries the format and location of the waveform data that is transferred with the CURVe command.

**Group** Waveform Transfer

**Syntax** DATA {INIT|SNAP}  
DATA?

**Related Commands** CURVe, DATA:STARt, DATA:STOP, DATA:ENCdg, SAVE:WAVEform:FILEFormat, WFMInpre:NR\_FR, WFMInpre:NR\_Pt, WFMOutpre:NR\_FR?, WFMOutpre:NR\_Pt?

**Arguments** INIT initializes the waveform data parameters to their factory defaults.  
SNAP sets DATA:STARt and DATA:STOP to match the current V Bar/Paired/Split cursor positions.

**Examples** DATA INIT initializes the waveform data parameters to their factory defaults.  
DATA? might return :DATA:DESTINATION REF1;ENCDG RIBINARY;SOURCE CH1;START 1;STOP 1000;FRAMESTART 1;FRAMESTOP 1000.

## DATA:DESTination

This command sets or queries the reference memory location for storing waveform data that is transferred into the instrument by the CURVe command.

<b>Group</b>	Waveform Transfer
<b>Syntax</b>	DATA:DESTINATION REF<x> DATA:DESTINATION?
<b>Related Commands</b>	<a href="#">CURVe</a>
<b>Arguments</b>	REF<x> is the reference where the waveform will be stored. The reference number is specified by x, which ranges from 1 through 4.
<b>Examples</b>	DATA:DESTINATION? might return :DATA:DESTINATION REF3, indicating that reference 3 is the currently selected reference memory location for waveform data. DATA:DESTINATION REF1 indicates that incoming waveform data be stored in reference 1.

## DATA:ENCdg

This command sets or queries the format of outgoing waveform data. This command is equivalent to setting [WFMOupre:ENCdg](#), [WFMOupre:BN\\_Fmt](#), and [WFMOupre:BYT\\_Or](#). Setting the DATA:ENCdg value causes the corresponding WFMOupre values to be updated and visa versa.

---

**NOTE.** *Values are constrained (for outbound data) to the format of the data specified by DATA:SOURce.*

---

<b>Group</b>	Waveform Transfer
<b>Syntax</b>	DATA:ENCdg {ASCIi FASTest RIBinary RPBinary FPBinary SRIBinary  SRPbinary SFPbinary} DATA:ENCdg?
<b>Related Commands</b>	<a href="#">WFMOupre:ENCdg</a> , <a href="#">WFMOupre:BN_Fmt</a> , <a href="#">WFMOupre:BYT_Or</a>

## Arguments

- **ASCIi** specifies the ASCII representation of signed INT, FLOAT. If ASCII is the value, then :BN\_Fmt and :BYT\_Or are ignored.

- **FASTest** specifies that the data be sent in the fastest possible manner consistent with maintaining accuracy and is interpreted with respect to the first waveform specified in the DATA:SOURce list.

:ENCdg will always be BIN, :BYT\_Or will always be LSB, but :BN\_Fmt and :BYT\_Nr will depend on the first DATA:SOURce waveform. :BN\_Fmt will be RI unless the waveform is internally stored as a floating point number, in which case the FP format will be used.

- **RIBinary** specifies signed integer data point representation with the most significant byte transferred first.

When :BYT\_Nr is 1, the range is from -128 through 127. When :BYT\_Nr is 2, the range is from -32,768 through 32,767. When :BYT\_Nr is 8, then the waveform being queried has been set to Fast Acquisition mode. Center screen is 0 (zero). The upper limit is one division above the top of the screen and the lower limit is one division below the bottom of the screen. This is the default argument.

- **RPBinary** specifies the positive integer data-point representation, with the most significant byte transferred first.

When :BYT\_Nr is 1, the range from 0 through 255. When :BYT\_Nr is 2, the range is from 0 to 65,535. When :BYT\_Nr is 8, then the waveform being queried has been set to Fast Acquisition mode. The center of the screen is 127. The upper limit is one division above the top of the screen and the lower limit is one division below the bottom of the screen.

- **FPBinary** specifies the floating point (width = 4) data.

The range is from  $-3.4 \times 10^{38}$  to  $3.4 \times 10^{38}$ . The center of the screen is 0. The upper limit is one division above the top of the screen and the lower limit is one division below the bottom of the screen.

The **FPBinary** argument is only applicable to math waveforms or ref waveforms saved from math waveforms.

- **SRIBinary** is the same as **RIBinary** except that the byte order is swapped, meaning that the least significant byte is transferred first. This format is useful when transferring data to IBM compatible PCs.

- **SRPBinary** is the same as **RPBinary** except that the byte order is swapped, meaning that the least significant byte is transferred first. This format is useful when transferring data to PCs.

- **SFPBinary** specifies floating point data in IBM PC format. The **SFPBinary** argument only works on math waveforms or ref waveforms saved from math waveforms.

**Table 2-15: DATA and WFMOutpre Parameter Settings**

DATA:ENCdg Setting	WFMOutpre Settings			
	:ENCdg	:BN_Fmt	:BYT_Or	:BYT_NR
ASCIi	ASC	N/A	N/A	1,2,4,8
FAStest	BIN	RI/FP	MSB	1,2,4
RIBinary	BIN	RI	MSB	1,2,8
RPBinary	BIN	RP	MSB	1,2,8
FPBinary	BIN	FP	MSB	4
SRIbinary	BIN	RI	LSB	1,2,8
SRPbinary	BIN	RP	LSB	1,2,8
SFPbinary	BIN	FP	LSB	4

**Examples** DATA:ENCDG RPBinary sets the data encoding format to be a positive integer where the most significant byte is transferred first.

DATA:ENCDG? might return :DATA:ENCDG SRPBINARY for the format of the outgoing waveform data.

## DATA:FRAMESTART

This command sets or queries the starting data frame for waveform transfer. This command allows for transferring partial frames of the waveform to and from the instrument.

**Group** Waveform Transfer

**Syntax** DATA:FRAMESTART <NR1>  
DATA:FRAMESTART?

**Arguments** <NR1> is the first data frame that is transferred, which ranges from 1 to the number of acquired frames. Data is transferred from <NR1> to [DATA:FRAMESTOP](#) or the number a acquired frames, whichever is less. If <NR1> is greater than the number of acquired frames, then you will receive the last acquired frame. If no frames were acquired, then you receive the first frame which contains all nulls.

**Returns** The starting data frame for waveform transfer.

**Examples** [DATA:FRAMESTART](#) 10 specifies that the waveform transfer will begin with frame 10.



[DATA:FRAMESTART ?](#) might return `:DATA:FRAMESTART 214` indicating the first waveform frame that will be transferred.

## DATA:FRAMESTOP

This command sets or queries the ending data frame for waveform transfer. This command allows for transferring partial frames of the waveform to and from the instrument.

**Group** Waveform Transfer

**Syntax** `DATA:FRAMESTOP <NR1>`  
`DATA:FRAMESTOP?`

**Arguments** `<NR1>` is the last data frame that is transferred, which ranges from 1 to the number of acquired frames. If `<NR1>` is greater than the number of acquired frames, then you will receive up to the number of acquired frames. If both `DATA:FRAMESTART` and `DATA:FRAMESTOP` are greater than the number of acquired frames, then you will receive the last acquired frame. If no frames were acquired, then you receive the first frame which contains all nulls.

`DATA:FRAMESTART` and `DATA:FRAMESTOP` are order independent. The smaller number is used as in [CURVe](#) and [SAVe:WAVEform](#) queries.

To always transfer complete waveforms, set `DATA:FRAMESTART` to 1 and `DATA:FRAMESTOP` to the maximum number of acquired frames, or larger.

**Returns** The last data frame that will be transferred.

**Examples** [DATA:FRAMESTOP 1500](#) specifies that the waveform transfer will stop with frame 1500.

[DATA:FRAMESTOP ?](#) might return `:DATA:FRAMESTOP 14900` indicating the last waveform frame that will be transferred.

## DATA:SOURce

This command sets or queries the location of waveform data that is transferred from the instrument by the [CURVe?](#) Query.

**Group** Waveform Transfer

**Syntax** DATA:SOURCE <wfm> [<,><wfm>]  
DATA:SOURCE?

**Related Commands** [CURVe](#)

**Arguments** <wfm> is the location of the waveform data that will be transferred from the instrument to the controller.

**Examples** DATA:SOURCE CH1 specifies that the CH1 waveforms will be transferred in the next CURVe? query.

DATA:SOURCE? might return :DATA:SOURCE REF3, indicating that the source for the waveform data which is transferred using a CURVe? query is reference 3.

## DATA:START

This command sets or queries the starting data point for waveform transfer. This command allows for the transfer of partial waveforms to and from the instrument.

**Group** Waveform Transfer

**Syntax** DATA:START <NR1>  
DATA:START?

**Related Commands** [CURVe](#), [DATA](#), [DATA:STOP](#), [SAVE:WAVEform](#), [SAVE:WAVEform:FILEFormat](#), [WFMinpre:NR\\_Pt](#), [WFMOutpre:NR\\_Pt?](#), [WFMinpre:NR\\_FR](#), [WFMOutpre:NR\\_FR?](#)

**Arguments** <NR1> is the first data point that will be transferred, which ranges from 1 to the record length. Data will be transferred from <NR1> to DATA:STOP or the record length, whichever is less. If <NR1> is greater than the record length, the last data point in the record is transferred.

DATA:START and DATA:STOP are order independent. When DATA:STOP is greater than DATA:START, the values will be swapped internally for the CURVE? query.

**Examples** DATA:START 10 specifies that the waveform transfer will begin with data point 10.

DATA:START? might return :DATA:START 214, indicating that data point 214 is the first waveform data point that will be transferred.

## DATA:STOP

This command sets or queries the last data point that will be transferred when using the [CURVe?](#) query. This command allows for the transfer of partial waveforms to the controller.

Changes to the record length value are not automatically reflected in the data:stop value. As record length is varied, the data:stop value must be explicitly changed to ensure the entire record is transmitted. In other words, curve results will not automatically and correctly reflect increases in record length if the distance from data:start to data:stop stays smaller than the increased record length.

---

**NOTE.** When using the [CURVe](#) command, [DATA:STOP](#) is ignored and [WFMinpre:NR\\_Pt](#) is used.

---

**Group** Waveform Transfer

**Syntax** DATA:STOP <NR1>  
DATA:STOP?

**Related Commands** [CURVe](#), [DATA](#), [DATA:START](#), [SAVE:WAVEform](#), [SAVE:WAVEform:FILEFormat](#), [WFMinpre:NR\\_Pt](#), [WFMinpre:NR\\_FR](#), [WFMinpre:NR\\_FR?](#), [WFMinpre:NR\\_FR?](#)

**Arguments** <NR1> is the last data point that will be transferred, which ranges from 1 to the record length. If <NR1> is greater than the record length, then data will be transferred up to the record length. If both [DATA:START](#) and [DATA:STOP](#) are greater than the record length, the last data point in the record is returned.

[DATA:START](#) and [DATA:STOP](#) are order independent. When [DATA:STOP](#) is less than [DATA:START](#), the values will be swapped internally for the [CURVe?](#) query.

If you always want to transfer complete waveforms, set [DATA:START](#) to 1 and [DATA:STOP](#) to the maximum record length, or larger.

**Examples** DATA:STOP 15000 specifies that the waveform transfer will stop at data point 15000.

DATA:STOP? might return :DATA:STOP 14900, indicating that 14900 is the last waveform data point that will be transferred.

## DATE

This command sets or queries the date that the instrument can display. This command is equivalent to selecting Set Date & Time from the Utilities menu and then setting the fields in the Date group box.

**Group** Miscellaneous

**Syntax** DATE <QString>  
DATE?

**Related Commands** [TIME](#)

**Arguments** <QString> is a date in the form “yyyy-mm-dd” where yyyy refers to a four-digit year number, mm refers to a two-digit month number from 01 to 12, and dd refers to a two-digit day number in the month.

**Examples** DATE "2000-01-24" specifies that the date is set to January 24, 2000.  
DATE? might return :DATE 2000-01-24, indicating the current date is set to January 24, 2000.

## \*DDT

This command allows you to specify a command or a list of commands that are executed when the instrument receives a [\\*TRG](#) command or the GET GPIB interface message. Define Device Trigger (\*DDT) is a special alias that the \*TRG command uses.

**Group** Miscellaneous

**Syntax** \*DDT {<Block>|<QString>}  
\*DDT?

**Related Commands** [ALias](#), [\\*TRG](#)

**Arguments** <Block> is a complete sequence of program messages. The messages can contain only valid commands that must be separated by semicolons and must follow all rules for concatenating commands. The sequence must be less than or equal to 80 characters. The format of this argument is always returned as a query.

<QString> is a complete sequence of program messages. The messages can contain only valid commands that must be separated by semicolons and must follow all rules for concatenating commands. The sequence must be less than or equal to 80 characters.

**Examples** \*DDT #OACQUIRE:STATE RUN specifies that the acquisition system will be started each time a \*TRG command is sent.

## DELEte:SETUp (No Query Form)

This command (no query form) changes the setup to reference the factory setup instead of the specific user setup slot. The content of the setup slot is unchanged, but the data will no longer be accessible to you.

This command is equivalent to selecting Delete from the File menu, and then clicking the specific setup you want to delete (user setups are shown as Setup-User and are ordered in the list from 1 through 10, if defined) or All Setups.

---

**NOTE.** *The setup information cannot be recovered once it has been deleted.*

---

**Group** Save and Recall

**Syntax** DELEte:SETUp {ALL | <NR1>}

**Related Commands** \*RCL, RECAI:SETUp, \*RST, \*SAV, SAVe:SETUp, \*SDS

**Arguments** ALL deletes all the stored setups.  
 <NR1> specifies a setup storage location to delete. Setup storage location values range from 1 through 10; using an out-of-range value causes an error.

**Examples** DELEte:SETUP ALL deletes all stored setups. All ten storage locations are initialized to the factory default setup.

## DELEte:WAVEform (No Query Form)

This command (no query form) deletes one or all stored reference waveforms from memory.

This command is equivalent to selecting Delete from the File menu, and then choosing the reference waveform you want to delete; choosing All Refs deletes all of the reference waveforms.

**Group** Save and Recall

**Syntax** DELETE:WAVEform {ALL|REF<x>}

**Related Commands** [RECALL:WAVEform](#), [SAVE:WAVEform](#)

**Arguments** ALL specifies to delete all the stored reference waveforms.  
REF<x> specifies to delete one of the reference memory locations. Reference memory location values range from 1 through 4.

**Examples** DELETE:WAVEFORM ALL removes all waveforms stored in reference memory.  
DELETE:WAVEFORM REF2 removes the waveform stored at REF2.

## DESE

This command sets and queries the bits in the Device Event Status Enable Register (DESER). The DESER is the mask that determines whether events are reported to the Standard Event Status Register (SESR), and entered into the Event Queue. For a more detailed discussion of the use of these registers, see Registers.

**Group** Status and Error

**Syntax** DESE <NR1>  
DESE?

**Related Commands** [\\*CLS](#), [\\*ESE](#), [\\*ESR?](#), [EVENT?](#), [EVMsg?](#), [\\*SRE](#), [\\*STB?](#)

**Arguments** <NR1> The binary bits of the DESER are set according to this value, which ranges from 1 through 255. For example, DESE 209 sets the DESER to the binary value 11010001 (that is, the most significant bit in the register is set to 1, the next most significant bit to 1, the next bit to 0, etc.).

The power-on default for DESER is all bits set if \*PSC is 1. If \*PSC is 0, the DESER maintains the previous power cycle value through the current power cycle.

---

**NOTE.** Setting the *DESER* and *ESER* to the same value allows only those codes to be entered into the Event Queue and summarized on the ESB bit (bit 5) of the Status Byte Register. Use the *\*ESE* command to set the *ESER*.

---

**Examples** DESE 209 sets the DESER to binary 11010001, which enables the PON, URQ, EXE and OPC bits.

DESE? might return :DESE 186, showing that the DESER contains the binary value 10111010.

## DIAG:CONTROL:HALT

This command determines or queries whether the next execution of diagnostics looping will stop on the first diagnostic failure that occurs or will continue to loop on the selected set of diagnostic functions. This command is equivalent to selecting Instrument Diagnostics from the Utilities menu and then enabling Halt on Fail.

**Group** Diagnostics

**Syntax** DIAG:CONTROL:HALT {ON|OFF|<NR1>}  
DIAG:CONTROL:HALT?

**Related Commands** [DIAG:CONTROL:LOOP](#)

**Arguments** ON enables the halt function, causing the execution of diagnostics looping to halt at the first diagnostic failure that occurs.

OFF disables the halt looping function, allowing the instrument to continue to loop on the entire set of diagnostics, even if diagnostic failure occurs.

<NR1> = 0 enables the halt function; any other value disables the halt function.

**Examples** DIAG:CONTROL:HALT ON enables the halt function, causing the execution of diagnostics looping to halt at the first diagnostic failure that occurs.

DIAG:CONTROL:HALT? might return :DIAG:CONTROL:HALT 0, indicating that the halt function is enabled.

## DIAG:CONTROL:LOOP

This command determines or queries whether the next execution of diagnostics executes once or continuously loops on the selected set of diagnostics (assuming

the halt control is set to off using the [DIAg:CONTROL:HALT](#) command or that the halt control is set to ON but no failures occur). This command is equivalent to selecting Instrument Diagnostics from the Utilities menu and then enabling Loop Control.

**Group** Diagnostics

**Syntax** DIAg:CONTROL:LOOP {ON|OFF|<NR1>}  
DIAg:CONTROL:LOOP?

**Related Commands** [DIAg:CONTROL:HALT](#), [DIAg:STOP](#)

**Arguments** ON enables the loop function, causing the execution of diagnostics to continuously loop.  
OFF disables the loop function, causing the instrument to execute the entire set of diagnostics once and then halt.  
<NR1> = 0 enables the loop function; any other value disables the loop function.

**Examples** DIAg:CONTROL:LOOP ON enables the loop function.  
DIAg:CONTROL:LOOP? might return :DIAg:CONTROL:LOOP 0, indicating that looping on diagnostics is enabled.

## DIAg:EXECUTE (No Query Form)

This command (no query form) starts the execution of the currently selected set of diagnostics. This command is equivalent to selecting Instrument Diagnostics from the Utilities menu and then pressing Run.

**Group** Diagnostics

**Syntax** DIAg:EXECUTE

**Related Commands** [DIAg:STATE](#)

**Examples** DIAg:EXECUTE starts the execution of the entire set of diagnostics.



## DIAG:FAILURES:CLEAR

This command sets and queries the clearing of pass/fail information from data structures, not the Event Log, at the start of diagnostic tests.

<b>Group</b>	Diagnostics
<b>Syntax</b>	DIAG:FAILURES:CLEAR {<NR1> OFF ON} DIAG:FAILURES:CLEAR?
<b>Arguments</b>	ON clears pass/fail information from data structures, not the Event Log, at the start of tests.  OFF does not clear pass/fail information at the start of tests.  <NR1> = 0 turns off the clearing the pass/fail information at the start of tests; any other value turns on the clearing of pass/fail information.
<b>Examples</b>	DIAG:FAILURES:CLEAR ON clears pass/fail information on the start of tests.  DIAG:FAILURES:CLEAR? might return DIAG:FAILURES:CLEAR 1 indicating that pass/fail information will be cleared at the start of tests.

## DIAG:ITEM? (Query Only)

This query-only command returns the diagnostics settings. This command is equivalent to selecting Instrument Diagnostics from the Utilities menu, and then reviewing the diagnostics settings.

This query-only command can be issued while diagnostics are still in progress.

<b>Group</b>	Diagnostics
<b>Syntax</b>	DIAG:ITEM? <NR1>
<b>Related Commands</b>	<a href="#">DIAG:ITEM:FAILURES?</a> , <a href="#">DIAG:ITEM:NAME?</a> , <a href="#">DIAG:ITEM:RESULT?</a> , <a href="#">DIAG:ITEM:SUBITEMS?</a>
<b>Arguments</b>	<NR1> sets the index item about which data will be returned, which ranges from 0 through 15.

**Examples**     `DIAG:ITEM? 2` might return `:DIAG:ITEM 2,"Acquisition","Pass",0,8`, indicating that the acquisition test passed and that there were 0 failures of the 8 subitems for that test.

## DIAG:ITEM:FAILURES? (Query Only)

This query-only command returns the total number of failures. This command is equivalent to selecting Instrument Diagnostics from the Utilities menu and then reviewing the Diagnostic Status.

This query-only command can be issued while diagnostics are still in progress.

**Group**     Diagnostics

**Syntax**     `DIAG:ITEM:FAILURES? <NR1>`

**Related Commands**     [DIAG:ITEM?](#), [DIAG:ITEM:NAME?](#), [DIAG:ITEM:RESULT?](#),  
[DIAG:ITEM:SUBITEMS?](#)

**Arguments**     `<NR1>` sets the index item about which data will be returned, which ranges from 0 through 15.

**Examples**     `DIAG:ITEM:FAILURES? 2` might return `:DIAG:ITEM:FAILURES 2,0`, indicating that there were 0 failures for item 2.

## DIAG:ITEM:NAME? (Query Only)

This query-only command returns the name of the selected menu item. This command is equivalent to selecting Instrument Diagnostics from the Utilities menu and then reviewing the Subsystem, Area and Test settings.

This query-only command can be issued while diagnostics are still in progress.

**Group**     Diagnostics

**Syntax**     `DIAG:ITEM:NAME? <NR1>`

**Related Commands**     [DIAG:ITEM?](#), [DIAG:ITEM:FAILURES?](#), [DIAG:ITEM:RESULT?](#),  
[DIAG:ITEM:SUBITEMS?](#)

**Arguments** <NR1> sets the index item about which data will be returned, which ranges from 0 through 15.

**Examples** `DIAG:ITEM:NAME? 2` might return `:DIAG:ITEM:NAME 2,"Acquisition"` indicating that the selected menu item (2) is Acquisition.

## DIAG:ITEM:RESULT? (Query Only)

This query-only command returns the result from the last execution of the item. This command is equivalent to selecting Instrument Diagnostics from the Utilities menu and then reviewing the Diagnostic Status.

This query-only command can be issued while diagnostics are still in progress.

**Group** Diagnostics

**Syntax** `DIAG:ITEM:RESULT? <NR1>`

**Related Commands** [DIAG:ITEM?](#), [DIAG:ITEM:NAME?](#), [DIAG:ITEM:FAILURES?](#), [DIAG:ITEM:SUBITEMS?](#)

**Arguments** <NR1> sets the index item about which data will be returned, which ranges from 0 through 15.

**Examples** `DIAG:ITEM:RESULT? 2` might return `:DIAG:ITEM:RESULT 2,"Pass"`, indicating that the item passed during the last execution.

`DIAG:ITEM:RESULT? 2` might return `:DIAG:ITEM:RESULT 2,"Fail"`, indicating that the item failed during the last execution.

`DIAG:ITEM:RESULT? 2` might return `:DIAG:ITEM:RESULT 2," "`, indicating that the item was not run.

## DIAG:ITEM:SUBITEMS? (Query Only)

This query-only command returns the number of subitems associated with the item. This command is equivalent to selecting Instrument Diagnostics from the Utilities menu, choosing the Subsystem, Area or Test setting and then reviewing the resulting subitems.

This query-only command can be issued while diagnostics are still in progress.

<b>Group</b>	Diagnostics
<b>Syntax</b>	DIAG:ITEM:SUBITEMS? <NR1>
<b>Related Commands</b>	<a href="#">DIAG:ITEM?</a> , <a href="#">DIAG:ITEM:NAME?</a> , <a href="#">DIAG:ITEM:FAILURES?</a> , <a href="#">DIAG:ITEM:RESULT?</a>
<b>Arguments</b>	<NR1> sets the index item about which data will be returned, which ranges from 0 through 15.
<b>Examples</b>	DIAG:ITEM:SUBITEMS? 2 might return :DIAG:ITEM:SUBITEMS 2,8, indicating that there are 8 subitems associated with the selected item.

## DIAG:LEVEL

This command sets or returns the selected level of diagnostic test hierarchy. This command is equivalent to selecting Instrument Diagnostics from the Utilities menu and then reviewing the Diagnostic Status.

<b>Group</b>	Diagnostics
<b>Syntax</b>	DIAG:LEVEL {SUBSYS AREA TEST} DIAG:LEVEL?
<b>Arguments</b>	SUBSYS sets diagnostic testing to the subsystem level. AREA sets diagnostic testing to the area level. TEST sets diagnostic testing to the test level.
<b>Examples</b>	DIAG:LEVEL AREA sets the level of diagnostic test hierarchy to Area. DIAG:LEVEL? might return :DIAG:LEVEL SUBSYSI, indicating that the current level of diagnostic test hierarchy is Subsys.

## DIAG:LOOPS? (Query Only)

This query-only command returns the number of times that the selected diagnostics set was completed during the last diagnostic execution. This command is equivalent to selecting Instrument Diagnostics from the Utilities menu and then reviewing the Elapsed Loops.

This query-only command can be issued while diagnostics are still in progress.

**Group** Diagnostics

**Syntax** `DIAG:LOOPS?`

**Examples** `DIAG:LOOPS?` might return `:DIAG:LOOPS 5` indicating that the selected set of diagnostics was completed five times during the last diagnostic execution.

## DIAG:NAME? (Query Only)

This query-only command returns the names of the subsystem, area, and test of the current diagnostic test. This command can be issued while diagnostics are still in progress.

**Group** Diagnostics

**Syntax** `DIAG:NAME?`

**Related Commands** [DIAG:NAME:AREA?](#), [DIAG:NAME:SUBSYS?](#), [DIAG:NAME:TEST?](#)

**Examples** `DIAG:NAME?` might return `:DIAG:NAME:SUBSYS "Processor";AREA "Memory";TEST"DRAMwalk1"`, indicating the subsystem name, area name, and test name of the currently selected diagnostic test.

## DIAG:NAME:AREA? (Query Only)

This query-only command returns the selected area of the current diagnostic test. There are three levels of diagnostic test hierarchy: subsystem, area and test. This command is equivalent to selecting Instrument Diagnostics from the Utilities menu and then reviewing the Diagnostic Status.

This query-only command can be issued while diagnostics are still in progress.

**Group** Diagnostics

**Syntax** `DIAG:NAME:AREA?`

**Related Commands**    [DIAg:NAME?](#), [DIAg:NAME:SUBSYS?](#), [DIAg:NAME:TEST?](#)

**Examples**    `DIAG:NAME:AREA?` might return `:DIAG:NAME:AREA "Memory"` indicating the selected area name of the current diagnostic test.

## **DIAg:NAME:SUBSYS? (Query Only)**

This query-only command returns the subsystem of the current diagnostic test. This command is equivalent to selecting Instrument Diagnostics from the Utilities menu and then reviewing the Diagnostic Status.

This query-only command can be issued while diagnostics are still in progress.

**Group**    Diagnostics

**Syntax**    `DIAG:NAME:SUBSYS?`

**Related Commands**    [DIAg:NAME?](#), [DIAg:NAME:AREA?](#), [DIAg:NAME:TEST?](#)

**Examples**    `DIAG:NAME:SUBSYS?` might return `:DIAG:NAME:SUBSYS "Acquisition"`, indicating the subsystem name of the current diagnostic test.

## **DIAg:NAME:TEST? (Query Only)**

This query-only command returns the name of the current diagnostic test. This command is equivalent to selecting Instrument Diagnostics from the Utilities menu and then reviewing the Diagnostic Status.

This query-only command can be issued while diagnostics are still in progress.

**Group**    Diagnostics

**Syntax**    `DIAg:NAME:TEST?`

**Related Commands**    [DIAg:NAME?](#), [DIAg:NAME:AREA?](#), [DIAg:NAME:SUBSYS?](#)

**Examples**    `DIAG:NAME:TEST?` might return `:DIAG:NAME:TEST "diagDataFormatConf"`, indicating the test name of the current diagnostic test.

## DIAG:NUMITEMS? (Query Only)

This query-only command returns the number of items on the currently selected level of test hierarchy, which ranges from 1 through 15. This command is equivalent to selecting Instrument Diagnostics from the Utilities menu and then reviewing the Diagnostic Status.

This query-only command can be issued while diagnostics are still in progress.

**Group** Diagnostics

**Syntax** DIAG:NUMITEMS?

**Examples** DIAG:NUMITEMS? might return :DIAG:NUMITEMS 7, indicating the number of items on the currently selected level of test hierarchy.

## DIAG:RESuLts? (Query Only)

This query-only command returns an abbreviated status about the results of the last diagnostic (or test) execution. For a more explanatory status message, use the [DIAG:RESuLts:VERBose?](#) query. This command is equivalent to selecting Instrument Diagnostics from the Utilities menu and then reviewing the Diagnostic Status.

This query-only command can be issued while diagnostics are still in progress.

**Group** Diagnostics

**Syntax** DIAG:RESuLts?

**Related Commands** [DIAG:RESuLts:VERBose?](#)

**Examples** DIAG:RESULTS? might return :DIAG:RESULTS "135", indicating the specific failure code of the first test failure that occurred.

DIAG:RESULTS? might return :DIAG:RESULTS "Pass", indicating that the last diagnostic test passed.

DIAG:RESULTS? might return :DIAG:RESULTS "\*\*\*\*\*", indicating that the diagnostic test was not run.

## DIAG:RESuLts:VERBoSe? (Query Only)

This query-only command returns a more explanatory message about the results of the last diagnostic (or test) execution than the [DIAG:RESuLts?](#) query. This command is equivalent to selecting Instrument Diagnostics from the Utilities menu and then reviewing the Diagnostic Status.

This query-only command can be issued while diagnostics are still in progress.

**Group** Diagnostics

**Syntax** `DIAG:RESuLts:VERBoSe?`

**Related Commands** [DIAG:RESuLts?](#)

**Examples** `DIAG:RESULTS:VERBOSE?` might return  
`:DIAG:RESULTS:VERBOSE "DIAG ABORTED, ERROR 15 in A2D-Dmux  
 1 interconnects".`

## DIAG:SELEct:ALL (No Query Form)

This command (no query form) selects all available diagnostics. This command is equivalent to selecting Instrument Diagnostics from the Utilities menu and then choosing ALL from the Subsystem, Area and Test pull-down lists.

**Group** Diagnostics

**Syntax** `DIAG:SELEct:ALL ALL`

**Related Commands** [DIAG:NAME:AREA?](#), [DIAG:NAME:SUBSYS?](#), [DIAG:NAME:TEST?](#),  
[DIAG:EXECUTE](#)

**Arguments** ALL selects all available diagnostics.

**Examples** `DIAG:SELECT:ALL ALL` selects all available diagnostics.



## DIAG:SElect:AREA

This command selects or queries an available diagnostic area. This command is equivalent to selecting Instrument Diagnostics from the Utilities menu and then selecting an Area from the pull-down list.

---

**NOTE.** *This command should be executed only if [DIAG:LEVEL](#) is currently set to [AREA](#).*

---

**Group** Diagnostics

**Syntax** `DIAG:SElect:AREA <NR1>`  
`DIAG:SElect:AREA?`

**Related Commands** [DIAG:SElect:SUBSYS](#), [DIAG:SElect:TEST](#), [DIAG:SElect:LAST](#)

**Arguments** <NR1> selects a diagnostic area by number, which can range from 0 (zero selects all) through 15 (as specified by [DIAG:NUMITEMS?](#)).

**Examples** `DIAG:SELECT:AREA 1` selects Area 1 as the area to be diagnosed.  
`DIAG:SELECT:AREA?` might return `:DIAG:SELECT:AREA 0`, indicating that all areas are selected.

## DIAG:SElect:LAST

This command selects one or more diagnostic menu items to be executed via the [DIAG:EXECUTE](#) command. If you specify [DIAG:LEVEL SUBSYS](#), then menu items come from this diagnostic level and are limited to the value returned by the [DIAG:NUMITEMS?](#) query. For example, if the return from the [DIAG:NUMITEMS?](#) query is `:DIAG:NUMITEMS 5`, specifying `DIAG:SELECT:SUBSYS 2` indicates that diagnostics will start from subsystem 2 and that you can specify a range from 2 through 5 for `DIAG:SELECT:LAST`.

If you enter: `DIAG:SElect:LAST 2`, only subsystem 2 will be executed.  
`DIAG:SElect:LAST 4`, subsystems 2 *through* 4 will be executed.

**Group** Diagnostics

**Syntax** `DIAG:SElect:LAST <NR1>`  
`DIAG:SElect:LAST?`

<b>Related Commands</b>	<a href="#">DIAG:EXECUTE</a> , <a href="#">DIAG:LEVEL</a> , <a href="#">DIAG:NAME:AREA?</a> , <a href="#">DIAG:NAME:SUBSYS?</a> , <a href="#">DIAG:NAME:TEST?</a> , <a href="#">DIAG:NUMITEMS?</a> , <a href="#">DIAG:SElect:SUBSYS</a>
<b>Arguments</b>	<NR1> selects an integer that identifies the number of the last item that will be executed when the <a href="#">DIAG:EXECUTE</a> command is run.
<b>Examples</b>	<a href="#">DIAG:SELECT:LAST 2</a> specifies that (based on the example in the description above) only subsystem 2 will be executed.  <a href="#">DIAG:SELECT:LAST?</a> might return <a href="#">:DIAG:SELECT:LAST 5</a> , indicating that 5 is the last item of a group of items from the current level of test hierarchy.

## DIAG:SElect:SUBSYS

This command selects or queries the available subsystem. This command is equivalent to selecting Instrument Diagnostics from the Utilities menu and then choosing a Subsystem from the drop-down list.

---

**NOTE.** This command should be executed only if [DIAG:LEVEL](#) is currently set to [SUBSYS](#).

---

<b>Group</b>	Diagnostics
<b>Syntax</b>	<a href="#">DIAG:SElect:SUBSYS &lt;NR1&gt;</a> <a href="#">DIAG:SElect:SUBSYS?</a>
<b>Related Commands</b>	<a href="#">DIAG:SElect:AREA</a> , <a href="#">DIAG:SElect:LAST</a>
<b>Arguments</b>	<NR1> selects a subsystem by number, which can range from 0 (zero selects ALL) through 15 (as limited by the return from <a href="#">DIAG:NUMITEMS?</a> ).
<b>Examples</b>	<a href="#">DIAG:SELECT:SUBSYS 1</a> selects Subsystem 1 as the subsystem to be diagnosed.  <a href="#">DIAG:SELECT:SUBSYS?</a> might return <a href="#">:DIAG:SELECT:SUBSYS 0</a> , indicating that all subsystems are selected.

## DIAG:SElect:TEST

This command selects or queries one of the available tests. This command is equivalent to selecting Instrument Diagnostics from the Utilities menu and then choosing a Test from the drop-down list.

---

**NOTE.** *This command should be executed only if [DIAG:LEVEL](#) is currently set to [TEST](#).*

---

**Group** Diagnostics

**Syntax** [DIAG:SElect:TEST <NR1>](#)  
[DIAG:SElect:TEST?](#)

**Related Commands** [DIAG:SElect:AREA](#), [DIAG:SElect:LAST](#), [DIAG:SElect:SUBSYS](#)

**Arguments** <NR1> selects a test by number, which can range from 0 (zero selects ALL) through 15 (as limited by the return from [DIAG:NUMITEMS?](#)).

**Examples** [DIAG:SELECT:TEST 1](#) selects Test 1 as the test to be executed.  
[DIAG:SELECT:TEST?](#) might return [:DIAG:SELECT:TEST 0](#), indicating all tests have been selected.

## DIAG:STATE

This command changes the instrument operating state. Depending on the argument, diagnostics capabilities are either turned on or off. This command is equivalent to opening the [DIAG:STATE](#) dialog (ON) or closing it (OFF).

**Group** Diagnostics

**Syntax** [DIAG:STATE {EXECUTE|ON|OFF|<NR1>}](#)  
[DIAG:STATE?](#)

**Related Commands** [TEST:STOP](#)

<b>Arguments</b>	<p>EXECUTE starts execution of the diagnostics.</p> <p>ON puts the instrument into the state in which diagnostics can be run. This argument is thrown automatically if the <a href="#">DIAG:EXECUTE</a> command is executed.</p> <p>OFF disables diagnostics capabilities and returns the instrument to a normal operating state.</p> <p>&lt;NR1&gt; = 0 disables diagnostics capabilities and returns the instrument to a normal operating state; any other value enables diagnostics.</p>
<b>Examples</b>	<p>DIAG:STATE OFF turns off diagnostics capabilities and returns the instrument to a normal operating state.</p> <p>DIAG:STATE? might return :DIAG:STATE 0, indicating that diagnostics are disabled.</p>

## DIAG:STOP (No Query Form)

This command (no query form) causes diagnostics (or test) execution to terminate at the end of the next low-level test. This command is equivalent to selecting Instrument Diagnostics from the Utilities menu and then clicking Abort.

<b>Group</b>	Diagnostics
<b>Syntax</b>	DIAG:STOP
<b>Related Commands</b>	<a href="#">TEST:STOP</a>
<b>Examples</b>	DIAG:STOP terminates diagnostics (or test) execution at the end of the next low-level test.

## DISplay? (Query Only)

This query-only command returns the current Display settings. This command is equivalent to selecting Display Setup from the Display menu and then viewing the contents of each tab.

<b>Group</b>	Display Control
<b>Syntax</b>	DISplay?

**Examples**    DISPLAY? might return :DISPLAY:CLOCK 1;COLOR:PALETTE:IMAGEVIEW  
 MONOGREEN; RECORDVIEW TEMPERATURE;USER:GRATICULE  
 165,50,15;CH1 180,50,100; CH2 300,50,100;CH3  
 60,50,100;CH4 240,50,100;REF1 0,90,0; REF2  
 0,90,100;REF3 60,90,100;REF4 240,90,100;MATH1  
 160,50,100; MATH2 40,60,100;MATH3 120,60,100;MATH4  
 195,50,100; HISTOGRAM 320,50,100;CARET 150,50,100;MASK  
 0,25,75;MASKHIGHLIGHT 140,50,100;:DISPLAY:COLOR:MATHCOLOR  
 DEFAULT;REFCOLOR DEFAULT; :DISPLAY:FILTER SINX;FORMAT  
 YT;GRATICULE IRE;INTENSITY :WAVEFORM:IMAGEVIEW  
 81.0000;RECORDVIEW 81.0000;:DISPLAY :INTENSITY:AUTOBRIGHT  
 0; :DISPLAY:PERSISTENCE OFF;STYLE DOTS;TRIGBAR OFF;TRIGT  
 1; CURSORTICK LONG;VARPERSIST 2.6000;SCREENTEXT:STATE  
 1; LABEL1:NAME "";XPOS 100;YPOS 5;:DISPLAY:SCREENTEXT  
 :LABEL2:NAME "THIS IS SCREEN TEXT";XPOS 100;YPOS 20;  
 :DISPLAY:SCREENTEXT:LABEL3:NAME "";XPOS 100;YPOS 35;  
 :DISPLAY:SCREENTEXT:LABEL4:NAME "";XPOS 100;YPOS 50;  
 :DISPLAY:SCREENTEXT:LABEL5:NAME "";XPOS 100;YPOS 343;  
 :DISPLAY:SCREENTEXT:LABEL6:NAME "";XPOS 100;YPOS 80;  
 :DISPLAY:SCREENTEXT:LABEL7:NAME "";XPOS 100;YPOS 95;  
 :DISPLAY:SCREENTEXT:LABEL8:NAME "";XPOS 100;YPOS 110;  
 :DISPLAY:WAVEFORM 1.

## DISplay:CLOCK

This command sets or queries the display of the date and time. This is equivalent to selecting Display Date & Time from the Display menu. The query form of this command returns an ON (1) or an OFF (0).

**Group**    Display Control

**Syntax**    DISp\lay:CLOCK {ON|OFF|<NR1>}  
 DISp\lay:CLOCK?

**Related Commands**    [DATE](#), [TIME](#)

**Arguments**    ON enables display of date and time.  
 OFF disables display of date and time.  
 <NR1> = 0 disables display of date and time; any other value enables display of date and time.

**Examples**     `DISPLAY:CLOCK ON` enables display of date and time.  
`DISPLAY:CLOCK?` might return `:DISPLAY:CLOCK 1` indicating that the display of date and time is currently enabled.

## DISplay:COLOr? (Query Only)

This query-only command returns the settings from the `PALETTE`, `MATHCOLOR` and `REFCOLOR` commands. This is equivalent to selecting Colors from the Display menu.

**Group**     Display Control

**Syntax**     `DISplay:COLOr?`

**Arguments**     None

**Examples**     `DISPLAY:COLOR?` might return `:DISPLAY:COLOR:PALETTE:IMAGEVIEW TEMPERATURE;RECORDVIEW NORMAL;USER:GRATICULE 165,50,15;CH1 180,50,100;CH2 300,50,100;CH3 60,50,100;CH4 240,50,100;REF1 0,90,0;REF2 0,90,100;REF3 60,90,100;REF4 240,90,100;MATH1 160,50,100;MATH2 40,60,100;MATH3 120,60,100;MATH4 195,50,100;HISTOGRAM 320,50,100;CARET 150,50,100;MASK 0,25,75;MASKHIGHLIGHT 140,50,100;:DISPLAY:COLOR:MATHCOLOR DEFAULT;REFCOLOR DEFAULT` indicating that the primary source waveform color is used for each math trace.

## DISplay:COLOr:MATHCOLOr

This command sets or queries the color to be used for math traces, either in the standard palette's nominal Math color, or according to the color of the source waveform. This command is equivalent to selecting Display Setup from the Display menu and then choosing the Colors tab.

**Group**     Display Control

**Syntax**     `DISplay:COLOr:MATHCOLOr {DEFAULT|INHERIT}`  
`DISplay:COLOr:MATHCOLOr?`

**Related Commands**     [DISplay:COLOr:PALEtte:IMAGEView](#), [DISplay:COLOr:PALEtte:RECORDView](#)

**Arguments** DEFAULT sets color math traces in nominal palette math color, which is red.  
 INHERIT sets color math traces in the source waveform color. Math waveforms are drawn in the same color as their primary source waveform.

**Examples** DISPLAY:COLOR:MATHCOLOR DEFAULT sets the color math traces in the nominal palette math color.  
 DISPLAY:COLOR:MATHCOLOR? might return :DISPLAY:COLOR:MATHCOLOR INHERIT, indicating that the primary source waveform color is used for each math trace.

## DISplay:COLOR:PALEtte:IMAGEView

This command sets or queries the color palette for all image view (DPO and WfmDB) traces.

**Group** Display Control

**Syntax** DISplay:COLOR:PALEtte:IMAGEview  
 {NORMAl|MONOGREEN|MONOGRAY|TEMPERature|SPECTra1|USER}  
 DISplay:COLOR:PALEtte:IMAGEview?

**Arguments** NORMAl colors traces according to their channel. This is the default color palette.  
 MONOGREEN colors traces green, emulating a traditional instrument color palette.  
 MONOGRAY colors traces gray, emulating a monochrome instrument.  
 TEMPERature  
 All traces share a multicolored palette, where “intensity” is represented by hue; blue for least frequently hit, red for most frequently hit.  
 SPECTra1.  
 All traces share a multicolored palette, where “intensity” is represented by hue; red for least frequently hit, blue for most frequently hit.  
 USER.  
 All traces share a user-defined palette.

**Examples** DISPLAY:COLOR:PALETTE:IMAGEVIEW MONOGRAY sets the palette for all display types.  
 DISPLAY:COLOR:PALETTE:IMAGEVIEW? might return :DISPLAY:COLOR:PALETTE:IMAGEVIEW NORMAL, indicating that

the Normal color palette is currently selected, which colors traces according to their channel.

## DISplay:COLOR:PALETTE:RECORDView

This command sets or queries the color palette for all record view (non image view) waveforms.

**Group** Display Control

**Syntax** DISplay:COLOR:PALETTE:RECORDview  
 {NORMAL|MONOGREEN|MONOGRAY|TEMPERature|SPECTra1|USER}  
 DISplay:COLOR:PALETTE:RECORDview?

**Arguments** NORMAL colors traces according to their channel. This is the default color palette.  
 MONOGREEN colors traces green, emulating a traditional instrument color palette.  
 MONOGRAY colors traces gray, emulating a monochrome instrument.  
 TEMPERature colors all traces using a multicolored palette, where “intensity” is represented by hue; blue for least frequently hit, red for most frequently hit. All traces share this palette.  
 SPECTra1 colors all traces using a multicolored palette, where “intensity” is represented by hue; red for least frequently hit, blue for most frequently hit. All traces share this palette.  
 USER colors all traces using a user-defined palette. All traces share this palette.

**Examples** DISPLAY:COLOR:PALETTE:RECORDVIEW MONOGRAY sets the palette for all display types.  
 DISPLAY:COLOR:PALETTE:RECORDVIEW? might return  
 :DISPLAY:COLOR:PALETTE:RECORDVIEW NORMAL, indicating that the Normal color palette is currently selected, which colors traces according to their channel.

## DISplay:COLOR:PALETTE:USER

This command queries the color palette for group settings. It outputs settings from the DISplay CARET, CH<x>, GRATICULE, HISTOGRAM, MASK, MASKHIGHLIGHT, MATH<x>, and REF<x> commands.

**Group** Display Control



<b>Syntax</b>	DISplay:COLOR:PALETTE:USER RESET DISplay:COLOR:PALETTE:USER?
<b>Arguments</b>	RESET sets all user palettes to their default values.
<b>Examples</b>	DISPLAY:COLOR:PALETTE:USER? might return :DISPLAY:COLOR:PALETTE:USER:GRATICULE 165,50,15;CH1 180,50,100;CH2 300 50,100;CH3 60,50,100;CH4 240,50,100;REF1 0,90,0;REF2 0,90,100;REF3 60,90,100;REF4 240,90,100;MATH1 160,50,100;MATH2 40,60,100;MATH3 120,60,100;MATH4 195,50,100;HISTOGRAM 320,50,100;CARET 150,50,100;MASK 0,25,75;MASKHIGHLIGHT 140,50,100.

## DISplay:COLOR:PALETTE:USER:CAREt

This command sets or queries the caret color for the user palette. It assigns the HUE, light, Saturation (HLS) triplet used for the caret color. The caret is the solid, inverted delta positioned on the top graticule line, which indicates the trigger position within the waveform record.

<b>Group</b>	Display Control
<b>Syntax</b>	DISplay:COLOR:PALETTE:USER:CAREt <NR1>,<NR1>,<NR1> DISplay:COLOR:PALETTE:USER:CAREt?
<b>Arguments</b>	<NR1> Hue. Range of 0 to 360. <NR1> Lightness. Range of 0 to 100. <NR1> Saturation. Range of 0 to 100.
<b>Examples</b>	DISPLAY:COLOR:PALETTE:USER:CARET 330,75,100 sets the caret color hue to 330, the lightness to 75, and the saturation to 100.  DISPLAY:COLOR:PALETTE:USER:CARET? might return :DISPLAY:COLOR:PALETTE:USER:CARET 250, 85, 90, indicating that the color hue is set at 250, the lightness is set to 85, and the saturation is set to 90.

## DISplay:COLOR:PALEtte:USER:CH<x>

This command sets or queries the hue-lightness-saturation (HLS) triplet to be used for the specified channel color for the user palette. The channel is specified by x. The value of x can range from 1 through 4.

<b>Group</b>	Display Control
<b>Syntax</b>	DISplay:COLOR:PALEtte:USER:CH<x> <NR1>, <NR1>, <NR1> DISplay:COLOR:PALEtte:USER:CH<x>?
<b>Arguments</b>	<NR1> Hue. Range of 0 to 360. <NR1> Lightness. Range of 0 to 100. <NR1> Saturation. Range of 0 to 100.
<b>Examples</b>	DISplay:COLOR:PALEtte:USER:CH1 330,75,100 sets a user palette of hue = 330, lightness = 75, and saturation = 100 for Channel 1.  DISplay:COLOR:PALEtte:USER:CH2? might return :DISPLAY:COLOR:PALETTE:USER:CH2 325,65,100 indicating that Channel 2 color for the user palette is set at 325 for hue, 65 for lightness, and 100 for saturation.

## DISplay:COLOR:PALEtte:USER:GRAticule

This command sets or queries the user palette graticule color. It assigns the hue-lightness-saturation triplet to be used for the graticule color for the user palette.

<b>Group</b>	Display Control
<b>Syntax</b>	DISplay:COLOR:PALEtte:USER:GRAticule <NR1>, <NR1>, <NR1> DISplay:COLOR:PALEtte:USER:GRAticule?
<b>Arguments</b>	<NR1> Hue. Range of 0 to 360. <NR1> Lightness. Range of 0 to 100. <NR1> Saturation. Range of 0 to 100.

**Examples** `DISPLAY:COLOR:PALETTE:USER:GRATICULE 330,75,100` sets the graticule color for the user palette.

`DISPLAY:COLOR:PALETTE:USER:GRATICULE?` might return `:DISPLAY:COLOR:PALETTE:USER:GRATICULE 300,60,85`, indicating that the user palette graticule color is assigned a hue of 300, a lightness of 60, and a saturation of 85.

## DISplay:COLOr:PALEtte:USEr:HIStoqram

This command sets or queries the user palette histogram color. It assigns the hue-saturation-lightness (HLS) triplet to be used for the histogram color for the user palette.

**Group** Display Control

**Syntax** `DISplay:COLOr:PALEtte:USEr:HIStoqram <NR1>,<NR1>,<NR1>`  
`DISplay:COLOr:PALEtte:USEr:HIStoqram?`

**Arguments** `<NR1>` Hue. Range of 0 to 360.  
`<NR1>` Lightness. Range of 0 to 100.  
`<NR1>` Saturation. Range of 0 to 100.

**Examples** `DISPLAY:COLOR:PALETTE:USER:HISTOGRAM 330,75,100` sets the histogram color for the user palette.

`DISPLAY:COLOR:PALETTE:USER:HISTOGRAM?` might return `:DISPLAY:COLOR:PALETTE:USER:HISTOGRAM 330,50,90`, indicating that the user palette histogram color is assigned a hue of 330, a lightness of 50, and a saturation of 90.

## DISplay:COLOr:PALEtte:USEr:MASK

This command sets or queries the user palette mask color. It assigns the hue-lightness-saturation (HLS) color for the mask color for the user palette.

**Group** Display Control

**Syntax** `DISplay:COLOr:PALEtte:USEr:MASK <NR1>,<NR1>,<NR1>`  
`DISplay:COLOr:PALEtte:USEr:MASK?`

<b>Arguments</b>	<p>&lt;NR1&gt; Hue. Range of 0 to 360.</p> <p>&lt;NR1&gt; Lightness. Range of 0 to 100.</p> <p>&lt;NR1&gt; Saturation. Range of 0 to 100.</p>
<b>Examples</b>	<p>DISPLAY:COLOR:PALETTE:USER:MASK 330,75,100 sets the mask color for the user palette.</p> <p>DISPLAY:COLOR:PALETTE:USER:MASK? might return :DISPLAY:COLOR:PALETTE:USER:MASK 330,50,90, indicating that the user palette mask color is assigned a hue of 330, a lightness of 50, and a saturation of 90.</p>

## DISplay:COLOR:PALEtte:USER:MASKHighlight

This command sets or queries the user palette mask hits color. It assigns the hue-lightness-saturation (HLS) triplet to be used for the mask highlight (mask hits) color for the user palette.

<b>Group</b>	Display Control
<b>Syntax</b>	<p>DISplay:COLOR:PALEtte:USER:MASKHighlight &lt;NR1&gt;,&lt;NR1&gt;,&lt;NR1&gt;</p> <p>DISplay:COLOR:PALEtte:USER:MASKHighlight?</p>
<b>Arguments</b>	<p>&lt;NR1&gt; Hue. Range of 0 to 360.</p> <p>&lt;NR1&gt; Lightness. Range of 0 to 100.</p> <p>&lt;NR1&gt; Saturation. Range of 0 to 100.</p>
<b>Examples</b>	<p>DISPLAY:COLOR:PALETTE:USER:MASKHIGHLIGHT 330,75,100 sets the mask highlight (mask hits) color for the user palette.</p> <p>DISPLAY:COLOR:PALETTE:USER:MASKHIGHLIGHT? might return :DISPLAY:COLOR:PALETTE:USER:MASK:HIGHLIGHT 325,65,100, indicating that the user palette mask highlight color is assigned a hue of 325, a lightness of 65, and a saturation of 100.</p>

## DISplay:COLOR:PALEtte:USER:MATH<x>

This command sets or queries the user palette math colors. It assigns the hue-lightness-saturation (HLS) triplet to be used for the specified math waveform for the user palette. The math waveform is specified by x. The value of x can range from 1 through 4.

<b>Group</b>	Display Control
<b>Syntax</b>	DISplay:COLOR:PALEtte:USER:MATH<x> <NR1>,<NR1>,<NR1> DISplay:COLOR:PALEtte:USER:MATH<x>?
<b>Arguments</b>	<NR1> Hue. Range of 0 to 360. <NR1> Lightness. Range of 0 to 100. <NR1> Saturation. Range of 0 to 100.
<b>Examples</b>	DISPLAY:COLOR:PALETTE:USER:MATH2 330,75,100 sets the color of the specified Math 2 waveform for the user palette.  DISPLAY:COLOR:PALETTE:USER:MATH2? might return :DISPLAY:COLOR:PALETTE:USER:MATH2 345,75,98, indicating that the user palette color of the Math 2 waveform is set to a hue of 345, a lightness of 75, and a saturation of 98.

## DISplay:COLOR:PALEtte:USER:REF<x>

This command sets or queries the user palette reference colors assigned to the reference waveforms. It assigns the hue-lightness-saturation (HLS) triplet to be used for the specified reference waveform color for the user palette. The reference waveform is specified by x. The value of x can range from 1 through 4.

<b>Group</b>	Display Control
<b>Syntax</b>	DISplay:COLOR:PALEtte:USER:REF<x> <NR1>,<NR1>,<NR1> DISplay:COLOR:PALEtte:USER:REF<x>?
<b>Arguments</b>	<NR1> Hue. Range of 0 to 360. <NR1> Lightness. Range of 0 to 100. <NR1> Saturation. Range of 0 to 100.
<b>Examples</b>	DISPLAY:COLOR:PALETTE:USER:REF1 330,75,100 sets the Reference 1 waveform color for the user palette.  DISPLAY:COLOR:PALETTE:USER:REF2? might return :DISPLAY:COLOR:PALETTE:USER:REF2 300,90,100, indicating that the user palette color for Reference 2 waveform is assigned a hue of 300, and lightness of 90, and a saturation of 100.

## DISplay:COLOr:PALEtte:USEr:WAVEform

This command sets or queries the user palette waveform colors. It assigns the hue-lightness-saturation (HLS) triplet to be used for the specified waveform for the user palette.

**Group** Display Control

**Syntax** DISplay:COLOr:PALEtte:USEr:WAVEform  
 {HLS|TEMPERature|SPECTra1}  
 DISplay:COLOr:PALEtte:USEr:WAVEform?

**Arguments** HLS sets the color of user waveforms to the hue, lightness, and saturation specified by the DISplay:COLOr:PALEtte:USEr:<wfm> commands.

TEMPERature sets the color of user waveforms to temperature.

SPECTra1 sets the color of user waveforms to spectral.

**Examples** DISPLAY:COLOR:PALETTE:USER:WAVEFORM SPECTRAL sets the user waveforms color palette to spectral.

DISPLAY:COLOR:PALETTE:USER:WAVEFORM? might return  
 :DISPLAY:COLOR:PALETTE:USER:WAVEFORM TEMPERATURE, indicating that the color of user waveforms is set to temperature.

## DISplay:COLOr:REFCOLOr

This command sets or queries the color to be used for reference traces, either in the standard palette's nominal REF color or according to the color of the source waveform. This command is equivalent to selecting Display Setup from the Display menu and then choosing the Colors tab.

**Group** Display Control

**Syntax** DISplay:COLOr:REFCOLOr {DEFAULT|INHERIT}  
 DISplay:COLOr:REFCOLOr?

**Related Commands** [DISplay:INTENSITY:WAVEform:IMAGEView](#), [DISplay:INTENSITY:WAVEform:RECORDView](#)

<b>Arguments</b>	<p>DEFAULT assigns color reference traces to the nominal palette reference color, which is off-white.</p> <p>INHERIT assigns color reference traces to the source waveform color.</p>
<b>Examples</b>	<p>DISPLAY:COLOR:REFCOLOR DEFAULT assigns color reference traces to the nominal palette reference color, which is off-white.</p> <p>DISPLAY:COLOR:REFCOLOR? might return :DISPLAY:COLOR:REFCOLOR INHERIT, indicating that source waveform color is used for reference traces.</p>

## DISplay:FILTer

This command sets or queries the type of interpolation to use for the display. Filtering only applies to normal-mode acquisition. The DISplay:FILTer command also provides selection for acquisition interpolation type. This command is equivalent to selecting Waveform Interpolation from the Display menu.

<b>Group</b>	Display Control
<b>Syntax</b>	<p>DISplay:FILTer {LINEAr SINX}</p> <p>DISplay:FILTer?</p>
<b>Arguments</b>	<p>LINEAr specifies linear interpolation, where acquired points are connected with straight lines.</p> <p>SINX specifies <math>\sin(x)/x</math> interpolation, where acquired points are fit to a curve.</p>
<b>Examples</b>	<p>DISPLAY:FILTER SINX specifies sine-curve interpolation, when magnifying waveforms.</p> <p>DISPLAY:FILTER? might return :DISPLAY:FILTER LINEAr, indicating that straight-line interpolation is specified for magnifying waveforms.</p>

## DISplay:FORMat

This command sets or queries the display format. This command is equivalent to selecting Format from the Display menu.

<b>Group</b>	Display Control
--------------	-----------------

**Syntax**    `DISplay:FORMat {YT|XY|XYZ}`  
`DISplay:FORMat?`

**Arguments**    `YT` sets the display to a voltage versus time format and is the default mode.

`XY` argument displays one waveform against another. The source pairs that make up an `XY` trace are predefined and are listed in the following table. Selecting one source causes its corresponding source to be implicitly selected, producing a single trace from the two input waveforms.

`XYZ` argument is available only for four-channel instruments. The argument combines channel 1 and channel 2 for X and Y coordinates and uses channel 3 to provide the intensity value for the sample. `XYZ` groups channels 1, 2 and 3 to form a single trace. Other channel, math, and reference waveforms are turned off.

**Table 2-16: XY Format Pairs**

X-Axis Source	Y-Axis Source
CH 1	CH 2
CH 3	CH 4
Ref 1	Ref 2
Ref 3	Ref 4

**Examples**    `DISPLAY:FORMAT YT` selects a voltage versus time format for the display.

`DISPLAY:FORMAT?` might return `:DISPLAY:FORMAT XY` is for the display format, indicating that the display is in the `XY` mode.

## DISplay:GRAticule

This command selects or queries the type of graticule that is displayed. This command is equivalent to selecting Graticule Style from the Display menu.

**Group**    Display Control

**Syntax**    `DISplay:GRAticule`  
`{CROSSHair|FRame|FULl|GRId|IRE|NTSC|MV|PAL}`  
`DISplay:GRAticule?`

**Arguments**    `CROSSHair` specifies a frame and cross hairs.

`FRame` specifies a frame only.

`FULl` specifies a frame, a grid and cross hairs.



GRID specifies a frame and grid only.

IRE specifies an IRE video graticule, and sets the vertical scale to 143 mV per division.

NTSC specifies an NTSC video graticule (same as the IRE graticule), and sets the vertical scale to 133 mV per division.

MV specifies an mV video graticule and sets the vertical scale to 133 mV per division. This graticule is used to measure PAL standard video signals.

PAL specifies a PAL video graticule (same as the mV graticule) and sets the vertical scale to 133 mV per division. This graticule is used to measure PAL standard video signals.

**Examples**     `DISPLAY:GRATICULE FRAME` sets the graticule type to display the frame only.  
`DISPLAY:GRATICULE?` might return `:DISPLAY:GRATICULE FULL`, indicating that all graticule elements are selected.

## DISplay:INTENSITY? (Query Only)

This query-only command returns the waveform saturation level and screen saver settings. This command is equivalent to selecting Display Setup from the Display menu and choosing the Appearance tab.

**Group**     Display Control

**Syntax**     `DISplay:INTENSITY?`

**Related Commands**     [DISplay:INTENSITY:WAVEform:IMAGEView](#), [DISplay:INTENSITY:WAVEform:RECORDView](#)

**Arguments**     None

**Examples**     `DISPLAY:INTENSITY?` might return  
`:DISPLAY:INTENSITY:WAVEFORM:IMAGEVIEW 75.0000;RECORDVIEW 10.0000;:DISPLAY:INTENSITY:AUTOBRIGHT 1.`

## DISplay:INTENSITY:WAVEform:IMAGEView

This command sets or queries the saturation level for image view waveforms.

<b>Group</b>	Display Control
<b>Syntax</b>	DISplay:INTENSITY:WAVEform:IMAGEView <NR2> DISplay:INTENSITY:WAVEform:IMAGEView?
<b>Related Commands</b>	<a href="#">DISplay:INTENSITY:WAVEform:RECORDView</a>
<b>Arguments</b>	<NR2> is the waveform saturation and ranges from 10 to 100 percent.
<b>Examples</b>	<p>DISPLAY:INTENSITY:WAVEFORM:IMAGEVIEW 100 sets the image view waveform saturation to 100 percent.</p> <p>DISPLAY:INTENSITY:WAVEFORM:IMAGEVIEW? might return :DISPLAY:INTENSITY:WAVEFORM:IMAGEVIEW 60.0000, indicating that the saturation level of the image view waveforms is currently set to 60 percent.</p>

## DISplay:INTENSITY:WAVEform:RECORDView

This command sets or queries the saturation level for record view waveforms.

<b>Group</b>	Display Control
<b>Syntax</b>	DISplay:INTENSITY:WAVEform:RECORDView <NR2> DISplay:INTENSITY:WAVEform:RECORDView?
<b>Related Commands</b>	<a href="#">DISplay:INTENSITY:WAVEform:IMAGEView</a>
<b>Arguments</b>	<NR2> is the waveform saturation and ranges from 10 to 100 percent.
<b>Examples</b>	<p>DISPLAY:INTENSITY:WAVEFORM:RECORDVIEW 100 sets the record view waveform saturation to 100 percent.</p> <p>DISPLAY:INTENSITY:WAVEFORM:RECORDVIEW? might return :DISPLAY:INTENSITY:WAVEFORM:RECORDVIEW 60.0000, indicating that the saturation of the record view waveforms is currently set to 60 percent.</p>

## DISplay:PERsistence

This command sets or queries the persistence aspect of the display. This affects the display only and is equivalent to selecting Display Persistence from the Display menu.

**Group** Display Control

**Syntax** DISplay:PERsistence {OFF|INFPersist|VARpersist}  
DISplay:PERsistence?

**Related Commands** [DISplay:VARpersist](#)

**Arguments** OFF disables the persistence aspect of the display.  
INFPersist sets a display mode where any pixels, once touched by samples, remain set until cleared by a mode change.  
VARPersist sets a display mode where set pixels are gradually dimmed.

**Examples** DISPLAY:PERSISTENCE VARPERSIST sets the persistence aspect of the display to fade set pixels according to the time set in the [DISplay:VARpersist](#) command.  
DISPLAY:PERSISTENCE? might return :DISPLAY:PERSISTENCE OFF, indicating that the persistence aspect of the display is disabled.

## DISplay:PERsistence:RESET (No Query Form)

This query-only command controls the clearing of persistence data.

**Group** Display Control

**Syntax** DISplay:PERsistence:RESET

**Related Commands** [DISplay:PERsistence](#), [DISplay:VARpersist](#)

**Examples** DISPLAY:PERSISTENCE:RESET clears the display of persistence data.

## DISplay:SCREExt? (Query Only)

This query-only command returns all screen text settings.

**Group** Display Control

**Syntax** DISplay:SCREExt?

**Related Commands** [DISplay:SCREExt:STATE](#), [DISplay:SCREExt:LABel<x>?](#), [DISplay:SCREExt:LABel<x>:NAME](#), [DISplay:SCREExt:LABel<x>:XPOS](#), [DISplay:SCREExt:LABel<x>:YPOS](#)

**Examples** DISPLAY:SCREExt? might reply: :DISPLAY:SCREExt:STATE  
 0;LABel1:NAME "";XPOS 100;YPOS  
 5;:DISPLAY:SCREExt:LABel2:NAME "";XPOS 100;YPOS  
 20;:DISPLAY:SCREExt:LABel3:NAME "";XPOS 100;YPOS  
 35;:DISPLAY:SCREExt:LABel4:NAME "";XPOS 100;YPOS  
 50;:DISPLAY:SCREExt:LABel5:NAME "";XPOS 100;YPOS  
 65;:DISPLAY:SCREExt:LABel6:NAME "";XPOS 100;YPOS  
 80;:DISPLAY:SCREExt:LABel7:NAME "";XPOS 100;YPOS  
 95;:DISPLAY:SCREExt:LABel8:NAME "";XPOS 100;YPOS 110.

## DISplay:SCREExt:LABel<x>? (Query Only)

This query-only command returns the screen text setting for a given label. Specifically, it provides the name, horizontal position (XPOS), and vertical position (YPOS).

**Group** Display Control

**Syntax** DISplay:SCREExt:LABel<x>?

**Related Commands** [DISplay:SCREExt?](#), [DISplay:SCREExt:STATE](#), [DISplay:SCREExt:LABel<x>:NAME](#), [DISplay:SCREExt:LABel<x>:XPOS](#), [DISplay:SCREExt:LABel<x>:YPOS](#)

**Examples** DISPLAY:SCREExt:LABel3? might return  
 :DISPLAY:SCREExt:LABel3:NAME "THIS IS SCREEN TEXT"; :XPOS  
 100; :YPOS 35, indicating that the name of Label 3 is THIS IS SCREEN  
 TEXT, and the label is position at 100 horizontally and at 35 vertically.

## DISplay:SCREExt:LABel<x>:FONTCOLOR

This command sets or queries the screen text label font color. <x> is the label number, 1 through 8.

**Group** Display Control

**Syntax** DISplay:SCREExt:LABel<x>:FONTCOLOR <QString>  
DISplay:SCREExt:LABel<x>:FONTCOLOR?

**Arguments** <QString> argument is the font color to be displayed for a given label.

**Examples** DISPLAY:SCREExt:LABel1:FONTCOLOR 0240120 sets the Label 1 font color to 0240120 with Hue of 0, Lightness of 240, and Saturation of 120.

DISPLAY:SCREExt:LABel3:FONTCOLOR? might return  
:DISPLAY:SCREExt:LABel3:FONTCOLOR 16711680, indicating that the font color of the Label 1 is set to 16711680 with Hue of 167, Lightness of 116, and Saturation of 80.

## DISplay:SCREExt:LABel<x>:FONTNAME

This command sets or queries the screen text label font name. <x> is the label number which ranges from 1 through 8.

**Group** Display Control

**Syntax** DISplay:SCREExt:LABel<x>:FONTNAME <QString>  
DISplay:SCREExt:LABel<x>:FONTNAME?

**Arguments** <QString> argument is the font name to be displayed for a given label.

**Examples** DISPLAY:SCREExt:LABel1:FONTNAME ARIAL sets the Label 1 font name to Arial.

DISPLAY:SCREExt:LABel1:FONTNAME? might return  
DISPLAY:SCREExt:LABel1:FONTNAME "Arial Narrow",  
indicating that the Label 1 font name is set to Arial Narrow.

## DISplay:SCREExt:LABel<x>:FONTSize

This command sets or queries the screen text label font size. <x> is the label number which ranges from 1 through 8.

**Group** Display Control

**Syntax** DISplay:SCREExt:LABel<x>:FONTSize <NR1>  
DISplay:SCREExt:LABel<x>:FONTSize?

**Arguments** <NR1> is the font size to be displayed for a given label.

**Examples** DISPLAY:SCREExt:LABel1:FONTSize 11 sets the Label 1 font size to 11.  
DISPLAY:SCREExt:LABel1:FONTSize? might return  
DISPLAY:SCREExt:LABel1:FONTSize 9, indicating that the  
Label 1 font size is set to 9.

## DISplay:SCREExt:LABel<x>:FONTStyle

This command sets or queries the screen text label font style. <x> is the label number, 1 through 8.

**Group** Display Control

**Syntax** DISplay:SCREExt:LABel<x>:FONTStyle <QString>  
DISplay:SCREExt:LABel<x>:FONTStyle?

**Arguments** <QString> argument is the font style to be displayed for a given label.

**Examples** DISPLAY:SCREExt:LABel1:FONTStyle BOLD sets the Label 1 font style to BOLD.  
DISPLAY:SCREExt:LABel1:FONTStyle? might return  
DISPLAY:SCREExt:LABel1:FONTStyle "Regular", indicating that the  
Label 1 font style is Regular.

## DISplay:SCREExt:LABel<x>:NAME

This command sets the text to be displayed for a given label. The label is specified by <x>. The value of <x> can range from 1 through 8.

<b>Group</b>	Display Control
<b>Syntax</b>	DISplay:SCREENText:LABel<x>:NAME <QString> DISplay:SCREENText:LABel<x>:NAME?
<b>Related Commands</b>	, DISplay:SCREENText:STATE, DISplay:SCREENText:LABel<x>:XPOS, DISplay:SCREENText:LABel<x>:YPOS
<b>Arguments</b>	<QString> argument is the text to be displayed for a given label.
<b>Examples</b>	DISPLAY:SCREENTEXT:LABEL2:NAME "THIS IS SCREEN TEXT" sets the screen text for Label 2 to THIS IS SCREEN TEXT.  DISplay:SCREENText:LABEL2:NAME? might return :DISPLAY:SCREENTEXT:LABEL2:NAME "Mywaveform", indicating that the Label 2 screen text is set to MyWaveform.

## DISplay:SCREENText:LABel<x>:STATE

This command sets the state to be displayed for a given label. <x> is the label number, 1 through 8.

<b>Group</b>	Display Control
<b>Syntax</b>	DISplay:SCREENText:LABel<x>:STATE {<NR1> OFF ON} DISplay:SCREENText:LABel<x>:STATE?
<b>Arguments</b>	OFF sets the screen text to not display.  ON sets the screen text to display.
<b>Examples</b>	DISPLAY:SCREENTEXT:LABEL2:NAME ON sets the Label 2 screen text to display.  DISplay:SCREENText:LABEL2:STATE? might return :DISPLAY:SCREENTEXT:LABEL2:STATE 1, indicating that the Label 2 screen text display is ON.

## DISplay:SCREENText:LABel<x>:XPOS

This command sets the horizontal position of a given screen text label. The label is specified by x. The value of x can range from 1 through 8.

**Group** Display Control

**Syntax** DISplay:SCREENText:LABel<x>:XPOS <NR1>

**Related Commands** [DISplay:SCREENText:STATE](#), [DISplay:SCREENText:LABel<x>:NAME](#), [DISplay:SCREENText:LABel<x>:YPOS](#)

**Arguments** <NR1> sets the horizontal position of the screen text label. The value can range from 0 to 500.

**Examples** DISPLAY:SCREENTEXT:LABEL3:XPOS 100 sets the horizontal position of Label 3 to 100.

DISPLAY:SCREENTEXT:LABEL3:XPOS? might return  
:DISPLAY:SCREENTEXT:LABEL3:XPOS 250, indicating that the screen Label 3 is horizontally positioned to 250.

## DISplay:SCREENText:LABel<x>:YPOS

This command sets the vertical position of a given label. The label is specified by x. The value of x can range from 1 through 8.

**Group** Display Control

**Syntax** DISplay:SCREENText:LABel<x>:YPOS <NR1>

**Related Commands** [DISplay:SCREENText:STATE](#), [DISplay:SCREENText:LABel<x>:NAME](#), [DISplay:SCREENText:LABel<x>:XPOS](#)

**Arguments** <NR1> sets the vertical position of the screen text label. The value can range from 0 to 385.

**Examples** DISPLAY:SCREENTEXT:LABEL3:YPOS 100 sets the vertical position of Label 3 to 100.



DISPLAY:SCREENTEXT:LABEL3:YPOS? might return  
:DISPLAY:SCREENTEXT:LABEL3:YPOS 192, indicating that screen Label 3 is  
vertically positioned to 192.

## DISplay:SCREExt:STATE

This command controls the display of screen text.

**Group** Display Control

**Syntax** DISplay:SCREExt:STATE {ON|OFF|<NR1>}

**Related Commands** [DISplay:SCREExt?](#), [DISplay:SCREExt:LABel<x>?](#), [DISplay:SCREExt:LABel<x>:NAME](#), [DISplay:SCREExt:LABel<x>:XPOS](#), [DISplay:SCREExt:LABel<x>:YPOS](#)

**Arguments** ON turns on the display of screen text.  
OFF turns off the display of screen text.  
<NR1> = 0 disables screen text; any other value enables screen text.

**Examples** DISPLAY:SCREENTEXT:STATE ON turns the screen text display on.  
DISPLAY:SCREENTEXT:STATE? might return :DISPLAY:SCREENTEXT:STATE  
1, indicating that the screen text is displayed.

## DISplay:SHOWREmote

This command sets or queries the state of the remote display feature and is equivalent to selecting Display Remote from the Display menu. The query form of this command returns ON (1) or OFF (0).

This feature allows you to view waveforms and other graticule data on a remote display using remote control software like VNC (Virtual Network Computing) or Symantec pcAnywhere.

**Group** Display Control

**Syntax** DISplay:SHOWREmote {ON|OFF|NR1}  
DISplay:SHOWREmote?

<b>Arguments</b>	<p>ON enables the remote display of waveform and other graticule data.</p> <p>OFF disables the remote display of waveform and other graticule data.</p> <p>NR1 = 0 disables remote display of waveform and other graticule data; any other value enables remote display of waveform and other graticule data.</p>
<b>Examples</b>	<p>DISPLAY:SHOWREMOTE ON enables remote display of waveform and other graticule data.</p> <p>DISPLAY:SHOWREMOTE? might return :DISPLAY:SHOWREMOTE 1, indicating that the remote display of waveform and other graticule data is currently enabled.</p>

## DISplay:STyle

This command sets or queries how the data is displayed for normal and FastAcq modes. This command is equivalent to selecting Display Style from the Display menu and choosing a style.

<b>Group</b>	Display Control
<b>Syntax</b>	<p>DISplay:STyle {VECTors DOTs INTENSIFied}</p> <p>DISplay:STyle?</p>
<b>Arguments</b>	<p>VECTors connects adjacent data points. New points immediately replace old ones.</p> <p>DOTs displays individual data points. New points immediately replace old ones.</p> <p>INTENSIFied causes the display to show interpolated samples with dark spaces (Only the “real” samples are displayed).</p> <p>When FastAcq mode is enabled, intensified samples display as dots. However, turning off FastAcq mode causes the display style to snap back to its previous setting.</p>
<b>Examples</b>	<p>DISPLAY:STYLE VECTORS sets the display to connect adjacent data points.</p> <p>DISPLAY:STYLE ? might return :DISPLAY:STYLE INTENSIFIED, indicating that interpolated samples are not displayed.</p>

## DISplay:TRIGBar

This command controls or queries the display of the trigger-level indicator bars. Indicator bars show where the trigger voltage level is set.

The instrument will only display the bar if the associated trigger source is also displayed. If both a main and a delayed trigger are displayed, then two bars will appear. One will accompany each source. If a logic trigger is selected, then multiple bars may appear. One will show the upper threshold and one will show the lower threshold. This command is equivalent to selecting Display Setup from the Display menu and then choosing the Objects tab.

<b>Group</b>	Display Control
<b>Syntax</b>	DISPlay:TRIGBar {OFF SHORT LONG} DISPlay:TRIGBar?
<b>Arguments</b>	<p>OFF removes the trigger indicator bar from the display.</p> <p>SHORT displays, as the indicator, a short arrow at the right side of the graticule for each displayed trigger signal.</p> <p>LONG displays, as the indicator, a horizontal line across the width of the graticule for each displayed trigger signal.</p>
<b>Examples</b>	<p>DISPLAY:TRIGBAR LONG sets the display to show a long trigger indicator bar (or bars).</p> <p>DISPLAY:TRIGBAR? might return :DISPLAY:TRIGBAR OFF, indicating that the indicator bar is removed from the display.</p>

## DISPlay:TRIGT

This command controls or queries the display of the trigger T. The trigger T shows where the trigger occurred on the waveform.

<b>Group</b>	Display Control
<b>Syntax</b>	DISPlay:TRIGT {<NR1> OFF ON} DISPlay:TRIGT?
<b>Arguments</b>	<p>OFF removes the trigger indicator T from the display.</p> <p>ON displays a T at the trigger point.</p> <p>&lt;NR1&gt; = 0 disables the trigger T; any other value displays the trigger T.</p>

**Examples**     `DISPLAY:TRIGT OFF` disables the trigger T.  
`DISPLAY:TRIGT ?` might return `:TRIGT 1` indicating that the trigger T is displayed.

## DISplay:VARpersist

This command sets or queries persistence decay time, which is the approximate decay time for a freshly struck persistence sample. This command is equivalent to selecting Display Setup from the Display menu, selecting the Appearance tab, and then entering the desired Persist Time.

**Group**     Display Control

**Syntax**     `DISplay:VARpersist <NR3>`  
`DISplay:VARpersist?`

**Related Commands**     [DISplay:PERStistence](#)

**Arguments**     `<NR3>` indicates the persistence decay time setting in numeric seconds. The persistence time ranges from 50 ms to 100 s.

**Examples**     `DISPLAY:VARPERSIST 5E-1` sets the persistence decay time to 500 ms.  
`DISPLAY:VARPERSIST?` might return `:DISPLAY:VARPERSIST 5.0000E-01`, indicating that persistence decay time is currently set to 500 ms.

## DISplay:WAVEform

This command controls or queries the display of acquisition and reference waveforms.

**Group**     Display Control

**Syntax**     `DISplay:WAVEform {<NR1>|OFF|ON}`  
`DISplay:WAVEform?`

**Arguments**     `OFF` removes the waveforms from the display.  
`ON` displays waveforms on the display.

<NR1> = 0 removes waveforms from the display; any other value displays the waveforms.

**Examples**    `DISPLAY:WAVEFORM OFF` removes waveforms from the display.  
`DISPLAY:WAVEFORM?` might return `:WAVEFORM 1`, indicating that waveforms are displayed.

## E-Mail (No Query Form)

This command (no query form) sends a test e-mail message or sets the current e-mail sent count to zero.

**Group**    E-mail

**Syntax**    `EMail {TEST|RESET}`

**Arguments**    `TEST` argument sends a test e-mail message.  
`RESET` argument sets the e-mail sent count to zero.

**Examples**    `EMAIL TEST`  
This command sends a test e-mail.  
`EMAIL RESET` resets the sent mail count to zero.

## E-Mail:ATtempts

This command sets or queries the number of times that an attempt will be made to send e-mail to the SMTP e-mail server. The default is 1.

**Group**    E-mail

**Syntax**    `EMail:ATtempts <NR1>`  
`EMail:ATtempts?`

**Arguments**    `NR1` can be 1 through 20. This number is the specified number of attempts that will be made to send e-mail to the SMTP server.

- Examples** EMAIL:ATTEMPTS 15 specifies that 15 attempts will be made to send the e-mail to the SMTP e-mail server.
- EMAIL:ATTEMPTS? might return :EMAIL:ATTEMPTS 10, indicating that 10 attempts will be made to send the e-mail to the SMTP e-mail server.

## Email:AUTHLogin

This command sets or queries the login name that will be used if the SMTP e-mail server requires one for authentication.

- Group** E-mail
- Syntax** EMAIL:AUTHLogin {<QString>}  
EMAIL:AUTHLogin?
- Arguments** <QString> argument is a string that specifies the login name to be used with the SMTP e-mail server.
- Examples** EMAIL:AUTHLOGIN kentb specifies that kentb will be used as the login name with the SMTP e-mail server.
- EMAIL:AUTHLOGIN? might return :EMAIL:AUTHLOGIN "bobk", indicating that bobk will be used as the login name used with the SMTP e-mail server.

## Email:AUTHPassword (No Query Form)

This command (no query form) sets the password that will be used if the SMTP e-mail server requires one for authentication.

- Group** E-mail
- Syntax** EMAIL:AUTHPassword {<QString>}
- Arguments** <QString> argument is a string that specifies the password to be used with the SMTP e-mail server.
- Examples** EMAIL:AUTHPASSWORD "123xyz" specifies that 123xyz will be used as the password with the SMTP e-mail server.

## EMail:COUNT? (Query Only)

This query only command returns the number of e-mails that have been sent since Email on Event was armed. The range of values returned can be from 0 to 50.

**Group** E-mail

**Syntax** EMAIL:COUNT?

**Examples** EMAIL:COUNT? might return :EMAIL:COUNT 15, indicating that 15 e-mails have been sent since e-mail on event was armed.

## EMail:FROM

This command sets or queries the From line in the e-mail. The default for the From line is the instrument model and serial number.

**Group** E-mail

**Syntax** EMAIL:FROM {<QString>}  
EMAIL:FROM?

**Arguments** <QString> argument is a string that is placed in the From line of the e-mail. An example is "johnz".

**Examples** EMAIL:FROM "kentb" specifies that kentb will be placed in the From line of the e-mail.

EMAIL:FROM? might return :EMAIL:FROM "BOBK", indicating that bobk will appear in the From line of the e-mail.

## EMail:HOSTwanted

This command sets or queries the host name that will be used when e-mail is sent to the SMTP e-mail server if the DPO host name will not work.

**Group** E-mail

**Syntax**      EMail:HOSTwanted {<QString>}  
                 EMail:HOSTwanted?

**Arguments**    <QString> argument is a string that specifies the host name to be used with the SMTP e-mail server if the default DPO host name will not work.

**Examples**      EMAIL:HOSTWANTED "LazyEight" specifies that LazyEight will be used as the host name when sending e-mail to the SMTP e-mail server.

                 EMAIL:HOSTWANTED? might return :EMAIL:HOSTWANTED "LazyEight", indicating that LazyEight is the host name used with the SMTP e-mail server.

## EMail:IMAGE

This command sets or queries whether a screen image is included in e-mail. If this command is set to ON, the format and content of the screen image included is specified using the EXPORT commands within the Hard Copy Command group.

**Group**          E-mail

**Syntax**          EMail:IMAGe {ON|OFF|NR1}  
                 EMail:IMAGe?

**Related Commands**    [EXPORT](#)

**Arguments**      ON argument enables the inclusion of a screen image in e-mail.

                 OFF argument disables the inclusion of a screen image in e-mail.

                 <NR1> = 0 disables the inclusion of a screen image in e-mail; any other value enables the inclusion of a screen image in e-mail.

**Examples**        EMAIL:IMAGe 1 enables the inclusion of a screen image in e-mail.

                 EMAIL:IMAGe? might return :EMAIL:IMAGe 0 indicating that a screen image is not included in the e-mail.

## EMail:MASK

This command sets or queries whether e-mail is sent when a mask test failure occurs.



<b>Group</b>	E-mail
<b>Syntax</b>	EMail:MASK {ON OFF <NR1>} EMail:MASK?
<b>Arguments</b>	ON argument enables sending e-mail when a mask test failure occurs. OFF disables sending e-mail when a mask test failure occurs. <NR1> = 0 disables sending e-mail when a mask test failure occurs; any other value enables sending e-mail when a mask test failure occurs.
<b>Examples</b>	EMAIL:MASK 1 enables sending e-mail when a mask test failure occurs. EMAIL:MASK? might return :EMAIL:MASK 0, indicating that e-mail will not be sent when a mask test failure occurs.

## EMail:MAXSize

This command sets or queries the maximum size (in megabytes) of e-mail that can be sent to the SMTP server.

<b>Group</b>	E-mail
<b>Syntax</b>	EMail:MAXSize {<NR1>} EMail:MAXSize?
<b>Arguments</b>	<NR1> can be 0 through 2000 (megabytes). This is the maximum size of each e-mail that can be sent to the SMTP server.
<b>Examples</b>	EMAIL:MAXSIZE 5 sets the maximum size of each e-mail enclosure to 5 megabytes of data. EMAIL:MAXSIZE? might return :EMAIL:MAXSIZE 10, indicating that each e-mail sent to the SMTP server can contain up to 10 megabytes of data.

## EMail:MEASUrement

This command sets or queries whether measurement data is included as an attachment to e-mail. You must specify the saved measurement selection and the measurement format using the Email on Event setup menu. There are no remote commands for this purpose.

<b>Group</b>	E-mail
<b>Syntax</b>	EMail:MEASUREMENT {ON OFF <NR1>} EMail:MEASUREMENT?
<b>Arguments</b>	ON enables the inclusion of measurement data in e-mail. OFF disables the inclusion of measurement data in e-mail. <NR1> = 0 disables the inclusion of measurement data in the e-mail; any other value enables including measurement data in the e-mail.
<b>Examples</b>	EMAIL:MEASUREMENT 1 enables the inclusion of measurement data in e-mail. EMAIL:MEASUREMENT? might return :EMAIL:MEASUREMENT 0, indicating that measurement data is not included in the e-mail.

## EMail:NUMEMails

This command sets or queries the number of e-mails you can send when Email on Event is armed, from 1 to 50. This limit is to restrict e-mail floods.

<b>Group</b>	E-mail
<b>Syntax</b>	EMail:NUMEMails {<NR1>} EMail:NUMEMails?
<b>Related Commands</b>	<a href="#">EMail</a>
<b>Arguments</b>	<NR1> can be 1 through 50. This is the number of e-mails you can send before the number of sent e-mails must be reset with the EMail RESet command.
<b>Examples</b>	EMAIL:NUMEMAILS 10 sets the number of e-mails that can be sent to 10. EMAIL:NUMEMAILS? might return :EMAIL:NUMEMAILS 5, indicating that five e-mails can be sent.

## EMail:SMTPPort

This command sets or queries the SMTP port number that the e-mail server uses if other than the default of 25.

<b>Group</b>	E-mail
<b>Syntax</b>	EMail:SMTPPort {<NR1>} EMail:SMTPPort?
<b>Arguments</b>	<NR1> can be 1 through 65535. This number specifies the TCPIP port number.
<b>Examples</b>	EMAIL:SMTPPORT55 specifies that the SMTP e-mail server will communicate on TCPIP port 55.  EMAIL:SMTPPORT? might return :EMAIL:SMTPPORT 10, indicating that TCPIP port 10 will be used to communicate with the SMTP e-mail server.

## EMail:SMTPServer

This command sets or queries the address of the SMTP mail server.

<b>Group</b>	E-mail
<b>Syntax</b>	EMail:SMTPServer <string> EMail:SMTPServer?
<b>Arguments</b>	<string> argument is the address of the SMTP mail server that will handle the mail service request. For example, "smtp.tek.com".
<b>Examples</b>	EMAIL:SMTPSERVER "smtp.tek.com" sets the SMTP mail server to smtp.tek.com. This will be the mail server used for mail service requests.  EMAIL:SMTPSERVER? might return :EMAIL:SMTPSERVER "SMTP.TEK.COM", indicating that the SMTP mail sever is set to SMTP.tek.com.

## EMail:STATUS? (Query Only)

This query only command returns the status of the last e-mail you attempted to send.

<b>Group</b>	E-mail
<b>Syntax</b>	EMail:STATUS?

- Returns** The status might be one of the following strings:
- PASS - indicates that the last e-mail message sent was successful or that no email message was attempted.
  - FAIL - indicates that the last e-mail message attempted was not sent.
  - SEND - indicates that an e-mail message is currently being sent.
  - HOST\_FAIL - indicates that the instrument failed to connect to the SMTP server.
  - CONNECTION\_FAIL - indicates that the SMTP server refused the connection.

**Examples** EMAIL:STATUS? might return :EMAIL:STATUS FAIL, indicating that the e-mail failed to be sent.

## EMail:TIMEOut

This command sets or queries the global timeout in seconds. The default is 30 seconds. You use this timeout for socket connections and may need to change it from the default on some networks.

**Group** E-mail

**Syntax** EMail:TIMEOut <NR1>  
EMail:TIMEOut?

**Arguments** <NR1> argument is the global timeout in seconds. The value for NR1 can be 0 through 500.

**Examples** EMAIL:TIMEOUT 60 that 60 seconds will be used for network connection timeouts.

EMAIL:TIMEOUT? might return :EMAIL:TIMEOUT 30, indicating that the default of 30 seconds is set for network connection timeouts.

## EMail:TO

This command sets or queries the address of the recipient(s) of an e-mail.

**Group** E-mail

**Syntax**    `EMail:TO <string>`  
`EMail:TO?`

**Arguments**    `<string>` argument is the e-mail address of the recipient (or recipients). Multiple addresses are separated with semicolons (;). For example, “`johndoe@tek.com;billsmith@tek.com`” specifies that both johndoe and billsmith at tek.com will receive e-mail when the event occurs. The length of this string is limited to 252 characters.

**Examples**    `EMAIL:TO "johndoe@tek.com"` will send e-mail to johndoe@tek.com when the event occurs.

`EMAIL:TO?` might return `:EMAIL:TO "billsmith@tek.com"`, indicating that the billsmith@tek.com will receive e-mail when the event occurs.

## EMail:TRIGger

This command sets or queries whether e-mail is sent when a trigger occurs. The e-mail is sent after the acquisition is complete.

**Group**    E-mail

**Syntax**    `EMail:TRIGger {ON|OFF|<NR1>}`  
`EMail:TRIGger?`

**Arguments**    `ON` argument enables sending e-mail when a trigger occurs.

`OFF` disables sending e-mail when a trigger occurs.

`<NR1> = 0` disables sending e-mail when a trigger occurs; any other value enables sending e-mail when a trigger occurs.

**Examples**    `EMAIL:TRIGGER 1` enables sending e-mail when a trigger occurs.

`EMAIL:TRIGGER?` might return `:EMAIL:TRIGGER 0`, indicating that e-mail will not be sent when a trigger occurs.

## EMail:WAVEform

This command sets or queries whether waveform data is included in e-mail. The waveforms to be included, the start and stop points (and, or, frames for Fast Frame mode), and the data formats are specified by the [DATA](#) and [WFMOutpre?](#) commands within the Waveform Transfer Command group.

**Group** E-mail

**Syntax** EMAIL:WAVEform {ON|OFF|<NR1>}  
EMAIL:WAVEform?

**Arguments** ON enables the inclusion of waveform data in e-mail.  
OFF disables the inclusion of waveform data in e-mail.  
<NR1> = 0 disables the inclusion of waveform data in the e-mail; any other value enables including waveform data in the e-mail.

**Examples** EMAIL:WAVEFORM 1 enables the inclusion of waveform data in e-mail.  
EMAIL:WAVEFORM? might return :EMAIL:WAVEFORM 0, indicating that waveform data is not included in the e-mail.

## \*ESE

This command sets and queries the bits in the Event Status Enable Register (ESER). The ESER prevents events from being reported to the Status Byte Register (STB). For a more detailed discussion of the use of these registers, see Registers.

**Group** Status and Error

**Syntax** \*ESE <NR1>  
\*ESE?

**Related Commands** [\\*CLS](#), [DESE](#), [\\*ESR?](#), [EVENT?](#), [EVMsg?](#), [\\*SRE](#), [\\*STB?](#)

**Arguments** <NR1> specifies the binary bits of the ESER according to this value, which ranges from 0 through 255.

The power-on default for the ESER is 0 if \*PSC is 1. If \*PSC is 0, the ESER maintains the previous power cycle value through the current power cycle.

---

**NOTE.** *Setting the DESER and the ESER to the same values allows only those codes to be entered into the Event Queue and summarized on the ESB bit (bit 5) of the Status Byte Register. Use the DESE command to set the DESER.*

---

**Examples** \*ESE 209 sets the ESER to binary 11010001, which enables the PON, URQ, EXE, and OPC bits.

\*ESE? might return 186, showing that the ESER contains the binary value 10111010.

## \*ESR? (Query Only)

This query-only command returns the contents of the Standard Event Status Register (SESR). \*ESR? also clears the SESR (since reading the SESR clears it). For a more detailed discussion of the use of these registers, see Registers.

**Group** Status and Error

**Syntax** \*ESR?

**Related Commands** [ALLEv?](#), [\\*CLS](#), [DESE](#), [\\*ESE](#), [EVENT?](#), [EVMsg?](#), [\\*SRE](#), [\\*STB?](#)

**Examples** \*ESR? might return 213, showing that the SESR contains the binary value 11010101.

## EVENT? (Query Only)

This query-only command returns an event code from the Event Queue that provides information about the results of the last [\\*ESR?](#) read. EVENT? also removes the returned value from the Event Queue.

**Group** Status and Error

**Syntax** EVENT?

**Related Commands** [ALLEv?](#), [\\*CLS](#), [DESE](#), [\\*ESE](#), [\\*ESR?](#), [EVMsg?](#), [\\*SRE](#), [\\*STB?](#)

**Examples** EVENT? might return :EVENT 110, showing that there was an error in a command header.

## EVMsg? (Query Only)

This query-only command removes a single event code from the Event Queue that is associated with the results of the last *\*ESR?* read and returns the event code along with an explanatory message. For more information, see Event Handling.

**Group** Status and Error

**Syntax** EVMsg?

**Related Commands** [ALLEv?](#)

*\*CLS, DESE, \*ESE, \*ESR?, EVENT?, \*SRE, \*STB?*

**Returns** The event code and message in the following format:

```
<Event Code><Comma><QString>[<Event Code><Comma><QString>...]<QString>::= <Message>;[<Command>]
```

where <Command> is the command that caused the error and may be returned when a command error is detected by the instrument. As much of the command will be returned as possible without exceeding the 60 character limit of the <Message> and <Command> string combined. The command string is right-justified.

**Examples** EVMMSG? might return :EVMMSG 110,"Command header error".

## EVQty? (Query Only)

This query-only command returns the number of event codes that are in the Event Queue. This is useful when using the [ALLEv?](#) query, since it lets you know exactly how many events will be returned.

**Group** Status and Error

**Syntax** EVQty?

**Related Commands** [ALLEv?](#), [EVENT?](#), [EVMsg?](#)

**Examples** EVQTY? might return :EVQTY 3, indicating the number of event codes in the Event Queue.



## EXPort

This command sends a copy of the waveform to the file path specified by [EXPort:FILENAME](#). The EXPort query returns image format and file information.

<b>Group</b>	Hard Copy
<b>Syntax</b>	EXPort START EXPort?
<b>Arguments</b>	START initiates the export.
<b>Examples</b>	EXPORT START initiates export to the file specified file by EXPort:FILENAME.  EXPORT? returns the export formatting and file path. The query might return :EXPORT:FILENAME "untitled"; FORMAT BMP;IMAGE NORMAL; PALETTE COLOR;VIEW FULLSCREEN "C:\TekScope\Screen Captures\hcFILE.BMP".

## EXPort:FILENAME

This command sets or returns the file/path that will be sent export data on the next [EXPort](#) command.

<b>Group</b>	Hard Copy
<b>Syntax</b>	EXPort:FILENAME <file path> EXPort:FILENAME?
<b>Related Commands</b>	<a href="#">HARDCopy</a>
<b>Arguments</b>	<file path> specifies that the hard copy is sent to the named file. <file path> is a quoted string that defines the file name and path. Input the file path using the form <drive>:<dir>/<filename>.<drive> and one or more <dir>s are optional. The file path cannot exceed 128 characters. If you don't specify the path with <drive>: and one or more <dir>s, the default location is "C:\TekScope\Screen Captures". While filename extensions are not required, they are highly recommended.
<b>Examples</b>	EXPORT:FILENAME "TEK.BMP" sets TEK.BMP as the selected file name. The next export will be sent to this file in the default hard copy directory.

EXPORT:FILENAME? might return :EXPORT:FILENAME  
"C:\TekScope\Screen Captures\TEK.BMP" as the selected  
file.

## EXPort:FORMat

This command sets or returns the image format for exporting waveforms to a file.

**Group** Hard Copy

**Syntax** EXPort:FORMat {BMP|JPEG|PNG|PCX|TIFF}  
EXPort:FORMat?

**Arguments** BMP specifies BMP image format.  
JPEG specifies JPEG image format.  
PNG specifies PNG image format.  
PCX specifies PCX image format.  
TIFF specifies TIFF image format.

**Examples** EXPORT:FORMAT BMP sets the export format to BMP.  
EXPORT:FORMAT? might return :EXPORT:FORMAT JPEG, indicating that  
waveforms will be exported in the JPEG format.

## EXPort:PALEtte

This command sets or returns the export color palette.

**Group** Hard Copy

**Syntax** EXPort:PALEtte {COLOR|INKSaver|BLACKANDwhite}  
EXPort:PALEtte?

**Arguments** COLOR Hardcopy output is color.  
INKSaver Hardcopy output saves ink.  
BLACKANDwhite Hardcopy output is black and white.

**Examples** EXPORT:PALETTE sets the export color palette to Color.  
 EXPORT:PALETTE? might return :EXPORT PALETTE COLOR indicating the hard copy output will be in color.

## EXPoRT:READOuts

This command sets or queries the area on the screen where the readout appear for export. This command is equivalent to selecting Export Setup from the File menu and setting the Readouts Below Graticule in the control window.

**Group** Hard Copy

**Syntax** EXPoRT:READOuts {OFFGRAticule|ONGRAticule}  
 EXPoRT:READOuts?

**Arguments** OFFGRATICULE places the readouts off the graticule area.  
 ONGRATICULE places the readouts on the graticule area for export.

**Examples** EXPORT:READOUTS OFFGRATICULE places the readouts off the graticule area.  
 EXPORT:READOUTS? might return :EXPORT READOUTS ONGRATICULE, indicating the readout on the graticule area for export.

## EXPoRT:VIEW

This command sets or returns the area of the screen to be exported.

**Group** Hard Copy

**Syntax** EXPoRT:VIEW {FULLSCREEN|GRAticule|FULLNOmenu}  
 EXPoRT:VIEW?

**Arguments** FULLSCREEN displays both the graticule and menu areas of the screen.  
 GRAticule displays only the graticule area of the screen.  
 FULLNOmenu displays the full screen but hides any menus or toolbars.

**Examples**     `EXPORT:VIEW FULLSCREEN` sets the exported view area to Full Screen.  
`EXPORT:VIEW?` might return `:EXPORT:VIEW GRATICULE`, indicating that only the graticule area of the screen will be exported.

## FACTory (No Query Form)

This command (no query form) resets the instrument to its factory default settings.

This command is equivalent to pressing the DEFAULT SETUP button located on the instrument front panel or selecting Recall Default Setup from the File menu.

This command resets the instrument settings to factory defaults:

- Clears the Event Status Enable Register.
- Clears the Service Request Enable Register.
- Sets the Device Event Status Enable Register to 255.
- Sets the Power On Status Clear Flag to TRUE.
- Purges all defined aliases.
- Sets the macro defined by \*DDT to a “zero-length field”.
- Clears the pending operation flag and associated operations.

This command does not reset the following:

- The state of the GPIB (IEEE Std 488.1-1987) interface.
- The selected GPIB address.
- Calibration data that affects device specifications.
- Protected user data.
- Stored settings.
- The current password (if you set one).

**Group**     Save and Recall

**Syntax**     `FACTory`

**Related Commands**     `*PSC`, `*RCL`, `RECALL:SETUp`, `*RST`, `*SAV`, `SAVe:SETUp`

**Arguments**     None

**Examples**    `FACTORY` resets the instrument to its factory default settings.

## FASTAcq? (Query Only)

This query-only command returns the state of Fast Acquisitions. This command is equivalent to pressing the FASTACQ button on the front panel.

**Group**    Acquisition

**Syntax**    `FASTAcq?`

**Examples**    `FASTACQ?` might return the following string for the current acquisition parameters:  
`:FASTACQ:STATE 0.`

## FASTAcq:HIACQRATE

This command sets or queries the state of FastAcq optimization for capturing the details with a higher sample rate.

**Group**    Acquisition

**Syntax**    `FASTAcq:HIACQRATE {<NR1> | OFF | ON}`  
`FASTAcq:HIACQRATE?`

**Arguments**    `ON` sets FastAcq optimization for capturing rare events with more acquisitions.  
`OFF` sets FastAcq optimization for capturing details with a higher sample rate.  
`<NR1> = 0` sets FastAcq optimization for capturing details with a higher sample rate; any other value sets FastAcq optimization for capturing rare events with more acquisitions.

**Examples**    `FASTACQ:HIACQRATE ON` sets optimizes FastAcq for capturing rare events with more acquisitions.

`FASTACQ:HIACQRATE?` might return `:FASTACQ:HIACQRATE 0`, indicating that the FastAcq is optimized for capturing details with a higher sample rate.

## FASTAcq:STATE

This command sets or queries the state of Fast Acquisitions. This command is equivalent to the FASTACQ button on the front panel.

<b>Group</b>	Acquisition
<b>Syntax</b>	FASTAcq:STATE {ON OFF <NR1>} FASTAcq:STATE?
<b>Arguments</b>	ON enables Fast Acquisitions mode. OFF disables Fast Acquisitions mode.  <NR1> = 0 disables Fast Acquisitions mode; any other value enables Fast Acquisitions mode.
<b>Examples</b>	FASTAcq:STATE ON enables the Fast Acquisitions mode.  FASTAcq:STATE? might return :FASTAcq:STATE 1, indicating that Fast Acquisitions mode is currently active.

## FILESystem? (Query Only)

This query-only command returns the directory listing of the current working directory. This query is the same as the FILESystem:DIR? query.

<b>Group</b>	File System
<b>Syntax</b>	FILESystem?
<b>Related Commands</b>	<a href="#">FILESystem:COPy</a> , <a href="#">FILESystem:CWD</a> , <a href="#">FILESystem:DELEte</a> , <a href="#">FILESystem:DIR?</a> , <a href="#">FILESystem:PRInt</a> , <a href="#">FILESystem:READFile</a> , <a href="#">FILESystem:REName</a> , <a href="#">FILESystem:WRITEFile</a>
<b>Arguments</b>	None.
<b>Examples</b>	FILESYSTEM? might return :FILESYSTEM:DIR, ".","..","myFile.txt","myWaveform.wfm".

## FILESystem:COpy (No Query Form)

This command (no query form) copies a named file to a new file. The new file may be in a totally separate directory than the old file. You can only copy one file at a time using this command. Wild card characters are not allowed.

**Group** File System

**Syntax** FILESystem:COpy {<source file path>,<destination file path>}

**Related Commands** [FILESystem:CWD](#), [FILESystem:DELEte](#)

**Arguments** <file path> is a quoted string that defines the file name and path. If the file path is within the current working directory, you need only specify the file name.

**Examples** FILESYSTEM:COpy "C:\MYDIR\TEK00001.SET",  
"C:\ANOTHERDIR\COPYOFTEK001.SET" copies the file named  
TEK00001.SET, located in the MYDIR directory on the C drive to a file named  
COPYOFTEK001.SET in the ANOTHERDIR directory on the C drive.

## FILESystem:CWD

This command sets or queries the current working directory for FILESystem GPIB commands. The default working directory is "C:\TekScope". Anytime that you use this command to change the directory, the directory that you specify is retained as the current working directory until you either change the directory or you delete the directory. If you delete the current working directory, the instrument resets current working directory to the default directory (C:\TekScope) the next time the instrument is powered on or the next time you execute a file system command. The current working directory is retained between power cycles.

This command supports the permutations of file and directory names that are supported by Microsoft Windows:

- Relative path names; for example, ".\Temp"
- Absolute path names; for example, "C:\Windows\System"
- Implied relative path names; for example "newfile.txt" becomes "C:\TekScope\newfile.txt" if the current working directory is "C:\TekScope"

**Group** File System

**Syntax** FILESystem:CWD {<new working directory path>}

**Arguments** <new working directory path> is a quoted string that defines the current working; a directory name can be up to 128 characters.

**Examples** FILESYSTEM:CWD "C:\TekScope\Screen Captures" sets the current working directory to Screen Captures.

FILESYSTEM:CWD? might return :FILESYSTEM:CWD  
"C:\TekScope\waveforms", indicating that the current working directory is set to Waveforms.

## FILESystem:DELEte (No Query Form)

This command (no query form) deletes a named file. It does not delete directories. Use the [FILESystem:RMDir](#) command to delete a directory.

**Group** File System

**Syntax** FILESystem:DELEte <file path>

**Related Commands** [FILESystem:COPy](#), [FILESystem:CWD](#), [FILESystem:RMDir](#)

**Arguments** <file path> is a quoted string that defines the file name and path. If the file path is within the current working directory, you need only specify the file name.

**Examples** FILESYSTEM:DELETE "NOT\_MINE.SET" deletes the file named NOT\_MINE.SET from the current working directory.

## FILESystem:DIR? (Query Only)

This query-only command returns a comma separated list of quoted strings. Each string contains the name of a file or directory in the current working directory.

**Group** File System

**Syntax** FILESystem:DIR?



**Related Commands** [FILESystem:CWD](#), [FILESystem:MKDir](#)

**Arguments** None

**Examples** `FILESYSTEM:DIR?` returns a list of files and directories in the current working directory.

## FILESystem:MKDir (No Query Form)

This command (no query form) creates a new directory.

**Group** File System

**Syntax** `FILESystem:MKDir <directory path>`

**Related Commands** [FILESystem:CWD](#), [FILESystem:DIR?](#)

**Arguments** `<directory path>` is a quoted string that specifies the directory to create.

**Examples** `FILESYSTEM:MKDIR "C:\NewDirectory"` creates the directory named *NewDirectory* at the root of the C drive.

These two commands create the directory *MyNewSubDirectory* within the existing directory *MyDirectory* at the root of the C drive:

```
FILESYSTEM:CWD "C:\MyDirectory"; FILESYSTEM:MKDIR
" MyNewSubDirectory"
```

This, of course, assumes that *C:\MyDirectory* already existed and was not a read-only directory.

## FILESystem:PRInt (No Query Form)

This command (no query form) prints a named file to a named port. This command is the same as the [FILESystem:READFile](#) command.

This command is not IEEE 488.2 compliant for the following reasons:

- The command produces output on the 488.2 bus. Queries, not commands, are the only message units that should produce output on the 488.2 bus. Errors may not be recognized if they occur while data is being output in response to this command. This will be evident if a command is sent to the instrument before all of the data generated by this command has been read. In such cases, you should send a device clear message to the instrument.
- The command does not use a standard 488.2 output format. The closest defined format is the indefinite format of ARBITRARY BLOCK PROGRAM DATA encoding. However, this command output omits the initial '#0' characters needed for that format.
- Newlines, ASCII value 10, can be included in the output data. Output on the bus can be terminated by newlines. The output of this command is only terminated by <EOI>.

**Group** File System

**Syntax** FILESystem:PRInt <filepath>, GPIb

**Related Commands** [FILESystem:CWD](#), [FILESystem:READFile](#)

**Arguments** <file path> is a quoted string that defines the file name and path. If the file path is within the current working directory, you need only specify the file name. GPIb specifies that the hard copy is sent out of the GPIB port. GPIb is the only port allowed for this command.

**Examples** FILESYSTEM:PRINT "C:\TEK00000.IBM",GPIB sends the file named TEK00000.IBM out of the GPIB port.

## FILESystem:READFile (No Query Form)

This command (no query form) prints a named file to a named port. It is identical to the [FILESystem:PRInt](#) command.

This command is not IEEE 488.2 compliant for the following reasons:

- The command produces output on the 488.2 bus. Queries, not commands, are the only message units that should produce output on the 488.2 bus. Errors may not be recognized if they occur while data is being output in response to this command. This will be evident if a command is sent to the instrument before all of the data generated by this command has been read. In such cases, you should send a device clear message to the instrument.
- The command does not use a standard 488.2 output format. The closest defined format is the indefinite format of ARBITRARY BLOCK PROGRAM DATA encoding. However, this command output omits the initial '#0' characters needed for that format.
- Newlines, ASCII value 10, can be included in the output data. Output on the bus can be terminated by newlines. The output of this command is only terminated by <EOI>.

**Group** File System

**Syntax** FILESystem:READFile <filepath>

**Related Commands** [FILESystem:CWD](#), [FILESystem:PRInt](#)

**Arguments** <file path> is a quoted string that defines the file name and path. If the file path is within the current working directory, you need only specify the file name.

**Examples** FILESYSTEM:READFILE "C:\TEK00000.IBM" sends the file named TEK00000.IBM out of the GPIB port.

## FILESystem:REName (No Query Form)

This command (no query form) assigns a new name to an existing file.

**Group** File System

**Syntax** FILESystem:REName <old file path>,<new file path>

**Related Commands** [FILESystem:CWD](#)

**Arguments** <old file path> is a quoted string that defines the file name and path. If the file path is within the current working directory, you need only specify the file name.

<new file path> is a quoted string that defines the file name and path. If the file path is within the current working directory, you need only specify the file name.

**Examples** FILESYSTEM:RENAME "C:\TEK00000.SET", "C:\MYSETTING.SET" gives the file named TEK00000.SET the new name of MYSETTING.SET. The file remains in the root directory on the C drive.

## FILESystem:RMDir (No Query Form)

This command (no query form) deletes a named directory. The directory cannot contain any files. If there are files in the directory, they must first be deleted. The directory must not be a read-only directory.

**Group** File System

**Syntax** FILESystem:RMDir <directory path>

**Related Commands** [FILESystem:CWD](#)

**Arguments** <directory path> is a quoted string that defines the file name and path. If the file path is within the current working directory, you need only specify the file name.

**Examples** FILESYSTEM:RMDIR "C:\OldDirectory" removes the directory named OldDirectory from the root of the C drive.

## FILESystem:WRITEFile (No Query Form)

This command (no query form) copies the block data from the GPIB port to a named file.

**Group** File System

**Syntax** FILESystem:WRITEFile <file path>, <data>

**Related Commands** [FILESystem:CWD](#)

**Arguments** <file path> is a quoted string that defines the file name and path. If the file path is within the current working directory, you need only specify the file name.

<data> can be either DEFINITE LENGTH or INDEFINITE LENGTH ARBITRARY BLOCK PROGRAM DATA encoding as described in IEEE 488.2.

**Examples** FILESYSTEM:WRITEFILE "C:\SomeNewFile.txt",#221 1.23 2.54 8.22 -1.22<EOI> creates a file named "SomeNewFile.txt" on the root of the C drive, containing the string of 21 characters " 1.23 2.54 8.22 -1.22". This is an example of using the definite length arbitrary block.

FILESYSTEM:WRITEFILE "C:\SomeNewFile.txt",#0 This is a test<NL+EOI> creates a file named "SomeNewFile.txt" on the root of the C drive, containing the string "This is a test." This is an example of using the indefinite length arbitrary block. The newline character (0x0a) is required.

FILESYSTEM:WRITEFILE "C:\SomeNewFile.txt",#221 1.23 2.54 8.22 -1.22<NL+EOI> creates a file named "SomeNewFile.txt" on the root of the C drive, containing the string of 21 characters " 1.23 2.54 8.22 -1.22". Because the data argument is indefinite format arbitrary block program data, it may contain any 8-bit values, including newline characters (hexadecimal 0a). The fact that newline characters are allowed makes this command deviate from the strictest interpretation of the IEEE488.2 specification.

## HARDCopy

This command sends a copy of the screen display to the port specified by HARDCopy:PORT. This command is equivalent to pressing the PRINT button on the front panel. When printing to a file, the file format is Windows Bitmap Image (BMP).

The HARDCopy query returns the port and file path.

**Group** Hardcopy

**Syntax** HARDCopy START  
HARDCopy?

**Related Commands** \*WAI, \*CLS

**Arguments** START initiates a screen copy to a file or the default system printer, as specified by the :HARDCopy:PORT selection. The default system printer is set within the Windows operating system. If you need information about how to set the default system printer, refer to Microsoft Windows online help.

---

**NOTE.** Use the \*WAI command between HARDCopy START commands to ensure that the first hard copy is complete before starting another.

---

**Examples** HARDCOPY START initiates a screen copy to a file or the default system printer, as specified by the :HARDCopy:PORT selection.

HARDCOPY? returns the hard copy file path and the selected port. The query might return :HARDCOPY:FILENAME &#x201c;C:\TekScope\Screen Captures\hcFILE.BMP&#x201d;;PORT FILE.

## HARDCopy:FILENAME

This command sets or returns the file that will be sent hardcopy data on the next HARDCopy command (if the HARDCopy:PORT is set to FILE).

**Group** Hardcopy

**Syntax** HARDCopy:FILENAME <file path>  
HARDCopy:FILENAME?

**Related Commands** [HARDCopy](#)

**Arguments** <file path> specifies that the hard copy is sent to the named file. <file path> is a quoted string that defines the file name and path. Input the file path using the form <drive>:<dir>/<filename>. <drive> and one or more <dir>s are optional. The file path cannot exceed 128 characters. If you don't specify the path with <drive>: and one or more <dir>s, the default location is "C:\TekScope\Screen Captures". While filename extensions are not required, they are highly recommended.

**Examples** HARDCOPY:FILENAME "TEK.BMP" sets TEK.BMP as the selected file name. The next hard copy will be sent to this file in the default hard copy directory, if the :HARDCopy:PORT selection is FILE.

HARDCOPY:FILENAME? might return :HARDCOPY:FILENAME "C:\TekScope\Screen Captures\TEK.BMP" as the selected file.

## HARDCopy:LAYout

This command sets or returns the page orientation for hard copy.

**Group** Hardcopy

<b>Syntax</b>	<code>HARDCopy:LAYout {PORTRait LANDscape}</code> <code>HARDCopy:LAYout?</code>
<b>Arguments</b>	<code>PORTRait</code> orients the screen image vertically on the printed page. <code>LANDscape</code> orients the screen image horizontally on the printed page.
<b>Examples</b>	<code>HARDCOPY:LAYOUT LANDSCAPE</code> sets the hard copy page orientation to Landscape. <code>HARDCOPY:LAYOUT?</code> might return <code>:HARDCOPY:LAYOUT PORTRAIT</code> , indicating that the hard copy page orientation is set to portrait.

## HARDCopy:PALEtte

This command sets or returns the hard copy color palette.

<b>Group</b>	Hardcopy
<b>Syntax</b>	<code>HARDCopy:PALEtte {COLOR INKSaver BLACKANDWhite}</code> <code>HARDCopy:PALEtte?</code>
<b>Arguments</b>	<code>COLOR</code> argument sets the hard copy output to color. <code>INKSaver</code> argument sets the hard copy output to save ink. <code>BLACKANDWhite</code> argument sets the hard copy output to black and white.
<b>Examples</b>	<code>HARDCOPY:PALETTE COLOR</code> sets the hard copy output to Color. <code>HARDCOPY:PALETTE?</code> might return <code>:HARDCOPY:PALETTE GRAYSCALE</code> , indicating that the output for hard copy will be in gray scale.

## HARDCopy:PORT

This command selects or returns whether the hard copy data will be sent to a file or printed on the next hard copy command (for example, the `HARDCopy START` command). This is equivalent to selecting Print in the File menu and then either choosing Print to file or specifying the default printer. If `FILE` is selected then the `EXPORT` setup commands are used to create the file. If `PRINTER` is selected then the `HARDCOPY` commands are used to send the data to the printer.

<b>Group</b>	Hardcopy
--------------	----------

**Syntax**     `HARDCopy:PORT {FILE|PRINTER}`  
`HARDCopy:PORT?`

**Related Commands**     [HARDCopy](#), [HARDCopy:FILENAME](#)

**Arguments**     `FILE` argument specifies that the hard copy is stored in the file specified in the [HARDCopy:FILENAME](#) command.  
`PRINTER` argument specifies that the hard copy is sent to the printer specified in the Print dialog box.

**Examples**     `HARDCOPY:PORT FILE` specifies that the hard copy is stored in the file specified in the [HARDCopy:FILENAME](#) command.

`HARDCOPY:PORT?` might return `:HARDCOPY:PORT FILE` indicating that hard copies are sent to the specified file.

The following commands sequence lets you to specify an inksaver data hard copy is stored in a file:

```
*RST
HARDCOPY:PORT FILE
HARDCOPY:PALETTE INKSAVER
HARDCOPY:FILENAME "FILE_INKSAVER"
HARDCOPY START
```

The following commands sequence lets you to specify a color data hard copy is stored in a file:

```
HARDCOPY:PALETTE COLOR
HARDCOPY:FILENAME :FILE COLOR"
HARDCOPY START
```

Both files will be the same since they are directed to a file. If they were directed to a printer then the printouts would be different.

## HARDCopy:READOuts

This command sets or queries the area on a hardcopy where the readout appear. This command is equivalent to selecting Page Setup from the File menu and setting the Readouts Below Graticule in the control window.

**Group**     Hardcopy

**Syntax**     `HARDCopy:READOuts {OFFGRaticule|ONGRaticule}`  
`HARDCopy:READOuts?`



- Arguments** OFFGRATICULE places the readouts off the graticule area.  
 ONGRATICULE places the readouts on the graticule area on hardcopies.

## HARDCopy:VIEW

This command sets or returns the area of the screen to be hard copied.

**Group** Hardcopy

**Syntax** HARDCopy:VIEW {FULLSCREEN|GRATICULE|FULLNOMENU}  
 HARDCopy:VIEW?

- Arguments** FULLSCREEN sets the area to be hard copied to both the graticule and menu areas of the screen.  
 GRATICULE sets the area to be hard copied to only the graticule area of the screen.  
 FULLNOMENU sets the area to be hard copied to full screen but hides any menus or toolbars.

**Examples** HARDCOPY:VIEW FULLSCREEN sets the hard copy area to Full Screen.  
 HARDCOPY:VIEW? might return :HARDCOPY:VIEW GRATICULE, indicating that only the graticule area of the screen will be hard copied.

## HDR

This command is identical to the HEADer query and is included for backward compatibility purposes.

**Group** Miscellaneous

**Syntax** HDR {OFF|ON|<NR1>}  
 HDR?

**Related Commands** [HEADer](#), [VERBose](#)

- Arguments** OFF sets the Response Header Enable State to false. This causes the instrument to omit headers on query responses, so that only the argument is returned.

ON sets the Response Header Enable State to true. This causes the instrument to include headers on applicable query responses. You can then use the query response as a command.

<NR1> = 0 sets the Response Header Enable State to false; any other value sets this state to true, which causes the instrument to send headers on query responses.

**Examples** HDR OFF specifies that the instrument omits headers on query responses, so that only the argument is returned.

HDR? might return :HEADER 1, indicating that the instrument is including headers on applicable query responses.

## HEADer

This command sets or queries the Response Header Enable State that causes the instrument to either include or omit headers on query responses.

---

**NOTE.** *This command does not affect IEEE Std 488.2-1987 Common Commands (those starting with an asterisk); these commands never return headers. This command does make a corresponding change in the Response Header Enable State of the opposite interface (physical or virtual GPIB interface). Refer to Introduction for more information.*

---

**Group** Miscellaneous

**Syntax** HEADer {OFF|ON|<NR1>}  
HEADer?

**Related Commands** [HDR](#), [VERBose](#)

**Arguments** OFF sets the Response Header Enable State to false. This causes the instrument to omit headers on query responses, so that only the argument is returned.

ON sets the Response Header Enable State to true. This causes the instrument to include headers on applicable query responses. You can then use the query response as a command.

<NR1> = 0 sets the Response Header Enable State to false; any other value sets this state to true.

**Examples** HEADER OFF specifies that the instrument omits headers on query responses, so that only the argument is returned.

HEADER? might return :HEADER 1, indicating that the instrument is including headers on applicable query responses.

## HIStogram? (Query Only)

This query-only command returns all histogram parameters; it queries the state of all histogram parameters that the user can set. This command is equivalent to selecting Waveform Histograms from the Measure menu.

**Group** Histogram

**Syntax** HIStogram?

**Related Commands** [MEASUrement:METhod](#)

**Examples** HISTOGRAM? might return the histogram parameters as :HISTOGRAM:BOXPCNT 30.0000,25.1000,70.0000,75.2000;DISPLAY LINEAR;STATE 1;FUNCTION VERTICAL;SIZE 2.0000;SOURCE CH1.

## HIStogram:BOX

This command defines or returns the left, top, right, and bottom boundaries of the histogram box, in source waveform coordinates. This command is equivalent to selecting Waveform Histograms from the Measure menu and then setting Limits for Left, Right, Top, and Bottom in the appropriate boxes. The command is similar to the [HIStogram:BOXPent](#) command except that command uses percentage coordinates to define the boundaries of the histogram box.

---

**NOTE.** This command implicitly clears the histogram count and statistics for the histogram and histogram source data when HIStogram:STATE is turned on.

---

**Group** Histogram

**Syntax** HIStogram:BOX <NR3>,<NR3>,<NR3>,<NR3>  
HIStogram:BOX?

**Related Commands** [HIStogram:BOXPent](#)

**Arguments** <NR3> specifies the left position of the histogram box in source waveform coordinates.

<NR3> specifies the top position of the histogram box in source waveform coordinates.

<NR3> specifies the right position of the histogram box in source waveform coordinates.

<NR3> specifies the bottom position of the histogram box in source waveform coordinates.

**Examples** HISTOGRAM:BOX 1E-9, 0.250, 2E-9, 0.500 defines the coordinates of the histogram box in source waveform coordinates.

HISTOGRAM:BOX? might return :HISTOGRAM:BOX 1.0000E-09, 0.2500, 2.0000E-09, 0.5000, which identifies the coordinates of the histogram box in source waveform coordinates.

## HIStogram:BOXPcnt

This command defines or queries the left, top, right, and bottom positions of the histogram box, in percentage coordinates. The upper left has the value 0,0 and the lower right has the value 100, 100. Any value outside the range of 0 to 100 is clipped. This command is similar to the [HIStogram:BOX](#) command except that this command uses percentage coordinates to define the boundaries of the histogram box.

---

**NOTE.** This command implicitly clears the histogram count and statistics for the histogram and histogram source data when *HIStogram:STATE* is turned on.

---

**Group** Histogram

**Syntax** HIStogram:BOXPcnt <NR2>, <NR2>, <NR2>, <NR2>  
HIStogram:BOXPcnt?

**Related Commands** [HIStogram:BOX](#)

**Arguments** <NR2> specifies the left position of the histogram box in percentage coordinates. The default value is 30.0.

<NR2> specifies the top position of the histogram box in percentage coordinates. The default value is 25.1.

<NR2> specifies the right position of the histogram box in percentage coordinates. The default value is 70.0.

<NR2> specifies the bottom position of the histogram box in percentage coordinates. The default value is 75.2.

**Examples** HISTOGRAM:BOXPCNT 30.0,25.0,70.0,75.0 sets the left boundary of the histogram box to 30% of the graticule (3 divisions from the left edge); the top boundary to 25% of the graticule ( $0.25 \times 8 = 2.0$  divisions from the top edge); the right boundary to 70% of the graticule (7 divisions from the left edge); and the bottom boundary to 75% of the graticule ( $0.75 \times 8 = 6.0$  divisions from the top edge).

HISTOGRAM:BOXPCNT? might return :HISTOGRAM:BOXPCNT  
30.0000,25.1000,70.0000,75.2000.

## HISTogram:COUNT (No Query Form)

This command (no query form) clears the count and statistics for the histogram and the histogram source data. If the histogram is on, then counting restarts. This command is equivalent selecting Waveform Histograms from the Measure menu and then clicking the Reset button.

**Group** Histogram

**Syntax** HISTogram:COUNT RESET

**Related Commands** [HISTogram:BOX](#), [HISTogram:BOXPent](#)

**Examples** HISTOGRAM:COUNT RESET clears the count and statistics for the histogram and the histogram source data.

## HISTogram:DATA? (Query Only)

This query-only command returns an ASCII comma-separated list of histogram data numbers. This command returns 252 values for vertical histograms and 1000 values for horizontal histograms. The first and last value are not displayed, and are used for over range and under range tracking.

---

**NOTE.** *You must set the histogram state to ON before sending this query or the system will generate an error indicating: "Source waveform is not active".*

---



<b>Group</b>	Histogram
<b>Syntax</b>	HISTogram:DISplay {OFF LOG LINEAr} HISTogram:DISplay?
<b>Related Commands</b>	<a href="#">HISTogram:MODE</a> , <a href="#">HISTogram:STATE</a>
<b>Arguments</b>	<p>&lt;OFF&gt; disables the histogram display but allows histogram data to accumulate. This argument provides for backward compatibility with older DPO Series instruments; it does not affect a change in the display scaling of the histogram. When queried, HISTogram:DISplay? will return OFF if the histogram state or mode has been disabled using the HISTogram:MODE or HISTogram:STATE commands.</p> <p>&lt;LOG&gt; sets the histogram display to logarithmic scaling.</p> <p>&lt;LINEAR&gt; sets the histogram display to linear scaling. This is the default setting.</p>
<b>Examples</b>	<p>HISTOGRAM:DISPLAY LOG sets the histogram scaling to be the log count of each histogram bin.</p> <p>HISTOGRAM:DISPLAY? might return :HISTOGRAM:DISPLAY LOG indicating that the current histogram display scaling is the log count of each histogram bin.</p>

## HISTogram:FUNCTION

This command either selects the type of histogram to create or returns the current histogram type. This command is equivalent to selecting Waveform Histogram from the Measure menu and then choosing either Horizontal or Vertical from the Histogram Mode group box.

<b>Group</b>	Histogram
<b>Syntax</b>	HISTogram:FUNCTION {HORizontal VERTical} HISTogram:FUNCTION?
<b>Related Commands</b>	<a href="#">HISTogram:MODE</a> , <a href="#">HISTogram:STATE</a>
<b>Arguments</b>	<p>HORizontal displays a horizontally positioned histogram that shows time distribution.</p> <p>VERTical displays a vertically positioned histogram that shows a voltage distribution (or another distribution such as amperes).</p>

- Examples** HISTOGRAM:FUNCTION HORIZONTAL sets the histogram mode to the horizontal display mode.
- HISTOGRAM:FUNCTION? might return :HISTOGRAM:FUNCTION VERTICAL, indicating that the vertical display mode is selected for the histogram.

## HIStogram:MODe

This command selects the type of histogram to create or disables the histogram display. The query form either returns the current histogram type or that histogram display is disabled. This command is equivalent to selecting Waveform Histogram from the Measure menu and then choosing from the Histogram Mode group box.

HIStogram:MODe is functionally equivalent to the [HIStogram:FUNcTion](#) and [HIStogram:STATe](#) commands and is included for backward compatibility purposes.

**Group** Histogram

**Syntax** HIStogram:MODe {HORizontal|VERTical|OFF}  
HIStogram:MODe?

**Related Commands** [HIStogram:FUNcTion](#), [HIStogram:STATe](#), [HIStogram:DISplay](#)

- Arguments** HORizontal enables a horizontally positioned histogram that shows time distribution.
- VERTical enables a vertically positioned histogram that shows a voltage distribution (or another distribution such as amperes).
- OFF disables collection of the histogram measurement.

- Examples** HISTOGRAM:MODE HORIZONTAL sets the type of histogram created to horizontal, which displays a horizontally positioned histogram that shows time distribution.
- HISTOGRAM:MODE? might return :HISTOGRAM:MODE OFF, indicating that histogram display is disabled.

## HIStogram:SIZe

This command sets or queries the width or height of the histogram on the screen. This is equivalent to selecting Waveform Histograms from the Measure menu and then entering a value in the Histogram Size box.



<b>Group</b>	Histogram
<b>Syntax</b>	HISTogram:SIZE <NR3> HISTogram:SIZE?
<b>Related Commands</b>	<a href="#">HISTogram:DISplay</a>
<b>Arguments</b>	<NR3> specifies the histogram size. The value can vary from 0.1 to 8.0 divisions in HORizontal mode and from 0.1 to 10.0 divisions in VERTical mode. Resolution is to the nearest pixel.
<b>Examples</b>	HISTOGRAM:SIZE 2.0 sets the size of the histogram to 2.0 divisions.  HISTOGRAM:SIZE? might return :HISTOGRAM:SIZE 2.0000E+01, indicates the histogram size is set to 2.0 divisions.

## HISTogram:SOURce

This command sets or queries which source will be compared against the histogram box when the histogram testing is enabled. This is equivalent to selecting Waveform Histograms from the Measure menu and then choosing the desired waveform source. The waveform need not be displayed for histograms to run. You might want the channel displays disabled so you can see a full-screen histogram and not have waveform data confuse the display.

<b>Group</b>	Histogram
<b>Syntax</b>	HISTogram:SOURce {CH<x> MATH<x> REF<x>} HISTogram:SOURce?
<b>Related Commands</b>	<a href="#">HISTogram:DISplay</a>
<b>Arguments</b>	CH<x> selects a channel waveform as the source for the histogram. The x variable can be expressed as an integer ranging from 1 through 4.  MATH<x> selects a math waveform as the source for the histogram. The x variable can be expressed as an integer ranging from 1 through 4.  REF<x> selects a reference waveform as the source for the histogram. The x variable can be expressed as an integer ranging from 1 through 4.

- Examples** HISTOGRAM:SOURCE CH1 enables the Channel 1 waveform to be compared against the histogram box. The default time base, Main, is used for the histogram display.
- HISTOGRAM:SOURCE? might return :HISTOGRAM:SOURCE CH1, indicating that the waveform for Channel 1 is the source for the histogram.

## HIStogram:STATE

This command sets or queries whether the histogram calculations are enabled. This is equivalent to selecting Waveform Histograms from the Measure menu.

- Group** Histogram
- Syntax** HIStogram:STATE {ON|OFF|<NR1>}  
HIStogram:STATE?
- Related Commands** [HIStogram:MODE](#), [MEASUrement:METHOD](#)
- Arguments** <ON> enables histogram calculations.  
<OFF> disables the histogram calculations.  
<NR1> = 0 disables histogram calculations; any other value enables histogram calculations.
- Examples** HISTOGRAM:STATE ON enables histogram calculations.  
HISTOGRAM:STATE? might return :HISTOGRAM:STATE 0, indicating that histogram calculations are currently disabled.

## HORizontal? (Query Only)

This query-only command returns all settings for the horizontal commands.

- Group** Horizontal
- Syntax** HORizontal?
- Examples** HORIZONTAL? might return the following horizontal settings  
:HORIZONTAL:DELAY:MODE 0;POSITION 50.0000;TIME

```
0.00000000000;:HORIZONTAL:MAIN:INTERPRATIO
1.0000;POSITION 50.0000;UNITS:STRING "s";:HORIZONTAL:ROLL
AUTO;MODE AUTO;MODE:AUTO:LIMITRECORDLEN
200000;:HORIZONTAL:MODE:RECORDLENGTH 1000;SAMPLERATE
40.0000E+9;SCAL.
```

## HORizontal:ACQDURATION? (Query Only)

This query returns the timebase duration.

**Group** Horizontal

**Syntax** HORizontal:ACQDURATION?

**Returns** <NR3>

**Examples** HORIZONTAL:ACQDURATION? might return :HORIZONTAL:ACQDURATION 5.0E-9, indicating the acquisition duration is 5.0 us.

## HORizontal:ACQLENGTH? (Query Only)

This query returns the record length.

**Group** Horizontal

**Syntax** HORizontal:ACQLENGTH?

**Returns** <NR1>

**Examples** HORIZONTAL:ACQLENGTH? might return :HORIZONTAL:ACQLENGTH 50000, indicating the acquisition record length is 50000 points.

## HORizontal:DIVisions? (Query Only)

This query-only command returns the number of graticule divisions over which the waveform is displayed.

<b>Group</b>	Horizontal
<b>Syntax</b>	HORizontal:DIVisions?
<b>Arguments</b>	None.
<b>Examples</b>	HORIZONTAL:DIVISIONS? might return :HORIZONTAL:DIVISIONS 10.0000, indicating that the waveform is displayed across ten division.

## HORizontal:FASTframe? (Query Only)

This query-only command returns all of the settings for the horizontal FastFrame commands.

<b>Group</b>	Horizontal
<b>Syntax</b>	HORizontal:FASTframe?
<b>Examples</b>	HORIZONTAL:FASTFRAME? might return :HORIZONTAL:FASTFRAME:STATE 1;READOUTS 0;SUMFRAME NONE;MULTIPLEFRAMES:MODE OVERLAY;FRAMESTART:CH1 1;CH2 1;CH3 1;CH4 1;MATH1 1;MATH2 1;MATH3 1;MATH4 1;REF1 1;REF2 1;REF3 1;REF4 1;:HORIZONTAL:FASTFRAME:MULTIPLEFRAMES:NUMFRAMES:CH1 2;CH2 2;CH3 2;CH4 2;MATH1 2;MATH2 2;MATH3 2;MATH4 2;REF1 2;REF2 2;REF3 2;REF4 2;:HORIZONTAL:FASTFRAME:LENGTH 500;COUNT 2;SELECTED:CH1 2;CH2 2;CH3 2;CH4 2;MATH1 2;MATH2 2;MATH3 2;MATH4 2;REF1 2;REF2 2;REF3 2;REF4 2;:HORIZONTAL:FASTFRAME:REF:SOURCE CH4;FRAME 1;:HORIZONTAL:FASTFRAME:TRACK ALL.

## HORizontal:FASTframe:COUNT

This command sets or queries FastFrame frame count. This command is equivalent to selecting Fast Frame Setup from the Horiz/Acq menu and entering a value in the Frame Count box. FastFrame captures a series of triggered acquisitions with minimal intervening time.

<b>Group</b>	Horizontal
--------------	------------

**Syntax**    `HORizontal:FASTframe:COUNT <NR1>`  
`HORizontal:FASTframe:COUNT?`

**Related Commands**    [HORizontal:MODE:RECOrdlength](#)

**Arguments**    `<NR1>` indicates the number of frames to acquire.

**Examples**    `HORIZONTAL:FASTFRAME:COUNT 2` sets up FastFrame mode to acquire two frames (segments) of data.

`HORIZONTAL:FASTFRAME:COUNT?` might return  
`:HORIZONTAL:FASTFRAME:COUNT 4`, indicating that FastFrame mode is currently set to acquire 4 frames of data.

## HORizontal:FASTframe:MAXFRames? (Query Only)

This query only command returns the maximum number of FastFrame frames which can be acquired at the current frame length.

**Group**    Horizontal

**Syntax**    `HORizontal:FASTframe:MAXFRames?`

**Related Commands**

**Examples**    `HORIZONTAL:FASTFRAME:MAXFRAMES?` might return `HORIZONTAL:FASTFRAME:MAXFRAMES 3`, indicating that the maximum number of FastFrame frames which can be acquired at the current frame length is 3.

## HORizontal:FASTframe:MULtipleframes:FRAMEStart:<wfm>

This command sets or queries the start frame number on the specified waveform for the FastFrame multiple frames feature. Valid waveforms include `CH<x>`, `MATH<x>`, and `REF<x>`. The value of `x` can be an integer ranging from 1 through 4. The multiple frames feature supports displaying multiple frames in an overlaid manner.

**Group**    Horizontal

<b>Syntax</b>	<code>HORizontal:FASTframe:MULTipleframes:FRAMEStart:&lt;wfm&gt; &lt;NR1&gt;</code> <code>HORizontal:FASTframe:MULTipleframes:FRAMEStart:&lt;wfm&gt;?</code>
<b>Related Commands</b>	<a href="#">HORizontal:FASTframe:MULTipleframes:NUMFRames:&lt;wfm&gt;</a> , <a href="#">HORizontal:FASTframe:MULTipleframes:MODE</a> , <a href="#">HORizontal:FASTframe:COUNT</a>
<b>Arguments</b>	<NR1> specifies the start frame number on the specified waveform.
<b>Examples</b>	<code>HORIZONTAL:FASTFRAME:MULTIPLEFRAMES:FRAMESTART:CH1 3</code> sets the start frame number to frame 3 on Channel 1.  <code>HORIZONTAL:FASTFRAME:MULTIPLEFRAMES:FRAMESTART:CH1?</code> might return <code>:HORIZONTAL:FASTFRAME:MULTIFRAMES:FRAMESTART:CH1 3</code> , indicating that the start frame number is frame 3 for Channel 1.

## HORizontal:FASTframe:MULTipleframes:MODE

This command sets or queries the mode for the FastFrame multiple frames feature. This feature displays multiple frames in an overlaid manner.

<b>Group</b>	Horizontal
<b>Syntax</b>	<code>HORizontal:FASTframe:MULTipleframes:MODE</code> <code>{OFF OVERlay ONLYOVERlay}</code> <code>HORizontal:FASTframe:MULTipleframes:MODE?</code>
<b>Related Commands</b>	<a href="#">HORizontal:FASTframe:MULTipleframes:FRAMEStart:&lt;wfm&gt;</a> , <a href="#">HORizontal:FASTframe:MULTipleframes:NUMFRames:&lt;wfm&gt;</a> , <a href="#">HORizontal:FASTframe:COUNT</a>
<b>Arguments</b>	OFF turns off the multiple frames mode.  OVERlay sets the multiple frames mode to overlay.
<b>Examples</b>	<code>HORIZONTAL:FASTFRAME:MULTIPLEFRAMES:MODE OFF</code> turns off the multiple frames mode.  <code>HORIZONTAL:FASTFRAME:MULTIPLEFRAMES:MODE?</code> might return <code>:HORIZONTAL:FASTFRAME:MULTIPLEFRAMES:MODE OFF</code> , indicating that the multiple frames mode is off.

## HORizontal:FASTframe:MULTipleframes:NUMFRames:<wfm>

This command sets or queries the number of frames on the specified waveform for the FastFrame multiple frames feature. The multiple frames feature supports displaying multiple frames in an overlaid manner.

**Group** Horizontal

**Syntax** `HORizontal:FASTframe:MULTipleframes:NUMFRames:<wfm> <NR1>`  
`HORizontal:FASTframe:MULTipleframes:NUMFRames:<wfm>?`

**Related Commands** [HORizontal:FASTframe:MULTipleframes:FRAMEStart:<wfm>](#), [HORizontal:FASTframe:MULTipleframes:MODE](#), [HORizontal:FASTframe:COUNT](#)

**Arguments** <wfm> specifies the waveform source. Valid waveforms include CH<x>, MATH<x>, and REF<x>. Express the x variable as an integer ranging from 1 through 4.

<NR1> represents the number of frames on the specified waveform.

**Examples** `HORIZONTAL:FASTFRAME:MULTIPLEFRAMES:NUMFRAMES:CH1 3` sets the number of frames to 3 on Channel 1.

`HORIZONTAL:FASTFRAME:MULTIPLEFRAMES:NUMFRAMES:CH1?` might return `:HORIZONTAL:FASTFRAME:MULTIPLEFRAMES:NUMFRAMES:CH1 1`, indicating that the number of frames on Channel 1 is 3.

## HORizontal:FASTframe:REF:FRame

This command sets or queries the FastFrame reference frame number. The Reference Frame number is used to calculate time differences for each frame and displays those differences in the graticule. This command is equivalent to selecting FastFrame Setup in the Horiz/Acq menu and entering a value in the Time Stamps/Frame box.

**Group** Horizontal

**Syntax** `HORizontal:FASTframe:REF:FRame <NR1>`  
`HORizontal:FASTframe:REF:FRame?`

**Related Commands** [HORizontal:FASTframe:REF:SOURce](#), [HORizontal:FASTframe:TIMESTAMP:DELTA:<wfm>?](#), [HORizontal:FASTframe:TIMESTAMP:REF?](#), [HORizontal:FASTframe:TRACK](#)

**Arguments** <NR1> specifies the FastFrame reference frame.

**Examples** `HORIZONTAL:FASTFRAME:REF:FRAME 2` sets the FastFrame reference frame to 2.

`HORIZONTAL:FASTFRAME:REF:FRAME?` might return `:HORIZONTAL:FASTFRAME:REF:FRAME 3`, indicating that the FastFrame reference frame is currently set to 3.

## HORizontal:FASTframe:REF:SOURce

This command sets or queries FastFrame Reference waveform source. This is equivalent to selecting FastFrame Setup from the Horiz/Acq menu and choosing the reference source.

**Group** Horizontal

**Syntax** `HORizontal:FASTframe:REF:SOURce <wfm>`  
`HORizontal:FASTframe:REF:SOURce?`

**Related Commands** [HORizontal:FASTframe:REF:FRAME](#), [HORizontal:FASTframe:TIMESTAMP:DELTA:<wfm>?](#), [HORizontal:FASTframe:TIMESTAMP:REF?](#), [HORizontal:FASTframe:TRACK](#)

**Arguments** <wfm> specifies the FastFrame Reference waveform source. Valid waveforms include CH<x> and MATH<x> The x variable can be expressed as an integer ranging from 1 through 4.

**Examples** `HORIZONTAL:FASTFRAME:REF:SOURCE CH2` sets the horizontal FastFrame waveform reference source to Channel 2.

`HORIZONTAL:FASTFRAME:REF:SOURCE?` might return `:HORIZONTAL:FASTFRAME:REF:SOURCE CH2`, indicating that the FastFrame waveform source is currently set to Channel 2.



## HORizontal:FASTframe:SELECTED:CH<x>

This command sets or queries the FastFrame selected frame number on the specified waveform.

**Group** Horizontal

**Syntax** HORizontal:FASTframe:SELECTED:CH<x> <NRF>  
HORizontal:FASTframe:SELECTED:CH<x>?

**Arguments** <NRF> is the selected frame number.

**Examples** HORIZONTAL:FASTFRAME:SELECTED:CH1 5 selects frame 5 on Channel 1.  
HORIZONTAL:FASTFRAME:SELECTED:CH1? might return  
:HORIZONTAL:FASTFRAME:SELECTED:CH1 5, indicating frame 5 on Channel 1 is selected.

## HORizontal:FASTframe:SELECTED:MATH<x>

This command sets or queries the FastFrame selected frame number on the specified waveform.

**Group** Horizontal

**Syntax** HORizontal:FASTframe:SELECTED:MATH<x> <NRF>  
HORizontal:FASTframe:SELECTED:MATH<x>?

**Arguments** <NRF> is the selected frame number.

**Examples** HORIZONTAL:FASTFRAME:SELECTED:MATH2 4 selects frame 4 on Math 2 waveform.  
HORIZONTAL:FASTFRAME:SELECTED:MATH1? might return  
:HORIZONTAL:FASTFRAME:SELECTED:MATH1 5, indicating that frame 5 on Math 1 waveform is selected.

## HORizontal:FASTframe:SELECTED:REF<x>

This command sets or queries the FastFrame selected frame number on the specified waveform.

<b>Group</b>	Horizontal
<b>Syntax</b>	HORizontal:FASTframe:SELECTED:REF<x> <NRF> HORizontal:FASTframe:SELECTED:REF<x>?
<b>Arguments</b>	<NRF> is the selected frame number.
<b>Examples</b>	HORIZONTAL:FASTFRAME:SELECTED:REF1 1 selects frame 1 on Reference 1 waveform.  HORIZONTAL:FASTFRAME:SELECTED:REF1? might return :HORIZONTAL:FASTFRAME:SELECTED:REF1 25, indicating frame 25 on Reference 1 waveform is the selected frame.

## HORizontal:FASTframe:SELECTED:SOUrce

This command sets or returns the FastFrame source waveform. This is equivalent to selecting FastFrame Setup from the Horiz/Acq menu, and then choosing the waveform source. Valid waveforms include CH<x> and MATH<x>. The x variable can be expressed as an integer ranging from 1 through 4.

<b>Group</b>	Horizontal
<b>Syntax</b>	HORizontal:FASTframe:SELECTED:SOUrce <NR1> HORizontal:FASTframe:SELECTED:SOUrce?
<b>Related Commands</b>	<a href="#">HORizontal:FASTframe:TRACk</a> , <a href="#">HORizontal:FASTframe:TIMEStamp:DELTA:&lt;wfm&gt;?</a> , <a href="#">HORizontal:FASTframe:TIMEStamp:REF?</a>
<b>Arguments</b>	<NR1> specifies the selected frame number on the specified waveform.
<b>Examples</b>	HORIZONTAL:FASTFRAME:SELECTED:SOURCE CH2 sets the FastFrame source to Channel 2.  HORIZONTAL:FASTFRAME:SELECTED:SOURCE? might return :HORIZONTAL:FASTFRAME:SELECTED:SOURCE CH1, indicating that the selected source is Channel 1.

## HORizontal:FASTframe:SEquence

This command sets or queries the FastFrame single-sequence mode stop condition.

<b>Group</b>	Horizontal
<b>Syntax</b>	HORizontal:FASTframe:SEquence {FIRst LAST} HORizontal:FASTframe:SEquence?
<b>Arguments</b>	FIRst sets single sequence to stop after n frames.  LAST sets single sequence to stop manually.
<b>Examples</b>	HORIZONTAL:FASTFRAME:SEQUENCEFIRst sets single-sequence mode to stop after n frames.  HORIZONTAL:FASTFRAME:SEQUENCE? might return :HORIZONTAL:FASTFRAME:SEQUENCE LAST, indicating the FastFrame single-sequence mode is stop manually.

## HORizontal:FASTframe:STATE

This command sets or returns the state of FastFrame acquisition. This is equivalent to setting FastFrame to On in the FastFrame Setup menu. FastFrame lets users capture a series of triggered acquisitions with minimal time between them.

The digitizing instrument in FastFrame mode is ready to accept a continuous burst of triggers 400 ms after the controller sends the [ACQUIRE:STATE](#) RUN command.

<b>Group</b>	Horizontal
<b>Syntax</b>	HORizontal:FASTframe:STATE {ON OFF <NR1>} HORizontal:FASTframe:STATE?
<b>Related Commands</b>	<a href="#">ACQUIRE:STATE</a>
<b>Arguments</b>	<ON> turns on horizontal FastFrame.  <OFF> turns off horizontal FastFrame.  <NR1> = 0 turns off horizontal FastFrame; any other value turns on horizontal FastFrame.

**Examples**    `HORIZONTAL:FASTFRAME:STATE ON` turns on horizontal FastFrame.

`HORIZONTAL:FASTFRAME:STATE?` might return  
`:HORIZONTAL:FASTFRAME:STATE 0`, indicating that the current state of FastFrame is off.

## HORizontal:FASTframe:SUMFrame

This command sets or queries the summary frame mode. When ENvelope is selected, the last frame in a FastFrame acquisition is an envelope of all the prior frames in the acquisition. When AVERAGE is selected, the last frame is replaced with a frame that is the computed average of all the prior frames in the acquisition. For the summary frame control to be active, the number of frames must be two or greater.

**Group**    Horizontal

**Syntax**    `HORizontal:FASTframe:SUMFrame {NONE|ENvelope|AVERAGE}`  
`HORizontal:FASTframe:SUMFrame?`

**Arguments**    `NONE` turns off the summary mode for FastFrame. This is the default setting.

`ENvelope` argument displays the last frame in a FastFrame acquisition as an envelope of all the prior frames in the acquisition.

`AVERAGE` argument displays the last frame in a FastFrame acquisition as a frame that is the computed average of all the prior frames in the acquisition.

**Examples**    `HORIZONTAL:FASTFRAME:SUMFRAME NONE` turns off the summary frame feature.

`HORIZONTAL:FASTFRAME:SUMFRAME?` might return  
`:HORIZONTAL:FASTFRAME:SUMFRAME AVERAGE`, indicating that the summary mode for FastFrame is set to `AVERAGE` and will display the last frame in the acquisition as the average of all the prior frames in the acquisition.

## HORizontal:FASTframe:TIMESTAMP:ALL:<wfm>? (Query Only)

This query-only command returns the frame number and time stamp for each frame between requested frames, inclusive, within the specified waveform. Argument order is unimportant. Valid waveforms include `CH<x>`, `MATH<x>` and `REF<x>`. The `x` variable can be expressed as an integer ranging from 1 through 4.

The format of the output is as follows:

DD MON YYYY HH:MM:SS.xxx xxx xxx xxx

- DD MON YYYY is day, month, and year
- HH:MM:SS is hours, minutes, and seconds
- .xxx xxx xxx xxx is fractions of a second to picoseconds

**Group** Horizontal

**Syntax** HOrizontal:FASTframe:TIMESTamp:ALL:<wfm>? <NR1>, <NR1>

**Arguments** <NR1> specifies the selected “from” frame number within the specified waveform.  
<NR1> specifies the selected “to” frame number within the specified waveform.

**Examples** HORIZONTAL:FASTFRAME:TIMESTAMP:ALL:CH2? 4,1 might return  
:HORIZONTAL:FASTFRAME:TIMESTAMP:ALL:CH1 4,1,“02 Mar 2000  
20:10:54.542 037 272 620” This is the list of time stamps from frame 1 through  
frame 4 on Channel 1.

## HORizontal:FASTframe:TIMESTamp:BETween:<wfm>? (Query Only)

This query-only command returns the relative trigger for the delta time between the specified frames, within the specified waveform. Valid waveforms include CH<x>, MATH<x> and REF<x>. The x variable can be expressed as an integer ranging from 1 through 4.

The format of the delta time output is as follows:

HH:MM:SS.xxx xxx xxx xxx

- HH:MM:SS is hours, minutes, and seconds
- .xxx xxx xxx xxx is fractions of a second to picoseconds

**Group** Horizontal

**Syntax** HOrizontal:FASTframe:TIMESTamp:BETween:<wfm>? <NR1>, <NR1>

**Arguments** <NR1> specifies the selected “from” frame number within the specified waveform.  
<NR1> specifies the selected “to” frame number within the specified waveform.

**Examples**    `HORIZONTAL:FASTFRAME:TIMESTAMP:BETWEEN:CH1? 5,2` might return `:HORIZONTAL:FASTFRAME:TIMESTAMP:BETWEEN:CH1 5,2,"00:00:00.010 000 540 624"` This is the delta of Channel 1's Time Stamp frame 5 - Time Stamp frame 2 (TS[5]-TS[2]).

## HORizontal:FASTframe:TIMEStamp:DELTA:<wfm>? (Query Only)

This query-only command returns the relative time between the triggers of the FastFrame Selected and the FastFrame Reference, within the specified waveform. Valid waveforms include CH<x>, MATH<x>, and REF<x>. The x variable can be expressed as an integer ranging from 1 through 4.

The format of the output is as follows:

HH:MM:SS.xxx xxx xxx xxx

- HH:MM:SS is hours, minutes, and seconds
- .xxx xxx xxx xxx is fractions of a second to picoseconds

**Group**    Horizontal

**Syntax**    `HORizontal:FASTframe:TIMEStamp:DELTA:<wfm>?`

**Examples**    `HORIZONTAL:FASTRAME:TIMESTAMP:DELTA:CH1?` might return `:HORIZONTAL:FASTFRAME:TIMESTAMP:DELTA:CH1 "00:00:00.006 000 306 556"` This is the delta time stamp of FastFrame Selected Frame on Channel 1 - FastFrame Reference Frame (TS[C1 Selected]-TS[Reference]).

## HORizontal:FASTframe:TIMEStamp:FRAME:<wfm>? (Query Only)

This query-only command returns the absolute trigger date and time for the specified frame and waveform. Valid waveforms include CH<x>, MATH<x> and REF<x>. The x variable can be expressed as an integer ranging from 1 through 4.

The format of the output is as follows:

DD MON YYYY HH:MM:SS.xxx xxx xxx xxx

- DD MON YYYY is day, month, and year
- HH:MM:SS is hours, minutes, and seconds
- .xxx xxx xxx xxx is fractions of a second to picoseconds

**Group**    Horizontal

<b>Syntax</b>	<code>HORizontal:FASTframe:TIMESamp:FRAME:&lt;wfm&gt;? &lt;NR1&gt;</code>
<b>Arguments</b>	<NR1> is the frame number for which the timestamp will be returned on the specified waveform.
<b>Examples</b>	<code>HORIZONTAL:FASTFRAME:TIMESTAMP:FRAME:CH1? 10</code> might return <code>:HORIZONTAL:FASTFRAME:TIMESTAMP:FRAME:CH1 10,"02 Mar 2000</code> <code>20:10:54.536 036 928 432"</code> which is the time stamp of Channel 1, frame 10.

## HORizontal:FASTframe:TIMESamp:REF? (Query Only)

This query-only command returns the absolute trigger date and time for FastFrame reference.

The format of the output is as follows:

`DD MON YYYY HH:MM:SS.xxx xxx xxx xxx`

- `DD MON YYYY` is day, month, and year
- `HH:MM:SS` is hours, minutes, and seconds
- `.xxx xxx xxx xxx` is fractions of a second to picoseconds

**Group** Horizontal

**Syntax** `HORizontal:FASTframe:TIMESamp:REF?`

**Related Commands** [HORizontal:FASTframe:REF:FRame](#), [HORizontal:FASTframe:REF:SOUrce](#)

**Examples** `HORIZONTAL:FASTFRAME:TIMESTAMP:REF?` might return  
`:HORIZONTAL:FASTFRAME:TIMESTAMP:REF "02 Mar 2000`  
`20:10:54.533 036 838 784"` This is the time stamp of FastFrame Reference.

## HORizontal:FASTframe:TIMESamp:SELECTED:<wfm>? (Query Only)

This query-only command returns the absolute trigger date and time for the FastFrame Selected, within the specified waveform. Valid waveforms include `CH<x>`, `MATH<x>` and `REF<x>`. The x variable can be expressed as an integer ranging from 1 through 4.

The format of the output is as follows:

DD MON YYYY HH:MM:SS.xxx xxx xxx xxx

- DD MON YYYY is day, month, and year
- HH:MM:SS is hours, minutes, and seconds
- .xxx xxx xxx xxx is fractions of a second to picoseconds

**Group** Horizontal

**Syntax** `HORizontal:FASTframe:TIMESamp:SELECTED:<wfm>?`

**Related Commands** [HORizontal:FASTframe:SELECTED:SOUrce](#)

**Examples** `HORIZONTAL:FASTFRAME:TIMESTAMP:SELECTED:REF1?` might return `:HORIZONTAL:FASTFRAME:TIMESTAMP:SELECTED:REF1 "02 MAR 2000 20:10:54:539 037 145 340"` This is the time stamp of FastFrame Selected on Reference 1 waveform.

## HORizontal:FASTframe:TRACK

This command sets up or returns the state of FastFrame tracking feature. This command is equivalent to selecting FastFrame Setup from the Horiz/Acq menu and then clicking the desired Frame Tracking state.

When FastFrame Track is set to “live”, the channel and math waveforms are locked together. Adjusting a channel waveform also adjusts a related math waveform. All reference waveforms are also locked together but they are separate from channel and math waveforms.

For example, when you set the Selected Frame Source Ch1 to Frame 3, then Selected Frame Ch2, Ch3, Ch4, Math1, Math2, Math3 and Math4 are also set to Frame 3.

When you set the Selected Frame Source Ref1 to Frame 2, then Selected Frame Ref2, Ref3 and Ref4 are also set to Frame 2. If the Frame Tracking is set to Live, changing Selected Frame Ch1 will not affect the Selected Frame Ref1 frame of the Reference Frame setting.

When FastFrame Track is set to “all”, the channel, math and reference waveforms are locked together. Adjusting a channel waveform also adjusts the related math and reference waveforms.

For example, when you set the Selected Frame Source Ch1 to Frame 3, then Selected Frame Ch2, Ch3, Ch4, Math1, Math2, Math3, Math4, Ref1, Ref2, Ref3 and Ref4 are also set to Frame 3.



<b>Group</b>	Horizontal
<b>Syntax</b>	HORizontal:FASTframe:TRACK {LIVE ALL} HORizontal:FASTframe:TRACK?
<b>Related Commands</b>	<a href="#">HORizontal:FASTframe:REF:FRame</a> , <a href="#">HORizontal:FASTframe:REF:SOUrce</a> , <a href="#">HORizontal:FASTframe:SELECTED:SOUrce</a>
<b>Arguments</b>	LIVE sets FastFrame Track to Live. ALL sets FastFrame Track to All.
<b>Examples</b>	HORIZONTAL:FASTFRAME:TRACK LIVE sets FastFrame Track to live. HORIZONTAL:FASTFRAME:TRACK? might return :HORIZONTAL:FASTFRAME:TRACK ALL, indicating that all FastFrame Selected Frames and the FastFrame Reference will be locked together.

## HORizontal:FASTframe:XZero:ALL:CH<x>? (Query Only)

This command queries the time from the trigger to the start of the specified frames on the specified channel.

<b>Group</b>	Horizontal
<b>Syntax</b>	HORizontal:FASTframe:XZero:ALL:CH<x>? <NR1>,<NR1>
<b>Arguments</b>	<NR1> specifies the first and last frame of a range of frames.
<b>Examples</b>	HORIZONTAL:FASTFRAME:XZERO:ALL:CH1? 1,4 might return :HORIZONTAL:FASTFRAME:XZERO:ALL:CH1 1,4,"1: 2.5265E-009","2: 3.9010E-010","3: 3.8285E-009","4: 1.3237E-009", giving the first 4 XZERO times for Channel 1.

## HORizontal:FASTframe:XZero:ALL:REF<x>? (Query Only)

This command queries the time from the trigger to the start of the specified frames on the specified reference.

<b>Group</b>	Horizontal
<b>Syntax</b>	<code>HORizontal:FASTframe:XZero:ALL:REF&lt;x&gt;? &lt;NR1&gt;,&lt;NR1&gt;</code>
<b>Arguments</b>	<NR1> specifies the first and last frame of a range of frames.
<b>Examples</b>	<code>HORIZONTAL:FASTFRAME:XZERO:ALL:REF1? 1,3</code> might return <code>:HORIZONTAL:FASTFRAME:XZERO:ALL:REF1 1,3,"1: 2.5265E-009", "2: 3.9010E-010", "3: 3.8285E-009"</code> , giving the first 3XZERO times for Reference 1.

### **HORizontal:FASTframe:XZero:FRame:CH<x>? (Query Only)**

This command queries the time from the trigger to the start of the specified frame on the specified channel.

<b>Group</b>	Horizontal
<b>Syntax</b>	<code>HORizontal:FASTframe:XZero:FRame:CH&lt;x&gt;? &lt;NR1&gt;</code>
<b>Arguments</b>	<NR1> specifies a frame on the specified channel.
<b>Examples</b>	<code>HORIZONTAL:FASTFRAME:XZERO:FRAME:CH1? 3</code> might return <code>:HORIZONTAL:FASTFRAME:XZERO:FRAME:CH1 3,3.8285E-9</code> , indicating the time from the trigger to the start of frame 3 on Channel 1 is 3.83 ns.

### **HORizontal:FASTframe:XZero:FRame:REF<x>? (Query Only)**

This command queries the time from the trigger to the start of the specified frame on the specified reference.

<b>Group</b>	Horizontal
<b>Syntax</b>	<code>HORizontal:FASTframe:XZero:FRame:REF&lt;x&gt;? &lt;NR1&gt;</code>
<b>Arguments</b>	<NR1> specifies a frame on the specified reference.

**Examples** `HORIZONTAL:FASTFRAME:XZERO:FRAME:REF1? 3` might return  
`:HORIZONTAL:FASTFRAME:XZERO:FRAME:REF1 3,3.8285E-9`, indicating  
the time from the trigger to the start of frame 3 on Reference 1 is 3.83 ns.

## HORizontal:FASTframe:XZero:REF? (Query Only)

This command sets or queries the time from the trigger to the trigger sample on the reference waveform.

**Group** Horizontal

**Syntax** `HORizontal:FASTframe:XZero:REF?`

**Examples** `HORIZONTAL:FASTFRAME:XZERO:REF1?` might return  
`:HORIZONTAL:FASTFRAME:XZERO:REF 35.1000E-12`, indicating  
that the Reference 1 waveform trigger sample occurred 35.1 ps after the trigger.

## HORizontal:FASTframe:XZero:SELECTED:CH<x>? (Query Only)

This command sets or queries the time from the trigger to the trigger sample on the selected channel. CH<x> can be CH1, CH2, CH3, or CH4.

**Group** Horizontal

**Syntax** `HORizontal:FASTframe:XZero:SELECTED:CH<x>?`

**Examples** `HORIZONTAL:FASTFRAME:XZERO:SELECTED:CH1?` might return  
`:HORIZONTAL:FASTFRAME:XZERO:SELECTED:CH1 35.1000E-12`, indicating  
that the selected Channel 1 trigger sample occurred 35.1 ps after the trigger.

## HORizontal:FASTframe:XZero:SELECTED:REF<x>? (Query Only)

This command sets or queries the time from the trigger to the trigger sample on the selected reference waveform. REF<x> can be REF1, REF2, REF3, or REF4.

**Group** Horizontal

**Syntax** `HORizontal:FASTframe:XZero:SELECTED:REF<x>?`

**Examples**    `HORizontal:FASTframe:XZERO:SELECTED:REF1?` might return  
`:HORIZONTAL:FASTFRAME:XZERO:SELECTED:REF1 35.1000E-12`,  
 indicating that the selected Reference 1 waveform trigger sample occurred 35.1 ps  
 after the trigger.

## HORizontal:MAIn? (Query Only)

This query-only command returns the time per division of the time base. This command is equivalent to selecting Position/Scale from the Horiz/Acq menu.

**Group**    Horizontal

**Syntax**    `HORizontal:MAIn?`

**Related Commands**    [HORizontal:MODE:SCALE](#)

**Examples**    `HORIZONTAL:MAIN?` might return `:HORIZONTAL:MAIN:INTERPRATIO`  
`1.0000;SCALE 40.0000E-9;POSITION 50.0000;SAMPLERATE`  
`1.2500E+9;UNITS:STRING "s".`

## HORizontal[:MAIn]:DELay:MODE

This command sets or queries the time base trigger delay mode. This command is equivalent to choosing Delay Mode On from the Horiz/Acq menu.

**Group**    Horizontal

**Syntax**    `HORizontal[:MAIn]:DELay:MODE {ON|OFF|<NR1>}`  
`HORizontal[:MAIn]:DELay:MODE?`

**Related Commands**    [HORizontal\[:MAIn\]:DELay:TIME](#)

**Arguments**    `ON` enables the time base trigger delay mode.  
`OFF` disables the time base trigger delay mode.  
`<NR1> = 0` disables the time base trigger delay mode, any other value enables the  
 time base trigger delay mode.

**Examples**    `HORIZONTAL:DELAY:MODE ON` enables the time base trigger delay mode.

`HORIZONTAL:DELAY:MODE?` might return `:HORIZONTAL:DELAY:MODE 1`, indicating that the time base trigger delay mode is currently enabled.

## HORizontal[:MAIn]:DELay:POSition

This command sets or queries the time base position when Horizontal Delay Mode is turned on. This command is equivalent to selecting Horizontal/Acquisition Setup from the Horiz/Acq menu and then entering a Ref Point value.

**Group**    Horizontal

**Syntax**    `HORizontal[:MAIn]:DELay:POSition <NR3>`  
`HORizontal[:MAIn]:DELay:POSition?`

**Related Commands**    [HORizontal\[:MAIn\]:DELay:TIME](#)

**Arguments**    `<NR3>` is from 0 to  $\approx 100$  and is the percentage of the waveform that is displayed left of the center graticule.

---

**NOTE.** *The upper limit of the waveform position is slightly limited by a value that is determined from the record length (upper limit =  $100 - 1/\text{record length}$ ).*

---

**Examples**    `HORIZONTAL:DELAY:POSITION 5E+1` sets the time base trigger delay position to 50 percent.

`HORIZONTAL:DELAY:POSITION?` might return `:HORIZONTAL:MAIN:DELAY:POSITION 5.0000E+01`, indicating that the time base trigger delay position is currently set to 50 percent.

## HORizontal[:MAIn]:DELay:TIME

This command sets or queries the time base trigger delay time. This command is equivalent to selecting Position/Scale from the Horiz/Acq menu and choosing a value for Horiz Delay.

**Group**    Horizontal

**Syntax**      `HORizontal[:MAIn]:DELay:TIME <NR3>`  
`HORizontal[:MAIn]:DELay:TIME?`

**Related Commands**    [HORizontal\[:MAIn\]:DELay:MODE](#), [HORizontal\[:MAIn\]:DELay:POSition](#)

**Arguments**      <NR3> specifies the time base trigger delay time setting, typically represented in seconds.

**Examples**      `HORIZONTAL:DELAY:TIME 5.0E-3` sets the time base trigger delay time to 5 ms.  
`HORIZONTAL:DELAY:TIME?` might return `:HORIZONTAL:MAIN:DELAY 5.0000E-05`, indicating that the time delay setting is 5  $\mu$ s.

## HORizontal:MAIn:INTERPRatio? (Query Only)

This query-only command returns the Horizontal Main time base interpolation ratio. The ratio is useful for calculating the maximum sampling rate when users request sampling rates that are faster than the maximum rate specified by the acquisition hardware.

The default maximum sampling rate as specified by the acquisition hardware is 1.

An interpolation ratio other than 1 means that displayed and retrieved waveforms contain additional points that are derived through interpolation. At such times, the retrieved waveform data is actually 16-bit data. You should set the data width accordingly.

**Group**      Horizontal

**Syntax**      `HORizontal:MAIn:INTERPRatio?`

**Examples**      `HORIZONTAL:MAIN:INTERPRATIO?` might return  
`:HORIZONTAL:MAIN:INTERPRATIO 10.0`.

## HORizontal[:MAIn]:POSition

**Group**      Horizontal

**Syntax**      `HORizontal[:MAIn]:POSition <NR3>`  
`HORizontal[:MAIn]:POSition?`

**Related Commands** [HORizontal\[:MAIn\]:DELay:MODE](#)

**Arguments** <NR3> argument can range from 0 to  $\approx 100$  and is the percentage of the waveform that is displayed left of the center graticule.

---

**NOTE.** *The upper limit of the waveform position is slightly limited by a value that is determined from the record length (upper limit =  $100 - 1/\text{record length}$ ).*

---

**Examples** `HORIZONTAL:MAIN:POSITION 5.000E+01` sets the horizontal position of the waveform such that 10 percent of the waveform is to the left of center of the screen.

`HORIZONTAL:MAIN:POSITION?` might return `:HORIZONTAL:MAIN:POSITION 5.0000E+01`, indicating that the horizontal position of the waveform on the screen is currently set to 50 percent.

## HORizontal:MAIn:UNIts

This command sets or returns the units for the horizontal time base. It is equivalent to setting the `HORizontal:MAIn:UNIts:STRing`.

**Group** Horizontal

**Syntax** `HORizontal:MAIn:UNIts <STRing>`  
`HORizontal:MAIn:UNIts?`

**Related Commands** [HORizontal:MAIn:UNIts:STRing](#)

**Arguments** <STRing> is the time base units string.

**Examples** `HORIZONTAL:MAIN:UNITS "LUM"` sets the time base multiplier to 5.5, the units to lumens and the time base units offset to 2.9.

`HORIZONTAL:MAIN:UNITS?` might return `:HORIZONTAL:MAIN:UNITS:STRING "lum"`.

## HORizontal:MAIn:UNIts:STRing

This command sets or returns the units string for the horizontal time base.

<b>Group</b>	Horizontal
<b>Syntax</b>	<code>HORizontal:MAIn:UNIts:STRing &lt;string&gt;</code> <code>HORizontal:MAIn:UNIts:STRing?</code>
<b>Related Commands</b>	<a href="#">HORizontal:MAIn:UNIts</a>
<b>Arguments</b>	<string> is the time base units string.
<b>Examples</b>	<code>HORIZONTAL:MAIN:UNITS:STRING "LUM"</code> sets the units string for the time base trigger delay to lumens.  <code>HORIZONTAL:MAIN:UNITS:STRING?</code> might return <code>:HORIZONTAL:MAIN:UNITS:STRING "lum"</code> , indicating that the units string for the time base trigger delay is set to lumens.

## HORizontal:MODE

This command set or queries the horizontal mode. Auto mode is the factory default.

<b>Group</b>	Horizontal
<b>Syntax</b>	<code>HORizontal:MODE {AUTO CONStant MANuaL}</code> <code>HORizontal:MODE?</code>
<b>Related Commands</b>	<a href="#">HORizontal:MODE:AUTO:LIMITrecordlen</a> , <a href="#">HORizontal:MODE:RECOrdlength</a> , <a href="#">HORizontal:MODE:SAMPLERate</a> , <a href="#">HORizontal:MODE:SCALE</a>
<b>Arguments</b>	<code>AUTO</code> selects the automatic horizontal model. Auto mode attempts to keep record length constant as you change the time per division setting. Record length is read only.  <code>CONSTANT</code> selects the constant horizontal model. Constant mode attempts to keep sample rate constant as you change the time per division setting. Record length is read only.  <code>MANUAL</code> selects the manual horizontal model. Manual mode lets you change sample mode and record length. Time per division or Horizontal scale is read only.



**Examples**    `HORIZONTAL:MODE AUTO` sets the horizontal mode to auto.  
`HORIZONTAL:MODE?` might return `:HORIZONTAL:MODE MANUAL`, indicating that the horizontal mode is manual.

## HORizontal:MODE:AUTO:LIMITrecordlen

This command sets or queries the record length limit used by the auto horizontal mode.

**Group**    Horizontal

**Syntax**    `HORizontal:MODE:AUTO:LIMITrecordlen <NR1>`  
`HORizontal:MODE:AUTO:LIMITrecordlen?`

**Arguments**    `<NR1>` is the record length limit in samples.

**Examples**    `HORIZONTAL:MODE:AUTO:LIMITRECORDLEN 1000` sets the record length limit to 1000 samples.  
`HORIZONTAL:MODE:AUTO:LIMITRECORDLEN?` might return `:HORIZONTAL:MODE:AUTO:LIMITRECORDLEN 1000000`, indicating that the record length limit is set to 1,000,000 samples.

## HORizontal:MODE:RECOrdlength

This command sets or queries the record length.

**Group**    Horizontal

**Syntax**    `HORizontal:MODE:RECOrdlength <NR1>`  
`HORizontal:MODE:RECOrdlength?`

**Arguments**    `<NR1>` is the record length in samples. Manual mode lets you change the record length, while the record length is read only for Auto and Constant mode.

**Examples**    `HORIZONTAL:MODE:RECORDLENGTH 1000` sets the record length to 1000 samples.

HORIZONTAL:MODE:RECORDLENGTH? might return  
:HORIZONTAL:MODEL:RECORDLENGTH 1000000, indicating that the record  
length is set to 1,000,000 samples

## HORizontal:MODE:SAMPLERate

This command sets or queries the sample rate.

**Group** Horizontal

**Syntax** HORizontal:MODE:SAMPLERate <NR1>  
HORizontal:MODE:SAMPLERate?

**Arguments** <NR1> is the sample rate in samples per second.

**Examples** HORIZONTAL:MODE:SAMPLERATE 1e6 sets the sample rate to 1 million samples  
per second.

HORIZONTAL:MODE:SAMPLERATE? might return  
:HORIZONTAL:MODEL:SAMPLERATE 5.0000E+6, indicating that the sample  
rate is set to 5 million samples per second.

## HORizontal:MODE:SCALE

This command sets or queries the horizontal scale.

**Group** Horizontal

**Syntax** HORizontal:MODE:SCALE <NR1>  
HORizontal:MODE:SCALE?

**Arguments** <NR1> is the horizontal scale in seconds per division. The horizontal scale is  
read only for Manual mode.

**Examples** HORIZONTAL:MODE:SCALE 2e-9 sets the horizontal scale to 2 ns per division.

HORIZONTAL:MODE:SCALE? might return :HORIZONTAL:MODEL:SCALE  
20.0000E-6, indicating that the horizontal scale is set to 10  $\mu$ s per division.

## HORizontal:ROLL

This command sets or queries the Roll Mode status. Use Roll Mode when you want to view data at very slow sweep speeds. It is useful for observing data samples on the screen as they occur. This command is equivalent to selecting Horizontal/Acquisition Setup from the Horiz/Acq menu, selecting the Acquisition tab, and setting the Roll Mode to Auto or Off.

**Group** Horizontal

**Syntax** `HORizontal:ROLL {AUTO|OFF|ON}`  
`HORizontal:ROLL?`

**Arguments** AUTO enables Roll Mode, if the time/division is set appropriately.  
 OFF disables Roll Mode.  
 ON enables Roll Mode, if the time/division is set appropriately.

**Examples** `HORIZONTAL:ROLL ON` enables Roll Mode.  
`HORIZONTAL:ROLL?` might return `:HORIZONTAL:ROLL OFF`, indicating that the Roll Mode is disabled.

## HORizontal:TIMESTAMP:CH<x>? (Query Only)

This query returns the horizontal timebase for the channel. The channel is specified by x. The value of x can range from 1 through 4.

**Group** Horizontal

**Syntax** `HORizontal:TIMESTAMP:CH<x>?`

**Examples** `HORIZONTAL:TIMESTAMP:CH1?` might return `:HORIZONTAL:TIMESTAMP:CH1 "timestamp not available"`, indicating that the timebase for the Channel 1 is not available.

## HORizontal:TIMESTAMP:REF<x>? (Query Only)

This query returns the horizontal timebase for the reference waveform. The reference is specified by x. The value of x can range from 1 through 4.

<b>Group</b>	Horizontal
<b>Syntax</b>	HORizontal:TIMESTamp:REF<x>?
<b>Examples</b>	HORIZONTAL:TIMESTAMP:REF1? might return :HORIZONTAL:TIMESTAMP:REF1 "timestamp not available", indicating that the timebase for the Reference 1 waveform is not available.

## ID? (Query Only)

This query-only command returns identifying information about the instrument and related firmware.

<b>Group</b>	Miscellaneous
<b>Syntax</b>	ID?
<b>Related Commands</b>	<a href="#">*IDN?</a>
<b>Examples</b>	ID? might return :TEK/DPO7104,CF:91.1CT,FV:4.0.0, indicating that the instrument model number is set to TEK/DPO7104, configured format is set to CF:91.1CT, and firmware version number is set to FV:4.0.0 .

## \*IDN? (Query Only)

This query-only command returns the instrument identification code.

<b>Group</b>	Miscellaneous
<b>Syntax</b>	*IDN?
<b>Related Commands</b>	<a href="#">ID?</a>
<b>Examples</b>	*IDN? might return :TEKTRONIX,DPO7104,10000001,CF:91.1CT FV:01.00.912,, indicating the instrument model number, serial number, configured number, and firmware version number.

## LIMit? (Query Only)

This query-only command returns all settings for the Limit commands.

---

**NOTE.** *The command works only if the LT Limit Test option is enabled.*

---

<b>Group</b>	Limit Test
<b>Syntax</b>	LIMit?
<b>Examples</b>	LIMIT? might return :LIMIT:BEEP 0;COMPARE:CH1 NONE;CH2 NONE;CH3 NONE;CH4 NONE;REF1 NONE;REF2 NONE;REF3 NONE;REF4 NONE;MATH1 NONE;MATH2 NONE;MATH3 NONE;MATH4 NONE;:LIMIT:HARDCOPY 0;STATE 0;TEMPLATE:DESTINATION REF1;SOURCE CH2;TOLERANCE:HORIZONTAL 40.0000E-3;VERTICAL 40.0000E-3;:LIMIT:SRQ 0;STOPONVIOLATION 0;SAVEWFM 0;SAVEWFM:FILENAME "C:/TekScope/waveforms/";:LIMIT:LOG 0;EMAIL 0;HIGHLIGHTHITS 1;LOCK 1.

## LIMit:BEEP

This command causes the instrument to beep when the waveform data exceeds the limits set in the limit test (LIMit:STATE must be on).

---

**NOTE.** *The command works only if the LT Limit Test option is enabled.*

---

<b>Group</b>	Limit Test
<b>Syntax</b>	LIMit:BEEP {OFF ON <NR1>} LIMit:BEEP?
<b>Related Commands</b>	<a href="#">LIMit:STATE</a>
<b>Arguments</b>	<p>OFF argument disables the beep.</p> <p>ON argument enables the beep.</p> <p>&lt;NR1&gt;</p> <p>A 0 disables the beep, any other value enables the beep.</p>

- Examples**    `LIMIT:BEEP ON` causes a beep when any waveform data exceeds the limits specified in the limit test.
- `LIMIT:BEEP?` might return `:LIMIT:BEEP 0`, indicating that the instrument will not beep when waveform data exceeds the limits specified in the limit test.

## LIMit:COMpare (No Query Form)

This command resets the Limit Test comparison template.

---

**NOTE.** *The command works only if the LT Limit Test option is enabled.*

---

- Group**    Limit Test
- Syntax**    `LIMit:COMpare {RESet}`
- Arguments**    `RESet` resets the Limit template to “None.”
- Examples**    `LIMIT:COMPARE RESET` sets the Limit template to None.

## LIMit:COMpare:CH<x>

This command sets or queries the template against which to compare the waveform acquired from the channel specified by x. The template can be a waveform saved in any of the reference locations (REF1 through REF4) or none.

---

**NOTE.** *The command works only if the LT Limit Test option is enabled.*

---

- Group**    Limit Test
- Syntax**    `LIMit:COMpare:CH<x> {NONE|REF<x>}`  
`LIMit:COMpare:CH<x>?`
- Arguments**    `NONE` turns off template testing for the channel specified by `CH<x>`.  
`CH<x>` selects which channel waveform to use as the template against which to compare the waveforms acquired by the specified channel (`CH<x>`).

- Examples**    `LIMIT:COMPARE:CH1 REF1` specifies REF1 as the template waveform against which to compare waveforms acquired using Channel 1.
- `LIMIT:COMPARE:CH2?` might return `:LIMIT:COMPARE:CH2 REF4`, indicating that the waveform acquired by Channel 2 is compared to the template waveform stored in REF4.

## LIMit:COMpare:MATH<x>

This command sets or queries the template against which to compare the math waveform specified by `x`, which can be 1 through 4. The template can be a waveform saved in any of the reference locations (REF1 through REF4) or none.

---

**NOTE.** *The command works only if the LT Limit Test option is enabled.*

---

- Group**    Limit Test
- Syntax**    `LIMit:COMpare:MATH<x> {NONE|REF<x>}`  
`LIMit:COMpare:MATH<x>?`
- Arguments**    `NONE` argument turns off template testing for the math waveform specified by `MATH<x>`.
- `REF<x>` argument selects which reference waveform to use as the template against which to compare the math waveform specified by `MATH<x>`.
- Examples**    `LIMIT:COMPARE:MATH1 REF1` specifies REF1 as the template waveform against which to compare Math 1 waveform.
- `LIMIT:COMPARE:MATH2?` might return `:LIMIT:COMPARE:MATH2 REF4`, indicating that the Math 2 waveform is compared to the template waveform stored in REF4.

## LIMit:COMpare:REF<x>

This command sets or queries the template against which to compare the reference waveform specified by `x`, which can be 1 through 4. The template can be a waveform saved in any of the reference locations (REF1 through REF4) or none.

---

**NOTE.** *The command works only if the LT Limit Test option is enabled.*

---

<b>Group</b>	Limit Test
<b>Syntax</b>	LIMit:COMpare:REF<x> {NONE REF<x>} LIMit:COMpare:REF<x>?
<b>Arguments</b>	NONE argument turns off template testing for the reference waveform specified by REF<x>.  REF<x> argument selects which reference waveform to use as the template against which to compare the reference waveform specified by REF<x>.
<b>Examples</b>	LIMIT:COMPARE:REF2 REF1 specifies REF2 as the template waveform against which to compare Reference 1.  LIMIT:COMPARE:REF2? might return :LIMIT:COMPARE:REF2 REF4, indicating that the Reference 4 waveform is compared to the template waveform stored in REF2.

## LIMit:EMail

This command sets or queries whether an e-mail is generated when the source waveform data exceeds the limits specified for the limit test.

---

**NOTE.** *The command works only if the LT Limit Test option is enabled.*

---

<b>Group</b>	Limit Test
<b>Syntax</b>	LIMit:EMail {OFF ON <NR1>} LIMit:EMail?
<b>Arguments</b>	OFF disables generating an e-mail when the source waveform exceeds the test limits.  ON enables generating an e-mail when the source waveform exceeds the test limits.  <NR1> = 0 disables the e-mail feature so that when the source waveform data exceeds the limits set by the limit test, an e-mail is not generated; any other value enables the e-mail feature so that when the source waveform data exceeds the limits set by the limit test, an e-mail is generated. For queries, a 0 is returned if the e-mail feature is off; a 1 is returned if the e-mail feature is on.



**Examples** `LIMIT:EMAIL 1` enables the e-mail feature so that when the source waveform data exceeds the limits set by the limit test, an e-mail is generated.

`LIMIT:EMAIL?` might return `:LIMIT:EMAIL 0`, indicating that the e-mail feature is disabled and that an e-mail will not be generated when the source waveform exceeds the limits of the limit test.

## LIMit:HARDCopy

This command sets or queries whether a hard copy operation is executed on the waveform when any waveform data exceeds the limit set in the limit test. LIMit:STATE must be set to ON for the hard copy operation to execute. The hard copy operation uses the port and prints in the format and layout specified by the HARDCopy commands.

---

**NOTE.** *The command works only if the LT Limit Test option is enabled.*

---

**Group** Limit Test

**Syntax** `LIMit:HARDCopy {OFF|ON|<NR1>}`  
`LIMit:HARDCopy?`

**Related Commands** [HARDCopy:FILENAME](#), [HARDCopy:PORT](#), [LIMit:STATE](#)

**Arguments** OFF disables the hard copy operation.

ON turns on the hard copy operation for the waveform when any waveform data exceeds the limits set by the limit test.

<NR1> = 0 disables the hard copy operation; any other value turns on the hard copy operation for the waveform when any waveform data exceeds the limits set by the limit test. For queries, a 0 is returned if the hard copy operation is off; a 1 is returned if the hard copy operation is on.

**Examples** `LIMIT:HARDCOPY ON` specifies that the hard copy operation will occur for the waveform when any waveform data exceeds the limits specified in the limit test.

`LIMIT:HARDCOPY?` might return `:LIMIT:HARDCOPY 0`, indicating that the hardcopy operation is disabled.

## LIMit:HIGHLIGHTHits

This command sets or queries whether violation highlighting occurs when limit testing is active, and, if the RESET argument is set, clears the highlighting.

---

**NOTE.** *The command works only if the LT Limit Test option is enabled.*

---

<b>Group</b>	Limit Test
<b>Syntax</b>	LIMit:HIGHLIGHTHits {OFF ON <NR1>} LIMit:HIGHLIGHTHits?
<b>Arguments</b>	<p>OFF disables violation highlighting when limit testing is active.</p> <p>ON enables violation highlighting when limit testing is active.</p> <p>&lt;NR1&gt; = 0 disables the violation highlighting when limit testing is active; any other value enables the violation highlighting feature when limit testing is active. For queries, a 0 is returned if the violation highlighting feature is off; a 1 is returned if the violation highlighting feature is on.</p>
<b>Examples</b>	<p>LIMIT:HIGHLIGHTHITS 1 enables the violation highlighting when the limit testing is active.</p> <p>LIMIT:HIGHLIGHTHITS? might return :LIMIT:HIGHLIGHTHITS 0, indicating that the violation highlighting feature is disabled.</p>

## LIMit:HIGHLIGHTHits:RESet (No Query Form)

This command resets the hits highlighting for limit testing.

---

**NOTE.** *The command works only if the LT Limit Test option is enabled.*

---

<b>Group</b>	Limit Test
<b>Syntax</b>	LIMit:HIGHLIGHTHits:RESet
<b>Examples</b>	LIMIT:HIGHLIGHTHITS:RESET resets the violation highlighting displayed while limit testing.

## LIMit:LOCK

This command sets or queries whether vertical scaling and positioning affect both source and template for template comparison pairs.

---

**NOTE.** *The command works only if the LT Limit Test option is enabled.*

---

<b>Group</b>	Limit Test
<b>Syntax</b>	LIMit:LOCK {OFF ON <NR1>} LIMit:LOCK?
<b>Arguments</b>	OFF disables the lock feature.  ON enables the lock feature.  <NR1> = 0 disables the lock feature; any other value enables the lock feature. For queries, a 0 is returned if the lock feature is off; a 1 is returned if the lock feature is on.
<b>Examples</b>	LIMIT:LOCK ON enables the lock feature so that vertical scaling and positioning affect both the source and the template for template comparison pairs.  LIMIT:LOCK? might return :LIMIT:LOCK 0, indicating that the lock feature is disabled.

## LIMit:LOG

This command sets or queries whether a log file is saved when the source waveform data exceeds the test limits.

---

**NOTE.** *The command works only if the LT Limit Test option is enabled.*

---

<b>Group</b>	Limit Test
<b>Syntax</b>	LIMit:LOG {OFF ON <NR1>} LIMit:LOG?
<b>Arguments</b>	OFF disables saving a log file when the source waveform exceeds the test limits.  ON enables saving a log file when the source waveform exceeds the test limits.

<NR1>= 0 disables the save log file feature so that when the source waveform data exceeds the limits set by the limit test, a log file is not saved; any other value enables the save log file feature so that when the source waveform data exceeds the limits set by the limit test, a log file is saved. For queries, a 0 is returned if the save log file feature is off; a 1 is returned if the save log file feature is on.

**Examples**     `LIMIT:LOG 1` enables the save log file feature so that when the source waveform data exceeds the limits set by the limit test, a log file is saved.

`LIMIT:LOG?` might return `:LIMIT:LOG 0`, indicating that the save log file feature is disabled and that a log file will not be saved when the source waveform exceeds the limits of the limit test.

## LIMit:SAVEWFM

This command sets or queries whether the source waveform is saved when the source waveform data exceeds the test limits.

---

**NOTE.** *The command works only if the LT Limit Test option is enabled.*

---

**Group**     Limit Test

**Syntax**     `LIMit:SAVEWFM {OFF|ON|<NR1>}`  
`LIMit:SAVEWFM?`

**Arguments**     `OFF` disables saving the source waveform when it exceeds the test limits.

`ON` enables saving the source waveform when it exceeds the test limits.

<NR1> = 0 disables the save waveform feature so that when the source waveform data exceeds the limits set by the limit test, the source waveform is not saved; any other value enables the save waveform feature so that when the source waveform data exceeds the limits set by the limit test, the source waveform is saved. For queries, a 0 is returned if the save waveform feature is off; a 1 is returned if the save waveform feature is on.

**Examples**     `LIMIT:SAVEWFM 1` enables the save waveform feature so that when the source waveform data exceeds the limits set by the limit test, the source waveform is saved.

`LIMIT:SAVEWFM?` might return `:LIMIT:SAVEWFM 0`, indicating that the save waveform feature is disabled and that the source waveform will not be saved when it exceeds the limits of the limit test.

## LIMit:SAVEWFM:FILENAME

This command sets or queries the path where waveforms or log files will be saved when the waveform data exceeds the limits set by the limit test.

---

**NOTE.** *The command works only if the LT Limit Test option is enabled.*

---

<b>Group</b>	Limit Test
<b>Syntax</b>	LIMit:SAVEWFM:FILENAME {<string>} LIMit:SAVEWFM:FILENAME?
<b>Arguments</b>	<string> argument is a string containing the path of where the waveform will be saved.
<b>Examples</b>	LIMIT:SAVEWFM:FILENAME "C:/TekScope/waveforms" sets the path where a waveform will be saved when it exceeds the limits of the limit test.  LIMIT:SAVEWFM:FILENAME? might return :LIMIT:SAVEWFM:FILENAME "C:/TekScope/waveforms", indicating the path where the waveform will be saved when it exceeds the limits of the limit test.

## LIMit:SRQ

This command sets or queries whether a Service Request Interrupt (SRQ) is generated when the waveform data falls outside of the test limits.

---

**NOTE.** *The command works only if the LT Limit Test option is enabled.*

---

<b>Group</b>	Limit Test
<b>Syntax</b>	LIMit:SRQ {OFF ON <NR1>} LIMit:SRQ?
<b>Arguments</b>	OFF disables generation of an SRQ when the waveform data falls outside of the limits set by the limit test.  ON enables generation of an SRQ when the waveform data falls outside of the limits set by the limit test. If an SRQ is generated, the instrument sends the status event "Limit testing failed."

<NR1> = 0 disables sending an SRQ when the waveform data falls outside of the limits set by the limit test; any other value enables generation of an SRQ when the waveform data falls outside of the limits set by the limit test. For queries, a 0 is returned if SRQ is off; a 1 is returned if the SRQ is on.

**Examples**     `LIMIT:SRQ 1` specifies that an SRQ will be generated when the waveform data falls outside of the limits set by the limit test. If an SRQ is generated, an status event of “Limit testing failed” is output.

`LIMIT:SRQ?` might return `:LIMIT:SRQ 0`, indicating that an SRQ will not be generated when the waveform data falls outside of the limits set by the limit test.

## LIMit:STATE

This command sets limit testing on or off or queries whether limit testing is in effect.

---

**NOTE.** *The command works only if the LT Limit Test option is enabled.*

---

**Group**     Limit Test

**Syntax**     `LIMit:STATE {OFF|ON|<NR1>}`  
`LIMit:STATE?`

**Arguments**     `OFF` disables limit testing.  
`ON` turns on limit testing of waveforms.  
  
`<NR1> = 0` disables the limit testing operation; any other value turns on limit testing of waveforms. For queries, a 0 is returned if limit testing is off; a 1 is returned if the limit testing is on.

**Examples**     `LIMIT:STATE ON` specifies that limit testing of waveforms is on.  
  
`LIMIT:STATE?` might return `:LIMIT:STATE 0`, indicating that the limit testing of waveforms is off.

## LIMit:STATus? (Query Only)

This command queries the state of limit testing.

---

**NOTE.** *The command works only if the LT Limit Test option is enabled.*

---

<b>Group</b>	Limit Test
<b>Syntax</b>	LIMit:STATUS?
<b>Examples</b>	LIMIT:STATUS? might return :LIMIT:STATUS PASS, indicating that the limit test is passing.

## LIMit:STOPOnviolation

This command sets or queries whether acquisitions are stopped when the waveform data exceeds the test limits.

---

**NOTE.** *The command works only if the LT Limit Test option is enabled.*

---

<b>Group</b>	Limit Test
<b>Syntax</b>	LIMit:STOPOnviolation {OFF ON <NR1>} LIMit:STOPOnviolation?
<b>Arguments</b>	<p>OFF disables the stop on violation feature.</p> <p>ON enables the stop on violation feature so that when the waveform data exceeds the limits set by the limit test, acquisitions are stopped.</p> <p>&lt;NR1&gt;= 0 disables the stop on violation feature; any other value enables the stop on violation feature so that when the waveform data exceeds the limits set by the limit test, acquisitions are stopped. For queries, a 0 is returned if the stop on violation feature is off; a 1 is returned if the stop on violation feature is on.</p>
<b>Examples</b>	<p>LIMIT:STOPONVIOLATION 1 enables the stop on violation feature so that when the waveform data exceeds the limits set by the limit test, acquisitions are stopped.</p> <p>LIMIT:STOPONVIOLATION? might return :LIMIT:STOPONVIOLATION 0, indicating that the stop on violation feature is disabled.</p>

## LIMit:TEMPLate:DESTination

This command sets or queries the destination reference waveform that the [LIMit:TEMPLate:STORe](#) command will use.

---

**NOTE.** *The command works only if the LT Limit Test option is enabled.*

---

<b>Group</b>	Limit Test
<b>Syntax</b>	LIMit:TEMPLate:DESTination {REF1 REF2 REF3 REF4} LIMit:TEMPLate:DESTination?
<b>Arguments</b>	REF<x> specifies the reference waveform destination in which the template waveform is to be stored.
<b>Examples</b>	LIMIT:TEMPLATE:DESTINATION REF2 specifies that the template waveform referred to with the LIMit:TEMPLate:STORe command is stored as the REF2 waveform.  LIMIT:TEMPLATE:DESTINATION? might return :LIMIT:TEMPLATE:DESTINATION REF3, indicating the REF3 waveform is used to store the template waveform referred to with the LIMit:TEMPLate:STORe command.

## LIMit:TEMPLate:SOURce

This command sets or queries the channel, math waveform, or reference waveform that the LIMit:TEMPLate:STORe command will use.

---

**NOTE.** *The command works only if the LT Limit Test option is enabled.*

---

<b>Group</b>	Limit Test
<b>Syntax</b>	LIMit:TEMPLate:SOURce {CH1 CH2 CH3 CH4 MATH1 MATH2 MATH3 MATH4 REF1 REF2 REF3 REF4} LIMit:TEMPLate:SOURce?
<b>Arguments</b>	CH<x> specifies the channel used by the LIMit:TEMPLate:STORe command.  Math<x> specifies the math waveform used by the LIMit:TEMPLate:STORe command.  REF<x> specifies the reference waveform used by the LIMit:TEMPLate:STORe command.
<b>Examples</b>	LIMIT:TEMPLATE:SOURCE CH2 specifies that the template waveform for limit tests is the waveform currently acquired using Channel 2.  LIMIT:TEMPLATE:SOURCE? might return :LIMIT:TEMPLATE:SOURCE MATH3, indicating that the template waveform for limit tests is the waveform currently stored as the Math 3 waveform.



## LIMit:TEMPLate:STORE (No Query Form)

This command (no query form) saves the specified source waveform to the specified reference or file name.

---

**NOTE.** *The command works only if the LT Limit Test option is enabled.*

---

**Group** Limit Test

**Syntax** LIMit:TEMPLate:STORE <wfm>,{REF<x>|<file path>}

**Arguments** <wfm> specifies the waveform that will be saved as the template. The source of the waveform can be CH<x> (where x is 1 through 4 for four channel instruments), MATH<x>, or Ref<x> (where x is 1 through 4).

REF<x> specifies a reference location in which the template waveform will be stored. The reference waveform specified by x, which can be 1 through 4.

<file path> specifies a file path where the template waveform will be stored. This argument is a quoted string.

**Examples** LIMIT:TEMPLATE:STORE CH3,REF1 creates a template reference waveform, REF1, using Channel 3 as its source.

LIMIT:TEMPLATE:STORE CH1,"TEMPLATE.WFM" creates a template reference waveform, template.wfm, using Channel 1 as the source.

## LIMit:TEMPLate:TOLerance:HORizontal

This command sets or queries the amount, in units of horizontal divisions, by which the source waveform is varied horizontally when creating the destination waveform.

---

**NOTE.** *The command works only if the LT Limit Test option is enabled.*

---

**Group** Limit Test

**Syntax** LIMit:TEMPLate:TOLerance:HORizontal <NR3>  
LIMit:TEMPLate:TOLerance:HORizontal?

<b>Arguments</b>	<NR3> is the amount, in horizontal divisions, by which the current source waveform is allowed to deviate from the template waveform without exceeding the limits set in the limit test. The range is 0 to 5 divisions.
<b>Examples</b>	<p>LIMIT:TEMPLATE:TOLERANCE:HORIZONTAL 1.0 specifies that the current waveform is close enough to the template waveform if it is within <math>\pm 1.0</math> horizontal division.</p> <p>LIMIT:TEMPLATE:TOLERANCE:HORIZONTAL? might return :LIMIT:TEMPLATE:TOLERANCE:HORIZONTAL 2.0, indicating that the current waveform is close enough to the template waveform if it is within <math>\pm 2.0</math> horizontal divisions.</p>

## LIMit:TEMPLate:TOLerance:VERTical

This command sets or queries the amount, in units of vertical divisions, by which the source waveform is varied vertically when creating the destination waveform.

---

**NOTE.** *The command works only if the LT Limit Test option is enabled.*

---

<b>Group</b>	Limit Test
<b>Syntax</b>	LIMit:TEMPLate:TOLerance:VERTical <NR3> LIMit:TEMPLate:TOLerance:VERTical?
<b>Arguments</b>	<NR3> is the amount, in vertical divisions, by which the current source waveform is allowed to deviate from the template waveform without exceeding the limits set in the limit test. The range is 0 to 5 divisions.
<b>Examples</b>	<p>LIMIT:TEMPLATE:TOLERANCE:VERTICAL 1.0 specifies that the current waveform is close enough to the template waveform if it is within <math>\pm 1.0</math> vertical division.</p> <p>LIMIT:TEMPLATE:TOLERANCE:VERTICAL? might return :LIMIT:TEMPLATE:TOLERANCE:VERTICAL 2.0, indicating that the current waveform is close enough to the template waveform if it is within <math>\pm 2.0</math> vertical divisions.</p>

## LOCK

This command enables or disables all front panel buttons and knobs, including the touch screen. There is no front panel equivalent.

**Group** Miscellaneous

**Syntax** LOCK {ALL|NONE}  
LOCK?

**Related Commands** [UNLock](#)

**Arguments** ALL disables all front panel controls.  
NONE enables all front panel controls. This is equivalent to the UNLock ALL command.  
If the instrument is in the Remote With Lockout State (RWLS), the LOCK NONE command has no effect. For more information, see the ANSI/IEEE Std 488.1-1987 Standard Digital Interface for Programmable Instrumentation, section 2.8.3 on RL State Descriptions.

**Examples** LOCK ALL locks the front panel controls.  
LOCK? might return :LOCK NONE, indicating that the front panel controls are enabled by this command.

## \*LRN? (Query Only)

This query-only command returns the commands that list the instrument settings (except for configuration information for the calibration values), allowing you to record or “learn” the current instrument settings. You can use these commands to return the instrument to the state it was in when you made the \*LRN? query. This command is identical to the [SET?](#) Command.

**Group** Miscellaneous

**Syntax** \*LRN?

**Related Commands** [SET?](#)

**Examples** \*LRN? might return the following response: :ACQUIRE:STOPAFTER  
RUNSTOP;STATE 1;MODE SAMPLE;NUMENV 10;NUMAVG  
16;NUMSAMPLES 16000;SAMPLINGMODE IT;:FASTACQ:STATE  
0;:APPLICATION:GPKNOB1:ACTIVE 0;:APPLICATION:GPKNOB2:ACTIVE  
0;:APPLICATION:WINDOW:HEIGHT 236;WIDTH  
640;:APPLICATION:SCOPEAPP:STATE RUNNING;WINDOW

```
FULLSCREEN;:APPLICATION:EXTAPP:STATE
NOTRUNNING;:VARIABLE:EVENT:REPORT BOTH;:AUXOUT:SOURCE
ATRIGGER;EDGE FALLING;:CMDBATCH 1;:HEADER 1;:LOCK
NONE;:ROSC:SOURCE INTERNAL;:VERBOSE 1;:ALIAS:STATE
0;:DISPLAY:CLOCK 1;COLOR:PALETTE:IMAGEVIEW
TEMPERATURE;RECORDVIEW NORMAL;USER:GRATICULE 165,50,15;CH1
180,50,100;CH2 300,50,100;CH3 60,50,100;CH4 240,50,100;REF1
0,90,0;REF2 0,90,100;REF3 60,90,100;REF4 240,90,100;MATH1
160,50,100;MATH2 40,60,100;MATH3 120,60,100;MATH4
195,50,100;HISTOGRAM 320,50,100;CARET 150,50,100;MASK
0,25,75;MASKHIGHLIGHT 140,50,100;:DISPLAY:COLOR:MATHCOLOR
DEFAULT.
```

## MARK

This commands moves to the next or previous reference mark, or it queries the current mark setup.

**Group** Search and Mark

**Syntax** MARK {NEXT|PREVIOUS}  
MARK?

**Arguments** NEXT moves to the next reference mark on the right.  
PREVIOUS moves to the next reference mark on the left.

**Examples** MARK NEXT moves to the next reference mark on the right.  
MARK? might return :MARK:SELECTED:STATE 1;START  
64.4000;FOCUS 64.4000;ZOOM:POSITION 64.4000;SCALE  
-3.1416;:MARK:SELECTED:END 64.4000;SOURCE  
CH1;OWNER SEARCH1;MARKSINCOLUMN 1;LABEL "+Edge:  
Level=420.32mV";:MARK:FREE 1011;TOTAL 13, which is the current  
mark setup.

## MARK:CREATE (No Query Form)

This command creates a mark on a specified waveform or all waveforms in a column.

**Group** Search and Mark

**Syntax** MARK:CREATE {CH<x> | MATH<x> | REF<x> | COLUMN}

**Arguments** CH<x> creates the mark on a channel waveform, where <x> is the channel number.  
 MATH<x> creates the mark on the math waveform.  
 REF<x> creates the mark on a reference waveform, where <x> is the reference waveform number.  
 COLUMN creates marks on all waveforms in the current zoom pixel column.

**Examples** MARK:CREATE CH1 creates a mark on Channel 1.

## MARK:DELEte (No Query Form)

This command deletes a mark on a particular waveform, all waveforms in a column, the selected mark, or all marks.

**Group** Search and Mark

**Syntax** MARK:DELEte {CH<x> | MATH<x> | SELECTED | REF<x> | ALL | COLUMN}

**Arguments** CH<x> deletes the mark on a channel waveform, where <x> is the channel number.  
 MATH<x> deletes the mark on the math waveform.  
 SELECTED deletes the mark on the selected waveform.  
 REF<x> deletes the mark on a reference waveform, where <x> is the reference waveform number.  
 ALL deletes all marks on all waveforms.  
 COLUMN deletes marks on all waveforms in the current zoom pixel column.

**Examples** MARK:DELETE CH1 deletes the mark on the Channel 1 waveform.

## MARK:FREE? (Query Only)

This query-only command returns how many marks are available for use.

**Group** Search and Mark

**Syntax** MARK:FREE?

**Examples** MARK:FREE? might return :MARK:FREE 1011, indicating there are 1,011 marks available for use.

## MARK:SElected:END? (Query Only)

This query-only command returns the end of the selected mark, 0 to 100% of the waveform.

**Group** Search and Mark

**Syntax** MARK:SElected:END?

**Examples** MARK:SELECTED:END? might return :MARK:SELECTED:END 93.0000, indicating that the selected mark is at 93% of the waveform.

## MARK:SElected:FOCUS? (Query Only)

This query-only command returns the focus of the selected mark, 0 to 100% of the waveform.

**Group** Search and Mark

**Syntax** MARK:SElected:FOCUS?

**Examples** MARK:SELECTED:FOCUS? might return :MARK:SELECTED:FOCUS 50.0000, indicating that the selected mark is at 50% of the waveform.

## MARK:SElected:LABel

This command sets or queries the label for the selected mark.

**Group** Search and Mark

**Syntax** MARK:SElected:LABel <QString>  
MARK:SElected:LABel?

**Arguments** <QString> is the quoted string label for the mark.

**Examples** MARK:SELECTED:LABEL "Test 42.3" sets the selected mark to a User mark and changes the mark description to Test 42.3.

MARK:SELECTED:LABEL? might return :MARK:SELECTED:LABEL "+Edge: level=420.32mV", indicating that the label description for the selected mark is +Edge: level=420.32mV.

## MARK:SELEcted:MARKSINCOLumn? (Query Only)

This query-only command returns the number of marks in the current zoom pixel column.

**Group** Search and Mark

**Syntax** MARK:SELEcted:MARKSINCOLumn?

**Arguments** MARK:SELEcted:MARKSINCOLumn? might return :MARK:SELEcted:MARKSINCOLumn 1, indicating there is 1 mark in the pixel column.

## MARK:SELEcted:OWNer? (Query Only)

This query-only command returns the owner of the selected mark.

**Group** Search and Mark

**Syntax** MARK:SELEcted:OWNer?

**Examples** MARK:SELEcted:OWNER? might return: :MARK:SELEcted:OWNER SEARCH1, indicating that the selected mark is a Search1 mark.

## MARK:SELEcted:SOURCE? (Query Only)

This query-only command returns the source waveform for the selected mark.

**Group** Search and Mark

**Syntax** MARK:SElected:SOURCE?

**Examples** MARK:SELECTED:SOURCE? might return :MARK:SELECTED:SOURCE CH2, indicating that Channel 2 is the selected mark source.

## MARK:SElected:START? (Query Only)

This query-only command returns the starting point of the selected mark, 0 to 100% of the waveform.

**Group** Search and Mark

**Syntax** MARK:SElected:START?

**Examples** MARK:SELECTED:START? might return :MARK:SELECTED:START 5.8000, indicating that the selected mark start location is 5.8% of the waveform.

## MARK:SElected:STATE

This command sets or queries the on or off state of the selected mark. The selected mark is at or near the center of the display. If you press the Set/Clear button, this mark will disappear.

**Group** Search and Mark

**Syntax** MARK:SElected:STATE {<NR1>|OFF|ON}  
MARK:SElected:STATE?

**Arguments** OFF argument disables selected mark.

ON argument enables the selected mark.

<NR1>= 0 disables the selected mark; any other value enables the selected mark. For queries, a 0 is returned if the selected mark state is off; a 1 is returned if the selected mark state is on.

**Examples** MARK:SELECTED:STATE ON turns the selected mark state on.

MARK:SELECTED:STATE? might return :MARK:SELECTED:STATE 0, indicating the selected mark state is off.



## MARK:SElected:ZOOM:POSITION? (Query Only)

This query-only command returns the position of the selected mark, of the zoom overview window. If the return value is less than zero then the zoom scale will not be changed when Next or Prev makes this the selected mark.

**Group** Search and Mark

**Syntax** MARK:SElected:ZOOM:POSITION?

**Examples** MARK:SELECTED:ZOOM:POSITION? might return :MARK:SELECTED:ZOOM:POSITION 27.7000, indicating that the position is 27.7%.

## MARK:SElected:ZOOM:SCALE? (Query Only)

This query-only command returns the scale of the selected mark of the zoom overview window. The returned value might be  $< 0$  (for example from Search), which means that the zoom scale will not be changed when Next or Prev makes this the selected mark.

**Group** Search and Mark

**Syntax** MARK:SElected:ZOOM:SCALE?

**Examples** MARK:SELECTED:ZOOM:SCALE? might return :MARK:SELECTED:ZOOM:SCALE 5.0, indicating that the zoom scale value 5.0 will be used when a mark is the selected mark.

## MARK:TOTAL? (Query Only)

This query-only command returns how many marks are currently in use.

**Group** Search and Mark

**Syntax** MARK:TOTAL?

**Examples** MARK:TOTAL? might return :MARK:TOTAL 210, indicating that 210 marks are in use.

## MASK? (Query Only)

This query-only command returns the states of all settable mask parameters.

**Group** Mask

**Syntax** MASK?

**Examples** MASK? might return the following response: :MASK:FILTER 0;AUTOADJUST 0;AUTOADJUST:HDELTA 10;VDELTA 10;:MASK:AUTOSET:AUTOADJUST 1;HPOS 1;HSCALE 1;MODE MANUAL;OFFSETADJ 1;TRIGGER 1;VPOS 1;VSCALE 1;STANDARD NONE;USER:ONE 0.0000;ZERO 0.0000;TYPE NORMALIZED;:MASK:SOURCE CH1;COUNT:FAILURES 0;HITS 0;SEG1: 3A 4D 41 53 4B 3A 46 49 4C 54 45 52 20 30 3B 41 55 54 4F 41 44 4A 55 53 54 3A 48 44 45 4C 54 41 20 31 30 3B 56 44 45 4C 54 41 20 31 30 3B 3A 4D 41 53 4B 3A 41 55 54 4F 53 45 54 3A 41 55 54 4F 41 44 4A 55 53 54 20 31 3B 48 50 4F 53 20 31 3B 48 53 43 41 4C 45 20 31 3B 4D 4F 44 45 20 4D 41 4E 55 41 4C 3B 4F 46 46 53 45 54 41 44 4A 20 31 3B 54 52 49 47 47 45 52 20 31 3B 56 50 4F 53 20 31 3B 56 53 43 41 4C 45 20 31 3B 53 54 41 4E 44 41 52 44 20 4E 4F 4E 45 3B 55 53 45 52 3A 4F 4E 45 20 30 2E 30 30 30 30 3B 5A 45 52 4F 20 30 2E 30 30 30 3B 54 59 50 45 20 4E 4F 52 4D 41 4C 49 5A 45 44 3B 3A 4D 41 53 4B 3A 53 4F 55 52 43 45 20 43 48 31 3B 43 4F 55 4E 54 3A 46 41 49 4C 55 52 45 53 20 30 3B 48 49 54 53 20 30 3B 53 45 47 31 3A mask? :MASK:FILTER 0;AUTOADJUST 0;AUTOADJUST:HDELTA 10;VDELTA 10;:MASK:AUTOSET:AUTOADJUST 1;HPOS 1;HSCALE 1;MODE MANUAL;OFFSETADJ 1;TRIGGER 1;VPOS 1;VSCALE 1;STANDARD NONE;USER:ONE 0.0000;ZERO 0.0000;TYPE NORMALIZED;:MASK:SOURCE CH1;COUNT:FAILURES 0;HITS 0.

## MASK:AUTOAdjust

This command optimizes or queries the signal position within the mask to minimize hits. It sets a mode so that the MASK:SOURCE waveform is compared against the mask and is shifted up, down, left, or right to minimize the hits.

**Group** Mask

**Syntax** MASK:AUTOAdjust {ON|OFF|<NR1>}  
MASK:AUTOAdjust?

- Arguments** ON enables the autoadjust function.  
 OFF disables the autoadjust function.  
 <NR1> = 0 disables the autoadjust function; any other value enables it.
- Examples** MASK:AUTOADJUST ON enables the autoadjust function.  
 MASK:AUTOADJUST? might return :MASK:AUTOADJUST 1, indicating that the autoadjust function is enabled.

## MASK:AUTOAdjust:HDELTA

This command sets or returns how far autofit searches horizontally.

Autofit moves the waveform vertically and/or horizontally to reduce the number of hits within a given mask. If infinite or variable persistence is enabled, these movements will clear any persistent data. If Autofit makes frequent adjustments, there might be very little or even no persistent data displayed.

- Group** Mask
- Syntax** MASK:AUTOAdjust:HDELTA {<NR3>}  
 MASK:AUTOAdjust:HDELTA?
- Arguments** <NR3> is a floating point number that represents a percent of a division.
- Examples** MASK:AUTOADJUST:HDELTA 0.6 sets the horizontal autofit search to 0.6 division.  
 MASK:AUTOADJUST:HDELTA? might return :MASK:AUTOADJUST:HDELTA 2, indicating that the horizontal autofit search is set to 2 divisions.

## MASK:AUTOAdjust:VDELTA

This command sets or returns how far autofit searches vertically.

Autofit moves the waveform vertically and/or horizontally to reduce the number of hits within a given mask. If infinite or variable persistence is enabled, these movements will clear any persistent data. If Autofit makes frequent adjustments, there might be very little or even no persistent data displayed.

- Group** Mask

**Syntax** MASK:AUTOAdjust:VDELTA {<NR3>}  
 MASK:AUTOAdjust:VDELTA?

**Arguments** <NR3> is a floating point number that represents a percent of a division.

**Examples** MASK:AUTOADJUST:VDELTA 0.6 sets the vertical autofit search to 0.6 of a division.  
 MASK:AUTOADJUST:VDELTA? might return :MASK:AUTOADJUST:VDELTA 2, indicating that the vertical autofit search is set to 2 divisions.

## MASK:AUTOSet:AUTOAdjust

This command sets or returns whether the instrument settings are automatically matched to signal characteristics and specific mask requirements. It controls what happens at the end of a mask autoset. If ON, the horz/vert auto adjustment is run ONCE to potentially improve the result of mask autoset.

This command, like all the MASK:AUTOSET commands, affects only an autoset on a standard mask, not the general instrument autoset function.

**Group** Mask

**Syntax** MASK:AUTOSet:AUTOAdjust {ON|OFF|<NR1>}  
 MASK:AUTOSet:AUTOAdjust?

**Arguments** ON enables the autoset:autoadjust function.  
 OFF disables the autoset:autoadjust function.  
 <NR1> = 0 disables the autoset:autoadjust function; any other value enables it.

**Examples** MASK:AUTOSET:AUTOADJUST ON enables the autoset autoadjust function.  
 MASK:AUTOSET:AUTOADJUST? might return :MASK:AUTOSET:AUTOADJUST 1, indicating that the autoset:autoadjust function is enabled.

## MASK:AUTOSet:HPOS

This command controls whether the autoset algorithm will attempt to change the horizontal position of the signal while attempting to do a mask autoset. The default is ON.

This command, like all the MASK:AUTOSET commands, affects only an autosest on a standard mask, not the general instrument autosest function.

<b>Group</b>	Mask
<b>Syntax</b>	MASK:AUTOSet:HPOS {ON OFF <NR1>} MASK:AUTOSet:HPOS?
<b>Arguments</b>	ON enables the autosest:hpos function. OFF disables the autosest:hpos function. <NR1> = 0 disables the autosest:hpos function; any other value disables enables it.
<b>Examples</b>	MASK:AUTOSET:HPOS ON enables the autosest:hpos function. MASK:AUTOSET:HPOS? might return :MASK:AUTOSET:HPOS 1, indicating that the autosest:hpos function is enabled.

## MASK:AUTOSet:HSCALE

This command controls whether the autosest algorithm will attempt to change the horizontal scale while attempting a mask autosest.

This command, like all the MASK:AUTOSET commands, affects only an autosest on a standard mask, not the general instrument autosest function.

<b>Group</b>	Mask
<b>Syntax</b>	MASK:AUTOSet:HSCALE {ON OFF <NR1>} MASK:AUTOSet:HSCALE?
<b>Arguments</b>	ON enables the autosest:hscale function. OFF disables the autosest:hscale function. <NR1> = 0 disables the autosest:hscale function; any other value enables it.
<b>Examples</b>	MASK:AUTOSET:HSCALE ON enables the autosest:hscale function. MASK:AUTOSET:HSCALE? might return :MASK:AUTOSET:HSCALE 1, indicating that the autosest:hscale function is enabled.

## MASK:AUTOSet:MODE

This command controls whether a mask autoselect will be automatically done after a standard mask is selected. The autoselect will never happen if the standard mask is selected from GPIB, since a “SET?” sent back to the oscilloscope should not perform a mask autoselect.

The default value is: manual.

This command, like all the MASK:AUTOSET commands, affects only an autoselect on a standard mask, not the general instrument autoselect function.

**Group** Mask

**Syntax** MASK:AUTOSet:MODE {MANua1|AUTO}  
MASK:AUTOSet:MODE?

**Arguments** MANua1 mask autoselect is set manually.  
AUTO mask autoselect is set automatically.

**Examples** MASK:AUTOSET:MODE AUTO sets the mask autoselect manually.  
MASK:AUTOSET:MODE? might return :MASK:AUTOSET:MODE MANUAL, indicating that the mask autoselect is set manually.

## MASK:AUTOSet:OFFSETAdj

This command sets mask autoselect not to enforce the rule that, for pulse standards, require 0 V to be in a certain place in the mask. Instead, mask autoselect will attempt to measure the DC offset in the signal and use oscilloscope offset or position controls to compensate for the DC offset in the signal.

This command, like all the MASK:AUTOSET commands, affects only an autoselect on a standard mask, not the general instrument autoselect function.

**Group** Mask

**Syntax** MASK:AUTOSet:OFFSETAdj {ON|OFF|<NR1>}  
MASK:AUTOSet:OFFSETAdj?

**Arguments** ON enables the autoselect:offsetadj function.  
OFF disables the autoselect:offsetadj function.

<NR1> = 0 disables the autose:offsetadj function; any other value enables it.

**Examples** MASK:AUTOSET:OFFSETADJ ON enables the autose:offsetadj function.

MASK:AUTOSET:OFFSETADJ? might return :MASK:AUTOSET:OFFSETADJ 1, indicating that the autose:offsetadj function is enabled.

## MASK:AUTOSet:STANdard

This command selects the standard mask in a mask autose.

This command, like all the MASK:AUTOSET commands, affects only an autose on a standard mask, not the general instrument autose function.

**Conditions** This command is only valid if the instrument has Option MTM installed.

**Group** Mask

**Syntax** MASK:AUTOSet:STANdard  
 {ATATXG1|ATATXG2|ATATXG3|ATARXG1|ATARXG2  
 |ATARXG3|CLOCKCoax|CLOCKSymmetrical|D1|D2  
 |DS0Contra|DS0Double|DS0Single|DS0Timing|DS1  
 |DS1A|DS1C|DS2RATESymmetrical|DS2RATECoax  
 |DS2|DS3|DS4NA|DS4NA\_Max  
 |E1Symmetrical|E1Coax|E2|E3|E4\_0|E4\_1|ENET100FX  
 |ENET100STP |ENET100UTP |ENET1250|ENET1000BCX\_NTP2  
 |ENET1000BCX\_ATP2|ENET1000BCX\_ATP3|ENETXAU\_Near  
 |ENETXAU\_Far|FC133|FC266|FC531|FC1063|FC1063Draft  
 |FC2125|FC133E|FC266E|FC531E|FC1063E|FC1063E\_NBT  
 |FC1063E\_NDT|FC1063E\_NGT|FC1063E\_ABT|FC1063E\_ADT  
 |FC1063E\_AGT|FC1063E\_ABR|FC1063E\_ADR|FC1063E\_AGR  
 |FC2125E\_NBT|FC2125E\_NDT|FC2125E\_NGT|FC2125E\_ABT  
 |FC2125E\_ADT|FC2125E\_AGT|FC2125E\_ABR|FC2125E\_ADR  
 |FC2125E\_AGR|FC4250E\_ABR|FC4250E\_ABT|FC4250E\_ADR  
 |FC4250E\_ADT|FC4250E\_AGR|FC4250E\_AGT|FC4250E\_NBT  
 |FC4250E\_NDT|FC4250E\_NGT|FST1|FST2|FST3|FST4  
 |FST5|FST6|FW1394BS400BT1|FW1394BS400BT2  
 |FW1394BS800BT1|FW1394BS800BT2|FW1394BS1600BT1  
 |FW1394BS1600BT2|FW1394BS400B|FW1394BS800B  
 |FW1394BS1600B|G703DS1|G703DS3|HST1|HST2  
 |HST3|HST4|HST5|HST6|INF2\_5G  
 |INF2\_5GE|NONE|OC1|OC3|OC12|OC48|OC48\_FEC  
 |RATE32Mbit|RATE97Mbit|RIO\_DRV500M|RIO\_DRV750M  
 |RIO\_DRV1G|RIO\_DRV1\_5G|RIO\_DRV2G|RIO\_EDRV500M  
 |RIO\_EDRV750M |RIO\_EDRV1G|RIO\_EDRV1\_5G|RIO\_EDRV2G  
 |RIO\_RCV500M|RIO\_RCV750M|RIO\_RCV1G|RIO\_RCV1\_5G  
 |RIO\_RCV2G|RIO\_SERIAL\_1G|RIO\_SERIAL\_2G|RIO\_SERIAL\_3G

```
| SFI5_XMITADATA2 | SFI5_XMITCDATA2 | SFI5_XMITACLK2
| SFI5_XMITCCLK2 | SFI5_RCVBDATA2 | SFI5_RCVDDATA2
| SFI5_RCVBCLK2 | SFI5_RCVDCLK2 | SFI5_XMITADATA3
| SFI5_XMITCDATA3 | SFI5_XMITACLK3 | SFI5_XMITCCLK3
| SFI5_RCVBDATA3 | SFI5_RCVDDATA3 | SFI5_RCVBCLK3
| SFI5_RCVDCLK3 | PCIEXPRESS_Xmit | PCIEXPRESS_Rcv
| SAS1_5_IR | SAS1_5_CR | SAS1_5_XR | SAS1_5_IR_AASJ
| SAS1_5_CR_AASJ | SAS1_5_XR_AASJ | SAS1_5_SATA
| SAS3_0_IR | SAS3_0_CR | SAS3_0_XR | SAS3_0_IR_AASJ
| SAS3_0_CR_AASJ | SAS3_0_XR_AASJ | SAS3_0_SATA
| STM0_1 | STM0_0 | STM0_HDBX | STM1E_0 | STM1E_1 | STS1Pulse
| STS1Eye | STS3 | STS3_Max | TFI5_2 | TFI5_3
| USERMask | VIDEO270 | VIDEO292M | VIDEO360 | VSROC192}
MASK:AUTOSet:STANDARD?
```

### Arguments

ATATXG1 (Serial ATA, G1 Tx, 1.5 Gb/s)

ATATXG2 (Serial ATA, G2 Tx, 3.0 Gb/s)

ATATXG3 (Serial ATA, G3 Tx).

ATARXG1 (Serial ATA, G1 Rx 1.5 Gb/s)

ATARXG2 (Serial ATA, G2, Rx, 3.0 Gb/s)

ATARXG3 (Serial ATA, G3, Rx)

G703D1 (ITU-T, G703 (10/98), DS1 Rate, 1.544 Mb/s)

DS1 (ANSI T1.102-1993 (R1999), DS1, 1.544 Mb/s)

DS1A (ANSI T1.102-1993 (R1999), DS1A, 2.048 Mb/s)

DS1C (ANSI T1.102-1993 (R1999), DS1C, 3.152 Mb/s)

DS2 (ANSI T1.102-1993 (R1999), DS2, 6.312 Mb/s)

DS3 (ANSI T1.102-1993 (R1999), DS3, 44.736 Mb/s)

DS4NA (ANSI T1.102-1993 (R1999), DS4NA, 139.26 Mb/s)

DS4NA\_Max (ANSI T1.102-1993 (R1999), DSNA Max Output, 139.26 Mb/s)

DS2RATECoax (ITU-T, G703 (10/98), D2 Rate Coax, 6.312 Mb/s)

DS2RATESymmetrical (ITU-T, G703 (10/98), D2 Rate Sym, 6.312 Mb/s)

E1Coax (ITU-T, G703 (10/98), E1 Coax Pair, 2.048 Mb/s)

E1Symmetrical (ITU-T, G703 (10/98), E1 Sym Pair, 2.048 Mb/s)

E2 (ITU-T, G703 (10/98), , 8.448 Mb/s)

RATE32Mbit (ITU-T, G703 (10/98), 32.064 Mb/s)

E3 (ITU-T, G703 (10/98), E3, 34.368 Mb/s)



E4\_0 (ITU-T, G703 (10/98), E4 Binary 0)

E4\_1 (ITU-T, G703 (10/98), E4 Binary 1)

ENET100STP (IEEE Std 802.3 and ANSI X3.263-1995, 100 Base-Tx, STP, 125 Mb/s )

ENET100UTP (IEEE Std 802.3 and ANSI X3.263-1995, 100 Base-Tx, UTP, 125 Mb/s)

ENET1250 (IEEE Std 802.3 and ANSI X3.263-1995, GB Ethernet, 1.25 Gb/s)

FC133 (ANSI X3.230-1999 NCITS 1235D/Rev 11, Optical, 132.8 Mb/s)

FC266 (ANSI X3.230-1999 NCITS 1235D/Rev 11, Optical, 265.6 Mb/s)

FC531 (ANSI X3.230-1999 NCITS 1235D/Rev 11, Optical, 531.2 Mb/s)

FC1063 (ANSI X3.230-1999 NCITS 1235D/Rev 11, Optical, 1.065 Gb/s)

FC1063Draft (ANSI X3.230-1999 NCITS 1235D/Rev 11, Optical, Draft Rev 11)

FC2125 (ANSI X3.230-1999 NCITS 1235D/Rev 11, Optical, 2.125)

FC133E (ANSI X3.230-1999 NCITS 1235D/Rev 11, Electrical 132.8 Mb/s)

FC266E (ANSI X3.230-1999 NCITS 1235D/Rev 11, Electrical, 132.8 Mb/s)

FC531E (ANSI X3.230-1999 NCITS 1235D/Rev 11, Electrical, 531.2 Mb/s)

FC1063E (ANSI X3.230-1999 NCITS 1235D/Rev 11, Electrical, 1.0625 Gb/s)

FC1063E\_NBT (ANSI X3.230-1999 NCITS 1235D/Rev 11, Norm, Beta, Transm)

FC1063E\_NDT (ANSI X3.230-1999 NCITS 1235D/Rev 11, Norm, Delta, Transm)

FC1063E\_NGT (ANSI X3.230-1999 NCITS 1235D/Rev 11, Norm, Gamma, Transm)

FC1063E\_ABT (ANSI X3.230-1999 NCITS 1235D/Rev 11, Abs, Beta, Transm)

FC1063E\_ADT (ANSI X3.230-1999 NCITS 1235D/Rev 11, Abs, Beta, Transm)

FC1063E\_AGT (ANSI X3.230-1999 NCITS 1235D/Rev 11, Abs, Gamma, Transm)

FC1063E\_ABR (ANSI X3.230-1999 NCITS 1235D/Rev 11, Abs, Beta, Recv)

FC1063E\_ADR (ANSI X3.230-1999 NCITS 1235D/Rev 11, Abs, Delta, Recv)

FC1063E\_AGR (ANSI X3.230-1999 NCITS 1235D/Rev 11, Abs, Gamma, Recv)

FC2125E\_NBT (ANSI X3.230-1999 NCITS 1235D/Rev 11, Norm, Beta, Transm)

FC2125E\_NDT (ANSI X3.230-1999 NCITS 1235D/Rev 11, Norm, Delta, Transm)

FC2125E\_NGT (ANSI X3.230-1999 NCITS 1235D/Rev 11, Norm, Gamma, Transm)

FC2125E\_ABT (ANSI X3.230-1999 NCITS 1235D/Rev 11, Abs, Beta, Transm)

FC2125E\_ADT (ANSI X3.230-1999 NCITS 1235D/Rev 11, Abs, Delta, Transm)

FC2125E\_AGT (ANSI X3.230-1999 NCITS 1235D/Rev 11, Abs, Gamma, Transm)

FC2125E\_ABR (ANSI X3.230-1999 NCITS 1235D/Rev 11, Abs, Beta, Recv)

FC2125E\_ADR (ANSI X3.230-1999 NCITS 1235D/Rev 11, Abs, Delta, Recv)

FC2125E\_AGR (ANSI X3.230-1999 NCITS 1235D/Rev 11, Abs, Gamma, Recv)

ENET1000BCX\_NTP2 (1000B-CX Norm, TP2, 1.25 Gb/s)

ENET1000BCX\_ATP2 (1000B-CX Abs, TP2, 1.25 Gb/s)

ENET1000BCX\_ATP3 (1000B-CX Abs, TP3, 1.25 Gb/s)

ENETXAUI\_Near (10 Gigabit Attachment Unit Interface (XAUI), Near, 3.125 Gb/s)

ENETXAUI\_Far (10 Gigabit Attachment Unit Interface (XAUI), Far, 3.125 Gb/s)

FST1 (USB, FS:T1, 12 Mb/s)

FST2 (USB, FS:T2, 12 Mb/s)

FST3 (USB, FS:T3, 12 Mb/s)

FST4 (USB, FS:T4: 12 Mb/s)

FST5 (USB, FS:T5, 12 Mb/s)

FST6 (USB, FS:T6, 12 Mb/s)

FW1394BS400BT1 (IEEE 1394b, S400b T1, 491.5 Mb/s)

FW1394BS400BT2 (IEEE 1394b, S400b T2, 491.5 Mb/s)

FW1394BS800BT1 (IEEE 1394b, S800b T1, 983.0 Mb/s)

FW1394BS800BT2 (IEEE 1394b, S800b T2, 983.0 Mb/s)

FW1394BS1600BT1 (IEEE 1394b, S1600b T1, 1.966 Gb/s)

FW1394BS1600BT2 (IEEE 1394b, S1600b T2, 1.966 Gb/s)

FW1394BS400B (IEEE 1394b, S400 Optical, 491.5 Mb/s)

FW1394BS800B (IEEE 1394b, S800 Optical, 983.0 Mb/s)

FW1394BS1600B (IEEE 1394b, S1600 Optical, 1.966 Gb/s)

G703DS3 (ITU-T, G703 (10/98))

HST1 (USB, HS:T1, 480 Mb/s)

HST2 (USB, HS:T2, 480 Mb/s)

HST3 (USB, HS:T3, 480 Mb/s)  
HST4 (USB, HS:T4, 480 Mb/s)  
HST5 (USB, HS:T5, 480 Mb/s)  
HST6 (USB, HS:T6, 480 Mb/s)  
INF2\_5G (InfiniBand, IBTA Spec 1.0a, 2.5 Optical, 2.5 Gb/s)  
INF2\_5GE (InfiniBand, IBTA Spec 1.0a, 2.5 Electrical, 2.5 Gb/s)  
OC1 (GR 253-CORE Issue 3 9/21/2000 OC1/STM0, 51.84 Mb/s)  
OC3 (GR 253-CORE Issue 3 9/21/2000 OC1/STM1, 155.52, Mb/s)  
OC12 (GR 253-CORE Issue 3 9/21/2000 OC1/STM4, 622.08 Mb/s)  
OC48 (GR 253-CORE Issue 3 9/21/2000 OC1/STM16, 2.4883 Gb/s)  
OC48\_FEC (Forward Error Correction - CSA8000 mask, 2.666 Gb/s)  
PCIEXPRESS\_Xmit (PCI Express Transmitter, 2.5 Gb/s)  
PCIEXPRESS\_Rcv (PCI Express Receiver, 2.5 Gb/s)  
RATE97Mbit (ITU-T, G703 (10/98), 97 Mbit, 97.728 Mb/s)  
RIO\_DRV500M (Rapid IO Driver, 500 Mb/s)  
RIO\_DRV750M (Rapid IO Driver, 750 Mb/s)  
RIO\_DRV1G (Rapid IO Driver, 1 Gb/s)  
RIO\_DRV1\_5G (Rapid IO Driver, 5 Gb/s)  
RIO\_DRV2G (Rapid IO Driver, 2 Gb/s)  
RIO\_EDRV500M (Rapid IO Extended Driver, 500 Mb/s)  
RIO\_EDRV750M (Rapid IO Extended Driver, 750 Mb/s)  
RIO\_EDRV1G (Rapid IO Extended Driver, 1 Gb/s)  
RIO\_EDRV1\_5G (Rapid IO Extended Driver, 1.5 Gb/s)  
RIO\_EDRV2G (Rapid IO Extended Driver, 2 Gb/s)  
RIO\_RCV500M (Rapid IO Receiver, 500 Mb/s)  
RIO\_RCV750M (Rapid IO Receiver, 750 Mb/s)  
RIO\_RCV1G (Rapid IO Receiver, 1 Gb/s)  
RIO\_RCV1\_5G (Rapid IO Receiver, 1.5 Gb/s)  
RIO\_RCV2G (Rapid IO Receiver, 2 Gb/s)  
RIO\_SERIAL\_1G (Rapid IO Serial, 1.25 Gb/s)  
RIO\_SERIAL\_2G (Rapid IO Serial, 2.5 Gb/s)

RIO\_SERIAL\_3G (Rapid IO Serial, 3.25 Gb/s)

SFI5\_XMITADATA2 (SFI15 Transmit: Test Point A Data Signal 2, 2.488 Gb/s)

SFI5\_XMITCDATA2 (SFI15 Transmit: Test Point C Data Signal 2, 2.488 Gb/s)

SFI5\_XMITACLK2 (SFI15 Transmit: Test Point A Clock Signal 2, 2.488 Gb/s)

SFI5\_XMITCCLK2 (SFI15 Transmit: Test Point C Clock Signal 2, 2.488 Gb/s)

SFI5\_RCVBDATA2 (SFI15 Receive: Test Point B Data Signal 2, 2.488 Gb/s)

SFI5\_RCVDDATA2 (SFI15 Receive: Test Point D Data Signal 2, 2.488 Gb/s)

SFI5\_RCVBCLK2 (SFI15 Receive: Test Point B Clock Signal 2, 2.488 Gb/s)

SFI5\_RCVDCLK2 (SFI15 Receive: Test Point D Clock Signal 2, 2.488 Gb/s)

SFI5\_XMITADATA3 (SFI15 Transmit: Test Point A Data Signal 3, 3.125 Gb/s)

SFI5\_XMITCDATA3 (SFI15 Transmit: Test Point C Data Signal 3, 3.125 Gb/s)

SFI5\_XMITACLK3 (SFI15 Transmit: Test Point A Clock Signal 3, 3.125 Gb/s)

SFI5\_XMITCCLK3 (SFI15 Transmit: Test Point C Clock Signal 3, 3.125 Gb/s)

SFI5\_RCVBDATA3 (SFI15 Receive: Test Point B Data Signal 3, 3.125 Gb/s)

SFI5\_RCVDDATA3 (SFI15 Receive: Test Point D Data Signal 3, 3.125 Gb/s)

SFI5\_RCVBCLK3 (SFI15 Receive: Test Point B Clock Signal 3, 3.125 Gb/s)

SFI5\_RCVDCLK3 (SFI15 Receive: Test Point D Clock Signal 3, 3.125 Gb/s)

STM1E\_0 (ITU-T, G703 (10/98), STM1E Binary 0)

STM1E\_1 (ITU-T, G703 (10/98), STM1E Binary 1)

STS1Pulse (ANSI T1.102-1993 (R1999), STS-1 Pulse, 51.84 Mb/s)

STS1Eye (ANSI T1.102-1993 (R1999), STS-1 Eye, 51.84 Mb/s)

STS3 (ANSI T1.102-1993 (R1999), STS-3, 155.52 Mb/s)

STS3\_Max (ANSI T1.102-1993 (R1999), STS-3 Max Output, 155.52 Mb/s)

TFI15\_2 (TFI-5, 2.488 Gb/s)

TFI15\_3 (TFI-5, 3.1104 Gb/s)

USERMask

VIDEO292M (SMPTE, 1.485 Gb/s)

VSROC192 (VSR OC192/STM64, 1.24416 Gb/s)

**Examples** MASK:AUTOSET:STANDARD E1COAX selects the E1 Coax standard mask.  
 MASK:AUTOSET:STANDARD? might return :MASK:AUTOSET:STANDARD E1COAX, indicating that the E1 Coax mask is selected as the current mask standard.

## MASK:AUTOSet:TRIGger

This command specifies whether a mask [AUTOSet](#) affects the trigger level. Other trigger settings such as type of trigger are not changed by autoset. The default is ON.

This command, like all the mask autoset commands, affects only an autoset on a standard mask, not the general instrument autoset function.

**Group** Mask

**Syntax** MASK:AUTOSet:TRIGger {ON|OFF|<NR1>}  
 MASK:AUTOSet:TRIGger?

**Arguments** ON enables the autoset:trigger function.  
 OFF disables the autoset:trigger function.  
 <NR1> = 0 disables the autoset:trigger function; any other value enables it.

**Examples** MASK:AUTOSET:TRIGGER ON enables the autoset:trigger function.  
 MASK:AUTOSET:TRIGGER? might return  
 :MASK:AUTOSET:TRIGGER 1, indicating that the autoset:trigger function is enabled.

## MASK:AUTOSet:USER:ONE

This command sets or queries the level 1 value used by autoset for user masks.

**Group** Mask

**Syntax** MASK:AUTOSet:USER:ONE <NR3>  
 MASK:AUTOSet:USER:ONE?

**Related Commands** [MASK:AUTOSet:USER:TYPE](#), [MASK:AUTOSet:USER:ZERO](#)

**Arguments** <NR3> sets the level 1 value used by autoset for user masks.

**Examples** MASK:AUTOSET:USER:ONE 1 sets the autoset for 1 in user masks is 1.0 volts.  
 MASK:AUTOSET:USER:ONE? might return :MASK:AUTOSET:USER:ONE 0.0000, indicating that the autoset is using 0.0 volts for 1 in user masks.

## MASK:AUTOSet:USER:TYPE

This command sets or queries how autoset scales a mask.

**Group** Mask

**Syntax** MASK:AUTOSet:USER:TYPE {ABSolute|NORMALIZED}  
 MASK:AUTOSet:USER:TYPE?

**Related Commands** [MASK:AUTOSet:USER:ONE](#), [MASK:AUTOSet:USER:ZERo](#)

**Arguments** ABSOLUTE tells autoset to use the values supplied by [MASK:AUTOSet:USER:ONE](#) and [MASK:AUTOSet:USER:ZERo](#) for the one and zero of the mask.  
 NORMALIZED tells autoset to determine the mask one and zero by looking at the mask.

**Examples** MASK:AUTOSET:USER:TYPE NORMALIZED sets the autoset scales in a mask to normalize.  
 MASK:AUTOSET:USER:TYPE? might return :MASK:AUTOSET:USER:TYPE NORMALIZED, indicating that the autoset is set to normalize scales in a mask.

## MASK:AUTOSet:USER:ZERo

This command sets or queries the level 0 used by autoset for user masks.

**Group** Mask

**Syntax** MASK:AUTOSet:USER:ZERo <NR3>  
 MASK:AUTOSet:USER:ZERo?

**Related Commands** [MASK:AUTOSet:USER:TYPE](#), [MASK:AUTOSet:USER:ONE](#)

**Arguments** <NR3> sets the zero level that autoset uses for user masks.

**Examples** MASK:AUTOSET:USER:ZERO 1.000 sets the autosest for zero in user masks to scales in a mask to normalize.

MASK:AUTOSET:USER:ZERO? might return :MASK:AUTOSET:USER:ZERO 0.0000, indicating that the autosest is using 0.0 volts for zero in user masks.

## MASK:AUTOSet:VPOS

This command controls whether the mask autosest algorithm will affect the vertical position (or offset) of the signal while attempting to autosest. The default is ON.

This command, like all the mask autosest commands, affects only an autosest on a standard mask, not the general instrument autosest function.

**Group** Mask

**Syntax** MASK:AUTOSet:VPOS {ON|OFF|<NR1>}  
MASK:AUTOSet:VPOS?

**Arguments** ON enables the autosest:vpos function.  
OFF disables the autosest:vpos function.  
<NR1> = 0 disables the autosest:vpos function; any other value enables it.

**Examples** MASK:AUTOSET:VPOS ON enables the autosest:vpos function.  
MASK:AUTOSET:VPOS? might return :MASK:AUTOSET:VPOS 0.0000, indicating that the autosest:vpos function is disabled.

## MASK:AUTOSet:VSCALE

This command controls whether the mask autosest algorithm will affect the vertical scale while attempting to autosest.

This command, like all the mask autosest commands, affects only an autosest on a standard mask, not the general instrument autosest function.

**Group** Mask

**Syntax** MASK:AUTOSet:VSCALE {ON|OFF|<NR1>}  
MASK:AUTOSet:VSCALE?

**Arguments** ON enables the autose:vscale function.  
OFF disables the autose:vscale function.  
<NR1> = 0 disables the autose:vscale function; any other value enables it.

**Examples** MASK:AUTOSET:VSCALE ON enables the autose:vscale function.  
MASK:AUTOSET:VSCALE? might return :MASK:AUTOSET:VSCALE 0.0000,  
indicating that the autose:vscale function is disabled.

## MASK:COpy:USER (No Query Form)

This command copies the currently displayed mask to the user mask.

**Group** Mask

**Syntax** MASK:COpy:USER

**Examples** MASK:COpy:USER copies the current mask to the user mask.

## MASK:COUNt (No Query Form)

This command resets to zero the number of hits for all mask segments on the specified source.

**Group** Mask

**Syntax** MASK:COUNt RESET

**Arguments** RESET sets to zero the number of hits for all mask segments on the specified source.

**Examples** MASK:COUNt resets to zero the number of hits for all mask segments on the specified source.



## MASK:COUNT:FAILURES? (Query Only)

This query-only command returns the number of pass/fail tests that have failed. The default is 0. Pass/fail testing must be enabled.

<b>Group</b>	Mask
<b>Syntax</b>	MASK:COUNT:FAILURES?
<b>Returns</b>	<NR1>
<b>Examples</b>	MASK:COUNT:FAILURES? might return :MASK:COUNT:FAILURES 0, showing that no tests have failed.

## MASK:COUNT:HITS? (Query Only)

This query-only command returns the number of hits on all mask segments. Hit counting must be turned on.

<b>Group</b>	Mask
<b>Syntax</b>	MASK:COUNT:HITS?
<b>Returns</b>	<NR1>
<b>Examples</b>	MASK:COUNT:HITS? might return :MASK:COUNT:HITS 0, showing there were no hits from any source on any mask segments.

## MASK:COUNT:SEG<m>:HITS? (Query Only)

This query-only command returns the number of hits in mask segment <m>. Hit counting must be turned on.

<b>Group</b>	Mask
<b>Syntax</b>	MASK:COUNT:SEG<m>:HITS?

<b>Arguments</b>	<m> is the mask segment number.
<b>Returns</b>	<NR1>
<b>Examples</b>	MASK:COUNT:SEG1:HITS? might return :MASK:COUNT:SEG1:HITS 0, showing that there have been no hits.

## MASK:COUNT:STATE

This command sets or queries the mask hits count state; it controls whether mask counting is being done. [MASK:DISplay](#) must be ON to enable MASK:COUNT:STATE to count mask violations.

<b>Group</b>	Mask
<b>Syntax</b>	MASK:COUNT:STATE {OFF ON <NR1>} MASK:COUNT:STATE?
<b>Arguments</b>	ON turns on mask counting. OFF turns off mask counting. This is the default state. <NR1> = 0 turns off mask hit counting, and other values turn on mask hit counting.
<b>Examples</b>	MASK:COUNT:STATE ON turns on mask hit counting. MASK:COUNT:STATE? might return :MASK:COUNT:STATE 1, indicating that the mask counting is on.

## MASK:COUNT:TESTS? (Query Only)

This query-only command returns the number of pass/fail tests that have occurred.

<b>Group</b>	Mask
<b>Syntax</b>	MASK:COUNT:TESTS?
<b>Returns</b>	<NR1>

**Examples** MASK:COUNT:TESTS? might return :MASK:COUNT:TESTS 50, showing 50 tests have occurred.

## MASK:COUNT:TOTAl? (Query Only)

This query-only command returns the sum of all hits in all mask segments. This command is the same as MASK:COUNT:HITS? and is kept for compatibility with other Tektronix instruments.

**Group** Mask

**Syntax** MASK:COUNT:TOTAl?

**Returns** <NR1>

**Examples** MASK:COUNT:TOTAL? might return :MASK:COUNT:TOTAL50, showing 50 hits have occurred.

## MASK:COUNT:VIOLATIONS? (Query Only)

This query-only command returns the number of test violations that have occurred in the current pass/fail test. A test violation occurs when any part of a waveform falls within any mask segment. The default is 0.

**Group** Mask

**Syntax** MASK:COUNT:VIOLATIONS?

**Related Commands** [MASK:COUNT:TESTS?](#), [MASK:COUNT:TOTAl?](#), [MASK:COUNT:WAVEFORMS?](#), [MASK:TEST:REPeat](#)

**Returns** <NR1>

**Examples** MASK:COUNT:VIOLATIONS? might return :MASK:COUNT:VIOLATIONS 50, showing that 50 test violations have occurred.

## MASK:COUNT:WAVEFORMS? (Query Only)

This query-only command returns the number of waveforms that have been acquired and processed during pass/fail testing.

<b>Group</b>	Mask
<b>Syntax</b>	MASK:COUNT:WAVEFORMS?
<b>Related Commands</b>	<a href="#">MASK:COUNT:TESTS?</a> , <a href="#">MASK:COUNT:TOTAL?</a> , <a href="#">MASK:COUNT:VIOLATIONS?</a>
<b>Returns</b>	<NR1>
<b>Examples</b>	MASK:COUNT:WAVEFORMS? might return :MASK:COUNT:WAVEFORMS 1000, showing that 1,000 waveforms have been acquired and processed.

## MASK:DISplay

This command sets or queries whether or not defined masks are displayed on the screen. This is useful for temporarily turning off user-defined masks without deleting them. It is also useful for removing a standard mask from the screen, but leaving it as the selected standard. Mask counting, mask testing, and mask autoset are unavailable if the mask display is Off. The default is On.

<b>Group</b>	Mask
<b>Syntax</b>	MASK:DISplay {OFF ON <NR1>} MASK:DISplay?
<b>Arguments</b>	ON shows the masks on the display. This is the default value.  OFF removes the masks from the display.  <NR1> = 0 removes the masks from the display; any other value shows the masks on the display.
<b>Examples</b>	MASK:DISPLAY ON sets the display to show the defined masks.  MASK:DISPLAY? might return :MASK:DISPLAY 1, indicating that the defined masks on the screen are displayed.

## MASK:FILTer

This command sets or returns whether the selected digital filter will be run on the waveform data. The filter simulates optical hardware. That is, it simulates different hardware for each of several different optical standards.

The digital filter runs on OC1, OC3, OC12, OC48, FC133, FC266, FC531, FC1063, FC2125Draft, Gigabit Ethernet, Infiniband 2.5Gb, 1394b, 393Mb, 786.4 3Mb, 1.572 Gb

**Group** Mask

**Syntax** MASK:FILTer {OFF|ON|<NR1>}  
MASK:FILTer?

**Related Commands** [ACQuire:MODE](#)

**Arguments** ON enables the digital filter.  
OFF disables the digital filter.  
<NR1> = 0 disables the digital filter; any other value enables it.

**Examples** MASK:FILTER ON enables the digital filter.  
MASK:FILTER? might return :MASK:FILTER 1, indicating that the selected digital filter will be run on the waveform data.

## MASK:HIGHLIGHTHits

This command sets or returns whether or not hits in a mask are highlighted in different colors than other waveform data. The default is On.

**Group** Mask

**Syntax** MASK:HIGHLIGHTHits {OFF|ON|<NR1>}  
MASK:HIGHLIGHTHits?

**Arguments** ON enables the mask:highlighthits function.  
OFF disables the mask:highlighthits function.  
<NR1> = 0 disables the mask:highlighthits function; any other value enables it.

**Examples** MASK:HIGHLIGHTHITS ON enables the mask highlighthits function.  
MASK:HIGHLIGHTHITS? might return :MASK:HIGHLIGHTHITS 1, indicating that the mask:highlighthits function is enabled.

## MASK:INVert

This command controls whether the mask is drawn inverted. It has no effect if this mask cannot be inverted. The default is Off (Positive).

**Group** Mask

**Syntax** MASK:INVert {OFF|ON|<NR1>}

**Arguments** ON Negative  
OFF Positive  
<NR1> = 0 disables the mask:invert function; any other value enables it.

**Examples** MASK:INVERT ON enables the mask invert function.  
MASK:INVERT? might return :MASK:INVERT 1, indicating that the mask is drawn inverted.

## MASK:LOCK

This command sets or returns the mask lock to waveform mode. It locks the mask to the waveform such that changes to the horizontal and/or vertical scale settings redraws the mask segments in proportion. This feature allows for expanding horizontal and/or vertical settings to zoom in on waveforms and masks to visually examine violation areas in more detail.

**Group** Mask

**Syntax** MASK:LOCK {OFF|ON|<NR1>}  
MASK:LOCK?

**Arguments** ON turns on mask lock to waveform.  
OFF turns off mask lock to waveform.

<NR1> = 0 turns off mask lock to waveform and any other value turns on mask lock to waveform.

**Examples** MASK:LOCK ON turns on mask lock to waveform.

MASK:LOCK? might return :MASK:LOCK 1, indicating that the mask lock to waveform mode is enabled.

## MASK:MARgin:PERCent

This command sets or queries the mask margin percentage. If you set a positive mask margin percentage, the polygon expands and the mask test will be more difficult to pass due to the expanded test area. If you set a negative mask margin percentage, the polygon shrinks and the mask test will be easier to pass due to the smaller area.

**Group** Mask

**Syntax** MASK:MARgin:PERCent <NR3>  
MASK:MARgin:PERCent?

**Arguments** <NR3> values range from -50.0 to +50.0. The default is 5.

**Examples** MASK:MARGIN:PERCENT 25 sets the mask margin percentage to 25.

MASK:MARGIN:PERCENT? might return :MASK:MARGIN:PERCENT 1.0000000000E+001, indicating that the mask margin is set to 10%.

## MASK:MARgin:STATE

This command sets or returns the state of the mask margins.

**Group** Mask

**Syntax** MASK:MARgin:STATE {OFF|ON|<NR1>}  
MASK:MARgin:STATE?

**Arguments** ON turns on mask margins.

OFF turns off mask margins. The currently displayed margined mask is erased and the original mask is displayed.

<NR1> = 0 turns off mask margins; any other integer turns on the selected mask margins.

**Examples** MASK:MARGIN:STATE ON turns on mask margins.

MASK:MARGIN:STATE? might return :MASK:MARGIN:STATE 1, indicating that the mask margins are on.

## MASK:MASKPRE:AMPLitude

This command sets or returns the current mask's nominal pulse amplitude in volts. The query form of this command returns the nominal pulse amplitude of the displayed mask. The set form of this command only affects the current (displayed) mask.

**Group** Mask

**Syntax** MASK:MASKPRE:AMPLitude <NR3>  
MASK:MASKPRE:AMPLitude?

**Related Commands** [MASK:MASKPRE:VSCale](#)

**Arguments** <NR3> is a floating number that sets the nominal pulse amplitude in volts.

**Examples** MASK:MASKPRE:AMPLITUDE 2.4 sets the current mask nominal pulse amplitude to 2.4 volts.

MASK:MASKPRE:AMPLITUDE? might return :MASK:MASKPRE:AMPLITUDE 1, indicating that the current mask's nominal pulse amplitude is set to 1.0 V.

## MASK:MASKPRE:HSCAle

This command sets or returns the nominal timing resolution used to draw the mask, in time/division. The query form of this command returns the nominal timing resolution of the displayed mask. The set form of this command only affects the current (displayed) mask.

**Group** Mask



**Syntax** MASK:MASKPRE:HSCALE <NR3>  
MASK:MASKPRE:HSCALE?

**Related Commands** [MASK:MASKPRE:HTRIGPOS](#)

**Arguments** <NR3> is a floating point number that sets the mask drawing timing resolution.

**Examples** MASK:MASKPRE:HSCALE 40E-9 sets the nominal timing resolution used to draw the mask pulse shape to 40 nanoseconds per division.

MASK:MASKPRE:HSCALE? might return :MASK:MASKPRE:HSCALE 1, indicating that the current mask's nominal timing resolution is to 1 nanosecond per divisions.

## MASK:MASKPRE:HTRIGPOS

This command sets or returns the nominal trigger position (pulse leading edge) used to draw the mask as a fraction of the display width. The query form of this command returns the nominal trigger position of the displayed mask. The set form of this command only affects the current (displayed) mask.

**Group** Mask

**Syntax** MASK:MASKPRE:HTRIGPOS <NR3>  
MASK:MASKPRE:HTRIGPOS?

**Related Commands** [MASK:MASKPRE:HSCALE](#)

**Arguments** <NR3> is a floating point number in the range of 0.0 to 1.0 that sets the trigger points as a fraction of the display width, referenced from the left edge of the graticule. The number 0.0 represents the left edge.

**Examples** MASK:MASKPRE:HTRIGPOS 0.6 sets the current mask nominal pulse leading edge position to the sixth horizontal graticule division.

MASK:MASKPRE:HTRIGPOS? might return :MASK:MASKPRE:HTRIGPOS 0.8, indicating that the trigger position is set to eight horizontal graticule divisions.

## MASK:MASKPRE:PATTERNBITS

This command sets or returns the number of bits used for serial trigger for the User mask standard. For example, DS1 requires six bits: four leading zeros, a one, and a trailing zero. The query form of this command returns the serial bit value of the displayed mask. The set form of this command only affects the current (displayed) mask.

**Group** Mask

**Syntax** MASK:MASKPRE:PATTERNBITS <NR1>  
MASK:MASKPRE:PATTERNBITS?

**Related Commands** [MASK:MASKPRE:PRESAMPBITS](#)

**Arguments** <NR1> is an integer that sets the number of bits.

**Examples** MASK:MASKPRE:PATTERNBITS 6 sets the current mask number of serial pattern bits to 6.

MASK:MASKPRE:PATTERNBITS? might return :MASK:MASKPRE:PATTERNBITS 8, indicating that the number of bits for serial trigger of the user mask standard is set to 8.

## MASK:MASKPRE:PRESAMPBITS

This command sets or returns the number of bits before the (isolated one) pulse leading edge in the serial trigger pass/fail testing. For example, DS1 has four leading zeros. The query form of this command returns the presample bit value of the displayed mask. The set form of this command only affects the current (displayed) mask.

**Group** Mask

**Syntax** MASK:MASKPRE:PRESAMPBITS <NR1>  
MASK:MASKPRE:PRESAMPBITS?

**Related Commands** [MASK:MASKPRE:PATTERNBITS](#)

**Arguments** <NR1> is an integer that sets the number of bits before the trigger pulse.

- Examples** MASK:MASKPRE:PRESAMPBITS 4 sets the current mask number of bits before the trigger pulse to 4.
- MASK:MASKPRE:PRESAMPBITS? might return :MASK:MASKPRE:PRESAMPBITS 8, indicating that the presample bit value of the displayed mask is set to 8.

## MASK:MASKPRE:RECOrdlength

This command sets or returns the nominal record length for pulse mask testing. The query form of this command returns the record length value of the displayed mask. The set form of this command only affects the current (displayed) mask.

- Group** Mask
- Syntax** MASK:MASKPRE:RECOrdlength <NR1>  
MASK:MASKPRE:RECOrdlength?
- Arguments** <NR1> is an integer number that sets the record length.
- Examples** MASK:MASKPRE:RECORDLENGTH 500 sets the current mask record length to 500 points.
- MASK:MASKPRE:RECORDLENGTH? might return :MASK:MASKPRE:RECORDLENGTH 400, indicating that the nominal record length for pulse mask testing is set to 400.

## MASK:MASKPRE:TRIGTOSAMP

This command sets or returns the time, in seconds, from the (leading edge) trigger position to the pulse bit sampling position. The query form of this command returns the time value of the displayed mask. The set form of this command only affects the current (displayed) mask.

- Group** Mask
- Syntax** MASK:MASKPRE:TRIGTOSAMP <NR3>  
MASK:MASKPRE:TRIGTOSAMP?
- Related Commands** [MASK:MASKPRE:WIDth](#)

- Arguments** <NR3> is the floating point number that sets the time to the pulse bit sampling position.
- Examples** MASK:MASKPRE:TRIGTOSAMP 162E-9 sets the current mask time from the (leading edge) trigger position to the pulse bit sampling position to 162 nanoseconds.
- MASK:MASKPRE:TRIGTOSAMP? might return :MASK:MASKPRE:TRIGTOSAMP 100, indicating that the time value of the displayed mask is set to 100 nanoseconds.

## MASK:MASKPRE:VOFFSet

This command sets or returns the nominal vertical offset, in volts, used to vertically offset the input channels. The query form of this command returns the offset value of the displayed mask. The set form of this command only affects the current (displayed) mask.

**Group** Mask

**Syntax** MASK:MASKPRE:VOFFSet <NR3>  
MASK:MASKPRE:VOFFSet?

**Related Commands** [MASK:MASKPRE:VPOS](#), [MASK:MASKPRE:VSCALE](#)

**Arguments** <NR3> is a floating point number that sets the nominal vertical offset in volts.

**Examples** MASK:MASKPRE:VOFFSET 0.0 sets the current mask nominal vertical offset to 0.0 volts.

MASK:MASKPRE:VOFFSET? might return :MASK:MASKPREVOFFSET 1.0000, indicating that the offset value of the displayed mask is set to 1.0 volts.

## MASK:MASKPRE:VPOS

This command sets or returns the nominal vertical position, control in divisions, used to vertically position the input channels. The query form of this command returns the vertical position value of the displayed mask. The set form of this command only affects the current (displayed) mask.

**Group** Mask

**Syntax** MASK:MASKPRE:VPOS <NR3>  
MASK:MASKPRE:VPOS?

**Related Commands** [MASK:MASKPRE:VOFFSet](#), [MASK:MASKPRE:VSCALE](#)

**Arguments** <NR3> is a floating point number that sets the nominal vertical position control in divisions.

**Examples** MASK:MASKPRE:VPOS -0.8 sets the current mask nominal vertical position to -0.8 divisions.

MASK:MASKPRE:VPOS? might return :MASK:MASKPRE:VPOS 1.0000, indicating that the vertical position value of the displayed mask is set to 1.0 divisions.

## MASK:MASKPRE:VSCALE

This command sets or returns the nominal vertical scale, in volts per division, used to vertically scale the input channels. The query form of this command returns the vertical scale value of the displayed mask. The set form of this command only affects the current (displayed) mask.

**Group** Mask

**Syntax** MASK:MASKPRE:VSCALE <NR3>  
MASK:MASKPRE:VSCALE?

**Related Commands** [MASK:MASKPRE:VOFFSet](#), [MASK:MASKPRE:VPOS](#)

**Arguments** <NR3> is a floating point number that sets the nominal bit width in seconds.

**Examples** MASK:MASKPRE:VSCALE 200E-3 sets the current mask nominal vertical scale to 200 millivolts per division.

MASK:MASKPRE:VSCALE? might return :MASK:MASKPRE:VSCALE 400.0000E-3, indicating that the vertical position value of the displayed mask is set to 400 millivolts per division.

## MASK:MASKPRE:WIDTH

This command sets or returns the nominal bit width in seconds. The query form of this command returns the bit width value of the displayed mask. The set form of this command only affects the current (displayed) mask.

**Group** Mask

**Syntax** MASK:MASKPRE:WIDTH <NR3>  
MASK:MASKPRE:WIDTH?

**Related Commands** [MASK:MASKPRE:TRIGTOSAMP](#)

**Arguments** <NR3> is a floating point number that sets the nominal bit width in seconds. This number is the time of one bit of data where bit width = 1 / ( data rate of the signal ).

**Examples** MASK:MASKPRE:WIDTH 648E-9 sets the current mask nominal bit width to 648 nanoseconds (1.544 Mbits/second).  
MASK:MASKPRE:WIDTH? might return :MASK:MASKPRE:WIDTH 500.0000E-9, indicating that the bit width value of the displayed mask is set to 500 nanoseconds.

## MASK:POLarity

This command sets or returns the input waveform polarity for the pass/fail test. It controls whether to test positive pulse, negative pulse, or both during pass/fail testing. This command only applies when [MASK:TEST:STATE](#) is on.

**Group** Mask

**Syntax** MASK:POLarity {BOTH|NEGATIVE|POSITIVE}  
MASK:POLarity?

**Related Commands** [MASK:TEST:STATE](#)

**Arguments** BOTH enables testing for both positive and negative pulses. The instrument tests positive pulses on the mask:source waveform until ½ of the waveform has been tested. Then the instrument inverts the mask and performs the remaining tests.

NEGATIVE enables testing on negative pulses.

POSITIVE enables testing on positive pulses. This is the default.

**Examples** MASK:POLARITY BOTH sets pass/fail to test both positive (normal) and negative (inverted) waveforms.

MASK:POLARITY? might return :MASK:POLARITY POSITIVE, indicating that the input waveform polarity for the pass/fail test is set to positive.

## MASK:SEG<m> (No Query Form)

This command deletes the specified mask segment from the current mask.

**Group** Mask

**Syntax** MASK:SEG<m> DELETE

**Arguments** <m> is an integer that specifies the mask segment number to delete from the current mask.

DELETE removes the specified mask segment from the mask.

**Examples** MASK:SEG3 DELETE deletes mask segment three from the current mask.

## MASK:SEG<m>:NR\_Pt? (Query Only)

This query-only command returns the number of points that make up the specified mask segment of the current mask. Each mask point consists of an X-Y pair of coordinates.

**Group** Mask

**Syntax** MASK:SEG<m>:NR\_Pt?

**Arguments** <m> is an integer number that specifies a mask segment number of the current mask.

**Returns** <NR1> is 0 to 50.

**Examples** MASK:SEG2:NR\_PT? might return :MASK:SEG2:NR\_PT 5.

## MASK:SEG<m>:POINTS

This command sets or returns the X-Y user coordinates of all points in the current mask segment. The set form defines new points in the current mask, replacing any existing points in the current mask segment; it sets or returns the vertices for a particular segment in the current mask.

**Group** Mask

**Syntax** MASK:SEG<m>:POINTS <NR3>,<NR3>[,<NR3>,<NR3>]  
MASK:SEG<m>:POINTS?

**Arguments** <m> is an integer that specifies the current mask segment number.

<NR3> refers to the coordinates of one of the vertices in the Current mask. Each pair of numbers represents the horizontal and vertical coordinates of a mask segment vertex. The pairs must be listed in a counterclockwise order. If the vertical or horizontal scale or position is changed after this command and then the query form of this command is issued, the value returned from the instrument will not be the same. If just one pair is input, it is ignored and the current mask segment is marked as undefined. The default is no points in the current mask segment.

**Examples** MASK:SEG2:POINTS -2.3E-9, 44E-3, -2.5E-9, 47E-3, 1.2E-9, 44E-3 defines the points in current mask segment 2.

MASK:SEG2:POINTS? might return :MASK:SEG2:POINTS 0.0000, 0.0000, indicating that the X-Y user coordinates of all points in the Current mask segment are set to 0,0.

## MASK:SOUrce

This command sets or reports which source will be compared against the mask(s) when counting is turned on; it controls which trace to use in mask counting. It also affects mask autoseg and how triggering is set up when you select the mask.

**Group** Mask

**Syntax** MASK:SOUrce {CH[1-4]|MATH[1-4]|REF[1-4]}  
MASK:SOUrce?



<b>Arguments</b>	<p>CH&lt;1-4&gt; selects a channel waveform to be compared against the specified mask. The range for is 1 through 4.</p> <p>MATH&lt;1-4&gt; selects a math waveform to be compared against the specified mask. The range for is 1 through 4.</p> <p>REF&lt;1-4&gt; selects a reference waveform to be compared against the specified mask. The range is 1 through 4.</p>
<b>Examples</b>	<p>MASK:SOURCE CH1 enables CH1 to be compared against the mask. Since a timebase is not specified, the default, Main, is used.</p> <p>MASK:SOURCE? might return :MASK:SOURCE CH1,MAIN, indicating that the Channel 1 waveform will be compared against the mask using the Main timebase.</p>

## MASK:STANdard

This command deletes the existing mask (if any) and sets the selected standard mask. If **MASK:COUNT:STATE** is ON, mask counting starts immediately. The query form of this command returns the current mask standard.

---

**NOTE.** *There are several available mask standards that require a higher bandwidth than permitted for some instruments. In such cases, a warning is posted to the standard event system upon selection of any of these standards. To ensure that the mask you select is fully supported by the instrument, always check the event status register after selecting a mask standard.*

---

The following warning event is posted if the mask exceeds the instrument bandwidth: 2318, "Consider system bandwidth when testing at this bit rate."

<b>Conditions</b>	This command is only valid for instruments with Option MTM installed.
<b>Group</b>	Mask
<b>Syntax</b>	<pre>MASK:STANdard {ATARXG1 ATARXG2 ATARXG3 ATATXG1 ATATXG2  ATATXG3 CLOCKCoax CLOCKSymmetrical D1 D2  DS0Contra DS0Double  DS0Single DS0Timing DS1 DS1A DS1C DS2 DS2RATECoax  DS2RATESymmetrical DS3 DS4NA DS4NA_Max E1Coax  E1Symmetrical  E2 E3 E4_1 E4_0 ENET1000BCX_ATP2 ENET1000BCX_ATP3  ENET1000BCX_NTP2 ENET100FX ENET100STP ENET100UTP  ENET1250  ENETXAUl_Far ENETXAUl_Near FC1063 FC1063Draft FC1063E  FC1063E_ABR FC1063E_ABT FC1063E_ADR FC1063E_ADT</pre>

| FC1063E\_AGR |  
FC1063E\_AGT | FC1063E\_NBT | FC1063E\_NDT | FC1063E\_NGT | FC133 |  
FC133E | FC2125 | FC2125E\_ABR | FC2125E\_ABT | FC2125E\_ADR | FC2125E\_ADT |  
FC2125E\_AGR | FC2125E\_AGT | FC2125E\_NBT | FC2125E\_NDT  
| FC2125E\_NGT | FC266 | FC266E | FC4250E\_ABR | FC4250E\_ABT  
| FC4250E\_ADR | FC4250E\_ADT | FC4250E\_AGR  
| FC4250E\_AGT | FC4250E\_NBT | FC4250E\_NDT  
| FC4250E\_NGT | FC531 | FC531E | FST1 | FST2 | FST3  
| FST4 | FST5 | FST6 | FW1394BS1600B |  
FW1394BS1600BT1 | FW1394BS1600BT2 | FW1394BS400B  
| FW1394BS400BT1 |  
FW1394BS400BT2 | FW1394BS800B | FW1394BS800BT1 | FW1394BS800BT2 |  
G703DS1 | G703DS3 | HST1 | HST2 | HST3 | HST4 | HST5 | HST6 | INF2\_5G |  
INF2\_5GE | NONE | OC1 | OC12 | OC3 | OC48 | OC48\_FEC | PCIEXPRESS\_Rcv |  
PCIEXPRESS\_Xmit | RATE32Mbit | RATE97Mbit | RIO\_DRV1G  
| RIO\_DRV1\_5G |  
RIO\_DRV2G | RIO\_DRV500M | RIO\_DRV500M | RIO\_DRV750M | RIO\_EDRV1G |  
RIO\_EDRV1\_5G | RIO\_EDRV2G | RIO\_EDRV500M | RIO\_EDRV500M |  
RIO\_EDRV750M | RIO\_RCV1G | RIO\_RCV1\_5G | RIO\_RCV2G  
| RIO\_RCV500M | RIO\_RCV500M | RIO\_RCV750M | RIO\_SERIAL\_1G  
| RIO\_SERIAL\_2G | RIO\_SERIAL\_3G |  
SFI5\_RCVBCLK2 | SFI5\_RCVBCLK3 | SFI5\_RCVBDATA2 | SFI5\_RCVBDATA3 |  
SFI5\_RCVCLK2 | SFI5\_RCVCLK3 | SFI5\_RCVDDATA2 | SFI5\_RCVDDATA3 |  
SFI5\_XMITACLK2 | SFI5\_XMITACLK3 | SFI5\_XMITADATA2 | SFI5\_XMITADATA3 |  
SFI5\_XMITCCLK2 | SFI5\_XMITCCLK3 | SFI5\_XMITCDATA2  
| SFI5\_XMITCDATA3 |  
STM0\_0 | STM0\_1 | STM0\_HDBX | STM1E\_1 | STM1E\_0 | STS1Eye  
| STS1Pulse | STS3 | STS3\_Max | TFI5\_2 | TFI5\_3 | USERMask | VIDEO270  
| VIDEO292M | VIDEO360 | VSROC192 | SAS1\_5\_IR | SAS1\_5\_CR | SAS1\_5\_XR  
| SAS1\_5\_IR\_AASJ | SAS1\_5\_CR\_AASJ | SAS1\_5\_XR\_AASJ  
| SAS1\_5\_SATA | SAS3\_0\_IR | SAS3\_0\_CR | SAS3\_0\_XR  
| SAS3\_0\_IR\_AASJ | SAS3\_0\_CR\_AASJ | SAS3\_0\_XR\_AASJ | SAS3\_0\_SATA }  
MASK: STANDARD?

**Related Commands**    [ACQUIRE:MODE](#)

**Arguments**

- ATARXG1 (Serial ATA, G1 Rx 1.5 Gb/s)
- ATARXG2 (Serial ATA, G2, Rx, 3.0 Gb/s)
- ATARXG3 (Serial ATA, G3, Rx)
- ATATXG1 (Serial ATA, G1 Tx, 1.5 Gb/s)
- ATATXG2 (Serial ATA, G2 Tx, 3.0 Gb/s)
- H ATATXG3 (Serial ATA, G3 Tx)
- CLOCKCoax
- CLOCKSymmetrical
- D1

D2

DS0Contra (ITU-T, G703 (10/98), 64 kb/s)

DS0Double (ITU-T, G703 (10/98), 64 kb/s)

DS0Single (ITU-T, G703 (10/98), 64 kb/s)

DS0Timing (ITU-T, G703 (10/98), 64 kb/s)

DS1 (ANSI T1.102-1993 (R1999), DS1, 1.544 Mb/s)

DS1A (ANSI T1.102-1993 (R1999), DS1A, 2.048 Mb/s)

DS1C (ANSI T1.102-1993 (R1999), DS1C, 3.152 Mb/s)

DS2 (ANSI T1.102-1993 (R1999), DS2, 6.312 Mb/s)

DS2RATECoax (ITU-T, G703 (10/98), D2 Rate Coax, 6.312 Mb/s)

DS2RATESymmetrical (ITU-T, G703 (10/98), D2 Rate Sym, 6.312 Mb/s)

DS3 (ANSI T1.102-1993 (R1999), DS3, 44.736 Mb/s)

DS4NA (ANSI T1.102-1993 (R1999), DS4NA, 139.26 Mb/s)

DS4NA\_Max (ANSI T1.102-1993 (R1999), DSNA Max Output, 139.26 Mb)

E1Coax (ITU-T, G703 (10/98), E1 Coax Pair, 2.048 Mb/s)

E1Symmetrical (ITU-T, G703 (10/98), E1 Sym Pair, 2.048 Mb/s)

E2 (ITU-T, G703 (10/98), E2, 8.448 Mb/s)

E3 (ITU-T, G703 (10/98), E3, 34.368 Mb/s)

E4\_0 (ITU-T, G703 (10/98), E4 Binary 0)

E4\_1 (ITU-T, G703 (10/98), E4 Binary 1)

ENET100FX

ENET100STP (IEEE Std 802.3 and ANSI X3.263-1995, 100 Base-Tx, STP, 125 Mb/s )

ENET100UTP (IEEE Std 802.3 and ANSI X3.263-1995, 100 Base-Tx, UTP, 125 Mb/s)

ENET1000BCX\_ATP2 (1000B-CX Abs, TP2, 1.25 Gb/s)

ENET1000BCX\_ATP3 (1000B-CX Abs, TP3, 1.25 Gb/s)

ENET1000BCX\_NTP2 (1000B-CX Norm, TP2, 1.25 Gb/s)

ENET1250 (IEEE Std 802.3 and ANSI X3.263-1995, GB Ethernet, 1.25 Gb/s)

ENETXAUI\_FAR (10 Gigabit Attachment Unit Interface (XAUI), Far, 3.125 Gb/s)

ENETXAUI\_Near (10 Gigabit Attachment Unit Interface (XAUI), Near, 3,125 Gb/s)

FC133 (ANSI X3.230-1999 NCITS 1235D/Rev 11, Optical, 132.8 Mb/s)  
FC133E (ANSI X3.230-1999 NCITS 1235D/Rev 11, Electrical 132.8 Mb/s)  
FC266 (ANSI X3.230-1999 NCITS 1235D/Rev 11, Optical, 265.6 Mb/s)  
FC266E (ANSI X3.230-1999 NCITS 1235D/Rev 11, Electrical, 132.8 Mb/s)  
FC531 (ANSI X3.230-1999 NCITS 1235D/Rev 11, Optical, 531.2 Mb/s)  
FC531E (ANSI X3.230-1999 NCITS 1235D/Rev 11, Electrical, 531.2 Mb/s)  
FC1063 (ANSI X3.230-1999 NCITS 1235D/Rev 11, Optical, 1.065 Gb/s)  
FC1063E (ANSI X3.230-1999 NCITS 1235D/Rev 11, Electrical, 1.0625 Gb/s)  
FC1063E\_ABT (ANSI X3.230-1999 NCITS 1235D/Rev 11, Abs, Beta, Transm)  
FC1063E\_ADT (ANSI X3.230-1999 NCITS 1235D/Rev 11, Abs, Beta, Transm)  
FC1063E\_AGT (ANSI X3.230-1999 NCITS 1235D/Rev 11, Abs, Gamma, Transm)  
FC1063E\_NBT (ANSI X3.230-1999 NCITS 1235D/Rev 11, Norm, Beta, Transm)  
FC1063E\_NDT (ANSI X3.230-1999 NCITS 1235D/Rev 11, Norm, Delta, Transm)  
FC1063E\_NGT (ANSI X3.230-1999 NCITS 1235D/Rev 11, Norm, Gamma, Transm)  
FC1063E\_ABR (ANSI X3.230-1999 NCITS 1235D/Rev 11, Abs, Beta, Recv)  
FC1063E\_ADR (ANSI X3.230-1999 NCITS 1235D/Rev 11, Abs, Delta, Recv)  
FC1063E\_AGR (ANSI X3.230-1999 NCITS 1235D/Rev 11, Abs, Gamma, Recv)  
FC1063Draft (ANSI X3.230-1999 NCITS 1235D/Rev 11, Optical, Draft Rev 11)  
FC2125 (ANSI X3.230-1999 NCITS 1235D/Rev 11, Optical, 2.125)  
FC2125E\_ABT (ANSI X3.230-1999 NCITS 1235D/Rev 11, Abs, Beta, Transm)  
FC2125E\_ADT (ANSI X3.230-1999 NCITS 1235D/Rev 11, Abs, Delta, Transm)  
FC2125E\_AGT (ANSI X3.230-1999 NCITS 1235D/Rev 11, Abs, Gamma, Transm)  
FC2125E\_NBT (ANSI X3.230-1999 NCITS 1235D/Rev 11, Norm, Beta, Transm)  
FC2125E\_NDT (ANSI X3.230-1999 NCITS 1235D/Rev 11, Norm, Delta, Transm)  
FC2125E\_NGT (ANSI X3.230-1999 NCITS 1235D/Rev 11, Norm, Gamma, Transm)  
FC2125E\_ABR (ANSI X3.230-1999 NCITS 1235D/Rev 11, Abs, Beta, Recv)  
FC2125E\_ADR (ANSI X3.230-1999 NCITS 1235D/Rev 11, Abs, Delta, Recv)  
FC2125E\_AGR (ANSI X3.230-1999 NCITS 1235D/Rev 11, Abs, Gamma, Recv)

FC4250E\_ABT (ANSI X3.230-1999 NCITS 1235D/Rev 4.0, Abs, Beta, Transm)  
 FC4250E\_ADT (ANSI X3.230-1999 NCITS 1235D/Rev 4.0, Abs, Delta, Transm)  
 FC4250E\_AGT (ANSI X3.230-1999 NCITS 1235D/Rev 4.0, Abs, Gamma, Transm)  
 FC4250E\_NBT (ANSI X3.230-1999 NCITS 1235D/Rev 4.0, Norm, Beta, Transm)  
 FC4250E\_NDT (ANSI X3.230-1999 NCITS 1235D/Rev 4.0, Norm, Delta, Transm)  
 FC4250E\_NGT (ANSI X3.230-1999 NCITS 1235D/Rev 4.0, Norm, Gamma, Transm)  
 FC4250E\_ABR (ANSI X3.230-1999 NCITS 1235D/Rev 4.0, Abs, Beta, Recv)  
 FC4250E\_ADR (ANSI X3.230-1999 NCITS 1235D/Rev 4.0, Abs, Delta, Recv)  
 FC4250E\_AGR (ANSI X3.230-1999 NCITS 1235D/Rev 4.0, Abs, Gamma, Recv)  
 FST1 (USB, FS:T1, 12 Mb/s)  
 FST2 (USB, FS:T2, 12 Mb/s)  
 FST3 (USB, FS:T3, 12 Mb/s)  
 FST4 (USB, FS:T4: 12 Mb/s)  
 FST5 (USB, FS:T5, 12 Mb/s)  
 FST6 (USB, FS:T6, 12 Mb/s)  
 FW1394BS400B (IEEE 1394b, S400 Optical, 491.5 Mb/s)  
 FW1394BS400BT1 (IEEE 1394b, S400b T1, 491.5 Mb/s)  
 FW1394BS400BT2 (IEEE 1394b, S400b T2, 491.5 Mb/s)  
 FW1394BS800B (IEEE 1394b, S800 Optical, 988.0 Mb/s)  
 FW1394BS800BT1 (IEEE 1394b, S800b T1, 983.0 Mb/s)  
 FW1394BS800BT2 (IEEE 1394b, S800b T2, 983.0 Mb/s)  
 FW1394BS1600B (IEEE 1394b, S1600 Optical, 1.966 Gb/s)  
 FW1394BS1600BT1 (IEEE 1394b, S1600b T1, 1.966 Gb/s)  
 FW1394BS1600BT2 (IEEE 1394b, S1600b T2, 1.966 Gb/s)  
 G703D1 (ITU-T, G703 (10/98), DS1 Rate, 1.544 Mb/s)  
 G703DS3 (ITU-T, G703 (10/98))  
 HST1 (USB, HS:T1, 480 Mb/s) G703DS3 (ITU-T, G703 (10/98))  
 HST2 (USB, HS:T2, 480 Mb/s) G703DS3 (ITU-T, G703 (10/98))  
 HST3 (USB, HS:T3, 480 Mb/s)

HST4 (USB, HS:T4, 480 Mb/s)  
HST5 (USB, HS:T5, 480 Mb/s)  
HST6 (USB, HS:T6, 480 Mb/s)  
INF2\_5G (InfiniBand, IBTA Spec 1.0a, 2.5 Optical, 2.5 Gb/s)  
INF2\_5GE (InfiniBand, IBTA Spec 1.0a, 2.5 Electrical, 2.5 Gb/s)  
NONE  
OC1 (GR 253-CORE Issue 3 9/21/2000 OC1/STM0, 51.84 Mb/s)  
OC3 (GR 253-CORE Issue 3 9/21/2000 OC1/STM1, 155.52, Mb/s)  
OC12 (GR 253-CORE Issue 3 9/21/2000 OC1/STM4, 622.08 Mb/s)  
OC48 (GR 253-CORE Issue 3 9/21/2000 OC1/STM16, 2.4883 Gb/s)  
OC48\_FEC (Forward Error Correction - CSA8000 mask, 2.666 Gb/s)  
PCIEXPRESS\_Xmit (PCI Express Transmitter, 2.5 Gb/s)  
PCIEXPRESS\_Rcv (PCI Express Receiver, 2.5 Gb/s)  
RATE32Mbit (ITU-T, G703 (10/98), 32.064 Mb/s)  
RATE97Mbit (ITU-T, G703 (10/98), 97 Mbit, 97.728 Mb/s)  
RIO\_DRV1G (Rapid IO Driver, 1 Gb/s)  
RIO\_DRV1\_5G (Rapid IO Driver, 5 Gb/s)  
RIO\_DRV2G (Rapid IO Driver, 2 Gb/s)  
RIO\_DRV500M (Rapid IO Driver, 500 Mb/s)  
RIO\_DRV750M (Rapid IO Driver, 750 Mb/s)  
RIO\_EDRV1G (Rapid IO Extended Driver, 1 Gb/s)  
RIO\_EDRV1\_5G (Rapid IO Extended Driver, 1.5 Gb/s)  
RIO\_EDRV2G (Rapid IO Extended Driver, 2 Gb/s)  
RIO\_EDRV500M (Rapid IO Extended Driver, 500 Mb/s)  
RIO\_EDRV750M (Rapid IO Extended Driver, 750 Mb/s)  
RIO\_RCV500M (Rapid IO Receiver, 500 Mb/s)  
RIO\_RCV750M (Rapid IO Receiver, 750 Mb/s)  
RIO\_RCV1G (Rapid IO Receiver, 1 Gb/s)  
RIO\_RCV1\_5G (Rapid IO Receiver, 1.5 Gb/s)  
RIO\_RCV2G (Rapid IO Receiver, 2 Gb/s)  
RIO\_SERIAL\_1G (Rapid IO Serial, 1.25 Gb/s)

RIO\_SERIAL\_2G (Rapid IO Serial, 2.5 Gb/s)  
 RIO\_SERIAL\_3G (Rapid IO Serial, 3.25 Gb/s)  
 SFI5\_XMITADATA2 (SFI15 Transmit: Test Point A Data Signal 2, 2.488 Gb/s)  
 SFI5\_XMITCDATA2 (SFI15 Transmit: Test Point C Data Signal 2, 2.488 Gb/s)  
 SFI5\_XMITACLK2 (SFI15 Transmit: Test Point A Clock Signal 2, 2.488 Gb/s)  
 SFI5\_XMITCCLK2 (SFI15 Transmit: Test Point C Clock Signal 2, 2.488 Gb/s)  
 SFI5\_RCVBDATA2 (SFI15 Receive: Test Point B Data Signal 2, 2.488 Gb/s)  
 SFI5\_RCVDDATA2 (SFI15 Receive: Test Point D Data Signal 2, 2.488 Gb/s)  
 SFI5\_RCVBCLK2 (SFI15 Receive: Test Point B Clock Signal 2, 2.488 Gb/s)  
 SFI5\_RCVDCLK2 (SFI15 Receive: Test Point D Clock Signal 2, 2.488 Gb/s)  
 SFI5\_XMITADATA3 (SFI15 Transmit: Test Point A Data Signal 3, 3.125 Gb/s)  
 SFI5\_XMITCDATA3 (SFI15 Transmit: Test Point C Data Signal 3, 3.125 Gb/s)  
 SFI5\_XMITACLK3 (SFI15 Transmit: Test Point A Clock Signal 3, 3.125 Gb/s)  
 SFI5\_XMITCCLK3 (SFI15 Transmit: Test Point C Clock Signal 3, 3.125 Gb/s)  
 SFI5\_RCVBDATA3 (SFI15 Receive: Test Point B Data Signal 3, 3.125 Gb/s)  
 SFI5\_RCVDDATA3 (SFI15 Receive: Test Point D Data Signal 3, 3.125 Gb/s)  
 SFI5\_RCVBCLK3 (SFI15 Receive: Test Point B Clock Signal 3, 3.125 Gb/s)  
 SFI5\_RCVDCLK3 (SFI15 Receive: Test Point D Clock Signal 3, 3.125 Gb/s)  
 STM0\_0 (ITU-T, G703 (10/98), STM1E Binary 0)  
 STM0\_1 (ITU-T, G703 (10/98), STM1E Binary 1)  
 STM0\_HDBX  
 STS1Eye (ANSI T1.102-1993 (R1999), STS-1 Eye, 51.84 Mb/s)  
 STS1Pulse (ANSI T1.102-1993 (R1999), STS-1 Pulse, 51.84 Mb/s)  
 STS3 (ANSI T1.102-1993 (R1999), STS-3, 155.52 Mb/s)  
 STS3\_Max (ANSI T1.102-1993 (R1999), STS-3 Max Output, 155.52 Mb/s)  
 TFI15\_2 (TFI-5, 2.488 Gb/s)  
 TFI15\_3 (TFI-5, 3.1104 Gb/s)  
 USERMask  
 VIDEO270  
 VIDEO292M  
 VIDEO360

VSROC192 (VSR OC192/STM64, 1.24416 Gb/s)

- Examples** MASK:STANDARD E1COAX selects the E1 Coax standard mask.
- MASK:STANDARD? might return :MASK:STANDARD E1COAX, indicating that the E1 Coax mask is selected as the current mask standard.

## MASK:STOPOnviolation

This command sets or returns the stop on violation setting. When enabled, this command stops waveform acquisitions on the first occurrence of a waveform violation. [MASK:DISplay](#) must be ON for the instrument to detect violations.

**Group** Mask

**Syntax** MASK:STOPOnviolation {OFF|ON|<NR1>}  
MASK:STOPOnviolation?

- Arguments** ON stops waveform acquisition on the first occurrence of a mask violation.
- OFF turns off mask test stop on violation.
- <NR1> = 0 turns off stop on violation; any other value turns on stop on violation.

- Examples** MASK:STOPONVIOLATION ON sets the instrument to stop waveform acquisition on the first occurrence of a waveform violation.
- MASK:STOPONVIOLATION? might return :MASK:STOPONVIOLATION ON, indicating that the stops waveform acquisitions on the first occurrence of a waveform violation is enabled.

## MASK:TEST:AUX:COMPLetion

This command sets or returns the test:aux on pass/fail test completion mode. When enabled, this command causes the instrument to provide a TTL signal at the Aux:Out port when the mask pass/fail status changes to 'Failing'.

**Group** Mask

**Syntax** MASK:TEST:AUX:COMPLetion {OFF|ON|<NR1>}  
MASK:TEST:AUX:COMPLetion?



**Arguments** ON turns on the pass/fail mask:test:aux on completion.  
 OFF turns off the pass/fail mask:test:aux on completion.  
 <NR1> = 0 disables the mask:test:aux:completion function; any other value enables it.

**Examples** MASK:TEST:AUX:COMPLETION ON turns on the pass/fail test on completion.  
 MASK:TEST:AUX:COMPLETION? might return :MASK:TEST:AUX:COMPLETION ON, indicating that the test:aux on pass/fail test completion mode is turned on.

## MASK:TEST:AUX:FAILure

This command sets or returns the test:aux status on pass/fail test failure mode. When enabled, this command causes the instrument to provide a TTL signal at the AuxOut port when the pass/fail status changes to 'Failing'.

**Group** Mask

**Syntax** MASK:TEST:AUX:FAILure {OFF|ON|<NR1>}  
 MASK:TEST:AUX:FAILure?

**Arguments** ON turns on the pass/fail mask:test:aux on failure.  
 OFF turns off the pass/fail mask:test:aux on failure. This is the default.  
 <NR1> = 0 disables the mask:test:aux:failure function; any other value enables it.

**Examples** MASK:TEST:AUX:FAILURE ON turns on the pass/fail test on failure.  
 MASK:TEST:AUX:FAILURE? might return :MASK:TEST:AUX:FAILURE ON, indicating that the pass/fail mask:test:aux on failure is turned on.

## MASK:TEST:BEEP:COMPLetion

This command sets or returns the beep on pass/fail test completion mode. When enabled, this command causes the instrument to emit a tone when the mask pass/fail test completes.

**Group** Mask

**Syntax** MASK:TEST:BEEP:COMPLEtion {OFF|ON|<NR1>}  
 MASK:TEST:BEEP:COMPLEtion?

**Arguments** ON turns on the pass/fail beep on completion.  
 OFF turns off the pass/fail beep on completion.  
 <NR1> = 0 turns off the pass/fail beep on completion, any other integer turns on the pass/fail beep on completion.

**Examples** MASK:TEST:BEEP:COMPLETION ON turns on pas/fail beep on completion.  
 MASK:TEST:BEEP:COMPLETION? might return  
 :MASK:TEST:BEEP:COMPLETION ON, indicating that the pass/fail beep on completion is turned on.

## MASK:TEST:BEEP:FAILure

This command sets or returns the beep status on pass/fail test failure mode. When enabled, this command causes the instrument to emit a tone when the pass/fail status changes to 'Failing'.

**Group** Mask

**Syntax** MASK:TEST:BEEP:FAILure {OFF|ON|<NR1>}  
 MASK:TEST:BEEP:FAILure?

**Arguments** ON turns on the pass/fail beep on failure.  
 OFF turns off the pass/fail beep on failure. This is the default.  
 <NR1> = 0 turns off the pass/fail beep on failure, and any other integer turns on the pass/fail beep on failure.

**Examples** MASK:TEST:BEEP:FAILURE OFF turns off the pass/fail beep on failure.  
 MASK:TEST:BEEP:FAILURE? might return :MASK:TEST:BEEP:FAILURE ON, indicating that the pass/fail beep on failure is turned on.

## MASK:TEST:DELAy

This command sets or returns the amount of time, in seconds, to wait after starting pass/fail testing to evaluate waveforms. This is useful if the test system requires 'settling' time before evaluating waveforms.

<b>Group</b>	Mask
<b>Syntax</b>	MASK:TEST:DELAY <NR3> MASK:TEST:DELAY?
<b>Arguments</b>	<NR3> is a floating point number that specifies the amount of time, in seconds, to delay the start of the pass/fail test.
<b>Examples</b>	MASK:TEST:DELAY 2.5 delays waveform evaluation by 2.5 seconds after the start of pass/fail testing.  MASK:TEST:DELAY? might return :MASK:TEST:DELAY 5, indicating that the amount of time to wait after starting pass/fail testing to evaluate waveforms is set to 5 seconds.

## MASK:TEST:HARDCopy

This command sets or returns the hard copy in pass/fail failure mode. When enabled, this command causes the instrument to generate a screen hard copy, to the default printer using the current instrument hard copy settings, as soon as the pass/fail status changes to 'Failing'.

<b>Group</b>	Mask
<b>Syntax</b>	MASK:TEST:HARDCopy {OFF ON <NR1>} MASK:TEST:HARDCopy?
<b>Arguments</b>	ON turns on generate hard copy on failure. OFF turns off generate hard copy on failure.  <NR1> = 0 turns off generate hard copy on failure, and any other value turns on generate hard copy on failure.
<b>Examples</b>	MASK:TEST:HARDCOPY ON turns on generate hard copy on failure.  MASK:TEST:HARDCOPY? might return :MASK:TEST:HARDCOPY ON, indicating that the generate hard copy on failure is turned on.

## MASK:TEST:LOG:FAILure

This command sets or returns the log status on pass/fail test failure mode. When enabled, this command causes the instrument to log the current date and time to a file when the pass/fail status changes to 'Failing'. The file name is determined from the current date and time. The user cannot change this name.

**Group** Mask

**Syntax** MASK:TEST:LOG:FAILure {OFF|ON|<NR1>}  
MASK:TEST:LOG:FAILure?

**Related Commands** [MASK:TEST:SAVEWFM:FILENAME](#)

**Arguments** ON turns on the pass/fail log on failure.  
OFF turns off the pass/fail log on failure. This is the default.  
<NR1> = 0 turns off the pass/fail log on failure, and any other integer turns on the pass/fail log on failure.

**Examples** MASK:TEST:LOG:FAILURE OFF turns off the pass/fail log on failure.  
MASK:TEST:LOG:FAILURE? might return :MASK:TEST:LOG:FAILURE ON, indicating that the pass/fail log on failure is turned on.

## MASK:TEST:REPeat

This command sets or returns the repeat pass/fail test on completion mode. When enabled, this command repeats the pass/fail test cycle at the completion of the previous test cycle.

**Group** Mask

**Syntax** MASK:TEST:REPeat {OFF|ON|<NR1>}  
MASK:TEST:REPeat?

**Related Commands** [MASK:COUNt:VIOLATIONS?](#)

**Arguments** ON turns on repeat on completion.  
OFF turns off repeat on completion.

<NR1> = 0 turns off repeat on completion, and any other integer turns on repeat on completion.

**Examples** MASK:TEST:REPEAT ON causes the instrument to continuously repeat the pass/fail test.

MASK:TEST:REPEAT? might return :MASK:TEST:REPEAT ON, indicating that the repeat pass/fail test on completion is turned on.

## MASK:TEST:SAMple

This command sets or returns the minimum number of waveform database (WfmDB) points the instrument can acquire before it stops a single sequence acquisition or stops running a mask test.

Hint: a bigger sample size may allow a greater throughput (more waveforms to get acquired at a time). However, a very large sample size may slow down the display update. So if you want to speed up the display rate, consider reducing the sample size.

This command works the same as the [ACQUIRE:NUMSAMPLES](#) command.

**Group** Mask

**Syntax** MASK:TEST:SAMple {<NR1>}  
MASK:TEST:SAMple?

**Arguments** <NR1> the number of points to sample.

**Examples** MASK:TEST:SAMPLE 100000 sets the instrument to acquire 100,000 WfmDB points.

MASK:TEST:SAMPLE? might return :MASK:TEST:SAMPLE 100000, indicating that the repeat pass/fail test on completion is set to 100,000 WfmDB points.

## MASK:TEST:SAMple:THReshold

This command sets or returns the minimum number of hits in mask regions needed to cause the pass/fail status to change from PASSING to FAILING. This affects the mask test when the instrument is acquiring in waveform database (WfmDB) mode.

**Group** Mask

**Syntax** MASK:TEST:SAMPle:THReshoId {<NR1>}  
 MASK:TEST:SAMPle:THReshoId?

**Arguments** <NR1> is the number of hits that can happen when the test fails.

**Examples** MASK:TEST:SAMPLE:THRESHOLD 100 sets the test to fail when 100 or more hits happen.

MASK:TEST:SAMPLE:THRESHOLD? might return :MASK:TEST:THRESHOLD 1000, indicating that the repeat pass/fail test on completion is set to 1000 WfmDB points.

## MASK:TEST:SAVEWFM

This command sets or returns the save waveform to file on failure setting. When enabled, this command copies waveform data from active channels to files when the pass/fail test status changes to 'Failing'.

---

**NOTE.** *This instrument saves files only on the first violation that causes the pass/fail test to fail. To generate a waveform file for every violation occurrence, set [MASK:TEST:REPeat](#) to ON and [MASK:TEST:WAVEform](#) to 1. Use this technique only when the expected number of violations is small and the violation occurs intermittently.*

---

**Group** Mask

**Syntax** MASK:TEST:SAVEWFM {OFF|ON|<NR1>}  
 MASK:TEST:SAVEWFM?

**Arguments** ON turns on copying all active channel waveforms to files.

OFF turns off copying all active channel waveforms to files.

<NR1> = 0 turns off copying all active channel waveforms to files, and any other integer turns on copying all active channel waveforms to files.

**Examples** MASK:TEST:SAVEWFM ON sets the instrument to save the failing waveform data to files.

MASK:TEST:SAVEWFM? might return :MASK:TEST:SAVEWFM 1000, indicating that the repeat pass/fail test on completion is set to 1000 WfmDB points.

## MASK:TEST:SAVEWFM:FILENAME

This command sets or returns the name of the directory and file to use with the [MASK:TEST:SAVEWFM](#) command. It defines the directory the files will be put in (name comes from date and time).

**Group** Mask

**Syntax** MASK:TEST:SAVEWFM:FILENAME <QString>  
MASK:TEST:SAVEWFM:FILENAME?

**Related Commands** [MASK:TEST:SAVEWFM](#), [MASK:TEST:LOG:FAILURE](#)

**Arguments** <QString> is a string representing the name of the file to save waveform data to.

**Examples** MASK:TEST:SAVEWFM:FILENAME "TEST" sets the file "TEST" as the file to save waveform data to on failure.

MASK:TEST:SAVEWFM:FILENAME? might return  
:MASK:TEST:SAVEWFM:FILENAME "C:/TekScope/Waveforms", indicating that the directory "C:/TekScope/Waveforms" the files will be put in.

## MASK:TEST:SRQ:COMPLETION

This command sets or returns an SRQ on pass/fail test completion mode. When enabled, this command causes the instrument to send a GPIB SRQ command when the mask pass/fail test completes.

**Group** Mask

**Syntax** MASK:TEST:SRQ:COMPLETION {OFF|ON|<NR1>}  
MASK:TEST:SRQ:COMPLETION?

**Arguments** ON turns on the pass/fail SRQ on completion.

OFF turns off the pass/fail SRQ on completion.

<NR1> = 0 turns off the pass/fail SR on completion, any other integer turns on the pass/fail SRQ on completion.

**Examples** MASK:TEST:SRQ:COMPLETION ON turns on pass/fail SRQ on completion.  
MASK:TEST:SRQ:COMPLETION? might return :MASK:TEST:SRQ:COMPLETION 1, indicating that the pass/fail SRQ on completion is turned on.

## MASK:TEST:SRQ:FAILure

This command sets or returns the SRQ status on pass/fail test failure mode. When enabled, this command causes the instrument to send a GPIB SRQ command when the pass/fail status changes to 'Failing'. In other words, it sends an SRQ when a failure occurs during the mask pass/fail test.

**Group** Mask

**Syntax** MASK:TEST:SRQ:FAILure {OFF|ON|<NR1>}  
MASK:TEST:SRQ:FAILure?

**Arguments** ON turns on the pass/fail SRQ on failure.  
OFF turns off the pass/fail SRQ on failure. This is the default.  
<NR1> = 0 turns off the pass/fail SRQ on failure, and any other integer turns on the pass/fail SRQ on failure.

**Examples** MASK:TEST:SRQ:FAILURE OFF turns off the pass/fail SRQ on failure.  
MASK:TEST:SRQ:FAILURE? might return :MASK:TEST:SRQ:FAILURE 1, indicating that the pass/fail SRQ on failure is turned on.

## MASK:TEST:STATE

This command sets or returns the state of mask pass/fail testing. When enabled, this command resets the pass/fail status information and starts pass/fail mask testing. This command also generates an 'Operation Complete' message when pass/fail testing completes. Refer to [BUSY?](#) and [\\*OPC](#) commands for information on synchronizing a controller with pass/fail testing.

**Group** Mask

**Syntax** MASK:TEST:STATE {OFF|ON|<NR1>}  
MASK:TEST:STATE?



**Arguments** ON turns on mask pass/fail testing.  
 OFF turns off mask pass/fail testing.  
 <NR1> = 0 turns off mask pass/fail testing; any other integer turns on mask pass/fail testing.

**Examples** MASK:TEST:STATE ON turns on mask pass/fail testing.  
 MASK:TEST:STATE? might return :MASK:TEST:STATE 0, indicating that the mask pass/fail testing is turned off.

## MASK:TEST:STATUS? (Query Only)

This query-only command returns the pass/fail test status. This command returns one of: OFF, DELAY, PASSING, FAILING, PASSED, FAILED, and VIOLATION. In other words, it indicates the result of the pass/fail test. When the violation count exceeds the violation threshold, the status changes from Passing to Failed.

**Group** Mask

**Syntax** MASK:TEST:STATUS?

**Examples** MASK:TEST:STATUS? might return :MASK:TEST:STATUS PASSING indicates pass test status.

## MASK:TEST:STOP:FAILure

This command sets or returns the stop status on pass/fail test failure mode. When enabled, this command causes the instrument to stop acquiring data when the pass/fail status changes to 'Failing'. Repeat-on-completion mode has no effect.

**Group** Mask

**Syntax** MASK:TEST:STOP:FAILure {OFF|ON|<NR1>}  
 MASK:TEST:STOP:FAILure?

**Arguments** ON turns on the pass/fail stop on failure.  
 OFF turns off the pass/fail stop on failure. This is the default.

<NR1> = 0 turns off the pass/fail stop on failure, and any other integer turns on the pass/fail SRQ on failure.

- Examples** MASK:TEST:STOP:FAILURE OFF turns off the pass/fail stop on failure.
- MASK:TEST:STOP:FAILURE? might return :MASK:TEST:STATE 0, indicating that the mask pass/fail testing is turned off.

## MASK:TEST:THReshold

This command sets or returns the number of failed tested waveforms needed in each pass/fail test to cause the pass/fail status to change from 'Passing' to 'Failing'.

**Group** Mask

**Syntax** MASK:TEST:THReshold <NR1>  
MASK:TEST:THReshold?

**Arguments** <NR1> is an integer that represents the number of tested waveform violations occurring in each pass/fail test needed to change the pass/fail status to 'Failing'. This means that if the threshold is set to the default of 1 then 1 failure would cause a test failure. If the threshold is set to 2 then 2 failures would cause a test failure.

- Examples** MASK:TEST:THRESHOLD 20 sets the number of failed tested waveforms to 20 that is needed in each pass/fail test to cause the pass/fail status to change from 'Passing' to 'Failing'.
- MASK:TEST:THRESHOLD? might return :MASK:TEST:THRESHOLD 32, indicating that the 32 failures would cause a test failure.

## MASK:TEST:WAVEform

This command sets or returns the number of waveforms to test during pass/fail testing. If Averaging is on, this is the number of averaged waveforms to test during pass/fail testing. It specifies the number of waveforms to be acquired in counting the mask hits in the pass/fail test. The default is 20.

**Group** Mask

<b>Syntax</b>	<code>MASK:TEST:WAVEform &lt;NR1&gt;</code> <code>MASK:TEST:WAVEform?</code>
<b>Arguments</b>	<NR1> is an integer that sets the number of tested (sampled or averaged) waveforms to test for each pass/fail test.
<b>Examples</b>	<code>MASK:TEST:WAVEFORM 20</code> sets the number of failures that would cause a test failure to 20.  <code>MASK:TEST:WAVEFORM?</code> might return  <code>:MASK:TEST:WAVEFORM 50</code> , indicating that the 50 failures would cause a test failure.

## MASK:USER:AMPLitude

This command sets or returns the current mask's nominal pulse amplitude in volts. The query form of this command returns the nominal pulse amplitude of the displayed mask. The set form of this command only affects the user mask, regardless of the current (displayed) mask.

<b>Group</b>	Mask
<b>Syntax</b>	<code>MASK:USER:AMPLitude &lt;NR3&gt;</code> <code>MASK:USER:AMPLitude?</code>
<b>Related Commands</b>	<a href="#">MASK:USER:VSCALE</a>
<b>Arguments</b>	<NR3> is a floating number that sets the nominal pulse amplitude in volts.
<b>Examples</b>	<code>MASK:USER:AMPLITUDE 2.4</code> sets the user mask nominal pulse amplitude to 2.4 volts.  <code>MASK:USER:AMPLITUDE?</code> might return  <code>:MASK:USER:AMPLITUDE 100.0000E-3</code> , indicating that the user mask nominal pulse amplitude to set to 0.1 volts.

## MASK:USER:BITRate

This command sets or returns the bit rate for the user mask.

<b>Group</b>	Mask
<b>Syntax</b>	<code>MASK:USER:BITRate &lt;NR1&gt;</code> <code>MASK:USER:BITRate?</code>
<b>Arguments</b>	<NR1> is a number that sets the bit rate of the user mask in bits per second.
<b>Examples</b>	<code>MASK:USER:BITRATE 156E6</code> sets the bit rate. <code>MASK:USER:BITRATE?</code> might return <code>:MASK:USER:BITRATE 1560000</code> , indicating that the bit rate of the user mask is set to 1560000 bits per second.

## MASK:USER:HSCALE

This command sets or returns the nominal timing resolution used to draw the mask, in time/division. The query form of this command returns the nominal timing resolution of the displayed mask. The set form of this command only affects the user mask, regardless of the current (displayed) mask.

<b>Group</b>	Mask
<b>Syntax</b>	<code>MASK:USER:HSCALE &lt;NR3&gt;</code> <code>MASK:USER:HSCALE?</code>
<b>Related Commands</b>	<a href="#">MASK:USER:HTRIGPOS</a>
<b>Arguments</b>	<NR3> is a floating point number that sets the mask drawing timing resolution.
<b>Examples</b>	<code>MASK:USER:HSCALE 200E-9</code> , sets the nominal timing resolution used to draw the mask to 200 nanoseconds per division. <code>MASK:USER:HSCALE?</code> might return <code>:MASK:USER:HSCALE 40.0000E-9</code> , indicating that the nominal timing resolution used to draw the mask pulse shape is set to 40 nanoseconds per division.

## MASK:USER:HTRIGPOS

This command sets or returns the nominal trigger position (pulse leading edge) used to draw the mask as a fraction of the display width. The query form of this command returns the nominal trigger position of the displayed mask. The

set form of this command only affects the user mask, regardless of the current (displayed) mask.

**Group** Mask

**Syntax** MASK:USER:HTRIGPOS <NR3>  
MASK:USER:HTRIGPOS?

**Related Commands** [MASK:USER:HSCALE](#)

**Arguments** <NR3> is a floating point number in the range of 0.0 to 1.0 that sets the trigger points as a fraction of the display width, referenced from the left edge of the graticule.

0.0 represents the left edge.

**Examples** MASK:USER:HTRIGPOS 0.6 sets the nominal trigger position of the displayed mask to 0.6.

MASK:USER:HTRIGPOS? might return :MASK:USER:HTRIGPOS 500.0000E-3, indicating that the nominal trigger position of the displayed mask is set to 0.5.

## MASK:USER:LABel

This command sets or queries the label assigned to a user mask. This label is displayed in the upper left-hand corner of the graticule when a user mask is selected.

**Group** Mask

**Syntax** MASK:USER:LABel <string>  
MASK:USER:LABel?

**Arguments** <string> is an alphanumeric character string used to annotate a user mask label.

**Examples** MASK:USER:LABEL "mikesdata" assigns "mikesdata" as the user mask label.

MASK:USER:LABEL? might return :MASK:USER:LABel "mikesdata", indicating that the label assigned to a user mask is set to "mikesdata".

## MASK:USER:PATTERNBITS

This command sets or returns the number of bits used for serial trigger for the User mask standard. For example, DS1 requires six bits, four leading zeros, a one, and a trailing zero. The query form of this command returns the serial bit value of the displayed mask. The set form of this command only affects the User mask, regardless of the current (displayed) mask.

**Group** Mask

**Syntax** MASK:USER:PATTERNBITS <NR1>  
MASK:USER:PATTERNBITS?

**Related Commands** [MASK:USER:PRESAMPBITS](#)

**Arguments** <NR1> is an integer that sets the number of bits.

**Examples** MASK:USER:PATTERNBITS 6 sets the serial bit value of the displayed mask to 6.  
MASK:USER:PATTERNBITS? might return :MASK:USER:PATTERNBITS 1, indicating that the serial bit value of the displayed mask is set to 1.

## MASK:USER:PRESAMPBITS

This command sets or returns the number of bits before the (isolated one) pulse leading edge in the serial trigger pass/fail testing. For example, DS1 has four leading zeros. The query form of this command returns the presample bit value of the displayed mask. The set form of this command only affects the user mask, regardless of the current (displayed) mask.

**Group** Mask

**Syntax** MASK:USER:PRESAMPBITS <NR1>  
MASK:USER:PRESAMPBITS?

**Related Commands** [MASK:USER:PATTERNBITS](#)

**Arguments** <NR1> is an integer that sets the number of bits before the trigger pulse.

**Examples** MASK:USER:PRESAMPBITS 4 sets the presample bit value of the displayed mask to 4.

MASK:USER:PRESAMPBITS? might return :MASK:USER:PRESAMPBITS 0, indicating that the presample bit value of the displayed mask is set to 0.

## MASK:USER:RECOrdlength

This command sets or returns the nominal record length for pulse mask testing. The query form of this command returns the record length value of the displayed mask. The set form of this command only affects the user mask, regardless of the current (displayed) mask.

**Group** Mask

**Syntax** MASK:USER:RECOrdlength <NR1>  
MASK:USER:RECOrdlength?

**Arguments** <NR1> is an integer number that sets the record length.

**Examples** MASK:USER:RECORDLENGTH 500 sets the record length value of the displayed mask to 500 points.

MASK:USER:RECORDLENGTH? might return :MASK:USER:RECORDLENGTH 0, indicating that the record length value of the displayed mask is set to 0.

## MASK:USER:SEG<m> (No Query Form)

This command deletes the specified mask segment from the user mask, whether or not the user mask is the current mask.

**Group** Mask

**Syntax** MASK:USER:SEG<m> DELEte

**Arguments** <m> is an integer that specifies the user mask segment number to delete from the user mask.

DELETE removes the specified segment from the mask.

**Examples** MASK:USER:SEG3 DELETE deletes mask segment three from the user mask.

## MASK:USER:SEG<m>:NR\_Pt? (Query Only)

This query-only command returns the number of points that make up the specified user mask segment. Each mask point consists of a pair of X-Y coordinates.

<b>Group</b>	Mask
<b>Syntax</b>	MASK:USER:SEG<m>:NR_Pt?
<b>Arguments</b>	<m> is an integer that specifies a user mask segment number.
<b>Returns</b>	<NR1> is 0 to 50.
<b>Examples</b>	MASK:USER:SEG2:NR_PT? might return :MASK:USER:SEG2:NR_PT 5.

## MASK:USER:SEG<m>:POINTS

This command sets or returns the X-Y user coordinates of all points in the specified user mask segment. The set form defines new points in the user mask, replacing any existing points in the specified user mask segment. It sets or returns the vertices for a particular segment in the selected mask.

<b>Group</b>	Mask
<b>Syntax</b>	MASK:USER:SEG<m>:POINTS <NR3>, <NR3> [, <NR3>, <NR3>] MASK:USER:SEG<m>:POINTS?
<b>Arguments</b>	<m> is an integer that specifies the user mask segment number.  <NR3> refers to the coordinates of one of the vertices in the user mask. Each pair of numbers represents the horizontal and vertical coordinates of a mask segment vertex. The pairs must be listed in a counterclockwise order. If the vertical or horizontal scale or position is changed after this command and then the query form of this command is issued, the value returned from the instrument will not be the same. If just one pair is input, it is ignored and the user mask segment is marked as undefined. The default is not points in the user mask segment.
<b>Examples</b>	MASK:USER:SEG2:POINTS -2.3E-9, 44E-3, -2.5E-9, 47E-3, 1.2E-9, 44E-3 defines the points in user mask segment 2.



`MASK:USER:SEG2:POINTS?` might return `:MASK:USER:SEG2:POINTS 0.0000 0.0000`, indicating that the X-Y user coordinates for user mask segment 2 in the selected mask is set to 0, 0.

## MASK:USER:TRIGTOSAMP

This command sets or returns the time, in seconds, from the (leading edge) trigger position to the pulse bit sampling position. The query form of this command returns the time value of the displayed mask. The set form of this command only affects the user mask, regardless of the current (displayed) mask.

**Group** Mask

**Syntax** `MASK:USER:TRIGTOSAMP <NR3>`  
`MASK:USER:TRIGTOSAMP?`

**Related Commands** [MASK:USER:WIDTH](#)

**Arguments** `<NR3>` is the floating point number that sets the time to the pulse bit sampling position.

**Examples** `MASK:USER:TRIGTOSAMP 162E-9` sets the user mask time from the (leading edge) trigger position to the pulse bit sampling position to 162 nanoseconds.

`MASK:USER:TRIGTOSAMP?` might return `:MASK:USER:TRIGTOSAMP 0.0000`, indicating that the time value of the displayed mask is set to 0 nanosecond.

## MASK:USER:VOFFSet

This command sets or returns the nominal vertical offset, in volts, used to vertically offset the input channels. The query form of this command returns the offset value of the displayed mask. The set form of this command only affects the user mask, regardless of the current (displayed) mask.

**Group** Mask

**Syntax** `MASK:USER:VOFFSet <NR3>`  
`MASK:USER:VOFFSet?`

**Related Commands** [MASK:USER:VPOS](#), [MASK:USER:VSCALE](#)

**Arguments** <NR3> is a floating point number that sets the nominal vertical offset in volts.

**Examples** MASK:USER:VOFFSET 0.0 sets the user mask nominal vertical offset to 0.0 volts.  
 MASK:USER:VOFFSET? might return :MASK:USER:VOFFSET 0.0000, indicating that the nominal vertical offset value of the displayed mask is set to 0 volts.

## MASK:USER:VPOS

This command sets or returns the nominal vertical position, control in divisions, used to vertically position the input channels. The query form of this command returns the vertical position value of the displayed mask. The set form of this command only affects the user mask, regardless of the current (displayed) mask.

**Group** Mask

**Syntax** MASK:USER:VPOS <NR3>  
 MASK:USER:VPOS?

**Related Commands** [MASK:USER:VOFFSet](#), [MASK:USER:VSCALE](#)

**Arguments** <NR3> is a floating point number that sets the nominal vertical position control in divisions.

**Examples** MASK:USER:VPOS -0.8 sets the user mask nominal vertical position to -0.8 divisions.  
 MASK:USER:VPOS? might return :MASK:USER:VPOS 0.0000, indicating that the nominal vertical value of the displayed mask is set to 0 divisions.

## MASK:USER:VSCALE

This command sets or returns the nominal vertical scale, in volts per division, used to vertically scale the input channels. The query form of this command returns the vertical scale value of the displayed mask. The set form of this command only affects the user mask, regardless of the current (displayed) mask.

**Group** Mask

**Syntax** MASK:USER:VSCALE <NR3>  
MASK:USER:VSCALE?

**Related Commands** [MASK:USER:VOFFSet](#), [MASK:USER:VPOS](#)

**Arguments** <NR3> is a floating point number that sets the nominal bit width in seconds.

**Examples** MASK:USER:VSCALE 200E-3 sets the user mask nominal vertical scale to 200 millivolts per division.  
  
MASK:USER:VSCALE? might return :MASK:USER:VSCALE 1.0000E-3, indicating that the nominal vertical scale of the displayed mask is set to 1 millivolt per division.

## MASK:USER:WIDTH

This command sets or returns the nominal bit width in seconds. The query form of this command returns the bit width value of the displayed mask. The set form of this command only affects the user mask, regardless of the current (displayed) mask.

**Group** Mask

**Syntax** MASK:USER:WIDTH <NR3>  
MASK:USER:WIDTH?

**Related Commands** [MASK:USER:TRIGTOSAMP](#)

**Arguments** <NR3> is a floating point number that sets the nominal bit width in seconds. This is the time of one bit of data where bit width = 1 / (data rate of the signal).

**Examples** MASK:USER:WIDTH 648E-9 sets the user mask nominal bit width to 648 nanoseconds (1.544 Mbits/second).  
  
MASK:USER:WIDTH? might return :MASK:USER:WIDTH 1.0000E-3, indicating that the nominal vertical scale of the displayed mask is set to 1 millivolt per division.

## MATHArbflt<x>:FILEpath

This command or query sets the file path for a file of filter coefficients. Setting a path will read that file and load the filter for ARBFLT<x>, where x can be 1 to 4.

**Group** Math

**Syntax** MATHArbflt<x>:FILEpath <QString>  
MATHArbflt<x>:FILEpath?

**Arguments** <QSTRING> specifies the path to the file of filter coefficients.

**Examples** MATHARBFLT1:FILEPATH "c:/myfilters/20mhz.flr" reads filter coefficients from the file and loads the filter for ARBFLT1.

MATHARBFLT1:FILEPATH? might return  
:MATHARBFLT1:FILEPATH "C:\TekScope\Math Arbitrary Filters\LowPass-Norm\lowpass\_0.bw.flr", indicating that the path to the file of filter coefficients is set to "C:\TekScope\Math Arbitrary Filters\LowPass-Norm\lowpass\_0.bw.flr".

## MATHArbflt<x>:READFile (No Query Form)

This command forces a reread of the filter file for each arbitrary filter in use. The <x> specifies the filter and can be 1 to 4.

**Group** Math

**Syntax** MATHArbflt<x>:READFile FORCE

**Arguments** FORCE forces a reread of the filter file.

**Examples** MATHARBFLT1:READFILE FORCE forces a reread of the filter file at MATHARBFLT1:FILEPATH location for each arbitrary filter in use.

## MATHVAR? (Query Only)

This command queries all 8 numerical values you can use within math expressions.

**Group** Math

**Syntax** MATHVAR?

**Related Commands** [MATHVAR:VAR<x>](#), [MATH<x>:DEFine](#)

**Returns** <NR3> are the stored numerical values.

**Examples** MATHVAR? returns the values of all variables stored in locations 1 through 8.

## MATHVAR:VAR<x>

This command sets or queries one of 8 different numerical values you can use within math expressions. These values can range from -9.9e37 to 9.9e37; the default values are 0.0. <x> specifies the location, 1 through 8, in which you can store values. Stored math variables can be referenced within math expressions as VAR1, VAR2,...VAR8.

For example, the following command defines MATH1 as the product of Channel 1 and math variable 1: MATH1:DEFINE "CH1 \* VAR1".

**Group** Math

**Syntax** MATHVAR:VAR<x> <NR3>  
MATHVAR:VAR<x>?

**Related Commands** [MATHVAR?](#), [MATH<x>:DEFine](#)

**Arguments** <NR3> specifies the numerical value to be stored in location x <1 through 8>.

**Examples** MATHVAR:VAR3 -2.43E-5 stores the value -2.43e-5 in the third math variable location.

MATHVAR:VAR3? might return :MATHVAR:VAR3 24.3000E-6 for the expression stored in location 3.

## MATH<x>? (Query Only)

This query-only command returns the definition for the math waveform specified by <x>, which ranges from 1 through 4.

**Group** Math

**Syntax** MATH<x>?

**Related Commands** [SElect:<wfm>](#)

**Examples** MATH1? might return the following definition of a math waveform: :MATH1:DEFINE "Ch1-Ch2";UNITSTRING "v"; NUMAVG 2;VERTICAL:SCALE 112.0000E-3; POSITION 1.6400;:MATH1:LABEL:NAME "";XPOS 1.0000;YPOS 600.0000E-3;:MATH1:SPECTRAL:MAG DB;PHASE DEGREES;GATEPOS 0.0000;GATEWIDTH 4.0000E-6;REFLEVEL 20.0000;REFLEVELOFFSET 223.6000E-3;SPAN 625.0000E+6;CENTER 312.5000E+6;RESBW 500.0000E+3;WINDOW GAUSSIAN;SUPPRESS -200.0000;UNWRAP 0;LOCK 0.

## MATH<x>:DEFine

This command allows you to define new waveforms using mathematical expressions. Sending this command is equivalent to selecting Math Setup from the Math menu, selecting a math waveform (Math 1 through Math 4), and then entering a math expression in the Math<x> box. The query form of this command returns the math definition for the specified math waveform.

You can specify a math expression from waveforms, measurements and scalar sources, functions, operands, and numerical constants. You can define and display up to four math waveforms simultaneously.

Math expressions can be simple, such as Ch1, which specifies that a waveform should show the signal source of Channel 1 with no mathematical computation. Math expressions can also be complex, consisting of 100 plus characters and comprising many sources (including other math waveforms), functions, and operands. As an example, you can enter the expression Log(Ch1+Ch2), which specifies that the signals from channels 1 and 2 are to be algebraically added, and the base 10 log of the sum is to be shown as the final math waveform.

For more information about constructing mathematical expressions, see *Creating and Using Math Waveforms* in the user online help for this instrument.

<b>Group</b>	Math
<b>Syntax</b>	MATH<x>:DEFine <QString> MATH<x>:DEFine?
<b>Related Commands</b>	<a href="#">MATHVAR:VAR&lt;x&gt;</a>
<b>Arguments</b>	<QString> quoted string argument is the mathematical expression that defines the waveform.
<b>Examples</b>	MATH2:DEFINE "CH1+CH2" adds the Channel 1 and Channel 2, storing the results in Math 2 waveform.  MATH1:DEFINE? might return  :MATH1:DEFINE "CH2*REF2" as the expression that defines Math 1 waveform.

## MATH<x>:FILTER:MODE

This command or query sets or returns the filter risetime parameter.

<b>Group</b>	Math
<b>Syntax</b>	MATH<x>:FILTER:MODE {CENTERed SHIFted} MATH<x>:FILTER:MODE?
<b>Arguments</b>	CENTERED sets the value at any point to the average of that point in the source waveform and N points on either side of that point.  SHIFTED sets the value at any point to the average of that point in the source waveform and 2N points before that in the source waveform. This shifts a rising edge to the right side of the screen. Shifted mode is sometimes called a causal filter since the value at any point is not caused by points after it in time.
<b>Examples</b>	MATH1:FILTER:MODE SHIFTED sets the filter mode to shifted.  MATH1:FILTER:MODE? might return :MATH1:FILTER:MODE CENTERED, indicating that the filter rise time parameter is set to CENTERED mode for Math 1 waveform.

## MATH<x>:FILTer:RISetime

This command or query sets or returns the filter rise time parameter.

**Group** Math

**Syntax** MATH<x>:FILTer:RISetime <nr3>  
MATH<x>:FILTer:RISetime?

**Arguments** <nr3> sets how the filter affects a signal. The bandwidth of the filter is approximately  $0.35 / (\text{filter rise time})$ . For a square wave input, the measurement system rise time of  $\text{Math}(x) = \text{filter}(\text{chx})$  is very close to the filter rise time of  $\text{Math}(x)$ .

**Examples** MATH1:FILTer:RISETIME 1.7e-3 sets the filter rise time to 1.7 milliseconds.  
MATH1:FILTer:RISETIME? might return  
:MATH1:FILTer:RISETIME 1.0000E-9, indicating that the filter rise time parameter is set to 1 nanoseconds for Math 1 waveform.

## MATH<x>:LABEl:NAME

This command sets or returns the label string, which is used for annotating the math waveform on the screen. The math waveform to which the label is attached is specified by x, which ranges in value from 1 through 4. This command is equivalent to selecting Math Setup from the Math menu and entering a label in the Label box.

**Group** Math

**Syntax** MATH<x>:LABEl:NAME <string>  
MATH<x>:LABEl:NAME?

**Arguments** <string> specifies the label to annotate the math waveform.

**Examples** MATH2:LABEl:NAME "PROBE POINT7" assigns "Probe point7" Math 2 waveform.  
MATH2:LABEl:NAME? might return :MATH2:LABEl:NAME "Probe point7", indicating that Probe point 7 is the label for Math 2 waveform.



## MATH<x>:LABel:XPOS

This command sets or queries the X screen offset at which the label attached to a math waveform is displayed, relative to the left edge of the screen. Channels are specified by x, which ranges from 1 through 4. This command is equivalent to selecting Math Label from the Math menu and entering a value in the X Position box.

**Group** Math

**Syntax** MATH<x>:LABel:XPOS <NR1>  
MATH<x>:LABel:XPOS?

**Related Commands** [MATH<x>:LABel:YPOS](#)

**Arguments** <NR1> is the location (in divisions) where the label for the selected math waveform is displayed, relative to the left edge of the screen. Arguments should be integers ranging from 0 to 10.

**Examples** MATH2:LABEL:XPOS 5 moves the waveform label for the Math 2 waveform (on a four-channel instrument) so that it begins 5 divisions to the right of the left edge of the screen.

MATH2:LABEL:XPOS? might return :MATH2:LABEL:XPOS 2.5, indicating that the waveform label for the Math 2 waveform is currently 2.5 divisions to the right of the left edge of the screen.

## MATH<x>:LABel:YPOS

This command sets or queries the Y screen offset at which the label attached to a math waveform is displayed, relative to the waveform handle. The Math waveform is specified by x, which ranges from 1 through 4. This command is equivalent to selecting Math Label from the Math menu and entering a value in the Y Position box.

**Group** Math

**Syntax** MATH<x>:LABel:YPOS <NR1>  
MATH<x>:LABel:YPOS?

**Related Commands** [MATH<x>:LABel:XPOS](#)

**Arguments** <NR1> is the location (in divisions) where the label for the selected math waveform is displayed, relative to the waveform handle. Arguments should range from 10 to -10.

**Examples** MATH2:LABEL:YPOS -2.5 moves the waveform label for the Math 2 waveform to 2.5 divisions below the waveform handle.

MATH2:LABEL:YPOS? might return :MATH2:LABEL:YPOS 0, indicating that the waveform label for the Math 2 waveform is currently located at the waveform handle.

## MATH<x>:NUMAVg

This command sets or returns the acquisition number at which the averaging algorithm will begin exponential averaging. Prior to that acquisition number, the algorithm uses stable averaging. This has no effect unless the AVG() function is used in the specified math expression. If so, it affects all AVG() functions in this math expression. The Math waveform is specified by x, which ranges from 1 through 4. This command is equivalent to selecting Set Math Averages from the Math menu and then entering an averaging value for the math waveform.

**Group** Math

**Syntax** MATH<x>:NUMAVg <NR1>  
MATH<x>:NUMAVg?

**Related Commands** [ACQUIRE:NUMAVg](#)

**Arguments** <NR1> specifies the number of acquisitions over which exponential averaging is performed.

**Examples** MATH2:NUMAVG 10 averages the Math 2 waveform ten times.

MATH2:NUMAVG? might return :MATH2:NUMAVG 10, indicating that ten Math 2 waveforms are averaged before a single acquisition occurs.

## MATH<x>:SPECTral? (Query Only)

This query-only command returns the current spectral setups for the specified math waveform. The Math waveform is specified by x, which ranges from 1 through 4. This command is equivalent to selecting Spectral Setup from the Math menu and viewing the current spectral setup values.

<b>Group</b>	Math
<b>Syntax</b>	MATH<x>:SPECTral?
<b>Examples</b>	MATH1:SPECTRAL? might return the spectral setup values for MATH1 as follows: :MATH1:SPECTRAL:MAG DB; PHASE DEGREES; GATEPOS 0.0000E+00; GATEWIDTH 1.9996E-06; REFLEVEL 4.4587+01; REFLEVELOFFSET2.2360E-01; SPAN 1.2500E+09; CENTER 6.2500E+08; RESBW 1.0002E=06; WINDOW GAUSSIAN; SUPPRESS -3.5000E+01; UNWRAP 0;LOCK 0.

## MATH<x>:SPECTral:CENTER

This command specifies or returns the center frequency of the spectral analyzer output data span for the specified math waveform. The Math waveform is specified by x, which ranges from 1 through 4. This command is equivalent to selecting Spectral Setup from the Math menu and then entering a Center Freq value.

<b>Group</b>	Math
<b>Syntax</b>	MATH<x>:SPECTral:CENTER <NR3> MATH<x>:SPECTral:CENTER?
<b>Related Commands</b>	<a href="#">MATH&lt;x&gt;:SPECTral:SPAN</a> , <a href="#">HORizontal:MODE:SAMPLERate</a>
<b>Arguments</b>	<NR3> is the desired frequency of the spectral analyzer output data span in hertz.
<b>Examples</b>	MATH3:SPECTRAL:CENTER 10.09E6 sets the center frequency to the closest value it can attain to 10.09 MHz.  MATH2:SPECTRAL:CENTER? might return :MATH2:SPECTral:CENTER 10.0900E+06, indicating that the center frequency is currently set at 10.09 MHz.

## MATH<x>:SPECTral:GATEPOS

This command sets or returns the position of the center of the gate, which is used as the data input to the spectral analyzer for the specified math waveform. The math waveform is specified by x, which ranges from 1 through 4. This command is equivalent to selecting Spectral Setup from the Math menu and then entering a Gate Pos value.

<b>Group</b>	Math
<b>Syntax</b>	MATH<x>:SPECTral:GATEPOS <NR3> MATH<x>:SPECTral:GATEPOS?
<b>Related Commands</b>	<a href="#">MATH&lt;x&gt;:SPECTral:GATEWIDTH</a>
<b>Arguments</b>	<NR3> is the gate position. Units are represented in seconds, with respect to trigger position.
<b>Examples</b>	MATH1:SPECTRAL:GATEPOS -2e8 specifies the position of the edge of the gate used as the data input to the spectral analyzer. The -2e-8 specifies that the center of the gate is 2e-8 seconds before (to the left of) the trigger.  MATH2:SPECTRAL:GATEPOS? might return :MATH2:SPECTRAL:GATEPOS 0.0000E+00, indicating that the gate position is set to zero (the trigger position).

## MATH<x>:SPECTral:GATEWIDTH

This command sets or returns the gate width input, in seconds, to the spectral analyzer for the specified math waveform. The math waveform is specified by x, which ranges from 1 through 4. This command is equivalent to selecting Spectral Setup from the Math menu and entering a duration value in the Gate Dur box.

<b>Group</b>	Math
<b>Syntax</b>	MATH<x>:SPECTral:GATEWIDTH <NR3> MATH<x>:SPECTral:GATEWIDTH?
<b>Related Commands</b>	<a href="#">MATH&lt;x&gt;:SPECTral:GATEPOS</a>
<b>Arguments</b>	<NR3> is the time across the 10-division screen in seconds.
<b>Examples</b>	MATH1:SPECTRAL:GATEWIDTH 1.0E-3 sets the gate width input to the spectral analyzer at 1 ms.  MATH3:SPECTRAL:GATEWIDTH? might return :MATH3:SPECTRAL:GATEWIDTH 1.0000E-03, indicating that the gate width to the spectral analyzer is set to 1 ms.

## MATH<x>:SPECTral:LOCK

This command locks menus for two or more math waveforms together as a group. The query form of this command returns an ON (1) or OFF (0), indicating whether spectral locking is turned on. This command is equal to selecting Spectral Setup from the Math menu, choosing the Control tab and then clicking the Time/Track Frequency Domain Controls button associated with the math waveforms that you want to lock.

**Table 2-17: Math<x> Lock Combinations**

Math1	Math2	Math3	Locked Math Waveforms
Off	Off	Off	None
Off	Off	On	Math3 and Math4 locked
Off	On	Off	Math2 and Math3 locked
Off	On	On	Math2, Math3, and Math4 locked
On	Off	Off	Math1 and Math2 locked
On	Off	On	Math1 and Math2 locked, Math3 and Math4 locked
On	On	Off	Math1, Math2, and Math3 locked
On	On	On	Math1, Math2, Math3, and Math4 locked

**NOTE.** Executing MATH4:SPECTral:LOCK via the GPIB interface has no effect since there is no Math5 to which it can be locked.

**Group** Math

**Syntax** MATH<x>:SPECTral:LOCK {ON|OFF}  
MATH<x>:SPECTral:LOCK?

**Arguments** ON turns on the parameter lock for the specified math waveform.  
OFF turns off the parameter lock for the specified math waveform.  
<NR1> = 0 disables the parameter lock for the specified math waveform; any other value enables the parameter lock.

**Examples** MATH1:SPECTRAL:LOCK ON turns on the parameter lock for Math 1, which causes the parameters for Math 1 and Math 2 waveforms to be locked together.  
MATH1:SPECTRAL:LOCK? might return :MATH1:SPECTRAL:LOCK 0, indicating that the parameter lock for Math 1 waveform is turned off.

## MATH<x>:SPECTral:MAG

This command sets or returns the units of the SpectralMag function in the specified math definition string. The Math waveform is specified by x, which ranges from 1 through 4. This command is equivalent to selecting Spectral Mag from the Math menu and then entering the units that you want in the Scale box, or selecting Basic from the Math menu and then clicking the desired Scale button.

**Group** Math

**Syntax** MATH<x>:SPECTral:MAG {LINEAR|DB|DBM}  
MATH<x>:SPECTral:MAG?

**Arguments** LINEAR sets the SpectralMag units to linear.  
DB sets the SpectralMag units to decibels.  
DBM sets the SpectralMag units to decibels. It also sets the Ref Level Offset to a value that is the equivalent of 1 mW into 50  $\Omega$  .

**Examples** MATH2:SPECTRAL:MAG DB sets the SpectralMag units for Math 2 waveform to decibels.  
MATH2:SPECTRAL:MAG? might return :MATH2:SPECTRAL:MAG DB, indicating that the SpectralMag units for Math 2 waveform are set to decibels.

## MATH<x>:SPECTral:PHASE

This command sets or returns the units of a SpectralPhase function in the specified math definition string. The Math waveform is specified by x, which ranges from 1 through 4. This command is equal to selecting Spectral Phase from the Math menu, selecting the Advanced button, selecting the Vert Axis tab, and then clicking the desired Scale button.

**Group** Math

**Syntax** MATH<x>:SPECTral:PHASE {DEGrees|RADians|GROUPDelay}  
MATH<x>:SPECTral:PHASE?

**Arguments** DEGREES sets the SpectralPhase units to degrees.  
RADIANS sets the SpectralPhase units to radians.

GROUPDELAY sets the SpectralPhase units to groupdelay, which computes the derivative of unwrapped phase spectrum. Units are expressed in seconds.

- Examples** MATH2:SPECTRAL:PHASE DEGREES sets the SpectralPhase units for Math 2 waveform to degrees.
- MATH2:SPECTRAL:PHASE? might return :MATH2:SPECTRAL:PHASE RADIANS, indicating that the SpectralPhase units for Math 2 waveform are set to radians.

## MATH<x>:SPECTral:REFLevel

This command specifies the vertical position of the specified spectral math waveform on the display screen. The numerical value represents the position at the top of the display graticule. The Math waveform is specified by x, which ranges from 1 through 4. This command is equal to selecting Spectral Setup from the Math menu, choosing the Mag tab and then entering a value in the Reference Level box.

**Group** Math

**Syntax** MATH<x>:SPECTral:REFLevel <NR3>  
MATH<x>:SPECTral:REFLevel?

**Related Commands** [MATH<x>:SPECTral:REFLEVELOffset](#)

**Arguments** <NR3> is the value that represents the top of the display screen graticule. The range depends on the units and both the MATH<x>:VERTical:SCAlE and MATH<x>:VERTical:POSition settings.

- Examples** MATH1:SPECTRAL:REFLEVEL -10 sets the top of the display screen to be a reference level of -10 dB. If the vertical scale is LINEAR, then the vertical units will be the same as the input waveform.
- MATH1:SPECTRAL:REFLEVEL? might return :MATH1:SPECTRAL:REFLEVEL 2.0000E+01, indicating that the top of the display screen is set to a reference level of 20 dB.

## MATH<x>:SPECTral:REFLEVELOffset

This command sets or returns the spectral level offset used for calculating the dB value for the specified math waveform. The Math waveform is specified by x, which ranges from 1 through 4. Changing the reference level offset causes the

spectral waveform to move vertically, with respect to zero dB. This command is equal to selecting Spectral Setup from the Math menu, choosing the Mag tab and then entering a value in the Reference Level Offset box.

**Group** Math

**Syntax** MATH<x>:SPECTral:REFLEVELoffset {DBM|<NR3>}  
MATH<x>:SPECTral:REFLEVELoffset?

**Related Commands** [MATH<x>:SPECTral:REFLevel](#)

**Arguments** DBM specifies the reference level used for calculation to be equivalent to 1 mW into 50 Ω (Zero dB will occur at this level).  
  
<NR3> specifies the reference level used for calculation of the decibel value when the output units are Log.

**Examples** MATH1:SPECTRAL:REFLEVELOFFSET 0.5 sets the reference level for the Log calculation for decibel to be 0.5.  $\text{dB} = A \times \text{Log}(y/\text{<NR3>})$  where A is 10 if the input units are watts and A is 20 if the input units are not watts.  
  
MATH1:SPECTRAL:REFLEVELOFFSET DBM sets the decibel reference to be equivalent to 1 mW into 50 Ω. The reference level numerical value will depend on the input units. If the units are volts, the value is set to 0.2236 V; if the units are amperes, the value is set to 40 μA; if the units are watts, the value is set to 0.001 W.  
  
MATH1:SPECTRAL:REFLEVELOFFSET? might return  
:MATH1:SPECTRAL:REFLEVELOFFSET 2.23360E-01, indicating that the spectral reference level offset is 223.6 mV.

## MATH<x>:SPECTral:RESBw

This command sets or returns the resolution bandwidth of the spectral analyzer for the specified math waveform. The Math waveform is specified by x, which ranges from 1 through 4. This command is equivalent to selecting Spectral Setup from the Math menu and then entering a value in the Res BW box.

**Group** Math

**Syntax** MATH<x>:SPECTral:RESBw <NR3>  
MATH<x>:SPECTral:RESBw?



<b>Related Commands</b>	<a href="#">MATH&lt;x&gt;:SPECTral:GATEWIDTH</a> , <a href="#">MATH&lt;x&gt;:SPECTral:CENTER</a> , <a href="#">MATH&lt;x&gt;:SPECTral:SPAN</a> , <a href="#">MATH&lt;x&gt;:SPECTral:WINDow</a>
<b>Arguments</b>	<NR3> is the desired resolution bandwidth value. Units are represented in Hertz.
<b>Examples</b>	MATH1:SPECTRAL:RESBW 250E3 sets the resolution bandwidth to the attainable value that is close to 250 kHz.  MATH1:SPECTRAL:RESBW? might return :MATH1:SPECTRAL:RESBW 1.0002E+06, indicating the actual resolution bandwidth value obtained from the spectral analyzer.

## MATH<x>:SPECTral:SPAN

This command sets the ceiling of the frequency span to a value that is closest to the specified value. The query form of this command returns the current span value for specified math waveform. The Math waveform is specified by x, which ranges from 1 through 4. This command is equal to selecting Spectral Setup from the Math menu and then entering a value in the Freq Span box.

<b>Group</b>	Math
<b>Syntax</b>	MATH<x>:SPECTral:SPAN {<NR3> FULL} MATH<x>:SPECTral:SPAN?
<b>Related Commands</b>	<a href="#">MATH&lt;x&gt;:SPECTral:CENTER</a>
<b>Arguments</b>	<NR3> specifies the frequency span of the output data vector from the spectral analyzer.  FULL sets the top of the span to 1/2 the sample rate and sets the center frequency to 1/2 the span.
<b>Examples</b>	MATH1:SPECTRAL:SPAN FULL sets the top of the span to 1/2 the sample rate and sets the center frequency to 1/2 the span.  MATH1:SPECTRAL:SPAN 2.56E6 sets the top of the span to a value that is closest to 2.56 MHz.  MATH1:SPECTRAL:SPAN? might return :MATH1:SPECTRAL:SPAN 1.2500E+09, indicating the actual span value obtained by the spectral analyzer.

## MATH<x>:SPECTral:SUPPpress

This command sets or returns the phase suppression threshold for the specified math waveform. The Math waveform is specified by x, which ranges from 1 through 4. This command is equal to selecting Spectral Setup from the Math menu, choosing the Phase tab and then entering a value in the Suppression Threshold box. This command affects only Spectral Phase waveforms.

**Group** Math

**Syntax** MATH<x>:SPECTral:SUPPpress <NR3>  
MATH<x>:SPECTral:SUPPpress?

**Related Commands** [MATH<x>:SPECTral:UNWRap](#)

**Arguments** <NR3> is the magnitude level that data with magnitude values below this value are displayed as zero phase.

**Examples** MATH1:SPECTRAL:SUPPRESS -62 specifies that any data with magnitude values less than -62 dB will have their phase output set to zero.

MATH1:SPECTRAL:SUPPRESS? might return :MATH1:SPECTRAL:SUPPRESS -3.5000E+01, indicating that the phase suppression threshold is currently set to -35 dB.

## MATH<x>:SPECTral:UNWRap

This command sets or returns whether phase unwrap of the spectral analyzer output data is enabled for the specified math waveform. The Math waveform is specified by x, which ranges from 1 through 4. This command is equal to selecting Spectral Setup from the Math menu, choosing the Phase tab and then clicking the Unwrap button. This command affects only Spectral Phase waveforms.

**Group** Math

**Syntax** MATH<x>:SPECTral:UNWRap {ON|OFF}  
MATH<x>:SPECTral:UNWRap?

**Related Commands** [MATH<x>:SPECTral:SUPPpress](#)

**Arguments** ON enables phase unwrap.  
 OFF disables phase wrap.  
 <NR1> = 0 disables phase wrap; any other value enables phase wrap.

**Examples** MATH1:SPECTRAL:UNWRAP ON enables phase wrap of the spectral analyzer output data.  
 MATH1:SPECTRAL:UNWRAP? might return :MATH1:SPECTRAL:UNWRAP 0, indicating that the phase unwrap of the spectral analyzer output data is disabled.

## MATH<x>:SPECTral:WINDow

This command sets or returns the window function used to multiply the spectral analyzer input data for the specified math waveform. The Math waveform is specified by x, which ranges from 1 through 4. A spectral window determines what the filter shape of the spectral analyzer will be in the frequency domain. It can be described by a mathematical function that is multiplied point-by-point times the input data to the spectral analyzer. This command is equal to selecting Spectral Setup from the Math menu, and choosing from the Window Type drop-down list.

Following is a list of arguments that specify the window function used to multiply the spectral analyzer input data. The windows are listed in the order of their ability to resolve frequencies (resolution bandwidth). For additional information about spectral windows, see *Selecting a Spectral Window* in the online help for this instrument.

**Group** Math

**Syntax** MATH<x>:SPECTral:WINDow {RECTANGular|HAMMING|HANNing|KAISERBessel|BLACKMANHarris|FLATTOP2|GAUSSian|TEKEXPonential}  
 MATH<x>:SPECTral:WINDow?

**Related Commands** [MATH<x>:SPECTral:RESBw](#)

**Arguments** RECTANGular window function is equivalent to multiplying all gate data by one.  
 HAMMING window function is based on a cosine series.  
 HANNing window function is based on a cosine series.  
 KAISERBessel window function is based on a cosine series.  
 BLACKMANHarris window function is based on a cosine series.

GAUSSian window function has the best localization characteristics in the joint time/frequency plane.

TEKEXPONENTIAL window has an exponential nonsymmetrical shape in the time domain and a triangular shape in the frequency domain.

FLATTOP2 window function is a cosine series window with a flattened frequency response lobe.

**Examples** MATH2:SPECTRAL:WINDOW HANNING applies a Hanning window to the spectral analyzer input data.

MATH2:SPECTRAL:WINDOW? might return :MATH2:SPECTRAL:WINDOW TEKEXPONENTIAL, indicating that the window function used to multiply the spectral analyzer input data is the Tek exponential function.

## MATH<x>:UNITString

This command sets or queries the string to use for units for the math waveform specified by x, which can be 1 through 4. This command will override the default unit string with the one that you specify.

**Group** Math

**Syntax** MATH<x>:UNITString <QString>  
MATH<x>:UNITString?

**Arguments** <QString> quoted string argument is the units to be used for the specified math waveform.

**Examples** MATH2:UNITString "deg" specifies that the unit of the Math 2 waveform operation will be called deg.

MATH1:UNITSTRING? might return :MATH1:UNITSTRING "deg" as the unit for the Math 1 waveform operation.

## MATH<x>:VERTical:POSition

This command sets or queries the vertical position of the specified Math waveform. The Math waveform is specified by x, which ranges from 1 through 4. The position value is usually applied to the signal before it is digitized. The highest three units/div scale ranges of a given math are implemented by changing the way the acquired data is displayed. When the instrument is operating in any of these highest three scale ranges, the position control operates only on

the signal after it is digitized. Note that if a signal that exceeds the range of the digitizer in one of these three scale ranges is repositioned, the displayed waveform will contain clipped values on-screen. This command is equivalent to selecting Position/Scale from the Math menu and then entering a Vert Pos value or adjusting the front panel Vertical POSITION knob.

Increasing the position value of a waveform causes the waveform to move up, and decreasing the position value causes the waveform to move down. Position adjusts only the display position of a waveform, whether a channel, math, or reference waveform. The position value determines the vertical graticule coordinate at which input signal values, equal to the present offset setting for that reference, are displayed. For example, if the position for Math 3 is set to 2.0 and the offset is set to 3.0, then the input signals equal to 3.0 are displayed 2.0 divisions above the center of the screen.

Be aware that autoscaling occurs when a math waveform is first defined and enabled, or when a math string changes. After the math waveform is computed for the first time, the instrument determines the min + max of that waveform data. Then, the instrument sets the math position so that (min + max)/2 is in the center of the screen. In addition, the instrument sets the math scale so that the range of the min and max cover 6 divisions. This autoscaling process can take up to 1/2 second to complete and will override any vertical scale or position commands for that math waveform received during this time. You should insert an appropriate pause in your program after defining and enabling a math waveform before changing its position or scale.

**Group** Math

**Syntax** MATH<x>:VERTical:POSition <NR3>  
MATH<x>:VERTical:POSition?

**Related Commands** [CH<x>:POSition](#), [REF<x>:VERTical:POSition](#)

**Arguments** <NR3> is the desired position control in divisions from the center graticule.

**Examples** MATH2:VERTICAL:POSITION 1.3E+00 positions the Math 2 waveform input signal 1.3 divisions higher than a position of 0.

MATH1:VERTICAL:POSITION? might return :MATH1:VERTICAL:POSITION -1.3000E+00 indicating that the current position of Math 1 waveform is 1.3 divisions below the center graticule.

## MATH<x>:VERTical:SCAle

This command sets or queries the vertical scale of the specified math waveform. The Math waveform is specified by x, which ranges from 1 through 4. This command is equivalent to selecting Position/Scale from the Math menu and then entering a Vert Scale value or adjusting the front panel Vertical SCALE knob.

Each waveform has its own vertical scale parameter. For a signal with constant amplitude, increasing the scale causes the waveform to be displayed smaller. Decreasing the scale causes the waveform to be displayed larger.

Scale affects all waveforms. For reference and math waveforms, the scale setting controls the display only, graphically scaling these waveforms and having no affect on the acquisition hardware.

Be aware that autoscaling occurs when a math waveform is first defined and enabled, or when a math string changes. After the math waveform is computed for the first time, the instrument determines the min + max of that waveform data. Then, the instrument sets the math position so that (min + max)/2 is in the center of the screen. In addition, the instrument sets the math scale so that the range of the min and max covers 6 divisions. This autoscaling process can take up to 1/2 second to complete and will override any vertical scale or position commands for that math waveform received during this time. You should insert an appropriate pause in your program after defining and enabling a math waveform before changing its position or scale.

**Group** Math

**Syntax** MATH<x>:VERTical:SCAle <NR3>  
MATH<x>:VERTical:SCAle?

**Related Commands** [CH<x>:SCAle](#), [REF<x>:VERTical:SCAle](#)

**Arguments** <NR3> is the scale, in volts, amps or watts per division. The range is from 100.0E-36 through 100.0E+36.

**Examples** MATH4:VERTICAL:SCALE 100E-03 sets the Math 4 waveform scale to 100 mV per division.

MATH2:VERTICAL:SCALE? might return :MATH2:VERTICAL:SCALE 1.0000E+00, indicating that the current scale setting of Math 2 waveform is 1 V per division.

## MEASUREMENT? (Query Only)

This query-only command returns all measurement parameters in the following order: MEAS1, MEAS2, MEAS3, MEAS4, MEAS5, MEAS6, MEAS7, MEAS8, and IMMED.

**Group** Measurement

**Syntax** MEASUREMENT?

**Examples** MEASUREMENT? might return :MEASUREMENT:GATING OFF;IMMED:TYPE UNDEFINED;UNITS "V";SOURCE1 CH1;SOURCE2 CH1;SOURCE1:SIGTYPE PULSE;:MEASUREMENT:IMMED:SOURCE2:SIGTYPE PULSE;:MEASUREMENT:IMMED:DELAY:EDGE1 RISE;EDGE2 RISE;DIRECTION FORWARDS;:MEASUREMENT:IMMED:REFLEVEL:METHOD PERCENT;ABSOLUTE:HIGH 0.0000;LOW 0.0000;MID1 0.0000;MID2 0.0000;:MEASUREMENT:IMMED:REFLEVEL:PERCENT:HIGH 90.0000;LOW 10.0000;MID1 50.0000;MID2 50.0000;:MEASUREMENT:IMMED:METHOD HISTOGRAM;NOISE HIGH;:MEASUREMENT:MEAS1:STATE 0;TYPE UNDEFINED;UNITS "V";SOURCE1 CH1;SOURCE2 CH1;SOURCE1:SIGTYPE PULSE;:MEASUREMENT:MEAS1:SOURCE2:SIGTYPE PULSE;:MEASUREMENT:MEAS1:DELAY:EDGE1 RISE;EDGE2 RISE;DIRECTION FORWARDS;:MEASUREMENT:MEAS1:REFLEVEL:METHOD PERCENT;ABSOLUTE:HIGH 0.0000;LOW 0.0000;MID1 0.0000;MID2 0.0000;:MEASUREMENT:MEAS1:REFLEVEL:PERCENT:HIGH 90.0000;LOW 10.0000;MID1 50.0000;MID2 50.0000;:MEASUREMENT:MEAS1:METHOD HISTOGRAM;NOISE HIGH;:MEASUREMENT:MEAS2:STATE 0;TYPE UNDEFINED;UNITS "V";SOURCE1 CH1;SOURCE2 CH1;SOURCE1:SIGTYPE PULSE;:MEASUREMENT:MEAS2:SOURCE2:SIGTYPE PULSE;:MEASUREMENT:MEAS2:DELAY:EDGE1 RISE;EDGE2 RISE;DIRECTION.

## MEASUREMENT:ANNOTATION:IMMEDSTATE

This command sets or queries the state of immediate measurement annotation.

**Group** Measurement

**Syntax** MEASUREMENT:ANNOTATION:IMMEDSTATE {<NR1>|OFF|ON}  
MEASUREMENT:ANNOTATION:IMMEDSTATE?

- Arguments** NR1 = 0 disables immediate state measurement annotation, any other value enables immediate state measurements.
- OFF disables annotation on immediate state measurements.
- ON enables annotation on immediate state measurements.
- Examples** MEASUREMENT:ANNOTATION:IMMEDSTATE ON enables annotation of immediate measurements.
- MEASUREMENT:ANNOTATION:IMMEDSTATE? might return  
:MEASUREMENT:ANNOTATION:IMMEDSTATE 0, indicating that  
annotation of immediate measurements is off.

## MEASUREMENT:ANNOTATION:NUMX? (Query Only)

This query-only command returns the number of horizontal measurement annotations currently being displayed.

- Group** Measurement
- Syntax** MEASUREMENT:ANNOTATION:NUMX?
- Examples** MEASUREMENT:ANNOTATION:NUMX? might return  
MEASUREMENT:ANNOTATION:NUMX 2, indicating that there are currently 2  
horizontal lines drawn on the graticule showing where the measurement specified  
by MEASUREMENT:ANNOTATION:STATE is being performed.

## MEASUREMENT:ANNOTATION:NUMY? (Query Only)

This query-only command returns the number of vertical measurement annotations currently being displayed.

- Group** Measurement
- Syntax** MEASUREMENT:ANNOTATION:NUMY?
- Examples** MEASUREMENT:ANNOTATION:NUMY? might return  
MEASUREMENT:ANNOTATION:NUMY 2, indicating that there are currently 2  
vertical lines drawn on the graticule showing where the measurement specified by  
MEASUREMENT:ANNOTATION:STATE is being performed.



## MEASUREMENT:ANNOTATION:STATE

This command sets or returns the state of visible measurement annotations.

<b>Group</b>	Measurement
<b>Syntax</b>	MEASUREMENT:ANNOTATION:STATE {OFF MEAS1 MEAS2 MEAS3 MEAS4 MEAS5 MEAS6 MEAS7 MEAS8} MEASUREMENT:ANNOTATION:STATE?
<b>Arguments</b>	OFF turns off visible measurement annotations.  MEAS<x> turns on the display of visible measurement annotations for measurement <x>, where <x> can be 1, 2, 3, 4, 5, 6, 7, or 8. There must be an active measurement before you can activate an annotation for a specified measurement.
<b>Examples</b>	MEASUREMENT:ANNOTATION:STATE MEAS2 turns on the display of visible measurement annotations for measurement 2.  MEASUREMENT:ANNOTATION:STATE? might return MEASUREMENT:ANNOTATION:STATE OFF, indicating that no measurement annotations are active.

## MEASUREMENT:ANNOTATION:TYPE

This command sets or queries the type of annotations being used. This command is similar to setting the annotation type in the Measure > Annotation menu.

<b>Group</b>	Measurement
<b>Syntax</b>	MEASUREMENT:ANNOTATION:TYPE {STANDARD DETAILED} MEASUREMENT:ANNOTATION:TYPE?
<b>Arguments</b>	STANDARD sets the annotation type to STANDARD.  DETAILED sets the annotation type to DETAILED, so that more detailed annotations are displayed.
<b>Examples</b>	MEASUREMENT:ANNOTATION:TYPE DETAILED sets the measurement annotation type to detailed.

MEASUREMENT:ANNOTATION:TYPE? might return  
:MEASUREMENT:ANNOTATION:TYPE STANDARD, indicating that standard annotations will be displayed.

## MEASUREMENT:ANNOTATION:X<x>? (Query Only)

This query-only command returns the value of the specified X annotation. X annotations are numbered, in general, from top to bottom on the display. The value of <x> can vary from 1 to 6.

**Group** Measurement

**Syntax** MEASUREMENT:ANNOTATION:X<x>?

**Examples** MEASUREMENT:ANNOTATION:X1? might return  
:MEASUREMENT:ANNOTATION:X1 277.2250E-12, indicating that annotation X1 is 277 ps to the right of the trigger.

## MEASUREMENT:ANNOTATION:Y<x>? (Query Only)

This query-only command returns the value of the specified Y annotation. Y annotations are numbered, in general, from left to right on the display. The value of <x> can vary from 1 to 6.

**Group** Measurement

**Syntax** MEASUREMENT:ANNOTATION:Y<x>?

**Examples** MEASUREMENT:ANNOTATION:Y1 might return  
:MEASUREMENT:ANNOTATION:Y1 305.6406E-3, indicating that annotation Y1 is 305 mV above the channel reference.

## MEASUREMENT:GATING

This command specifies or returns the measurement gating setting. This command is equivalent to selecting Gating from the Measure menu and then clicking the desired Measurement Gating setting.

**Group** Measurement

<b>Syntax</b>	MEASUREMENT:GATING {ON OFF <NR1> ZOOM<x> CURSOR} MEASUREMENT:GATING?
<b>Arguments</b>	<p>ON turns on measurement gating.</p> <p>OFF turns off measurement gating.</p> <p>&lt;NR1&gt; = 0 turns off measurement gating; any other value turns on measurement gating.</p> <p>ZOOM&lt;x&gt; turns on gating, using the left and right edges of the zoom box. &lt;x&gt; specifies the zoom window, which ranges from 1 through 4.</p> <p>CURSOR limits measurements to the portion of the waveform between the vertical bar cursors, even if they are off screen.</p>
<b>Examples</b>	<p>MEASUREMENT:GATING ON turns on measurement gating.</p> <p>MEASUREMENT:GATING? might return :MEASUREMENT:GATING CURSOR, indicating that measurements are limited to the portion of the waveform between the vertical bar cursors.</p>

## MEASUREMENT:IMMED? (Query Only)

This query-only command returns all immediate measurement setup parameters.

<b>Group</b>	Measurement
<b>Syntax</b>	MEASUREMENT:IMMED?
<b>Examples</b>	<p>MEASUREMENT:IMMED? might return :MEASUREMENT:IMMED:TYPE AMPLITUDE; UNITS "V";SOURCE1 CH1;SOURCE2 CH1; SOURCE1:SIGTYPE PULSE; :MEASUREMENT:IMMED:SOURCE2:SIGTYPE PULSE; :MEASUREMENT:IMMED:DELAY:EDGE1 RISE; EDGE2 RISE;DIRECTION FORWARDS; :MEASUREMENT:IMMED:REFLEVEL:METHOD PERCENT; ABSOLUTE:HIGH 0.0000;LOW 0.0000;MID1 0.0000;MID2 0.0000; :MEASUREMENT:IMMED:REFLEVEL:PERCENT:HIGH 90.0000;LOW 10.0000;MID1 50.0000;MID2 50.0000; :MEASUREMENT:IMMED:METHOD HISTOGRAM;NOISE HIGH.</p>

## MEASUrement:IMMed:DELAy? (Query Only)

This query-only command returns information about the immediate delay measurement. This command is equivalent to selecting Measurement Setup from the Measure menu, choosing the Time tab and then clicking the Delay button.

<b>Group</b>	Measurement
<b>Syntax</b>	MEASUrement:IMMed:DELAy?
<b>Examples</b>	MEASUREMENT:IMMED:DELAY? might return :MEASUREMENT:IMMED:DELAY:EDGE1 RISE;EDGE2 RISE; DIRECTION FORWARDS.

## MEASUrement:IMMed:DELAy:DIREction

This command sets or returns the starting point and direction that determines the delay “to” edge when taking an immediate delay measurement. Use the [MEASUrement:IMMed:SOUrce<x>](#) command to specify the delay “to” waveform. This command is equivalent to selecting Measurement Setup from the Measure menu, choosing the Time tab, clicking the Delay button to display the delay settings and then clicking the desired Search Direction setting.

<b>Group</b>	Measurement
<b>Syntax</b>	MEASUrement:IMMed:DELAy:DIREction {BACKWards FORWards} MEASUrement:IMMed:DELAy:DIREction?
<b>Related Commands</b>	<a href="#">MEASUrement:IMMed:SOUrce&lt;x&gt;</a>
<b>Arguments</b>	BACKWards starts the search at the end of the waveform and looks for the last rising or falling edge in the waveform.  FORWards starts the search at the beginning of the waveform and looks for the first rising or falling edge in the waveform.
<b>Examples</b>	MEASUREMENT:IMMED:DELAY:DIRECTION FORWARDS starts searching from the beginning of the waveform record and looks for the first rising or falling edge.  MEASUREMENT:IMMED:DELAY:DIRECTION? might return :MEASUREMENT:IMMED:DELAY:DIRECTION BACKWARDS, indicating

that searching begins at the end of the waveform record and looks for the last rising or falling edge.

## MEASUREMENT:IMMED:DELAY:EDGE[1]

This command sets or queries the slope of the edge that is used for the delay “from” waveform when taking an immediate delay measurement. Use the [MEASUREMENT:IMMED:SOURCE<x>](#) command to specify the waveform. This command is equivalent to selecting Measurement Setup from the Measure menu, choosing the Time tab, clicking the Delay button to display the delay settings and then clicking the desired Delay Edge1 setting.

---

**NOTE.** *If you do not specify a numerical suffix, the source is assumed to be SOURCE 1.*

---

**Group** Measurement

**Syntax** MEASUREMENT:IMMED:DELAY:EDGE[1] {FALL|RISE}  
MEASUREMENT:IMMED:DELAY:EDGE[1]?

**Related Commands** [MEASUREMENT:IMMED:SOURCE<x>](#)

**Arguments** FALL specifies the falling edge.  
RISE specifies the rising edge.

**Examples** MEASUREMENT:IMMED:DELAY:EDGE[1] 1 RISE specifies that the rising edge be used for the immediate delay measurement.  
MEASUREMENT:IMMED:DELAY:EDGE[1]? might return  
:MEASUREMENT:IMMED:DELAY:EDGE1 FALL, indicating that the falling edge or negative edge of the waveform is used for the immediate delay measurement.

## MEASUREMENT:IMMED:DELAY:EDGE2

This command sets or queries the slope of the edge that is used for the delay “to” waveform when taking an immediate delay measurement. Use the [MEASUREMENT:IMMED:SOURCE<x>](#) command to specify the waveform. This command is equivalent to selecting Measurement Setup from the Measure menu, choosing the Time tab, clicking the Delay button to display the delay settings and then clicking the desired Delay Edge2 setting.

<b>Group</b>	Measurement
<b>Syntax</b>	MEASUREMENT:IMMED:DELAY:EDGE2 {FALL RISe} MEASUREMENT:IMMED:DELAY:EDGE2?
<b>Related Commands</b>	<a href="#">MEASUREMENT:IMMED:SOURce&lt;x&gt;</a>
<b>Arguments</b>	FALL specifies the falling edge. RISe specifies the rising edge.
<b>Examples</b>	MEASUREMENT:IMMED:DELAY:EDGE2 RISE specifies that the rising edge be used for the immediate delay measurement.  MEASUREMENT:IMMED:DELAY:EDGE2? might return :MEASUREMENT:IMMED:DELAY:EDGE2 FALL, indicating that the falling edge or negative edge of the waveform is used for the immediate delay measurement.

## MEASUREMENT:IMMED:METHod

This command specifies or queries the method used to calculate the 0% and 100% reference level for immediate measurements.

<b>Group</b>	Measurement
<b>Syntax</b>	MEASUREMENT:IMMED:METHod {HISTogram MINMax MEAN} MEASUREMENT:IMMED:METHod?
<b>Arguments</b>	HISTogram sets the high and low waveform levels statistically using a histogram algorithm.  MINMax sets the high and low waveform levels to MAX and MIN, respectively.  MEAN sets the high and low waveform levels to their mean.
<b>Examples</b>	MEASUREMENT:IMMED:METHod HISTOGRAM specifies that the high and low reference levels are set statistically.  MEASUREMENT:IMMED:METHod? might return :MEASUREMENT:IMMED:METHod MINMAX, indicating that the reference levels are set to MIN and MAX for immediate measurements.

## MEASUREMENT:IMMED:NOISE

This command sets or queries whether the noise measurement is made on the high or low level of the waveform. Sending this command is equivalent to selecting Ref Levs > Eye > Top Level or Base Level in the Comm tab of the Measurement Setup dialog box. The Eye section is displayed only if you have an eye-pattern or optical measurement defined.

<b>Conditions</b>	This command is only valid if the instrument has Option MTM is installed.
<b>Group</b>	Measurement
<b>Syntax</b>	MEASUREMENT:IMMED:NOISE {HIGH LOW} MEASUREMENT:IMMED:NOISE?
<b>Arguments</b>	HIGH argument causes the measurement for noise to be taken at the high level of the waveform.  LOW argument causes the measurement for noise to be taken at the low level of the waveform.
<b>Examples</b>	MEASUREMENT:IMMED:NOISE HIGH causes the noise measurement to be made at the high level of the waveform.  MEASUREMENT:IMMED:NOISE? might return :MEASUREMENT:IMMED:NOISE LOW, indicating that the noise measurement will be made at the low level of the waveform.

## MEASUREMENT:IMMED:REFLevel? (Query Only)

This query-only command returns the reference level settings for the immediate measurement. It returns them in the following order: ABSOLUTE and then PERCENT for individual user measurements.

<b>Group</b>	Measurement
<b>Syntax</b>	MEASUREMENT:IMMED:REFLevel?
<b>Examples</b>	MEASUREMENT:IMMED:REFLEVEL? might return :MEASUREMENT:IMMED:REFLEVEL:PERCENT:HIGH 90 indicating that the reference level is set to 90% of HIGH.

## MEASUrement:IMMed:REFLevel:ABSolute:HIGH

This command sets or queries the high reference level, and is the upper reference level when [MEASUrement:IMMed:REFLevel:METhod](#) is set to Absolute. Note that this command affects the results of rise and fall measurements.

---

**NOTE.** *This command affects the results of period, frequency, delay, and all cyclic measurements.*

---

**Group** Measurement

**Syntax** MEASUrement:IMMed:REFLevel:ABSolute:HIGH <NR3>  
MEASUrement:IMMed:REFLevel:ABSolute:HIGH?

**Related Commands** [MEASUrement:IMMed:REFLevel:METhod](#)

**Arguments** <NR3> is the high reference level, in volts. The default is 0.0 V.

**Examples** MEASUREMENT:IMMED:REFLEVEL:ABSOLUTE:HIGH 1.71 sets the high reference level to 1.71 V.

MEASUREMENT:IMMED:REFLEVEL:ABSOLUTE:HIGH? might return  
:MEASUREMENT:IMMED:REFLEVEL:ABSOLUTE:HIGH 1.7100E+00, indicating that the absolute high reference level is set to 1.71 V.

## MEASUrement:IMMed:REFLevel:ABSolute:LOW

This command sets or queries the low reference level, and is the zero percent level when [MEASUrement:IMMed:REFLevel:METhod](#) is set to Absolute. Note that this command affects the results of rise and fall measurements.

---

**NOTE.** *This command affects the results of period, frequency, delay, and all cyclic measurements.*

---

**Group** Measurement

**Syntax** MEASUrement:IMMed:REFLevel:ABSolute:LOW <NR3>  
MEASUrement:IMMed:REFLevel:ABSolute:LOW?



**Related Commands** [MEASUREMENT:IMMed:REFLevel:METHOD](#)

**Arguments** <NR3> is the low reference level, in volts. The default is 0.0 V.

**Examples** MEASUREMENT:IMMED:REFLEVEL:ABSOLUTE:LOW 0.0 sets the low reference level to 0.0 V.

MEASUREMENT:IMMED:REFLEVEL:ABSOLUTE:LOW? might return  
:MEASUREMENT:MEAS1:REFLEVEL:ABSOLUTE:LOW 0.0000E+00, indicating that the absolute low reference level is set to 0.0 V.

## MEASUREMENT:IMMed:REFLevel:ABSolute:MID<x>

This command sets or queries the mid reference level, and is the 50% reference level when [MEASUREMENT:IMMed:REFLevel:METHOD](#) is set to Absolute. Note that this command affects the results of period, frequency, delay, and all cyclic measurements. Note that this command affects the results of delay measurements.

---

**NOTE.** *This command affects the results of period, frequency, delay, and all cyclic measurements.*

---

**Group** Measurement

**Syntax** MEASUREMENT:IMMed:REFLevel:ABSolute:MID<x> <NR3>  
MEASUREMENT:IMMed:REFLevel:ABSolute:MID<x>?

**Related Commands** [MEASUREMENT:IMMed:REFLevel:METHOD](#)

**Arguments** <NR3> is the mid1 (the “from” waveform when taking a delay measurement) or mid2 (the “to” waveform when taking a delay measurement) reference level, in volts. The default is 0.0 V.

**Examples** MEASUREMENT:IMMED:REFLEVEL:ABSOLUTE:MID2 0.5 sets the mid reference level for the delay waveform to 0.5 V.

MEASUREMENT:IMMED:REFLEVEL:ABSOLUTE:MID2? might return  
:MEASUREMENT:IMMED:REFLEVEL:ABSOLUTE:MID2 0.5000E+00, indicating that the absolute mid2 reference level is set to 0.5 V.

## MEASUREMENT:IMMED:REFLEVEL:METHOD

This command specifies or queries the reference level units used for measurement calculations. This command is equivalent to selecting Reference Levels from the Measure menu and then choosing the desired reference level from the Units group box.

**Group** Measurement

**Syntax** MEASUREMENT:IMMED:REFLEVEL:METHOD {ABSOLUTE|PERCENT}  
MEASUREMENT:IMMED:REFLEVEL:METHOD?

**Arguments** ABSOLUTE specifies that the reference levels are set explicitly using the MEASUREMENT:IMMED:REFLEVEL:ABSOLUTE commands. This method is useful when precise values are required. For instance, when designing to published interface specifications, such as RS-232-C.

PERCENT specifies that the reference levels are calculated as a percent relative to HIGH and LOW. The percentages are defined using the MEASUREMENT:IMMED:REFLEVEL:PERCENT commands.

**Examples** MEASUREMENT:IMMED:REFLEVEL:METHOD ABSOLUTE specifies that explicit user-defined values are used for the reference levels.

MEASUREMENT:IMMED:REFLEVEL:METHOD? might return  
:MEASUREMENT:IMMED:REFLEVEL:METHOD PERCENT, indicating that the reference level units used are calculated as a percent relative to HIGH and LOW.

## MEASUREMENT:IMMED:REFLEVEL:PERCENT:HIGH

This command sets or queries the percentage (where 100% is equal to HIGH) used to calculate the high reference level when MEASUREMENT:IMMED:REFLEVEL:METHOD is set to Percent. Note that this command affects the results of rise and fall measurements.

---

**NOTE.** This command affects the results of period, frequency, delay, and all cyclic measurements.

---

**Group** Measurement

**Syntax** MEASUREMENT:IMMED:REFLEVEL:PERCENT:HIGH <NR1>  
MEASUREMENT:IMMED:REFLEVEL:PERCENT:HIGH?

**Related Commands** [MEASUREMENT:IMMED:REFLEVEL:METHOD](#)

**Arguments** <NR1> is the high reference level, ranging from 0 to 100%. The default high reference level is 90%.

**Examples** MEASUREMENT:IMMED:REFLEVEL:PERCENT:HIGH 95 sets the high reference level to 95% of HIGH.

MEASUREMENT:IMMED:REFLEVEL:PERCENT:HIGH? might return  
:MEASUREMENT:IMMED:REFLEVEL:PERCENT:HIGH 90, indicating that the percentage high reference level is set to 90% of HIGH.

## MEASUREMENT:IMMED:REFLEVEL:PERCENT:LOW

This command sets or queries the percentage (where 100% is equal to HIGH) used to calculate the low reference level when [MEASUREMENT:IMMED:REFLEVEL:METHOD](#) is set to Percent. Note that this command affects the results of rise and fall measurements. This command is equivalent to selecting Reference Levels from the Measure menu and then entering the Percentage Low Ref value.

---

**NOTE.** *This command affects the results of period, frequency, delay, and all cyclic measurements.*

---

**Group** Measurement

**Syntax** MEASUREMENT:IMMED:REFLEVEL:PERCENT:LOW <NR1>  
MEASUREMENT:IMMED:REFLEVEL:PERCENT:LOW?

**Related Commands** [MEASUREMENT:IMMED:REFLEVEL:METHOD](#)

**Arguments** <NR1> is the low reference level, ranging from 0 to 100%. The default low reference level is 10%.

**Examples** MEASUREMENT:IMMED:REFLEVEL:PERCENT:LOW 15 sets the low reference level to 15% of HIGH.

MEASUREMENT:IMMED:REFLEVEL:PERCENT:LOW? might return  
 :MEASUREMENT:IMMED:REFLEVEL:PERCENT:LOW 10, indicating that the  
 percentage low reference level is set to 10% of HIGH.

## MEASUREMENT:IMMED:REFLEVEL:PERCENT:MID<x>

This command sets or queries the percentage (where 100% is equal to HIGH) used to calculate the mid reference level when [MEASUREMENT:IMMED:REFLEVEL:METHOD](#) is set to Percent. Mid1 is for the first waveform specified, and Mid2 is for the second waveform specified. Note that this command affects the results of delay measurements.

---

**NOTE.** This command affects the results of period, frequency, delay, and all cyclic measurements.

---

**Group** Measurement

**Syntax** MEASUREMENT:IMMED:REFLEVEL:PERCENT:MID<x> <NR1>  
 MEASUREMENT:IMMED:REFLEVEL:PERCENT:MID<x>?

**Related Commands** [MEASUREMENT:IMMED:REFLEVEL:METHOD](#)

**Arguments** <NR1> is the mid reference level, ranging from 0 to 100%. The default mid reference level is 50%.

**Examples** MEASUREMENT:IMMED:REFLEVEL:PERCENT:MID2 40 sets the mid2 reference level to 40% of HIGH.

MEASUREMENT:IMMED:REFLEVEL:PERCENT:MID2? might return  
 :MEASUREMENT:IMMED:REFLEVEL:PERCENT:MID2 45, indicating that the  
 percentage mid2 reference level is set to 45% of HIGH.

## MEASUREMENT:IMMED:SOURCE<x>

This command sets or queries the source for phase or delay immediate measurements. This command is equivalent to selecting Measurement Setup from the Measure menu, choosing the Time tab, clicking the Delay button to display the delay settings and then clicking the desired Source1 (From) setting or Source2 (To) setting.

Tip: Source2 measurements only apply to phase and delay measurement types, which require both a target (Source1) and reference (Source2) source.

<b>Group</b>	Measurement
<b>Syntax</b>	MEASUREMENT:IMMED:SOURCE<x> {CH<x> MATH<y> REF<x> HISTogram} MEASUREMENT:IMMED:SOURCE<x>?
<b>Arguments</b>	<p>CH&lt;x&gt; is an input channel waveform. The x variable can be expressed as an integer ranging from 1 through 4.</p> <p>MATH&lt;y&gt; is a math waveform. The y variable can be expressed as an integer ranging from 1 through 4.</p> <p>REF&lt;x&gt; is a reference waveform. The x variable can be expressed as an integer ranging from 1 through 4.</p> <p>HISTogram indicates histogram as the object to be measured. HISTogram not allowed on SOURCE2.</p>
<b>Examples</b>	<p>MEASUREMENT:IMMED:SOURCE2 REF3 sets the waveform in reference memory location 3 as the delay “to” source when making delay measurements.</p> <p>MEASUREMENT:IMMED:SOURCE2? might return :MEASUREMENT:IMMED:SOURCE2 MATH1, indicating that Math1 is the immediate measurement source.</p>

## MEASUREMENT:IMMED:SOURCE<x>:SIGType

This command sets or queries the type of input signal used for measurement SOURCE<x>, 1 or 2.

To ensure accurate measurements, use this command to specify the input-signal type for the measurement source.

<b>Conditions</b>	This command is only valid if the instrument has Option MTM is installed.
<b>Group</b>	Measurement
<b>Syntax</b>	MEASUREMENT:IMMED:SOURCE<x>:SIGType {PULSE EYE} MEASUREMENT:IMMED:SOURCE<x>:SIGType?
<b>Arguments</b>	<p>PULSE is for generic signals that are not associated with synchronous communications standards.</p> <p>EYE is for synchronous-communication signals with NRZ-like characteristics (nonreturn to zero).</p>

**Examples**    `MEASUREMENT:IMMED:SOURCE1:SIGTYPE PULSE` selects Pulse as the signal type for source 1.

`MEASUREMENT:IMMED:SOURCE<X>:SIGTYPE?` might return  
`:MEASUREMENT:IMMED:SOURCE1:SIGTYPE EYE` indicating that the signal type for source 1 is EYE.

## MEASUREMENT:IMMED:TYPE

This command sets or queries the immediate measurement type.

**Group**    Measurement

**Syntax**    `MEASUREMENT:IMMED:TYPE {AMPLITUDE|AREA|BURST|CAREA|CMEAN|CRMS|DELAY|DISTDUTY|EXTINCTDB|EXTINCTPCT|EXTINCTRATIO|EYEHEIGHT|EYEWIDTH|FALL|FREQUENCY|HIGH|HITS|LOW|MAXIMUM|MEAN|MEDIAN|MINIMUM|NCROSS|NDUTY|NOVERSHOOT|NWIDTH|PBASE|PCROSS|PCTCROSS|PDUTY|PEAKHITS|PERIOD|PHASE|PK2PK|PKPKJITTER|PKPKNOISE|POVERSHOOT|PTOP|PWIDTH|QFACTOR|RISE|RMS|RMSJITTER|RMSNOISE|SIGMA1|SIGMA2|SIGMA3|SIXSIGMAJIT|SNRATIO|STDDEV| UNDEFINED|WAVEFORMS}`  
`MEASUREMENT:IMMED:TYPE?`

**Arguments**    `AMPLITUDE` measures the amplitude of the selected waveform. In other words, it measures the high value less the low value measured over the entire waveform or gated region.

$$\textit{Amplitude} = \textit{High} - \textit{Low}$$

`AREA` measures the voltage over time. The area is over the entire waveform or gated region and is measured in volt-seconds. The area measured above the ground is positive, while the area below ground is negative.

`BURST` measures the duration of a burst. The measurement is made over the entire waveform or gated region.

`CAREA` (cycle area) measures the voltage over time. In other words, it measures, in volt-seconds, the area over the first cycle in the waveform or the first cycle in the gated region. The area measured above the common reference point is positive, while the area below the common reference point is negative.

`CMEAN` (cycle mean) measures the arithmetic mean over the first cycle in the waveform or the first cycle in the gated region.

**CRMS** (cycle rms) measures the true Root Mean Square voltage over the first cycle in the waveform or the first cycle in the gated region.

**DELAy** measures the time between the middle reference (default = 50%) amplitude point of the source waveform and the destination waveform.

**DISTDuty** (duty cycle distortion) measures the time between the falling edge and the rising edge of the eye pattern at the mid reference level. It is the peak-to-peak time variation of the first eye crossing measured at the mid-reference as a percent of the eye period.

**EXTINCTDB** measures the extinction ratio of an optical waveform (eye diagram). Extinction Ratio (dB) measures the ratio of the average power levels for the logic High to the logic Low of an optical waveform and expresses the result in dB. This measurement only works for fast acquisition signals or a reference waveform saved in fast acquisition mode.

$$\text{Extinction dB} = 10 \times (\log 10 (\text{High} / \text{Low}))$$

**EXTINCTPCT** measures the extinction ratio of the selected optical waveform. Extinction Ratio (%) measures the ratio of the average power levels for the logic Low (off) to the logic (High) (on) of an optical waveform and expresses the result in percent. This measurement only works for fast acquisition signals or a reference waveform saved in fast acquisition mode.

$$\text{Extinction \%} = 100.0 \times (\text{Low} / \text{High})$$

**EXTINCTRATIO** measures the extinction ratio of the selected optical waveform. Extinction Ratio measures the ratio of the average power levels for the logic High to the logic Low of an optical waveform and expresses the result without units. This measurement only works for fast acquisition signals or a reference waveform saved in fast acquisition mode. Extinction ratios greater than 100 or less than 1 generate errors; low must be greater than or equal to 1  $\mu$ W.

$$\text{Extinction Ratio} = (\text{High} / \text{Low})$$

**EYEHeight** measures the vertical opening of an eye diagram in volts.

**EYEWidth** measures the width of an eye diagram in seconds.

**FALL** measures the time taken for the falling edge of the first pulse in the waveform or gated region to fall from a high reference value (default is 90%) to a low reference value (default is 10%).

**FREQUENCY** measures the first cycle in the waveform or gated region. Frequency is the reciprocal of the period and is measured in hertz (Hz), where 1 Hz = 1 cycle per second.

**HIGH** measures the High reference (100% level, sometimes called Topline) of a waveform.

You can also limit the High measurement (normally taken over the entire waveform record) to a gated region on the waveform.

**HITS** (histogram hits) measures the number of points in or on the histogram box.

**LOW** measures the Low reference (0% level, sometimes called Baseline) of a waveform.

**MAXimum** finds the maximum amplitude. This value is the most positive peak voltage found. It is measured over the entire waveform or gated region. When histogram is selected with the **MEASUREMENT:METHOD** command, the maximum measurement measures the voltage of the highest nonzero bin in vertical histograms or the time of the right-most bin in horizontal histograms.

**MEAN** amplitude measurement finds the arithmetic mean over the entire waveform or gated region. When histogram is selected with the **MEASUREMENT:METHOD** command, the mean measurement measures the average of all acquired points within or on the histogram.

**MEDian** (histogram measurement) measures the middle point of the histogram box. Half of all acquired points within or on the histogram box are less than this value and half are greater than this value.

**MINIMUM** finds the minimum amplitude. This value is typically the most negative peak voltage. It is measured over the entire waveform or gated region. When histogram is selected with the **MEASUREMENT:METHOD** command, the minimum measurement measures the lowest nonzero bin in vertical histograms or the time of the left-most nonzero bin in the horizontal histograms.

**NCROSS** (timing measurement) measures the time from the trigger point to the first falling edge of the waveform or gated region. The distance (time) is measured at the middle reference amplitude point of the signal.

**NDUTY** (negative duty cycle) is the ratio of the negative pulse width to the signal period, expressed as a percentage. The duty cycle is measured on the first cycle in the waveform or gated region.

$$\text{Negative Duty Cycle} = (\text{Negative Width}) / \text{Period} \times 100\%$$

**NOVERSHOOT** (negative overshoot) finds the negative overshoot value over the entire waveform or gated region.

$$\text{Negative Overshoot} = (\text{Low} - \text{Minimum}) / \text{Amplitude} \times 100\%$$

**NWIDTH** (negative width) measurement is the distance (time) between the middle reference (default = 50%) amplitude points of a negative pulse. The measurement is made on the first pulse in the waveform or gated region.

**PBASE** measures the base value used in extinction ratio measurements.

**PCROSS** (timing measurement) measures the time from the trigger point to the first positive edge of the waveform or gated region. The distance (time) is measured at the middle reference amplitude point of the signal.

**PCTCROSS** measures the location of the eye crossing point expressed as a percentage of **EYEHEIGHT**.



$$\text{Crossing percent} = 100 \times [(\text{eye-crossing-point} - \text{PBASE}) / (\text{PTOP} - \text{PBASE})]$$

**PDuty** (positive duty cycle) is the ratio of the positive pulse width to the signal period, expressed as a percentage. It is measured on the first cycle in the waveform or gated region.

$$\text{Positive Duty Cycle} = (\text{Positive Width}) / \text{Period} \times 100\%$$

**PEAKHits** measures the number of points in the largest bin of the histogram.

**PERIOD** is the time required to complete the first cycle in a waveform or gated region. Period is the reciprocal of frequency and is measured in seconds.

**PHASE** measures the phase difference (amount of time a waveform leads or lags the reference waveform) between two waveforms. The measurement is made between the middle reference points of the two waveforms and is expressed in degrees, where 360° represents one waveform cycle.

**PK2Pk** (peak-to-peak) finds the absolute difference between the maximum and minimum amplitude in the entire waveform or gated region. When histogram is selected with the **MEASUREMENT:METHod** command, the PK2Pk measurement measures the histogram peak to peak difference.

**PKPKJitter** measures the variance (minimum and maximum values) in the time locations of the cross point.

**PKPKNoise** measures the peak-to-peak noise on a waveform at the mid reference level.

#### **POvershoot**

The positive overshoot amplitude measurement finds the positive overshoot value over the entire waveform or gated region.

$$\text{Positive Overshoot} = (\text{Maximum} - \text{High}) / \text{Amplitude} \times 100\%$$

**PTOT** measures the top value used in extinction ratio measurements.

**PWidth** (positive width) is the distance (time) between the middle reference (default = 50%) amplitude points of a positive pulse. The measurement is made on the first pulse in the waveform or gated region.

**QFACTOR** measures the quality factor. The Q factor is a figure of merit for an eye diagram, which indicates the vertical eye opening relative to the noise at the low and high logic levels. It is the ratio of the eye size to noise.

**RISE** timing measurement finds the rise time of the waveform. The rise time is the time it takes for the leading edge of the first pulse encountered to rise from a low reference value (default is 10%) to a high reference value (default is 90%).

**RMS** amplitude measurement finds the true Root Mean Square voltage in the entire waveform or gated region.

**RMSJitter** measures the variance in the time locations of the cross point. The RMS jitter is defined as one standard deviation at the cross point.

**RMSNoise** measures the Root Mean Square noise amplitude on a waveform at the mid reference level.

**SIGMA1** (histogram measurement) measures the percentage of points in the histogram that are within one standard deviation of the histogram mean.

**SIGMA2** (histogram measurement) measures the percentage of points in the histogram that are within two standard deviations of the histogram mean.

**SIGMA3** (histogram measurement) measures the percentage of points in the histogram that are within three standard deviations of the histogram mean.

**SIXSigmaJitter** (histogram measurement) is  $6 \times \text{RMSJitter}$ .

**SNRatio** measures the signal-to-noise ratio. The signal-to-noise ratio is the amplitude of a noise rejection band centered on the mid level.

**STDdev** measures the standard deviation (Root Mean Square (RMS) deviation) of all acquired points within or on the histogram box.

**UNDEFINED** is the default measurement type, which indicates that no measurement type is specified. Once a measurement type is chosen, it can be cleared using this argument.

**WAVEFORMS** (waveform count) measures the number of waveforms used to calculate the histogram.

**Examples**     **MEASUREMENT:IMMED:TYPE FREQUENCY** defines the immediate measurement to be a frequency measurement.

**MEASUREMENT:IMMED:TYPE?** might return **:MEASUREMENT:IMMED:TYPE RMS**, indicating that the immediate measurement is the true Root Mean Square voltage.

## MEASUREMENT:IMMED:UNITS? (Query Only)

This query-only command returns the units of the immediate measurement.

**Group**     Measurement

**Syntax**     **MEASUREMENT:IMMED:UNITS?**

**Examples**     **MEASUREMENT:IMMED:UNITS?** might return **:MEASUREMENT:IMMED:UNITS "s"**, indicating that units for the immediate measurement are in seconds.

## MEASUREMENT:IMMED:VALUE? (Query Only)

This query-only command returns the value of the measurement specified by the [MEASUREMENT:IMMED:TYPE](#) command. The measurement is immediately taken on the source(s) specified by a [MEASUREMENT:IMMED:SOURCE<x>](#) command.

---

**NOTE.** A change to *CH<x>:SCALE* will not necessarily have taken affect it followed by this command.

---

**Group** Measurement

**Syntax** MEASUREMENT:IMMED:VALUE?

**Related Commands** [MEASUREMENT:IMMED:TYPE](#), [MEASUREMENT:IMMED:SOURCE<x>](#), [\\*ESR?](#), [ALLEV?](#)

**Examples** MEASUREMENT:IMMED:VALUE? might return :MEASUREMENT:IMMED:VALUE 9.9000E+37. If the measurement has an error or warning associated with it, then an item is added to the error queue. The error can be checked for with the [\\*ESR?](#) and [ALLEV?](#) commands.

## MEASUREMENT:MEAS<x>? (Query Only)

This query-only command returns all measurement parameters for the displayed measurement specified by x, which can range from 1 through 8. This query command is equivalent to selecting Measurement Setup from the Measure menu and viewing the Measurements table; then choosing the Time tab, clicking the Delay button and viewing the Delay Edge and Search Direction settings.

**Group** Measurement

**Syntax** MEASUREMENT:MEAS<x>?

**Examples** MEASUREMENT:MEAS1? might return :MEASUREMENT:MEAS1:STATE 0;TYPE UNDEFINED;UNITS "V";SOURCE1 CH1;SOURCE2 CH1;SOURCE1:SIGTYPE PULSE;:MEASUREMENT:MEAS1:SOURCE2:SIGTYPE PULSE;:MEASUREMENT:MEAS1:DELAY:EDGE1 RISE;EDGE2 RISE; DIRECTION FORWARDS;:MEASUREMENT:MEAS1:REFLEVEL:METHOD PERCENT;ABSOLUTE:HIGH 0.0000;LOW 0.0000;MID1 0.0000;MID2 0.0000;:MEASUREMENT:MEAS1:REFLEVEL:PERCENT:HIGH 90.0000;LOW

```
10.0000;MID1 50.0000;MID2 50.0000; :MEASUREMENT:MEAS1:METHOD
HISTOGRAM;NOISE HIGH.
```

## MEASUrement:MEAS<x>:COUNT? (Query Only)

This query-only command returns the number of values accumulated for this measurement since the last statistical reset. Some values may have been ignored because they generated an error. Measurements are specified by x, which ranges from 1 through 8.

**Group** Measurement

**Syntax** MEASUrement:MEAS<x>:COUNT?

**Examples** MEASUREMENT:MEAS3:COUNT? might return :MEASUREMENT:MEAS3:COUNT  
3.247000000E+03.

## MEASUrement:MEAS<x>:DELAy? (Query Only)

This query-only command returns the delay measurement parameters for the measurement specified by <x>, which ranges from 1 through 8. Measurement parameters are presented in the following order: Edge1, Edge2, and Direction. This query command is equivalent to selecting Time from the Measure menu, choosing Delay and viewing the Delay Edge and Search Direction settings.

**Group** Measurement

**Syntax** MEASUrement:MEAS<x>:DELAy?

**Examples** MEASUREMENT:MEAS3? might return :MEASUREMENT:MEAS3:DELAy:EDGE1  
RISE;EDGE2 RISE;DIRECTION FORWARDS.

## MEASUrement:MEAS<x>:DELAy:DIREction

This command sets or queries the starting point and direction that determines the delay “to” edge when taking a delay measurement. Use the [MEASUrement:MEAS<x>:SOUrce<x>](#) command to specify the waveform. This command is equivalent to selecting Time from the Measure menu, choosing Delay from the drop-down list and then clicking the desired Search Direction setting. Measurements are specified by x, which ranges from 1 through 8.

<b>Group</b>	Measurement
<b>Syntax</b>	MEASUREMENT:MEAS<x>:DELAY:DIRECTION {BACKWARDS FORWARDS} MEASUREMENT:MEAS<x>:DELAY:DIRECTION?
<b>Related Commands</b>	<a href="#">MEASUREMENT:MEAS&lt;x&gt;:SOURCE&lt;x&gt;</a>
<b>Arguments</b>	<p>BACKWARDS means that the search starts at the end of the waveform and looks for the last rising or falling edge in the waveform. Use the <a href="#">MEASUREMENT:MEAS&lt;x&gt;:DELAY:EDGE&lt;x&gt;</a> command to specify the slope of the edge.</p> <p>FORWARDS means that the search starts at the beginning of the waveform and looks for the first rising or falling edge in the waveform. Use the <a href="#">MEASUREMENT:MEAS&lt;x&gt;:DELAY:EDGE&lt;x&gt;</a> command to specify the slope of the edge.</p>
<b>Examples</b>	<p>MEASUREMENT:MEAS1:DELAY:DIRECTION BACKWARDS starts searching from the end of the waveform record.</p> <p>MEASUREMENT:MEAS3:DELAY:DIRECTION? might return :MEASUREMENT:MEAS3:DELAY:DIRECTION BACKWARDS, indicating that the current search direction is backwards.</p>

## MEASUREMENT:MEAS<x>:DELAY:EDGE<x>

This command sets or queries the slope of the edge that is used for the delay “from” waveform (edge1) and the delay “to” waveform (edge2) when taking a delay measurement. Use the MEASUREMENT:MEAS<x>:SOURCE2 command to specify the waveform. This command is equivalent to selecting Time from the Measure menu, choosing Delay from the drop-down list and then clicking the desired Delay Edge setting. Measurements are specified by x, which ranges from 1 through 8.

<b>Group</b>	Measurement
<b>Syntax</b>	MEASUREMENT:MEAS<x>:DELAY:EDGE<x> {FALL RISE} MEASUREMENT:MEAS<x>:DELAY:EDGE<x>?
<b>Related Commands</b>	<a href="#">MEASUREMENT:MEAS&lt;x&gt;:SOURCE&lt;x&gt;</a>

**Arguments** FALL specifies the falling edge of the waveform.  
RISE specifies the rising edge of the waveform.

**Examples** MEASUREMENT:MEAS3:DELAY:EDGE2 RISE specifies that the rising edge of the waveform be used for measurement 3.  
MEASUREMENT:MEAS1:DELAY:EDGE2? might return  
:MEASUREMENT:MEAS1:DELAY:EDGE2 FALL, indicating that the falling edge of the waveform is being used for measurement 1.

## MEASUREMENT:MEAS<x>:MAXIMUM? (Query Only)

This query-only command returns the maximum value found for this measurement since the last statistical reset. Measurements are specified by x, which ranges from 1 through 8.

**Group** Measurement

**Syntax** MEASUREMENT:MEAS<x>:MAXIMUM?

**Examples** MEASUREMENT:MEAS3:MAXIMUM? might return  
:MEASUREMENT:MEAS3:MAXIMUM 4.18E-9.

## MEASUREMENT:MEAS<x>:MEAN? (Query Only)

This query-only command returns the mean value accumulated for this measurement since the last statistical reset. Measurements are specified by x, which ranges from 1 through 8.

**Group** Measurement

**Syntax** MEASUREMENT:MEAS<x>:MEAN?

**Examples** MEASUREMENT:MEAS1:MEAN? might return :MEASUREMENT:MEAS1:MEAN  
514.71E-09.

## MEASUREMENT:MEAS<x>:METHOD

This command specifies or queries the method used to calculate the 0% and 100% reference level.

**Group** Measurement

**Syntax** MEASUREMENT:MEAS<x>:METHOD {HISTOGRAM|MINMAX|MEAN}  
MEASUREMENT:MEAS<x>:METHOD?

**Arguments** HISTOGRAM sets the high and low waveform levels statistically using a histogram algorithm.

MINMAX sets the high and low waveform levels to MAX and MIN, respectively.

MEAN sets the high and low waveform levels to their mean.

**Examples** MEASUREMENT:MEAS1:METHOD HISTOGRAM specifies that the high and low reference levels are set statistically.

MEASUREMENT:MEAS1:METHOD? might return :MEASUREMENT:MEAS1:METHOD MINMAX, indicating that the reference levels are set to MIN and MAX.

## MEASUREMENT:MEAS<x>:MINIMUM? (Query Only)

This query-only command returns the minimum value found for this measurement since the last statistical reset. Measurements are specified by x, which ranges from 1 through 8.

**Group** Measurement

**Syntax** MEASUREMENT:MEAS<x>:MINIMUM?

**Examples** MEASUREMENT:MEAS1:MINIMUM? might return  
:MEASUREMENT:MEAS1:MINIMUM 1.75E-09.

## MEASUREMENT:MEAS<x>:NOISE

This command sets or queries whether the noise measurement is made on the high or low level of the waveform. Sending this command is equivalent to selecting Ref Levs > Eye > Top Level or Base Level in the Comm tab of the Measurement Setup dialog box. The Eye section is displayed only if you have an eye-pattern

or optical measurement defined. Measurements are specified by x, which ranges from 1 through 8.

**Conditions** This command is only valid if the instrument has Option MTM is installed.

**Group** Measurement

**Syntax** MEASUREMENT:MEAS<x>:NOISE {HIGH|LOW}  
MEASUREMENT:MEAS<x>:NOISE?

**Arguments** HIGH argument causes the measurement for noise to be taken at the high level of the waveform.  
  
LOW argument causes the measurement for noise to be taken at the low level of the waveform.

**Examples** MEASUREMENT:MEAS1:NOISE HIGH causes the noise measurement to be made at the high level of the waveform for Measurement 1.  
  
MEASUREMENT:MEAS2:NOISE? might return :MEASUREMENT:MEAS2:NOISE LOW, indicating that Measurement 2 will measure noise at the low level of the waveform.

## MEASUREMENT:MEAS<x>:REFLEVEL? (Query Only)

This query-only command returns the current reference level parameters. It returns them in the following order: ABSOLUTE and then PERCENT for individual user measurements. Measurements are specified by x, which ranges from 1 through 8.

**Group** Measurement

**Syntax** MEASUREMENT:MEAS<x>:REFLEVEL?

**Examples** MEASUREMENT:MEAS1:REFLEVEL? might return :MEASUREMENT:MEAS1:REFLEVEL:ABSOLUTE:HIGH 1.7100E+00, indicating that the reference level is set to 1.71 V.



## MEASUREMENT:MEAS<x>:REFLevel:ABSolute:HIGH

This command sets or queries the high reference level, and is the upper reference level when [MEASUREMENT:MEAS<x>:REFLevel:METHOD](#) is set to Absolute. Measurements are specified by x, which ranges from 1 through 8.

---

**NOTE.** *This command affects the results of rise and fall measurements*

---

**Group** Measurement

**Syntax** MEASUREMENT:MEAS<x>:REFLevel:ABSolute:HIGH <NR3>  
MEASUREMENT:MEAS<x>:REFLevel:ABSolute:HIGH?

**Related Commands** [MEASUREMENT:MEAS<x>:REFLevel:METHOD](#)

**Arguments** <NR3> is the high reference level, in volts. The default is 0.0 V.

**Examples** MEASUREMENT:MEAS1:REFLEVEL:ABSOLUTE:HIGH 1.71 sets the high reference level to 1.71 V.

MEASUREMENT:MEAS1:REFLEVEL:ABSOLUTE:HIGH? might return  
:MEASUREMENT:MEAS1:REFLEVEL:ABSOLUTE:HIGH 1.7100E+00, indicating that the absolute high reference level is set to 1.71 V.

## MEASUREMENT:MEAS<x>:REFLevel:ABSolute:LOW

This command sets or queries the low reference level, and is the lower reference level when [MEASUREMENT:MEAS<x>:REFLevel:METHOD](#) is set to Absolute. Measurements are specified by x, which ranges from 1 through 8.

---

**NOTE.** *This command affects the results of rise and fall measurements.*

---

**Group** Measurement

**Syntax** MEASUREMENT:MEAS<x>:REFLevel:ABSolute:LOW <NR3>  
MEASUREMENT:MEAS<x>:REFLevel:ABSolute:LOW?

**Related Commands** [MEASUREMENT:MEAS<x>:REFLevel:METHOD](#)

**Arguments** <NR3> is the low reference level, in volts. The default is 0.0 V.

**Examples** MEASUREMENT:MEAS1:REFLEVEL:ABSOLUTE:LOW 0.0 V sets the low reference level to 0.0 V.

MEASUREMENT:MEAS1:REFLEVEL:ABSOLUTE:LOW? might return  
:MEASUREMENT:MEAS1:REFLEVEL:ABSOLUTE:LOW 0.0000E+00, indicating that the absolute low reference level is set to 0.0 V.

## MEASUREMENT:MEAS<x>:REFLEVEL:ABSOLUTE:MID<x>

This command sets or queries the mid reference level for the “to” waveform when taking a delay measurement, and is the 50% reference level when [MEASUREMENT:MEAS<x>:REFLEVEL:METHOD](#) is set to Absolute. Mid1 sets the “from” waveform and Mid2 sets the “to” waveform when taking a delay measurement. Measurements are specified by x, which ranges from 1 through 8.

---

**NOTE.** This command affects the results of period, frequency, delay, and all cyclic measurements.

---

**Group** Measurement

**Syntax** MEASUREMENT:MEAS<x>:REFLEVEL:ABSOLUTE:MID<x> <NR3>  
MEASUREMENT:MEAS<x>:REFLEVEL:ABSOLUTE:MID<x>?

**Related Commands** [MEASUREMENT:MEAS<x>:REFLEVEL:METHOD](#)

**Arguments** <NR3> is the mid reference level, in volts. The default is 0.0 V.

**Examples** MEASUREMENT:MEAS1:REFLEVEL:ABSOLUTE:MID2 0.5 sets the mid reference level for the delay waveform to 0.5 V.

MEASUREMENT:MEAS1:REFLEVEL:ABSOLUTE:MID2? might return  
:MEASUREMENT:MEAS1:REFLEVEL:ABSOLUTE:MID2 0.5000E+00, indicating that the absolute mid2 reference level is set to 0.5 V.

## MEASUREMENT:MEAS<x>:REFLEVEL:METHOD

This command specifies or queries the reference level units used for measurement calculations. This command is equivalent to selecting Reference Levels from the

Measure menu and then choosing the desired reference level from the Units group box. Measurements are specified by x, which ranges from 1 through 8.

<b>Group</b>	Measurement
<b>Syntax</b>	MEASUREMENT:MEAS<x>:REFLEVEL:METHOD {ABSOLUTE PERCENT} MEASUREMENT:MEAS<x>:REFLEVEL:METHOD?
<b>Arguments</b>	<p>ABSOLUTE specifies that the reference levels are set explicitly using the MEASUREMENT:MEAS&lt;x&gt;:REFLEVEL:ABSOLUTE commands. This method is useful when precise values are required (for example, when designing to published interface specifications, such as RS-232-C).</p> <p>PERCENT specifies that the reference levels are calculated as a percent relative to HIGH and LOW. The percentages are defined using the MEASUREMENT:MEAS&lt;x&gt;:REFLEVEL:PERCENT commands.</p>
<b>Examples</b>	<p>MEASUREMENT:MEAS1:REFLEVEL:METHOD ABSOLUTE specifies that explicit user-defined values are used for the reference levels.</p> <p>MEASUREMENT:MEAS1:REFLEVEL:METHOD? might return :MEASUREMENT:MEAS1:REFLEVEL:METHOD PERCENT, indicating that the reference level units used are calculated as a percent relative to HIGH and LOW.</p>

## MEASUREMENT:MEAS<x>:REFLEVEL:PERCENT:HIGH

This command sets or queries the percentage (where 100% is equal to HIGH) used to calculate the high reference level when [MEASUREMENT:MEAS<x>:REFLEVEL:METHOD](#) is set to Percent. Measurements are specified by x, which ranges from 1 through 8.

---

**NOTE.** *This command affects the results of rise and fall measurements.*

---

<b>Group</b>	Measurement
<b>Syntax</b>	MEASUREMENT:MEAS<x>:REFLEVEL:PERCENT:HIGH <NR3> MEASUREMENT:MEAS<x>:REFLEVEL:PERCENT:HIGH?
<b>Related Commands</b>	<a href="#">MEASUREMENT:MEAS&lt;x&gt;:REFLEVEL:METHOD</a>

<b>Arguments</b>	<NR3> is the high reference level, ranging from 0 to 100%. The default high reference level is 90%.
<b>Examples</b>	<p>MEASUREMENT:MEAS1:REFLEVEL:PERCENT:HIGH 95 sets the high reference level to 95% of HIGH.</p> <p>MEASUREMENT:MEAS1:REFLEVEL:PERCENT:HIGH? might return :MEASUREMENT:MEAS1:REFLEVEL:PERCENT:HIGH 90, indicating that the percentage high reference level is set to 90% of HIGH.</p>

## MEASUREMENT:MEAS<x>:REFLEVEL:PERCENT:LOW

This command sets or queries the percentage (where 100% is equal to HIGH) used to calculate the low reference level when [MEASUREMENT:MEAS<x>:REFLEVEL:METHOD](#) is set to Percent. This command is equivalent to selecting Reference Levels from the Measure menu, and then entering the Percentage Low Ref value. Measurements are specified by x, which ranges from 1 through 8.

---

**NOTE.** *This command affects the results of rise and fall measurements.*

---

<b>Group</b>	Measurement
<b>Syntax</b>	<p>MEASUREMENT:MEAS&lt;x&gt;:REFLEVEL:PERCENT:LOW &lt;NR3&gt;</p> <p>MEASUREMENT:MEAS&lt;x&gt;:REFLEVEL:PERCENT:LOW?</p>
<b>Related Commands</b>	<a href="#">MEASUREMENT:MEAS&lt;x&gt;:REFLEVEL:METHOD</a>
<b>Arguments</b>	<NR3> is the low reference level, ranging from 0 to 100%. The default low reference level is 10%.
<b>Examples</b>	<p>MEASUREMENT:MEAS1:REFLEVEL:PERCENT:LOW 15 sets the high reference level to 15% of HIGH.</p> <p>MEASUREMENT:MEAS1:REFLEVEL:PERCENT:LOW? might return :MEASUREMENT:MEAS1:REFLEVEL:PERCENT:LOW 10, indicating that the percentage high reference level is set to 10% of HIGH.</p>

## MEASUREMENT:MEAS<x>:REFLEVEL:PERCENT:MID<x>

This command sets or queries the percentage (where 100% is equal to HIGH) used to calculate the mid reference level for the second waveform specified

when `MEASUREMENT:MEAS<x>:REFLEVEL:METHOD` is set to Percent. Mid1 specifies the “from” waveform and Mid2 specifies the “to” waveform for delay measurements. Measurements are specified by x, which ranges from 1 through 8.

---

**NOTE.** *This command affects the results of delay measurements.*

---

**Group** Measurement

**Syntax** `MEASUREMENT:MEAS<x>:REFLEVEL:PERCENT:MID<x> <NR3>`  
`MEASUREMENT:MEAS<x>:REFLEVEL:PERCENT:MID<x>?`

**Related Commands** `MEASUREMENT:MEAS<x>:REFLEVEL:METHOD`

**Arguments** <NR3> is the mid reference level, ranging from 0 to 100%. The default mid reference level is 50%.

**Examples** `MEASUREMENT:MEAS1:REFLEVEL:PERCENT:MID2 40` sets the mid2 reference level to 40% of HIGH.

`MEASUREMENT:MEAS1:REFLEVEL:PERCENT:MID2?` might return  
`:MEASUREMENT:MEAS1:REFLEVEL:PERCENT:MID2 45`, indicating that the percentage mid2 reference level is set to 45% of HIGH.

## MEASUREMENT:MEAS<x>:SOURCE<x>

This command sets or queries the source for all single channel measurements and specifies the reference source to measure “to” when taking a delay measurement or phase measurement. Measurements are specified by x, which ranges from 1 through 8. This command is equivalent to selecting Measurement Setup from the Measure menu, selecting a measurement type of either Phase or Delay, and then choosing the desired measurement source.

Tip: Source2 measurements apply only to phase and delay measurement types, which require both a target (Source1) and reference (Source2) source.

**Group** Measurement

**Syntax** `MEASUREMENT:MEAS<x>:SOURCE<x>`  
`{CH<x> | MATH<y> | REF<x> | HISTOGRAM}`  
`MEASUREMENT:MEAS<x>:SOURCE<x>?`

**Related Commands**    [MEASUREMENT:MEAS<x>:TYPE](#)

**Arguments**    CH<x> is an input channel waveform. The x variable can be expressed as an integer ranging from 1 through 4.

MATH<y> is a math waveform. The y variable can be expressed as an integer ranging from 1 through 4.

REF<x> is a reference waveform. The x variable can be expressed as an integer ranging from 1 through 4.

HISTogram is a histogram. Histogram is valid only for source 1.

**Examples**    MEASUREMENT:MEAS4:SOURCE2 CH1 specifies CH1 as the delay “to” source when making delay measurement.

MEASUREMENT:MEAS2:SOURCE2? might return  
:MEASUREMENT:MEAS2:SOURCE2 MATH1, indicating that Math 1 is the measurement 2 source.

## MEASUREMENT:MEAS<x>:SOURCE<x>:SIGType

This command sets or queries the type of input signal used for the specified measurement slot. MEAS<x> is 1 through 8 for the measurement slot using SOURCE<x>, 1 or 2.

To ensure accurate measurements, use this command to specify the input-signal type for the measurement source.

**Conditions**    This command is only valid if the instrument has Option MTM is installed.

**Group**    Measurement

**Syntax**    MEASUREMENT:MEAS<x>:SOURCE<x>:SIGType {PULSE|EYE}  
MEASUREMENT:MEAS<x>:SOURCE<x>:SIGType?

**Arguments**    PULSE is for generic signals that are not associated with synchronous communications standards.

EYE is for synchronous-communication signals with NRZ-like characteristics (nonreturn to zero).

**Examples**    MEASUREMENT:MEAS5:SOURCE1:SIGTYPE PULSE selects Pulse as the signal type associated with source 1 for measurement slot 5.

MEASUREMENT:MEAS2:SOURCE1:SIGTYPE? might return  
:MEASUREMENT:MEAS2:SOURCE1:SIGTYPE EYE, indicating that the  
signal type associated with source 1 of measurement slot 2 is EYE.

## MEASUREMENT:MEAS<x>:STATE

This command sets or queries whether the specified measurement slot is computed and displayed. The measurement slot is specified by x, which ranges from 1 through 8. This command is equivalent to selecting Measurement Setup from the Measure menu and then clicking the Display button.

For a measurement to display, you must have selected a source waveform and defined the measurement you want to take and display. You select the measurement using the [MEASUREMENT:MEAS<x>:SOURCE<x>](#) command. You define the measurement type using the [MEASUREMENT:MEAS<x>:TYPE](#) command.

**Group** Measurement

**Syntax** MEASUREMENT:MEAS<x>:STATE {OFF|ON|<NR1>}  
MEASUREMENT:MEAS<x>:STATE?

**Related Commands** [MEASUREMENT:MEAS<x>:SOURCE<x>](#), [MEASUREMENT:MEAS<x>:TYPE](#)

**Arguments** OFF disables calculation and display of the specified measurement slot.  
ON enables calculation and display of the specified measurement slot.  
<NR1> = 0 disables calculation and display of the specified measurement slot; any other value enables calculation and display of the specified measurement slot.

**Examples** MEASUREMENT:MEAS2:STATE ON computes and displays the measurement defined as measurement 2.  
MEASUREMENT:MEAS1:STATE? might return :MEASUREMENT:MEAS1:STATE 0, indicating that measurement defined for measurement slot 1 is disabled.

## MEASUREMENT:MEAS<x>:STDdev? (Query Only)

This query-only command returns the standard deviation of values accumulated for this measurement since the last statistical reset. Measurements are specified by x, which ranges from 1 through 8.

<b>Group</b>	Measurement
<b>Syntax</b>	MEASUREMENT:MEAS<x>:STDdev?
<b>Examples</b>	MEASUREMENT:MEAS1:STDDEV? might return :MEASUREMENT:MEAS1:STDDEV 21.0E-12.

## MEASUREMENT:MEAS<x>:TYPE

This command sets or queries the measurement type defined for the specified measurement slot. The measurement slot is specified by x, which ranges from 1 through 8. This command is equivalent to selecting Measurement Setup from the Measure menu and then choosing the desired measurement type.

<b>Group</b>	Measurement
<b>Syntax</b>	MEASUREMENT:MEAS<x>:TYPE {AMPLitude AREa BURSt CAREa CMEan CRMS DELay DISTDuty EXTINCTDB EXTINCTPCT EXTINCTRATIO EYEHEight EYEWIdth FALL FREQUency HIGH HITS LOW MAXimum MEAN MEDIan MINIMUM NCROSS NDuty NOVershoot NWIdth PBASE PCROSS PCTCROSS PDuty PEAKHits PERIOD PHase PK2Pk PKPKJitter PKPKNoise POVershoot PTOP PWidth QFACTOR RISE RMS RMSJitter RMSNoise SIGMA1 SIGMA2 SIGMA3 SIXSigmaJit SNRatio STDdev UNDEFINED  WAVEFORMS} MEASUREMENT:MEAS<x>:TYPE?
<b>Arguments</b>	<p><b>AMPLitude</b> measures the amplitude of the selected waveform. In other words, it measures the high value less the low value measured over the entire waveform or gated region.</p> $\textit{Amplitude} = \textit{High} - \textit{Low}$ <p><b>AREa</b> measures the voltage over time. The area is over the entire waveform or gated region and is measured in volt-seconds. The area measured above the ground is positive, while the area below ground is negative.</p> <p><b>BURSt</b> measures the duration of a burst. The measurement is made over the entire waveform or gated region.</p> <p><b>CAREa</b> (cycle area) measures the voltage over time. In other words, it measures, in volt-seconds, the area over the first cycle in the waveform or the first cycle in the gated region. The area measured above the common reference point is positive, while the area below the common reference point is negative.</p>



**CMEan** (cycle mean) measures the arithmetic mean over the first cycle in the waveform or the first cycle in the gated region.

**CRMS** (cycle rms) measures the true Root Mean Square voltage over the first cycle in the waveform or the first cycle in the gated region.

**DElay** measures the time between the middle reference (default = 50%) amplitude point of the source waveform and the destination waveform.

**DISTDuty** (duty cycle distortion) measures the time between the falling edge and the rising edge of the eye pattern at the mid reference level. It is the peak-to-peak time variation of the first eye crossing measured at the mid-reference as a percent of the eye period.

**EXTINCTDB** measures the extinction ratio of an optical waveform (eye diagram). Extinction Ratio (dB) measures the ratio of the average power levels for the logic High to the logic Low of an optical waveform and expresses the result in dB. This measurement only works for fast acquisition signals or a reference waveform saved in fast acquisition mode.

$$\text{Extinction dB} = 10 \times (\log 10 (\text{High} / \text{Low}))$$

**EXTINCTPCT** measures the extinction ratio of the selected optical waveform. Extinction Ratio (%) measures the ratio of the average power levels for the logic Low (off) to the logic (High) (on) of an optical waveform and expresses the result in percent. This measurement only works for fast acquisition signals or a reference waveform saved in fast acquisition mode.

$$\text{Extinction \%} = 100.0 \times (\text{Low} / \text{High})$$

**EXTINCTRATIO** measures the extinction ratio of the selected optical waveform. Extinction Ratio measures the ratio of the average power levels for the logic High to the logic Low of an optical waveform and expresses the result without units. This measurement only works for fast acquisition signals or a reference waveform saved in fast acquisition mode. Extinction ratios greater than 100 or less than 1 generate errors; low must be greater than or equal to 1  $\mu$ W.

$$\text{Extinction Ratio} = (\text{High} / \text{Low})$$

**EYEheight** measures the vertical opening of an eye diagram in volts.

**EYEWidth** measures the width of an eye diagram in seconds.

**FALL** measures the time taken for the falling edge of the first pulse in the waveform or gated region to fall from a high reference value (default is 90%) to a low reference value (default is 10%).

**FREQUENCY** measures the first cycle in the waveform or gated region. Frequency is the reciprocal of the period and is measured in hertz (Hz), where 1 Hz = 1 cycle per second.

**HIGH** measures the High reference (100% level, sometimes called Topline) of a waveform.

You can also limit the High measurement (normally taken over the entire waveform record) to a gated region on the waveform.

**HITS** (histogram hits) measures the number of points in or on the histogram box.

**LOW** measures the Low reference (0% level, sometimes called Baseline) of a waveform.

**MAXimum** finds the maximum amplitude. This value is the most positive peak voltage found. It is measured over the entire waveform or gated region. When histogram is selected with the **MEASUREMENT:METHOD** command, the maximum measurement measures the voltage of the highest nonzero bin in vertical histograms or the time of the right-most bin in horizontal histograms.

**MEAN** amplitude measurement finds the arithmetic mean over the entire waveform or gated region. When histogram is selected with the **MEASUREMENT:METHOD** command, the mean measurement measures the average of all acquired points within or on the histogram.

**MEDian** (histogram measurement) measures the middle point of the histogram box. Half of all acquired points within or on the histogram box are less than this value and half are greater than this value.

**MINimum** finds the minimum amplitude. This value is typically the most negative peak voltage. It is measured over the entire waveform or gated region. When histogram is selected with the **MEASUREMENT:METHOD** command, the minimum measurement measures the lowest nonzero bin in vertical histograms or the time of the left-most nonzero bin in the horizontal histograms.

**NCROSS** (timing measurement) measures the time from the trigger point to the first falling edge of the waveform or gated region. The distance (time) is measured at the middle reference amplitude point of the signal.

**NDuty** (negative duty cycle) is the ratio of the negative pulse width to the signal period, expressed as a percentage. The duty cycle is measured on the first cycle in the waveform or gated region.

$$\text{Negative Duty Cycle} = (\text{Negative Width}) / \text{Period} \times 100\%$$

**NOvershoot** (negative overshoot) finds the negative overshoot value over the entire waveform or gated region.

$$\text{Negative Overshoot} = (\text{Low} - \text{Minimum}) / \text{Amplitude} \times 100\%$$

**NWIdth** (negative width) measurement is the distance (time) between the middle reference (default = 50%) amplitude points of a negative pulse. The measurement is made on the first pulse in the waveform or gated region.

**PBASE** measures the base value used in extinction ratio measurements.

**PCROSS** (timing measurement) measures the time from the trigger point to the first positive edge of the waveform or gated region. The distance (time) is measured at the middle reference amplitude point of the signal.

PCTCROSS measures the location of the eye crossing point expressed as a percentage of EYEHeight.

$$\text{Crossing percent} = 100 \times [(\text{eye-crossing-point} - \text{PBASe}) / (\text{PTOP} - \text{PBASe})]$$

PDuty (positive duty cycle) is the ratio of the positive pulse width to the signal period, expressed as a percentage. It is measured on the first cycle in the waveform or gated region.

$$\text{Positive Duty Cycle} = (\text{Positive Width}) / \text{Period} \times 100\%$$

PEAKHits measures the number of points in the largest bin of the histogram.

PERIOD is the time required to complete the first cycle in a waveform or gated region. Period is the reciprocal of frequency and is measured in seconds.

PHASE measures the phase difference (amount of time a waveform leads or lags the reference waveform) between two waveforms. The measurement is made between the middle reference points of the two waveforms and is expressed in degrees, where 360° represents one waveform cycle.

PK2Pk (peak-to-peak) finds the absolute difference between the maximum and minimum amplitude in the entire waveform or gated region. When histogram is selected with the [MEASUREMENT:METHOD](#) command, the PK2Pk measurement measures the histogram peak to peak difference.

PKPKJitter measures the variance (minimum and maximum values) in the time locations of the cross point.

PKPKNoise measures the peak-to-peak noise on a waveform at the mid reference level.

#### POvershoot

The positive overshoot amplitude measurement finds the positive overshoot value over the entire waveform or gated region.

$$\text{Positive Overshoot} = (\text{Maximum} - \text{High}) / \text{Amplitude} \times 100\%$$

PTOT measures the top value used in extinction ratio measurements.

PWidth (positive width) is the distance (time) between the middle reference (default = 50%) amplitude points of a positive pulse. The measurement is made on the first pulse in the waveform or gated region.

QFACTOR measures the quality factor. The Q factor is a figure of merit for an eye diagram, which indicates the vertical eye opening relative to the noise at the low and high logic levels. It is the ratio of the eye size to noise.

RISe timing measurement finds the rise time of the waveform. The rise time is the time it takes for the leading edge of the first pulse encountered to rise from a low reference value (default is 10%) to a high reference value (default is 90%).

RMS amplitude measurement finds the true Root Mean Square voltage in the entire waveform or gated region.

**RMSJitter** measures the variance in the time locations of the cross point. The RMS jitter is defined as one standard deviation at the cross point.

**RMSNoise** measures the Root Mean Square noise amplitude on a waveform at the mid reference level.

**SIGMA1** (histogram measurement) measures the percentage of points in the histogram that are within one standard deviation of the histogram mean.

**SIGMA2** (histogram measurement) measures the percentage of points in the histogram that are within two standard deviations of the histogram mean.

**SIGMA3** (histogram measurement) measures the percentage of points in the histogram that are within three standard deviations of the histogram mean.

**SIXSigmajit** (histogram measurement) is  $6 \times \text{RMSJitter}$ .

**SNRatio** measures the signal-to-noise ratio. The signal-to-noise ratio is the amplitude of a noise rejection band centered on the mid level.

**STDdev** measures the standard deviation (Root Mean Square (RMS) deviation) of all acquired points within or on the histogram box.

**UNDEFINED** is the default measurement type, which indicates that no measurement type is specified. Once a measurement type is chosen, it can be cleared using this argument.

**WAVEFORMS** (waveform count) measures the number of waveforms used to calculate the histogram.

**Examples** `MEASUREMENT:MEAS2:TYPE FREQUENCY` defines measurement 2 as a measurement of the frequency of a waveform.

`MEASUREMENT:MEAS1:TYPE?` might return `:MEASUREMENT:MEAS1:TYPE RMS`, indicating that measurement 1 is defined to measure the RMS value of a waveform.

## MEASUREMENT:MEAS<x>:UNITS? (Query Only)

This query-only command returns the units associated with the specified measurement. Measurements are specified by *x*, which ranges from 1 through 8.

**Group** Measurement

**Syntax** `MEASUREMENT:MEAS<x>:UNITS?`

**Related Commands** [MEASUREMENT:MEAS<x>:TYPE](#)

**Examples** MEASUREMENT:MEAS1:UNITS? might return :MEASUREMENT:MEAS1:UNITS %, indicating units for measurement 1 are set to percent.

## MEASUREMENT:MEAS<x>:VALUE? (Query Only)

This query-only command returns the value that has been calculated for the measurement specified by <x>, which ranges from 1 through 8. This command is equivalent to selecting Display Statistics from the Measure menu and then choosing Value from the drop-down list to display *all* measurement values on-screen.

---

**NOTE.** *This is the displayed value in the on-screen display. If measurement statistics are enabled, a new value is calculated with every waveform. In addition, this value is updated about every 1/3 second. If you are acquiring a long acquisition record, the instrument may take longer to update.*

---

**Group** Measurement

**Syntax** MEASUREMENT:MEAS<x>:VALUE?

**Related Commands** MEASUREMENT:MEAS<x>:UNITS?, \*ESR?, ALLEv?

**Examples** MEASUREMENT:MEAS1:VALUE? might return :MEASUREMENT:MEAS1:VALUE 2.8740E-06. If the measurement has an error or warning associated with it, then an item is added to the error queue. The error can be checked for with the \*ESR? and ALLEv? commands.

## MEASUREMENT:METHOd

This command sets or queries the method used to calculate the 0% and 100% reference level. This command is equivalent to selecting Reference Levels from the Measure menu and then choosing the desired Determine Base, Top From setting.

**Group** Measurement

**Syntax** MEASUREMENT:METHOd {HISTogram|MEAN|MINMax}  
MEASUREMENT:METHOd?

**Related Commands**    [MEASUREMENT:REFLevel:PERCent:HIGH](#), [MEASUREMENT:REFLevel:PERCent:LOW](#), [MEASUREMENT:REFLevel:PERCent:MID<x>](#),

**Arguments**    **HISTogram** sets the high and low reference levels to the most common values either above or below the mid point, depending on whether the high reference point or the low reference point is being defined. Because the statistical approach ignores short-term aberrations, such as overshoot or ringing, the histogram method is the best setting for examining pulses.

**MEAN** sets the high and low reference levels to the mean values using all values either above or below the midpoint, depending of whether it is defining the high or low reference level. The selection is best used for examining eye patterns.

**MINMax** uses the highest and lowest values of the waveform record. This selection is best for examining waveforms with no large, flat portions of a common value, such as sine waves and triangle waves.

**Examples**    `MEASUREMENT:METHOD HISTOGRAM` specifies that the high and low reference levels are set statistically.

`MEASUREMENT:METHOD?` might return `:MEASUREMENT:METHOD MINMAX`, indicating that the reference levels are set to MIN and MAX.

## MEASUREMENT:NOISE

This command sets or queries whether the noise measurement is made on the high or low level of the waveform. Sending this command is equivalent to selecting Ref Levs > Eye > Top Level or Base Level in the Comm tab of the Measurement Setup dialog box. The Eye section is displayed only if you have an eye-pattern or optical measurement defined.

**Conditions**    This command is only valid if the instrument has Option MTM is installed

**Group**    Measurement

**Syntax**    `MEASUREMENT:NOISE {HIGH|LOW}`  
`MEASUREMENT:NOISE?`

**Arguments**    **HIGH** argument causes the measurement for noise to be taken at the high level of the waveform.

**LOW** argument causes the measurement for noise to be taken at the low level of the waveform.

**Examples** MEASUREMENT:NOISE HIGH causes the noise measurement to be made at the high level of the waveform.

MEASUREMENT:NOISE? might return :MEASUREMENT:NOISE LOW, indicating that the noise measurement will be made at the low level of the waveform.

## MEASUREMENT:REFLevel:ABSolute:HIGH

This command sets or queries the high reference level, and is the upper reference level when [MEASUREMENT:REFLevel:METHOD](#) is set to Absolute. This command affects the results of rise and fall measurements and is equivalent to selecting Reference Levels from the Measure menu, and then entering the Absolute High Ref value.

---

**NOTE.** *this command affects the associated reference level parameter for all MEASUREMENT:IMMed and the eight periodic measurements. To change the parameter for individual measurements, use the MEASUREMENT:MEAS<x>:REFLevel commands.*

---

**Group** Measurement

**Syntax** MEASUREMENT:REFLevel:ABSolute:HIGH <NR3>  
MEASUREMENT:REFLevel:ABSolute:HIGH?

**Related Commands** [MEASUREMENT:REFLevel:METHOD](#), [MEASUREMENT:IMMed:TYPE](#), [MEASUREMENT:MEAS<x>:TYPE](#)

**Arguments** <NR3> is the high reference level, in volts. The default is 0.0 V.

**Examples** MEASUREMENT:REFLEVEL:ABSOLUTE:HIGH 1.71 sets the high reference level to 1.71 V.

MEASUREMENT:REFLEVEL:ABSOLUTE:HIGH? might return  
:MEASUREMENT:REFLEVEL:ABSOLUTE:HIGH 1.7100E+00,  
indicating that the absolute high reference level is set to 1.71 V.

## MEASUREMENT:REFLevel:ABSolute:LOW

This command sets or queries the low reference level, and is the lower reference level when [MEASUREMENT:REFLevel:METHOD](#) is set to Absolute. This command affects the results of rise and fall measurements and is equivalent

to selecting Reference Levels from the Measure menu, and then entering the Absolute Low Ref value.

---

**NOTE.** *this command affects the associated reference level parameter for all MEASurements:IMMed and the eight periodic measurements. To change the parameter for individual measurements, use the MEASUrement:MEAS<x>:REFLevel commands.*

---

**Group** Measurement

**Syntax** MEASUrement:REFLevel:ABSolute:LOW <NR3>  
MEASUrement:REFLevel:ABSolute:LOW?

**Related Commands** [MEASUrement:REFLevel:METHOD](#), [MEASUrement:IMMed:TYPE](#), [MEASUrement:MEAS<x>:TYPE](#)

**Arguments** <NR3> is the low reference level, in volts. The default is 0.0 V.

**Examples** MEASUREMENT:REFLEVEL:ABSOLUTE:LOW 0.0 sets the low reference level to 0.0 V.

MEASUREMENT:REFLEVEL:ABSOLUTE:LOW? might return  
:MEASUREMENT:REFLEVEL:ABSOLUTE:LOW 0.0000E+00, indicating that the absolute low reference level is set to 0.0 V.

## MEASUrement:REFLevel:ABSolute:MID<x>

This command sets or queries the mid reference level for the “from” waveform (mid1) and the “to” waveform (mid2) when taking a delay measurement, and is the 50% reference level when [MEASUrement:REFLevel:METHOD](#) is set to Absolute. This command affects the results of period, frequency, delay, and all cyclic measurements and is equivalent to selecting Reference Levels from the Measure menu, and then entering the Absolute Mid2 Ref value.

---

**NOTE.** *This command affects the associated reference level parameter for all MEASurements:IMMed and the eight periodic measurements. To change the parameter for individual measurements, use the MEASUrement:MEAS<x>:REFLevel commands.*

---

**Group** Measurement



**Syntax** MEASUREMENT:REFLEVEL:ABSOLUTE:MID<x> <NR3>  
MEASUREMENT:REFLEVEL:ABSOLUTE:MID<x>?

**Related Commands** [MEASUREMENT:REFLEVEL:METHOD](#)

**Arguments** <NR3> is the mid reference level, in volts. The default is 0.0 V.

**Examples** MEASUREMENT:REFLEVEL:ABSOLUTE:MID2 0.5 sets the mid reference level for the delay waveform to 0.5 V.

MEASUREMENT:REFLEVEL:ABSOLUTE:MID2? might return  
:MEASUREMENT:REFLEVEL:ABSOLUTE:MID2 0.5000E+00, indicating that the absolute mid2 reference level is set to 0.5 V.

## MEASUREMENT:REFLEVEL:METHOD

This command specifies or queries the reference level units used for measurement calculations. This command is equivalent to selecting Reference Levels from the Measure menu, and then choosing the desired reference level from the Units group box.

---

**NOTE.** *This command affects the associated reference level parameter for all MEASUREMENTS:IMMED and the eight periodic measurements. To change the parameter for individual measurements, use the MEASUREMENT:MEAS<x>:REFLEVEL commands.*

---

**Group** Measurement

**Syntax** MEASUREMENT:REFLEVEL:METHOD {ABSOLUTE|PERCENT}  
MEASUREMENT:REFLEVEL:METHOD?

**Arguments** ABSOLUTE specifies that the reference levels are set explicitly using the MEASUREMENT:REFLEVEL:ABSOLUTE commands. This method is useful when precise values are required (for example, when designing to published interface specifications, such as RS-232-C).

PERCENT specifies that the reference levels are calculated as a percent relative to HIGH and LOW. The percentages are defined using the MEASUREMENT:REFLEVEL:PERCENT commands.

**Examples** MEASUREMENT:REFLEVEL:METHOD ABSOLUTE specifies that explicit user-defined values are used for the reference levels.

MEASUREMENT:REFLEVEL:METHOD? might return  
 :MEASUREMENT:REFLEVEL:METHOD PERCENT, indicating that the reference  
 level units used are calculated as a percent relative to HIGH and LOW.

## MEASUREMENT:REFLEVEL:PERCENT:HIGH

This command sets or queries the percent (where 100% is equal to HIGH) that is used to calculate the high reference level when [MEASUREMENT:REFLEVEL:METHOD](#) is set to Percent. This command affects the results of rise and fall measurements and is equivalent to selecting Reference Levels from the Measure menu, and then entering the Percentage High Ref value.

---

**NOTE.** This command affects the associated reference level parameter for all MEASUREMENTS:IMMED and the eight periodic measurements. To change the parameter for individual measurements, use the MEASUREMENT:MEAS<x>:REFLEVEL commands.

---

<b>Group</b>	Measurement
<b>Syntax</b>	MEASUREMENT:REFLEVEL:PERCENT:HIGH <NR3> MEASUREMENT:REFLEVEL:PERCENT:HIGH?
<b>Related Commands</b>	<a href="#">MEASUREMENT:REFLEVEL:METHOD</a> , <a href="#">MEASUREMENT:IMMED:TYPE</a> , <a href="#">MEASUREMENT:MEAS&lt;x&gt;:TYPE</a>
<b>Arguments</b>	<NR3> is the high reference level, ranging from 0 to 100%. The default high reference level is 90%.
<b>Examples</b>	MEASUREMENT:REFLEVEL:PERCENT:HIGH 95 sets the high reference level to 95% of HIGH.  MEASUREMENT:REFLEVEL:PERCENT:HIGH ? might return :MEASUREMENT:REFLEVEL:PERCENT:HIGH 90, indicating that the percentage high reference level is set to 90% of HIGH.

## MEASUREMENT:REFLEVEL:PERCENT:LOW

This command sets or queries the percent (where 100% is equal to HIGH) that is used to calculate the low reference level when [MEASUREMENT:REFLEVEL:METHOD](#) is set to Percent. This command affects the results of rise and fall measurements and is equivalent to selecting Reference Levels from the Measure menu, and then entering the Percentage Low Ref value.

---

**NOTE.** This command affects the associated reference level parameter for all MEASurements:IMMed and the eight periodic measurements. To change the parameter for individual measurements, use the MEASUrement:MEAS<x>:REFLevel commands.

---

<b>Group</b>	Measurement
<b>Syntax</b>	MEASUrement:REFLevel1:PERCent:LOW <NR3> MEASUrement:REFLevel1:PERCent:LOW?
<b>Related Commands</b>	MEASUrement:REFLevel:METhod, MEASUrement:IMMed:TYPe, MEASUrement:MEAS<x>:TYPe
<b>Arguments</b>	<NR3> is the low reference level, ranging from 0 to 100%. The default low reference level is 10%.
<b>Examples</b>	MEASUREMENT:REFLEVEL:PERCENT:LOW 15 sets the high reference level to 15% of HIGH.  MEASUREMENT:REFLEVEL:PERCENT:LOW? might return :MEASUREMENT:REFLEVEL:PERCENT:LOW 10, indicating that the percentage high reference level is set to 10% of HIGH.

## MEASUrement:REFLevel:PERCent:MID<x>

This command sets or queries the percent (where 100% is equal to HIGH) that is used to calculate the mid reference level when MEASUrement:REFLevel:METhod is set to Percent. Mid1 specifies the percent for the first waveform and Mid2 specifies the percent for the second waveform specified for delay measurements. This command affects the results of period, frequency, delay, and all cyclic measurements and is equivalent to selecting Reference Levels from the Measure menu, and then entering the Percentage Mid Ref value.

---

**NOTE.** This command affects the associated reference level parameter for all MEASurements:IMMed and the eight periodic measurements. To change the parameter for individual measurements, use the MEASUrement:MEAS<x>:REFLevel commands.

---

**Group** Measurement

**Syntax**      `MEASUREMENT:REFLEVEL:PERCENT:MID<x> <NR3>`  
`MEASUREMENT:REFLEVEL:PERCENT:MID<x>?`

**Related Commands**      [MEASUREMENT:REFLEVEL:METHOD](#)

**Arguments**      <NR3> is the mid reference level, ranging from 0 to 100%. The default mid reference level is 50%.

**Examples**      `MEASUREMENT:REFLEVEL:PERCENT:MID2 40` sets the mid2 reference level to 40% of HIGH.

`MEASUREMENT:REFLEVEL:PERCENT:MID2?` might return  
`:MEASUREMENT:REFLEVEL:PERCENT:MID2 45`, indicating that the percentage mid2 reference level is set to 45% of HIGH.

## MEASUREMENT:SOURCE<x>:SIGTYPE

This command sets or queries the type of input signal used for measurement SOURCE<x>, 1 or 2.

To ensure accurate measurements, use this command to specify the input-signal type for the measurement source.

**Conditions**      This command is valid only if the instrument has Option MTM is installed

**Group**      Measurement

**Syntax**      `MEASUREMENT:SOURCE<x>:SIGTYPE {PULSE|EYE}`  
`MEASUREMENT:SOURCE<x>:SIGTYPE?`

**Arguments**      PULSE is for generic signals that are not associated with synchronous communications standards.

EYE is for synchronous-communication signals with NRZ-like characteristics (nonreturn to zero).

**Examples**      `MEASUREMENT:SOURCE1:SIGTYPE PULSE` selects Pulse as the signal type for source 1.

`MEASUREMENT:SOURCE1:SIGTYPE?` might return  
`:MEASUREMENT:SOURCE1:SIGTYPE EYE`, indicating that the signal type for source 1 is EYE.

## MEASUREMENT:STATISTICS:COUNT (No Query Form)

This command (no query form) clears existing measurement statistics from memory. This command is equivalent to selecting Measurement Setup from the Measure menu, selecting Statistics, and clicking the Reset button.

**Group** Measurement

**Syntax** MEASUREMENT:STATISTICS:COUNT {RESET}

**Related Commands** [MEASUREMENT:STATISTICS:MODE](#)

**Arguments** RESET clears existing measurement statistics from memory.

**Examples** MEASUREMENT:STATISTICS:COUNT RESET resets the count of the statistics measurement to zero, clears the measurement statistics from memory, and restarts the calculation.

## MEASUREMENT:STATISTICS:MODE

This command controls the operation and display of measurement statistics. This command is equivalent to selecting Measurement Setup from the Measure menu, clicking the Statistics button and then choosing the desired Measurement Format.

**Group** Measurement

**Syntax** MEASUREMENT:STATISTICS:MODE  
{OFF|ALL|VALUEMean|MINMax|MEANSTDdev}  
MEASUREMENT:STATISTICS:MODE?

**Related Commands** [MEASUREMENT:STATISTICS:WEIGHTING](#)

**Arguments** OFF turns off all measurements. This is the default value.

ALL turns on statistics and displays all statistics for each measurement.

VALUEMean turns on statistics and displays the value and the mean ( $\mu$ ) of each measurement.

MINMax turns on statistics and displays the min and max of each measurement.

MEANSTDdev turns on statistics and displays the mean and standard deviation of each measurement.

**Examples** MEASUREMENT:STATISTICS:MODE OFF turns off statistic measurements.  
MEASUREMENT:STATISTICS:MODE? might return  
:MEASUREMENT:STATISTICS:MODE ALL, indicating that measurement statistics are turned on and all statistics are being displayed for each measurement.

## MEASUREMENT:STATISTICS:WEIGHTING

This command sets or queries the time constant for mean and standard deviation statistical accumulations. This command is equivalent to selecting Measurement Setup from the Measure menu, clicking the Statistics button and entering the desired Weight n= value.

**Group** Measurement

**Syntax** MEASUREMENT:STATISTICS:WEIGHTING <NR1>  
MEASUREMENT:STATISTICS:WEIGHTING?

**Related Commands** [MEASUREMENT:STATISTICS:MODE](#)

**Arguments** <NR1> is the time constant for the mean and standard deviation statistical accumulations.

**Examples** MEASUREMENT:STATISTICS:WEIGHTING 4 sets statistical weighting to 4.  
MEASUREMENT:STATISTICS:WEIGHTING? might return  
:MEASUREMENT:STATISTICS:WEIGHTING 4, indicating that measurement statistics weighting is currently set to 4.

## NEWpass (No Query Form)

This command (no query form) changes the password that enables access to password protected data. The PASSWORD command must be successfully executed before using this command or an execution error will be generated.

**Group** Miscellaneous

**Syntax**    NEWpass <QString>

**Related Commands**    [PASSWord](#), [\\*PUD](#)

**Arguments**    <QString> is the new password, which can contain up to 10 characters.

**Examples**    NEWPASS "mypassword" creates a new password (mypassword) for accessing your protected data.

## \*OPC

This command generates the operation complete message in the Standard Event Status Register (SESR) when all pending commands that generate an OPC message are complete. The \*OPC? query places the ASCII character “1” into the output queue when all such OPC commands are complete. The \*OPC? response is not available to read until all pending operations finish. For a complete discussion of the use of these registers and the output queue, see Registers and Queues.

The \*OPC command allows you to synchronize the operation of the instrument with your application program. For more information, see Synchronization Methods.

**Table 2-18: Commands that Generate an OPC Message**

Operation	Command
Single sequence acquisition	<a href="#">ACQUIRE:STATE ON</a> or <a href="#">ACQUIRE:STATE RUN</a> or <a href="#">ACQUIRE:STATE 1</a> (when <a href="#">ACQUIRE:STOPAfter</a> is set to <a href="#">SEQUENCE</a> )
Starts diagnostics	<a href="#">DIAG:EXECUTE</a>
Calibration step	Refer to the Service Manual.
Test execution	<a href="#">TEST</a>
Recall setup	<a href="#">*RST, FACTORY, TEKSecure</a> <a href="#">*RCL, RECALL:SETUP</a>

**Group**    Status and Error

**Syntax**    \*OPC  
              \*OPC?

**Related Commands**    [BUSY?](#), [\\*WAI](#)

- Examples** \*OPC generates the operation complete message in the SESR at the completion of all pending OPC operations.
- \*OPC? might return 1 to indicate that all pending OPC operations are finished.

## \*OPT? (Query Only)

This query-only command returns a list of the options installed in your instrument.

- Group** Status and Error
- Syntax** \*OPT?
- Examples** \*OPT? might return :3M:16 Meg Max 4M/CH.

## PASSWord (No Query Form)

This command (no query form) enables the \*PUD and NEWpass set commands. Sending PASSWord without any arguments disables these same commands. Once the password is successfully entered, the \*PUD and NEWpass commands are enabled until the instrument is powered off, or until the FACTory command, the PASSWord command with no arguments, or the \*RST command is issued.

To change the password, you must first enter the valid password with the PASSWord command and then change to your new password with the NEWpass command. Remember that the password is case sensitive.

- Group** Miscellaneous
- Syntax** PASSWord <QString>
- Related Commands** [NEWpass](#), [\\*PUD](#)
- Arguments** <QString> is the password, which can contain up to 10 characters. The factory default password is "XYZZY" and is always valid.
- Examples** PASSWORD "XYZZY" enables the \*PUD and NEWPass set commands.
- PASSWORD disables the \*PUD and NEWPass set commands. You can still use the query version of \*PUD.



## \*PSC

This command sets and queries the power-on status flag that controls the automatic power-on handling of the DESER, SRER, and ESER registers. When \*PSC is true, the DESER register is set to 255 and the SRER and ESER registers are set to 0 at power-on. When \*PSC is false, the current values in the DESER, SRER, and ESER registers are preserved in nonvolatile memory when power is shut off and are restored at power-on.

**Group** Status and Error

**Syntax** \*PSC {OFF|ON|<NR1>}  
\*PSC?

**Related Commands** DESE, \*ESE, FACtory, \*RST, \*SRE

**Arguments** OFF sets the power-on status clear flag to false, disables the power-on clear and allows the instrument to possibly assert SRQ after power-on.

ON sets the power-on status clear flag to true, enabling the power-on status clear and prevents any SRQ assertion after power on.

<NR1> = 0 sets the power-on status clear flag to false, disables the power-on clear and allows the instrument to possibly assert SRQ after power-on; any other value sets the power-on status clear flag to true, enabling the power-on status clear and prevents any SRQ assertion after power on.

**Examples** \*PSC 0 sets the power-on status clear flag to false.

\*PSC? might return 1 to indicate that the power-on status clear flag is set to true.

## \*PUD

This command sets or queries a string of Protected User Data. This data is protected by the PASSWord command. You can modify it only by first entering the correct password. This password is not necessary to query the data.

**Group** Status and Error

**Syntax** \*PUD {<Block>|<QString>}  
\*PUD?

**Related Commands**    [PASSWord](#)

**Arguments**    <Block> is a block containing up to 100 characters.  
                   <QString> is a string containing up to 100 characters.

**Examples**    \*PUD #229This instrument belongs to me stores the string “This instrument belongs to me” in the user protected data area.  
                   \*PUD? might return #221PROPERTY OF COMPANY X.

## \*RCL (No Query Form)

This command (no query form) restores the state of the instrument from a copy of the settings stored in memory (The settings are stored using the \*SAV command). If ‘factory’ is referenced (by specifying ‘0’), the factory default values will be restored.

This command is equivalent to RECALL:SETup and performs the same function as selecting Recall from the File menu, and then pressing the Setup button.

**Group**    Save and Recall

**Syntax**    \*RCL <NR1>

**Related Commands**    [DELEte:SETUp](#), [FACTory](#), [\\*LRN?](#), [RECALL:SETUp](#), [\\*RST](#), [\\*SAV](#), [SAVE:SETUp](#)

**Arguments**    <NR1> specifies a setup storage location value ranging from 0 through 10. Using an out-of-range value causes an execution error.

**Examples**    \*RCL 3 restores the instrument from a copy of the settings stored in memory location 3.

## RECALL:MASK (No Query Form)

This command (no query form) recalls a stored mask as the User mask.

**Group**    Mask

**Syntax**    RECALL:MASK <QString>

**Related Commands**    [SAVe:MASK](#)

**Arguments**    <QString> is a quoted string that defines the file name and path from where the mask will be recalled. Input the file path using the form <drive>/<dir>/<filename>. <drive> and one or more <dir>s are optional. If you do not specify them, the instrument will read the mask from the default directory. <filename> stands for a filename of up to 128 characters (use of wildcard characters in filenames is not supported). Filename extensions are not required but are highly recommended.

The file is stored in ASCII format and is user-editable.

**Examples**    RECALL:MASK "TEST" recalls the mask stored in the file named TEST as the User mask.

## RECALL:SETUp (No Query Form)

This command (no query form) returns stored or factory settings to the instrument from a copy of the settings stored in memory. If factory is referenced (by specifying '0'), the factory default values will be restored. This command is equivalent to \*RCL and performs the same function as selecting Recall from the File menu, and then choosing the Setup button.

**Group**    Save and Recall

**Syntax**    RECALL:SETUp {FACTory|<NR1>|<file path>}

**Related Commands**    [FACTory](#), [\\*RCL](#), [\\*RST](#), [\\*SAV](#), [SAVe:SETUp](#)

**Arguments**    FACTory restores the factory setup.

<NR1> specifies a setup storage location to restore. Setup storage location values range from 0 through 10; using an out of range value causes an error (222, "Data out of range").

<file path> specifies a location for an instrument setup file. <file path> is a quoted string that defines the file name and path. Input the file path using the form <drive>:<dir>/<filename>. <drive> and one or more <dir>s are optional. If you do not specify them, the instrument will read the file from the default directory (C:\TekScope\setups). <filename> stands for a filename of up to 128 characters (use of wildcard characters in filenames is not supported). Filename extensions are not required, but highly recommended.

- Examples**    `RECALL:SETUP FACTORY` recalls (and makes current) the instrument setup to its factory defaults.
- `RECALL:SETUP 2` recalls the instrument setup from setup storage location 2.
- `RECALL:SETUP "TEK00000.SET"` recalls the setup from the file TEK00000.SET in the default directory for setups (C:\TekScope\setups).

## RECALL:SETUp:DESKew

This command sets or queries the deskew values that are affected by a default setup or a recalled setup.

---

**NOTE.** *This setting is changed only by TekSecure (which resets it to the default setting of UNLOCK) or through explicit user request (from the Recall Setup dialog box in the TekScope User Interface).*

---

- Group**        SaveRecall
- Syntax**        `RECALL:SETUp:DESKew {LOCK|UNLOCK}`  
`RECALL:SETUp:DESKew?`
- Arguments**    `LOCK` a default or a recall setup will not change the deskew settings when this option is selected.
- `UNLOCK` a default setup will reset the deskew settings to factory values and a recall setup will apply the setup deskew values to the recalled oscilloscope state.
- Examples**        `RECALL:SETUP:DESKEW LOCK`, a default or recall setup will not change the deskew settings.
- `RECALL:SETUP:DESKEW?` might return `:RECALL:SETUP:DESKEW UNLOCK`, indicating that a default setup will reset the deskew settings to factory values and a recall setup will apply the setup deskew values to the recalled oscilloscope state.

## RECALL:WAVEform (No Query Form)

This command (no query form) recalls a stored waveform to a reference location. This command is equivalent to selecting Recall from the File menu, and then pressing the Waveform button.

- Group**        Save and Recall

**Syntax** RECALL:WAVEform <file path>,REF<x>

**Related Commands** [DELEte:WAVEform](#), [SAVe:WAVEform](#)

**Arguments** REF<x> specifies a location in internal reference memory. Reference memory location values range from 1 through 4.

<file path> specifies a location for a stored waveform file. <file path> is a quoted string that defines the file name and path. Input the file path using the form <drive>:<dir>/<filename>. <drive> and one or more <dir>s are optional. If you do not specify them, the instrument will read the waveform from the default directory (C:\TekScope\Waveforms). <filename> stands for a filename of up to 128 characters (use of wildcard characters in filenames is not supported). Filename extensions are not required but are highly recommended.

**Examples** RECALL:WAVEFORM "TEK00000.WFM",REF1 recalls the waveform stored in the file named TEK00000.WFM from the default directory for waveforms (C:\TekScope\Waveforms) to the reference location 1.

## REF<x>:HORizontal:POsition

This command sets or queries the horizontal display position of the reference waveform. The reference waveform is specified by x. The value of x can range from 1 through 4. This command is equivalent to selecting Reference Waveforms from the File menu, choosing Reference Setup<sup>1</sup>/<sub>4</sub> from the drop-down list, selecting a reference waveform, and then entering the horizontal position value using the multipurpose knob.

**Group** Vertical

**Syntax** REF<x>:HORizontal:POsition <NR3>  
REF<x>:HORizontal:POsition?

**Arguments** <NR3> argument specifies the horizontal position of the specified reference waveform in percentage of the waveform that is displayed to the right of the center vertical graticule. The range of this argument is from 0 through 100.

**Examples** REF2:HORIZONTAL:POSITION 0.0 positions the start of the Reference 2 waveform at the center graticule.

REF1:HORIZONTAL:POSITION? might return :REF1:HORIZONTAL:POSITION 50, indicating that the Reference 1 waveform is centered on the horizontal graticule.

## REF<x>:LABel? (Query Only)

This query-only command returns a branch query containing the waveform label name and the coordinates at which the label (attached to the displayed waveform of the specified reference) is displayed. The reference waveform is specified by x. The value of x can range from 1 through 4. This command is equivalent to selecting Reference Waveforms from the File menu and then choosing Label from the drop-down list.

<b>Group</b>	Vertical
<b>Syntax</b>	REF<x>:LABel?
<b>Related Commands</b>	<a href="#">REF&lt;x&gt;:LABel:NAME</a> , <a href="#">REF&lt;x&gt;:LABel:XPOS</a> , <a href="#">REF&lt;x&gt;:LABel:YPOS</a>
<b>Arguments</b>	None.
<b>Examples</b>	REF1:LABEl? might return :REF1:LABEl:NAME "Myname"; :XPOS-200; :YPOS 50.

## REF<x>:LABel:NAME

This command sets or queries the label of the designated waveform. The reference waveform is specified by x. The value of x can range from 1 through 4. This command is equivalent to selecting Reference Waveforms from the File menu, choosing Label from the drop-down list, selecting the tab associated with the reference for which you want to create a label, and entering a label in the Label box.

<b>Group</b>	Vertical
<b>Syntax</b>	REF<x>:LABel:NAME <QString> REF<x>:LABel:NAME?
<b>Related Commands</b>	<a href="#">REF&lt;x&gt;:LABel?</a>

**Arguments** <QString> is the character string that will be used for the reference waveform label name.

**Examples** REF4:LABEL:NAME "My Reference" sets the label name of Reference 4 waveform to "My Reference".

REF3:LABEL:NAME? might return :REF3:LABEL:NAME "Signal2", indicating that the label name for Reference 3 waveform is currently set to "Signal2".

## REF<x>:LABel:XPOS

This command sets or queries the X screen offset at which the label (attached to the displayed waveform of the specified reference) is displayed, relative to the left edge of the screen. The reference waveform is specified by x. The value of x can range from 1 through 4. This command is equivalent to selecting Reference Waveforms from the File menu, choosing Label from the drop-down list, selecting the tab associated with the reference for which you want to position a label, and entering a value in the X Position box.

**Group** Vertical

**Syntax** REF<x>:LABel:XPOS <NR1>  
REF<x>:LABel:XPOS?

**Related Commands** [REF<x>:LABel?](#)

**Arguments** <NR1> is the location (control in divisions) where the waveform label for the selected reference is displayed, relative to the left edge of the screen. Arguments should be integers ranging from 0 through 10.

**Examples** REF4:LABEL:XPOS 10 moves the waveform label for the Reference 3 waveform, so that it begins 10 divisions to the right of the left edge of the screen.

REF2:LABEL:XPOS? might return :REF2:LABEL:XPOS 1.5, indicating that the x-axis for the Reference 2 waveform is currently 1.5 divisions to the right of the left edge of the screen.

## REF<x>:LABel:YPOS

This command sets or queries the Y screen offset at which the label (attached to the displayed waveform of the specified reference) is displayed, relative to the center of the screen. The reference waveform is specified by x. The value of x

can range from 1 through 4. This command is equivalent to selecting Reference Waveforms from the File menu, choosing Label from the drop-down list, selecting the tab associated with the reference for which you want to position a label, and entering a value in the Y Position box.

**Group** Vertical

**Syntax** REF<x>:LABe1:YPOS <NR1>  
REF<x>:LABe1:YPOS?

**Related Commands** REF<x>:LABe1?

**Arguments** <NR1> is the location (in divisions) where the waveform label for the selected reference is displayed, relative to the waveform handle. Arguments should be integers ranging from 10 to -10.

**Examples** REF3:LABEL:YPOS -10 moves the waveform label for the Reference 3 waveform 10 divisions below the waveform handle.

REF2:LABEL:YPOS? might return :REF2:LABEL:YPOS 0, indicating that the waveform label for the Reference 2 waveform is currently located at the waveform handle.

## REF<x>:VERTical:POSition

This command sets or queries the vertical position of a reference waveform. The reference waveform is specified by x. The value of x can range from 1 through 4.

This command is equivalent to selecting Reference Waveforms from the File menu, choosing Reference Setup from the drop-down list, selecting a reference waveform, and then entering the Position value using the multipurpose knob.

Increasing the position value of a waveform causes the waveform to move up, and decreasing the position value causes the waveform to move down. Position adjusts only the display position of a waveform. The position value determines the vertical graticule coordinate at which signal values are displayed. For example, if the position for Reference 3 is set to 2.0, the signal represented by that reference will be displayed at 2.0 divisions above the center of the screen.

---

**NOTE.** References are static. All position and scale changes are applied in a post-processing mode.

---



<b>Group</b>	Vertical
<b>Syntax</b>	REF<x>:VERTical:POSition <NR3> REF<x>:VERTical:POSition?
<b>Related Commands</b>	<a href="#">CH&lt;x&gt;:POSition</a> , <a href="#">MATH&lt;x&gt;:VERTical:POSition</a>
<b>Arguments</b>	<NR3> is the desired position, control in divisions from the center horizontal graticule. The range is from -5 to 5 divisions.
<b>Examples</b>	REF2:VERTICAL:POSITION 1.3E+00 positions the Reference 2 waveform input signal 1.3 divisions above the center horizontal graticule.  REF1:VERTICAL:POSITION? might return :REF1:VERTICAL:POSITION -1.3000E+00, indicating that the current position of Reference 1 waveform is 1.3 divisions below the center horizontal graticule.

## REF<x>:VERTical:SCALE

This command sets or queries the vertical scale of a reference waveform. The reference waveform is specified by x. The value of x can range from 1 through 4. This command is equivalent to selecting Reference Waveforms from the File menu, choosing Reference Setup from the drop-down list, selecting a reference waveform, and then entering the Scale value using the multipurpose knob.

Each waveform has a vertical scale parameter. For a signal with constant amplitude, increasing the Scale causes the waveform to be displayed smaller. Decreasing the scale causes the waveform to be displayed larger.

Scale affects all waveforms, but affects reference and math waveforms differently from channel waveforms:

- For reference and math waveforms, this setting controls the display only, graphically scaling these waveforms and having no affect on the acquisition hardware.
- For channel waveforms, this setting controls the vertical size of the acquisition window as well as the display scale. The range and resolution of scale values depends on the probe attached and any other external factors you have specified.

**Group** Vertical

**Syntax** REF<x>:VERTical:SCALE <NR3>  
REF<x>:VERTical:SCALE?

**Related Commands** CH<x>:SCALE, MATH<x>:VERTical:SCALE

**Arguments** <NR3> is the gain in user units per division.

**Examples** REF4:VERTICAL:SCALE 100E-03 sets the Reference 4 waveform scale to 100 mV per division.

REF4:VERTICAL:SCALE? might return :REF2:VERTICAL:SCALE 1.0000e+00, indicating that the current vertical scale setting for Reference 2 waveform is 1 V per division.

## REM (No Query Form)

This command (no query form) embeds a comment within GPIB programs as a means of internally documenting the programs. The instrument ignores these embedded comment lines.

**Group** Miscellaneous

**Syntax** REM <QString>

**Related Commands** NEWpass, \*PUD

**Arguments** <QString> is a string that can contain a maximum of 80 characters.

**Examples** REM "This is a comment" is a comment string that the instrument will ignore.

## ROSc:SOURce

This command sets or queries the selected source for the time base reference oscillator. The reference oscillator locks to this source. Depending on the command argument that you specify, you can use an external reference or use the internal crystal oscillator as the time base reference.

This command is also useful for synchronizing multiple instruments.

<b>Group</b>	Miscellaneous
<b>Syntax</b>	ROSc:SOURCE {INTERNAL EXTERNAL} ROSc:SOURCE {INTERNAL EXTERNAL TEKLink} ROSc:SOURCE?
<b>Related Commands</b>	<a href="#">ROSc:STATE?</a>
<b>Arguments</b>	INTERNAL specifies the internal 10 MHz crystal oscillator as the time base reference.  EXTERNAL specifies the user-supplied external signal as the time base reference.  TEKLink specifies the TekLink signal as the time base reference.
<b>Examples</b>	ROSc:SOURCE INTERNAL specifies the internal 10 MHz crystal oscillator as the time base reference.  ROSc:SOURCE? might return :ROSc:SOURCE INTERNAL, indicating that the 10 MHz crystal oscillator is being used as the time base reference.

## ROSc:STATE? (Query Only)

This query-only command returns whether the time base reference oscillator is locked. This command will return either LOCKED or UNLOCKED.

<b>Group</b>	Miscellaneous
<b>Syntax</b>	ROSc:STATE?
<b>Related Commands</b>	<a href="#">ROSc:TRACking</a>
<b>Examples</b>	ROSc:STATE? might return :ROSc:STATE LOCKED, indicating that the time base reference is locked.

## ROSc:TRACking

DSA70000 and DPO70000 Series only: This command sets or queries the selected source for the time base reference oscillator. The reference oscillator locks to this source. Depending on the command argument that you specify, you can use an external reference signal that is fed through or bypasses the phase-locked loop.

This command is also useful for synchronizing multiple instruments.

**Group** Miscellaneous

**Syntax** `ROSc:TRACking {STABle|FAST}`  
`ROSc:TRACking?`

**Arguments** `STABle` tracking mode specifies that the external reference signal is fed through a phase-locked loop that removes jitter from the external reference.

`FAST` tracking mode specifies that the external reference signal bypasses the phase-locked loop.

**Examples** `ROSc:TRACKING STABLE` feeds the external reference signal through the instrument phase-locked loop.

`ROSc:TRACKING?` might return `:ROSc:TRACKING FAST`, indicating that the external reference signal bypasses the phase-locked loop.

## \*RST (No Query Form)

This command (no query form) resets the instrument to the factory default settings. The \*RST command does not alter the following:

- The state of the IEEE Std 488.1-1987 interface
- The selected IEEE Std 488.1-1987 address of the instrument
- Calibration data that affect device specifications
- The Output Queue
- The Service Request Enable Register setting
- The Power-on status clear flag setting
- Alias definitions
- Stored settings
- The \*PUD? Response
- Any of the values associated with the DATA command.

This command is equivalent to pressing the **DEFAULT SETUP** button on the front panel.

**Group** Status and Error

**Syntax** \*RST

**Related Commands** [FACTory](#), [RECALL:SETUp](#), [SAVe:SETUp](#)

**Arguments** None

**Examples** \*RST resets the instrument settings to factory defaults.

## \*SAV (No Query Form)

This command (no query form) stores the state of the instrument to a specified memory location. You can later use the \*RCL command to restore the instrument to this saved state.

This command is equivalent to selecting Save As from the File menu, and then pressing the Setup button.

**Group** Save and Recall

**Syntax** \*SAV <NR1>

**Related Commands** [\\*RCL](#), [RECALL:SETUp](#), [SAVe:SETUp](#)

**Arguments** <NR1> specifies a location in which to save the state of the instrument. Location values range from 1 through 10. Using an out-of-range location value causes an execution error. Any settings that have been stored previously at this location will be overwritten.

**Examples** \*SAV 2 saves the current instrument state in memory location 2.

## SAVe:MASK (No Query Form)

This command (no query form) saves the user mask to a mass storage file.

**Group** Mask

**Syntax** SAvE:MASK <QString>

**Related Commands**    [RECALL:MASK](#)

**Arguments**    <QString> is the location to where the mask is stored. <file path> is a quoted string that defines the file name and path. Input the file path using the form <drive>/<dir>/<filename>. <drive> and one or more <dir>s are optional.

The file is stored in ASCII format and is user-editable.

**Examples**    SAVE:MASK "TEST" saves the user mask to the file TEST in the default directory and on the default drive.

## SAVE:SETUp (No Query Form)

This command (no query form) stores the state of the instrument to a specified memory location. You can later use the \*RCL command to restore the instrument to this saved state. This is equivalent to selecting Save As from the File menu, and then pressing the Setup button.

**Group**    Save and Recall

**Syntax**    SAVE:SETUp {<file path>|<NR1>}

**Related Commands**    [\\*RCL](#), [RECALL:SETUp](#), [\\*SAV](#)

**Arguments**    <file path> is the target location for storing the setup file. <file path> is a quoted string that defines the file name and path. Input the file path using the form <drive>:<dir>/<filename>. <drive> and one or more <dir>s are optional. If you do not specify them, the instrument will store the file in the default directory (C:\TekScope\setups). <filename> stands for a filename of up to 128 characters. (Use of wildcard characters in filenames is not supported.) Filename extensions are not required but are highly recommended. For setups, use the extension ".SET".

<NR1> specifies a location for saving the current front panel setup. The front panel setup value ranges from 1 to 10. Using an out-of-range value causes an execution error. Any settings that have been stored previously at this location will be overwritten.

**Examples**    SAVE:SETUP 5 saves the current instrument setup in memory location 5.

SAVE:SETUP "TEK00000.SET" saves the current instrument setup in the file TEK00000.SET in the default directory for setups (C:\TekScope\setups).

## SAVe:WAVEform (No Query Form)

This command (no query form) saves a waveform to one of four reference memory locations or a file. This command is equivalent to selecting Reference Waveforms from the File menu and choosing Save Wfm from the drop-down list.

**Group** Save and Recall

**Syntax** SAVE:WAVEform <wfm>,{<file path>|REF<x>}

**Related Commands** [DELEte:WAVEform](#), [RECALL:WAVEform](#)

**Arguments** <wfm> is the waveform that will be saved. Valid waveforms include CH<x>, MATH<y>, and REF<x>.

REF<x> specifies the location in internal reference memory where the waveform is stored.

<file path> is the location where the waveform is stored. <file path> is a quoted string that defines the file name and path. Input the file path using the form <drive>/<dir>/<filename>. <drive> and one or more <dir>s are optional. If you do not specify them, the instrument will read the waveform from the default directory. <filename> stands for a filename of up to 125 characters, followed by a period (". ") and the three-character extension. Internal format waveforms use the .wfm extension, spreadsheet format files use the .csv extension and MathCad format files use the .dat extension. The instrument will generate an error if you use any other extension for saving a waveform.

**Examples** SAVE:WAVEFORM MATH2 ,REF2 saves the Math2 waveform in reference memory location2.

SAVE:WAVEFORM MATH1, "TEK0000.WFM" saves the Math1 waveform to the file TEK00000.WFM in the default directory and on the default drive.

## SAVe:WAVEform:FILEFormat

This command specifies or returns the file format for saved waveforms. Waveform header and timing information is included in the resulting file of non-internal formats. The instrument saves DPO waveforms as a 1000 x 502 matrix, with the first row corresponding to the most recently acquired data. The values specified by [DATA:START](#) and [DATA:STOP](#) determine the range of waveform data to output. In the event that DATA:STOP value is greater than the current record length, the current record length determines the last output value.

This command is equivalent to selecting Save As from the File menu, clicking the Waveform button, and choosing the desired waveform file format from the Save as type drop-down list.

**Group** Save and Recall

**Syntax** SAVE:WAVEform:FILEFormat  
 {INTERNA1|MATHCad|MATLab|SPREADSHEETCSV|  
 SPREADSHEETtxt|TIMESstamp}  
 SAVE:WAVEform:FILEFormat?

**Related Commands** [CURVe](#), [DATA](#), [DATA:START](#), [DATA:STOP](#), [SAVE:WAVEform](#), [WFMinpre:NR\\_Pt](#), [WFMOupre:NR\\_Pt?](#)

**Arguments** **INTERNA1** specifies that waveforms are saved in an internal format, using a .wfm filename extension. These files can be recalled as reference waveforms. When this argument is specified, the settings specified via the **DATA:START** and **DATA:STOP** commands have no meaning as the entire waveform is saved.

**MATHCad** specifies that waveforms are saved in MathCad format, using a .dat filename extension. When saving in this format, waveform values are delimited with new lines. MathCad format enables easy import of waveform data into MathCad or MATLAB. For FastAcq waveforms, data is imported as a matrix. For these formats, waveform header and timing information is saved in a separate header file. MathCad format header files use a \_hdr.dat extension.

**MATLab** specifies that waveforms are saved in Matlab format, using a .dat filename extension. When saving in this format, waveform values are delimited with new lines. MATLAB format enables easy import of waveform data into MathCad or MATLAB. For FastAcq waveforms, data is imported as a matrix. For these formats, waveform header and timing information is saved in a separate header file. MATLAB format header files use a \_hdr.dat extension.

**SPREADSHEETCSV** specifies that waveform data is saved in a format that contains comma delimited values. These waveform data files are named using the .csv filename extension. Saving waveforms in CSV format enables spreadsheet programs to import the data.

**SPREADSHEETtxt** specifies that waveform data is saved in a format that contains tab delimited values. These waveform data files are named using the .txt filename extension. Saving waveforms in this format enables spreadsheet programs to import the data.

**TIMESstamp** specifies that timestamp data is saved in a format that contains comma delimited values. These data files are named using the .txt filename extension. Saving waveforms in this format enables spreadsheet programs to import the data.



**Examples** SAVE:WAVEFORM:FILEFORMAT INTERNAL specifies that the internal file format is the format used for saving waveforms.

SAVE:WAVEFORM:FILEFORMAT? might return :SAVE:WAVEFORM:FILEFORMAT INTERNAL, indicating that waveforms are saved using the internal format.

## \*SDS (No Query Form)

This command (no query form) changes the specified setup to reference the factory setup instead of the specific user setup slot. The content of the setup slot is unchanged, but the data will no longer be accessible to you.

This command is equivalent to selecting Delete from the File menu, and then choosing the specified setup.

**Group** Save and Recall

**Syntax** \*SDS <NR1>

**Related Commands** [DELEte:SETUp](#)

**Arguments** <NR1> specifies a user setup location to delete. Setup storage location values range from 1 through 10; using an out-of-range value causes an error.

**Examples** \*SDS 2 changes setup slot 2 to reference the factory setup.

## SEARCH:SEARCH<x>

This command converts the specified search marks to the user marks. <x> can be 1 to 8.

**Group** Search and Mark

**Syntax** SEARCH:SEARCH<x>  
SEARCH:SEARCH<x>?

**Examples** SEARCH:SEARCH1 TOUSER converts the Search 1 mark to the user marks.

SEARCH:SEARCH1? might return :SEARCH:SEARCH1 TOUSER, indicating that all the search1 marks are converted to user marks.

## SEARCH:SEARCH<x>:COpy (No Query Form)

This command (no query form) copies the search criteria to the trigger, the trigger criteria to a search, or copy search to search. <x> is the search number.

**Group** Search and Mark

**Syntax** SEARCH:SEARCH<x>:COpy  
{SEARCHtotrigger|TRIGgertosearch|FROMSearch<x>}

**Arguments** SEARCHtotrigger copies the search criteria to the trigger.  
TRIGgertosearch copies the trigger criteria to the search.  
FROMSearch<x> copies the search criteria to the search, where <x> is 1 to 8.

**Examples** SEARCH:SEARCH1:COpy TRIGGERTOSEARCH copies the trigger criteria to the search 1 criteria.

## SEARCH:SEARCH<x>:STATE

This command sets the search state to on or off. <x> is the search number, which can be 1 to 8. The query form returns the search state.

**Group** Search and Mark

**Syntax** SEARCH:SEARCH<x>:STATE {<NR1>|OFF|ON}  
SEARCH:SEARCH<x>:STATE?

**Arguments** OFF or <NR1> = 0 sets the search state to off.  
ON or <NR1> ≠ 0 sets the search state to on.

**Examples** SEARCH:SEARCH2:STATE ON sets the search state for search 2 on.  
SEARCH:SEARCH1:STATE? might return :SEARCH:SEARCH1:STATE 0,  
indicating that the search 1 is off.

## SEARCH:SEARCH<x>:TOTAL? (Query Only)

This query-only command returns the total number of matches for the search. The total number of matches may be more than the number of marks placed. <x> is the search number.

<b>Group</b>	Search and Mark
<b>Syntax</b>	SEARCH:SEARCH<x>:TOTAL?
<b>Examples</b>	SEARCH:SEARCH1:TOTAL? might return :SEARCH:SEARCH1:TOTAL 7, indicating that there are 7 matches for search 1.

## SEARCH:SEARCH<x>:TRIGger:A:DDRMemory:AUTOBitrate

This command sets or queries the auto bit rate value for a DDR Memory analysis search to determine where to place a mark. <x> is the search number.

<b>Group</b>	Search and Mark
<b>Syntax</b>	SEARCH:SEARCH<x>:TRIGger:A:DDRMemory:AUTOBitrate {AUTO CUSTOm} SEARCH:SEARCH<x>:TRIGger:A:DDRMemory:AUTOBitrate?
<b>Arguments</b>	AUTO sets the auto bit rate to auto. When auto is selected, the instrument determines the bit rate from the applied signal.  CUSTOm sets the auto bit rate to custom. When custom is selected, you set the bit rate value.
<b>Examples</b>	SEARCH:SEARCH1:TRIGGER:A:DDRMEMORY:AUTOBITRATE CUSTOM sets the auto bit rate to custom and you can set the desired bit rate value.  SEARCH:SEARCH1:TRIGGER:A:DDRMEMORY:AUTOBITRATE? might return :SEARCH:SEARCH1:TRIGGER:A:DDRMEMORY:AUTOBITRATE AUTO, indicating that the auto bit rate is set to auto.

## SEARCH:SEARCH<x>:TRIGger:A:DDRMemory:AUTOReflevel

This command sets or queries the reference levels for a DDR Memory analysis search to determine where to place a mark. <x> is the search number.

<b>Group</b>	Search and Mark
<b>Syntax</b>	SEARCH:SEARCH<x>:TRIGger:A:DDRMemory: AUTORefLevel{AUTO CUSTom} SEARCH:SEARCH<x>:TRIGger:A:DDRMemory:AUTORefLevel?
<b>Arguments</b>	AUTO sets the reference levels to auto. When auto is selected, the instrument determines the reference level from the applied signal.  CUSTom sets the reference levels to custom. When custom is selected, you set the reference level
<b>Examples</b>	SEARCH:SEARCH1:TRIGGER:A:DDRMEMORY:AUTOREFLEVEL CUSTOM sets the DDR reference levels to custom and you can set the desired reference level.  SEARCH:SEARCH1:TRIGGER:A:DDRMEMORY:AUTOREFLEVEL? might return :SEARCH:SEARCH1:TRIGGER:A:DDRMEMORY:AUTOREFLEVEL AUTO, indicating that the reference levels are set to auto.

## SEARCH:SEARCH<x>:TRIGger:A:DDRMemory:BITRate

This command sets or queries the data rate value for a DDR Memory analysis search to determine where to place a mark. You can set the bit rate only when AUTOBITRATE is Custom. <x> is the search number.

<b>Group</b>	Search and Mark
<b>Syntax</b>	SEARCH:SEARCH<x>:TRIGger:A:DDRMemory:BITRate <NR3> SEARCH:SEARCH<x>:TRIGger:A:DDRMemory:BITRate?
<b>Related Commands</b>	SEARCH:SEARCH<x>:TRIGger:A:DDRMemory:AUTOBitRate
<b>Arguments</b>	<NR3> specifies the DDR data rate in bits per second.
<b>Examples</b>	SEARCH:SEARCH1:TRIGGER:A:DDRMEMORY:BITRATE 8.0 +36 sets the DDR data rate to 8.0E+30 Mb/s.  SEARCH:SEARCH1:TRIGGER:A:DDRMEMORY:BITRATE? might return :SEARCH:SEARCH1:TRIGGER:A:DDRMEMORY:BITRATE 9.9000E+36, indicating that the DDR data rate is set to 9.9 E+30 Mb/s.

## SEARCH:SEARCH<x>:TRIGger:A:DDRMemory:CSActive

This command sets or queries whether the expected chip-select will be an active HIGH or LOW.

<b>Group</b>	Search and Mark
<b>Syntax</b>	SEARCH:SEARCH<x>:TRIGger:A:DDRMemory:CSActive {HIGH LOW} SEARCH:SEARCH<x>:TRIGger:A:DDRMemory:CSActive?
<b>Arguments</b>	HIGH sets the search to look for an active HIGH.  LOW sets the search to look for an active HIGH.
<b>Examples</b>	SEARCH:SEARCH1:TRIGGER:A:DDRMEMORY:CSACTIVE HIGH sets the DDR memory search chip select to an active HIGH.  SEARCH:SEARCH1:TRIGGER:A:DDRMEMORY:CSACTIVE? might return SEARCH:SEARCH1:TRIGGER:A:DDRMEMORY:CSACTIVE LOW indicating the chip select is set to an active LOW.

## SEARCH:SEARCH<x>:TRIGger:A:DDRMemory:CSLevel

This command sets or queries the DDR memory search chip-select level.

<b>Group</b>	Search and Mark
<b>Syntax</b>	SEARCH:SEARCH<x>:TRIGger:A:DDRMemory:CSLevel <NR3> SEARCH:SEARCH<x>:TRIGger:A:DDRMemory:CSLevel?
<b>Related Commands</b>	<a href="#">SEARCH:SEARCH&lt;x&gt;:TRIGger:A:DDRMemory:CSMode</a>
<b>Arguments</b>	<NR3> is the amount of chip-select level in volts.
<b>Examples</b>	SEARCH:SEARCH1:TRIGGER:A:DDRMEMORY:CSLEVEL 1.1 sets the chip-select level for DDR memory searches to 1.1 volts.  SEARCH:SEARCH1:TRIGGER:A:DDRMEMORY:CSLEVEL? might return SEARCH:SEARCH1:TRIGGER:A:DDRMEMORY:CSLEVEL 0.0000 indicating the chip-select level for DDR memory searches is set to zero volts.

## SEARCH:SEARCH<x>:TRIGger:A:DDRMemory:CSMode

This command sets or queries the chip-select mode for DDR memory searches.

**Group** Search and Mark

**Syntax** SEARCH:SEARCH<x>:TRIGger:A:DDRMemory:CSMode {AUTO|MANua}  
SEARCH:SEARCH<x>:TRIGger:A:DDRMemory:CSMode?

**Related Commands** [SEARCH:SEARCH<x>:TRIGger:A:DDRMemory:CSLevel](#)

**Arguments** AUTO mode calculates the chip-select level for you.  
MANUAL lets you manually set the chip-select level.

**Examples** SEARCH:SEARCH1:TRIGGER:A:DDRMEMORY:CSMODE MANUAL sets the chip-select mode for DDR memory searches to MANUAL.  
SEARCH:SEARCH1:TRIGGER:A:DDRMEMORY:CSMODE? might return SEARCH:SEARCH1:TRIGGER:A:DDRMEMORY:CSMODE AUTO indicating the chip-select mode for DDR memory searches is set to AUTO.

## SEARCH:SEARCH<x>:TRIGger:A:DDRMemory:CSSource

This command sets or queries the chip select source for DDR memory searches.

**Group** Search and Mark

**Syntax** SEARCH:SEARCH<x>:TRIGger:A:DDRMemory:CSSource  
{CH1|CH2|CH3|CH4|MATH1|MATH2|MATH3|MATH4|REF1|REF2|REF3|REF4|NONE}  
SEARCH:SEARCH<x>:TRIGger:A:DDRMemory:CSSource?

**Arguments** CH<x> specifies one input channel as the search source, where <x> is the channel number.  
MATH<x> specifies the math waveform as the search source, where <x> = 1, 2, 3 or 4.  
REF<x> specifies the reference waveform as the search source, where <x> = 1, 2, 3 or 4.  
NONE specifies no CSSource.

- Examples**     `SEARCH:SEARCH1:TRIGGER:A:DDRMEMORY:CSSOURCE REF1` sets the chip select source for DDR memory searches to reference 1.
- `SEARCH:SEARCH1:TRIGGER:A:DDRMEMORY:CSSOURCE?` might return `SEARCH:SEARCH1:TRIGGER:A:DDRMEMORY:CSSOURCE CH1` indicating the chip select source for DDR memory searches is channel 1.

## SEARCH:SEARCH<x>:TRIGger:A:DDRMemory:DATASource

This command sets or queries the data source for a DDR Memory analysis search to determine where to place a mark. <x> is the search number.

- Group**     Search and Mark
- Syntax**     `SEARCH:SEARCH<x>:TRIGger:A:DDRMemory:DATASource`  
                   {CH1 | CH2 | CH3 | CH4 | MATH1 | MATH2 | MATH3 | MATH4 | REF1 | REF2 | REF3 | REF4}  
                   `SEARCH:SEARCH<x>:TRIGger:A:DDRMemory:DATASource?`
- Arguments**    `CH<x>` specifies one input channel as the search source, where <x> is the channel number.
- `MATH<x>` specifies the math waveform as the search source, where <x> = 1, 2, 3 or 4.
- `REF<x>` specifies the reference waveform as the search source, where <x> = 1, 2, 3 or 4.
- Examples**     `SEARCH:SEARCH1:TRIGGER:A:DDRMEMORY:DATASOURCE CH2` sets the DDR data source to CH2.
- `SEARCH:SEARCH1:TRIGGER:A:DDRMEMORY:DATASOURCE?` might return `:SEARCH:SEARCH1:TRIGGER:A:DDRMEMORY:DATASOURCE CH1`, indicating that the DDR data source is set to CH1.

## SEARCH:SEARCH<x>:TRIGger:A:DDRMemory:HYSterisis

This command sets or queries the hysteresis percent for DDR memory searches.

- Group**     Search and Mark
- Syntax**     `SEARCH:SEARCH<x>:TRIGger:A:DDRMemory:HYSterisis <NR3>`  
                   `SEARCH:SEARCH<x>:TRIGger:A:DDRMemory:HYSterisis?`

**Arguments** <NR3> is the hysteresis amount in percent.

**Examples** SEARCH:SEARCH1:TRIGGER:A:DDRMEMORY:HYSTERISIS 0.10 sets the hysteresis for DDR memory searches to 0.10 percent.

SEARCH:SEARCH1:TRIGGER:A:DDRMEMORY:HYSTERISIS? might return SEARCH:SEARCH1:TRIGGER:A:DDRMEMORY:HYSTERISIS 1.0000 indicating the hysteresis for DDR memory searches is set to 1.0 percent.

## SEARCH:SEARCH<x>:TRIGger:A:DDRMemory:MARgin

This command sets or queries the termination logic margin for back-to-back writes.

**Group** Search and Mark

**Syntax** SEARCH:SEARCH<x>:TRIGger:A:DDRMemory:MARGin <NR3>  
SEARCH:SEARCH<x>:TRIGger:A:DDRMemory:MARGin?

**Arguments** <NR3> is the termination logic margin in percent.

**Examples** SEARCH:SEARCH1:TRIGGER:A:DDRMEMORY:MARGIN 1.0000 sets the termination logic margin to 1.0 percent.

SEARCH:SEARCH1:TRIGGER:A:DDRMEMORY:MARGIN? might return SEARCH:SEARCH1:TRIGGER:A:DDRMEMORY:MARGIN 0.0000 indicating the termination logic margin is set to 0.0 percent.

## SEARCH:SEARCH<x>:TRIGger:A:DDRMemory:MAXCas

This command sets or queries the maximum distance, in clock periods, to the left of the start of the mark where the instrument looks for the chip-select pulse.

**Group** Search and Mark

**Syntax** SEARCH:SEARCH<x>:TRIGger:A:DDRMemory:MAXCas <NR3>  
SEARCH:SEARCH<x>:TRIGger:A:DDRMemory:MAXCas?

**Arguments** <NR3> is the maximum distance, in clock periods, to the left of the start of the mark where the instrument looks for the chip-select pulse.



**Examples**     `SEARCH:SEARCH1:TRIGGER:A:DDRMEMORY:MAXCAS 2.0000` sets MAXCas to 2.0 clock periods to the left of the start of the mark.

`SEARCH:SEARCH1:TRIGGER:A:DDRMEMORY:MAXCAS?` might return `SEARCH:SEARCH1:TRIGGER:A:DDRMEMORY:MAXCAS 3.0000` indicating MAXCas is set to 3.0 clock periods to the left of the mark.

## SEARCH:SEARCH<x>:TRIGger:A:DDRMemory:MINCas

This command sets or queries the minimum distance, in clock periods, to the left of the start of the mark where the instrument looks for the chip-select pulse.

**Group**     Search and Mark

**Syntax**     `SEARCH:SEARCH<x>:TRIGger:A:DDRMemory:MINCas`  
`SEARCH:SEARCH<x>:TRIGger:A:DDRMemory:MINCas?`

**Arguments**     <NR3> is the minimum distance, in clock periods, to the left of the start of the mark where the instrument looks for the chip-select pulse.

**Examples**     `SEARCH:SEARCH1:TRIGGER:A:DDRMEMORY:MINCAS 2.0000` sets MINCas to 2.0 clock periods to the left of the start of the mark.

`SEARCH:SEARCH1:TRIGGER:A:DDRMEMORY:MINCAS?` might return `SEARCH:SEARCH1:TRIGGER:A:DDRMEMORY:MINCAS 2.0000` indicating MINCas is set to 2.0 clock periods to the left of the mark.

## SEARCH:SEARCH<x>:TRIGger:A:DDRMemory:REFLevel:DATA:HIGH

This command sets or queries the value of the data HIGH reference level for a DDR Memory analysis search to determine where to place a mark. You can set the value only when AUTOREFLEVEL is Custom. <x> is the search number.

**Group**     Search and Mark

**Syntax**     `SEARCH:SEARCH<x>:TRIGger:A:DDRMemory:REFLevel:DATA:HIGH`  
`<NRF>`  
`SEARCH:SEARCH<x>:TRIGger:A:DDRMemory:REFLevel:DATA:HIGH?`

**Related Commands**     `SEARCH:SEARCH<x>:TRIGger:A:DDRMemory:AUTOREflevel`

**Arguments** <NRF> specifies the value of the data HIGH reference level in volts.

**Examples** SEARCH:SEARCH1:TRIGGER:A:DDRMEMORY:REFLEVEL:DATA:HIGH 1 sets the data HIGH reference level to 1.0 volt.

SEARCH:SEARCH1:TRIGGER:A:DDRMEMORY:REFLEVEL:DATA:HIGH? might return :SEARCH:SEARCH1:TRIGGER:A:DDRMEMORY:REFLEVEL:DATA:HIGH 0.0000, indicating that the data HIGH reference level is set to 0 volt.

## SEARCH:SEARCH<x>:TRIGger:A:DDRMemory:REFLevel:DATA:LOW

This command sets or queries the value of the data LOW reference level for a DDR Memory analysis search to determine where to place a mark. You can set the value only when AUTOREFLEVEL is Custom. <x> is the search number.

**Group** Search and Mark

**Syntax** SEARCH:SEARCH<x>:TRIGger:A:DDRMemory:REFLevel:DATA:LOW <NRF>  
SEARCH:SEARCH<x>:TRIGger:A:DDRMemory:REFLevel:DATA:LOW?

**Related Commands** SEARCH:SEARCH<x>:TRIGger:A:DDRMemory:AUTOREfLevel

**Arguments** <NRF> specifies the value of the data LOW reference level in volts.

**Examples** SEARCH:SEARCH1:TRIGGER:A:DDRMEMORY:REFLEVEL:DATA:LOW 0.2 sets the data LOW reference level to 0.2 volt.

SEARCH:SEARCH1:TRIGGER:A:DDRMEMORY:REFLEVEL:DATA:LOW? might return :SEARCH:SEARCH1:TRIGGER:A:DDRMEMORY:REFLEVEL:DATA:LOW 200.0000E-3, indicating that the data LOW reference level is set to 0.2 volt.

## SEARCH:SEARCH<x>:TRIGger:A:DDRMemory:REFLevel:DATA:MID

This command sets or queries the value of the data MID reference level for a DDR Memory analysis search to determine where to place a mark. You can set the value only when AUTOREFLEVEL is Custom. <x> is the search number.

**Group** Search and Mark

**Syntax** SEARCH:SEARCH<x>:TRIGger:A:DDRMemory:REFLevel:DATA:MID <NRF>  
SEARCH:SEARCH<x>:TRIGger:A:DDRMemory:REFLevel:DATA:MID?

**Related Commands** SEARCH:SEARCH<x>:TRIGger:A:DDRMemory:AUTORefLevel

**Arguments** <NRF> specifies the value of the data MID reference level in volts.

**Examples** SEARCH:SEARCH1:TRIGGER:A:DDRMEMORY:REFLEVEL:DATA:MID 1.5 sets the data MID reference level to 1.5 volts.

SEARCH:SEARCH1:TRIGGER:A:DDRMEMORY:REFLEVEL:DATA:MID? might return :SEARCH:SEARCH1:TRIGGER:A:DDRMEMORY:REFLEVEL:DATA:MID 1.0000, indicating that the data MID reference level is set to 1.0 volt.

## SEARCH:SEARCH<x>:TRIGger:A:DDRMemory:REFLevel:STROBE:HIGH

This command sets or queries the value of the strobe HIGH reference level for a DDR Memory analysis search to determine where to place a mark. You can set the value only when AUTOREFLEVEL is Custom. <x> is the search number.

**Group** Search and Mark

**Syntax** SEARCH:SEARCH<x>:TRIGger:A:DDRMemory:REFLevel:STROBE:HIGH <NRF>  
SEARCH:SEARCH<x>:TRIGger:A:DDRMemory:REFLevel:STROBE:HIGH?

**Related Commands** SEARCH:SEARCH<x>:TRIGger:A:DDRMemory:AUTORefLevel

**Arguments** <NRF> specifies the value of the strobe HIGH reference level in volts.

**Examples** SEARCH:SEARCH1:TRIGGER:A:DDRMEMORY:REFLEVEL:STROBE:HIGH 5.0 sets the strobe HIGH reference level to 5.0 volts.

SEARCH:SEARCH1:TRIGGER:A:DDRMEMORY:REFLEVEL:STROBE:HIGH? might return :SEARCH:SEARCH1:TRIGGER:A:DDRMEMORY:REFLEVEL:STROBE:HIGH 0.000, indicating that the strobe HIGH reference level is set to 0 volt.

## SEARCH:SEARCH<x>:TRIGger:A:DDRMemory:REFLevel:STROBE:LOW

This command sets or queries the value of the strobe LOW reference level for a DDR Memory analysis search to determine where to place a mark. You can set the value only when AUTOREFLEVEL is Custom. <x> is the search number.

**Group** Search and Mark

**Syntax** SEARCH:SEARCH<x>:TRIGger:A:DDRMemory:REFLevel:STROBE:LOW  
<NRF>  
SEARCH:SEARCH<x>:TRIGger:A:DDRMemory:REFLevel:STROBE:LOW?

**Related Commands** SEARCH:SEARCH<x>:TRIGger:A:DDRMemory:AUTORefLevel

**Arguments** <NRF> specifies the value of the strobe LOW reference level in volts.

**Examples** SEARCH:SEARCH1:TRIGGER:A:DDRMEMORY:REFLEVEL:STROBE:LOW 1 sets the strobe LOW reference level to 1.0 volt.

SEARCH:SEARCH1:TRIGGER:A:DDRMEMORY:REFLEVEL:STROBE:LOW? might return :SEARCH:SEARCH1:TRIGGER:A:DDRMEMORY:REFLEVEL:STROBE:LOW 0.0000, indicating that the strobe LOW reference level is set to 0 volt.

## SEARCH:SEARCH<x>:TRIGger:A:DDRMemory:REFLevel:STROBE:MID

This command sets or queries the value of the strobe MID reference level for a DDR Memory analysis search to determine where to place a mark. You can set the value only when AUTOREFLEVEL is Custom. <x> is the search number.

**Group** Search and Mark

**Syntax** SEARCH:SEARCH<x>:TRIGger:A:DDRMemory:REFLevel:STROBE:MID  
<NRF>  
SEARCH:SEARCH<x>:TRIGger:A:DDRMemory:REFLevel:STROBE:MID?

**Related Commands** SEARCH:SEARCH<x>:TRIGger:A:DDRMemory:AUTORefLevel

**Arguments** <NRF> specifies the value of the strobe MID reference level in volts.

**Examples**     `SEARCH:SEARCH1:TRIGGER:A:DDRMEMORY:REFLEVEL:STROBE:MID 3` sets the strobe MID reference level to 3.0 volts.

`SEARCH:SEARCH1:TRIGGER:A:DDRMEMORY:REFLEVEL:STROBE:MID?` might return `:SEARCH:SEARCH1:TRIGGER:A:DDRMEMORY:REFLEVEL:STROBE:MID 0.0000`, indicating that the strobe MID reference level is set to 0 volt.

## SEARCH:SEARCH<x>:TRIGger:A:DDRMemory:STANdard

This command sets or queries the DDR standard for a DDR Memory analysis search to determine where to place a mark. <x> is the search number.

**Group**     Search and Mark

**Syntax**     `SEARCH:SEARCH<x>:TRIGger:A:DDRMemory:STANdard`  
                   `{DDR|DDR2|DDR3|GDDR3|LPDDR}`  
                   `SEARCH:SEARCH<x>:TRIGger:A:DDRMemory:STANdard?`

**Arguments**     <DDR> sets the DDR standard type to DDR.  
                       <DDR2> sets the DDR standard type to DDR2.  
                       <DDR3> sets the DDR standard type to DDR3.  
                       <GDDR3> sets the DDR standard type to GDDR3.  
                       <LPDDR> sets the DDR standard type to LPDDR.

**Examples**     `SEARCH:SEARCH1:TRIGGER:A:DDRMEMORY:STANDARD DDR2` sets the DDR standard to DDR2.

`SEARCH:SEARCH1:TRIGGER:A:DDRMEMORY:STANDARD?` might return `:SEARCH:SEARCH1:TRIGGER:A:DDRMEMORY:STANDARD DDR3`, indicating that the DDR standard is set to DDR3.

## SEARCH:SEARCH<x>:TRIGger:A:DDRMemory:STROBEsource

This command sets or queries the strobe source for a DDR Memory analysis search to determine where to place a mark. <x> is the search number.

**Group**     Search and Mark

**Syntax**     `SEARCH:SEARCH<x>:TRIGger:A:DDRMemory:STROBEsource`  
                   `{CH1|CH2|CH3|CH4|MATH1|MATH2|MATH3|MATH4|REF1|REF2|REF3|REF4}`

SEARCH:SEARCH<x>:TRIGger:A:DDRMemory:STROBESource?

- Arguments**
- CH<x> specifies the input channel as the search source, where <x> is the channel number.
  - MATH<x> specifies the math waveform as the search source, where <x> = 1, 2, 3 or 4.
  - REF<x> specifies the reference waveform as the search source, where <x> = 1, 2, 3 or 4.

- Examples**
- SEARCH:SEARCH1:TRIGGER:A:DDRMEMORY:STROBESOURCE REF2 sets the DDR strobe source to REF2.
- SEARCH:SEARCH1:TRIGGER:A:DDRMEMORY:STROBESOURCE? might return :SEARCH:SEARCH1:TRIGGER:A:DDRMEMORY:STROBESOURCE CH1, indicating that the DDR strobe source is set to CH1.

## SEARCH:SEARCH<x>:TRIGger:A:EDGE:SLOpe:CH<x>

This command sets or queries the slope for an edge trigger search to determine where to place a mark. <x> is the search number or the channel number.

- Group** Search and Mark
- Syntax**
- ```
SEARCH:SEARCH<x>:TRIGger:A:EDGE:SLOpe:CH<x>
{RISe|FALL|EITHer}
SEARCH:SEARCH<x>:TRIGger:A:EDGE:SLOpe:CH<x>?
```
- Arguments**
- RISe specifies a rising edge.
  - FALL specifies a falling edge.
  - EITHer specifies either rising or falling edge.
- Examples**
- SEARCH:SEARCH1:TRIGGER:A:EDGE:SLOPE:CH2 RISE sets the Channel 2 slope for search 1 to rise.
- SEARCH:SEARCH1:TRIGGER:A:EDGE:SLOPE:CH1? might return :SEARCH:SEARCH1:TRIGGER:A:EDGE:SLOPE:CH1 RISE, indicating that the slope for the Channel 1 trigger for search 1 is rise.

**SEARCH:SEARCH<x>:TRIGger:A:EDGE:SLOpe:MATH<x>**

This command sets or queries the slope for an edge trigger search to determine where to place a mark. <x> is the search number or the math waveform number.

|                  |                                                                                                                                                                                                                                                                                                     |
|------------------|-----------------------------------------------------------------------------------------------------------------------------------------------------------------------------------------------------------------------------------------------------------------------------------------------------|
| <b>Group</b>     | Search and Mark                                                                                                                                                                                                                                                                                     |
| <b>Syntax</b>    | SEARCH:SEARCH<x>:TRIGger:A:EDGE:SLOpe:MATH<x><br>{RISe FALL EITHer}<br>SEARCH:SEARCH<x>:TRIGger:A:EDGE:SLOpe:MATH<x>?                                                                                                                                                                               |
| <b>Arguments</b> | RISe specifies a rising edge.<br>FALL specifies a falling edge.<br>EITHER specifies either rising or falling edge.                                                                                                                                                                                  |
| <b>Examples</b>  | SEARCH:SEARCH1:TRIGGER:A:EDGE:SLOPE:MATH2 RISe sets the Math 2 waveform slope for search 1 to rise.<br><br>SEARCH:SEARCH1:TRIGGER:A:EDGE:SLOPE:MATH1? might return :SEARCH:SEARCH1:TRIGGER:A:EDGE:SLOPE:MATH1 RISe, indicating that the slope for the Math 1 waveform trigger for search 1 is rise. |

**SEARCH:SEARCH<x>:TRIGger:A:EDGE:SLOpe:REF<x>**

This command sets or queries the slope for an edge trigger search to determine where to place a mark. <x> is the search number or the reference waveform number.

|                  |                                                                                                                     |
|------------------|---------------------------------------------------------------------------------------------------------------------|
| <b>Group</b>     | Search and Mark                                                                                                     |
| <b>Syntax</b>    | SEARCH:SEARCH<x>:TRIGger:A:EDGE:SLOpe:REF<x><br>{RISe FALL EITHer}<br>SEARCH:SEARCH<x>:TRIGger:A:EDGE:SLOpe:REF<x>? |
| <b>Arguments</b> | RISe specifies a rising edge.<br>FALL specifies a falling edge.<br>EITHER specifies either rising or falling edge.  |

- Examples**    `SEARCH:SEARCH1:TRIGGER:A:EDGE:SLOPE:REF2 RISE` sets the Reference 2 waveform slope for search 1 to rise.
- `SEARCH:SEARCH1:TRIGGER:A:EDGE:SLOPE:REF1?` might return `:SEARCH:SEARCH1:TRIGGER:A:EDGE:SLOPE:REF1 FALL`, indicating that the slope for the Reference 1 waveform trigger for search 1 is the falling edge.

## **SEARCH:SEARCH<x>:TRIGger:A:EDGE:SOURce**

This command sets or queries the source waveform for an edge trigger search to determine where to place a mark. <x> is the search number.

- Group**        Search and Mark
- Syntax**        `SEARCH:SEARCH<x>:TRIGger:A:EDGE:SOURce`  
                   `{CH1|CH2|CH3|CH4|MATH1|MATH2|MATH3|MATH4|REF1|REF2|REF3|REF4}`  
                   `SEARCH:SEARCH<x>:TRIGger:A:EDGE:SOURce?`
- Arguments**    `CH<x>` specifies one input channel as the edge source, where <x> is the channel number.
- `MATH<x>` specifies the math waveform as the search source, where <x> = 1, 2, 3 or 4.
- `REF<x>` specifies the reference waveform as the search source, where <x> = 1, 2, 3 or 4.
- Examples**        `SEARCH:SEARCH1:TRIGGER:A:EDGE:SOURCE CH2` sets the source waveform for the A trigger to Channel 2.
- `SEARCH:SEARCH1:TRIGGER:A:EDGE:SOURCE?` might return `:SEARCH:SEARCH1:TRIGGER:A:EDGE:SOURCE CH2`, indicating that the Channel 2 edge trigger is the source for search 1.

## **SEARCH:SEARCH<x>:TRIGger:A:GLItch:POLarity:CH<x>**

This command sets or queries the polarity for a glitch trigger search to determine where to place a mark. <x> is the search number or channel number.

- Group**        Search and Mark
- Syntax**        `SEARCH:SEARCH<x>:TRIGger:A:GLItch:POLarity:CH<x>`  
                   `{EITHer|NEGATive|POSITive}`



SEARCH:SEARCH<x>:TRIGger:A:GLItch:POLArity:CH<x>?

- Arguments** EITHER specifies positive or negative polarity.  
 NEGAtive specifies a negative polarity.  
 POSITIVE specifies a positive glitch polarity.

- Examples** SSEARCH:SEARCH1:TRIGGER:A:GLITCH:POLARITY:CH2 NEGATIVE specifies that the Channel 2 glitch polarity must be negative for search 1.  
 SEARCH:SEARCH1:TRIGGER:A:GLITCH:POLARITY:CH1? might return :SEARCH:SEARCH1:TRIGGER:A:GLITCH:POLARITY:CH1 NEGATIVE, indicating that the Channel 1 glitch polarity for search 1 is negative.

## SEARCH:SEARCH<x>:TRIGger:A:GLItch:POLArity:MATH<x>

This command sets or queries the polarity for a glitch trigger search to determine where to place a mark. <x> is the search number or math waveform number.

- Group** Search and Mark
- Syntax** SEARCH:SEARCH<x>:TRIGger:A:GLItch:POLArity:MATH<x>  
 {EITHer|NEGAtive|POSITIVE}  
 SEARCH:SEARCH<x>:TRIGger:A:GLItch:POLArity:MATH<x>?
- Arguments** EITHER specifies positive or negative polarity.  
 NEGAtive specifies a negative polarity.  
 POSITIVE specifies a positive glitch polarity.
- Examples** SEARCH:SEARCH1:TRIGGER:A:GLITCH:POLARITY:MATH2 NEGATIVE specifies that the Math 2 waveform glitch polarity must be negative for search 1.  
 SEARCH:SEARCH1:TRIGGER:A:GLITCH:POLARITY:MATH1? might return :SEARCH:SEARCH1:TRIGGER:A:GLITCH:POLARITY:MATH1 POSITIVE, indicating that the Math 1 waveform glitch polarity for search 1 is positive.

## SEARCH:SEARCH<x>:TRIGger:A:GLItch:POLArity:REF<x>

This command sets or queries the polarity for a glitch trigger search to determine where to place a mark. <x> is the search number or reference waveform number.

|                  |                                                                                                                                                                                                                                                                                                                                                              |
|------------------|--------------------------------------------------------------------------------------------------------------------------------------------------------------------------------------------------------------------------------------------------------------------------------------------------------------------------------------------------------------|
| <b>Group</b>     | Search and Mark                                                                                                                                                                                                                                                                                                                                              |
| <b>Syntax</b>    | SEARCH:SEARCH<x>:TRIGger:A:GLItch:POLArity:REF<x><br>{EITHer NEGATive POSITIVe}<br>SEARCH:SEARCH<x>:TRIGger:A:GLItch:POLArity:REF<x>?                                                                                                                                                                                                                        |
| <b>Arguments</b> | EITHer specifies positive or negative polarity.<br>NEGATive specifies a negative polarity.<br>POSITIVe specifies a positive glitch polarity.                                                                                                                                                                                                                 |
| <b>Examples</b>  | SEARCH:SEARCH1:TRIGGER:A:GLITCH:POLARITY:REF2 NEGATIVE specifies that the Reference 2 waveform glitch polarity must be negative for search 1.<br><br>SEARCH:SEARCH1:TRIGGER:A:GLITCH:POLARITY:REF1? might return :SEARCH:SEARCH1:TRIGGER:A:GLITCH:POLARITY:REF1 POSITIVE, indicating that the Reference 1 waveform glitch polarity for search 1 is positive. |

## SEARCH:SEARCH<x>:TRIGger:A:GLItch:TRIGIF

This command sets or queries the accept or reject state for a glitch trigger search to determine where to place a mark. <x> is the search number.

|                  |                                                                                                                                                                                                                                                                               |
|------------------|-------------------------------------------------------------------------------------------------------------------------------------------------------------------------------------------------------------------------------------------------------------------------------|
| <b>Group</b>     | Search and Mark                                                                                                                                                                                                                                                               |
| <b>Syntax</b>    | SEARCH:SEARCH<x>:TRIGger:A:GLItch:TRIGIF {ACCEpt REJect}<br>SEARCH:SEARCH<x>:TRIGger:A:GLItch:TRIGIF?                                                                                                                                                                         |
| <b>Arguments</b> | ACCEpt specifies that a glitch occurs.<br>REJect specifies that a glitch does not occur.                                                                                                                                                                                      |
| <b>Examples</b>  | SEARCH:SEARCH1:TRIGGER:A:GLITCH:TRIGIF ACCEPT specifies to place a mark if the A trigger glitch occurs.<br><br>SEARCH:SEARCH1:TRIGGER:A:GLITCH:TRIGIF? might return :SEARCH:SEARCH1:TRIGGER:A:GLITCH:TRIGIF ACCEPT, indicating that a mark will be placed if a glitch occurs. |

## SEARCH:SEARCH<x>:TRIGger:A:GLItch:WIDth

This command sets or queries the glitch width for a glitch trigger search to determine where to place a mark. <x> is the search number.

|                  |                                                                                                                                                                                                                                                                           |
|------------------|---------------------------------------------------------------------------------------------------------------------------------------------------------------------------------------------------------------------------------------------------------------------------|
| <b>Group</b>     | Search and Mark                                                                                                                                                                                                                                                           |
| <b>Syntax</b>    | SEARCH:SEARCH<x>:TRIGger:A:GLItch:WIDth <NR3><br>SEARCH:SEARCH<x>:TRIGger:A:GLItch:WIDth?                                                                                                                                                                                 |
| <b>Arguments</b> | <NR3> specifies the glitch width in seconds.                                                                                                                                                                                                                              |
| <b>Examples</b>  | SEARCH:SEARCH1:TRIGGER:A:GLITCH:WIDTH 0.00000002 sets the search1 glitch width to 2.0 ns.<br><br>SEARCH:SEARCH1:TRIGGER:A:GLITCH:WIDTH? might return<br>:SEARCH:SEARCH1:TRIGGER:A:GLITCH:WIDTH 1.50E-6, indicating that the search 1 glitch width is set to 1.50 $\mu$ s. |

## SEARCH:SEARCH<x>:TRIGger:A:LEVel:CH<x>

This command sets or queries the level for an edge trigger search to determine where to place a mark. <x> is the search number or the channel number. Each channel can have an independent level.

|                  |                                                                                                                                                                                                                                                                                 |
|------------------|---------------------------------------------------------------------------------------------------------------------------------------------------------------------------------------------------------------------------------------------------------------------------------|
| <b>Group</b>     | Search and Mark                                                                                                                                                                                                                                                                 |
| <b>Syntax</b>    | SEARCH:SEARCH<x>:TRIGger:A:LEVel:CH<x> {<NR3> ECL TTL}<br>SEARCH:SEARCH<x>:TRIGger:A:LEVel:CH<x>?                                                                                                                                                                               |
| <b>Arguments</b> | <NR3> specifies the trigger level, in volts.<br><br>ECL specifies a -1.3 V trigger level.<br><br>TTL specifies a 1.4 V trigger level.                                                                                                                                           |
| <b>Examples</b>  | SEARCH:SEARCH1:TRIGGER:A:LEVEL:CH2 1.0 sets the Channel 1 A trigger level for search 1 to 1.0 Volts.<br><br>SEARCH:SEARCH1:TRIGGER:A:LEVEL:CH1? might return<br>:SEARCH:SEARCH1:TRIGGER:A:LEVEL:CH1 200.0000E-3, indicating the Channel 1 trigger level for search 1 is 200 mV. |

## SEARCH:SEARCH<x>:TRIGger:A:LEVel:MATH<x>

This command sets or queries the math waveform level for an edge trigger search to determine where to place a mark. <x> is the search number or math waveform number.

|                  |                                                                                                                                                                                                                                                                                                           |
|------------------|-----------------------------------------------------------------------------------------------------------------------------------------------------------------------------------------------------------------------------------------------------------------------------------------------------------|
| <b>Group</b>     | Search and Mark                                                                                                                                                                                                                                                                                           |
| <b>Syntax</b>    | SEARCH:SEARCH<x>:TRIGger:A:LEVel:MATH<x> {<NR3> ECL TTL}<br>SEARCH:SEARCH<x>:TRIGger:A:LEVel:MATH<x>?                                                                                                                                                                                                     |
| <b>Arguments</b> | <NR3> specifies the trigger level in volts.<br>ECL specifies a -1.3 V trigger level.<br>TTL specifies a 1.4 V trigger level.                                                                                                                                                                              |
| <b>Examples</b>  | SEARCH:SEARCH1:TRIGGER:A:LEVEL:MATH2 0.20 sets the Math 2 waveform trigger level for search 1 to 200 mV.<br><br>SEARCH:SEARCH1:TRIGGER:A:LEVEL:MATH1? might return<br>:SEARCH:SEARCH1:TRIGGER:A:LEVEL:MATH1 100.0000E-3, indicating that the Math 2 waveform trigger level for search 1 is set to 100 mV. |

## SEARCH:SEARCH<x>:TRIGger:A:LEVel:REF<x>

This command sets or queries the specified reference waveform level for a trigger search to determine where to place a mark. SEARCH<x> is the search number and REF<x> is the reference channel number.

|                  |                                                                                                                              |
|------------------|------------------------------------------------------------------------------------------------------------------------------|
| <b>Group</b>     | Search and Mark                                                                                                              |
| <b>Syntax</b>    | SEARCH:SEARCH<x>:TRIGger:A:LEVel:REF<x> {<NR3> ECL TTL}<br>SEARCH:SEARCH<x>:TRIGger:A:LEVel:REF<x>?                          |
| <b>Arguments</b> | <NR3> specifies the trigger level in volts.<br>ECL specifies a -1.3 V trigger level.<br>TTL specifies a 1.4 V trigger level. |
| <b>Examples</b>  | SEARCH:SEARCH1:TRIGGER:A:LEVEL:REF2 0.20 sets the Reference 2 waveform trigger level for search 1 to 200 mV.                 |

SEARCH:SEARCH1:TRIGGER:A:LEVEL:REF1? might return  
:SEARCH:SEARCH1:TRIGGER:A:LEVEL:REF1 200.0000E-3, indicating that  
the Reference 1 waveform trigger level for search 1 is set to 200 mV.

## SEARCH:SEARCH<x>:TRIGger:A:LOGIc:FUNcTion

This command sets or queries the logic operator for a pattern or state trigger search to determine where to place a mark. <x> is the search number.

|                  |                                                                                                                                                                                                                                                                                 |
|------------------|---------------------------------------------------------------------------------------------------------------------------------------------------------------------------------------------------------------------------------------------------------------------------------|
| <b>Group</b>     | Search and Mark                                                                                                                                                                                                                                                                 |
| <b>Syntax</b>    | SEARCH:SEARCH<x>:TRIGger:A:LOGIc:FUNcTion {AND NAND NOR OR}<br>SEARCH:SEARCH<x>:TRIGger:A:LOGIc:FUNcTion?                                                                                                                                                                       |
| <b>Arguments</b> | AND places a mark if all conditions are true.<br>NAND places a mark if any of the conditions are false.<br>NOR places a mark if all conditions are false.<br>OR places a mark if any of the conditions are true.                                                                |
| <b>Examples</b>  | SEARCH:SEARCH1:TRIGGER:A:LOGIC:FUNCTION AND sets the trigger a logic function for search 1 to AND.<br><br>SEARCH:SEARCH1:TRIGGER:A:LOGIC:FUNCTION? might return<br>:SEARCH:SEARCH1:TRIGGER:A:LOGIC:FUNCTION NOR, indicating that the logic function for search 1 is set to NOR. |

## SEARCH:SEARCH<x>:TRIGger:A:LOGIc:INPut:CH<x>

This command sets or queries the Boolean logic criteria for a pattern or state trigger search to determine where to place a mark. <x> is the search number or the channel number.

|                  |                                                                                                            |
|------------------|------------------------------------------------------------------------------------------------------------|
| <b>Group</b>     | Search and Mark                                                                                            |
| <b>Syntax</b>    | SEARCH:SEARCH<x>:TRIGger:A:LOGIc:INPut:CH<x> {HIGH LOW X}<br>SEARCH:SEARCH<x>:TRIGger:A:LOGIc:INPut:CH<x>? |
| <b>Arguments</b> | HIGH specifies the logic high.<br>LOW specifies the logic low.                                             |

X specifies a “don’t care” state.

- Examples** SEARCH:SEARCH1:TRIGGER:A:LOGIC:INPUT:CH2 HIGH sets the logic input for Channel 1 to HIGH.
- SEARCH:SEARCH1:TRIGGER:A:LOGIC:INPUT:CH1? might return  
:SEARCH:SEARCH1:TRIGGER:A:LOGIC:INPUT:CH1 LOW, indicating the logic input on Channel 1 for search 1 is set to LOW.

## SEARCH:SEARCH<x>:TRIGger:A:LOGIc:INPut:MATH<x>

This command sets or queries the Boolean logic criteria for a pattern or state trigger search to determine where to place a mark. <x> is the search number or the math waveform number.

- Group** Search and Mark
- Syntax** SEARCH:SEARCH<x>:TRIGger:A:LOGIc:INPut:MATH<x> {HIGH|LOW|X}  
SEARCH:SEARCH<x>:TRIGger:A:LOGIc:INPut:MATH<x>?
- Arguments** HIGH specifies a high logic level.  
LOW specifies a low logic level.  
X specifies a “don’t care” condition.
- Examples** SEARCH:SEARCH1:TRIGGER:A:LOGIC:INPUT:MATH2 HIGH sets the Math 2 waveform logic input for search 1 to HIGH.
- SEARCH:SEARCH1:TRIGGER:A:LOGIC:INPUT:MATH1? might return  
:SEARCH:SEARCH1:TRIGGER:A:LOGIC:INPUT:MATH1 LOW, indicating the Math 1 waveform logic input for search 1 is set to LOW.

## SEARCH:SEARCH<x>:TRIGger:A:LOGIc:INPut:REF<x>

This command sets or queries the Boolean logic criteria for a pattern or state trigger search to determine where to place a mark. <x> is the search number or the reference channel number.

- Group** Search and Mark

|                  |                                                                                                                                                                                                                                                                                                           |
|------------------|-----------------------------------------------------------------------------------------------------------------------------------------------------------------------------------------------------------------------------------------------------------------------------------------------------------|
| <b>Syntax</b>    | SEARCH:SEARCH<x>:TRIGger:A:LOGic:INPUt:REF<x> {HIGH LOW X}<br>SEARCH:SEARCH<x>:TRIGger:A:LOGic:INPUt:REF<x>?                                                                                                                                                                                              |
| <b>Arguments</b> | HIGH specifies a high logic level.<br>LOW specifies a low logic level.<br>X specifies a “don’t care” condition.                                                                                                                                                                                           |
| <b>Examples</b>  | SEARCH:SEARCH1:TRIGGER:A:LOGIC:INPUT:REF2 HIGH sets the Reference 2 waveform logic input for search 1 to HIGH.<br><br>SEARCH:SEARCH1:TRIGGER:A:LOGIC:INPUT:REF1? might return :SEARCH:SEARCH1:TRIGGER:A:LOGIC:INPUT:REF1 LOW, indicating the Reference 1 waveform login input for search 1 is set to LOW. |

## SEARCH:SEARCH<x>:TRIGger:A:LOGic:THReshold:CH<x>

This command sets or queries the channel threshold level for a pattern or state trigger search to determine where to place a mark. SEARCH<x> is the search number and CH<x> is the channel number.

|                  |                                                                                                                                                                                                                                                                                                                   |
|------------------|-------------------------------------------------------------------------------------------------------------------------------------------------------------------------------------------------------------------------------------------------------------------------------------------------------------------|
| <b>Group</b>     | Search and Mark                                                                                                                                                                                                                                                                                                   |
| <b>Syntax</b>    | SEARCH:SEARCH<x>:TRIGger:A:LOGic:THResho1d:CH<x> <NR3><br>SEARCH:SEARCH<x>:TRIGger:A:LOGic:THResho1d:CH<x>?                                                                                                                                                                                                       |
| <b>Arguments</b> | <NR3> specifies the threshold level in volts.                                                                                                                                                                                                                                                                     |
| <b>Examples</b>  | SEARCH:SEARCH1:TRIGGER:A:LOGIC:THRESHOLD:CH2 1.3 sets the Channel 2 logic threshold for search 1 to 1.3 Volts.<br><br>SEARCH:SEARCH1:TRIGGER:A:LOGIC:THRESHOLD:CH1? might return :SEARCH:SEARCH1:TRIGGER:A:LOGIC:THRESHOLD:CH1 2.0000, indicating the Channel 1 logic threshold for search 1 is set to 2.0 Volts. |

## SEARCH:SEARCH<x>:TRIGger:A:LOGic:THReshold:MATH<x>

This command sets or queries the math waveform threshold level for a pattern or state trigger search to determine where to place a mark. <x> is the search number or channel number.

|                  |                                                                                                                                                                                                                                                                                                                                             |
|------------------|---------------------------------------------------------------------------------------------------------------------------------------------------------------------------------------------------------------------------------------------------------------------------------------------------------------------------------------------|
| <b>Group</b>     | Search and Mark                                                                                                                                                                                                                                                                                                                             |
| <b>Syntax</b>    | SEARCH:SEARCH<x>:TRIGger:A:LOGic:THResho1d:MATH<x> <NR3><br>SEARCH:SEARCH<x>:TRIGger:A:LOGic:THResho1d:MATH<x>?                                                                                                                                                                                                                             |
| <b>Arguments</b> | <NR3> specifies the threshold level in volts.                                                                                                                                                                                                                                                                                               |
| <b>Examples</b>  | SEARCH:SEARCH1:TRIGGER:A:LOGIC:THRESHOLD:MATH2 2.0 sets the Math 2 waveform logic trigger threshold for search 1 to 2.0 Volts.<br><br>SEARCH:SEARCH1:TRIGGER:A:LOGIC:THRESHOLD:MATH1? might return :SEARCH:SEARCH1:TRIGGER:A:LOGIC:THRESHOLD:MATH1 1.4000, indicating the Math 1 waveform logic threshold for search 1 is set to 1.4 Volts. |

## SEARCH:SEARCH<x>:TRIGger:A:LOGic:THReshold:REF<x>

This command sets or queries the reference waveform threshold level for a pattern or state trigger search to determine where to place a mark. <x> is the search number or the reference waveform number.

|                  |                                                                                                                                                                                                                                                                                                                                                            |
|------------------|------------------------------------------------------------------------------------------------------------------------------------------------------------------------------------------------------------------------------------------------------------------------------------------------------------------------------------------------------------|
| <b>Group</b>     | Search and Mark                                                                                                                                                                                                                                                                                                                                            |
| <b>Syntax</b>    | SEARCH:SEARCH<x>:TRIGger:A:LOGic:THResho1d:REF<x> <NR3><br>SEARCH:SEARCH<x>:TRIGger:A:LOGic:THResho1d:REF<x>?                                                                                                                                                                                                                                              |
| <b>Arguments</b> | <NR3> specifies the threshold level in volts.                                                                                                                                                                                                                                                                                                              |
| <b>Examples</b>  | SEARCH:SEARCH1:TRIGGER:A:LOGIC:THRESHOLD:REF2 2.0 sets the Reference 2 waveform logic trigger threshold for search 1 to 2.0 Volts.<br><br>SEARCH:SEARCH1:TRIGGER:A:LOGIC:THRESHOLD:REF1? might return :SEARCH:SEARCH1:TRIGGER:A:LOGIC:THRESHOLD:REF1 1.4000, indicating the Reference 1 waveform logic trigger threshold for search 1 is set to 1.4 Volts. |

## SEARCH:SEARCH<x>:TRIGger:A:PATtern:WHEn

This command sets or queries the pattern trigger pattern test that determines where to place a mark. <x> is the search number.



|                         |                                                                                                                                                                                                                                                                                                     |
|-------------------------|-----------------------------------------------------------------------------------------------------------------------------------------------------------------------------------------------------------------------------------------------------------------------------------------------------|
| <b>Group</b>            | Search and Mark                                                                                                                                                                                                                                                                                     |
| <b>Syntax</b>           | SEARCH:SEARCH<x>:TRIGger:A:PATtern:WHEn<br>{TRUE FALSE LESSThan MOREThan}<br>SEARCH:SEARCH<x>:TRIGger:A:PATtern:WHEn?                                                                                                                                                                               |
| <b>Related Commands</b> | <a href="#">SEARCH:SEARCH&lt;x&gt;:TRIGger:A:PATtern:WHEn:LESSLimit</a> ,<br><a href="#">SEARCH:SEARCH&lt;x&gt;:TRIGger:A:PATtern:WHEn:MORELimit</a>                                                                                                                                                |
| <b>Arguments</b>        | TRUE specifies a TRUE logic level.<br>FALSE specifies a FALSE logic level.<br>LESSThan specifies the pattern must be TRUE less than the time limit.<br>MOREThan specifies the pattern must be TRUE more than the time limit.                                                                        |
| <b>Examples</b>         | SEARCH:SEARCH1:TRIGGER:A:PATTERN:WHEN TRUE sets the pattern trigger to trigger when the pattern is TRUE.<br><br>SEARCH:SEARCH1:TRIGGER:A:PATTERN:WHEN? might return<br>:SEARCH:SEARCH1:TRIGGER:A:PATTERN:WHEN TRUE, indicating search 1 will place a mark when the pattern trigger pattern is TRUE. |

## SEARCH:SEARCH<x>:TRIGger:A:PATtern:WHEn:LESSLimit

This command sets or queries the time the pattern trigger lesslimit test uses to determines where to place a mark. <x> is the search number.

|                         |                                                                                                                                         |
|-------------------------|-----------------------------------------------------------------------------------------------------------------------------------------|
| <b>Group</b>            | Search and Mark                                                                                                                         |
| <b>Syntax</b>           | SEARCH:SEARCH<x>:TRIGger:A:PATtern:WHEn:LESSLimit <NR3><br>SEARCH:SEARCH<x>:TRIGger:A:PATtern:WHEn:LESSLimit?                           |
| <b>Related Commands</b> | <a href="#">SEARCH:SEARCH&lt;x&gt;:TRIGger:A:PATtern:WHEn</a> , <a href="#">SEARCH:SEARCH&lt;x&gt;:TRIGger:A:PATtern:WHEn:MORELimit</a> |
| <b>Arguments</b>        | <NR3> is the time in seconds.                                                                                                           |
| <b>Examples</b>         | SEARCH:SEARCH1:TRIGGER:A:PATTERN:WHEN:LESSLIMIT 1.0e-9 sets the less than time limit to 1 ns.                                           |

SEARCH:SEARCH1:TRIGGER:A:PATTERN:WHEN:LESSLIMIT? might return :SEARCH:SEARCH1:TRIGGER:A:PATTERN:WHEN:LESSLIMIT 1.0000E-9, indicating the lesslimit time is set to 1 ns.

## SEARCH:SEARCH<x>:TRIGger:A:PATtern:WHEn:MORELimit

This command sets or queries the time the pattern trigger morelimit test uses to determines where to place a mark. <x> is the search number.

|                         |                                                                                                                                                                                                                                                                               |
|-------------------------|-------------------------------------------------------------------------------------------------------------------------------------------------------------------------------------------------------------------------------------------------------------------------------|
| <b>Group</b>            | Search and Mark                                                                                                                                                                                                                                                               |
| <b>Syntax</b>           | SEARCH:SEARCH<x>:TRIGger:A:PATtern:WHEn:MORELimit <NR3><br>SEARCH:SEARCH<x>:TRIGger:A:PATtern:WHEn:MORELimit?                                                                                                                                                                 |
| <b>Related Commands</b> | SEARCH:SEARCH<x>:TRIGger:A:PATtern:WHEn, SEARCH:SEARCH<x>:TRIGger:A:PATtern:WHEn:LESSLimit                                                                                                                                                                                    |
| <b>Arguments</b>        | <NR3> is the time in seconds.                                                                                                                                                                                                                                                 |
| <b>Examples</b>         | SEARCH:SEARCH1:TRIGGER:A:PATTERN:WHEN:MORELIMIT 2.0e-9 sets the more limit time to 2 ns.<br><br>SEARCH:SEARCH1:TRIGGER:A:PATTERN:WHEN:MORELIMIT? might return :SEARCH:SEARCH1:TRIGGER:A:PATTERN:WHEN:MORELIMIT 500.0000E-12, indicating the more limit time is set to 500 ps. |

## SEARCH:SEARCH<x>:TRIGger:A:PULse:SOUrce

This command sets or queries the source waveform for a pulse trigger search to determine where to place a mark. <x> is the search number.

---

**NOTE.** This is the source for Glitch, Width, Runt, Timeout or Window searches.

---

|               |                                                                                                                                                      |
|---------------|------------------------------------------------------------------------------------------------------------------------------------------------------|
| <b>Group</b>  | Search and Mark                                                                                                                                      |
| <b>Syntax</b> | SEARCH:SEARCH<x>:TRIGger:A:PULse:SOUrce<br>{CH1 CH2 CH3 CH4 MATH1 MATH2 MATH3 MATH4 REF1 REF2 REF3 REF4}<br>SEARCH:SEARCH<x>:TRIGger:A:PULse:SOUrce? |

**Arguments** CH<x> specifies one input channel as the edge source, where <x> = 1, 2, 3 or 4.  
 MATH<x> specifies the math waveform as the search source, where <x> = 1, 2, 3 or 4.  
 REF<x> specifies the reference waveform as the search source, where <x> = 1, 2, 3 or 4.

**Examples** SEARCH:SEARCH1:TRIGGER:A:PULSE:SOURCE REF1 sets the pulse trigger source for search1 to the Reference 1 waveform.  
 SEARCH:SEARCH1:TRIGGER:A:PULSE:SOURCE? might return :SEARCH:SEARCH1:TRIGGER:A:PULSE:SOURCE MATH1, indicating the pulse trigger source for search 1 is set to the Math 1 waveform.

## SEARCH:SEARCH<x>:TRIGger:A:RUNT:POLarity:CH<x>

This command sets or queries the polarity setting for a runt trigger search to determine where to place a mark. <x> is the search number or channel number.

**Group** Search and Mark

**Syntax** SEARCH:SEARCH<x>:TRIGger:A:RUNT:POLarity:CH<x>  
 {EITHer|NEGAtive|POSITIVe}  
 SEARCH:SEARCH<x>:TRIGger:A:RUNT:POLarity:CH<x>?

**Arguments** POSitive places a mark when the rising edge crosses the low threshold and the falling edge recrosses the low threshold without either edge ever crossing the high threshold.  
 NEGative places a mark when the falling edge crosses the high threshold and the rising edge recrosses the high threshold without either edge ever crossing the low threshold.  
 EITHer places a mark on a runt of either polarity.

**Examples** SEARCH:SEARCH1:TRIGGER:A:RUNT:POLARITY:CH2 NEGATIVE sets the Channel 2 runt polarity for search 1 to negative.  
 SEARCH:SEARCH1:TRIGGER:A:RUNT:POLARITY:CH1? might return :SEARCH:SEARCH1:TRIGGER:A:RUNT:POLARITY:CH1 POSITIVE, indicating the Channel 1 runt polarity for search 1 is set to positive.

## SEARCH:SEARCH<x>:TRIGger:A:RUNT:POLarity:MATH<x>

This command sets or queries the polarity setting for a runt trigger search to determine where to place a mark. <x> is the search number or math waveform number.

**Group** Search and Mark

**Syntax** SEARCH:SEARCH<x>:TRIGger:A:RUNT:POLarity:MATH<x>  
{EITHer|NEGAtive|POSITIVe}  
SEARCH:SEARCH<x>:TRIGger:A:RUNT:POLarity:MATH<x>?

**Arguments** POSitive places a mark when the rising edge crosses the low threshold and the falling edge recrosses the low threshold without either edge ever crossing the high threshold.

NEGAtive places a mark when the falling edge crosses the high threshold and the rising edge recrosses the high threshold without either edge ever crossing the low threshold.

EITHer places a mark on a runt of either polarity.

**Examples** SEARCH:SEARCH1:TRIGGER:A:RUNT:POLARITY:MATH2 NEGATIVE sets the Math 2 waveform runt polarity for search 1 to negative.

SEARCH:SEARCH1:TRIGGER:A:RUNT:POLARITY:MATH1? might return :SEARCH:SEARCH1:TRIGGER:A:RUNT:POLARITY:MATH1 POSITIVE, indicating the Math 1 waveform runt polarity for search 1 is set to positive.

## SEARCH:SEARCH<x>:TRIGger:A:RUNT:POLarity:REF<x>

This command sets or queries the polarity setting for a runt trigger search to determine where to place a mark. <x> is the search number or reference waveform number.

**Group** Search and Mark

**Syntax** SEARCH:SEARCH<x>:TRIGger:A:RUNT:POLarity:REF<x>  
{EITHer|NEGAtive|POSITIVe}  
SEARCH:SEARCH<x>:TRIGger:A:RUNT:POLarity:REF<x>?

**Arguments** POSitive places a mark when the rising edge crosses the low threshold and the falling edge recrosses the low threshold without either edge ever crossing the high threshold.

NEGative places a mark when the falling edge crosses the high threshold and the rising edge recrosses the high threshold without either edge ever crossing the low threshold.

EITHer places a mark on a runt of either polarity.

**Examples** SEARCH:SEARCH1:TRIGGER:A:RUNT:POLARITY:REF2 NEGATIVE sets the Reference 1 waveform runt polarity for search 1 to negative.

SEARCH:SEARCH1:TRIGGER:A:RUNT:POLARITY:REF1? might return :SEARCH:SEARCH1:TRIGGER:A:RUNT:POLARITY:REF1 POSITIVE, indicating the Reference 1 waveform runt polarity for search 1 is set to positive.

## SEARCH:SEARCH<x>:TRIGger:A:RUNT:THReshold:HIGh:CH<x>

This command sets or queries the channel threshold HIGH level for a runt trigger search to determine where to place a mark. <x> is the search number or the channel number.

**Group** Search and Mark

**Syntax** SEARCH:SEARCH<x>:TRIGger:A:RUNT:THReshołd:HIGh:CH<x> <NR3>  
SEARCH:SEARCH<x>:TRIGger:A:RUNT:THReshołd:HIGh:CH<x>?

**Arguments** <NR3> specifies the HIGH threshold in volts.

**Examples** SEARCH:SEARCH1:TRIGGER:A:RUNT:THRESHOLD:HIGh:CH2 1.3 sets the runt threshold high level to 1.3 Volts.

SEARCH:SEARCH1:TRIGGER:A:RUNT:THRESHOLD:HIGh:CH1? might return :SEARCH:SEARCH1:TRIGGER:A:RUNT:THRESHOLD:HIGh:CH1 2.0000, indicating the Channel 1 runt trigger high threshold is set to 2.0 Volts.

## SEARCH:SEARCH<x>:TRIGger:A:RUNT:THReshold:HIGh:MATH<x>

This command sets or returns the math waveform threshold HIGH level for a runt trigger search to determine where to place a mark. <x> is the search number or the math waveform number.

|                  |                                                                                                                                                                                                                                                                                                                                    |
|------------------|------------------------------------------------------------------------------------------------------------------------------------------------------------------------------------------------------------------------------------------------------------------------------------------------------------------------------------|
| <b>Group</b>     | Search and Mark                                                                                                                                                                                                                                                                                                                    |
| <b>Syntax</b>    | SEARCH:SEARCH<x>:TRIGger:A:RUNT:THResho1d:HIGh:MATH<x> <NR3><br>SEARCH:SEARCH<x>:TRIGger:A:RUNT:THResho1d:HIGh:MATH<x>?                                                                                                                                                                                                            |
| <b>Arguments</b> | <NR3> specifies the HIGH threshold level.                                                                                                                                                                                                                                                                                          |
| <b>Examples</b>  | SEARCH:SEARCH1:TRIGGER:A:RUNT:THRESHOLD:HIGh:MATH2 1.3 sets the runt trigger HIGH threshold to 1.3 Volts.<br><br>SEARCH:SEARCH1:TRIGGER:A:RUNT:THRESHOLD:HIGh:MATH1? might return :SEARCH:SEARCH1:TRIGGER:A:RUNT:THRESHOLD:HIGh:MATH1 2.0000, indicating that the Math 1 waveform runt trigger HIGH threshold is set to 2.0 Volts. |

## SEARCH:SEARCH<x>:TRIGger:A:RUNT:THReshold:HIGh:REF<x>

This command sets or returns the reference waveform threshold HIGH level for a runt trigger search to determine where to place a mark. <x> is the search number or the reference waveform number.

|                  |                                                                                                                                                                                                                                                                                                                                      |
|------------------|--------------------------------------------------------------------------------------------------------------------------------------------------------------------------------------------------------------------------------------------------------------------------------------------------------------------------------------|
| <b>Group</b>     | Search and Mark                                                                                                                                                                                                                                                                                                                      |
| <b>Syntax</b>    | SEARCH:SEARCH<x>:TRIGger:A:RUNT:THResho1d:HIGh:REF<x> <NR3><br>SEARCH:SEARCH<x>:TRIGger:A:RUNT:THResho1d:HIGh:REF<x>?                                                                                                                                                                                                                |
| <b>Arguments</b> | <NR3> specifies the HIGH threshold in volts.                                                                                                                                                                                                                                                                                         |
| <b>Examples</b>  | SEARCH:SEARCH1:TRIGGER:A:RUNT:THRESHOLD:HIGh:REF2 1.3 sets the runt trigger HIGH threshold to 1.3 Volts.<br><br>SEARCH:SEARCH1:TRIGGER:A:RUNT:THRESHOLD:HIGh:REF1? might return :SEARCH:SEARCH1:TRIGGER:A:RUNT:THRESHOLD:HIGh:REF1 2.0000, indicating that the Reference 1 waveform runt trigger HIGH threshold is set to 2.0 Volts. |

## SEARCH:SEARCH<x>:TRIGger:A:RUNT:THReshold:LOW:CH<x>

This command sets or queries the channel waveform threshold LOW level for a runt trigger search to determine where to place a mark. <x> is the search number or the channel number.

|                  |                                                                                                                                                                                                                                                                                                                                                  |
|------------------|--------------------------------------------------------------------------------------------------------------------------------------------------------------------------------------------------------------------------------------------------------------------------------------------------------------------------------------------------|
| <b>Group</b>     | Search and Mark                                                                                                                                                                                                                                                                                                                                  |
| <b>Syntax</b>    | SEARCH:SEARCH<x>:TRIGger:A:RUNT:THResho1d:LOW:CH<x> <NR3><br>SEARCH:SEARCH<x>:TRIGger:A:RUNT:THResho1d:LOW:CH<x>?                                                                                                                                                                                                                                |
| <b>Arguments</b> | <NR3> specifies the LOW threshold in volts.                                                                                                                                                                                                                                                                                                      |
| <b>Examples</b>  | SEARCH:SEARCH1:TRIGGER:A:RUNT:THRESHOLD:LOW:CH2 0.10 sets the Channel 2 LOW runt trigger threshold for search 1 to 100 mV.<br><br>SEARCH:SEARCH1:TRIGGER:A:RUNT:THRESHOLD:LOW:CH1? might return :SEARCH:SEARCH1:TRIGGER:A:RUNT:THRESHOLD:LOW:CH1 800.0000E-3, indicating the Channel 1 runt trigger LOW threshold for search 1 is set to 800 mV. |

## SEARCH:SEARCH<x>:TRIGger:A:RUNT:THReshold:LOW:MATH<x>

This command sets or queries the math waveform threshold LOW level for a runt trigger search to determine where to place a mark. <x> is the search number or the math waveform number.

|                  |                                                                                                                                                                                                                                                                                                                                                                     |
|------------------|---------------------------------------------------------------------------------------------------------------------------------------------------------------------------------------------------------------------------------------------------------------------------------------------------------------------------------------------------------------------|
| <b>Group</b>     | Search and Mark                                                                                                                                                                                                                                                                                                                                                     |
| <b>Syntax</b>    | SEARCH:SEARCH<x>:TRIGger:A:RUNT:THResho1d:LOW:MATH<x> <NR3><br>SEARCH:SEARCH<x>:TRIGger:A:RUNT:THResho1d:LOW:MATH<x>?                                                                                                                                                                                                                                               |
| <b>Arguments</b> | <NR3> specifies the LOW threshold level.                                                                                                                                                                                                                                                                                                                            |
| <b>Examples</b>  | SEARCH:SEARCH1:TRIGGER:A:RUNT:THRESHOLD:LOW:MATH2 0.10, sets the Math 2 waveform runt trigger LOW threshold for search 1 to 100 mV.<br><br>SEARCH:SEARCH1:TRIGGER:A:RUNT:THRESHOLD:LOW:MATH1? might return :SEARCH:SEARCH1:TRIGGER:A:RUNT:THRESHOLD:LOW:MATH1 800.0000E-3, indicating the Math 1 waveform runt trigger LOW threshold for search 1 is set to 800 mV. |

## SEARCH:SEARCH<x>:TRIGger:A:RUNT:THReshold:LOW:REF<x>

This command sets or returns the reference waveform threshold LOW level for a runt trigger search to determine where to place a mark. <x> is the search number or the reference waveform number.

|                  |                                                                                                                                                                                                                                                                                                                                                                         |
|------------------|-------------------------------------------------------------------------------------------------------------------------------------------------------------------------------------------------------------------------------------------------------------------------------------------------------------------------------------------------------------------------|
| <b>Group</b>     | Search and Mark                                                                                                                                                                                                                                                                                                                                                         |
| <b>Syntax</b>    | SEARCH:SEARCH<x>:TRIGger:A:RUNT:THResho1d:LOW:REF<x> <NR3><br>SEARCH:SEARCH<x>:TRIGger:A:RUNT:THResho1d:LOW:REF<x>?                                                                                                                                                                                                                                                     |
| <b>Arguments</b> | <NR3> specifies the LOW threshold in volts.                                                                                                                                                                                                                                                                                                                             |
| <b>Examples</b>  | SEARCH:SEARCH1:TRIGGER:A:RUNT:THRESHOLD:LOW:REF2 0.10 sets the Reference 2 waveform runt trigger LOW threshold for search 1 to 100 mV.<br><br>SEARCH:SEARCH1:TRIGGER:A:RUNT:THRESHOLD:LOW:REF1? might return :SEARCH:SEARCH1:TRIGGER:A:RUNT:THRESHOLD:LOW:REF1 800.0000E-3, indicating that the Reference 1 waveform runt trigger LOW threshold for search 1 is 800 mV. |

## SEARCH:SEARCH<x>:TRIGger:A:RUNT:WHEn

This command sets or returns the condition setting for a runt trigger search to determine where to place a mark. <x> is the search number.

|                  |                                                                                                                                                                                                                                                                                                                                                                                                 |
|------------------|-------------------------------------------------------------------------------------------------------------------------------------------------------------------------------------------------------------------------------------------------------------------------------------------------------------------------------------------------------------------------------------------------|
| <b>Group</b>     | Search and Mark                                                                                                                                                                                                                                                                                                                                                                                 |
| <b>Syntax</b>    | SEARCH:SEARCH<x>:TRIGger:A:RUNT:WHEn {OCCurs WIDERthan}<br>SEARCH:SEARCH<x>:TRIGger:A:RUNT:WHEn?                                                                                                                                                                                                                                                                                                |
| <b>Arguments</b> | OCCurs argument specifies a trigger event if a runt of any detectable width occurs.<br><br>WIDERthan argument sets the oscilloscope to trigger if a runt pulse is detected with width wider than the time set by the <a href="#">SEARCH:SEARCH&lt;x&gt;:TRIGger:A:RUNT:WIDth</a> command.                                                                                                       |
| <b>Examples</b>  | SEARCH:SEARCH1:TRIGGER:A:RUNT:WHEN WIDERTHAN sets the oscilloscope to trigger when a runt pulse is detected with width wider than the time set by the <a href="#">SEARCH:SEARCH&lt;x&gt;:TRIGger:A:RUNT:WIDth</a> command.<br><br>SEARCH:SEARCH1:TRIGGER:A:RUNT:WHEN? might return :SEARCH:SEARCH1:TRIGGER:A:RUNT:WHEN OCCURS, indicating that a mark is placed if a runt trigger event occurs. |



## SEARCH:SEARCH<x>:TRIGger:A:RUNT:WIDth

This command sets or queries the width setting for a runt trigger search to determine where to place a mark. <x> is the search number.

|                  |                                                                                                                                                                                                                                                                                                                        |
|------------------|------------------------------------------------------------------------------------------------------------------------------------------------------------------------------------------------------------------------------------------------------------------------------------------------------------------------|
| <b>Group</b>     | Search and Mark                                                                                                                                                                                                                                                                                                        |
| <b>Syntax</b>    | SEARCH:SEARCH<x>:TRIGger:A:RUNT:WIDth <NR3><br>SEARCH:SEARCH<x>:TRIGger:A:RUNT:WIDth?                                                                                                                                                                                                                                  |
| <b>Arguments</b> | <NR3> specifies the minimum width, in seconds.                                                                                                                                                                                                                                                                         |
| <b>Examples</b>  | SEARCH:SEARCH1:TRIGGER:A:RUNT:WIDTH 400E-12 sets the runt trigger minimum width for search 1 to 0.4 nanoseconds.<br><br>SEARCH:SEARCH1:TRIGGER:A:RUNT:WIDTH? might return<br>:SEARCH:SEARCH1:TRIGGER:A:RUNT:WIDTH 500.0000E-12, indicating that the runt trigger minimum width for search 1 is set to 0.5 nanoseconds. |

## SEARCH:SEARCH<x>:TRIGger:A:SETHold:CLOCK:EDGE

This command sets or queries the clock slope setting for a setup/hold trigger search to determine where to place a mark. <x> is the search number.

|                  |                                                                                                                                                                                                                                                                                                                                                        |
|------------------|--------------------------------------------------------------------------------------------------------------------------------------------------------------------------------------------------------------------------------------------------------------------------------------------------------------------------------------------------------|
| <b>Group</b>     | Search and Mark                                                                                                                                                                                                                                                                                                                                        |
| <b>Syntax</b>    | SEARCH:SEARCH<x>:TRIGger:A:SETHold:CLOCK:EDGE {FALL RISe}<br>SEARCH:SEARCH<x>:TRIGger:A:SETHold:CLOCK:EDGE?                                                                                                                                                                                                                                            |
| <b>Arguments</b> | FALL specifies the polarity as the clock falling edge.<br><br>RISe specifies the polarity as the clock rising edge.                                                                                                                                                                                                                                    |
| <b>Examples</b>  | SEARCH:SEARCH1:TRIGGER:A:SETHOLD:CLOCK:EDGE FALL sets the setup/hold trigger clock slope polarity for search 1 to falling edge.<br><br>SEARCH:SEARCH1:TRIGGER:A:SETHOLD:CLOCK:EDGE? might return<br>:SEARCH:SEARCH1:TRIGGER:A:SETHOLD:CLOCK:EDGE RISe, indicating that the setup/hold trigger clock slope polarity for search 1 is set to rising edge. |

## SEARCH:SEARCH<x>:TRIGger:A:SETHold:CLOCK:SOUrce

This command sets or queries the clock source setting for a setup/hold trigger search to determine where to place a mark. <x> is the search number.

|                  |                                                                                                                                                                                                                                                                                                                                            |
|------------------|--------------------------------------------------------------------------------------------------------------------------------------------------------------------------------------------------------------------------------------------------------------------------------------------------------------------------------------------|
| <b>Group</b>     | Search and Mark                                                                                                                                                                                                                                                                                                                            |
| <b>Syntax</b>    | SEARCH:SEARCH<x>:TRIGger:A:SETHold:CLOCK:SOUrce<br>{CH1 CH2 CH3 CH4 MATH1 MATH2 MATH3 MATH4 REF1 REF2 REF3 REF4}<br>SEARCH:SEARCH<x>:TRIGger:A:SETHold:CLOCK:SOUrce?                                                                                                                                                                       |
| <b>Arguments</b> | CH<x> specifies an input channel as the edge source, where <x> = 1, 2, 3 or 4.<br><br>MATH<x> specifies the math waveform as the search source, where <x> = 1, 2, 3 or 4.<br><br>REF<x> specifies the reference waveform as the search source, where <x> = 1, 2, 3 or 4.                                                                   |
| <b>Examples</b>  | SEARCH:SEARCH1:TRIGGER:A:SETHOLD:CLOCK:SOURCE MATH1 sets the setup/hold trigger clock source setting for search 1 to MATH1.<br><br>SEARCH:SEARCH1:TRIGGER:A:SETHOLD:CLOCK:SOURCE? might return :SEARCH:SEARCH1:TRIGGER:A:SETHOLD:CLOCK:SOURCE CH1, indicating that the setup/hold trigger clock source setting for search 1 is set to CH1. |

## SEARCH:SEARCH<x>:TRIGger:A:SETHold:CLOCK:THReshold:CH<x>

This command sets or queries the clock threshold setting for a setup/hold trigger search to determine where to place a mark. <x> is the search number or channel number.

|                  |                                                                                                                                                    |
|------------------|----------------------------------------------------------------------------------------------------------------------------------------------------|
| <b>Group</b>     | Search and Mark                                                                                                                                    |
| <b>Syntax</b>    | SEARCH:SEARCH<x>:TRIGger:A:SETHold:CLOCK:THReshold:CH<x><br>{NR3 ECL TTL}<br>SEARCH:SEARCH<x>:TRIGger:A:SETHold:CLOCK:THReshold:CH<x>?             |
| <b>Arguments</b> | <NR3> is the clock level, in volts.<br><br>ECL specifies a preset ECL high level of -1.3 V.<br><br>TTL specifies a preset TTL high level of 1.4 V. |

**Examples**     `SEARCH:SEARCH1:TRIGGER:A:SETHOLD:CLOCK:THRESHOLD:CH2 ECL` sets the Channel 2 setup/hold trigger clock threshold setting for search 1 to ECL.

`SEARCH:SEARCH1:TRIGGER:A:SETHOLD:CLOCK:THRESHOLD:CH1?` might return `:SEARCH:SEARCH1:TRIGGER:A:SETHOLD:CLOCK:THRESHOLD:CH1 -1.3000`, indicating that the Channel 1 setup/hold trigger clock threshold setting for search 1 is set to -1.3 volts.

## **SEARCH:SEARCH<x>:TRIGger:A:SETHold:CLOCK:THReshold:MATH<x>**

This command sets or queries the clock threshold setting for a setup/hold trigger search to determine where to place a mark. <x> is the search number or math waveform number.

**Group**     Search and Mark

**Syntax**     `SEARCH:SEARCH<x>:TRIGger:A:SETHold:CLOCK:THReshold:MATH<x>`  
                   {NR3|ECL|TTL}  
                   `SEARCH:SEARCH<x>:TRIGger:A:SETHold:CLOCK:THReshold:MATH<x>?`

**Arguments**     <NR3> is the clock level, in volts.

ECL specifies a preset ECL high level of -1.3 V.

TTL specifies a preset TTL high level of 1.4 V.

**Examples**     `SEARCH:SEARCH1:TRIGGER:A:SETHOLD:CLOCK:THRESHOLD:MATH2 ECL` sets the clock threshold setting of the Math 2 waveform for a setup/hold trigger search to ECL.

`SEARCH:SEARCH1:TRIGGER:A:SETHOLD:CLOCK:THRESHOLD:MATH1?` might return `:SEARCH:SEARCH1:TRIGGER:A:SETHOLD:CLOCK:THRESHOLD:MATH1 1.4000`, indicating that the clock threshold setting of the Math 1 waveform for a setup/hold trigger search is set to 1.4 volts.

## **SEARCH:SEARCH<x>:TRIGger:A:SETHold:CLOCK:THReshold:REF<x>**

This command sets or queries the clock threshold setting for a setup/hold trigger search to determine where to place a mark. <x> is the search number or reference waveform number.

**Group**     Search and Mark

**Syntax** SEARCH:SEARCH<x>:TRIGger:A:SETHold:CLOCK:THReshold:REF<x>  
{NR3|ECL|TTL}  
SEARCH:SEARCH<x>:TRIGger:A:SETHold:CLOCK:THReshold:REF<x>?

**Arguments** <NR3> is the clock level, in volts.  
ECL specifies a preset ECL high level of -1.3 V.  
TTL specifies a preset TTL high level of 1.4 V.

**Examples** SEARCH:SEARCH1:TRIGGER:A:SETHOLD:CLOCK:THRESHOLD:REF2 ECL sets the clock threshold setting of the Reference 2 waveform for a setup/hold trigger search to ECL.  
SEARCH:SEARCH1:TRIGGER:A:SETHOLD:CLOCK:THRESHOLD:REF1? might return :SEARCH:SEARCH1:TRIGGER:A:SETHOLD:CLOCK:THRESHOLD:REF1 1.0000, indicating that the clock threshold setting of the Reference 1 waveform for a setup/hold trigger search is set to 1 volt.

## SEARCH:SEARCH<x>:TRIGger:A:SETHold:DATA:SOURCE

This command sets or queries the data source setting for a setup/hold trigger search to determine where to place a mark. <x> is the search number.

**Group** Search and Mark

**Syntax** SEARCH:SEARCH<x>:TRIGger:A:SETHold:DATA:SOURCE  
{CH1|CH2|CH3|CH4|MATH1|MATH2|MATH3|MATH4|REF1|REF2|REF3|REF4  
SEARCH:SEARCH<x>:TRIGger:A:SETHold:DATA:SOURCE?

**Arguments** CH<x> specifies an input channel as the search source, where <x> = 1, 2, 3 or 4.  
MATH<x> specifies the math waveform as the search source, where <x> = 1, 2, 3 or 4.  
REF<x> specifies the reference waveform as the search source, where <x> = 1, 2, 3 or 4.

**Examples** SEARCH:SEARCH1:TRIGGER:A:SETHOLD:DATA:SOURCE MATH1 sets the setup/hold trigger data source setting for search 1 to the Math 1 waveform.  
SEARCH:SEARCH1:TRIGGER:A:SETHOLD:DATA:SOURCE? might return :SEARCH:SEARCH1:TRIGGER:A:SETHOLD:DATA:SOURCE CH1, indicating that the setup/hold trigger data source setting for search 1 is set to the Channel 1.

**SEARCH:SEARCH<x>:TRIGger:A:SETHold:DATA:THReshold:CH<x>**

This command sets or queries the data threshold setting for a setup/hold trigger search to determine where to place a mark. <x> is the search number or channel number.

|                  |                                                                                                                                                                                                                                                                                                                                                                                              |
|------------------|----------------------------------------------------------------------------------------------------------------------------------------------------------------------------------------------------------------------------------------------------------------------------------------------------------------------------------------------------------------------------------------------|
| <b>Group</b>     | Search and Mark                                                                                                                                                                                                                                                                                                                                                                              |
| <b>Syntax</b>    | SEARCH:SEARCH<x>:TRIGger:A:SETHold:DATA:THReshold:CH<x><br>{NR3 ECL TTL}<br>SEARCH:SEARCH<x>:TRIGger:A:SETHold:DATA:THReshold:CH<x>?                                                                                                                                                                                                                                                         |
| <b>Arguments</b> | <NR3> is the clock level, in volts.<br><br>ECL specifies a preset ECL high level of -1.3 V.<br><br>TTL specifies a preset TTL high level of 1.4 V.                                                                                                                                                                                                                                           |
| <b>Examples</b>  | SEARCH:SEARCH1:TRIGGER:A:SETHOLD:DATA:THRESHOLD:CH2 ECL sets the Channel 2 setup/hold trigger data threshold setting for search 1 to -1.3 volts.<br><br>SEARCH:SEARCH1:TRIGGER:A:SETHOLD:DATA:THRESHOLD:CH1? might return :SEARCH:SEARCH1:TRIGGER:A:SETHOLD:DATA:THRESHOLD:CH1 1.4000, indicating that the Channel 1 setup/hold trigger data threshold setting for search 1 is set to 1.4 V. |

**SEARCH:SEARCH<x>:TRIGger:A:SETHold:DATA:THReshold:MATH<x>**

This command sets or queries the data threshold setting for a setup/hold trigger search to determine where to place a mark. <x> is the search number or math waveform number.

|                  |                                                                                                                                                    |
|------------------|----------------------------------------------------------------------------------------------------------------------------------------------------|
| <b>Group</b>     | Search and Mark                                                                                                                                    |
| <b>Syntax</b>    | SEARCH:SEARCH<x>:TRIGger:A:SETHold:DATA:THReshold:MATH<x><br>{NR3 ECL TTL}<br>SEARCH:SEARCH<x>:TRIGger:A:SETHold:DATA:THReshold:MATH<x>?           |
| <b>Arguments</b> | <NR3> is the clock level, in volts.<br><br>ECL specifies a preset ECL high level of -1.3 V.<br><br>TTL specifies a preset TTL high level of 1.4 V. |

**Examples**     `SEARCH:SEARCH1:TRIGGER:A:SETHOLD:DATA:THRESHOLD:MATH1 ECL` sets the Math 2 waveform setup/hold trigger data threshold setting for search 1 to -1.3 volts.

`SEARCH:SEARCH1:TRIGGER:A:SETHOLD:DATA:THRESHOLD:MATH1?` might return `:SEARCH:SEARCH1:TRIGGER:A:SETHOLD:DATA:THRESHOLD:MATH1 1.0000`, indicating that the Math 1 waveform setup/hold trigger data threshold setting for search 1 is set to 1.0 volt.

## **SEARCH:SEARCH<x>:TRIGger:A:SETHold:DATA:THReshold:REF<x>**

This command sets or queries the data threshold setting for a setup/hold trigger search to determine where to place a mark. <x> is the search number or reference waveform number.

**Group**     Search and Mark

**Syntax**     `SEARCH:SEARCH<x>:TRIGger:A:SETHold:DATA:THReshold:REF<x>`  
                   {NR3|ECL|TTL}  
                   `SEARCH:SEARCH<x>:TRIGger:A:SETHold:DATA:THReshold:REF<x>?`

**Arguments**     <NR3> is the clock level, in volts.

ECL specifies a preset ECL high level of -1.3 V.

TTL specifies a preset TTL high level of 1.4 V.

**Examples**     `SEARCH:SEARCH1:TRIGGER:A:SETHOLD:DATA:THRESHOLD:REF2 ECL` sets the Reference 2 waveform setup/hold trigger data threshold setting for search 1 to -1.3 volts.

`SEARCH:SEARCH1:TRIGGER:A:SETHOLD:DATA:THRESHOLD:REF1?` might return `:SEARCH:SEARCH1:TRIGGER:A:SETHOLD:DATA:THRESHOLD:REF1 1.4000`, indicating that the Reference 1 waveform setup/hold trigger data threshold setting for search 1 is set to 1.4 volts.

## **SEARCH:SEARCH<x>:TRIGger:A:SETHold:HOLDTime**

This command sets or queries the hold time setting for a setup/hold trigger search to determine where to place a mark. <x> is the search number.

**Group**     Search and Mark

|                  |                                                                                                                                                                                                                                                                                                                                             |
|------------------|---------------------------------------------------------------------------------------------------------------------------------------------------------------------------------------------------------------------------------------------------------------------------------------------------------------------------------------------|
| <b>Syntax</b>    | SEARCH:SEARCH<x>:TRIGger:A:SETHold:HOLDTime <NR3><br>SEARCH:SEARCH<x>:TRIGger:A:SETHold:HOLDTime?                                                                                                                                                                                                                                           |
| <b>Arguments</b> | <NR3> specifies the hold time setting in seconds. Positive values for hold time occur after the clock edge. Negative values occur before the clock edge.                                                                                                                                                                                    |
| <b>Examples</b>  | SEARCH:SEARCH1:TRIGGER:A:SETHOLD:HOLDTIME? 400E-12 sets the setup/hold trigger hold time setting for search 1 to 400 ps.<br><br>SEARCH:SEARCH1:TRIGGER:A:SETHOLD:HOLDTIME? might return<br>:SEARCH:SEARCH1:TRIGGER:A:SETHOLD:HOLDTIME 500.0000E-12, indicating that the setup/hold trigger hold time setting for search 1 is set to 0.5 ns. |

## SEARCH:SEARCH<x>:TRIGger:A:SETHold:SETTime

This command sets or queries the setup time setting for a setup/hold trigger search to determine where to place a mark. <x> is the search number.

|                  |                                                                                                                                                                                                                                                                                                                                   |
|------------------|-----------------------------------------------------------------------------------------------------------------------------------------------------------------------------------------------------------------------------------------------------------------------------------------------------------------------------------|
| <b>Group</b>     | Search and Mark                                                                                                                                                                                                                                                                                                                   |
| <b>Syntax</b>    | SEARCH:SEARCH<x>:TRIGger:A:SETHold:SETTime <NR3><br>SEARCH:SEARCH<x>:TRIGger:A:SETHold:SETTime?                                                                                                                                                                                                                                   |
| <b>Arguments</b> | <NR3> specifies the setup time for setup and hold violation triggering.                                                                                                                                                                                                                                                           |
| <b>Examples</b>  | SEARCH:SEARCH1:TRIGGER:A:SETHOLD:SETTIME 2E-9 sets the setup/hold trigger setup time setting for search 1 to 2 ns.<br><br>SEARCH:SEARCH1:TRIGGER:A:SETHOLD:SETTIME? might return<br>:SEARCH:SEARCH1:TRIGGER:A:SETHOLD:SETTIME 1.0000E-9, indicating that the setup/hold trigger setup time setting for search 1 is set to 1.0 ns. |

## SEARCH:SEARCH<x>:TRIGger:A:STATE:CLOCK:EDGE

This command sets or queries the clock slope setting for a state trigger search to determine where to place a mark. <x> is the search number.

|               |                                                                                                         |
|---------------|---------------------------------------------------------------------------------------------------------|
| <b>Group</b>  | Search and Mark                                                                                         |
| <b>Syntax</b> | SEARCH:SEARCH<x>:TRIGger:A:STATE:CLOCK:EDGE {FALL RISE}<br>SEARCH:SEARCH<x>:TRIGger:A:STATE:CLOCK:EDGE? |

**Arguments** FALL specifies polarity as the clock falling edge.  
RISe specifies polarity as the clock rising edge.

**Examples** SEARCH:SEARCH1:TRIGGER:A:STATE:CLOCK:EDGE? RISE sets the state trigger clock slope polarity setting for search 1 to RISE.  
SEARCH:SEARCH1:TRIGGER:A:STATE:CLOCK:EDGE? might return :SEARCH:SEARCH1:TRIGGER:A:STATE:CLOCK:EDGE FALL, indicating that the state trigger clock slope polarity setting for search 1 is set to FALL.

## SEARCH:SEARCH<x>:TRIGger:A:STATE:CLOCK:SOUrce

This command sets or queries the clock source of the twelve waveforms for a state trigger search to determine where to place a mark. <x> is the search number. The hardware trigger is always on the channel 4.

**Group** Search and Mark

**Syntax** SEARCH:SEARCH<x>:TRIGger:A:STATE:CLOCK:SOUrce  
{CH1|CH2|CH3|CH4|MATH1|MATH2|MATH3|MATH4|REF1|REF2|REF3|REF4}  
SEARCH:SEARCH<x>:TRIGger:A:STATE:CLOCK:SOUrce?

**Arguments** CH<x> specifies an input channel as the search source, where <x> = 1, 2, 3 or 4.  
MATH<x> specifies the math waveform as the search source, where <x> = 1, 2, 3 or 4.  
REF<x> specifies the reference waveform as the search source, where <x> = 1, 2, 3 or 4.

**Examples** SEARCH:SEARCH1:TRIGGER:A:STATE:CLOCK:SOURCE CH2 sets the state trigger clock source for search 1 to Channel 2.  
SEARCH:SEARCH1:TRIGGER:A:STATE:CLOCK:SOURCE? might return :SEARCH:SEARCH1:TRIGGER:A:STATE:CLOCK:SOURCE CH1, indicating that the state trigger clock source for search 1 is set to Channel 1.

## SEARCH:SEARCH<x>:TRIGger:A:STATE:WHEn

This command sets or queries the state trigger search to determine where to place a mark. <x> is the search number.

**Group** Search and Mark



|                  |                                                                                                                                                                                                                                                                                       |
|------------------|---------------------------------------------------------------------------------------------------------------------------------------------------------------------------------------------------------------------------------------------------------------------------------------|
| <b>Syntax</b>    | SEARCH:SEARCH<x>:TRIGger:A:STATE:WHEN {TRUE FALSE}<br>SEARCH:SEARCH<x>:TRIGger:A:STATE:WHEN?                                                                                                                                                                                          |
| <b>Arguments</b> | TRUE specifies a TRUE logic level.<br>FALSE specifies a FALSE logic level.                                                                                                                                                                                                            |
| <b>Examples</b>  | SEARCH:SEARCH1:TRIGGER:A:STATE:WHEN FALSE sets the state trigger logic level for search 1 to FALSE.<br><br>SEARCH:SEARCH1:TRIGGER:A:STATE:WHEN? might return<br>:SEARCH:SEARCH1:TRIGGER:A:STATE:WHEN TRUE, indicating that the state trigger logic level for search 1 is set to TRUE. |

## SEARCH:SEARCH<x>:TRIGger:A:TIMEOut:POLarity:CH<x>

This command sets or queries the polarity for a timeout trigger search to determine where to place a mark. <x> is the search number or channel number.

|                  |                                                                                                                                                                                                                                                                                                                                                       |
|------------------|-------------------------------------------------------------------------------------------------------------------------------------------------------------------------------------------------------------------------------------------------------------------------------------------------------------------------------------------------------|
| <b>Group</b>     | Search and Mark                                                                                                                                                                                                                                                                                                                                       |
| <b>Syntax</b>    | SEARCH:SEARCH<x>:TRIGger:A:TIMEOut:POLarity:CH<x><br>{STAYSHigh STAYSLow EITHer}<br>SEARCH:SEARCH<x>:TRIGger:A:TIMEOut:POLarity:CH<x>?                                                                                                                                                                                                                |
| <b>Arguments</b> | STAYSHigh specifies the polarity stays HIGH.<br>STAYSLow specifies the polarity stays LOW.<br>EITHer specifies the polarity either stays HIGH or stays LOW.                                                                                                                                                                                           |
| <b>Examples</b>  | SEARCH:SEARCH1:TRIGGER:A:TIMEOUT:POLARITY:CH2 STAYSLOW sets the Channel 2 timeout trigger polarity for search 1 to STAYSLOW.<br><br>SEARCH:SEARCH1:TRIGGER:A:TIMEOUT:POLARITY:CH1? might return<br>:SEARCH:SEARCH1:TRIGGER:A:TIMEOUT:POLARITY:CH1 STAYSHIGH, indicating that the Channel 2 timeout trigger polarity for search 1 is set to STAYSHIGH. |

## SEARCH:SEARCH<x>:TRIGger:A:TIMEOut:POLarity:MATH<x>

This command sets or queries the polarity for a timeout trigger search to determine where to place a mark. <x> is the search number or math waveform number.

|                  |                                                                                                                                                                                                                                                                                                                                                                  |
|------------------|------------------------------------------------------------------------------------------------------------------------------------------------------------------------------------------------------------------------------------------------------------------------------------------------------------------------------------------------------------------|
| <b>Group</b>     | Search and Mark                                                                                                                                                                                                                                                                                                                                                  |
| <b>Syntax</b>    | SEARCH:SEARCH<x>:TRIGger:A:TIMEOut:POLArity:MATH<x><br>{STAYSHigh STAYSLOW EITHer}<br>SEARCH:SEARCH<x>:TRIGger:A:TIMEOut:POLArity:MATH<x>?                                                                                                                                                                                                                       |
| <b>Arguments</b> | STAYSHigh specifies the polarity stays HIGH.<br>STAYSLOW specifies the polarity stays LOW.<br>EITHer specifies the polarity either stays HIGH or stays LOW.                                                                                                                                                                                                      |
| <b>Examples</b>  | SEARCH:SEARCH1:TRIGGER:A:TIMEOUT:POLARITY:MATH2 STAYSLOW sets the Math 2 waveform timeout trigger polarity for search 1 to STAYSLOW.<br>SEARCH:SEARCH1:TRIGGER:A:TIMEOUT:POLARITY:MATH1? might return :SEARCH:SEARCH1:TRIGGER:A:TIMEOUT:POLARITY:MATH1 STAYSHIGH, indicating that the Math 1 waveform timeout trigger polarity for search 1 is set to STAYSHIGH. |

## SEARCH:SEARCH<x>:TRIGger:A:TIMEOut:POLArity:REF<x>

This command sets or queries the polarity for a timeout trigger search to determine where to place a mark. <x> is the search number or reference waveform number.

|                  |                                                                                                                                                                                                                                                                                                                                                                         |
|------------------|-------------------------------------------------------------------------------------------------------------------------------------------------------------------------------------------------------------------------------------------------------------------------------------------------------------------------------------------------------------------------|
| <b>Group</b>     | Search and Mark                                                                                                                                                                                                                                                                                                                                                         |
| <b>Syntax</b>    | SEARCH:SEARCH<x>:TRIGger:A:TIMEOut:POLArity:REF<x><br>{STAYSHigh STAYSLOW EITHer}<br>SEARCH:SEARCH<x>:TRIGger:A:TIMEOut:POLArity:REF<x>?                                                                                                                                                                                                                                |
| <b>Arguments</b> | STAYSHigh specifies the polarity stays HIGH.<br>STAYSLOW specifies the polarity stays LOW.<br>EITHer specifies the polarity either stays HIGH or stays LOW.                                                                                                                                                                                                             |
| <b>Examples</b>  | SEARCH:SEARCH1:TRIGGER:A:TIMEOUT:POLARITY:REF2 STAYSLOW sets the Reference 2 waveform timeout trigger polarity for search 1 to STAYSLOW.<br>SEARCH:SEARCH1:TRIGGER:A:TIMEOUT:POLARITY:REF1? might return :SEARCH:SEARCH1:TRIGGER:A:TIMEOUT:POLARITY:REF1 STAYSHIGH, indicating that the Reference 2 waveform timeout trigger polarity for search 1 is set to STAYSHIGH. |

## SEARCH:SEARCH<x>:TRIGger:A:TIMEOut:TIME

This command sets or queries the time setting for a timeout trigger search to determine where to place a mark. <x> is the search number.

|                  |                                                                                                                                                                                                                                                                                                            |
|------------------|------------------------------------------------------------------------------------------------------------------------------------------------------------------------------------------------------------------------------------------------------------------------------------------------------------|
| <b>Group</b>     | Search and Mark                                                                                                                                                                                                                                                                                            |
| <b>Syntax</b>    | SEARCH:SEARCH<x>:TRIGger:A:TIMEOut:TIME <NR3><br>SEARCH:SEARCH<x>:TRIGger:A:TIMEOut:TIME?                                                                                                                                                                                                                  |
| <b>Arguments</b> | <NR3> is the time in seconds.                                                                                                                                                                                                                                                                              |
| <b>Examples</b>  | SEARCH:SEARCH1:TRIGGER:A:TIMEOUT:TIME 400E-9 sets the timeout trigger time setting for search 1 to 400 ns.<br><br>SEARCH:SEARCH1:TRIGGER:A:TIMEOUT:TIME? might return :SEARCH:SEARCH1:TRIGGER:A:TIMEOUT:TIME 500.0000E-12, indicating that the timeout trigger time setting for search 1 is set to 500 ns. |

## SEARCH:SEARCH<x>:TRIGger:A:TRANSition:DELTATime

This command sets or queries the transition time setting for a transition trigger search to determine where to place a mark.<x> is the search number.

|                  |                                                                                                                                                                                                                                                                                                                                  |
|------------------|----------------------------------------------------------------------------------------------------------------------------------------------------------------------------------------------------------------------------------------------------------------------------------------------------------------------------------|
| <b>Group</b>     | Search and Mark                                                                                                                                                                                                                                                                                                                  |
| <b>Syntax</b>    | SEARCH:SEARCH<x>:TRIGger:A:TRANSition:DELTATime <NR3><br>SEARCH:SEARCH<x>:TRIGger:A:TRANSition:DELTATime?                                                                                                                                                                                                                        |
| <b>Arguments</b> | <NR3> specifies the transition time, in seconds.                                                                                                                                                                                                                                                                                 |
| <b>Examples</b>  | SEARCH:SEARCH1:TRIGGER:A:TIMEOUT:TIME 400E-9 sets the transition trigger time setting for search 1 to 400 ns.<br><br>SEARCH:SEARCH1:TRIGGER:A:TRANSITION:DELTATIME? might return :SEARCH:SEARCH1:TRIGGER:A:TRANSITION:DELTATIME 500.0000E-12, indicating that the transition trigger time setting for search 1 is set to 500 ps. |

## SEARCH:SEARCH<x>:TRIGger:A:TRANSition:POLarity:CH<x>

This command sets or queries the polarity setting for a transition trigger search to determine where to place a mark. <x> is the search number or channel number.

|                  |                                                                                                                                                                                                                                                                                                                                                                                          |
|------------------|------------------------------------------------------------------------------------------------------------------------------------------------------------------------------------------------------------------------------------------------------------------------------------------------------------------------------------------------------------------------------------------|
| <b>Group</b>     | Search and Mark                                                                                                                                                                                                                                                                                                                                                                          |
| <b>Syntax</b>    | SEARCH:SEARCH<x>:TRIGger:A:TRANSition:POLarity:CH<x><br>{EITHer NEGAtive POSITIVe}<br>SEARCH:SEARCH<x>:TRIGger:A:TRANSition:POLarity:CH<x>?                                                                                                                                                                                                                                              |
| <b>Arguments</b> | <p>POSITive specifies that a pulse edge must traverse from the lower (most negative) to higher (most positive) level for transition triggering to occur.</p> <p>NEGAtive specifies that a pulse edge must traverse from the upper (most positive) to lower (most negative) level for transition triggering to occur.</p> <p>EITHer specifies either positive or negative polarity.</p>   |
| <b>Examples</b>  | <p>SEARCH:SEARCH1:TRIGGER:A:TRANSITION:POLARITY:CH12 NEGATIVE, sets the Channel 2 transition trigger polarity setting for search 1 to NEGATIVE.</p> <p>SEARCH:SEARCH1:TRIGGER:A:TRANSITION:POLARITY:CH1? might return :SEARCH:SEARCH1:TRIGGER:A:TRANSITION:POLARITY:CH1 POSITIVE, indicating that the Channel 1 transition trigger polarity setting for search 1 is set to POSITIVE.</p> |

## SEARCH:SEARCH<x>:TRIGger:A:TRANSition:POLarity:MATH<x>

This command sets or queries the polarity setting for a transition trigger search to determine where to place a mark. <x> is the search number or math waveform number.

|                  |                                                                                                                                                                                                                                                                                                                          |
|------------------|--------------------------------------------------------------------------------------------------------------------------------------------------------------------------------------------------------------------------------------------------------------------------------------------------------------------------|
| <b>Group</b>     | Search and Mark                                                                                                                                                                                                                                                                                                          |
| <b>Syntax</b>    | SEARCH:SEARCH<x>:TRIGger:A:TRANSition:POLarity:MATH<x><br>{EITHer NEGAtive POSITIVe}<br>SEARCH:SEARCH<x>:TRIGger:A:TRANSition:POLarity:MATH<x>?                                                                                                                                                                          |
| <b>Arguments</b> | <p>POSITive specifies that a pulse edge must traverse from the lower (most negative) to higher (most positive) level for transition triggering to occur.</p> <p>NEGAtive specifies that a pulse edge must traverse from the upper (most positive) to lower (most negative) level for transition triggering to occur.</p> |

EITHER specifies either positive or negative polarity.

**Examples** SEARCH:SEARCH1:TRIGGER:A:TRANSITION:POLARITY:MATH2 NEGATIVE sets the Math 2 waveform transition trigger polarity setting for search 1 to NEGATIVE.

SEARCH:SEARCH1:TRIGGER:A:TRANSITION:POLARITY:MATH1? might return :SEARCH:SEARCH1:TRIGGER:A:TRANSITION:POLARITY:MATH1 POSITIVE, indicating that the Math 1 waveform transition trigger polarity setting for search 1 is set to POSITIVE.

## SEARCH:SEARCH<x>:TRIGger:A:TRANSition:POLArity:REF<x>

This command sets or queries the polarity setting for a transition trigger search to determine where to place a mark. <x> is the search number or reference waveform number.

**Group** Search and Mark

**Syntax** SEARCH:SEARCH<x>:TRIGger:A:TRANSition:POLArity:REF<x>  
{EITHER|NEGATIVE|POSITIVE}  
SEARCH:SEARCH<x>:TRIGger:A:TRANSition:POLArity:REF<x>?

**Arguments** POSitive specifies that a pulse edge must traverse from the lower (most negative) to higher (most positive) level for transition triggering to occur.

NEGative specifies that a pulse edge must traverse from the upper (most positive) to lower (most negative) level for transition triggering to occur.

EITHER specifies either positive or negative polarity.

**Examples** SEARCH:SEARCH1:TRIGGER:A:TRANSITION:POLARITY:REF2 NEGATIVE sets the Reference 2 waveform transition trigger polarity setting for search 1 to NEGATIVE.

SEARCH:SEARCH1:TRIGGER:A:TRANSITION:POLARITY:REF1? might return :SEARCH:SEARCH1:TRIGGER:A:TRANSITION:POLARITY:REF1 POSITIVE, indicating that the Reference 2 waveform transition trigger polarity setting for search 1 is set to POSITIVE.

## SEARCH:SEARCH<x>:TRIGger:A:TRANSition:THReshold:HIGh:CH<x>

This command sets or queries the threshold high voltage level setting for a transition trigger search to determine where to place a mark. <x> is the search number or channel number.

|                  |                                                                                                                                                                                                                                                                                                                                                                                                                    |
|------------------|--------------------------------------------------------------------------------------------------------------------------------------------------------------------------------------------------------------------------------------------------------------------------------------------------------------------------------------------------------------------------------------------------------------------|
| <b>Group</b>     | Search and Mark                                                                                                                                                                                                                                                                                                                                                                                                    |
| <b>Syntax</b>    | SEARCH:SEARCH<x>:TRIGger:A:TRANSition:THReshold:HIGh:CH<x><br><NR3><br>SEARCH:SEARCH<x>:TRIGger:A:TRANSition:THReshold:HIGh:CH<x>?                                                                                                                                                                                                                                                                                 |
| <b>Arguments</b> | <NR3> specifies the HIGH threshold in volts.                                                                                                                                                                                                                                                                                                                                                                       |
| <b>Examples</b>  | SEARCH:SEARCH1:TRIGGER:A:TRANSITION:THRESHOLD:HIGh:CH2 1.5<br>sets the Channel 2 transition trigger HIGH threshold setting for search 1 to 1.5 volts.<br><br>SEARCH:SEARCH1:TRIGGER:A:TRANSITION:THRESHOLD:HIGh:CH1? might<br>return :SEARCH:SEARCH1:TRIGGER:A:TRANSITION:THRESHOLD:HIGh:CH1<br>2.0000, indicating that the Channel 1 transition trigger HIGH threshold setting<br>for search 1 is set to 2 volts. |

## SEARCH:SEARCH<x>:TRIGger:A:TRANSition:THReshold:HIGh:MATH<x>

This command sets or queries the threshold high voltage level setting for a transition trigger search to determine where to place a mark. <x> is the search number or math waveform number.

|                  |                                                                                                                                                                  |
|------------------|------------------------------------------------------------------------------------------------------------------------------------------------------------------|
| <b>Group</b>     | Search and Mark                                                                                                                                                  |
| <b>Syntax</b>    | SEARCH:SEARCH<x>:TRIGger:A:TRANSition:THReshold:HIGh:MATH<x><br><NR3><br>SEARCH:SEARCH<x>:TRIGger:A:TRANSition:THReshold:HIGh:<br>MATH<x>?                       |
| <b>Arguments</b> | <NR3> specifies the HIGH threshold in volts.                                                                                                                     |
| <b>Examples</b>  | SEARCH:SEARCH1:TRIGGER:A:TRANSITION:THRESHOLD:HIGh:MATH2 1.5<br>sets the Math 2 waveform transition trigger HIGH threshold setting for search 1<br>to 1.5 volts. |

```
SEARCH:SEARCH1:TRIGGER:A:TRANSITION:THRESHOLD:HIGH:MATH1?
might return
:SEARCH:SEARCH1:TRIGGER:A:TRANSITION:THRESHOLD:HIGH:MATH1
2.0000, indicating that the Math 1 waveform transition trigger HIGH threshold
setting for search 1 is set to 2 volts.
```

## SEARCH:SEARCH<x>:TRIGger:A:TRANSition:THReshold:HIGH:REF<x>

This command sets or queries the threshold high voltage level setting for a transition trigger search to determine where to place a mark. <x> is the search number or reference waveform number.

|                  |                                                                                                                                                                                                                                                                                                                                                                                                                                             |
|------------------|---------------------------------------------------------------------------------------------------------------------------------------------------------------------------------------------------------------------------------------------------------------------------------------------------------------------------------------------------------------------------------------------------------------------------------------------|
| <b>Group</b>     | Search and Mark                                                                                                                                                                                                                                                                                                                                                                                                                             |
| <b>Syntax</b>    | SEARCH:SEARCH<x>:TRIGger:A:TRANSition:THReshold:HIGH:REF<x><br><NR3><br>SEARCH:SEARCH<x>:TRIGger:A:TRANSition:THReshold:HIGH:REF<x>?                                                                                                                                                                                                                                                                                                        |
| <b>Arguments</b> | <NR3> specifies the HIGH threshold in volts.                                                                                                                                                                                                                                                                                                                                                                                                |
| <b>Examples</b>  | SEARCH:SEARCH1:TRIGGER:A:TRANSITION:THRESHOLD:HIGH:REF2 1.5<br>sets the Reference 2 waveform transition trigger HIGH threshold setting for search 1 to 1.5 volts.<br><br>SEARCH:SEARCH1:TRIGGER:A:TRANSITION:THRESHOLD:HIGH:REF1?<br>might return<br>:SEARCH:SEARCH1:TRIGGER:A:TRANSITION:THRESHOLD:HIGH:REF1<br>2.0000, indicating that the Reference 1 waveform transition trigger HIGH threshold setting for search 1 is set to 2 volts. |

## SEARCH:SEARCH<x>:TRIGger:A:TRANSition:THReshold:LOW:CH<x>

This command sets or queries the threshold low voltage level setting for a transition trigger search to determine where to place a mark. <x> is the search number or channel number.

|               |                                                                                                                                  |
|---------------|----------------------------------------------------------------------------------------------------------------------------------|
| <b>Group</b>  | Search and Mark                                                                                                                  |
| <b>Syntax</b> | SEARCH:SEARCH<x>:TRIGger:A:TRANSition:THReshold:LOW:CH<x><br><NR3><br>SEARCH:SEARCH<x>:TRIGger:A:TRANSition:THReshold:LOW:CH<x>? |

**Arguments** <NR3> specifies the LOW threshold in volts.

**Examples** SEARCH:SEARCH1:TRIGGER:A:TRANSITION:THRESHOLD:LOW:CH2 0.5 sets the Channel 2 transition trigger LOW threshold setting for search 1 to 0.5 volts.

SEARCH:SEARCH1:TRIGGER:A:TRANSITION:THRESHOLD:LOW:CH1? might return :SEARCH:SEARCH1:TRIGGER:A:TRANSITION:THRESHOLD:LOW:CH1 800.0000E-3, indicating that the Channel 1 transition trigger LOW threshold setting for search 1 is set to 0.8 volts.

## SEARCH:SEARCH<x>:TRIGger:A:TRANSition:THReshold:LOW:MATH<x>

This command sets or queries the threshold low voltage level setting for a transition trigger search to determine where to place a mark. <x> is the search number or math waveform number.

**Group** Search and Mark

**Syntax** SEARCH:SEARCH<x>:TRIGger:A:TRANSition:THReshold:LOW:MATH<x>  
<NR3>  
SEARCH:SEARCH<x>:TRIGger:A:TRANSition:THReshold:LOW:MATH<x>?

**Arguments** <NR3> specifies the LOW threshold in volts.

**Examples** SEARCH:SEARCH1:TRIGGER:A:TRANSITION:THRESHOLD:LOW:MATH2 0.5 sets the Math 2 waveform transition trigger LOW threshold setting for search 1 to 0.5 volts.

SEARCH:SEARCH1:TRIGGER:A:TRANSITION:THRESHOLD:LOW:MATH1? might return :SEARCH:SEARCH1:TRIGGER:A:TRANSITION:THRESHOLD:LOW:MATH1 800.0000E-3, indicating that the Math 1 waveform transition trigger LOW threshold setting for search 1 is set to 0.8 volts.

## SEARCH:SEARCH<x>:TRIGger:A:TRANSition:THReshold:LOW:REF<x>

This command sets or queries the threshold low voltage level setting for a transition trigger search to determine where to place a mark. <x> is the search number or reference waveform number.

**Group** Search and Mark



|                  |                                                                                                                                                                                                                                                                                                                                                                                                                                               |
|------------------|-----------------------------------------------------------------------------------------------------------------------------------------------------------------------------------------------------------------------------------------------------------------------------------------------------------------------------------------------------------------------------------------------------------------------------------------------|
| <b>Syntax</b>    | SEARCH:SEARCH<x>:TRIGger:A:TRANSition:THReshold:LOW:REF<x><br><NR3><br>SEARCH:SEARCH<x>:TRIGger:A:TRANSition:THReshold:LOW:REF<x>?                                                                                                                                                                                                                                                                                                            |
| <b>Arguments</b> | <NR3> specifies the LOW threshold in volts.                                                                                                                                                                                                                                                                                                                                                                                                   |
| <b>Examples</b>  | SEARCH:SEARCH1:TRIGGER:A:TRANSITION:THRESHOLD:LOW:REF2 0.5<br>sets the Reference 2 waveform transition trigger LOW threshold setting for search 1 to 0.5 volts.<br><br>SEARCH:SEARCH1:TRIGGER:A:TRANSITION:THRESHOLD:LOW:REF1? might<br>return :SEARCH:SEARCH1:TRIGGER:A:TRANSITION:THRESHOLD:LOW:REF1<br>800.0000E-3, indicating that the Reference 1 waveform transition trigger LOW<br>threshold setting for search 1 is set to 0.8 volts. |

## SEARCH:SEARCH<x>:TRIGger:A:TRANSition:WHEn

This command sets or queries the condition setting for a transition trigger search to determine where to place a mark. <x> is the search number.

|                  |                                                                                                                                                                                                                                                                                                                                                        |
|------------------|--------------------------------------------------------------------------------------------------------------------------------------------------------------------------------------------------------------------------------------------------------------------------------------------------------------------------------------------------------|
| <b>Group</b>     | Search and Mark                                                                                                                                                                                                                                                                                                                                        |
| <b>Syntax</b>    | SEARCH:SEARCH<x>:TRIGger:A:TRANSition:WHEn<br>{FASTERthan SLOWERthan}<br>SEARCH:SEARCH<x>:TRIGger:A:TRANSition:WHEn?                                                                                                                                                                                                                                   |
| <b>Arguments</b> | FASTERthan sets the trigger to occur when the transitioning signal is faster than the set volts/second rate.<br><br>SLOWERthan sets the trigger to occur when the transitioning signal is slower than the set volts/second rate.                                                                                                                       |
| <b>Examples</b>  | SEARCH:SEARCH1:TRIGGER:A:TRANSITION:WHEN SLOWERTHAN sets the<br>transition trigger condition setting for search 1 to SLOWERTHAN.<br><br>SEARCH:SEARCH1:TRIGGER:A:TRANSITION:WHEN? might return<br>:SEARCH:SEARCH1:TRIGGER:A:TRANSITION:WHEN FASTERTHAN, indicating<br>that the transition trigger condition setting for search 1 is set to FASTERTHAN. |

## SEARCH:SEARCH<x>:TRIGger:A:TYPE

This command sets or queries the trigger type setting for a search to determine where to place a mark. <x> is the search number.

**Group** Search and Mark

**Syntax** SEARCH:SEARCH<x>:TRIGger:A:TYPE  
 {EDGE|RUNT|TRANSition|PATtern|GLItch|SETHoId|UNDEFINED|  
 WIDTH|TIMEOut|WINDow|STATE|DDRRead|DDRWrite|DDRREADWrite}  
 SEARCH:SEARCH<x>:TRIGger:A:TYPE?

**Arguments** EDGE triggers when the source input signal amplitude crosses the specified level in the direction given by the slope.

---

**NOTE.** *EDGE is standard. All other arguments are optional.*

---

RUNT triggers when a pulse crosses the first preset voltage threshold but does not cross the second preset threshold before recrossing the first. The thresholds are set with the SEARCH:SEARCH<x>:TRIGger:A:RUNt:HIGH and SEARCH:SEARCH<x>:TRIGger:A:RUNt:LOW THRESHOLD commands.

TRANSition triggers when a pulse crosses both thresholds in the same direction as the specified polarity and the transition time between the two threshold crossings is greater or less than the specified time delta.

PATtern trigger on a functional pattern combination of one to four input signal sources.

GLItch triggers at the trailing edge of the glitch pulse where the signal crosses the trigger level.

SETHoId triggers on the data input signal transitions relative to the clock input signal transitions within the setup and hold time violation zone.

UNDEFINED is the default. To perform a search, select a different argument.

WIDTH triggers on input signal source pulses that are inside or outside of the given time range.

TIMEOut triggers on an input signal source that stays above, stays below, or stays either above or below the trigger level for a given time.

WINDow triggers on an input signal source that enters or exits the horizontal band defined by the two trigger levels.

STATE triggers on a functional pattern combination of one to three data sources at the time of the clock transition.

DDRRead triggers at the start and end of the read bus.

DDRWrite triggers at the start and end of the write bus.

DDRREADWrite triggers at the start and end of both the read and write bus.

**Examples** SEARCH:SEARCH1:TRIGGER:A:TYPE RUNT sets the trigger type setting for search 1 to RUNT.

SEARCH:SEARCH1:TRIGGER:A:TYPE? might return  
:SEARCH:SEARCH1:TRIGGER:A:TYPE EDGE, indicating that the trigger type setting for search 1 is set to EDGE.

## SEARCH:SEARCH<x>:TRIGger:A:WIDth:HIGHLimit

This command sets or queries the upper time limit setting for a width trigger search to determine where to place a mark. <x> is the search number.

**Group** Search and Mark

**Syntax** SEARCH:SEARCH<x>:TRIGger:A:WIDth:HIGHLimit <NR3>  
SEARCH:SEARCH<x>:TRIGger:A:WIDth:HIGHLimit?

**Arguments** <NR3> specifies the upper time limit in seconds.

**Examples** SEARCH:SEARCH1:TRIGGER:A:WIDTH:HIGHLIMIT 400E-12 sets the width trigger upper time limit setting for search 1 to 0.4 ns.

SEARCH:SEARCH1:TRIGGER:A:WIDTH:HIGHLIMIT? might return  
:SEARCH:SEARCH1:TRIGGER:A:WIDTH:HIGHLIMIT 500.0000E-12, indicating that the width trigger upper time limit setting for search 1 is set to 0.5 ns.

## SEARCH:SEARCH<x>:TRIGger:A:WIDth:LOWLimit

This command sets or queries the lower time limit setting for a width trigger search to determine where to place a mark. <x> is the search number.

**Group** Search and Mark

**Syntax** SEARCH:SEARCH<x>:TRIGger:A:WIDth:LOWLimit <NR3>  
SEARCH:SEARCH<x>:TRIGger:A:WIDth:LOWLimit?

**Arguments** <NR3> specifies the lower time limit in seconds.

**Examples** SEARCH:SEARCH1:TRIGGER:A:WIDTH:LOWLIMIT 400E-12 sets the width trigger lower time limit setting for search 1 to 0.4 ns.

SEARCH:SEARCH1:TRIGGER:A:WIDTH:LOWLIMIT? might return  
:SEARCH:SEARCH1:TRIGGER:A:WIDTH:LOWLIMIT 500.0000E-12,  
indicating that the width trigger lower time limit setting for search 1 is set to 0.5 ns.

## SEARCH:SEARCH<x>:TRIGger:A:WIDth:POLarity:CH<x>

This command sets or queries the polarity for a width trigger search to determine where to place a mark. <x> is the search number or channel number.

|                  |                                                                                                                                                                                                                                                                                                                                                               |
|------------------|---------------------------------------------------------------------------------------------------------------------------------------------------------------------------------------------------------------------------------------------------------------------------------------------------------------------------------------------------------------|
| <b>Group</b>     | Search and Mark                                                                                                                                                                                                                                                                                                                                               |
| <b>Syntax</b>    | SEARCH:SEARCH<x>:TRIGger:A:WIDth:POLarity:CH<x><br>{NEGAtive POSITIVe}<br>SEARCH:SEARCH<x>:TRIGger:A:WIDth:POLarity:CH<x>?                                                                                                                                                                                                                                    |
| <b>Arguments</b> | NEGAtive specifies a negative polarity.<br>POSITIVe specifies a positive polarity.                                                                                                                                                                                                                                                                            |
| <b>Examples</b>  | SEARCH:SEARCH1:TRIGGER:A:WIDTH:POLARITY:CH2 NEGATIVE sets the Channel 2 width trigger polarity setting for search 1 to NEGATIVE.<br><br>SEARCH:SEARCH1:TRIGGER:A:WIDTH:POLARITY:CH1? might return<br>:SEARCH:SEARCH1:TRIGGER:A:WIDTH:POLARITY:CH1 POSITIVE,<br>indicating that the Channel 1 width trigger polarity setting for search 1 is set to POSITIVE . |

## SEARCH:SEARCH<x>:TRIGger:A:WIDth:POLarity:MATH<x>

This command sets or queries the polarity for a width trigger search to determine where to place a mark. <x> is the search number or math waveform number.

|                  |                                                                                                                                |
|------------------|--------------------------------------------------------------------------------------------------------------------------------|
| <b>Group</b>     | Search and Mark                                                                                                                |
| <b>Syntax</b>    | SEARCH:SEARCH<x>:TRIGger:A:WIDth:POLarity:MATH<x><br>{NEGAtive POSITIVe}<br>SEARCH:SEARCH<x>:TRIGger:A:WIDth:POLarity:MATH<x>? |
| <b>Arguments</b> | NEGAtive specifies a negative polarity.<br>POSITIVe specifies a positive polarity.                                             |

**Examples** SEARCH:SEARCH1:TRIGGER:A:WIDTH:POLARITY:MATH2 NEGATIVE sets the Math 2 waveform width trigger polarity setting for search 1 to NEGATIVE.

SEARCH:SEARCH1:TRIGGER:A:WIDTH:POLARITY:MATH1? might return :SEARCH:SEARCH1:TRIGGER:A:WIDTH:POLARITY:MATH1 POSITIVE, indicating that the Math 1 waveform width trigger polarity setting for search 1 is set to POSITIVE.

## SEARCH:SEARCH<x>:TRIGger:A:WIDth:POLArity:REF<x>

This command sets or queries the polarity for a width trigger search to determine where to place a mark. <x> is the search number or reference waveform number.

**Group** Search and Mark

**Syntax** SEARCH:SEARCH<x>:TRIGger:A:WIDth:POLArity:REF<x>  
{NEGAtive|POSITIVE}  
SEARCH:SEARCH<x>:TRIGger:A:WIDth:POLArity:REF<x>?

**Arguments** NEGAtive specifies a negative polarity.  
POSITIVE specifies a positive polarity.

**Examples** SEARCH:SEARCH1:TRIGGER:A:WIDTH:POLARITY:REF2 NEGATIVE sets the Reference 2 waveform width trigger polarity setting for search 1 to NEGATIVE.

SEARCH:SEARCH1:TRIGGER:A:WIDTH:POLARITY:REF1? might return :SEARCH:SEARCH1:TRIGGER:A:WIDTH:POLARITY:REF1 POSITIVE, indicating that the Reference 1 waveform width trigger polarity setting for search 1 is set to POSITIVE.

## SEARCH:SEARCH<x>:TRIGger:A:WIDth:WHEn

This command sets or queries the width trigger search to determine where to place a mark. <x> is the search number.

**Group** Search and Mark

**Syntax** SEARCH:SEARCH<x>:TRIGger:A:WIDth:WHEn {OUTside|WITHin}  
SEARCH:SEARCH<x>:TRIGger:A:WIDth:WHEn?

- Arguments**    `OUTside` specifies the outside limits.  
                   `WITHin` specifies the inside limits.
- Examples**     `SEARCH:SEARCH1:TRIGGER:A:WIDTH:WHEN OUTSIDE` sets the width trigger for search 1 to outside limits.
- `SEARCH:SEARCH1:TRIGGER:A:WIDTH:WHEN?` might return  
                   `:SEARCH:SEARCH1:TRIGGER:A:WIDTH:WHEN WITHIN`, indicating that the width trigger for search 1 is set to inside limits.

## **SEARCH:SEARCH<x>:TRIGger:A:WINDow:EVENT**

This command sets or queries the window trigger search to determine where to place a mark. <x> is the search number.

- Group**        Search and Mark
- Syntax**       `SEARCH:SEARCH<x>:TRIGger:A:WINDow:EVENT`  
                   `{OUTSIDEGreater|INSIDEGreater|ENTERSWindow|EXITSWindow}`  
                   `SEARCH:SEARCH<x>:TRIGger:A:WINDow:EVENT?`
- Arguments**    `OUTSIDEGreater` specifies a trigger event when the signal leaves the window defined by the threshold levels for the time specified by `Width`.
- `INSIDEGreater` specifies a trigger event when the signal enters the window defined by the threshold levels for the time specified by `Width`.
- `ENTERSWindow` specifies a trigger event when the signal enters the window defined by the threshold levels.
- `EXITSWindow` specifies a trigger event when the signal leaves the window defined by the threshold levels.
- Examples**     `SEARCH:SEARCH1:TRIGGER:A:WIDTH:EVENT OUTSIDEGREATER` sets the window trigger for search 1 specifies a trigger when the signal leaves the window defined by the threshold levels for the time specified by `width`.
- `SEARCH:SEARCH1:TRIGGER:A:WIDTH:EVENT?` might return  
                   `:SEARCH:SEARCH1:TRIGGER:A:WIDTH:EVENT ENTERSWINDOW`, indicating that the window trigger for search 1 specifies a trigger when the signal enters the window defined by the threshold levels.

## SEARCH:SEARCH<x>:TRIGger:A:WINDow:THReshold:HIGH:CH<x>

This command sets or queries the channel threshold HIGH level for a window trigger search to determine where to place a mark. <x> is the search number or channel number.

|                  |                                                                                                                                                                                                                                                                                                                                                                                 |
|------------------|---------------------------------------------------------------------------------------------------------------------------------------------------------------------------------------------------------------------------------------------------------------------------------------------------------------------------------------------------------------------------------|
| <b>Group</b>     | Search and Mark                                                                                                                                                                                                                                                                                                                                                                 |
| <b>Syntax</b>    | SEARCH:SEARCH<x>:TRIGger:A:WINDow:THResho1d:HIGH:CH<x> <NR3><br>SEARCH:SEARCH<x>:TRIGger:A:WINDow:THResho1d:HIGH:CH<x>?                                                                                                                                                                                                                                                         |
| <b>Arguments</b> | <NR3> specifies the HIGH threshold level.                                                                                                                                                                                                                                                                                                                                       |
| <b>Examples</b>  | SEARCH:SEARCH1:TRIGGER:A:WINDOW:THRESHOLD:HIGH:CH2 1.5000 sets the Channel 2 window trigger high threshold level for search 1 to 1.5 volts.<br><br>SEARCH:SEARCH1:TRIGGER:A:WINDOW:THRESHOLD:HIGH:CH1? might return :SEARCH:SEARCH1:TRIGGER:A:WINDOW:THRESHOLD:HIGH:CH1 2.0000, indicating that the Channel 2 window trigger high threshold level for search 1 is set to 2.0 V. |

## SEARCH:SEARCH<x>:TRIGger:A:WINDow:THReshold:HIGH:MATH<x>

This command sets or queries the math waveform threshold HIGH level for a window trigger search to determine where to place a mark. <x> is the search number or math waveform number.

|                  |                                                                                                                                                                                                                                                                                     |
|------------------|-------------------------------------------------------------------------------------------------------------------------------------------------------------------------------------------------------------------------------------------------------------------------------------|
| <b>Group</b>     | Search and Mark                                                                                                                                                                                                                                                                     |
| <b>Syntax</b>    | SEARCH:SEARCH<x>:TRIGger:A:WINDow:THResho1d:HIGH:MATH<x><br><NR3><br>SEARCH:SEARCH<x>:TRIGger:A:WINDow:THResho1d:HIGH:MATH<x>?                                                                                                                                                      |
| <b>Arguments</b> | <NR3> specifies the HIGH threshold level.                                                                                                                                                                                                                                           |
| <b>Examples</b>  | SEARCH:SEARCH1:TRIGGER:A:WINDOW:THRESHOLD:HIGH:MATH2 1.5000 sets the Math 2 waveform window trigger high threshold level for search 1 to 1.5 volts.<br><br>SEARCH:SEARCH1:TRIGGER:A:WINDOW:THRESHOLD:HIGH:MATH1? might return :SEARCH:SEARCH1:TRIGGER:A:WINDOW:THRESHOLD:HIGH:MATH1 |

2.0000, indicating that the Math 1 waveform window trigger high threshold level for search 1 is set to 2.0 volts.

## SEARCH:SEARCH<x>:TRIGger:A:WINDow:THReshold:HIGH:REF<x>

This command sets or queries the reference waveform threshold HIGH level for a window trigger search to determine where to place a mark. <x> is the search number or reference waveform number.

**Group** Search and Mark

**Syntax** SEARCH:SEARCH<x>:TRIGger:A:WINDow:THReshold:HIGH:REF<x>  
<NR3>  
SEARCH:SEARCH<x>:TRIGger:A:WINDow:THReshold:HIGH:REF<x>?

**Arguments** <NR3> specifies the HIGH threshold level.

**Examples** SEARCH:SEARCH1:TRIGGER:A:WINDOW:THRESHOLD:HIGH:REF2 1.5000 sets the Reference 2 waveform window trigger high threshold level for search 1 to 1.5 volts.

SEARCH:SEARCH1:TRIGGER:A:WINDOW:THRESHOLD:HIGH:REF1? might return :SEARCH:SEARCH1:TRIGGER:A:WINDOW:THRESHOLD:HIGH:REF1 2.0000, indicating that the Reference 1 waveform window trigger high threshold level for search 1 is set to 2.0 volts.

## SEARCH:SEARCH<x>:TRIGger:A:WINDow:THReshold:LOW:CH<x>

This command sets or queries the channel waveform threshold LOW level for a window trigger search to determine where to place a mark. <x> is the search number or channel waveform number.

**Group** Search and Mark

**Syntax** SEARCH:SEARCH<x>:TRIGger:A:WINDow:THReshold:LOW:CH<x> <NR3>  
SEARCH:SEARCH<x>:TRIGger:A:WINDow:THReshold:LOW:CH<x>?

**Arguments** <NR3> specifies the LOW threshold level.



**Examples**     `SEARCH:SEARCH1:TRIGGER:A:WINDOW:THRESHOLD:LOW:CH2 0.5` sets the Channel 2 window trigger low threshold level for search 1 to 0.5 volts.

`SEARCH:SEARCH1:TRIGGER:A:WINDOW:THRESHOLD:LOW:CH1?` might return `:SEARCH:SEARCH1:TRIGGER:A:WINDOW:THRESHOLD:LOW:CH1 800.0000E-3`, indicating that the Channel 1 window trigger high threshold level for search 1 is set to 0.8 volts.

## **SEARCH:SEARCH<x>:TRIGger:A:WINDow:THReshold:LOW:MATH<x>**

This command sets or queries the math waveform threshold LOW level for a window trigger search to determine where to place a mark. <x> is the search number or math waveform number.

**Group**     Search and Mark

**Syntax**     `SEARCH:SEARCH<x>:TRIGger:A:WINDow:THReshoId:LOW:MATH<x>`  
                   <NR3>  
                   `SEARCH:SEARCH<x>:TRIGger:A:WINDow:THReshoId:LOW:MATH<x>?`

**Arguments**     <NR3> specifies the LOW threshold level.

**Examples**     `SEARCH:SEARCH1:TRIGGER:A:WINDOW:THRESHOLD:LOW:MATH2 0.5` sets the Math 2 waveform window trigger low threshold level for search 1 to 0.5 volts.

`SEARCH:SEARCH1:TRIGGER:A:WINDOW:THRESHOLD:LOW:MATH1?` might return `:SEARCH:SEARCH1:TRIGGER:A:WINDOW:THRESHOLD:LOW:MATH1 800.0000E-3`, indicating that the Math 1 waveform window trigger low threshold level for search 1 is set to 0.8 volts.

## **SEARCH:SEARCH<x>:TRIGger:A:WINDow:THReshold:LOW:REF<x>**

This command sets or queries the reference waveform threshold LOW level for a window trigger search to determine where to place a mark. <x> is the search number or reference waveform number.

**Group**     Search and Mark

**Syntax**     `SEARCH:SEARCH<x>:TRIGger:A:WINDow:THReshoId:LOW:REF<x>` <NR3>  
                   `SEARCH:SEARCH<x>:TRIGger:A:WINDow:THReshoId:LOW:REF<x>?`

- Arguments** <NR3> specifies the LOW threshold level.
- Examples** SEARCH:SEARCH1:TRIGGER:A:WINDOW:THRESHOLD:LOW:REF2 0.5 sets the Reference 2 waveform window trigger low threshold level for search 1 to 0.5 volts.
- SEARCH:SEARCH1:TRIGGER:A:WINDOW:THRESHOLD:LOW:REF1? might return :SEARCH:SEARCH1:TRIGGER:A:WINDOW:THRESHOLD:LOW:REF1 2.0000, indicating that the Reference 1 waveform window trigger low threshold level for search 1 is set to 0.8 volts.

## SEARCH:SEARCH<x>:TRIGger:A:WINDow:WIDth

This command sets or queries the width setting for a window trigger search to determine where to place a mark. <x> is the search number.

- Group** Search and Mark
- Syntax** SEARCH:SEARCH<x>:TRIGger:A:WINDow:WIDth <NR3>  
SEARCH:SEARCH<x>:TRIGger:A:WINDow:WIDth?
- Arguments** <NR3> specifies the minimum width, in seconds.
- ECL specifies a preset high level of -1.3V and TTL specifies a preset high level of +1.4V.
- Examples** SEARCH:SEARCH1:TRIGGER:A:WINDOW:WIDTH 400E-12 sets the window trigger width setting for search 1 to 0.4 ns.
- SEARCH:SEARCH1:TRIGGER:A:WINDOW:WIDTH? might return :SEARCH:SEARCH1:TRIGGER:A:WINDOW:WIDTH 500.0000E-12, indicating that the window trigger width setting for search 1 is set to 0.5 ns.

## SEARCH:STOP

This command sets or queries the stop of acquisitions when a search finds an event.

- Group** Search and Mark
- Syntax** SEARCH:STOP {<NR1>|OFF|ON|1|0}  
SEARCH:STOP?

**Arguments** <NR1> any numerical nonzero, stops the acquisition.  
 OFF continues the acquisition.  
 ON stops the acquisition.  
 1 stops the acquisition.  
 0 continues the acquisition.

**Examples** SEARCH:STOP 1 stops the acquisition.  
 SEARCH:STOP? might return :SEARCH:STOP 1, indicating that a search found an event and stops acquisition.

## SElect? (Query Only)

This query-only command returns the selected waveform that is affected by the front panel controls and the display status (on or off) of all waveforms. This query command is equivalent to selecting Measurement Setup from the Measure menu and viewing the Source waveform setting.

**Group** Vertical

**Syntax** SElect?

**Examples** SELECT? might return the waveform and status information as :SELECT:CH1 1;CH2 0;CH3 0;CH4 0;MATH1 0; MATH2 0;MATH3 0;MATH4 0;REF1 0;REF2 0; REF3 0;REF4 0;CONTROL CH1.

## SElect:CH<x>

This command sets or queries the displayed state of the specified channel waveform. The x can be channel 1 through 4.

**Group** Vertical

**Syntax** SElect:CH<x> {<NR1>|OFF|ON}  
 SElect:CH<x>?

**Arguments** ON displays the indicated channel waveform.  
 OFF turns off the display of the indicated channel waveform.

<NR1> = 0 turns off the display of the specified channel waveform; any other value turns on the display of the specified waveform.

**Examples**     `SELECT:CH1 ON` displays Channel 1.  
`SELECT:CH1?` might return `SELECT:CH1 1` indicating Channel 1 is displayed.

## SElect:CONTROL <wfm>

This command sets or queries the waveform that is selected as the implied recipient of channel-related commands that support legacy-style programs. The command form also performs the equivalent of a `SElect:<wfm> ON` command. This command is equivalent to selecting Measurement Setup from the Measure menu and either viewing or setting the Source waveform.

**Group**     Vertical

**Syntax**     `SElect:CONTROL {CH<x>|MATH<x>|REF<x>}`  
`SELECT:CONTROL?`

**Arguments**     `CH<x>` selects the specified channel waveform as the waveform that is affected by the front panel controls. The x variable can be expressed as an integer ranging from 1 through 4.

`MATH<x>` selects the specified math waveform as the waveform that is affected by the front panel controls. The x variable can be expressed as an integer ranging from 1 through 4.

`REF<x>` selects the specified reference waveform as the waveform that is affected by the front panel controls. The x variable can be expressed as an integer ranging from 1 through 4.

**Examples**     `SELECT:CONTROL CH2` resets acquisition displays on Channel 2, and causes the selected waveform to be the implied object of waveform commands.

`SELECT:CONTROL?` might return `:SELECT:CONTROL MATH3`, indicating that Math 3 is the implied object of waveform commands.

## SElect:<wfm>

This command turns on the display of a specified waveform and also resets the acquisition. The query returns whether the channel is on or off but does not indicate whether it is the selected waveform. WFM can be a channel, math, or reference waveform.

|                  |                                                                                                                                                                                                                                                                                                                 |
|------------------|-----------------------------------------------------------------------------------------------------------------------------------------------------------------------------------------------------------------------------------------------------------------------------------------------------------------|
| <b>Group</b>     | Vertical                                                                                                                                                                                                                                                                                                        |
| <b>Syntax</b>    | SElect:<wfm> {ON OFF <NR1>}<br>SElect:<wfm>?                                                                                                                                                                                                                                                                    |
| <b>Arguments</b> | <p>ON turns on the display of the specified waveform. This waveform also becomes the selected waveform.</p> <p>OFF turns off the display of the specified waveform.</p> <p>&lt;NR1&gt; = 0 turns off the display of the specified waveform; any other value turns on the display of the specified waveform.</p> |
| <b>Examples</b>  | <p>SELECT:CH2 ON turns the channel 2 waveform display on, and selects Channel 2.</p> <p>SELECT:REF1? might return :SELECT:REF1 1, indicating that Reference 1 waveform is being displayed.</p>                                                                                                                  |

## SET? (Query Only)

This query-only command returns the commands that list the instrument settings, except for configuration information for the calibration values. You can use these commands to return the instrument to the state it was in when you made the SET? query. The SET? query always returns command headers, regardless of the setting of the [HEADer](#) command. This is because the returned commands are intended to be sent back to the instrument as a command string. The [VERBose](#) command can still be used to specify whether the returned headers should be abbreviated or full-length.

This command is identical to the [\\*LRN?](#) command.

|                         |                                                                                                                                                                                                                                                                                                                                                       |
|-------------------------|-------------------------------------------------------------------------------------------------------------------------------------------------------------------------------------------------------------------------------------------------------------------------------------------------------------------------------------------------------|
| <b>Group</b>            | Miscellaneous                                                                                                                                                                                                                                                                                                                                         |
| <b>Syntax</b>           | SET?                                                                                                                                                                                                                                                                                                                                                  |
| <b>Related Commands</b> | <a href="#">HEADer</a> , <a href="#">*LRN?</a> , <a href="#">VERBose</a>                                                                                                                                                                                                                                                                              |
| <b>Examples</b>         | <p>SET? might return the following response: :ACQUIRE:STOPAFTER<br/>RUNSTOP;STATE 1;MODE SAMPLE;NUMENV 10;NUMAVG 16;REPET<br/>1;:FASTACQ:STATE 0;:APPLICATION:GPKNOB1:ACTIVE<br/>0;:APPLICATION:GPKNOB2:ACTIVE 0;:APPLICATION:WINDOW:HEIGHT<br/>236;WIDTH 640;:APPLICATION:SCOPEAPP:STATE<br/>RUNNING;WINDOW FULLSCREEN;:APPLICATION:EXTAPP:STATE</p> |

```

NOTRUNNING;:AUXOUT:SOURCE ATRIGGER;EDGE FALLING;:CMDBATCH
1;:HEADER 1;:LOCK NONE;:ROSC:SOURCE INTERNAL;:VERBOSE
1;:ALIAS:STATE 0;:DISPLAY:CLOCK 1;COLOR:PALETTE
NORMAL;MATHCOLOR DEFAULT;REFCOLOR DEFAULT;:DISPLAY:FILTER
SINX;FORMAT YT;GRATICULE FULL;INTENSITY:WAVEFORM
75.0000;AUTOBRIGHT 1;:DISPLAY:PERSISTENCE
OFF;STYLE VECTORS;TRIGBAR SHORT;TRIGT 1;VARPERSIST
500.0000E-3;:HARDCOPY:FILENAME "untitled";PORT
FILE;:DIAG:LEVEL SUBSYS;:SAVE:WAVEFORM:FILEFORMAT
INTERNAL;:TRIGGER:A:MODE AUTO;TYPE
EDGE;LEVEL 0.0000;HOLDOFF:BY DEFAULT;TIME
1.5000E-6;:TRIGGER:A:EDGE:SOURCE CH1;COUPLING DC;SLOPE RISE;.
    
```

## SETUp:NAME

This command allows you to create (or query) a name for your saved setups. The default name for all user setups is “User.” The default name for factory setups is “Factory.”

This command is equivalent to selecting Save As from the File menu, pressing the Setup button, selecting the desired setup location, clicking the keyboard icon, and entering your setup name.

**Group** Save and Recall

**Syntax** SETUP:NAME <NR1>, <QString>  
 SETUP:NAME? <NR1>

**Related Commands** [SAVe:SETUP](#)

**Arguments** <NR1> specifies a location in which the setup label is stored. Location values range from 1 through 10.  
 <QString> is a string containing the setup label.

**Examples** SETUP:NAME 1, "My Setup" changes the setup label for internal setup location 1 to “My Setup”.

SETUP:NAME? 2 might return :SETUP:NAME 2, "My Setup", indicating that “My Setup” is the setup label that you defined for internal setup location 2.

**\*SRE**

The \*SRE (Service Request Enable) command sets and queries the bits in the Service Request Enable Register. For more information, refer to Registers.

**Group** Status and Error

**Syntax** \*SRE <NR1>  
\*SRE?

**Related Commands** [\\*CLS](#), [DESE](#), [\\*ESE](#), [\\*ESR?](#), [EVENT?](#), [EVMsg?](#), [FACTory](#), [\\*STB?](#)

**Arguments** <NR1> is a value in the range from 0 through 255. The binary bits of the SRER are set according to this value. Using an out-of-range value causes an execution error. The power-on default for SRER is 0 if \*PSC is 1. If \*PSC is 0, the SRER maintains the previous power cycle value through the current power cycle.

**Examples** \*SRE 48 sets the bits in the SRER to binary 00110000.  
\*SRE? might return 32, showing that the bits in the SRER have the binary value of 00100000.

**\*STB? (Query Only)**

The \*STB? (Read Status Byte) query returns the contents of the Status Byte Register (SBR) using the Master Summary Status (MSS) bit. For more information, refer to Registers.

**Group** Status and Error

**Syntax** \*STB?

**Related Commands** [\\*CLS](#), [DESE](#), [\\*ESE](#), [\\*ESR?](#), [EVENT?](#), [EVMsg?](#), [FACTory](#), [\\*SRE](#)

**Returns** <NR1>

**Examples** \*STB? might return 96, showing that the SBR contains the binary value 01100000.

## TEKLink:CONNECTION? (Query Only)

This command returns the current TekLink network connection.

|                 |                                                                                                                                                                                                                                  |
|-----------------|----------------------------------------------------------------------------------------------------------------------------------------------------------------------------------------------------------------------------------|
| <b>Group</b>    | TekLink                                                                                                                                                                                                                          |
| <b>Syntax</b>   | TEKLink:CONNECTION?                                                                                                                                                                                                              |
| <b>Returns</b>  | INSTRUMENT when two instruments are connected through a TekLink cable.<br>HUB when two or more instruments are connected to a hub through a TekLink cable.<br>NONE when the instrument is not connected through a TekLink cable. |
| <b>Examples</b> | TEKLINK:CONNECTION? might return :TEKLINK:CONNECTION:INSTRUMENT, indicating that the two instruments are connected through a TekLink cable.                                                                                      |

## TEKLink:REFClk

This command sets or queries the current state of the instrument's TekLink Reference Output.

|                  |                                                                                                                                                                                                                     |
|------------------|---------------------------------------------------------------------------------------------------------------------------------------------------------------------------------------------------------------------|
| <b>Group</b>     | TekLink                                                                                                                                                                                                             |
| <b>Syntax</b>    | TEKLink:REFClk {ON OFF PENDING}<br>TEKLink:REFClk?                                                                                                                                                                  |
| <b>Arguments</b> | ON specifies the on state of the instrument's TekLink Reference Output.<br>OFF specifies the off state of the instrument's TekLink Reference Output.                                                                |
| <b>Examples</b>  | TEKLINK:REFCLK ON, sets the on state of the instrument's TekLink Reference Output.<br>TEKLINK:REFCLK? might return :TEKLINK:REFCLK OFF, indicating that the off state of the instrument's TekLink Reference Output. |



## TEKSecure (No Query Form)

This command initializes both waveform and setup memories, overwriting any previously stored data.

TEKSecure deletes all four waveform reference memory slots on the hard drive, if they exist, and puts all setups in the factory-initialized state. External setups that are stored on the hard drive are not affected.

|                 |                                                         |
|-----------------|---------------------------------------------------------|
| <b>Group</b>    | Miscellaneous                                           |
| <b>Syntax</b>   | TEKSecure                                               |
| <b>Examples</b> | TEKSECURE initializes both waveform and setup memories. |

## TEST

This command provides the ability to select and execute an item at any level of the test hierarchy (Test, Area or Subsystem). The query returns the last command sent. This command is equivalent to selecting Instrument Diagnostics from the Utilities menu, choosing a test and then pressing Run.

---

**NOTE.** We recommend turning off both *DIAG:CONTROL:HALT* and *DIAG:CONTROL:LOOP* before executing the *TEST* command.

---

|                         |                                                                                                                                                           |
|-------------------------|-----------------------------------------------------------------------------------------------------------------------------------------------------------|
| <b>Group</b>            | Diagnostics                                                                                                                                               |
| <b>Syntax</b>           | TEST <Qstring><br>TEST?                                                                                                                                   |
| <b>Related Commands</b> | <a href="#">TEST:RESults?</a> , <a href="#">TEST:RESults:VERBose?</a> , <a href="#">TEST:STOP</a>                                                         |
| <b>Arguments</b>        | <Qstring> sets the test ID, which ranges from 0 through 3 characters. If no test ID is specified, all available diagnostics are executed.                 |
| <b>Examples</b>         | TEST "1" executes all Acquisition tests (Subsystem:Acquisition).<br>TEST "11" executes all Acquisition Memory tests (Subsystem:Acquisition, Area:Memory). |

TEST "113" executes a specific Acquisition Memory test (Subsystem:Acquisition, Area:Memory, Test:Address Lines).

## TEST:RESuLts? (Query Only)

This query-only command returns an abbreviated status about the results of the last TEST execution. This command is equivalent to selecting Instrument Diagnostics from the Utilities menu and then reviewing the Diagnostic Status.

**Group** Diagnostics

**Syntax** TEST:RESuLts?

**Related Commands** [TEST](#), [TEST:RESuLts:VERBoSe?](#)

**Examples** TEST:RESULTS? might return :TEST:RESULTS "135", indicating the specific failure code of the first test failure.

TEST:RESULTS? might return :TEST:RESULTS "PASS", indicating that the previously executed test passed.

TEST:RESULTS? might return :TEST:RESULTS "\*\*\*\*\*", indicating that the test was not run.

## TEST:RESuLts:VERBoSe? (Query Only)

This query-only command returns a more explanatory message about the results of the last TEST execution than the [TEST:RESuLts?](#) query. This command is equivalent to selecting Instrument Diagnostics from the Utilities menu and then clicking the Error Log button.

**Group** Diagnostics

**Syntax** TEST:RESuLts:VERBoSe?

**Related Commands** [TEST](#), [TEST:RESuLts?](#)

**Examples** TEST:RESULTS:VERBOSE? might return :TEST:RESULTS:VERBOSE DIAG ABORTED, ERROR 15 in A2D-Dmux 1 interconnects".

## TEST:STOP (No Query Form)

This command (no query form) causes test (or diagnostics) execution to terminate at the end of the next low-level test. This command is equivalent to selecting Instrument Diagnostics from the Utilities menu and then clicking Abort.

**Group** Diagnostics

**Syntax** TEST:STOP

**Related Commands** [DIAG:STOP](#)

**Examples** TEST:STOP terminates test (or diagnostics) execution at the end of the next low-level test.

## TIME

This command sets or queries the time that the instrument displays. This command is equivalent to selecting Set Time & Date from the Utilities menu and then setting the fields in the Time group box.

**Group** Miscellaneous

**Syntax** TIME <QString>  
TIME?

**Related Commands** [DATE](#)

**Arguments** <QString> is a time in the form “hh:mm:ss” where hh refers to a two-digit hour number, mm refers to a two-digit minute number from 01 to 60, and ss refers to a two-digit second number from 01 to 60.

**Examples** TIME “14:00:00” sets the time to exactly 2:00 p.m.

TIME? might return :TIME "14:05:17, indicating the current time is set to 2:05 p.m. and 17 seconds.

## \*TRG (No Query Form)

This command (no query form) performs the group execute trigger on commands defined by \*DDT.

**Group** Miscellaneous

**Syntax** \*TRG

**Related Commands** [\\*DDT](#)

**Examples** \*TRG immediately executes all commands that have been defined by \*DDT.

## TRIGger

This command forces a trigger event to occur. The query returns the current trigger parameters for the instrument.

**Group** Trigger

**Syntax** TRIGger FORCE  
TRIGger?

**Arguments** FORCE creates a trigger event. If TRIGger:STATE is set to READy, the acquisition will complete. Otherwise, this command will be ignored. This is equivalent to selecting A Event (Main) Trigger Setup from the Trig menu and then clicking Force Trigger.

**Examples** TRIGGER FORCE forces a trigger event to occur.

```
TRIGGER? might return these trigger parameters: :TRIGGER:A:MODE
AUTO;TYPE EDGE;LEVEL 0.0000;HOLDOFF:BY DEFAULT;TIME
1.5000E-6;:TRIGGER:A:EDGE:SOURCE CH1;COUPLING
DC;SLOPE RISE;:TRIGGER:A:LOGIC:CLASS PATTERN;FUNCTION
AND;THRESHOLD:CH1 1.2000;CH2 1.2000;CH3 1.2000;CH4
1.2000;:TRIGGER:A:LOGIC:INPUT:CH1 HIGH;CH2
X;CH3 X;:TRIGGER:A:LOGIC:PATTERN:INPUT:CH4
X;:TRIGGER:A:LOGIC:PATTERN:WHEN
TRUE;WHEN:LESSLIMIT 5.0000E-9;MORELIMIT
5.0000E-9;:TRIGGER:A:LOGIC:SETHOLD:CLOCK:EDGE RISE;THRESHOLD
1.2000;SOURCE CH2;:TRIGGER:A:LOGIC:SETHOLD:DATA:THRESHOLD
```

```

1.2000;SOURCE CH1;;TRIGGER:A:LOGIC:SETHOLD:HOLDTIME
2.0000E-9;SETTIME 3.0000E-9;;TRIGGER:A:LOGIC:STATE:INPUT:CH4
RISE;;TRIGGER:A:LOGIC:STATE:WHEN
TRUE;;TRIGGER:A:PULSE:CLASS GLITCH;SOURCE
CH1;GLITCH:WIDTH 2.0000E-9;TRIGIF ACCEPT;POLARITY
POSITIVE;;TRIGGER:A:PULSE:WINDOW:TYPE INSIDE;WHEN
OCCURS;WIDTH 2.0000E-9;LOGIC:INPUT:CH1 HIGH;CH2 HIGH;CH3
HIGH;CH4 HIGH;;TRIGGER:A:PULSE:WINDOW:LOGIC:THRESHOLD:CH1
1.2000;CH2 1.2000;CH3 1.2000;CH4
1.2000;;TRIGGER:A:PULSE:WINDOW:THRESHOLD:HIGH 1.2000;LOW
800.0000E-3;;TRIGGER:A:PULSE:RUNT:LOGIC:THRESHOLD:CH1
1.2000;CH2 1.2000;CH3 1.2000;CH4
1.2000;;TRIGGER:A:PULSE:RUNT:POLARITY
POSITIVE;THRESHOLD:HIGH 1.2000;LOW
800.0000E-3;;TRIGGER:A:PULSE:RUNT:WHEN OCCURS;WIDTH
2.0000E-9;;TRIGGER:A:PULSE:TRANSITION:DELTATIME
2.0000E-9;POLARITY POSITIVE;THRESHOLD:HIGH 1.2000;LOW
800.0000E-3;;TRIGGER:A:PULSE:TRANSITION:WHEN
FASTER THAN;;TRIGGER:A:PULSE:WIDTH:LOWLIMIT
2.0000E-9;HIGHLIMIT 2.0000E-9;WHEN WITHIN;POLARITY
POSITIVE;;TRIGGER:A:PULSE:TIMEOUT:POLARITY
STAYSHIGH;TIME 2.0000E-9;;TRIGGER:A:VIDEO:CUSTOM:FORMAT
INTERLACED;SCAN RATE1;;TRIGGER:A:VIDEO:FIELD
ALLFIELDS;HOLD OFF:FIELD 0.0000;;TRIGGER:A:VIDEO:LINE
1;POLARITY NORMAL;SCAN RATE1;SOURCE CH1;STANDARD
NTSC;;TRIGGER:A:COMMUNICATION:STANDARD CUSTOM;CODE
NRZ;BITRATE 1544000;AMI:PULSEFORM PLUSONE;THRESHOLD:HIGH
0.0000;LOW 0.0000;;TRIGGER:A:COMMUNICATION:CLOCK:POLARITY
RISE;;TRIGGER:A:COMMUNICATION:CMI:PULSEFORM
PLUSONE;;TRIGGER:A:COMMUNICATION:SOURCE CH1;SOURCE:TYPE
DATA;;TRIGGER:B:STATE 0;TYPE EDGE;LEVEL 0.0000;BY
EVENTS;EDGE:SOURCE CH1;SLOPE RISE;COUPLING
DC;;TRIGGER:B:TIME 16.0000E-9;EVENTS:COUNT 2.

```

## TRIGger:{A|B}:EDGE? (Query Only)

This query-only command returns the trigger source, coupling, and slope for the specified edge trigger. This command is equivalent to selecting Edge Setup from the Trig menu and viewing the current setups, or selecting B Event (Delayed) Trigger Setup from the Trig menu and viewing the current Source, Slope, and Coupling settings.

**Group** Trigger

**Syntax** TRIGger:{A|B}:EDGE?

**Related Commands** [TRIGger:{A|B}:PULse?](#), [TRIGger:A:LOGIc?](#), [TRIGger:{A|B}:EDGE:COUPling](#), [TRIGger:{A|B}:EDGE:SLOpe](#), [TRIGger:{A|B}:EDGE:SOUrce](#), [TRIGger:B:STATE](#)

**Examples** `TRIGGER:A:EDGE?` might return `:TRIGGER:A:EDGE:SOURCE CH1;COUPLING DC; SLOPE RISE`, indicating the trigger source, coupling, and slope for the A edge trigger.

## TRIGger:{A|B}:EDGE:COUPling

This command sets or queries the type of coupling for the edge trigger. This command is equivalent to selecting Event Trigger Setup from the Trig menu, selecting Edge Trigger, and choosing from the Coupling drop-down list.

**Group** Trigger

**Syntax** `TRIGger:{A|B}:EDGE:COUPling {AC|DC|HFRej|LFRej|NOISerej|ATRIGger}`  
`TRIGger:{A|B}:EDGE:COUPling?`

**Related Commands** [TRIGger:{A|B}:EDGE:SOUrce](#), [TRIGger:{A|B}:EDGE:SLOpe](#)

**Arguments** AC selects AC trigger coupling, which passes the input signals above 60 Hz to the trigger circuitry.

DC selects DC trigger coupling, which passes all input signals to the trigger circuitry.

HFRej coupling attenuates signals above 50 kHz before passing the signals to the trigger circuitry.

LFRej coupling attenuates signals below 80 kHz before passing the signals to the trigger circuitry.

NOISerej coupling provides stable triggering by increasing the trigger hysteresis. Increased hysteresis reduces the trigger sensitivity to noise but may require greater trigger signal amplitude.

ATRIGger this B trigger command sets the B trigger coupling to match the setting on the A trigger.

**Examples** `TRIGGER:A:EDGE:COUPLING DC` sets the A edge trigger coupling to DC.

`TRIGGER:A:EDGE:COUPLING?` might return `:TRIGGER:A:EDGE:COUPLING DC`, indicating that the A edge trigger coupling is set to DC.

**TRIGger:{A|B}:EDGE:COUPling:CH<x>**

This command sets or queries the type of coupling for the A or B trigger for the specified channel. This command is equivalent to selecting A or B Trigger Setup from the Trig menu and choosing the setting from the Coupling drop-down list.

**Group** Trigger

**Syntax** TRIGger:{A|B}:EDGE:COUPling:CH<x>  
{AC|DC|HFRej|LFRej|NOISerej}  
TRIGger:{A|B}:EDGE:COUPling:CH<x>?

**Related Commands** [TRIGger:{A|B}:EDGE:COUPling](#)

**Arguments** AC selects AC trigger coupling.  
DC selects DC trigger coupling.  
HFRej selects high frequency low sensitivity.  
LFRej selects low frequency low sensitivity.  
NOISerej selects DC low sensitivity.

**Examples** TRIGGER:B:EDGE:COUPLING:CH1 DC selects DC for the B trigger coupling of Channel 1.  
TRIGGER:B:EDGE:COUPLING:CH1? might return  
:TRIGGER:B:EDGE:COUPLING:CH1 LFREJ for the B trigger coupling.

**TRIGger:{A|B}:EDGE:SLOpe**

This command sets or queries the slope for the edge trigger. This command is equivalent to selecting Event Trigger Setup from the Trig menu and then choosing the desired Slope.

**Group** Trigger

**Syntax** TRIGger:{A|B}:EDGE:SLOpe {RISe|FALL|EITHer}  
TRIGger:{A|B}:EDGE:SLOpe?

**Related Commands** [TRIGger:{A|B}:EDGE:SOUrce](#), [TRIGger:{A|B}:EDGE:COUPling](#),  
[TRIGger:{A|B}:EDGE?](#), [TRIGger:B:STATE](#)

**Arguments** RISE specifies to trigger on the rising or positive edge of a signal.  
 FALL specifies to trigger on the falling or negative edge of a signal.  
 EITHER specified to trigger on either the rising or falling edge of a signal.

**Examples** TRIGGER:A:EDGE:SLOPE RISE sets the A edge trigger slope to positive, which triggers on the rising edge of the signal.  
 TRIGGER:A:EDGE:SLOPE? might return :TRIGGER:A:EDGE:SLOPE FALL, indicating that the A edge trigger slope is negative.

## TRIGger:{A|B}:EDGE:SLOpe:AUX

This command sets or queries the slope for the edge trigger for the AUX In input. This command is equivalent to selecting A Event or B Event Trigger Setup from the Trig menu and then choosing the desired Slope.

**Group** Trigger

**Syntax** TRIGger:{A|B}:EDGE:SLOpe:AUX {RISe|FALL|EITHer}  
 TRIGger:{A|B}:EDGE:SLOpe:AUX?

**Arguments** RISE specifies to trigger on the rising or positive edge of a signal.  
 FALL specifies to trigger on the falling or negative edge of a signal.  
 EITHER specifies to trigger on either the rising or falling edge of a signal.

**Examples** TRIGGER:A:EDGE:SLOPE:AUX RISE sets the A edge trigger slope to positive, which triggers on the rising edge of the signal.  
 TRIGGER:A:EDGE:SLOPE:AUX? might return :TRIGGER:A:EDGE:SLOPE:AUX FALL, indicating that the A edge trigger slope is negative.

## TRIGger:{A|B}:EDGE:SLOpe:CH<x>

This command sets or queries the slope for the edge trigger for the specified channel. This command is equivalent to selecting A Event or B Event Trigger Setup from the Trig menu and then choosing the desired Slope.

**Group** Trigger



**Syntax** TRIGger:{A|B}:EDGE:SLOpe:CH<x> {RISe|FALL|EITHer}  
 TRIGger:{A|B}:EDGE:SLOpe:CH<x>?

**Related Commands** [TRIGger:{A|B}:EDGE:SOUrce](#), [TRIGger:{A|B}:EDGE:COUPling](#)

**Arguments** RISE specifies to trigger on the rising or positive edge of a signal.  
 FALL specifies to trigger on the falling or negative edge of a signal.  
 EITHER specifies to trigger on either the rising or falling edge of a signal.

**Examples** TRIGGER:A:EDGE:SLOPE:CH2 RISE sets the Channel 2 edge trigger slope to rising or positive  
 TRIGGER:A:EDGE:SLOPE:CH1? might return :TRIGGER:A:EDGE:SLOPE FALL, indicating that the A edge trigger slope is negative.

## TRIGger:{A|B}:EDGE:SOUrce

This command sets or queries the source for the edge trigger. This command is equivalent to selecting Event Trigger Setup from the Trig menu and then choosing from the Source drop-down list.

**Group** Trigger

**Syntax** TRIGger:{A|B}:EDGE:SOUrce {AUXiLiary|CH<x>|LINE}  
 TRIGger:{A|B}:EDGE:SOUrce?

**Related Commands** [TRIGger:{A|B}:EDGE:SLOpe](#), [TRIGger:{A|B}:EDGE:COUPling](#),  
[TRIGger:{A|B}:EDGE?](#), [TRIGger:B:STATE](#)

**Arguments** AUXiLiary specifies an external trigger using the Auxiliary Trigger Input.  
 CH<x> specifies one input channel as the edge trigger source.  
 LINE specifies AC line voltage, and is for A Trigger only.

**Examples** TRIGGER:A:EDGE:SOURCE CH2 sets the A edge trigger source to input channel CH2.  
 TRIGGER:A:EDGE:SOURCE? might return :TRIGGER:A:EDGE:SOURCE CH1, indicating that the A edge trigger source is set to input channel CH1.

## TRIGger:{A|B}:LEVEl

This command sets or queries the level for the trigger. This command is equivalent to selecting Holdoff from the Trig menu and then viewing or setting the trigger Level or selecting B Event (Delayed) Trigger Setup from the Trig menu and setting the B Trig Level voltage.

**Group** Trigger

**Syntax** TRIGger:{A|B}:LEVEl {ECL|TTL|<NR3>}  
TRIGger:{A|B}:LEVEl?

**Related Commands** TRIGger:{A|B}:LEVEl, TRIGger:B, TRIGger:{A|B}:EDGE:SOUrce  
TRIGger:B:STATE

**Arguments** ECL specifies the ECL high level.  
TTL specifies the TTL high level.  
<NR3> specifies the trigger level in user units (usually volts).

**Examples** TRIGGER:A:LEVEL TTL sets the A edge trigger to TTL high level.  
TRIGGER:A:LEVEL? might return :TRIGGER:A:LEVEl 1.3000E+00, indicating that the A edge trigger is set to 1.3 V.

## TRIGger:{A|B}:LEVEl:CH<x>

This command sets or queries the CH<x> trigger level for TRIGGER:LVLSRCPREFERENCE SRCDEPENDENT mode.

The CH<x> range is 1 to 4.

**Group** Trigger

**Syntax** TRIGger:{A|B}:LEVEl:CH<x> {ECL|TTL|<NR3>}  
TRIGger:{A|B}:LEVEl:CH<x>?

**Arguments** ECL specifies the ECL high level.  
TTL specifies the TTL high level.  
<NR3> specifies the trigger level in user units (usually volts).

**Examples** TRIGGER:A:LEVEL:CH1 TTL sets the A trigger level for Channel 1 to the TTL high level.

TRIGGER:A:LEVEL:CH2? might return :TRIGGER:A:LEVEL:CH2  
1.3000E+00, indicating that the A trigger level for Channel 2 is set to 1.3 V.

## TRIGger:{A|B}:LOGIc:CLAss

This command sets or queries the class of the Logic Trigger. Used in conjunction with the [TRIGger:A:TYPE](#) command, this command is equivalent to selecting Logic Pattern, Logic State or Setup/Hold Setup from the Trig menu.

**Group** Trigger

**Syntax** TRIGger:{A|B}:LOGIC:CLASS {PATtern|STATE|SETHold}  
TRIGger:{A|B}:LOGIC:CLASS?

**Related Commands** [TRIGger:A:TYPE](#), [TRIGger:{A|B}:PULse:CLAss](#)

**Arguments** PATtern sets the instrument to trigger when the specified logical combinations of Channels 1, 2, 3, and 4 are met.

STATE sets the instrument to trigger when the specified conditions of Channels 1, 2, and 3 are met after the Channel 4 (clock) condition is met.

SETHold sets the instrument to trigger on setup and hold violations between a data source and a clock source. Use one channel input as the clock signal and a second channel input as the data input. The clocking and data levels are used to determine if a clock or data transition has occurred.

**Examples** TRIGGER:A:LOGIC:CLASS PATTERN sets the trigger A logic class to PATtern, which causes the instrument to trigger when the specified logical combinations of Channels 1, 2, 3, and 4 are met.

TRIGGER:A:LOGIC:CLASS? might return :TRIGGER:A:LOGIC:CLASS  
PATTERN, indicating that the A trigger level for channel 2 is set to PATTERN, which causes the instrument to trigger when the specified logical combinations of Channels 1, 2, 3, and 4 are met.

## TRIGger:{A|B}:LOGIc:FUNCTion

This command sets or queries the logical combination of the input channels for the pattern and state logic triggers. This command is equivalent to selecting Event

Trigger Setup from the Trig menu, selecting Pattern or State for the Trigger Type, and setting or viewing the Pattern Type.

**Group** Trigger

**Syntax** TRIGger:{A|B}:LOGIC:FUNCTION {AND|NAND|NOR|OR}  
 TRIGger:{A|B}:LOGIC:FUNCTION?

**Related Commands** [TRIGger:{A|B}:LOGIC:PATtern:WHEN](#), [TRIGger:{A|B}:LOGIC:INPut:CH<x>](#),  
[TRIGger:{A|B}:LOGIC:THReshold:CH<x>](#)

**Arguments** AND specifies to trigger if all conditions are true.  
 NAND specifies to trigger if any of the conditions are false.  
 NOR specifies to trigger if all conditions are false.  
 OR specifies to trigger if any of the conditions are true.

**Examples** TRIGGER:A:LOGIC:FUNCTION AND sets the logical combination of channels to be true when all conditions are true.  
 TRIGGER:A:LOGIC:FUNCTION? might return :TRIGGER:A:LOGIC:FUNCTION NAND, indicating that the instrument will trigger if the AND logic conditions are false.

## TRIGger:{A|B}:LOGIC:INPut? (Query Only)

This query-only command returns the logic trigger input expected for Channel 1, 2, and 3. Channel 4 is set or queried with the command [TRIGger:{A|B}:LOGIC:PATtern:INPut:CH<x>](#).

This command is equivalent to selecting Event Trigger Setup and viewing or setting the Input Threshold for the channels.

**Group** Trigger

**Syntax** TRIGger:{A|B}:LOGIC:INPut?

**Related Commands** [TRIGger:{A|B}:LOGIC:PATtern:INPut:CH<x>](#)

**Examples** TRIGGER:A:LOGIC:INPUT? might return :TRIGGER:A:LOGIC:INPUT:CH1 HIGH;CH2 X;CH3 X, indicating that a logic high is expected on Channel 1 while Channel 2 and Channel 3 are “don’t care.”

## TRIGger:{A|B}:LOGIc:INPut:CH<x>

This command sets or queries the A logical input for the logic trigger channel specified by x. The value of x ranges from 1 through 3. Note that CH4 cannot be set or queried with this command. For details about setting this channel, see [TRIGger:{A|B}:LOGIc:PATtern:INPut:CH<x>](#). This command is equivalent to selecting Event Trigger Setup from the Trig menu and then choosing the desired logical input from the Ch<x> drop-down list, which is located in the Input Threshold group box.

**Group** Trigger

**Syntax** TRIGger:{A|B}:LOGIC:INPut:CH<x> {HIGH|LOW|X}  
TRIGger:{A|B}:LOGIC:INPut:CH<x>?

**Related Commands** [TRIGger:{A|B}:LOGIc:PATtern:INPut:CH<x>](#)

**Arguments** HIGH specifies the logic high.  
LOW specifies the logic low.  
X specifies a “don’t care” state.

**Examples** TRIGGER:A:LOGIC:INPUT:CH2 HIGH sets the A logic trigger input to logic HIGH for Channel 2.  
TRIGGER:A:LOGIC:INPUT:CH1? might return :TRIGGER:LOGIC:INPUT:CH1 X, indicating that the setting for the A logic trigger input to Channel 1 does not matter.

## TRIGger:{A|B}:LOGIc:PATtern? (Query Only)

This query-only command returns the conditions used for generating an A logic pattern trigger, with respect to the defined input pattern, and identifies the maximum and minimum time that the selected pattern may be true and still generate the trigger. This command is equivalent to selecting Logic Pattern from the Trig menu and then viewing the current setups.

|                         |                                                                                                                                                                        |
|-------------------------|------------------------------------------------------------------------------------------------------------------------------------------------------------------------|
| <b>Group</b>            | Trigger                                                                                                                                                                |
| <b>Syntax</b>           | TRIGger:{A B}:LOGIC:PATtern?                                                                                                                                           |
| <b>Related Commands</b> | TRIGger:{A B}:LOGIC:PATtern:INPut:CH<x>, TRIGger:{A B}:LOGIC:PATtern:WHEn, TRIGger:{A B}:LOGIC:PATtern:WHEn:LESSLimit, TRIGger:{A B}:LOGIC:PATtern:WHEn:MORELimit      |
| <b>Examples</b>         | TRIGGER:A:LOGIC:PATTERN? might return<br>:TRIGGER:A:LOGIC:PATTERN:INPUT:CH4 X;<br>:TRIGGER:A:LOGIC:PATTERN:WHEN TRUE; WHEN:LESSLIMIT<br>5.0000E-9;MORELIMIT 5.0000E-9. |

## TRIGger:{A|B}:LOGIC:PATtern:INPut:CH<x>

This command sets or queries the A or B logic trigger input for the specified channel. This command specifies the logic value used when the pattern trigger detects the threshold level.

This command is equivalent to selecting Logic Pattern from the Trig menu and then choosing the desired logical input from the channel drop-down list, which is located in the Input Threshold group box.

|                         |                                                                                                                                                                                                                                                               |
|-------------------------|---------------------------------------------------------------------------------------------------------------------------------------------------------------------------------------------------------------------------------------------------------------|
| <b>Group</b>            | Trigger                                                                                                                                                                                                                                                       |
| <b>Syntax</b>           | TRIGger:{A B}:LOGIC:PATtern:INPut:CH<x> {HIGH LOW X}<br>TRIGger:{A B}:LOGIC:PATtern:INPut:CH<x>?                                                                                                                                                              |
| <b>Related Commands</b> | TRIGger:{A B}:LOGIC:FUNCTion, TRIGger:{A B}:LOGIC:INPut:CH<x>, TRIGger:{A B}:LOGIC:THReshold:CH<x>                                                                                                                                                            |
| <b>Arguments</b>        | HIGH specifies the logic high.<br>LOW specifies the logic low.<br>X specifies a “do not care” state.                                                                                                                                                          |
| <b>Examples</b>         | TRIGGER:A:LOGIC:PATTERN:INPUT:CH4 HIGH This command sets the A logic trigger input to logic high for Channel 4 when the logic class is set to PATtern. When the threshold level is detected, High places a 1 on the Channel 4 input to the selected function. |

TRIGGER:A:LOGIC:PATTERN:INPUT:CH4? might return  
:TRIGGER:A:LOGIC:PATTERN:INPUT:CH4 HIGH, indicating that  
the logic input for Channel 4 is logic high.

## TRIGger:{A|B}:LOGIc:PATtern:WHEn

This command sets or queries the condition for generating an A or B logic pattern trigger with respect to the defined input pattern. This command is equivalent to selecting A or B Event (Main) Trigger Setup from the Trig menu, selecting Pattern for Trigger Type, and choosing a trigger condition from the Pattern drop-down list, which is located in the Trigger When group box.

**Group** Trigger

**Syntax** TRIGger:{A|B}:LOGIc:PATtern:WHEn  
{TRUE|FALSE|LESSThan|MOREThan}  
TRIGger:{A|B}:LOGIc:PATtern:WHEn?

**Related Commands** [TRIGger:{A|B}:LOGIc:FUNCTion](#), [TRIGger:{A|B}:LOGIc:INPut?](#), [TRIGger:{A|B}:LOGIc:THReshold?](#), [TRIGger:{A|B}:LOGIc:PATtern:WHEn:LESSLimit](#), [TRIGger:{A|B}:LOGIc:PATtern:WHEn:MORELimit](#)

**Arguments** TRUE sets the instrument to trigger when the pattern becomes true.  
FALSE sets the instrument to trigger when the pattern becomes false.  
LESSThan sets the instrument to trigger if the specific pattern is true less than the time set by the [TRIGger:{A|B}:LOGIc:PATtern:WHEn:LESSLimit](#) command.  
MOREThan argument sets the instrument to trigger if the specific pattern is true longer than the specified time set by the [TRIGger:{A|B}:LOGIc:PATtern:WHEn:MORELimit](#) command.

**Examples** TRIGGER:A:LOGIC:PATTERN:WHEN FALSE specifies to trigger the A logic pattern when the pattern becomes false.  
TRIGGER:A:LOGIC:PATTERN:WHEN? might return  
:TRIGGER:A:LOGIC:PATTERN:WHEN TRUE, indicating that the A logic pattern will trigger when the pattern becomes true.

## TRIGger:{A|B}:LOGIc:PATtern:WHEn:LESSLimit

This command sets or queries the maximum time that the selected pattern may be true and still generate an A or B logic pattern trigger. This command is equivalent

to selecting the A or B Event (Main) Trigger Setup from the Trig menu, selecting Pattern as the Trigger Type, selecting Less Than for the Pattern in the Trigger When settings, and entering a maximum value for Time.

**Group** Trigger

**Syntax** TRIGger:{A|B}:LOGIC:PATtern:WHEn:LESSLimit <NR3>  
TRIGger:{A|B}:LOGIC:PATtern:WHEn:LESSLimit?

**Related Commands** [TRIGger:{A|B}:LOGIC:PATtern:WHEn:MORELimit](#)

**Arguments** <NR3> specifies the amount of time to hold the pattern true.

**Examples** TRIGGER:A:LOGIC:PATTERN:WHEN:LESSLIMIT 10.0E+00 sets the maximum time that the selected pattern may hold true (and generate an A logic pattern trigger) to 10 s.

TRIGGER:A:LOGIC:PATTERN:WHEN:LESSLIMIT? might return :TRIGGER:A:LOGIC:PATTERN:WHEN:LESSLIMIT 5.0000E-09, indicating that the selected pattern may hold true for up to 5 ns and still generate an A logic pattern trigger.

## TRIGger:{A|B}:LOGIC:PATtern:WHEn:MORELimit

This command sets or queries the minimum time that the selected pattern may be true and still generate an A or B logic pattern trigger. This command is equivalent to selecting A or B Event (Main) Trigger Setup from the Trig menu, selecting Pattern as the Trigger Type, selecting More Than for the Pattern in the Trigger When settings, and entering a minimum value for Time.

**Group** Trigger

**Syntax** TRIGger:{A|B}:LOGIC:PATtern:WHEn:MORELimit <NR3>  
TRIGger:{A|B}:LOGIC:PATtern:WHEn:MORELimit?

**Related Commands** [TRIGger:{A|B}:LOGIC:PATtern:WHEn:LESSLimit](#)

**Arguments** <NR3> specifies the amount of time to hold the pattern true.



**Examples** TRIGGER:A:LOGIC:PATTERN:WHEN:MORELIMIT 10.0E+00 sets the minimum time that the selected pattern may hold true (and generate an A logic pattern trigger) to 10 s.

TRIGGER:A:LOGIC:PATTERN:WHEN:MORELIMIT? might return :TRIGGER:A:LOGIC:PATTERN:WHEN:MORELIMIT 5.0000E-09, indicating that the selected pattern must hold true for at least 5 ns to generate an A logic pattern trigger.

## TRIGger:{A|B}:LOGIc:SETHold? (Query Only)

This query-only command returns the clock edge polarity, voltage threshold and source input; data voltage threshold and source; and both setup and hold times for setup and hold violation triggering. This command is equivalent to selecting Setup/Hold Setup from the Trig menu and then viewing the current setups.

**Group** Trigger

**Syntax** TRIGger:{A|B}:LOGIc:SETHold?

**Related Commands** [TRIGger:{A|B}:LOGIc:PATtern?](#), [TRIGger:{A|B}:LOGIc:STATE?](#)

**Examples** TRIGGER:A:LOGIC:SETHOLD? might return the settings  
:TRIGGER:A:LOGIC:SETHOLD:CLOCK:EDGE RISE; THRESHOLD  
1.4000;THRESHOLD:CH1 1.4000;CH2 1.2000;CH3 1.2000;CH4  
1.2000;;TRIGGER:A:LOGIC:SETHOLD:CLOCK:SOURCE  
CH2;;TRIGGER:A:LOGIC:SETHOLD:DATA:THRESHOLD  
1.4000;THRESHOLD: CH1 1.4000;CH2 1.2000;CH3 1.2000;CH4  
1.2000;;TRIGGER:A:LOGIC:SETHOLD :HOLDTIME 2.0000E-9;SETTIME  
3.0000E-9;QUALIFY OCCURS.

## TRIGger:{A|B}:LOGIc:SETHold:CLOCK? (Query Only)

This query-only command returns the clock edge polarity, voltage threshold and source input for setup and hold triggering. This command is equivalent to selecting Setup/Hold Setup from the Trig menu and then viewing the current clock setups.

**Group** Trigger

**Syntax** TRIGger:{A|B}:LOGIc:SETHold:CLOCK?

**Related Commands** [TRIGger:{A|B}:LOGIc:SETHold:DATA?](#), [TRIGger:{A|B}:LOGIc:SETHold:CLOCK:EDGE](#), [TRIGger:{A|B}:LOGIc:SETHold:CLOCK:THREshold](#), [TRIGger:{A|B}:LOGIc:SETHold:CLOCK:SOURce](#)

**Examples** TRIGGER:A:LOGIC:SETHOLD:CLOCK? might return  
:TRIGGER:A:LOGIC:SETHold:CLOCK:EDGE RISE; THRESHOLD  
1.4000;SOURCE CH2 indicating the current clock settings for setup and hold triggering.

## TRIGger:{A|B}:LOGIc:SETHold:CLOCK:EDGE

This command sets or queries the clock edge polarity for setup and hold triggering. This is equivalent to selecting Setup/Hold Setup from the Trig menu and then choosing the desired Clock Edge.

**Group** Trigger

**Syntax** TRIGger:{A|B}:LOGIc:SETHold:CLOCK:EDGE {FALL|RIse}  
TRIGger:{A|B}:LOGIc:SETHold:CLOCK:EDGE?

**Related Commands** [TRIGger:{A|B}:LOGIc:SETHold:CLOCK:SOURce](#), [TRIGger:{A|B}:LOGIc:SETHold:CLOCK:THREshold](#)

**Arguments** FALL specifies polarity as the clock falling edge.  
RIse specifies polarity as the clock rising edge.

**Examples** TRIGGER:A:LOGIC:SETHOLD:CLOCK:EDGE RISE specifies the polarity as the clock rising edge.  
  
TRIGGER:A:LOGIC:SETHOLD:CLOCK:EDGE? might return  
:TRIGGER:A:LOGIC:SETHOLD:CLOCK:EDGE RISE, indicating that polarity is specified as the clock rising edge.

## TRIGger:{A|B}:LOGIc:SETHold:CLOCK:SOURce

This command sets or queries the clock source for the A or B logic trigger setup and hold input. This is equivalent to selecting Setup/Hold Setup from the Trig menu and choosing the desired channel from the Clock Source drop-down list.

**Group** Trigger

**Syntax** TRIGGER:{A|B}:LOGIC:SETHold:CLOCK:SOURce CH<x>  
TRIGGER:{A|B}:LOGIC:SETHold:CLOCK:SOURce?

**Related Commands** TRIGGER:{A|B}:LOGIC:SETHold:CLOCK:EDGE, TRIGGER:{A|B}:LOGIC:SETHold:CLOCK:THReshold

**Arguments** CH<x> specifies the input channel, which ranges from 1 through 4 for four-channel instruments or 1 through 2 for two channel instruments.

**Examples** TRIGGER:A:LOGIC:SETHOLD:CLOCK:SOURCE CH1 specifies channel 1 as the A logic setup and hold input.

TRIGGER:A:LOGIC:SETHOLD:CLOCK:SOURCE? might return  
:TRIGGER:A:LOGIC:SETHOLD:CLOCK:SOURCE CH4, indicating that channel 4 is the clock source for the setup and hold input. For the A logic trigger.

## TRIGGER:{A|B}:LOGIC:SETHold:CLOCK:THReshold

This command sets or queries the clock voltage threshold for the setup and hold trigger. This command is equivalent to selecting Setup/Hold Setup from the Trig menu and setting the desired Clock Level.

**Group** Trigger

**Syntax** TRIGGER:{A|B}:LOGIC:SETHold:CLOCK:THReshold {ECL|TTL|<NR3>}  
TRIGGER:{A|B}:LOGIC:SETHold:CLOCK:THReshold?

**Related Commands** TRIGGER:{A|B}:LOGIC:SETHold:CLOCK:EDGE, TRIGGER:{A|B}:LOGIC:SETHold:CLOCK:SOURce

**Arguments** ECL specifies a preset ECL high level.  
TTL specifies a preset TTL high level.  
<NR3> is the clock level, in volts.

**Examples** TRIGGER:A:LOGIC:SETHOLD:CLOCK:THRESHOLD TTL specifies the preset TTL value as the clock threshold for the setup and hold trigger.

TRIGGER:A:LOGIC:SETHOLD:CLOCK:THRESHOLD? might return  
:TRIGGER:A:LOGIC:SETHOLD:CLOCK:THRESHOLD 1.2000E+00, indicating that the clock threshold for the setup and hold trigger is 1.2 V.

## TRIGger:{A|B}:LOGIc:SETHold:CLOCK:THReshold:CH<x>

This command sets or queries the clock voltage threshold for setup and hold trigger. This command is equivalent to selecting Setup/Hold Setup from the Trig menu and then setting the desired Clock Level. The value of x can range from 1 through 4.

**Group** Trigger

**Syntax** TRIGger:{A|B}:LOGIc:SETHold:CLOCK:THReshold:CH<x>  
 {ECL|TTL|<NR3>}  
 TRIGger:{A|B}:LOGIc:SETHold:CLOCK:THReshold:CH<x>?

**Related Commands** [TRIGger:{A|B}:LOGIc:SETHold:CLOCK:EDGE](#), [TRIGger:{A|B}:LOGIc:SETHold:CLOCK:SOUrce](#)

**Arguments** ECL specifies a preset ECL high level.  
 TTL specifies a preset TTL high level.  
 <NR3> is the clock level, in volts.

**Examples** TRIGGER:A:LOGIC:SETHOLD:CLOCK:THRESHOLD: CH3 TTL specifies the preset TTL value as the clock threshold for setup and hold trigger for Channel 3.  
 TRIGGER:A:LOGIC:SETHOLD:CLOCK:THRESHOLD: CH3? might return  
 :TRIGGER:A:LOGIC:SETHOLD:CLOCK:THRESHOLD: CH3 1.2000E+00,  
 indicating that the clock threshold for setup and hold trigger is 1.2 V for Channel 3.

## TRIGger:{A|B}:LOGIc:SETHold:DATA? (Query Only)

This query-only command returns the voltage threshold and data source for the setup and hold trigger. This command is equivalent to selecting Setup/Hold Setup from the Trig menu and then viewing the current data setups.

**Group** Trigger

**Syntax** TRIGger:{A|B}:LOGIc:SETHold:DATA?

**Related Commands** [TRIGger:{A|B}:LOGIc:SETHold:CLOCK?](#)

**Examples** TRIGGER:A:LOGIC:SETHOLD:DATA? might return  
:TRIGGER:A:LOGIC:SETHOLD:DATA:THRESHOLD 1.4000;SOURCE CH1,  
indicating the current trigger data settings.

## TRIGger:{A|B}:LOGIc:SETHold:DATa:SOUrce

This command sets or queries the data source for the setup and hold trigger. This command is equivalent to selecting Setup/Hold Setup from the Trig menu and choosing the desired channel from the Data Source drop-down list.

**Group** Trigger

**Syntax** TRIGger:{A|B}:LOGIc:SETHoId:DATa:SOUrce CH<x>  
TRIGger:{A|B}:LOGIc:SETHoId:DATa:SOUrce?

**Related Commands** [TRIGger:{A|B}:LOGIc:SETHold:DATa:THReshold](#)

**Arguments** CH<x> specifies the input channel, which ranges from 1 through 4.

**Examples** TRIGGER:A:LOGIC:SETHOLD:DATA:SOURCE CH1 sets channel 1 as the clock source for the setup and hold trigger.

TRIGGER:A:LOGIC:SETHOLD:DATA:SOURCE? might return  
:TRIGGER:A:LOGIC:SETHOLD:DATA:SOURCE CH2 indicating that Channel 2 is the current clock source for the setup and hold trigger.

## TRIGger:{A|B}:LOGIc:SETHold:DATa:THReshold

This command sets or queries the data voltage threshold for setup and hold trigger. This command is equivalent to selecting Setup/Hold Setup from the Trig menu and then setting the desired Data Level.

**Group** Trigger

**Syntax** TRIGger:{A|B}:LOGIc:SETHoId:DATa:THReshoId {ECL|TTL|<NR3>}  
TRIGger:{A|B}:LOGIc:SETHoId:DATa:THReshoId?

**Related Commands** [TRIGger:{A|B}:LOGIc:SETHold:DATa:SOUrce](#)

|                  |                                                                                                                                                                                                                                                                                                                                                             |
|------------------|-------------------------------------------------------------------------------------------------------------------------------------------------------------------------------------------------------------------------------------------------------------------------------------------------------------------------------------------------------------|
| <b>Arguments</b> | ECL specifies the preset ECL high level.<br>TTL specifies the preset TTL high level.<br><NR3> is the setup and hold data level, in V.                                                                                                                                                                                                                       |
| <b>Examples</b>  | TRIGGER:A:LOGIC:SETHOLD:DATA:THRESHOLD TTL specifies the preset TTL high level as the current data voltage level for the setup and hold trigger.<br><br>TRIGGER:A:LOGIC:SETHOLD:DATA:THRESHOLD? might return<br>:TRIGGER:A:LOGIC:SETHOLD:DATA:THRESHOLD 1.2000E+00, indicating that 1.2 V is the current data voltage level for the setup and hold trigger. |

## TRIGger:{A|B}:LOGIc:SETHold:DATA:THReshold:CH<x>

This command sets or queries the data voltage threshold for setup and hold trigger.

This command is equivalent to selecting A or B Event Trigger Setup from the Trig menu and then setting the desired Data Level. The value of x can range from 1 through 4.

|                         |                                                                                                                                                                                                                                                                                                                                                                                             |
|-------------------------|---------------------------------------------------------------------------------------------------------------------------------------------------------------------------------------------------------------------------------------------------------------------------------------------------------------------------------------------------------------------------------------------|
| <b>Group</b>            | Trigger                                                                                                                                                                                                                                                                                                                                                                                     |
| <b>Syntax</b>           | TRIGger:{A B}:LOGIc:SETHold:DATA:THReshold:CH<x><br>{ECL TTL <NR3>}<br>TRIGger:{A B}:LOGIc:SETHold:DATA:THReshold:CH<x>?                                                                                                                                                                                                                                                                    |
| <b>Related Commands</b> | <a href="#">TRIGger:{A B}:LOGIc:SETHold:DATA:THReshold:CH&lt;x&gt;</a>                                                                                                                                                                                                                                                                                                                      |
| <b>Arguments</b>        | ECL specifies the preset ECL high level.<br>TTL specifies the preset TTL high level.<br><NR3> is the setup and hold data level, in V.                                                                                                                                                                                                                                                       |
| <b>Examples</b>         | TRIGGER:A:LOGIC:SETHOLD:DATA:THRESHOLD:CH2 TTL specifies the preset TTL high level as the current data voltage level for setup and hold trigger for Channel 2.<br><br>TRIGGER:A:LOGIC:SETHOLD:DATA:THRESHOLD:CH2? might return<br>:TRIGGER:A:LOGIC:SETHOLD:DATA:THRESHOLD:CH2 1.2000E+00, indicating that 1.2 V is the current data voltage level for setup and hold trigger for Channel 2. |

## TRIGger:{A|B}:LOGIc:SETHold:HOLDTime

This command sets or queries the hold time for setup and hold violation triggering. This command is equivalent to selecting Setup/Hold Setup from the Trig menu and then setting the desired Hold Time.

**Group** Trigger

**Syntax** TRIGger:{A|B}:LOGIC:SETHold:HOLDTime <NR3>  
TRIGger:{A|B}:LOGIC:SETHold:HOLDTime?

**Related Commands** [TRIGger:{A|B}:LOGIC:SETHold:SETTime](#)

**Arguments** <NR3> specifies the hold time setting in seconds. Positive values for hold time occur after the clock edge. Negative values occur before the clock edge.

**Examples** TRIGGER:A:LOGIC:SETHOLD:HOLDTIME 3.0E-3 sets the hold time for the setup and hold trigger to 3 ms.

TRIGGER:A:LOGIC:SETHOLD:HOLDTIME? might return  
:TRIGGER:A:LOGIC:SETHOLD:HOLDTIME 2.0000E-09, indicating that the current hold time for the setup and hold trigger is 2 ns.

## TRIGger:{A|B}:LOGIc:SETHold:QUALify

This command sets or queries the Setup/Hold Trigger qualification. This is equivalent to selecting Setup/Hold Setup from the Trig menu and selecting Occurs or Logic in the Trigger if Setup/Hold drop-down list box.

---

**NOTE.** If you use the LOGIC argument, you must specify the channel logic conditions.

---

**Group** Trigger

**Syntax** TRIGger:{A|B}:LOGIC:SETHold:QUALify {OCCurs|LOGIC}  
TRIGger:{A|B}:LOGIC:SETHold:QUALify?

- Arguments** OCCurs specifies a trigger if any detectable event occurs.
- LOGIC specifies a trigger if the individual channel qualifications meet the logic patterns and thresholds set by the [TRIGger:{A|B}:LOGIC:INPut:CH<x>](#) commands.
- Examples** TRIGGER:A:LOGIC:SETHOLD:QUALIFY OCCURS sets the trigger qualifier to OCCurs, which initiates a trigger if the instrument detects any setup and hold trigger qualifications.
- TRIGGER:A:LOGIC:SETHOLD:QUALIFY? might return  
:TRIGGER:A:LOGIC:SETHOLD:QUALIFY OCCURS, indicating that a trigger will occur if the instrument detects any of the setup and hold qualifications.

## TRIGger:{A|B}:LOGIC:SETHold:SETTime

This command sets or queries the setup time for setup and hold violation triggering. This command is equivalent to selecting Setup/Hold Setup from the Trig menu and then setting the desired Setup Time.

- Group** Trigger
- Syntax** TRIGger:{A|B}:LOGIC:SETHold:SETTime <NR3>  
TRIGger:{A|B}:LOGIC:SETHold:SETTime?
- Related Commands** [TRIGger:{A|B}:LOGIC:SETHold:HOLDTime](#)
- Arguments** <NR3> specifies the setup time for setup and hold violation triggering.
- Examples** TRIGGER:A:LOGIC:SETHOLD:SETTIME 3.0E-6 specifies that the current setup time for setup and hold trigger is 3  $\mu$ s.
- TRIGGER:A:LOGIC:SETHOLD:SETTIME? might return  
:TRIGGER:A:LOGIC:SETHOLD:SETTIME 2.0000E-09, indicating that the current setup time for setup and hold trigger is 2 ns.

## TRIGger:{A|B}:LOGIC:STATE? (Query Only)

This query-only command returns the data input and trigger criteria for the logic trigger. This command is equivalent to selecting Logic State from the Trig menu and then viewing the current logic state settings.



|                         |                                                                                                                    |
|-------------------------|--------------------------------------------------------------------------------------------------------------------|
| <b>Group</b>            | Trigger                                                                                                            |
| <b>Syntax</b>           | TRIGger:{A B}:LOGIC:STATE?                                                                                         |
| <b>Related Commands</b> | TRIGger:{A B}:LOGIC:STATE:INPut:CH<x>, TRIGger:{A B}:LOGIC:STATE:WHEn                                              |
| <b>Examples</b>         | TRIGGER:A:LOGIC:STATE? might return<br>:TRIGGER:A:LOGIC:STATE:INPUT:CH4 RISE;<br>:TRIGGER:A:LOGIC:STATE:WHEN TRUE. |

## TRIGger:{A|B}:LOGIC:STATE:INPut:CH<x>

This command sets or queries the slope for the channel specified by x when the logic class is set to STATE. This command is equivalent to selecting Logic State from the Trig menu and then choosing the desired channel input (NEG or POS) from the Ch drop-down list.

|                         |                                                                                                                                                                                                                                                                                        |
|-------------------------|----------------------------------------------------------------------------------------------------------------------------------------------------------------------------------------------------------------------------------------------------------------------------------------|
| <b>Group</b>            | Trigger                                                                                                                                                                                                                                                                                |
| <b>Syntax</b>           | TRIGger:{A B}:LOGIC:STATE:INPut:CH<x> {FALL RISe}<br>TRIGger:{A B}:LOGIC:STATE:INPut:CH<x>?                                                                                                                                                                                            |
| <b>Related Commands</b> | TRIGger:{A B}:LOGIC:STATE:WHEn                                                                                                                                                                                                                                                         |
| <b>Arguments</b>        | FALL specifies the falling edge.<br>RISE specifies the rising edge.                                                                                                                                                                                                                    |
| <b>Examples</b>         | TRIGGER:A:LOGIC:STATE:INPUT:CH4 RISE specifies that the A logic trigger input for Channel 4 is the rising edge.<br>TRIGGER:A:LOGIC:STATE:INPUT:CH4? might return<br>:TRIGGER:A:LOGIC:STATE:INPUT:CH4 RISE, indicating that the A logic trigger input for Channel 4 is the rising edge. |

## TRIGger:{A|B}:LOGIc:STATE:WHEn

This command sets or queries the condition for generating an A or B logic state trigger. This command is equivalent to selecting Logic State from the Trig menu and choosing the desired condition from the Trigger When Pattern drop-down list.

**Group** Trigger

**Syntax** TRIGger:{A|B}:LOGIc:STATE:WHEn {TRUE|FALSE}  
TRIGger:{A|B}:LOGIc:STATE:WHEn?

**Related Commands** [TRIGger:{A|B}:LOGIc:INPut:CH<x>](#), [TRIGger:{A|B}:LOGIc:STATE:INPut:CH<x>](#)

**Arguments** TRUE specifies that the trigger occurs when the clock transition on channel 4 occurs and the pattern of channels 1-3 are at the desired logic input states.  
FALSE specifies that the trigger occurs when the desired clock transition on channel 4 occurs and the desired logic input states on channels 1-3 are not found.

**Examples** TRIGGER:A:LOGIC:STATE:WHEN TRUE specifies that the logic condition to trigger upon is true.  
TRIGGER:A:LOGIC:STATE:WHEN? might return  
:TRIGGER:A:LOGIC:STATE:WHEN FALSE, indicating that the logic condition to trigger upon is false.

## TRIGger:{A|B}:LOGIc:THReshold? (Query Only)

This query-only command returns the threshold voltage for all channels in a logic trigger. This command query is equivalent to selecting Event Trigger Setup from the Trig menu, choosing a logic trigger type, such as State or Pattern, and viewing the current Input Threshold voltage settings.

**Group** Trigger

**Syntax** TRIGger:{A|B}:LOGIc:THReshold?

**Related Commands** [TRIGger:{A|B}:LOGIc:THReshold:CH<x>](#), [TRIGger:{A|B}:LOGIc:INPut?](#), [TRIGger:{A|B}:LOGIc:INPut:CH<x>](#)

**Examples** TRIGGER:A:LOGIC:THRESHOLD? might return  
 :TRIGGER:A:LOGIC:THRESHOLD CH1 24.0000E-03; CH2  
 1.2000E+00;CH3 1.2000E+00; CH4 1.2000E+00, indicating the threshold  
 voltages for the channels in an A logic trigger are as follows: channel 1 = 24 mV;  
 channel 2 = 1.2 V; channel 3 = 1.2 V; channel 4 = 1.2 V.

## TRIGger:{A|B}:LOGIc:THReshold:CH<x>

This command sets or queries the A or B logic trigger threshold voltage for the channel, specified by x, which ranges from 1 through 4. This command is equivalent to selecting A or B Event Trigger Setup from the Trig menu, choosing a logic trigger type, such as State or Pattern, and setting the Input Threshold voltage for the desired channel.

**Group** Trigger

**Syntax** TRIGger:{A|B}:LOGIC:THReshold:CH<x> <NR3>  
 TRIGger:{A|B}:LOGIC:THReshold:CH<x>?

**Related Commands** [TRIGger:{A|B}:LOGIc:INPut?](#)

**Arguments** <NR3> specifies the threshold voltage.

**Examples** TRIGGER:A:LOGIC:THRESHOLD:CH2 3.0E-3 sets the A logic trigger threshold voltage for Channel 2 to 3 mV.

TRIGGER:A:LOGIC:THRESHOLD:CH3? might return  
 :TRIGGER:A:LOGIC:THRESHOLD:CH3 1.2000E+00, indicating that the A  
 logic trigger threshold voltage for Channel 3 is 1.2 V.

## TRIGger:{A|B}:LOWerthreshold:CH<x>

This command sets or queries the A or B lower trigger level for TRIGger:LVLsrcpreference [TRIGger:LVLsrcpreference](#) SRCDependent or SRCIndependent modes for the channel, specified by x, which ranges from 1 through 4.

**Group** Trigger

**Syntax** TRIGger:{A|B}:LOWerthreshold:CH<x> {ECL|TTL|<NR3>}  
 TRIGger:{A|B}:LOWerthreshold:CH<x>?

**Related Commands** [TRIGger:LVLSrcpreference](#), [TRIGger:{A|B}:UPPerthreshold:CH<x>](#)

**Arguments** ECL specifies the preset ECL high level.  
TTL specifies the preset TTL high level.  
<NR3> specifies the threshold voltage in user units.

**Examples** TRIGGER:A:LOWERTHRESHOLD:CH2 TTL sets the A trigger threshold voltage for Channel 2 to the TTL low level.  
TRIGGER:A:LOWERTHRESHOLD:CH3? might return  
:TRIGGER:A:LOWERTHRESHOLD:CH3 1.2000E+00, indicating that the A trigger threshold voltage for Channel 3 is 1.2 V.

## TRIGger:{A|B}:PULse? (Query Only)

This query-only command returns the pulse trigger parameters.

**Group** Trigger

**Syntax** TRIGger:{A|B}:PULse?

**Related Commands** [TRIGger:{A|B}:EDGE?](#), [TRIGger:A:LOGic?](#)

**Examples** TRIGGER:A:PULSE? might return :TRIGGER:A:PULSE:CLASS  
GLITCH;SOURCE CH1; GLITCH:WIDTH 2.0000E-9;TRIGIF  
ACCEPT;POLARITY POSITIVE; POLARITY:CH1  
POSITIVE;CH2 POSITIVE;CH3 POSITIVE;CH4  
POSITIVE;; TRIGGER:A:PULSE:GLITCH:QUALIFY  
OCCURS;; TRIGGER:A:PULSE:WINDOW:TYPE INSIDE;WHEN  
OCCURS;WIDTH 2.0000E-9;; TRIGGER:A:PULSE:TRANSITION:DELTATIME  
2.0000E-9;POLARITY POSITIVE;THRESHOLD:HIGH 1.2000;LOW  
800.0000E-3;; TRIGGER:A:PULSE:TRANSITION:WHEN  
SLOWERTHAN; :TRIGGER:A:PULSE:WIDTH:LOWLIMIT  
2.0000E-9;HIGHLIMIT 2.0000E-9;WHEN WITHIN;POLARITY  
POSITIVE;; TRIGGER:A:PULSE:TIMEOUT:POLARITY STAYSHIGH;TIME  
2.0000E-9.

## TRIGger:{A|B}:PULse:CLAss

This command sets or queries the type of pulse on which to trigger. This command is equivalent to selecting the setup menu for the pulse type that you want from the Trig menu: Glitch Setup, Width Setup, Runt Setup, Timeout Setup, or Transition Setup.

**Group** Trigger

**Syntax** TRIGger:{A|B}:PULse:CLAss {GLItch|RUNT|WIDTH|  
TRANSITION|TIMEOut|WINDOW}  
TRIGger:{A|B}:PULse:CLAss?

**Related Commands** TRIGger:{A|B}:PULse:GLItch?, TRIGger:{A|B}:PULse:RUNT?,  
TRIGger:{A|B}:PULse:WIDTH?, TRIGger:{A|B}:PULse:TIMEOut?,  
TRIGger:{A|B}:PULse:TRANSition?, TRIGger:A:TYPE

**Arguments** GLItch triggers when a pulse is found that is of the specified polarity and width. These are set with the commands TRIGger:{A|B}:PULse:GLItch:POLarity and TRIGger:{A|B}:PULse:GLItch:WIDTH.

RUNT triggers when a pulse crosses the first preset voltage threshold but does not cross the second preset threshold before recrossing the first. The thresholds are set with the TRIGger:{A|B}:PULse:RUNT:THReshold:LOW and TRIGger:{A|B}:PULse:RUNT:THReshold:HIGH commands.

WIDTH triggers when a pulse is found that has the specified polarity and is either inside or outside the limits as specified by TRIGger:{A|B}:PULse:WIDTH:LOWLimit and TRIGger:{A|B}:PULse:WIDTH:HIGHLimit. The polarity is selected using the TRIGger:{A|B}:PULse:WIDTH:POLarity command.

TRANSITION triggers when a pulse crosses both thresholds in the same direction as the specified polarity and the transition time between the two threshold crossings is greater or less than the specified time delta.

TIMEOut triggers when the pulse train stops in the selected state for longer than the specified time.

WINDOW triggers when a pulse is found that meets the conditions set by the A Event window trigger type, specified by the following commands: TRIGger:{A|B}:PULse:WINDow:THReshold:HIGH, TRIGger:{A|B}:PULse:WINDow:THReshold:LOW, TRIGger:{A|B}:PULse:WINDow:THReshold:BOTH, and TRIGger:{A|B}:PULse:WINDow:WIDTH

**Examples** TRIGGER:A:PULSE:CLASS WIDTH specifies a width pulse for the A trigger.  
 TRIGGER:A:PULSE:CLASS? might return :TRIGGER:A:PULSE:CLASS GLITCH, indicating that a pulse was found that is of the specified polarity and width.

## TRIGger:{A|B}:PULse:GLItch? (Query Only)

This query-only command returns the current glitch pulse trigger parameters. This command query is equivalent to selecting Glitch Setup from the Trig menu and viewing the current glitch trigger settings.

**Group** Trigger

**Syntax** TRIGger:{A|B}:PULse:GLItch?

**Related Commands** [TRIGger:{A|B}:PULse:GLItch:POLarity](#), [TRIGger:{A|B}:PULse:GLItch:TRIGIF](#), [TRIGger:{A|B}:PULse:GLItch:WIDTH](#)

**Examples** TRIGGER:A:PULSE:GLITCH? might return  
 :TRIGGER:A:PULSE:GLITCH:WIDTH 2.0000E-09; FILTER  
 ACCEPT;POLARITY POSITIVE.

## TRIGger:{A|B}:PULse:GLItch:POLarity

This command sets or queries the polarity for A or B pulse glitch trigger. This command is equivalent to selecting Glitch Setup from the Trig menu and then choosing the desired Polarity.

**Group** Trigger

**Syntax** TRIGger:{A|B}:PULse:GLItch:POLarity  
 {POSITIVE|NEGAtive|EITHer}  
 TRIGger:{A|B}:PULse:GLItch:POLarity?

**Related Commands** [TRIGger:{A|B}:LEVel](#), [TRIGger:{A|B}:PULse:GLItch:WIDTH](#)

**Arguments** POSITIVE specifies that the instrument will only trigger when the polarity of the glitch is positive.

**NEGative** specifies that the instrument will only trigger when the polarity of the glitch is negative.

**EITHer** specifies that the instrument will trigger when the polarity of the glitch is either positive or negative.

**Examples** `TRIGGER:A:PULSE:GLITCH:POLARITY EITHER` specifies that the polarity of the glitch can be either positive or negative for the A trigger to occur.

`TRIGGER:A:PULSE:GLITCH:POLARITY?` might return  
`:TRIGGER:A:PULSE:GLITCH:POLARITY POSITIVE`, indicating that the polarity of the glitch must be positive for the trigger to occur.

## TRIGger:{A|B}:PULse:GLItch:POLarity:CH<x>

This command sets or queries the polarity for A or B pulse glitch trigger for the channel.

This command is equivalent to selecting Glitch Setup from the Trig menu and then choosing the desired Polarity.

**Group** Trigger

**Syntax** `TRIGger:{A|B}:PULse:GLItch:POLarity:CH<x>`  
`{EITHer|NEGative|POSITIVE}`  
`TRIGger:{A|B}:PULse:GLItch:POLarity:CH<x>?`

**Related Commands** [TRIGger:{A|B}:LEVel](#), [TRIGger:{A|B}:PULse:GLItch:WIDth](#)

**Arguments** **POSITIVE** specifies that the instrument will only trigger when the polarity of the glitch is positive.

**NEGATIVE** specifies that the instrument will only trigger when the polarity of the glitch is negative.

**EITHer** specifies that the instrument will trigger when the polarity of the glitch is either positive or negative.

**Examples** `TRIGGER:A:PULSE:GLITCH:POLARITY:CH2 EITHER` specifies that the polarity of the glitch can be either positive or negative for the Channel 2 trigger to occur.

`TRIGGER:A:PULSE:GLITCH:POLARITY:CH2?` might return  
`:TRIGGER:A:PULSE:GLITCH:POLARITY:CH2 POSITIVE`, indicating that the polarity of the glitch must be positive for the Channel 2 trigger to occur.

## TRIGger:{A|B}:PULse:GLItch:QUALify

This command sets or queries the Glitch Trigger qualification. This is equivalent to selecting Glitch Setup from the Trig menu and selecting Occurs or Logic in the Trigger if Glitch drop-down list box.

---

**NOTE.** *If you use the LOGIC argument, you must specify the channel logic conditions.*

---

**Group** Trigger

**Syntax** TRIGger:{A|B}:PULse:GLItch:QUALify {OCCurs|LOGIC}  
 TRIGger:{A|B}:PULse:GLItch:QUALify?

**Arguments** OCCurs specifies a trigger if any detectable event occurs.  
 LOGIC specifies a trigger if the individual channel qualifications meet the logic patterns and thresholds set by the TRIGger:{A|B}:LOGIC:INPUT:CH<x> and TRIGGER:{A|B}:LOGIC:THRESHOLD:CH<x> commands.

**Examples** TRIGGER:A:PULSE:GLITCH:QUALIFY OCCURS This command sets the trigger qualifier to OCCURS, which initiates a trigger if the instrument detects any glitch trigger qualifications.  
 TRIGGER:A:PULSE:GLITCH:QUALIFY?, indicating that a trigger will occur if the instrument detects any of the glitch qualifications.

## TRIGger:{A|B}:PULse:GLItch:TRIGIF

This command sets or queries the acceptance/rejection of the glitch pulse trigger, based on width. This command is equivalent to selecting Glitch Setup from the Trig menu and choosing the desired Trig if Width setting.

**Group** Trigger

**Syntax** TRIGger:{A|B}:PULse:GLItch:TRIGIF {ACCEpt|REJect}  
 TRIGger:{A|B}:PULse:GLItch:TRIGIF?

**Related Commands** [TRIGger:{A|B}:PULse:GLItch:WIDth](#)



- Arguments** `ACCEpt` specifies that the instrument will only trigger on pulses that are narrower than the specified width, when the trigger type is set to glitch. The width is specified using the `TRIGger:{A|B}:PULse:GLItch:WIDth` command.
- `REJect` specifies that the instrument will only trigger on pulses that are wider than the specified width, when the trigger type is set to glitch. The width is specified using the `TRIGger:{A|B}:PULse:GLItch:WIDth` command.
- Examples** `TRIGGER:A:PULSE:GLITCH:TRIGIF REJECT` specifies that the instrument triggers on pulses that are wider than the specified width.
- `TRIGGER:A:PULSE:GLITCH:TRIGIF ACCEPT?` might return `:TRIGGER:A:PULSE:GLITCH:TRIGIF ACCEPT`, indicating that the instrument is set to trigger on pulses that are narrower than the specified width.

## TRIGger:{A|B}:PULse:GLItch:WIDth

This command sets or queries the width for the glitch trigger. This command is equivalent to selecting Glitch Setup from the Trig menu and then setting the desired Width.

For information about using the width value, refer to the `TRIGger:{A|B}:PULse:GLItch:TRIGIF` command.

- Group** Trigger
- Syntax** `TRIGger:{A|B}:PULse:GLItch:WIDth <NR3>`  
`TRIGger:{A|B}:PULse:GLItch:WIDth?`
- Related Commands** `TRIGger:{A|B}:LEVel`, `TRIGger:{A|B}:PULse:GLItch:TRIGIF`
- Arguments** `<NR3>` argument specifies the width of the glitch in seconds.
- Examples** `TRIGGER:A:PULSE:GLITCH:WIDTH 15E-6` sets the width of the glitch to 15  $\mu$ s.
- `TRIGGER:A:PULSE:GLITCH:WIDTH?` might return `:TRIGGER:A:PULSE:GLITCH:WIDTH 2.0000E-09`, indicating that the width of the glitch is currently set at 2 ns.

## TRIGger:{A|B}:PULse:RUNT? (Query Only)

This query-only command returns the current runt trigger parameters. This command query is equivalent to selecting Runt Setup from the Trig menu and then viewing the current settings.

**Group** Trigger

**Syntax** TRIGger:{A|B}:PULse:RUNT?

**Related Commands** [TRIGger:{A|B}:PULse:GLItch?](#), [TRIGger:{A|B}:PULse:TIMEOut?](#), [TRIGger:{A|B}:PULse:TRANsition?](#), [TRIGger:{A|B}:PULse:WIDTH?](#)

**Examples** TRIGGER:A:PULSE:RUNT? might return  
 :TRIGGER:A:PULSE:RUNT:POLARITY POSITIVE;POLARITY:CH1  
 POSITIVE;CH2 POSITIVE;CH3 POSITIVE;CH4  
 POSITIVE;;TRIGGER:A:PULSE:RUNT:THRESHOLD:HIGH 1.2000;LOW  
 800.0000E-3;;TRIGGER:A:PULSE:RUNT:WHEN OCCURS;WIDTH  
 500.0000E-12;QUALIFY OCCURS.

## TRIGger:{A|B}:PULse:RUNT:POLarity

This command sets or queries the polarity for the A or B pulse runt trigger. This command is equivalent to selecting Runt Setup from the Trig menu and then choosing the Polarity setting.

**Group** Trigger

**Syntax** TRIGger:{A|B}:PULse:RUNT:POLarity {POSITIVE|NEGATIVE|EITHER}  
 TRIGger:{A|B}:PULse:RUNT:POLarity?

**Related Commands** [TRIGger:{A|B}:PULse:RUNT:THReshold?](#)

**Arguments** POSITIVE indicates that the rising edge crosses the low threshold and the falling edge recrosses the low threshold without either edge ever crossing the high threshold.

NEGATIVE indicates that the falling edge crosses the high threshold and the rising edge recrosses the high threshold without either edge ever crossing the low threshold.

EITHER indicates either negative or positive polarity.

**Examples** TRIGGER:A:PULSE:RUNT:POLARITY NEGATIVE sets the polarity of the A pulse runt trigger to negative.

TRIGGER:A:PULSE:RUNT:POLARITY? might return  
:TRIGGER:A:PULSE:RUNT:POLARITY POSITIVE, indicating that the polarity of the A pulse runt trigger is set to positive.

## TRIGger:{A|B}:PULse:RUNT:POLarity:CH<x>

This command sets or queries the polarity for the A or B pulse runt trigger for the channel.

This command is equivalent to selecting Runt Setup from the Trig menu and then choosing the Polarity setting for the channel.

**Group** Trigger

**Syntax** TRIGger:{A|B}:PULse:RUNT:POLarity:CH<x>  
{EITHer|NEGAtive|POSITIve}  
TRIGger:{A|B}:PULse:RUNT:POLarity:CH<x>?

**Related Commands** [TRIGger:{A|B}:PULse:RUNT:THReshold?](#)

**Arguments** POSITIVE indicates that the rising edge crosses the low threshold and the falling edge recrosses the low threshold without either edge ever crossing the high threshold.

NEGAtive indicates that the falling edge crosses the high threshold and the rising edge recrosses the high threshold without either edge ever crossing the low threshold.

EITHer indicates either negative or positive polarity.

**Examples** TRIGGER:A:PULSE:RUNT:POLARITY:CH3 NEGATIVE sets the polarity of the Channel 3 A pulse runt trigger to negative.

TRIGGER:A:PULSE:RUNT:POLARITY:CH3? might return  
:TRIGGER:A:PULSE:RUNT:POLARITY:CH3 POSITIVE, indicating that the polarity of the A pulse runt trigger is set to positive.

## TRIGger:{A|B}:PULse:RUNT:QUALify

This command sets or queries the Runt Trigger qualification. This is equivalent to selecting Runt Setup from the Trig menu and selecting Occurs or Logic in the Trigger if Runt drop-down list box.

---

**NOTE.** *If you use the LOGIC argument, you must specify the channel logic conditions.*

---

|                  |                                                                                                                                                                                                                                                                                          |
|------------------|------------------------------------------------------------------------------------------------------------------------------------------------------------------------------------------------------------------------------------------------------------------------------------------|
| <b>Group</b>     | Trigger                                                                                                                                                                                                                                                                                  |
| <b>Syntax</b>    | TRIGger:{A B}:PULse:RUNT:QUALify {OCCurs LOGIC}<br>TRIGger:{A B}:PULse:RUNT:QUALify?                                                                                                                                                                                                     |
| <b>Arguments</b> | OCCurs specifies a trigger if any detectable event occurs.<br><br>LOGIC specifies a trigger if the individual channel qualifications meet the logic patterns and thresholds set by the TRIGger:                                                                                          |
| <b>Examples</b>  | TRIGGER:A:PULSE:RUNT:QUALIFY OCCURS sets the A trigger to trigger if a qualifying runt occurs.<br><br>TRIGGER:A:PULSE:RUNT:QUALIFY? might return<br>:TRIGGER:A:PULSE:RUNT:QUALIFY OCCURS, indicating that a trigger will occur if the instrument detects any of the runt qualifications. |

## TRIGger:{A|B}:PULse:RUNT:THReshold? (Query Only)

This query-only command returns the upper and lower thresholds for the pulse runt trigger. This command query is equivalent to selecting Runt Setup from the Trig menu and then viewing the Upper Level and Lower Level settings.

|                         |                                                                                                                                                             |
|-------------------------|-------------------------------------------------------------------------------------------------------------------------------------------------------------|
| <b>Group</b>            | Trigger                                                                                                                                                     |
| <b>Syntax</b>           | TRIGger:{A B}:PULse:RUNT:THReshold?                                                                                                                         |
| <b>Related Commands</b> | TRIGger:{A B}:PULse:RUNT:POLarity, TRIGger:{A B}:PULse:RUNT:THReshold:BOTH, TRIGger:{A B}:PULse:RUNT:THReshold:HIGH, TRIGger:{A B}:PULse:RUNT:THReshold:LOW |

**Examples** TRIGGER:A:PULSE:RUNT:THRESHOLD? might return  
:TRIGGER:A:PULSE:THRESHOLD:HIGH 2.0000E+00; LOW 8.0000E-01,  
indicating that the upper threshold is 2 V and that the lower threshold is set to 0.8 V.

## TRIGger:{A|B}:PULse:RUNT:THReshold:BOTH (No Query Form)

This command (no query form) sets the upper and lower switching thresholds for the pulse runt trigger. This command is equivalent to selecting Runt Setup from the Trig menu and then setting the Upper Level and Lower Level voltages.

**Group** Trigger

**Syntax** TRIGger:{A|B}:PULse:RUNT:THResho1d:BOTH {TTL|ECL}

**Related Commands** [TRIGger:{A|B}:PULse:RUNT:THReshold?](#)

**Arguments** TTL sets the upper and lower threshold to the nominal TTL voltage levels.  
ECL sets the upper and lower threshold to the nominal ECL voltage levels.

**Examples** TRIGGER:A:PULSE:RUNT:THRESHOLD:BOTH TTL sets the threshold of the pulse runt trigger to the nominal TTL voltage levels.

## TRIGger:{A|B}:PULse:RUNT:THReshold:HIGh

This command sets or queries the upper limit for the pulse runt trigger. This command is equivalent to selecting Runt Setup from the Trig menu and setting the runt trigger Upper Level voltage.

**Group** Trigger

**Syntax** TRIGger:{A|B}:PULse:RUNT:THResho1d:HIGh <NR3>  
TRIGger:{A|B}:PULse:RUNT:THResho1d:HIGh?

**Related Commands** [TRIGger:{A|B}:PULse:RUNT:THReshold?](#)

**Arguments** <NR3> specifies the threshold value, in volts.

**Examples** TRIGGER:A:PULSE:RUNT:THRESHOLD:HIGH 120E-3 sets the upper limit of the pulse runt trigger to 120 mV.

TRIGGER:A:PULSE:RUNT:THRESHOLD:HIGH? might return  
:TRIGGER:A:PULSE:RUNT:THRESHOLD:HIGH 1.1000E+00, indicating that the upper limit of the pulse runt trigger is currently set to 1.1 V.

## TRIGger:{A|B}:PULse:RUNT:THReshold:LOW

This command sets or queries the lower limit for the pulse runt trigger. This command is equivalent to selecting Runt Setup from the Trig menu and then setting the Lower Level voltage.

**Group** Trigger

**Syntax** TRIGger:{A|B}:PULse:RUNT:THResho]d:LOW <NR3>  
TRIGger:{A|B}:PULse:RUNT:THResho]d:LOW?

**Related Commands** [TRIGger:{A|B}:PULse:RUNT:THReshold?](#)

**Arguments** <NR3> specifies the threshold value in volts.

**Examples** TRIGGER:A:PULSE:RUNT:THRESHOLD:LOW 50E-3 sets the lower limit of the pulse runt trigger to 50 mV.

TRIGGER:A:PULSE:RUNT:THRESHOLD:LOW? might return  
:TRIGGER:A:PULSE:RUNT:THRESHOLD:LOW 1.2000E-01,  
indicating that the lower limit of the pulse runt trigger is set to 120 mV.

## TRIGger:{A|B}:PULse:RUNT:WHEn

This command sets or queries the type of pulse width the trigger checks for when it detects a runt. This is equivalent to selecting Runt Setup from the Trig menu and choosing the desired Trigger When setting from the drop-down list.

**Group** Trigger

**Syntax** TRIGger:{A|B}:PULse:RUNT:WHEn {OCCurs|WIDERthan}  
TRIGger:{A|B}:PULse:RUNT:WHEn?

|                         |                                                                                                                                                                                                                                                                                                                                           |
|-------------------------|-------------------------------------------------------------------------------------------------------------------------------------------------------------------------------------------------------------------------------------------------------------------------------------------------------------------------------------------|
| <b>Related Commands</b> | <a href="#">TRIGger:{A B}:PULse:RUNT:WIDth</a>                                                                                                                                                                                                                                                                                            |
| <b>Arguments</b>        | OCCURS argument specifies a trigger event if a runt of any detectable width occurs.<br>WIDERThan specifies a trigger event if a runt greater than the specified width occurs.                                                                                                                                                             |
| <b>Examples</b>         | TRIGGER:A:PULSE:RUNT:WHEN WIDERTHAN sets the runt trigger to occur when the instrument detects a runt in a pulse wider than the specified width.<br><br>TRIGGER:A:PULSE:RUNT:WHEN? might return<br>:TRIGGER:A:PULSE:RUNT:WHEN OCCURS, indicating that a runt trigger will occur if the instrument detects a runt of any detectable width. |

## TRIGger:{A|B}:PULse:RUNT:WIDth

This command sets or queries the minimum width for an Pulse Runt trigger. This command is equivalent to selecting Runt Setup from the Trig menu and then setting the Width.

|                         |                                                                                                                                                                                                                                                                |
|-------------------------|----------------------------------------------------------------------------------------------------------------------------------------------------------------------------------------------------------------------------------------------------------------|
| <b>Group</b>            | Trigger                                                                                                                                                                                                                                                        |
| <b>Syntax</b>           | TRIGger:{A B}:PULse:RUNT:WIDth <NR3><br>TRIGger:{A B}:PULse:RUNT:WIDth?                                                                                                                                                                                        |
| <b>Related Commands</b> | <a href="#">TRIGger:{A B}:PULse:RUNT:WHEn</a>                                                                                                                                                                                                                  |
| <b>Arguments</b>        | <NR3> specifies the minimum width, in seconds.                                                                                                                                                                                                                 |
| <b>Examples</b>         | TRIGGER:A:PULSE:RUNT:WIDTH 15E-6 sets the minimum width of the pulse runt trigger to 15 $\mu$ s.<br><br>TRIGGER:A:PULSE:RUNT:WIDTH? might return<br>:TRIGGER:A:PULSE:RUNT:WIDTH 2.0000E-09, indicating that the minimum width of a pulse runt trigger is 2 ns. |

## TRIGger:{A|B}:PULse:SOURce

This command sets or queries the source for the pulse trigger. This source parameter applies to all classes of pulse triggers. This command is equivalent to selecting Event Trigger Setup from the Trig menu, selecting the pulse type

(Glitch, Width, Runt, Timeout, or Transition), and then choosing the desired channel from the Source pull-down list.

|                         |                                                                                                                                                                                                                                |
|-------------------------|--------------------------------------------------------------------------------------------------------------------------------------------------------------------------------------------------------------------------------|
| <b>Group</b>            | Trigger                                                                                                                                                                                                                        |
| <b>Syntax</b>           | TRIGger:{A B}:PULse:SOURce CH<x><br>TRIGger:{A B}:PULse:SOURce?                                                                                                                                                                |
| <b>Related Commands</b> | <a href="#">TRIGger:{A B}:EDGE:SOURce</a>                                                                                                                                                                                      |
| <b>Arguments</b>        | CH<x> specifies one of the input channels, which range from 1 through 4.                                                                                                                                                       |
| <b>Examples</b>         | TRIGGER:A:PULSE:SOURCE CH4 sets Channel 4 as the source for the A pulse trigger.<br><br>TRIGGER:A:PULSE:SOURCE? might return :TRIGGER:A:PULSE:SOURCE CH2, indicating that the Channel 2 is the source for the A pulse trigger. |

## TRIGger:{A|B}:PULse:TIMEOut? (Query Only)

This query-only command returns the polarity and time-out duration for the pulse timeout trigger. This command is equivalent to selecting Timeout Setup from the Trig menu and viewing the polarity in the Trigger When box and the Timer setting.

|                         |                                                                                                                                                                                                                                |
|-------------------------|--------------------------------------------------------------------------------------------------------------------------------------------------------------------------------------------------------------------------------|
| <b>Group</b>            | Trigger                                                                                                                                                                                                                        |
| <b>Syntax</b>           | TRIGger:{A B}:PULse:TIMEOut?                                                                                                                                                                                                   |
| <b>Related Commands</b> | <a href="#">TRIGger:{A B}:PULse:TIMEOut:POLarity</a> , <a href="#">TRIGger:{A B}:PULse:TIMEOut:TIME</a>                                                                                                                        |
| <b>Examples</b>         | TRIGGER:A:PULSE:TIMEOUT? might return<br>:TRIGGER:A:PULSE:TIMEOUT:POLARITY STAYSHIGH;TIME<br>2.0000E-9, indicating that the polarity setting for the A pulse trigger is STAYSHIGH (positive) and the timeout duration is 2 ns. |



## TRIGger:{A|B}:PULse:TIMEOut:POLarity

This command sets or queries the polarity for the pulse timeout trigger. This command is equivalent to selecting Timeout Setup from the Trig menu and setting the desired polarity in the Trigger When box.

**Group** Trigger

**Syntax** TRIGger:{A|B}:PULse:TIMEOut:POLarity  
{STAYSHigh|STAYSLow|EITHer}  
TRIGger:{A|B}:PULse:TIMEOut:POLarity?

**Related Commands** [TRIGger:{A|B}:PULse:TIMEOut?](#)

**Arguments** STAYSHigh indicates that a pulse edge must stay high (positive) for the required time period to permit timeout triggering to occur. This is the default polarity.

STAYSLow indicates that a pulse edge must stay low (negative) for the required time period to permit timeout triggering to occur.

EITHer indicates that the polarity of the timeout trigger can stay either high or low (positive or negative) for the required time period to permit time out triggering to occur.

**Examples** TRIGGER:A:PULSE:TIMEOUT:POLARITY STAYSHIGH sets the polarity of the A timeout trigger to positive.

TRIGGER:A:PULSE:TIMEOUT:POLARITY? might return  
:TRIGGER:A:PULSE:TIMEOUT:POLARITY EITHER, indicating that the polarity of the A timeout trigger can be either positive or negative.

## TRIGger:{A|B}:PULse:TIMEOut:POLarity:CH<x>

This command sets or queries the polarity for the A or B pulse timeout trigger for the channel.

This command is equivalent to selecting Transition Setup from the Trig menu and then setting the desired Polarity for the channel.

**Group** Trigger

**Syntax** TRIGger:{A|B}:PULse:TIMEOut:POLarity:CH<x>  
{STAYSHigh|STAYSLow|EITHer}  
TRIGger:{A|B}:PULse:TIMEOut:POLarity:CH<x>?

|                  |                                                                                                                                                                                                                                                                                                                                                                                                                                                                                                                                    |
|------------------|------------------------------------------------------------------------------------------------------------------------------------------------------------------------------------------------------------------------------------------------------------------------------------------------------------------------------------------------------------------------------------------------------------------------------------------------------------------------------------------------------------------------------------|
| <b>Arguments</b> | <p><b>STAYSHigh</b> indicates that a pulse edge must stay high (positive) for the required time period to permit time out triggering to occur. This is the default polarity.</p> <p><b>STAYSLow</b> indicates that a pulse edge must stay low (negative) for the required time period to permit time out triggering to occur.</p> <p><b>EITHer</b> indicates that the polarity of the time out trigger can stay either high or low (positive or negative) for the required time period to permit time out triggering to occur.</p> |
| <b>Examples</b>  | <p><b>TRIGGER:A:PULSE:TIMEOUT:POLARITY:CH1 STAYSHIGH</b> sets the polarity of the A pulse time out trigger to positive for Channel 1.</p> <p><b>TRIGGER:A:PULSE:TIMEOUT:POLARITY:CH1?</b> might return <b>:TRIGGER:A:PULSE:TIMEOUT:POLARITY:CH1 EITHER</b>, indicating that the polarity of the A pulse time out trigger for Channel 1 can be either positive or negative.</p>                                                                                                                                                     |

## TRIGger:{A|B}:PULse:TIMEOut:QUALify

This command sets or queries the Timeout Trigger qualification.

This is equivalent to selecting Timeout Setup from the Trig menu and selecting Occurs or Logic in the Trigger if Timeout drop-down list box.

---

**NOTE.** *If you use the LOGIC argument, you must specify the channel logic conditions.*

---

|                  |                                                                                                                                                                                                                                                                                                                        |
|------------------|------------------------------------------------------------------------------------------------------------------------------------------------------------------------------------------------------------------------------------------------------------------------------------------------------------------------|
| <b>Group</b>     | Trigger                                                                                                                                                                                                                                                                                                                |
| <b>Syntax</b>    | <p><b>TRIGger:{A B}:PULse:TIMEOut:QUALify {OCCurs LOGIC}</b><br/> <b>TRIGger:{A B}:PULse:TIMEOut:QUALify?</b></p>                                                                                                                                                                                                      |
| <b>Arguments</b> | <p><b>OCCurs</b> specifies a trigger if any detectable event occurs.</p> <p><b>LOGIC</b> specifies a trigger if the individual channel qualifications meet the logic patterns and thresholds set by the <b>TRIGger:{A B}:LOGIC:INPUT:C&lt;x&gt;</b> and <b>TRIGGER:{A B}:LOGIC:THRESHOLD:CH&lt;x&gt;</b> commands.</p> |
| <b>Examples</b>  | <p><b>TRIGGER:A:PULSE:TIMEOUT:QUALIFY OCCURS</b> sets the trigger qualifier to OCCURS, which initiates a trigger if the instrument detects any timeout trigger qualifications.</p>                                                                                                                                     |

TRIGGER:A:PULSE:TIMEOUT:QUALIFY? might return  
:TRIGGER:A:PULSE:TIMEOUT:QUALIFY OCCURS, indicating that a  
trigger will occur if the instrument detects any of the timeout qualifications.

## TRIGger:{A|B}:PULse:TIMEOut:TIME

This command sets or queries the pulse timeout trigger time (measured in seconds). This command is equivalent to selecting Timeout Setup from the Trig menu and setting a value for Timer.

**Group** Trigger

**Syntax** TRIGger:{A|B}:PULse:TIMEOut:TIME <NR3>  
TRIGger:{A|B}:PULse:TIMEOut:TIME?

**Related Commands** [TRIGger:{A|B}:PULse:TIMEOut?](#)

**Arguments** <NR3> argument specifies the timeout period in seconds.

**Examples** TRIGGER:A:PULSE:TIMEOUT:TIME 3.134E-6 sets the timeout to 3.134  $\mu$ s.  
TRIGGER:A;PULSE:TIMEOUT:TIME? might return  
:TRIGGER:A:PULSE:TIMEOUT:TIME 2.0000E-9, indicating that the timeout  
is currently set to 2 ns.

## TRIGger:{A|B}:PULse:TRANSition? (Query Only)

This query-only command returns delta time, polarity, and both upper and lower threshold limits for the transition time trigger. This command is equivalent to selecting Transition Setup from the Trig menu and then viewing the current transition settings.

**Group** Trigger

**Syntax** TRIGger:{A|B}:PULse:TRANSition?

**Related Commands** [TRIGger:A:TYPE](#), [TRIGger:{A|B}:PULse:CLAss](#), [TRIGger:{A|B}:PULse:GLItch?](#), [TRIGger:{A|B}:PULse:RUNT?](#), [TRIGger:{A|B}:PULse:TIMEOut?](#), [TRIGger:{A|B}:PULse:WIDth?](#)

**Examples** TRIGGER:A:PULSE:TRANSITION? might return  
 :TRIGGER:A:PULSE:TRANSITION:DELTAIME  
 2.0000E-9;POLARITY POSITIVE;THRESHOLD:HIGH 1.2000;LOW  
 800.0000E-3;:TRIGGER:A:PULSE:TRANSITION:WHEN SLOWERTHAN  
 indicating the current transition time trigger settings.

## TRIGger:{A|B}:PULse:TRANSition:DELTATime

This command sets or queries the delta time used in calculating the transition value for the transition trigger. This is equivalent to selecting Transition Setup from the Trig menu and setting the Time.

**Group** Trigger

**Syntax** TRIGger:{A|B}:PULse:TRANSition:DELTATime <NR3>  
 TRIGger:{A|B}:PULse:TRANSition:DELTATime?

**Related Commands** TRIGger:{A|B}:PULse:TRANSition:POLarity, TRIGger:{A|B}:PULse:TRANSition:THReshold?

**Arguments** <NR3> specifies the delta time, in seconds.

**Examples** TRIGGER:A:PULSE:TRANSITION:DELTAIME 15E-6 sets the delta time of the transition trigger to 15  $\mu$ s.  
 TRIGGER:A:PULSE:TRANSITION:DELTAIME? might return  
 :TRIGGER:A:PULSE:TRANSITION:DELTAIME 2.0000E-09, indicating that the delta time of the transition trigger is set to 2 ns.

## TRIGger:{A|B}:PULse:TRANSition:POLarity

This command sets or queries the polarity for the transition trigger. This command is equivalent to selecting Transition Setup from the Trig menu and choosing from the Polarity pull-down list.

**Group** Trigger

**Syntax** TRIGger:{A|B}:PULse:TRANSition:POLarity  
 {POSITIVE|NEGATIVE|EITHER}  
 TRIGger:{A|B}:PULse:TRANSition:POLarity?

**Related Commands** [TRIGger:{A|B}:PULse:TRANSition:DELTAime](#)

**Arguments** **POSITIVE** indicates that a pulse edge must traverse from the lower (most negative) to higher (most positive) level for transition triggering to occur.

**NEGATIVE** indicates that a pulse edge must traverse from the upper (most positive) to lower (most negative) level for transition triggering to occur.

**EITHER** indicates either positive or negative polarity.

**Examples** `TRIGGER:A:PULSE:TRANSITION:POLARITY NEGATIVE` sets the transition polarity to negative.

`TRIGGER:A:PULSE:TRANSITION:POLARITY?` might return  
`:TRIGGER:A:PULSE:TRANSITION:POLARITY EITHER`, indicating that the polarity can be either positive or negative.

## TRIGger:{A|B}:PULse:TRANSition:POLarity:CH<x>

This command sets or queries the polarity for the A or B pulse transition trigger for the channel.

This command is equivalent to selecting Transition Setup from the Trig menu and then choosing from the Polarity pull-down list for the channel.

**Group** Trigger

**Syntax** `TRIGger:{A|B}:PULse:TRANSition:POLarity:CH<x>`  
`{EITHER|NEGATIVE|POSITIVE}`  
`TRIGger:{A|B}:PULse:TRANSition:POLarity:CH<x>?`

**Related Commands** [TRIGger:{A|B}:PULse:TRANSition:DELTAime](#)

**Arguments** **POSITIVE** indicates that a pulse edge must traverse from the lower (most negative) to higher (post positive) level for transition triggering to occur.

**NEGATIVE** indicates that a pulse edge must traverse from the upper (most positive) to lower (most negative) level for transition triggering to occur.

**EITHER** indicates either positive or negative polarity.

**Examples** `TRIGGER:A:PULSE:TRANSITION:DELTAIME NEGATIVE` sets the trigger A transition polarity to negative.

TRIGGER:A:PULSE:TRANSITION:POLARITY? might return  
:TRIGGER:A:PULSE:TRANSITION:POLARITY EITHER, indicating that the  
transition can be either positive or negative for trigger A.

## TRIGger:{A|B}:PULse:TRANSition:QUALify

This command sets or queries the Transition Time Trigger qualification.

This is equivalent to selecting Transition Setup from the Trig menu and selecting Occurs or Logic in the Trigger if Violation drop-down list box.

---

**NOTE.** *If you use the LOGIC argument, you must specify the channel logic conditions.*

---

|                  |                                                                                                                                                                                                                                                                                                                                                                          |
|------------------|--------------------------------------------------------------------------------------------------------------------------------------------------------------------------------------------------------------------------------------------------------------------------------------------------------------------------------------------------------------------------|
| <b>Group</b>     | Trigger                                                                                                                                                                                                                                                                                                                                                                  |
| <b>Syntax</b>    | TRIGger:{A B}:PULse:TRANSition:QUALify {OCCurs LOGIC}<br>TRIGGER:{A B}:PULse:TRANSition:QUALify?                                                                                                                                                                                                                                                                         |
| <b>Arguments</b> | OCCurs specifies a trigger if any violations occur.<br><br>LOGIC specifies a trigger if the individual channel qualifications meet the logic patterns and thresholds set by the TRIGger:{A B}:LOGIC:INPUT:CH<x> and TRIGGER:{A B}:LOGIC:THRESHOLD:CH<x> commands.                                                                                                        |
| <b>Examples</b>  | TRIGGER:A:PULSE:TRANSITION:QUALIFY OCCURS sets the trigger qualifier to OCCurs, which initiates an A trigger if the instrument detects any transition violations.<br><br>TRIGGER:A:PULSE:TRANSITION:QUALIFY? might return<br>:TRIGGER:A:PULSE:TRANSITION:QUALIFY OCCURS, indicating<br>that an A trigger will occur if the instrument detects any transition violations. |

## TRIGger:{A|B}:PULse:TRANSition:THReshold? (Query Only)

This query-only command returns the upper and lower threshold limits for the transition time trigger. This command is equivalent to selecting Transition Setup from the Trig menu and viewing the Upper Level and Lower Level voltage settings.

**Group** Trigger

**Syntax** TRIGger:{A|B}:PULse:TRANSition:THReshold?

**Related Commands** [TRIGger:{A|B}:PULse:TRANSition:DELTATime](#), [TRIGger:{A|B}:PULse:TRANSition:POLarity](#)

**Examples** TRIGGER:A:PULSE:TRANSITION:THRESHOLD? might return  
:TRIGGER:A:PULSE:TRANSITION:THRESHOLD:HIGH 1.2000;LOW  
800.0000E-3, indicating that the upper threshold limit to 1.2 V and lower  
threshold limit for the transition time trigger to 0.8 V.

## TRIGger:{A|B}:PULse:TRANSition:THReshold:BOTH (No Query Form)

This command (no query form) sets the upper and lower thresholds for the transition trigger. This command is equivalent to selecting Transition Setup from the Trig menu and setting the desired Upper Level and Lower Level voltages.

**Group** Trigger

**Syntax** TRIGger:{A|B}:PULse:TRANSition:THReshold:BOTH {TTL|ECL}

**Related Commands** [TRIGger:{A|B}:PULse:TRANSition:THReshold:HIGh](#), [TRIGger:{A|B}:PULse:TRANSition:THReshold:LOW](#)

**Arguments** TTL sets the upper and lower threshold to the nominal TTL voltage levels.  
ECL sets the upper and the lower threshold to the nominal ECL voltage levels.

**Examples** TRIGGER:A:PULSE:TRANSITION:THRESHOLD:BOTH TTL sets the thresholds  
of the transition trigger to the nominal TTL voltage levels.

## TRIGger:{A|B}:PULse:TRANSition:THReshold:HIGh

This command sets or queries the upper (most positive) transition trigger threshold. This command is equivalent to selecting Transition Setup from the Trig menu and then setting the desired Upper Level voltage.

**Group** Trigger

**Syntax** TRIGger:{A|B}:PULse:TRANSition:THReshoLd:HIGH <NR3>  
 TRIGger:{A|B}:PULse:TRANSition:THReshoLd:HIGH?

**Related Commands** [TRIGger:{A|B}:PULse:TRANSition:THReshoLd:LOW](#)

**Arguments** <NR3> specifies the upper threshold, in volts.

**Examples** TRIGGER:A:PULSE:TRANSITION:THRESHOLD:HIGH 120E-3 sets the upper limit of the pulse transition trigger to 120 mV.

TRIGGER:A:PULSE:TRANSITION:THRESHOLD:HIGH? might return  
 :TRIGGER:A:PULSE:TRANSITION:THRESHOLD:HIGH 2.0000E+00,  
 indicating that the upper limit of the pulse transition trigger is 2 V.

## TRIGger:{A|B}:PULse:TRANSition:THReshoLd:LOW

This command sets or queries the lower (most negative) transition trigger threshold. This command is equivalent to selecting Transition Setup from the Trig menu and setting the desired Lower Level voltage.

**Group** Trigger

**Syntax** TRIGger:{A|B}:PULse:TRANSition:THReshoLd:LOW <NR3>  
 TRIGger:{A|B}:PULse:TRANSition:THReshoLd:LOW?

**Related Commands** [TRIGger:{A|B}:PULse:TRANSition:THReshoLd:HIGH](#)

**Arguments** <NR3> specifies the lower threshold, in volts.

**Examples** TRIGGER:A:PULSE:TRANSITION:THRESHOLD:LOW 20E-3 sets the lower limit of the transition trigger to 20 mV.

TRIGGER:A:PULSE:TRANSITION:THRESHOLD:LOW? might return  
 :TRIGGER:A:PULSE:TRANSITION:THRESHOLD:LOW 50.0000E-03,  
 indicating that the lower limit of the transition trigger is 50 mV.

## TRIGger:{A|B}:PULse:TRANSition:WHEn

This command sets or queries whether to check for a transitioning signal that is faster or slower than the specified delta time. This is equivalent to selecting



Transition Setup from the Trig menu and choosing the Trigger When Transition Time setting.

**Group** Trigger

**Syntax** TRIGger:{A|B}:PULse:TRANSition:WHEN {FASTERthan|SLOWERthan}  
TRIGger:{A|B}:PULse:TRANSition:WHEN?

**Related Commands** [TRIGger:{A|B}:PULse:TRANSition:DELTA](#)Time, [TRIGger:{A|B}:PULse:TRANSition:POLarity](#), [TRIGger:{A|B}:PULse:TRANSition:THReshold?](#)

**Arguments** FASTERthan sets the trigger to occur when the transitioning signal is faster than the set volts/second rate.  
  
SLOWERthan sets the trigger to occur when the transitioning signal is slower than the set volts/second rate.

**Examples** TRIGGER:A:PULSE:TRANSITION:WHEN SLOWERTHAN sets the trigger to occur when the transitioning signal is slower than the set volts/second rate.  
  
TRIGGER:A:PULSE:TRANSITION:WHEN? might return  
:TRIGGER:A:PULSE:TRANSITION:WHEN FASTERthan, indicating that the transition triggers when the transitioning signal is faster than the set volts/second rate.

## TRIGger:{A|B}:PULse:WIDth? (Query Only)

This query-only command returns the width parameters for the pulse width trigger. This command is equivalent to selecting Width Setup from the Trig menu and then viewing the current pulse width trigger Lower Limit, Upper Limit, Trig When and Polarity settings.

**Group** Trigger

**Syntax** TRIGger:{A|B}:PULse:WIDth?

**Related Commands** [TRIGger:{A|B}:PULse:WIDth:HIGHLimit](#), [TRIGger:{A|B}:PULse:WIDth:LOWLimit](#), [TRIGger:{A|B}:PULse:WIDth:POLarity](#), [TRIGger:{A|B}:PULse:WIDth:WHEn](#)

**Examples** TRIGGER:A:PULSE:WIDTH? might return  
:TRIGGER:A:PULSE:WIDTH:LOWLIMIT 2.0000E-9; HIGHLIMIT  
2.0000E-9;WHEN WITHIN; POLARITY POSITIVE as the current A width  
trigger parameters.

## TRIGger:{A|B}:PULse:WIDth:HIGHLimit

This command sets or queries the upper limit for the width trigger. This command is equivalent to selecting Width Setup from the Trig menu and setting the Upper Limit.

**Group** Trigger

**Syntax** TRIGger:{A|B}:PULse:WIDth:HIGHLimit <NR3>  
TRIGger:{A|B}:PULse:WIDth:HIGHLimit?

**Related Commands** [TRIGger:{A|B}:PULse:WIDth?](#)

**Arguments** <NR3> specifies the width trigger upper limit in seconds.

**Examples** TRIGGER:A:PULSE:WIDTH:HIGHLIMIT 5.0E-6 sets the upper limit of the width trigger to 5  $\mu$ s.

TRIGGER:A:PULSE:WIDTH:HIGHLIMIT? might return  
:TRIGGER:A:PULSE:WIDTH:HIGHLIMIT 2.0000E-9, indicating  
that the upper limit of the width trigger is set to 2 ns.

## TRIGger:{A|B}:PULse:WIDth:LOWLimit

This command sets or queries the lower limit for the width trigger. This command is equivalent to selecting Width Setup from the Trig menu and setting the pulse Lower Limit.

**Group** Trigger

**Syntax** TRIGger:{A|B}:PULse:WIDth:LOWLimit <NR3>  
TRIGger:{A|B}:PULse:WIDth:LOWLimit?

**Related Commands** [TRIGger:{A|B}:PULse:WIDth?](#)

**Arguments** <NR3> specifies the A pulse width trigger lower limit, in seconds.

**Examples** TRIGGER:A:PULSE:WIDTH:LOWLIMIT 2.0E-6 sets the lower limit of the width trigger to 2  $\mu$ s.

TRIGGER:A:PULSE:WIDTH:LOWLIMIT? might return  
:TRIGGER:A:PULSE:WIDTH:LOWLIMIT 1.0000E-9, indicating that the lower limit of the width trigger is set to 1 ns.

## TRIGger:{A|B}:PULse:WIDth:POLarity

This command sets or queries the polarity for the width trigger. This command is equivalent to selecting Width Setup from the Trig menu and selecting the Polarity.

**Group** Trigger

**Syntax** TRIGger:{A|B}:PULse:WIDth:POLarity {NEGAtive|POSITIve}  
TRIGger:{A|B}:PULse:WIDth:POLarity?

**Related Commands** [TRIGger:{A|B}:PULse:WIDth?](#)

**Arguments** NEGAtive specifies a negative pulse.  
POSITIve specifies a positive pulse.

**Examples** TRIGGER:A:PULSE:WIDTH:POLARITY NEGATIVE sets the pulse polarity to negative.

TRIGGER:A:PULSE:WIDTH:POLARITY? might return  
:TRIGGER:A:PULSE:WIDTH:POLARITY POSITIVE, indicating that the pulse polarity is set to positive.

## TRIGger:{A|B}:PULse:WIDth:POLarity:CH<x>

This command sets or queries the polarity for the A or B pulse width trigger for the channel.

This command is equivalent to selecting Width Setup from the Trig menu and then selecting the pulse width trigger Polarity for the channel.

**Group** Trigger

**Syntax** TRIGGER:{A|B}:PULSE:WIDTH:POLARITY:CH<x> {NEGATIVE|POSITIVE}  
 TRIGGER:{A|B}:PULSE:WIDTH:POLARITY:CH<x>?

**Related Commands** TRIGGER:{A|B}:PULSE:WIDTH?

**Arguments** NEGATIVE specifies a negative pulse.  
 POSITIVE specifies a positive pulse.

**Examples** TRIGGER:A:PULSE:WIDTH:POLARITY:CH4 NEGATIVE sets the pulse polarity to negative for Channel 4.  
 TRIGGER:A:PULSE:WIDTH:POLARITY:CH4? might return  
 :TRIGGER:A:PULSE:WIDTH:POLARITY:CH4 POSITIVE, indicating that the pulse polarity is set to positive for Channel 4.

## TRIGGER:{A|B}:PULSE:WIDTH:QUALIFY

This command sets or queries the Width Trigger qualification.

This is equivalent to selecting Width Setup from the Trig menu and selecting Occurs or Logic in the Trigger if Width drop-down list box.

---

**NOTE.** *If you use the LOGIC argument, you must specify the channel logic conditions.*

---

**Group** Trigger

**Syntax** TRIGGER:{A|B}:PULSE:WIDTH:QUALIFY {OCCURS|LOGIC}  
 TRIGGER:{A|B}:PULSE:WIDTH:QUALIFY?

**Arguments** OCCURS specifies a trigger if any detectable event occurs.  
 LOGIC specifies a trigger if the individual channel qualifications meet the logic patterns and thresholds set by the TRIGGER:{A|B}:LOGIC:INPUT:CH<x> and TRIGGER:{A|B}:LOGIC:THRESHOLD:CH<x> commands.

**Examples** TRIGGER:A:PULSE:WIDTH:QUALIFY OCCURS sets the A trigger qualifier to OCCURS, which initiates a trigger if the instrument detects any width trigger qualifications.

TRIGGER:A:PULSE:WIDTH:QUALIFY? might return  
:TRIGGER:A:PULSE:WIDTH:QUALIFY OCCURS, indicating that an A trigger will occur if the instrument detects any of the width qualifications.

## TRIGger:{A|B}:PULse:WIDth:WHEn

This command sets or queries whether to trigger on a pulse width that falls outside (or within) the specified range of limits. You can define or query trigger pulse width upper and lower limits using the TRIGger:A:PULse:WIDth:HIGHLimit and TRIGger:A:PULse:WIDth:LOWLimit commands.

This command is equivalent to selecting Width Setup from the Trig menu and then choosing from the Trig When drop-down list.

**Group** Trigger

**Syntax** TRIGger:{A|B}:PULse:WIDth:WHEn {OUTside|WIThin}  
TRIGger:{A|B}:PULse:WIDth:WHEn?

**Related Commands** [TRIGger:{A|B}:PULse:WIDth:HIGHLimit](#), [TRIGger:{A|B}:PULse:WIDth:LOWLimit](#)

**Arguments** OUTside argument causes a trigger event the duration of the pulse is greater than the high limit or less than the low limit specified. The high and low limits are specified with the TRIGger:A:PULse:WIDth:HIGHLimit and TRIGger:A:PULse:WIDth:LOWLimit commands respectively.

WIThin argument causes a trigger event when the duration of the pulse is within the high and low limits. The high and low limits are specified with the TRIGger:A:PULse:WIDth:HIGHLimit and TRIGger:A:PULse:WIDth:LOWLimit command respectively.

**Examples** TRIGGER:A:PULSE:WIDTH:WHEn WITHIN specifies that the duration of the A pulse will fall within defined high and low limits.

TRIGGER:A:PULSE:WIDTH:WHEn? might return  
:TRIGGER:A:PULSE:WIDTH:WHEn OUTSIDE, indicating the conditions for generating a width trigger.

## TRIGger:{A|B}:PULse:WINDow? (Query Only)

This query-only command returns the current window trigger parameters.

|                 |                                                                                                                                                                                                                                                                                                                          |
|-----------------|--------------------------------------------------------------------------------------------------------------------------------------------------------------------------------------------------------------------------------------------------------------------------------------------------------------------------|
| <b>Group</b>    | Trigger                                                                                                                                                                                                                                                                                                                  |
| <b>Syntax</b>   | TRIGger:{A B}:PULse:WINDow?                                                                                                                                                                                                                                                                                              |
| <b>Examples</b> | <p>TRIGGER:A:PULSE:WINDOW? might return</p> <pre>:TRIGGER:A:PULSE:WINDOW:TYPE INSIDE; WHEN OCCURS;WIDTH 2.0000e-9; LOGIC:INPUT:CH1 HIGH;CH2 X; CH3 X; CH4 LOW; :TRIGGER:A:PULSE:WINDOW:LOGIC:THRESHOLD:CH1 1.2000;CH2 1.2000;CH3 1.2000;CH4 1.2000; :TRIGGER:A:PULSE:WINDOW:THRESHOLD:HIGH 1.2000;LOW 800.0000E-3.</pre> |

## TRIGger:{A|B}:PULse:WINDow:EVENT

This command sets or queries the window trigger event. This command is equivalent to selecting Window Setup from the Trig menu and selecting from the Window Event box.

|                  |                                                                                                                                                                                                                                                                                                                                                                                                                                                                                                                                       |
|------------------|---------------------------------------------------------------------------------------------------------------------------------------------------------------------------------------------------------------------------------------------------------------------------------------------------------------------------------------------------------------------------------------------------------------------------------------------------------------------------------------------------------------------------------------|
| <b>Group</b>     | Trigger                                                                                                                                                                                                                                                                                                                                                                                                                                                                                                                               |
| <b>Syntax</b>    | <p>TRIGger:{A B}:PULse:WINDow:EVENT</p> <p>TRIGger:{A B}:PULse:WINDow:EVENT?</p>                                                                                                                                                                                                                                                                                                                                                                                                                                                      |
| <b>Arguments</b> | <p>OUTSIDEGreater specifies a trigger event when the signal leaves the window defined by the threshold levels for the time specified by Width.</p> <p>INSIDEGreater specifies a trigger event when the signal enters the window defined by the threshold levels for the time specified by Width.</p> <p>ENTERSWindow specifies a trigger event when the signal enters the window defined by the threshold levels.</p> <p>EXITSWindow specifies a trigger event when the signal leaves the window defined by the threshold levels.</p> |
| <b>Examples</b>  | <p>TRIGGER:A:PULSE:WINDOW:WHEN OCCURS sets the widow violation qualifier to OCCURS, which causes a trigger to occur when the instrument detects any window violation.</p> <p>TRIGGER:A:PULSE:WINDOW:WHEN? might return</p> <pre>:TRIGGER:A:PULSE:WINDOW:WHEN OCCURS, indicating that a trigger will occur if the instrument detects any window violation.</pre>                                                                                                                                                                       |

## TRIGger:{A|B}:PULse:WINDow:QUALify

This command sets or queries the Window Trigger qualification. This is equivalent to selecting Window Setup from the Trig menu and selecting Occurs or Logic in the Trigger if Window drop-down list box.

---

**NOTE.** *If you use the LOGIC argument, you must specify the channel logic conditions.*

---

|                  |                                                                                                                                                                                                                                                                                                                                                                                       |
|------------------|---------------------------------------------------------------------------------------------------------------------------------------------------------------------------------------------------------------------------------------------------------------------------------------------------------------------------------------------------------------------------------------|
| <b>Group</b>     | Trigger                                                                                                                                                                                                                                                                                                                                                                               |
| <b>Syntax</b>    | TRIGger:{A B}:PULse:WINDow:QUALify {OCCurs LOGic}<br>TRIGger:{A B}:PULse:WINDow:QUALify?                                                                                                                                                                                                                                                                                              |
| <b>Arguments</b> | OCCURS specifies a trigger if any detectable event occurs.<br><br>LOGIC specifies a trigger if the individual channel qualifications meet the logic patterns and thresholds set by the TRIGger:{A B}:LOGIC:INPUT:CH<x> and TRIGGER:{A B}:LOGIC:THRESHOLD:CH<x> commands.                                                                                                              |
| <b>Examples</b>  | TRIGGER:A:PULSE:WINDOW:QUALIFY OCCURS sets the trigger qualifier to OCCURS, which causes an A trigger to occur if the instrument detects any of the window trigger qualifications.<br><br>TRIGGER:A:PULSE:WINDOW:QUALIFY? might return<br>:TRIGGER:A:PULSE:WINDOW:QUALIFY OCCURS, indicating that an A trigger will occur if the instrument detects any of the window qualifications. |

## TRIGger:{A|B}:PULse:WINDow:THReshold? (Query Only)

This query-only command returns the upper and lower thresholds for the window trigger. This command query is equivalent to selecting Window Setup from the Trig menu and viewing the window trigger Upper Level and Lower Level settings.

|                 |                                                                                                                                                                                                          |
|-----------------|----------------------------------------------------------------------------------------------------------------------------------------------------------------------------------------------------------|
| <b>Group</b>    | Trigger                                                                                                                                                                                                  |
| <b>Syntax</b>   | TRIGger:{A B}:PULse:WINDow:THReshold?                                                                                                                                                                    |
| <b>Examples</b> | TRIGGER:A:PULSE:WINDOW:THRESHOLD? might return<br>:TRIGGER:A:PULSE:WINDOW:THRESHOLD:HIGH 1.2000;LOW<br>800.0000E-3, indicating that the upper threshold is 1.2 V and that the lower threshold is 800 mV. |

## TRIGger:{A|B}:PULse:WINDow:THReshold:BOTH (No Query Form)

This command (no query form) sets the upper and lower switching thresholds for the window trigger. This command is equivalent to selecting Window Setup from the Trig menu and then setting the Upper Level and Lower Level voltages.

|                  |                                                                                                                                                                                      |
|------------------|--------------------------------------------------------------------------------------------------------------------------------------------------------------------------------------|
| <b>Group</b>     | Trigger                                                                                                                                                                              |
| <b>Syntax</b>    | TRIGger:{A B}:PULse:WINDow:THResho1d:BOTH {TTL ECL}                                                                                                                                  |
| <b>Arguments</b> | TTL argument sets the upper and the lower threshold to the nominal TTL voltage levels.<br><br>ECL argument sets the upper and the lower threshold to the nominal ECL voltage levels. |
| <b>Examples</b>  | TRIGGER:A:PULSE:WINDOW:THRESHOLD:BOTH TTL sets the threshold of the window trigger to the nominal TTL voltage levels.                                                                |

## TRIGger:{A|B}:PULse:WINDow:THReshold:HIGh

This command sets or queries the upper limit for the pulse window trigger. This command is equivalent to selecting Window Setup from the Trig menu and setting the window trigger Upper Level voltage.

|                  |                                                                                                                                                                                                                                                                                             |
|------------------|---------------------------------------------------------------------------------------------------------------------------------------------------------------------------------------------------------------------------------------------------------------------------------------------|
| <b>Group</b>     | Trigger                                                                                                                                                                                                                                                                                     |
| <b>Syntax</b>    | TRIGger:{A B}:PULse:WINDow:THResho1d:HIGh <NR3><br>TRIGger:{A B}:PULse:WINDow:THResho1d:HIGh?                                                                                                                                                                                               |
| <b>Arguments</b> | <NR3> specifies the threshold value in volts.                                                                                                                                                                                                                                               |
| <b>Examples</b>  | TRIGGER:A:PULSE:WINDOW:THRESHOLD:HIGh 2.0, sets the upper limit of the pulse window trigger to 2 V.<br><br>TRIGGER:A:PULSE:WINDOW:THRESHOLD:HIGh? might return<br>:TRIGGER:A:PULSE:WINDOW:THRESHOLD:HIGh 1.1000E+00, indicating that the upper limit of the window trigger is set to 1.1 V. |



## TRIGger:{A|B}:PULse:WINDow:THReshold:LOW

This command sets or queries the lower limit for the window trigger. This command is equivalent to selecting Window Setup from the Trig menu and setting the Lower Level voltage.

|                  |                                                                                                                                                                                                                                                                                                    |
|------------------|----------------------------------------------------------------------------------------------------------------------------------------------------------------------------------------------------------------------------------------------------------------------------------------------------|
| <b>Group</b>     | Trigger                                                                                                                                                                                                                                                                                            |
| <b>Syntax</b>    | TRIGger:{A B}:PULse:WINDow:THResho1d:LOW <NR3><br>TRIGger:{A B}:PULse:WINDow:THResho1d:LOW?                                                                                                                                                                                                        |
| <b>Arguments</b> | <NR3> specifies the threshold value in volts.                                                                                                                                                                                                                                                      |
| <b>Examples</b>  | TRIGGER:A:PULSE:WINDOW:THRESHOLD:LOW 0.8 sets the lower threshold of the window trigger to 0.8 V.<br><br>TRIGGER:A:PULSE:WINDOW:THRESHOLD:LOW? might return<br>:TRIGGER:A:PULSE:WINDOW:THRESHOLD:LOW 1.2000E-01, indicating that the lower limit of the window trigger is currently set to 120 mV. |

## TRIGger:{A|B}:PULse:WINDow:WIDTH

This command sets or queries the minimum width for a window violation. This command is equivalent to selecting Window Setup from the Trig menu, selecting Wider than in the Trigger When box, and setting the Width.

|                  |                                                                                                                                                                                                                                                                      |
|------------------|----------------------------------------------------------------------------------------------------------------------------------------------------------------------------------------------------------------------------------------------------------------------|
| <b>Group</b>     | Trigger                                                                                                                                                                                                                                                              |
| <b>Syntax</b>    | TRIGger:{A B}:PULse:WINDow:WIDTH <NR3><br>TRIGger:{A B}:PULse:WINDow:WIDTH?                                                                                                                                                                                          |
| <b>Arguments</b> | <NR3> argument specifies the minimum width in seconds.                                                                                                                                                                                                               |
| <b>Examples</b>  | TRIGGER:A:PULSE:WINDOW:WIDTH 15E-9 sets the minimum width of a valid window violation to 15 ns.<br><br>TRIGGER:A:PULSE:WINDOW:WIDTH? might return<br>:TRIGGER:A:PULSE:WINDow:WIDTH 2.0000E-09 indicating that the minimum width of a valid window violation is 2 ns. |

## TRIGger:{A|B}:UPPerthreshold:CH<x>

This command sets or queries the CH<x> upper trigger level for TRIGger:LVLsrcpreference SRCDependent. The CH<x> range is 1 to 4.

|                         |                                                                                                                                                                                                                                                                           |
|-------------------------|---------------------------------------------------------------------------------------------------------------------------------------------------------------------------------------------------------------------------------------------------------------------------|
| <b>Group</b>            | Trigger                                                                                                                                                                                                                                                                   |
| <b>Syntax</b>           | TRIGger:{A B}:UPPerthreshold:CH<x> {ECL   TTL   <NR3>}<br>TRIGger:{A B}:UPPerthreshold:CH<x>?                                                                                                                                                                             |
| <b>Related Commands</b> | <a href="#">TRIGger:LVLsrcpreference</a> , <a href="#">TRIGger:{A B}:LOWerthreshold:CH&lt;x&gt;</a>                                                                                                                                                                       |
| <b>Arguments</b>        | ECL specifies the ECL high level.<br>TTL specifies the TTL high level.<br><NR3> specifies the trigger level in user units (usually volts).                                                                                                                                |
| <b>Examples</b>         | TRIGGER:A:UPPERTHRESHOLD:CH1 TTL This command sets the A trigger level for Channel 1 to TTL high level.<br><br>TRIGGER:A:UPPERTHRESHOLD:CH2? might return<br>:TRIGGER:A:UPPERTHRESHOLD:CH2 1.3000E+00, indicating that the A trigger level for Channel 2 is set to 1.3 V. |

## TRIGger:A

This command sets the A trigger level automatically to 50% of the range of the minimum and maximum values of the trigger input signal. The query returns current A trigger parameters. The trigger level is the voltage threshold through which the trigger source signal must pass to generate a trigger event. This command is equivalent to pushing the LEVEL knob on the front panel.

|                         |                                                                                                               |
|-------------------------|---------------------------------------------------------------------------------------------------------------|
| <b>Group</b>            | Trigger                                                                                                       |
| <b>Syntax</b>           | TRIGger:A SETLevel<br>TRIGger:A?                                                                              |
| <b>Related Commands</b> | <a href="#">TRIGger:{A B}:EDGE?</a> , <a href="#">TRIGger:A:LOGic?</a> , <a href="#">TRIGger:{A B}:PULse?</a> |

**Arguments** SETLevel sets the trigger level to 50% of the range of the minimum and maximum values of the trigger input signal.

**Examples** TRIGGER:A SETLEVEL sets the trigger level to 50% of the range of the minimum and maximum values of the trigger input signal.

```

TRIGGER:A? might return the following trigger parameters:
:TRIGGER:A:MODE AUTO;TYPE EDGE;LEVEL 0.0000;HOLDOFF:BY
DEFAULT;TIME 1.5000E-6;:TRIGGER:A:EDGE:SOURCE
CH1;COUPLING DC;SLOPE RISE;:TRIGGER:A:LOGIC:CLASS
PATTERN;FUNCTION AND;THRESHOLD:CH1 1.2000;CH2
1.2000;CH3 1.2000;CH4 1.2000;:TRIGGER:A:LOGIC:INPUT:CH1
HIGH;CH2 X;CH3 X;:TRIGGER:A:LOGIC:PATTERN:INPUT:CH4
X;:TRIGGER:A:LOGIC:PATTERN:WHEN
TRUE;WHEN:LESSLIMIT 5.0000E-9;MORELIMIT
5.0000E-9;:TRIGGER:A:LOGIC:SETHOLD:CLOCK:EDGE RISE;THRESHOLD
1.2000;SOURCE CH2;:TRIGGER:A:LOGIC:SETHOLD:DATA:THRESHOLD
1.2000;SOURCE CH1;:TRIGGER:A:LOGIC:SETHOLD:HOLDTIME
2.0000E-9;SETTIME 3.0000E-9;:TRIGGER:A:LOGIC:STATE:INPUT:CH4
RISE;:TRIGGER:A:LOGIC:STATE:WHEN
TRUE;:TRIGGER:A:PULSE:CLASS GLITCH;SOURCE
CH1;GLITCH:WIDTH 2.0000E-9;TRIGIF ACCEPT;POLARITY
POSITIVE;:TRIGGER:A:PULSE:WINDOW:TYPE INSIDE;WHEN
OCCURS;WIDTH 2.0000E-9;LOGIC:INPUT:CH1 HIGH;CH2 HIGH;CH3
HIGH;CH4 HIGH;:TRIGGER:A:PULSE:WINDOW:LOGIC:THRESHOLD:CH1
1.2000;CH2 1.2000;CH3 1.2000;CH4
1.2000;:TRIGGER:A:PULSE:WINDOW:THRESHOLD:HIGH 1.2000;LOW
800.0000E-3;:TRIGGER:A:PULSE:RUNT:LOGIC:THRESHOLD:CH1
1.2000;CH2 1.2000;CH3 1.2000;CH4
1.2000;:TRIGGER:A:PULSE:RUNT:POLARITY
POSITIVE;THRESHOLD:HIGH 1.2000;LOW
800.0000E-3;:TRIGGER:A:PULSE:RUNT:WHEN OCCURS;WIDTH
2.0000E-9;:TRIGGER:A:PULSE:TRANSITION:DELTATIME
2.0000E-9;POLARITY POSITIVE;THRESHOLD:HIGH 1.2000;LOW
800.0000E-3;:TRIGGER:A:PULSE:TRANSITION:WHEN
FASTERTHAN;:TRIGGER:A:PULSE:WIDTH:LOWLIMIT
2.0000E-9;HIGHLIMIT 2.0000E-9;WHEN WITHIN;POLARITY
POSITIVE;:TRIGGER:A:PULSE:TIMEOUT:POLARITY
STAYSHIGH;TIME 2.0000E-9;:TRIGGER:A:VIDEO:CUSTOM:FORMAT
INTERLACED;SCAN RATE1;:TRIGGER:A:VIDEO:FIELD
ALLFIELDS;HOLDOFF:FIELD 0.0000;:TRIGGER:A:VIDEO:LINE
1;POLARITY NORMAL;SCAN RATE1;SOURCE CH1;STANDARD
NTSC;:TRIGGER:A:COMMUNICATION:STANDARD CUSTOM;CODE
NRZ;BITRATE 1544000;AMI:PULSEFORM PLUSONE;THRESHOLD:HIGH
0.0000;LOW 0.0000;:TRIGGER:A:COMMUNICATION:CLOCK:POLARITY
RISE;:TRIGGER:A:COMMUNICATION:CMI:PULSEFORM
PLUSONE;:TRIGGER:A:COMMUNICATION:SOURCE CH1;SOURCE:TYPE DATA.

```

## TRIGger:A:CAN:CONDition

CAN option only: This command sets or returns the CAN condition.

**Group** Low Speed Serial Trigger

**Syntax** TRIGger:A:CAN:CONDition  
 {SOF|FRAMetype|IDENTifier|DATA|IDANDDATA|EOF|ACKMISS}  
 TRIGger:A:CAN:CONDition?

**Arguments** SOF enables triggering on the start of frame.  
 FRAMetype enables triggering on the type of frame.  
 IDENTifier enables triggering on a matching identifier.  
 DATA enables triggering on matching data.  
 IDANDDATA enables triggering on a matching identifier and matching data.  
 EOF enables triggering on the end of frame.  
 ACKMISS enables triggering on a missing acknowledge.  
 ERROR enables triggering on an error within a frame.

**Examples** TRIGGER:A:CAN:CONDITION DATA enables triggering on matching CAN data.  
 TRIGGER:A:CAN:CONDITION? might return :TRIGGER:A:CAN:CONDITION  
 EOF, indicating that the triggering is set on the end of frame.

## TRIGger:A:CAN:DATA:DIRection

CAN option only: This command sets or queries the CAN trigger condition to be valid on a READ, WRITE, or either.

**Group** Low Speed Serial Trigger

**Syntax** TRIGger:A:CAN:DATA:DIRection {READ|WRITE|NOCARE}  
 TRIGger:A:CAN:DATA:DIRection?

**Arguments** READ sets the CAN data direction to READ.  
 WRITE sets the CAN data direction to WRITE.  
 NOCARE sets the CAN data direction to either.

**Examples** TRIGGER:A:CAN:DATA:DIRECTION WRITE sets the CAN data direction to Write.  
 TRIGGER:A:CAN:DATA:DIRECTION? might return :TRIGGER:A:CAN:DATA:DIRECTION READ, indicating that the CAN data direction is set to Read.

## TRIGger:A:CAN:DATA:LEVel

CAN option only: This command sets or queries the CAN Trigger threshold for the CAN data source.

**Group** Low Speed Serial Trigger

**Syntax** TRIGger:A:CAN:DATA:LEVel <NR3>  
 TRIGger:A:CAN:DATA:LEVel?

**Arguments** <NR3> specifies the CAN trigger data level. The level can be  $\pm 5.0$ .

**Examples** TRIGGER:A:CAN:DATA:LEVEL 0.0 sets the CAN trigger data level to 0.0 Volts.  
 TRIGGER:A:CAN:DATA:LEVEL? might return :TRIGGER:A:CAN:DATA:LEVEL 5.0000, indicating that the CAN trigger data level is set to 5.0 volts.

## TRIGger:A:CAN:DATA:SOURce

CAN option only: This command sets or queries the CAN data source.

**Group** Low Speed Serial Trigger

**Syntax** TRIGger:A:CAN:DATA:SOURce {CH1|CH2|CH3|CH4}  
 TRIGger:A:CAN:DATA:SOURce?

**Arguments** CH<x> specifies the source for the CAN trigger.

**Examples** TRIGGER:A:CAN:DATA:SOURCE CH1 sets the CAN trigger data source to channel CH1.  
 TRIGGER:A:CAN:DATA:SOURCE? might return :TRIGGER:A:CAN:DATA:SOURCE CH4, indicating that the CAN trigger data source is set to channel CH4.

## TRIGger:A:CAN:DATA:VALue

CAN option only: This command sets or queries the binary data string used for CAN Trigger if the trigger condition is ID or IDANDDATA.

**Group** Low Speed Serial Trigger

**Syntax** TRIGger:A:CAN:DATA:VALue <String>  
TRIGger:A:CAN:DATA:VALue?

**Arguments** String is up to 32 bits specifying the CAN data value.

**Examples** TRIGGER:A:CAN:DATA:VALUE "1011" sets the CAN data value to 1011.  
TRIGGER:A:CAN:DATA:VALUE? might return  
:TRIGGER:A:CAN:DATA:SOURCE 10111, indicating that the CAN data value is set to 10111.

## TRIGger:A:CAN:FORMat

CAN option only: This command sets or queries the CAN data format.

**Group** Low Speed Serial Trigger

**Syntax** TRIGger:A:CAN:FORMat {BINary|HEX}  
TRIGger:A:CAN:FORMat?

**Arguments** BINary specifies binary as the CAN data format.  
HEX specifies hexadecimal as the CAN data format.

**Examples** TRIGGER:A:CAN:FORMAT BINARY sets the CAN trigger data format to binary.  
TRIGGER:A:CAN:FORMAT? might return :TRIGGER:A:CAN:DATA:FORMAT  
HEX, indicating that the CAN data format is set to hexadecimal.

## TRIGger:A:CAN:FRAMetype

CAN option only: This command sets or queries the CAN trigger frame type.

|                  |                                                                                                                                                                                                                      |
|------------------|----------------------------------------------------------------------------------------------------------------------------------------------------------------------------------------------------------------------|
| <b>Group</b>     | Low Speed Serial Trigger                                                                                                                                                                                             |
| <b>Syntax</b>    | TRIGger:A:CAN:FRAMeType {DATA REMOte ERROR OVERLOAD}<br>TRIGger:A:CAN:FRAMeType?                                                                                                                                     |
| <b>Arguments</b> | DATA specifies a data frame type.<br>REMOte specifies a remote frame type.<br>ERROR specifies an error frame type.<br>OVERLOAD specifies an overload frame type.                                                     |
| <b>Examples</b>  | TRIGGER:A:CAN:FRAMETYPE DATA sets the CAN trigger frame type to data.<br>TRIGGER:A:CAN:FRAMETYPE? might return<br>:TRIGGER:A:CAN:DATA:FRAMETYPE REMOTE, indicating that the CAN trigger frame type is set to remote. |

## TRIGger:A:CAN:IDENTifier:MODE

CAN option only: This command sets or queries the CAN trigger identifier mode.

|                  |                                                                                                                                                                                                                                                        |
|------------------|--------------------------------------------------------------------------------------------------------------------------------------------------------------------------------------------------------------------------------------------------------|
| <b>Group</b>     | Low Speed Serial Trigger                                                                                                                                                                                                                               |
| <b>Syntax</b>    | TRIGger:A:CAN:IDENTifier:MODE {STANDARD EXTENDED}<br>TRIGger:A:CAN:IDENTifier:MODE?                                                                                                                                                                    |
| <b>Arguments</b> | STANDARD sets the CAN trigger identifier mode to standard mode.<br>EXTENDED sets the CAN trigger identifier mode to extended mode.                                                                                                                     |
| <b>Examples</b>  | TRIGGER:A:CAN:IDENTIFIER:MODE STANDARD sets the CAN trigger identifier mode to standard.<br>TRIGGER:A:CAN:IDENTIFIER:MODE? might return<br>:TRIGGER:A:CAN:IDENTIFIER:MODE EXECUTE, indicating that the CAN trigger identifier mode is set to extended. |

## TRIGger:A:CAN:IDENTifier:VALue

CAN option only: This command sets or queries the binary address string used for the CAN trigger if the trigger condition is ID or IDANDDATA.

|                  |                                                                                                                                                                                                                                                    |
|------------------|----------------------------------------------------------------------------------------------------------------------------------------------------------------------------------------------------------------------------------------------------|
| <b>Group</b>     | Low Speed Serial Trigger                                                                                                                                                                                                                           |
| <b>Syntax</b>    | TRIGGER:A:CAN:IDENTIFIER:VALUE <String><br>TRIGGER:A:CAN:IDENTIFIER:VALUE?                                                                                                                                                                         |
| <b>Arguments</b> | String is up to 29 bits specifying the CAN identifier value.                                                                                                                                                                                       |
| <b>Examples</b>  | TRIGGER:A:CAN:IDENTIFIER:VALUE 1011 sets the CAN trigger identifier value to 1011.<br><br>TRIGGER:A:CAN:IDENTIFIER:VALUE? might return<br>:TRIGGER:A:CAN:IDENTIFIER:VALUE 10111, indicating that the CAN trigger identifier value is set to 10111. |

## TRIGGER:A:CAN:PROBE

CAN option only: This command sets or queries the probing method used to probe the CAN signal.

|                  |                                                                                                                                                                                                                                                                          |
|------------------|--------------------------------------------------------------------------------------------------------------------------------------------------------------------------------------------------------------------------------------------------------------------------|
| <b>Group</b>     | Low Speed Serial Trigger                                                                                                                                                                                                                                                 |
| <b>Syntax</b>    | TRIGGER:A:CAN:PROBE {CANL CANH DIFFERENTIAL TX RX}<br>TRIGGER:A:CAN:PROBE?                                                                                                                                                                                               |
| <b>Arguments</b> | CANL specifies that the probing method is CANL.<br>CANH specifies that the probing method is CANH.<br>DIFFERENTIAL specifies that the probing method used is differential.<br>TX specifies that the probing method is TX.<br>RX specifies that the probing method is RX. |
| <b>Examples</b>  | TRIGGER:A:CAN:PROBE CANH sets the method used to probe the CAN signal to CANH.<br><br>TRIGGER:A:CAN:PROBE? might return TRIGGER:A:CAN:PROBE DIFFERENTIAL, indicating that the probing method is differential.                                                            |

## TRIGGER:A:CAN:SPEED

CAN option only: This command sets or queries the bit rate of the CAN system.



|                  |                                                                                                                                                                                                      |
|------------------|------------------------------------------------------------------------------------------------------------------------------------------------------------------------------------------------------|
| <b>Group</b>     | Low Speed Serial Trigger                                                                                                                                                                             |
| <b>Syntax</b>    | TRIGger:A:CAN:SPEEd <NR3><br>TRIGger:A:CAN:SPEEd?                                                                                                                                                    |
| <b>Arguments</b> | <NR3> specifies the bit rate of the CAN system. Possible values are 1M, 800K, 500K, 250K, 125K, 100K, 83.3K, 62,5K, 50K, 33K, 20K, and 10K.                                                          |
| <b>Examples</b>  | TRIGGER:A:CAN:SPEED 33K sets the CAN systems with a bit rate of 33K.<br><br>TRIGGER:A:CAN:SPEED? might return TRIGGER:A:CAN:SPEED 50K, indicating that the bit rate of the CAN system is set to 50K. |

## TRIGger:A:COMMunication:{AMI|HDB3|B3ZS|B6ZS|B8ZS}:PULSEForm

This entry covers five separate commands, one each for AMI and AMI subtypes. The commands set or query the AMI pulse form to one of three possibilities.

|                   |                                                                                                                                                                                                                                                 |
|-------------------|-------------------------------------------------------------------------------------------------------------------------------------------------------------------------------------------------------------------------------------------------|
| <b>Conditions</b> | This command is only valid if the instrument has Option MTM is installed                                                                                                                                                                        |
| <b>Group</b>      | Trigger                                                                                                                                                                                                                                         |
| <b>Syntax</b>     | TRIGger:A:COMMunication:{AMI HDB3 B3ZS B6ZS B8ZS}:PULSEForm<br>{PLUSone MINUSone  EYEdiagram}<br>TRIGger:A:COMMunication:{AMI HDB3 B3ZS B6ZS B8ZS}:PULSEForm?                                                                                   |
| <b>Arguments</b>  | PLUSone corresponds to the Isolated +1 on the front panel menu.<br><br>MINUSone corresponds to the Isolated -1 on the front panel menu.<br><br>EYEdiagram positions the trigger point off screen in order to display the eye.                   |
| <b>Examples</b>   | TRIGGER:A:COMMUNICATION:AMI:PULSEFORM PLUSONE sets the pulse form to PLUSONE.<br><br>TRIGGER:A:COMMUNICATION:AMI:PULSEFORM? might return<br>:TRIGGER:A:COMMUNICATION:AMI:PULSEFORM PLUSONE, indicating that the AMI PULSFORM is set to PLUSONE. |

## TRIGger:A:COMMunication:{AMI|HDB3|B3ZS|B6ZS|B8ZS}:THReshold:HIGH

This entry covers five separate commands, one each for AMI and AMI subtypes. This command sets or queries the threshold high level.

|                   |                                                                                                                                                                                                                                                                       |
|-------------------|-----------------------------------------------------------------------------------------------------------------------------------------------------------------------------------------------------------------------------------------------------------------------|
| <b>Conditions</b> | This command is only valid if the instrument has Option MTM is installed                                                                                                                                                                                              |
| <b>Group</b>      | Trigger                                                                                                                                                                                                                                                               |
| <b>Syntax</b>     | TRIGger:A:COMMunication:{AMI HDB3 B3ZS B6ZS B8ZS}:THReshold:<br>HIGH <NR3><br>TRIGger:A:COMMunication:{AMI HDB3 B3ZS B6ZS B8ZS}:THReshold:<br>HIGH?                                                                                                                   |
| <b>Arguments</b>  | <NR3> is the high threshold parameter expressed in volts.                                                                                                                                                                                                             |
| <b>Examples</b>   | TRIGGER:A:COMMUNICATION:AMI:THRESHOLD:HIGH 2.8E-2 sets the<br>threshold high level to 2.8E-2.<br><br>TRIGGER:A:COMMUNICATION:AMI:THRESHOLD:HIGH? might return<br>:TRIGGER:A:COMMUNICATION:AMI:THRESHOLD:HIGH 2.8E-2, indicating<br>the threshold high level in volts. |

## TRIGger:A:COMMunication:{AMI|HDB3|B3ZS|B6ZS|B8ZS}:THReshold:LOW

This entry covers five separate commands, one each for AMI and AMI subtypes. This command sets or queries the threshold low level.

|                   |                                                                                                                                                   |
|-------------------|---------------------------------------------------------------------------------------------------------------------------------------------------|
| <b>Conditions</b> | This command is only valid if the instrument has Option MTM is installed                                                                          |
| <b>Group</b>      | Trigger                                                                                                                                           |
| <b>Syntax</b>     | TRIGger:A:COMMunication:{AMI HDB3 B3ZS B6ZS B8ZS}:THReshold:<br>LOW <NR3><br>TRIGger:A:COMMunication:{AMI HDB3 B3ZS B6ZS B8ZS}:THReshold:<br>LOW? |
| <b>Arguments</b>  | <NR3><br><br>The high threshold parameter expressed in volts.                                                                                     |

- Examples** TRIGGER:A:COMMUNICATION:AMI:THRESHOLD:LOW 2.8E-2 sets the threshold low level to 2.8E-2.
- TRIGGER:A:COMMUNICATION:AMI:THRESHOLD:LOW? might return :TRIGGER:A:COMMUNICATION:AMI:THRESHOLD:LOW 2.8E-2, indicating the threshold low level in volts.

## TRIGger:A:COMMunication:BITRate

This command sets or queries the bit rate.

- Conditions** This command is only valid if the instrument has Option MTM is installed
- Group** Trigger
- Syntax** TRIGger:A:COMMunication:BITRate <NR3>  
TRIGger:A:COMMunication:BITRate?
- Arguments** <NR3> is a nonnegative number greater than one and expressed as bits per second.
- Examples** TRIGGER:A:COMMUNICATION:BITRATE 1.544E6 sets the bit rate to 1.544 Mb/s.
- TRIGGER:A:COMMUNICATION:BITRATE ? might return :TRIGGER:A:COMMUNICATION:BITRATE 1.544e6, indicating a bit rate of 1.544 Mb/s.

## TRIGger:A:COMMunication:CLOCK:POLarity

This command sets or queries the communication clock polarity

- Conditions** This command is only valid if the instrument has Option MTM is installed.
- Group** Trigger
- Syntax** TRIGger:A:COMMunication:CLOCK:POLarity {RISe|FALL}  
TRIGger:A:COMMunication:CLOCK:POLarity?

- Arguments** RISE specifies to trigger on the rising or positive edge of a signal.  
FALL specifies to trigger on the falling or negative edge of a signal.
- Examples** TRIGGER:A:COMMUNICATION:CLOCK:POLARITY RISE sets RISE as the clock polarity.  
TRIGGER:A:COMMUNICATION:CLOCK:POLARITY? might return :TRIGGER:A:COMMUNICATION:CLOCK:POLARITY RISE, indicating that the polarity is to trigger on the rising edge of the clock.

## TRIGger:A:COMMunication:CMI:PULSEForm

This command sets or queries the CMI pulse form.

- Conditions** This command is only valid if the instrument has Option MTM is installed.

**Group** Trigger

**Syntax** TRIGger:A:COMMunication:CMI:PULSEForm  
{PLUSOne|MINUSOne|ZERO|EYEdiagram}  
TRIGger:A:COMMunication:CMI:PULSEForm?

- Arguments** PLUSOne triggers on a positive mark.  
MINUSOne triggers on a negative mark.  
ZERO triggers on the bit representing zero.  
EYEdiagram positions the trigger point off screen in order to display the eye.

- Examples** TRIGGER:A:COMMUNICATION:CMI:PULSEFORM PLUSONE sets triggering to occur on a positive mark.  
TRIGGER:A:COMMUNICATION:CMI:PULSEFORM? might return :TRIGGER:A:COMMUNICATION:CMI:PULSEFORM PLUSONE, indicating that the pulse form is PLUSONE.

## TRIGger:A:COMMunication:CODE

This command sets or queries the signal code that the communications trigger should expect on the incoming signal.

**Conditions** This command is valid only if the instrument has Option MTM is installed.

**Group** Trigger

**Syntax** TRIGger:A:COMMunication:CODe  
 {AMI|HDB3|B3ZS|B6ZS|B8ZS|CMI|NRZ|MLT3|MANChester}  
 TRIGger:A:COMMunication:CODe?

**Arguments** AMI  
 HDB3  
 B3ZS  
 B6ZS  
 B8ZS  
 CMI  
 NRZ  
 MLT3  
 MANChester

**Examples** TRIGGER:A:COMMUNICATION:CODE AMI sets the AMI as the line code that the communications trigger expects on the incoming signal.

TRIGGER:A:COMMUNICATION:CODE? might return  
 :TRIGGER:A:COMMUNICATION:CODE AMI, indicating that the code is AMI.

## TRIGger:A:COMMunication:SOURce

This command sets or queries the source channel.

**Conditions** This command is valid only if the instrument has Option MTM is installed.

**Group** Trigger

**Syntax** TRIGger:A:COMMunication:SOURce {CH1|CH2|CH3|CH4}  
 TRIGger:A:COMMunication:SOURce?

- Arguments** CH1 argument selects CH 1 as the source channel.  
 CH2 argument selects CH 2 as the source channel.  
 CH3 argument selects CH 3 as the source channel.  
 CH4 argument selects CH 4 as the source channel.
- Examples** TRIGGER:A:COMMUNICATION:SOURCE CH1 sets Channel 1 as the source channel.  
 TRIGGER:A:COMMUNICATION:SOURCE? might return  
 :TRIGGER:A:COMMUNICATION:SOURCE CH1, indicating that the source is Channel 1.

## TRIGger:A:COMMunication:SOURce:TYPE

This command sets or queries the source type. This command works only when the Eye Diagram pulseform is selected.

- Conditions** This command is only valid if the instrument has Option MTM is installed.
- Group** Trigger
- Syntax** TRIGger:A:COMMunication:SOURce:TYPE {DATA|CLOCK|RECOVERed}  
 TRIGger:A:COMMunication:SOURce:TYPE?
- Arguments** DATA causes the instrument to trigger and shift five unit intervals to form the expected eye pattern.  
 CLOCK causes the instrument to trigger but no shift occurs. The clock type causes random triggers with respect to the data channel, which must be one of the other three channels.  
 RECOVERed causes the instrument to trigger on the recovered clock from the data signal attached to communication source forming an eye pattern on the source.
- Examples** TRIGGER:A:COMMUNICATION:SOURCE:TYPE CLOCK sets the source type to clock.  
 TRIGGER:A:COMMUNICATION:SOURCE:TYPE? might return  
 :TRIGGER:A:COMMUNICATION:SOURCE:TYPE DATA, indicating that the source type is data.

## TRIGger:A:COMMunication:STANdard

This command sets or queries the standard that identifies the code and bit rate. The bit rate is used to compute the Unit Interval, which is the inverse of the bit rate. The Unit Interval influences time skew in an Eye Diagram, where you perform post processing on AMI isolated pulses, and pulse width settings if CMI.

**Conditions** This command is valid only if the instrument has Option MTM is installed.

**Group** Trigger

**Syntax** TRIGger:A:COMMunication:STANdard  
 {ATAG1|ATAG2|ATAG3|CLOCKCoax|  
 CLOCKSymmetrical|Custom|D1|D2|DS0Contra|  
 DS0Double|DS0Single|DS0Timing|DS1|DS1A|  
 DS1C|DS2|DS2RATECoax|DS2RATESymmetrical|  
 DS3|DS4NA|E1|E2|E3|E4|ENET100|ENET1250|  
 ENETXAUI|FC133|FC266|FC531|FC1063|FC2125|FC4250|  
 FST|FW1394BS400B|FW1394BS1600B|HST|INF2\_5G|  
 OC1|OC3|OC12|OC48|OC48\_FEC|PCIEXPRESS|RATE32Mbit|  
 RATE97Mbit|RIO\_500M|RIO\_750M|  
 RIO\_1G|RIO\_2G|RIO\_1\_5G|RIO\_SERIAL\_1G|  
 RIO\_SERIAL\_2G|RIO\_SERIAL\_3G|SAS1\_5|SAS3\_?|  
 SFI5\_2|SFI5\_3|STM0\_CMI|STM0\_HDBX|STM1E|STS1|STS3|  
 TFI5\_2|TFI5\_3|VIDEO270|VIDEO292M|VIDEO360|VSROC192}  
 TRIGger:A:COMMunication:STANdard?

**Related Commands** [MASK:STANdard](#)

**Arguments** The following table shows various standards and their corresponding parameters.

**Table 2-19: Communication Trigger Standards**

| Argument          | Code                                                    | Bit Rate   | Mask Type   | Models   |
|-------------------|---------------------------------------------------------|------------|-------------|----------|
| ATAG1             | NRZ                                                     | 1.5 Gb/s   | Serial ATA  | ≥2.5 GHz |
| ATAG2             | NRZ                                                     | 3.0 Gb/s   | Serial ATA  |          |
| ATAG3             | NRZ                                                     | 6.0 Gb/s   | Serial ATA  |          |
| CLOCK Coax        | None                                                    | 2.048 Mb/s | ITU-T G.703 | All      |
| CLOCK Symmetrical | None                                                    | 2.048 Mb/s | ITU-T G.703 | All      |
| Custom            | AMI, B3ZS,<br>B6ZS,<br>B8ZS, CMI,<br>HDB3,<br>MLT3, NRZ | 1.544 Mb/s |             | All      |

**Table 2-19: Communication Trigger Standards (cont.)**

| <b>Argument</b>     | <b>Code</b> | <b>Bit Rate</b> | <b>Mask Type</b> | <b>Models</b> |
|---------------------|-------------|-----------------|------------------|---------------|
| D1                  | NRZ         | 270 Mb/s        | Video            | All           |
| D2                  | NRZ         | 143.18 Mb/s     | Video            | All           |
| DS0 Contra          | AMI         | 16.0 kb/s       | ITU-T G.730      | All           |
| DS0 Double          | AMI         | 32.0 kb/s       | ITU-T G.730      | All           |
| DS0 Single          | AMI         | 64.0 kb/s       | ITU-T G.730      | All           |
| DS0 Timing          | AMI         | 32.0 kb/s       | ITU-T G.730      | All           |
| DS1                 | AMI B8ZS    | 1.544 Mb/s      | ANSI T1.102      | All           |
| DS1A                | AMI HDB3    | 2.048 Mb/s      | ANSI T1.102      | All           |
| DS1C                | AMI B8ZS    | 3.152 Mb/s      | ANSI T1.102      | All           |
| DS2                 | AMI B6ZS    | 6.312 Mb/s      | ANSI T1.102      | All           |
| DS2RATE Coax        | AMI B8ZS    | 6.312 Mb/s      | ITU-T G.703      | All           |
| DS2RATE Symmetrical | AMI B6ZS    | 6.312 Mb/s      | ITU-T G.703      | All           |
| DS3                 | AMI B3ZS    | 44.736 Mb/s     | ANSI T1.102      | All           |
| DS4NA               | CMI         | 139.3 Mb/s      | ANSI T1.102      | All           |
| E1                  | AMI HDB3    | 2.048 Mb/s      | ITU-T G.703      | All           |
| E2                  | AMI HDB3    | 8.448 MB/s      | ITU-T G.703      | All           |
| E3                  | AMI HDB3    | 34.368 Mb/s     | ITU-T G.703      | All           |
| E4                  | CMI         | 139.26 Mb/s     | ITU-T G.703      | All           |
| ENET100             | MLT3        | 100 Mb/s        | Ethernet         | All           |
| ENET1250            | NRZ         | 1.25 Gb/s       | Ethernet         | ≥2.5 GHz      |
| ENETXAU             | NRZ         | 3.125 Gb/s      | Ethernet         | ≥             |
| FC133               | NRZ         | 132.8 Mb/s      | Fibre Channel    | All           |
| FC266               | NRZ         | 265.6 Mb/s      | Fibre Channel    | All           |
| FC531               | NRZ         | 531.2 Mb/s      | Fibre Channel    | ≥1.0 GHz      |
| FC1063              | NRZ         | 1.0625 Gb/s     | Fibre Channel    |               |
| FC2125              | NRZ         | 2.125 Gb/s      | Fibre Channel    |               |
| FC4250              | NRZ         | 4.256 Gb/s      | Fibre Channel    |               |
| FST                 | NRZ         | 12.0 Mb/s       | USB 1.1/2.0      | All           |
| FW1394 BS400B       | NRZ         | 491.5 Mb/s      | IEEE1394b        | ≥1.0 GHz      |
| FW1394 BS1600B      | NRZ         | 1.966 Gb/s      | IEEE1394b        |               |
| HST                 | NRZ         | 480 Mb/s        | USB 1.1/2.0      | ≥1.0 GHz      |
| INF_5G              | NRZ         | 2.5 Gb/s        | Infiniband       |               |
| OC1                 | NRZ         | 51.84 Mb/s      | SONET/SDH        | All           |
| OC3                 | NRZ         | 155.52 Mb/s     | SONET/SDH        | All           |
| OC12                | NRZ         | 622.08 Mb/s     | SONET/SDH        | ≥1.0 GHz      |
| OC48                | NRZ         | 2.4883 Gb/s     | Sonet            |               |



**Table 2-19: Communication Trigger Standards (cont.)**

| Argument      | Code | Bit Rate     | Mask Type       | Models   |
|---------------|------|--------------|-----------------|----------|
| OC48 FEC      | NRZ  | 2.666 Gb/s   | Sonet           |          |
| PCIEXPRESS    | NRZ  | 2.5 Gb/s     | PCI-Express     |          |
| RATE32Mbit    | NRZ  | 32.064 Mb/s  | ITU             |          |
| RATE97Mbit    | NRZ  | 97.728 Mb/s  | ITU             |          |
| RIO_500M      | NRZ  | 500 Mb/s     | RapidIO/LP-LVDS | ≥1.0 GHz |
| RIO_750_M     | NRZ  | 1 Gb/s       | RapidIO/LP-LVDS |          |
| RIO_1G        | NRZ  | 1 Gb/s       | RapidIO/LP-LVDS |          |
| RIO_1_5_G     | NRZ  | 2 Gb/s       | RapidIO/LP-LVDS |          |
| RIO_SERIAL_1G | NRZ  | 1.25 Gb/s    | RapidIO/LP-LVDS |          |
| RIO_SERIAL_2G | NRZ  | 2.5 Gb/s     | RapidIO/LP-LVDS |          |
| RIO_SERIAL_3G | NRZ  | 3.125 Gb/s   | RapidIO/LP-LVDS |          |
| SAS1_5        | NRZ  |              | SAS             |          |
| SAS3_?        | NRZ  |              | SAS             |          |
| SFI5_2        | NRZ  | 2.488 Gb/s   | OIF             |          |
| SFI5_3        | NRZ  | 3.125 Gb/s   | OIF             |          |
| STM0_CMI      | NRZ  | 51.84 Mb/s   | ITU             |          |
| STM0_HDBX     | NRZ  | 51.84 Mb/s   | ITU             |          |
| STM1E         | NRZ  | 155.52 Mb/s  | ITU             |          |
| STS1          | NRZ  | 51.840 Mb/s  | ANSI T1.102     |          |
| STS3          | NRZ  | 155.52 Mb/s  | ANSI T1.102     |          |
| TFI5_2        | NRZ  | 2.488 Gb/s   | OIF             |          |
| TFI5_3        | NRZ  | 3.1104 Gb/s  | OIF             |          |
| VIDEO270      | NRZ  | 270 Mb/s     | Video           | ≥500 MHz |
| VIDEO292M     | NRZ  | 1.485 Gb/s   | Video           | ≥2.5 GHz |
| VIDEO360      | NRZ  | 360 Mb/s     | Video           | ≥500 MHz |
| VSROC192      | NRZ  | 1.24116 Gb/s | OIF             |          |

**Examples** TRIGGER:A:COMMUNICATION:STANDARD E4 sets the standard to E4.  
 TRIGGER:A:COMMUNICATION:STANDARD? might return  
 :TRIGGER:A:COMMUNICATION:SOURCE:STANDARD DS1.

## TRIGger:A:HOLDoff? (Query Only)

This query-only command returns the A trigger holdoff parameters. These parameters specify the time period during which the trigger circuitry is not looking to generate a trigger event. This command is equivalent to selecting Holdoff from the Trig menu and then viewing the current settings.

**Group** Trigger

**Syntax** TRIGger:A:HOLDoff?

**Related Commands** [TRIGger:A:HOLDoff:ACTUal?](#), [TRIGger:A:HOLDoff:BY](#), [TRIGger:A:HOLDoff:TIME](#)

**Examples** TRIGGER:A:HOLDOFF? might return :TRIGGER:A:HOLDOFF:TIME 900.0000E-09;BY DEFAULT, indicating that the A edge trigger holdoff time (by default) is set to 900 ns.

## TRIGger:A:HOLDoff:ACTUal? (Query Only)

This query-only command returns the holdoff time actually used (expressed in seconds) by the A trigger. This command is equivalent to selecting Holdoff from the Trig menu and then viewing the current Trig Holdoff value.

**Group** Trigger

**Syntax** TRIGger:A:HOLDoff:ACTUal?

**Related Commands** [TRIGger:A:HOLDoff?](#), [TRIGger:A:HOLDoff:BY](#), [TRIGger:A:HOLDoff:TIME](#)

**Examples** TRIGGER:A:HOLDOFF:ACTUAL? might return :TRIGGER:A:HOLDOFF:ACTUAL 4.0000E-06, indicating that the holdoff time is set to 4  $\mu$ s.

## TRIGger:A:HOLDoff:BY

This command sets or queries the type of holdoff for the A trigger. Holdoff types are expressed as either user-specified time (TIME) or by an internally calculated minimum time value (DEFAULT/AUTO). This command is equivalent to selecting Holdoff from the Trig menu and then setting the Holdoff type.

**Group** Trigger

**Syntax** TRIGger:A:HOLDoff:BY {TIME|DEFAULT|RANDOM|AUTO}  
TRIGger:A:HOLDoff:BY?

**Related Commands** [TRIGger:A:HOLDoff:TIME](#)

- Arguments** TIME enables you to set the holdoff time via the [TRIGger:A:HOLDoff:TIME](#) command.
- DEFAuLt automatically calculates a holdoff time to use. This time is typically equivalent to the greater of 1/2 screen (5 divisions) of time or 250 ns. The maximum value is 12 s. For example, if the instrument is set to 1 ms/division then the default holdoff will be 1 ms/division x 25 divisions = 25 ms.
- Examples** TRIGGER:A:HOLDOFF:BY TIME sets the holdoff to the “by time” setting. This enables you to set the holdoff time.
- TRIGGER:A:HOLDOFF:BY? might return :TRIGGER:A:HOLDOFF:BY TIME, indicating that you will set the holdoff time.

## TRIGger:A:HOLDoff:TIME

This command sets or queries the A trigger holdoff time. This command is equivalent to selecting Holdoff from the Trig menu and then choosing the desired Trig Holdoff.

**Group** Trigger

**Syntax** TRIGger:A:HOLDoff:TIME <NR3>  
TRIGger:A:HOLDoff:TIME?

**Related Commands** [TRIGger:A:HOLDoff:BY](#)

- Arguments** <NR3> specifies the holdoff time in seconds. The range is from 250 ns through 12.0 s.
- Examples** TRIGGER:A:HOLDOFF:TIME 10 sets the A trigger holdoff time to 10 s.
- TRIGGER:A:HOLDOFF:TIME? might return :TRIGGER:A:HOLDOFFTIME 1.2000E-06, indicating that the A trigger holdoff time is set to 1.2  $\mu$ s.

## TRIGger:A:I2C:ADDReSS:MODE

DPO7000 Series only: This command sets or queries the I2C address mode to 7 or 10-bit.

|                  |                                                                                                                                                                                                               |
|------------------|---------------------------------------------------------------------------------------------------------------------------------------------------------------------------------------------------------------|
| <b>Group</b>     | Low Speed Serial Trigger                                                                                                                                                                                      |
| <b>Syntax</b>    | TRIGger:A:I2C:ADDRESS:MODE {ADDR7 ADDR10}<br>TRIGger:A:I2C:ADDRESS:MODE?                                                                                                                                      |
| <b>Arguments</b> | ADDR7 specifies the 7-bit I2C address mode.<br>ADDR10 specifies the 10-bit I2C address mode.                                                                                                                  |
| <b>Examples</b>  | TRIGGER:A:I2C:ADDRESS:MODE ADDR10 sets the I2C address mode to 10-bit.<br>TRIGGER:A:I2C:ADDRESS:MODE? might return<br>:TRIGGER:A:I2C:ADDRESS:MODE ADD7, indicating that the I2C address mode is set to 7-bit. |

## TRIGger:A:I2C:ADDRESS:RWINCLUDE

Sets the I2C read/write bit to address type.

|                  |                                                                                                                                                                                                                                             |
|------------------|---------------------------------------------------------------------------------------------------------------------------------------------------------------------------------------------------------------------------------------------|
| <b>Group</b>     | Low Speed Serial Trigger                                                                                                                                                                                                                    |
| <b>Syntax</b>    | TRIGger:A:I2C:ADDRESS:RWINCLUDE {OFF ON}<br>TRIGger:A:I2C:ADDRESS:RWINCLUDE?                                                                                                                                                                |
| <b>Arguments</b> | ON specifies the I2C read/write bit to address type.<br>OFF specifies to stop the I2C read/write bit to address type.                                                                                                                       |
| <b>Examples</b>  | TRIGGER:A:I2C:ADDRESS:RWINCLUDE ON sets the read/write bit to address type.<br>TRIGGER:A:I2C:ADDRESS:RWINCLUDE? might return<br>:TRIGGER:A:I2C:ADDRESS:RWINCLUDE OFF, indicating that the read/write bit stops specifying the address type. |

## TRIGger:A:I2C:ADDRESS:TYPE

DPO7000 Series only: This command sets or queries the I2C address type.

|              |                          |
|--------------|--------------------------|
| <b>Group</b> | Low Speed Serial Trigger |
|--------------|--------------------------|

|                  |                                                                                                                                                                                                                          |
|------------------|--------------------------------------------------------------------------------------------------------------------------------------------------------------------------------------------------------------------------|
| <b>Syntax</b>    | <pre>TRIGger:A:I2C:ADDRESS:TYPE {Generalcall STARTbyte TENbit NONE} TRIGger:A:I2C:ADDRESS:TYPE?</pre>                                                                                                                    |
| <b>Arguments</b> | <p>GENERALCALL specifies a generalcall address type.</p> <p>STARTBYTE specifies a startbyte address type.</p> <p>TENBIT specifies a tenbit address type.</p> <p>NONE specifies I2C address type of none.</p>             |
| <b>Examples</b>  | <p>TRIGGER:A:I2C:ADDRESS:TYPE NONE sets the I2C address type to none.</p> <p>TRIGGER:A:I2C:ADDRESS:TYPE? might return<br/>:TRIGGER:A:I2C:ADDRESS:TYPE TENBIT, indicating that the I2C address type is set to tenbit.</p> |

## TRIGger:A:I2C:ADDRESS:VALue

DPO7000 Series only: This command sets or queries the binary address string used for the I2C trigger if the trigger condition is ADDR or ADDRANDDATA.

|                  |                                                                                                                                                                                                                             |
|------------------|-----------------------------------------------------------------------------------------------------------------------------------------------------------------------------------------------------------------------------|
| <b>Group</b>     | Low Speed Serial Trigger                                                                                                                                                                                                    |
| <b>Syntax</b>    | <pre>TRIGger:A:I2C:ADDRESS:VALue &lt;String&gt; TRIGger:A:I2C:ADDRESS:VALue?</pre>                                                                                                                                          |
| <b>Arguments</b> | String is up to 7 or 10 bits depending on the address mode that specifies the address.                                                                                                                                      |
| <b>Examples</b>  | <p>TRIGGER:A:I2C:ADDRESS:VALUE 1011 sets the I2C address value to 1011.</p> <p>TRIGGER:A:I2C:ADDRESS:VALUE? might return<br/>:TRIGGER:A:I2C:ADDRESS:VALUE 10111, indicating that the I2C address value is set to 10111.</p> |

## TRIGger:A:I2C:CLOCK:LEVel

DPO7000 Series only: This command sets or queries the clock source for the I2C Serial Trigger.

|              |                          |
|--------------|--------------------------|
| <b>Group</b> | Low Speed Serial Trigger |
|--------------|--------------------------|

**Syntax** TRIGGER:A:I2C:CLOCK:LEVEL <NR3>  
TRIGGER:A:I2C:CLOCK:LEVEL?

**Arguments** NR3 specifies the I2C clock level. The clock level range is  $\pm 5$ .

**Examples** TRIGGER:A:I2C:CLOCK:LEVEL 0.0 sets the I2C clock level to 0.0.  
TRIGGER:A:I2C:CLOCK:LEVEL? might return  
:TRIGGER:A:I2C:CLOCK:LEVEL 5.0000, indicating that the I2C clock level  
is set to 5.

## TRIGGER:A:I2C:CLOCK:SOURCE

DPO7000 Series only: This command sets or queries the clock source for the I2C Serial Trigger.

**Group** Low Speed Serial Trigger

**Syntax** TRIGGER:A:I2C:CLOCK:SOURCE CH<x>  
TRIGGER:A:I2C:CLOCK:SOURCE?

**Arguments** CH<x> specifies the clock source. X can be 1 through 4.

**Examples** TRIGGER:A:I2C:CLOCK:SOURCE CH1 sets the I2C clock source to channel CH1.  
TRIGGER:A:I2C:CLOCK:SOURCE? might return  
:TRIGGER:A:I2C:CLOCK:SOURCE CH3, indicating that the I2C clock source  
is set to CH3.

## TRIGGER:A:I2C:CONDITION

DPO7000 Series only: This command sets or queries the trigger condition for the I2C trigger.

**Group** Low Speed Serial Trigger

**Syntax** TRIGGER:A:I2C:CONDITION  
{START|STOP|REPEATstart|ACKMISS|ADDRESS|DATA|ADDRANDDATA}  
TRIGGER:A:I2C:CONDITION?

**Arguments** START specifies triggering on the start of a packet.  
 STOP specifies triggering on the stop packet.  
 REPEATSTART specifies triggering on a repeated start of packet.  
 ACKMISS specifies triggering on a missing acknowledgement.  
 ADDRESS specifies triggering on the address.  
 DATA specifies triggering on the specified data.  
 ADDRANDDATA specifies triggering on the specified data and address.

**Examples** TRIGGER:A:I2C:CONDITION START sets the trigger condition for the I2C trigger on the start of the packet.  
 TRIGGER:A:I2C:CONDITION? might return :TRIGGER:A:I2C:CONDITION DATA, indicating that the trigger condition for the I2C trigger is set on specified data.

## TRIGger:A:I2C:DATA:DIRection

DPO7000 Series only: This command sets or queries the I2C trigger condition valid on a READ, WRITE, or either.

**Group** Low Speed Serial Trigger

**Syntax** TRIGger:A:I2C:DATA:DIRection {READ|WRITE|NOCARE}  
 TRIGger:A:I2C:DATA:DIRection?

**Arguments** READ specifies read as the data direction.  
 WRITE specifies write as the data direction.  
 NOCARE specifies either as the data direction.

**Examples** TRIGGER:A:I2C:DATA:DIRECTION WRITE sets the I2C data direction to write.  
 TRIGGER:A:I2C:DATA:DIRECTION? might return :TRIGGER:A:I2C:DATA:DIRECTION READ, indicating that the I2C data direction is set on read.

## TRIGger:A:I2C:DATA:LEVel

DPO7000 Series only: This command sets or queries the threshold level for the I2C data source.

**Group** Low Speed Serial Trigger

**Syntax** TRIGger:A:I2C:DATA:LEVel <NR3>  
TRIGger:A:I2C:DATA:LEVel?

**Arguments** <NR3> specifies the I2C data level with a range of  $\pm\%.0$ .

**Examples** TRIGGER:A:I2C:DATA:LEVEL 0.0 sets the I2C data level to 0.0.  
TRIGGER:A:I2C:DATA:LEVEL? might return :TRIGGER:A:I2C:DATA:LEVEL 0.0, indicating that the I2C data level is set on 0.0.

## TRIGger:A:I2C:DATA:SOURce

DPO7000 Series only: This command sets or queries the data source for the I2C serial trigger.

**Group** Low Speed Serial Trigger

**Syntax** TRIGger:A:I2C:DATA:SOURce CH<x>  
TRIGger:A:I2C:DATA:SOURce?

**Arguments** CH<x> specifies the data source. X can be 1 through 4.

**Examples** TRIGGER:A:I2C:DATA:SOURCE CH1 sets the data source for the I2C serial trigger to channel CH1.  
TRIGGER:A:I2C:DATA:SOURCE? might return :TRIGGER:A:I2C:DATA:SOURCE CH4, indicating that the data source for the I2C serial trigger is set on channel CH4.



## TRIGger:A:I2C:DATA:START

DPO7000 Series only: This command sets or queries the data start byte. This byte is only needed if triggering on data. This byte is the first byte that pattern matching uses. The byte is a destination offset from the start of the packet.

**Group** Low Speed Serial Trigger

**Syntax** TRIGger:A:I2C:DATA:START <NR3>  
TRIGger:A:I2C:DATA:START?

**Arguments** <NR3> specifies the data start byte (offset), with a range of 0 to 65535.

**Examples** TRIGGER:A:I2C:DATA:START 0 specifies the I2C data start byte offset to 0.  
TRIGGER:A:I2C:DATA:START? might return :TRIGGER:A:I2C:DATA:START 5, indicating that the I2C data start byte offset is set to 5.

## TRIGger:A:I2C:DATA:VALue

DPO7000 Series only: This command sets or queries the binary data string used for I2C triggering if the trigger condition is DATA or ADDRANDDATA.

**Group** Low Speed Serial Trigger

**Syntax** TRIGger:A:I2C:DATA:VALue <String>  
TRIGger:A:I2C:DATA:VALue?

**Arguments** String sets the I2C data value. This value can be 1 to 32 bits.

**Examples** TRIGGER:A:I2C:DATA:VALUE "1011" sets the I2C data value to 1011.  
TRIGGER:A:I2C:DATA:VALUE? might return :TRIGGER:A:I2C:DATA:VALUE 10111, indicating that the I2C data value is set to 10111.

## TRIGger:A:I2C:FORMat

DPO7000 Series only: This command sets or queries the display format for the I2C data value.

|                  |                                                                                                                                                                                                   |
|------------------|---------------------------------------------------------------------------------------------------------------------------------------------------------------------------------------------------|
| <b>Group</b>     | Low Speed Serial Trigger                                                                                                                                                                          |
| <b>Syntax</b>    | TRIGger:A:I2C:FORMAt {BINary HEX}<br>TRIGger:A:I2C:FORMAt?                                                                                                                                        |
| <b>Arguments</b> | BINary specifies binary format for I2C triggering.<br>HEX specifies hexadecimal format for I2C triggering.                                                                                        |
| <b>Examples</b>  | TRIGGER:A:I2C:FORMAT HEX sets the I2C trigger format to hexadecimal.<br>TRIGGER:A:I2C:FORMAT? might return :TRIGGER:A:I2C:FORMAT BINARY, indicating that the I2C trigger format is set to binary. |

## TRIGger:A:LOGIc? (Query Only)

This query-only command returns all of the logic trigger parameters.

|                         |                                                                                                                                                                                                                                                                                                                                                                                                                                                                                                                                                                                                                                |
|-------------------------|--------------------------------------------------------------------------------------------------------------------------------------------------------------------------------------------------------------------------------------------------------------------------------------------------------------------------------------------------------------------------------------------------------------------------------------------------------------------------------------------------------------------------------------------------------------------------------------------------------------------------------|
| <b>Group</b>            | Trigger                                                                                                                                                                                                                                                                                                                                                                                                                                                                                                                                                                                                                        |
| <b>Syntax</b>           | TRIGger:A:LOGIc?                                                                                                                                                                                                                                                                                                                                                                                                                                                                                                                                                                                                               |
| <b>Related Commands</b> | <a href="#">TRIGger:{A B}:LOGIc:CLAss</a>                                                                                                                                                                                                                                                                                                                                                                                                                                                                                                                                                                                      |
| <b>Examples</b>         | TRIGGER:A:LOGIC? might return :TRIGGER:A:LOGIC:CLASS<br>PATTERN; FUNCTION AND;WHEN TRUE; THRESHOLD:CH1 1.4000;CH2<br>1.4000;CH3 1.4000; CH4 1.4000;:TRIGGER:A:LOGIC:INPUT:CH1<br>HIGH; CH2 X;CH3 X; :TRIGGER:A:LOGIC:PATTERN:INPUT:CH4<br>X; :TRIGGER:A:LOGIC:PATTERN:WHEN TRUE;<br>WHEN:LESSLIMIT 5.0000E-9; MORELIMIT<br>5.0000E-9; :TRIGGER:A:LOGIC:SETHOLD:CLOCK:EDGE<br>RISE; THRESHOLD 1.4000;SOURCE CH2;<br>:TRIGGER:A:LOGIC:SETHOLD:DATA:THRESHOLD 1.4000;SOURCE<br>CH1; :TRIGGER:A:LOGIC:SETHOLD:HOLDTIME2.0000E-9; SETTIME<br>3.0000E-9; :TRIGGER:A:LOGIC:STATE:INPUT:CH4 RISE;<br>:TRIGGER:A:LOGIC:STATE:WHEN TRUE. |

## TRIGger:A:MODe

This command sets or queries the A trigger mode. This command is equivalent to selecting Mode from the Trig menu and then choosing the desired Trigger Mode.

|                         |                                                                                                                                                        |
|-------------------------|--------------------------------------------------------------------------------------------------------------------------------------------------------|
| <b>Group</b>            | Trigger                                                                                                                                                |
| <b>Syntax</b>           | TRIGger:A:MODE {AUTO NORMa1}<br>TRIGger:A:MODE?                                                                                                        |
| <b>Related Commands</b> | <a href="#">TRIGger:{A B}:LEVel</a>                                                                                                                    |
| <b>Arguments</b>        | AUTO generates a trigger if one is not detected within a specified time period.<br>NORMa1 waits for a valid trigger event.                             |
| <b>Examples</b>         | TRIGGER:A:MODE NORMAL sets the trigger mode to normal.<br>TRIGGER:A:MODE? might return :TRIGGER:A:MODE AUTO, indicating that the trigger mode is auto. |

## TRIGger:A:PULse:WINDow:POLarity

This command sets or queries the pulse trigger window polarity of the selected trigger Source. The instrument triggers when the signal exits the window. This command is available only when the Window Event is set to Inside > t and not available for the rest of the window events. The logic selection is available only when the polarity is set to Either.

|                  |                                                                                                                                                                                                                                              |
|------------------|----------------------------------------------------------------------------------------------------------------------------------------------------------------------------------------------------------------------------------------------|
| <b>Group</b>     | Trigger                                                                                                                                                                                                                                      |
| <b>Syntax</b>    | TRIGger:A:PULse:WINDow:POLarity {EITHer NEGATive POSITIVe}<br>TRIGger:A:PULse:WINDow:POLarity?                                                                                                                                               |
| <b>Arguments</b> | EITHer specifies positive or negative polarity.<br>NEGATive specifies a negative polarity.<br>POSITIVe specifies a positive polarity.                                                                                                        |
| <b>Examples</b>  | TRIGGER:A:PULSE:WINDOW:POLARITY POSITIVE sets the window polarity to positive.<br>TRIGGER:A:PULSE:WINDOW:POLARITY? might return :TRIGGER:A:PULSE:WINDOW:POLARITY EITHER, indicating that the window polarity is either positive or negative. |

## TRIGger:A:PULse:WINDow:POLarity:CH<x>

This command sets or queries the pulse trigger window polarity of the specified channel. The oscilloscope triggers only when the signal exits the window. This command is available only when the Window Event is set to Inside > t and not available for the rest of the window events. The logic selection is available only when the polarity is set to Either. <x> is the search number or channel number.

|                  |                                                                                                                                                                                                                                                                   |
|------------------|-------------------------------------------------------------------------------------------------------------------------------------------------------------------------------------------------------------------------------------------------------------------|
| <b>Group</b>     | Trigger                                                                                                                                                                                                                                                           |
| <b>Syntax</b>    | TRIGger:A:PULse:WINDow:POLarity:CH<x><br>{EITHer NEGATive POSITIVe}<br>TRIGger:A:PULse:WINDow:POLarity:CH<x>?                                                                                                                                                     |
| <b>Arguments</b> | EITHer specifies positive or negative polarity.<br>NEGATive specifies a negative polarity.<br>POSITIVe specifies a positive polarity.                                                                                                                             |
| <b>Examples</b>  | TRIGGER:A:PULSE:WINDOW:POLARITY:CH<x> POSITIVE sets the window polarity to positive.<br>TRIGGER:A:PULSE:WINDOW:POLARITY:CH<x>? might return<br>:TRIGGER:A:PULSE:WINDOW:POLARITY:CH<x> EITHER, indicating that the window polarity is either positive or negative. |

## TRIGger:A:RS232:BAUd

DPO7000 Series only: This command sets or queries the baud rate for RS232 triggering.

|                  |                                                                                                                                                                                         |
|------------------|-----------------------------------------------------------------------------------------------------------------------------------------------------------------------------------------|
| <b>Group</b>     | Low Speed Serial Trigger                                                                                                                                                                |
| <b>Syntax</b>    | TRIGger:A:RS232:BAUd <x><br>TRIGger:A:RS232:BAUd?                                                                                                                                       |
| <b>Arguments</b> | X specifies the baud rate for RS232 triggering. X can be: 1500000, 921600, 750000, 460800, 115200, 57600, 38400, 19200, 9600, 7200, 4800, 2400, 2000, 1800, 1200, 600, 300, 150, or 75. |

**Examples** TRIGGER:A:RS232:BAUD 2000 sets the RS232 triggering baud rate to 2000.  
 TRIGGER:A:RS232:BAUD? might return :TRIGGER:A:RS232:BAUD 1800, indicating that the RS232 triggering baud rate is set to 1800.

## TRIGger:A:RS232:DATA:LEVel

DPO7000 Series only: This command sets or queries the threshold for the RS232 data source.

**Group** Low Speed Serial Trigger

**Syntax** TRIGger:A:RS232:DATA:LEVel <NR3>  
 TRIGger:A:RS232:DATA:LEVel?

**Arguments** <NR3> specifies the threshold level with a range of  $\pm 5.0$ .

**Examples** TRIGGER:A:RS232:DATA:LEVEL 0.0 sets the threshold for the RS232 data source to 0.0.  
 TRIGGER:A:RS232:DATA:LEVEL? might return :TRIGGER:A:RS232:DATA:LEVEL 5.0, indicating that the threshold for the RS232 data source is set to 5.0.

## TRIGger:A:RS232:DATA:SOURce

DPO7000 Series only: This command sets or queries the RS232 data source.

**Group** Low Speed Serial Trigger

**Syntax** TRIGger:A:RS232:DATA:SOURce CH<x>  
 TRIGger:A:RS232:DATA:SOURce?

**Arguments** CH<x> specifies the RS232 data source. X can be 1, 2, 3, or 4.

**Examples** TRIGGER:A:RS232:DATA:SOURCE CH2 sets the RS232 data source to channel CH2.  
 TRIGGER:A:RS232:DATA:SOURCE? might return :TRIGGER:A:RS232:DATA:SOURCE CH1, indicating that the RS232 data source is set to channel CH1.

## TRIGger:A:RS232:DATA:VALue

DPO7000 Series only: This command sets or queries the binary data string used for RS232 triggering.

**Group** Low Speed Serial Trigger

**Syntax** TRIGger:A:RS232:DATA:VALue <String>  
TRIGger:A:RS232:DATA:VALue?

**Arguments** <NR3> specifies the RS232 data value. The value can be up to 8 bits.

**Examples** TRIGGER:A:RS232:DATA:VALUE "1011" sets the RS232 triggering data value to 1011.

TRIGGER:A:RS232:DATA:VALUE? might return  
:TRIGGER:A:RS232:DATA:VALUE 10111, indicating that the RS232 data value is set to 10111.

## TRIGger:A:RS232:FORMat

DPO7000 Series only: This command sets or queries the display format for the RS232 data value.

**Group** Low Speed Serial Trigger

**Syntax** TRIGger:A:RS232:FORMat {BINary|HEX}  
TRIGger:A:RS232:FORMat?

**Arguments** BINary specifies binary for the display format.  
HEX specifies hexadecimal for the display format.

**Examples** TRIGGER:A:RS232:FORMAT HEX sets the display format for the RS232 data to hexadecimal.

TRIGGER:A:RS232:FORMAT? might return  
:TRIGGER:A:RS232:DATA:FORMAT BINARY, indicating that the display format for the RS232 data is set to binary.

## TRIGger:A:RS232:PARity

DPO7000 Series only: This command sets or queries the state of the RS232 parity bit.

**Group** Low Speed Serial Trigger

**Syntax** TRIGger:A:RS232:PARity {NONE|EVEN|ODD}  
TRIGger:A:RS232:PARity?

**Arguments** NONE specifies no parity.  
EVEN specifies even RS232 parity.  
ODD specifies odd RS232 parity.

**Examples** TRIGGER:A:RS232:PARITY EVEN sets the RS232 parity to even.  
TRIGGER:A:RS232:PARITY ? might return :TRIGGER:A:RS232:PARITY  
ODD, indicating that the RS232 parity is set to odd.

## TRIGger:A:SERIAL:BITRate

This command sets or queries the clock/data bit rate. Changing the bit rate causes the standard to become “custom”. It remains “custom” until another standard is chosen.

**Group** Low Speed Serial Trigger

**Syntax** TRIGger:A:SERIAL:BITRate <NR3>  
TRIGger:A:SERIAL:BITRate?

**Arguments** <NR3> This is the series bit rate and is expressed in bits per second. The range is 1.5e6 to 1.25e9.

**Examples** TRIGGER:A:SERIAL:BITRATE 51.8400E+6 sets the bit rate to 51.84  
Mbits/second.  
TRIGGER:A:SERIAL:BITRATE? might return :TRIGGER:A:SERIAL:BITRATE  
51.8400E+6, indicating that the bit rate is set to 51.84 Mbits/second.

## TRIGger:A:SERIAL:CLOCK:LEVEL

This command sets or queries the serial trigger clock level.

**Group** Low Speed Serial Trigger

**Syntax** TRIGger:A:SERIAL:CLOCK:LEVEL <NR3>  
TRIGger:A:SERIAL:CLOCK:LEVEL?

**Arguments** <NR3> is a value in the range of 9.9E37 and is expressed in volts.

**Examples** TRIGGER:A:SERIAL:CLOCK:LEVEL 0.0 sets the clock level to 0 V.  
TRIGGER:A:SERIAL:CLOCK:LEVEL? might return  
:TRIGGER:A:SERIAL:CLOCK:LEVEL 51.8400E+6, indicating that the  
32.0000E-3 indicating that the serial trigger clock level is set to 51.84E6 volts.



## TRIGger:A:SERIAL:CLOCK:POLarity

This command sets or queries the serial clock polarity.

**Group** Low Speed Serial Trigger

**Syntax** TRIGger:A:SERIAL:CLOCK:POLarity {RISe|FALL}  
TRIGger:A:SERIAL:CLOCK:POLarity?

**Arguments** RISe specifies to trigger on the rising or positive edge of a signal.  
FALL specifies to trigger on the falling or negative edge of a signal.

**Examples** TRIGGER:A:SERIAL:CLOCK:POLARITY RISE sets the clock polarity to rise.  
TRIGGER:A:SERIAL:CLOCK:POLARITY? might return  
:TRIGGER:A:SERIAL:CLOCK:POLARITY FALL, indicating that the  
clock polarity is set to fall.

## TRIGger:A:SERIAL:CLOCK:SOURce

This command sets or queries the serial data source channel.

**Group** Low Speed Serial Trigger

**Syntax** TRIGger:A:SERIAL:CLOCK:SOURce {CH1|CH2|CH3|CH4|RECOVERed}  
TRIGger:A:SERIAL:CLOCK:SOURce?

**Arguments** CH1-4 specifies one of the input channels.  
RECOVERED specifies clock polarity and level are extracted from the serial data stream and other clock parameters are ignored.

**Examples** TRIGGER:A:SERIAL:CLOCK:SOURCE CH1 sets the serial source channel to CH1.  
TRIGGER:A:SERIAL:CLOCK:SOURCE? might return :TRIGGER:A:SERIAL:CLOCK:SOURCE CH3, indicating that the serial source channel is set to CH3.

## TRIGger:A:SERIAL:CODE

This command sets or queries the signal code.

**Group** Low Speed Serial Trigger

**Syntax** TRIGger:A:SERIAL:CODE {NRZ|S8B10B}  
TRIGger:A:SERIAL:CODE?

**Arguments** NRZ sets the code to NRZ.  
S8B10B sets the code to S8B0B.

**Examples** TRIGGER:A:SERIAL:CODE NRZ sets the signal code to NRZ.  
TRIGGER:A:SERIAL:CODE? might return :TRIGGER:A:SERIAL:CODE S8B10B, indicating that the signal code is set to S8B0B.

## TRIGger:A:SERIAL:DATA:FORMat

This command sets or queries how the Pattern string is formatted.

|                  |                                                                                                                                                                                                                                                                                                                                                                                                                             |
|------------------|-----------------------------------------------------------------------------------------------------------------------------------------------------------------------------------------------------------------------------------------------------------------------------------------------------------------------------------------------------------------------------------------------------------------------------|
| <b>Group</b>     | Low Speed Serial Trigger                                                                                                                                                                                                                                                                                                                                                                                                    |
| <b>Syntax</b>    | TRIGger:A:SERIAL:DATA:FORMat {BINary HEX}<br>TRIGger:A:SERIAL:DATA:FORMat?                                                                                                                                                                                                                                                                                                                                                  |
| <b>Arguments</b> | <p>BINary pattern symbols are: {'SPACE' 0 1 X} 'SPACE' is white space and can be included to make the 32 bit pattern easier to read when setting the pattern.</p> <p>HEX pattern symbols are used only with NRZ. They are: {' 0 1 2 3 4 5 6 7 8 9 A B C D E F X ?}' Hex 'X' represents the bit pattern 'XXXX'. Hex '?' represents any other binary bit pattern which doesn't have a hex representation, such as '00X1'.</p> |
| <b>Examples</b>  | <p>TRIGGER:A:SERIAL:DATA:FORMAT BINARY sets the Pattern string to a binary format.</p> <p>TRIGGER:A:SERIAL:DATA:FORMAT? might return<br/>:TRIGGER:A:SERIAL:CODE HEX, indicating that the Pattern string is set to a hexadecimal format.</p>                                                                                                                                                                                 |

## TRIGger:A:SERIAL:DATA:PATtern

This command sets or queries the data pattern to allow up to 32 bit serial patterns.

|                         |                                                                                                                              |
|-------------------------|------------------------------------------------------------------------------------------------------------------------------|
| <b>Group</b>            | Low Speed Serial Trigger                                                                                                     |
| <b>Syntax</b>           | TRIGger:A:SERIAL:DATA:PATtern <string><br>TRIGger:A:SERIAL:DATA:PATtern?                                                     |
| <b>Related Commands</b> | <p><a href="#">TRIGger:A:SERIAL:DATA:PATtern:NRZ</a></p> <p><a href="#">TRIGger:A:SERIAL:DATA:PATtern:S8B10B</a></p>         |
| <b>Arguments</b>        | STRING specifies the serial pattern to trigger on. The default value is "01", such that there are up to 64 characters total. |

**Examples** If one sets the data format to binary with a `TRIGGER:A:SERIAL:DATA:FORMAT` command, as follows: `TRIGGER:A:SERIAL:DATA:FORMAT BIN` then the following query: `TRIGGER:A:SERIAL:DATA:PATTERN?` might return the following characters: `1101XXXX10` :

If one next sets the data format to hexadecimal with the `TRIGGER:A:SERIAL:DATA:FORMAT` commands as follows: `TRIGGER:A:SERIAL:DATA:FORMAT HEX` then the following query: `TRIGGER:A:SERIAL:DATA:PATTERN?` might return the following characters: `3??` Showing, in this case, 3 followed by two “?”. Each hex character has replaced four binary characters. The hex “??” has replaced the binary “01XXXX10”. The “?” was used because “01XX” and “XX10” don’t have an exact hex representations.

If one sends: `TRIGGER:A:SERIAL:DATA:PATTERN “XXXX XXXa”` this will set the pattern to eight hex digits. The space in the middle only serves to make the pattern easier to read.

Now, if one sends the following query: `TRIGGER:A:SERIAL:DATA:PATTERN?` this might return: `XXXXXXXXA` showing the effect of the pattern sent in example 3. The cosmetic space from example 3 is not returned.

Finally, one could change the data format back to binary with the `TRIGGER:A:SERIAL:DATA:FORMAT` command, as follows: `TRIGGER:A:SERIAL:DATA:FORMAT BIN` then one could query the instrument using the pattern command, as follows: `TRIGGER:A:SERIAL:DATA:PATTERN?` This could return: `XXXXXXXXXXXXXXXXXXXXXXXXXXXXXXXX1010` showing the response due to the binary format. Four binary characters “1010” now replace the hex character “A”.

## TRIGGER:A:SERIAL:DATA:PATTERN:NRZ

This command sets or queries the data pattern to allow up to 32 bit serial patterns.

**Group** Low Speed Serial Trigger

**Syntax** `TRIGGER:A:SERIAL:DATA:PATTERN:NRZ <string>`  
`TRIGGER:A:SERIAL:DATA:PATTERN:NRZ?`

**Related Commands** [TRIGGER:A:SERIAL:DATA:PATTERN](#)  
[TRIGGER:A:SERIAL:DATA:PATTERN:S8B10B](#)

**Arguments** `STRING` specifies the serial pattern to trigger on. The default value is “01”, such that there are up to 64 characters total.

**Examples** If one sets the data format to binary with a `TRIGGER:A:SERIAL:DATA:FORMAT` command, as follows: `TRIGGER:A:SERIAL:DATA:FORMAT BIN` then the following query: `TRIGGER:A:SERIAL:DATA:PATTERN:NRZ?` might return the following characters: `1101XXXX10` :

If one next sets the data format to hexadecimal with the `TRIGGER:A:SERIAL:DATA:FORMAT` commands as follows: `TRIGGER:A:SERIAL:DATA:FORMAT HEX` then the following query: `TRIGGER:A:SERIAL:DATA:PATTERN:NRZ?` might return the following characters: `3??` Showing, in this case, 3 followed by two “?”. Each hex character has replaced four binary characters. The hex “?” has replaced the binary “01XXXX10”. The “?” was used because “01XX” and “XX10” don’t have an exact hex representations.

If one sends: `TRIGGER:A:SERIAL:DATA:PATTERN:NRZ “XXXX XXXa”` this will set the pattern to eight hex digits. The space in the middle only serves to make the pattern easier to read.

Now, if one sends the following query: `TRIGGER:A:SERIAL:DATA:PATTERN:NRZ?` this might return: `XXXXXXXXA` showing the effect of the pattern sent in example 3. The cosmetic space from example 3 is not returned.

Finally, one could change the data format back to binary with the `TRIGGER:A:SERIAL:DATA:FORMAT` command, as follows: `TRIGGER:A:SERIAL:DATA:FORMAT BIN` then one could query the instrument using the pattern command, as follows: `TRIGGER:A:SERIAL:DATA:PATTERN:NRZ?` This could return: `XXXXXXXXXXXXXXXXXXXXXXXXXXXX1010` showing the response due to the binary format. Four binary characters “1010” now replace the hex character “A”.

## TRIGGER:A:SERIAL:DATA:PATTERN:S8B10B

This command sets or queries the data pattern to allow up to 32 bit serial patterns.

**Group** Low Speed Serial Trigger

**Syntax** `TRIGGER:A:SERIAL:DATA:PATTERN:S8B10B <string>`  
`TRIGGER:A:SERIAL:DATA:PATTERN:S8B10B?`

**Related Commands** [TRIGGER:A:SERIAL:DATA:PATTERN](#)  
[TRIGGER:A:SERIAL:DATA:PATTERN:NRZ](#)

**Arguments** `STRING` specifies the serial pattern to trigger on. The default value is “0011111010”, such that there are up to 64 characters total.

**Examples** If one sets the data format to binary with a `TRIGGER:A:SERIAL:DATA:FORMAT` command, as follows: `TRIGGER:A:SERIAL:DATA:FORMAT BIN` then the following query: `TRIGGER:A:SERIAL:DATA:PATTERN:S8B10B?` might return the following characters: `1101XXXX10` :

If one next sets the data format to hexadecimal with the `TRIGGER:A:SERIAL:DATA:FORMAT` commands as follows: `TRIGGER:A:SERIAL:DATA:FORMAT HEX` then the following query: `TRIGGER:A:SERIAL:DATA:PATTERN:S8B10B?` might return the following characters: `3??` Showing, in this case, 3 followed by two “?”. Each hex character has replaced four binary characters. The hex “??” has replaced the binary `01XXXX10`. The “?” was used because `01XX` and `XX10` don’t have an exact hex representations.

If one sends: `TRIGGER:A:SERIAL:DATA:PATTERN:S8B10B “xxxx xxxa”` this will set the pattern to eight hex digits. The space in the middle only serves to make the pattern easier to read.

Now, if one sends the following query: `TRIGGER:A:SERIAL:DATA:PATTERN:S8B10B?` this might return: `xxxxxxxa` showing the effect of the pattern sent in example 3. The cosmetic space from example 3 is not returned.

Finally, one could change the data format back to binary with the `TRIGGER:A:SERIAL:DATA:FORMAT` command, as follows: `TRIGGER:A:SERIAL:DATA:FORMAT BIN` then one could query the instrument using the pattern command, as follows: `TRIGGER:A:SERIAL:DATA:PATTERN:S8B10B?` This could return: `xxxxxxxxxxxxxxxxxxxxxxxxxxxxxxxx1010` showing the response due to the binary format. Four binary characters `“1010”` now replace the hex character `“A”`.

## TRIGger:A:SERIAL:LOCKLen

This command sets or queries the length in bits of the repeating bit pattern for pattern lock trigger.

**Group** Low Speed Serial Trigger

**Syntax** `TRIGger:A:SERIAL:LOCKLen <NR1>`  
`TRIGger:A:SERIAL:LOCKLen?`

**Arguments** `<NR1>` specifies the length in bits. The valid values are 1 to 2147483647.

**Examples** `TRIGGER:A:SERIAL:LOCKLEN2640` sets the repeating bit pattern length to 2640 bits.

TRIGGER:A:SERIAL:LOCKLEN? might return :TRIGGER:A:SERIAL:LOCKLEN 10000, indicating that the Pattern string is set to a 10000 bits.

## TRIGger:A:SERIAL:LOCKOffset

This command sets or queries the current bit offset into the pattern lock trigger bit pattern.

**Group** Low Speed Serial Trigger

**Syntax** TRIGger:A:SERIAL:LOCKOffset <NR1>  
TRIGger:A:SERIAL:LOCKOffset?

**Arguments** <NR1> specifies the bit offset. The valid values are 1 to 2147483646.

**Examples** TRIGGER:A:SERIAL:LOCKOFFSET 10 sets the current bit offset to 10 bits.  
TRIGGER:A:SERIAL:LOCKOFFSET? might return :TRIGGER:A:SERIAL:LOCKOFFSET 20, indicating that the current bit offset is set to a 20 bits.

## TRIGger:A:SERIAL:SOUrce

This command sets or queries the serial data source channel.

**Group** Low Speed Serial Trigger

**Syntax** TRIGger:A:SERIAL:SOUrce {CH1|CH2|CH3|CH4}  
TRIGger:A:SERIAL:SOUrce?

**Arguments** CH1-4 specifies one of the input channels.

**Examples** TRIGGER:A:SERIAL:SOURCE CH1 sets the serial data source channel to CH1.  
TRIGGER:A:SERIAL:SOURCE? might return :TRIGGER:A:SERIAL:SOURCE CH4, indicating that the serial data source channel is set to CH4.

## TRIGger:A:SERIAL:STANdard

This command sets or queries the standard that identifies the code and bit rate.

**Group** Low Speed Serial Trigger

**Syntax** TRIGger:A:SERIAL:STANdard  
 {FC133|FC266|FC531|FC1063|D1|D2|VIDEO270|VIDEO360|OC1|OC3|  
 OC12|ENET1250|FW1394BS400B|FW1394BS800B|CUSTOm|ENET100FX|  
 RIO\_500M|RIO\_750M|RIO\_1G|RIO\_SERIAL\_1G|VSROC192|ENETXAUI|  
 SAS3\_?|PCIExpress|INFINIBAND|RIO\_SERIAL\_2G|RIO\_SERIAL\_3G|  
 FC2125|RIO\_2G|FW1394BS1600B|SAS1\_5|ENETXAUI|ENETXAUI2|  
 FC2125|FC4250|FW1394BS1600B|INFINIBAND|PCIExpress|PCIExpress2|  
 RIO\_2G|RIO\_500M|RIO\_750M|RIO\_SERIAL\_1G|RIO\_SERIAL\_2\_5G|  
 RIO\_SERIAL\_3G|SAS6\_0|SATA1\_5|SATA3\_0|SATA6\_0}  
 TRIGger:A:SERIAL:STANdard?

### Related Commands

**Arguments** All of the standards may not be available on every instrument.

CUSTOm: NRZ, 155.5 Mb/s

ENET100FX: MLT3, 100 Mb/s

ENET1250: NRZ, 3.125 Gb/s

ENETXAUI: NRZ, 1.25 Gb/s

ENETXAUI2: NRZ, 6.25 Gb/s

FC133: NRZ, 132.8 Mb/s

FC266: NRZ, 265.6 Mb/s

FC2125: NRZ, 2.125 Gb/s

FC4250: NRZ, 4.25 Gb/s

FC531: NRZ, 531.2 Mb/s

FC1063: NRZ, 1.063 Gb/s

FW1394BS400B: NRZ, 491.5 Mb/s

FW1394BS1600B: NRZ, 1.966 Gb/s

FW1394BS800B: NRZ, 983.0 Mb/s

INFINIBAND: NRZ, 2.5 Gb/s

OC1: NRZ, 51.84 Mb/s

OC3: NRZ, 155.5 Mb/s



OC12: NRZ, 622.1 Mb/s

PCIExpress: NRZ, 2.5 Gb/s

PCIExpress2: NRZ, 5.0 Gb/s

RIO\_2G: NRZ, 2.0Gb/s

RIO\_500M: NRZ, 500 Mb/s, triggers RIO\_DRV500, RIO\_EDRV500M, and RIO\_RCV500, 500Mb/s

RIO\_750M: NRZ, 750 Mb/s, triggers RIO\_DRV750, RIO\_EDRV750M, and RIO\_RCV750, 750Mb/s

RIO\_1G: NRZ, 1.0 Gb/s, triggers RIO\_1G

RIO\_SERIAL\_1G: NRZ, 1.25 Gb/s, triggers RIO\_Serial\_1G

RIO\_SERIAL\_2\_5G: NRZ, 2.5 Gb/s, triggers RIO\_Serial\_1G

RIO\_SERIAL\_3G: NRZ, 3.0 Gb/s, triggers RIO\_Serial\_1G

SAS6\_0: NRZ, SAS6\_0

SATA1\_5: NRZ, 1.5 Gb/s

SATA3\_0: NRZ, 3.0 Gb/s

SATA6\_0: NRZ, 6.0 Gb/s

VSROC192: NRZ, 1.2441 Gb/s, triggers VSR OC192/STM64

**Examples** TRIGGER:A:SERIAL:STANDARD OC1 sets the standard that identifies the code and bit rate to NRZ, 51.84 Mb/s.

TRIGGER:A:SERIAL:STANDARD? might return  
:TRIGGER:A:SERIAL:STANDARD CUSTOM, indicating that the standard that identifies the code and bit rate is set to NRZ, 155.5 Mb/s.

## TRIGger:A:SERIAL:TRIGgeron

This command sets or queries the trigger on a designated arbitrary bit pattern or lock on a repeating pattern of known length.

**Group** Low Speed Serial Trigger

**Syntax** TRIGger:A:SERIAL:TRIGgeron {PATtern|LOCK}  
TRIGger:A:SERIAL:TRIGgeron?

|                  |                                                                                                                                                                                                                                             |
|------------------|---------------------------------------------------------------------------------------------------------------------------------------------------------------------------------------------------------------------------------------------|
| <b>Arguments</b> | PATtern specifies the trigger on a designated arbitrary bit pattern.<br>LOCK specifies the trigger locks a repeating pattern of known length.                                                                                               |
| <b>Examples</b>  | TRIGGER:A:SERIAL:TRIGGERON PATTERN sets trigger on a designated arbitrary bit pattern.<br>TRIGGER:A:SERIAL:TRIGGERON? might return :TRIGGER:A:SERIAL:TRIGGERON LOCK, indicating that the trigger locks a repeating pattern of known length. |

## TRIGger:A:SPI:CONDition

DPO7000 Series only: This command sets or queries the trigger condition for SPI triggering.

|                  |                                                                                                                                                                                                        |
|------------------|--------------------------------------------------------------------------------------------------------------------------------------------------------------------------------------------------------|
| <b>Group</b>     | Low Speed Serial Trigger                                                                                                                                                                               |
| <b>Syntax</b>    | TRIGger:A:SPI:CONDition {MISO MOSI MISOMOSI}<br>TRIGger:A:SPI:CONDition?                                                                                                                               |
| <b>Arguments</b> | MISO specifies the MISO condition for SPI triggering.<br>MOSI specifies the MISI condition for SPI triggering.<br>MISOMOSI specifies either the MISO or MISI condition for SPI triggering.             |
| <b>Examples</b>  | TRIGGER:A:SPI:CONDITION MOSI sets the SPI trigger condition to MOSI.<br>TRIGGER:A:SPI:CONDITION? might return :TRIGGER:A:SPI:CONDITION MISI, indicating that the SPI trigger condition is set to MISI. |

## TRIGger:A:SPI:DATA:MISO:ACTIVE

DPO7000 Series only: This command sets or queries the SPI MISO polarity.

|               |                                                                              |
|---------------|------------------------------------------------------------------------------|
| <b>Group</b>  | Low Speed Serial Trigger                                                     |
| <b>Syntax</b> | TRIGger:A:SPI:DATA:MISO:ACTIVE {HIGH LOW}<br>TRIGger:A:SPI:DATA:MISO:ACTIVE? |

|                  |                                                                                                                                                                                                                           |
|------------------|---------------------------------------------------------------------------------------------------------------------------------------------------------------------------------------------------------------------------|
| <b>Arguments</b> | HIGH specifies HIGH polarity.<br>LOW specifies LOW polarity.                                                                                                                                                              |
| <b>Examples</b>  | TRIGGER:A:SPI:DATA:MISO:ACTIVE HIGH sets the SPI trigger MISO polarity to high.<br>TRIGGER:A:SPI:DATA:MISO:ACTIVE? might return :TRIGGER:A:SPI:DATA:MISO:ACTIVE LOW, indicating that the SPI MISO polarity is set to low. |

## TRIGger:A:SPI:DATA:MISO:LEVEL

DPO7000 Series only: This command sets or queries the threshold for the SPI MISO data source.

|                  |                                                                                                                                                                                                                                                                |
|------------------|----------------------------------------------------------------------------------------------------------------------------------------------------------------------------------------------------------------------------------------------------------------|
| <b>Group</b>     | Low Speed Serial Trigger                                                                                                                                                                                                                                       |
| <b>Syntax</b>    | TRIGger:A:SPI:DATA:MISO:LEVEL <NR3><br>TRIGger:A:SPI:DATA:MISO:LEVEL?                                                                                                                                                                                          |
| <b>Arguments</b> | <NR3> specifies the threshold for the SPI trigger MISO data source. The range is $\pm 5.0$ .                                                                                                                                                                   |
| <b>Examples</b>  | TRIGGER:A:SPI:DATA:MISO:LEVEL 0.0 sets the threshold for the SPI trigger MISO data source to 0.0.<br>TRIGGER:A:SPI:DATA:MISO:LEVEL? might return :TRIGGER:A:SPI:DATA:MISO:LEVEL 5.0, indicating that the threshold for the SPI MISO data source is set to 5.0. |

## TRIGger:A:SPI:DATA:MISO:SOURce

DPO7000 Series only: This command sets or queries the MISO data source for the SPI trigger.

|               |                                                                         |
|---------------|-------------------------------------------------------------------------|
| <b>Group</b>  | Low Speed Serial Trigger                                                |
| <b>Syntax</b> | TRIGger:A:SPI:DATA:MISO:SOURce CH<x><br>TRIGger:A:SPI:DATA:MISO:SOURce? |

**Arguments** CH<x> specifies the source for the SPI trigger MISO data source. X can be 1, 2, 3, or 4.

**Examples** TRIGGER:A:SPI:DATA:MISO:SOURCE CH2 sets the SPI trigger MISO data source to channel CH2.

TRIGGER:A:SPI:DATA:MISO:SOURCE? might return  
:TRIGGER:A:SPI:DATA:MISO:SOURCE CH1, indicating that the SPI trigger MISO data source is set to CH1.

## TRIGger:A:SPI:DATA:MISO:VALue

DPO7000 Series only: This command sets or queries the binary data string used for the SPI trigger if the trigger condition is set to MISO or MISOMOSI.

**Group** Low Speed Serial Trigger

**Syntax** TRIGger:A:SPI:DATA:MISO:VALue <String>  
TRIGger:A:SPI:DATA:MISO:VALue?

**Arguments** String specifies the binary data string for the SPI data. You can specify up to 32 bits.

**Examples** TRIGGER:A:SPI:DATA:MISO:VALUE "1011" sets the binary data string used for the SPI trigger to 1011.

TRIGGER:A:SPI:DATA:MISO:VALUE? might return  
:TRIGGER:A:SPI:DATA:MISO:VALUE 10111, indicating that the binary data string used for the SPI trigger is set to 10111.

## TRIGger:A:SPI:DATA:MOSI:ACTIVE

DPO7000 Series only: This command sets or queries the SPI MOSI polarity.

**Group** Low Speed Serial Trigger

**Syntax** TRIGger:A:SPI:DATA:MOSI:ACTIVE {HIGH|LOW}  
TRIGger:A:SPI:DATA:MOSI:ACTIVE?

|                  |                                                                                                                                                                                                                                  |
|------------------|----------------------------------------------------------------------------------------------------------------------------------------------------------------------------------------------------------------------------------|
| <b>Arguments</b> | HIGH specifies HIGH polarity.<br>LOW specifies LOW polarity.                                                                                                                                                                     |
| <b>Examples</b>  | TRIGGER:A:SPI:DATA:MOSI:ACTIVE HIGH sets the SPI trigger MOSI polarity to HIGH.<br><br>TRIGGER:A:SPI:DATA:MISO:ACTIVE? might return<br>:TRIGGER:A:SPI:DATA:MISO:ACTIVE LOW, indicating that the SPI MOSI polarity is set to LOW. |

## TRIGger:A:SPI:DATA:MOSI:LEVel

DPO7000 Series only: This command sets or queries the threshold for the SPI MOSI data source.

|                  |                                                                                                                                                                                                                                                                       |
|------------------|-----------------------------------------------------------------------------------------------------------------------------------------------------------------------------------------------------------------------------------------------------------------------|
| <b>Group</b>     | Low Speed Serial Trigger                                                                                                                                                                                                                                              |
| <b>Syntax</b>    | TRIGger:A:SPI:DATA:MOSI:LEVel <NR3><br>TRIGger:A:SPI:DATA:MOSI:LEVel?                                                                                                                                                                                                 |
| <b>Arguments</b> | <NR3> specifies the threshold for the SPI trigger MOSI data source. The range is $\pm 5.0$ .                                                                                                                                                                          |
| <b>Examples</b>  | TRIGGER:A:SPI:DATA:MOSI:LEVEL 0.0 sets the threshold for the SPI trigger MOSI data source to 0.0.<br><br>TRIGGER:A:SPI:DATA:MISO:LEVEL? might return<br>:TRIGGER:A:SPI:DATA:MISO:LEVEL 5.0, indicating that the threshold for the SPI MOSI data source is set to 5.0. |

## TRIGger:A:SPI:DATA:MOSI:SOURce

DPO7000 Series only: This command sets or queries the MOSI data source for the SPI trigger.

|               |                                                                         |
|---------------|-------------------------------------------------------------------------|
| <b>Group</b>  | Low Speed Serial Trigger                                                |
| <b>Syntax</b> | TRIGger:A:SPI:DATA:MOSI:SOURce CH<x><br>TRIGger:A:SPI:DATA:MOSI:SOURce? |

**Arguments** CH<x> specifies the source for the SPI trigger MOSI data source. X can be 1, 2, 3, or 4.

**Examples** TRIGGER:A:SPI:DATA:MOSI:SOURCE CH2 sets the SPI trigger MOSI data source to channel CH2.

TRIGGER:A:SPI:DATA:MOSI:SOURCE? might return  
:TRIGGER:A:SPI:DATA:MOSI:SOURCE CH1, indicating that the SPI trigger MOSI data source is set to channel CH1.

## TRIGger:A:SPI:DATA:MOSI:VALue

DPO7000 Series only: This command sets or queries the binary data string used for the SPI trigger if the trigger condition is set to MOSI or MISOMOSI.

**Group** Low Speed Serial Trigger

**Syntax** TRIGger:A:SPI:DATA:MOSI:VALue <String>  
TRIGger:A:SPI:DATA:MOSI:VALue?

**Arguments** String specifies the binary data string for the SPI data. You can specify up to 32 bits.

**Examples** TRIGGER:A:SPI:DATA:MOSI:VALUE "1011" sets the binary data string used for the SPI trigger to 1011.

TRIGGER:A:SPI:DATA:MOSI:VALUE? might return  
:TRIGGER:A:SPI:DATA:MOSI:VALUE 10111, indicating that the binary data string used for the SPI trigger is set to 10111.

## TRIGger:A:SPI:DATA:START

DPO7000 Series only: This command sets or queries the nth data byte on the data source after the signal on the enable slave source switches to the polarity specified by the Slave Select Polarity. The instrument triggers if the pattern Matches beginning at this point.

**Group** Low Speed Serial Trigger

**Syntax** TRIGger:A:SPI:DATA:START <NR3>  
TRIGger:A:SPI:DATA:START?

**Arguments** <NR3> specifies the SPI start byte data. The data can range from 0 to  $2^{16}-1$ .

**Examples** TRIGGER:A:SPI:DATA:START 0 sets the SPI trigger data start to 0.  
 TRIGGER:A:SPI:DATA:START? might return :TRIGGER:A:SPI:DATA:START 1, indicating that the SPI trigger data is set to 1.

## TRIGger:A:SPI:FORMat

DPO7000 Series only: This command sets or queries the SPI trigger data format.

**Group** Low Speed Serial Trigger

**Syntax** TRIGger:A:SPI:FORMat {BINary|HEX}  
 TRIGger:A:SPI:FORMat?

**Arguments** BINary specifies a binary data format.  
 HEX specifies a hexadecimal data format.

**Examples** TRIGGER:A:SPI:FORMAT BINARY sets the SPI trigger data format to BINARY.  
 TRIGGER:A:SPI:FORMAT? might return :TRIGGER:A:SPI:FORMAT 1, indicating that the SPI trigger data format is set to HEX.

## TRIGger:A:SPI:SCLK:ACTIVE

DPO7000 Series only: This command sets or queries the SPI SCLK polarity.

**Group** Low Speed Serial Trigger

**Syntax** TRIGger:A:SPI:SCLK:ACTIVE {RISe|FALL}  
 TRIGger:A:SPI:SCLK:ACTIVE?

**Arguments** RISe specifies rising clock polarity.  
 FALL specifies falling clock polarity.

**Examples** TRIGGER:A:SPI:SCLK:ACTIVE FALL sets the SPI SCLK polarity to fall.  
TRIGGER:A:SPI:SCLK:ACTIVE? might return  
:TRIGGER:A:SPI:SCLK:ACTIVE FALL, indicating that the SPI SCLK polarity  
is set to FALL.

## TRIGger:A:SPI:SCLK:LEVel

DPO7000 Series only: This command sets or queries the threshold for the SPI trigger SCLK.

**Group** Low Speed Serial Trigger

**Syntax** TRIGger:A:SPI:SCLK:LEVel <NR3>  
TRIGger:A:SPI:SCLK:LEVel?

**Arguments** <NR3> specifies the SPI trigger SCLK threshold.

**Examples** TRIGGER:A:SPI:SCLK:LEVEL 0.0 sets the SPI SCLK threshold to 0.0.  
TRIGGER:A:SPI:SCLK:LEVEL? might return :TRIGGER:A:SPI:SCLK:LEVEL  
5.0, indicating that the SPI SCLK threshold is set to 5.0.

## TRIGger:A:SPI:SCLK:SOURce

DPO7000 Series only: This command sets or queries the SPI SCLK source.

**Group** Low Speed Serial Trigger

**Syntax** TRIGger:A:SPI:SCLK:SOURce CH<x>  
TRIGger:A:SPI:SCLK:SOURce?

**Arguments** CH<x> specifies the SPI SCLK source. X can be 1, 2, 3, or 4.

**Examples** TRIGGER:A:SPI:SCLK:SOURCE CH2 sets the SPI SCLK trigger source to  
channel CH2.  
TRIGGER:A:SPI:SCLK:SOURCE? might return  
:TRIGGER:A:SPI:SCLK:SOURCE CH4, indicating that the SPI SCLK trigger  
source is set to channel CH4.



## TRIGger:A:SPI:SS:ACTIVE

DPO7000 Series only: This command sets or queries the SPI trigger Slave Select (SS) polarity.

|                  |                                                                                                                                                                                                          |
|------------------|----------------------------------------------------------------------------------------------------------------------------------------------------------------------------------------------------------|
| <b>Group</b>     | Low Speed Serial Trigger                                                                                                                                                                                 |
| <b>Syntax</b>    | TRIGger:A:SPI:SS:ACTIVE {HIGH LOW}<br>TRIGger:A:SPI:SS:ACTIVE?                                                                                                                                           |
| <b>Arguments</b> | HIGH specifies HIGH for SS polarity.<br>LOW specifies LOW for SS polarity.                                                                                                                               |
| <b>Examples</b>  | TRIGGER:A:SPI:SS:ACTIVE HIGH sets the SPI trigger SS polarity to HIGH.<br>TRIGGER:A:SPI:SS:ACTIVE? might return :TRIGGER:A:SPI:SS:ACTIVE LOW, indicating that the SPI trigger SS polarity is set to LOW. |

## TRIGger:A:SPI:SS:LEVEL

DPO7000 Series only: This command sets or queries the threshold for the SPI trigger Slave Select (SS) signal.

|                  |                                                                                                                                                                                                                                      |
|------------------|--------------------------------------------------------------------------------------------------------------------------------------------------------------------------------------------------------------------------------------|
| <b>Group</b>     | Low Speed Serial Trigger                                                                                                                                                                                                             |
| <b>Syntax</b>    | TRIGger:A:SPI:SS:LEVEL <NR3><br>TRIGger:A:SPI:SS:LEVEL?                                                                                                                                                                              |
| <b>Arguments</b> | <NR3> specifies the threshold for the SPI trigger SS line. The threshold range is $\pm 5.0$ .                                                                                                                                        |
| <b>Examples</b>  | TRIGGER:A:SPI:SS:LEVEL 0.0 sets the threshold level for the SPI trigger SS to 0.0.<br>TRIGGER:A:SPI:SS:LEVEL? might return :TRIGGER:A:SPI:SS:LEVEL 5.0000, indicating that the threshold level for the SPI trigger SS is set to 5.0. |

## TRIGger:A:SPI:SS:SOURce

DPO7000 Series only: This command sets or queries the SPI trigger Slave Select (SS) source.

**Group** Low Speed Serial Trigger

**Syntax** TRIGger:A:SPI:SS:SOURce CH<x>  
TRIGger:A:SPI:SS:SOURce?

**Arguments** CH<x> specifies the source for the SPI SS signal. X can be 1, 2, 3, or 4.

**Examples** TRIGGER:A:SPI:SS:SOURCE CH2 sets the SPI trigger Slave Select (SS) source to channel CH2.

TRIGGER:A:SPI:SS:SOURCE? might return :TRIGGER:A:SPI:SS:SOURCE CH1, indicating that the SPI trigger Slave Select (SS) source is set to channel CH1.

## TRIGger:A:TYPE

This command sets or queries the type of trigger. Logic and Pulse triggers contain classes. Logic triggers consist of State and Pattern classes; Pulse triggers consist of Glitch, Runt, Width, Transition, Timeout, and Window classes. Once you have set the trigger type, you may also need to identify the associated trigger class. For details on selecting Logic and Pulse trigger classes, see [TRIGger:{A|B}:LOGic:CLAss](#) and [TRIGger:{A|B}:PULse:CLAss](#) respectively. This command is similar to selecting Event Trigger Setup from the Trig menu and then selecting the desired Trigger Type.

Some trigger types are not available on some instruments.

**Group** Trigger

**Syntax** TRIGger:A:TYPE {EDGE|LOGic|PULse|VIDeo|I2C|CAN|SPI|COMMunication|SERIAL|RS232}  
TRIGger:A:TYPE?

**Related Commands** [TRIGger:{A|B}:EDGE?](#), [TRIGger:{A|B}:LOGic:CLAss](#), [TRIGger:{A|B}:PULse:CLAss](#)

- Arguments**
- EDGE** is a normal trigger. A trigger event occurs when a signal passes through a specified voltage level in a specified direction and is controlled by the TRIGger:A:EDGE commands.
  - LOGIC** specifies that a trigger occurs when specified conditions are met and is controlled by the TRIGger:A:LOGIC commands.
  - PULSE** specifies that a trigger occurs when a specified pulse is found and is controlled by the TRIGger:A:PULSE commands.
  - VIDEO** specifies that the trigger occurs when a video signal is found. Requires an instrument with video hardware.
  - I2C** specifies that a trigger occurs when an Inter-IC Control signal is found.
  - CAN** specifies that a trigger occurs when a Controller Area Network frame signal is found.
  - SPI** specifies that a trigger occurs when a Serial Peripheral Interface signal is found.
  - COMMunication** (Option MTM) specifies that a trigger occurs when a communications signal is found. Supports AMI, HDB3, B3ZS, B6ZS, B8ZS, CMI, MLT3, Manchester, and NRZ encoded communications signals. COMMunication is available only if Option MTM is installed.
  - SERIAL** specifies that a trigger occurs when NRZ-encoded data is found, providing a 32-bit serial word. This argument is available with instruments with Option PTM.
  - RS232** takes a signal on a data source and allows you to trigger on data within the RS232 bitstream. The data is only one byte wide.

- Examples**
- TRIGGER:A:TYPE EDGE sets the A trigger type to EDGE.
  - TRIGGER:A:TYPE? might return :TRIGGER:A:TYPE PULSE indicating that the A trigger type is a pulse trigger.

## TRIGger:A:VIDeo? (Query Only)

DPO7000 Series only: This query-only command returns the A trigger video parameters.

**Group** Trigger

**Syntax** TRIGger:A:VIDeo?

**Examples** TRIGGER:A:VIDEO? might return :TRIGGER:A:VIDEO:CUSTOM:FORMAT INTERLACED; SCAN RATE1; :TRIGGER:A:VIDEO:FIELD ALLFIELDS; HOLDOFF:FIELD 1.0000;TIME 20.0000E-3; :TRIGGER:A:VIDEO:LINE 1;SCAN RATE1; SOURCE CH1;STANDARD NTSC.

## TRIGger:A:VIDeo:CUSTom? (Query Only)

DPO7000 Series only: This query-only command returns the A trigger custom video parameters.

**Group** Trigger

**Syntax** TRIGger:A:VIDeo:CUSTom?

**Examples** TRIGGER:A:VIDEO:CUSTOM? might return the parameters :TRIGGER:A:VIDEO:CUSTOM:FORMAT INTERLACED; SCAN RATE1.

## TRIGger:A:VIDeo:CUSTom:FORMat

DPO7000 Series only: This command sets or queries the video trigger format. Use this command only when the video format is set to custom.

**Group** Trigger

**Syntax** TRIGger:A:VIDeo:CUSTom:FORMat {INTERLAcEd|PROGressive}  
TRIGger:A:VIDeo:CUSTom:FORMat?

**Arguments** INTERLAcEd argument sets the format for interlaced video lines.  
PROGressive argument sets the format for progressive video lines.

**Examples** TRIGGER:A:VIDEO:CUSTOM:FORMAT PROGRESSIVE sets the custom format for the A video trigger to progressive lines.

TRIGGER:A:VIDEO:CUSTOM:FORMAT? might return :TRIGGER:A:VIDEO:CUSTOM:FORMAT INTERLACED, indicating that interlaced is selected as the custom format for the A video trigger.

## TRIGger:A:VIDeo:CUSTom:LINEPeriod

DPO7000 Series only: This command sets or queries the period horizontal line scan. Use this command only when the video format is set to Bilevel or Trilevel. This is equivalent to selecting Video Setup from the Trig menu, setting Bilevel or Trilevel for Format, and setting the Line Period.

|                  |                                                                                                                                                                                                                                                       |
|------------------|-------------------------------------------------------------------------------------------------------------------------------------------------------------------------------------------------------------------------------------------------------|
| <b>Group</b>     | Trigger                                                                                                                                                                                                                                               |
| <b>Syntax</b>    | TRIGger:A:VIDeo:CUSTom:LINEPeriod <NR3><br>TRIGger:A:VIDeo:CUSTom:LINEPeriod?                                                                                                                                                                         |
| <b>Arguments</b> | <NR3> is the time for each horizontal scan line.                                                                                                                                                                                                      |
| <b>Examples</b>  | TRIGGER:A:VIDEO:CUSTOM:LINEPERIOD 63.6E-6 sets the custom line period to 63.6 microseconds.<br><br>TRIGGER:A:VIDEO:CUSTOM:LINEPERIOD? might return TRIGGER:A:VIDEO:CUSTOM:LINEPERIOD 63.6000E-6 indicating the line period is set to 63 microseconds. |

## TRIGger:A:VIDeo:CUSTom:SYNCInterval

DPO7000 Series only: This command sets or queries the horizontal line scan rate of the A video trigger. Use this command only when the video format is set to Bilevel. This is equivalent to selecting Video Setup from the Trig menu, setting Bilevel for Format, and setting the sync interval.

|                  |                                                                                                                                                                                                                                                                     |
|------------------|---------------------------------------------------------------------------------------------------------------------------------------------------------------------------------------------------------------------------------------------------------------------|
| <b>Group</b>     | Trigger                                                                                                                                                                                                                                                             |
| <b>Syntax</b>    | TRIGger:A:VIDeo:CUSTom:SYNCInterval <NR3><br>TRIGger:A:VIDeo:CUSTom:SYNCInterval?                                                                                                                                                                                   |
| <b>Arguments</b> | <NR3> is the sync interval for the Bilevel format.                                                                                                                                                                                                                  |
| <b>Examples</b>  | TRIGGER:A:VIDEO:CUSTOM:SYNCINTERVAL 4.7E-6 sets the sync interval to 4.7 microseconds.<br><br>TRIGGER:A:VIDEO:CUSTOM:SYNCINTERVAL? might return TRIGGER:A:VIDEO:CUSTOM:SYNCINTERVAL 4.7000E-6, indicating that the custom sync interval is set to 4.7 microseconds. |

## TRIGger:A:VIDeo:FIELD

DPO7000 Series only: This command sets or queries the video field or line that the trigger detects.

**Group** Trigger

**Syntax** TRIGger:A:VIDeo:FIELD  
 {ODD|EVEN|FIELD1|FIELD2|ALLFields|ALLLines|NUMERIC}  
 TRIGger:A:VIDeo:FIELD?

**Arguments** ODD argument sets the instrument to trigger on interlaced video odd fields.  
 EVEN argument sets the instrument to trigger on interlaced video even fields.  
 FIELD1 argument sets the instrument to trigger on interlaced video odd fields (same as ODD).  
 FIELD2 argument sets the instrument to trigger on interlaced video even fields (same as EVEN).  
 ALLFields argument sets the instrument to trigger on all fields.  
 ALLLines argument sets the instrument to trigger on all video lines.  
 NUMERIC argument sets the instrument to trigger on the video signal line specified by the TRIGger:A:VIDeo:LINE command.

**Examples** TRIGGER:A:VIDEO:FIELD EVEN sets the A video trigger so that it will trigger on even fields.  
 TRIGGER:A:VIDEO:FIELD? might return :TRIGGER:A:VIDEO:FIELD ALLFIELDS, indicating that the A video will trigger on all video fields.

## TRIGger:A:VIDeo:HOLdoff:FIELD

DPO7000 Series only: This command sets or queries the video trigger holdoff in terms of video fields.

**Group** Trigger

**Syntax** TRIGger:A:VIDeo:HOLdoff:FIELD <NR3>  
 TRIGger:A:VIDeo:HOLdoff:FIELD?

**Arguments** <NR3> argument is a real number from 0.0 to 8.5 in increments of 0.5. The argument sets the number of fields that the instrument waits before rearming the video trigger.

**Examples** TRIGGER:A:VIDEO:HOLDOFF:FIELD 4.5 sets the instrument to wait 4.5 video fields before rearming the trigger.

TRIGGER:A:VIDEO:HOLDOFF:FIELD? might return  
:TRIGGER:A:VIDEO:HOLDOFF:FIELD 5, indicating that the instrument is set to wait 5 video fields before rearming the trigger.

## TRIGger:A:VIDeo:LINE

DPO7000 Series only: This command sets or queries the video line number on which the instrument triggers. This command is equivalent to selecting Video Setup from the Trig menu, selecting Line # in the Trigger on box, and setting the line number. Use the [TRIGger:A:VIDeo:FIELD](#) command to actually trigger the instrument on the line that you specify with this command.

**Group** Trigger

**Syntax** TRIGger:A:VIDeo:LINE <NR1>  
TRIGger:A:VIDeo:LINE?

**Related Commands** [TRIGger:A:VIDeo:FIELD](#)

**Arguments** <NR1> argument is an integer that sets the video line number on which the instrument triggers. The following table lists the valid choices, depending on the active video standard.

**Table 2-20: Video Line Numbering Ranges**

| Video Standard | Line Number Range              |
|----------------|--------------------------------|
| CUSTOM         | 4–3000                         |
| NTSC           | 1–263 (odd) and 264–525 (even) |
| PAL            | 1–625                          |
| SECAM          | 1–625                          |
| HD480P60       | 1–520                          |
| HD720P60       | 1–750                          |
| HD1080150      | 1–1125                         |
| HD1080160      | 1–1125                         |
| HD1080P24      | 1–1125                         |

**Table 2-20: Video Line Numbering Ranges (cont.)**

| Video Standard | Line Number Range |
|----------------|-------------------|
| HD1080P25      | 1–1125            |
| HD1080SF24     | 1–1125            |

**Examples** TRIGGER:A:VIDEO:LINE 23 sets the instrument to trigger on the line 23.  
 TRIGGER:A:VIDEO:LINE? might return :TRIGGER:A:VIDEO:LINE 10, indicating that the instrument is set to trigger on line 10.

## TRIGger:A:VIDeo:POLarity

DPO7000 Series only: This command sets or queries the polarity of the A video trigger.

**Group** Trigger

**Syntax** TRIGger:A:VIDeo:POLarity {INVERTed|NORMa1}  
 TRIGger:A:VIDeo:POLarity?

**Arguments** INVERTed argument sets the instrument to trigger on a positive video sync pulse.  
 NORMa1 argument sets the instrument to trigger on a negative video sync pulse.

**Examples** TRIGGER:A:VIDEO:POLARITY NORMAL sets the instrument to trigger on a negative video pulse.  
 TRIGGER:A:VIDEO:POLARITY? might return :TRIGGER:A:VIDEO:POLARITY INVERTED, indicating that the instrument is set to trigger on a positive video sync pulse.

## TRIGger:A:VIDeo:SCAN

DPO7000 Series only: This command sets or queries the video trigger horizontal line scan rate. This command is for compatibility with earlier instruments. This command is the same as the command.

**Group** Trigger



|                  |                                                                                                                                                                                                                                                                                                                                                                                                                                                                                                             |
|------------------|-------------------------------------------------------------------------------------------------------------------------------------------------------------------------------------------------------------------------------------------------------------------------------------------------------------------------------------------------------------------------------------------------------------------------------------------------------------------------------------------------------------|
| <b>Syntax</b>    | TRIGger:A:VIDeo:SCAN {RATE1 RATE2 RATE3 RATE4 RATE5}<br>TRIGger:A:VIDeo:SCAN?                                                                                                                                                                                                                                                                                                                                                                                                                               |
| <b>Arguments</b> | <p>RATE1 argument sets the range of the video line scan rate to 15 kHz through 20 kHz. This is the standard broadcast rate.</p> <p>RATE2 argument sets the range of the video line scan rate to 20 kHz through 25 kHz.</p> <p>RATE3 argument sets the range of the video line scan rate to 25 kHz through 35 kHz.</p> <p>RATE4 argument sets the range of the video line scan rate to 35 kHz through 50 kHz.</p> <p>RATE5 argument sets the range of the video line scan rate to 50 kHz through 65 kHz.</p> |
| <b>Examples</b>  | <p>TRIGGER:A:VIDEO:SCAN RATE1 sets the scan rate of the A video trigger to Rate 1, which is 15 kHz to 20 kHz (standard broadcast rate).</p> <p>TRIGGER:A:VIDEO:SCAN? might return :TRIGGER:A:VIDEO:SCAN RATE2, indicating that the video line rate for the A trigger is set to Rate 2, which is 20 kHz to 23 kHz.</p>                                                                                                                                                                                       |

## TRIGger:A:VIDeo:SOUrce

DPO7000 Series only: This command sets or queries the source for the A video trigger. This command is equivalent to selecting Video Setup from the Trig menu and selecting a channel from the Source drop-down menu.

|                  |                                                                                                                                                                                                                                      |
|------------------|--------------------------------------------------------------------------------------------------------------------------------------------------------------------------------------------------------------------------------------|
| <b>Group</b>     | Trigger                                                                                                                                                                                                                              |
| <b>Syntax</b>    | TRIGger:A:VIDeo:SOUrce CH<x><br>TRIGger:A:VIDeo:SOUrce?                                                                                                                                                                              |
| <b>Arguments</b> | CH<x> argument specifies one of the input channels of the instrument as the A video trigger. The value of x ranges from 1 through 4.                                                                                                 |
| <b>Examples</b>  | <p>TRIGGER:A:VIDEO:SOURCE CH1 sets the source for A video trigger to Channel 1.</p> <p>TRIGGER:A:VIDEO:SOURCE? might return :TRIGGER:A:VIDEO:SOURCE CH2, indicating that the source for the A video trigger is set to Channel 2.</p> |

## TRIGger:A:VIDeo:STANdard

DPO7000 Series only: This command sets or queries the video standard.

**Group** Trigger

**Syntax** TRIGger:A:VIDeo:STANdard  
 {BILeve|custom|TRILeve|custom|NTSC|PAL|  
 SECAM|HD480P60|HD576P50|HD875I60|HD720P30|HD720P50|  
 HD720P60|HD1080I50|HD1080I60|HD1080P24|  
 HD1080P25|HD1080P30|HD1080P50|HD1080P60| HD1080SF24}  
 TRIGger:A:VIDeo:STANdard?

**Arguments**

**BILeve|custom** argument sets the instrument to use custom video parameters that you set with the [TRIGger:A:VIDeo:CUSTom:SYNcInterval](#) command.

**TRILeve|custom** argument sets the instrument to use custom video horizontal scan rate parameters that you set with the [TRIGger:A:VIDeo:CUSTom:LINEPeriod](#) command.

**NTSC** argument sets the instrument to trigger on video signals that meet the NTSC 525/60/2:1 standard (a line rate of 525 lines per frame and a field rate of 60 Hz).

**PAL** argument sets the instrument to trigger on video signals that meet the NTSC 625/50/2:1 standard (a line rate of 625 lines per frame and a field rate of 50 Hz).

**SECAM** argument sets the instrument to trigger on video signals that meet the SECAM standard.

**HD480P60** argument sets the instrument to trigger on the HDTV 480/60 progressive format.

**HD576P50** argument sets the instrument to trigger on the HDTV 576/50 progressive format.

**HD875I60** argument sets the instrument to trigger on the HDTV 875/60 format.

**HD720P30** argument sets the instrument to trigger on the HDTV 720/30 progressive format.

**HD720P50** argument sets the instrument to trigger on the HDTV 720/50 progressive format.

**HD720P60** argument sets the instrument to trigger on the HDTV 720/60 progressive format.

**HD1080I50** argument sets the instrument to trigger on HDTV 1080/50 interlaced format.

**HD1080I60** argument sets the instrument to trigger on HDTV 1080/60 interlaced format.

HD1080P24 argument sets the instrument to trigger on HDTV 1080/24 progressive format.

HD1080P25 argument sets the instrument to trigger on HDTV 1080/25 progressive format.

HD1080P30 argument sets the instrument to trigger on HDTV 1080/30 progressive format.

HD1080P50 argument sets the instrument to trigger on HDTV 1080/50 progressive format.

HD1080P60 argument sets the instrument to trigger on HDTV 1080/60 progressive format.

HD1080SF24 argument sets the instrument to trigger on HDTV 1080/24 segmented frame format.

### Examples

TRIGGER:A:VIDEO:STANDARD NTSC sets the instrument to trigger on NTSC-standard video signals.

TRIGGER:A:VIDEO:STANDARD? might return :TRIGGER:A:VIDEO:STANDARD NTSC, indicating that the standard for the A video trigger is set to NTSC.

## TRIGger:AUXLevel

This command sets or queries the auxiliary (Aux) level for the edge trigger. This command supersedes any other argument that sets the auxiliary trigger level.

**Group** Trigger

**Syntax** TRIGger:AUXLevel {<NR3>|ECL|TTL}  
TRIGger:AUXLevel?

**Related Commands** [TRIGger:{A|B}:EDGE:SLOpe](#), [TRIGger:{A|B}:EDGE:SOUrce](#)

**Arguments** <NR3> is the auxiliary level in volts.  
ECL specifies a preset ECL level.  
TTL specifies a preset TTL level.

**Examples** TRIGger:AUXLevel TTL This command sets the auxiliary level for the edge trigger to TTL.

TRIGger:AUXlevel? might return :TRIGGER:AUXLEVEL TTL, indicating that the auxiliary level for the edge trigger is set to TTL.

## TRIGger:B (No Query Form)

This command sets the B trigger level to 50% of minimum and maximum. The query form of this command returns the B trigger parameters. This command is similar to selecting B Event (Delayed) Trigger Setup from the Trig menu and then viewing the current setups.

**Group** Trigger

**Syntax** TRIGger:B SETLevel

**Related Commands** [TRIGger:A](#) [TRIGger:B:STATE](#)

**Arguments** SETLevel sets the B trigger level to 50% of MIN and MAX.

**Examples** TRIGGER:B SETLEVEL sets the B trigger level to 50% of MIN and MAX.

TRIGGER:B? might return the following B trigger parameters:  
:TRIGGER:B:STATE 0;TYPE EDGE; LEVEL -220.0000E-3;BY  
TIME;EDGE:SOURCE CH1;SLOPE RISE;COUPLING DC; :TRIGGER:B:TIME  
16.0000E-9;EVENTS:COUNT 2.

## TRIGger:B:BY

This command selects or returns whether the B trigger occurs after a specified number of events or a specified period of time after the A trigger. This is equivalent to selecting B Event (Delayed) Trigger Setup from the Trig menu, selecting the A →B Seq tab, and then choosing Trig After Time or Trig on nth event.

---

**NOTE.** *The traditional Runs After functionality is now served by the Horizontal Delay function. For details, see the [HORizontal\[:MAIn\]:DELay:MODE](#) and [HORizontal\[:MAIn\]:DELay:TIME](#) commands.*

---

**Group** Trigger

**Syntax** TRIGger:B:BY {EVENTS|TIME}  
TRIGger:B:BY?

**Related Commands** TRIGger:B:EVENTS:COUNT, TRIGger:B:TIME, HORizontal[:MAIn]:DELay:MODE, HORizontal[:MAIn]:DELay:TIME TRIGger:B:STATE

**Arguments** EVENTS sets the B trigger to take place following a set number of trigger events after the A trigger occurs. The number of events is specified by TRIGger:B:EVENTS:COUNT.

TIME sets the B trigger to occur a set time after the A trigger event. The time period is specified by TRIGger:B:TIME.

**Examples** TRIGGER:B:BY TIME sets the B trigger to occur at a set time after the A trigger event.

TRIGGER:B:BY? might return :TRIGGER:B:BY EVENTS, indicating that the B trigger takes place following a set number of trigger events after the A trigger occurs.

## TRIGger:B:EVENTS? (Query Only)

This query-only command returns the current B trigger events parameter. This command is equivalent to selecting B Event (Delayed) Trigger Setup from the Trig menu, selecting the A →B Seq tab, choosing Trig on nth event, and viewing the Trig Event setting.

**Group** Trigger

**Syntax** TRIGger:B:EVENTS?

**Related Commands** TRIGger:B:EVENTS:COUNT, TRIGger:B:STATE

**Examples** TRIGGER:B:EVENTS? might return :TRIGGER:B:EVENTS:COUNT 2, indicating that the two events must occur before the B trigger occurs.

## TRIGger:B:EVENTS:COUNT

This command sets or queries the number of events that must occur before the B trigger (when TRIG:DELay:BY is set to EVENTS). This command is equivalent

to selecting B Event (Delayed) Trigger Setup from the Trig menu, selecting the A →B Seq tab, choosing Trig on nth event, and setting the desired Trig Event value.

|                         |                                                                                                                                                                                                                                        |
|-------------------------|----------------------------------------------------------------------------------------------------------------------------------------------------------------------------------------------------------------------------------------|
| <b>Group</b>            | Trigger                                                                                                                                                                                                                                |
| <b>Syntax</b>           | TRIGger:B:EVENTS:COUNT <NR1><br>TRIGger:B:EVENTS:COUNT?                                                                                                                                                                                |
| <b>Related Commands</b> | <a href="#">TRIGger:B:EVENTS?</a> , <a href="#">TRIGger:B:STATE</a>                                                                                                                                                                    |
| <b>Arguments</b>        | <NR1> is the number of B trigger events, which can range from 1 to 10,000,000.                                                                                                                                                         |
| <b>Examples</b>         | TRIGGER:B:EVENTS:COUNT 4 sets the number of B trigger events to four.<br><br>TRIGGER:B:EVENTS:COUNT? might return :TRIGGER:B:EVENTS:COUNT 2, indicating that two events must occur after the A trigger before the B trigger can occur. |

## TRIGger:B:PULse:WINDow:POLarity

This command sets or queries the pulse trigger window polarity of the selected trigger Source. The instrument triggers when the signal exits the window. This command is available only when the Window Event is set to Inside > t and not available for the rest of the window events. The logic selection is available only when the polarity is set to Either.

|                  |                                                                                                                                               |
|------------------|-----------------------------------------------------------------------------------------------------------------------------------------------|
| <b>Group</b>     | Trigger                                                                                                                                       |
| <b>Syntax</b>    | TRIGger:B:PULse:WINDow:POLarity {EITHer NEGATive POSITIVe}<br>TRIGger:B:PULse:WINDow:POLarity?                                                |
| <b>Arguments</b> | EITHer specifies positive or negative polarity.<br><br>NEGATive specifies a negative polarity.<br><br>POSITIVe specifies a positive polarity. |
| <b>Examples</b>  | TRIGGER:B:PULSE:WINDOW:POLARITY POSITIVE sets the window polarity to positive.                                                                |

TRIGGER:B:PULSE:WINDOW:POLARITY? might return  
:TRIGGER:B:PULSE:WINDOW:POLARITY NEGATIVE, indicating that  
the window polarity is set to negative.

## TRIGger:B:PULse:WINDow:POLArity:CH<x>

This command sets or queries the pulse trigger window polarity of the specified channel. The oscilloscope triggers only when the signal exits the window. This command is available only when the Window Event is set to Inside > t and not available for the rest of the window events. The logic selection is available only when the polarity is set to Either. <x> is the search number or channel number.

|                  |                                                                                                                                                                                                                                                                   |
|------------------|-------------------------------------------------------------------------------------------------------------------------------------------------------------------------------------------------------------------------------------------------------------------|
| <b>Group</b>     | Trigger                                                                                                                                                                                                                                                           |
| <b>Syntax</b>    | TRIGger:B:PULse:WINDow:POLArity:CH<x><br>{EITHer NEGAtive POSITIVe}<br>TRIGger:B:PULse:WINDow:POLArity:CH<x>?                                                                                                                                                     |
| <b>Arguments</b> | EITHer specifies positive or negative polarity.<br>NEGAtive specifies a negative polarity.<br>POSITIVe specifies a positive polarity.                                                                                                                             |
| <b>Examples</b>  | TRIGger:B:PULse:WINDow:POLArity:CH<x> POSITIVe sets the window<br>polarity to positive.<br><br>TRIGger:B:PULse:WINDow:POLArity:CH<x>? might return<br>:TRIGger:B:PULse:WINDow:POLArity:CH<x> NEGAtive, indicating that<br>the window polarity is set to negative. |

## TRIGger:B:RESEt:SOUrce

This command sets or queries the trigger source for the A→B sequential trigger reset feature, except for the Timeout trigger type.

|                         |                                                                     |
|-------------------------|---------------------------------------------------------------------|
| <b>Group</b>            | Trigger                                                             |
| <b>Syntax</b>           | TRIGger:B:RESEt:SOUrce {CH<x> AUXiliary}<br>TRIGger:B:RESEt:SOUrce? |
| <b>Related Commands</b> | TRIGger:B:RESEt:TYPe, TRIGger:B:RESEt:THReShold                     |

**Arguments** CH<x> specifies one of the input channels as the reset source. Input channels are specified by x.

AUXiliary specifies an external trigger (using the Auxiliary Trigger Input connector) as the reset source.

**Examples** TRIGGER:B:RESET:SOURCE CH4 sets Channel 4 as the input source for the trigger reset.

TRIGGER:B:RESET:SOURCE? might return :TRIGGER:B:RESET:SOURCE CH1, indicating that the current input source for the trigger reset is Channel 1.

## TRIGger:B:RESET:STATE

This command sets or queries the trigger reset state for the A→B sequential State trigger reset feature.

**Group** Trigger

**Syntax** TRIGger:B:RESET:STATE {HIGH|LOW}  
TRIGger:B:RESET:STATE?

**Related Commands** [TRIGger:B:RESET:TYPE](#), [TRIGger:B:RESET:SOURce](#), [TRIGger:B:RESET:THReshold](#)

**Arguments** HIGH sets the condition for the state sequential trigger reset to high.

LOW sets the condition for the state sequential trigger reset to low.

**Examples** TRIGGER:B:RESET:STATE LOW sets the condition for the state sequential trigger reset to Low.

TRIGGER:B:RESET:STATE? might return :TRIGGER:B:RESET:STATE HIGH, indicating that High is the condition for the state sequential trigger reset.

## TRIGger:B:RESET:THReshold

This command sets or queries the trigger threshold for the A→B sequential trigger reset, except for the Timeout reset type.

**Group** Trigger



**Syntax** TRIGger:B:RESET:THReshoId {ECL|TTL|<NR3>}  
TRIGger:B:RESET:THReshoId?

**Related Commands** [TRIGger:B:RESET:STATE](#)

**Arguments** ECL sets the reset threshold to ECL voltage levels.  
TTL sets the reset threshold to TTL voltage levels.  
<NR3> sets the reset threshold in volts.

**Examples** TRIGGER:B:RESET:THRESHOLD TTL sets the trigger reset threshold level to TTL.  
TRIGGER:B:RESET:THRESHOLD? might return :TRIGGER:B:RESET:THRESHOLD TTL, indicating that the trigger reset threshold level is set to TTL.

## TRIGger:B:RESET:TIMEOut

This command sets or queries the reset timer for a sequential timeout trigger reset. For example, if the timeout is set to 1 s, this additional reset time begins following an A trigger event and runs sequentially with any B Trigger Delay. If a B trigger event is not found before it expires, the instrument begins looking for a new A event trigger sequence.

**Group** Trigger

**Syntax** TRIGger:B:RESET:TIMEOut <NR3>  
TRIGger:B:RESET:TIMEOut?

**Related Commands** [TRIGger:B:RESET:TYPE](#)

**Arguments** <NR3> specifies the reset time.

**Examples** TRIGGER:B:RESET:TIMEOUT 1.0E-6 sets the trigger reset timeout to 1 s.  
TRIGGER:B:RESET:TIMEOUT? might return :TRIGGER:B:RESET:TIMEOUT 2.0000E-09, indicating that the trigger reset timeout is 2 ns.

## TRIGger:B:RESET:TRANSition

This command sets or queries the type of threshold required for a Transition trigger reset.

**Group** Trigger

**Syntax** TRIGger:B:RESET:TRANSition {RISe|FALL}  
TRIGger:B:RESET:TRANSition?

**Related Commands** [TRIGger:B:RESET:SOUrce](#), [TRIGger:B:RESET:THReShold](#), [TRIGger:B:RESET:TYPe](#)

**Arguments** RISe indicates that a reset occurs when the trigger rises above the threshold level.  
FALL indicates that a reset occurs when the trigger falls below the threshold level.

**Examples** TRIGGER:B:RESET:TRANSITION RISE allows the reset to occur if the trigger rises above the threshold level.  
  
TRIGGER:B:RESET:TRANSITION? might return  
:TRIGGER:B:RESET:TRANSITION FALL, indicating that the reset will occur if the trigger falls below the threshold level.

## TRIGger:B:RESET:TYPe

This command sets or queries the type of A→B sequential trigger reset. If the B trigger reset is active, the reset criteria are part of the B triggering sequence. If the reset conditions defined by the reset type are not met, the instrument must start over searching for a new occurrence of the A event.

You must identify a trigger Source and Threshold for each reset type, except for the Timeout trigger type.

---

**NOTE.** *If a reset condition occurs, the reset criteria itself is reset and must start over.*

---

**Group** Trigger

**Syntax** TRIGger:B:RESET:TYPe {NONE|TIMEOut|STATE|TRANSition}  
TRIGger:B:RESET:TYPe?

**Arguments** NONE defeats the trigger reset feature.

TIMEOUT initiates a reset if the timeout conditions specified by TRIGGER:B:RESET:TIMEOUT are met.

STATE initiates a reset if the state conditions specified by TRIGGER: B:RESET:SOURCE, TRIGGER:B:RESET:STATE, and TRIGGER:B:RESET:THRESHOLD are met.

TRANSITION initiates a reset if the transition conditions specified by TRIGGER:B:RESET:SOURCE, TRIGGER:B:RESET:TRANSITION, and TRIGGER:B:RESET:THRESHOLD are met.

**Examples** TRIGGER:B:RESET:TYPE NONE deactivates the sequential trigger reset.

TRIGGER:B:RESET:TYPE? This query might return :TRIGGER:B:RESET:TYPE TIMEOUT, indicating that the sequential trigger reset is active following a timeout.

## TRIGGER:B:STATE

This command sets or queries the state of B trigger activity. If the B trigger state is on, the B trigger is part of the triggering sequence. If the B trigger state is off, then only the A trigger causes the trigger event.

**Group** Trigger

**Syntax** TRIGGER:B:STATE {ON|OFF|<NR1>}  
TRIGGER:B:STATE?

**Related Commands** [TRIGGER:A:MODE](#)

**Arguments** ON indicates that the B trigger is active and causes trigger events in conjunction with the A trigger.

OFF indicates that only the A trigger causes trigger events.

<NR1>

A 0 turns off the B trigger; any other value activates the B trigger.

**Examples** TRIGGER:B:STATE ON sets the B trigger to active, making it capable of causing trigger events.

TRIGGER:B:STATE? might return :TRIGGER:B:STATE 0, indicating that the B trigger is inactive and that only the A trigger causes trigger events.

## TRIGger:B:TIME

This command sets or queries B trigger delay time. The B Trigger time applies only if TRIGger:B:BY is set to TIME. This command is equivalent to selecting B Event (Delayed) Trigger Setup from the Trig menu, choosing the A@B Seq tab, and setting Trig Delay.

**Group** Trigger

**Syntax** TRIGger:B:TIME <NR3>  
TRIGger:B:TIME?

**Related Commands** [TRIGger:B:BY](#), [TRIGger:B:EVENTS:COUNt](#) [TRIGger:B:STATE](#)

**Arguments** <NR3> is the B trigger delay time in seconds.

**Examples** TRIGGER:B:TIME 4E-6 sets the B trigger delay time to 4  $\mu$ s.

TRIGGER:B:TIME? might return :TRIGGER:B:TIME 16.0000E-9, indicating that the B trigger time is set to 16 ns.

## TRIGger:B:TYPe

This command sets or queries the type of B trigger. This command is equivalent to selecting B Event (Delayed) Trigger Setup from the Trig menu and choosing Edge.

**Group** Trigger

**Syntax** TRIGger:B:TYPe {EDGE|PULse|LOGIC}  
TRIGger:B:TYPe?

**Related Commands** [TRIGger:A:TYPe](#) [TRIGger:B:STATE](#)

**Arguments** EDGE sets the B trigger type to edge.

PULse specifies that a trigger occurs when a specified pulse is found and is controlled by the TRIGger:B:PULse commands.

LOGIC specifies that a trigger occurs when specified conditions are met and is controlled by the TRIGger:B:LOGIC commands.

**Examples** TRIGGER:B:TYPE EDGE sets the B trigger type to edge.  
 TRIGGER:B:TYPE? might return :TRIGGER:B:TYPE EDGE, indicating that the B trigger type is set to EDGE.

## TRIGger:ENHanced

This command sets or queries the state of trigger position enhancement. When on, the instrument improves the trigger positioning to more closely match the acquired data. This is equivalent to selecting Enhanced Triggering from the Trigger Mode menu.

**Group** Trigger

**Syntax** TRIGger:ENHanced {<NR1>|OFF|ON}  
 TRIGger:ENHanced?

**Arguments** <NR1> = 0 disables trigger position enhancement, any other value enables trigger position enhancement.

OFF disables trigger position enhancement.

ON enables trigger position enhancement.

**Examples** TRIGGER:ENHANCED ON enables trigger position enhancement.  
 TRIGGER:ENHANCED? might return :TRIGGER:ENHANCED 0, indicating that trigger position enhancement is disabled.

## TRIGger:LVLSrcpreference

This command sets or queries the dependent source/level trigger feature. SRCIndependent is the default value.

**Group** Trigger

**Syntax** TRIGger:LVLSrcpreference {SRCDependent|SRCIndependent}  
 TRIGger:LVLSrcpreference?

**Related Commands** [TRIGger:{A|B}:LEVel:CH<x>](#),

- Arguments** SRCDEPENDENT sets the level of all trigger sources to the value you currently select, regardless of the last value selected.
- SRCINDEPENDENT sets each trigger source to the level you are currently selecting.
- Examples** TRIGGER:LVLsrcPREFERENCE SRCINDEPENDENT allows you to set the level of each source to the value you are currently selecting.
- TRIGGER:LVLsrcPREFERENCE? might return :TRIGGER:LVLsrcPREFERENCE SRCDEPENDENT, indicating that the level of all sources changes to the value you currently select.

## TRIGger:MULTiscope

This command sets or returns the state of MultiScope triggering, either ENABLE or DISABLE.

- Group** TekLink
- Syntax** TRIGger:MULTiscope {DISABLE|ENABLE}  
TRIGger:MULTiscope?
- Arguments** DISABLE sets the MultiScope triggering state to disabled.
- ENABLE sets the MultiScope triggering state to enabled.
- Examples** TRIGGER:MULTISCOPE ENABLE allows you to use the MultiScope triggering.
- TRIGGER:MULTISCOPE? might return :TRIGGER:MULTISCOPE DISABLE, indicating that the MultiScope triggering is disabled.

## TRIGger:MULTiscope:ALIGN (No Query Form)

This command starts the TekLink trigger alignment procedure on all oscilloscopes which are participating in MultiScope triggering. For this command to have any effect, the instrument must be participating in MultiScope triggering. Other instruments on the TekLink network are not affected.

- Group** TekLink
- Syntax** TRIGger:MULTiscope:ALIGN

**Examples** TRIGGER:MULTISCOPE:ALIGN starts the TekLink trigger alignment procedure on all the oscilloscopes that are participating in MultiScope triggering.

## TRIGger:MULTiscope:ALIGN:COMPLETED? (Query Only)

This command returns whether the oscilloscope has successfully completed the MultiScope trigger align procedure.

**Group** TekLink

**Syntax** TRIGger:MULTiscope:ALIGN:COMPLETED?

**Returns** TRUE when the MultiScope trigger align procedure has successfully completed.  
FALSE when the MultiScope trigger align procedure fails.

**Examples** TRIGGER:MULTISCOPE:ALIGN:COMPLETED? might return  
:TRIGGER:MULTISCOPE:ALIGN:COMPLETED TRUE, indicating that the MultiScope trigger align procedure has successfully completed.

## TRIGger:MULTiscope:ALIGN:SETSTATE

This command causes the instrument to measure the round trip time between sending a trigger out the TekLink port and receiving the trigger pulse back from the port.

**Group** TekLink

**Syntax** TRIGger:MULTiscope:ALIGN:SETSTATE {START|STOP|WAIT|DONE}  
TRIGger:MULTiscope:ALIGN:SETSTATE?

**Related Commands** [TRIGger:MULTiscope:ALIGN:VALue?](#)

**Arguments** START begins calibration.  
STOP ends calibration.  
WAIT postpones calibration.  
DONE indicates that the calibration is complete.

- Examples** TRIGGER:MULTISCOPE:ALIGN:SETSTATE Start causes the instrument to measure the round trip time between sending a trigger out the TekLink port and receiving the trigger pulse back from the port.
- TRIGGER:MULTISCOPE:ALIGN:SETSTATE? might return  
:TRIGGER:MULTISCOPE:ALIGN:SETSTATE DONE, indicating that the calibration is complete.

## TRIGger:MULTIscope:ALIGN:DESKEW? (Query Only)

This command sets or queries the deskew time, in nanoseconds, for horizontal positioning of the waveform .

- Group** TekLink
- Syntax** TRIGger:MULTIscope:ALIGN:DESKEW?
- Examples** TRIGGER:MULTISCOPE:ALIGN:DESKEW? might return  
:TRIGGER:MULTISCOPE:ALIGN:DESKEW 2.50000E-9, indicating that the deskew time is 2.5 ns.

## TRIGger:MULTIscope:ALIGN:MRTTime

This command returns or sends the maximum round trip time to each of the instruments in a calibration cycle.

- Group** TekLink
- Syntax** TRIGger:MULTIscope:ALIGN:MRTTime  
TRIGger:MULTIscope:ALIGN:MRTTime?
- Examples** TRIGGER:MULTISCOPE:ALIGN:MRTTIME? might return  
:TRIGGER:MULTISCOPE:ALIGN:MRTTIME 20.000E-6, indicating that the round trip time is 20 us.

## TRIGger:MULTIscope:ALIGN:VALue? (Query Only)

This command returns the time interval result from the TRIGGER:MULTISCOPE:ALIGN command. Round trip time, trigger out to trigger in.



**Group** TekLink

**Syntax** TRIGger:MULTiScope:ALIGN:VALue?

**Examples** TRIGGER:MULTISCOPE:ALIGN:VALUE? might return :TRIGGER:MULTISCOPE:ALIGN:VALUE 33.000E-6, indicating that the round trip trigger time is 33  $\mu$ s.

## TRIGger:MULTiScope:DELAy? (Query Only)

This command queries the delay time, in nanoseconds, for trigger out of the TekLink trigger out line.

**Group** TekLink

**Syntax** TRIGger:MULTiScope:DELAy?

**Examples** TRIGGER:MULTISCOPE:DELAy? might return :TRIGGER:MULTISCOPE:DELAy 3.5000E-9, indicating that the set TekLink trigger delay time is 3.5 ns.

## TRIGger:MULTiScope:OPTion

This command sets or queries the trigger type for the TekLink trigger. This will cause the instrument to set the hub and all instruments participating to either AND or OR triggering.

**Group** TekLink

**Syntax** TRIGger:MULTiScope:OPTion {AND|OR}  
TRIGger:MULTiScope:OPTion?

**Arguments** AND sets the hub and all participating instruments to AND triggering.  
OR sets the hub and all participating instruments to OR triggering.

**Examples** TRIGGER:MULTISCOPE:OPTION OR sets the hub and all participating instruments are set to OR triggering.

TRIGGER:MULTISCOPE:OPTION? might return  
:TRIGGER:MULTISCOPE:OPTION AND, indicating that the hub and all  
participating instruments are set to AND triggering.

## TRIGger:MULTiScope:LOGic

This command sets or queries the TekLink trigger configuration when the TekLink network connection is HUB.

|                  |                                                                                                                                                                                                                                                                                    |
|------------------|------------------------------------------------------------------------------------------------------------------------------------------------------------------------------------------------------------------------------------------------------------------------------------|
| <b>Group</b>     | TekLink                                                                                                                                                                                                                                                                            |
| <b>Syntax</b>    | TRIGger:MULTiScope:LOGic {AND OR}<br>TRIGger:MULTiScope:LOGic?                                                                                                                                                                                                                     |
| <b>Arguments</b> | AND sets the hub and all participating instruments to AND triggering configuration.<br>OR sets the hub and all participating instruments to OR triggering configuration.                                                                                                           |
| <b>Examples</b>  | TRIGGER:MULTISCOPE:LOGIC AND sets the hub and all participating instruments to AND triggering configuration.<br><br>TRIGGER:MULTISCOPE:LOGIC? might return :TRIGGER:MULTISCOPE:LOGIC OR, indicating that the all participating instruments are set to OR triggering configuration. |

## TRIGger:MULTiScope:ROLe

This command sets or queries the role of the instrument in the MultiScope trigger network. PRODUCER means that the instrument will both contribute and use the MultiScope trigger. If there is no hub, this makes the local instrument the master. CONSUMER means that the trigger in from the MultiScope network is used (rather than an internal trigger). This applies to a network with or without a hub.

|                  |                                                                                                                                                |
|------------------|------------------------------------------------------------------------------------------------------------------------------------------------|
| <b>Group</b>     | TekLink                                                                                                                                        |
| <b>Syntax</b>    | TRIGger:MULTiScope:ROLe {PRODucer CONSUMER NONE}<br>TRIGger:MULTiScope:ROLe?                                                                   |
| <b>Arguments</b> | PRODucer sets the instrument to both contribute and use the MultiScope trigger.<br>CONSUMER sets the instrument to use the MultiScope trigger. |

NONE takes the instrument off the MultiScope trigger network.

- Examples** TRIGGER:MULTISCOPE:ROLE Producer sets the instrument to supply triggers to the MultiScope trigger network.
- TRIGGER:MULTISCOPE:ROLE? might return :TRIGGER:MULTISCOPE:ROLE CONSUMER, indicating that the instrument consumes triggers.

## TRIGger:SENSITivity

This command set or queries the state of trigger sensitivity. When on, the instrument calculates a rolling average for trigger position enhancement to suppress trigger jitter in noisy signals. This is equivalent to selecting Higher Sensitivity for Noisy Signals from the Trigger Mode menu. This is available only when [TRIGger:ENHanced](#) or the equivalent check box control is also on.

**Group** Trigger

**Syntax** TRIGger:SENSITivity {<NR1>|OFF|ON}  
TRIGger:SENSITivity?

**Related Commands** [TRIGger:ENHanced](#)

- Arguments** <NR1> = 0 disables rolling averaging, any other value enables rolling averaging for trigger position enhancement.
- OFF disables rolling averaging for trigger position enhancement.
- ON enables rolling averaging for trigger position enhancement.

- Examples** TRIGGER:SENSITIVITY ON enables the trigger sensitivity feature when [TRIGger:ENHanced](#) is enabled.
- TRIGGER:SENSITIVITY? might return :TRIGGER:SENSITIVITY 1, indicating theTRIGGER:SENSITIVITY feature is enabled.

## TRIGger:STATE? (Query Only)

This query-only command returns the current state of the triggering system. This command is equivalent to viewing the trigger status LEDs on the instrument front panel.

**Group** Trigger

**Syntax** TRIGger:STATE?

**Related Commands** [TRIGger:A:MODE](#)

**Returns** ARMED indicates that the instrument is acquiring pretrigger information.

AUTO indicates that the instrument is in the automatic mode and acquires data even in the absence of a trigger.

DPO indicates that the instrument is in DPO mode.

PARTIAL indicates that the A trigger has occurred and the instrument is waiting for the B trigger to occur.

READY indicates that all pretrigger information has been acquired and that the instrument is ready to accept a trigger.

SAVE indicates that the instrument is in save mode and is not acquiring data.

TRIGGER indicates that the instrument triggered and is acquiring the post trigger information.

**Examples** TRIGGER:STATE? might return :TRIGGER:STATE ARMED, indicating that the pretrigger data is being acquired.

## \*TST? (Query Only)

This query-only command tests (self-test) the GPIB interface and returns a 0.

**Group** Miscellaneous

**Syntax** \*TST?

**Examples** \*TST? always returns 0.

## UNLock (No Query Form)

This command (no query form) unlocks the front panel. The command is equivalent to LOCK NONE.

**NOTE.** *If the instrument is in the Remote With Lockout State (RWLS), the UNLock command has no effect. For more information, see the ANSI-IEEE Std 488.1-1987 Standard Digital Interface for Programmable Instrumentation, section 2.8.3 on RL State Descriptions.*

|                         |                                                                    |
|-------------------------|--------------------------------------------------------------------|
| <b>Group</b>            | Miscellaneous                                                      |
| <b>Syntax</b>           | UNLock ALL                                                         |
| <b>Related Commands</b> | <a href="#">LOCK</a>                                               |
| <b>Arguments</b>        | ALL specifies that all front panel buttons and knobs are unlocked. |
| <b>Examples</b>         | UNLOCK ALL unlocks all front panel buttons and knobs.              |

## VERBose

This command sets or queries the Verbose state that controls the length of keywords on query responses. Keywords can be both headers and arguments.

**NOTE.** *This command does not affect IEEE Std 488.2-1987 Common Commands (those starting with an asterisk). However, this command does make a corresponding change in the Response Header Enable State of the opposite interface (physical or virtual GPIB interface). Refer to Introduction for more information.*

|                         |                                                                                                                                                                                                                                                   |
|-------------------------|---------------------------------------------------------------------------------------------------------------------------------------------------------------------------------------------------------------------------------------------------|
| <b>Group</b>            | Miscellaneous                                                                                                                                                                                                                                     |
| <b>Syntax</b>           | VERBose {OFF ON <NR1>}                                                                                                                                                                                                                            |
| <b>Related Commands</b> | <a href="#">HEADer</a> , <a href="#">*LRN?</a> , <a href="#">SET?</a>                                                                                                                                                                             |
| <b>Arguments</b>        | <p>ON sets the Verbose state to true, which returns full-length keywords for applicable setting queries.</p> <p>OFF sets the Verbose state to false, which returns minimum-length keywords for applicable setting queries.</p> <p>&lt;NR1&gt;</p> |

A 0 returns minimum-length keywords for applicable setting queries; any other value returns full-length keywords.

**Examples** VERBOSE ON sets the Verbose state to true and return the full length keyword for the applicable setting queries.

VERBOSE? might return :VERBOSE OFF, indicating that the Verbose state is set to false and return the minimum-length keywords for the applicable setting queries.

## \*WAI (No Query Form)

The \*WAI (Wait) command (no query form) prevents the instrument from executing further commands or queries until all pending commands that generate an OPC message are complete. This command allows you to synchronize the operation of the instrument with your application program. For more information, refer to Synchronization Methods.

**Group** Status and Error

**Syntax** \*WAI

**Related Commands** [BUSY?](#), [\\*OPC](#)

**Examples** \*WAI prevents the instrument from executing any further commands or queries until all pending commands that generate an OPC message are complete.

## WAVFrm? (Query Only)

This query-only command returns WFMOutpre? and CURVe? data for the waveform as specified by the DATA:SOURce command. This command is equivalent to sending both WFMOutpre? and CURVe?, with the additional provision that the response to WAVFrm? is guaranteed to provide a synchronized preamble and curve.

**Group** Waveform Transfer

**Syntax** WAVFrm?

**Related Commands** [CURVe](#), [DATA:SOURce](#), [WFMOutpre?](#)

**Examples**    WAVFRM? might return the waveform data as: :WFMOUTPRE:BIT\_NR  
 8;BN\_FMT RI;BYT\_NR 1; BYT\_OR MSB;ENCDG ASC;NR\_PT  
 500;PT\_FMT Y; PT\_ORDER LINEAR;PT\_OFF 0;XINCR  
 400.0000E-12; XZERO 0.0000;XUNIT "s";YMULT 4.0000E-3; YOFF  
 0.0000;YZERO 0.0000;YUNIT "V"; WFID "Ch1,DC coupling,  
 100.0mV/div, 200.0ns/div, 5000 points,Samp1 mode";  
 :CURVE51,50,51,48,51,48,50,49,51,49,51,48,51,48,51,49,  
 50,49,50,48,49,49,52,49,49,50,50,48,50,49,49,  
 49,49,49,50,47,49,47,50,48,49,48,50,48,49,47,  
 49,48,51,48,49,47,50,48,50,47,51,47,49,48,48,  
 48,50,46,50,46,48,45,48,47,49,47,49,48,49,48,  
 49,45,49,47,48,46,48,48,49,45,49,45,47,46,46,  
 46,49,47,48,46,48,46,48,47,47,46,47,47,48,46,  
 48,45,48,46,47,46,47,47,46,45,46,45,47,47,47,  
 46,46,44,47,45,45,45,46,43,46,45,46,44,46,45,  
 48,45,45,44,46,45,46,45,45,45,45,43,45,44,46,  
 44,47,44,44,44,45,43,44,44,45,44,46,43,46,43,  
 45,44,45,44,45,41,44,43,45,42,44,43,44,43,44,  
 42,43,42,44,41,44,41,44,42,43,42,43,42,45,42,  
 43,41,42,41,43,42,44,42,43,42,43,40,42,40,42,  
 40,42,41,43,41,42,41,42,39,41,41,42,42,43,41,  
 42,39,41,39,41,40,41,40,41,39,41,38,41,39,41,  
 38,42,39,41,37,40,38,40,38,39,38,39,38,41,39,  
 39,38,40,37,38,37,38,38,39,38,40,36,39,37,39,  
 37,39,37,39,36,40,38,38,35,38,36,38,37,39,37,  
 38,37,38,37,37,36,38,35,38,36,37,36,38,36,38,  
 35,39,34,36,36,36,35,38,35,36,34,37,34,37,35,  
 37,36,37,35,37,35,36,34,36,33,36,35,36,34,36,  
 33,34,33,34,34,34,34,36,33,36,34,36,33,34,33,  
 34,32,34,32,34,33,33,31,33,32,34,32,33,32,32,  
 31,33,31,31,32,33,31,32,31,32,30,32,30,32,31,  
 31,30,31,30,31,29,31,29,32,31,31,30,30,29,30,  
 29,30,30,31,29,30,28,30,29,31,28,30,28,30,29,  
 29,27,29,28,29,27,30,27,30,26,28,28,29,27,28,  
 27,28,27,28,28,28,27,28,27,28,26,28,26,28,26,  
 26,25,27,25,28,27,28,26,25,25,26,25,25,25,25,  
 25,26,25,27,25,25,24,25,25,26,24,26,24,24,23,  
 25,24,24,22,25,23,24,23,24,22,24,22,23,22,25,  
 24,24,21,23,22,22,21,24,22,22,22,22,21,22,20,23,21,21,20.

## WAVFRMStream? (Query Only)

This query only command returns WFMOUTPRE? and CURVESTREAM? data for the waveforms specified by the DATASOURCE command. This command is similar to sending both WFMOUTPRE? and CURVESTREAM?, with the additional provision that

each CURVESTREAM response to WAVFRMS? has a WFMOUTPRE response prepended to it. This helps guarantee a continuous synchronized preamble and curve.

|                 |                                                                                                                                                                                                                                                                                                                                                                                                                                                                                                                                                                                                                                                                                                                                                                                                                                                                                                                                                                                                                                                                              |
|-----------------|------------------------------------------------------------------------------------------------------------------------------------------------------------------------------------------------------------------------------------------------------------------------------------------------------------------------------------------------------------------------------------------------------------------------------------------------------------------------------------------------------------------------------------------------------------------------------------------------------------------------------------------------------------------------------------------------------------------------------------------------------------------------------------------------------------------------------------------------------------------------------------------------------------------------------------------------------------------------------------------------------------------------------------------------------------------------------|
| <b>Group</b>    | Waveform Transfer                                                                                                                                                                                                                                                                                                                                                                                                                                                                                                                                                                                                                                                                                                                                                                                                                                                                                                                                                                                                                                                            |
| <b>Syntax</b>   | WAVFRMStream?                                                                                                                                                                                                                                                                                                                                                                                                                                                                                                                                                                                                                                                                                                                                                                                                                                                                                                                                                                                                                                                                |
| <b>Returns</b>  | WFMOUTPRE? and CURVESTREAM? query responses.                                                                                                                                                                                                                                                                                                                                                                                                                                                                                                                                                                                                                                                                                                                                                                                                                                                                                                                                                                                                                                 |
| <b>Examples</b> | <p>Single data source (1 channel, record length 1000). WAVFRMSTREAM? might return</p> <pre>:WFMOUTPRE &lt;WFMOUTPRE branch query&gt;;:CURVE #41000&lt;binary data&gt;;&lt;newline&gt; :WFMOUTPRE &lt;WFMOUTPRE branch query&gt;;:CURVE #41000&lt;binary data&gt;;&lt;newline&gt; . . .</pre> <p>Multiple data source (record length 1000). WAVFRMSTREAM? might return (wf&lt;x&gt; denotes one of each waveform source specified by :DATA:SOURCE WF1,WF2,WF3)</p> <pre>:WFMOUTPRE &lt;WF1 WFMOUTPRE branch query&gt;;:CURVE #41000&lt;binary data&gt;;&lt;newline&gt; :WFMOUTPRE &lt;WF2 WFMOUTPRE branch query&gt;;:CURVE #41000&lt;binary data&gt;;&lt;newline&gt; :WFMOUTPRE &lt;WF3 WFMOUTPRE branch query&gt;;:CURVE #41000&lt;binary data&gt;;&lt;newline&gt; :WFMOUTPRE &lt;WF1 WFMOUTPRE branch query&gt;;:CURVE #41000&lt;binary data&gt;;&lt;newline&gt; :WFMOUTPRE &lt;WF2 WFMOUTPRE branch query&gt;;:CURVE #41000&lt;binary data&gt;;&lt;newline&gt; :WFMOUTPRE &lt;WF3 WFMOUTPRE branch query&gt;;:CURVE #41000&lt;binary data&gt;;&lt;newline&gt; . . .</pre> |

## WFMInpre? (Query Only)

This query-only command returns the waveform formatting specification to be applied to the next incoming CURVe command data.



|                         |                                                                                                                                                                                                                                           |
|-------------------------|-------------------------------------------------------------------------------------------------------------------------------------------------------------------------------------------------------------------------------------------|
| <b>Group</b>            | Waveform Transfer                                                                                                                                                                                                                         |
| <b>Syntax</b>           | WFMInpre?                                                                                                                                                                                                                                 |
| <b>Related Commands</b> | <a href="#">WFMOutpre?</a>                                                                                                                                                                                                                |
| <b>Examples</b>         | WFMINPRE? might return the waveform formatting as :WFMINPRE:BIT_NR 8;BN_FMTRI;BYT_NR 1; BYT_OR MSB;ENCDG BIN;NR_PT 500;PT_FMT Y; PT_OFF 0;XINCR 2.0000E-6;XZERO 1.7536E-6; XUNIT "s";YMULT 1.0000E-3;YOFF 0.0000; YZERO 0.0000;YUNIT "V". |

## WFMInpre:BIT\_Nr

This command sets or returns the number of bits per binary waveform point for the waveform, as specified by the [DATA:DESTination](#) command. This specification is meaningful only when [WFMInpre:ENCdg](#) is set to BIN.

|                         |                                                                                                                                                                                                                                                                |
|-------------------------|----------------------------------------------------------------------------------------------------------------------------------------------------------------------------------------------------------------------------------------------------------------|
| <b>Group</b>            | Waveform Transfer                                                                                                                                                                                                                                              |
| <b>Syntax</b>           | WFMInpre:BIT_Nr <NR1><br>WFMInpre:BIT_Nr?                                                                                                                                                                                                                      |
| <b>Related Commands</b> | <a href="#">DATA:DESTination</a> , <a href="#">WFMInpre:ENCdg</a> , <a href="#">WFMInpre:BYT_Nr</a> ,<br><a href="#">WFMOutpre:BIT_Nr</a>                                                                                                                      |
| <b>Arguments</b>        | <NR1> number of bits per data point can be 8, 16 ( RI, RP) or 32 (FP).                                                                                                                                                                                         |
| <b>Examples</b>         | WFMINPRE:BIT_NR 16 sets the number of bits per waveform point to 16, for incoming RI and RP binary format data.<br><br>WFMINPRE:BIT_NR ? might return :WFMINPRE:BIT_NR 8, indicating that incoming RI or RP binary format data uses 8 bits per waveform point. |

## WFMInpre:BN\_Fmt

This command sets or queries the format of binary data for incoming waveforms.

|              |                   |
|--------------|-------------------|
| <b>Group</b> | Waveform Transfer |
|--------------|-------------------|

**Syntax** WFMInpre:BN\_Fmt {RI|RP|FP}  
WFMInpre:BN\_Fmt?

**Related Commands** [WFMOupre:BN\\_Fmt](#)

**Arguments** RI specifies signed integer data point representation.  
RP specifies positive integer data point representation.  
FP specifies single-precision binary floating point representation.

**Examples** WFMINPRE:BN\_FMT FP specifies that incoming data will be interpreted as single-precision binary floating point numbers.  
WFMINPRE:BN\_FMT? might return :WFMINPRE:BN\_FMT RI, indicating that the incoming data is currently interpreted as signed integers.

## WFMInpre:BYT\_Nr

This command sets or returns the binary field data width for the first ordered waveform, as specified by the [DATA:DESTination](#) command. This specification is only meaningful when [WFMInpre:ENCdg](#) is set to BIN and [WFMInpre:BN\\_Fmt](#) is set to either RI or RP.

**Group** Waveform Transfer

**Syntax** WFMInpre:BYT\_Nr <NR1>  
WFMInpre:BYT\_Nr?

**Related Commands** [DATA:DESTination](#), [WFMInpre:BN\\_Fmt](#), [WFMInpre:ENCdg](#),  
[WFMInpre:BIT\\_Nr](#), [WFMOupre:BYT\\_Nr](#)

**Arguments** <NR1> is the number of bytes per data point and can be 1, 2 (RI, RP) or 4 (FP).

**Examples** WFMINPRE:BYT\_NR 1 sets the number of bytes per incoming waveform data point to 1, which is the default setting.  
WFMINPRE:BYT\_NR? might return :WFMINPRE:BYT\_NR 2 indicating that there are 2 bytes per incoming waveform data point.

## WFMinpre:BYT\_Or

This command sets or queries which byte of binary waveform data is transmitted first for incoming waveform data when data points require more than one byte. This specification only has meaning when [WFMinpre:ENCdg](#) is set to BIN and [WFMinpre:BYT\\_Nr](#) is greater than 1.

**Group** Waveform Transfer

**Syntax** `WFMinpre:BYT_Or {LSB|MSB}`  
`WFMinpre:BYT_Or?`

**Related Commands** [WFMinpre:ENCdg](#), [WFMinpre:BYT\\_Nr](#), [WFMinpre:BYT\\_Or](#)

**Arguments** LSB specifies that the least significant byte will be transmitted first.  
 MSB specifies that the most significant byte will be transmitted first.

**Examples** `WFMINPRE:BYT_OR MSB` sets the most significant incoming byte of incoming waveform data to be transmitted first.  
`WFMINPRE:BYT_OR?` might return `:WFMINPRE:BYT_OR LSB`, indicating that the least significant incoming CURVe data byte will be transmitted first.

## WFMinpre:ENCdg

This command sets or queries the type of encoding for incoming waveform data.

**Group** Waveform Transfer

**Syntax** `WFMinpre:ENCdg {ASCIi|BINary}`  
`WFMinpre:ENCdg?`

**Related Commands** [WFMinpre:ENCdg](#)

**Arguments** ASCIi specifies that the incoming data is in ASCII format.  
 BINary specifies that the incoming data is in a binary format whose further interpretation requires knowledge of `BYT_NR`, `BIT_NR`, `BN_FMT`, and `BYT_OR`.

**Examples**      `WFMINPRE:ENCDG ASCi i` sets the format of incoming waveform data to ASCII format.

`WFMINPRE:ENCDG?` might return `:WFMINPRE:ENCDG BINary`, indicating that the incoming waveform data is in binary format.

## WFMinpre:NR\_FR

This command sets or returns one frame, indicating the number of frames in the transmitted waveform record.

**Group**          Waveform Transfer

**Syntax**        `WFMinpre:NR_FR`  
`WFMinpre:NR_FR?`

**Related Commands**    [CURVe](#), [DATAa](#), [DATAa:START](#), [DATAa:STOP](#), [SAVe:WAVEform](#),  
[SAVe:WAVEform:FILEFormat](#), [WFMinpre:NR\\_Pt](#), [WFMOutpre:NR\\_FR?](#),  
[WFMOutpre:NR\\_Pt?](#)

**Examples**      `WFMINPRE:NR_FR 4` specifying to send 4 data frames in the transmitted waveform record.

`WFMINPRE:NR_FR?` might return `:WFMINPRE:NR_FR 1`, indicating that there is 1 data frame in the transmitted waveform record.

## WFMinpre:NR\_Pt

This command sets or returns the number of data points that are in the transmitted waveform record.

**Group**          Waveform Transfer

**Syntax**        `WFMinpre:NR_Pt <NR1>`  
`WFMinpre:NR_Pt?`

**Related Commands**    [CURVe](#), [DATAa](#), [DATAa:START](#), [DATAa:STOP](#), [SAVe:WAVEform](#),  
[SAVe:WAVEform:FILEFormat](#), [WFMinpre:NR\\_FR](#), [WFMOutpre:NR\\_FR?](#),  
[WFMOutpre:NR\\_Pt?](#)

**Arguments** <NR1> is the number of data points if WFMInpre:PT\_Fmt is set to Y. It is the number of min-max pairs if WFMInpre:PT\_Fmt is set to ENV.

**Examples** WFMINPRE:NR\_PT 5000 specifies that 5000 data points will be transmitted.  
 WFMINPRE:NR\_PT? might return :WFMINPRE:NR\_PT 8000, indicating that there are 8000 data points in the transmitted waveform record.

## WFMInpre:PT\_Fmt

This command sets or queries the point format of the incoming waveform data. Regardless of the argument used, the scale, offset, and so on are interpreted similarly. When ENV is used, waveform data is interpreted over the min-max pair; when Y is used, it is interpreted over a single point.

**Group** Waveform Transfer

**Syntax** WFMInpre:PT\_Fmt {ENV|Y}  
 WFMInpre:PT\_Fmt?

**Related Commands** [WFMOutpre:PT\\_Fmt?](#)

**Arguments** ENV specifies that the waveform is transmitted in envelope mode as maximum and minimum point pairs. Only Y values are explicitly transmitted. Absolute coordinates are given by:

$$X_n = XZERO + XINcr (N-PT\_Off)$$

$$Y_{nmax} = YZERO + YMULT (ynmax - YOFf)$$

$$Y_{nmin} = YZERO + YMULT (ynmin - YOFf)$$

Y specifies a normal waveform where one ASCII or binary data point is transmitted for each point in the waveform record. Only Y values are explicitly transmitted. Absolute coordinates are given by:

$$X_n = XZERO + XINcr (N-PT\_Off)$$

$$Y_n = YZERO + YMULT (Yn - YOFf)$$

**Examples** WFMINPRE:PT\_FMT ENV sets the incoming waveform data point format to enveloped.

WFMINPRE:PT\_FMT? might return :WFMINPRE:PT\_FMT ENV, indicating that the waveform is transmitted as maximum and minimum point pairs.

## WFMinpre:PT\_Off

This command specifies or returns the trigger point within the waveform record for the reference waveform specified by the [DATA:DESTination](#) command.

**Group** Waveform Transfer

**Syntax** WFMinpre:PT\_Off <NR1>  
WFMinpre:PT\_Off?

**Related Commands** [DATA:DESTination](#), [DATA:START](#), [WFMinpre:PT\\_Off?](#)

**Arguments** <NR1> is -(record length -1) to record length and is the position of the data point immediately following the actual trigger. <NR1> is expressed relative to [DATA:START](#).

**Examples** WFMinPRE:PT\_OFF 1 specifies that the trigger point is the same as the Data:Start point.

WFMinPRE:PT\_OFF? might return :WFMinPRE:PT\_OFF 0, indicating that the incoming waveform trigger point is the first point in the waveform record.

## WFMinpre:WFId (No Query Form)

This command (no query form) accepts but ignores the argument. This command is provided only to allow a waveform extracted from the instrument to be easily imported.

**Group** Waveform Transfer

**Syntax** WFMinpre:WFId <QString>

**Related Commands** [DATA:DESTination](#), [WFMinpre:BN\\_Fmt](#), [WFMinpre:ENCdg](#), [WFMinpre:WFId?](#)

**Arguments** <QString> must be a valid IEEE-488.2 string (but the contents are ignored).

**Examples** WFMinPRE:WFID "CH1, DC COUPLING, 2.000V/DIV, 400.0NS/DIV, 500 POINTS, SAMPLE MODE" is a syntactically correct command.

## WFMinpre:XINcr

This command sets or queries the horizontal interval between incoming waveform points in units specified by WFMinpre:XUNit.

**Group** Waveform Transfer

**Syntax** WFMinpre:XINcr <NR3>  
WFMinpre:XINcr?

**Related Commands** [WFMinpre:XUNit](#), [WFMinpre:XINcr?](#)

**Arguments** <NR3> is the horizontal interval representation.

**Examples** WFMINPRE:XINCR 3E-3 sets the interval between Incoming waveform points to 3 ms.

WFMINPRE:XINCR? might return :WFMINPRE:XINCR 1.0000E-3, indicating that if WFMinpre:XUNit is set to "s", there is a 1 ms interval between incoming waveform points.

## WFMinpre:XUNit

This command sets or returns the horizontal units of the incoming waveform.

**Group** Waveform Transfer

**Syntax** WFMinpre:XUNit <QString>  
WFMinpre:XUNit?

**Related Commands** [WFMinpre:XUNit?](#)

**Arguments** <QString> contains a maximum of three alpha characters that represent the horizontal unit of measure for the incoming waveform.

**Examples** WFMINPRE:XUNIT "HZ" specifies that the horizontal units for the incoming waveform are hertz.

WFMINPRE:XUNIT? might return :WFMINPRE:XUNIT "s", indicating that the horizontal units for the incoming waveform are seconds.

## WFMinpre:XZEro

This command sets or queries the sub-sample time between the trigger sample (designated by PT\_OFF) and the occurrence of the actual trigger on the incoming waveform. This value is used to compute TTOFF for the incoming waveform, and is expressed in terms of [WFMinpre:XUNit](#).

**Group** Waveform Transfer

**Syntax** WFMinpre:XZEro <NR3>  
WFMinpre:XZEro?

**Related Commands** [WFMinpre:PT\\_Off](#), [WFMinpre:XINcr](#), [WFMinpre:XUNit](#), [WFMinpre:XZEro?](#)

**Arguments** <NR3> argument is a floating point value that ranges from –WFMinpre:XINcr to 0.

**Examples** WFMinpre:XZEro 5.7E-6 specifies that the trigger actually occurred 5.7  $\mu$ s before the sample designated by [WFMinpre:PT\\_Off](#).

WFMinpre:XZEro? might return :WFMinpre:XZEro 7.5000E-6, indicating that the trigger occurs 7.5  $\mu$ s before the sample designated by [WFMinpre:PT\\_Off](#).

## WFMinpre:YMUIt

This command sets or queries the vertical scale factor (in units/digitizing level) for the reference waveform, specified by [DATA:DESTination](#), upon a [CURVe](#) command.

**Group** Waveform Transfer

**Syntax** WFMinpre:YMUIt <NR3>  
WFMinpre:YMUIt?

**Related Commands** [DATA:DESTination](#), [WFMinpre:BYT\\_Nr](#), [WFMinpre:YUNit](#)

**Arguments** <NR3> is the vertical scale factor per digitizing level of the incoming waveform points.



**Examples** `WFMINPRE:YMULT 20E-3` specifies that (if `WFMINpre:YUNit` is “V” and `WFMINpre:BYT_Nr` is 1), the vertical scale is 20 mV/digitizing level (500 mV/div).

`WFMINPRE:YMULT?` might return `:WFMINPRE:YMULT 40.0000E-3`, indicating that the vertical scale is 40 mV/digitizing level (1V/div).

## WFMINpre:YOFF

This command sets or queries the vertical position of the incoming waveform in digitizing levels. Variations in this number are analogous to changing the vertical position of the waveform. For those formats in which `WFMINpre:BYT_Nr` is important (all non-floating point formats), this command must take the location of the binary point implied by `BYT_NR` into consideration.

**Group** Waveform Transfer

**Syntax** `WFMINpre:YOFF <NR3>`  
`WFMINpre:YOFF?`

**Related Commands** [WFMINpre:BYT\\_Nr](#), [WFMINpre:YMULT](#), [WFMOutpre:YOFF?](#)

**Arguments** `<NR3>` is the vertical offset in digitizing levels.

**Examples** `WFMINPRE:YOFF 50` specifies that the zero reference point for the incoming waveform is 50 digitizing levels (2 divisions) above the center of the data range.

`WFMINPRE:YOFF?` might return `:WFMINPRE:YOFF 25`, indicating the vertical position of the incoming waveform in digitizing levels.

## WFMINpre:YUNit

This command sets or queries the vertical units of the incoming waveform.

**Group** Waveform Transfer

**Syntax** `WFMINpre:YUNit <QString>`  
`WFMINpre:YUNit?`

**Related Commands** [WFMOutpre:YUNit?](#)

**Arguments** <QString> contains a maximum of three alpha characters that represent the vertical unit of measure for the incoming waveform.

**Examples** WFMINPRE:YUNIT "PA" specifies that the vertical units for the incoming waveform are Pascal.

WFMINPRE:YUNIT? might return :WFMINPRE:YUNIT "s", indicating the vertical units for the incoming waveform are seconds.

## WFMInpre:YZero

This command sets or queries the offset of the incoming waveform in units specified by WFMInpre:YUNit. Variations in this number are analogous to changing the vertical offset of the waveform.

**Group** Waveform Transfer

**Syntax** WFMInpre:YZero <NR3>  
WFMInpre:YZero?

**Related Commands** [WFMInpre:YUNit](#), [WFMOutpre:YZero?](#)

**Arguments** <NR3> is the offset in YUNits.

**Examples** WFMINPRE:YZERO 1.5E+0 specifies that the zero reference point for the incoming waveform is 1.5 V below the center of the data range (given that WFMInpre:YUNit is set to V).

WFMINPRE:YZERO? might return :WFMINPRE:YZero 7.5000E-6, indicating that the zero reference for the incoming waveform is 7.5  $\mu$ V below the center of the data range (given that WFMInpre:YUNit is set to V).

## WFMOutpre? (Query Only)

This query-only command returns the waveform formatting data for the waveform specified by the [DATA:SOURce](#) command. The preamble components are considered to be of two types; formatting and interpretation. The formatting components are: ENCdg, BN\_Fmt, BYT\_Or, BYT\_Nr, BIT\_Nr. The interpretation components are derived from the [DATA:SOURce](#) specified waveform.

|                 |                                                                                                                                                                                                                                                                                                                                                                              |
|-----------------|------------------------------------------------------------------------------------------------------------------------------------------------------------------------------------------------------------------------------------------------------------------------------------------------------------------------------------------------------------------------------|
| <b>Group</b>    | Waveform Transfer                                                                                                                                                                                                                                                                                                                                                            |
| <b>Syntax</b>   | WFMOutpre?                                                                                                                                                                                                                                                                                                                                                                   |
| <b>Examples</b> | <p>WFMOUTPRE? ? might return the waveform formatting data as:</p> <pre>:WFMOUTPRE:BIT_NR 8;BN_FMT RI;BYT_NR 1; BYT_OR MSB;ENCDG BIN;NR_PT 500; PT_FMT Y;PT_ORDER LINEAR;PT_OFF 0; XINCR 8.0000E-9;XZERO 4.8794E-9; XUNIT "s";YMULT -2000.0000E-3; YOFF -4999.9995E-3;YZERO 0.0000;YUNIT "V"; WFID "Ch1, DC coupling, 2.000V/div, 400.0ns/div,500 points, Sample mode".</pre> |

## WFMOutpre:BIT\_Nr

This command sets and returns the number of bits per waveform point that outgoing waveforms contain, as specified by the [DATA:SOURce](#) command. Note that values will be constrained according to the underlying waveform data. This specification is only meaningful when [WFMOutpre:ENCDg](#) is set to BIN and [WFMOutpre:BN\\_Fmt](#) is set to either RI or RP.

|                         |                                                                                                                                                                                                                                                                        |
|-------------------------|------------------------------------------------------------------------------------------------------------------------------------------------------------------------------------------------------------------------------------------------------------------------|
| <b>Group</b>            | Waveform Transfer                                                                                                                                                                                                                                                      |
| <b>Syntax</b>           | <pre>WFMOutpre:BIT_Nr &lt;NR1&gt; WFMOutpre:BIT_Nr?</pre>                                                                                                                                                                                                              |
| <b>Related Commands</b> | <a href="#">DATA:SOURce</a> , <a href="#">WFMOutpre:BN_Fmt</a> , <a href="#">WFMOutpre:ENCDg</a>                                                                                                                                                                       |
| <b>Arguments</b>        | <NR1> number of bits per data point can be 8, 16, 32 or 64.                                                                                                                                                                                                            |
| <b>Examples</b>         | <p>WFMOUTPRE:BIT_NR 16 sets the number of bits per waveform point to 16 for incoming RI and RP binary format data.</p> <p>WFMOUTPRE:BIT_NR? might return :WFMOUTPRE:BIT_NR 8, indicating that outgoing RI or RP binary format data uses 8 bits per waveform point.</p> |

## WFMOutpre:BN\_Fmt

This command sets or queries the format of binary data for outgoing waveforms specified by the [DATA:SOURce](#) command.

|              |                   |
|--------------|-------------------|
| <b>Group</b> | Waveform Transfer |
|--------------|-------------------|

**Syntax** WFMOutpre:BN\_Fmt {RI|RP|FP}  
WFMOutpre:BN\_Fmt?

**Related Commands** [DATA:SOURce](#)

**Arguments** RI specifies signed integer data point representation.  
RP specifies positive integer data point representation.  
FP specifies single-precision binary floating point data point representation.

**Examples** WFMOUTPRE:BN\_FMT FP specifies that outgoing waveform data will be in single-precision binary floating point format.  
WFMOUTPRE:BN\_FMT? might return :WFMOUTPRE:BN\_FMT RI, indicating that the outgoing waveform data is currently in signed integer format.

## WFMOutpre:BYT\_Nr

This command sets or returns the binary field data width for the waveform specified by the [DATA:SOURce](#) command. Note that values will be constrained according to the underlying waveform data. This specification is only meaningful when [WFMOutpre:ENCdg](#) is set to BIN, and [WFMOutpre:BN\\_Fmt](#) is set to either RI or RP.

**Group** Waveform Transfer

**Syntax** WFMOutpre:BYT\_Nr <NR1>  
WFMOutpre:BYT\_Nr?

**Related Commands** [DATA:SOURce](#), [WFMOutpre:BN\\_Fmt](#), [WFMOutpre:ENCdg](#)

**Arguments** <NR1> is the number of bytes per data point and can be 1, 2, 4 or 8. A value of 1 or 2 bytes per waveform point indicates channel data; 4 bytes per waveform point indicate math data; 8 bytes per waveform point indicate pixel map (DPO) data.

**Examples** WFMOUTPRE:BYT\_NR 1 sets the number of bytes per outgoing waveform data point to 1, which is the default setting.

WFMOUTPRE:BYT\_NR? might return :WFMOUTPRE:BYT\_NR 2, indicating that there are 2 bytes per outgoing waveform data point.

## WFMOutpre:BYT\_Or

This command sets or queries which byte of binary waveform data is transmitted first, during a waveform data transfer, when data points require more than one byte. This specification only has meaning when [WFMOutpre:ENCdg](#) is set to BIN.

**Group** Waveform Transfer

**Syntax** WFMOutpre:BYT\_Or {LSB|MSB}  
WFMOutpre:BYT\_Or?

**Related Commands** [WFMOutpre:ENCdg](#)

**Arguments** LSB specifies that the least significant byte will be transmitted first.  
MSB specifies that the most significant byte will be transmitted first.

**Examples** WFMOUTPRE:BYT\_OR MSB sets the most significant outgoing byte of waveform data to be transmitted first.  
WFMOUTPRE:BYT\_OR? might return :WFMOUTPRE:BYT\_OR LSB, indicating that the least significant data byte will be transmitted first.

## WFMOutpre:ENCdg

This command sets and queries the type of encoding for outgoing waveforms.

**Group** Waveform Transfer

**Syntax** WFMOutpre:ENCdg {ASCIi|BINary}  
WFMOutpre:ENCdg?

**Related Commands** [DATA:ENCdg](#), [WFMOutpre:BYT\\_Nr](#), [WFMOutpre:BYT\\_Or](#), [WFMOutpre:BIT\\_Nr](#), [WFMOutpre:BN\\_Fmt](#)

**Arguments** ASCIi specifies that the outgoing data is to be in ASCII format. Waveforms internally stored as integers will be sent as <NR1> numbers, while those stored as floating point will be sent as <NR3> numbers.

**BiNary** specifies that outgoing data is to be in a binary format whose further specification is determined by [WFMOutpre:BYT\\_Nr](#), [WFMOutpre:BIT\\_Nr](#), [WFMOutpre:BN\\_Fmt](#) and [WFMOutpre:BYT\\_Or](#).

**Examples** `WFMOUTPRE:ENCDG ASCi i` specifies that the outgoing waveform data will be sent in ASCII format.

`WFMOUTPRE:ENCDG?` might return `:WFMOUTPRE:ENCDG BiNary`, indicating that outgoing waveform data will be sent in binary format.

## WFMOutpre:NR\_FR? (Query Only)

This query-only command returns the number of frames for the [DATA:SOURce](#) waveform transmitted in response to a [CURVe?](#) query.

**Group** Waveform Transfer

**Syntax** `WFMOutpre:NR_FR?`

**Related Commands** [CURVe](#), [DATA](#), [DATA:START](#), [DATA:STOP](#), [SAVe:WAVEform](#), [SAVe:WAVEform:FILEFormat](#), [WFMInpre:NR\\_FR](#), [WFMInpre:NR\\_Pt](#), [WFMOutpre:NR\\_Pt?](#)

**Examples** `WFMOUTPRE:NR_FR?` might return `:WFMOUTPRE:NR_FR 500`, indicating that there are 500 data frames to be sent.

## WFMOutpre:NR\_Pt? (Query Only)

This query-only command returns the number of points for the [DATA:SOURce](#) waveform that will be transmitted in response to a [CURVe?](#) query.

**Group** Waveform Transfer

**Syntax** `WFMOutpre:NR_Pt?`

**Related Commands** [CURVe](#), [DATA](#), [DATA:START](#), [DATA:STOP](#), [SAVe:WAVEform](#), [SAVe:WAVEform:FILEFormat](#), [WFMInpre:NR\\_FR](#), [WFMInpre:NR\\_Pt](#), [WFMOutpre:NR\\_FR?](#)

**Examples** `WFMOUTPRE:NR_PT?` might return `:WFMOUTPRE:NR_PT 5000`, indicating that there are 5000 data points to be sent.

## WFMOutpre:PT\_Fmt? (Query Only)

This query-only command returns the point format for the waveform specified by the `DATA:SOURce` command. The format specifies a set of equations describing how the scale factors in the preamble are used to give meaning to the `CURVe` data points.

An error is reported if the `DATA:SOURce` waveform does not exist.

**Group** Waveform Transfer

**Syntax** `WFMOutpre:PT_Fmt?`

**Related Commands** `CURVe`, `DATA:SOURce`

**Examples** `WFMOUTPRE:PT_FMT?` might return `:WFMOutpre:PT_Fmt ENV`, indicating that the waveform data is a series of min-max pairs.

## WFMOutpre:PT\_Off? (Query Only)

This query-only command returns the trigger point relative to `DATA:START` for the waveform specified by the `DATA:SOURce` command.

---

**NOTE.** *This returned value is the point immediately following the actual trigger.*

---

**Group** Waveform Transfer

**Syntax** `WFMOutpre:PT_Off?`

**Related Commands** `DATA:SOURce`, `DATA:START`, `WFMOutpre:XZErO?`

**Examples** `WFMOUTPRE:PT_OFF?` might return `:WFMOUTPRE:PT_OFF 251` specifying that the trigger actually occurred between points 250 and 251.

## WFMOutpre:PT\_ORder? (Query Only)

This query-only command specifies whether the source waveform is Fast Acquisition. A Fast Acquisition waveform is stored as a 502 (vertical) by 1000 (horizontal) point bitmap. Each point represents display intensity for that screen location. Only [CURVe?](#) query functions are allowed on Fast Acquisition waveforms.

When the WFMOutpre:PT\_OR query returns Column, this indicates that the source is a Fast Acquisition waveform (and that each of 1000 possible horizontal columns being transmitted contains 502 vertical points). When the WFMOutpre:PT\_OR? query returns Linear, this indicates that the source is not a Fast Acquisition waveform (and that each horizontal column being sent contains only one vertical point). Note that waveform points are transmitted in the following order: top to bottom, then left to right.

**Group** Waveform Transfer

**Syntax** WFMOutpre:PT\_ORder?

**Related Commands** [DATA:SOURce](#)

**Examples** WFMOUTPRE:PT\_ORDER? might return :WFMOUTPRE:PT\_OR COL specifying that the waveform designated by the DATA:SOURce waveform is a Fast Acquisition waveform.

WFMOUTPRE:PT\_ORDER? might return :WFMOUTPRE:PT\_OR LINEAR, indicating that the source waveform is a non-Fast Acquisition waveform.

## WFMOutpre:WFId? (Query Only)

This query-only command returns a string describing several aspects of the acquisition parameters for the waveform specified by the [DATA:SOURce](#) command.

An error is reported if the DATA:SOURce waveform does not exist.

**Group** Waveform Transfer

**Syntax** WFMOutpre:WFId?

**Related Commands** [DATA:SOURce](#)



**Returns** <QString> comprises the following comma-separated fields documented in the following tables:

**Table 2-21: Waveform Suffixes**

| Field            | Description                                                                                                                                                            | Examples                                                                                                                                                 |
|------------------|------------------------------------------------------------------------------------------------------------------------------------------------------------------------|----------------------------------------------------------------------------------------------------------------------------------------------------------|
| Source           | The source identification string as it appears in the front panel scale factor readouts.                                                                               | "CH1-4"<br>"Math1-3"<br>"Ref1-4"                                                                                                                         |
| Coupling         | A string describing the vertical coupling of the waveform (the Source1 waveform in the case of Dual Waveform Math).                                                    | "AC coupling"<br>"DC coupling"<br>"GND coupling"                                                                                                         |
| Vert Scale       | A string containing the vertical scale factor of the unzoomed waveform. The numeric portion will always be four digits. The examples cover all known internal units.   | "100.0 mV/div"<br>"20.00 dB/div"<br>"45.00 deg/div"<br>"785.4 mrad/div"<br>"500.0 $\mu$ Vs/div"<br>"10.00 kV/s/div"<br>"200.0 mV/div"<br>"50.00 unk/div" |
| Horiz Scale      | A string containing the horizontal scale factor of the unzoomed waveform. The numeric portion will always be four digits. The examples cover all known internal units. | "100 ms/div"<br>"10.00 kHz/div"<br>"50.00 c/div"                                                                                                         |
| Record Length    | A string containing the number of waveform points available in the entire record. The numeric portion is given as an integer.                                          | "500 points"<br>"500000 points"                                                                                                                          |
| Acquisition Mode | A string describing the mode used to acquire the waveform.                                                                                                             | "Sample mode"<br>"Pk Detect mode"<br>"Hi Res mode"<br>"Envelope mode"<br>"Average mode"                                                                  |

**Examples** WFMOUTPRE:WFID? might return :WFMOUTPRE:WFID "Ch1, DC coupling,100.0mVolts/div,500.0 $\mu$ s/div,500 points, Hi Res mode".

## WFMOutpre:XINcr? (Query Only)

This query-only command returns the horizontal point spacing in units of WFMOutpre:XUNit for the waveform specified by the [DATA:SOURce](#) command. This value corresponds to the sampling interval.

An error is reported if the [DATA:SOURce](#) waveform does not exist.

**Group** Waveform Transfer

**Syntax** WFMOutpre:XINcr?

**Related Commands** [DATA:SOURce](#), [WFMOutpre:XUNit?](#)

**Examples** WFMOUTPRE:XINCR? might return :WFMOUTPRE:XINCR 10.0000E-6, indicating that the horizontal sampling interval is 10  $\mu$ s/point (500  $\mu$ s/div).

## WFMOutpre:XUNit? (Query Only)

This query-only command returns the horizontal units for the waveform specified by the [DATA:SOURce](#) command.

An error is reported if the DATA:SOURce waveform does not exist.

**Group** Waveform Transfer

**Syntax** WFMOutpre:XUNit?

**Related Commands** [DATA:SOURce](#)

**Examples** WFMOUTPRE:XUNIT? might return :WFMOUTPRE:XUNIT "HZ", indicating that the horizontal units for the waveform are in Hertz.

## WFMOutpre:XZEro? (Query Only)

This query-only command returns the sub-sample time between the trigger sample (designated by PT\_OFF) and the occurrence of the actual trigger for the waveform specified by the [DATA:SOURce](#) command. This value is in units of WFMOutpre:XUNit.

An error is reported if the DATA:SOURce waveform does not exist.

---

**NOTE.** *During steady state operation, when all control changes have settled and triggers are arriving on a regular basis, this is the only part of the preamble that changes on each acquisition.*

---

**Group** Waveform Transfer

**Syntax** WFMOutpre:XZEro?

**Related Commands**    [DATA:SOURce](#), [WFMOUtpre:XUNit?](#)

**Examples**    `WFMOUtpre:XZERO?` might return `:WFMOUtpre:XZERO 5.6300E-9`, indicating that the trigger actually occurred 5.63 ns before the trigger sample.

## WFMOUtpre:YMUlt? (Query Only)

This query-only command returns the vertical scale factor per digitizing level in units specified by `WFMOUtpre:YUNit` for the waveform specified by the [DATA:SOURce](#) command. For those formats in which [WFMOUtpre:BYT\\_Nr](#) is important (all non-floating point formats), `WFMOUtpre:YMUlt?` must take the location of the binary point implied by `BYT_NR` into consideration.

An error is reported if the `DATA:SOURce` waveform does not exist.

**Group**    Waveform Transfer

**Syntax**    `WFMOUtpre:YMUlt?`

**Related Commands**    [DATA:SOURce](#)

**Examples**    `WFMOUtpre:YMULT?` might return `:WFMOUtpre:YMULT 4.0000E-3`, indicating that the vertical scale for the corresponding waveform is 100 mV/div.

## WFMOUtpre:YOFf? (Query Only)

This query-only command returns the vertical offset in digitized levels for the waveform specified by the [DATA:SOURce](#) command. For those formats in which `BYT_NR` is important (all non-floating point formats), this command must take the location of the binary point implied by [WFMOUtpre:BYT\\_Nr](#) into consideration.

An error is reported if the `DATA:SOURce` waveform does not exist.

**Group**    Waveform Transfer

**Syntax**    `WFMOUtpre:YOFf?`

**Related Commands**    [DATA:SOURce](#), [WFMOUtpre:BYT\\_Nr](#)

**Examples** WFMOUTPRE:YOFF? might return :WFMOUTPRE:YOFF -50.0000E+0, indicating that the position indicator for the waveform was 50 digitizing levels (2 divisions) below center screen.

## WFMOutpre:YUNit? (Query Only)

This query-only command returns the vertical units for the waveform specified by the [DATA:SOURce](#) command.

An error is reported if the DATA:SOURce waveform does not exist.

**Group** Waveform Transfer

**Syntax** WFMOutpre:YUNit?

**Related Commands** [DATA:SOURce](#)

**Examples** WFMOUTPRE:YUNIT? might return :WFMOUTPRE:YUNIT "dB", indicating that the vertical units for the waveform are measured in decibels.

## WFMOutpre:YZEro? (Query Only)

This query-only command returns the vertical offset in units specified by [WFMOutpre:YUNit?](#) for the waveform specified by the [DATA:SOURce](#) command.

An error is reported if the DATA:SOURce waveform does not exist.

**Group** Waveform Transfer

**Syntax** WFMOutpre:YZEro?

**Related Commands** [DATA:SOURce](#), [WFMOutpre:YUNit?](#)

**Examples** WFMOUTPRE:YZERO? might return :WFMOUTPRE:YZERO -100.0000E-3, indicating that vertical offset is set to -100 mV.

## ZOOM

This command resets the zoom transforms to default values for all traces or live traces. The ZOOM query returns the current vertical and horizontal positioning and scaling of the display.

**Group** Zoom

**Syntax** ZOOM {RESET|RESETLive}  
ZOOM?

**Arguments** RESET resets the zoom transforms to default values for all traces.  
RESETLive resets the zoom transforms to default values for live traces.

**Examples** ZOOM RESET resets the zoom transforms to default values for all traces.  
ZOOM? might return :ZOOM:MODE 0;GRATICULE:SIZE 80;SPLIT EIGHTYTWENTY:ZOOM:SCROLL:DIRECTION STOP; LOCK 0;SPEED 1:ZOOM:ZOOM1:STATE 1; SCROLLLOCK 1;CH1:HORIZONTAL:POSITION 50.0000; SCALE 5:ZOOM:ZOOM1:CH1:VERTICAL:POSITION 0.0000; SCALE 1.0000:ZOOM:ZOOM1:CH2:HORIZONTAL:POSITION 50.0000;SCALE 5:ZOOM:ZOOM1:CH2:VERTICAL:POSITION 0.0000; SCALE 1.0000:ZOOM:ZOOM1:CH3:HORIZONTAL:POSITION 50.0000; SCALE 5:ZOOM:ZOOM1:CH3:VERTICAL:POSITION 0.0000; SCALE 1.0000:ZOOM:ZOOM1:CH4:HORIZONTAL:POSITION 50.0000; SCALE 5:ZOOM:ZOOM1:CH4:VERTICAL:POSITION 0.0000;SCALE 1.0000:ZOOM:ZOOM1:MATH1:HORIZONTAL:POSITION 50.0000; SCALE 5:ZOOM:ZOOM1:MATH1:VERTICAL:POSITION 0.0000;SCALE 1.0000:ZOOM:ZOOM1:MATH2:HORIZONTAL:POSITION 50.0000; SCALE 5:ZOOM:ZOOM1:MATH2:VERTICAL:POSITION 0.0000;...

## ZOOM:GRATICULE:SIZE

This command sets or queries the size, in percent, of the Zoom (lower) graticule.

**Group** Zoom

**Syntax** ZOOM:GRATICULE:SIZE {50|80|100}  
ZOOM:GRATICULE:SIZE?

- Arguments** 50 sets the size of the Zoom graticule to 50%.  
 80 set the size of the Zoom graticule to 80%.  
 100 sets the size of the Zoom graticule to 100%.
- Examples** ZOOM:GRATICULE:SIZE 100 sets the zoom graticule size to 100%.  
 ZOOM:GRATICULE:SIZE? might return :ZOOM:GRATICULE:SIZE 100,  
 indicating that the zoom graticule size is set to 100%.

## ZOOM:HORIZONTAL:POSITION

This command sets or queries the horizontal position around which the zoom waveform is displayed. It is freely movable within the confines of the acquired waveform (0% to 100%) and measured from left to right of the acquired waveform.

- Group** Zoom
- Syntax** ZOOM:HORIZONTAL:POSITION <NR3>  
 ZOOM:HORIZONTAL:POSITION?
- Arguments** NR3 is a value from 0 to 100.00 and is the percent of the waveform that is to the left of screen center, when the zoom factor is 1× or greater.
- Examples** ZOOM:HORIZONTAL:POSITION 50 sets the horizontal position to 50.  
 ZOOM:HORIZONTAL:POSITION? might return :ZOOM:HORIZONTAL:POSITION  
 23.90000, indicating that the horizontal position is set to 23.9.

## ZOOM:HORIZONTAL:SCALE

This command sets or queries the zoom horizontal scale factor around which the zoom waveform is displayed.

- Group** Zoom
- Syntax** ZOOM:HORIZONTAL:SCALE <NR3>  
 ZOOM:HORIZONTAL:SCALE?
- Arguments** <NR3> is the amount of expansion in the horizontal direction in 1-2-5 increments.

**Examples** ZOOM:HORIZONTAL:SCALE 5 sets the horizontal scale to 5.  
 ZOOM:HORIZONTAL:SCALE? might return :ZOOM:HORIZONTAL:SCALE 10,  
 indicating that the horizontal scale is set to 10.

## ZOOM:MATH<x>:HORIZONTAL:POSITION

This command sets or queries the horizontal position of the specified math waveform.

**Group** Zoom

**Syntax** ZOOM:MATH<x>:HORIZONTAL:POSITION <NR3>  
 ZOOM:MATH<x>:HORIZONTAL:POSITION?

**Arguments** <NR3> is a value from 0 to 100.00 and is the percent of the waveform that is to the left of screen center, when the zoom factor is 1× or greater.

**Examples** ZOOM:MATH1:HORIZONTAL:POSITION 50 sets the horizontal position of the specified Math 1 waveform to 50.  
 ZOOM:MATH1:HORIZONTAL:POSITION? might return  
 :ZOOM:MATH1:HORIZONTAL:POSITION 23.9000, indicating that the horizontal position of the specified Math 1 waveform is set to 23.9.

## ZOOM:MATH<x>:HORIZONTAL:SCALE

This command sets or queries the zoom horizontal scale factor of the specified math waveform.

**Group** Zoom

**Syntax** ZOOM:MATH<x>:HORIZONTAL:SCALE <NR3>  
 ZOOM:MATH<x>:HORIZONTAL:SCALE?

**Arguments** <NR3> is the amount of expansion in the horizontal direction in 1-2-5 increments.

**Examples** ZOOM:MATH1:HORIZONTAL:SCALE 10 sets the horizontal scale factor of the specified Math 1 waveform to 10.

ZOOM:MATH1:HORIZONTAL:SCALE? might return  
:ZOOM:MATH1:HORIZONTAL:SCALE 5, indicating that the horizontal scale factor of the specified Math 1 waveform to 5.

## ZOOM:MATH<x>:VERTical:POStion

This command sets or queries the vertical position of the specified math waveform.

|                  |                                                                                                                                                                                                                                                                                           |
|------------------|-------------------------------------------------------------------------------------------------------------------------------------------------------------------------------------------------------------------------------------------------------------------------------------------|
| <b>Group</b>     | Zoom                                                                                                                                                                                                                                                                                      |
| <b>Syntax</b>    | ZOOM:MATH<x>:VERTical:POStion <NR3><br>ZOOM:MATH<x>:VERTical:POStion?                                                                                                                                                                                                                     |
| <b>Arguments</b> | <NR3> is the vertical position, expressed in divisions.                                                                                                                                                                                                                                   |
| <b>Examples</b>  | ZOOM:MATH1:VERTICAL:POSITION 5 sets the vertical l position of the specified Math 1 waveform to 5.<br><br>ZOOM:MATH1:VERTICAL:POSITION? might return<br>:ZOOM:MATH1:VERTICAL:POSITION 340.0000E-3, indicating that the vertical position of the specified Math 1 waveform is set to 0.34. |

## ZOOM:MATH<x>:VERTical:SCAlE

This command sets or queries the zoom vertical scale of the specified math waveform.

|                  |                                                                                                                                                                                                                                                                                |
|------------------|--------------------------------------------------------------------------------------------------------------------------------------------------------------------------------------------------------------------------------------------------------------------------------|
| <b>Group</b>     | Zoom                                                                                                                                                                                                                                                                           |
| <b>Syntax</b>    | ZOOM:MATH<x>:VERTical:SCAlE <NR3><br>ZOOM:MATH<x>:VERTical:SCAlE?                                                                                                                                                                                                              |
| <b>Arguments</b> | <NR3> sets the horizontal scale factor of the specified Math 1 waveform to 10.                                                                                                                                                                                                 |
| <b>Examples</b>  | ZOOM:MATH1:VERTICAL:SCALE 5 sets the vertical scale factor of the specified Math 1 waveform to 5.<br><br>ZOOM:MATH1:VERTICAL:SCALE? might return<br>:ZOOM:MATH1:VERTICAL:SCALE 2.0000, indicating that the vertical scale factor of the specified Math 1 waveform is set to 2. |



## ZOOm:MODE

This command turns Zoom mode on or off. The Zoom query returns the current state of Zoom mode. This command is equivalent to pressing the **ZOOM** button located on the front panel.

|                  |                                                                                                                               |
|------------------|-------------------------------------------------------------------------------------------------------------------------------|
| <b>Group</b>     | Zoom                                                                                                                          |
| <b>Syntax</b>    | ZOOm:MODE {ON OFF <NR1>}<br>ZOOm:MODE                                                                                         |
| <b>Arguments</b> | ON turns on Zoom mode.<br>OFF turns off Zoom mode.<br><NR1> = 0 turns off Zoom mode; any other value turns on Zoom mode.      |
| <b>Examples</b>  | ZOOm:MODE OFF turns off Zoom mode.<br>ZOOm:MODE? might return :ZOOm:MODE 1, indicating that Zoom mode is currently turned on. |

## ZOOm:REF<x>:HORizontal:POSition

This command sets or queries the horizontal position of the specified reference waveform.

|                  |                                                                                                                                                                                                                                                                                                 |
|------------------|-------------------------------------------------------------------------------------------------------------------------------------------------------------------------------------------------------------------------------------------------------------------------------------------------|
| <b>Group</b>     | Zoom                                                                                                                                                                                                                                                                                            |
| <b>Syntax</b>    | ZOOm:REF<x>:HORizontal:POSition <NR3><br>ZOOm:REF<x>:HORizontal:POSition?                                                                                                                                                                                                                       |
| <b>Arguments</b> | <NR3> is a value from 0 to 100.00 and is the percent of the waveform that is to the left of screen center, when the zoom factor is 1× or greater.                                                                                                                                               |
| <b>Examples</b>  | ZOOm:REF1:HORIZONTAL:POSITION 50 sets the horizontal position of the specified Reference 1 waveform to 50.<br>ZOOm:REF1:HORIZONTAL:POSITION? might return :ZOOm:REF1:HORIZONTAL:POSITION 23.9000, indicating that the horizontal position of the specified Reference 1 waveform is set to 23.9. |

## ZOOM:REF<x>:HORIZONTAL:SCALE

This command sets or queries the zoom horizontal scale factor of the specified reference waveform.

|                  |                                                                                                                                                                                                                                                                                       |
|------------------|---------------------------------------------------------------------------------------------------------------------------------------------------------------------------------------------------------------------------------------------------------------------------------------|
| <b>Group</b>     | Zoom                                                                                                                                                                                                                                                                                  |
| <b>Syntax</b>    | ZOOM:REF<x>:HORIZONTAL:SCALE <NR3><br>ZOOM:REF<x>:HORIZONTAL:SCALE?                                                                                                                                                                                                                   |
| <b>Arguments</b> | <NR3> is the amount of expansion in the horizontal direction in 1-2-5 increments.                                                                                                                                                                                                     |
| <b>Examples</b>  | ZOOM:REF1:HORIZONTAL:SCALE 10 sets the horizontal scale factor of the specified Reference 1 waveform to 10.<br><br>ZOOM:REF1:HORIZONTAL:SCALE? might return<br>:ZOOM:REF1:HORIZONTAL:SCALE 5, indicating that the horizontal scale factor of the specified Reference 1 waveform to 5. |

## ZOOM:REF<x>:VERTICAL:POSITION

This command sets or queries the vertical position of the specified reference waveform.

|                  |                                                                                                                                                                                                                                                                                                |
|------------------|------------------------------------------------------------------------------------------------------------------------------------------------------------------------------------------------------------------------------------------------------------------------------------------------|
| <b>Group</b>     | Zoom                                                                                                                                                                                                                                                                                           |
| <b>Syntax</b>    | ZOOM:REF<x>:VERTICAL:POSITION <NR3><br>ZOOM:REF<x>:VERTICAL:POSITION?                                                                                                                                                                                                                          |
| <b>Arguments</b> | <NR3> is the vertical position, expressed in divisions.                                                                                                                                                                                                                                        |
| <b>Examples</b>  | ZOOM:REF1:VERTICAL:POSITION 5 sets the vertical position of the specified Reference 1 waveform to 5.<br><br>ZOOM:REF1:VERTICAL:POSITION? might return<br>:ZOOM:REF1:VERTICAL:POSITION 340.0000E-3, indicating that the vertical position of the specified Reference 1 waveform is set to 0.34. |

## ZOOM:REF<x>:VERTical:SCAle

This command sets or queries the zoom vertical scale of the specified reference waveform.

|                  |                                                                                                                                                                                                                                                                                    |
|------------------|------------------------------------------------------------------------------------------------------------------------------------------------------------------------------------------------------------------------------------------------------------------------------------|
| <b>Group</b>     | Zoom                                                                                                                                                                                                                                                                               |
| <b>Syntax</b>    | ZOOM:REF<x>:VERTical:SCAle <NR3><br>ZOOM:REF<x>:VERTical:SCAle?                                                                                                                                                                                                                    |
| <b>Arguments</b> | <NR3> sets the horizontal scale factor of the specified Reference 1 waveform to 10.                                                                                                                                                                                                |
| <b>Examples</b>  | ZOOM:REF1:VERTICAL:SCALE 5 sets the vertical scale factor of the specified Reference 1 waveform to 5.<br><br>ZOOM:REF1:VERTICAL:SCALE? might return :ZOOM:REF1:VERTICAL:SCALE 2.0000, indicating that the vertical scale factor of the specified Reference 1 waveform is set to 2. |

## ZOOM:SCROLL:DIREction

This command sets or returns the direction for automatic scrolling of zoomed waveforms.

|                  |                                                                                                                                                                                                                                                                                                                                                |
|------------------|------------------------------------------------------------------------------------------------------------------------------------------------------------------------------------------------------------------------------------------------------------------------------------------------------------------------------------------------|
| <b>Group</b>     | Zoom                                                                                                                                                                                                                                                                                                                                           |
| <b>Syntax</b>    | ZOOM:SCROLL:DIREction {FWD FFWD REV  FREV STOP}<br>ZOOM:SCROLL:DIREction?                                                                                                                                                                                                                                                                      |
| <b>Arguments</b> | FWD starts AutoScroll. The Zoom Box moves from left to right.<br><br>FFWD starts AutoScroll. Increases the scrolling speed in the forward direction.<br><br>REV starts AutoScroll. The Zoom Box moves from right to left.<br><br>FREV starts AutoScroll. Increases the scrolling speed in the reverse direction.<br><br>STOP halts AutoScroll. |
| <b>Examples</b>  | ZOOM:SCROLL:DIRECTION FWD starts AutoScroll. The Zoom Box moves from left to right.                                                                                                                                                                                                                                                            |

ZOOM:SCROLL:DIRECTION? might return :ZOOM:SCROLL:DIRECTION REVERSE, indicating that Zoom Box is moving from right to left.

## ZOOM:SCROLL:LOCK

This command sets or returns the state of Scroll Lock, which “locks” zoomed waveforms under common control.

|                  |                                                                                                                                                                                                        |
|------------------|--------------------------------------------------------------------------------------------------------------------------------------------------------------------------------------------------------|
| <b>Group</b>     | Zoom                                                                                                                                                                                                   |
| <b>Syntax</b>    | ZOOM:SCROLL:LOCK {ON OFF <NR1>}<br>ZOOM:SCROLL:LOCK?                                                                                                                                                   |
| <b>Arguments</b> | ON enables Scroll Lock.<br>OFF disables Scroll Lock.<br><br><NR1> = 0 disables Scroll Lock for all zoom windows; any other value enables Scroll Lock for all zoom windows.                             |
| <b>Examples</b>  | ZOOM:SCROLL:LOCK ON enables Scroll Lock for zoomed waveforms identified as locked.<br><br>ZOOM:SCROLL:LOCK ? might return :ZOOM:SCROLL:LOCK OFF, indicating that the scroll lock function is disabled. |

## ZOOM:SCROLL:SPEED

This command sets or returns the speed of automatic scrolling.

|                  |                                                                                                                                                                                                                                   |
|------------------|-----------------------------------------------------------------------------------------------------------------------------------------------------------------------------------------------------------------------------------|
| <b>Group</b>     | Zoom                                                                                                                                                                                                                              |
| <b>Syntax</b>    | ZOOM:SCROLL:SPEED <NR1><br>ZOOM:SCROLL:SPEED?                                                                                                                                                                                     |
| <b>Arguments</b> | <NR1> is a value from 1 to 10.                                                                                                                                                                                                    |
| <b>Examples</b>  | ZOOM:SCROLL:SPEED 2 will scroll zoomed waveform(s) 2 divisions per update.<br><br>ZOOM:SCROLL:SPEED? might return :ZOOM:SCROLL:SPEED 1, indicating that the scroll speed is set to move zoomed waveform(s) 1 division per update. |

## ZOOM:STATE

This command sets or queries the specified zoom on or off.

|                  |                                                                                                                         |
|------------------|-------------------------------------------------------------------------------------------------------------------------|
| <b>Group</b>     | Zoom                                                                                                                    |
| <b>Syntax</b>    | ZOOM:STATE {ON OFF <NR1>}<br>ZOOM:STATE?                                                                                |
| <b>Arguments</b> | ON turns zoom on or off.<br>OFF turns zoom on or off.<br><NR1> = 0 disables the zoom; any other value enables the zoom. |
| <b>Examples</b>  | ZOOM:STATE ON turns zoom on.<br>ZOOM:STATE? might return :ZOOM:STATE 1, indicating that zoom is on.                     |

## ZOOM:VERTICAL:POSITION

This command sets or queries the vertical position around which the zoom waveform is displayed. It is freely movable within the confines of the acquired waveform (0% to 100%) and measured from left to right of the acquired waveform.

|                  |                                                                                                                                                                                             |
|------------------|---------------------------------------------------------------------------------------------------------------------------------------------------------------------------------------------|
| <b>Group</b>     | Zoom                                                                                                                                                                                        |
| <b>Syntax</b>    | ZOOM:VERTICAL:POSITION <NR3><br>ZOOM:VERTICAL:POSITION?                                                                                                                                     |
| <b>Arguments</b> | NR3 is a value from 0 to 100.00 and is the percent of the waveform that is to the left of screen center, when the zoom factor is 1× or greater.                                             |
| <b>Examples</b>  | ZOOM:VERTICAL:POSITION 50 sets the vertical position to 50.<br>ZOOM:VERTICAL:POSITION? might return :ZOOM:VERTICAL:POSITION 23.90000, indicating that the vertical position is set to 23.9. |

## ZOOM:VERTICAL:SCALE

This command sets or queries the zoom vertical scale factor around which the zoom waveform is displayed.

|                  |                                                                                                                                                                        |
|------------------|------------------------------------------------------------------------------------------------------------------------------------------------------------------------|
| <b>Group</b>     | Zoom                                                                                                                                                                   |
| <b>Syntax</b>    | ZOOM:VERTICAL:SCALE <NR3><br>ZOOM:VERTICAL:SCALE?                                                                                                                      |
| <b>Arguments</b> | <NR3> is the amount of expansion in the vertical direction in 1-2-5 increments.                                                                                        |
| <b>Examples</b>  | ZOOM:VERTICAL:SCALE 5 sets the vertical scale to 5.<br><br>ZOOM:VERTICAL:SCALE? might return :ZOOM:VERTICAL:SCALE 10, indicating that the vertical scale is set to 10. |

## ZOOM:ZOOM<x>

This command resets the zoom transforms to default values for all traces of the specified zoom, where x is an integer from 1 to 4 representing the desired zoom window. The [ZOOM:REF<x>:VERTICAL:SCALE?](#) query returns the current vertical and horizontal positioning and scaling of the display.

|                  |                                                                                                                                                                                                                                                                                                            |
|------------------|------------------------------------------------------------------------------------------------------------------------------------------------------------------------------------------------------------------------------------------------------------------------------------------------------------|
| <b>Group</b>     | Zoom                                                                                                                                                                                                                                                                                                       |
| <b>Syntax</b>    | ZOOM:ZOOM<x> {RESET RESETLive}<br>ZOOM:ZOOM<x>?                                                                                                                                                                                                                                                            |
| <b>Arguments</b> | RESET resets the zoom transforms to default values for all traces of the specified zoom.<br><br>RESETLive resets the zoom transforms to default values for live traces of the specified zoom.                                                                                                              |
| <b>Examples</b>  | ZOOM:ZOOM1 RESET resets the zoom transforms for all traces of Zoom1 to their default values<br><br>ZOOM:ZOOM1? might return :ZOOM:ZOOM1:STATE 1;SCROLLLOCK 1; CH1:HORIZONTAL POSITION 50.0000;SCALE 5; :ZOOM:ZOOM1:CH1:VERTICAL:POSITION 0.0000; SCALE 1.0000; :ZOOM:ZOOM1:CH2:HORIZONTAL:POSTION 50.0000; |

SCALE 5; :ZOOM:ZOOM1:CH2:VERTICAL:POSITION 0.000; SCALE 1.0000; :ZOOM:ZOOM1:CH3:HORIZONTAL:POSITION50.000; SCALE 5; :ZOOM:ZOOM1:CH3:VERTICAL... , indicating the Zoom1 transforms for all traces.

## ZOOMm:ZOOM<x>:SCROLLLock

This command sets or queries Scroll Lock for the specified zoom, where x is an integer from 1 to 4 representing the desired zoom window.

|                  |                                                                                                                                                                                                                                                        |
|------------------|--------------------------------------------------------------------------------------------------------------------------------------------------------------------------------------------------------------------------------------------------------|
| <b>Group</b>     | Zoom                                                                                                                                                                                                                                                   |
| <b>Syntax</b>    | ZOOMm:ZOOM<x>:SCROLLLock {ON OFF 1 0 <NR1>}<br>ZOOMm:ZOOM<x>:SCROLLLock?                                                                                                                                                                               |
| <b>Arguments</b> | ON locks waveforms for the specified zoom window <x>.<br>OFF unlocks waveforms for the specified zoom window <x>.<br><NR1> = 0 unlocks waveforms for the specified zoom window <x>; any other value locks waveforms for the specified zoom window <x>. |
| <b>Examples</b>  | ZOOM:ZOOM1:SCROLLLOCK ON turns Zoom1 scroll lock on.<br>ZOOM:ZOOM1:SCROLLLOCK? returns either ON 1 or OFF 0 for Zoom1.                                                                                                                                 |

## ZOOMm:ZOOM<x>:STATE

This command sets or queries the specified zoom on or off, where x is an integer from 1 to 4 representing the desired zoom window.

Default is Zoom1 on, Zoom2 - 4 off.

|                  |                                                            |
|------------------|------------------------------------------------------------|
| <b>Group</b>     | Zoom                                                       |
| <b>Syntax</b>    | ZOOMm:ZOOM<x>:STATE {ON OFF <NR1>}<br>ZOOMm:ZOOM<x>:STATE? |
| <b>Arguments</b> | ON turns Zoom 1-4 on.<br>OFF turns Zoom 1-4 off.           |

<NR1> = 0 disables the specified zoom; any other value enables the specified zoom.

**Examples** ZOOM:ZOOM1:STATE ON turns Zoom1 on.  
 ZOOM:ZOOM2:STATE? might return :ZOOM:ZOOM2:STATE 1, indicating that Zoom2 is on.

## ZOOM:ZOOM<x>:<wfm>:DISplay

This command sets or queries the display of the specified waveform for the specified zoom, where x is an integer from 1 to 4 representing the desired zoom window. The waveform affected is determined by <wfm> which can vary from CH1, CH2, CH3, CH4, Math1, Math2, Math3, Math4, Ref1, Ref2, Ref3, or Ref4.

**Group** Zoom

**Syntax** ZOOM:ZOOM<x>:<wfm>:DISplay {<NR1>|OFF|ON}  
 ZOOM:ZOOM<x>:<wfm>:DISplay?

**Arguments** <NR1> A zero disables the specified zoom; any other value enables the specified zoom.

OFF disables the specified zoom.

ON displays the specified zoom.

**Examples** ZOOM:ZOOM1:CH1:DISPLAY ON displays the specified zoom waveform.  
 ZOOM:ZOOM1:CH1:DISPLAY? might return :ZOOM:ZOOM1:CH1:DISPLAY 0, indicating the channel 1 zoom is disabled.

## ZOOM:ZOOM<x>:<wfm>:HORizontal:POSition

This command sets or queries the horizontal position of the specified waveform for the specified zoom, where x is an integer from 1 to 4 representing the desired zoom window. The setting of the [ZOOM:ZOOM<x>:SCROLLLock](#) command determines the waveforms that are affected.

**Group** Zoom



|                  |                                                                                                                                                                                                                                                                                                             |
|------------------|-------------------------------------------------------------------------------------------------------------------------------------------------------------------------------------------------------------------------------------------------------------------------------------------------------------|
| <b>Syntax</b>    | ZOOM:ZOOM<x>:<wfm>:HORIZONTAL:POSITION <NR3><br>ZOOM:ZOOM<x>:<wfm>:HORIZONTAL:POSITION?                                                                                                                                                                                                                     |
| <b>Arguments</b> | <NR3> is a value from 0 to 100.00 and is the percent of the waveform that is to the left of screen center, when the zoom factor is 1× or greater.                                                                                                                                                           |
| <b>Examples</b>  | ZOOM:ZOOM1:CH1:HORIZONTAL:POSITION 50 sets the Zoom1 reference pointer at 50% of acquired waveform.<br><br>ZOOM:ZOOM1:CH1:HORIZONTAL:POSITION? might return :ZOOM1:CH1:HORIZONTAL:POSITION 50.0000, indicating that the Zoom1 reference pointer for Channel 1 is currently set at 50% of acquired waveform. |

## ZOOM:ZOOM<x>:<wfm>:HORIZONTAL:SCALE

This command sets or queries the zoom horizontal scale factor of the specified waveform for the specified zoom, where x is an integer from 1 to 4 representing the desired zoom window.

|                  |                                                                                                                                                                                                                                         |
|------------------|-----------------------------------------------------------------------------------------------------------------------------------------------------------------------------------------------------------------------------------------|
| <b>Group</b>     | Zoom                                                                                                                                                                                                                                    |
| <b>Syntax</b>    | ZOOM:ZOOM<x>:<wfm>:HORIZONTAL:SCALE <NR3><br>ZOOM:ZOOM<x>:<wfm>:HORIZONTAL:SCALE?                                                                                                                                                       |
| <b>Arguments</b> | <NR3> is the amount of expansion in the horizontal direction in 1-2-5 increments.                                                                                                                                                       |
| <b>Examples</b>  | ZOOM:ZOOM1:CH1:HORIZONTAL:SCALE 5 sets the horizontal scale factor of Channel 1 to 5.<br><br>ZOOM:ZOOM2:CH2:HORIZONTAL:SCALE? might return :ZOOM2:CH2:HORIZONTAL:SCALE 1, indicating that Channel 2 has a horizontal scale factor of 1. |

## ZOOM:ZOOM<x>:<wfm>:HORIZONTAL:TIMEPosition

This command sets or queries the zoom horizontal position of the specified waveform for the specified zoom, but in time from the trigger instead of percent of waveform.

|              |      |
|--------------|------|
| <b>Group</b> | Zoom |
|--------------|------|

**Syntax** ZOOM:ZOOM<x>:<wfm>:HORIZONTAL:TIMEPosition <NRF>  
ZOOM:ZOOM<x>:<wfm>:HORIZONTAL:TIMEPosition?

**Arguments** <NRF> specifies the horizontal position in time from the trigger.

**Returns** ZOOM:ZOOM1:<wfm>:HORIZONTAL:TIMEPOSITION 1e-9 sets the Zoom1 reference pointer at 1 ns in the acquired waveform.

## ZOOM:ZOOM<x>:<wfm>:VERTICAL:POSITION

This command sets or queries the vertical position of the specified waveform for the specified zoom, where x is an integer from 1 to 4 representing the desired zoom window. The setting of the ZOOM:ZOOM<x>:SCROLLLOCK command determines the waveforms that are affected. The <wfm> can be a channel, math, or reference waveform.

**Group** Zoom

**Syntax** ZOOM:ZOOM<x>:<wfm>:VERTICAL:POSITION <NR3>  
ZOOM:ZOOM<x>:<wfm>:VERTICAL:POSITION?

**Arguments** <NR3> is the vertical position, expressed in divisions.

**Examples** ZOOM:ZOOM1:CH1:VERTICAL:POSITION 2 sets the Zoom1 vertical position to 2, which centers the zoom trace at the second division of the acquired trace.

ZOOM:ZOOM1:CH1:VERTICAL:POSITION? might return  
:ZOOM1:CH1:VERTICAL:POSITION 0.0000, indicating that the  
Zoom1 trace for Channel 1 is centered at division 0 of the acquired trace.

## ZOOM:ZOOM<x>:<wfm>:VERTICAL:SCALE

This command sets or queries the zoom vertical scale of the specified waveform for the specified zoom, where x is an integer from 1 to 4 representing the desired zoom window.

**Group** Zoom

**Syntax** ZOOM:ZOOM<x>:<wfm>:VERTICAL:SCALE <NR3>  
ZOOM:ZOOM<x>:<wfm>:VERTICAL:SCALE?

**Arguments** <NR3> is the amount of vertical expansion or compression, which operates on a 1-2-5 sequence (for example, 1, 2, 5, 10, 20, 50, 100...). Based on the value that you entered, this command uses the nearest scale factor. Setting the vertical scale to 1 indicates unity (no zoom).

**Examples** ZOOM:ZOOM2:CH2:VERTICAL:SCALE 5 sets the vertical scale of Channel 2 to 5×.

ZOOM:ZOOM2:CH2:VERTICAL:SCALE? might return  
:ZOOM2:CH2:VERTICAL:SCALE 2.0000, indicating that the vertical scale is 2×.



---

# Status and Events

The instrument provides a status and event reporting system for the GPIB interfaces. This system informs you of certain significant events that occur within the instrument.

The instrument status handling system consists of five 8-bit registers and two queues for each interface. The remaining Status subtopics describe these registers and components. They also explain how the event handling system operates.

## Registers

- Overview** The registers in the event handling system fall into two functional groups:
- Status Registers contain information about the status of the instrument. They include the Standard Event Status Register (SESR).
  - Enable Registers determine whether selected types of events are reported to the Status Registers and the Event Queue. They include the Device Event Status Enable Register (DESER), the Event Status Enable Register (ESER), and the Service Request Enable Register (SRER).

**Status** The Standard Event Status Register (SESR) and the Status Byte Register (SBR) record certain types of events that may occur while the instrument is in use. IEEE Std 488.2-1987 defines these registers.

Each bit in a Status Register records a particular type of event, such as an execution error or message available. When an event of a given type occurs, the instrument sets the bit that represents that type of event to a value of one. (You can disable bits so that they ignore events and remain at zero. See Enable Registers). Reading the status registers tells you what types of events have occurred.

**The Standard Event Status Register (SESR).** The SESR records eight types of events that can occur within the instrument. Use the \*ESR? query to read the SESR register. Reading the register clears the bits of the register so that the register can accumulate information about new events.

---

**NOTE.** *TekVISA applications use SESR bit 6 to respond to any of several events, including some front panel actions.*

---

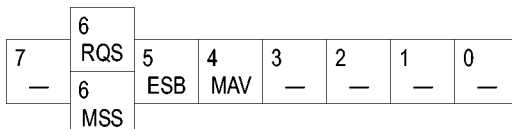
|     |     |     |     |     |     |     |     |
|-----|-----|-----|-----|-----|-----|-----|-----|
| 7   | 6   | 5   | 4   | 3   | 2   | 1   | 0   |
| PON | URQ | CME | EXE | DDE | QYE | RQC | OPC |

**Table 3-1: SESR Bit Functions**

| Bit     | Function |                                                                                                                                                  |
|---------|----------|--------------------------------------------------------------------------------------------------------------------------------------------------|
| 7 (MSB) | PON      | Power On. Shows that the instrument was powered on. On completion, the diagnostic tests also set this bit.                                       |
| 6       | URQ      | User Request. Indicates that an application event has occurred. *See preceding note.                                                             |
| 5       | CME      | Command Error. Shows that an error occurred while the instrument was parsing a command or query.                                                 |
| 4       | EXE      | Execution Error. Shows that an error executing a command or query.                                                                               |
| 3       | DDE      | Device Error. Shows that a device error occurred.                                                                                                |
| 2       | QYE      | Query Error. Either an attempt was made to read the Output Queue when no data was present or pending, or that data in the Output Queue was lost. |
| 1       | RQC      | Request Control. This is not used.                                                                                                               |
| 0 (LSB) | OPC      | Operation Complete. Shows that the operation is complete. This bit is set when all pending operations complete following an *OPC command.        |

**The Status Byte Register (SBR).** Records whether output is available in the Output Queue, whether the instrument requests service, and whether the SESR has recorded any events.

Use a Serial Poll or the \*STB? query to read the contents of the SBR. The bits in the SBR are set and cleared depending on the contents of the SESR, the Event Status Enable Register (ESER), and the Output Queue. When you use a Serial Poll to obtain the SBR, bit 6 is the RQS bit. When you use the \*STB? query to obtain the SBR, bit 6 is the MSS bit. Reading the SBR does not clear the bits.



**Table 3-2: SBR Bit Functions**

| Bit     | Function |                                                                                                                    |
|---------|----------|--------------------------------------------------------------------------------------------------------------------|
| 7 (MSB) | —        | Not used.                                                                                                          |
| 6       | RQS      | Request Service. Obtained from a serial poll. Shows that the instrument requests service from the GPIB controller. |
| 6       | MSS      | Master Status Summary. Obtained from *STB? query. Summarizes the ESB and MAV bits in the SBR.                      |
| 5       | ESB      | Event Status Bit. Shows that status is enabled and present in the SESR.                                            |
| 4       | MAV      | Message Available. Shows that output is available in the Output Queue.                                             |

**Table 3-2: SBR Bit Functions (cont.)**

| Bit | Function  |
|-----|-----------|
| 3   | Not used. |
| 2   | Not used. |
| 1-0 | Not used. |

**Enable** DESER, ESER, and SRER allow you to select which events are reported to the Status Registers and the Event Queue. Each Enable Register acts as a filter to a Status Register (the DESER also acts as a filter to the Event Queue) and can prevent information from being recorded in the register or queue.

Each bit in an Enable Register corresponds to a bit in the Status Register it controls. In order for an event to be reported to a bit in the Status Register, the corresponding bit in the Enable Register must be set to one. If the bit in the Enable Register is set to zero, the event is not recorded.

Various commands set the bits in the Enable Registers. The Enable Registers and the commands used to set them are described as follows.

**The Device Event Status Enable Register (DESER).** This register controls which types of events are reported to the SESR and the Event Queue. The bits in the DESER correspond to those in the SESR.

Use the DESE command to enable and disable the bits in the DESER. Use the DESE? query to read the DESER.

|     |     |     |     |     |     |     |     |
|-----|-----|-----|-----|-----|-----|-----|-----|
| 7   | 6   | 5   | 4   | 3   | 2   | 1   | 0   |
| PON | URQ | CME | EXE | DDE | QYE | RQC | OPC |

**The Event Status Enable Register (ESER).** This register controls which types of events are summarized by the Event Status Bit (ESB) in the SBR. Use the \*ESE command to set the bits in the ESER. Use the \*ESE? query to read it.

|     |     |     |     |     |     |     |     |
|-----|-----|-----|-----|-----|-----|-----|-----|
| 7   | 6   | 5   | 4   | 3   | 2   | 1   | 0   |
| PON | URQ | CME | EXE | DDE | QYE | RQC | OPC |

**The Service Request Enable Register (SRER).** This register controls which bits in the SBR generate a Service Request and are summarized by the Master Status Summary (MSS) bit.

Use the \*SRE command to set the SRER. Use the \*SRE? query to read the register. The RQS bit remains set to one until either the Status Byte Register is read with a Serial Poll or the MSS bit changes back to a zero.

|   |   |     |     |   |   |   |   |
|---|---|-----|-----|---|---|---|---|
| 7 | 6 | 5   | 4   | 3 | 2 | 1 | 0 |
| — | — | ESB | MAV | — | — | — | — |

- \*PSC Command** The \*PSC command controls the Enable Registers contents at power-on. Sending \*PSC 1 sets the Enable Registers at power on as follows:
- DESER 255 (equivalent to a DESe 255 command)
  - ESER 0 (equivalent to an \*ESE 0 command)
  - SRER 0 (equivalent to an \*SRE 0 command)
- Sending \*PSC 0 lets the Enable Registers maintain their values in nonvolatile memory through a power cycle.

---

**NOTE.** *Note: To enable the PON (Power On) event to generate a Service Request, send \*PSC 0, use the DESe and \*ESE commands to enable PON in the DESER and ESER, and use the \*SRE command to enable bit 5 in the SRER. Subsequent power-on cycles will generate a Service Request.*

---

## Queues

The \*PSC command controls the Enable Registers contents at power-on. Sending \*PSC 1 sets the Enable Registers at power on as follows:

- Output Queue** The instrument stores query responses in the Output Queue and empties this queue each time it receives a new command or query message after an <EOM>. The controller must read a query response before it sends the next command (or query) or it will lose responses to earlier queries.




---

**CAUTION.** *When a controller sends a query, an <EOM>, and a second query, the instrument normally clears the first response and outputs the second while reporting a Query Error (QYE bit in the ESER) to indicate the lost response. A fast controller, however, may receive a part or all of the first response as well. To avoid this situation, the controller should always read the response immediately after sending any terminated query message or send a DCL (Device Clear) before sending the second query.*

---

- Event Queue** The Event Queue stores detailed information on up to 33 events. If more than 32 events stack up in the Event Queue, the 32nd event is replaced by event code 350, “Queue Overflow.”

Read the Event Queue with the EVENT? query (which returns only the event number), with the EVMSG? query (which returns the event number and a text description of the event), or with the ALLEV? query (which returns all the event numbers along with a description of the event). Reading an event removes it from the queue.

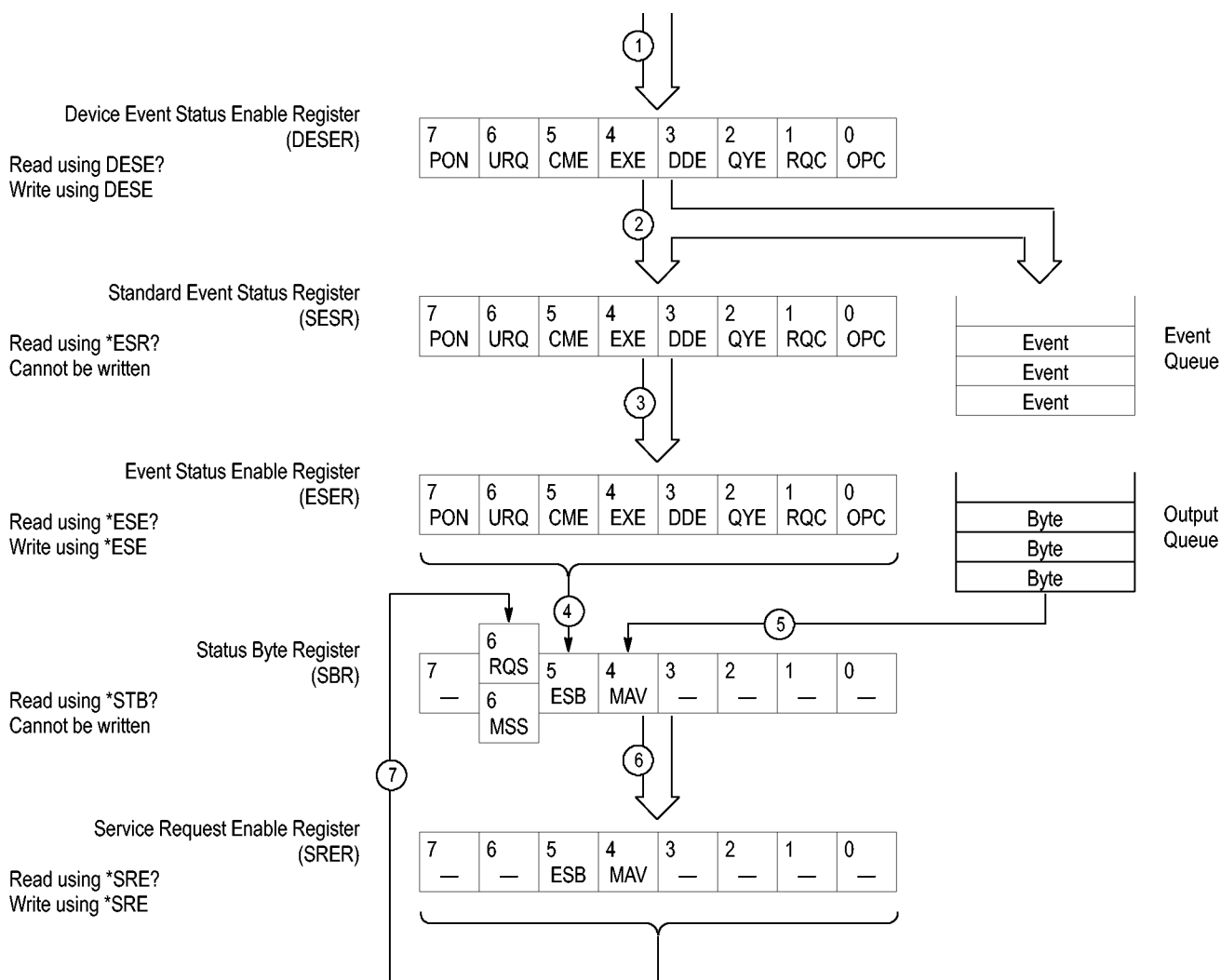


Before reading an event from the Event Queue, you must use the \*ESR? query to read the summary of the event from the SESR. This makes the events summarized by the \*ESR? read available to the EVENT? and EVMSG? queries, and empties the SESR.

Reading the SESR erases any events that were summarized by previous \*ESR? reads but not read from the Event Queue. Events that follow an \*ESR? read are put in the Event Queue but are not available until \*ESR? is used again.

## Event Handling Sequence

The figure below shows how to use the status and event handling system. In the explanation that follows, numbers in parentheses refer to numbers in the figure.



When an event occurs, a signal is sent to the DESER (1). If that type of event is enabled in the DESER (that is, if the bit for that event type is set to 1), the appropriate bit in the SESR is set to one, and the event is recorded in the Event Queue (2). If the corresponding bit in the ESER is also enabled (3), then the ESB bit in the SBR is set to one (4).

When output is sent to the Output Queue, the MAV bit in the SBR is set to one (5).

When a bit in the SBR is set to one and the corresponding bit in the SRER is enabled (6), the MSS bit in the SBR is set to one and a service request is generated (7).

## Synchronization Methods

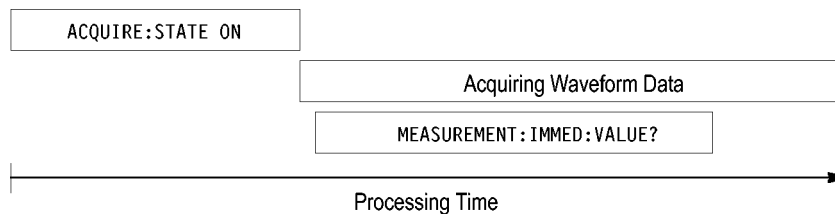
**Overview** Although most GPIB commands are completed almost immediately after being received by the instrument, some commands start a process that requires more time. For example, once a single sequence acquisition command is executed, depending upon the applied signals and trigger settings, it may be a few seconds before the acquisition is complete. Rather than remain idle while the operation is in process, the instrument will continue processing other commands. This means that some operations will not be completed in the order that they were sent.

Sometimes the result of an operation depends on the result of an earlier operation. A first operation must complete before the next one gets processed. The instrument status and event reporting system provides ways to do this.

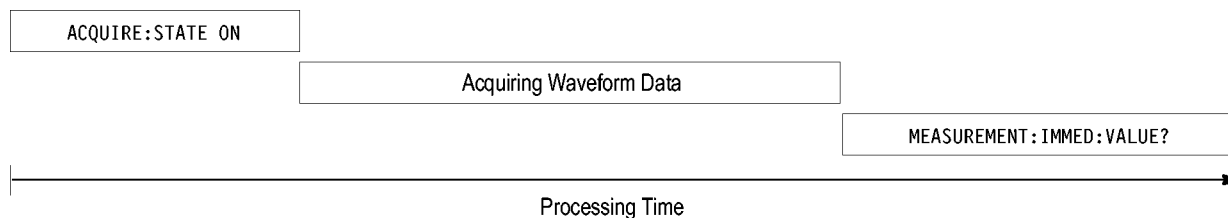
For example, a typical application might involve acquiring a single-sequence waveform and then taking a measurement on the acquired waveform. You could use the following command sequence to do this:

```
/** Set up conditional acquisition **/  
ACQUIRE:STATE OFF  
SELECT:CH1 ON  
HORIZONTAL:MODE:RECORDLENGTH 1000  
ACQUIRE:MODE SAMPLE  
ACQUIRE:STOPAFTER SEQUENCE  
/** Acquire waveform data **/  
ACQUIRE:STATE ON  
/** Set up the measurement parameters **/  
MEASUREMENT:IMMED:TYPE AMPLITUDE  
MEASUREMENT:IMMED:SOURCE CH1  
/** Take amplitude measurement **/  
MEASUREMENT:MEAS1:VALUE
```

The acquisition of the waveform requires extended processing time. It may not finish before the instrument takes an amplitude measurement (see the following figure). This can result in an incorrect amplitude value.



To ensure that the instrument completes waveform acquisition before taking the measurement on the acquired data, you can synchronize the program.



You can use four commands to synchronize the operation of the instrument with your application program: \*WAI, BUSY, \*OPC, and \*OPC

**\*WAI** The \*WAI command forces completion of previous commands that generate an OPC message. No commands after the \*WAI are processed before the OPC message(s) are generated

The same command sequence using the \*WAI command for synchronization looks like this:

```

/* Set up conditional acquisition */
ACQUIRE:STATE OFF
SELECT:CH1 ON
HORIZONTAL:MODE:RECORDLENGTH 1000
ACQUIRE:MODE SAMPLE
ACQUIRE:STOPAFTER SEQUENCE
/* Acquire waveform data */
ACQUIRE:STATE ON
/* Set up the measurement parameters */
MEASUREMENT:IMMED:TYPE AMPLITUDE
MEASUREMENT:IMMED:SOURCE CH1
/* wait until the acquisition is complete before taking
the measurement*/
*/
*WAI
/* Take amplitude measurement */
MEASUREMENT:IMMED:VALUE

```

The controller can continue to write commands to the input buffer of the instrument, but the commands will not be processed by the instrument until all OPC operations in process are complete. If the input buffer becomes full, the

controller will be unable to write more commands to the buffer. This can cause a time-out.

**BUSY** The BUSY? query allows you to find out whether the instrument is busy processing a command that has an extended processing time such as single-sequence acquisition.

The same command sequence, using the BUSY? query for synchronization, looks like this:

```
/* Set up conditional acquisition */
ACQUIRE:STATE OFF
SELECT:CH1 ON
HORIZONTAL:MODE:RECORDLENGTH 1000
ACQUIRE:MODE SAMPLE
ACQUIRE:STOPAFTER SEQUENCE
/* Acquire waveform data */
ACQUIRE:STATE ON
/* Set up the measurement parameters */
MEASUREMENT:IMMED:TYPE AMPLITUDE
MEASUREMENT:IMMED:SOURCE CH1
/* wait until the acquisition is complete before taking
the measurement */
while BUSY keep looping
/* Take amplitude measurement */
MEASUREMENT:IMMED:VALUE
```

This sequence lets you create your own wait loop rather than using the \*WAI command. The BUSY? query helps you avoid time-outs caused by writing too many commands to the input buffer. The controller is still tied up though, and the repeated BUSY? query will result in more bus traffic.

#### \*OPC

If the corresponding status registers are enabled, the \*OPC command sets the OPC bit in the Standard Event Status Register (SESR) when an operation is complete. You achieve synchronization by using this command with either a serial poll or service request handler.

**Serial Poll Method:** Enable the OPC bit in the Device Event Status Enable Register (DESER) and the Event Status Enable Register (ESER) using the DESE and \*ESE commands.

When the operation is complete, the OPC bit in the Standard Event Status Register (SESR) will be enabled and the Event Status Bit (ESB) in the Status Byte Register will be enabled.

The same command sequence using the \*OPC command for synchronization with serial polling looks like this:

```
/* Set up conditional acquisition */
```

```

ACQUIRE:STATE OFF
SELECT:CH1 ON
HORIZONTAL:MODE:RECORDLENGTH 1000
ACQUIRE:MODE SAMPLE
ACQUIRE:STOPAFTER SEQUENCE
/* Enable the status registers */
DESE 1
*ESE 1
*SRE 0
/* Acquire waveform data */
ACQUIRE:STATE ON
/* Set up the measurement parameters */
MEASUREMENT:IMMED:TYPE AMPLITUDE
MEASUREMENT:IMMED:SOURCE CH1
/* Wait until the acquisition is complete before taking the measurement.
*/
*OPC
While serial poll = 0, keep looping
/* Take amplitude measurement */
MEASUREMENT:IMMED:VALUE
This technique requires less bus traffic than did looping on BUSY.
Service Request Method: Enable the OPC bit in the Device Event Status Enable
Register (DESER) and the Event Status Enable Register (ESER) using the DESE
and *ESE commands.
You can also enable service requests by setting the ESB bit in the Service Request
Enable Register (SRER) using the *SRE command. When the operation is
complete, a Service Request will be generated.
The same command sequence using the *OPC command for synchronization
looks like this
/* Set up conditional acquisition */
ACQUIRE:STATE OFF
SELECT:CH1 ON

```

HORIZONTAL:MODE:RECORDLENGTH 1000

ACQUIRE:MODE SAMPLE

ACQUIRE:STOPAFTER SEQUENCE

/\* Enable the status registers \*/

DESE 1

\*ESE 1

\*SRE 32

/\* Acquire waveform data \*/

ACQUIRE:STATE ON

/\* Set up the measurement parameters \*/

MEASUREMENT:IMMED:TYPE AMPLITUDE

MEASUREMENT:IMMED:SOURCE CH1

/\* Wait until the acquisition is complete before taking the measurement

\*/

\*OPC

The program can now do different tasks such as talk to other devices. The SRQ, when it comes, interrupts those tasks and returns control to this task.

/\* Take amplitude measurement \*/

MEASUREMENT:IMMED:VALUE

This technique is more efficient but requires more sophisticated programming.

\*OPC?

The \*OPC? query places a 1 in the Output Queue once an operation that generates an OPC message is complete. A time out could occur if you try to read the output queue before there is any data in it.

The same command sequence using the \*OPC? query for synchronization looks like this:

/\* Set up conditional acquisition \*/

ACQUIRE:STATE OFF

SELECT:CH1 ON

HORIZONTAL:MODE:RECORDLENGTH 1000

ACQUIRE:MODE SAMPLE

ACQUIRE:STOPAFTER SEQUENCE

```

/* Acquire waveform data */
ACQUIRE:STATE ON
/* Set up the measurement parameters */
MEASUREMENT:IMMED:TYPE AMPLITUDE
MEASUREMENT:IMMED:SOURCE CH1
/* Wait until the acquisition is complete before taking the measurement
*/
*OPC?
Wait for read from Output Queue.
/* Take amplitude measurement */
MEASUREMENT:IMMED:VALUE

```

This is the simplest approach. It requires no status handling or loops. However, you must set the controller time-out for longer than the acquisition operation.

## Messages

**Overview.** The information contained in the topic tabs above covers all the programming interface messages the instrument generates in response to commands and queries.

For most messages, a secondary message from the instrument gives more detail about the cause of the error or the meaning of the message. This message is part of the message string and is separated from the main message by a semicolon.

Each message is the result of an event. Each type of event sets a specific bit in the SESR and is controlled by the equivalent bit in the DESER. Thus, each message is associated with a specific SESR bit. In the message tables, the associated SESR bit is specified in the table title, with exceptions noted with the error message text.

**No Event.** The following table shows the messages when the system has no events or status to report. These have no associated SESR bit.

**Table 3-3: No Event Messages**

| Code | Message                                       |
|------|-----------------------------------------------|
| 0    | No events to report; queue empty              |
| 1    | No events to report; new events pending *ESR? |

**Command Error.** The following table shows the command error messages generated by improper syntax. Check that the command is properly formed and that it follows the rules in the section on command Syntax.

**Table 3-4: Command Error Messages (CME Bit 5)**

| <b>Code</b> | <b>Message</b>              |
|-------------|-----------------------------|
| 100         | Command error               |
| 101         | Invalid character           |
| 102         | Syntax error                |
| 103         | Invalid separator           |
| 104         | Data type error             |
| 105         | GET not allowed             |
| 108         | Parameter not allowed       |
| 109         | Missing parameter           |
| 110         | Command header error        |
| 111         | Header separator error      |
| 112         | Program mnemonic too long   |
| 113         | Undefined header            |
| 114         | Header suffix out of range  |
| 120         | Numeric data error          |
| 121         | Invalid character in number |
| 123         | Exponent too large          |
| 124         | Too many digits             |
| 128         | Numeric data not allowed    |
| 130         | Suffix error                |
| 131         | Invalid suffix              |
| 134         | Suffix too long             |
| 138         | Suffix not allowed          |
| 140         | Character data error        |
| 141         | Invalid character data      |
| 144         | Character data too long     |
| 148         | Character data not allowed  |
| 150         | String data error           |
| 151         | Invalid string data         |
| 158         | String data not allowed     |
| 160         | Block data error            |
| 161         | Invalid block data          |
| 168         | Block data not allowed      |
| 170         | Command expression error    |
| 171         | Invalid expression          |
| 178         | Expression data not allowed |

**Execution Error.** The following table lists the execution errors that are detected during execution of a command.



**Table 3-5: Execution Error Messages (EXE Bit 4)**

| <b>Code</b> | <b>Message</b>                                     |
|-------------|----------------------------------------------------|
| 200         | Execution error                                    |
| 201         | Invalid while in local                             |
| 202         | Settings lost due to RTL                           |
| 210         | Trigger error                                      |
| 211         | Trigger ignored                                    |
| 212         | Arm ignored                                        |
| 219         | Trigger delay not available                        |
| 220         | Parameter error                                    |
| 221         | Settings conflict                                  |
| 222         | Data out of range                                  |
| 223         | Too much data                                      |
| 224         | Illegal parameter value                            |
| 225         | Out of memory                                      |
| 230         | Data corrupt or stale                              |
| 240         | Hardware error                                     |
| 241         | Hardware missing                                   |
| 244         | Invalid parameter selected                         |
| 250         | Mass storage error                                 |
| 251         | Missing mass storage                               |
| 252         | Missing media                                      |
| 253         | Corrupt media                                      |
| 254         | Media full                                         |
| 255         | Directory full                                     |
| 256         | File name not found                                |
| 257         | File name error                                    |
| 258         | Media protected                                    |
| 260         | Execution expression error                         |
| 261         | Math error in expression                           |
| 2200        | Measurement error, Measurement system error        |
| 2201        | Measurement error, No period found                 |
| 2203        | Measurement error, No period, second waveform      |
| 2204        | Measurement error, Low signal amplitude            |
| 2205        | Measurement error, Low amplitude, second waveform  |
| 2206        | Measurement error, Invalid gate                    |
| 2207        | Measurement error, Measurement overflow            |
| 2208        | Measurement error, Waveform does not cross Mid Ref |
| 2209        | Measurement error, No second Mid Ref crossing      |

**Table 3-5: Execution Error Messages (EXE Bit 4) (cont.)**

| <b>Code</b> | <b>Message</b>                                                                 |
|-------------|--------------------------------------------------------------------------------|
| 2210        | Measurement error, No Mid Ref crossing, second waveform                        |
| 2211        | Measurement error, No backwards Mid Ref Crossing                               |
| 2212        | Measurement error, No negative crossing                                        |
| 2213        | Measurement error, No positive crossing                                        |
| 2214        | Measurement error, No crossing                                                 |
| 2215        | Measurement error, No crossing, second waveform                                |
| 2216        | Measurement error, No crossing, target waveform                                |
| 2217        | Measurement error, Constant waveform                                           |
| 2218        | Measurement error, Unused                                                      |
| 2219        | Measurement error, No valid edge – No arm sample                               |
| 2220        | Measurement error, No valid edge – No arm cross                                |
| 2221        | Measurement error, No valid edge – No trigger cross                            |
| 2222        | Measurement error, No valid edge – No second cross                             |
| 2223        | Measurement error, Waveform mismatch                                           |
| 2225        | Measurement error, No waveform to measure                                      |
| 2226        | Measurement error, Null Waveform                                               |
| 2227        | Measurement error, Positive and Negative Clipping                              |
| 2228        | Measurement error, Positive Clipping                                           |
| 2229        | Measurement error, Negative Clipping                                           |
| 2230        | Measurement error, High Ref < Low Ref                                          |
| 2231        | Measurement error, no statistics available                                     |
| 2241        | Waveform request is invalid                                                    |
| 2243        | This measurement cannot be performed on this type of waveform                  |
| 2244        | Source waveform is not active                                                  |
| 2248        | This ref cannot be activated                                                   |
| 2249        | Reference deletion error, Waveform in use for math                             |
| 2250        | Reference error, Waveform reference file is invalid                            |
| 2251        | Reference error, Waveform preamble does not match actual                       |
| 2252        | Reference error, Source waveform is not valid                                  |
| 2253        | Reference error, Too many points received                                      |
| 2254        | Reference error, Too few points received                                       |
| 2259        | File too big                                                                   |
| 2261        | Calibration error, wait for the warm-up interval to expire before invoking SPC |
| 2400        | Not enough memory available                                                    |
| 2401        | This channel cannot be activated                                               |
| 2402        | Math/Meas/Histo have circular definition                                       |
| 2410        | Empty math string                                                              |

**Table 3-5: Execution Error Messages (EXE Bit 4) (cont.)**

| Code | Message                                                |
|------|--------------------------------------------------------|
| 2411 | Syntax error in math string                            |
| 2412 | Semantic error in math string                          |
| 2413 | Math expression is too complex                         |
| 2420 | Histogram cannot be performed on this type of waveform |

**Device Error.** The following table lists the device errors that can occur during instrument operation. These errors may indicate that the instrument needs repair.

**Table 3-6: Device Error Messages (DDE Bit 3)**

| Code | Message                               |
|------|---------------------------------------|
| 300  | Device-specific error                 |
| 310  | System error                          |
| 311  | Memory error                          |
| 312  | PUD memory lost                       |
| 313  | Calibration memory lost               |
| 314  | Save/recall memory lost               |
| 315  | Configuration memory lost             |
| 350  | Queue overflow (does not set DDE bit) |

**System Event.** The following table lists the system event messages. These messages are generated whenever certain system conditions occur.

**Table 3-7: System Event Messages**

| Code | Message                                                      |
|------|--------------------------------------------------------------|
| 400  | Query event                                                  |
| 401  | Power on (PON bit 7 set)                                     |
| 402  | Operation complete (OPC bit 0 set)                           |
| 403  | User request (URQ bit 6 set)                                 |
| 404  | Power fail (DDE bit 3 set)                                   |
| 405  | Request control                                              |
| 410  | Query INTERRUPTED (QYE bit 2 set)                            |
| 420  | Query UNTERMINATED (QYE bit 2 set)                           |
| 430  | Query DEADLOCKED (QYE bit 2 set)                             |
| 440  | Query UNTERMINATED after indefinite response (QYE bit 2 set) |

**Execution Warning.** The following table lists warning messages that do not interrupt the flow of command execution. These notify you that you may get unexpected results.

**Table 3-8: Execution Warning Messages (EXE Bit 4)**

| <b>Code</b> | <b>Message</b>                                  |
|-------------|-------------------------------------------------|
| 540         | Measurement warning                             |
| 541         | Measurement warning, Low signal amplitude       |
| 542         | Measurement warning, Unstable histogram         |
| 543         | Measurement warning, Low resolution             |
| 544         | Measurement warning, Uncertain edge             |
| 545         | Measurement warning, Invalid min max            |
| 546         | Measurement warning, Need 3 edges               |
| 547         | Measurement warning, Clipping positive/negative |
| 548         | Measurement warning, Clipping positive          |
| 549         | Measurement warning, Clipping negative          |
| 551         | FASTAcq mode is active – deactivate to use math |

**Internal Warning.** The following table shows internal errors that indicate an internal fault in the instrument.

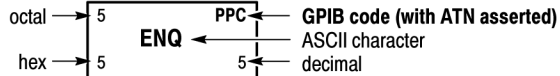
**Table 3-9: Internal Warning Messages**

| <b>Code</b> | <b>Message</b>                         |
|-------------|----------------------------------------|
| 600         | Internal warning                       |
| 630         | Internal warning, 50 $\Omega$ overload |

# Appendix A: Character Set

| B7<br>B6<br>B5<br>BITS<br>B4 B3 B2 B1 | 0 0 0                 |                       | 0 0 1               |      | 0 1 0              |       | 0 1 1             |                  | 1 0 0      |   | 1 0 1                              |   | 1 1 0      |   | 1 1 1 |   |
|---------------------------------------|-----------------------|-----------------------|---------------------|------|--------------------|-------|-------------------|------------------|------------|---|------------------------------------|---|------------|---|-------|---|
|                                       | CONTROL               |                       |                     |      | NUMBERS<br>SYMBOLS |       |                   |                  | UPPER CASE |   |                                    |   | LOWER CASE |   |       |   |
| 0 0 0 0                               | 0 NUL                 | 20 DLE                | 40 SP               | 60 0 | 100 @              | 120 P | 140 ' SA0         | 160 p SA16       | 0          | 0 | 0                                  | 0 | 0          | 0 | 0     | 0 |
| 0 0 0 1                               | 1 SOH                 | 21 DC1                | 41 !                | 61 1 | 101 A              | 121 Q | 141 a SA1         | 161 q SA17       | 1          | 1 | 1                                  | 1 | 1          | 1 | 1     | 1 |
| 0 0 1 0                               | 2 STX                 | 22 DC2                | 42 "                | 62 2 | 102 B              | 122 R | 142 b SA2         | 162 r SA18       | 2          | 2 | 2                                  | 2 | 2          | 2 | 2     | 2 |
| 0 0 1 1                               | 3 ETX                 | 23 DC3                | 43 #                | 63 3 | 103 C              | 123 S | 143 c SA3         | 163 s SA19       | 3          | 3 | 3                                  | 3 | 3          | 3 | 3     | 3 |
| 0 1 0 0                               | 4 EOT                 | 24 DC4                | 44 \$               | 64 4 | 104 D              | 124 T | 144 d SA4         | 164 t SA20       | 4          | 4 | 4                                  | 4 | 4          | 4 | 4     | 4 |
| 0 1 0 1                               | 5 ENQ                 | 25 NAK                | 45 %                | 65 5 | 105 E              | 125 U | 145 e SA5         | 165 u SA21       | 5          | 5 | 5                                  | 5 | 5          | 5 | 5     | 5 |
| 0 1 1 0                               | 6 ACK                 | 26 SYN                | 46 &                | 66 6 | 106 F              | 126 V | 146 f SA6         | 166 v SA22       | 6          | 6 | 6                                  | 6 | 6          | 6 | 6     | 6 |
| 0 1 1 1                               | 7 BEL                 | 27 ETB                | 47 ' (              | 67 7 | 107 G              | 127 W | 147 g SA7         | 167 w SA23       | 7          | 7 | 7                                  | 7 | 7          | 7 | 7     | 7 |
| 1 0 0 0                               | 8 BS                  | 30 CAN                | 50 (                | 70 8 | 110 H              | 130 X | 150 h SA8         | 170 x SA24       | 8          | 8 | 8                                  | 8 | 8          | 8 | 8     | 8 |
| 1 0 0 1                               | 9 HT                  | 31 EM                 | 51 )                | 71 9 | 111 I              | 131 Y | 151 i SA9         | 171 y SA25       | 9          | 9 | 9                                  | 9 | 9          | 9 | 9     | 9 |
| 1 0 1 0                               | A LF                  | 32 SUB                | 52 *                | 72 : | 112 J              | 132 Z | 152 j SA10        | 172 z SA26       | A          | A | A                                  | A | A          | A | A     | A |
| 1 0 1 1                               | B VT                  | 33 ESC                | 53 +                | 73 ; | 113 K              | 133 [ | 153 k SA11        | 173 { SA27       | B          | B | B                                  | B | B          | B | B     | B |
| 1 1 0 0                               | C FF                  | 34 FS                 | 54 ,                | 74 < | 114 L              | 134 \ | 154 l SA12        | 174   SA28       | C          | C | C                                  | C | C          | C | C     | C |
| 1 1 0 1                               | D CR                  | 35 GS                 | 55 -                | 75 = | 115 M              | 135 ] | 155 m SA13        | 175 } SA29       | D          | D | D                                  | D | D          | D | D     | D |
| 1 1 1 0                               | E SO                  | 36 RS                 | 56 .                | 76 > | 116 N              | 136 ^ | 156 n SA14        | 176 ~ SA30       | E          | E | E                                  | E | E          | E | E     | E |
| 1 1 1 1                               | F SI                  | 37 US                 | 57 /                | 77 ? | 117 O              | 137 - | 157 o SA15        | 177 RUBOUT (DEL) | F          | F | F                                  | F | F          | F | F     | F |
|                                       | ADDRESSED<br>COMMANDS | UNIVERSAL<br>COMMANDS | LISTEN<br>ADDRESSES |      |                    |       | TALK<br>ADDRESSES |                  |            |   | SECONDARY ADDRESSES<br>OR COMMANDS |   |            |   |       |   |

## KEY



## Tektronix

REF: ANSI STD X3.4-1977  
IEEE STD 488.1-1987  
ISO STD 646-2973



## Appendix B: Reserved Words

This is a list of reserved words for your instrument. Capital letters identify the required minimum spelling.

|             |            |              |                |
|-------------|------------|--------------|----------------|
| *CAL        | ALLOcate   | ATTEN400X    | AUX            |
| *CLS        | AMI        | ATTEN40X     | AUXIn          |
| *DDT        | AMPlitude  | ATTEN450X    | AUXLevel       |
| *ESE        | AND        | ATTEN45X     | AUXiliary      |
| *ESR        | ANNOtation | ATTEN4X      | AUXout         |
| *IDN        | AOFFSet    | ATTEN4_5X    | AVErage        |
| *LRN        | APPLYtoall | ATTEN500X    | B              |
| *OPC        | AREA       | ATTEN50X     | B3ZS           |
| *OPT        | AREa       | ATTEN550X    | B6ZS           |
| *PSC        | ASCIi      | ATTEN55X     | B8ZS           |
| *PUD        | ASCIi      | ATTEN5X      | BACKwards      |
| *RCL        | ATAG1      | ATTEN5_5X    | BANDwidth      |
| *RST        | ATAG2      | ATTEN600X    | BASE           |
| *SAV        | ATAG3      | ATTEN60X     | BAUD           |
| *SDS        | ATARXG1    | ATTEN650X    | BEEP           |
| *SRE        | ATARXG2    | ATTEN65X     | BELl           |
| *STB        | ATARXG3    | ATTEN6X      | BETween        |
| *TRG        | ATATXG1    | ATTEN6_5X    | BIlevelcustom  |
| *TST        | ATATXG2    | ATTEN700X    | BINary         |
| *WAI        | ATATXG3    | ATTEN70X     | BITRate        |
| 0           | ATRIGger   | ATTEN750X    | BIT_Nr         |
| 1           | ATTEN1000X | ATTEN75X     | BLACKANDWhite  |
| 100         | ATTEN100X  | ATTEN7X      | BLACKMANHarris |
| 50          | ATTEN10X   | ATTEN7_5X    | BMP            |
| 80          | ATTEN125X  | ATTEN800X    | BN_Fmt         |
| A           | ATTEN12_5X | ATTEN80X     | BOFFSet        |
| ABSolute    | ATTEN150X  | ATTEN850X    | BOTH           |
| AC          | ATTEN15X   | ATTEN85X     | BOX            |
| ACcept      | ATTEN175X  | ATTEN8X      | BOXPcnt        |
| ACKMISS     | ATTEN17_5X | ATTEN8_5X    | BTRIGger       |
| ACQDURATION | ATTEN1X    | ATTEN900X    | BURSt          |
| ACQLENGTH   | ATTEN1_25X | ATTEN90X     | BUS            |
| ACQuire     | ATTEN1_5X  | ATTEN950X    | BUSY           |
| ACTIVE      | ATTEN1_75X | ATTEN95X     | BY             |
| ACTUa1      | ATTEN200X  | ATTEN9X      | BYPass         |
| ADDR10      | ATTEN20X   | ATTEN9_5X    | BYT_Nr         |
| ADDR7       | ATTEN250X  | ATTempts     | BYT_Or         |
| ADDRANDDATA | ATTEN25X   | AUTHLogin    | Block          |
| ADDRESS     | ATTEN2X    | AUTHPassword | CALProbe       |
| ALIGN       | ATTEN2_5X  | AUTO         | CALibrate      |
| ALias       | ATTEN300X  | AUTOAdjust   | CAN            |
| ALL         | ATTEN30X   | AUTOBitrate  | CANH           |
| ALLEV       | ATTEN350X  | AUTOBright   | CANL           |
| ALLFields   | ATTEN35X   | AUTOReflevel | CAPS           |
| ALLLines    | ATTEN3X    | AUTOSet      | CAREa          |
| ALLMatched  | ATTEN3_5X  | AUTOZero     | CARet          |

|                  |              |                    |              |
|------------------|--------------|--------------------|--------------|
| CATalog          | D1           | DS1A               | EXECUTE      |
| CENTER           | D2           | DS1C               | EXECute      |
| CENTERed         | DASHed       | DS2                | EXITSwindow  |
| CH1              | DATA         | DS2RATECoax        | EXPort       |
| CH14             | DATASource   | DS2RATESymmetrical | EXTAtten     |
| CH2              | DATE         | DS3                | EXTDBatten   |
| CH3              | DATA         | DS4NA              | EXTENDED     |
| CH4              | DB           | DS4NA_Max          | EXTINCTDB    |
| CHECKSUMDR       | DBM          | E1                 | EXTINCTPCT   |
| CH<math>t;x>     | DC           | E1Coax             | EXTINCTRATIO |
| CHx              | DCHAN        | E1Symmetrical      | EXTUnits     |
| CLASS            | DCREJect     | E2                 | EXTErnal     |
| CLEAR            | DDR          | E3                 | EYE          |
| CLOCKCoax        | DDR2         | E4                 | EYEHeight    |
| CLOCKSymmetrical | DDR3         | E4_0               | EYEWIdth     |
| CLOCK            | DDRMemory    | E4_1               | EYEdiagram   |
| Clock            | DDRREADWrite | ECL                | FACTory      |
| CMDBatch         | DDRRead      | EDGE               | FAILURES     |
| CMEan            | DDRWrite     | EDGE2              | FAILure      |
| CMI              | DEFAULT      | EDGE[1]            | FALL         |
| CMOFFSet         | DEFAUlt      | EDGE<math>t;x>     | FALSE        |
| Code             | DEFine       | EIGHTytwenty       | FALLing      |
| COEFFS           | DEGAUSS      | EITHer             | FAST         |
| COLOR            | DEGrees      | EMBOSS             | FASTAcq      |
| COLUMN           | DELEte       | EMail              | FASTEthan    |
| COMMunication    | DELTATime    | ENCdg              | FASTframe    |
| COMPLetion       | DELTA        | END                | FASTest      |
| COMPLeted        | DELay        | ENET100            | FC1063       |
| COMpare          | DELAyed      | ENET1000BCX_ATP2   | FC1063Draft  |
| CONDition        | DESE         | ENET1000BCX_ATP3   | FC1063E      |
| CONNEction       | DESKEW       | ENET1000BCX_NTP2   | FC1063E_ABR  |
| CONSTant         | DESKew       | ENET100FX          | FC1063E_ABT  |
| CONSUMER         | DESTination  | ENET100STP         | FC1063E_ADR  |
| CONTROL          | DETAiled     | ENET100UTP         | FC1063E_ADT  |
| CONTROL          | DIAG         | ENET1250           | FC1063E_AGR  |
| COPY             | DIFFerential | ENETXAUI           | FC1063E_AGT  |
| COUNT            | DIGital      | ENETXAUI2          | FC1063E_NBT  |
| COUNT            | DIR          | ENETXAUI_Far       | FC1063E_NDT  |
| COUPLing         | DIREction    | ENETXAUI_Near      | FC1063E_NGT  |
| CREATE           | DIREction    | ENGRave            | FC133        |
| CRMS             | DISTDuty     | ENHanced           | FC133E       |
| CROSSHair        | DISable      | ENTERSWindow       | FC2125       |
| CSActive         | DISPlay      | ENV                | FC2125E_ABR  |
| CSLevel          | DIVisions    | ENVELOpe           | FC2125E_ABT  |
| CSMode           | DMOFFSet     | ENable             | FC2125E_ADR  |
| CSSource         | DONE         | EOF                | FC2125E_ADT  |
| CURSOr           | DOTs         | ERROR              | FC2125E_AGR  |
| CURVENext        | DREF         | ET                 | FC2125E_AGT  |
| CURVEStream      | DS0Contra    | EVEN               | FC2125E_NBT  |
| CURVE            | DS0Double    | EVENT              | FC2125E_NDT  |
| CUSTOM           | DS0Single    | EVENTS             | FC2125E_NGT  |
| CWD              | DS0Timing    | EVMsg              | FC266        |
| Custom           | DS1          | EVQty              | FC266E       |



|             |                 |               |                |
|-------------|-----------------|---------------|----------------|
| FC4250      | FST3            | HDB3          | INPUT          |
| FC4250E_ABR | FST4            | HDELTA        | INPUTMode      |
| FC4250E_ABT | FST5            | HDR           | INPUt          |
| FC4250E_ADR | FST6            | HEADer        | INSIDEGreater  |
| FC4250E_ADT | FULLNOMenu      | HEIght        | INSIdE         |
| FC4250E_AGR | FULLSCREEN      | HERtz         | INTENSIFied    |
| FC4250E_AGT | FULl            | HEX           | INTENSITY      |
| FC4250E_NBT | FUNCTION        | HFRej         | INTERLAcEd     |
| FC4250E_NDT | FW1394BS1600B   | HIACQRATE     | INTERNAl       |
| FC4250E_NGT | FW1394BS1600BT1 | HIGH          | INTERPEightbit |
| FC531       | FW1394BS1600BT2 | HIGHLIGHTHits | INTERPRatio    |
| FC531E      | FW1394BS400B    | HIGHLOWX      | INTERNAl       |
| FFWD        | FW1394BS400BT1  | HIGHLimit     | INVERTed       |
| FIELD       | FW1394BS400BT2  | HIRes         | INVert         |
| FIELD1      | FW1394BS800B    | HIStogram     | IRE            |
| FIELD2      | FW1394BS800BT1  | HITS          | IT             |
| FIFTYfifty  | FW1394BS800BT2  | HITS          | ITEM           |
| FILE        | FWD             | HLS           | JPEG           |
| FILEFormat  | FuLl            | HOLDTime      | KAISERBesseL   |
| FILEName    | G703DS1         | HOLDoff       | LABeL          |
| FILESystem  | G703DS3         | HOLDoff       | LABeL<t;x>     |
| FILTEr      | GAIN            | HORizontaL    | LANDscape      |
| FILEpath    | GATEPOS         | HORizontaL[   | LAST           |
| FIRST       | GATEWIDTH       | HOSTwanted    | LAYOut         |
| FIVE        | GATing          | HPOS          | LENGTH         |
| FLATTOP2    | GAUSSian        | HPOS<t;x>     | LENGth         |
| FOCUS       | GDDR3           | HSCALE        | LESSLimit      |
| FONTCOlor   | GENeralcall     | HST           | LESSThan       |
| FontEffect  | GLItch          | HST1          | LEVEL          |
| FONTName    | GND             | HST2          | LEVEl          |
| FONTSize    | GRaticule       | HST3          | LFRej          |
| FONTStYle   | GRId            | HST4          | LIMITrecordlen |
| FORCEDRange | GROUPDelay      | HST5          | LIMIt          |
| FORCe       | HALT            | HST6          | LINE           |
| FORMat      | HAMMING         | HTRIGPOS      | LINEAR         |
| FORwards    | HANNing         | HYsterisis    | LINEPeriod     |
| FP          | HARDCopy        | I2C           | LINES          |
| FPBinary    | HBArS           | ID            | LINESTyle      |
| FRAMELock   | HBWStaightflex  | IDANDDATA     | LINE_X         |
| FRAMESTART  | HD1080I50       | IDENTifier    | LIVE           |
| FRAMESTOP   | HD1080I60       | IMAGEView     | LOCK           |
| FRAMEStArt  | HD1080P24       | IMAGe         | LOCKLen        |
| FRAMEtype   | HD1080P25       | IMMEDStAte    | LOCKOffset     |
| FRAME       | HD1080P30       | IMMed         | LOCK           |
| FRAME       | HD1080P50       | INdependent   | LOG            |
| FREE        | HD1080P60       | INF2_5G       | LOGIC          |
| FREQuency   | HD1080SF24      | INF2_5GE      | LOGic          |
| FREV        | HD480P60        | INFINIBAND    | LONG           |
| FROMSearchx | HD576P50        | INFINITE      | LOOP           |
| FROM        | HD720P30        | INFPersist    | LOOPS          |
| FST         | HD720P50        | INHERIT       | LOW            |
| FST1        | HD720P60        | INIT          | LOWLimit       |
| FST2        | HD875I60        | INKSaver      | LOWerthreshold |

|                  |                |                   |                |
|------------------|----------------|-------------------|----------------|
| Lock             | MINMax         | NUMEnv            | PEAKdetect     |
| LPDDR            | MINUSOne       | NUMFRAMESACquired | PENDING        |
| LSB              | MINimum        | NUMFRAMES         | PERCent        |
| LVLsrcpreference | MISO           | NUMITEMS          | PERIOD         |
| MAG              | MISOMOSI       | NUMSAMPles        | PERSistence    |
| MAIn             | MKDir          | NUMX              | PHASE          |
| MAIn]            | MLT3           | NUMY              | PHase          |
| MANchester       | MODE           | NWidth            | PK2Pk          |
| MANual           | MODE           | OC1               | PKPKJitter     |
| MARK             | MONOGRAY       | OC12              | PKPKNoise      |
| MARKSINCOLUMN    | MONOGREEN      | OC3               | PLOCK          |
| MARgin           | MORELimit      | OC48              | PLOCK BITRate  |
| MASK             | MOREThan       | OC48_FEC          | PLUSOne        |
| MASKhighlight    | MOSI           | OCCurs            | PNG            |
| MASKPRE          | MRTTime        | ODD               | POINTS         |
| MATH1            | MSB            | OFF               | POLARCoord     |
| MATH14           | MULTiscope     | OFFGRaticule      | POLarity       |
| MATH2            | MULTipleframes | OFFSETAdj         | PORT           |
| MATH3            | MV             | OFFSet            | PORTRait       |
| MATH4            | NAME           | ON                | POSITION<lt;x> |
| MATHArb<lt;x>    | NAND           | ONE               | POSITIVE       |
| MATHCOLor        | NCROSS         | ONEfifty          | POSITION       |
| MATHCad          | NDuty          | ONGRaticule       | POSITION<lt;x> |
| MATHVAR          | NEGATIVE       | ONLYOVERlay       | POS<lt;x>      |
| MATH<lt;x>       | NEWpass        | OPTIMnoise        | POVershoot     |
| MATHX            | NEXT           | OPTion            | PRESAMPBITS    |
| MATHY            | NOCARE         | OR                | PREVIOUS       |
| MATLab           | NOISerej       | ORR               | PRINTER        |
| MAXCas           | NOISE          | OTHer             | PRInt          |
| MAXFRAMES        | NONE           | OUT               | PROBE          |
| MAXSAMPLERATE    | NOR            | OUTSIDEGreater    | PROBEControl   |
| MAXSize          | NORMALIZED     | OUTside           | PROBECal       |
| MAXimum          | NORMAL         | OVERLOAD          | PROBEFunc      |
| MEAN             | NOVershoot     | OVERlay           | PRODELta       |
| MEANSTDdev       | NR1            | OWNer             | PRODUCT<lt;x>  |
| MEAS1            | NR1NR1         | PAL               | PRODucer       |
| MEAS2            | NR1NR1NR1      | PALETTE           | PRODuct        |
| MEAS3            | NR1QString     | PARity            | PROGRESSive    |
| MEAS4            | NR2            | PASS              | PROBE          |
| MEAS5            | NR2NR2NR2NR2   | PASSWord          | PRObestate     |
| MEAS6            | NR3            | PATTERNBITS       | PTOP           |
| MEAS7            | NR3NR3NR3NR3   | PATtern           | PT_Fmt         |
| MEAS8            | NRF            | PBASE             | PT_Order       |
| MEASurement      | NRZ            | PCIEXPRESS        | PT_Off         |
| MEAS<lt;x>       | NR_FR          | PCIEXPRESS_Rcv    | PULSEForm      |
| MEDian           | NR_Pt          | PCIEXPRESS_Xmit   | PULSe          |
| METHod           | NTSC           | PCIExpress        | PWIDth         |
| MHZ10            | NTSC           | PCIExpress2       | QFACTOR        |
| MHZ100           | NUMACq         | PCROSS            | QString        |
| MID              | NUMAVg         | PCTCROSS          | QStringQString |
| MID<lt;x>        | NUMCOEFFS      | PCX               | QUALify        |
| MINCas           | NUMEMails      | PDuty             | RADIUS<lt;x>   |
| MINIMUM          | NUMERIC        | PEAKHits          | RADIans        |

|                |                 |                   |                 |
|----------------|-----------------|-------------------|-----------------|
| RANdOm         | RIBinary        | SAS1_5_SATA       | SFI5_RCVCLK2    |
| RANge          | RIO_1G          | SAS1_5_XR         | SFI5_RCVCLK3    |
| RATDELta       | RIO_1_5G        | SAS1_5_XR_AASJ    | SFI5_RCVDDATA2  |
| RATE1          | RIO_2G          | SAS3_             | SFI5_RCVDDATA3  |
| RATE2          | RIO_500M        | SAS3_0_CR         | SFI5_XMITACLK2  |
| RATE3          | RIO_750M        | SAS3_0_CR_AASJ    | SFI5_XMITACLK3  |
| RATE32Mbit     | RIO_DRV1G       | SAS3_0_IR         | SFI5_XMITADATA2 |
| RATE4          | RIO_DRV1_5G     | SAS3_0_IR_AASJ    | SFI5_XMITADATA3 |
| RATE5          | RIO_DRV2G       | SAS3_0_SATA       | SFI5_XMITCCLK2  |
| RATE97Mbit     | RIO_DRV500M     | SAS3_0_XR         | SFI5_XMITCCLK3  |
| RATIO<lt;x>    | RIO_DRV750M     | SAS3_0_XR_AASJ    | SFI5_XMITCDATA2 |
| RATio          | RIO_EDRV1G      | SAS6_0            | SFI5_XMITCDATA3 |
| RDELta         | RIO_EDRV1_5G    | SATA1_5           | SFPbinary       |
| READ           | RIO_EDRV2G      | SATA3_0           | SHADow          |
| READFile       | RIO_EDRV500M    | SATA6_0           | SHIFted         |
| READOUT        | RIO_EDRV750M    | SAVEWFM           | SHORt           |
| READOuts       | RIO_RCV1G       | SAVe              | SHOWREmote      |
| RECAll         | RIO_RCV1_5G     | SCAN              | SIGMA1          |
| RECORDView     | RIO_RCV2G       | SCAlE             | SIGMA2          |
| RECOVered      | RIO_RCV500M     | SCLK              | SIGMA3          |
| RECOrdlength   | RIO_RCV750M     | SCREEN            | SIGType         |
| RECTANgular    | RIO_SERIAL_1G   | SCREENSAVER       | SIGna1          |
| RECTX<lt;x>    | RIO_SERIAL_2G   | SCREENSAVER DELAY | SINX            |
| RECTY<lt;x>    | RIO_SERIAL_2_5G | SCREENText        | SIXSigmajit     |
| RECTangular    | RIO_SERIAL_3G   | SCROLL            | SIZE            |
| REF            | RISe            | SCROLLLock        | SIZE            |
| REF1           | RISetime        | SDASHed           | SLOWERthan      |
| REF14          | RISing          | SEARCH            | SLOPe           |
| REF2           | RMDir           | SEARCH<lt;x>      | SMTPPort        |
| REF3           | RMS             | SEARCHtotrigger   | SMTPServer      |
| REF4           | RMSJitter       | SECAM             | SNAP            |
| REFCOLOR       | RMSNoise        | SECOnds           | SNRatio         |
| REFClk         | ROLL            | SEG<lt;m>         | SOF             |
| REFLEVELOffset | ROLe            | SELECTED          | SOLID           |
| REFLevel       | ROSc            | SELEct            | SOURCE          |
| REFOut         | RP              | SELEcted          | SOURce          |
| REF<lt;x>      | RPBinary        | SENSITivity       | SOURce<lt;x>    |
| REFx           | RS232           | SEQuence          | SPAN            |
| REJect         | RT              | SERIAL            | SPC             |
| REM            | RUN             | SERIALTRIG        | SPECTra1        |
| REMOte         | RUNSTop         | SERnumber         | SPEED           |
| REName         | RUNT            | SET               | SPEEd           |
| REPEATstart    | RWINClude       | SETHo1d           | SPI             |
| REPeat         | RX              | SETLevel          | SPLit           |
| RESBw          | S8B10B          | SETSTATE          | SPREADSHEETCsv  |
| RESET          | SAMPLERate      | SETTime           | SPREADSHEETTxT  |
| RESETLive      | SAMPLingmode    | SETUp             | SRCDependent    |
| RESULT         | SAMPlE          | SFI5_2            | SRCIndependent  |
| RESet          | SAS1_5          | SFI5_3            | SRIBinary       |
| RESistance     | SAS1_5_CR       | SFI5_RCVBCLK2     | SRPbinary       |
| RESUlts        | SAS1_5_CR_AASJ  | SFI5_RCVBCLK3     | SRQ             |
| REV            | SAS1_5_IR       | SFI5_RCVBDATA2    | SS              |
| RI             | SAS1_5_IR_AASJ  | SFI5_RCVBDATA3    | STABle          |

|                 |                  |                |                      |
|-----------------|------------------|----------------|----------------------|
| STANDARD        | THreshold        | VERBoSe        | Y t;x>               |
| STANdard        | TIFF             | VERT_INDEX     | ZERO                 |
| START           | TIME             | VERTical       | ZERo                 |
| START           | TIMEOut          | VfielDs        | ZOOM t;x>            |
| STARTbyte       | TIMEPosition     | VIDEO270       | ZOOMx                |
| STATE           | TIMEStamp        | VIDEO292M      | ZOOM                 |
| STATIStics      | TIME             | VIDEO360       | ascCurve             |
| STATUS          | TIPTyPe          | VIDEo          | directoryPath        |
| STATe           | TO               | VIEW           | filePath             |
| STATuS          | TOLerance        | VIOLATIONS     | filePathGPIB         |
| STAYSHigh       | TOTAL            | VLines         | filePathREFx         |
| STAYSLOW        | TOTAL            | VOFFSet        | filePathdata         |
| STDdev          | TRACK            | VPOS           | t;wfm>               |
| STM0_0          | TRACKing         | VSCALE         | tNR3gt               |
| STM0_1          | TRANSition       | VSROC192       | makeEnumList         |
| STM0_CMI        | TRIG             | WAIT           | dsyMgr_digitalHeight |
| STM0_HDBX       | TRIGBar          | WAVEFORMS      | makeEnumList         |
| STM1E           | TRIGIF           | WAVEform       | signalPathMgr_       |
| STM1E_0         | TRIGT            | WAVFRMStream   | probeTipMode         |
| STM1E_1         | TRIGTOSAMP       | WAVFrm         | makeEnumLists        |
| STOP            | TRIGger          | WEIGHTing      | vSearchSlot_glitch   |
| STOPAfter       | TRIGgerAPULse    | WFid           | PolarityEDigital     |
| STOPonviolation | RUNTLOGICINPUT   | WFMDB          | makeEnumLists        |
| STORE           | TRIGgerAPULse    | WFMinpre       | vSearchSlot_main     |
| STROBE          | WINDOWLOGICINPUT | WFMOutpre      | EdgeSlopeDigital     |
| STROBEsource    | TRIGgeron        | WFMPre         | makeEnumLists        |
| STRing          | TRIGgertosearch  | WHEN           | vSearchSlot_timeout  |
| STS1            | TRILevelcustom   | WIDERthan      | PolarityEDigital     |
| STS1Eye         | TRIGger          | WIDTH          | makeEnumLists        |
| STS1Pulse       | TRUE             | WIDTh          | vSearchSlot_width    |
| STS3            | TTL              | WINDow         | PolarityEDigital     |
| STS3_Max        | TWEnty           | WITHin         | makeEnumList         |
| STYle           | TWOfifty         | WRITE          | trigMgr_busI2c       |
| SUBITEMS        | TX               | WRITEFile      | DataDir              |
| SUBSYS          | TYPE             | X              | makeEnumList         |
| SUMFrame        | UNDEFINED        | XDELta         | trigMgr_busI2c       |
| SUPPress        | UNDo             | XINcr          | TriggerOn            |
| SYNCInterval    | UNITString       | XPOS           | makeEnumListtrig     |
| String          | UNIts            | XPOSITION t;x> | Mgr_busSource        |
| TEKEXponential  | UNLOCK           | XUNit          | makeEnumList         |
| TEKLink         | UNLock           | XY             | trigMgr_busSpi       |
| TEKSecure       | UNWRap           | XYZ            | TrigCondition        |
| TEMPerature     | UPPerthreshold   | XZerO          | makeEnumList         |
| TEMPlate        | USER             | X t;x>         | trigMgr_delay        |
| TENbit          | USERMask         | Y              | PatternFormat        |
| TERmination     | USER             | YDELta         | makeEnumListtrig     |
| TEST            | VALUEMean        | YMUlt          | Mgr_delayState       |
| TESTS           | VALue            | YOFF           | ClockSource          |
| TEST            | VAR t;x>         | YPOS           | makeEnum             |
| TFI5_2          | VARpersist       | YPOSITION t;x> | ListtrigMgr_         |
| TFI5_3          | VBArs            | YT             | patternFormat        |
| THDELta         | VDELTA           | YUNit          |                      |
| THETA t;x>      | VECTors          | YZerO          |                      |

|                  |                 |             |   |
|------------------|-----------------|-------------|---|
| makeEnum         | nr3             | str         | x |
| ListtrigMgr_     | oldfilepath     | string      |   |
| stateClockSource | newfilepath     | wfm         |   |
| newworking       | sourcefile      | wfmREFx     |   |
| directorypath    | pathdestination | wfmfilepath |   |
| nr1              | filepath        | wfmwfm      |   |



# Appendix C: Factory Default Setup Values

## Default Setup

The following tables list the default setup values by command group. The instrument sets these values when you press the front panel DEFAULT SETUP button or send the FACTORY command. Only those commands that have values set by the DEFAULT SETUP function are listed in these tables.

---

**NOTE.** The following commands do not affect the DATA parameters: TEKSecure, \*RST, RECALL:SETUP FACTORY. These are the initial factory default settings for DATA :DATA:DESTINATION REF1;ENCDG RIBINARY;SOURCE CHI;START 1;STOP 5000;FRAMESTART 1;FRAMESTOP 5000.

---

---

**NOTE.** Find the most up-to-date values for your instrument and software by pressing default setup and looking at the instrument to get the default values.

---

## Acquisition Default Values

The following table lists the Acquisition factory default setup values.

| Command              | Default Values |
|----------------------|----------------|
| ACQUIRE:MODE         | SAMPLE         |
| ACQUIRE:NUMAVG       | 16             |
| ACQUIRE:NUMENV       | 10             |
| ACQUIRE:NUMSAMPLES   | 16000          |
| ACQUIRE:SAMPLINGMODE | IT             |
| ACQUIRE:STATE        | 1 (ON)         |
| ACQUIRE:STOPAFTER    | RUNSTOP        |
| FASTACQ:STATE        | 0              |

## Alias Default Values

The following table lists the Alias factory default setup values.

| Command     | Default Values |
|-------------|----------------|
| ALIAS:STATE | 0 (OFF)        |

## Cursor Default Values

The following table lists the Cursor factory default setup values.

| Command                  | Default Values                      |
|--------------------------|-------------------------------------|
| CURSOR:FUNCTION          | VBARS                               |
| CURSOR:HBARs:POSITION<x> | 1 = 300.0000E-3<br>2 = -300.0000E-3 |

| Command                    | Default Values                  |
|----------------------------|---------------------------------|
| CURSor:LINEStYle           | SOLID                           |
| CURSor:MODe                | INDEPENDENT                     |
| CURSor:SCREEN:StYle        | LINES                           |
| CURSor:SOUrce<x>           | CH1                             |
| CURSor:StATE               | 0                               |
| CURSor:VBArS:POStION<x>    | 1 = -1.6000E-6<br>2 = 1.6000E-6 |
| CURSor:VBArS:UNIts         | SECONDS                         |
| CURSor:WAVEform:POStION<x> | 1 = -1.6000E-6<br>2 = 1.6000E-6 |
|                            | 1 = CH1<br>2 = CH1              |
| CURSor:WAVEform:StYle      | LINE_X                          |
| CURSor:WAVEform:UNIts      | BASE                            |
| CURSor:XY:READOUT          | RECTANGULAR                     |
| CURSor:XY:RECTX<x>         | 0.0000                          |
| CURSor:XY:RECTY<x>         | 0.0000                          |

### Diagnostics Default Values

The following table lists the Diagnostics factory default setup values.

| Command    | Default Values |
|------------|----------------|
| DIAG:LEVEL | SUBSYS         |

### Display Control Default Values

The following table lists the Display factory default setup values.

| Command                              | Default Values                                                      |
|--------------------------------------|---------------------------------------------------------------------|
| DISPlay:CLOCK                        | 1                                                                   |
| DISPlay:COLOr:MATHCOLOr              | DEFAULT                                                             |
| DISPlay:COLOr:PALEtte:IMAGeView      | TEMPERATURE                                                         |
| DISPlay:COLOr:PALEtte:RECORDView     | NORMAL                                                              |
| DISPlay:COLOr:PALEtte:USEr:CARet     | 150,50,100                                                          |
| DISPlay:COLOr:PALEtte:USEr:CH<x>     | 1 = 180,50,100<br>2 = 300,50,100<br>3 = 60,50,100<br>4 = 240,50,100 |
| DISPlay:COLOr:PALEtte:USEr:GRAticule | 165,50,15                                                           |
| DISPlay:COLOr:PALEtte:USEr:HIStoqram | 320,50,100                                                          |
| DISPlay:COLOr:PALEtte:USEr:MASK      | 0,25,75                                                             |



| Command                                  | Default Values                                                               |
|------------------------------------------|------------------------------------------------------------------------------|
| DISplay:COLOr:PALEtte:USEr:MASKHighlight | 140,50,100                                                                   |
| DISplay:COLOr:PALEtte:USEr:MATH<x>       | 1 = 160,50,100<br>2 = 40,60,100<br>3 = 120,60,100<br>4 = 195,50,100          |
| DISplay:COLOr:PALEtte:USEr:REF<x>        | 1 = 0,90,0<br>2 = 0,90,100<br>3 = 60,90,100<br>4 = 240,90,100                |
| DISplay:COLOr:REFCOLOR                   | DEFAULT                                                                      |
| DISplay:FILTer                           | SINX                                                                         |
| DISplay:FORMat                           | YT                                                                           |
| DISplay:GRAticule                        | FULL                                                                         |
| DISplay:INTENSITy:WAVEform:IMAGEView     | 75.0000                                                                      |
| DISplay:INTENSITy:WAVEform:RECORDView    | 75.0000                                                                      |
| DISplay:PERsistence                      | OFF                                                                          |
| DISplay:SCREENExt:LABel<x>:NAME          | ""                                                                           |
| DISplay:SCREENExt:LABel<x>:XPOS          | 100                                                                          |
| DISplay:SCREENExt:LABel<x>:YPOS          | 1 = 5<br>2 = 20<br>3 = 35<br>4 = 50<br>5 = 65<br>6 = 80<br>7 = 95<br>8 = 110 |
| DISplay:SCREENExt:STATE                  | 0                                                                            |
| DISplay:STYle                            | VECTORS                                                                      |
| DISplay:TRIGBar                          | SHORT                                                                        |
| DISplay:TRIGT                            | 1                                                                            |
| DISplay:VARpersist                       | 500.0000E-3                                                                  |

### E-mail Default Values

The following table lists the E-mail setup values.

| Command          | Default Values                       |
|------------------|--------------------------------------|
| EMail:ATTempts   | 1                                    |
| EMail:AUTHLogin  | ""                                   |
| EMail:FRom       | "DPO7104_<Instrument Serial Number>" |
| EMail:HOSTwanted | ""                                   |

| Command                    | Default Values |
|----------------------------|----------------|
| E <b>M</b> ail:IMAGe       | 0              |
| E <b>M</b> ail:MASK        | 0              |
| E <b>M</b> ail:MAXSize     | 1              |
| E <b>M</b> ail:MEASUrement | 0              |
| E <b>M</b> ail:NUMEMails   | 1              |
| E <b>M</b> ail:SMTPPort    | 25             |
| E <b>M</b> ail:SMTPServer  | ""             |
| E <b>M</b> ail:TIMEOut     | 30             |
| E <b>M</b> ail:TO          | ""             |
| E <b>M</b> ail:TRIGger     | 0              |
| E <b>M</b> ail:WAVEform    | 0              |

### Hard Copy Default Values

The following table lists the Hardcopy factory default setup values.

| Command           | Default Values |
|-------------------|----------------|
| HARDCopy:FILENAME | ""             |
| HARDCopy:PORT     | FILE           |

### Histogram Default Values

The following table lists the Histogram factory default setup values.

| Command            | Default Values                  |
|--------------------|---------------------------------|
| HIStogram:BOXPcnt  | 30.0000,25.1000,70.0000,75.2000 |
| HIStogram:DISplay  | LINEAR                          |
| HIStogram:FUNcTION | HORIZONTAL                      |
| HIStogram:SIze     | 2.0000                          |
| HIStogram:SOUrce   | CH1                             |
| HIStogram:STATE    | 0                               |

### Horizontal Default Values

The following table lists the Horizontal factory default setup values.

| Command                          | Default Values               |
|----------------------------------|------------------------------|
| HORizontal[:MAIn]:DELay:MODE     | 0                            |
| HORizontal[:MAIn]:DELay:POSition | 50.0000                      |
| HORizontal[:MAIn]:DELay:TIME     | 0.000000000000               |
| HORizontal[:MAIn]:POSition       | 50.0000                      |
| HORizontal:MODE:RECOrdlength     | ≤2.5 GHz instruments: 1.0E+3 |

| Command                    | Default Values                                                                                                     |
|----------------------------|--------------------------------------------------------------------------------------------------------------------|
| HORizontal:MODE:SAMPLERate | ≥12.5 GHz instruments: 50 GS/s<br>≥3.5 GHz and ≤8 GHz instruments:<br>25.0 GS/s<br>≤3.5 GHz instruments: 10.0 GS/s |
| HORizontal:ROLL            | AUTO                                                                                                               |

### Mask Default Values

The following table lists the Mask factory default setup values.

| Command                   | Default Values |
|---------------------------|----------------|
| MASK:AUTOAdjust           | 10             |
| MASK:AUTOAdjust:HDELTA    | 10             |
| MASK:AUTOAdjust:VDELTA    | 10             |
| MASK:AUTOSet:AUTOAdjust   | 1              |
| MASK:AUTOSet:HPOS         | 1              |
| MASK:AUTOSet:HSCALE       | 1              |
| MASK:AUTOSet:MODE         | MANUAL         |
| MASK:AUTOSet:OFFSEtAdj    | 1              |
| MASK:AUTOSet:STANdard     | NONE           |
| MASK:AUTOSet:TRIGger      | 1              |
| MASK:AUTOSet:VPOS         | 1              |
| MASK:AUTOSet:VSCALE       | 1              |
| MASK:COUNt:STATE          | 0              |
| MASK:DISplay              | 1              |
| MASK:FILTer               | 0              |
| MASK:HIGHLIGHtHits        | 1              |
| MASK:INVert               | 0              |
| MASK:LOCK                 | 1              |
| MASK:MARgin:PERCent       | 5.0000         |
| MASK:MARgin:STATE         | 0              |
| MASK:MASKPRE:AMPLitude    | 100.0000E-3    |
| MASK:MASKPRE:HSCALE       | 200.0000E-9    |
| MASK:MASKPRE:HTRIGPOS     | 500.0000E-3    |
| MASK:MASKPRE:PATTERNBITS  | 1              |
| MASK:MASKPRE:PRESAMPBITS  | 0              |
| MASK:MASKPRE:RECOrdlength | 5000           |
| MASK:MASKPRE:TRIGTOSAMP   | 0.0000         |
| MASK:MASKPRE:VOFFSet      | 0.0000         |
| MASK:MASKPRE:VPOS         | 0.0000         |

| Command                    | Default Values           |
|----------------------------|--------------------------|
| MASK:MASKPRE:VSCAle        | 1.0000E-3                |
| MASK:MASKPRE:WIDth         | 0.0000                   |
| MASK:POLarity              | POSITIVE                 |
| MASK:SOUrce                | CH1                      |
| MASK:STANdard              | NONE                     |
| MASK:STOPOnviolation       | 0                        |
| MASK:TEST:BEEP:COMPLetion  | 0                        |
| MASK:TEST:BEEP:FAILure     | 0                        |
| MASK:TEST:DELay            | 0.0000                   |
| MASK:TEST:HARDCopy         | 0                        |
| MASK:TEST:LOG:FAILure      | 0                        |
| MASK:TEST:REPeat           | 0                        |
| MASK:TEST:SAMple:THReshold | 1                        |
| MASK:TEST:SAVEWFM          | 0                        |
| MASK:TEST:SAVEWFM:FILEName | "C:/TekScope/Waveforms/" |
| MASK:TEST:SRQ:COMPLetion   | 0                        |
| MASK:TEST:SRQ:FAILure      | 0                        |
| MASK:TEST:STATE            | 0                        |
| MASK:TEST:STOP:FAILure     | 0                        |
| MASK:TEST:THReshold        | 1                        |
| MASK:TEST:WAVEform         | 20                       |
| MASK:USER:AMPlitude        | 100.0000E-3              |
| MASK:USER:BITRate          | 1544000                  |
| MASK:USER:HSCAle           | 200.0000E-9              |
| MASK:USER:HTRIGPOS         | 500.0000E-3              |
| MASK:USER:LABel            | "User Mask"              |
| MASK:USER:PATTERNBITS      | 1                        |
| MASK:USER:PRESAMPBITS      | 0                        |
| MASK:USER:RECOrdlength     | 5000                     |
| MASK:USER:TRIGTOSAMP       | 0.0000                   |
| MASK:USER:VOFFSet          | 0.0000                   |
| MASK:USER:VPOS             | 0.0000                   |
| MASK:USER:VSCAle           | 1.0000E-3                |
| MASK:USER:WIDth            | 0.0000                   |

### Math Default Values

The following table lists the Math factory default setup values.

| Command                         | Default Values                                                             |
|---------------------------------|----------------------------------------------------------------------------|
| MATHVAR:VAR<x>                  | 0.0000                                                                     |
| MATH<x>:DEFine                  | " "                                                                        |
| MATH<x>:LABel:NAME              | ""                                                                         |
| MATH<x>:LABel:XPOS              | 1.0000                                                                     |
| MATH<x>:LABel:YPOS              | 1 = 600.0000E-3<br>2 = 200.0000E-3<br>3 = -200.0000E-3<br>4 = -600.0000E-3 |
| MATH<x>:NUMAVg                  | 2                                                                          |
| MATH<x>:SPECTral:CENTER         | 625.0000E+6                                                                |
| MATH<x>:SPECTral:GATEPOS        | 0.0000                                                                     |
| MATH<x>:SPECTral:GATEWIDTH      | 2.0000E-6                                                                  |
| MATH<x>:SPECTral:LOCK           | 0                                                                          |
| MATH<x>:SPECTral:MAG            | DB                                                                         |
| MATH<x>:SPECTral:PHASE          | DEGREES                                                                    |
| MATH<x>:SPECTral:REFLevel       | 20.0000                                                                    |
| MATH<x>:SPECTral:REFLEVELOffset | 223.6000E-3                                                                |
| MATH<x>:SPECTral:RESBw          | 1000.0000E+3                                                               |
| MATH<x>:SPECTral:SPAN           | 1.2500E+9                                                                  |
| MATH<x>:SPECTral:SUPPress       | -200.0000                                                                  |
| MATH<x>:SPECTral:UNWRap         | 0                                                                          |
| MATH<x>:SPECTral:WINdow         | GAUSSIAN                                                                   |
| MATH<x>:UNITString              | "V"                                                                        |
| MATH<x>:VERTical:POSition       | 0.0000                                                                     |
| MATH<x>:VERTical:SCAle          | 1.0000                                                                     |

### Measurement Default Values

The following table lists the Measurement factory default setup values.

| Command                                    | Default Values |
|--------------------------------------------|----------------|
| MEASUrement:GATing                         | OFF            |
| MEASUrement:IMMed:DELAy:DIREction          | FORWARDS       |
| MEASUrement:IMMed:DELAy:EDGE[1]            | RISE           |
| MEASUrement:IMMed:DELAy:EDGE2              | RISE           |
| MEASUrement:IMMed:METhod                   | HISTOGRAM      |
| MEASUrement:IMMed:NOISe                    | HIGH           |
| MEASUrement:IMMed:REFLevel:ABSolute:HIGH   | 0.0000         |
| MEASUrement:IMMed:REFLevel:ABSolute:LOW    | 0.0000         |
| MEASUrement:IMMed:REFLevel:ABSolute:MID<x> | 0.0000         |

| Command                                      | Default Values |
|----------------------------------------------|----------------|
| MEASUrement:IMMed:REFLevel:METhod            | PERCENT        |
| MEASUrement:IMMed:REFLevel:PERCent:HIGH      | 90.0000        |
| MEASUrement:IMMed:REFLevel:PERCent:LOW       | 10.0000        |
| MEASUrement:IMMed:REFLevel:PERCent:MID<x>    | 50.0000        |
| MEASUrement:IMMed:SOUrce<x>                  | CH1            |
| MEASUrement:IMMed:SOUrce<x>:SIGType          | PULSE          |
| MEASUrement:IMMed:TYPe                       | UNDEFINED      |
| MEASUrement:MEAS<x>:DELay:DIRection          | FORWARDS       |
| MEASUrement:MEAS<x>:DELay:EDGE<x>            | RISE           |
| MEASUrement:MEAS<x>:METhod                   | HISTOGRAM      |
| MEASUrement:MEAS<x>:NOISe                    | HIGH           |
| MEASUrement:MEAS<x>:REFLevel:ABSolute:HIGH   | 0.0000         |
| MEASUrement:MEAS<x>:REFLevel:ABSolute:LOW    | 0.0000         |
| MEASUrement:MEAS<x>:REFLevel:ABSolute:MID<x> | 0.0000         |
| MEASUrement:IMMed:REFLevel:METhod            | PERCENT        |
| MEASUrement:MEAS<x>:REFLevel:PERCent:HIGH    | 0.0000         |
| MEASUrement:MEAS<x>:REFLevel:PERCent:LOW     | 0.0000         |
| MEASUrement:MEAS<x>:REFLevel:PERCent:MID<x>  | 0.0000         |
| MEASUrement:MEAS<x>:SOUrce<x>                | CH1            |
| MEASUrement:MEAS<x>:SOUrce<x>:SIGType        | PULSE          |
| MEASUrement:MEAS<x>:STATE                    | 0              |
| MEASUrement:MEAS<x>:TYPe                     | UNDEFINED      |
| MEASUrement:STATIstics:MODe                  | ALL            |
| MEASUrement:STATIstics:WEIghting             | 32             |

**Miscellaneous Default Values**

The following table lists the Miscellaneous factory default setup values.

| Command       | Default Values |
|---------------|----------------|
| AUXout:EDGE   | FALLING        |
| AUXout:SOUrce | ATRIGGER       |
| CMDBatch      | 1 (ON)         |
| HEADer        | 1 (ON)         |
| LOCK          | NONE           |
| ROSc:TRACking | INTERNAL       |
| VERBose       | 1 (ON)         |

**Save and Recall Default Settings**

The following table lists the Save and Recall factory default setup values.

| Command                  | Default Values |
|--------------------------|----------------|
| RECAI:SETUp:DESKew       | OFF            |
| SAVe:WAVEform:FILEFormat | INTERNAL       |

**Search and Mark Default Values**

The following table lists the Search and Mark factory default setup values.

| Command                                                   | Default Values |
|-----------------------------------------------------------|----------------|
| SEARCH:SEARCH<x>:TRIGger:A:DDRMemory:AUTOBitrate          | AUTO           |
| SEARCH:SEARCH<x>:TRIGger:A:DDRMemory:AUTORelevel          | AUTO           |
| SEARCH:SEARCH<x>:TRIGger:A:DDRMemory:BITRate              | 9.9000E+36     |
| SEARCH:SEARCH<x>:TRIGger:A:DDRMemory:DATASource           | CH1            |
| SEARCH:SEARCH<x>:TRIGger:A:DDRMemory:REFLevel:DATA:HIGH   | 9.9000E+36     |
| SEARCH:SEARCH<x>:TRIGger:A:DDRMemory:REFLevel:DATA:LOW    | 9.9000E+36     |
| SEARCH:SEARCH<x>:TRIGger:A:DDRMemory:REFLevel:DATA:MID    | 9.9000E+36     |
| SEARCH:SEARCH<x>:TRIGger:A:DDRMemory:REFLevel:STROBE:HIGH | 9.9000E+36     |
| SEARCH:SEARCH<x>:TRIGger:A:DDRMemory:REFLevel:STROBE:LOW  | 9.9000E+36     |
| SEARCH:SEARCH<x>:TRIGger:A:DDRMemory:REFLevel:STROBE:MID  | 9.9000E+36     |
| SEARCH:SEARCH<x>:TRIGger:A:DDRMemory:STANdard             | DDR3           |
| SEARCH:SEARCH<x>:TRIGger:A:DDRMemory:STROBEsource         | CH2            |

**TekLink Default Values**

The following table lists the TekLink factory default setup values.

| Command                             | Default Values |
|-------------------------------------|----------------|
| TEKLink:CONNection?                 | OFF            |
| TEKLink:REFCIk                      | INTERNAL       |
| TRIGger:MULTIscope:ALIGN            | DONE           |
| TRIGger:MULTIscope:ALIGN:COMPleted? | DONE           |
| TRIGger:MULTIscope:LOGic            | DONE           |

**Trigger Default Values**

The following table lists the Trigger factory default setup values.

| <b>Command</b>                                                       | <b>Default Values</b>            |
|----------------------------------------------------------------------|----------------------------------|
| TRIGger:A:COMMunication:<br>{AMI HDB3 B3ZS B6ZS B8ZS}:PULSEForm      | AMI = PLUSONE<br>CMI = PLUSONE   |
| TRIGger:A:COMMunication:<br>{AMI HDB3 B3ZS B6ZS B8ZS}:THReshold:HIGH | AMI = 0.0000                     |
| TRIGger:A:COMMunication:<br>{AMI HDB3 B3ZS B6ZS B8ZS}:THReshold:LOW  | AMI = 0.0000                     |
| TRIGger:A:COMMunication:BITRate                                      | 1544000                          |
| TRIGger:A:COMMunication:CLOCK:POLarity                               | RISE                             |
| TRIGger:A:COMMunication:CODE                                         | NRZ                              |
| TRIGger:A:COMMunication:SOURce                                       | CH1                              |
| TRIGger:A:COMMunication:SOURce:TYPE                                  | DATA                             |
| TRIGger:A:COMMunication:STANdard                                     | CUSTOM                           |
| TRIGger:{A B}:EDGE:COUPling                                          | DC                               |
| TRIGger:{A B}:EDGE:SLOpe                                             | RISE                             |
| TRIGger:{A B}:EDGE:SOURce                                            | A = CH1<br>B = CH1               |
| TRIGger:A:HOLDoff:BY                                                 | DEFAULT                          |
| TRIGger:A:HOLDoff:TIME                                               | 1.5000E-6                        |
| TRIGger:{A B}:LEVel                                                  | 0.0000                           |
| TRIGger:{A B}:LOGic:CLAss                                            | PATTERN                          |
| TRIGger:{A B}:LOGic:FUNCTion                                         | AND                              |
| TRIGger:{A B}:LOGic:INPut:CH<x>                                      | CH1 = HIGH<br>CH2 = X<br>CH3 = X |
| TRIGger:{A B}:LOGic:PATtern:INPut:CH<x>                              | CH4 = X                          |
| TRIGger:{A B}:LOGic:PATtern:WHEn                                     | TRUE                             |
| TRIGger:{A B}:LOGic:PATtern:WHEn:LESSLimit                           | 5.0000E-9                        |
| TRIGger:{A B}:LOGic:PATtern:WHEn:MORELimit                           | 5.0000E-9                        |
| TRIGger:{A B}:LOGic:SETHold:CLOCK:EDGE                               | RISE                             |
| TRIGger:{A B}:LOGic:SETHold:CLOCK:SOURce                             | CH2                              |
| TRIGger:{A B}:LOGic:SETHold:CLOCK:THReshold                          | 1.2000                           |
| TRIGger:{A B}:LOGic:SETHold:DATA:SOURce                              | CH1                              |
| TRIGger:{A B}:LOGic:SETHold:DATA:THReshold                           | 1.2000                           |
| TRIGger:{A B}:LOGic:SETHold:HOLDTime                                 | 2.0000E-9                        |
| TRIGger:{A B}:LOGic:SETHold:SETTime                                  | 3.0000E-9                        |
| TRIGger:{A B}:LOGic:STATE:INPut:CH<x>                                | CH4 = RISE                       |
| TRIGger:{A B}:LOGic:STATE:WHEn                                       | TRUE                             |



| Command                                       | Default Values |
|-----------------------------------------------|----------------|
| TRIGger:{A B}:LOGic:THReshold:CH<x>           | CH4 = 1.2000   |
| TRIGger:A:MODE                                | AUTO           |
| TRIGger:{A B}:PULse:CLAss                     | GLITCH         |
| TRIGger:{A B}:PULse:GLItch:POLarity           | POSITIVE       |
| TRIGger:{A B}:PULse:GLItch:TRIGIF             | ACCEPT         |
| TRIGger:{A B}:PULse:GLItch:WIDTH              | 2.0000E-9      |
| TRIGger:{A B}:PULse:RUNT:POLarity             | POSITIVE       |
| TRIGger:{A B}:PULse:RUNT:THReshold:HIGH       | 1.2000         |
| TRIGger:{A B}:PULse:RUNT:THReshold:LOW        | 800.0000E-3    |
| TRIGger:{A B}:PULse:RUNT:WHEn                 | OCCURS         |
| TRIGger:{A B}:PULse:RUNT:WIDTH                | 2.0000E-9      |
| TRIGger:{A B}:PULse:SOUrce                    | CH1            |
| TRIGger:{A B}:PULse:TIMEOut:POLarity          | STAYSHIGH      |
| TRIGger:{A B}:PULse:TIMEOut:TIME              | 2.0000E-9      |
| TRIGger:{A B}:PULse:TRANSition:DELTAime       | 2.0000E-9      |
| TRIGger:{A B}:PULse:TRANSition:POLarity       | POSITIVE       |
| TRIGger:{A B}:PULse:TRANSition:THReshold:HIGH | 1.2000         |
| TRIGger:{A B}:PULse:TRANSition:THReshold:LOW  | 800.0000E-3    |
| TRIGger:{A B}:PULse:TRANSition:WHEn           | FASTER THAN    |
| TRIGger:{A B}:PULse:WIDTH:HIGHLimit           | 2.0000E-9      |
| TRIGger:{A B}:PULse:WIDTH:LOWLimit            | 2.0000E-9      |
| TRIGger:{A B}:PULse:WIDTH:POLarity            | POSITIVE       |
| TRIGger:{A B}:PULse:WIDTH:WHEn                | WITHIN         |
| TRIGger:{A B}:PULse:WINdow:THReshold:HIGH     | 1.2000         |
| TRIGger:{A B}:PULse:WINdow:THReshold:LOW      | 800.0000E-3    |
| TRIGger:{A B}:PULse:WINdow:WIDTH              | 2.0000E-9      |
| TRIGger:A:PULse:WINdow:POLarity               | EITHER         |
| TRIGger:A:PULse:WINdow:POLarity:CH<x>         | EITHER         |
| TRIGger:A:TYPE                                | EDGE           |
| TRIGger:A:VIDeo:CUSTom:FORMat                 | INTERLACED     |
| TRIGger:A:VIDeo:FIELD                         | ALLFIELDS      |
| TRIGger:A:VIDeo:HOLdoff:FIELD                 | 0.0000         |
| TRIGger:A:VIDeo:LINE                          | 1              |
| TRIGger:A:VIDeo:POLarity                      | NORMAL         |
| TRIGger:A:VIDeo:SCAN                          | RATE1          |
| TRIGger:A:VIDeo:SOUrce                        | CH1            |
| TRIGger:A:VIDeo:STANdard                      | NTSC           |
| TRIGger:B:BY                                  | EVENTS         |

| Command                               | Default Values |
|---------------------------------------|----------------|
| TRIGger:B:EVENTS:COUNT                | 2              |
| TRIGger:B:PULse:WINDow:POLarity       | EITHER         |
| TRIGger:B:PULse:WINDow:POLarity:CH<x> | EITHER         |
| TRIGger:B:STATE                       | 0              |
| TRIGger:B:TIME                        | 16.0000E-9     |
| TRIGger:B:TYPE                        | EDGE           |

### Vertical Default Values

The following table lists the Vertical factory default setup values.

| Command                  | Default Values |
|--------------------------|----------------|
| CH<x>:BANdwidth          | 500.0000E+6    |
| CH<x>:COUPling           | DC             |
| CH<x>:DESKew             | 0.0000         |
|                          | 0              |
| CH<x>:LABel:NAME         | ""             |
| CH<x>:LABel:XPOS         | CH1 = 1.0000   |
| CH<x>:LABel:YPOS         | CH1 = 2.2000   |
|                          | CH2 = 1.8000   |
|                          | CH3 = 1.4000   |
|                          | CH4 = 1.000    |
| CH<x>:OFFSet             | 0.0000         |
| CH<x>:POSition           | 0.0000         |
| CH<x>:PROBEOntrol        | AUTO           |
| CH<x>:PROBEFunc:EXTAtten | 1.0000         |
| CH<x>:PROBEFunc:EXTUnits | "V"            |
| CH<x>:SCALE              | 100.0000E-3    |
| CH<x>:TERmination        | 1.0000E+6      |
| REF<x>:LABel:NAME        | ""             |
| REF<x>:LABel:XPOS        | 1.0000         |
| REF<x>:LABel:YPOS        | -1.0000        |
| SElect:<wfm>             | CH1 = 1        |
|                          | CH2 = 0        |
|                          | CH3 = 0        |
|                          | CH4 = 0        |
| SElect:CONTROI           | CH1            |

### Waveform Default Values

The following table lists the Waveform factory default setup values.

| Command          | Default Values |
|------------------|----------------|
| DATA:DESTination | REF1           |
| DATA:ENCdg       | RIBINARY       |
| DATA:SOUrce      | CH1            |
| DATA:START       | 1              |
| DATA:STOP        | 5000           |

### Zoom Default Values

The following table lists the Zoom factory default setup values.

| Command                                | Default Values                                                               |
|----------------------------------------|------------------------------------------------------------------------------|
| ZOOM:GRAticule:SIZE                    | 80                                                                           |
| ZOOM:MODE                              | 0                                                                            |
| ZOOM:SCROLL:DIREction                  | STOP                                                                         |
| ZOOM:SCROLL:LOCK                       | 0                                                                            |
| ZOOM:SCROLL:SPEED                      | 1                                                                            |
| ZOOM:ZOOM<x>:<wfm>:HORizontal:POSition | Zoom1<br>50.0000<br>Zoom2<br>30.0000<br>Zoom3<br>70.0000<br>Zoom4<br>90.0000 |
| ZOOM:ZOOM<x>:<wfm>:HORizontal:SCALE    | 5                                                                            |
| ZOOM:ZOOM<x>:<wfm>:VERTical:POSition   | 0.0000                                                                       |
| ZOOM:ZOOM<x>:<wfm>:VERTical:SCALE      | 1.0000                                                                       |
| ZOOM:ZOOM<x>:SCROLLLock                | 1                                                                            |
| ZOOM:STATE                             | 1                                                                            |



---

# Appendix D: GPIB Interface Specifications

This topic describes details of the GPIB remote interface of the instrument. Normally, you will not need this information to use the instrument, but this information may be useful if you are connecting to controllers with unusual configurations.

## Interface Messages

The following table shows the standard interface messages that the instrument supports.

**Table D-1: Standard Interface Messages**

| <b>Message</b>   | <b>Interface</b> |
|------------------|------------------|
| DCL              | Yes              |
| GET              | Yes              |
| GTL              | Yes              |
| LLO              | Yes              |
| PPC              | No               |
| PPD              | No               |
| PPE              | No               |
| PPU              | No               |
| SDC              | Yes              |
| SPD              | Yes              |
| SPE              | Yes              |
| TCT              | No               |
| UNL              | Yes              |
| UNT              | Yes              |
| Listen Addresses | Yes              |
| Talk Addresses   | Yes              |

## GPIB Functions

The following table lists the interface functions and electrical functions subsets supported by this instrument with brief descriptions of each.

**Table D-2: Interface Functions**

| Interface Function | Subset | Meaning                                                                                                                                                                                                                                                                                                                                                                                                                |
|--------------------|--------|------------------------------------------------------------------------------------------------------------------------------------------------------------------------------------------------------------------------------------------------------------------------------------------------------------------------------------------------------------------------------------------------------------------------|
| Acceptor Handshake | AH1    | The instrument can receive multiline messages across the interface from other devices.                                                                                                                                                                                                                                                                                                                                 |
| Controller         | C1     | Controller capability, the instrument can control other devices.                                                                                                                                                                                                                                                                                                                                                       |
| Device Clear       | DC1    | The instrument can respond to both the DCL (Device Clear) interface message and to the Selected Device Clear (SDC) interface message when the instrument is listen-addressed.                                                                                                                                                                                                                                          |
| Device Trigger     | DT1    | Device Trigger capability, the instrument does respond to the GET (Group Execute Trigger) interface message.                                                                                                                                                                                                                                                                                                           |
| Electrical         | E2     | The instrument uses tri-state buffers, which are optimal for high-speed data transfer.                                                                                                                                                                                                                                                                                                                                 |
| Listener           | L4     | The instrument becomes a listener when it detects the listen address being sent over the bus with the ATN line asserted. The instrument ceases to be a listener and becomes a talker when it detects the talk address being sent over the bus with the ATN line asserted.                                                                                                                                              |
| Parallel Poll      | PP0    | No Parallel Poll Capability, the instrument does not respond to PPC (Parallel Poll Configure), PPO (Parallel POll Disable), PPE (Parallel Poll Enable), or PPU (Parallel Poll Unconfigure) interface messages, nor does it send a status message when the ATN and EOI lines are asserted simultaneously.                                                                                                               |
| Remote/Local       | RL1    | The instrument can respond to both GTL (Go To Local) and LLO (Local Lock Out) interface messages.                                                                                                                                                                                                                                                                                                                      |
| Service Request    | SR1    | The instrument can assert the SRQ line to notify the controller in charge that it requires service.                                                                                                                                                                                                                                                                                                                    |
| Source Handshake   | SH1    | The instrument can initiate multiline messages to send across the interface to other devices.                                                                                                                                                                                                                                                                                                                          |
| Talker             | T5     | The instrument becomes a talker when it detects the talk address being sent over the bus with the ATN line asserted. The instrument ceases to be a talker and becomes a listener when it detects the listen address being sent over the bus with the ATN line asserted. The instrument also ceases to be a talker when it detects the talk address of another device being sent over the data lines with ATN asserted. |

---

# Glossary

## **ASCII**

Acronym for the American Standard Code for Information Interchange. Controllers transmit commands to the instrument using ASCII character encoding.

## **Address**

A 7-bit code that identifies an instrument on the communication bus. The digitizing instrument must have a unique address for the controller to recognize and transmit commands to it.

## **Backus-Naur Form (BNF)**

A standard notation system for command syntax diagrams. The syntax diagrams in this manual use BNF notation.

## **Controller**

A computer or other device that sends commands to and accepts responses from the digitizing instrument.

## **EOI**

A mnemonic referring to the control line End or Identify on the GPIB interface bus. One of the two possible end-of-message terminators.

## **EOM**

A generic acronym referring to the end-of-message terminator. The end-of-message terminator can be either an EOI or the ASCII code for line feed (LF).

## **Equivalent-time sampling (ET)**

A sampling mode in which the instrument acquires signals over many repetitions of the event. This instrument uses a type of equivalent time sampling called random equivalent time sampling. It utilizes an internal clock that runs asynchronously with respect to the input signal and the signal trigger. The instrument takes samples continuously, independent of the trigger position, and displays them based on the time difference between the sample and the trigger. Although the samples are taken sequentially in time, they are random with respect to the trigger.

## **Real-time sampling**

A sampling mode where the instrument samples fast enough to completely fill a waveform record from a single trigger event. Use real-time sampling to capture single-shot or transient events.

## **GPIB**

An acronym for General Purpose Interface Bus, the common name for the interface system defined in IEEE Std-488.

## **IEEE**

An acronym for the Institute for Electrical and Electronic Engineers.

**TEKSecure**

A Tektronix custom command that initializes both waveform and setup memories. This overwrites any previously stored data.

**Serial Poll**

A device on the GPIB bus can request service from the GPIB Controller by asserting the GPIB SRQ line (a Hardware line that is only present on the GPIB communications bus). When a controller acknowledges the SRQ, it “serial polls” each open device on the bus to determine which device on the bus requested service. Any device requesting service returns a status byte with bit 6 set and then unasserts the SRQ line. Devices not requiring service return a status byte with bit 6 cleared.



# Index

## A

ACQUIRE:INTERPEightbit, 2-75  
ACQUIRE:NUMFRAMESACQUIRED?, 2-79  
ACQUIRE:SAMPLINGmode, 2-80  
ACQUIRE?, 2-75  
ACQUIRE:MODE, 2-76  
ACQUIRE:NUMACQ?, 2-77  
ACQUIRE:NUMAVG, 2-78  
ACQUIRE:NUMENV, 2-78  
ACQUIRE:NUMSAMPLES, 2-80  
ACQUIRE:STATE, 2-81  
ACQUIRE:STOPAfter, 2-82  
ALIAS, 2-82  
ALIAS:CATALOG?, 2-83  
ALIAS:DEFINE, 2-83  
ALIAS:DELETE, 2-84  
ALIAS:DELETE:ALL, 2-85  
ALIAS:DELETE:NAME, 2-85  
ALIAS:STATE, 2-85  
ALLEV?, 2-86  
ALLOCATE:WAVEFORM:REF<x>?, 2-86  
AUTOSet, 2-87  
AUXIN:PROBE:AUTOZERO, 2-89  
AUXIN:PROBE:DEGAUSS:STATE?, 2-90  
AUXIN:PROBE:FORCEDRange, 2-90  
AUXIN:PROBE:ID:SERnumber?, 2-91  
AUXIN:PROBE:ID:TYPE?, 2-91  
AUXIN:PROBE:INPUTMode, 2-92  
AUXIN:PROBE:INPUTMode:AOFFSet, 2-92  
AUXIN:PROBE:INPUTMode:BOFFSet, 2-93  
AUXIN:PROBE:INPUTMode:CMOFFSet, 2-93  
AUXIN:PROBE:INPUTMode:DMOFFSet, 2-94  
AUXIN:PROBE:RESistance?, 2-95  
AUXIN:PROBEFunc:EXTatten, 2-97  
AUXIN:PROBEFunc:EXTDBatten, 2-98  
AUXIN:PROBEFunc:EXTUnits, 2-99  
AUXIN:BANDwidth, 2-87  
AUXIN:COUPLing, 2-88  
AUXIN:OFFSet, 2-88  
AUXIN:PROBE:DEGAUSS, 2-89  
AUXIN:PROBE:GAIN?, 2-91  
AUXIN:PROBE:RANge, 2-94  
AUXIN:PROBE:SET, 2-95  
AUXIN:PROBE:SIGNAL, 2-96

AUXIN:PROBE:TIPtype, 2-97  
AUXIN:PROBE:UNITS?, 2-97  
AUXout?, 2-100  
AUXout:EDGE, 2-100  
AUXout:SOURce, 2-100

## B

BELI, 2-101  
BUSY?, 2-101

## C

\*CAL?, 2-102  
CALIBRATE:CALPROBE:CH<x>?, 2-103  
CALIBRATE:INTERNAL:START, 2-104  
CALIBRATE:INTERNAL:STATUS?, 2-104  
CALIBRATE:PROBestate:CH<x>?, 2-105  
CALIBRATE:RESULTS:SPC?, 2-106  
CALIBRATE?, 2-102  
CALIBRATE:INTERNAL, 2-104  
CALIBRATE:RESULTS?, 2-106  
CH<x>:BANDwidth, 2-107  
CH<x>:BANDwidth:ENHanced, 2-108  
CH<x>:BANDwidth:ENHanced:APPLYtoall, 2-109  
CH<x>:BANDwidth:ENHanced:FORCE, 2-109  
CH<x>:BANDwidth:ENHanced:STATE?, 2-110  
CH<x>:PROBE:AUTOZERO, 2-116  
CH<x>:PROBE:DEGAUSS, 2-116  
CH<x>:PROBE:DEGAUSS:STATE?, 2-116  
CH<x>:PROBE:FORCEDRange, 2-117  
CH<x>:PROBE:GAIN?, 2-117  
CH<x>:PROBE:ID:SERnumber?, 2-118  
CH<x>:PROBE:ID:TYPE?, 2-118  
CH<x>:PROBE:INPUTMode, 2-119  
CH<x>:PROBE:INPUTMode:AOFFSet, 2-119  
CH<x>:PROBE:INPUTMode:BOFFSet, 2-120  
CH<x>:PROBE:INPUTMode:CMOFFSet, 2-120  
CH<x>:PROBE:INPUTMode:DMOFFSet, 2-121  
CH<x>:PROBE:RANge, 2-121  
CH<x>:PROBE:RESistance?, 2-122  
CH<x>:PROBE:SIGNAL, 2-123  
CH<x>:PROBE:TIPtype, 2-124  
CH<x>:PROBE:UNITS?, 2-124  
CH<x>:PROBEControl, 2-125

CH<x>:PROBEFunc:EXTAtten, 2-126  
CH<x>:PROBEFunc:EXTDBatten, 2-127  
CH<x>:PROBEFunc:EXTUnits, 2-127  
CH<x>:TERmination, 2-129  
CH<x>?, 2-107  
CH<x>:COUPling, 2-111  
CH<x>:DESKew, 2-111  
CH<x>:LABel:NAME, 2-112  
CH<x>:LABel:XPOS, 2-112  
CH<x>:LABel:YPOS, 2-113  
CH<x>:OFFSet, 2-113  
CH<x>:POSition, 2-114  
CH<x>:PRObe?, 2-115  
CH<x>:PRObe:ID?, 2-118  
CH<x>:PRObe:SET, 2-122  
CH<x>:PROBECal?, 2-125  
CH<x>:SCAle, 2-128  
\*CLS, 2-130  
CMDBatch, 2-130  
Command Groups, 2-11  
CURSor:HBArS:POSITION<x>, 2-133  
CURSor:SCREEN:XPOSITION<x>, 2-135  
CURSor:SCREEN:YPOSITION<x>, 2-136  
CURSor:VBArS:POS<x>, 2-139  
CURSor:VBArS:POSITION<x>, 2-138  
CURSor:WAVEform:HDELTA?, 2-141  
CURSor:WAVEform:HPOS<x>?, 2-141  
CURSor:WAVEform:POSition<x>, 2-142  
CURSor:WAVEform:STYle, 2-142  
CURSor:WAVEform:UNIts, 2-143  
CURSor:WAVEform:VDELTA?, 2-143  
CURSor:XY:PRODDELta?, 2-144  
CURSor:XY:PRODUCT<x>?, 2-144  
CURSor:XY:RADIUS<x>?, 2-145  
CURSor:XY:RATIO<x>?, 2-146  
CURSor:XY:RECTX<x>, 2-147  
CURSor:XY:RECTY<x>, 2-148  
CURSor:XY:THETA<x>?, 2-149  
CURSor?, 2-131  
CURSor:FUNcTion, 2-131  
CURSor:HBArS?, 2-132  
CURSor:HBArS:DELTA?, 2-132  
CURSor:HBArS:UNIts?, 2-133  
CURSor:LINEStYle, 2-134  
CURSor:MODE, 2-134  
CURSor:SCREEN:STYle, 2-135  
CURSor:SOUrce<x>, 2-136

CURSor:STATE, 2-137  
CURSor:VBArS, 2-137  
CURSor:VBArS:DELTA?, 2-138  
CURSor:VBArS:UNIts, 2-140  
CURSor:WAVEform, 2-140  
CURSor:XY?, 2-143  
CURSor:XY:RATDELta?, 2-145  
CURSor:XY:RDELta?, 2-146  
CURSor:XY:READOUT, 2-147  
CURSor:XY:THDELta?, 2-148  
CURSor:XY:XDELta?, 2-149  
CURSor:XY:YDELta?, 2-150  
CURVe, 2-150  
CURVENext?, 2-151  
CURVEStream, 2-152

## D

DATA, 2-153  
DATA:DESTination, 2-153  
DATA:ENCdg, 2-154  
DATA:FRAMEStArT, 2-156  
DATA:FRAMEStOP, 2-157  
DATA:SOUrce, 2-157  
DATA:StArT, 2-158  
DATA:StOP, 2-159  
DATE, 2-160  
\*DDT, 2-160  
DELEte:SEtUp, 2-161  
DELEte:WAVEform, 2-161  
DESE, 2-162  
DIAg:RESultS:VERBoSe?, 2-172  
DIAg:CONTRol:HALT, 2-163  
DIAg:CONTRol:LOOP, 2-163  
DIAg:EXECUTE, 2-164  
DIAg:FAILURES:CLear, 2-165  
DIAg:ITEM?, 2-165  
DIAg:ITEM:FAILURES?, 2-166  
DIAg:ITEM:NAME?, 2-166  
DIAg:ITEM:RESult?, 2-167  
DIAg:ITEM:SUBITEMS?, 2-167  
DIAg:LEVEL, 2-168  
DIAg:LOOPs?, 2-168  
DIAg:NAME?, 2-169  
DIAg:NAME:AREA?, 2-169  
DIAg:NAME:SUBSYS?, 2-170  
DIAg:NAME:TEST?, 2-170  
DIAg:NUMITEMS?, 2-171

DIAg:REsults?, 2-171  
 DIAg:SElect:ALL, 2-172  
 DIAg:SElect:AREA, 2-173  
 DIAg:SElect:LAST, 2-173  
 DIAg:SElect:SUBSYS, 2-174  
 DIAg:SElect:TEST, 2-175  
 DIAg:STATE, 2-175  
 DIAg:STOP, 2-176  
 DISplay:COLOr:MATHCOLOr, 2-178  
 DISplay:COLOr:PALEtte:IMAGeView, 2-179  
 DISplay:COLOr:PALEtte:RECORDView, 2-180  
 DISplay:COLOr:PALEtte:USEr, 2-180  
 DISplay:COLOr:PALEtte:USEr:CARet, 2-181  
 DISplay:COLOr:PALEtte:USEr:CH<x>, 2-182  
 DISplay:COLOr:PALEtte:USEr:GRaticule, 2-182  
 DISplay:COLOr:PALEtte:USEr:HIStogram, 2-183  
 DISplay:COLOr:PALEtte:USEr:MASK, 2-183  
 DISplay:COLOr:PALEtte:USEr:  
     MASKHighlight, 2-184  
 DISplay:COLOr:PALEtte:USEr:MATH<x>, 2-184  
 DISplay:COLOr:PALEtte:USEr:REF<x>, 2-185  
 DISplay:COLOr:PALEtte:USEr:WAVEform, 2-186  
 DISplay:COLOr:REFCOLOr, 2-186  
 DISplay:INTENSITy:WAVEform:  
     IMAGeView, 2-189  
 DISplay:INTENSITy:WAVEform:  
     RECORDView, 2-190  
 DISplay:PERsistence:RESEt, 2-191  
 DISplay:SCREENExt:LABel<x>:  
     FONTCOLOr, 2-193  
 DISplay:SCREENExt:LABel<x>:  
     FONTNAme, 2-193  
 DISplay:SCREENExt:LABel<x>:FONTSIze, 2-194  
 DISplay:SCREENExt:LABel<x>:  
     FONTSTyle, 2-194  
 DISplay:SCREENExt:LABel<x>:NAME, 2-194  
 DISplay:SCREENExt:LABel<x>:STATE, 2-195  
 DISplay:SCREENExt:LABel<x>:XPOS, 2-196  
 DISplay:SCREENExt:LABel<x>:YPOS, 2-196  
 DISplay:SCREENExt:LABel<x>?, 2-192  
 DISplay:SCREENExt:STATE, 2-197  
 DISplay?, 2-176  
 DISplay:CLOCK, 2-177  
 DISplay:COLOr?, 2-178  
 DISplay:FILTer, 2-187  
 DISplay:FORMat, 2-187  
 DISplay:GRaticule, 2-188

DISplay:INTENSITy?, 2-189  
 DISplay:PERsistence, 2-191  
 DISplay:SCREENExt?, 2-192  
 DISplay:SHOWREmote, 2-197  
 DISplay:STYle, 2-198  
 DISplay:TRIGBar, 2-198  
 DISplay:TRIGT, 2-199  
 DISplay:VARpersist, 2-200  
 DISplay:WAVEform, 2-200

## E

EMail, 2-201  
 EMail:ATTempts, 2-201  
 EMail:AUTHLogin, 2-202  
 EMail:AUTHPassword, 2-202  
 EMail:COUNT?, 2-203  
 EMail:FRom, 2-203  
 EMail:HOSTwanted, 2-203  
 EMail:IMAGe, 2-204  
 EMail:MASK, 2-204  
 EMail:MAXSize, 2-205  
 EMail:MEASUrement, 2-205  
 EMail:NUMEMails, 2-206  
 EMail:SMTPPort, 2-206  
 EMail:SMTPServer, 2-207  
 EMail:STATUS?, 2-207  
 EMail:TIMEOut, 2-208  
 EMail:TO, 2-208  
 EMail:TRIGger, 2-209  
 EMail:WAVEform, 2-209  
 \*ESE, 2-210  
 \*ESR?, 2-211  
 EVENT?, 2-211  
 EVMsg?, 2-212  
 EVQty?, 2-212  
 EXPort, 2-213  
 EXPort:FILEName, 2-213  
 EXPort:FORMat, 2-214  
 EXPort:PALEtte, 2-214  
 EXPort:READOuts, 2-215  
 EXPort:VIEW, 2-215

## F

FACtory, 2-216  
 FASTAcq?, 2-217  
 FASTAcq:HIACQRATE, 2-217

- FASTAcq:STATE, 2-218  
 FILESystem:WRITEFile, 2-224  
 FILESystem?, 2-218  
 FILESystem:COPy, 2-219  
 FILESystem:CWD, 2-219  
 FILESystem:DELEte, 2-220  
 FILESystem:DIR?, 2-220  
 FILESystem:MKDir, 2-221  
 FILESystem:PRInt, 2-221  
 FILESystem:READFile, 2-222  
 FILESystem:REName, 2-223  
 FILESystem:RMDir, 2-224
- ## H
- HARDCopy, 2-225  
 HARDCopy:FILENAME, 2-226  
 HARDCopy:LAYout, 2-226  
 HARDCopy:PALEtte, 2-227  
 HARDCopy:PORT, 2-227  
 HARDCopy:READOuts, 2-228  
 HARDCopy:VIEW, 2-229  
 HDR, 2-229  
 HEADer, 2-230  
 HIStogram?, 2-231  
 HIStogram:BOX, 2-231  
 HIStogram:BOXPent, 2-232  
 HIStogram:COUNt, 2-233  
 HIStogram:DATA?, 2-233  
 HIStogram:DISPlay, 2-234  
 HIStogram:FUNcTION, 2-235  
 HIStogram:MODE, 2-236  
 HIStogram:SIZE, 2-236  
 HIStogram:SOURce, 2-237  
 HIStogram:STATE, 2-238  
 HORizontal:ACQDURATION?, 2-239  
 HORizontal:ACQLENGTH?, 2-239  
 HORizontal:DIVisions?, 2-239  
 HORizontal:FASTframe:COUNt, 2-240  
 HORizontal:FASTframe:MAXFRames?, 2-241  
 HORizontal:FASTframe:MULTipleframes:  
   FRAMEStart:<wfm>, 2-241  
 HORizontal:FASTframe:MULTipleframes:  
   MODE, 2-242  
 HORizontal:FASTframe:MULTipleframes:  
   NUMFRames:<wfm>, 2-243  
 HORizontal:FASTframe:REF:FRame, 2-243  
 HORizontal:FASTframe:REF:SOURce, 2-244  
 HORizontal:FASTframe:SELECTED:CH<x>, 2-245  
 HORizontal:FASTframe:SELECTED:  
   MATH<x>, 2-245  
 HORizontal:FASTframe:SELECTED:REF<x>, 2-245  
 HORizontal:FASTframe:SELECTED:SOURce, 2-246  
 HORizontal:FASTframe:SEQuence, 2-247  
 HORizontal:FASTframe:STATE, 2-247  
 HORizontal:FASTframe:SUMFRame, 2-248  
 HORizontal:FASTframe:TIMEStamp:ALL:  
   <wfm>?, 2-248  
 HORizontal:FASTframe:TIMEStamp:BETWeen:  
   <wfm>?, 2-249  
 HORizontal:FASTframe:TIMEStamp:DELTA:  
   <wfm>?, 2-250  
 HORizontal:FASTframe:TIMEStamp:FRame:  
   <wfm>?, 2-250  
 HORizontal:FASTframe:TIMEStamp:REF?, 2-251  
 HORizontal:FASTframe:TIMEStamp:SELECTED:  
   <wfm>?, 2-251  
 HORizontal:FASTframe:TRACk, 2-252  
 HORizontal:FASTframe:XZErO:ALL:CH<x>?, 2-253  
 HORizontal:FASTframe:XZErO:ALL:  
   REF<x>?, 2-253  
 HORizontal:FASTframe:XZErO:FRame:  
   CH<x>?, 2-254  
 HORizontal:FASTframe:XZErO:FRame:  
   REF<x>?, 2-254  
 HORizontal:FASTframe:XZErO:REF?, 2-255  
 HORizontal:FASTframe:XZErO:SELECTED:  
   CH<x>?, 2-255  
 HORizontal:FASTframe:XZErO:SELECTED:  
   REF<x>?, 2-255  
 HORizontal:FASTframe?, 2-240  
 HORizontal:MAIn:INTERPRatio?, 2-258  
 HORizontal:MAIn:UNIts, 2-259  
 HORizontal:MAIn:UNIts:STRing, 2-259  
 HORizontal:MODE:AUTO:LIMITrecordlen, 2-261  
 HORizontal:MODE:RECOrdlength, 2-261  
 HORizontal:MODE:SAMPLERate, 2-262  
 HORizontal:MODE:SCALE, 2-262  
 HORizontal:TIMEStamp:CH<x>?, 2-263  
 HORizontal:TIMEStamp:REF<x>?, 2-263  
 HORizontal?, 2-238  
 HORizontal[:MAIn]:DELay:MODE, 2-256  
 HORizontal[:MAIn]:DELay:POSition, 2-257  
 HORizontal[:MAIn]:DELay:TIME, 2-257  
 HORizontal[:MAIn]:POSition, 2-258

HORizontal:MAIn?, 2-256  
 HORizontal:MODE, 2-260  
 HORizontal:ROLL, 2-263

**I**

ID?, 2-264  
 \*IDN?, 2-264

**L**

LIMit:COMpare:CH<x>, 2-266  
 LIMit:COMpare:MATH<x>, 2-267  
 LIMit:COMpare:REF<x>, 2-267  
 LIMit:HIGHLIGHTHits:RESet, 2-270  
 LIMit:SAVEWFM:FILEName, 2-273  
 LIMit:STOPOnviolation, 2-275  
 LIMit:TEMPlate:DESTination, 2-275  
 LIMit:TEMPlate:SOUrce, 2-276  
 LIMit:TEMPlate:STORe, 2-277  
 LIMit:TEMPlate:TOLerance:HORizontal, 2-277  
 LIMit:TEMPlate:TOLerance:VERTical, 2-278  
 LIMit?, 2-265  
 LIMit:BEEP, 2-265  
 LIMit:COMpare, 2-266  
 LIMit:EMail, 2-268  
 LIMit:HARDCopy, 2-269  
 LIMit:HIGHLIGHTHits, 2-270  
 LIMit:LOCK, 2-271  
 LIMit:LOG, 2-271  
 LIMit:SAVEWFM, 2-272  
 LIMit:SRQ, 2-273  
 LIMit:STATE, 2-274  
 LIMit:STATus?, 2-274  
 LOCK, 2-278  
 \*LRN?, 2-279

**M**

MARK, 2-280  
 MARK:SElected:FOCUS?, 2-282  
 MARK:SElected:MARKSINCOLUMN?, 2-283  
 MARK:SElected:OWNER?, 2-283  
 MARK:SElected:SOURCE?, 2-283  
 MARK:SElected:START?, 2-284  
 MARK:SElected:ZOOM:POSition?, 2-285  
 MARK:SElected:ZOOM:SCALE?, 2-285  
 MARK:CREATE, 2-280  
 MARK:DELEte, 2-281

MARK:FREE?, 2-281  
 MARK:SElected:END?, 2-282  
 MARK:SElected:LABel, 2-282  
 MARK:SElected:STATe, 2-284  
 MARK:TOTal?, 2-285  
 MASK:AUTOAdjust:HDELTA, 2-287  
 MASK:AUTOAdjust:VDELTA, 2-287  
 MASK:AUTOSet:AUTOAdjust, 2-288  
 MASK:AUTOSet:OFFSETAdj, 2-290  
 MASK:AUTOSet:STANdard, 2-291  
 MASK:AUTOSet:TRIGger, 2-297  
 MASK:AUTOSet:USER:ONE, 2-297  
 MASK:AUTOSet:USER:TYPE, 2-298  
 MASK:AUTOSet:USER:ZERo, 2-298  
 MASK:COUNt:FAILURES?, 2-301  
 MASK:COUNt:SEG<m>:HITS?, 2-301  
 MASK:COUNt:VIOLATIONS?, 2-303  
 MASK:COUNt:WAVEFORMS?, 2-304  
 MASK:MASKPRE:AMplitude, 2-308  
 MASK:MASKPRE:HTRIGPOS, 2-309  
 MASK:MASKPRE:PATTERNBITS, 2-310  
 MASK:MASKPRE:PRESAMPBITS, 2-310  
 MASK:MASKPRE:RECOrdlength, 2-311  
 MASK:MASKPRE:TRIGTOSAMP, 2-311  
 MASK:MASKPRE:VOFFSet, 2-312  
 MASK:SEG<m>:NR\_Pt?, 2-315  
 MASK:SEG<m>:POINTS, 2-316  
 MASK:STOPOnviolation, 2-324  
 MASK:TEST:AUX:COMPLetion, 2-324  
 MASK:TEST:AUX:FAILure, 2-325  
 MASK:TEST:BEEP:COMPLetion, 2-325  
 MASK:TEST:BEEP:FAILure, 2-326  
 MASK:TEST:LOG:FAILure, 2-328  
 MASK:TEST:SAMple:THReshold, 2-329  
 MASK:TEST:SAVEWFM:FILEName, 2-331  
 MASK:TEST:SRQ:COMPLetion, 2-331  
 MASK:TEST:SRQ:FAILure, 2-332  
 MASK:TEST:STOP:FAILure, 2-333  
 MASK:USER:PATTERNBITS, 2-338  
 MASK:USER:PRESAMPBITS, 2-338  
 MASK:USER:RECOrdlength, 2-339  
 MASK:USER:SEG<m>:NR\_Pt?, 2-340  
 MASK:USER:SEG<m>:POINTS, 2-340  
 MASK:USER:TRIGTOSAMP, 2-341  
 MASK?, 2-286  
 MASK:AUTOAdjust, 2-286  
 MASK:AUTOSet:HPOS, 2-288

MASK:AUTOSet:HSCAle, 2-289  
MASK:AUTOSet:MODe, 2-290  
MASK:AUTOSet:VPOS, 2-299  
MASK:AUTOSet:VSCAle, 2-299  
MASK:COpy:USER, 2-300  
MASK:COUnT, 2-300  
MASK:COUnT:HITS?, 2-301  
MASK:COUnT:STATE, 2-302  
MASK:COUnT:TESTS?, 2-302  
MASK:COUnT:TOTal?, 2-303  
MASK:DISPlay, 2-304  
MASK:FILTer, 2-305  
MASK:HIGHLIGHTHits, 2-305  
MASK:INVert, 2-306  
MASK:LOCk, 2-306  
MASK:MARgin:PERCent, 2-307  
MASK:MARgin:STATE, 2-307  
MASK:MASKPRE:HSCAle, 2-308  
MASK:MASKPRE:VPOS, 2-312  
MASK:MASKPRE:VSCAle, 2-313  
MASK:MASKPRE:WIDth, 2-314  
MASK:POLarity, 2-314  
MASK:SEG<m>, 2-315  
MASK:SOUrce, 2-316  
MASK:STANdard, 2-317  
MASK:TEST:DELay, 2-326  
MASK:TEST:HARDCopy, 2-327  
MASK:TEST:REPeat, 2-328  
MASK:TEST:SAMple, 2-329  
MASK:TEST:SAVEWFM, 2-330  
MASK:TEST:STATE, 2-332  
MASK:TEST:STATUS?, 2-333  
MASK:TEST:THReshold, 2-334  
MASK:TEST:WAVEform, 2-334  
MASK:USER:AMPlitude, 2-335  
MASK:USER:BITRate, 2-335  
MASK:USER:HSCAle, 2-336  
MASK:USER:HTRIGPOS, 2-336  
MASK:USER:LABel, 2-337  
MASK:USER:SEG<m>, 2-339  
MASK:USER:VOFFSet, 2-341  
MASK:USER:VPOS, 2-342  
MASK:USER:VSCAle, 2-342  
MASK:USER:WIDth, 2-343  
MATH<x>:FILTer:MODe, 2-347  
MATH<x>:FILTer:RISetime, 2-348  
MATH<x>:LABel:NAME, 2-348  
MATH<x>:LABel:XPOS, 2-349  
MATH<x>:LABel:YPOS, 2-349  
MATH<x>:SPECTral:CENTER, 2-351  
MATH<x>:SPECTral:GATEPOS, 2-351  
MATH<x>:SPECTral:GATEWIDTH, 2-352  
MATH<x>:SPECTral:LOCk, 2-353  
MATH<x>:SPECTral:MAG, 2-354  
MATH<x>:SPECTral:PHASE, 2-354  
MATH<x>:SPECTral:REFLevel, 2-355  
MATH<x>:SPECTral:REFLEVELOffset, 2-355  
MATH<x>:SPECTral:RESBw, 2-356  
MATH<x>:SPECTral:SPAN, 2-357  
MATH<x>:SPECTral:SUPPress, 2-358  
MATH<x>:SPECTral:UNWRap, 2-358  
MATH<x>:SPECTral:WINDow, 2-359  
MATH<x>:SPECTral?, 2-350  
MATH<x>:UNITString, 2-360  
MATH<x>:VERTical:POSition, 2-360  
MATH<x>:VERTical:SCALE, 2-362  
MATH<x>?, 2-346  
MATH<x>:DEFine, 2-346  
MATH<x>:NUMAVg, 2-350  
MATHArbft<x>:FILEpath, 2-344  
MATHArbft<x>:READFile, 2-344  
MATHVAR?, 2-344  
MATHVAR:VAR<x>, 2-345  
MEASUrement:ANNOtation:IMMEDStAte, 2-363  
MEASUrement:ANNOtation:NUMX?, 2-364  
MEASUrement:ANNOtation:NUMY?, 2-364  
MEASUrement:ANNOtation:STATE, 2-365  
MEASUrement:ANNOtation:TYPe, 2-365  
MEASUrement:ANNOtation:X<x>?, 2-366  
MEASUrement:ANNOtation:Y<x>?, 2-366  
MEASUrement:IMMed:DELay:DIREction, 2-368  
MEASUrement:IMMed:DELay:EDGE[1], 2-369  
MEASUrement:IMMed:DELay:EDGE2, 2-369  
MEASUrement:IMMed:DELay?, 2-368  
MEASUrement:IMMed:METhod, 2-370  
MEASUrement:IMMed:NOISe, 2-371  
MEASUrement:IMMed:REFLevel:ABSolute:  
HIGH, 2-372  
MEASUrement:IMMed:REFLevel:ABSolute:  
LOW, 2-372  
MEASUrement:IMMed:REFLevel:ABSolute:  
MID<x>, 2-373  
MEASUrement:IMMed:REFLevel:METhod, 2-374

- MEASUREMENT:IMMED:REFLEVEL:PERCENT:  
HIGH, 2-374
- MEASUREMENT:IMMED:REFLEVEL:PERCENT:  
LOW, 2-375
- MEASUREMENT:IMMED:REFLEVEL:PERCENT:  
MID<x>, 2-376
- MEASUREMENT:IMMED:REFLEVEL?, 2-371
- MEASUREMENT:IMMED:SOURCE<x>, 2-376
- MEASUREMENT:IMMED:SOURCE<x>:SIGTYPE, 2-377
- MEASUREMENT:IMMED:TYPE, 2-378
- MEASUREMENT:IMMED:UNITS?, 2-382
- MEASUREMENT:IMMED:VALUE?, 2-383
- MEASUREMENT:MEAS<x>:COUNT?, 2-384
- MEASUREMENT:MEAS<x>:DELAY:DIRECTION, 2-384
- MEASUREMENT:MEAS<x>:DELAY:EDGE<x>, 2-385
- MEASUREMENT:MEAS<x>:DELAY?, 2-384
- MEASUREMENT:MEAS<x>:MAXIMUM?, 2-386
- MEASUREMENT:MEAS<x>:MEAN?, 2-386
- MEASUREMENT:MEAS<x>:METHOD, 2-387
- MEASUREMENT:MEAS<x>:MINIMUM?, 2-387
- MEASUREMENT:MEAS<x>:NOISE, 2-387
- MEASUREMENT:MEAS<x>:REFLEVEL:ABSOLUTE:  
HIGH, 2-389
- MEASUREMENT:MEAS<x>:REFLEVEL:ABSOLUTE:  
LOW, 2-389
- MEASUREMENT:MEAS<x>:REFLEVEL:ABSOLUTE:  
MID<x>, 2-390
- MEASUREMENT:MEAS<x>:REFLEVEL:  
METHOD, 2-390
- MEASUREMENT:MEAS<x>:REFLEVEL:PERCENT:  
HIGH, 2-391
- MEASUREMENT:MEAS<x>:REFLEVEL:PERCENT:  
LOW, 2-392
- MEASUREMENT:MEAS<x>:REFLEVEL:PERCENT:  
MID<x>, 2-392
- MEASUREMENT:MEAS<x>:REFLEVEL?, 2-388
- MEASUREMENT:MEAS<x>:SOURCE<x>, 2-393
- MEASUREMENT:MEAS<x>:SOURCE<x>:  
SIGTYPE, 2-394
- MEASUREMENT:MEAS<x>:STATE, 2-395
- MEASUREMENT:MEAS<x>:STDDEV?, 2-395
- MEASUREMENT:MEAS<x>:TYPE, 2-396
- MEASUREMENT:MEAS<x>:UNITS?, 2-400
- MEASUREMENT:MEAS<x>:VALUE?, 2-401
- MEASUREMENT:MEAS<x>?, 2-383
- MEASUREMENT:REFLEVEL:ABSOLUTE:HIGH, 2-403
- MEASUREMENT:REFLEVEL:ABSOLUTE:LOW, 2-403
- MEASUREMENT:REFLEVEL:ABSOLUTE:MID<x>, 2-404
- MEASUREMENT:REFLEVEL:METHOD, 2-405
- MEASUREMENT:REFLEVEL:PERCENT:HIGH, 2-406
- MEASUREMENT:REFLEVEL:PERCENT:LOW, 2-406
- MEASUREMENT:REFLEVEL:PERCENT:MID<x>, 2-407
- MEASUREMENT:SOURCE<x>:SIGTYPE, 2-408
- MEASUREMENT:STATISTICS:COUNT, 2-409
- MEASUREMENT:STATISTICS:MODE, 2-409
- MEASUREMENT:STATISTICS:WEIGHTING, 2-410
- MEASUREMENT?, 2-363
- MEASUREMENT:GATING, 2-366
- MEASUREMENT:IMMED?, 2-367
- MEASUREMENT:METHOD, 2-401
- MEASUREMENT:NOISE, 2-402
- ## N
- NEWPASS, 2-410
- ## O
- \*OPC, 2-411
- \*OPT?, 2-412
- ## P
- PASSWORD, 2-412
- \*PSC, 2-413
- \*PUD, 2-413
- ## R
- \*RCL, 2-414
- RECALL:MASK, 2-414
- RECALL:SETUP, 2-415
- RECALL:SETUP:DESKEW, 2-416
- RECALL:WAVEFORM, 2-416
- REF<x>:HORIZONTAL:POSITION, 2-417
- REF<x>:LABEL:NAME, 2-418
- REF<x>:LABEL:XPOS, 2-419
- REF<x>:LABEL:YPOS, 2-419
- REF<x>:VERTICAL:POSITION, 2-420
- REF<x>:VERTICAL:SCALE, 2-421
- REF<x>:LABEL?, 2-418
- REM, 2-422
- ROSC:SOURCE, 2-422
- ROSC:STATE?, 2-423
- ROSC:TRACKING, 2-423
- \*RST, 2-424

- S**
- \*SAV, 2-425
  - SAVe:WAVEform:FILEFormat, 2-427
  - SAVe:MASK, 2-425
  - SAVe:SETUp, 2-426
  - SAVe:WAVEform, 2-427
  - \*SDS, 2-429
  - SEARCH:SEARCH<x>:COpy, 2-430
  - SEARCH:SEARCH<x>:STATE, 2-430
  - SEARCH:SEARCH<x>:TOTAL?, 2-431
  - SEARCH:SEARCH<x>:TRIGger:A:DDRMemory:
    - AUTOBitrate, 2-431
  - SEARCH:SEARCH<x>:TRIGger:A:DDRMemory:
    - AUTOReflevel, 2-431
  - SEARCH:SEARCH<x>:TRIGger:A:DDRMemory:
    - BITRate, 2-432
  - SEARCH:SEARCH<x>:TRIGger:A:DDRMemory:
    - CSActive, 2-433
  - SEARCH:SEARCH<x>:TRIGger:A:DDRMemory:
    - CSLevel, 2-433
  - SEARCH:SEARCH<x>:TRIGger:A:DDRMemory:
    - CSMode, 2-434
  - SEARCH:SEARCH<x>:TRIGger:A:DDRMemory:
    - CSSource, 2-434
  - SEARCH:SEARCH<x>:TRIGger:A:DDRMemory:
    - DATAsource, 2-435
  - SEARCH:SEARCH<x>:TRIGger:A:DDRMemory:
    - HYSterisis, 2-435
  - SEARCH:SEARCH<x>:TRIGger:A:DDRMemory:
    - MARgin, 2-436
  - SEARCH:SEARCH<x>:TRIGger:A:DDRMemory:
    - MAXCas, 2-436
  - SEARCH:SEARCH<x>:TRIGger:A:DDRMemory:
    - MINCas, 2-437
  - SEARCH:SEARCH<x>:TRIGger:A:DDRMemory:
    - REFLevel:DATA:HIGH, 2-437
  - SEARCH:SEARCH<x>:TRIGger:A:DDRMemory:
    - REFLevel:DATA:LOW, 2-438
  - SEARCH:SEARCH<x>:TRIGger:A:DDRMemory:
    - REFLevel:DATA:MID, 2-438
  - SEARCH:SEARCH<x>:TRIGger:A:DDRMemory:
    - REFLevel:STROBE:HIGH, 2-439
  - SEARCH:SEARCH<x>:TRIGger:A:DDRMemory:
    - REFLevel:STROBE:LOW, 2-440
  - SEARCH:SEARCH<x>:TRIGger:A:DDRMemory:
    - REFLevel:STROBE:MID, 2-440
  - SEARCH:SEARCH<x>:TRIGger:A:DDRMemory:
    - STANdard, 2-441
  - SEARCH:SEARCH<x>:TRIGger:A:DDRMemory:
    - STROBEsource, 2-441
  - SEARCH:SEARCH<x>:TRIGger:A:EDGE:SLOpe:
    - CH<x>, 2-442
  - SEARCH:SEARCH<x>:TRIGger:A:EDGE:SLOpe:
    - MATH<x>, 2-443
  - SEARCH:SEARCH<x>:TRIGger:A:EDGE:SLOpe:
    - REF<x>, 2-443
  - SEARCH:SEARCH<x>:TRIGger:A:EDGE:
    - SOUrce, 2-444
  - SEARCH:SEARCH<x>:TRIGger:A:GLItch:
    - POLarity:CH<x>, 2-444
  - SEARCH:SEARCH<x>:TRIGger:A:GLItch:
    - POLarity:MATH<x>, 2-445
  - SEARCH:SEARCH<x>:TRIGger:A:GLItch:
    - POLarity:REF<x>, 2-445
  - SEARCH:SEARCH<x>:TRIGger:A:GLItch:
    - TRIGIF, 2-446
  - SEARCH:SEARCH<x>:TRIGger:A:GLItch:
    - WIDth, 2-447
  - SEARCH:SEARCH<x>:TRIGger:A:LEVel:
    - CH<x>, 2-447
  - SEARCH:SEARCH<x>:TRIGger:A:LEVel:
    - MATH<x>, 2-448
  - SEARCH:SEARCH<x>:TRIGger:A:LEVel:
    - REF<x>, 2-448
  - SEARCH:SEARCH<x>:TRIGger:A:LOGIc:
    - FUNcTION, 2-449
  - SEARCH:SEARCH<x>:TRIGger:A:LOGIc:INPut:
    - CH<x>, 2-449
  - SEARCH:SEARCH<x>:TRIGger:A:LOGIc:INPut:
    - MATH<x>, 2-450
  - SEARCH:SEARCH<x>:TRIGger:A:LOGIc:INPut:
    - REF<x>, 2-450
  - SEARCH:SEARCH<x>:TRIGger:A:LOGIc:
    - THReshold:CH<x>, 2-451
  - SEARCH:SEARCH<x>:TRIGger:A:LOGIc:
    - THReshold:MATH<x>, 2-451
  - SEARCH:SEARCH<x>:TRIGger:A:LOGIc:
    - THReshold:REF<x>, 2-452
  - SEARCH:SEARCH<x>:TRIGger:A:PATtern:
    - WHEn, 2-452
  - SEARCH:SEARCH<x>:TRIGger:A:PATtern:WHEn:
    - LESSLimit, 2-453



SEARCH:SEARCH<x>:TRIGger:A:PATtern:WHEN:  
MORELimit, 2-454

SEARCH:SEARCH<x>:TRIGger:A:PULse:  
SOUrce, 2-454

SEARCH:SEARCH<x>:TRIGger:A:RUNT:  
POLarity:CH<x>, 2-455

SEARCH:SEARCH<x>:TRIGger:A:RUNT:  
POLarity:MATH<x>, 2-456

SEARCH:SEARCH<x>:TRIGger:A:RUNT:  
POLarity:REF<x>, 2-456

SEARCH:SEARCH<x>:TRIGger:A:RUNT:  
THReshold:HIGH:CH<x>, 2-457

SEARCH:SEARCH<x>:TRIGger:A:RUNT:  
THReshold:HIGH:MATH<x>, 2-457

SEARCH:SEARCH<x>:TRIGger:A:RUNT:  
THReshold:HIGH:REF<x>, 2-458

SEARCH:SEARCH<x>:TRIGger:A:RUNT:  
THReshold:LOW:CH<x>, 2-458

SEARCH:SEARCH<x>:TRIGger:A:RUNT:  
THReshold:LOW:MATH<x>, 2-459

SEARCH:SEARCH<x>:TRIGger:A:RUNT:  
THReshold:LOW:REF<x>, 2-459

SEARCH:SEARCH<x>:TRIGger:A:RUNT:  
WHEn, 2-460

SEARCH:SEARCH<x>:TRIGger:A:RUNT:  
WIDth, 2-461

SEARCH:SEARCH<x>:TRIGger:A:SETHold:  
CLOCK:EDGE, 2-461

SEARCH:SEARCH<x>:TRIGger:A:SETHold:  
CLOCK:SOUrce, 2-462

SEARCH:SEARCH<x>:TRIGger:A:SETHold:  
CLOCK:THReshold:CH<x>, 2-462

SEARCH:SEARCH<x>:TRIGger:A:SETHold:  
CLOCK:THReshold:MATH<x>, 2-463

SEARCH:SEARCH<x>:TRIGger:A:SETHold:  
CLOCK:THReshold:REF<x>, 2-463

SEARCH:SEARCH<x>:TRIGger:A:SETHold:DATA:  
SOUrce, 2-464

SEARCH:SEARCH<x>:TRIGger:A:SETHold:DATA:  
THReshold:CH<x>, 2-465

SEARCH:SEARCH<x>:TRIGger:A:SETHold:DATA:  
THReshold:MATH<x>, 2-465

SEARCH:SEARCH<x>:TRIGger:A:SETHold:DATA:  
THReshold:REF<x>, 2-466

SEARCH:SEARCH<x>:TRIGger:A:SETHold:  
HOLDTime, 2-466

SEARCH:SEARCH<x>:TRIGger:A:SETHold:  
SETTime, 2-467

SEARCH:SEARCH<x>:TRIGger:A:STATE:CLOCK:  
EDGE, 2-467

SEARCH:SEARCH<x>:TRIGger:A:STATE:CLOCK:  
SOUrce, 2-468

SEARCH:SEARCH<x>:TRIGger:A:STATE:  
WHEn, 2-468

SEARCH:SEARCH<x>:TRIGger:A:TIMEOut:  
POLarity:CH<x>, 2-469

SEARCH:SEARCH<x>:TRIGger:A:TIMEOut:  
POLarity:MATH<x>, 2-469

SEARCH:SEARCH<x>:TRIGger:A:TIMEOut:  
POLarity:REF<x>, 2-470

SEARCH:SEARCH<x>:TRIGger:A:TIMEOut:  
TIME, 2-471

SEARCH:SEARCH<x>:TRIGger:A:TRANSition:  
DELTATime, 2-471

SEARCH:SEARCH<x>:TRIGger:A:TRANSition:  
POLarity:CH<x>, 2-472

SEARCH:SEARCH<x>:TRIGger:A:TRANSition:  
POLarity:MATH<x>, 2-472

SEARCH:SEARCH<x>:TRIGger:A:TRANSition:  
POLarity:REF<x>, 2-473

SEARCH:SEARCH<x>:TRIGger:A:TRANSition:  
THReshold:HIGH:CH<x>, 2-474

SEARCH:SEARCH<x>:TRIGger:A:TRANSition:  
THReshold:HIGH:MATH<x>, 2-474

SEARCH:SEARCH<x>:TRIGger:A:TRANSition:  
THReshold:HIGH:REF<x>, 2-475

SEARCH:SEARCH<x>:TRIGger:A:TRANSition:  
THReshold:LOW:CH<x>, 2-475

SEARCH:SEARCH<x>:TRIGger:A:TRANSition:  
THReshold:LOW:MATH<x>, 2-476

SEARCH:SEARCH<x>:TRIGger:A:TRANSition:  
THReshold:LOW:REF<x>, 2-476

SEARCH:SEARCH<x>:TRIGger:A:TRANSition:  
WHEn, 2-477

SEARCH:SEARCH<x>:TRIGger:A:TYPE, 2-477

SEARCH:SEARCH<x>:TRIGger:A:WIDth:  
HIGHLimit, 2-479

SEARCH:SEARCH<x>:TRIGger:A:WIDth:  
LOWLimit, 2-479

SEARCH:SEARCH<x>:TRIGger:A:WIDth:  
POLarity:CH<x>, 2-480

SEARCH:SEARCH<x>:TRIGger:A:WIDth:  
POLarity:MATH<x>, 2-480

- SEARCH:SEARCH<x>:TRIGger:A:WIDth:  
POLarity:REF<x>, 2-481
- SEARCH:SEARCH<x>:TRIGger:A:WIDth:  
WHEn, 2-481
- SEARCH:SEARCH<x>:TRIGger:A:WINDow:  
EVENT, 2-482
- SEARCH:SEARCH<x>:TRIGger:A:WINDow:  
THReshold:HIGH:CH<x>, 2-483
- SEARCH:SEARCH<x>:TRIGger:A:WINDow:  
THReshold:HIGH:MATH<x>, 2-483
- SEARCH:SEARCH<x>:TRIGger:A:WINDow:  
THReshold:HIGH:REF<x>, 2-484
- SEARCH:SEARCH<x>:TRIGger:A:WINDow:  
THReshold:LOW:CH<x>, 2-484
- SEARCH:SEARCH<x>:TRIGger:A:WINDow:  
THReshold:LOW:MATH<x>, 2-485
- SEARCH:SEARCH<x>:TRIGger:A:WINDow:  
THReshold:LOW:REF<x>, 2-485
- SEARCH:SEARCH<x>:TRIGger:A:WINDow:  
WIDth, 2-486
- SEARCH:SEARCH<x>, 2-429
- SEARCH:STOP, 2-486
- SElect?, 2-487
- SElect:<wfm>, 2-488
- SElect:CH<x>, 2-487
- SElect:CONTROL, 2-488
- SET?, 2-489
- SETUp:NAME, 2-490
- \*SRE, 2-491
- \*STB?, 2-491
- T**
- TEKLink:CONNECTION?, 2-492
- TEKLink:REFClk, 2-492
- TEKSecure, 2-493
- TEST, 2-493
- TEST:RESults:VERBose?, 2-494
- TEST:RESults?, 2-494
- TEST:STOP, 2-495
- TIME, 2-495
- \*TRG, 2-496
- TRIGger, 2-496
- TRIGger: {A|B}:EDGE:COUPling, 2-498
- TRIGger: {A|B}:EDGE:COUPling:CH<x>, 2-499
- TRIGger: {A|B}:EDGE:SLOpe, 2-499
- TRIGger: {A|B}:EDGE:SLOpe:AUX, 2-500
- TRIGger: {A|B}:EDGE:SLOpe:CH<x>, 2-500
- TRIGger: {A|B}:EDGE:SOUrce, 2-501
- TRIGger: {A|B}:LEVel:CH<x>, 2-502
- TRIGger: {A|B}:LOGIc:CLAss, 2-503
- TRIGger: {A|B}:LOGIc:FUNcTION, 2-503
- TRIGger: {A|B}:LOGIc:INPut:CH<x>, 2-505
- TRIGger: {A|B}:LOGIc:INPut?, 2-504
- TRIGger: {A|B}:LOGIc:PATtern:INPut:CH<x>, 2-506
- TRIGger: {A|B}:LOGIc:PATtern:WHEn, 2-507
- TRIGger: {A|B}:LOGIc:PATtern:WHEn:  
LESSLimit, 2-507
- TRIGger: {A|B}:LOGIc:PATtern:WHEn:  
MORELimit, 2-508
- TRIGger: {A|B}:LOGIc:PATtern?, 2-505
- TRIGger: {A|B}:LOGIc:SETHold:CLOCK:  
EDGE, 2-510
- TRIGger: {A|B}:LOGIc:SETHold:CLOCK:  
SOUrce, 2-510
- TRIGger: {A|B}:LOGIc:SETHold:CLOCK:  
THReshold, 2-511
- TRIGger: {A|B}:LOGIc:SETHold:CLOCK:  
THReshold:CH<x>, 2-512
- TRIGger: {A|B}:LOGIc:SETHold:CLOCK?, 2-509
- TRIGger: {A|B}:LOGIc:SETHold:DATA:  
SOUrce, 2-513
- TRIGger: {A|B}:LOGIc:SETHold:DATA:  
THReshold, 2-513
- TRIGger: {A|B}:LOGIc:SETHold:DATA:THReshold:  
CH<x>, 2-514
- TRIGger: {A|B}:LOGIc:SETHold:DATA?, 2-512
- TRIGger: {A|B}:LOGIc:SETHold:HOLDTime, 2-515
- TRIGger: {A|B}:LOGIc:SETHold:QUALify, 2-515
- TRIGger: {A|B}:LOGIc:SETHold:SETTime, 2-516
- TRIGger: {A|B}:LOGIc:SETHold?, 2-509
- TRIGger: {A|B}:LOGIc:STATE:INPut:CH<x>, 2-517
- TRIGger: {A|B}:LOGIc:STATE:WHEn, 2-518
- TRIGger: {A|B}:LOGIc:STATE?, 2-516
- TRIGger: {A|B}:LOGIc:THReshold:CH<x>, 2-519
- TRIGger: {A|B}:LOGIc:THReshold?, 2-518
- TRIGger: {A|B}:LOWerthreshold:CH<x>, 2-519
- TRIGger: {A|B}:PULse:CLAss, 2-521
- TRIGger: {A|B}:PULse:GLItch:POLarity, 2-522
- TRIGger: {A|B}:PULse:GLItch:POLarity:  
CH<x>, 2-523
- TRIGger: {A|B}:PULse:GLItch:QUALify, 2-524
- TRIGger: {A|B}:PULse:GLItch:TRIGIF, 2-524
- TRIGger: {A|B}:PULse:GLItch:WIDth, 2-525
- TRIGger: {A|B}:PULse:GLItch?, 2-522

- TRIGger: {A|B}:PULse:RUNT:POLarity, 2-526  
 TRIGger: {A|B}:PULse:RUNT:POLarity:  
   CH<x>, 2-527  
 TRIGger: {A|B}:PULse:RUNT:QUALify, 2-528  
 TRIGger: {A|B}:PULse:RUNT:THReshold:  
   BOTH, 2-529  
 TRIGger: {A|B}:PULse:RUNT:THReshold:  
   HIGH, 2-529  
 TRIGger: {A|B}:PULse:RUNT:THReshold:  
   LOW, 2-530  
 TRIGger: {A|B}:PULse:RUNT:THReshold?, 2-528  
 TRIGger: {A|B}:PULse:RUNT:WHEn, 2-530  
 TRIGger: {A|B}:PULse:RUNT:WIDth, 2-531  
 TRIGger: {A|B}:PULse:RUNT?, 2-526  
 TRIGger: {A|B}:PULse:SOUrce, 2-531  
 TRIGger: {A|B}:PULse:TIMEOut:POLarity, 2-533  
 TRIGger: {A|B}:PULse:TIMEOut:POLarity:  
   CH<x>, 2-533  
 TRIGger: {A|B}:PULse:TIMEOut:QUALify, 2-534  
 TRIGger: {A|B}:PULse:TIMEOut:TIME, 2-535  
 TRIGger: {A|B}:PULse:TIMEOut?, 2-532  
 TRIGger: {A|B}:PULse:TRANSition:  
   DELTATime, 2-536  
 TRIGger: {A|B}:PULse:TRANSition:POLarity, 2-536  
 TRIGger: {A|B}:PULse:TRANSition:POLarity:  
   CH<x>, 2-537  
 TRIGger: {A|B}:PULse:TRANSition:QUALify, 2-538  
 TRIGger: {A|B}:PULse:TRANSition:THReshold:  
   BOTH, 2-539  
 TRIGger: {A|B}:PULse:TRANSition:THReshold:  
   HIGH, 2-539  
 TRIGger: {A|B}:PULse:TRANSition:THReshold:  
   LOW, 2-540  
 TRIGger: {A|B}:PULse:TRANSition:  
   THReshold?, 2-538  
 TRIGger: {A|B}:PULse:TRANSition:WHEn, 2-540  
 TRIGger: {A|B}:PULse:TRANSition?, 2-535  
 TRIGger: {A|B}:PULse:WIDth:HIGHLimit, 2-542  
 TRIGger: {A|B}:PULse:WIDth:LOWLimit, 2-542  
 TRIGger: {A|B}:PULse:WIDth:POLarity, 2-543  
 TRIGger: {A|B}:PULse:WIDth:POLarity:  
   CH<x>, 2-543  
 TRIGger: {A|B}:PULse:WIDth:QUALify, 2-544  
 TRIGger: {A|B}:PULse:WIDth:WHEn, 2-545  
 TRIGger: {A|B}:PULse:WIDth?, 2-541  
 TRIGger: {A|B}:PULse:WINDow:EVENT, 2-546  
 TRIGger: {A|B}:PULse:WINDow:QUALify, 2-547  
 TRIGger: {A|B}:PULse:WINDow:THReshold:  
   BOTH, 2-548  
 TRIGger: {A|B}:PULse:WINDow:THReshold:  
   HIGH, 2-548  
 TRIGger: {A|B}:PULse:WINDow:THReshold:  
   LOW, 2-549  
 TRIGger: {A|B}:PULse:WINDow:THReshold?, 2-547  
 TRIGger: {A|B}:PULse:WINDow:WIDth, 2-549  
 TRIGger: {A|B}:PULse:WINDow?, 2-545  
 TRIGger: {A|B}:PULse?, 2-520  
 TRIGger: {A|B}:UPPerthreshold:CH<x>, 2-550  
 TRIGger:A:CAN:CONDition, 2-552  
 TRIGger:A:CAN:DATA:DIRection, 2-552  
 TRIGger:A:CAN:DATA:LEVel, 2-553  
 TRIGger:A:CAN:DATA:SOUrce, 2-553  
 TRIGger:A:CAN:DATA:VALue, 2-554  
 TRIGger:A:CAN:FORMat, 2-554  
 TRIGger:A:CAN:FRAMEtype, 2-554  
 TRIGger:A:CAN:IDENTifier:MODE, 2-555  
 TRIGger:A:CAN:IDENTifier:VALue, 2-555  
 TRIGger:A:COMMunication:  
   {AMI|HDB3|B3ZS|B6ZS|B8ZS}:  
   PULSEForm, 2-557  
 TRIGger:A:COMMunication:  
   {AMI|HDB3|B3ZS|B6ZS|B8ZS}: THReshold:  
   HIGH, 2-558  
 TRIGger:A:COMMunication:  
   {AMI|HDB3|B3ZS|B6ZS|B8ZS}: THReshold:  
   LOW, 2-558  
 TRIGger:A:COMMunication:BITRate, 2-559  
 TRIGger:A:COMMunication:CLOCK:  
   POLarity, 2-559  
 TRIGger:A:COMMunication:CMI:  
   PULSEForm, 2-560  
 TRIGger:A:COMMunication:CODE, 2-560  
 TRIGger:A:COMMunication:SOUrce, 2-561  
 TRIGger:A:COMMunication:SOUrce:TYPe, 2-562  
 TRIGger:A:COMMunication:STANDard, 2-563  
 TRIGger:A:HOLDoff:ACTUal?, 2-566  
 TRIGger:A:HOLDoff:BY, 2-566  
 TRIGger:A:HOLDoff:TIME, 2-567  
 TRIGger:A:I2C:ADDRes:MODE, 2-567  
 TRIGger:A:I2C:ADDRes:RWINclude, 2-568  
 TRIGger:A:I2C:ADDRes:TYPe, 2-568  
 TRIGger:A:I2C:ADDRes:VALue, 2-569  
 TRIGger:A:I2C:CLOCK:LEVel, 2-569  
 TRIGger:A:I2C:CLOCK:SOUrce, 2-570

- TRIGger:A:I2C:CONDition, 2-570
- TRIGger:A:I2C:DATA:DIRection, 2-571
- TRIGger:A:I2C:DATA:LEVel, 2-572
- TRIGger:A:I2C:DATA:SOURce, 2-572
- TRIGger:A:I2C:DATA:STARt, 2-573
- TRIGger:A:I2C:DATA:VALue, 2-573
- TRIGger:A:I2C:FORMat, 2-573
- TRIGger:A:PULse:WINDow:POLarity, 2-575
- TRIGger:A:PULse:WINDow:POLarity:CH<x>, 2-576
- TRIGger:A:RS232:BAUD, 2-576
- TRIGger:A:RS232:DATA:LEVel, 2-577
- TRIGger:A:RS232:DATA:SOURce, 2-577
- TRIGger:A:RS232:DATA:VALue, 2-578
- TRIGger:A:RS232:FORMat, 2-578
- TRIGger:A:RS232:PARity, 2-579
- TRIGger:A:SERIAL:BITRate, 2-579
- TRIGger:A:SERIAL:CLOCK:LEVel, 2-580
- TRIGger:A:SERIAL:CLOCK:POLarity, 2-581
- TRIGger:A:SERIAL:CLOCK:SOURce, 2-582
- TRIGger:A:SERIAL:CODE, 2-582
- TRIGger:A:SERIAL:DATA:FORMat, 2-583
- TRIGger:A:SERIAL:DATA:PATtern, 2-583
- TRIGger:A:SERIAL:DATA:PATtern:NRZ, 2-584
- TRIGger:A:SERIAL:DATA:PATtern:S8B10B, 2-585
- TRIGger:A:SERIAL:LOCKLen, 2-586
- TRIGger:A:SERIAL:LOCKOffset, 2-587
- TRIGger:A:SERIAL:SOURce, 2-587
- TRIGger:A:SERIAL:STANDard, 2-588
- TRIGger:A:SERIAL:TRIGgeron, 2-589
- TRIGger:A:SPI:CONDition, 2-590
- TRIGger:A:SPI:DATA:MISO:ACTIVE, 2-590
- TRIGger:A:SPI:DATA:MISO:LEVel, 2-591
- TRIGger:A:SPI:DATA:MISO:SOURce, 2-591
- TRIGger:A:SPI:DATA:MISO:VALue, 2-592
- TRIGger:A:SPI:DATA:MOSI:ACTIVE, 2-592
- TRIGger:A:SPI:DATA:MOSI:LEVel, 2-593
- TRIGger:A:SPI:DATA:MOSI:SOURce, 2-593
- TRIGger:A:SPI:DATA:MOSI:VALue, 2-594
- TRIGger:A:SPI:DATA:STARt, 2-594
- TRIGger:A:SPI:FORMat, 2-595
- TRIGger:A:SPI:SCLK:ACTIVE, 2-595
- TRIGger:A:SPI:SCLK:LEVel, 2-596
- TRIGger:A:SPI:SCLK:SOURce, 2-596
- TRIGger:A:SPI:SS:ACTIVE, 2-597
- TRIGger:A:SPI:SS:LEVel, 2-597
- TRIGger:A:SPI:SS:SOURce, 2-598
- TRIGger:A:VIDeo:CUSTom:FORMat, 2-600
- TRIGger:A:VIDeo:CUSTom:LINEPeriod, 2-601
- TRIGger:A:VIDeo:CUSTom:SYNCInterval, 2-601
- TRIGger:A:VIDeo:CUSTom?, 2-600
- TRIGger:A:VIDeo:FIELD, 2-602
- TRIGger:A:VIDeo:HOLDoff:FIELD, 2-602
- TRIGger:A:VIDeo:LINE, 2-603
- TRIGger:A:VIDeo:POLarity, 2-604
- TRIGger:A:VIDeo:SCAN, 2-604
- TRIGger:A:VIDeo:SOURce, 2-605
- TRIGger:A:VIDeo:STANDard, 2-606
- TRIGger:B:EVENTS:COUNt, 2-609
- TRIGger:B:PULse:WINDow:POLarity, 2-610
- TRIGger:B:PULse:WINDow:POLarity:CH<x>, 2-611
- TRIGger:B:RESET:SOURce, 2-611
- TRIGger:B:RESET:STATE, 2-612
- TRIGger:B:RESET:THReshold, 2-612
- TRIGger:B:RESET:TIMEOut, 2-613
- TRIGger:B:RESET:TRANSition, 2-614
- TRIGger:B:RESET:TYPE, 2-614
- TRIGger:LVLsrcpreference, 2-617
- TRIGger:MULTiscope:ALIGN, 2-618
- TRIGger:MULTiscope:ALIGN:COMPLETED?, 2-619
- TRIGger:MULTiscope:ALIGN:DESKEW?, 2-620
- TRIGger:MULTiscope:ALIGN:MRTTime, 2-620
- TRIGger:MULTiscope:ALIGN:SETSTATE, 2-619
- TRIGger:MULTiscope:ALIGN:VALue?, 2-620
- TRIGger:MULTiscope:DELay?, 2-621
- TRIGger:MULTiscope:LOGic, 2-622
- TRIGger:MULTiscope:OPTion, 2-621
- TRIGger:MULTiscope:ROLe, 2-622
- TRIGger:{A|B}:EDGE?, 2-497
- TRIGger:{A|B}:LEVel, 2-502
- TRIGger:A, 2-550
- TRIGger:A:CAN:PROBE, 2-556
- TRIGger:A:CAN:SPEed, 2-556
- TRIGger:A:HOLDoff?, 2-565
- TRIGger:A:LOGic?, 2-574
- TRIGger:A:MODE, 2-574
- TRIGger:A:TYPE, 2-598
- TRIGger:A:VIDeo?, 2-599
- TRIGger:AUXLevel, 2-607
- TRIGger:B, 2-608
- TRIGger:B:BY, 2-608
- TRIGger:B:EVENTS?, 2-609
- TRIGger:B:STATE, 2-615
- TRIGger:B:TIME, 2-616
- TRIGger:B:TYPE, 2-616

TRIGger:ENHanced, 2-617  
 TRIGger:MULTiscope, 2-618  
 TRIGger:SENSITivity, 2-623  
 TRIGger:STATE?, 2-623  
 \*TST?, 2-624

## U

UNLock, 2-624

## V

VERBose, 2-625

## W

\*WAI, 2-626  
 WAVFrm?, 2-626  
 WAVFRMStream?, 2-627  
 WFMInpre?, 2-628  
 WFMInpre:BIT\_Nr, 2-629  
 WFMInpre:BN\_Fmt, 2-629  
 WFMInpre:BYT\_Nr, 2-630  
 WFMInpre:BYT\_Or, 2-631  
 WFMInpre:ENCdg, 2-631  
 WFMInpre:NR\_FR, 2-632  
 WFMInpre:NR\_Pt, 2-632  
 WFMInpre:PT\_Fmt, 2-633  
 WFMInpre:PT\_Off, 2-634  
 WFMInpre:WFId, 2-634  
 WFMInpre:XINcr, 2-635  
 WFMInpre:XUNit, 2-635  
 WFMInpre:XZEro, 2-636  
 WFMInpre:YMUlt, 2-636  
 WFMInpre:YOfF, 2-637  
 WFMInpre:YUNit, 2-637  
 WFMInpre:YZEro, 2-638  
 WFMOutpre?, 2-638  
 WFMOutpre:BIT\_Nr, 2-639  
 WFMOutpre:BN\_Fmt, 2-639  
 WFMOutpre:BYT\_Nr, 2-640  
 WFMOutpre:BYT\_Or, 2-641  
 WFMOutpre:ENCdg, 2-641  
 WFMOutpre:NR\_FR?, 2-642  
 WFMOutpre:NR\_Pt?, 2-642  
 WFMOutpre:PT\_Fmt?, 2-643

WFMOutpre:PT\_Off?, 2-643  
 WFMOutpre:PT\_ORDER?, 2-644  
 WFMOutpre:WFId?, 2-644  
 WFMOutpre:XINcr?, 2-645  
 WFMOutpre:XUNit?, 2-646  
 WFMOutpre:XZEro?, 2-646  
 WFMOutpre:YMUlt?, 2-647  
 WFMOutpre:YOfF?, 2-647  
 WFMOutpre:YUNit?, 2-648  
 WFMOutpre:YZEro?, 2-648

## Z

ZOOm, 2-649  
 ZOOm:HORizontal:POSition, 2-650  
 ZOOm:HORizontal:SCAle, 2-650  
 ZOOm:MATH<x>:HORizontal:POSition, 2-651  
 ZOOm:MATH<x>:HORizontal:SCAle, 2-651  
 ZOOm:MATH<x>:VERTical:POSition, 2-652  
 ZOOm:MATH<x>:VERTical:SCAle, 2-652  
 ZOOm:REF<x>:HORizontal:POSition, 2-653  
 ZOOm:REF<x>:HORizontal:SCAle, 2-654  
 ZOOm:REF<x>:VERTical:POSition, 2-654  
 ZOOm:REF<x>:VERTical:SCAle, 2-655  
 ZOOm:SCROLL:DIREction, 2-655  
 ZOOm:VERTical:POSition, 2-657  
 ZOOm:ZOOM<x>:<wfm>:DISplay, 2-660  
 ZOOm:ZOOM<x>:<wfm>:HORizontal:  
   POSition, 2-660  
 ZOOm:ZOOM<x>:<wfm>:HORizontal:SCAle, 2-661  
 ZOOm:ZOOM<x>:<wfm>:HORizontal:  
   TIMEPosition, 2-661  
 ZOOm:ZOOM<x>:<wfm>:VERTical:  
   POSition, 2-662  
 ZOOm:ZOOM<x>:<wfm>:VERTical:SCAle, 2-662  
 ZOOm:ZOOM<x>:SCROLLLock, 2-659  
 ZOOm:ZOOM<x>:STATE, 2-659  
 ZOOm:GRaticule:SIZE, 2-649  
 ZOOm:MODE, 2-653  
 ZOOm:SCROLL:LOCK, 2-656  
 ZOOm:SCROLL:SPEED, 2-656  
 ZOOm:STATE, 2-657  
 ZOOm:VERTical:SCAle, 2-658  
 ZOOm:ZOOM<x>, 2-658