

GE PROFILE™ AND GE® BUILT-IN WALL OVENS

Versatile ovens that complement every cooking style, every kitchen.



We bring good things to life.

*B*uilt-In Electric Wall Ovens

GE Profile™ and GE® wall ovens perform beautifully in any kitchen.



JTP56SD Double Oven

Versatile design.

When it comes to kitchen design, location is everything. This is especially true of cooking appliances.

Thanks to the sleek integrated styling, finding a niche for GE wall ovens is simple. These ovens let you do what you never thought possible — enhance your kitchen's capabilities without sacrificing space.

Our built-in wall ovens are available in 30" and 27" dimensions. If you have a large family or love to entertain, consider a built-in double oven.

Color choices include stainless steel, black, white and bisque.

Versatile performance.

Now you have everything you need to get cooking. Ample cooking capacity, with up to seven rack positions, lets you prepare multiple dishes for an entire meal. Exclusive TrueTemp™ technology delivers a remarkably high degree of accuracy. The SmartLogic electronic controls monitor and maintain oven temperature, delivering delicious, consistent results every time.

GE wall ovens present a number of exciting installation possibilities.

GE Profile and GE wall ovens go wherever they're needed: under a counter, in a wall or in a cabinet. These ovens fit into common cutouts, making it easy to upgrade or replace an older model. And the flush appearance makes the most of your kitchen space.



Built-In Electric Wall Ovens

The largest* capacity wall ovens in America!



Largest capacity

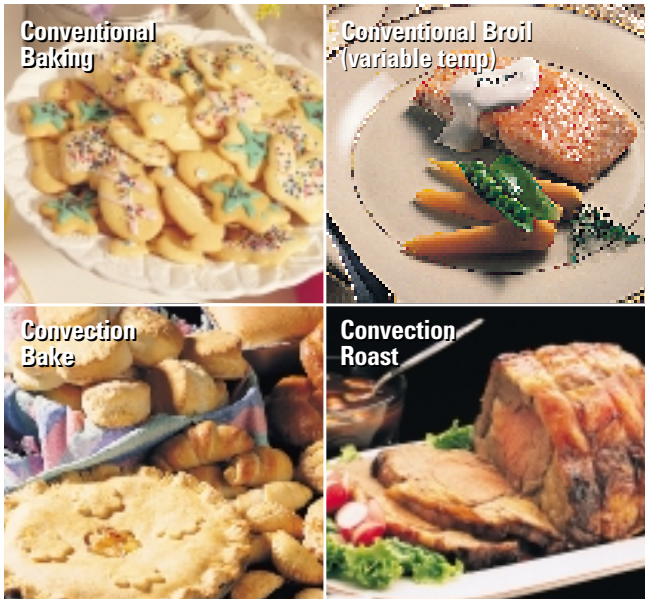
GE wall ovens now feature the largest* capacity wall ovens in America. Great for holiday meals and dinner parties, you have greater flexibility to cook more food at once!



Seven-rack positions

Seven-rack positions let you take full advantage of more oven capacity. With the ability to cook more foods at the same time, coordinating meals is even easier.

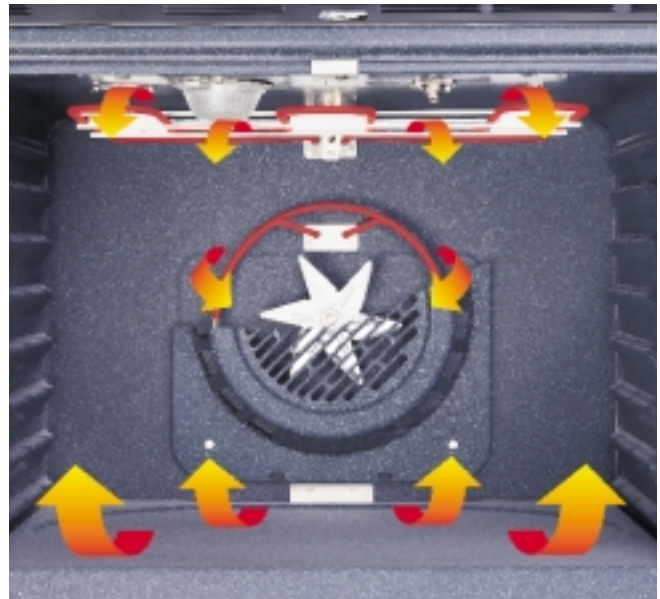
Convection capability gives you more ways to cook great food!



Convection capability

GE Profile™ wall ovens provide excellent convection heat capability. Roasts are beautifully browned, yet tender and juicy inside. Cookies are baked to golden perfection. And meats are broiled to your liking.

*Among leading manufacturers' brands, except models JTP56 and JTP18. Not all features available on all models.



True European convection

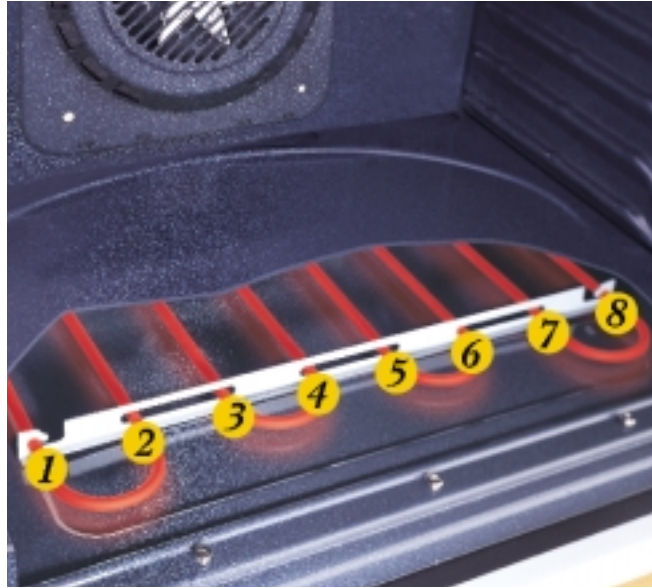
GE Profile models deliver “true European convection” cooking by means of a third dual-loop heating element located in the back wall. A fan evenly circulates air throughout the oven cavity. This process delivers uniform, savory results. Convection cooking also saves time and allows you to cook at lower temperatures.

The maximum in cooking performance and versatility.



Heavy-duty racks

The durable construction of the heavy-duty racks provides additional support for large cooking needs, such as that Thanksgiving turkey!



Eight-pass/Six-pass bake element

With eight or six turns of the powerful heating element, heat is distributed more evenly providing complete coverage throughout the oven cavity.



Upfront halogen lighting

No more opening the oven to check on your food. With a powerful halogen light, strategically placed in the front of the oven, viewing your cooking is clear and easy.



Proofing option

The ideal feature for proofing dough. A dedicated low-temperature setting provides the ideal environment needed when baking breads and other baked goods.

Built-In Double Ovens: 30" Electric

These models include • The largest* capacity wall ovens in America! • Flush appearance installation • Fits most 30" cabinets • TrueTemp™ System • SmartSet Electronic Controls • Certified Sabbath mode • Control lock capability • Exclusive Big ClearView™ windows • Variable broil

Note: bold = feature upgrade from previous model

Convection Self-Clean Upper/Self-Clean Lower



*GE Profile™
30" Built-In Double Oven*

JTP56SD Stainless steel

• **CleanDesign oven interior** • **Integrated designer-style handles** • **Upfront halogen interior oven lights**

Convection Upper Oven

• Extra-large 4.2 cu. ft. self-cleaning oven with Delay Clean option • **Convection Bake** • **Convection Roast** • **Roasting rack** • **Proofing option** • **Three heavy-duty oven racks** • **Exclusive seven embossed rack positions** • **Automatic meat thermometer** • **Eight-pass bake element**

Thermal Lower Oven

• Extra-large 4.4 cu. ft. self-cleaning oven with Delay Clean option • **Two heavy-duty oven racks** • **Six embossed rack positions**

Convection Self-Clean Upper/Self-Clean Lower



*GE Profile
30" Built-In Double Oven*

JTP56WD White on white

• **Frameless glass oven doors**

JTP56CD Bisque (not shown)

JTP56BD Black on black (not shown)

*Among leading manufacturers' brands, except models JTP56 and JTP18.
Not all features available on all models.

Self-Clean (both ovens)



GE®

30" Built-In Double Oven

JTP45WD White on white

- Two extra-large 4.4 cu. ft. self-cleaning ovens with Delay Clean option
- Sure Grip designer-style handles
- Frameless glass oven doors
- Two oven racks (each oven)
- Six embossed rack positions

JTP45SD Stainless steel (not shown)

JTP45CD Bisque (not shown)

JTP45BD Black on black (not shown)

Self-Clean Upper/Standard Lower



GE

30" Built-In Double Oven

JTP27BD Black on black

- Sure Grip designer-style handles
- Frameless glass oven doors
- Two oven racks (each oven)
- Six embossed rack positions

Upper Oven

- Extra-large 4.4 cu. ft. self-cleaning oven with Delay Clean option
- SmartSet Electronic Controls

Lower Oven

- Extra-large 4.4 cu. ft. standard clean oven
- Rotary controls

JTP27WD White on white (not shown)

30" Electric Double Wall Ovens

	GE Profile		GE	
	Convection			
	JTP56	JTP45	JTP27	
Features				
Oven interior	Upper Lower	Convection/Self-Clean Thermal/Self-Clean	Self-Clean Self-Clean	Self-Clean Standard
Variable broil/Six-pass broil element		•	•	•
SmartSet Controls		•	•	Upper
Convection Bake/Roast		Upper		
Embossed rack positions		7 Upper/6 Lower	6 Upper/Lower	6 Upper/Lower
Appearance				
Color appearance*		SS / WW / CC / BB	SS / WW / CC / BB	WW / BB
Big ClearView™ windows		•	•	•
Designer-style handles		Integrated	Sure Grip	Sure Grip
Dimensions				
Oven cabinet width required (in.)		30	30	30
Overall dimensions (WxHxD in inches)		← 29-3/4 x 52-7/8 x 23-1/2 →		
Overall oven interior dimensions (WxHxD in inches)	Upper	← 24 x 16-1/4 x 18-1/4 →	← 24 x 17-1/2 x 18-1/4 →	
	Lower	← 24 x 17-1/2 x 18-1/4 →		
Power/Ratings				
Convection wattage		2500		
Broiler/bake wattage		3600/2700	3600/3410	3600/3410

*SS = Stainless Steel, WW = White on white, CC = Bisque, BB = Black on black.

Not all features available on all models.

Built-In Double Ovens: 27" Electric

These models include • The largest* capacity wall oven in America! • Flush appearance installation • Fits most 27" cabinets
• TrueTemp™ System • Certified Sabbath mode • Control lock capability • Exclusive Big ClearView™ windows • Variable broil

Note: bold = feature upgrade from previous model

Convection Self-Clean Upper/Self-Clean Lower



*GE Profile™
27" Built-In Double Oven*

JKP56SD Stainless steel
• **CleanDesign oven interior** • SmartSet Electronic Controls
• **Integrated designer-style handles** • **Upfront halogen interior oven lights**

Convection Upper Oven

• Extra-large 3.9 cu. ft. self-cleaning oven with Delay Clean option • **Convection Bake** • **Convection Roast** • **Roasting rack** • **Proofing Option** • **Three heavy-duty oven racks** • Four embossed rack positions • **Six-pass bake element** • **Automatic meat thermometer**

Thermal Lower Oven

• Extra-large 3.9 cu. ft. self-cleaning oven with Delay Clean option • Four embossed rack positions • Two heavy-duty oven racks

Convection Self-Clean Upper/Self-Clean Lower



*GE Profile
27" Built-In Double Oven*

JKP56BD Black on black
• Frameless glass oven doors
JKP56WD White on white (not shown)
JKP56CD Bisque (not shown)

*Among leading manufacturers' brands, except models JTP56 and JTP18.
Not all features available on all models.

Self-Clean (both ovens)



GE®

27" Built-In Double Oven

JKP45WD White on white

- Two extra-large 3.9 cu. ft. self-cleaning ovens with Delay Clean option
- SmartSet Electronic Controls
- Sure Grip designer-style handles
- Frameless glass oven doors
- Two oven racks (each oven)

JKP45CD Bisque (not shown)

JKP45BD Black on black (not shown)

Self-Clean Upper/Standard Lower



GE

27" Built-In Double Oven

JKP27WD White on white

- Sure Grip designer-style handles
- Frameless glass oven doors
- Two oven racks (each oven)

Upper Oven

- Extra-large 3.9 cu. ft. self-cleaning oven with Delay Clean option
- SmartSet Electronic Controls

Lower Oven

- Extra-large 3.9 cu. ft. standard clean oven
- Rotary control

JKP27BD Black on black (not shown)

27" Electric Double Wall Ovens

Oven Features	GE Profile		GE	
	JKP56	JKP45	JKP27	
Features				
Oven interior	Upper Oven	Convection/Self-Clean	Self-Clean	Self-Clean
	Lower Oven	Thermal/Self-Clean	Self-Clean	Standard
Convection Bake/Roast	Upper			
SmartSet Controls	•	•		Upper
Variable Broil	•	•		•
Appearance				
Color appearance*	SS / WW / CC / BB	WW / CC / BB		WW / BB
Big ClearView™ windows	•	•		•
Designer-style handles	Integrated	Sure Grip		Sure Grip
Dimensions				
Oven cabinet width required (in inches)	27	27		27
Overall dimensions (WxHxD in inches)	← 26-5/8 x 51 x 23-5/8 →			
Overall oven interior dimensions (WxHxD in inches)	← 21-1/2 x 17 x 18-1/4 →			
	Upper			
	Lower			
Power/Ratings				
Convection wattage	2500			
Broiler/bake wattage	3400/2640	3400/2650		3400/2650 3400/2000

*SS = Stainless steel, WW = White on white, CC = Bisque, BB = Black on black.

Built-In Microwave Double Ovens: 30" and 27" Electric

- These models include** • Flush appearance installation • Frameless glass oven doors • SmartSet Electronic Controls • Control lock capability
- Variable broil
- Note: bold = feature upgrade from previous model**

Microwave Upper/Convection Self-Clean Lower



*GE Profile™
30" Built-In Double Oven*

JTP95WD White on white

- Fits most 30" cabinets

Microwave Upper Oven

- 1.6 cu. ft. cavity • Sensor Cooking Controls for Auto Cook and Reheat • Auto Defrost • Turntable • 1000 watts

Convection Lower Oven

- Extra-large 4.4 cu. ft. self-cleaning oven with Delay Clean option
- **CleanDesign oven interior • Integrated designer-style handle**
- Exclusive Big ClearView™ window • **Convection Bake • Convection Roast • Roasting rack • Three heavy-duty oven racks • Exclusive seven embossed rack positions • Automatic meat thermometer**
- **Eight-pass power bake • Upfront halogen interior lights**

Microwave Upper/Convection Self-Clean Lower



*GE Profile
30" Built-In Double Oven*

JTP95BD Black on black

Microwave Upper/Self-Clean Lower



GE®

30" Built-In Double Oven

JTP85WD White on white

- Fits most 30" cabinets • Upfront interior oven lights

Microwave Upper Oven

- 1.6 cu. ft. cavity • Sensor Cooking Controls for Auto Cook and Reheat • Auto Defrost • Turntable • 1000 watts

Lower Oven

- Extra-large 4.4 cu. ft. self-cleaning oven with Delay Clean option
- Sure Grip designer-style handle • Two oven racks • Six embossed rack positions • Exclusive Big ClearView™ window

JTP85BD Black on black (not shown)

Microwave Upper/Self-Clean Lower



GE

27" Built-In Double Oven

JKP85BD Black on black

- Fits most 27" cabinets • Upfront interior oven lights

Microwave Upper Oven

- 1.6 cu. ft. cavity • Auto Roast • Auto Cook • Auto Defrost
- Double Duty™ shelf • Turntable • 1000 watts

Lower Oven

- Extra-large 3.9 cu. ft. self-cleaning oven with Delay Clean option
- Sure Grip designer-style handle • Exclusive Big ClearView™ window • Two oven racks

JKP85WD White on white (not shown)

30" and 27" Electric Microwave Double Wall Ovens

	GE Profile		GE	
	JTP95	JTP85	JTP85	JKP85
Features				
	Upper	Microwave	Microwave	Microwave
Oven interior	Lower	Convection	Self-Clean	Self-Clean
Variable broil/Six-pass broil element	Lower	Lower	Lower	Lower
SmartSet Controls	•	•	•	Lower
Convection Bake/Roast	Lower			
Embossed rack positions	7 Lower	6 Lower		4 Lower
Appearance				
Color appearance*	WW / BB	WW / BB	WW / BB	WW / BB
Big ClearView™ windows	Lower	Lower	Lower	Lower
Designer-style handles	Integrated	Sure Grip	Sure Grip	Sure Grip
Dimensions				
Oven cabinet width required (in.)	30	30		27
Overall dimensions (WxHxD in inches)	← 29-3/4 x 43-1/2 x 23-1/2 →		← 26-5/8 x 42-1/2 x 23-5/8 →	
Overall oven interior dimensions (WxHxD in inches)	← 16-1/4 x 9-5/8 x 15-3/4 →		← 16 x 11-1/8 x 13-3/8 →	
	← 24 x 16-1/4 x 18-1/4 →		← 21-1/2 x 17 x 18-1/4 →	
Power/Ratings				
Convection wattage	2500			
Broiler/bake wattage	3600/2700	3600/3410		3400/2650

*WW = White on white, BB = Black on black.

Not all features available on all models.

Built-In Single Ovens: 30" Electric

These models include • The largest* capacity wall oven in America! • Flush appearance installation • Fits most 30" cabinets • TrueTemp™ System • SmartSet Electronic Controls • Certified Sabbath mode • Control lock capability • Exclusive Big ClearView™ window • Variable broil

Note: bold = feature upgrade from previous model

Self-Clean Convection



GE Profile™ 30" Built-In Single Oven

JTP18SD Stainless steel
• **CleanDesign** oven interior • **Integrated designer-style handle** • **Upfront halogen interior oven light** • Extra-large 4.2 cu. ft. self-cleaning oven with Delay Clean option
• **Convection Bake** • **Convection Roast** • **Roasting rack**
• **Proofing option** • **Three heavy-duty oven racks** • **Eight-pass power bake** • **Exclusive seven embossed rack positions**
• **Automatic meat thermometer**

Self-Clean Convection



GE Profile 30" Built-In Single Oven

JTP18BD Black on black
• **Frameless glass oven door**

JTP18WD White on white (not shown)

Self-Clean



GE Profile 30" Built-In Single Oven

JTP18CD Bisque

*Among leading manufacturers' brands, except models JTP56 and JTP18.
Not all features available on all models.

Self-Clean



GE®
30" Built-In Single Oven

JTP15SD Stainless steel
• Sure Grip designer-style handle • Extra-large 4.4 cu. ft. self-cleaning oven with Delay Clean option • Two oven racks • Six embossed rack positions

JTP15CD Bisque (not shown)

JTP15BD Black on black (not shown)

Self-Clean



GE
30" Built-In Single Oven

JTP15WD White on white
• Frameless glass oven door

30" Electric Single Wall Ovens

	GE Profile	GE
	JTP18	JTP15
Features		
Oven interior	Convection/Self-Clean	Self-Clean
Variable broil/Six-pass broil element	●	●
SmartSet Controls	●	●
Convection Bake/Roast	●	
Embossed rack positions	7	6
Appearance		
Color appearance*	SS / WW / CC / BB	SS / WW / CC / BB
Big ClearView™ window	●	●
Designer-style handle	Integrated	Sure Grip
Undercounter installation	●	●
Dimensions		
Oven cabinet width required (in.)	30	30
Overall dimensions (WxHxD in inches)	← 29-3/4 x 28-1/4 x 23-1/2 →	
Overall oven interior (WxHxD in inches)	24 x 16-1/4 x 18-1/4	24 x 17-1/2 x 18-1/4
Power/Ratings		
Convection wattage	2500	
Broiler/bake wattage	3600/2700	3600/3410

*SS = Stainless Steel, WW = White on white, CC = Bisque, BB = Black on black.

Not all features available on all models.

Built-In Single Ovens: 27" Electric

These models include • The largest* capacity wall oven in America! • Flush appearance installation • Fits most 27" cabinets • SmartSet Electronic Controls • Certified Sabbath mode • Big ClearView™ window • Control lock capability (except model JKS05BD)

Note: bold = feature upgrade from previous model

Self-Clean Convection



GE Profile™

27" Built-In Single Oven

JKP18SD Stainless steel

- **CleanDesign oven interior** • **Integrated designer-style handle** • **Upfront halogen interior oven light** • **TrueTemp™ System**
- Extra-large 3.9 cu. ft. self-cleaning oven with Delay Clean option • **Convection Bake**
- **Convection Roast** • **Roasting rack** • **Proofing option** • Six-pass bake element • **Three heavy-duty oven racks** • **Four embossed rack positions** • **Automatic meat thermometer**

Self-Clean Convection



GE Profile

27" Built-In Single Oven

JKP18WD White on white

- Frameless glass oven door

JKP18CD Bisque (not shown)

JKP18BD Black on black (not shown)

*Among leading manufacturers' brands, except models JTP56 and JTP18.
Not all features available on all models.

Self-Clean



GE®

27" Built-In Single Oven

JKP15WD White on white

- TrueTemp™ System • Sure Grip designer-style handle
- Extra-large 3.9 cu. ft. self-cleaning oven with Delay Clean option • Two oven racks • Six-pass bake element

JKP15CD Bisque (not shown)

JKP15BD Black on black (not shown)

Standard Clean



GE

27" Built-In Single Oven

JKS05BD Black on black

- Sure Grip designer-style handle • Extra-large 3.9 cu. ft. standard clean oven • Two oven racks

27" Electric Single Wall Ovens

	GE Profile	GE	
	Convection	27" Single Ovens	
	JKP18	JKP15	JKS05
Features			
Oven interior	Convection/Self-Clean	Self-Clean	Standard
Variable broil	•	•	•
SmartSet Controls	•	•	•
Convection Bake/Roast	•		
Appearance			
Color appearance*	SS / WW / CC / BB	WW / CC / BB	BB
Big ClearView™ window	•	•	•
Designer-style handle	Integrated	Sure Grip	Sure Grip
Undercounter installation	•	•	•
Dimensions			
Oven cabinet width required (in.)	27	27	27
Overall dimensions (WxHxD in inches)	← 26-5/8 x 29 x 23-5/8 →		
Overall oven interior dimensions (WxHxD in inches)	← 21-1/2 x 17 x 18-1/4 →		
Power/Ratings			
Convection wattage	2500		
Broiler/bake wattage	3400/2640	3400/2650	3400/2000

*SS = Stainless steel, WW = White on white, CC = Bisque, BB = Black on black.

Built-In Double and Single Wall Ovens: 24" Electric

These models include • Fits most 24" cabinets • SmartSet Electronic Controls • Frameless glass oven doors • Designer-style handles
 • Two oven racks (each oven) • Variable broil • Delay Bake option with Cook & Hold **Note: bold = feature upgrade from previous model**



GE®

24" Built-In Double Oven

JRP24BD Black on black

Upper Oven

- Self-cleaning oven with Delay Clean option
- Control lock capability

Lower Oven

- Standard clean oven • Rotary controls

GE

24" Built-In Single Oven

JRP15WW White on white

- **Self-cleaning oven with Delay Clean option** • Control lock capability

JRP15BW Black on black (not shown)

JRS04BW Black on black (not shown)

- Standard clean oven

24" Electric Double and Single Wall Ovens

	GE		
	Double Oven	Single Ovens	
	JRP24	JRP15	JRS04
Features			
Oven interior	Self-Clean	Self-Clean	Standard
SmartSet Controls	•	•	•
Appearance			
Color appearance*	BB	WW / BB	BB
Oven door with window	•	•	•
Lift-off oven door	•	•	•
Designer-style handle	•	•	•
Dimensions			
Oven cabinet width required (in.)	24	24	24
Overall dimensions (WxHxD in inches)	23-3/4 x 48-5/8 x 23-1/8	23-3/4 x 28-3/16 x 23-1/8	
Overall oven interior dimensions (WxHxD in inches)	Upper	17 x 15 x 18-1/2	
	Lower	17 x 15 x 18-1/2	
Power/Ratings			
Broiler/bake wattage	3400/2600	3400/2600	3400/2600

*WW = White on white, BB = Black on black.

Not all features available on all models.

Built-In Single Wall Ovens: 24" Gas

These models include • Fits most 24" cabinets • SmartSet Electronic Controls • Electronic pilotless ignition • Frameless glass oven door
 • Designer-style handle **Note: bold = feature upgrade from previous model**



GE
24" Built-In Single Oven

JGRP17WEW White on white
 • Self-cleaning oven with Delay Clean option • Control lock capability • In-oven broiling • Storage drawer

JGRP17BEW Black on black (not shown)



GE
24" Built-In Single Oven

JGRS14BEW Black on black
 • Standard clean oven • Separate broiler drawer

24" Gas Single Wall Ovens

	GE	
	JGRP17	JGRS14
Features		
Oven interior	Self-Clean	Standard
SmartSet Controls	●	●
Appearance		
Color appearance*	WW / BB	BB
Frameless oven door	White Glass / Black Glass	Black Glass
Designer-style handle	●	●
Dimensions		
Oven cabinet width required (in inches)	24	24
Overall dimensions (WxHxD in inches)	← 23-3/4 x 38-3/8 x 23 →	
Overall oven interior dimensions (WxHxD in inches)	← 17 x 15 x 18-7/8 →	
Power/Ratings		
Gas oven electrical rating	← 120V, 60Hz, 5A →	
Oven broiler/BTU (000's BTU's)	14.5 - Oven 13.0 - Broil	14.5

*WW = White on white, BB = Black on black.
 Factory set for Natural Gas.

Not all features available on all models.

Built-In Warming Drawers: 30" and 27" Electric

These models include • Flush appearance installation • Temperature control with Proof, Low, Medium and High settings • Crisp/Moist humidity control • ON/OFF switch • "ON" indicator light • One-half rack • Frameless drawer front • Integrated designer-style handle

- Removable stainless steel drawer pan • 5-piece commercial pan set (available at additional cost)



GE Profile™ 30" Built-In Warming Drawers

JTD910BB Black on black
JTD910SB Stainless steel (not shown)
JTD910WB White on white (not shown)
JTD910CB Bisque (not shown)



GE Profile 27" Built-In Warming Drawers

JKD910SB Stainless steel
JKD910WB White on white (not shown)
JKD910CB Bisque (not shown)
JKD910BB Black on black (not shown)

30" and 27" Warming Drawers

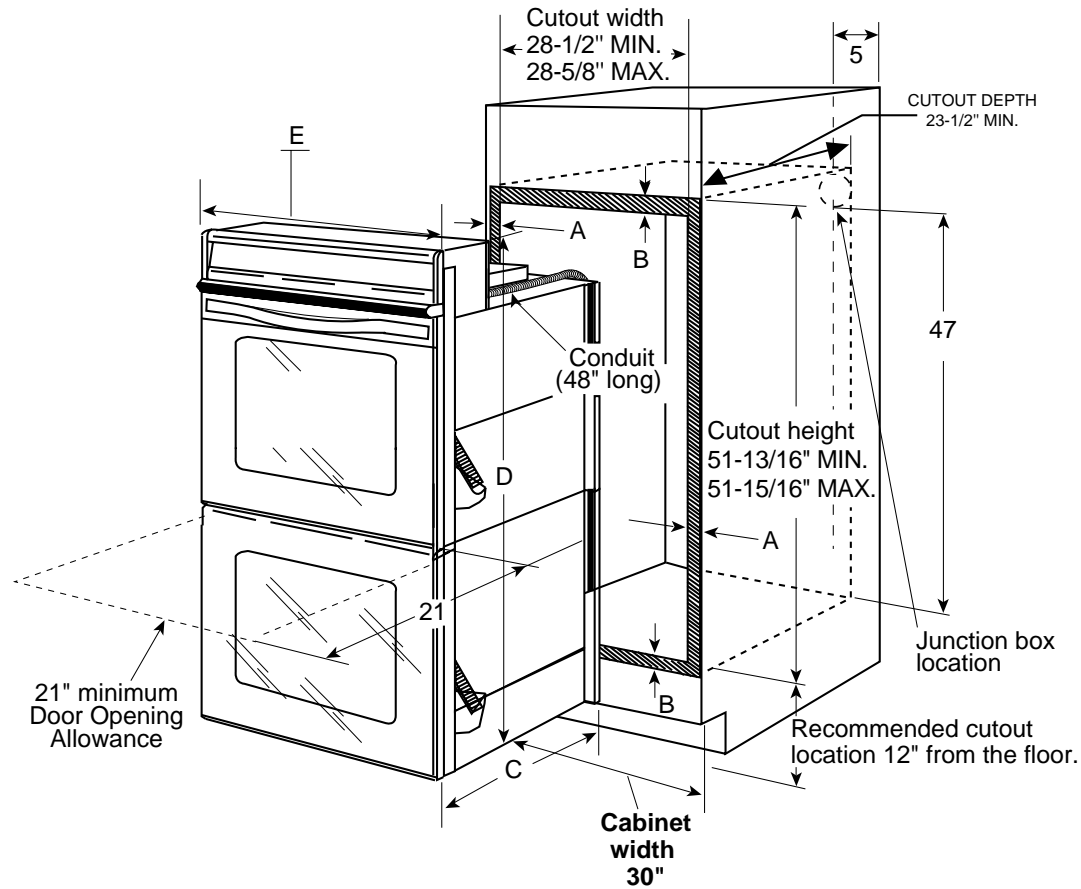
	GE Profile	
	30" Warming Drawers	27" Warming Drawers
	JTD910	JKD910
Features		
Temperature control	•	•
Hidden control	•	•
ON/OFF switch	•	•
"ON" indicator light	•	•
Half rack	•	•
Removable stainless steel pan	•	•
Appearance		
Color appearance*	SS / WW / CC / BB	SS / WW / CC / BB
Frameless drawer front	•	•
Handle style	Integrated Designer-Style	Integrated Designer-Style
Dimensions		
Interior dimensions (WxHxD in inches)	23-7/8 x 6-1/4 x 22-1/16	20-7/8 x 6-1/4 x 22-1/16
Cutout dimensions (WxHxD in inches)	28-1/2 x 9-1/4 x 23	25-1/2 x 9-1/4 x 23
Power/Ratings		
KW rating @ 120V	.45	.45
Amps @ 120V	15	15
Element wattage	450	450

*SS = Stainless Steel, WW = White on white, CC = Bisque, BB = Black on black.

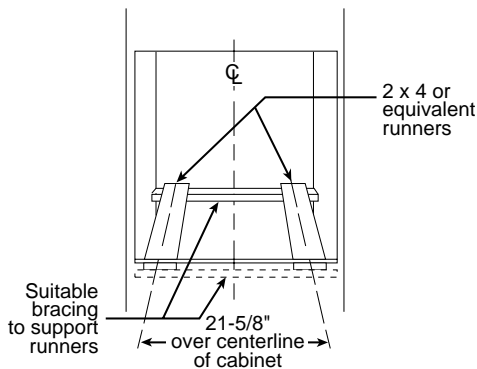
Not all features available on all models.

Built-In Double Ovens: 30" Electric

Models JTP56, 45, 27 (in inches)



MOST 30" WALL CABINETS CAN BE USED WITH THIS UNIT
THE OPENING BETWEEN THE INSIDE WALLS MUST BE AT LEAST 28-1/2" WIDE



(Must support 275 LBS.)

Cabinet	30"
A - Overlap of Oven Over Side Edges of Cutout	11/16" - 3/4"
B - Overlap of Oven at Top and Bottom of Cutout	1"
Oven	
C - Overall Depth	23-1/2"
D - Overall Height	52-7/8"
E - Overall Width	29-3/4"

Note: Cabinets installed adjacent to wall ovens must have an adhesion spec of at least 194°F temperature rating.

Installation Information: Before installing, consult installation instructions packed with product for current dimensional data.

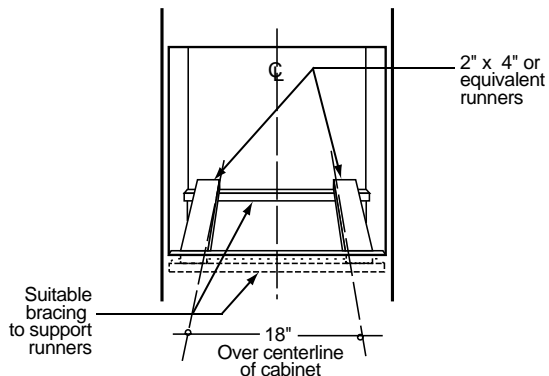
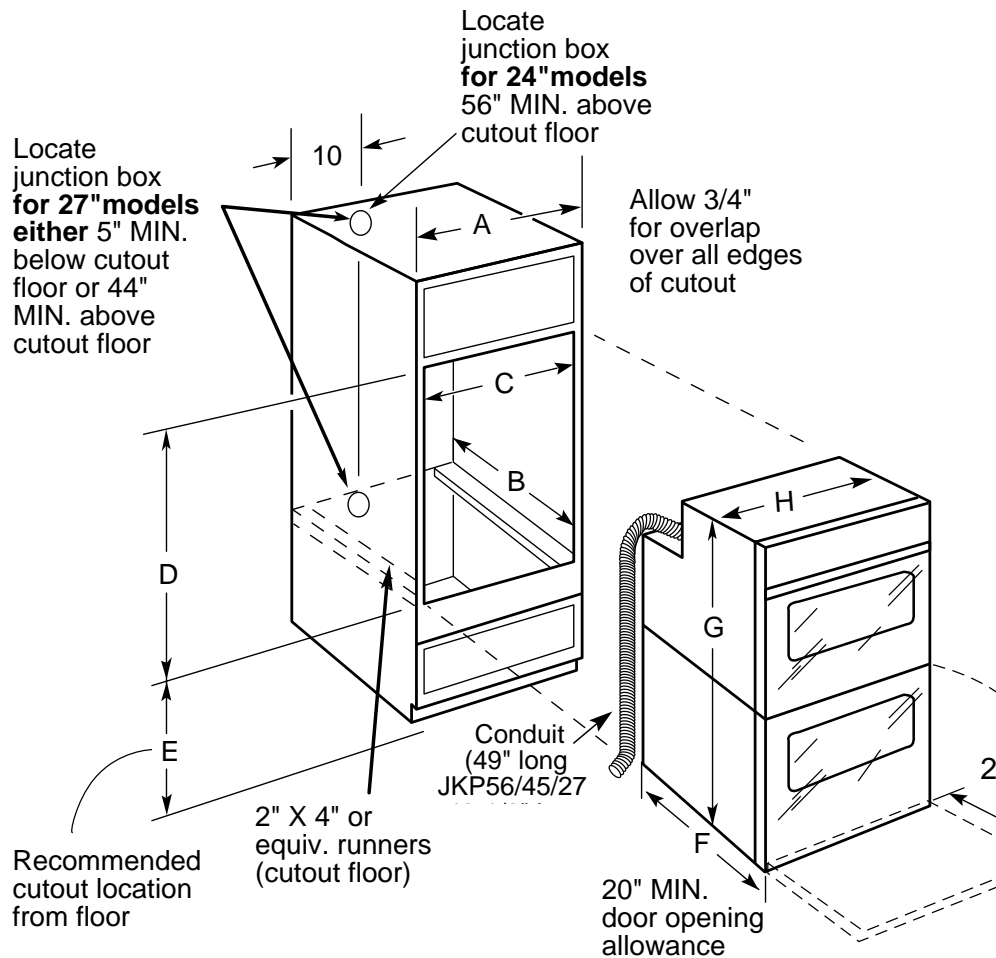


Listed by
Underwriters
Laboratories



Built-In Double Ovens: 27" Electric

Models JKP56, 45, 27 (in inches)



(Must support 275 LBS.)

Cabinet	JKP56/45/27
A - Cabinet Width Required	27" min.
B - Minimum Cabinet Depth	23-5/8"
C - Minimum Opening Width	25"
D - Opening Height	49-11/16" min.
E - Recommended Minimum Cutout Location from Floor	13-1/4"
Oven	
F - Overall Depth	23-5/8"
G - Overall Height	51"
H - Overall Width	26-5/8"

Note: Cabinets installed adjacent to wall ovens must have an adhesion spec of at least a 194°F temperature rating.

Installation Information: Before installing, consult installation instructions packed with product for current dimensional data.

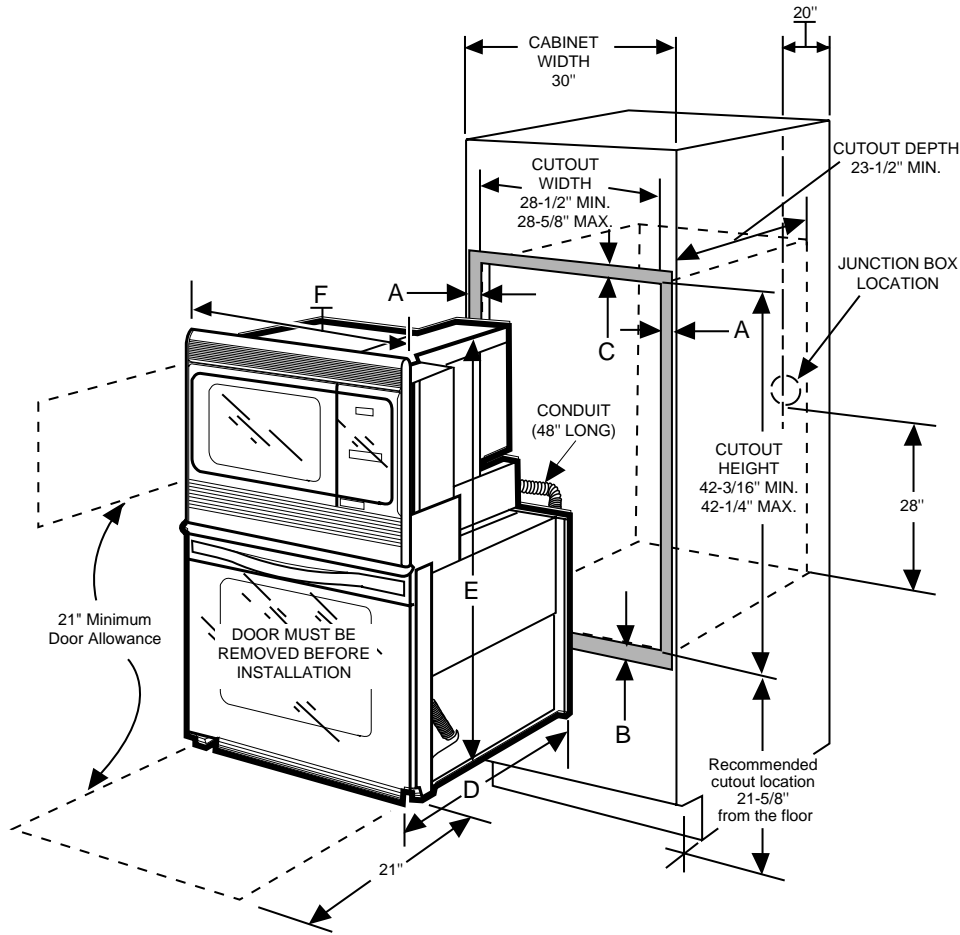


Listed by
Underwriters
Laboratories

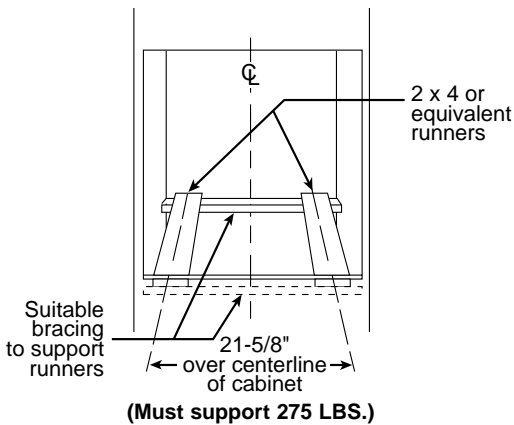


Built-In Microwave Double Ovens: 30" Electric

Models JTP95, 85 (in inches)



MOST 30" WALL CABINETS CAN BE USED WITH THIS UNIT
THE OPENING BETWEEN THE INSIDE WALLS MUST BE AT LEAST 28-1/2" WIDE



Cabinet	30"
A – Overlap of Oven Over Side Edges of Cutout	11/16"
B – Overlap of Oven at Bottom of Cutout	1"
C – Overlap of Oven at Top of Cutout	1/2"
Oven	
D – Overall Depth	23-1/2"
E – Overall Height	43-1/2"
F – Overall Width	29-3/4"

Note: Cabinets installed adjacent to wall ovens must have an adhesion spec of at least 194°F temperature rating.

Installation Information: Before installing, consult installation instructions packed with product for current dimensional data.

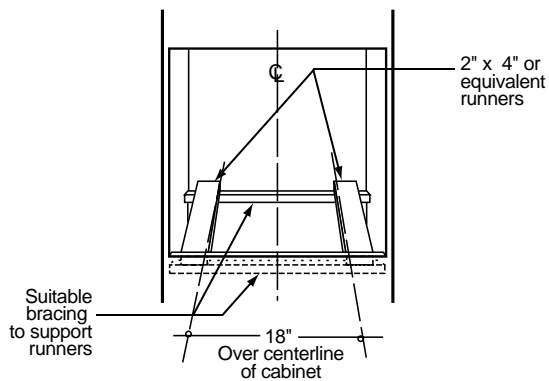
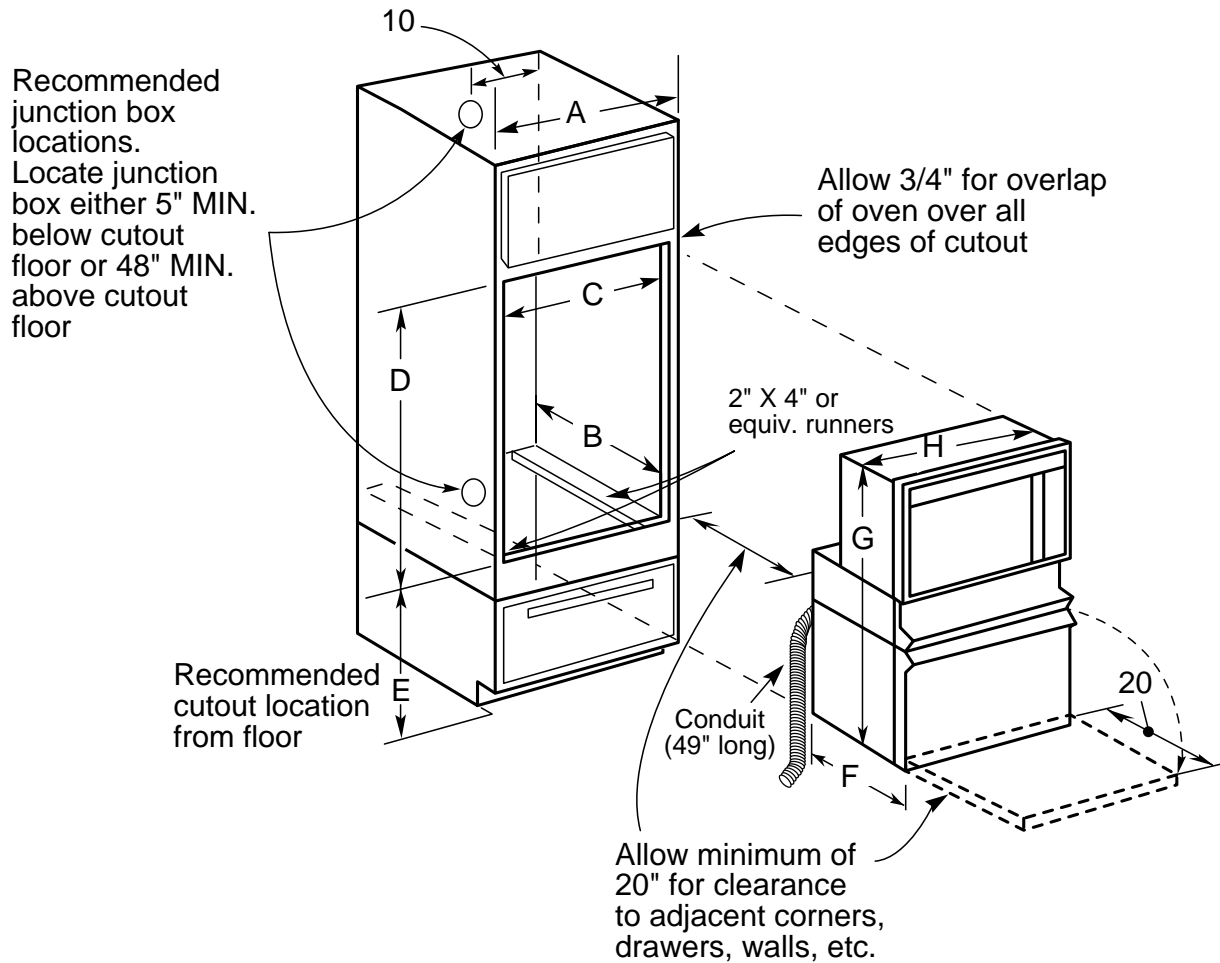


Listed by
Underwriters
Laboratories



Built-In Microwave Double Ovens: 27" Electric

Model JKP85 (in inches)



(Must support 275 LBS.)

Cabinet	27"
A – Cabinet Width Required	27" min.
B – Minimum Cabinet Depth	23-5/8"
C – Minimum Opening Width	25"
D – Opening Height	41-1/4" max.
E – Minimum Cutout Location from Floor	22"
Oven	
F – Overall Depth	23-5/8"
G – Overall Height	42-1/2"
H – Overall Width	26-5/8"

Note: Cabinets installed adjacent to wall ovens must have an adhesion spec of at least a 194°F temperature rating.

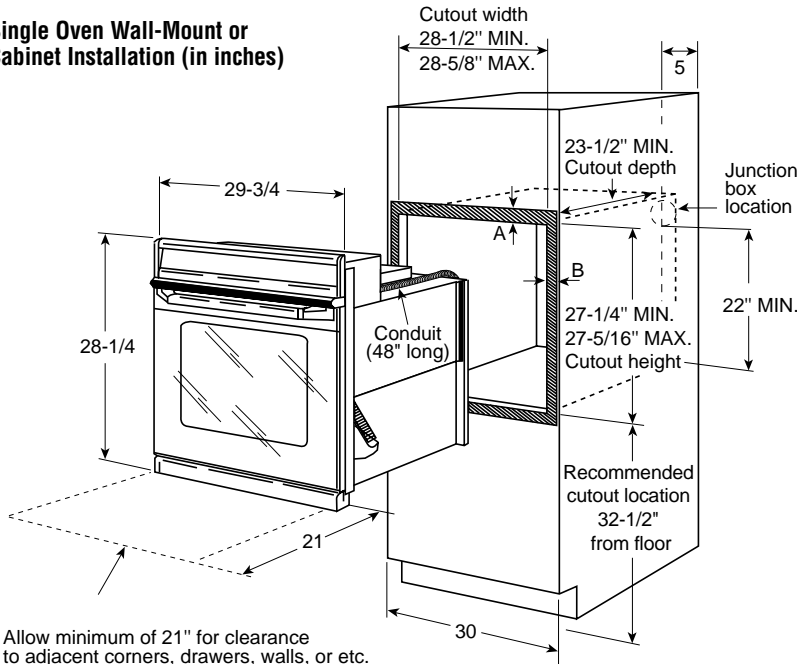
Installation Information: Before installing, consult installation instructions packed with product for current dimensional data.



Built-In Single Ovens: 30" Electric

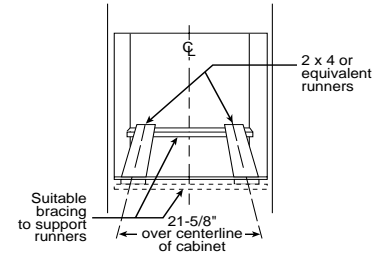
Models JTP18, 15 (in inches)

Single Oven Wall-Mount or Cabinet Installation (in inches)



Allow minimum of 21" for clearance to adjacent corners, drawers, walls, or etc.

A=Allow 1" overlap of oven over top and bottom edges of cutout.
B=Allow 11/16"-3/4" for overlap of oven over side edges of cutout.



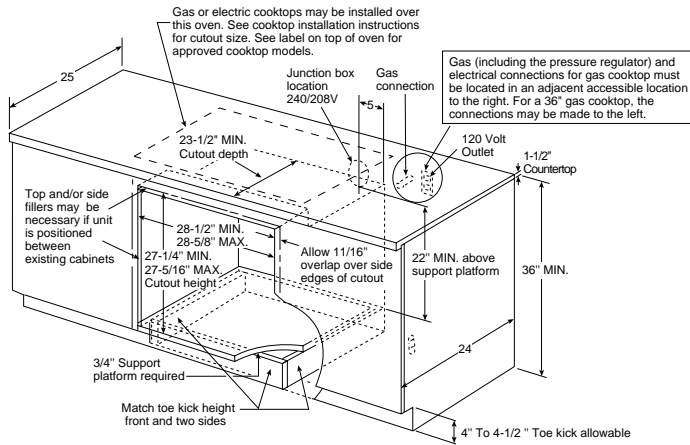
(Must support 275 LBS.)

Most 30" Wall Cabinets can be used with this unit.

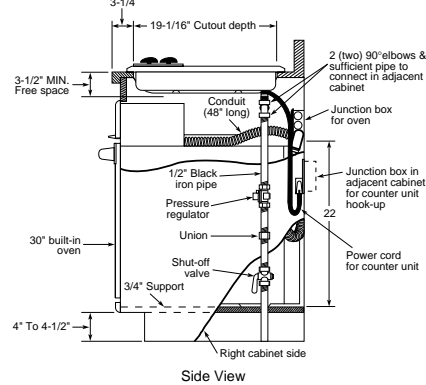
Note: These ovens are *not* approved for stackable or side-by-side installations.

Cabinets installed adjacent to wall ovens must have an adhesion spec of at least 194°F temperature rating.

Undercounter Installation (in inches)

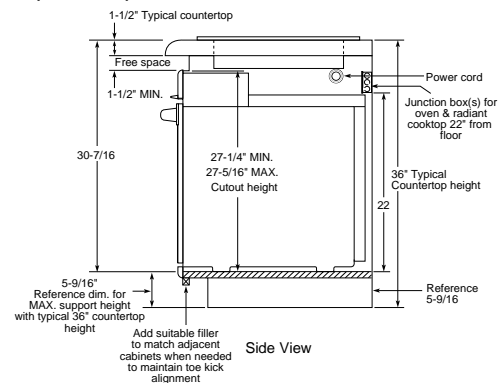


Optional Undercounter Installation With 36" Gas Cooktop (in inches)



Note: For standard or sealed burner cooktop installation information over the 30" wall oven, refer to 27" wall oven installation, page 24.

Optional Undercounter Installation With 30" CleanDesign or Sealed Burner Gas Cooktop (in inches)



Installation Information:

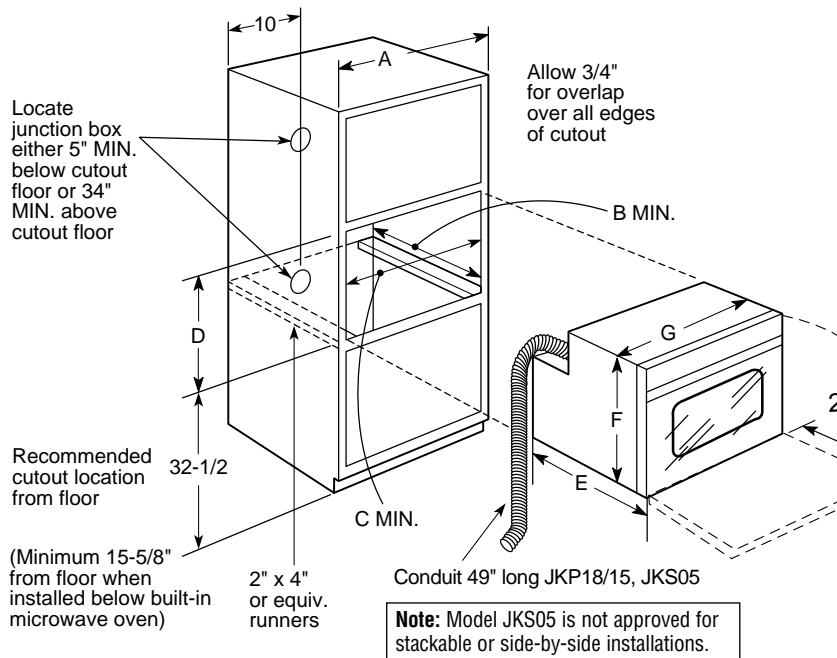
Before installing, consult installation instructions packed with product for current dimensional data.

36" Ribbon cooktops (excluding JP968) are approved for use over GE 30" Single Wall Ovens only. 30" Ribbon cooktops (excluding JP938) are approved for use over GE 30" Single Wall Ovens. All 30" ribbon cooktops can be installed over 27" wall ovens except stainless model JKP18SD. Refer to cooktop and wall oven installation instructions packed with product for current dimensional data.

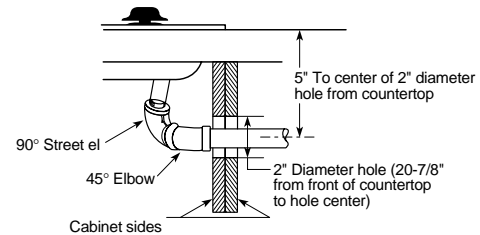
This installation is to achieve minimum gap between bottom of countertop and control panel. **Note:** For this installation, the bottom trim *will not* be flush with a typical 4" toe kick.

Built-In Single Ovens: 27" Electric

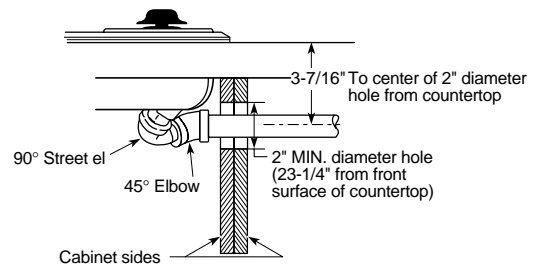
Models JKP18, 15 and JKS05 (in inches)



Sealed Burner Gas Cooktop Installation Dimensions



Standard Burner Gas Cooktop Installation Dimensions

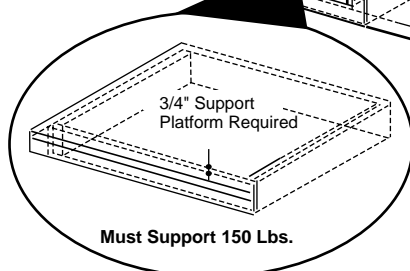
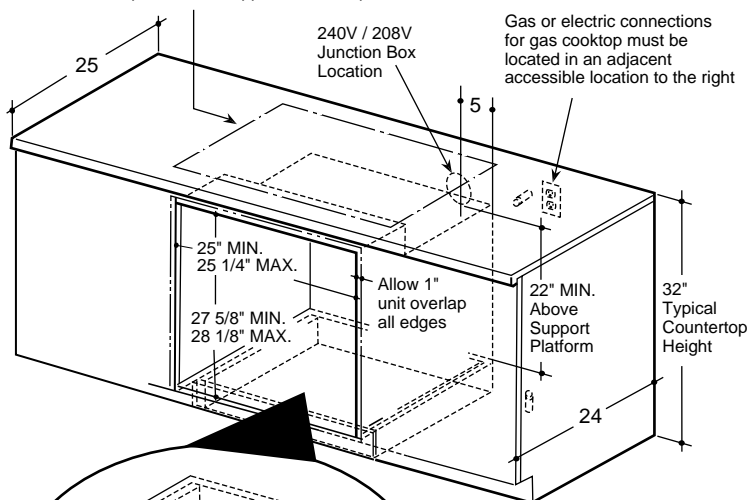


Undercounter Installation Dimensions (in inches)

Excludes JKP18SD

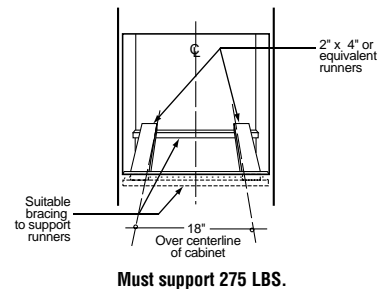
36" Ribbon cooktops (excluding JP968) are approved for use over GE 30" Single Wall Ovens only. 30" Ribbon cooktops (excluding JP938) are approved for use over GE 30" Single Wall Ovens. All 30" ribbon cooktops can be installed over 27" wall ovens except stainless model JKP18SD. Refer to cooktop and wall oven installation instructions packed with product for current dimensional data.

Gas or electric cooktops may be installed over this oven. See cooktop installation instructions for cutout size. See label on top of oven for approved cooktop models.



Note: Oven is rated for use only under 30" standard or sealed burner gas and 30" CleanDesign and Calrod® electric cooktops.

Note: Models JKP18 and JKP15 can be installed side-by-side with no less than 30" distance between center to center of each oven.



Cabinet	JKP18/15, JKS05
A – Cabinet Width Required	27" min.
B – Minimum Cabinet Depth	23-5/8"
C – Minimum Opening Width	25"
Oven	
D – Overall Depth	23-5/8"
E – Overall Height	29-5/8"
F – Overall Width	26-5/8"

Note: Cabinets installed adjacent to wall ovens must have an adhesion spec of at least 194°F temperature rating.

Installation Information: Before installing, consult installation instructions packed with product for current dimensional data.

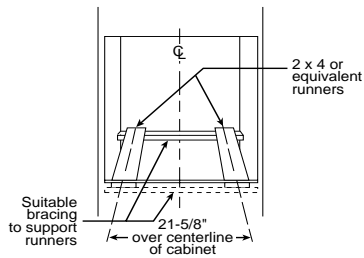
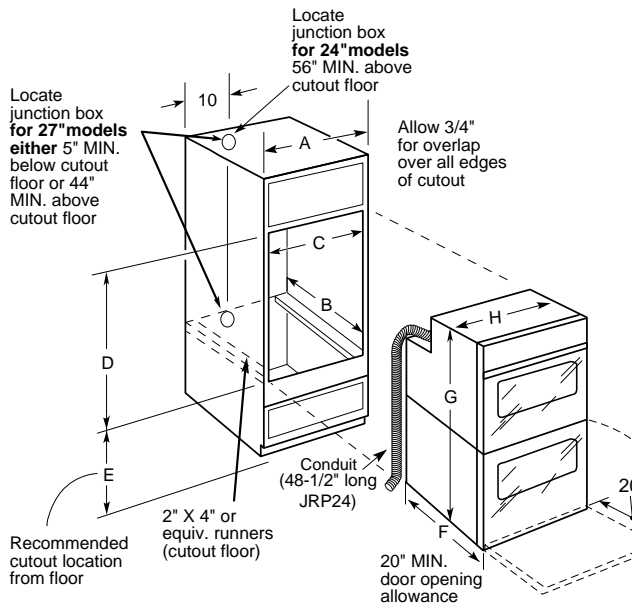


Listed by
Underwriters
Laboratories



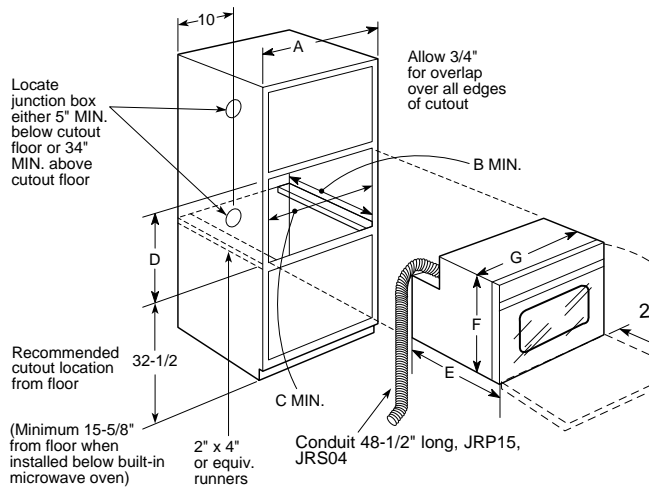
Built-In Double and Single Ovens: 24" Electric

Model JRP24 (in inches)



(Must support 275 LBS.)

Models JRP15, JRS04 (in inches)

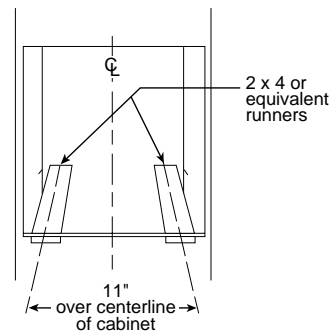
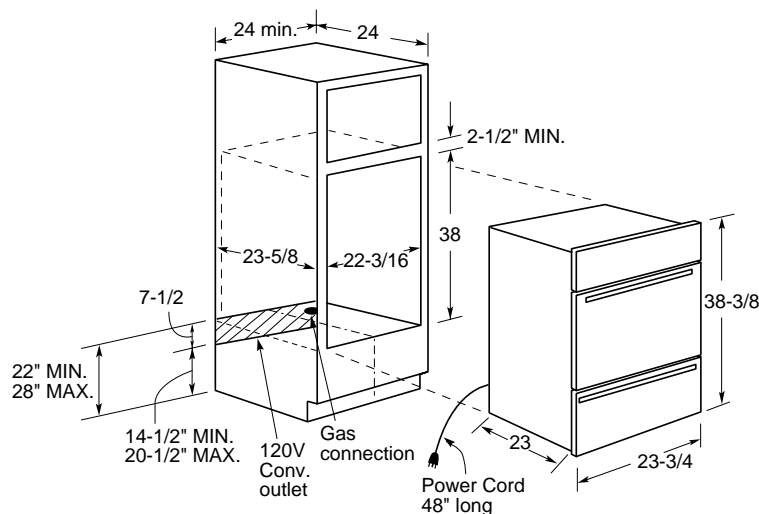


Cabinet	JRP24	JRP15, JRS04
A - Cabinet Width Required	24" min.	24" min.
B - Minimum Cabinet Depth	23-1/2"	23-1/2"
C - Minimum Opening Width	22-1/2"	22-1/2"
D - Opening Height	48-1/8" min.	32-1/2"
E - Recommended Minimum Cutout Location from Floor	14"	32-1/2"
Oven		
F - Overall Depth	23-1/8"	23-1/8"
G - Overall Height	48-5/8"	28-3/16"
H - Overall Width	23-3/4"	23-3/4"

Note: Cabinets installed adjacent to wall ovens must have an adhesion spec of at least a 194°F temperature rating.

Built-In Single Oven: 24" Gas

Models JGRP17, JGRP15 (in inches)



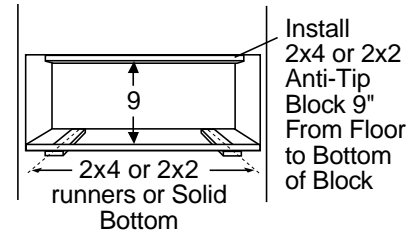
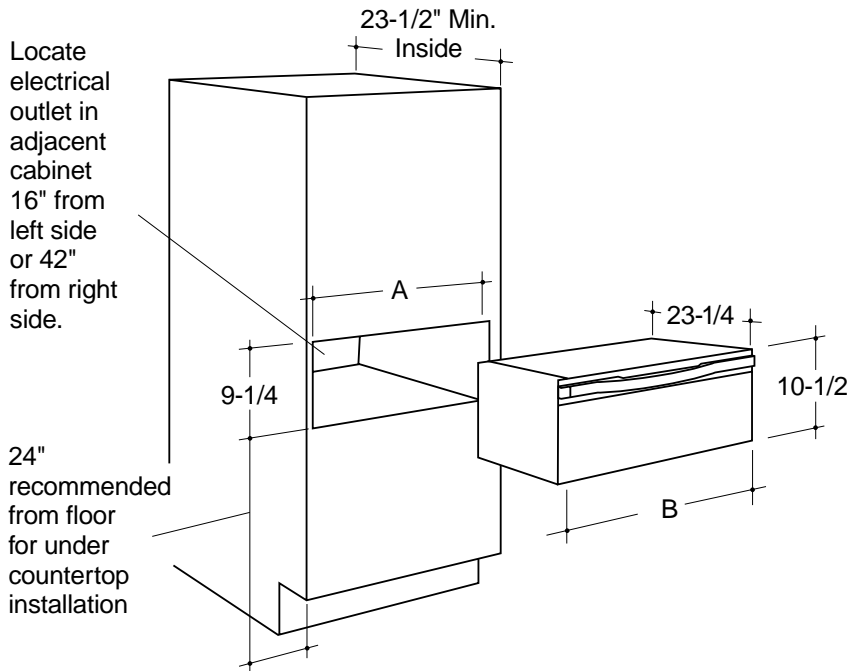
(Must support 200 LBS.)

Installation Information: Before installing, consult installation instructions packed with product for current dimensional data.



Built-In Warming Drawers

Models JTD910 and JKD910 (in inches)

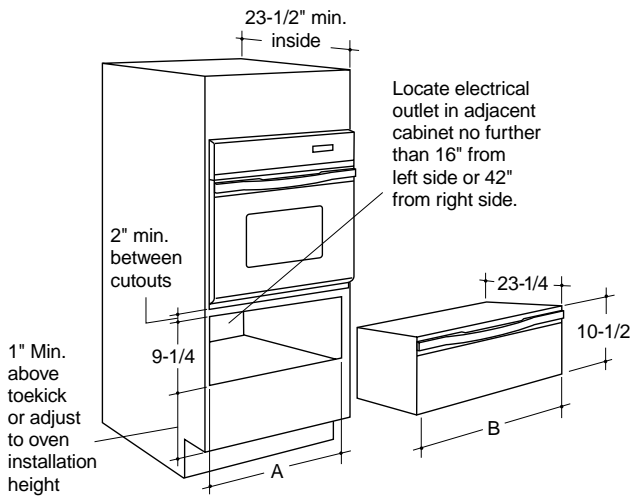


Must Support 150 LBS.

Dimensions (in inches)

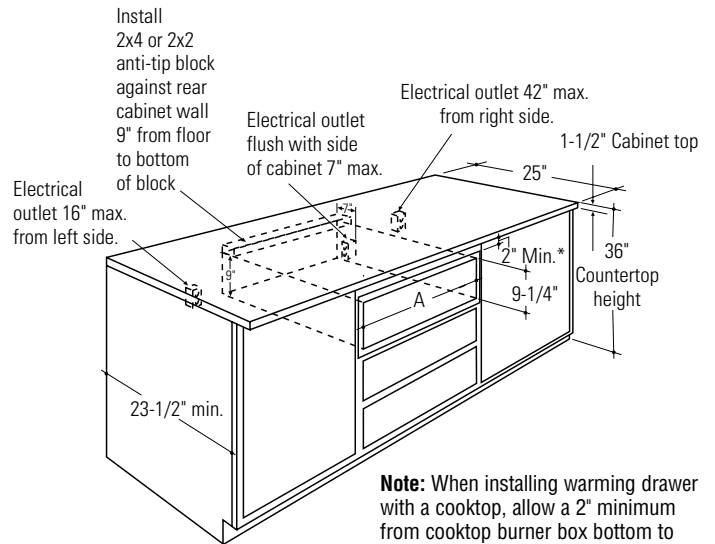
	A	B
30" Models	28-1/2"	30"
27" Models	25-1/2"	26-3/4"

Under Oven Installation (in inches)



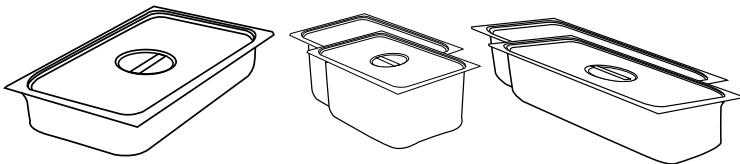
Installation Information: Before installing, consult installation instructions packed with product for current dimensional data.

Undercounter Installation (in inches)



Note: When installing warming drawer with a cooktop, allow a 2" minimum from cooktop burner box bottom to top of cut-out.

Pan Set Accessory for Warming Drawer—JXPN1



Five commercial pans with lids (4" deep)

- One large pan (14 quarts)
- Two medium pans (6 quarts each)
- Two small pans (3 quarts each)

Consumer Selection Guide

Ratings and Shipping Weights

36" Built-In Electric CleanDesign & Coil Cooktops

	JP968	JP960	JP626
KW rating @ 240V	9.6	9.6	7.4
208V	7.2	7.2	5.6
Amps @ 240V	40	40	40
208V	40	40	30
Approx. shipping weight (lbs.)	45	44	38

30" Built-In Electric CleanDesign & Coil Cooktops

	JP938	JP930	JP350	JP340	JP326
KW rating @ 240V	8.1	8.1	7.7	6.4	7.4
208V	6.1	6.1	5.8	4.8	5.6
Amps @ 240V	40	40	40	30	40
208V	30	30	30	30	30
Approx. shipping weight (lbs.)	38	38	38	35	29

21" Built-In Electric Coil Cooktops

	JP202	JP201
KW rating @ 240V	3.4	3.4
208V	2.5	2.5
Amps @ 240V	20	20
208V	20	20
Approx. shipping weight (lbs.)	18	18

36" Built-In Gas Cooktops

	JGP963	JGP962	JGP960	JGP636	JGP628
Gas Cooktop Electrical Rating	← 120V, 60Hz, 5A →				
Burners (000's/BTUs)	(1) 15.0/14.0 (1) 11.0/10.0	(1) 15.0/14.0 (1) 11.0/10.0	(1) 12.0/9.4 (2) 9.5/7.0	(1) 12.0/9.4 (2) 9.5/7.0	(3) 9.1/8.1 (1) 6.0/6.0
Nat. Gas/LP Gas	(1) 9.1/8.1 (2) 6.0/6.0	(1) 9.1/8.1 (2) 6.0/6.0	(2) 5.0/4.0	(2) 5.0/4.0	(1) 6.0/6.0
Approx. shipping weight (lbs.)	54	59	38	38	51

30" Built-In Gas Cooktops

	JGP933	JGP932	JGP930	JGP336	JGP328	JGP320
Gas Cooktop Electrical Rating	← 120V, 60Hz, 5A →					
Burners (000's/BTUs)	(1) 15.0/14.0 (1) 11.0/10.0	(1) 15.0/14.0 (1) 11.0/10.0	(1) 12.0/9.4 (2) 9.5/7.0	(1) 12.0/9.4 (2) 9.5/7.0	(3) 9.1/8.1 (1) 6.0/6.0	(4) 9.1/8.0
Nat. Gas/LP Gas	(1) 9.1/8.1 (2) 6.0/6.0	(1) 9.1/8.1 (2) 6.0/6.0	(1) 5.0/4.0	(1) 5.0/4.0	(1) 6.0/6.0	(4) 9.1/8.0
Approx. shipping weight (lbs.)	44	49	30	30	44	31

30" Built-In Electric Downdraft and Modular Cooktops

	JP989	JP389	JP385	JP380
KW rating @ 240V	8.8	8.0	8.0	5.6
208V	6.7	—	—	—
Amps @ 240V	40	40	40	40
Amps @ 240V	40	—	—	—
Approx. shipping weight (lbs.)	72	72	75	68

30" Built-In Gas Downdraft and Modular Cooktops

	JGP389	JGP989
Gas Cooktop Electrical Rating	120V, 60Hz, 15A	120V
Burners (000's/BTUs)	(2) 10.0/9.0 Right Side (burners)	(2) 9.1/8.5 (1) 11.5/11.0
Nat. Gas/LP Gas	8.0/8.0 Grill Unit	(1) 5.5/5.5
Approx. shipping weight (lbs.)	58	90

36" Integrated Gas Downdraft Cooktop

	JGP656
Gas Cooktop Electrical Rating	120V, 60Hz, 15A
Burners (000's/BTUs)	(1) 12.0/11.0 (2) 9.5/9.5
Nat. Gas/LP Gas	(1) 5.0/5.0
Approx. shipping weight (lbs.)	48

GE provides cooking inspiration through innovation.



**Frameless CleanDesign
Electric Cooktop**

GE Profile™ and GE® radiant cooktops make a dramatic difference in the kitchen, both in terms of style and performance. With a sleek, smooth surface and easy-to-use controls, these cooktops offer the best of both worlds.



Deep-Recessed Gas Cooktop

GE Profile™ and GE® deep-recessed gas cooktops provide professional styling, along with many practical conveniences. Wide-ranging BTU output gives you precise control over heat intensity, while the porcelain cooking wells contain spills.



Gas-on-Glass Cooktop

GE Profile™ gas-on-glass cooktops offer sophistication in design and ease of cleaning. The frameless glass surface lends a clean, built-in look to your kitchen, and the sealed burners help keep spills from dripping.

Industry-leading service support from—



America's
#1
Preferred
Appliance
Brand

GE is the appliance brand most often mentioned among the brands rated as offering the best products and services in America.*

*Source: Louis Harris Poll – 2000

GEAppliances.com

Everything you want to know about GE appliances.

The GE Answer Center®

800.626.2000

Questions? Call anytime.

GE Genuine Parts

800.626.2002

Accessories to enhance, upgrade or fix it.

GE Appliance Service

800.432.2737

(800.GE.CARES)

Product service at your convenience.



GE Appliances

General Electric Company
Louisville, Kentucky 40225
GEAppliances.com



Listed by
Underwriters
Laboratories

Pub. No. 3-X191
PC23247

© 2001 General Electric Company

Before purchasing any appliance on which the Federal Trade Commission requires an energy label, read important energy cost and efficiency information available from your retailer.

GE has a policy of continuous improvement of its products and reserves the right to change materials and specifications without notice.