

DL700
DOT MATRIX PRINTER
PARTS CATALOGUE

FUJITSU LIMITED
Communications and Electronics
Tokyo, Japan

This document is used for maintenance purpose only.
The illustration of the part does not guarantee its availability.

REVISION RECORD		
Edition	Date published	Revised contents
01	October, 1994	First issue
Specification No. C147-G005-01EN		

The contents of this manual may be revised without prior notice.

All Rights Reserved, Copyright © 1994 FUJITSU LIMITED. Printed in Japan.
No part of this manual may be reproduced in any form without permission.

Address your comments and inquiries on this manual to:

FUJITSU AUSTRALIA LIMITED
475 Victoria Avenue, Chatswood
N.S.W., 2067, AUSTRALIA
TEL: (61-2) 410-4555
FAX: (61-2) 411-8603

FUJITSU PRINTER PRODUCTS OF EUROPE FRANCE
Bâtiment Aristote, Rue Olof Palme 94006
Créteil cedex, FRANCE
TEL: (33-1) 45-1316-3188
FAX: (33-1) 49-56-9323

FUJITSU CANADA INC.
2800 Matheson Boulevard East
Mississauga, Ontario L4W 4X5, CANADA
TEL: (1-905) 602-5454
FAX: (1-905) 602-5457

FUJITSU HONG KONG LIMITED
Room 2521, Sun Hung Kai Centre
30 Harbour Road, HONG KONG
TEL: (852) 827-5780
FAX: (852) 827-4724

FUJITSU COMPUTER PRODUCTS OF AMERICA, INC.
2904 Orchard Parkway, San Jose
CA 95134-2022, U.S.A.
TEL: (1-408) 432-6333
FAX: (1-408) 894-1709

FUJITSU ITALIA S.p.A.
Via Melchiorre Gioia No.8
20124 Milano, ITALY
TEL: (39-2) 63651
FAX: (39-2) 657-2257

FUJITSU DEUTSCHLAND GmbH.
Frankfurter Ring 211
80807, München, F.R. GERMANY
TEL: (49-89) 32378-0
FAX: (49-89) 32378-100

FUJITSU NORDIC AB
Kung Hansväg 12
19176 Sollentuna, SWEDEN
TEL: (46-8) 626-67 70
FAX: (46-8) 626-67 11

FUJITSU ESPAÑA, S.A.
Edificio Torre Europa 5º
Paseo de la Castellana 95
28046 Madrid, SPAIN
TEL: (34-1) 581-8000
FAX: (34-1) 581-8300

FUJITSU (SINGAPORE) PTE. LTD.
75 Science Park Drive
#02-06 CINTECH II, SINGAPORE 0511
TEL: (65) 777-6577
FAX: (65) 777-8794

FUJITSU PRINTER PRODUCTS OF EUROPE U.K.
2 Longwalk Road, Stockly Park, Uxbridge
Middlesex UB11 1AB, ENGLAND
TEL: (44-81) 573-4444
FAX: (44-81) 573-2643

TATUNG-FUJITSU CO., LTD.
5F Tatung Bldg., 255 Nanking East Road
3rd Sec. Taipei, TAIWAN
TEL: (886-2) 713-5396
FAX: (886-2) 717-4644

FUJITSU LIMITED
International Computer Products Business
1015, Kamikodanaka, Nakahara-ku, Kawasaki-shi
Kanagawa-ken 211, JAPAN
TEL: (81-44) 754-8632
FAX: (81-44) 754-8510

This is parts catalogue for DL700 DOT MATRIX PRINTER.

This manual is for service engineers.

There are several models of DL700 DOT MATRIX PRINTER.

This manual covers all models.

This manual consists of two parts: Parts List and Parts Drawings.

Parts list has layer structure. You can find assembly levels.

Parts drawing does not have the layer structure.

You can see the model difference from the parts list easily.

There are other manuals for service engineers as follows.

Especially the maintenance manual has close relationship to this manual.

DL700 DOT MATRIX PRINTER MAINTENANCE MANUAL

DL700 DOT MATRIX PRINTER SCHEMATIC DIAGRAMS

DL700 DOT MATRIX PRINTER USER'S MANUAL

DL700 DOT MATRIX PRINTER PRODUCT DESCRIPTION

This document contains technology relating to strategic products controlled by export control laws of the producing and/or exporting countries. This document or a portion thereof should not be exported (or reexported) without authorization from the appropriate governmental authorities in accordance with such laws.

FUJITSU LIMITED

CONTENTS

1. HOW TO REFER TO THIS MANUAL	1-1
2. SPECIFICATIONS	2-1
3. PARTS LIST AND PARTS DRAWING OF PRINTER MECHANISM	3-1
3.1 DL700 Printer	3-2
3.2 Lower Cover Assembly	3-6
3.3 Mechanism Assembly	3-8
3.4 Frame Assembly	3-10
3.5 Carrier Unit	3-12
3.6 LF Motor Unit	3-14
3.7 Tractor Assembly	3-16
3.8 Control Board	3-18
3.9 Power Supply Unit	3-20

1. HOW TO REFER TO THIS MANUAL

Example:

No.	Composition & Quantity			Specification	Parts name	DL700		Remarks
						100V	200V	
1- 40	1			CA02538-F201	Mecha. assy	<input type="radio"/>	<input type="radio"/>	
1		1		CA02538-G201	Frame assy	<input type="radio"/>	<input type="radio"/>	
2		1		CA02538-G301	SP motor assy	<input checked="" type="radio"/>	<input checked="" type="radio"/>	
3		1		CA02538-Y305	FG spring SP	<input type="radio"/>	<input type="radio"/>	
4		1		CA02538-Y301	Rubber damper	<input type="radio"/>	<input type="radio"/>	
5		2		CA02538-Y310	Screw	<input type="radio"/>	<input type="radio"/>	
6		1		D860-1164-X214	Drive pulley	<input type="radio"/>	<input type="radio"/>	
7		1		D860-1164-X223	Sleeve	<input type="radio"/>	<input type="radio"/>	
8		1		E6-ER3-SUS	Retaining ring	<input type="radio"/>	<input type="radio"/>	
9- 12		1		D860-1164-T215	Tension pulley assy	<input type="radio"/>	<input type="radio"/>	
9			1	D860-1164-X216	Bracket	<input type="radio"/>	<input type="radio"/>	
10			1	D860-1164-X218	Shaft	<input type="radio"/>	<input type="radio"/>	
11			1	D860-1164-X222	Sleeve	<input type="radio"/>	<input type="radio"/>	
12			1	D860-1164-X224	Pulley	<input type="radio"/>	<input type="radio"/>	
13- 16		1		CA02538-G331	Stay shaft assy	<input type="radio"/>	<input type="radio"/>	
13			1	CA02538-Y331	Stay shaft	<input type="radio"/>	<input type="radio"/>	
14			1	D860-1164-X238	Adjust lever B	<input type="radio"/>	<input type="radio"/>	
15			1	D860-1164-X239	Copy cont. lever	<input type="radio"/>	<input type="radio"/>	
16			1	D860-1164-X247	Adjust lever A	<input type="radio"/>	<input type="radio"/>	
17		1		CA02538-F401	Carrier unit	<input checked="" type="radio"/>	<input checked="" type="radio"/>	
18		1		D860-1164-X219	Spring	<input type="radio"/>	<input type="radio"/>	
19		1		CA02538-Y335	FG wire	<input type="radio"/>	<input type="radio"/>	
20		1		D860-1164-X316	Spring	<input type="radio"/>	<input type="radio"/>	
21		1		CA02538-Y443	Cable cover	<input type="radio"/>	<input type="radio"/>	
22		2		CT-STB-3×8-NITTO	Screw	<input type="radio"/>	<input type="radio"/>	

⊙: Recommended Spare Parts

- ① This figure shows the item number of the part in the drawing.
- ② These columns show the construction levels. A higher level part consists of the following lower level parts listed until the quantity of the next part appears at the same level. See example ③.
- ③ m-n shows an assembly or unit consisting of more than one part. The tension pulley assembly of DL700 consists of a bracket, a shaft, a sleeve, and a pulley.
- ④ These parts are at the same level and belong to the same upper level part.
- ⑤ Use CA02538-G301 to order the SP motor assembly of DL700. As a rule, only the recommended spare parts can be ordered.
- ⑥ The mechanism assembly is the part name of item numbers 1 to 40.
- ⑦ These columns show information on model difference.
- ⊙ The front cover assembly is a recommended spare part.

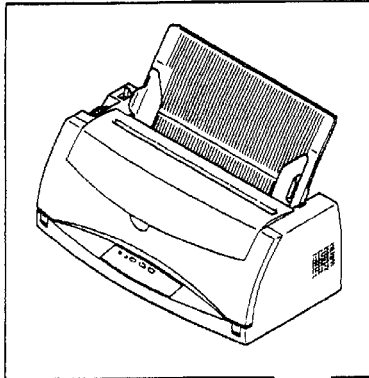
2. SPECIFICATIONS

The table below lists standard models of the DL700 printer.

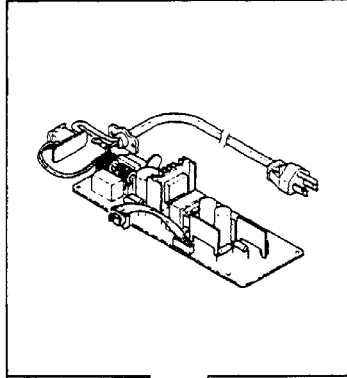
No.	Specification	Voltage		Area	Remarks
		100V	200V		
1	CA02538-B101	✓		For FCPA	
2	CA02538-B102	✓		For FCI	
3	CA02538-B107	✓			100V standard
4	CA02538-B105	✓			100V no brand
5	CA02538-B121	✓		For Asia	
6	CA02538-B111		✓	For Europe	
7	CA02538-B112		✓	For FAL	
8	CA02538-B114		✓	For UK	
9	CA02538-B117		✓		200V standard
10	CA02538-B115		✓		200V no brand
11	CA02538-B151		✓	For Asia	
12	CA02538-B152		✓	For Asia	
13	CA02538-C001	✓		For FCPA/FCI	
14	CA02538-C002		✓	For Europe	
15	CA02538-C003		✓	For FAL	
16	CA02538-C004		✓	For UK	
17	CA02538-C005	✓		For Asia	
18	CA02538-C006		✓	For Asia	

3. PARTS LIST AND PARTS DRAWING OF PRINTER MECHANISM

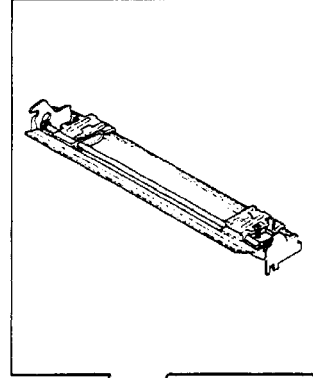
DL700 Printer



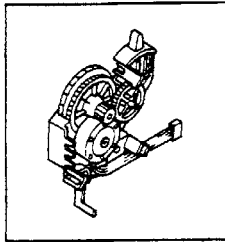
Power Supply Unit



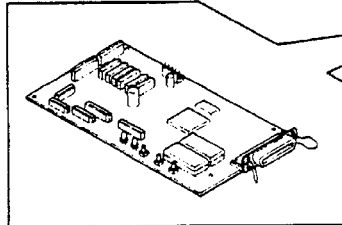
Tractor Assembly



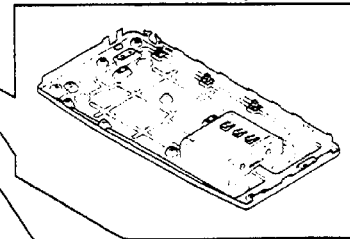
LF Motor Unit



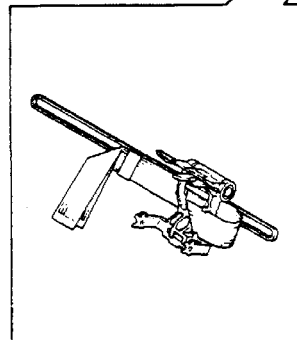
Control Board



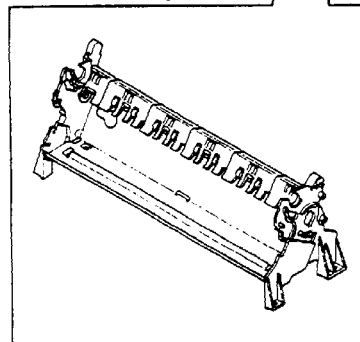
Lower Cover Assembly



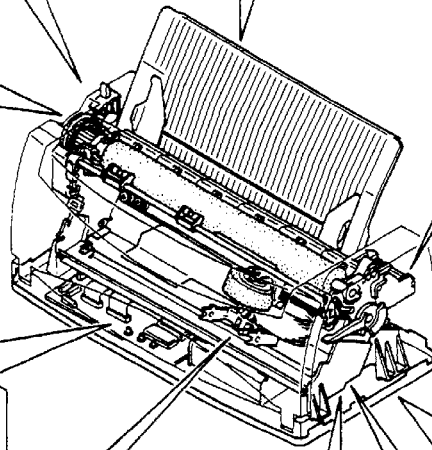
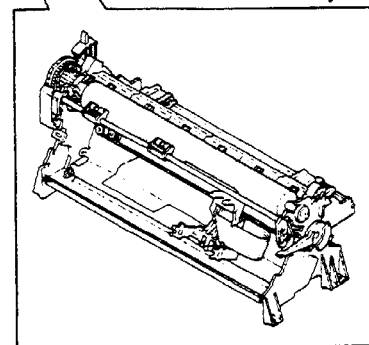
Carrier Unit



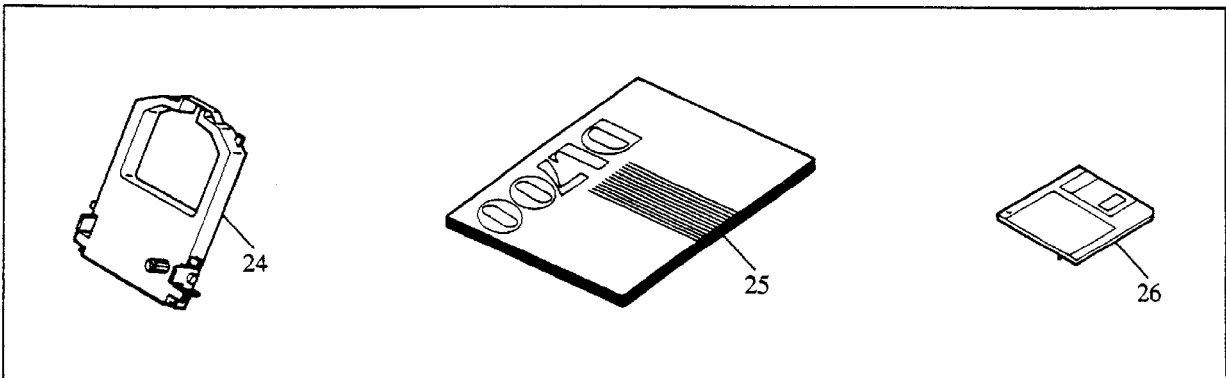
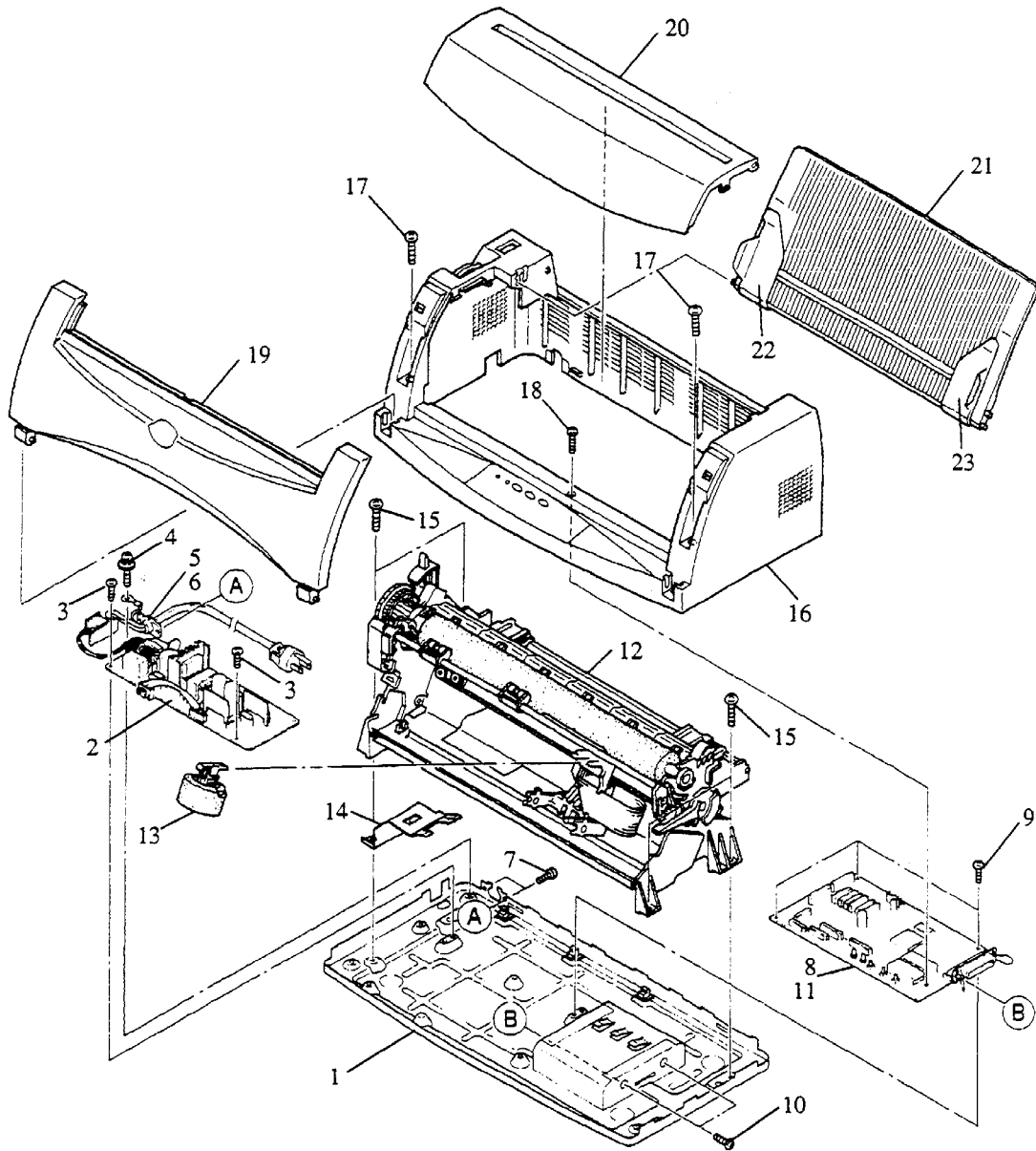
Frame Assembly



Mechanism Assembly



3.1 DL700 Printer

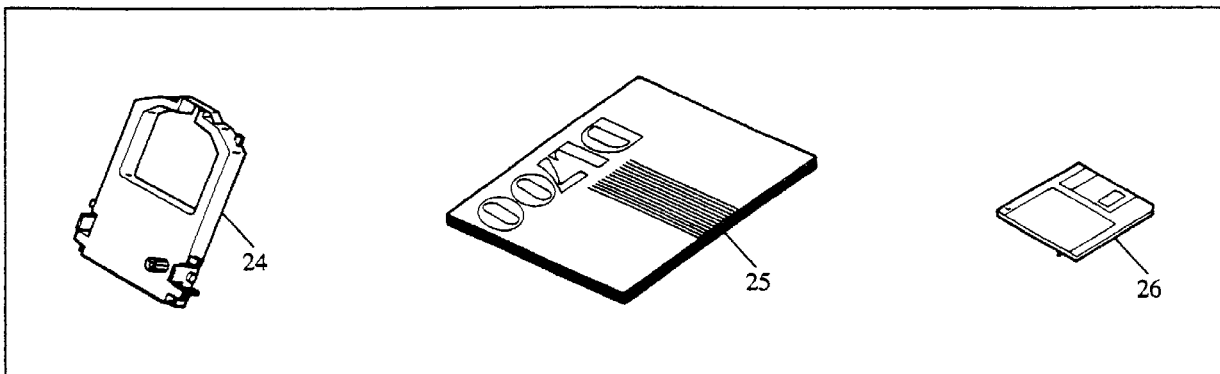
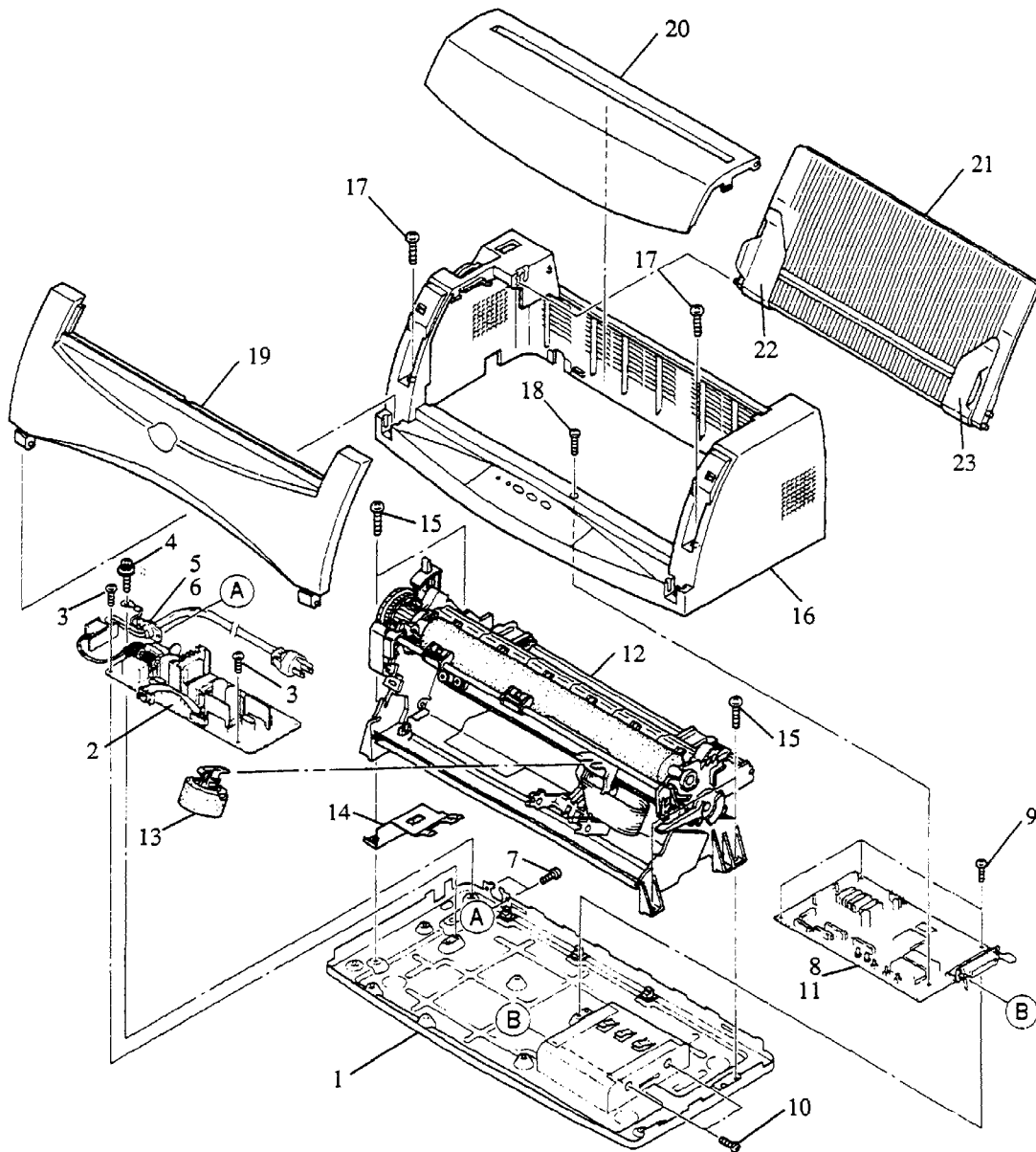


3.1 DL700 Printer

No.	Composition & Quantity				Specification	Parts name	DL700		Remark
							100V	200V	
1- 33	1				CA02538-B101	DL700	○		FCPA
	1				CA02538-B102	DL700	○		FCI
	1				CA02538-B107	DL700	○		Standard
	1				CA02538-B105	DL700	○		No brand
	1				CA02538-B121	DL700	○		Asia
	1				CA02538-B111	DL700		○	Europe
	1				CA02538-B112	DL700		○	FAL
	1				CA02538-B114	DL700		○	UK
	1				CA02538-B117	DL700		○	Standard
	1				CA02538-B115	DL700		○	No brand
	1				CA02538-B151	DL700		○	Asia
	1				CA02538-B152	DL700		○	Asia
1- 27		1			CA02538-C001	Printer	○		FCPA/FCI
		1			CA02538-C002	Printer		○	Europe
		1			CA02538-C003	Printer		○	FAL
		1			CA02538-C004	Printer		○	UK
		1			CA02538-C005	Printer	○		Asia
		1			CA02538-C006	Printer		○	Asia
	1		1		CA02538-F011	Lower cover assy	○	○	
	2		1		CA20202-B101	Power supply	⊙		PW32AA
			1		CA20202-B191	Power supply	⊙		PW32AK
			1		CA20202-B201	Power supply		⊙	PW32BA
			1		CA20202-B211	Power supply		⊙	PW32BB
			1		CA20202-B221	Power supply		⊙	PW32BC
			1		CA20202-B291	Power supply		⊙	PW32BK
	3		2		CT-STB-3×8-NITTO	Screw	○		
	4		1		CA02538-Y041	Screw	○	○	
	5		1		CT-KF51-KITAGAWA	Cord bush	○		
			1		CT-KF61A-KITAGAWA	Cord bush		○	
	6		1		CA02528-Y016	Bracket	○		
			1		CA02528-Y015	Bracket		○	
	7		2		F6-SNA3-06111	Screw	○	○	
	8		1		CA20201-B20X	Control board	⊙	⊙	BVC93BA
	9		3		CT-STB-3×8-NITTO	Screw	○	○	
	10		2		F6-SNA3-06111	Screw	○	○	
	11		1		CA02538-J101	ROM board SK	⊙	⊙	
12- 13			1		CA02538-D001	Mecha. unit	○	○	
	12		1		CA02538-F201	Mecha. assy	⊙	⊙	
	13		1		D86B-1171-D242	Print head	○	○	
	14		1		CA02538-Y243	FG spring B	○	○	
	15		4		CT-STB-4×10-NITTO	Screw	○	○	
	16		1		CA02538-Y10101	Upper cover	○	○	
	17		2		CT-STB-3×8-NITTO	Screw	○	○	
	18		1		CT-STB-3×10-NITTO	Screw	○	○	
	19		1		CA02538-G111	Front cover assy	○	○	
	20		1		CA02538-G121	Separator assy	○	○	

⊙: Recommended Spare Parts

3.1 DL700 Printer (Continued)

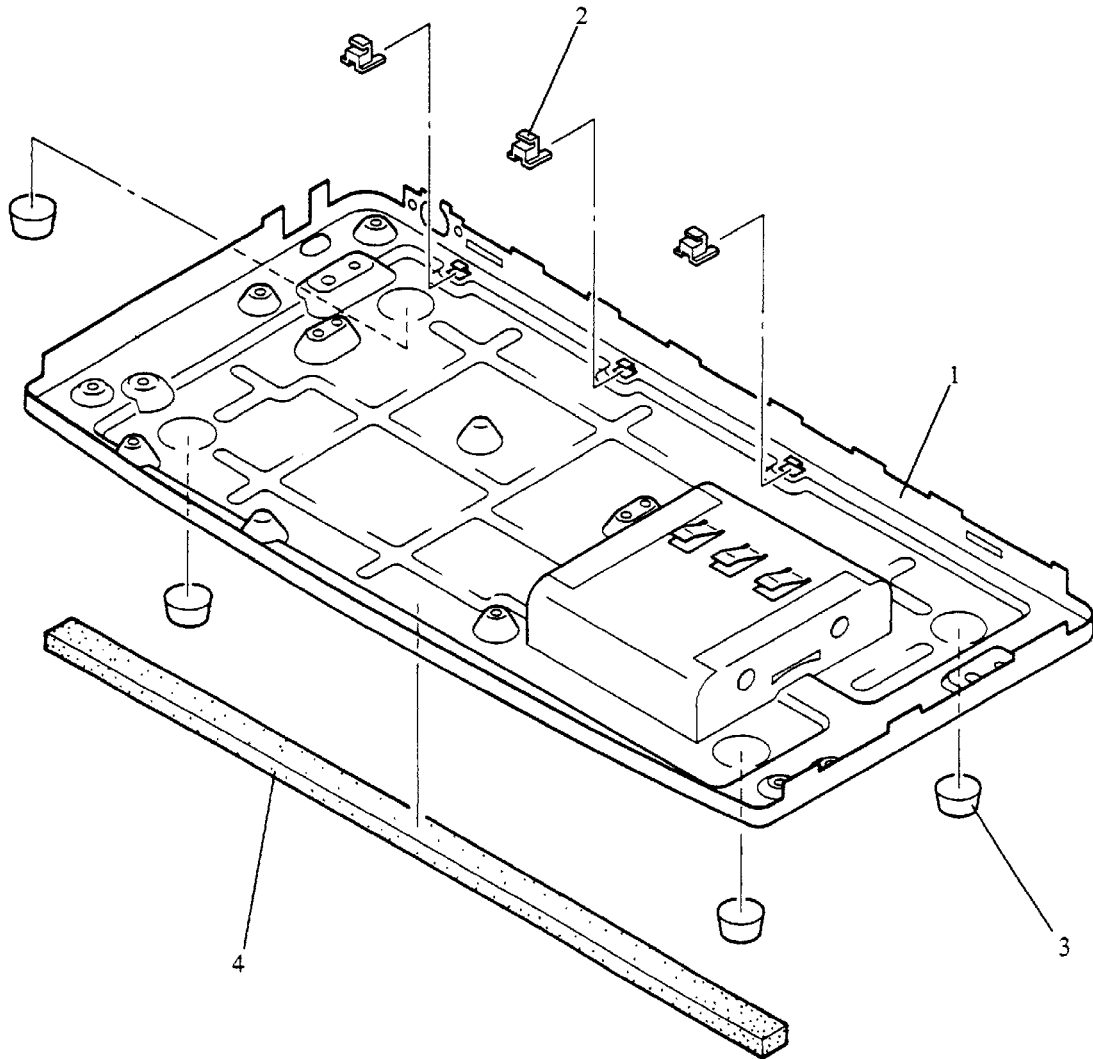


3.1 DL700 Printer (Continued)

No.	Composition & Quantity				Specification	Parts name	DL700		Remark
							100V	200V	
21-26	1				CA02538-H101	Accessory	<input type="radio"/>		FCPA FCI Standard No brand Europe
	1				CA02538-H102	Accessory	<input type="radio"/>		
	1				CA02538-H103	Accessory	<input type="radio"/>	<input type="radio"/>	
	1				CA02538-H105	Accessory	<input type="radio"/>	<input type="radio"/>	
	1				CA02538-H111	Accessory	<input type="radio"/>	<input type="radio"/>	
	1				CA02538-G131	Accessory	<input type="radio"/>	<input type="radio"/>	
21-23		1			CA02538-G131	Sheet guide assy	<input type="radio"/>	<input type="radio"/>	
21			1		CA02538-Y13101	Sheet guide	<input type="radio"/>	<input type="radio"/>	
22			1		CA02538-Y13301	Sheet guide L	<input type="radio"/>	<input type="radio"/>	
23			1		CA02538-Y13401	Sheet guide R	<input type="radio"/>	<input type="radio"/>	
24		1			CA02538-D801	Ribbon cartridge	<input type="radio"/>	<input type="radio"/>	
25		1			C147-E017-XXXX	User's manual	<input type="radio"/>	<input type="radio"/>	
26		1			CA02538-0001	DLMENU	<input type="radio"/>	<input type="radio"/>	

⊙: Recommended Spare Parts

3.2 Lower Cover Assembly

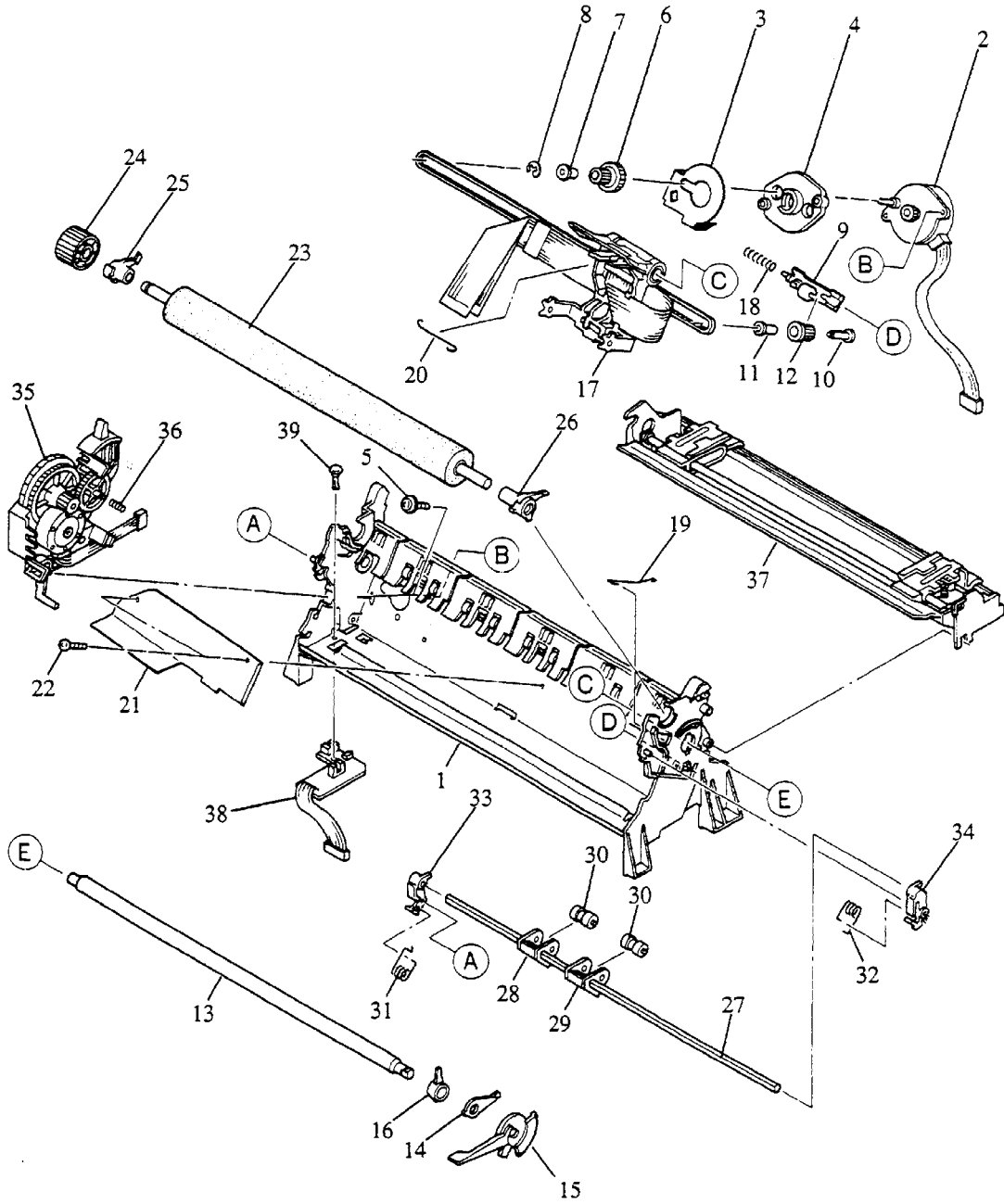


3.2 Lower Cover Assembly

No.	Composition & Quantity				Specification	Parts name	DL700		Remark
							100V	200V	
1-	4	1			CA02538-F011	Lower cover assy	<input type="radio"/>	<input type="radio"/>	
	1		1		CA02538-G011	Cover assy	<input type="radio"/>	<input type="radio"/>	
	2		3		CA02538-Y013	Holder	<input type="radio"/>	<input type="radio"/>	
	3		4		CA02538-Y021	Rubber foot	<input type="radio"/>	<input type="radio"/>	
	4		1		CA02538-Y031	Soundproof	<input type="radio"/>	<input type="radio"/>	

Ⓒ: Recommended Spare Parts

3.3 Mechanism Assembly

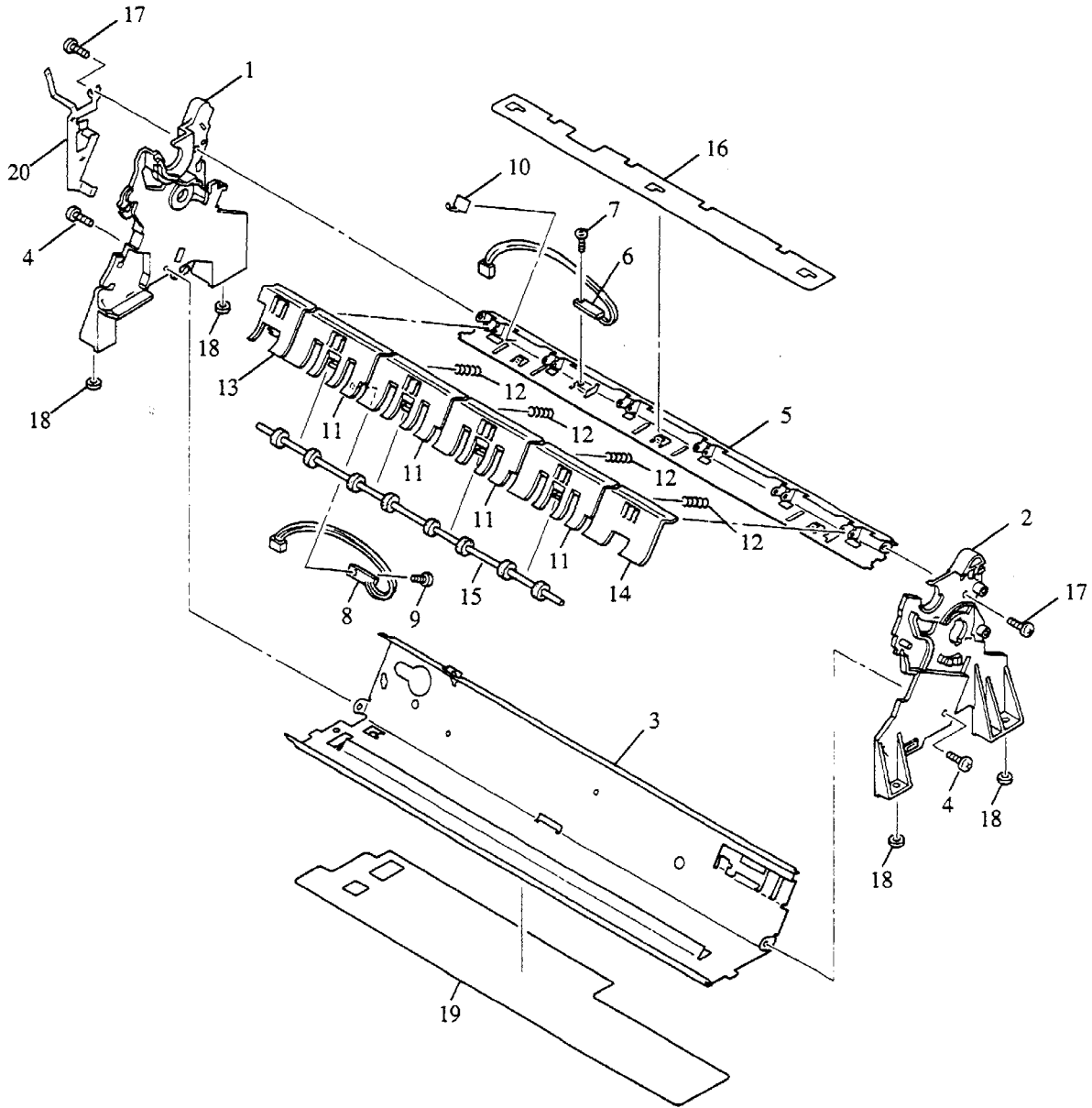


3.3 Mechanism Assembly

No.	Composition & Quantity				Specification	Parts name	DL700		Remark
							100V	200V	
1- 40	1				CA02538-F201	Mecha. assy	○	○	
1	1				CA02538-G201	Frame assy	○	○	
2	1				CA02538-G301	SP motor assy	⊙	⊙	
3	1				CA02538-Y305	FG spring SP	○	○	
4	1				CA02538-Y301	Rubber damper	○	○	
5	2				CA02538-Y310	Screw	○	○	
6	1				D860-1164-X214	Drive pulley	○	○	
7	1				D860-1164-X223	Sleeve	○	○	
8	1				E6-ER3-SUS	Retaining ring	○	○	
9- 12	1				D860-1164-T215	Tension pulley assy	○	○	
9		1			D860-1164-X216	Bracket	○	○	
10		1			D860-1164-X218	Shaft	○	○	
11		1			D860-1164-X222	Sleeve	○	○	
12		1			D860-1164-X224	Pulley	○	○	
13-16	1				CA02538-G331	Stay shaft assy	○	○	
13		1			CA02538-Y331	Stay shaft	○	○	
14		1			D860-1164-X238	Adjust lever B	○	○	
15		1			D860-1164-X239	Copy cont. lever	○	○	
16		1			D860-1164-X247	Adjust lever A	○	○	
17	1				CA02538-F401	Carrier unit	⊙	⊙	
18	1				D860-1164-X219	Spring	○	○	
19	1				CA02538-Y335	FG wire	○	○	
20	1				D860-1164-X316	Spring	○	○	
21	1				CA02538-Y443	Cable cover	○	○	
22	2				CT-STB-3x8-NITTO	Screw	○	○	
23-25	1				CA02538-G501	Platen assy	○	○	
23		1			CA02538-Y502	Platen roll	⊙	⊙	
24		1			CA02538-Y511	Platen gear	○	○	
25		1			CA02538-Y521	Bearing L	○	○	
26	1				CA02538-Y522	Bearing R	○	○	
27-30	1				CA02538-G531	Bail roller assy	○	○	
27		1			CA02538-Y531	Bail shaft	○	○	
28		1			D860-1164-X541	Roller frame L	○	○	
29		1			D860-1164-X542	Roller frame R	○	○	
30		2			D860-1156-X327	Roller	○	○	
31	1				D860-1164-X552	Spring L	○	○	
32	1				D860-1164-X553	Spring R	○	○	
33	1				D860-1164-X550	Arm L	○	○	
34	1				D860-1164-X551	Arm R	○	○	
35	1				CA02538-F601	LF motor unit	○	○	
36	1				D860-1164-X610	Spring A	○	○	
37	1				CA02538-G651	Tractor assy	○	○	
38	1				CA02538-G281	Sensor assy	⊙	⊙	
39	1				CT-NRP-355-KITAGAWA	Nylon rivet	○	○	
40	1				CA02538-Y245	Sheet	○	○	

⊙: Recommended Spare Parts

3.4 Frame Assembly

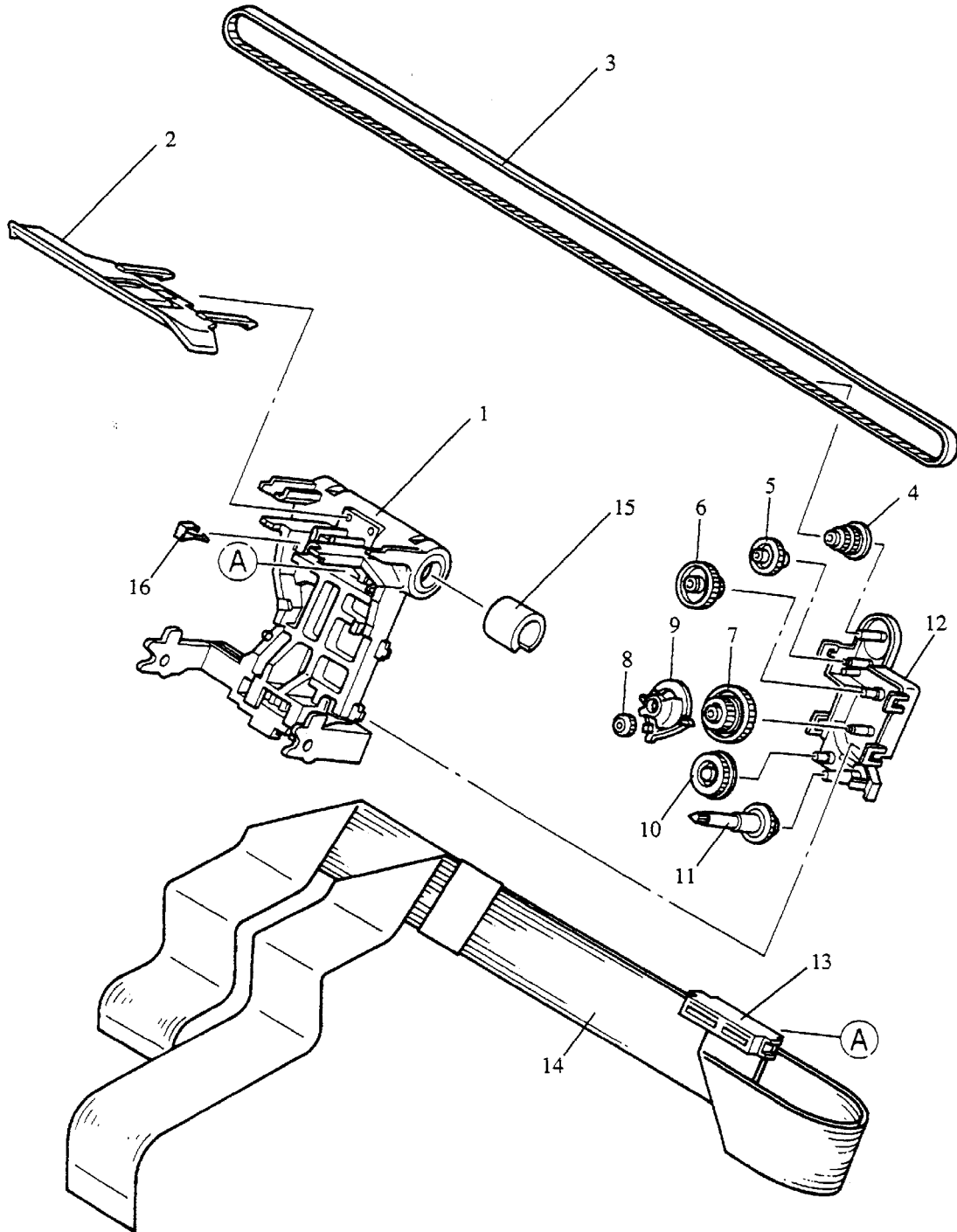


3.4 Frame Assembly

No.	Composition & Quantity				Specification	Parts name	DL700		Remark
							100V	200V	
1- 20	1				CA02538-G201	Frame assy	○	○	
1	1				CA02538-Y211	Side frame L	○	○	
2	1				CA02538-Y221	Side frame R	○	○	
3	1				CA02538-Y232	Main stay	○	○	
4	2				CT-STB-3x8-NITTO	Screw	○	○	
5- 16	1				CA02538-G551	Upper stay assy	○	○	
5		1			CA02538-Y551	Upper stay	○	○	
6		1			CA02538-G581	Sensor assy	⊙	⊙	
7		1			F6-SBD2-04111	Screw	○	○	
8		1			CA02538-G582	Sensor assy	⊙	⊙	
9		1			F6-SN2TP2-04	Screw	○	○	
10		1			CT-K-103G-KITAGAWA	Clamp	○	○	
11		4			CA02538-Y585	Holder	○	○	
12		4			CA02538-Y588	Spring	○	○	
13		1			CA02538-Y586	Guide L	○	○	
14		1			CA02538-Y587	Guide R	○	○	
15		1			CA02538-G565	Roller assy	○	○	
16		1			CA02538-Y561	Guide	○	○	
17	2				CT-STB-3x8-NITTO	Screw	○	○	
18	4				CA02538-Y023	Rubber sheet	○	○	
19	1				CA02538-Y235	Sheet	○	○	
20	1				CA02538-Y241	FG spring	○	○	

⊙: Recommended Spare Parts

3.5 Carrier Unit

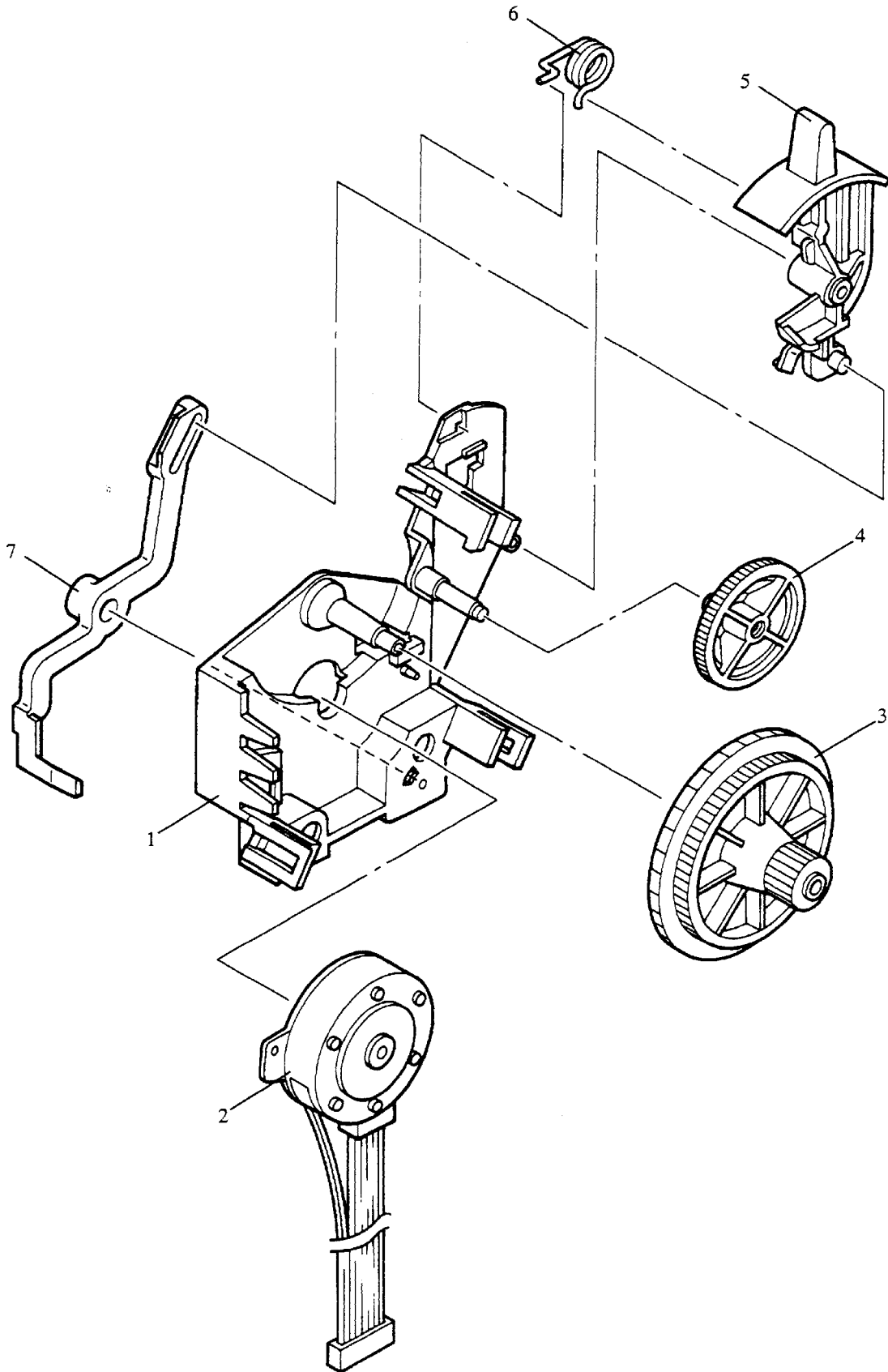


3.5 Carrier Unit

No.	Composition & Quantity				Specification	Parts name	DL700		Remark
							100V	200V	
1- 16	1				CA02538-F401	Carrier unit	⊙	⊙	
1		1			D860-1164-V335	Carrier assy	○	○	
2		1			CA02538-G405	Card guide assy	○	○	
3- 12		1			CA02538-G411	Ribbon feed assy	○	○	
3			1		CA81003-1033	Timing belt	○	○	
4			1		D860-1164-X326	drive pulley	○	○	
5			1		D860-1164-X327	Idle pulley	○	○	
6			1		D860-1164-X328	Gear A	○	○	
7			1		D860-1164-X329	Gear B	○	○	
8			1		D860-1164-X330	Gear C	○	○	
9			1		D860-1164-X331	Arm	○	○	
10			1		D860-1164-X332	Gear D	○	○	
11			1		D860-1164-X333	Feed gear	○	○	
12			1		D860-1164-X334	Bracket	○	○	
13-14		1			CA02538-G430	Cable assy	○	○	
13			1		CT-AKW-S40A-HONDA	Connector	○	○	
14			2		D860-1164-X310	Carrier cable	○	○	
15		1			D860-1164-X304	Felt	○	○	
16		1			D860-1164-X317	Leaf spring	○	○	

⊙: Recommended Spare Parts

3.6 LF Motor Unit

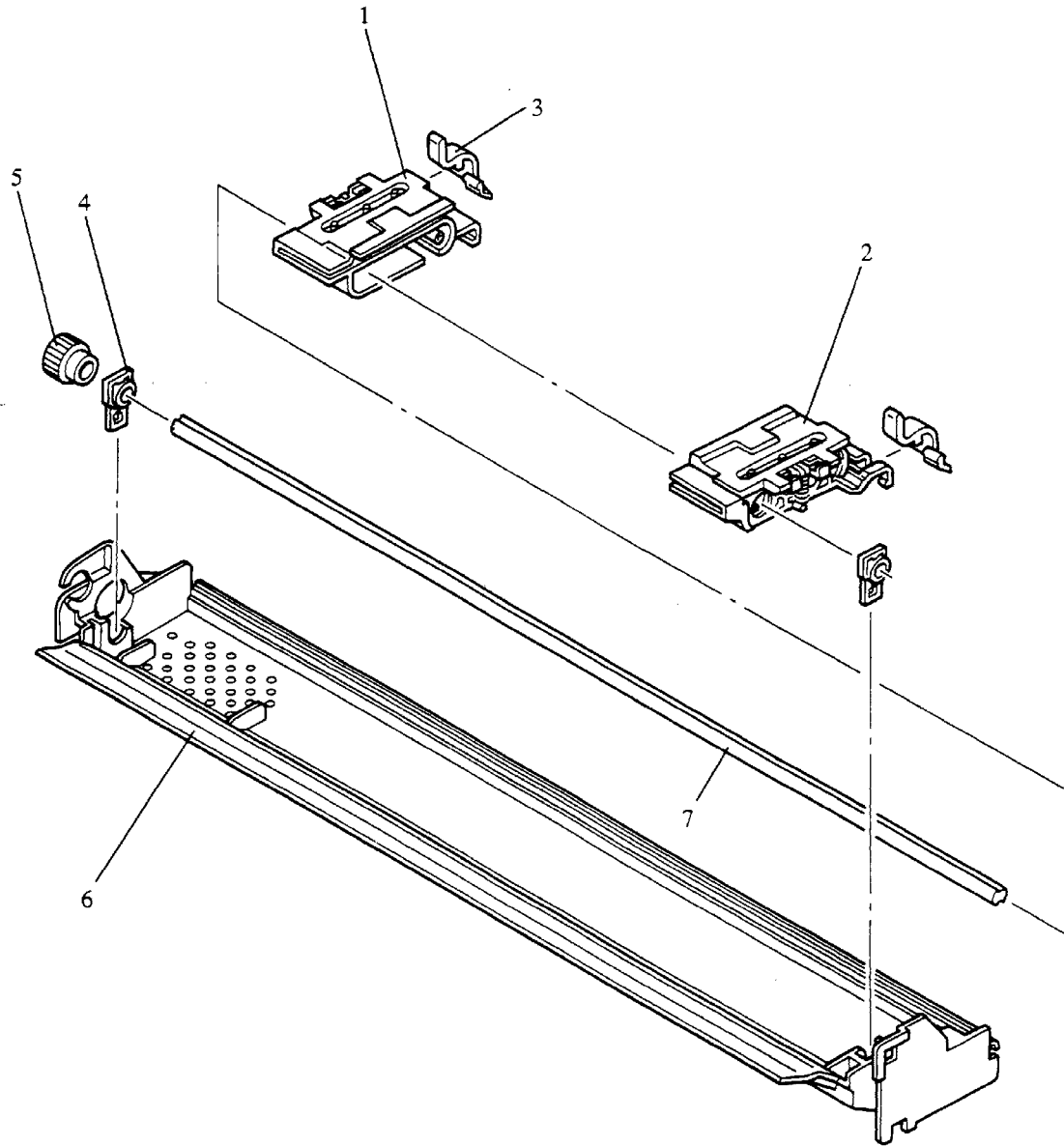


3.6 LF Motor Unit

No.	Composition & Quantity				Specification	Parts name	DL700		Remark
							100V	200V	
1-	7	1			CA02538-F601	LF motor unit	○	○	
	1	1			CA02538-Y601	Bracket	○	○	
	2	1			CA02538-G601	LF motor assy	⊙	⊙	
	3	1			CA02538-Y605	Idle gear	○	○	
	4	1			D860-1164-X607	Idle gear B	○	○	
	5	1			CA02538-Y61101	Lever	○	○	
	6	1			D860-1164-X614	Spring	○	○	
	7	1			D860-1164-X616	Actuator	○	○	

⊙: Recommended Spare Parts

3.7 Tractor Assembly

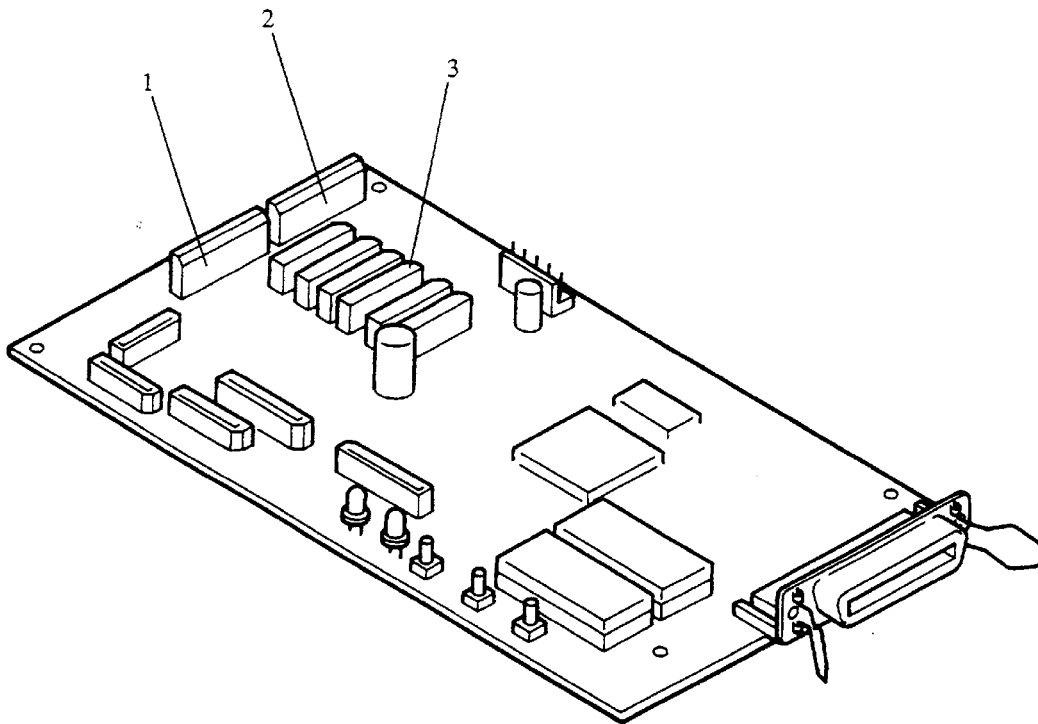


3.7 Tractor Assembly

No.	Composition & Quantity				Specification	Parts name	DL700		Remark
							100V	200V	
1-	7	1			CA02538-G651	Tractor assy	<input type="radio"/>	<input type="radio"/>	
	1	1			D30L-2201-0199#003	Tractor L assy	<input type="radio"/>	<input type="radio"/>	
	2	1			D30L-2201-0199#004	Tractor R assy	<input type="radio"/>	<input type="radio"/>	
	3	2			D860-1164-X635#C01	Lock lever	<input type="radio"/>	<input type="radio"/>	
	4	2			D860-1164-X639	Bearing	<input type="radio"/>	<input type="radio"/>	
	5	1			D860-1164-X644	Tractor gear	<input type="radio"/>	<input type="radio"/>	
	6	1			CA02538-Y651	Tractor frame	<input type="radio"/>	<input type="radio"/>	
	7	1			CA02538-Y655	Tractor shaft	<input type="radio"/>	<input type="radio"/>	

⊙: Recommended Spare Parts

3.8 Control Board



3.8 Control Board

No.	Composition & Quantity				Specification	Parts name	DL700		Remark
							100V	200V	
1-	3	1			CA20201-B20X	Control board	⊙	⊙	BVC93BA
	1	1			CT-SMA4032-SANKEN	Transistor array	○	○	
		-			CT-MP4303-TOSHIBA	Transistor array			Alternate
	2	1			CT-SMA7029-LF1054-SANKEN	Hybrid IC	○	○	
	3	6			CT-STA471A-SANKEN	Transistor array	○	○	
		-			CT-4AC16-ROHM	Transistor array			Alternate

⊙: Recommended Spare Parts

