

Domestic Product Guide



VIESSMANN

Leading heating technology from Europe's largest brand - manufactured in Germany's most sustainable factory

Established in 1917, Viessmann draws on more than 90 years of experience in the development and manufacture of heating systems and due to its high commitment to quality, it is Europe's single largest brand in heating technology. Viessmann is a third generation family business and as such is able to hold true to its principles of innovation, efficiency and sustainability; which is a significant reason behind Viessmann's continuing success.

Viessmann's domestic product range has been built around a long established reputation for high quality commercial heating systems. Viessmann has utilised its extensive knowledge and expertise to develop domestic heating products that define the quality benchmark for other brands. Viessmann manufactures all of its own products and most controllers to ensure that the drive for quality remains throughout the entire range and that there are additional benefits from combining its heating technologies. Viessmann produces and sells products in the following sectors: high efficiency boilers, both domestic and commercial; solar thermal flat plate and tube collectors and PV panels; air source and ground source heat pumps; biomass boilers; and CHP units for commercial and domestic use, using a number of fuels including biogas.

However the principles of innovation, efficiency and sustainability don't only apply to products, but extend to all areas of the business. Viessmann's head office and production facility in Allendorf, Germany, was restructured in 2007 and energy use was aligned with European climate change goals, of a 20% reduction in energy usage and CO₂ emissions and a transfer of 20% of energy production into renewables, by 2020. In 2009, under the umbrella of the 'Efficiency Plus' project, Viessmann achieved its goal of saving 40% of oil, gas and electricity through the use of renewable energy while at the same time reducing CO₂ emissions by a third. Almost all measures to improve efficiency and renewable substitution were achieved with commercially available products made by members of the Viessmann Group; whether these were Solar panels, CHP units, Oil or Biomass boilers.

As a result of our efforts, Viessmann has been presented with the 2009 German Sustainability Award, Deutscher Nachhaltigkeitspreis in the category "Most Sustainable Production facility" for the main factory in Allendorf where high efficiency gas boilers for the UK are manufactured. This award honours the company's achievement of combining economic success with social responsibility and environmental conservation. Hence Viessmann products contribute to reducing the carbon footprint of UK homes even before they are installed.



**German
Sustainability Award**

Germany's Most Sustainable
Production 2009



**Efficiency
Plus**



High efficiency boilers

Vitodens 100-W Combi
 Vitodens 100-W System
 Vitodens 100-W Compact

from page 4



Vitodens 200-W Combi
 Vitodens 200-W System

from page 10



Storage combi units

Vitodens 222-F
 Vitodens 242-F

from page 14



Boiler accessories

from page 18



Flues

from page 20

Controls

from page 28

Cylinders

from page 32

Solar

from page 38

Support services

page 45

Training academy

from page 46

Contact us

from page 48

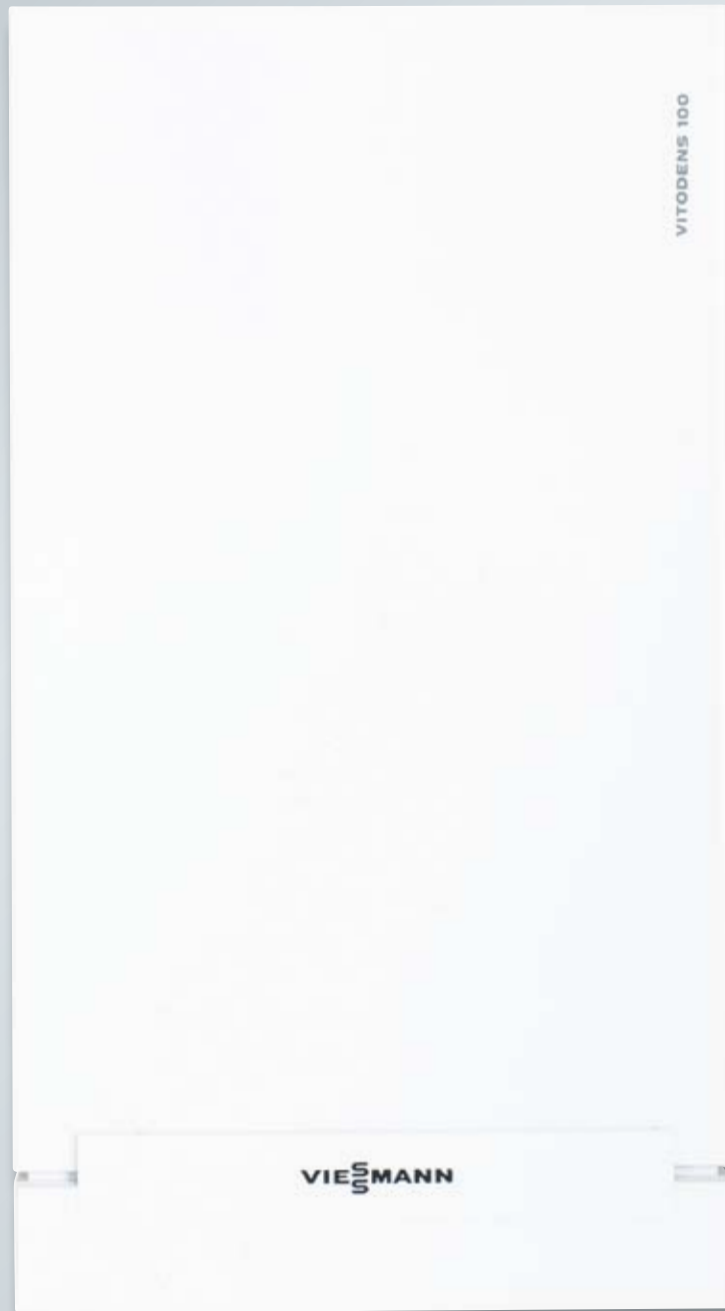
Vitodens technical specification

from page 50

Gas condensing
technology

Vitodens 100-W Combi

Comprehensive
warranty as standard



VITODENS 100-W COMBI

Wall mounted gas fired condensing boiler, with modulating MatriX cylinder burner and Inox-Radial heat exchanger, for open and balanced flue operation with integral expansion vessel.

The Vitodens 100-W high efficiency gas condensing boiler, manufactured by Viessmann in Germany, is loaded with features for easy installation, high efficiency and impressive fuel savings.

MatriX cylinder burner

- Patented technology, manufactured by Viessmann

Inox-Radial heat exchanger

- Excellent corrosion resistance
- Self-cleaning
- Counteracts dirt and sludge deposits
- 10 year warranty against corrosion

Integral Grundfos AquaBloc hydraulic unit

- For easy service and maintenance

Take advantage of these benefits

- Heating circuit pump and integral expansion vessel
- For natural gas and LPG (conversion kit part no. 7828769)
- Permissible boiler operating pressure 3 bar
- SEDBUK (2005) seasonal efficiency 90%
- Modulation ratio of 1:3, e.g. 9 kW to 26 kW
- Room thermostatic and weather compensated control unit options
- DHW flow rate of up to 14 l/min
- Pre-heat facility for better hot water comfort
- Comprehensive flue options

Easy installation

- Safety valves and fittings
- Fully assembled and wired
- Boiler flue connection
- Hydraulic accessories
- Gas tap
- Installation aids are available such as pre-plumbing jig and rear-piping frames, please see boiler accessories

DHW output range

- Boilers within the range offer the following outputs of 26 kW, 30 kW, 35 kW

Controls

- User control interface with large LCD
- Plug in controls for wireless operation
- Optional weather compensation control for additional gas savings of up to 12%

Warranty

- 5 year comprehensive warranty as standard
- 10 year warranty on the Inox-Radial heat exchanger

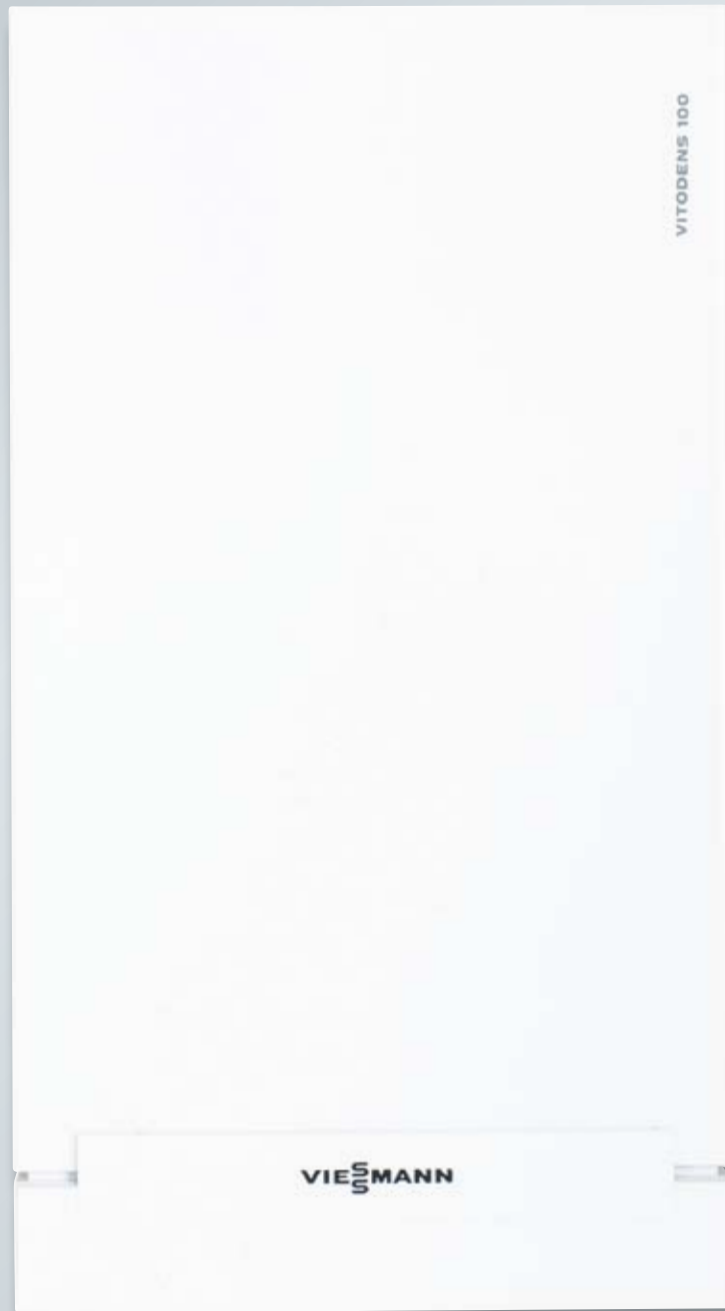


Inox-Radial heat exchanger

Gas condensing
technology

Vitodens 100-W System

Comprehensive
warranty as standard



VITODENS 100-W SYSTEM

Wall mounted gas fired condensing system boiler, with modulating MatriX cylinder burner and Inox-Radial heat exchanger, for open and balanced flue operation with integral expansion vessel.

The Vitodens 100-W high efficiency gas condensing boiler, manufactured by Viessmann in Germany, is loaded with features for easy installation, high efficiency and impressive fuel savings.

MatriX cylinder burner

- Patented technology, manufactured by Viessmann

Inox-Radial heat exchanger

- Excellent corrosion resistance
- Self-cleaning
- Counteracts dirt and sludge deposits
- 10 year warranty against corrosion

Integral Grundfos AquaBloc hydraulic unit

- For easy service and maintenance

Take advantage of these benefits

- Heating circuit pump and three-way diverter valve (4-pipe connection)
- For natural gas and LPG (conversion kit part no. 7828769)
- Permissible boiler operating pressure 3 bar
- SEDBUK (2005) seasonal efficiency 90.3%
- Modulation ratio of 1:3, e.g. 9 kW to 26 kW
- Room thermostatic and weather compensated control unit options
- Compatible with solar thermal panels

Easy installation

- Safety valves and fittings
- Fully assembled and wired
- Boiler flue connection
- Hydraulic accessories
- Gas tap
- Installation aids are available such as pre-plumbing jig and rear-piping frames, please see boiler accessories
- Installation with a Vitocell 200 or 300 cylinder meets G3 Building Regulations without the need for an energy cut-off valve and cylinder overheat thermostat; these are now built into the boiler. Instead a DHW temperature sensor (sensor part no. 7179114) fitted to the cylinder takes over the hot water control

- Optional sub-mounted mixer kit ideal for UFH installations (only in conjunction with Vitotronic 200)

CH output range

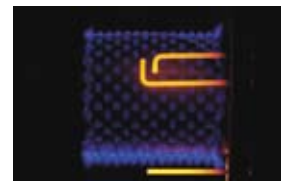
- Boilers within the range offer the following outputs of 26 kW, 30 kW, 35 kW

Controls

- User control interface with large LCD
- Plug in controls for wireless operation
- Optional weather compensation control for additional gas savings of up to 12%

Warranty

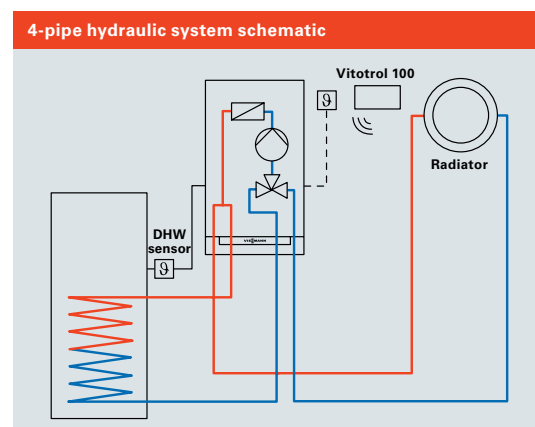
- 5 year comprehensive warranty as standard
- 10 year warranty on the Inox-Radial heat exchanger



MatriX cylinder burner



100-W showing components



Gas condensing
technology

Vitodens 100-W Compact

Comprehensive
warranty as standard



VITODENS 100-W COMPACT

Wall mounted gas fired condensing boiler, with modulating MatriX cylinder burner and Inox-Radial heat exchanger, for open and balanced flue operation and open vented heating systems.

With a depth of only 285 mm the Vitodens 100-W Compact boiler is perfectly suited for integration into standard kitchen cupboards. It can also be used in a vast number of other applications where there is only limited space available.

MatriX cylinder burner

- Patented technology, manufactured by Viessmann

Inox-Radial heat exchanger

- Excellent corrosion resistance
- Self-cleaning
- Counteracts dirt and sludge deposits
- 10 year warranty against corrosion

Take advantage of these benefits

- For natural gas and LPG (conversion kit part no. 7828769)
- Permissible boiler operating pressure 3 bar
- SEDBUK (2005) seasonal efficiency 90.8%
- Modulation ratio of 1:3
- Room thermostatic and weather compensated control unit options

Easy installation

- Depth of only 285 mm for installation into standard kitchen wall units
- No pump over run required

CH output range

- Boilers within the range offer the following outputs of 13 kW, 16 kW, 19 kW, 26 kW

Warranty

- 5 year comprehensive warranty as standard
- 10 year warranty on the Inox-Radial heat exchanger



Compact dimensions suitable for standard kitchen wall units

Gas condensing
technology

Vitodens 200-W Combi

**3 year comprehensive
warranty as standard
5 years if fitted by a Viessmann
trained installer**



VITODENS 200-W COMBI

Wall mounted gas fired condensing boiler, with modulating MatriX cylinder burner and Inox-Radial heat exchanger, for open and balanced flue operation.

The Vitodens 200-W is loaded with features and functions to make installation, fault-finding and servicing easy.

MatriX cylinder burner

- Patented technology, manufactured by Viessmann
- Low emissions
- Long service life through stainless steel MatriX gauze
- Optimum matching of heat exchanger and burner

Inox-Radial heat exchanger

- Self-cleaning smooth stainless steel surface
- Same flow direction for flue gas and condensate
- Highly corrosion resistant through high-grade stainless steel (type SS 1.4571)
- 10 year warranty against corrosion

Lambda Pro Control combustion controller

- No nozzle change when converting to LPG
- Consistently high efficiency even with fluctuating gas composition and air pressure
- Constantly clean combustion
- Low combustion noise through low fan speed
- Optimised efficiency throughout its life

Dynamic burner cycling

- Adjusts the burner firing duration according to the seasonal heating requirements to ensure the burner burns for longer and less frequently, to increase efficiency and reduce operational wear and tear, e.g. during Spring and Autumn when heating requirement is reduced

Easy installation

- Fully assembled and wired
- Comes with pre-plumbing jig as standard

DHW output range

- Boilers within the range offer the following outputs of 26 kW, 30 kW, 35 kW

Take advantage of these benefits

- Integral DHW heating (comfort control)
- Low energy heating circuit pump (2 speed) and integrated diverter valve
- Optional high efficiency A rated modulating pump
- For natural gas and LPG (the conversion to LPG is made at the gas valve – a conversion kit is not required)
- Permissible boiler operating pressure 3 bar
- SEDBUK (2005) seasonal efficiency 90.6%
- Wide modulation ratio of 1:4, e.g. 6.5 kW to 26 kW, ensures optimised burner operation
- 10 litre expansion vessel
- High DHW flow rate of up to 14 l/min (@ 35°C rise)

Award winning control unit

- The Vitodens 200-W is available* with either a Vitotronic 100 HC2A constant temperature controller or the Vitotronic 200 HO1A weather compensation controller, both controls have a 7 day programmer
- Navigation is as easy as can be and mirrors the well known scroll wheel you are familiar with from mobile phones or TV remote controls
- Features a multi-line plain text display with large fonts
- Display is 70% larger than those of comparable devices, can show graphics and is also back-lit
- The Vitotronic 200 HO1A, used with an outdoor sensor, can control up to 3 heating circuits, 2 mixed and 1 unmixed, e.g. underfloor heating and radiators would be run off the mixed circuit and a towel rail would run off an unmixed circuit and a separate DHW Circuit

*Must be ordered separately



Vitotronic 100 HC2A
Constant temperature control

Gas condensing
technology

Vitodens 200-W System

**3 year comprehensive
warranty as standard
5 years if fitted by a Viessmann
trained installer**



VITODENS 200-W SYSTEM

Wall mounted gas fired condensing system boiler, with modulating MatriX cylinder burner and Inox-Radial heat exchanger, for open and balanced flue operation.

The Vitodens 200-W is loaded with features and functions to make installation, fault-finding and servicing easy.

MatriX cylinder burner

- Patented technology, manufactured by Viessmann
- Low emissions
- Long service life through stainless steel MatriX gauze
- Optimum matching of heat exchanger and burner

Inox-Radial heat exchanger

- Self-cleaning smooth stainless steel surface
- Same flow direction for flue gas and condensate
- Highly corrosion resistant through high-grade stainless steel (type SS 1.4571)
- 10 year warranty against corrosion

Integral Grundfos AquaBloc hydraulic unit

- For easy service and maintenance

Lambda Pro Control combustion controller

- No nozzle change when converting to LPG
- Consistently high efficiency even with fluctuating gas composition and air pressure
- Constantly clean combustion
- Low combustion noise through low fan speed
- Optimised efficiency throughout its life

Dynamic burner cycling

- Adjusts the burner firing duration according to the seasonal heating requirements to ensure the burner burns for longer and less frequently, to increase efficiency and reduce operational wear and tear, e.g. during Spring and Autumn when heating requirement is reduced

Take advantage of these benefits

- Low energy heating circuit pump (2 speed) and integrated diverter valve (for the connection of a DHW cylinder)

- Optional high efficiency A rated modulating pump
- For natural gas and LPG (the conversion to LPG is made at the gas valve – a conversion kit is not required)
- Permissible boiler operating pressure 3 bar
- SEDBUK (2005) seasonal efficiency 90.7%
- Wide modulation ratio of 1:4, e.g. 6.5 kW to 26 kW, ensures optimised burner operation
- 10 litre expansion vessel
- Can be electronically interlocked with Vitosolic controller for optimum solar efficiency

Easy installation

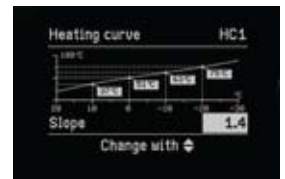
- Fully assembled and wired
- Comes with pre-plumbing jig as standard
- Installation with a Vitocell 200 or 300 cylinder meets G3 Building Regulations without the need for an energy cut-off valve and cylinder overheat thermostat; these are now built into the boiler. Instead a DHW temperature sensor (sensor part no. 7179114) fitted to the cylinder takes over the hot water control
- Optional sub-mounted mixer kit ideal for UFH installations (only in conjunction with Vitotronic 200)

CH output range

- Boilers within the range offer the following outputs of 19 kW, 26 kW, 30 kW, 35 kW
- There are higher output models available where there is a higher heat demand or for commercial applications, with outputs of 45 kW, 60 kW, 80 kW, 105 kW. These units can be cascaded to provide a total output up to 420 kW

Award winning control unit

- The Vitodens 200-W is available* with either a Vitotronic 100 HC2A constant temperature controller or the Vitotronic 200 HO1A weather compensation controller, both controls have a 7 day programmer
- *Must be ordered separately



Vitotronic 200 HO1A heating curve

Gas condensing
technology

Vitodens 222-F Storage Combi

**3 year comprehensive
warranty as standard
5 years if fitted by a Viessmann
trained installer**



VITODENS 222-F STORAGE COMBI

This storage combination floor standing condensing boiler is designed specifically for modernising heating systems and replacing older gas fired boilers with DHW cylinders.

MatriX cylinder burner

- Patented technology, manufactured by Viessmann
- Low emissions
- Long service life through stainless steel MatriX gauze
- Optimum matching of heat exchanger and burner

Inox-Radial heat exchanger

- Self-cleaning smooth stainless steel surface
- Same flow direction for flue gas and condensate
- Highly corrosion resistant through high-grade stainless steel (type SS 1.4571)
- 10 year warranty against corrosion
- Durable and efficient through the stainless steel Inox-Radial heat exchanger
- MatriX cylinder burner with Lambda Pro combustion control for permanent high efficiency and clean combustion

Take advantage of these benefits

- Two cylinder sizes, 100 litres and 130 litres for best hot water performance
- DHW expansion vessel and DHW circulation pump can be integrated inside the appliance
- Dynamic burner cycling reduces the number of burner starts over the year by a third
- SEDBUK (2005) seasonal efficiency 91%
- Wide modulation ratio of 1:4, e.g. 6.5 kW to 26 kW, ensures optimised burner operation
- For natural gas and LPG (conversion is made on valve settings and controller coding)
- Includes unvented safety kit and DHW expansion vessel
- Standard top connection set*
- Standard RH or LH side connection set*

Easy installation

- Optional connection set for top level (7348566) or side pipe installation (7350854)
- No side clearance required, boiler stands flush to the wall

- Optional built-in hot water circulation pump for secondary turn circuit (Part No. 7351819 DHW Secondary Circuit kit)

CH output range

- Boilers within the range offer the following DHW outputs of 19 kW, 26 kW, 35 kW
- Flow rates are up to 20 l/min
- On the 35 kW model a 10 minute peak flow performance provides 200 litres of 60°C hot water which is equivalent to a larger cylinder

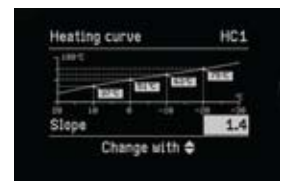
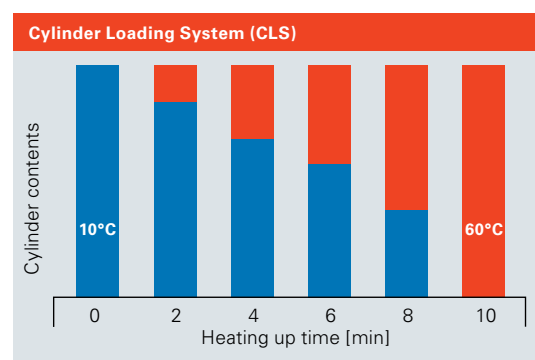
Award winning control unit

- The Vitodens 222-F is available* with either a Vitotronic 100 HC2A constant temperature controller or the Vitotronic 200 HO1A weather compensation controller, both controls have a 7 day programmer
- The control can be sited up to 5 m away from the boiler enabling installation in areas with restricted access, e.g. if the boiler is installed in a garage or loft

Cylinder Loading System (CLS)

Most unvented cylinders use a heating coil to heat up the cylinder. The CLS technology replaces the coil with a plate heat exchanger. A DHW pump circulates the cold water from the bottom of the cylinder, through the plate heat exchanger and puts the hot water back to the top of the cylinder.

*Must be ordered separately



Vitotronic 200 HO1A heating curve



Two cylinder sizes available 100/130 litres

Gas condensing
technology

Vitodens 242-F Solar Storage Combi

2 year comprehensive warranty



VITODENS 242-F SOLAR STORAGE COMBI

This storage combination floor standing condensing boiler is designed specifically for direct connection to a solar thermal system. Incorporating three technologies in one; gas condensing boiler, DHW cylinder and solar control package, where space is at a premium.

MatriX cylinder burner

- Patented technology, manufactured by Viessmann
- Low emissions
- Long service life through stainless steel MatriX gauze
- Optimum matching of heat exchanger and burner

Inox-Radial heat exchanger

- Self-cleaning smooth stainless steel surface
- Same flow direction for flue gas and condensate
- Highly corrosion resistant through high-grade stainless steel (type SS 1.4571)
- 10 year warranty against corrosion
- Durable and efficient through the stainless steel Inox-Radial heat exchanger
- MatriX cylinder burner with Lambda Pro combustion control for permanent high efficiency and clean combustion

Take advantage of these benefits

- Can reduce your hot water energy usage by 60%
- Unvented cylinder with 170 litre capacity and solar indirect coil
- DHW circulation pump can be integrated inside the appliance
- Dynamic burner cycling reduces the number of burner starts over the year by a third
- SEDBUK (2005) seasonal efficiency 91%
- Wide modulation ratio of 1:4, e.g. 6.5 kW to 26 kW, ensures optimised burner operation
- For natural gas and LPG (conversion is made on valve settings and controller coding)
- Factory fitted cylinder solar pump
- Unvented safety kit and DHW expansion vessel
- Standard top connection set
- Standard RH or LH side connection set

Easy installation

- Optional connection sets for top level (7348552) or side pipe installation* (7347985)
- No side clearance required, boiler stands flush to the wall
- All components are factory assembled and wired, saving installation time

CH output range

- Boilers within the range offer the following DHW outputs of 19 kW, 26 kW, ideal for refurbishments
- Flow rates are up to 20 l/min

Award winning control unit

- The Vitodens 242-F is available with the Vitotronic 200 HO1A weather compensation controller with a 7 day programmer
- The control can be sited up to 5 m away from the boiler enabling installation in areas with restricted access, e.g. If the boiler is installed in a garage or loft

Cylinder Loading System (CLS)

Most unvented cylinders use a heating coil to heat up the cylinder. The CLS technology replaces the coil with a plate heat exchanger. A DHW pump circulates the cold water from the bottom of the cylinder, through the plate heat exchanger and puts the hot water back to the top of the cylinder.

Solar options

- Comprehensive range of complete solar packs offered, please see solar kits

*Must be ordered separately



The graphic display of the new Vitotronic control unit can also display the solar yield



Cylinder in 242-F includes solar coil

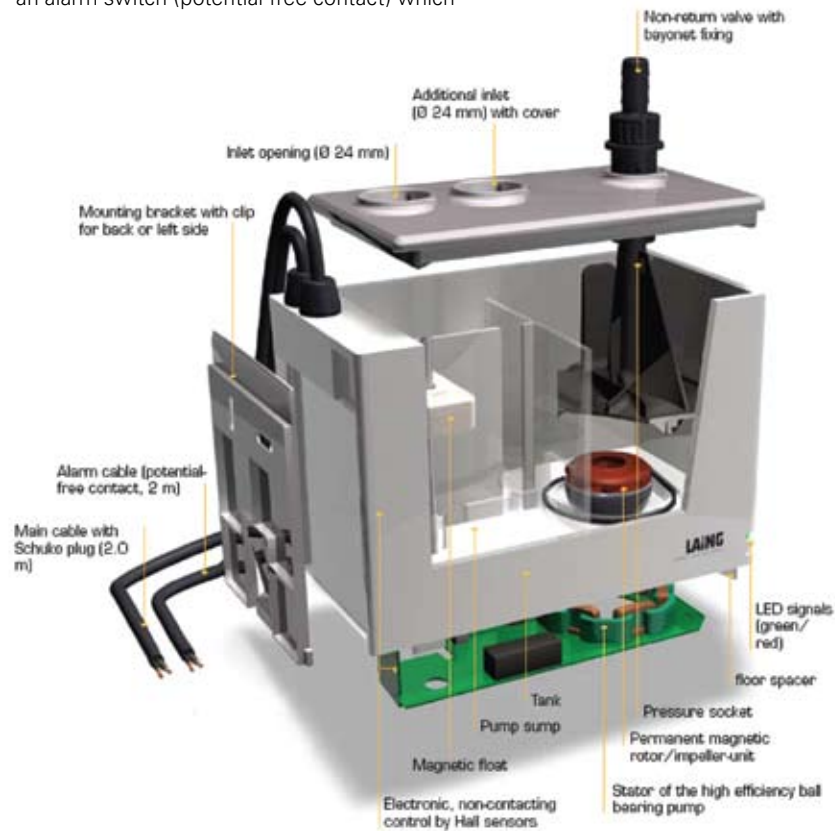
BOILER ACCESSORIES

Condensate pump

The condensate pump is required for low level boiler installation where the condensate for removal has to be pumped upwards.

The condensate pump is also equipped with an alarm switch (potential free contact) which

can be used to switch off the condensing boiler/ASHP to prevent the condensate tank from overflowing. Separate alarm LED indicators are also fitted to the pump.



Technical data	
Supply voltage	100 - 240 Volt
Power consumption P1	25 Watt
Current draw	0.2 - 0.1 A
Protection class	IP 44/Class F
Acid resistance	pH2 or higher
Pump	Electronically commutated spherical motor with permanent magnet rotor/impeller
Max. pump head	54 kPa
Max. flow rate	460 l/h
Noise level (Lw)	46 dB(a)
Max. system temperature	+60°C
Min. ambient temperature	non-freezing
Safety contact	Relay open when triggered, capacity 250 VA
Tank volume	0.7l (usable volume 0.5l)
Package dimensions	215 x 215 x 180 mm
Package weight	1.6 kg
Part no.	7374796

A range of Vitoset accessories is available to make Vitodens boiler installations easier. These include a pre-plumbing jig and a rear pipework mounting frame, where pipework can run vertically behind the boiler.

Pre-plumbing jig

- Includes fixing parts, valves/fittings, gas tap and valve/fittings cover
- Included with 200-W as part of the standard delivery

Product description	Output	Part no.
Vitodens 100-W Combi	26 kW	7262166
Vitodens 100-W Combi	30 kW - 35 kW	7262167
Vitodens 100-W System	26 kW	7262163
Vitodens 100-W System	30 kW - 35 kW	7262168



Rear pipework mounting frame

- Includes pipe tails and fittings cover. Valves and fittings as well as gas tap are already supplied with the boiler

Product description	Output	Part no.
Vitodens 100-W Combi & System	26 kW	7299294
Vitodens 100-W Combi & System	30 kW - 35 kW	7299418



Valve/fittings cover

Product description	Output	Part no.
Vitodens 100-W Combi & System	26 kW	7193965
Vitodens 100-W Combi & System	30 kW - 35 kW	7296418
Vitodens 200-W Combi & System	19 kW - 35 kW	7197599



Toolset

Product description	Part no.
Case for all tools required for maintenance and service of all Viessmann Vitodens boilers	9537070



General installation

- **Vitodens 100-W**
CE-0085 BN
- **Vitodens 200-W**
CE-0085 BR 0432
- **Vitodens 222-F**
CE-0085 BR 0433
- **Vitodens 242-F**
CE-0085 BO 0338

Please note

This is to confirm that the flue system is approved to Building Regulations and certified to the appropriate EC Gas Equipment Directive. Manufacturers instructions must not be taken in any way as overriding statutory obligations.

System Certification

System certification to DVGW-VP 113 and EC Gas Equipment Directive 90/396/EEC in conjunction with PPs flue pipes offered by Skoberne.

Statutory requirements

The appliance is suitable only for installation in GB and IE and should be installed in accordance with the rules in force. In GB a Gas Safe Registered installer must carry out the installation. It must be carried out in accordance with the relevant requirements of the – Gas safety (installation and use) regulations (current issue). It is in your own interest and safety to ensure that the law is complied with.

In addition to the above regulations, this appliance must be installed in accordance with the current IEE Wiring Regulations for electrical installation (BS 7671), local Building Regulations, the Building Standards (Scotland) (Consolidation) Regulations, bye laws of the local water undertaking and Health and Safety Document NO. 635 'The Electricity at Work regulations 1989' In Ireland (IE), the installation must be carried out by a Competent Person and installed in accordance with the current edition of I.S.813 "Domestic Gas Installations", the current Building Regulations and references should be made to the current ETCI rules for electrical installation.

It should also be in accordance with the relevant recommendations in the current editions of the following British Standards and Codes of Practice: BS 5449, BS 5546, BS 5440:1, BS 5440:2, BS 6798, BS 7593, BS 6891, IGE/UP/7 and IS 813 for IE.

All Registered installers are required to notify building control when they have installed or exchanged a gas appliance in a residential dwelling. This can be done via Gas Safe.

Boiler Position

The following limitations must be observed when siting the boiler:

- The boiler is not suitable for external installation. The position selected for the installation should be within the building, unless otherwise protected by a suitable enclosure and must allow adequate space for installation, servicing and operation of the appliance and for air circulation around it.
- The position must allow for a suitable flue system and terminal position. The boiler must be installed on a flat vertical wall capable of supporting the weight of the appliance and any ancillary equipment when full.
- Due consideration should be given to the routing of the condensate drain from the chosen position.
- If the boiler is to be fitted in a timber framed building it should be fitted in accordance with ige/up/7. If in doubt advice must be sought from the Institute of Gas Engineers.

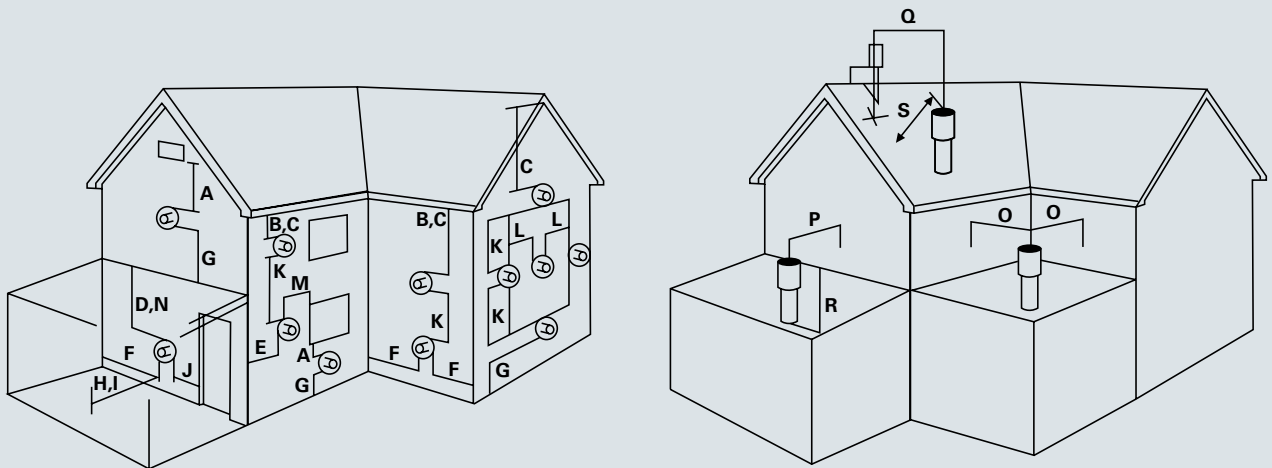
General boiler installation requirements

- If the appliance is to be installed in a room containing a bath or shower, any electrical switch or control utilising mains electricity must be so situated that it cannot be touched by a person using the bath or shower. Attention is drawn to the requirements of BS 7671 (the current I.E.E Wiring Regulations) and in Scotland the electrical provisions of the Building Regulations applicable in Scotland.
- A compartment used to enclose the appliance must be designed and constructed specifically for this purpose. An existing cupboard or compartment may be used provided it is modified accordingly. BS 7698:2000 gives details of the essential features of cupboard/compartment design, including airing cupboards. The Vitodens range does not require compartment ventilation.
- Where installation will be in an unusual location, special procedures may be necessary. BS 6798 gives detailed guidance on this subject.

Flue termination position

Position	Minimum spacing for standard boilers	Minimum spacing for condensing boilers
A Directly below an openable window, air vent or any other ventilation opening	300 mm	
B Below a gutter, drain or soil pipe	75 mm	
C Below eaves	200 mm	
D Below a balcony	200 mm	
E From vertical drain or soil pipes	150 mm	
F From internal and external corners	300 mm	
G Above adjacent ground or balcony level/roof	300 mm	
H From a surface facing the terminal	600 mm	2 500 mm
I Facing terminals	1 200 mm	2 500 mm
J From opening door/window in carport into dwelling	1 200 mm	not recommended
K Vertically from a terminal on same wall	1 500 mm	
L Horizontally from a terminal on same wall	300 mm	
M Adjacent to opening	300 mm	
N Below carport/roof	300 mm	not recommended
O From adjacent wall	300 mm	
P From adjacent opening window	1 000 mm	
Q From another terminal	600 mm	
R Min. height	300 mm	
S Min. distance measured perpendicular to roof covering	400 mm	

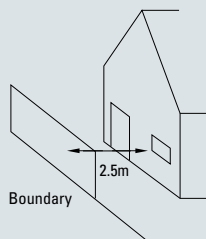
Flue terminal location for standard boilers



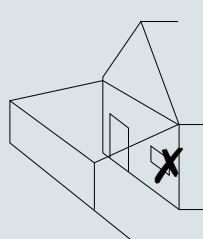
Detailed recommendations for flue installation are given in BS 5440:1.

Additional requirements for condensing boilers

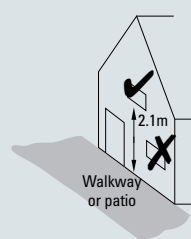
Minimum distance from terminal



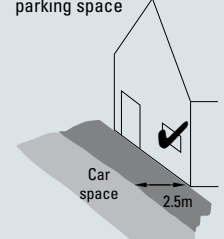
Not under a car port



Avoid access routes and patios

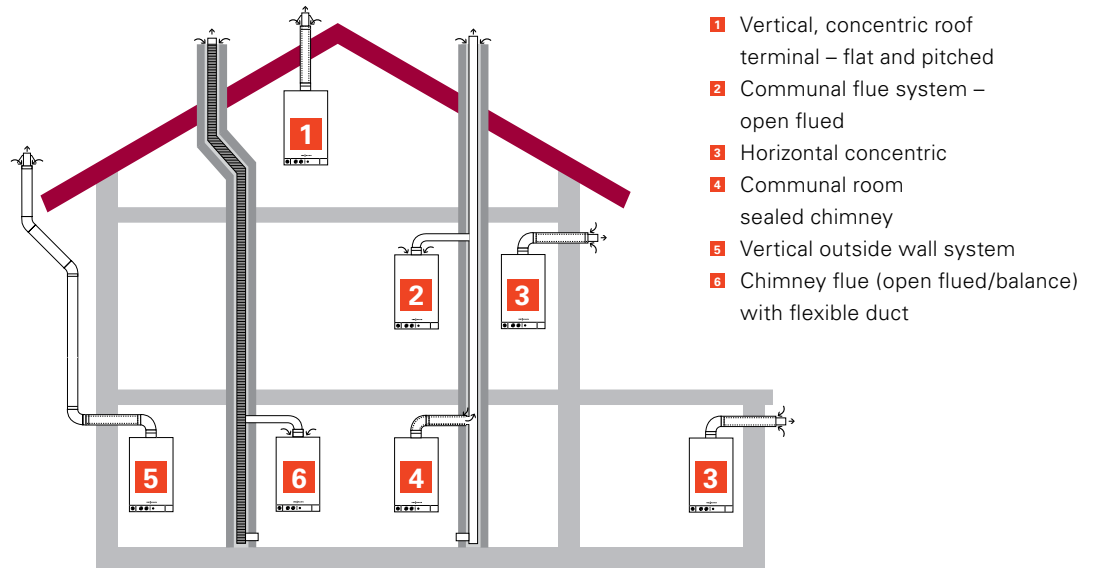


Minimum distance to car parking space



Flue applications

Vitodens boilers can be installed in virtually all domestic applications, some examples are illustrated.



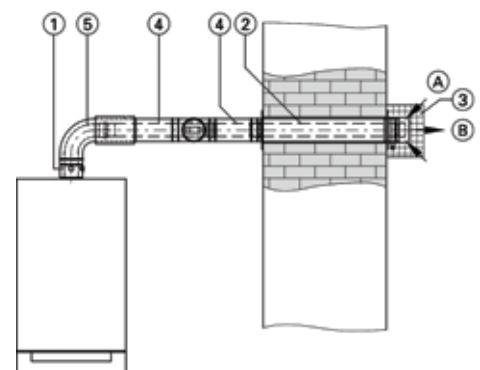
- 1 Vertical, concentric roof terminal – flat and pitched
- 2 Communal flue system – open flued
- 3 Horizontal concentric
- 4 Communal room sealed chimney
- 5 Vertical outside wall system
- 6 Chimney flue (open flued/balance) with flexible duct

The maximum flue length is the single biggest consideration. Maximum flue lengths are provided and have already allowed for 2 bends of 87° (including support bends). For each additional 90° elbow reduce the maximum flue length by 1 m, each additional 45° elbow by 0.5 m.

As a rule of thumb increasing the diameter of the flue from 60 mm to 80 mm will add approximately 15% to the flue length, but please check with the Viessmann Technical Department if in doubt.

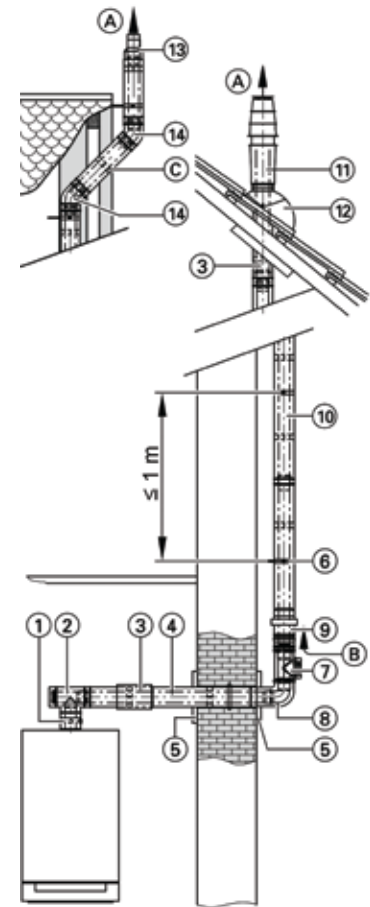
3 Horizontal wall terminal

Part no.	60/100	80/125
① Boiler flue connection		
② Balanced flue external wall connection (incl. wall bezels)	7373237	Z006368
③ Protective grille	7189821	7189821
④ Balanced flue pipe 1 m long	7373224	7194321
0.5 m long	7373223	7194320
⑤ Balanced flue bend 87°	7373226	7194323
2 x 45°	7373227	7194324
Fixing clamp	7176762	7176664
Horizontal flue terminal kit Flue terminal 1 m, 2 x wall seals, balanced flue bend 87°	Z009350	



5 Routing over an external wall

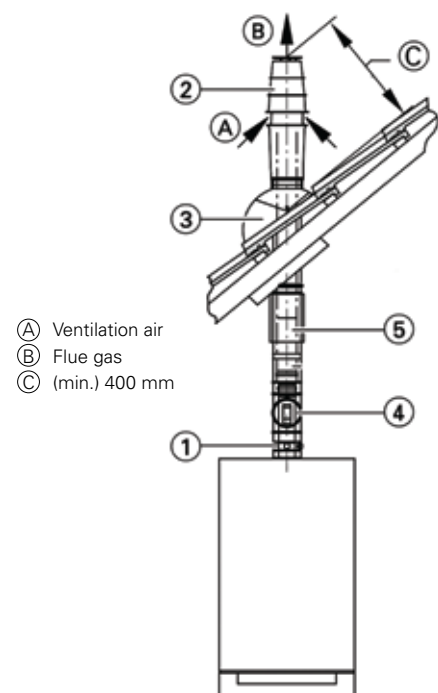
Part no.	60/100	80/125
① Boiler flue connection		
② Balanced flue inspection tee, 87° or Balanced flue inspection bend, 87°	7373229	7199782
③ Balanced flue sliding coupling (optional)	7373236	7194329
④ Balanced flue pipe 1.95 m long 1 m long 0.5 m long	7373225 7373224 7373223	7194322 7194321 7194320
⑤ Wall bezel	7176760	7176662
⑥ Fixing clamp	7176762	7176664
⑦ Balanced flue inspection piece, straight (optional)	7373228	7199781
External wall pack with	7373234	7194327
⑧ Balanced flue bend 87°		
⑨ Balanced flue air intake		
⑩ Balanced flue pipe 1.95 m long 1 m long 0.5 m long	7373225 7373224 7373223	7194322 7194321 7194320
⑪ Balanced flue roof outlet (with a high roof overhang above the roof) Black Terracotta	7373230 7373231	7373271 7373272
⑫ Universal roof tile Black Terracotta or Pipe outlet for Klobber roof tiles (order the corresponding Klobber tile on site) Black Terracotta	7373469 7373470 7174281 7174279	7373469 7373470 7174281 7174279
⑬ External wall terminal (for a short roof overhang)	7176753	7176655
⑭ Balanced flue bend 45° 87°	7373227 7373226	7194324 7194323



- (A) Flue gas
- (B) Combustion air
- (C) Step in the external wall routing for a short roof overhang

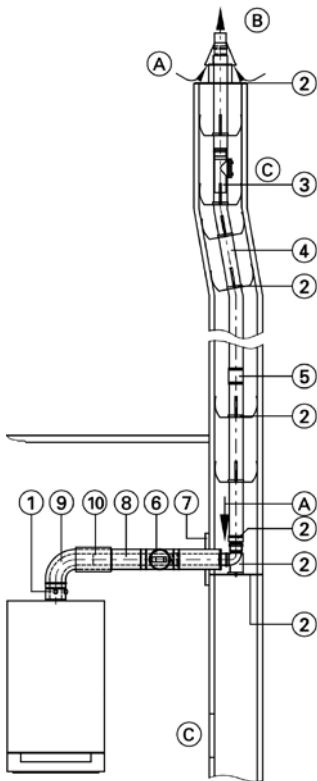
1 Vertical outlet for sloping or flat roofs

Part no.	60/100	80/125
① Boiler flue connection		
② Balanced flue roof outlet Black Terracotta	7373230 7373231	7373271 7373272
③ Pipe outlets for Klöber roof tiles (order the corresponding Klöber tile on site) Black Terracotta or Universal roof tile Black Terracotta or Flat roof collar	7174281 7174279 7373469 7373470 7248017	7174281 7174279 7373469 7373470 7248017
④ Balanced flue inspection piece, straight (optional)	7373228	7199781
⑤ Balanced flue sliding coupling (optional) Balanced flue bend 87° 2 x 45° Balanced flue pipe 1 m long 0.5 m long Fixing clamp	7373236 7373226 7373227 7373224 7373223 7176762	7194329 7194323 7194324 7194321 7194320 7176664



- (A) Ventilation air
- (B) Flue gas
- (C) (min.) 400 mm

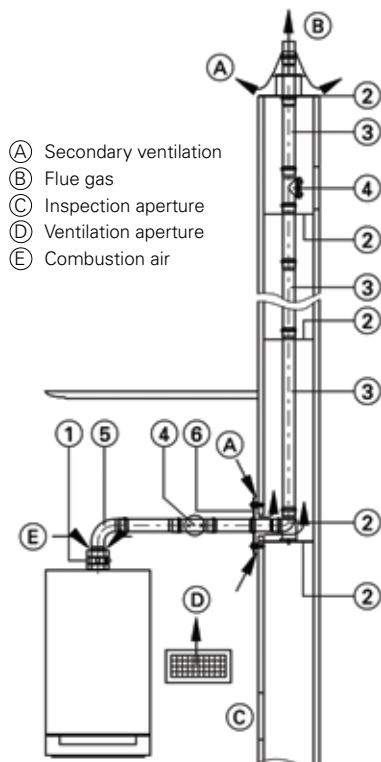
Flue location and ventilation



- (A) Combustion air
- (B) Flue gas
- (C) Inspection aperture

6 Balanced flue operation

Part no.	60/100	80/125
① Boiler flue connection		
② Standard duct pack Comprising: <ul style="list-style-type: none"> ■ Support bend ■ Support rail ■ Duct cover ■ Spacers (3 pce.) 	7190564	7194304
③ Inspection piece , straight (for installation into the flexible flue (optional))	7190561	7194318
④ Flexible flue <ul style="list-style-type: none"> 8 m long 12.5 m long 	7190559 7190558	7147039 7147038
⑤ Connecting pipe , for the connection of residual length of the flexible flue	7190562	7194319
Pipe lowering attachment with 20 m rope	7190563	7147036
⑥ Balanced flue inspection piece , straight	7373228	7199781
⑦ Wall bezel	7176760	7176662
⑧ Balanced flue pipe <ul style="list-style-type: none"> 1 m long 0.5 m long 	7373224 7373223	7194321 7194320
⑨ Balanced flue bend <ul style="list-style-type: none"> 87° 2 x 45° or 	7373226 7373227	7194323 7194324
⑩ Balanced flue inspection tee <ul style="list-style-type: none"> or Balanced flue inspection bend 87° 	7373229	7199782
Balanced flue sliding coupling	7373236	7194329



- (A) Secondary ventilation
- (B) Flue gas
- (C) Inspection aperture
- (D) Ventilation aperture
- (E) Combustion air

2 Open flue operation

Part no.	60/100	80/125
① Boiler flue connection		
② Standard duct pack Comprising: <ul style="list-style-type: none"> ■ Support bend ■ Support rail ■ Duct cover ■ Spacers (3 pce.) 	7373211	7194305
③ Flue Pipe <ul style="list-style-type: none"> 2 m long 1 m long 0.5 m long 		
Flue bend (for use in corbelled chimneys) <ul style="list-style-type: none"> 30° 15° 	7373220 7373221	7194316 7194317
④ Inspection piece , straight	7373216	7194312
⑤ Balanced flue bend <ul style="list-style-type: none"> 87° 2 x 45° or Balanced flue inspection tee 87° 	7373218 7373219	7194314 7194315
⑥ Ventilation bezel	7176728	7176634
Balanced flue pipe <ul style="list-style-type: none"> 1.95 m long 1 m long 0.5 m long 	7373212 7373214 7373215	7194308 7194310 7194311

Flue lengths

2 Max. total flue length up to the boiler flue connection (at system temperature 50/30°C)					
4	Vitodens 100-W Rated output range (kW)		9	11	11
			26.0	30.0	35.0
5	max. length (m) - system size 60/100		20	15	15
6	Vitodens 200-W Rated output range (kW)	4.8	6.5	8.8	8.8
		19.0	26.0	30.0	35.0
	max. length (m) - system size 60/100	20	20	15	15
	Vitodens 222-F Rated output range (kW)	4.8	6.5	8.8	8.8
		19.0	26.0	30.0	35.0
	max. length (m) - system size 60/100	20	20	15	15
	Vitodens 242-F Rated output range (kW)	4.8	6.5		
		19.0	26.0		
	max. length (m) - system size 60/100	20	20		

Allowed for are 2 bends 87° (incl. support bends).

1 Max. total flue length up to the boiler flue connection (at system temperature 50/30°C)					
	Vitodens 100-W Rated output range (kW)		9	11	11
			26.0	30.0	35.0
	max. length (m) - system size 60/100		10	10	10
	Vitodens 200-W Rated output range (kW)	4.8	6.5	8.8	8.8
		19.0	26.0	30.0	35.0
	max. length (m) - system size 60/100	10	10	10	10
	Vitodens 222-F Rated output range (kW)	4.8	6.5	8.8	8.8
		19.0	26.0	30.0	35.0
	max. length (m) - system size 60/100	10	10	10	10
	Vitodens 242-F Rated output range (kW)	4.8	6.5		
		19.0	26.0		
	max. length (m) - system size 60/100	10	10		

Allowed for are 2 bends 87° (incl. support bends).

3 Max. total flue length up to the boiler flue connection (at system temperature 50/30°C)					
	Vitodens 100-W Rated output range (kW)		9	11	11
			28.0	30.0	35.0
	max. length (m) - system size 60/100		8	8	8
	Vitodens 200-W Rated output range (kW)	4.8	6.5	8.8	8.8
		19.0	26.0	30.0	35.0
	max. length (m) - system size 60/100	10	10	10	10
	Vitodens 222-F Rated output range (kW)	4.8	6.5	8.8	8.8
		19.0	26.0	30.0	35.0
	max. length (m) - system size 60/100	10	10	10	10
	Vitodens 242-F Rated output range (kW)	4.8	6.5		
		19.0	26.0		
	max. length (m) - system size 60/100	10	10		

Allowed for are 2 bends 87° (incl. support bends).

Vitodens flue accessories

Description	100-W Compact	100-W System and Combi	200-W	222-F	242-F	Part no.
Telescopic Flue Kit 60/100 mm	■	■	■			7411961
Std Horizontal Flue Kit 60/100 mm (650 mm terminal & 87° bend)	■	■	■			7373237
Std Horizontal Flue Kit 60/100 mm (650 mm terminal, 87° bend & 0.5 m extension)				■	■	Z006108
Alternative horizontal 60/100 mm 1 m flue terminal kit	■	■	■	■	■	Z009350
Vertical Flue Terminal 60/100 mm (1 m terminal)	■	■	■	■	■	7373230
45° Flue Bends (1 pair per pack) 60/100 mm	■	■	■	■	■	7373227
87° Flue Bend 60/100 mm	■	■	■	■	■	7373226
1.95 m Flue Extension 60/100 mm	■	■	■	■	■	7373225
1 m Flue Extension 60/100 mm	■	■	■	■	■	7373224
0.5 m Flue Extension 60/100 mm	■	■	■	■	■	7373223
Flue Fixing Bracket 60/100 mm	■	■	■	■	■	7176762
Terminal Guard	■	■	■	■	■	7337276
Plume Management Kit	■	■	■	■	■	7373238
Plume Kit 45° Bends (2 per pack) 60 mm diameter	■	■	■	■	■	7373266
Plume Kit 87° Bend (1 per pack) 60 mm diameter	■	■	■	■	■	7373267
Plume Kit 1m Flue Extension 60 mm diameter	■	■	■	■	■	7373268
Plume Kit Fixing Clamps 60 mm diameter	■	■	■	■	■	7246572
Roof Slate, Lead tile 500 x 500 mm (pitched roof)	■	■	■	■	■	7373469
Roof Slate, Black (flat roof)	■	■	■	■	■	7248017
Roof Slate, Black - Universal (pitched roof)	■	■	■	■	■	7373288
Chimney Flue Kit 60/100 - 8 m/room - sealed	■	■	■	■	■	Z007379
Chimney Flue Kit 60/100 - 12.5 m/room - sealed	■	■	■	■	■	Z007380
Chimney Flue Kit 60/100 - 8 m/open - flued	■	■	■	■	■	Z007381
Chimney Flue Kit 60/100 - 12.5 m/open - flued (For longer flue lengths upgrade to 80/125)	■	■	■	■	■	Z007382
Std Horizontal Flue Kit 80/125	■	■	■	■	■	Z006368
Vertical Flue Terminal 80/125 mm (1 m terminal)	■	■	■	■	■	7373271
45° Bend (1 pair per pack) 80/125 mm	■	■	■	■	■	7194324
87° Bend 80/125 mm	■	■	■	■	■	7194323
1 m Flue Extension 80/125 mm	■	■	■	■	■	7194321
0.5 m Flue Extension 80/125 mm	■	■	■	■	■	7194320
Flue Fixing Bracket 80/125 mm	■	■	■	■	■	7176664
1.95 m Flue Extension 80/125 mm	■	■	■	■	■	7194322
Flue adaptor 60/100 to 80/125 mm	■	■	■	■	■	7373239

Other accessories

LPG conversion kit G31 (Vitodens 100-W only)	■	■				7828769
DHW connection set for third party unvented cylinders includes extension module H1, DHW sensor			■			Z006704
DHW cylinder sensor Vitocell unvented cylinders (G3 compliant)		■	■			7179114
Stand off frame (System & Combi 26 kW)		■				7299294
Stand off frame (System & Combi 30 & 35 kW)		■				7299418
DHW secondary circuit kit (Vitodens 222-F)				■		7351819
Wall mounting bracket for Vitotronic 100/200 includes wall bracket, cover for boiler and 5 m cable			■	■	■	7299408
Sub-mounting mixer kit for Vitodens 200-W up to 35 kW only with Vitotronic 200 - 2 heating circuits			■			7439104
Boiler High efficiency modulating pump up-grade			■	■		7424493
Sub-mounting kit with thermostatic mixer - Vitodens 100-W 26 kW - 2 heating circuits		■				7247967
Sub-mounting kit with thermostatic mixer - Vitodens 100-W 30/35 kW - 2 heating circuits		■				7262780
Vitocom 100 (Type GSM) for remote control via GSM/mobile phone network (excl SIM card)			■	■	■	Z004594
Condensate pump (Liang) for low level boiler installation	■	■	■	■	■	7374796
Valve fittings cover			■			7438096
Tool kit	■	■	■	■	■	9537070
Ionisation current test adaptor	■	■	■	■	■	7822883
Plate heat exchanger flushing system	■	■	■	■	■	7373005
Solar control module (SM1)			■			7429073

Plume management kit

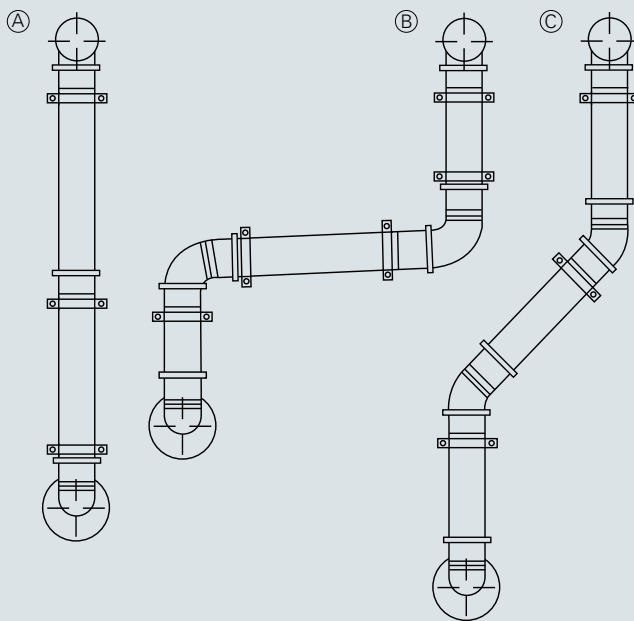
The plume kit enables the relocation of the flue outlet of a standard horizontal flue system to another position and is available as an optional extra.

- Ensure the maximum length of 3 m (externally) and 7 m (internally) is not exceeded
- The maximum length is reduced by 1 m when using a further 87° bend or 2 x 45° bends
- Deduct 3 m from the maximum possible standard concentric horizontal flue length and add the standard plume kit maximum length to give maximum length of entire flue system. ie. 6 m - 3 m + 2 m = 5 m maximum

The standard plume kit comprises of the following parts:

- 87° connection to horizontal terminal
- 1 m pipe extension
- 87° flue outlet elbow with bird mesh
- Fixing clamps

Typical routing options



Item	Part no.
(A) Plume kit standard delivery 2 m max. length	7373238
(B) Plume kit standard delivery additional options	
2 x 87° bends	7373267
1 pipe 1 m long	7373268
(C) Plume kit standard delivery additional option	
2 x 45° bends	7373266
1 pipe 1 m long	7373268
Fixing clamps	7246572

Controls

Viessmann boilers have the added benefit of advanced control technology.

Viessmann controls are easy to install, maintain and operate and benefit from fault logging and diagnostic systems. They switch easily between Winter and Summer settings and some models have useful short cuts, including holiday, party and economy settings. All Vitodens boilers will operate with Viessmann and non-Viessmann external controls.

Lambda Pro Control

The Lambda Pro combustion controller works along side the burner to constantly monitor the air to gas ratio. Instead of the gas mix remaining fixed from installation, the mix is automatically adjusted to maintain the correct ratio – in a similar way to the fuel management system in your car engine. This also means that on-site commissioning time is reduced.

The Lambda Pro is designed to work efficiently irrespective of the quality of the gas – a factor which will become more and more important as international gas supplies become less reliable.

The control replaces the traditional gas valve and changing to LPG takes just a few seconds – with no replacement parts! The Lambda Pro is an integral component of the Vitodens 200-W, Vitodens 222-F and Vitodens 242-F.

Weather Compensation

Weather compensation controls are a great, low cost way to make a boiler operate more efficiently. They can save up to 12% of annual fuel bills – that's on top of the big savings that you get from changing to a condensing boiler.

The boiler is connected to a small sensor on the outside of the building. When the temperature changes outside, the boiler responds and starts to increase or decrease the radiator temperature, to compensate. This pro-active mechanism means that people inside the building won't even notice that the temperature outside has changed. These constant small changes also mean that the boiler is able to operate at the minimum temperature required to keep the rooms warm. This keeps the return temperature as low as possible and a return temperature of 57°C or less means the boiler can condense as it is designed to. Weather compensation maximises the condensing period of the boiler and results in significant fuel savings.

Vitotrol 100 control system for Vitodens 100-W and 100-W Compact

Thermostat

- Vitotrol 100 room thermostat. Basic room thermostat with switched output (two-point output) (a)
- Vitotrol 100 UTA RF wireless programmable room thermostat. Analogue 24 hour, one channel clock (c)
- Vitotrol 100 UTDB RF2 wireless programmable room thermostat. Digital 7 day, two channel clock with large LCD display and selector for adjusting permanent comfort, permanent set back and frost protection (d)

Timer

- Analogue plug-in clock for operation with Vitotrol 100 room thermostat. Single channel plug-in time switch. Heating program selector switch with switched output for 24 hour programmable heating operation (e)
- Digital plug-in clock for operation with Vitotrol 100 room thermostat. Two channel plug-in time switch for heating and DHW. 7 day programming, with up to 42 switching programs and adjustable holiday program (b)

Vitotronic control systems for Vitodens 200-W, 222-F and 242-F, with economic energy management for all system sizes

Vitotronic control units think for you – from installation through to operation and maintenance. Whether used in an apartment, a detached home or in large systems, they offer the optimum solution for every need. As digital control systems with communication capability they ensure the economical and reliable operation of your heating system with well thought out electronic management.

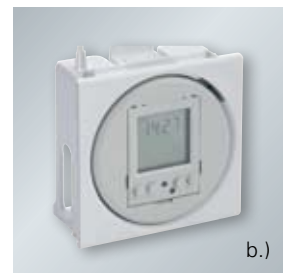
One control system for all boilers

All Viessmann boilers, whether wall mounted units, small freestanding boilers or larger boilers – are all controlled by one Vitotronic. That means: common parts throughout the entire boiler range, standardised assembly steps and only a few universal spare parts. This substantially simplifies installation, maintenance and service.

The innovative Viessmann modular design combines the basic chassis and function units to create various control unit versions – in each case matching the boiler and the individual requirements.



a.)



b.)



c.)



d.)



e.)

Control technology



The graphic display of the new Vitotronic control unit can also display the solar yield



Vitosolic 100 solar control unit



Vitotrol 200



Vitotrol 300-A

The new Vitotronic generation of programming and control units introduces user prompts for setting and controlling heating systems. Navigation is as easy as can be and mirrors the well known scroll wheel you are familiar with from mobile phones or TV remote controls.

Notice the sophisticated black fascia of the new Vitotronic series of compact appliances, with its rich contrast of black and white on the front fascia. It features a multi-line plain text display with large, easily legible fonts and the display is 70% larger than comparable devices. The display can show graphics including heating curves and can show the solar yield in interactive mode. It is also backlit and, thanks to the clear monochrome contrast is easily legible even in poorly lit installations.

The programming unit of the Vitotronic can be removed from the front of these appliances and can be sited up to 5 m away from the boiler, enabling installation in areas with restricted access, e.g. if the boiler is installed in a garage or loft.

The modular Vitotronic control units are available for weather compensated control of their respective heat sources.

Weather compensation

- Vitotronic 200 HO1A plug-in weather compensation control

External sensor for weather compensation

- Weather Compensation Outdoor Sensor

Vitosolic – solar control units

Intelligent energy management. With a Vitosolic solar control unit, you can use solar energy very effectively. This system covers all conventional applications and can control up to four separate heating circuits, e.g. cylinders and swimming pools.

By communicating with the Vitotronic boiler control unit, the Vitosolic ensures that optimum use is made of the heat obtained from the solar collectors, and that as little additional energy as possible is used for DHW or central heating. This suppresses the boiler and reduces heating costs. Thanks to a plain text menu driven display, the control unit is easy to operate as it uses the proven Vitotronic user interface. Information regarding the solar thermal system can also be viewed on the Vitotronic boiler control unit and the Vitotrol 300 remote control.

Vitosolic 100

- Attractively priced, electronic temperature differential control unit for DHW heating with solar heating systems
- Simple operation – identical to the Vitotronic user interface
- Dual display provides information about the actual temperature and the operating conditions of the pump

Vitosolic solar controls

- Vitosolic 100 SD1 Part No 7438086
- Includes Cylinder temperature sensor and Collector temperature sensor

Control guide

Description	Vitodens 100-W Compact	Vitodens 100-W	Vitodens 200-W	Vitodens 222-F	Vitodens 242-F	Part no.
Vitotronic 100 HC2A constant temperature + 7 day programmer			<ul style="list-style-type: none"> Optional: Room thermostat EXT AM1 Internal EXT H1 Internal EXT H2 Solar module 	<ul style="list-style-type: none"> Optional: Room thermostat EXT AM1 Internal EXT H1 Internal EXT H2 Solar module 		7438369
Vitotronic 200 H01A plug-in weather compensation control			<ul style="list-style-type: none"> Optional: Vitotrol 200-A Vitotrol 300-A Room sensor EXT AM1 Internal EXT H1 Internal EXT H2 Solar module 	<ul style="list-style-type: none"> Optional: Vitotrol 200-A Vitotrol 300-A Room sensor EXT AM1 Internal EXT H2 	<ul style="list-style-type: none"> Optional: Vitotrol 200-A Vitotrol 300-A Room sensor EXT AM1 Internal EXT H2 	7441822
Vitotrol 100 room thermostat a)	<ul style="list-style-type: none"> Optional: Digital time switch 	<ul style="list-style-type: none"> Optional: Timer Weather compensation 	<ul style="list-style-type: none"> Only with 100 HC2A 	<ul style="list-style-type: none"> Only with 100 HC2A 		7141709
Vitotrol 100 UTA room thermostat - analogue 24hr		<ul style="list-style-type: none"> Optional: Timer 				7170149
Analogue timer switch (plug-in) 24hr programmer e)		<ul style="list-style-type: none"> Optional: Room thermostat Weather compensation 				7296062
Vitotrol 100 UTDB programmable room thermostat - 7 day single channel		<ul style="list-style-type: none"> 	<ul style="list-style-type: none"> Only with 100 HC2A 	<ul style="list-style-type: none"> Only with 100 HC2A 		Z007691
Vitotrol 100 UTDB RF wireless programmable room thermostat - 7 day single channel	<ul style="list-style-type: none"> 	<ul style="list-style-type: none"> 	<ul style="list-style-type: none"> 			Z007692
Vitotrol 100 UTDB RF2 wireless plug-in programmable room thermostat, 2 channel - 7 day d)	<ul style="list-style-type: none"> 	<ul style="list-style-type: none"> 				Z007693
Digital time switch (plug-in) 7 day 2 channel b)	<ul style="list-style-type: none"> Optional: Room thermostat 	<ul style="list-style-type: none"> Optional: Room thermostat Weather compensation 				7296063
Vitotrol 100 UTA wireless room thermostat 1 channel 24hr plug in analogue receiver c)	<ul style="list-style-type: none"> Optional: Weather compensation 	<ul style="list-style-type: none"> Optional: Weather compensation 				7296064
Vitotrol 200 remote control unit			<ul style="list-style-type: none"> Only with H01A 	<ul style="list-style-type: none"> Only with H01A 	<ul style="list-style-type: none"> Only with H01A 	7450017
Vitotrol 300 remote control unit			<ul style="list-style-type: none"> Only with H01A 	<ul style="list-style-type: none"> Only with H01A 	<ul style="list-style-type: none"> Only with H01A 	7248907
Room temperature sensor only			<ul style="list-style-type: none"> Only with H01A 	<ul style="list-style-type: none"> Only with H01A 	<ul style="list-style-type: none"> Only with H01A 	7408012
Vitotrol 200-A remote control with LCD display for 1 heating circuit (only with Vitotronic 200)			<ul style="list-style-type: none"> Only with H01A 	<ul style="list-style-type: none"> Only with H01A 	<ul style="list-style-type: none"> Only with H01A 	Z008341
Vitotrol 300-A remote control with LCD display for 3 heating circuits (only with Vitotronic 200)			<ul style="list-style-type: none"> Only with H01A 	<ul style="list-style-type: none"> Only with H01A 	<ul style="list-style-type: none"> Only with H01A 	Z008342
Room temperature sensor (optional for Vitotrol 300-A only)			<ul style="list-style-type: none"> Only with H01A 	<ul style="list-style-type: none"> Only with H01A 	<ul style="list-style-type: none"> Only with H01A 	7438537
Weather compensation outdoor sensor		<ul style="list-style-type: none"> 				Z006506
Weather compensation outdoor sensor kit (including control box)	<ul style="list-style-type: none"> 					Z007933
Extension AM1 - function extensions wall mounted to control up to 2 pumps, i.e. DHW secondary circulation pump, pump for DHW heating, CH pump without mixer			<ul style="list-style-type: none"> 	<ul style="list-style-type: none"> 	<ul style="list-style-type: none"> 	7429152

■ Product only compatible with these Vitodens ranges

**2 year comprehensive warranty as standard
25 year warranty on 200 range stainless steel vessel**



Cylinders

The Vitocell range from Viessmann offers the right domestic hot water cylinder for every demand, ideally matched to the heat source.

Warranty

- 25 year warranty on the 200-V and 200-B stainless steel vessel against perforation
- Standard 2 year warranty on all other parts, e.g. 300-V and 300-B, thermal controls, valves, electrical components, etc

Unique G3 application

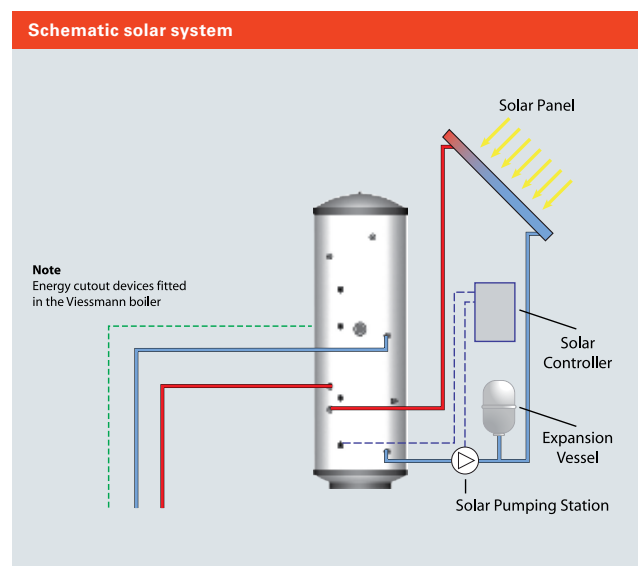
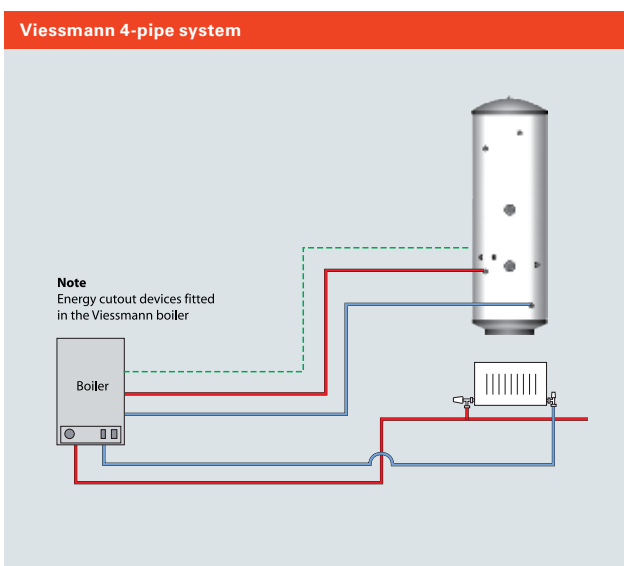
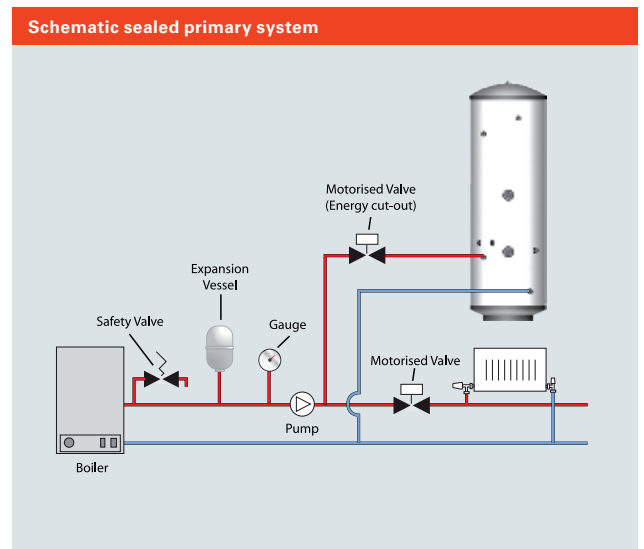
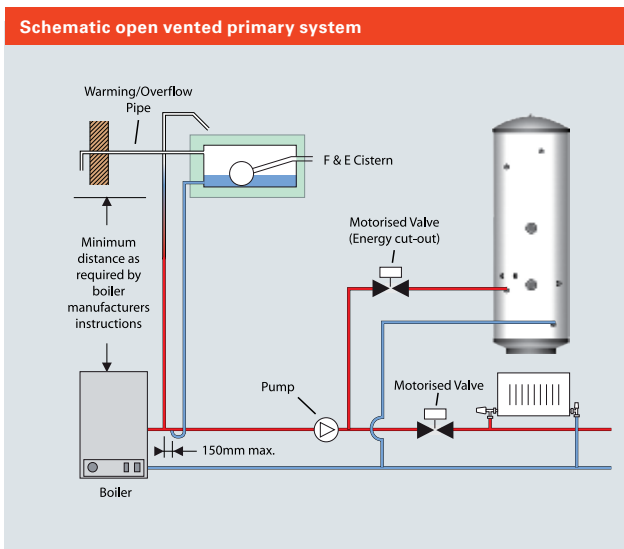
- Vitodens System boilers up to 35 kW fitted to a 4-pipe hydraulic system, installed with a Vitocell 200 or 300 cylinder do not require an energy cut-off valve and cylinder overheat thermostat
- Instead a cylinder sensor takes over the DHW temperature control (sensor part no. 7179114)
- The energy cut-off valve and cylinder overheat thermostat are now standard in the Vitodens boiler
- No Part P requirements saves valuable installation time (up to 1 hour)
- Vitodens boilers adjust the cylinder temperature and the boiler flow temperature is optimised to the set DHW temperature, giving improved system efficiency

Application guide

Hot water demand	Bedrooms	Cylinder size (litres)
1 Bathroom or shower	1	90
1 Bathroom with shower	2 - 3	120
1 Bathroom with shower	3 - 4	150
1 Bathroom with 2 showers	3 - 4	150 - 180
2 Bathrooms and separate shower	4 - 5	210
3 Bathrooms and separate shower	4 - 5	250
3 Bathrooms with 2 separate showers	> 5	300

Cylinders

The cylinders come with all necessary accessories and can be connected to traditional open vented and sealed 'S' type systems, or in conjunction with our preferred 4-pipe system for optimum performance.



VITOCCELL 200-V

The Vitocell 200 range of unvented hot water storage cylinders are indirectly heated cylinders designed for use with Vitodens system boilers (or UK standard boilers).



With a Vitodens system boiler the cylinder is controlled by the built-in diverter valve and the optional tank sensor and comes supplied with all cold and hot water controls and a two-port valve for domestic hot water. The single coil cylinders are available in seven sizes, from 90 litres to 300 litres. Manufactured from the very latest high specification Duplex stainless steel to resist all forms of corrosion, the cylinders are nevertheless light and easy to handle and insulated with at least 50 mm of polyurethane foam. This results in astonishingly low levels of heat loss and a performance greater than CHES requirements.

All cylinders are also provided with an auxiliary back up 3 kW electric immersion heater. The operating thermostat and energy cut-out are for use with non-Viessmann boilers or traditional 'S' or 'Y' plan systems. The immersion heater is fitted at the front for easy access and designed for use in un-vented installations, and it contains an additional safety overheat thermostat.

- CFC/HCFC free fire retardant polyurethane foam with an ozone depletion potential of zero (ODP Zero) and a global warming potential (GWP) of one
- Insulation exceeds CHES Best Practice, as low as 1.4 kW/24 hr
- High recovery heating coil in less than 19 minutes
- All cylinders have a separate sensor pocket for connection to a Viessmann 4-pipe system
- Stand alone cylinder, complies with G3 Building Regulations
- High flow rates achievable working at 3.0 Bar
- External expansion vessel (supplied)
- Dimensions of 600 mm at widest point
- Simple front connection compression fittings
- Back up 3 kW immersion heater
- Simple maintenance – no anode required
- Lightweight design for ease of transport and handling
- 25 year warranty against corrosion

Vitocell 200-V

Model	Height (mm)	Diameter (mm)	kW rating of primary coil (kW)	Recovery time after 70% draw of (min)*	Stand-by losses (kWh/24h)**	Expansion vessel	Part no.
200-V 90	732	550	16.5	19	0.90	12 litre	7160768
200-V 120	820	550	18	19	1.00	12 litre	7160769
200-V 150	1 107	550	18.5	19	1.20	18 litre	7160770
200-V 180	1 295	550	19	21	1.40	18 litre	7160771
200-V 210	1 493	550	20.5	26	1.60	24 litre	7160772
200-V 250	1 733	550	21.5	30	1.75	24 litre	7160773
200-V 300	2 020	550	25	32	1.83	40 litre	7160774

* Approx re-heat time for 70% of cylinder contents from 15°C to 65°C using a 82°C flow

** Meets CHES Best practice requirements

VITOCCELL 300-V

The Vitocell 300 range of unvented hot water storage cylinders are indirectly heated cylinders designed for use with Vitodens system boilers and characterised by the use of heavy gauge quality stainless steel.

The Vitocell 300 range is characterised by the use of heavy gauge quality stainless steel, in many cases twice as thick as competitor products. Substantial insulation and the construction of the cylinder ensures leading heat loss performance. The single coil cylinders are available in five sizes, from 130 litres to 500 litres, and can satisfy larger demands for DHW as several units can be linked together.

Vitocell 200-V and 300-V

Single coil		Vitocell 300-V 200	Vitocell 200-V 180
Volumes	litres	200/300/500	90/120/150/180/210/250/300
Material		SS 1.4571	SS Duplex
Thickness/gauge	mm	2.5 - 2.6	1
Max. pressure	bar	16	10
Operating pressure	bar	10	3
Insulation		PUR	PUR
Heat loss in 24h	kW	1.17	1.4
Height	mm	1 420	1 295
Width/diam.	mm	581	550
Overall width	mm	651	600
Immersion heater		3/5 (400V)	3 (230V)
Warranty	years	2	25
Coil rating	kW	40	19
Weight (net)	kg	85	28
Expansion vessel type	litres	Ex. Vessel	Ex. Vessel



VITOCCELL 200-B

Dual-mode domestic hot water cylinders work to heat the domestic hot water with separate indirect coils that are connected directly to the solar thermal system.

An electric immersion heater is integrally fitted to the cylinder. Domestic hot water cylinders are available in 210, 250 and 300 litre sizes.

CFC/HCFC free fire retardant polyurethane foam with an ozone depletion potential of zero (ODP Zero) and a global warming potential (GWP) of one.

- Insulation exceeds CHES Best Practice, as low as 1.9 kW/24 hr
- High recovery heating coil in less than 19 minutes
- All cylinders can be connected to Viessmann 4-pipe systems with separate sensor pocket
- Stand alone cylinder, complies with G3 Building Regulations

- High flow rates achievable working at 3.0 bar
- External expansion vessel (supplied)
- Dimensions of 600 mm at widest point
- Simple front connection compression fittings
- Back up 3 kW immersion heater
- Simple maintenance – no anode required
- Lightweight design for ease of transport and handling

Note that the solar cylinders are not supplied with a two-port valve for the solar circuit. It can be omitted if the following applies:

- The solar collector is wholly above the cylinder
- The high limit thermostat act directly on the pump
- That check-valves are present on both flow and return pipes to prevent gravity circulation

Vitocell 200-B

Model	Height (mm)	Diameter (mm)	kW rating of primary coil (kW)	kW rating of solar coil (kW)	Recovery time after 70% draw of (min)*	Stand-by losses (kWh/24h)**	Expansion vessel	Part no.
VC 200-B 210	1 483	550	18.5	19	16	1.60	24 litre	7160775
VC 200-B 250	1 733	550	19	19	19	1.75	24 litre	7160776
VC 200-B 300	2 020	550	20.5	19	20	1.93	40 litre	7160777

* Approx re-heat time for 70% of cylinder contents from 15°C to 65°C using a 82°C flow

** Meets CHES Best practice requirements

VITOCCELL 300-B

The Vitocell 300-B is a dual mode DHW cylinder with two indirect coils. Made from high alloy stainless steel, the Vitocell 300-B is a reliable and efficient solution for the integration of two energy sources.

The cylinders are available in two sizes, either 300 litres or 500 litres.

Vitocell 200-B and 300-B

Twin coil		Vitocell 300-B 300	Vitocell 200-B 300
Volumes	litres	300/500	210/250/300
Material		SS 1.4571	SS Duplex
Thickness/gauge	mm	2.8	1
Max. pressure	bar	16	10
Operating pressure	bar	10	3
Insulation		PUR	PUR
Heat loss in 24h	kW	1.17	1.9
Height	mm	1 790	2 020
Width/diam.	mm	633	550
Overall width	mm	700	600
Immersion heater		3/5 (400V)	3 (230V)
Warranty	years	2	25
Coil rating	kW	54	19
Weight (net)	kg	100	46
Expansion vessel type	litres	Ex. Vessel	Ex. Vessel



Solar

Viessmann is one of the leading European manufacturers of solar thermal systems with innovative flat plate and tube collectors for domestic hot water (DHW) and central heating back up.

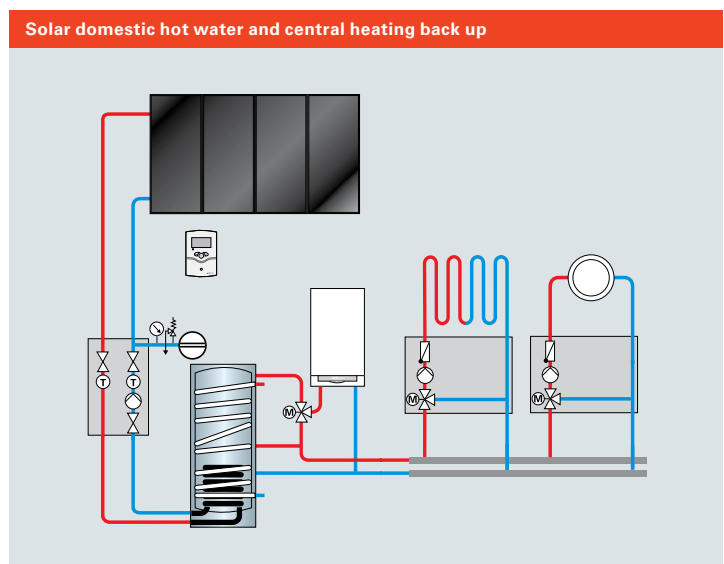
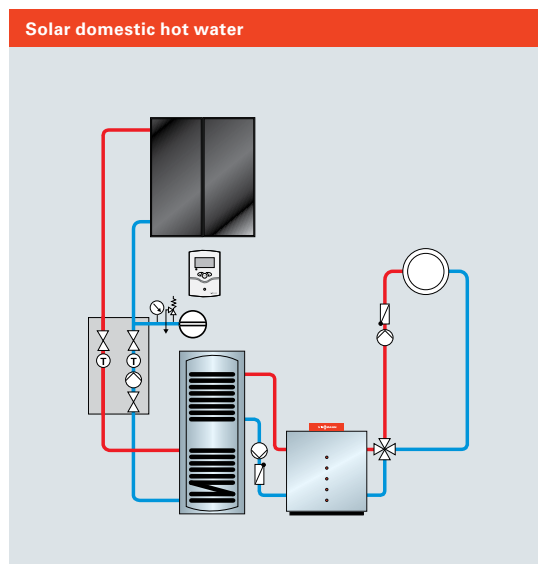
By combining Viessmann condensing boilers and highly efficient solar collectors it is possible to save up to 35% on heating costs, if the solar collectors are used for both DHW heating and central heating back up. Used for DHW heating alone, the energy consumption can be lowered by up to 60%. Across all UK homes, this would be 15% of the total UK energy consumption and would reduce annual CO₂ emissions by 92 million tonnes.

With more than 30 years experience in the development and manufacture of solar thermal systems, you can count on Viessmann to provide the highest levels of innovation and quality.

Viessmann's company philosophy; "nothing is so good that it cannot be improved" has resulted in continually improving standards in quality and technology, with Viessmann now considered as the European market leader in solar DHW systems.

Viessmann solar collectors are designed for an exceptionally long service life, guaranteed by the use of high-grade, corrosion-resistant materials such as glass, aluminium, copper and stainless steel.

- Collectors are guaranteed for 5 years against material and manufacturing defects
- All other items carry a 2 year warranty, e.g. Roof fixing equipment, expansion vessel, etc



Solar thermal system

1 Vitosol solar thermal collectors

The flat plate and tube collectors from the Vitosol series can be optimally matched to the relevant energy demand

2 Condensing boiler with dual-mode DHW cylinder

The heart of this solution is the dual-mode DHW cylinder, with two heating coils. The lower coil is connected to the solar collectors and pre-heats the water in the cylinder, reducing the requirement from the boiler

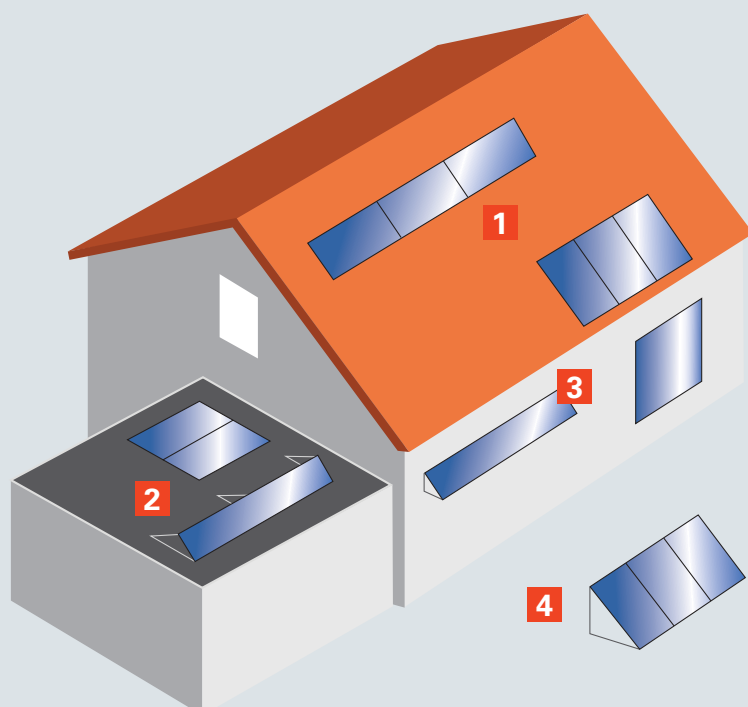
3 The Solar-Divicon pump station

Ensures correct functioning of thermal safety and hydraulic systems and contains solar pump, flow meter, thermometers, and isolation and safety valve



Solar installation options

- 1 Pitched roof
- 2 Flat roof
- 3 Wall/balcony rail/balustrade
- 4 Freestanding installation



VITOSOL 100-F

The Vitosol 100-F is an attractively priced flat plate collector with a coated aluminium absorber.

The weather resistant aluminium frame and seamless seal guarantee permanent tightness and stability. Highly effective thermal insulation reduces heat loss particularly during Spring, Autumn and Winter when ambient temperatures decline. Easy installation with the possibility for up to ten collectors connected in parallel, combined with Viessmann's renowned reliability ensures the Vitosol 100-F is suited for all standard applications on family homes and is a particularly effective means of DHW heating.

- Plate collector with coated aluminium absorber
- High quality weather resistant aluminium frame
- Effective thermal insulation
- Easy installation, with options for on-roof and A-frame
- Suitable for standard applications on family homes for DHW heating
- Low investment cost
- Solar panels suitable for coastal areas are available on request



Flat plate collector Vitosol 100-F

Type		SV1	SH1
Gross area	m ²	2.51	2.51
Absorber area	m ²	2.32	2.32
Aperture area	m ²	2.33	2.33
Dimensions (overall)	Depth mm	72	72
	Width mm	1 056	2 380
	Height mm	2 380	1 056
Weight (incl. thermal insulation)	kg	43	43



VITOSOL 200-F

The Vitosol 200-F is a high specification flat plate collector and was granted the highest possible rating by the German consumer association equivalent to UK's 'Which?'.

The Vitosol 200-F has an attractive design and the frame is finished in brown as standard and other RAL colours are available on request to match roof tiles. Load tested and corrosion resistant, the Vitosol 200-F is easy to install with the capacity for up to 12 collectors connected in parallel.

- High specification flat plate collector
 - Highest possible consumer association rating
 - Load tested and corrosion resistant
 - Easy installation, with on-roof and in-roof option
 - Seamless, painted aluminium frame
 - No water ingress as concealed seals prevent UV degradation
 - The frame can be specified to match all roof/tile colours
- Stable, highly transparent cover made from special toughened glass allows maximum light in to the collector while ensuring durability
 - The use of copper ensures efficient thermal transfer
 - Meander maximises contact with flat plate collector to provide maximum heat transfer
 - Highly effective thermal insulation minimises heat loss and eradicates condensation problems often found in flat plate collectors
 - Solar panels suitable for coastal areas are available on request



Outstanding quality you can rely on: The German consumer association "Stiftung Warentest" gave the Vitosol 200-F the highest possible rating, in its March 2008 edition. More information at: www.test.de.



Flat plate collector Vitosol 200-F

Type		SV2	SH2
Gross area	m ²	2.51	2.51
Absorber area	m ²	2.32	2.32
Aperture area	m ²	2.33	2.33
Dimensions (overall)	Depth mm	90	90
	Width mm	1 056	2 380
	Height mm	2 380	1 056
Weight (incl. thermal insulation)	kg	52	52

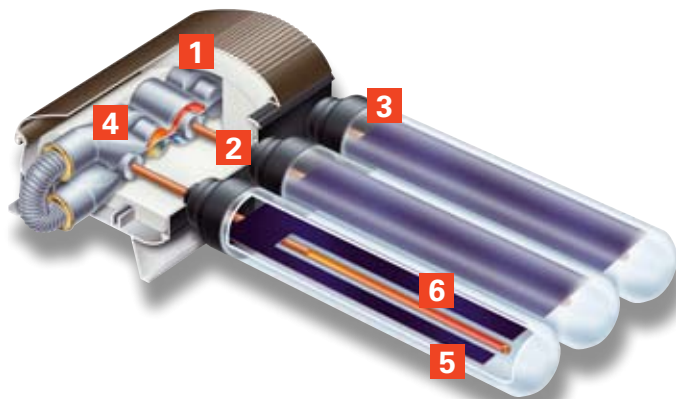


VITOSOL 200-T

The new Vitosol 200-T vacuum tube collector is based on the heat pipe principle, in common with the 300-T.

In the 200-T there are a number of additional installation benefits, as the tubes can be fitted onto flat roofs without the need for an A frame, and they are also suitable for horizontal installation onto walls.

Heat pipe collectors are best applied when the system is expected to be used intermittently or when the heating capacity will often be greater than the heating requirement, as this presents a high risk of stagnation.



- Highly efficient vacuum tube collector based on the heat pipe principle for high operational reliability against overheating
- The Sol-titanium coated absorber surfaces, which are integrated into the vacuum tube, are not susceptible to contamination
- Tubes can be rotated for optimum alignment with the sun, thereby maximising the energy yield
- Highly effective thermal insulation of the header casing for minimal thermal losses, enabling conversion of even low levels of solar radiation
- Patented and highly effective Duotec twin-pipe heat exchanger
- Easy installation through the Viessmann assembly and connection systems

Vitosol Heat Pipe

- 1 Highly effective thermal insulation
- 2 "Dry" connection, no direct contact between process and heat transfer medium
- 3 High-grade, low ferrous glass
- 4 Duotec twin-pipe heat exchanger
- 5 Heat pipe
- 6 Sol-titanium coated absorber



Vacuum tube collector Vitosol 200-T
Heat pipe system

Type		SP2	SP2
Version	m ²	2	3
Gross area	m ²	2.88	4.32
Absorber area	m ²	2.00	3.02
Aperture area	m ²	2.15	3.23
Dimensions (overall)	Depth mm	143	143
	Width mm	1 420	2 129
	Height mm	2 040	2 040
Weight (incl. thermal insulation)	kg	58	87



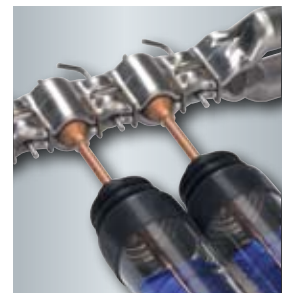
VITOSOL 300-T

The Vitosol 300-T offers a high performance vacuum tube collector that meets the highest demands of efficiency and safety.

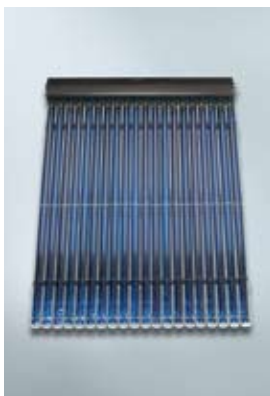
The high performance of the 300-T is based on the proven heat pipe principle. In heat pipe systems, the solar fluid does not flow directly through the tubes. Instead, a small amount of liquid evaporates in the copper pipe below the absorber and transfers the heat to the solar fluid via a heat exchanger.

As well as incorporating heat pipe technology, the Vitosol 300-T benefits from the easy installation, high efficiency and high grade materials found across the Vitosol range.

- Highly efficient vacuum tube collector based on the heat pipe principle for high operational reliability against overheating
- The Sol-titanium coated absorber surfaces, which are integrated into the vacuum tube, are not susceptible to contamination
- Tubes can be rotated for optimum alignment with the sun, thereby maximising the energy yield
- Highly effective thermal insulation of the header casing for minimal thermal losses, enabling conversion of even low levels of solar radiation
- Patented and highly effective Duotec twin-pipe heat exchanger
- Easy installation through the Viessmann assembly and connection systems



Efficient heat transfer through fully encapsulated condensers and twin-pipe Duotec heat exchanger



Vacuum tube collector Vitosol 300-T Heat pipe system

Type		SP3A	SP3A
Version	m ²	2	3
Gross area	m ²	2.87	4.32
Absorber area	m ²	2.00	3.02
Aperture area	m ²	2.15	3.23
Dimensions (overall)	Depth mm	143	143
	Width mm	1 420	2 127
	Height mm	2 040	2 040
Weight (incl. thermal insulation)	kg	58	87





Solar kits

Solar kits are available for the Vitodens 242-F heating tower and these include the following items:

- Roof kit
- Connection set
- Sensor pocket
- Manual air vent
- Through roof flexi pipes
- Expansion vessel
- Tyfocor GLS
- 12 m flow/return pipes
- Air separator
- Filler manifold

Standard Vitosol solar kits are available and these include the following items:

- Solar Divicon PS10
- Vitosolic 100
- Roof kit
- Connection set
- Sensor pocket
- Manual air vent
- Through roof flexi pipes
- Expansion vessel
- Tyfocor GLS
- Air separator
- Filler manifold

Available as an accessory

- 12 m flow/return pipes

The kits offer the option of specifying:

- 100-F flat plate collectors for either horizontal or vertical on roof
- 200-F flat plate collectors for in-roof or vertical on roof
- 200-T vacuum tube collectors
- or 300-T vacuum tube collectors

All collector and installation options are available. For in-roof installation the integrated panel also includes connection covers.



Support services

Viessmann has always believed that the installer is key.

As of the 1st February 2011 the entire Vitodens 100-W boiler range comes with a 5 year comprehensive warranty as standard. The Vitodens 200-W and 222-F have a 3 year comprehensive warranty as standard, that increases to 5 years if fitted by a Viessmann trained installer.

Equally our Vitosol solar collectors have a standard 5 year warranty, your perfect tool to win the sale.

Viessmann supports installers and trade partners with a wide range of downloads available from its websites, including technical datasheets, installation guides and user guides. Its team of Technical Advisors can be contacted for help with all aspects of installation, servicing and trouble-shooting. Installers can also request marketing literature to help their customers with product selection.



The Viessmann Academy

The aim of the Viessmann Academy is to provide knowledge on leading technology to professionals in the heating industry, thereby taking a vital role in the development of skill sets and the establishment of new, innovative technologies in the market place.

The Academy has been a major pillar of the Viessmann philosophy since the 1960s and each year trains more than 100 000 installers across the world.

Training courses in the United Kingdom

The Viessmann UK Academy is based at the headquarters in Telford, Shropshire, and also has external training locations around the country, currently in Liskeard, Redcar, Kingston, Lincoln, Stirling and Salisbury.

Here, the Viessmann Academy trains installers, merchants, engineers, specifiers and consultants, not only on the current product range but also on many product types and topics.

To request a place on a Viessmann training course, please contact your Area Business Manager. To find their contact details, call 01952 675000.

Viessmann Academy course offer



Domestic boiler courses

Gas-fired Combination and System boilers Vitodens 100-W.
Gas-fired Vitodens 200 range, including 200-W, 222-F and 242-F, and Vitotronic controls.



Commercial boiler courses

Gas-fired light commercial System boiler Vitodens 200-W.
Gas-fired commercial System boiler Vitodens 200-W and Vitotronic controls.



Solar courses

Practical solar thermal course including the Vitodens 242-F solar heating tower.
CITB certified course on solar thermal system (3 days, chargeable).



Biomass boiler courses

Bespoke courses on commercial biomass boilers.



Heat pump courses

Introduction to heat pumps including a Vitocal 200-G installation course (2 days).





Contact us

Viessmann UK Ltd, Hortonwood 30, Telford, Shropshire, TF1 7YP

Telephone

01952 675000

Fax

01952 675040

Sales

Telephone – Domestic

01952 675010

Telephone – Commercial

01952 675090

Fax

01952 678600

Training academy

Telephone

01952 675032

Technical helpline

Telephone

01952 675070

After sales

Telephone

01952 675060

Email

aftersales-uk@viessmann.com

Spares

Telephone

01952 675013

Online

Register online for engineer service requests and warranties

www.viessmann.co.uk

Vitodens technical specification

Appliance		Vitodens 100-W						Vitodens 100-W Compact				
		Combi			System			Open vent				
		26 kW	30 kW	35 kW	26 kW	30 kW	35 kW	13 kW	16 kW	19 kW	26 kW	
Mode	Unit											
Rated CH output												
At Tf/Tr 50/30 °C (condensing)	kW	9 - 26	11 - 26	11 - 26	9 - 26	11 - 30	11 - 35	7.9 - 13	7.9 - 16	7.9 - 19	7.9 - 26	
At Tf/Tr 80/60 °C (non-condensing)	kW	8.2 - 23.7	10 - 23.7	10 - 23.7	8.2 - 23.7	10 - 27.3	10 - 31.9	7.2 - 11.9	7.2 - 14.6	7.2 - 17.3	7.2 - 23.7	
Rated central heating input (net)	kW	8.4 - 27.1	8.4 - 27.1	8.4 - 27.1	8.4 - 24.3	10.3 - 28	10.3 - 32.7	7.4 - 12.2	7.4 - 15	7.4 - 17.8	7.4 - 24.3	
Rated central heating input (gross)	kW	9.3 - 26.9	11.4 - 26.9	11.4 - 26.9	9.3 - 26.9	11.4 - 31.1	11.4 - 36.3	8.2 - 13.5	8.2 - 16.6	8.2 - 19.8	8.2 - 26.9	
Domestic hot water output range	kW	8.2 - 26	11 - 30	11 - 35	n/a	n/a	n/a	n/a	n/a	n/a	n/a	
Max. natural gas rate (CH mode)	m3/h	2.6	2.6	2.6	2.6	3	3.5	1.3	1.6	1.9	2.6	
Max. natural gas rate (DHW mode)		2.9	3.3	3.9	n/a	n/a	n/a	n/a	n/a	n/a	n/a	
Seasonal efficiency (SEDBUK)	%	90	90.3	90.3	90.3	90.4	90.5	90.2	90.3	90.2	90.3	
SEDBUK rating		A						A				
NO _x classification	class	5 (<39 mg/kWh)						5 (<39 mg/kWh)				
DHW/CH												
DHW performance @ 35°C temp. rise	l/min	10.6	12.3	14.3	n/a	n/a	n/a	n/a	n/a	n/a	n/a	
DHW temp. range	°C	30 - 60			n/a	n/a	n/a	n/a	n/a	n/a	n/a	
Max. mains water inlet pressure	bar	10			n/a	n/a	n/a	n/a	n/a	n/a	n/a	
Min. mains water inlet pressure for max. DHW heat output	bar	1			n/a	n/a	n/a	n/a	n/a	n/a	n/a	
Min. mains water inlet pressure for operation	bar	0.5			n/a	n/a	n/a	n/a	n/a	n/a	n/a	
Min. DHW flow rate for operation	l/min	2			n/a	n/a	n/a	n/a	n/a	n/a	n/a	
Min. CH system pressure – cold	bar	0.5						n/a	n/a	n/a	n/a	
Max. CH system pressure – hot	bar	3						n/a	n/a	n/a	n/a	
Cylinder Capacity		n/a	n/a	n/a	n/a	n/a	n/a	n/a	n/a	n/a	n/a	
CH flow temp. range	°C	30 - 80						30 - 75	30 - 75	30 - 75	30 - 75	
General specification												
Integral expansion vessel capacity	ltr	8						n/a	n/a	n/a	n/a	
Integral expansion vessel pre-charge pressure	bar	0.75						n/a	n/a	n/a	n/a	
Max. CH system water content using fitted expansion vessel @ 0.75 bar and 80°C	ltr	125						n/a	n/a	n/a	n/a	
Total water capacity	ltr	3.5						3.1				
Lift weight	kg	34	39	39	33	38	38	25	25	25	25	
Total weight (including packaging)	kg	41	46	46	40	45	45	30	30	30	30	
Electricity supply		230v, 50 Hz						230v, 50 Hz				
Internal fuse	A	2.5	2.5	2.5	2.5	2.5	2.5	2.5	2.5	2.5	2.5	
Max power consumption	W	111	144	167	107	111	154	45	50	55	60	
Water protect rating		IPX4D						IPX4D				
Flue temp. @ 50/30 - max. CH output	°C	n/a	n/a	n/a	n/a	n/a	n/a	n/a	n/a	n/a	n/a	
Flue temp. @ 50/30 - min. CH output	°C	n/a	n/a	n/a	n/a	n/a	n/a	n/a	n/a	n/a	n/a	
Flue temp. @ 80/60 - max CH output	°C	n/a	n/a	n/a	n/a	n/a	n/a	n/a	n/a	n/a	n/a	
Flue products mass flow rate - NG - max. CH output	kg/h	n/a	n/a	n/a	n/a	n/a	n/a	n/a	n/a	n/a	n/a	
Flue products mass flow rate - NG - min CH output	kg/h	n/a	n/a	n/a	n/a	n/a	n/a	n/a	n/a	n/a	n/a	
Flue products mass flow rate - LPG - max CH output	kg/h	n/a	n/a	n/a	n/a	n/a	n/a	n/a	n/a	n/a	n/a	
Flue products mass flow rate - LPG - min CH output	kg/h	n/a	n/a	n/a	n/a	n/a	n/a	n/a	n/a	n/a	n/a	
Max. gas pressure NG	mbar	20 - 25						20 - 25				
Available flue pressure	Pa	100						100				
Gas Council number		47-819-18	47-819-19	47-819-20	41-819-12	41-819-13	41-819-14	41-819-21	41-819-22	41-819-23	41-819-24	
Product ID		CE-0085 BT 0029						CE-0085 BT 0029				
Dimensions/Connections												
Inner flue duct diameter	mm	60						60				
Outer flue duct diameter	mm	100						100				
Boiler dimension	mm	340	360	340	360	285	285	285	285	285	285	
Depth		400	400	400	400	375	375	375	375	375	375	
Width		725	725	725	725	600	600	600	600	600	600	
Height												
DHW outlet and mains cold inlet	mm	15			secondary flow/return connection for cylinder				n/a			
CH flow and return	mm	22						22				
Condensate	mm	22						22				
Gas	mm	15						15				
PRV outlet	mm	15						15				
Max. horizontal flue length	m	8						8				
Max. vertical flue length	m	10						10				



climate of innovation

Viessmann Limited
Hortonwood 30, Telford
Shropshire, TF1 7YP
Tel: 01952 675000
Fax: 01952 675040
www.viessmann.co.uk

Your trade partner:

9443 449 GB 10/2011

Copyright Viessmann

Duplication and alternative use only with prior written consent.

Subject to technical modifications.