

The

PASSPOINT

Access Control Door Management Site Survey Guide



This guide is intended to assist you in the design and layout of a simple PassPoint Access Control system. Use this worksheet along with PassPoint's "System Designer" worksheet to quote PassPoint systems.

The PassPoint system operates on a Windows™ 95 platform using simple point and click commands. The compact, yet sophisticated, design makes PassPoint Access easy to install and service. LonWorks®-based communication principles make final connections and system wiring simple to understand and easy to accomplish. Each Controller can manage two card-readers. Additional controllers can be added to meet system requirements.

Take this guide to your job site to accurately keep track of door peripherals. To design simple systems, please refer to the attached worksheets. For additional information on computer specifications and design assistance, contact your Systems Specialist.

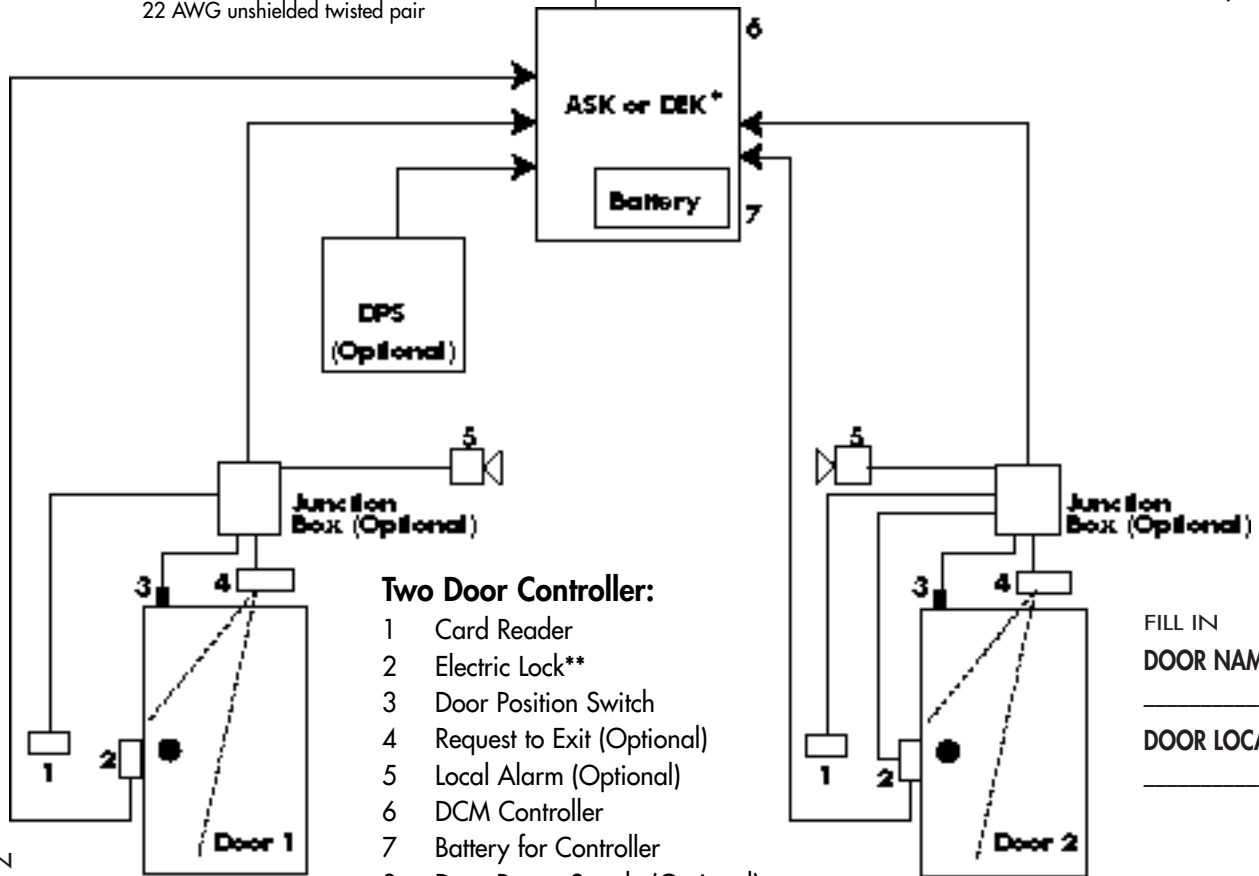
PASSPOINT FIELD PANELS



Access Starter Kit (ASK)

Echelon LonWorks Network

22 AWG unshielded twisted pair



Two Door Controller:

- 1 Card Reader
- 2 Electric Lock**
- 3 Door Position Switch
- 4 Request to Exit (Optional)
- 5 Local Alarm (Optional)
- 6 DCM Controller
- 7 Battery for Controller
- 8 Door Power Supply (Optional)

FILL IN
DOOR NAME:

DOOR LOCATION:

FILL IN
DOOR NAME:

DOOR LOCATION:

*Choose ASK for first panel on any system, then choose DEK for each additional (2) door expansion.

Noise Suppression: Whenever you bring a new electric locking device into any facility, it is **important to remember that these devices generate transients (noise) that can interfere with the proper operation of other electronic buildings systems. **Take proper preventative action** during installation to incorporate "Transient Suppression" as close as possible to the coil of each locking device that you install.

PassPoint Door Control Module Provides:

- ▲ Adjustable momentary open times
- ▲ Automatic re-locking of the electric lock on door closing or opening
- ▲ Activation of local relay
- ▲ Annunciation for door forced or door ajar



Door Expansion Kit (DEK)

PASSPOINT ACCESS CONTROL

REF. #	ITEM	APPLICATION/DESCRIPTION	EXAMPLE FROM ADI	UNIT PRICE	QTY.	EXTENDED PRICE
1	Card Reader	Proximity	PTPROX	USE SYSTEM DESIGN GUIDE TO QUOTE THIS		
2	Electronic Lock or Strike	Electronic strike 12VDC and Face plates or Mag Locks (requires emergency override device. Check with Authority Having Jurisdiction and NFPA guidelines for proper application)	HE-7U12D30 HE-7000CPAC Contact System Specialist			
3	Door Position Switch	Detects if door is opened or closed	7939-2GY			
4	Request to Exit Device	Push-button or Motion detector or other	RU908M032D ^(PUSH BUTTON) or VSDA5 ^(MOTION DETECTOR)			
5	Local Audible Alarm (Optional)	Audible annunciation for door forced open, door ajar or invalid card transactions 15 ma draw or less	AMSECO PAL-328N			
6	ASK or DEK	Two reader Controller, including transformer	First choose PTASKPROX then expand with PTDEK	USE SYSTEM DESIGN GUIDE TO QUOTE THIS		
7	Battery for each ASK or DEK	12 VDC @ 7 amp/hr battery for ASK or DEK one needed for each	YANP712			
SUB-TOTAL FOR DOOR PERIPHERALS						

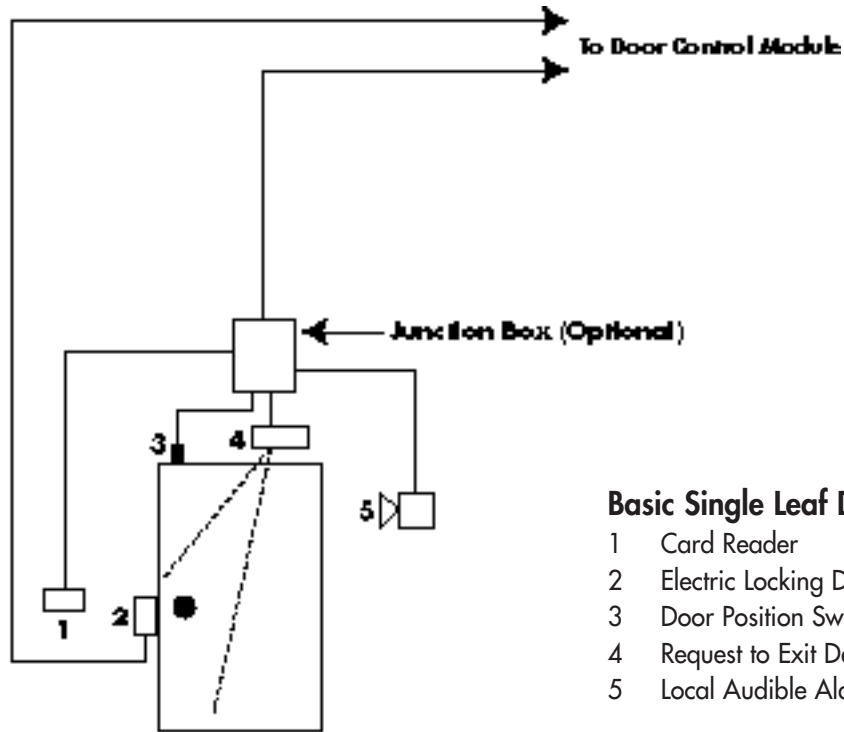
Access Control Software:

ADI PART #	DESCRIPTION	UNIT PRICE	QTY.	EXTENDED PRICE
PTACSWIN1	PassPoint "Express" Basic Access Control Software	USE SYSTEM DESIGN GUIDE TO QUOTE THIS		

PC Requirements:

- ▲ Pentium 90 with 16 MB RAM, 20 MB hard drive space available, 3-1/2" floppy drive, serial port, parallel port

WIRING AND INSTALLATION RECOMMENDATIONS



Basic Single Leaf Door With:

- 1 Card Reader
- 2 Electric Locking Device**
- 3 Door Position Switch
- 4 Request to Exit Device
- 5 Local Audible Alarm

Distance Limitations: The wiring shown in the drawing is recommended for typical installations only. In such an application, the card reader controlled door would be approximately up to 500 feet maximum from the Door Control Module. The wiring specifications shown would be suitable for such distances.

****Noise Suppression:** You can use EL-EDS made by EDCO and available from ADI. Other methods include: for DC powered devices, use a Reverse Biased Diode – #IN4004. For AC powered devices, use a MOV (Metal Oxide Varistor) rated at 125% of the inductive load. Mount the suppression device across the inductive load, as close as possible to the coil of each locking device that you install.

Shielding: At the reader controlled door end of the cable – ensure that shields are isolated from metal by masking with tape or heat shrink. The shield/drain wires of all other cabling is earth grounded at the control panel side only; and **not** at the reader side.

REF. #	TO CONTROLLER FROM	MAXIMUM TYPICAL DISTANCE	DESCRIPTION
1	Card Reader	500 Ft	Five conductor # 18 or 22 AWG stranded shielded cable
2	Electric Lock	500 Ft	Two conductor # 16 AWG shielded cable
3	Door Position Switch	500 Ft	Two conductor # 18 AWG cable
4	Request to Exit	500 Ft	Two conductor # 18 AWG cable
5	Local Audible Alarm	500 Ft	Two conductor # 18 AWG cable