
MOFFAT®

E311 / E311MS CONVECTION OVEN

SERVICE MANUAL



**Max Series
S/N Begins 258733**





WARNING: ALL INSTALLATION AND SERVICE REPAIR WORK MUST BE CARRIED OUT BY QUALIFIED PERSONS ONLY.

CONTENTS

This manual is designed to take a more in depth look at the E311 convection oven for the purpose of making the unit more understandable to service people.

There are settings explained in this manual that should never require to be adjusted, but for completeness and those special cases where these settings are required to change, this manual gives a full explanation as to how, and what effects will result.

SECTION	PAGE NO.
1. SPECIFICATIONS.....	5
2. INSTALLATION.....	10
3. OPERATION.....	12
3.1 Description of Controls—Not US/Can Models	
3.2 Description of Controls—US/Can Models Only	
3.3 Explanation of Control System	
4. MAINTENANCE	16
4.1 Cleaning	
4.2 Routine Procedures	
5. TROUBLE SHOOTING GUIDE	18
6. SERVICE PROCEDURES	21
6.1 Fault Diagnosis	
6.2 Access	
6.3 Replacement	
6.4 Adjustment / Calibration	
7. ELECTRICAL SCHEMATICS	39
8. ELECTRICAL WIRING DIAGRAMS	41
9. SPARE PARTS	43
10. ACCESSORIES / OPTIONS.....	45
11. PARTS DIAGRAM.....	46
11.1 Main Assembly	
11.2 Control Panel Assembly	
11.3 Glass Door Assembly	
11.4 Stainless Steel Door Assembly	

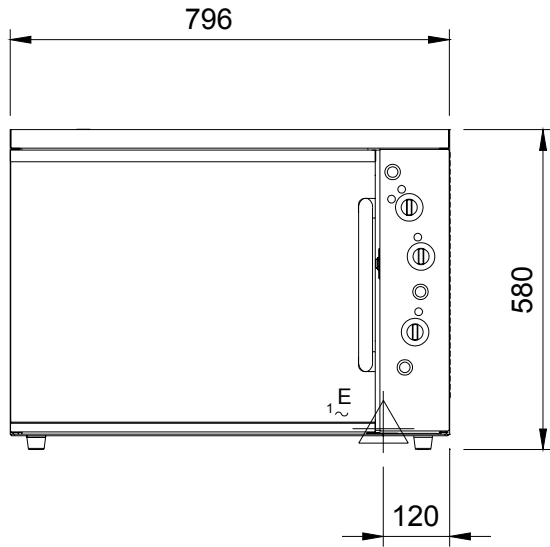


IMPORTANT: MAKING ALTERATIONS MAY VOID WARRANTIES AND APPROVALS.

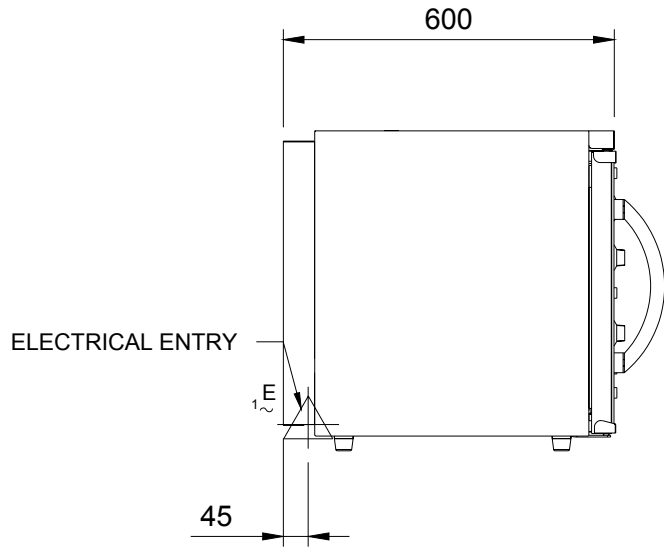
12. SERVICE CONTACTS	54
APPENDIX A. POWER RELAY UPGRADE KIT.....	56

1. SPECIFICATIONS

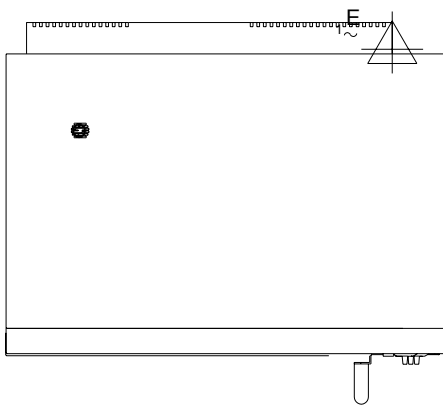
MODEL: E311 - NOT US/CAN



FRONT



SIDE



PLAN

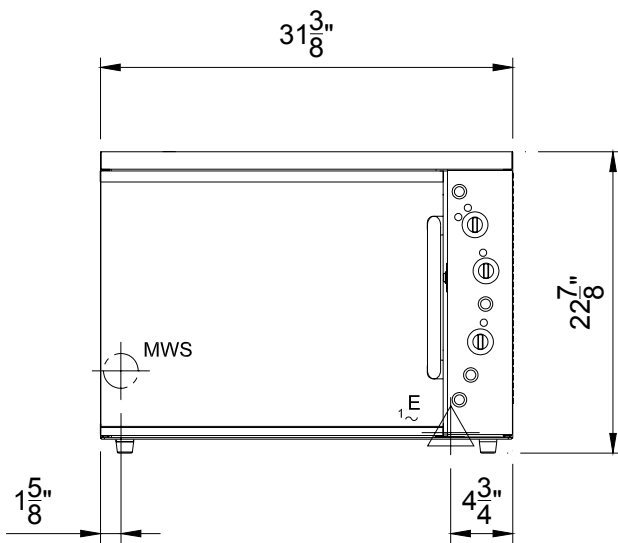
LEGEND



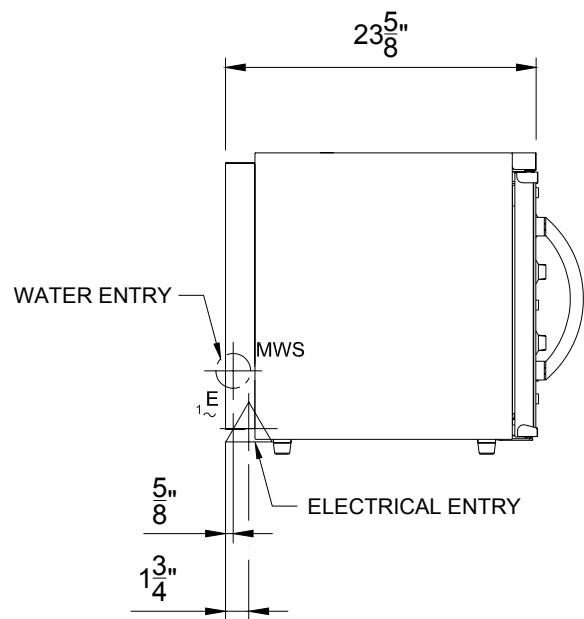
- Electrical connection entry point

Dimensions shown in millimetres.

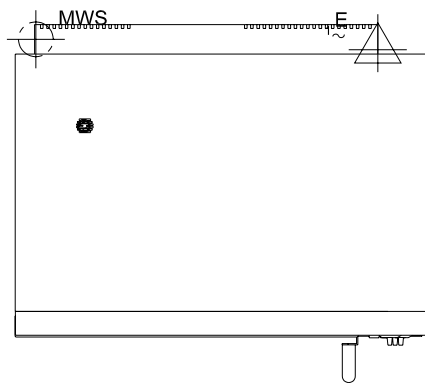
MODEL: E311 - US/CAN ONLY



FRONT



SIDE



PLAN

LEGEND



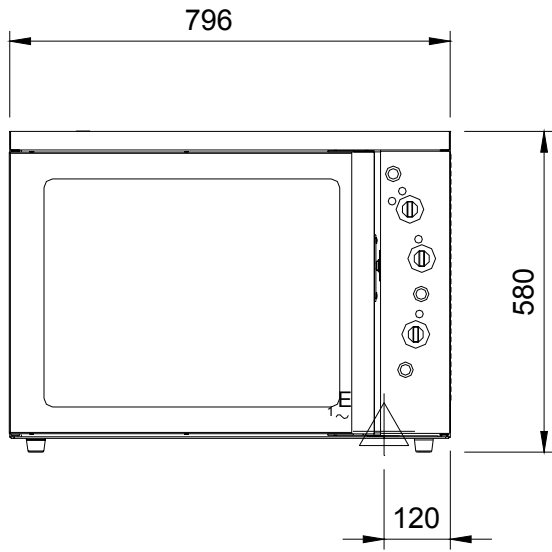
- Electrical connection entry point



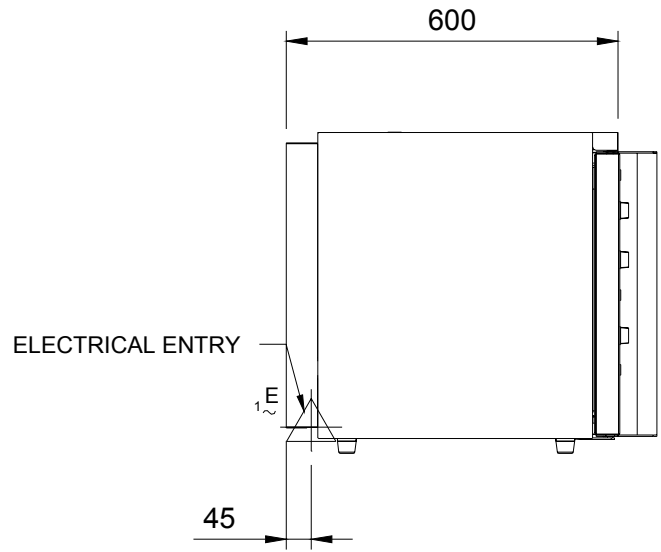
- Water entry - 9mm / $\frac{3}{8}$ " I.D male hose connection

Dimensions shown in inches.

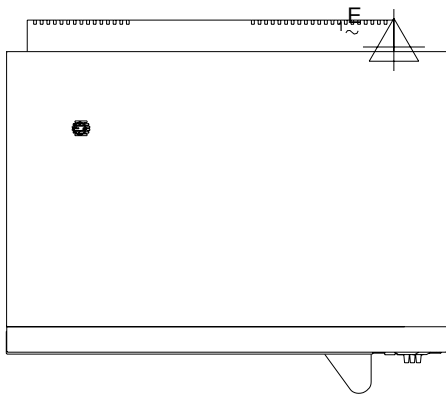
MODEL: E311MS NOT US/CAN



FRONT



SIDE



PLAN

LEGEND



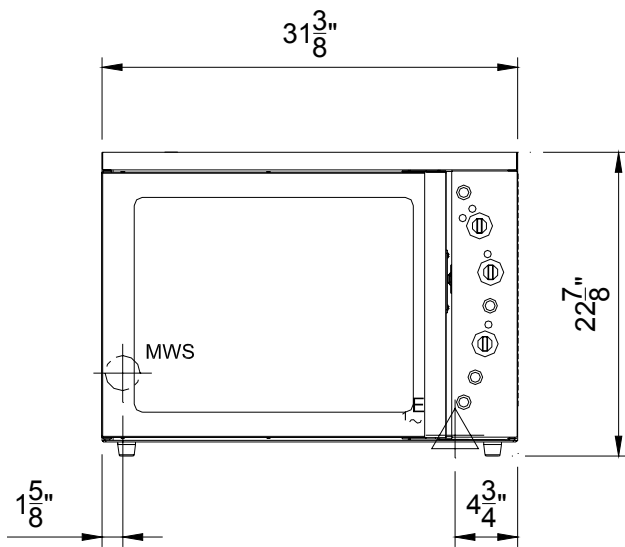
- Electrical connection entry point



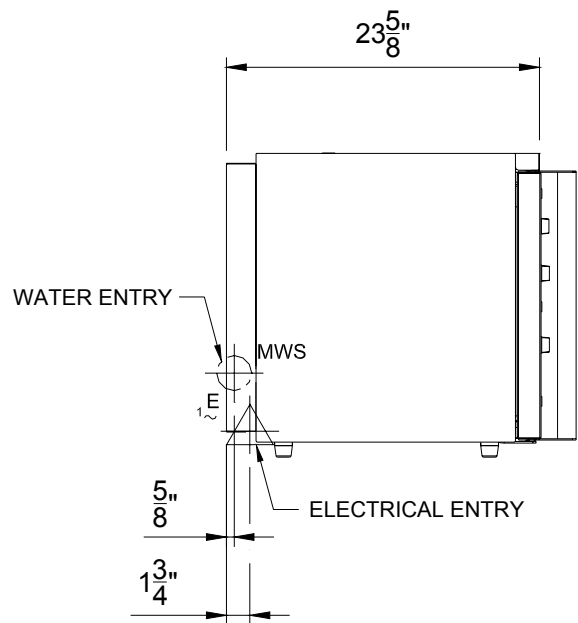
- Water entry - 9mm / $\frac{3}{8}$ " I.D male hose connection

Dimensions shown in millimetres.

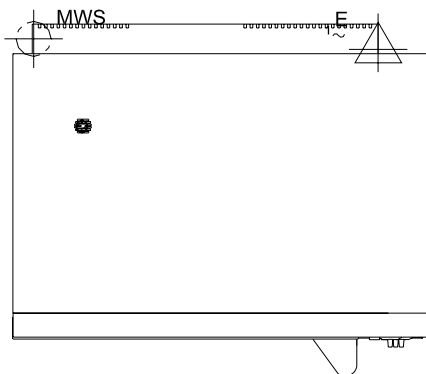
MODEL: E311MS - US/CAN ONLY



FRONT



SIDE



PLAN

LEGEND



- Electrical connection entry point



- Water entry - 9mm / $\frac{3}{8}$ " I.D male hose connection

Dimensions shown in inches.

LOCATION

To ensure correct ventilation for the motor and controls the following minimum installation clearances are to be adhered to:

Top	200mm / 8"
Rear	25mm / 1"
Left-hand side	25mm / 1"
Right-hand side	25mm / 1"

OVEN INTERNAL DIMENSIONS

Width	544 mm / 21.4"
Height	418 mm / 16.5"
Depth	432 mm / 17"
Oven Volume	0.12 m ³ / 4.25 ft ³

OVEN RACK SIZE

Width	530 mm / 20 ⁷ / ₈ "
Depth:	370 mm / 14 ¹ / ₂ "

ELECTRICAL SUPPLY SPECIFICATION OPTIONS

208 V AC 60 Hz, 14.6 A, 3.2kW @ 208 V
220-240 V AC 60 Hz, 13.0 A, 3.1kW @ 240 V
208-220 V AC 50 Hz, 14.6 A, 3.2kW @ 220 V
230-240 V AC 50 Hz, 13.0 A, 3.1kW @ 240 V

ELECTRICAL PLUG SPECIFICATION REQUIREMENTS

Australia	3-pin 250V 15A, AS/NZ 3112
Canada	3-pin 250V 15A, NEMA 6-15
New Zealand	3-pin 250V 15A, AS/NZ 3112
United Kingdom	3-pin 250V 13A fused, BS 1363A
United States	3-pin 250V 15A, NEMA 6-15
Other Countries	3-pin 250V 13A minimum, type to meet country standards

WATER SUPPLY CONNECTION (US/CAN ONLY)

Max Pressure	550 kPa / 5.5 bar / 80 psi
Min Pressure	100 kPa / 1.0 bar / 15 psi

2. INSTALLATION

⚠ WARNING: THIS APPLIANCE MUST BE GROUNDED.

⚠ WARNING: ALL INSTALLATION AND SERVICE REPAIR WORK MUST BE CARRIED OUT BY QUALIFIED PERSONS ONLY.

It is most important that the oven is installed correctly and that the operation is correct before use. Installation shall comply with local electrical, health and safety requirements.

BEFORE CONNECTION TO THE POWER SUPPLY

Unpack and check unit for damage and report any damage to the carrier and dealer. Report any deficiencies to your dealer. Fit the feet which are packed inside the oven. Fit door handle to oven door. Check that the available power supply is correct to that shown on the rating plate located on the right-hand side panel (refer figure 2.3).

208 V AC 60 Hz, 14.6 A, 3.2kW @ 208 V
220-240 V AC 60 Hz, 13.0 A, 3.1kW @ 240 V
208-220 V AC 50 Hz, 14.6 A, 3.2kW @ 220 V
230-240 V AC 50 Hz, 13.0 A, 3.1kW @ 240 V

LOCATION

To ensure correct ventilation for the motor and controls the following minimum installation clearances are to be adhered to:

Top	200mm / 8"
Rear	25mm / 1"
Left-hand side	25mm / 1"
Right-hand side	25mm / 1"

⚠ IMPORTANT: THE OVEN VENT LOCATED ON THE CABINET TOP MUST NEVER BE OBSTRUCTED.

Position the oven in its allocated working position. Use a spirit level to ensure the oven is level from side to side and front to back. (If this is not carried out, uneven cooking could occur). The feet/legs used with bench or floor mounting or provided with stands are adjustable and will require adjusting in levelling the unit. It should be positioned so the operating panel and oven shelves are easily reachable for loading and unloading.

DOUBLE STACKING UNITS

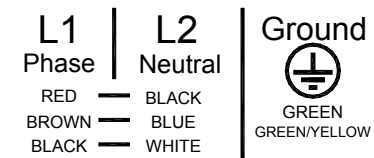
When it is desired to mount one unit on top of another the 31mm (1¼") high spacer feet must be used. These short feet should be screwed on, and the unit lifted on top of the bottom unit, where it locates safely under its own weight, for normal applications.

BEFORE USE

Operate the oven for about 1 hour at 200°C (400° F) to remove any fumes or odours which may be present.

ELECTRICAL CONNECTION

E311 convection ovens are supplied with pre-fitted cords. Ensure unit is fitted with the correct cord and plug for the installation (refer specifications section).



WARNING: THIS APPLIANCE MUST BE GROUNDED / EARTHED

Figure 2.1

Should changing of the cord be necessary, gain access to the electrical connection terminal block and strain relief by removing the back panel (four screws).

WATER CONNECTION - US/CAN ONLY

A cold water supply should be fitted to the water inlet (9mm / 3/8" hose connection) which is located on the rear of the left hand side of the unit.

Connect water supply - Max inlet pressure 80psi / 550kPa.

Turn on water supply to check for leaks.

⚠ IMPORTANT: MAXIMUM INLET WATER PRESSURE IS 550 kPa / 80 psi.

DOOR HANDLE INSTALLATION

1. Open oven door.
2. Remove two screws (item 2).
3. Remove the two screws (item 3) from the handle (item 1).
4. Install the handle bracket through the slot on the door side.
5. Screw in the two screws (item 2) fully, then fully screw in the previous two screws (item 3). Ensure that they are tight.

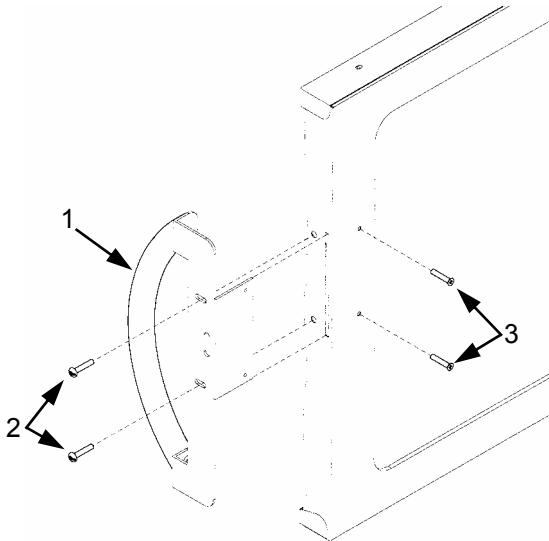


Figure 2.2

RATING PLATE LOCATION

The rating plate for the E311 convection oven is located at the bottom left corner of the RH side panel.

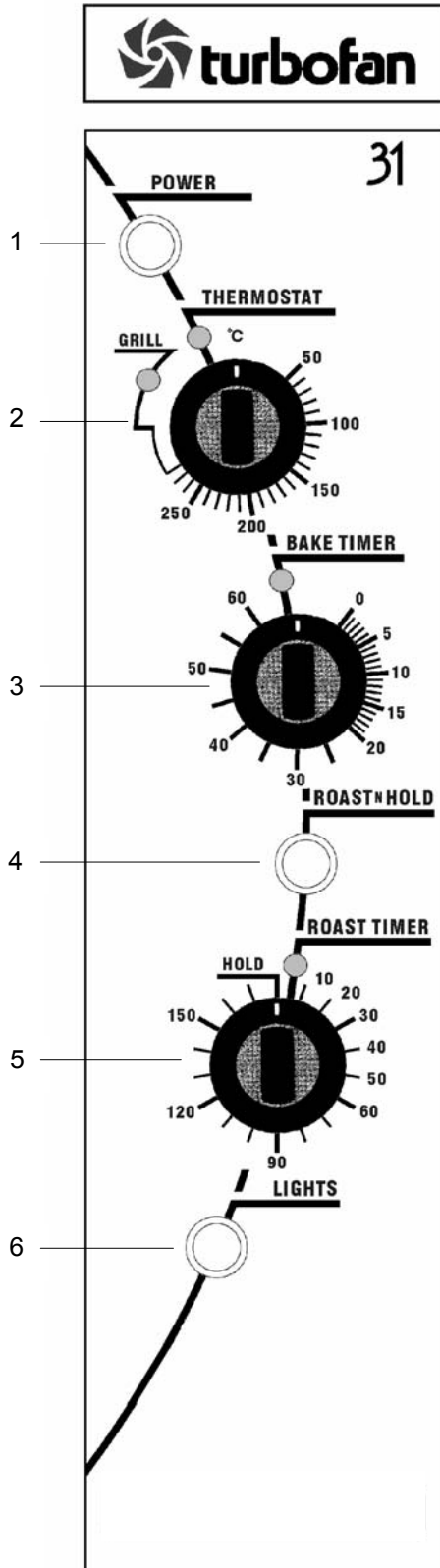


Figure 2.3

3. OPERATION

NOTE: A full user's operation manual is supplied with the product and can be used for further referencing of installation, operation and service.

3.1 DESCRIPTION OF CONTROLS—NOT US/CAN MODELS



1. POWER

Depress to switch power on or off (switch illuminates when power is on).

2. THERMOSTAT

Temperature range 50 - 280°C.

Indicator illuminates when elements are cycling ON to maintain set temperature.

GRILL POSITION - The GRILL indicator will illuminate indicating that the GRILL function has been set. The HEATING indicator will also illuminate whenever the elements are on.

3. BAKE TIMER

1 Hour bake timer.

(Indicator illuminates when "time up" (0) is reached, and buzzer sounds).

4. ROAST N HOLD

Depress switch to activate 'ROAST N HOLD' function (Switch illuminates when ON).

5. ROAST TIMER

3 Hour roast timer.

Indicator illuminates when "time up" (0) is reached, and product held at 75°C.

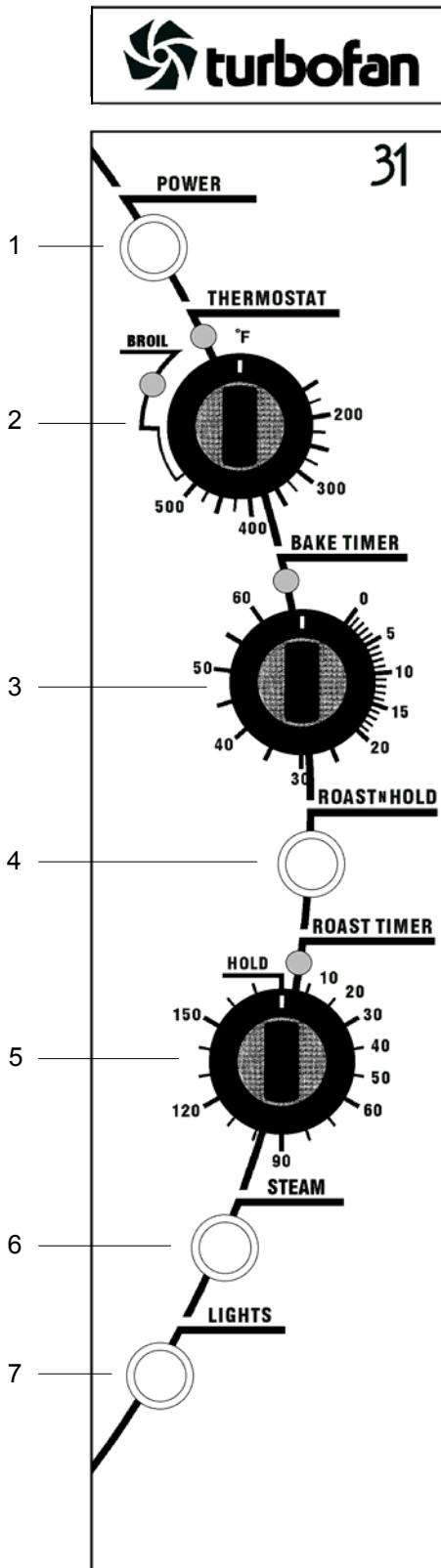
6. LIGHT SWITCH

Push switch to activate oven light.

(Light illuminates while button latched in the down position) (From S/N 258733 "E311MS" models) (From S/N 260862 "E311" models).

(Light illuminates while button depressed) (Up to S/N 260861).

3.2 DESCRIPTION OF CONTROLS—US/CAN MODELS ONLY



1. POWER

Depress to switch power on or off (switch illuminates when power is on).

2. THERMOSTAT

Temperature range 120 - 550°F.

Indicator illuminates when elements are cycling ON to maintain set temperature.

BROIL POSITION - The BROIL indicator will illuminate indicating that the BROIL function has been set. The HEATING indicator will also illuminate whenever the elements are on.

3. BAKE TIMER

1 Hour bake timer.

(Indicator illuminates when "time up" (0) is reached, and buzzer sounds).

4. ROAST N HOLD

Depress switch to activate 'ROAST N HOLD' function (Switch illuminates when ON).

5. ROAST TIMER

3 Hour roast timer.

Indicator illuminates when "time up" (0) is reached, and product held at 167°F.

6. STEAM SWITCH

Push switch to activate water injection (Water injects into oven while the button is depressed).

7. LIGHT SWITCH

Push switch to activate oven light.

(Light illuminates while button latched in the down position) (From S/N 258733 "E311MS" models) (From S/N 260862 "E311" models).

(Light illuminates while button depressed) (Up to S/N 260861).

3.3 EXPLANATION OF CONTROL SYSTEM

The E311 Turbofan convection oven features multi-function operator controls for which a correct understanding of their operation is required before carrying out any service or fault repair work. The control device functions are explained as follows:

A power switch on the control panel isolates all power to the controls of the oven. With the power switch Off all functions of the oven are inoperable.

NOTE: The supply voltage is fed directly to the input side of the power relay whenever the electrical supply is on.

With the power switch On (illuminated) power is directly supplied to the 60 minute bake timer, steam (water injection) switch, door microswitch, light switch, and the hold switch circuit. (On units manufacture prior to serial number 232053 power is also supplied directly to the temperature control circuit). Accordingly the oven circulation fan will operate when the door is closed, and with door open the oven light will come on and the circulation fan will shut down, as these are controlled via the door microswitch. The control panel light switch will turn the oven light on when the door is closed. On units from S/N 260862 the switch is latching and will activate the light while latched in the down position. On units prior to S/N 260861 the switch is momentary and will need to be held in to activate the light.

The 60 minute timer is a mechanical timer and can therefore be operated with the oven's power switch On or Off. However, only with the oven's power switch On will the switch contacts of the 60 minute timer turn on the time-up buzzer and illuminate the time-up indicator on the control panel. The buzzer and time-up indicator provide indication that the time setting has run down to zero and at this point will remain On continuously until the 60 minute timer has been manually set back to the Off (vertical) position. The 60 minute timer does not control any other part of the oven's operating system as this timer is independent of the temperature control and heating system.

US/Canada only: The steam (water injection) switch on the control panel can be operated whenever the power switch is On. The switch is momentary and when depressed, will operate the electric solenoid valve at the rear of the oven and inject water into the water trough at the bottom of the left hand side rack in the oven. Releasing the

steam button will close the solenoid valve. This feature is used to instantaneously add moisture into the oven cavity, or to introduce a reservoir of water in the water trough to maintain humidity in the oven chamber and minimise product's moisture loss during cooking.

For units manufactured from serial number 232054, power to the temperature control circuit and elements is supplied via a power relay located near the terminal block at the rear of the unit. Although the power relay has two poles with changeover contacts, only the normally closed contact on one pole is used - the other is redundant. When the power switch on the control panel is switched on the power relay is energised and the normally open contact is closed, providing power to the temperature control circuit.

The temperature control of this oven is with a capillary type thermostat which can be set to a required cooking temperature, or set to the Grill/Broil position to provide top browning or grilling/broiling in the oven.

The thermostat switch has a separate switch body assembled onto the front from the shaft assembly and when the thermostat is set to a cooking temperature, one set of contacts is closed to switch power from the oven thermostat to the bottom heating element in the oven. The second switch contact of this switch assembly remains open in this setting and isolates power from the top element inner coil. The top element outer coil is directly switched on from the oven thermostat. Accordingly only the top outer element and the bottom element are used when a cooking temperature is selected. The control panel indicator light above the thermostat knob cycles On and Off with the thermostat to indicate when the elements are on and the oven is heating.

When the thermostat control is set to the Grill position the first switch contact opens and the second switch contact closes. This arrangement allows power to be provided to the top element inner coil when the thermostat is On, and isolates power from going to the bottom heating element. The top element outer coil which is directly fed from the oven thermostat switch is therefore On in conjunction with the top element inner coil when the thermostat is set to the Grill position. As both the top inner and outer element coils are thermostatically controlled, the elements will cycle On/Off with the door closed as the thermostat setting in the Grill position is 300°C (600°F). If the Grill position is selected with the door open, the elements will remain On continuously and the

circulation fan will be turned Off. The control panel Grill indicator will illuminate when the thermostat is set to the Grill position and will cycle On and Off with the main heating indicator light.

The E311 Turbofan convection oven features a Roast-and-Hold system which can be used to automatically set the oven to a fixed holding temperature at the end of a timed cooking period.

From serial number 232054: When the Roast-and-Hold switch is turned On the switch will illuminate and turn on a relay found on the inside of the control panel. (This relay has two poles with changeover contacts, but only one pole is used). When this relay is switched On the normally closed contact opens, isolating the normal power supply to the oven thermostat and the normally open contact closes supplying power to the 3 hour roast timer.

To serial number 232053: When the Roast-and-Hold switch is turned On the switch will illuminate and turn on a mini-contactor found on the inside of the control panel. When this relay is switched On a normally closed switch pole on the contactor is open and the normal power supply to the oven thermostat is isolated. A second normally open switch pole is closed and this provides power to the 3 hour roast timer.

If the roast timer is in the Hold (vertical) position the timer switch contacts will be in their normally closed position and supply power directly to the Hold thermostat located behind the control panel. The Hold thermostat is factory set to 75°C (167° F) and will directly supply power to the bottom heating element as required to maintain its preset temperature.

If the main thermostat is turned On, power will also be supplied to the top outer element coil through the first switch contact of the thermostat front switch assembly. In this case the thermostat heating light will also cycle On/Off as the Hold thermostat maintains temperature.

In the Roast-and Hold mode the 3 hour timer can be set to a selected roasting time. During this time period the normally open switch contacts of the timer are closed. The timer has two change over switches and in this position one is used to supply power to its timing motor and the other is used to switch power directly to the main oven thermostat. During the 3 hour timer run-down period the oven temperature will be controlled by the main oven thermostat to the set temperature and operate as previously described.

When the 3 hour timer has run down and reached the Hold position the two switch contacts change

over to their normally closed position which isolates power from the timer motor and the oven thermostat. It also switches power back to the oven hold thermostat. At this point the temperature control is now maintained by the hold thermostat as previously described. To cancel the hold circuit the Roast-and-Hold switch is turned Off. This turns off the contactor which removes power from the 3 hour timer and closes the contactor pole on the contactor that feeds the main oven thermostat.

The factory preset hold thermostat can be adjusted as required to change the holding temperature if necessary. Refer Service section for this procedure.


The following Troubleshooting Guide should be used to identify any incorrect oven operation. On correct identification of the operating fault the Troubleshooting Guide will make reference to the corrective action required, or refer to the Fault Diagnosis section and/or Service section to assist in correction of the fault.

4. MAINTENANCE

 **WARNING:** ALL INSTALLATION AND SERVICE REPAIR WORK MUST BE CARRIED OUT BY QUALIFIED PERSONS ONLY.

4.1 CLEANING

 **WARNING:** ALWAYS TURN THE POWER SUPPLY OFF BEFORE CLEANING.

 **IMPORTANT:** THIS UNIT IS NOT WATER PROOF.
DO NOT USE A WATER JET SPRAY TO CLEAN INTERIOR OR EXTERIOR OF THIS UNIT.

EXTERIOR

Clean with a good quality stainless steel cleaning compound. Harsh abrasive cleaners may damage the surface.

INTERIOR

Ensure that the oven chamber is cool. Do not use wire brushes, steel wool or other abrasive materials. Clean the oven regularly with a good quality oven cleaner. Take care not to damage the fan or the tube at the right side of the oven which controls the thermostat.

OVEN RACKS


To remove, slide out to the stop position, raise the front edge up, and lift out.

SIDE RACKS

Undo the thumbscrew (anti-clockwise rotation) securing rack to oven wall, swing rack towards centre of oven to disengage location pin at front of side, and pull rack forward to remove. To replace, engage rack in rear holes, swing towards side of oven to engage in front hole, and replace thumbscrew.

FAN BAFFLE

To remove, unscrew the oven lamp glass and lift the baffle out. To replace, locate the bottom edge of the baffle over the bottom element terminal plate and secure in place with the oven lamp glass.

 **IMPORTANT:** DO NOT OVER- TIGHTEN THE LAMP GLASS.

OVEN SEALS

To remove, hold at their centre point and pull forward until they unclip. Remove side seals first, then top and bottom. The seals may be washed in the sink, but take care not to cut or damage them. To replace, ensure that the lip is facing the oven opening. Fit the top and bottom seals first, then the side seals.

OVEN DOOR GLASS

Clean with conventional glass cleaners

4.2 ROUTINE PROCEDURES

	PROCEDURE	INTERVAL
DOOR SEALS	Check for deterioration.	12 months
DOOR PIVOT BUSHES	Check for wear.	12 months
DOOR CATCH	Ensure that catch is adjusted such that the door closes properly.	12 months
ELEMENTS	Check that element resistances are correct to their rating (refer 6.3.13)	12 months
WATER NOZZLE (US/CAN ONLY)	Check for liming / scale build-up in water nozzle.	12 months

5. TROUBLE SHOOTING

⚠ WARNING: ALL INSTALLATION AND SERVICE REPAIR WORK MUST BE CARRIED OUT BY QUALIFIED PERSONS ONLY.

FAULT	POSSIBLE CAUSE	REMEDY
THE OVEN DOES NOT OPERATE / START	<p>The mains isolating switch on the wall, circuit breaker or fuses are "off" at the power board.</p> <p>The power switch on the oven is off.</p> <p>Incorrect electrical supply. (Refer fault diagnosis 6.1.1)</p> <p>Power switch on unit faulty. (Refer fault diagnosis 6.1.1)</p>	<p>Turn on.</p> <p>Depress switch. Switch will illuminate.</p> <p>Ensure electrical supply correct.</p> <p>Replace. (Refer service section 6.3.4)</p>
FAN DOESN'T OPERATE	<p>Door not closed. <i>(Fan only operates with door closed).</i></p> <p>Door microswitch out of adjustment. (Refer fault diagnosis 6.1.2)</p> <p>Door microswitch faulty (Refer fault diagnosis 6.1.2)</p> <p>Fan motor faulty. (Refer fault diagnosis 6.1.2)</p> <p>Wiring.</p>	<p>Close door.</p> <p>Adjust. (Refer service section 6.4.2)</p> <p>Replace. (Refer service section 6.3.2)</p> <p>Replace. (Refer service section 6.3.18)</p> <p>Check and tighten any loose wiring.</p>
OVEN LIGHT NOT ILLUMINATING - DOOR OPEN	<p>Blown bulb.</p> <p>No power to light. (Refer fault diagnosis 6.1.3)</p>	<p>Replace. (Refer service section 6.3.1)</p>
OVEN LIGHT NOT ILLUMINATING - DOOR CLOSED	<p>Blown bulb.</p> <p>Light switch faulty. (Refer fault diagnosis 6.1.4)</p>	<p>Replace. (Refer service section 6.3.1)</p> <p>Replace. (Refer service section 6.3.4)</p>
NO WATER INJECTION / STEAM—US/CAN ONLY	<p>Water not turned on.</p> <p>Oven water nozzle blocked.</p> <p>Fault with water valve. (Refer fault diagnosis 6.1.5)</p> <p>Steam switch faulty.</p>	<p>Turn water on at water supply.</p> <p>Remove, clean or replace. (Refer service section 6.3.15)</p> <p>Service or replace as required. (Refer service section 6.3.13, 6.3.14)</p> <p>Replace. (Refer service section 6.3.4)</p>

FAULT	POSSIBLE CAUSE	REMEDY
CONTINUOUS WATER OUT OF OVEN WATER NOZZLE—US/CAN ONLY	<p>With oven on only—Electrical fault. (Refer fault diagnosis 6.1.6)</p> <p>With oven on or off—Fault with water valve.</p>	<p>Correct electrical fault.</p> <p>Service or replace as required. (Refer service section 6.3.13, 6.3.14)</p>
<p>60 MINUTE TIMER WILL NOT TIME DOWN</p> <p>60 MINUTE TIMER INACCURATE BELOW 20 MINUTES</p> <p>60 MINUTE TIMER NO TIME UP BUZZER</p> <p>60 MINUTE TIMER NO TIME UP INDICATOR</p>	<p>Timer faulty.</p> <p>Timer not set correctly.</p> <p>Zero (time up) position not set correctly.</p> <p>Buzzer faulty. (Refer fault diagnosis 6.1.7)</p> <p>Timer not switching on buzzer. (Refer fault diagnosis 6.1.7)</p> <p>Indicator faulty. (Refer fault diagnosis 6.1.8)</p>	<p>Replace. (Refer service section 6.3.7)</p> <p>For timer settings below 20 minutes, always rotate past 20 minutes, then back to desired time.</p> <p>(Refer service section 6.4.5)</p> <p>Replace. (Refer service section 6.3.6)</p> <p>Replace. (Refer service section 6.3.7)</p> <p>Replace. (Refer service section 6.3.3)</p>
NO HEAT	<p>Power relay faulty (From S/N 232054 only). (Refer fault diagnosis 6.1.9)</p> <p>Hold relay/mini contactor faulty. (Refer fault diagnosis 6.1.9)</p> <p>Thermostat faulty (Refer fault diagnosis 6.1.9)</p>	<p>Replace. (Refer service section 6.3.5)</p> <p>Replace. (Refer service section 6.3.11)</p> <p>Replace. (Refer service section 6.3.9)</p>
NO TEMPERATURE CONTROL	Thermostat faulty (Refer fault diagnosis 6.1.10)	Replace. (Refer service section 6.3.9)
SLOW RECOVERY	<p>Oven in 'Roast 'n Hold' mode.</p> <p>Overloading of oven.</p> <p>Electrical supply incorrect.</p> <p>Fan not working.</p> <p>Thermostat calibration. (Refer fault diagnosis 6.1.11)</p> <p>Element(s) not working.</p>	<p>Switch off 'Roast 'n Hold'.</p> <p>Reduce oven loading.</p> <p>Check supply voltage is as per rating plate voltage.</p> <p>Check fan operation.</p> <p>Correct calibration. (Refer service section 6.4.1)</p> <p>Correct element fault. (Refer Fault: Top element, Fault: Bottom element)</p>

FAULT	POSSIBLE CAUSE	REMEDY
BOTTOM ELEMENT NOT WORKING	Element faulty (blown). (Refer fault diagnosis 6.1.12)	Replace. (Refer service section 6.3.16)
TOP ELEMENT NOT WORKING (IN BAKE MODE—NOT GRILL / BROIL MODE)	Element faulty / blown. (Refer fault diagnosis 6.1.13)	Replace. (Refer service section 6.3.16)
GRILL NOT WORKING	Element faulty / blown. (Refer fault diagnosis 6.1.15)	Replace. (Refer service section 6.3.16)
GRILL INDICATOR LIGHT NOT WORKING	Indicator faulty. (Refer fault diagnosis 6.1.16)	Replace. (Refer service section 6.3.3)
ROAST TIMER (180 MINUTE) WILL NOT TIME DOWN	Roast 'n' Hold switch not depressed.	Depress switch. Switch will illuminate.
	No power to timer / timer faulty. (Refer fault diagnosis 6.1.17)	Correct electrical fault / replace timer. (Refer service section 6.3.8)
NO HOLD INDICATOR	'Roast 'n Hold' switch faulty. (Refer fault diagnosis 6.1.17)	Replace. (Refer service section 6.3.4)
	Faulty indicator. (Refer fault diagnosis 6.1.18)	Replace. (Refer service section 6.3.3)
	Faulty timer. (Refer fault diagnosis 6.1.18)	Replace. (Refer service section 6.3.8)
HOLDING TEMPERATURE INCORRECT	Hold thermostat set temperature incorrect	Adjust to correct temperature. (Refer service section 6.4.4)
	Hold thermostat faulty. (Refer fault diagnosis 6.1.19)	Replace. (Refer service section 6.3.10)
DOOR DOES NOT CLOSE	Tray in way of door.	Correctly position tray in rack.
	Door seal obstruction.	Correctly install door seal. (Refer service section 6.3.22)
	Door handle installed incorrectly.	Fit correctly. (Refer installation section)
	Door ball catch setting incorrect.	Adjust. (Refer service section 6.4.3)
	Door pivot bushes / pins worn.	Replace. (Refer service section 6.3.23)
DOOR SEAL LEAKS	Door seal damaged.	Replace. (Refer service section 6.3.22)
	Door seal incorrectly fitted.	Correctly install door seal. (Refer service section 6.3.22)
	Door ball catch setting incorrect.	Adjust. (Refer service section 6.4.3)
	Door pivot bushes / pins worn.	Replace. (Refer service section 6.3.23)

6. SERVICE PROCEDURES

 **WARNING:** ENSURE POWER SUPPLY IS SWITCHED OFF BEFORE SERVICING.

 **WARNING:** ALL INSTALLATION AND SERVICE REPAIR WORK MUST BE CARRIED OUT BY QUALIFIED PERSONS ONLY.

SECTION	PAGE NO.
6.1 FAULT DIAGNOSIS	23
6.1.1 Oven Does Not Operate / Start	23
6.1.2 Fan Does Not Operate	23
6.1.3 Oven Light Not Illuminating—Door Open	23
6.1.4 Oven Light Not Illuminating—Door Closed	23
6.1.5 No Water Injection / Steam—US/Can Only	23
6.1.6 Continuous Water Out Of Oven Water Nozzle—US/Can Only	24
6.1.7 60 Minute Timer No Time Up Buzzer	24
6.1.8 60 Minute Timer No Time Up Indicator	24
6.1.9 No Heat	24
6.1.10 No Temperature Control	25
6.1.11 Slow Recovery	25
6.1.12 Bottom Element Not Working	25
6.1.13 Top Element Not Working (In Bake Mode—Not Grill / Broil).....	26
6.1.14 No Thermostat Heating Indicator	26
6.1.15 Grill Not Working	26
6.1.16 Grill Indicator Not Working	26
6.1.17 Roast Timer (180 Minute) Will Not Time Down	26
6.1.18 No Hold Indicator	27
6.1.19 Holding Temperature Incorrect	27
6.2 ACCESS	28
6.2.1 Control Panel.....	28
6.2.2 Service Panel (Rear Panel).....	28
6.2.3 Baffle	28
6.2.4 Control Panel (Rear)	28
6.3 REPLACEMENT	29
6.3.1 Light Bulb / Glass	29
6.3.2 Door Microswitch.....	29
6.3.3 Indicator Neon Light	29
6.3.4 Power / Roast / Lights / Water Switches	29
6.3.5 Power Relay (From S/N 232054)	29
6.3.6 Buzzer	30
6.3.7 Bake Timer	30
6.3.8 Roast Timer.....	30
6.3.9 Thermostat	30
6.3.10 Hold Thermostat.....	31
6.3.11 Hold Relay (From S/N 232054).....	31
6.3.12 Mini-Contactor (To S/N 232054)	31
6.3.13 Water Solenoid—US/Can Only	32
6.3.14 Water Solenoid Cleaning—US/Can Only	32
6.3.15 Spray Nozzle—US/Can Only	33

6.3.16	Elements	33
6.3.17	Fan	33
6.3.18	Motor	33
6.3.19	Outer Glass (E311)	34
6.3.20	Inner Glass (E311)	34
6.3.21	Inner Glass Seal (E311)	34
6.3.22	Door Seals.....	35
6.3.23	Door Pivot Bushes.....	35
6.3.24	Outer Glass (E311MS).....	35
6.3.25	Inner Glass (E311MS).....	35
6.3.26	Outer Glass Seal (E311MS).....	35
6.3.27	Inner Glass Seal (E311MS).....	36
6.4	ADJUSTMENT / CALIBRATION.....	36
6.4.1	Thermostat Calibration.....	36
6.4.2	Door Microswitch Adjustment.....	37
6.4.3	Door Alignment.....	37
6.4.4	Hold Temperature Adjustment	38
6.4.5	60 Minute Timer Zero Position Adjustment	38

6.1 FAULT DIAGNOSIS

6.1.1 OVEN DOES NOT OPERATE / START

Incorrect electrical supply

Check that the voltage across phase and neutral (L1 and L2) terminals of terminal block is the voltage as stated on the unit's electrical rating plate.

If incorrect, check electrical connection of supply wiring and / or check electrical supply.

Power switch faulty

Check if power switch latches. If the switch does not latch, then switch is faulty—replace.

With switch latched, check voltage across terminal one to terminal three or four. If there is no voltage, check for fault in wiring.

Check voltage across terminal two to terminal three or four. If there is no voltage, then switch is faulty—replace.

NOTE: When power switch is latched, it should illuminate if operating correctly.

6.1.2 FAN DOESN'T OPERATE

Microswitch out of adjustment

Open oven door and manually depress door microswitch actuator at top right of oven. If this activates the fan, then the microswitch actuator arm at rear of oven requires adjustment.

Microswitch faulty

Check voltage across microswitch terminals to neutral.

With the door closed there should be power to the com terminal and the n.o. terminal.

With the door open there should be power to the com terminal and the n.c. terminal.

If not, microswitch is faulty—replace.

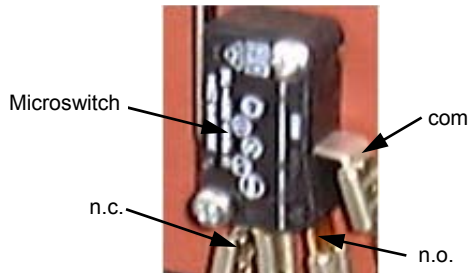


Figure 6.1.1

Fan motor faulty

Check the supply voltage across motor terminals.

If there is no voltage then check the electrical connections of supply wiring.

If voltage is correct then check the oven fan for free rotation. Remove any obstruction.

If fan is free to spin and the voltage supply is correct, then the motor is faulty—replace.

6.1.3 OVEN LIGHT NOT ILLUMINATING—DOOR OPEN

No power to light

Check the supply voltage across lamp housing terminals at rear of oven. If the voltage is correct, replace the bulb (if faulty). If the bulb is OK, check lamp housing. Replace if faulty.

If there is no voltage, open oven door and manually depress door microswitch actuator at top right of oven. If this activates the fan, then the microswitch actuator arm at rear of oven requires adjustment.

Check voltage across micro-switch terminals to neutral.

With the door closed there should be power to the com terminal and the n.o. terminal.

With the door open there should be power to the com terminal and the n.c. terminal.

If not, microswitch is faulty—replace.

6.1.4 OVEN LIGHT NOT ILLUMINATING—DOOR CLOSED

Light switch faulty

Check voltage to the bottom terminal of the switch. If there is no voltage, then check wiring.

With switch depressed, check voltage at top terminal. If there is no voltage, then replace the switch.

If voltage is correct, then check wiring to light.

Alternately, perform a continuity test across the terminals with the light switch depressed.

NOTE: Units from S/N 260862 use a latching type switch.
Units up to S/N 260861 use a momentary type switch.

6.1.5 NO WATER INJECTION / STEAM (US/CANADA ONLY)

Fault with water valve

Check voltage supply across the water valve solenoid coil with the steam switch depressed. If there is no power supply then check the control panel steam switch.

Check voltage to the bottom terminal of the switch. If there is no voltage, then check wiring.

With switch depressed, check for voltage at top terminal. If there is no voltage then replace switch. If voltage correct, check wiring to solenoid coil.

If the power supply to the coil is correct, disconnect wiring to coil and check the resistance of the coil windings.

Correct coil resistance: 2500 ohms

NOTE: If open circuit / high resistance, then the coil is faulty—replace.

If coil resistance is correct, rewire and listen for an audible solenoid click when the steam switch is depressed.

If solenoid can be heard functioning, and oven water nozzle is not blocked, then remove water solenoid and fittings and check for blockages.

6.1.6 CONTINUOUS WATER OUT OF OVEN WATER NOZZLE (US/CANADA ONLY)

Water solenoid electrical fault

With control panel steam switch not depressed, check for power supply across solenoid coil. If there is power to the coil, then check wiring and steam switch (refer 6.1.5).

6.1.7 60 MINUTE TIMER NO TIME UP BUZZER

Buzzer faulty

With timer in 'zero' position, check the buzzer at top of control panel (inside) for voltage across terminals. If voltage is correct then buzzer is faulty—replace.

If there is no voltage, then check wiring.

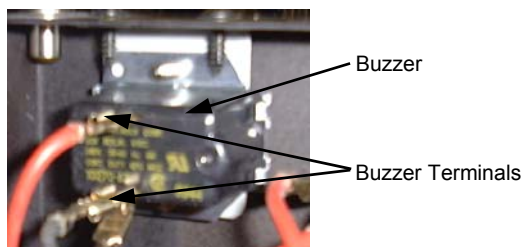


Figure 6.1.2

Timer not switching on buzzer

With timer in zero position, check voltage to top connection (terminal 1) and bottom connection (terminal 2) of timer. If there is no voltage at terminal 1 then check wiring.

If no voltage at terminal 2 then timer is faulty—replace.

NOTE: Timer will continue to run for approximately three minutes below zero. Buzzer and time up indicator will continue until the timer manually switched off (to vertical position).

6.1.8 60 MINUTE TIMER NO TIME UP INDICATOR

Indicator faulty

With the timer in the zero position, check for voltage across the indicator light. If correct, then the indicator light is faulty—replace.

If there is no voltage then check wiring.

6.1.9 NO HEAT

Power relay faulty - From S/N 232054

Check voltage to terminal 7 on power relay (on rear panel of oven). If there is no voltage then check wiring to the relay.

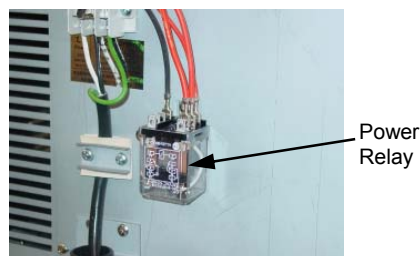


Figure 6.1.3

Ensure that the power switch on the unit is turned on, and check for voltage at terminal 4 of the power relay. If there is no voltage at 4 then check that the relay is energised (i.e. voltage between terminals A and B). If not then check wiring. If there is voltage and there is no power at terminal 4 then the relay is faulty - replace.

If there is voltage at terminal 4 then check the hold relay and the thermostat (refer below).

Hold relay faulty - From S/N 232054

Check voltage to terminal 1 on oven thermostat. If there is no voltage then check voltage at terminals 1 and 7 on hold relay (inside control panel). If there is no voltage to terminal 7 then check wiring. If there is no voltage at terminal 1 then check that the relay is not energised (i.e. there should be no power between terminals A and B on the relay). If the relay is not energised, and there is no voltage at terminal 1

then the relay is faulty - replace.

NOTE: The relay should only be energised when the 'Roast 'n Hold' switch is depressed.

If there is voltage at terminal 1 then check all wiring to the thermostat.



Figure 6.1.4

Hold mini-contactor faulty - to S/N 232053

Check voltage to terminal 1 on oven thermostat. If there is no voltage then check voltage through terminal 21 and 22 on mini contactor (inside control panel). If there is no voltage to terminal 21 then check wiring. If there is no voltage to terminal 22 then check that the contact indicator on centre of the contactor is in '0' position. If indicator is in '0' position and there is no voltage to 21 then replace contactor.

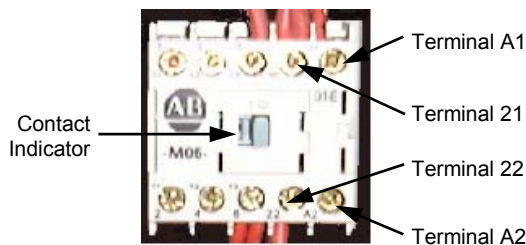


Figure 6.1.5

If indicator is in the '1' position then check the voltage across contactor coil terminals A1 and A2.

NOTE: There should be no voltage across these terminals when 'Roast 'n Hold' is not selected.

If the indicator is in position '1' with no voltage across A1 and A2 then the contactor is faulty—replace.

Thermostat faulty

Set thermostat to 200°C or 400°F. Check the voltage out of terminal two on the thermostat. If there is no voltage then the thermostat is faulty—replace.

If the voltage is correct and the heating light is on then check all wiring to elements.

6.1.10 NO TEMPERATURE CONTROL

Thermostat faulty

With thermostat in off (vertical) position, the heating indicator should be off. If not then the thermostat is faulty—replace.

Check that the thermostat phial is in correct location and check for broken capillary tube—replace if damaged.

Place an accurate digital thermometer probe in centre of oven. Set thermostat to 180°C or 355°F. Close the oven door and allow oven thermostat to regain temperature. If temperature overshoots by 50°C and continues, switch off and replace.

6.1.11 SLOW RECOVERY

Thermostat out of calibration

Place an accurate digital thermometer probe in centre of oven. Set thermostat to 180°C or 355°F. Close the oven door and allow oven thermostat to cycle on and off twice. Record oven centre temperature for the next thermostat on and off cycle. The thermostat should cycle on and off between 165°C and 195°C or 330°F and 385°F when set to the above temperature. If oven temperature is outside these ranges, then the thermostat requires recalibration.

NOTE: Thermostat cycling span should be $\pm 15^{\circ}$ C or 27° F

6.1.12 BOTTOM ELEMENT NOT WORKING

Element faulty (blown)

With the thermostat on and heating check voltage across bottom element terminals at rear of oven. If the voltage is correct then check the current draw of element. If there is no current draw then element is faulty—replace.

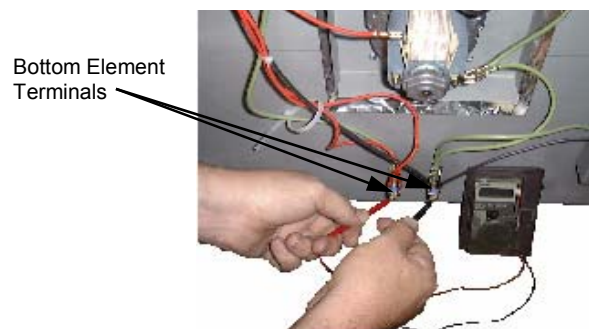


Figure 6.1.6

If there is no voltage then check voltage is being supplied to bottom element from terminal 6 on switch block mounted to the front of the thermostat (fig 6.4.1). If no voltage at 6 then check for voltage at terminal P6. If power to P6 (and none to 6), then the thermostat is faulty—replace.

NOTE: Correct bottom element current draw:

208 V : 9.6A ± 5%
220—240V: 8.7A ± 5%

6.1.13 TOP ELEMENT NOT WORKING (IN BAKE MODE—NOT GRILL / BROIL)

Element faulty / blown

NOTE: In bake mode (50—270°C or 100—550°F) the outer coil only of the top element assembly operates. The inner coil works only when in grill or broil mode.

With thermostat on and heating check voltage across top element terminals at rear of oven. If voltage is correct then check current draw of the element. If there is no current draw then the element is faulty—replace.

If there is no voltage check voltage is being supplied to the top element from terminal two on the switch block mounted to front of thermostat.

If voltage is correct then check wiring.

NOTE: Top outer element current draw:

208V : 3.8A ± 5%
220—240V: 3.5A ± 5%

6.1.14 NO THERMOSTAT HEATING INDICATOR

Indicator faulty

Check the voltage across the indicator terminals. If the voltage is correct then the indicator is faulty—replace.

If there is no voltage then check wiring.

6.1.15 GRILL NOT WORKING

Element faulty / blown

With thermostat in grill or broil position (fully clockwise), check that the grill indicator on the control panel indicates. If not, then check the voltage at terminal P5 on the thermostat switch (fig 6.4.1). If there is no voltage check that the switch has power on terminal 5. If there is power at terminal 5, but not at P5 when thermostat is in grill position, then the switch is faulty—replace thermostat assembly.

If grill indicator is illuminated, but the top inner grill element is not functioning, check the voltage at the top inner element coils at rear of oven. If the voltage is correct then check current draw of element. If there is no current draw then element is faulty—replace.

NOTE: Top inner element current draw:

208 V: 8.7A ± 5%
220—240 V: 7.8A ± 5%

6.1.16 GRILL INDICATOR NOT WORKING

Indicator faulty

Check the voltage across the indicator terminals. If the voltage is correct then indicator is faulty—replace.

If there is no voltage then check wiring.

6.1.17 ROAST TIMER (180 MINUTE) WILL NOT TIME DOWN

No power to timer

Check the voltage at terminal 5 on underside of the 180 minute timer.

Check that one lead of timer motor is connected to terminal 5 of timer and the other lead is connected to neutral of 'Roast 'n Hold' switch.

If voltage at terminal 5 is correct and wiring is correct then the timer motor is faulty—replace timer.

If there is no power at terminal 5 check for power supply at terminal 4 of timer. If there is voltage at terminal 4 and not at terminal 6 with timer set, then timer switch is faulty—replace timer.

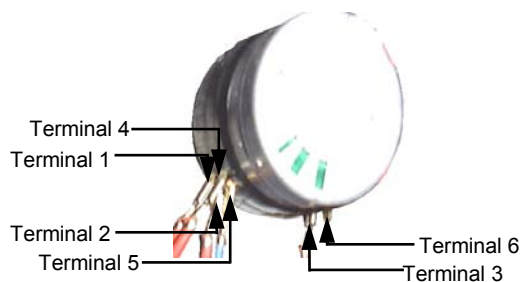


Figure 6.1.7

From Serial Number 232054:

If no voltage at terminal 4, check the relay behind the control panel is energised (i.e. voltage across terminals A and B). If there is no voltage then check wiring from the hold switch. If there is voltage then check that there is voltage at terminal 4 and terminal 7 of

the hold relay. If there is voltage at 7, but none at 4 (and the relay is energised) then relay is faulty - replace. If no voltage at 7 then check wiring.

To Serial Number 232053:

If no voltage at terminal 4, then check mini contactor behind control panel is latched to the '1' position. If contactor is in '1' position then check wiring.

If contactor is in '0' position when 'Roast 'n Hold' switch illuminated then check the voltage across terminals A1 and A2 of mini contactor (fig 6.1.3). If the voltage is correct but the contactor in the off ('0') position then the contactor is faulty—replace.

If there is no voltage across A1 and A2 then check wiring.

'Roast 'n Hold' switch faulty

Check if the switch latches. If the switch does not latch then the switch is faulty—replace.

With the switch latched, check voltage across terminal 1 to terminal 3 or 4. If there is no voltage then check for fault in wiring.

Check voltage across terminal 2 to terminal 3 or 4. If there is no voltage then switch is faulty—replace.

NOTE: When the switch is latched, it should illuminate if operating correctly.

6.1.18 NO HOLD INDICATOR

Indicator faulty

Check the voltage across the indicator terminals. If the voltage is correct then the indicator is faulty—replace.

If there is no voltage then check wiring.

Timer faulty

Check the voltage at terminal 3 of timer, with timer in hold position. If the voltage is correct then check wiring.

If there is no voltage then check voltage at terminal 1 of timer. If there is voltage at 1, but no voltage at terminal 3 with timer in hold position, then timer switch is faulty—replace.

6.1.19 HOLDING TEMPERATURE INCORRECT

Hold thermostat faulty

With the power switch on and illuminated, 'Roast 'n Hold' switch on and illuminated, and the roast (180 minute) timer set to hold, check that the hold indicator is illuminated.

With a cold oven (ie room temperature) check that the top outer and bottom oven elements only are heating. Test the voltage across the bottom element and top element terminals at the rear of oven. If the voltage is correct then refer Fault: Bottom element not working (trouble shooting section).

NOTE: If the main thermostat is set to off (vertical) position and 'Roast 'n Hold' mode is selected, then only the bottom element will heat.

If there is no voltage at the element terminals, check the voltage at terminal 2 (top) of the hold thermostat at bottom rear of control panel (fig 6.3.12). If there is no voltage then check wiring.

If the voltage is correct, and the thermostat is adjusted above oven temperature, then check for output voltage at terminal 1 (bottom). If there is no voltage and the thermostat will not switch on then the thermostat is faulty—replace.

If the voltage is correct but the bottom element is not working then check wiring.

6.2 ACCESS

6.2.1 CONTROL PANEL

- 1) Open the oven door. Remove microswitch button by pulling straight off.
- 2) Undo the two screws now visible.



Figure 6.2.1

- 3) Panel is now free to hinge along right hand side. When closing the panel ensure wires and capillary tube are clear of metal or other terminals.



Figure 6.2.2

6.2.2 SERVICE (REAR) PANEL

- 1) Undo the four screws holding the panel.

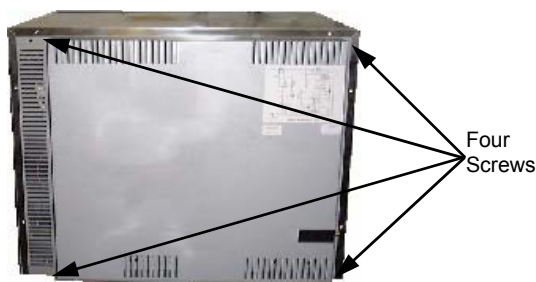


Figure 6.2.3

- 2) Remove panel.

6.2.3 BAFFLE

- 1) Remove trays, racks, element guard and left hand side rack.
- 2) Undo lamp cover.

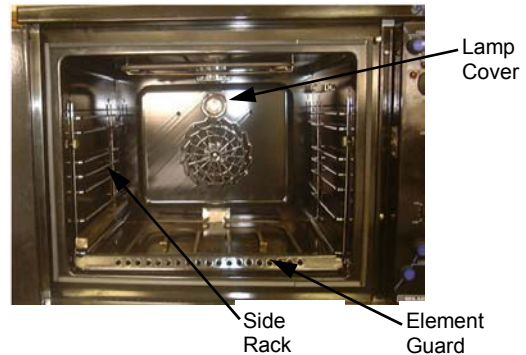


Figure 6.2.4

- 3) Remove baffle.

6.2.4 CONTROL PANEL—REAR

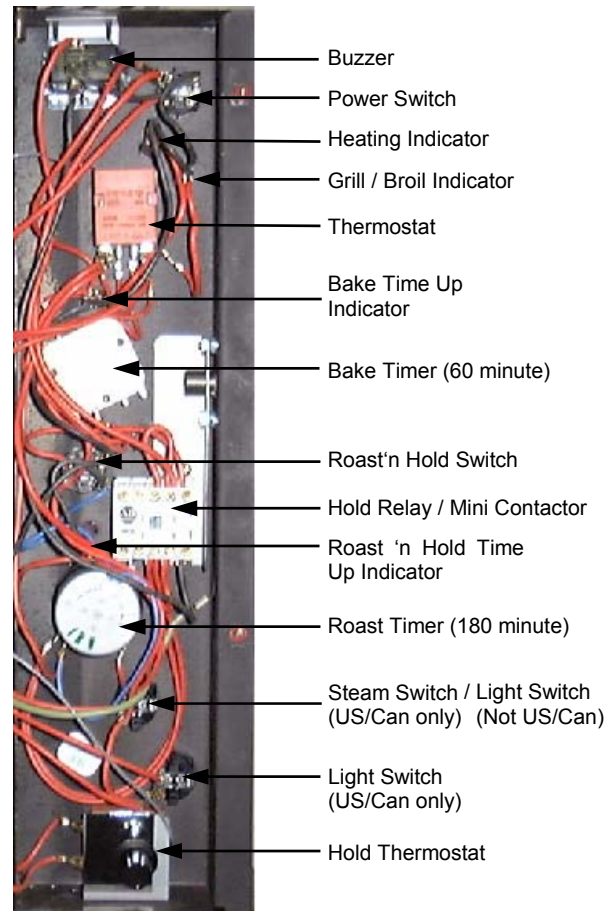


Figure 6.2.5

6.3 REPLACEMENT

6.3.1 LIGHT BULB / GLASS

- 1) Unscrew lamp cover.



Figure 6.3.1

- 2) Unscrew bulb out of fitting.
- 3) Screw in replacement bulb.
- 4) Ensure seal fitted. Screw lamp cover into holder with baffle fitted (do not over tighten).

6.3.2 DOOR MICROSWITCH

- 1) Remove service panel (refer 6.2.2).
- 2) Remove two screws holding microswitch to bracket.

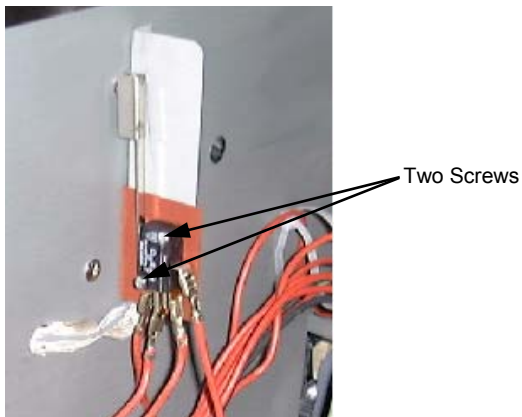


Figure 6.3.2

- 3) Transfer wires to new micro-switch and re-assemble.
- 4) Adjust microswitch (refer 6.4.2).

6.3.3 INDICATOR NEON LIGHT

- 1) With control panel open (refer 6.2.1) remove the wires from the back of the neon.

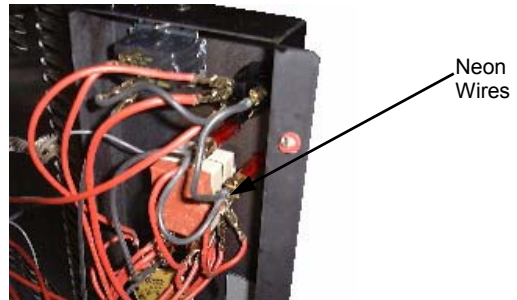


Figure 6.3.3

- 2) From back push neon through front of panel rotating clockwise.
- 3) Push new neon in from front of panel, and reconnect wires.

6.3.4 POWER / ROAST / LIGHTS / WATER SWITCHES

- 1) With control panel open (refer 6.2.1) remove the wires from the back of the switch, noting their positions.

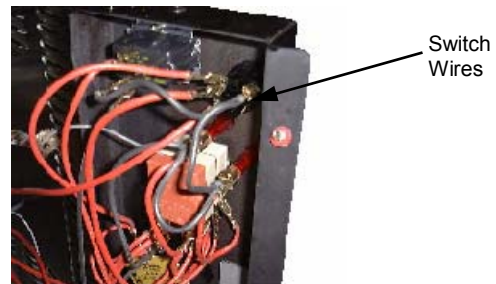


Figure 6.3.4

- 2) From back push switch through front of panel.
- 3) Push new switch in from front of panel, and reconnect wires.

6.3.5 POWER RELAY (FROM S/N 232054)

- 1) Remove service panel (refer 6.2.2).
- 2) Remove the two screws securing the relay to the rear panel.

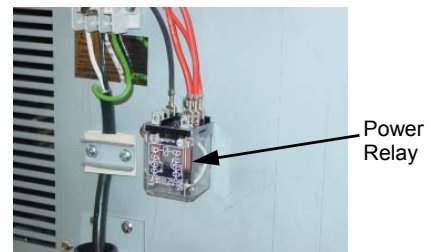


Figure 6.3.5

- 3) Transfer the wires to the new relay.
- 4) Secure the relay to the rear panel with two screws and replace the service panel.

6.3.6 BUZZER

- 1) Remove control panel (refer 6.2.1).
- 2) Remove two screws holding buzzer bracket to panel.



Figure 6.3.6

- 3) Withdraw and remove two screws holding buzzer to bracket.

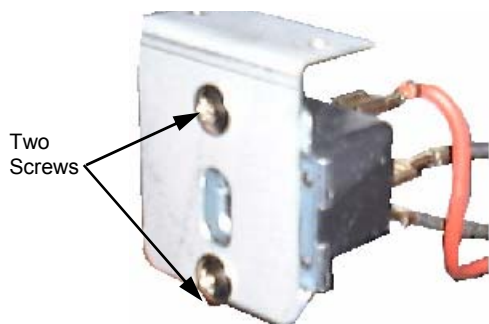


Figure 6.3.7

- 4) Transfer wires to new buzzer.
- 5) Reassemble in reverse order.

6.3.7 BAKE TIMER

- 1) Remove bake timer knob by pulling it firmly away from control panel.
- 2) Open control panel (refer 6.2.1) and undo two screws securing timer.

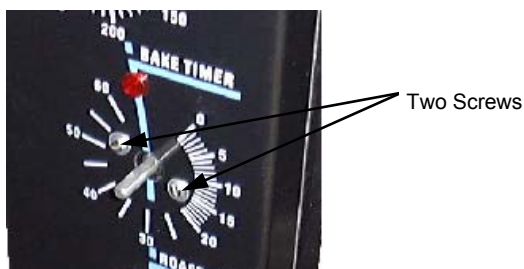


Figure 6.3.8

- 3) Transfer wires to new timer.
- 4) Withdraw old timer and insert new timer, securing with screws.
- 5) Replace knob.

6.3.8 ROAST TIMER

- 1) Remove roast timer knob by pulling it firmly away from control panel.
- 2) Open control panel (refer 6.2.1) and undo two screws securing timer.

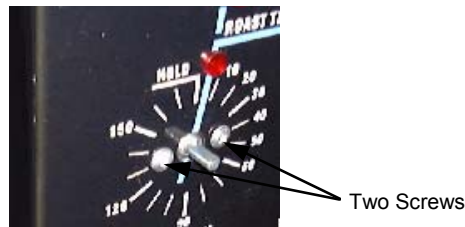


Figure 6.3.9

- 3) Transfer wires to new timer.
- 4) Withdraw old timer and insert new timer, securing with screws.
- 5) Replace knob.

6.3.9 THERMOSTAT

- 1) Pull knob off front of thermostat
- 2) Open control panel (refer 6.2.1) and undo two screws securing thermostat.

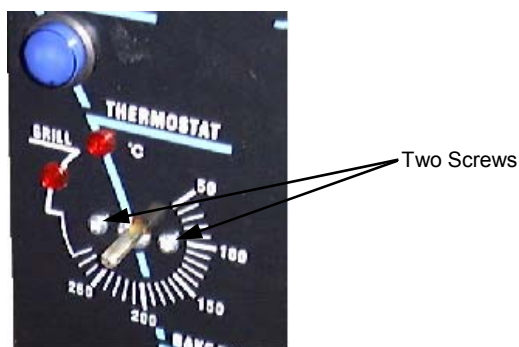


Figure 6.3.10

- 3) Transfer wires to new thermostat.
- 4) Remove service panel (refer 6.2.2) and from inside of oven loosen two screws holding thermostat phial bracket.



Figure 6.3.11

- 5) Withdraw old thermostat phial through rear of oven.
- 6) Remove fibreglass sleeve from old thermostat and fit it to replacement thermostat.
- 7) Insert new thermostat.

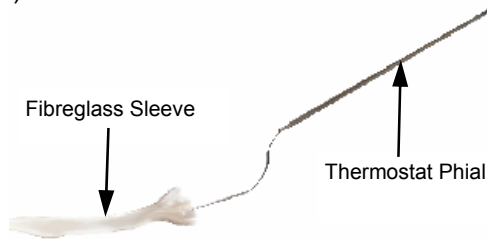


Figure 6.3.12

- 8) Re-assemble in reverse order.

6.3.10 HOLD THERMOSTAT

- 1) Open control panel (refer 6.2.1) and undo two screws securing hold thermostat bracket.

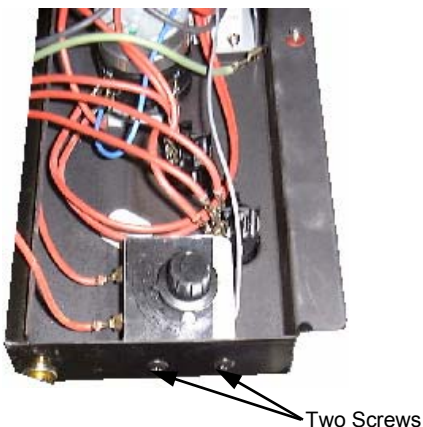


Figure 6.3.13

- 2) Transfer wires to new thermostat.
- 3) Remove service panel (refer 6.2.2) and from inside of oven loosen the thermostat phial bracket.



Figure 6.3.14

- 4) Withdraw old thermostat phial through rear of oven.
- 5) Insert new thermostat.
- 6) Re-assemble in reverse order.

6.3.11 HOLD RELAY (FROM S/N 232054)

- 1) Open control panel (refer 6.2.1) and transfer wires from old hold relay to new relay.
- 2) Remove two screws securing the old hold relay to control panel.

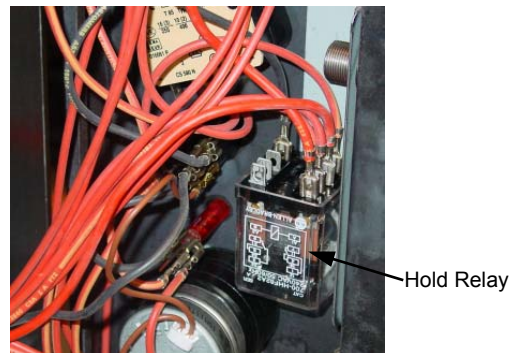


Figure 6.3.15

- 3) Secure new hold relay to the control panel using two screws.

6.3.12 MINI-CONTACTOR (TO S/N 232053)

- 1) Open control panel (refer 6.2.1) and transfer wires from old mini-contactor to new contactor.
- 2) Remove two screws securing old mini-contactor to control panel.

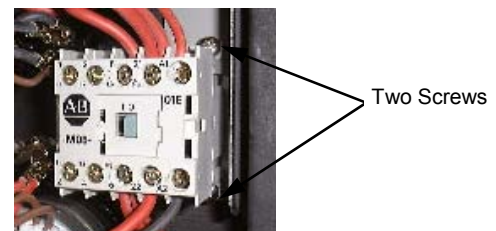


Figure 6.3.16

- 3) Secure new mini-contactor to control panel using two screws.

6.3.13 WATER SOLENOID (US/CAN ONLY)

- 1) Ensure water supply is turned off.
- 2) Inside the oven remove the baffle (refer 6.2.3), then unscrew the water injection nozzle.

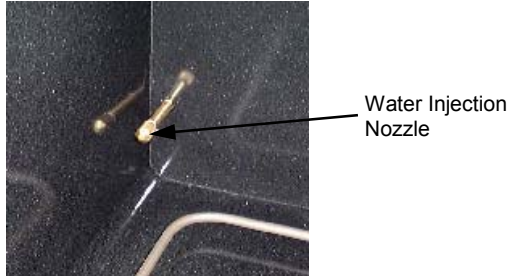


Figure 6.3.17

- 3) With the service panel removed (refer 6.2.2) remove the wires from the solenoid.
- 4) Disconnect hose fitting.
- 5) Unscrew the three screws holding solenoid bracket to the rear of unit and remove valve assembly.

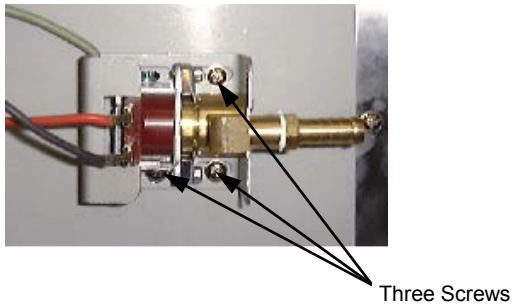


Figure 6.3.18

- 6) On suitable work surface, remove brass piping connections (1/2" spanner) and two screws (on bracket) and extract solenoid.

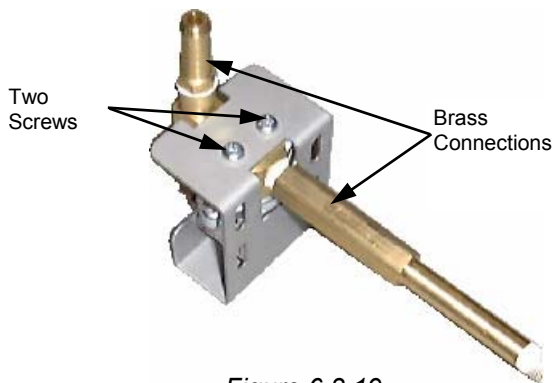


Figure 6.3.19

- 7) Secure new solenoid with screws, and re-assemble. Check that flow direction as marked on valve is correct (flow into spray nozzle).

6.3.14 WATER SOLENOID CLEANING (US/CAN ONLY)

Units manufactured from S/N 258733

- 1) Disconnect water supply from the water solenoid.
- 2) Remove the sieve from the water valve assembly by pulling firmly away from the assembly with a pair of pliers.



Figure 6.3.15

- 4) Clean the sieve, removing all dirt and grime.
- 5) Replace the sieve and reconnect the water supply.

Units manufactured up to S/N 258732

- 1) Remove water solenoid (refer 6.3.13).
- 2) Remove the two screws securing the bracket to the solenoid.

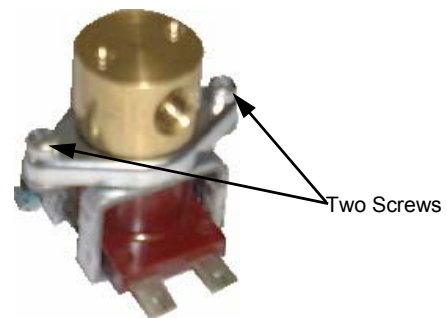


Figure 6.3.20

- 3) Remove the valve assembly.



Figure 6.3.21

- 4) Clean the valve assembly, removing all dirt and grime from the valve seat.
- 5) Reassemble the valve assembly and solenoid.

6.3.15 SPRAY NOZZLE (US/CAN ONLY)

- 1) Inside the oven remove the LH side rack and baffle (refer 6.2.3), then unscrew the water injection nozzle.

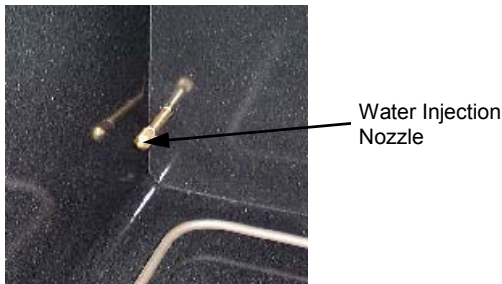


Figure 6.3.22

- 2) Clean or replace as required, ensuring debris free on re-assembly.

6.3.16 ELEMENTS

- 1) With service panel and baffle removed (refer 6.2.2 and 6.2.3) remove the wires from the element(s).
- 2) Unscrew the element from inside the oven.

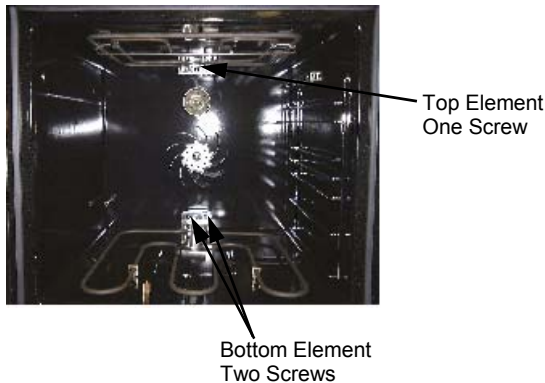


Figure 6.3.23

- 3) Pull element carefully to remove.
- 4) Replace and re-assemble in reverse order.

Element Ratings $\pm 5\%$		
208 V	Top Inner Element	24.5 ohms
	Top Outer Element	55.3 ohms
	Bottom Element	22.5 ohms
220 - 240V	Top Inner Element	29.5 ohms
	Top Outer Element	66.5 ohms
	Bottom Element	27.3 ohms

6.3.17 FAN

- 1) With service panel and baffle removed (refer 6.2.2 and 6.2.3) undo the centre nut.
- NOTE: LH thread - Turn clockwise to loosen.

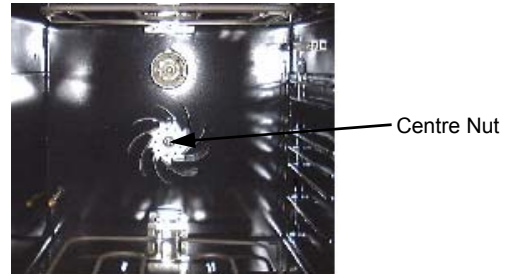


Figure 6.3.24

- 2) Replace and re-assemble in reverse order.

6.3.18 MOTOR

- 1) Remove fan (refer 6.3.17) and then remove the wires that go to the motor.
- 2) Undo the four screws holding the motor bracket in place (from the outside) and remove motor assembly.

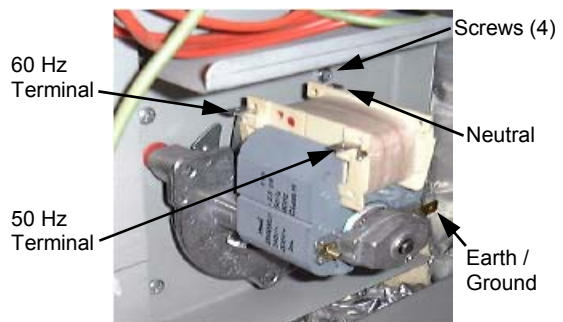


Figure 6.3.25

- 3) Remove three screws holding motor to bracket and remove motor.

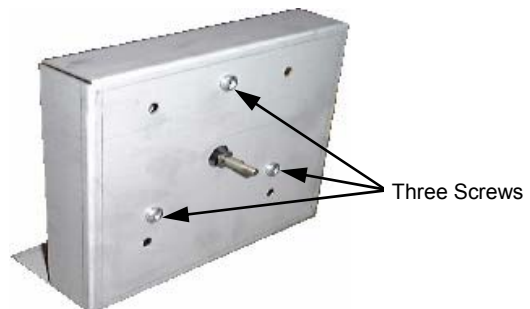


Figure 6.3.26

- 4) Replace and re-assemble in reverse order.
- 5) Ensure wire connections are correct to the voltage supply—60 Hz / 50 Hz (fig 6.3.23)

6.3.19 OUTER GLASS (E311)

- 1) Open door
- 2) Undo two screws securing Turbofan cover plate to oven, and remove cover plate.

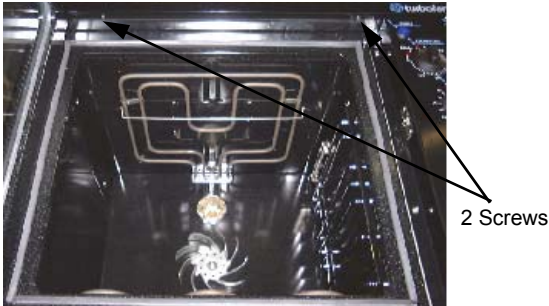


Figure 6.3.27

- 3) Remove LH screw whilst supporting the door. Lift bracket and remove door from oven.



Figure 6.3.28

- 4) Remove screws securing door handle.

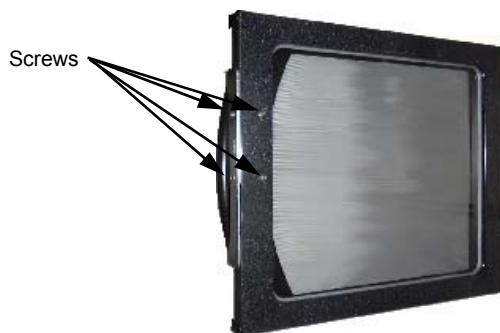


Figure 6.3.29

- 5) Remove two screws in top trim and two screws in bottom trim of door, and remove trim panels.

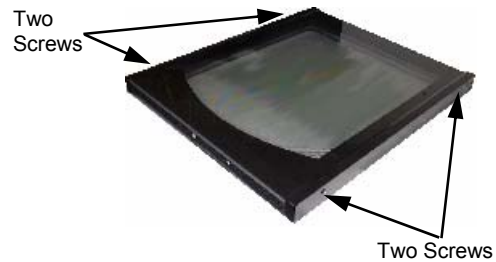


Figure 6.3.30

- 6) Lift outer glass away from door.
- 7) To replace, ensure that the two silicone rubber seals are in place on the left hand and right hand side of the door frame. Clean the inside of the glass and refit it, ensuring that the silicone rubber seals cover the outer edges of the glass. Refit the bottom trim.

6.3.20 INNER GLASS (E311)

- 1) Remove the outer glass as above. Uncrimp the retaining lugs of the window spacer and remove the spacer and glass.

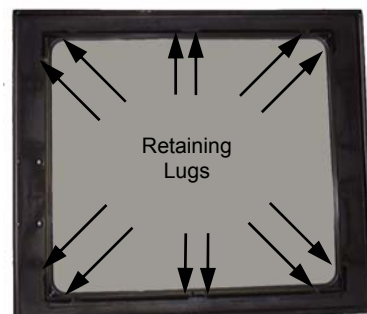


Figure 6.3.31

- 2) To replace, ensure the silicone rubber seal has not been displaced. Clean the glass and refit it. Place the window spacer in position and crimp the retaining lugs over to hold the glass in place. Refit outer glass as above.

6.3.21 INNER GLASS SEAL (E311)

- 1) Remove the door inner glass (refer 6.3.20).
- 2) The inner glass seal can now be removed and replaced.

NOTE: When fitting new seal, ensure join is at top of door.

6.3.22 DOOR SEALS

- 1) Open oven door.
- 2) To remove, hold at their centre point and pull forward until they unclip

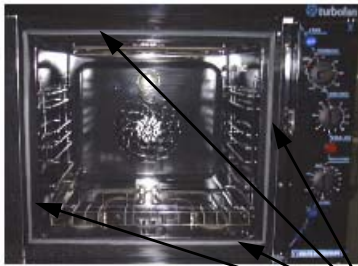


Figure 6.3.32 Door Seals

- 3) Refit new seals.

Note: Fit top and bottom seals first, with the open side of the seal facing downwards. Fit side seals with open side facing outwards.

6.3.23 DOOR PIVOT BUSHES

- 1) Remove door as per steps one to three of section 6.3.19.
- 2) Door bushes can now be removed and replaced.
- 3) Reinstall door by reversing steps one to three of section 6.3.19.

6.3.24 OUTER GLASS (E311MS)

- 1) Remove door as per steps one to three of section 6.3.19.
- 2) Remove door bushes, catch plate (4 screws), handle (4 screws), top and bottom screws (4).

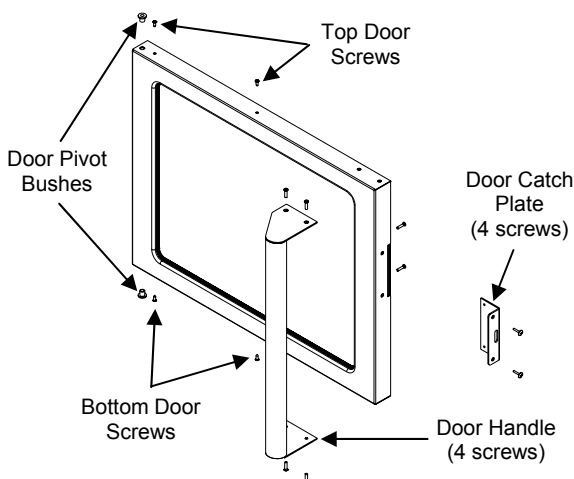


Figure 6.3.33

- 3) Place door on bench with door outer facing up. Lift door outer up removing it from door assembly. Remove outer glass.
- 4) To replace, clean inner and outer glass, ensure the silicone rubber seal has not been displaced and refit door outer. Reassemble in reverse order.
- 5) Reinstall door by reversing steps one to three of section 6.3.19.

6.3.25 INNER GLASS (E311MS)

- 1) Remove outer glass as per steps one to three of section 6.3.23
- 2) Uncrimp the retaining tags and remove glass clamp.
- 3) Remove inner glass.
- 4) To replace, ensure the silicone rubber seal has not been displaced. Clean the glass and refit it. Place the glass clamp in position and crimp the retaining tags over to hold the glass in place. Refit outer glass as above.

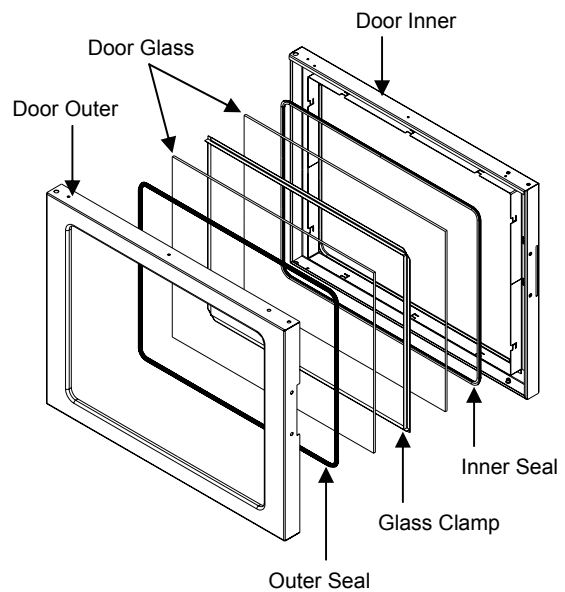


Figure 6.3.34

6.3.26 OUTER GLASS SEAL (E311MS)

- 1) Remove the door outer glass (refer 6.3.24).
- 2) The outer glass seal can now be removed and replaced.

NOTE: When fitting new seal, ensure join is at top of door.

6.3.27 INNER GLASS SEAL (E311MS)

- 1) Remove the door inner glass (refer 6.3.25).
- 2) The inner glass seal can now be removed and replaced.

NOTE: When fitting new seal, ensure join is at top of door.

6.4 ADJUSTMENT / CALIBRATION

6.4.1 THERMOSTAT CALIBRATION

! **IMPORTANT:** IF THE OVEN TEMPERATURE NEEDS TO BE INCREASED, ENSURE THAT THE THERMOSTAT IS IN THE 'OFF' POSITION BEFORE CARRYING OUT ADJUSTMENT. IF OVEN TEMPERATURE NEEDS TO BE DECREASED, ENSURE THERMOSTAT IS IN THE 'MAX' TEMPERATURE POSITION BEFORE CARRYING OUT ANY ADJUSTMENT.

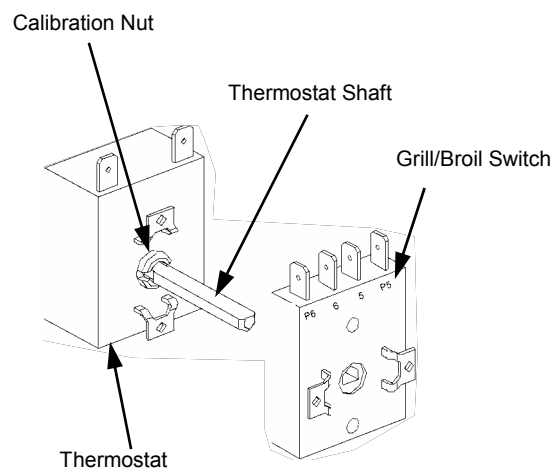


Figure 6.4.1

- 1) Turn off power.
- 2) Remove thermostat knob by pulling it firmly away from control panel.
- 3) Open control panel (refer 6.2.1). Remove two screws on control panel holding thermostat.

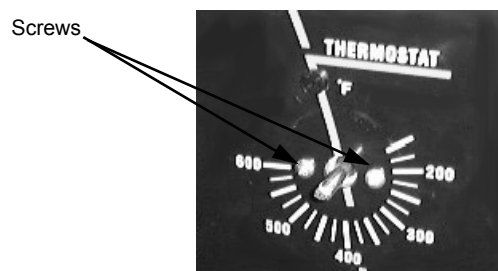


Figure 6.4.2

- 4) The thermostat can now be removed.

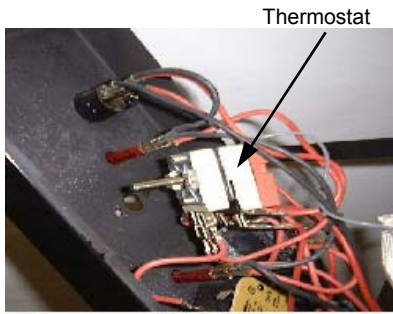


Figure 6.4.3

- 5) Carefully remove two screws holding Grill/Broil switch to thermostat.

HINT: Tape Grill/Broil switch assembly together before removal to prevent it from springing apart.

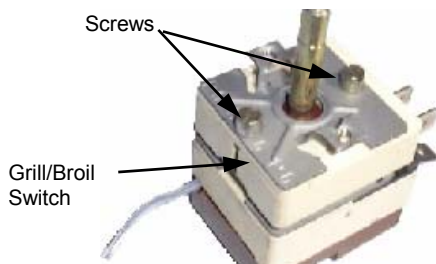


Figure 6.4.4

- 7) Adjust the calibration nut located at the base of the thermostat shaft.
To increase oven temperature, turn calibration nut anticlockwise.
To decrease oven temperature, turn calibration nut clockwise.
Adjustment of the calibration nut by 1° angular will alter oven temperature by approximately 2°C (3.6°F).

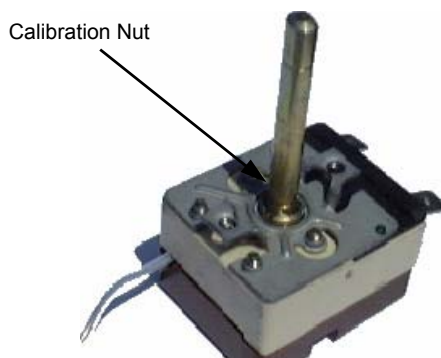


Figure 6.4.5

- 8) Reassemble Grill/Broil switch onto the thermostat and fit assembly back onto control panel.
- 9) Turn on power and recheck oven thermostat calibration.
- 10) Repeat procedure if necessary.

6.4.2 DOOR MICROSWITCH ADJUSTMENT

- 1) Open oven door.
- 2) Remove service panel (refer 6.2.2).
- 3) With fingers, bend actuator arm of microswitch so that switch operates when door is in closed position.

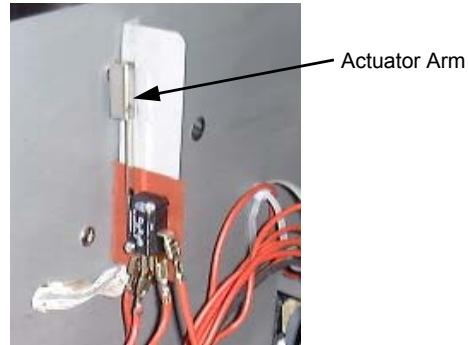


Figure 6.4.6

6.4.3 DOOR ALIGNMENT

- 1) Alignment of the door can be achieved by loosening the two hex head bolts securing the bottom plate to the oven body. The plate may now be moved sideways or in / out to achieve correct door alignment. (Door should be parallel to bottom plate and touching oven seal evenly). When correct tighten bolts.

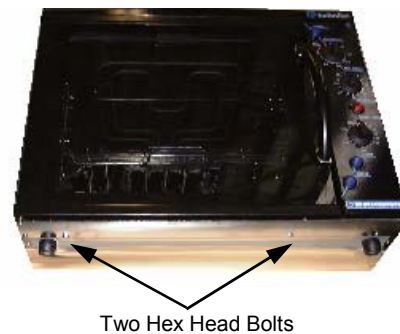


Figure 6.4.7

- 2) To adjust the door catch, loosen locknut and turn the slot (using the tool supplied with the unit); anticlockwise to increase roller height, clockwise to decrease roller height.

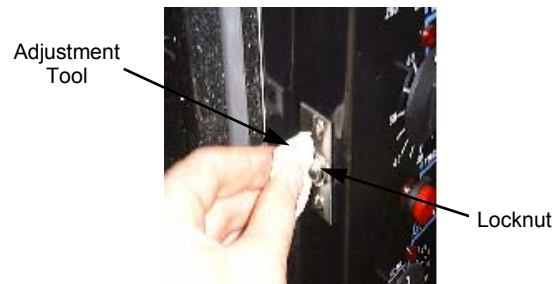


Figure 6.4.8

6.4.4 HOLD TEMPERATURE ADJUSTMENT

- 1) The hold temperature of the oven can be adjusted by turning the hold thermostat dial to the desired hold temperature. This dial is located inside the control panel.

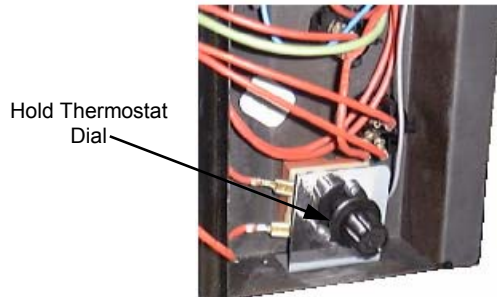


Figure 6.4.9

6.4.5 60 MINUTE TIMER ZERO POSITION ADJUSTMENT

- 1) Remove 60 minute timer knob by pulling it firmly away from control panel.
- 2) Open control panel (refer 6.2.1). Loosen two screws on control panel holding 60 minute timer.

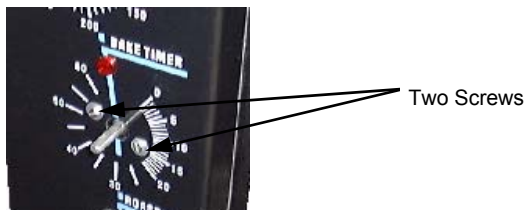
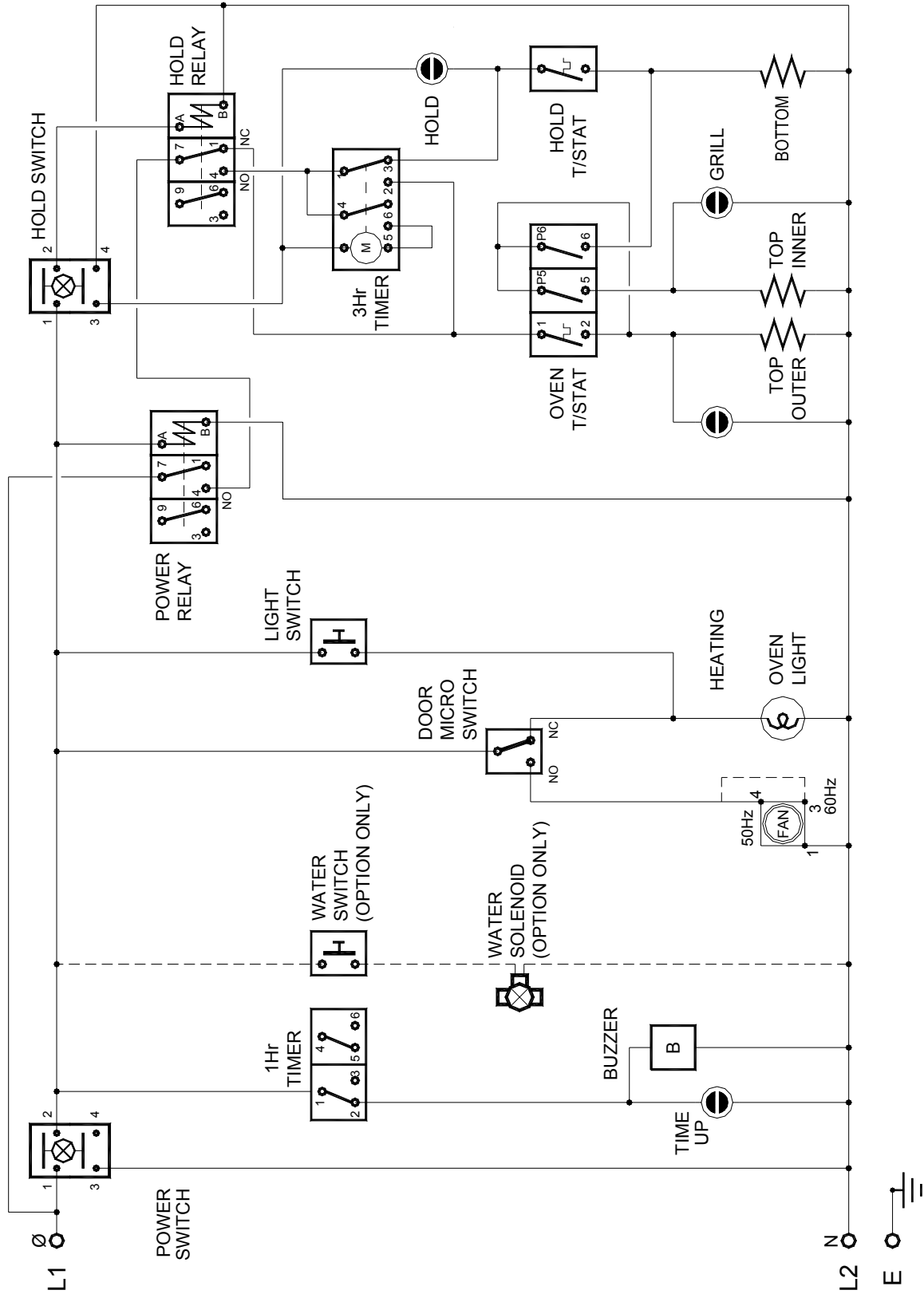


Figure 6.4.10

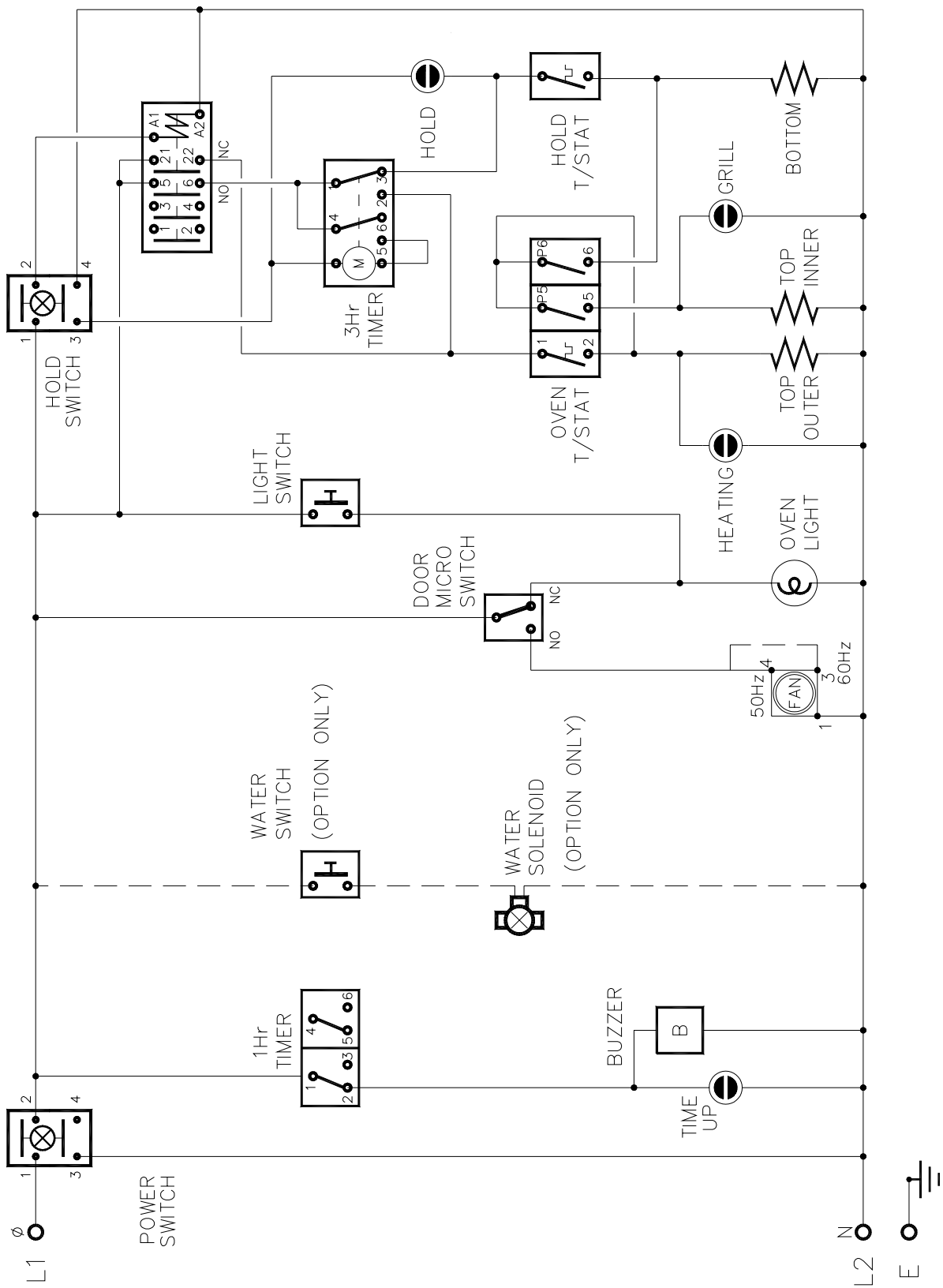
- 3) The timer can now be rotated as required to ensure that the buzzer sounds at the zero position.

7. ELECTRICAL CIRCUIT SCHEMATICS

From Serial Number 232054

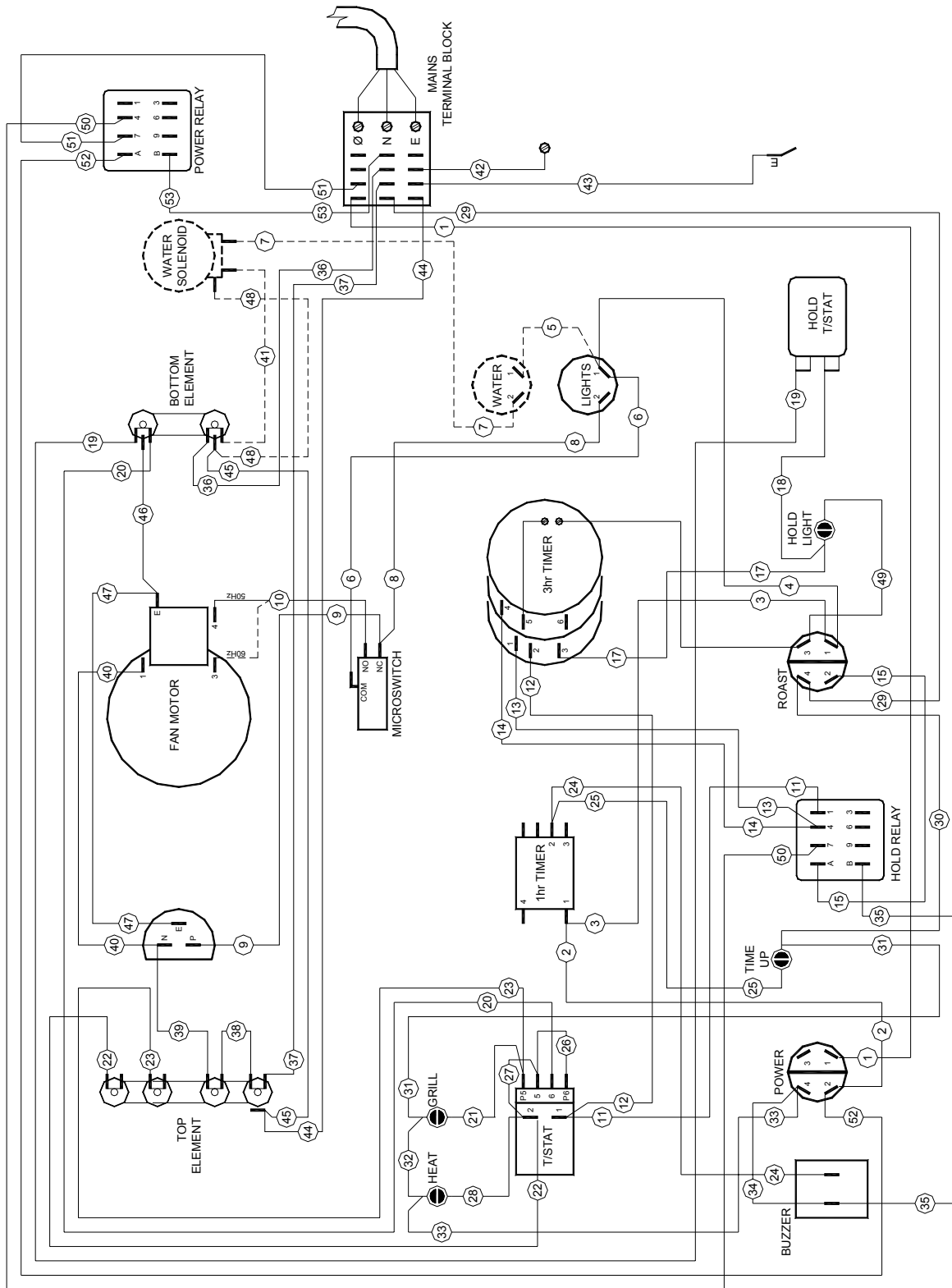


To Serial Number 232053



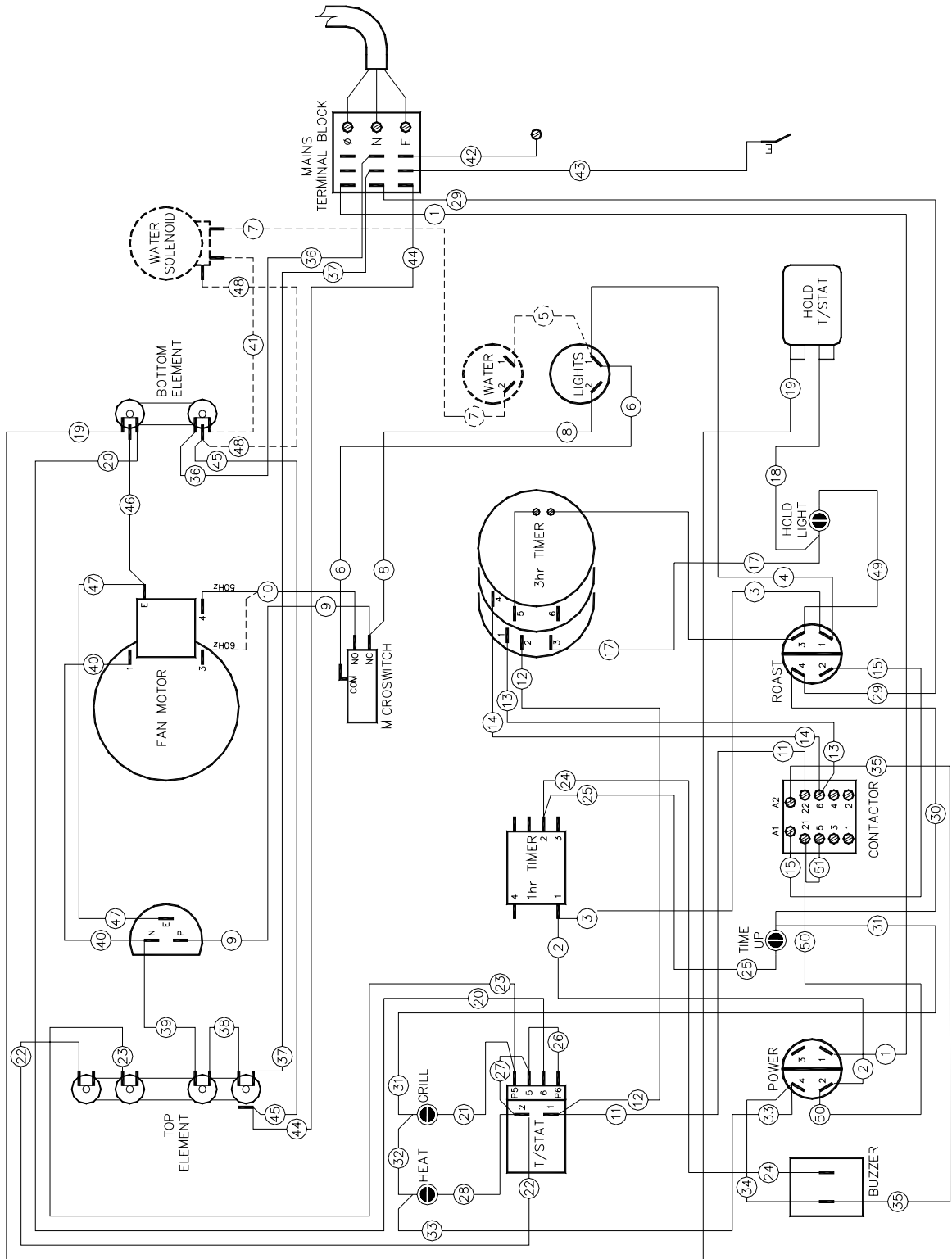
8. ELECTRICAL WIRING DIAGRAMS

From Serial Number 232054



----- Dotted lines indicate wiring used only on models with water injection.

To Serial Number 232053



----- Dotted lines indicate wiring used only on models with water injection.

9. SPARE PARTS

PART NO	DESCRIPTION
---------	-------------

CONTROLS

021473	Switch - Power
024562	Power Relay (From S/N 232054)
024563	Power Relay Upgrade Kit (To S/N 232053)
017121	Thermostat
020823	Knob - Thermostat / Bake Timer
020849	Neon Indicator
011760	Bake Timer
011794	Buzzer
021476	Switch - 'Roast n Hold'
011419	'Roast n Hold' Timer (50Hz)
011983	'Roast n Hold' Timer (60Hz)
021472	'Roast n Hold' Timer Knob
024773	Light Switch - Latching (From S/N 260862)
021474	Light Switch - Momentary (To S/N 260861)
024562	Hold Relay (From S/N 232054)
022281	Hold Relay (To S/N 232053)
018223	Hold Thermostat
002990	Microswitch
003002	Oven Lamp Glass
003434	Silk Gasket
013521	Oven Lamp - 40W Miniature Edison Screw (E311)
014218	Oven Lamp - 25W Miniature Edison Screw (E311MS)

MOTOR & ELEMENTS

003113	Oven Top Element 208 Volts
003114	Oven Bottom Element 208 Volts
011604	Oven Top Element 240 Volts
003074	Oven Bottom Element 240 Volts
013431	Fan Motor
013432	Oven Fan

STEAM SYSTEM (OPTION ONLY)

021474	Steam Switch
012781	Water Solenoid

DOOR

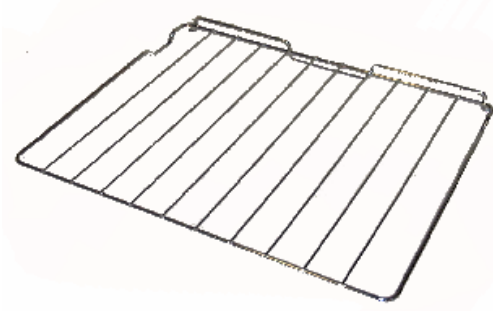
014225	Oven Door Seal Strip Side
023257	Oven Door Seal Strip Top / Bottom
021469	Handle Assembly (E311)
021468	Handle (E311)
025499	Handle (E311MS)
021465	Handle Bracket (E311)
023264	Door Outer Glass (E311)
023263	Door Inner Glass (E311), Door Glass (All)(E311MS)
011005	Door Catch (E311)
025501	Door Catch Plate (E311MS)
025502	Door Bush (E311MS)

RACKS

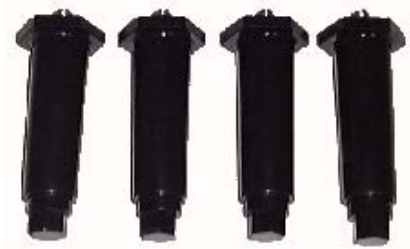
023255	Oven Side Rack LH
023256	Oven Side Rack RH
023254	Oven Rack
004874	Bottom Element Guard
004595	Fan Baffle

10. ACCESSORIES

OVEN RACKS (PART NO 23254)



100 MM (FOUR INCH) FOOT OPTION (PART NO 13048)



25 MM (ONE INCH) FOOT OPTION (PART NO 13908)

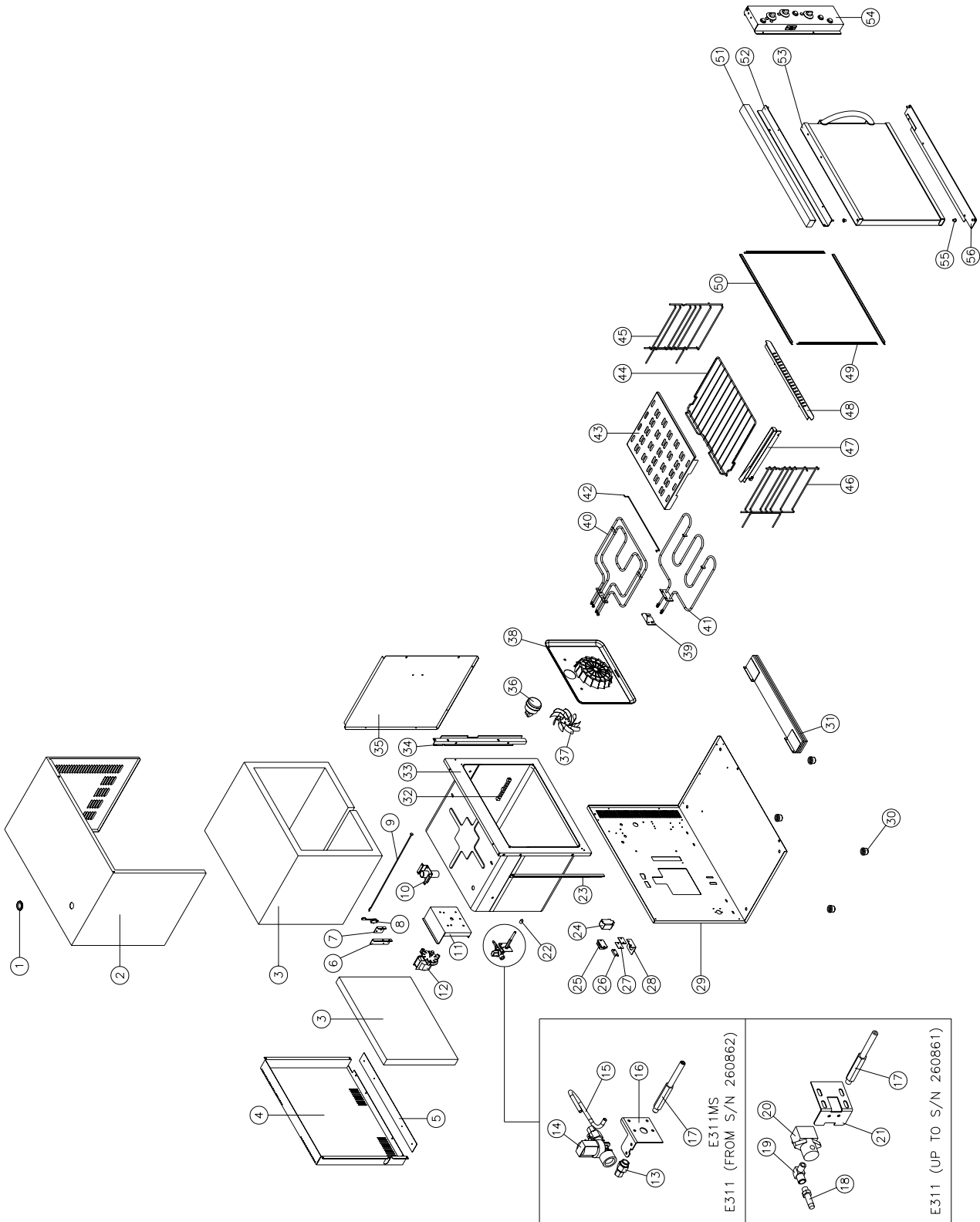


A25 / A311 STAINLESS STEEL STAND



11. PARTS DIAGRAMS

11.1 MAIN ASSEMBLY

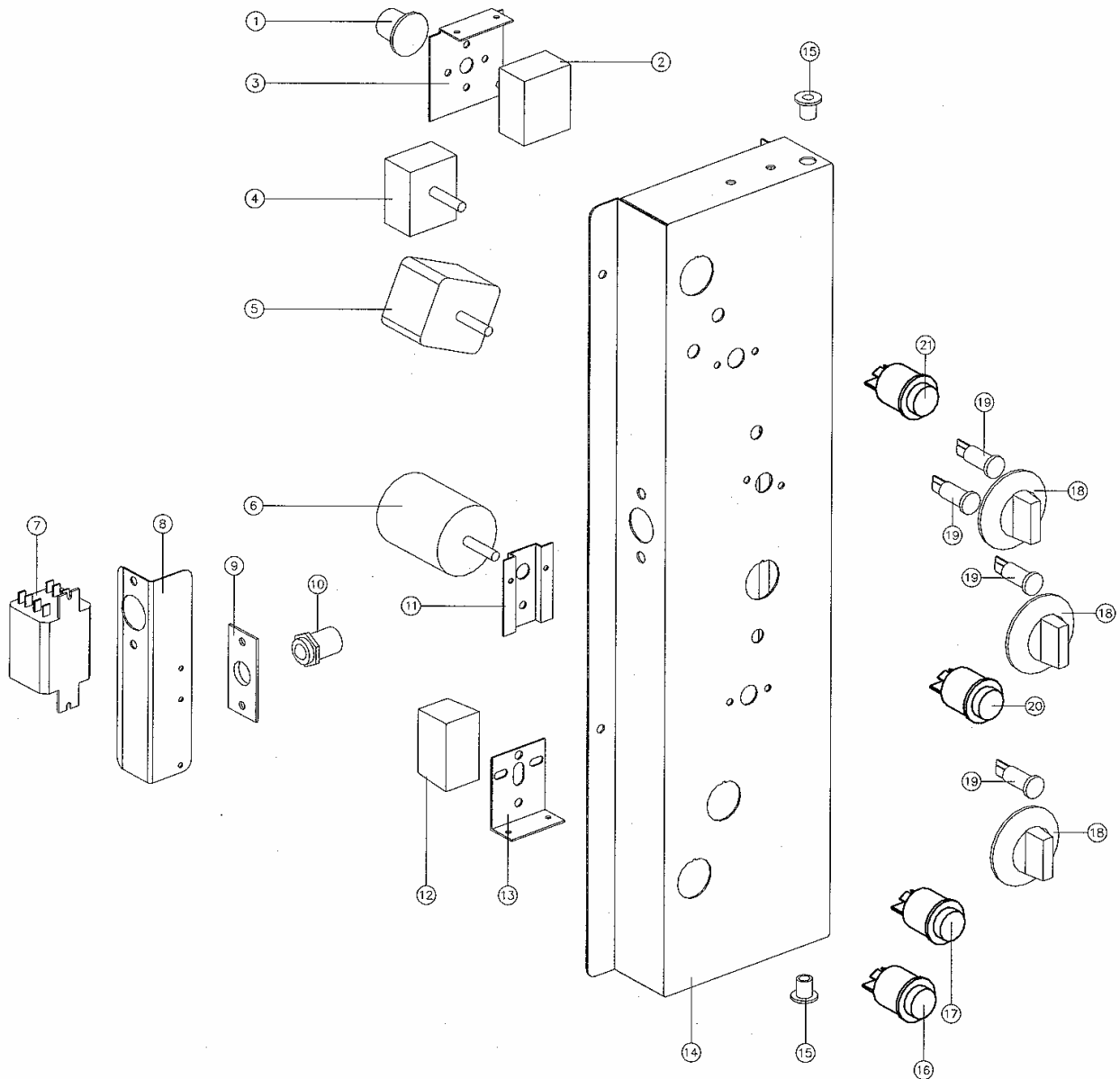


Pos	Part No.	Description
1	010761	GROMMET (E311 FROM S/N 260862; E311MS)
2	025548	WRAPPER (E311 FROM S/N 260862; E311MS)
	023242	WRAPPER (E311 UP TO S/N 260861)
3	090414	INSULATION
4	025549	COVER PANEL (E311 FROM S/N 260862; E311MS)
	023276	COVER PANEL (E311 UP TO S/N 260861)
5	023277	COVER PANEL PLATE
6	011412	MICROSWITCH BRACKET
7	011389	MICROSWITCH INSULATOR
8	002990	MICROSWITCH
9	003012	ACTUATOR ROD
	011410	MICROSWITCH BUTTON (NOT ILLUSTRATED)
10	025528	VENT TUBE (E311 FROM S/N 260862; E311MS)
	023275	VENT TUBE (E311 UP TO S/N 260861)
11	003016	MOTOR MOUNTING PLATE
12	013431	MOTOR
13	025092	MOUNTING BUSH (US/CAN ONLY) (FROM S/N 258733)
	011286	OLIVE (US/CAN ONLY) (FROM S/N 258733)
	011287	NUT (US/CAN ONLY) (FROM S/N 258733)
14	020851	WATER SOLENOID (US/CAN ONLY) (FROM S/N 258733)
	020869	CONNECTOR 3/8" F x 1/4" COMP (US/CAN ONLY) (FROM S/N 258733)
15	025546	WATER TUBE (US/CAN ONLY) (FROM S/N 258733)
16	025545	SOLENOID MOUNTING PLATE (US/CAN ONLY) (FROM S/N 258733)
17	012784	SOLENOID EXTENSION (US/CAN ONLY)
18	012782	HOSE CONNECTOR (US/CAN ONLY) (UP TO S/N 258732)
19	011634	ELBOW (US/CAN ONLY) (UP TO S/N 258732)
20	012781	SOLENOID VALVE (US/CAN ONLY) (UP TO S/N 258732)
21	019208	SOLENOID MOUNTING BRACKET (US/CAN ONLY) (UP TO S/N 258732)
22	012785	INJECTOR (US/CAN ONLY) (UP TO S/N 258732)
23	011404	L.H OVEN SUPPORT
24	024562	POWER RELAY (FROM SERIAL NUMBER 232054)
	024563	POWER RELAY UPGRADE KIT (TO SERIAL NUMBER 232053)
25	013586	TERMINAL BLOCK
26	002138	CABLE CLAMP
27	002441	INSULATOR
28	018251	CABLE ENTRY CLAMP BRACKET
29	023241	BODY
30	013048	LEG - 4" (100 mm)
	013908	FOOT ASSEMBLY - 1" (25 mm)
31	004594	COUNTERWEIGHT (UK ONLY)
32	017770	PHIAL GUARD
33	004870	OVEN INNER
34	011413	R.H OVEN SUPPORT
35	011407	SIDE INSULATION PANEL
36	013520	OVEN LIGHT ASSEMBLY
	003434	SILK GASKET
	013521	LAMP 40W (E311)
	014218	LAMP 25W (E311MS)
	003002	LIGHT GLASS
37	013432	FAN
38	004595	FAN BAFFLE
39	003123	BAFFLE BRACKET
40	003113	TOP ELEMENT 208 - 220V
	011604	TOP ELEMENT 230 - 240V
41	003074	BOTTOM ELEMENT 230 - 240V
	003114	BOTTOM ELEMENT 208 - 220V
42	003219	ELEMENT SUPPORT
43	004993	ELEMENT COVER (E311 FROM S/N 260862; E311MS)

44	023254	OVEN RACK
45	023256	OVEN SIDE RACK - RH
46	023255	OVEN SIDE RACK - LH
47	012787	WATER TROUGH (US/CAN ONLY)
48	004874	BOTTOM ELEMENT GUARD
49	014225	OVEN SEAL ASSEMBLY - VERTICAL
	003028	VERTICAL SEAL - 455mm
50	023257	OVEN SEAL ASSEMBLY - HORIZONTAL
	023278	HORIZONTAL SEAL - 584mm
51	004877	PIVOT COVER - BLACK (E311 ONLY)
	004994	PIVOT COVER - ST/ST (E311MS ONLY)
52	023243	PIVOT SUPPORT - TOP ASSEMBLY
53	-----	DOOR ASSEMBLY (REFER SECTION 11.3 & 11.4)
54	-----	CONTROL ASSEMBLY (SEE SECTION 11.2)
55	025502	DOOR BUSH (E311 FROM S/N 260862; E311MS)
		(ALSO USED ON CONTROL PANEL PIVOT)
	013610	DOOR BUSH (E311 UP TO S/N 260861)
		(ALSO USED ON CONTROL PANEL PIVOT)
56	023245	PIVOT SUPPORT - BOTTOM ASSEMBLY

11.2 CONTROL PANEL ASSEMBLY

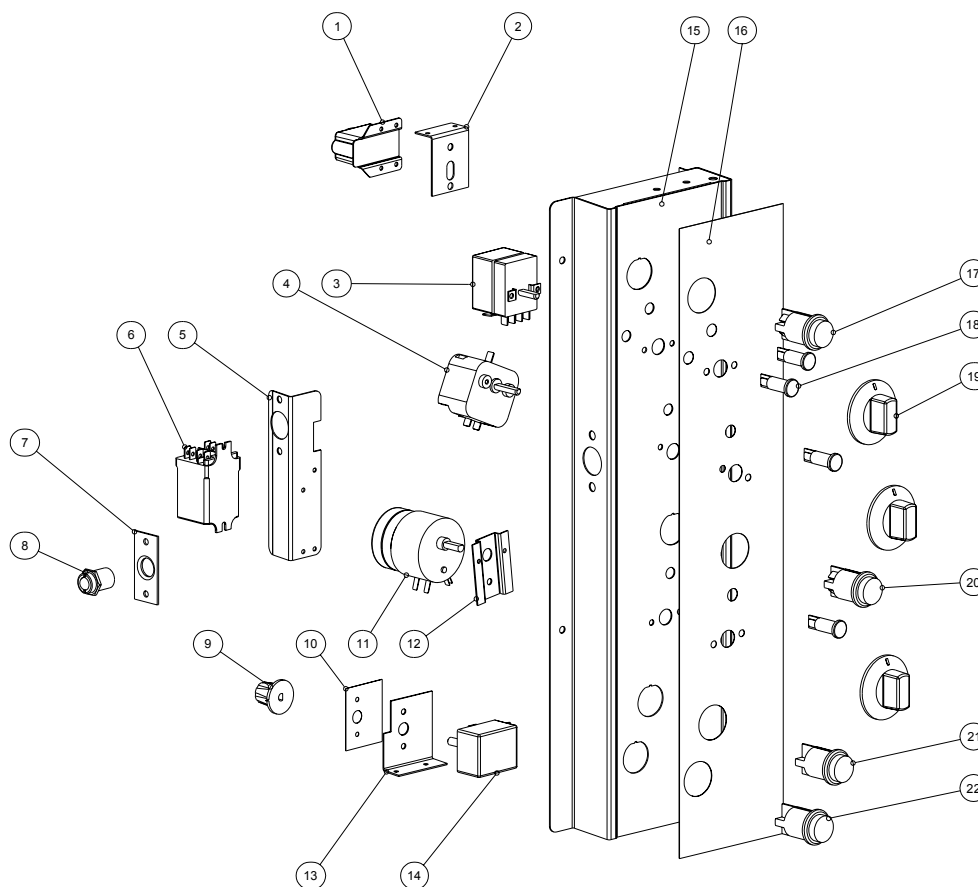
11.2.1 E311 CONTROL PANEL



Pos	Part No.	Description
1	018224	HOLD THERMOSTAT KNOB
2	018223	HOLD THERMOSTAT
3	021538	HOLD THERMOSTAT BRACKET (AFFIX 018209 LABEL)
4	017121	THERMOSTAT 50-300 °C
5	011760	TIMER - 1 Hr
6	011419	TIMER - 3 Hr (240V 50 Hz)
	011983	TIMER - 3 Hr (240V 60 Hz)
7	024562	HOLD RELAY (FROM SERIAL NUMBER 232054)
	022281	HOLD MINI-CONTACTOR (TO SERIAL NUMBER 232053)
8	021536	RELAY / CONTACTOR BRACKET
9	018789	BALL CATCH PLATE
10	011005	BALL CATCH & LOCKNUT
11	021442	TIMER MOUNTING PANEL
12	011794	BUZZER

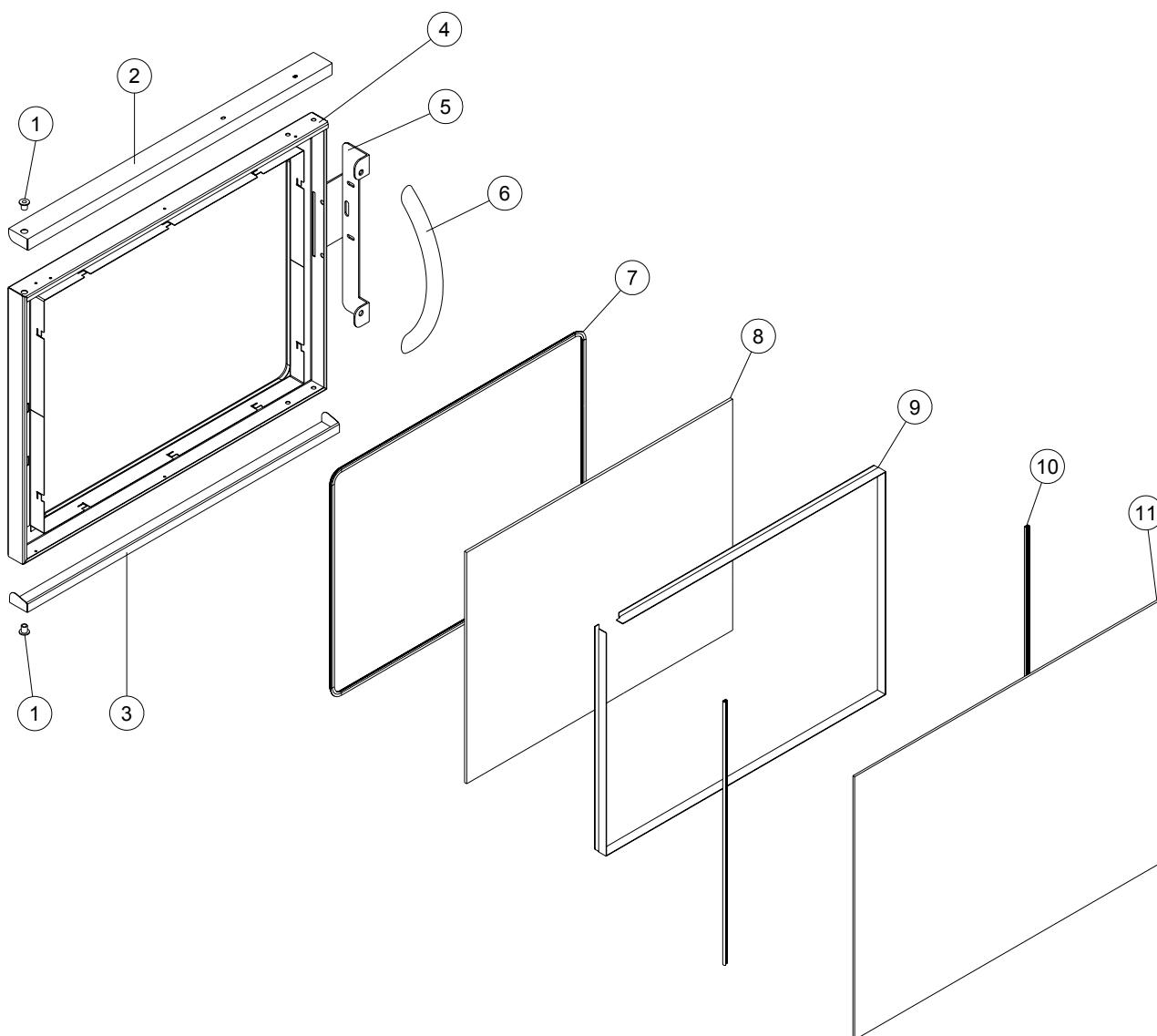
13	021537	BUZZER MOUNTING BRACKET
14	004873	CONTROL PANEL BAKBAR °C
	004872	CONTROL PANEL BLUE SEAL °C
	004729	CONTROL PANEL MOFFAT °F
15	013610	DOOR BUSH
16	024773	LIGHT SWITCH - LATCHING (USA/CAN ONLY) (FROM S/N 258733)
	021474	LIGHT SWITCH - MOMENTARY (USA/CAN ONLY) (UP TO S/N 258732)
17	024773	LIGHT SWITCH - LATCHING (NOT USA/CAN) (FROM S/N 260862)
	021474	LIGHT SWITCH - MOMENTARY (NOT USA/CAN) (UP TO S/N 260861)
	021474	STEAM SWITCH (USA/CAN ONLY)
18	020823	THERMOSTAT / TIMER KNOBS
19	020849	INDICATOR LIGHT
20	021476	ROAST 'N' HOLD SWITCH
21	021473	POWER SWITCH

11.2.2 E311MS CONTROL PANEL



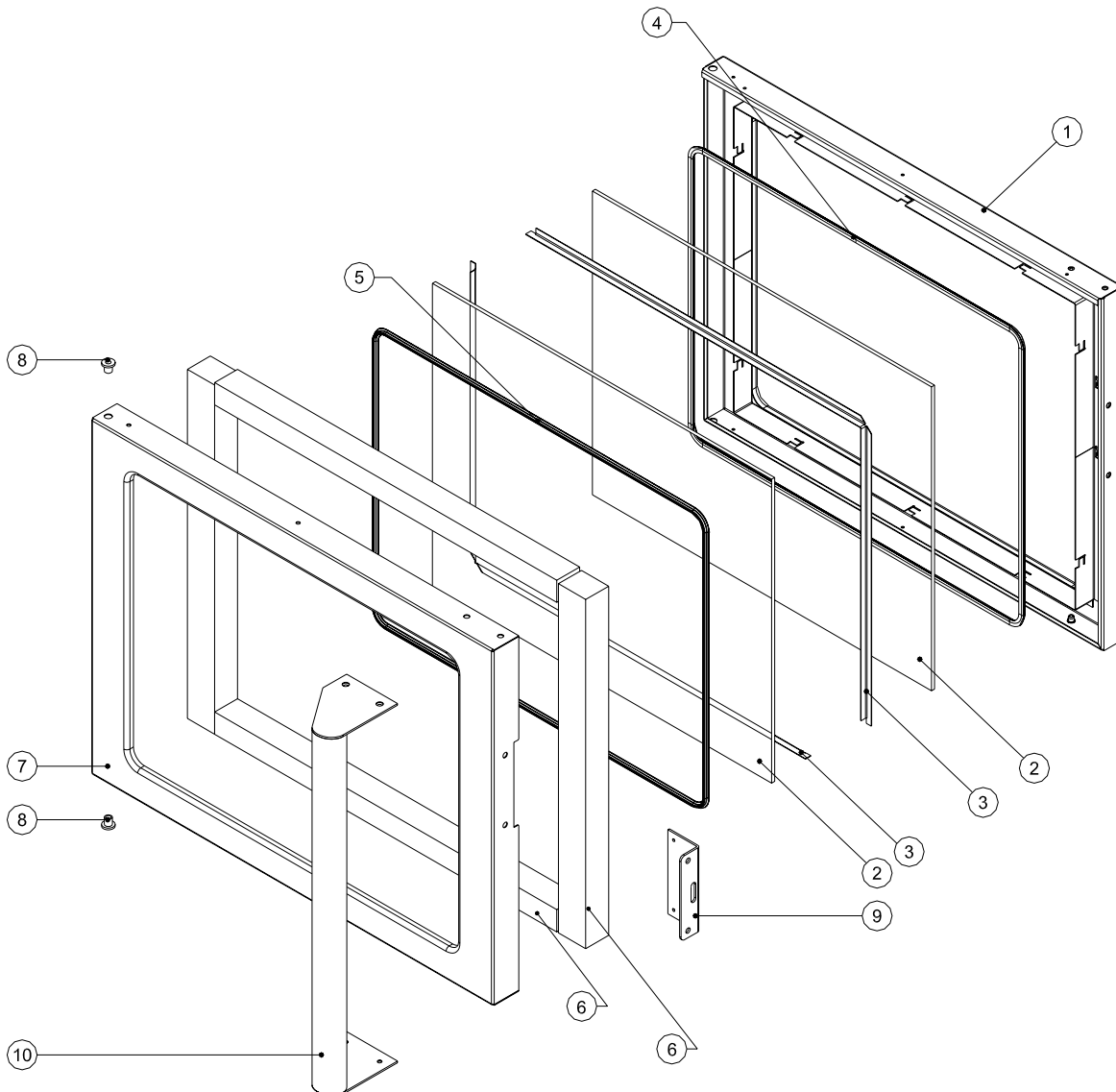
Pos	Part No.	Description
1	011794	BUZZER
2	021537	BUZZER MOUNTING BRACKET
3	017121	THERMOSTAT
4	011760	60 MINUTE TIMER
5	021536	RELAY MOUNTING BRACKET
6	024562	HOLD RELAY
7	018789	BALL CATCH PLATE
8	011005	BALL CATCH
9	018224	HOLD THERMOSTAT KNOB
10	018209	HOLD THERMOSTAT LABEL
11	011419	THREE HOUR TIMER - 50Hz
	011983	THREE HOUR TIMER - 60Hz
12	021442	TIMER MOUNTING PANEL
13	021538	HOLD THERMOSTAT BRACKET
14	018223	HOLD THERMOSTAT
15	025544	CONTROL PANEL WA (BAKBAR / BLUE SEAL)
	025503	CONTROL PANEL WA (MOFFAT)
16	025531	CONTROL PANEL OVERLAY (BAKBAR - °C)
	025532	CONTROL PANEL OVERLAY (BLUE SEAL °C)
	025530	CONTROL PANEL OVERLAY (MOFFAT - °F)
17	021473	POWER SWITCH
18	020849	INDICATOR LIGHT
19	020823	KNOB
20	021476	'ROAST N HOLD' SWITCH
21	024773	LIGHT SWITCH (NOT USA/CAN)
	021474	STEAM SWITCH (USA/CAN ONLY)
22	024473	LIGHT SWITCH (USA/CAN ONLY)

11.3 GLASS DOOR ASSEMBLY (E311)



Pos	Part No.	Description
1	025502	DOOR BUSH (FROM S/N *****) (ALSO USED ON CONTROL PANEL PIVOT)
	013610	DOOR BUSH (UP TO S/N *****) (ALSO USED ON CONTROL PANEL PIVOT)
2	023615	TOP TRIM
3	023616	BOTTOM TRIM
4	004992	DOOR INNER (FROM S/N *****)
	004875	DOOR INNER (UP TO S/N *****)
5	021465	HANDLE BRACKET (HANDLE ASSEMBLY 021469)
6	021468	HANDLE (HANDLE ASSEMBLY 021469)
7	090200	SILICON EXTRUSION - 1.90M
8	023263	DOOR INNER GLASS
9	004876	DOOR GLASS CLAMP ANGLE
10	090225	SILICON EXTRUSION - 0.96M
11	023264	DOOR OUTER GLASS

11.4 ST/ST DOOR ASSEMBLY (E311MS only)



Pos	Part No.	Description
1	004992	DOOR INNER
2	023263	DOOR GLASS
3	025498	GLASS CLAMP ANGLE
4	090200	INNER GLASS SEAL EXTRUSION
5	090201	OUTER GLASS SEAL EXTRUSION
6	090415	INSULATION 38mm
7	025504	DOOR OUTER PANEL WA
8	025502	PIVOT BUSH
9	025501	DOOR CATCH PLATE
10	025499	DOOR HANDLE

11. SERVICE CONTACTS

AUSTRALIA

VICTORIA - MOFFAT PTY

HEAD OFFICE AND MAIN WAREHOUSE
740 Springvale Road
Mulgrave VIC 3170
Spare Parts Department

Tel (03) 9518 3888
Fax (03) 9518 3838
Free Call 1800 337 963
Fax (03) 9518 3895

NEW SOUTH WALES - MOFFAT PTY

Unit 8/142 James Ruse Drive
Rosehill NSW 2142
Spare Parts

Free Call 1800 337 963
Fax (03) 9518 3895

QUEENSLAND - MOFFAT PTY

30 Prosperity Place
Geebung QLD 4034
Spare Parts

Free Call 1800 337 963
Fax (03) 9518 3895

SOUTH AUSTRALIA - MOFFAT PTY

28 Greenhill Rd
Wayville SA 5034
Spare Parts

Tel (08) 8274 2116
Free Call 1800 337 963

WESTERN AUSTRALIA - MOFFAT PTY

PO Box 689
Joondalup Business Centre WA 6027
Spare Parts

Tel (08) 9305 8855
Free Call 1800 337 963

**NATIONAL COVERAGE FOR 24 HOUR SERVICE OR MAINTENANCE DIAL
FREE CALL 1800 622 216 (AUSTRALIA ONLY)**

CANADA

Lessard Agencies Limited
PO Box 97
Stn "D"
Toronto, ONT M6P 3J5

Tel (416) 766 2764
Fax (416) 760 0394
Free Call 1 888 537 7273

NEW ZEALAND

CHRISTCHURCH - MOFFAT LTD

16 Osborne St
PO Box 10-001
Christchurch
Spare Parts

Free Call 0800 Moffat
(0800 663 328)

Tel (03) 389 1007
Fax (03) 389 1276

AUCKLAND - MOFFAT LTD

4 Waipuna Road
Mt Wellington
Auckland
Spare Parts

Tel (09) 574 3150
Fax (09) 574 3159

Free Call 0800 Moffat
(0800 663 328)

UNITED KINGDOM

BLUESEAL LTD
Units 6-7 Mount St Business Park
Mount Street
Nechells
Birmingham B7 5QU
England

Tel 0121-327 5575
Fax 0121-327 9711

UNITED STATES OF AMERICA

MOFFAT INC.
3765 Champion Blvd
Winston-Salem
NC27115

Tel 1-800-551 8795
Fax 336 661 9546

**NATIONAL COVERAGE FOR SERVICE OR MAINTENANCE DIAL
FREE CALL 1800 551 8795 (USA ONLY)**

APPENDIX A. POWER RELAY UPGRADE KIT

Kit (part no. 024563) includes:

1	x	Power relay
2	x	Screw - 8 x $\frac{3}{8}$ truss
1	x	160mm black wire
1	x	180mm red wire
1	x	950mm red wire
1	x	1050 red wire

Assembly Instructions: (THE ELECTRICAL SUPPLY MUST BE DISCONNECTED)

- 1) Remove the rear service panel.
- 2) Mark and drill 2x $\varnothing 3.5$ mm holes as per figure 1.
- 3) Mount relay to holes with 2 screws provided.
(NOTE: Terminals on relay must face upwards).
- 4) Connect 160mm black wire to vacant neutral (L2) terminal on terminal block and to terminal B on relay.
- 5) Connect short (180mm) red wire to vacant phase (L1) terminal on terminal block and to terminal 7 on relay.
- 6) Connect long thick red wire (950mm) to power relay terminal 4 and remaining long thin wire (1050mm) to relay terminal A. Feed these wires through the plastic bush in the rear of the oven and into the control cavity.
- 7) Loosen screws and open the control panel.
- 8) Remove and discard wire from terminal 2 on the power switch to terminal 21 on the mini contactor inside the control panel.
Locate end of thick red wire previously fed into control cavity and connect to terminal 21 of the contactor.
- 9) Locate long thin red wire and connect to terminal 2 on the power switch.
- 10) Close and fasten control panel taking care not to trap any wires.
- 11) Replace and fasten rear service panel.

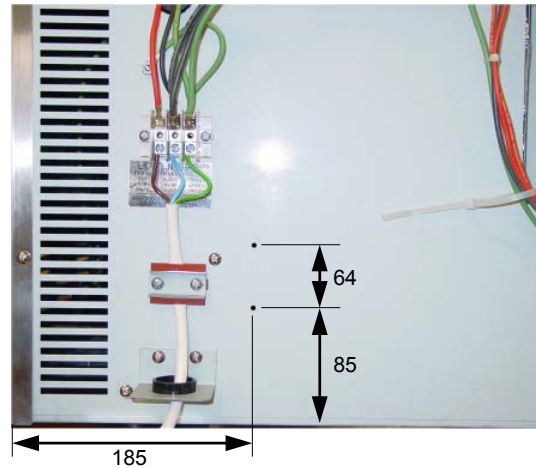


Figure 1

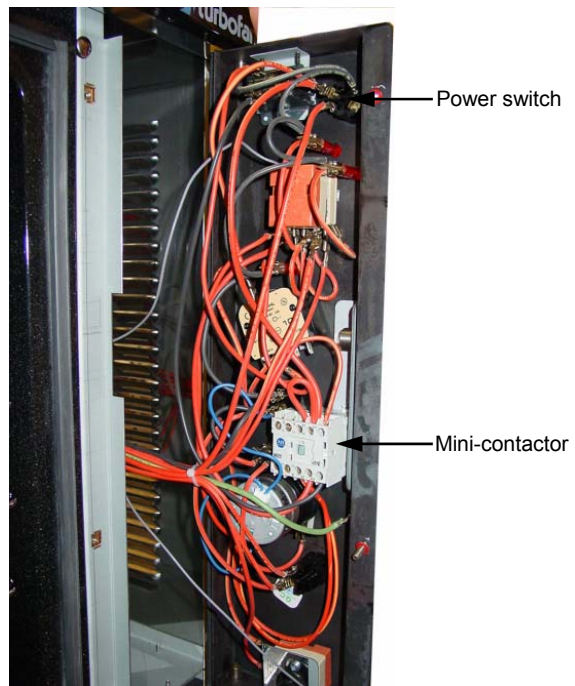


Figure 2

Circuit schematic (new wires shown in bold):

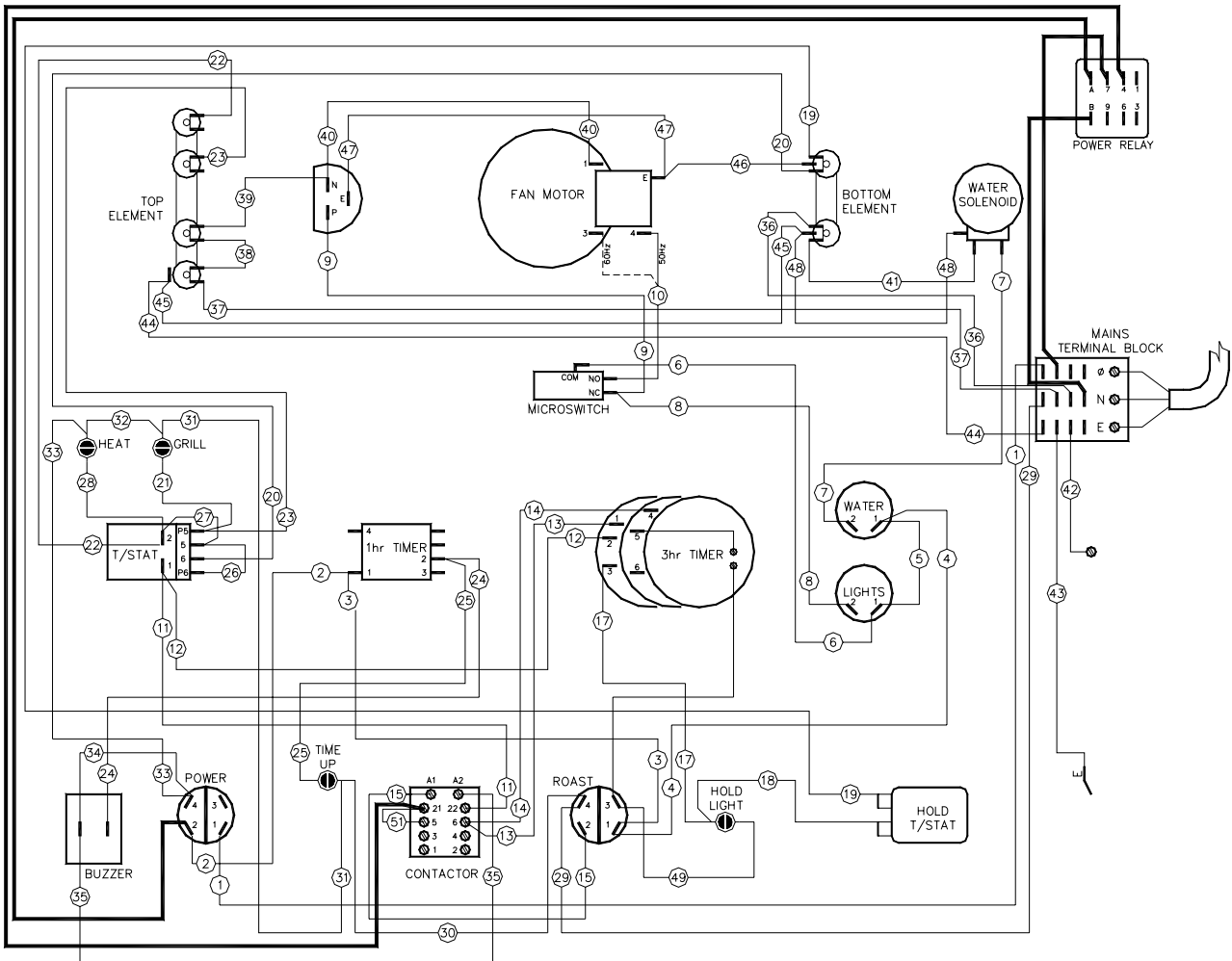


Figure 3