

SECTION **EM**

ENGINE MECHANICAL

CONTENTS

MR20DE

SERVICE INFORMATION	3	Changing Air Cleaner Filter	17	A
PRECAUTIONS	3	INTAKE MANIFOLD	18	
Precaution for Supplemental Restraint System (SRS) "AIR BAG" and "SEAT BELT PRE-TENSIONER"	3	Component	18	G
Precaution Necessary for Steering Wheel Rotation After Battery Disconnect	3	Removal and Installation	19	
Precaution for Procedure without Cowl Top Cover.....	4	EXHAUST MANIFOLD	23	
Precaution for Drain Coolant	4	Component	23	H
Precaution for Disconnecting Fuel Piping	4	Removal and Installation	24	
Precaution for Removal and Disassembly	4	OIL PAN	27	
Precaution for Inspection, Repair and Replacement	4	Component	27	I
Precaution for Assembly and Installation	4	Removal and Installation	27	
Parts Requiring Angular Tightening	4	IGNITION COIL, SPARK PLUG AND ROCKER COVER	33	J
Precaution for Liquid Gasket	5	Component	33	
PREPARATION	7	Removal and Installation	33	K
Special Service Tool	7	FUEL INJECTOR AND FUEL TUBE	36	
Commercial Service Tool	9	Component	36	L
NOISE, VIBRATION AND HARSHNESS (NVH) TROUBLESHOOTING	11	Removal and Installation	36	
NVH Troubleshooting - Engine Noise	11	TIMING CHAIN	40	
Use the Chart Below to Help You Find the Cause of the Symptom	12	Component	40	M
DRIVE BELTS	13	Removal and Installation	41	
Component	13	CAMSHAFT	49	
Checking Drive Belts	13	Component	49	N
Tension Adjustment	13	Removal and Installation	49	
Removal and Installation	13	Valve Clearance	57	
Component	14	OIL SEAL	61	O
Removal and Installation of Drive Belt Auto Tensioner	14	Removal and Installation of Valve Oil Seal	61	
AIR CLEANER AND AIR DUCT	16	Removal and Installation of Front Oil Seal	61	
Component	16	Removal and Installation of Rear Oil Seal	62	P
Removal and Installation	16	CYLINDER HEAD	64	
		On-Vehicle Service	64	
		Component	65	
		Removal and Installation	65	
		Component	67	
		Disassembly and Assembly	68	

Inspection After Disassembly	69	Removal and Installation	131
CYLINDER BLOCK	74	INTAKE MANIFOLD	133
Component	74	Removal and Installation	133
Disassembly and Assembly	75	EXHAUST MANIFOLD AND THREE WAY	
How to Select Piston and Bearing	83	CATALYST	137
Inspection After Disassembly	91	Removal and Installation	137
ENGINE ASSEMBLY	102	OIL PAN AND OIL STRAINER	139
Component	102	Removal and Installation	139
Removal and Installation	102	IGNITION COIL	142
SERVICE DATA AND SPECIFICATIONS		Removal and Installation	142
(SDS)	106	SPARK PLUG	143
Standard and Limit	106	Removal and Installation	143
	QR25DE	FUEL INJECTOR AND FUEL TUBE	145
SERVICE INFORMATION	117	Removal and Installation	145
PRECAUTIONS	117	ROCKER COVER	148
Precaution for Supplemental Restraint System		Removal and Installation	148
(SRS) "AIR BAG" and "SEAT BELT PRE-TEN-		CAMSHAFT	150
SIONER"	117	Removal and Installation	150
Precaution Necessary for Steering Wheel Rota-		Inspection After Installation	157
tion After Battery Disconnect	117	Valve Clearance	158
Precaution for Procedure without Cowl Top Cover.	118	TIMING CHAIN	161
Precaution for Draining Coolant	118	Removal and Installation	161
Precaution for Disconnecting Fuel Piping	118	OIL SEAL	169
Precaution for Removal and Disassembly	118	Removal and Installation of Valve Oil Seal	169
Precaution for Inspection, Repair and Replace-		Removal and Installation of Front Oil Seal	169
ment	118	Removal and Installation of Rear Oil Seal	170
Precaution for Assembly and Installation	118	CYLINDER HEAD	172
Parts Requiring Angular Tightening	118	On-Vehicle Service	172
Precaution for Liquid Gasket	119	Removal and Installation	173
PREPARATION	121	Disassembly and Assembly	175
Special Service Tool	121	Inspection After Disassembly	177
Commercial Service Tool	123	ENGINE ASSEMBLY	182
NOISE, VIBRATION AND HARSHNESS		Removal and Installation	182
(NVH) TROUBLESHOOTING	126	CYLINDER BLOCK	185
NVH Troubleshooting - Engine Noise	126	Disassembly and Assembly	185
Use the Chart Below to Help You Find the Cause		How to Select Piston and Bearing	193
of the Symptom	126	Inspection After Disassembly	199
DRIVE BELTS	128	SERVICE DATA AND SPECIFICATIONS	
Checking Drive Belts	128	(SDS)	209
Tension Adjustment	128	Standard and Limit	209
Removal and Installation	128		
Removal and Installation of Drive Belt Auto-ten-			
sioner	129		
AIR CLEANER AND AIR DUCT	131		

SERVICE INFORMATION

PRECAUTIONS

Precaution for Supplemental Restraint System (SRS) "AIR BAG" and "SEAT BELT PRE-TENSIONER"

INFOID:000000004777178

The Supplemental Restraint System such as "AIR BAG" and "SEAT BELT PRE-TENSIONER", used along with a front seat belt, helps to reduce the risk or severity of injury to the driver and front passenger for certain types of collision. This system includes seat belt switch inputs and dual stage front air bag modules. The SRS system uses the seat belt switches to determine the front air bag deployment, and may only deploy one front air bag, depending on the severity of a collision and whether the front occupants are belted or unbelted. Information necessary to service the system safely is included in the SRS and SB section of this Service Manual.

WARNING:

- To avoid rendering the SRS inoperative, which could increase the risk of personal injury or death in the event of a collision which would result in air bag inflation, all maintenance must be performed by an authorized NISSAN/INFINITI dealer.
- Improper maintenance, including incorrect removal and installation of the SRS can lead to personal injury caused by unintentional activation of the system. For removal of Spiral Cable and Air Bag Module, see the SRS section.
- Do not use electrical test equipment on any circuit related to the SRS unless instructed to in this Service Manual. SRS wiring harnesses can be identified by yellow and/or orange harnesses or harness connectors.
- When working near the Airbag Diagnosis Sensor Unit or other Airbag System sensors with the Ignition ON or engine running, DO NOT use air or electric power tools or strike near the sensor(s) with a hammer. Heavy vibration could activate the sensor(s) and deploy the air bag(s), possibly causing serious injury.
- When using air or electric power tools or hammers, always switch the Ignition OFF, disconnect the battery, and wait at least 3 minutes before performing any service.

Precaution Necessary for Steering Wheel Rotation After Battery Disconnect

INFOID:000000004409474

NOTE:

- This Procedure is applied only to models with Intelligent Key system and NATS (NISSAN ANTI-THEFT SYSTEM).
- Remove and install all control units after disconnecting both battery cables with the ignition knob in the "LOCK" position.
- Always use CONSULT-III to perform self-diagnosis as a part of each function inspection after finishing work. If DTC is detected, perform trouble diagnosis according to self-diagnostic results.

For models equipped with the Intelligent Key system and NATS, an electrically controlled steering lock mechanism is adopted on the key cylinder.

For this reason, if the battery is disconnected or if the battery is discharged, the steering wheel will lock and steering wheel rotation will become impossible.

If steering wheel rotation is required when battery power is interrupted, follow the procedure below before starting the repair operation.

OPERATION PROCEDURE

1. Connect both battery cables.
 - NOTE:**
Supply power using jumper cables if battery is discharged.
2. Use the Intelligent Key or mechanical key to turn the ignition switch to the "ACC" position. At this time, the steering lock will be released.
3. Disconnect both battery cables. The steering lock will remain released and the steering wheel can be rotated.
4. Perform the necessary repair operation.
5. When the repair work is completed, return the ignition switch to the "LOCK" position before connecting the battery cables. (At this time, the steering lock mechanism will engage.)
6. Perform a self-diagnosis check of all control units using CONSULT-III.

A
EM
C
D
E
F
G
H
I
J
K
L
M
N
O
P

PRECAUTIONS

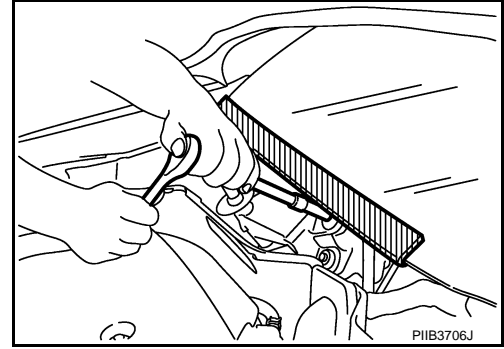
< SERVICE INFORMATION >

[MR20DE]

Precaution for Procedure without Cowl Top Cover

INFOID:000000004409473

When performing the procedure after removing cowl top cover, cover the lower end of windshield.



Precaution for Drain Coolant

INFOID:000000004409475

- Drain coolant when engine is cooled.

Precaution for Disconnecting Fuel Piping

INFOID:000000004409476

- Before starting work, make sure no fire or spark producing items are in the work area.
- Release fuel pressure before disassembly.
- After disconnecting pipes, plug openings to stop fuel leakage.

Precaution for Removal and Disassembly

INFOID:000000004409477

- When instructed to use special service tools, use the specified tools. Always be careful to work safely, avoid forceful or uninstructed operations.
- Exercise maximum care to avoid damage to mating or sliding surfaces.
- Cover openings of engine system with tape or the equivalent, if necessary, to seal out foreign materials.
- Mark and arrange disassembly parts in an organized way for easy troubleshooting and assembly.
- When loosening nuts and bolts, as a basic rule, start with the one furthest outside, then the one diagonally opposite, and so on. If the order of loosening is specified, do exactly as specified. Power tools may be used where noted in the step.

Precaution for Inspection, Repair and Replacement

INFOID:000000004409478

- Before repairing or replacing, thoroughly inspect parts. Inspect new replacement parts in the same way, and replace if necessary.

Precaution for Assembly and Installation

INFOID:000000004409479

- Use torque wrench to tighten bolts or nuts to specification.
- When tightening nuts and bolts, as a basic rule, equally tighten in several different steps starting with the ones in center, then ones on inside and outside diagonally in this order. If the order of tightening is specified, do exactly as specified.
- Replace with new gasket, packing, oil seal or O-ring.
- Thoroughly wash, clean, and air-blow each part. Carefully check oil or coolant passages for any restriction and blockage.
- Avoid damaging sliding or mating surfaces. Completely remove foreign materials such as cloth lint or dust. Before assembly, oil sliding surfaces well.
- Release air within route after draining coolant.
- Before starting engine, apply fuel pressure to fuel lines with turning ignition switch ON (with engine stopped). Then make sure that there are no leaks at fuel line connections.
- After repairing, start engine and increase engine speed to check coolant, fuel, oil, and exhaust systems for leakage.

Parts Requiring Angular Tightening

INFOID:000000004409480

- Use an angle wrench for the final tightening of the following engine parts:
 - Cylinder head bolts
 - Camshaft sprocket (INT)
 - Main bearing cap bolts

PRECAUTIONS

[MR20DE]

< SERVICE INFORMATION >

- Connecting rod cap nuts
- Crankshaft pulley bolt (No angle wrench is required as the bolt flange is provided with notches for angular tightening)
- Do not use a torque value for final tightening.
- The torque value for these parts are for a preliminary step.
- Ensure thread and seat surfaces are clean and coated with engine oil.

Precaution for Liquid Gasket

INFOID:000000004409481

REMOVAL OF LIQUID GASKET SEALING

- After removing the bolts and nuts, separate the mating surface and remove the sealant using Tool.

Tool number : KV10111100 (J-37228)

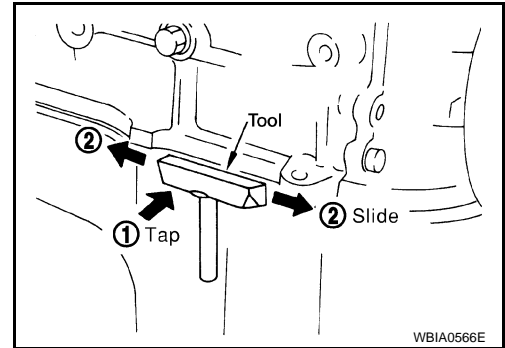
CAUTION:

Be careful not to damage the mating surfaces.

- In areas where the cutter is difficult to use, use a plastic hammer to lightly tap (1) the cutter where the RTV Silicone Sealant is applied. Use a plastic hammer to slide the cutter (2) by tapping on the side.

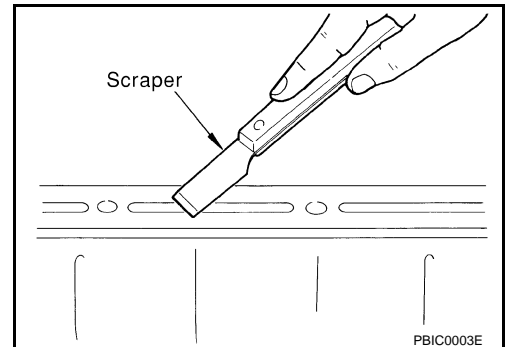
CAUTION:

If for some unavoidable reason a tool such as a flat-bladed screwdriver is used, be careful not to damage the mating surfaces.



LIQUID GASKET APPLICATION PROCEDURE

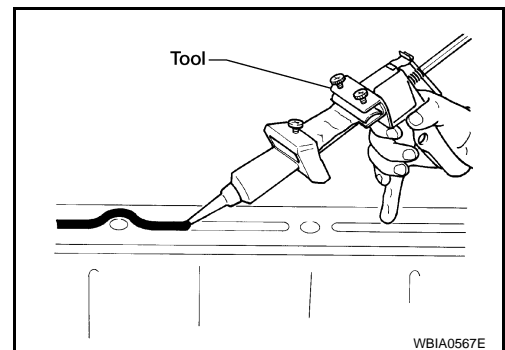
1. Using a scraper, remove the old Silicone RTV Sealant adhering to the gasket application surface and the mating surface.
 - Remove the sealant completely from the groove of the gasket application surface, bolts, and bolt holes.
2. Thoroughly clean the gasket application surface and the mating surface and remove adhering moisture, grease and foreign materials.
3. Attach the sealant tube to the tube presser.
Use Genuine Silicone RTV Sealant or equivalent. Refer to [GI-42. "Recommended Chemical Product and Sealant"](#).



4. Apply the sealant without breaks to the specified location using Tool.

Tool number WS39930000 (-)

- If there is a groove for the sealant application, apply the sealant to the groove.
- As for the bolt holes, normally apply the sealant inside the holes. If specified, it should be applied outside the holes. Make sure to read the text of this manual.
- Within five minutes of the sealant application, install the mating component.
- If the sealant protrudes, wipe it off immediately.
- Do not retighten after the installation.

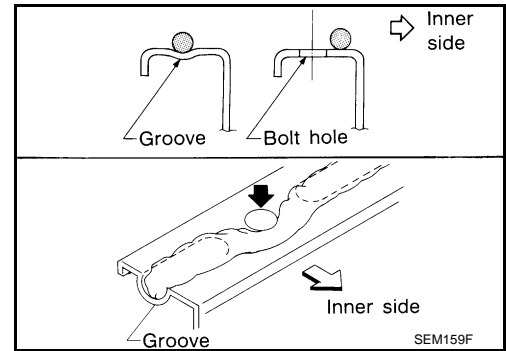


PRECAUTIONS

[MR20DE]

< SERVICE INFORMATION >

- After 30 minutes or more have passed from the installation, fill the engine with the specified oil and coolant. Refer to [MA-14](#), "[MR20DE](#)".



CAUTION:
Follow all specific instructions in this manual.

PREPARATION

< SERVICE INFORMATION >

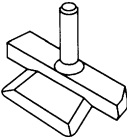
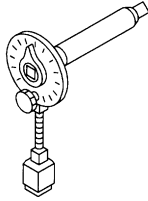
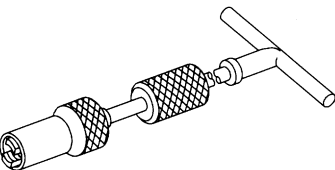
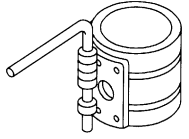
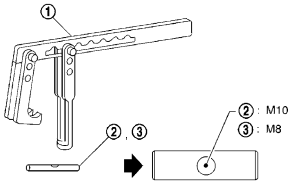
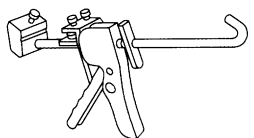
[MR20DE]

PREPARATION

Special Service Tool

INFOID:000000004409482

The actual shapes of Kent-Moore tools may differ from those of special service tools illustrated here.

Tool number (Kent-Moore No.) Tool name	Description
KV10111100 (J-37228) Seal cutter  NT046	Removing steel oil pan and rear timing chain case C D E
KV10112100 (BT-8653-A) Angle wrench  NT014	Tightening bolts for bearing cap, cylinder head, etc. F G
KV10107902 (J-38959) Valve oil seal puller  S-NT011	Removing valve oil seal H I
EM03470000 (J-8037) Piston ring compressor  NT044	Installing piston assembly into cylinder bore J K L
KV101092S0 (J-26336-B) Valve spring compressor 1 KV10109210 (J-26336-20) Attachment 2 KV10109220 (—) 3. KV10109230 Adapter (M8)  NT718	Disassembling and assembling valve mechanism M N O
WS39930000 (—) Tube presser  NT052	Pressing the tube of liquid gasket P

PREPARATION

< SERVICE INFORMATION >

[MR20DE]

Tool number (Kent-Moore No.) Tool name	Description
ST16610001 (J-23907) Pilot bushing puller	Removing crankshaft pilot bushing
KV11103000 (—) Pulley puller	Removing crankshaft pulley
KV991J0050 (J-44626) Air fuel sensor Socket	Loosening or tightening air fuel ratio A/F sensor a: 22 mm (0.87 in)
KV10114400 (J-38365) Heated oxygen sensor wrench	Loosening or tightening rear heated oxygen sensor a: 22 mm (0.87 in)
KV11105210 (J-44716) Stopper plate	Securing diveplate and flywheel
KV10115600 (J-38958) Valve oil seal drift	Installing valve oil seal Use side A. a: 20 (0.79) dia b: 13 (0.51) dia. c: 10.3 (0.406) dia d: 8 (0.31) dia. e: 10.7 (0.421) f: 5 (0.20)
KV10115801 (—) Oil filter wrench	Removing and installing oil filter a: 64.3 mm (2.531 in)

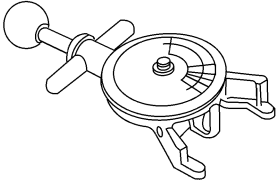
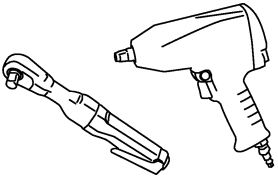
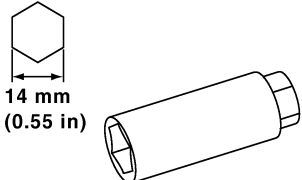

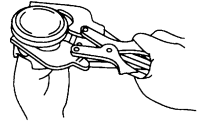
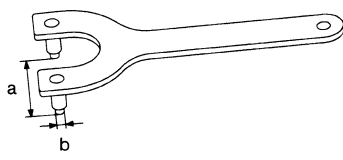
PREPARATION

< SERVICE INFORMATION >

[MR20DE]

Commercial Service Tool

INFOID:000000004409483

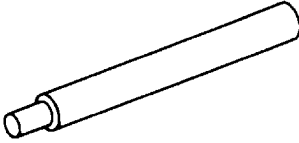
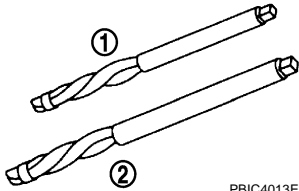
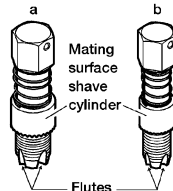
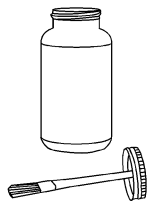
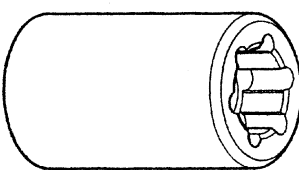
(Kent-Moore No.) Tool name	Description
(BT-3373-F) Belt tension gauge  AMA126	Checking drive belt tension
Power tool  PBIC0190E	Loosening bolts and nuts
Spark plug wrench  PBIC2982E	Removing and installing spark plug
Valve seat cutter set  NT048	Finishing valve seat dimensions
Piston ring expander  NT030	Removing and installing piston ring
KV10109300 (—) Pulley holder  NT628	Removing and installing crankshaft pulley

A
EM
C
D
E
F
G
H
I
J
K
L
M
N
O
P

PREPARATION

[MR20DE]

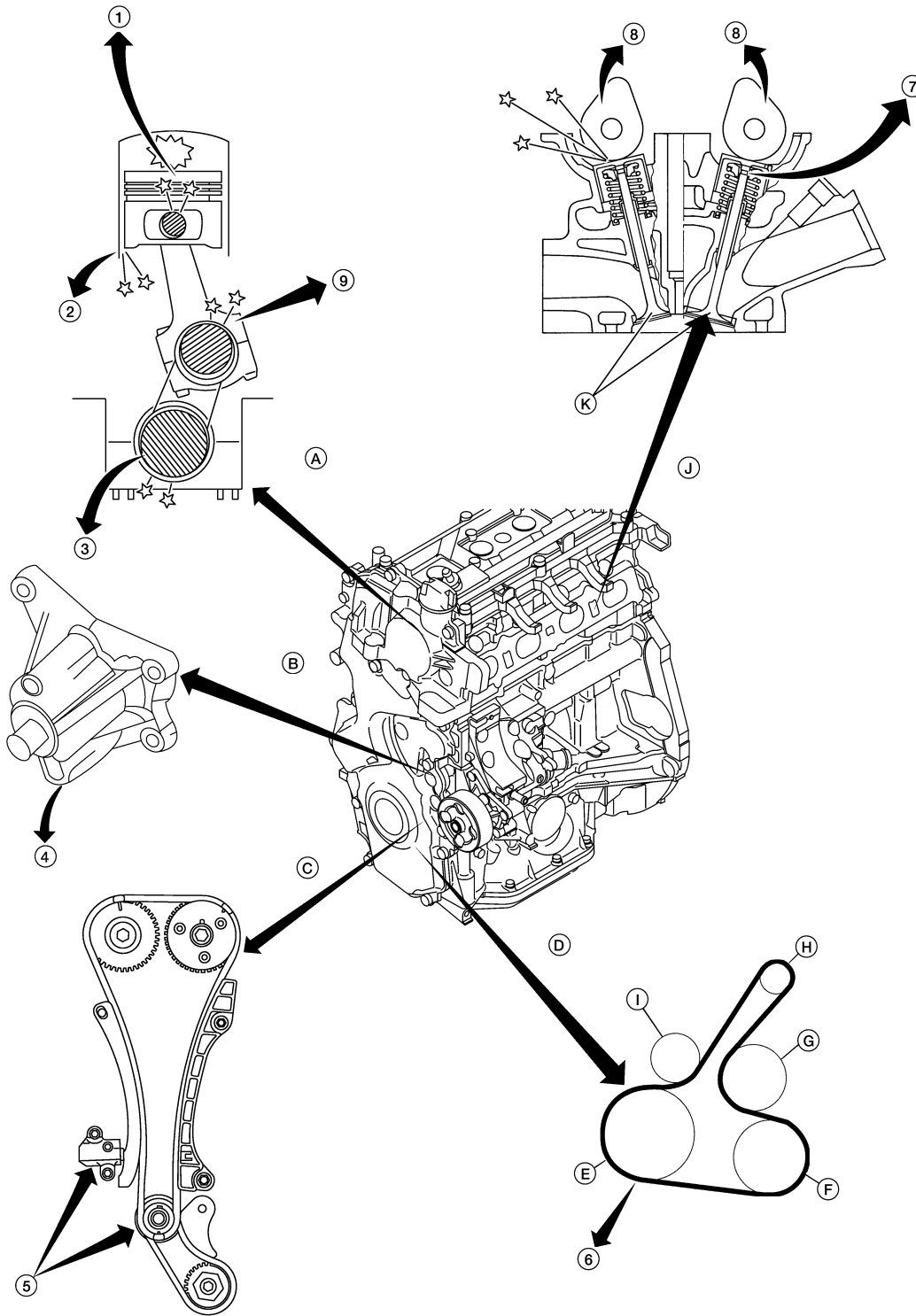
< SERVICE INFORMATION >

(Kent-Moore No.) Tool name	Description
KV10111800 Valve guide drift  <p style="text-align: right; margin-right: 50px;">PBIC4012E</p>	Removing and installing valve guide
Valve guide reamer  <p style="text-align: right; margin-right: 50px;">PBIC4013E</p>	(1): Reaming valve guide inner hole (2): Reaming hole for oversize valve guide
(J-43897-18) (J-43897-12) Oxygen sensor thread cleaner  <p style="text-align: right; margin-right: 50px;">AEM488</p>	Reconditioning the exhaust system threads before installing a new oxygen sensor and Air Fuel ratio sensor (Use with anti-seize lubricant shown below.) a: J-43897-18 (18 mm dia.) Air Fuel ratio sensors b: J-43897-12 (12 mm dia.) Air Fuel ratio sensors
Anti-seize lubricant (Permatex 133AR or equivalent meeting MIL specification MIL-A-907)  <p style="text-align: right; margin-right: 50px;">AEM489</p>	Lubricating oxygen sensor thread cleaning tool when reconditioning exhaust system threads
E20 Torx® Socket (J-45816)  <p style="text-align: right; margin-right: 50px;">LBIA0285E</p>	Removing and installing drive plate and fly-wheel bolts

NOISE, VIBRATION AND HARSHNESS (NVH) TROUBLESHOOTING

NVH Troubleshooting - Engine Noise

INFOID:000000004409484



- | | | |
|-------------------------|-------------------------------------|--------------------------------------|
| 1. Piston pin noise | 2. Piston slap noise | 3. Main bearing noise |
| 4. Water pump noise | 5. Timing chain and tensioner noise | 6. Drive belt noise (stick/slipping) |
| 7. Tappet noise | 8. Camshaft bearing noise | 9. Connecting rod noise |
| A. Rotational mechanism | B. Water pump | C. Timing chain |

WBIA0822E

A
EM
C
D
E
F
G
H
I
J
K
L
M
N
O
P

NOISE, VIBRATION AND HARSHNESS (NVH) TROUBLESHOOTING

< SERVICE INFORMATION >

[MR20DE]

- | | | |
|--------------------|----------------------|-------------------|
| D. Drive belt | E. Crankshaft pulley | F. A/C compressor |
| G. Water pump | H. Generator | I. Tension pulley |
| J. Valve mechanism | K. Valves | |

Use the Chart Below to Help You Find the Cause of the Symptom

INFOID:000000004409485

1. Locate the area where noise occurs.
2. Confirm the type of noise.
3. Specify the operating condition of engine.
4. Check specified noise source.

If necessary, repair or replace these parts.

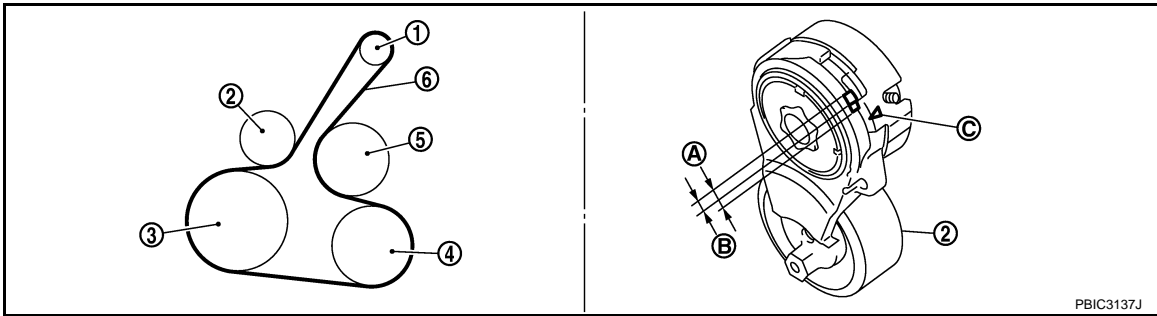
Location of noise	Type of noise	Operating condition of engine						Source of noise	Check item	Reference page
		Before warm-up	After warm-up	When starting	When idling	When racing	While driving			
Top of engine Rocker cover Cylinder head	Ticking or clicking	C	A	—	A	B	—	Tappet noise	Valve clearance	EM-57
	Rattle	C	A	—	A	B	C	Camshaft bearing noise	Camshaft journal oil clearance Camshaft runout	EM-49 EM-49
Crankshaft pulley Cylinder block (Side of engine) Oil pan	Slap or knock	—	A	—	B	B	—	Piston pin noise	Piston to piston pin oil clearance Connecting rod bushing oil clearance	EM-91 EM-91
	Slap or rap	A	—	—	B	B	A	Piston slap noise	Piston to cylinder bore clearance Piston ring side clearance Piston ring end gap Connecting rod bend and torsion	EM-91 EM-91 EM-91 EM-91
	Knock	A	B	C	B	B	B	Connecting rod bearing noise	Connecting rod bushing oil clearance Connecting rod bearing oil clearance	EM-91 EM-91
	Knock	A	B	—	A	B	C	Main bearing noise	Main bearing oil clearance Crankshaft runout	EM-91 EM-91
Front of engine Front cover	Tapping or ticking	A	A	—	B	B	B	Timing chain and chain tensioner noise	Timing chain cracks and wear Timing chain tensioner operation	EM-41
Front of engine	Squeaking or fizzing	A	B	—	B	—	C	Drive belt (Sticking or slipping)	Drive belt deflection	EM-13
	Creaking	A	B	A	B	A	B	Drive belt (Slipping)	Idler pulley bearing operation	
	Squall Creak	A	B	—	B	A	B	Water pump noise	Water pump operation	CO-19

A: Closely related B: Related C: Sometimes related —: Not related

DRIVE BELTS

Component

INFOID:000000004409486



- | | | |
|--|---|----------------------|
| 1. Generator | 2. Drive belt auto-tensioner | 3. Crankshaft pulley |
| 4. A/C compressor (models with A/C)
Idler pulley (models without A/C) | 5. Water pump | 6. Drive belt |
| A. Allowable use range | B. Range when new drive belt is installed | C. Indicator |

Checking Drive Belts

INFOID:000000004409487

WARNING:

Inspect the drive belt only when the engine is stopped.

NOTE:

On vehicles not equipped with A/C, there is an idler pulley in the position for the drive belt routing.

- Make sure that the indicator (notch on fixed side) of drive belt auto-tensioner is within the possible use range.

NOTE:

- Check the drive belt auto-tensioner indicator (notch) when the engine is cold.
- When the new drive belt is installed, the range of possible use should be as shown.
- Visually check entire belt for wear, damage or cracks.
- If the indicator is out of allowable use range or belt is damaged, replace the drive belt.

Tension Adjustment

INFOID:000000004409488

Belt tension is not manually adjustable, it is automatically adjusted by the drive belt auto-tensioner.

Removal and Installation

INFOID:000000004409489

REMOVAL

1. Securely hold the hexagonal part (A) of drive belt auto-tensioner (1) with a suitable tool. Then move the tool in the direction of arrow (loosening direction of tensioner).

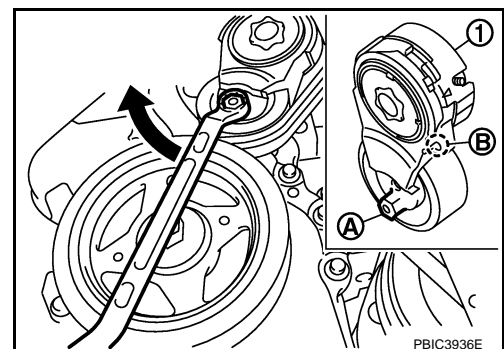
WARNING:

Never place hand in a location where pinching may occur if the holding tool accidentally comes off.

CAUTION:

Do not loosen the auto-tensioner pulley bolt. (Do not turn it counterclockwise.) If turned counterclockwise, the complete auto-tensioner must be replaced as a unit, including pulley.

2. Insert a rod approximately 6 mm (0.24 in) in diameter into the hole (B) of the retaining boss to lock drive belt auto-tensioner.
 - Leave tensioner pulley arm locked until belt is installed again.
3. Remove drive belt.



INSTALLATION

1. Install drive belt.

DRIVE BELTS

< SERVICE INFORMATION >

[MR20DE]

CAUTION:

Confirm drive belt is completely set on the pulleys.

2. Release drive belt auto-tensioner, and apply tension to drive belt.

WARNING:

Never place hand in a location where pinching may occur if the holding tool accidentally comes off.

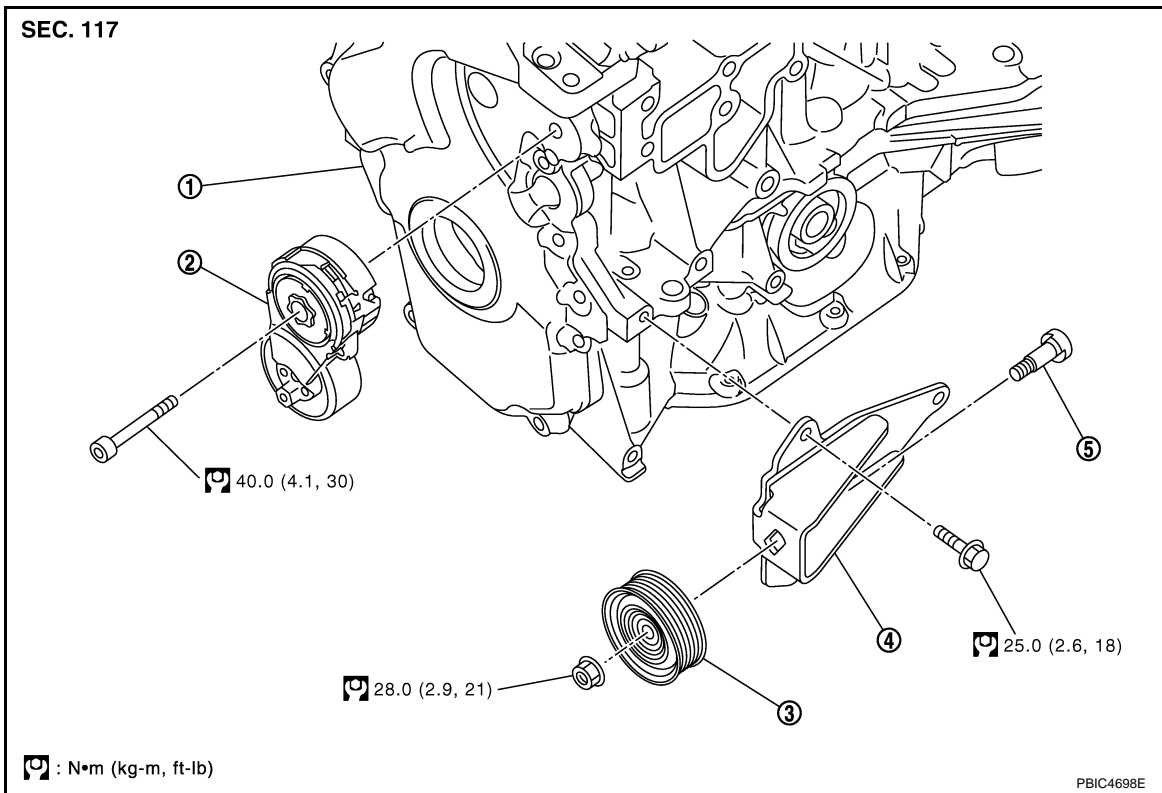
CAUTION:

Make sure no engine oil, working fluid and engine coolant are adhered to drive belt and each pulley groove.

3. Turn crankshaft pulley clockwise several times to equalize tension between each pulley.
4. Confirm tension of drive belt at indicator is within the allowable use range. Refer to [EM-13. "Checking Drive Belts"](#).

Component

INFOID:000000004409490



- | | | |
|---------------------------------|-------------------------------|--------------------------------------|
| 1. Front cover | 2. Drive belt auto-tensioner | 3. Idler pulley (models without A/C) |
| 4. Bracket (models without A/C) | 5. Shaft (models without A/C) | |

Removal and Installation of Drive Belt Auto Tensioner

INFOID:000000004409491

REMOVAL

CAUTION:

The complete auto-tensioner must be replaced as a unit, including the pulley.

1. Remove drive belt. Refer to [EM-13. "Removal and Installation"](#).
2. Release the fixed drive belt auto-tensioner pulley.
3. Loosen bolt and remove drive belt auto-tensioner.

NOTE:

Use TORX socket (size T50).

4. Remove idler pulley and bracket (models without A/C).

CAUTION:

DRIVE BELTS

< SERVICE INFORMATION >

[MR20DE]

Do not loosen the auto-tensioner pulley bolt. (Do not turn it counterclockwise). If turned counterclockwise, the complete auto-tensioner must be replaced as a unit, including pulley.

A

INSTALLATION

Installation is in the reverse order of removal.

CAUTION:

- **If there is damage greater than peeled paint, replace drive belt auto-tensioner units**
- **Install the drive belt auto-tensioner carefully so not to damage the water pump pulley.**
- **Do not swap the pulley between the new and old auto-tensioner units**

EM

C

D

E

F

G

H

I

J

K

L

M

N

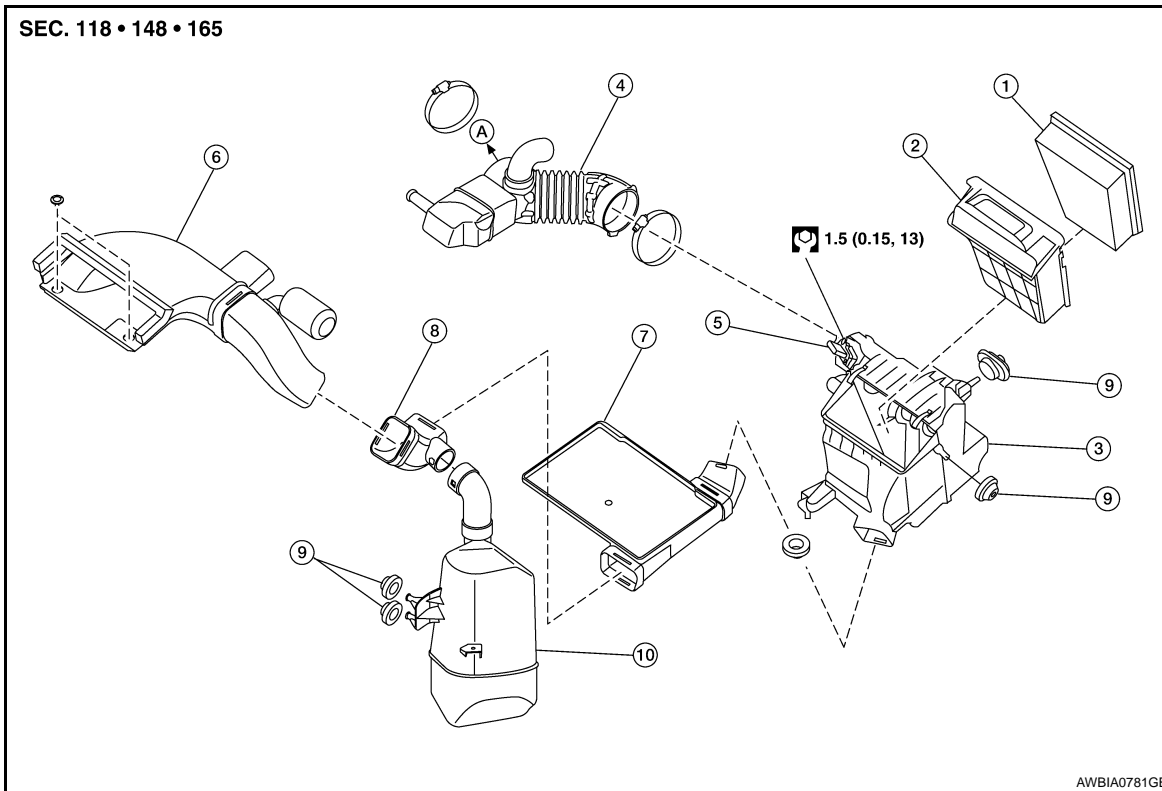
O

P

AIR CLEANER AND AIR DUCT

Component

INFOID:000000004409492



- | | | |
|--------------------------|--|---------------------|
| 1. Air cleaner filter | 2. Air cleaner holder | 3. Air cleaner case |
| 4. Air duct | 5. Mass air flow sensor | 6. Air duct (Inlet) |
| 7. Air duct/battery tray | 8. Air duct | 9. Grommet |
| 10. Resonator | A. To electric throttle control actuator | |

Removal and Installation

INFOID:000000004409493

REMOVAL

1. Remove the air duct (inlet).
2. Remove the air cleaner filter from the air cleaner case. Refer to [EM-17, "Changing Air Cleaner Filter"](#).
3. Remove the air duct [between air duct (inlet) and air cleaner case] from the air cleaner case.
4. Remove the PCV hose.
5. Remove the air duct (between air cleaner case and electric throttle control actuator).
 - Add marks as necessary for easier installation.
6. Remove air cleaner case with the following procedure.
 - a. Remove battery. Refer to [SC-4](#).
 - b. Disconnect harness connector from mass air flow sensor.
 - c. Remove the air cleaner case.
7. Remove the mass air flow sensor from the air cleaner case, as necessary.

CAUTION:

Handle the mass air flow sensor with care:

- Do not shock it.
- Do not disassemble it.
- Do not touch the internal sensor.

INSTALLATION

< SERVICE INFORMATION >

Installation is in the reverse order of removal.

- Align marks.
- Attach each joint securely.
- Screw clamps firmly.

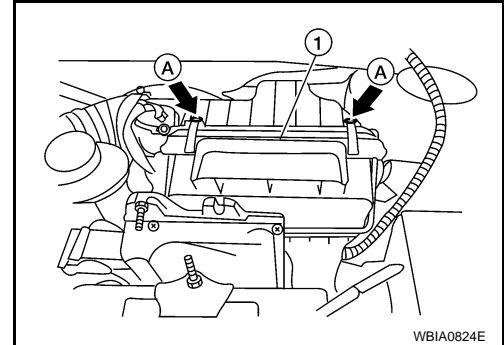
Changing Air Cleaner Filter

INFOID:000000004409494

EM

REMOVAL

1. Unclip the tabs (A) of both ends of the air cleaner cover (1).



2. Remove the air cleaner filter and holder assembly from the air cleaner case.
3. Remove the air cleaner filter from the holder.

INSPECTION AFTER REMOVAL

It is necessary to replace it at the recommended intervals, more often under dusty driving conditions. Refer to [MA-8](#).

INSTALLATION

Installation is in the reverse order of removal.

A
C
D
E
F
G
H
I
J
K
L
M
N
O
P

INTAKE MANIFOLD

[MR20DE]

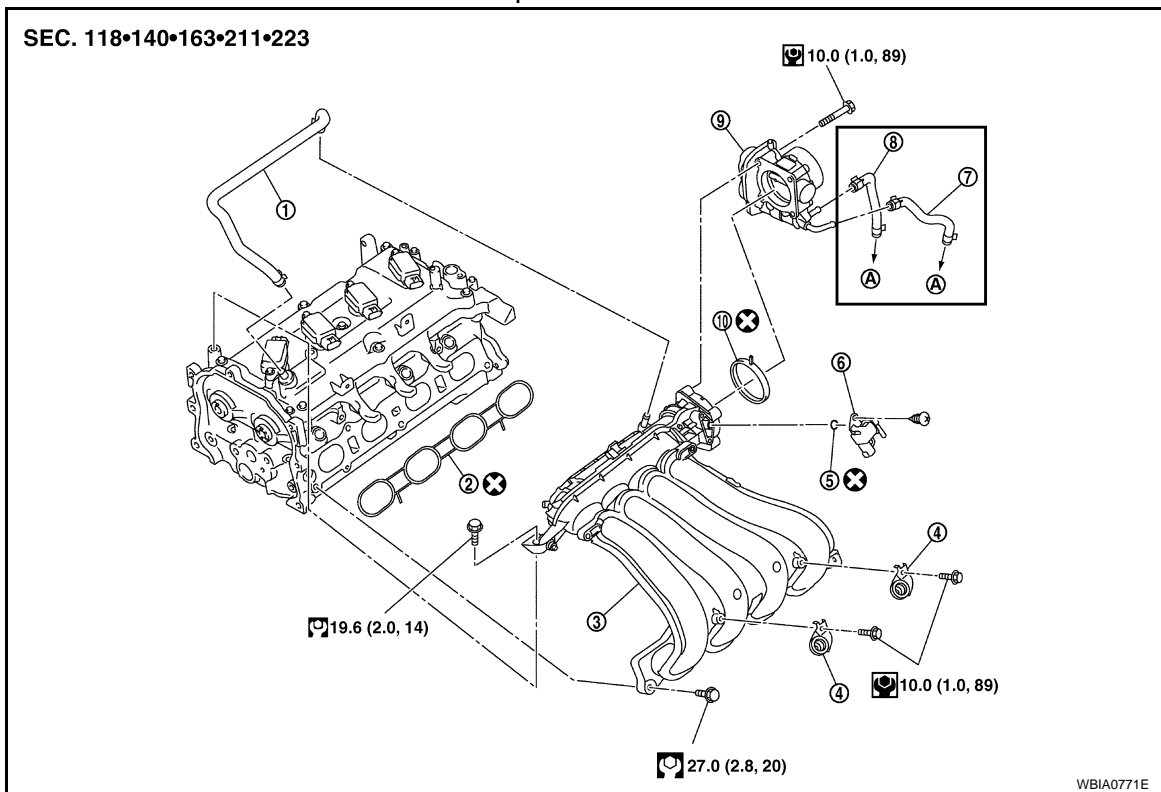
< SERVICE INFORMATION >

INTAKE MANIFOLD

Component

INFOID:000000004409495

Except For California



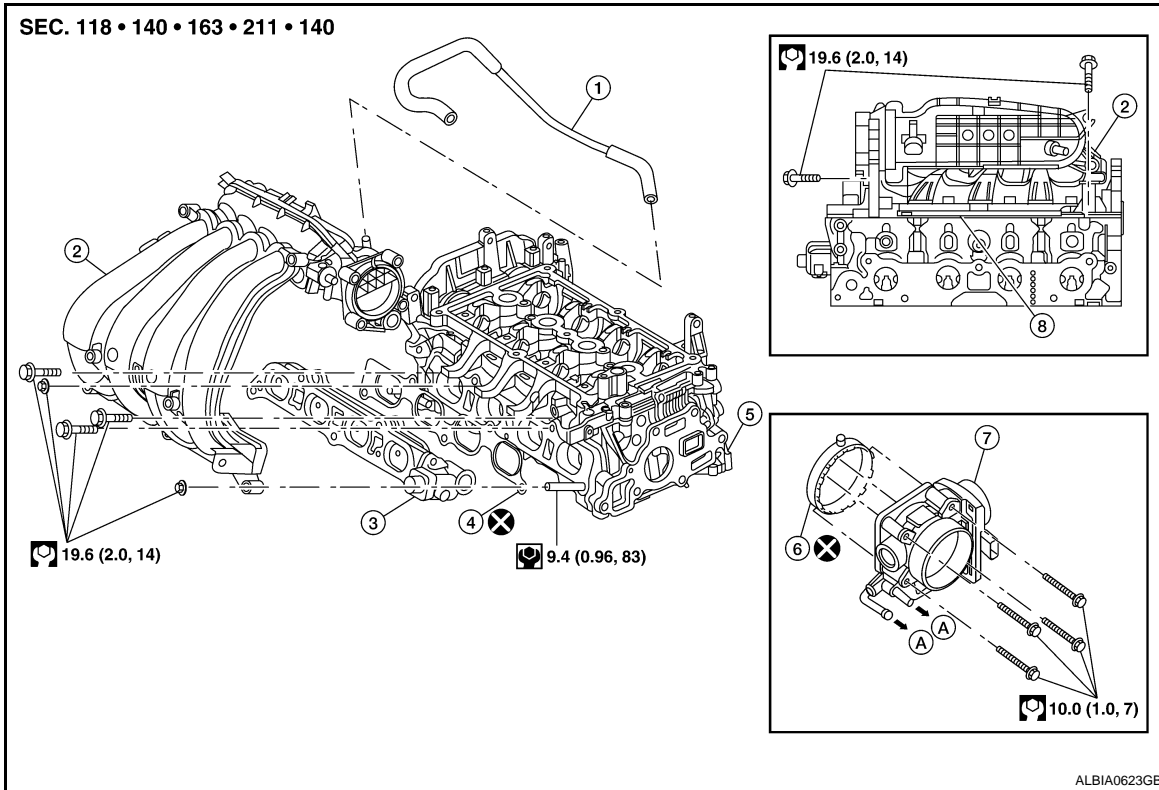
- | | | |
|---------------|--------------------|--|
| 1. PCV hose | 2. Gasket | 3. Intake manifold |
| 4. Bracket | 5. O-ring | 6. EVAP canister purge volume control solenoid valve |
| 7. Water hose | 8. Water hose | 9. Electric throttle control actuator |
| 10. Gasket | A. To water outlet | |

INTAKE MANIFOLD

< SERVICE INFORMATION >

[MR20DE]

For California



- | | | |
|---------------------------------------|---------------------|----------------------------|
| 1. PCV hose | 2. Intake manifold | 3. Intake manifold adapter |
| 4. Gasket | 5. Cylinder head | 6. Gasket |
| 7. Electric throttle control actuator | 8. Camshaft bracket | A. To water outlet |

Removal and Installation

INFOID:000000004409496

REMOVAL

WARNING:

To avoid the danger of being scalded, never drain the coolant when the engine is hot.

- Remove engine cover (1).
- Drain engine coolant from the radiator. Refer to [CO-12. "Changing Engine Coolant"](#).

CAUTION:

Perform this step when engine is cold.

NOTE:

This step is unnecessary when putting plugs to water hoses (to electric throttle control actuator)

- Disconnect water hoses from electric throttle control actuator.
- Remove electric throttle control actuator.

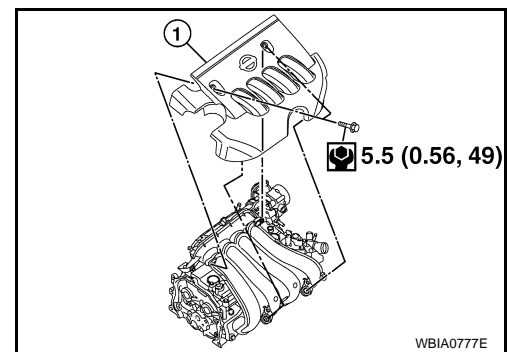
CAUTION:

- Handle carefully to avoid any shock to electric throttle control actuator.
- Never disassemble.

- Remove oil level gauge.

CAUTION:

Cover the oil level gauge guide openings to avoid entry of foreign materials.



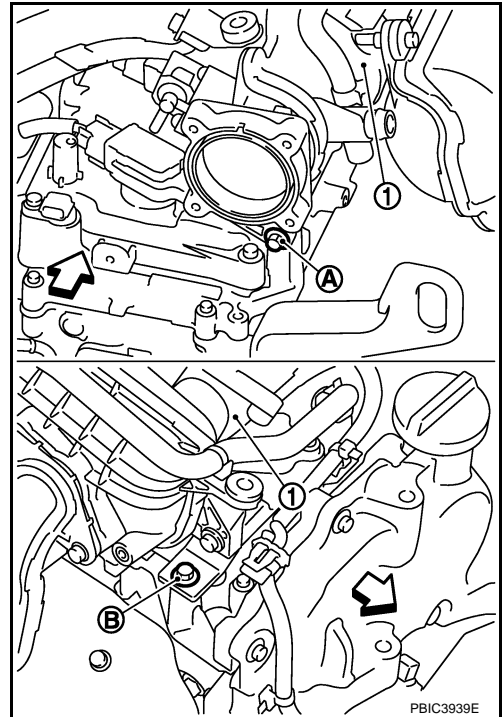
INTAKE MANIFOLD

[MR20DE]

< SERVICE INFORMATION >

- Loosen and remove intake manifold (1) bolts (A) (B).

⇐ : Engine front



- Loosen bolts in reverse order as shown.

⇐ : Engine front

CAUTION:

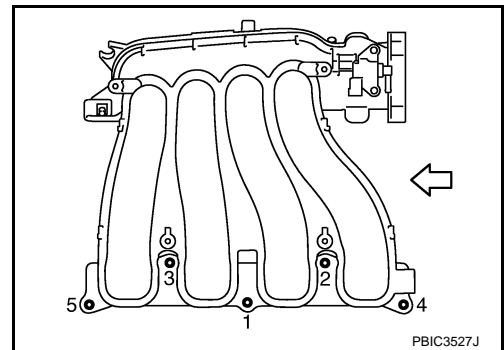
Cover engine openings to avoid entry of foreign materials.

- Remove EVAP canister purge volume control solenoid valve from intake manifold, if necessary.

CAUTION:

Handle it carefully and avoid impacts.

- Remove intake manifold.
- Remove intake manifold adapter (for California).



INSTALLATION

- Install intake manifold adapter (for California).

NOTE:

Be sure the intake manifold adapter gasket is seated correctly in groove of intake manifold adapter (for California).

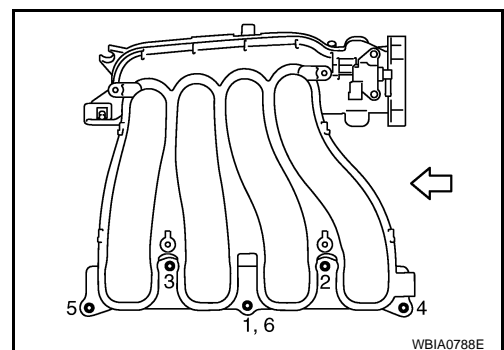
- Install intake manifold.

NOTE:

Be sure the intake manifold gasket is seated correctly in groove of intake manifold (except for California).

- Tighten bolts in numerical order as shown.

⇐ : Engine front



INTAKE MANIFOLD

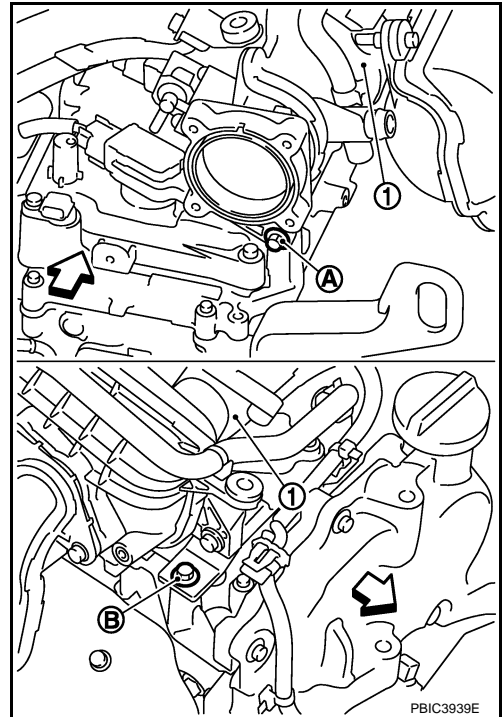
[MR20DE]

< SERVICE INFORMATION >

- Tighten intake manifold bolt (A). Then tighten intake manifold bolt (B).

1 : Intake manifold

⇐ : Engine front



- Install electric throttle control actuator.
- Install water hoses (3), (5) to electric throttle control actuator as shown (M/T models).

1 : Electric throttle control actuator

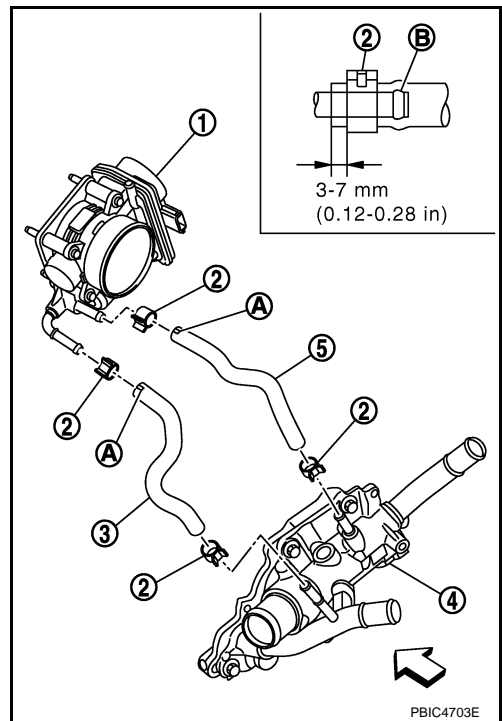
2 : Clamp

4 : Water outlet

A : Paint Mark

B : The clamp shall not interfere with the bulged section.

⇐ : Engine front



A
EM
C
D
E
F
G
H
I
J
K
L
M
N
O
P

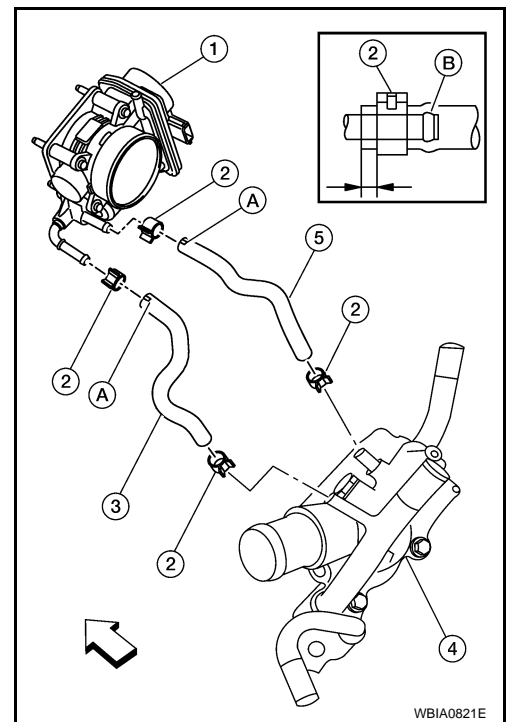
INTAKE MANIFOLD

[MR20DE]

< SERVICE INFORMATION >

7. Install water hoses (3), (5) to electric throttle control actuator as shown (CVT models).

- 1 : Electric throttle control actuator
- 2 : Clamp
- 4 : Water outlet
- A : Paint Mark
- B : The clamp shall not interfere with the bulged section.
- ⇐ : Engine front



8. Installation of the remaining components is in the reverse order of removal.

INSPECTION AFTER INSTALLATION

- Check for leaks of engine coolant. Refer to [CO-11, "Inspection"](#).
- Start and warm up the engine. Visually check for engine coolant leaks.

EXHAUST MANIFOLD

< SERVICE INFORMATION >

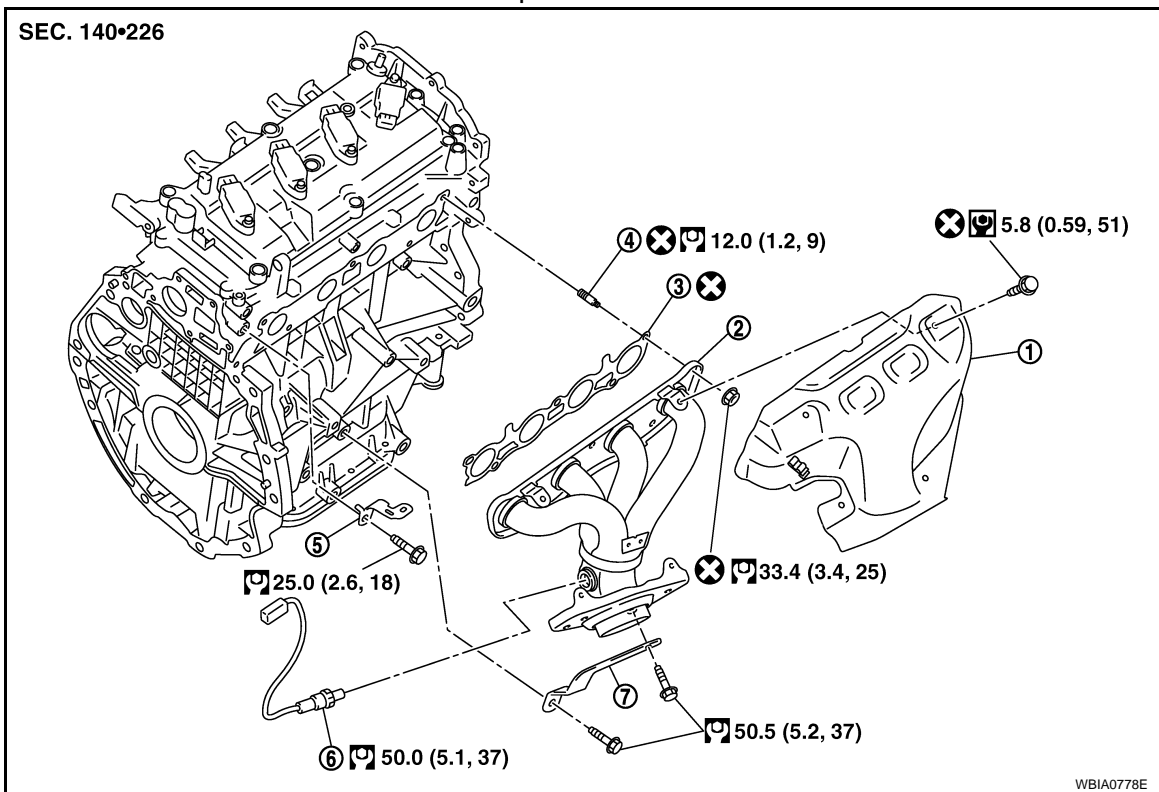
[MR20DE]

EXHAUST MANIFOLD

Component

INFOID:000000004409497

Except for California



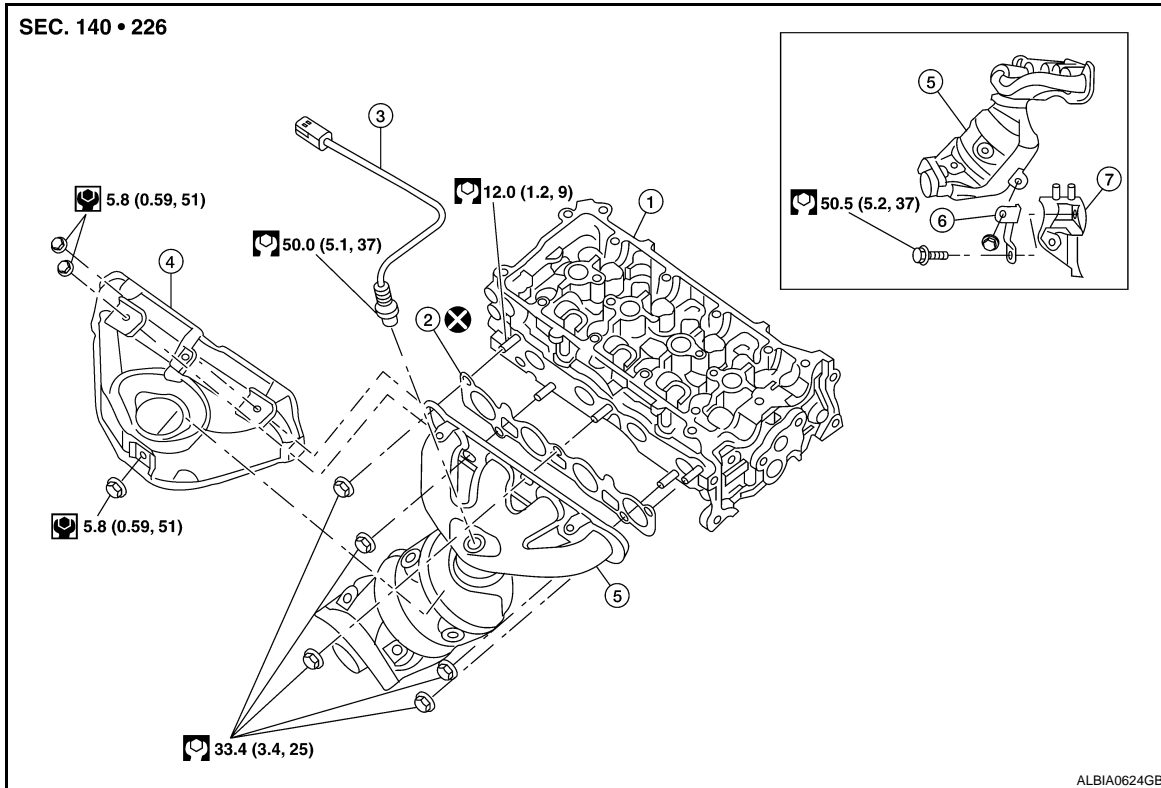
- | | | |
|---------------------------|---------------------|-----------------------|
| 1. Exhaust manifold cover | 2. Exhaust manifold | 3. Gasket |
| 4. Stud bolt | 5. Bracket | 6. A/F ratio sensor 1 |
| 7. Exhaust manifold stay | | |

EXHAUST MANIFOLD

< SERVICE INFORMATION >

[MR20DE]

For California



- | | | |
|---------------------------|---------------------|--------------------------|
| 1. Cylinder head | 2. Gasket | 3. A/F ratio sensor 1 |
| 4. Exhaust manifold cover | 5. Exhaust manifold | 6. Exhaust manifold stay |
| 7. Oil pan | | |

Removal and Installation

INFOID:000000004409498

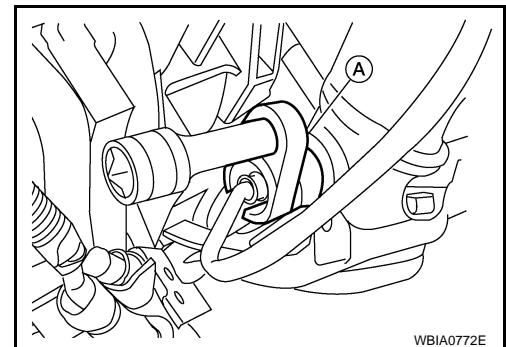
REMOVAL

1. Remove exhaust front tube. Refer to [EX-4, "Component"](#).
2. Remove exhaust manifold cover.
3. Remove the A/F ratio sensor 1, using Tool (A).

Tool number : KV991J0050 (J-44626)

CAUTION:

- Be careful not to damage heated oxygen sensor or air fuel ratio (A/F) sensor.
- Discard any heated oxygen sensor or air fuel ratio (A/F) sensor which has been dropped from a height of more than 0.5 m (19.7 in) onto a hard surface such as a concrete floor; use a new one.



4. Remove exhaust manifold side bolt of exhaust manifold stay.

EXHAUST MANIFOLD

[MR20DE]

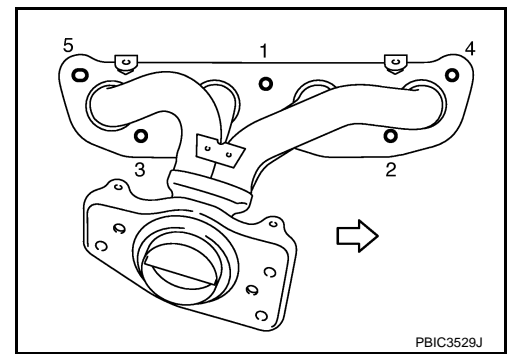
< SERVICE INFORMATION >

- Loosen nuts in reverse order as shown and remove exhaust manifold.

← : Engine front

CAUTION:

Cover engine openings to avoid entry of foreign materials.



INSPECTION AFTER REMOVAL

Surface Distortion

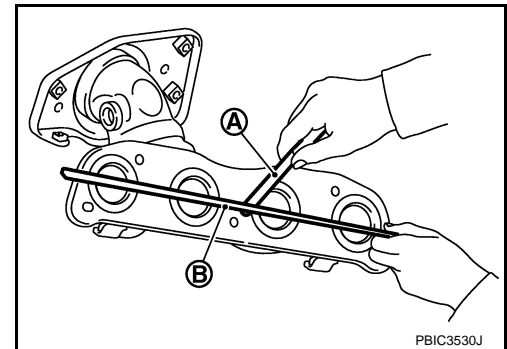
- Using straightedge (B) and feeler gauge (A), check the surface distortion of exhaust manifold mating surface in each exhaust port and entire part.

Limit:

Each exhaust port : 0.3 mm (0.012 in)

Entire part : 0.7 mm (0.028 in)

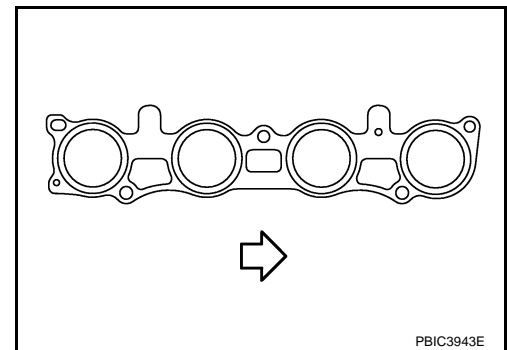
- If it exceeds the limit, replace exhaust manifold.



INSTALLATION

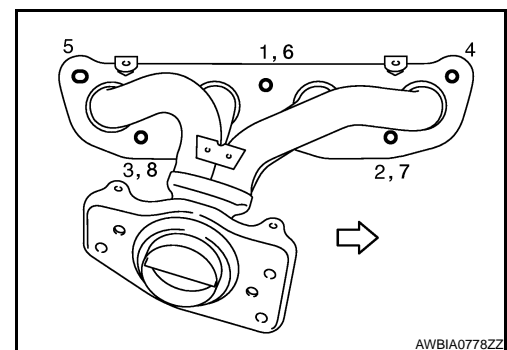
- Install exhaust manifold gasket to cylinder head as shown.

← : Engine front



- Tighten exhaust manifold nuts to specification in two stages in the numerical order as shown.

← : Engine front



- Install exhaust manifold stay.

A
EM
C
D
E
F
G
H
I
J
K
L
M
N
O
P

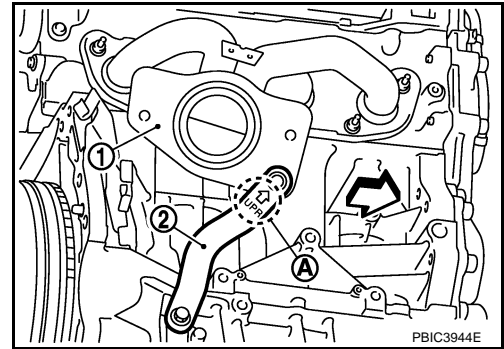
EXHAUST MANIFOLD

[MR20DE]

< SERVICE INFORMATION >

- Install exhaust manifold stay (2) in the direction as shown (except for California).

- 1 : Exhaust manifold
- A : Upper mark
- ⇐ : Engine front

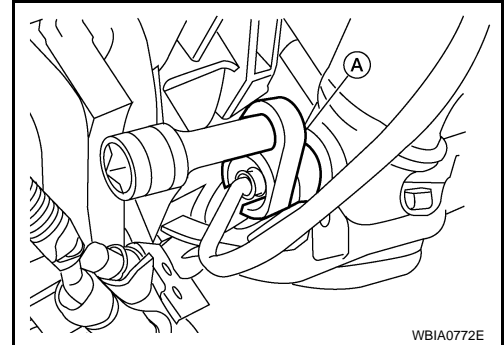


4. Install the A/F ratio sensor 1, using Tool (A).

Tool number : KV991J0050 (J-44626)

CAUTION:

- Handle it carefully and avoid impacts.
- Before installing a new A/F ratio sensor, clean the exhaust tube threads using suitable tool and approved anti-seize lubricant.
- Do not over-tighten the A/F ratio sensor. Doing so may damage the A/F ratio sensor, resulting in the MIL coming on.



Tool number : — (J-43897-12)

Tool number : — (J-43897-18)

5. Installation of the remaining parts is in the reverse order of removal.

OIL PAN

< SERVICE INFORMATION >

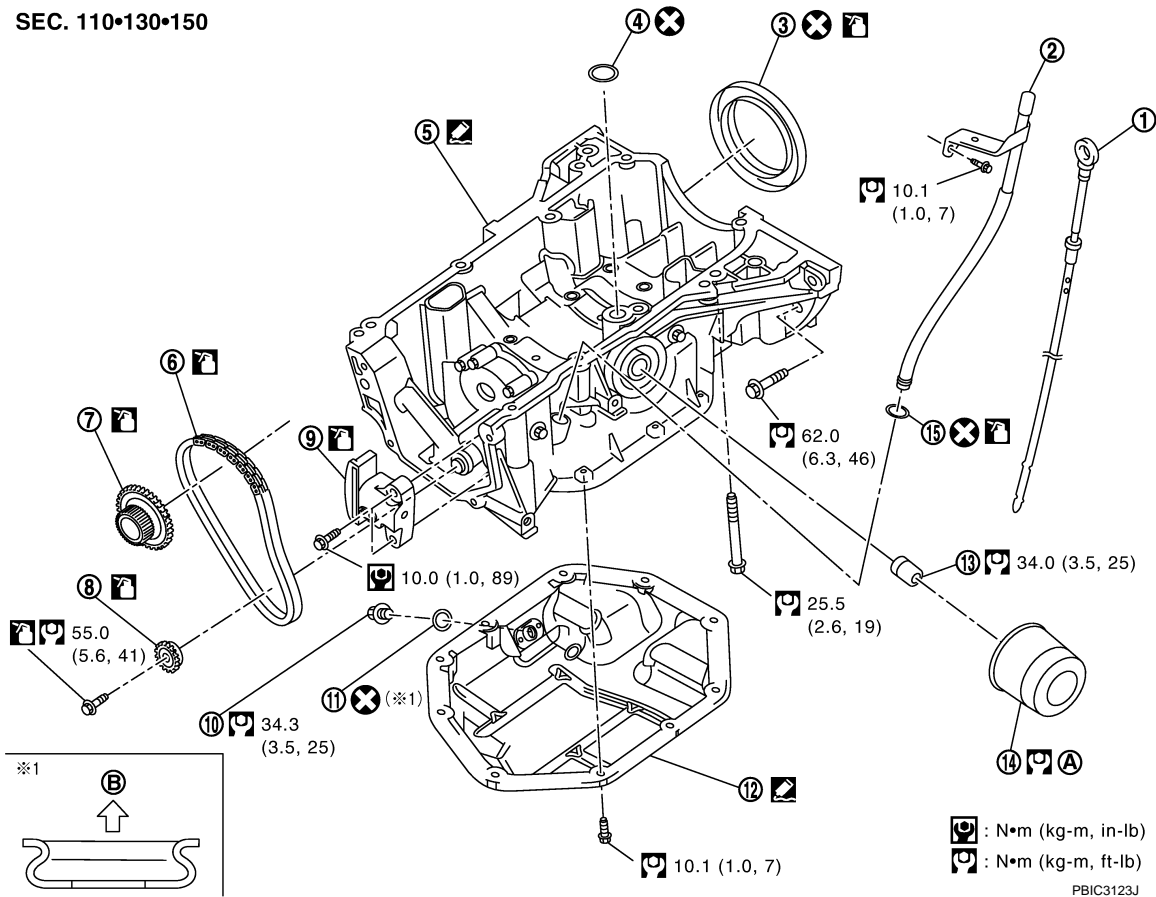
[MR20DE]

OIL PAN

Component

INFOID:000000004409499

SEC. 110•130•150



- | | | |
|----------------------------------|--------------------------|--|
| 1. Oil level gauge | 2. Oil level gauge guide | 3. Rear oil seal |
| 4. O-ring | 5. Oil pan (upper) | 6. Oil pump drive chain |
| 7. Crankshaft sprocket | 8. Oil pump sprocket | 9. Timing chain tensioner (for oil pump) |
| 10. Drain plug | 11. Drain plug washer | 12. Oil pan (lower) |
| 13. Connector bolt | 14. Oil filter | 15. O-ring |
| A. Refer to LU-8 | B. Oil pan side | |

CAUTION:

Never disassemble balancer and oil pump and oil pan (upper) because they are integral unit.

Removal and Installation

INFOID:000000004409500

REMOVAL

WARNING:

- To avoid the danger of being scalded, never drain the engine oil when the engine is hot.
- Prolonged and repeated contact with used engine oil may cause skin cancer; try to avoid direct skin contact with used oil. If skin contact is made, wash thoroughly with soap or hand cleaner as soon as possible.

1. Drain engine oil. Refer to [LU-6, "Changing Engine Oil"](#).
2. Remove engine and transaxle assembly. Refer to [EM-102, "Removal and Installation"](#).
3. Remove oil filter using Tool.

Tool number : KV10115801 (—)

OIL PAN

[MR20DE]

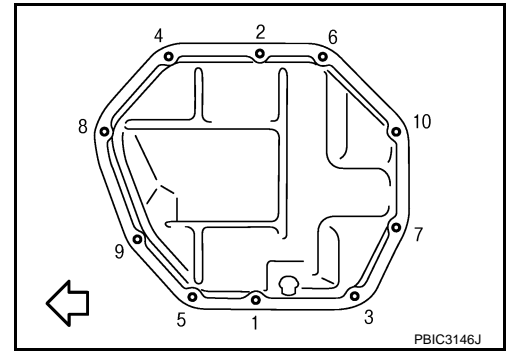
< SERVICE INFORMATION >

CAUTION:

When removing, prepare a shop cloth to absorb any engine oil leakage or spillage.

4. Remove the oil pan (lower) bolts in reverse order as shown.

← : Engine front



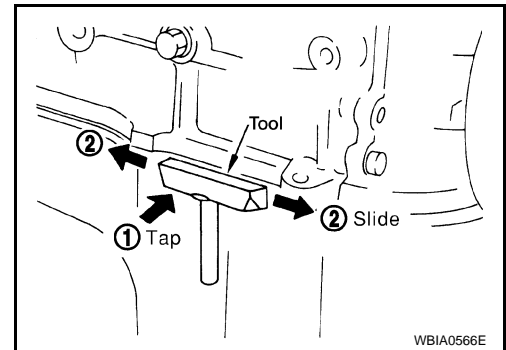
5. After removing the bolts and nuts, separate the mating surface and remove the sealant using Tool.

Tool number : KV10111100 (J-37228)

- Slide (1) the Tool by tapping (2) its side with a hammer to remove the lower oil pan from the upper oil pan.

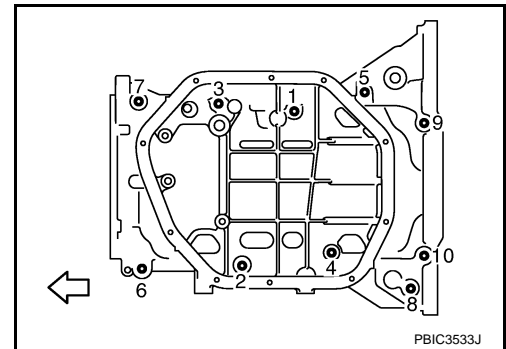
CAUTION:

Be careful not to damage the mating surfaces.



6. Remove the following parts:
- Flywheel (M/T models) or drive plate (CVT models); Refer to [EM-74](#).
 - Front cover, timing chain, oil pump drive chain; Refer to [EM-40](#).
7. Remove oil pan (lower) bolts in reverse order as shown.

← : Engine front

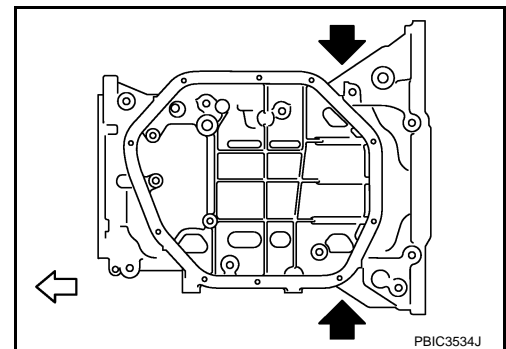


8. Insert a screwdriver shown by the arrow (↔) and open up a crack between oil pan (upper) and cylinder block.

← : Engine front

CAUTION:

A more adhesive liquid gasket is applied compared to previous types when shipped, so it should not be forced off the position not specified.



OIL PAN

[MR20DE]

< SERVICE INFORMATION >

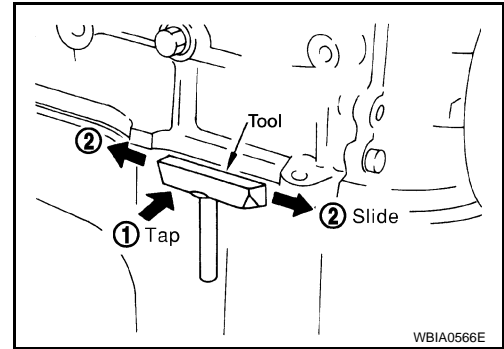
9. After removing the bolts, separate the mating surface and remove the sealant using Tool.

Tool number : KV10111100 (J-37228)

- Slide (1) the Tool by tapping (2) its side with a hammer to remove the lower oil pan from the upper oil pan.

CAUTION:

Be careful not to damage the mating surfaces.



10. Remove O-ring between cylinder block and oil pan (upper).

INSPECTION AFTER REMOVAL

Oil Filter

Clean oil strainer portion (part of the oil pump) if any object attached.

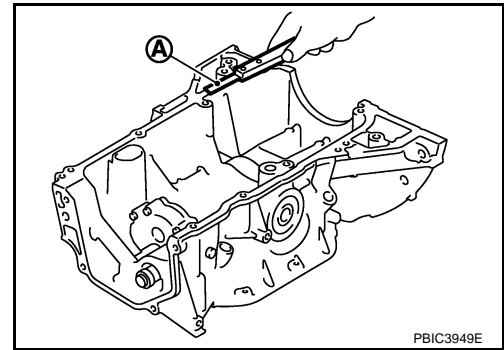
INSTALLATION

1. Use a scraper (A) to remove old liquid gasket from mating surfaces.

- Remove the old liquid gasket from mating surface of cylinder block.
- Remove old liquid gasket from the bolt holes and threads.

CAUTION:

Never scratch or damage the mating surfaces when cleaning off old liquid gasket.



2. Apply the sealant without breaks to the specified location using Tool.

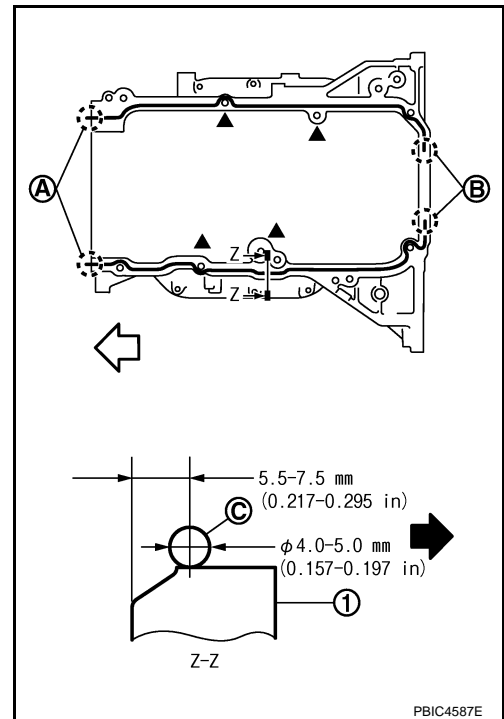
Use **Genuine Silicone RTV Sealant** or equivalent. Refer to [GI-42, "Recommended Chemical Product and Sealant"](#).

Tool number WS39930000 (-)

- 1 : Oil pan (upper)
- A : 2 mm protruded to outside
- B : 2 mm protruded to rear oil seal mounting side
- C : Liquid gasket
- ⇐ : Engine front
- ⇨ : Engine outside

CAUTION:

Apply liquid gasket to outside of bolt hole for the positions shown by ▲ marks.



3. Install new O-ring at cylinder block side.

CAUTION:

Install avoiding misalignment of O-ring.

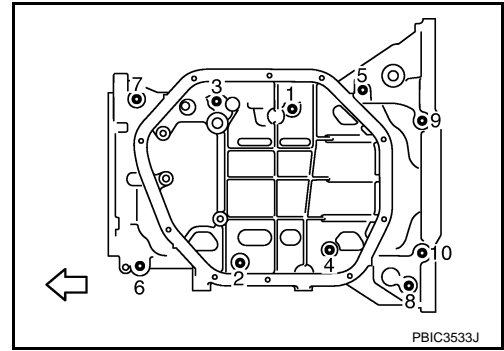
OIL PAN

[MR20DE]

< SERVICE INFORMATION >

4. Tighten the oil pan (upper) bolts in numerical order as shown.

← : Engine front

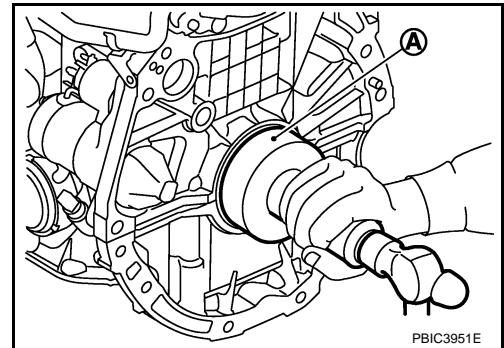


5. Install rear oil seal with the following procedure.

CAUTION:

- The installation of rear oil seal should be completed within 5 minutes after installing oil pan (upper).
- Always replace rear oil seal with new one.
- Never touch oil seal lip.

- Wipe off liquid gasket protruding to the rear oil seal mating part of oil pan (upper) and cylinder block using a scraper.
- Apply engine oil to entire outside area of rear oil seal.
- Press-fit the rear oil seal using a drift with outer diameter 115 mm (4.53 in) and inner diameter 90 mm (3.54 in) (A) (commercial service tool).



- Press-fit to the specified dimensions as shown.

1 : Rear oil seal

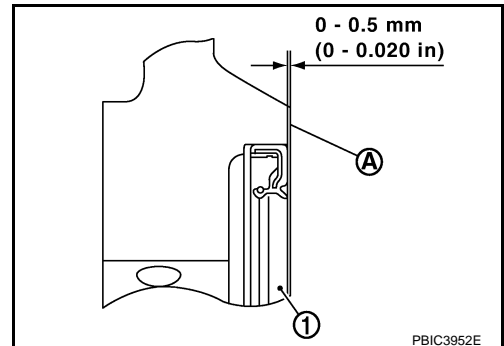
A : Cylinder block rear end surface

CAUTION:

- Never touch the grease applied to the oil seal lip.
- Be careful not to damage the rear oil seal mounting part of oil pan (upper) and cylinder block or the crankshaft.
- Press-fit straight, making sure that rear oil seal does not curl or tilt.

NOTE:

The standard surface of the dimension is the rear end surface of cylinder block.



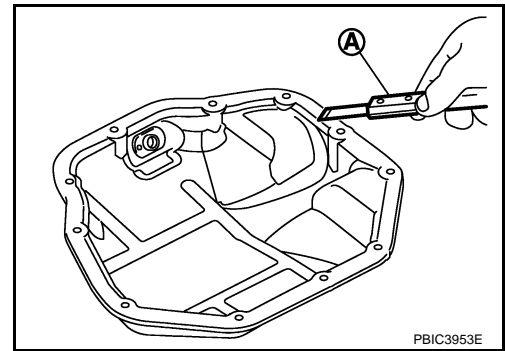
6. Install oil pump sprocket, oil pump drive chain and other related parts if removed.

OIL PAN

[MR20DE]

< SERVICE INFORMATION >

7. Use a scraper (A) to remove old liquid gasket from mating surfaces.
 - Also remove old liquid gasket from mating surface of oil pan (upper).
 - Remove old liquid gasket from the bolt holes and threads.



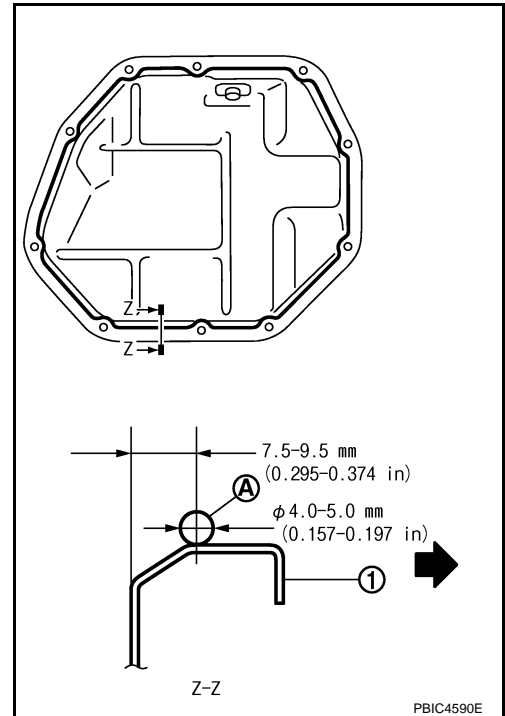
8. Apply the sealant without breaks to the specified location using Tool.

Use Genuine Silicone RTV Sealant or equivalent. Refer to [GI-42. "Recommended Chemical Product and Sealant"](#)

Tool number WS39930000 (-)

1 : Oil pan (lower)

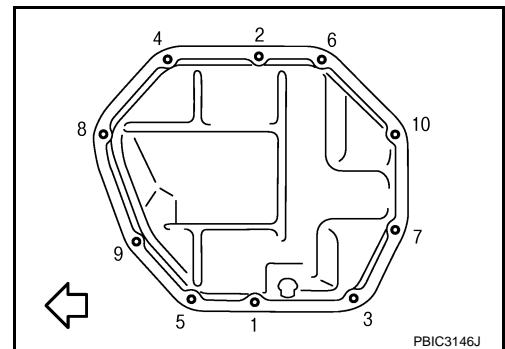
← : Engine outside



9. Tighten bolts in numerical order as shown.

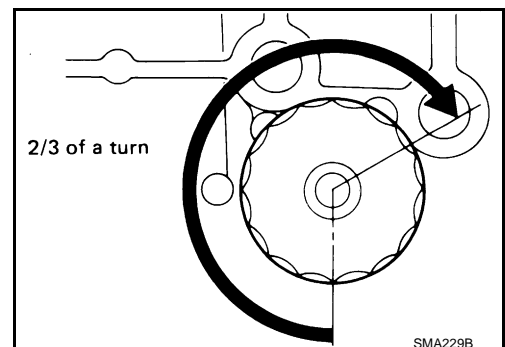
↔ : Engine front

10. Install oil filter with the following procedure:
 - a. Remove foreign materials adhering to the oil filter installation surface.
 - b. Apply new engine oil to the oil seal contact surface of new oil filter.



- c. Screw oil filter manually until it touches the installation surface, then tighten it by 2/3 turn. Or tighten to specification.

Oil filter: : 17.7 N·m (1.8 kg·m, 13 ft·lb)



OIL PAN

[MR20DE]

< SERVICE INFORMATION >

11. Installation of the remaining components is in the reverse order of removal.

INSPECTION AFTER INSTALLATION

- Check for any engine oil leaks with the engine at operating temperature and running at idle.

IGNITION COIL, SPARK PLUG AND ROCKER COVER

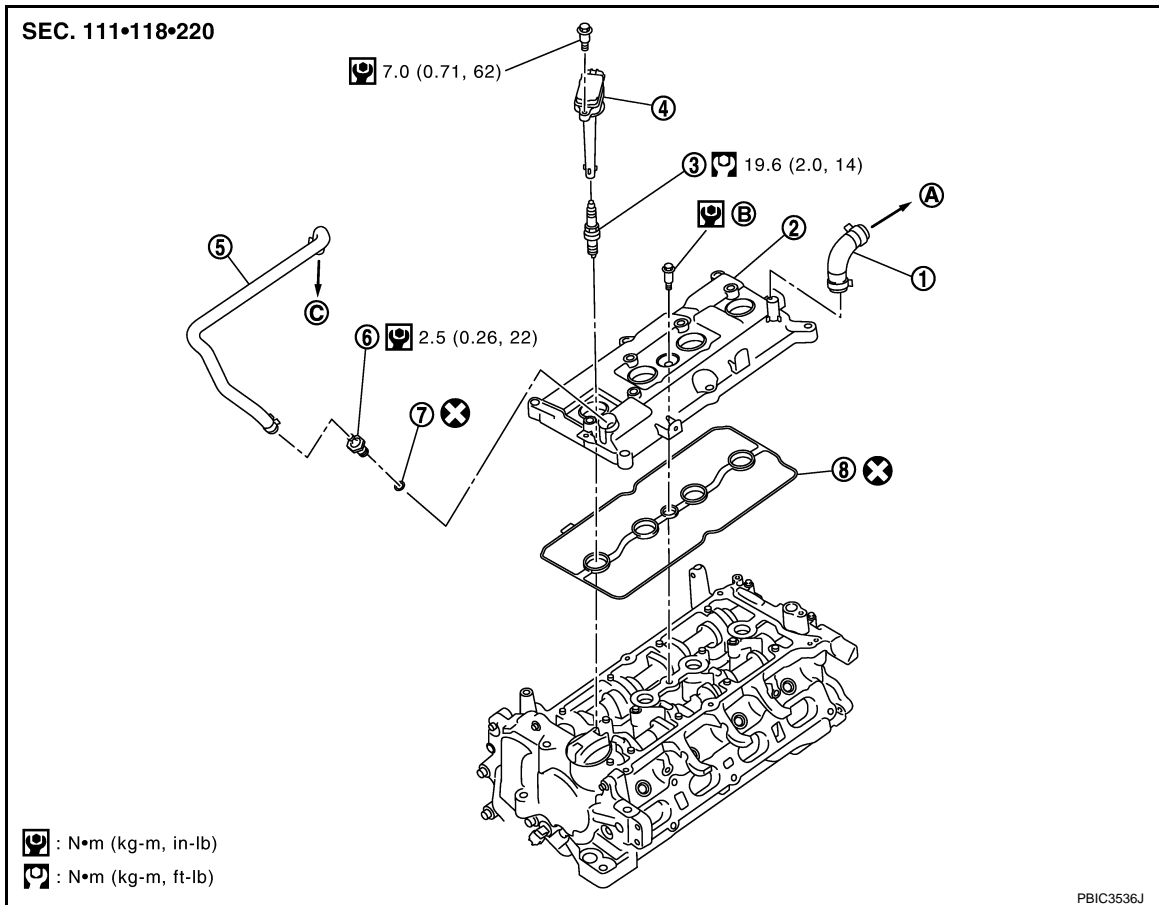
< SERVICE INFORMATION >

[MR20DE]

IGNITION COIL, SPARK PLUG AND ROCKER COVER

Component

INFOID:000000004409501



- | | | |
|------------------|-------------------------------------|-----------------------|
| 1. PCV hose | 2. Rocker cover | 3. Spark plug |
| 4. Ignition coil | 5. PCV hose | 6. PCV valve |
| 7. O-ring | 8. Gasket | |
| A. To air duct | B. Refer to EM-33 . | C. To intake manifold |

Removal and Installation

INFOID:000000004409502

REMOVAL

1. Remove intake manifold. Refer to [EM-18](#).
2. Remove ignition coil.

CAUTION:

- Handle it carefully and avoid impacts.
- Never disassemble.

IGNITION COIL, SPARK PLUG AND ROCKER COVER

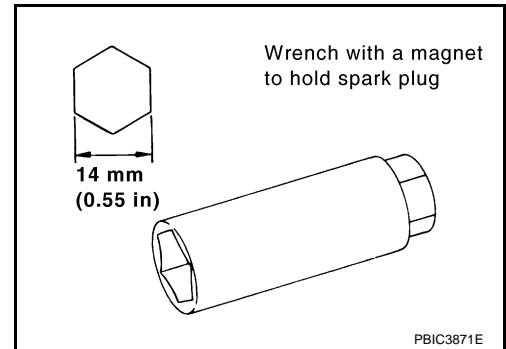
[MR20DE]

< SERVICE INFORMATION >

3. Remove spark plug using suitable tool.

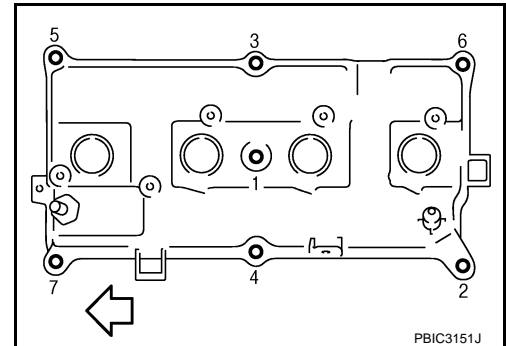
CAUTION:

Never drop or shock it.



4. Remove rocker cover.

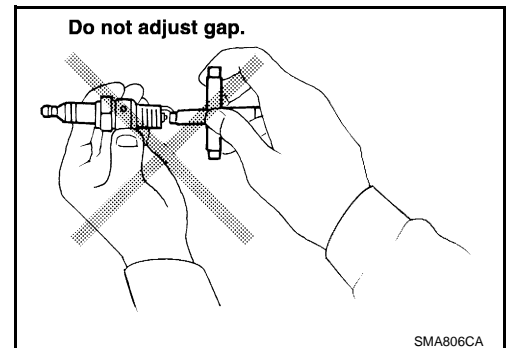
- Loosen bolts in reverse order as shown.
- ← Engine front



INSPECTION AFTER REMOVAL

CAUTION:

- **Never drop or shock spark plug.**
- **Checking and adjusting spark plug gap is not required between change intervals.**

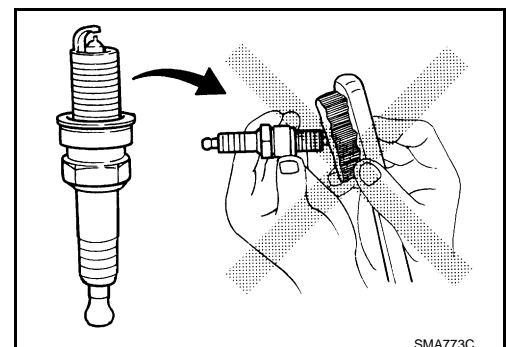


- If spark plug tip is covered with carbon, a spark plug cleaner may be used.

Cleaner air pressure : Less than 588 kPa (5.88 bar, 6 kg/cm², 85 psi)

Cleaning time : Less than 20 seconds

- **Never use wire brush for cleaning spark plug.**



INSTALLATION

1. Install rocker cover gasket to rocker cover.

IGNITION COIL, SPARK PLUG AND ROCKER COVER

[MR20DE]

< SERVICE INFORMATION >

2. Install rocker cover.
 - Tighten bolts in two steps separately in numerical order as shown.

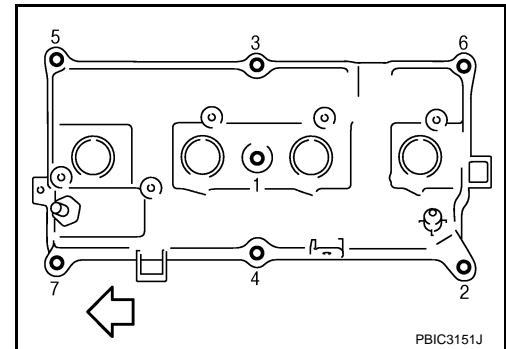
1st step : 1.96 N-m (0.20 kg-m, 17 in-lb)

2nd step : 8.33 N-m (0.85 kg-m, 73 in-lb)

- ⇐ Engine front

CAUTION:

Check if rocker cover gasket is not dropped from the installation groove of rocker cover.

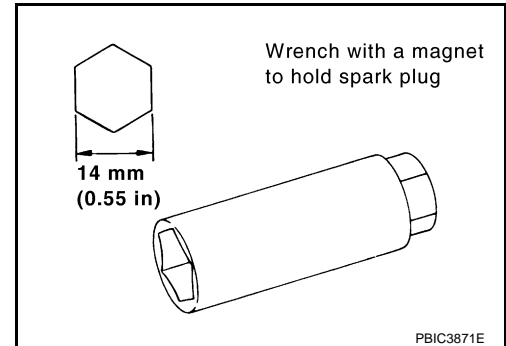


3. Install spark plug using suitable tool.

Application	Except for California	For California
Make	: NGK	: Denso
Part number	: PLZKAR6A-11	: FXE20HR-11
Gap (nominal)	: 1.1 mm (0.043 in)	: 1.1 mm (0.043 in)

CAUTION:

Never drop or shock it.



4. Install ignition coil.

CAUTION:

 - Handle it carefully and avoid impacts.
 - Never disassemble.
5. Install intake manifold. Refer to [EM-18](#).

A
EM
C
D
E
F
G
H
I
J
K
L
M
N
O
P

FUEL INJECTOR AND FUEL TUBE

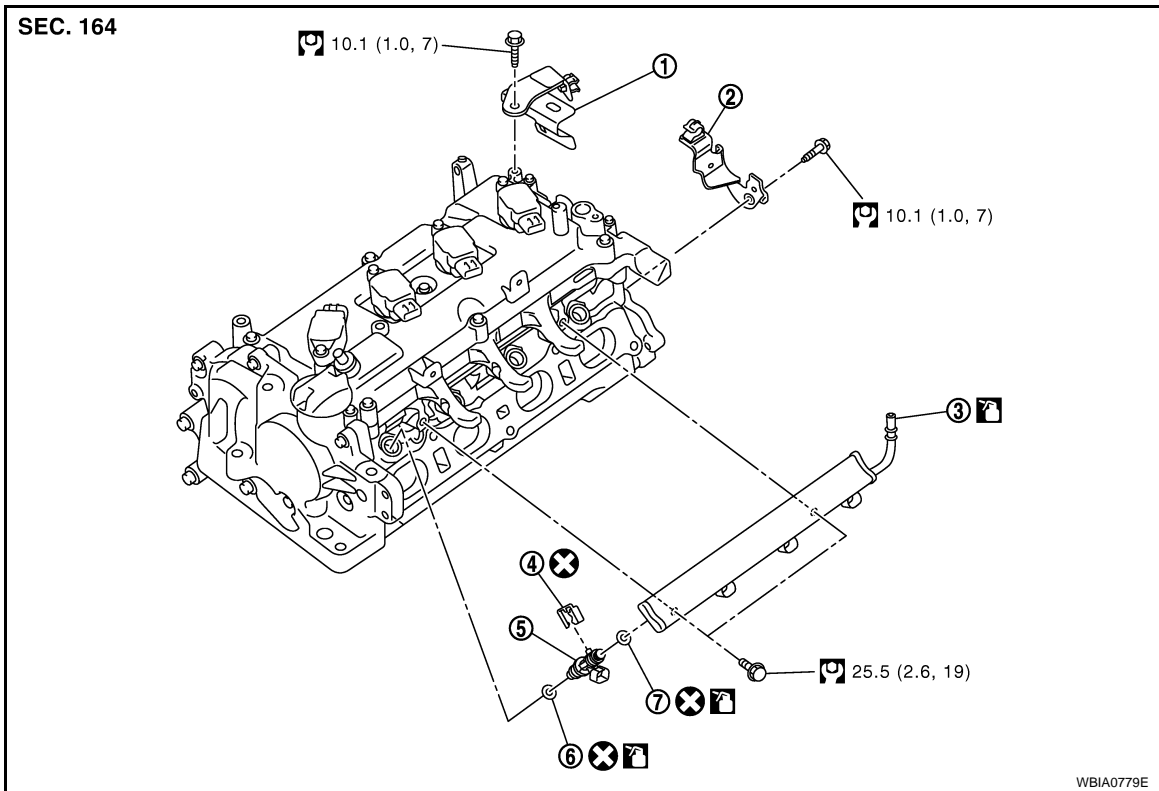
< SERVICE INFORMATION >

[MR20DE]

FUEL INJECTOR AND FUEL TUBE

Component

INFOID:000000004409503



- | | | |
|-------------------|------------------|-------------------|
| 1. Bracket | 2. Bracket | 3. Fuel tube |
| 4. Clip | 5. Fuel injector | 6. O-ring (green) |
| 7. O-ring (black) | | |

Removal and Installation

INFOID:000000004409504

WARNING:

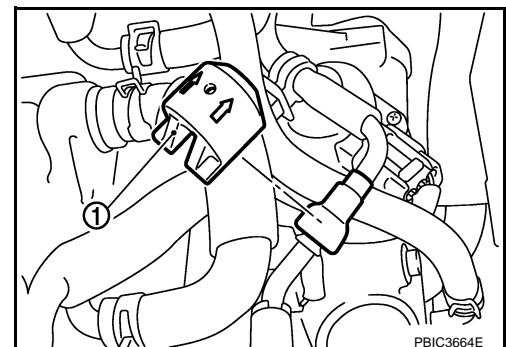
- Put a "CAUTION: FLAMMABLE" sign in the workshop.
- Be sure to work in a well ventilated area and furnish workshop with a CO2 fire extinguisher.
- Do not smoke while servicing fuel system. Keep open flames and sparks away from the work area.

CAUTION:

- Apply new engine oil to parts before installing the parts, as shown above.
- Do not remove or disassemble parts unless instructed as shown.

REMOVAL

1. Release the fuel pressure. Refer to [EC-93. "Fuel Pressure Check"](#) (for California) or [EC-639. "Fuel Pressure Check"](#) (except for California).
2. Remove quick connector cap (1) from quick connector connection.



FUEL INJECTOR AND FUEL TUBE

[MR20DE]

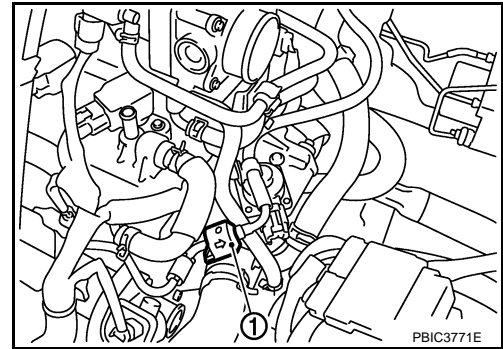
< SERVICE INFORMATION >

3. Disconnect fuel feed hose from hose clamp.

1 : Quick connector cap

NOTE:

There is no fuel return path.

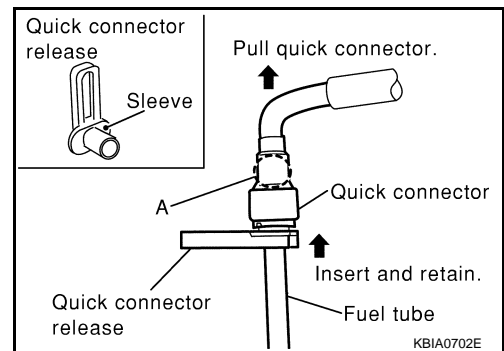


4. With the sleeve side of quick connector release facing quick connector, install quick connector release onto fuel tube.

5. Insert quick connector release into quick connector until sleeve contacts and goes no further. Hold quick connector release on that position.

CAUTION:

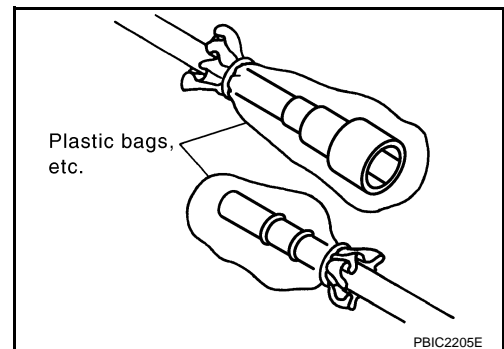
Inserting quick connector release hard will not disconnect quick connector. Hold quick connector release where it contacts and goes no further.



6. Draw and pull out quick connector straight from fuel tube.

CAUTION:

- Pull quick connector holding "A" position.
- Do not pull with lateral force applied. O-ring inside quick connector may be damaged.
- Prepare container and cloth beforehand as fuel will leak out.
- Avoid fire and sparks.
- Keep parts away from heat source. Especially, be careful when welding is performed around them.
- Do not expose parts to battery electrolyte or other acids.
- Do not bend or twist connection between quick connector and fuel feed hose during installation/removal.
- To keep clean the connecting portion and to avoid damage and foreign materials, cover them completely with plastic bags or something similar.



7. Remove intake manifold. Refer to [EM-18](#).

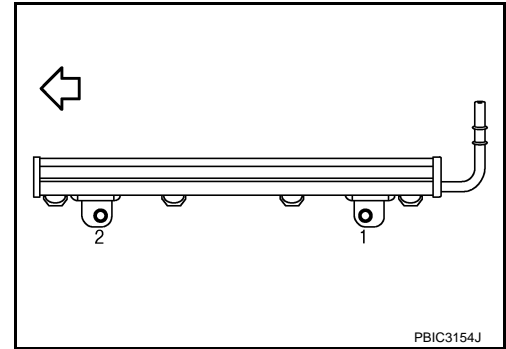
FUEL INJECTOR AND FUEL TUBE

[MR20DE]

< SERVICE INFORMATION >

8. Remove fuel tube.
 - Loosen bolts in reverse order as shown.

⇐ : Engine front



9. Remove the fuel tube and fuel injector assembly.
 - CAUTION:**
 - When removing, be careful to avoid any interference with fuel injector.
 - Use a shop cloth to absorb any fuel leaks from fuel tube.
10. Remove fuel injector from fuel tube with the following procedure:
 - a. Open and remove clip.
 - b. Remove fuel injector from fuel tube by pulling straight.
 - CAUTION:**
 - Be careful with remaining fuel that may go out from fuel tube.
 - Be careful not to damage fuel injector nozzle during removal.
 - Never bump or drop fuel injector.
 - Never disassemble fuel injector.

INSTALLATION

1. Note the following, and install O-rings to fuel injector.
 - CAUTION:**
 - Upper and lower O-rings are different. Be careful not to confuse them.

Fuel tube side : Black
Nozzle side : Green

- Handle O-ring with bare hands. Never wear gloves.
- Lubricate O-ring with new engine oil.
- Never clean O-ring with solvent.
- Make sure that O-ring and its mating part are free of foreign material.
- When installing O-ring, be careful not to scratch it with tool or fingernails. Also be careful not to twist or stretch O-ring. If O-ring was stretched while it was being attached, never insert it quickly into fuel tube.
- Insert O-ring straight into fuel tube. Never twist it.

FUEL INJECTOR AND FUEL TUBE

[MR20DE]

< SERVICE INFORMATION >

2. Install fuel injector (4) to fuel tube (1) with the following procedure:

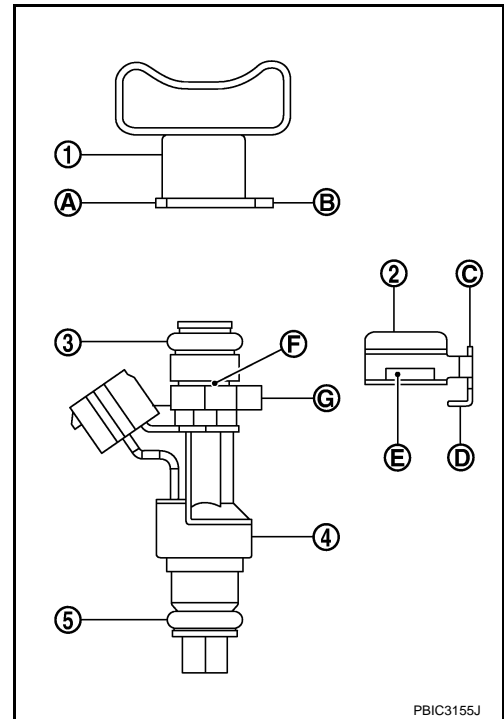
- 3 : O-ring (black)
- 5 : O-ring (green)

- a. Insert clip (2) into clip groove (F) on fuel injector.
- Insert clip so that protrusion (G) of fuel injector matches cut-out (D) of clip.

CAUTION:

- **Never reuse clip. Replace it with a new one.**
- **Be careful to keep clip from interfering with O-ring. If interference occurs, replace O-ring.**

- b. Insert fuel injector into fuel tube with clip attached.
- Insert it while matching it to the axial center.
 - Insert fuel injector so that protrusion (B) of fuel tube matches cut-out (C) of clip.
 - Make sure that fuel tube flange (A) is securely fixed in flange fixing groove (E) on clip.
- c. Make sure that installation is complete by making sure that fuel injector does not rotate or come off.



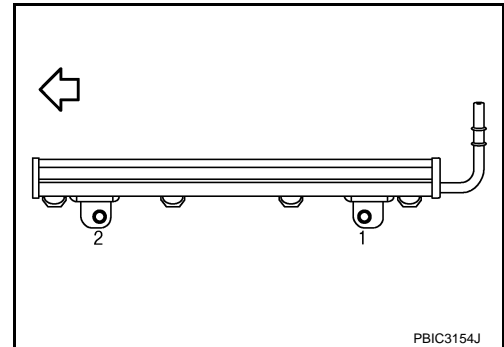
3. Set fuel tube and fuel injector assembly at its position for installation on cylinder head.

CAUTION:

For installation, be careful not to interfere with fuel injector nozzle.

4. Tighten bolts in numerical order as shown.

← : Engine front



5. Installation of the remaining components is in the reverse order of removal.

INSPECTION AFTER INSTALLATION

Make sure there is no fuel leakage at connections as follows:

1. Apply fuel pressure to fuel lines by turning ignition switch ON (with engine stopped). Then check for fuel leaks at connections.
2. Start the engine and rev it up and check for fuel leaks at connections.

NOTE:

Use mirrors for checking on connections out of the direct line of sight.

CAUTION:

Do not touch engine immediately after stopping as engine is extremely hot.

- Perform procedures for "Throttle Valve Closed Position Learning" after finishing repairs. Refer to [EC-637. "Throttle Valve Closed Position Learning"](#) (except for California) or [EC-91. "Throttle Valve Closed Position Learning"](#) (for California).
- If electric throttle control actuator is replaced, perform procedures for "Idle Air Volume Learning" after finishing repairs. Refer to [EC-637. "Idle Air Volume Learning"](#) (except for California) or [EC-91. "Idle Air Volume Learning"](#) (for California).

TIMING CHAIN

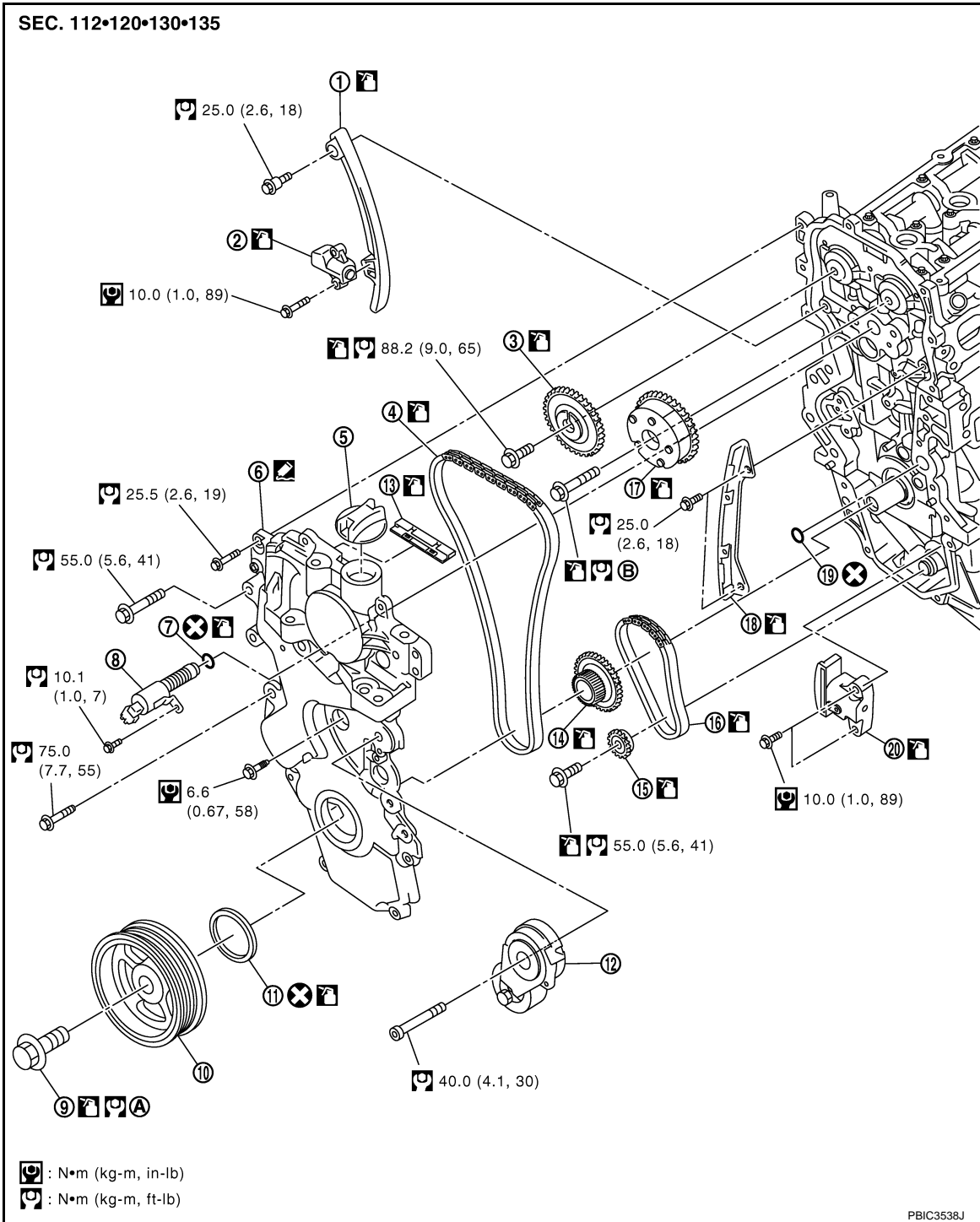
< SERVICE INFORMATION >

[MR20DE]

TIMING CHAIN

Component

INFOID:000000004409505



- | | | |
|---|---|-------------------------------|
| 1. Timing chain slack guide | 2. Timing chain tensioner | 3. Camshaft sprocket (EXH) |
| 4. Timing chain | 5. Oil filler cap | 6. Front cover |
| 7. O-ring | 8. Intake valve timing control solenoid valve | 9. Crankshaft pulley bolt |
| 10. Crankshaft pulley | 11. Front oil seal | 12. Drive belt auto-tensioner |
| 13. Timing chain tension guide (front cover side) | 14. Crankshaft sprocket | 15. Oil pump sprocket |

TIMING CHAIN

[MR20DE]

< SERVICE INFORMATION >

- | | | |
|-----------------------------------|------------------------------------|--------------------------------|
| 16. Oil pump drive chain | 17. Camshaft sprocket (INT) | 18. Timing chain tension guide |
| 19. O-ring | 20. Chain tensioner (for oil pump) | |
| A. Refer to EM-41 | B. Refer to EM-49 | |

Removal and Installation

INFOID:000000004409506

EM

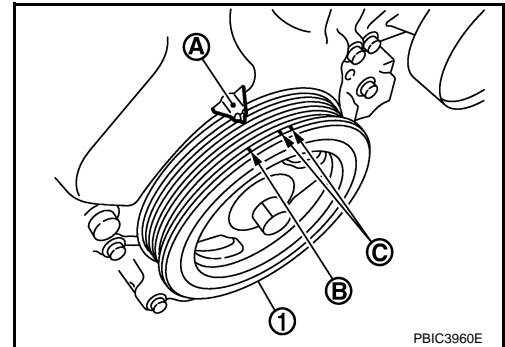
CAUTION:

The rotating direction indicated in the text indicates all directions seen from the engine front.

REMOVAL

1. Remove front RH wheel. Refer to [WT-6](#).
2. Remove front fender protector (RH). Refer to [EI-21](#).
3. Drain engine oil. Refer to [LU-6, "Changing Engine Oil"](#).
NOTE:
Perform this step when engine is cold.
4. Remove the following parts.
 - Rocker cover: Refer to [EM-33, "Component"](#).
 - Drive belt: Refer to [EM-13, "Component"](#).
 - Water pump pulley: Refer to [CO-19, "Component"](#).
 - Ground cable (between engine bracket (RH) and radiator core support)
5. Support the bottom surface of engine using a transmission jack, and then remove the engine bracket and insulator (RH). Refer to [EM-102](#).
6. Set No. 1 cylinder at TDC on its compression stroke with the following procedure:
 - a. Rotate crankshaft pulley (1) clockwise and align TDC mark (no paint) (B) to timing indicator (A) on front cover.

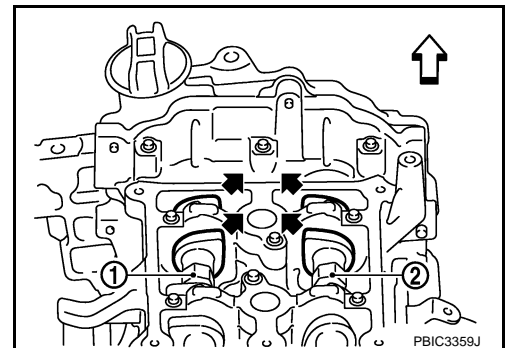
C : White paint mark (Not use for service)



- b. At the same time, make sure that the cam noses of the No.1 cylinder are located (←) as shown.

1 : Camshaft (INT)
2 : Camshaft (EXH)
← : Engine front

- If not, rotate crankshaft pulley one revolution (360 degrees) and align as shown.



TIMING CHAIN

[MR20DE]

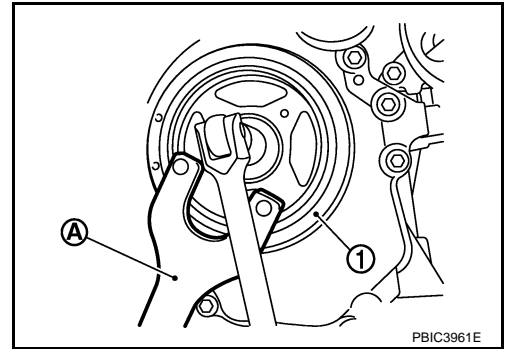
< SERVICE INFORMATION >

7. Hold crankshaft pulley (1) using Tool (A) loosen crankshaft pulley bolt, and locate bolt seating surface at 10 mm (0.39 in) from its original position.

CAUTION:

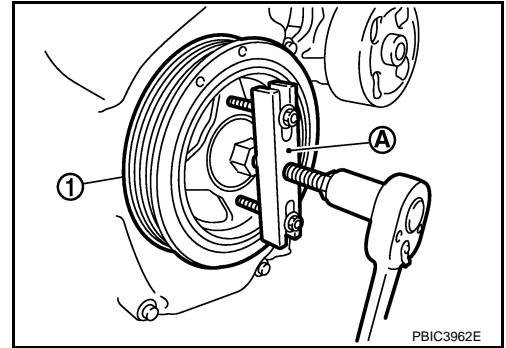
Never remove the crankshaft pulley bolt as it will be used as a supporting point for the pulley puller.

Tool number : KV10109300 (—)



8. Attach Tool (A) in the M6 thread hole on crankshaft pulley (1), and remove crankshaft pulley.

Tool number : KV11103000 (—)

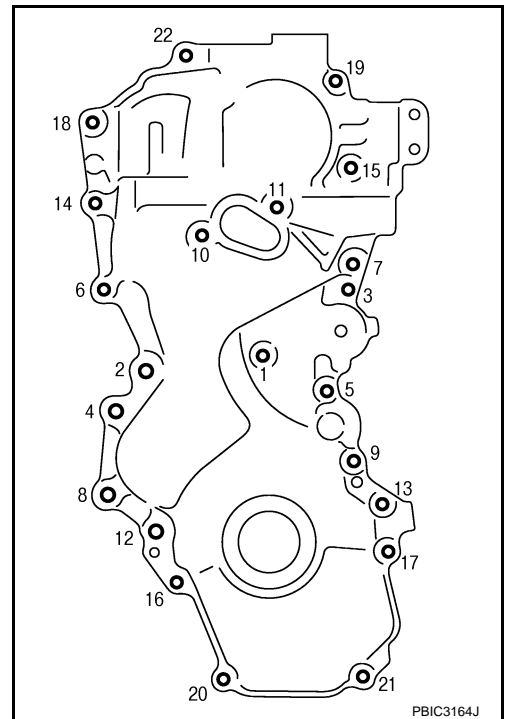


9. Remove oil pan (lower). Refer to [EM-27](#).

NOTE:

When crankshaft sprocket, oil pump sprocket and other related parts are not removed, this step is unnecessary.

10. Remove intake valve timing control solenoid valve.
11. Remove drive belt auto-tensioner.
12. Loosen bolts in reverse order as shown.



TIMING CHAIN

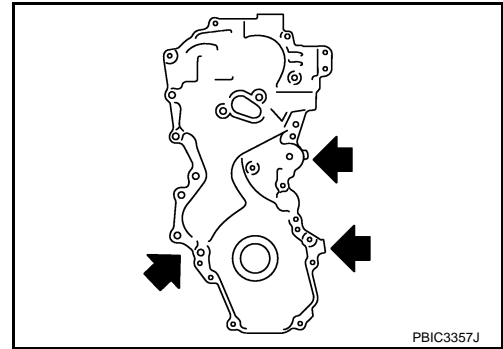
[MR20DE]

< SERVICE INFORMATION >

13. Cut liquid gasket by prying the position (←) shown, and then remove the front cover.

CAUTION:

- Be careful not to damage the mating surface.
- A more adhesive liquid gasket is applied compared to previous types when shipped, so it should not be forced off the position not specified.



14. Remove front oil seal from front cover.
- Lift up front oil seal using a suitable tool.

CAUTION:

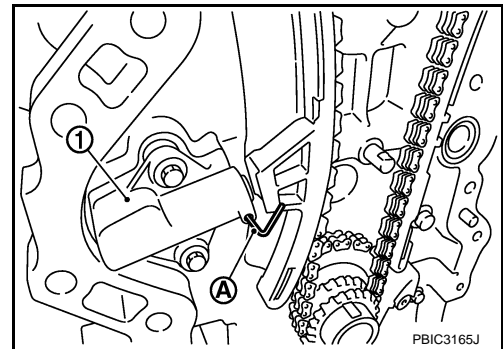
Be careful not to damage front cover.

15. Push in timing chain tensioner plunger.
16. Insert a stopper pin (A) into the body hole to retain the plunger in collapsed position.

NOTE:

Use approximately 1.5 mm (0.059 in) diameter, hard metal pin as a stopper pin.

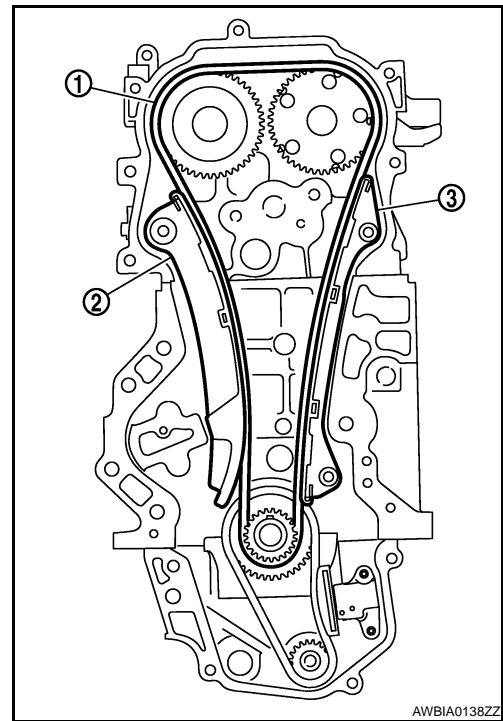
17. Remove timing chain tensioner (1).



18. Remove timing chain slack guide (2), timing chain tension guide (3) and timing chain (1).

CAUTION:

Never rotate each crankshaft and camshaft individually while timing chain is removed. It causes interference between valve and piston.



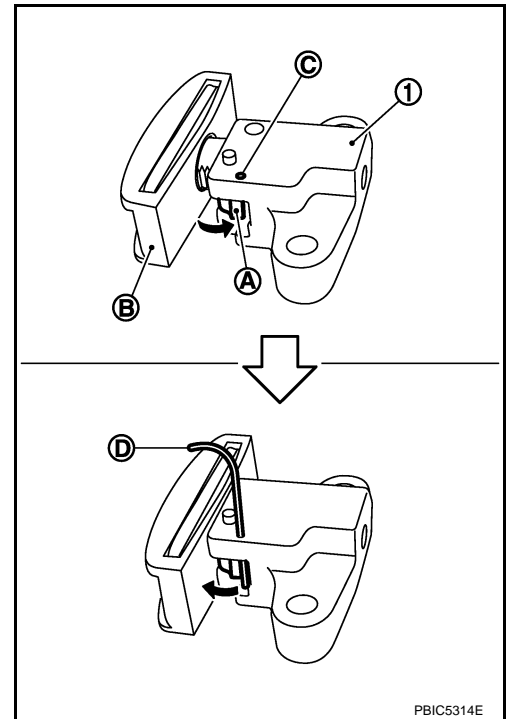
A
EM
C
D
E
F
G
H
I
J
K
L
M
N
O
P

TIMING CHAIN

[MR20DE]

< SERVICE INFORMATION >

19. Press stopper tab (A) in the direction shown to push the timing chain slack guide (B) toward timing chain tensioner (for oil pump) (1).
 - The slack guide (B) is released by pressing the stopper tab (A). As a result, the slack guide (B) can be moved.
20. Insert stopper pin (D) into tensioner body hole (C) to secure timing chain slack guide (B).
NOTE:
Use a hard metal pin with a diameter of approximately 1.2 mm (0.047 in) as a stopper pin.
21. Remove chain tensioner (for oil pump).

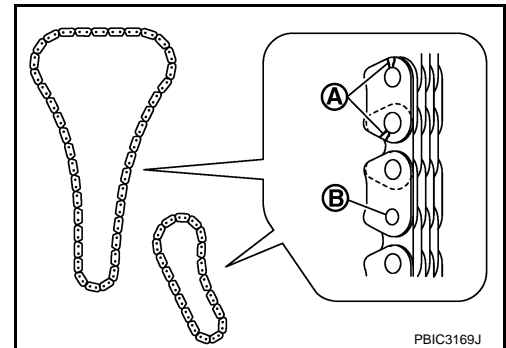


22. Remove crankshaft sprocket, oil pump sprocket and oil pump drive chain as a set.
23. Remove timing chain tension guide (front cover side) from front cover if necessary.

INSPECTION AFTER REMOVAL

Timing Chain

- Check timing chain and oil pump drive chain for cracks (A) and any excessive wear (B) at the roller links of timing chain.
- Replace timing chain and/or oil pump drive chain if necessary.



INSTALLATION

NOTE:

TIMING CHAIN

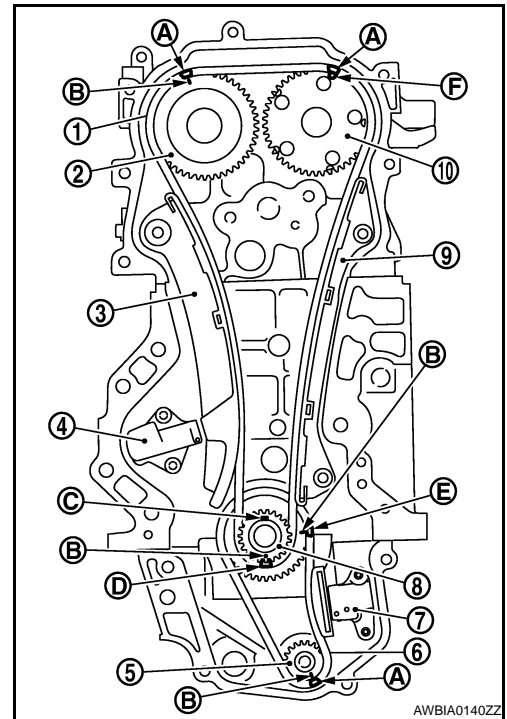
[MR20DE]

< SERVICE INFORMATION >

The figure shows the relationship between the matching mark on each timing chain and that on the corresponding sprocket, with the components installed.

1. Make sure that crankshaft key points straight up.

- 1 : Timing chain
- 2 : Camshaft sprocket (EXH)
- 3 : Timing chain slack guide
- 4 : Timing chain tensioner
- 5 : Oil pump sprocket
- 6 : Oil pump drive chain
- 7 : Chain tensioner (for oil pump)
- 8 : Crankshaft sprocket
- 9 : Timing chain tension guide
- 10 : Camshaft sprocket (INT)
- A : Matching mark (dark blue link)
- B : Matching mark (stamping)
- C : Crankshaft key position (straight up)
- D : Matching mark (orange link)
- E : Matching mark (orange link)
- F : Matching mark (outer groove*)



NOTE:

*: There are two outer grooves in camshaft sprocket (INT). The wider one is a matching mark.

2. If the timing chain tension guide (front cover side) is removed, install it to the front cover.

CAUTION:

Check the joint condition by sound or feeling.

3. Install crankshaft sprocket (2), oil pump sprocket (3) and oil pump drive chain (1).

- A : Matching mark (stamping)
- B : Matching mark (orange link)
- C : Matching mark (dark blue link)

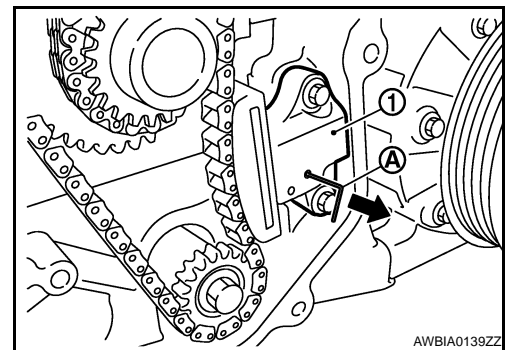
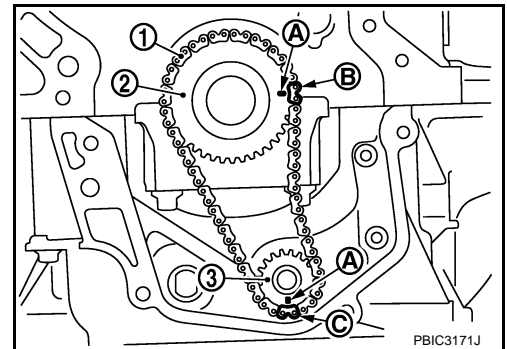
- Install it by aligning matching marks on each sprocket and oil pump drive chain.
- If these matching marks are not aligned, rotate the oil pump shaft slightly to correct the position.

CAUTION:

Check matching mark position of each sprocket after installing the oil pump drive chain.

4. Install chain tensioner (for oil pump) (1).

- Fix the plunger at the most compressed position using a stopper pin (A), and then install it.
- Securely pull out (←) the stopper pin after installing the chain tensioner (for oil pump).
- Check matching mark position of oil pump drive chain and each sprocket again.



TIMING CHAIN

[MR20DE]

< SERVICE INFORMATION >

5. Align the matching marks of each sprocket with the matching marks of timing chain.

- 1 : Camshaft sprocket (EXH)
- 2 : Camshaft sprocket (INT)
- 3 : Timing chain
- A : Matching mark (dark blue link)
- B : Matching mark (stamping)
- C : Matching mark (outer groove*)
- D : Matching mark (orange link)
- E : Matching mark (stamping)

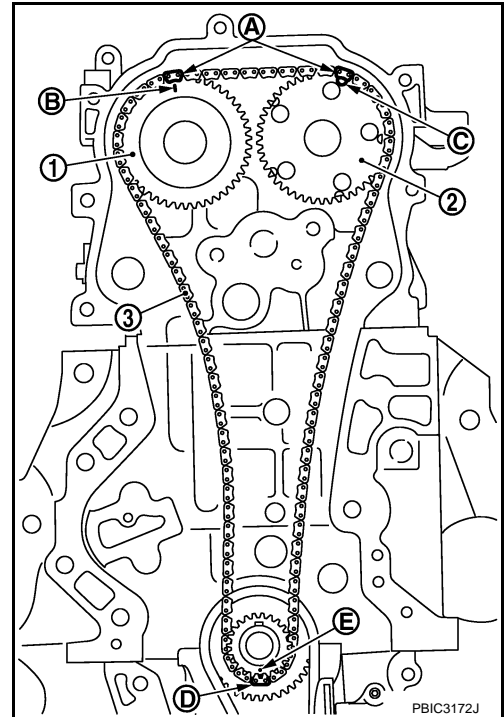
NOTE:

*: There are 2 outer grooves in camshaft sprocket (INT). The wider one is a matching mark.

- If these matching marks are not aligned, rotate the camshaft slightly by holding the hexagonal portion to correct the position.

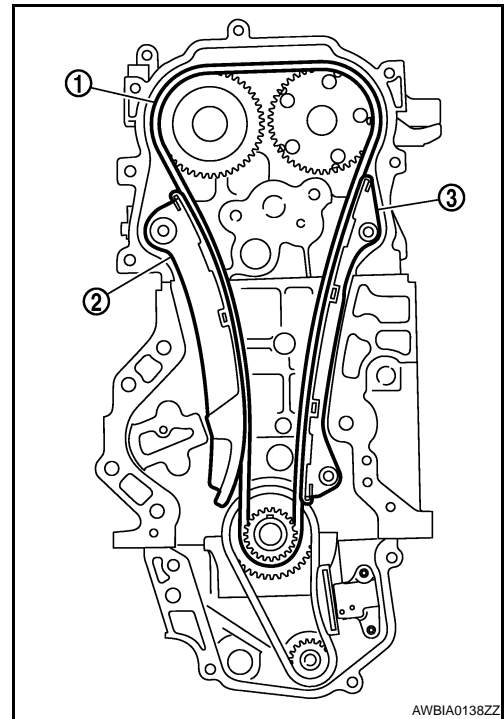
CAUTION:

Check matching mark position of each sprocket and timing chain again after installing the timing chain.



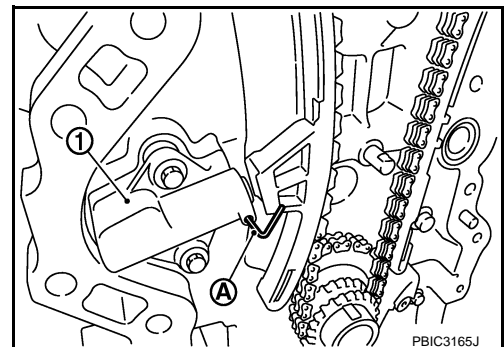
6. Install the timing chain tension guide (3) and the timing chain slack guide (2).

- 1 : Timing chain



7. Install timing chain tensioner (1).

- Fix the plunger at the most compressed position using a stopper pin (A), and then install it.
- Securely pull out the stopper pin after installing the timing chain tensioner.



TIMING CHAIN

[MR20DE]

< SERVICE INFORMATION >

8. Check matching mark position of timing chain and each sprocket again.
9. Apply new engine oil to new front oil seal joint surface.
10. Using a suitable tool install front oil seal so that each seal lip is oriented as shown.

- A : Dust seal lip
- B : Oil seal lip
- ⇐ : Engine front
- ⇐ : Engine rear

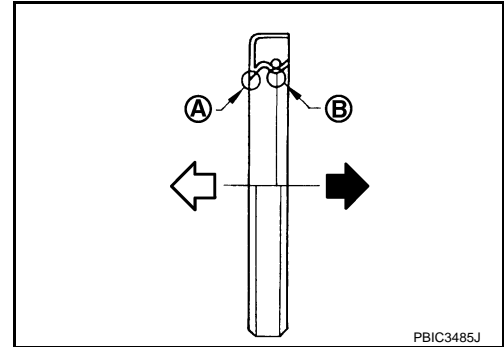
- Press-fit front oil seal until it is flush with front end surface of front cover as shown below with a suitable tool.

Within 0.3 mm (0.012 in) toward engine front

Within 0.5 mm (0.020 in) toward engine rear

CAUTION:

- Be careful not to damage front cover and crankshaft.
- Press-fit oil seal straight to avoid causing burrs or tilting.
- Never touch grease applied onto oil seal lip.



11. Install new O-ring to cylinder block.

CAUTION:

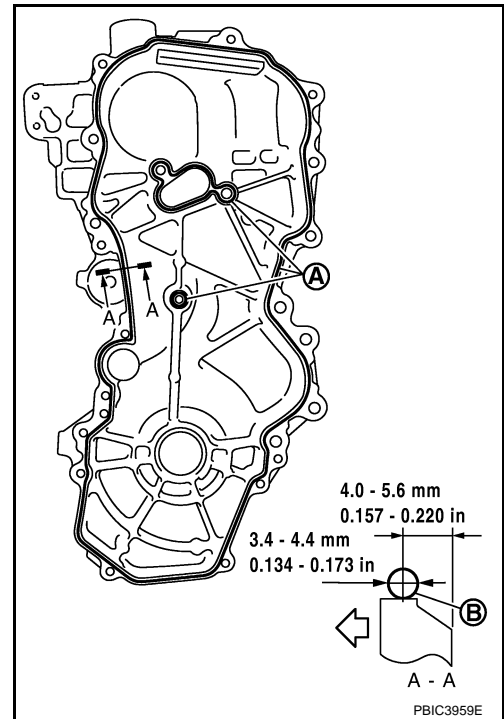
Be sure O-rings are aligned properly.

12. Apply the sealant without breaks to the specified location using Tool.

Use Genuine Silicone RTV Sealant or equivalent. Refer to GI-42, "Recommended Chemical Product and Sealant".

Tool number WS39930000 (-)

- A : Liquid gasket application area
- B : Liquid gasket
- ⇐ : Engine outside



13. Make sure that matching marks of timing chain and each sprocket are still aligned.

CAUTION:

- Make sure O-ring on cylinder block is correctly installed.
- Be careful not to damage front oil seal by interference with front end of crankshaft.

TIMING CHAIN

[MR20DE]

< SERVICE INFORMATION >

14. Install front cover, and tighten bolts in numerical order as shown.

CAUTION:

Attaching should be done within 5 minutes after liquid gasket application.

NOTE:

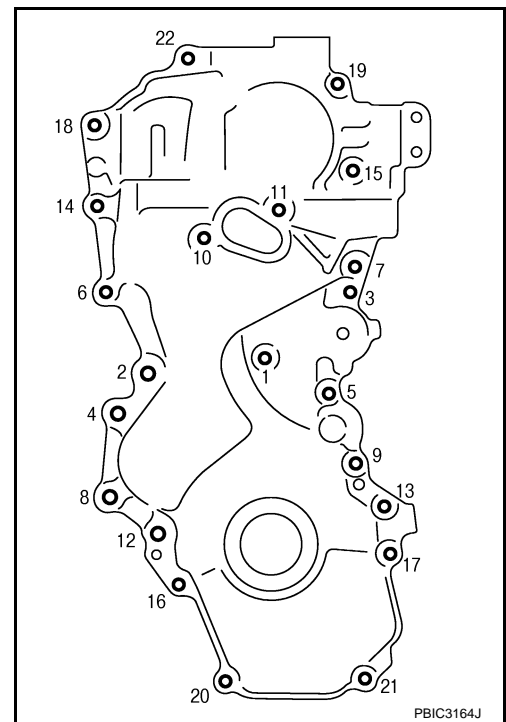
Use the following for the installation position of bolts.

M6 bolts	:	No. 1
M10 bolts	:	No. 6, 7, 10, 11, 14
M12 bolts	:	No. 2, 4, 8, 12
M8 bolts	:	Except the above

15. Tighten all bolts are in two stages to specified torque in numerical order as shown.

CAUTION:

Be sure to wipe off any excessive liquid gasket leaking.



16. Install crankshaft pulley.

CAUTION:

- Never damage front oil seal lip section.
- If needed use a plastic hammer, tap on its center portion (not circumference) to seat crankshaft pulley.

17. Secure crankshaft pulley (1) using Tool (A).

Tool number : KV10109300 (—)

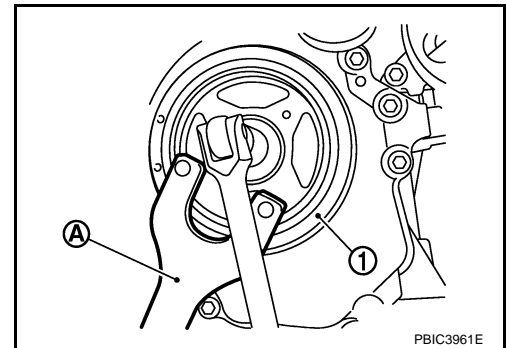
18. Apply new engine oil to thread and seat surfaces of crankshaft pulley bolt.

19. Tighten crankshaft pulley bolt in three steps.

Step 1 : 68.6 N·m (7.0 kg·m, 51 ft·lb)

Step 2 : 0 N·m (0 kg·m, 0 ft·lb)

Step 3 : 29.4 N·m (3.0 kg·m, 22 ft·lb)

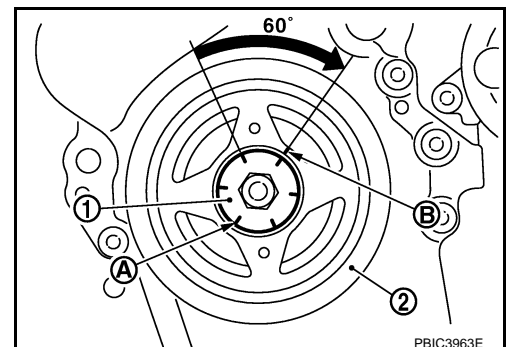


20. Put a paint mark (B) on crankshaft pulley (2), matching with any one of six easy to recognize angle marks (A) on crankshaft pulley bolt (1) flange.

21. Turn another 60 degrees clockwise (angle tightening) using Tool.

- Check the tightening angle with movement of one angle mark.

Tool number : KV10112100 (BT-8653-A)



22. Make sure that crankshaft rotates clockwise smoothly.

23. Installation of the remaining components is in the reverse order of removal.

CAMSHAFT

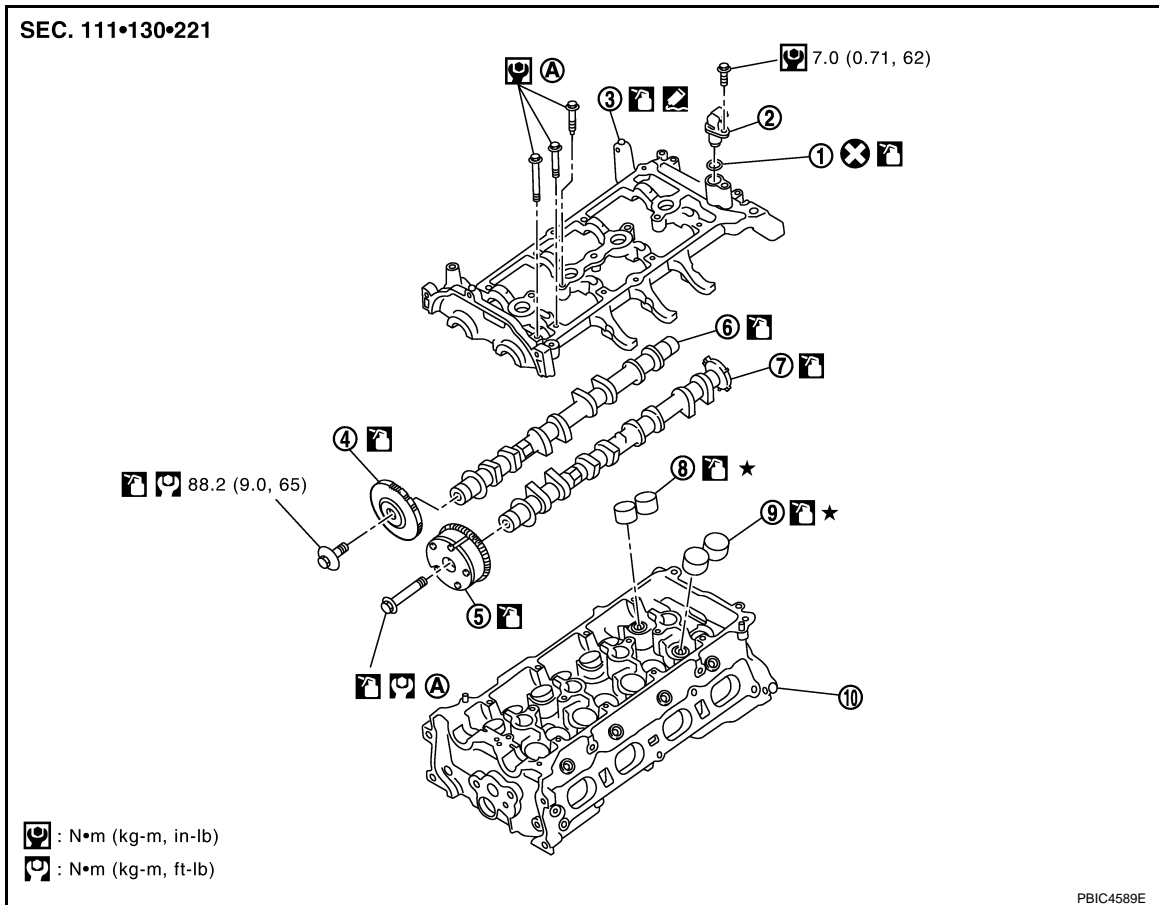
< SERVICE INFORMATION >

[MR20DE]

CAMSHAFT

Component

INFOID:000000004409507



- | | | |
|-------------------------------------|-------------------------------------|-----------------------|
| 1. O-ring | 2. Camshaft position sensor (PHASE) | 3. Camshaft bracket |
| 4. Camshaft sprocket (EXH) | 5. Camshaft sprocket (INT) | 6. Camshaft (EXH) |
| 7. Camshaft (INT) | 8. Valve lifter (EXH) | 9. Valve lifter (INT) |
| 10. Cylinder head | | |
| A. Refer to EM-49 . | | |

Removal and Installation

INFOID:000000004409508

REMOVAL

WARNING:

- Put a "CAUTION: FLAMMABLE" sign in the workshop.
- Be sure to work in a well ventilated area and furnish workshop with a CO₂ fire extinguisher.
- Do not smoke while servicing fuel system. Keep open flames and sparks away from the work area.

1. Release the fuel pressure. Refer to [EC-93. "Fuel Pressure Check"](#) (for California) or [EC-639. "Fuel Pressure Check"](#) (except for California).
2. Disconnect negative battery cable. Refer to [SC-6. "Removal and Installation MR20DE"](#).
3. Remove front RH wheel. Refer to [WT-6](#).
4. Remove front fender protector (RH). Refer to [EI-21](#).
5. Drain engine coolant. Refer to [CO-11](#).

NOTE:

Perform this step when engine is cold.

6. Remove the following parts.
 - Intake manifold; Refer to [EM-18](#).

CAMSHAFT

[MR20DE]

< SERVICE INFORMATION >

- Rocker cover; Refer to [EM-33](#).
- Fuel tube and fuel injector assembly; Refer to [EM-36](#).
- Front cover, timing chain and related parts; Refer to [EM-40](#).

7. Remove camshaft position sensor (PHASE) from camshaft bracket.

CAUTION:

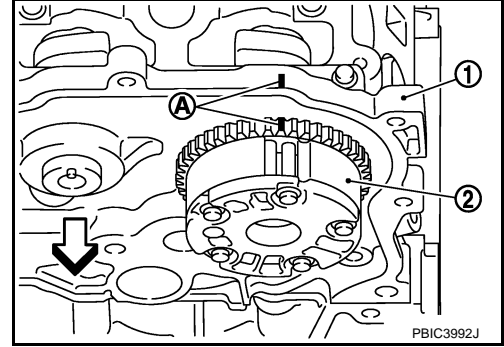
- Handle carefully to avoid dropping and shocks.
- Never disassemble.
- Never allow metal powder to adhere to magnetic part at sensor tip.
- Never place sensor in a location where it is exposed to magnetism.

8. Put the matching mark (A) on the camshaft sprocket (INT) (2) and the camshaft bracket (1) as shown.

⇐ : Engine front

NOTE:

It prevents the knock pin of the camshaft (INT) from engaging with the incorrect pin hole when installing the camshaft sprocket (INT).

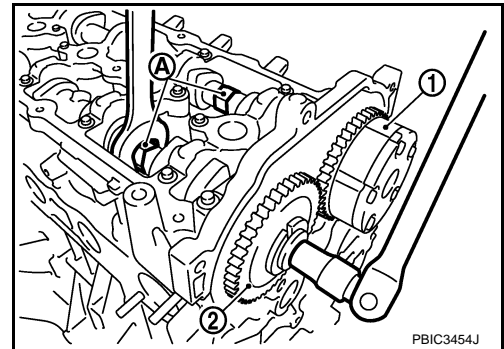


9. Remove camshaft sprockets (INT) (1) and (EXH) (2).

- Secure hexagonal part (A) of camshaft with a wrench. Loosen camshaft sprocket bolts and remove camshaft sprocket.

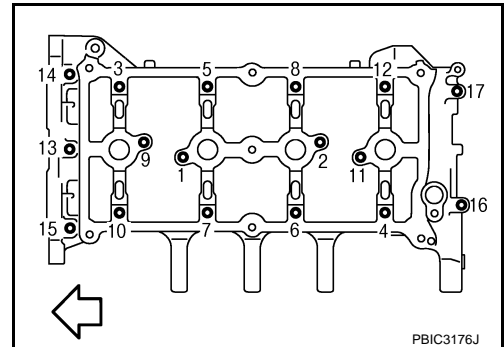
CAUTION:

- Never rotate crankshaft or camshaft while timing chain is removed. It causes interference between valve and piston.
- Never loosen the bolts with securing anything other than the camshaft hexagonal part or with tensioning the timing chain.



10. Loosen bolts in reverse order as shown.

⇐ : Engine front

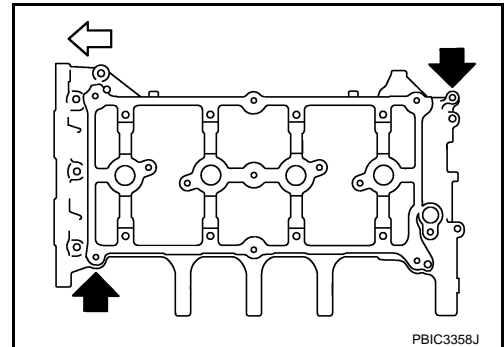


11. Cut liquid gasket by prying the position (⇐) shown, and then remove the camshaft bracket.

⇐ : Engine front

CAUTION:

- Be careful not to damage the mating surface.
- A more adhesive liquid gasket is applied compared to previous types when shipped, so it should not be forced off the position not specified.



12. Remove camshafts.

CAMSHAFT

[MR20DE]

< SERVICE INFORMATION >

13. Remove valve lifters.

NOTE:

Identify installed positions, and store them without mixing them up.

INSPECTION AFTER REMOVAL

Camshaft Runout

1. Put V-block on a precise flat table, and support No. 2 and 5 journal of camshaft.

CAUTION:

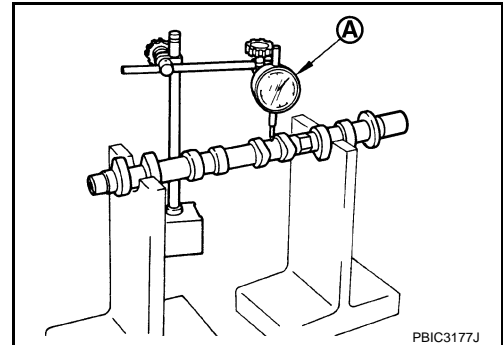
Never support No. 1 journal (on the side of camshaft sprocket) because it has a different diameter from the other four locations.

2. Set dial indicator (A) vertically to No. 3 journal.
3. Turn camshaft to one direction with hands, and measure the camshaft runout on dial indicator. (Total indicator reading)

Standard : Less than 0.02 mm (0.0008 in).

Limit : 0.05 mm (0.0020 in)

4. If it exceeds the limit, replace camshaft.



Camshaft Cam Height

1. Measure the camshaft cam height with a micrometer (A).

Standard:

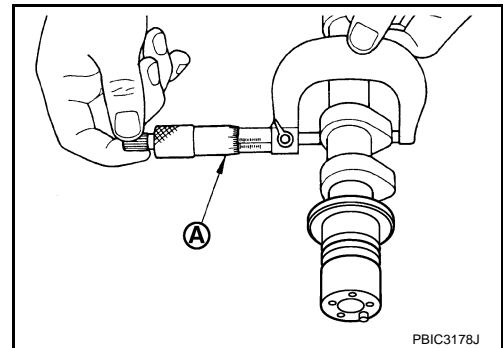
Intake : 44.605 - 44.795 mm (1.7560 - 1.7635 in)

Exhaust : 43.175 - 43.365 mm (1.6997 - 1.7072 in)

Limit:

Intake : 44.405 mm (1.7482 in)

Exhaust : 42.975 mm (1.6919 in)



2. If it exceeds the limit, replace camshaft.

Camshaft Journal Oil Clearance

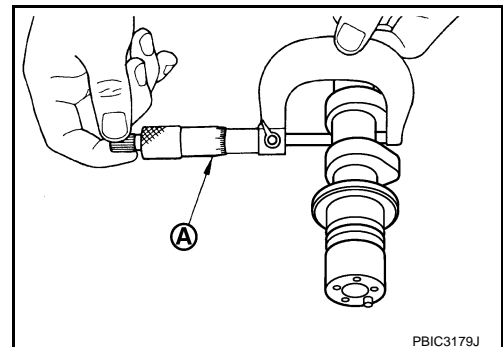
CAMSHAFT JOURNAL OUTER DIAMETER

Measure the outer diameter of camshaft journal with a micrometer (A).

Standard:

No. 1 : 27.935 - 27.955 mm (1.0998 - 1.1006 in)

No. 2, 3, 4, 5 : 24.950 - 24.970 mm (0.9823 - 0.9831 in)



CAMSHAFT BRACKET INNER DIAMETER

- Tighten camshaft bracket bolts with specified torque. Follow the "INSTALLATION" tightening procedure.

CAMSHAFT

[MR20DE]

< SERVICE INFORMATION >

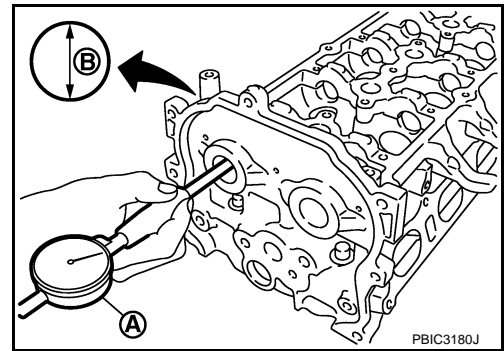
- Measure the inner diameter of camshaft bracket with a bore gauge (A).

B : Measuring direction of inner diameter

Standard:

No. 1 : 28.000 - 28.021 mm (1.1024 - 1.1032 in)

No. 2, 3, 4, 5 : 25.000 - 25.021 mm (0.9843 - 0.9851 in)



CAMSHAFT JOURNAL OIL CLEARANCE

- (Oil clearance) = (Camshaft bracket inner diameter) – (Camshaft journal diameter)

Standard:

No. 1 : 0.045 - 0.086 mm (0.0018 - 0.0034 in)

No. 2, 3, 4, 5 : 0.030 - 0.071 mm (0.0012 - 0.0028 in)

Limit:

: 0.15 mm (0.0059 in)

- If it exceeds the limit, replace camshaft or cylinder head, or both.

NOTE:

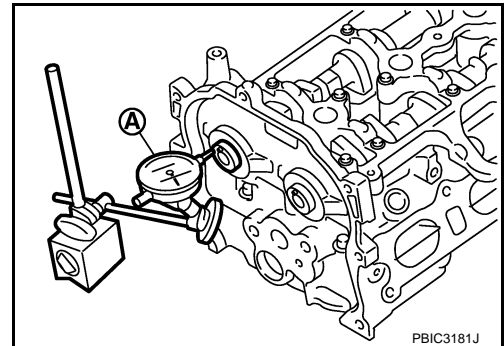
Camshaft bracket cannot be replaced as a single part, because it is machined together with cylinder head. Replace whole cylinder head assembly.

Camshaft End Play

1. Install camshaft in cylinder head. Follow the "INSTALLATION" tightening procedure.
2. Install dial indicator in thrust direction on front end of camshaft. Read the end play of dial indicator (A) when camshaft is moved forward/backward (in direction to axis).

Standard : 0.075 - 0.153 mm (0.0030 - 0.0060 in)

Limit : 0.24 mm (0.0094 in)



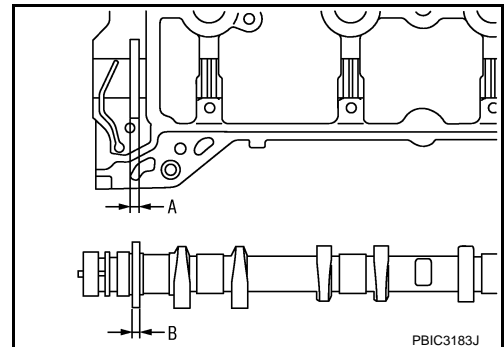
- Measure the following parts if out of the standard.
 - Dimension "A" for groove of cylinder head No. 1 journal

Standard : 4.000 - 4.030 mm (0.1575 - 0.1587 in)

- Dimension "B" for camshaft flange

Standard : 3.877 - 3.925 mm (0.1526 - 0.1545 in)

- Use the standards above, and then replace camshaft and/or cylinder head.



Camshaft Sprocket Runout

1. Put V-block on precise flat table, and support No. 2 and 5 journals of camshaft.

CAUTION:

Never support No. 1 journal (on the side of camshaft sprocket) because it has a different diameter from the other four locations.

CAMSHAFT

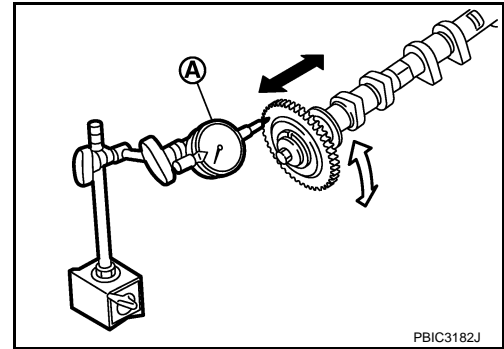
[MR20DE]

< SERVICE INFORMATION >

2. Measure the camshaft sprocket runout with a dial indicator (A).
(Total indicator reading)

Limit : 0.15 mm (0.0059 in)

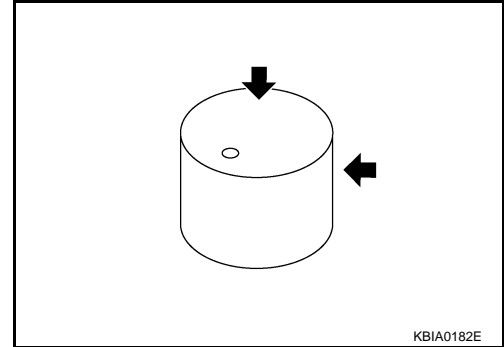
- If it exceeds the limit, replace camshaft sprocket.



Valve Lifter

Check if surface of valve lifter has any wear or cracks.

- If anything above is found, replace valve lifter. Refer to [EM-57](#), "[Valve Clearance](#)".



Valve Lifter Clearance

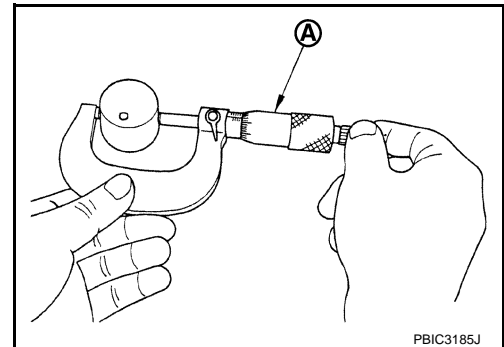
VALVE LIFTER OUTER DIAMETER

- Measure the outer diameter of valve lifter with a micrometer (A).

Standard:

Intake : 33.977 - 33.987 mm (1.3377 - 1.3381 in)

Exhaust : 29.977 - 29.987 mm (1.1802 - 1.1806 in)



VALVE LIFTER HOLE DIAMETER

Measure the diameter of valve lifter hole of cylinder head with an inside micrometer (A).

Standard:

Intake : 34.000 - 34.021 mm (1.3386 - 1.3394 in)

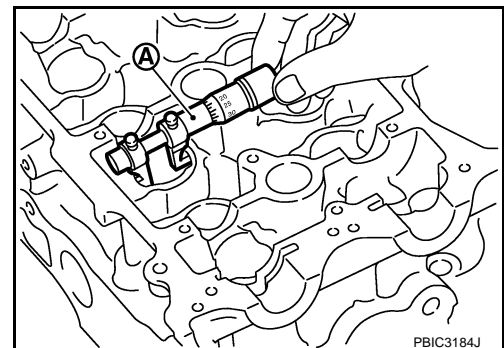
Exhaust : 30.000 - 30.021 mm (1.1811 - 1.1819 in)

VALVE LIFTER CLEARANCE

- (Valve lifter clearance) = (Valve lifter hole diameter) – (Valve lifter outer diameter)

Standard: 0.013 - 0.044 mm (0.0005 - 0.0017 in)

- If out of the standard, referring to the each standard of valve lifter outer diameter and valve lifter hole diameter, replace either or both valve lifter and cylinder head.



INSTALLATION

1. Install valve lifters.
 - Install them in the original positions.
2. Install camshafts.

CAMSHAFT

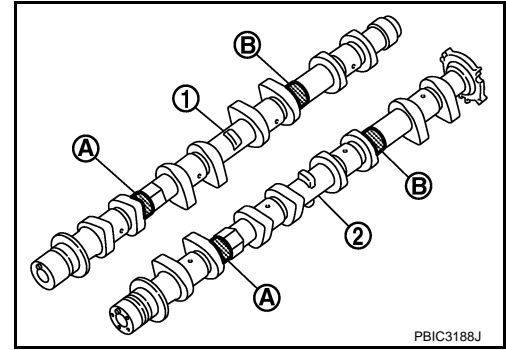
[MR20DE]

< SERVICE INFORMATION >

- Clean camshaft journal to remove any foreign material.
- Distinguish between the intake and the exhaust by looking at the different shapes of the front and rear ends of the camshaft or using the identification colors (A) and (B).

- 1 : Camshaft (EXH)
2 : Camshaft (INT)

Identification color	A	B
Camshaft (EXH)	—	Yellow
Camshaft (INT)	Yellow	—

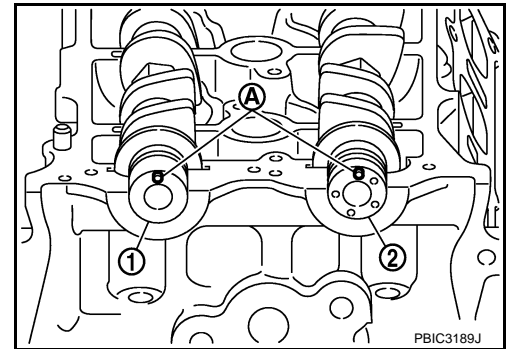


- Install camshafts so that camshaft dowel pins (A) on the front side are positioned as shown.

- 1 : Camshaft (EXH)
2 : Camshaft (INT)

NOTE:

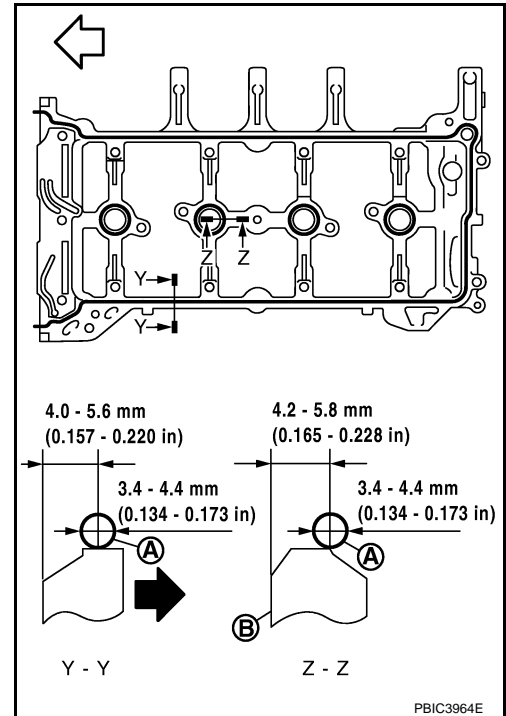
Though camshaft does not stop at the positions as shown, for the placement of cam nose, it is generally accepted camshaft is placed for the same direction as shown.



- Remove foreign material completely from camshaft bracket backside and from cylinder head installation face.
- Apply liquid gasket (A) to camshaft bracket as shown. **Use Genuine Silicone RTV Sealant or equivalent. Refer to GI-42. "Recommended Chemical Product and Sealant".**

Tool number WS39930000 (-)

- B : Plug hole inner wall
↶ : Engine front
↷ : Engine outside



CAMSHAFT

[MR20DE]

< SERVICE INFORMATION >

5. Install camshaft bracket bolts in three stage in numerical order as shown in numerical order as shown.

↔ : Engine front

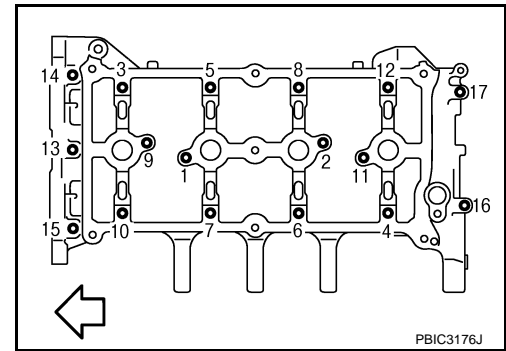
- There are two types of bolts. Use the following to locate bolts.

M6 bolts [thread length: 57.5 mm (2.264 in)]

: 13, 14 and 15

M6 bolts [thread length: 35.00 mm (1.378 in)]

: Except the above



6. Tighten all bolts in numerical order in three steps.

Step 1 : 1.96 N·m (0.20 kg·m, 17 in-lb)

Step 2 : 5.88 N·m (0.60 kg·m, 52 in-lb)

Step 3 : 9.5 N·m (0.97 kg·m, 84 in-lb)

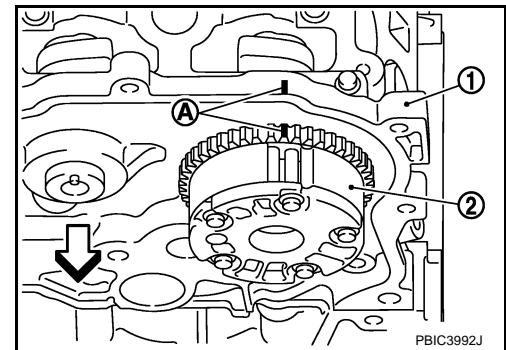
7. Install the camshaft sprocket (INT) to the camshaft (INT).

NOTE:

When the camshaft sprocket (INT) (2) is removed, align the paint mark (A) put according to step "3". Securely align the knock pin and the pin hole, and then install them.

1 : Camshaft bracket

↔ : Engine front



8. Tighten camshaft (INT) sprocket bolt.

Camshaft sprocket bolt (INT) : 35.0 N·m (3.6 kg·m, 26 ft-lb)

NOTE:

Secure the hexagonal part of camshaft (INT) using wrench to tighten bolt.

9. Turn 67 degrees clockwise (angle tightening) using Tool (B).

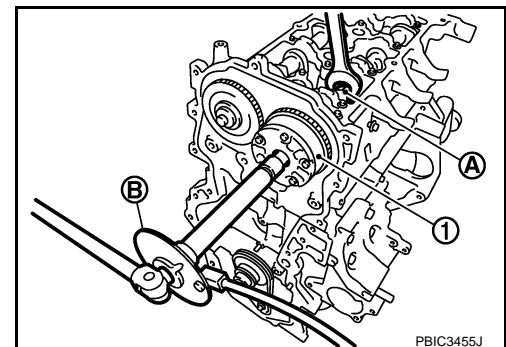
1 : Camshaft sprocket (INT)

A : Camshaft (INT) hexagonal part

CAUTION:

Never judge by visual inspection without an angle wrench.

Tool number : KV10112100 (BT-8653-A)



A
EM
C
D
E
F
G
H
I
J
K
L
M
N
O
P

CAMSHAFT

[MR20DE]

< SERVICE INFORMATION >

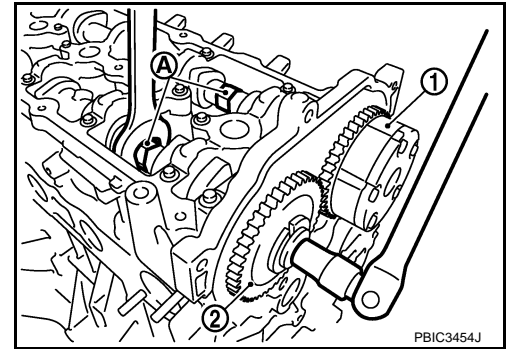
10. Install camshaft sprocket (EXH) (2).

1 : Camshaft sprocket (INT)

Camshaft sprocket bolt (EXH) : 88.2 N-m (9.0 kg-m, 65 ft-lb)

NOTE:

Secure the hexagonal part (A) of camshaft (EXH) using wrench to tighten bolt.



- 11. Install timing chain and related parts. Refer to [EM-40](#).
- 12. Inspect and adjust valve clearance. Refer to [EM-57, "Valve Clearance"](#).
- 13. Installation of the remaining components is in the reverse order of removal.

INSPECTION AFTER INSTALLATION

The following are procedures for checking fluids leak, lubricates leak.

- Before starting engine, check oil/fluid levels including engine coolant and engine oil. If less than required quantity, fill to the specified level. Refer to [GI-42, "Recommended Chemical Product and Sealant"](#).
- Use procedure below to check for fuel leakage.
 - Turn ignition switch "ON" (with engine stopped). With fuel pressure applied to fuel piping, check for fuel leakage at connection points.
 - Start engine. With engine speed increased, check again for fuel leakage at connection points.
- Run engine to check for unusual noise and vibration.

NOTE:

If hydraulic pressure inside timing chain tensioner drops after removal/installation, slack in the guide may generate a pounding noise during and just after engine start. However, this is normal. Noise will stop after hydraulic pressure rises.

- Warm up engine thoroughly to make sure there is no leakage of fuel, or any oil/fluids including engine oil and engine coolant.
- Bleed air from lines and hoses of applicable lines, such as in cooling system.
- After cooling down engine, again check oil/fluid levels including engine oil and engine coolant. Refill to the specified level, if necessary.

Summary of the inspection items:

Item	Before starting engine	Engine running	After engine stopped
Engine coolant	Level	Leakage	Level
Engine oil	Level	Leakage	Level
Other oils and fluid*	Level	Leakage	Level
Fuel	Leakage	Leakage	Leakage
Exhaust gases	—	Leakage	—

* Transmission/transaxle/CVT fluid, power steering fluid, brake fluid, etc.

Inspection of Camshaft Sprocket (INT) Oil Groove

CAUTION:

- Perform this inspection only when DTC P0011 is detected in self-diagnostic results of CONSULT-III and it is directed according to inspection procedure of EC section. Refer to [EC-59, "Introduction" \(for California\)](#) or [EC-605, "Introduction" \(except for California\)](#).
- Check when engine is cold so as to prevent burns from the splashing engine oil.
 1. Check engine oil level. Refer to [LU-5, "Inspection"](#).
 2. Perform the following procedure so as to prevent the engine from being unintentionally started while checking.
 - a. Remove intake manifold. Refer to [EM-18, "Component"](#).
 - b. Disconnect ignition coil and injector harness connectors.
 3. Remove intake valve timing control solenoid valve. Refer to [EM-40, "Component"](#).

CAMSHAFT

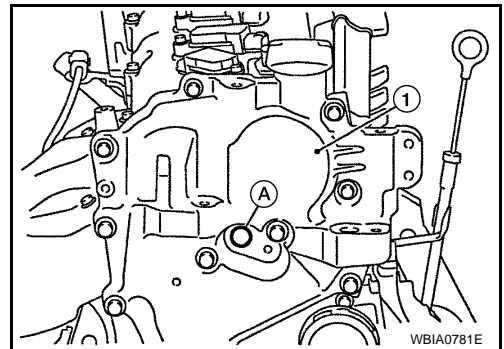
[MR20DE]

< SERVICE INFORMATION >

4. Clean the mating area of intake valve timing control solenoid valve. Insert a clean shop cloth (with no oil adhesion) into the oil hole (A) of the cylinder head.

1 : Front cover

↔ : Vehicle front



5. Install engine mounting bracket (RH), engine mounting insulator, and torque rod (RH) under the Step 4 condition. (With intake valve timing control solenoid valve removed, and a shop cloth inserted into the oil hole.) Refer to [EM-102. "Component"](#).
6. Crank engine, and then make sure that engine oil comes out from intake valve timing control solenoid valve hole (A). End crank after checking.
 - Check engine oil leakage by oil amount adhered to the waste inserted into the oil hole.

WARNING:

Be careful not to touch rotating parts (drive belts, idler pulley, and crankshaft pulley, etc.).

CAUTION:

- Do not perform cranking without installing right engine mount bracket, right engine mount insulator, and right torque rod.
 - Prevent splashing by using a shop cloth so as to prevent the worker from injury from engine oil and so as to prevent engine oil contamination.
 - Prevent splashing by using a shop cloth so as to prevent engine oil from being splashed to engine and vehicle. Especially, be careful not to apply engine oil to rubber parts of drive belts, engine mounting insulator, etc. Wipe engine oil off immediately if it is splashed.
7. Perform the following inspection if engine oil does not come out from intake valve timing control solenoid valve oil hole of the cylinder head.
 - Remove oil filter (for intake valve timing control), and then clean it. Refer to [LU-8](#).
 - Clean oil groove between oil strainer and intake valve timing control solenoid valve. Refer to [LU-4. "Lubrication Circuit"](#).
 8. Remove components between intake valve timing control solenoid valve and camshaft sprocket (INT), and then check each oil groove for clogging.
 - Clean oil groove if necessary. Refer to [LU-4. "Lubrication Circuit"](#).
 9. Installation of the remaining components is in the reverse order of removal

Valve Clearance

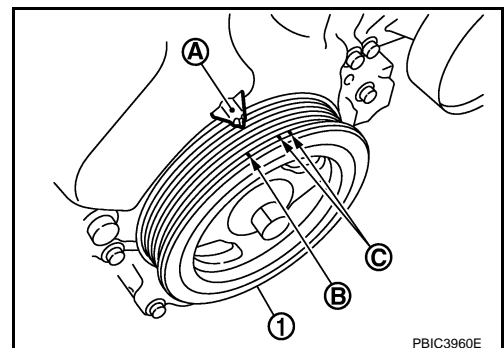
INFOID:000000004409509

INSPECTION

Perform inspection as follows after removal, installation or replacement of camshaft or valve-related parts, or if there is unusual engine conditions regarding valve clearance.

1. Remove rocker cover. Refer to [EM-33](#).
2. Measure the valve clearance with the following procedure:
 - a. Set No. 1 cylinder at TDC of its compression stroke.
 - Rotate crankshaft pulley (1) clockwise and align TDC mark (no paint) (B) to timing indicator (A) on front cover.

C : White paint mark (Not use for service)



CAMSHAFT

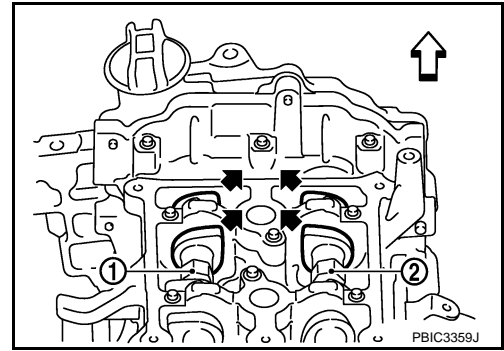
[MR20DE]

< SERVICE INFORMATION >

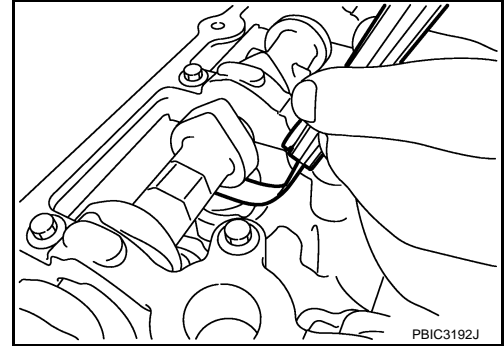
- At the same time, make sure that both intake and exhaust cam noses of No. 1 cylinder face inside (←) as shown.

- 1 : Camshaft (INT)
- 2 : Camshaft (EXH)
- ← : Engine front

- If they do not face inside, rotate crankshaft pulley once more (360 degrees) and align as shown.



- b. Use a feeler gauge, measure the clearance between valve lifter and camshaft.



Valve clearance:

Unit: mm (in)

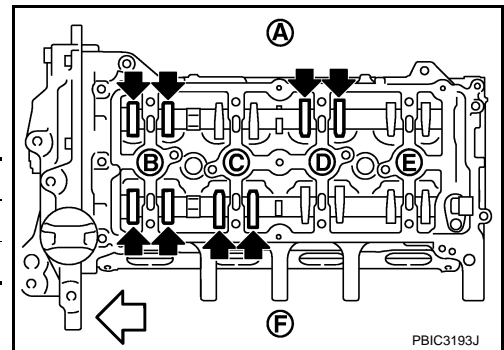
	Cold	Hot * (reference data)
Intake	0.26 - 0.34 (0.010 - 0.013)	0.304 - 0.416 (0.012 - 0.016)
Exhaust	0.29 - 0.37 (0.011 - 0.015)	0.308 - 0.432 (0.012 - 0.017)

*: Approximately 80°C (176°F)

- By referring to the figure, measure the valve clearances at locations marked "x" as shown in the table below [locations indicated with black arrow (←)] with a feeler gauge.
- No. 1 cylinder compression TDC

Measuring position		No. 1 CYL.	No. 2 CYL.	No. 3 CYL.	No. 4 CYL.
No. 1 cylinder at compression TDC	EXH	x		x	
	INT	x	x		

- A : Exhaust side
- B : No.1 cylinder
- C : No.2 cylinder
- D : No.3 cylinder
- E : No.4 cylinder
- F : Intake side
- ← : Engine front



- c. Set No.4 cylinder at TDC of its compression stroke.

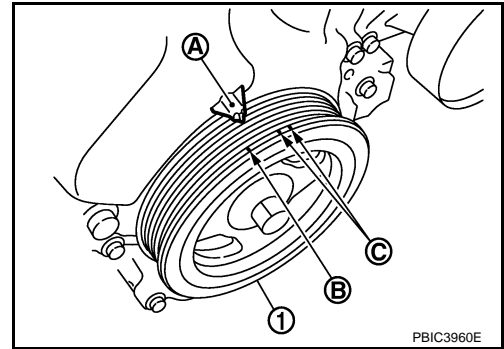
CAMSHAFT

[MR20DE]

< SERVICE INFORMATION >

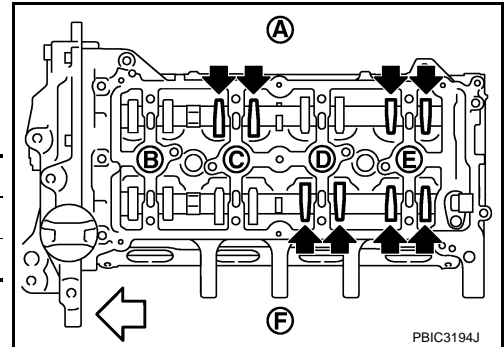
- Rotate crankshaft pulley (1) one revolution (360 degrees) and align TDC mark (no paint) (B) to timing indicator (A) on front cover.

C : White paint mark (Not use for service)



- By referring to the figure, measure the valve clearance at locations marked "x" as shown in the table below [locations indicated with black arrow (←)] with a feeler gauge.
- No. 4 cylinder compression TDC

Measuring position		No. 1 CYL.	No. 2 CYL.	No. 3 CYL.	No. 4 CYL.
No. 4 cylinder at compression TDC	EXH		x		x
	INT			x	x

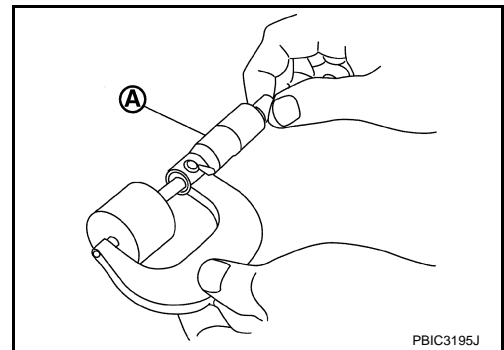


- A : Exhaust side
- B : No.1 cylinder
- C : No.2 cylinder
- D : No.3 cylinder
- E : No.4 cylinder
- F : Intake side
- ← : Engine front

3. If out of standard, perform adjustment.

ADJUSTMENT

- Perform adjustment depending on selected head thickness of valve lifter.
1. Remove camshaft. Refer to [EM-49, "Removal and Installation"](#).
 2. Remove valve lifters at the locations that are out of the standard.
 3. Measure the center thickness of the removed valve lifters with a micrometer (A).



4. Use the equation below to calculate valve lifter thickness for replacement.

Valve lifter thickness calculation: $t = t_1 + (C_1 - C_2)$

- t** = Valve lifter thickness to be replaced
- t₁** = Removed valve lifter thickness
- C₁** = Measured valve clearance
- C₂** = Standard valve clearance:

CAMSHAFT

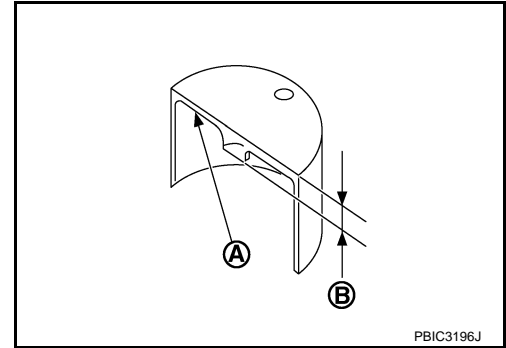
< SERVICE INFORMATION >

[MR20DE]

Intake : 0.30 mm (0.012 in)

Exhaust : 0.33 mm (0.013 in)

- Thickness of new valve lifter (B) can be identified by stamp mark (A) on the reverse side (inside the cylinder). Stamp mark "302" indicates 3.02 mm (0.1189 in) in thickness.



NOTE:

Available thickness of valve lifter: 26 sizes range 3.00 to 3.50 mm (0.1181 to 0.1378 in) in steps of 0.02 mm (0.0008 in) (when manufactured at factory). Refer to [EM-106, "Standard and Limit"](#).

5. Install the selected valve lifter.
6. Install camshaft. Refer to [EM-49, "Removal and Installation"](#).
7. Install timing chain and related parts. Refer to [EM-40](#).
8. Manually rotate crankshaft pulley a few rotations.
9. Make sure that the valve clearances are within the standard.
10. Installation of the remaining components is in the reverse order of removal.

OIL SEAL

Removal and Installation of Valve Oil Seal

INFOID:000000004409510

REMOVAL

1. Remove camshafts. Refer to [EM-49. "Component"](#).
2. Remove valve lifters. Refer to [EM-49](#).
3. Rotate crankshaft, and set piston whose valve oil seal is to be removed to TDC. This will prevent valve from dropping into cylinder.

CAUTION:

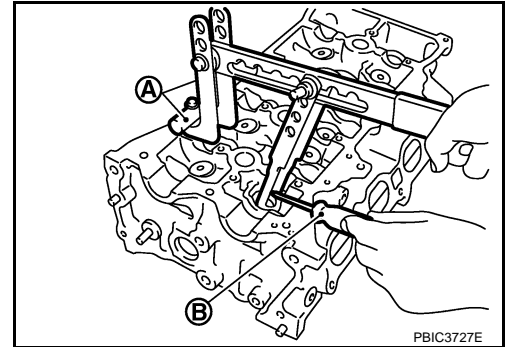
When rotating crankshaft, be careful to avoid scarring front cover with timing chain.

4. Remove valve collet.
 - Compress valve spring using Tool, the attachment and the adapter (A). Remove valve collet with a suitable magnet hand (B).

CAUTION:

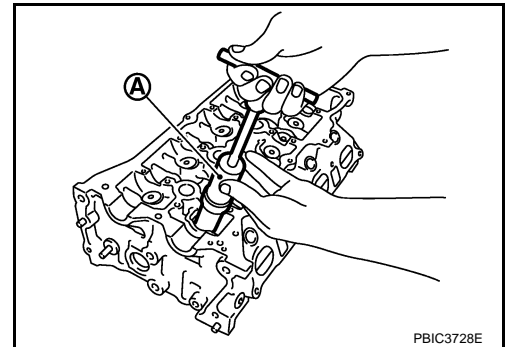
When working, be careful not to damage valve lifter holes.

Tool number : KV101092S0 (J-26336-B)



5. Remove valve spring retainer, valve spring and valve spring seat.
6. Remove valve oil seal using Tool (A).

Tool number :KV10107902 (J-38959)

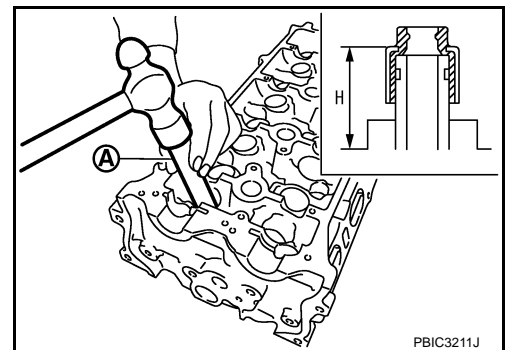


INSTALLATION

1. Apply new engine oil to valve oil seal joint surface and seal lip.
2. Press in valve oil seal to the height "H" shown using Tool (A).

Height "H" : 15.1 - 15.7 mm (0.594 - 0.618 in)

Tool number : KV10115600 (—)



3. Installation of the remaining components is in the reverse order of removal.

Removal and Installation of Front Oil Seal

INFOID:000000004409511

REMOVAL

1. Remove the following parts.
 - Front fender protector (RH); Refer to [EI-21](#).

< SERVICE INFORMATION >

- Drive belt; Refer to [EM-13, "Component"](#).
 - Crankshaft pulley; Refer to [EM-40, "Component"](#).
2. Remove front oil seal using a suitable tool.

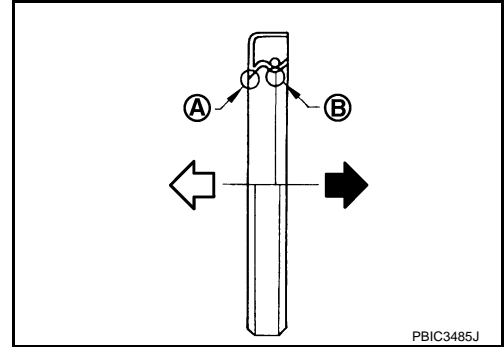
CAUTION:

Be careful not to damage front cover and crankshaft.

INSTALLATION

1. Apply new engine oil to new front oil seal joint surface and seal lip.
2. Install front oil seal so that each seal lip is oriented as shown.

- A : Dust seal lip
- B : Oil seal lip
- ⇐ : Engine outside
- ➡ : Engine inside



- Install front oil seal (2) using a suitable tool with outer diameter 57 mm (2.24 in) and inner diameter 45 mm (1.77 in) (A) to the dimension as shown.

1: Front cover

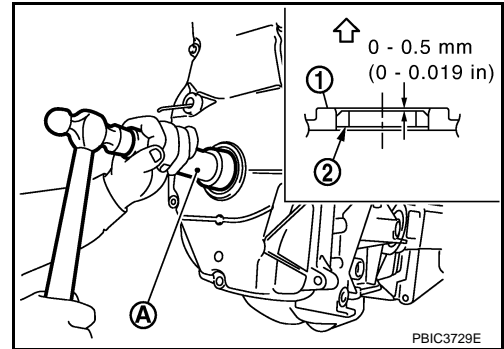
⇐: **Front**

Within 0.3 mm (0.012 in) toward engine front

Within 0.5 mm (0.019 in) toward engine rear

CAUTION:

- **Be careful not to damage front cover and crankshaft.**
- **Press-fit oil seal straight to avoid causing burrs or tilting.**
- **Do not touch grease applied on oil seal lip.**



3. Installation of the remaining components is in the reverse order of removal.

Removal and Installation of Rear Oil Seal

INFOID:000000004409512

REMOVAL

1. Remove transaxle assembly. Refer to [MT-17, "Removal and Installation"](#) (M/T models), [CVT-190, "Removal and Installation \(MR20DE\)"](#) (CVT models).
2. Remove clutch cover and clutch disk (M/T models). Refer to [CL-13](#).
3. Remove drive plate (CVT models) or flywheel (M/T models). Refer to [EM-74, "Component"](#).
4. Remove rear oil seal with a suitable tool.

CAUTION:

Be careful not to damage crankshaft and cylinder block.

INSTALLATION

1. Apply the liquid gasket lightly to entire outside area of new rear oil seal.
Use Genuine Silicone RTV Sealant or equivalent. Refer to [GI-42, "Recommended Chemical Product and Sealant"](#).

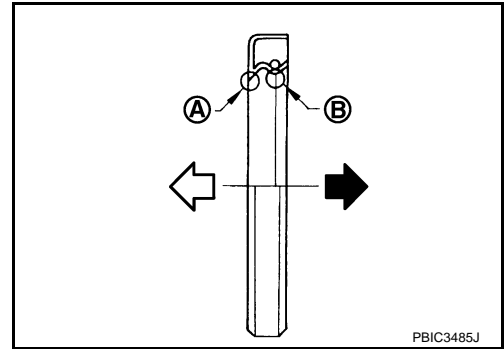
OIL SEAL

[MR20DE]

< SERVICE INFORMATION >

2. Install rear oil seal so that each seal lip is oriented as shown.

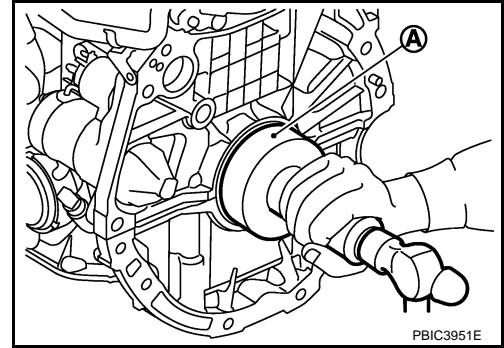
- A : Dust seal lip
- B : Oil seal lip
- ⇐ : Engine outside
- ⇨ : Engine inside



- Install rear oil seal with a suitable tool with an outer diameter 115 mm (4.53 in) and inner diameter 90 mm (3.54 in) (A).

CAUTION:

- Be careful not to damage crankshaft and cylinder block.
- Press-fit oil seal straight to avoid causing burrs or tilting.
- Do not touch grease applied onto oil seal lip.

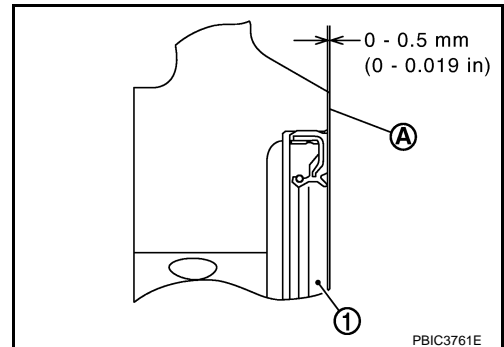


- Install rear oil seal (1) to the position as shown.

- A : Rear end surface of cylinder block

NOTE:

The standard surface of the dimension is the rear end surface of cylinder block.



3. Installation of the remaining components is in the reverse order of removal.

A
EM
C
D
E
F
G
H
I
J
K
L
M
N
O
P

CYLINDER HEAD

< SERVICE INFORMATION >

[MR20DE]

CYLINDER HEAD

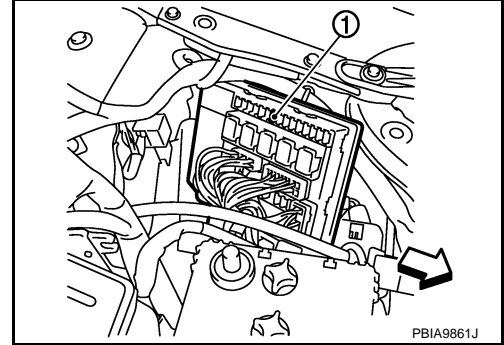
On-Vehicle Service

INFOID:000000004409513

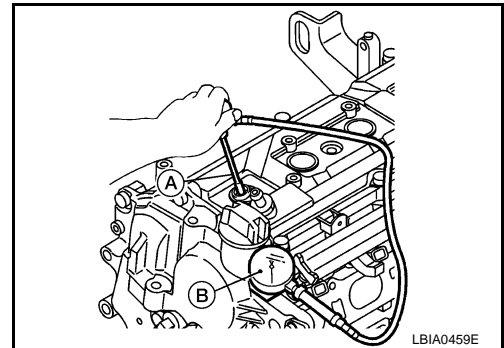
CHECKING COMPRESSION PRESSURE

1. Warm up engine thoroughly. Then, stop it.
2. Release fuel pressure. Refer to [EC-93, "Fuel Pressure Check"](#) (for California) or [EC-639, "Fuel Pressure Check"](#) (except for California).
3. Disconnect fuel pump fuse (1) to avoid fuel injection during measurement.

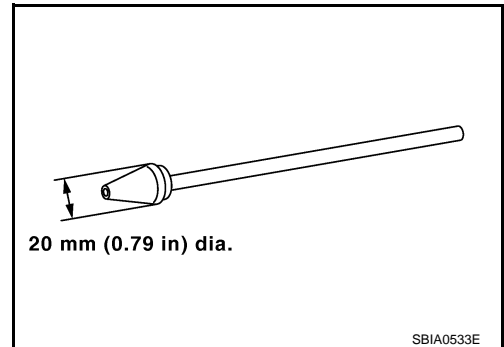
← : Vehicle front



4. Remove engine cover.
5. Remove ignition coil and spark plug from each cylinder. Refer to [EM-33](#).
6. Connect an engine tachometer (not required in use of CONSULT-III).
7. Install a suitable compression tester (B) with an adapter (A) onto spark plug hole.



- Use the adapter whose picking up end inserted to spark plug hole is smaller than 20 mm (0.79 in) in diameter. Otherwise, it may be caught by cylinder head during removal.



8. With accelerator pedal fully depressed, turn ignition switch to "START" for cranking. When the gauge pointer stabilizes, read the compression pressure and the engine rpm. Perform these steps to check each cylinder.

Compression pressure:

Unit: kPa (bar, kg/cm² psi) /rpm

Standard	Minimum	Differential limit between cylinders
1,500 (15.0, 15.3, 217.6) / 200	1,200 (12.0, 12.2, 174) / 200	100 (1, 1, 15) / 200

CAUTION:

CYLINDER HEAD

< SERVICE INFORMATION >

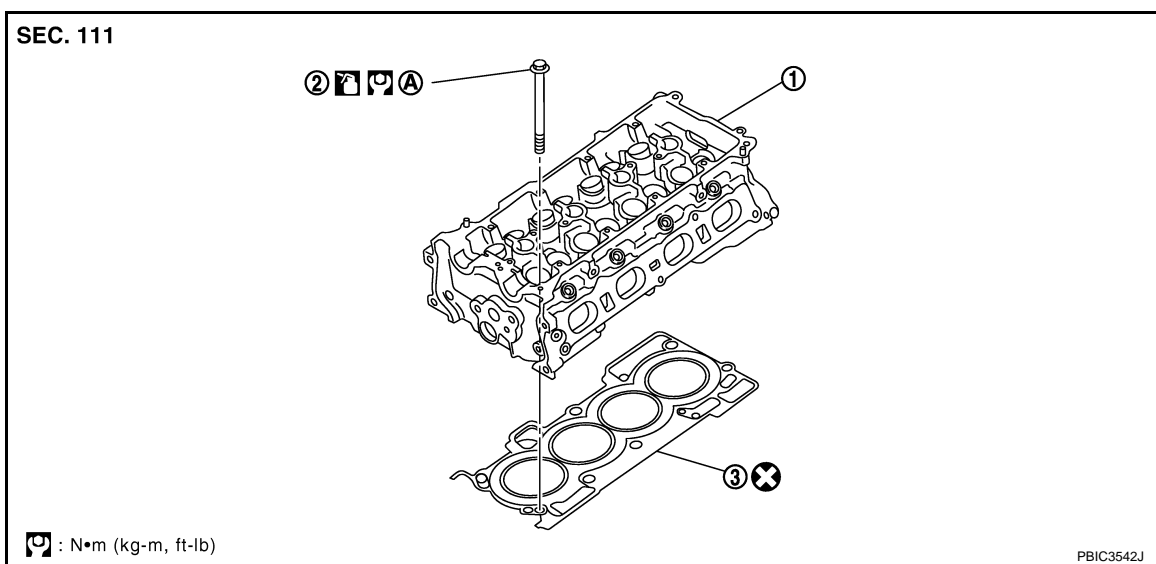
[MR20DE]

Always use fully a charged battery to obtain the specified engine speed.

- If the engine speed is out of the specified range, check battery liquid for proper gravity. Check engine speed again with normal battery gravity.
 - If compression pressure is below minimum value, check valve clearances and parts associated with combustion chamber (Valve, valve seat, piston, piston ring, cylinder bore, cylinder head, cylinder head gasket). After the checking, measure the compression pressure again.
 - If some cylinder has low compression pressure, pour small amount of engine oil into the spark plug hole of the cylinder to re-check it for compression.
 - If the added engine oil improves the compression, piston rings may be worn out or damaged. Check piston rings and replace if necessary.
 - If the compression pressure remains at low level despite the addition of engine oil, valves may be malfunctioning. Check valves for damage. Replace valve or valve seat accordingly.
 - If two adjacent cylinders have respectively low compression pressure and their compression remains low even after the addition of engine oil, cylinder head gasket is leaking. In such a case, replace cylinder head gasket.
9. After inspection is completed, install removed parts.
 10. Start the engine, and confirm that the engine runs smoothly.
 11. Perform trouble diagnosis. If DTC appears, erase it. Refer to [EC-96, "Trouble Diagnosis Introduction"](#) (for California) or [EC-642, "Trouble Diagnosis Introduction"](#) (except for California).

Component

INFOID:000000004409514



1. Cylinder head assembly
 2. Cylinder head bolt
 3. Cylinder head gasket
- A. Refer to [EM-65](#)

Removal and Installation

INFOID:000000004409515

REMOVAL

WARNING:

- Put a "CAUTION: FLAMMABLE" sign in the workshop.
 - Be sure to work in a well ventilated area and furnish workshop with a CO2 fire extinguisher.
 - Do not smoke while servicing fuel system. Keep open flames and sparks away from the work area.
1. Release the fuel pressure. Refer to [EC-93, "Fuel Pressure Check"](#) (for California) or [EC-639, "Fuel Pressure Check"](#) (except for California).
 2. Drain engine coolant and engine oil. Refer to [CO-11](#) and [LU-6, "Changing Engine Oil"](#).
 3. Remove front fender protector (RH). Refer to [EI-21](#).
 4. Remove drive belt. Refer to [EM-13, "Removal and Installation"](#).
 5. Remove the following components and related parts.

CYLINDER HEAD

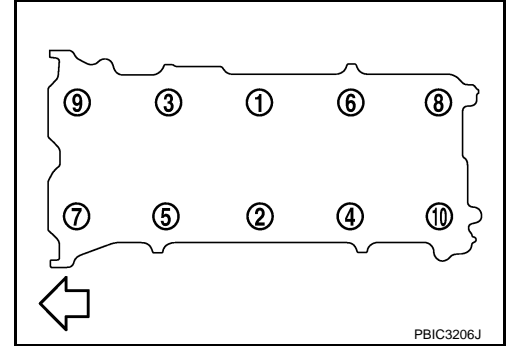
[MR20DE]

< SERVICE INFORMATION >

- Exhaust manifold; Refer to [EM-23](#).
 - Intake manifold; Refer to [EM-18](#).
 - Fuel tube and fuel injector assembly; Refer to [EM-36](#).
 - Water outlet; Refer to [CO-23](#).
 - Rocker cover; Refer to [EM-33](#).
 - Front cover, timing chain; Refer to [EM-40](#).
 - Camshaft; Refer to [EM-49](#).
6. Remove cylinder head.
- Loosen bolts in reverse order as shown.

⇐ : Engine front

- Using TORX socket (size E18), loosen cylinder head bolts.
7. Remove cylinder head gasket.



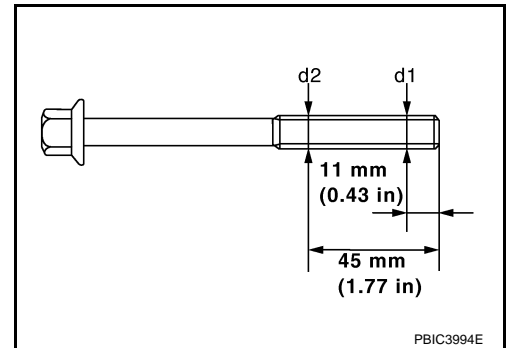
INSPECTION AFTER REMOVAL

Cylinder Head Bolts Outer Diameter

- Cylinder head bolts are tightened by plastic zone tightening method. Whenever the size difference between “d1” and “d2” exceeds the limit, replace them with a new one.

Limit (“d1” – “d2”): 0.15 mm (0.0059 in)

- If reduction of outer diameter appears in a position other than “d2”, use it as “d2” point.



Cylinder Head Distortion

NOTE:

When performing this inspection, cylinder block distortion should be also checked. Refer to [EM-91, "Inspection After Disassembly"](#).

1. Wipe off engine oil and remove water scale (like deposit), gasket, sealant, carbon, etc. with a scraper.

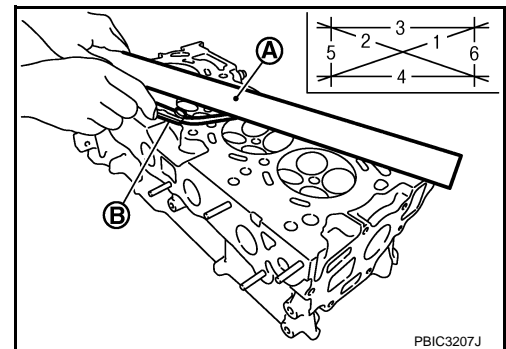
CAUTION:

Use utmost care not to allow gasket debris to enter passages for engine oil or water.

2. At each of several locations on bottom surface of cylinder head, measure the distortion in six directions using straightedge (A) and feeler gauge (B).

Limit: 0.1 mm (0.004 in)

- If it exceeds the limit, replace cylinder head.



INSTALLATION

1. Install cylinder head gasket.
2. Apply new engine oil to threads and seating surface of bolts.

CAUTION:

If cylinder head bolts re-used, check their outer diameters before installation. Follow the "Cylinder Head Bolts Outer Diameter" procedure.

CYLINDER HEAD

[MR20DE]

< SERVICE INFORMATION >

3. Install cylinder head, follow the steps below to tighten cylinder head bolts in numerical order as shown.

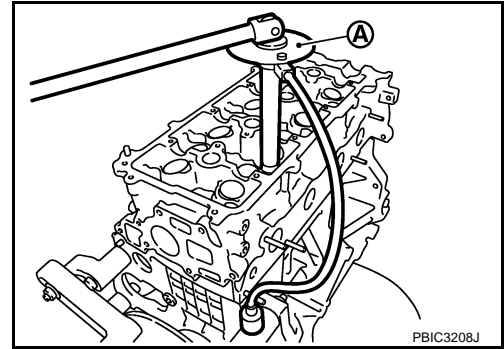
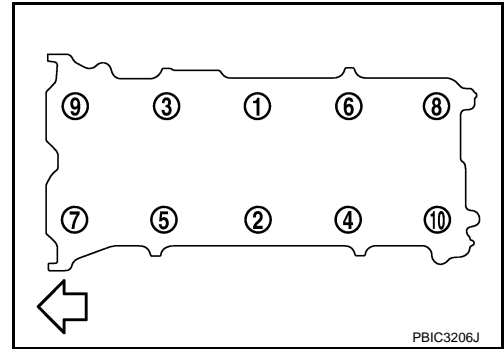
- Step a : 40 N·m (4.1 kg-m, 30 ft-lb)
- Step b : 100° clockwise
- Step c : Loosen to 0 N·m in the reverse order of tightening.
- Step d : 40 N·m (4.1 kg-m, 30 ft-lb)
- Step e : 100° clockwise
- Step f : 100° clockwise

⇐: Engine front

CAUTION:

Check and confirm the tightening angle by using Tool (A) or protractor. Never judge by visual inspection without the tool.

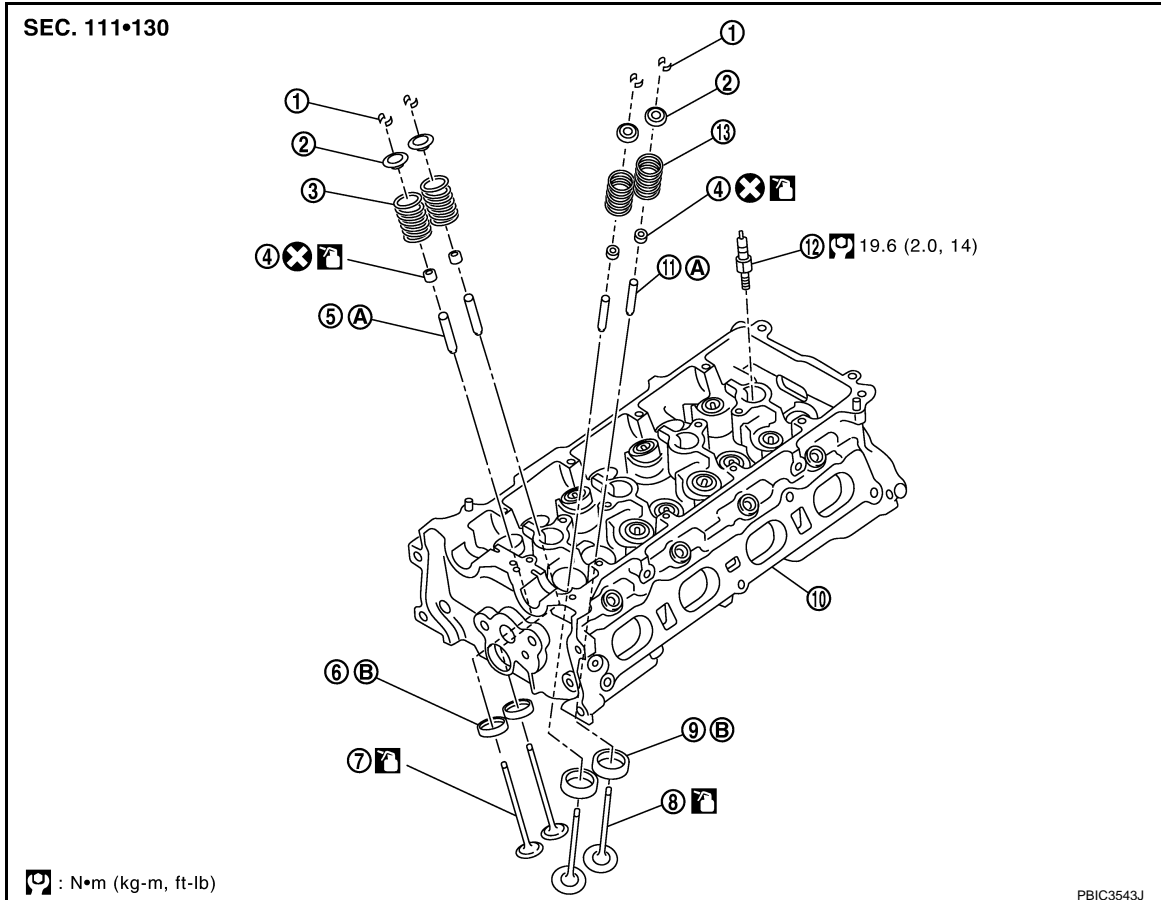
Tool number : KV10112100 (BT-8653-A)



4. Installation of the remaining components is in the reverse order of removal.

Component

INFOID:000000004409516



CYLINDER HEAD

< SERVICE INFORMATION >

[MR20DE]

- | | | |
|--|-----------------------------------|---|
| 1. Valve collet | 2. Valve spring retainer | 3. Valve spring (EXH)
(with valve spring seat) |
| 4. Valve oil seal | 5. Valve guide (EXH) | 6. Valve seat (EXH) |
| 7. Valve (EXH) | 8. Valve (INT) | 9. Valve seat (INT) |
| 10. Cylinder head | 11. Valve guide (INT) | 12. Spark plug |
| 13. Valve spring (INT)
(with valve spring seat) | | |
| A. Refer to EM-69 | B. Refer to EM-69 | |

Disassembly and Assembly

INFOID:000000004409517

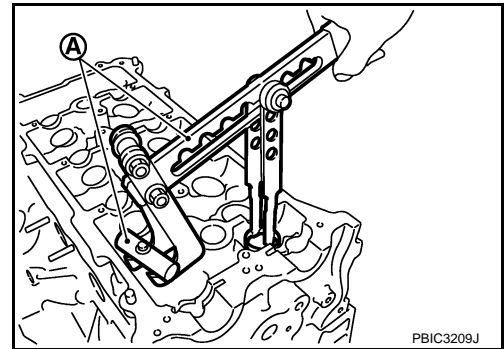
DISASSEMBLY

1. Remove spark plug using suitable tool.
2. Remove valve lifter.
 - Identify installation positions, and store them without mixing them up.
3. Remove valve collet.
 - Compress valve spring using Tool, attachment and adapter (A). Remove valve collet using a suitable magnet hand.

CAUTION:

When working, be careful not to damage valve lifter holes.

Tool number : KV101092S0 (J-26336-B)

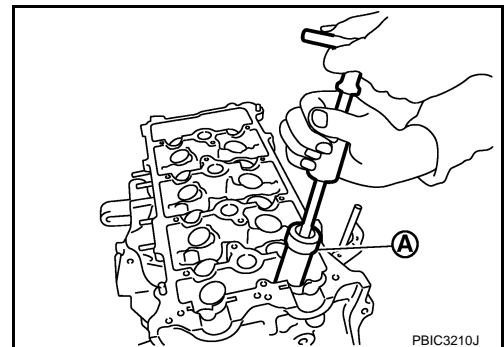


4. Remove valve spring retainer and valve spring (with valve spring seat).

CAUTION:
Never remove valve spring seat from valve spring.
5. Push valve stem to combustion chamber side, and remove valve.

NOTE:
Identify installed positions, and store them without mixing them up.
6. Remove valve oil seal using Tool (A).

Tool number : KV10107902 (J-38959)



7. When valve seat must be replaced, refer to [EM-69, "Inspection After Disassembly"](#) to removal.
8. When valve guide must be replaced, refer to [EM-69, "Inspection After Disassembly"](#) to removal.

ASSEMBLY

1. Install valve guide if removed. Refer to [EM-69, "Inspection After Disassembly"](#).
2. Install valve seat if removed. Refer to [EM-69, "Inspection After Disassembly"](#).

CYLINDER HEAD

[MR20DE]

< SERVICE INFORMATION >

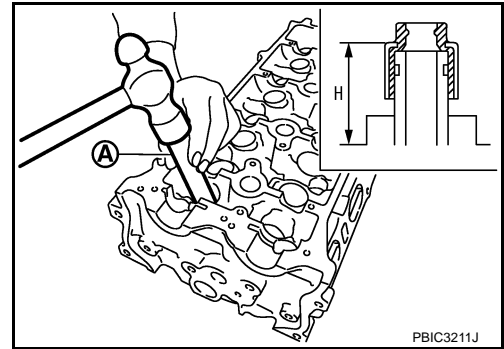
3. Install valve oil seal.
 - Install with a valve oil seal using Tool (A) to match dimension as shown.

Tool number : KV10115600 (J-38958)

NOTE:

Dimension "H" is height that measured before installing valve spring (with valve spring seat).

Height "H" : 15.1 - 15.7 mm (0.594 - 0.618 in)

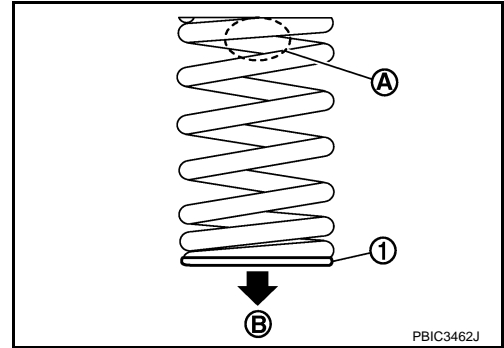


4. Install valve.
 - Install larger diameter to intake side.
5. Install valve spring (with valve spring seat).
 - Install smaller pitch (valve spring seat side) to cylinder head side (B).
 - Confirm identification color (A) of valve spring.

1 : Valve spring seat (Do not remove from valve spring.)

Intake : White

Exhaust : Orange



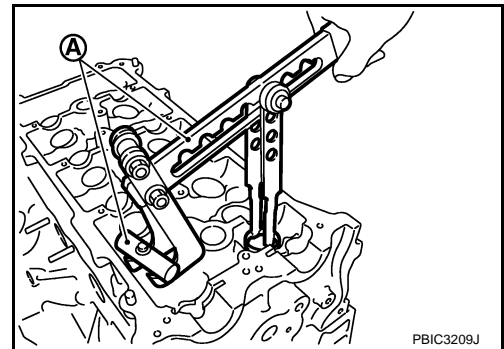
6. Install valve spring retainer.
7. Install valve collet.
 - Compress valve spring using Tool (A). Install valve collet with a magnet hand.

Tool number : KV101092S0 (J-26336 B)

CAUTION:

When working, be careful not to damage valve lifter holes.

- Tap valve stem edge lightly with a plastic hammer after installation to check its installed condition.



8. Install valve lifter.
 - Install it in the original position.
9. Install spark plug using suitable tool.

Inspection After Disassembly

INFOID:000000004409518

VALVE DIMENSIONS

- Check dimensions of each valve. For dimensions, refer to [EM-106, "Standard and Limit"](#).
- If dimensions are out of the standard, replace valve.

VALVE GUIDE CLEARANCE

Valve Stem Diameter

CYLINDER HEAD

< SERVICE INFORMATION >

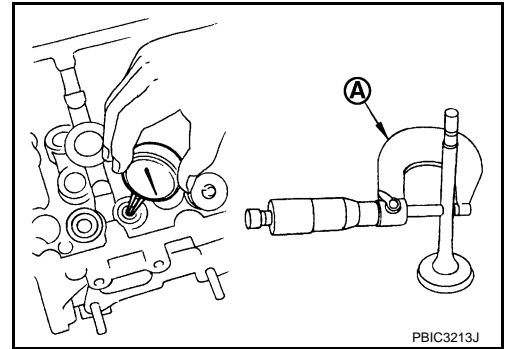
[MR20DE]

Measure the diameter of valve stem with a micrometer (A).

Standard

Intake : 5.465 - 5.480 mm (0.2152 - 0.2157 in)

Exhaust : 5.455 - 5.470 mm (0.2148 - 0.2154 in)



PBIC3213J

Valve Guide Inner Diameter

Measure the inner diameter of valve guide with a bore gauge.

Standard

: 5.500 - 5.518 mm (0.2165 - 0.2172 in)

Valve Guide Clearance

(Valve guide clearance) = (Valve guide inner diameter) – (Valve stem diameter).

Valve guide clearance:

Standard

Intake : 0.020 - 0.053 mm (0.0008 - 0.0021 in)

Exhaust : 0.030 - 0.063 mm (0.0012 - 0.0025 in)

Limit

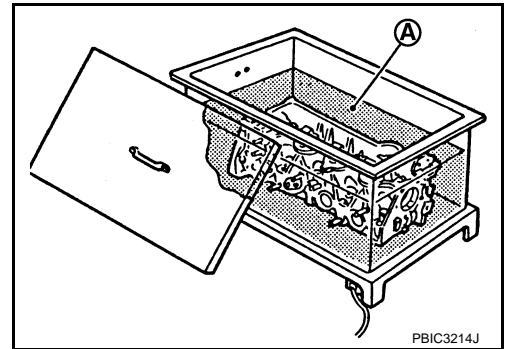
: 0.1 mm (0.004 in)

- If it exceeds the limit, replace valve guide and/or valve.

VALVE GUIDE REPLACEMENT

When valve guide is removed, replace with oversized [0.2 mm (0.008 in)] valve guide.

1. To remove valve guide, heat cylinder head to 110° to 130°C (230° to 266°F) by soaking in heated oil (A).

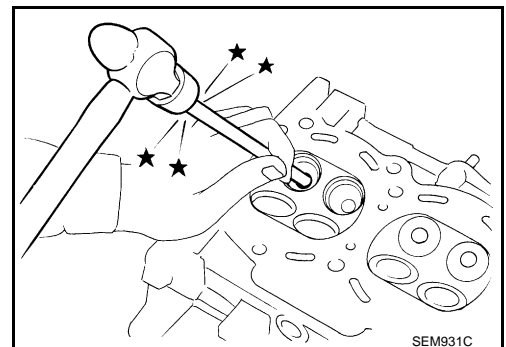


PBIC3214J

2. Drive out valve guide using suitable tools.

CAUTION:

Cylinder head contains heat, when working, wear protective equipment to avoid getting burned.



SEM931C

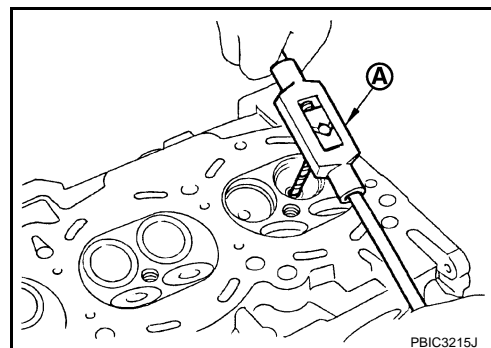
CYLINDER HEAD

[MR20DE]

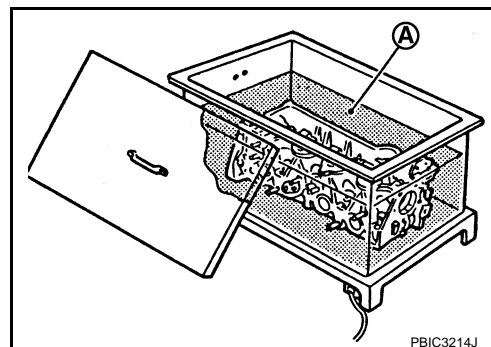
< SERVICE INFORMATION >

3. Ream cylinder head valve guide hole using suitable tool (A).

Valve guide hole diameter (for service parts):
: 9.675 - 9.696 mm (0.3809 - 0.3817 in)



4. Heat cylinder head to 110° to 130°C (230° to 266°F) by soaking in heated oil (A).



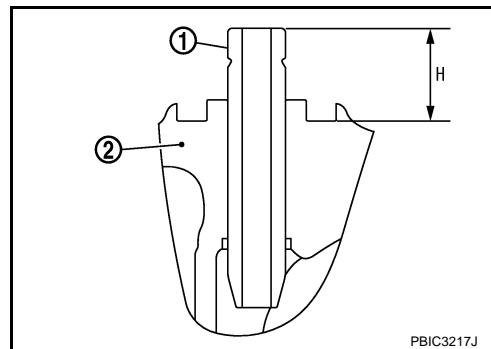
5. Press valve guide (1) from camshaft side to dimensions as shown.

2 : Cylinder head

Projection "H" : 13.35 - 13.65 mm (0.526 - 0.537 in)

CAUTION:

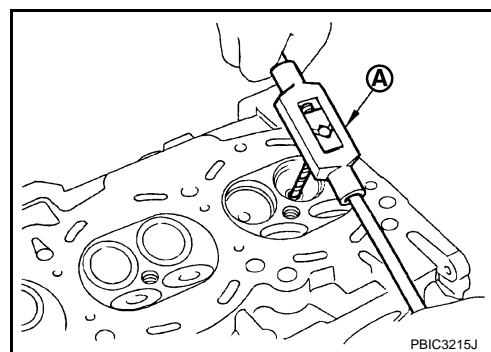
Cylinder head contains heat, when working, wear protective equipment to avoid getting burned.



6. Apply reamer finish to valve guide using suitable tool (A).

Standard

: 5.500 - 5.518 mm (0.2165 - 0.2172 in)



VALVE SEAT CONTACT

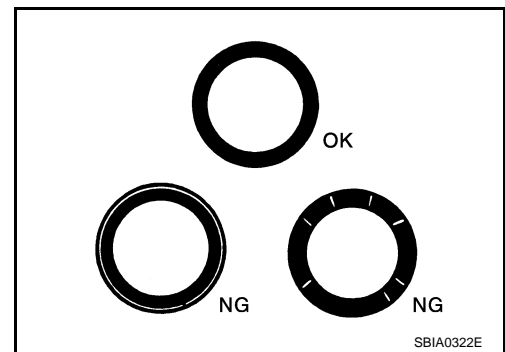
- After confirming that the dimensions of valve guides and valves are within specifications, perform this procedure.
- Apply prussian blue (or white lead) onto contacting surface of valve seat to check the condition of the valve contact on the surface.

CYLINDER HEAD

[MR20DE]

< SERVICE INFORMATION >

- Check if the contact area band is continuous all around the circumference.
- If not, grind to adjust valve fitting and check again. If the contacting surface still has NG conditions even after the re-check, replace valve seat.



VALVE SEAT REPLACEMENT

When valve seat is removed, replace with oversized [0.5 mm (0.020 in)] valve seat.

1. Bore out old seat until it collapses. Boring should not continue beyond the bottom face of the seat recess in cylinder head. Set the machine depth stop to ensure this. Refer to [EM-106, "Standard and Limit"](#).
2. Ream cylinder head (1) recess diameter for service valve seat.

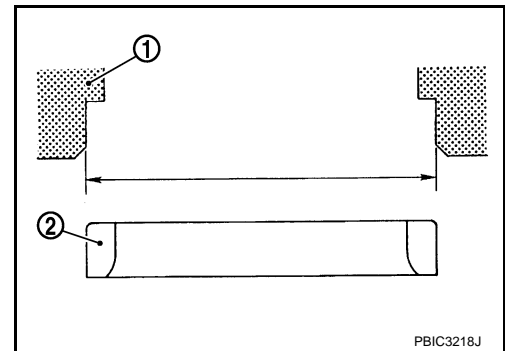
2 : Valve seat

Oversize [0.5 mm (0.020 in)]

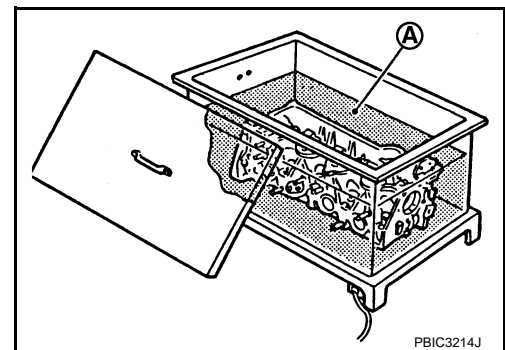
Intake : 35.200 - 35.227 mm (1.3858 - 1.3869 in)

Exhaust : 29.200 - 29.227 mm (1.1496 - 1.1507 in)

- Be sure to ream in circles concentric to the valve guide center. This will enable valve seat to fit correctly.



3. Heat cylinder head to 110° to 130°C (230° to 266°F) by soaking in heated oil (A).



4. Provide valve seats cooled well with dry ice. Press-fit valve seat into cylinder head.

CAUTION:

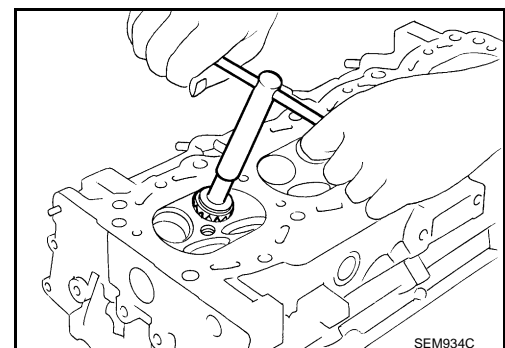
- Never touch cold valve seats directly.

- Cylinder head contains heat, when working, wear protective equipment to avoid getting burned.

5. Using valve seat cutter set or valve seat grinder, finish valve seat to the specified dimensions. For dimensions, refer to [EM-106, "Standard and Limit"](#).

CAUTION:

When using valve seat cutter, firmly grip the cutter handle with both hands. Then, press on the contacting surface all around the circumference to cut in a single drive. Improper pressure on with the cutter or cutting many different times may result in stage valve seat.



6. Using compound, grind to adjust valve fitting.
7. Check again for normal contact. Use the "VALVE SEAT CONTACT" procedure.

CYLINDER HEAD

[MR20DE]

< SERVICE INFORMATION >

VALVE SPRING SQUARENESS

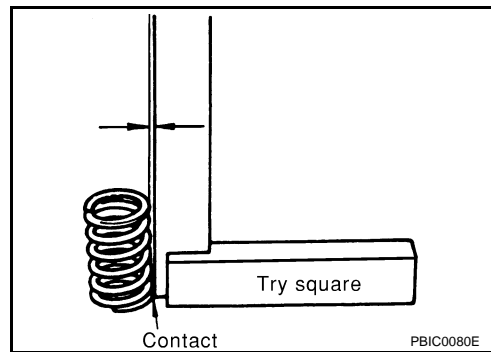
- Set try square along the side of valve spring and rotate the spring. Measure the maximum clearance between the top of valve spring and try square.

CAUTION:

Never remove valve spring seat from valve spring.

Limit: 1.9 mm (0.075 in)

- If it exceeds the limit, replace valve spring (with valve spring seat).

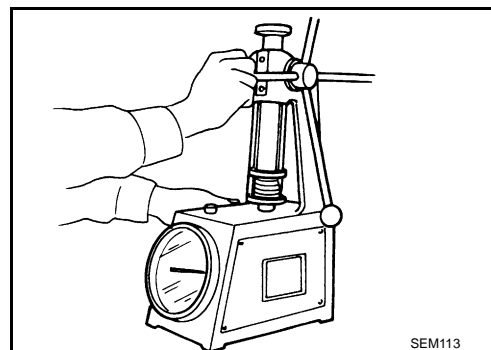


VALVE SPRING DIMENSIONS AND VALVE SPRING PRESSURE LOAD

- Check valve spring pressure with valve spring seat installed at the specified spring height.

CAUTION:

Never remove valve spring seat from valve spring.



Standard:

Items	Intake	Exhaust
Free height	44.90 - 45.10 mm (1.7677 - 1.7755 in)	45.74 - 45.94 mm (1.8007 - 1.8086 in)
Installation height	35.30 mm (1.390 in)	35.30 mm (1.390 in)
Installation load	153 - 173 N (15.6 - 17.6 kg, 34 - 39 lb)	139 - 157 N (14.2 - 16 kg, 10 - 35 lb)
Height during valve open	26.36 mm (1.0377 in)	27.80 mm (1.0944 in)
Load with valve open	335 - 377 N (34.2 - 38.5 kg, 75 - 85 lb)	266 - 297 N (27.1 - 3.03 kg, 60 - 67 lb)
Identification color	White	Orange

- If the installation load or load with valve open is out of the standard, replace valve spring (with valve spring seat).

CYLINDER BLOCK

< SERVICE INFORMATION >

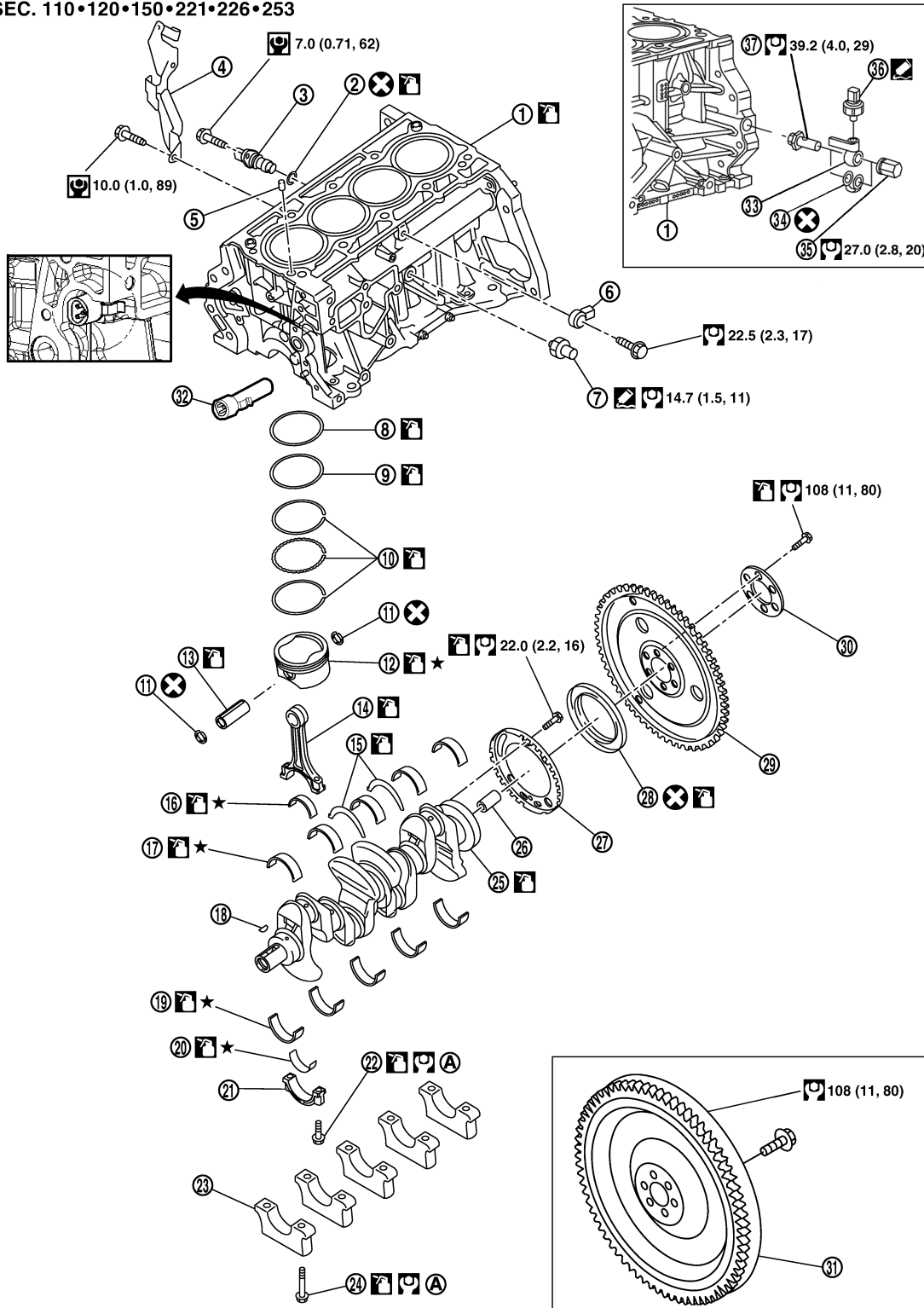
[MR20DE]

CYLINDER BLOCK

Component

INFOID:000000004409519

SEC. 110•120•150•221•226•253



AWBIA0780GB

- | | | |
|---|---|-------------------------------------|
| 1. Cylinder block | 2. O-ring | 3. Crankshaft position sensor (POS) |
| 4. Crankshaft position sensor (POS) cover | 5. Oil filter (for intake valve timing control) | 6. Knock sensor |

CYLINDER BLOCK

[MR20DE]

< SERVICE INFORMATION >

- | | | |
|---|-----------------------------------|--|
| 7. Oil pressure switch (except for California), Oil temperature sensor (for California) | 8. Top ring | 9. Second ring |
| 10. Oil ring | 11. Snap ring | 12. Piston |
| 13. Piston pin | 14. Connecting rod | 15. Thrust bearing |
| 16. Connecting rod bearing upper | 17. Main bearing upper | 18. Crankshaft key |
| 19. Main bearing lower | 20. Connecting rod bearing lower | 21. Connecting rod bearing cap |
| 22. Connecting rod bolt | 23. Main bearing cap | 24. Main bearing cap bolt |
| 25. Crankshaft | 26. Pilot converter (CVT models) | 27. Signal plate |
| 28. Rear oil seal | 29. Drive plate (CVT models) | 30. Reinforcement plate (CVT models) |
| 31. Flywheel (M/T models) | 32. Block heater (Canada only) | 33. Oil pressure switch connector (for California) |
| 34. Gasket (for California) | 35. Nut (for California) | 36. Oil pressure switch (for California) |
| 37. Cylinder block connector (for California) | A. Refer to EM-75 | |

Disassembly and Assembly

INFOID:000000004409520

DISASSEMBLY

1. Remove engine and transaxle assembly from vehicle, separate transaxle from engine. Refer to [EM-102](#).
2. Install engine to engine stand as follows;
 - a. Remove flywheel (M/T models) or drive plate (1) (CVT models).
 - Secure flywheel (M/T models) or drive plate (CVT models) using Tool (A), and remove bolts.

Tool number : KV 11105210 (J-44716)

CAUTION:

Be careful not to damage or scratch drive plate (CVT models) and contact surface for clutch disc of flywheel (M/T models).

NOTE:

Figure shows drive plate (CVT models)

- b. Lift the engine with a hoist to install it onto widely use engine stand.

CAUTION:

• Use the engine stand that has a load capacity [approximately 135 kg (298 lb) or more] large enough for supporting the engine weight.

• If the load capacity of stand is not adequate, remove the following parts beforehand to reduce the potential risk of overturning stand.

- Exhaust manifold; Refer to [EM-23](#).

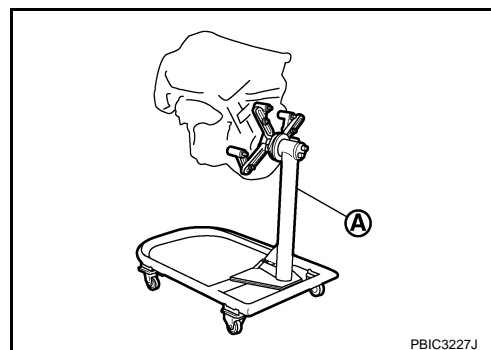
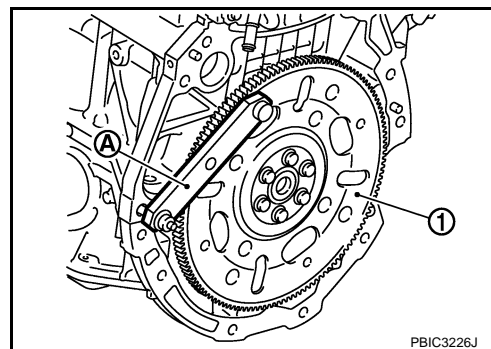
- Rocker cover; Refer to [EM-33](#).

NOTE:

The figure shows an example of widely used engine stand (A) that can support mating surface of transaxle with flywheel (M/T models) or drive plate (CVT models) removed.

CAUTION:

Before removing the hanging chains, make sure the engine stand is stable and there is no risk of overturning.



3. Remove oil pan (upper and lower). Refer to [EM-27](#).
4. Remove cylinder head. Refer to [EM-64](#).
5. Remove thermostat housing. Refer to [CO-20](#).

CYLINDER BLOCK

[MR20DE]

< SERVICE INFORMATION >

6. Remove knock sensor.

CAUTION:

Carefully handle knock sensor avoiding shocks.

7. Remove crankshaft position sensor (POS) cover and crankshaft position sensor (POS).

CAUTION:

- Avoid impacts such as a dropping.
- Never disassemble.
- Keep it away from metal particles.
- Never place sensor in a location where it is exposed to magnetism.

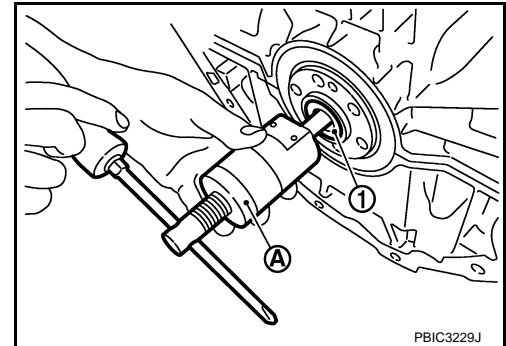
8. Remove oil filter (for intake valve timing control).

9. Remove pilot converter (1) using Tool (A). (CVT models)

Tool number :ST16610001 (J-23907)

NOTE:

M/T models have no pilot converter.



10. Position crankshaft pin corresponding to connecting rod to be removed onto the bottom dead center.

NOTE:

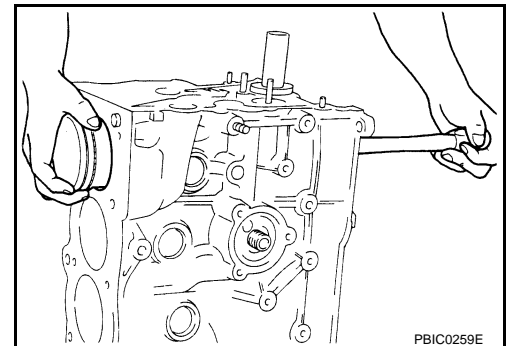
Before removing piston and connecting rod assembly, check the connecting rod side clearance. Refer to [EM-91, "Inspection After Disassembly"](#).

11. Remove connecting rod cap.

12. Using a suitable tool, push piston and connecting rod assembly out to the cylinder head side.

CAUTION:

- Be careful not to damage matching surface with connecting rod cap.
- Be careful not to damage the cylinder wall and crankshaft pin, resulting from an interference of the connecting rod big end.



13. Remove connecting rod bearings.

CAUTION:

When removing them, note the installation position. Keep them in the correct order.

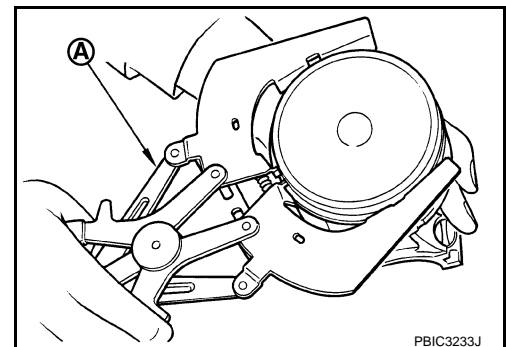
14. Remove piston rings from piston.

- Before removing piston rings, check the piston ring side clearance. Refer to [EM-91, "Inspection After Disassembly"](#).

15. Using a suitable tool (A) remove piston rings.

CAUTION:

- When removing piston rings, be careful not to damage the piston.
- Be careful not to damage piston rings by expanding them excessively.

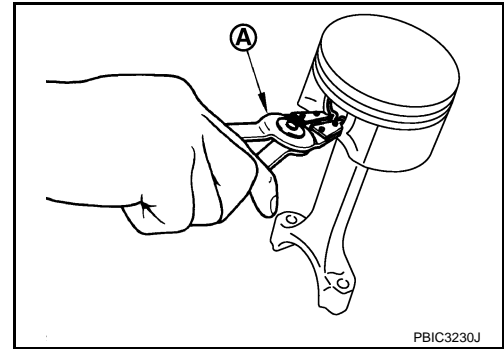


CYLINDER BLOCK

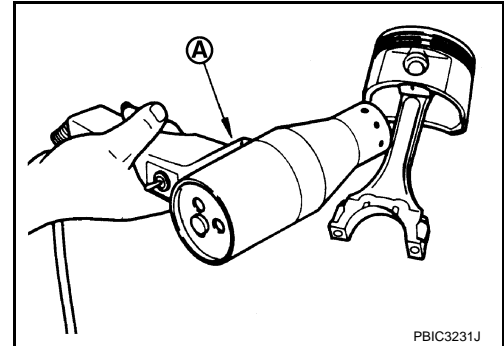
< SERVICE INFORMATION >

[MR20DE]

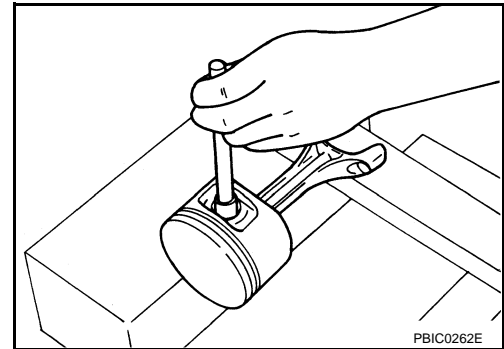
16. Using snap ring pliers (A), remove snap rings.



17. Heat piston to 60° to 70°C (140° to 158°F) using a suitable tool (A).



18. Push out piston pin using a suitable tool of an outer diameter approximately 18 mm (0.71 in).



19. Loosen main bearing cap bolts in reverse order as shown, and remove them.

NOTE:

Before loosening main bearing cap bolts, measure crankshaft end play. Refer to [EM-91, "Inspection After Disassembly"](#).

⇐ : Engine front

20. Remove main bearing caps.

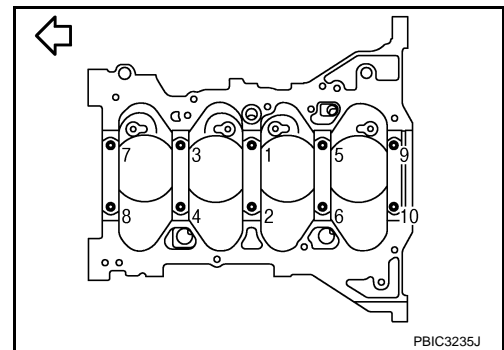
- Tap main bearing caps lightly using a suitable tool for removal.

CAUTION:

Be careful not to damage the mounting surface.

21. Remove crankshaft.

CAUTION:



A
EM
C
D
E
F
G
H
I
J
K
L
M
N
O
P

CYLINDER BLOCK

[MR20DE]

< SERVICE INFORMATION >

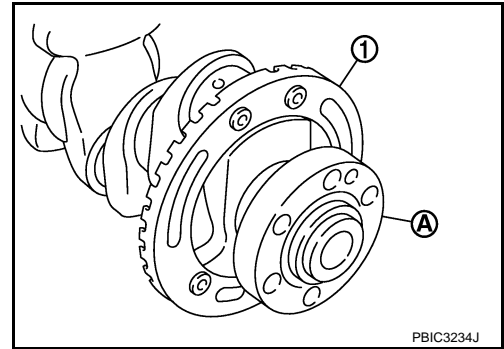
- Be careful not to damage or deform signal plate (1) mounted on rear end of crankshaft (A).
- When setting crankshaft on a flat floor surface, use a block of wood to avoid interference between signal plate and the floor surface.
- Never remove signal plate unless it is necessary to do so.

22. Pull rear oil seal out from rear end of crankshaft.

23. Remove main bearings and thrust bearings from cylinder block and main bearing caps.

CAUTION:

Identify installation positions, and store them without mixing them up.



ASSEMBLY

1. Fully air-blow engine coolant and engine oil passages in cylinder block, cylinder bore and crankcase to remove any foreign material.

CAUTION:

Use a goggles to protect your eye.

2. Install water drain plug (1) to cylinder block.

⇐ : Engine front

- Apply liquid gasket to the drain plug thread.

Use Genuine Silicone RTV Sealant or equivalent. Refer to [GI-42. "Recommended Chemical Product and Sealant"](#).

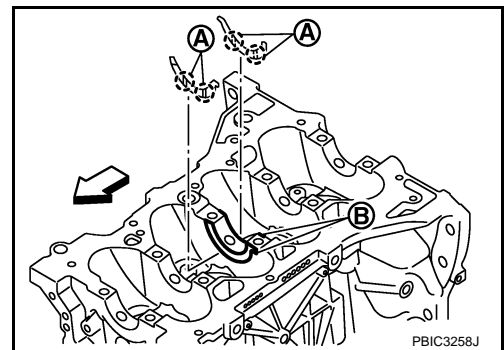
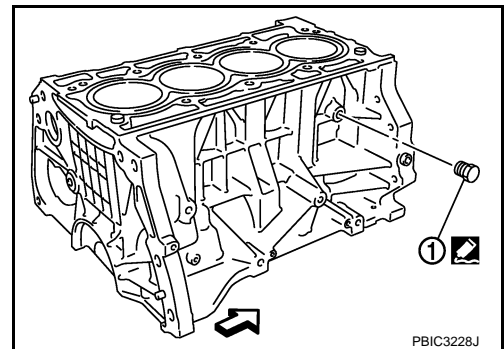
9.8 N·m (1.0 kg·m, 87 in-lb)

3. Remove dust, dirt, and engine oil on the bearing mating surfaces of cylinder block and main bearing cap.

4. Install thrust bearings to the both sides of the No. 3 journal housing (B) on cylinder block.

⇐ : Engine front

- Install thrust bearings with the oil groove (A) facing crankshaft arm (outside).



5. Install the main bearings paying attention to the direction.

CAUTION:

- Before installing main bearings, apply new engine oil to the bearing surface (inside). Do not apply new engine oil to the back surface, but thoroughly clean it.
- When installing, align main bearing to the center position of cylinder block and main bearing cap.

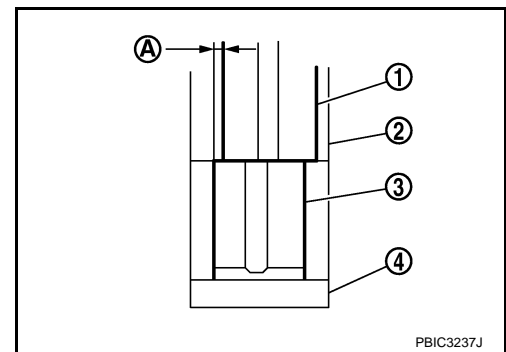
CYLINDER BLOCK

[MR20DE]

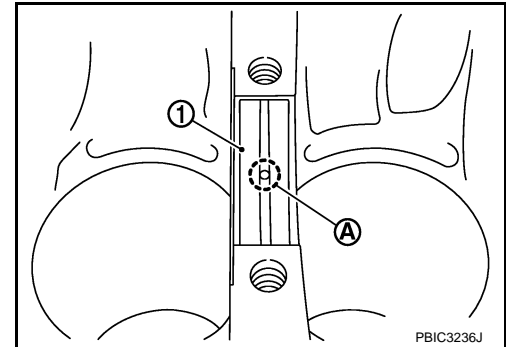
< SERVICE INFORMATION >

- The difference (A) between main bearing upper (1) and main bearing lower (3) should be 0.85 mm (0.033 in) or less when installing.

2 : Cylinder block
4 : Main bearing cap



- Ensure the oil holes on cylinder block and oil holes (A) on the main bearings (1) are aligned.



6. Install signal plate to crankshaft if removed.
7. Set the signal plate with the flange facing toward the counter weight side (engine front side) to the crankshaft rear surface.
8. Apply new engine oil to threads and seat surfaces of bolts.
9. Position crankshaft (2) and signal plate (1) using a dowel pin (service part), and tighten bolts in numerical order as shown.

A : Dowel pin hole

NOTE:

Dowel pin of crankshaft and signal plate is provided as a set for each.

10. Tighten bolts in numerical order as shown.
11. Remove dowel pin. (service parts)

CAUTION:

Be sure to remove dowel pin.

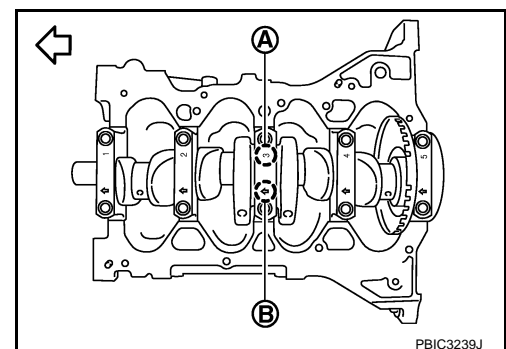
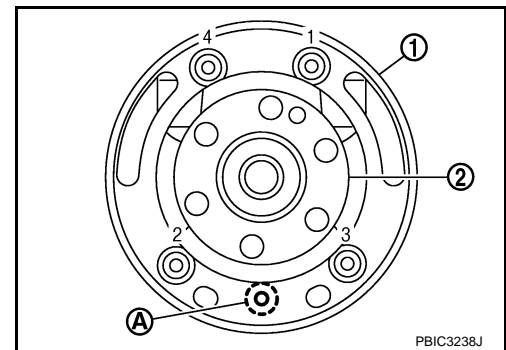
12. Install crankshaft to cylinder block.
 - While turning crankshaft by hand, make sure that it turns smoothly.

13. Install main bearing caps referring to the journal No. stamp (A) and front mark (B) as shown.

← : Engine front

NOTE:

Main bearing cap cannot be replaced as a single part, because it is machined together with cylinder block.



14. Apply new engine oil to threads and seat surfaces of bolts.

CYLINDER BLOCK

[MR20DE]

< SERVICE INFORMATION >

15. Tighten main bearing cap bolts in two steps.

NOTE:

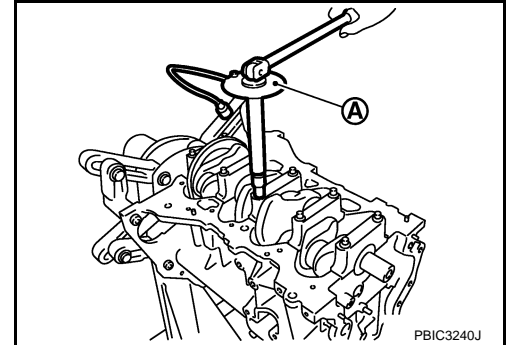
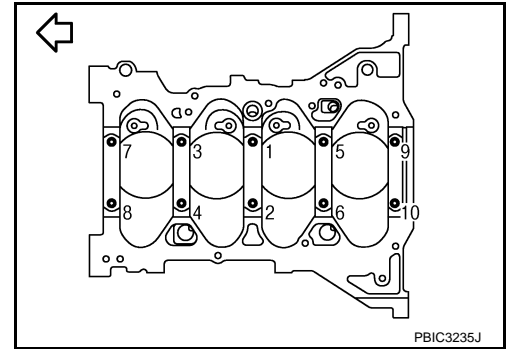
Tighten main bearing cap bolts in numerical order as shown:

← : Engine front

Step 1 : 34.3 N·m (3.5 kg·m, 25 ft·lb)

Step 2 : 60° clockwise

Tool number (A) : KV10112100 (BT-8653-A)



- After installing bolts, make sure that crankshaft can be rotated smoothly by hand.
- Check crankshaft end play. Refer to [EM-91, "Inspection After Disassembly"](#).

16. Using snap ring pliers, install new snap ring to the groove of the piston rear side.

- Insert it fully into groove to install.

17. Assemble piston to connecting rod.

- Using a suitable tool, heat the piston until the piston pin can be pushed in by hand without excess force [approximately 60° to 70 °C (140° to 158 °F)]. From the front to the rear, insert piston pin into piston and connecting rod.
- Assemble so that the front mark (A) on the piston head and the oil hole (B) and the cylinder number (C) on connecting rod are positioned as shown.

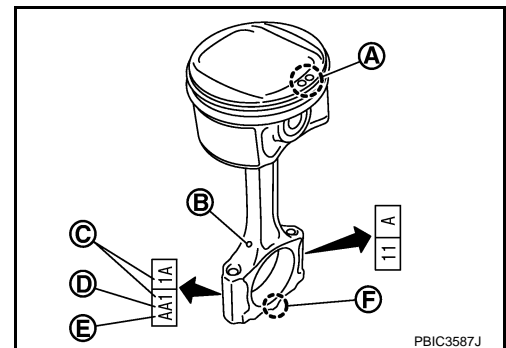
D : Big end diameter grade

E : Small end diameter grade

F : Front mark (connecting rod bearing cap)

18. Install new snap ring to the groove of the piston front side.

- Insert it fully into groove to install.
- After installing, make sure that connecting rod moves smoothly.



19. Using a suitable tool, install piston rings.

CAUTION:

- Be careful not to damage piston.
- Be careful not to damage piston rings by expanding them excessively.

CYLINDER BLOCK

[MR20DE]

< SERVICE INFORMATION >

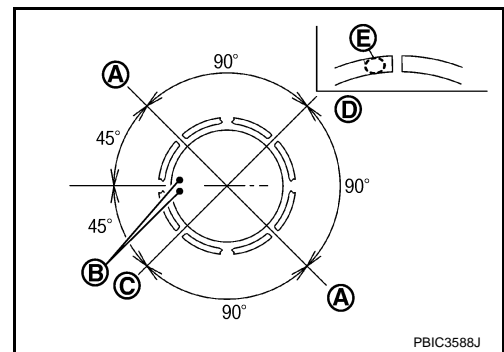
- Position each ring with the gap as shown referring to the piston front mark.

- A : Oil ring upper or lower rail gap
- B : Front mark
- C : Second ring and oil ring spacer gap
- D : Top ring gap
- E : Stamped mark

CAUTION:

Never contact the rail end gap under the oil ring with the oil drain cast groove of piston.

- Install second ring with the stamped surface facing upward.



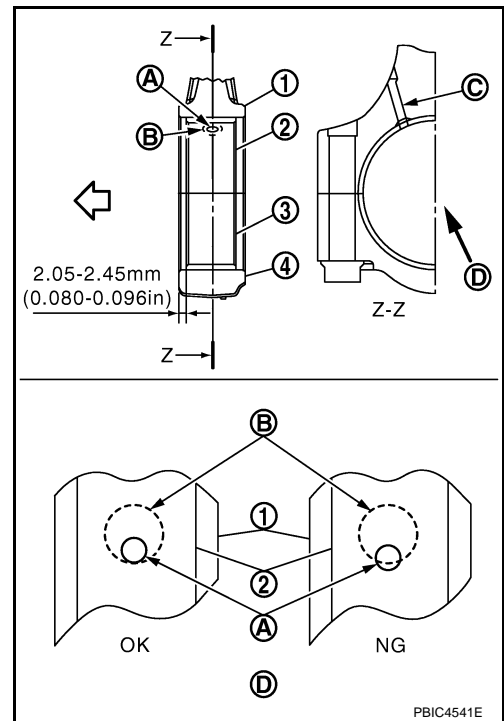
20. Install connecting rod bearing upper (2) and lower (3) to connecting rod (1) and connecting rod cap (4).

- C : Oil hole (connecting rod)
- D : Arrow view
- ↔ : Engine front

- Install the connecting rod in the dimension shown.
- Make sure that connecting rod bearing oil hole (A) is completely in the inside of connecting rod oil hole chamfered area (B).
- When installing connecting rod bearings, apply new engine oil to the bearing surface (inside). Do not apply new engine oil to the back surface, but thoroughly clean it.

NOTE:

- There is no positioning tab.
- Install the connecting rod bearings in the center of connecting rod and connecting rod bearing cap as shown. For service operation, the center position can be checked, visually.

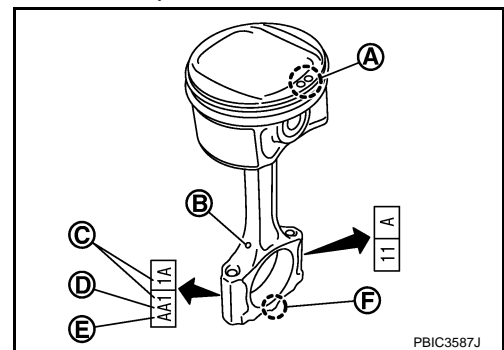


21. Install piston and connecting rod assembly to crankshaft.

- Position crankshaft pin corresponding to connecting rod to be installed onto the bottom dead center.
- Apply new engine oil sufficiently to the cylinder bore, piston and crankshaft pin.
- Match the cylinder position with the cylinder number (C) on connecting rod to install.

- B : Oil hole
- D : Big end diameter grade
- E : Small end diameter grade
- F : Front mark (connecting rod bearing cap)

- Install so that front mark (A) on the piston head faces the front of engine.



CYLINDER BLOCK

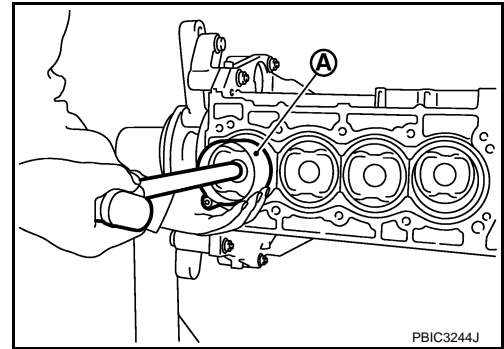
[MR20DE]

< SERVICE INFORMATION >

- Using a piston ring compressor [SST: EM03470000 (J-8037)] (A) or suitable tool, install piston with the front mark on the piston head facing the front of the engine.

CAUTION:

Be careful not to damage the cylinder wall and crankshaft pin, resulting from an interference of the connecting rod big end.

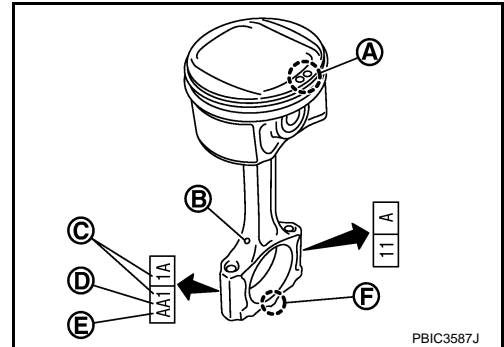


PBIC3244J

22. Install connecting rod cap.

- Match the stamped cylinder number marks (C) on connecting rod with those on connecting rod cap to install.

- A : Front mark (piston)
- B : Oil hole
- D : Big end diameter grade
- E : Small end diameter grade
- F : Front mark (connecting rod bearing cap)



PBIC3587J

23. Tighten connecting rod bolt with the following procedure:

CAUTION:

- Make sure that there is no gap in the thrust surface (A) of the joint between connecting rod (1) and connecting rod bearing cap (2) and that these parts are in the correct position. And then, tighten the connecting rod bolts.**
- If the connecting rod bolts are reused, measure the outer diameter. Refer to [EM-91, "Inspection After Disassembly"](#).**

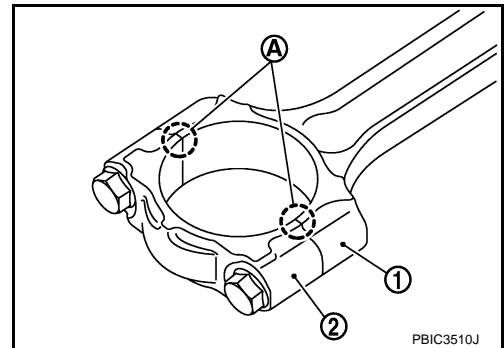
24. Apply new engine oil to the threads and seats of connecting rod bolts.

25. Tighten bolts in three steps

Step 1 : 27.4 N·m (2.8 kg-m, 20 ft-lb)

Step 2 : 0 N·m (0 kg-m, 0 ft-lb)

Step 3 : 19.6 N·m (2.0 kg-m, 14 ft-lb)



PBIC3510J

- After tightening connecting rod bolt, make sure that crankshaft rotates smoothly.
- Check the connecting rod side clearance. Refer to [EM-91, "Inspection After Disassembly"](#).

26. Install oil pan (upper). Refer to [EM-27](#).

NOTE:

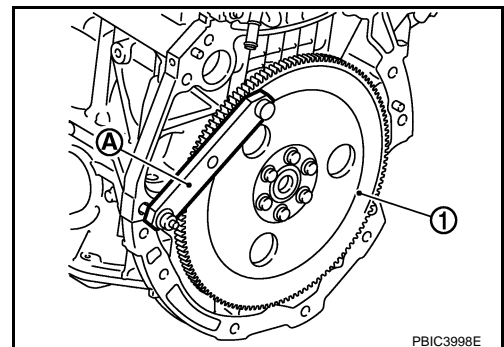
Install the rear oil seal after installing the oil pan (upper).

27. Install rear oil seal. Refer to [EM-27](#).

28. Install flywheel (M/T models) or drive plate (1) (CVT models).

- Secure crankshaft using Tool. (A), and tighten bolts crosswise over several times.

Tool number : KV11105210 (J-44716)



PBIC3998E

CYLINDER BLOCK

[MR20DE]

< SERVICE INFORMATION >

- Install pilot converter (1), drive plate (2) and reinforcement plate (3) as shown (CVT models).

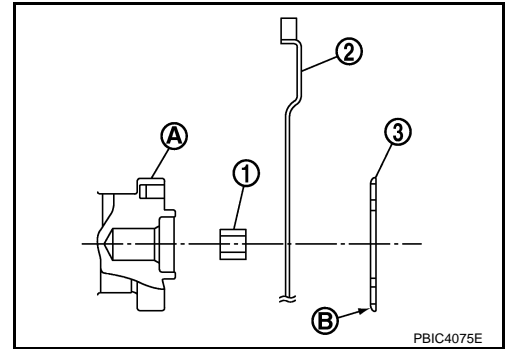
A : Crankshaft rear end

B : R

- Using a suitable tool of 33 mm. (1.30 in) in diameter, press-fit pilot converter into the end of crankshaft until it stops (CVT models).

NOTE:

M/T models have no pilot converter and reinforcement plate.



29. Install knock sensor (1) with connector facing toward the rear of engine.

A : Cylinder block left side

⇐ : Engine front

CAUTION:

- **Never tighten bolts while holding the connector.**
- **If any impact by dropping is applied to knock sensor, replace it with a new one.**

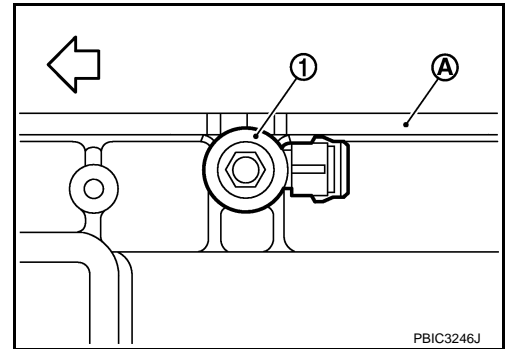
NOTE:

- Make sure that there is no foreign material on the cylinder block mating surface and the back surface of knock sensor.
- Make sure that knock sensor does not interfere with other parts.

30. Install crankshaft position sensor (POS) and crankshaft position sensor (POS) cover.

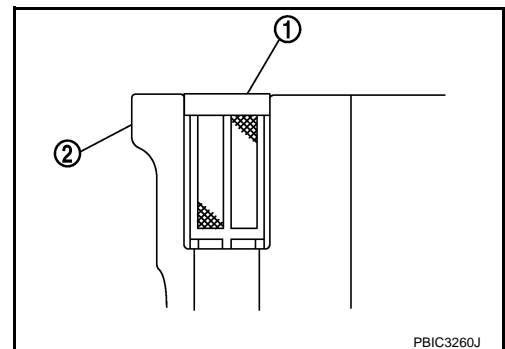
CAUTION:

- **Avoid impacts such as a dropping.**
- **Keep it away from metal particles.**
- **Never place sensor in a location where it is exposed to magnetism.**



31. Install oil filter (for intake valve timing control) (1) in the direction shown.

- Make sure that the oil filter does not protrude from the upper surface of cylinder block (2) after installation.



32. Assemble in the reverse order of disassembly.

How to Select Piston and Bearing

INFOID:000000004409521

DESCRIPTION

CYLINDER BLOCK

[MR20DE]

< SERVICE INFORMATION >

Selection points	Selection parts	Selection items	Selection methods
Between cylinder block and crankshaft	Main bearing	Main bearing grade (bearing thickness)	Determined by match of cylinder block bearing housing grade (inner diameter of housing) and crankshaft journal grade (outer diameter of journal)
Between crankshaft and connecting rod	Connecting rod bearing	Connecting rod bearing grade (bearing thickness)	Combining service grades for connecting rod big end diameter and crankshaft pin outer diameter determine connecting rod bearing selection.
Between cylinder block and piston	Piston and piston pin assembly (piston is available together with piston pin as an assembly.)	Piston grade (piston outer diameter)	Piston grade = cylinder bore grade (inner diameter of bore)

- The identification grade stamped on each part is the grade for the dimension measured in new condition. This grade cannot apply to reused parts.
- For reused or repaired parts, measure the dimension accurately. Determine the grade by comparing the measurement with the values of each selection table.
- For details of the measurement method of each part, the reuse standards and the selection method of the selective fitting parts, use the applicable procedures.

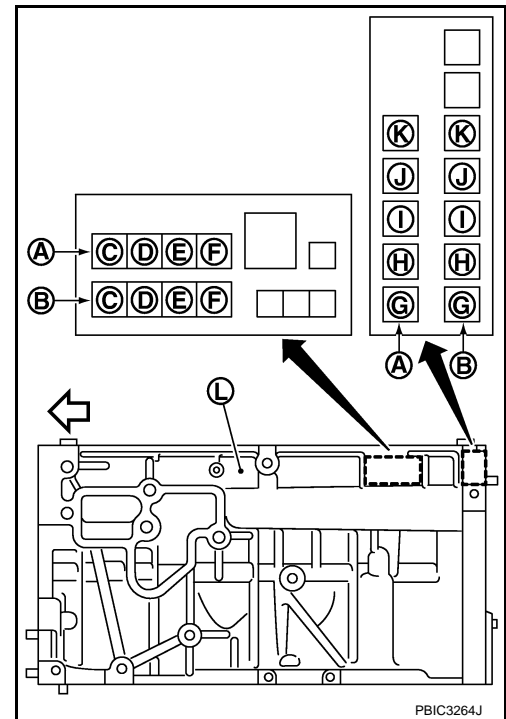
HOW TO SELECT PISTON

When New Cylinder Block is Used

- Check the cylinder bore grade on rear left side of cylinder block (L), and select piston of the same grade.

- A : Correction stamp
- B : Standard stamp
- C : Cylinder No. 1 bore grade
- D : Cylinder No. 2 bore grade
- E : Cylinder No. 3 bore grade
- F : Cylinder No. 4 bore grade
- G : No. 1 main bearing housing grade
- H : No. 2 main bearing housing grade
- I : No. 3 main bearing housing grade
- J : No. 4 main bearing housing grade
- K : No. 5 main bearing housing grade
- ⇐ : Engine front

- If there is a correction stamp mark on the cylinder block, use it as a correct reference.



When Cylinder Block is Reused

1. Measure the cylinder bore inner diameter. Refer to [EM-91, "Inspection After Disassembly"](#).
2. Determine the bore grade by comparing the measurement with the values under the cylinder bore inner diameter of the "Piston Selection Table".

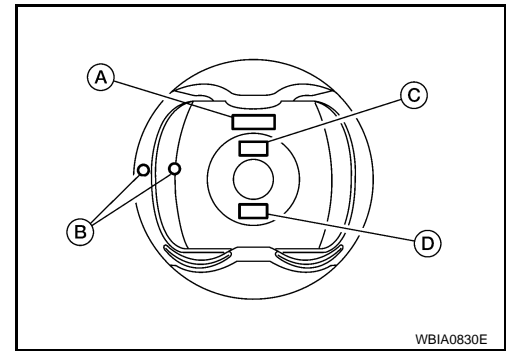
CYLINDER BLOCK

[MR20DE]

< SERVICE INFORMATION >

3. Select piston of the same grade.

- A : Identification code
- B : Front mark
- C : Piston grade number
- D : Pin grade number



Piston Selection Table

Unit: mm (in)

Grade number (Mark)	1	2 [or no mark (piston only)]
Cylinder bore Inner diameter	84.000 - 84.010 (3.3071 - 3.3075)	84.010 - 84.020 (3.3075 - 3.3079)
Piston skirt diameter	83.970 - 83.980 (3.3059 - 3.3063)	83.980 - 83.990 (3.3063 - 3.3067)

NOTE:

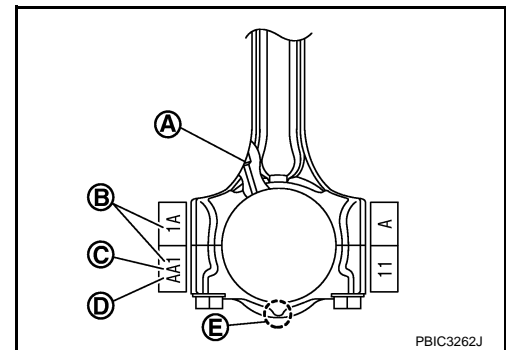
- Piston is available together with piston pin as an assembly.
- There is no piston pin (piston pin hole) grade.

HOW TO SELECT CONNECTING ROD BEARING

When New Connecting Rod and Crankshaft are Used

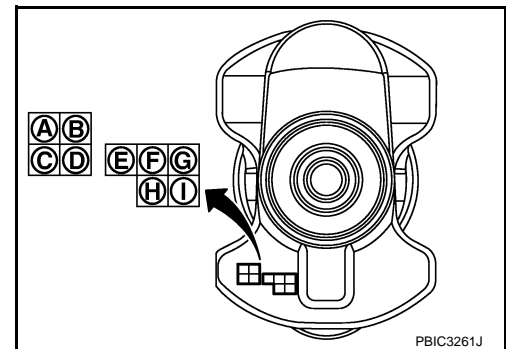
- Apply connecting rod big end diameter grade stamped (C) on connecting rod side face to the row in the "Connecting Rod Bearing Selection Table".

- A : Oil hole
- B : Cylinder number
- D : Small end diameter grade
- E : Front mark



- Apply crankshaft pin journal diameter grade stamped on crankshaft front side to the column in the "Connecting Rod Bearing Selection Table".

- A : No. 1 pin journal diameter grade
- B : No. 2 pin journal diameter grade
- C : No. 3 pin journal diameter grade
- D : No. 4 pin journal diameter grade
- E : No. 1 main journal diameter grade
- F : No. 2 main journal diameter grade
- G : No. 3 main journal diameter grade
- H : No. 4 main journal diameter grade
- I : No. 5 main journal diameter grade



- Read the symbol at the cross point of selected row and column in the "Connecting Rod Bearing Selection Table".
- Apply the symbol obtained to the "Connecting Rod Bearing Grade Table" to select connecting rod bearing.

When Crankshaft and Connecting Rod are Reused

- Measure the dimensions of the connecting rod big end diameter and crankshaft pin journal diameter individually. Refer to [EM-91, "Inspection After Disassembly"](#) and [EM-91, "Inspection After Disassembly"](#).

CYLINDER BLOCK

[MR20DE]

< SERVICE INFORMATION >

2. Apply the measured dimension to the "Connecting Rod Bearing Selection Table".
3. Read the symbol at the cross point of selected row and column in the "Connecting Rod Bearing Selection Table".
4. Apply the symbol obtained to the "Connecting Rod Bearing Grade Table" to select connecting rod bearing.

Connecting Rod Bearing Selection Table

Crankshaft pin journal diameter Unit: mm (in)		Mark													
		Hole diameter													
Connecting rod big end diameter Unit: mm (in)		A	B	C	D	E	F	G	H	J	K	L	M	N	
Mark	Axle diameter	47.000 - 47.001 (1.8504 - 1.8504)	47.001 - 47.002 (1.8504 - 1.8505)	47.002 - 47.003 (1.8505 - 1.8505)	47.003 - 47.004 (1.8505 - 1.8505)	47.004 - 47.005 (1.8505 - 1.8506)	47.005 - 47.006 (1.8506 - 1.8506)	47.006 - 47.007 (1.8506 - 1.8507)	47.007 - 47.008 (1.8507 - 1.8507)	47.008 - 47.009 (1.8507 - 1.8507)	47.009 - 47.010 (1.8507 - 1.8508)	47.010 - 47.011 (1.8508 - 1.8508)	47.011 - 47.012 (1.8508 - 1.8509)	47.012 - 47.013 (1.8509 - 1.8509)	
A	43.970 - 43.971 (1.7311 - 1.7311)	0	0	0	0	0	01	01	01	1	1	1	12	12	
B	43.969 - 43.970 (1.7311 - 1.7311)	0	0	0	0	01	01	01	1	1	1	1	12	12	
C	43.968 - 43.969 (1.7310 - 1.7311)	0	0	0	01	01	01	1	1	1	1	12	12	2	
D	43.967 - 43.968 (1.7310 - 1.7310)	0	0	01	01	01	1	1	1	12	12	12	2	2	
E	43.966 - 43.967 (1.7309 - 1.7310)	0	01	01	01	1	1	1	12	12	12	2	2	2	
F	43.965 - 43.966 (1.7309 - 1.7309)	01	01	01	1	1	1	12	12	12	2	2	2	23	
G	43.964 - 43.965 (1.7309 - 1.7309)	01	01	1	1	1	12	12	12	2	2	2	23	23	
H	43.963 - 43.964 (1.7308 - 1.7309)	01	1	1	1	12	12	12	2	2	2	23	23	23	
J	43.962 - 43.963 (1.7308 - 1.7308)	1	1	1	12	12	12	2	2	2	23	23	23	3	
K	43.961 - 43.962 (1.7307 - 1.7308)	1	1	12	12	12	2	2	2	23	23	23	3	3	
L	43.960 - 43.961 (1.7307 - 1.7307)	1	12	12	12	2	2	2	23	23	23	3	3	3	
M	43.959 - 43.960 (1.7307 - 1.7307)	12	12	12	2	2	2	23	23	23	3	3	3	34	
N	43.958 - 43.959 (1.7306 - 1.7307)	12	12	2	2	2	23	23	23	3	3	3	3	34	
P	43.957 - 43.958 (1.7306 - 1.7306)	12	2	2	2	23	23	23	3	3	3	3	34	34	
R	43.956 - 43.957 (1.7305 - 1.7306)	2	2	2	23	23	23	3	3	3	3	34	34	34	
S	43.955 - 43.956 (1.7305 - 1.7305)	2	2	23	23	23	3	3	3	3	34	34	34	4	
T	43.954 - 43.955 (1.7305 - 1.7305)	2	23	23	23	3	3	3	3	34	34	34	4	4	
U	43.953 - 43.954 (1.7304 - 1.7305)	23	23	23	3	3	3	34	34	34	4	4	4	4	

PBIC4077E

Connecting Rod Bearing Grade Table

Unit: mm (in)

Grade number	Thickness	Identification color	Remarks
0	1.494 - 1.497 (0.0588 - 0.0589)	Black	Grade and color are the same for upper and lower bearings.
1	1.497 - 1.500 (0.0589 - 0.0591)	Brown	
2	1.500 - 1.503 (0.0591 - 0.0592)	Green	
3	1.503 - 1.506 (0.0592 - 0.0593)	Yellow	
4	1.506 - 1.509 (0.0593 - 0.0594)	Blue	

CYLINDER BLOCK

< SERVICE INFORMATION >

[MR20DE]

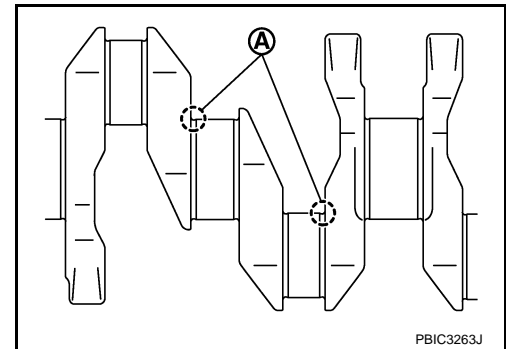
Grade number		Thickness	Identification color	Remarks
01	UPR	1.494 - 1.497 (0.0588 - 0.0589)	Black	Grade and color are different between upper and lower bearings.
	LWR	1.497 - 1.500 (0.0589 - 0.0591)	Brown	
12	UPR	1.497 - 1.500 (0.0589 - 0.0591)	Brown	
	LWR	1.500 - 1.503 (0.0591 - 0.0592)	Green	
23	UPR	1.500 - 1.503 (0.0591 - 0.0592)	Green	
	LWR	1.503 - 1.506 (0.0592 - 0.0593)	Yellow	
34	UPR	1.503 - 1.506 (0.0592 - 0.0593)	Yellow	
	LWR	1.506 - 1.509 (0.0593 - 0.0594)	Blue	

Undersize Bearings Usage Guide

- When the specified connecting rod bearing oil clearance is not obtained with standard size connecting rod bearings, use undersize (US) bearings.
- When using undersize (US) bearing, measure the connecting rod bearing inner diameter with bearing installed, and grind the crankshaft pin so that the connecting rod bearing oil clearance satisfies the standard.

CAUTION:

In grinding crankshaft pin to use undersize bearings, keep the fillet R [1.5 - 1.7 mm (0.059 - 0.067 in)] (A).



Bearing undersize table

Unit: mm (in)

Size	Thickness
US 0.25 (0.0098)	1.623 - 1.631 (0.0639 - 0.0642)

HOW TO SELECT MAIN BEARING

When New Cylinder Block and Crankshaft are Used

CYLINDER BLOCK

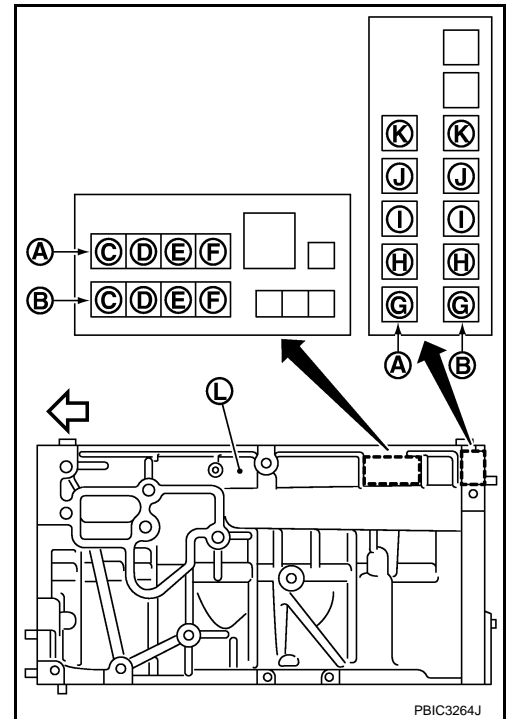
[MR20DE]

< SERVICE INFORMATION >

1. "Main Bearing Selection Table" rows correspond to main bearing housing grade on rear left side of cylinder block (L).

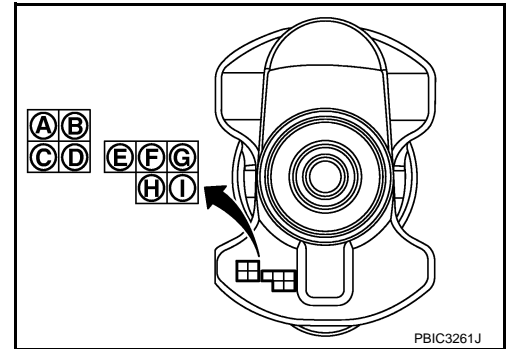
- A : Correction stamp
- B : Standard stamp
- C : Cylinder No. 1 bore grade
- D : Cylinder No. 2 bore grade
- E : Cylinder No. 3 bore grade
- F : Cylinder No. 4 bore grade
- G : No. 1 main bearing housing grade
- H : No. 2 main bearing housing grade
- I : No. 3 main bearing housing grade
- J : No. 4 main bearing housing grade
- K : No. 5 main bearing housing grade
- ⇐ : Engine front

- If there is a correction stamp mark on cylinder block, use it as a correct reference.



2. Apply main journal diameter grade stamped on crankshaft front side to column in the "Main Bearing Selection Table".

- A : No. 1 pin journal diameter grade
- B : No. 2 pin journal diameter grade
- C : No. 3 pin journal diameter grade
- D : No. 4 pin journal diameter grade
- E : No. 1 main journal diameter grade
- F : No. 2 main journal diameter grade
- G : No. 3 main journal diameter grade
- H : No. 4 main journal diameter grade
- I : No. 5 main journal diameter grade



3. Read the symbol at the cross point of selected row and column in the "Main Bearing Selection Table".

CAUTION:

There are two main bearing selection tables. One is for No. 1, 4 and 5 journals and the other is for No. 2 and 3 journals. Make certain to use the appropriate table. This is due to differences in the specified clearances.

4. Apply the symbol obtained to the "Main Bearing Grade Table" to select main bearing.

NOTE:

Service part is available as a set of both upper and lower.

When Cylinder Block and Crankshaft are Reused

1. Measure the dimensions of the cylinder block main bearing housing inner diameter and crankshaft main journal diameter individually. Refer to [EM-91, "Inspection After Disassembly"](#) and [EM-91, "Inspection After Disassembly"](#).

2. Apply the measured dimension to the "Main Bearing Selection Table".

3. Read the symbol at the cross point of selected row and column in the "Main Bearing Selection Table".

CAUTION:

There are two main bearing selection tables. One is for No. 1, 4 and 5 journals and the other is for No. 2 and 3 journals. Make certain to use the appropriate table. This is due to differences in the specified clearances.

4. Apply the symbol obtained to the "Main Bearing Grade Table" to select main bearing.

NOTE:

CYLINDER BLOCK

< SERVICE INFORMATION >

[MR20DE]

Main Bearing Selection Table (No. 2 and 3 journals)

Mark	Axle diameter	Cylinder block main bearing housing inner diameter Unit: mm (in)		Crankshaft main journal diameter Unit: mm (in)		Mark																				
						Hole diameter																				
						A	B	C	D	E	F	G	H	J	K	L	M	N	P	R	S	T	U	V	W	
A	51.978 - 51.979 (2.0464 - 2.0464)	1	12	12	12	2	2	2	23	23	23	23	23	23	23	3	3	3	34	34	34	34	4	4	4	45
B	51.977 - 51.978 (2.0463 - 2.0464)	12	12	12	2	2	2	23	23	23	23	23	23	23	23	3	3	3	34	34	34	34	4	4	4	45
C	51.976 - 51.977 (2.0463 - 2.0463)	12	12	2	2	2	23	23	23	23	23	23	23	23	23	3	3	3	34	34	34	34	4	4	4	45
D	51.975 - 51.976 (2.0463 - 2.0463)	12	2	2	2	23	23	23	23	23	23	23	23	23	23	3	3	3	34	34	34	34	4	4	4	45
E	51.974 - 51.975 (2.0462 - 2.0463)	2	2	2	23	23	23	23	23	23	23	23	23	23	23	3	3	3	34	34	34	34	4	4	4	45
F	51.973 - 51.974 (2.0462 - 2.0462)	2	2	23	23	23	23	23	23	23	23	23	23	23	23	3	3	3	34	34	34	34	4	4	4	45
G	51.972 - 51.973 (2.0461 - 2.0462)	2	23	23	23	23	23	23	23	23	23	23	23	23	23	3	3	3	34	34	34	34	4	4	4	45
H	51.971 - 51.972 (2.0461 - 2.0461)	23	23	23	3	3	3	34	34	34	34	34	34	34	34	4	4	4	45	45	45	45	5	5	5	56
J	51.970 - 51.971 (2.0461 - 2.0461)	23	23	3	3	3	34	34	34	34	34	34	34	34	34	4	4	4	45	45	45	45	5	5	5	56
K	51.969 - 51.970 (2.0460 - 2.0461)	23	3	3	3	34	34	34	34	34	34	34	34	34	34	4	4	4	45	45	45	45	5	5	5	56
L	51.968 - 51.969 (2.0460 - 2.0460)	3	3	3	34	34	34	34	34	34	34	34	34	34	34	4	4	4	45	45	45	45	5	5	5	56
M	51.967 - 51.968 (2.0459 - 2.0460)	3	3	34	34	34	34	34	34	34	34	34	34	34	34	4	4	4	45	45	45	45	5	5	5	56
N	51.966 - 51.967 (2.0459 - 2.0459)	3	34	34	34	34	34	34	34	34	34	34	34	34	34	4	4	4	45	45	45	45	5	5	5	56
P	51.965 - 51.966 (2.0459 - 2.0459)	34	34	34	34	34	34	34	34	34	34	34	34	34	34	4	4	4	45	45	45	45	5	5	5	56
R	51.964 - 51.965 (2.0458 - 2.0459)	34	34	4	4	4	4	45	45	45	45	45	45	45	45	5	5	5	56	56	56	56	6	6	6	67
S	51.963 - 51.964 (2.0458 - 2.0458)	34	4	4	4	45	45	45	45	45	45	45	45	45	45	5	5	5	56	56	56	56	6	6	6	67
T	51.962 - 51.963 (2.0457 - 2.0458)	4	4	4	45	45	45	45	45	45	45	45	45	45	45	5	5	5	56	56	56	56	6	6	6	67
U	51.961 - 51.962 (2.0457 - 2.0457)	4	4	45	45	45	45	45	45	45	45	45	45	45	45	5	5	5	56	56	56	56	6	6	6	67
V	51.960 - 51.961 (2.0457 - 2.0457)	4	45	45	45	45	45	45	45	45	45	45	45	45	45	5	5	5	56	56	56	56	6	6	6	67
W	51.959 - 51.960 (2.0456 - 2.0457)	45	45	45	45	45	45	45	45	45	45	45	45	45	45	5	5	5	56	56	56	56	6	6	6	67

PBIC4079E

Main Bearing Grade Table (All Journals)

Unit: mm (in)

Grade number	Thickness	Identification color	Remarks
0	1.996 - 1.999 (0.0786 - 0.0787)	Black	Grade and color are the same for upper and lower bearings.
1	1.999 - 2.002 (0.0787 - 0.0788)	Brown	
2	2.002 - 2.005 (0.0788 - 0.0789)	Green	
3	2.005 - 2.008 (0.0789 - 0.0791)	Yellow	
4	2.008 - 2.011 (0.0791 - 0.0792)	Blue	
5	2.011 - 2.014 (0.0792 - 0.0793)	Pink	
6	2.014 - 2.017 (0.0793 - 0.0794)	Purple	
7	2.017 - 2.020 (0.0794 - 0.0795)	White	

CYLINDER BLOCK

< SERVICE INFORMATION >

[MR20DE]

Grade number	Thickness	Identification color	Remarks
01	UPR	1.996 - 1.999 (0.0786 - 0.0787)	Black
	LWR	1.999 - 2.002 (0.0787 - 0.0788)	Brown
12	UPR	1.999 - 2.002 (0.0787 - 0.0788)	Brown
	LWR	2.002 - 2.005 (0.0788 - 0.0789)	Green
23	UPR	2.002 - 2.005 (0.0788 - 0.0789)	Green
	LWR	2.005 - 2.008 (0.0789 - 0.0791)	Yellow
34	UPR	2.005 - 2.008 (0.0789 - 0.0791)	Yellow
	LWR	2.008 - 2.011 (0.0791 - 0.0792)	Blue
45	UPR	2.008 - 2.011 (0.0791 - 0.0792)	Blue
	LWR	2.011 - 2.014 (0.0792 - 0.0793)	Pink
56	UPR	2.011 - 2.014 (0.0792 - 0.0793)	Pink
	LWR	2.014 - 2.017 (0.0793 - 0.0794)	Purple
67	UPR	2.014 - 2.017 (0.0793 - 0.0794)	Purple
	LWR	2.017 - 2.020 (0.0794 - 0.0795)	White

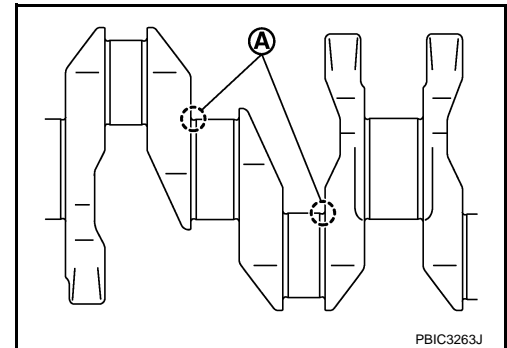
Grade and color are different between upper and lower bearings.

Use Undersize Bearing Usage Guide

- When the specified main bearing oil clearance is not obtained with standard size main bearings, use undersize (US) bearing.
- When using undersize (US) bearing, measure the main bearing inner diameter with bearing installed, and grind main journal so that the main bearing oil clearance satisfies the standard.

CAUTION:

In grinding crankshaft main journal to use undersize bearings, keep the fillet R [1.5 - 1.7 mm (0.059 - 0.067 in)] (A).



Bearing undersize table

Unit: mm (in)

Size	Thickness
US 0.25 (0.0098)	2.126 - 2.134 (0.0837 - 0.0840)

Inspection After Disassembly

INFOID:000000004409522

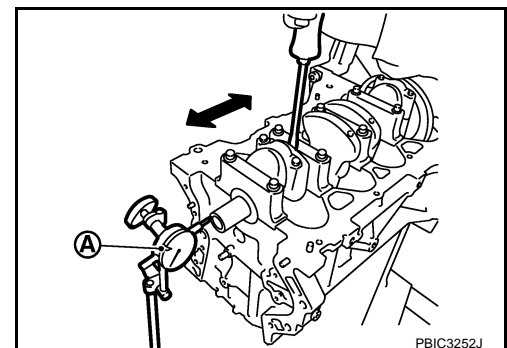
CRANKSHAFT END PLAY

- Measure the clearance between thrust bearings and crankshaft arm when crankshaft is moved fully forward or backward with a dial indicator (A).

Standard : 0.10 - 0.26 mm (0.0039 - 0.0102 in)

Limit : 0.30 mm (0.012 in)

- If the measured value exceeds the limit, replace thrust bearings, and measure again. If it still exceeds the limit, replace crankshaft also.



CONNECTING ROD SIDE CLEARANCE

CYLINDER BLOCK

[MR20DE]

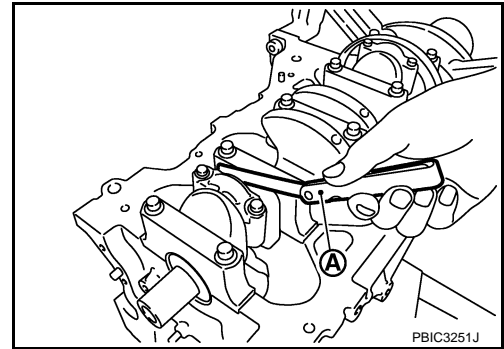
< SERVICE INFORMATION >

- Measure the side clearance between connecting rod and crankshaft arm with a feeler gauge (A).

Standard : 0.20 - 0.35 mm (0.0079 - 0.0138 in)

Limit : 0.40 mm (0.0157 in)

- If the measured value exceeds the limit, replace connecting rod, and measure again. If it still exceeds the limit, replace crankshaft also.

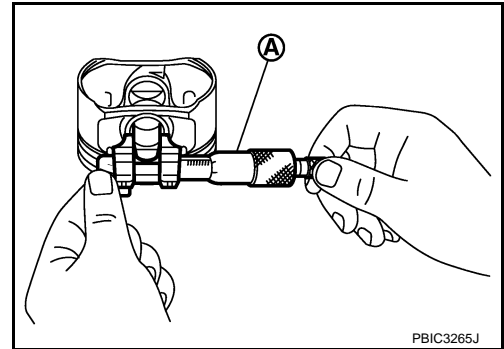


PISTON TO PISTON PIN OIL CLEARANCE

Piston Pin Hole Diameter

Measure the inner diameter of piston pin hole with an inside micrometer (A).

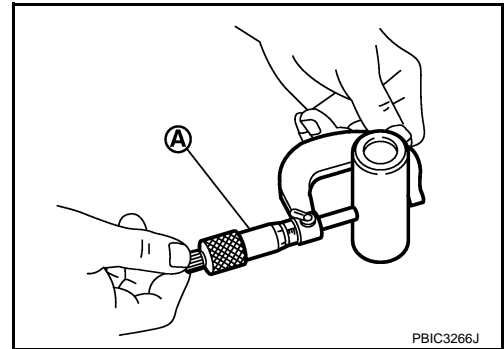
Standard: 19.993 - 19.999 mm (0.7871 - 0.7874 in)



Piston Pin Outer Diameter

Measure the outer diameter of piston pin with a micrometer (A).

Standard: 19.989 - 19.995 mm (0.7870 - 0.7872 in)



Piston to Piston Pin Oil Clearance

(Piston to piston pin oil clearance) = (Piston pin hole diameter) – (Piston pin outer diameter)

Standard: 0.002 - 0.006 mm (0.0001 - 0.0002 in)

- If oil clearance is out of the standard, replace piston and piston pin assembly.
- When replacing piston and piston pin assembly, follow the "Piston to Cylinder Bore Clearance" procedure.

NOTE:

- Piston is available together with piston pin as assembly.
- Piston pin (piston pin hole) grade is provided only for the parts installed at the plant. For service parts, no grades can be selected. (Only grade "0" is available.)

PISTON RING SIDE CLEARANCE

CYLINDER BLOCK

[MR20DE]

< SERVICE INFORMATION >

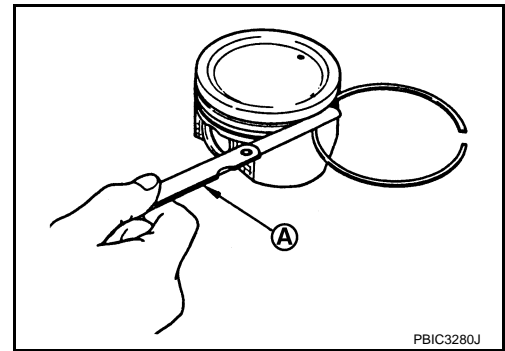
- Measure the side clearance of piston ring and piston ring groove with a feeler gauge (A).

Standard:

Top ring	: 0.04 - 0.08 mm (0.002 - 0.003 in)
2nd ring	: 0.03 - 0.07 mm (0.001 - 0.003 in)
Oil ring	: 0.015 - 0.185 mm (0.001 - 0.007 in)

Limit:

Top ring	: 0.11 mm (0.0043 in)
2nd ring	: 0.10 mm (0.0039 in)



- If the measured value exceeds the limit, replace piston ring, and measure again. If it still exceeds the limit, replace piston also.

PISTON RING END GAP

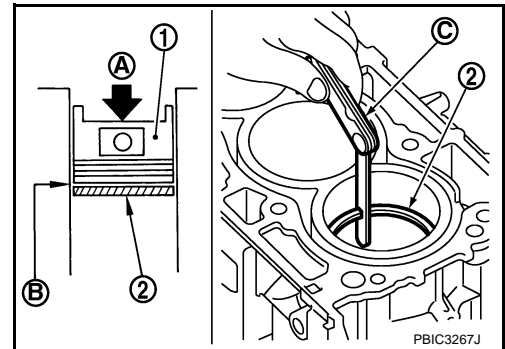
- Make sure that cylinder bore inner diameter is within specification. Follow the "Cylinder Bore Inner Diameter" procedure.
- Lubricate with new engine oil to piston (1) and piston ring (2), and then insert (A) piston ring until middle of cylinder (B) with piston, and measure piston ring end gap with a feeler gauge (C).

Standard:

Top ring	: 0.20 - 0.30 mm (0.008 - 0.012 in)
2nd ring	: 0.50 - 0.65 mm (0.020 - 0.026 in)
Oil ring (rail ring)	: 0.15 - 0.45 mm (0.006 - 0.018 in)

Limit:

Top ring	: 0.51 mm (0.020 in)
2nd ring	: 0.83 mm (0.033 in)
Oil ring (rail ring)	: 0.78 mm (0.031 in)



- If the measured value exceeds the limit, replace piston ring, and measure again. If it still exceeds the limit, replace the cylinder block.

CONNECTING ROD BEND AND TORSION

CYLINDER BLOCK

[MR20DE]

< SERVICE INFORMATION >

- Check with a connecting rod aligner.

C : Feeler gauge

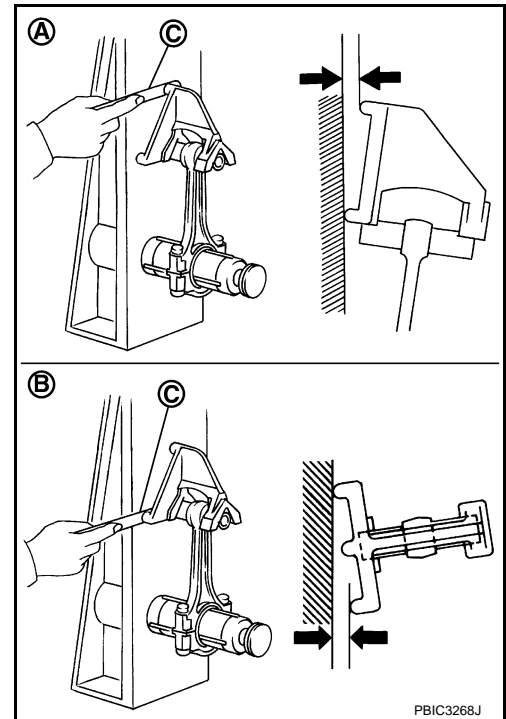
Bend (A):

Limit: 0.15 mm (0.0059 in) per 100 mm (3.94 in) length

Torsion (B):

Limit: 0.30 mm (0.0118 in) per 100 mm (3.94 in) length

- If it exceeds the limit, replace connecting rod assembly.



CONNECTING ROD BIG END DIAMETER

- Install connecting rod cap (1) without connecting rod bearing installed, and tightening connecting rod bolts to the specified torque. Refer to [EM-75. "Disassembly and Assembly"](#) for the tightening procedure.

2 : Connecting rod

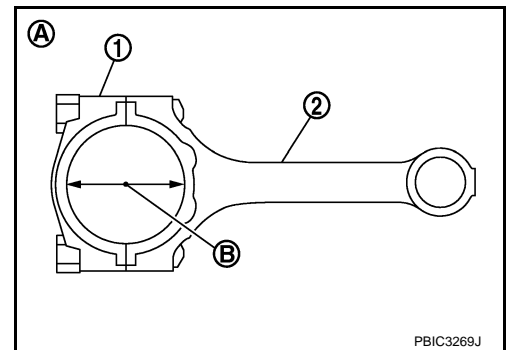
A : Example

B : Measuring direction of inner diameter

- Measure the inner diameter of connecting rod big end with an inside micrometer.

Standard: 47.000 - 47.013 mm (1.8504 - 1.8509 in)

- If out of the standard, replace connecting rod assembly.

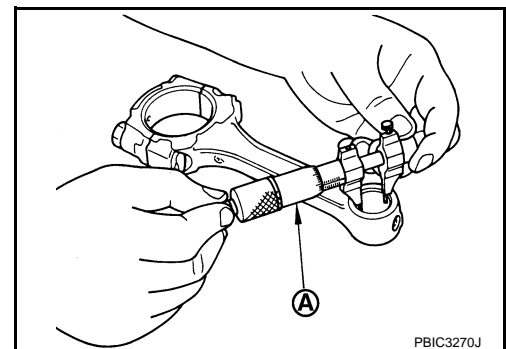


CONNECTING ROD BUSHING OIL CLEARANCE

Connecting Rod Bushing Inner Diameter

Measure the inner diameter of connecting rod bushing with an inside micrometer (A).

Standard: 20.000 - 20.012 mm (0.7874 - 0.7879 in)



Piston Pin Outer Diameter

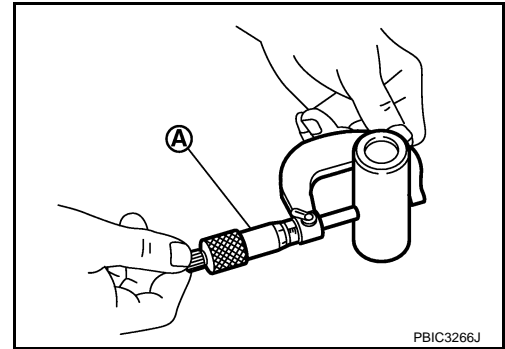
CYLINDER BLOCK

[MR20DE]

< SERVICE INFORMATION >

Measure the outer diameter of piston pin with a micrometer (A).

Standard: 19.989 - 19.995 mm (0.7870 - 0.7872 in)



Connecting Rod Bushing Oil Clearance

(Connecting rod bushing oil clearance) = (Connecting rod bushing inner diameter) – (Piston pin outer diameter)

Standard : 0.005 - 0.023 mm (0.0002 - 0.0009 in)

Limit : 0.03 mm (0.0012 in)

- If the measured value is out of the standard, replace connecting rod assembly and/or piston and piston pin assembly.
- If replacing piston and piston pin assembly, follow the "PISTON TO PISTON PIN OIL CLEARANCE" procedure.
- If replacing connecting rod assembly, follow the "Connecting Rod Bushing Oil Clearance" procedure to select connecting rod bearing.

CYLINDER BLOCK TOP SURFACE DISTORTION

- Using a scraper, remove gasket on the cylinder block surface, and also remove engine oil, scale, carbon, or other contamination.

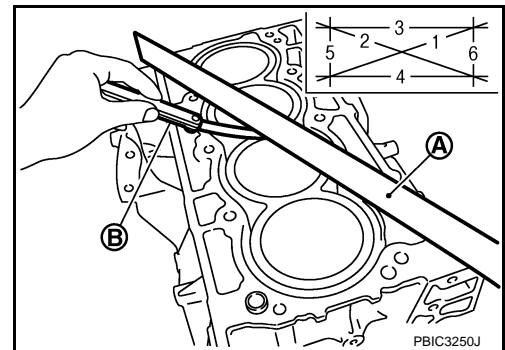
CAUTION:

Be careful not to allow gasket flakes to enter engine oil or engine coolant passages.

- Measure the distortion on the cylinder block upper face at some different points in six directions with a straight edge (A) and feeler gauge (B).

Limit: 0.1 mm (0.004 in)

- If it exceeds the limit, replace cylinder block.



MAIN BEARING HOUSING INNER DIAMETER

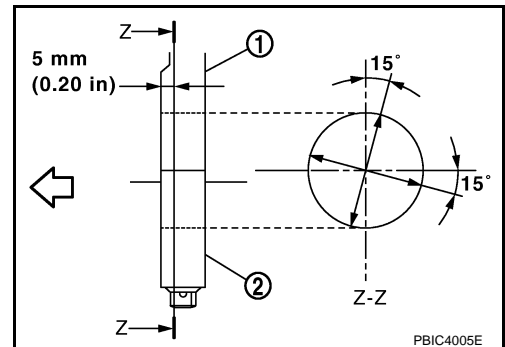
- Install main bearing cap without main bearings installed, and tighten main bearing cap bolts to the specified torque. Refer to [EM-75, "Disassembly and Assembly"](#) for the tightening procedure.
- Measure the inner diameter of main bearing housing with a bore gauge.
- Measure the position shown [5 mm (0.20 in)] backward from main bearing housing front side in the 2 directions as shown. The smaller one is the measured value.

- 1 : Cylinder block
- 2 : Main bearing cap
- ← : Engine front

Standard: 55.997 - 56.017 mm (2.2046 - 2.2054 in)

- If out of the standard, replace cylinder block and main bearing caps assembly.

NOTE:



CYLINDER BLOCK

[MR20DE]

< SERVICE INFORMATION >

Main bearing caps cannot be replaced as a single, because it is machined together with cylinder block.

PISTON TO CYLINDER BORE CLEARANCE

Cylinder Bore Inner Diameter

- Using a bore gauge (A), measure the cylinder bore for wear, out-of-round and taper at six different points on each cylinder. ("X" and "Y" directions at "A", "B" and "C") ("Y" is in longitudinal direction of engine)

NOTE:

When determining cylinder bore grade, measure the cylinder bore "X" direction at "B" position.

Standard inner diameter:

84.000 - 84.020 mm (3.3071 - 3.3079 in)

Out-of-round (Difference between "X" and "Y"):

0.015 mm (0.0006 in)

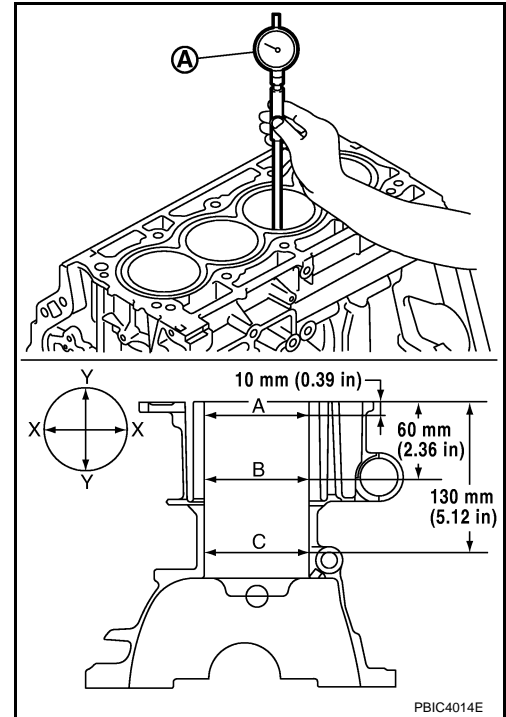
Taper limit (Difference between "A" and "C"):

0.01 mm (0.0004 in)

- If the measured value exceeds the limit, or if there are scratches and/or seizure on the cylinder inner wall, replace cylinder block.

NOTE:

Oversize piston is not provided.



Piston Skirt Diameter

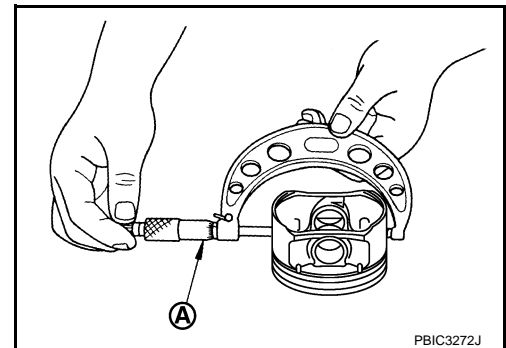
Measure the outer diameter of piston skirt with a micrometer (A).

Measure point

: Distance from the top 39.9 mm (1.571 in)

Standard

: 83.970 - 83.990 mm (3.3059 - 3.3067 in)



Piston to Cylinder Bore Clearance

Calculate by piston skirt diameter and cylinder bore inner diameter (direction "X", position "B").

(Clearance) = (Cylinder bore inner diameter) – (Piston skirt diameter)

Standard : 0.020 - 0.040 mm (0.0008 - 0.0016 in)

Limit : 0.08 mm (0.0031 in)

- If it exceeds the limit, replace piston and piston pin assembly and/or cylinder block. Refer to [EM-83, "How to Select Piston and Bearing"](#).

CRANKSHAFT MAIN JOURNAL DIAMETER

CYLINDER BLOCK

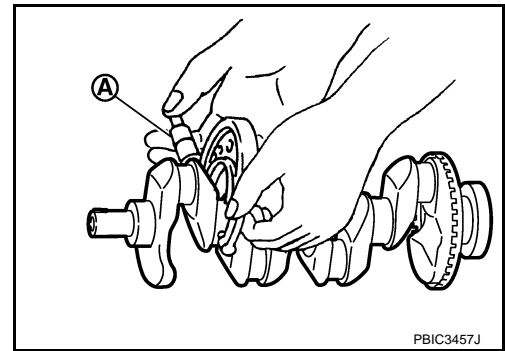
[MR20DE]

< SERVICE INFORMATION >

- Measure the outer diameter of crankshaft main journals with a micrometer (A).

Standard: 51.959 - 51.979 mm (2.0456 - 2.0464 in) dia.

- If out of the standard, measure the main bearing oil clearance. Then use undersize bearing. Follow the "MAIN BEARING OIL CLEARANCE" procedure.



CRANKSHAFT PIN JOURNAL DIAMETER

- Measure the outer diameter of crankshaft pin journal with a micrometer.

Standard: 43.953 - 43.971 mm (1.7304-1.7311 in) dia.

- If out of the standard, measure the connecting rod bearing oil clearance. Then use undersize bearing. Follow the "CONNECTING ROD BEARING OIL CLEARANCE" procedure.

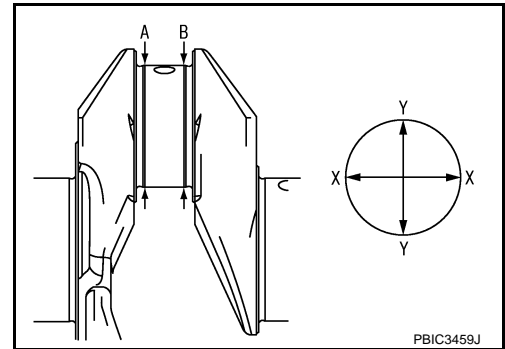
OUT-OF-ROUND AND TAPER OF CRANKSHAFT

- Measure the dimensions at four different points as shown on each main journal and pin journal with a micrometer.
- Out-of-round is indicated by the difference in dimensions between "X" and "Y" at "A" and "B".
- Taper is indicated by the difference in dimension between "A" and "B" at "X" and "Y".

Limit:

**Out-of-round (Difference between "X" and "Y")
: 0.0035 mm (0.0001 in)**

**Taper (Difference between "A" and "B")
: 0.0035 mm (0.0001 in)**



- If the measured value exceeds the limit, correct or replace crankshaft.
- If corrected, measure the bearing oil clearance of the corrected main journal and/or pin journal. Then select main bearing and/or connecting rod bearing. Follow the "MAIN BEARING OIL CLEARANCE" and/or "CONNECTING ROD BEARING OIL CLEARANCE" procedures.

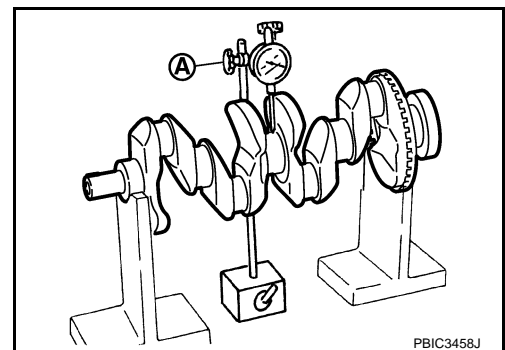
CRANKSHAFT RUNOUT

- Place a V-block on a precise flat table to support the journals on the both end of the crankshaft.
- Place a dial indicator (A) straight up on the No. 3 journal.
- While rotating crankshaft, read the movement of the pointer on the dial indicator. (Total indicator reading)

Standard : 0.05 mm (0.0020 in)

Limit : 0.10 mm (0.0040 in)

- If it exceeds the limit, replace crankshaft.



CONNECTING ROD BEARING OIL CLEARANCE

Method by Calculation

CYLINDER BLOCK

[MR20DE]

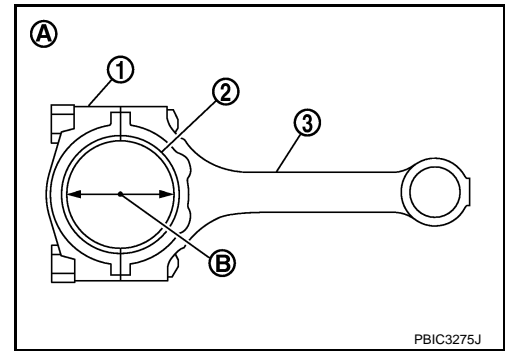
< SERVICE INFORMATION >

- Install connecting rod bearings (2) to connecting rod (3) and connecting rod bearing cap (1), and tighten connecting rod bolts to the specified torque. Refer to [EM-75, "Disassembly and Assembly"](#) for tightening procedure.

A : Example

B : Inner diameter measuring direction

- Measure the inner diameter of connecting rod bearing with an inside micrometer.
 $(\text{Bearing oil clearance}) = (\text{Connecting rod bearing inner diameter}) - (\text{Crankshaft pin journal diameter})$



Standard : 0.037 - 0.047 mm (0.0015 - 0.0019 in)

Limit : 0.07 mm (0.0028 in)

- If clearance exceeds the limit, select proper connecting rod bearing according to connecting rod big end diameter and crankshaft pin journal diameter to obtain specified bearing oil clearance. Refer to [EM-83, "How to Select Piston and Bearing"](#).

Method of Using Plastigage

- Remove engine oil and dust on crankshaft pin and the surfaces of each bearing completely.
- Cut a plastigage slightly shorter than the bearing width, and place it in crankshaft axial direction, avoiding oil holes.
- Install connecting rod bearings to connecting rod and cap, and tighten connecting rod bolts to the specified torque. Refer to [EM-75, "Disassembly and Assembly"](#) for the tightening procedure.

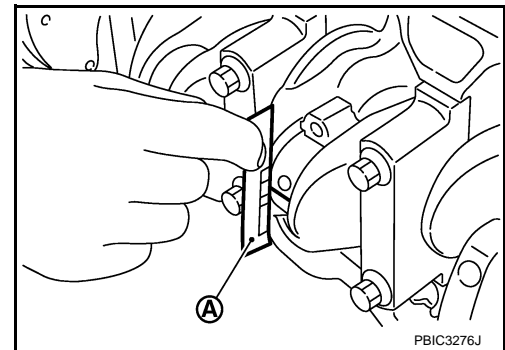
CAUTION:

Never rotate crankshaft.

- Remove connecting rod cap and bearing, and using the scale (A) on the plastigage bag, measure the plastigage width.

NOTE:

The procedure when the measured value exceeds the limit is same as that described in the "Method by Calculation".



MAIN BEARING OIL CLEARANCE

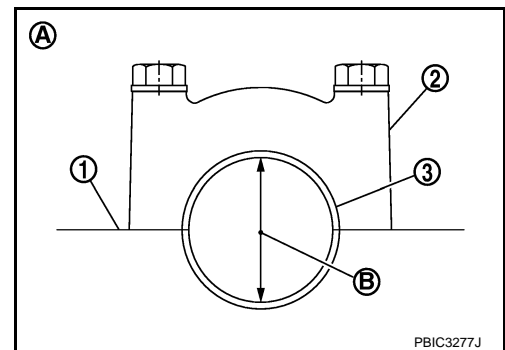
Method by Calculation

- Install main bearings (3) to cylinder block (1) and main bearing cap (2), and tighten main bearing cap bolts to the specified torque. Refer to [EM-75, "Disassembly and Assembly"](#) for the tightening procedure.

A : Example

B : Inner diameter measuring direction

- Measure the inner diameter of main bearing with a bore gauge.
 $(\text{Bearing oil clearance}) = (\text{Main bearing inner diameter}) - (\text{Crankshaft main journal diameter})$



Standard:

No. 1, 4 and 5 journals

: 0.024 - 0.034 mm (0.0009 - 0.0013 in)

No. 2 and 3 journals

: 0.012 - 0.022 mm (0.0005 - 0.0009 in)

Limit : 0.065 mm (0.0026 in)

CYLINDER BLOCK

[MR20DE]

< SERVICE INFORMATION >

- If clearance exceeds the limit, select proper main bearing according to main bearing inner diameter and crankshaft main journal diameter to obtain specified bearing oil clearance. Refer to [EM-83, "How to Select Piston and Bearing"](#).

Method of Using Plastigage

- Remove engine oil and dust on crankshaft main journal and the surfaces of each bearing completely.
- Cut a plastigage slightly shorter than the bearing width, and place it in crankshaft axial direction, avoiding oil holes.
- Install main bearings to cylinder block and main bearing cap, and tighten main bearing cap bolts to the specified torque. Refer to [EM-75, "Disassembly and Assembly"](#) for the tightening procedure.

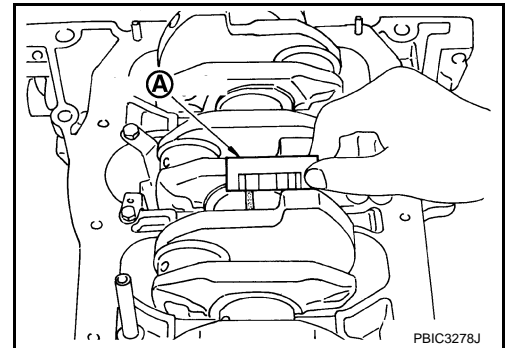
CAUTION:

Never rotate crankshaft.

- Remove main bearing cap and bearings, and using the scale (A) on the plastigage bag, measure the plastigage width.

NOTE:

The procedure when the measured value exceeds the limit is same as that described in the "Method by Calculation".



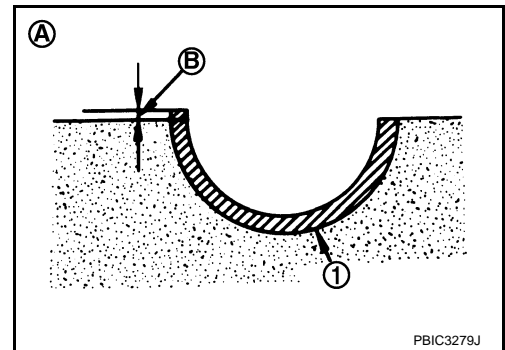
MAIN BEARING CRUSH HEIGHT

- When main bearing cap is removed after being tightened to the specified torque with main bearings (1) installed, the tip end of bearing must protrude (B). Refer to [EM-75, "Disassembly and Assembly"](#) for the tightening procedure.

A : Example

Standard : There must be crush height.

- If the standard is not met, replace main bearings.



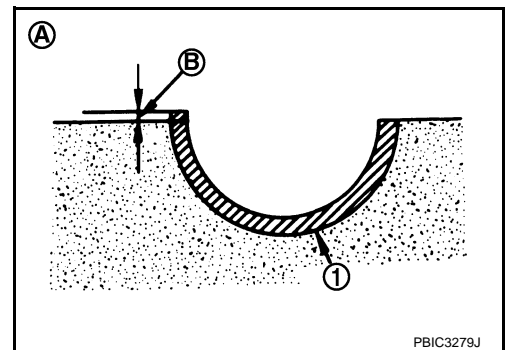
CONNECTING ROD BEARING CRUSH HEIGHT

- When connecting rod bearing cap is removed after being tightened to the specified torque with connecting rod bearings (1) installed, the tip end of bearing must protrude. Refer to [EM-75, "Disassembly and Assembly"](#) for the tightening procedure (B).

A : Example

Standard : There must be crush height.

- If the standard is not met, replace connecting rod bearings.



MAIN BEARING CAP BOLT OUTER DIAMETER

CYLINDER BLOCK

[MR20DE]

< SERVICE INFORMATION >

- Measure the outer diameters (“d1”, “d2”) at two positions as shown.

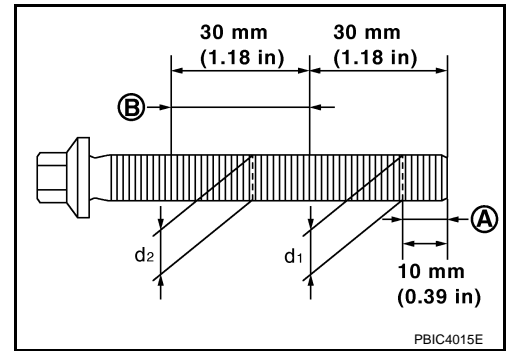
A : “d1” measuring position

B : “d2” measuring position

- If reduction appears in places other than “B” range, regard it as “d2”.

Limit (“d1” – “d2”): 0.15 mm (0.0059 in)

- If it exceeds the limit (a large difference in dimensions), replace main bearing cap bolt with a new one.

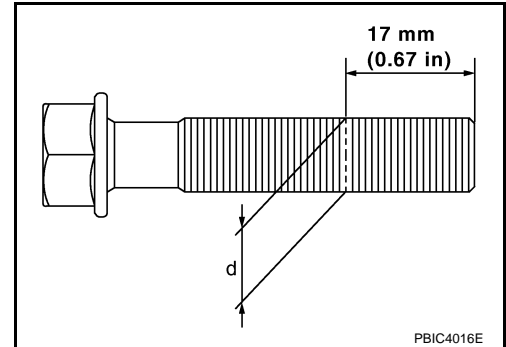


CONNECTING ROD BOLT OUTER DIAMETER

- Measure the outer diameter “d” at position as shown.
- If reduction appears in a position other than “d”, regard it as “d”.

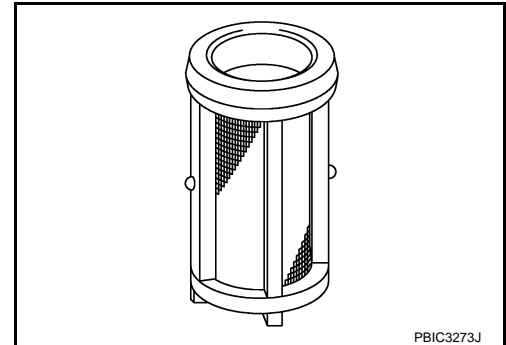
Limit: 7.75 mm (0.3051 in)

- When “d” exceeds the limit (when it becomes thinner), replace connecting rod bolt with a new one.



CLOGGED OR DAMAGED OIL FILTER (FOR INTAKE VALVE TIMING CONTROL)

- Make sure that there is no foreign material on the oil filter and check it for clogging.
 - Clean it if necessary.
- Check the oil filter for damage.
 - Replace it if necessary.



FLYWHEEL DEFLECTION (M/T MODELS)

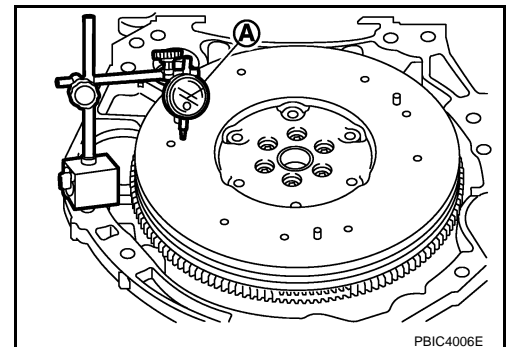
- Measure the deflection of flywheel contact surface to clutch with a dial indicator (A).
- Measure the deflection at 210 mm (8.27 in) diameter.

Limit : 0.45 mm (0.0177 in) or less.

- If measured value is out of the standard, replace flywheel.
- If a trace of burn or discoloration is found on the surface, repair it with sandpaper.

CAUTION:

When measuring, keep magnetic fields (such as dial indicator stand) away from signal plate of the rear end of crankshaft.



MOVEMENT AMOUNT OF FLYWHEEL (M/T MODELS)

CAUTION:

Never disassemble double mass flywheel.

Movement Amount of Thrust (Fore-and-Aft) Direction

- Measure the movement amount of thrust (fore-and-aft) direction when 100 N (10.2 kg, 22 lb) force is added at the portion of 125 mm (4.92 in) radius from the center of flywheel.

Standard : 1.8 mm (0.071 in) or less

CYLINDER BLOCK

[MR20DE]

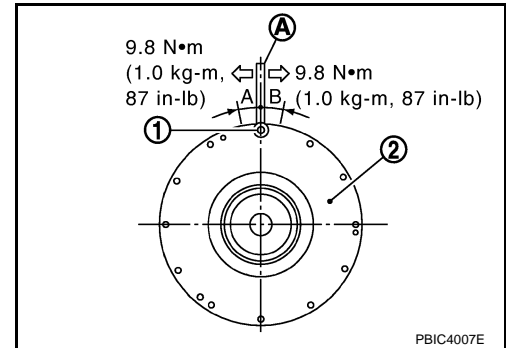
< SERVICE INFORMATION >

- If measured value is out of the standard, replace flywheel.

Movement Amount in Radial (Rotation) Direction

Check the movement amount of radial (rotation) direction with the following procedure:

1. Install clutch cover bolt (1) to clutch cover mating hole, and place a torque wrench (A) on the extended line of the flywheel (2) center line.
 - Tighten bolt at a force of 9.8 N·m (1.0 kg·m, 87 in-lb) to keep it from loosening.
2. Put a mating mark on circumferences of the two flywheel masses without applying any load (Measurement standard points).
3. Apply a force of 9.8 N·m (1.0 kg·m, 87 in-lb) in each direction, and mark the movement amount on the mass on the transaxle side.
4. Measure the dimensions of movement amounts "A" and "B" on circumference of the flywheel on the transaxle side.



Limit: 33.2 mm (1.307 in) or less.

- If measured value is out of the standard, replace flywheel.

A

EM

C

D

E

F

G

H

I

J

K

L

M

N

O

P

ENGINE ASSEMBLY

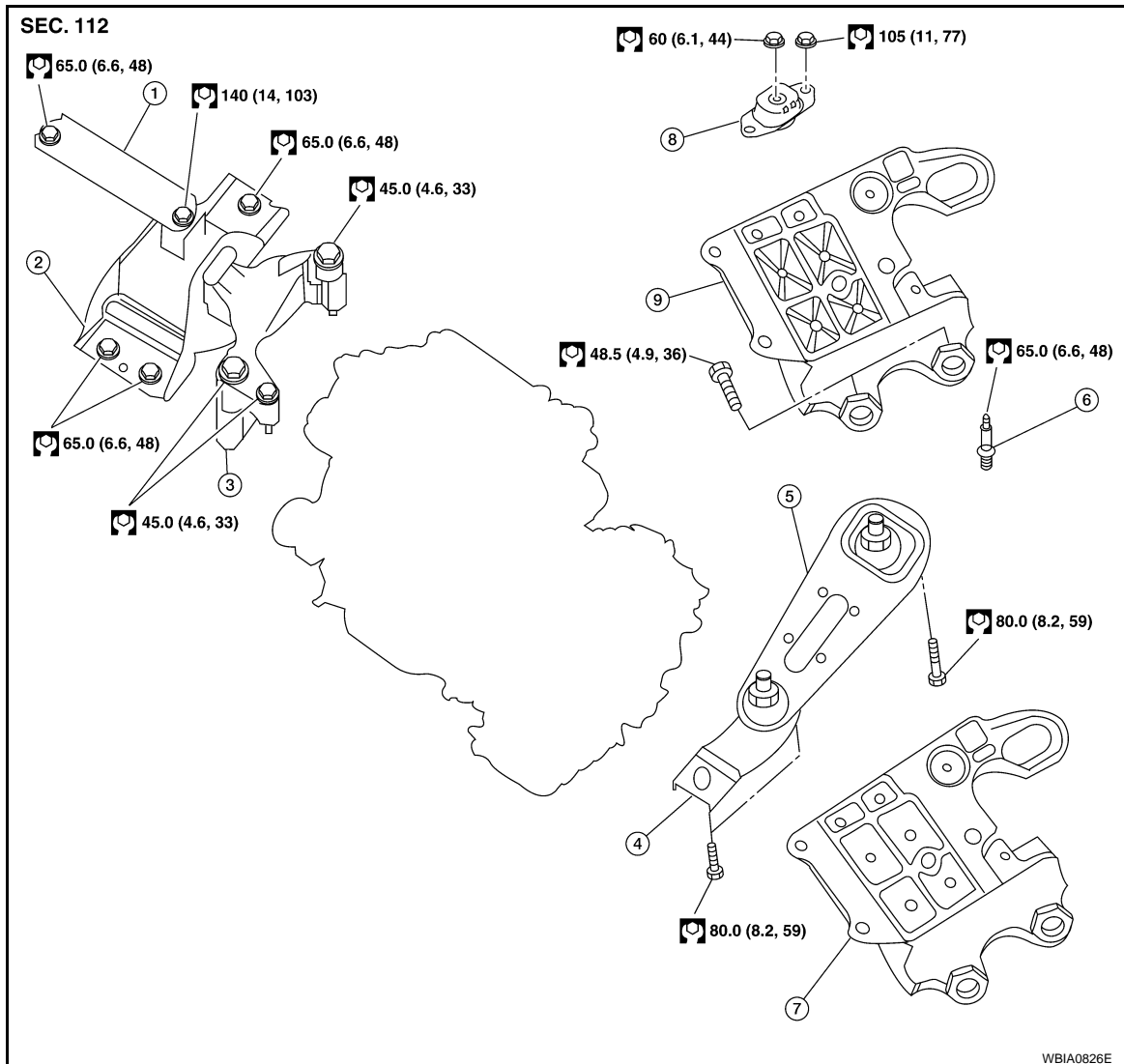
< SERVICE INFORMATION >

[MR20DE]

ENGINE ASSEMBLY

Component

INFOID:000000004409523



- | | | |
|---------------------------------|-----------------------------------|---------------------------------|
| 1. Torque rod (RH) | 2. Engine mounting Insulator (RH) | 3. Engine mounting bracket (RH) |
| 4. Bracket | 5. Rear torque rod | 6. Engine through bolt |
| 7. Engine mounting bracket (LH) | 8. Engine mounting insulator (LH) | 9. Engine mounting bracket (LH) |

Removal and Installation

INFOID:000000004409524

WARNING:

- Situate the vehicle on a flat and solid surface.
- Place chocks at front and back of rear wheels.
- Attach proper slingers and bolts described in PARTS CATALOG if engine slingers are not equipped.

CAUTION:

- Always be careful to work safely, avoid forceful or uninstructed operations.
- Do not start working until exhaust system and coolant are cool enough.
- If items or work required are not covered by the engine section, follow the applicable procedures.
- Always use the support point specified for lifting.
- Use either 2-pole lift type or separate type lift as best you can. If board-on type is used for unavoidable reasons, support at the rear axle jacking point with a transmission jack or similar tool before starting work, in preparation for the backward shift of center of gravity.

ENGINE ASSEMBLY

[MR20DE]

< SERVICE INFORMATION >

- For supporting points for lifting and jacking point at rear axle, refer to [GI-38, "Garage Jack and Safety Stand and 2-Pole Lift"](#).

REMOVAL

Outline

Remove the engine and the transaxle assembly from the vehicle downward. Separate the engine and the transaxle.

1. Remove engine undercover
2. Drain engine coolant from radiator. Refer to [CO-12, "Changing Engine Coolant"](#).
CAUTION:
 - Perform this step when the engine is cold.
 - Do not spill engine coolant on drive belt.
3. Remove front fender protector (RH and LH); Refer to [EI-22, "Removal and Installation"](#).
4. Remove exhaust front tube; Refer to [EX-4](#).
5. Remove drive shafts (LH and RH) from steering knuckle. Refer to [FAX-9, "Removal and Installation \(Left Side\)"](#) and [FAX-11, "Removal and Installation \(Right Side\)"](#).
6. Remove transaxle joint bolts which pierce at oil pan (upper) lower rear side. Refer to [CVT-190](#) (CVT) or [MT-17, "Removal and Installation"](#) (M/T models).
7. Remove rear torque rod.
8. Remove hood assembly. Refer to [BL-13](#).
9. Remove cowl top cover and cowl top extension assembly. Refer to [EI-19](#).
10. Release fuel pressure. Refer to [EC-93, "Fuel Pressure Check"](#) (for California) or [EC-639, "Fuel Pressure Check"](#) (except for California).
11. Remove battery and battery tray; Refer to [SC-4](#).
12. Remove drive belt; Refer to [EM-13, "Component"](#).
13. Remove air duct and air cleaner case assembly; Refer to [EM-16](#).
14. Remove cooling fan assembly.
15. Remove radiator hose (upper and lower). Refer to [CO-15](#).
16. Disconnect CVT fluid cooler hoses. Refer to [CO-15](#).
17. Disconnect all connections of engine harness around the engine mounting insulator (LH), and then temporarily secure the engine harness into the engine side.
CAUTION:
Protect connectors using a resin bag to protect against foreign materials during the operation.
18. Disconnect fuel feed hose at engine side. Refer to [EM-36, "Component"](#).
19. Disconnect heater hoses, and install plugs them to prevent engine coolant from draining. Refer to [CO-23, "Component"](#).
20. Disconnect control cable from transaxle. Refer to [CVT-168](#) (CVT), [MT-14, "Removal and Installation"](#) (MT).
21. Remove ground cable at transaxle side.
22. Remove ground cable between front cover and vehicle.
23. Remove generator. Refer to [SC-23](#).
24. Remove A/C compressor with piping connected from the engine. Temporarily secure it on the vehicle side with a rope to avoid putting load on it. Refer to [MTC-84, "Removal and Installation for Compressor - MR20DE"](#).
25. Remove the intake manifold to prevent the hanging chain from interfering. Refer to [EM-18, "Component"](#).

ENGINE ASSEMBLY

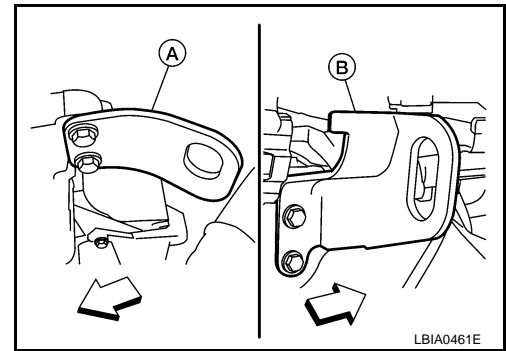
[MR20DE]

< SERVICE INFORMATION >

26. Install engine slinger to cylinder head front left side (A) and rear right side (B) and support the engine position with a hoist.

⇐ : Engine front

Slinger bolts (front) : 32.9 N-m (3.3 kg-m, 24.2 ft-lb)
Slinger bolts (rear) : 25.0 N-m (2.5 kg-m, 18.4 ft-lb)

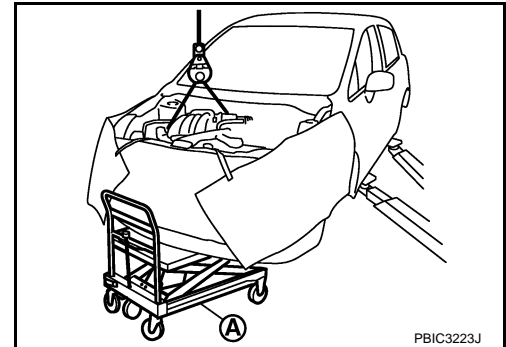


27. Support engine and transaxle assembly with a hoist and secure the engine in appropriate position.

28. Use a manual lift table caddy (A) or equivalently rigid tool such as a transmission jack. Securely support bottom of the engine and the transaxle, and simultaneously adjust hoist tension.

CAUTION:

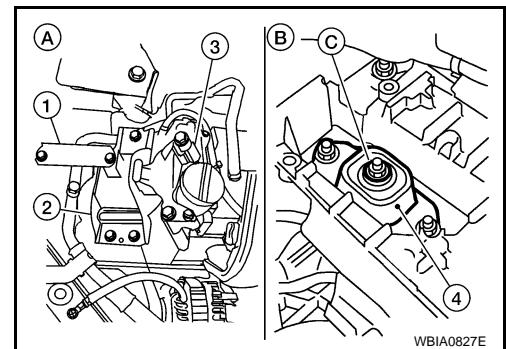
Put a piece of wood or something similar as the supporting surface, secure a completely stable condition.



29. Remove torque rod (RH) (1), engine insulator (RH) (2) and engine bracket (RH) (3).

4 : Engine insulator (LH)
A : Engine front side
B : Transaxle side

30. Remove engine through bolt-securing nut (C).



31. Remove the engine and the transaxle assembly from the vehicle downward by carefully operating supporting tools.

CAUTION:

- During the operation, make sure that no part interferes with the vehicle side.
- Before and during this lifting, always check if any harnesses are left connected.
- During the removal operation, always be careful to prevent the vehicle from falling off the lift due to changes in the center of gravity.
- If necessary, support the vehicle by setting jack or suitable tool at the rear.
- During operation, securely support the engine by placing a piece of wood under the engine oil pan and transaxle oil pan. Securely support the engine slingers with a hoist.

32. When the engine hoisting is not performed simultaneously, install engine slinger to cylinder head front left side and rear right side.

33. Remove starter motor. Refer to [SC-8](#).

34. Lift with a hoist and position above engine.

35. Separate the engine and the transaxle. Refer to [CVT-190, "Removal and Installation \(MR20DE\)"](#) (CVT models) or [CVT-190, "Removal and Installation \(MR20DE\)"](#) (M/T models).

INSTALLATION

Note the following, and install in the reverse order of removal.

- Do not allow engine oil to get on engine mounting insulator. Be careful not to damage engine mounting insulator.

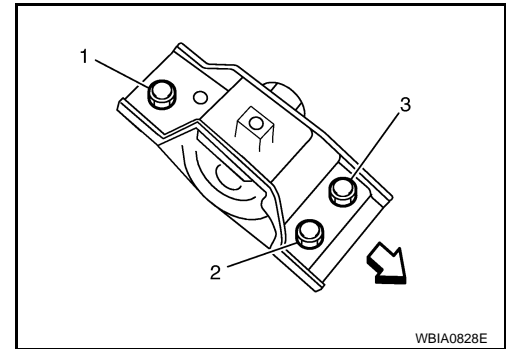
ENGINE ASSEMBLY

[MR20DE]

< SERVICE INFORMATION >

- When installation directions are specified, install parts according to the directions. Refer to [EM-102. "Component"](#).
- Make sure that each mounting insulator is seated properly, and tighten nuts and bolts.
- Tighten engine mounting insulator (RH) bolts in the numerical order shown.

← : Vehicle front



INSPECTION AFTER INSTALLATION

Inspection for Leaks

The following are procedures for checking fluids leak, lubricates leak and exhaust gases leak.

- Before starting engine, check oil/fluid levels including engine coolant and engine oil. If less than required quantity, fill to the specified level. Refer to [MA-14](#).
- Use procedure below to check for fuel leakage.
 - Turn ignition switch "ON" (with engine stopped). With fuel pressure applied to fuel piping, check for fuel leakage at connection points.
 - Start engine. With engine speed increased, check again for fuel leakage at connection points.
- Run engine to check for unusual noise and vibration.
- Warm up engine thoroughly to make sure there is no leakage of fuel, exhaust gases, or any oil/fluids including engine oil and engine coolant.
- Bleed air from lines and hoses of applicable lines, such as in cooling system.
- After cooling down engine, again check oil/fluid levels including engine oil and engine coolant. Refill to the specified level, if necessary.

Summary of the inspection items:

Item	Before starting engine	Engine running	After engine stopped
Engine coolant	Level	Leakage	Level
Engine oil	Level	Leakage	Level
Other oils and fluid*	Level	Leakage	Level
Fuel	Leakage	Leakage	Leakage
Exhaust gases	—	Leakage	—

* Transmission/transaxle/CVT fluid, power steering fluid, brake fluid, etc.

SERVICE DATA AND SPECIFICATIONS (SDS)

< SERVICE INFORMATION >

[MR20DE]

SERVICE DATA AND SPECIFICATIONS (SDS)

Standard and Limit

INFOID:000000004409525

GENERAL SPECIFICATIONS

Engine type	MR20DE	
Cylinder arrangement	In-line 4	
Displacement	cm ³ (cu in)	1,997 (121.86)
Bore and stroke	mm (in)	84.0 x 90.1 (3.307 x 3.547)
Valve arrangement	DOHC	
Firing order	1-3-4-2	
Number of piston rings	Compression	2
	Oil	1
Compression ratio	10.2	
Compression pressure kPa (bar, kg/cm ² , psi) / 250 rpm	Standard	1,390 (13.9, 14.2, 202)
	Minimum	1,140 (11.4, 11.6, 165)
	Differential limit between cylinders	100 (1.0, 1.0, 15)

DRIVE BELT

Tension of drive belt	Auto adjustment by auto-tensioner
-----------------------	-----------------------------------

WATER CONTROL VALVE

Valve opening temperature	93.5 - 96.5°C (200 - 206°F)
Maximum valve lift	8 mm/ 108°C (0.315 in/ 226°F)
Valve closing temperature	More than 90°C (194°F)

EXHAUST MANIFOLD

Unit: mm (in)

Items		Limit
Surface distortion	Each exhaust port	0.3 (0.012)
	Entire part	0.7 (0.028)

THERMOSTAT

Valve opening temperature	80.5 - 83.5°C (177 - 182°F)
Maximum valve lift	8 mm/ 95°C (0.315 in/ 203°F)
Valve closing temperature	More than 77°C (171°F)

SPARK PLUG

Unit: mm (in)

Application	Except for California	For California
Make	NGK	Denso
Standard type	PLZKAR6A-11	FXE20HR-11
Spark plug gap	Nominal: 1.1 (0.043)	

CYLINDER HEAD

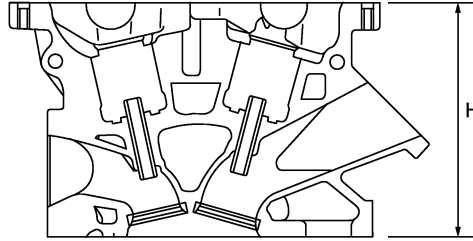
SERVICE DATA AND SPECIFICATIONS (SDS)

< SERVICE INFORMATION >

[MR20DE]

Unit: mm (in)

Items	Standard	Limit
Head surface distortion	—	0.1 (0.004)
Normal cylinder head height "H"	130.9 (5.15)	—



PBIC0924E

VALVE

Valve Timing

Unit: degree

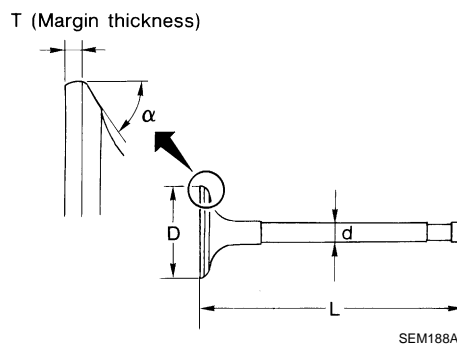
Valve timing						
	a	b	c	d	e	f
	212	224	-8 (32)	52 (12)	7	25

PBIC4542E

() : Valve timing control "ON"

Valve Dimensions

Unit: mm (in)



SEM188A

Valve head diameter "D"	Intake	33.8 - 34.1 (1.331 - 1.343)
	Exhaust	27.6 - 27.9 (1.087 - 1.098)
Valve length "L"	Intake	106.27 (4.18)
	Exhaust	105.26 (4.144)

SERVICE DATA AND SPECIFICATIONS (SDS)

< SERVICE INFORMATION >

[MR20DE]

Valve stem diameter "d"	Intake	5.465 - 5.480 (0.2152 - 0.2157)
	Exhaust	5.455 - 5.470 (0.2148 - 0.2154)
Valve seat angle "α"		45°15' - 45°45'
Valve margin "T"	Intake	1.1 (0.043)
	Exhaust	1.2 (0.047)

Valve Clearance

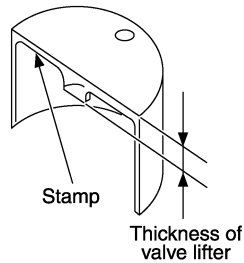
Unit: mm (in)

Items	Cold	Hot* (reference data)
Intake	0.26 - 0.34 (0.010 - 0.013)	0.304 - 0.416 (0.012 - 0.016)
Exhaust	0.29 - 0.37 (0.011 - 0.015)	0.308 - 0.432 (0.012 - 0.017)

*: Approximately 80°C (176°F)

Available Valve Lifter

Thickness mm (in)	Identification mark
-------------------	---------------------



KBIA0119E

3.00 (0.1181)	300
3.02 (0.1189)	302
3.04 (0.1197)	304
3.06 (0.1205)	306
3.08 (0.1213)	308
3.10 (0.1220)	310
3.12 (0.1228)	312
3.14 (0.1236)	314
3.16 (0.1244)	316
3.18 (0.1252)	318
3.20 (0.1260)	320
3.22 (0.1268)	322
3.24 (0.1276)	324
3.26 (0.1283)	326
3.28 (0.1291)	328
3.30 (0.1299)	330
3.32 (0.1307)	332
3.34 (0.1315)	334
3.36 (0.1323)	336
3.38 (0.1331)	338
3.40 (0.1339)	340
3.42 (0.1346)	342

SERVICE DATA AND SPECIFICATIONS (SDS)

< SERVICE INFORMATION >

[MR20DE]

Thickness mm (in)	Identification mark
3.44 (0.1354)	344
3.46 (0.1362)	346
3.48 (0.1370)	348
3.50 (0.1378)	350

Valve Spring

Items	Intake	Exhaust
Free height	44.90 - 45.10 mm (1.7677 - 1.7755 in)	45.74 - 45.94 mm (1.8007 - 1.8086 in)
Installation height	35.30 mm (1.390 in)	35.30 mm (1.390 in)
Installation load	153 - 173 N (15.6 - 17.6 kg, 34 - 39 lb)	139 - 157 N (14.2 - 16.0 kg, 31 - 35 lb)
Height during valve open	26.36 mm (1.0377 in)	27.80 mm (1.0944 in)
Load with valve open	335 - 377 N (34.2 - 38.5 kg, 75 - 85 lb)	266 - 297 N (27.1 - 30.3 kg, 60 - 67 lb)
Identification color	White	Orange

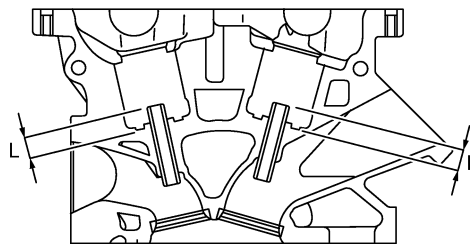
Valve Lifter

Unit: mm (in)

Items		Standard
Valve lifter outer diameter	Intake	33.977 - 33.987 (1.3377 - 1.3381)
	Exhaust	29.977 - 29.987 (1.1802 - 1.1806)
Valve lifter hole diameter	Intake	34.000 - 34.021 (1.3386 - 1.3394)
	Exhaust	30.000 - 30.021 (1.1811 - 1.1819)
Valve lifter clearance		0.013 - 0.044 (0.0005 - 0.0017)

Valve Guide

Unit: mm (in)



PBIC0184E

Items		Standard part	Service part
Valve guide	Outer diameter	9.523 - 9.534 (0.3749 - 0.3754)	9.723 - 9.734 (0.3828 - 0.3832)
	Inner diameter (Finished size)	5.500 - 5.518 (0.2165 - 0.2172)	
Cylinder head valve guide hole diameter		9.475 - 9.496 (0.3730 - 0.3739)	9.675 - 9.696 (0.3809 - 0.3817)
Interference fit of valve guide		0.027 - 0.059 (0.0011 - 0.0023)	
Items		Standard	Limit
Valve guide clearance	Intake	0.020 - 0.053 (0.0008 - 0.0021)	0.1 (0.004)
	Exhaust	0.030 - 0.063 (0.0012 - 0.0025)	
Projection length "L"		13.35 - 13.65 (0.526 - 0.537)	

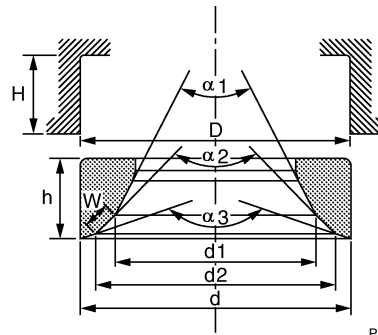
Valve Seat

SERVICE DATA AND SPECIFICATIONS (SDS)

< SERVICE INFORMATION >

[MR20DE]

Unit: mm (in)



Items		Standard	Oversize [0.5 (0.02)] (Service)
Cylinder head seat recess diameter "D"	Intake	34.700 - 34.727 (1.3661 - 1.3672)	35.200 - 35.227 (1.3858 - 1.3869)
	Exhaust	28.700 - 28.727 (1.1299 - 1.1310)	29.200 - 29.227 (1.1496 - 1.1507)
Valve seat outer diameter "d"	Intake	34.808 - 34.824 (1.3704 - 1.3710)	35.308 - 35.324 (1.3901 - 1.3907)
	Exhaust	28.808 - 28.824 (1.1342 - 1.1348)	29.308 - 29.324 (1.1539 - 1.1545)
Valve seat interference fit		0.081 - 0.124 (0.0032 - 0.0049)	
Diameter "d1"*1	Intake	31.8 (1.252)	
	Exhaust	25.3 (0.996)	
Diameter "d2"*2	Intake	33.1 - 33.6 (1.303 - 1.323)	
	Exhaust	26.9 - 27.4 (1.059 - 1.079)	
Angle "α1"	Intake	60°	
	Exhaust	45°	
Angle "α2"		88°45' - 90°15'	
Angle "α3"		120°	
Contacting width "W"*3	Intake	1.0 - 1.4 (0.039 - 0.055)	
	Exhaust	1.2 - 1.6 (0.047 - 0.063)	
Height "h"	Intake	5.9 - 6.0 (0.232 - 0.236)	5.03 - 5.13 (0.1980 - 0.2020)
	Exhaust	5.9 - 6.0 (0.232 - 0.236)	4.95 - 5.05 (0.1949 - 0.1988)
Depth "H"	Intake	6.04 (0.2378)	
	Exhaust	6.05 (0.2382)	

*: Diameter made by intersection point of conic angles "α1" and "α2"

*2: Diameter made by intersection point of conic angles "α2" and "α3"

*3: Machining data

CAMSHAFT AND CAMSHAFT BEARING

Unit: mm (in)

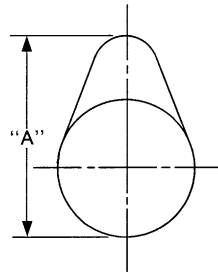
Items		Standard	Limit
Camshaft journal oil clearance	No. 1	0.045 - 0.086 (0.0018 - 0.0034)	0.15 (0.0059)
	No. 2, 3, 4, 5	0.030 - 0.071 (0.0012 - 0.0028)	
Camshaft bracket inner diameter	No. 1	28.000 - 28.021 (1.1024 - 1.1032)	—
	No. 2, 3, 4, 5	25.000 - 25.021 (0.9843 - 0.9851)	—
Camshaft journal diameter	No. 1	27.935 - 27.955 (1.0998 - 1.1006)	—
	No. 2, 3, 4, 5	24.950 - 24.970 (0.9823 - 0.9381)	—
Camshaft end play		0.075 - 0.153 (0.0030 - 0.0060)	0.24 (0.0094)
Camshaft cam height "A"	Intake	44.605 - 44.795 (1.7560 - 1.7635)	44.405 (1.7482)
	Exhaust	43.175 - 43.365 (1.6997 - 1.7072)	42.975 (1.6919)

SERVICE DATA AND SPECIFICATIONS (SDS)

< SERVICE INFORMATION >

[MR20DE]

Camshaft runout [TIR*]	Less than 0.02 mm (0.0008)	0.05 (0.0020)
Camshaft sprocket runout [TIR*]	—	0.15 (0.0059)

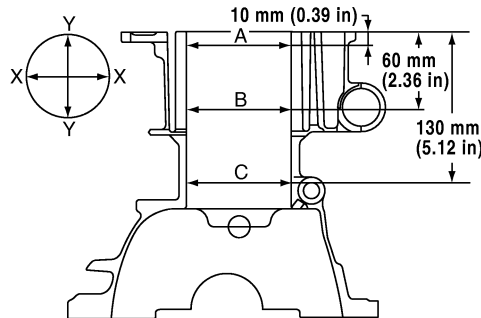


SEM671

*: Total indicator reading

CYLINDER BLOCK

Unit: mm (in)



PBIC4017E

Top surface distortion		Limit	0.1 (0.004)
Cylinder bore	Inner diameter	Standard	Grade No. 1
			Grade No. 2
Out-of-round (Difference between "X" and "Y")		Limit	0.015 (0.0006)
Taper (Difference between "A" and "C")		Limit	0.01 (0.0004)
Main bearing housing inner diameter grade		Grade No. A	55.997 - 55.998 (2.2046 - 2.2046)
		Grade No. B	55.998 - 55.999 (2.2046 - 2.2047)
		Grade No. C	55.999 - 56.000 (2.2047 - 2.2047)
		Grade No. D	56.000 - 56.001 (2.2047 - 2.2048)
		Grade No. E	56.001 - 56.002 (2.2048 - 2.2048)
		Grade No. F	56.002 - 56.003 (2.2048 - 2.2048)
		Grade No. G	56.003 - 56.004 (2.2048 - 2.2049)
		Grade No. H	56.004 - 56.005 (2.2049 - 2.2049)
		Grade No. J	56.005 - 56.006 (2.2049 - 2.2050)
		Grade No. K	56.006 - 56.007 (2.2050 - 2.2050)
		Grade No. L	56.007 - 56.008 (2.2050 - 2.2050)
		Grade No. M	56.008 - 56.009 (2.2050 - 2.2051)
		Grade No. N	56.009 - 56.010 (2.2051 - 2.2051)
		Grade No. P	56.010 - 56.011 (2.2051 - 2.2052)
		Grade No. R	56.011 - 56.012 (2.2052 - 2.2052)
		Grade No. S	56.012 - 56.013 (2.2052 - 2.2052)
		Grade No. T	56.013 - 56.014 (2.2052 - 2.2053)
Grade No. U	56.014 - 56.015 (2.2053 - 2.2053)		
Grade No. V	56.015 - 56.016 (2.2053 - 2.2053)		
Grade No. W	56.016 - 56.017 (2.2053 - 2.2054)		

PISTON, PISTON RING AND PISTON PIN

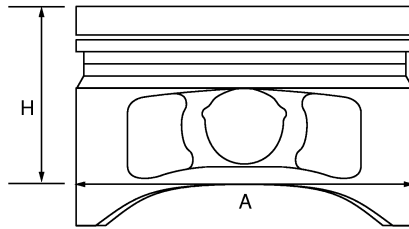
Available Piston

SERVICE DATA AND SPECIFICATIONS (SDS)

< SERVICE INFORMATION >

[MR20DE]

Unit: mm (in)



PBIC0188E

Piston skirt diameter "A"	Standard	Grade No. 1	83.970 - 83.980 (3.3059 - 3.3063)
		Grade No. 2	83.980 - 83.990 (3.3063 - 3.3067)
Piston height "H" dimension			39.9 (1.571)
Piston pin hole diameter			19.993 - 19.999 (0.7871 - 0.7874)
Piston to cylinder bore clearance	Standard		0.020 - 0.040 (0.0008 - 0.0016)
	Limit		0.08 (0.0031)

Piston Ring

Unit: mm (in)

Items		Standard	Limit
Side clearance	Top	0.04 - 0.08 (0.002 - 0.003)	0.11 (0.0043)
	2nd	0.03 - 0.07 (0.001 - 0.003)	0.10 (0.0039)
	Oil ring	0.015 - 0.185 (0.001 - 0.007)	—
End gap	Top	0.20 - 0.30 (0.008 - 0.012)	0.51 (0.020)
	2nd	0.50 - 0.65 (0.020 - 0.026)	0.83 (0.033)
	Oil (rail ring)	0.15 - 0.45 (0.006 - 0.018)	0.78 (0.031)

Piston Pin

Unit: mm (in)

Items	Standard	Limit
Piston pin outer diameter	19.989 - 19.995 (0.7870 - 0.7872)	—
Piston to piston pin oil clearance	0.002 - 0.006 (0.0001 - 0.0002)	—
Connecting rod bushing oil clearance	0.005 - 0.023 (0.0002 - 0.0009)	0.03 (0.0012)

CONNECTING ROD

Unit: mm (in)

Center distance		138.97 - 139.07 (5.47 - 5.48)
Bend [per 100 (3.94)]	Limit	0.15 (0.0059)
Torsion [per 100 (3.94)]	Limit	0.30 (0.0118)
Connecting rod bushing inner diameter*		20.000 - 20.012 (0.7874 - 0.7879)

SERVICE DATA AND SPECIFICATIONS (SDS)

< SERVICE INFORMATION >

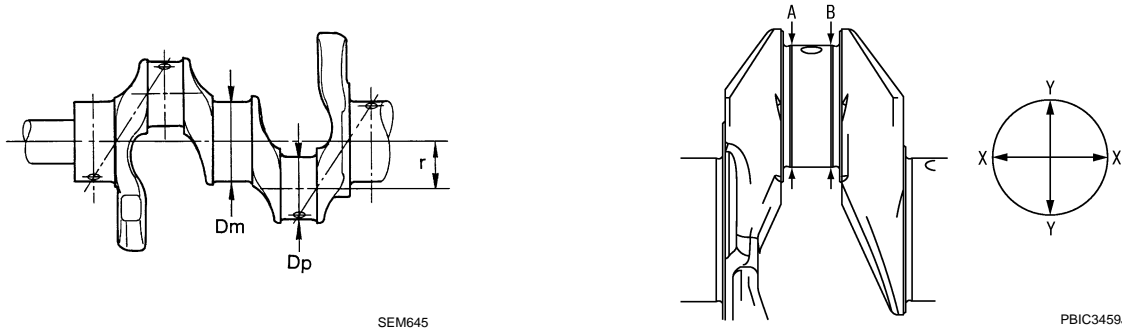
[MR20DE]

Side clearance	Standard	0.20 - 0.35 (0.0079 - 0.0138)	
	Limit	0.40 (0.0157)	A
Connecting rod big end diameter	Grade No. A	47.000 - 47.001 (1.8504 - 1.8504)	
	Grade No. B	47.001 - 47.002 (1.8504 - 1.8505)	
	Grade No. C	47.002 - 47.003 (1.8505 - 1.8505)	EM
	Grade No. D	47.003 - 47.004 (1.8505 - 1.8505)	
	Grade No. E	47.004 - 47.005 (1.8505 - 1.8506)	
	Grade No. F	47.005 - 47.006 (1.8506 - 1.8506)	
	Grade No. G	47.006 - 47.007 (1.8506 - 1.8507)	C
	Grade No. H	47.007 - 47.008 (1.8507 - 1.8507)	
	Grade No. J	47.008 - 47.009 (1.8507 - 1.8507)	
	Grade No. K	47.009 - 47.010 (1.8507 - 1.8508)	D
	Grade No. L	47.010 - 47.011 (1.8508 - 1.8508)	
	Grade No. M	47.011 - 47.012 (1.8508 - 1.8509)	
	Grade No. N	47.012 - 47.013 (1.8509 - 1.8509)	E

*: After installing in connecting rod

CRANKSHAFT

Unit: mm (in)



Center distance "r"		40.41 - 40.49 (1.5909 - 1.5940)	
Out-of-round (Difference between "X" and "Y")	Limit	0.0035 (0.0001)	J
Taper (Difference between "A" and "B")	Limit	0.0035 (0.0001)	
Runout [TIR*]	Standard	0.05 (0.0020)	K
	Limit	0.10 (0.0040)	
Crankshaft end play	Standard	0.10 - 0.26 (0.0039 - 0.0102)	L
	Limit	0.30 (0.012)	

SERVICE DATA AND SPECIFICATIONS (SDS)

< SERVICE INFORMATION >

[MR20DE]

Pin journal diameter grade. "Dp"	Grade No. A	43.970 - 43.971 (1.7311 - 1.7311)
	Grade No. B	43.969 - 43.970 (1.7311 - 1.7311)
	Grade No. C	43.968 - 43.969 (1.7310 - 1.7311)
	Grade No. D	43.967 - 43.968 (1.7310 - 1.7310)
	Grade No. E	43.966 - 43.967 (1.7309 - 1.7310)
	Grade No. F	43.965 - 43.966 (1.7309 - 1.7309)
	Grade No. G	43.964 - 43.965 (1.7309 - 1.7309)
	Grade No. H	43.963 - 43.964 (1.7308 - 1.7309)
	Grade No. J	43.962 - 43.963 (1.7308 - 1.7308)
	Grade No. K	43.961 - 43.962 (1.7307 - 1.7308)
	Grade No. L	43.960 - 43.961 (1.7307 - 1.7307)
	Grade No. M	43.959 - 43.960 (1.7307 - 1.7307)
	Grade No. N	43.958 - 43.959 (1.7306 - 1.7307)
	Grade No. P	43.957 - 43.958 (1.7306 - 1.7306)
Main journal diameter grade. "Dm"	Grade No. A	51.978 - 51.979 (2.0464 - 2.0464)
	Grade No. B	51.977 - 51.978 (2.0463 - 2.0464)
	Grade No. C	51.976 - 51.977 (2.0463 - 2.0463)
	Grade No. D	51.975 - 51.976 (2.0463 - 2.0463)
	Grade No. E	51.974 - 51.975 (2.0462 - 2.0463)
	Grade No. F	51.973 - 51.974 (2.0462 - 2.0462)
	Grade No. G	51.972 - 51.973 (2.0461 - 2.0462)
	Grade No. H	51.971 - 51.972 (2.0461 - 2.0461)
	Grade No. J	51.970 - 51.971 (2.0461 - 2.0461)
	Grade No. K	51.969 - 51.970 (2.0460 - 2.0461)
	Grade No. L	51.968 - 51.969 (2.0460 - 2.0460)
	Grade No. M	51.967 - 51.968 (2.0459 - 2.0460)
	Grade No. N	51.966 - 51.967 (2.0459 - 2.0459)
	Grade No. P	51.965 - 51.966 (2.0459 - 2.0459)
Grade No. R	51.964 - 51.965 (2.0458 - 2.0459)	
Grade No. S	51.963 - 51.964 (2.0458 - 2.0458)	
Grade No. T	51.962 - 51.963 (2.0457 - 2.0458)	
Grade No. U	51.961 - 51.962 (2.0457 - 2.0457)	
Grade No. V	51.960 - 51.961 (2.0457 - 2.0457)	
Grade No. W	51.959 - 51.960 (2.0456 - 2.0457)	

*: Total indicator reading

MAIN BEARING

Unit: mm (in)

Grade number	Thickness	Identification color	Remarks
0	1.996 - 1.999 (0.0786 - 0.0787)	Black	Grade and color are the same for upper and lower bearings.
1	1.999 - 2.002 (0.0787 - 0.0788)	Brown	
2	2.002 - 2.005 (0.0788 - 0.0789)	Green	
3	2.005 - 2.008 (0.0789 - 0.0791)	Yellow	
4	2.008 - 2.011 (0.0791 - 0.0792)	Blue	
5	2.011 - 2.014 (0.0792 - 0.0793)	Pink	
6	2.014 - 2.017 (0.0793 - 0.0794)	Purple	
7	2.017 - 2.020 (0.0794 - 0.0795)	White	

SERVICE DATA AND SPECIFICATIONS (SDS)

< SERVICE INFORMATION >

[MR20DE]

01	UPR	1.996 - 1.999 (0.0786 - 0.0787)	Black	Grade and color are different between upper and lower bearings.
	LWR	1.999 - 2.002 (0.0787 - 0.0788)	Brown	
12	UPR	1.999 - 2.002 (0.0787 - 0.0788)	Brown	
	LWR	2.002 - 2.005 (0.0788 - 0.0789)	Green	
23	UPR	2.002 - 2.005 (0.0788 - 0.0789)	Green	
	LWR	2.005 - 2.008 (0.0789 - 0.0791)	Yellow	
34	UPR	2.005 - 2.008 (0.0789 - 0.0791)	Yellow	
	LWR	2.008 - 2.011 (0.0791 - 0.0792)	Blue	
45	UPR	2.008 - 2.011 (0.0791 - 0.0792)	Blue	
	LWR	2.011 - 2.014 (0.0792 - 0.0793)	Pink	
56	UPR	2.011 - 2.014 (0.0792 - 0.0793)	Pink	
	LWR	2.014 - 2.017 (0.0793 - 0.0794)	Purple	
67	UPR	2.014 - 2.017 (0.0793 - 0.0794)	Purple	
	LWR	2.017 - 2.020 (0.0794 - 0.0795)	White	

A
EM
C
D
E
F

Undersize

Unit: mm (in)

Item	Thickness	Main journal diameter
US 0.25 (0.0098)	2.126 - 2.134 (0.0837 - 0.0840)	Grind so that bearing clearance is the specified value.

G

Bearing Oil Clearance

Unit: mm (in)

Main bearing oil clearance	Standard	No. 1, 4 and 5	0.024 - 0.034 (0.0009 - 0.0013)
		No. 2 and 3	0.012 - 0.022 (0.0005 - 0.0009)
	Limit	0.065 (0.0026)	

H
I

CONNECTING ROD BEARING

Grade number	Thickness mm (in)	Identification color	Remarks
0	1.494 - 1.497 (0.0588 - 0.0589)	Black	Grade and color are the same for upper and lower bearings.
1	1.497 - 1.500 (0.0589 - 0.0591)	Brown	
2	1.500 - 1.503 (0.0591 - 0.0592)	Green	
3	1.503 - 1.506 (0.0592 - 0.0593)	Yellow	
4	1.506 - 1.509 (0.0593 - 0.0594)	Blue	
01	UPR	1.494 - 1.497 (0.0588 - 0.0589)	Grade and color are different between upper and lower bearings.
	LWR	1.497 - 1.500 (0.0589 - 0.0591)	
12	UPR	1.497 - 1.500 (0.0589 - 0.0591)	
	LWR	1.500 - 1.503 (0.0591 - 0.0592)	
23	UPR	1.500 - 1.503 (0.0591 - 0.0592)	
	LWR	1.503 - 1.506 (0.0592 - 0.0593)	
34	UPR	1.503 - 1.506 (0.0592 - 0.0593)	
	LWR	1.506 - 1.509 (0.0593 - 0.0594)	

J
K
L
M
N
O
P

Undersize

Unit: mm (in)

Item	Thickness	Crank pin journal diameter
US 0.25 (0.0098)	1.623 - 1.631 (0.0639 - 0.0642)	Grind so that bearing clearance is the specified value.

Bearing Oil Clearance

Unit: mm (in)

SERVICE DATA AND SPECIFICATIONS (SDS)

< SERVICE INFORMATION >

[MR20DE]

Connecting rod bearing oil clearance	Standard	0.037 - 0.047 (0.0015 - 0.0019)
	Limit	0.07 (0.0028)

SERVICE INFORMATION

PRECAUTIONS

Precaution for Supplemental Restraint System (SRS) "AIR BAG" and "SEAT BELT PRE-TENSIONER"

INFOID:000000004777180

The Supplemental Restraint System such as "AIR BAG" and "SEAT BELT PRE-TENSIONER", used along with a front seat belt, helps to reduce the risk or severity of injury to the driver and front passenger for certain types of collision. This system includes seat belt switch inputs and dual stage front air bag modules. The SRS system uses the seat belt switches to determine the front air bag deployment, and may only deploy one front air bag, depending on the severity of a collision and whether the front occupants are belted or unbelted. Information necessary to service the system safely is included in the SRS and SB section of this Service Manual.

WARNING:

- To avoid rendering the SRS inoperative, which could increase the risk of personal injury or death in the event of a collision which would result in air bag inflation, all maintenance must be performed by an authorized NISSAN/INFINITI dealer.
- Improper maintenance, including incorrect removal and installation of the SRS can lead to personal injury caused by unintentional activation of the system. For removal of Spiral Cable and Air Bag Module, see the SRS section.
- Do not use electrical test equipment on any circuit related to the SRS unless instructed to in this Service Manual. SRS wiring harnesses can be identified by yellow and/or orange harnesses or harness connectors.
- When working near the Airbag Diagnosis Sensor Unit or other Airbag System sensors with the Ignition ON or engine running, DO NOT use air or electric power tools or strike near the sensor(s) with a hammer. Heavy vibration could activate the sensor(s) and deploy the air bag(s), possibly causing serious injury.
- When using air or electric power tools or hammers, always switch the Ignition OFF, disconnect the battery, and wait at least 3 minutes before performing any service.

Precaution Necessary for Steering Wheel Rotation After Battery Disconnect

INFOID:000000004777179

NOTE:

- This Procedure is applied only to models with Intelligent Key system and NATS (NISSAN ANTI-THEFT SYSTEM).
- Remove and install all control units after disconnecting both battery cables with the ignition knob in the "LOCK" position.
- Always use CONSULT-III to perform self-diagnosis as a part of each function inspection after finishing work. If DTC is detected, perform trouble diagnosis according to self-diagnostic results.

For models equipped with the Intelligent Key system and NATS, an electrically controlled steering lock mechanism is adopted on the key cylinder.

For this reason, if the battery is disconnected or if the battery is discharged, the steering wheel will lock and steering wheel rotation will become impossible.

If steering wheel rotation is required when battery power is interrupted, follow the procedure below before starting the repair operation.

OPERATION PROCEDURE

1. Connect both battery cables.
 - NOTE:**
Supply power using jumper cables if battery is discharged.
2. Use the Intelligent Key or mechanical key to turn the ignition switch to the "ACC" position. At this time, the steering lock will be released.
3. Disconnect both battery cables. The steering lock will remain released and the steering wheel can be rotated.
4. Perform the necessary repair operation.
5. When the repair work is completed, return the ignition switch to the "LOCK" position before connecting the battery cables. (At this time, the steering lock mechanism will engage.)
6. Perform a self-diagnosis check of all control units using CONSULT-III.

PRECAUTIONS

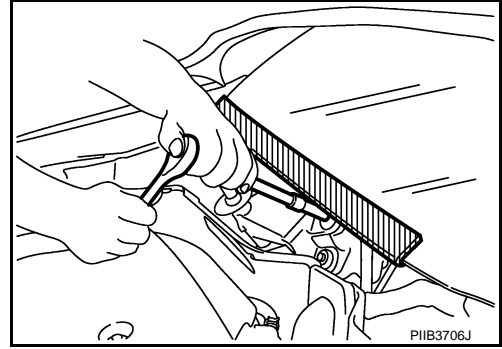
< SERVICE INFORMATION >

[QR25DE]

Precaution for Procedure without Cowl Top Cover

INFOID:000000004777181

When performing the procedure after removing cowl top cover, cover the lower end of windshield.



Precaution for Draining Coolant

INFOID:000000004409527

- Drain coolant when engine is cooled.

Precaution for Disconnecting Fuel Piping

INFOID:000000004409528

- Before starting work, make sure no fire or spark producing items are in the work area.
- Release fuel pressure before any removal or disassembly.
- After disconnecting pipes, plug openings to stop fuel leakage.

Precaution for Removal and Disassembly

INFOID:000000004409529

- When instructed to use special service tools, use the specified tools. Always be careful to work safely, avoid forceful operations.
- Use maximum care to avoid damage to mating or sliding surfaces.
- Cover openings of engine system with tape or equivalent, if necessary, to seal out foreign materials.
- Mark and arrange disassembly parts in an organized way for easy troubleshooting and assembly.
- When loosening nuts and bolts, as a basic rule, start with the one furthest outside, then the one diagonally opposite, and so on. If the order of loosening is specified, follow the specifications.

Precaution for Inspection, Repair and Replacement

INFOID:000000004409530

- Before repairing or replacing, thoroughly inspect parts. Inspect new replacement parts in the same way, and replace if necessary.

Precaution for Assembly and Installation

INFOID:000000004409531

- Use torque wrench to tighten bolts or nuts.
- When tightening nuts and bolts, as a basic rule, equally tighten in several different steps starting with the ones in center, then ones on inside and outside diagonally in this order. If the order of tightening is specified, follow the specifications.
- Always replace the old with a new gasket, packing, oil seal or O-ring.
- Thoroughly wash, clean, and air-blow each part. Carefully check oil or coolant passages for any restriction and blockage.
- Avoid damaging sliding or mating surfaces. Completely remove foreign materials such as cloth lint or dust. Before assembly, oil sliding surfaces well.
- Bleed the air trapped within the system after draining the coolant.
- Before starting engine, apply fuel pressure to fuel lines with turning ignition switch ON (with engine stopped). Then make sure that there are no leaks at fuel line connections.
- After repairing, start engine and increase engine speed to check coolant, fuel, oil, and exhaust systems for leakage or rattles.

Parts Requiring Angular Tightening

INFOID:000000004409532

- Use an angle wrench for the final tightening of the following engine parts.
 - Cylinder head bolts
 - Lower cylinder block bolts
 - Connecting rod cap bolts

PRECAUTIONS

[QR25DE]

< SERVICE INFORMATION >

- Crankshaft pulley bolt (No angle wrench is required as the bolt flange is provided with notches for angular tightening)
- Do not use a torque value for final tightening.
- The torque value for these parts are for a preliminary step.
- Ensure thread and seat surfaces are clean and coated with engine oil.

Precaution for Liquid Gasket

INFOID:000000004409533

REMOVAL OF LIQUID GASKET SEALING

- After removing the bolts and nuts, separate the mating surface and remove the sealant using Tool.

Tool number : KV10111100 (J-37228)

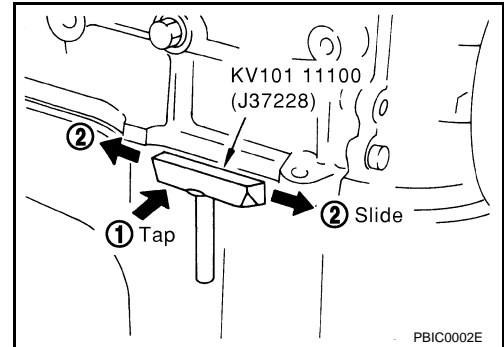
CAUTION:

Be careful not to damage the mating surfaces.

- In areas where the cutter is difficult to use, use a plastic hammer to lightly tap (1) the cutter where the RTV Silicone Sealant is applied. Use a plastic hammer to slide the cutter (2) by tapping on the side.

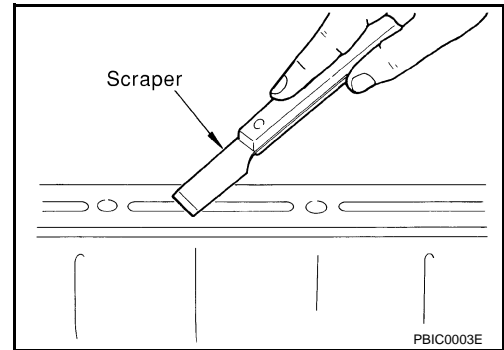
CAUTION:

If for some unavoidable reason a tool such as a flat-bladed screwdriver is used, be careful not to damage the mating surfaces.



LIQUID GASKET APPLICATION PROCEDURE

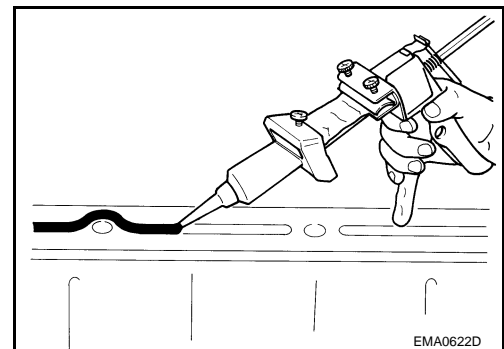
1. Using a scraper, remove the old Silicone RTV Sealant adhering to the gasket application surface and the mating surface.
 - Remove the sealant completely from the groove of the gasket application surface, mounting bolts, and bolt holes.
2. Thoroughly clean the gasket application surface and the mating surface and remove adhering moisture, grease and foreign materials.
3. Attach the sealant tube to the tube presser.
Use Genuine Silicone RTV Sealant or equivalent. Refer to [GI-42, "Recommended Chemical Product and Sealant"](#).



4. Apply the sealant using Tool without breaks to the specified location.

Tube presser WS39930000 (-)

- If there is a groove for the sealant application, apply the sealant to the groove.
- As for the bolt holes, normally apply the sealant inside the holes. If specified, it should be applied outside the holes. Make sure to read the text of this manual.
- Within five minutes of the sealant application, install the mating component.
- If the sealant protrudes, wipe it off immediately.
- Do not retighten after the installation.

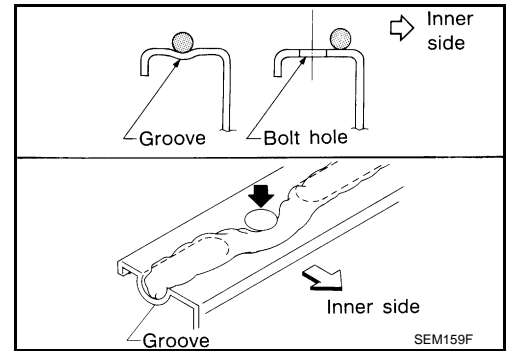


PRECAUTIONS

< SERVICE INFORMATION >

[QR25DE]

- After 30 minutes or more have passed from the installation, fill the engine with the specified oil and coolant. Refer to [MA-14](#).



CAUTION:
Follow all specific instructions in this manual.

PREPARATION

< SERVICE INFORMATION >

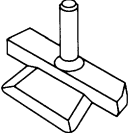
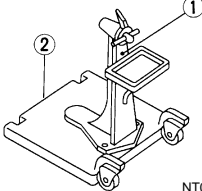
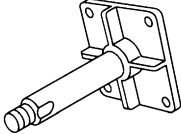
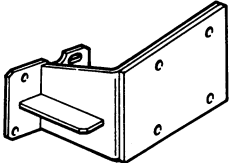
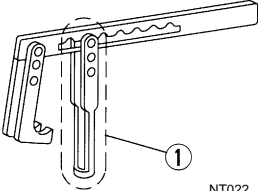
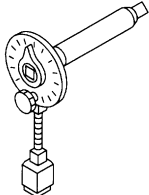
[QR25DE]

PREPARATION

Special Service Tool

INFOID:000000004409534

The actual shapes of the Kent-Moore tools may differ from those of the special service tools illustrated here.

Tool number (Kent-Moore No.) Tool name	Description	
KV10111100 (J-37228) Seal cutter	 S-NT046	Removing steel oil pan and rear timing chain case
ST0501S000 Engine stand assembly 1. ST05011000 (—) Engine stand 2. ST05012000 (—) Base	 NT042	Disassembling and assembling
KV10106500 (—) Engine stand shaft	 NT028	
KV10115300 (—) Engine sub-attachment	 ZZA1078D	
KV10116200 (J-26336-B) Valve spring compressor 1. KV10115900 (J-26336-20) Attachment	 NT022	Disassembling valve mechanism
KV10112100 (BT-8653-A) Angle wrench	 S-NT014	Tightening bolts for bearing cap, cylinder head, etc.

A

EM

C

D

E

F

G

H

I

J

K

L

M

N

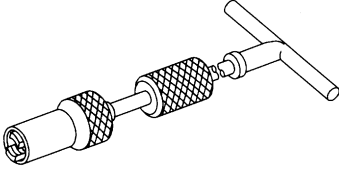
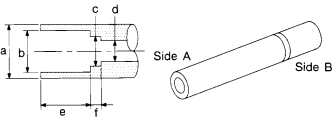
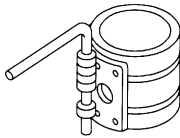
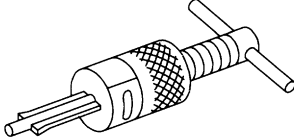
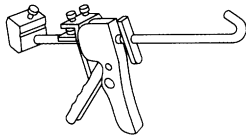
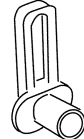
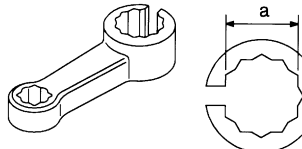
O

P

PREPARATION

< SERVICE INFORMATION >

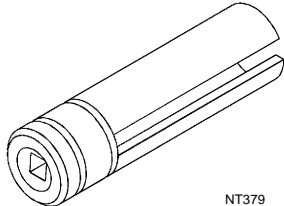
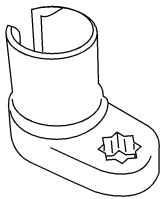
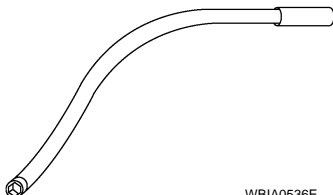
[QR25DE]

Tool number (Kent-Moore No.) Tool name	Description
KV10107902 (J-38959) Valve oil seal puller  <p style="text-align: center;">S-NT011</p>	Removing valve oil seal
KV10115600 (J-38958) Valve oil seal drift  <p style="text-align: center;">S-NT603</p>	Installing valve oil seal Use side A. a: 20 (0.79) dia. d: 8 (0.31) dia. b: 13 (0.51) dia. e: 10.7 (0.421) dia. c: 10.3 (0.406) dia. f: 5 (0.20) dia. Unit: mm (in)
EM03470000 (J-8037) Piston ring compressor  <p style="text-align: center;">S-NT044</p>	Installing piston assembly into cylinder bore
ST16610001 (J-23907) Pilot bushing puller  <p style="text-align: center;">S-NT045</p>	Removing crankshaft pilot bushing
WS39930000 (—) Tube presser  <p style="text-align: center;">S-NT052</p>	Pressing the tube of liquid gasket
16441 6N210 (J-45488) Quick connector release  <p style="text-align: center;">PBIC0198E</p>	Removing fuel tube quick connectors in engine room (Available in SEC. 164 of PARTS CATALOG: Part No. 16441 6N210)
KV10114400 (J-38365) Heated oxygen sensor wrench  <p style="text-align: center;">NT636</p>	Loosening or tightening rear heated oxygen sensor a: 22 mm (0.87 in)

PREPARATION

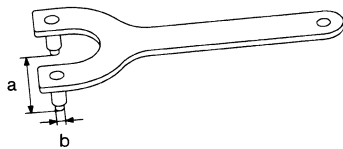
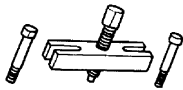
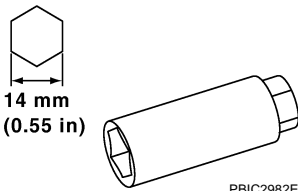
< SERVICE INFORMATION >

[QR25DE]

Tool number (Kent-Moore No.) Tool name	Description	
KV10117100 (J-36471-A) Heated oxygen sensor wrench  NT379	Loosening or tightening heated oxygen sensor For 22 mm (0.87 in) hexagon nut	A EM C
KV991J0050 (J-44626) Air fuel ratio (A/F) sensor wrench  LEM054	Loosening or tightening air fuel ratio (A/F) sensor 1	D E F
— (J-46535) Drive belt tension releaser  WBIA0536E	Releasing drive belt tension	G H

Commercial Service Tool


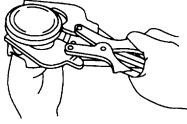
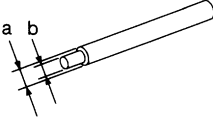
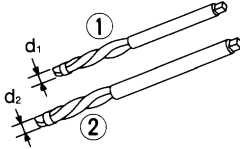
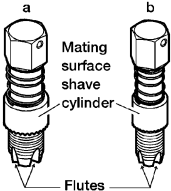
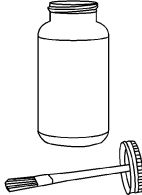
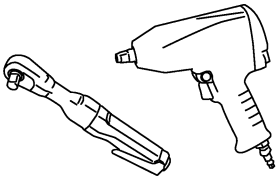
INFOID:000000004409535

Tool number (Kent-Moore No.) Tool name	Description	
Pulley holder  NT628	Crankshaft pulley removing and installing a: 68 mm (2.68 in) dia. b: 8 mm (0.31 in) dia.	J K L
Crank puller  ZZA0010D	Crankshaft pulley removing	M N O
Spark plug wrench  PBIC2982E	Removing and installing spark plug	P

PREPARATION

< SERVICE INFORMATION >

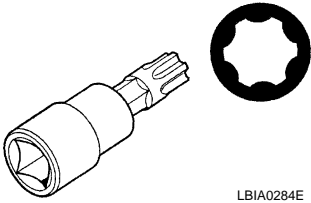
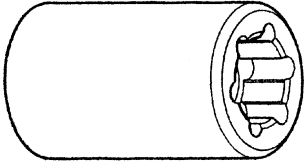
[QR25DE]

Tool number (Kent-Moore No.) Tool name	Description	
Valve seat cutter set  S-NT048	Finishing valve seat dimensions	
Piston ring expander  S-NT030	Removing and installing piston ring	
Valve guide drift  S-NT015	Removing and installing valve guide Intake & Exhaust: a: 9.5 mm (0.374 in) dia. b: 5.5 mm (0.217 in) dia.	
Valve guide reamer  S-NT016	1: Reaming valve guide inner hole 2: Reaming hole for oversize valve guide Intake & Exhaust: d1: 6.0 mm (0.236 in) dia. d2: 10.2 mm (0.402 in) dia.	
(J-43897-18) (J-43897-12) Oxygen sensor thread cleaner	 AEM488	Reconditioning the exhaust system threads before installing a new heated oxygen sensor (Use with anti-seize lubricant shown below.) a: J-43897-18 [18 mm (0.71 in) dia.] for zir- conia heated oxygen sensor b: J-43897-12 [12 mm (0.47 in) dia.] for tita- nia heated oxygen sensor
Anti-seize lubricant (Permatex 133AR or equivalent meeting MIL specifica- tion MIL-A-907)	 AEM489	Lubricating oxygen sensor thread cleaning tool when reconditioning exhaust system threads
Power tool	 PBIC0190E	Loosening bolts and nuts

PREPARATION

< SERVICE INFORMATION >

[QR25DE]

Tool number (Kent-Moore No.) Tool name	Description	
TP55 Torx® plus Bit  <p style="text-align: right; margin-right: 50px;">LBIA0284E</p>	Removing and installing M/T flywheel bolts	A EM C
E20 Torx® Socket (J-45816)  <p style="text-align: right; margin-right: 50px;">LBIA0285E</p>	Removing and installing CVT drive plate bolts	D E F

A
EM
 C
 D
 E
 F
 G
 H
 I
 J
 K
 L
 M
 N
 O
 P

NOISE, VIBRATION AND HARSHNESS (NVH) TROUBLESHOOTING

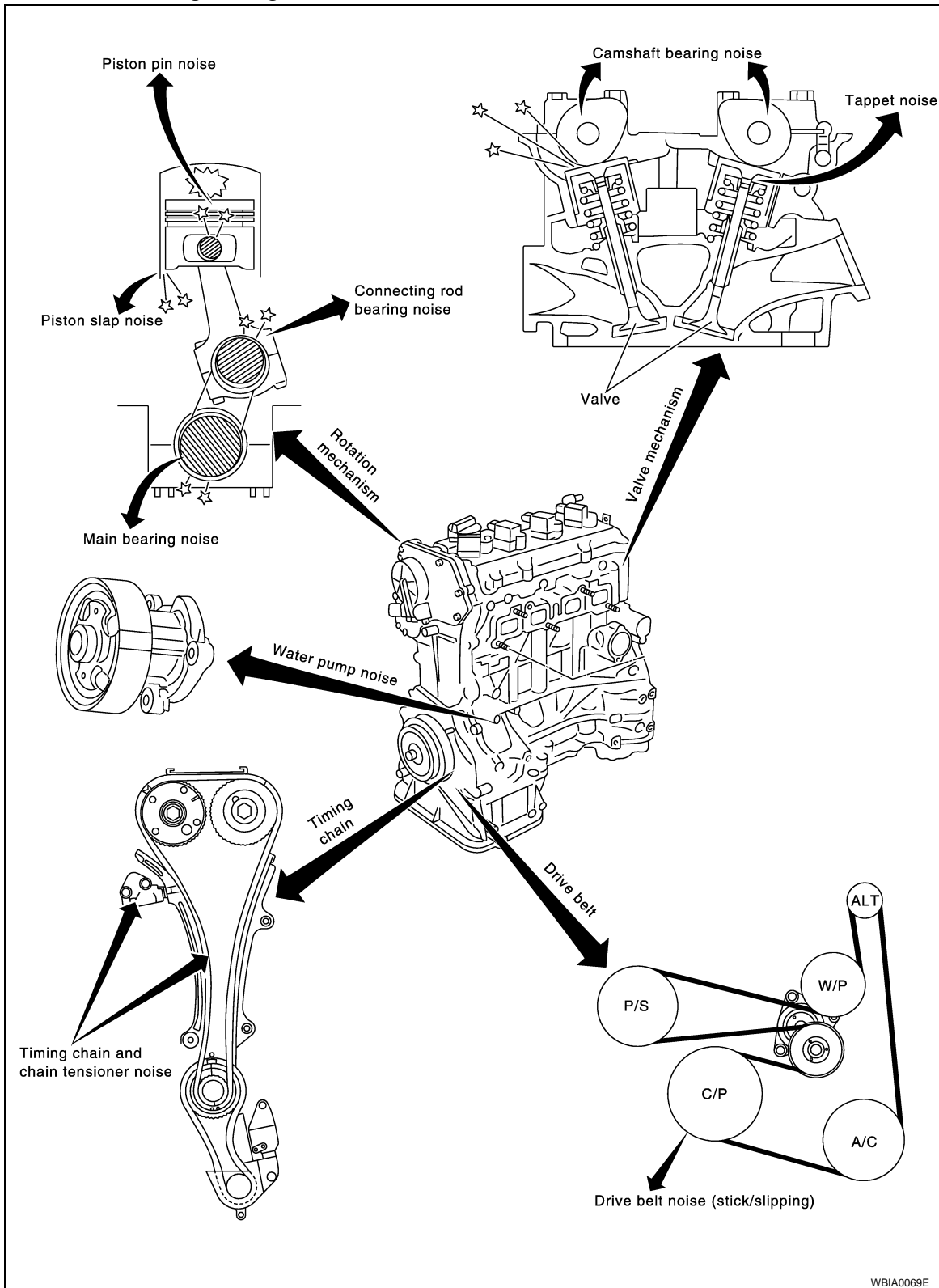
< SERVICE INFORMATION >

[QR25DE]

NOISE, VIBRATION AND HARSHNESS (NVH) TROUBLESHOOTING

NVH Troubleshooting - Engine Noise

INFOID:000000004409536



Use the Chart Below to Help You Find the Cause of the Symptom

INFOID:000000004409537

1. Locate the area where noise occurs.
2. Confirm the type of noise.

NOISE, VIBRATION AND HARSHNESS (NVH) TROUBLESHOOTING

< SERVICE INFORMATION >

[QR25DE]

3. Specify the operating condition of engine.

4. Check specified noise source.

If necessary, repair or replace these parts.

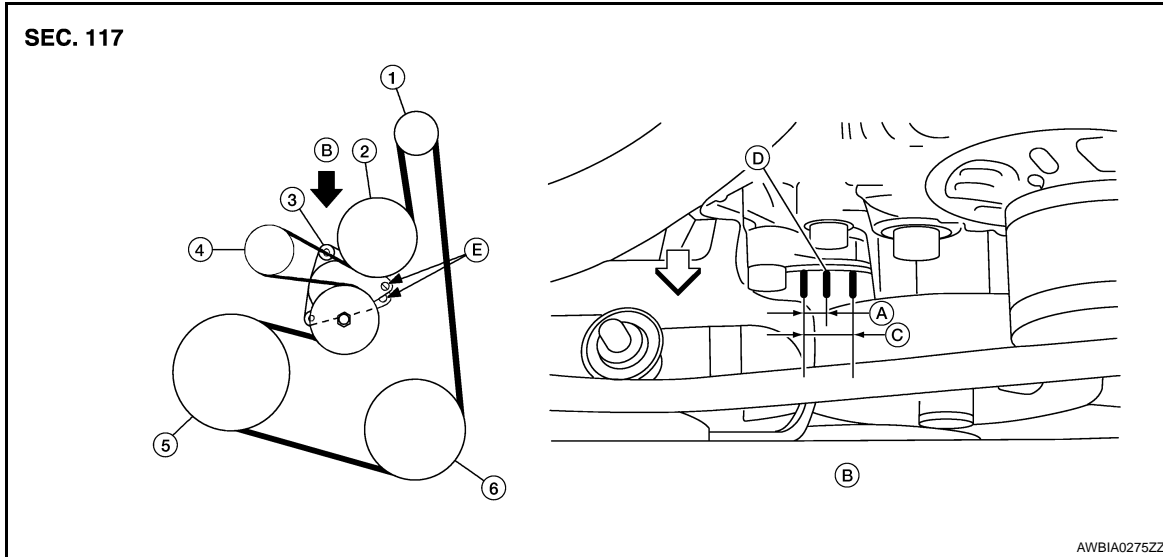
Location of noise	Type of noise	Operating condition of engine						Source of noise	Check item	Reference page
		Before warm-up	After warm-up	When starting	When idling	When racing	While driving			
Top of engine Rocker cover Cylinder head	Ticking or clicking	C	A	—	A	B	—	Tappet noise	Valve clearance	EM-158
	Rattle	C	A	—	A	B	C	Camshaft bearing noise	Camshaft journal clearance Camshaft runout	EM-150 EM-150
Crankshaft pulley Cylinder block (Side of engine) Oil pan	Slap or knock	—	A	—	B	B	—	Piston pin noise	Piston and piston pin clearance Connecting rod bushing clearance	EM-199 EM-199
	Slap or rap	A	—	—	B	B	A	Piston slap noise	Piston-to-bore clearance Piston ring side clearance Piston ring end gap Connecting rod bend and torsion	EM-199 EM-199 EM-199 EM-199
	Knock	A	B	C	B	B	B	Connecting rod bearing noise	Connecting rod bushing clearance (Small end) Connecting rod bearing clearance (Big end)	EM-199 EM-199
	Knock	A	B	—	A	B	C	Main bearing noise	Main bearing oil clearance Crankshaft runout	EM-199 EM-199
Front of engine Timing chain cover	Tapping or ticking	A	A	—	B	B	B	Timing chain and chain tensioner noise	Timing chain cracks and wear Timing chain tensioner operation	EM-161
Front of engine	Squeaking or fizzing	A	B	—	B	—	B	Drive belts (Sticking or slipping)	Drive belts deflection	EM-128
	Creaking	A	B	A	B	A	B	Drive belts (Slipping)	Idler pulley bearing operation	
	Squall Creak	A	B	—	B	A	B	Water pump noise	Water pump operation	CO-34

A: Closely related B: Related C: Sometimes related —: Not related

DRIVE BELTS

Checking Drive Belts

INFOID:000000004409538



- | | | |
|-----------------------------------|-----------------------------|------------------------------|
| 1. Generator pulley | 2. Water pump pulley | 3. Drive belt auto tensioner |
| 4. Idler pulley | 5. Crankshaft pulley | 6. A/C compressor pulley |
| A. Allowable use range (new belt) | B. View B | C. Allowable use range |
| D. Indicator (notch) | E. Temporary retaining boss | |

WARNING:

Inspect the drive belt only when the engine is stopped.

- Make sure that the indicator (notch on fixed side) of drive belt auto-tensioner is within the possible use range.

NOTE:

- Check the drive belt auto-tensioner indicator (notch) when the engine is cold.
- When the new drive belt is installed, the range of possible use should be as shown.
- Visually check entire belt for wear, damage or cracks.
- If the indicator is out of allowable use range or belt is damaged, replace the drive belt.

Tension Adjustment

INFOID:000000004409539

Belt tension is not manually adjustable, it is automatically adjusted by the drive belt auto-tensioner.

Removal and Installation

INFOID:000000004409540

REMOVAL

1. Securely hold the hexagonal part in pulley center of drive belt auto-tensioner, move in the direction of arrow (loosening direction of tensioner) using Tool.

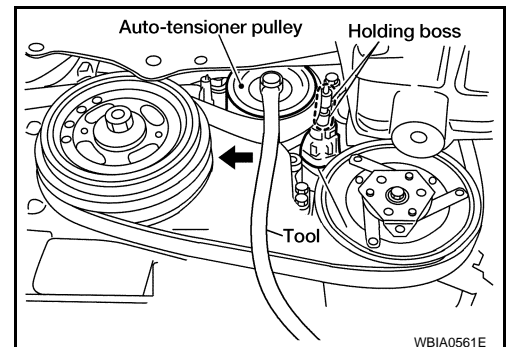
Tool number : — (J-46535)

WARNING:

Never place hand in a location where pinching may occur if the holding tool accidentally comes off.

CAUTION:

Do not loosen the auto-tensioner pulley bolt. (Do not turn it counterclockwise.) If turned counterclockwise, the complete auto-tensioner must be replaced as a unit, including pulley.



DRIVE BELTS

[QR25DE]

< SERVICE INFORMATION >

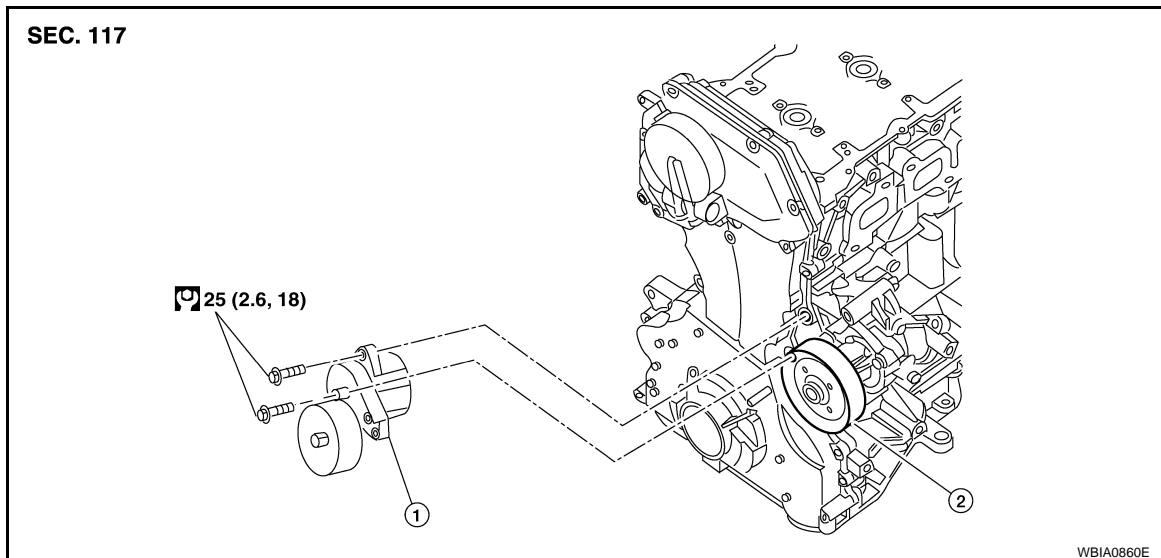
2. Insert a rod approximately 6 mm (0.24 in) in diameter through the rear of tensioner into retaining boss to lock tensioner pulley.
 - Leave tensioner pulley arm locked until belt is installed again.
3. Remove drive belt.

INSTALLATION

1. Install the drive belt onto all of the pulleys except for the water pump pulley. Install the drive belt onto water pump pulley last.
CAUTION:
Confirm drive belt is completely set on the pulleys.
2. Release drive belt auto-tensioner, and apply tension to drive belt.
WARNING:
Never place hand in a location where pinching may occur if the holding tool accidentally comes off.
CAUTION:
Make sure no engine oil, working fluid and engine coolant are adhered to drive belt and each pulley groove.
3. Turn crankshaft pulley clockwise several times to equalize tension between each pulley.
4. Confirm tension of drive belt at indicator is within the allowable use range. Refer to [EM-128, "Checking Drive Belts"](#).

Removal and Installation of Drive Belt Auto-tensioner

INFOID:000000004409541



1. Drive belt auto-tensioner
2. Water pump pulley

REMOVAL

CAUTION:

The complete auto-tensioner must be replaced as a unit, including the pulley.

1. Remove the front RH engine cover.
2. Remove the drive belt [EM-128, "Removal and Installation"](#).
3. Remove the generator. Refer to [SC-30, "Removal and Installation QR25DE"](#).
4. Remove the drive belt auto-tensioner, with power tool.

CAUTION:

Do not loosen the auto-tensioner pulley bolt. (Do not turn it counterclockwise). If turned counterclockwise, the complete auto-tensioner must be replaced as a unit, including pulley.

INSTALLATION

Installation is in the reverse order of removal.

CAUTION:

- If there is damage greater than peeled paint, replace drive belt auto-tensioner units

DRIVE BELTS

< SERVICE INFORMATION >

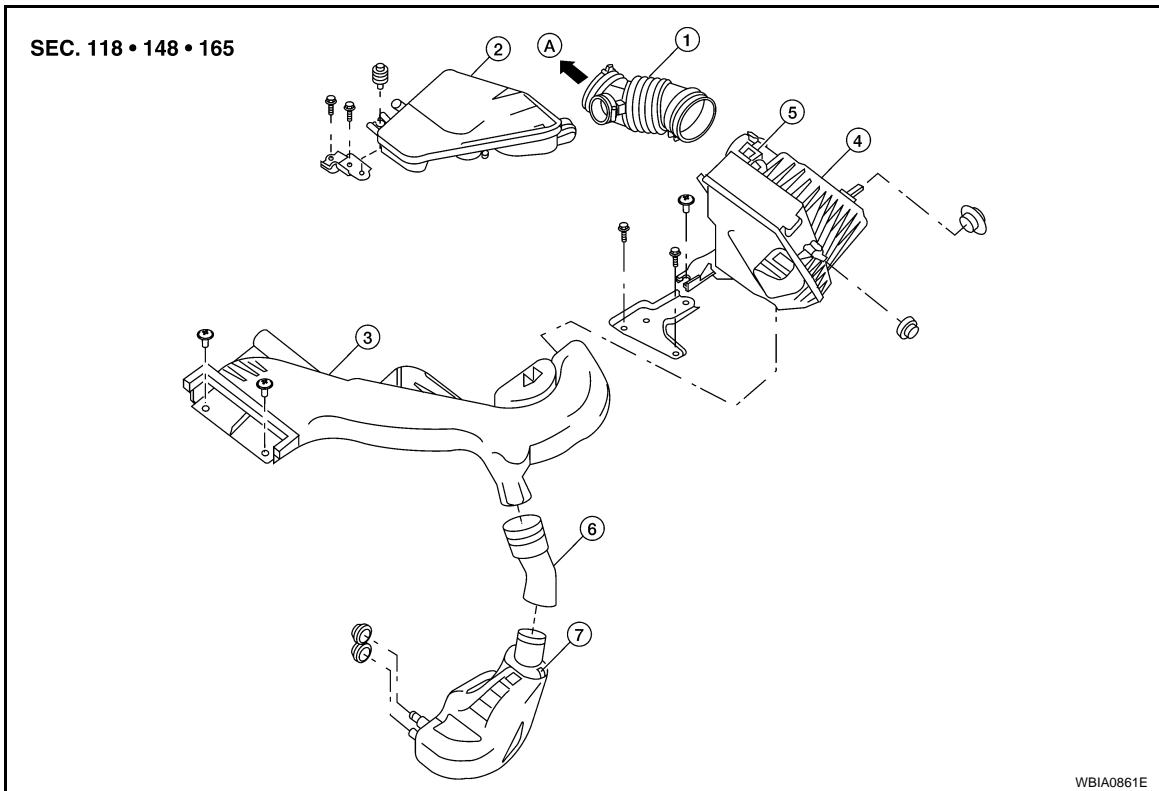
[QR25DE]

- Install the drive belt auto-tensioner carefully so not to damage the water pump pulley.
- Do not swap the pulley between the new and old auto-tensioner units

AIR CLEANER AND AIR DUCT

Removal and Installation

INFOID:000000004409542



- | | | |
|--|--|-------------------|
| 1. Electric throttle control actuator tube | 2. Air duct | 3. Front air duct |
| 4. Air cleaner case | 5. Mass air flow sensor | 6. Resonator tube |
| 7. Resonator in fender | A. To electric throttle control actuator | |

REMOVAL

1. Disconnect the mass air flow sensor electrical connector.
2. Disconnect the tube clamp at the electric throttle control actuator and the fresh air intake tube.
3. Remove air cleaner to electric throttle control actuator tube, air cleaner case, with mass air flow sensor attached.
 - Add marks as necessary for easier installation.
4. Remove mass air flow sensor from air cleaner case, as necessary.

CAUTION:
Handle the mass air flow sensor with care:

 - Do not shock it.
 - Do not disassemble it.
 - Do not touch the internal sensor.
5. Remove ECM bracket and CVT controller, as necessary.
6. Remove the resonator in the fender, as necessary.

INSTALLATION

- Installation is in the reverse order of removal.
- Align marks.
 - Attach each joint securely.
 - Screw clamps firmly.

CHANGING AIR CLEANER FILTER

1. Depress the air cleaner case lid side clips and remove.
2. Remove the air cleaner filter.
3. Install a new air cleaner filter.

AIR CLEANER AND AIR DUCT

< SERVICE INFORMATION >

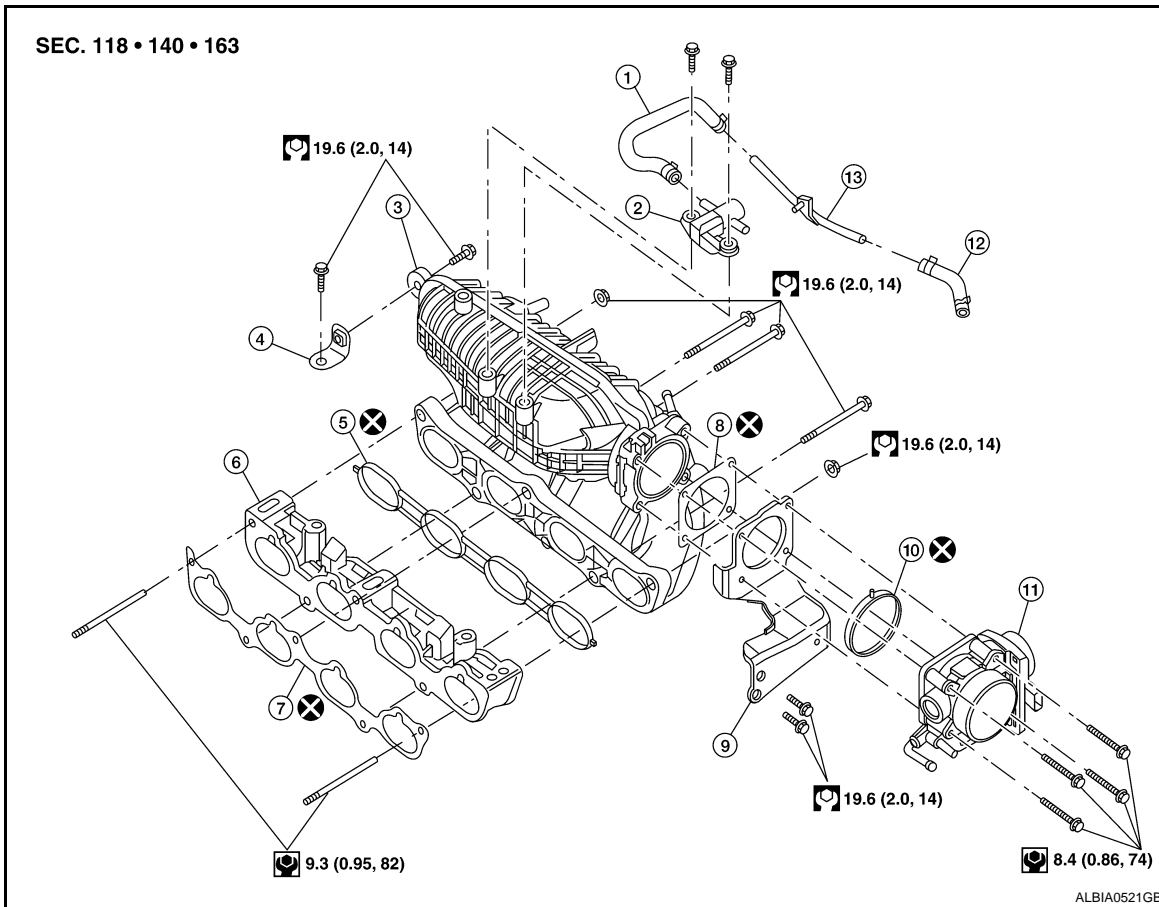
[QR25DE]

4. Installation is in the reverse order of removal.

INTAKE MANIFOLD

Removal and Installation

INFOID:000000004409543



- | | | |
|------------------------------------|--|-----------------------------------|
| 1. EVAP hose | 2. EVAP canister purge volume control solenoid | 3. Intake manifold |
| 4. Intake manifold support (front) | 5. Rubber seal | 6. Intake manifold adapter |
| 7. Gasket | 8. Gasket | 9. Intake manifold support (rear) |
| 10. Rubber seal | 11. Electric throttle control actuator | 12. PCV hose |
| 13. EVAP tube | | |

REMOVAL

WARNING:

To avoid the danger of being scalded, never drain the coolant when the engine is hot.

1. Remove the engine cover.
2. Release the fuel pressure. Refer to [EC-1161, "Fuel Pressure Check"](#).
3. Drain engine coolant from the radiator. Refer to [CO-39, "Changing Engine Coolant"](#).

CAUTION:

Perform this step when engine is cold.

4. Disconnect the MAF sensor electrical connector.
5. Remove air cleaner case and air duct assembly. Refer to [EM-131, "Removal and Installation"](#).
6. Remove cowl top. Refer to [EI-19, "Removal and Installation"](#).
7. Disconnect the following components at the intake side:
 - PCV hose
 - EVAP canister purge volume control solenoid
 - Electric throttle control actuator
 - Brake booster vacuum hose

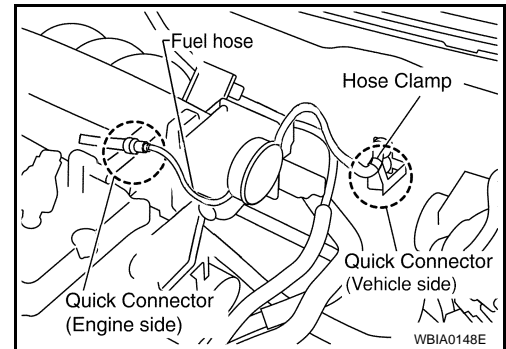
INTAKE MANIFOLD

[QR25DE]

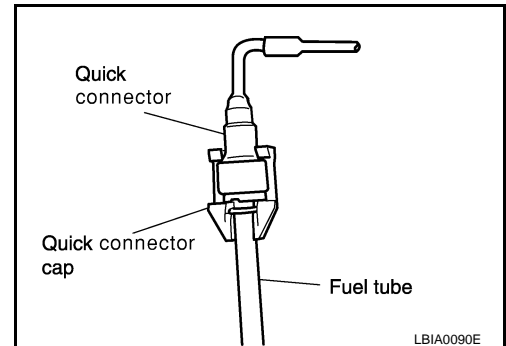
< SERVICE INFORMATION >

8. Disconnect the fuel quick connector on the engine side.
- Using Tool perform the following steps to disconnect the quick connector.

Tool number : — (J-45488)



- a. Remove quick connector cap.



- b. With the sleeve side of Tool facing quick connector, install Tool onto fuel tube.
- c. Insert Tool into quick connector until sleeve contacts and goes no further. Hold the Tool on that position.

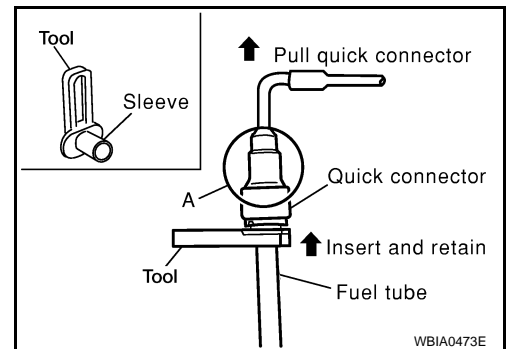
CAUTION:

Inserting the Tool hard will not disconnect quick connector. Hold Tool where it contacts and goes no further.

- d. Pull the quick connector straight out from the fuel tube.

CAUTION:

- Pull quick connector holding it at the "A" position, as shown.
- Do not pull with lateral force applied. O-ring inside quick connector may be damaged.
- Prepare container and cloth beforehand as fuel will leak out.
- Avoid fire and sparks.
- Be sure to cover openings of disconnected pipes with plug or plastic bag to avoid fuel leakage and entry of foreign materials.



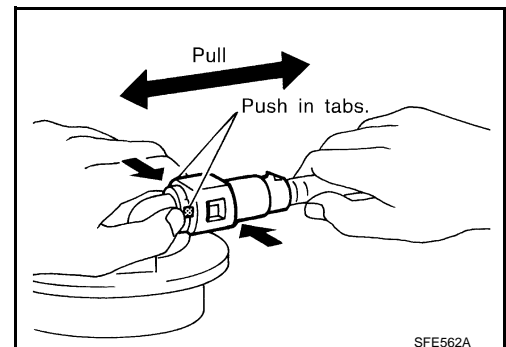
9. When removing fuel hose quick connector at vehicle piping side, perform as follows.

- a. Remove quick connector cap.

- b. Hold the sides of the connector, push in tabs and pull out the tube. (The figure is shown for reference only.)
- If the connector and the tube are stuck together, push and pull several times until they start to move. Then disconnect them by pulling.

CAUTION:

- The tube can be removed when the tabs are completely depressed. Do not twist it more than necessary.
- Do not use any tools to remove the quick connector.
- Keep the resin tube away from heat. Be especially careful when welding near the tube.
- Prevent acid liquid such as battery electrolyte etc. from getting on the resin tube.
- Do not bend or twist the tube during installation and removal.
- Do not remove the remaining retainer on tube.
- When the tube is replaced, also replace the retainer with a new one.



INTAKE MANIFOLD

[QR25DE]

< SERVICE INFORMATION >

Retainer color: Green.

- To keep clean the connecting portion and to avoid damage and foreign materials, cover them completely with plastic bags or something similar.

10. Loosen mounting bolts diagonally, and remove the electric throttle control actuator.

CAUTION:

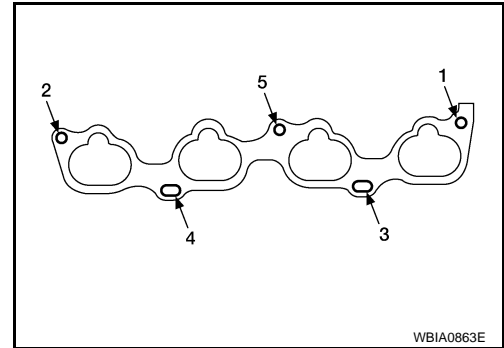
- Handle carefully to avoid any shock to electric throttle control actuator.
- Never disassemble.

11. Disconnect intake manifold collector harness, and vacuum hose.

CAUTION:

Cover engine openings to avoid entry of foreign materials.

12. Loosen the bolts in the order shown to remove the intake manifold assembly, using power tools.



Inspection After Removal

Surface Distortion

- Using straightedge and feeler gauge, inspect surface distortion of intake manifold adapter and intake manifold surface.

Limit : 0.1 mm (0.004 in)

INSTALLATION

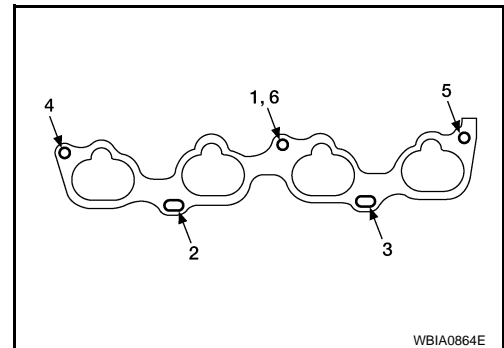
- Install the intake manifold bolts and nuts in the reverse order of removal, following the tightening sequences below.

Tightening Intake Manifold Bolts and Nuts

- Tighten in numerical order as shown.

CAUTION:

After tightening No.5, retighten the No.1 bolt to specification.



Tightening Intake Manifold Support Bolts

- Tighten the intake manifold support bolts following the tightening sequence below.
- Temporarily tighten the intake manifold support (rear) bolts.
- Tighten the electric throttle control actuator bolts.
- Tighten the intake manifold support (rear) bolts.
- Temporarily tighten the intake manifold support (front) bolts (intake manifold side).
- Tighten the intake manifold support (front) bolts (engine side).
- Tighten the intake manifold support (front) bolts (intake manifold side).

Installation of Electric Throttle Control Actuator:

- Tighten the mounting bolts of electric throttle control actuator equally and diagonally in several steps.
- After installation perform procedure in "INSPECTION AFTER INSTALLATION".

CONNECTING QUICK CONNECTOR ON THE FUEL HOSE (ENGINE SIDE)

1. Make sure no foreign substances are deposited in and around the fuel tube and quick connector, and there is no damage to them.

INTAKE MANIFOLD

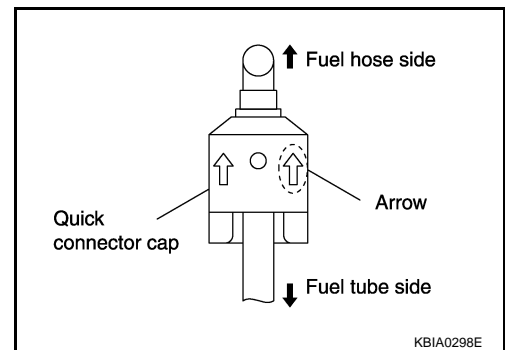
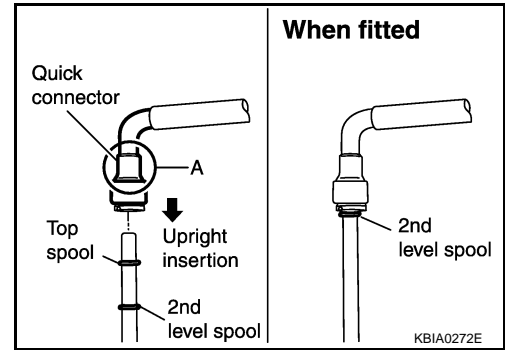
[QR25DE]

< SERVICE INFORMATION >

- Thinly apply new engine oil around the fuel tube tip end.
- Align center to insert quick connector straight into fuel tube.
 - Insert fuel tube into quick connector until the top spool on fuel tubes is inserted completely and the second level spool is positioned slightly below the quick connector bottom end.

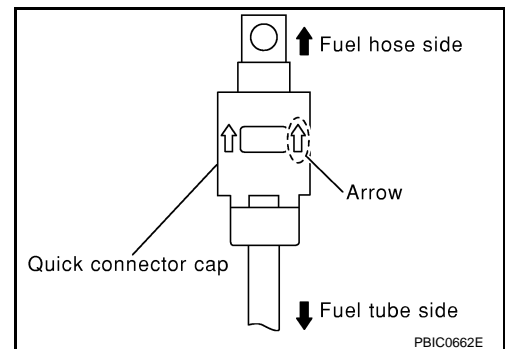
CAUTION:

- Hold at position "A" as shown, when inserting the fuel tube into the quick connector.
 - Carefully align to center to avoid inclined insertion to prevent damage to the O-ring inside the quick connector.
 - Insert the fuel tube until you hear a "click" sound and actually feel the engagement.
 - To avoid misidentification of engagement with a similar sound, be sure to perform the next step.
- Before clamping the fuel hose with the hose clamp, pull the quick connector hard by hand, holding at the "A" position, as shown. Make sure it is completely engaged (connected) so that it does not come off of the fuel tube.
NOTE:
Recommended pulling force is 50 N (5.1 kg-f, 11.2 lb-f).
 - Install quick connector cap on quick connector joint.
 - Direct arrow mark on quick connector cap to upper side (fuel hose side).
 - Install fuel hose to hose clamp.



CONNECTING QUICK CONNECTOR ON THE FUEL HOSE (VEHICLE PIPING SIDE)

- Make sure no foreign substances are deposited in and around the fuel tube and quick connector, and there is no damage to them.
- Align center to insert quick connector straight into fuel tube.
 - Insert fuel tube until a click is heard.
 - Install quick connector cap on quick connector joint. Direct arrow mark on quick connector cap upper side.
 - Install fuel hose to hose clamp.



INSPECTION AFTER INSTALLATION

Make sure there is no fuel leakage at connections as follows:

- Apply fuel pressure to fuel lines by turning ignition switch ON (with engine stopped). Then check for fuel leaks at connections.
- Start the engine and rev it up and check for fuel leaks at connections.

NOTE:

Use mirrors for checking on connections out of the direct line of sight.

CAUTION:

Do not touch engine immediately after stopping as engine is extremely hot.

- Perform procedures for "Throttle Valve Closed Position Learning" after finishing repairs. Refer to [EC-1159, "Throttle Valve Closed Position Learning"](#).
- If electric throttle control actuator is replaced, perform procedures for "Idle Air Volume Learning" after finishing repairs. Refer to [EC-1159, "Idle Air Volume Learning"](#).

EXHAUST MANIFOLD AND THREE WAY CATALYST

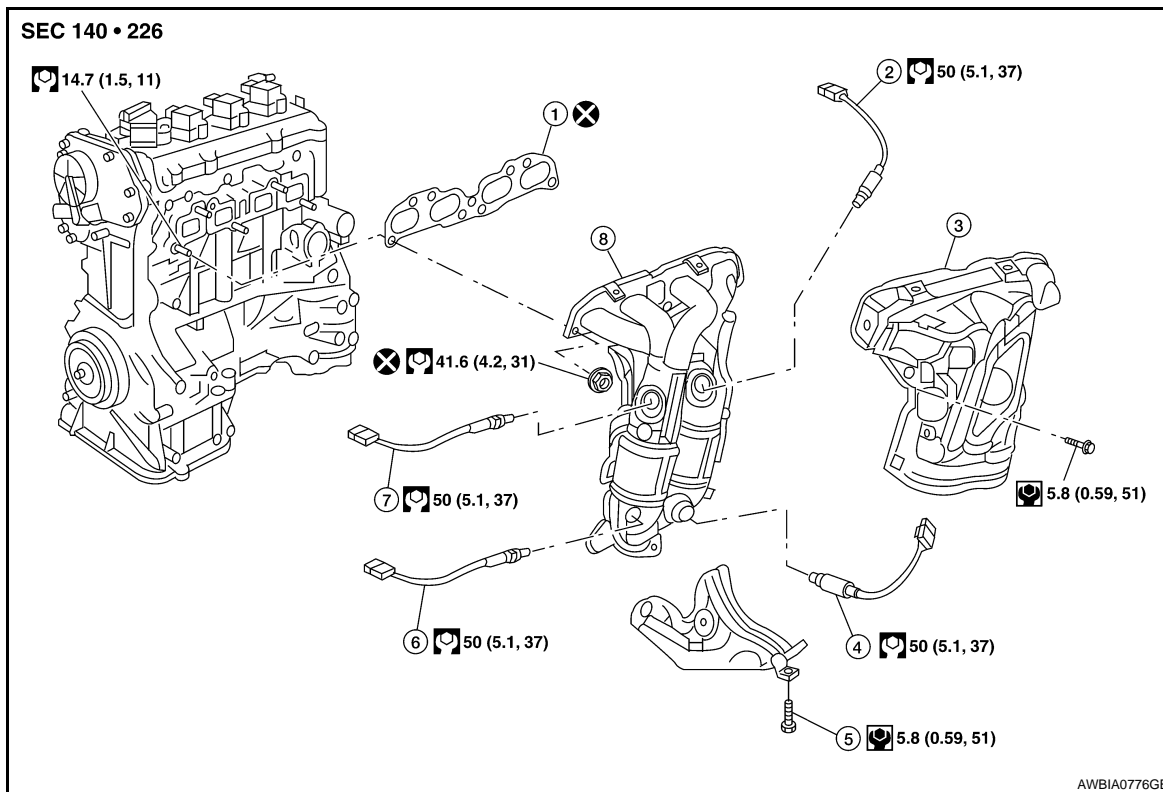
< SERVICE INFORMATION >

[QR25DE]

EXHAUST MANIFOLD AND THREE WAY CATALYST

Removal and Installation

INFOID:000000004409544



- | | | |
|----------------------------------|--------------------------------------|---|
| 1. Exhaust manifold gasket | 2. Heated oxygen sensor 1 | 3. Exhaust manifold cover (upper and lower) |
| 4. Air fuel ratio (A/F) sensor 1 | 5. Exhaust manifold cover lower bolt | 6. Air fuel ratio (A/F) sensor 2 |
| 7. Heated oxygen sensor 2 | 8. Exhaust manifold assembly | |

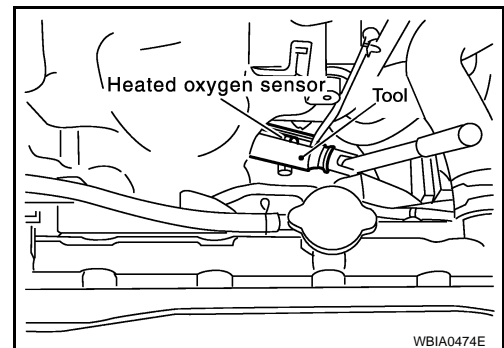
REMOVAL

1. Remove the engine undercover and engine side covers.
2. Remove generator and generator bracket. Refer to [SC-30, "Removal and Installation QR25DE"](#).
3. Remove the exhaust front tube. Refer to [EX-9, "Component"](#).
4. Remove oil level indicator tube.
5. Disconnect the electrical connector of heated oxygen sensor 1 or air fuel ratio (A/F) sensor 1, and unhook the harness from the bracket and middle clamp on the cover.
6. Remove the heated oxygen sensor 1 or air fuel ratio (A/F) sensor 1 using Tool.

Tool numbers : KV991J0050 (J-44626)
: KV10117100 (J-36471-A)

CAUTION:

- Be careful not to damage heated oxygen sensor or air fuel ratio (A/F) sensor.
- Discard any heated oxygen sensor or air fuel ratio (A/F) sensor which has been dropped from a height of more than 0.5 m (19.7 in) onto a hard surface such as a concrete floor; use a new one.



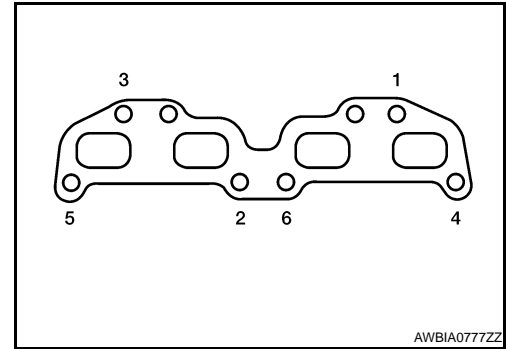
7. Remove the lower exhaust manifold covers.
8. Remove the upper exhaust manifold cover.

EXHAUST MANIFOLD AND THREE WAY CATALYST

[QR25DE]

< SERVICE INFORMATION >

- Loosen the nuts in reverse order as shown, on the exhaust manifold and three way catalyst.
- Remove the exhaust manifold and three way catalyst assembly and gasket. Discard the gasket.

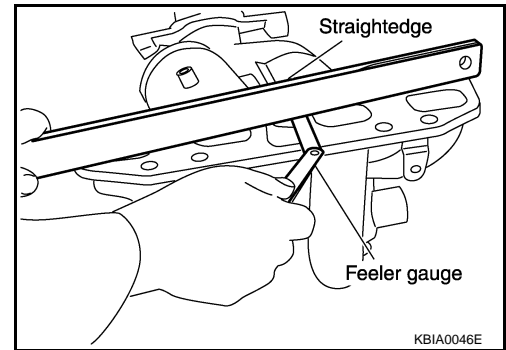


INSPECTION AFTER REMOVAL

Surface Distortion

- Use a reliable straightedge and feeler gauge to check the flatness of exhaust manifold fitting surface.

Limit : 0.7 mm (0.0276 in)

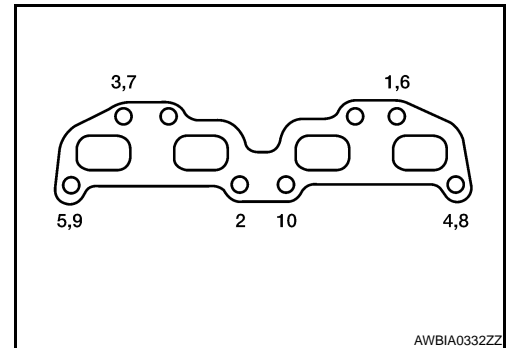


INSTALLATION

Installation is in the reverse order of removal. Pay attention to the following.

Tightening Exhaust Manifold Nuts

- Tighten the nuts in the numerical order shown, to specification.



Installation of A/F Sensors and Heated Oxygen Sensors

Clean the A/F sensor and heated oxygen sensor threads with the Tool, then apply the anti-seize lubricant to the threads before installing the A/F sensor and heated oxygen sensors.

Tool number : J-43897 - 18
: J-43897 - 12

CAUTION:

Do not over-tighten the A/F sensors and heated oxygen sensors. Doing so may cause damage to the A/F sensors and heated oxygen sensors, resulting in a malfunction and the MIL coming on.

OIL PAN AND OIL STRAINER

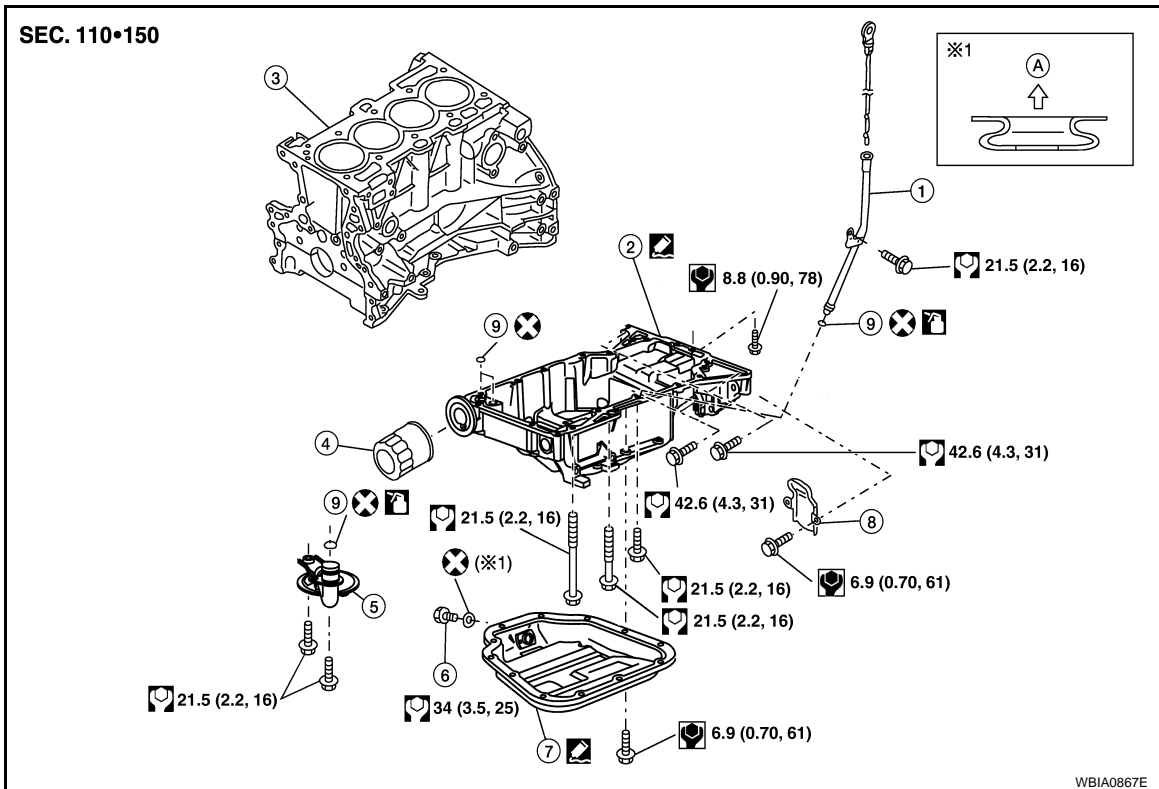
< SERVICE INFORMATION >

[QR25DE]

OIL PAN AND OIL STRAINER

Removal and Installation

INFOID:000000004409545



- | | | |
|----------------------|----------------------|-------------------|
| 1. Oil dipstick tube | 2. Oil pan (upper) | 3. Cylinder block |
| 4. Oil filter | 5. Oil pickup screen | 6. Drain plug |
| 7. Oil pan (lower) | 8. Rear plate cover | 9. O-ring |
| A. Oil pan side | | |

REMOVAL

WARNING:

- To avoid the danger of being scalded, never drain the engine oil when the engine is hot.
- Prolonged and repeated contact with used engine oil may cause skin cancer; try to avoid direct skin contact with used oil. If skin contact is made, wash thoroughly with soap or hand cleaner as soon as possible.

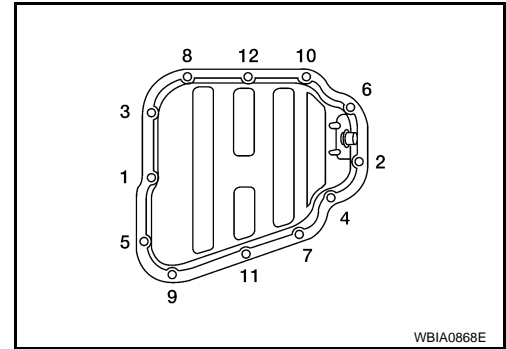
1. Remove the engine undercover on both sides, using power tool.
2. Drain engine oil. Refer to [LU-17. "Changing Engine Oil"](#).
3. Remove oil level gauge and indicator.
4. Remove the front exhaust tube. Refer to [EX-9. "Component"](#).
5. Remove lower steering joint bolt.
6. Remove power steering hose bracket from rear of collector.
7. Remove LH and RH drive shafts.
8. Remove A/C compressor. Refer to [MTC-85. "Removal and Installation for Compressor - QR25DE"](#).
9. Support the engine from above and underneath with suitable hoist and floor jack.
10. Remove the front suspension member for clearance to remove the oil pan. Refer to [FSU-11. "Removal and Installation"](#).

OIL PAN AND OIL STRAINER

< SERVICE INFORMATION >

[QR25DE]

11. Remove the oil pan (lower) bolts in the order shown.

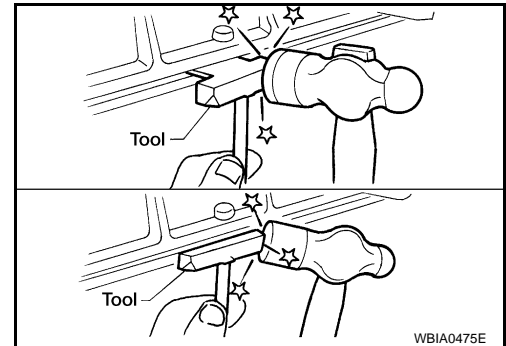


12. Remove the oil pan (lower) using Tool.

NOTE:

Tap gently to cut sealant around the pan; do not damage the mating surface using Tool.

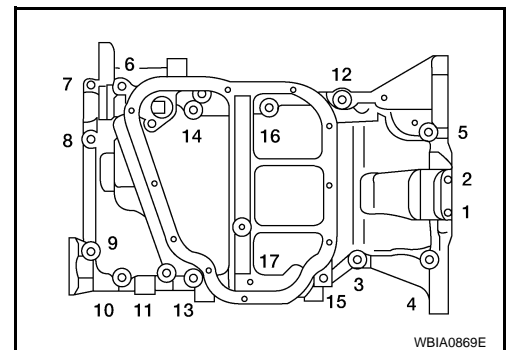
Tool number : KV10111100 (J-37228)



13. Remove the oil pickup screen.

14. Remove rear plate cover, and four engine-to transaxle bolts, using power tool.

15. Remove the oil pan (upper) bolts in the order shown.

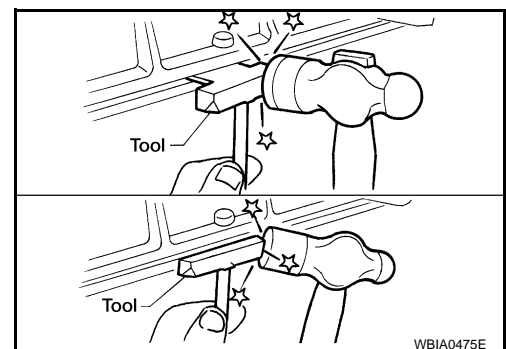


16. Remove oil pan (upper) using Tool.

NOTE:

Tap gently to cut sealant around the oil pan; do not damage the mating surface using Tool.

Tool number : KV10111100 (J-37228)



INSPECTION AFTER REMOVAL

- Clean the oil pickup screen to remove any foreign material.

INSTALLATION

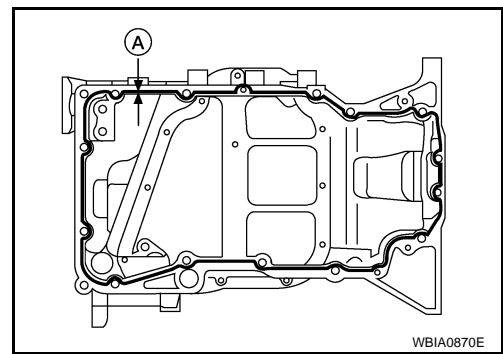
1. Installation is in the reverse order of removal. Paying attention to the following.

OIL PAN AND OIL STRAINER

[QR25DE]

< SERVICE INFORMATION >

- a. Apply Genuine Silicone RTV Sealant (A), or equivalent, to the upper oil pan. Refer to [GI-42. "Recommended Chemical Product and Sealant"](#), and [EM-119. "Precaution for Liquid Gasket"](#).
- Install the two new O-rings in the upper oil pan.



- b. Tighten the oil pan (upper) bolts in the order as shown.

• **NOTE:**

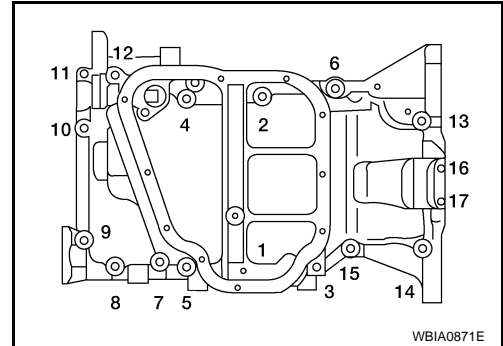
Use the bolt sizes specified below:

M6 × 20 mm (0.79 in): No.16, 17

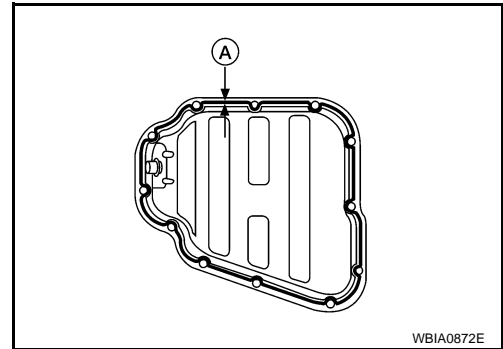
M8 × 25 mm (0.98 in): No.3, 4, 6, 11, 13, 14, 15

M8 × 60 mm (2.36 in): No.5, 7, 8, 9, 10

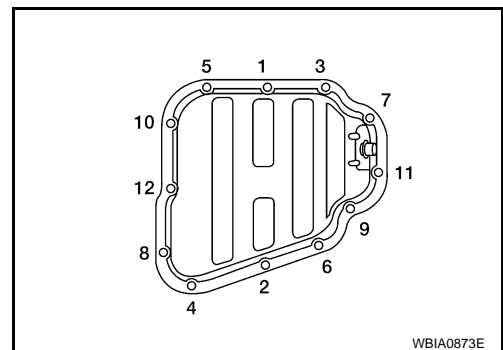
M8 × 100 mm (3.97 in): No.1, 2, 12



- c. Apply Genuine Silicone RTV Sealant (A), or equivalent to the lower oil pan. Refer to [GI-42. "Recommended Chemical Product and Sealant"](#), and [EM-119. "Precaution for Liquid Gasket"](#)



- d. Tighten the oil pan (lower) bolts in the numerical order shown.
- Wait at least 30 minutes after the oil pans are installed before filling the engine with oil.



INSPECTION AFTER INSTALLATION

- Check for any engine oil leaks with the engine at operating temperature and running at idle.

IGNITION COIL

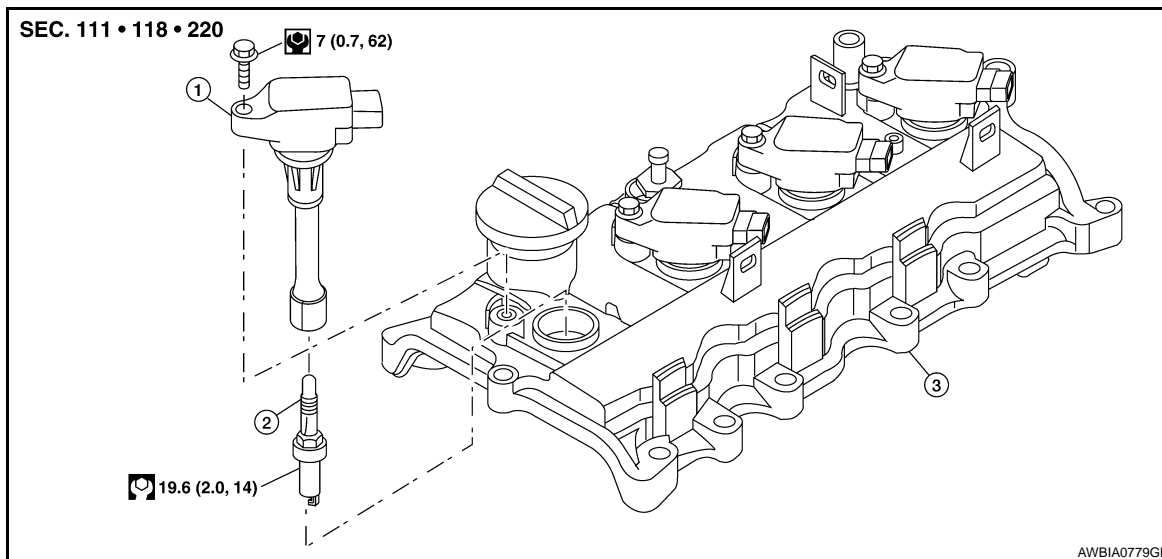
< SERVICE INFORMATION >

[QR25DE]

IGNITION COIL

Removal and Installation

INFOID:000000004409546



1. Ignition coil

2. Spark plug

3. Rocker cover

REMOVAL

1. Remove the engine cover.
2. Remove air duct. Refer to [EM-131, "Removal and Installation"](#).
3. Disconnect the harness connector from the ignition coil.
4. Remove the ignition coil.

CAUTION:

Do not drop or shock it.

INSTALLATION

Installation is in the reverse order of removal.

SPARK PLUG

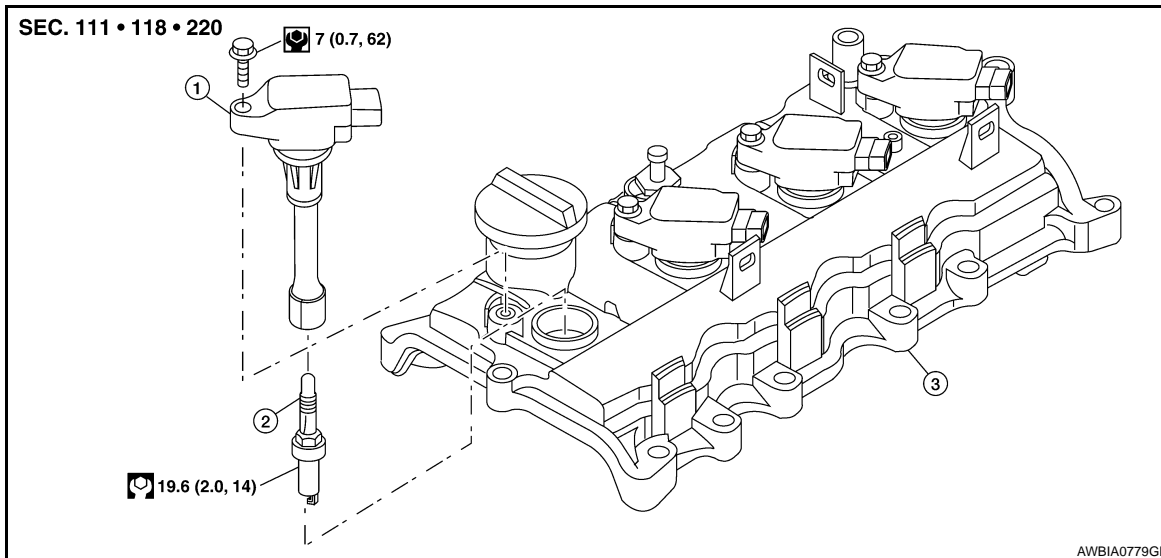
< SERVICE INFORMATION >

[QR25DE]

SPARK PLUG

Removal and Installation

INFOID:000000004409547



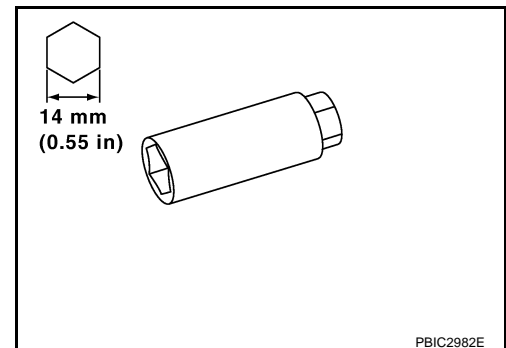
1. Ignition coil

2. Spark plug

3. Rocker cover

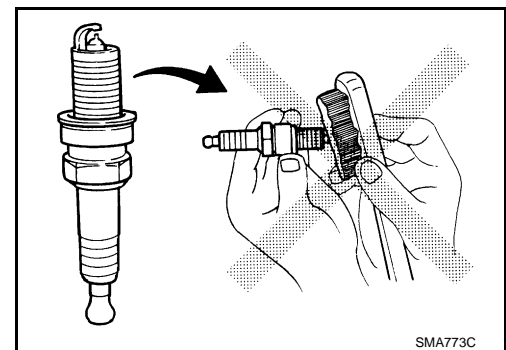
REMOVAL

1. Remove the ignition coil. Refer to [EM-142, "Removal and Installation"](#).
2. Remove the spark plug with a suitable spark plug wrench.



INSPECTION AFTER REMOVAL

- Do not use a wire brush for cleaning the spark plugs. Replace as necessary.



- If plug is covered with carbon, a spark plug cleaner may be used.

Cleaner air pressure : less than 588 kPa (6 kg/cm², 85 psi)

Cleaning time : less than 20 seconds

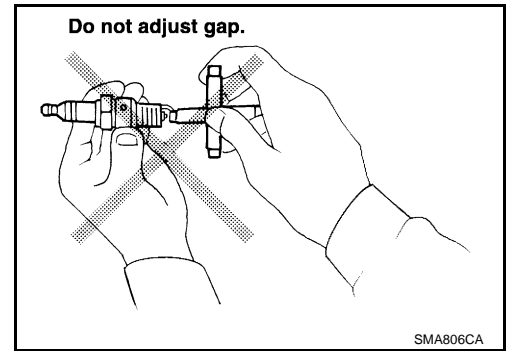
SPARK PLUG

[QR25DE]

< SERVICE INFORMATION >

- Checking and adjusting plug gap is not required between change intervals. If the gap is out of specification, replace the spark plug.

Gap (nominal) : 1.1 mm (0.043 in)



INSTALLATION

Installation is in the reverse order of removal.

Spark Plug Types

Make	NGK
Part number	DILKAR6A-11
Gap (nominal)	1.1 mm (0.043 in)

FUEL INJECTOR AND FUEL TUBE

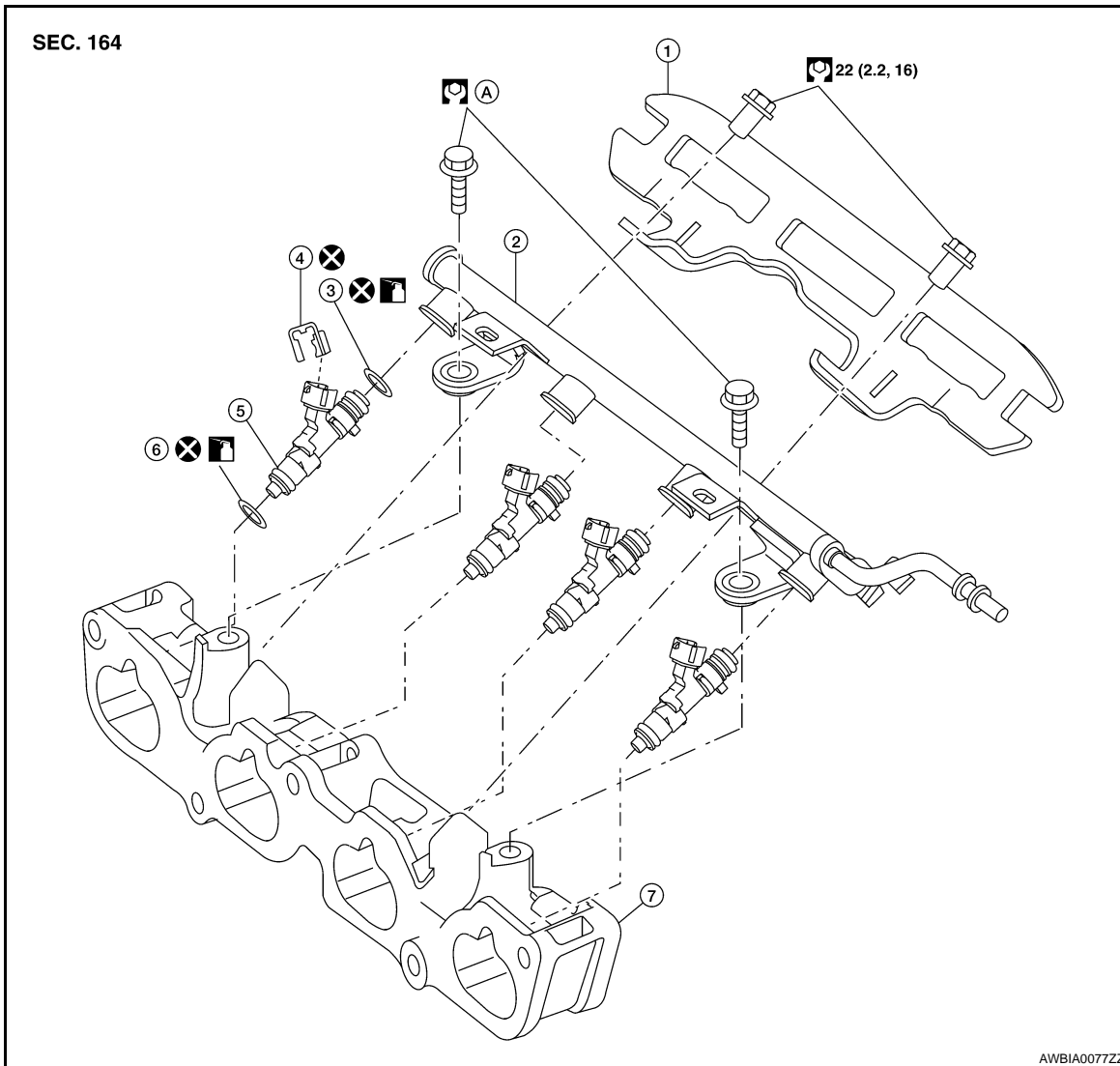
< SERVICE INFORMATION >

[QR25DE]

FUEL INJECTOR AND FUEL TUBE

Removal and Installation

INFOID:000000004409548



- | | | |
|----------------------------|---|-------------------|
| 1. Fuel tube protector | 2. Fuel tube | 3. O-ring (upper) |
| 4. Clip | 5. Fuel injector | 6. O-ring (lower) |
| 7. Intake manifold adapter | A. Refer to "INSTALLATION" EM-145 | |

WARNING:

- Put a "CAUTION: FLAMMABLE" sign in the workshop.
- Be sure to work in a well ventilated area and furnish workshop with a CO2 fire extinguisher.
- Do not smoke while servicing fuel system. Keep open flames and sparks away from the work area.

CAUTION:

- Apply new engine oil to parts before installing the parts, as shown above.
- Do not remove or disassemble parts unless instructed as shown.

REMOVAL

1. Release the fuel pressure. Refer to [EC-1161, "Fuel Pressure Check"](#).
2. Remove the intake air duct. Refer to [EM-131, "Removal and Installation"](#).
3. Disconnect the fuel hose quick connector at the fuel tube side. Refer to [EM-133](#).

CAUTION:

- Prepare a container and shop cloth for catching any spilled fuel.
- While hoses are disconnected seal their openings with vinyl bag or similar material to prevent foreign material from entering them.

FUEL INJECTOR AND FUEL TUBE

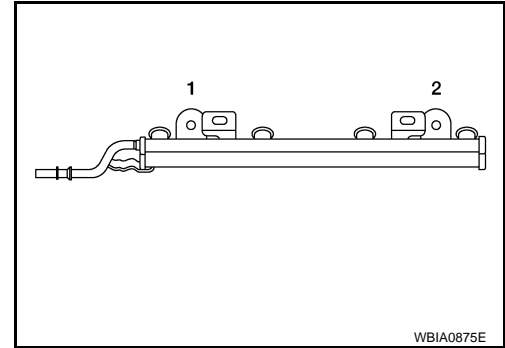
[QR25DE]

< SERVICE INFORMATION >

4. Remove the intake manifold collector. Refer to [EM-133](#).
5. Disconnect sub-harness for injector at engine front side, and remove it from bracket.
6. Loosen the bolts in the order as shown, then remove fuel tube and fuel injectors as an assembly.
7. Remove the fuel injectors from the fuel tube.
 - Release the clip and remove the fuel injector.
 - Pull fuel injector straight out of the fuel tube.

CAUTION:

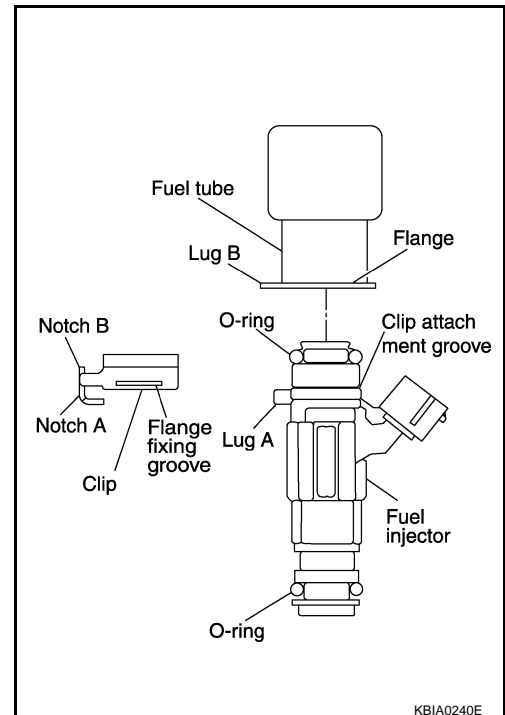
- Be careful not to damage the nozzle.
- Avoid any impact, such as dropping the fuel injector.
- Do not disassemble or adjust the fuel injector.



WBIA0875E

INSTALLATION

1. Install new O-rings on the fuel injector.
 - Fuel tube side: Black
 - Nozzle side: Green
- CAUTION:
 - Handle O-ring with bare hands. Never wear gloves.
 - Lubricate O-ring with new engine oil.
 - Never clean O-ring with solvent.
 - Make sure that O-ring and its mating part are free of foreign material.
 - When installing O-ring, be careful not to scratch it with tool or fingernails. Also be careful not to twist or stretch O-ring. If O-ring was stretched while it was being attached, never insert it quickly into fuel tube.
 - Insert O-ring straight into fuel tube. Never twist it.
2. Install the fuel injector into the fuel tube with the following procedure:
 - Do not reuse the clip, replace it with a new one.
 - Insert the new clip into the clip attachment groove on fuel injector.
 - Insert the clip so that lug "A" of fuel injector matches notch "A" of the clip.
3. Insert fuel injector into fuel tube with clip attached.
 - Insert it while matching it to the axial center.
 - Insert fuel injector so that lug "B" of fuel injector matches notch "B" of the clip.
 - Make sure that fuel tube flange is securely fixed in flange fixing groove on the clip.
 - Make sure that installation is complete by checking that fuel injector does not rotate or come off.
4. Install fuel tube assembly.
 - a. Insert the tip of each fuel injector into intake manifold.



KBIA0240E

FUEL INJECTOR AND FUEL TUBE

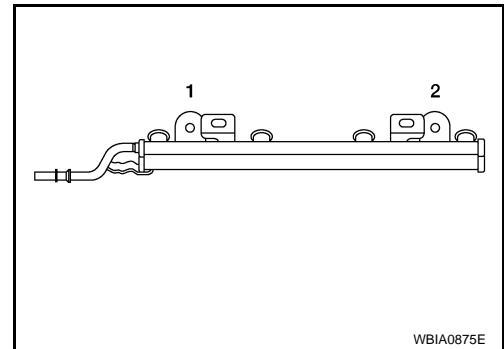
< SERVICE INFORMATION >

[QR25DE]

- b. Tighten the bolts in two steps in the numerical order as shown.

Fuel tube assembly bolts

- Step 1** : 10.0 N·m (1.0 kg-m, 7 ft-lb.)
Step 2 : 22.0 N·m (2.2 kg-m, 16 ft-lb.)



CAUTION:

- After properly connecting fuel tube assembly to injector and fuel hose, check connection for fuel leakage.

5. Install the intake collector. Refer to [EM-133](#).
6. Connect the fuel hose quick connector. Refer to [EM-133](#).
7. Installation of the remaining components is in the reverse order of removal.

INSPECTION AFTER INSTALLATION

Make sure there is no fuel leakage at connections as follows:

1. Apply fuel pressure to fuel lines by turning ignition switch ON (with engine stopped). Then check for fuel leaks at connections.
2. Start the engine and rev it up and check for fuel leaks at connections.

NOTE:

Use mirrors for checking on connections out of the direct line of sight.

CAUTION:

Do not touch engine immediately after stopping as engine is extremely hot.

- Perform procedures for “Throttle Valve Closed Position Learning” after finishing repairs. Refer to [EC-1159, "Throttle Valve Closed Position Learning"](#).
- If electric throttle control actuator is replaced, perform procedures for “Idle Air Volume Learning” after finishing repairs. Refer to [EC-1159, "Idle Air Volume Learning"](#).

ROCKER COVER

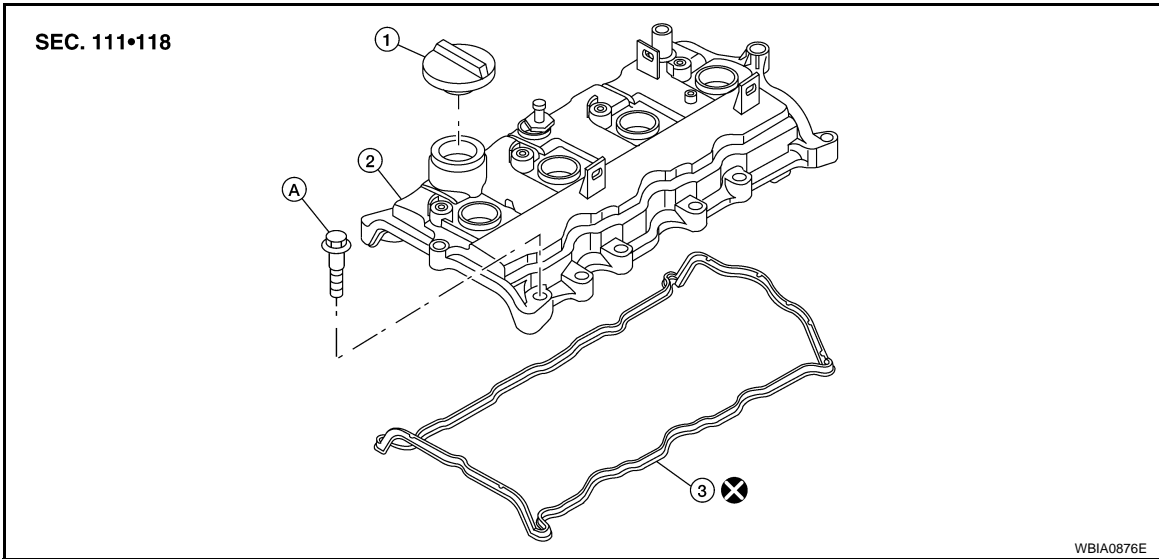
< SERVICE INFORMATION >

[QR25DE]

ROCKER COVER

Removal and Installation

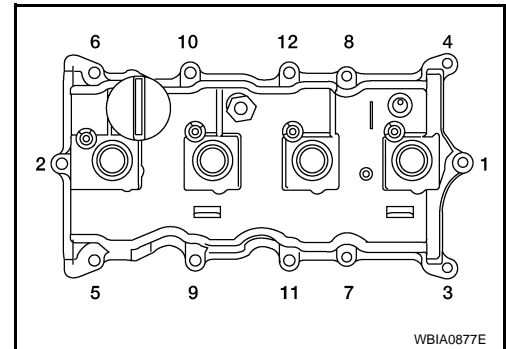
INFOID:000000004409549



1. Oil filler cap
 2. Rocker cover
 3. Gasket
- A. Follow the installation procedure

REMOVAL

1. Remove the ignition coils. Refer to [EM-142, "Removal and Installation"](#).
2. Install a suitable jack under engine.
3. Remove RH engine mount. Refer to [EM-182](#).
4. Loosen the bolts in the numerical order as shown using power tool.
5. Remove the rocker cover. Remove the oil filler cap and PCV valve if necessary, to transfer to the new rocker cover.



INSTALLATION

1. Apply RTV Silicone Sealant to the joint part of the cylinder head and camshaft bracket using the following the steps.

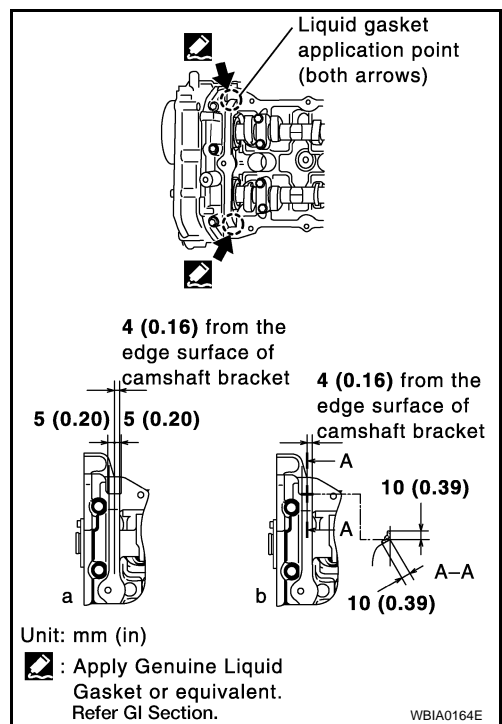
ROCKER COVER

[QR25DE]

< SERVICE INFORMATION >

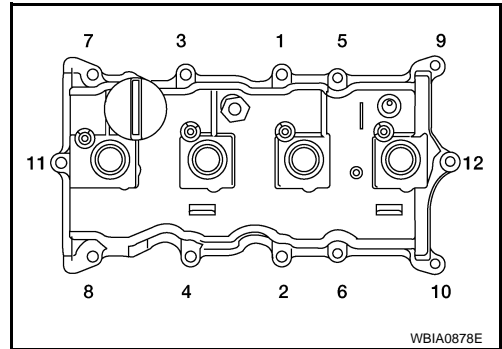
- Use Genuine Silicone RTV Sealant, or equivalent. Refer to [GI-42, "Recommended Chemical Product and Sealant"](#).

- Follow illustration "a" to apply sealant to joint part of No.1 camshaft bracket and cylinder head.
 - Follow illustration "b" to apply sealant in a 90° degree angle to the illustration "a".
- Install the rocker cover.
 - The rocker cover gasket must be securely installed in the groove in the rocker cover.



- Tighten the rocker cover bolts in two steps, in the numerical order as shown.

- Step 1 : 1.96 N-m (0.20 kg-m, 17 in-lb)**
- Step 2 : 8.33 N-m (0.85 kg-m, 74 in-lb)**

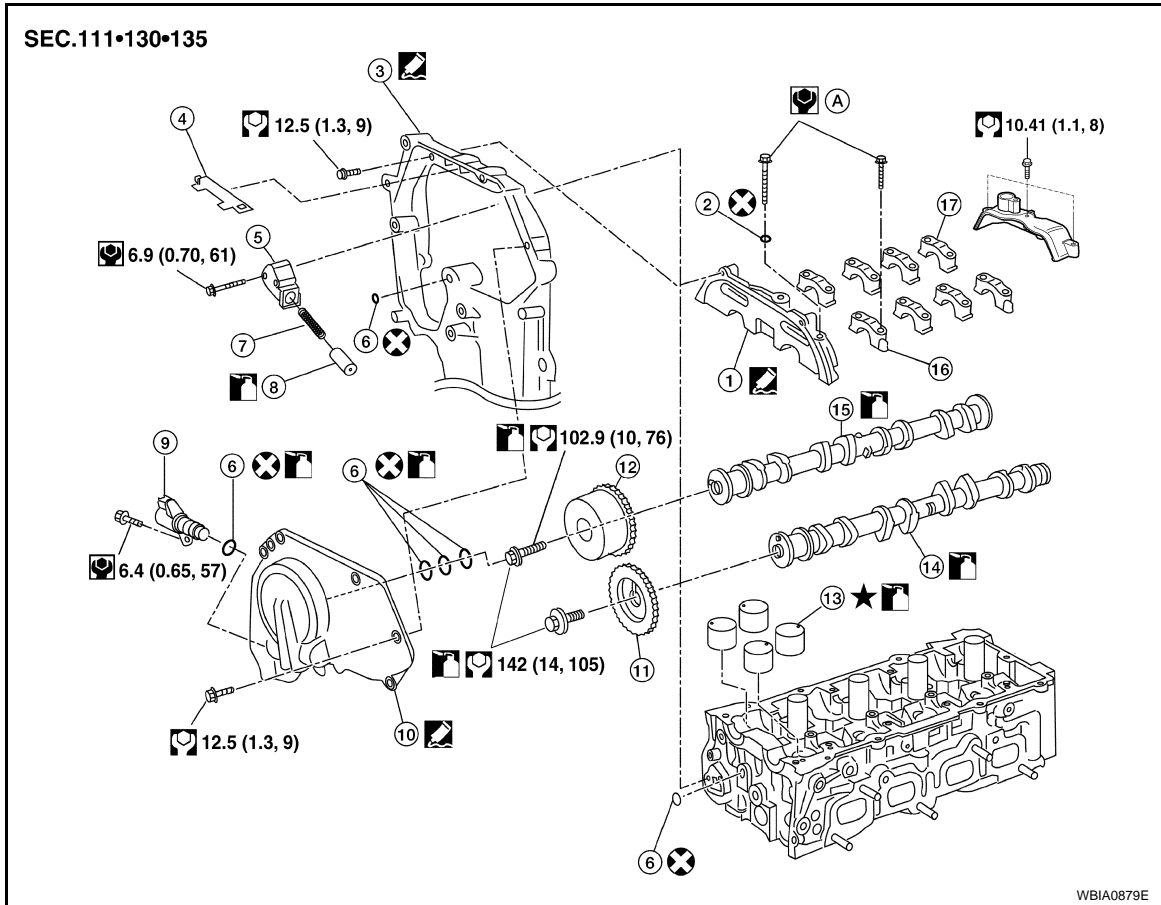


- Connect the PCV hose and breather hose to the rocker cover. If necessary, install the oil filler cap and PCV valve and lubricate the PCV valve O-ring with new engine oil.
- Install the ignition coils. Refer to [EM-142, "Removal and Installation"](#).

CAMSHAFT

Removal and Installation

INFOID:000000004409550



- | | | |
|-----------------------------|-----------------------------|-------------------------------|
| 1. Camshaft bracket (No. 1) | 2. Washer | 3. Front cover (partial view) |
| 4. Chain guide | 5. Chain tensioner | 6. O-ring(s) |
| 7. Chain tensioner spring | 8. Chain tensioner plunger | 9. IVT control solenoid valve |
| 10. IVT control cover | 11. Camshaft sprocket (EXH) | 12. Camshaft sprocket (INT) |
| 13. Valve lifter | 14. Camshaft (EXH) | 15. Camshaft (INT) |
| 16. Camshaft brackets (EXH) | 17. Camshaft brackets (INT) | 18. Camshaft sensor bracket |
| A. Refer to "INSTALLATION" | | |

REMOVAL

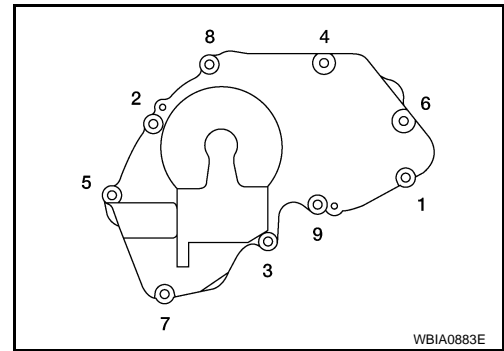
1. Remove the rocker cover. Refer to [EM-148, "Removal and Installation"](#).
2. Remove the front right side tire and wheel using power tool.
3. Remove the RH splash shield using power tool.
4. Remove the drive belt. Refer to [EM-128, "Removal and Installation"](#).
5. Remove the coolant overflow reservoir tank.
6. Disconnect variable timing control solenoid harness connector.

CAMSHAFT

[QR25DE]

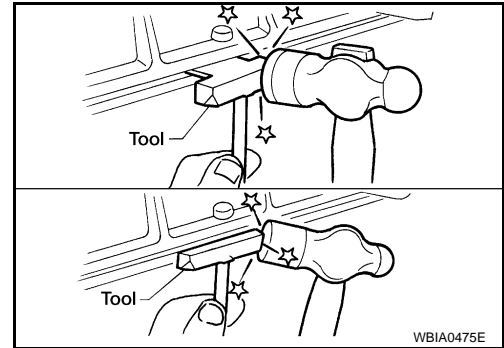
< SERVICE INFORMATION >

7. Loosen the bolts in the order as shown.



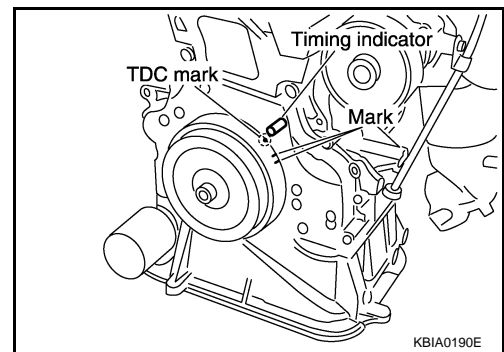
- Remove the IVT control cover by cutting the sealant using Tool.

Tool number : KV10111100 (J-37228)



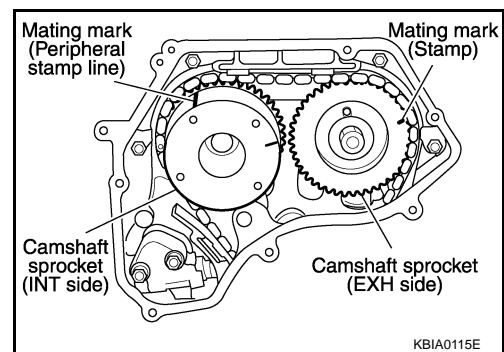
8. Set the No.1 cylinder at TDC on its compression stroke with the following procedure:

- Open the splash cover on RH under cover.
- Rotate crankshaft pulley clockwise, and align mating marks for TDC with timing indicator on front cover, as shown.



c. At the same time, make sure that the mating marks on camshaft sprockets are lined up with the yellow links in the timing chain, as shown.

- If not, rotate crankshaft pulley one more turn to line up the mating marks to the yellow links, as shown.



9. Pull the timing chain guide out between the camshaft sprockets through front cover.

CAMSHAFT

[QR25DE]

< SERVICE INFORMATION >

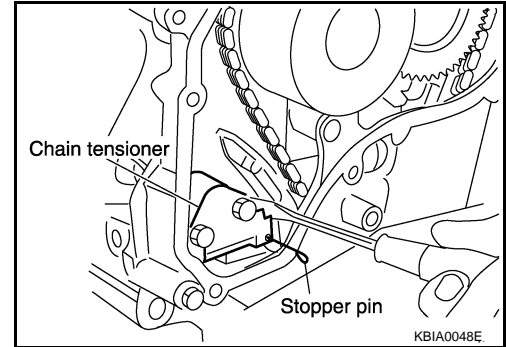
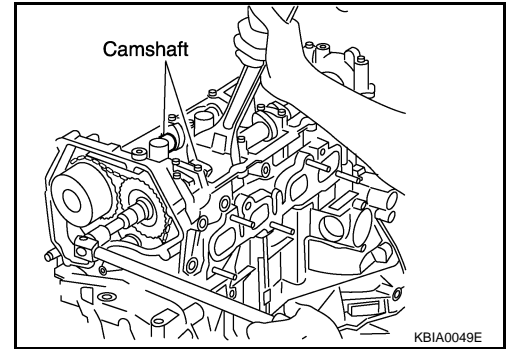
10. Remove camshaft sprockets with the following procedure.

CAUTION:

- Do not rotate the crankshaft or camshaft while the timing chain is removed. It causes interference between valve and piston.

NOTE:

- Chain tension holding work is not necessary. Crankshaft sprocket and timing chain do not disconnect structurally while front cover is attached.
- Line up the mating marks on camshaft sprockets with the yellow links in the timing chain, and paint an indelible mating mark on the sprocket and timing chain link plate.
 - Push in the tensioner plunger and hold. Insert a stopper pin into the hole on tensioner body to hold the chain tensioner. Remove the timing chain tensioner.
 - Use a wire with 0.5 mm (0.02 in) diameter for a stopper pin.
 - Secure the hexagonal part of camshaft with a suitable tool. Loosen the camshaft sprocket mounting bolts and remove the camshaft sprockets.

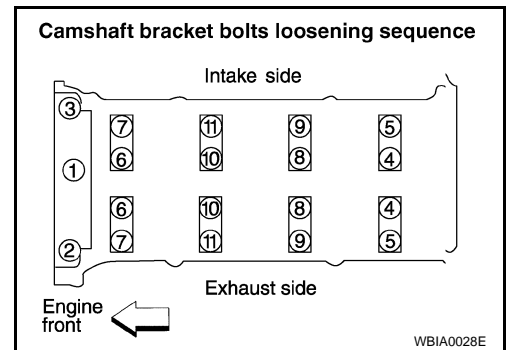


11. Loosen the camshaft bracket bolts in the order as shown, and remove the camshaft brackets and camshafts.

- Remove No.1 camshaft bracket by slightly tapping it with a rubber mallet.

12. Remove the valve lifters.

- Check mounting positions, and set them aside in the order removed.

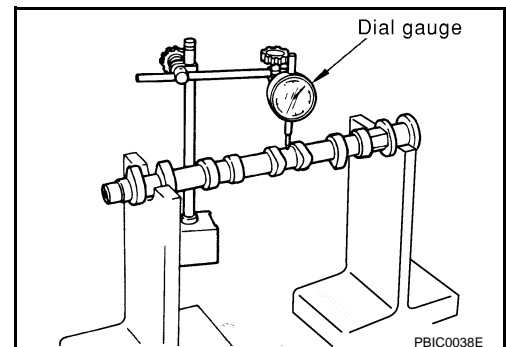


INSPECTION AFTER REMOVAL

Camshaft Runout

- Put the camshaft on a V-block supporting the No.2 and No.5 journals.
- Set the dial gauge vertically on the No.3 journal.
- Turn camshaft in one direction by hand, and measure the camshaft runout on the dial gauge total indicator reading.

Standard : Less than 0.04 mm (0.0016 in)



Camshaft Cam Height

CAMSHAFT

[QR25DE]

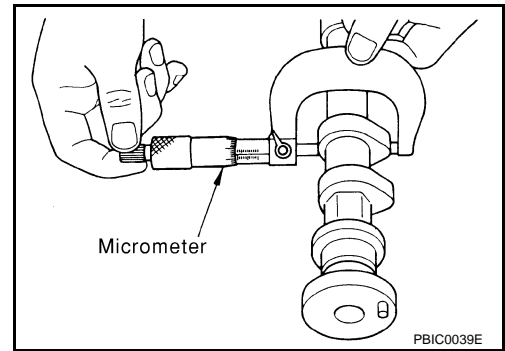
< SERVICE INFORMATION >

1. Measure the camshaft cam height.

Standard intake cam height : 44.815 - 45.005 mm
(1.7644 - 1.7718 in)

Standard exhaust cam height : 43.975 - 44.165 mm
(1.7313 - 1.7388 in)

2. If wear is beyond the limit, replace the camshaft.



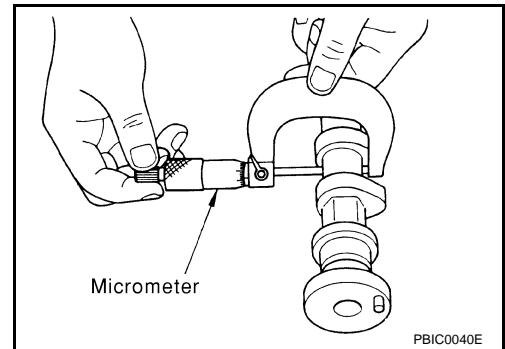
Camshaft Journal Clearance

Outer Diameter of Camshaft Journal

- Measure the outer diameter of the camshaft journal.

Standard No.1 outer diameter : 27.935 - 27.955 mm
(1.0998 - 1.1006 in)

Standard No.2, 3, 4, 5, outer diameter : 23.435 - 23.455 mm
(0.9226 - 0.9234 in)



Inner Diameter of Camshaft Bracket

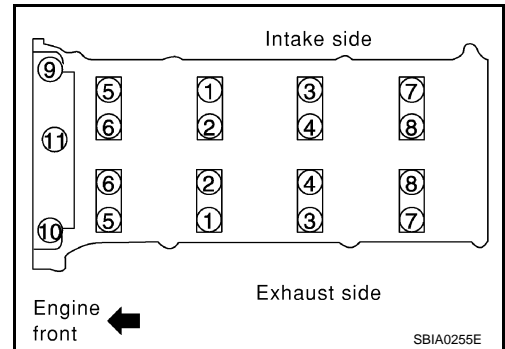
- Tighten the camshaft bracket bolts to the specified torque following the tightening pattern as shown.

Step 1 (bolts 9 - 11) : 1.96 N·m (0.2 kg·m, 17 in-lb)

Step 2 (bolts 1 - 8) : 1.96 N·m (0.2 kg·m, 17 in-lb)

Step 3 (bolts 1 - 11) : 5.88 N·m (0.6 kg·m, 52 in-lb)

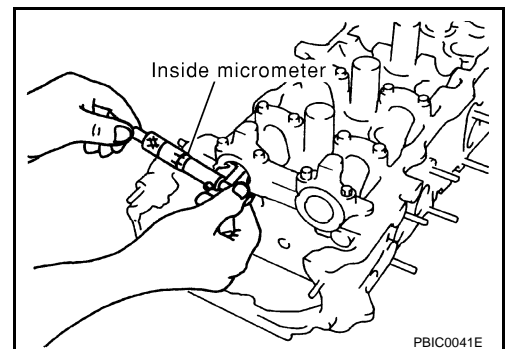
Step 4 (bolts 1 - 11) : 10.4 N·m (1.02 kg·m, 92 in-lb)



- Using inside micrometer, measure inner diameter of camshaft bracket.

Standard No.1 : 28.000 - 28.021 mm (1.1024 - 1.1032 in)

Standard No.2, 3, 4, 5 : 23.500 - 23.521 mm (0.9252 - 0.9260 in)



Calculation of Camshaft Journal Clearance

- (Journal clearance) = (inner diameter of camshaft bracket) – (outer diameter of camshaft journal)

Standard : 0.045 - 0.086 mm (0.0018 - 0.0034 in)

- When out of the specified range above, replace either or both the camshaft and the cylinder head assembly.

NOTE:

Inner diameter of the camshaft bracket is manufactured together with the cylinder head. If the camshaft bracket is out of specification, replace the whole cylinder head assembly.

CAMSHAFT

[QR25DE]

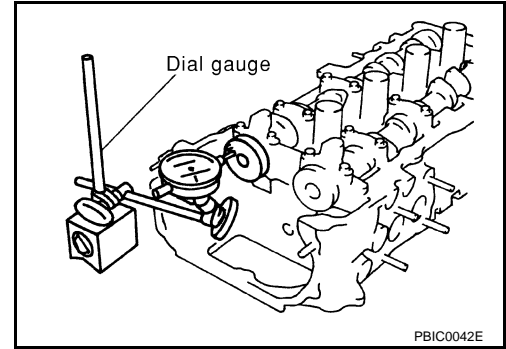
< SERVICE INFORMATION >

Camshaft End Play

1. Install a dial gauge in the thrust direction on the front end of the camshaft. Measure the end play with the dial gauge while moving the camshaft forward and backward (in direction to axis).

Standard end play : 0.115 - 0.188 mm (0.0045 - 0.0074 in)

2. If out of the specified range, replace with new camshaft and measure again.
3. If out of the specified range again, replace with new cylinder head assembly.

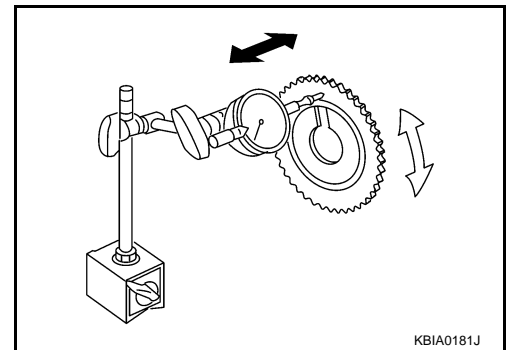


Camshaft Sprocket Runout

1. Install the camshaft in the cylinder head.
2. Install the camshaft sprocket on the camshaft.
3. Measure camshaft sprocket runout while turning the camshaft by hand.

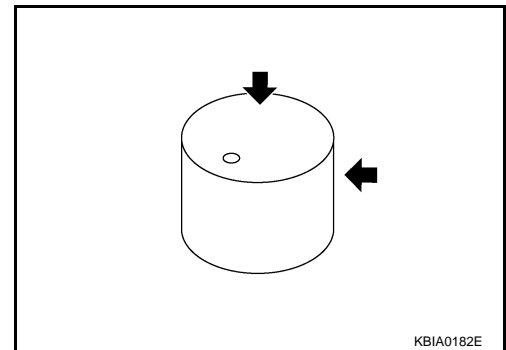
Runout : Less than 0.15 mm (0.0059 in)

4. If it exceeds the specification, replace camshaft sprocket.



Valve Lifter

- Check if the surface of the valve lifter has any excessive wear or cracks, replace as necessary.



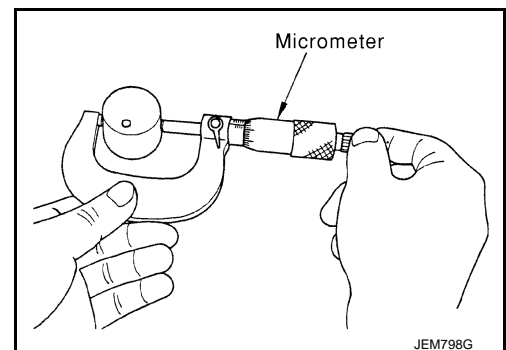
Valve Lifter Clearance

Outer Diameter of Valve Lifter

- Measure the outer diameter of the valve lifter.

Valve lifter outer diameter : 33.977 - 33.987 mm (1.3377 - 1.3381 in)

- If out of the specified range, replace the valve lifter.



CAMSHAFT

[QR25DE]

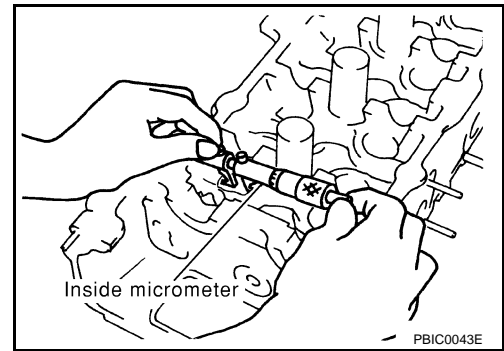
< SERVICE INFORMATION >

Valve Lifter Bore Inner Diameter

- Using inside micrometer, measure diameter of valve lifter bore of cylinder head.

Standard : 34.000 - 34.021 mm (1.3386 - 1.3394 in)

- If out of the specified range, replace the cylinder head assembly.



Calculation of Valve Lifter Clearance

- (Valve lifter clearance) = (hole diameter for valve lifter) – (outer diameter of valve lifter)

Standard : 0.013 - 0.044 mm (0.0005 - 0.0017 in)

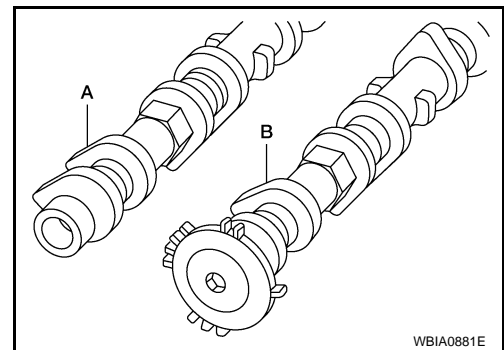
- If out of specified range, replace either or both valve lifter and cylinder head assembly.

INSTALLATION

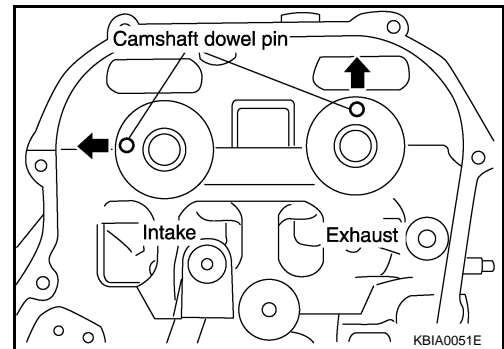
- Install the valve lifter.
 - Install them in the same position from which they were removed.
- Install the camshafts.
 - The distinction between the intake and exhaust camshafts is in a difference of shapes of the back end:

Intake (B): Signal plate for the camshaft position sensor (PHASE)

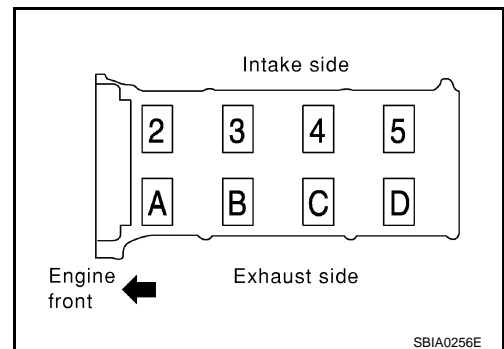
Exhaust (A): Cone end shape



- Install camshafts so that the dowel pins on the front side are positioned as shown.



- Install camshaft brackets.
 - Install by referring to identification mark on upper surface mark.
 - Install so that identification mark can be correctly read when viewed from the exhaust side.



CAMSHAFT

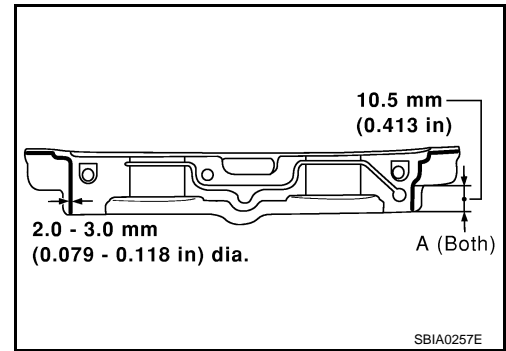
[QR25DE]

< SERVICE INFORMATION >

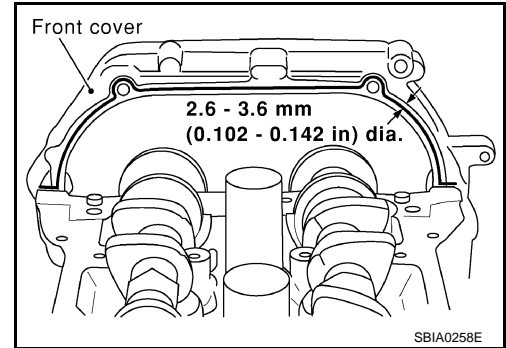
- Install No. 1 camshaft bracket as follows.
- Apply sealant to No.1 camshaft bracket as shown.
- Use **Genuine Silicone RTV Sealant, or equivalent. Refer to [GI-42, "Recommended Chemical Product and Sealant"](#).**

CAUTION:

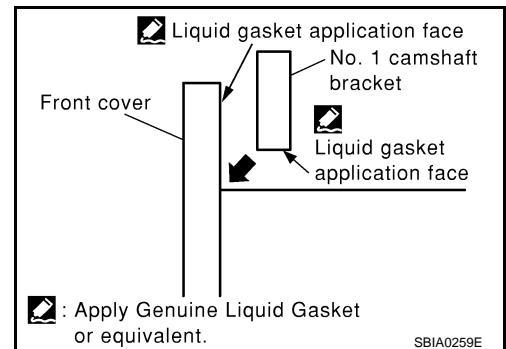
- After installation, be sure to wipe off any excessive sealant leaking from part "A" (both on right and left sides).



- Apply sealant to camshaft bracket contact surface on the front cover backside.
- Apply sealant to the outside of bolt hole on front cover.



- Position the No.1 camshaft bracket near the mounting position, and install it without disturbing the sealant applied to the surfaces.



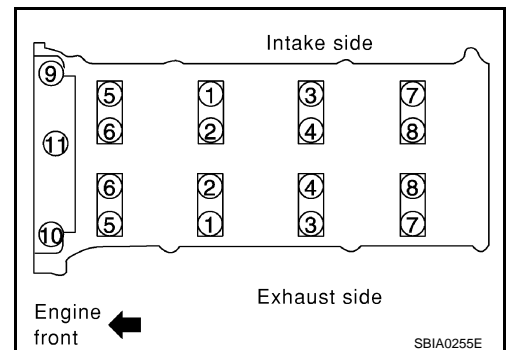
4. Tighten camshaft bracket bolts in four steps in the order as shown.

- Step 1 (bolts 9 - 11) : 1.96 N·m (0.2 kg·m, 17 in·lb)**
- Step 2 (bolts 1 - 8) : 1.96 N·m (0.2 kg·m, 17 in·lb)**
- Step 3 (bolts 1 - 11) : 5.88 N·m (0.6 kg·m, 52 in·lb)**
- Step 4 (bolts 1 - 11) : 10.4 N·m (1.02 kg·m, 92 in·lb)**

CAUTION:

After tightening camshaft bracket bolts, be sure to wipe off excessive sealant from the parts listed below.

- Mating surface of rocker cover.
- Mating surface of front cover, when installed without the front cover.



CAMSHAFT

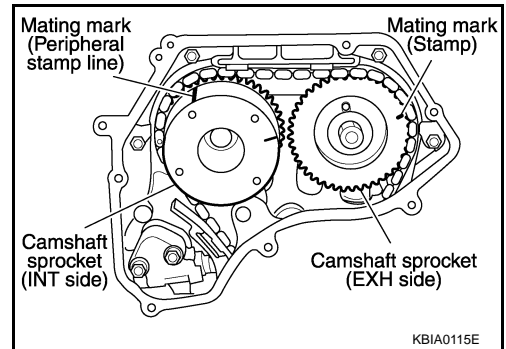
[QR25DE]

< SERVICE INFORMATION >

5. Install camshaft sprockets.
 - Install them by lining up the mating marks on each camshaft sprocket with the ones painted on the timing chain during removal.
 - Before installation of chain tensioner, it is possible to re-match the marks on timing chain with the ones on each sprocket.

CAUTION:

- **Aligned mating marks could slip. Therefore, after matching them, hold the timing chain in place by hand.**
- **Before and after installing chain tensioner, check again to make sure that mating marks have not slipped.**



6. Install chain tensioner.

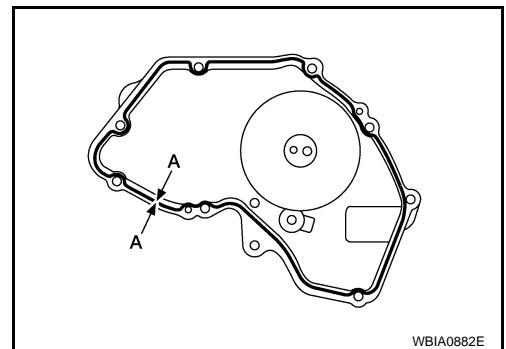
CAUTION:

- **After installation, pull the stopper pin off completely, and make sure that the tensioner is fully released.**

7. Install chain guide.

8. Install IVT control cover with the following procedure.

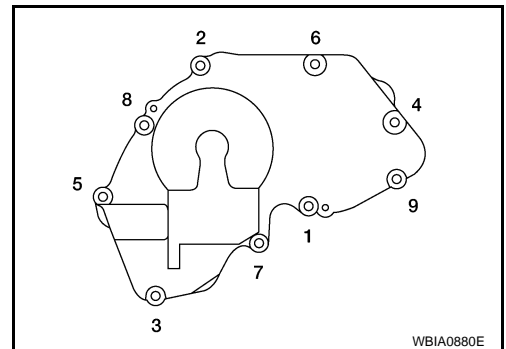
- a. Install IVT control solenoid valve to intake valve timing control cover.
- b. Install O-ring to front cover side.
- c. Apply Genuine Silicone RTV Sealant to the positions as shown (A). Refer to [GI-42. "Recommended Chemical Product and Sealant"](#).



- d. Install IVT control cover.

- Tighten the bolts in the numerical order as shown.

9. Check and adjust valve clearances. Refer to [EM-158. "Valve Clearance"](#).
10. Installation of the remaining components is in the reverse order of removal.



Inspection After Installation

INFOID:000000004409551

Inspection of Camshaft Sprocket (INT) Oil Groove

CAUTION:

- **Perform this inspection only when DTC P0011 is detected in self-diagnostic results of CONSULT III and it is directed according to inspection procedure of EC section. Refer to [EC-1225](#).**
- **Check when engine is cold so as to prevent burns from any splashing engine oil.**

1. Check engine oil level. Refer to [LU-16. "Inspection"](#).
2. Perform the following procedure so as to prevent the engine from being unintentionally started while checking.
 - a. Release fuel pressure. Refer to [EC-1161. "Fuel Pressure Check"](#).
 - b. Disconnect ignition coil and injector harness connectors if practical.
3. Remove IVT control solenoid valve. Refer to [EM-150](#).

CAMSHAFT

[QR25DE]

< SERVICE INFORMATION >

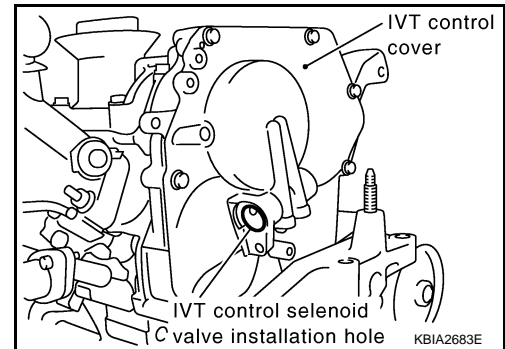
4. Crank engine, and then make sure that engine oil comes out from IVT control cover oil hole. End cranking after checking.

WARNING:

Be careful not to touch rotating parts (drive belts, idler pulley, and crankshaft pulley, etc.).

CAUTION:

- Engine oil may squirt from IVT control solenoid valve installation hole during cranking. Use a shop cloth to prevent engine oil from splashing on worker, engine components and vehicle.
- Do not allow engine oil to get on rubber components such as drive belts or engine mount insulators. Immediately wipe off any splashed engine oil.



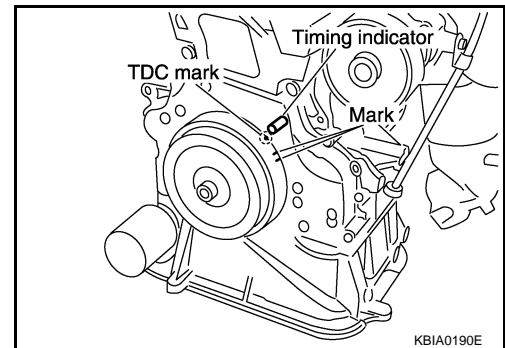
5. Clean oil groove between oil strainer and IVT control solenoid valve if engine oil does not come out from IVT control cover oil hole. Refer to [LU-14, "Lubrication Circuit"](#).
6. Remove components between IVT control solenoid valve and camshaft sprocket (INT), and then check each oil groove for clogging.
 - Clean oil groove if necessary. Refer to [LU-14, "Lubrication Circuit"](#).
7. After inspection, installation of the remaining components is in the reverse order of removal.

Valve Clearance

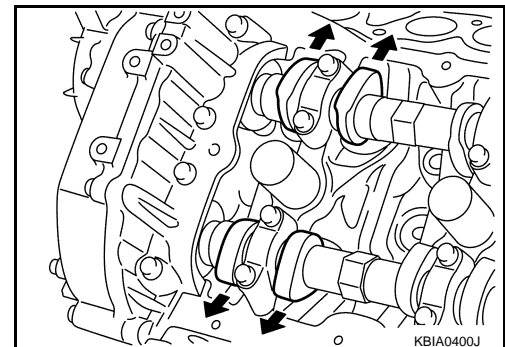
INFOID:000000004409552

Inspection

- Perform this inspection as follows after removal, installation, or replacement of the camshaft or any valve-related parts, or if there are any unusual engine conditions due to changes in valve clearance over time (starting, idling, and/or noise).
1. Warm up the engine, then stop it.
 2. Remove front RH engine under cover using power tool.
 3. Remove the rocker cover using power tool.
Refer to [EM-148, "Removal and Installation"](#).
 4. Turn crankshaft pulley in normal direction (clockwise when viewed from front) to align TDC identification mark (without paint mark) with timing indicator.



5. At this time, check that the both intake and exhaust cam lobes of No. 1 cylinder face outside.
 - If they do not face outside, turn crankshaft pulley once more.



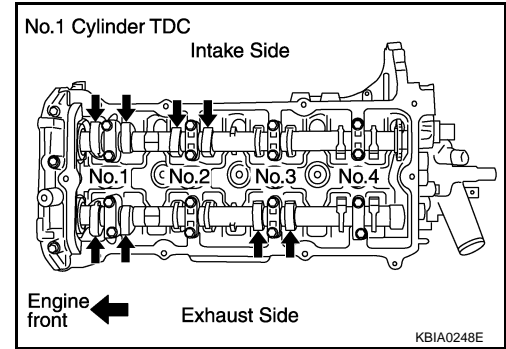
CAMSHAFT

[QR25DE]

< SERVICE INFORMATION >

6. By referring to the figure (locations indicated with black arrow), measure valve clearances with a feeler gauge at locations marked X as shown in the table below.
- No.1 cylinder compression TDC.

Cylinder	No.1		No.2		No.3		No.4	
	INT	EXH	INT	EXH	INT	EXH	INT	EXH
Measurable	x	x	x			x		



- Use a feeler gauge to measure the clearance between valve and camshaft.

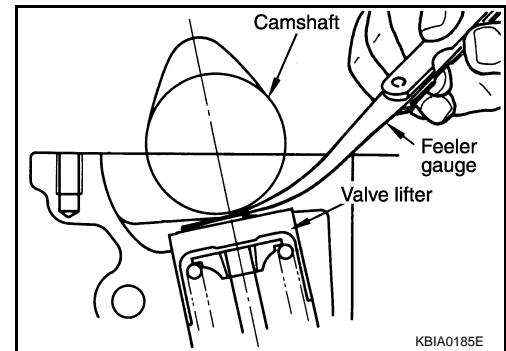
Valve clearance standard:

Cold	Intake	: 0.24 - 0.32 mm (0.009 - 0.013 in)
	Exhaust	: 0.26 - 0.34 mm (0.010 - 0.013 in)
Hot*	Intake	: 0.304 - 0.416 mm (0.012 - 0.016 in)
	Exhaust	: 0.308 - 0.432 mm (0.012 - 0.017 in)

*Reference data at approximately 80°C (176°F)

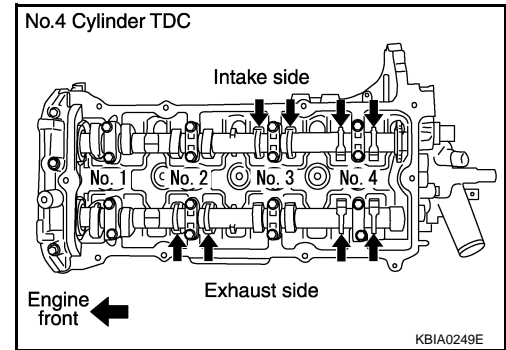
CAUTION:

If inspection was carried out with cold engine, check that values with fully warmed up engine are still within specifications.



7. Turn crankshaft one complete revolution (360°) and align mark on crankshaft pulley with pointer.
8. By referring to the figure (locations indicated with black arrow), measure valve clearances with a feeler gauge at locations marked X as shown in the table below.
- No.4 cylinder compression TDC.

Cylinder	No.1		No.2		No.3		No.4	
	INT	EXH	INT	EXH	INT	EXH	INT	EXH
Measurable			x	x			x	x



9. If out of specifications, adjust as follows.

ADJUSTMENT

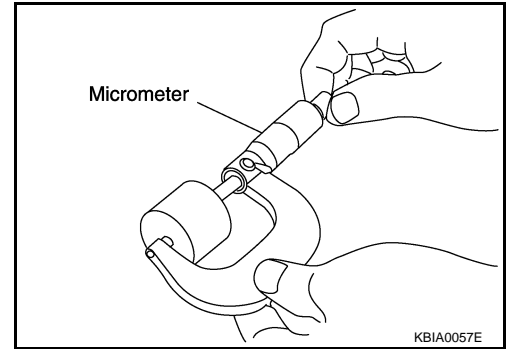
- Perform adjustment depending on selected head thickness of valve lifter.
 - The specified valve lifter thickness is the dimension at normal temperatures. Ignore dimensional differences caused by temperature. Use the specifications for hot engine condition to adjust.
- Remove camshaft. Refer to [EM-150. "Removal and Installation"](#).
 - Remove the valve lifters at the locations that are outside the standard.

CAMSHAFT

[QR25DE]

< SERVICE INFORMATION >

3. Measure the center thickness of the removed valve lifters with a micrometer.



4. Use the equation below to calculate valve lifter thickness for replacement.

- Valve lifter thickness calculation.

$$t = t1 + (C1 - C2)$$

t = Thickness of replacement valve lifter.

t1 = Thickness of removed valve lifter.

C1 = Measured valve clearance.

C2 = Standard valve clearance.

- Thickness of a new valve lifter can be identified by stamp marks on the reverse side (inside the cylinder).
Stamp mark 696 indicates a thickness of 6.96 mm (0.2740 in)
Available thickness of valve lifter: 26 sizes with a range of 6.96 to 7.46 mm (0.2740 to 0.2937 in), in steps of 0.02 mm (0.0008 in), when assembled at the factory.

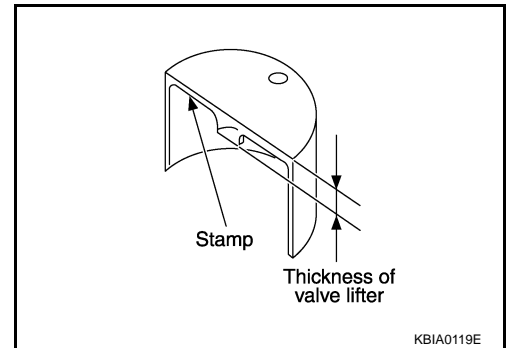
5. Install the selected valve lifter.

6. Install camshaft.

7. Manually turn crankshaft pulley a few turns.

8. Check that valve clearances for cold engine are within specifications, by referring to the specified values.

9. After completing the repair, check valve clearances again with the specifications for warmed engine. Use a feeler gauge to measure the clearance between the valve and camshaft. Make sure the values are within specifications.



Valve clearance standard:

Cold	Intake	: 0.24 - 0.32 mm (0.009 - 0.013 in)
	Exhaust	: 0.26 - 0.34 mm (0.010 - 0.013 in)
Hot*	Intake	: 0.304 - 0.416 mm (0.012 - 0.016 in)
	Exhaust	: 0.308 - 0.432 mm (0.012 - 0.017 in)

*: Reference data at approximately 80°C (176°F)

TIMING CHAIN

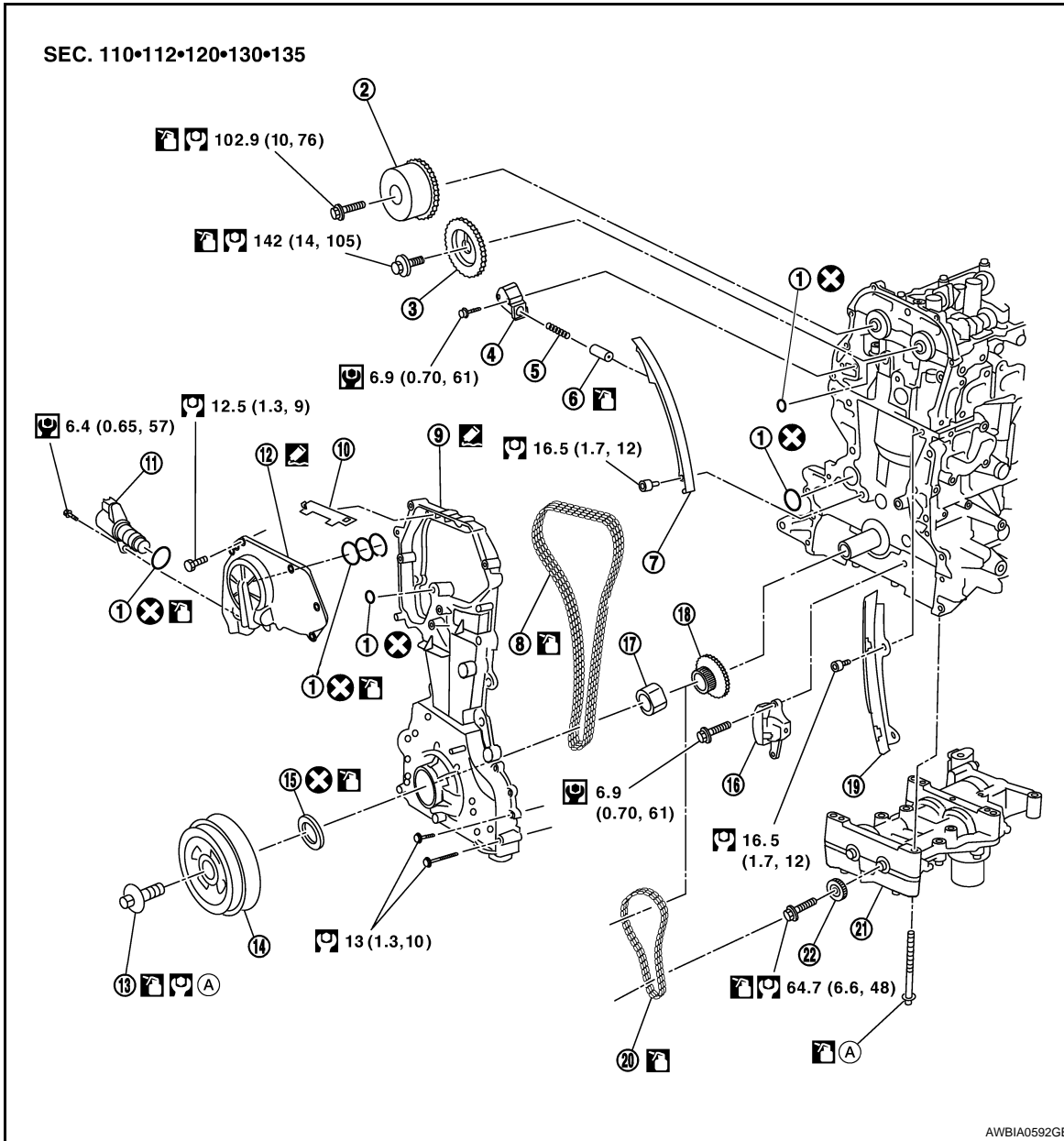
< SERVICE INFORMATION >

[QR25DE]

TIMING CHAIN

Removal and Installation

INFOID:000000004409553



- | | | |
|--|--------------------------------------|----------------------------|
| 1. Oil rings | 2. Camshaft sprocket (INT) | 3. Camshaft sprocket (EXH) |
| 4. Chain tensioner | 5. Spring | 6. Chain tensioner plunger |
| 7. Timing chain slack guide | 8. Timing chain | 9. Front cover |
| 10. Chain guide | 11. IVT solenoid valve | 12. IVT cover |
| 13. Crankshaft pulley bolt | 14. Crankshaft pulley | 15. Front oil seal |
| 16. Balancer unit timing chain tensioner | 17. Oil pump drive spacer | 18. Crankshaft sprocket |
| 19. Timing chain tension guide | 20. Balancer unit timing chain | 21. Balancer unit |
| 22. Balancer unit sprocket | A. Follow the installation procedure | |

CAUTION:

Apply new engine oil to parts marked in illustration before installation.

REMOVAL

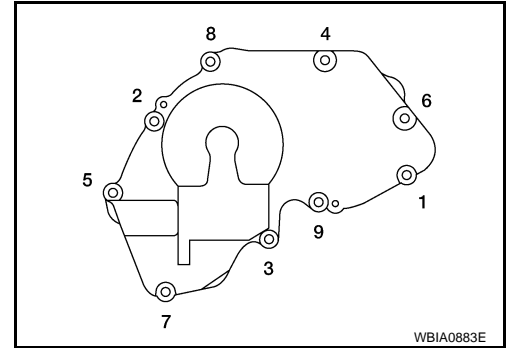
1. Support the engine and transaxle assembly with suitable tools.
2. Remove RH splash shield.

TIMING CHAIN

[QR25DE]

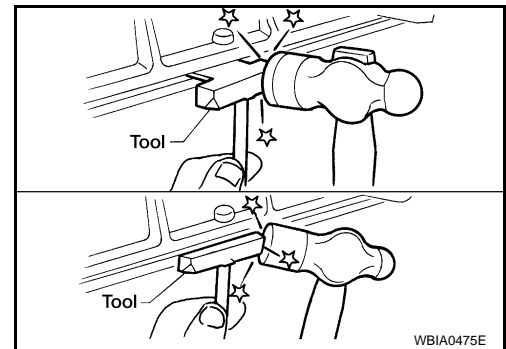
< SERVICE INFORMATION >

3. Remove the upper and lower oil pan, and oil strainer. Refer to [EM-139, "Removal and Installation"](#).
4. Remove generator. Refer to [SC-30, "Removal and Installation QR25DE"](#).
5. Remove engine cover.
6. Disconnect variable timing control solenoid harness connector.
7. Remove engine ground.
8. Remove the coolant overflow reservoir tank.
9. Position the RH engine compartment fuse and relay box aside.
10. Remove the RH engine mount and bracket. Refer to [EM-182, "Removal and Installation"](#).
11. Loosen bolts in the numerical order as shown.

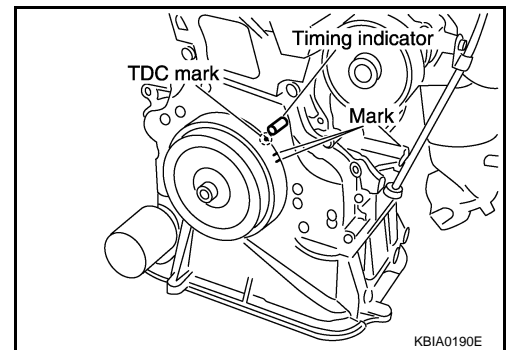


Remove the IVT (intake valve timing) control cover using Tool.

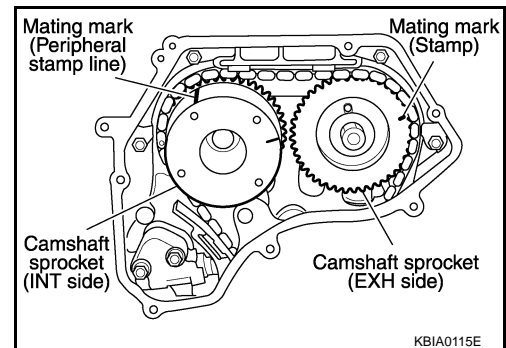
Tool number : KV10111100 (J-37228)



12. Pull chain guide between camshaft sprockets out through front cover.
13. Set the No.1 cylinder at TDC on the compression stroke with the following procedure:
 - a. Rotate the crankshaft pulley clockwise and align the mating marks to the timing indicator on the front cover.



- b. At the same time, make sure that the mating marks on the camshaft sprockets are lined up as shown.
 - If not lined up, rotate the crankshaft pulley one more turn to line up the mating marks to the positions as shown.



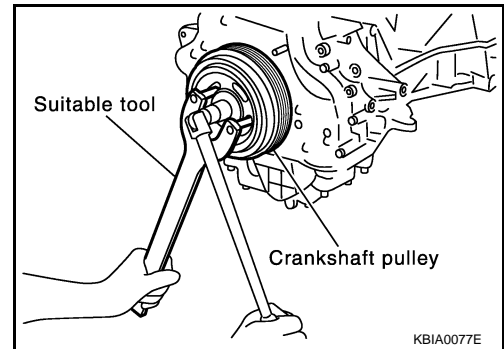
TIMING CHAIN

[QR25DE]

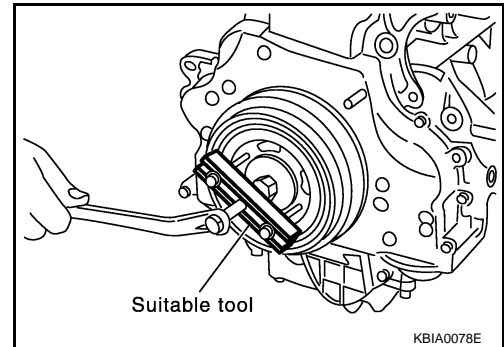
< SERVICE INFORMATION >

14. Remove crankshaft pulley with the following procedure:

- a. Hold the crankshaft pulley using suitable tool, then loosen the crankshaft pulley bolt, and pull the pulley out about 10 mm (0.39 in).



- b. Attach suitable pulley puller in the M 6 (0.24 in diameter) thread hole on crankshaft pulley, and remove crankshaft pulley using a suitable puller.



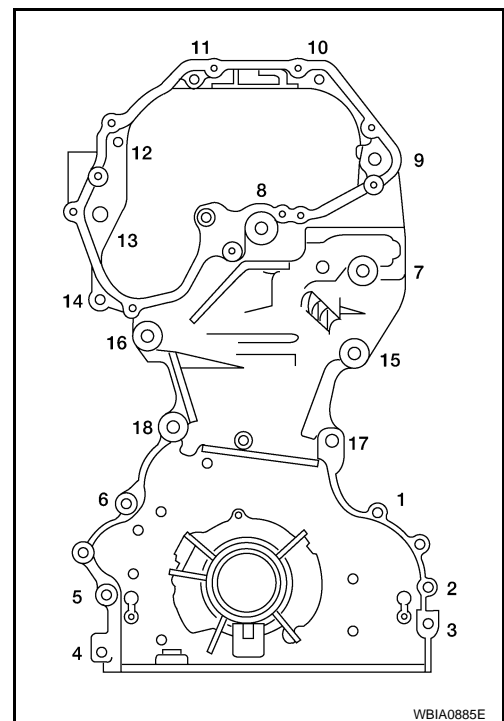
15. Remove the front cover with the following procedure:

- a. Loosen the bolts in the reverse order as shown, and remove them.
- b. Remove the front cover.

CAUTION:

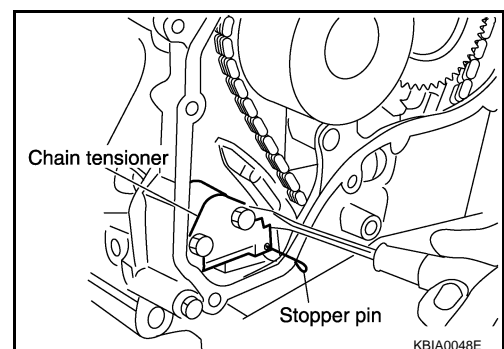
- Be careful not to damage the mounting surface.

16. If the front oil seal needs to be replaced, lift it out with a screwdriver to remove it.



17. Remove timing chain with the following procedure:

- a. Push in the tensioner plunger. Insert a stopper pin into the hole on the tensioner body to hold the chain tensioner.
 - Use a wire of 0.5 mm (0.02 in) diameter as a stopper pin.
- b. Remove the chain tensioner.



A
EM
C
D
E
F
G
H
I
J
K
L
M
N
O
P

TIMING CHAIN

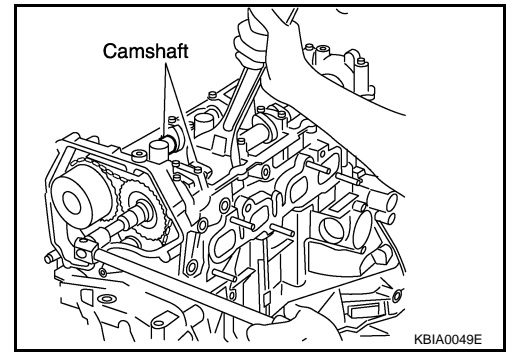
[QR25DE]

< SERVICE INFORMATION >

- c. Secure hexagonal part of the camshaft with a wrench and loosen the camshaft sprocket bolt and remove the camshaft sprocket for both camshafts.

CAUTION:

- Do not rotate the crankshaft or camshafts while the timing chain is removed. It can cause damage to the valve and piston.



18. Remove the chain slack guide, tension guide, timing chain, and oil pump drive spacer.

19. Press stopper tab (A) in the direction shown to push the timing chain slack guide (B) toward timing chain tensioner (for balancer unit) (1).

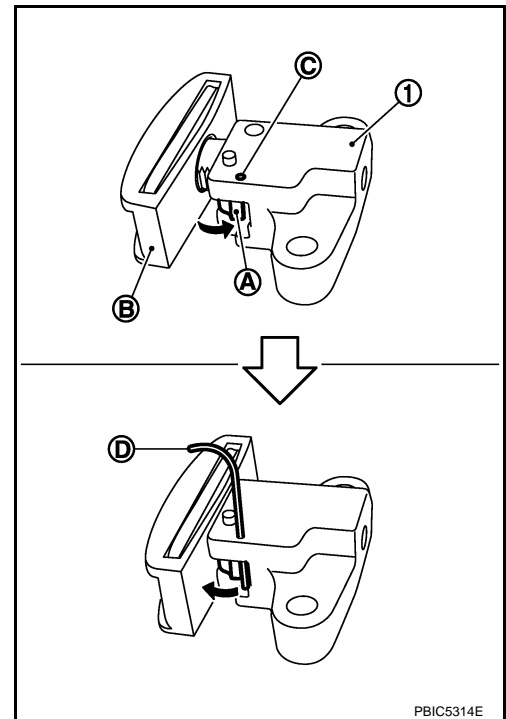
- The slack guide (B) is released by pressing the stopper tab (A). As a result, the slack guide (B) can be moved.

20. Insert stopper pin (D) into tensioner body hole (C) to secure timing chain slack guide (B).

NOTE:

Use a hard metal pin with a diameter of approximately 1.2 mm (0.047 in) as a stopper pin.

21. Remove timing chain for balancer unit, sprocket for balancer unit and crankshaft sprocket.

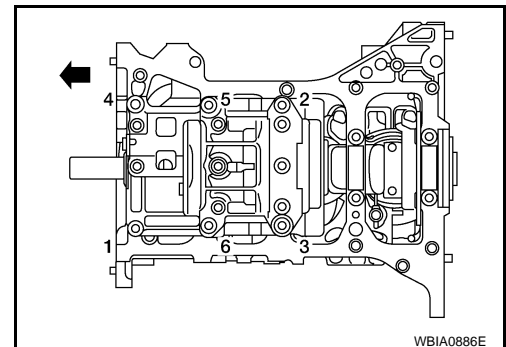


22. Loosen bolts in reverse order as shown, and remove balancer unit.

- Use Torx socket (size E14)

CAUTION:

- Do not disassemble balancer unit.



INSPECTION AFTER REMOVAL

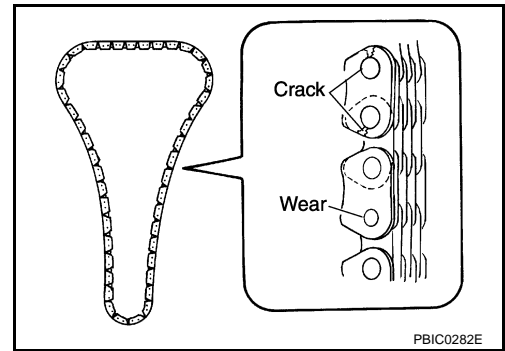
Timing Chain

TIMING CHAIN

[QR25DE]

< SERVICE INFORMATION >

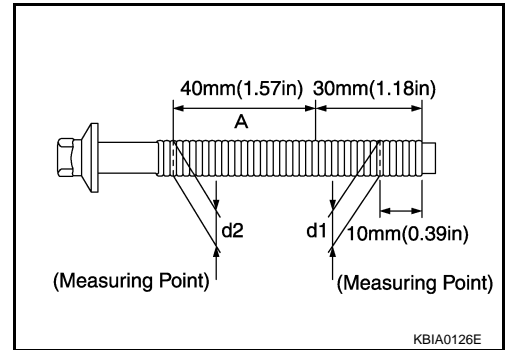
Check the timing chain for cracks or serious wear. If a defect is detected, replace it.



Balancer Unit Bolt Outer Diameter

- Measure outer diameters (d1, d2) at the two positions as shown.
- Measure d2 within the range A.
- If the value difference (d1 - d2) exceeds the limit (a dimension difference is large), replace it with a new one.

Limit : 0.15 mm (0.0059 in) or more



INSTALLATION

NOTE:

- There may be two color variations of the link marks (link colors) on the timing chain.
- There are 26 links between the gold/yellow mating marks on the timing chain; and 64 links between the camshaft sprocket gold/yellow link and the crankshaft sprocket orange/blue link, on the timing chain side without the tensioner.

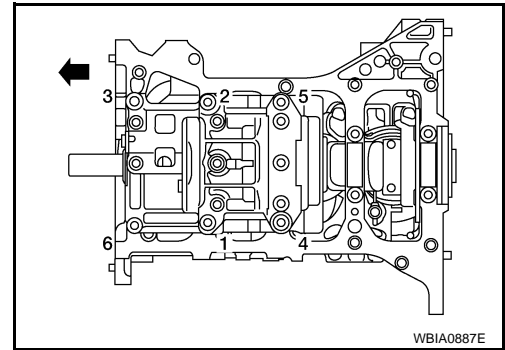
1. Make sure the crankshaft key points straight up.
2. Install the balancer unit and tighten the bolts in the numerical order as shown:

- : Front

CAUTION:

- **When reusing a bolt, check its outer diameter before installation. Follow the "Balancer Unit Bolt Outer Diameter" procedure.**

Tool number (A) : KV10112100 (BT-8653-A)



CAUTION:

- **Check tightening angle with an angle wrench (A) or a protractor. Do not make judgment by visual check alone.**
- **Apply new engine oil to threads and seating surfaces of bolts.**

Balancer unit bolts

Step 1

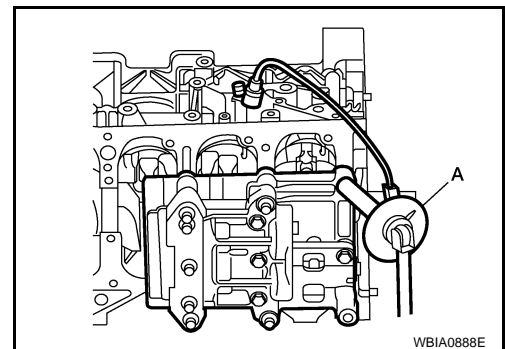
Bolts 1-5 : 42 N·m (4.3 kg-m, 31 ft-lb)

Bolt 6 : 36 N·m (3.7 kg-m, 27 ft-lb)

Step 2

Bolts 1-5 : 120° + 5°

Bolt 6 : 90° + 5°



TIMING CHAIN

< SERVICE INFORMATION >

[QR25DE]

Step 3 (Loosen in reverse order or tightening) : 0 N·m (0 kg-m, 0 ft-lb)

Step 4

Bolts 1-5 : 42 N·m (4.3 kg-m, 31 ft-lb)

Bolt 6 : 36 N·m (3.7 kg-m, 27 ft-lb)

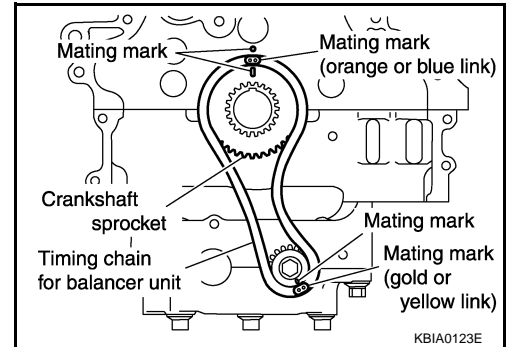
Step 5

Bolts 1-5 : 120° + 5°

Bolt 6 : 90° + 5°

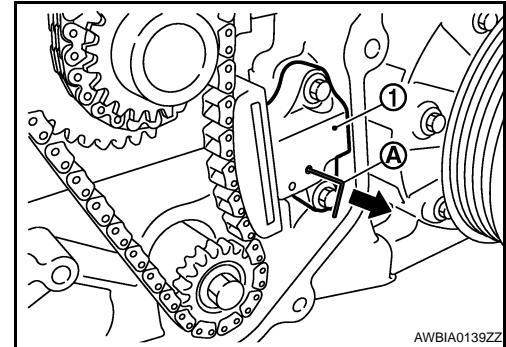
3. Install the crankshaft sprocket and timing chain for the balancer unit.

- Make sure that the crankshaft sprocket is positioned with mating marks on the block and sprocket meeting at the top.
- Install it by lining up mating marks on each sprocket and timing chain.



4. Install timing chain tensioner (for balancer unit) (1).

1. Fix the plunger at the most compressed position using a stopper pin (A), and then install it.
2. Securely pull out (←) the stopper pin after installing the timing chain tensioner (for balancer unit).
3. Check matching mark position of balancer unit timing chain and each sprocket again.



5. Install timing chain and related parts.

- Install by lining up mating marks on each sprocket and timing chain as shown.

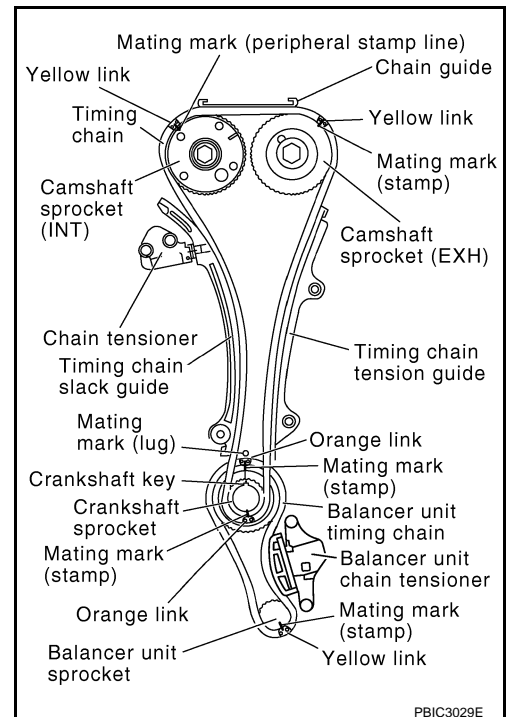
NOTE:

Before installing chain tensioner, it is possible to change the position of mating mark on timing chain for that of each sprocket for alignment.

CAUTION:

For the above reason, after the mating marks are aligned, keep them aligned by holding them with a hand.

- Before and after installing chain tensioner, check again to make sure that mating marks have not slipped.
- After installing chain tensioner, remove stopper pin, and make sure the tensioner moves freely.
- To avoid skipped teeth, do not move crankshaft and camshaft until front cover is installed.



TIMING CHAIN

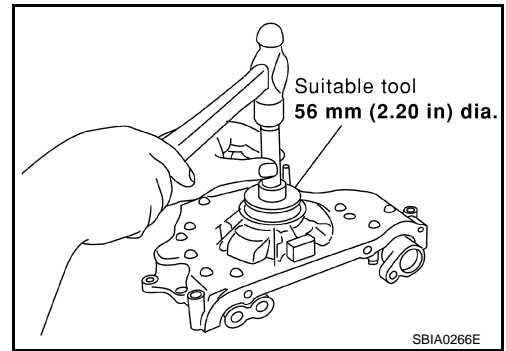
[QR25DE]

< SERVICE INFORMATION >

6. Install new front oil seal to front cover, using suitable tool
 - Install new oil seal in until it is flush with front end surface of front cover.

CAUTION:

- Be careful not to cause damage to circumference of oil seal.



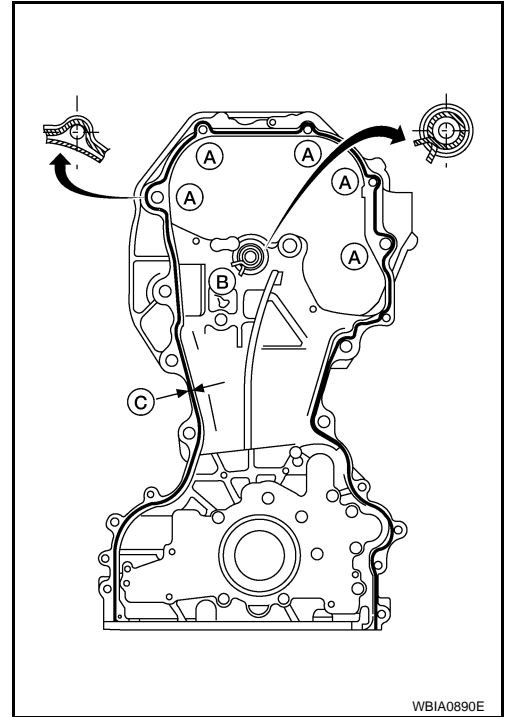
7. Install front cover with the following procedure:
 - a. Install O-rings to cylinder head and cylinder block.
 - b. Apply Genuine Silicone RTV Sealant or equivalent, to positions specified (A), (B). Refer to [GI-42. "Recommended Chemical Product and Sealant"](#).

C (Sealant dimension) : 3.9 mm (0.154 in) dia

- c. Make sure the mating marks on the timing chain and each sprocket are still aligned. Then install the front cover.

CAUTION:

- Be careful not to damage the front oil seal during installation with the front end of the crankshaft.



- d. Tighten front cover bolts in the numerical order as shown.
 - e. After all bolts are tightened, retighten them to the specified torque.

Front cover bolt torque

Bolts A : 49 N-m (5.0 kg-m, 36 ft-lb)

Bolts B : 12.7 N-m (1.3 kg-m, 9 ft-lb)

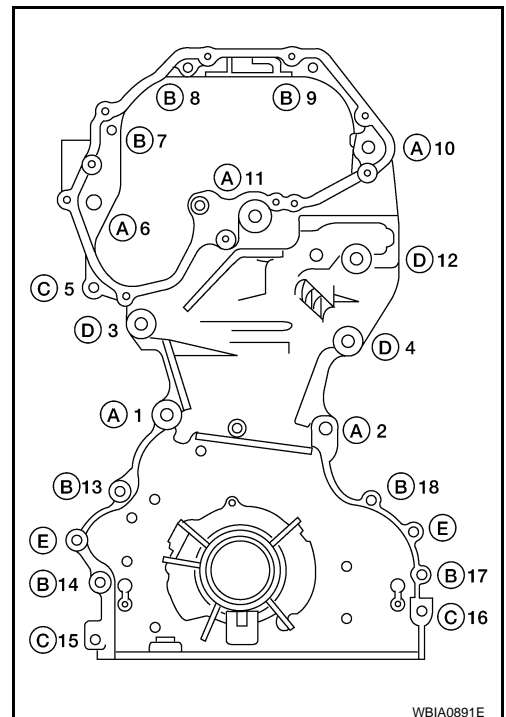
Bolts C : 12.7 N-m (1.3 kg-m, 9 ft-lb)

Bolts D : 49 N-m (5.0 kg-m, 36 ft-lb)

E Dowel pins

CAUTION:

Wipe off any excess sealant leaking at the surface for installing the oil pan.



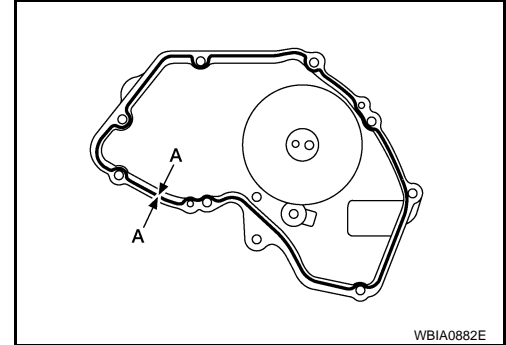
A
EM
C
D
E
F
G
H
I
J
K
L
M
N
O
P

TIMING CHAIN

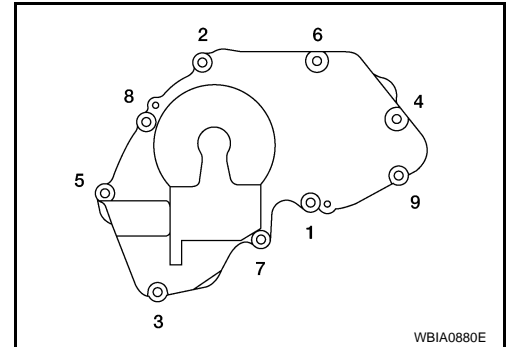
[QR25DE]

< SERVICE INFORMATION >

8. Install the chain guide between the camshaft sprockets.
9. Install IVT cover with the following procedure:
 - a. Install IVT solenoid valves to IVT cover.
 - b. Install new oil rings to the intake camshaft sprocket insertion points on IVT control cover backside.
 - c. Install new O-ring to front cover.
 - d. Apply Silicone RTV Sealant to the IVT cover as shown.
 - Apply Genuine Silicone RTV Sealant (A) or equivalent, to positions specified. Refer to [GI-42, "Recommended Chemical Product and Sealant"](#).



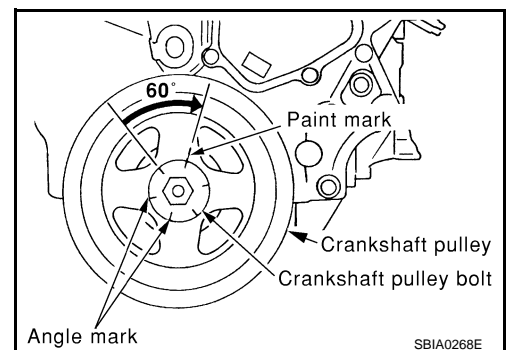
- e. Tighten the IVT cover bolts in the numerical order as shown.



10. Insert crankshaft pulley by aligning with crankshaft key.
 - Tap its center with a plastic hammer to insert.
 - Do not tap the belt hook.
11. Tighten crankshaft pulley bolts.
 - Secure crankshaft pulley with a pulley holder to tighten the bolt.
 - Perform angle tightening with the following procedure:
 - a. Apply new engine oil to threads and seat surfaces of bolts.
 - b. Tighten to initial specifications:

Crankshaft pulley bolt initial tightening : 37.3 - 47.1 N·m (3.8 - 4.8 kg·m, 28 - 34 ft·lb)

- c. Apply a paint mark on the front cover, mating with any one of six easy to recognize stamp marks on bolt flange.
- d. Turn crankshaft pulley bolt another 60° to 66° degrees [Target: 60° degrees].
 - Check vertical mounting angle with movement of one stamp mark.
12. Installation of the remaining components is in reverse order of removal.



OIL SEAL

Removal and Installation of Valve Oil Seal

INFOID:000000004409554

REMOVAL

1. Remove camshaft. Refer to [EM-150, "Removal and Installation"](#).
2. Remove valve lifter. Refer to [EM-150, "Removal and Installation"](#).
3. Rotate crankshaft, and set piston whose oil seal is to be removed to top dead center. This prevents valve from dropping inside cylinder.

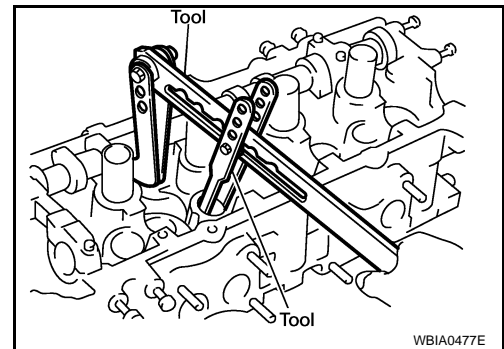
CAUTION:

When rotating crankshaft, be careful to avoid scarring the front cover with the timing chain.

4. Remove valve collet, valve spring retainer and valve spring using Tool.

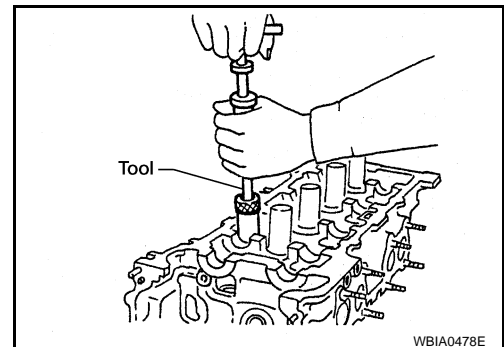
Tool number

- : KV10116200 (J-26336-B)**
- : KV10115900 (J-26336-20)**



5. Remove valve oil seal using Tool.

Tool number : KV10107902 (J-38959)

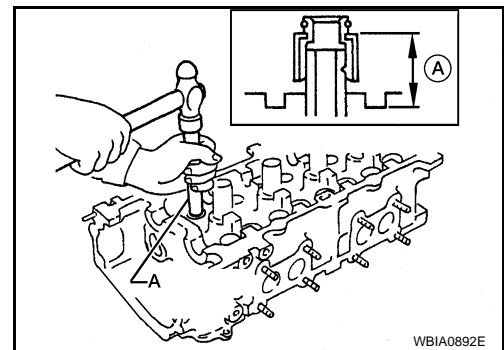


INSTALLATION

1. Apply new engine oil to new valve oil seal joint surface and seal lip.
2. Press in valve oil seal to the position shown using Tool.

Oil seal installed height (A) : 12.1 mm (0.476 in)

Tool number : KV10115600 (J-38958)



3. Installation of the remaining components in the reverse order of removal.

Removal and Installation of Front Oil Seal

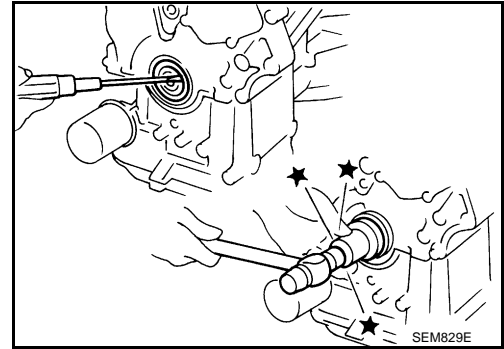
INFOID:000000004409555

REMOVAL

1. Remove the following parts:
 - Engine under cover using power tools.

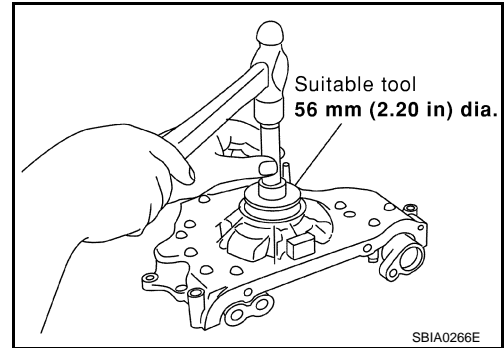
< SERVICE INFORMATION >

- Drive belts. Refer to [EM-128](#).
 - Crankshaft pulley. Refer to [EM-161](#).
2. Remove front oil seal from front cover.
- CAUTION:**
Be careful not to scratch front cover.

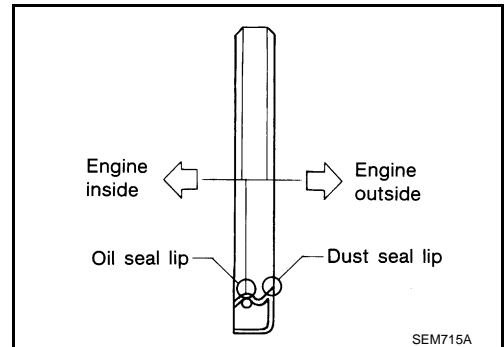


INSTALLATION

1. Apply new engine oil to new oil seal and install it using a suitable tool.



- Install new oil seal in the direction shown.



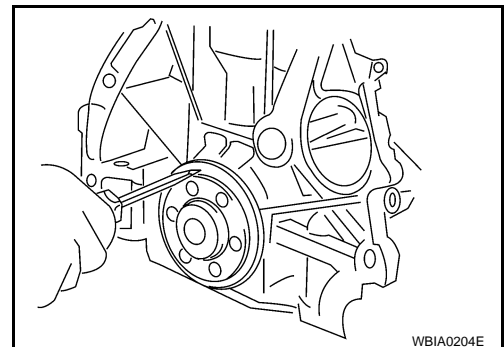
2. Installation of the remaining components is in reverse order of removal.

Removal and Installation of Rear Oil Seal

INFOID:000000004409556

REMOVAL

1. Remove the transaxle. Refer to [MT-67. "Removal and Installation"](#) (RS6F52A) or [MT-144. "Removal and Installation"](#) (RS6F52H) (M/T models) [CVT-192. "Removal and Installation \(QR25DE\)"](#) (CVT models).
 2. Remove flywheel (MT) or drive plate (CVT).
 3. Remove rear oil seal using suitable tool.
- CAUTION:**
Be careful not to scratch rear oil seal retainer.



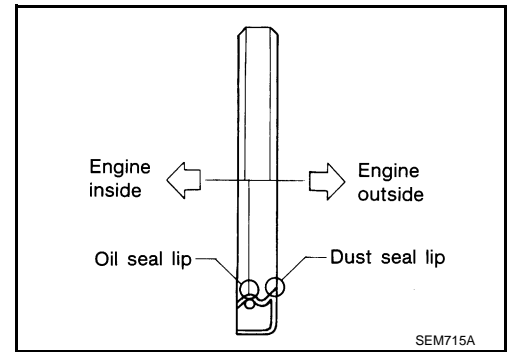
OIL SEAL

< SERVICE INFORMATION >

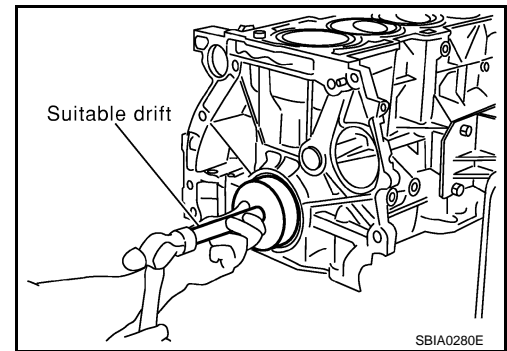
[QR25DE]

INSTALLATION

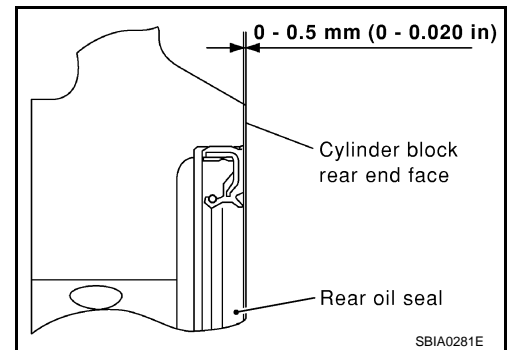
1. Apply new engine oil to new oil seal and install it using a suitable drift.
 - Install new oil seal in the direction shown.



- Press fit new oil seal straight using a suitable drift, to avoid causing burrs or tilting.



- Press in the new oil seal to the specified depth as shown.



2. Installation of the remaining components in reverse order of removal.

A
EM
C
D
E
F
G
H
I
J
K
L
M
N
O
P

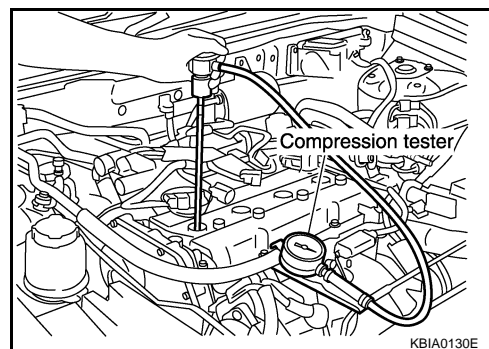
CYLINDER HEAD

On-Vehicle Service

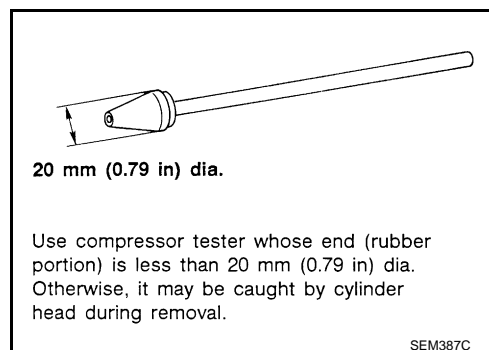
INFOID:000000004409557

CHECKING COMPRESSION PRESSURE

1. Warm up the engine to full operating temperature.
2. Release the fuel pressure. Refer to [EC-1161, "Fuel Pressure Check"](#).
3. Remove the ignition coil and spark plug from each cylinder. Refer to [EM-143, "Removal and Installation"](#).
4. Connect engine tachometer (not required in use of CONSULT-III).
5. Disconnect the fuel injector harness connector to avoid any residual fuel injection during the measurement.
6. Install the compression tester with the adapter into the spark plug hole.



- Use compression gauge whose picking up end inserted to spark plug hole is smaller than 20 mm (0.79 in) in diameter. Otherwise, it may be caught by cylinder head during removal.



7. With the accelerator pedal fully depressed, turn the ignition switch to the "START" position to crank over the engine. When the gauge pointer stabilizes, read the compression pressure and engine rpm. Perform these steps to check each cylinder.

Unit: kPa (kg/cm², psi) / rpm

Standard	Minimum	Difference limit between cylinders
1,250 (12.8, 181.3) / 250	1,060 (10.8, 153.7) / 250	100 (1.0, 14) / 250

CAUTION:

Always use a fully charged battery to obtain specified engine cranking speed.

- If the engine speed is out of specified rpm range, check the battery. Check engine speed again with a fully charged battery.
- If compression pressure is below minimum value, check valve clearances and parts associated with combustion chamber (valve, valve seat, piston, piston ring, cylinder bore, cylinder head, cylinder head gasket). After the checking, measure compression pressure again.
- If some cylinders have low compression pressure, pour small amount of engine oil into the spark plug hole of the cylinder to re-check it for compression.
- If the added engine oil improves the compression, the piston rings may be worn or damaged. Check the piston rings and replace if necessary.
- If the compression pressure remains at low level despite the addition of engine oil, the valves may be malfunctioning. Check the valves for damage. Replace the valve or valve seat accordingly.

CYLINDER HEAD

[QR25DE]

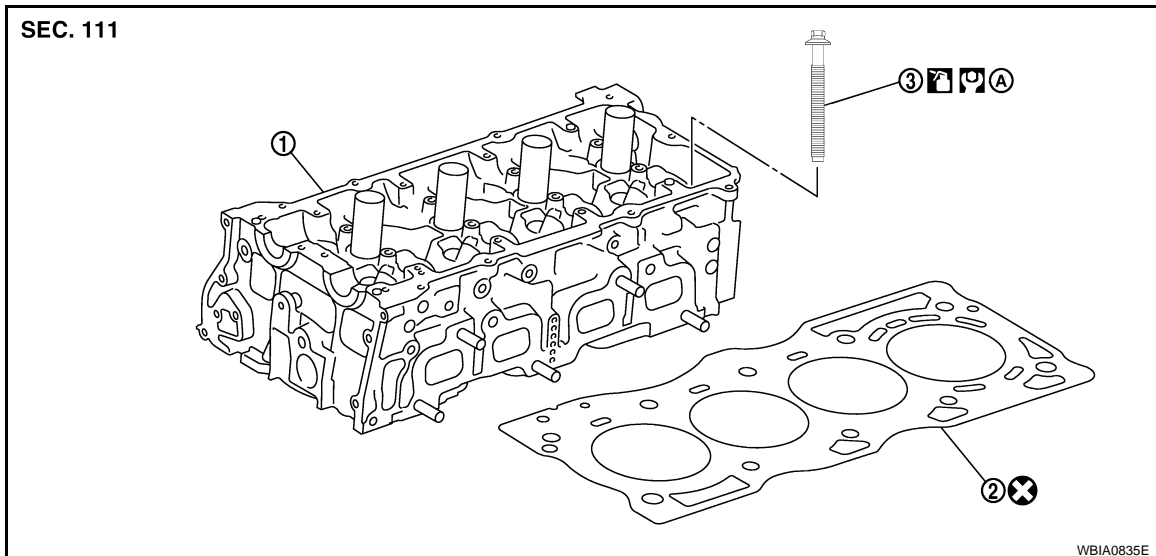
< SERVICE INFORMATION >

- If two adjacent cylinders have respectively low compression pressure and their compression remains low even after the addition of engine oil, the head gasket is leaking. In such a case, replace the cylinder head gasket.
8. Install spark plug, ignition coil and harness connectors.

Removal and Installation

INFOID:000000004409558

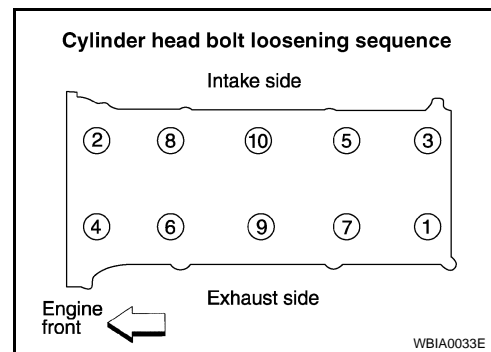
EM



1. Cylinder head assembly 2. Cylinder head gasket 3. Cylinder head bolt
- A. Refer to "INSTALLATION" [EM-173](#)

REMOVAL

1. Remove the timing chain. Refer to [EM-161, "Removal and Installation"](#).
2. Remove the camshafts. Refer to [EM-150](#).
3. Remove spark plugs. Refer to [EM-143, "Removal and Installation"](#).
4. Remove exhaust manifold. Refer to [EM-137, "Removal and Installation"](#).
5. Remove cylinder head loosening bolts in the order as shown, using power tool.
6. If necessary to transfer to new cylinder head or remove for reconditioning, remove the intake manifold collector, intake manifold, and fuel tube assembly. Refer to [EM-175, "Disassembly and Assembly"](#).



INSPECTION AFTER REMOVAL

Outer Diameter of Cylinder Head Bolts

CYLINDER HEAD

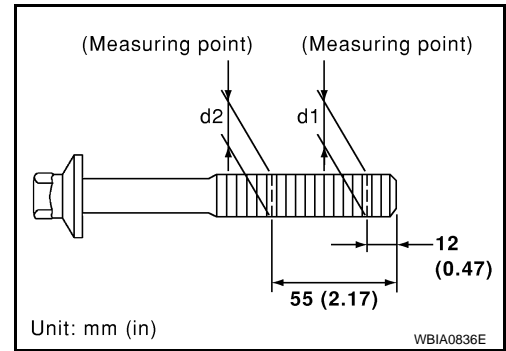
[QR25DE]

< SERVICE INFORMATION >

- Cylinder head bolts are tightened by plastic zone tightening method. Whenever the size difference between d1 and d2 exceeds the limit, replace the bolts with new ones.

Limit (d1 - d2) : 0.23 mm (0.0091 in) or less

- If reduction of outer diameter appears in a position other than d2, use it as d2 point.



INSTALLATION

1. Install a new cylinder head gasket.
2. Follow the steps below to tighten the cylinder head bolts using Tool, in the numerical order as shown.
 - Apply new engine oil to the threads and the seating surfaces of bolts.**CAUTION:**
 - If cylinder head bolts are re-used, check their outer diameters before installation. Follow the "Outer Diameter of Cylinder Head Bolts" procedure.
 - Check and confirm the tightening angle by using angle wrench or protractor. Avoid judgment by visual inspection without the tool.

Step a : 98.1 N-m (10 kg-m, 37 ft-lb)

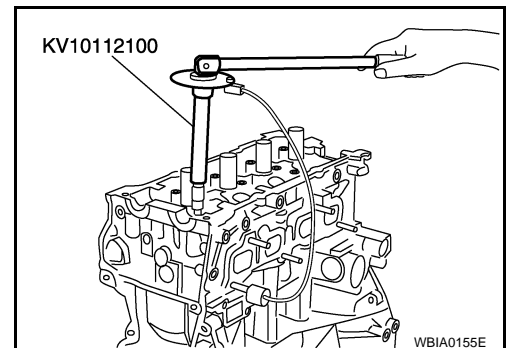
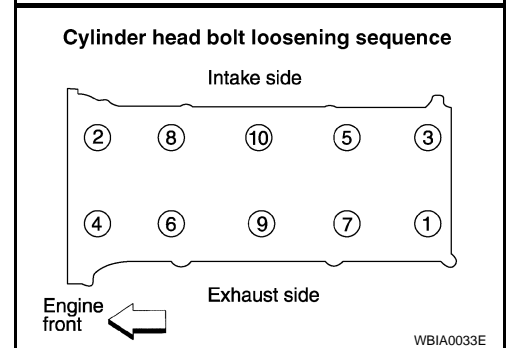
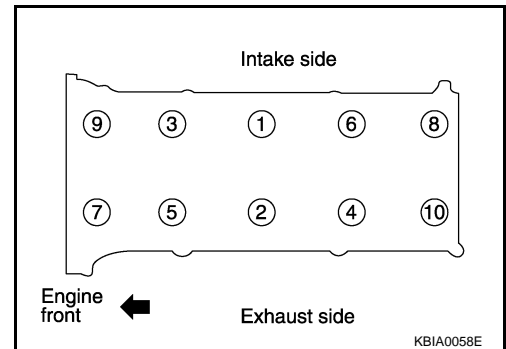
Step c : Loosen to 0 N-m in the reverse order of tightening.

Step d : 39.2 N-m (4.0 kg-m, 29 ft-lb)

Step e : 75° clockwise

Step f : 75° clockwise

Tool number : KV10112100 (BT-8653-A)



3. Installation of the remaining components is in reverse order of removal.

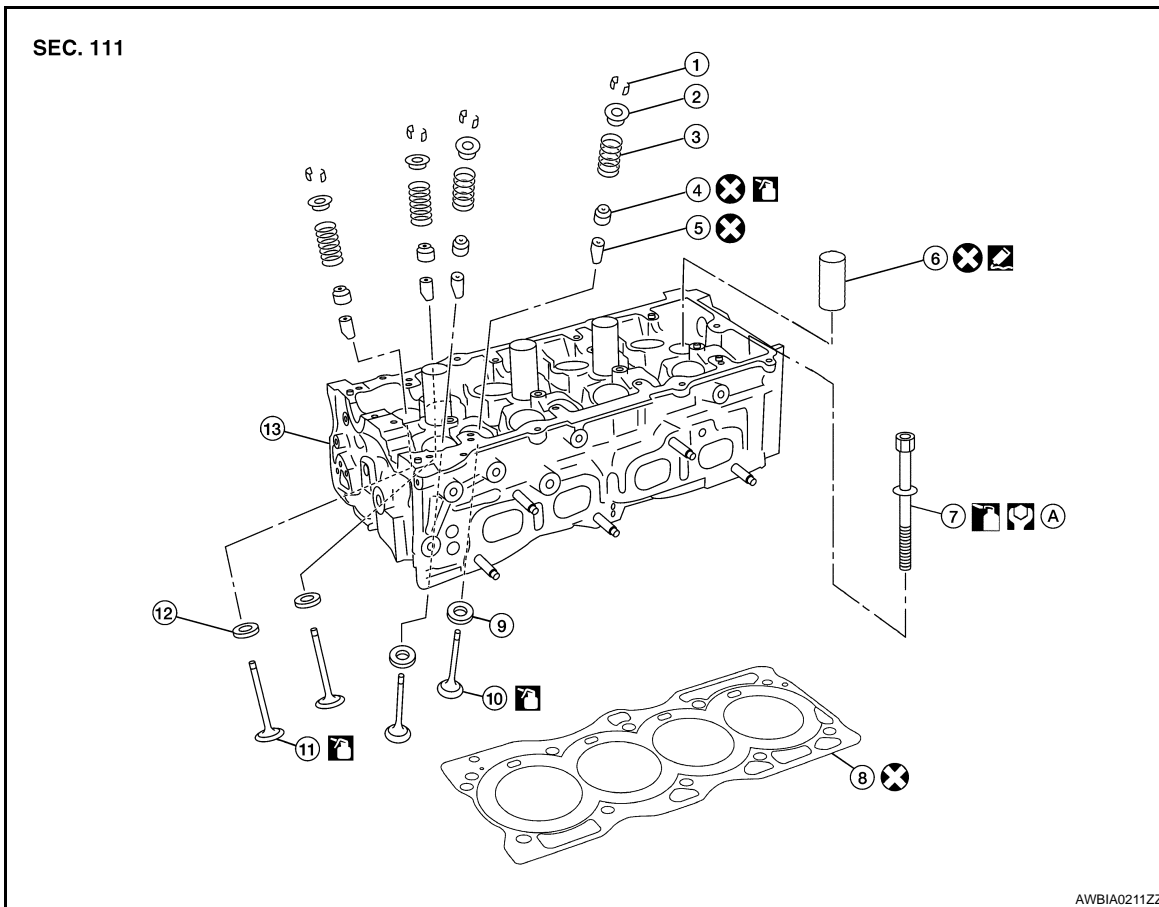
CYLINDER HEAD

< SERVICE INFORMATION >

[QR25DE]

Disassembly and Assembly

INFOID:000000004409559



- | | | |
|-------------------|----------------------------------|--|
| 1. Valve collet | 2. Valve spring retainer | 3. Valve spring (with valve spring seat) |
| 4. Valve oil seal | 5. Valve guide | 6. Spark plug tube |
| 7. Head bolt | 8. Head gasket | 9. Valve seat (EXH) |
| 10. Valve (EXH) | 11. Valve (INT) | 12. Valve seat (INT) |
| 13. Cylinder head | A. Follow installation procedure | |

CAUTION:

- When installing camshafts, chain tensioners, oil seals or other sliding parts, lubricate contacting surfaces with new engine oil.
- Apply new engine oil to threads and seat surfaces when installing the cylinder head, camshaft sprocket, crankshaft pulley and camshaft bracket.
- Attach tags to valve lifters so all parts are assembled in their original position.

DISASSEMBLY

1. Remove the valve lifter.
 - Confirm installation point.

A
EM
C
D
E
F
G
H
I
J
K
L
M
N
O
P

CYLINDER HEAD

[QR25DE]

< SERVICE INFORMATION >

- Remove the valve collet, valve spring retainer and valve spring using Tool.

Tool number : KV10116200 (J-26336-B)
: KV10115900 (J-26336-20)

CAUTION:

Do not remove valve spring seat from valve spring.

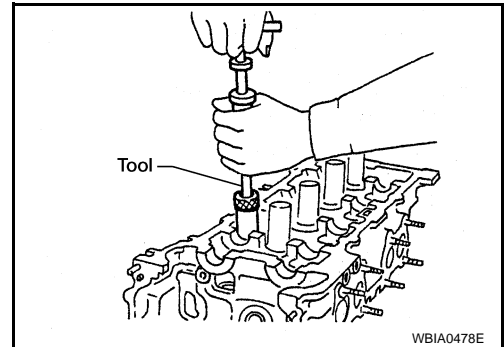
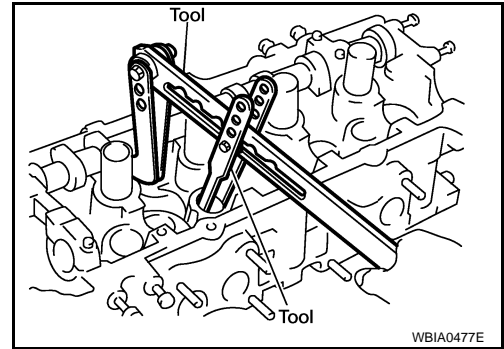
- Push valve stem to combustion chamber side, and remove valve.
 - Inspect valve guide clearance before removal. Refer to [EM-177, "Inspection After Disassembly"](#).
 - Confirm installation point.
- Remove valve oil seal using Tool.

Tool number : KV10107902 (J-38959)

- When valve seat must be replaced, refer to [EM-177, "Inspection After Disassembly"](#).
- When valve guide must be replaced, refer to [EM-177, "Inspection After Disassembly"](#).
- Remove spark plug using suitable tool.
- Remove spark plug tubes, if necessary using suitable tool.

CAUTION:

- Be careful not to damage cylinder head.
- Do not remove spark plug tube if not necessary. Once removed, the spark plug tube cannot be reused because of deformation.

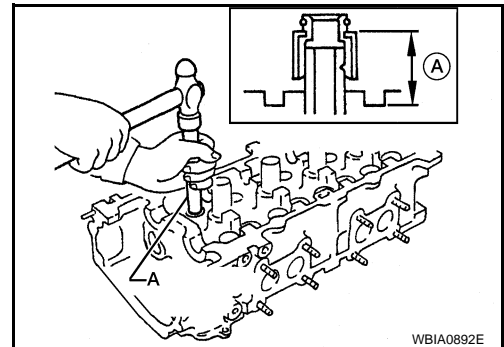


ASSEMBLY

- Install valve guide. Refer to [EM-177, "Inspection After Disassembly"](#).
- Install valve seat. Refer to [EM-177, "Inspection After Disassembly"](#).
- Install new valve oil seal to the specified height as shown, using Tool.

Oil seal installed height (A) : 12.1 mm (0.476 in)

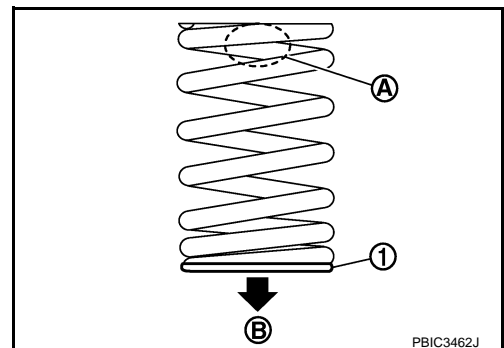
Tool number : KV10115600 (J-38958)



- Install valve.
 - Install larger diameter to intake side.
- Install valve spring [with valve spring seat (1)].
 - A: Identification color
 - B: Cylinder head
 - ←: To cylinder head
 - Install smaller pitch spring end (valve spring seat side) to cylinder head side.
 - Confirm the identification color of the valve spring.

Intake spring identification color : Pink
(CVT models)

Exhaust spring identification color : Green
(CVT models)



CYLINDER HEAD

< SERVICE INFORMATION >

[QR25DE]

Intake spring identification color : Blue
(M/T models)

Exhaust spring identification color : Yellow
(M/T models)

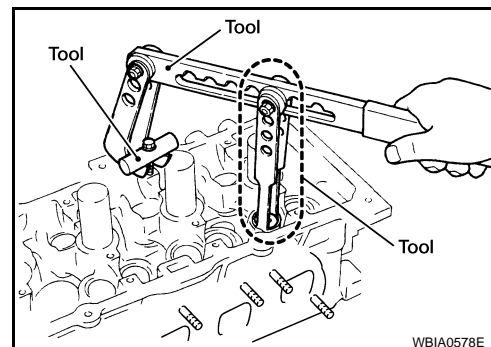
6. Install valve spring retainer.
7. Install valve collet using Tool.

Tool numbers : KV10116200 (J-26336-B)
: KV10115900 (J-26336-20)

- Install valve collet with a magnet hand.

CAUTION:

- **When working, be careful not to damage valve lifter holes.**
- Tap valve stem edge lightly with a plastic hammer after installation to check its installed condition.

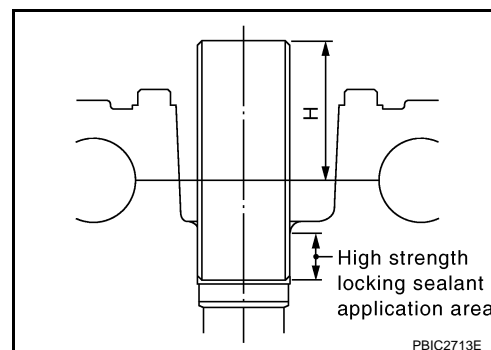


8. Install valve lifter.
9. Install the spark plug tube, if removed. Press-fit the spark plug tube into the cylinder head using the following procedure:

- a. Remove old sealant from cylinder head side installation hole.
- b. Apply sealant all round on spark plug tube within approximately 12 mm (0.47 in) width from edge of spark plug tube on the press-fit side.

Use Genuine High Strength Locking Sealant or equivalent. Refer to [GI-42](#), "Recommended Chemical Product and Sealant"

- c. Press-fit the spark plug tube to specified height "H" as shown, using suitable tool.



Standard press-fit height "H" : 41.2 - 42.2 mm (1.622 - 1.661 in)

CAUTION:

- **When press-fitting, be careful not to deform spark plug tube.**
- **After press-fitting, wipe off any protruding sealant on top surface of cylinder head.**

10. Install spark plug. Refer to [EM-143](#).

Inspection After Disassembly

INFOID:000000004409560

CYLINDER HEAD DISTORTION

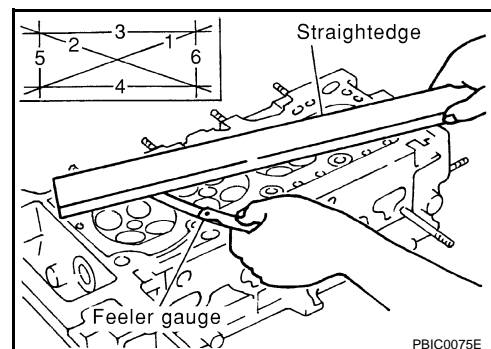
1. Wipe off oil and remove water scale deposits, old gasket, old sealer, and carbon with a scraper.

CAUTION:

Use care not to allow gasket debris to enter passages for oil or water.

2. At each of several locations on bottom surface of cylinder head, measure distortion in six directions.

Limit : 0.1 mm (0.004 in) or less



VALVE DIMENSIONS

Check dimensions of each valve. Refer to [EM-209](#), "Standard and Limit".

VALVE GUIDE CLEARANCE

Perform this inspection before removing the valve guide.

CYLINDER HEAD

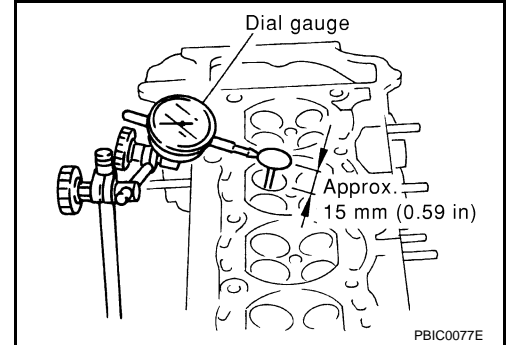
< SERVICE INFORMATION >

[QR25DE]

1. Make sure that the valve stem diameter is within the specification.
2. Push the valve out by approximately 15 mm (0.59 in) toward the combustion chamber side to measure the valve's run-out volume (in the direction of dial gauge) with dial gauge.
3. Half of the run-out volume accounts for the valve guide clearance.

Intake valve guide clearance : 0.020 - 0.053 mm (0.0008 - 0.0021 in) or less

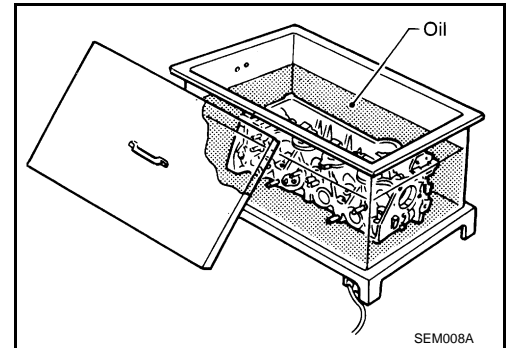
Exhaust valve guide clearance : 0.030 - 0.063 mm (0.0012 - 0.0025 in) or less



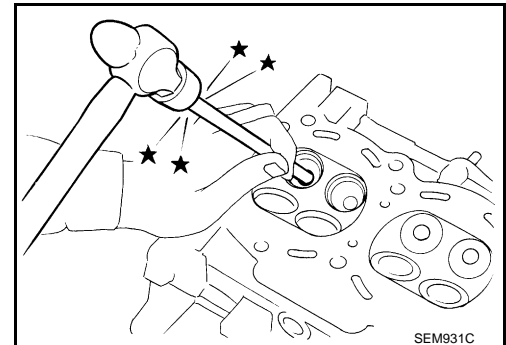
VALVE GUIDE REPLACEMENT

When valve guide is removed, replace with oversized (0.2 mm, 0.008 in) valve guide.

1. To remove valve guide, heat cylinder head to 110° to 130°C (230° to 266°F) by soaking in heated oil.



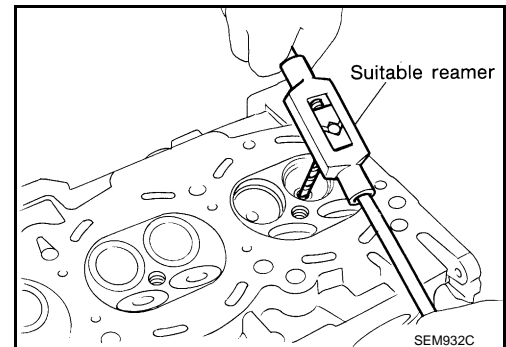
2. Drive out valve guide with a press [under a 20 kN (2.2 ton-force) pressure] or hammer and suitable tool.



3. Ream cylinder head valve guide hole using suitable reamer.

Intake and exhaust valve guide hole diameter (Standard) : 9.975 - 9.996 mm (0.3927 - 0.3935 in)

4. Heat cylinder head to 110° to 130°C (230° to 266°F) by soaking in heated oil.

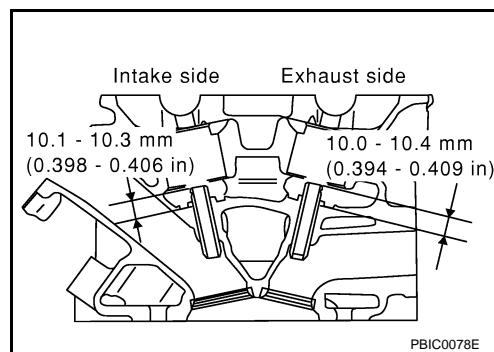


CYLINDER HEAD

< SERVICE INFORMATION >

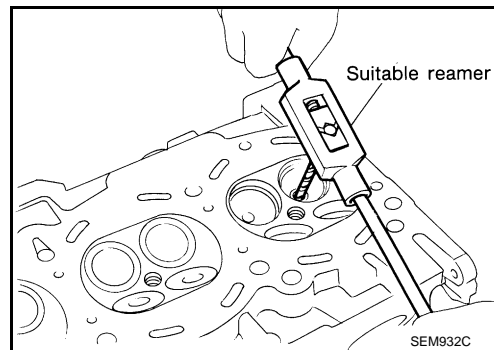
[QR25DE]

5. Press valve guide from camshaft side to dimensions as shown.



6. Apply finish to valve guide using suitable reamer.

Intake and exhaust : 6.000 - 6.018 mm (0.2362 - 0.2369 in)

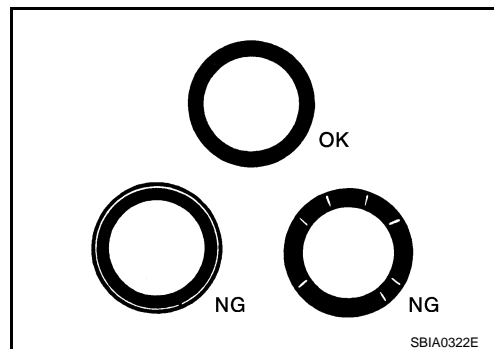


VALVE SEAT CONTACT

NOTE:

After confirming that the dimensions of valve guides and valves are within specifications, perform this procedure:

- Apply prussian blue (or white lead) onto contacting surface of valve seat to check the condition of the valve contact on the seat surface.
- Check if the contact area band is continuous all around the circumference.
- If not, grind to adjust valve fitting and check again. If the contacting surface still has NG conditions even after the re-check, replace the valve seat.



VALVE SEAT REPLACEMENT

NOTE:

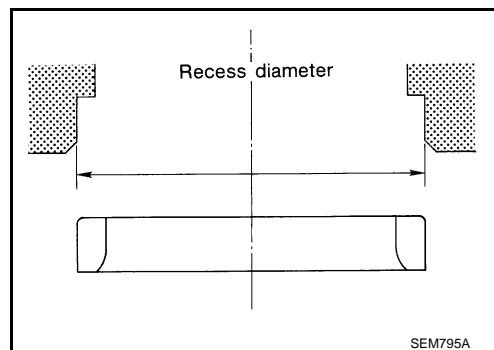
When valve seat is removed, replace with an oversized [0.5 mm (0.020 in)] valve seat.

1. Bore out old seat until it collapses. Boring should not continue beyond the bottom face of the seat recess in the cylinder head. Set the machine depth stop to ensure this.
2. Ream cylinder head recess diameter for service valve seat.

Intake : 37.000 - 37.016 mm (1.4567 - 1.4573 in)

Exhaust : 32.000 - 32.016 mm (1.2598 - 1.2605 in)

- Be sure to ream in circles concentric to the valve guide center. This will enable the valve seat to fit correctly.

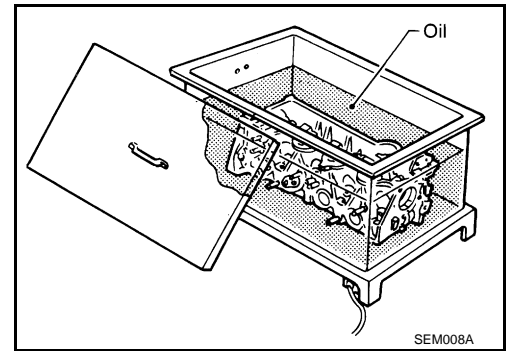


CYLINDER HEAD

[QR25DE]

< SERVICE INFORMATION >

- Heat cylinder head to 110° to 130°C (230° to 266°F) by soaking in heated oil.



- Use valve seats cooled well with dry ice. Force fit valve seat into cylinder head.

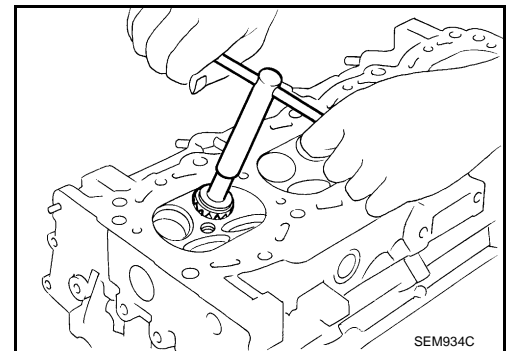
CAUTION:

Avoid directly touching the cold valve seats.

- Finish the seat to the specified dimensions using suitable tool.

CAUTION:

When using valve seat cutter, firmly grip the cutter handle with both hands. Then, press on the contacting surface all around the circumference to cut in a single drive. Improper pressure on the cutter or cutting many different times may result in a defective valve seat.



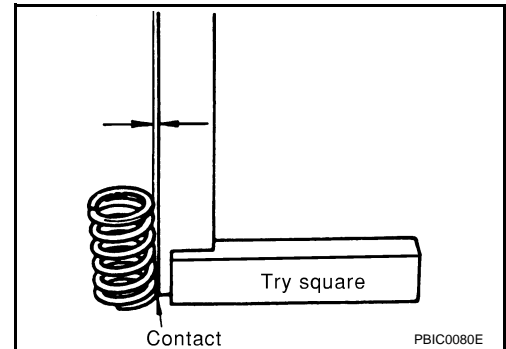
- Using compound, grind to adjust valve fitting.

- Check again for normal contact.

VALVE SPRING SQUARENESS

Set try square along the side of the valve spring and rotate the spring. Measure the maximum clearance between the top face of the spring and the try square.

Limit : 1.9 mm (0.0748 in)

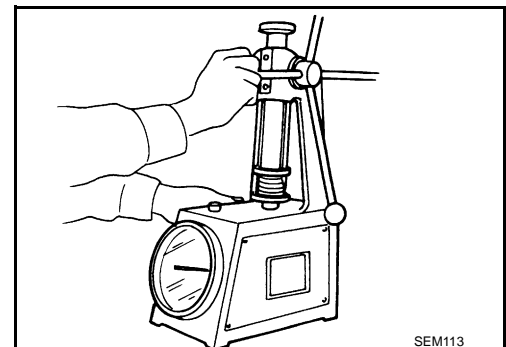


VALVE SPRING DIMENSIONS AND VALVE SPRING PRESSURE LOAD

Check valve spring pressure with valve spring seat installed at specified spring height. Replace if not within specifications.

CAUTION:

Do not remove the valve spring seat.



CYLINDER HEAD

< SERVICE INFORMATION >

[QR25DE]

Valve Spring Specifications

Specifications	Intake	Exhaust
Identification color	Pink (CVT), Blue (M/T)	Green (CVT), Yellow (M/T)
Free height	43.72 - 43.92 mm (1.7213 - 1.7291 in)	45.29 - 45.49 mm (1.7831 - 1.7909 in)
Installation height	35.30 mm (1.390 in)	35.30 mm (1.390 in)
Installation load	151 - 175 N (15.4 - 17.8 kg-f, 34 - 39 lb-f)	151 - 175 N (15.4 - 17.8 kg-f, 34 - 39 lb-f)
Height during valve open	25.3 mm (0.996 in)	26.76 mm (1.0535 in)
Load with valve open	351 - 394 N (35.8 - 40.2 kg-f, 79 - 89 lb-f)	318 - 362 N (32.4 - 36.9 kg-f, 71 - 81 lb-f)

A

EM

C

D

E

F

G

H

I

J

K

L

M

N

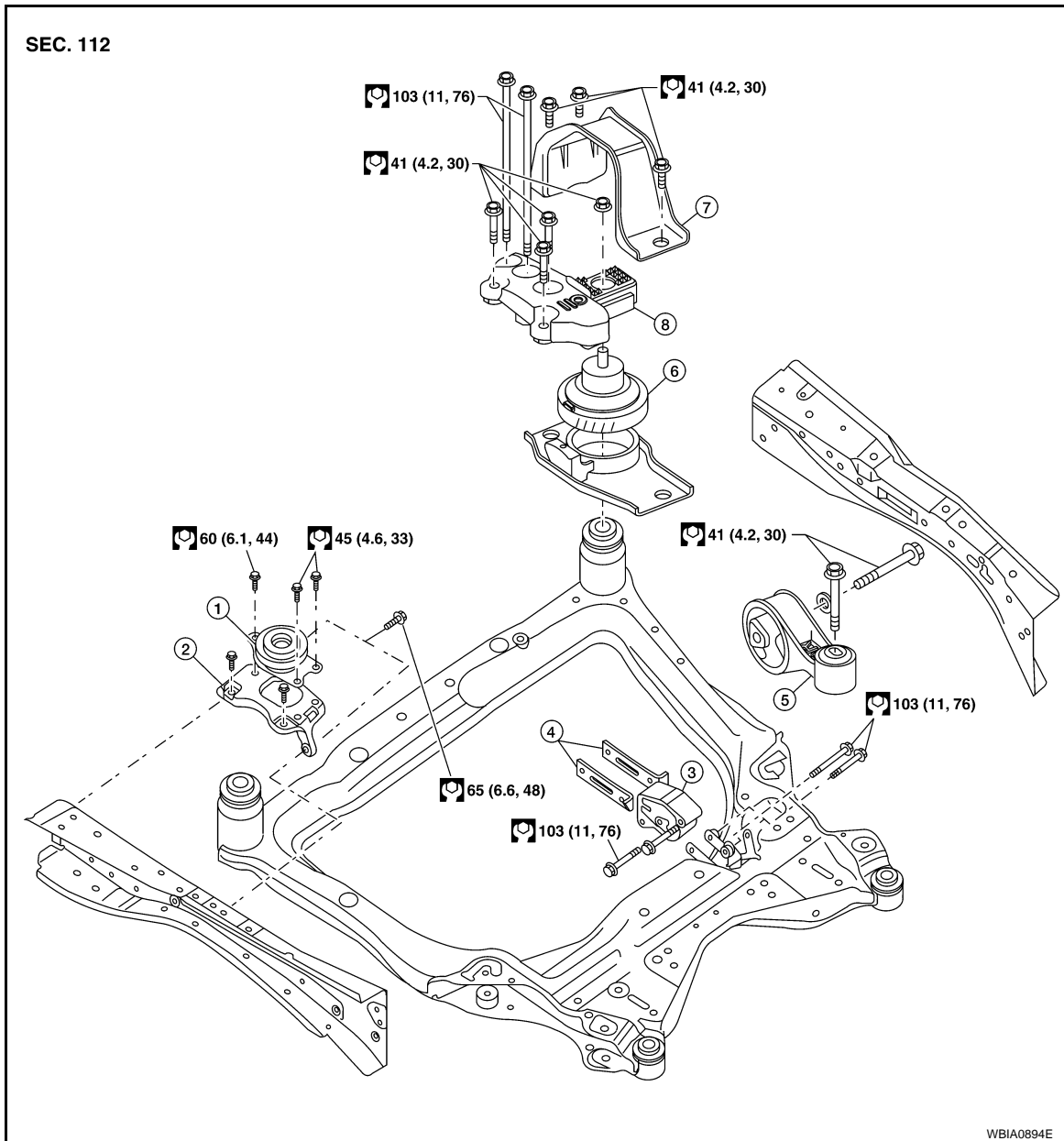
O

P

ENGINE ASSEMBLY

Removal and Installation

INFOID:000000004409561



- | | | |
|---|--|---------------------------------------|
| 1. LH transaxle mounting insulator (CVT) | 2. LH transaxle mounting bracket | 3. Transaxle mounting insulator (M/T) |
| 4. RH engine mounting insulator | 5. Rear engine mounting insulator (orient by direction mark) | 6. Front suspension member |
| 7. Front engine mounting insulator (orient by direction mark) | | |

WARNING:

- Place chocks at the front and back of the rear wheels.
- For engines not equipped with slingers, attach proper slingers and bolts as described in the parts catalog.

CAUTION:

- Do not start working until the exhaust system and coolant are cool.
- If items or work required are not covered by the engine main body section, follow the applicable procedures.
- Use the correct supporting points for lifting and jacking. Refer to [GI-38](#).
- In removing the drive shaft, be careful not to damage the grease seals on the transaxle.

ENGINE ASSEMBLY

[QR25DE]

< SERVICE INFORMATION >

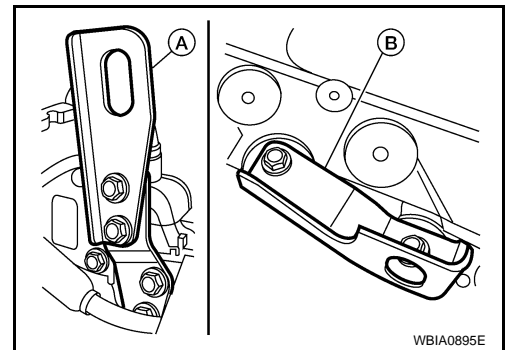
- Before separating the engine and transaxle, remove the crankshaft position sensor (POS) from the assembly.
- Be sure not to damage the edge of the crankshaft position sensor (POS) or the ring gear teeth.

REMOVAL

1. Release fuel pressure. Refer to [EC-1161, "Fuel Pressure Check"](#).
2. Disconnect the fuel rail at the fuel hose quick connector (engine side). Refer to [EM-133](#).
3. Drain the engine oil. Refer to [LU-17, "Changing Engine Oil"](#).
4. Drain the engine coolant. Refer to [CO-39, "Changing Engine Coolant"](#).
5. Remove the engine hood assembly. Refer to [BL-14, "Removal and Installation"](#).
6. Remove cowl extension. Refer to [EI-19, "Removal and Installation"](#).
7. Remove the battery, battery hold downs, and battery tray.
8. Disconnect the MAF sensor electrical connector.
9. Remove the air duct and air cleaner case assembly. Refer to [EM-131, "Removal and Installation"](#).
10. Disconnect the heater hoses.
11. Remove engine cover using power tool.
12. Remove the engine coolant reservoir tank, radiator and radiator fan assembly. Refer to [CO-43, "Removal and Installation"](#).
13. Disconnect and set aside the IPDM/ER and remove the IPDM/ER bracket. Refer to [PG-27, "Removal and Installation of IPDM E/R"](#).
14. Remove the generator. Refer to [SC-30, "Removal and Installation QR25DE"](#).
15. Remove the engine under covers and splash shield using power tool.
16. Dismount the A/C compressor with piping connected and secure with wire to the radiator support.
17. Disconnect the engine wiring harness retainers and ground strap.
18. Remove clutch operating cylinder from transaxle, and move it aside (M/T models).
19. Disconnect the transaxle shift controls.
20. Remove front exhaust tube. Refer to [EX-9, "Component"](#).
21. Remove the left and right drive shafts. Refer to [FAX-9, "Removal and Installation \(Left Side\)"](#) and [FAX-11, "Removal and Installation \(Right Side\)"](#).
22. Remove the front suspension member. Refer to [FSU-11, "Removal and Installation"](#).
23. Install engine slingers into front left cylinder head and rear right cylinder head.
 - Use generator bracket bolt holes for the front slinger.
 - Use the proper slingers and bolts as described in the Parts Catalog.

Slinger bolts - front (B) : 48 N·m (4.9 kg-m, 35 ft-lb)

Slinger bolts - rear (A) : 28 N·m (2.8kg-m, 21 ft-lb)



24. Support engine and transaxle assembly with engine lifting equipment from the top with the vehicle raised on a hoist.
25. Remove RH engine mounting insulator and bracket.
26. Remove LH transaxle mounting insulator through-bolts.
27. Lower the engine and transaxle assembly from the engine compartment using Tool.

CAUTION:

- Before and during this procedure, always check if any harnesses are left connected.
- Avoid any damage to, or any oil/grease smearing or spills onto the engine mounting insulators.

Tool number : — (J-47242)

28. Remove the starter motor. Refer to [SC-21, "Removal and Installation QR25DE"](#).

ENGINE ASSEMBLY

[QR25DE]

< SERVICE INFORMATION >

29. Separate engine and transaxle.

INSTALLATION

Combine engine and transaxle assembly. Refer to [CVT-192, "Removal and Installation \(QR25DE\)"](#) (CVT models), [MT-67, "Removal and Installation"](#) (RS6F52A) or [MT-144, "Removal and Installation"](#) (RS6F52H) (M/T models).

Installation is in the reverse order of removal.

- Do not allow oil to get on mounting insulators. Be careful not to damage mounting insulators.
- If parts have a direction mark (arrow) this indicates front of the vehicle, and the parts must be installed according to the identification mark.

INSPECTION AFTER INSTALLATION

- Before starting engine, check oil/fluid levels including engine coolant and engine oil. If less than required quantity, fill to the specified level. Refer to [MA-14](#).
- Use procedure below to check for fuel leakage.
- Turn ignition switch ON (with engine stopped). With fuel pressure applied to fuel piping, check for fuel leakage at connection points.
- Start engine. With engine speed increased, check again for fuel leakage at connection points.
- Run engine to check for unusual noise and vibration.
- Warm up engine thoroughly to make sure there is no leakage of fuel, exhaust gas, or any oils/fluids including engine oil and engine coolant.
- Bleed air from passages in lines and hoses, such as in cooling system.
- After cooling down engine, again check oils/fluids including engine oil and engine coolant. Refill to specified level, if necessary.
- Summary of the inspection items:

Item	Before starting engine	Engine running	After engine stopped
Engine coolant	Level	Leakage	Level
Engine oil	Level	Leakage	Level
Other oils and fluids*	Level	Leakage	Level
Fuel	Leakage	Leakage	Leakage
Exhaust gas	—	Leakage	—

*Transmission/transaxle/CVT fluid, power steering fluid, brake fluid, etc.

CYLINDER BLOCK

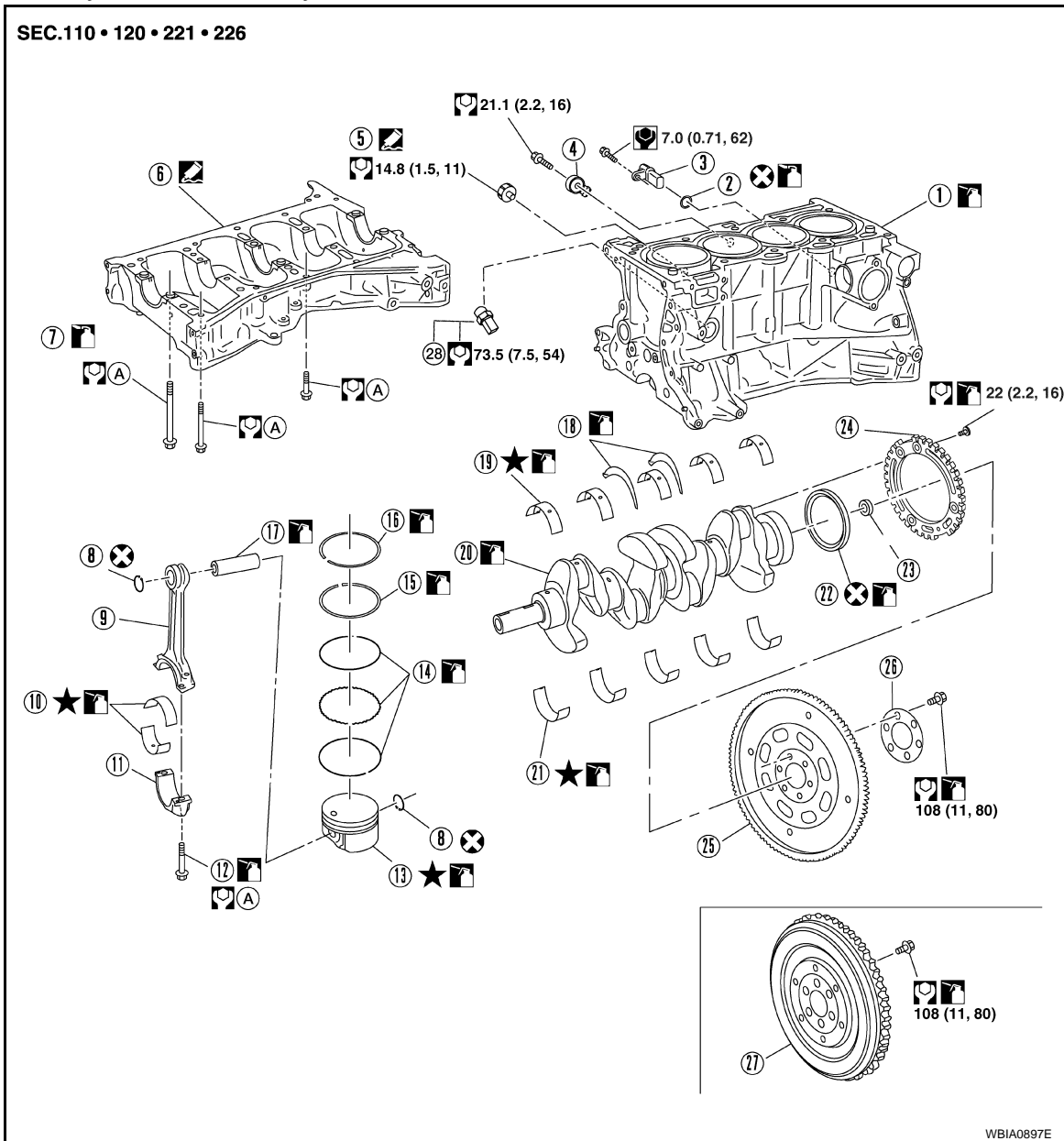
< SERVICE INFORMATION >

[QR25DE]

CYLINDER BLOCK

Disassembly and Assembly

INFOID:000000004409562



- | | | |
|---|---|-------------------------------------|
| 1. Cylinder block | 2. O-ring | 3. Crankshaft position sensor (POS) |
| 4. Knock sensor | 5. Oil pressure sensor | 6. Lower cylinder block |
| 7. Lower cylinder block bolt | 8. Snap ring | 9. Connecting rod |
| 10. Connecting rod bearing | 11. Connecting rod bearing cap | 12. Connecting rod bearing cap bolt |
| 13. Piston | 14. Oil ring | 15. Second ring |
| 16. Top ring | 17. Piston pin | 18. Main thrust bearing |
| 19. Main bearing upper | 20. Crankshaft | 21. Main bearing lower |
| 22. Crankshaft rear oil seal | 23. Pilot converter (CVT only) | 24. Crankshaft signal plate |
| 25. Drive plate (CVT) | 26. Reinforcement plate (CVT) | 27. Flywheel (M/T) |
| 28. Cylinder block heater (if equipped) | A. Refer to "ASSEMBLY" EM-185 | |

CAUTION:

Apply new engine oil to parts marked in illustration before installation.

DISASSEMBLY

CYLINDER BLOCK

[QR25DE]

< SERVICE INFORMATION >

1. Remove the engine and transaxle as an assembly from the vehicle, and separate the transaxle from the engine. Refer to [EM-182, "Removal and Installation"](#).
2. Mount the engine on a suitable engine stand.
3. Drain any remaining engine oil and coolant from the engine.
4. Remove the following components and associated parts.
 - Exhaust manifold and three way catalyst assembly. Refer to [EM-137, "Removal and Installation"](#).
 - Intake manifold collector. Refer to [EM-133, "Removal and Installation"](#).
 - Intake manifold and fuel tube assembly. Refer to [EM-133, "Removal and Installation"](#).
 - Ignition coils. Refer to [EM-142, "Removal and Installation"](#).
 - Rocker cover. Refer to [EM-148, "Removal and Installation"](#).
 - Front cover, timing chain, and balancer unit. Refer to [EM-161, "Removal and Installation"](#).
 - Cylinder head. Refer to [EM-173, "Removal and Installation"](#).

5. Remove the knock sensor.

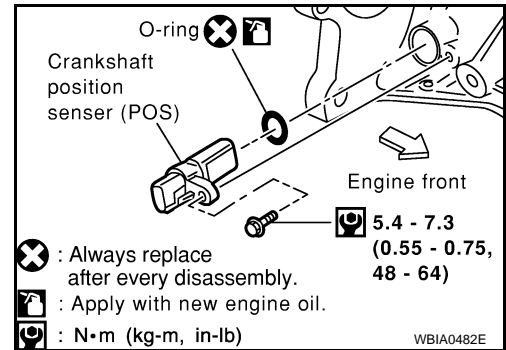
CAUTION:

Carefully handle the sensor and do not drop the sensor.

6. Remove crankshaft position sensor (POS).

CAUTION:

- Avoid impacts such as a dropping.
- Do not disassemble.
- Keep it away from metal particles.
- Do not place sensor close to magnetic materials.



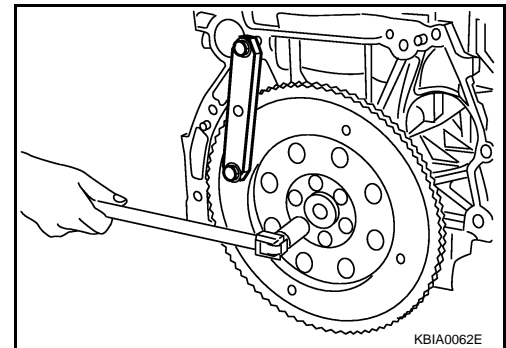
7. Remove the flywheel (M/T models) or drive plate (CVT models). Hold the crankshaft with a stopper plate and use a suitable tool to remove the bolts.

CAUTION:

- Be careful not to damage the flywheel contact surface for the clutch disc.

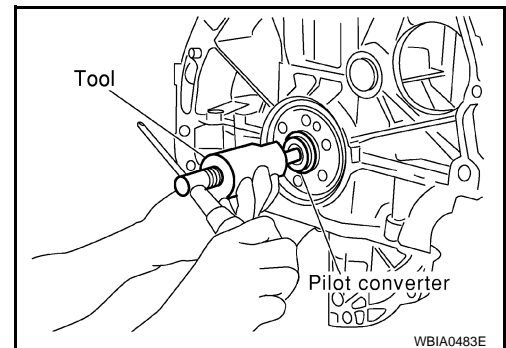
NOTE:

- The flywheel two-block construction allows movement in response to transmission side pressure, or when twisted in its rotational direction, therefore, some amount of noise is normal.



8. Remove pilot converter using Tool (CVT models).

Tool number : ST16610001 (J-23907)

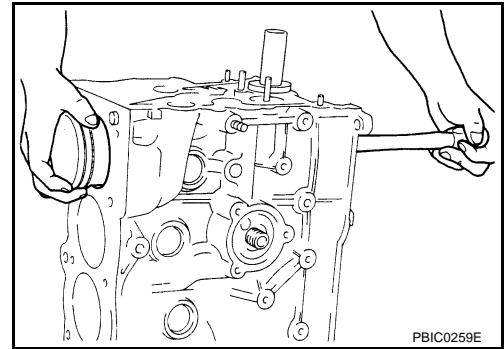


CYLINDER BLOCK

[QR25DE]

< SERVICE INFORMATION >

9. Remove the piston and connecting rod assemblies.
 - a. Position the crankshaft and corresponding connecting rod, to be removed, to the bottom dead center stroke.
 - b. Remove the connecting rod cap. Number the cap so it can be assembled in the same position.
 - c. Using a hammer handle or similar tool, push the piston and connecting rod assembly out of the top of the cylinder block. Number the piston and rod so it can be assembled in the same position.
 - Before removing the piston and connecting rod assembly, check the connecting rod side clearance. Refer to [EM-199, "Inspection After Disassembly"](#).



10. Remove the connecting rod bearings. If reusing, number them so they can be assembled in the same position and direction.

CAUTION:

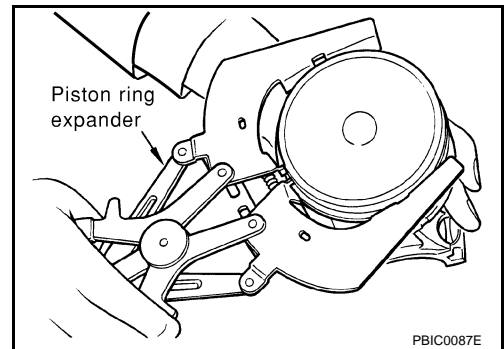
- **When removing them, note the installation position. Keep them in the correct order.**

11. Remove the piston rings from the piston.

- Use a piston ring expander.

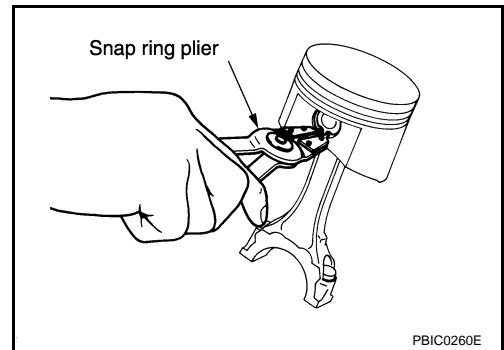
CAUTION:

- **When removing the piston rings, be careful not to damage the piston.**
- **Be careful not to damage piston rings by expanding them excessively, if reusing them.**
- Before removing the piston rings, check the piston ring side clearance. Refer to [EM-199, "Inspection After Disassembly"](#).

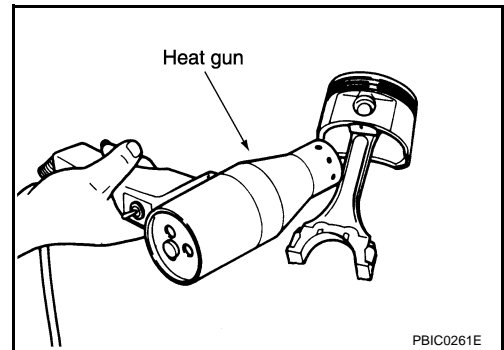


12. Remove the piston from the connecting rod as follows.

- a. Using a snap ring pliers, remove the two snap rings.



- b. Heat the piston to 60° - 70°C (140° - 158°F) with a heat gun, or equivalent.



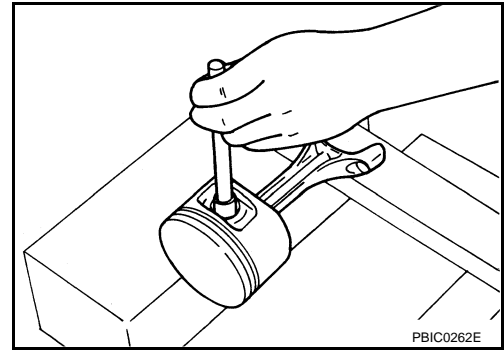
A
EM
C
D
E
F
G
H
I
J
K
L
M
N
O
P

CYLINDER BLOCK

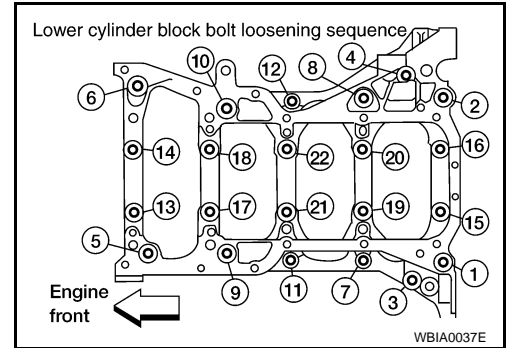
[QR25DE]

< SERVICE INFORMATION >

- c. Push out piston pin with a punch of an outer diameter of approximately 19 mm (0.75 in).



13. Remove the lower cylinder block bolts.
- Before loosening the lower cylinder block bolts, measure the crankshaft side clearance. Refer to [EM-199, "Inspection After Disassembly"](#).
 - Loosen them in the order as shown to remove them.

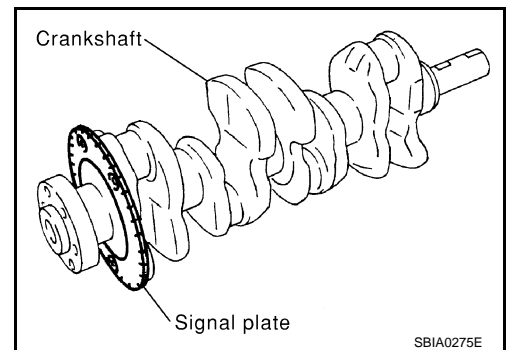


14. Remove the lower cylinder block.
- Cut the Silicone RTV Sealant and remove the lower cylinder block from the cylinder block, using Tool.

Seal cutter **KV10111100 (J-37228)**

CAUTION:
Be careful not to damage the mounting surface.

15. Remove the crankshaft.
- CAUTION:**
- Do not damage or deform the signal plate while mounted on the crankshaft.
 - When setting the crankshaft on a flat surface, use a block of wood to avoid interference between the signal plate and the surface.
 - Do not remove signal plate unless it is necessary.



16. Pull the rear oil seal out of the rear end of the crankshaft.
- CAUTION:**
Do not to damage the crankshaft or cylinder block when removing the rear oil seal.

NOTE:

When replacing the rear oil seal without removing the cylinder block, use a screwdriver to pull it out from between crankshaft and block.

17. Remove the main bearings and thrust bearings from the cylinder block and lower cylinder block.
- CAUTION:**
Identify and number the bearings, if reusing them, so that they are assembled in the same position and direction.

ASSEMBLY

1. Using compressed air, clean out the coolant and oil passages in the cylinder block, the cylinder bore and the crankcase to remove any foreign material.


CAUTION:
Use approved safety glasses to protect your eyes.

CYLINDER BLOCK

[QR25DE]

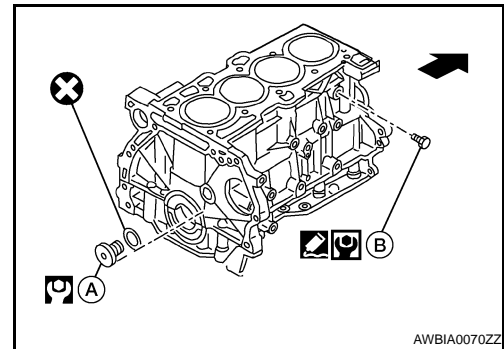
< SERVICE INFORMATION >

2. Install the drain plugs on the cylinder block.

- : Engine front
- Apply Silicone RTV Sealant.
Use Genuine Silicone RTV Sealant, or equivalent. Refer to GI-42. "Recommended Chemical Product and Sealant".
- Replace the copper washers with new ones.

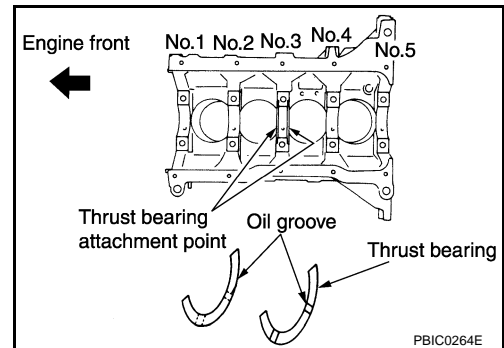
Drain plug A : 54 N·m (5.5 kg-m, 40 ft-lb)

Drain plug B : 9.8 N·m (1.0 kg-m, 80 in-lb)



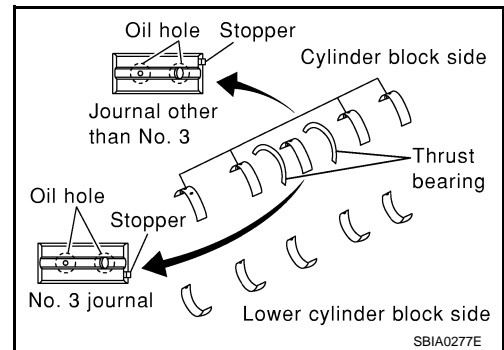
3. Install the main bearings and the thrust bearings.

- Remove dust, dirt, and oil from the bearing mating surfaces of the cylinder block and lower cylinder block.
- Install the thrust bearings to both sides of the No. 3 main bearing journal on the cylinder block.
 - Install the thrust bearings with the oil groove facing the crankshaft arm (outside).



c. Install the main bearings paying attention to their position and direction.

- The main bearing with an oil hole and groove goes on the cylinder block. The one without them goes on the lower cylinder block.
- Only the main bearing (on the cylinder block) for No. 3 journal has different specifications.
- Before installing the bearings, apply engine oil to the bearing friction surface (inside). Do not apply oil to the back surface, but thoroughly clean it.
- When installing, align the bearing stopper to the notch.
- Make sure that the oil holes on the cylinder block and those on the corresponding bearing are aligned.



4. Install the signal plate to the crankshaft.

- Position the crankshaft and signal plate using a positioning dowel pin, and tighten the bolts to specification.
- Remove the dowel pin.

CAUTION:

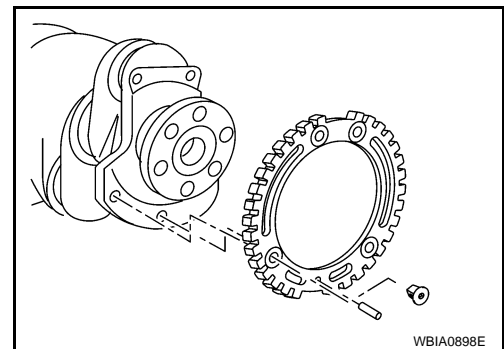
Be sure to remove dowel pin before installing the crankshaft.

NOTE:

Dowel pins for the crankshaft and signal plate are supplied as a set for each.

5. Install the crankshaft onto the cylinder block.

- While turning the crankshaft by hand, check that it turns smoothly.



CYLINDER BLOCK

[QR25DE]

< SERVICE INFORMATION >

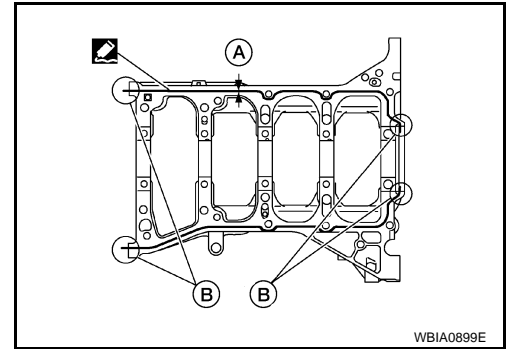
6. Install the lower cylinder block.
- Apply Silicone RTV Sealant to positions as shown (A), (B).
 - Use Genuine Silicone RTV Sealant, or equivalent. Refer to [GI-42. "Recommended Chemical Product and Sealant"](#).

NOTE:

Cylinder block and lower cylinder block are machined together. Neither of them can be replaced separately.

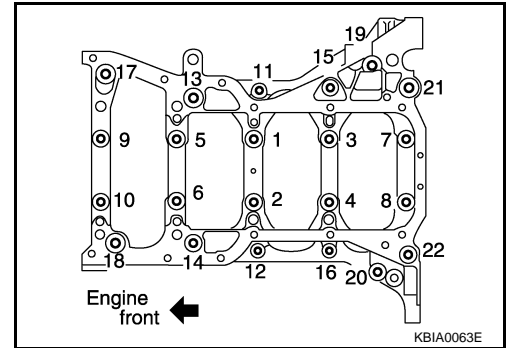
CAUTION:

After the Silicone RTV Sealant is applied, the lower cylinder block installation must be finished within 5 minutes.



7. Tighten lower cylinder block bolts in the numerical order as shown and according to the following steps:
- a. Apply new engine oil to threads and seat surfaces of the bolts.
 - b. Tighten bolts No. 11 - 22 only in the order as shown, to specification below.

Step 1, bolts 11 - 22 only : 25.1 N·m (2.6 kg·m, 19 ft·lb)



- c. Tighten bolts No. 1 - 10 only in the order as shown, to specification below.

Step 2, bolts 1 - 10 only : 39.2 N·m (4.0 kg·m, 29 ft·lb)

- d. Tighten bolts No. 1 - 10 only in the order as shown, to specification below using Tool.

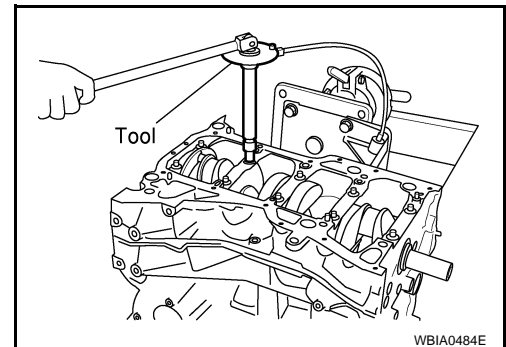
CAUTION:

Check tightening angle using Tool. Do not make judgment by visual inspection.

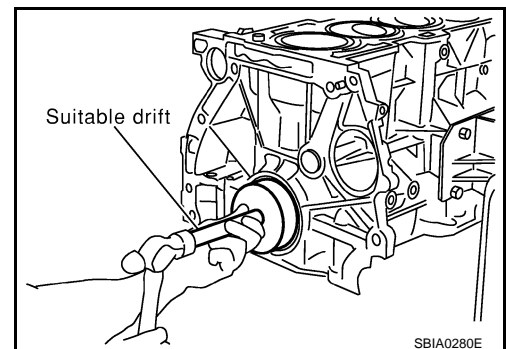
Tool number : KV 10112100 (BT-8653-A)

Step 3, bolts 1 - 10 only : 60° degrees rotation

- Wipe off completely any protruding Silicone RTV Sealant on the exterior of engine.
- Check crankshaft side clearance. Refer to [EM-199. "Inspection After Disassembly"](#).
- After installing the bolts, make sure that the crankshaft can be rotated smoothly by hand.



8. Install the rear oil seal.
- Press the oil seal between cylinder block and crankshaft with a suitable drift.
 - Be careful not to touch the grease on the oil seal lip.
 - Be careful not to cause scratches or burrs when pressing in the rear oil seal.

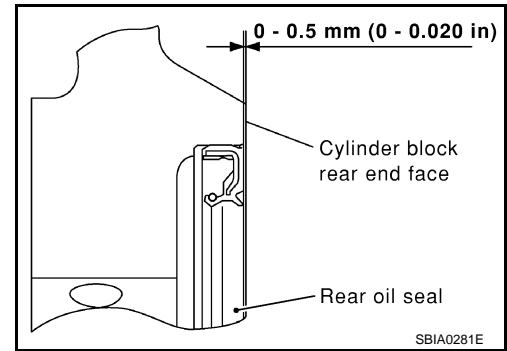


CYLINDER BLOCK

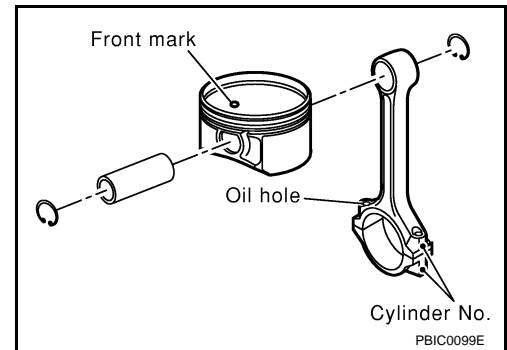
[QR25DE]

< SERVICE INFORMATION >

- Press in rear oil seal to the position as shown.



9. Install the piston to the connecting rod. Assemble the components in their original positions.
 - a. Using a snap ring pliers, install the snap ring to the grooves of the piston's rear side.
 - Insert the piston pin snap ring fully into groove.
 - b. Install the piston to the connecting rod.
 - Using a heat gun, heat the piston [approximately 60° - 70 C° (140° - 158 °F)] until the piston pin can be pushed in by hand without excessive force. From the front to the rear, insert the piston pin into the piston and the connecting rod.
 - Assemble so that the front mark on the piston crown and the oil holes and the cylinder No. on the connecting rod are positioned as shown.
 - c. Install the piston pin snap ring into the front of the piston.
 - Check that the connecting rod moves smoothly.



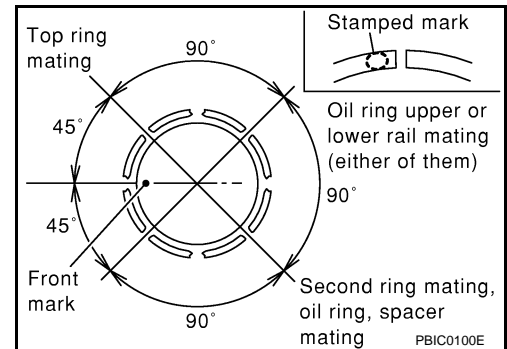
10. Using a piston ring expander, install the piston rings. Assemble the components in their original positions.

CAUTION:

Be careful not to damage the piston.

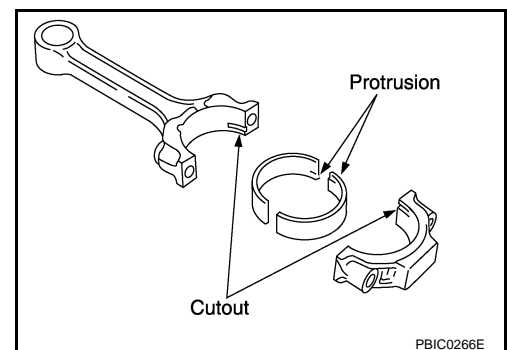
- Position each ring with the gap as shown, referencing the piston front mark as the starting point.
- Install the top ring and the second ring with the stamped surface facing upward.

Stamped mark : 1K (top ring)
: 2K (second ring)



11. Install the connecting rod bearings to the connecting rod and the connecting rod cap. Assemble the components in their original positions.

- When installing the connecting rod bearings, apply engine oil to the bearing friction surface (inside). Do not apply oil to the back surface, but thoroughly clean the back.
- When installing, align the connecting rod bearing stopper protrusion with the notch of the connecting rod to install.
- Check the oil holes on the connecting rod and those on the corresponding bearing are aligned.



12. Install the piston and connecting rod assembly to the crankshaft. Assemble the components in their original positions using Tool.

CYLINDER BLOCK

< SERVICE INFORMATION >

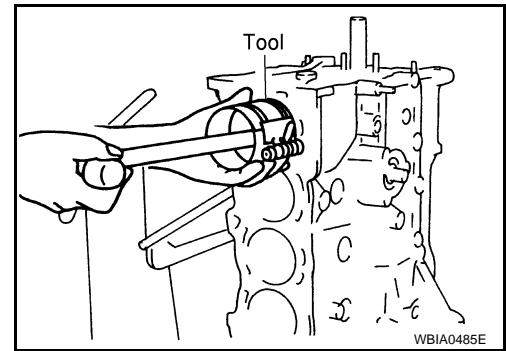
[QR25DE]

Tool number : EM03470000

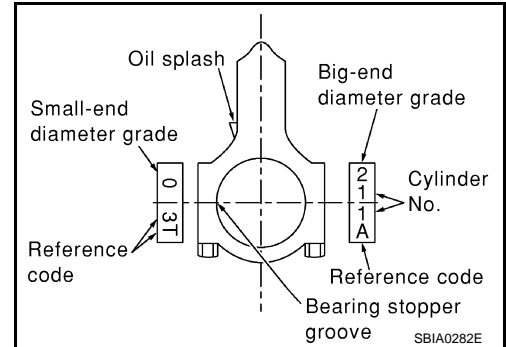
- Rotate the crankshaft so the pin corresponding to the connecting rod to be installed is at the bottom dead center position.
- Apply engine oil sufficiently to the cylinder bore, piston, and crankshaft pin.
- Match the cylinder position number with the cylinder No. on the connecting rod for installation.
- Using tool as shown, install the piston with the front mark on the piston crown facing the front of the engine.

CAUTION:

Be careful not to damage the crankshaft pin, resulting from an interference of the connecting rod big end.



13. Install the connecting rod caps. Assemble the components in their original positions.
- Match the stamped cylinder number marks on the connecting rod with those on the cap to install.

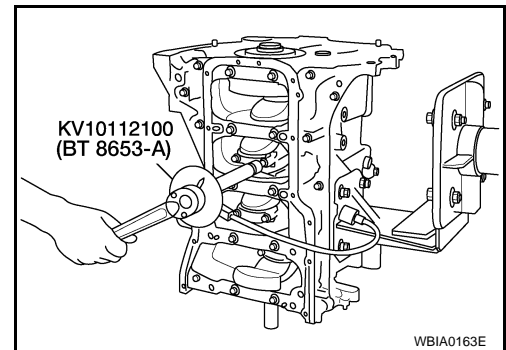


14. Tighten the connecting rod bolt as follows:
Apply engine oil to the threads and seats of the connecting rod bolts.

CAUTION:

Check tightening angle using Tool. Do not make judgment by visual inspection.

Tool number : KV10112100 (BT-8653-A)



Step 1 : 27.4 N·m (2.8 kg·m, 20 ft·lb) (SE-R), 29.4 (3.0 kg·m, 22 ft·lb) (SE-R Spec V)

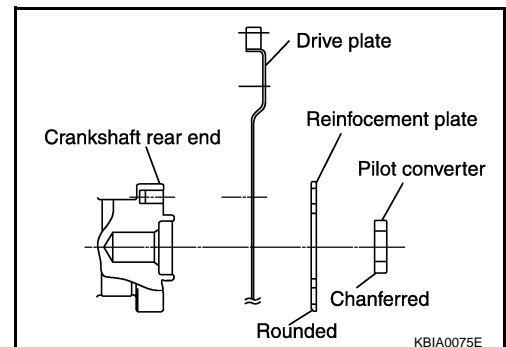
Step 2 : 0 N·m

Step 3 : 19.6 N·m (2.0 kg·m, 14 ft·lb)

Stage 2 : Rotate bolts 90° degrees

- Check the connecting rod side clearance. Refer to [EM-199. "Inspection After Disassembly"](#).
- After tightening the bolts, make sure that the crankshaft rotates smoothly.

15. Install flywheel (M/T Models), or drive plate (CVT Models).
- Install drive plate, reinforcement plate and pilot converter as shown.
 - Using a drift with 33 mm (1.30 in) diameter, push pilot converter into the end of the crankshaft.



CYLINDER BLOCK

[QR25DE]

< SERVICE INFORMATION >

16. Install the knock sensor.

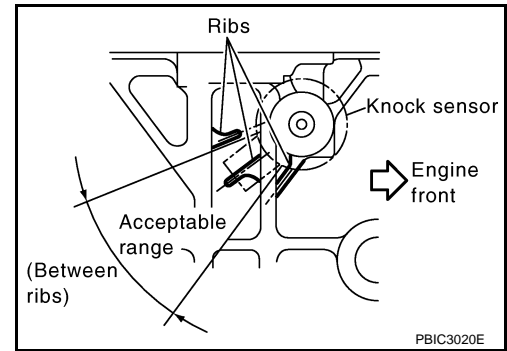
- Make sure that there is no foreign material on the cylinder block mating surface and the back surface of the knock sensor.
- Install the knock sensor with the connector facing lower left by 45° as shown.
- Do not tighten the bolts while holding the connector.
- Make sure that the knock sensor does not interfere with other parts.

CAUTION:

If the knock sensor is dropped, replace it with new one.

17. Install the crankshaft position sensor (POS).

18. Installation of remaining components is in the reverse order of removal.



How to Select Piston and Bearing

INFOID:000000004409563

DESCRIPTION

Selection points	Selection parts	Selection items	Selection methods
Between cylinder block to crankshaft	Main bearing	Main bearing grade (bearing thickness)	Determined by match of cylinder block bearing housing grade (inner diameter of housing) and crankshaft journal grade (outer diameter of journal)
Between crankshaft to connecting rod	Connecting rod bearing	Connecting rod bearing grade (bearing thickness)	Combining service grades for connecting rod big end inner diameter and crankshaft pin outer diameter determine connecting rod bearing selection
Between cylinder block to piston	Piston and piston pin assembly (The piston is available together with piston pin as an assembly)	Piston grade (piston outer diameter)	Piston grade = cylinder bore grade (inner diameter of bore)
*Between piston to connecting rod	—	—	—

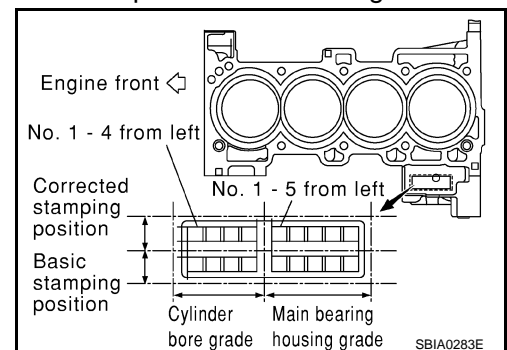
*For the service parts, the grade for fitting cannot be selected between a piston pin and a connecting rod. (Only 0 grade is available.) The information at the shipment from the plant is described as a reference.

- The identification grade stamped on each part is the grade for the dimension measured in new condition. This grade cannot apply to reused parts.
- For reused or repaired parts, measure the dimension accurately. Determine the grade by comparing the measurement with the values of each selection table.
- For details of the measurement method of each part, the reuse standards, and the selection method of the selective fitting parts, follow the applicable procedures.

HOW TO SELECT A PISTON

When New Cylinder Block is Used:

- Check the cylinder bore grade on rear left side of cylinder block, and select a piston of the same grade.
- If there is a corrected stamp mark on the cylinder block, use it as a correct reference.

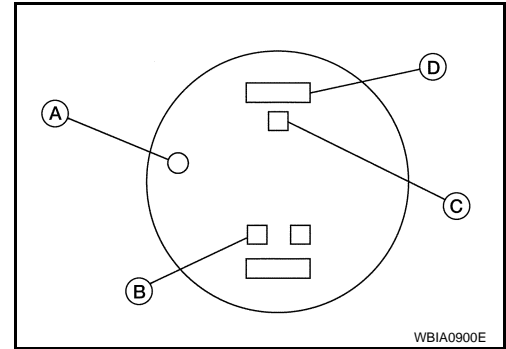


CYLINDER BLOCK

[QR25DE]

< SERVICE INFORMATION >

- A: Front mark
- B: Piston pin bore grade
- C: Piston grade I.D. stamp
- D: Piston crown I.D. code stamp



When a Cylinder Block is Reused:

1. Measure the cylinder block bore inner diameter.
2. Determine the bore grade by comparing the measurement with the values under the cylinder bore inner diameter of the "Piston Selection Table". Select the piston of the same grade.

Piston Selection Table

Unit: mm (in)

Grade number (Mark)	2 (or no mark)	3
Inner diameter of cylinder bore	89.010-89.020 (3.5043-3.5047)	89.020-89.030 (3.5047-3.5051)
Outer diameter of piston skirt	88.990-89.000 (3.5035-3.5039)	89.000-89.010 (3.5039-3.5043)

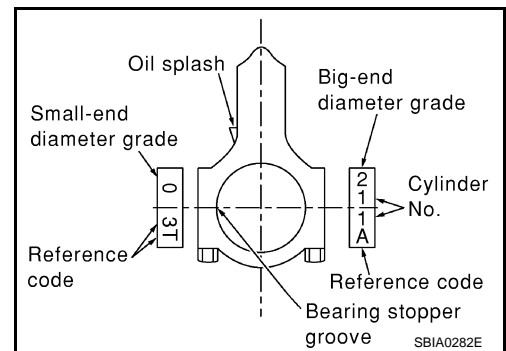
NOTE:

- The piston is available together with piston pin as an assembly.
- The piston pin (piston pin bore) grade is provided only for the parts installed at the plant. For service parts, no grades can be selected. Only 0 grade is available.

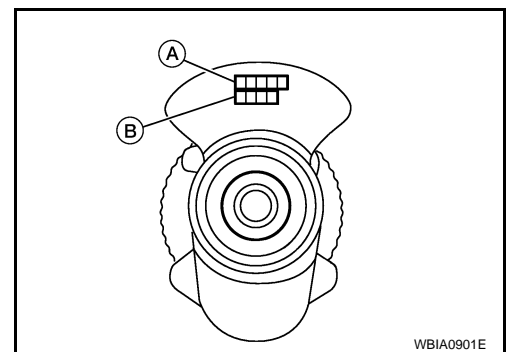
HOW TO SELECT A CONNECTING ROD BEARING

When New Connecting Rod and Crankshaft are Used:

1. Apply big end inside diameter grade stamped on connecting rod side face to the row in the "Connecting Rod Bearing Selection Table".



2. Apply pin diameter grade stamped on crankshaft front side to the column in the "Connecting Rod Bearing Selection Table".
3. Read the symbol at the cross point of selected row and column in the "Connecting Rod Bearing Selection Table".
4. Apply the symbol obtained to connecting rod bearing grade table to select.
 - A: Journal diameter
 - B: Pin diameter



When Crankshaft and Connecting Rod are Reused:

1. Measure dimensions of the big end inner diameter of connecting rod and outer diameter of crankshaft pin individually.
2. Apply the dimension measured to the "Connecting Rod Bearing Selection Table" below.

CYLINDER BLOCK

< SERVICE INFORMATION >

[QR25DE]

Connecting Rod Bearing Selection Table

Mark	Outer diameter Unit: mm (in)	Connecting rod big end. inner diameter		Crankshaft pin outer diameter		Mark												
		Inner diameter Unit: mm (in)		Inner diameter Unit: mm (in)		0	1	2	3	4	5	6	7	8	9	A	B	C
				48.000 - 48.001 (1.8898 - 1.8898)	48.001 - 48.002 (1.8898 - 1.8898)	48.002 - 48.003 (1.8898 - 1.8899)	48.003 - 48.004 (1.8899 - 1.8899)	48.004 - 48.005 (1.8899 - 1.8900)	48.005 - 48.006 (1.8890 - 1.8900)	48.006 - 48.007 (1.8890 - 1.8900)	48.007 - 48.008 (1.8890 - 1.8901)	48.008 - 48.009 (1.8901 - 1.8901)	48.009 - 48.010 (1.8901 - 1.8902)	48.010 - 48.011 (1.8902 - 1.8902)	48.011 - 48.012 (1.8902 - 1.8902)	48.012 - 48.013 (1.8902 - 1.8903)		
A	44.974 - 44.973 (1.7706 - 1.7706)	0	0	0	0	01	01	01	01	1	1	1	1	1	1	12	12	12
B	44.973 - 44.972 (1.7706 - 1.7705)	0	0	0	01	01	01	01	01	1	1	1	1	1	12	12	12	2
C	44.972 - 44.971 (1.7705 - 1.7705)	0	0	01	01	01	01	01	1	1	1	1	12	12	12	2	2	2
D	44.971 - 44.970 (1.7705 - 1.7705)	0	01	01	01	1	1	1	1	1	12	12	12	2	2	2	2	2
E	44.970 - 44.969 (1.7705 - 1.7704)	01	01	01	1	1	1	1	12	12	12	12	2	2	2	2	2	23
F	44.969 - 44.968 (1.7704 - 1.7704)	01	01	1	1	1	1	12	12	12	12	2	2	2	2	2	23	23
G	44.968 - 44.967 (1.7704 - 1.7704)	01	1	1	1	12	12	12	12	2	2	2	2	2	23	23	23	23
H	44.967 - 44.966 (1.7704 - 1.7703)	1	1	1	12	12	12	12	2	2	2	2	23	23	23	23	3	3
J	44.966 - 44.965 (1.7703 - 1.7703)	1	1	12	12	12	12	2	2	2	2	23	23	23	23	3	3	3
K	44.965 - 44.964 (1.7703 - 1.7702)	1	12	12	12	2	2	2	2	23	23	23	23	3	3	3	3	3
L	44.964 - 44.963 (1.7702 - 1.7702)	12	12	12	2	2	2	2	23	23	23	23	3	3	3	3	3	34
M	44.963 - 44.962 (1.7702 - 1.7702)	12	12	2	2	2	2	23	23	23	23	3	3	3	3	3	34	34
N	44.962 - 44.961 (1.7702 - 1.7701)	12	2	2	2	23	23	23	23	3	3	3	3	3	34	34	34	34
P	44.961 - 44.960 (1.7701 - 1.7701)	2	2	2	23	23	23	23	3	3	3	3	34	34	34	34	4	4
R	44.960 - 44.959 (1.7701 - 1.7700)	2	2	23	23	23	23	3	3	3	3	34	34	34	34	4	4	4
S	44.959 - 44.958 (1.7700 - 1.7700)	2	23	23	23	23	23	3	3	3	3	34	34	34	34	4	4	4
T	44.958 - 44.957 (1.7700 - 1.7700)	23	23	23	23	23	23	3	3	3	3	34	34	34	34	4	4	4
U	44.957 - 44.956 (1.7700 - 1.7699)	23	23	23	23	23	23	3	3	3	3	34	34	34	34	4	4	4

AWBIA0021GE

Connecting Rod Bearing Grade Table

Unit: mm (in)

Grade number	0	1	2	3	4
Thickness	1.496 - 1.493 (0.0589 - 0.0588)	1.499 - 1.496 (0.0590 - 0.0589)	1.502 - 1.499 (0.0591 - 0.0590)	1.505 - 1.502 (0.0593 - 0.0591)	1.508 - 1.505 (0.0594 - 0.0593)
Identification color	Black	Brown	Green	Yellow	Blue

Undersize Bearing Usage Guide

- When the specified oil clearance is not obtained with standard size connecting rod bearing, use undersize (US) bearing.
- When using undersize bearing, measure the bearing inner diameter with bearing installed, and grind the crankshaft pin so that the oil clearance satisfies the standard.

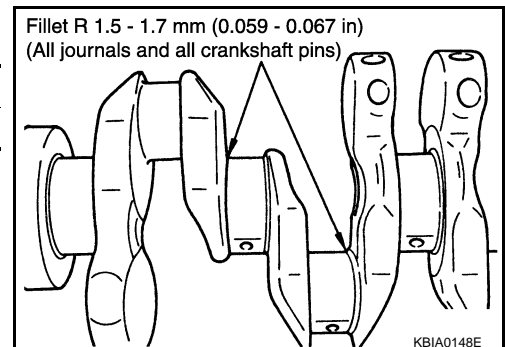
Bearing Undersize Table

Unit: mm (in)

Size U.S.	Thickness
0.25 (0.0098)	1.622 - 1.630 (0.0639 - 0.0642)

CAUTION:

In grinding the crankshaft pin to use undersize bearings, do not damage the fillet R (All crankshaft pins).



CYLINDER BLOCK

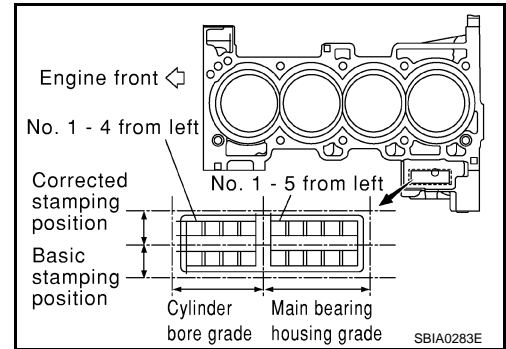
< SERVICE INFORMATION >

[QR25DE]

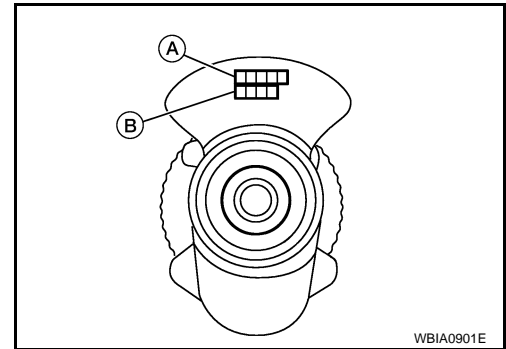
HOW TO SELECT A MAIN BEARING

When New Cylinder Block and Crankshaft are Used:

1. "Main Bearing Selection Table" rows correspond to bearing housing grade on rear left side of cylinder block.
 - If there is a corrected stamp mark on the cylinder block, use it as a correct reference.



2. Apply pin diameter grade (B) stamped on crankshaft front side to column in "Main Bearing Selection Table".
 - A: Journal diameter grade



3. Find value at crossing of row and column in "Main Bearing Selection Table".

CAUTION:

- There are two main bearing selection tables. One is for odd-numbered journals (1, 3, and 5) and the other is for even-numbered journals (2 and 4). Make certain to use the appropriate table. This is due to differences in the specified clearances.

4. Apply the symbol obtained to "Main Bearing Grade Table" to select.

NOTE:

- Service parts are available as a set of both upper and lower.

When Cylinder Block and Crankshaft are Reused:

1. Measure inner diameter of cylinder block main bearing housing and outer diameter of crankshaft journal.
2. Apply measurement in above step 1 to the "Main Bearing Selection Table".
3. Follow steps 3 and 4 in "When New Cylinder Block and Crankshaft are Used".

CYLINDER BLOCK

< SERVICE INFORMATION >

[QR25DE]

Main Bearing Selection Table (No.1, 3, and No.5 journals)

Cylinder block main bearing housing inner diameter		Mark																													
		A	B	C	D	E	F	G	H	J	K	L	M	N	P	R	S	T	U	V	W	X	Y	4	7						
Crankshaft journal outer diameter	Outer diameter Unit: mm (in)	Inner diameter Unit: mm (in)																													
		58.944 - 58.945 (2.3206 - 2.3207)	58.945 - 58.946 (2.3207 - 2.3207)	58.946 - 58.947 (2.3207 - 2.3207)	58.947 - 58.948 (2.3207 - 2.3208)	58.948 - 58.949 (2.3208 - 2.3208)	58.949 - 58.950 (2.3208 - 2.3209)	58.950 - 58.951 (2.3209 - 2.3209)	58.951 - 58.952 (2.3209 - 2.3209)	58.952 - 58.953 (2.3209 - 2.3210)	58.953 - 58.954 (2.3210 - 2.3210)	58.954 - 58.955 (2.3210 - 2.3211)	58.955 - 58.956 (2.3211 - 2.3211)	58.956 - 58.957 (2.3211 - 2.3211)	58.957 - 58.958 (2.3212 - 2.3212)	58.958 - 58.959 (2.3212 - 2.3212)	58.959 - 58.960 (2.3212 - 2.3213)	58.960 - 58.961 (2.3213 - 2.3213)	58.961 - 58.962 (2.3213 - 2.3213)	58.962 - 58.963 (2.3213 - 2.3214)	58.963 - 58.964 (2.3214 - 2.3214)	58.964 - 58.965 (2.3214 - 2.3215)	58.965 - 58.966 (2.3215 - 2.3215)	58.966 - 58.967 (2.3215 - 2.3215)	58.967 - 58.968 (2.3215 - 2.3216)						
Mark	Outer diameter Unit: mm (in)																														
A	54.979 - 54.978 (2.1645 - 2.1645)	0	0	01	01	01	1	1	1	12	12	12	2	2	2	23	23	23	3	3	3	34	34	34	4	4	4	4			
B	54.978 - 54.977 (2.1645 - 2.1644)	0	01	01	01	1	1	1	1	12	12	12	2	2	2	23	23	23	3	3	3	34	34	34	4	4	4	4			
C	54.977 - 54.976 (2.1644 - 2.1644)	01	01	01	1	1	1	1	12	12	12	2	2	2	23	23	23	3	3	3	34	34	34	4	4	4	4				
D	54.976 - 54.975 (2.1644 - 2.1644)	01	01	1	1	1	12	12	12	2	2	2	23	23	23	3	3	3	3	34	34	34	4	4	4	4	45				
E	54.975 - 54.974 (2.1644 - 2.1643)	01	1	1	1	12	12	12	2	2	2	23	23	23	3	3	3	3	34	34	34	4	4	4	4	45	45				
F	54.974 - 54.973 (2.1643 - 2.1643)	1	1	1	12	12	12	2	2	2	23	23	23	3	3	3	34	34	34	4	4	4	4	4	45	45	45				
G	54.973 - 54.972 (2.1643 - 2.1642)	1	1	12	12	12	2	2	2	23	23	23	3	3	3	34	34	34	4	4	4	4	4	45	45	45	5				
H	54.972 - 54.971 (2.1642 - 2.1642)	1	12	12	12	2	2	2	2	23	23	23	3	3	3	34	34	34	4	4	4	4	45	45	45	5	5				
J	54.971 - 54.970 (2.1642 - 2.1642)	12	12	12	2	2	2	23	23	23	3	3	3	34	34	34	4	4	4	4	45	45	45	5	5	5	5				
K	54.970 - 54.969 (2.1642 - 2.1641)	12	12	2	2	2	23	23	23	3	3	3	34	34	34	4	4	4	4	45	45	45	5	5	5	5	56				
L	54.969 - 54.968 (2.1641 - 2.1641)	12	2	2	2	23	23	23	3	3	3	34	34	34	4	4	4	4	45	45	45	5	5	5	5	56	56				
M	54.968 - 54.967 (2.1641 - 2.1641)	2	2	2	23	23	23	3	3	3	34	34	34	4	4	4	4	45	45	45	5	5	5	5	56	56	56				
N	54.967 - 54.966 (2.1641 - 2.1640)	2	2	23	23	23	3	3	3	34	34	34	4	4	4	4	45	45	45	5	5	5	5	56	56	56	6				
P	54.966 - 54.965 (2.1640 - 2.1640)	2	23	23	23	3	3	3	34	34	34	4	4	4	4	45	45	45	5	5	5	5	56	56	56	6	6				
R	54.965 - 54.964 (2.1640 - 2.1639)	23	23	23	3	3	3	34	34	34	4	4	4	45	45	45	5	5	5	5	56	56	56	6	6	6	6				
S	54.964 - 54.963 (2.1639 - 2.1639)	23	23	3	3	3	34	34	34	4	4	4	45	45	45	5	5	5	5	56	56	56	6	6	6	6	67				
T	54.963 - 54.962 (2.1639 - 2.1639)	23	3	3	3	34	34	34	4	4	4	45	45	45	5	5	5	5	56	56	56	6	6	6	6	67	67				
U	54.962 - 54.961 (2.1639 - 2.1638)	3	3	3	34	34	34	4	4	4	45	45	45	5	5	5	5	56	56	56	6	6	6	6	67	67	67				
V	54.961 - 54.960 (2.1638 - 2.1638)	3	3	34	34	34	4	4	4	45	45	45	5	5	5	5	56	56	56	6	6	6	6	67	67	67	7				
W	54.960 - 54.959 (2.1638 - 2.1637)	3	34	34	34	4	4	4	45	45	45	5	5	5	5	56	56	56	6	6	6	6	67	67	67	7	7				
X	54.959 - 54.958 (2.1637 - 2.1637)	34	34	34	4	4	4	45	45	45	5	5	5	5	56	56	56	6	6	6	6	67	67	67	7	7	7				
Y	54.958 - 54.957 (2.1637 - 2.1637)	34	34	4	4	4	45	45	45	5	5	5	5	56	56	56	6	6	6	6	67	67	67	7	7	7	7				
4	54.957 - 54.956 (2.1637 - 2.1636)	34	4	4	4	45	45	45	5	5	5	5	56	56	56	6	6	6	6	67	67	67	7	7	7	7	7				
7	54.956 - 54.955 (2.1636 - 2.1636)	4	4	4	45	45	45	5	5	5	5	56	56	56	6	6	6	6	67	67	67	7	7	7	7	7	7				

KBIA0149E

A
EM
C
D
E
F
G
H
I
J
K
L
M
N
O
P

CYLINDER BLOCK

< SERVICE INFORMATION >

[QR25DE]

01	UPR	1.973 - 1.976 (0.0777 - 0.0778)	Black / Brown	Grade and color are different for upper and lower bearings.
	LWR	1.976 - 1.979 (0.0778 - 0.0779)		
12	UPR	1.976 - 1.979 (0.0778 - 0.0779)	Brown / Green	
	LWR	1.979 - 1.982 (0.0779 - 0.0780)		
23	UPR	1.979 - 1.982 (0.0779 - 0.0780)	Green / Yellow	
	LWR	1.982 - 1.985 (0.0780 - 0.0781)		
34	UPR	1.982 - 1.985 (0.0780 - 0.0781)	Yellow / Blue	
	LWR	1.985 - 1.988 (0.0781 - 0.0783)		
45	UPR	1.985 - 1.988 (0.0781 - 0.0783)	Blue / Pink	
	LWR	1.988 - 1.991 (0.0783 - 0.0784)		
56	UPR	1.988 - 1.991 (0.0783 - 0.0784)	Pink / Purple	
	LWR	1.991 - 1.994 (0.0784 - 0.0785)		
67	UPR	1.991 - 1.994 (0.0784 - 0.0785)	Purple / White	
	LWR	1.994 - 1.997 (0.0785 - 0.0786)		

A

EM

C

D

E

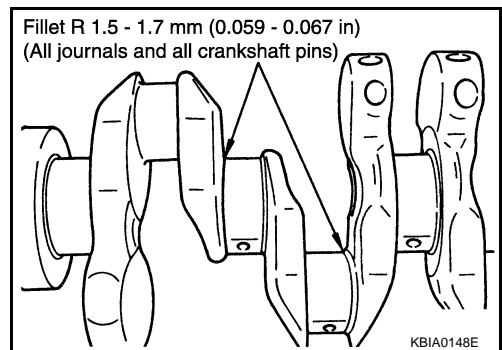
F

Use Undersize Bearing Usage Guide

- Use undersize (U.S.) bearing when oil clearance with standard size main bearing is not within specification.
- When using undersize (U.S.) bearing, measure the bearing inner diameter with the bearing installed and grind journal until oil clearance falls within specification.

Bearing Undersize Table

Unit: mm (in)	
Size U.S.	Thickness
0.25 (0.0098)	2.106 - 2.114 (0.0829 - 0.0832)



H

I

J

CAUTION:

Do not damage fillet R when grinding crankshaft journal in order to use an undersize bearing (all journals).

Inspection After Disassembly

INFOID:000000004409564

K

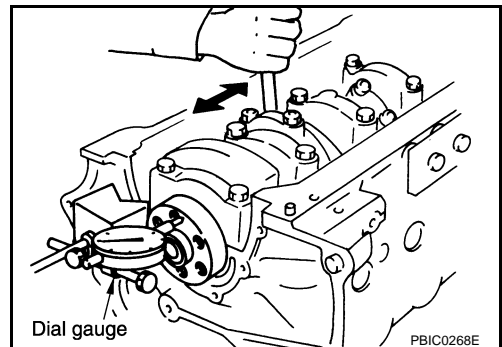
CRANKSHAFT SIDE CLEARANCE

- Using a dial gauge, measure the clearance between the thrust bearings and the crankshaft arm when the crankshaft is moved fully forward or backward.

Standard : 0.10 - 0.26 mm (0.0039 - 0.0102 in)

Limit : 0.30 mm (0.0118 in)

- If the measured value exceeds the limit, replace the thrust bearings, and measure again. If it still exceeds the limit, replace the crankshaft.



L

M

N

O

CONNECTING ROD SIDE CLEARANCE

P

CYLINDER BLOCK

[QR25DE]

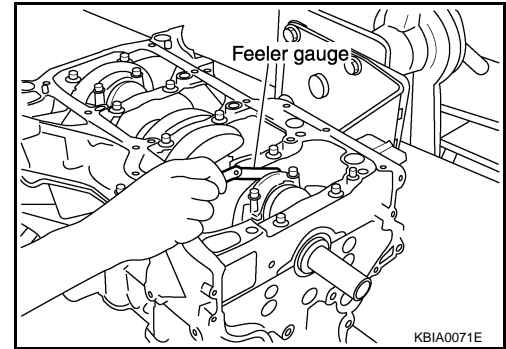
< SERVICE INFORMATION >

- Measure side clearance between connecting rod and crankshaft arm using a feeler gauge.

Standard : 0.20 - 0.35 mm (0.0079 - 0.0138 in)

Limit : 0.50 mm (0.0197 in)

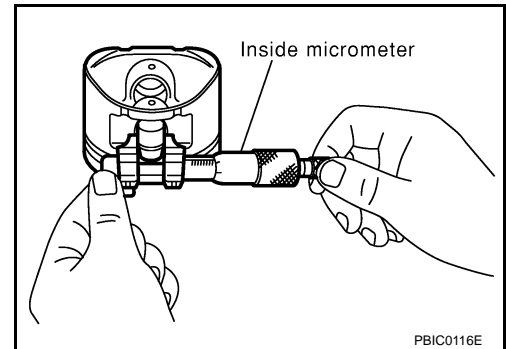
- If the measured value exceeds the limit, replace the connecting rod bearings, and measure again. If it still exceeds the limit, replace the crankshaft also.



PISTON AND PISTON PIN CLEARANCE

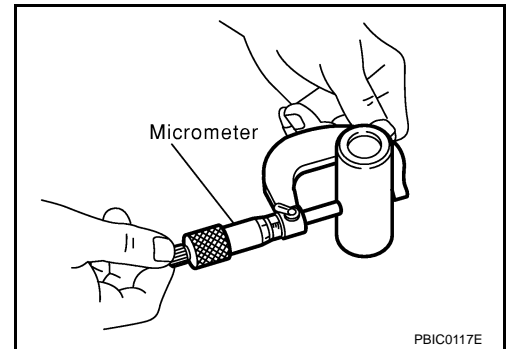
Diameter of Piston Pin Bore

- Measure the diameter of piston pin bore using an inside micrometer. Refer to [EM-209, "Standard and Limit"](#).



Outer Diameter of Piston Pin

- Measure outer diameter of piston pin using a micrometer. Refer to [EM-209, "Standard and Limit"](#).



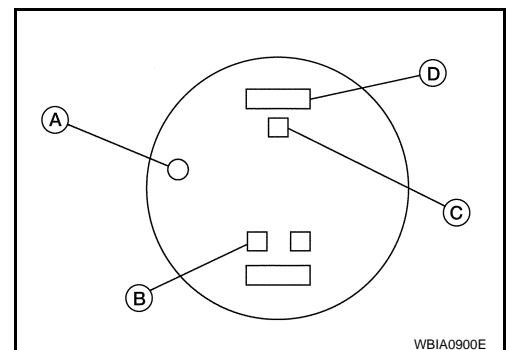
Piston to Piston Pin Clearance

(Piston pin clearance) = (Piston pin bore diameter) – (Outer diameter of piston pin)

- A: Front mark
- B: Piston pin bore grade
- C: Piston grade I.D. stamp
- D: Piston crown I.D. code stamp

Standard : 0.002 - 0.006 mm (0.0001 - 0.0002 in)

- If clearance exceeds specification, replace either or both of piston/piston pin assembly and connecting rod assembly with reference to specification of each parts.
- Use the piston selection table to replace piston/piston pin assembly. Refer to [EM-193, "How to Select Piston and Bearing"](#).
- Use the connecting rod bearing selection table to replace connecting rod. Refer to [EM-193, "How to Select Piston and Bearing"](#).



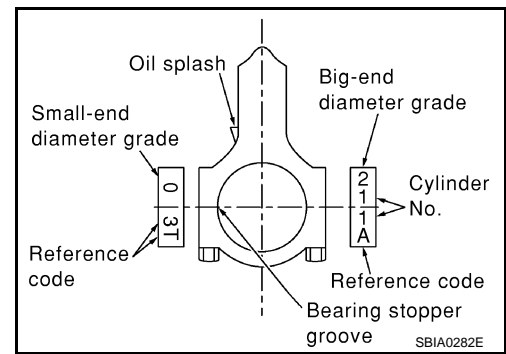
NOTE:

CYLINDER BLOCK

[QR25DE]

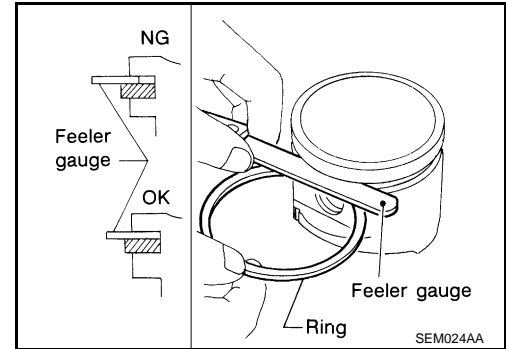
< SERVICE INFORMATION >

- The connecting rod small end grade and piston pin hole (piston pin) grade are provided only for the parts installed at the plant. For service parts, no grades can be selected. Only 0 grade is available.
- Follow the "CONNECTING ROD BUSHING OIL CLEARANCE (SMALL END)" for the values for each grade at the plant.
- Regarding marks on piston head, Refer to [EM-193, "How to Select Piston and Bearing"](#).



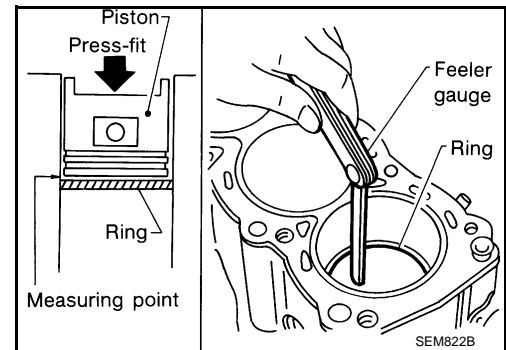
PISTON RING SIDE CLEARANCE

- Measure side clearance of piston ring and piston ring groove using a feeler gauge. Refer to [EM-209, "Standard and Limit"](#).
- If out of specification, replace piston and/or piston ring assembly.



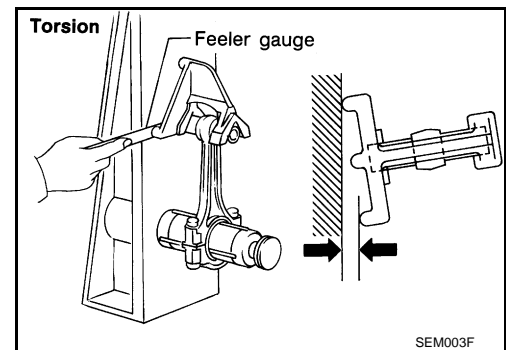
PISTON RING END GAP

- Check if inner diameter of cylinder bore is within specification. Follow the "PISTON TO CYLINDER BORE CLEARANCE" procedure.
- Insert piston ring until middle of cylinder with piston, and measure gap using a feeler gauge. Refer to [EM-209, "Standard and Limit"](#).
- If out of specification, replace piston ring.



CONNECTING ROD BEND AND TORSION

- Check with connecting rod aligner. Refer to [EM-209, "Standard and Limit"](#).

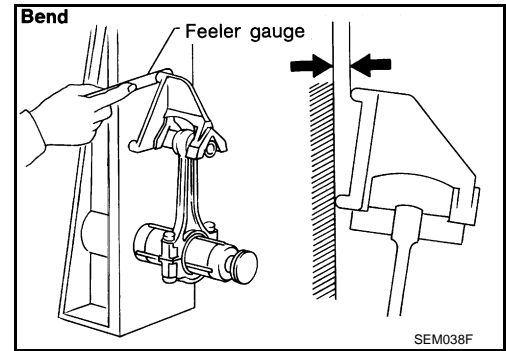


CYLINDER BLOCK

[QR25DE]

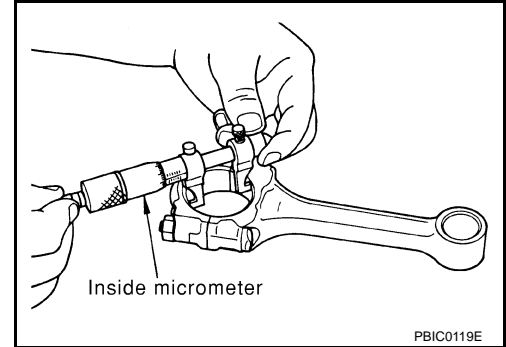
< SERVICE INFORMATION >

- If it exceeds the limit, replace connecting rod assembly.



CONNECTING ROD BEARING (BIG END)

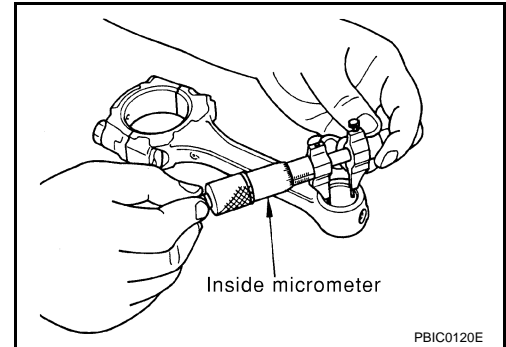
- Install the connecting rod cap without the connecting rod bearing installed. After tightening the connecting rod bolt to the specified torque, measure the connecting rod big end inner diameter using an inside micrometer. Refer to [EM-209. "Standard and Limit"](#).



CONNECTING ROD BUSHING OIL CLEARANCE (SMALL END)

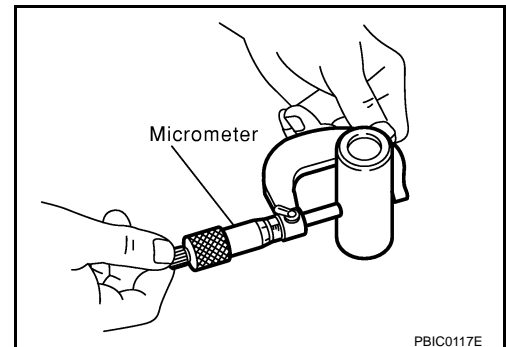
Inner Diameter of Connecting Rod (Small End)

- Measure inner diameter of bushing. Refer to [EM-209. "Standard and Limit"](#)



Outer Diameter of Piston Pin

- Measure outer diameter of piston pin. Refer to [EM-209. "Standard and Limit"](#).



Connecting Rod Bushing Oil Clearance (Small End)

CYLINDER BLOCK

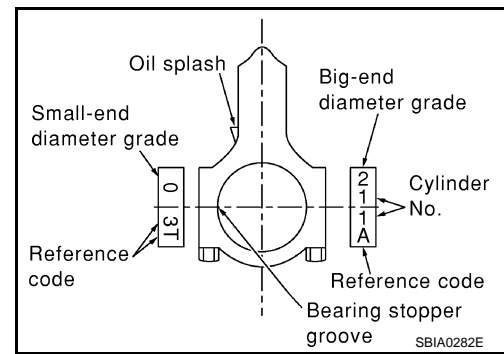
< SERVICE INFORMATION >

[QR25DE]

(Connecting rod small end oil clearance) = (Inner diameter of connecting rod small end) – (Outer diameter of piston pin)

Standard : 0.005 - 0.017 mm (0.0002 - 0.0007 in)

- If the measured value exceeds the standard, replace the connecting rod assembly and/or piston and piston pin assembly.
- If replacing the piston and piston pin assembly, use the "Piston Selection Table" to select the piston corresponding to the applicable bore grade of the cylinder block to be used. Refer to [EM-193](#), "[How to Select Piston and Bearing](#)".

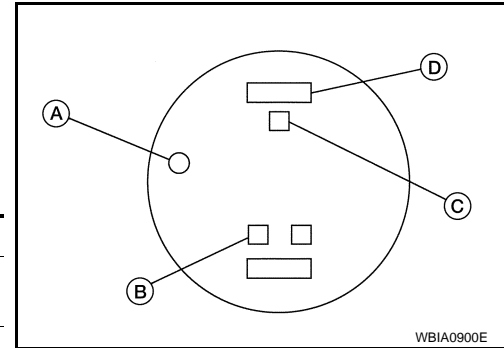


Factory Installed Parts Grading:

- A: Front mark
- B: Piston pin bore grade
- C: Piston grade I.D. stamp
- D: Piston crown I.D. code stamp
- Service parts apply only to grade 0.

Unit: mm (in)

Grade	0	1
Connecting rod small end inner diameter	20.000 - 20.006 (0.7874 - 0.7876)	20.006 - 20.012 (0.7876 - 0.7879)
Piston pin outer diameter	19.989 - 19.995 (0.7870 - 0.7872)	19.995 - 20.001 (0.7872 - 0.7874)
Piston pin bore diameter	19.993 - 19.999 (0.7871 - 0.7874)	19.999 - 20.005 (0.7874 - 0.7876)



CYLINDER BLOCK DISTORTION

- Using a scraper, remove gasket on the cylinder block surface, and also remove oil, scale, carbon, or other contamination.

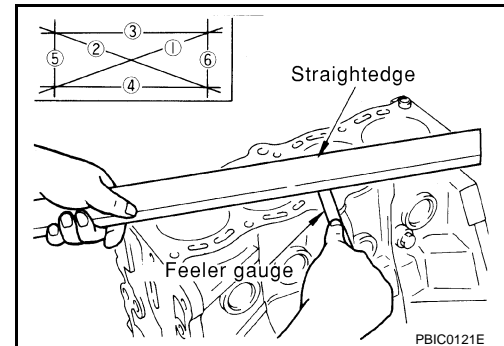
CAUTION:

Be careful not to allow gasket debris to enter the oil or coolant passages.

- Measure the distortion on the block upper face at some different points in 6 directions.

Limit : 0.1 mm (0.004 in)

- If out of the distortion limit, replace the cylinder block.



INNER DIAMETER OF MAIN BEARING HOUSING

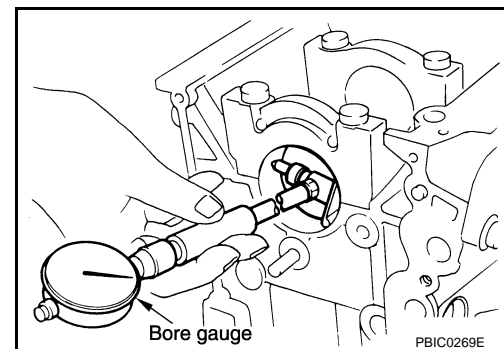
- Install the main bearing caps with the main bearings removed and tighten the bolts to the specified torque. Refer to [EM-185](#), "[Disassembly and Assembly](#)".
- Using a bore gauge, measure the inner diameter of the main bearing housing.

Standard : 58.944 - 58.968 mm (2.3206 - 2.3216 in)

- If out of the standard, replace the cylinder block and lower cylinder block assembly.

NOTE:

These components cannot be replaced as a single unit because they were processed together.



PISTON TO CYLINDER BORE CLEARANCE

Inner Diameter of Cylinder Bore

CYLINDER BLOCK

[QR25DE]

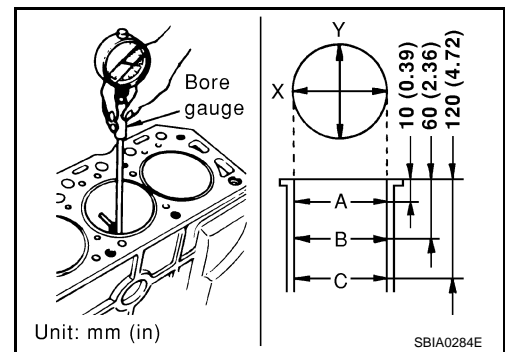
< SERVICE INFORMATION >

- Using a bore gauge, measure cylinder bore for wear, out-of-round and taper at 6 different points on each cylinder. (X and Y directions at A, B and C). The Y axis is in the longitudinal direction of the engine.

NOTE:

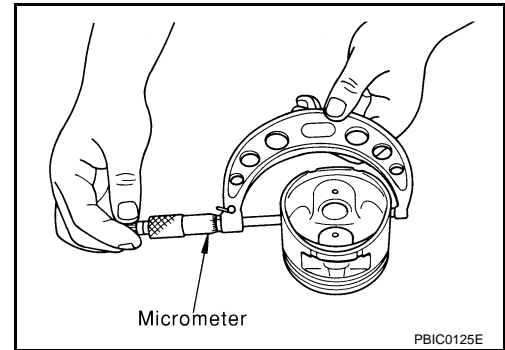
When determining cylinder bore grade, measure cylinder bore at B position. Refer to [EM-209. "Standard and Limit"](#).

- If the measured value rebore exceeds the limit, or if there are scratches and/or seizure on the cylinder inner wall, hone the inner wall.



Outer Diameter of Piston

- Measure piston skirt diameter using a micrometer. Refer to [EM-209. "Standard and Limit"](#).



- Measure point (distance from the top): 42 mm (1.65 in)

Piston to Cylinder Bore Clearance

- Calculate by outer diameter of piston skirt and inner diameter of cylinder (direction X, position B).
(Clearance) = (Inner diameter of cylinder) – (Outer diameter of piston skirt).

Standard : 0.010 - 0.030 mm (0.0004 - 0.0012 in)

Limit : 0.08 mm (0.0031 in)

- If it exceeds the limit, replace piston/piston pin assembly.

Reboring Cylinder Bore

- Cylinder bore size is determined by adding piston-to-bore clearance to piston diameter "A".

Rebored size calculation: $D = A + B - C$

D: Bored diameter

A: Piston diameter as measured

B: Piston-to-bore clearance (standard value)

C: Honing allowance 0.02 mm (0.0008 in)

- Install main bearing caps, and tighten to the specified torque. Otherwise, cylinder bores may be distorted in final assembly.
- Cut cylinder bores.
 - When any cylinder needs boring, all other cylinders must also be bored.**
 - Do not cut too much out of cylinder bore at a time.**
- Hone cylinders to obtain specified piston-to-bore clearance.
- Measure finished cylinder bore for out-of-round and taper.
 - Measurement should be done after cylinder bore cools down.**

OUTER DIAMETER OF CRANKSHAFT JOURNAL

- Measure outer diameter of crankshaft journals.

CYLINDER BLOCK

< SERVICE INFORMATION >

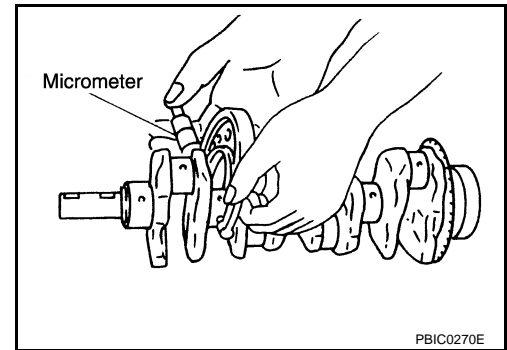
[QR25DE]

Standard : 54.955 - 54.979 mm (2.1636 - 2.1645 in)

OUTER DIAMETER OF CRANKSHAFT PIN

- Measure outer diameter of crankshaft pin.

Standard : 44.956 - 44.974 mm (1.7699 - 1.7706 in)



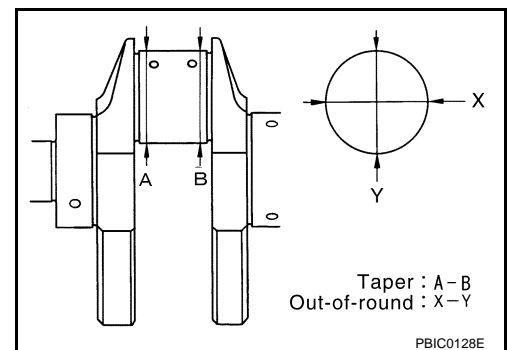
OUT-OF-ROUND AND TAPER OF CRANKSHAFT

- Measure the dimensions at four different points as shown on each journal and pin using a micrometer.
- Out-of-round is indicated by the difference in dimensions between "X" and "Y" at "A" and "B".
- Taper is indicated by the difference in dimension between "A" and "B" at "X" and "Y".

Limit

Out-of-round (X - Y) : 0.005 mm (0.0002 in)

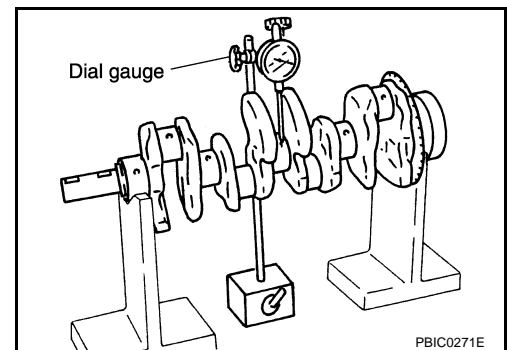
Taper (A - B) : 0.005 mm (0.0002 in)



CRANKSHAFT RUNOUT

- Place a V-block on a precise flat table to support the journals on both ends of the crankshaft.
- Place a dial gauge straight up on the No. 3 journal.
- While rotating the crankshaft, read the movement of the pointer on the dial gauge, the total indicator reading.

Limit : Less than 0.05 mm (0.002 in)



OIL CLEARANCE OF CONNECTING ROD BEARING

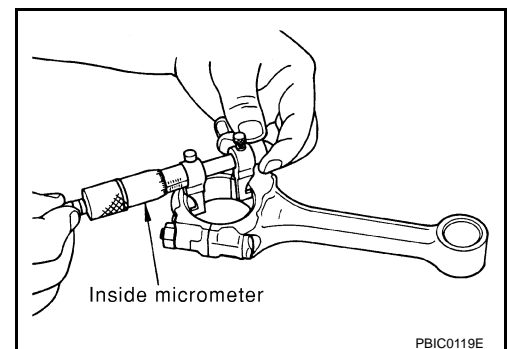
Method of Measurement

- Install the connecting rod bearings to the connecting rod and the cap, and tighten the connecting rod bolts to the specified torque. Using an inside micrometer measure the inner diameter of connecting rod bearing.
(Oil clearance) = (Inner diameter of connecting rod bearing) - (Outer diameter of crankshaft pin)

Standard : 0.035 - 0.045 mm (0.0014 - 0.0018 in)

Limit : 0.10 mm (0.0039 in)

- If clearance cannot be adjusted within the standard, grind crankshaft pin and use undersized bearing. Refer to [EM-193, "How to Select Piston and Bearing"](#).



Method of Using Plastigage

CYLINDER BLOCK

[QR25DE]

< SERVICE INFORMATION >

- Remove oil and dust on the crankshaft pin and the surfaces of each bearing completely.
- Cut the Plastigage slightly shorter than the bearing width, and place it in crankshaft axial direction, avoiding oil holes.
- Install the connecting rod bearings to the connecting rod cap, and tighten the connecting rod bolts to the specified torque.

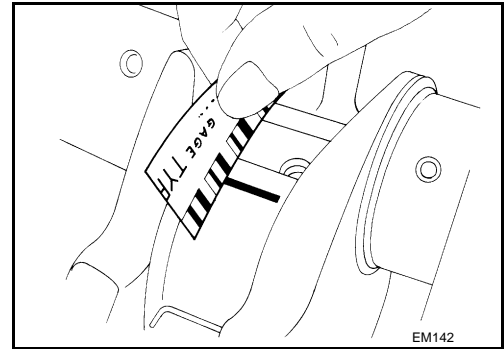
CAUTION:

Never rotate the crankshaft.

- Remove the connecting rod cap and bearings, and using the scale on the Plastigage bag, measure the Plastigage width.

NOTE:

The procedure when the measured value exceeds the limit is same as that described in the method by calculation.



OIL CLEARANCE OF MAIN BEARING

Method of Measurement

- Install the main bearings to the cylinder block and bearing cap. Measure the main bearing inner diameter with the bearing cap bolt tightened to the specified torque.
(Oil clearance) = (Inner diameter of main bearing) – (Outer diameter of crankshaft journal)

Standard:

No. 1, 3, and 5 journals : 0.012 - 0.022 mm (0.0005 - 0.0009 in)

No. 2 and 4 journals : 0.018 - 0.028 mm (0.0007 - 0.0011 in)

Limit : 0.1 mm (0.004 in)

- If the measured value exceeds the limit, select main bearings referring to the main bearing inner diameter and crankshaft journal outer diameter, so that the oil clearance satisfies the standard. Refer to [EM-193, "How to Select Piston and Bearing"](#).

Method of Using Plastigage

- Remove oil and dust on the crankshaft journal and the surfaces of each bearing completely.
- Cut the Plastigage slightly shorter than the bearing width, and place it in crankshaft axial direction, avoiding oil holes.
- Tighten the main bearing bolts to the specified torque.

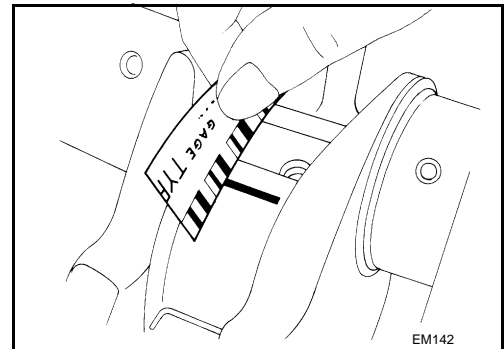
CAUTION:

Never rotate the crankshaft.

- Remove the bearing cap and bearings, and using the scale on the plastigage bag, measure the plastigage width.

NOTE:

The procedure when the measured value exceeds the limit is same as that described in the "Method by Calculation".

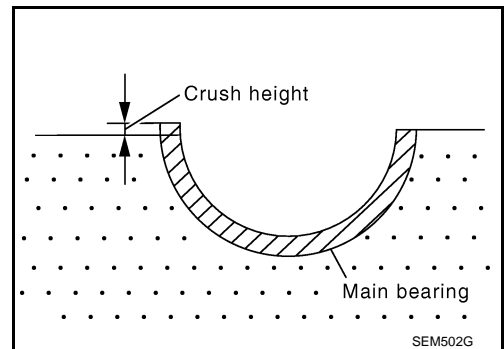


CRUSH HEIGHT OF MAIN BEARING

- When the bearing cap is removed after being tightened to the specified torque with main bearings installed, the tip end of bearing must protrude.

Standard : There must be crush height.

- If the standard is not met, replace main bearings.



OUTER DIAMETER OF LOWER CYLINDER BLOCK BOLT

- Perform only with M10 (0.39 in) bolts.
- Measure outer diameters (d1, d2) at two positions as shown.
- Measure d2 at a point within area A as shown.

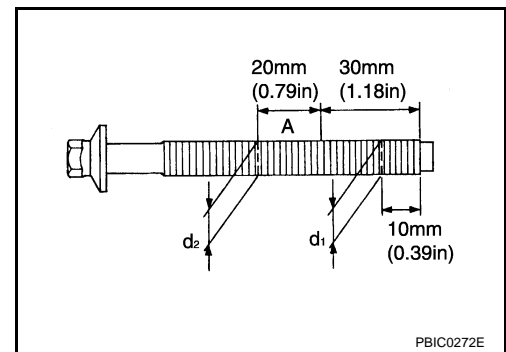
CYLINDER BLOCK

[QR25DE]

< SERVICE INFORMATION >

- When the value of $d_1 - d_2$ exceeds the limit (a large difference in dimensions), replace the bolt with a new one.

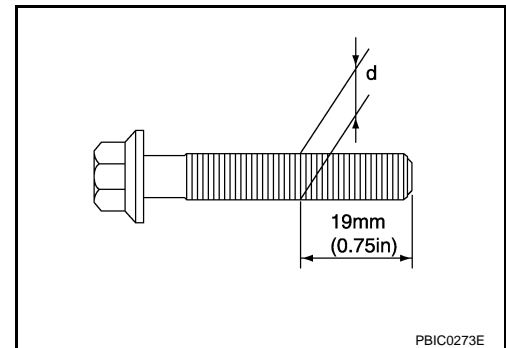
Limit : 0.13 mm (0.0051 in)



OUTER DIAMETER OF CONNECTING ROD BOLT

- Measure outer diameter (d) at position as shown.
- When “d” exceeds the limit (when it becomes thinner), replace the bolt with a new one.

Limit : 7.75 mm (0.3051 in) or less



MOVEMENT AMOUNT OF FLYWHEEL (M/T MODEL)

NOTE:

- Inspection for double mass flywheel only.
- Do not disassemble double mass flywheel.

Flywheel Deflection

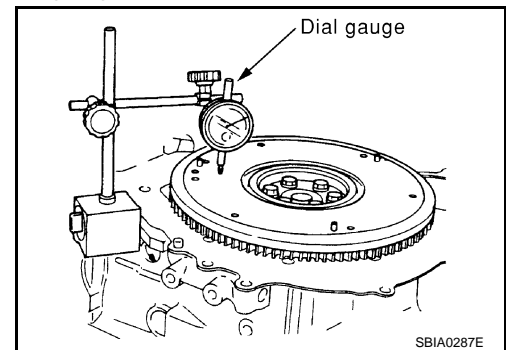
- Measure deflection of flywheel contact surface to the clutch with a dial gauge.
- Measure runout at 210 mm (8.27 in) dia.

Limit : 0.45 mm (0.0177 in) or less under no load

- Measure axial displacement at 250 mm (9.84 in) dia.

Limit : 1.3 mm (0.051 in) or less under 100N (22.48 lb) force

- When measured value exceeds the limit, replace the flywheel with a new one.



Movement Amount in Rotation Direction

- Check the movement amount in the following procedure.
 1. Install a bolt to clutch cover mounting hole, and place a torque wrench on the extended line of the flywheel center line.
- Tighten bolt to keep it from loosening at a force of 9.8 N-m (1 kg-m, 87 in-lb).

CYLINDER BLOCK

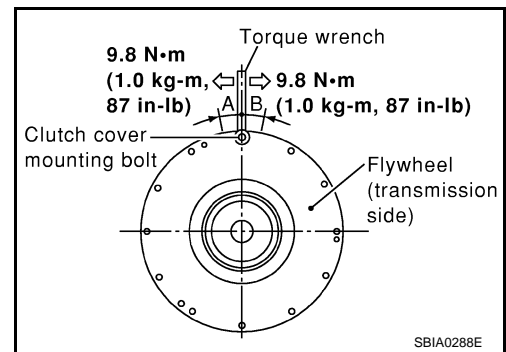
[QR25DE]

< SERVICE INFORMATION >

- Put a mating mark on circumferences of the two flywheel masses without applying any load (measurement standard points).
- Apply a force of 9.8 N·m (1 kg-m, 87 in-lb) in each direction, and mark the movement amount on the mass on the transmission side.
- Measure dimensions of movement amounts A and B on circumference of the flywheel on the transmission side.

Standard : 35 mm (1.38 in) or less

- When measured value is outside the standard, replace flywheel.



SERVICE DATA AND SPECIFICATIONS (SDS)

< SERVICE INFORMATION >

[QR25DE]

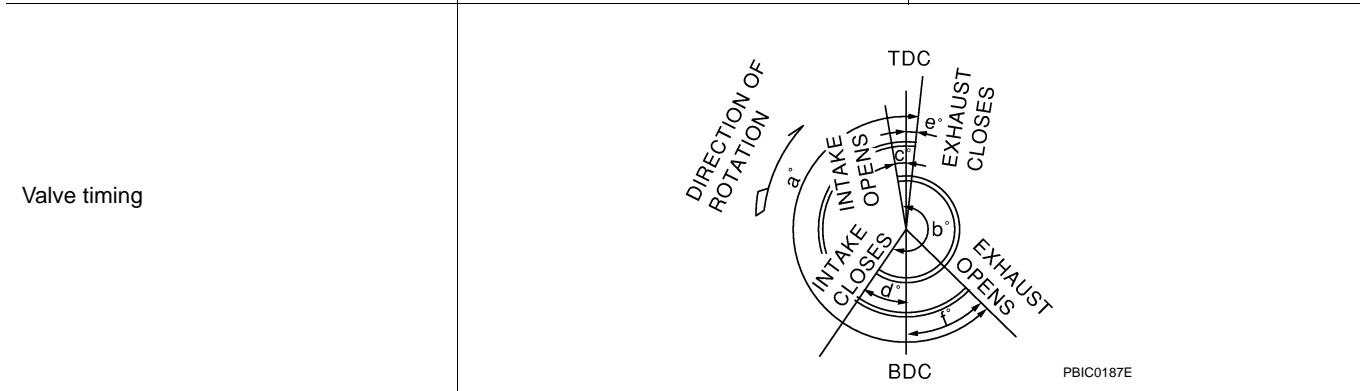
SERVICE DATA AND SPECIFICATIONS (SDS)

Standard and Limit

INFOID:000000004409565

GENERAL SPECIFICATIONS

Model	SE-R	SE-R Spec V
Cylinder arrangement	In-line 4	
Displacement cm ³ (in ³)	2,488 (151.82)	
Bore and stroke mm (in)	89.0 x 100 (3.50 x 3.94)	
Valve arrangement	DOHC	
Firing order	1-3-4-2	
Number of piston rings	Compression	2
	Oil	1
Compression ratio	9.5:1	10.5:1
Compression pressure (kg/cm ² , psi) / 250 rpm	Standard	1,250 (12.8, 181.3)
	Minimum	1,060 (10.8, 153.7)
	Differential limit between cylinders	100 (1.0, 14)



Unit: degree					
a	b	c	d	e	f
224°	244°	0°	64°	3°	41°

DRIVE BELTS

Tension of drive belts	Auto adjustment by auto tensioner
------------------------	-----------------------------------

INTAKE MANIFOLD AND EXHAUST MANIFOLD

Unit: mm (in)		
Surface distortion	Description	Limit
	Intake manifold adapter	0.1 (0.004)
	Intake manifold	0.1 (0.004)
	Exhaust manifold	0.3 (0.012)

SPARK PLUG

Unit: mm (in)		
Make	NGK	
Type	Standard	DILKAR6A-11
Gap (nominal)	1.1 (0.043)	

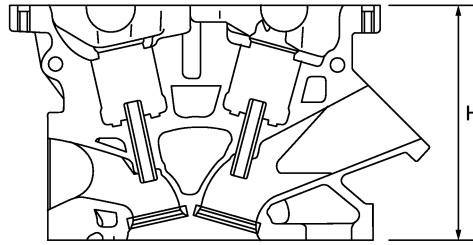
CYLINDER HEAD

SERVICE DATA AND SPECIFICATIONS (SDS)

< SERVICE INFORMATION >

[QR25DE]

Unit: mm (in)



Nominal cylinder head height:
H = 129.4 mm (5.09 in)

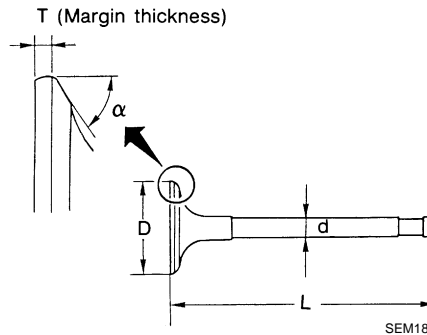
PBIC0283E

Description	Limit
Head surface distortion	0.1 (0.004)

VALVE

Valve Dimensions

Unit: mm (in)



Valve head diameter "D"	Intake	35.5 - 35.8 (1.398 - 1.409)
	Exhaust	30.5 - 30.8 (1.201 - 1.213)
Valve length "L"	Intake	97.16 (3.8252)
	Exhaust	98.82 (3.8905)
Valve stem diameter "d"	Intake	5.965 - 5.980 (0.2348 - 0.2354)
	Exhaust	5.955 - 5.970 (0.2344 - 0.2350)
Valve seat angle "α"	Intake	45°15' - 45°45'
	Exhaust	
Valve margin "T"	Intake	1.1 (0.043)
	Exhaust	1.3 (0.051)

Valve Clearance

Unit: mm (in)

	Cold* (reference data)	Hot
Intake	0.24 - 0.32 (0.009 - 0.013)	0.304 - 0.416 (0.012 - 0.016)
Exhaust	0.26 - 0.34 (0.010 - 0.013)	0.308 - 0.432 (0.012 - 0.017)

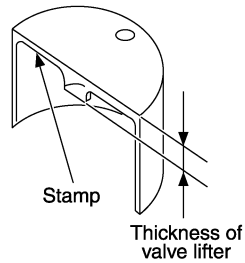
*: Approximately 20°C (68 °F)

Available Valve Lifter

SERVICE DATA AND SPECIFICATIONS (SDS)

< SERVICE INFORMATION >

[QR25DE]



KBIA0119E

Thickness mm (in)	Identification mark (Stamp)
7.88 (0.3102)	788U
7.90 (0.3110)	790U
7.92 (0.3118)	792U
7.94 (0.3126)	794U
7.96 (0.3134)	796U
7.98 (0.3142)	798U
8.00 (0.3150)	800U
8.02 (0.3157)	802U
8.04 (0.3165)	804U
8.06 (0.3173)	806U
8.08 (0.3181)	808U
8.10 (0.3189)	810U
8.12 (0.3197)	812U
8.14 (0.3205)	814U
8.16 (0.3213)	816U
8.18 (0.3220)	818U
8.20 (0.3228)	820U
8.22 (0.3236)	822U
8.24 (0.3244)	824U
8.26 (0.3252)	826U
8.28 (0.3260)	828U
8.30 (0.3268)	830U
8.32 (0.3276)	832U
8.34 (0.3283)	834U
8.36 (0.3291)	836U
8.38 (0.3299)	838U

Valve Spring

Specifications	Intake	Exhaust
Identification color	Blue (M/T), Pink (CVT)	Yellow (M/T), Green (CVT)
Free height	43.72 - 43.92 mm (1.7213 - 1.7291 in)	45.29 - 45.49 mm (1.7831 - 1.7909 in)
Pressure standard at height 35.30 mm (1.390 in)	151 - 175 N (15.4 - 17.8 kg-f, 34 - 39 lb-f)	151 - 175 N (15.4 - 17.8 kg-f, 34 - 39 lb-f)
Squareness	1.9 mm (0.0748 in)	1.9 mm (0.0748 in)
Installation height	35.30 mm (1.390 in)	35.30 mm (1.390 in)

SERVICE DATA AND SPECIFICATIONS (SDS)

< SERVICE INFORMATION >

[QR25DE]

Specifications	Intake	Exhaust
Installation load	151 - 175 N (15.4 - 17.8 kg-f, 34 - 39 lb-f)	151 - 175 N (15.4 - 17.8 kg-f, 34 - 39 lb-f)
Height during valve open	25.30 mm (0.996 in)	26.76 mm (1.0535 in)
Load with valve open	351 - 394 N (35.8 - 40.2 kg-f, 79 - 89 lb-f)	318 - 362 N (32.4 - 36.9 kg-f, 71 - 81 lb-f)

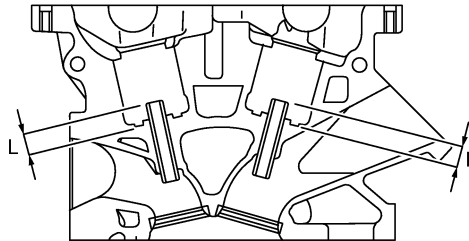
Valve Lifter

Unit: mm (in)

Description	Standard
Valve lifter outer diameter	33.977 - 33.987 (1.3377 - 1.3381)
Lifter lifter bore inner diameter	34.000 - 34.021 (1.3386 - 1.3394)
Clearance between lifter and lifter guide	0.013 - 0.044 (0.0005 - 0.0017)

Valve Guide

Unit: mm (in)

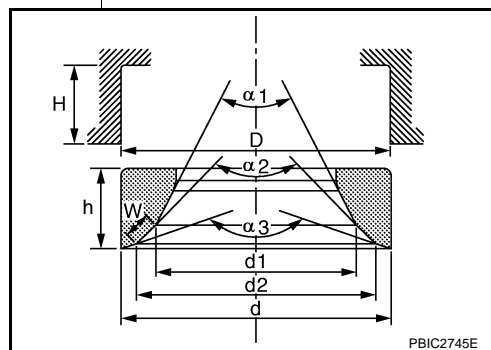


PBIC0184E

Description	Standard	Service
Valve guide	Outer diameter	10.023 - 10.034 (0.3946 - 0.3950)
	Inner diameter (Finished size)	6.000 - 6.018 (0.2362 - 0.2369)
Intake and exhaust valve guide hole diameter	9.975 - 9.996 (0.3927 - 0.3935)	10.175 - 10.196 (0.4006 - 0.4014)
Interference fit of valve guide	0.027 - 0.059 (0.0011 - 0.0023)	
Valve guide clearance	Standard	
	Intake	0.020 - 0.053 (0.0008 - 0.0021) or less
	Exhaust	0.030 - 0.063 (0.0012 - 0.0025) or less
Projection length "L"	Intake	10.1 - 10.3 (0.398 - 0.406)
	Exhaust	10.0 - 10.4 (0.394 - 0.409)

Valve Seat

Unit: mm (in)



PBIC2745E

Description	Standard	Service
-------------	----------	---------

SERVICE DATA AND SPECIFICATIONS (SDS)

< SERVICE INFORMATION >

[QR25DE]

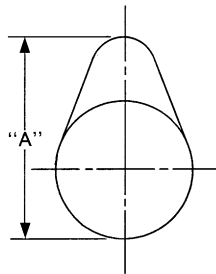
Cylinder head seat recess diameter (D)	Intake	36.500 - 36.516 (1.4370 - 1.4376)	37.000 - 37.016 (1.4567 - 1.4573)
	Exhaust	31.500 - 31.516 (1.2402 - 1.2408)	32.000 - 32.016 (1.2598 - 1.2605)
Valve seat interference fit	Intake	0.081 - 0.113 (0.0032 - 0.0044)	
	Exhaust	0.084 - 0.116 (0.0033 - 0.0046)	
Valve seat outer diameter (d)	Intake	36.597 - 36.613 (1.4408 - 1.4415)	37.097 - 37.113 (1.4605 - 1.4611)
	Exhaust	31.600 - 31.616 (1.2441 - 1.2447)	32.100 - 32.116 (1.2638 - 1.2644)
Diameter "d1"	Intake	33.5 (1.319)	
	Exhaust	28.0 (1.102)	
Diameter "d2"	Intake	34.8 - 35.3 (1.3701 - 1.3898)	
	Exhaust	29.6 - 30.1 (1.1654 - 1.1850)	
Angle α 1	Intake	60°	
	Exhaust	60°	
Angle α 2	Intake	88° 46' - 90° 14'	
	Exhaust	88° 46' - 90° 14'	
Angle α 3	Intake	120°	
	Exhaust	120°	
Contacting width "W"*	Intake	0.99 - 1.35 (0.0390 - 0.0531)	
	Exhaust	1.19 - 1.55 (0.0469 - 0.0610)	

*1 Machining data

CAMSHAFT AND CAMSHAFT BEARING

Unit: mm (in)

	Standard
Camshaft runout [TIR*]	Less than 0.04 (0.0016)



Cam height "A"	Intake	44.815 - 45.005 (1.7644 - 1.7718)
	Exhaust	43.975 - 44.165 (1.7313 - 1.7388)
Outer diameter of camshaft journal	No. 1 27.935 - 27.955 (1.0998 - 1.1006)	
	No. 2, 3, 4, 5 23.435 - 23.455 (0.9226 - 0.9234)	
Inner diameter of camshaft bracket	No.1 28.000 - 28.021 (1.1024 - 1.1032)	
	No.2, 3, 4, 5 23.500 - 23.521 (0.9252 - 0.9260)	
Camshaft journal clearance	0.045 - 0.086 (0.0018 - 0.0034)	
Camshaft end play	0.115 - 0.188 (0.0045 - 0.0074)	
Camshaft sprocket runout [TIR*]	Less than 0.15 (0.0059)	

*: Total indicator reading

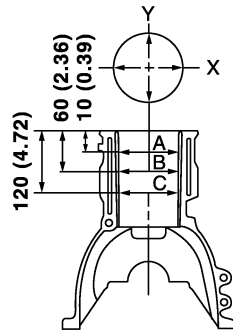
SERVICE DATA AND SPECIFICATIONS (SDS)

< SERVICE INFORMATION >

[QR25DE]

CYLINDER BLOCK

Unit: mm (in)



PBIC0281E

Surface distortion	Limit		0.1 (0.004)
Cylinder bore	Inner diameter	Standard	Grade No. 2 89.010 - 89.020 (3.5043 - 3.5047)
			Grade No. 3 89.020 - 89.030 (3.5047 - 3.5051)
		Wear limit	0.2 (0.008)
Out-of-round (X - Y)			Less than 0.015 (0.0006)
Taper (C - A)			Less than 0.01 (0.0004)
Main journal inner diameter grade (Without bearing)	Grade No. A		58.944 - 58.945 (2.3206 - 2.3207)
	Grade No. B		58.945 - 58.946 (2.3207 - 2.3207)
	Grade No. C		58.946 - 58.947 (2.3207 - 2.3207)
	Grade No. D		58.947 - 58.948 (2.3207 - 2.3208)
	Grade No. E		58.948 - 58.949 (2.3208 - 2.3208)
	Grade No. F		58.949 - 58.950 (2.3208 - 2.3209)
	Grade No. G		58.950 - 58.951 (2.3209 - 2.3209)
	Grade No. H		58.951 - 58.952 (2.3209 - 2.3209)
	Grade No. J		58.952 - 58.953 (2.3209 - 2.3210)
	Grade No. K		58.953 - 58.954 (2.3210 - 2.3210)
	Grade No. L		58.954 - 58.955 (2.3210 - 2.3211)
	Grade No. M		58.955 - 58.956 (2.3211 - 2.3211)
	Grade No. N		58.956 - 58.957 (2.3211 - 2.3211)
	Grade No. P		58.957 - 58.958 (2.3211 - 2.3212)
	Grade No. R		58.958 - 58.959 (2.3212 - 2.3212)
	Grade No. S		58.959 - 58.960 (2.3212 - 2.3213)
	Grade No. T		58.960 - 58.961 (2.3213 - 2.3213)
	Grade No. U		58.961 - 58.962 (2.3213 - 2.3213)
	Grade No. V		58.962 - 58.963 (2.3213 - 2.3214)
Grade No. W		58.963 - 58.964 (2.3214 - 2.3214)	
Grade No. X		58.964 - 58.965 (2.3214 - 2.3215)	
Grade No. Y		58.965 - 58.966 (2.3215 - 2.3215)	
Grade No. 4		58.966 - 58.967 (2.3215 - 2.3215)	
Grade No. 7		58.967 - 58.968 (2.3215 - 2.3216)	
Difference in inner diameter between cylinders	Standard		Less than 0.03 (0.0012)

PISTON, PISTON RING, AND PISTON PIN

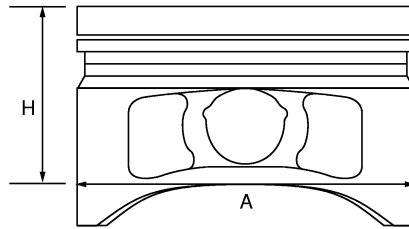
Available Piston

SERVICE DATA AND SPECIFICATIONS (SDS)

< SERVICE INFORMATION >

[QR25DE]

Unit: mm (in)



PBIC0188E

Piston skirt diameter "A"	Standard	Grade No. 1	88.980 - 88.990 (3.5031 - 3.5035)
		Grade No. 2	88.990 - 89.000 (3.5035 - 3.5039)
		Grade No. 3	89.000 - 89.010 (3.5039 - 3.5043)
"H" dimension			42 (1.65)
Piston pin bore diameter		Grade No. 0	19.993 - 19.999 (0.7871 - 0.7874)
		Grade No. 1	19.999 - 20.005 (0.7874 - 0.7876)
Piston clearance to cylinder bore		Standard	0.010 - 0.030 (0.0004 - 0.0012)
		Limit	0.08 (0.0031)

Piston Ring

Unit: mm (in)

		Standard	Limit
Side clearance	Top	0.040 - 0.080 (0.0018 - 0.0031)	0.11 (0.0043)
	2nd	0.030 - 0.070 (0.0012 - 0.0028)	0.10 (0.0039)
	Oil ring	0.045 - 0.125 (0.0018 - 0.0049)	—
End gap	Top	0.21 - 0.31 (0.0083 - 0.0122)	0.54 (0.0213)
	2nd	0.37 - 0.52 (0.0146 - 0.0205)	0.67 (0.0264)
	Oil (rail ring)	0.20 - 0.45 (0.0079 - 0.0177)	0.95 (0.0374)

Piston Pin

Unit: mm (in)

Piston pin outer diameter		Grade No.0	19.989 - 19.995 (0.7870 - 0.7872)
		Grade No.1	19.995 - 20.001 (0.7872 - 0.7874)
Piston to piston pin clearance (Standard)			0.002 - 0.006 (0.0001 - 0.0002)
Piston pin to connecting rod bushing clearance		Standard	0.005 - 0.017 (0.0002 - 0.0007)

CONNECTING ROD

Unit: mm (in)

Center distance			143.00 - 143.10 (5.63 - 5.63)
Bend [per 100 (3.94)]		Limit	0.15 (0.0059)
Torsion [per 100 (3.94)]		Limit	0.30 (0.0118)
Connecting rod small end inner diameter			22.000 - 22.012 (0.7874 - 0.7879)
Connecting rod small end inner diameter*		Grade No. 0	20.000 - 20.006 (0.7874 - 0.7876)
		Grade No. 1	20.006 - 20.012 (0.7876 - 0.7879)
Connecting rod big end inner diameter			48.000 - 48.013 (1.8898 - 1.8903)

SERVICE DATA AND SPECIFICATIONS (SDS)

< SERVICE INFORMATION >

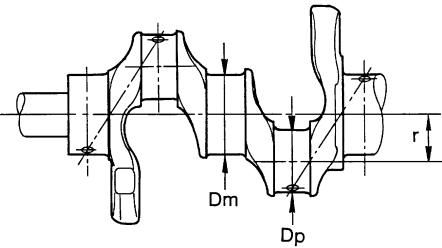
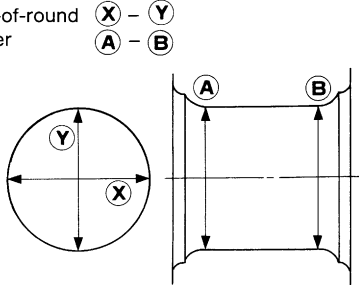
[QR25DE]

Side clearance	Standard	0.20 - 0.35 (0.0079 - 0.0138)
	Limit	0.50 (0.0197)
Connecting rod bearing housing	Grade No. 0	48.000 - 48.001 (1.8898 - 1.8898)
	Grade No. 1	48.001 - 48.002 (1.8898 - 1.8898)
	Grade No. 2	48.002 - 48.003 (1.8898 - 1.8899)
	Grade No. 3	48.003 - 48.004 (1.8899 - 1.8899)
	Grade No. 4	48.004 - 48.005 (1.8899 - 1.8899)
	Grade No. 5	48.005 - 48.006 (1.8899 - 1.8900)
	Grade No. 6	48.006 - 48.007 (1.8900 - 1.8900)
	Grade No. 7	48.007 - 48.008 (1.8900 - 1.8901)
	Grade No. 8	48.008 - 48.009 (1.8901 - 1.8901)
	Grade No. 9	48.009 - 48.010 (1.8901 - 1.8902)
	Grade No. A	48.010 - 48.011 (1.8902 - 1.8902)
	Grade No. B	48.011 - 48.012 (1.8902 - 1.8902)
	Grade No. C	48.012 - 48.013 (1.8902 - 1.8903)

*: After installing in connecting rod

CRANKSHAFT

Unit: mm (in)

	 <p style="text-align: center;">SEM645</p>	<p>Out-of-round (X - Y) Taper (A - B)</p>  <p style="text-align: center;">SEM715</p>
Pin journal dia. "DP"	<p>Grade No. A</p> <p>Grade No. B</p> <p>Grade No. C</p> <p>Grade No. D</p> <p>Grade No. E</p> <p>Grade No. F</p> <p>Grade No. G</p> <p>Grade No. H</p> <p>Grade No. J</p> <p>Grade No. K</p> <p>Grade No. L</p> <p>Grade No. M</p> <p>Grade No. N</p> <p>Grade No. P</p> <p>Grade No. R</p> <p>Grade No. S</p> <p>Grade No. T</p> <p>Grade No. U</p>	<p>44.974 - 44.973 (1.7706 - 1.7706)</p> <p>44.973 - 44.972 (1.7706 - 1.7705)</p> <p>44.972 - 44.971 (1.7705 - 1.7705)</p> <p>44.971 - 44.970 (1.7705 - 1.7705)</p> <p>44.970 - 44.969 (1.7705 - 1.7704)</p> <p>44.969 - 44.968 (1.7704 - 1.7704)</p> <p>44.968 - 44.967 (1.7704 - 1.7704)</p> <p>44.967 - 44.966 (1.7704 - 1.7703)</p> <p>44.966 - 44.965 (1.7703 - 1.7703)</p> <p>44.965 - 44.964 (1.7703 - 1.7702)</p> <p>44.964 - 44.963 (1.7702 - 1.7702)</p> <p>44.963 - 44.962 (1.7702 - 1.7702)</p> <p>44.962 - 44.961 (1.7702 - 1.7701)</p> <p>44.961 - 44.960 (1.7701 - 1.7701)</p> <p>44.960 - 44.959 (1.7701 - 1.7700)</p> <p>44.959 - 44.958 (1.7700 - 1.7700)</p> <p>44.958 - 44.957 (1.7700 - 1.7700)</p> <p>44.957 - 44.956 (1.7700 - 1.7699)</p>

SERVICE DATA AND SPECIFICATIONS (SDS)

< SERVICE INFORMATION >

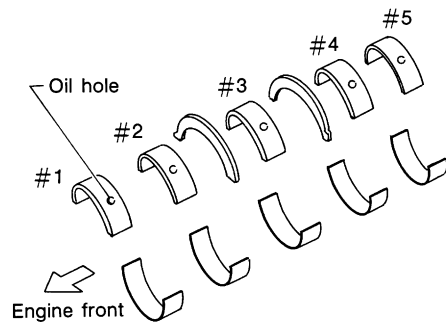
[QR25DE]

Main journal dia. "Dm" grade	Grade No. A	54.979 - 54.978 (2.1645 - 2.1645)	A
	Grade No. B	54.978 - 54.977 (2.1645 - 2.1644)	
	Grade No. C	54.977 - 54.976 (2.1644 - 2.1644)	
	Grade No. D	54.976 - 54.975 (2.1644 - 2.1644)	
	Grade No. E	54.975 - 54.974 (2.1644 - 2.1643)	
	Grade No. F	54.974 - 54.973 (2.1643 - 2.1643)	
	Grade No. G	54.973 - 54.972 (2.1643 - 2.1642)	
	Grade No. H	54.972 - 54.971 (2.1642 - 2.1642)	
	Grade No. J	54.971 - 54.970 (2.1642 - 2.1642)	
	Grade No. K	54.970 - 54.969 (2.1642 - 2.1641)	
	Grade No. L	54.969 - 54.968 (2.1641 - 2.1641)	
	Grade No. M	54.968 - 54.967 (2.1641 - 2.1641)	
	Grade No. N	54.967 - 54.966 (2.1641 - 2.1640)	
	Grade No. P	54.966 - 54.965 (2.1640 - 2.1640)	
	Grade No. R	54.965 - 54.964 (2.1640 - 2.1639)	
	Grade No. S	54.964 - 54.963 (2.1639 - 2.1639)	
	Grade No. T	54.963 - 54.962 (2.1639 - 2.1639)	
	Grade No. U	54.962 - 54.961 (2.1639 - 2.1638)	
	Grade No. V	54.961 - 54.960 (2.1638 - 2.1638)	
Grade No. W	54.960 - 54.959 (2.1638 - 2.1637)		
Grade No. X	54.959 - 54.958 (2.1637 - 2.1637)		
Grade No. Y	54.958 - 54.957 (2.1637 - 2.1637)		
Grade No. 4	54.957 - 54.956 (2.1637 - 2.1636)		
Grade No. 7	54.956 - 54.955 (2.1636 - 2.1636)		
Center distance "r"		49.60 - 50.04 (1.9528 - 1.9701)	
Out-of-round (X - Y)	Standard	Less than 0.005 (0.0002)	
Taper (A - B)	Standard	Less than 0.005 (0.0002)	
Runout [TIR*]	Limit	Less than 0.05 (0.002)	
Free end play	Standard	0.10 - 0.26 (0.0039 - 0.0102)	
	Limit	0.30 (0.0118)	

*: Total indicator reading

MAIN BEARING

Unit: mm (in)



SEM685D

Grade number	Thickness	Identification color (UPR / LWR)	Remarks
0	1.973 - 1.976 (0.0777 - 0.0778)	Black	Grade and color are the same for upper and lower bearings.
1	1.976 - 1.979 (0.0778 - 0.0779)	Brown	
2	1.979 - 1.982 (0.0779 - 0.0780)	Green	
3	1.982 - 1.985 (0.0780 - 0.0781)	Yellow	
4	1.985 - 1.988 (0.0781 - 0.0783)	Blue	
5	1.988 - 1.991 (0.0783 - 0.0784)	Pink	
6	1.991 - 1.994 (0.0784 - 0.0785)	Purple	

SERVICE DATA AND SPECIFICATIONS (SDS)

< SERVICE INFORMATION >

[QR25DE]

01	UPR	1.973 - 1.976 (0.0777 - 0.0778)	Black / Brown	Grade and color are different for upper and lower bearings.
	LWR	1.976 - 1.979 (0.0778 - 0.0779)		
12	UPR	1.976 - 1.979 (0.0778 - 0.0779)	Brown / Green	
	LWR	1.979 - 1.982 (0.0779 - 0.0780)		
23	UPR	1.979 - 1.982 (0.0779 - 0.0780)	Green / Yellow	
	LWR	1.982 - 1.985 (0.0780 - 0.0781)		
34	UPR	1.982 - 1.985 (0.0780 - 0.0781)	Yellow / Blue	
	LWR	1.985 - 1.988 (0.0781 - 0.0783)		
45	UPR	1.985 - 1.988 (0.0781 - 0.0783)	Blue / Pink	
	LWR	1.988 - 1.991 (0.0783 - 0.0784)		
56	UPR	1.988 - 1.991 (0.0783 - 0.0784)	Pink / Purple	
	LWR	1.991 - 1.994 (0.0784 - 0.0785)		
67	UPR	1.991 - 1.994 (0.0784 - 0.0785)	Purple / White	
	LWR	1.994 - 1.997 (0.0785 - 0.0786)		

Undersize

Unit: mm (in)

Size U.S.	Thickness	Main journal diameter
0.25 (0.0098)	2.106 - 2.114 (0.0829 - 0.0832)	Grind so that bearing clearance is the specified value.

Bearing Clearance

Unit: mm (in)

Main bearing oil clearance	Standard	No.1, 3, and 5	0.012 - 0.022 (0.0005 - 0.0009)
		No.2 and 4	0.018 - 0.028 (0.0007 - 0.0011)
	Limit		0.1 (0.004)

CONNECTING ROD BEARING

Grade number	Thickness mm (in)	Identification color
0	1.493 - 1.496 (0.0588 - 0.0589)	Black
1	1.496 - 1.499 (0.0589 - 0.0590)	Brown
2	1.499 - 1.502 (0.0590 - 0.0591)	Green
3	1.502 - 1.505 (0.0591 - 0.0593)	Yellow
4	1.505 - 1.508 (0.0593 - 0.0594)	Blue

Undersize

Unit: mm (in)

Size U.S.	Thickness	Crank pin journal diameter
0.25 (0.0098)	1.622 - 1.630 (0.0639 - 0.0642)	Grind so that bearing clearance is the specified value.

Bearing Clearance

Unit: mm (in)

Connecting rod bearing oil clearance	Standard	0.035 - 0.045 (0.0014 - 0.0018)
	Limit	0.10 (0.0039)

FLYWHEEL

SERVICE DATA AND SPECIFICATIONS (SDS)

< SERVICE INFORMATION >

[QR25DE]

Items	Standard	Limit
Deflection of flywheel contact surface at 210 mm (8.27 in) dia.	—	0.45 mm (0.0177 in) or less under no load
Axial displacement at 250 mm (9.84 in) dia.	—	1.3 mm (0.051 in) or less under 100N (22.48 lb) force
Rotation direction movement	35 mm (1.38 in) or less	—

A

EM

C

D

E

F

G

H

I

J

K

L

M

N

O

P