

Parts Catalog

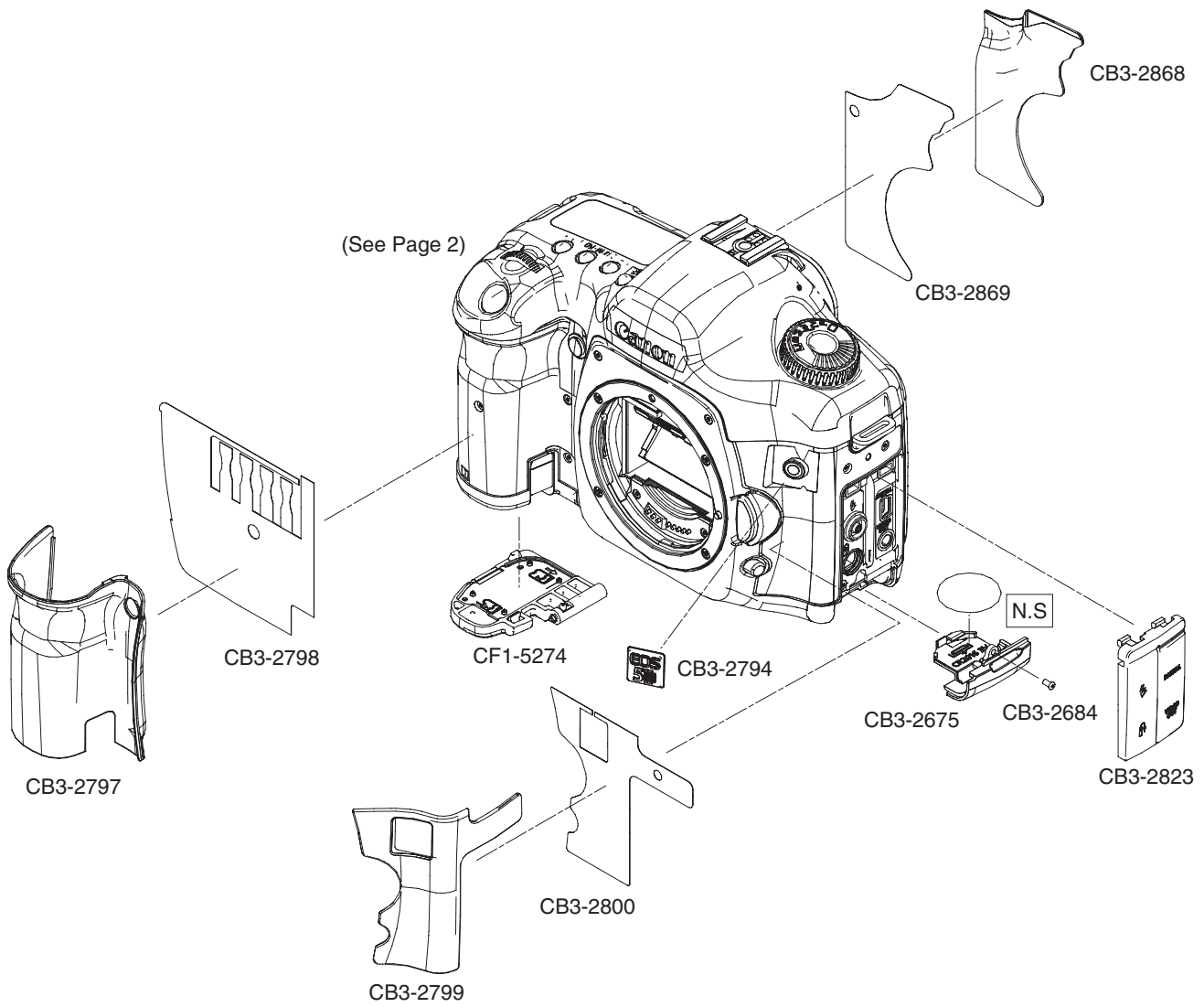
Canon

EOS 5D

REF. NO.C12-6091

**PARTS
CATALOG**

CANON EOS 5D

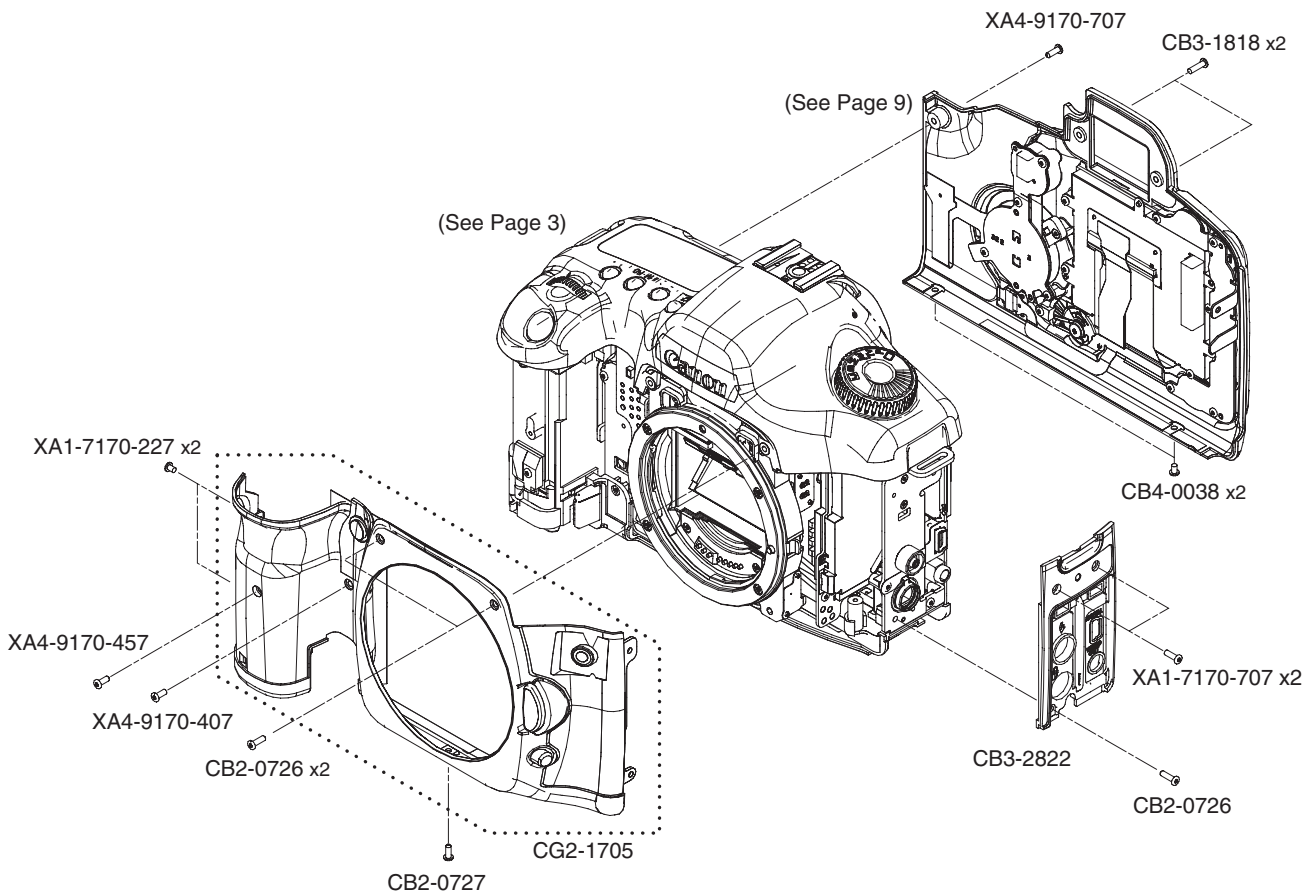


P A R T S L I S T

REF. NO. C12-6091

NEW	PARTS NO.	CLASS	QTY	DESCRIPTION
*	CB3-2675-000 000	C	1	CASE, DATE BATTERY
*	CB3-2684-000 000	C	1	SCREW
*	CB3-2794-000 000	B	1	PLATE, NAME
*	CB3-2797-000 000	B	1	COVER, GRIP HOLDING
*	CB3-2798-000 000	B	1	TAPE, DOUBLE SIDE
* *	CB3-2799-000 000	B	1	COVER, FRONT, LEFT
	CB3-2800-000 000	B	1	TAPE, DOUBLE SIDE
*	CB3-2823-000 000	B	1	CAP, INTERFACE
*	CB3-2868-000 000	B	1	COVER, HOLDING
*	CB3-2869-000 000	B	1	TAPE, DOUBLE SIDE
* *	CF1-5274-000 000	B	1	COVER ASS'Y, BATTERY

CANON EOS 5D

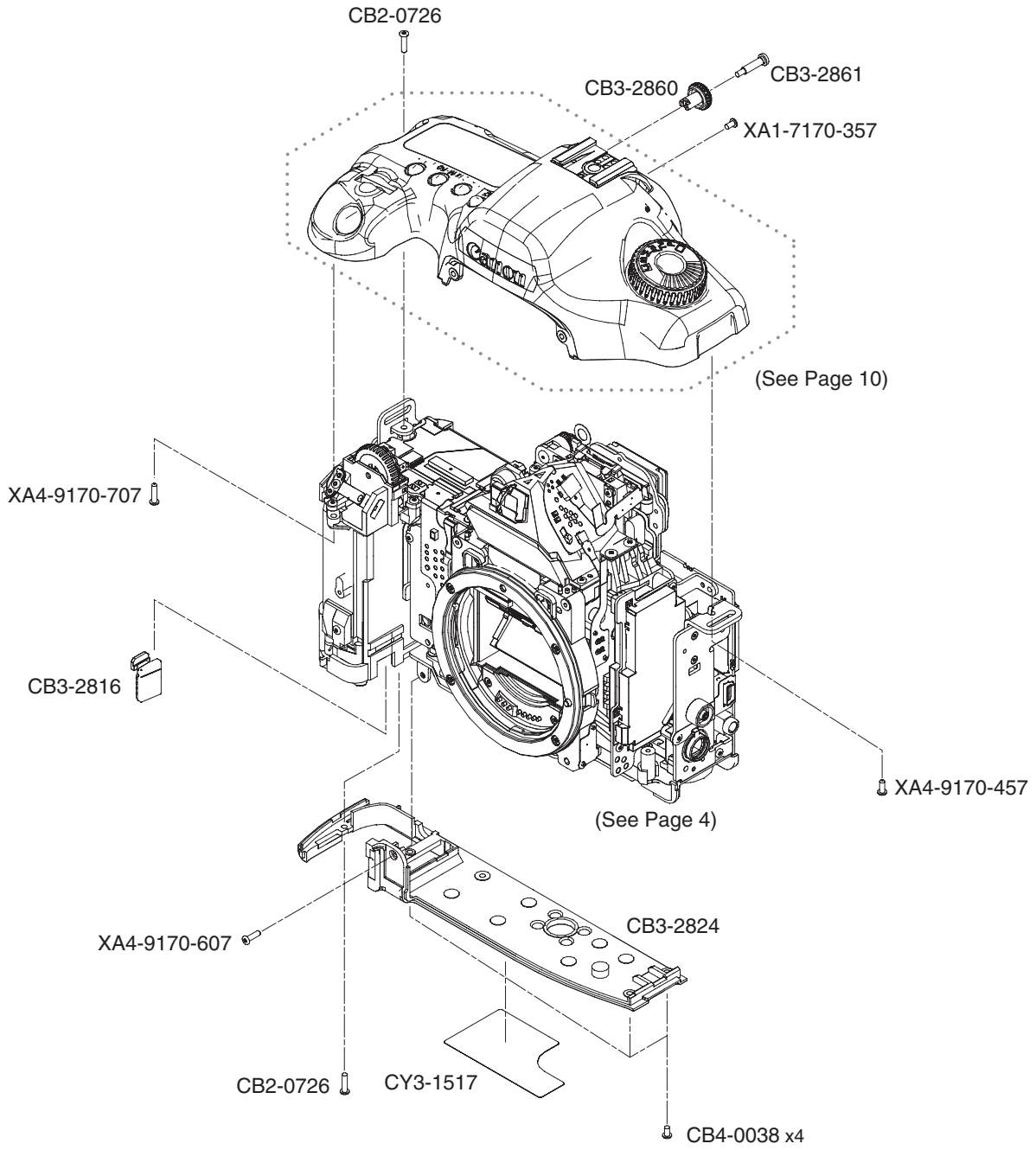


P A R T S L I S T

REF. NO. C12-6091

NEW	PARTS NO.	CLASS	QTY	DESCRIPTION
	CB2-0726-000 000	C	3	SCREW M17X5.5
	CB2-0727-000 000	C	1	SCREW M17X4.5
	CB3-1818-000 000	F	2	SCREW
*	CB3-2822-000 000	B	1	COVER, INTERFACE
	CB4-0038-000 000	F	2	SCREW, CROSS-RECESS, PH
*	CG2-1705-000 000	B	1	COVER ASS'Y, FRONT
	XA1-7170-227 000	F	2	SCREW, CROSS-RECESS, PH
	XA1-7170-707 000	F	2	SCREW
	XA4-9170-407 000	F	1	SCREW
	XA4-9170-457 000	F	1	SCREW, CROSS-RECESS, PH
	XA4-9170-707 000	F	1	SCREW, CROSS-RECESS, PH

CANON EOS 5D

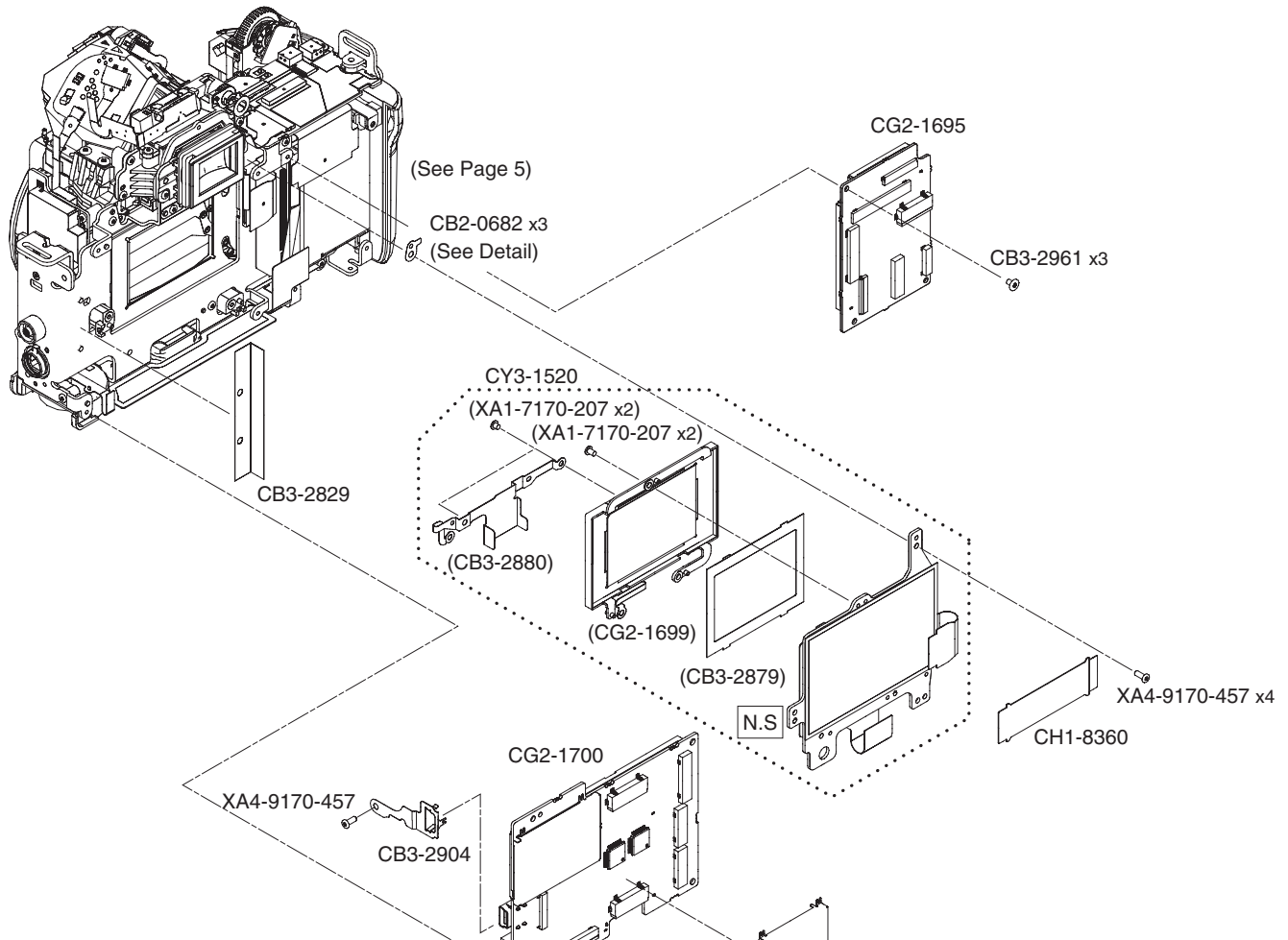


P A R T S L I S T

REF. NO. C12-6091

NEW	PARTS NO.	CLASS	QTY	DESCRIPTION
	CB2-0726-000 000	C	2	SCREW M17X5.5
*	CB3-2816-000 000	C	1	DOOR, CABLE
*	CB3-2824-000 000	B	1	COVER, BOTTOM
*	CB3-2860-000 000	C	1	DIAL, DIOPTER CORRECTION
*	CB3-2861-000 000	C	1	SCREW
	CB4-0038-000 000	F	4	SCREW, CROSS-RECESS, PH
*	CY3-1517-000 000	B	1	LABEL, BODY NUMBER
	XA1-7170-357 000	F	1	SCREW, CROSS-RECESS, PH
	XA4-9170-457 000	F	1	SCREW, CROSS-RECESS, PH
	XA4-9170-607 000	F	1	SCREW, CROSS-RECESS, PH S
	XA4-9170-707 000	F	1	SCREW, CROSS-RECESS, PH

CANON EOS 5D



CB2-0682-000 (XXX) Detail

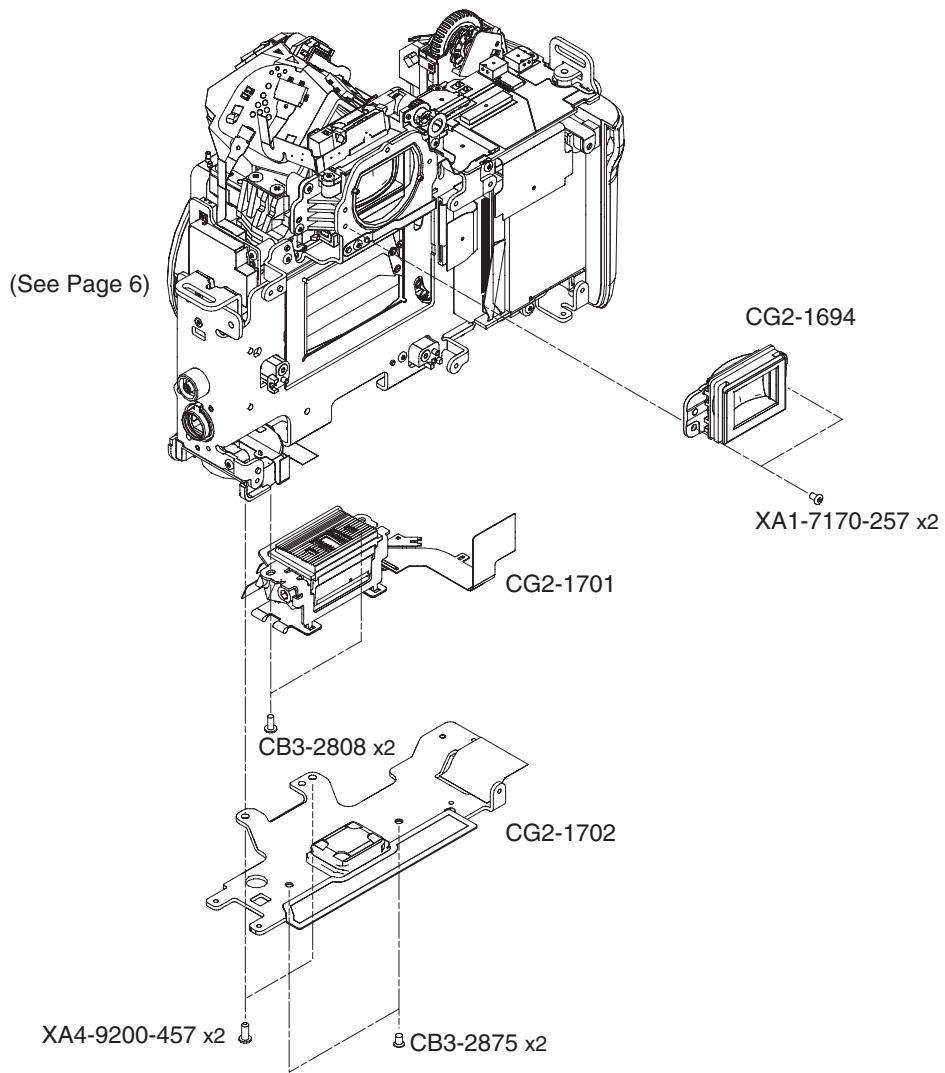
	A	SIZE
	0.03mm	(003)
	0.05mm	(005)
	0.08mm	(008)
	0.10mm	(010)
	0.12mm	(012)
	0.15mm	(015)
	0.18mm	(018)
	0.20mm	(020)
	0.25mm	(025)
	0.30mm	(030)
	0.35mm	(035)

P A R T S L I S T

REF. NO. C12-6091

NEW	PARTS NO.	CLASS	QTY	DESCRIPTION
	CB2-0682-000 (XXX)	C	3	WASHER, FLANGE BACK
*	CB3-2829-000 000	C	1	PLATE, LIGHT SHIELD
*	CB3-2879-000 000	B	1	TAPE, DOUBLE SIDE, MASK
*	CB3-2880-000 000	N	1	HOLDER, IMAGE SENSOR SHIELD
*	CB3-2900-000 000	N	1	COVER, DIGITAL PCB SHIELD
*	CB3-2904-000 000	C	1	PLATE, USB LAG
*	CB3-2961-000 000	C	7	SCREW
*	CG2-1695-000 000	B	1	PCB ASS'Y, CAMERA
*	CG2-1699-000 000	B	1	FILTER ASS'Y, LOW PASS
*	CG2-1700-000 000	A	1	PCB ASS'Y, DIGITAL
*	CH1-8360-000 000	C	1	FPC, D C CONNECT
*	CY3-1520-000 000	A	1	PCB ASS'Y, IMAGING PROCESSING
	XA1-7170-207 000	F	4	SCREW, CROSS-RECESS, PH
	XA4-9170-457 000	F	5	SCREW, CROSS-RECESS, PH

CANON EOS 5D

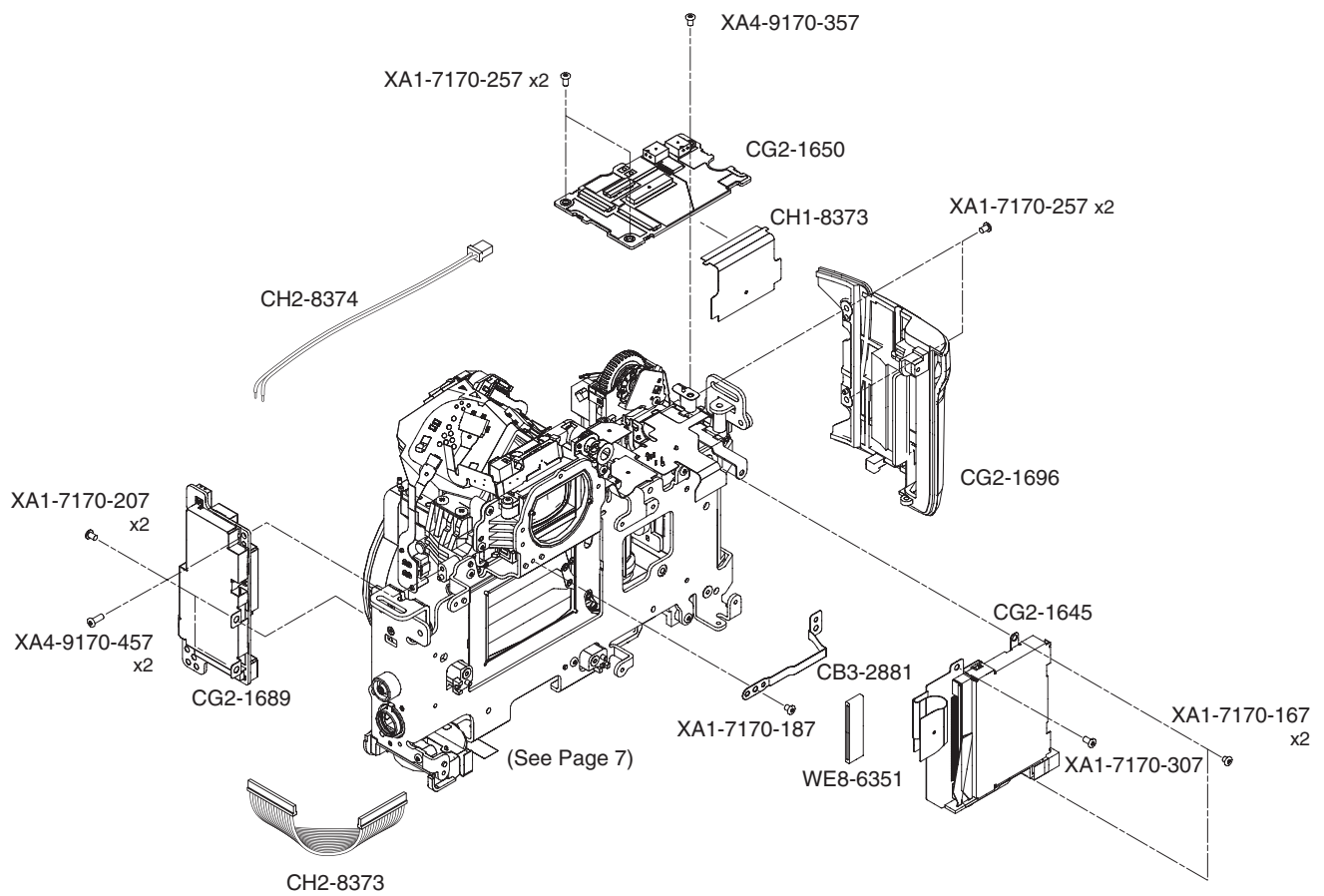


PARTS LIST

REF. NO. C12-6091

NEW	PARTS NO.	CLASS	QTY	DESCRIPTION
*	CB3-2808-000 000	C	2	SCREW
*	CB3-2875-000 000	F	2	SCREW, PH2X3 (S)
*	CG2-1694-000 000	B	1	COVER ASS'Y, EYEPIECE
*	CG2-1701-000 000	C	1	FPC ASS'Y, AUTO FOCUS
*	CG2-1702-000 000	C	1	PLATE ASS'Y, BASE
	XA1-7170-257 000	F	2	SCREW, CROSS-RECESS, PH
	XA4-9200-457 000	F	2	SCREW, CROSS-RECESS, PH

CANON EOS 5D

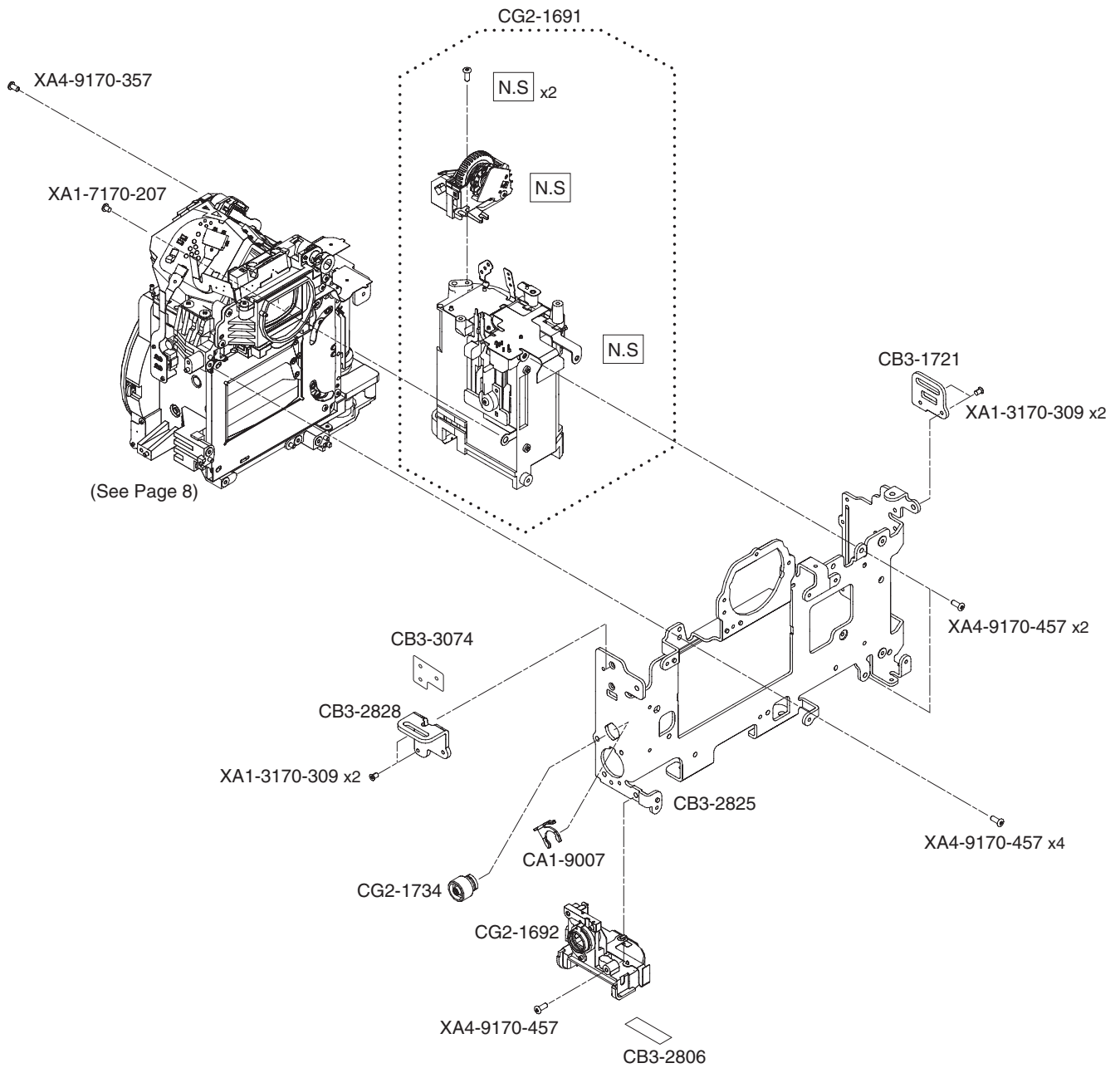


P A R T S L I S T

REF. NO. C12-6091

NEW	PARTS NO.	CLASS	QTY	DESCRIPTION
*	CB3-2881-000 000	C	1	PLATE, 2ND GND
*	CG2-1645-000 000	B	1	PIN ASS'Y, CF SLOT
*	CG2-1650-000 000	B	1	PCB ASS'Y, LPU
*	CG2-1689-000 000	A	1	PCB ASS'Y, DC/DC
*	CG2-1696-000 000	B	1	COVER ASS'Y, CF SLOT
* * * *	CH1-8373-000 000 CH2-8373-000 000 CH2-8374-000 000 WE8-6351-000 000	C C C C	1 1 1 1	FPC, LPU C CONNECT CABLE ASS'Y, LPU-D CONNECT CABLE ASS'Y, DC/DC LPU CONNECT CORE, FERRITE
	XA1-7170-167 000	F	2	SCREW, CROSS-RECESS, PH
	XA1-7170-187 000	F	1	SCREW, CROSS-RECESS, PH
	XA1-7170-207 000	F	2	SCREW, CROSS-RECESS, PH
	XA1-7170-257 000	F	4	SCREW, CROSS-RECESS, PH
	XA1-7170-307 000	F	1	SCREW, MACH. PANHEAD, M1.7X3
	XA4-9170-357 000	F	1	SCREW, CROSS-RECESS, PH
	XA4-9170-457 000	F	2	SCREW, CROSS-RECESS, PH

CANON EOS 5D

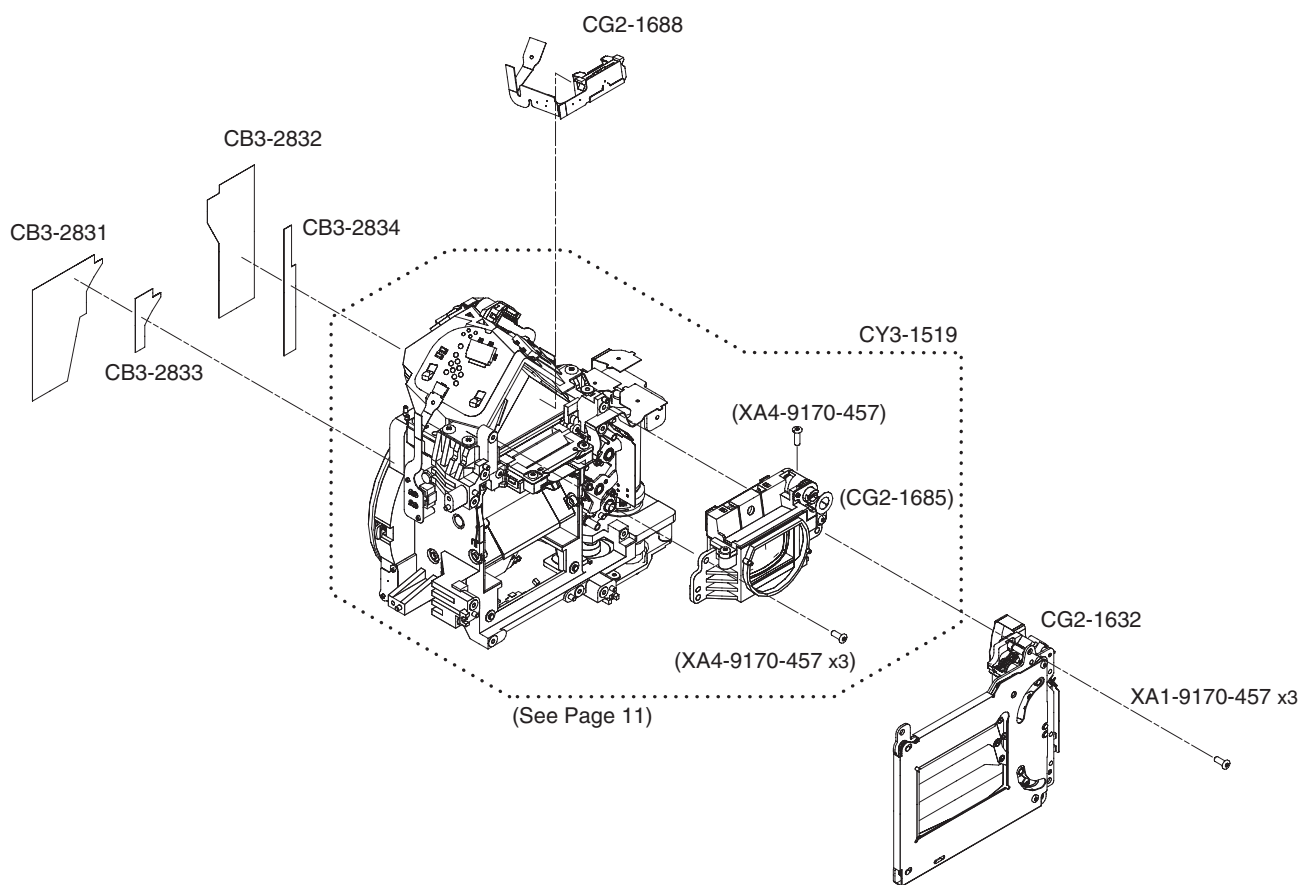


PARTS LIST

REF. NO. C12-6091

NEW	PARTS NO.	CLASS	QTY	DESCRIPTION
	CA1-9007-000 000	D	1	RING, PC RETAINER
	CB3-1721-000 000	C	1	HOLDER, STRAP, RIGHT
*	CB3-2806-000 000	C	1	TAPE, PROTECT
*	CB3-2825-000 000	C	1	PLATE, MAIN BASE
*	CB3-2828-000 000	C	1	HOLDER, STRAP, LEFT
*	CB3-3074-000 000	C	1	PLATE, LIGHT SHIELD
*	CG2-1691-000 000	B	1	BOX ASS'Y, BATTERY
*	CG2-1692-000 000	B	1	FPC ASS'Y, INTERFACE
*	CG2-1734-000 000	C	1	TERMINAL ASS'Y, PC
	XA1-3170-309 000	F	4	SCREW, CROSS-RECESS, FCH
	XA1-7170-207 000	F	1	SCREW, CROSS-RECESS, PH
	XA4-9170-357 000	F	1	SCREW, CROSS-RECESS, PH
	XA4-9170-457 000	F	7	SCREW, CROSS-RECESS, PH

CANON EOS 5D

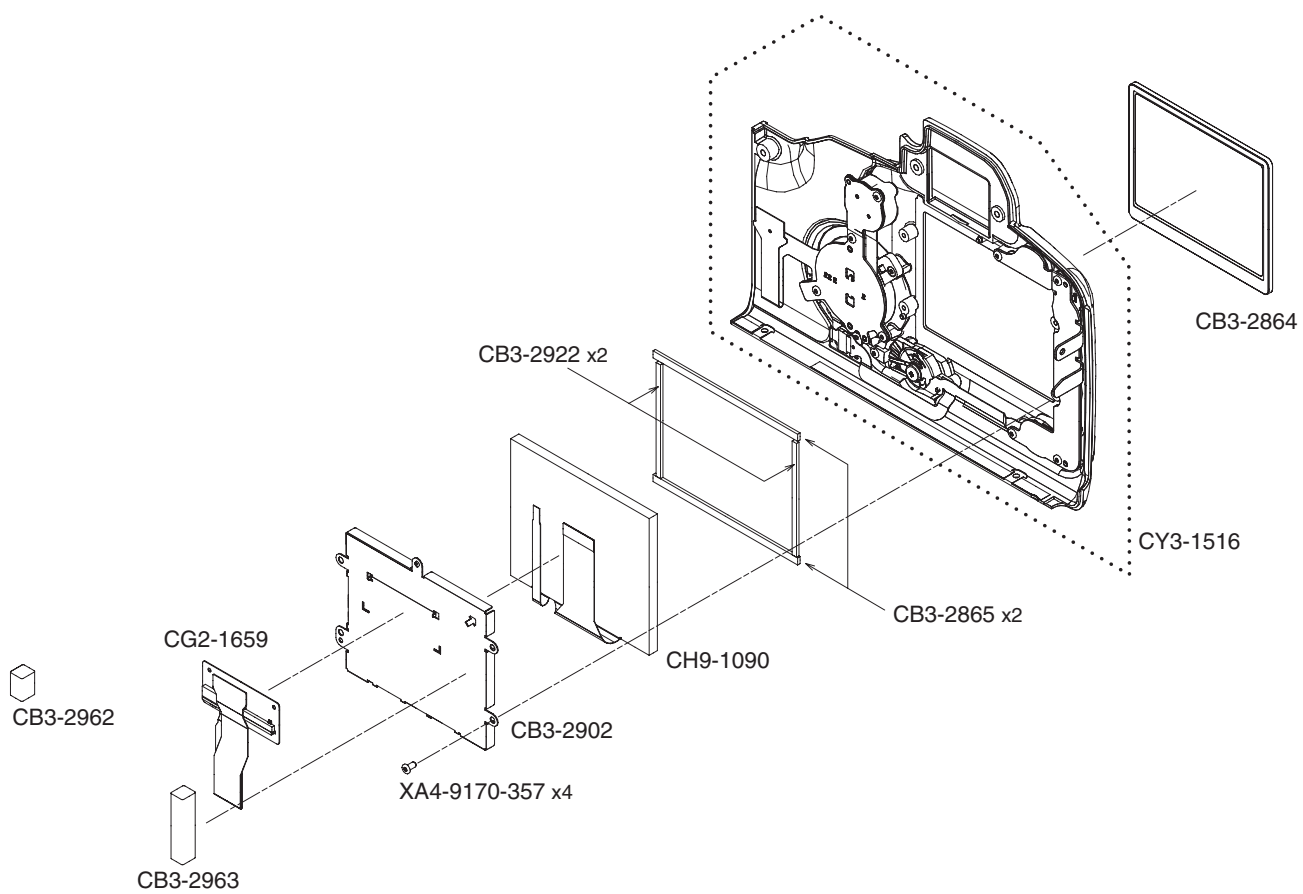


P A R T S L I S T

REF. NO. C12-6091

NEW	PARTS NO.	CLASS	QTY	DESCRIPTION
*	CB3-2831-000 000	C	1	PLATE, LIGHT SHIELD
*	CB3-2832-000 000	C	1	PLATE, LIGHT SHIELD
*	CB3-2833-000 000	B	1	TAPE, DOUBLE SIDE
*	CB3-2834-000 000	B	1	TAPE, DOUBLE SIDE
*	CG2-1632-000 000	A	1	SHUTTER ASS'Y
* *	CG2-1685-000 000 CG2-1688-000 000	N B	1 1	EYEPIECE ASS'Y FPC ASS'Y, AUTO EXPOSURE
*	CY3-1519-000 000	B	1	MIRROR BOX ASS'Y
	XA4-9170-457 000	F	7	SCREW, CROSS-RECESS, PH

CANON EOS 5D

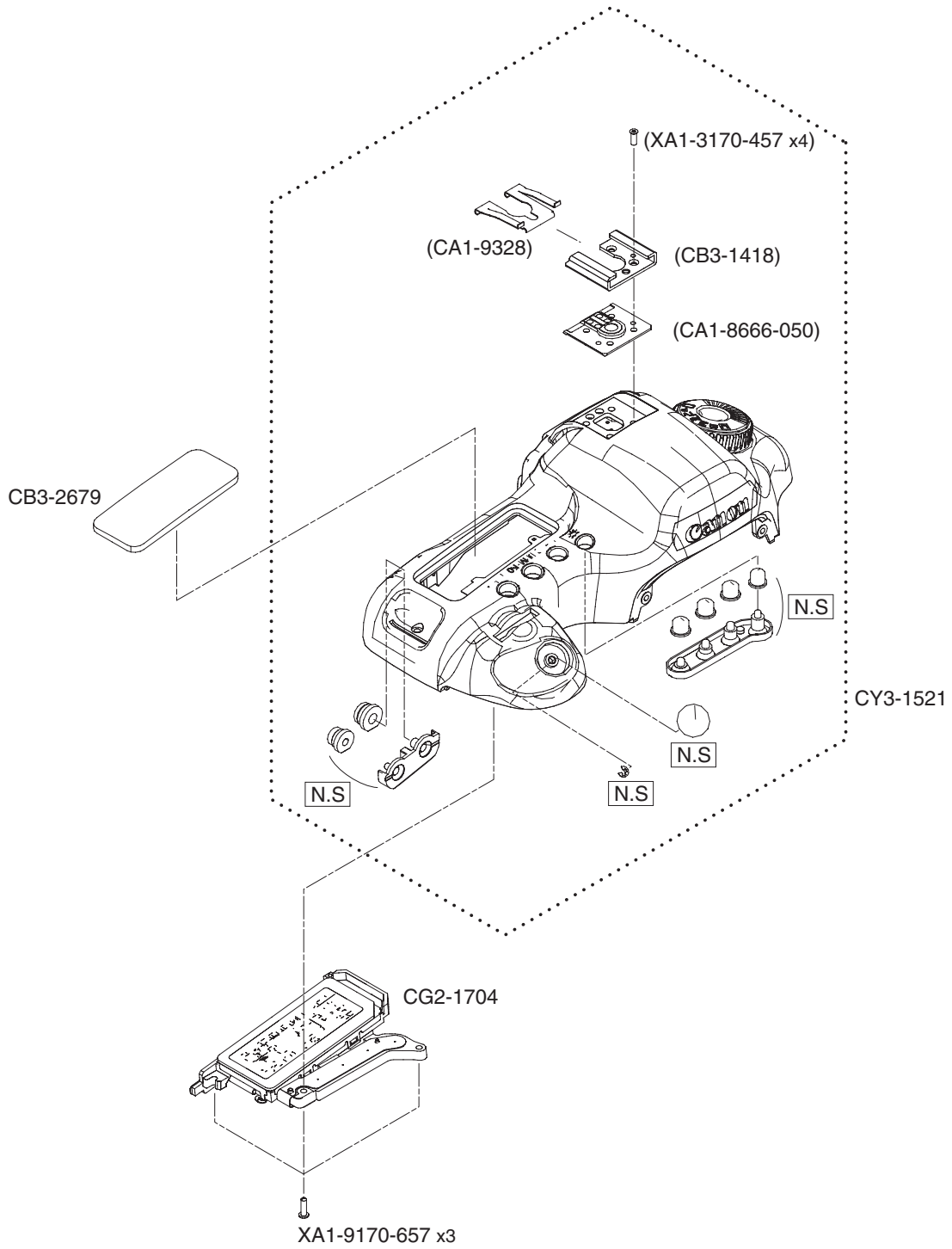


PARTS LIST

REF. NO. C12-6091

NEW	PARTS NO.	CLASS	QTY	DESCRIPTION
*	CB3-2864-000 000	A	1	WINDOW, TFT DISPLAY
*	CB3-2865-000 000	C	2	CUSHION, TFT TOP/BOTTOM
*	CB3-2902-000 000	C	1	HOLDER, TFT
*	CB3-2922-000 000	C	2	CUSHION, TFT RIGHT/LEFT
*	CB3-2962-000 000	B	1	GASKET, EMI, BACK
*	CB3-2963-000 000	B	1	GASKET, EMI, TFT
*	CG2-1659-000 000	C	1	FPC ASS'Y, TFT-D CONNECT
*	CH9-1090-000 000	B	1	LCD ASS'Y, TFT
*	CY3-1516-000 000	B	1	COVER ASS'Y, BACK
	XA4-9170-357 000	F	4	SCREW, CROSS-RECESS, PH

CANON EOS 5D

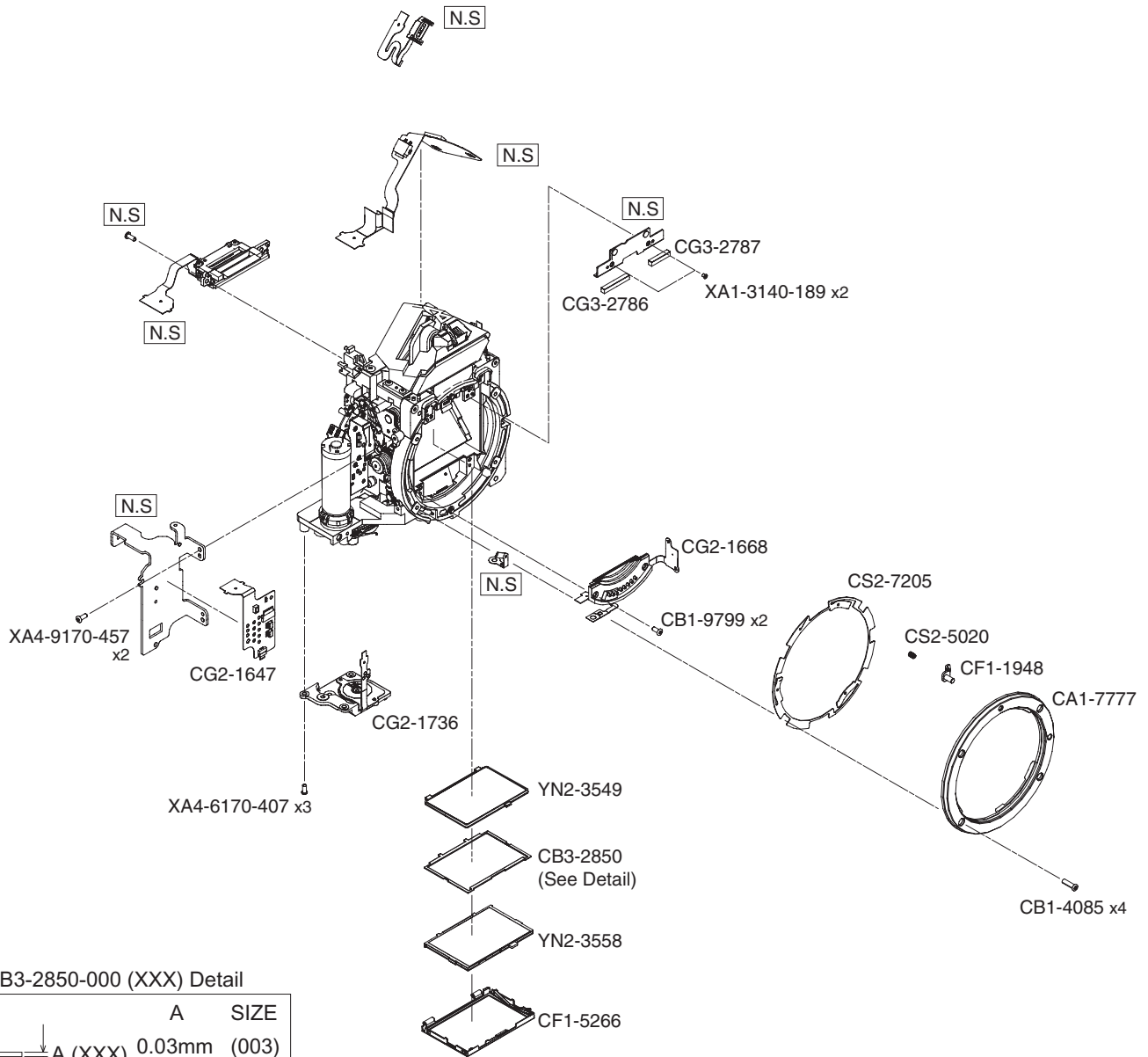


P A R T S L I S T

REF. NO. C12-6091

NEW	PARTS NO.	CLASS	QTY	DESCRIPTION
	CA1-8666-050 000	E	1	BASE, ACC. SHOE
	CA1-9328-000 000	C	1	SPRING, PLATE (BL)
	CB3-1418-000 000	C	1	SHOE, ACCESSORY
*	CB3-2679-000 000	A	1	WINDOW, DISPLAY
*	CG2-1704-000 000	B	1	LCD ASS'Y, OUTER
* *	CY3-1521-000 000	A	1	COVER ASS'Y, TOP
	XA1-3170-457 000	F	4	SCREW
	XA4-9170-657 000	F	3	SCREW, CROSS-RECESS, PH

CANON EOS 5D



CB3-2850-000 (XXX) Detail

	A	SIZE
 $\frac{\text{A (XXX)}}{\text{---}}$	0.03mm	(003)
	0.05mm	(005)
	0.08mm	(008)
	0.10mm	(010)
	0.12mm	(012)
	0.15mm	(015)
	0.18mm	(018)
	0.20mm	(020)
	0.25mm	(025)
	0.28mm	(028)
0.30mm	(030)	

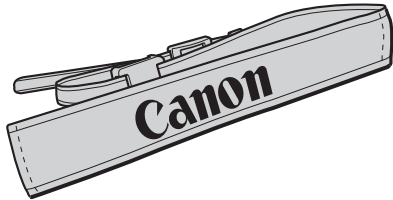
P A R T S L I S T

REF. NO. C12-6091

NEW	PARTS NO.	CLASS	QTY	DESCRIPTION
	CA1-7777-000 000	C	1	MOUNT, BODY
	CB1-4085-000 000	F	4	SCREW, M2X6.5
	CB1-9799-000 000	E	2	SCREW
*	CB3-2786-000 000	B	1	CUSHION, MIRROR
*	CB3-2787-000 000	B	1	CUSHION, MIRROR
*	CB3-2850-000 (XXX)	C	1	WASHER, FINDER BACK ADJUST
	CF1-1948-000 000	C	1	LEVER, LENS LOCK
*	CF1-5266-000 000	C	1	FRAME, SCREEN HOLDER
*	CG2-1647-000 000	B	1	FPC ASS'Y, FRONT
*	CG2-1668-000 000	C	1	CONTACT ASS'Y, LENS
*	CG2-1736-000 000	C	1	BASE ASS'Y, BEEP
	CS2-5020-000 000	E	1	SPRING, COIL
	CS2-7205-000 000	D	1	SPRING, MOUNT
	XA1-3140-189 000	F	2	SCREW, CROSS-RECESS, FCH
*	YN2-3549-000 000	B	1	PLATE, SUPER IMPOSE INDICATE
*	YN2-3558-000 000	B	1	PLATE, FOCUSING SCREEN
	XA4-6170-407 000	F	3	SCREW
	XA4-9170-457 000	F	2	SCREW, CROSS-RECESS, PH

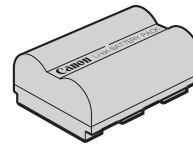
Accessories

Wide Strap EW-100DGR



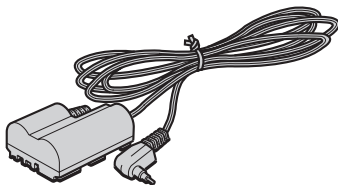
N.S (Product Available)

**Battery Pack BP-511/511A
BP-512**



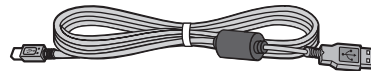
N.S (Product Available)

DC Coupler DR-400



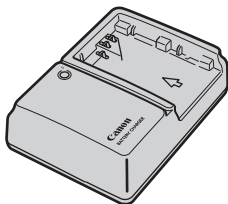
N.S (Product Available)

**Interface Cable
IFC-400 PCU(USB)**



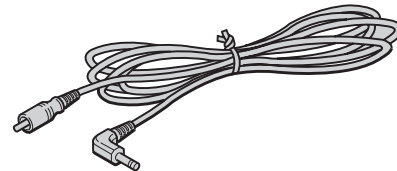
N.S (Product Available)

Battery Charger CG-580



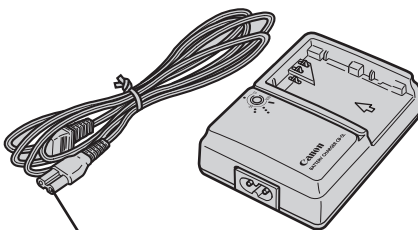
N.S (Product Available)

Video Cable VC-100



FH6-3922

Battery Charger CB-5L



D82-0643(EUROPE)
D82-0645-001(AUSTRALIA)
WT3-5087(CHINA)

N.S (Product Available)

BATTERY CHARGER CB-5L

Pg. 12

REF. NO. C50-8101

NEW	PARTS NO.	CLASS	QTY	DESCRIPTION
	D82-0643-000 000	C	1	CABLE, AC, EUROPE
	D82-0645-001 000	A	1	CABLE, AC, AUSTRALIA
	WT3-5087-000 000	C	1	CABLE, AC, CHINA

VIDEO CABLE VC-100

REF. NO. FH-3922

NEW	PARTS NO.	CLASS	QTY	DESCRIPTION
	FH6-3922-000 000	C	1	VIDEO CABLE VC-100

INDEX OF PARTS LIST

NEW	PARTS NO.	PAGE	NEW	PARTS NO.	PAGE
	CA1-7777-000 000	11	*	CB3-2822-000 000	2
	CA1-8666-050 000	10	*	CB3-2823-000 000	1
	CA1-9007-000 000	7	*	CB3-2824-000 000	3
	CA1-9328-000 000	10	*	CB3-2825-000 000	7
	CB1-4085-000 000	11	*	CB3-2828-000 000	7
	CB1-9799-000 000	11	*	CB3-2829-000 000	4
	CB2-0682-000 003	4	*	CB3-2831-000 000	8
	CB2-0682-000 005	4	*	CB3-2832-000 000	8
	CB2-0682-000 008	4	*	CB3-2833-000 000	8
	CB2-0682-000 010	4	*	CB3-2834-000 000	8
	CB2-0682-000 012	4	*	CB3-2850-000 003	11
	CB2-0682-000 015	4	*	CB3-2850-000 005	11
	CB2-0682-000 018	4	*	CB3-2850-000 008	11
	CB2-0682-000 020	4	*	CB3-2850-000 010	11
	CB2-0682-000 025	4	*	CB3-2850-000 012	11
	CB2-0682-000 030	4	*	CB3-2850-000 015	11
	CB2-0682-000 035	4	*	CB3-2850-000 018	11
	CB2-0726-000 000	2, 3	*	CB3-2850-000 020	11
	CB2-0727-000 000	2	*	CB3-2850-000 025	11
	CB3-1418-000 000	10	*	CB3-2850-000 028	11
	CB3-1721-000 000	7	*	CB3-2850-000 030	11
	CB3-1818-000 000	2	*	CB3-2860-000 000	3
*	CB3-2675-000 000	1	*	CB3-2861-000 000	3
*	CB3-2679-000 000	10	*	CB3-2864-000 000	9
*	CB3-2684-000 000	1	*	CB3-2865-000 000	9
*	CB3-2786-000 000	11	*	CB3-2868-000 000	1
*	CB3-2787-000 000	11	*	CB3-2869-000 000	1
*	CB3-2794-000 000	1	*	CB3-2875-000 000	5
*	CB3-2797-000 000	1	*	CB3-2879-000 000	4
*	CB3-2798-000 000	1	*	CB3-2880-000 000	4
*	CB3-2799-000 000	1	*	CB3-2881-000 000	6
*	CB3-2800-000 000	1	*	CB3-2900-000 000	4
*	CB3-2806-000 000	7	*	CB3-2902-000 000	9
*	CB3-2808-000 000	5	*	CB3-2904-000 000	4
*	CB3-2816-000 000	3	*	CB3-2922-000 000	9

INDEX OF PARTS LIST

REF. NO. C12-6091

NEW	PARTS NO.	PAGE	NEW	PARTS NO.	PAGE
*	CB3-2961-000 000	4		CS2-5020-000 000	11
*	CB3-2962-000 000	9		CS2-7205-000 000	11
*	CB3-2963-000 000	9	*	CY3-1516-000 000	9
*	CB3-3074-000 000	7	*	CY3-1517-000 000	3
	CB4-0038-000 000	2, 3	*	CY3-1519-000 000	8
	CF1-1948-000 000	11	*	CY3-1520-000 000	4
*	CF1-5266-000 000	11	*	CY3-1521-000 000	10
*	CF1-5274-000 000	1		D82-0643-000 000	12
*	CG2-1632-000 000	8		D82-0645-001 000	12
*	CG2-1645-000 000	6	*	WE8-6351-000 000	6
*	CG2-1647-000 000	11		WT3-5087-000 000	12
*	CG2-1650-000 000	6		XA1-3140-189 000	11
*	CG2-1659-000 000	9		XA1-3170-309 000	7
*	CG2-1668-000 000	11		XA1-3170-457 000	10
*	CG2-1685-000 000	8		XA1-7170-167 000	6
*	CG2-1688-000 000	8		XA1-7170-187 000	6
*	CG2-1689-000 000	6		XA1-7170-207 000	4, 6, 7
*	CG2-1691-000 000	7		XA1-7170-227 000	2
*	CG2-1692-000 000	7		XA1-7170-257 000	5, 6
*	CG2-1694-000 000	5		XA1-7170-307 000	6
*	CG2-1695-000 000	4		XA1-7170-357 000	3
*	CG2-1696-000 000	6		XA1-7170-707 000	2, 3
*	CG2-1699-000 000	4		XA4-6170-407 000	11
*	CG2-1700-000 000	4		XA4-9170-357 000	6, 7, 9
*	CG2-1701-000 000	5		XA4-9170-407 000	2
*	CG2-1702-000 000	5		XA4-9170-457 000	2, 3, 4, 6, 7, 11
*	CG2-1704-000 000	10		XA4-9170-607 000	3
*	CG2-1705-000 000	2		XA4-9170-657 000	10
*	CG2-1734-000 000	7		XA4-9170-707 000	2, 3
*	CG2-1736-000 000	11		XA4-9200-457 000	5
*	CH1-8360-000 000	4	*	YN2-3549-000 000	11
*	CH1-8373-000 000	6	*	YN2-3558-000 000	11
*	CH2-8373-000 000	6			
*	CH2-8374-000 000	6			
*	CH9-1090-000 000	9			