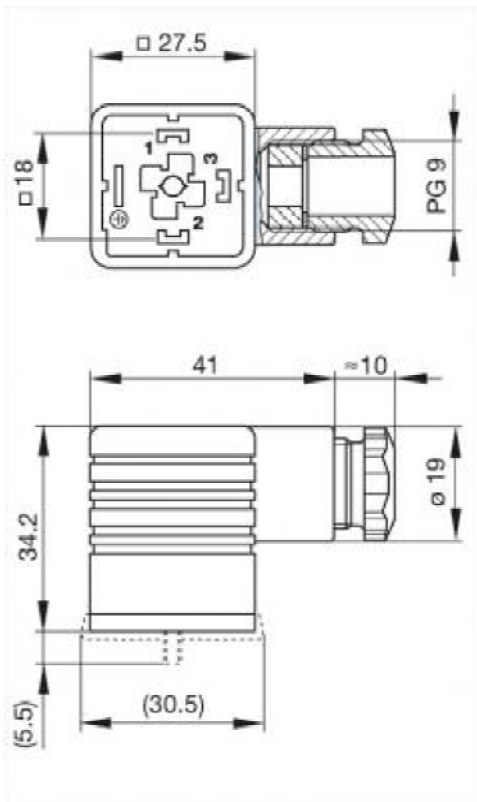


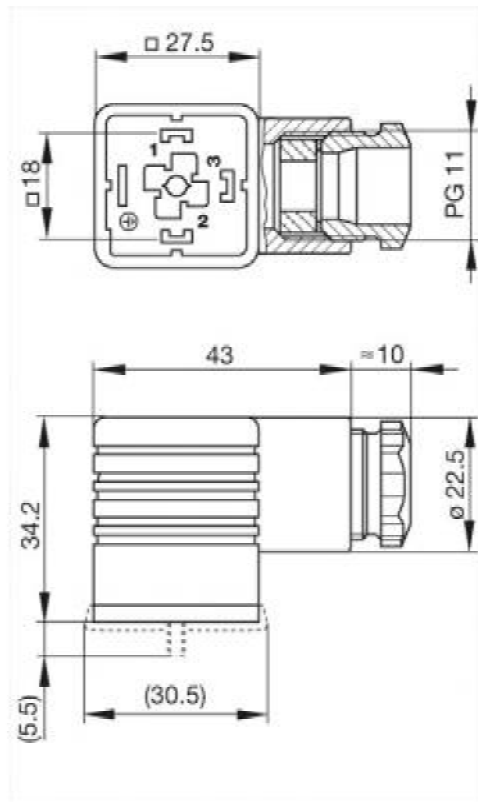
DIN 43650 Solenoid Valve Connectors

- Hirschmann DIN 43650 Form A / ISO 4400 - No Circuit

PG 9 cable entry, accommodates 4.5 mm to 6 mm cable

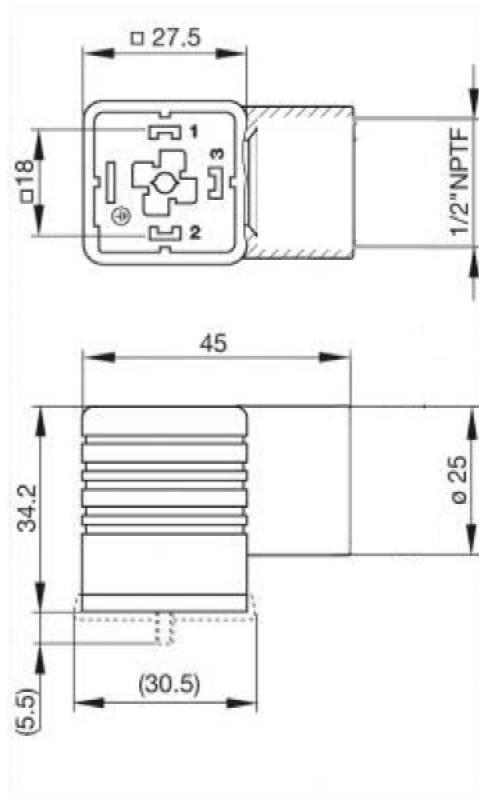


PG 11 cable entry, accommodates 6 mm to 10 mm cable



1/2" NPT cable entry, accommodates 6 mm to 11 mm cable

Din 43650 Form A Connector - No Circuit



● Specifications

Housing Color	Black & Grey
Type of Contact	screw / cable shoe / cable eye
Contact Spacing	18 mm
Number of Poles	2 Poles + Grd & 3 Poles + Grd
Cable Entry	Pg 9, Pg 11 & 1/2 NPT
Maximum Conductor Size	16 awg
Fixing Screw	M3 x 37
Gasket	NBR & EPDM
Nominal Current	250 V / 16 amps
Operating Temperature	-40 F to +257 F
Approvals	UR, VDE, SEV, CSA
Protection Class	IP 65

Din 43650 Form A Connector - No Circuit

● **Part Numbers**

GDMZ RB 29 0 316 0	Black Housing, 2+grd, PG 9
GDMZ RG 29 0 316 0	Grey Housing, 2+grd, PG 9
GDMZ RB 211 0 316 0	Black Housing, 2+grd, PG 11
GDMZ RG 211 0 316 0	Grey Housing, 2+grd, PG 11
GDMZ RB 212 0 316 0	Black Housing, 2+grd, 1/2" NPT
GDMZ RG 212 0 316 0	Grey Housing, 2+grd, 1/2" NPT
GDMZ RB 39 0 316 0	Black Housing, 3+grd, PG 9
GDMZ RG 39 0 316 0	Grey Housing, 3+grd, PG 9
GDMZ RB 311 0 316 0	Black Housing, 3+grd, PG 11
GDMZ RG 311 0 316 0	Grey Housing, 3+grd, PG 11
GDMZ RB 312 0 316 0	Black Housing, 3+grd, 1/2" NPT
GDMZ RG 312 0 316 0	Grey Housing, 3+grd, 1/2" NPT
All Connectors include center screw with seal & profile gasket	