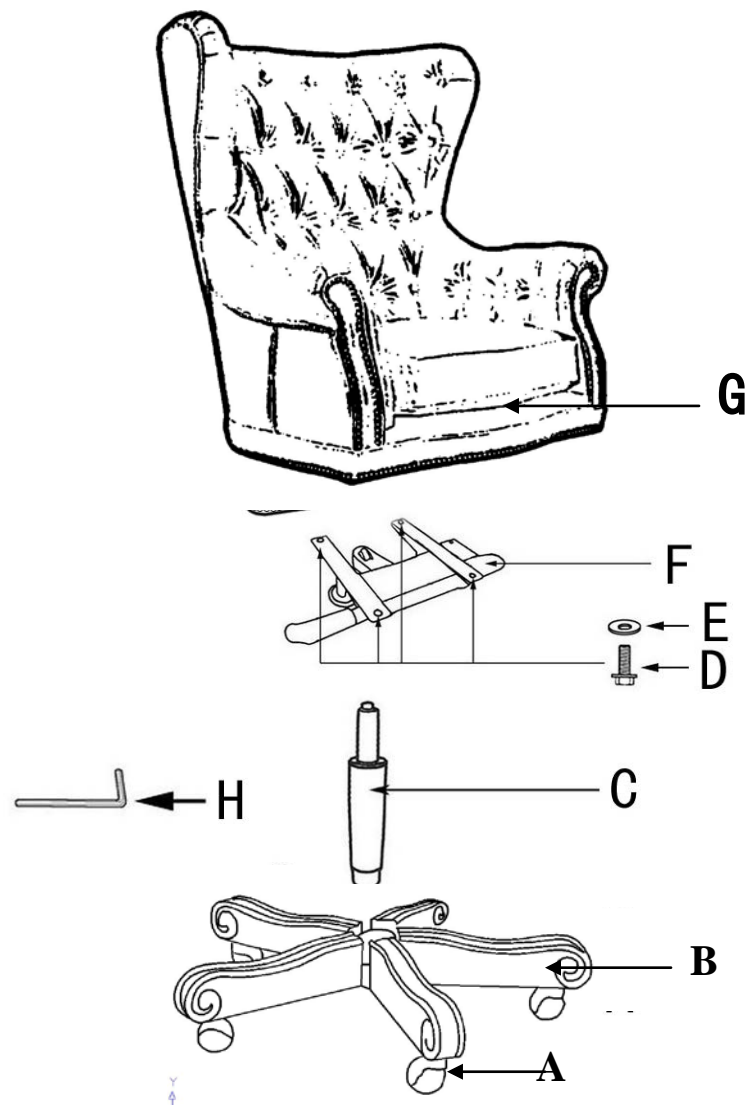


Carefully unpack all parts and identify them with parts list before attempting to assemble the chair.

IMPORTANT: DO NOT TIGHTEN BOLTS AND SCREWS FULLY UNTIL YOU HAVE COMPLETED THE FINAL ASSEMBLY.



1. Put 5 CASTERS (A) into the holes of 5 STAR BASE (B).
2. Insert GAS LIFT (C) to the center hole top of 5 STAR BASE (B).
3. Attach SEAT PLATE (F) to the Unit Seating(G) by using 4 SCREWS (D) with 4 FLAT WASHERS (E).
4. Insert the gas lift into the pre-assembled seat unit to finish the final assembly.
5. Be sure that all the screws are fully tightened before using.

Parts List

A.	CASTERS	5
B.	5 STAR BASE	1
C.	GAS LIFT	1
D.	SCREWS (5/16"X1½")	5
E.	FLATWASHERS	5
F.	SEAT PLATE	1
G.	UNIT SEATING	1
H.	ALLEN KEY	2