



HEARTH PRODUCTS

INSTALLATION AND OPERATION

Direct-Vent
EPIC™

ELITE™ SERIES

P/N 775,223M REV. C 03/2010



OTL Report No. 050-S-21b-5

MODELS

EPIC33/40

Ce manuel d'installation est disponible en français, s'il y a lieu, en faisant la demande. Numéro de la pièce 775,223CF.

The Epic™ Gas Stove is factory equipped for 40,000 BTU input and can be converted to 33,000 using the smaller orifice provided.

WARNING AVERTISSEMENT

**HOT GLASS WILL
CAUSE BURNS.**

**DO NOT TOUCH GLASS
UNTIL COOLED.**

**NEVER ALLOW CHILDREN TO
TOUCH GLASS.**



**UNE SURFACE VITRÉE CHAUDE PEUT
CAUSER DES BRÛLURES.**

**LAISSER REFROIDIR LA SURFACE
VITRÉE AVANT D'Y TOUCHER.**

**NE PERMETTEZ JAMAIS À UN ENFANT
DE TOUCHER LA SURFACE VITRÉE.**

This appliance may be installed in an aftermarket permanently located, manufactured home (USA only) or mobile home, where not prohibited by local codes. This appliance is only for use with the type of gas indicated on the rating plate. This appliance is not convertible for use with other gases, unless a certified kit is used.

WARNING: If the information in these instructions is not followed exactly, a fire or explosion may result causing property damage, personal injury or death.

- Do not store or use gasoline or other flammable vapors and liquids in the vicinity of this or any other appliance.
- **WHAT TO DO IF YOU SMELL GAS**
 - Do not try to light any appliance.
 - Do not touch any electrical switch; do not use any phone in your building.
 - Immediately call your gas supplier from a neighbor's phone. Follow the gas supplier's instructions.
 - If you cannot reach your gas supplier, call the fire department.
- Installation and service must be performed by a qualified installer, service agency or the gas supplier.

INSTALLER: Leave this manual with the appliance.
CONSUMER: Retain this manual for future reference.

INSTALLATEUR: Laissez cette notice avec l'appareil.
CONSOMMATEUR: Conservez cette notice pour consultation ultérieure.

AVERTISSEMENT: Assurez-vous de bien suivre les instructions données dans cette notice pour réduire au minimum le risque d'incendie ou d'explosion ou pour éviter tout dommage matériel, toute blessure ou la mort.

- Ne pas entreposer ni utiliser d'essence ni d'autres vapeurs ou liquides inflammables dans le voisinage de cet appareil ou de tout autre appareil.
- **QUE FAIRE SI VOUS SENTEZ UNE ODEUR DE GAZ:**
 - Ne pas tenter d'allumer d'appareil.
 - Ne touchez à aucun interrupteur. Ne pas vous servir des téléphones se trouvant dans le bâtiment où vous trouvez.
 - Appelez immédiatement votre fournisseur de gaz depuis un voisin. Suivez les instructions du fournisseur.
 - Si vous ne pouvez rejoindre le fournisseur de gaz, appelez le service des incendies.
- L'installation et l'entretien doivent être assurés par un installateur ou un service d'entretien qualifié ou par le fournisseur de gaz.

CONGRATULATIONS!

When you purchased your new gas stove, you joined the ranks of thousands of individuals whose answer to their home heating needs reflects their concern for aesthetics, efficiency and our environment. We extend our continued support to help you achieve the maximum benefit and enjoyment available from your new gas stove.

Thank you for selecting a Lennox Hearth Products gas stove as the answer to your home heating needs.

TABLE OF CONTENTS

Using this Manual	2
Safety and Warning Information	3
Orifice Size / Altitude Adjustment	5
Codes and Approvals	5
New York City, New York (MEA)	5
Commonwealth Of Massachusetts Requirements	5
Pre-Installation	6-8
Features	6
Packaging List	6
Ratings	6
Preparing Your Epic Stove for Installation	7
Dimensions	7
Clearances to Combustibles	8
Installation	8-12
Trim Installation	8
Firebox Setup	9
Brick Panel Installation	10
Log Set and Ember Installation	11
Vent Installation	12-16
Venting	12
Residential and Mobile Home Installations	12
Vent Considerations	12
Vent Parts List	13
Horizontal Vent Installation	13
Vertical Vent Installation	14
Flue Restrictors	15
Horizontal Terminations	16
Vertical Terminations	16
Horizontal Vent Termination Locations	17
Gas Line Installation	18
Gas Pressure Requirements	18
LP and Natural Gas Supplies	18
Attaching Safety In Operation Warnings	19
Operating Instructions	20-23
Pre-Lighting Checklist	20
Lighting Instructions	20
Flame Color and Behavior	21
Air Shutter Adjustment	22
Quiet Operation	22
Paint Curing	22
Optional Wall Thermostat	22
Operating Options	23
Millivolt Control System	23
Maintenance and Servicing	24-26
Maintenance Checklist	24
Millivolt and Systems Checks	24
Vent Pipe Maintenance	24
Glass Door Cleaning and Maintenance	25
Opening and Removing Door	25
Fuel Conversion	26
Troubleshooting	27
Wire Harness Diagram	28
Replacement Parts	29
Accessories	32
Stove Labels	33-34
Product Reference Information	36

USING THIS MANUAL

Please read and carefully follow all of the instructions found in this manual. Please pay special attention to the safety instructions provided in this manual.

PRODUCT IS SUBJECT TO CHANGE WITHOUT NOTICE

IMPORTANT SAFETY AND WARNING INFORMATION

WARNING

Young children should be carefully supervised when they are in the same room as the appliance. Toddlers, young children and others may be susceptible to accidental contact burns. A physical barrier is recommended if there are at risk individuals in the house. To restrict access to a fireplace or stove, install an adjustable safety gate to keep toddlers, young children and other at risk individuals out of the room and away from hot surfaces.

AVERTISSEMENT

Les jeunes enfants devraient être surveillés étroitement lorsqu'ils se trouvent dans la même pièce que l'appareil. Les tout petits, les jeunes enfants ou les adultes peuvent subir des brûlures s'ils viennent en contact avec la surface chaude. Il est recommandé d'installer une barrière physique si des personnes à risques habitent la maison. Pour empêcher l'accès à un foyer ou à un poêle, installez une barrière de sécurité; cette mesure empêchera les tout petits, les jeunes enfants et toute autre personne à risque d'avoir accès à la pièce et aux surfaces chaudes.

WARNING

Improper installation, adjustment, alteration, service or maintenance can cause injury or property damage. Refer to this manual. For assistance or additional information consult a qualified installer, service agency or the gas supplier.

WARNING

Failure to comply with these installation instructions will result in an improperly installed and operating appliance, voiding its warranty. Any change to this appliance and/or its operating controls is dangerous.

WARNING

Clothing or other flammable material should not be placed on or near the appliance.

AVERTISSEMENT

On ne devrait pas placer de vêtements ni d'autres matières inflammables sur l'appareil ni à proximité.

WARNING

Any safety screen or guard removed for servicing the appliance must be replaced prior to operating the appliance.

AVERTISSEMENT

Tout écran ou protecteur retiré pour permettre l'entretien de l'appareil doit être remis en place avant de mettre l'appareil en marche.

WARNING

Improper installation or use of this appliance can cause serious injury or death from fire, burns, explosion or carbon monoxide poisoning.

WARNING

Children and adults should be alerted to the hazards of high surface temperature and should stay away to avoid burns or clothing ignition.

AVERTISSEMENT

Les enfants et les adultes devraient être informés des dangers que posent les températures de surface élevées et se tenir à distance afin d'éviter des brûlures ou que leurs vêtements ne s'enflamment.

WARNING

DO NOT ATTEMPT TO ALTER OR MODIFY THE CONSTRUCTION OF THE APPLIANCE OR ITS COMPONENTS. ANY MODIFICATION OR ALTERATION MAY VOID THE WARRANTY, CERTIFICATION AND LISTINGS OF THIS UNIT.

- ◆ **FOR YOUR SAFETY** do not install or operate this appliance without first reading and understanding this manual. Any installation or operation of the appliance deviating from that which is stated in this manual WILL void the warranty and may be hazardous.
- ◆ **INSTALLATION AND REPAIR SHOULD ONLY BE DONE BY A QUALIFIED SERVICE TECHNICIAN. DO NOT ATTEMPT TO SERVICE THE APPLIANCE YOURSELF.**
- ◆ Do not make any make-shift compromises during installation. Any modification or alteration may result in damage to the appliance or dwelling and will void the warranty, certification and listings of this unit.
- ◆ Failure to use manufacturer provided parts, variations in techniques and construction materials or practices other than those described in this manual may create a fire hazard and void the limited warranty.
- ◆ This gas appliance must be equipped for the proper fuel type and altitude at which it will be operated. Any operation outside the parameters outlined in this manual may result in a hazardous condition and will void the warranty. Please carefully read the sections pertaining to these subjects and/or be sure your appliance is properly equipped.
- ◆ Never use solid fuels such as wood, paper, cardboard, coal, or any flammable liquids, etc., in this appliance.
- ◆ Any grill, panel, or glass removed for service **MUST** be replaced prior to operating the appliance. Do not operate appliance with the glass front removed, cracked or broken.
- ◆ Gold and nickel plated surfaces must be cleaned with glass cleaner and a clean soft cloth before firing the first time or fingerprints will remain permanently. **NEVER** use brass polish to clean gold or nickel, this will remove the plating!!!
- ◆ When opening the lower door while the stove is burning, pull on the handle located on the top side of the lower door. Be cautious not to touch any part of the front door and firebox just above the lower door as those areas are hot.
- ◆ LHP, its employees, or any of its representatives assume no responsibility for any damages caused by an inoperable, inadequate, or unsafe condition as a result of any improper operation, service or installation procedures, whether direct or indirect.
- ◆ Due to high temperatures, the appliance should be located out of traffic and away from furniture and draperies.
- ◆ En raison des températures élevées, l'appareil devrait être installé dans un endroit où il y a peu de circulation et loin du mobilier et des tentures.
- ◆ Provide adequate clearances around air openings and adequate accessibility clearance for service and proper operation. Never obstruct the front openings of the appliance.
- ◆ These appliances are designed to operate on natural or propane gas only. The use of other fuels or combination of fuels will degrade the performance of this system and may be dangerous.
- ◆ These appliances are designed as supplemental heaters. Therefore, it is advisable to have an alternate primary heat source when installed in a dwelling.
- ◆ These appliances must not be connected to a chimney or flue serving a separate solid fuel burning appliance.
- ◆ These appliances are vented gas appliances. Do not burn wood or other material in these appliances.
- ◆ This appliance is only for use with the type of gas indicated on rating plate. This appliance is not convertible for use with other gases, unless a certified kit is used.
- ◆ Cet appareil doit être utilisé uniquement avec les types de gaz indiqués sur la plaque signalétique. Ne pas l'utiliser avec d'autres gaz sauf si un kit de conversion certifié est installé.
- ◆ Hot while in operation. Do not touch. Severe Burns may result. Keep children, clothing furniture, gasoline and other liquids having flammable vapors away.
- ◆ L'appareil est chaud lorsqu'il fonctionne. Ne pas toucher l'appareil. Risque de brûlures graves. Surveiller les enfants. Garder les vêtements, les meubles, l'essence ou autres liquides produisant des vapeurs inflammables loin de l'appareil.
- ◆ This appliance may be installed in an aftermarket, permanently located, manufactured home (USA only) or mobile home, where not prohibited by local codes.
- ◆ Cet appareil peut être installé dans une maison préfabriquée (mobile) déjà installée à demeure si les règlements locaux le permettent.
- ◆ Ensure clearances are in accordance with local installation codes and the requirements of the gas supplier.
- ◆ Dégagement conforme aux codes d'installation locaux et aux exigences du fournisseur de gaz.
- ◆ Installation and repair should be done by a qualified service person. The appliance should be inspected before use and at least annually by a professional service person. More frequent cleaning may be required due to excessive lint from carpeting, bedding material, etcetera. It is imperative that control compartments, burners and circulating air passageways of the appliance be kept clean.
- ◆ L'installation et la réparation devrait être confiées à un technicien qualifié. L'appareil devrait faire l'objet d'une inspection par un technicien professionnel avant d'être utilisé et au moins une fois l'an par la suite. Des nettoyages plus fréquents peuvent être nécessaires si les tapis, la literie, et cetera produisent une quantité importante de poussière. Il est essentiel que les compartiments abritant les commandes, les brûleurs et les conduits de circulation d'air de l'appareil soient tenus propres.
- ◆ Do not use these appliances if any part has been under water. Immediately call a qualified, professional service technician to inspect the appliance and to replace any parts of the control system and any gas control which have been under water.
- ◆ Ne pas utiliser cet appareil s'il a été plongé, même partiellement, dans l'eau. Appeler un technicien qualifié pour inspecter l'appareil et remplacer toute partie du système de commande et toute commande qui a été plongée dans l'eau.
- ◆ Only trim kit(s) supplied by the manufacturer shall be used in the installation of this appliance.
- ◆ Seules les trousse de garniture fournies par le fabricant doivent être utilisées pour l'installation de cet appareil.
- ◆ **INSTALLER: THESE INSTRUCTIONS ARE TO REMAIN WITH THE HOME OWNER!**

ORIFICE SIZE/ALTITUDE ADJUSTMENT

For altitudes above 2,000 feet (In Canada 4,500 FT/1370 M), the orifice should be de-rated by 4% for every 1,000 feet to maintain the proper ratio of gas to air. Improper orifice sizing may result in damage and unsafe conditions. Changing the orifice should only be done by a qualified service technician. Contact your Lennox Hearth Products dealer for proper orifice sizes. (see **Page 26** for more information).

SMOKE DETECTORS

Since there are always several potential sources of fire in any home, we recommend installing smoke detectors. If possible, install the smoke detector in a hallway adjacent to the room (to reduce the possibility of occasional false activation from the heat produced by the appliance). If your local code requires a smoke detector be installed within the same room, you must follow the requirements of your local code. Check with your local building department for requirements in your area.

THE EPIC™ STOVE

- Must conform with all local, state and national installation codes. In the absence of local codes, the installation must conform with National Fuel Gas Code ANSI Z223.1 - latest edition, also known as NFPA 54 (In Canada, the current CAN/CSA B149.1 installation code). Refer to the National Fuel Gas Code and local zoning and code authorities for details on installation requirements.
- Mobile home installations must conform with the Mobile Home Construction and Safety Standard, Title 24 CFR, Part 3280 (in Canada CAN/CSA Z240 MH), or, when such a standard is not applicable, the Standard for Mobile Home Installations, ANSI A225.1 - latest edition.
- Must be vented directly to the outside in accordance with the latest edition of the National Fuel Gas Code and must never be attached to a chimney serving a separate solid fuel burning appliance.
- Has been certified for use with either natural gas or propane.
- Is not for use with solid fuels.
- Is approved for sitting rooms and/or bedrooms.

CODES AND APPROVALS

Certification

Gas appliances must be tested and certified by a nationally recognized testing and certification laboratory to ANSI (American National Standard Institute) gas appliance safety standards.

This stove has been tested and certified by OMNI -Test Laboratories to ANSI Z21.88 / CSA 2.33 Standard for Vented Gas Fireplace Heater and CGA 2.17-M91 and UL 307B Gas Burning Heating Appliances for Manufactured (Mobile) Homes in both USA and Canada.

It has met all necessary ANSI Standards and is fully certified for installation in any community. If there are any questions or if you need further substantiation either write to or call your Lennox Hearth Products dealer. If you have further questions, please contact Lennox Hearth Products.

Check all local building and safety codes before installation. The installation instructions and appropriate code requirements must be followed exactly and without compromise. In the absence of local codes the following standards and codes must be followed.

The Installation must conform to local codes or, in the absence of local codes, with the *National Fuel Gas Code, ANSI Z223.1/NFPA 54 - latest edition* (In Canada, the current *CAN/CSA-B149.1 installation code*).

The appliance, when installed, must be electrically grounded and wired in accordance with local codes or, in the absence of local codes, with the *National Electrical Code, ANSI/NFPA 70 - latest edition*, or the *Canadian Electrical Code, CSA C22.1 - latest edition*.

NEW YORK CITY, NEW YORK (MEA)

Installation of these appliances are approved for installation in New York City in the US state of New York (MEA#: 138-07-E).

COMMONWEALTH OF MASSACHUSETTS REQUIREMENTS

(Massachusetts Approval #G3-0806-6)

These appliances are approved for installation in the US state of Massachusetts if the following additional requirements are met:

- Install this appliance in accordance with Massachusetts Rules and Regulations 248 C.M.R. Sec. 5.08 2(a) through 2(e).
- Installation and repair must be done by a plumber or gas fitter licensed in the Commonwealth of Massachusetts.
- The flexible gas line connector used shall not exceed 36 inches (92 centimeters) in length.
- The individual manual shut-off must be a T-handle type valve.

Massachusetts Horizontal Vent Requirements

In the Commonwealth of Massachusetts, horizontal terminations installed less than seven (7) feet above the finished grade must comply with the following additional requirements:

- A hard wired carbon monoxide detector with an alarm and battery back-up must be installed on the floor level where the gas fireplace is installed. The carbon monoxide detector must comply with NFPA 720, be ANSI/UL 2034 listed and be ISA certified.
- A metal or plastic identification plate must be permanently mounted to the exterior of the building at a minimum height of eight (8) feet above grade and be directly in line with the horizontal termination. The sign must read, in print size no less than one-half (1/2) inch in size, **GAS VENT DIRECTLY BELOW. KEEP CLEAR OF ALL OBSTRUCTIONS.**

PRE-INSTALLATION

Features

Installation Options

- Residential
- Vented vertical and horizontal
- Manufactured (mobile) home
- Natural gas (NG) or propane (LP)
- Bedrooms
- Optional wall-mounted or remote thermostat

Venting

This stove can be vented with Security™ Secure Vent™ pipe*. Coaxial pipe diameters are 6-5/8" outer and 4" inner. The combustion air for this stove is drawn from outside the house through the outer DV (direct-vent) pipe. Room air is not required for combustion.

When planning your installation, select the correct length of vent pipe for your particular requirements. Determine the minimum clearance to combustibles from the rear of the unit to the wall. It is also important to note the thickness of the wall. Before cutting the vent hole through the wall make sure that ALL vent and termination clearances (see **Page 17**) will be met.

Electrical

The standard fan motor requires 120 Volts AC for operation. The stove is not dependent on the fan or an outside electrical supply to operate.

WARNING - Electrical Grounding Instructions - This appliance is equipped with a three-prong (grounding) plug for your protection against shock hazard and should be plugged directly into a properly grounded three-prong receptacle. Do not cut or remove the grounding prong from this plug.

* Other approved chimney brand is Simpson Dura-Vent DV-GS.

Millivolt Valve

This stove is operated with a millivolt valve and therefore burns even during a power outage.

Fuel

This stove comes from the factory equipped to burn natural gas at a specified elevation. The stove can be converted to burn LP gas (liquid propane) by changing the cassette (valve and pilot assembly) or installing a conversion kit. Only Lennox Hearth Products conversion kits can be used to convert from NG to LP or LP to NG. Contact your Lennox Hearth Products dealer for details.

Specifications

- Pipe: Type - direct-vent
- Recommended manufacturer*
Security™ Secure Vent™*
- Diameter - 6-5/8"x 4" for all installations

Stove Packaging List

- The Epic™ gas stove comes with the following parts:
- 1 Stove Body with Burner Cassette and 150 CFM Blower
 - 1 3/8"x 9" Gas Pipe
 - 1 3 pc. Brick Panel Set
 - 1 4 pc. Log Set
 - 1 Bag of Ember Material
 - 1 Bag of Rock Wool
 - 1 Bag of Flue Restrictors, Brick Panel Brackets and Tap-tites
 - 1 Power Cord
 - 1 Epic 33 Conversion Orifice
 - 1 Installation and Operation Manual

Options

One required: Black Painted, Gold, Brushed Nickel, or Black Nickel Trim Kit

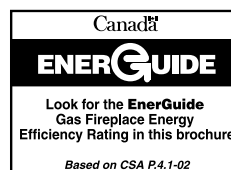
RATINGS	Epic™ 33 (EPIC33)		Epic™ 40 (EPIC40)	
	NATURAL GAS	LP GAS	NATURAL GAS	LP GAS
Max/Min Input BTUh 0-2,000 Feet (0-610 M) ❶	33,000 / 23,000	31,000 / 24,000	40,000 / 27,000	39,000 / 30,000
Manifold Pressure (IN. WC)	3.5 / 1.7	10.0 / 5.4	3.5 / 1.7	10.0 / 5.4
Min. Inlet Pressure (IN. WC)	5.0	11.0	5.0	11.0
P4 Efficiency ENERGUIDE ❸	56.98%	63.58%	63.54%	65.10%
Orifice (DMS) 0-2,000 Feet (0-610 M) ❶	#36/.106 IN.	#52/.064 IN.	#31/.120 IN.	#49/.073 IN.

❶ Unit factory equipped for 0-2000 FT/0-610 M, In Canada 0-4500 FT/0-1370 M

❷ The Steady State Efficiency numbers based on maximum vent configuration.

❸ Tested to CSA P.4.1-02 "Testing Method for Measuring Annual Fireplace Efficiency."

Electrical Rating: 120 VAC, 60 HZ, Less Than 2 Amps



Preparing Your Epic™ Stove For Installation

Read all instructions before beginning your installation. If instructions have not been read carefully, your installation could void your warranty and may create a serious fire, health, or other safety hazard.

The Lennox Hearth Products warranty will be voided if one of the following occurs:

- Installation of any damaged stove or vent system component.
- Unauthorized modification of the direct-vent system.
- Installation other than as instructed by Lennox Hearth Products, Security™ Chimneys, or Simpson Dura-Vent.
- Installation of any stove or vent system component not manufactured or approved by Lennox Hearth Products, Security™ Chimneys, or Simpson Dura-Vent.

When planning the installation for your Epic gas stove, it's necessary to consider the following:

- Where the unit is to be installed
- The vent system configuration to be used
- Gas supply (NG or LP)
- Electrical wiring
- Optional accessories (door trim assembly and wall-mounted or remote thermostat)

Dimensions

The gas line attaches to the gas valve at the lower left corner at the back of the stove. Test all gas connections for leaks with a gas leak test solution.

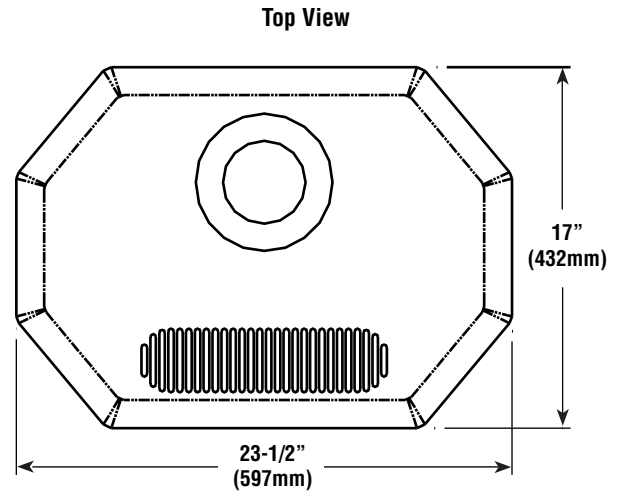


Figure 1

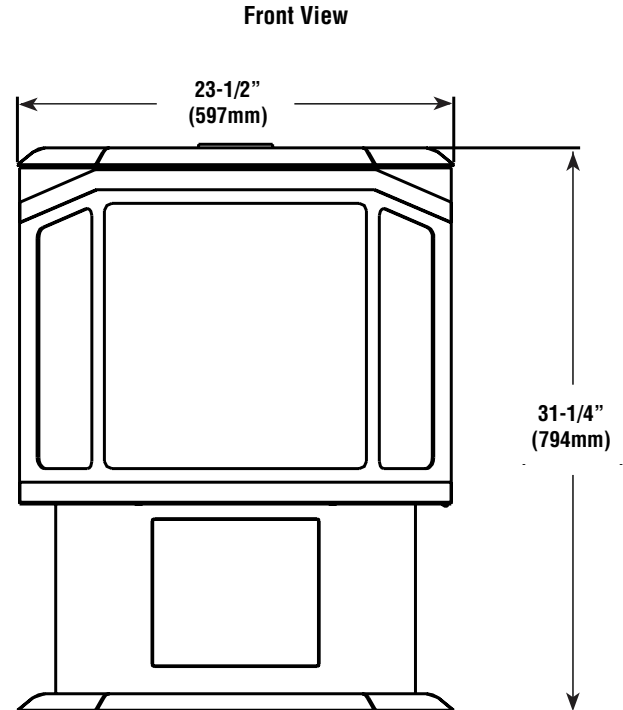


Figure 2

Clearances to Combustibles

Minimum clearances to combustible materials in inches (millimeters):

Parallel Installation

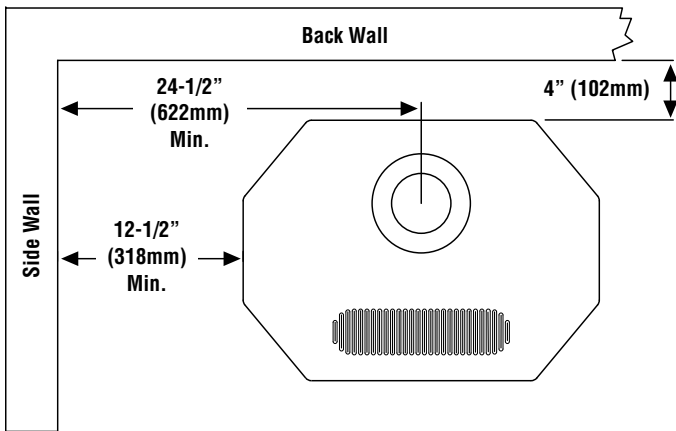


Figure 3

Corner Installation

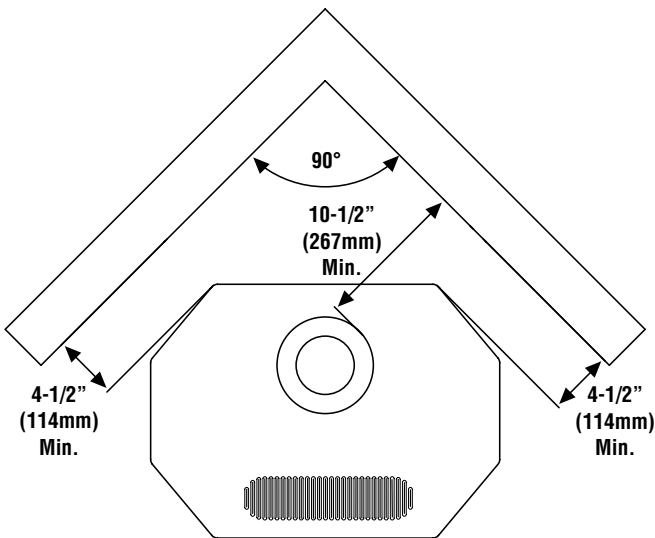


Figure 4

Floor Protection

A noncombustible hearth pad is not required. This stove may be installed on a combustible surface. Also, the floor beneath the stove must be stable, level, hard and strong enough to support the stove without a tipping hazard.

Alcove dimensions

The minimum width between the alcove side walls is 48" (1219mm). The minimum height of the alcove is 69" (753mm) and the maximum depth is 48" (1219mm).

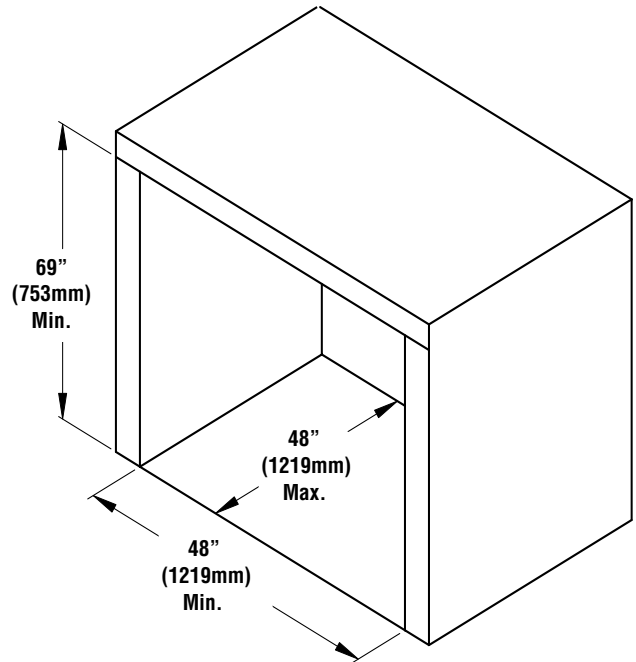


Figure 5 - Alcove Dimensions

Pipe Clearances

All installations using a vertical termination cap must maintain one inch clearance between the direct-vent pipe and combustibles. For horizontal runs of pipe, one inch of clearance to combustibles on the sides and bottom and two inches on the top of the pipe is required. See **Page 16** for allowable pipe configurations.

INSTALLATION

Install Door Trim Kit

Install door trim kit per instructions provided in kit (ref. form #775291M).

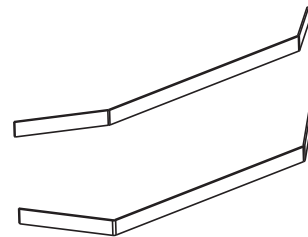
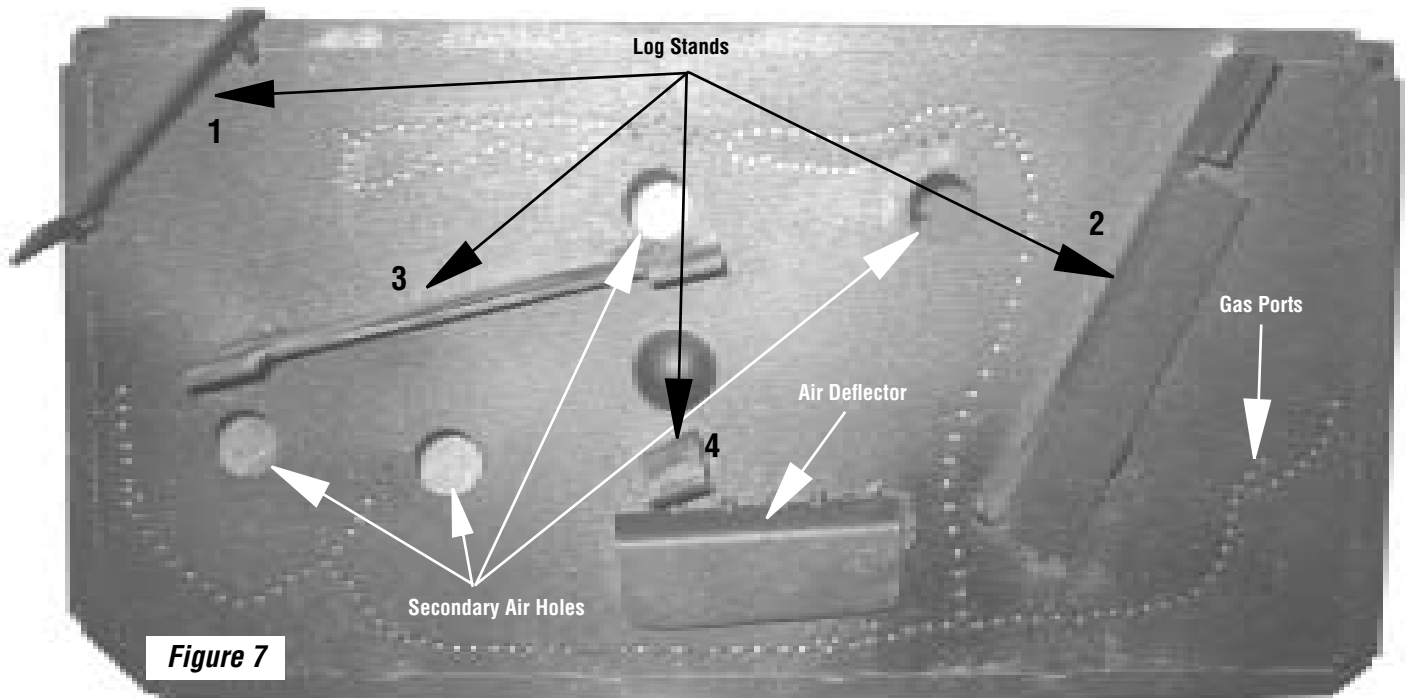


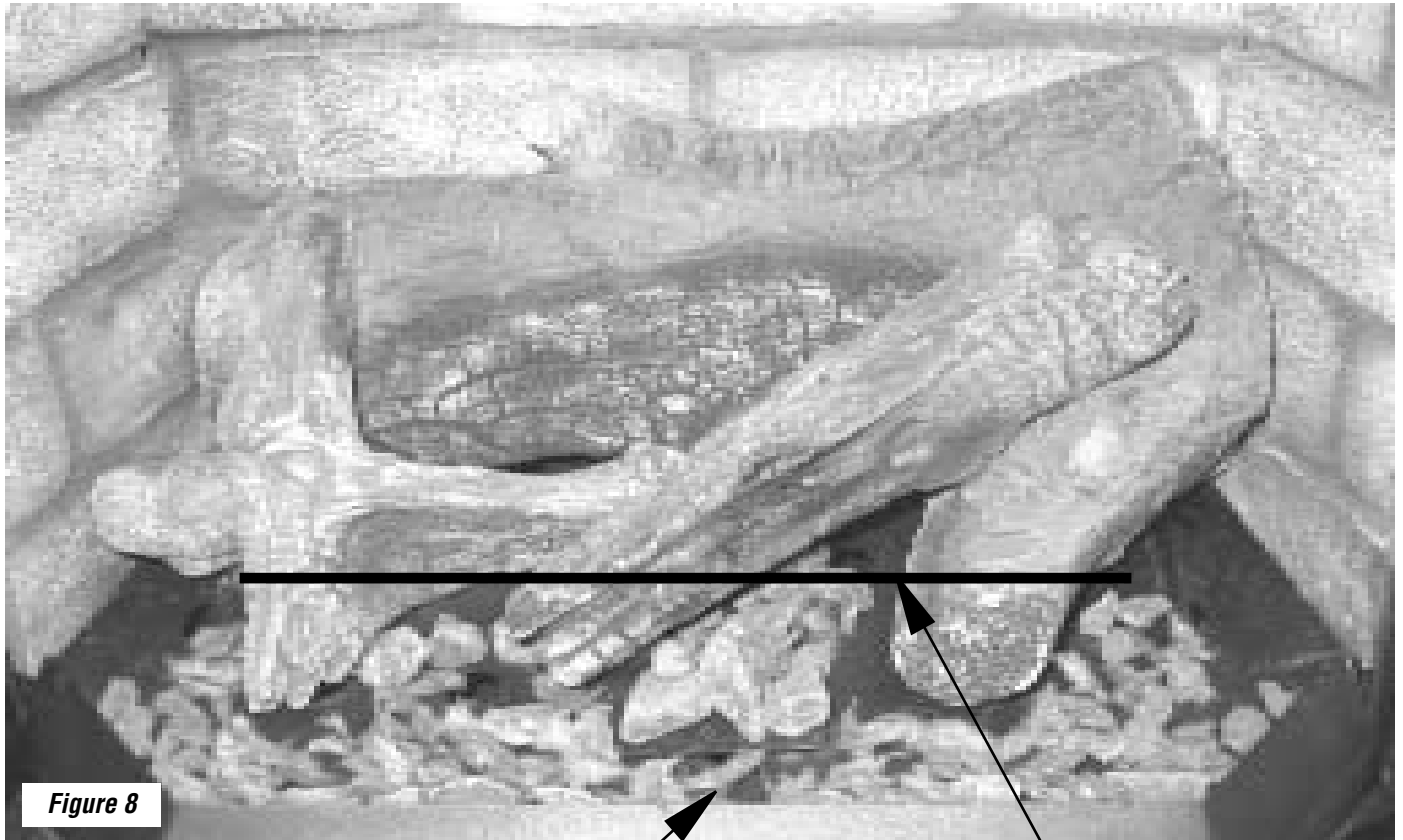
Figure 6

Firebox Setup

Burner Pan Diagram



Completed Firebox Setup



To ensure a proper burn leave a 1" space free of any embers or rockwool directly in front of the air deflector (see Burner Pan Diagram above).

Do not cover any secondary air holes or gas ports (see Burner Pan Diagram above) behind this line.

NOTE: DIAGRAMS & ILLUSTRATIONS ARE NOT TO SCALE.

Brick Panel Installation

CAUTION: The brick panels are required for your appliance to function correctly and safely.

Packaging List: Rear brick panel (A), left brick panel (B), right brick panel (C), retaining brackets (D) - in flue restrictor bag

1. Remove the brick panels from the box and carefully unwrap them. The panels are fragile, so handle them with care. Remove the bag containing the brick retaining brackets (D) and flue restrictors from the firebox.

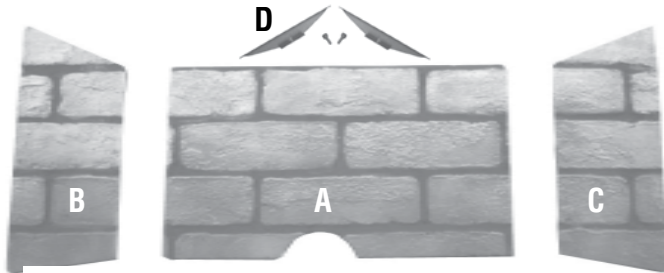


Figure 9

2. Install the rear brick panel (A) bottom first and stand it flush against the rear of the firebox ensuring the pilot cutout is at the bottom directly above the pilot.

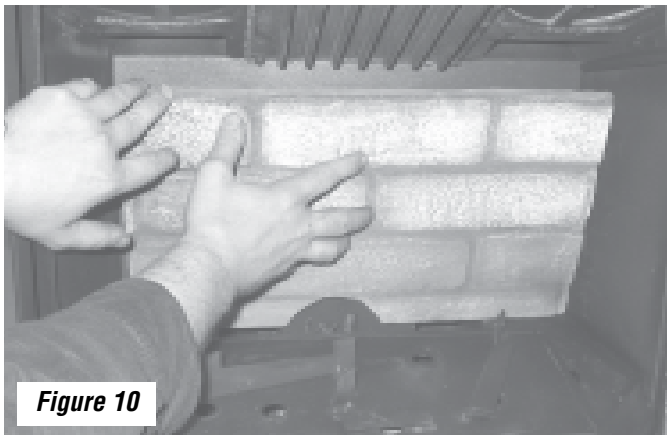


Figure 10

3. Install the left panel (B) bottom first and stand flush against left wall of firebox. Repeat for right panel (C) against the right wall of firebox.



Figure 11

4. Using the included screws, install the brick retaining brackets (D) above the left and right brick panels (B and C).

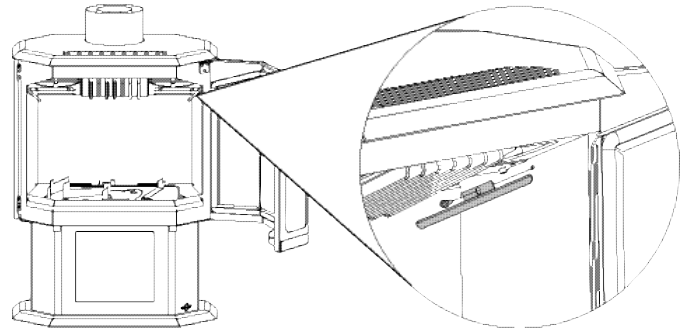


Figure 12

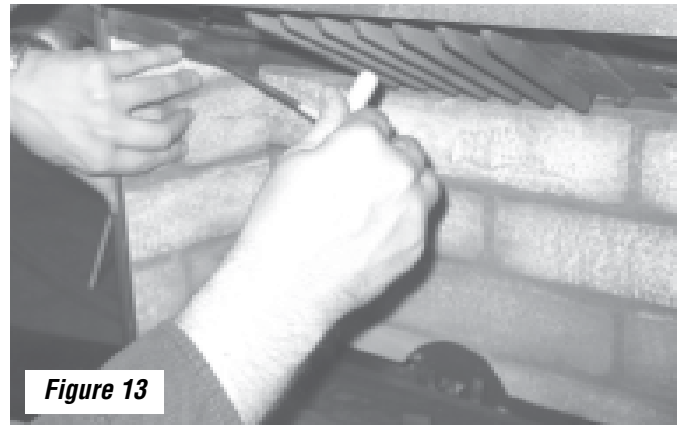


Figure 13



Figure 14

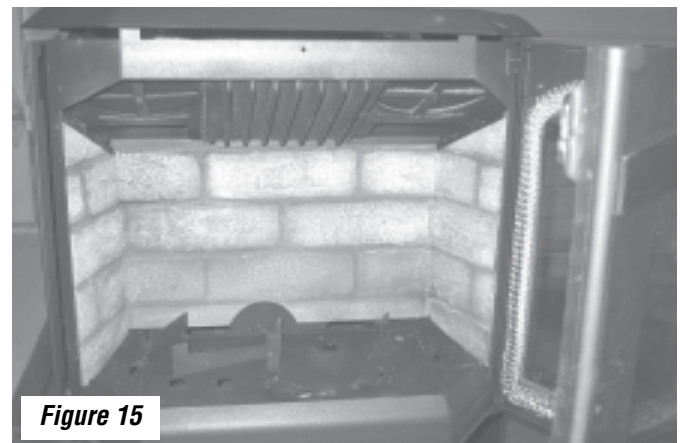


Figure 15

Log Set and Ember Installation

If logs are not installed according to the log installation instructions, flame impingement and improper combustion could occur and result in soot and/or excessive production of carbon monoxide (CO), a colorless, odorless, toxic gas.

The size and position of the log set is critical to achieve a safe, reliable and attractive flame pattern. Any attempt to use a different log set in the fireplace will void the warranty and will result in incomplete combustion, sooting and poor flame quality.

Packaging List: Log set [rear log (A), left rear log (B), left front log (C), center log (D)], embers (E) and rockwool (F)

1. Carefully remove the logs from their packaging and ensure you have a complete set. **The logs are fragile, so handle them with care.**

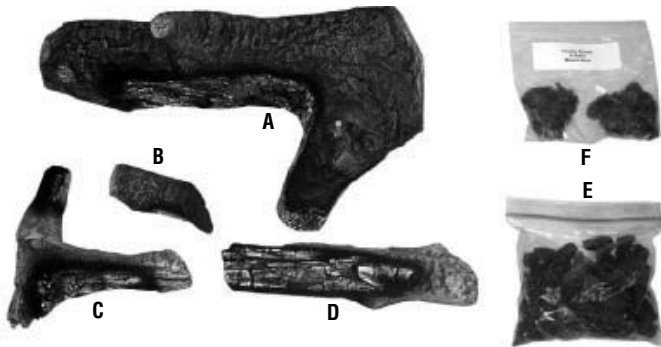


Figure 16

2. Install left rear log (B) onto the front half of log stand 1 (see *Burner Pan Diagram, Page 9*). When installed correctly it should sit firmly in place with the charred surface facing the center of the firebox.

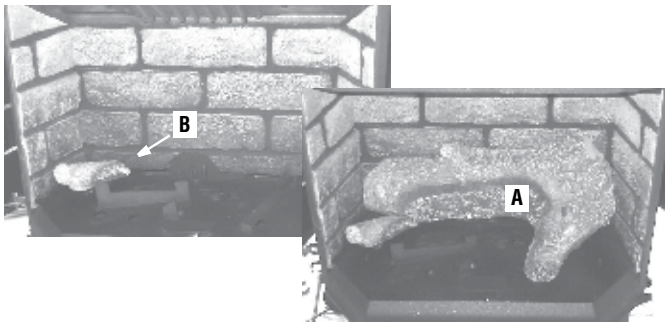


Figure 17

3. Place the rear log (A) onto log stands 1 and 2 (see *Burner Pan Diagram, Page 9*). The charred surface of the log should face the front.
4. Place the embers (E) on the burner pan. Using the larger embers first, create a small pile on the elevated air deflector near the center and place them along the front edge of the burner (leaving about 1/4" in between each ember and a 2" gap in the center). It will not affect the performance, but smaller embers may fall into the front air gap. Place the rest of the embers throughout the firebox taking care not to block off any secondary air holes or gas ports (see example below for proper placement of embers).

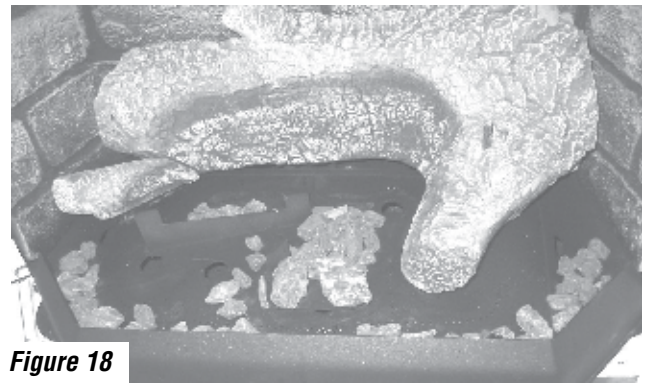


Figure 18

5. Place the rockwool (F) over the gas ports and in between the embers along the front of the firebox. The rockwool can be placed over gas ports but do not cover the secondary air holes (see *Burner Pan Diagram, Page 9*).

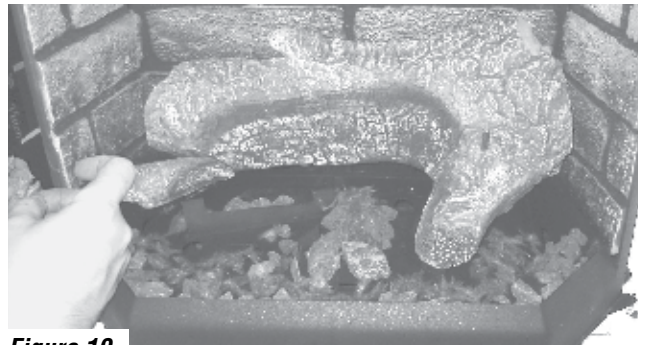


Figure 19

6. Place the left front log (C) on log stand 3 (see *Burner Pan Diagram, Page 9*) and the center log (D) spanning from log stand 4 to the peg found on the right side of rear log (A). When installed correctly, both logs should sit firmly in place with the charred side facing forward.

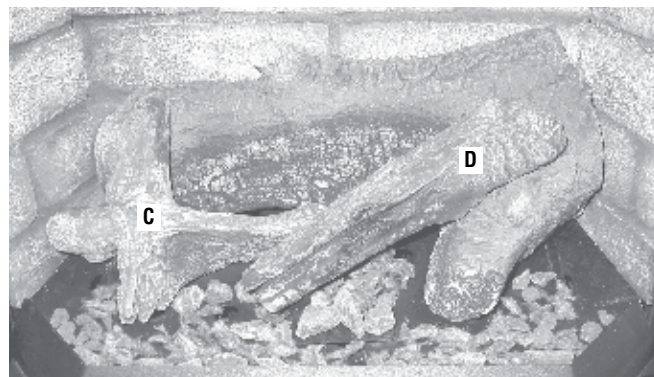


Figure 20

NOTE: All logs are designed to fit only one way. For the appliance to function properly, it is essential that the logs be installed correctly. See below for an example of a correctly burning Epic™ gas stove.



Figure 21

Vent Installation

Venting:

The Epic™ gas stove has been tested and listed as a direct-vent heater system by OMNI-Test Laboratories, Beaverton, Oregon and is recommended for use with Security™ Secure Vent pipe*. Use only approved chimney brands with this appliance.

Important:

- Read all instructions carefully before starting the installation. Failure to follow these instructions may create a fire or other safety hazard and will void the warranty. Be sure to check for specific clearances to combustibles requirements on **Page 8**. **Do not extend the venting system vertically or horizontally in excess of the distance prescribed on Page 16**. Consult your local building codes before beginning the installation.
- **Always maintain the proper air spaces between the vent pipe and nearby combustibles to prevent a fire hazard.** Do not fill air spaces with insulation. Be sure to check the vent termination clearance requirements from decks, windows, soffits, gas regulators, air supply inlets and public walkways, as specified in these installation instructions on **Page 17** and local building codes.
- **This gas stove and vent system must be vented directly to the outside of the building and never be attached to a chimney serving a separate solid fuel or gas-burning appliance.** Each direct-vent gas appliance must use its own separate vent system. Common vent systems are prohibited.
- The Epic gas stove is recommended for use with Security™ Secure Vent pipe*. The appliances and vent manufacturers warranties will be voided and serious fire, health, or other safety hazards may result from any of the following actions:
 - Installation of any damaged direct-vent component.
 - Unauthorized modification of the direct-vent system.
 - Installation of any vent component part not approved or manufactured by the approved vent manufacturer.
 - Installation other than as instructed by Lennox Hearth Products and vent manufacturers instructions.

Residential and Mobile Home Installations:

These are the minimum pieces required. Other parts may be required for your particular installation.

Minimum Components for Horizontal Installation:

Horizontal Termination Kit which includes:

- 1 6-5/8" x 6" Black Pipe
- 1 Riser Vent Terminal
- 1 Wall Penetration Heat Shield (Wall Thimble) (2 pcs)
- 1 Decorative Wall Trim (black)
- 1 Tube Mill-Pac
- Screws

Optional Components:

- 45° Elbow
- Vinyl Siding Shield for Riser Vent Terminal
- Vent Guard
- Snorkel Termination (36")
- Snorkel Termination (14")
- Wall Penetration Heat Shield

Vent Considerations:

Twist-lock procedure: Four indentations on female ends of pipes and fittings are designed to slide straight onto male ends of adjacent pipes and fittings by orienting the four pipe indentations so they match and slide into the four entry slots. Push pipe sections completely together, then twist-lock one section clockwise approximately one-quarter turn until the two sections are fully locked. The female locking lugs will not be visible from the outside on the pipe or fittings. They may be located by examining the inside of the female ends.

Supports: Horizontal runs of vent must be supported every 3 feet. Wall straps are available for this purpose.

Pipe Sealing: If Simpson Dura-Vent pipe is used, the pipe must be sealed as follows: seal both the inner and outer pipes with a high temperature silicone sealant rated for at least 600°F (commonly know as "RTV"). Run a 1/8" (3mm) bead of silicone around outside of male end of outer sleeve. Run a 1/8" (3mm) bead of silicone about 1/4" (6mm) from the end of the male inner pipe, which is found in the pipe to be attached above. Twist-lock the pipes or fittings together.

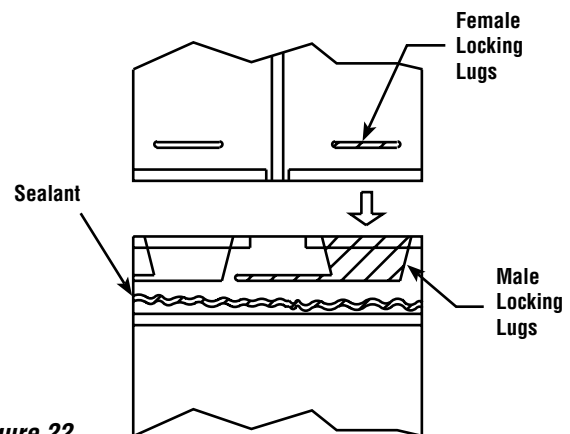


Figure 22

* Other approved chimney brand is Simpson Dura-Vent DV-GS.

Vent Parts List

Direct vent pipe Security™ Secure Vent™ * may be used with the Epic™ gas stove. Please see the lists below to verify the components available from each direct-vent pipe manufacturer. Snorkel terminations are available for applications which may require vertical rise on the building exterior. The components listed below come in a galvanized finish. Most of the components are also available in a painted black finish. Add a “B” to the end of the part number when ordering if a black part is desired.

Security™ Secure Vent 6-5/8”x 4” Pipe

<u>Part Number</u>	<u>Description</u>
SV4LC	6” Pipe Length
SV4L12	12” Pipe Length
SV4L24	24” Pipe Length
SV4L36	36” Pipe Length
SV4L48	48” Pipe Length
SV4LA	6” Pipe, Adjustable
SV4LA12	12” Pipe, Adjustable
SV4FA	Flashing, 1/12 to 6/12 Roof Pitch
SV4FB	Flashing, 7/12 to 12/12 Roof Pitch
SV4RSM	Wall Radiation Shield
SV4E46	45° Elbow
SV4E90	90° Elbow
SV4VS	Vinyl Shield Protector
SV4FC	Storm Collar
SV4CGV	Vertical Termination Cap
SV4BF	Firestop
SV4CHC	Horizontal Termination Cap
SV4STC36	Snorkel Termination Cap (36”)
SV4STC14	Snorkel Termination Cap (14”)
SV4BM	Wall Band

Simpson Dura-Vent GS 6-5/8”x 4” Pipe

<u>Part Number</u>	<u>Description</u>
908	6” Pipe Length
907	9” Pipe Length
906	12” Pipe Length
904	24” Pipe Length
903	36” Pipe Length
902	48” Pipe Length
911	11” to 14-5/8” Pipe, Adjustable
942	Wall Thimble
940	Rnd Support Box/Wall Thimble Cover
941	Cathedral Ceiling Support Box
943	Flashing, 0/12 to 6/12 Roof Pitch
943S	Flashing, 7/12 to 12/12 Roof Pitch
945	45° Elbow
990	90° Elbow
950	Vinyl Siding Standoff
953	Storm Collar
963	Ceiling Firestop
988	Wall Strap
981	Snorkel Termination (36”)
982	Snorkel Termination (14”)
984	Horizontal Termination Cap
985	Horizontal Termination Cap (High Wind)
980	Vertical Termination Cap
991	Vertical Termination Cap (High Wind)

Horizontal Vent Installation

Venting terminals may not be recessed into a wall or siding.

1. Set the unit in the desired location. Check whether or not wall studs are in the way when the venting system is attached. If wall studs are in the way, you may want to adjust the location of the unit.
2. All horizontally terminated vent installations may only use 6-5/8”x 4” Security™ Secure Vent pipe*.
3. Assemble the desired combination of pipe and elbow(s) to the appliance adapter with pipe seams facing down. Offsetting the pipe seams as double seams in one place will cause the outer pipe to take an oval shape.
4. When this pipe passes through a wall, a wall thimble - Simpson #942 or Security™ #SV4RSM - is required. The hole in the wall for the wall thimble should be 9-1/4” x 10-1/4”. If the wall being penetrated is constructed of non-combustible material (i.e. masonry block or concrete), a 7” diameter hole is acceptable and a wall thimble is not required.
5. Horizontal runs of vent pipe must be supported every 3 feet. Wall straps - Security™ #SV4BM or Simpson #988 - are available for this purpose.
6. If the vent passes through a ceiling or floor, a firestop - Security™ #SV4BF or Simpson #963 - is required.
7. Also note that venting terminals shall not be recessed into a wall or siding. If installing the termination cap on a wall covered with vinyl siding, a vinyl siding standoff - Security™ #SV4VS or Simpson #950 - or furring strips must be used to ensure that the termination cap is not recessed into the siding.
8. The horizontal run of vent should have a 1/4” (6mm) rise for every 12” of run toward the termination. Never allow the vent to run downward. This could cause high temperatures and may present the possibility of a fire.
9. The location of the horizontal vent termination on an exterior wall must meet all local and national building codes and must not be blocked or obstructed. For allowable external vent termination locations see **Page 17**.
10. Allowable clearances from the vent pipe to combustible materials must be maintained. See **Page 8** for these clearances.
11. Do not locate the termination cap where it may be blocked by shrubbery or snow.

* Other approved chimney brand is Simpson Dura-Vent DV-GS.

Vertical Vent Installation

Important Notes

1. All vertically terminated vent installations use 6-5/8" x 4" Security™ Secure Vent™ pipe*.
2. If the vent passes through a ceiling or floor, a firestop - Simpson #963 or Security™ #SV4BF - is required.
3. If the vent passes through the roof, a roof flashing - Simpson #943 or 943S or Security™ #SV4FA or SV4FB - and storm collar - Simpson #953 or Security™ #SV4FC - are required.
4. A 1-inch clearance from the vent pipe to combustible materials must be maintained.
5. A maximum of either four 45° elbows or two 90° elbows may be used. See **Page 15** for allowable offsets.
6. The maximum system height is 30 feet (9.1M) and the minimum is 10 feet (3M).

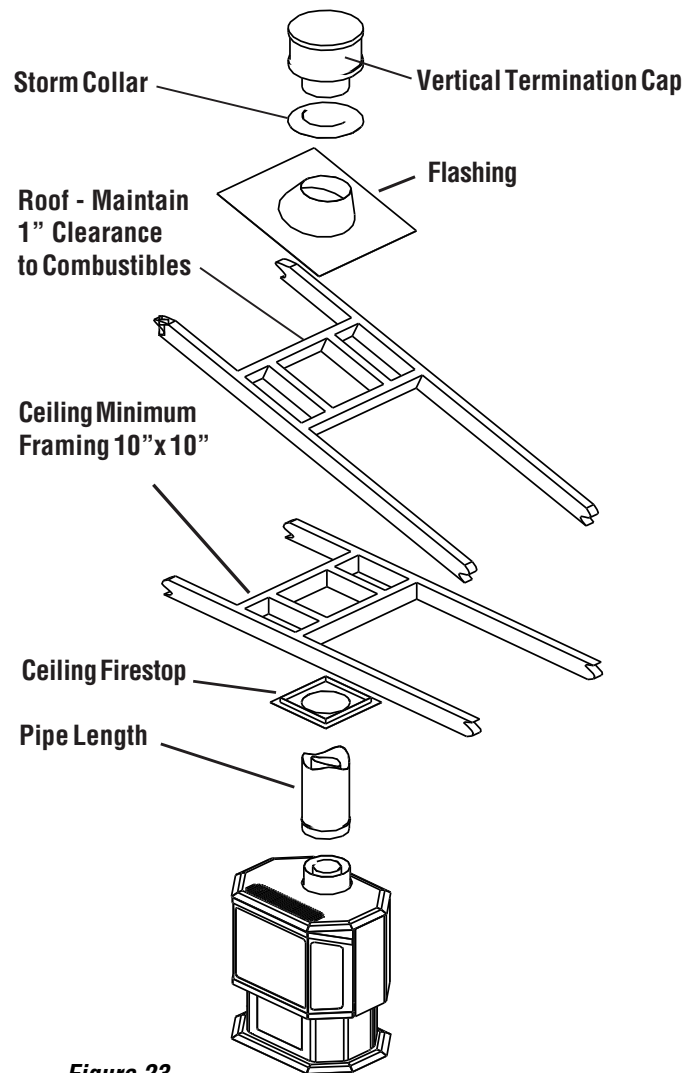


Figure 23

Flue Restrictors

The flue restrictor settings shown in **Figures 25 and 26** are for typical installations and may need to be adjusted from standard to take into account other variables in the installation to achieve proper combustion. See **Flue Restrictor Guidelines** on this page to assist you in making a proper flue restrictor adjustment.

This stove requires a balanced flue to ensure proper combustion. As such, flue restrictors may need to be installed depending on the vent configuration of your stove. The drawings on the next page show all the allowable pipe configurations for the Epic™ gas stove. To properly install the flue restrictors, find your pipe configuration in the drawings on the next page and note which restrictor setting is recommended. The flue restrictors are shipped in the firebox of your stove. Install the flue restrictors using the four allen head screws according to the diagram below. Install the flue restrictor screws in their original holes in the top of the firebox. Restrictor positions are based on tests run in a laboratory.

Flue Restrictor Adjustment Guidelines

After the flue restrictors have been changed to the standard flue restrictor settings as shown in **Figures 25 and 26**, the burner flame appearance should be evaluated to determine if the A, B, C or D flue restrictor standard settings were the correct adjustment for variables in your installation. Light the appliance and allow it to burn for 20 minutes on the high setting. See **Flame Color and Behavior** on **Pages 21 and 22** to determine if you

have a proper burner flame appearance. If the proper flame appearance cannot be achieved, the flue restrictor may need to be changed to a different position (A,B,C or D). See the following guidelines to determine if you need to readjust the flue restrictors.

Before proceeding, confirm the manifold and inlet gas pressure is correct, primary air shutter is properly adjusted, venting system connections are secure and not blocked and if you are at a high elevation, ensure unit has been properly derated:

Symptoms - Lack of Combustion Air

If the symptoms listed below are present, you may need to adjust the flue restrictor to a more open position.

- Flame appears yellow
- Floating Flames (lazy, ill defined, quiet, may roll)
- Sooting
- Pilot becomes yellow and appliance shuts down

Symptoms - Excessive Combustion Air

If the symptoms listed below are present, you may need to adjust the flue restrictor to a more closed position.

- Low Flame
- Pilot pulls and appliance shuts down
- Pilot flame ghosts

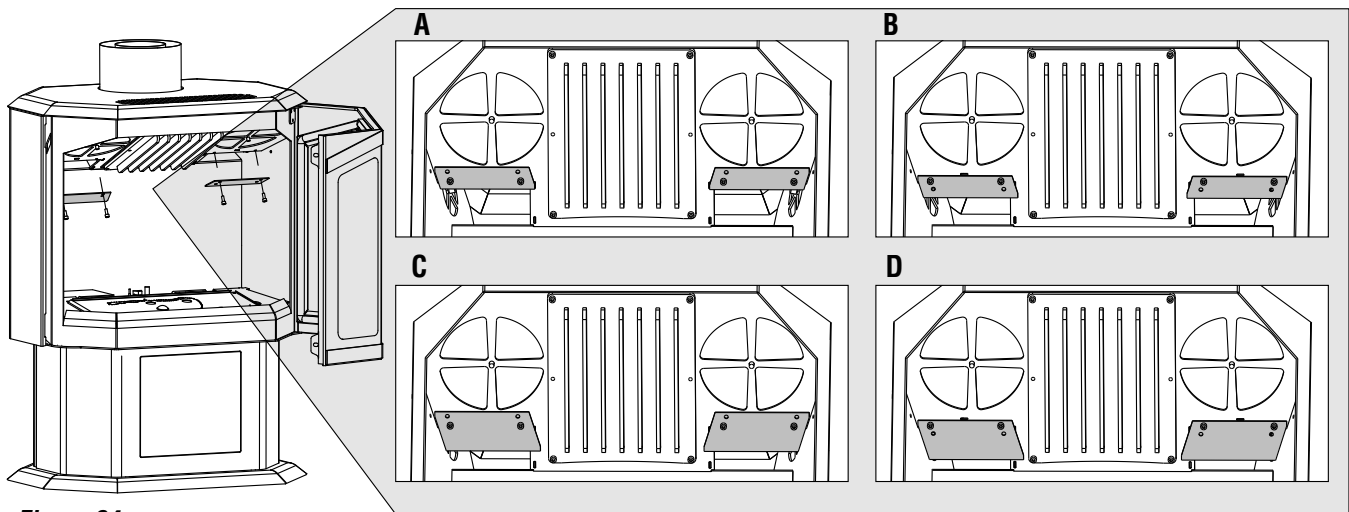


Figure 24

* Other approved chimney brand is Simpson Dura-Vent DV-GS.

Horizontal Terminations

The shaded areas in the diagram below show all allowable combinations of vent configurations with horizontal terminations. Horizontal sections of pipe require 1/4" of rise for every 12" of run. A second 90° or 45° elbow (in addition to the first 90° elbow at the top of the vertical length of pipe) is allowed as long as the overall length of the horizontal run of pipe does not exceed those shown below. Use the restrictor positions indicated. Note that if the termination cap falls in the unshaded area, then no restrictor is installed in the stove.

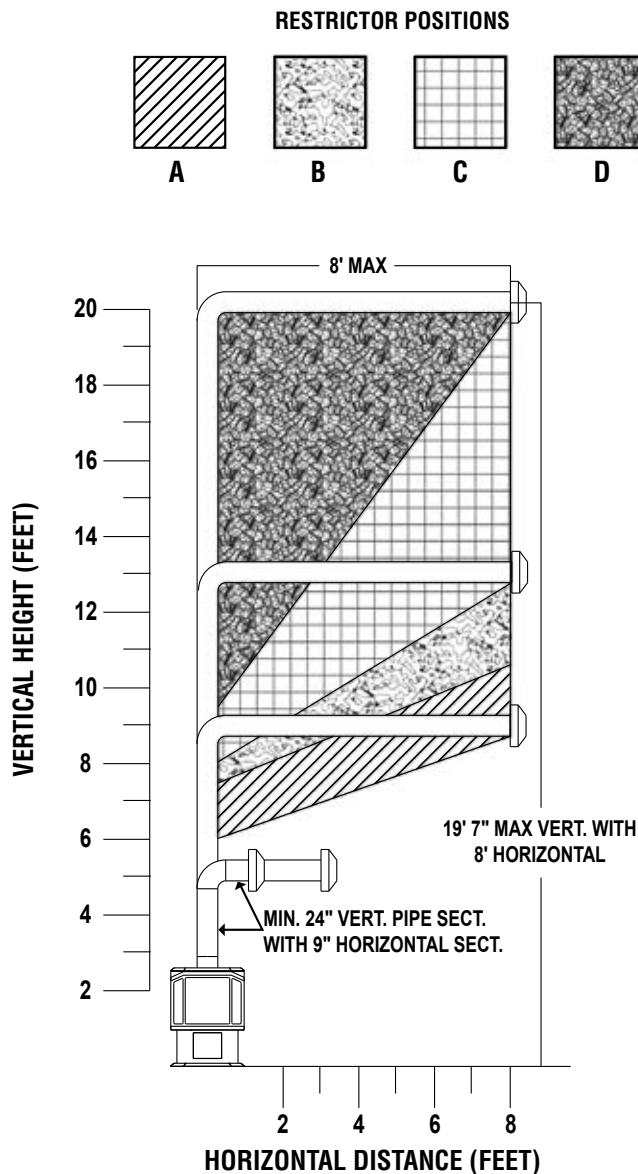


Figure 25

Vertical Terminations

The diagram below shows all allowable combinations of straight vertical and offset to vertical vent configurations with vertical terminations. The termination must fall within the shaded areas on the diagram. Use the restrictor positions indicated. Offsets may consist of two 90° elbows OR four 45° elbows. The minimum termination height is 10 feet and the maximum is 30 feet.

NOTE: Horizontal pipe requires 1/4" rise for every 12" of run. Offsets must remain within max and min lines. Vertical height is measured from the bottom of stove.

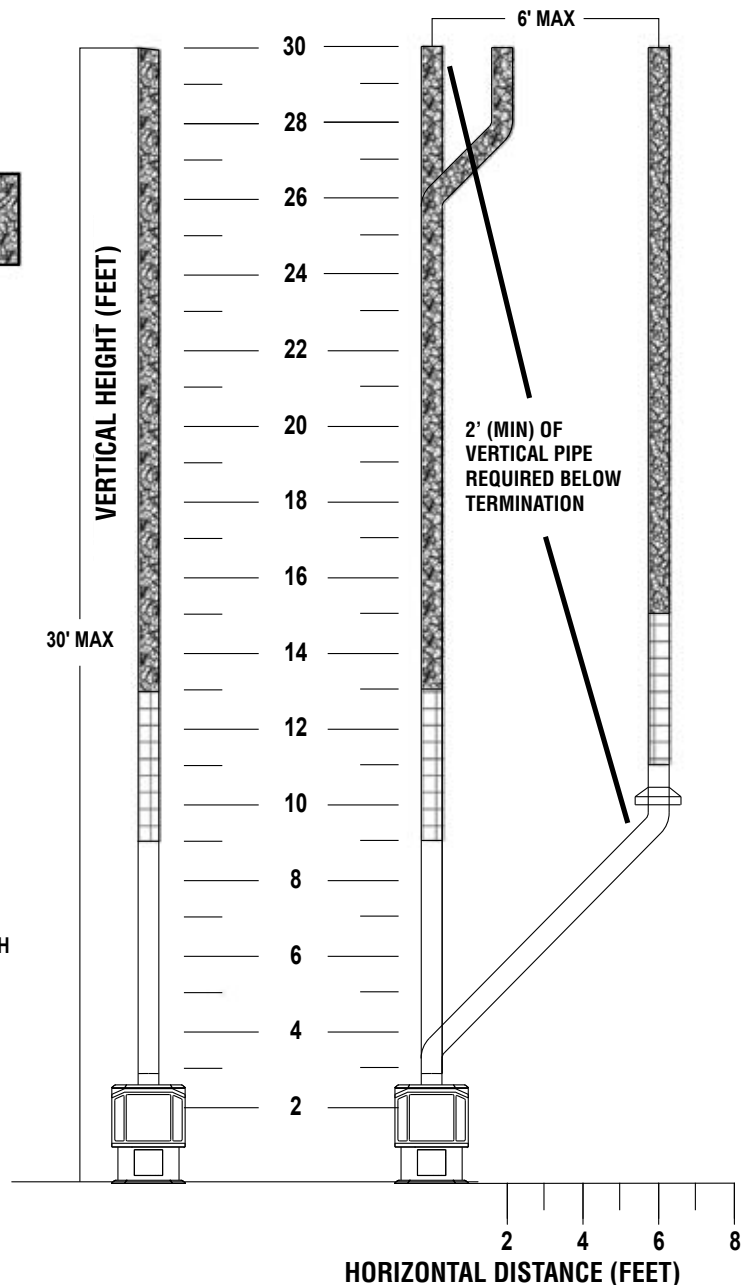
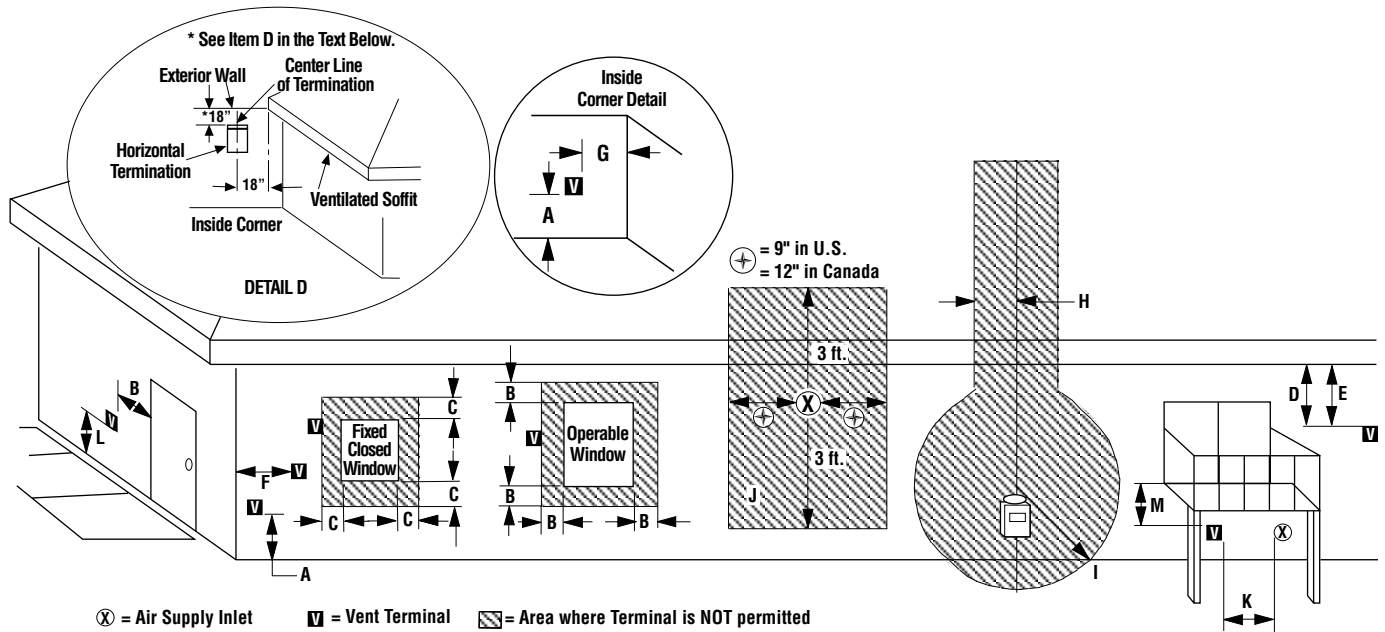


Figure 26

Exterior Horizontal Vent Termination Clearance Requirements



Minimum Clearances	Canadian Installation *	US Installation **
A = Clearance above grade, veranda, porch, deck or balcony.	12 inches (30 cm) *	12 inches (30 cm) **
B = Clearance to window or door that may be opened.	6 in. (15.2 cm) for appliances < 10,000 BTU/hr (3kW), 12 in. (30 cm) for appliances > 10,000 BTU/hr (3kW) and < 100,000 BTU/hr (30kW), 36 inches (91 cm) for appliances > 100,000 BTU/hr (30kW)*	6 in. (15.2 cm) for appliances < 10,000 BTU/hr (3kW), 9 in. (23 cm) for appliances > 10,000 BTU/hr (3kW) and < 50,000 BTU/hr (15kW), 12 inches (30 cm) for appliances > 50,000 BTU/hr (15kW)*
C = Clearance to permanently closed window	12 inches (305 mm) recommended to prevent window condensation	9 inches (229 mm) recommended to prevent window condensation
D = Vertical clearance to ventilated soffit located above the terminal within a horizontal distance of 18 in. (458 mm) from the center line of the terminal	18 inches (458 mm)	18 inches (458 mm)
E = Clearance to unventilated soffit	12 inches (30 cm)	12 inches (30 cm)
F = Clearance to outside corner	5 inches (12.7 cm)	5 inches (12.7 cm)
G = Clearance to inside corner	6 in. (15 cm)	6 in. (15 cm)
H = Clearance to each inside of center line extended above meter / regulator assembly	3 feet (91 cm) within a height of 15 feet above the meter / regulator assembly *	3 feet (91 cm) within a height of 15 feet above the meter / regulator assembly **
I = Clearance to service regulator vent outlet	3 feet (91 cm) *	3 feet (91 cm) **
J = Clearance to non-mechanical air supply inlet to building or the combustion air inlet to any other appliance	6 in. (15.2 cm) for appliances < 10,000 BTU/hr (3kW), 12 in. (30 cm) for appliances > 10,000 BTU/hr (3kW) and < 100,000 BTU/hr (30kW), 36 inches (91 cm) for appliances > 100,000 BTU/hr (30kW)*	6 in. (15.2 cm) for appliances < 10,000 BTU/hr (3kW), 9 in. (23 cm) for appliances > 10,000 BTU/hr (3kW) and < 50,000 BTU/hr (15kW), 12 inches (30 cm) for appliances > 50,000 BTU/hr (15kW)*
K = Clearance to mechanical air supply inlet	6 feet (1.8 meters) *	3 feet (91 cm) above, if within 10 feet (3 m) horizontally**
L = Clearance above paved sidewalk or paved driveway located on public property	7 feet (2.13 m) ‡	7 feet (2.13 m) ‡
M = Clearance under veranda, porch, deck or balcony	12 in. (30 cm) * ‡	12 in. (30 cm) ** ‡
* In accordance with the current CSA-B149.1 National Gas and B149.2 Propane Installation Code - Latest Editions.		
** In accordance with the current ANSI Z223.1 / NFPA 54 National Fuel Codes - Latest Edition.		
‡ A vent shall not terminate directly above a sidewalk or paved driveway which is located between two single family dwellings and serves both dwellings.		
*‡ Only permitted if veranda, porch, deck or balcony is fully open on a minimum 2 sides beneath the floor.		

Figure 27

Gas Line Installation

This stove must be connected to the gas line in accordance with local codes and/or the National Fuel Gas Code, ANSI Z223.1 (In Canada, the current CAN/CSA B149.1 installation code). Remove the four screws holding the back of the pedestal in place. Slide rear cover back far enough to gain access to the inside of the pedestal. Remove plastic plug from the 3/8" x 9" pipe. Connect gas line to the 3/8" x 9" pipe. After connecting the gas line, all joints in the line and connections at the valve should be checked for leaks before final positioning of the unit. Conduct a gas leakage test of the appliance piping and control system downstream of the shutoff valve in the supply line to the appliance.

Gas Pressure Requirements

A MAJOR CAUSE OF OPERATING PROBLEMS WITH GAS APPLIANCES IS IMPROPER GAS PRESSURE!

The most important item to check during the initial installation and the first thing to check when operating problems occur is gas pressure! This appliance will not function properly unless the required gas pressure is supplied. See the table on this page for gas pressure requirements.

Two pressure taps are provided on the stove's valve to check gas pressures. To access the taps, remove the four socket head screws from the valve control panel. The taps are located below the On/Off/Pilot knob (see **Figure 29** on **Page 21**). The left tap is the inlet (supply) pressure side. To check inlet pressure (with the stove burning) insert a small flat-bladed screwdriver into the tap and turn a half-turn counterclockwise. Cover the tap with the line from the manometer and check the pressure. Close the tap gently but securely after completing the check. The manifold (outlet) tap is to the right of the inlet tap. To check manifold pressure (with the stove burning at the high burn setting) insert a small flat-bladed screwdriver into the tap and turn a half-turn counterclockwise. Cover the tap with the line from the manometer and check the pressure. Again close the tap gently but securely after completing the check. Check the taps for gas leaks with a gas leak test solution (retighten if necessary).

If the pressure is not sufficient, make sure the gas supply line is large enough, the supply regulator is properly adjusted and the total gas load for the residence does not exceed the amount supplied.

Propane tanks are at pressures that will cause damage to valve components. Verify that the tanks have step down regulators to reduce the pressure to safe levels.

These appliances must be isolated from the gas supply piping system (by closing their individual manual shut-off valve) during any pressure testing of the gas supply piping system at test pressures equal to or **less than** 1/2 psig (3.5 kPa).

These appliances and their individual shut-off valves must be disconnected from the gas supply piping system during any pressure testing of that system at pressures **greater than** 1/2 psig (3.5 kPa).

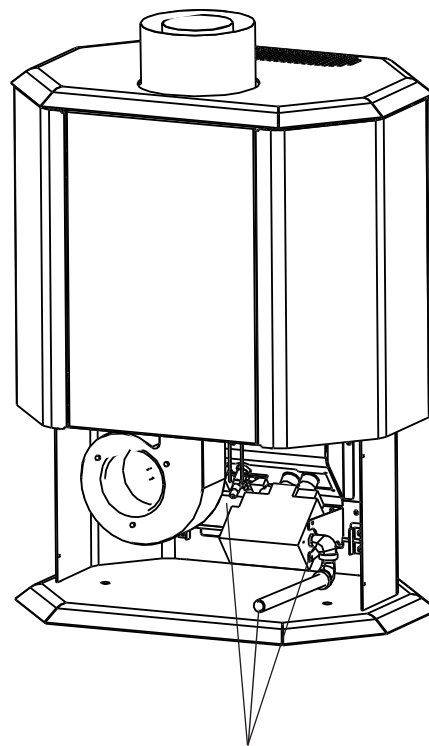


Figure 28

Check all connections for leaks using a gas leak test solution.

Fuel Type	Inlet Pressure			Manifold Pressure	
	Desired	Minimum	Maximum	On Hi Fire	On Lo Fire
Natural Gas	7" WC	5" WC	10.5" WC	3.5" WC	1.7" WC
LP Gas	11" WC	11" WC	13" WC	10" WC	6.0" WC

LP and Natural Gas Supplies:

Your Epic™ gas stove is equipped from the factory for use with natural gas only as specified on the Safety / Listing label attached to the appliance. This appliance can only be operated using propane gas (LP) if a certified fuel conversion kit provided by Lennox Hearth Products is installed by a qualified service technician.

Also check the orifice size on the label on the igniter bracket. It must be the correct size for the fuel and altitude.

Do not run propane tank dry. Running the tank dry may cause a hazardous condition due to pressure drop in empty tank.

Solid fuel is NOT to be used with this unit.

INSTALLER INSTRUCTIONS - ATTACHING SAFETY IN OPERATION WARNINGS

It is the installers responsibility to ensure these warnings are properly affixed during installation. These warning labels are a critical step in informing consumers of safe operation of this appliance.

ATTACHING SAFETY IN OPERATION WARNINGS

It is required that the safety instruction labels furnished with the fireplace be affixed to the operation and control point of the fireplace. A safety instruction label must be affixed to the wall switch plate where the fireplace is turned on and off (*See Figure A*) or wall thermostat (*See Figure B*) and if used on the remote control handheld transmitter (*Figure C*). To properly complete the installation of this fireplace, locate the multi-lingual adhesive labels provided with the Care and Operation Instructions and proceed as follows:

1. Locate the wall switch or wall thermostat that controls the fireplace (verify the switch operates the fireplace by turning it on and off). Clean the wall switch plate or wall thermostat thoroughly to remove any dust and oils. Affix the label to the surface of the plate of the wall switch that controls the fireplace (*Figure A*) or the wall thermostat (*Figure B*). Choose the language primarily spoken in the home. If unknown, affix the English language label.
2. If a remote control is used to control the fireplace, locate the transmitter and clean it thoroughly to remove any dust and oils. Affix the label to the surface of handheld transmitter (*Figure C*). Choose the language primarily spoken in the home. If unknown, affix the English language label.
3. If you are unable to locate the labels, please call Lennox Hearth Products or your nearest Lennox Hearth Products dealer to receive additional safety instruction labels free of charge.

Cat. No. H8024 Replacement Label Kit

LENNOX HEARTH PRODUCTS
1-800-9-LENNOX

Note: English is red text on clear label. French and Spanish are white text on black label.

APPOSITION DES MISES EN GARDE RELATIVES À LA SÉCURITÉ D'UTILISATION

Il est impératif que les étiquettes de sécurité fournies avec le foyer soient collées à côté des dispositifs de contrôle du foyer. Une étiquette de sécurité doit être collée sur la plaque de l'interrupteur contrôlant l'allumage du foyer (*voir Figure A*) ou sur le thermostat mural (*voir Figure B*) et, le cas échéant, sur le boîtier de la télécommande (*Figure C*). Pour achever l'installation correcte de ce foyer, procédez comme suit avec les étiquettes adhésives en langues étrangères fournies avec les instructions d'utilisation et d'entretien :

1. Repérez l'interrupteur ou le thermostat mural qui contrôle le foyer (vérifiez que l'interrupteur contrôle le fonctionnement du foyer en le faisant basculer de Marche à Arrêt, et vice-versa). Nettoyez soigneusement la plaque murale de l'interrupteur ou le thermostat mural pour éliminer la poussière et les traces de graisse ou d'huile. Collez l'étiquette sur la surface de la plaque de l'interrupteur mural qui contrôle le foyer (*Figure A*) ou du thermostat mural (*Figure B*). Choisissez la langue qui est principalement parlée dans la résidence du propriétaire. En cas de doute, collez l'étiquette en anglais.
2. Si une télécommande est utilisée pour contrôler le foyer, nettoyez la soigneusement pour éliminer la poussière et les traces de graisse ou d'huile. Collez l'étiquette sur le boîtier de la télécommande (*Figure C*). Choisissez la langue qui est principalement parlée dans la résidence du propriétaire. En cas de doute, collez l'étiquette en anglais.
3. Si vous ne trouvez pas les étiquettes, veuillez appeler Lennox Hearth Products ou votre distributeur Lennox Hearth Products local pour recevoir gratuitement des étiquettes supplémentaires.

Étiquettes de remplacement, n° cat. H8024

LENNOX HEARTH PRODUCTS
1-800-9-LENNOX

Remarque : Le texte anglais est rouge sur un support transparent. Le texte français et espagnol est blanc sur un support noir.

COLOCACIÓN DE ADVERTENCIAS DE SEGURIDAD EN OPERACIÓN

Se requiere que las etiquetas de instrucciones de seguridad incluidas con la chimenea se coloquen en el punto de operación y control de la misma. Se debe colocar una etiqueta de instrucciones de seguridad en la placa del interruptor de pared desde el cual se enciende y se apaga la chimenea (*ver la Figura A*) o en el termostato de pared (*ver la Figura B*) y en el transmisor de control remoto (*Figura C*) si se usa. Para completar correctamente la instalación de esta chimenea, encuentre las etiquetas adhesivas multilingües incluidas con las instrucciones de cuidado y operación y haga lo siguiente:

1. Identifique el interruptor o el termostato de pared que controla la chimenea (verifique que el interruptor opera la chimenea encendiéndola y apagándola). Limpie bien la placa del interruptor o el termostato de pared para quitar el polvo y aceite. Pegue la etiqueta en la superficie de la placa del interruptor que controla la chimenea (*Figura A*) o en el termostato de pared (*Figura B*). Seleccione el idioma que más se habla en la casa. Si no sabe cuál es, use la etiqueta en inglés.
2. Si se usa un control remoto para controlar la chimenea, encuentre el transmisor y límpielo bien para quitar el polvo y aceite. Pegue la etiqueta en la superficie del transmisor (*Figura C*). Seleccione el idioma que más se habla en la casa. Si no sabe cuál es, use la etiqueta en inglés.
3. Si no puede encontrar las etiquetas, sírvase llamar a Lennox Hearth Products o al distribuidor de Lennox Hearth Products más cercano para recibir etiquetas de instrucciones de seguridad adicionales gratuitas.

Juego de etiquetas de repuesto - N° de cat. H8024

LENNOX HEARTH PRODUCTS
1-800-9-LENNOX

Nota: La etiqueta en inglés es transparente con texto rojo. Las etiquetas en francés y español son negras con texto blanco.

DIAGRAMMES DES ÉTIQUETTES DE SÉCURITÉ / DIAGRAMAS DE ETIQUETAS DE SEGURIDAD / SAFETY LABEL DIAGRAMS

⚠ Avertissement

Un foyer chaud peut causer de graves brûlures
Ne laissez jamais un enfant toucher à la vitre ou à toutes autres parties du foyer

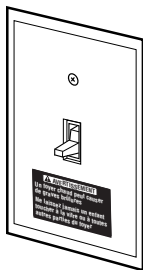


Figure A

⚠ Advertencia

La chimenea caliente causará quemaduras graves
Nunca permita que los niños toquen el vidrio ni otras partes de la chimenea



Figure B

⚠ Warning

Hot Fireplace Will Cause Severe Burns
Never Allow Children to Touch Glass or other Fireplace Parts



Figure C

NOTE: DIAGRAMS & ILLUSTRATIONS ARE NOT TO SCALE.

Operating Instructions

Pre-Lighting Checklist:

Be sure to check these items before the initial lighting of the stove:

- The stove gas label corresponds to the gas supply available - that is "natural gas" for natural gas or "LP gas" for LP gas.
- Gas pressure has been checked carefully - see **Page 18**.
- All gas fittings have been checked for leaks.
- All clearances to combustibles have been met - see **Page 8**.
- All combustible materials have been removed from area in front of the stove.
- All vented areas of the stove are unobstructed.
- House is ventilated to clear initial paint curing odors - see **Page 22**.
- All packaging materials have been removed from the fire-box.
- While stove is cool, fingerprints or other marks have been cleaned from any gold or nickel surfaces with denatured alcohol and a soft cloth. Marks left on these surfaces may become etched into the finish if not removed prior to burning the unit.
- Brick panel, log set and embers have been installed.
- The glass door is in place and is properly sealed.

Lighting Instructions:

The following is a copy of the operating and lighting instructions found with each stove:

FOR YOUR SAFETY READ BEFORE OPERATING

WARNING: IF YOU DO NOT FOLLOW THESE INSTRUCTIONS EXACTLY, A FIRE OR EXPLOSION MAY RESULT CAUSING PROPERTY DAMAGE, INJURY, OR LOSS OF LIFE.

CAUTION: HOT WHILE IN OPERATION. DO NOT TOUCH. KEEP CHILDREN, FURNITURE, GASOLINE AND OTHER LIQUIDS WITH FLAMMABLE VAPORS AWAY. NEVER OPERATE UNIT WITH GLASS DOOR OFF OR ATTEMPT TO OPEN THE DOOR WHILE HOT.

- A. This appliance is equipped with a piezo ignition device to light the pilot. When lighting the pilot, follow these instructions exactly.
- B. **BEFORE LIGHTING**, smell around the appliance area for gas. Be sure to smell next to the floor, because some gas is heavier than air and will settle on the floor.

WHAT TO DO IF YOU SMELL GAS:


DO NOT try to light the appliance. **DO NOT** touch any electric switch. **DO NOT** use any phone in the building. Immediately call your gas supplier from a neighbor's phone. Follow the gas supplier's instructions. If you cannot reach your gas supplier, call the fire department.

- C. Use only your hand to push in or turn the gas control knob. Never use any tool. If the knob will not push in or turn by hand, don't try to repair it, call a qualified service technician. Force or attempted repair may result in a fire or explosion.
- D. **DO NOT** use this appliance if any part has been under water. Immediately call a qualified service technician to inspect the appliance and to replace any part of the control system and any gas control which has been under water.


OPERATING INSTRUCTIONS




CAUTION: YOUR LennoxHearth Products gas APPLIANCE MUST ALWAYS BE OPERATED WITH THE GLASS DOOR IN PLACE.

STOP!! Read the safety information above before proceeding.


1. Make sure gas supply shut off cocks are open and ON/OFF rocker switch is "OFF." If equipped with a thermostat, set it to the lowest setting.
2. Turn off all electrical power to the appliance.
3. Push in gas cock dial slightly and turn clockwise  to "OFF".

NOTE: Dial cannot be turned from "PILOT" to "OFF" unless dial is pushed in slightly. Do not force.

4. Wait five minutes to clear out any gas. If you smell gas, STOP!! Follow "B" above. If you don't smell gas, continue.
5. Locate the pilot by looking through the hole under the right front log. Blue flame will be seen when the pilot is lit.
6. Turn the gas control knob counter-clockwise  to the "PILOT" position.
7. Push the knob all the way in and hold in that position. Immediately light the pilot by pressing the igniter button several times until pilot is lit. Continue to hold the knob in for about 30 seconds after the pilot is lit. Release knob and it will pop back out. Pilot should remain lit. If it goes out, repeat steps 4-8 holding knob in an additional 15 seconds after pilot is lit. If knob does not pop out when released, stop and immediately call your service technician or gas supplier. If the pilot will not stay lit after several tries, turn the gas control knob to "OFF" and call you service technician or your gas supplier.

8. After pilot is lit, turn gas control counter-clockwise  to "ON." Knob can only be turned "ON" if the knob has popped out.
9. To turn burner on, turn "ON/OFF" rocker switch to "ON" or set the thermostat to the desired temperature above room temperature.
10. Adjust the flame height (and heat output) by turning the flame height knob clockwise  for reduced flame and counter-clockwise  for full flame.
11. Set the blower to the desired air flow after it turns on when the appliance reaches operating temperature.

TO TURN OFF GAS TO APPLIANCE

1. Turn the "ON/OFF" rocker switch and/or thermostat (if installed) to "OFF."
2. Turn off electric power to the appliance if service is to be performed.
3. Turn gas control knob clockwise  to "OFF." Do not force.

This appliance needs fresh air for safe operation and must be installed so there are provisions for adequate combustion and ventilation air. See Installation and Operation Manual accompanying appliance.

SHUTDOWN PROCEDURE

To turn off the burner, turn the rocker switch to "OFF" or adjust the thermostat (if installed) to a setting below room temperature. The pilot will remain lit for future burner ignition. For complete shutdown, see "TO TURN OFF GAS TO APPLIANCE" above.

IMPORTANT NOTE: When opening the lower door while the stove is burning, pull on the handle located on the top side of the lower door. Be cautious not to touch any part of the front door and firebox just above the lower door as those areas are hot.

WARNINGS

- Improper installation, adjustment, alteration, service or maintenance can cause injury or property damage. For assistance or additional information, consult a qualified installer, service agency or your gas supplier.
- Operation of this appliance when not connected to a properly installed and maintained venting system can result in carbon monoxide (CO) poisoning and possible death.
- Carbon monoxide poisoning – early signs of carbon monoxide poisoning resemble the flu with headaches, dizziness, or nausea. If you have these signs, get fresh air at once! Have the heater inspected by a qualified service technician. Some people are more affected by carbon monoxide than others. These include pregnant women, people with heart or lung disease or anemia, those under the influence of alcohol and those at high altitudes.

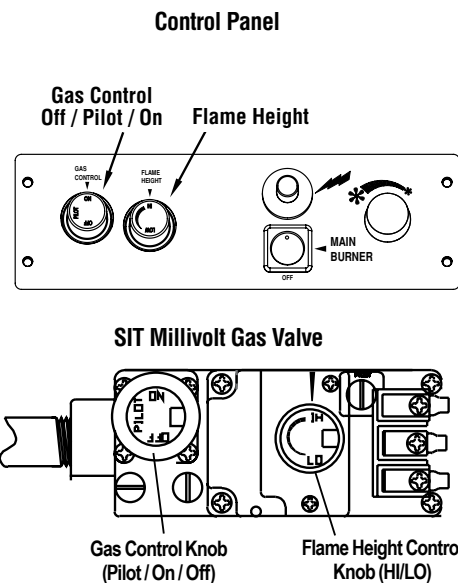


Figure 29

Flame Color and Behavior

Your stove is designed for maximum heating efficiency. Therefore, upon lighting of the main burner the flames will be semitransparent or "bluish." After 10-20 minutes of operation, the logs will heat up and the flames will become a yellow/orange color.

Adjusting the stove to cause the flames to turn orange sooner may result in poor combustion, sooting and a hazardous situation. See the drawing to the right showing proper flame appearance.

When testing for proper operation - If an optional thermostat is installed adjust it to its highest temperature setting. Visually determine that main burner gas is burning properly: i.e., no floating, lifting or flashback. Adjust the primary air shutter(s) as required. Check for proper main burner operation at both high and low flame.

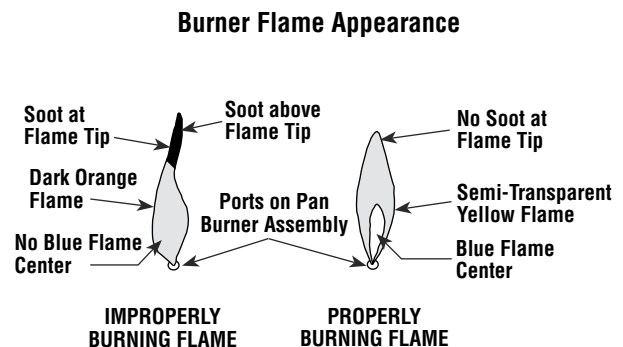


Figure 30

Pilot Flame Appearance

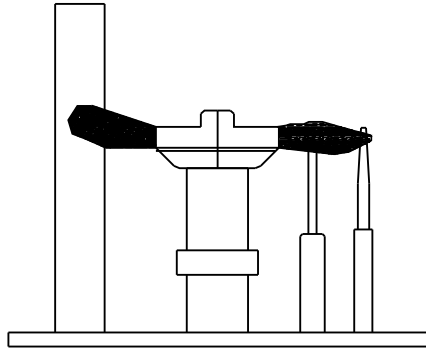


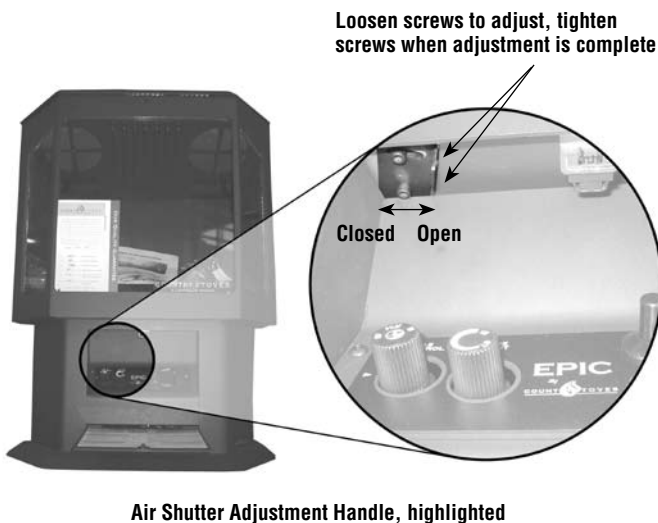
Figure 31

Air Shutter Adjustment

CAUTION: Air shutter is hot while the Epic™ gas stove is operating and should only be adjusted using a heat resistant glove.

The air shutter control lever is located inside the main control door above the control panel. The lever is linked to the primary air shutter on the main burner. The air shutter regulates the amount of primary air the burner receives and, therefore, how clean the stove burns. The air shutter should only be adjusted by a qualified gas technician. The stove should burn for about 15 minutes with the logs installed before adjusting the air shutter. Moving the lever to the left (closing the shutter) will raise the height of the flames as well as turn them more yellow/orange. Moving the lever to the right will open the shutter, turning the flames to a cleaner transparent blue and enhance the glow of the logs.

CAUTION: The air shutter should never be set so as to make the tips of the flames sooty or create sooting on the viewing glass, logs, or firebox ceiling. If soot begins to form after burning, the air shutter should be opened gradually until the sooting condition stops. Gas quality and gas pressure may vary, which can affect the burning characteristics of the stove.



Air Shutter Adjustment Handle, highlighted

Figure 32

Quiet Operation

As the Epic gas stove is burning, a number of normal operational sounds may be heard. The flow of gas through the gas valve and orifice may make a rushing or whistling noise. If this noise is objectionable, it can be reduced by turning down the flame. Turning down the flame can reduce total heat output by more than 30%. When the blower turns on, the sound of rushing air may be heard. The blower sounds may be reduced by adjusting the speed control located on the blower assembly. Also, a slight clicking sound may be heard as the gas valve or blower switch is turned on and off.

Paint Curing

This stove has been painted with Stove Bright high temperature metallic paint. It leaves the factory dry to the touch, but completes the curing process as the stove is used. To cure the paint, burn the appliance four successive times for ten minutes each time with a five minute cool down between each firing. Also some parts of the appliance may be lightly coated with machining oil. Ventilate the house during these first firings as the paint and oil give off carbon dioxide and unpleasant odors. It is recommended that persons sensitive to an imbalance in the indoor air quality avoid the stove during the curing process.

Optional Wall Thermostat

If an optional wall thermostat is to be installed, install the thermostat per the manufacturers instructions (provided with the thermostat). Failure to follow manufacturers instructions could result in a malfunction. Pay special attention to the thermostat location requirements. If the location requirements are not adhered to the appliance, erratic operation or failure may occur.

Do not mount the thermostat where it may be affected by:

- Radiant heat from this appliance, fireplaces, sun or other heat sources.
- Drafts or dead spots behind doors or in corners.
- Hot or cold air from ducts.

Operating Options

Your stove comes equipped with an "On/Off" rocker switch used to turn the burner on and off while the pilot light is on. The switch is a round rocker switch located behind the main control panel door.

A millivolt wall thermostat, or a remote control, can be used to supplement the rocker switch. The gas valve is powered by millivolts generated by the pilot assembly. This millivolt system is very sensitive to electrical resistance, therefore, make sure all connections are tight, clean and free from corrosion. Do not splice any millivolt wires. Consult the table below to determine the proper gage of wire for the thermostat or wall switch connections. This table refers to the total length of the wire (out to the switch and back). The thermostat must be a millivolt type. A 24-volt furnace thermostat will not work. Never hook up household current - 120 Volts - to the millivolt system. It is not recommended to hook up any more than two switches to the stove (for example a rocker switch and a wall thermostat). Additional switches may affect the system resistance and increase the chance of the burner not igniting.

Follow the instructions included with the thermostat or remote control for wiring. The thermostat, remote control and rocker switch will turn the burner on and off independently. Be sure to set the rocker switch to the "Off" position when using the thermostat or remote control and set the thermostat or remote control to the lowest temperature when you wish to use the rocker switch only, otherwise one may override the other.

Thermostat Wire	
Wire Size	Maximum Length
12 Gage	100 Feet
14 Gage	64 Feet
16 Gage	40 Feet
18 Gage	25 Feet
20 Gage	16 Feet

Millivolt Control System

This stove operates on a millivolt control system. As such, no additional power supply is needed for the stove to heat. The pilot assembly contains a thermocouple that, when heated by the pilot flame, generates electricity (millivolts- $mV=1/1000$ of a volt) which opens a valve allowing gas to continue flowing to the pilot assembly. The pilot assembly also contains a thermopile that, when heated by the pilot flame, generates electricity that flows to terminal #1 (labeled TPTH) on the gas valve. When the electricity is conducted from terminal #1 through the on/off switch, thermostat, or receiver of the remote control to terminal #3 (labeled TH) on the gas valve, the main burner will ignite.

CAUTION: Label all wires prior to disconnection when servicing controls. Wiring errors can cause improper and dangerous operation.

ATTENTION: Au moment de l'entretien des commandes, étiquetez tous les fils avant de les débrancher. Des erreurs de câblage peuvent entraîner un fonctionnement inadéquat et dangereux.

Millivolt Control Schematic

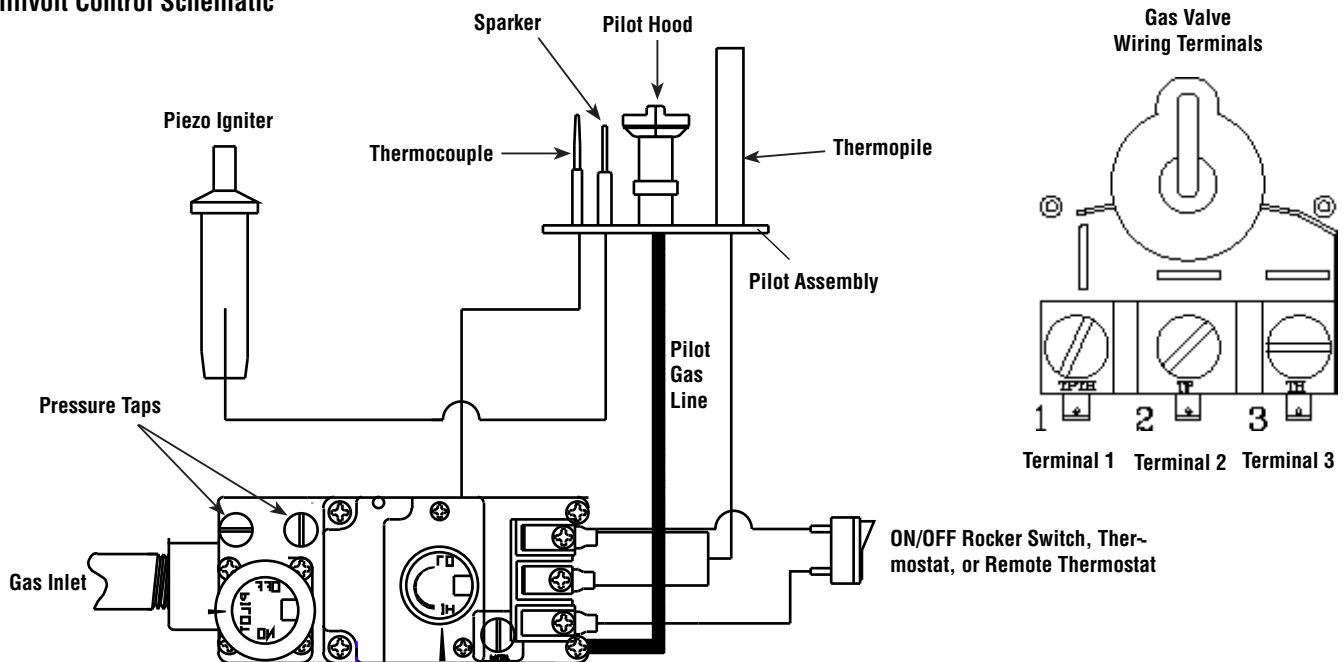


Figure 33

MAINTENANCE AND SERVICING

WARNING

Turn off gas and electrical power to the fireplace and allow it to cool before cleaning or servicing the appliance.

CAUTION: Wear gloves and safety glasses for protection while doing required maintenance.

Verify proper operation after servicing.

S'assurer que l'appareil fonctionne adéquatement une fois l'entretien terminé.

Maintenance Checklist:

The following should only be performed by a qualified service technician.

1. Annual inspection should be made and the following checks performed:

- When unit is cool, open glass viewing door and inspect burner for dirt, soot and lint accumulations and remove if necessary. If excessive soot accumulation is present on burner, have a qualified service technician adjust burner for proper combustion.
- Clean inside of glass viewing door with gas fireplace glass cleaner. NEVER attempt to open door or clean glass when unit is hot.
- Check the hot air outlet vents for lint or other accumulations. Never block or restrict vent openings or obstruct flow of ventilation air.
- Check that direct-vent pipe, air intake and flue are open and free of soot, blockage, or debris.
- Check gaskets once a year. Gaskets must be tight. Replace if necessary.
- Inspect the pilot system for proper flame. NEVER ADJUST THE PILOT until after the gas pressure has been checked and supply lines have been completely bled (this may take an hour or more when bleeding through the pilot). All pilots are checked and burned at the factory prior to shipment. The pilot adjustment screw is located to the lower left of the flame height control knob.

Adjust the pilot screw to properly size the flames. The flames should completely surround the thermopile and thermocouple and extend across the main burner tube ports. Be careful not to back the screw out of its threads.

- Check that the area around the stove is kept clear and is free of combustible materials, gasoline and other flammable vapors and liquids.
- Check the millivolt system as per the table on this page.

2. The viewing glass should be cleaned periodically (see Glass Door Cleaning and Maintenance).
3. Should repairs or maintenance of the stove require the disassembly of the vent/air intake system, the reassembly and resealing should be completed by a qualified service technician and follow the instructions on Page 12 of this manual.

Millivolt and System Checks				
Check Test	To Test	Connect Meter Leads to Terminals	Thermostat Connects	Meter Reading Should Be
A	Complete System	2 & 3	Closed	100 MV or More
B	Thermopile Output	1 & 2	Open	Greater Than 325 MV
C	System Resistance	2 & 3	Closed	2.5 Ohms

See Figure 33 - Wiring Terminals

Proper Pilot Flame Appearance

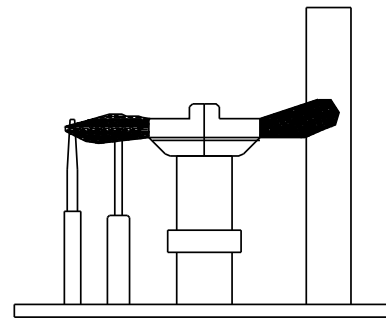


Figure 34

Vent Pipe Maintenance

Conduct an inspection of the venting system semiannually. Recommended areas to inspect are as follows:

1. Check areas of the venting system which are exposed to the elements for corrosion. These will appear as rust spots, streaks, or, in extreme cases, holes. These components should immediately be replaced.
2. Remove the cap and shine a flashlight down the vent. Remove any bird nests or other foreign material.
3. Check for evidence of excessive condensate, such as water droplets forming in the inner liner and subsequently dripping out at joints. Continuous condensate can cause corrosion of caps, pipe and fittings. It may be caused by having excessive lateral runs, too many elbows, or exterior portions of the system being exposed to cold weather.
4. Inspect joints to verify that no pipe sections or fittings have been disturbed and consequently loosened. Also check mechanical supports such as wall straps or plumbers' tape for rigidity.

Glass Door

WARNING

- Do not attempt to substitute the materials used on these doors, or replace cracked or broken glass.
- Handle this glass with extreme care! Glass is susceptible to damage – Do not scratch or handle roughly while reinstalling the glass door frame.
- The glass door(s) of this appliance must only be replaced as a complete unit as provided by the manufacturer. Do not attempt to replace broken, cracked or chipped glass separately.
- Do not attempt to touch the front enclosure glass with your hands while the appliance is in use.

WARNING

Do not operate appliance with the glass front removed, cracked or broken.

AVERTISSEMENT

Ne pas utiliser l'appareil si le panneau frontal en verre n'est pas en place, est craqué ou brisé.

Only doors certified with the appliance shall be used.

Seules des portes certifiées pour cet appareil doivent être utilisées.

CAUTION: DO NOT abuse glass door by striking or slamming shut.

Do not remove glass door while the appliance is hot.

Opening and Removing Door

To replace the door:

1. Shut off the main burner using the rocker switch.
2. Shut off the pilot flame by turning the pilot knob clockwise to "OFF."
3. Facing the stove pull open the left side door and open the right side door by removing the socket head cap screw located underneath the door near the front of the stove.

4. With both doors open, remove the four socket head cap screws, two on each side, securing the top. Lift and remove the top of the stove.
5. Unlatch main door and lift straight up off of the locating hinge pins.
6. Reinstall door assembly following steps in reverse order.

Glass Door Cleaning and Maintenance

Cleaning: Do not remove or clean the glass door when hot. When cool, the glass may be cleaned with a clean, soft cloth and glass cleaner. For cleaning white condensation from the interior glass use a gas stove glass cleaner available from your stove dealer. Use of caustic or abrasive cleaners may damage glass. Gold or nickel plated trim must be cleaned with glass cleaner or denatured alcohol and a soft cloth before firing or fingerprints and stains will remain permanently. Never use abrasive polish to clean the gold or nickel as it will ruin the finish. DO NOT spray commercial glass cleaner with ammonia on the door and glass gasket as it may dissolve the gasket glue.

Repair: If the glass is broken in the glass door, the entire door (metal frame, gasket and glass) should be replaced as a unit. This replacement glass door is available from your Lennox Hearth Products dealer. Do not use substitute parts or materials. The glass is neo-ceramic and alternative types must not be used.

NOTE: BE CAREFUL NOT TO SPRAY COMMERCIAL GLASS CLEANER WITH AMMONIA ON GASKET AREA OF DOOR. AMMONIA WILL DISSOLVE GASKET GLUE.

NOTE: GOLD PLATED SURFACE MUST BE CLEANED WITH GLASS CLEANER AND SOFT RAG BEFORE FIRING THE FIRST TIME OR FINGER PRINTS AND STAINS WILL REMAIN PERMANENTLY. NEVER USE BRASS POLISH TO CLEAN GOLD, THIS WILL REMOVE GOLD PLATING!

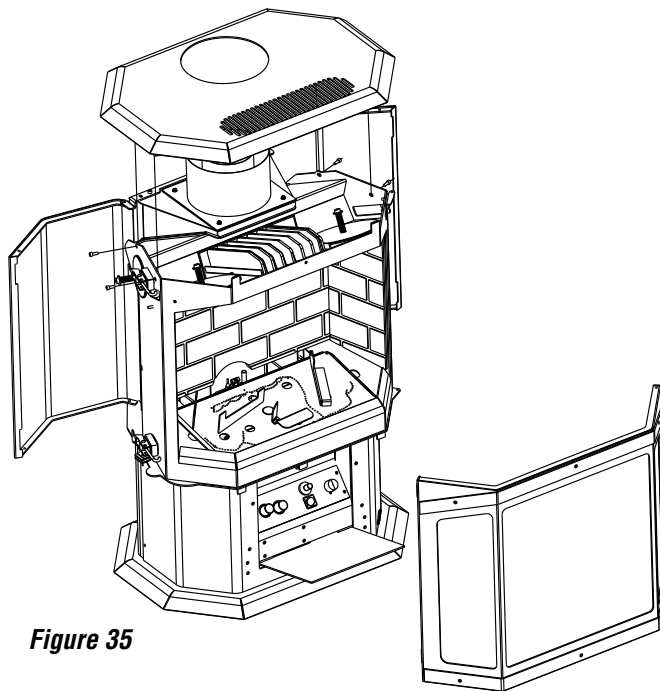


Figure 35

Fuel Conversion

Converting the stove between natural gas (NG) and propane (LP) can be accomplished by either changing the cassette (valve and pilot assembly) or installing a conversion kit (regulator, burner orifice and repositioning the slide orifice of the pilot). Only a qualified service technician should perform the conversion.

Conversion Kit

Please see instructions provided with conversion kit.

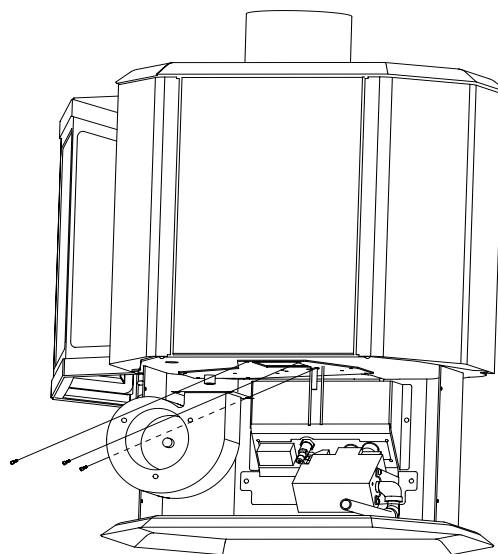
Cassette Removal

CAUTION: Label all wires prior to disconnection when servicing controls. Wiring errors can cause improper and dangerous operation.

ATTENTION: Au moment de l'entretien des commandes, étiquetez tous les fils avant de les débrancher. Des erreurs de câblage peuvent entraîner un fonctionnement inadéquat et dangereux.

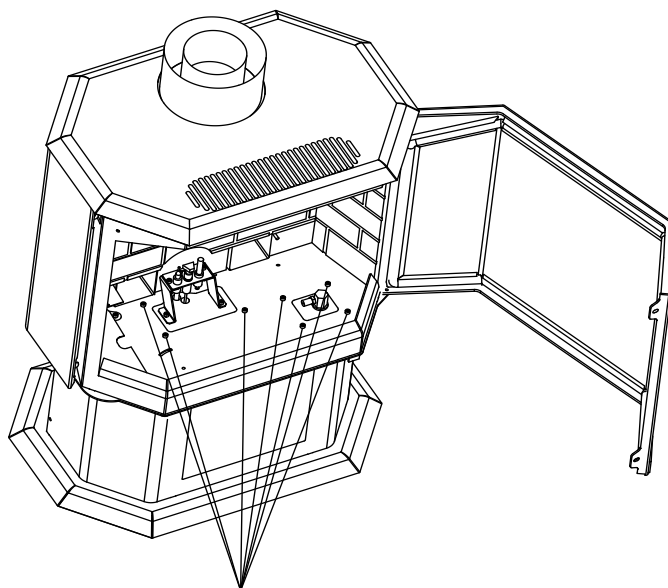
1. Be sure the gas supply is shut off. The electrical supply for the blower should be unplugged from both the wall and the Epic™ gas stove before beginning the conversion.
2. Disconnect back of pedestal by removing the four button head cap screws securing it, slide back far enough to label and disconnect wires from the AC inlet plug. Remove the white remote thermostat plug. Completely remove back of pedestal from the Epic gas stove.
3. Disconnect the gas supply from the stove, being careful not to apply pressure to the valve in the process.
4. Remove socket head cap screw securing the bottom of the right side door, open, label and remove the wires leading to the snap switch.
5. Remove the control panel containing the On/Off switch by removing the four socket head cap screws securing it. Pull the control panel out far enough to remove the orange piezo igniter wire. Detach the two black wires from the back of the On/Off switch, disconnect the fan control wires and completely remove the control panel. Remove the knob extensions from the valve controls.
6. Remove the log set and brick panels (see Brick Panel, Log Set and Ember Installation).
7. Remove the two screws from the back of the burner. Lift the left end of the burner and slide it off the orifice and shutter tube. Remove the burner from the firebox.
8. From inside the firebox, remove the right side burner support. Then remove the seven socket head cap screws holding the cassette in place.
9. From inside the pedestal remove the four 3/8" nuts holding the back of the control panel.

10. Mark and unplug the remaining fan wire. Remove the three screws securing the fan and set aside.
11. Remove the cassette assembly by carefully pulling the top cassette plate downward, guiding the pilot assembly out of the firebox, down into the pedestal area. Once the pilot assembly is clear of the firebox, remove the cassette from the pedestal.
12. Install the new, converted, or serviced cassette in the reverse order of removal. All surfaces of the cassette must be sealed to the firebox to ensure an air tight seal. The old gasket must be replaced with a new gasket.
13. All parts and wires must be correctly reinstalled to ensure safe and proper operation of the unit.



Blower Removal

Figure 36



Cassette Screws

Figure 37

TROUBLESHOOTING

NOTE: When troubleshooting the gas control system, be sure the external gas shut off valve, located at the gas supply inlet is in the “ON” position.

IMPORTANT: Call your gas supplier or plumber for additional help with any gas control problem. Valve system troubleshooting should only be accomplished by a qualified service technician.

SYMPTOM	PROBABLE CAUSE	CORRECTIVE ACTION
Thin black coating (soot) forms on the viewing glass, logs, or firebox.	Improper log or ember placement. Blocked flue. Improper air shutter setting.	See Brick Panel, Log Set and Ember Installation . Check for obstructions in vent pipe, check for proper restrictor setting. See Flue Restrictors . See Air Shutter Adjustment .
Humming or whistling coming from fireplace.	Normal operating noise. Dirt in burner orifice.	See Quiet Operation . The noise may be reduced by slightly turning the flame down. Turning the flame down will reduce the heat output of the fireplace. Clean orifice.
A change in flame appearance or burner operation.	A change in gas pressure. Improper ember or log placement.	Have your gas supplier check for correct gas pressure (7” W.C. natural gas; 11” W.C. LP gas). See Brick Panel, Log Set and Ember Installation .
Pilot will not light.	No gas supplied to unit. Air in line. Defective igniter (no spark at electrode). The valve control knob is not turned to “pilot” and pushed in.	Turn on gas. To purge, hold in control knob in pilot position for 1-2 minutes and light. Check for spark at electrode and pilot, if no spark and electrode wire is properly connected, replace igniter. See Lighting Instructions .
Pilot will not stay lit after carefully following lighting instructions.	Pilot flame is not surrounding thermocouple. Thermocouple not generating sufficient voltage. Air in gas supply line.	Check pilot flame adjustment (see Maintenance and Servicing section). Check the connection between the thermocouple lead and the valve. Turn control knob to “pilot” and push in and light pilot. While lit, take millivolt reading at lead going into valve’s CPU. Minimum reading should be 17 millivolts. If less, replace thermocouple. Purge air in pilot gas line by holding in control knob at “pilot” and sparking igniter. The air in the line may take up to several minutes to purge.
Main burner will not burn.	Pilot has gone out. Rocker switch or thermostat wires are defective. Thermopile may not be generating sufficient millivolts.	See Lighting Instructions . Disconnect rocker switch and thermostat wires at terminals 1 and 3 on valve. Jumper across from 1 to 3 with pilot lit. If burner comes on either rocker switch or thermostat wiring is not functioning. Make sure thermopile is fully engulfed by the pilot flame. Check thermopile with millivolt meter. With pilot lit and the rocker switch and thermostat off, the millivolt reading with the meter connected to valve terminals 1 and 2 should be after 2 minutes at least 325. If the thermopile lead connections are good at terminals 1 and 2 and readings are less than 325, replace faulty thermopile.

Wire Harness Diagram

CAUTION: Label all wires prior to disconnection when servicing controls. Wiring errors can cause improper and dangerous operation.

ATTENTION: Au moment de l'entretien des commandes, étiquetez tous les fils avant de les débrancher. Des erreurs de câblage peuvent entraîner un fonctionnement inadéquat et dangereux.

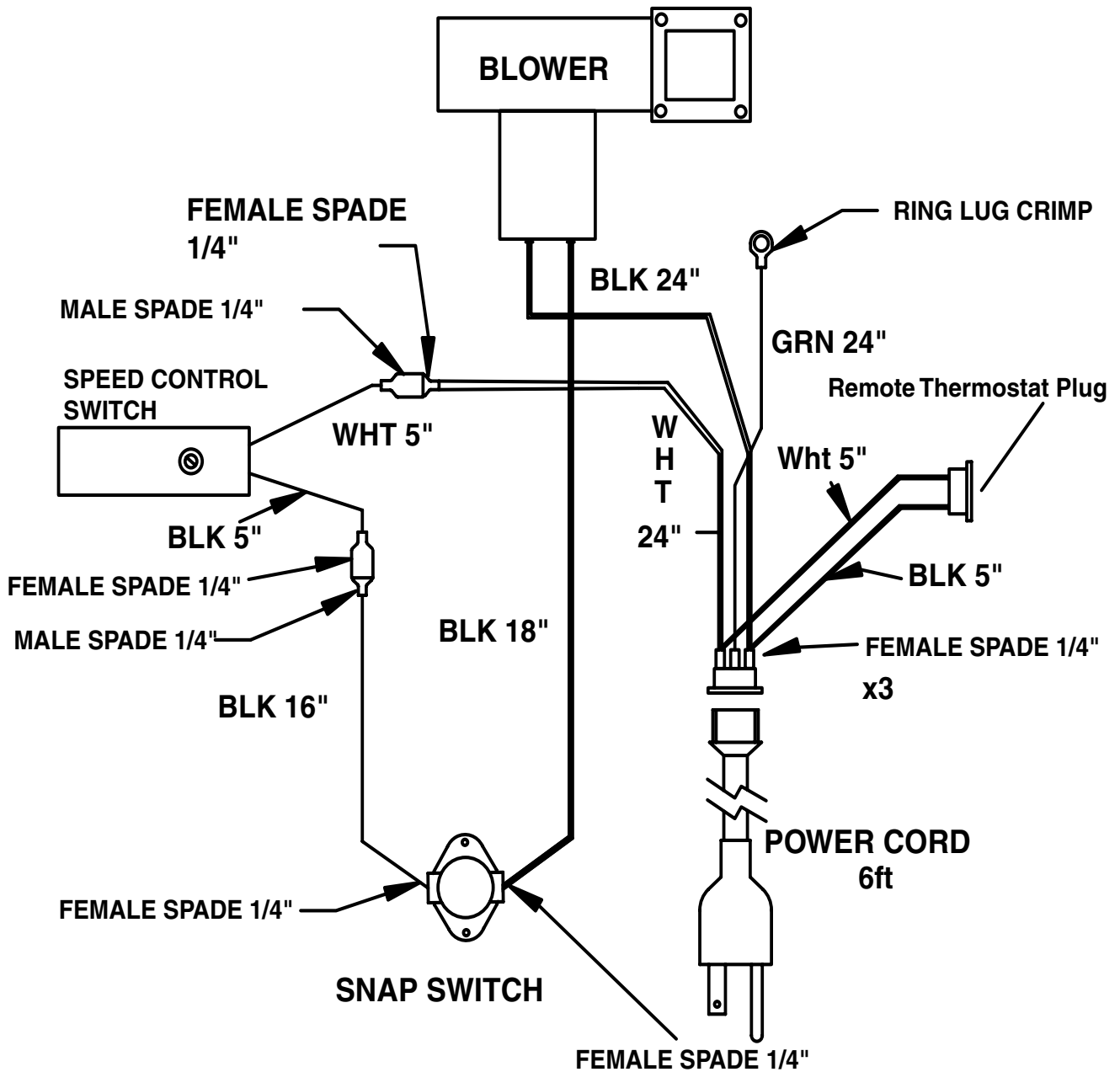


Figure 38

REPLACEMENT PARTS - Epic™ 33/40 (EPIC33/40)

Diagram No.	Part No.	Description
1	H3102	Front Door
2	H5835	Burner Support, Right
3	H5834	Burner Support, Left
4	H3137	Burner Pan
5,6,7	H5872	Brick Panel Set
8	H5836	Brick Panel Bracket
10,11	H3124	Heat Exchanger Kit
12,13	H6014	Side Door
14	H5875	Snap Switch
16,17,24,25,26	H6015	Large Relief Door Assembly
18	H6017	Top Cover
19	H5919	Flue Adapter 6-5/8"
20	H5909	Flue Adapter Gasket
22,23,24,25,26	H3127	Relief Door Assembly, Small
27	H3125	Door Latch Assembly
29	H3126	Magnet and Bracket Assembly
30	H6016	Control Door Assembly
32	H3125	Control Door Latch
33	H5969	Flame Control Extension Knob
34	H5968	Pilot Control Extension Knob
35, 37, 38, 50, 51, 52	H3138	Cassette Assembly, NG
	H5942	Gas Control Valve, NG
	H5943	Regulator, NG
	H5945	Regulator, LP
41	H5744	On/Off Switch, Round
42	H5742	Blower Speed Control (rheostat)
43	H5745	Piezo Igniter
44	H5888	Blower
48	H5896	Fitting Bulkhead
49	H5924	Orifice, NG #36, 33,000 BTU
49	H5973	Orifice, NG #31, 40,000 BTU
51	H5922	Pilot Assembly, NG or LP
52	H5907	Cassette Gasket
53,54	H3078	Blower Grill Assembly
55	H3079	A/C Power Plug
	H3077	Power Cord
	H5873	Log Set
	H5863	Bag of Embers (volcanic stone)
	H5864	Bag of Rockwool

Contact an Authorized Lennox Hearth Products dealer to obtain any of these parts. Never use substitute materials. Use of non-approved parts can result in poor performance and safety hazards.

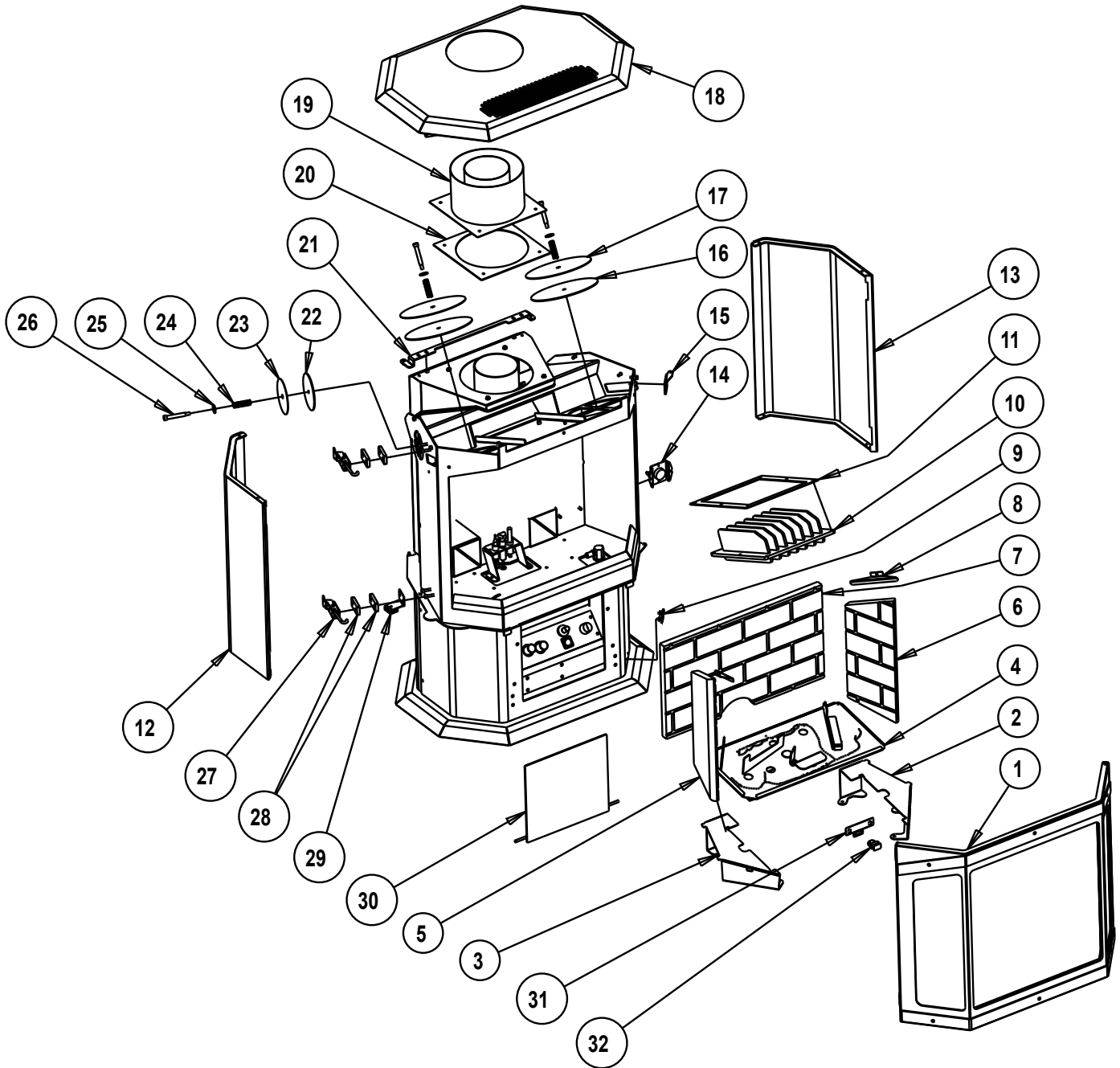
WARNING

Failure to position the parts in accordance with these diagrams or failure to use only parts specifically approved with this appliance may result in property damage or personal injury.

AVERTISSEMENT

Risque de dommages ou de blessures si les pièces ne sont pas installées conformément à ces schémas et ou si des pièces autres que celles spécifiquement approuvées avec cet appareil sont utilisées.

REPLACEMENT PARTS DIAGRAMS - Epic™ 33/40 (EPIC33/40)



NO. DESCRIPTION

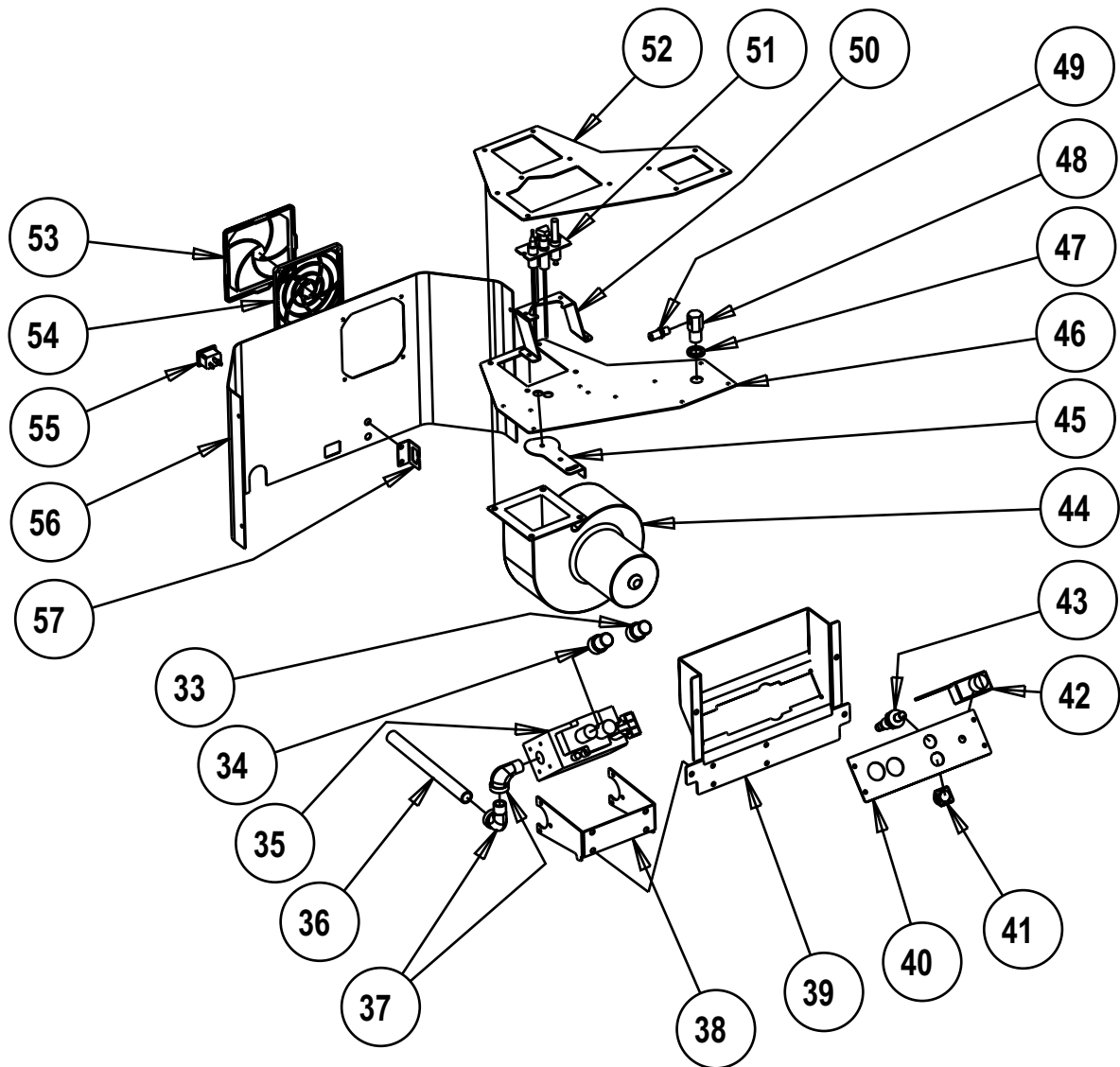
- 1 FRONT DOOR
- 2 RIGHT BURNER SUPPORT
- 3 LEFT BURNER SUPPORT
- 4 BURNER PAN / LOG SET
- 5 BRICK PANEL SET
- 6 BRICK PANEL SET
- 7 BRICK PANEL SET
- 8 BRICK PANEL BRACKET
- 9 NAME PLATE
- 10 SHEETMETAL HEATSINK
- 11 HEATSINK GASKET

NO. DESCRIPTION

- 12 SIDE DOOR
- 13 SIDE DOOR
- 14 SNAP SWITCH
- 15 TOP HINGE BRACKET
- 16 RELIEF DOOR ASSY. LARGE
- 17 RELIEF DOOR, LARGE
- 18 TOP COVER
- 19 6-5/8" FLUE ADAPTER
- 20 FLUE ADAPTER GASKET
- 21 REAR TOP HINGE
- 22 SMALL RELIEF DOOR GASKET

NO. DESCRIPTION

- 23 SMALL RELIEF DOOR
- 24 SPRING, RELIEF DOOR
- 25 WASHER, RELIEF DOOR
- 26 BOLT, RELIEF DOOR
- 27 DOOR LATCH KIT
- 28 SPACER
- 29 MAGNET AND BRACKET ASSY
- 30 CONTROL DOOR
- 31 CONTROL DR LATCH BRACKET
- 32 CONTROL DOOR LATCH



NO. DESCRIPTION

- 33 FLAME CONTROL EXTENSION
- 34 PILOT CONTROL EXTENSION
- 35 VALVE ASSY.
- 36 BLACK IRON PIPE
- 37 STREET ELBOW
- 38 BRACKET, VALVE
- 39 CONTROL PANEL
- 40 DASHBOARD
- 41 ON/OFF SWITCH
- 42 RHEOSTAT
- 43 PIEZO IGNITER

NO. DESCRIPTION

- 44 BLOWER
- 45 SLIDER WASHER
- 46 CASSETTE PLATE
- 47 BULKHEAD SPACER
- 48 FITTING BULKHEAD
- 49 ORIFICE
- 50 PILOT ASSEMBLY BRACKET
- 51 PILOT ASSEMBLY
- 52 CASSETTE GASKET
- 53 FAN GRILL COVER
- 54 FAN GRILL MOUNT

NO. DESCRIPTION

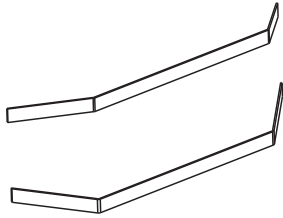
- 55 AC POWER PLUG
- 56 PEDESTAL BACK
- 57 THERMO. OUTLET BRACKET

NOTE: DIAGRAMS & ILLUSTRATIONS ARE NOT TO SCALE.

ACCESSORIES

Trim Kits Kits Include: Matching Trim for Glass (Upper and Lower)

(ref. form #775291M)



Cat. No.	Model	Description
75348	EPIC-TRIM-B	Black Trim
75349	EPIC-TRIM-G	Gold Trim
75350	EPIC-TRIM-BN	Brushed Nickel Trim
75351	EPIC-TRIM-BKN	Black Nickel Trim

Touch-Up Paint Kit



70K99	TSPK-B	Touch-Up Paint, Metallic Black (12 oz aerosol)
-------	--------	--

NOTE: The form numbers referenced are the part numbers of the instruction sheets included in kits.

Controls



Wall
Thermostat



Remote
Control


70005	RT-AC	Remote Thermostat AC (ref. form #775280M)
H0251	RCL-STAT	Remote Control, Deluxe Thermostat DC, (ref. form #750129M)
H4635	DWTK	Wall Thermostat, Digital

Gas Conversion Kits



Cat. No.	Model	Description
75355	EPIC-CK-LP to NG	Conversion Kit LP to NG (ref. form #775235M)
75352	EPIC-CK-NG to LP	Conversion Kit NG to LP (ref. form #775244M)

SAFETY / LISTING LABEL

Tested & Listed By  MODEL **EPIC™ NG 40** SERIAL NO.
 Portland Oregon USA MODÈLE NUMÉRO DE SÉRIE

OMNI-Test Laboratories, Inc.

MANUFACTURED BY:
LENNOX HEARTH PRODUCTS
 PO BOX 987
 AUBURN, WA., USA 98071



Report No. / Numéro de Rapport
 050-S-21b-5

FACTORY EQUIPPED FOR NATURAL GAS. IF CONTROL PANEL CONTRADICTS THIS LABEL, UNIT FUEL TYPE HAS BEEN CONVERTED. CET APPAREIL EST MUNI D'ÉQUIPEMENT POUR L'USAGE DU GAZ NATUREL. SI L'ÉTIQUETTE DU PANNEAU DES COMMANDES CONTREDIT CETTE ÉTIQUETTE, C'EST QUE LE TYPE DE CARBURANT DE CET APPAREIL A ÉTÉ CONVERTI.

VENTED GAS FIREPLACE HEATER - NOT FOR USE WITH SOLID FUEL

MAY BE INSTALLED IN RESIDENTIAL BEDROOMS AND MANUFACTURED (MOBILE) HOMES. TESTED TO ANSI Z21.88-2005/CSA 2.33-2005 "VENTED GAS FIREPLACE HEATERS", UL307b, CSA P.4.1-02, AND CGA 2.17-M91.

THIS APPLIANCE MUST BE INSTALLED IN ACCORDANCE WITH LOCAL CODES, IF ANY. IF NOT, FOLLOW THE CURRENT ANSI Z223.1/NFPA 54-LATEST EDITION (USA) OR CAN/CGA B149.1-LATEST EDITION (CANADA) AND SAFETY STANDARD, TITLE 24 CFR, PART 3280 FOR MOBILE HOMES. ALSO, APPLIANCE MUST BE INSTALLED IN ACCORDANCE WITH THE MANUFACTURER'S INSTALLATION INSTRUCTIONS.

THIS APPLIANCE IS ONLY FOR USE WITH THE TYPE OF GAS INDICATED ON THE RATING PLATE AND MAY BE INSTALLED IN AN AFTERMARKET, PERMANENTLY LOCATED, MANUFACTURED (MOBILE) HOME WHERE NOT PROHIBITED BY LOCAL CODES. SEE OWNER'S MANUAL FOR DETAILS. THIS APPLIANCE IS NOT CONVERTIBLE FOR USE WITH OTHER GASES, UNLESS A CERTIFIED KIT IS USED.

DANGER: RISK OF ELECTRICAL SHOCK. DISCONNECT POWER BEFORE SERVICING UNIT.

IF ELECTRICALLY CONNECTED, CONNECTIONS AND GROUNDING MUST BE IN ACCORDANCE WITH LOCAL CODES, IF ANY. IF NOT, FOLLOW THE CURRENT NATIONAL ELECTRICAL CODE ANSI/NFPA 70-LATEST EDITION (USA) OR CSA C22-1-LATEST EDITION (CANADA).

RATINGS	EPIC 33		EPIC 40	
	NATURAL GAS	LP GAS	NATURAL GAS	LP GAS
MAXIMUM INPUT BTU/H 0-2,000 FT (0-610 M)*	33,000 / 23,000	31,000 / 24,000	40,000 / 27,000	39,000 / 30,000
ORIFICE (DMS) 0-2,000 FT (0-610 M)*	#36/.106 IN.	#52/.064 IN.	#31/.120 IN.	#49/.073 IN.
MANIFOLD PRESSURE (IN. WC)	3.5 / 1.7	10.0 / 5.4	3.5 / 1.7	10.0 / 5.4
MIN. INLET PRESSURE (IN. WC)	5.0	11.0	5.0	11.0

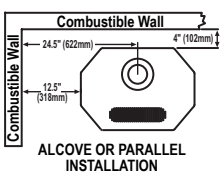
*UNIT FACTORY EQUIPPED FOR 0-2000 FT/0-610 M, IN CANADA 0-4500 FT/0-1370 M ELECTRICAL RATING: 120 VAC, 60 HZ, LESS THAN 2 AMPS

VENTING: THIS APPLIANCE MUST BE PROPERLY CONNECTED TO A VENTING SYSTEM IN ACCORDANCE WITH THE MANUFACTURER'S INSTRUCTIONS. SEE MANUFACTURER'S INSTALLATION INSTRUCTIONS FOR APPROVED PIPE BRANDS AND PIPE SEALING PROCEDURES.

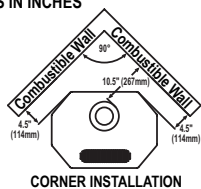
FOR ALTITUDES ABOVE 2,000 FT/610M (IN CANADA 4500 FT/1370M) DE-RATE THE APPLIANCE BY FOUR (4%) FOR EVERY 1,000 FT (405 M).

THIS VENTED GAS FIREPLACE HEATER IS NOT FOR USE WITH AIR FILTERS.

MINIMUM CLEARANCES - TO COMBUSTIBLES IN INCHES



ALCOVE DIMENSIONS
 MAXIMUM DEPTH 48" (1219mm)
 MINIMUM WIDTH 48" (1219mm)
 MINIMUM HEIGHT 69" (1753mm)
 SEE OWNER'S MANUAL FOR OTHER ALCOVE CLEARANCE CONFIGURATIONS
 HEARTH PROTECTION
 SEE INSTRUCTION MANUAL



CORNER INSTALLATION

CAUTION: HOT WHILE IN OPERATION. DO NOT TOUCH. SEVERE BURNS MAY RESULT. KEEP CHILDREN, CLOTHING, FURNITURE, GASOLINE AND OTHER LIQUIDS HAVING FLAMMABLE VAPORS AWAY. KEEP BURNER AND CONTROL COMPARTMENT CLEAN. SEE INSTALLATION AND OPERATING INSTRUCTIONS ACCOMPANYING APPLIANCE. FOR USE WITH GLASS DOORS CERTIFIED WITH THIS APPLIANCE ONLY. DO NOT OPERATE THE APPLIANCE WITH GLASS REMOVED, CRACKED OR BROKEN. REPLACEMENT OF THE PANEL(S) SHOULD BE DONE BY A LICENSED OR QUALIFIED PERSON.

WARNING: IMPROPER INSTALLATION, ADJUSTMENT, ALTERATION, SERVICE OR MAINTENANCE CAN CAUSE INJURY OR PROPERTY DAMAGE. REFER TO THE OWNER'S INFORMATION MANUAL PROVIDED WITH THIS APPLIANCE. FOR ASSISTANCE OR ADDITIONAL INFORMATION CONSULT A QUALIFIED INSTALLER, SERVICE AGENCY OR GAS SUPPLIER.

Part No./ No. Pièce #36247 Rev. B, 03/08

DO NOT REMOVE OR COVER THIS LABEL

Made in U.S.A.

HOMOLOGUÉ FOYER RADIANT PRÉFABRIQUÉ AU GAZ -NE PAS UTILISER AVEC DU COMBUSTIBLE SOLIDE

MAY BE INSTALLED IN RESIDENTIAL BEDROOMS AND MANUFACTURED (MOBILE) HOMES. TESTÉ SELON LA NORME ANSI Z21.88-2005/CSA 2.33-2005 «FOYER RADIANT AU GAZ», UL307B, CSA P.4.1-02, ET CGA 2.17-M91. CET APPAREIL DOIT ÊTRE INSTALLÉ CONFORMÉMENT AUX EXIGENCES DES CODES RÉGIONAUX ET DU CODE D'INSTALLATION ANSI NFPA 54-DERNIÈRE ÉDITION (ÉTATS-UNIS), OU CAN/CGA-B149.1-DERNIÈRE ÉDITION (CANADA) POUR LES MAISON MOBILE LE STANDARD DE SÉCURITÉ EST TITRE 24CFR, PART 3280 . CET APPAREIL DOIT ÊTRE INSTALLER SELON LES SPÉCIFICATIONS DU MANUFACTURIER.

CET APPAREIL DOIT ÊTRE UTILISÉ AVEC LE TYPE DE GAZ INDICÉ SUR LA PLAQUE SIGNALÉTIQUE ET PEUT ÊTRE INSTALLÉ DANS UNE MAISON PRÉUSINÉE OU DANS UNE MAISON MOBILE FIXE, LÀ OÙ LES CODES RÉGIONAUX LE PERMETTENT. VOIR LE MANUEL D'ENTRETIEN POUR PLUS DE DÉTAILS. CET APPAREIL NE PEUT PAS ÊTRE CONVERTI POUR L'USAGE AVEC D'AUTRES TYPES DE GAZ À MOINS D'UTILISER UNE TROUSSE DE CONVERSION HOMOLOGUÉE.

DANGER: RISQUE DE CHOC ÉLECTRIQUE. DÉBRANCHEZ L'APPAREIL AVANT D'EN FAIRE L'ENTRETIEN.

SI L'APPAREIL REQUIERT UN BRANCHEMENT ÉLECTRIQUE, LES RACCORDEMENTS ET LA MISE À LA TERRE DOIVENT ÊTRE CONFORMES AUX EXIGENCES DES CODES RÉGIONAUX ET DU CODE D'INSTALLATION ANSI/NFPA 70 OU CSA C22-1.

SPÉCIFICATIONS	Modèle EPIC 33		Modèle EPIC 40	
	GAZ NATUREL	GAZ PROPANE	GAZ NATUREL	GAZ PROPANE
ENTRÉE MAX/MIN BTU/HR 0-4500 pi (0-1370 M)*	33000/ 23000	31000/ 24000	40000/ 27000	39000/ 30000
ORIFICE (DMS) 0-4500 pi (0-1370 M)*	#36/.106"	#52/.064"	#31/.120"	#49/.073"
PRESSION À LA SORTIE (IN. WC/C.E.)	3.5 / 1.7	10.0 / 5.4	3.5 / 1.7	10.0 / 5.4
PRESSION MINIMUM D'ENTRÉE DU GAZ (IN. WC/C.E.)	5.0	11.0	5.0	11.0

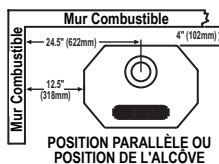
* L'APPAREIL PRÉUSINÉ EST MUNI D'ÉQUIPEMENT POUR 0-2000 PIEDS (0-610 M), AU CANADA 0-4500 PIEDS (0-1370M). SPÉCIFICATIONS ÉLECTRIQUE 120 VCA, 60 HZ, MOINS DE 2 AMPÈRES

CONDUIT: CET APPAREIL DOIT ÊTRE INSTALLER SEULEMENT AVEC UN CONDUIT D'ÉVACUATION RECOMMANDÉ PAR LE MANUFACTURIER. TOUJOURS SE REFERER AU MANUEL D'INSTALLATION.

EN ALTITUDE, AU-DELÀ DE 2000 PII/610 M, (AU CANADA 0-4500 PII/0-1370M) LA CAPACITÉ ÉNERGÉTIQUE DE L'APPAREIL DIMINUE DE QUATRE (4%) POUR CHAQUE 1000 PI (405 M).

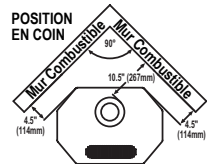
CE FOYER RADIANT AU GAZ À ÉVACUATION N'EST PAS CONÇU POUR ÊTRE UTILISÉ AVEC DES FILTRES À AIR.

DÉGAGEMENTS AUX COMBUSTIBLES - POUCES



POSITION PARALLÈLE OU POSITION DE L'ALCOVE

DIMENSIONS - ALCOVE
 PROFONDEUR MAXIMUM: 48 PO. (1219mm)
 LARGEUR MAXIMUM: 48 PO. (1219mm)
 HAUTEUR MAXIMUM: 69 PO. (1753mm)
 RÉFÉREZ VOUS AU MANUEL D'INSTALLATION POUR TOUT AUTRE DÉGAGEMENT REQUIS.
 PROTECTIONS AU PLANCHER: RÉFÉREZ VOUS AU MANUEL D'INSTALLATION



POSITION EN COIN

DANGER: CET APPAREIL DÉGAGE DES TEMPÉRATURES ÉLEVÉES ET DEVRAIT ÊTRE INSTALLÉ À L'ÉCART DES ENDROITS TRÈS PASSANTS ET LOIN DES MEUBLES ET RIDEAUX. SURVEILLEZ LES ENFANTS QUI SE TROUVENT DANS LA PIÈCE. GARDEZ LA ZONE AUTOUR DU FOYER EXEMPTÉ DE MATÉRIAUX COMBUSTIBLES, D'ESSENCE ET AUTRES VAPEURS ET LIQUIDES INFLAMMABLES. MAINTENEZ LE BRÛLEUR ET LE BOÎTIER DES COMMANDES PROPRE EN TOUT TEMPS. VOIR LES MANUELS D'INSTALLATION ET D'ENTRETIEN QUI ACCOMPAGNENT L'APPAREIL. SEUL LE PANNEAU VITRÉ FOURNI PAR LE MANUFACTURIER PEUT ÊTRE UTILISÉ AVEC CET APPAREIL. EN AUCUN CAS, L'APPAREIL NE PEUT ÊTRE UTILISÉ SANS LA VITRE OU AVEC LA VITRE BRISÉE. LE REMPLACEMENT DE LA VITRE DOIT ÊTRE EFFECTUÉ PAR UN TECHNICIEN DE SERVICE QUALIFIÉ.

AVERTISSEMENT: UNE INSTALLATION INADÉQUATE DE MÊME QU'UN AJUSTEMENT, UNE MODIFICATION, UNE RÉPARATION OU UN ENTRETIEN INCORRECTS PEUVENT CAUSER DES BLESSURES OU DOMMAGES À LA PROPRIÉTÉ. RÉFÉREZ-VOUS AU MANUEL D'ENTRETIEN LIVRÉ AVEC CET APPAREIL. POUR DE L'ASSISTANCE, CONSULTEZ UN INSTALLATEUR QUALIFIÉ, UNE ENTREPRISE DE SERVICE OU UN FOURNISSEUR DE GAZ.

DATE OF MANUFACTURE / DATE DE FABRICATION

2010	2011	2012	2013	JAN JANV	FEB FEVR	MAR MARS	APR AVR	MAY MAI	JUN JUIN	JUL JUIL	AUG AOÛT	SEP SEPT	OCT OCT	NOV NOV	DEC DEC
<input type="checkbox"/>	<input type="checkbox"/>	<input type="checkbox"/>	<input type="checkbox"/>	<input type="checkbox"/>	<input type="checkbox"/>	<input type="checkbox"/>	<input type="checkbox"/>	<input type="checkbox"/>	<input type="checkbox"/>	<input type="checkbox"/>	<input type="checkbox"/>	<input type="checkbox"/>	<input type="checkbox"/>	<input type="checkbox"/>	<input type="checkbox"/>

N'ENLEVEZ PAS OU NE COUVREZ PAS CETTE ÉTIQUETTE

Fabriqué aux U.S.A.

IGN 08-0711

LIGHTING LABEL

FOR YOUR SAFETY READ BEFORE OPERATING

WARNING: IF YOU DO NOT FOLLOW THESE INSTRUCTIONS EXACTLY, A FIRE OR EXPLOSION MAY RESULT CAUSING PROPERTY DAMAGE, INJURY OR LOSS OF LIFE.

CAUTION: HOT WHILE IN OPERATION. DO NOT TOUCH. KEEP CHILDREN, FURNITURE, GASOLINE AND OTHER LIQUIDS WITH FLAMMABLE VAPORS AWAY. NEVER OPERATE UNIT WITH GLASS DOOR OFF OR ATTEMPT TO OPEN THE DOOR WHILE HOT.

- A. This appliance is equipped with a piezo ignition device to light the pilot. When lighting the pilot, follow these instructions exactly.
- B. BEFORE LIGHTING, smell around the appliance area for gas. Be sure to smell next to the floor because some gas is heavier than air and will settle on the floor.

WHAT TO DO IF YOU SMELL GAS:

- DO NOT try to light the appliance.
- DO NOT touch any electric switch; do not use any phone in the building.

- Immediately call your gas supplier from a neighbor's phone. Follow the gas supplier's instructions.
- If you cannot reach your gas supplier, call the fire department.
- C. Use only your hand to push in or turn the gas control knob. Never use any tool. If the knob will not push in or turn by hand, don't try to repair it, call a qualified service technician. Force or attempted repair may result in a fire or explosion.
- D. DO NOT use this appliance if any part has been under water. Immediately call a qualified service technician to inspect the appliance and to replace any part of the control system and any gas control which has been under water.

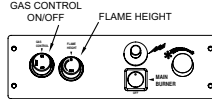
OPERATING INSTRUCTIONS

CAUTION: YOUR LENNOX GAS APPLIANCE MUST ALWAYS BE OPERATED WITH GLASS DOOR IN PLACE. STOP! Read the safety information above before proceeding.

1. Open the lower door. Make sure gas supply shut-off cocks are open and ON/OFF Rocker Switch is "OFF". If equipped with a thermostat, set it to the lowest setting.
2. Turn off all electrical power to the appliance.
3. Push in Gas Control Knob slightly and turn clockwise to "OFF".

NOTE: Knob cannot be turned from "PILOT" to "OFF" unless Knob is pushed in slightly. Do not force.

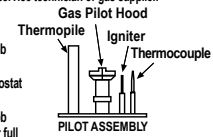
4. Wait five (5) minutes to clear out any gas. If you smell gas, STOP! Follow "B" above. If you don't smell gas continue.
5. Locate the pilot by looking at the center bottom of the back log. Blue flame will be seen when the pilot is lit.
6. Turn the gas control knob counterclockwise to the "PILOT" position.
7. Push the knob all the way in and hold in that position. Immediately light the pilot by pressing the igniter button



several times until pilot is lit. Continue to hold the knob in for about 30 seconds after the pilot is lit. Release knob and it will pop back out.

Pilot should remain lit. If it goes out, repeat steps 4-8 holding knob in an additional 15 seconds after pilot is lit.

- If knob does not pop out when released, stop and immediately call your service technician or gas supplier.
 - If the pilot will not stay lit after several tries, turn the gas control knob to "OFF" and call your service technician or your gas supplier.
8. After pilot is lit, turn gas control counterclockwise to "ON". Knob can only be turned "ON" if the knob has popped out.
 9. To turn burner on, turn "ON/OFF" rocker switch to "ON" or set the thermostat to the desired temperature above room temperature.
 10. Adjust the flame height (and heat output) by turning the flame height knob clockwise for reduced flame and counterclockwise for full flame.
 11. Turn on all electrical power to the appliance.
 12. Set the blower to the desired air flow after it turns on when the appliance reaches operating temperature.



TO TURN OFF GAS TO APPLIANCE

1. Turn off the "ON/OFF" rocker switch and/or thermostat (if installed).
2. Turn off electric power to the appliance if service is to be performed.
3. Turn gas control knob clockwise to "OFF". Do not force.

This appliance needs fresh air for safe operation and must be installed so there are provisions for adequate combustion and ventilation air. See Installation and Operation Manual accompanying appliance.

WARNING: Improper installation, adjustment, alteration, service or maintenance can cause injury or property damage. For assistance or additional information, consult a qualified installer, service agency or your gas supplier.

Operation of this appliance when not connected to a properly installed and maintained venting system can result in carbon monoxide (CO) poisoning and possible death.

SHUTDOWN PROCEDURE

1. To turn off the burner, switch the rocker switch to "OFF" or adjust the thermostat to a setting below room temperature (if installed). The pilot will remain lit for future burner ignition. For complete shutdown: See "TO TURN OFF GAS TO APPLIANCE" above.

Part No. #36252 Rev. A, 04/07

IGN

POUR VOTRE SÉCURITÉ, LIRE AVANT L'ALLUMAGE

AVERTISSEMENT: SI VOUS NE RESPECTEZ PAS RIGOREUSEMENT LES INSTRUCTIONS CI-DESSOUS, VOUS POURRIEZ ENCOURIR UN RISQUE D'INCENDIE ET/OU D'EXPLOSION QUI POURRAIENT CAUSER DES DOMMAGES MATÉRIELS ET CORPORELS POUVANT ENTRAÎNER LA MORT.

DANGER: CET APPAREIL DÉGAGE DES TEMPÉRATURES ÉLEVÉES ET DEVRAIT ÊTRE INSTALLÉ À L'ÉCART DES ENDROITS TRÈS PASSANTS ET LOIN DES MEUBLES ET RIDEAUX. GARDEZ LA ZONE AUTOUR DU FOYER EXEMPTÉ DE MATÉRIELS COMBUSTIBLES, D'ESSENCE ET AUTRES VAPEURS ET LIQUIDES INFLAMMABLES.

- A. Cet appareil utilise un système d'allumage par étincelle (allumeur Piézo-électrique) pour allumer la veilleuse. Assurez-vous de suivre rigoureusement les instructions d'allumage de la veilleuse.
- B. AVANT D'ALLUMER L'APPAREIL, assurez-vous qu'il n'y a pas d'odeur de gaz près de l'appareil ni près du sol car certains gaz plus lourds que l'air auraient tendance à s'y accumuler en cas de fuite.

QUE FAIRE SI VOUS SENTEZ UNE ODEUR DE GAZ:

- N'ALLUMEZ aucun appareil.
- Ne touchez aucune prise électrique; N'utilisez aucun téléphone dans votre édifice.

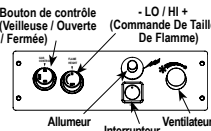
- Sortez de la maison. À partir d'un autre endroit, appelez immédiatement votre fournisseur de gaz et suivez les directives.
- S'il est impossible de joindre le distributeur de gaz, appelez les pompiers.
- C. N'utilisez aucun outil pour tourner ou pousser le dispositif de contrôle du gaz. Si vous ne pouvez le faire manuellement, n'essayez pas de réparer l'appareil. Appelez un technicien de service qualifié. Si vous tentez de forcer ou réparer le dispositif de contrôle du gaz vous pourriez encourir un risque d'incendie et/ou d'explosion.
- D. N'utilisez pas cet appareil si une de ses composantes a été émergée dans l'eau. Appelez immédiatement un technicien de service qualifié et reconnu afin qu'il inspecte et remplace au besoin toutes pièces du système qui auraient été en contact avec l'eau.

ALLUMAGE

DANGER: VOTRE APPAREIL AU GAZ LENNOX DOIT ÊTRE OPÉRÉ AVEC DES PORTES DE VERRE.

ATTENTION! Lisez les consignes de sécurité ci-dessous avant d'opérer votre appareil.

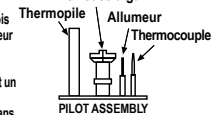
1. Ouvrez la porte d'accès à la droite de l'appareil. Assurez-vous que l'alimentation en gaz est à la position Fermée "OFF". Si l'appareil est équipé d'un thermostat, placez-le à la température la plus basse.
2. Couper le courant électrique qui alimente l'appareil.
3. Enfoncez légèrement le bouton de contrôle du gaz et tournez-le dans le sens des aiguilles d'une montre à la position "OFF".
NOTE: Le bouton de contrôle du gaz ne peut être tourné de la position "PILOT" à "OFF" sans qu'une légère pression ne soit appliquée.



4. Attendez au moins 5 minutes pour que le gaz qui se trouve dans la chambre de combustion puisse s'échapper. Si vous sentez une odeur de gaz ARRÊTEZ! Référez-vous à la section B ci-dessus. Si vous ne sentez pas d'odeur de gaz, allez à la prochaine étape.
5. Repérez la veilleuse située au centre de la chambre de combustion, sous la bûche céramique arrière. Une flamme bleue est visible lorsque la veilleuse est allumée.
6. Tournez le bouton de contrôle de gaz dans le sens inverse des aiguilles d'une montre pour le placer sur "PILOT".
7. Cet appareil de chauffage est équipé d'un système d'allumage par étincelle (allumeur Piézo-électrique), devant être utilisé pour l'allumage de la veilleuse.

Poussez complètement le bouton de contrôle du gaz et le maintenir dans cette position. Appuyez immédiatement sur le bouton (allumeur Piézo-électrique) situé à gauche du robinet de contrôle du gaz. L'étincelle produite par l'allumeur Piézo-électrique doit allumer la veilleuse. Continuez à maintenir le bouton de contrôle dans cette position pendant environ 30 secondes après l'allumage de la veilleuse. Relâchez le bouton de contrôle du gaz qui reviendra à la position initiale. La veilleuse doit rester allumée. Répétez les étapes 4 à 8 pendant 15 secondes supplémentaires si la veilleuse s'éteint.

- Si le bouton de contrôle du gaz ne revient pas à la position initiale une fois relâché, appelez immédiatement un technicien qualifié ou votre distributeur de gaz.
 - Si la veilleuse ne reste pas allumée après plusieurs essais, tournez le bouton de contrôle du gaz à la position "OFF" et appelez immédiatement un technicien qualifié ou votre distributeur de gaz.
8. Lorsque la veilleuse est allumée, tournez le bouton de contrôle du gaz dans le sens inverse des aiguilles d'une montre pour le placer à la position "ON". Le bouton de contrôle peut-être tourné à la position "ON" seulement si il n'est plus enfoncé.
 9. Pour allumer le brûleur, mettez l'interrupteur à la position "ON" ou ajustez le thermostat à la température souhaitée.
 10. Ajustez la flamme et la température souhaitée en tournant le bouton de réglage de la flamme dans le sens des aiguilles d'une montre pour l'abaisser et dans le sens contraire pour l'augmenter.
 11. Allumez l'alimentation électrique de l'appareil.
 12. Ajustez le ventilateur au volume désiré lorsque l'appareil aura atteint la température de fonctionnement.



POUR COUPER L'ALIMENTATION EN GAZ DE L'APPAREIL

1. Fermez l'interrupteur et/ou le thermostat «MARCHE/ARRÊT».
2. Coupez l'alimentation électrique de l'appareil si vous prévoyez en faire le service.
3. Tournez le bouton de commande du gaz dans le sens des aiguilles d'une montre à "OFF". Ne le forcez pas.

Cet appareil a besoin d'air frais pour opérer sécuritairement et doit être installé pour qu'il y ait un apport en air suffisant. Référez-vous aux manuels d'entretien et d'installation fournis avec l'appareil.

AVERTISSEMENT: Une installation inadéquate, un mauvais ajustement, une altération ou toutes autres modifications inappropriées pourraient entraîner des blessures physiques et/ou des dommages matériels. Référez-vous au guide d'utilisation fourni avec ce foyer. Pour assistance ou information supplémentaires contactez un installateur qualifié, un agent de service ou un fournisseur de gaz.

Si vous opérez cet appareil sans qu'il ne soit correctement raccordé à un conduit d'évacuation, vous pourriez risquer d'être empoisonné au monoxyde de carbone (CO) ce qui pourrait entraîner des conséquences graves ou la mort.

PROCÉDURE D'ARRÊT

1. Pour arrêter le brûleur, mettez l'interrupteur à la position "OFF" ou ajustez le thermostat à une température en dessous de la température ambiante. La veilleuse restera allumée pour permettre un allumage ultérieur. Pour un arrêt complet: Consultez la procédure ci-dessus «POUR COUPER L'ALIMENTATION EN GAZ DE L'APPAREIL».

Part No. #36252 Rev. A, 04/07

IGN

NOTES

WARRANTY

Your gas stove is covered by a limited warranty (provided with appliance). Please read the warranty to be familiar with its coverage.

Retain this manual. File it with your other documents for future reference.

PRODUCT REFERENCE INFORMATION

We recommend that you record the following important information about your appliance. Please contact your Lennox Hearth Products dealer for any questions or concerns. For the number of your nearest Lennox Hearth Products dealer, please call 1-800-9-LENNOX.

REPLACEMENT PARTS

See **Page 29** for a complete replacement parts list. Use only parts supplied from the manufacturer.

Normally, all parts should be ordered through your Lennox Hearth Products distributor or dealer. Parts will be shipped at prevailing prices at time of order.

When ordering repair parts, always give the following information:

1. The model number of the appliance.
2. The serial number of the appliance.
3. The part number.
4. The description of the part.
5. The quantity required.
6. The installation date of the appliance.

If you encounter any problems or have any questions concerning the installation or application of this system, please contact your dealer.

LENNOX HEARTH PRODUCTS
1508 Elm Hill Pike, Suite 108
Nashville, TN 37210
Visit us at www.Lennox.com

Your Stove's Model Number _____
Your Stove's Serial Number _____
The Date On Which Your Stove Was Installed _____
The Type of Gas Your Stove's Uses _____
Your Dealer's Name _____
Fuel Type (Check one) Natural Gas Propane Gas (LP)

**NATIONAL
FIREPLACE
INSTITUTE**



CERTIFIED
www.nficertified.org

We recommend that our gas hearth products be installed and serviced by professionals who are certified in the U.S. by the National Fireplace Institute® (NFI) as NFI Gas Specialists.

**NATIONAL
FIREPLACE
INSTITUTE**



CERTIFIED
www.nficertified.org

Nous recommandons que nos foyers au gaz soient installés et que l'entretien soit effectué par des professionnels certifiés par le National Fireplace Institute® (NFI). (Etats-Unis seulement)

Lennox Hearth Products reserves the right to make changes at any time, without notice, in design, materials, specifications, prices and also to discontinue colors, styles and products. Consult your local distributor for fireplace code information.

LENNOX
HEARTH PRODUCTS