

User's Guide

PEBBLE

Plastic Card Printer

Pebble User's Guide part number: KU03E, Rev. A2
March 2006 © Evolis Card Printer

Copyright Information

Evolis Card Printer © January 2006. All rights reserved.

Copyright Notice

Users must respect the copyright laws applicable in their country. This manual must not be photocopied, translated, reproduced or transmitted in whole or in part for any reason and by the means that might be, albeit electronic or mechanical, without the express, written authorisation of the company Evolis Card Printer.

All information contained herein may be subject to modification without prior notice.

Evolis Card Printer accepts no liability for any possible errors herein, nor for any accidental damage or damage caused through the dissemination or the use of this manual.

Trademarks

Dualys is a trademark and Evolis is a registered trademark of Evolis Card Printer.

Windows and MS.DOS are registered trademarks of Microsoft Corp. All other trademarks or registered trademarks are marks of their respective holders. eMedia Card Designer is a trademark of Mediasoft Technologies.

Icons

Throughout this manual, different icons highlight important information, as follows:



Note

Indicates information that emphasizes or supplements important points of the main text.



Important

Advises you of information that is essential to complete a task, or points out the importance of specific information in the text.



Caution

Advises you that failure to take or avoid a specific action could result in physical harm to you, or could result in physical damage to the hardware.

Warranty Information

Refer to the Warranty booklet enclosed with your Evolis printer for terms and conditions.

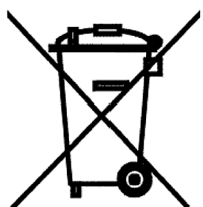
Return Materials Authorization

In order to make a warranty claim you must contact an Evolis Reseller. You will be responsible for packaging the printer for shipment and the costs of shipping and insurance of the printer from the point of use of the printer to the Evolis Reseller. The Evolis Reseller will bear the costs of shipping and insuring the printer from the repair location to the address from which the printer was shipped.

Before returning any equipment for in-warranty or out-of warranty repair, contact an Evolis Reseller or an Evolis Repair Center (ERC) for a Return Materials Authorization (RMA) number. Repack the equipment in the original packing material and mark the RMA number clearly on the outside of the box. For more information about RMA or Evolis warranty statements, refer to the Warranty booklet enclosed with your Evolis printer.

Product Disposal

WEEE Directive



This symbol indicates that when the last user wishes to discard this product, it must be sent to appropriate facilities for recovery and recycling.

By not discarding this product along with other household-type waste, the volume of waste sent to incinerators or landfills will be reduced and natural resources will be conserved. Your Evolis printer should be recycled according to your local standards. For more information, please contact Evolis at: info@evolis.com.

Contents

Introduction	4
Chapter I • Starting up	5
Choice of a location	5
Unpacking the printer	5
Description of the printer and its functions	6
Installation of the interface cable and power supply	8
Stand by	8
Ribbon installation	9
Card loading	10
Placing the cards in the feeder	10
Installing the manual feed tray and loading the cards	11
Adjusting the card thickness	12
Removing the printed cards	13
Other stages to the installation	13
Chapter II • Printing	14
Installation of the driver	14
For Windows users	14
For Windows users with a USB interface	15
Printing parameter setup	16
Printing	18
Chapter III • Cleaning	21
Cleaning the interior of the printer	21
Maintaining the print head	23
Maintaining the cleaning roller	24
Chapter IV • Breakdowns	25
Interpretation of the printer control panel	25
Printing and interpreting a test card	28
Printing quality problems	29
Correcting card jamming	31
Changing a print head	31
Customer service	33
Chapter V • Technical specifications	34
Chapter VI • Supplies	35
Appendix A • Magnetic encoding	37
Appendix B • Chip card contact station	39

Introduction

We congratulate you on choosing a Pebble printer!

Pebble printers are the ideal solution for all printing of plastic cards and badges, student cards, employee badges, access control badges, membership cards, loyalty cards and all other applications requiring color printing on one side of the card ...

This product comes with a wide range of assistance services from the company Evolis and its partners, specially selected to help you effectively and professionally.

The logo for Pebble, featuring the word "PEBBLE" in a bold, sans-serif font. The letter "B" is highlighted in red, while the other letters are black.

Chap.1

Starting up

Choice of a location

The Pebble printer must be set up on a flat surface and in a dust-free environment. Access to the printer must be possible from all directions for its installation and use.

Unpacking the printer

Proceed as follows in unpacking the printer:

1. Remove the upper protection foam.
2. Lift the printer out of its box, remove the protection bag and set it in the chosen place.
3. Remove all adhesive from the outside of the printer.



It is recommended to preserve all packing material in case the printer has to be moved or returned.

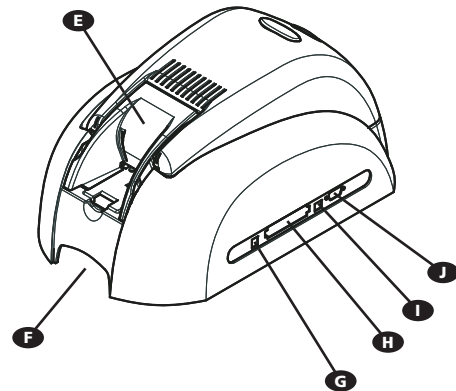
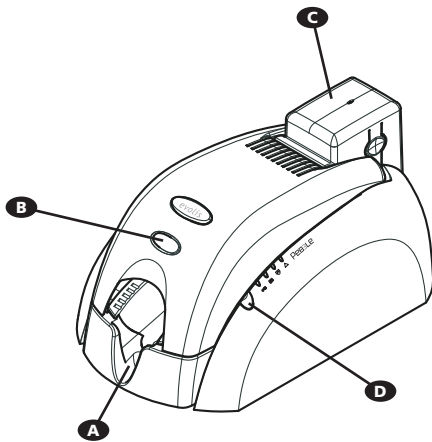
The following elements are supplied with your Pebble printer:

- A power supply and supply cable
- USB interface and Centronics parallel cables
- A Quick Operating Guide
- A User's Guide (this guide)
- A Pebble CD (Drivers & Documentation)
- A cleaning kit
- A warranty booklet
- A certificate of conformity with CE and ECC safety regulations

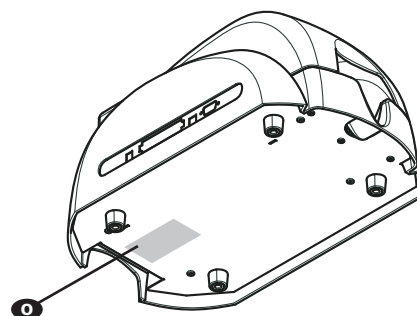
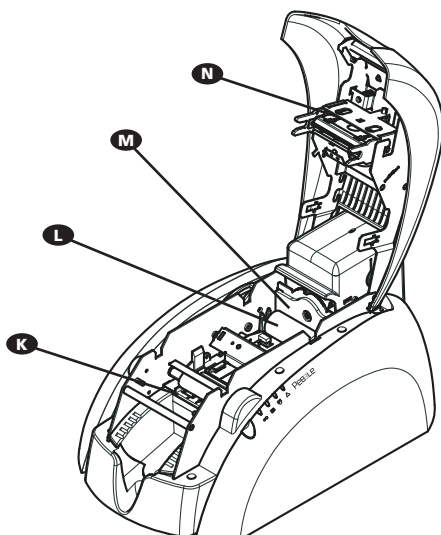
If any of the elements are missing from your package, contact your Evolis reseller.

Description of the printer and its functions

We invite you to check the different components of your printer on the following drawings, to which we will refer in this manual.



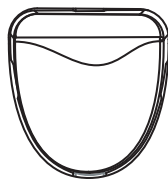
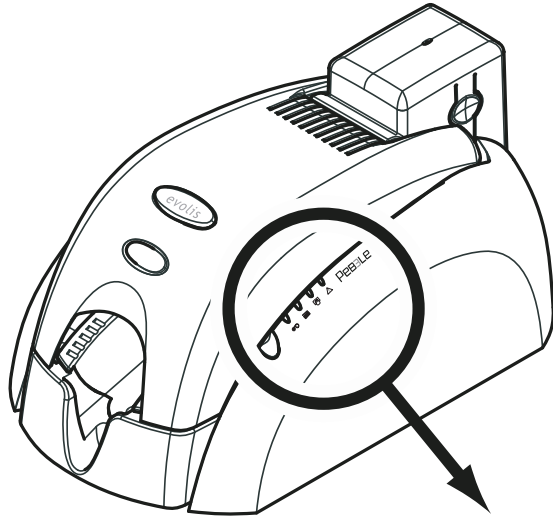
- | | | |
|----------|--------------------------------|--|
| A | Output hopper | <i>Collects the printed and/or encoded cards</i> |
| B | Cover lever | <i>Enables the printer cover to be opened and closed</i> |
| C | Card feeder | <i>Receives the cards for printing</i> |
| D | Control panel | <i>Shows the printer activity</i> |
| E | Manual feed tray | <i>Enables the cards to be inserted one by one (optional)</i> |
| F | Carrying handle | <i>Enables the printer to be carried</i> |
| G | Electrical connector | <i>Enables the printer to be connected to its power supply</i> |
| H | Centronics parallel port (std) | <i>Enables data to be received and sent from and to the computer</i> |
| I | USB port (std) | <i>Enables data to be received and sent from and to the computer</i> |
| J | DB-9 connector (optional) | <i>Enables data to be received and sent from and to the computer or a coupler to be connected for chip cards personalization</i> |



- | | | |
|----------|----------------------|--|
| K | Magnetic encoder | <i>Enables cards with magnetic tracks 1, 2 and 3 to be encoded</i> |
| L | Cleaning roller | <i>Removes all dust before the cards are printed</i> |
| M | Card thickness gauge | <i>Enables the thickness of the card to be adjusted from 0.25 mm to 1 mm</i> |
| N | Thermal print head | <i>Enables the cards to be printed in 300 dpi</i> |
| O | Identification label | <i>Indicates the model and the serial number of the printer</i> |

Printer control panel

A control panel is available on the top of the printer.
Four lights are associated with symbols indicating the printer activity.
These lights indicate the following:



Turned on
Data reception
(Pushbutton)



End of
ribbon



No card in
the feeder or
feeder not
present



Cleaning
signal



Cover
open



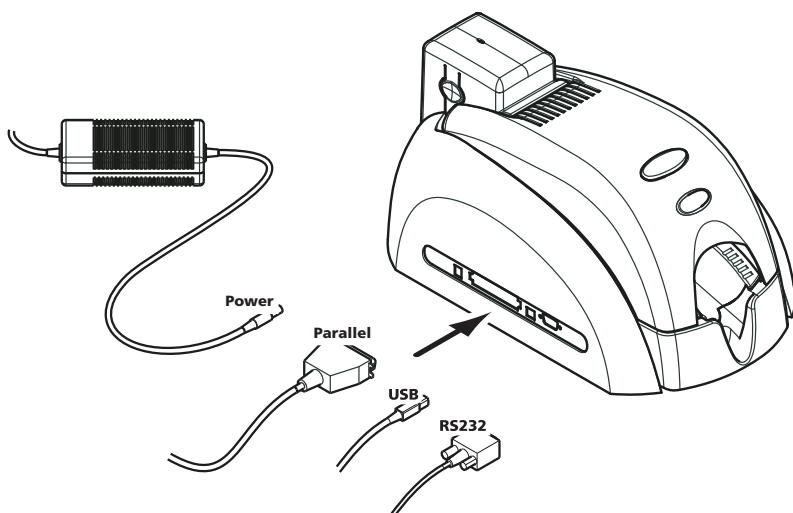
Refer to chapter 4 of this manual for further information on interpreting the messages of the control panel.

Installation of the interface cable and power supply



If you wish to use your Pebble printer with the USB port, install the Windows driver before connecting this port.

1. Connect the interface cable supplied with your printer as indicated in the following
2. Connect the other end of the cable to the corresponding port on your computer
3. Connect the cable from supply to supply and then connect the power cable to the printer.
4. Then connect the end of the power supply cable to an earthed socket
5. The printer is under power. The light on the control panel comes on and the print head rises and falls to indicate the correct mechanical working of the printer. If the light fails to come on, this means that the installation has not been carried out correctly or possibly that the printer is not working properly. Check the installation.



Turn off the printer by pulling the plug out of the socket, which must always be accessible.

This product must be connected to an electrical installation that is correctly protected and grounded.

FI: "Laitte on liitettävä suojamaadoitus koskettimilla varustettuun pistorasiaan"

NO: "Apparatet må tilkoples jordet stikkontakt"

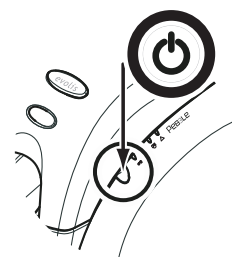
SE: "Apparaten skall anslutas till jordat uttag"

This product is also designed for IT power distribution system with phase-to-phase voltage 230V.

Stand by



The Pebble printer may be left in stand-by at any time by pressing the push button as indicated. The green light on the push button goes out.

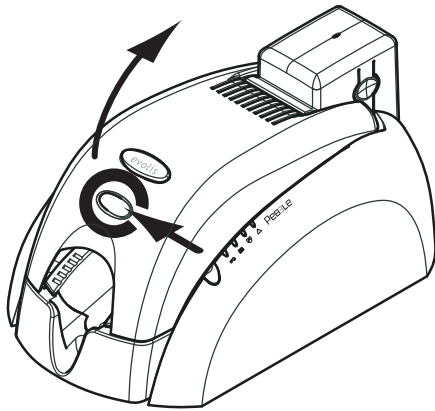


To reactivate the printer, press the push button for one second. The green light on the push button comes on.



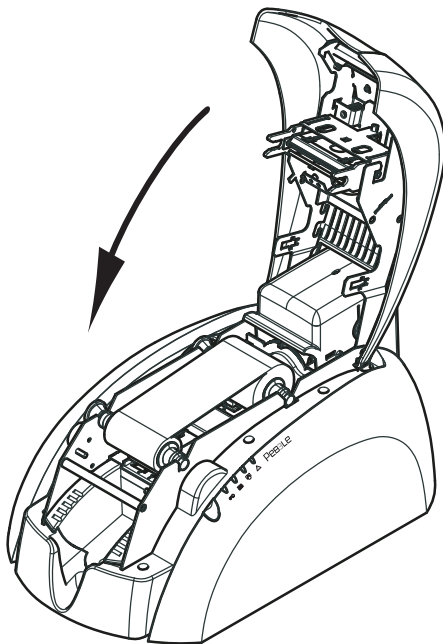
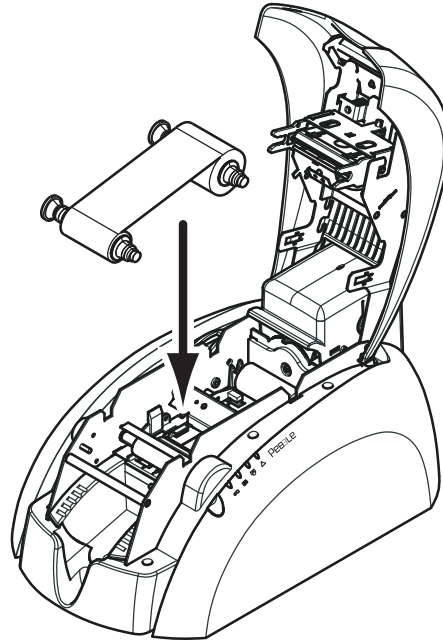
The printer automatically goes into stand-by after 10 minutes of inactivity.

Ribbon installation



1. Open the printer cover by pressing the opening lever then turn it.

2. Install the ribbon in the printer as shown.



3. Close the printer cover.

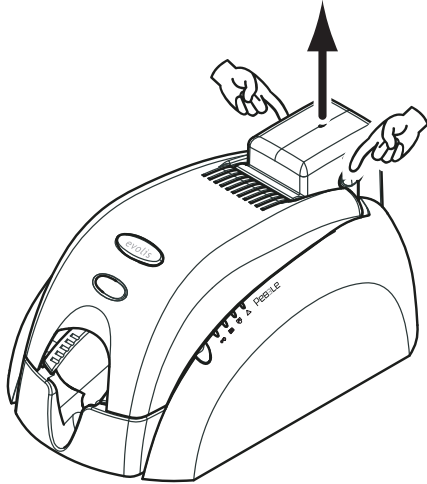


The ribbon must be correctly installed for the printer to work. Only use Evolis ribbons. Evolis declines all responsibility if the printer or the print head are damaged through the use of an unapproved ribbon.

The ribbon is automatically positioned each time the cover is closed.

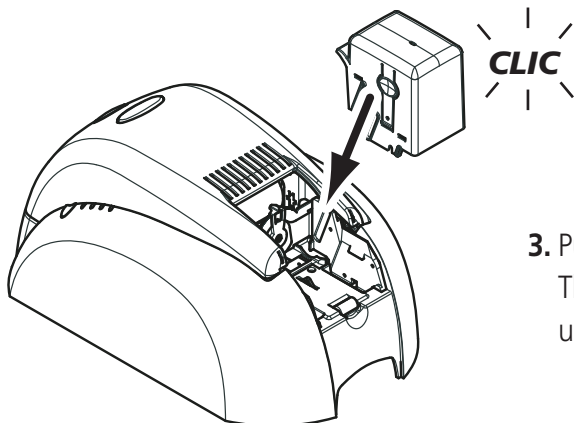
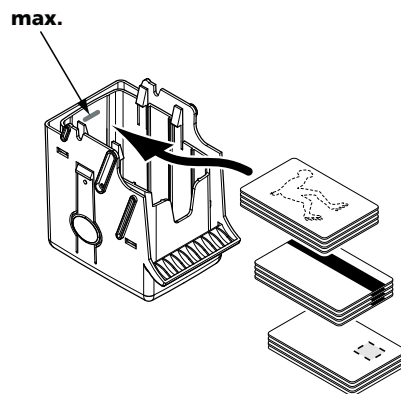
Card loading

Placing the cards in the feeder



1. Remove the feeder from the printer as shown.

2. Lower the spring system as shown and insert 100 cards of 0.76 mm at most.



3. Put the feeder back in the printer. Then press on the top of the feeder until it clicks.



Card thickness:

- Pebble printers admit cards with a thickness of 0.25 mm to 1 mm.

Advice on card selection:

- Only use the type of cards appearing in the Technical Specifications in this manual
- Do not touch the printing surface of the cards, as this would affect the quality of the printing
- Do not use damaged or folded cards or cards with a raised texture
- Always keep new cards in a clean, dust-free place

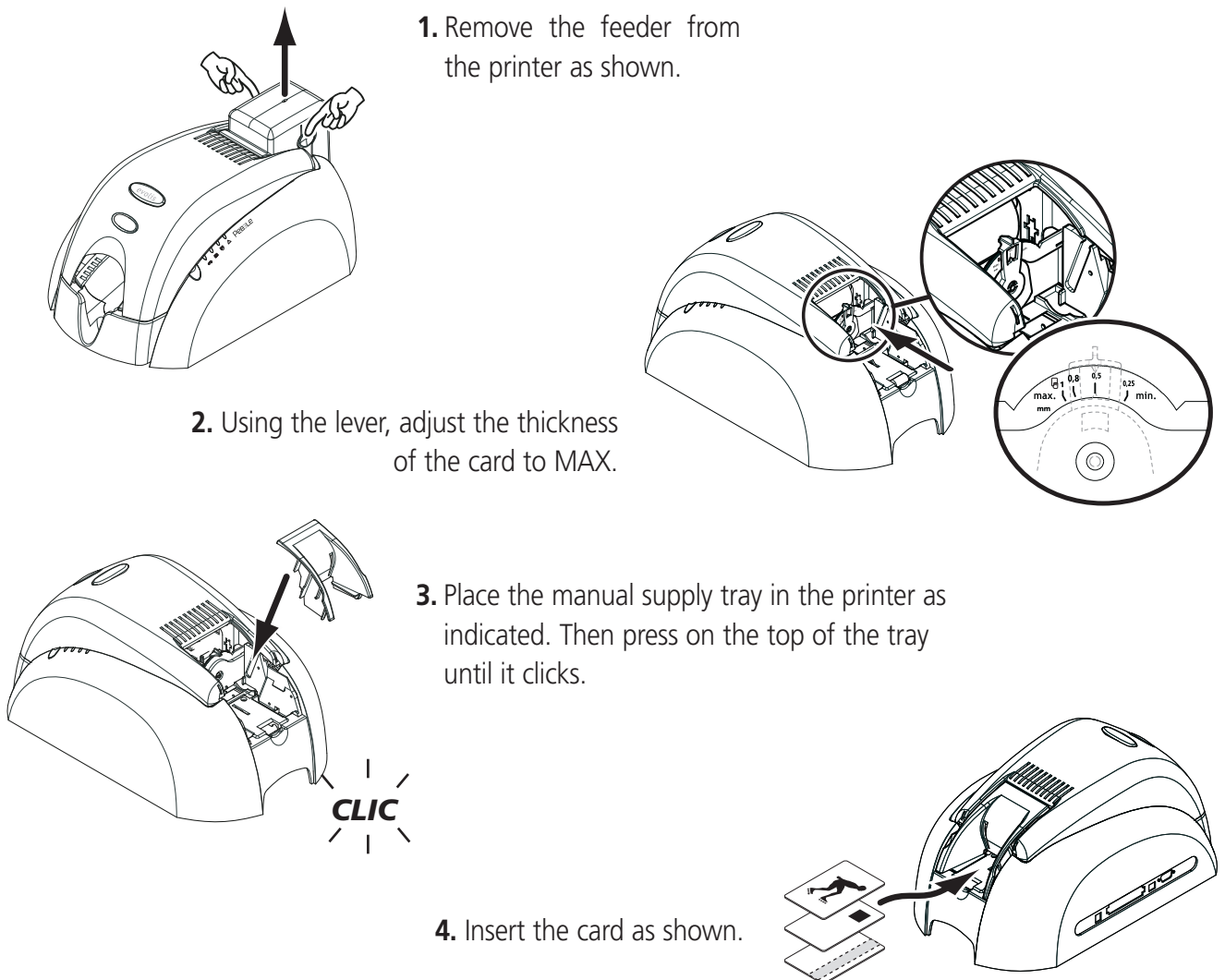
Installing the manual feed tray and loading the cards

The Pebble printer may be optionally fitted with a manual supply tray for inserting cards one by one.



Manual card feeder option should be set through the driver Properties. In the Tools tab click on Dialog box button. Then select Manual feed option in Source Tray menu and in Output Tray menu choose the option according to the required operation mode for the card exit. Click on the Set button to confirm.

The manual supply tray is installed as follows:



1. Remove the feeder from the printer as shown.

2. Using the lever, adjust the thickness of the card to MAX.

3. Place the manual supply tray in the printer as indicated. Then press on the top of the tray until it clicks.

4. Insert the card as shown.

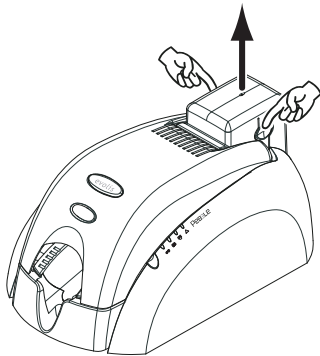
Adjusting the card thickness

The Pebble printer is fitted with a manual adjustment system for the thickness of the cards that is accessible either from inside the printer or when the cover is open.

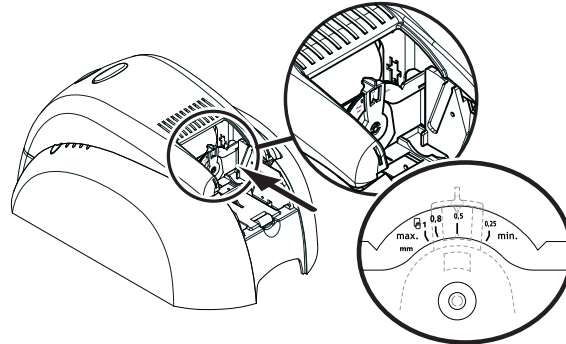


Pebble printers accept card thickness from 0.25 mm (10mil) to 1 mm (40mil). Factory setting for card thickness is 0.76 mm (30mil).

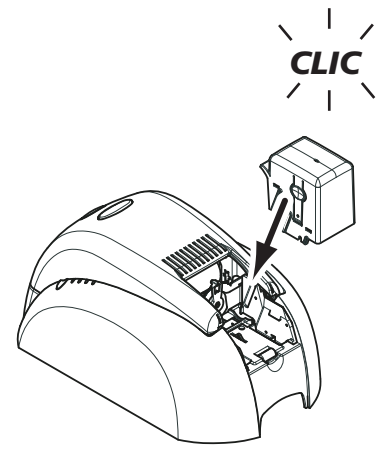
To adjust the thickness of the cards using the feeder cage:



1. Remove the feeder from the printer as shown.

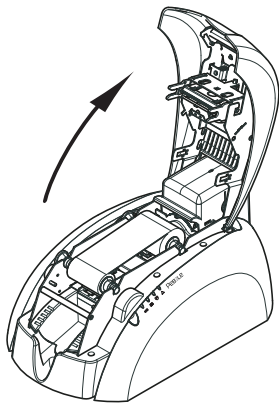


2. Adjust the thickness of the cards used by moving the handle from right to left on the required card thickness

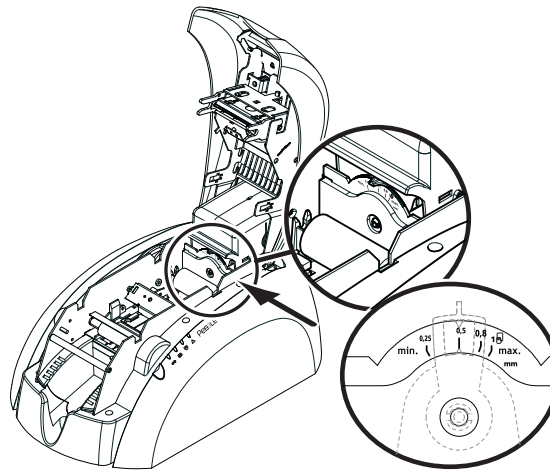


3. Put the feeder back in the printer. Then press on the top of the feeder until it clicks.

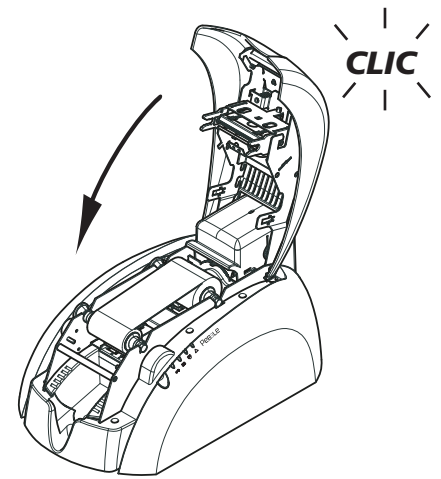
To adjust the card thickness from inside the printer:



1. Open the printer cover by pressing the opening lever and then turn it.



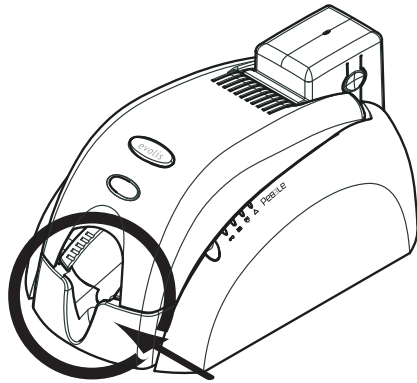
2. Remove the ribbon if there is one in the printer. Then adjust the thickness of the cards used by moving the handle from right to left on the required card thickness.



3. Reinstall the ribbon in the printer and close the cover.

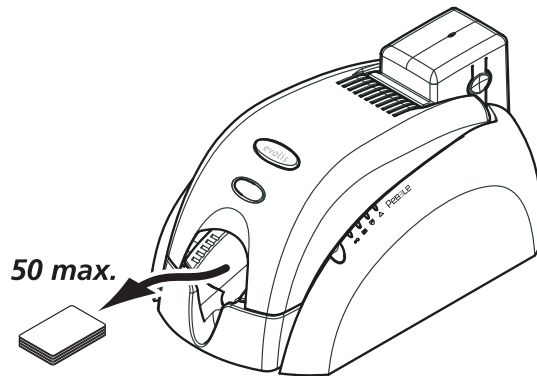
Removing the printed cards

The Pebble printer is fitted with an output hopper with a capacity for 50 cards in 0.76 mm (30mil) format. This is intended to receive the printed and/or encoded cards.



1. Locate the output hopper.

2. Remove the printed and/or encoded cards as shown.



50 max.

Other stages to the installation

You have now completed the installation (material) of your Pebble printer. For the moment, we would urge you to carry on reading this manual and we would inform you that there are still two extra stages to be followed to make your Pebble printer fully operational:

- Installation of the driver
- Printer cleaning

Chap. 2

Printing

Installation of the driver

Before using your Pebble printer, you must install its driver.

Reminder: the driver and Pebble printer operate under Windows 2000, NT 4.0 and Xp.



The CD provided with the printer includes a utility which automates the installation of the printer driver. This utility installs the right driver for your configuration.

- Insert the DRIVERS & DOCUMENTATION CD-Rom in your CD-Rom reader
- Wait a few seconds until the CD welcome programme tells you to choose your language
- Click on the flag of the required language.
- Another menu appears telling you to install the printer driver. Follow the instructions below to set up your Evolis printer.

You use Windows, your printer is connected to the mains, **the Parallel cable or USB is not connected.**

- Make sure the Parallel or USB cable is not connected to the printer
- Click on **Driver installation.**
- An installation menu appears suggesting you preserve the installations previously performed.
By default the cases are hidden and the installation programme will delete all existing set-ups.
- Click on **Install** to start the procedure.
- When told to do so, choose the type of interface you wish to use to connect your Evolis printer:
USB or Parallel.



WARNING

The installation programme asks you to turn on the printer. Carefully follow the instructions below:

- Connect the USB or Parallel cable between the PC and the printer.
- The system will automatically detect your peripheral and start the **Add Printer assistant** after a few seconds.
- Select **Next**, the **Finish.**
- Click **OK** in the Information window.
- The installation is complete, click on **End.**
- Click on **Quit** to close the installation programme

Your Evolis printer is ready to personalise your cards once more.

In the event of any incident in the installation, consult the chapter Windows Users - Manual Installation



NOTE !

The installation of a driver under Windows NT, 2000 or XP may require the authorisation of the system administrator. In the event of any problem, contact this administrator to advise you on the installation method and the associated rights of access.

Windows Users - Manual Installation

- **Close all applications** before installing the pilot.
- **Do not connect the** USB or Parallel cable before the installation is complete.
- Insert the DRIVERS & DOCUMENTATION CD-Rom in your CD-Rom reader.
- On the Windows menu bar, click **Start, Parameters** and then **Printers**.
- Double-click on **Add printers**.
- Select **Local Printer**.
- Select the **LPTx** printer port (even if you wish to connect the printer on USB).
- When the assistant displays a series of printer manufacturers, click on **Disk supplied**.
- Choose the letter of the reader corresponding to the CD-Rom reader and then click on **Next**.
- In the CD-Rom, click on **Drivers**.
- Select the directory for your Windows environment:
Windows 95 and Windows 98: WIN95-98
Windows 2000 and Windows XP: 2000XP
Windows NT4: NT4.0
- Choose the file **Youn.inf** (or Younbw.inf), click on **Open** and then **OK**.
- The Evolis printer appears on a grey background, click on **Next**.
- Choose to replace the current driver, then click on **Next**.
- State whether you wish to use the Evolis printer as your default printer and then click on **Next**.
- Do not share and then click on **Next**.
- Do not print out a test page and click on **Next**.
- Click on **Finish** to install the driver.

For operation on Parallel port, connect the cable between the PC and the printer and the installation is complete.

For a USB connection, the following adjustments must be made

- **Connect your USB cable** between the printer and the PC.
- Windows detects a new printer and starts the **Add Printer Assistant**, click on **Next**.
- The system looks for a **file Youngi.dll** (Youbwgi.dll).
- In the CD-Rom, click on **Drivers**.
- Select the directory for your Windows environment:
Windows 95 and Windows 98: WIN95-98
Windows 2000 and Windows XP: 2000XP
Windows NT4: NT4.0
- Choose the file **Youngi.inf** (or Younbwgi.inf), click on **Open** and then **OK**.
- Click on **Finish**.

A new Evolis driver (Copy1) has been created for the printer on USB port, the installation is complete.

Printing parameter setup

Before using your Pebble printer, it is best to check / modify the default parameters of the driver. Furthermore, if you have options installed, you must declare them to the driver.

Your printer has numerous functions that can be parameterised in the printing manager. These printing parameters are accessible:

■ From Start in the Windows bar, Parameters and then Printers

1. Select **Evolis Pebble**
2. In **File** in the menu bar of Windows, select **Default Document**

■ From your Windows software:

1. In **File** in the menu bar of your application, select **Print** or **Printing Set-up**.

The procedures vary along with the type of software used and the Operating System. Before using the printer, make sure that it is correctly selected as the default printer.

Selection of the Pebble printer as default

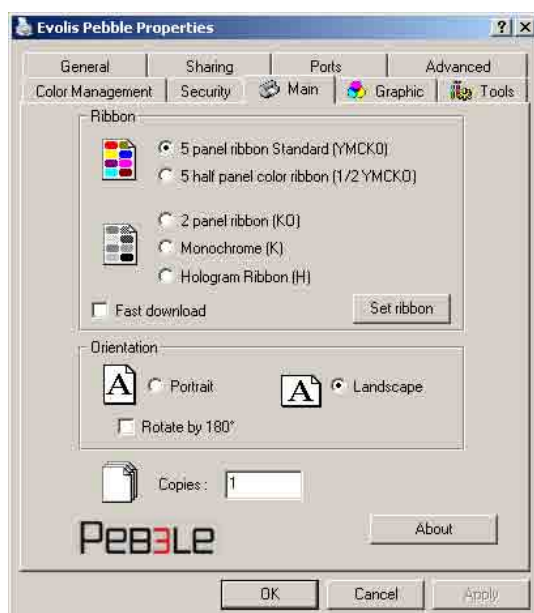
Proceed as follows to select the Pebble printer by default:

1. Click on **Start** in the Windows bar, select **Parameters** and then **Printers**.
2. Click on the **Evolis Pebble** icon and then point to **File** in the menu bar.
3. Select **Define default** and close the window.

Definition of the properties of your Pebble printer

Different dialog boxes enable you to:

- Perform adjustments such as the orientation and the printing quality.
- Manage the different printing modes and the use of suitable printing ribbons.
- Select the printing port.
- Activate the different control and maintenance functions of the printer.



Use of on-line help

A help file guides you in the use of each of the printing management parameters, depending on the different printing modes and criteria retained. In order to familiarise you with these parameters, we recommend you consult this help before any modification.

“Main” dialog box

This dialog box enables you to select:

Type of ribbon: the type of ribbon used

Orientation: the orientation of the printout in portrait or landscape and the rotation of the printout 180°

Copies: the number of copies required of the card

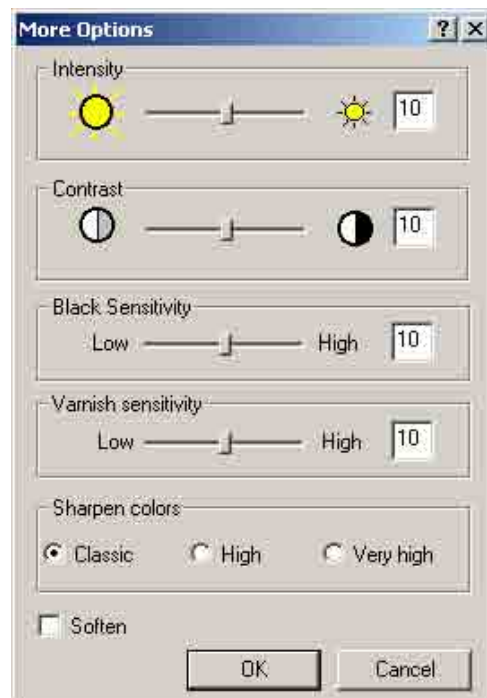
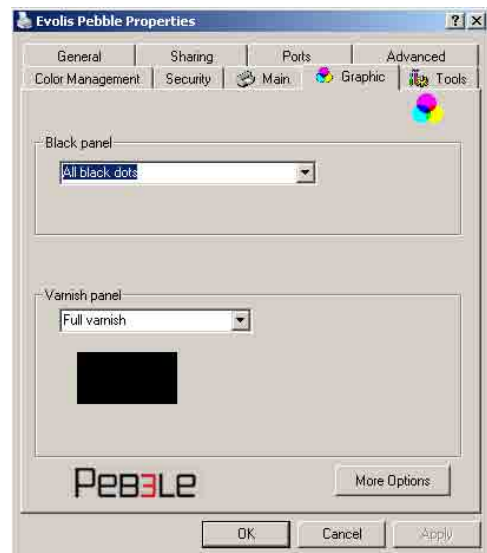
“Graphic” dialog box

If you previously selected a color ribbon in the **Characteristics** dialog box, the **Drawing** dialog box allows you to select:

Black panel: the use of the black panel.

Varnish panel: the varnish application of a color ribbon depending on a deliberate choice or a kind of card requiring a covering reserve.

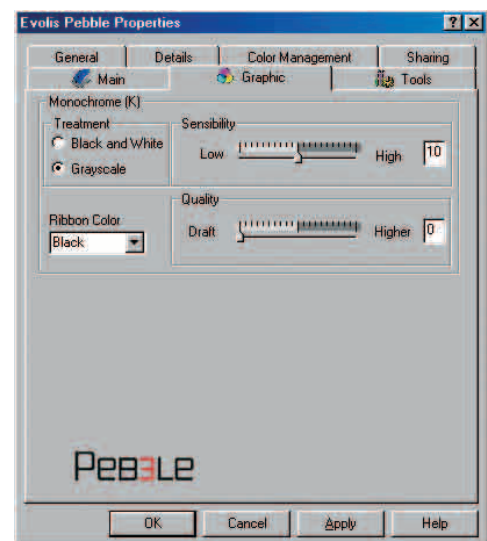
The **More options** button enables action on certain printing parameters, such as the contact and intensity of the colors.



If you previously selected a black ribbon in the **Main** dialog box, the **Graphic** dialog box allows you to select:

Black sensitivity: the placement or more or less ink.

Printing quality: the quality of the placement of the ink.

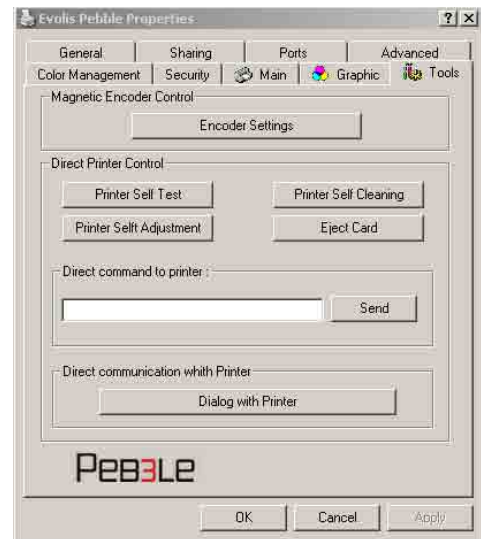


“Tools” dialog box

This dialog box offers first level help for your Pebble printer.

If your Pebble printer has an option with a magnetic encoder, now proceed to set it up by clicking on the **Encoding Definition** button. For further information concerning this printer option, consult Annexe A of this manual.

We also recommend you print a **Test Card** on the first use, and to keep it. This card records the information you might be asked for if you call the after-sales service.



Observation: The **“Dialog with printer”** option is only available if the driver has been installed with the installation program of the CD.

“General” dialog box

This dialog box is a Windows information window that allows a test page to be printed only to check the communication between the computer and the printer.

“Details” dialog box

This dialog box is a Windows control window allowing the selection of the printing port and confirming the use of the correct driver on the printer. The displayed parameters must only be modified by a person with advanced competences.

“Color management” dialog box

This dialog box enables the printing to be associated with a defined color management profile.

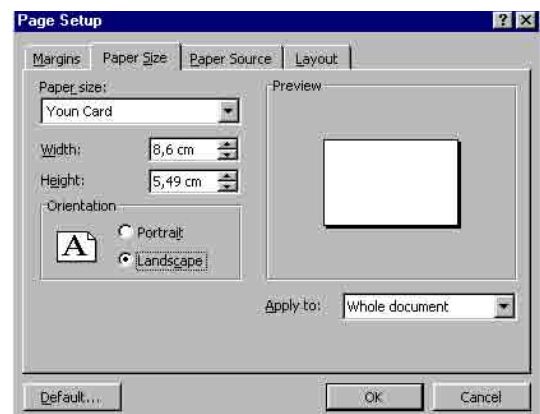
Printing

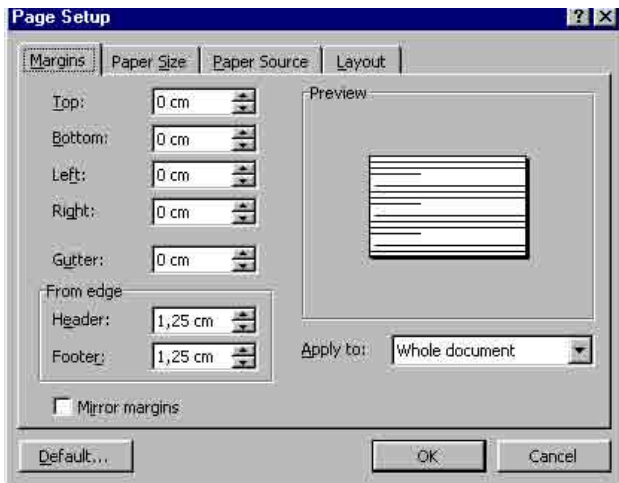
A large number of Windows applications allow a document to be printed (Word - Access - Excel, for instance). In order to familiarise you with putting a card on a page and the parameterisation of the printing, we propose the following example.

Under Microsoft® Word

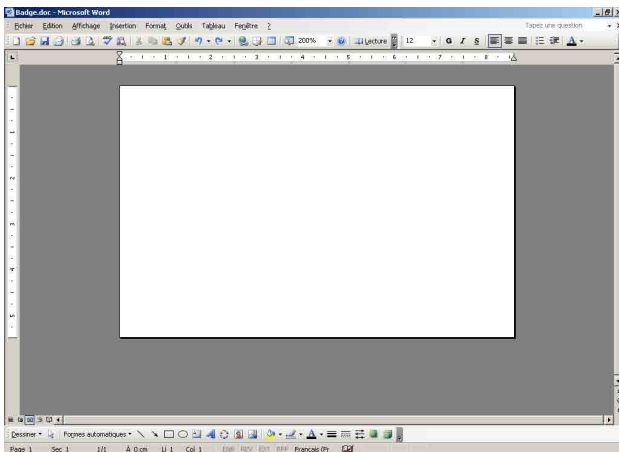
After installing the Pebble printer as default:

1. Start Word and in **File** click on **Page setup**.
2. The **Paper** dialog box proposes **Paper format**, select **Youn Card**.





3. In the **Margin** dialog box, select **0 cm** for all margins, then in **Orientation**, select **Landscape**
4. Close the window by clicking **OK**.



Your Word window should now be like this:

You are ready to personalize your card by entering the different composition elements:

- Logo and Illustration
- Identity photo
- Constant and variable texts
- Barcode, etc.



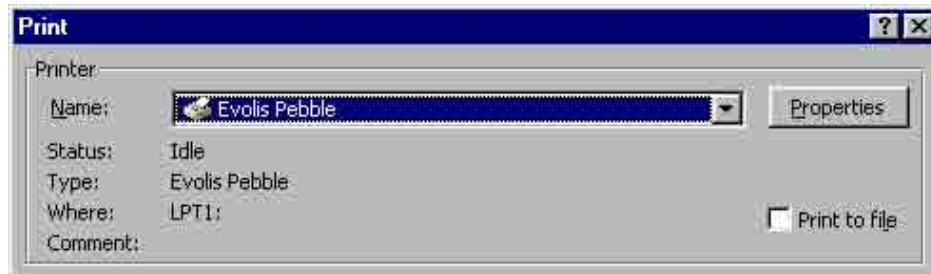
Example:

Note that this example does not intend to teach the operator about the working of the Word application. The only aim is to establish a relationship between the design of a card and the parameters management of the Pebble necessary for its printing.

Parameterising the Evolis Pebble Driver

To access the parameters from the Word window:

1. In the menu bar, point to File and select **Print**.
2. The dialog box tells you that the Evolis printer has been selected. Then click on **Properties**.
The dialog box of the Evolis Pebble driver opens.



The printing parameters for this example are:

1. **Main** dialog box, select:
 - Type of ribbon: Standard 5 panel ribbon (YMCKO)
 - Orientation: Landscape
 - Copy (number to be determined)
2. **Graphic** dialog box, select:
 - Black panel: All black points
 - Varnish panel: All the surface
3. Click on **Apply** if you modify a parameter, then on **OK** to successively close each dialog box.
4. Having returned to the main window, click **OK** to start printing.



Consult the help of each dialog box, if necessary. See the « Use of on-line help » paragraph above for further information.

Chap. 3

Cleaning

Keep your warranty valid!

Failure to observe the procedures concerning maintenance in this chapter may lead annuls the warranty of your Pebble printer and the print head. The company Evolis declines all liability if the printer is used under unapproved conditions of cleaning.

Evolis provides the following cleaning articles under the reference article A5011 UltraClean cleaning kit:

- 5 cleaning cards pre-saturated with isopropyl alcohol 99%
- 5 cotton swabs with isopropyl alcohol 99%
- 1 distributor box with 40 pre-saturated cleaning wipes.

Cleaning the interior of the printer

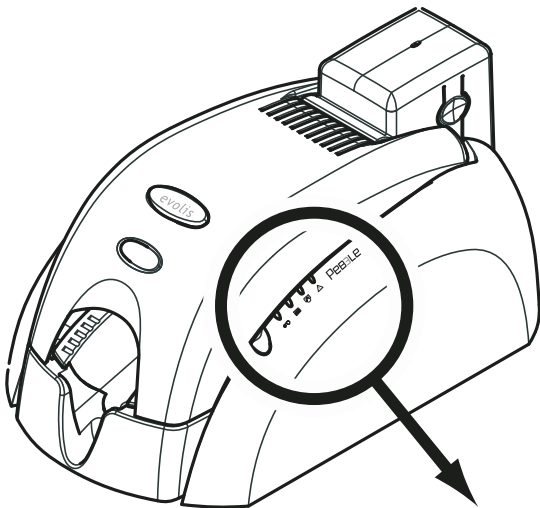


Cleaning cycle: every 1000 cards inserted

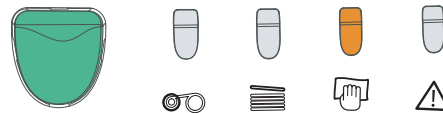


Use: pre-saturated cleaning cards

When interior cleaning of the printer is necessary (every 1000 cards inserted) the cleaning light comes on as follows:

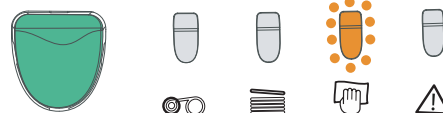


Status after the insertion of 1000 cards



If the printer has not been cleaned after the cleaning light has come on, it will begin to flash when a further 200 cards have been inserted. In this case, the cleaning light flashes as follows:

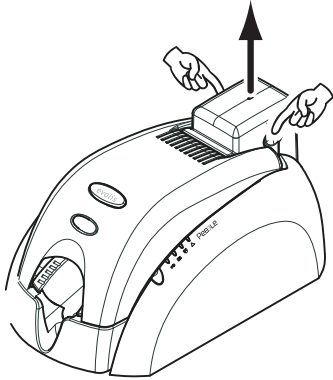
Status after the insertion of 1200 cards



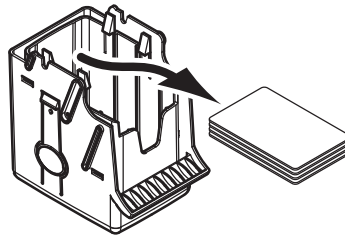
When the light flashes, the interior of the printer must be cleaned without delay (under 5 cards). Otherwise, the warranty of the cleaning head will be cancelled.

Cleaning the interior of the printer:

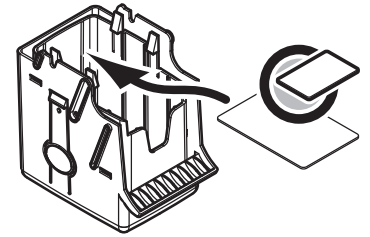
This simple cleaning system requires the use of pre-saturated cleaning cards specially conceived for the printer. A cleaning kit with samples of these cards is provided with your Pebble printer. By repeatedly passing the card inside the printer, the card transport rollers, the cleaning roller, the print head and the magnetic head (option) are all cleaned.



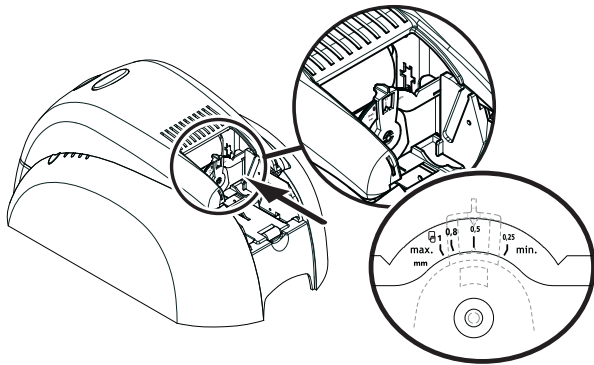
1 Remove the feeder from the printer as shown.



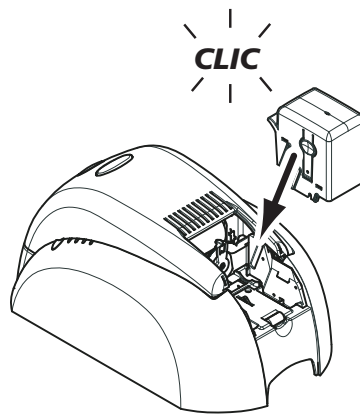
2. Remove the cards in the feeder.



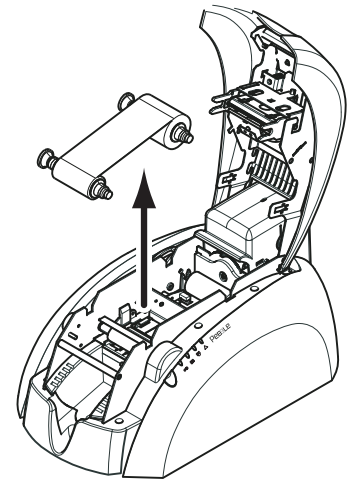
3. Take a new cleaning card and insert it in the feeder as shown.



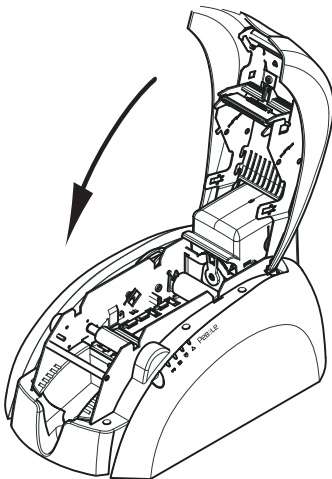
4. Make sure that the feeder is adjusted to the MAX position.



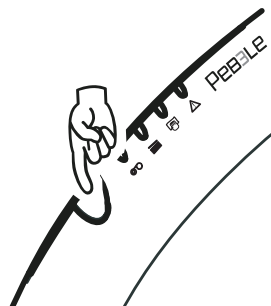
5. Put the feeder back in the printer. Then press on the top of the feeder until it clicks.



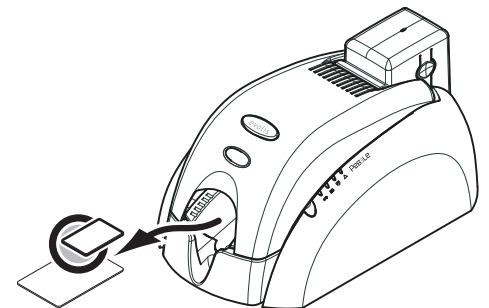
6. Remove the ribbon from the printer as shown..



7. Close the printer cover.



8. Press the push button on the control panel for a second. The cleaning starts.



9. The used cleaning card is ejected in the output hopper.



Following a cleaning cycle, wait two minutes for the cleaner to evaporate completely before using the printer again.

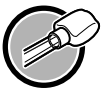


Although the cleaning alert might have been triggered, the printer will continue to work. It is also possible to trigger a cleaning sequence without waiting for the signal of the light of the printer. This is carried out by pressing the push button of the Control Panel for a few seconds. *In this case, first repeat all the operations described above.*

Maintaining the print head



Cleaning cycle: on each ribbon change



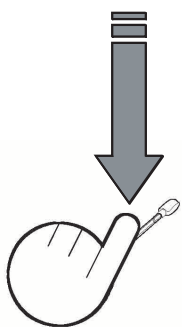
Use: cleaning swabs

The cleaning head is cleaned when cleaning the interior of the printer (see preceding section). However, in order to preserve the original printing quality and reduce the incidents caused by an excessive presence of ink on the surface of the print head, it is recommended that you clean it regularly (every 1000 cards) using the cleaning swabs provided with the UltraClean cleaning set.

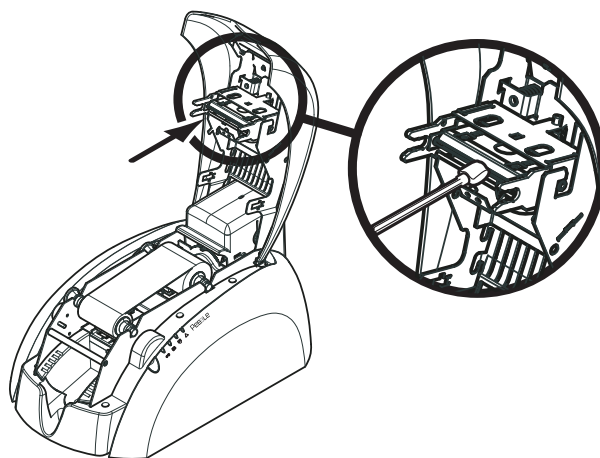


It is very important to protect the print head and all other associated components from any electrostatic discharge. The print head is a fragile element. To avoid damaging it :

- *Before cleaning the print head, disconnect the printer from the mains.*
- *Respect the cleaning cycles*
- *Never place the print head in contact with sharp or metal object.*
- *Avoid direct contact of the surface of the print head with fingers. Changed print quality or even permanent degradation of the print head could result.*



1. Take a new swab and press on the stick to let the liquid out.



2. Open the printer cover and locate the print head. Then, gently rub the swab along over the print head for several seconds.



Following a cleaning cycle, wait two minutes for the cleaner to evaporate completely before using the printer again.

Maintenance of the cleaning roller



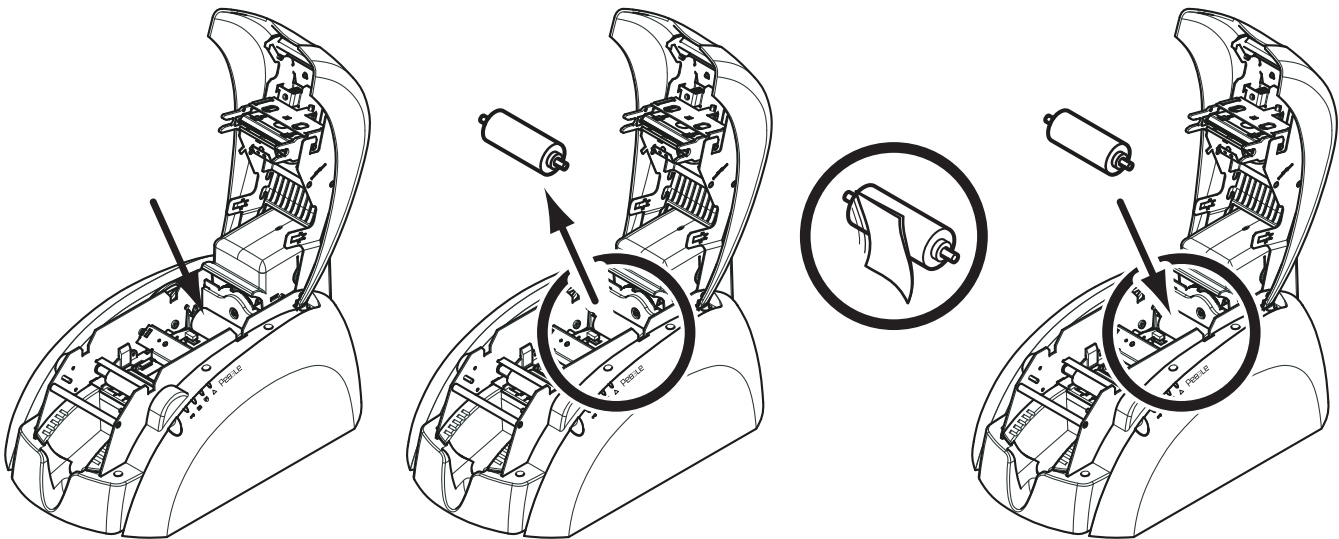
Cleaning cycle: on each ribbon change



Use: cleaning wipes

Your Pebble printer has a cleaning roller. Its adhesive surface holds the dust caused by the cards. Although this roller is maintained when cleaning the inside of the printer, it is nevertheless advised to clean it regularly and simply with a wipe provided in the cleaning kit to ensure that the surface of the cards is perfectly clean.

To maintain the cleaning roller:



1. Open the printer cover. If there is one, remove the printer ribbon and locate the cleaning roller.

2. Remove the cleaning roller from the printer.

3. Clean the roller with a wipe from your cleaning kit. Eliminate all dust by lightly rubbing the wipe on the surface of the roller.

4. When the roller is dry, put it back in the printer and close the cover.



Following a cleaning cycle, wait two minutes for the cleaner to evaporate completely before using the printer again.

Chap. 4

Breakdowns

To satisfy the demands of its customers, Evolis provides a complete range of technical assistance services in this manual and on the website www.evolis.com.

This section includes information concerning first level repairs on the Pebble printer.

Interpreting the messages of the control panel

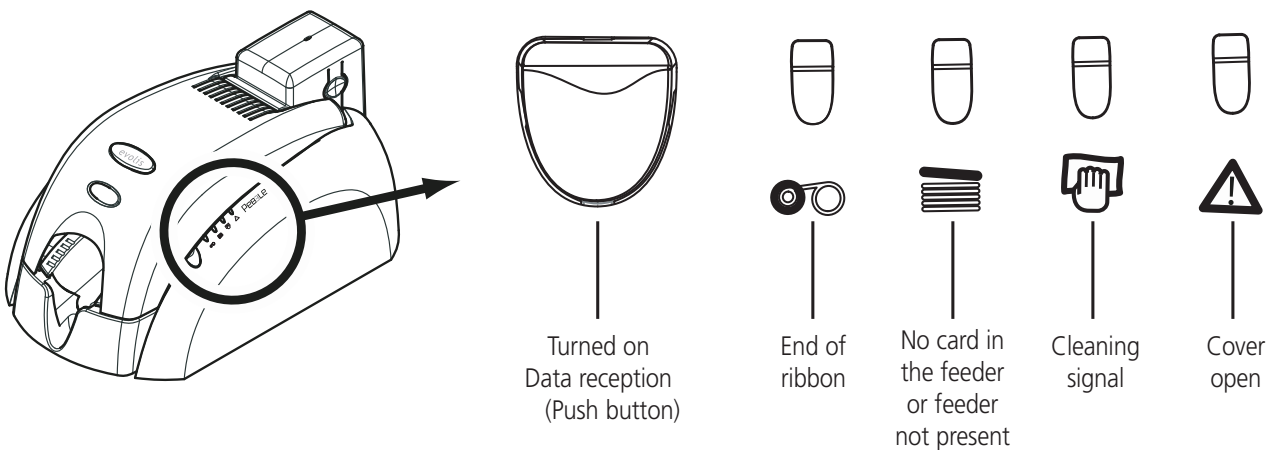
Although the Pebble printer has been conceived to work extremely reliably, problems may however arise. What follows helps you to identify the cause of the possible problems on the installation or use of the printer and to find the means of resolving them.

Description of the printer control panel

A Control Panel is available on the top of the printer.

Four lights are associated with symbols indicating the printer activity.

These lights indicate the following:



The lights on the control panel are represented in one of the following states:

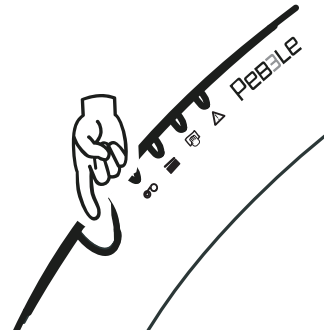


The push button returns the control panel to its original state after dealing with the following cases:

- ABSENCE OF CARD or INTERNAL PRINTER PROBLEM
- ERROR IN MAGNETIC ENCODING
- CARD EJECTION

The push button also enables:

- The printer to be set to stand-by
- A test card to be printed
- A cleaning cycle to be started







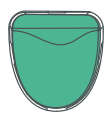
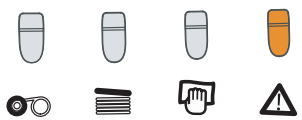



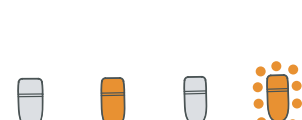


Consult the following states of the control panel to determine the activity of the Pebble printer or the nature of the problem:

State of the lights	Interpretation	Solution or explanation
	PRINTER READY	The printer is ready to receive data.
	PROCESSING	The printer receives data from one or several of its interfaces.
	END OF RIBBON	<ul style="list-style-type: none"> ■ There is no ribbon in the printer ■ The ribbon has finished ■ The ribbon has been badly installed in the printer ■ The ribbon is cut <p><i>Check the state of the ribbon in the printer. If you have a printing job in course, this restarts with a new card.</i></p>
	NO CARD IN FEEDER	<ul style="list-style-type: none"> ■ There is no card in the feeder ■ The thickness of the cards has not been correctly adjusted ■ The cards are curved ■ The cards are stuck together ■ The feeder is not present in the printer or is badly inserted <p><i>Check the state of the cards in the feeder or make sure that the feeder is present in the printer and correctly inserted. Then, press the push button for one second. The printing restarts.</i></p>
	WAITING FOR A CARD TO BE INSERTED	<ul style="list-style-type: none"> ■ The printer is waiting for a card to be inserted <p><i>The printer is fitted with the manual feed tray option: insert a card in the printer. Go to chapter 1 "Starting up".</i></p>

State of the lights

Interpretation

Solution or explanation

		<p>PRINTER CLEANING ALERT (AFTER 1000 INSERTIONS)</p>	<ul style="list-style-type: none"> ■ The printer has to be cleaned <i>Go to chapter 3 "Cleaning".</i>
		<p>PRINTER CLEANING ALERT (AFTER 1200 INSERTIONS)</p>	<ul style="list-style-type: none"> ■ The printer has to be cleaned <i>Go to chapter 3 "Cleaning".</i>
		<p>PRINTER COVER OPEN</p>	<ul style="list-style-type: none"> ■ The printer cover is open <i>Close the printer cover. The activity in course restarts.</i>
		<p>MECHANICAL PROBLEM</p>	<ul style="list-style-type: none"> ■ There is a card jammed ■ A mechanical part in the printer is faulty <i>Press the push button for one second. If the problem persists, call your Evolis reseller for assistance.</i>
		<p>ENCODING ERROR</p>	<ul style="list-style-type: none"> ■ The orientation of the magnetic track in the feeder is not correct ■ The type of encoding has not been correctly parameterised (HICO or LOCO) <i>Go to Annexe A of this manual for more information</i> ■ The encoded data do not conform to ISO 7811 or to the parameters pre-defined in the properties of the driver. <i>Go to Annexe A of this manual for more information</i> <p><i>Press the push button for one second. The printer restarts the magnetic encoding cycle with a new card. If the problem persists, call your Evolis reseller for assistance.</i></p>
		<p>COOLING MODE</p>	<ul style="list-style-type: none"> ■ The print head cooling system is activated. <i>The printer stops working for a few seconds. As soon as the print head reaches the normal working temperature, the activity starts once more.</i>

Printing and interpreting a test card

Printing a test card gives certain technical information about your printer and confirms its correct working. We advise you to print it when the printer is put into service and to keep it at hand.

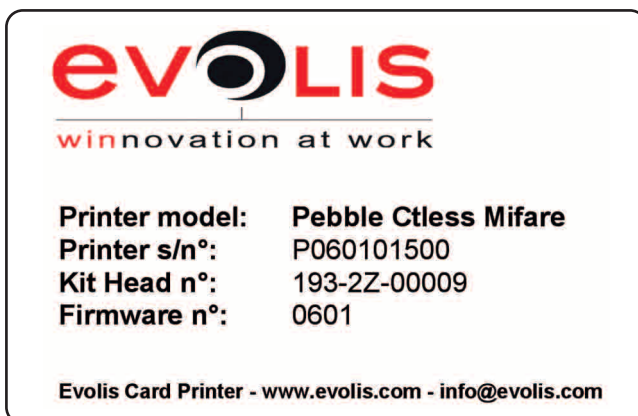
Printing a test card

1. Make sure there are a ribbon and a card in the printer.
2. Press the push button for three seconds. All the lights go out.
3. Press the push button once more and hold it down.
4. The green light of the push button comes on.
5. Release the push button as soon as the green light flashes.
6. The test card is printed in a few seconds (in color if the printer has a color ribbon or in monochrome if it has a black ribbon).
7. The printed card is ejected into the output hopper.

Interpreting a test card

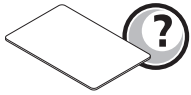
The printing of a test card gives the following information:

- Correct printing of the colors and black
- The correct position of the ribbon in the printer
- The printer model
- The serial number of the printer
- The version of the Firmware installed in the printer



Printing quality problems

The following information will help you to resolve any problems of printing quality that might arise in using your printer. If despite this information you are unable to resolve the problem, contact your Evolis reseller.



Nothing is printed

1. Check the power supply

Make sure:

- the power supply cable is correctly connected to the printer and connected to a mains socket that works.
- the printer is under power. The green light of the control panel is on.
- the power supply used is that delivered with the printer

2. Check the card feeder and the card in the printere

- Make sure there are cards in the feeder
- Make sure there is no jamming.

See this chapter.

3. Check the ribbon

- Make sure that the ribbon has been correctly installed and that the printer cover is well closed.

4. Printing a test card

See the point "Printing and interpreting a test card" in this chapter.

5. Check the printer interface cable

- Check the connection with the computer and the printer.
- Test with another cable of the same type.

6. Check the driver

- Make sure there is a driver on your Pebble printer in the Windows parameters

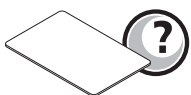
7. Check the printing parameters of the computer

- Make sure that the Pebble printer is selected as the default printer.

See "Setting up the printing parameters" in the Printing chapter.

8. Check the network configuration

- If your printer is connected in a network, make sure that it is correctly set up in the network environment. *See the documentation on your network for more information.*



A blank card is ejected from the printer

1. Check the ribbon

- Make sure the ribbon is not finished or cut. Replace or reinstall the ribbon, if necessary.

2. Check the printer interface cable

- Check the printer interface cable
- Check the connection with the computer and the printer.
- Test with another cable of the same type.

3. Elements of the print head may be damaged.

- Print a test card. See the point "Printing and interpreting a test card" in this chapter.

If the test card fails to print, contact your reseller for a new print head.



The printing quality is not sufficient

1. The contrast and luminosity parameters must be modified

- Lack of contrast and color saturation, increase the contrast and luminosity parameters in the setup of the driver.

2. The type of cards used is maybe unsuitable

- Check whether the type of cards used corresponds to the specifications required
See the "Technical Specifications" chapter in this manual for further information.
- The texture of the card is rough or not perfectly flat.
- Try printing with another kind of card.



Partial or incorrect printing

1. Check the parameters defined for the printing

- Make sure that no element of your page setup is outside the printing margins
- Check the orientation of the document selected in the configuration of the driver (Landscape or Portrait)

2. Check the printer interface cable

- If unusual characters are printed, make sure you are using the right interface cable for your printer.
- Check the connection with the computer and the printer.
- Test with another cable of the same type.

3. Check that the printer is clean

- Clean the inside of the printer, the cleaning rollers and the print head if necessary.
See the "Cleaning" chapter in this manual.

4. Check that the cards are clean

- Check that the cards are stored in a dust-free place.

5. Check that the print head is clean

See the procedure for cleaning the print head in the "Cleaning" chapter of this manual.

6. Check the ribbon

- Its position in the printer.
- Its correct run.

7. Check the print head

- If horizontal lines (white) appear on the card, elements of the print head might be blocked or damaged.
- Clean the print head.
See the "Cleaning" chapter for further information.
- If the problem is not solved after cleaning, contact your reseller for a new print head.

Correcting card jamming

Remove the card as follows:

1. Open the printer cover and remove the ribbon.
2. Remove the card by pressing the push button and/or pushing it manually towards the printer outlet. If there are several cards, push the top one first.
3. Replace the ribbon then reclose the printer cover.
4. Press the push button on the control panel for one second.

To prevent card jamming:

1. Make sure the cards are correctly adjusted with the right thickness.
2. Make sure that the card thickness corresponds to the specifications in the "Technical Specifications" section of this manual.
3. Check that the cards are not curved.
4. Make sure that the cards are not stuck together.

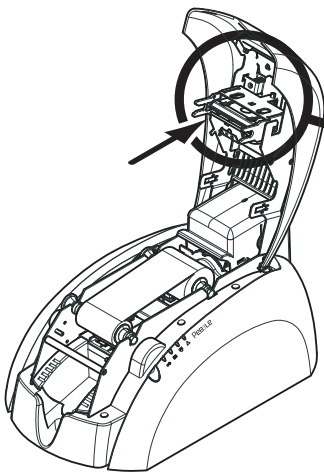
Changing a print head

Evolis printer printing heads may be changed simply and effectively without any tools or special adjustments.

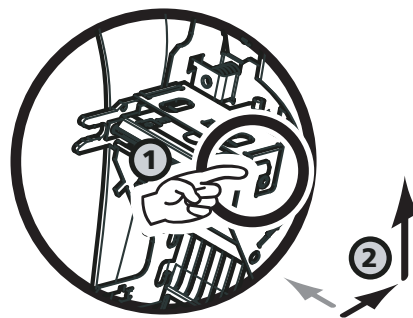
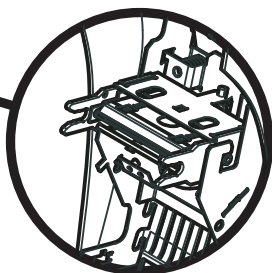


Wait until the head is cool before working on it! Make sure the printer is turned off

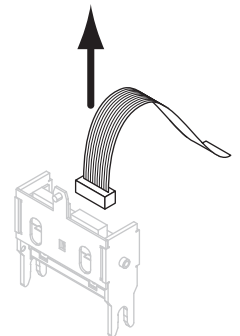
Stage 1 – Removal of the faulty printing head



1. Open the printer cover and locate the printing head.

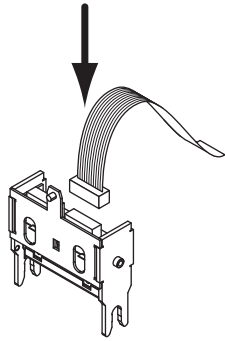


2. With one hand, push the rear metal part under the cover and with the other turn the two forks to remove the printing head from the arm.

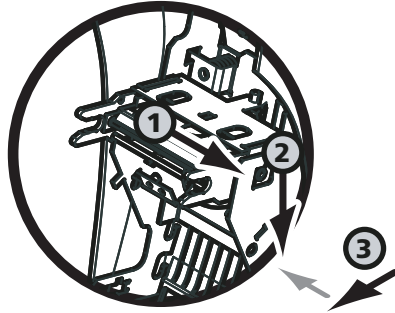


3. Disconnect the cable/s from behind the printing head.

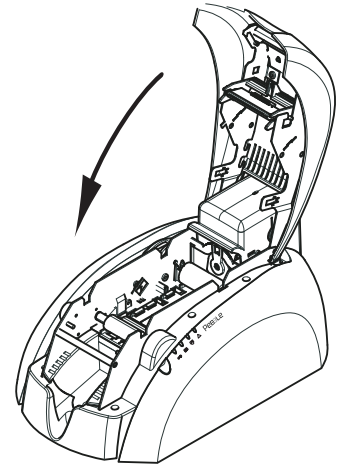
Stage 2 – Installation of the new printing head



1. Take the new printing head and insert the cable/s in its/their housing.



2. Insert the head vertically on the two guides
3. Turn the printing head to “clip” it in the metal part.



4. Close the cover of the printer.
The printing head is now installed.

Stage 3 - Installation of the new printing head

1. Make sure that the printer is turned on and connected to a computer where the printing pilot has been installed.
2. Click on the “Tools” dialogue box In the printing pilot properties.
3. In the part “Converse with printer” enter the following : **Pkn;x**
x = the kit number of the printing head on a transparent label on the printing head
Example : if the kit number of the printing head is: 179-004-00048, the following command must be entered: Pkn;179-004-00048



If the printing head kit number has not been correctly entered, it may cause the printer to malfunction.



*Two leds flash simultaneously on the printer control panel. They indicate that the printer interior needs cleaning. No printing operation may be started until this is done.
See **chapter 3 Maintenance - Cleaning the inside of the printer** to clean when a head has been changed. At the end of the cleaning cycle, **check the cleaning roller** then reinstall the ribbon and the cards. Your Evolis printer is ready to personalise your cards once more.*

Customer service

If the suggestions given above in this section do not allow you to resolve the problem/s, connect to **evolis.com** for larger information or contact your Evolis reseller.



Evolis website

If you need extra technical help, you will find much information on the use and breakdown of Evolis printers under Support & Services in the Evolis website.

This section suggests that you download the latest versions of Firmware, of drivers and user manuals, videos for the use and cleaning of Evolis printers and FAQ* giving replies to the most common questions.

**FAQ: Frequently Asked Questions*



Access to an Evolis reseller

For all technical problems unresolved, contact an Evolis reseller. If you do not know any Evolis resellers, connect to **www.evolis.com** and send us your request.

Evolis will give you the address of the nearest Evolis reseller to you.

When you call an Evolis reseller, you must be close to your computer and be prepared to give the following information:

- The type and serial number of your printer
- The type of setup and the operating system you use
- A description of the incident
- A description of what you have done to solve the problem

Chap. 5

Technical specifications

Print mode	Color dye sublimation and monochrome thermal transfer Edge-to-edge printing standard
Printer specifications	Integrated ribbon saver for monochrome printing
Print speed	150 cards/hour in full color (YMCKO) Up to 1000 cards/hour in monochrome ¹
Resolution	300 dpi (11,8 dots/mm)
Printer colors	Glacier, Lagoon or Ruby
Software supplied	eMedia Card Designer for designing and editing badges Compatible with Windows™ NT 4.0, 2000 and Xp
Windows™ drivers	For Windows™ NT 4.0 / 2000 and Xp
Macintosh™ drivers	For Mac™ OS X v10.2, v10.3 and 10.4
Warranty	Printer: 2 years Print head: 2 years, unlimited number of prints ² Consult the guarantee book supplied with your Evolis printer
Ribbon types	Monochrome ribbon: 1000 cards/roll Colors available: black, blue, red, green, white, gold, silver and scratch off BlackWAX monochrome ribbon (for ABS and special varnished plastic cards): 1000 cards/roll 2 panel black monochrome ribbon (KO): 500 cards/roll 5 panel color ribbon (YMCKO): 200 cards/roll Half-panel color ribbon (YMCKO): 400 cards/roll Hologram ribbon: 350 cards/roll
Card loading modes	Automatic with feeder or hand-feed
Options	HICO/LOCO magnetic stripe encoder (3-tracks), ISO 7811, field upgradeable Serial port (available upon study) Hand-feed cartridge 100-card additional feeder Suitcase for demonstration Cleaning kit
Other models	Pebble Mag Printer with HICO/LOCO magnetic stripe encoder - ISO 7811 Pebble Smart Printer with smart card contact station - ISO 7816-2 Pebble Contactless Printer with contactless smart card coupler

1 - Under specific conditions 2 - Clause governing the use of Evolis ribbons

Other specifications

Card types: PVC, Composite PVC, PET, ABS and special varnished plastic cards - **Card format:** ISO CR-80 - ISO 7810 (53,98 mm x 85,60 mm - 3.375" x 2.125") - **Card thickness:** From 0,25 mm (10 mil) to 1 mm (40 mil) - **Card feeder capacity:** 300 cards (0,25 mm - 10 mil) - 100 cards (0,76 mm - 30 mil) - **Card output hopper capacity:** 150 cards (0,25 mm - 10 mil) - 50 cards (0,76 mm - 30 mil) - **Resident barcodes:** Code 39, Code 2/5 interleaved - **Resident fonts:** Arial normal 100, Arial bold 100 - **Printer size:** Height: 192 mm (7.55") - **Length:** 396 mm (15.59") - **Width:** 235 mm (9.25") - **Printer weight:** 5,9 Kg (13 lbs) - **Connections:** USB and Centronics parallel ports (cables supplied) - **Electrical:** 110~230 Volts CA, 60~50 Hertz - **Environmental:** Min / max operating temperature: 15° / 30° C (59° / 86° F) - Humidity: 20% to 65% non-condensing - Min / max storage temperature: -5° / +70° C (23° / 158° F) - Storage humidity: 20% to 70% non-condensing - Operating ventilation: free air

Chap. 6

Supplies

Evolis has a large choice of cards and ribbons as well as various accessories. In the following you will find the list of supplies available from an Evolis reseller.

Monochrome ribbons

P/N: R2011	Black ribbon	1000 cards/roll
P/N: R2012	Blue ribbon	1000 cards/roll
P/N: R2013	Red ribbon	1000 cards/roll
P/N: R2014	Green ribbon	1000 cards/roll
P/N: R2015	White ribbon	1000 cards/roll
P/N: R2016	Gold ribbon	1000 cards/roll
P/N: R2017	Silver ribbon	1000 cards/roll
P/N: R2018	Scratch off ribbon	1000 cards/roll
P/N: R2019	BlackWAX Black ribbon	1000 cards/roll

Multi-Panels Ribbons

P/N: R3011	5 Panel Color Ribbon - YMCKO (Yellow, Magenta, Cyan, Black TT and Varnish) 200 cards/ribbon
P/N: R3012	2 Panel Monochrome Ribbon - KO (Black TT and Varnish) 500 cards/roll
P/N: R3013	Half-Panel Color Ribbon - YMCKO (Yellow, Magenta, Cyan, Black TT and Varnish) 400 cards/roll

Hologram ribbon

P/N: R4001	Optoseal® Hologram Ribbon 350 cards/ribbon
------------	--

Cleaning accessories

P/N: A5011	UltraClean Cleaning Kit (for complete cleaning of the printer) 5 pre-saturated cleaning cards, 5 swabs, 1 box of 40 pre-saturated wipes
P/N: A5002	PrinterClean Cleaning kit (for cleaning of the transport rollers) 50 pre-saturated cleaning cards
P/N: A5003	HeadClean Cleaning kit (for cleaning the print head) 25 swabs
P/N: A5004	DustClean Cleaning kit (for maintaining the cleaning roller) 1 box of 40 pre-saturated wipes

Software

P/N: L8001 eMedia Pro Software
Software for conceiving and editing badges with connection to databases

Plastic Cards

P/N: C4001 Classic Blank White plastic cards – 0.76 mm (30mil)
5 packs of 100 cards

P/N: C4002 Classic Blank White Plastic Cards – 0.50 mm (20mil)
5 packs of 100 cards

P/N: C4003 Classic Blank White Plastic Cards with a HICO Magnetic Stripe – 0.76 mm (30mil)
5 packs of 100 cards

P/N: C4004 Classic Blank White Plastic Cards with LOCO Magnetic Stripe – 0.76 mm (30mil)
5 packs of 100 cards

P/N: C1001 Premium Blank White Plastic Cards – 0.76 mm (30mil)
5 packs of 100 cards

P/N: C1003 Premium Blank White Plastic Cards with HICO Magnetic Stripe – 0.76 mm (30mil)
5 packs of 100 cards

P/N: C1004 Premium Blank White Plastic Cards with LOCO Magnetic Stripe – 0.76 mm (30mil)
5 packs of 100 cards

Printer accessories

P/N: S5304 Additional Card Feeder (capacity for 100 cards in 0.76 mm (30mil))

P/N: S5305 Manual Feed Tray (for a card by card loading)

P/N: A5530 Demonstration Trolley Case

P/N: A5007 Centronics parallel interface cable

P/N: A5017 USB interface cable

P/N: A5008 Power supply

P/N: A5009 Power cord, 220V

P/N: A5009 Power cord, 110V

P/N: A5019 Power cord, UK

Appendix A

Magnetic Encoding

Introduction

Pebble printers with a magnetic stripe card encoder are called Pebble Mag printers. The operating mode of a Pebble Mag printer is identical to that of a Pebble printer.

The magnetic encoder encodes tracks ISO 1, 2 and 3 in a single passage and then checks the data.

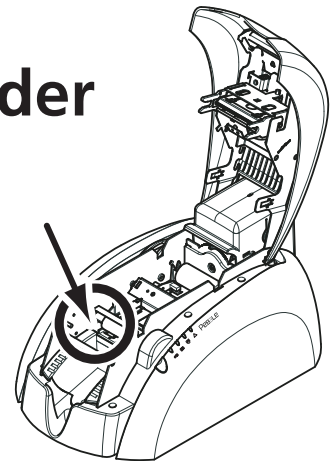
Parameterisable in high coercivity (HICO) or in low coercivity (LOCO) with a simple click from the Windows driver, however, the encoders of the Pebble Mag are sent adjusted to high coercivity (HICO) by default, unless specifically requested on the order.

Location of the magnetic encoder

The magnetic encoder is a module installed in the factory on Pebble Mag printers. The writing and reading head is placed under the path of the cards and after the print head.

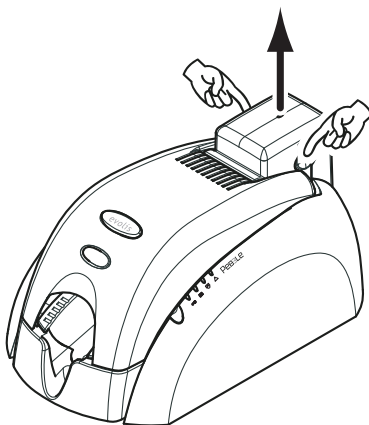


The encoding sequence of a card is still carried out before a printing

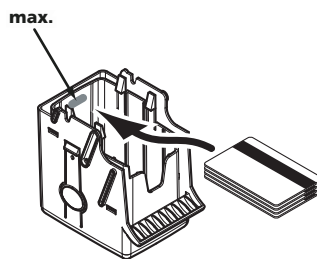


Card orientation

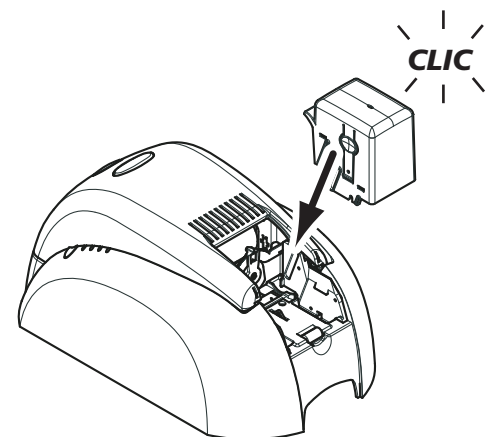
Cards with a magnetic track must be installed in the feeder so the magnetic stripe faces upwards, as follows:



1. Remove the feeder from the printer as shown.



2. Lower the spring system as shown and insert 100 magnetic cards of 0.76 mm (30mil) at most.



3. Put the feeder back in the printer. Then press on the top of the feeder until it clicks.

Parameterising the Windows Driver

When first installing the Windows driver, it is necessary to parameterise the functions of the magnetic encoder. The functions of the magnetic encoder are accessible from the Tools dialog box of the driver by clicking the Encoding Definition button.

“Magnetic Encoder” dialog box

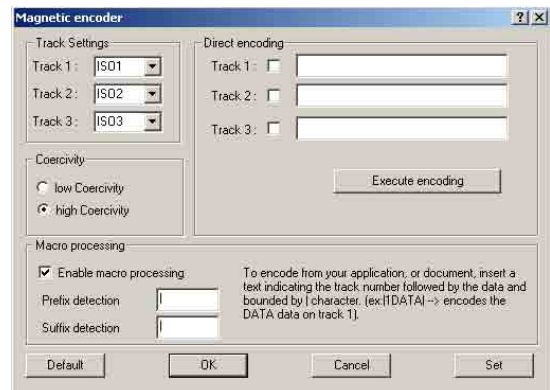
The Magnetic Encoder dialog box opens on selecting the Encoding Definition button.


Track format allows us to choose the ISO standard required for each track. See the table in this Annexe for the information concerning the ISO 7811 standards.

Coercivity parameterises the magnetic encoder in high (HICO) or low (LOCO) coercivity. A magnetic track encoded in high coercivity is more resistant to exterior disturbances than a magnetic track encoded in low coercivity.

Direct encoding allows the direct encoding of one or more magnetic tracks from this window simply by selecting them and entering the data to be encoded. Click on the « Execute encoding » button to start the encoding cycle.

Automatic extraction allows cards with magnetic tracks to be encoded from Windows applications (such as Word for example). A text field surrounded by the characters “|” and “|” (or another character to be defined by the user) may be interpreted as an encoding command by the driver.



 **Only use cards with magnetic tracks conform to ISO 7810 and ISO 7811. To work properly, the magnetic track must be moulded in the card. Never use a card with a glued magnetic track.**

Cleaning of the magnetic encoder

The head of a magnetic encoder needs regular cleaning to be able to assure the integrity of the data encoded in the cards.

The magnetic encoder is cleaned when the printer is the object of a cleaning sequence with the pre-saturated cards (refer to the “Cleaning” chapter in this manual for further information).

Repeated passes of the cleaning card inside the printer clean the card transport rollers, the cleaning roller and the reading / writing head of the magnetic encoder.

If between two printer cleaning sessions (every 1000 cards inserted), the reading / writing process has failed with more than one card, it is recommended to manually start a printer cleaning process (refer to the « Cleaning » chapter of this manual for the procedure to be followed).

ISO 7811 encoding standards

Track no.	Field separator	Track density	Types of characters	Number of characters
track 1	^	210 bpi ¹	Alphanumeric (ASCII 20- 95) ²	79 ³
track 2	=	75 bpi ¹	Numerical (ASCII 48-62) ²	40 ³
track 3	=	210 bpi ¹	Numerical (ASCII 78-62) ²	107 ³

¹ Bit(s) per inch

² Except the “?” character

³ Including the Start, Stop and LRC characters. These characters are generated automatically by the magnetic encoder.

Appendix B

Smart Card Contact Station

Introduction

Pebble printers with a Smart Card Contact Station are called Pebble Smart printers. The working mode of a Pebble Smart printer is identical to that of a Pebble printer.

The Smart Card Contact Station of the Pebble Smart enables the chips to be programmed to the ISO 7816-2 standards.

Location of the Contact Station

The Contact Station is a module installed in the factory on Pebble Smart printers.

The Contact Station is positioned over the path of the cards and before the print head.

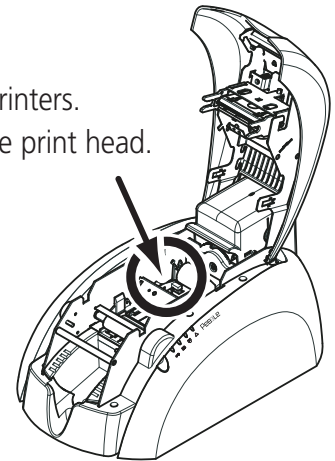
To contact the Station, the chip card is placed under it and is pushed up.



The programming sequence of a chip is always carried out before the card is printed.

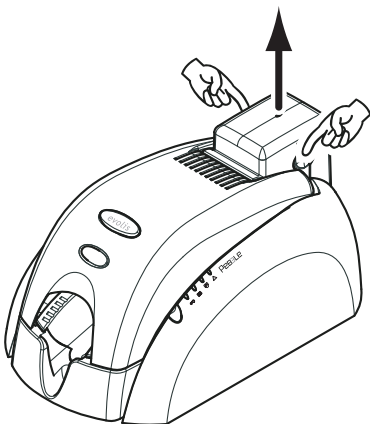


*Only use chip cards conform to ISO 7816-2.
Never print on the chip.*

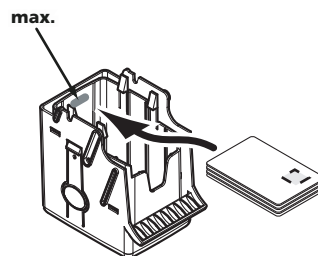


Card orientation

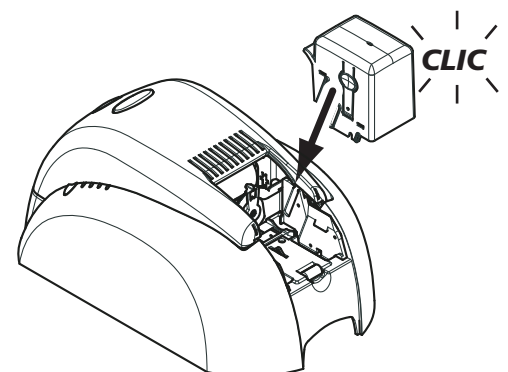
Chip cards must be installed in the card feeder so that the chip is downwards, as shown below:



1. Remove the feeder from the printer as shown.



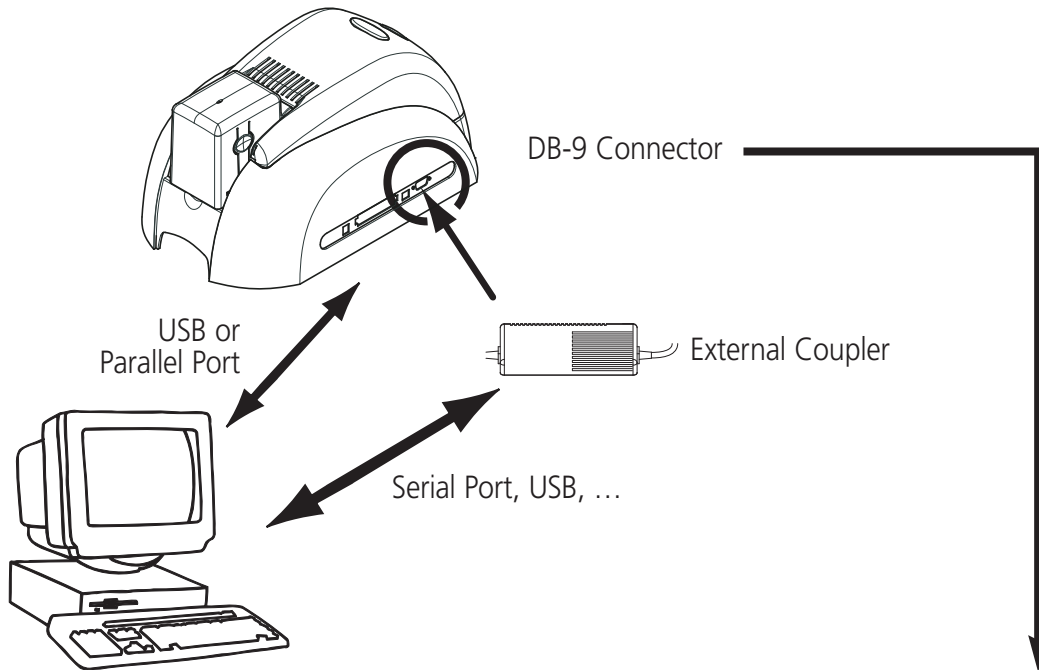
2. Lower the spring system as shown and insert 100 chip cards of 0.76 mm (30mil) at most (chip downwards).



3. Put the feeder back in the printer. Then press on the top of the feeder until it clicks.

Interface of the Contact Station

The Pebble is fitted with a DB-9 female connector on the back of the printer. This connector, directly connected to the Contact Station inside the printer, is also connected to an external coupler to program the chip.



DB-9 Connector pins	Chip card contact points
1	C1 (V c.c.)
2	C2 (reset to 0)
3	C3 (Clock)
4	C4 (reserved)
5	C5 (Ground)
6	C6 (Vpp)
7	C7 (E-S)
8	C8 (reserved)
9	C9 Ground when the chip is commuted with the Contact Station

A sequence of commands must be sent via the interface of the printer to insert a card in the printer and then place it under the Station to establish contact.

The command sequence is the following:

Sending the "Sis" sequence: One card is moved from the feeder to the Contact Station and stops under it. The card is pushed up to come into contact with the Station. The printer connects the Contact Station to the DB-9 connector. The chip may be programed via the serial or USB interface of the computer and the external coupler.



Check the Programming Guide of the Pebble printer to obtain more complete information on how to program a chip card.

Declarations of Conformity

Concerning Safety and Electromagnetic Compatibility

Manufacturer's Name: Evolis Card Printer
Manufacturer's Address: 29, avenue de la Fontaine
Z.I. Angers Beaucouzé
49070 Beaucouzé, France
Material Designation: Pebble 3
Year of Manufacture: 2004

I, the undersigned, Serge Olivier,
Declare that I have received the assumption of the above material, used and installed in accordance with the notice, with the essential requirements of Directives 73/23/CEE and 89/336/CEE, modified by 92/31/CEE and 93/68/CEE by the application of the following regulations:



EN 60950-1 of 2001
EN 55022 Class B of 1998
EN 55024 of 1998
EN 61000-3-2 of 2000
EN 61000-3-3 of 2000 +A1 of 2001

EUROPE: Norway Only: This product is designed for IT power system with phase-to-phase voltage 230V. Earth grounding is via the polarized, 3-wire power cord.

FI: "Laitte on liitettävä suojamaadoitus koskettimilla varustettuun pistorasiaan"

SE: "Apparaten skall anslutas till jordat uttag"

NO: "Apparatet må tilkoples jordet stikkontakt"

Full name: Serge Olivier
Title: Technical Manager
Date: September 2004

Signature:

FCC Statement (For U.S.A.)

Federal Communications Commission Radio Frequency Interferences Statement



Pebble model conforms to the following specifications: FCC Part 15, Subpart A, Section 15.107(a) and Section 15.109(a) Class B digital device.

Supplemental information:

This equipment has been tested and found to comply with the limits for a Class B digital device, pursuant to part 15 of the FCC Rules. These limits are designed to provide reasonable protection against harmful interference in a residential installation. This equipment generates uses and can radiate radio frequency energy and, if not installed and used in accordance with the instructions, may cause harmful interference to radio communications. However, there is no guarantee that interference will not occur in a particular installation. If this equipment does cause harmful interference to radio or television reception, which can be determined by turning the equipment off and on, the user is encouraged to try to correct the interference's by one or more of the following measures:

- Reorient or relocate the receiving antenna.
- Increase the separation between the equipment and the receiver.
- Connect the equipment into an outlet on a circuit different from that to which the receiver is connected.
- Consult the dealer or an experienced radio/TV technician for help.

Use of a shielded cable is required to comply within Class B limits of Part 15 of FCC Rules.

Pursuant to Part 15.21 of the FCC Rules, any changes or modifications to this equipment not expressly approved by Evolis Card Printer may cause, harmful interference and void the FCC authorization to operate this equipment.

VCCI (For Japan)

This equipment complies with the Class B category for information technology equipment based on the rules of Voluntary Control Council for Interferences by Information Technology Equipment. When used in a residential area, radio interference may be caused. In this case, the user may be required to take appropriate corrective actions.