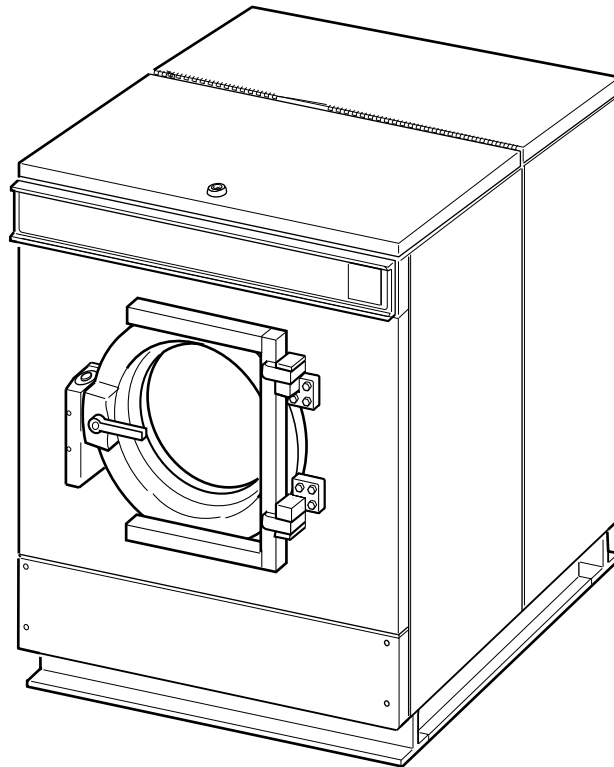


# Washer-Extractor

Cabinet Hardmount

Refer to Page 3 for Model Numbers



B004C\_F232112



# Table of Contents

Title	Page
Parts Ordering Information.....	2
Serial Plate Location .....	2
Model Identification .....	3
Product Overview for A and B-Control.....	4
Product Overview for NetMaster, Mechanical Timer and P, S and V-Computer .....	6
Decals .....	8
Control Module - Models SC125VNV and UC125VNV .....	10
Control Module.....	12
AC Drive - Models SC125ANV, SC125VNV, UC125ANV and UC125VNV .....	14
AC Drive - Models HC125BCV, HC125BYV and SC125BYV .....	16
PowerFlex 40 AC Drive - Models SC125ANV, SC125VNV, UC125ANV and UC125VNV .....	18
Valve Panel - Models SC125ANV, SC125VNV, UC125ANV and UC125VNV .....	20
Optional Coin Box - Model HC125BCV .....	22
Flush Mount Coin Meter Assembly - Model HC125BCV; Single Drop.....	24
Flush Mount Coin Meter Assembly - Model HC125BCV; Dual Drop .....	26
Electronic Coin Meter Assembly - Model HC125BCV.....	28
Covers, Panels and Frame .....	30
Basket and Shell .....	32
Door .....	34
Door Lock.....	36
Supply Dispenser - Models SC125VNV and UC125VNV (Optional) .....	38
Water Supply Valve and Hoses to Supply Dispenser - Models SC125VNV and UC125VNV (Optional).....	40
Water Supply Hoses .....	42
Water Supply Valves and Hoses .....	44
Drain .....	46
Vacuum Breaker Weldment and Hoses.....	48
Vent Assembly .....	50
Balance Switch and Temperature Probe .....	52
Motor and Pulley .....	54
Steam Heat Assembly .....	56
Special Tools .....	58
Parts Index.....	61

© Copyright 2017, Alliance Laundry Systems LLC

All rights reserved. No part of the contents of this book may be reproduced or transmitted in any form or by any means without the expressed written consent of the publisher.

# Parts Ordering Information

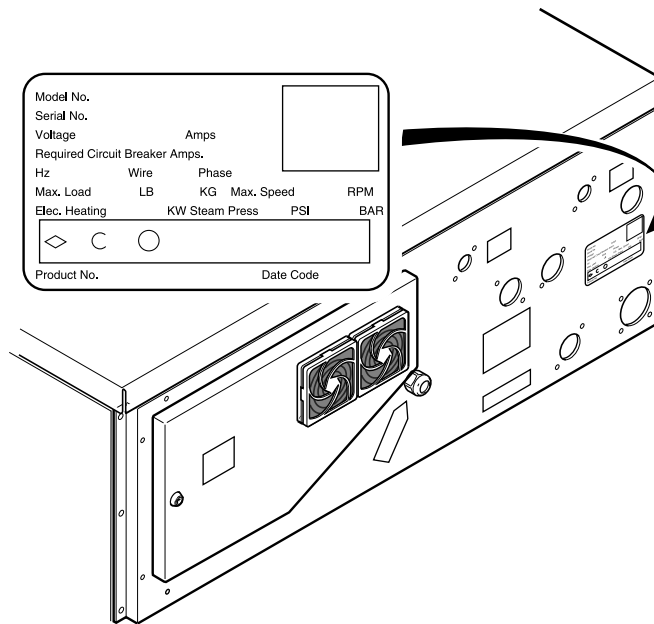
If literature or replacement parts are required, contact the source from whom the machine was purchased or contact Alliance Laundry Systems at (920) 748-3950 for the name and address of the nearest authorized parts distributor.

For technical assistance, call the number listed below:

(920) 748-3121 Ripon, Wisconsin

# Serial Plate Location

When calling or writing about your product, be sure to mention model and serial numbers. Model and serial numbers are located on serial plate(s) as shown.



CHM2461P\_F232112

## Model Identification

Information in this manual is applicable to these washer-extractor models:

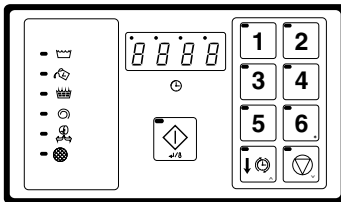
HC125BCV  
HC125BYV  
SC125ANV  
SC125BYV  
SC125VNV  
UC125ANV  
UC125VNV

**NOTE:** To determine the machine's design series, refer to the 11th character of the machine's model number (e.g. SC125ANVNU6001).

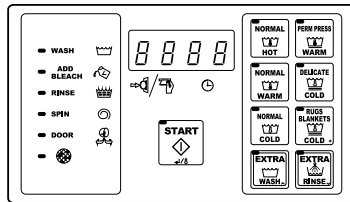
# Product Overview for A and B-Control

Model No. \*C40AC20U60001  
 Serial No. 00000000000  
 Voltage 208 – 240 Amps 7  
 Required Circuit Breaker Amps 15  
 Hz 60 Wire 3 Phase 3  
 Max. Load 40 LB 18.2 KG Max. Speed 470 RPM  
 Elec. Heating N/A KW Steam Press. N/A PSI 0 BAR  
 Drawing:

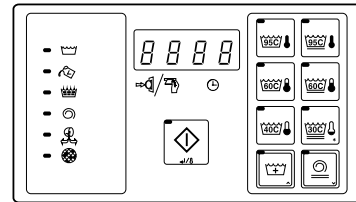
ETL LISTED  
 CONFORMS TO  
 ANSUL STD. 1555  
 ANSUL STD. 1206  
 ETL TESTING LABORATORIES, INC.  
 CORTLAND, NEW YORK 13045



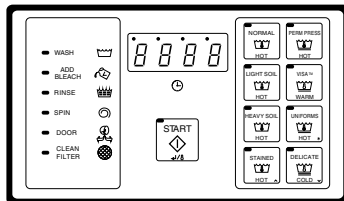
A-Control OPL



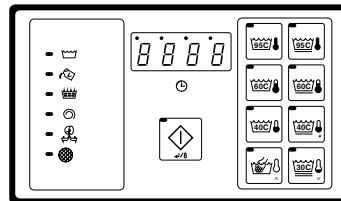
A-Control Coin (Domestic)



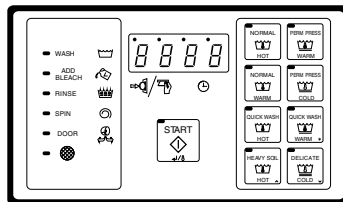
A-Control Coin (International)



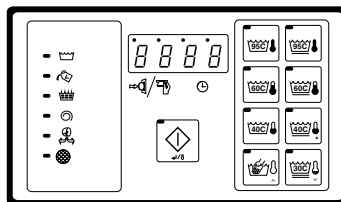
B-Control OPL (Domestic)



B-Control OPL (International)



B-Control Coin (Domestic)



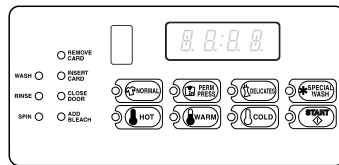
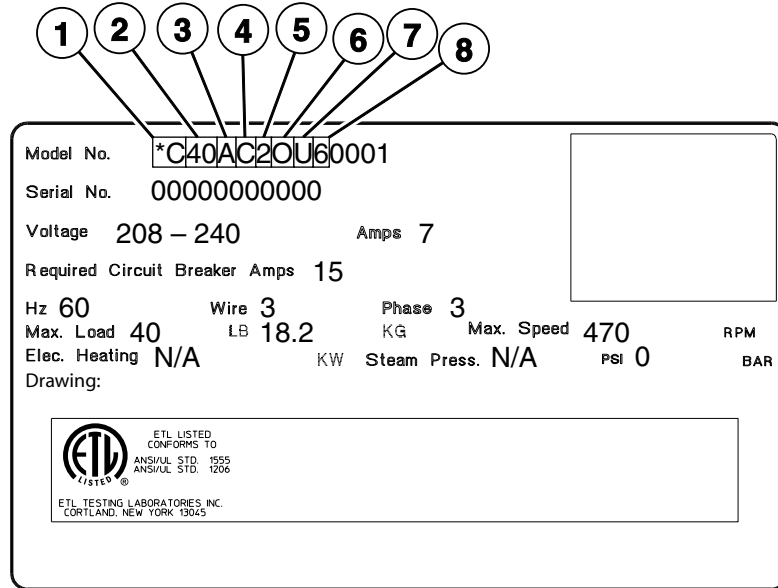
B-Control Coin (International)

CHM2976P\_F232112

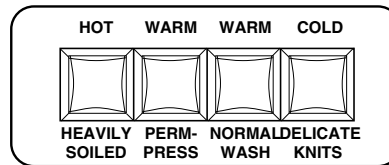
## Product Overview for A and B-Control

REF	PART NO.	DESCRIPTION	COMMENTS
1	-	Product Family	DC HC NC SC UC
2	-	Capacity (Pounds)	18 20 25 27 30 35 40 50 60 80 100 125
3	-	Control	A (A-Control) B (B-Control)
4	-	Actuation	C (Drop Coin Meter) D (Digital Coin Meter) L (Prep for Remote/Central Pay) N (Non-Coin - OPL) R (Cardmate Plus II) X (Prep for Coin Meter) Y (Prep for Card Reader)
5	-	Speed	2 (2-Speed) 3 (3-Speed) F (F-Speed) V (Variable Speed)
6	-	Voltage	B (120/60/1/2) C (380-415/50/3/3) D (220-240/50/3/3) E (220-240/50/1/2) F (440-480/60/3/3) J (220/50/3/3) N (440-480/50-60/3/3) O (200-240/60/3/3) P (380-415/50-60/3/3) Q (200-240/50-60/3/3) X (200-240/50-60/1/3) Y (208-240/60/1/2)
7	-	Side Panel	N (Network Board Installed) P (Network Adaptable) U (Standard Specs) 1 (Stainless Steel) 2 (Network Board Installed with Stainless Sides) 3 (Network Adaptable with Stainless Sides)
8	-	Design	1-4 and 6

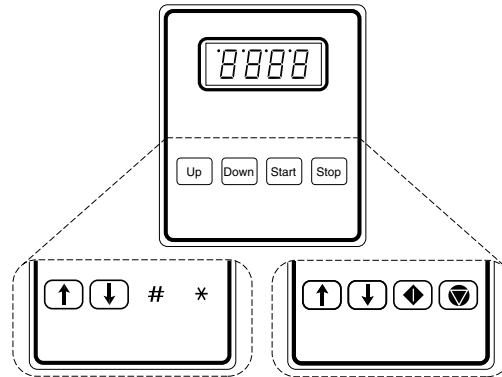
# Product Overview for NetMaster, Mechanical Timer and P, S and V-Computer



NetMaster



Mechanical Timer



P, S and V-Computer

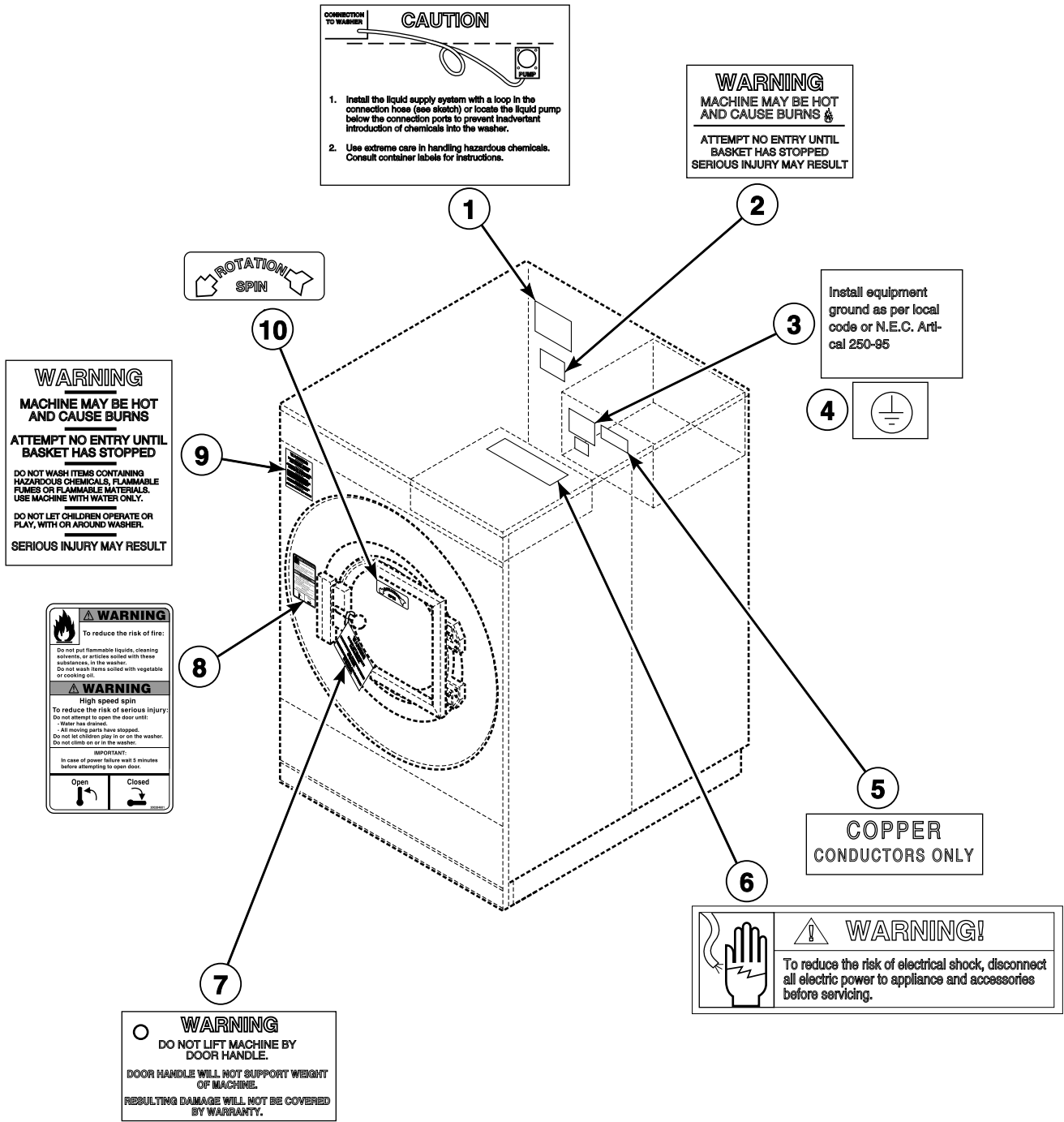
CHM2977P\_F232112



# Product Overview for NetMaster, Mechanical Timer and P, S and V-Computer

REF	PART NO.	DESCRIPTION	COMMENTS
1	-	Product Family	DC HC NC SC UC
2	-	Capacity (Pounds)	18 20 25 27 30 35 40 50 60 80 100 125
3	-	Control	M (Mechanical Timer) N (NetMaster) P (P-Computer) S (S-Computer) V (V-Computer)
4	-	Actuation	C (Drop Coin Meter) D (Digital Coin Meter) L (Prep for Remote/Central Pay) N (Non-Coin - OPL) R (Cardmate Plus II) X (Prep for Coin Meter) Y (Prep for Card Reader)
5	-	Speed	2 (2-Speed) 3 (3-Speed) F (F-Speed) V (Variable Speed)
6	-	Voltage	B (120/60/1/2) C (380-415/50/3/4) D (220-240/50/3/3) E (220-240/50/1/2) F (440-480/60/3/3) J (220/50/3/3) N (440-480/50-60/3/3) O (200-240/60/3/3) P (380-415/50-60/3/3) Q (200-240/50-60/3/3) X (200-240/50-60/1/3) Y (208-240/60/1/2)
7	-	Side Panel	N (Network Board Installed) P (Network Adaptable) U (Standard Specs) 1 (Stainless Steel) 2 (Network Board Installed with Stainless Sides) 3 (Network Adaptable with Stainless Sides)
8	-	Design	1-4 and 6

# Decals

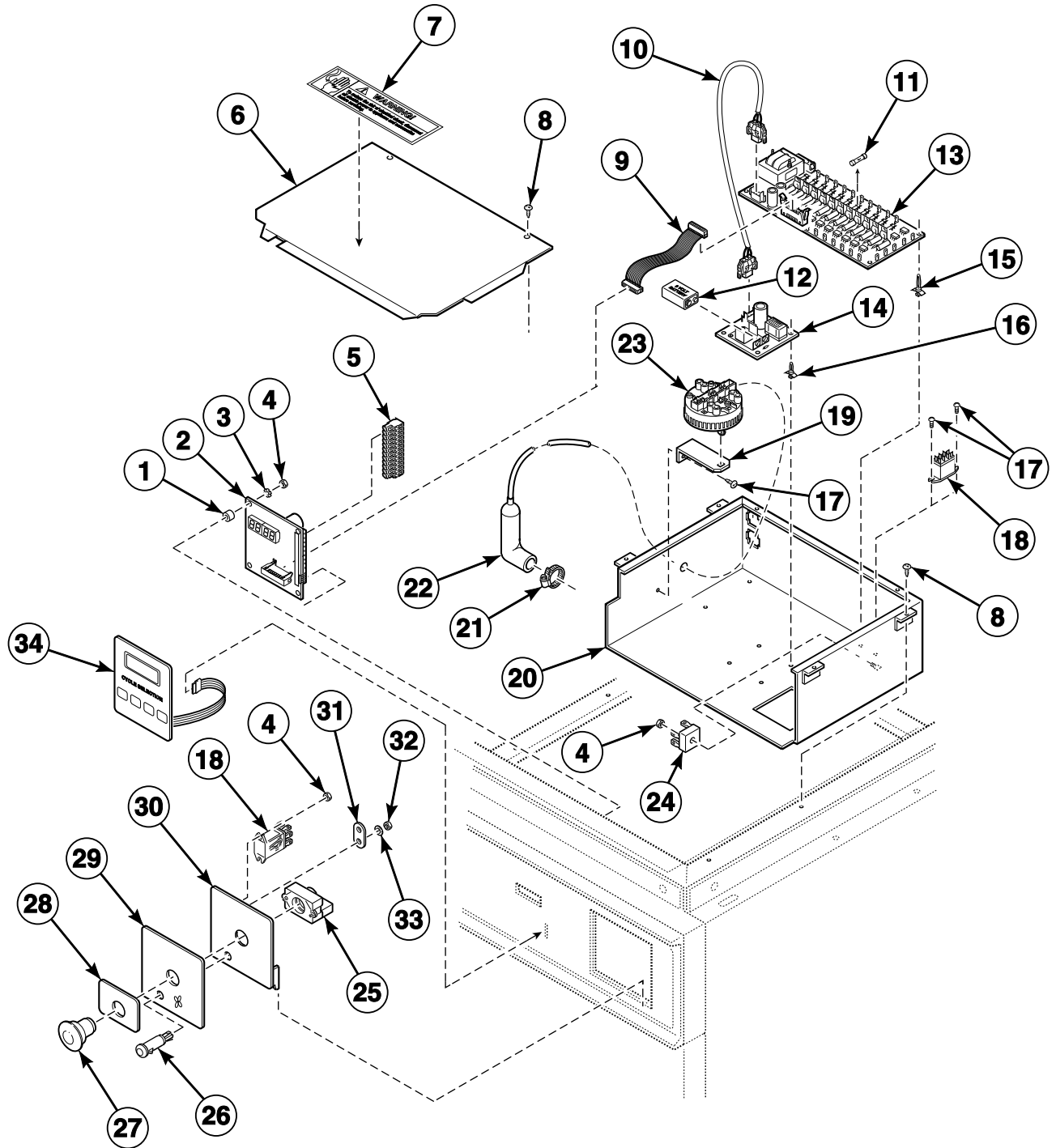


CHM2696P\_F232112

# Decals

REF	PART NO.	DESCRIPTION	COMMENTS
1	F230877	Liquid Supply Decal	Models SC125VNV and UC125VNV
2	F230757	Machine May Be Hot Warning Decal	
3	F230630	Ground Decal	
4	F230739	Ground Decal	
5	F231146	Conductor Decal	
6	D505281	Disconnect Power Warning Label	
7	F230216	Do Not Lift Decal	
8	F200284601	Do Not Open Warning Decal	
9	F231065	Personal Injury Warning Decal	
10	F230693	Counterclockwise Spin Rotation Decal	

# Control Module - Models SC125VNV and UC125VNV



CHM2532P\_F232112

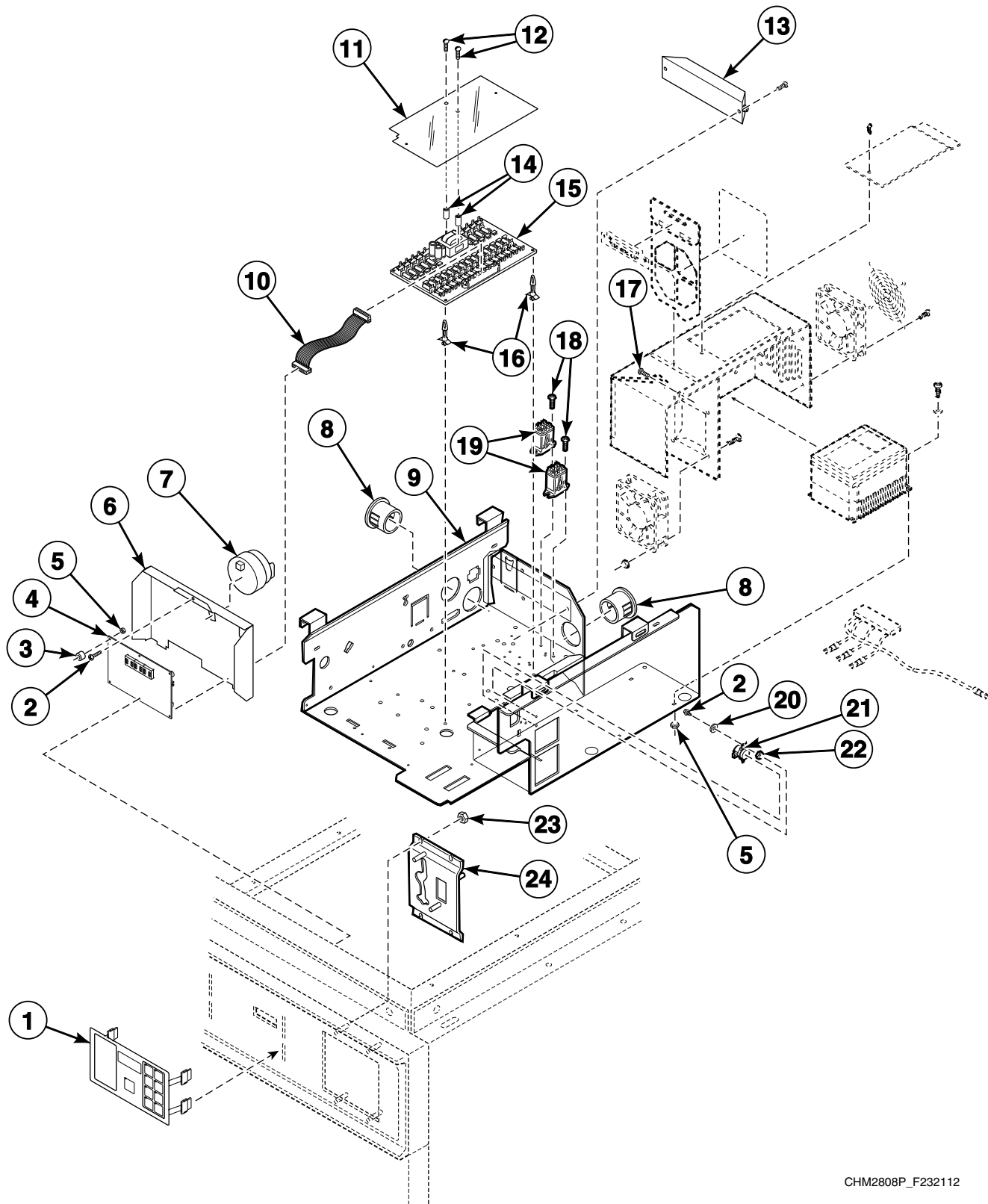
## Control Module - Models SC125VNV and UC125VNV

REF	PART NO.	DESCRIPTION	COMMENTS
1	F401206	Spacer	
2	F370313-13P	Microcomputer	
3	F431113	Washer	
4	F430231	Nut	
5	F140768	Terminal	10 pole
6	F633795	Control Module Cover	
7	D505281	Disconnect Power Warning Label	
8	F430174	Screw	
9	F140219P	Ribbon Cable	26 pin; 15 inch
10	F140249	Battery Backup Wire Harness	Models through 5/14/00
11	F350108	Fuse	1/8 Amp
	F350109	Fuse	1/2 Amp
	F350110	Fuse	1 Amp
12	F191101	Battery	9 Volt; Models through 5/14/00
13	F8206501P	Output Board VCMP Assembly	
14	F370529P	Battery Adapter Board	Models through 5/14/00
15	F180501	Standoff	
16	F432001	Circuit Board Support	
17	N/A	Screw	
18	F330227	Flange Relay	
19	F631920	Water Level Switch Bracket	
20	F631579	Control Module Box	
21	F200215	Hose Clamp	No. 28
22	F200163	Air Trap Hose	
23	F0340348-10P	Water Level Switch	
24	F370310	Bridge Rectifier	
25	F340444	Contact Block and Mounting Switch	Models through 9/1/99; Items 25 and 27 must be replaced together; 800E-series
	F8069501	Contact Switch	800F-series
	F8538101	Contact Base	800F-series
26	F350411	Light	Amber
27	F200233700P	Emergency Stop Button Kit	Used to convert from 800E-series to 800F-series; Includes F200233500 Emergency Stop Pushbutton and F200233401P Contact Block Switch
	F200233401P	Contact Block Switch	
	F200233500	Emergency Stop Pushbutton	800F-series
28	F231083	Emergency Stop Decal	
29	F231391	Emergency Stop Decal	
30	F633750	Emergency Stop Weldment	
31	F601515	Clip	
32	F430232	Nut	
33	F430311	Washer	
34	F340608P	Membrane Switch	Model SC125VNV
34	F370576P	Keypad	Model UC125VNV

N/A = Part no longer available

# Control Module

Models HC125BCV, HC125BYV, SC125ANV, SC125BYV and UC125ANV



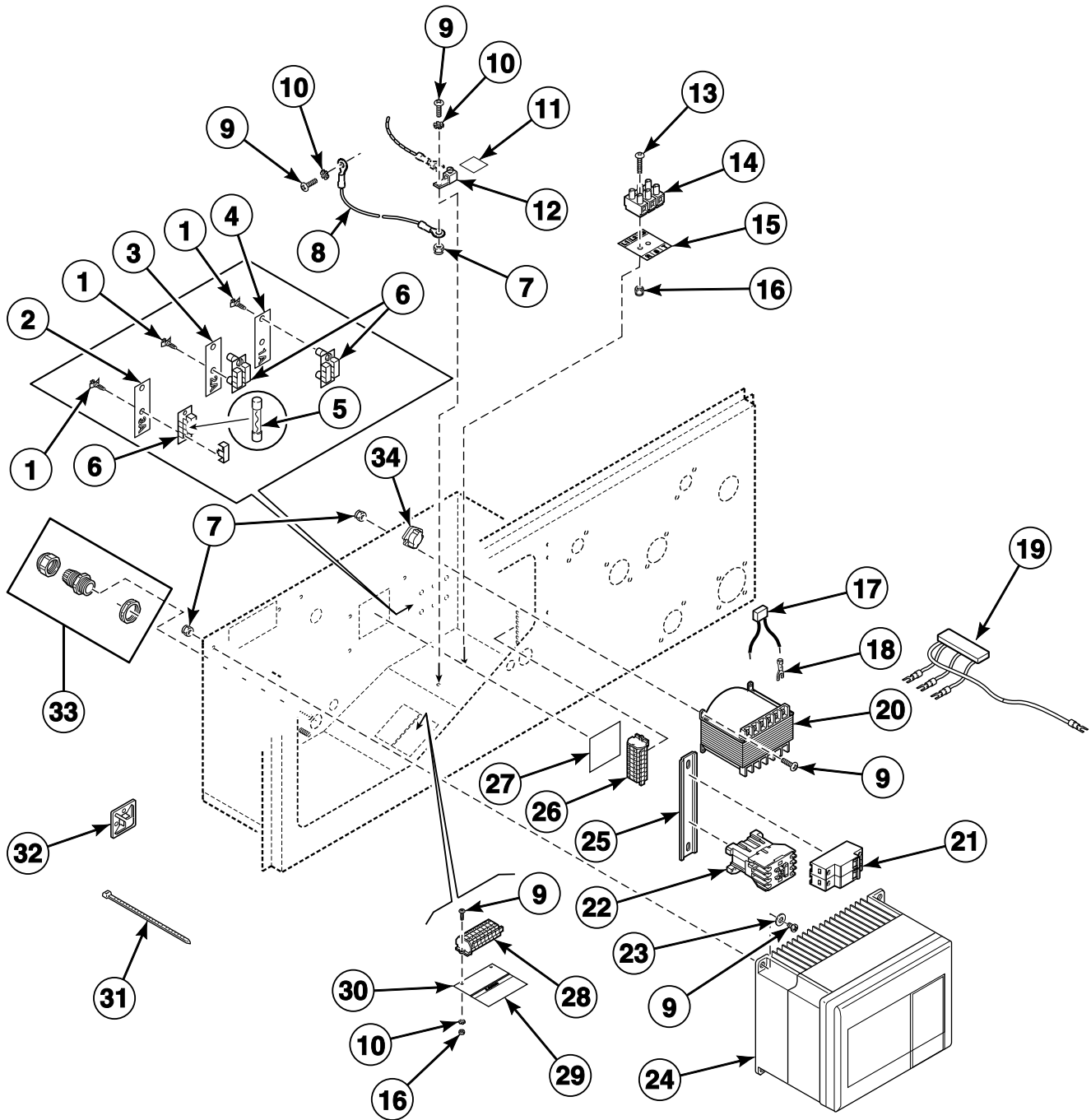
CHM2808P\_F232112

# Control Module

REF	PART NO.	DESCRIPTION	COMMENTS
1	F0231582-03P	Keypad	Model SC125BYV; English
	F0231582-06P	Keypad	Model SC125BYV; Icon
	F0231582-07P	Keypad	Models HC125BCV and HC125BYV
	F023158231P	Keypad	Models SC125ANV and UC125ANV
2	F430928	Screw	
3	N/A	Standoff	
4	F0370455-11P	Computer	Model HC125BCV
	F0370455-10P	Computer	Models HC125BYV and SC125BYV
	F037047530P	Computer	Models SC125ANV and UC125ANV
5	F430231	Nut	
6	F0634903-00	Control Cover	
7	F0340348-10P	Water Level Switch	Standard
	F8223001P	Water Pressure Switch	Heat safety
8	F200139500	Grommet	
9	F200166601	Module Box Assembly	Model HC125BCV
	F200166600	Module Box Assembly	All other models
10	F140219P	Ribbon Cable	26 pin; 15 inch
11	F0170427-00	Output Board Cover	
12	F431702	Screw	
13	F8080001P	AC Drive Resistor Assembly	Models HC125BCV, HC125BYV and SC125BYV
14	F431806	Nut	
15	F037044860-1	Output CCA	Models HC125BCV, HC125BYV and SC125BYV
	F037044860-2	Output CCA	Models SC125ANV and UC125ANV
	F350108	Fuse	1/8 Amp
	F350109	Fuse	1/2 Amp
	F350110	Fuse	1 Amp
16	F180501	Standoff	
17	F430174	Screw	Models HC125BCV, HC125BYV and SC125BYV
18	F0430165-00	Screw	
19	F330230	Flange Relay	
20	F431113	Washer	
21	F0290116-00	Thermostat	
22	F431022	Nut	
23	803017	Nut	Model HC125BCV
24	F0636707-00	Mounting Bracket Assembly	Model HC125BCV; Single Drop
	F635319	Mounting Bracket Assembly	Model HC125BCV; Dual Drop

**N/A = Part no longer available**

# AC Drive - Models SC125ANV, SC125VNV, UC125ANV and UC125VNV



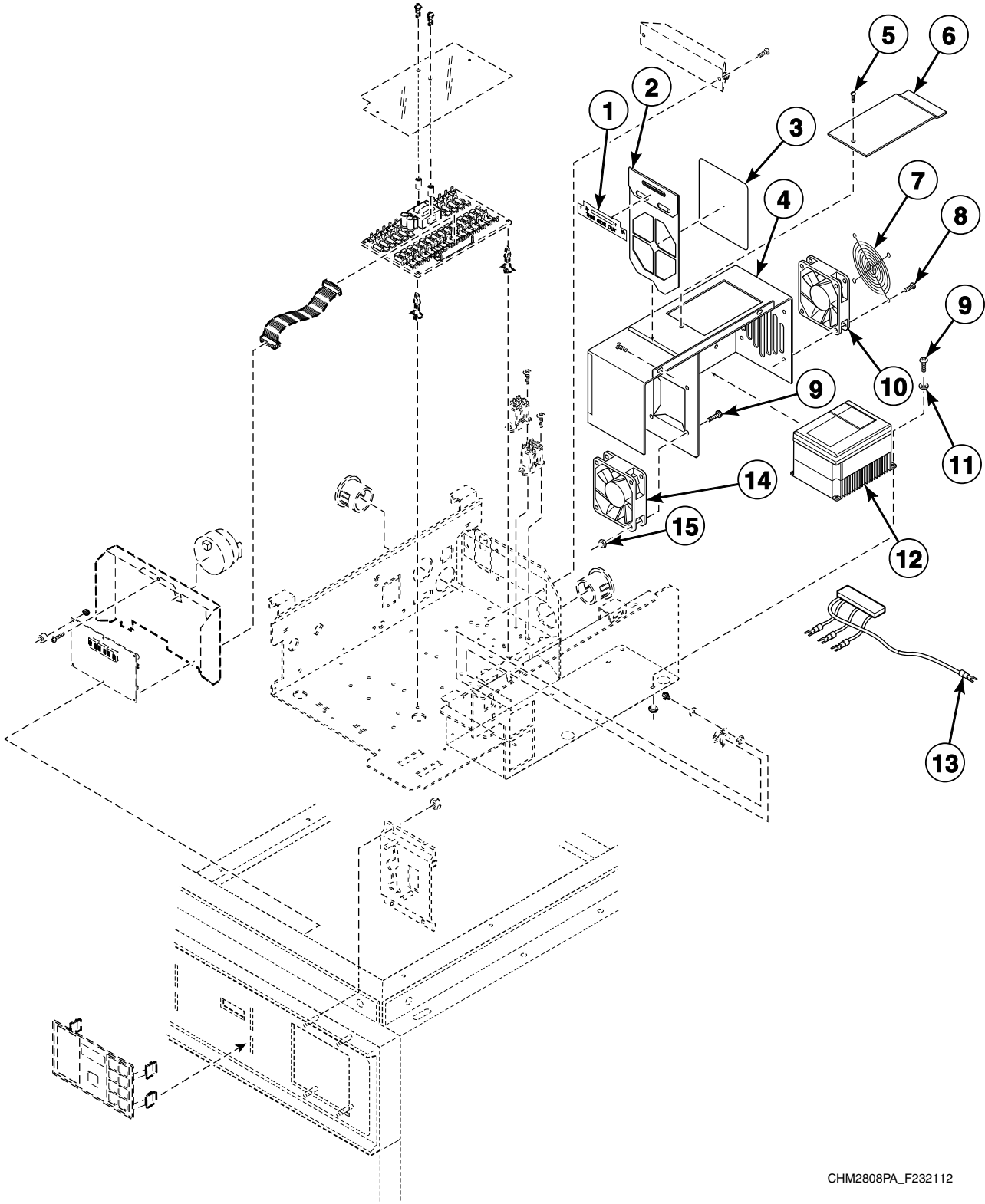
CHM2753P\_F232112



## AC Drive - Models SC125ANV, SC125VNV, UC125ANV and UC125VNV

REF	PART NO.	DESCRIPTION	COMMENTS
1	F180506	Standoff	
2	F231271	External Supply Fuse Decal	3 Amp
3	F231394	Fuse Decal	2 Amp
4	F231393	Fuse Decal	1 Amp
5	F350110	Fuse	1 Amp
	F350117	Fuse	2 Amp
	F350115	Fuse	3 Amp
6	F0350312-10	Fuse Holder	
7	F430231	Nut	
8	45101	Wire	Ground; Sold per foot
9	F430928	Screw	
10	F431113	Washer	
11	F230630	Ground Decal	
12	F140734	Ground Terminal Lug	
13	F430916	Screw	
14	F140747	Input Power Block	
15	F230677	Input Power Connector Decal	
16	F431022	Nut	
17	F330217P	RC Network Filter	Includes F140627 Connector and F141022 Connector
18	00446	Snap Spade Terminal	
19	F200320901	AC Drive Radio Filter Assembly	
20	C000203	Transformer	Models SC125VNV and UC125VNV; 120 Volt
	F360156P	Transformer	Models SC125ANV and UC125ANV; 220 Volt
21	F350217	Circuit Breaker	N and P-voltage models
22	F330180P	Contactors	120 Volt
23	F431133	Washer	
24	F370838	Inverter Drive	200 Volt; Design 4 models; Used with F220237 Motor; Models SC125ANV and UC125ANV order F8323901 1336-Series to PowerFlex 40 Drive Kit; Models SC125VNV and UC125VNV order F8323902 1336-Series to PowerFlex 40 Drive Kit
	F370818	Inverter Drive	400 Volt; Design 4 models; Used with F220237 Motor
25	F602595-4	Contactors Mounting Rail	
26	F140768	Terminal	10 place
27	F231299	Control Transformer Decal	
28	F140766	Terminal	8 place
29	F231345-5	External Supply Caution Decal	N and P-voltage models
	F231345-4	External Supply Caution Decal	Q-voltage models
30	F231376-6	External Supply Connection Decal	N and P-voltage models
	F231376-5	External Supply Connection Decal	Q-voltage models
31	F140605	Cable Tie	
32	F140602	Tie Wrap Mounting Clamp	
33	F140331	Strain Relief Connector	PG21
34	F290115	Thermostat	Models SC125VNV and UC125VNV
	F0290116-00	Thermostat	Models SC125ANV and UC125ANV

# AC Drive - Models HC125BCV, HC125BYV and SC125BYV

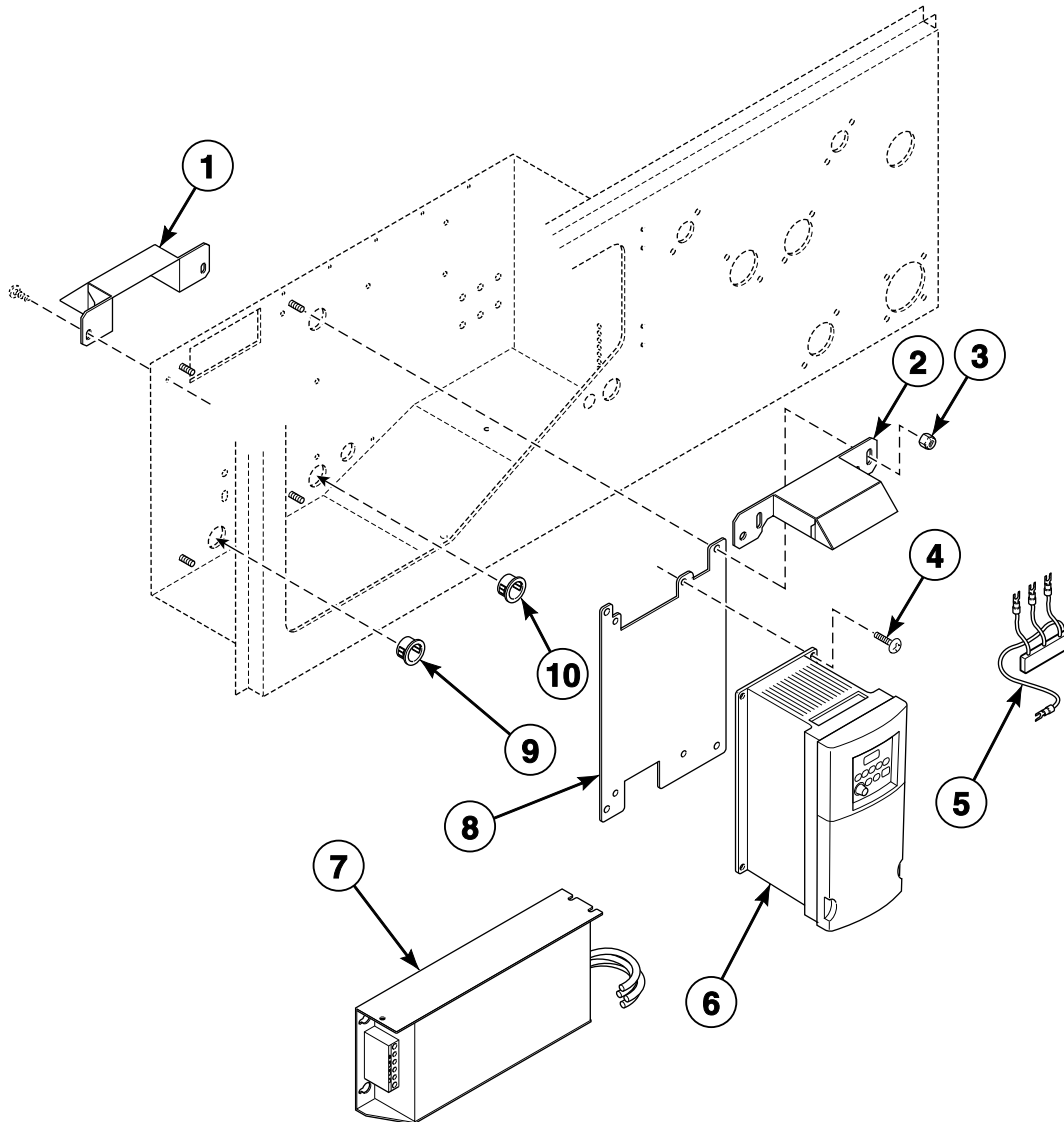


CHM2808PA\_F232112

## AC Drive - Models HC125BCV, HC125BYV and SC125BYV

REF	PART NO.	DESCRIPTION	COMMENTS
	F0360160-00P	Line Reactor Kit	Use with F370853 Inverter Drive
1	F231377	Filter Handle Decal	
2	F200159700	AC Drive Slide Air Filter	
3	F0270321-00P	Filter	
4	F200160100	AC Drive Cover Assembly	Includes items 2, 5-10 and 15
	F200160000	AC Drive Cover Assembly	
5	F430174	Screw	
6	F200181500	Display Window Cover	
7	F0220922-00	Fan Guard	
8	F430922	Screw	
9	F430916	Screw	
10	F110110	Muffin Fan	
11	F431133	Washer	
12	F370853	Inverter Drive	Used with F200174900 Motor
13	F200320900	AC Drive Radio Filter Assembly	Model HC125BCV
	F200320901	AC Drive Radio Filter Assembly	Models HC125BYV and SC125BYV
14	F110105	Muffin Fan	220-240 Volt
15	F430231	Nut	

# PowerFlex 40 AC Drive - Models SC125ANV, SC125VNV, UC125ANV and UC125VNV

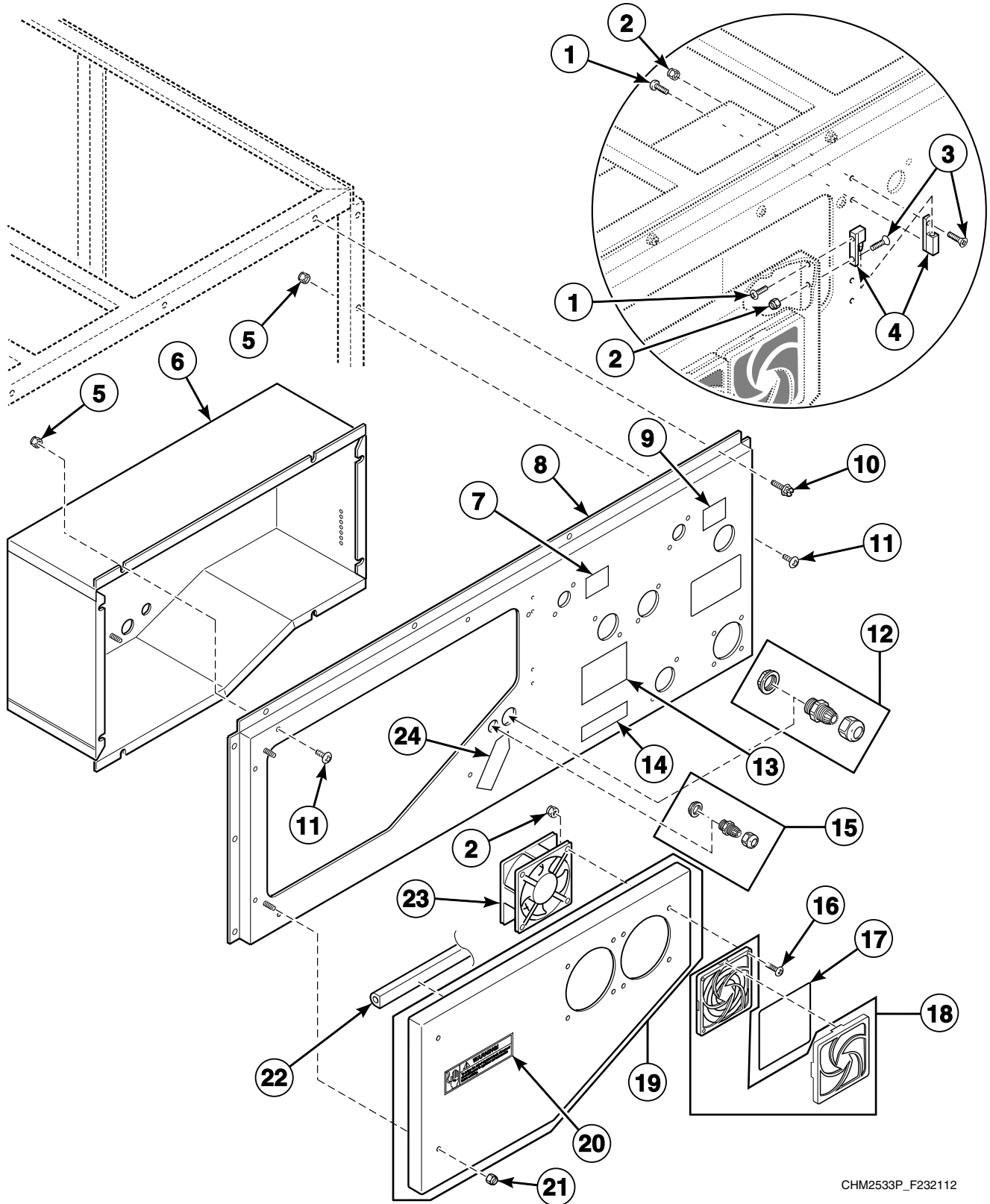


CHM2862P\_F232112

## PowerFlex 40 AC Drive - Models SC125ANV, SC125VNV, UC125ANV and UC125VNV

REF	PART NO.	DESCRIPTION	COMMENTS
	F8149301	Drive Power Harness	Design 6 models
	F8149401	Control Input Harness	Design 6 models
	F8147301	AC Drive Control Harness	Design 6 models
	F8323901	1336-Series to PowerFlex 40 Drive Kit	Models SC125ANV and UC125ANV with F220237 Motor; Design 1-4 Q-voltage models; Includes items 1-4, 6, 8 and 9, F140160 Wire (4 inches) and F140605 Cable Tie
	F8324001	1305-Series to PowerFlex 40 Drive Kit	Models SC125ANV and UC125ANV with F220237 Motor; Design 1-4 N and P-voltage models; Includes items 1-4, 8 and 9, F8169429 AC Drive, F140160 Wire (4 inches) and F140605 Cable Tie
	F8323902	1336-Series to PowerFlex 40 Drive Kit	Models SC125VNV and UC125VNV with F220237 Motor; Design 1-4 Q-voltage models; Includes items 1-4, 8 and 9, F8169428 AC Drive, F140160 Wire (4 inches), F140605 Cable Tie, F140700 Connector, F140712 Connector and F8016701 Software Chip
	F8324002	1305-Series to PowerFlex 40 Drive Kit	Models SC125VNV and UC125VNV with F220237 Motor; Design 1-4 N and P-voltage models; Includes items 1-4, 8 and 9, F8169429 AC Drive, F140160 Wire (4 inches), F140605 Cable Tie, F140700 Connector, F140712 Connector and F8016701 Software Chip
<b>1</b>	F200321000	AC Drive Exterior Exhaust Duct	
<b>2</b>	F200321100	AC Drive Interior Exhaust Duct	
<b>3</b>	F431024	Nut	
<b>4</b>	F430920	Screw	
<b>5</b>	F200320902	AC Drive Radio Filter Assembly	
<b>6</b>	F8169428	PowerFlex 40 Drive	Q-voltage models that have been retrofitted with F8323901 1336-Series to PowerFlex 40 Drive Kit; Design 1-4 Q-voltage models that have been retrofitted with F8323902 1336-Series to PowerFlex 40 Drive Kit; Requires V-computer software ID code UU01 (Software Chip F8016701)
	F8169429	PowerFlex 40 Drive	N and P-voltage models that have been retrofitted with F8324001 1305-Series to PowerFlex 40 Drive Kit; Design 1-4 N and P-voltage models that have been retrofitted with F8324002 1305-Series to PowerFlex 40 Drive Kit; Requires V-computer software ID code UU01 (Software Chip F8016701)
<b>7</b>	F8054001	EMI Filter	Q-voltage models
	F8054002	EMI Filter	N and P-voltage models
<b>8</b>	F200322700	AC Drive Mounting Plate Assembly	
<b>9</b>	F170611	Grommet	Design 1-4 models
	F180486	Cap Plug	Design 6 models
<b>10</b>	F140331	Strain Relief Connector	Design 6 models

# Valve Panel - Models SC125ANV, SC125VNV, UC125ANV and UC125VNV

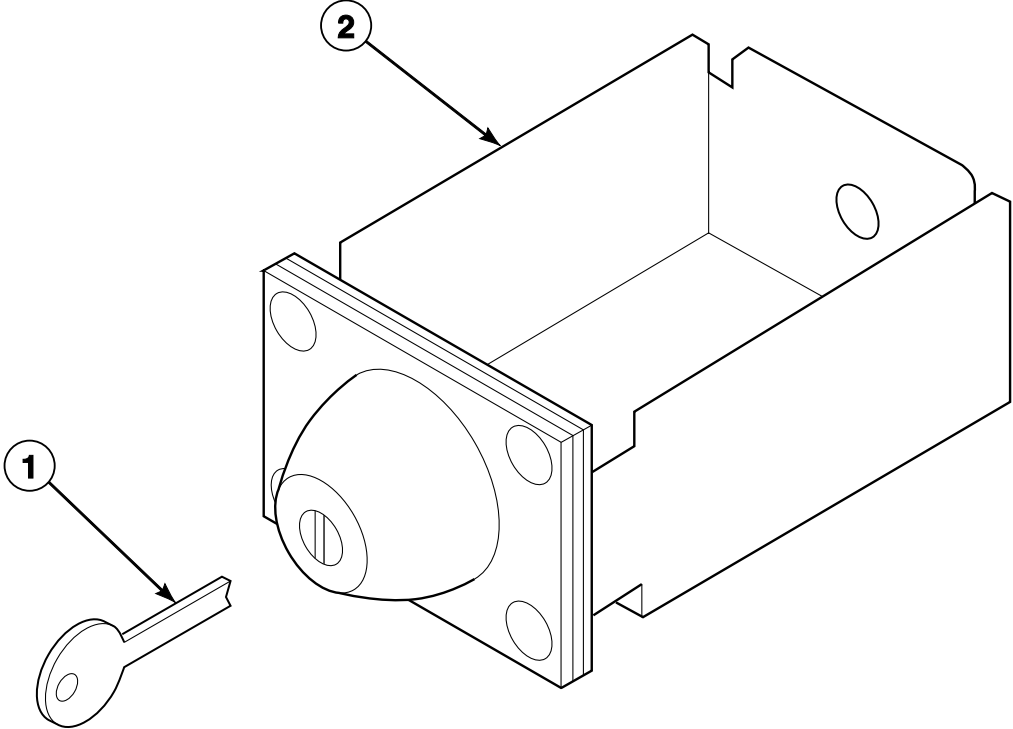


CHM2533P\_F232112

## Valve Panel - Models SC125ANV, SC125VNV, UC125ANV and UC125VNV

REF	PART NO.	DESCRIPTION	COMMENTS
1	F430928	Screw	
2	F430231	Nut	
3	F432231	Screw	
4	F190209P	Lift-Off Hinge	
5	F430215	Nut	
6	F633632-1	AC Drive Box Assembly	Design 1-4 Q-voltage models
	F633632-2	AC Drive Box Assembly	Design 1-4 N and P-voltage models
	F8147601	AC Drive Box Assembly	Design 6 models
7	F230857	Cold Water Decal	
8	F633581	Valve Panel	
9	F230856	Hot Water Decal	
10	F430179	Screw	
11	F430929	Screw	
12	F140331	Strain Relief Connector	PG21
13	F230877	Liquid Supply Decal	
14	F230745	Lubrication Instruction Decal	
15	F140329	Strain Relief Connector	PG13.5
16	F430910	Screw	
17	F200318900P	Filter	
18	F220900	Filter Retainer Guard	
19	F633588	AC Drive Box Cover	Includes item 20
20	D505281	Disconnect Power Warning Label	
21	F8549401	Nut	
22	F170176	Gasket	Order 6 feet
23	F110106	Muffin Fan	120 Volt
	F110105	Muffin Fan	220-240 Volt
24	F230917-1	External Supply Connection Decal	

# Optional Coin Box - Model HC125BCV



CHM1764P\_F232112

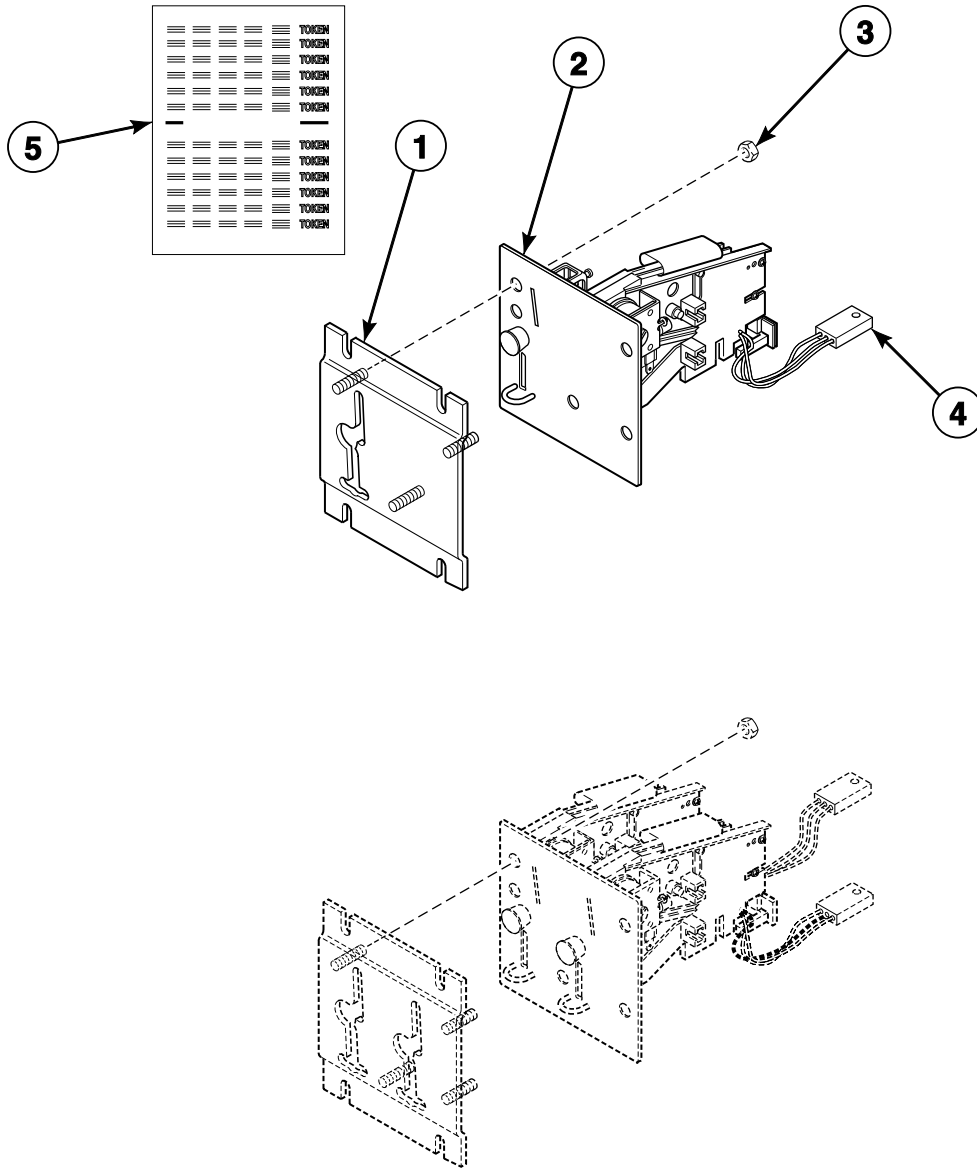


## Optional Coin Box - Model HC125BCV

REF	PART NO.	DESCRIPTION	COMMENTS
1	F160420	Key	UG21
	F160421	Key	UG22
	F160422	Key	UG23
	F160423	Key	UG24
	F160424	Key	UG25
2	F160672	Coin Box	UG21
	F160673P	Coin Box	UG22
	N/A	Coin Box	UG23
	N/A	Coin Box	UG24
	N/A	Coin Box	UG25

N/A = Part no longer available

# Flush Mount Coin Meter Assembly - Model HC125BCV; Single Drop



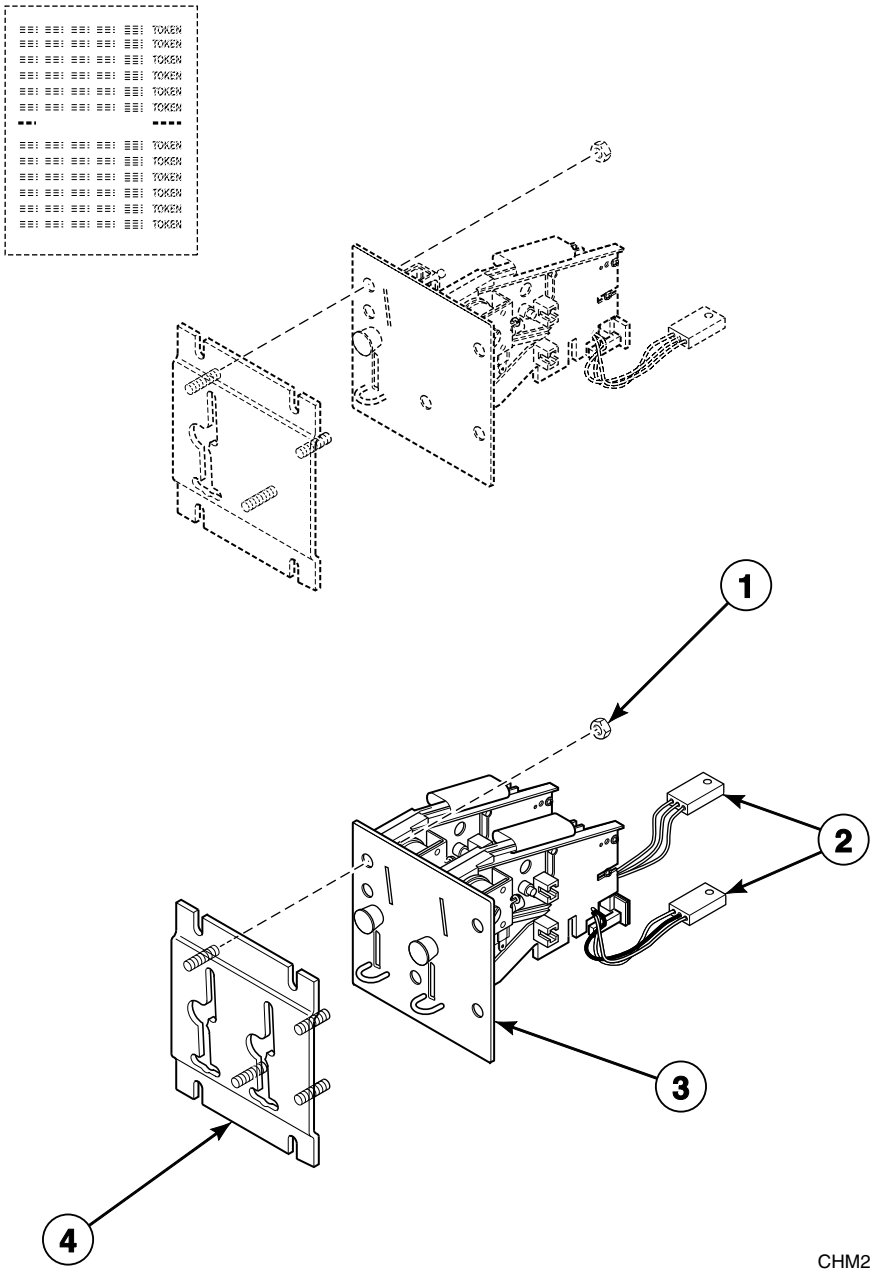
CHM2512P\_F232112

## Flush Mount Coin Meter Assembly - Model HC125BCV; Single Drop

REF	PART NO.	DESCRIPTION	COMMENTS
	F200010000P	Coin Meter Assembly	U.S. \$.25; Includes items 1-3
	F200010006	Coin Meter Assembly	.800 token; Includes items 1-3
	F200010007	Coin Meter Assembly	.880 token; Includes items 1-3
	F200010009	Coin Meter Assembly	.990 token; Includes items 1-3
	F200010011	Coin Meter Assembly	Jeton WH121 token; Includes items 1-3
	F200010012	Coin Meter Assembly	Jeton .08 token; Includes items 1-3
<b>1</b>	F0636707-00	Mounting Bracket Assembly	
<b>2</b>	38464P	Coin Drop Assembly	Canada .25
	N/A	Coin Drop Assembly	Australia .20
	N/A	Coin Drop Assembly	Belgium 5 franc
	N/A	Coin Drop Assembly	Denmark 2 krone
	N/A	Coin Drop Assembly	United Kingdom 20 pence
	N/A	Coin Drop Assembly	France 2 franc
	N/A	Coin Drop Assembly	Hong Kong 5 dollar
	N/A	Coin Drop Assembly	Italy 500 lirraiget
	38475	Coin Drop Assembly	Japan 100 yen
	38480	Coin Drop Assembly	Korea 500 won
	N/A	Coin Drop Assembly	South Africa 2 rand
	N/A	Coin Drop Assembly	Spain 100 peseta
	N/A	Coin Drop Assembly	Thailand 10 baht
	N/A	Coin Drop Assembly	.886 token
	N/A	Coin Drop Assembly	1.000 token
	N/A	Coin Drop Assembly	Jeton 08 token
	70441601P	Coin Drop	U.S. \$.25
	N/A	Coin Drop Assembly	.800 token
	38462P	Coin Drop Assembly	Token; 118-1; .880 diameter x .079 thick; Brass
	38463	Coin Drop Assembly	Token; 118-5; .990 diameter x .081 thick; Silver
	201141	Coin Drop Assembly	Token; Jeton WH121; Grooves on the face of token
	39748	Coin Drop	Token; Jeton .08 MS; Grooves on the face of token
<b>3</b>	685846	Nut	
<b>4</b>	200674P	Opto Coupler	
<b>5</b>	38725	Coin Identification Paper	

N/A = Part no longer available

# Flush Mount Coin Meter Assembly - Model HC125BCV; Dual Drop



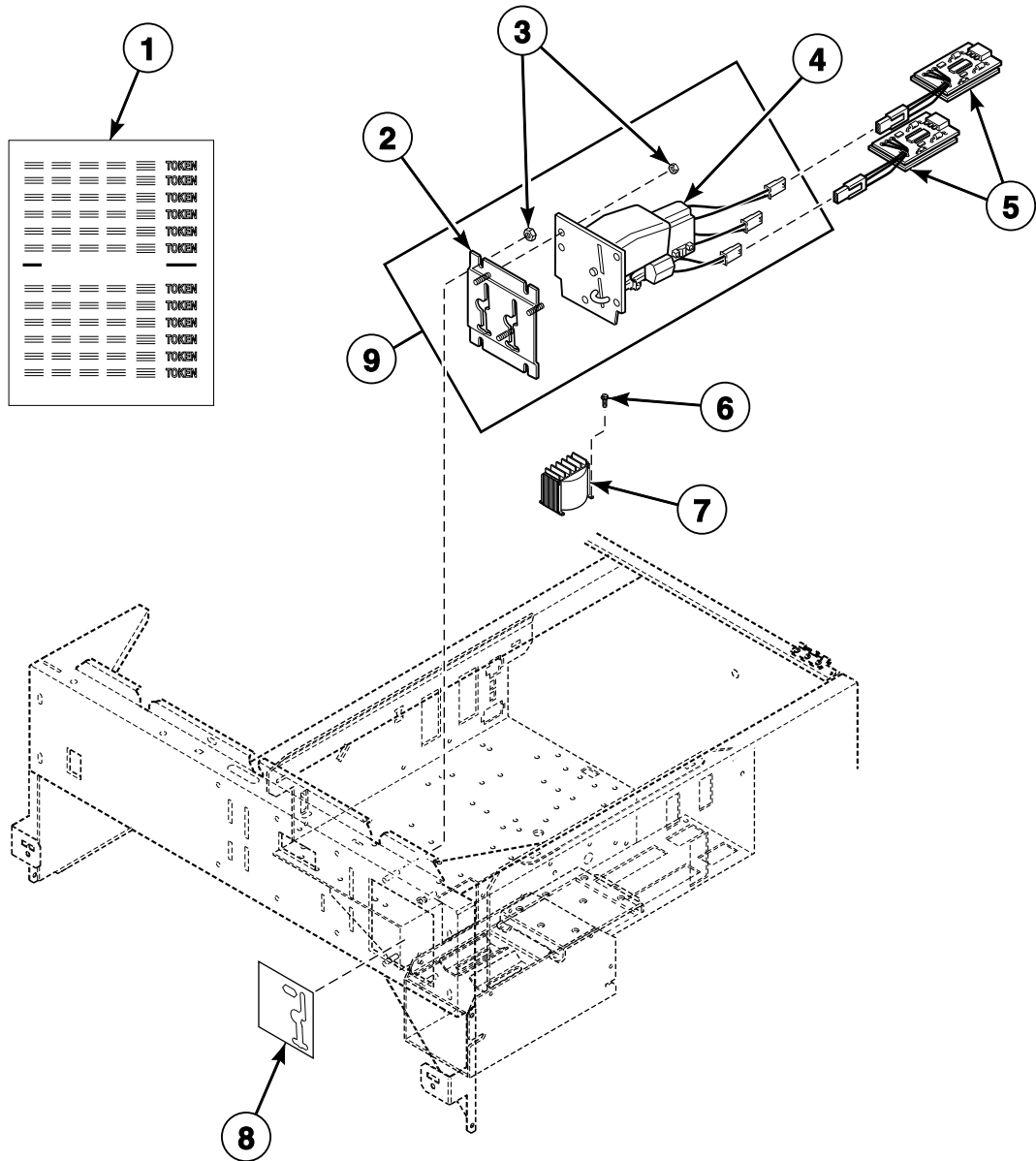
CHM2957P\_F232112

# Flush Mount Coin Meter Assembly - Model HC125BCV; Dual Drop

REF	PART NO.	DESCRIPTION	COMMENTS
	F200010001	Coin Meter Assembly	Australia .20 and 1; Includes items 1, 3 and 4
	F200010002	Coin Meter Assembly	100 and 500 yen; Includes items 1, 3 and 4
	F200010003	Coin Meter Assembly	Canada 1.00 and .25; Includes items 1, 3 and 4
	F200010004	Coin Meter Assembly	New Zealand .20 and 1; Includes items 1, 3 and 4
	F200010005	Coin Meter Assembly	U.S. \$1.00 and .25; Includes items 1, 3 and 4
	F200010008	Coin Meter Assembly	.50 and 2.00 euro; Includes items 1, 3 and 4
	F200010010	Coin Meter Assembly	10 and 50 Taiwan; Includes items 1, 3 and 4
<b>1</b>	685846	Nut	
<b>2</b>	200674P	Opto Coupler	
<b>3</b>	N/A	Coin Meter	10 and 50 Taiwan
	N/A	Coin Meter	Belgium 5 and 20 franc
	N/A	Coin Meter	Denmark 1 and 5 krone
	N/A	Coin Drop Assembly	Denmark 5 and 10 krone
	38472	Coin Drop Assembly	United Kingdom 20 pence and 1 pound
	70283102	Coin Drop Assembly	.20 and .50 euro
	210195	Coin Drop Assembly	.20 and 1.00 euro
	210196	Coin Drop Assembly	.50 and 1.00 euro
	N/A	Coin Meter	2 and 5 franc
	N/A	Coin Meter	2 and 10 franc
	39157	Coin Drop Assembly	Israel 1 and 5 shekel
	38521	Coin Drop Assembly	Korea 100 and 500 won
	N/A	Coin Meter	Spain 100 and 500 peseta
	38467	Coin Drop Assembly	Australia .20 and 1
	38519	Coin Drop Assembly	Japan 100 and 500 yen
	70441602	Coin Drop Assembly	Canada 1.00 and .25
	N/A	Coin Drop Assembly	New Zealand .20 and 1
	70256402P	Coin Drop	U.S. \$1.00 and .25
	F0160737-00	Coin Meter	.50 and 2.00 euro
	70281102	Coin Drop Assembly	10 and 50 Taiwan dollar
	N/A	Coin Meter	5 and 10 Taiwan dollar
<b>4</b>	F635319	Mounting Bracket Assembly	

N/A = Part no longer available

# Electronic Coin Meter Assembly - Model HC125BCV



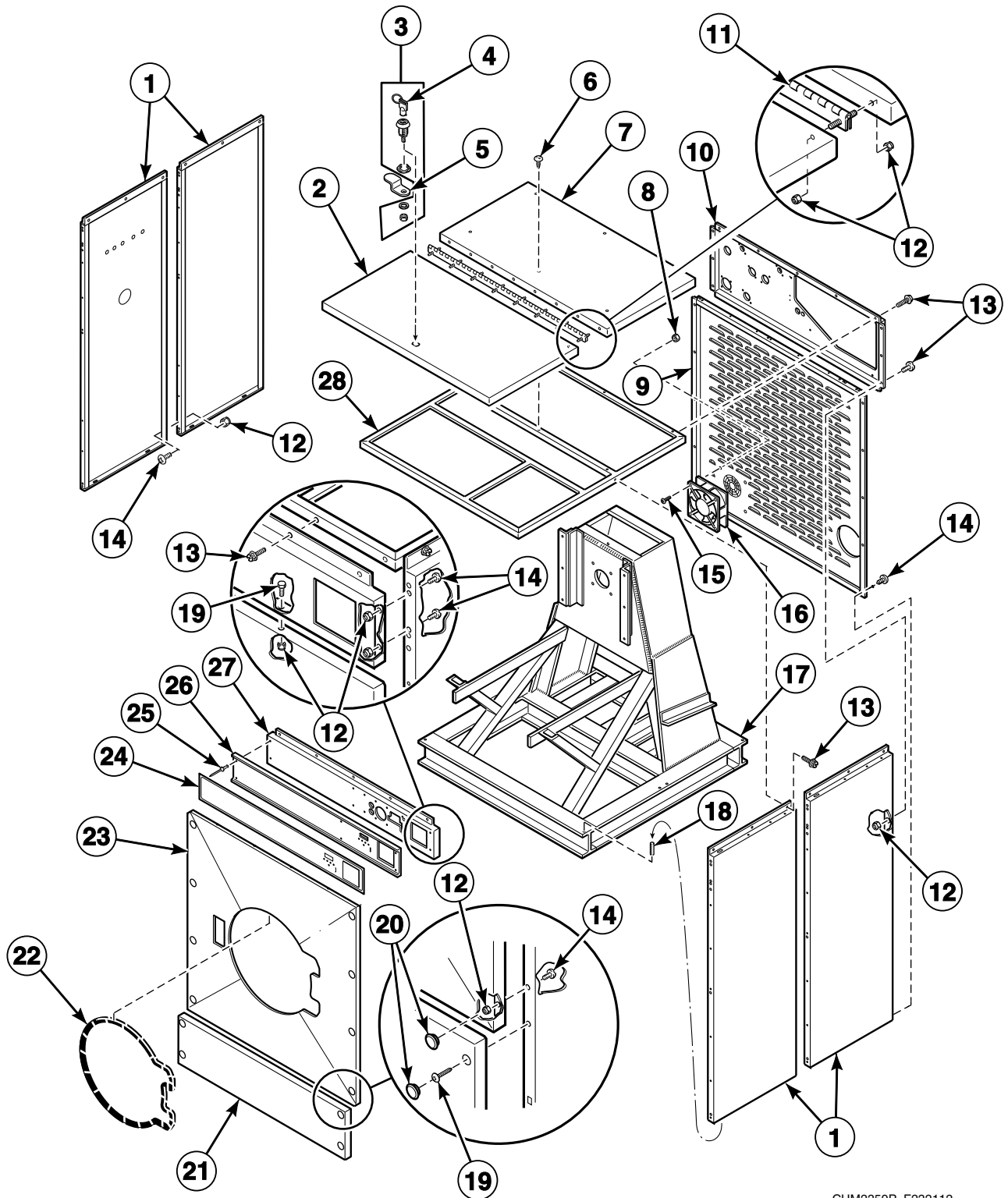
CHM3024P\_F232112

## Electronic Coin Meter Assembly - Model HC125BCV

REF	PART NO.	DESCRIPTION	COMMENTS
1	38725	Coin Identification Paper	
2	F635319	Mounting Bracket Assembly	
3	685846	Nut	
4	70294101P	Electronic Coin Drop Assembly	U.S., Canada, Japan and Taiwan; Includes 201216 Nut
	70294105P	Electronic Coin Drop Assembly	Australia, New Zealand, Hong Kong, South Korea and Malaysia; Includes 201216 Nut
	70294103P	Electronic Coin Drop Assembly	United Kingdom and euro; Includes 201216 Nut
	70294104	Electronic Coin Drop Assembly	Denmark, Norway and euro
	70294106	Electronic Coin Drop Assembly	U.S., Ecuador and Mexico
	70294107	Electronic Coin Drop Assembly	Euro, Lithuania and Latvia
	5	F8034701P	Pulse Expander Assembly
6	N/A	Screw	
7	803527P	Transformer	
8	70295301	Overlay	Gray
9	F200021600P	Coin Meter Assembly	U.S., Canada, Japan and Taiwan; Includes items 2-4
	F200021601	Coin Meter Assembly	Australia, New Zealand, Hong Kong, South Korea and Malaysia; Includes items 2-4
	F200021602	Coin Meter Assembly	United Kingdom and euro; Includes items 2-4
	F200021603	Coin Meter Assembly	Denmark, Norway and euro; Includes items 2-4
	F200021604	Coin Meter Assembly	U.S., Ecuador and Mexico; Includes items 2-4
	F200021605	Coin Meter Assembly	Euro, Lithuania and Latvia; Includes items 2-4

**N/A = Part no longer available**

# Covers, Panels and Frame



CHM2359P\_F232112

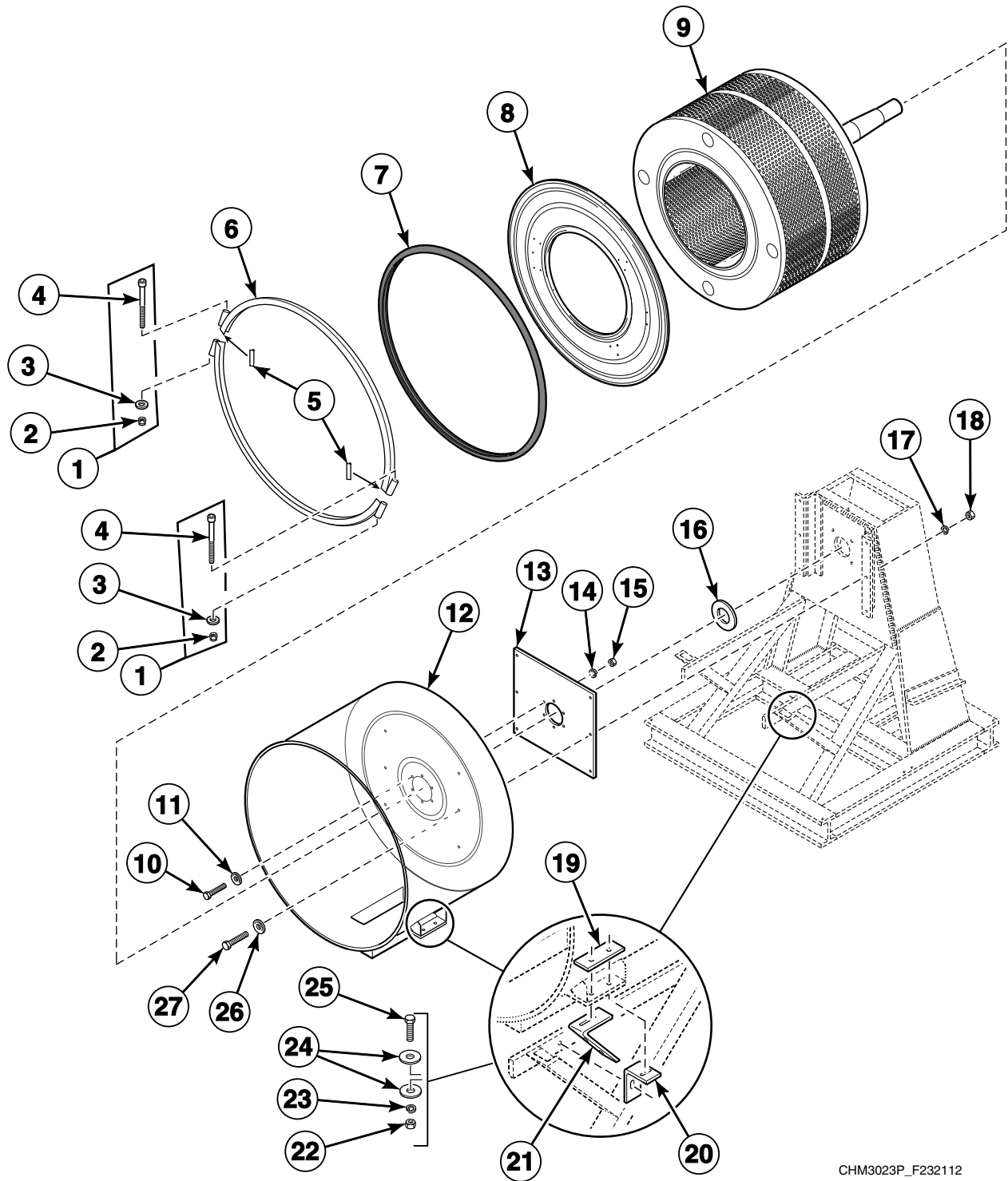


## Covers, Panels and Frame

REF	PART NO.	DESCRIPTION	COMMENTS
1	F633566P	Side Panel	Reversible
	F634190	Side Panel	Left front; Side mount soap dispenser; Models through Serial No. 3060336761
	F0637357-00P	Side Panel	Left front; Side mount soap dispenser; Models starting Serial No. 3060336762
	F200213300	Side Panel Assembly	Right front; Models HC125BCV, HC125BYV and SC125BYV; Includes louvers
2	F633602	Top Front Panel	
3	F190802P	Lid Lock	GR3800; Includes item 4
4	F160562	Key	GR3800
5	F633713	Latch	
6	F430986	Screw	
7	F633592	Top Rear Cover	
8	F430231	Nut	
9	F633611	Rear Panel	
10	F633581	Valve Panel	Models SC125ANV, SC125VNV, UC125ANV and UC125VNV
	F200202400	Valve Panel Assembly	Models HC125BCV, HC125BYV and SC125BYV
11	F633958	Top Cover Hinge Weldment	
12	F430232	Nut	
13	F430179	Screw	
14	F430929	Screw	
15	F430910	Screw	
16	F758501	Fan Kit	Models SC125VNV and UC125VNV; 120 Volt
	F110107P	Fan	Models HC125BCV, HC125BYV, SC125ANV, SC125BYV and UC125ANV; 220 Volt
17	F633272	Frame Weldment	
18	F430939	Screw	
19	F430174	Screw	
20	F140563	Plug	
21	F633565	Bottom Front Panel	
22	F170400RP	Trim	
23	F200284300	Middle Front Panel	Model HC125BCV
	F633564	Middle Front Panel	All other models
24	N/A	Control Panel Decal	Model SC125VNV
	F0231584-00	Control Panel Decal	Model UC125VNV
	F200143300	Control Panel Decal	Model SC125BYV
	F200143301	Control Panel Decal	Models HC125BCV and HC125BYV
	F200298700	Control Panel Decal	Model SC125ANV
	F200298701	Control Panel Decal	Model UC125ANV
25	N/A	Pop Rivet	
26	N/A	Control Panel Extrusion	Models through 3/6/01
27	F633563	Top Front Panel	For models with control panel extrusion
	F200149000	Control Panel Assembly	For models without control panel extrusion
28	F633562	Top Frame Weldment	Models SC125VNV and UC125VNV
	F063356201	Top Frame Weldment	Models HC125BCV, HC125BYV, SC125ANV, SC125BYV and UC125ANV

**N/A = Part no longer available**

# Basket and Shell

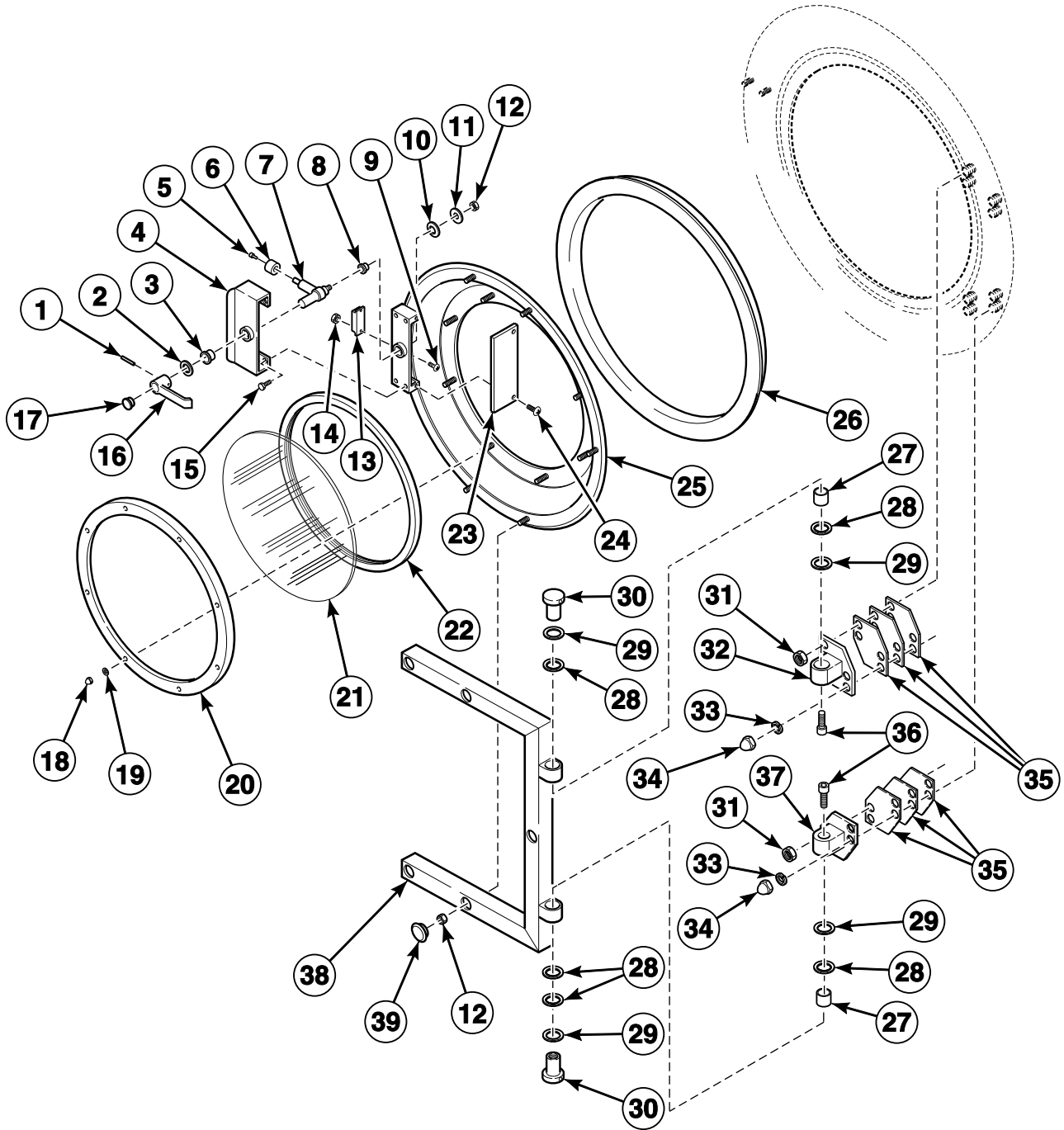


CHM3023P\_F232112

## Basket and Shell

REF	PART NO.	DESCRIPTION	COMMENTS
	F798833-00	Seal Kit	Includes items 7, 16, the seal and sealant
1	F791001	Shell Band Fastener Kit	Includes items 2-4; 2 required per shell band assembly
2	F430215	Nut	
3	F430317	Washer	
4	F430500	Screw	
5	F601216	Shell Gasket Shield	
6	F603630	Shell Band Assembly	2 required
7	F170120RP	Shell Band Gasket	
8	F633952	Shell Front Weldment	
9	F633619	Basket Assembly	42 inch diameter and 24 inch depth
10	F430913	Screw	
11	F431112	Washer	
12	F634647	Shell Weldment	
13	F601718	Shell Reinforcement Plate	
14	F431100	Washer	
15	F431005	Nut	
16	F100205	Slinger	
17	M400013	Washer	
18	70142	Nut	
19	F601950	Washer	
20	F601951	Shell Bracket Support	
21	F603592	Shell Adjusting Bracket Assembly	Left
	F603615	Shell Adjusting Bracket Assembly	Right
22	20274	Nut	
23	M400014	Washer	
24	M400081	Washer	
25	800461	Screw	
26	F431116	Washer	
27	F430924	Screw	

# Door



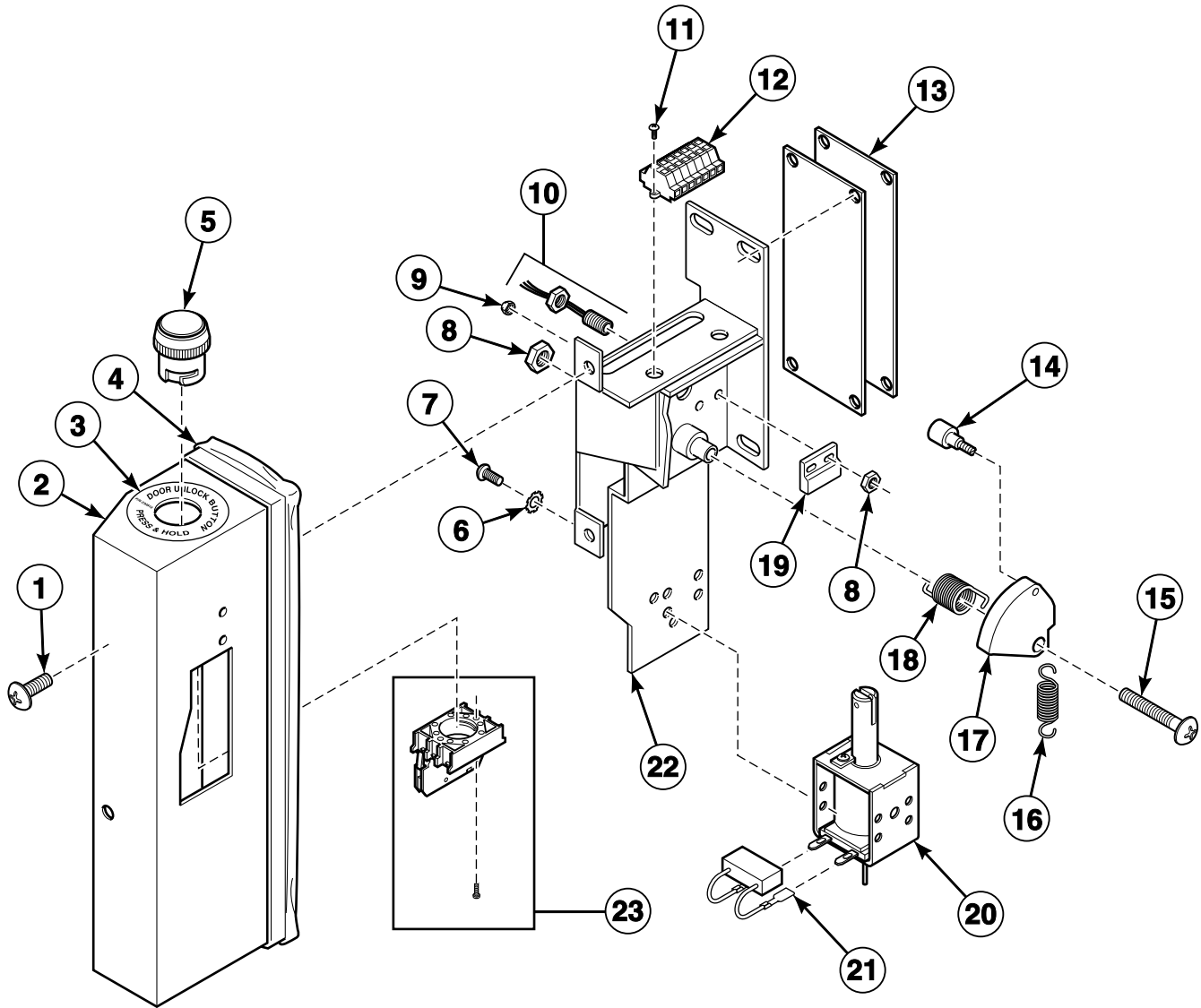
CHM1980P\_F232112

# Door

REF	PART NO.	DESCRIPTION	COMMENTS
	F8211401	Door Assembly	Includes items 1-8, 10-13, 19, 21, 22, 25-32, 34, 36-39, F320102 Retainer Spring, F431026 Nut, F431139 Washer, F633666 Shim and F8199401 Door Handle
1	F431222	Spring Pin	
2	F431907	Washer	
3	F280253	Bushing	
4	F0637580-00	Door Support Weldment	Models through 3/2/08
	F8210001	Pivot Lock Cover Weldment	Models starting 3/3/08
5	F340502P	Switch Magnet	
6	F100145	Follower Cam	
7	F608536	Pivot Lock Weldment	
8	F280252	Bushing	
9	F430928	Screw	
10	F431143	Washer	
11	F431142	Washer	
12	F431024	Nut	
13	F8390801	Magnet	
14	F430231	Nut	
15	F430923	Screw	
16	F150225	Door Handle	
17	F140563	Plug	
18	F8549401	Nut	
19	F431100	Washer	
20	F8504901	Door Glass Retainer	
21	F290210P	Glass	
22	F170115	Door Glass Gasket	
23	N/A	Door Support Cover	
24	F430986	Screw	
25	F633650	Door Weldment	Models through 3/2/08
	F8203901	Door Weldment	Models starting 3/3/08
26	F8434801	Door Gasket	
27	F280293	Bearing Sleeve	
28	F431933	Washer	Neoprene
29	F431934	Washer	Nylon
30	F432306	Hinge Pin	
31	F431036	Nut	
32	F633751	Base Weldment	
33	N/A	Washer	
34	F431047	Nut	
35	N/A	Shim Base Plate	
36	F432285	Screw	
37	F633753	Base Weldment	
38	F190309	Cap Plug	
39	F633663	Hinge Weldment	

**N/A = Part no longer available**

# Door Lock



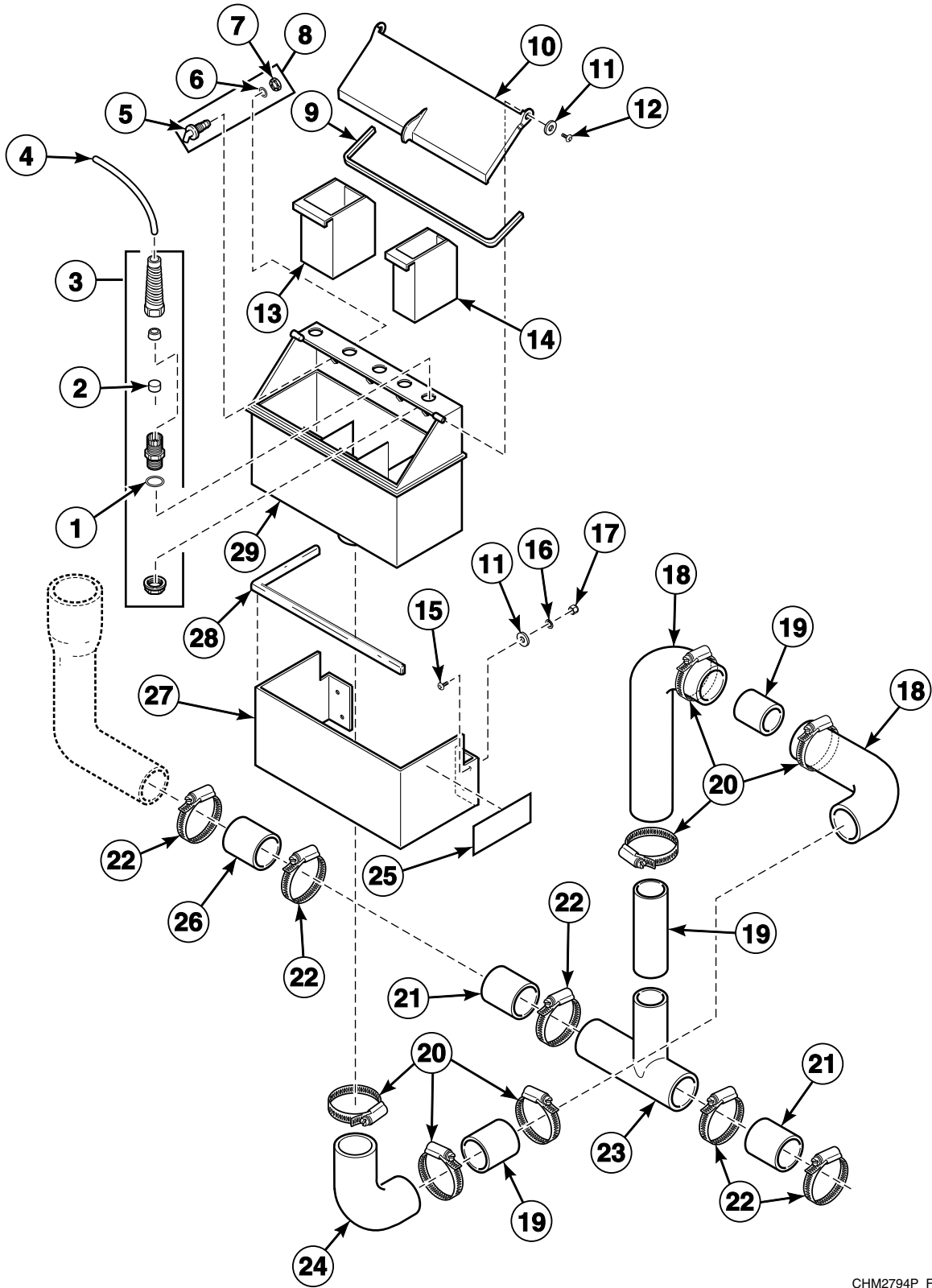
CHM3022P\_F232112

# Door Lock

REF	PART NO.	DESCRIPTION	COMMENTS
	F8210402	Door Lock Assembly	Includes items 1-4, 6-20 and 22
1	F430929	Screw	
2	F8071203	Door Lock Cover Weldment	
3	F230816	Door Unlock Decal	
4	F170404	Trim	Order 3 feet
5	N/A	Button Kit	800E-series; Models through 9/30/07; Order F8069902P Button Kit
	F8069902P	Button Kit	Used to convert from 800E-series to 800F-series; Includes F8069602 Momentary Pushbutton, F8069501 Contact Switch and F8538101 Contact Base
	F8069602	Momentary Pushbutton	800F-series; Models starting 10/1/07
6	F431106	Washer	
7	F430995	Screw	
8	F430215	Nut	
9	F430231	Nut	
10	F340503P	Hall Effect Sensor Switch	
11	F430928	Screw	
12	F140766	Terminal	8 pole
13	F606563	Door Lock Shim	
14	F340502P	Switch Magnet	
15	F430921	Screw	
16	F310107	Spring	
17	F0150518-00	Door Lock Cam	
18	F310133	Door Cam Torsion Spring	
19	F0340723-00	Magnetic Switch	
20	F300122P	Intermittent Duty Solenoid	Models SC125VNV and UC125VNV; 120 Volt
	F0300130-00P	Solenoid	Models HC125BCV, HC125BYV, SC125ANV, SC125BYV and UC125ANV; 220 Volt
21	F330217P	RC Network Filter	Includes F140627 Connector and F141022 Connector
22	F8209801	Door Lock Bracket Weldment	
23	F340444	Contact Block and Mounting Switch	800E-series; Models through 9/30/07
	F8069501	Contact Switch	800F-series; Models starting 10/1/07
	F8538101	Contact Base	800F-series; Models starting 10/1/07

**N/A = Part no longer available**

# Supply Dispenser - Models SC125VNV and UC125VNV (Optional)



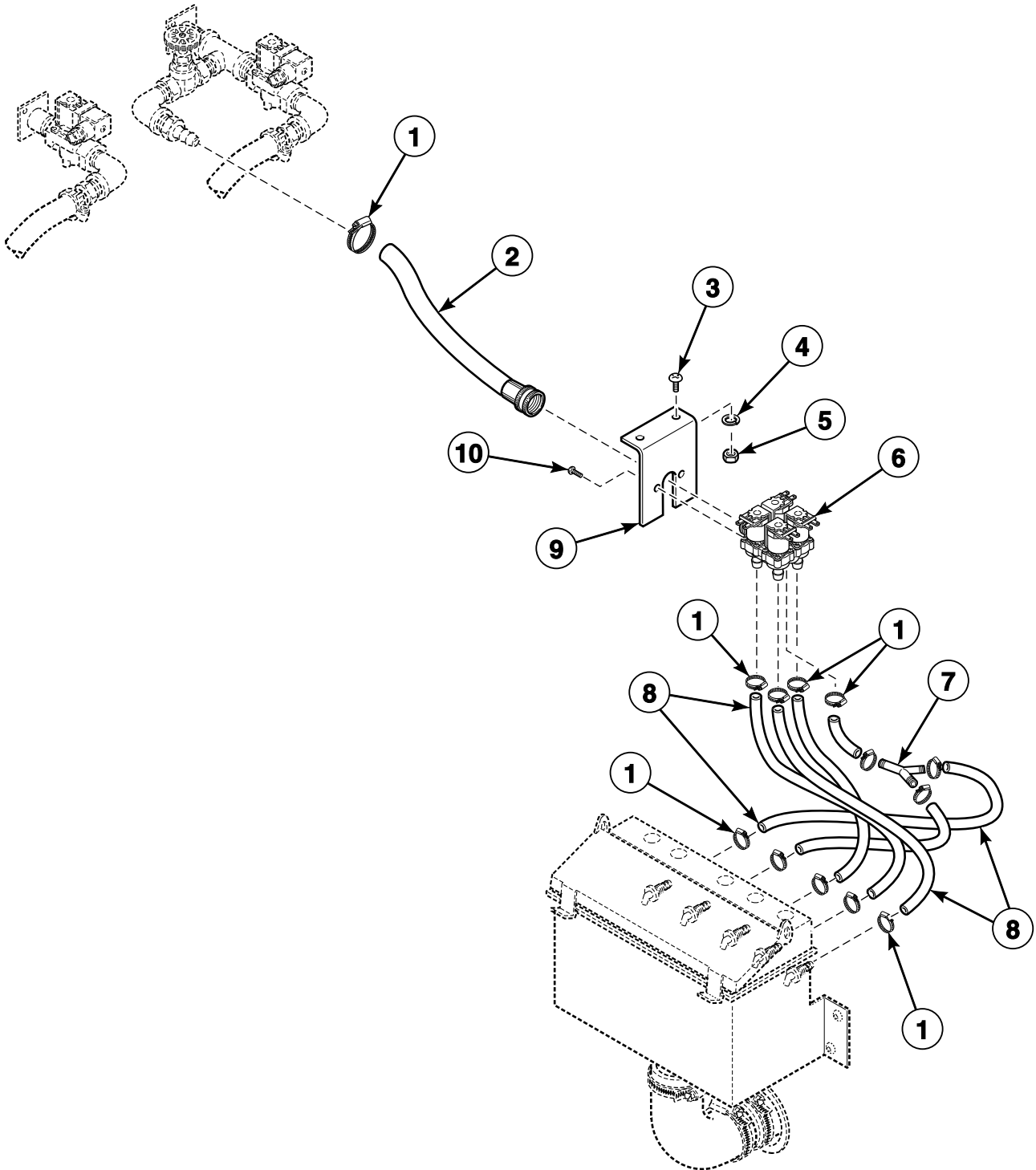
CHM2794P\_F232112



## Supply Dispenser - Models SC125VNV and UC125VNV (Optional)

REF	PART NO.	DESCRIPTION	COMMENTS
1	F170215	O-Ring	
2	F170165	Plug	
3	F749802	Strain Relief Adapter Kit	Includes items 1 and 2
4	F150390	Siphon Tube	
5	F8322001	Injection Nozzle	
6	F170208	O-Ring	
7	802292	Nut	
8	F730168	Injection Nozzle Kit	Includes items 5-7
9	F170158P	Gasket	
10	F0150514-00	Dispenser Lid	
11	F431147	Washer	
12	F430956	Screw	
13	F150386	Chemical Supply Cup	20 ounce
14	F150385	Chemical Supply Cup	12 ounce
15	F430925	Screw	
16	F431100	Washer	
17	F430215	Nut	
18	F150308	Overflow Hose	
19	F0602364-06	Pipe	
20	F200213	Hose Clamp	No. 40
21	F0150399-00	Rear Drain Hose	Use 6 inches
22	F200201	Hose Clamp	No. 48
23	F422803	Tee	
24	F150391	Lower Hose	
25	F231020	Dispenser Decal	
26	F0602365-15	Pipe	
27	F634189	Soap Dispenser Bracket	
28	F170401P	Gasket	
29	F0150512-00P	Dispenser Assembly	Includes items 10, 13 and 14

# Water Supply Valve and Hoses to Supply Dispenser - Models SC125VNV and UC125VNV (Optional)

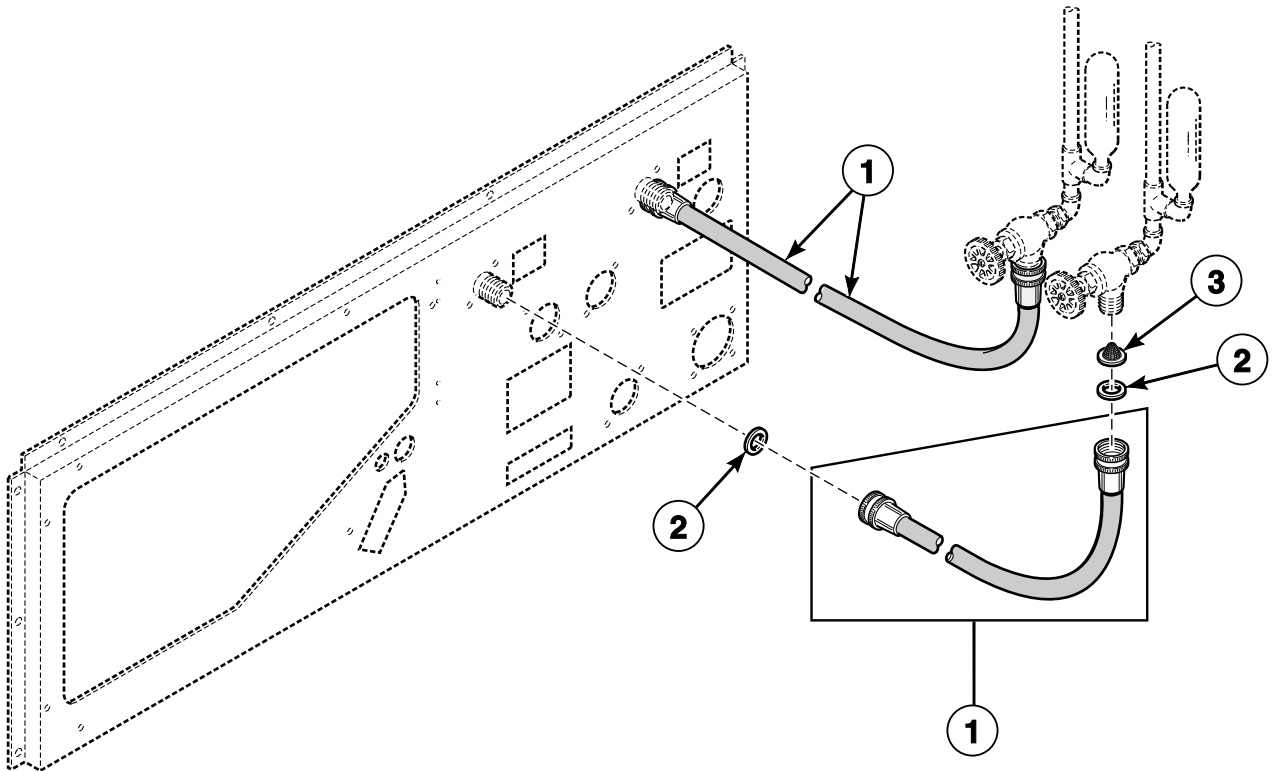


CHM2662P\_F232112

## Water Supply Valve and Hoses to Supply Dispenser - Models SC125VNV and UC125VNV (Optional)

REF	PART NO.	DESCRIPTION	COMMENTS
1	36801	Hose Clamp	No. 8
2	F150493	Supply Dispenser Hose	
3	F430939	Screw	
4	F431147	Washer	
5	F431024	Nut	
6	F381724P	4-Way Valve	120 Volt
7	F422808	Y Connector	
8	F200110P	Water Hose	
9	F634261	Valve Bracket	
10	F430948	Screw	

# Water Supply Hoses

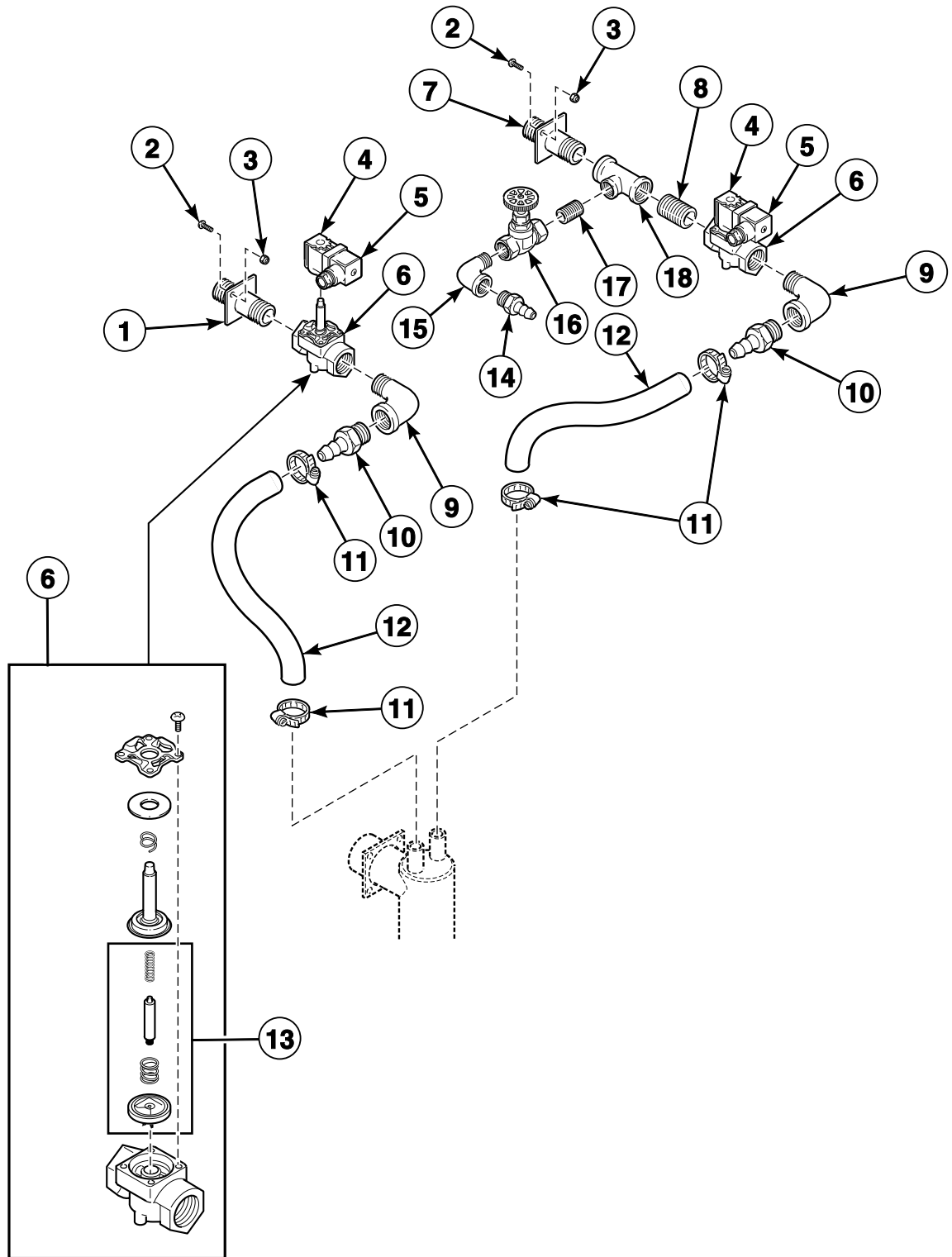


CHM2886P\_F232112

# Water Supply Hoses

REF	PART NO.	DESCRIPTION	COMMENTS
1	F200185	Water Hose	Standard thread
	F200193	Water Hose	Metric thread
2	F200503	Washer	
3	F8126601	Strainer	

# Water Supply Valves and Hoses



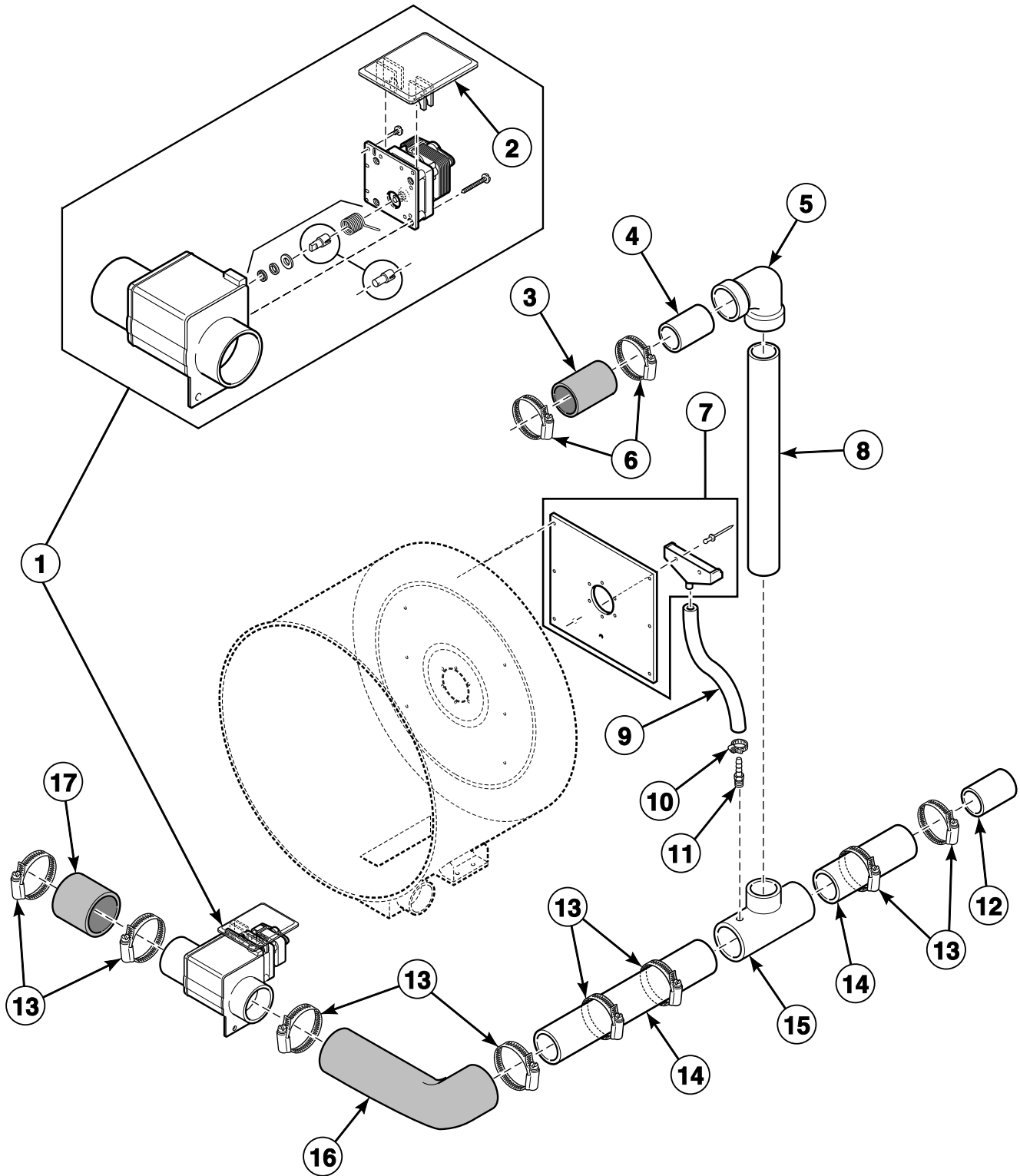
CHM2663P\_F232112

## Water Supply Valves and Hoses

REF	PART NO.	DESCRIPTION	COMMENTS
1	N/A	Nipple Weldment	4 inch; Standard thread; For models with side mount soap dispenser
	F0637212-00	Nipple Inlet Weldment	4 inch; Metric thread; For models with side mount soap dispenser
2	F430928	Screw	
3	F430231	Nut	
4	F300127P	Solenoid	Models SC125VNV and UC125VNV; 120 Volt
	F300126P	Solenoid	Models HC125BCV, HC125BYV, SC125ANV, SC125BYV and UC125ANV; 220 Volt
5	F140609P	DIN Connector	
6	F381727P	Valve	Models SC125VNV and UC125VNV; 120 Volt; Includes item 4
	F381733P	Valve	Models HC125BCV, HC125BYV, SC125ANV, SC125BYV and UC125ANV; 220 Volt; Includes item 4; F0381007P Water Valve Repair Kit
7	F607532	Nipple Weldment	7 inch; Standard thread; For models without side mount soap dispenser
	F609279	Nipple Weldment	7 inch; Metric thread; For models without side mount soap dispenser
8	F420118	Nipple	
9	F421706	Street Elbow	
10	F421952	Hose Barb	
11	F200222	Hose Clamp	No. 12
12	F200155P	Hose	
13	F0381007P	Water Valve Repair Kit	
14	F421964	Hose Barb	
15	F420502	Street Elbow	
16	F380500	Gate Valve	
17	F420101	Nipple	
18	F420419	Tee	

**N/A = Part no longer available**

# Drain



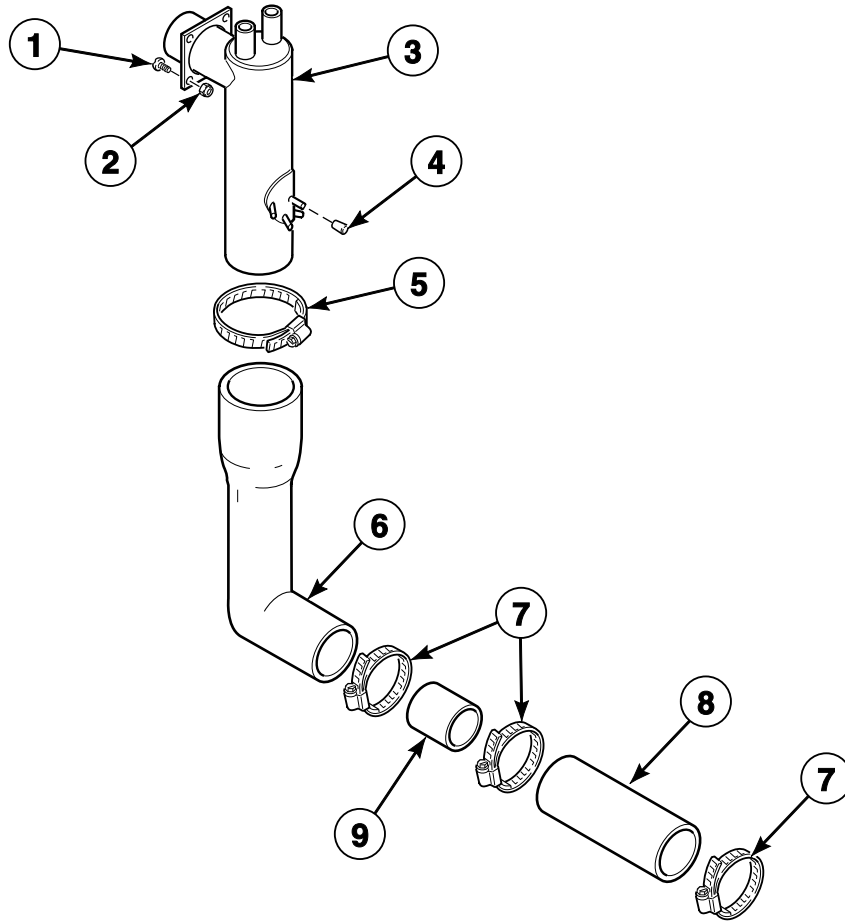
CHM2795P\_F232112



# Drain

REF	PART NO.	DESCRIPTION	COMMENTS
1	F200166302	Drain Valve Kit	Models SC125VNV and UC125VNV; 120 Volt; 3 inch; Includes item 2
	F200166402	Drain Valve Kit	Models HC125BCV, HC125BYV, SC125ANV, SC125BYV and UC125ANV; 220 Volt; 3 inch; Includes item 2
2	F200133600	Drain Valve Cover	
3	F609401	Tubing	
4	F0602364-13	Pipe	
5	F422900	Elbow	
6	F200213	Hose Clamp	No. 40
7	F604051	Shell Plate Assembly	
8	F0602364-13	Pipe	
9	F200107P	Water Hose	
10	36801	Hose Clamp	No. 8
11	F421929	Hose Barb	
12	F200165100	Drain Hose	No. 56
13	F200201	Hose Clamp	No. 56
14	F0602365-20	Pipe	
15	F422803	Tee	
16	F150411	Drain Hose	
17	F150442	Drain Hose	

# Vacuum Breaker Weldment and Hoses

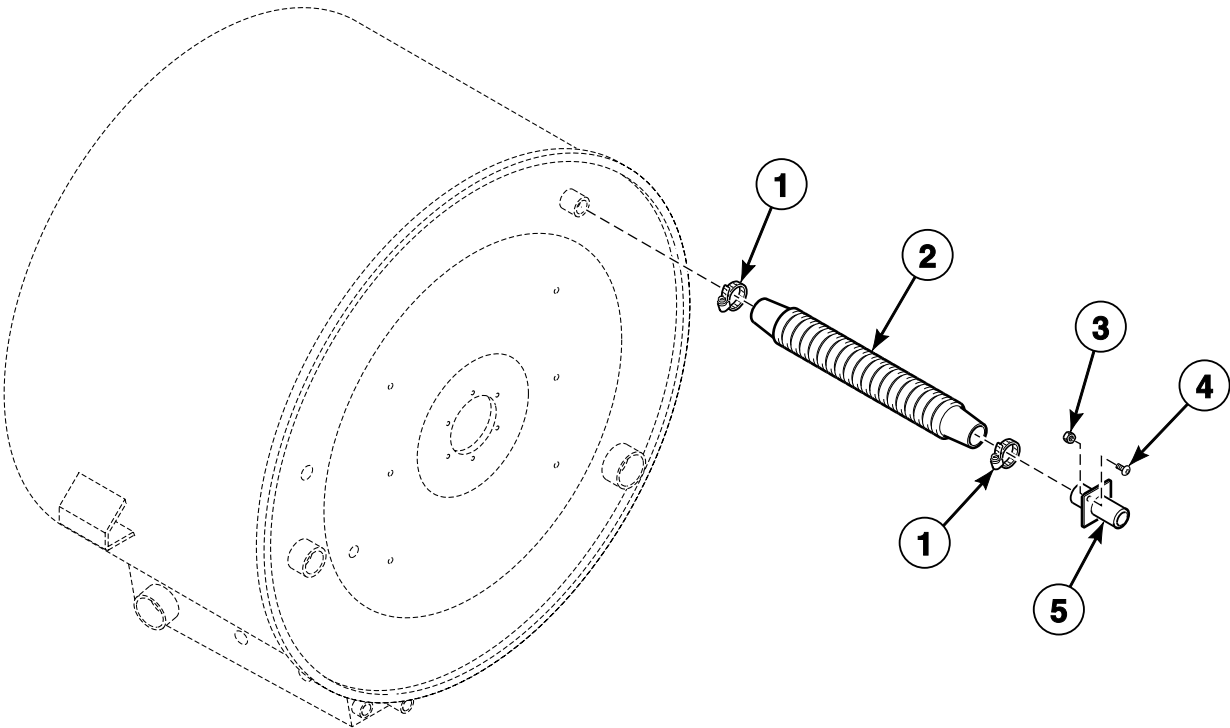


CHM2537P\_F232112

## Vacuum Breaker Weldment and Hoses

REF	PART NO.	DESCRIPTION	COMMENTS
1	F430928	Screw	
2	F430231	Nut	
3	F633606	Vacuum Breaker Weldment	
4	F190303	Cap	
5	F200201	Hose Clamp	No. 48
6	F0150399-00	Rear Drain Hose	
7	F200415	Hose Clamp	No. 36
8	F150442	Drain Hose	3 inch
9	F0602365-07	Pipe	

# Vent Assembly

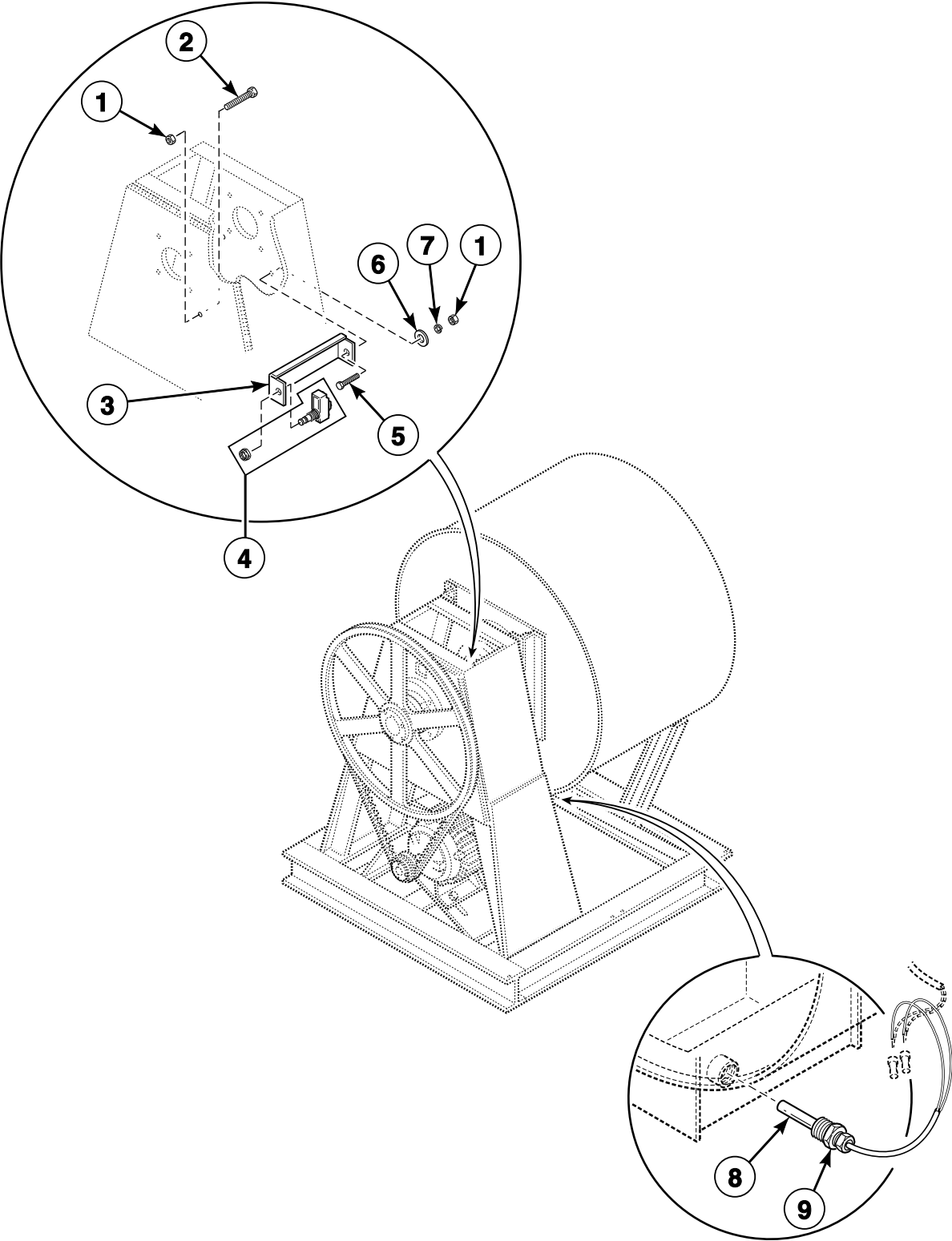


CHM2538P\_F232112

# Vent Assembly

REF	PART NO.	DESCRIPTION	COMMENTS
	F634256	Vent Assembly	Includes items 1, 2 and 5
1	F200204	Hose Clamp	No. 20
2	F200170	Vent Hose	
3	F430215	Nut	
4	F430925	Screw	
5	F422517	Vent Nipple	

# Balance Switch and Temperature Probe

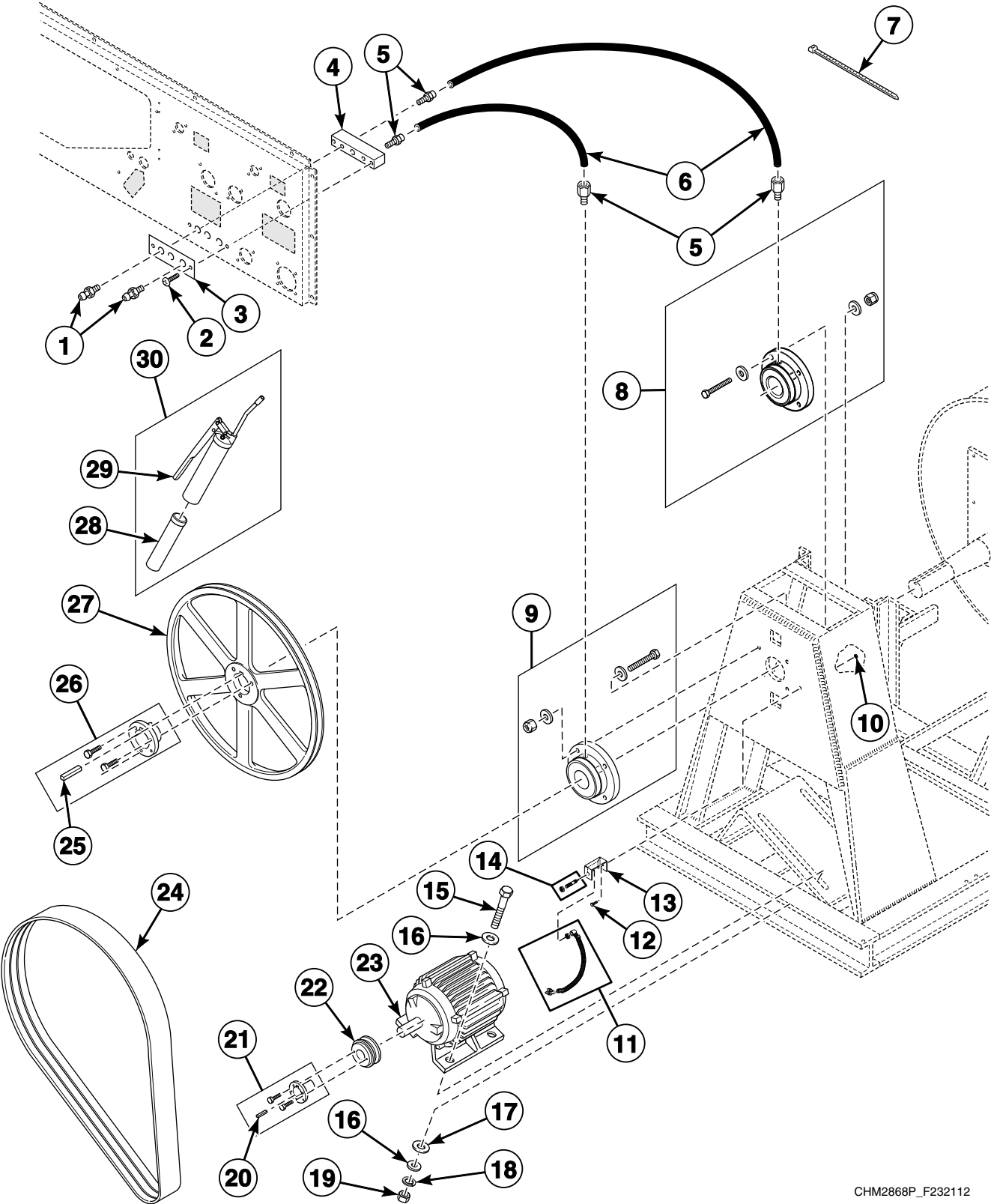


B064P\_F232112

## Balance Switch and Temperature Probe

REF	PART NO.	DESCRIPTION	COMMENTS
1	44087301	Nut	
2	F430124	Screw	
3	F8124301	Balance Switch Bracket	
4	F340900	Interlock Switch	
5	F8122701	Screw	
6	M400081	Washer	
7	M400014	Washer	
8	F8045001	Temperature Probe Assembly	Models HC125BCV, HC125BYV, SC125ANV, SC125BYV and UC125ANV
9	F421936	Reducer Bushing	

# Motor and Pulley



CHM2868P\_F232112

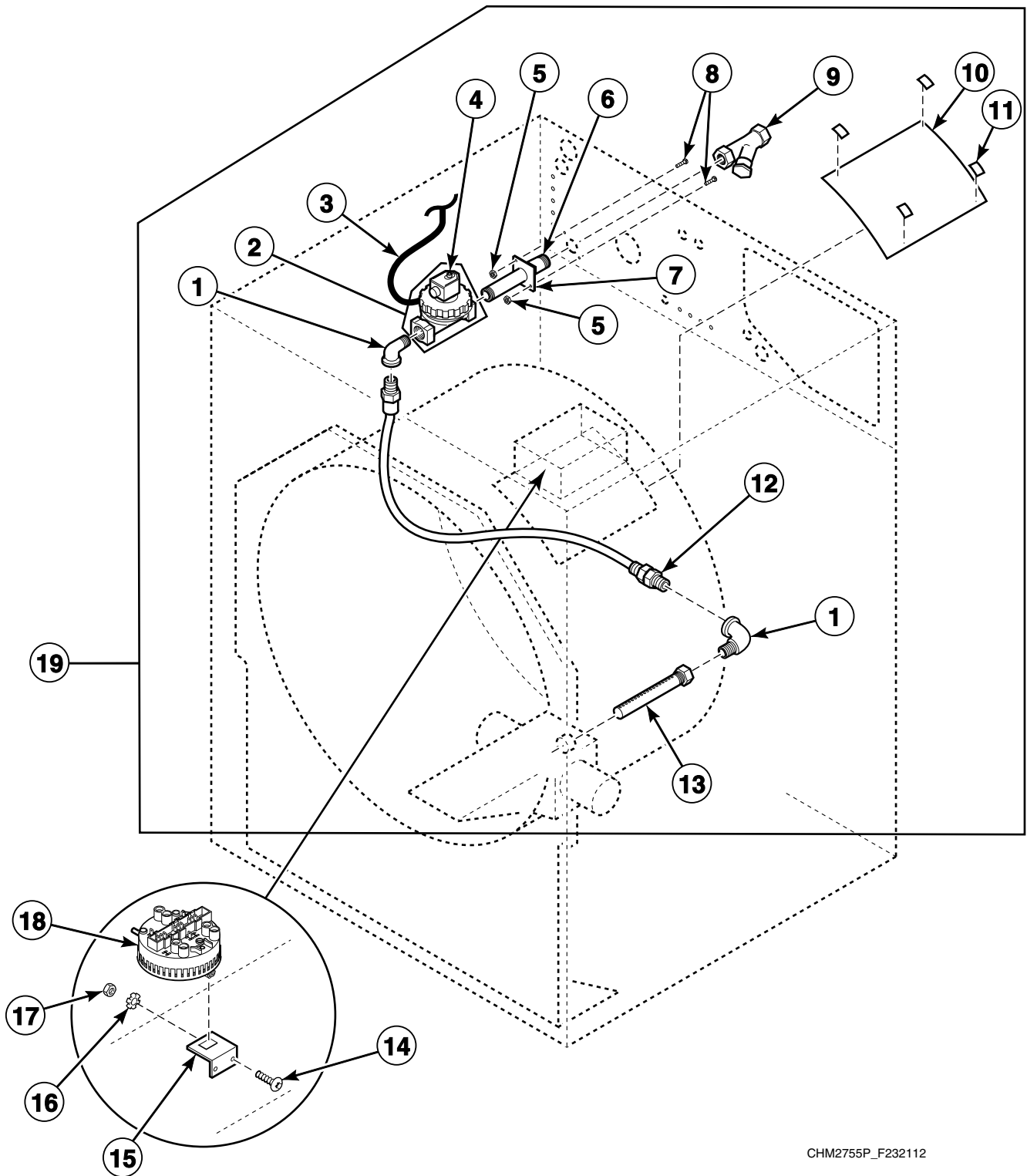


# Motor and Pulley

REF	PART NO.	DESCRIPTION	COMMENTS
1	F190701	Grease Fitting	
2	F430916	Screw	
3	F230745	Lubrication Instruction Decal	
4	F320326	Grease Manifold	
	F761900	Grease Manifold Kit	Includes items 1, 5, 6, F231064 Lubrication Instruction Decal and F430925 Screw
5	J1408004	Connector	
6	C000628P	Tubing	
7	F140605	Cable Tie	
8	F798835-00	Front Bearing Kit	Includes seal and attaching hardware
	F010030901P	Face Seal	
9	F745010	Rear Bearing Kit	Includes seal and attaching hardware
10	F430218	Nut	Model HC125BCV
11	F200290700	Rotation Sensor Assembly Harness	Model HC125BCV
12	F430927	Screw	Model HC125BCV
13	F200122500	Rotation Sensor Bracket	Model HC125BCV
14	F200126200P	Rotation Sensor Assembly	Model HC125BCV
15	F430993	Screw	
16	M400081	Washer	
17	F430300	Washer	
18	M400014	Washer	
19	20274	Nut	
20	F430802	Key	
21	F280233P	Bushing	Model HC125BCV; Includes screws and item 20; 1-1/8; Style JA
	F280242	Motor Bushing	All other models; 1-3/8; Style H
22	C000795P	Motor Pulley	Model HC125BCV; 3GRV-3V-2.65; Style JA
	F280289P	Drive Motor Pulley	All other models; 3GRV-3V-3.15; Style H
23	F220237P	Motor	Models SC125VNV and UC125VNV; Design 1-4 models SC125ANV and UC125ANV; Magnetek **
	F200174900	Motor	Models HC125BCV, HC125BYV and SC125BYV
	F8054201P	Motor	Design 6 models SC125ANV and UC125ANV; Uses F8148301 Motor Harness; Order F8356402 Motor Retrofit Kit
	F8356402	Motor Retrofit Kit	Used with machines manufactured before June 2010 with F8054201P Reliance Electric or Allen-Bradley Motor
24	F200140400P	Belt	
25	F608824-1	Key	
26	F280294P	Basket Pulley Bushing	Includes item 25, 44079301 scew, 56552 washer, 44048901 screw
27	F150268	Basket Pulley	
28	F210206P	Bearing Grease	
29	F210207P	Grease Gun	
30	F798700	Grease Gun Kit	Includes items 28 and 29

**\*\* NOTE:** This motor replaces all previous motors. However, when using F220237 as a replacement for a previous motor, please contact Alliance Laundry Systems to see if the machine's AC drive parameters have to be changed.

# Steam Heat Assembly



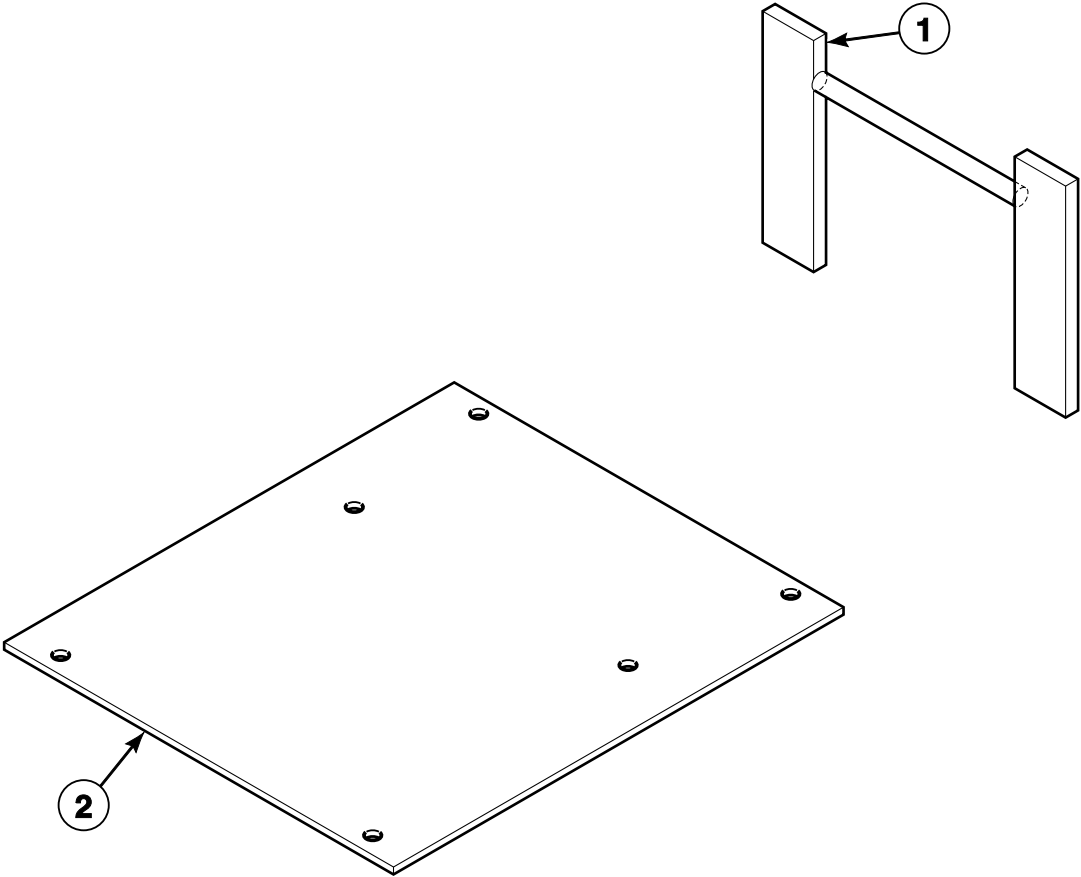
CHM2755P\_F232112

# Steam Heat Assembly

REF	PART NO.	DESCRIPTION	COMMENTS
	F8382301	DIN Valve Adapter Kit	Models HC125BCV, HC125BYV, SC125ANV, SC125BYV and UC125ANV; Use with F8322901P Valve
	F8379501P	Valve Kit	Models HC125BCV, HC125BYV, SC125ANV, SC125BYV and UC125ANV; Use with F8322901P Valve
<b>1</b>	M411264	Street Elbow	
<b>2</b>	F8322904P	Steam Valve	Models SC125VNV and UC125VNV; 120 Volt
	F380985P	Steam Valve Repair Kit	120 Volt
	F8322901P	Valve	Models HC125BCV, HC125BYV, SC125ANV, SC125BYV and UC125ANV; Replaces F380796P Steam Valve; Includes F8514601 Coil; For models that have been upgraded with F8522001 DIN Valve Kit
	F8522001	DIN Valve Kit	Models HC125BCV, HC125BYV, SC125ANV, SC125BYV and UC125ANV; Replaces F380796P Steam Valve; Includes F8322901P Valve, F8382301 DIN Valve Adapter Kit and F8514601 Coil
<b>3</b>	F140887P	Harness Assembly	Models SC125VNV and UC125VNV
<b>4</b>	F380986P	DIN Coil	Models SC125VNV and UC125VNV; 120 Volt
	F380987P	DIN Coil	Models HC125BCV, HC125BYV, SC125ANV, SC125BYV and UC125ANV; 220 Volt
	F8514601P	Coil	Models HC125BCV, HC125BYV, SC125ANV, SC125BYV and UC125ANV; Use with F8322901P Valve
<b>5</b>	F430215	Nut	
<b>6</b>	F421323	Nipple	
<b>7</b>	F607659	Steam Inlet Pipe Flange	
<b>8</b>	F430925	Screw	
<b>9</b>	F270308	Steam Filter	
<b>10</b>	F410301	Fiberglass Blanket	
<b>11</b>	N/A	Foil Tape	
<b>12</b>	F200183	Steam Hose	
<b>13</b>	F060313201	Steam Injection Tube Assembly	
<b>14</b>	F430928	Screw	
<b>15</b>	F630242	Water Level Switch Bracket	Models SC125VNV and UC125VNV
<b>16</b>	F431113	Washer	Models SC125VNV and UC125VNV
<b>17</b>	F431022	Nut	Models SC125VNV and UC125VNV
<b>18</b>	F8223001P	Water Pressure Switch	
<b>19</b>	N/A	Steam Assembly	Models SC125VNV and UC125VNV; 120 Volt; Includes items 1-12, F231380 Hot Surface Warning Decal, F8119401 Maximum Steam Pressure Label, F410300 Pipe Insulation, F420106 Nipple, F420408 Plug and F421323 Nipple
	F063409701	Steam Assembly	Models HC125BCV, HC125BYV, SC125ANV, SC125BYV and UC125ANV; 220 Volt; Includes items 1-12, F231380 Hot Surface Warning Decal, F8119401 Maximum Steam Pressure Label, F410300 Pipe Insulation, F420106 Nipple, F420408 Plug and F421323 Nipple

**N/A = Part no longer available**

# Special Tools



CHM2810P\_F232112

# Special Tools

<b>REF</b>	<b>PART NO.</b>	<b>DESCRIPTION</b>	<b>COMMENTS</b>
	F200040300P	Communication Box Kit	Standard; A-control
	F200041700P	Communication Box Kit	Icon; A-control
	F200041800P	Communication Box Kit	Icon; A-control
	F200098500P	Communication Box Kit	Standard; B-control
	F200098600P	Communication Box Kit	Icon; B-control
	F200098700P	Communication Box Kit	Icon; B-control
<b>1</b>	F460131P	Basket Pulley Puller Tool	
<b>2</b>	F601862P	Rebar Frame Template	



# Parts Index

## A

AC Drive Box Assembly	
F633632-1 .....	21
F633632-2 .....	21
F8147601 .....	21
AC Drive Box Cover	
F633588 .....	21
AC Drive Control Harness	
F8147301 .....	19
AC Drive Cover Assembly	
F200160000 .....	17
F200160100 .....	17
AC Drive Exterior Exhaust Duct	
F200321000 .....	19
AC Drive Interior Exhaust Duct	
F200321100 .....	19
AC Drive Mounting Plate Assembly	
F200322700 .....	19
AC Drive Radio Filter Assembly	
F200320900 .....	17
F200320901 .....	15, 17
F200320902 .....	19
AC Drive Resistor Assembly	
F8080001P .....	13
AC Drive Slide Air Filter	
F200159700 .....	17
Air Trap Hose	
F200163 .....	11

## B

Balance Switch Bracket	
F8124301 .....	53
Base Weldment	
F633751 .....	35
F633753 .....	35
Basket Assembly	
F633619 .....	33
Basket Pulley	
F150268 .....	55
Basket Pulley Bushing	
F280294P .....	55
Basket Pulley Puller Tool	
F460131P .....	59
Battery	
F191101 .....	11
Battery Adapter Board	
F370529P .....	11
Battery Backup Wire Harness	
F140249 .....	11
Bearing Grease	
F210206P .....	55
Bearing Sleeve	
F280293 .....	35
Belt	
F200140400P .....	55
Bottom Front Panel	
F633565 .....	31

Bridge Rectifier	
F370310 .....	11
Bushing	
F280233P .....	55
F280252 .....	35
F280253 .....	35
Button Kit	
F8069902P .....	37

## C

Cable Tie	
F140605 .....	15, 55
Cap	
F190303 .....	49
Cap Plug	
F180486 .....	19
F190309 .....	35
Chemical Supply Cup	
F150385 .....	39
F150386 .....	39
Circuit Board Support	
F432001 .....	11
Circuit Breaker	
F350217 .....	15
Clip	
F601515 .....	11
Coil	
F8514601P .....	57
Coin Box	
F160672 .....	23
F160673 .....	23
Coin Drop	
39748 .....	25
70256402P .....	27
70441601P .....	25
Coin Drop Assembly	
201141 .....	25
210195 .....	27
210196 .....	27
38462P .....	25
38463 .....	25
38464P .....	25
38467 .....	27
38472 .....	27
38475 .....	25
38480 .....	25
38519 .....	27
38521 .....	27
39157 .....	27
70281102 .....	27
70283102 .....	27
70441602 .....	27
Coin Identification Paper	
38725 .....	25, 29
Coin Meter	
F0160737-00 .....	27
Coin Meter Assembly	
F200010000P .....	25
F200010001 .....	27
F200010002 .....	27

N/A items do not appear in index.

F200010003	27
F200010004	27
F200010005	27
F200010006	25
F200010007	25
F200010008	27
F200010009	25
F200010010	27
F200010011	25
F200010012	25
F200021600P	29
F200021601	29
F200021602	29
F200021603	29
F200021604	29
F200021605	29
Cold Water Decal	
F230857	21
Communication Box Kit	
F200040300P	59
F200041700P	59
F200041800P	59
F200098500P	59
F200098600P	59
F200098700P	59
Computer	
F0370455-10P	13
F0370455-11P	13
F037047530P	13
Conductor Decal	
F231146	9
Connector	
J1408004	55
Contact Base	
F8538101	11, 37
Contact Block and Mounting Switch	
F340444	11, 37
Contact Block Switch	
F200233401P	11
Contact Switch	
F8069501	11, 37
Contactactor	
F330180P	15
Contactactor Mounting Rail	
F602595-4	15
Control Cover	
F0634903-00	13
Control Input Harness	
F8149401	19
Control Module Box	
F631579	11
Control Module Cover	
F633795	11
Control Panel Assembly	
F200149000	31
Control Panel Decal	
F0231584-00	31
F200143300	31
F200143301	31
F200298700	31
F200298701	31
Control Transformer Decal	
F231299	15
Counterclockwise Spin Rotation Decal	
F230693	9

## D

DIN Coil	
F380986P	57
F380987P	57
DIN Connector	
F140609P	45
DIN Valve Adapter Kit	
F8382301	57
DIN Valve Kit	
F8522001	57
Disconnect Power Warning Label	
D505281	9, 11, 21
Dispenser Assembly	
F0150512-00P	39
Dispenser Decal	
F231020	39
Dispenser Lid	
F0150514-00	39
Display Window Cover	
F200181500	17
Do Not Lift Decal	
F230216	9
Do Not Open Warning Decal	
F200284601	9
Door Assembly	
F8211401	35
Door Cam Torsion Spring	
F310133	37
Door Gasket	
F8434801	35
Door Glass Gasket	
F170115	35
Door Glass Retainer	
F8504901	35
Door Handle	
F150225	35
Door Lock Assembly	
F8210402	37
Door Lock Bracket Weldment	
F8209801	37
Door Lock Cam	
F0150518-00	37
Door Lock Cover Weldment	
F8071203	37
Door Lock Shim	
F606563	37
Door Support Weldment	
F0637580-00	35
Door Unlock Decal	
F230816	37
Door Weldment	
F633650	35
F8203901	35
Drain Hose	
F150411	47
F150442	47, 49
F200165100	47
Drain Valve Cover	
F200133600	47
Drain Valve Kit	
F200166302	47
F200166402	47

N/A items do not appear in index.



Drive Kit, 1305-Series to PowerFlex 40	
F8324001 .....	19
F8324002 .....	19
Drive Kit, 1336-Series to PowerFlex 40	
F8323901 .....	19
F8323902 .....	19
Drive Motor Pulley	
F280289P .....	55
Drive Power Harness	
F8149301 .....	19

## E

Elbow	
F422900 .....	47
Electronic Coin Drop Assembly	
70294101P .....	29
70294103P .....	29
70294104 .....	29
70294105P .....	29
70294106 .....	29
70294107 .....	29
Emergency Stop Button Kit	
F200233700P .....	11
Emergency Stop Decal	
F231083 .....	11
F231391 .....	11
Emergency Stop Pushbutton	
F200233500 .....	11
Emergency Stop Weldment	
F633750 .....	11
EMI Filter	
F8054001 .....	19
F8054002 .....	19
External Supply Caution Decal	
F231345-4 .....	15
F231345-5 .....	15
External Supply Connection Decal	
F230917-1 .....	21
F231376-5 .....	15
F231376-6 .....	15
External Supply Fuse Decal	
F231271 .....	15

## F

Face Seal	
F010030901P .....	55
Fan	
F110107P .....	31
Fan Guard	
F0220922-00 .....	17
Fan Kit	
F758501 .....	31
Fiberglass Blanket	
F410301 .....	57
Filter	
F0270321-00P .....	17
F200318900P .....	21
Filter Handle Decal	
F231377 .....	17

Filter Retainer Guard	
F220900 .....	21
Flange Relay	
F330227 .....	11
F330230 .....	13
Follower Cam	
F100145 .....	35
Frame Weldment	
F633272 .....	31
Front Bearing Kit	
F798835-00 .....	55
Fuse	
F350108 .....	11, 13
F350109 .....	11, 13
F350110 .....	11, 13, 15
F350115 .....	15
F350117 .....	15
Fuse Decal	
F231393 .....	15
F231394 .....	15
Fuse Holder	
F0350312-10 .....	15

## G

Gasket	
F170158P .....	39
F170176 .....	21
F170401P .....	39
Gate Valve	
F380500 .....	45
Glass	
F290210P .....	35
Grease Fitting	
F190701 .....	55
Grease Gun	
F210207P .....	55
Grease Gun Kit	
F798700 .....	55
Grease Manifold	
F320326 .....	55
Grease Manifold Kit	
F761900 .....	55
Grommet	
F170611 .....	19
F200139500 .....	13
Ground Decal	
F230630 .....	9, 15
F230739 .....	9
Ground Terminal Lug	
F140734 .....	15

## H

Hall Effect Sensor Switch	
F340503P .....	37
Harness Assembly	
F140887P .....	57
Hinge Pin	
F432306 .....	35
Hinge Weldment	
F633663 .....	35

N/A items do not appear in index.

Hose	
F200155P .....	45
Hose Barb	
F421929 .....	47
F421952 .....	45
F421964 .....	45
Hose Clamp	
F200201 .....	39, 47, 49
F200204 .....	51
F200213 .....	39, 47
F200215 .....	11
F200222 .....	45
F200415 .....	49
36801 .....	41, 47
Hot Water Decal	
F230856 .....	21

## I

Injection Nozzle	
F8322001 .....	39
Injection Nozzle Kit	
F730168 .....	39
Input Power Block	
F140747 .....	15
Input Power Connector Decal	
F230677 .....	15
Interlock Switch	
F340900 .....	53
Intermittent Duty Solenoid	
F300122P .....	37
Inverter Drive	
F370818 .....	15
F370838 .....	15
F370853 .....	17

## K

Key	
F160420 .....	23
F160421 .....	23
F160422 .....	23
F160423 .....	23
F160424 .....	23
F160562 .....	31
F430802 .....	55
F608824-1 .....	55
Keypad	
F0231582-03P .....	13
F0231582-06P .....	13
F0231582-07P .....	13
F023158231P .....	13
F370576P .....	11

## L

Latch	
F633713 .....	31
Lid Lock	
F190802P .....	31
Lift-Off Hinge	
F190209P .....	21

Light	
F350411 .....	11
Line Reactor Kit	
F0360160-00P .....	17
Liquid Supply Decal	
F230877 .....	9, 21
Lower Hose	
F150391 .....	39
Lubrication Instruction Decal	
F230745 .....	21, 55

## M

Machine May Be Hot Warning Decal	
F230757 .....	9
Magnet	
F8390801 .....	35
Magnetic Switch	
F0340723-00 .....	37
Membrane Switch	
F340608P .....	11
Microcomputer	
F370313-13P .....	11
Middle Front Panel	
F200284300 .....	31
F633564 .....	31
Module Box Assembly	
F200166600 .....	13
F200166601 .....	13
Momentary Pushbutton	
F8069602 .....	37
Motor	
F200174900 .....	55
F220237P .....	55
F8054201P .....	55
Motor Bushing	
F280242 .....	55
Motor Pulley	
C000795P .....	55
Motor Retrofit Kit	
F8356402 .....	55
Mounting Bracket Assembly	
F0636707-00 .....	13, 25
F635319 .....	13, 27, 29
Muffin Fan	
F110105 .....	17, 21
F110106 .....	21
F110110 .....	17

## N

Nipple	
F420101 .....	45
F420118 .....	45
F421323 .....	57
Nipple Inlet Weldment	
F0637212-00 .....	45
Nipple Weldment	
F607532 .....	45
F609279 .....	45
Nut	
F430215 .....	21, 33, 37, 39, 51, 57

N/A items do not appear in index.

F430218	55
F430231	11, 13, 15, 17, 21, 31, 35, 37, 45, 49
F430232	11, 31
F431005	33
F431022	13, 15, 57
F431024	19, 35, 41
F431036	35
F431047	35
F431806	13
F8549401	21, 35
20274	33, 55
44087301	53
685846	25, 27, 29
70142	33
802292	39
803017	13

## O

Opto Coupler	
200674P	25, 27
O-Ring	
F170208	39
F170215	39
Output Board Cover	
F0170427-00	13
Output Board VCMP Assembly	
F8206501P	11
Output CCA	
F037044860-1	13
F037044860-2	13
Overflow Hose	
F150308	39
Overlay	
70295301	29

## P

Personal Injury Warning Decal	
F231065	9
Pipe	
F0602364-06	39
F0602364-13	47
F0602365-07	49
F0602365-15	39
F0602365-20	47
Pivot Lock Cover Weldment	
F8210001	35
Pivot Lock Weldment	
F608536	35
Plug	
F140563	31, 35
F170165	39
PowerFlex 40 Drive	
F8169428	19
F8169429	19
Pulse Expander Assembly	
F8034701P	29

## R

RC Network Filter	
F330217P	15, 37
Rear Bearing Kit	
F745010	55
Rear Drain Hose	
F0150399-00	39, 49
Rear Panel	
F633611	31
Rebar Frame Template	
F601862P	59
Reducer Bushing	
F421936	53
Ribbon Cable	
F140219P	11, 13
Rotation Sensor Assembly	
F2002126200P	55
Rotation Sensor Assembly Harness	
F200290700	55
Rotation Sensor Bracket	
F2002122500	55

## S

Screw	
F0430165-00	13
F430124	53
F430174	11, 13, 17, 31
F430179	21, 31
F430500	33
F430910	21, 31
F430913	33
F430916	15, 17, 55
F430920	19
F430921	37
F430922	17
F430923	35
F430924	33
F430925	39, 51, 57
F430927	55
F430928	13, 15, 21, 35, 37, 45, 49, 57
F430929	21, 31, 37
F430939	31, 41
F430948	41
F430956	39
F430986	31, 35
F430993	55
F430995	37
F431702	13
F432231	21
F432285	35
F8122701	53
800461	33
Seal Kit	
F798833-00	33
Shell Adjusting Bracket Assembly	
F603592	33
F603615	33
Shell Band Assembly	
F603630	33
Shell Band Fastener Kit	
F791001	33

N/A items do not appear in index.

Shell Band Gasket F170120RP .....	33
Shell Bracket Support F601951 .....	33
Shell Front Weldment F633952 .....	33
Shell Gasket Shield F601216 .....	33
Shell Plate Assembly F604051 .....	47
Shell Reinforcement Plate F601718 .....	33
Shell Weldment F634647 .....	33
Side Panel F0637357-00P .....	31
F633566P .....	31
F634190 .....	31
Side Panel Assembly F200213300 .....	31
Siphon Tube F150390 .....	39
Slinger F100205 .....	33
Snap Spade Terminal 00446 .....	15
Soap Dispenser Bracket F634189 .....	39
Solenoid F0300130-00P .....	37
F300126P .....	45
F300127P .....	45
Spacer F401206 .....	11
Spring F310107 .....	37
Spring Pin F431222 .....	35
Standoff F180501 .....	11, 13
F180506 .....	15
Steam Assembly F063409701 .....	57
Steam Filter F270308 .....	57
Steam Hose F200183 .....	57
Steam Injection Tube Assembly F060313201 .....	57
Steam Inlet Pipe Flange F607659 .....	57
Steam Valve F8322904P .....	57
Steam Valve Repair Kit F380985P .....	57
Strain Relief Adapter Kit F749802 .....	39
Strain Relief Connector F140329 .....	21
F140331 .....	15, 19, 21
Strainer F8126601 .....	43
Street Elbow F420502 .....	45

F421706 .....	45
M411264 .....	57
Supply Dispenser Hose F150493 .....	41
Switch Magnet F340502P .....	35, 37

## T

Tee F420419 .....	45
F422803 .....	39, 47
Temperature Probe Assembly F8045001 .....	53
Terminal F140766 .....	15, 37
F140768 .....	11, 15
Thermostat F0290116-00 .....	13, 15
F290115 .....	15
Tie Wrap Mounting Clamp F140602 .....	15
Top Cover Hinge Weldment F633958 .....	31
Top Frame Weldment F063356201 .....	31
F633562 .....	31
Top Front Panel F633563 .....	31
F633602 .....	31
Top Rear Cover F633592 .....	31
Transformer C000203 .....	15
F360156P .....	15
803527P .....	29
Trim F170400RP .....	31
F170404 .....	37
Tubing C000628P .....	55
F609401 .....	47

## V

Vacuum Breaker Weldment F633606 .....	49
Valve F381727P .....	45
F381733P .....	45
F8322901P .....	57
Valve Bracket F634261 .....	41
Valve Kit F8379501P .....	57
Valve Panel F633581 .....	21, 31
Valve Panel Assembly F200202400 .....	31
Valve, 4-Way F381724P .....	41

N/A items do not appear in index.

Vent Assembly	
F634256 .....	51
Vent Hose	
F200170 .....	51
Vent Nipple	
F422517 .....	51

---

## W

Washer	
F200503 .....	43
F430300 .....	55
F430311 .....	11
F430317 .....	33
F431100 .....	33, 35, 39
F431106 .....	37
F431112 .....	33
F431113 .....	11, 13, 15, 57
F431116 .....	33
F431133 .....	15, 17
F431142 .....	35
F431143 .....	35
F431147 .....	39, 41
F431907 .....	35
F431933 .....	35
F431934 .....	35
F601950 .....	33
M400013 .....	33
M400014 .....	33, 53, 55
M400081 .....	33, 53, 55
Water Hose	
F200107P .....	47
F200110P .....	41
F200185 .....	43
F200193 .....	43
Water Level Switch	
F0340348-10P .....	11, 13
Water Level Switch Bracket	
F630242 .....	57
F631920 .....	11
Water Pressure Switch	
F8223001P .....	13, 57
Water Valve Repair Kit	
F0381007P .....	45
Wire	
45101 .....	15

---

## Y

Y Connector	
F422808 .....	41

---

