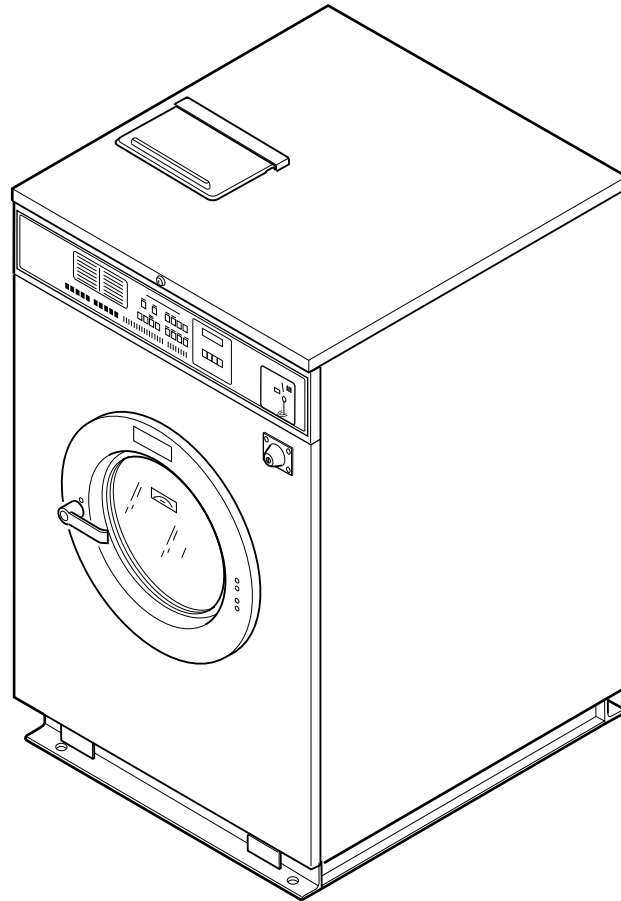


Washer-Extractor

Cabinet Hardmount

2 Speed Models with P, S or V Computers

Refer to Page 5 for Model Numbers



CHM1757C_F232190

Table of Contents

| Title | Page |
|---|------|
| Parts Ordering Information..... | 3 |
| Serial Plate Location | 3 |
| Model Identification | 5 |
| Product Overview for A and B-Control..... | 6 |
| Product Overview for NetMaster, Mechanical Timer and P, S and V-Computer | 8 |
| Decals | 10 |
| Control Panel Decals and Controls - PN, SN and VN Models | 12 |
| Control Panel Decals and Controls - VC and VX Models | 14 |
| Control Module - PN and SN Models..... | 16 |
| Control Module - VC, VN and VX Models Through 8/1/04..... | 18 |
| Control Module - VC, VN and VX Models Starting 8/2/04..... | 20 |
| Contactors..... | 22 |
| Optional Coin Box | 24 |
| W2000 Coin Meter Assembly - VC and VX Models; Single Drop | 26 |
| W2000 Coin Meter Assembly - VC and VX Models; Dual Drop..... | 28 |
| Fill Plumbing Assembly and External Supply Assembly (Drawing 1 of 2)..... | 30 |
| Fill Plumbing Assembly and External Supply Assembly (Drawing 2 of 2)..... | 32 |
| Filter (Optional) and Supply Hose..... | 34 |
| Drain Valve Assembly - 20, 25 and 30 Pound Models..... | 36 |
| Drain Valve Assembly - 40, 50 and 60 Pound Models..... | 38 |
| Drain Valve Assembly, Hoses and Air Trap - 50 and 60 Pound Models with Heat Shell..... | 40 |
| Drain Assembly, Hoses and Air Trap - All Models Except 50 and 60 Pound Models with Heat Shell | 42 |
| Pump Drain Option - HC30, SC30 and UC30 E-Voltage Models..... | 44 |
| Pump Drain Option - All Models Except HC30, SC30 and UC30 E-Voltage Models | 46 |
| Door (Drawing 1 of 2)..... | 48 |
| Door (Drawing 2 of 2)..... | 50 |
| Door Lock - VC and VX Models | 52 |
| Door Lock - PN, SN and VN Models | 54 |
| Inner and Outer Front Panels - PN, SN and VN Models..... | 56 |
| Inner and Outer Front Panels - VC and VX Models | 58 |
| Panels (Drawing 1 of 2) | 60 |
| Panels (Drawing 2 of 2) | 62 |
| Basket, Shell and Frame (Drawing 1 of 2)..... | 64 |
| Basket, Shell and Frame (Drawing 2 of 2)..... | 66 |
| Trunnion - 20, 25 and 30 Pound Models..... | 68 |
| Trunnion - 40, 50 and 60 Pound Models..... | 70 |
| Motor, Pulley and Belt Assembly - 20, 25 and 30 Pound Models (Drawing 1 of 3)..... | 72 |
| Motor, Pulley and Belt Assembly - 20, 25 and 30 Pound Models (Drawing 2 of 3)..... | 74 |
| Motor, Pulley and Belt Assembly - 20, 25 and 30 Pound Models (Drawing 3 of 3)..... | 76 |
| Motor, Pulley and Belt Assembly - 40, 50 and 60 Pound Models (Drawing 1 of 2)..... | 78 |
| Motor, Pulley and Belt Assembly - 40, 50 and 60 Pound Models (Drawing 2 of 2)..... | 80 |

© Copyright 2017, Alliance Laundry Systems LLC

All rights reserved. No part of the contents of this book may be reproduced or transmitted in any form or by any means without the expressed written consent of the publisher.

| | |
|----------------------------|----|
| Steam Heat Assembly | 82 |
| Electric Heat Option | 84 |
| Special Tools | 86 |
| Parts Index | 89 |

Parts Ordering Information

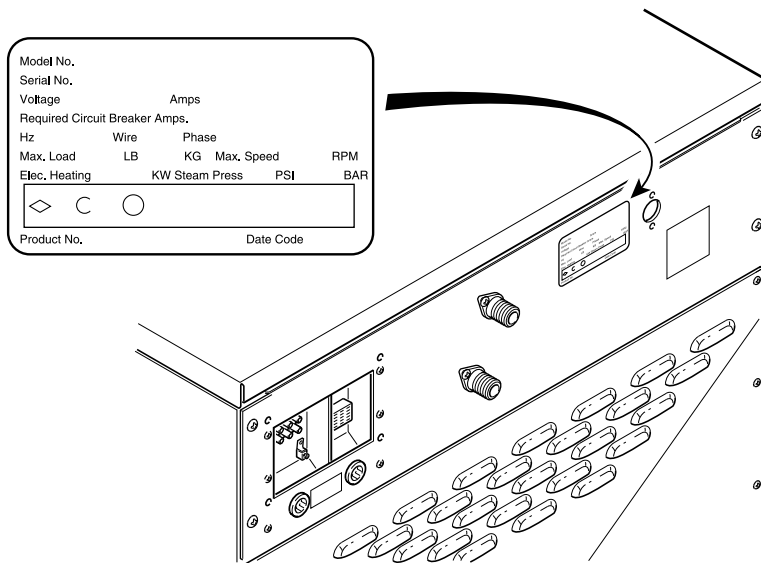
If literature or replacement parts are required, contact the source from whom the machine was purchased or contact Alliance Laundry Systems at (920) 748-3950 for the name and address of the nearest authorized parts distributor.

For technical assistance, call the number listed below:

(920) 748-3121 Ripon, Wisconsin

Serial Plate Location

When calling or writing about your product, be sure to mention model and serial numbers. Model and serial numbers are located on serial plate(s) as shown.



CHM2411P_F232190

Model Identification

Information in this manual is applicable to these washer-extractor models:

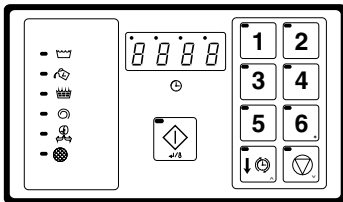
| | | |
|---------|---------|---------|
| HC20SN2 | SC20VN2 | UC20PN2 |
| HC20VC2 | SC30VN2 | UC20VN2 |
| HC20VX2 | SC40VN2 | UC30PN2 |
| HC25VC2 | SC50VN2 | UC30VN2 |
| HC25VX2 | SC60VN2 | UC40PN2 |
| HC30SN2 | | UC40VN2 |
| HC30VC2 | | UC50PN2 |
| HC30VX2 | | UC50VN2 |
| HC40SN2 | | UC60PN2 |
| HC40VC2 | | UC60VN2 |
| HC40VX2 | | |
| HC50SN2 | | |
| HC50VC2 | | |
| HC50VX2 | | |
| HC60SN2 | | |
| HC60VC2 | | |
| HC60VX2 | | |

NOTE: This manual applies to all P, S and V-computer 40-pound capacity models and to design 6 models only of every other capacity

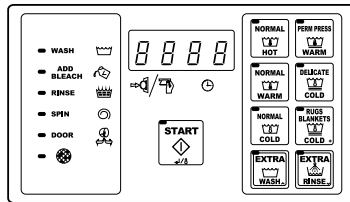
Product Overview for A and B-Control

Model No. *C40AC20U60001
 Serial No. 00000000000
 Voltage 208 – 240 Amps 7
 Required Circuit Breaker Amps 15
 Hz 60 Wire 3 Phase 3
 Max. Load 40 LB 18.2 KG Max. Speed 470 RPM
 Elec. Heating N/A KW Steam Press. N/A PSI 0 BAR
 Drawing:

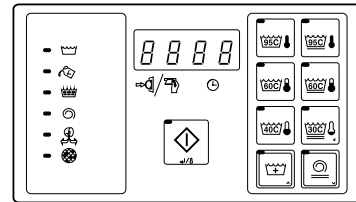
ETL LISTED
 CONFORMS TO
 ANSUL STD. 1555
 ANSUL STD. 1206
 ETL TESTING LABORATORIES, INC.
 CORTLAND, NEW YORK 13045



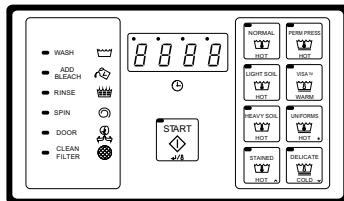
A-Control OPL



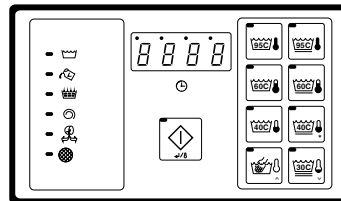
A-Control Coin (Domestic)



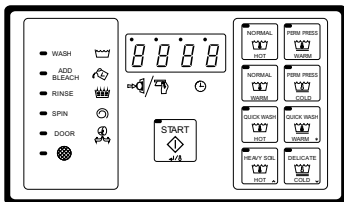
A-Control Coin (International)



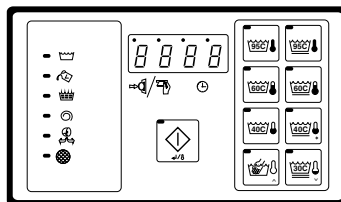
B-Control OPL (Domestic)



B-Control OPL (International)



B-Control Coin (Domestic)



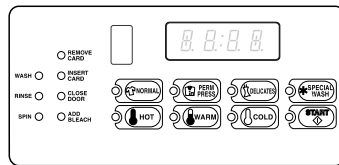
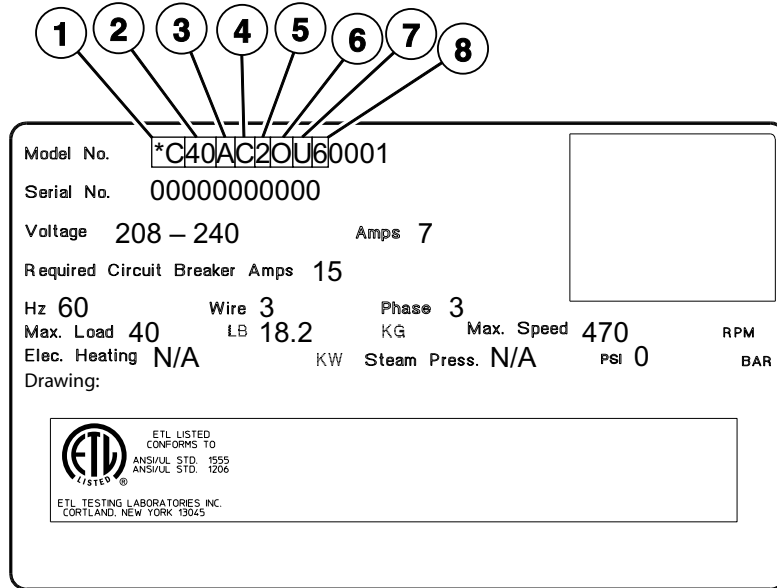
B-Control Coin (International)

CHM2976P_F232190

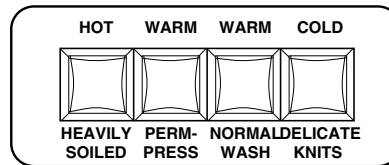
Product Overview for A and B-Control

| REF | PART NO. | DESCRIPTION | COMMENTS |
|-----|----------|-------------------|--|
| 1 | - | Product Family | DC HC NC SC UC |
| 2 | - | Capacity (Pounds) | 18 20 25 27 30 35 40 50 60 80 100 125 |
| 3 | - | Control | A (A-Control) B (B-Control) |
| 4 | - | Actuation | C (Drop Coin Meter) D (Digital Coin Meter) L (Prep for Remote/Central Pay) N (Non-Coin - OPL) R (Cardmate Plus II) X (Prep for Coin Meter) Y (Prep for Card Reader) |
| 5 | - | Speed | 2 (2-Speed) 3 (3-Speed) F (F-Speed) V (Variable Speed) |
| 6 | - | Voltage | B (120/60/1/2) C (380-415/50/3/4) D (220-240/50/3/3) E (220-240/50/1/2) F (440-480/60/3/3) J (220/50/3/3) N (440-480/50-60/3/3) O (200-240/60/3/3) P (380-415/50-60/3/3) Q (200-240/50-60/3/3) X (200-240/50-60/1/3) Y (208-240/60/1/2) |
| 7 | - | Side Panel | N (Network Board Installed) P (Network Adaptable) U (Standard Specs) 1 (Stainless Steel) 2 (Network Board Installed with Stainless Sides) 3 (Network Adaptable with Stainless Sides) |
| 8 | - | Design | 1-4 and 6 |

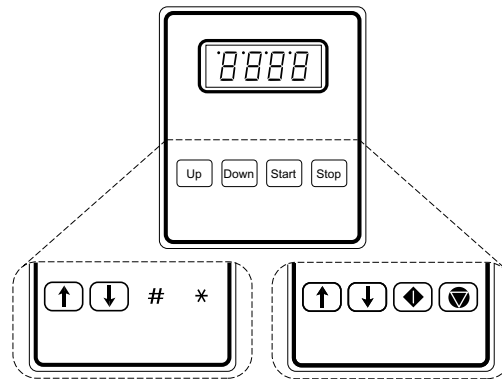
Product Overview for NetMaster, Mechanical Timer and P, S and V-Computer



NetMaster



Mechanical Timer



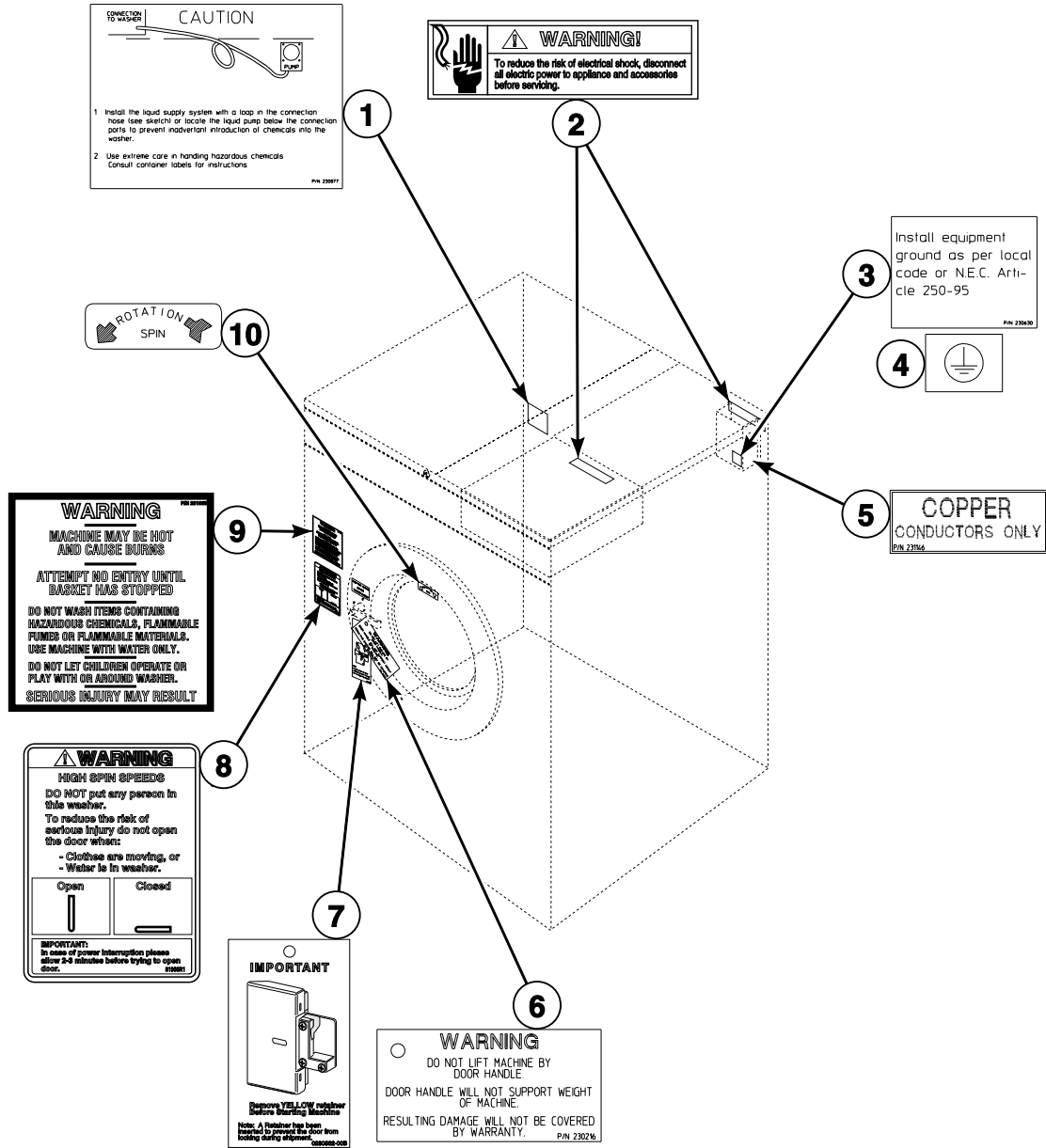
P, S and V-Computer

CHM2977P_F232190

Product Overview for NetMaster, Mechanical Timer and P, S and V-Computer

| REF | PART NO. | DESCRIPTION | COMMENTS |
|-----|----------|-------------------|--|
| 1 | - | Product Family | DC HC NC SC UC |
| 2 | - | Capacity (Pounds) | 18 20 25 27 30 35 40 50 60 80 100 125 |
| 3 | - | Control | M (Mechanical Timer) N (NetMaster) P (P-Computer) S (S-Computer) V (V-Computer) |
| 4 | - | Actuation | C (Drop Coin Meter) D (Digital Coin Meter) L (Prep for Remote/Central Pay) N (Non-Coin - OPL) R (Cardmate Plus II) X (Prep for Coin Meter) Y (Prep for Card Reader) |
| 5 | - | Speed | 2 (2-Speed) 3 (3-Speed) F (F-Speed) V (Variable Speed) |
| 6 | - | Voltage | B (120/60/1/2) C (380-415/50/3/4) D (220-240/50/3/3) E (220-240/50/1/2) F (440-480/60/3/3) J (220/50/3/3) N (440-480/50-60/3/3) O (200-240/60/3/3) P (380-415/50-60/3/3) Q (200-240/50-60/3/3) X (200-240/50-60/1/3) Y (208-240/60/1/2) |
| 7 | - | Side Panel | N (Network Board Installed) P (Network Adaptable) U (Standard Specs) 1 (Stainless Steel) 2 (Network Board Installed with Stainless Sides) 3 (Network Adaptable with Stainless Sides) |
| 8 | - | Design | 1-4 and 6 |

Decals

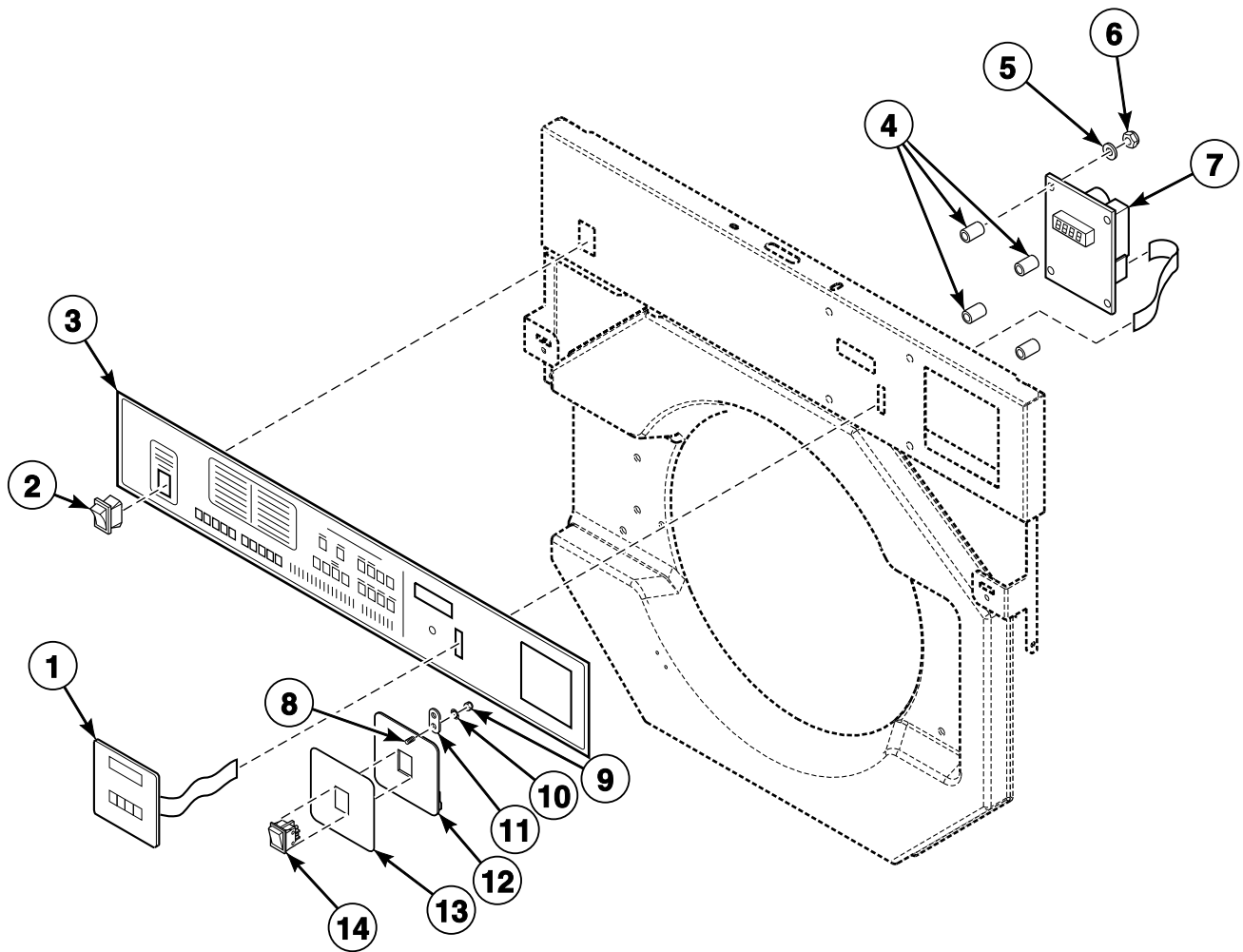


CHM2542P_F232190

Decals

| REF | PART NO. | DESCRIPTION | COMMENTS |
|-----|----------|--------------------------------------|----------------------|
| 1 | F230877 | Liquid Supply Decal | PN, SN and VN models |
| 2 | D505281 | Disconnect Power Warning Label | |
| 3 | F230630 | Ground Decal | |
| 4 | F230739 | Ground Decal | |
| 5 | F231146 | Conductor Decal | |
| 6 | F230216 | Do Not Lift Decal | |
| 7 | F230528 | Remove Door Lock Tag | PN, SN and VN models |
| 8 | 81968 | Door Warning Label | |
| 9 | F231065 | Personal Injury Warning Decal | |
| 10 | F230693 | Counterclockwise Spin Rotation Decal | English |
| | F230914 | Spin Rotation Decal | Universal |

Control Panel Decals and Controls - PN, SN and VN Models



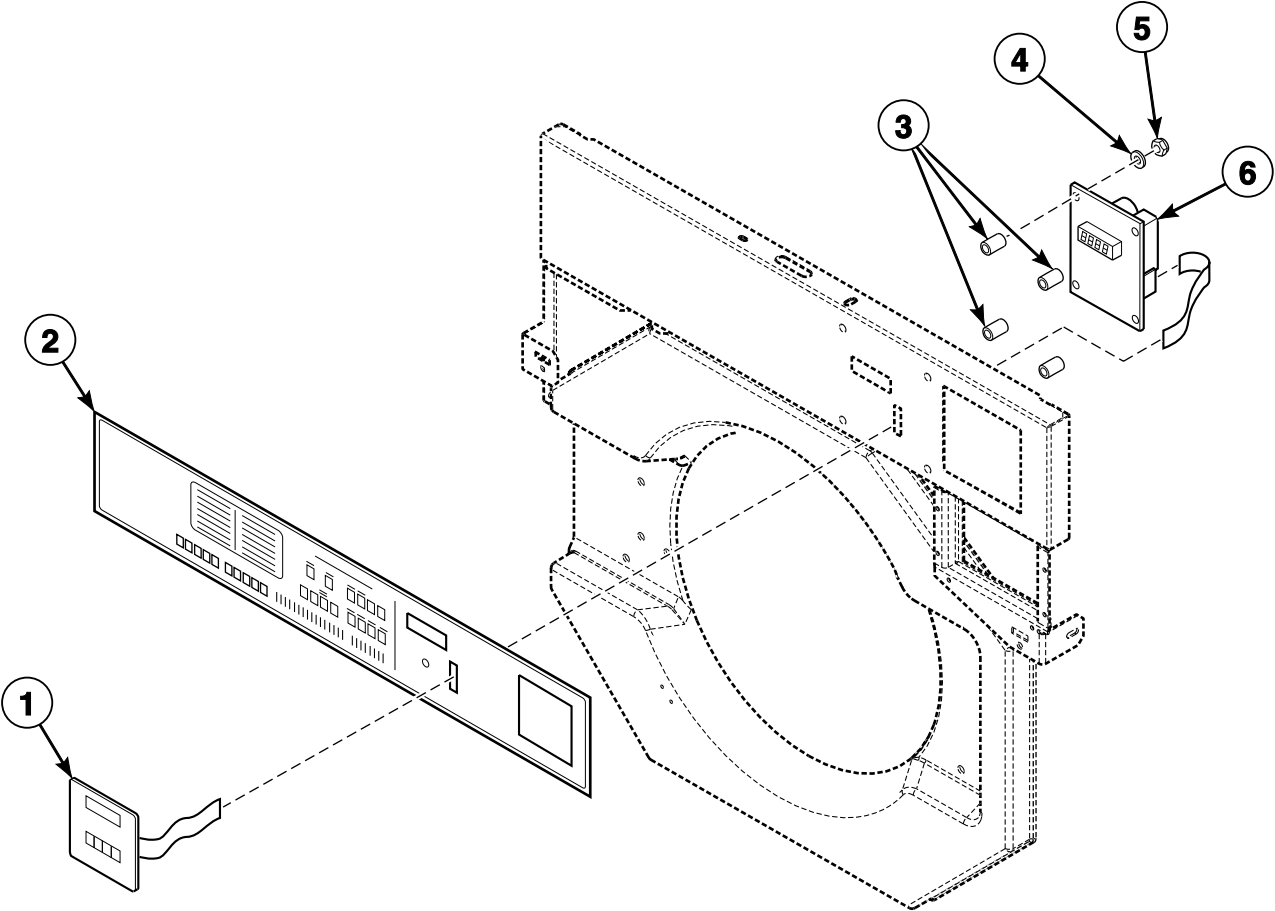
CHM2486P_F232190

Control Panel Decals and Controls - PN, SN and VN Models

| REF | PART NO. | DESCRIPTION | COMMENTS |
|-----|-------------|---------------------------|---|
| 1 | F370576P | Keypad | UC models; English |
| | F340608P | Membrane Switch | SC models; English |
| | F340606P | Membrane Switch | SC and UC models; Icon |
| | F340614P | Membrane Switch | HC models |
| 2 | F340412 | Momentary Switch | Models through 5/26/04 |
| | F200120100 | Momentary Switch | Models starting 5/27/04 |
| 3 | F0231618-00 | Control Panel Decal | Models UC20PN2 and UC20VN2; English |
| | N/A | Control Panel Decal | Models UC30PN2 and UC30VN2; English |
| | F0231608-00 | Control Panel Decal | Models UC30PN2 and UC30VN2; Icon |
| | F0231601-32 | Control Panel Decal | Models UC40PN2 and UC40VN2 |
| | F200021041 | Control Panel Decal | Models UC50PN2, UC50VN2, UC60PN2 and UC60VN2; English |
| | N/A | Control Panel Decal | Models UC50PN2, UC50VN2, UC60PN2 and UC60VN2; Icon |
| | F231467 | Control Panel Decal | Model SC20VN2 |
| | F231468 | Control Panel Decal | Model SC30VN2 |
| | F0231602-32 | Control Panel Decal | Model SC40VN2 |
| | F231470 | Control Panel Decal | Models SC50VN2 and SC60VN2 |
| | N/A | Control Panel Decal | Model HC20SN2 |
| | N/A | Control Panel Decal | Model HC30SN2 |
| | F0231603-32 | Control Panel Decal | Model HC40SN2 |
| | N/A | Control Panel Decal | Models HC50SN2 and HC60SN2 |
| | 4 | F401206 | Spacer |
| 5 | F431113 | Washer | |
| 6 | F431022 | Nut | |
| 7 | F370313-30P | Microcomputer | V computer |
| | F370555-11P | Board | P and S computer; Armstrong |
| | F370555-01P | Computer | P and S computer |
| 8 | F430173 | Screw | |
| 9 | F430232 | Nut | |
| 10 | F431106 | Washer | |
| 11 | F601515 | Clip | |
| 12 | F633098 | Switch Plate Sub-Assembly | |
| 13 | F230840 | Switch Plate Decal | SC and UC models; English |
| | N/A | Switch Plate Decal | SC and UC models; Icon |
| | N/A | Switch Panel Decal | HC models |
| 14 | F340411 | Rocker Switch | Red |

N/A = Part no longer available

Control Panel Decals and Controls - VC and VX Models



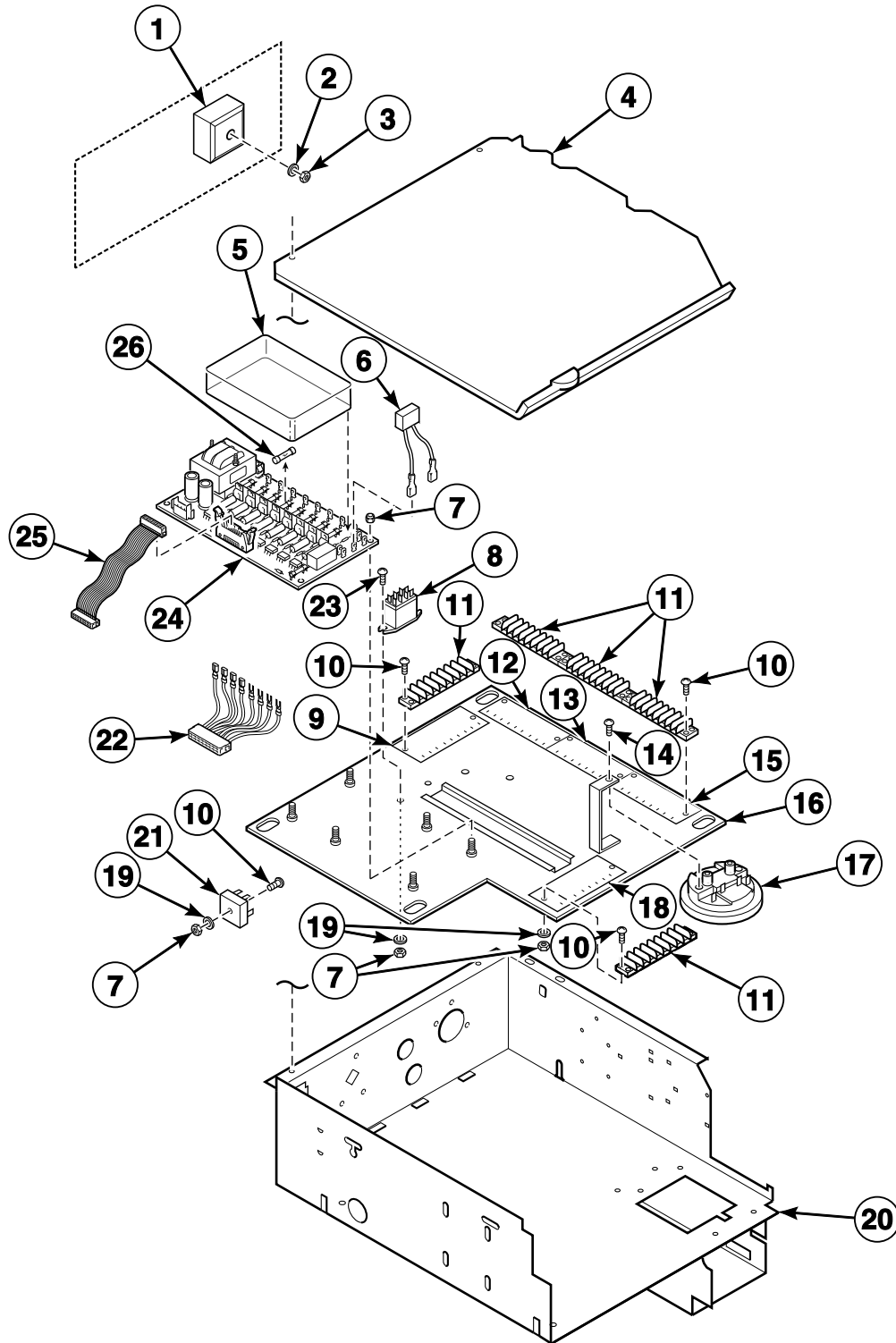
CHM2487P_F232190

Control Panel Decals and Controls - VC and VX Models

| REF | PART NO. | DESCRIPTION | COMMENTS |
|-----|-------------|---------------------|--|
| 1 | F340615P | Membrane Switch | |
| 2 | N/A | Control Panel Decal | Models HC20VC2, HC20VX2, HC25VC2 and HC25VX2 |
| | N/A | Control Panel Decal | Models HC30VC2 and HC30VX2 |
| | F0231604-31 | Control Panel Decal | Models HC40VC2 and HC40VX2 |
| | F231553 | Control Panel Decal | Models HC50VC2, HC50VX2, HC60VC2 and HC60VX2 |
| 3 | F401206 | Spacer | |
| 4 | F431113 | Washer | |
| 5 | F431022 | Nut | |
| 6 | F370313-40P | Microcomputer | |

N/A = Part no longer available

Control Module - PN and SN Models

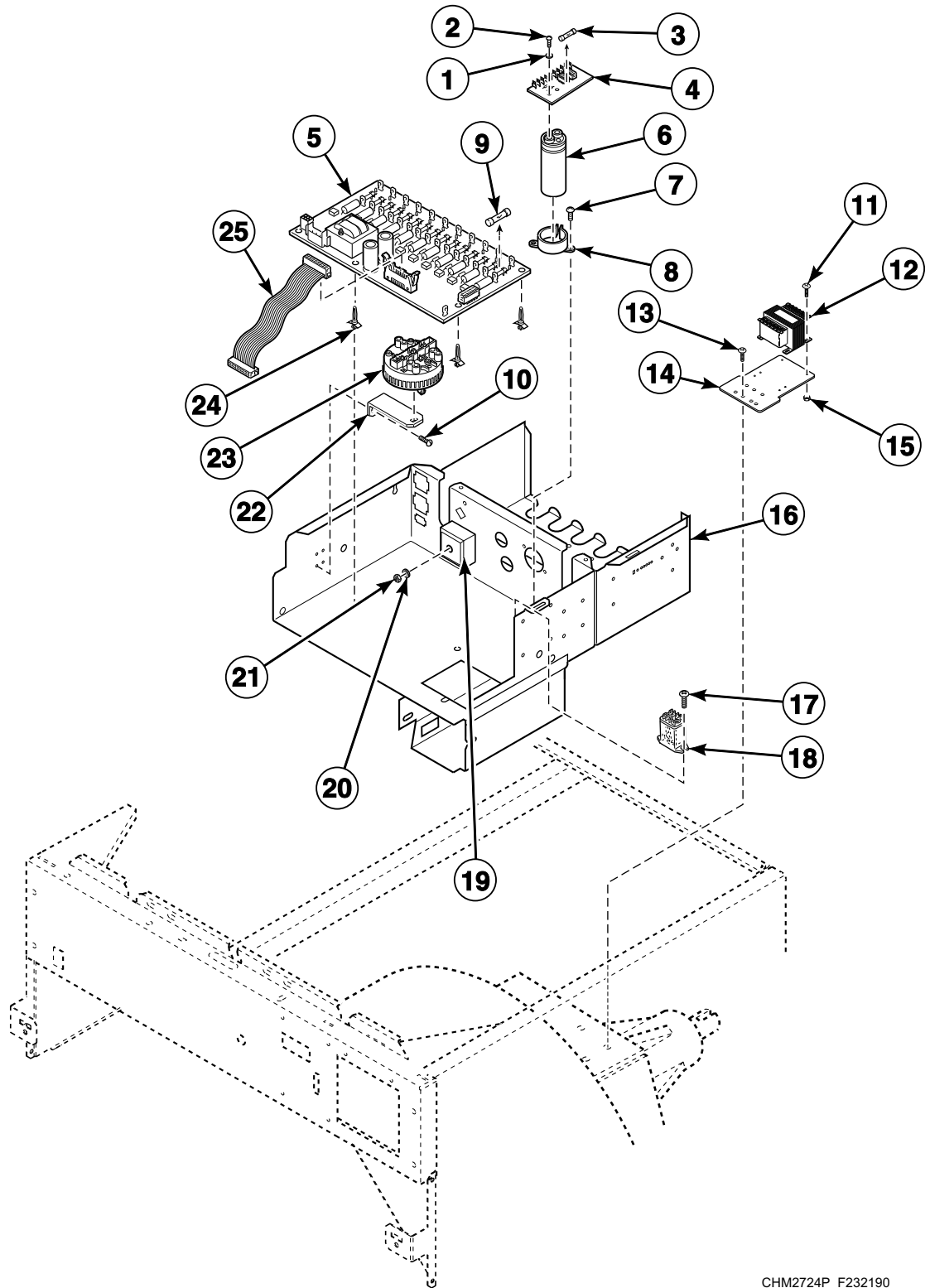


CHM2551P_F232190

Control Module - PN and SN Models

| REF | PART NO. | DESCRIPTION | COMMENTS |
|-----|--------------|--------------------------------|--|
| 1 | F200025200P | Door Lock Time Delay | |
| 2 | F431100 | Washer | |
| 3 | F430211 | Nut | |
| 4 | F0637179-00 | Module Box Cover | |
| 5 | F140423 | Cover | |
| 6 | F330217P | RC Network Filter | |
| 7 | F431022 | Nut | |
| 8 | F330227 | Flange Relay | 120 Volt |
| | F330230 | Flange Relay | 220 Volt |
| 9 | F140912 | Terminal Strip Insulator Decal | 1-8 |
| 10 | F430916 | Screw | |
| 11 | F140738 | Terminal Strip | |
| 12 | F140913 | Terminal Strip Insulator Decal | 9-16 |
| 13 | F140914 | Terminal Strip Insulator Decal | 17-24 |
| 14 | F430928 | Screw | |
| 15 | F140915 | Terminal Strip Insulator Decal | 25-32 |
| 16 | F0606950-02 | Electrical Panel Sub-Assembly | |
| 17 | F0340343-10P | Water Level Switch | Models HC20SN2, HC30SN2, UC20PN2 and UC30PN2 |
| | F8134602P | Pressure Switch | Models HC40SN2 and UC40PN2 |
| | F0340345-10P | Water Level Switch | Models HC50SN2, HC60SN2, UC50PN2 and UC60PN2 |
| 18 | F140916 | Terminal Strip Insulator Decal | 33-40 |
| 19 | F431113 | Washer | |
| 20 | F0637033-01 | Control Box Assembly | |
| 21 | F370310 | Bridge Rectifier | |
| 22 | F141871P | Input Harness Kit | |
| 23 | F430917 | Screw | |
| 24 | F370449P | Output Board CCA | 120 Volt |
| | F370450P | Output Board CCA | 220 Volt |
| 25 | F140216P | Ribbon Cable | |
| 26 | F350110 | Fuse | 1 Amp; Slo blo |
| | F350109 | Fuse | .5 Amp; Fast blo |

Control Module - VC, VN and VX Models Through 8/1/04



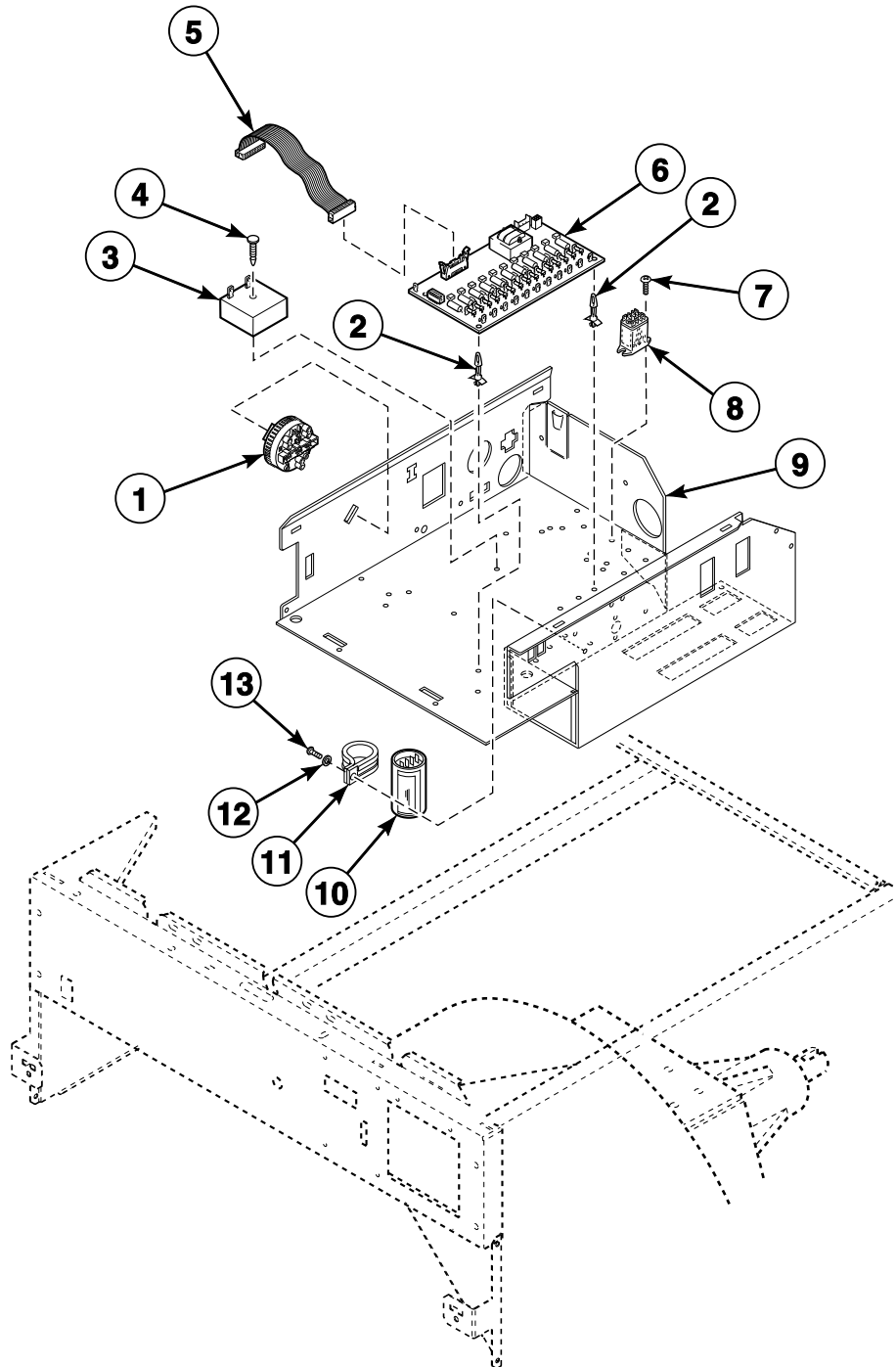
CHM2724P_F232190

Control Module - VC, VN and VX Models Through 8/1/04

| REF | PART NO. | DESCRIPTION | COMMENTS |
|-----|--------------|--------------------------------|---|
| | F200296000P | Computer and Door Lock Harness | Use with F037044860-2 Output CCA |
| 1 | F431108 | Washer | VC and VX models |
| 2 | 201415 | Screw | VC and VX models |
| 3 | F350110 | Fuse | VC and VX models |
| 4 | F0632387-01P | Door Lock CCA | 120 Volt; VC and VX models |
| | N/A | Door Lock CCA | 220 Volt; VC and VX models |
| 5 | F8206501P | Output Board VCMP Assembly | 120 Volt |
| | F8206502P | Output Board VCMP Assembly | 220 Volt; VN models through 7/22/04; VC and VX models |
| | F037044860-2 | Output CCA | 220 Volt; VN models starting 7/23/04 |
| 6 | F370225P | Capacitor | VC and VX models |
| 7 | F430917 | Screw | VC and VX models |
| 8 | F140612P | Capacitor Mounting Clamp | VC and VX models |
| 9 | F350108 | Fuse | 1/8 Amp |
| | F350109 | Fuse | 1/2 Amp |
| | F350110 | Fuse | 1 Amp |
| 10 | N/A | Screw | |
| 11 | F430108 | Screw | |
| 12 | F360117P | Transformer | Models without pump drain option |
| | F350125 | Fuse | 1 Amp |
| 13 | F430107 | Screw | |
| 14 | F200167700 | Transformer Mounting Bracket | |
| 15 | F430215 | Nut | |
| 16 | F0636969-00 | Control Box Assembly | VC and VX models |
| | F0636969-01 | Control Box Assembly | VN models |
| 17 | N/A | Screw | |
| 18 | F330227 | Flange Relay | 120 Volt |
| | F330230 | Flange Relay | 220 Volt |
| 19 | F200025200P | Door Lock Time Delay | VC and VX models |
| 20 | F431100 | Washer | VC and VX models |
| 21 | F430211 | Nut | VC and VX models |
| 22 | F631920 | Water Level Switch Bracket | |
| 23 | F0340343-10P | Water Level Switch | HC20, HC25, HC30, SC20, SC30, UC20 and UC30 models |
| | F8134602P | Pressure Switch | HC40, SC40 and UC40 models |
| | F0340345-10P | Water Level Switch | HC50, HC60, SC50, SC60, UC50 and UC60 models |
| 24 | F180501 | Standoff | 4 required |
| 25 | F140247 | Ribbon Cable | Connects output board cca to microcomputer |

N/A = Part no longer available

Control Module - VC, VN and VX Models Starting 8/2/04

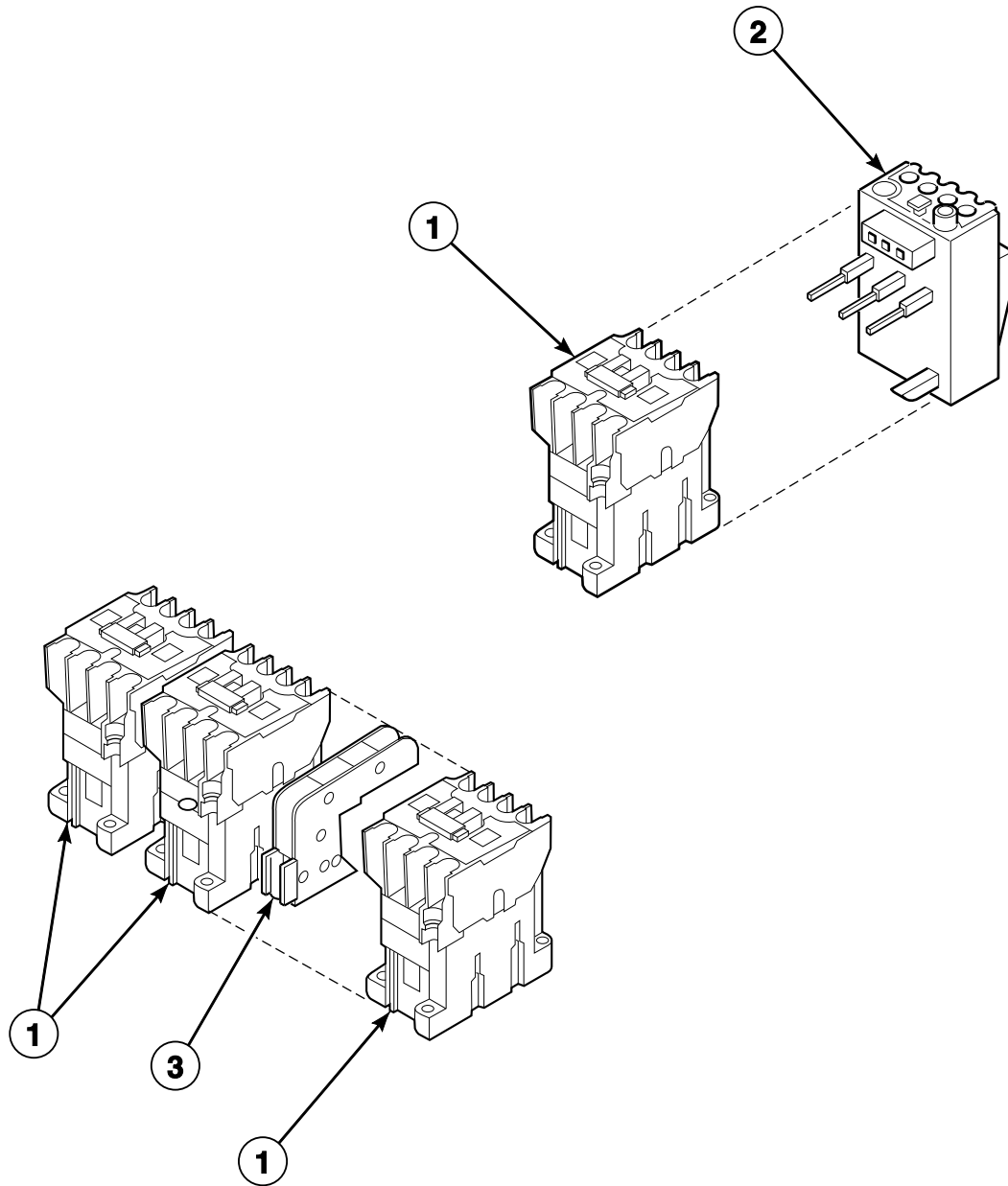


CHM2744P_F232190

Control Module - VC, VN and VX Models Starting 8/2/04

| REF | PART NO. | DESCRIPTION | COMMENTS |
|-----|--------------|----------------------------|---|
| 1 | F0340343-10P | Water Level Switch | HC20, HC25, HC30, SC20, SC30, UC20 and UC30 models |
| | F8134602P | Pressure Switch | HC40, SC40 and UC40 models |
| | F0340345-10P | Water Level Switch | HC50, HC60, SC50, SC60, UC50 and UC60 models |
| 2 | F180501 | Standoff | 4 required |
| 3 | F0330404-00P | Timer | VC and VX models; VN models through 2/10/05 |
| 4 | F0432316-00 | Ratchet Fastener | VC and VX models; VN models through 2/10/05 |
| 5 | F140247 | Ribbon Cable | Connects output board cca to microcomputer |
| 6 | F8206502P | Output Board VCMP Assembly | 220 Volt; VC and VX models |
| | F037044860-2 | Output CCA | 220 Volt; VN models |
| | F350108 | Fuse | 1/8 Amp |
| | F350109 | Fuse | 1/2 Amp |
| | F350110 | Fuse | 1 Amp |
| 7 | F0430165-00 | Screw | VC and VX models; VN models through 2/10/05 |
| 8 | F330230 | Flange Relay | 220 Volt; VC and VX models; VN models through 2/10/05 |
| 9 | F200100101 | Module Box Assembly | VC and VX models |
| | F200100100 | Module Box Assembly | VN models |
| 10 | F340002 | Motor Switch | All 1 Phase models except B-voltage models |
| 11 | F0340722-00 | Switch Clamp | |
| 12 | F430311 | Washer | |
| 13 | F430177 | Screw | |

Contactors

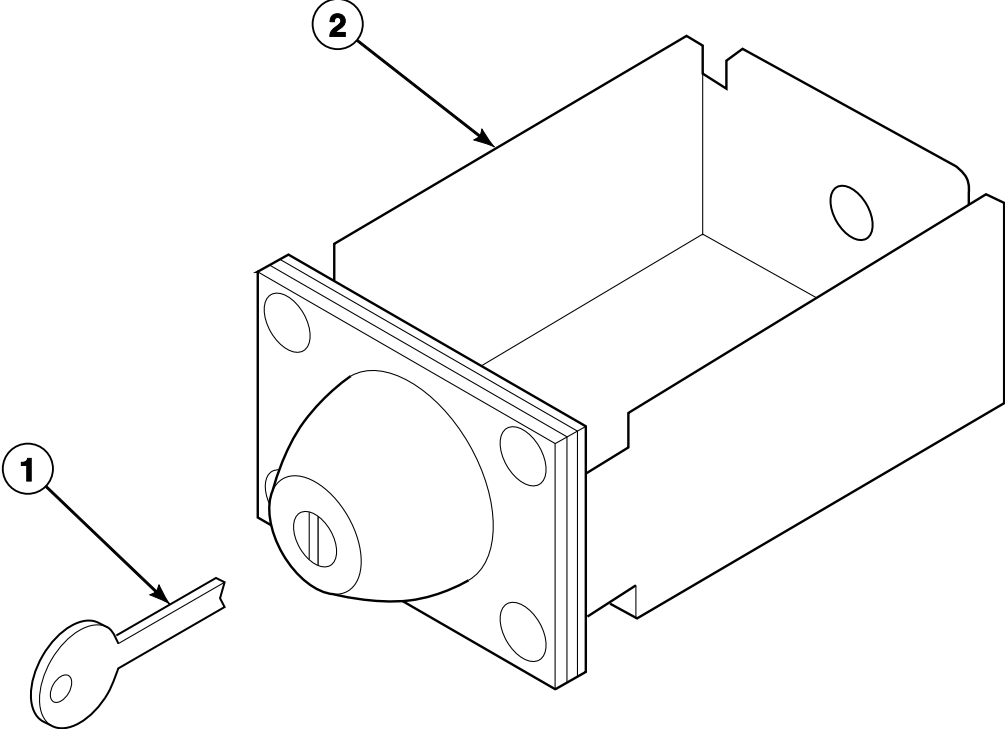


CHM1762P_F232190

Contactors

| REF | PART NO. | DESCRIPTION | COMMENTS |
|-----|-----------|-----------------------|---|
| 1 | F330175P | Contactator | 120 Volt |
| | F330177P | Contactator | 220 Volt |
| 2 | F8344001P | Overload Contactator | HC20, HC25, HC30, SC20, SC30, UC20 and UC30 models; E and Y-voltage |
| | F8176101P | Overload Contactator | HC40, SC40 and UC40 models Y-voltage; HC50, SC50 and UC50 models |
| 3 | F330186P | Interlock Contactator | |

Optional Coin Box



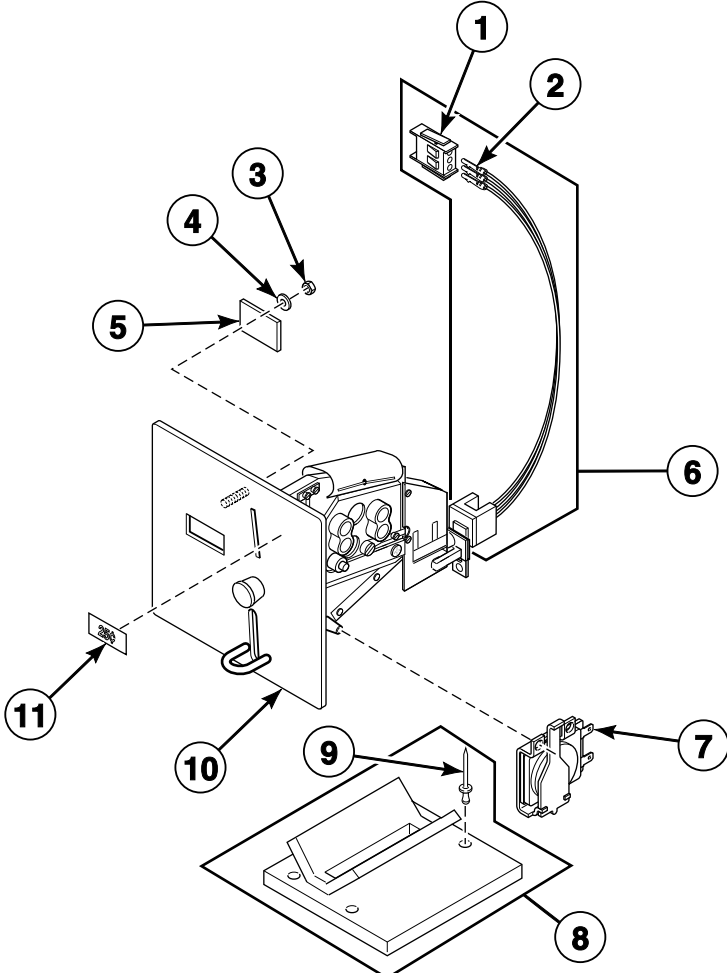
CHM1764P_F232190

Optional Coin Box

| REF | PART NO. | DESCRIPTION | COMMENTS |
|-----|----------|-------------|------------|
| 1 | F160420 | Key | UG21 |
| | F160421 | Key | UG22 |
| | N/A | Key | UG23 |
| | F160423 | Key | UG24 |
| | N/A | Key | UG25 |
| 2 | F160672 | Coin Box | UG21; Long |
| | F160673P | Coin Box | UG22; Long |
| | N/A | Coin Box | UG23; Long |
| | N/A | Coin Box | UG24; Long |
| | N/A | Coin Box | UG25; Long |

N/A = Part no longer available

W2000 Coin Meter Assembly - VC and VX Models; Single Drop



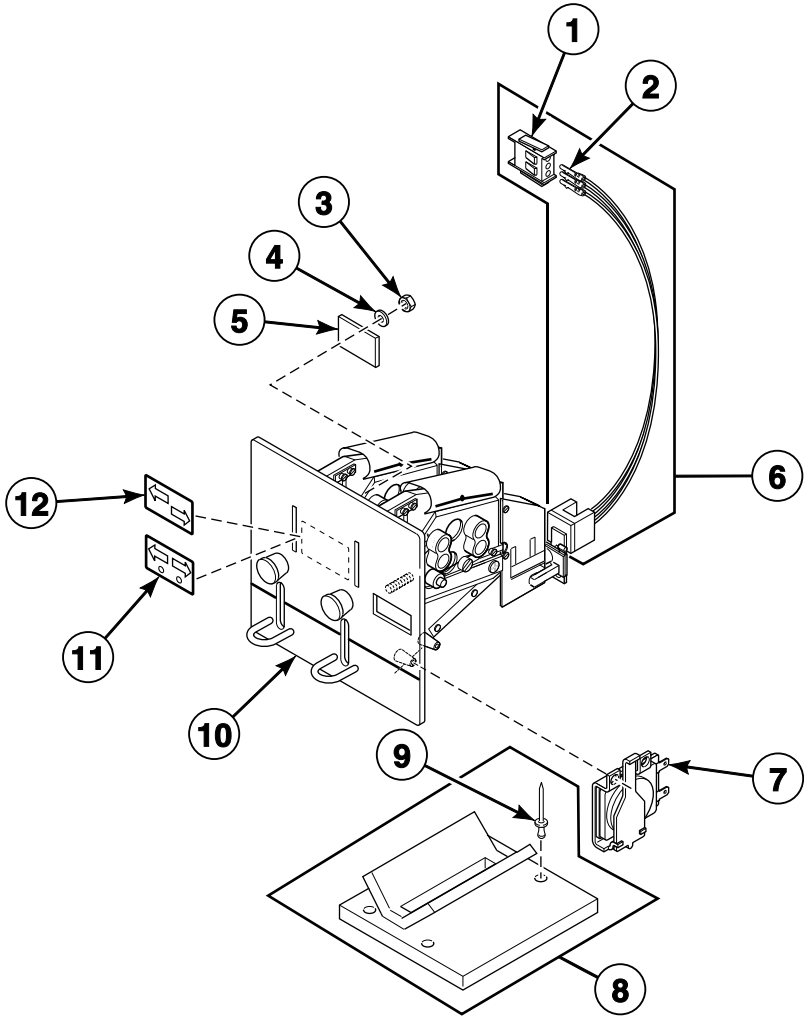
CHM2691P_F232190

W2000 Coin Meter Assembly - VC and VX Models; Single Drop

| REF | PART NO. | DESCRIPTION | COMMENTS |
|-----|-------------|--------------------------|---|
| 1 | F140571 | Male Connector | |
| 2 | 00430 | Female Pin Terminal | |
| 3 | F430243 | Nut | |
| 4 | N/A | Washer | |
| 5 | F608925 | Coin Meter Insert | |
| 6 | F775801-03P | Optic Switch Kit | Includes items 1 and 2 |
| 7 | F160466P | Coin Meter Blocking Coil | 120 Volt |
| | F160467P | Coin Meter Blocking Coil | 220 Volt |
| 8 | F200002502P | Coin Guide Assembly | Includes item 9 |
| 9 | F431215 | Pop Rivet | |
| 10 | F200003800P | Coin Meter Assembly | U.S. \$.25; 120 Volt; Includes items 1-7, 11 and F775302-03 Coin Meter Kit |
| | F200003801 | Coin Meter Assembly | 10 Taiwan; 120 Volt; Includes items 1-7 and F200115001 Coin Meter Assembly |
| | F200003802P | Coin Meter Assembly | .880 token; 220 Volt; Includes items 1-7 and F160692 Coin Meter |
| | F200003803 | Coin Meter Assembly | .990 token; 120 Volt; Includes items 1-7 and F200115003 Coin Meter Assembly |
| | F200003805 | Coin Meter Assembly | .990 token; 220 Volt; Includes items 1-7 and F160717 Coin Meter |
| | F200003806P | Coin Meter Assembly | U.S. \$.25; 220 Volt; Includes items 1-7, 11 and F160718 Coin Meter |
| | F200003807 | Coin Meter Assembly | .08 jeton; 220 Volt; Includes items 1-7 and F160719 Coin Meter |
| | F200003808 | Coin Meter Assembly | .800 token; 120 Volt; Includes items 1-7 and F0160735-00 Coin Meter |
| | F200003809 | Coin Meter Assembly | 500 wan and yen; 120 Volt; Includes items 1-7 and F0160739-00 Coin Meter |
| | F200003810 | Coin Meter Assembly | .800 token; 220 Volt; Includes items 1-7 |
| | F200003811 | Coin Meter Assembly | 500 wan and yen; 220 Volt; Includes items 1-7 |
| | F200003812 | Coin Meter Assembly | 10 Taiwan; 220 Volt; Includes items 1-7 |
| 11 | F231010 | Coin Meter Insert Decal | .25 insert |

N/A = Part no longer available

W2000 Coin Meter Assembly - VC and VX Models; Dual Drop



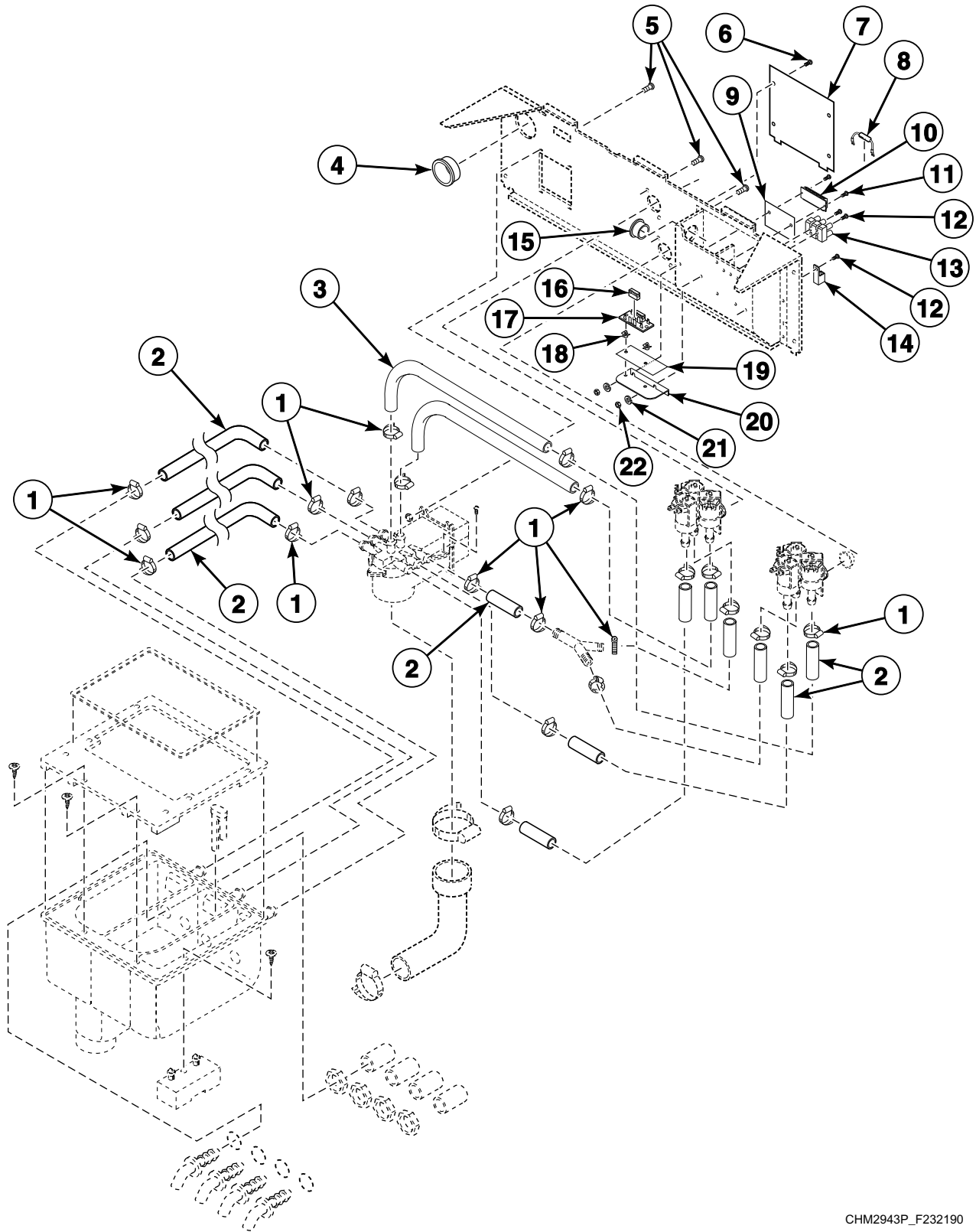
CHM2733P_F232190

W2000 Coin Meter Assembly - VC and VX Models; Dual Drop

| REF | PART NO. | DESCRIPTION | COMMENTS |
|-----|-------------|--------------------------|--|
| 1 | F140571 | Male Connector | |
| 2 | 00430 | Female Pin Terminal | |
| 3 | F430243 | Nut | |
| 4 | N/A | Washer | |
| 5 | F608925 | Coin Meter Insert | |
| 6 | F775801-03P | Optic Switch Kit | Includes items 1 and 2 |
| 7 | F160466P | Coin Meter Blocking Coil | 120 Volt |
| | F160467P | Coin Meter Blocking Coil | 220 Volt |
| 8 | F200002503 | Coin Guide Assembly | Includes item 9 |
| 9 | F431215 | Pop Rivet | |
| 10 | F200005200 | Coin Meter Assembly | U.K. 1 pound and 20 pence; 220 Volt; Includes items 1-7 and F160691 Coin Meter |
| | F200005201 | Coin Meter Assembly | 100 and 500 yen; 120 Volt; Includes items 1-7 and F160693 Coin Meter |
| | F200005202 | Coin Meter Assembly | 1 and 5 krona; 220 Volt; Includes items 1-7 and F160694 Coin Meter |
| | F200005203 | Coin Meter Assembly | Australia 1.00 and .20; 220 Volt; Includes items 1-7 and F160695 Coin Meter |
| | F200005204 | Coin Meter Assembly | 1 and 5 rand; 220 Volt; Includes items 1-7 and F160698 Coin Meter |
| | F200005205 | Coin Meter Assembly | 1 and 5 shekel; 220 Volt; Includes items 1-7 and F160715 Coin Meter |
| | F200005206 | Coin Meter Assembly | U.S. \$1.00 and .25; 120 Volt; Includes items 1-7, 11 and F0160730-00 Coin Meter |
| | F200005207 | Coin Meter Assembly | 100 and 500 peseta; 220 Volt; Includes items 1-7 |
| | F200005208 | Coin Meter Assembly | .50 and 2.00 euro; 220 Volt; Includes items 1-7, 11 and F0160736-00 Coin Meter |
| | F200005209 | Coin Meter Assembly | Canada \$1.00 and .25; 120 Volt; Includes items 1-7, 11 and F0160740-00 Coin Meter |
| | F200005210 | Coin Meter Assembly | U.S. \$1.00 and .25; 220 Volt; Includes items 1-7 |
| | F200005211 | Coin Meter Assembly | Canada \$1.00 and .25; 220 Volt; Includes items 1-7 |
| | F200005212 | Coin Meter Assembly | 100 and 500 yen; 220 Volt; Includes items 1-7 |
| 11 | F0231595-00 | Coin Meter Decal | \$1 and .25 |
| 12 | N/A | Coin Meter Decal | .50 and 2.00 euro |

N/A = Part no longer available

Fill Plumbing Assembly and External Supply Assembly (Drawing 1 of 2)



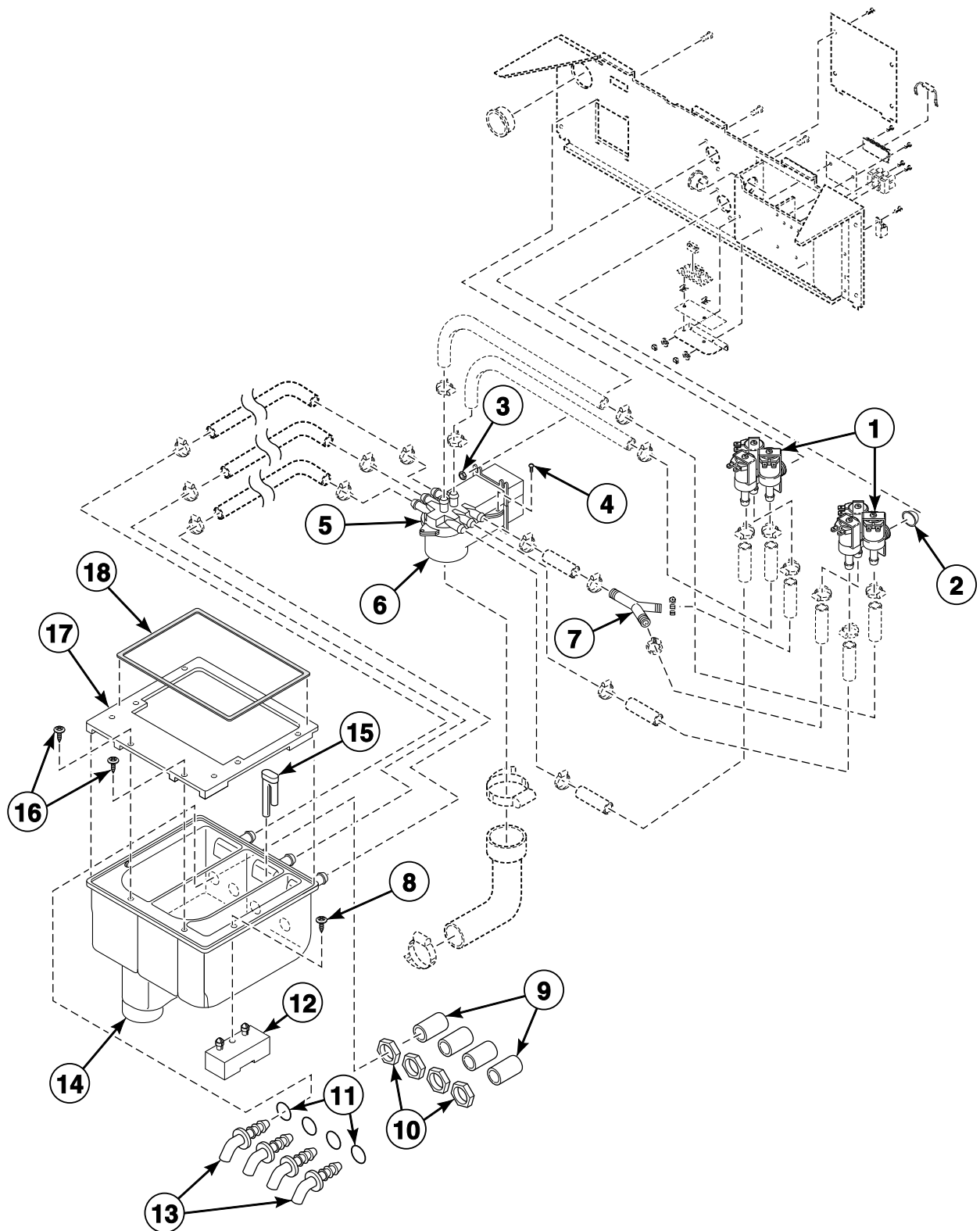
CHM2943P_F232190

Fill Plumbing Assembly and External Supply Assembly (Drawing 1 of 2)

| REF | PART NO. | DESCRIPTION | COMMENTS |
|-----|--------------|----------------------------------|--|
| 1 | 36801 | Hose Clamp | No. 8 |
| 2 | F0200244-01 | Vacuum Breaker Hose | HC20, HC25, HC30, SC20, SC30, UC20 and UC30 models |
| | F0200244-00 | Vacuum Breaker Hose | HC40, HC50, HC60, SC40, SC50, SC60, UC40, UC50 and UC60 models |
| 3 | F200108P | Water Hose | Order 8 feet |
| 4 | F200139500 | Grommet | PN, SN and VN models |
| 5 | F430948 | Screw | |
| 6 | F430174 | Screw | |
| 7 | F602533 | Input Power Connection Box Cover | |
| 8 | F370117 | Resistor | 120 Volt; PN and SN models; VN models through 8/1/04 |
| | F370116 | Resistor | 220 Volt; PN and SN models; VN models through 8/1/04 |
| 9 | F231376-1 | External Supply Connection Decal | B-voltage |
| | F231376-2 | External Supply Connection Decal | C-voltage |
| | N/A | External Supply Connection Decal | D, E and J-voltage |
| | F231376-5 | External Supply Connection Decal | O and Y-voltage |
| | F231376-6 | External Supply Connection Decal | F and H-voltage |
| 10 | F140766 | Terminal | 8 place |
| 11 | F430916 | Screw | |
| 12 | F430903 | Screw | |
| 13 | F140747 | Input Power Block | PN, SN, VC and VX models; VN models through 8/1/04; Standard models; 3 terminal |
| | F140748 | Input Power Block | PN, SN, VC and VX models; VN models through 8/01/04; Standard models; 2 terminal |
| | F140746 | Input Power Block | PN, SN, VC and VX models; VN models through 8/1/04; Standard models; 4 terminal |
| | M413865 | Terminal Block | PN, SN, VC and VX models; VN models through 8/1/04; Models with heat; 3 terminal |
| | F140755 | Input Terminal Block | PN, SN, VC and VX models; VN models through 8/1/04; Models with heat; 4 terminal |
| | F0140795-00 | Input Block | VN models; Models starting 8/2/04; 2 terminal |
| | F0140798-00P | Input Block | VN models; Models starting 8/2/04; 3 terminal |
| | F0140799-00 | Input Block | VN models; Models starting 8/2/04; 4 terminal |
| 14 | F140734 | Ground Terminal Lug | |
| 15 | F170615 | Grommet | Models through 6/29/05 |
| | F140938 | Snap Bushing | Models starting 6/30/05 |
| 16 | F350115 | Fuse | 3 Amp; PN, SN, VC and VX models; VN models through 8/1/04 |
| 17 | F0350312-10 | Fuse Holder | PN, SN, VC and VX models; VN models through 8/1/04 |
| 18 | F180506 | Standoff | PN, SN, VC and VX models; VN models through 8/1/04 |
| 19 | F231271 | External Supply Fuse Decal | 3 Amp; PN, SN, VC and VX models; VN models through 8/1/04 |
| 20 | F633512 | Fuse Holder Bracket | PN, SN, VC and VX models; VN models through 8/1/04 |
| 21 | F431113 | Washer | PN, SN, VC and VX models; VN models through 8/1/04 |
| 22 | F431022 | Nut | PN, SN, VC and VX models; VN models through 8/1/04 |

N/A = Part no longer available

Fill Plumbing Assembly and External Supply Assembly (Drawing 2 of 2)



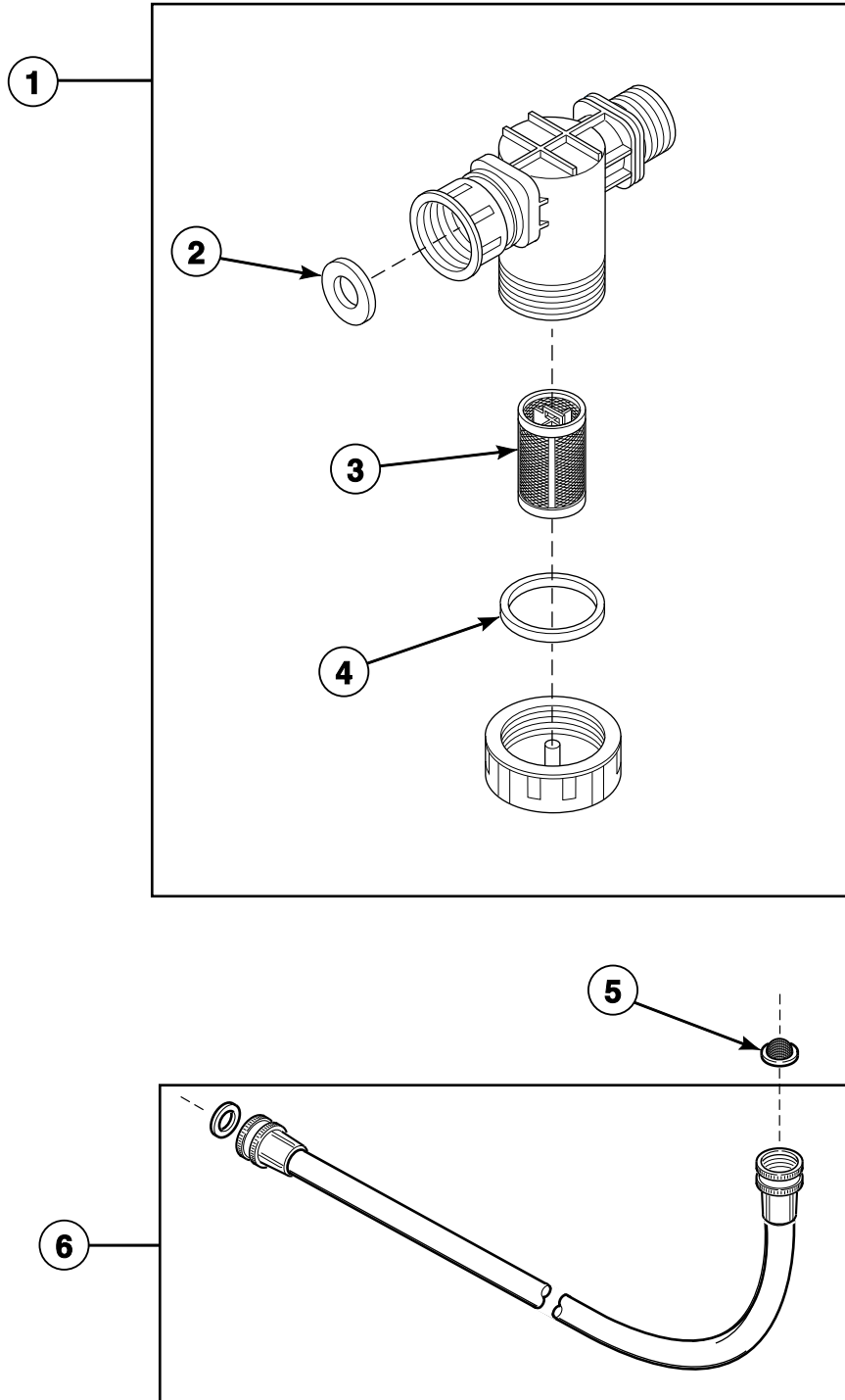
CHM2944P_F232190

Fill Plumbing Assembly and External Supply Assembly (Drawing 2 of 2)

| REF | PART NO. | DESCRIPTION | COMMENTS |
|-----|--------------|-------------------------------|--|
| | G582P3 | Diaphragm and Guide Kit | Elbi; Includes G300194 Armature Guide and G300202 Diaphragm; Use with F0381736-00P 3-Way Valve, F0381737-00P 3-Way Valve, F0381738-00P 3-Way Valve, F0381750-00P 3-Way Valve, F0381766-00P 3-Way Valve |
| 1 | F0381765-00P | 3-Way Valve | Standard thread; Cold; 120 Volt |
| | F0381766-00P | 3-Way Valve | Standard thread; Hot; 120 Volt |
| | F0381738-00P | 3-Way Valve | Standard thread; Cold; 240 Volt |
| | F0381737-00P | 3-Way Valve | Standard thread; Hot; 240 Volt |
| | F0381769-00P | 3-Way Valve | Metric thread; Cold; 120 Volt |
| | N/A | 3-Way Valve | Metric thread; Hot; 120 Volt |
| | F0381736-00P | 3-Way Valve | Metric thread; Cold; 240 Volt |
| | F0381750-00P | 3-Way Valve | Metric thread; Hot; 240 Volt |
| 2 | F270200 | Strainer | |
| 3 | F430231 | Nut | |
| 4 | F430177 | Screw | |
| 5 | F0150329-00 | Vacuum Breaker Top | |
| | F603031 | Vacuum Breaker Assembly | Includes items 3 and 5 |
| 6 | F015033000 | Vacuum Breaker Bottom | |
| 7 | F422808 | Y Connector | |
| 8 | F0430268-00 | Screw | |
| 9 | F190303 | Cap | |
| 10 | 802292 | Nut | |
| 11 | F170208 | O-Ring | |
| 12 | F0150504-00 | Supply Dispenser Standoff | |
| 13 | F8322001 | Injection Nozzle | |
| | F730168 | Injection Nozzle Kit | Includes items 9 and 10 |
| 14 | F602374 | Supply Dispenser Sub-Assembly | |
| | F200202201P | Supply Dispenser Assembly | Includes items 8-12 and 14-17 |
| 15 | F150390 | Siphon Tube | |
| 16 | F430956 | Screw | |
| 17 | F0150503-00 | Supply Dispenser Bezel | |
| 18 | F0170190-00P | Bezel Gasket | |

N/A = Part no longer available

Filter (Optional) and Supply Hose

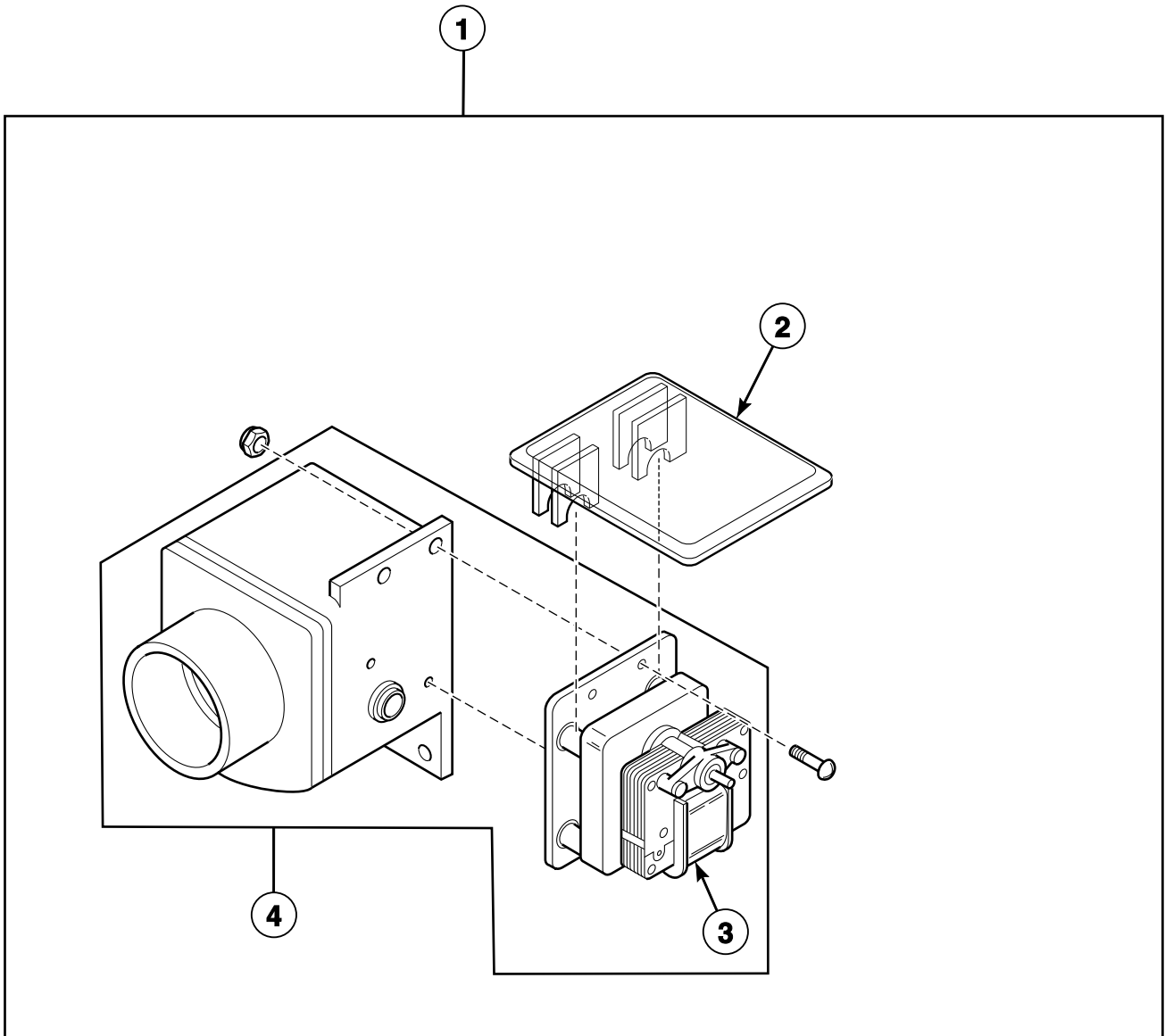


B091P_F232190

Filter (Optional) and Supply Hose

| REF | PART NO. | DESCRIPTION | COMMENTS |
|-----|----------|---------------------------|---------------------------|
| 1 | F270306P | Filter | Standard thread |
| | F270305 | Filter | Metric thread |
| 2 | 20290 | Washer | |
| 3 | F270406 | Replacement Filter | .11 mm |
| | F270405 | Replacement Filter | .25 mm |
| 4 | F270407 | Filter Housing Cap Gasket | |
| 5 | 803615 | Washer | Filter |
| 6 | F200116 | Water Hose | 3/8 inch; Standard thread |
| | F200164 | Water Hose | 3/4 inch; Standard thread |
| | F200165 | Water Hose | 3/8 inch; Metric thread |
| | F200166 | Water Hose | 3/4 inch; Metric thread |

Drain Valve Assembly - 20, 25 and 30 Pound Models

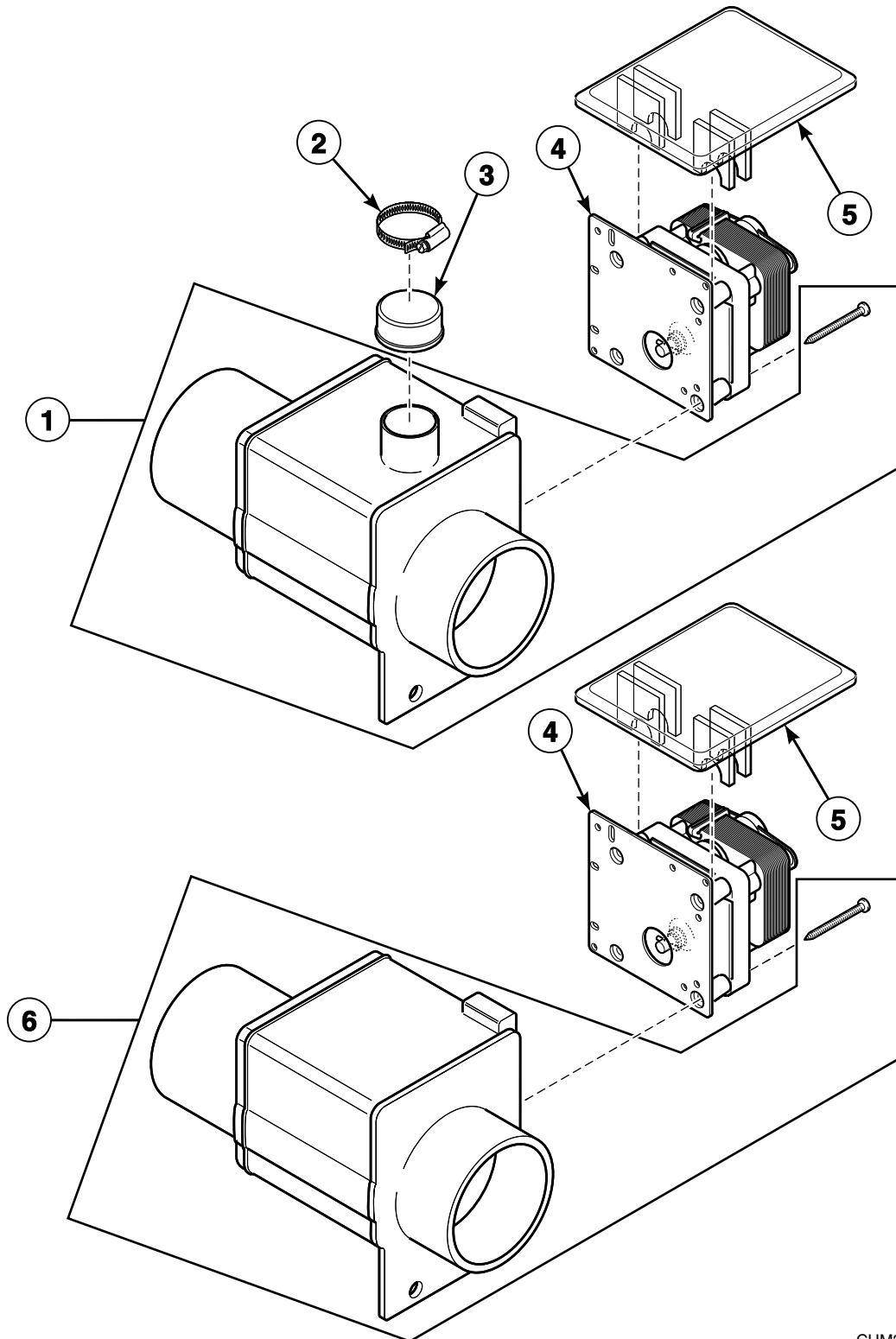


CHM2450P_F232190

Drain Valve Assembly - 20, 25 and 30 Pound Models

| REF | PART NO. | DESCRIPTION | COMMENTS |
|-----|------------|----------------------|---|
| | F8504601 | Spring | |
| 1 | F602920 | Drain Valve Assembly | 120 Volt; Includes all items on the page, including the screw and nut |
| | F603175 | Drain Valve Assembly | 220 Volt; Includes all items on the page, including the screw and nut |
| 2 | F200133600 | Drain Valve Cover | |
| 3 | F380932P | Drain Valve Motor | Round shaft; 120 Volt |
| | F380933P | Drain Valve Motor | Round shaft; 220 Volt |
| | F380943P | Drain Motor | Keyed shaft; 120 Volt |
| | F8618901P | Drain Valve Motor | Keyed shaft; 220 Volt |
| | F380972P | Drain Valve Motor | Keyed shaft; 240 Volt |
| 4 | 803293 | Drain Valve | 120 Volt; Includes item 3 |
| | 803292 | Gravity Drain Valve | 220 Volt; Includes item 3 |

Drain Valve Assembly - 40, 50 and 60 Pound Models



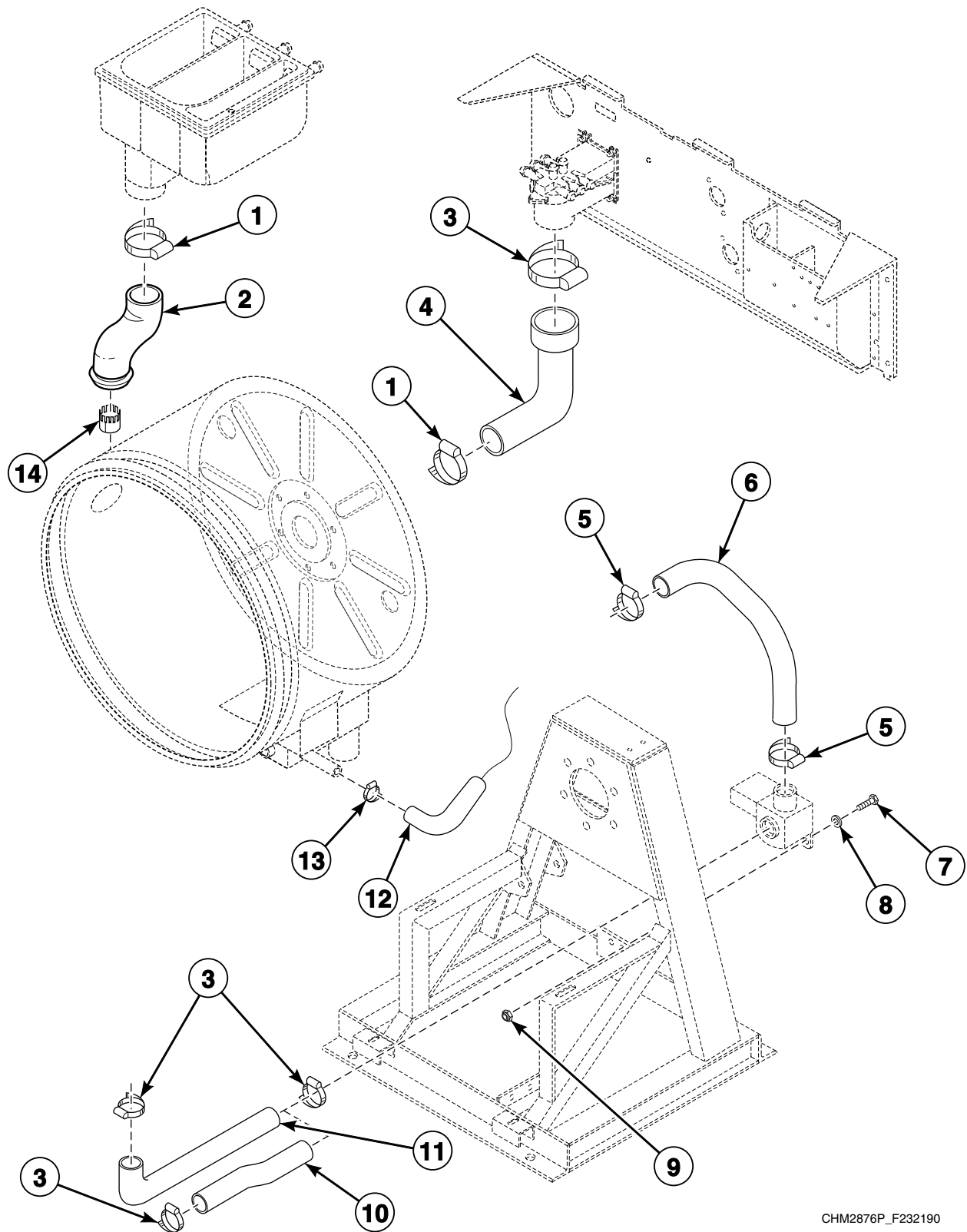
CHM2480P_F232190

Drain Valve Assembly - 40, 50 and 60 Pound Models

| REF | PART NO. | DESCRIPTION | COMMENTS |
|----------|------------|-------------------|---|
| | F8504701 | Spring | Use with F038062800 Drain Valve |
| | F200166300 | Drain Valve Kit | 120 Volt; Includes items 1, 4, 5 and screw; HC50, HC60, SC50, SC60, UC50 and UC60 models with heat option |
| | F200166400 | Drain Valve Kit | 220 Volt; Includes items 1, 4, 5 and screw; HC50, HC60, SC50, SC60, UC50 and UC60 models with heat option |
| | F200166302 | Drain Valve Kit | 120 Volt; Includes items 4, 5, 6 and screw; Standard |
| | F200166402 | Drain Valve Kit | 220 Volt; Includes items 4, 5, 6 and screw; Standard |
| 1 | F8406304 | Drain Valve | 120 Volt; Includes screw; HC50, HC60, SC50, SC60, UC50 and UC60 models with heat option |
| | F8406303 | Drain Valve | 220 Volt; Includes screw; HC50, HC60, SC50, SC60, UC50 and UC60 models with heat option |
| 2 | F200215 | Hose Clamp | No. 28; HC50, HC60, SC50, SC60, UC50 and UC60 models with heat option |
| 3 | F150352 | Overflow Plug | HC50, HC60, SC50, SC60, UC50 and UC60 models with heat option |
| 4 | F380932P | Drain Valve Motor | Round shaft; 120 Volt |
| | F380933P | Drain Valve Motor | Round shaft; 220 Volt |
| | F380943P | Drain Motor | Keyed shaft; 120 Volt |
| | F8618901P | Drain Valve Motor | Keyed shaft; 220 Volt |
| | F380972P | Drain Valve Motor | Keyed shaft; 240 Volt |
| 5 | F200133600 | Drain Valve Cover | |
| 6 | N/A | Drain Valve | 120 Volt; Includes screw; Standard |
| | N/A | Drain Valve Kit | 220 Volt; Includes screw; Standard |

N/A = Part no longer available

Drain Valve Assembly, Hoses and Air Trap - 50 and 60 Pound Models with Heat Shell



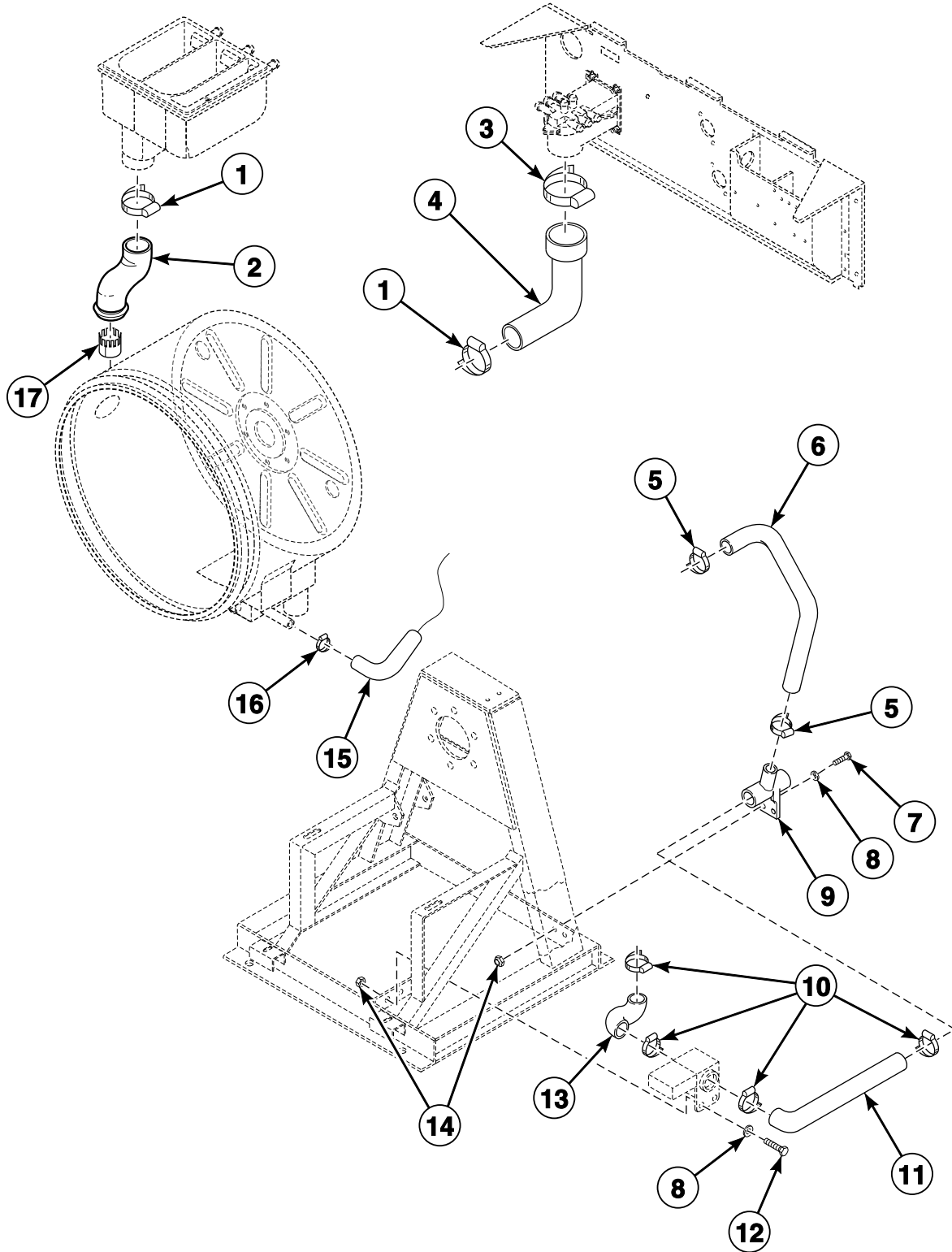
CHM2876P_F232190

Drain Valve Assembly, Hoses and Air Trap - 50 and 60 Pound Models with Heat Shell

| REF | PART NO. | DESCRIPTION | COMMENTS |
|-----|-------------|--------------------------|---|
| 1 | F200213 | Hose Clamp | No. 40 |
| 2 | F8071701 | Supply Dispenser Hose | |
| 3 | N/A | Hose Clamp | No. 48 |
| 4 | F150340 | Vacuum Breaker Hose | HC50, SC50 and UC50 models |
| | F0150340-01 | Vacuum Breaker Fill Hose | HC60, SC60 and UC60 models |
| 5 | F200215 | Hose Clamp | No. 28 |
| 6 | F150332 | Overflow Hose | |
| 7 | F430103 | Screw | |
| 8 | F430317 | Washer | |
| 9 | F430215 | Nut | |
| 10 | F0150340-01 | Vacuum Breaker Fill Hose | HC60, SC60 and UC60 models |
| 11 | F150356 | Drain Hose | |
| 12 | F020014200 | Air Trap Hose | |
| 13 | F200222 | Hose Clamp | No. 10 |
| 14 | F150419 | Supply Dispenser Baffle | Optional; Used to prevent water entering the supply dispenser during an extraction step |

N/A = Part no longer available

Drain Assembly, Hoses and Air Trap - All Models Except 50 and 60 Pound Models with Heat Shell



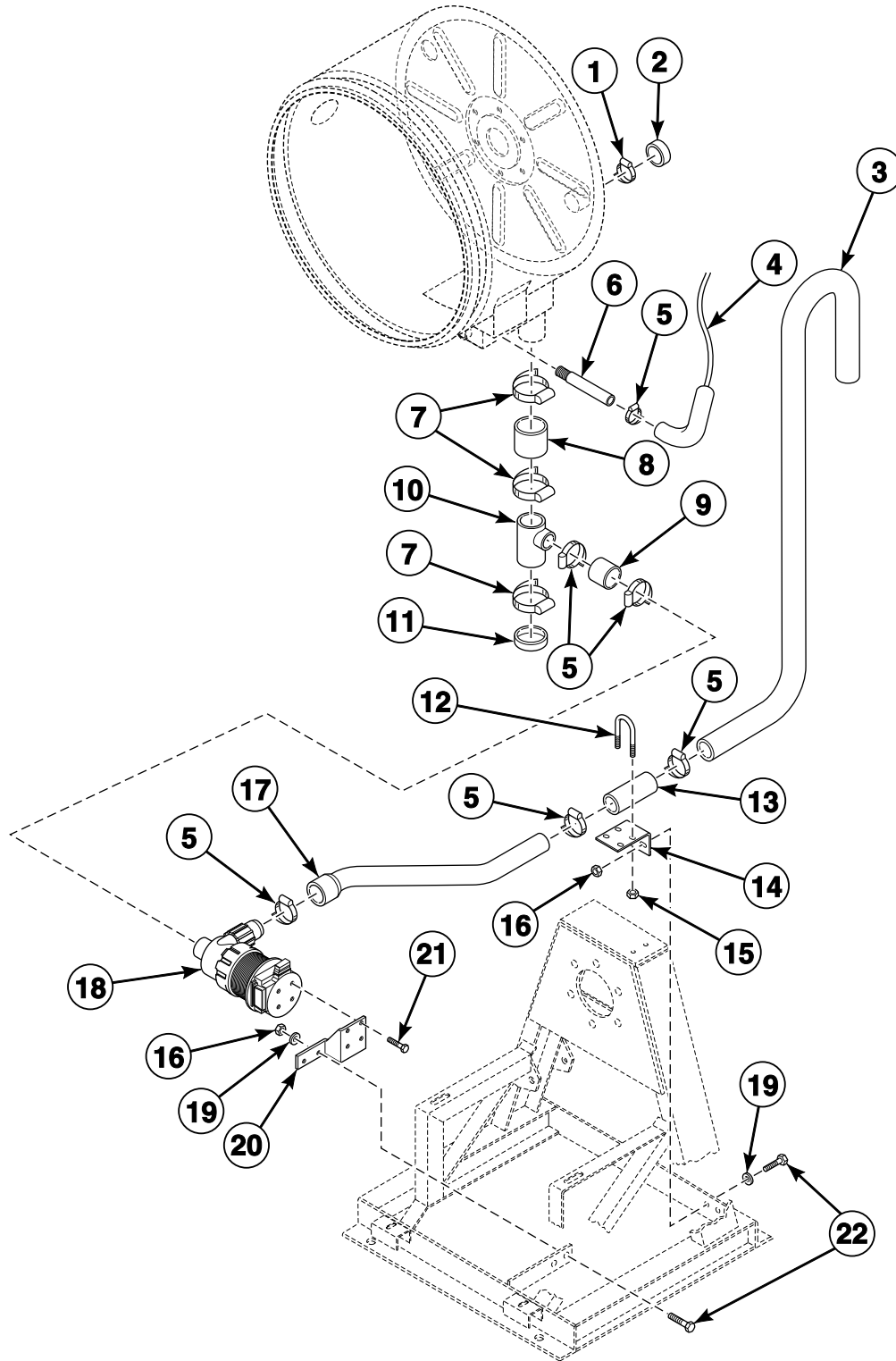
CHM2877P_F232190

Drain Assembly, Hoses and Air Trap - All Models Except 50 and 60 Pound Models with Heat Shell

| REF | PART NO. | DESCRIPTION | COMMENTS |
|-----|-------------|--------------------------|--|
| 1 | F200213 | Hose Clamp | No. 40 |
| 2 | F0200236-01 | Supply Dispenser Hose | HC20, HC30, SC20, SC30, UC20 and UC30 models |
| | F8071701 | Supply Dispenser Hose | HC40, HC50, HC60, SC40, SC50, SC60, UC40, UC50 and UC60 models |
| | F8061601 | Supply Dispenser Hose | Models HC25VC2 and HC25VX2 |
| 3 | N/A | Hose Clamp | No. 48 |
| 4 | F150321 | Vacuum Breaker Hose | HC20, HC30, HC40, SC20, SC30, SC40, UC20, UC30 and UC40 models |
| | F150372 | Fill Hose | Models HC25VC2 and HC25VX2 |
| | F150340 | Vacuum Breaker Hose | HC50, SC50 and UC50 models |
| | F0150340-01 | Vacuum Breaker Fill Hose | HC60, SC60 and UC60 models |
| 5 | F200215 | Hose Clamp | No. 28 |
| 6 | F200125800 | Overflow Hose | HC30, SC30 and UC30 models; Standard, electric and steam heat; Not used on pump drain models |
| | F0200238-00 | Overflow Hose | HC40, SC40 and UC40 models; Standard, electric and steam heat |
| | F150417 | Overflow Hose | HC50, HC60, SC50, SC60, UC50 and UC60 models; Standard models without heat |
| | F150332 | Overflow Hose | HC50, HC60, SC50, SC60, UC50 and UC60 models; Electric and steam heat |
| | F150317 | Overflow Hose | HC20, HC25, SC20 and UC20 models; Standard, electric and steam heat; Not used on pump drain models |
| 7 | F430103 | Screw | |
| 8 | F430317 | Washer | |
| 9 | F8017101 | Drain Connector Tee | HC20, HC25, HC30, SC20, SC30, UC20 and UC30 models |
| | F150398 | Drain Tee | HC40, HC50, HC60, SC40, SC50, SC60, UC40, UC50 and UC60 models |
| 10 | F200213 | Hose Clamp | HC20, HC25, HC30, HC40, SC20, SC30, SC40, UC20, UC30 and UC40 models |
| | N/A | Hose Clamp | HC50, HC60, SC50, SC60, UC50 and UC60 models |
| 11 | F150311 | Rear Drain Hose | HC20, SC20 and UC20 models |
| | F200123400 | Drain Hose | Rear; HC25, HC30, SC30 and UC30 models |
| | F0200239-00 | Rear Drain Hose | HC40, SC40 and UC40 models; Models through 1/25/05 |
| | F200185300 | Drain Hose | Rear; HC40, SC40 and UC40 models; Models starting 1/26/05 |
| | F200123500 | Drain Hose | Rear; HC50, HC60, SC50, SC60, UC50 and UC60 models |
| 12 | F430103 | Screw | |
| 13 | F150312 | Front Drain Hose | HC20, HC25, HC30, SC20, SC30, UC20 and UC30 models |
| | F0200240-00 | Front Drain Hose | HC40, SC40 and UC40 models; Models through 1/25/05 |
| | F200185200 | Drain Hose | Front; HC40, SC40 and UC40 models; Models starting 1/26/05 |
| | F8035801 | Front Drain Hose | HC50, HC60, SC50, SC60, UC50 and UC60 models |
| 14 | F430215 | Nut | |
| 15 | F020014200 | Air Trap Hose | |
| 16 | F200222 | Hose Clamp | No. 12 |
| 17 | F150419 | Supply Dispenser Baffle | Optional; Used to prevent water entering the supply dispenser during an extraction step |

N/A = Part no longer available

Pump Drain Option - HC30, SC30 and UC30 E-Voltage Models



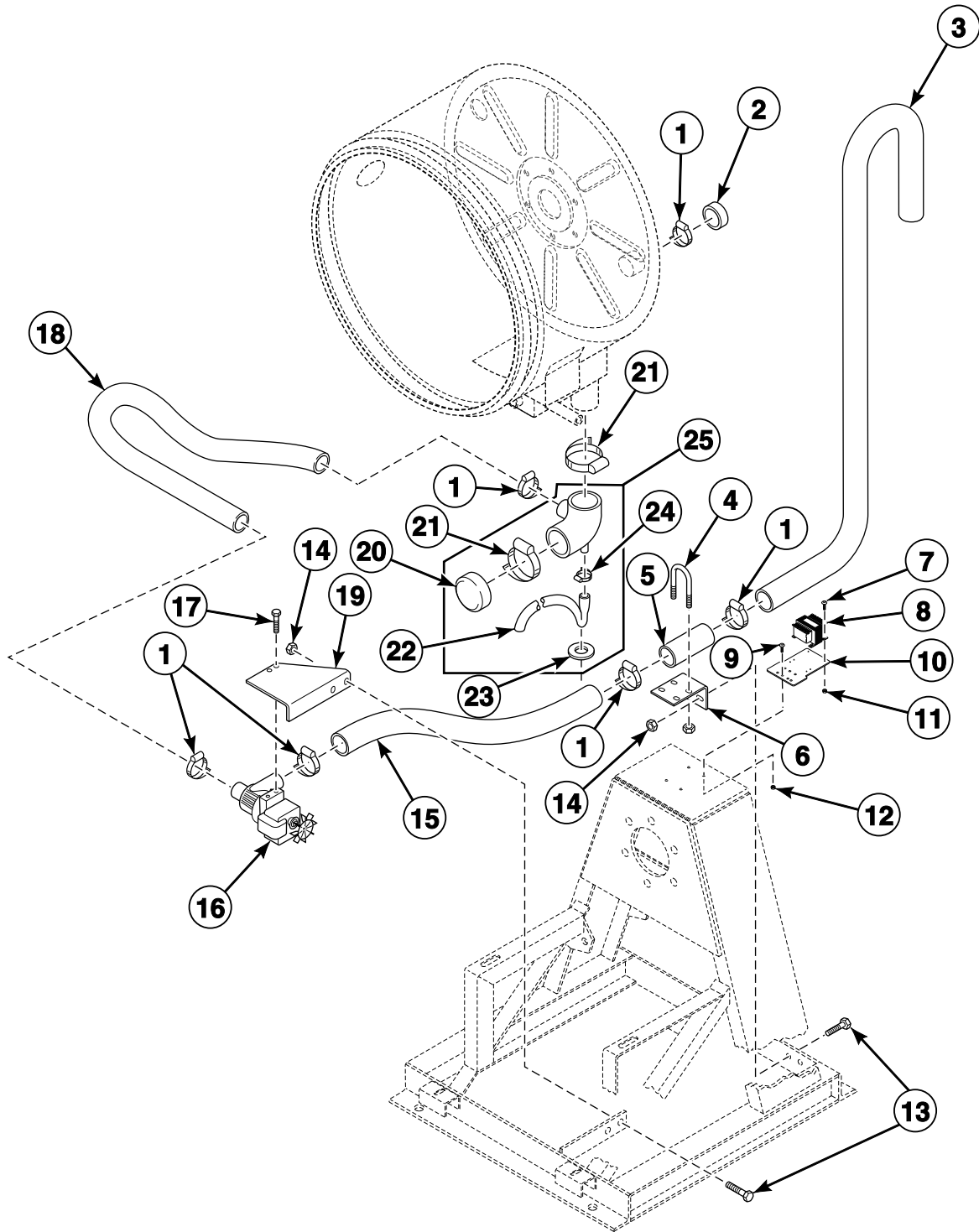
CHM2303P_F232190

Pump Drain Option - HC30, SC30 and UC30 E-Voltage Models

| REF | PART NO. | DESCRIPTION | COMMENTS |
|-----|------------|------------------------------------|----------|
| 1 | F200215 | Hose Clamp | No. 28 |
| 2 | F150352 | Overflow Plug | |
| 3 | F150343 | Rear Pump Drain Hose | |
| 4 | F020014200 | Air Trap Hose | |
| 5 | F200204 | Hose Clamp | No. 20 |
| 6 | F634178 | Air Chamber Nipple | |
| 7 | F200213 | Hose Clamp | No. 40 |
| 8 | F150311 | Rear Drain Hose | |
| 9 | F634177 | Pump Inlet Hose | |
| 10 | F633819 | Pump Drain Trap Weldment | |
| 11 | F150443 | Plug | |
| 12 | F200401P | U-Bolt Clamp | |
| 13 | N/A | Pipe | |
| 14 | F604147 | Pump Drain Rear Connecting Bracket | |
| 15 | F430232 | Nut | |
| 16 | F430215 | Nut | |
| 17 | F150482 | Pump Drain Outlet Hose | |
| 18 | F634463P | Pump | |
| 19 | F430317 | Washer | |
| 20 | F634114 | Pump Mounting Bracket | |
| 21 | F430179 | Screw | |
| 22 | F430107 | Screw | |

N/A = Part no longer available

Pump Drain Option - All Models Except HC30, SC30 and UC30 E-Voltage Models



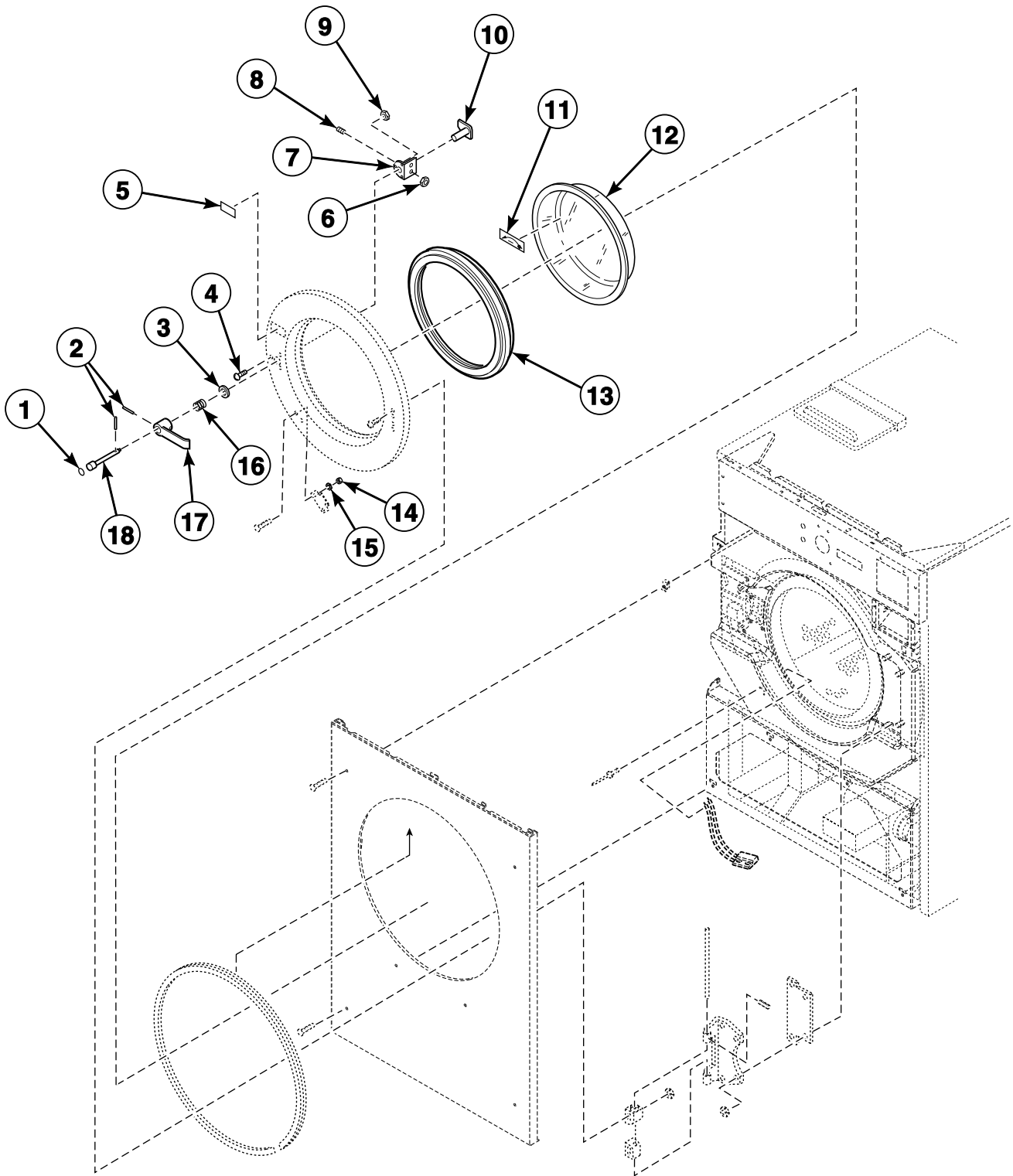
CHM2725P_F232190

Pump Drain Option - All Models Except HC30, SC30 and UC30 E-Voltage Models

| REF | PART NO. | DESCRIPTION | COMMENTS |
|-----|-------------|------------------------------------|--|
| 1 | F200204 | Hose Clamp | No. 20 |
| 2 | F150352 | Overflow Plug | |
| 3 | F150343 | Rear Pump Drain Hose | |
| 4 | F200401P | U-Bolt Clamp | Includes nuts |
| 5 | F603827-1 | Pipe | |
| 6 | F604147 | Pump Drain Rear Connecting Bracket | |
| 7 | F430910 | Screw | |
| 8 | C000203 | Transformer | VC and VX models; PN and SN models B, O and Y-voltage; PN and SN models through 7/1/04 F and H-voltage; VN models O and Y-voltage; VN models through 8/1/04 B, F and H-voltage |
| | F360156P | Transformer | PN and SN models starting 7/2/04 F and H-voltage; VN models starting 8/2/04 B, F and H-voltage |
| 9 | F430107 | Screw | |
| 10 | F200167700 | Transformer Mounting Bracket | |
| 11 | F430215 | Nut | |
| 12 | F430217 | Nut | |
| 13 | F430107 | Screw | |
| 14 | F430215 | Nut | |
| 15 | N/A | Hose | |
| 16 | F270119P | Drain Pump | 120 Volt |
| | F200000900P | Pump | 220 Volt/60 Hertz |
| | F270104P | Pump | 220 Volt/50 Hertz |
| 17 | F430519 | Screw | |
| 18 | F609748-5 | Hose | |
| 19 | F609694 | Pump Drain Trap Mounting Bracket | |
| 20 | F150443 | Plug | |
| 21 | F200213 | Hose Clamp | No. 40 |
| 22 | F606192-5 | Tubing | |
| 23 | 901690 | Washer | |
| 24 | F200217 | Hose Clamp | |
| 25 | F630326P | Pump Drain Trap Assembly | Includes items 20-24 |

N/A = Part no longer available

Door (Drawing 1 of 2)

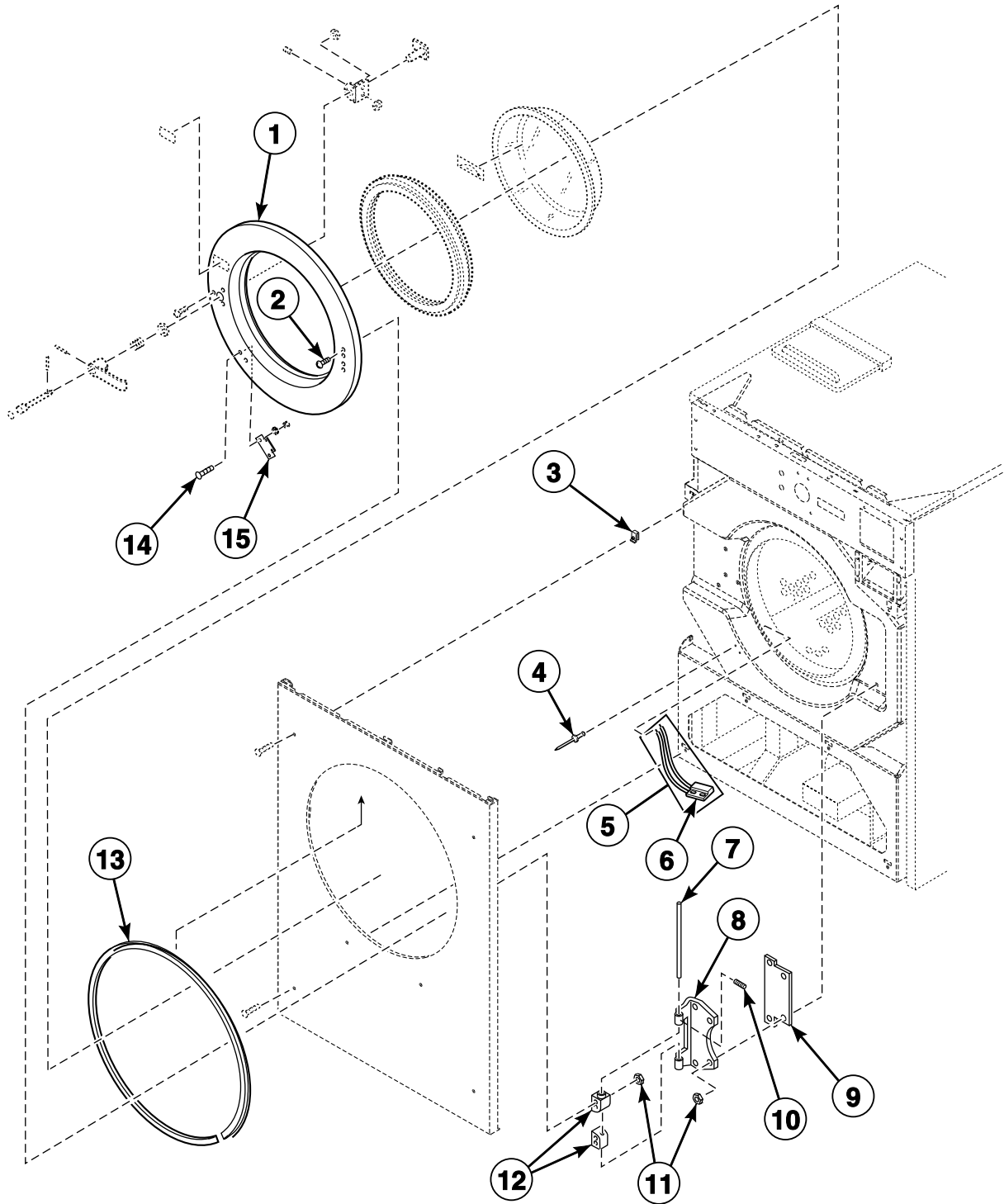


CHM3020P_F232190

Door (Drawing 1 of 2)

| REF | PART NO. | DESCRIPTION | COMMENTS |
|-----|-------------|--------------------------------------|--|
| 1 | F230662 | Red Dot Decal | |
| 2 | F431222 | Spring Pin | |
| 3 | F431916 | Washer | |
| 4 | F8535601 | Screw | |
| 5 | F230661 | Push Red Button Decal | |
| 6 | F431041 | Nut | |
| 7 | F0150273-00 | Door Spacer | |
| 8 | F430532 | Screw | HC20, HC25, SC20 and UC20 models |
| | F430533 | Screw | HC30, HC40, HC50, HC60, SC30, SC40, SC50, SC60, UC30, UC40, UC50 and UC60 models |
| 9 | F430232 | Nut | |
| 10 | F730155 | Door Handle Kit | Includes items 1, 2, 7 and 16-18 |
| 11 | F230693 | Counterclockwise Spin Rotation Decal | English |
| | F230914 | Spin Rotation Decal | Universal |
| 12 | F290205P | Door Glass Kit | HC20, HC25, SC20 and UC20 models |
| | F8485301P | Door Glass | HC30, SC30 and UC30 models |
| | F8485401P | Door Glass | HC40, HC50, HC60, SC40, SC50, SC60, UC40, UC50 and UC60 models |
| 13 | F200000200 | Door Gasket | HC20, HC25, SC20 and UC20 models; Gray |
| | F200000202 | Door Gasket | HC20, HC25, SC20 and UC20 models; Black |
| | F170123 | Door Gasket | HC30, SC30 and UC30 models; Gray |
| | F017012302 | Door Gasket | HC30, SC30 and UC30 models; Black |
| | F170124 | Door Gasket | HC40, HC50, HC60, SC40, SC50, SC60, UC40, UC50 and UC60 models; Gray |
| | F017012402 | Door Gasket | HC40, HC50, HC60, SC40, SC50, SC60, UC40, UC50 and UC60 models; Black |
| 14 | F431022 | Nut | |
| 15 | F431113 | Washer | |
| 16 | F310125 | Door Lock Spring | |
| 17 | F150225 | Door Handle | |
| 18 | F320300 | Pushbutton Rod | |

Door (Drawing 2 of 2)



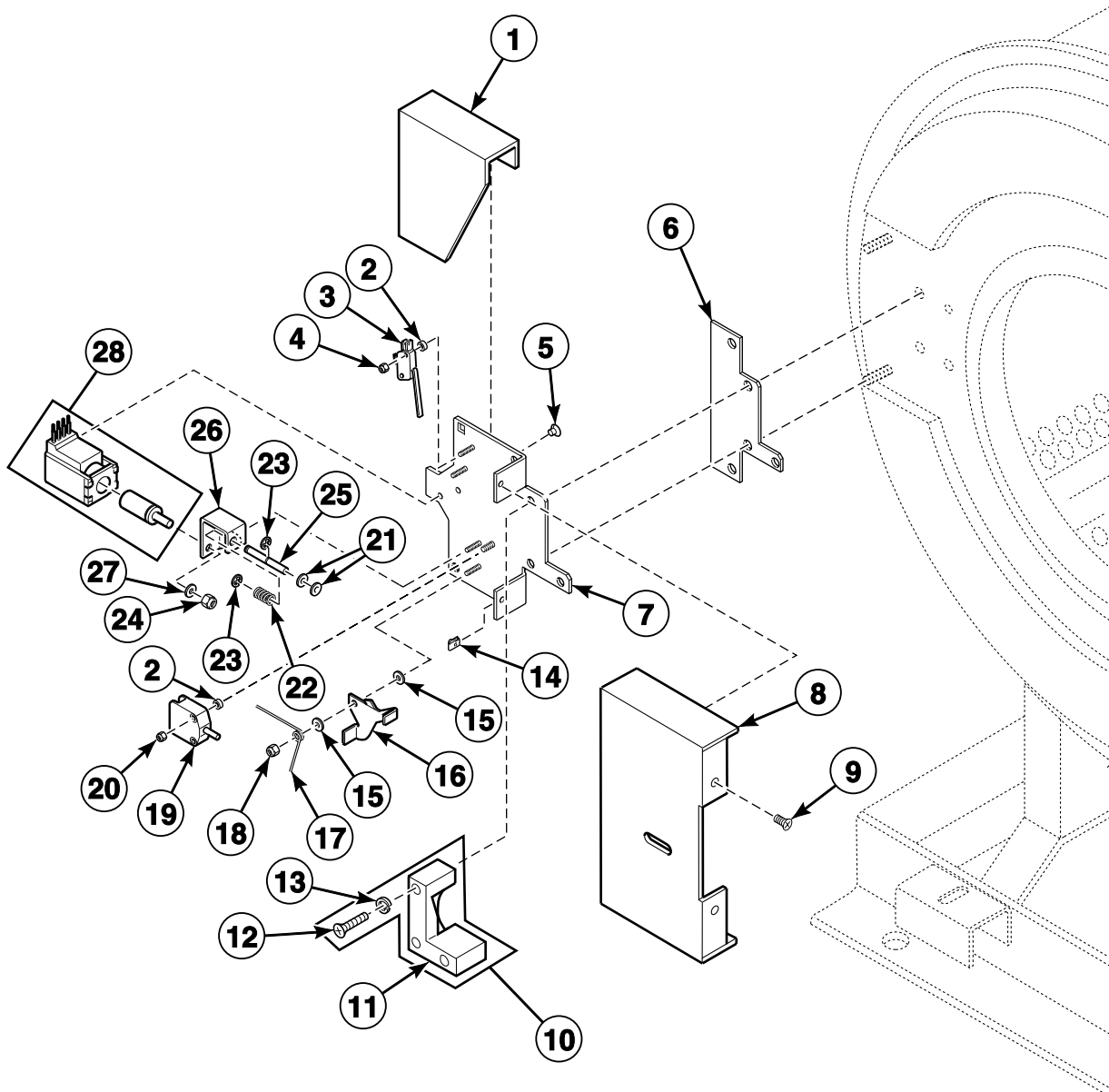
CHM3001P_F232190

Door (Drawing 2 of 2)

| REF | PART NO. | DESCRIPTION | COMMENTS |
|-----------|-------------|--------------------------|---|
| | F604079-4 | Door Assembly | HC20 and HC25 VC and VX models; Includes items 1-2, 6-7, 9-11 and items 1-18 on <i>Door (Drawing 1 of 2)</i> ; Gray door gasket |
| | F8150301 | Door Assembly | HC20 and HC25 VC and VX models; Includes items 1-2, 6-7, 9-11 and items 1-18 on <i>Door (Drawing 1 of 2)</i> ; Black door gasket |
| | F604079-5 | Door Assembly | HC20, SC20 and UC20 PN, SN and VN models; Includes items 1-2, 6-7, 9-11 and items 1-18 on <i>Door (Drawing 1 of 2)</i> ; Gray door gasket |
| | F603239-4 | Door Assembly | Models HC30VC2 and HC30VX2; Includes items 1-2, 6-7, 9-11 and items 1-18 on <i>Door (Drawing 1 of 2)</i> ; Gray |
| | F8150401 | Door Assembly | Models HC30VC2 and HC30VX2; Includes items 1-2, 6-7, 9-11 and items 1-18 on <i>Door (Drawing 1 of 2)</i> ; Black door gasket |
| | F060323905 | Door Assembly | HC30, SC30 and UC30 PN, SN and VN models; Includes items 1-2, 6-7, 9-11 and items 1-18 on <i>Door (Drawing 1 of 2)</i> ; Gray door gasket |
| | F603901-4 | Door Assembly | HC40, HC50 and HC60 VC and VX models; Includes items 1-2, 6-7, 9-11 and items 1-18 on <i>Door (Drawing 1 of 2)</i> ; Gray door gasket |
| | F8150501 | Door Assembly | HC40, HC50 and HC60 VC and VX models; Includes items 1-2, 6-7, 9-11 and items 1-18 on <i>Door (Drawing 1 of 2)</i> ; Black door gasket |
| | F060390105 | Door Assembly | HC40, HC50, HC60, SC40, SC50, SC60, UC40, UC50 and UC60 PN, SN and VN models; Includes items 1-2, 6-7, 9-11 and items 1-18 on <i>Door (Drawing 1 of 2)</i> ; Gray door gasket |
| 1 | N/A | Door | HC20, HC25 and SC20 models |
| | F602837-1 | Door | HC30 and SC30 models |
| | F602842-2 | Door | HC40, HC50, HC60, SC40, SC50 and SC60 models |
| 2 | F430969 | Bolt | |
| 3 | F430264 | Nut | Tinnerman |
| 4 | F8245101 | Blind Rivet | Models starting 8/11/08 |
| | J1111905 | Blind Rivet | Models through 8/10/08 |
| 5 | F200321200 | Magnetic Switch Assembly | Includes item 6 |
| 6 | F0340723-00 | Magnetic Switch | |
| 7 | F602813-2 | Rod | HC20, HC25, HC30, SC20, SC30, UC20 and UC30 models |
| | F602813-3 | Rod | HC40, HC50, HC60, SC40, SC50, SC60, UC40, UC50 and UC60 models |
| 8 | F190216P | Door Hinge | |
| 9 | F200131000P | Door Hinge Shim Kit | As required |
| 10 | F430536 | Screw | |
| 11 | F430215 | Nut | |
| 12 | F150271 | Door Mount | |
| 13 | F015050100P | Trim | Models through 4/29/08; F8142701 Adhesive required for installation |
| 14 | F430916 | Screw | |
| 15 | F8390801 | Magnet | PN, SN and VN models; CE coin models |

N/A = Part no longer available

Door Lock - VC and VX Models

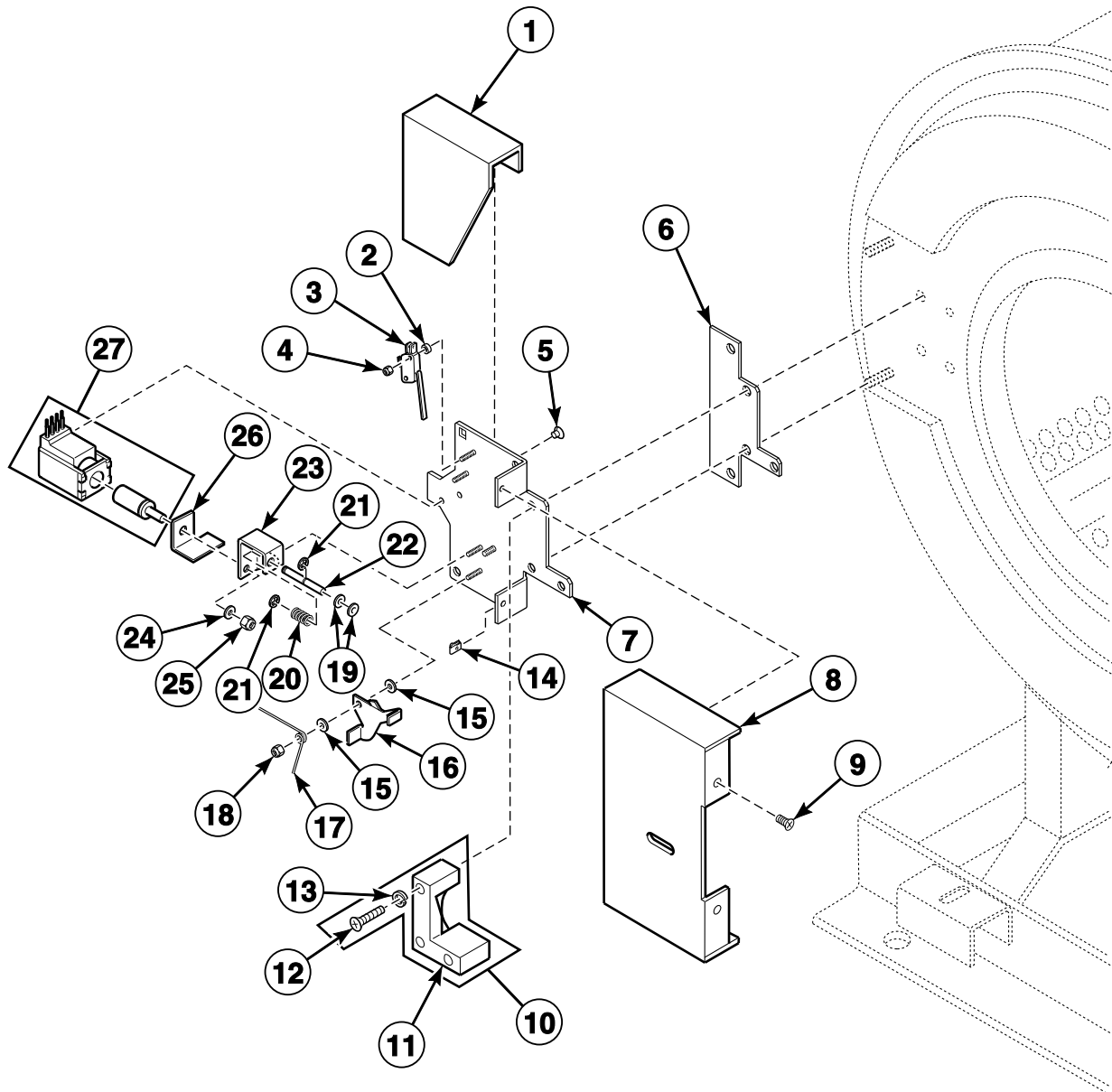


CHM2878P_F232190

Door Lock - VC and VX Models

| REF | PART NO. | DESCRIPTION | COMMENTS |
|-----|--------------|------------------------------|---|
| | F0636698-05P | Door Lock Assembly | Standard models; Includes items 2-5, 7, 14-27 and the wire harness |
| | F0636698-04 | Door Lock Assembly | Models with heat; Includes items 2-5, 7, 14-27 and the wire harness |
| 1 | F320200 | Door Lock Splash Shield | |
| 2 | F431901 | Spacer | Nylon |
| 3 | F200203200 | Door Lock Microswitch | |
| 4 | F430225 | Nut | Nylon |
| 5 | F430977 | Screw | |
| 6 | F8059701 | Door Lock Plate Shim | |
| 7 | F8066701 | Door Lock Plate Assembly | |
| 8 | F603003 | Door Lock Assembly Cover | |
| 9 | F430956 | Screw | |
| 10 | F746808 | L-Catch Kit | Includes items 11-13 |
| 11 | F150261 | Door Lock Catch Casting | |
| 12 | F430982 | Screw | |
| 13 | F431100 | Washer | |
| 14 | F430264 | Nut | |
| 15 | F431902 | Washer | Nylon |
| 16 | F0636636-00 | Door Lock Switch Lever | |
| 17 | F310110 | Door Lock Torsion Spring | |
| 18 | F430232 | Nut | Nylon |
| 19 | F340200 | Door Switch | |
| 20 | F430231 | Nut | |
| 21 | F431147 | Washer | |
| 22 | F310137 | Door Lock Pin Release Spring | |
| 23 | F310205 | E-Ring Retainer | |
| 24 | F431017 | Nut | |
| 25 | F431231 | Door Locking Linkage Pin | |
| 26 | F150455 | Door Lock Pin Linkage | |
| 27 | F431123 | Washer | |
| 28 | F300124P | Solenoid | Includes harness |

Door Lock - PN, SN and VN Models

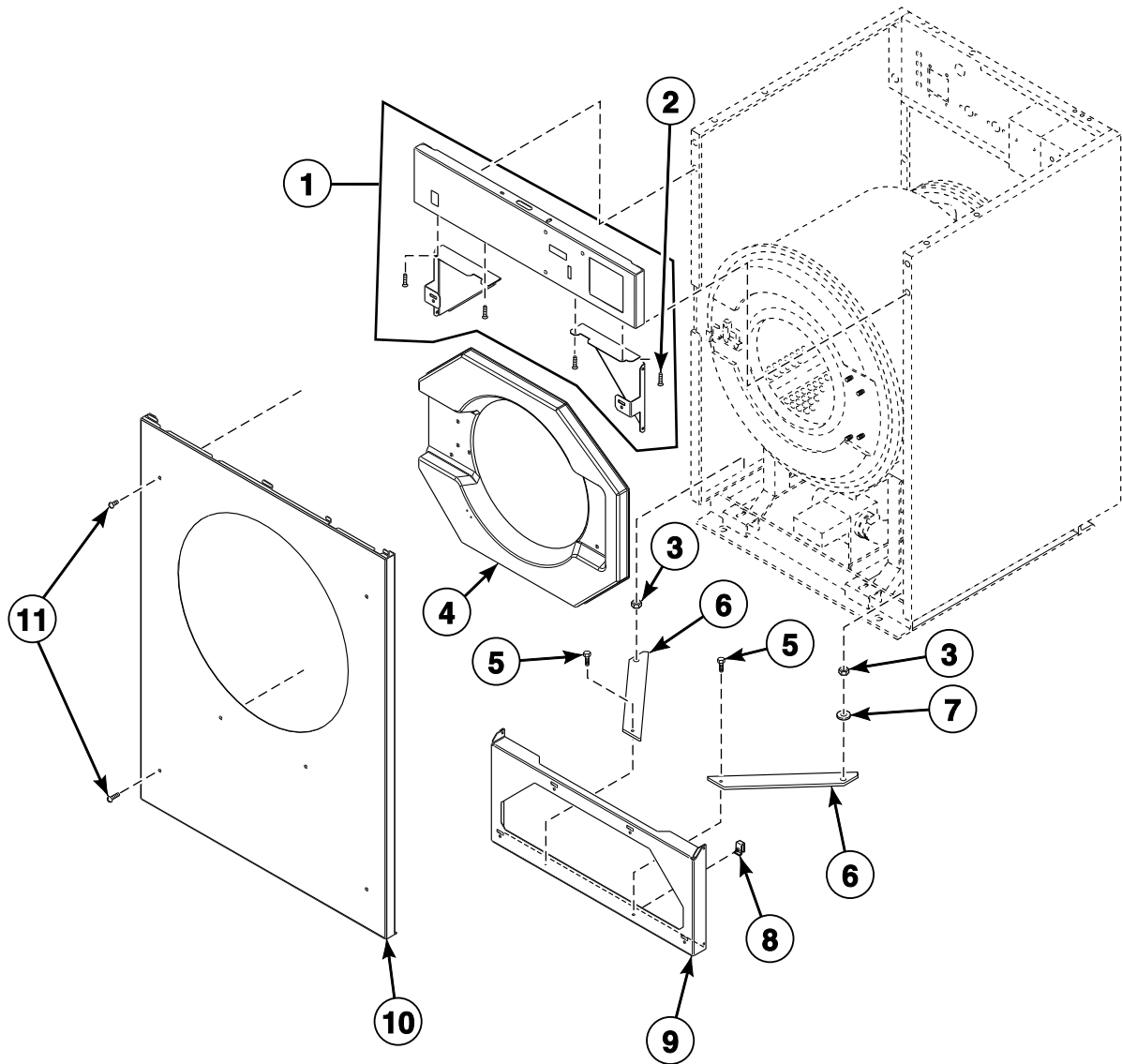


CHM2879P_F232190

Door Lock - PN, SN and VN Models

| REF | PART NO. | DESCRIPTION | COMMENTS |
|-----------|--------------|------------------------------|---|
| | F0798839-00 | Door Lock Kit | PN and SN models B-voltage; PN and SN models through 7/21/04 F, H, O and Y-voltage; VN models through 8/1/04 B, F, H, O and Y-voltage; Includes items 2-5, 7 and 14-27 |
| | F0798839-01 | Door Lock Kit | PN and SN models C, D, E and J-voltage; PN and SN models starting 7/22/04 F, H, O and Y-voltage; VN models through 8/1/04 C, D, E, and J-voltage; Includes items 2-5, 7 and 14-27 |
| | F340200 | Door Switch | VN models starting 8/2/04 |
| | F200136800P | Door Lock Assembly | VN models starting 8/2/04 B, D, E, F, H, J, O and Y-voltage; Includes items 2-5, 7, 14-27 and the wire harness |
| | F200136801 | Door Lock Assembly | VN models starting 8/2/04 C-voltage; Includes items 2-5, 7, 14-27 and the wire harness |
| 1 | F320200 | Door Lock Splash Shield | |
| 2 | F431901 | Spacer | Nylon |
| 3 | F200203200 | Door Lock Microswitch | |
| 4 | F430225 | Nut | Nylon |
| 5 | F430977 | Screw | |
| 6 | F8059701 | Door Lock Plate Shim | |
| 7 | F8066701 | Door Lock Plate Assembly | |
| 8 | F603003 | Door Lock Assembly Cover | |
| 9 | F430956 | Screw | |
| 10 | F746808 | L-Catch Kit | Includes items 11-13 |
| 11 | F150261 | Door Lock Catch Casting | |
| 12 | F430982 | Screw | |
| 13 | F431100 | Washer | |
| 14 | F430264 | Nut | |
| 15 | F431902 | Washer | |
| 16 | F0636636-00 | Door Lock Switch Lever | |
| 17 | F310110 | Door Lock Torsion Spring | |
| 18 | F430232 | Nut | Nylon |
| 19 | F431147 | Washer | |
| 20 | F310137 | Door Lock Pin Release Spring | |
| 21 | F310205 | E-Ring Retainer | |
| 22 | F431231 | Door Locking Linkage Pin | |
| 23 | F150455 | Door Lock Pin Linkage | |
| 24 | F431017 | Nut | |
| 25 | F431123 | Washer | |
| 26 | F0636103-00 | Door Lock Retainer Latch | |
| 27 | F300128P | Door Release Solenoid | 120 Volt |
| | F0300131-00P | Door Lock Solenoid | 220 Volt |

Inner and Outer Front Panels - PN, SN and VN Models



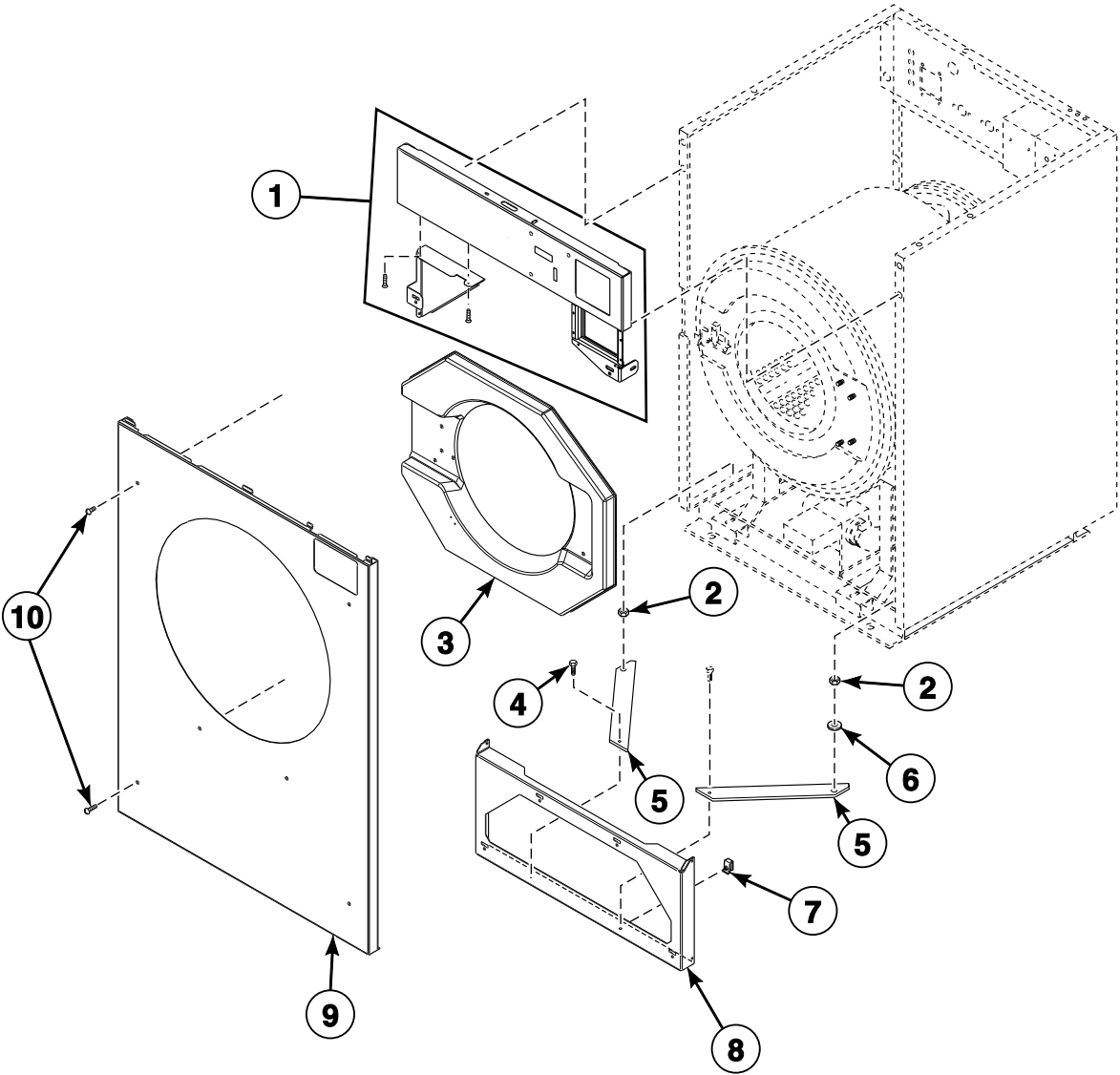
CHM2945P_F232190

Inner and Outer Front Panels - PN, SN and VN Models

| REF | PART NO. | DESCRIPTION | COMMENTS |
|-----|-------------|--------------------------|---|
| 1 | F0636894-01 | Control Panel Assembly | Models HC20SN2, SC20VN2, UC20PN2 and UC20VN2 |
| | F0636896-01 | Control Panel Assembly | Models HC30SN2, SC30VN2, UC30PN2 and UC30VN2 |
| | F0636810-01 | Control Panel Assembly | Models HC40SN2, SC40VN2, UC40PN2 and UC40VN2 |
| | F0636921-01 | Control Panel Assembly | Models HC50SN2, HC60SN2, SC50VN2, SC60VN2, UC50PN2, UC50VN2, UC60PN2 and UC60VN2 |
| 2 | F430137 | Screw | |
| 3 | F430233 | Nut | Models HC40SN2, SC40VN2, UC40PN2 and UC40VN2 |
| 4 | F170416-1 | Door Bezel | Black; Models SC20VN2, UC20PN2 and UC20VN2 |
| | F170416-2 | Door Bezel | Pantone 403; Model HC20SN2 |
| | F170417-1 | Door Bezel | Black; Models SC30VN2, UC30PN2 and UC30VN2 |
| | F170417-2 | Door Bezel | Pantone 403; Model HC30SN2 |
| | F0170426-00 | Door Bezel | Black; Models SC40VN2, SC50VN2, SC60VN2, UC40PN2, UC40VN2, UC50PN2, UC50VN2, UC60PN2 and UC60VN2 |
| | F0170426-10 | Door Bezel | Pantone 403; Models HC40SN2, HC50SN2 and HC60SN2 |
| 5 | F430174 | Screw | Models HC40SN2, SC40VN2, UC40PN2 and UC40VN2 |
| 6 | F200168900 | Cabinet Corner Stiffener | Models HC40SN2, SC40VN2, UC40PN2 and UC40VN2 |
| 7 | M405535 | Washer | Models HC40SN2, SC40VN2, UC40PN2 and UC40VN2 |
| 8 | F430264 | Nut | |
| 9 | F634800 | Cabinet Brace | Models HC20SN2, SC20VN2, UC20PN2 and UC20VN2 |
| | F634801 | Cabinet Brace | Models HC30SN2, SC30VN2, UC30PN2 and UC30VN2 |
| | F0636217-00 | Cabinet Brace | Models HC40SN2, SC40VN2, UC40PN2 and UC40VN2 |
| | F634803P | Cabinet Brace | Models HC50SN2, HC60SN2, SC50VN2, SC60VN2, UC50PN2, UC50VN2, UC60PN2 and UC60VN2 |
| 10 | F8200302P | Front Panel | Stainless steel; Models HC20SN2, SC20VN2, UC20PN2 and UC20VN2 |
| | N/A | Front Panel | Almond; Models HC20SN2, SC20VN2, UC20PN2 and UC20VN2 |
| | F8200402P | Front Panel | Stainless steel; Models HC30SN2, SC30VN2, UC30PN2 and UC30VN2 |
| | F634666-2 | Front Panel | Almond; Models HC30SN2, SC30VN2, UC30PN2 and UC30VN2 |
| | F8200502P | Front Panel | Models HC40SN2, SC40VN2, UC40PN2 and UC40VN2 |
| | F8200602P | Front Panel | Stainless steel; Models HC50SN2, HC60SN2, SC50VN2, SC60VN2, UC50PN2, UC50VN2, UC60PN2 and UC60VN2 |
| | F8200602P | Front Panel | Almond; Models HC50SN2, HC60SN2, SC50VN2, SC60VN2, UC50PN2, UC50VN2, UC60PN2 and UC60VN2 |
| 11 | F430956 | Screw | |

N/A = Part no longer available

Inner and Outer Front Panels - VC and VX Models



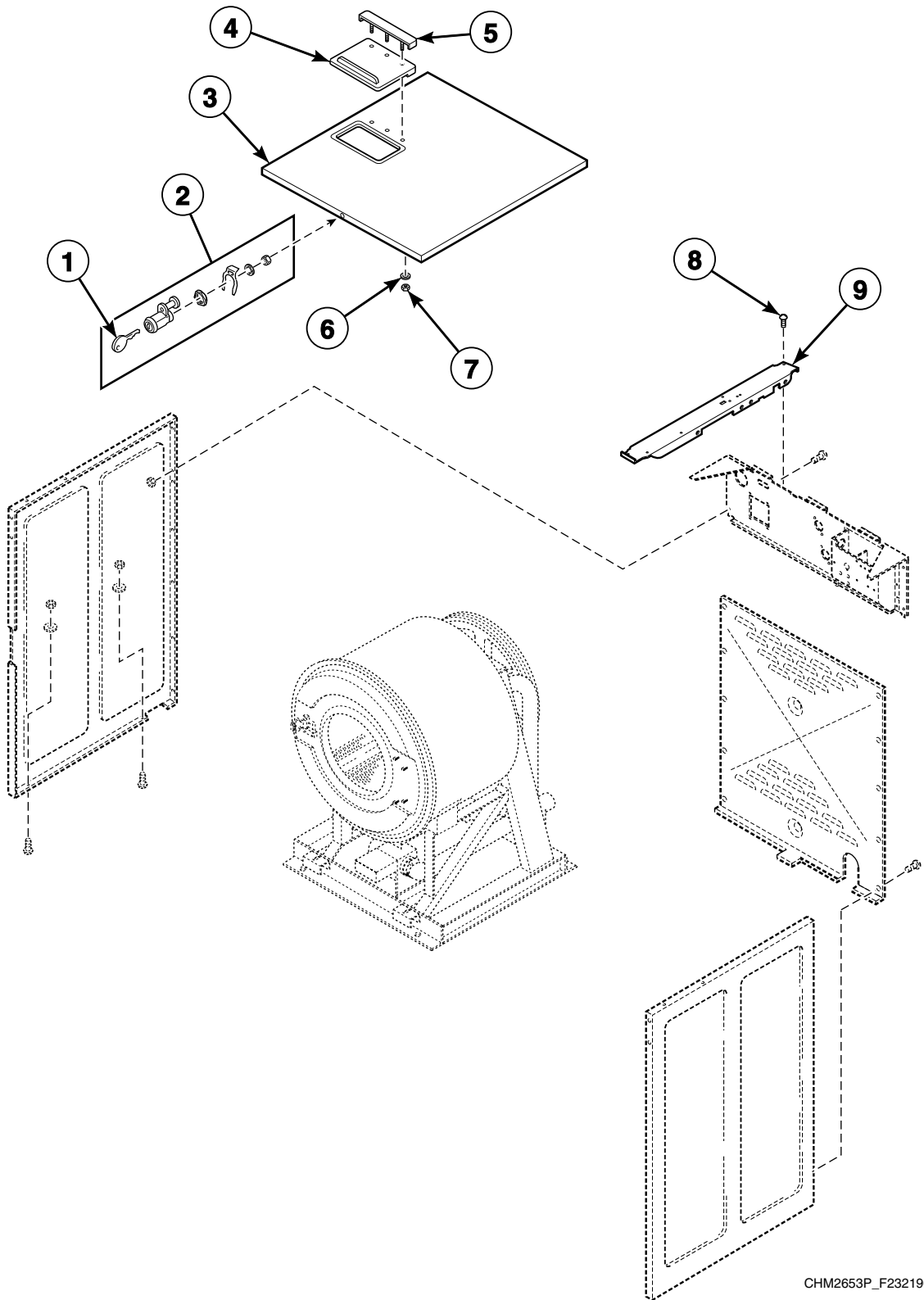
CHM2946P_F232190

Inner and Outer Front Panels - VC and VX Models

| REF | PART NO. | DESCRIPTION | COMMENTS |
|-----|-------------|--|---|
| 1 | F0636894-00 | Control Panel Assembly | Models HC20VC2, HC20VX2, HC25VC2 and HC25VX2 |
| | F0636896-00 | Control Panel Assembly | Models HC30VC2 and HC30VX2 |
| | N/A | Control Panel Assembly | Models HC40VC2 and HC40VX2 |
| | F0636921-00 | Control Panel Assembly | Models HC50VC2, HC50VX2, HC60VC2 and HC60VX2 |
| 2 | F430233 | Nut | Models HC40VC2 and HC40VX2 |
| 3 | F170416-2 | Door Bezel | Pantone; Models HC20VC2, HC20VX2, HC25VC2 and HC25VX2 |
| | F170417-2 | Door Bezel | Pantone; Models HC30VC2, HC30VX2, HC40VC2 and HC40VX2 |
| | F0170426-10 | Door Bezel | Pantone; Models HC50VC2, HC50VX2, HC60VC2 and HC60VX2 |
| 4 | F430174 | Screw | Models HC40VC2 and HC40VX2 |
| 5 | F200168900 | Cabinet Corner Stiffener | Models HC40VC2 and HC40VX2 |
| 6 | M405535 | Washer | Models HC40VC2 and HC40VX2 |
| 7 | F430264 | Nut | |
| 8 | F634800 | Cabinet Brace | Models HC20VC2, HC20VX2, HC25VC2 and HC25VX2 |
| | F634801 | Cabinet Brace | Models HC30VC2 and HC30VX2 |
| | F0636217-00 | Cabinet Brace | Models HC40VC2 and HC40VX2 |
| | F634803P | Cabinet Brace | Models HC50VC2, HC50VX2, HC60VC2 and HC60VX2 |
| 9 | F8200301P | Front Panel | Stainless steel; Models HC20VC2 and HC20VX2 |
| | F634682-2 | Front Panel | Almond; Models HC20VC2 and HC20VX2 |
| | F634836-1P | Front Panel | Stainless steel; Models HC25VC2 and HC25VX2 |
| | F634836-2 | Front Panel | Almond; Models HC25VC2 and HC25VX2 |
| | F8200401P | Front Panel | Stainless steel; Models HC30VC2 and HC30VX2 |
| | N/A | Front Panel | Almond; Models HC30VC2 and HC30VX2 |
| | F8200501P | Front Panel | Models HC40VC2 and HC40VX2; Stainless steel |
| | F8200601P | Front Panel | Stainless steel; Models HC50VC2, HC50VX2, HC60VC2 and HC60VX2 |
| N/A | Front Panel | Almond; Models HC50VC2, HC50VX2, HC60VC2 and HC60VX2 | |
| 10 | F430956 | Screw | |

N/A = Part no longer available

Panels (Drawing 1 of 2)

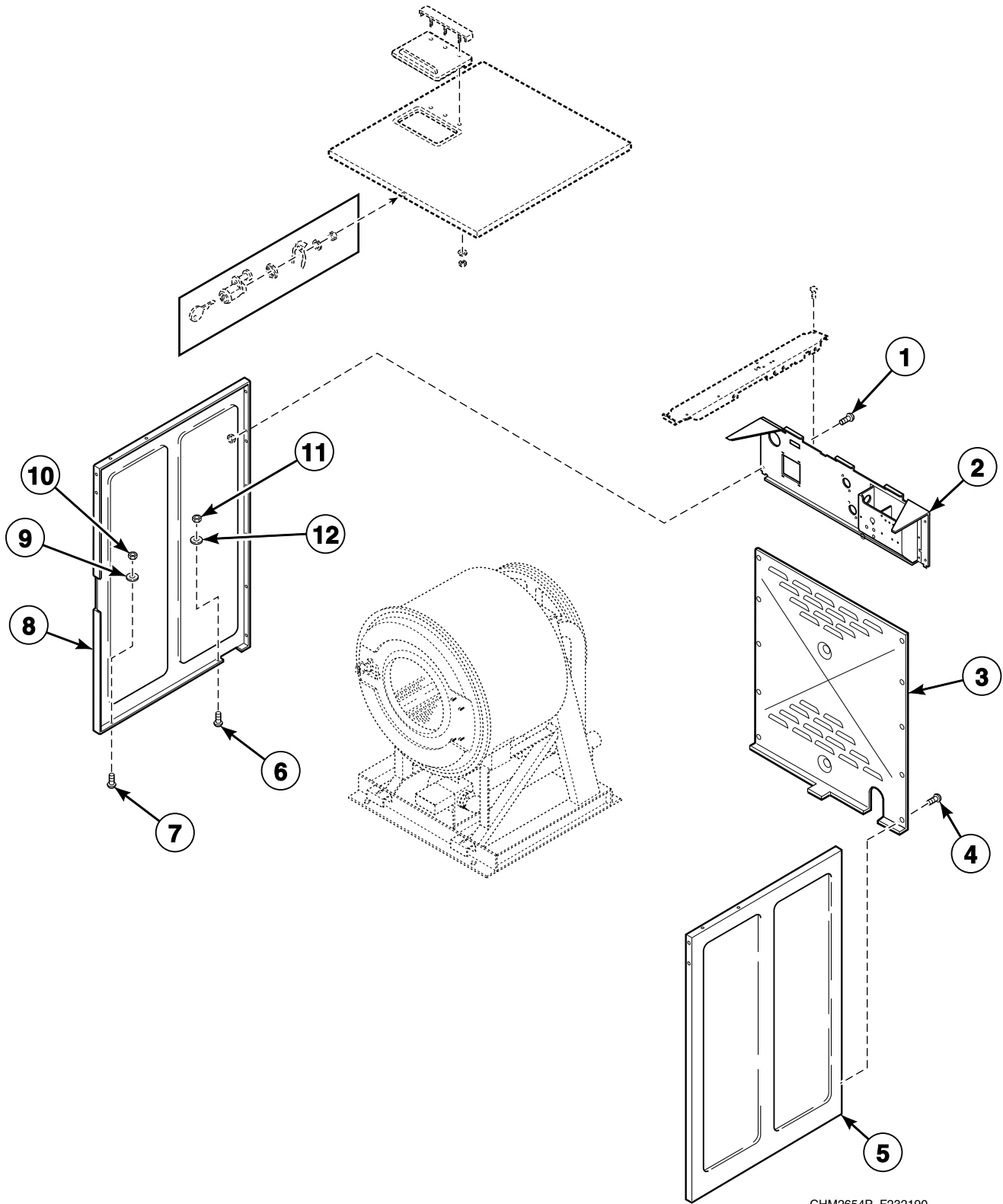


CHM2653P_F232190

Panels (Drawing 1 of 2)

| REF | PART NO. | DESCRIPTION | COMMENTS |
|-----|--------------|----------------------|---|
| 1 | 70155603 | Key | |
| 2 | F0190808-00P | Lid Lock Pin | |
| 3 | F063618900P | Top Cover Assembly | HC20, SC20 and UC20 models; Includes items 1, 2 and 4-7 |
| | F063659800P | Top Cover Assembly | Models HC25VC2 and HC25VX2; Includes items 1, 2 and 4-7 |
| | F063652000P | Top Cover Assembly | HC30, SC30 and UC30 models; Includes items 1, 2 and 4-7 |
| | F063664000P | Top Cover Assembly | HC40, SC40 and UC40 models; Includes items 1, 2 and 4-7 |
| | F063632700 | Top Cover Assembly | HC50, SC50 and UC50 models; Includes items 1, 2 and 4-7 |
| | F063771200P | Top Cover Assembly | HC60, SC60 and UC60 models; Includes items 1, 2 and 4-7 |
| 4 | F200270500 | Supply Dispenser Lid | Gray |
| 5 | F630430 | Lid Clamp Assembly | |
| 6 | F431147 | Washer | |
| 7 | F431024 | Nut | |
| 8 | F430174 | Screw | |
| 9 | F0636131-00 | Cabinet Brace | HC20, SC20 and UC20 models |
| | F0636596-00 | Cabinet Brace | Models HC25VC2 and HC25VX2 |
| | F0636518-00 | Cabinet Brace | HC30, SC30 and UC30 models |
| | F0636218-00 | Cabinet Brace | HC40, SC40 and UC40 models |
| | F0636320-00 | Cabinet Brace | HC50, SC50 and UC50 models |
| | F0637632-00 | Cabinet Brace | HC60, SC60 and UC60 models |

Panels (Drawing 2 of 2)

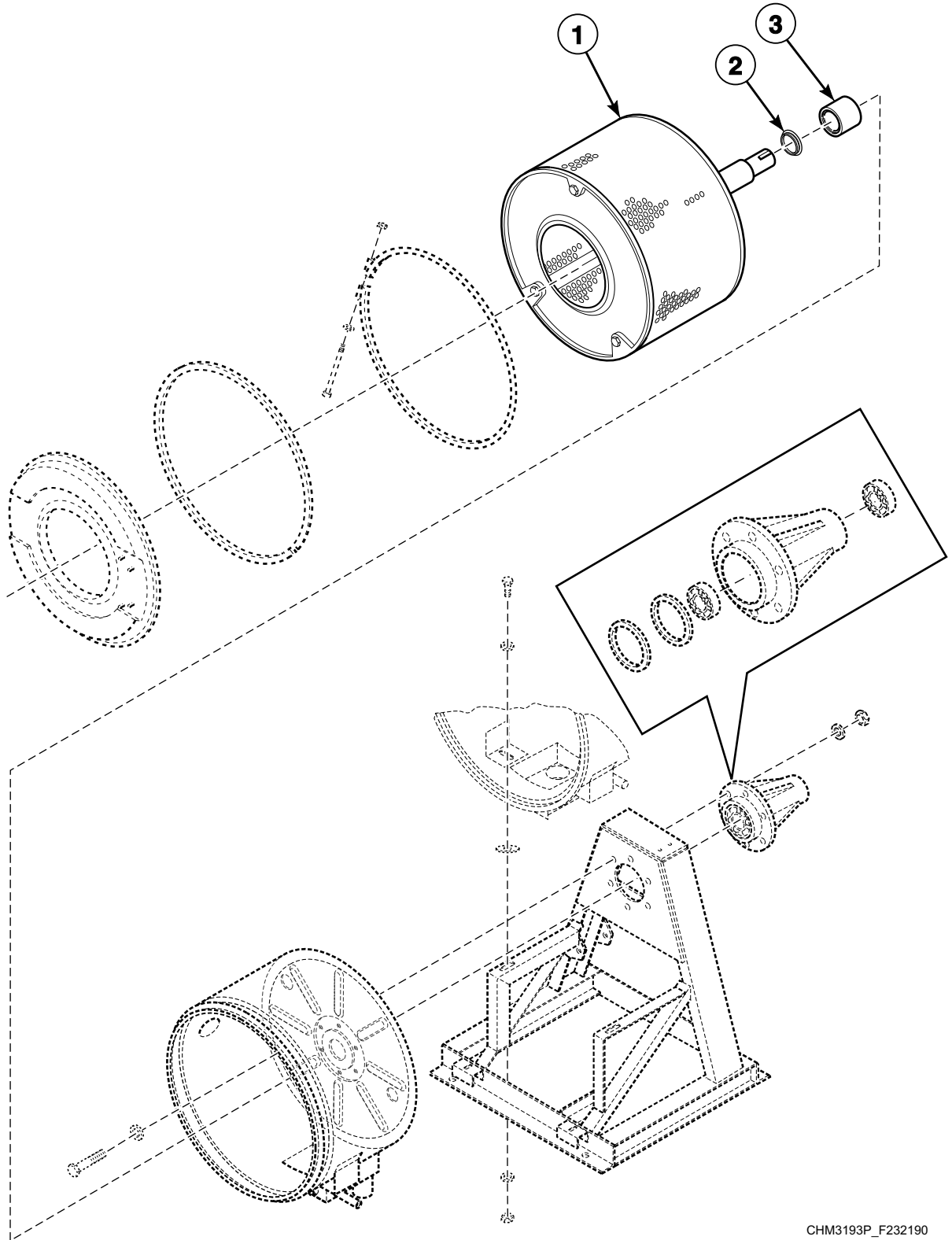


Panels (Drawing 2 of 2)

| REF | PART NO. | DESCRIPTION | COMMENTS |
|-----|--------------|--------------------------|--|
| 1 | F430925 | Screw | |
| 2 | F0636138-00 | Valve Panel Assembly | HC20, HC25, SC20 and UC20 models; Standard models |
| | F0636138-01 | Valve Panel Assembly | HC20, HC25, SC20 and UC20 models; Models with heat |
| | F0636521-00 | Valve Panel Assembly | HC30, SC30 and UC30 models; Standard models |
| | N/A | Valve Panel Assembly | HC30, SC30 and UC30 models; Models with heat |
| | F0636524-01 | Valve Panel Assembly | HC40, SC40 and UC40 models; Standard models |
| | F0636524-03 | Valve Panel Sub-Assembly | HC40, SC40 and UC40 models; Models with heat |
| | F0636297-00 | Valve Panel Assembly | HC50, HC60, SC50, SC60, UC50 and UC60 models; Standard models |
| | F0636297-01 | Valve Panel Assembly | HC50, HC60, SC50, SC60, UC50 and UC60 models; Models with heat |
| 3 | F757000 | Rear Panel Kit | HC20, SC20 and UC20 models; Includes item 4 |
| | F757001 | Rear Panel Kit | HC25 models; Includes item 4 |
| | F0636321-00P | Rear Panel | HC30, SC30 and UC30 models |
| | F0636220-00P | Rear Panel | HC40, SC40 and UC40 models |
| | F757002 | Rear Panel Kit | HC50, SC50 and UC50 models; Includes item 4 |
| | F200022900P | Rear Panel | HC60, SC60 and UC60 models |
| 4 | F430174 | Screw | |
| 5 | F0636135-00P | Right Side Panel | HC20, SC20 and UC20 models; Stainless steel |
| | F0636594-00P | Right Side Panel | Models HC25VC2 and HC25VX2; Stainless steel |
| | F0636515-00P | Side Panel | Right; HC30, SC30 and UC30 models; Stainless steel |
| | F0635981-00P | Side Panel | Right; HC40, SC40 and UC40 models; Stainless steel |
| | F0636300-00P | Side Panel | Right; HC50, SC50 and UC50 models; Stainless steel |
| | F0637630-00P | Side Panel | Right; HC60, SC60 and UC60 models; Stainless steel |
| | F8157301P | Right Side Panel | HC20, SC20 and UC20 models; Vinyl |
| | F8156601 | Right Side Panel | Models HC25VC2 and HC25VX2; Vinyl |
| | F8155501P | Right Side Panel | HC30, SC30 and UC30 models; Vinyl |
| | F8155701P | Right Side Panel | HC40, SC40 and UC40 models; Vinyl |
| | F8160001 | Right Side Panel | HC50, SC50 and UC50 models; Vinyl |
| | F8160301P | Right Side Panel | HC60, SC60 and UC60 models; Vinyl |
| 6 | M400056 | Screw | |
| 7 | F430107 | Screw | |
| 8 | F0636136-00P | Left Side Panel | HC20, SC20 and UC20 models |
| | F0636595-00P | Left Side Panel | Models HC25VC2 and HC25VX2 |
| | F0636516-00P | Side Panel | Left; HC30, SC30 and UC30 models |
| | F0635982-00P | Side Panel | Left; HC40, SC40 and UC40 models |
| | F0636299-00 | Side Panel | Left; HC50, SC50 and UC50 models |
| | F0637628-00P | Side Panel | Left; HC60, SC60 and UC60 models |
| | F8157401P | Left Side Panel | HC20, SC20 and UC20 models; Vinyl |
| | F8156701 | Left Side Panel | Models HC25VC2 and HC25VX2; Vinyl |
| | F8155601P | Left Side Panel | HC30, SC30 and UC30 models; Vinyl |
| | F8155901P | Left Side Panel | HC40, SC40 and UC40 models; Vinyl |
| | F8159901 | Left Side Panel | HC50, SC50 and UC50 models; Vinyl |
| | F8160101P | Left Side Panel | HC60, SC60 and UC60 models; Vinyl |
| 9 | F0430348-00 | Washer | |
| 10 | F431024 | Nut | |
| 11 | F430233 | Nut | |
| 12 | M405535 | Washer | |

N/A = Part no longer available

Basket, Shell and Frame (Drawing 1 of 2)

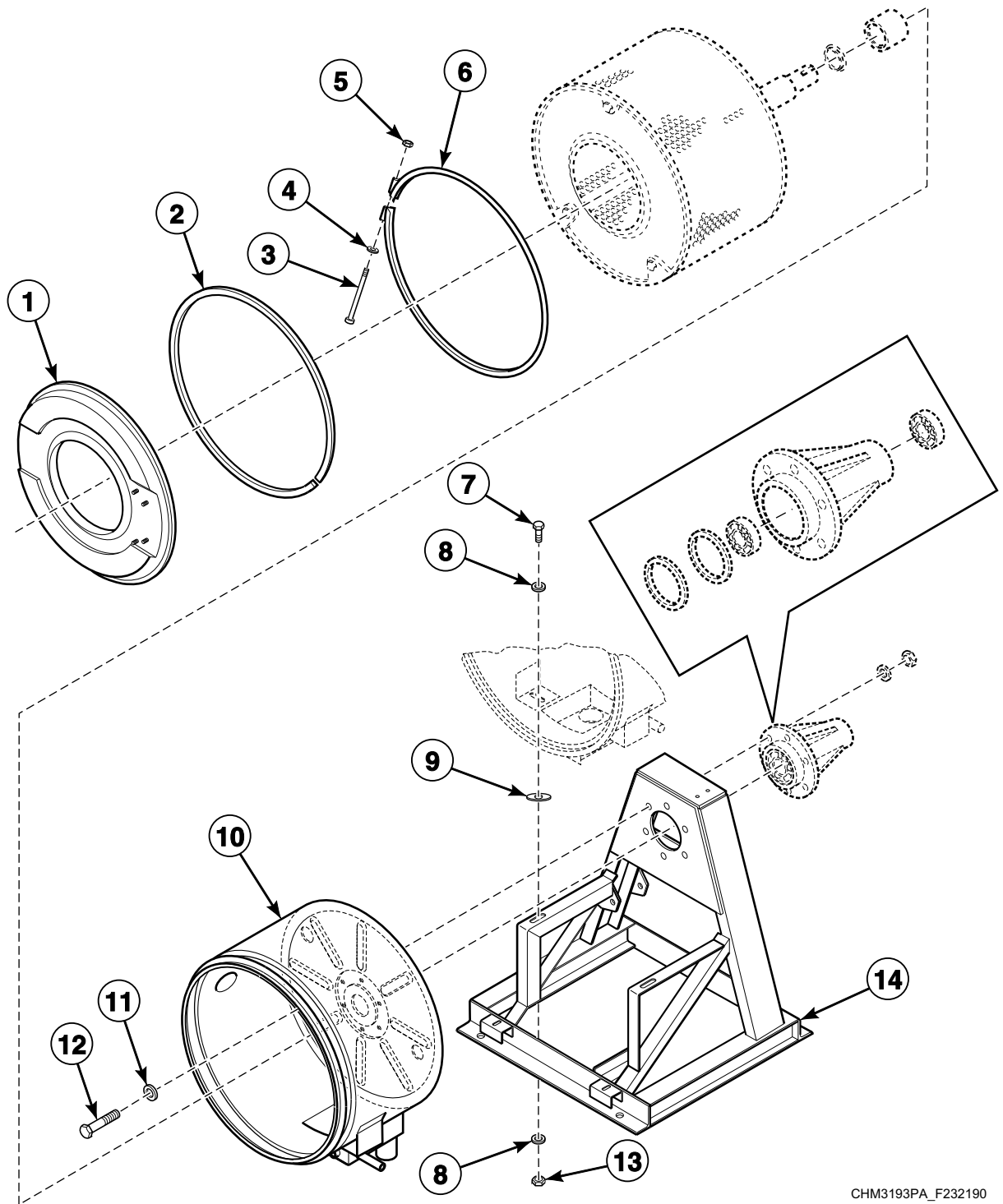


CHM3193P_F232190

Basket, Shell and Frame (Drawing 1 of 2)

| REF | PART NO. | DESCRIPTION | COMMENTS |
|-----|-----------|------------------------|--|
| | 389P4 | Basket Tool Kit | Purchase; Requires F460129P Bearing Puller Tool |
| | 390P4 | Basket Rental Tool Kit | Requires F460129P Bearing Puller Tool |
| 1 | F935P3 | Pressfit Upgrade Kit | HC20, SC20 and UC20 models; Includes items 2 and 3, F8347801 Basket Assembly and F747001 Trunnion Kit |
| | F8391301P | Basket Assembly | HC20, SC20 and UC20 models; Models that have been upgraded with F935P3 Pressfit Upgrade Kit; Includes items 2 and 3 |
| | F8391305P | Basket Assembly | Models HC25VC2 and HC25VX2; Includes item 3 |
| | F936P3 | Pressfit Upgrade Kit | HC30, SC30 and UC30 models; Includes items 2 and 3, F8347901 Basket Assembly and F747002 Trunnion Kit |
| | F8347901P | Basket Assembly | HC30, SC30 and UC30 models; Models that have been upgraded with F936P3 Pressfit Upgrade Kit; Includes items 2 and 3 |
| | F938P3 | Pressfit Upgrade Kit | HC40, SC40 and UC40 models; Includes items 2 and 3, F8336301P Basket Assembly and F747003 Trunnion Kit |
| | F8391701P | Basket Assembly | HC40, SC40 and UC40 models; Models that have been upgraded with F938P3 Pressfit Upgrade Kit; Includes items 2 and 3 |
| | F942P3 | Pressfit Upgrade Kit | HC50, SC50 and UC50 models; Includes items 2 and 3, F8338401 Basket Assembly and F747005 Trunnion Kit |
| | F8502803 | Basket Assembly | HC50, SC50 and UC50 models; Models that have been upgraded with F942P3 Pressfit Upgrade Kit; Includes items 2 and 3; Replaces F8438401 Basket Assembly |
| | F603900-1 | Basket Assembly | HC50, SC50 and UC50 models; Includes item 3 |
| | F939P3 | Pressfit Upgrade Kit | HC60, SC60 and UC60 models; Includes items 2 and 3, F8336501P Basket Assembly and F747005 Trunnion Kit |
| | F8502801P | Basket Assembly | HC60, SC60 and UC60 models; Models that have been upgraded with F939P3 Pressfit Upgrade Kit; Includes items 2 and 3 |
| 2 | F8336801 | Excluder Seal | HC20, SC20 and UC20 models; Models that have been upgraded with F935P3 Pressfit Upgrade Kit |
| | F8336901 | Excluder Seal | HC30, SC30 and UC30 models; Models that have been upgraded with F936P3 Pressfit Upgrade Kit |
| | F8337001 | Excluder Seal | HC40, SC40 and UC40 models; Models that have been upgraded with F938P3 Pressfit Upgrade Kit |
| | F8337101 | Excluder Seal | HC60, SC60 and UC60 models; Models that have been upgraded with F939P3 Pressfit Upgrade Kit |
| 3 | F8312001P | Shaft Seal Sleeve | HC20, SC20 and UC20 models starting 11/7/06 that have not been upgraded with F935P3 Pressfit Upgrade Kit; Models HC25VC2 and HC25VX2 |
| | F8312002P | Shaft Seal Sleeve | HC20, SC20 and UC20 models; Models through 11/6/06 that have not been upgraded with F935P3 Pressfit Upgrade Kit |
| | F8343901P | Shaft Seal Sleeve Kit | HC20, SC20 and UC20 models; Models that have been upgraded with F935P3 Pressfit Upgrade Kit |
| | F8312004P | Shaft Seal Sleeve | HC30, SC30 and UC30 models; Models that have not been upgraded with F936P3 Pressfit Upgrade Kit |
| | F8343904P | Shaft Seal Sleeve Kit | HC30, SC30 and UC30 models; Models that have been upgraded with F936P3 Pressfit Upgrade Kit |
| | F8312003P | Shaft Seal Sleeve | HC40, SC40 and UC40 models; Models through 10/14/07 that have not been upgraded with F938P3 Pressfit Upgrade Kit |
| | F8312005P | Shaft Seal Sleeve | HC40, SC40 and UC40 models; Models starting 10/15/07 through 3/31/08 that have not been upgraded with F938P3 Pressfit Upgrade Kit |
| | F8312006P | Shaft Seal Sleeve | HC40, SC40 and UC40 models; Models starting 4/1/08 that have not been upgraded with F938P3 Pressfit Upgrade Kit |
| | F8343906P | Shaft Seal Sleeve Kit | HC40, SC40 and UC40 models; Models that have been upgraded with F938P3 Pressfit Upgrade Kit |
| | F8312008P | Shaft Seal Sleeve | HC50, SC50 and UC50 models; Models that have not been upgraded with F942P3 Pressfit Upgrade Kit |
| | F8343914 | Shaft Seal Sleeve | HC50, SC50 and UC50 models; Models that have been upgraded with F942P3 Pressfit Upgrade Kit |
| | F8343909P | Shaft Seal Sleeve Kit | HC50, HC60, SC50, SC60, UC50 and UC60 models; Models that have been upgraded with F942P3 Pressfit Upgrade Kit |

Basket, Shell and Frame (Drawing 2 of 2)

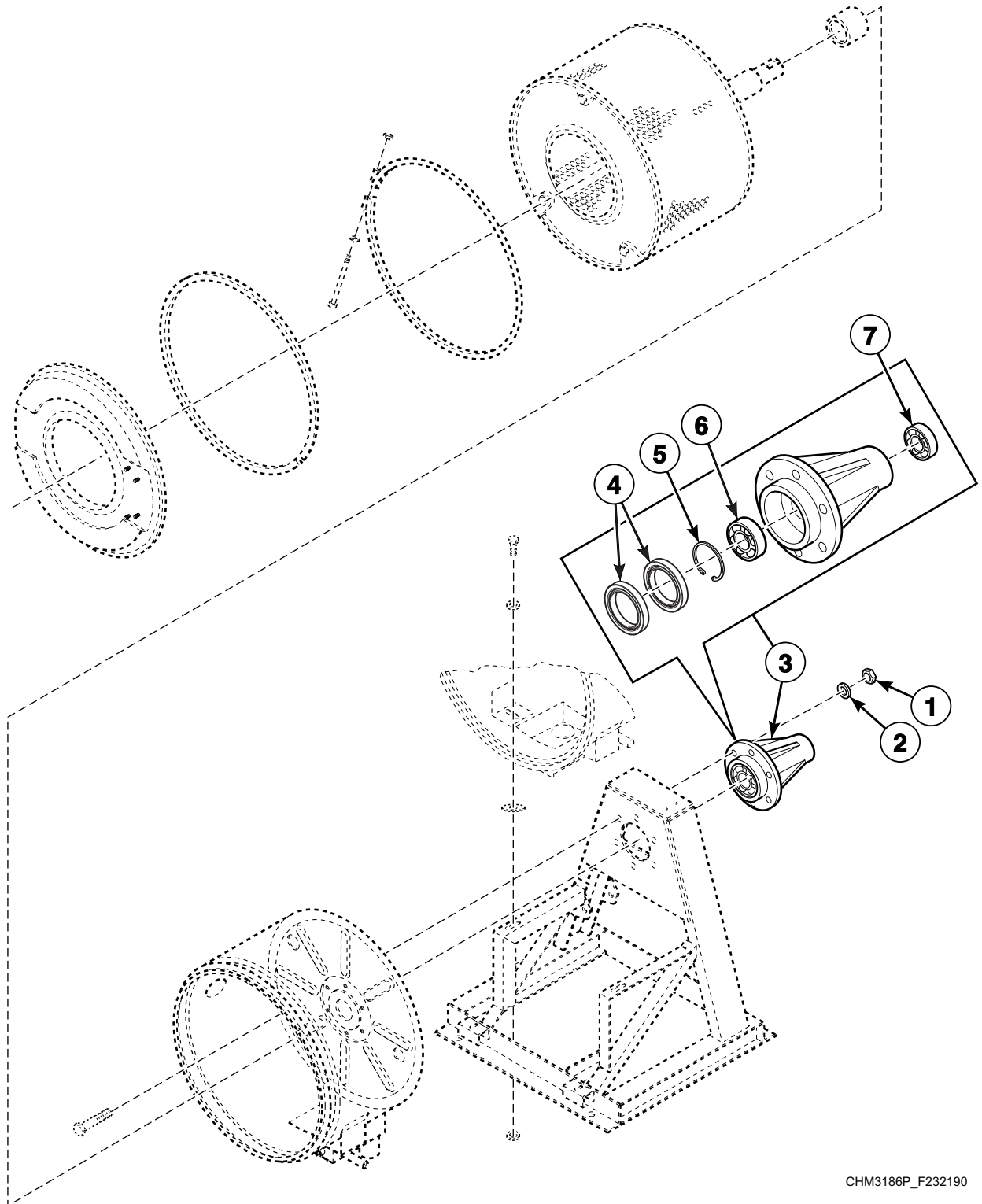


CHM3193PA_F232190

Basket, Shell and Frame (Drawing 2 of 2)

| REF | PART NO. | DESCRIPTION | COMMENTS |
|-----|--------------|------------------------|--|
| 1 | F741300P | Shell Front Kit | HC20, HC25, SC20 and UC20 models; Includes items 2-6 |
| | F632006P | Shell Front Assembly | HC30, SC30 and UC30 models |
| | F0636283-00P | Shell Front Assembly | HC40, SC40 and UC40 models |
| | F741302-01 | Shell Front Kit | HC50, HC60, SC50, SC60, UC50 and UC60 models; Includes items 2-6 |
| 2 | F792000 | Shell Front Gasket Kit | |
| 3 | F430518 | Screw | |
| 4 | F430317 | Washer | |
| 5 | F430215 | Nut | |
| 6 | F8537801 | Shell Band Kit | HC20, HC25, SC20 and UC20 models; Includes items 3-5 |
| | F8388002 | Clamp Ring Assembly | HC30, SC30 and UC30 models; Includes items 3-5 |
| | F741701 | Shell Band Kit | HC40, SC40 and UC40 models; Includes items 3-5 |
| | F8537804 | Shell Band Kit | HC50, HC60, SC50, SC60, UC50 and UC60 models; Includes items 3-5 |
| 7 | F430942 | Screw | |
| 8 | M400081 | Washer | |
| 9 | F430303 | Washer | |
| 10 | F0636388-00 | Shell Weldment | HC20, SC20 and UC20 models; Standard |
| | F063659201 | Shell Weldment | Models HC25VC2 and HC25VX2; Standard |
| | F0636555-00 | Shell Weldment | HC30, SC30 and UC30 models; Standard |
| | F063597402P | Shell Weldment | HC40, SC40 and UC40 models; Models through 1/25/05; Standard |
| | F200195402 | Shell Weldment | HC40, SC40 and UC40 models; Models starting 1/26/05; Standard |
| | F0636460-00 | Shell Weldment | HC50, SC50 and UC50 models; Standard |
| | F0637659-00 | Shell Weldment | HC60, SC60 and UC60 models; Standard |
| 11 | F431128 | Washer | HC20, HC25, HC30, SC20, SC30, UC20 and UC30 models |
| | F431131 | Washer | HC40, HC50, HC60, SC40, SC50, SC60, UC40, UC50 and UC60 models |
| 12 | F430949 | Screw | HC20, HC25, HC30, SC20, SC30, UC20 and UC30 models |
| | F430987 | Screw | HC40, HC50, HC60, SC40, SC50, SC60, UC40, UC50 and UC60 models |
| 13 | F430218 | Nut | |
| 14 | F607003 | Frame Assembly | HC20, SC20 and UC20 models |
| | F606178 | Frame Assembly | Models HC25VC2 and HC25VX2 |
| | F630232 | Frame Assembly | HC30, SC30 and UC30 models |
| | F0636108-00 | Frame Weldment | HC40, SC40 and UC40 models; Models through 1/25/05 |
| | F200195300 | Frame Weldment | HC40, SC40 and UC40 models; Models starting 1/26/05 |
| | F607005 | Frame Assembly | HC50, SC50 and UC50 models |
| | F0637645-00 | Frame Assembly | HC60, SC60 and UC60 models |

Trunnion - 20, 25 and 30 Pound Models

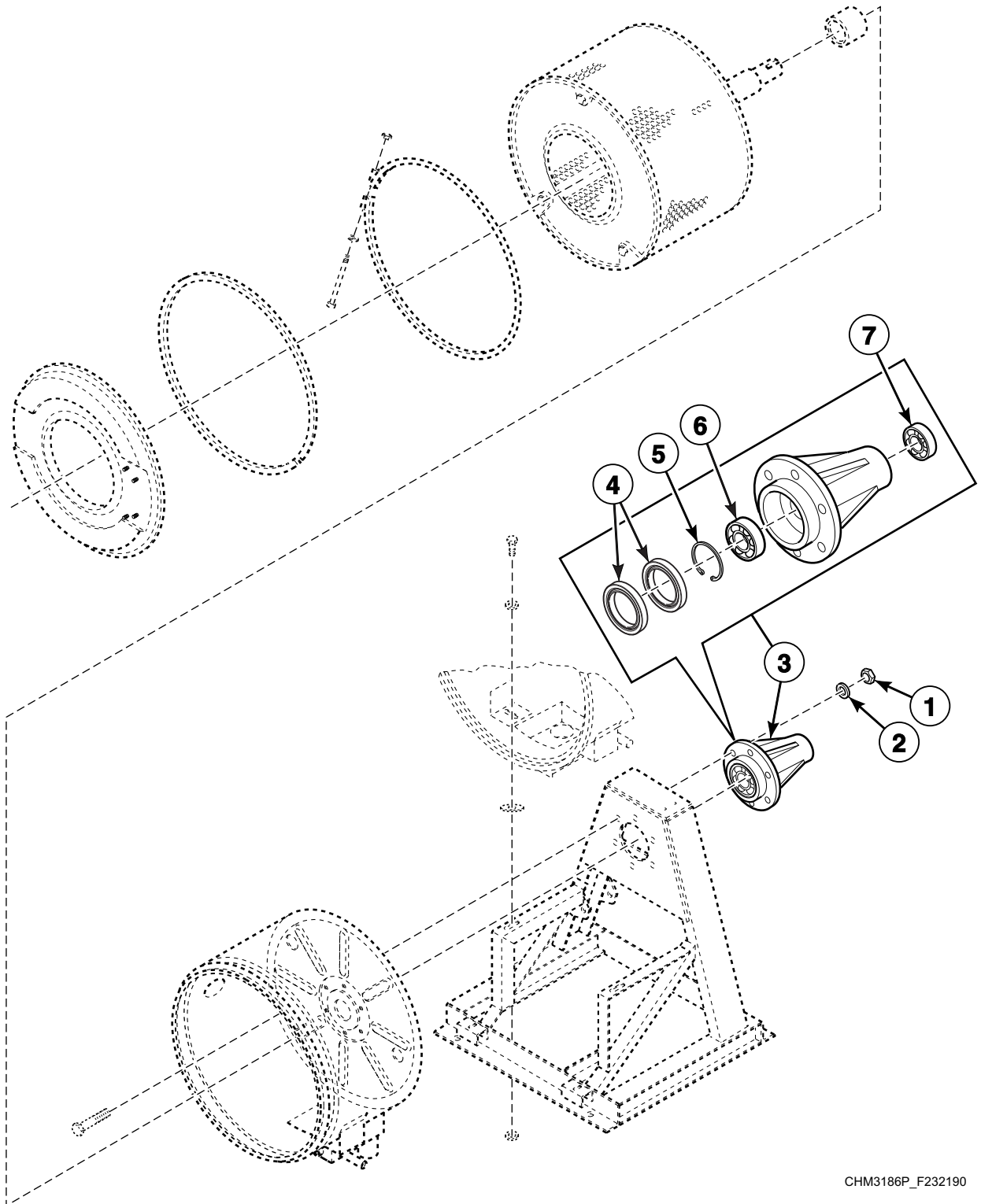


CHM3186P_F232190

Trunnion - 20, 25 and 30 Pound Models

| REF | PART NO. | DESCRIPTION | COMMENTS |
|----------|----------|-----------------|--|
| | RB100001 | Bearing Kit | HC20, SC20 and UC20 models; Models starting Serial No. 0611; Includes items 1, 2, 4, 6, 7, F430949 Screw, F792000 Shell Front Gasket Kit, F812P3 Kit and F8312001 Shaft Seal Sleeve |
| | RB100002 | Bearing Kit | HC30, SC30 and UC30 models; Includes items 1, 2, 4, 6, 7, F430987 Screw, F792000 Shell Front Gasket Kit and F8312004 Shaft Seal Sleeve |
| 1 | F430239 | Nut | 20 pound models |
| | F430240 | Nut | 30 pound models |
| 2 | F431128 | Washer | 20 pound models |
| | F431131 | Washer | 30 pound models |
| 3 | F747001 | Trunnion Kit | HC20, SC20 and UC20 models that have been upgraded with F935P3 Pressfit Upgrade Kit; Models that have not been upgraded MUST order F935P3 Pressfit Upgrade Kit; HC25 models; Includes items 1, 2, 4-7, F430949 Screw and F792000 Shell Front Gasket Kit |
| | F747002 | Trunnion Kit | HC30, SC30 and UC30 models; Includes items 1, 2, 4-7, F430949 Screw and F792000 Shell Front Gasket Kit |
| 4 | F100208 | Shaft Seal | HC20, SC20 and UC20 models through 3/31/08 |
| | F8203801 | Triple Lip Seal | HC20, SC20 and UC20 models starting 4/1/08; Models HC25VC2 and HC25VX2 |
| | F8203802 | Triple Lip Seal | HC30, SC30 and UC30 models |
| 5 | F8344901 | Retaining Ring | HC20, SC20 and UC20 models; Models that have been upgraded with F935P3 Pressfit Upgrade Kit |
| | F8345001 | Retaining Ring | HC30, SC30 and UC30 models; Models that have been upgraded with F936P3 Pressfit Upgrade Kit |
| 6 | F100108 | Bearing | 6208 2RS C3; HC20, SC20 and UC20 models through 11/6/06; HC30, SC30 and UC30 models; Rear |
| | F100136P | Bearing | 6307 2RS C3; HC20, SC20 and UC20 models starting 11/7/06; HC25 models; Rear |
| | F100137P | Bearing | 6308 2RS C3; HC25 models; Rear |
| 7 | F100109P | Motor Bearing | 6207 2RS C3; HC20, SC20 and UC20 models; Models through 11/6/06; Front |
| | F100137P | Bearing | 6308 2RS C3; HC20, SC20 and UC20 models; Models starting 11/7/06; Front |
| | F100123P | Bearing | 6309 2RS C3; HC30, SC30 and UC30 models; Front |

Trunnion - 40, 50 and 60 Pound Models

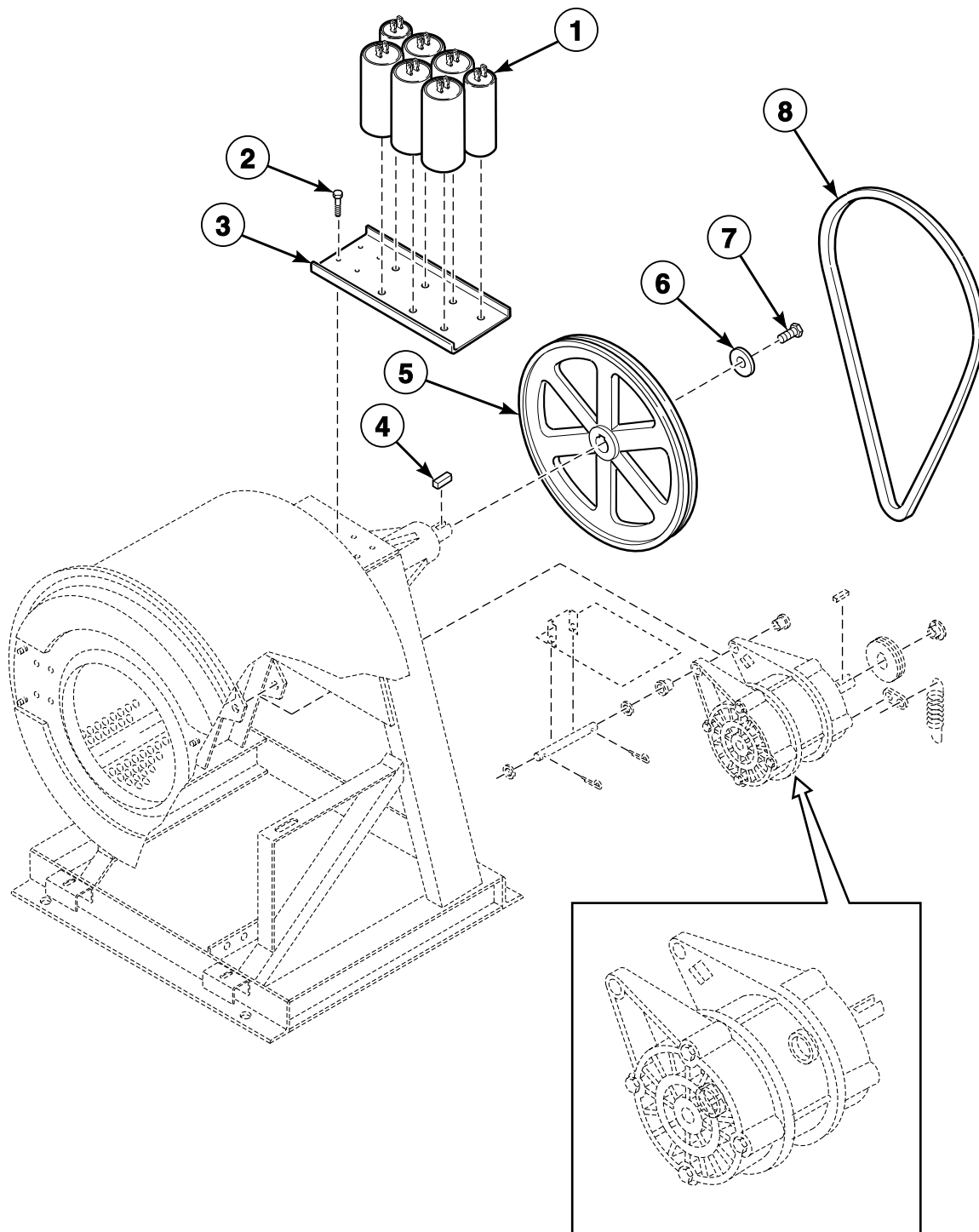


CHM3186P_F232190

Trunnion - 40, 50 and 60 Pound Models

| REF | PART NO. | DESCRIPTION | COMMENTS |
|----------|----------|----------------------|--|
| | RB100003 | Bearing Kit | HC40, SC40 and UC40 models; Models through Serial No. 0710; Includes items 1, 2, 4, 6, 7, F430987 Screw, F792000 Shell Front Gasket Kit, F813P3 Kit and F8312003 Shaft Seal Sleeve |
| | RB100004 | Bearing Kit | HC40, SC40 and UC40 models; Models starting Serial No. 0710; Includes items 1, 2, 4, 6, 7, F430987 Screw, F792000 Shell Front Gasket Kit, F813P3 Kit and F8312005 Shaft Seal Sleeve |
| | RB100005 | Bearing Kit | HC50, SC50 and UC50 models; Models starting Serial No. 0710; Includes items 1, 2, 4, 6, 7, F430987 Screw, F792000 Shell Front Gasket Kit, F813P3 Kit and F8312008 Shaft Seal Sleeve |
| | RB100006 | Bearing Kit | HC60, SC60 and UC60 models; Models starting Serial No. 0710; Includes items 1, 2, 4, 6, 7, F430987 Screw, F792000 Shell Front Gasket Kit, F813P3 Kit and F8343909 Shaft Seal Sleeve |
| 1 | F430240 | Nut | |
| 2 | F431131 | Washer | |
| 3 | F747002 | Trunnion Kit | HC40, SC40 and UC40 models; Models through 10/14/07; Includes items 1, 2, 4-7, F430949 Screw and F792000 Shell Front Gasket Kit |
| | F747003 | Trunnion Kit | HC40, SC40 and UC40 models; Models starting 10/15/07 or that have been upgraded with F938P3 Pressfit Upgrade Kit; Includes items 1, 2, 4-7, F430987 Screw and F792000 Shell Front Gasket Kit |
| | F942P3 | Pressfit Upgrade Kit | HC50, SC50 and UC50 models; Includes items 1, 2, 4-7, F430987 Screw and F792000 Shell Front Gasket Kit |
| | F747005 | Trunnion Kit | HC50, SC50 and UC50 models that have been upgraded with F942P3 Pressfit Upgrade Kit; HC60, SC60 and UC60 models; Includes items 1, 2, 4-7, F430987 Screw and F792000 Shell Front Gasket Kit |
| 4 | F8203802 | Triple Lip Seal | HC40, SC40 and UC40 models; Models with F747002 Trunnion Kit installed |
| | F8203803 | Triple Lip Seal | HC40, SC40 and UC40 models; Models with F747003 Trunnion Kit installed |
| | F8203805 | Triple Lip Seal | HC50, SC50 and UC50 models |
| | F8203806 | Triple Lip Seal | HC60, SC60 and UC60 models |
| 5 | F8337801 | Retaining Ring | HC40, SC40 and UC40 models; Models that have been upgraded with F938P3 Pressfit Upgrade Kit |
| | F8337901 | Retaining Ring | HC60, SC60 and UC60 models; Models that have been upgraded with F939P3 Pressfit Upgrade Kit |
| 6 | F100108 | Bearing | 6208 2RS C3; HC40, SC40 and UC40 models; Rear |
| | F100123P | Bearing | 6309 2RS C3; HC50, SC50 and UC50 models; Rear |
| | F100134 | Bearing | 6310 2RS C3; HC60, SC60 and UC60 models; Rear |
| 7 | F100123P | Bearing | 6309 2RS C3; HC40, SC40 and UC40 models; Front |
| | F100122 | Bearing | 6312 2RS C3; HC50, SC50 and UC50 models; Front |
| | F100135 | Bearing | 6313 2RS C3; HC60, SC60 and UC60 models; Front |

Motor, Pulley and Belt Assembly - 20, 25 and 30 Pound Models (Drawing 1 of 3)

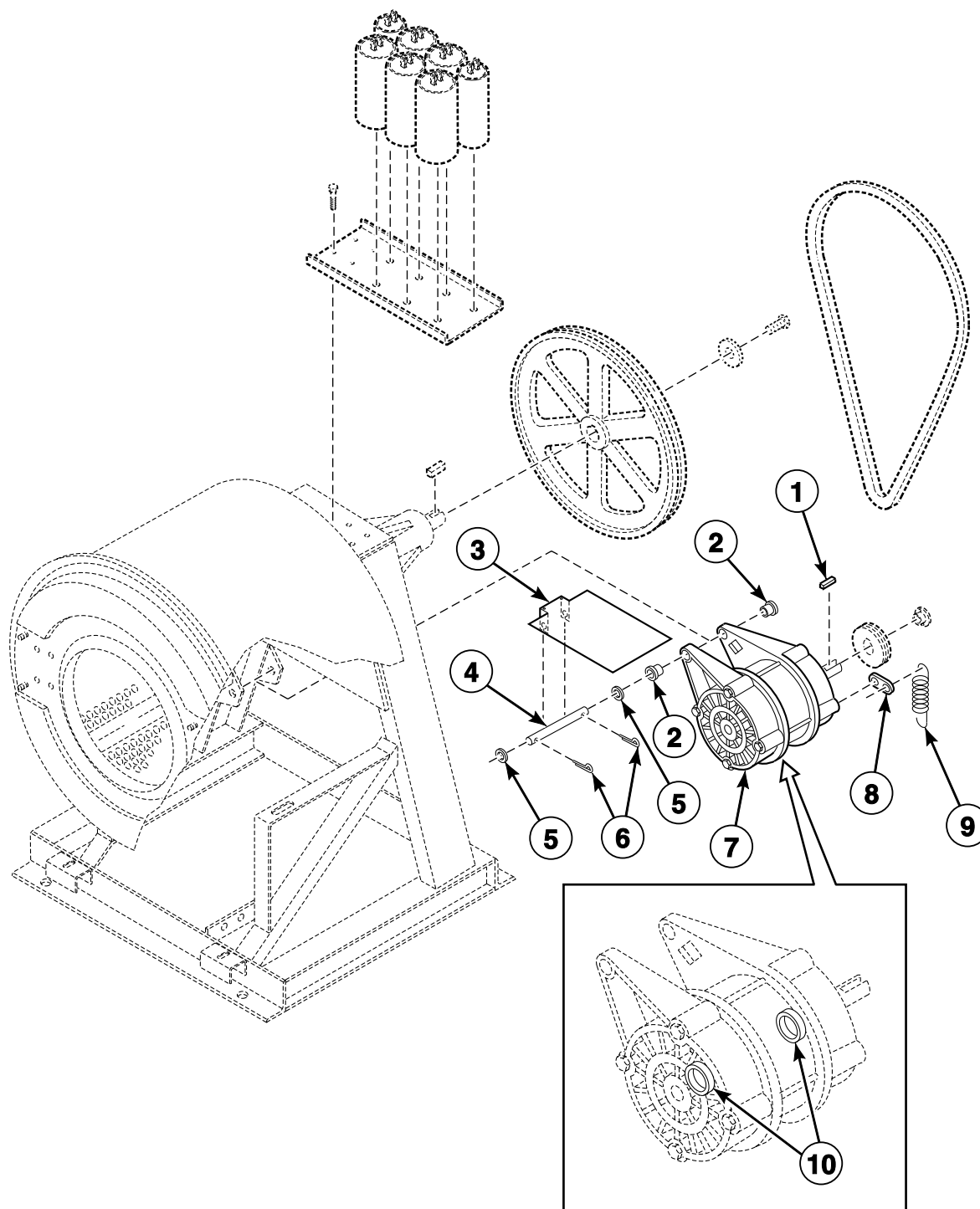


CHM2598P_F232190

Motor, Pulley and Belt Assembly - 20, 25 and 30 Pound Models (Drawing 1 of 3)

| REF | PART NO. | DESCRIPTION | COMMENTS |
|-----|-------------|----------------------------|---|
| 1 | F370230 | Capacitor | 10 Microfarad; 1 Phase models; HC25, HC30, SC30 and UC30 E-voltage models with Elmo motors 2 used |
| | F370224P | Capacitor | 20 Microfarad; 1 Phase models; HC25, HC30, SC30 and UC30 Y-voltage models with Elmo motors 4 used; HC25, HC30, SC30 and UC30 E-voltage models with Elmo motors 3 used |
| | F8411801 | Capacitor | 25 Microfarad; 1 Phase models; HC20, SC20 and UC20 Y-voltage models with Elmo motors 1 used |
| | F8411901 | Capacitor | 50 Microfarad; 1 Phase models; HC20, SC20 and UC20 Y-voltage models with Elmo motors 1 used |
| | F370221 | Capacitor | 100 Microfarad; 1 Phase models; HC20, SC20 and UC20 B-voltage models with Elmo motors 2 used; HC25, HC30, SC30 and UC30 E-voltage models with Elmo motors 2 used |
| | F370220 | Capacitor | 130 Microfarad; 1 Phase models; HC20, SC20 and UC20 B-voltage models with Elmo motors 1 used; HC25, HC30, SC30 and UC30 Y-voltage models with Elmo motors 1 used |
| 2 | F430108 | Screw | |
| 3 | F200033500 | Capacitor Mounting Bracket | HC20, HC25, HC30, SC20, SC30, UC20 and UC30 models |
| 4 | F430801 | Key | |
| 5 | F280168 | Pulley | HC20, HC25, SC20 and UC20 models |
| | F280172 | Sheave Pulley | HC30, SC30 and UC30 models |
| 6 | F0431159-00 | Washer | |
| 7 | F430927 | Screw | |
| | F430100 | Screw | HC20, SC20 and UC20 models; Models that have been upgraded with F935P3 Pressfit Upgrade Kit |
| 8 | F280343 | Belt | HC20, SC20 and UC20 models; C, D, E and J-voltage; 3V-730 |
| | F280337 | Belt | HC20, SC20 and UC20 models; B, C, F, L, O and Y-voltage; 3V-710 |
| | F280343 | Belt | HC20, SC20 and UC20 models; F-voltage; Heat; 3V-730; Replaces F280337 Belt |
| | F280337 | Belt | Models HC25VC2 and HC25VX2; C, D, F, H, J, L, O and Y-voltage; 3V-710 |
| | F028038000P | Belt | Models HC25VC2 and HC25VX2; E-voltage; 3V-720; Replaces F280337 Belt |
| | F280321 | Belt | HC30, SC30 and UC30 models; 3V-800 |

Motor, Pulley and Belt Assembly - 20, 25 and 30 Pound Models (Drawing 2 of 3)

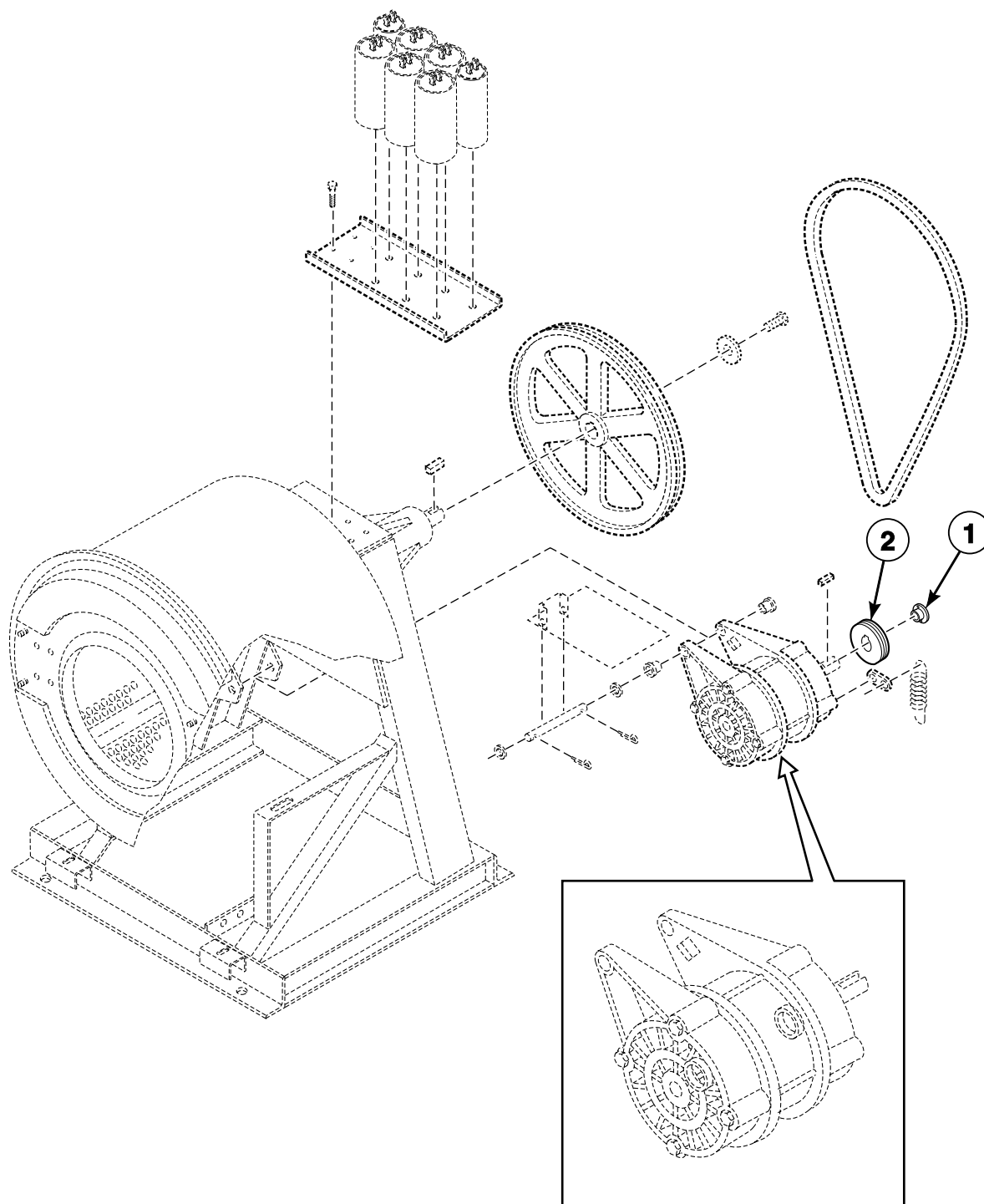


CHM2599P_F232190

Motor, Pulley and Belt Assembly - 20, 25 and 30 Pound Models (Drawing 2 of 3)

| REF | PART NO. | DESCRIPTION | COMMENTS |
|-----|-------------|-----------------------|---|
| 1 | F430802 | Key | |
| 2 | F200186100 | Motor Support Bushing | |
| 3 | F200216900 | Motor Drip Shield | |
| 4 | F603059 | Motor Support Rod | Models HC25VC2 and HC25VX2 |
| | F602844 | Motor Support Rod | All other models |
| 5 | 901690 | Washer | |
| 6 | F430401 | Cotter Pin | |
| 7 | F8329301P | Motor | HC20, SC20 and UC20 models; J and O-voltage; Includes motor support bushing; Replaces F022039600P, F220350, F8597101P and F220352 Motors |
| | F220352 | Motor | HC20, SC20 and UC20 models; D-voltage |
| | F8329401P | Motor | HC20, SC20 and UC20 models; C, F, G and H-voltage; With or without heat; Includes item 2 |
| | F8353501P | Motor Conversion Kit | E-voltage; Includes motor support bushing; Replaces F8597901P, F220125P, F220117 and F220130 Motors |
| | F8597402P | Motor | HC20, SC20 and UC20 models; B-voltage; Includes motor support bushing; Replaces F8329601P and F220110P Motor |
| | F022012800P | Motor | HC20, SC20 and UC20 models; Y-voltage; Includes item 2; Replaced by F8329501P Motor |
| | F8411501 | Motor Conversion Kit | HC20, SC20 and UC20 models; Models before 6/2009; Y-voltage; Replaces F022012800P Motor |
| | F8329501P | Motor | Replaces F8597401P Motor; HC20, SC20 and UC20 models; Models after 6/2009 that have been upgraded with F8411501 Motor Conversion Kit; Y-voltage |
| | F8329801P | Motor | Models HC25VC2 and HC25VX2; C, F and H-voltage; Includes motor support bushing; Replaces F8597104P and F022038800P Motor |
| | F220389P | Motor | HC25, HC30, SC30 and UC30 models; D and J-voltage |
| | F8329701P | Motor | HC25, HC30, SC30 and UC30 models; O-voltage; Includes motor support bushing; Replaces F8597103P and F022038700P Motor |
| | F8329901P | Motor | HC25, HC30, SC30 and UC30 models; Y-voltage; Includes motor support bushing; Replaces F8597501P and F022012400P Motor |
| | 8 | F601515 | Clip |
| 9 | F310124 | Extension Spring | |
| 10 | M400592 | Ball Bearing | |

Motor, Pulley and Belt Assembly - 20, 25 and 30 Pound Models (Drawing 3 of 3)

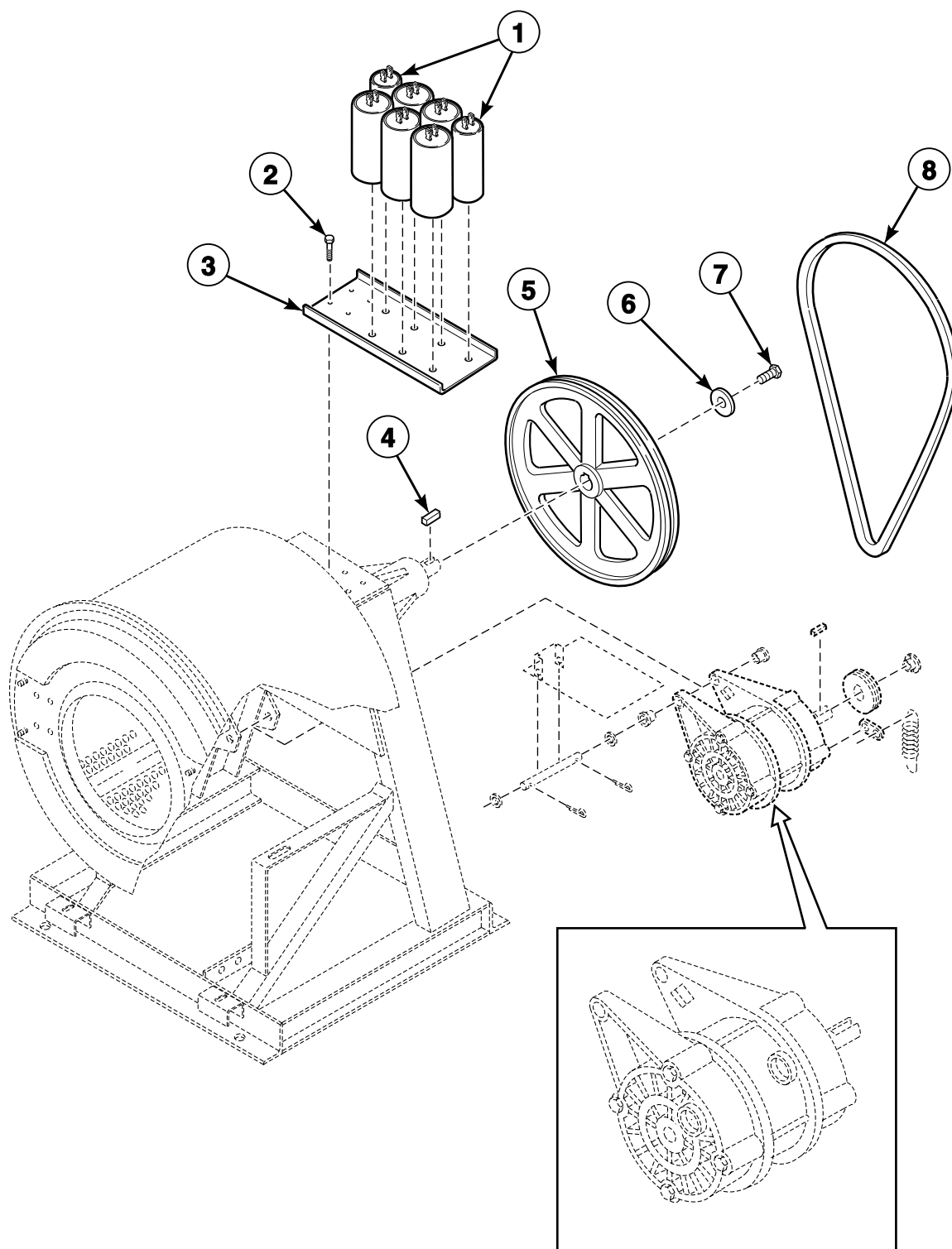


CHM2600P_F232190

Motor, Pulley and Belt Assembly - 20, 25 and 30 Pound Models (Drawing 3 of 3)

| REF | PART NO. | DESCRIPTION | COMMENTS |
|-----------|------------|----------------|---|
| 1 | H87529111P | Bushing | HC20, SC20 and UC20 models; C, D, G and J-voltage; Replaces F280430 Bushing |
| | F280298P | Pulley Bushing | HC20, SC20 and UC20 models; Models starting 5/24/02; E-voltage |
| | H87529111P | Bushing | Models HC25VC2 and HC25VX2; C, D and J-voltage; Replaces F280430 Bushing |
| | F280298P | Pulley Bushing | Models HC25VC2 and HC25VX2; E-voltage; Replaces 280214 Motor Bushing |
| | F280298P | Pulley Bushing | Models HC25VC2 and HC25VX2; L and Y-voltage; Replaces F220209 Bushing |
| | H87529111P | Bushing | HC30, SC30 and UC30 models; C and D-voltage; Replaces F280340 Bushing |
| | H87529111P | Bushing | HC30, SC30 and UC30 models; J-voltage; Replaces F280430 Bushing |
| | F280225P | Bushing | HC30, SC30 and UC30 models; E-voltage |
| | 2 | F280427P | Pulley |
| F280427P | | Pulley | HC20, SC20 and UC20 models; E-voltage; Replaces F280184 Pulley and F280430 Bushing; Replacement of F280184 Pulley requires F280298P Pulley Bushing |
| F280170 | | Sheave Pulley | HC20, SC20 and UC20 models; B, F, H, O and Y-voltage |
| F280170 | | Sheave Pulley | HC20, SC20 and UC20 models; F and H-voltage; Heat |
| F280427P | | Pulley | Models HC25VC2 and HC25VX2; C, D and J-voltage; Replaces F280184 Pulley; Replacement of F280184 Pulley requires F280430 Bushing; F280430 Bushing is used with F280427 Pulley |
| F280427P | | Pulley | Models HC25VC2 and HC25VX2; E-voltage; Replaces F280180 Pulley; Replacement of F280180 Pulley requires F280298P Pulley Bushing; F280298P Pulley Bushing is used with F280427 Pulley |
| F280170 | | Sheave Pulley | Models HC25VC2 and HC25VX2; F, H and O-voltage |
| F280416 | | Pulley | Models HC25VC2 and HC25VX2; L and Y-voltage; Replaces F280139 Pulley and F280298P Pulley Bushing; F280298P Pulley Bushing is used with F280416 Pulley |
| H87520334 | | Sheave | HC30, SC30 and UC30 models; C and D-voltage; Replaces F280283 Pulley; Replacement of F280283 Pulley requires F280430 Bushing; F280430 Bushing is used with F280418 Pulley |
| F280423 | | Pulley | HC30, SC30 and UC30 models; E-voltage; F280225P Bushing is used with F280423 Pulley |
| F280284 | | Pulley | HC30, SC30 and UC30 models; F, H and O-voltage |
| F280281 | | Motor Pulley | HC30, SC30 and UC30 models; Y-voltage; Replaces F280198 Pulley |

Motor, Pulley and Belt Assembly - 40, 50 and 60 Pound Models (Drawing 1 of 2)

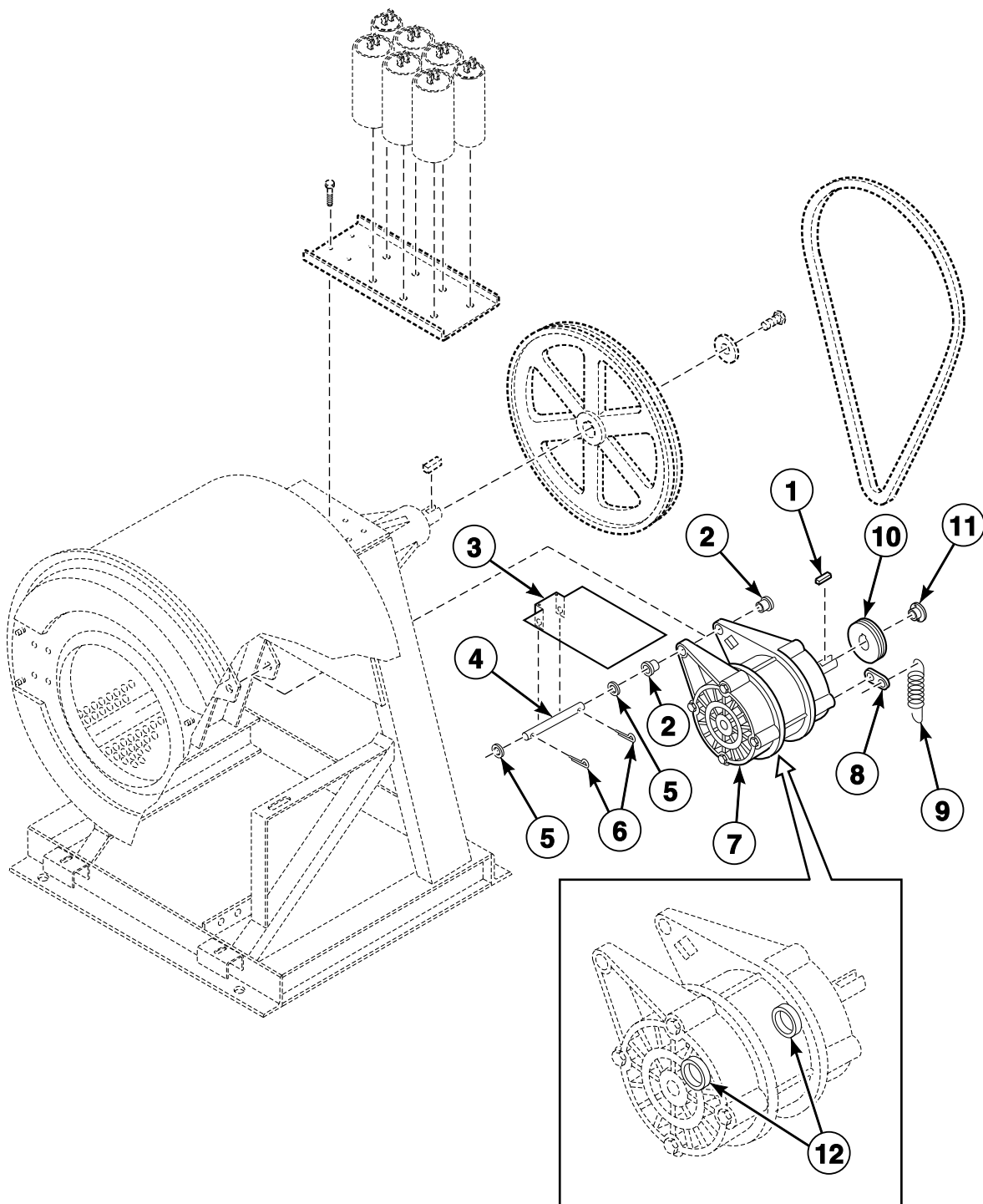


CHM2601P_F232190

Motor, Pulley and Belt Assembly - 40, 50 and 60 Pound Models (Drawing 1 of 2)

| REF | PART NO. | DESCRIPTION | COMMENTS |
|-----|------------|----------------------------|---|
| 1 | F370224P | Capacitor | 20 Microfarad; 1 Phase models; HC40, SC40 and UC40 Y-voltage models with Elmo motors 1 used; HC50, SC50 and UC50 Y-voltage models with Elmo motors 3 used |
| | F8411801 | Capacitor | 25 Microfarad; 1 Phase models; HC40, SC40 and UC40 Y-voltage models with Elmo motors 1 used |
| | F8411901 | Capacitor | 50 Microfarad; 1 Phase models; HC40, SC40 and UC40 Y-voltage models with Elmo motors 1 used; HC50, SC50 and UC50 Y-voltage models with Elmo motors 2 used |
| | F370220 | Capacitor | 130 Microfarad; 1 Phase models; HC50, SC50 and UC50 Y-voltage models with Elmo motors 3 used |
| | F370218P | Capacitor | 160 Microfarad; 1 Phase models; HC40, SC40 and UC40 Y-voltage models with Elmo motors 1 used |
| 2 | F430108 | Screw | |
| 3 | F200033500 | Capacitor Mounting Bracket | |
| 4 | F430801 | Key | |
| 5 | F280197 | Pulley | HC40, SC40 and UC40 models |
| | F280173 | Pulley | HC50, HC60, SC50, SC60, UC50 and UC60 models |
| 6 | F431115 | Washer | |
| 7 | F430100 | Screw | |
| 8 | F280341 | Belt | HC40, SC40 and UC40 models; C, D and J-voltage; 3V850 |
| | F280342 | Belt | HC40, SC40 and UC40 models; F, H, O and Y-voltage; 3V-830 |
| | F280373 | Belt | HC50, HC60, SC50, SC60, UC50 and UC60 models; C, D and J-voltage; 3V-90.65; Replaces F280304 Belt in 50 Hertz models |
| | F280304 | Belt | HC50, HC60, SC50, SC60, UC50 and UC60 models; F, H, O and Y-voltage; 3V-900 |

Motor, Pulley and Belt Assembly - 40, 50 and 60 Pound Models (Drawing 2 of 2)

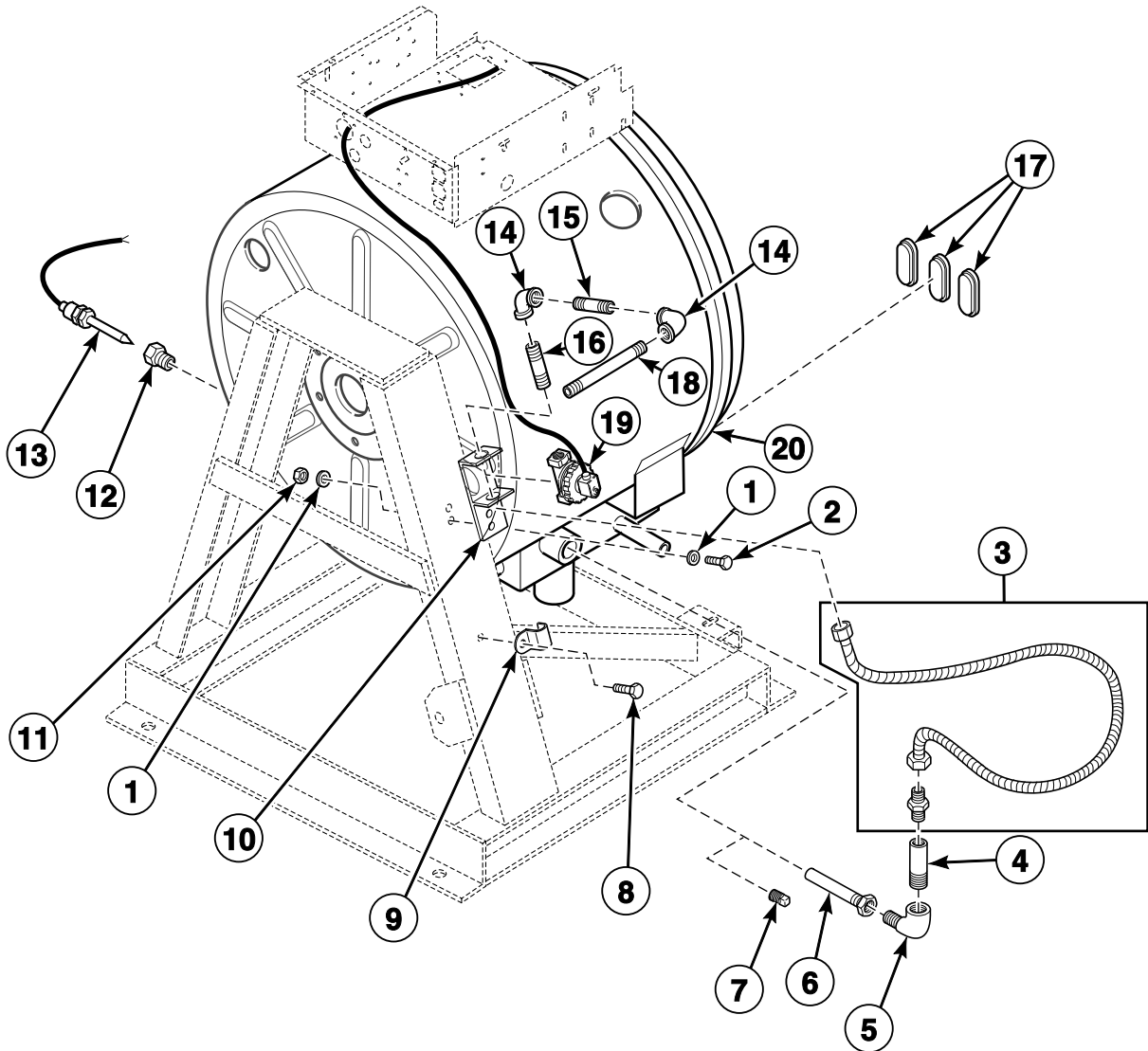


CHM2602P_F232190

Motor, Pulley and Belt Assembly - 40, 50 and 60 Pound Models (Drawing 2 of 2)

| REF | PART NO. | DESCRIPTION | COMMENTS |
|-----|-------------|-----------------------|---|
| 1 | F430802 | Key | |
| 2 | F200186100 | Motor Support Bushing | |
| 3 | F200216900 | Motor Drip Shield | HC40, SC40 and UC40 models; All voltages except Y-voltage |
| | F200280700 | Motor Drip Shield | HC40, SC40 and UC40 models Y-voltage; HC50, HC60, SC50, SC60, UC50 and UC60 models |
| 4 | F603059 | Motor Support Rod | HC40, SC40 and UC40 models |
| | F603897 | Motor Support Rod | HC50, HC60, SC50, SC60, UC50 and UC60 models |
| 5 | 901690 | Washer | |
| 6 | F430401 | Cotter Pin | |
| 7 | F8330001P | Motor | HC40, SC40 and UC40 models; Replaces F8597801P and F0220321-00P Motor; Includes motor support bushing |
| | F8597502P | Motor | HC40, SC40 and UC40 models; HC50, SC50 and UC50 models Y-voltage; Replaces F8330201P and F0220120-01P Motor; Includes motor support bushing |
| | F0798912-00 | Motor Retrofit Kit | Replaces F0220137-00 Motor; HC40, SC40 and UC40 models; Models starting Serial No. 3020329162 |
| | F220354P | Motor | HC50, HC60, SC50, SC60, UC50 and UC60 models; D-voltage |
| | F8597803P | Motor | HC50, HC60, SC50, SC60, UC50 and UC60 models; J and O-voltage; Replaces F8330301P, F022032200P and F220354 Motors; Includes motor support bushing |
| | F8597804P | Motor | Replaces F8330401P Motor; HC50, HC60, SC50, SC60, UC50 and UC60 models; C, F, G and H-voltage; Includes item 2 |
| 8 | F601515 | Clip | Elmo only |
| 9 | F310124 | Extension Spring | |
| 10 | F280105P | Pulley | HC40, SC40 and UC40 models; C, D, G and J-voltage; Replaces F280185 Motor Pulley; F280225P Bushing is used with F280105P Pulley |
| | F0280385-00 | Sheave | HC40, SC40 and UC40 models; F, H, O and Y-voltage |
| | F280422P | Pulley | HC50, HC60, SC50, SC60, UC50 and UC60 models; C, D, G and J-voltage; Replaces F280186P Pulley; F280225P Bushing is used with F280422 Pulley |
| | F0280385-00 | Sheave | HC50, HC60, SC50, SC60, UC50 and UC60 models; F, H, K, O and Y-voltage |
| | F280287P | Sheave Kit | HC60, SC60 and UC60 models; X-voltage |
| 11 | F280225P | Bushing | HC40, HC50, HC60, SC40, SC50, SC60, UC40, UC50 and UC60 models; C, D, G and J-voltage |
| 12 | F100124 | Motor Bearing | |

Steam Heat Assembly



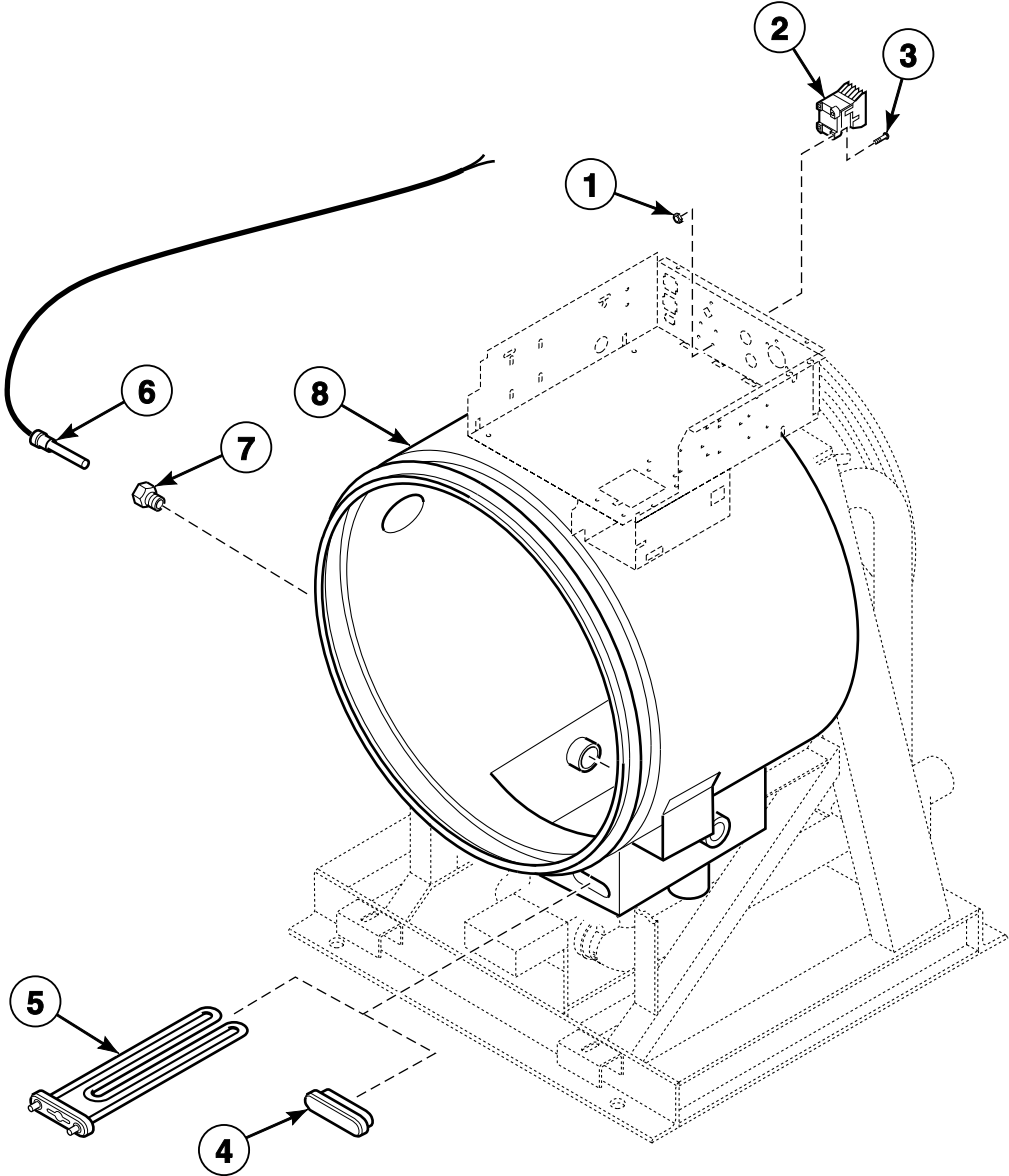
CHM2628P_F232190

Steam Heat Assembly

| REF | PART NO. | DESCRIPTION | COMMENTS |
|-----------|-------------|------------------------------|---|
| | F8514701 | Coil | Use with F8322802 Valve |
| | F8514601P | Coil | Use with F8322801P Valve |
| | F8382301 | DIN Valve Adapter Kit | Use with F8322801P Valve and F8322802 Valve |
| | F8379501P | Valve Kit | Use with F8322801P Valve and F8322802 Valve |
| 1 | F430317 | Washer | |
| 2 | F430108 | Screw | |
| 3 | F200153P | Steam Hose | HC40, SC40 and UC40 models |
| | F200154 | Steam Hose | All other models |
| | F410300 | Pipe Insulation | |
| 4 | 70435601 | Pipe Nipple | HC40, SC40 and UC40 models |
| 5 | 70079601 | Elbow | HC40, SC40 and UC40 models |
| 6 | F8368201 | Steam Injector Tube Assembly | |
| 7 | F200202600 | Plug | |
| 8 | F430115 | Screw | |
| 9 | N/A | Cable Strap | |
| 10 | F601186 | Steam Bracket Assembly | |
| 11 | F430215 | Nut | |
| 12 | F421936 | Reducer Bushing | |
| 13 | F370606P | Temperature Probe | |
| 14 | 70079601 | Elbow | |
| 15 | F420708 | Nipple | |
| 16 | 70435601 | Pipe Nipple | |
| 17 | F360202 | Heating Element Plug | |
| 18 | 70214101 | Pipe Nipple | |
| 19 | F8322802 | Valve | Replaces F380786P Steam Valve; Includes F8514701 Coil; For models that have been upgraded with F8521601 DIN Valve Kit |
| | F8521601 | DIN Valve Kit | Replaces F380786P Steam Valve; Includes F8322802 Valve and F8514701 Coil |
| | F8322801P | Valve | Replaces F380787P Steam Valve; Includes F8514601 Coil; For models that have been upgraded with F8521801 DIN Valve Kit |
| | F8521801 | DIN Valve Kit | Replaces F380787P Steam Valve; Includes F8322801P Valve, F8382301 DIN Valve Adapter Kit and F8514601 Coil |
| 20 | F0637054-00 | Shell Weldment | HC20, SC20 and UC20 models; E-voltage; Heat option |
| | F0636601-00 | Shell Weldment | HC20, SC20 and UC20 models; All voltages except E; Heat option |
| | F0636700-00 | Shell Weldment | Models HC25VC2 and HC25VX2; Heat option |
| | F0636704-00 | Shell Weldment | HC30, SC30 and UC30 models; Heat option |
| | F8196202 | Shell Weldment | HC40, SC40 and UC40 models; Models through 1/25/05; Heat option; Centered top hole in back of shell |
| | F200199700 | Shell Weldment | HC40, SC40 and UC40 models; Models through 1/25/05; Heat option; No centered top hole in back of shell |
| | F8196204 | Shell Weldment | HC40, SC40 and UC40 models; Models starting 1/26/05; Heat option |
| | F0636747-00 | Shell Weldment | HC50, SC50 and UC50 models; Heat option |
| | F0637661-00 | Shell Weldment | HC60, SC60 and UC60 models; Heat option |

N/A = Part no longer available

Electric Heat Option

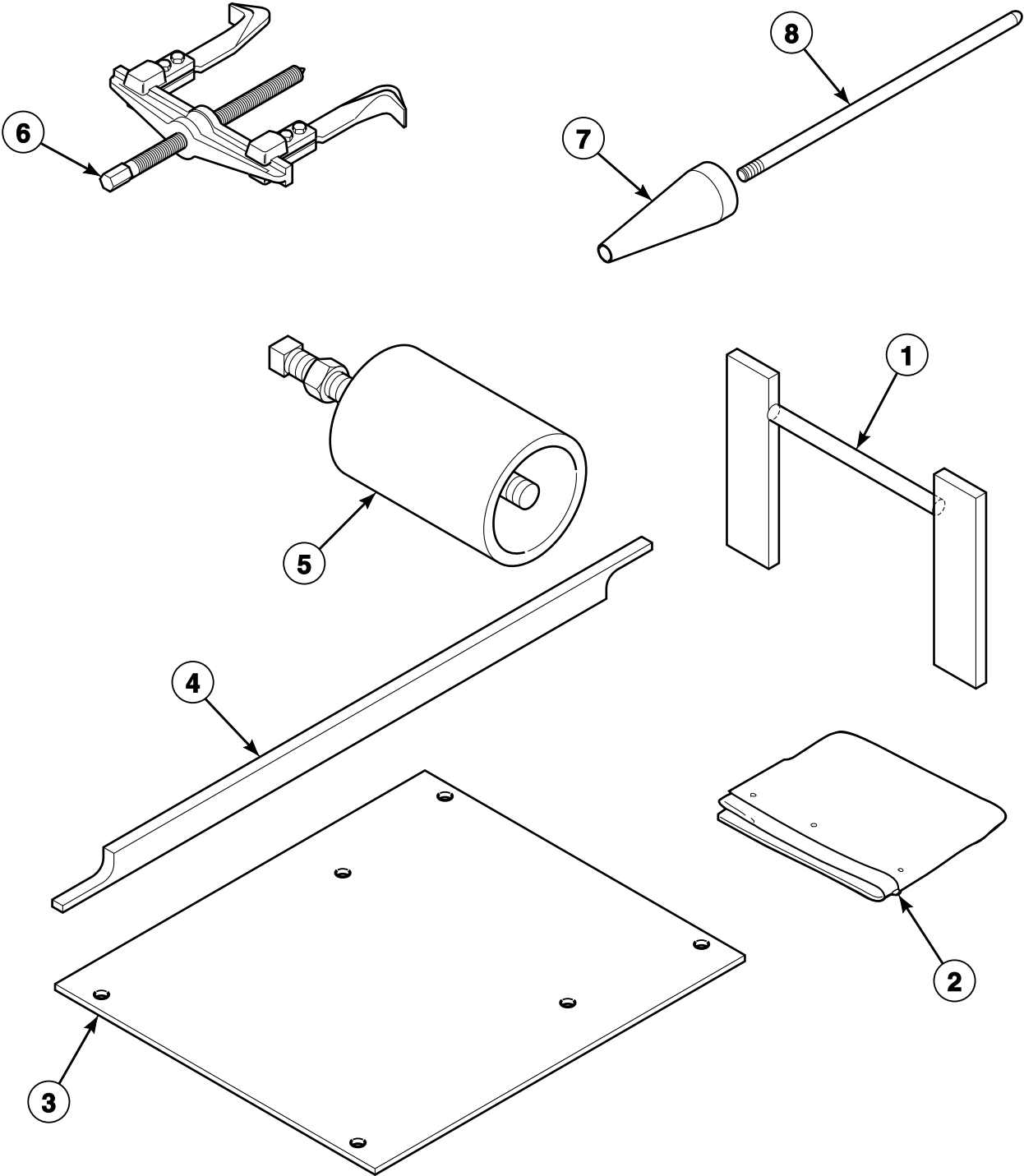


CHM2384P_F232190

Electric Heat Option

| REF | PART NO. | DESCRIPTION | COMMENTS |
|-----|-------------|----------------------|---|
| 1 | F430231 | Nut | |
| 2 | F330188P | Contactora | HC20, HC25, HC30, SC20, SC30, UC20 and UC30 models E-voltage; HC20, HC25, HC30, SC20, SC30, UC20 and UC30 models Y-voltage 220 Volt ; HC50, HC60, SC50, SC60, UC50 and UC60 models C-voltage; HC50, HC60, SC50, SC60, UC50 and UC60 models H and O-voltage 220 Volt; HC50, HC60, SC50, SC60, UC50 and UC60 models D and J-voltage |
| | F330175P | Contactora | HC20, HC25, HC30, SC20, SC30, UC20 and UC30 models F and H-voltage 120 Volt; HC20, HC25, HC30, SC20, SC30, UC20 and UC30 models O-voltage 120 Volt |
| | F330177P | Contactora | HC20, HC25, HC30, SC20, SC30, UC20 and UC30 models C, D and J-voltage; HC20, HC25, HC30, SC20, SC30, UC20 and UC30 models F, H and O-voltage 220 Volt |
| | F330187P | Contactora | HC20, HC25, HC30, SC20, SC30, UC20 and UC30 models Y-voltage 120 Volt; HC50, HC60, SC50, SC60, UC50 and UC60 models H and O-voltage 120 Volt |
| | F330180P | Contactora | HC40, SC40 and UC40 models O-voltage 120 Volt; HC50, HC60, SC50, SC60, UC50 and UC60 models F-voltage 120 Volt |
| | F330179P | Contactora | HC40, SC40 and UC40 models C-voltage; HC40, SC40 and UC40 models F and H-voltage 220 Volt |
| | F330178P | Contactora | HC40, SC40 and UC40 models; F and H-voltage; 120 Volt |
| | F330182 | Contactora | HC40, SC40 and UC40 models O-voltage 220 Volt; HC50, HC60, SC50, SC60, UC50 and UC60 models F-voltage 220 Volt; HC40, SC40 and UC40 models D and J-voltage |
| 3 | F430916 | Screw | |
| 4 | F360202 | Heating Element Plug | |
| 5 | F360206P | Heating Element | 2.0 kW; HC20, SC20 and UC20 models; E-voltage |
| | F0360210-00 | Heating Element | 5.2 kW; HC40, SC40 and UC40 models; 3 required |
| | F360205P | Element | 2.6 kW; All other models |
| 6 | F370606P | Temperature Probe | |
| 7 | F421936 | Reducer Bushing | |
| 8 | F0636601-00 | Shell Weldment | HC20, SC20 and UC20 models; All voltages except E; Heat option |
| | F0637054-00 | Shell Weldment | HC20, SC20 and UC20 models; E voltage; Heat option |
| | F0636700-00 | Shell Weldment | Models HC25VC2 and HC25VX2; Heat option |
| | F0636704-00 | Shell Weldment | HC30, SC30 and UC30 models; Heat option |
| | F8196202 | Shell Weldment | HC40, SC40 and UC40 models; Models through 1/25/05; Heat option; Centered top hole in back of shell |
| | F200199700 | Shell Weldment | HC40, SC40 and UC40 models; Models through 1/25/05; Heat option; No centered top hole in back of shell |
| | F8196204 | Shell Weldment | HC40, SC40 and UC40 models; Models starting 1/26/05; Heat option |
| | F0636747-00 | Shell Weldment | HC50, SC50 and UC50 models; Heat option |
| | F0637661-00 | Shell Weldment | HC60, SC60 and UC60 models; Heat option |

Special Tools



CHM2970P_F232190

Special Tools

| REF | PART NO. | DESCRIPTION | COMMENTS |
|-----|-------------|-------------------------------|--|
| 1 | F460131P | Basket Pulley Puller Tool | |
| 2 | F450127 | Template | HC50, SC50 and UC50 models |
| 3 | F608707 | Bolt Layout Mounting Template | HC20, SC20 and UC20 models |
| | F631796 | Bolt Layout Mounting Template | HC30, SC30 and UC30 Models |
| | F0637047-00 | Bolt Layout Mounting Template | HC40, SC40 and UC40 models |
| | F608710 | Bolt Layout Mounting Template | HC50, HC60, SC50, SC60, UC50 and UC60 models |
| 4 | N/A | Basket Pulley Alignment Bar | HC50, SC50 and UC50 models |
| 5 | F798001 | Basket Pulley Kit | HC20, SC20 and UC20 models |
| | F798002 | Basket Puller Kit | HC30, SC30 and UC30 Models |
| | F798003 | Basket Puller Kit | HC50, HC60, SC50, SC60, UC50 and UC60 models |
| 6 | F460129P | Basket Puller Tool | |
| 7 | 396P4 | Basket Guide Cone Tool | HC20, SC20 and UC20 models |
| | 397P4 | Basket Guide Cone Tool | HC30, SC30, UC30, HC40, SC40 and UC40 models |
| | 398P4 | Basket Guide Cone Tool | HC50, SC50, UC50, HC60, SC60 and UC60 models |
| 8 | 401P4 | Basket Installation Tool Rod | |

N/A = Part no longer available

Parts Index

A

| | |
|--------------------|------------|
| Air Chamber Nipple | |
| F634178 | 45 |
| Air Trap Hose | |
| F020014200 | 41, 43, 45 |

B

| | |
|------------------------------|--------|
| Ball Bearing | |
| M400592 | 75 |
| Basket Assembly | |
| F603900-1 | 65 |
| F8347901P | 65 |
| F8391301P | 65 |
| F8391305P | 65 |
| F8391701P | 65 |
| F8502801P | 65 |
| F8502803 | 65 |
| Basket Guide Cone Tool | |
| 396P4 | 87 |
| 397P4 | 87 |
| 398P4 | 87 |
| Basket Installation Tool Rod | |
| 401P4 | 87 |
| Basket Puller Kit | |
| F798002 | 87 |
| F798003 | 87 |
| Basket Puller Tool | |
| F460129P | 87 |
| Basket Pulley Kit | |
| F798001 | 87 |
| Basket Pulley Puller Tool | |
| F460131P | 87 |
| Basket Rental Tool Kit | |
| 390P4 | 65 |
| Basket Tool Kit | |
| 389P4 | 65 |
| Bearing | |
| F100108 | 69, 71 |
| F100122 | 71 |
| F100123P | 69, 71 |
| F100134 | 71 |
| F100135 | 71 |
| F100136P | 69 |
| F100137P | 69 |
| Bearing Kit | |
| RB100001 | 69 |
| RB100002 | 69 |
| RB100003 | 71 |
| RB100004 | 71 |
| RB100005 | 71 |
| RB100006 | 71 |
| Belt | |
| F028038000P | 73 |
| F280304 | 79 |
| F280321 | 73 |
| F280337 | 73 |
| F280341 | 79 |
| F280342 | 79 |

| | |
|-------------------------------|--------|
| F280343 | 73 |
| F280373 | 79 |
| Bezel Gasket | |
| F0170190-00P | 33 |
| Blind Rivet | |
| F8245101 | 51 |
| J1111905 | 51 |
| Board | |
| F370555-11P | 13 |
| Bolt | |
| F430969 | 51 |
| Bolt Layout Mounting Template | |
| F0637047-00 | 87 |
| F608707 | 87 |
| F608710 | 87 |
| F631796 | 87 |
| Bridge Rectifier | |
| F370310 | 17 |
| Bushing | |
| F280225P | 77, 81 |
| H87529111P | 77 |

C

| | |
|----------------------------|------------|
| Cabinet Brace | |
| F0636131-00 | 61 |
| F0636217-00 | 57, 59 |
| F0636218-00 | 61 |
| F0636320-00 | 61 |
| F0636518-00 | 61 |
| F0636596-00 | 61 |
| F0637632-00 | 61 |
| F634800 | 57, 59 |
| F634801 | 57, 59 |
| F634803P | 57, 59 |
| Cabinet Corner Stiffener | |
| F200168900 | 57, 59 |
| Cap | |
| F190303 | 33 |
| Capacitor | |
| F370218P | 79 |
| F370220 | 73, 79 |
| F370221 | 73 |
| F370224P | 73, 79 |
| F370225P | 19 |
| F370230 | 73 |
| F8411801 | 73, 79 |
| F8411901 | 73, 79 |
| Capacitor Mounting Bracket | |
| F200033500 | 73, 79 |
| Capacitor Mounting Clamp | |
| F140612P | 19 |
| Clamp Ring Assembly | |
| F8388002 | 67 |
| Clip | |
| F601515 | 13, 75, 81 |
| Coil | |
| F8514601P | 83 |
| F8514701 | 83 |
| Coin Box | |
| F160672 | 25 |

N/A items do not appear in index.

| | |
|--------------------------------|--------|
| F160673P | 25 |
| Coin Guide Assembly | |
| F200002502P | 27 |
| F200002503 | 29 |
| Coin Meter Assembly | |
| F200003800P | 27 |
| F200003801 | 27 |
| F200003802P | 27 |
| F200003803 | 27 |
| F200003805 | 27 |
| F200003806P | 27 |
| F200003807 | 27 |
| F200003808 | 27 |
| F200003809 | 27 |
| F200003810 | 27 |
| F200003811 | 27 |
| F200003812 | 27 |
| F200005200 | 29 |
| F200005201 | 29 |
| F200005202 | 29 |
| F200005203 | 29 |
| F200005204 | 29 |
| F200005205 | 29 |
| F200005206 | 29 |
| F200005207 | 29 |
| F200005208 | 29 |
| F200005209 | 29 |
| F200005210 | 29 |
| F200005211 | 29 |
| F200005212 | 29 |
| Coin Meter Blocking Coil | |
| F160466P | 27, 29 |
| F160467P | 27, 29 |
| Coin Meter Decal | |
| F0231595-00 | 29 |
| Coin Meter Insert | |
| F608925 | 27, 29 |
| Coin Meter Insert Decal | |
| F231010 | 27 |
| Computer | |
| F370555-01P | 13 |
| Computer and Door Lock Harness | |
| F200296000P | 19 |
| Conductor Decal | |
| F231146 | 11 |
| Contacto | |
| F330175P | 23, 85 |
| F330177P | 23, 85 |
| F330178P | 85 |
| F330179P | 85 |
| F330180P | 85 |
| F330182 | 85 |
| F330187P | 85 |
| F330188P | 85 |
| Control Box Assembly | |
| F0636969-00 | 19 |
| F0636969-01 | 19 |
| F0637033-01 | 17 |
| Control Panel Assembly | |
| F0636810-01 | 57 |
| F0636894-00 | 59 |
| F0636894-01 | 57 |
| F0636896-00 | 59 |
| F0636896-01 | 57 |
| F0636921-00 | 59 |
| F0636921-01 | 57 |

| | |
|--------------------------------------|--------|
| Control Panel Decal | |
| F0231601-32 | 13 |
| F0231602-32 | 13 |
| F0231603-32 | 13 |
| F0231604-31 | 15 |
| F0231608-00 | 13 |
| F0231618-00 | 13 |
| F200021041 | 13 |
| F231467 | 13 |
| F231468 | 13 |
| F231470 | 13 |
| F231553 | 15 |
| Cotter Pin | |
| F430401 | 75, 81 |
| Counterclockwise Spin Rotation Decal | |
| F230693 | 11, 49 |
| Cover | |
| F140423 | 17 |

D

| | |
|--------------------------------|--------|
| Diaphragm and Guide Kit | |
| G582P3 | 33 |
| DIN Valve Adapter Kit | |
| F8382301 | 83 |
| DIN Valve Kit | |
| F8521601 | 83 |
| F8521801 | 83 |
| Disconnect Power Warning Label | |
| D505281 | 11 |
| Do Not Lift Decal | |
| F230216 | 11 |
| Door | |
| F602837-1 | 51 |
| F602842-2 | 51 |
| Door Assembly | |
| F060323905 | 51 |
| F060390105 | 51 |
| F603239-4 | 51 |
| F603901-4 | 51 |
| F604079-4 | 51 |
| F604079-5 | 51 |
| F8150301 | 51 |
| F8150401 | 51 |
| F8150501 | 51 |
| Door Bezel | |
| F0170426-00 | 57 |
| F0170426-10 | 57, 59 |
| F170416-1 | 57 |
| F170416-2 | 57, 59 |
| F170417-1 | 57 |
| F170417-2 | 57, 59 |
| Door Gasket | |
| F017012302 | 49 |
| F017012402 | 49 |
| F170123 | 49 |
| F170124 | 49 |
| F200000200 | 49 |
| F200000202 | 49 |
| Door Glass | |
| F8485301P | 49 |
| F8485401P | 49 |
| Door Glass Kit | |
| F290205P | 49 |

N/A items do not appear in index.

| | |
|---|--------|
| Door Handle F150225 | 49 |
| Door Handle Kit F730155 | 49 |
| Door Hinge F190216P | 51 |
| Door Hinge Shim Kit F200131000P | 51 |
| Door Lock Assembly F0636698-04 | 53 |
| F0636698-05P | 53 |
| F200136800P | 55 |
| F200136801 | 55 |
| Door Lock Assembly Cover F603003 | 53, 55 |
| Door Lock Catch Casting F150261 | 53, 55 |
| Door Lock CCA F0632387-01P | 19 |
| Door Lock Kit F0798839-00 | 55 |
| F0798839-01 | 55 |
| Door Lock Microswitch F200203200 | 53, 55 |
| Door Lock Pin Linkage F150455 | 53, 55 |
| Door Lock Pin Release Spring F310137 | 53, 55 |
| Door Lock Plate Assembly F8066701 | 53, 55 |
| Door Lock PLate Shim F8059701 | 53 |
| Door Lock Plate Shim F8059701 | 55 |
| Door Lock Retainer Latch F0636103-00 | 55 |
| Door Lock Solenoid F0300131-00P | 55 |
| Door Lock Splash Shield F320200 | 53, 55 |
| Door Lock Spring F310125 | 49 |
| Door Lock Switch Lever F0636636-00 | 53, 55 |
| Door Lock Time Delay F200025200P | 17, 19 |
| Door Lock Torsion Spring F310110 | 53, 55 |
| Door Locking Linkage Pin F431231 | 53, 55 |
| Door Mount F150271 | 51 |
| Door Release Solenoid F300128P | 55 |
| Door Spacer F0150273-00 | 49 |
| Door Switch F340200 | 53, 55 |
| Door Warning Label 81968 | 11 |
| Drain Connector Tee F8017101 | 43 |

| | |
|---------------------------------------|--------|
| Drain Hose F150356 | 41 |
| F200123400 | 43 |
| F200123500 | 43 |
| F200185200 | 43 |
| F200185300 | 43 |
| Drain Motor F380943P | 37, 39 |
| Drain Pump F270119P | 47 |
| Drain Tee F150398 | 43 |
| Drain Valve F8406303 | 39 |
| F8406304 | 39 |
| 803293 | 37 |
| Drain Valve Assembly F602920 | 37 |
| F603175 | 37 |
| Drain Valve Cover F200133600 | 37, 39 |
| Drain Valve Kit F200166300 | 39 |
| F200166302 | 39 |
| F200166400 | 39 |
| F200166402 | 39 |
| Drain Valve Motor F380932P | 37, 39 |
| F380933P | 37, 39 |
| F380972P | 37, 39 |
| F8618901P | 37, 39 |

E

| | |
|---|--------|
| Elbow 70079601 | 83 |
| Electrical Panel Sub-Assembly F0606950-02 | 17 |
| Element F360205P | 85 |
| E-Ring Retainer F310205 | 53, 55 |
| Excluder Seal F8336801 | 65 |
| F8336901 | 65 |
| F8337001 | 65 |
| F8337101 | 65 |
| Extension Spring F310124 | 75, 81 |
| External Supply Connection Decal F231376-1 | 31 |
| F231376-2 | 31 |
| F231376-5 | 31 |
| F231376-6 | 31 |
| External Supply Fuse Decal F231271 | 31 |

F

| | |
|------------------------------------|--------|
| Female Pin Terminal 00430 | 27, 29 |
| Fill Hose F150372 | 43 |

N/A items do not appear in index.

| | |
|---------------------------|------------|
| Filter | |
| F270305 | 35 |
| F270306P | 35 |
| Filter Housing Cap Gasket | |
| F270407 | 35 |
| Flange Relay | |
| F330227 | 17, 19 |
| F330230 | 17, 19, 21 |
| Frame Assembly | |
| F0637645-00 | 67 |
| F606178 | 67 |
| F607003 | 67 |
| F607005 | 67 |
| F630232 | 67 |
| Frame Weldment | |
| F0636108-00 | 67 |
| F200195300 | 67 |
| Front Drain Hose | |
| F0200240-00 | 43 |
| F150312 | 43 |
| F8035801 | 43 |
| Front Panel | |
| F634666-2 | 57 |
| F634682-2 | 59 |
| F634836-1P | 59 |
| F634836-2 | 59 |
| F8200301P | 59 |
| F8200302P | 57 |
| F8200401P | 59 |
| F8200402P | 57 |
| F8200501P | 59 |
| F8200502P | 57 |
| F8200601P | 59 |
| F8200602P | 57 |
| Fuse | |
| F350108 | 19, 21 |
| F350109 | 17, 19, 21 |
| F350110 | 17, 19, 21 |
| F350115 | 31 |
| F350125 | 19 |
| Fuse Holder | |
| F0350312-10 | 31 |
| Fuse Holder Bracket | |
| F633512 | 31 |

G

| | |
|---------------------|----|
| Gravity Drain Valve | |
| 803292 | 37 |
| Grommet | |
| F170615 | 31 |
| F200139500 | 31 |
| Ground Decal | |
| F230630 | 11 |
| F230739 | 11 |
| Ground Terminal Lug | |
| F140734 | 31 |

H

| | |
|-------------------|----|
| Heating Element | |
| F0360210-00 | 85 |
| F360206P | 85 |

| | |
|----------------------|----------------|
| Heating Element Plug | |
| F360202 | 83, 85 |
| Hose | |
| F609748-5 | 47 |
| Hose Clamp | |
| F200204 | 45, 47 |
| F200213 | 41, 43, 45, 47 |
| F200215 | 39, 41, 43, 45 |
| F200217 | 47 |
| F200222 | 41, 43 |
| 36801 | 31 |

I

| | |
|----------------------------------|----|
| Injection Nozzle | |
| F8322001 | 33 |
| Injection Nozzle Kit | |
| F730168 | 33 |
| Input Block | |
| F0140795-00 | 31 |
| F0140798-00P | 31 |
| F0140799-00 | 31 |
| Input Harness Kit | |
| F141871P | 17 |
| Input Power Block | |
| F140746 | 31 |
| F140747 | 31 |
| F140748 | 31 |
| Input Power Connection Box Cover | |
| F602533 | 31 |
| Input Terminal Block | |
| F140755 | 31 |
| Interlock Contactor | |
| F330186P | 23 |

K

| | |
|----------------|--------|
| Key | |
| F160420 | 25 |
| F160421 | 25 |
| F160423 | 25 |
| F430801 | 73, 79 |
| F430802 | 75, 81 |
| 70155603 | 61 |
| Keypad | |
| F370576P | 13 |

L

| | |
|--------------------|--------|
| L-Catch Kit | |
| F746808 | 53, 55 |
| Left Side Panel | |
| F0636136-00P | 63 |
| F0636595-00P | 63 |
| F8155601P | 63 |
| F8155901P | 63 |
| F8156701 | 63 |
| F8157401P | 63 |
| F8159901 | 63 |
| F8160101P | 63 |
| Lid Clamp Assembly | |
| F630430 | 61 |

N/A items do not appear in index.

| | |
|---------------------|----|
| Lid Lock Pin | |
| F0190808-00P | 61 |
| Liquid Supply Decal | |
| F230877 | 11 |

M

| | |
|--------------------------|--------|
| Magnet | |
| F8390801 | 51 |
| Magnetic Switch | |
| F0340723-00 | 51 |
| Magnetic Switch Assembly | |
| F200321200 | 51 |
| Male Connector | |
| F140571 | 27, 29 |
| Membrane Switch | |
| F340606P | 13 |
| F340608P | 13 |
| F340614P | 13 |
| F340615P | 15 |
| Microcomputer | |
| F370313-30P | 13 |
| F370313-40P | 15 |
| Module Box Assembly | |
| F200100100 | 21 |
| F200100101 | 21 |
| Module Box Cover | |
| F0637179-00 | 17 |
| Momentary Switch | |
| F200120100 | 13 |
| F340412 | 13 |
| Motor | |
| F022012800P | 75 |
| F220352 | 75 |
| F220354P | 81 |
| F220389P | 75 |
| F8329301P | 75 |
| F8329401P | 75 |
| F8329501P | 75 |
| F8329701P | 75 |
| F8329801P | 75 |
| F8329901P | 75 |
| F8330001P | 81 |
| F8597402P | 75 |
| F8597502P | 81 |
| F8597803P | 81 |
| F8597804P | 81 |
| Motor Bearing | |
| F100109P | 69 |
| F100124 | 81 |
| Motor Conversion Kit | |
| F8353501P | 75 |
| F8411501 | 75 |
| Motor Drip Shield | |
| F200216900 | 75, 81 |
| F200280700 | 81 |
| Motor Pulley | |
| F280281 | 77 |
| Motor Retrofit Kit | |
| F0798912-00 | 81 |
| Motor Support Bushing | |
| F200186100 | 75, 81 |
| Motor Support Rod | |
| F602844 | 75 |

| | |
|---------------|--------|
| F603059 | 75, 81 |
| F603897 | 81 |
| Motor Switch | |
| F340002 | 21 |

N

| | |
|---------------|--------------------------------|
| Nipple | |
| F420708 | 83 |
| Nut | |
| F430211 | 17, 19 |
| F430215 | 19, 41, 43, 45, 47, 51, 67, 83 |
| F430217 | 47 |
| F430218 | 67 |
| F430225 | 53, 55 |
| F430231 | 33, 53, 85 |
| F430232 | 13, 45, 49, 53, 55 |
| F430233 | 57, 59, 63 |
| F430239 | 69 |
| F430240 | 69, 71 |
| F430243 | 27, 29 |
| F430264 | 51, 53, 55, 57, 59 |
| F431017 | 53, 55 |
| F431022 | 13, 15, 17, 31, 49 |
| F431024 | 61, 63 |
| F431041 | 49 |
| 802292 | 33 |

O

| | |
|----------------------------|------------|
| Optic Switch Kit | |
| F775801-03P | 27, 29 |
| O-Ring | |
| F170208 | 33 |
| Output Board CCA | |
| F370449P | 17 |
| F370450P | 17 |
| Output Board VCMP Assembly | |
| F8206501P | 19 |
| F8206502P | 19, 21 |
| Output CCA | |
| F037044860-2 | 19, 21 |
| Overflow Hose | |
| F0200238-00 | 43 |
| F150317 | 43 |
| F150332 | 41, 43 |
| F150417 | 43 |
| F200125800 | 43 |
| Overflow Plug | |
| F150352 | 39, 45, 47 |
| Overload Contactor | |
| F8176101P | 23 |
| F8344001P | 23 |

P

| | |
|-------------------------------|----|
| Personal Injury Warning Decal | |
| F231065 | 11 |
| Pipe | |
| F603827-1 | 47 |
| Pipe Insulation | |
| F410300 | 83 |

N/A items do not appear in index.

| | |
|------------------------------------|------------|
| Pipe Nipple | |
| 70214101 | 83 |
| 70435601 | 83 |
| Plug | |
| F150443 | 45, 47 |
| F200202600 | 83 |
| Pop Rivet | |
| F431215 | 27, 29 |
| Pressfit Upgrade Kit | |
| F935P3 | 65 |
| F936P3 | 65 |
| F938P3 | 65 |
| F939P3 | 65 |
| F942P3 | 65, 71 |
| Pressure Switch | |
| F8134602P | 17, 19, 21 |
| Pulley | |
| F280105P | 81 |
| F280168 | 73 |
| F280173 | 79 |
| F280197 | 79 |
| F280284 | 77 |
| F280416 | 77 |
| F280422P | 81 |
| F280423 | 77 |
| F280427P | 77 |
| Pulley Bushing | |
| F280298P | 77 |
| Pump | |
| F200000900P | 47 |
| F270104P | 47 |
| F634463P | 45 |
| Pump Drain Outlet Hose | |
| F150482 | 45 |
| Pump Drain Rear Connecting Bracket | |
| F604147 | 45, 47 |
| Pump Drain Trap Assembly | |
| F630326P | 47 |
| Pump Drain Trap Mounting Bracket | |
| F609694 | 47 |
| Pump Drain Trap Weldment | |
| F633819 | 45 |
| Pump Inlet Hose | |
| F634177 | 45 |
| Pump Mounting Bracket | |
| F634114 | 45 |
| Push Red Button Decal | |
| F230661 | 49 |
| Pushbutton Rod | |
| F320300 | 49 |

R

| | |
|--------------------|--------|
| Ratchet Fastener | |
| F0432316-00 | 21 |
| RC Network Filter | |
| F330217P | 17 |
| Rear Drain Hose | |
| F0200239-00 | 43 |
| F150311 | 43, 45 |
| Rear Panel | |
| F0636220-00P | 63 |
| F0636321-00P | 63 |
| F200022900P | 63 |

N/A items do not appear in index.

| | |
|----------------------|--------|
| Rear Panel Kit | |
| F757000 | 63 |
| F757001 | 63 |
| F757002 | 63 |
| Rear Pump Drain Hose | |
| F150343 | 45, 47 |
| Red Dot Decal | |
| F230662 | 49 |
| Reducer Bushing | |
| F421936 | 83, 85 |
| Remove Door Lock Tag | |
| F230528 | 11 |
| Replacement Filter | |
| F270405 | 35 |
| F270406 | 35 |
| Resistor | |
| F370116 | 31 |
| F370117 | 31 |
| Retaining Ring | |
| F8337801 | 71 |
| F8337901 | 71 |
| F8344901 | 69 |
| F8345001 | 69 |
| Ribbon Cable | |
| F140216P | 17 |
| F140247 | 19, 21 |
| Right Side Panel | |
| F0636135-00P | 63 |
| F0636594-00P | 63 |
| F8155501P | 63 |
| F8155701P | 63 |
| F8156601 | 63 |
| F8157301P | 63 |
| F8160001 | 63 |
| F8160301P | 63 |
| Rocker Switch | |
| F340411 | 13 |
| Rod | |
| F602813-2 | 51 |
| F602813-3 | 51 |

S

| | |
|-------------------|--------------------|
| Screw | |
| F0430165-00 | 21 |
| F0430268-00 | 33 |
| F430100 | 73, 79 |
| F430103 | 41, 43 |
| F430107 | 19, 45, 47, 63 |
| F430108 | 19, 73, 79, 83 |
| F430115 | 83 |
| F430137 | 57 |
| F430173 | 13 |
| F430174 | 31, 57, 59, 61, 63 |
| F430177 | 21, 33 |
| F430179 | 45 |
| F430518 | 67 |
| F430519 | 47 |
| F430532 | 49 |
| F430533 | 49 |
| F430536 | 51 |
| F430903 | 31 |
| F430910 | 47 |
| F430916 | 17, 31, 51, 85 |
| F430917 | 17, 19 |

| | | | |
|------------------------|--------------------|-------------------------------|--------|
| F430925..... | 63 | Side Panel | |
| F430927..... | 73 | F0635981-00P..... | 63 |
| F430928..... | 17 | F0635982-00P..... | 63 |
| F430942..... | 67 | F0636299-00..... | 63 |
| F430948..... | 31 | F0636300-00P..... | 63 |
| F430949..... | 67 | F0636515-00P..... | 63 |
| F430956..... | 33, 53, 55, 57, 59 | F0636516-00P..... | 63 |
| F430977..... | 53, 55 | F0637628-00P..... | 63 |
| F430982..... | 53, 55 | F0637630-00P..... | 63 |
| F430987..... | 67 | Siphon Tube | |
| F8535601..... | 49 | F150390..... | 33 |
| M400056..... | 63 | Snap Bushing | |
| 201415..... | 19 | F140938..... | 31 |
| Shaft Seal | | Solenoid | |
| F100208..... | 69 | F300124P..... | 53 |
| Shaft Seal Sleeve | | Spacer | |
| F8312001P..... | 65 | F401206..... | 13, 15 |
| F8312002P..... | 65 | F431901..... | 53, 55 |
| F8312003P..... | 65 | Spin Rotation Decal | |
| F8312004P..... | 65 | F230914..... | 11, 49 |
| F8312005P..... | 65 | Spring | |
| F8312006P..... | 65 | F8504601..... | 37 |
| F8312008P..... | 65 | F8504701..... | 39 |
| F8343914..... | 65 | Spring Pin | |
| Shaft Seal Sleeve Kit | | F431222..... | 49 |
| F8343901P..... | 65 | Standoff | |
| F8343904P..... | 65 | F180501..... | 19, 21 |
| F8343906P..... | 65 | F180506..... | 31 |
| F8343909P..... | 65 | Steam Bracket Assembly | |
| Sheave | | F601186..... | 83 |
| F0280385-00..... | 81 | Steam Hose | |
| H87520334..... | 77 | F200153P..... | 83 |
| Sheave Kit | | F200154..... | 83 |
| F280287P..... | 81 | Steam Injector Tube Assembly | |
| Sheave Pulley | | F8368201..... | 83 |
| F280170..... | 77 | Strainer | |
| F280172..... | 73 | F270200..... | 33 |
| Shell Band Kit | | Supply Dispenser Assembly | |
| F741701..... | 67 | F200202201P..... | 33 |
| F8537801..... | 67 | Supply Dispenser Baffle | |
| F8537804..... | 67 | F150419..... | 41, 43 |
| Shell Front Assembly | | Supply Dispenser Bezel | |
| F0636283-00P..... | 67 | F0150503-00..... | 33 |
| F632006P..... | 67 | Supply Dispenser Hose | |
| Shell Front Gasket Kit | | F0200236-01..... | 43 |
| F792000..... | 67 | F8061601..... | 43 |
| Shell Front Kit | | F8071701..... | 41, 43 |
| F741300P..... | 67 | Supply Dispenser Lid | |
| F741302-01..... | 67 | F200270500..... | 61 |
| Shell Weldment | | Supply Dispenser Standoff | |
| F063597402P..... | 67 | F0150504-00..... | 33 |
| F0636388-00..... | 67 | Supply Dispenser Sub-Assembly | |
| F0636460-00..... | 67 | F602374..... | 33 |
| F0636555-00..... | 67 | Switch Clamp | |
| F063659201..... | 67 | F0340722-00..... | 21 |
| F0636601-00..... | 83, 85 | Switch Plate Decal | |
| F0636700-00..... | 83, 85 | F230840..... | 13 |
| F0636704-00..... | 83, 85 | Switch Plate Sub-Assembly | |
| F0636747-00..... | 83, 85 | F633098..... | 13 |
| F0637054-00..... | 83, 85 | | |
| F0637659-00..... | 67 | | |
| F0637661-00..... | 83, 85 | | |
| F200195402..... | 67 | | |
| F200199700..... | 83, 85 | | |
| F8196202..... | 83, 85 | | |
| F8196204..... | 83, 85 | | |

N/A items do not appear in index.

T

| | |
|--------------------------------|--------|
| Temperature Probe | |
| F370606P | 83, 85 |
| Template | |
| F450127 | 87 |
| Terminal | |
| F140766 | 31 |
| Terminal Block | |
| M413865 | 31 |
| Terminal Strip | |
| F140738 | 17 |
| Terminal Strip Insulator Decal | |
| F140912 | 17 |
| F140913 | 17 |
| F140914 | 17 |
| F140915 | 17 |
| F140916 | 17 |
| Timer | |
| F0330404-00P | 21 |
| Top Cover Assembly | |
| F063618900P | 61 |
| F063632700 | 61 |
| F063652000P | 61 |
| F063659800P | 61 |
| F063664000P | 61 |
| F063771200P | 61 |
| Transformer | |
| C000203 | 47 |
| F360117P | 19 |
| F360156P | 47 |
| Transformer Mounting Bracket | |
| F200167700 | 19, 47 |
| Trim | |
| F015050100P | 51 |
| Triple Lip Seal | |
| F8203801 | 69 |
| F8203802 | 69, 71 |
| F8203803 | 71 |
| F8203805 | 71 |
| F8203806 | 71 |
| Trunnion Kit | |
| F747001 | 69 |
| F747002 | 69, 71 |
| F747003 | 71 |
| F747005 | 71 |
| Tubing | |
| F606192-5 | 47 |

U

| | |
|----------------|--------|
| U-Bolt Clamp | |
| F200401P | 45, 47 |

V

| | |
|--------------------------|--------|
| Vacuum Breaker Assembly | |
| F603031 | 33 |
| Vacuum Breaker Bottom | |
| F015033000 | 33 |
| Vacuum Breaker Fill Hose | |
| F0150340-01 | 41, 43 |

N/A items do not appear in index.

| | |
|--------------------------|--------|
| Vacuum Breaker Hose | |
| F0200244-00 | 31 |
| F0200244-01 | 31 |
| F150321 | 43 |
| F150340 | 41, 43 |
| Vacuum Breaker Top | |
| F0150329-00 | 33 |
| Valve | |
| F8322801P | 83 |
| F8322802 | 83 |
| Valve Kit | |
| F8379501P | 83 |
| Valve Panel Assembly | |
| F0636138-00 | 63 |
| F0636138-01 | 63 |
| F0636297-00 | 63 |
| F0636297-01 | 63 |
| F0636521-00 | 63 |
| F0636524-01 | 63 |
| Valve Panel Sub-Assembly | |
| F0636524-03 | 63 |
| Valve, 3-Way | |
| F0381736-00P | 33 |
| F0381737-00P | 33 |
| F0381738-00P | 33 |
| F0381750-00P | 33 |
| F0381765-00P | 33 |
| F0381766-00P | 33 |
| F0381769-00P | 33 |

W

| | |
|----------------------------|--------------------|
| Washer | |
| F0430348-00 | 63 |
| F0431159-00 | 73 |
| F430303 | 67 |
| F430311 | 21 |
| F430317 | 41, 43, 45, 67, 83 |
| F431100 | 17, 19, 53, 55 |
| F431106 | 13 |
| F431108 | 19 |
| F431113 | 13, 15, 17, 31, 49 |
| F431115 | 79 |
| F431123 | 53, 55 |
| F431128 | 67, 69 |
| F431131 | 67, 69, 71 |
| F431147 | 53, 55, 61 |
| F431902 | 53, 55 |
| F431916 | 49 |
| M400081 | 67 |
| M405535 | 57, 59, 63 |
| 20290 | 35 |
| 803615 | 35 |
| 901690 | 47, 75, 81 |
| Water Hose | |
| F200108P | 31 |
| F200116 | 35 |
| F200164 | 35 |
| F200165 | 35 |
| F200166 | 35 |
| Water Level Switch | |
| F0340343-10P | 17, 19, 21 |
| F0340345-10P | 17, 19, 21 |
| Water Level Switch Bracket | |
| F631920 | 19 |

Y

Y Connector
F422808 33
