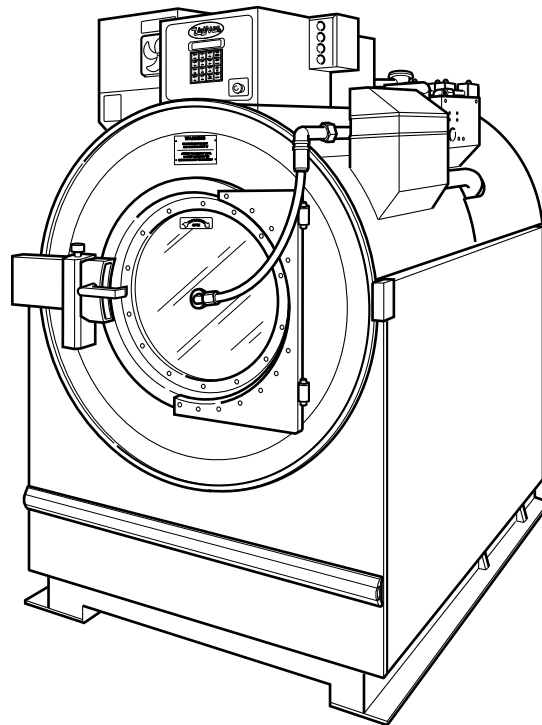


Washer-Extractor

Pocket Hardmount

UW150PV



PHM1394C_F232220

Table of Contents

Title	Page
Parts Ordering Information.....	2
Serial Plate Location	2
Model Identification	3
Pocket Hardmount Washer-Extractor Product Overview	4
Decals	6
Control Module (Drawing 1 of 4)	8
Control Module (Drawing 2 of 4)	10
Control Module (Drawing 3 of 4)	12
Control Module (Drawing 4 of 4)	14
AC Drive.....	16
PowerFlex 40 AC Drive.....	18
Front, Rear and Side Panels.....	20
Door Assembly.....	22
Door Lock.....	24
Jog Feature.....	26
Basket, Trunnion, Shell and Frame	28
Supply Dispenser	30
Fill Plumbing	32
Spray Plumbing.....	34
Drain Plumbing	36
Motor, Belt, Pulley and Transformers	38
Balance Switch and Rotation Sensor.....	40
Steam Heat Option	42
Security Fasteners	44
Special Tools	46
Parts Index.....	49

© Copyright 2015, Alliance Laundry Systems LLC

All rights reserved. No part of the contents of this book may be reproduced or transmitted in any form or by any means without the expressed written consent of the publisher.

Parts Ordering Information

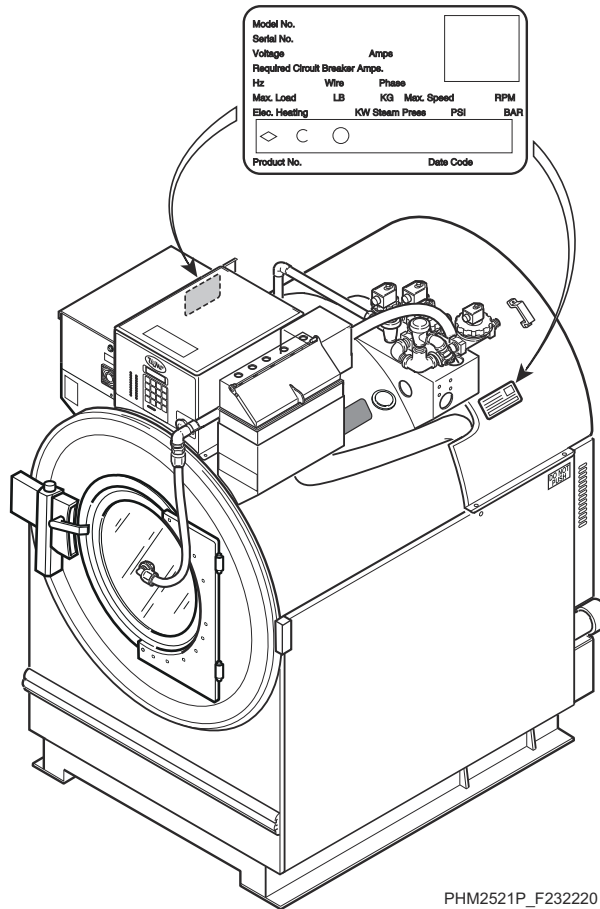
If literature or replacement parts are required, contact the source from whom the machine was purchased or contact Alliance Laundry Systems at (920) 748-3950 for the name and address of the nearest authorized parts distributor.

For technical assistance, call either of the numbers listed below:

(920) 748-3121 Ripon, Wisconsin
+32 56 41 20 54 Wevelgem, Belgium

Serial Plate Location

When calling or writing about your product, be sure to mention model and serial numbers. Model and serial numbers are located on serial plate(s) as shown.



Model Identification

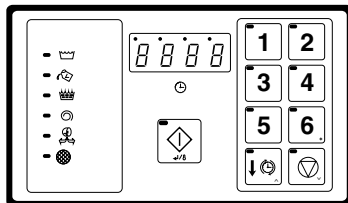
Information in this manual is applicable to this washer-extractor model:

UW150PV

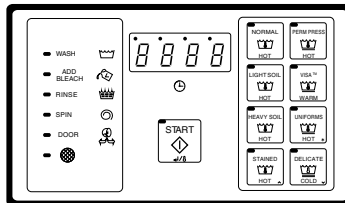
Pocket Hardmount Washer-Extractor Product Overview

Model No. UW60AMXUB0001
 Serial No. 00000000000
 Voltage 200 – 240 Amps 10
 Circuit Breaker 15 Amps
 Hz 50 – 60 Wire 2/3 Phase S 3
 Max. Load 60 LB 27 KG Max. Speed 594 RPM
 Elec. Heating N/A Steam Press. N/A PSI 0.0 BAR

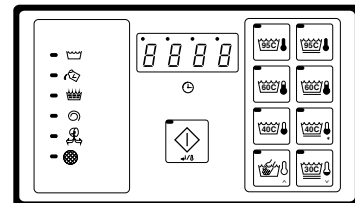
Drawings:
 ETL Listed
 Conforms To ANSI/UL Std. 1206, 3rd Ed
 Certified To CAN/CSA Std. C22.2 No.53-1968



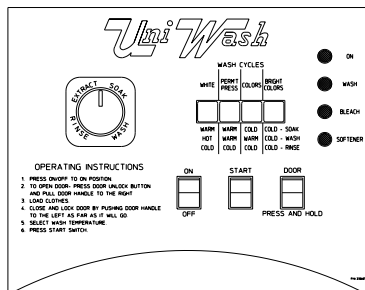
A-Control



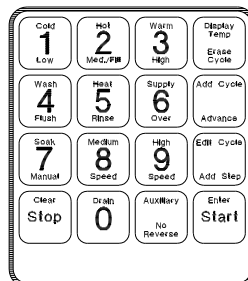
B-Control (Domestic)



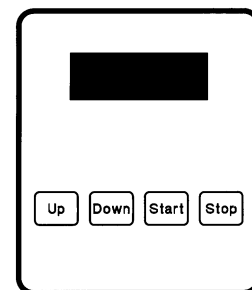
B-Control (International)



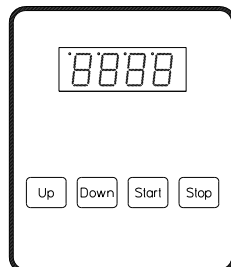
Mechanical Timer



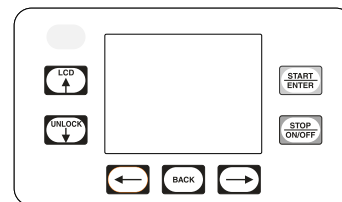
WE-6 Control



S-Computer



V-Computer



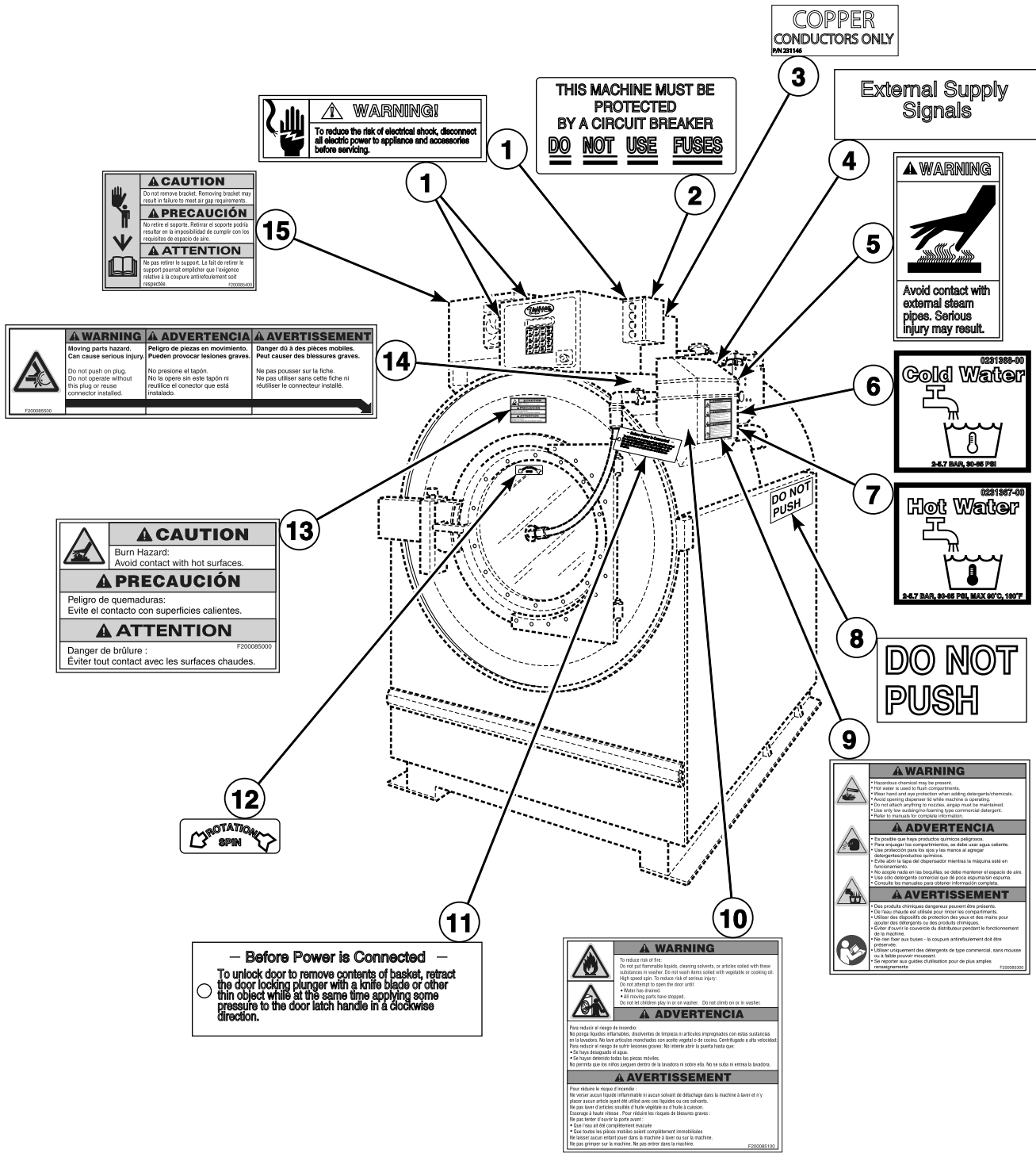
UniLinc Control

PHM2979P_F232220

Pocket Hardmount Washer-Extractor Product Overview

REF	PART NO.	DESCRIPTION	COMMENTS
1	-	Product Family	UW
2	-	Capacity (Pounds)	35 60 80 100 125 150
3	-	Control	A (A-Control) B (B-Control) M (Mechanical Timer) P (WE-6 Control) S (S-Computer) V (V-Computer) T (UniLinc Control)
4	-	Speed	2 (2-Speed) 3 (3-Speed) 4 (4-Speed) V (Variable-Speed)
5	-	Voltage	F (440-480/60/3/3) N (440-480/50-60/3/3) O (208-240/60/3/3) P (380-415/60-60/3/3) Q (200-208/220-240/50/60/3ph) R (380-415/440-480/50/60/3ph) X (200-220/220-240/50/60/1-3) Y (208-240/60/1/2)
6	-	OEM	U (Standard Specs)
7	-	Design Series	1-8

Decals



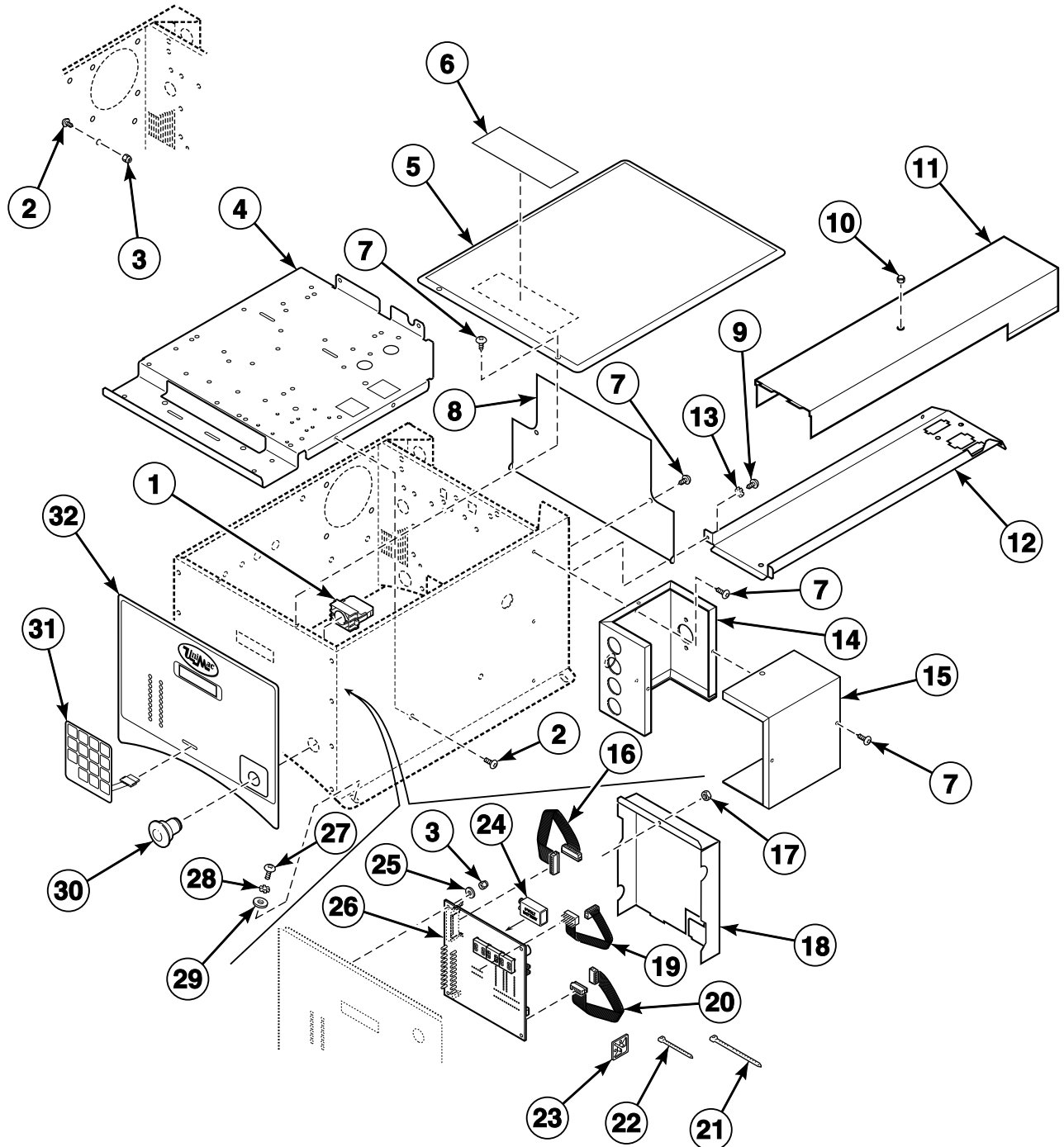
PHM2687P_F232220

Decals

REF	PART NO.	DESCRIPTION	COMMENTS
1	505281	Disconnect Power Warning Label	
2	F230301	This Machine Must Be Protected Decal	
3	F231146	Conductor Decal	
4	F230917-1	External Supply Connection Decal	English
	N/A	Decal	German
	N/A	Decal	French
5	F231380	Hot Surface Warning Decal	
6	F231368	Cold Water Valve Decal	
7	F231367	Hot Water Valve Decal	
8	F230302	Do Not Push Decal	
9	F200085300	Hot Water and Chemical Caution Decal	
10	F200085100	Spin Warning Decal	
11	F230501	Before Power Is Connected Tag	
12	F230693	Counterclockwise Spin Rotation Decal	
13	F200085000	Hot Surface Warning Decal	
14	F200085500	Moving Parts Plug Warning Decal	
15	F200085400	Do Not Connect Warning Decal	

N/A = Part no longer available

Control Module (Drawing 1 of 4)



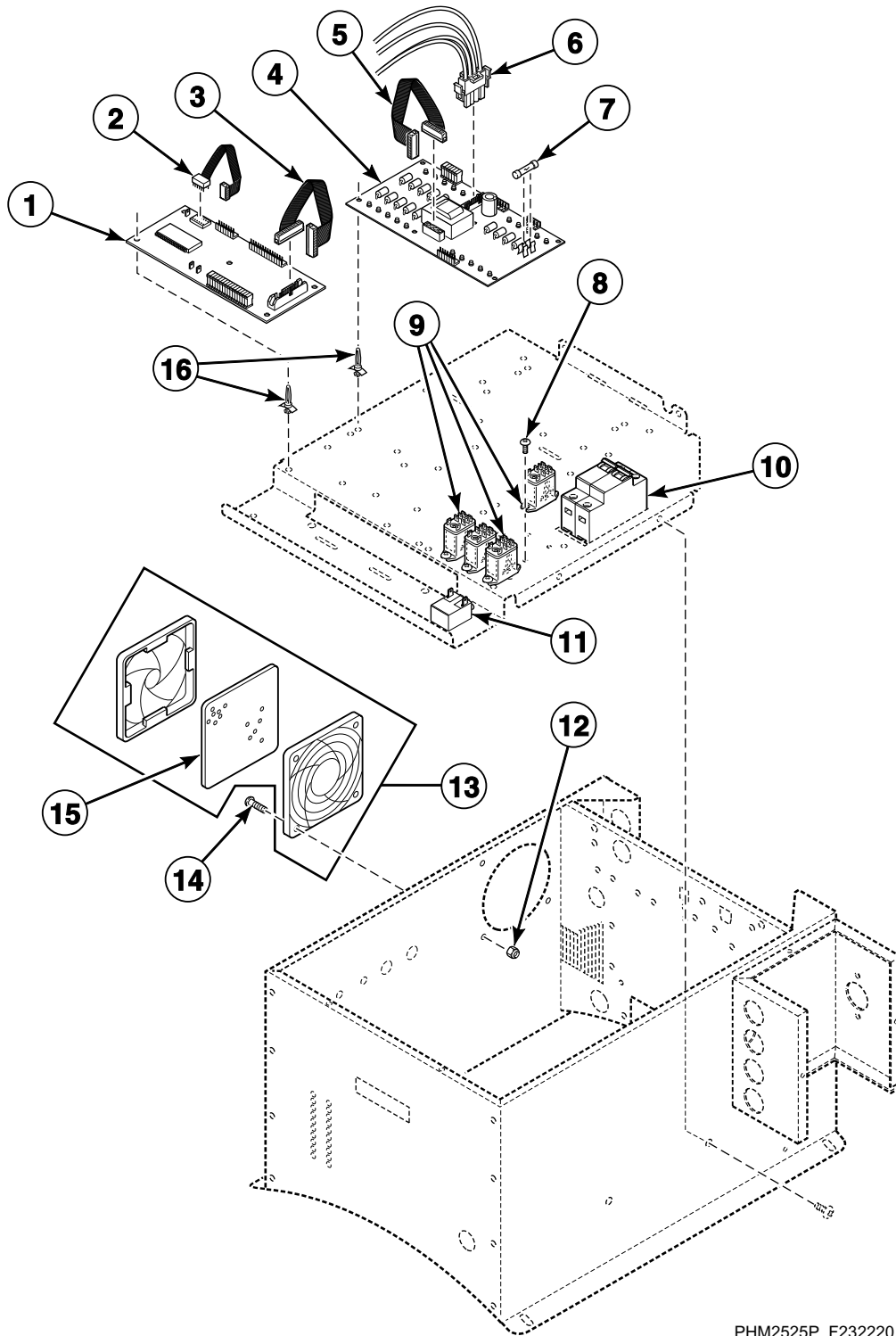
PHM2524P_F232220

Control Module (Drawing 1 of 4)

REF	PART NO.	DESCRIPTION	COMMENTS
1	F340445	Contact Block Switch	800E-series; Models through 8/31/07; Includes mounting base
	F200299500	Contact Block Switch	800E-series; Models through 8/31/07; Does not include mounting base
	F200233401P	Contact Block Switch	800F-series; Models starting 9/1/07; Includes F8069501 Contact Switch and F8538101 Contact Base
	F8069501	Contact Switch	Models starting 9/1/2007
	F8538101	Contact Base	Models starting 9/1/2007
2	F430928	Screw	
3	F430231	Nut	
4	N/A	Control Mounting Panel Assembly	
5	F635456	Control Module Cover	
6	505281	Disconnect Power Warning Label	
7	70240301	Screw	
8	F0637549-00	Electrical Access Panel	
9	F430917	Screw	
10	F8549401	Nut	
11	F200078900	Cable Tray Cover	
12	F063561505	Cable Tray Assembly	
13	F431113	Washer	
14	F635468	External Supply Box	
15	F635365	External Supply Box Cover	
16	F140219P	Ribbon Cable	26 conductor; 15 inch; From computer to output cca
17	F431000	Nut	
18	F606826	Computer Cover	
19	F140248P	Ribbon Cable	16 conductor; 15 inch; From computer to interface cca; J1 plug; DIP socket
20	F140218P	Ribbon Cable	16 conductor; 12 inch; From interface cca to computer; J8 plug
21	F140606	Cable Tie	15 inch
22	F140605	Cable Tie	6 inch
23	F140602	Tie Wrap Mounting Clamp	
24	F191101	Battery	9 Volt; Backup
25	F431125	Washer	
26	F200276400P	WE-6 Computer	
27	F8136401	Screw	
28	F431108	Washer	
29	F431123	Washer	
30	N/A	Emergency Stop Pushbutton	800E-series; Models through 8/31/07; Replaced by F200233700P Emergency Stop Button Kit
	F200233700P	Emergency Stop Button Kit	Used to convert from 800E-series to 800F-series; Includes F200233500 Emergency Stop Pushbutton and F200233401 Contact Block Switch
	F200233500	Emergency Stop Pushbutton	800F-series; Models starting 9/1/07
31	F230724P	Keypad Decal	
32	F200205900	Control Module Decal	

N/A = Part no longer available

Control Module (Drawing 2 of 4)

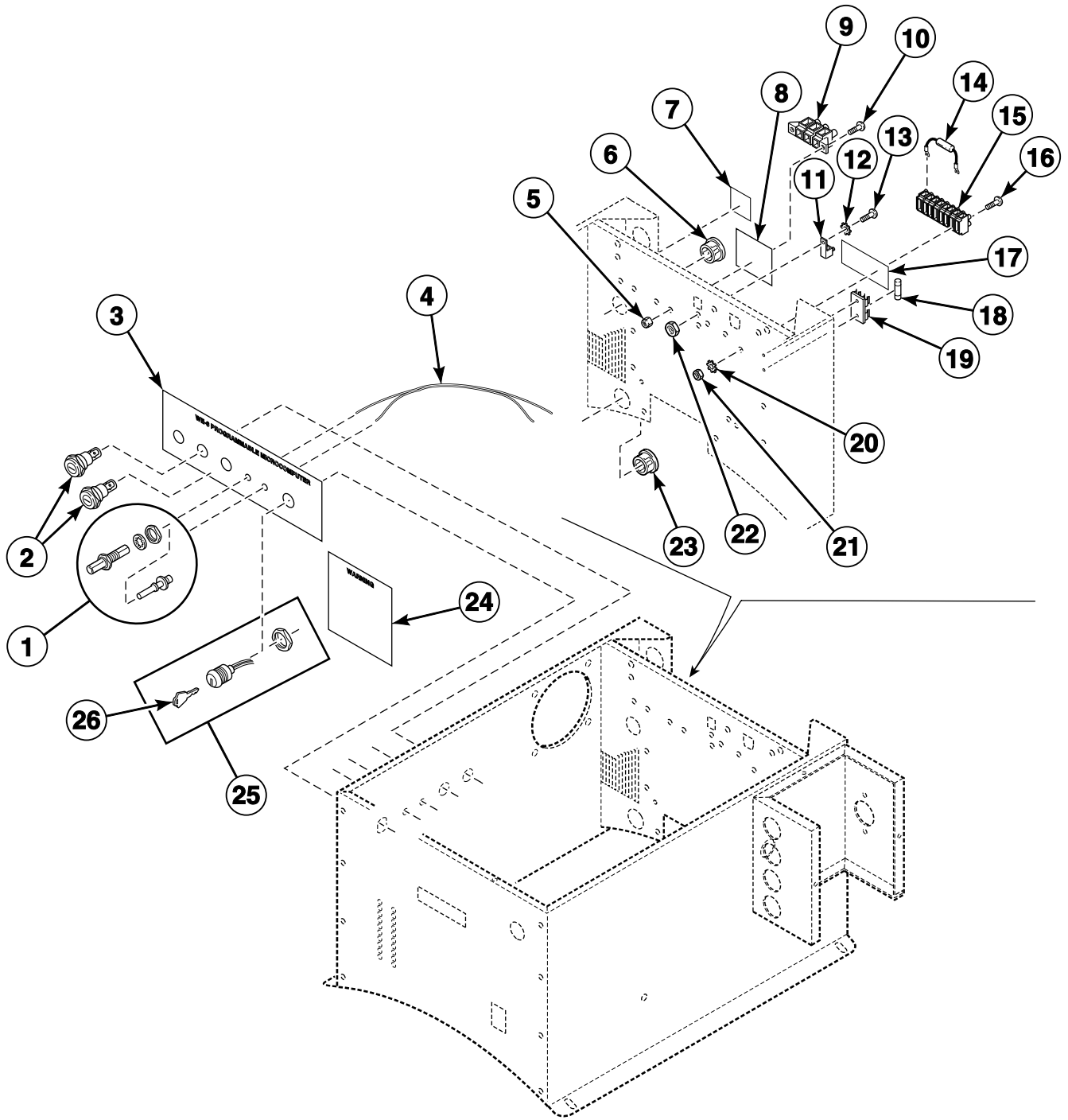


PHM2525P_F232220

Control Module (Drawing 2 of 4)

REF	PART NO.	DESCRIPTION	COMMENTS
1	F0370446-21P	WE-6 Interface CCA Kit	Harness connection
	F370446-1P	WE-6 Interface CCA Kit	Screw terminal
2	F140218P	Ribbon Cable	16 conductor; 12 inch; From interface cca to computer; J8 plug
3	F140248P	Ribbon Cable	16 conductor; 15 inch; From interface cca to computer; J1 plug; DIP socket
4	F8321901P	Output CCA	
5	F140219P	Ribbon Cable	26 conductor; 15 inch; From computer to output cca
6	F784003P	Jumper Kit	
7	F350108	Fuse	1/8 Amp; Slo blo
	F350109	Fuse	1/2 Amp; Fast blo
	F350110	Fuse	1 Amp; Slo blo
8	F0430165-00	Screw	
9	F330230	Flange Relay	220 Volt
10	F8303001P	Circuit Breaker	2 Amp
11	F300206	Buzzer	220 Volt
12	F430231	Nut	
13	F220900	Filter Retainer Guard	Includes item 15
14	F430910	Screw	
15	F200318900P	Filter	
16	F180506	Standoff	

Control Module (Drawing 3 of 4)

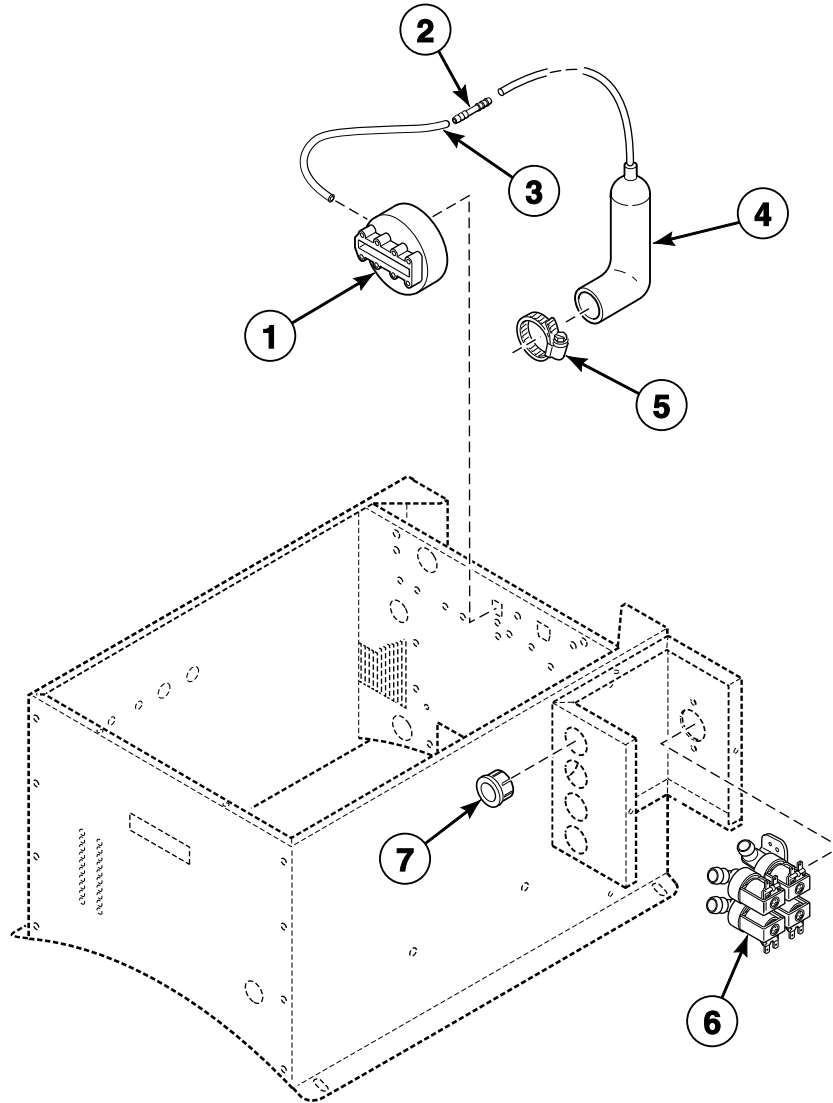


PHM2570P_F232220

Control Module (Drawing 3 of 4)

REF	PART NO.	DESCRIPTION	COMMENTS
1	F140575P	Connector	Gray
	F140576P	Connector	Blue
2	F0350313-00P	Fuse Holder	
	F350142	Fuse	
3	F0231632-00	Switch Mode Decal	
4	F604713	Cable Assembly	
5	F431022	Nut	
6	F140909	Insulator Bushing	
7	F231345-4	External Supply Caution Decal	Q-voltage
	F231345-5	External Supply Caution Decal	N and P-voltage
8	F0231636-00	Input Block Decal	Input power connection
9	F140794-1	Input Power Block	
10	F430938	Screw	
11	F140734	Ground Terminal Lug	
12	F431106	Washer	
13	F430903	Screw	
14	F370116	Resistor	12 K, 5w
15	F140782	Terminal Block	11 place
16	F430995	Screw	
17	F230764-10	External Supply Connection Decal	Q-voltage
	F230764-9	External Supply Connection Decal	N and P-voltage
18	F350115	Fuse	3 Amp; Fast blo
19	F0350312-10	Fuse Holder	
20	F431108	Washer	
21	F431006	Nut	
22	F431000	Nut	
23	F180486	Cap Plug	
24	F231065	Personal Injury Warning Decal	
25	F340800P	Keymode Run/Program Switch	Includes item 26; Q-voltage; N and P-voltage models through 10/6/04 and starting 1/15/05
	F200174600P	Keymode Assembly	Includes item 26; N and P-voltage models starting 10/7/04 through 1/14/05
26	F370709	Program Key	Key code A153

Control Module (Drawing 4 of 4)

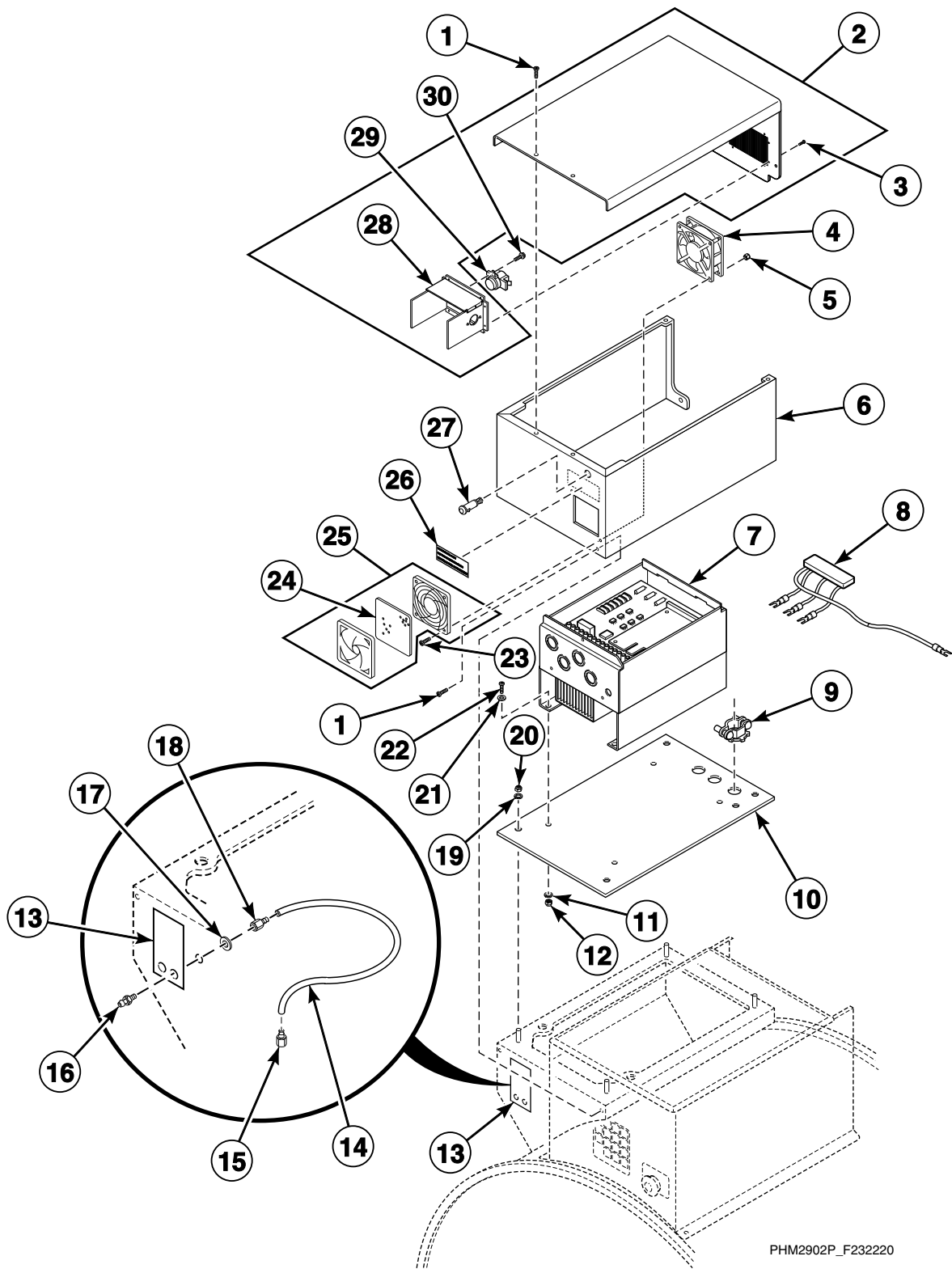


PHM2527P_F232220

Control Module (Drawing 4 of 4)

REF	PART NO.	DESCRIPTION	COMMENTS
1	F0340348-10P	Water Level Switch	
2	F422500	Connector	
3	F422404P	Tubing	
4	F200163	Air Trap Hose	
5	F200215	Hose Clamp	No. 28
6	F381723P	4-Way Valve	220 Volt
	G582P3	Diaphragm and Guide Kit	
7	F140938	Snap Bushing	

AC Drive



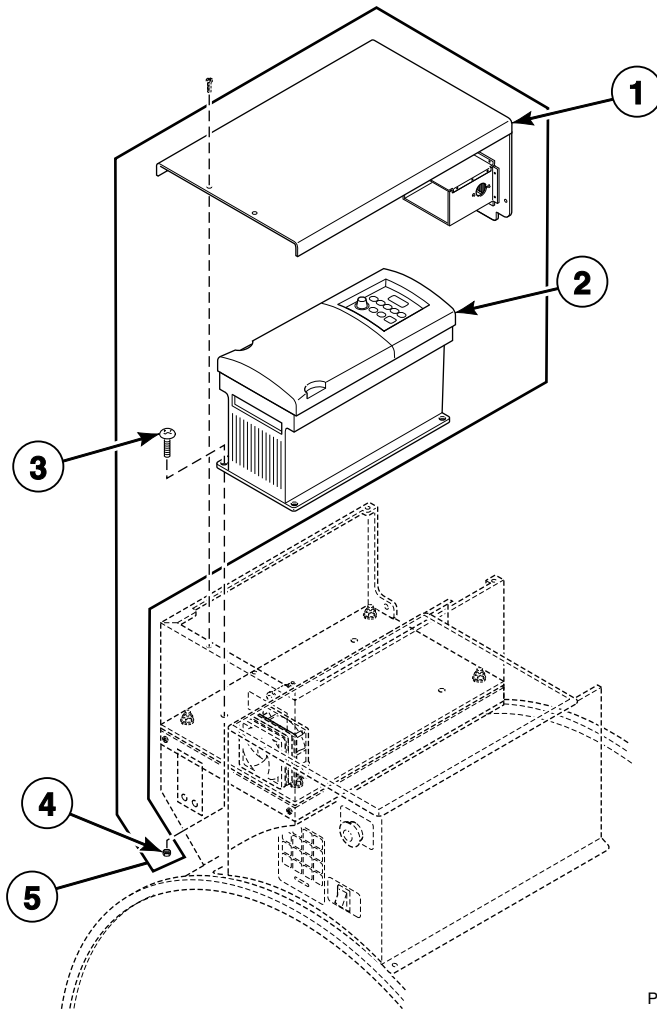
PHM2902P_F232220

AC Drive

REF	PART NO.	DESCRIPTION	COMMENTS
1	F430986	Screw	
2	F200097600	Top Exhaust Panel Assembly	Includes items 3 and 28; Used with F200276700 Drive
3	F431215	Pop Rivet	
4	F110105	Muffin Fan	220 Volt; 4 inch
5	F430231	Nut	
6	F200097800	AC Drive Enclosure Weldment	
7	F200276700	Drive	
8	F200320901	AC Drive Radio Filter Assembly	
9	F140312	Connector	
10	F8018200	Drive Mounting Plate Assembly	
11	F431137	Washer	
12	F431004	Nut	
13	F231563	Grease Instruction Decal	Lubrication
14	C000628P	Tubing	
15	J1408004	Connector	
16	F190701	Grease Fitting	
17	F430332	Washer	
18	F422114	Air Coupling	
19	F431100	Washer	
20	F431024	Nut	
21	F431101	Washer	
22	N/A	Screw	
23	F430910	Screw	
24	F200318900P	Filter	
25	F220900	Filter Retainer Guard	Includes item 24
26	F200061000	Clean Filter Daily Decal	
27	F350413	Light	
28	F200060700	AC Drive Exhaust Duct	
29	F290115	Thermostat	
30	F0430165-00	Screw	

N/A = Part no longer available

PowerFlex 40 AC Drive

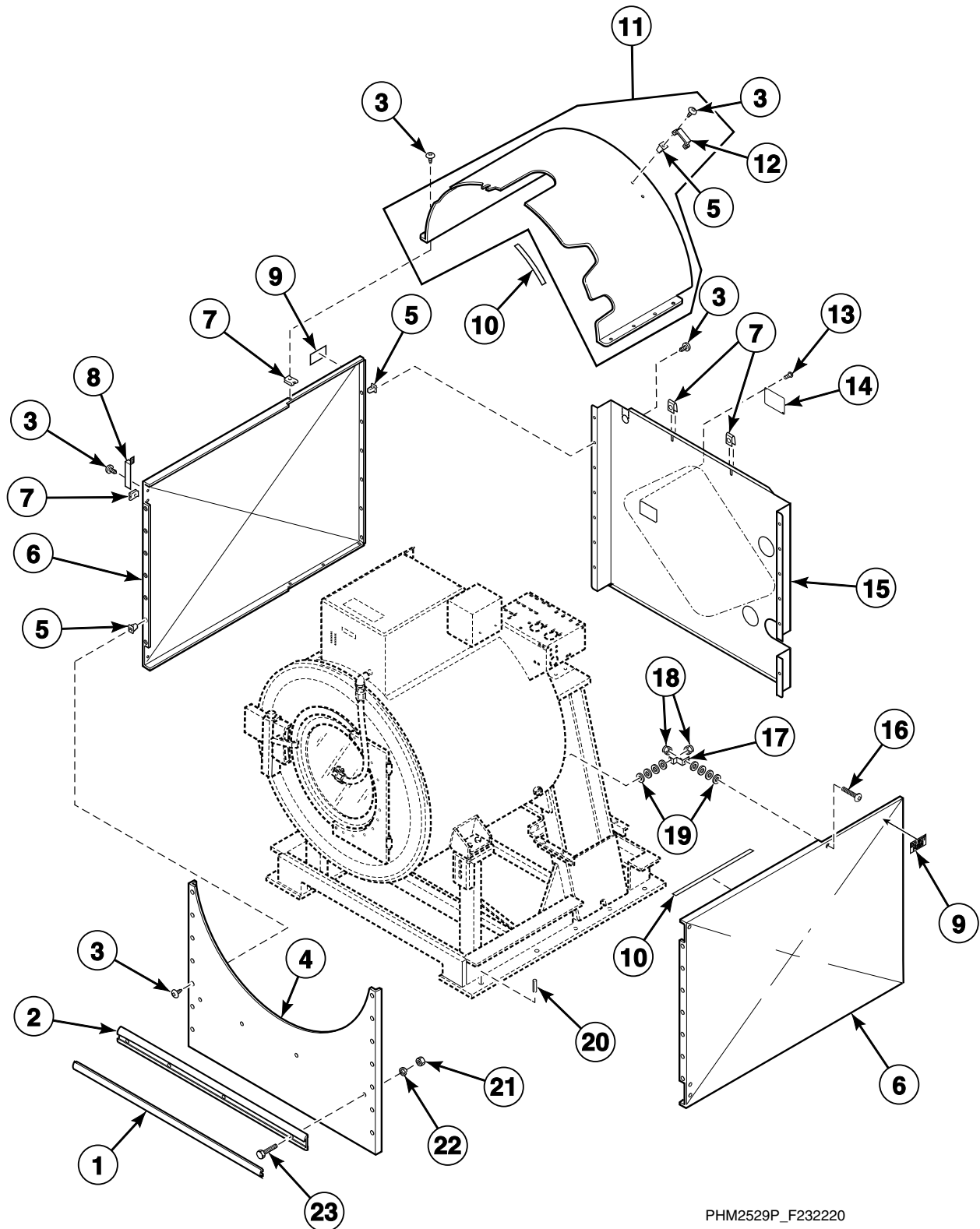


PHM2682P_F232220

PowerFlex 40 AC Drive

REF	PART NO.	DESCRIPTION	COMMENTS
1	F200316100	Top Exhaust Panel Assembly	Used with F8026901 AC Drive and F8027001 AC Drive
2	F8169654	PowerFlex 40 AC Drive	Q-voltage; Requires WE-6 computer software ID code ARWC01 (F200276500 Software Chip)
	F8169655	PowerFlex 40 AC Drive	N and P-voltage; Requires WE-6 computer software ID code ARWC01 (F200276500 Software Chip)
3	F430920	Screw	
4	F431017	Nut	
5	F8324303	1336 to PowerFlex 40 Drive Kit	Q-voltage; Includes items 1-4, F200276500 Software Chip, F140160 Wire (12 inches) and F140605 Cable Tie
	F8324403	1336 to PowerFlex 40 Drive Kit	N and P-voltage; Includes items 1-4, F200276500 Software Chip, F140160 Wire (12 inches) and F140605 Cable Tie

Front, Rear and Side Panels

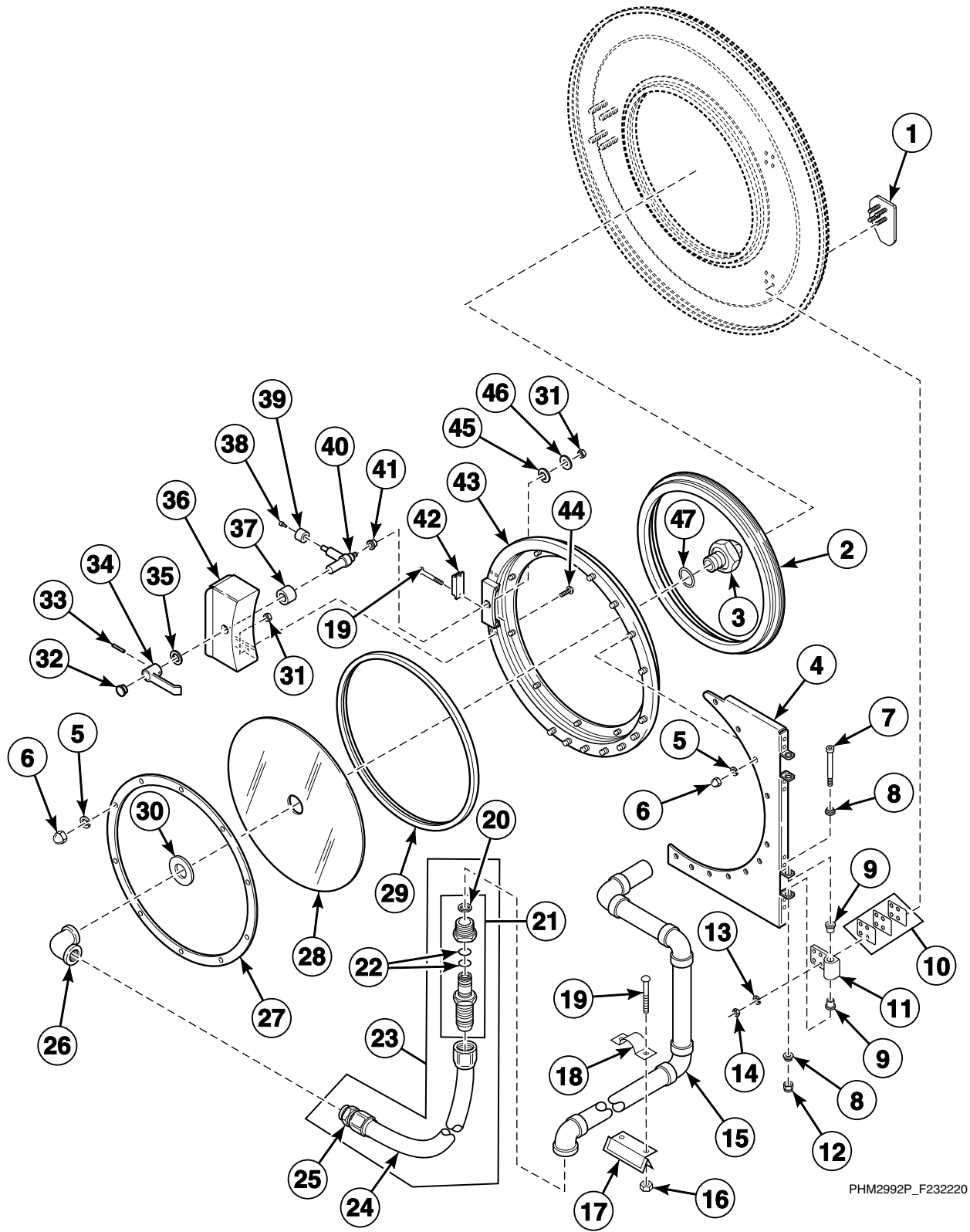


PHM2529P_F232220

Front, Rear and Side Panels

REF	PART NO.	DESCRIPTION	COMMENTS
1	F150397	Extrusion Insert	Order 4 feet
2	F200079000	Rub Rail	
3	F430956	Screw	
4	F200079500P	Front Panel	
5	F0431807-00	Nut	Plastic insert
6	F200079600	Side Panel	
7	F430264	Nut	Tinnerman
8	F607262	Side Panel Cover	
9	F230302	Do Not Push Decal	
10	F170400RP	Trim	
11	F200078300	Cage Wrap Assembly	Includes items 3, 5 and 12
12	F605324	Hose Strap	
13	70240301	Screw	
14	F200188300	Belt Inspection Port Cover	
15	F200079300	Rear Panel	
16	F430921	Screw	
17	F601982	Side Panel Bracket	
18	F430215	Nut	
19	F430317	Washer	
20	F430415	Pin	
21	F430211	Nut	
22	F431100	Washer	
23	F430921	Screw	

Door Assembly

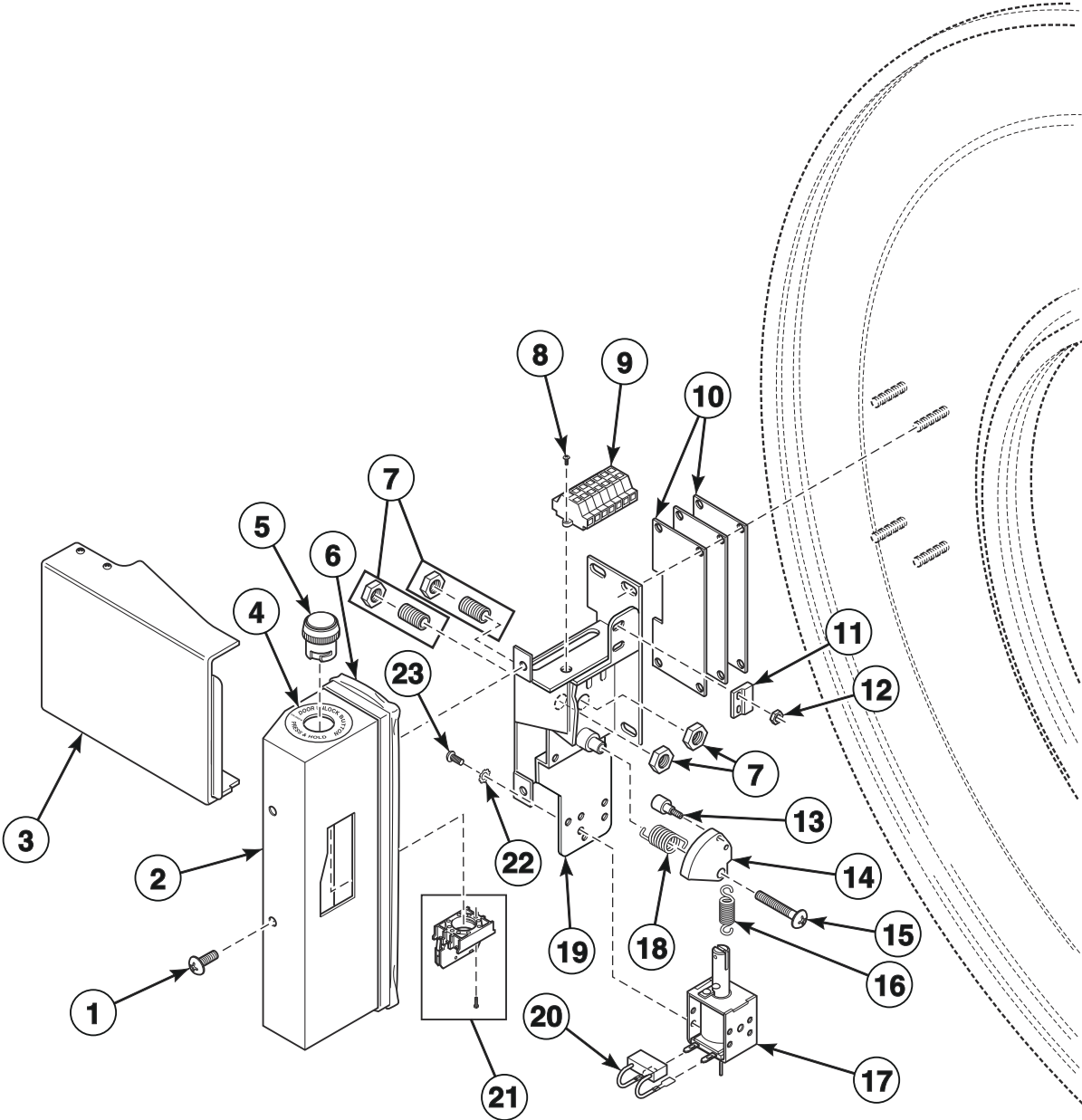


PHM2992P_F232220

Door Assembly

REF	PART NO.	DESCRIPTION	COMMENTS
1	F200074600	Hinge Support Assembly Weldment	
2	F8434802P	Door Gasket Kit	
3	F380301	Spray Rinse Nozzle	
	F730077	Spray Rinse Nozzle Kit	Includes items 30 and 47
4	F200077600	Door Hinge Bracket Assembly	
5	F431100	Washer	
6	F8549401	Nut	
7	F200075400	Screw	
8	F200076900	Flange Bushing	
9	F200076800	Flange Bushing	
10	F200077400	Hinge Shim	
11	F200074300	Door Hinge	
12	F430233	Nut	
13	F431120	Washer	
14	F431002	Nut	
15	F200081400	Spray Rinse Tube Assembly	
16	F431022	Nut	
17	F602901P	Spray Rinse Bracket Assembly	
18	F602880	Spray Rinse Strap	
19	F430917	Screw	
20	F310206	Ring Retainer	
21	F422108	Swivel Coupling	
22	F170200	O-Ring	
23	F730023	Spray Rinse Hose Kit	
24	F610068	Hose	
25	F422109	No-Swivel Coupling	
26	F422319	Elbow	
27	F200076100	Glass Retainer	
28	F200074400P	Glass	
29	F200076000	Door Glass Gasket	
30	F431905	Washer	
31	F431024	Nut	
32	F140563	Plug	
33	F431222	Spring Pin	
34	F150225	Door Handle	
35	F431907	Washer	
36	F8210001	Pivot Lock Cover Weldment	
37	F280253	Bushing	
38	F340502P	Switch Magnet	
39	F100145	Follower Cam	
40	F608536	Pivot Lock Weldment	
41	F280252	Bushing	
42	F8390801	Magnet	
43	F200075000	Door Weldment	
44	F0220908-02	Screw	
45	F431143	Washer	
46	F431142	Washer	
47	F170201	O-Ring	

Door Lock



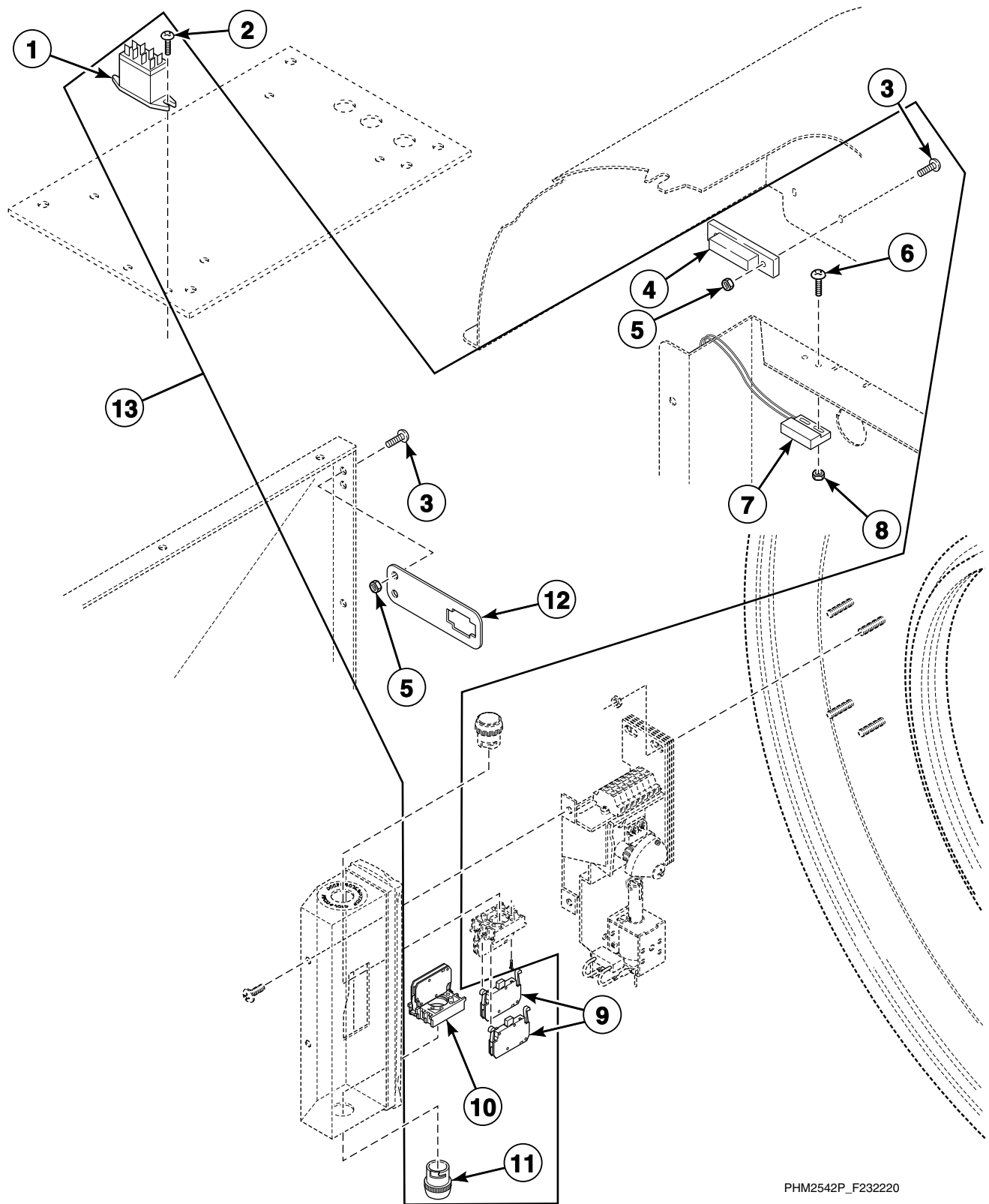
PHM3292P_F232220

Door Lock

REF	PART NO.	DESCRIPTION	COMMENTS
1	F430985	Screw	
2	F200089700	Door Lock Cover Weldment	
3	F200090300	Conduit Assembly Guard	
4	F230816	Door Unlock Decal	
5	N/A	Momentary Pushbutton	800E-Series; Models through 8/31/07; Replaced by F8069902P Button Kit
	F8069902P	Button Kit	Used to convert from 800E-Series to 800F-Series; Includes F200233400 Contact Block Switch and F8069602 Momentary Pushbutton
	F8069602	Momentary Pushbutton	800F-Series; Models starting 9/1/2007
6	F170404	Trim	Order 3 feet
7	F340503P	Hall Effect Sensor Switch	
8	F430928	Screw	
9	F140766	Terminal	
10	F606563	Door Lock Shim	
11	F200321200	Magnetic Switch Assembly	
12	F430215	Nut	
13	F340502P	Switch Magnet	
14	F0150518-00	Door Lock Cam	
15	F430921	Screw	
16	F310107	Spring	
17	F0300130-00P	Solenoid	
18	F310133	Door Cam Torsion Spring	
19	F200113500	Door Lock Bracket Weldment	
20	F330217P	RC Network Filter	Includes F140627 Connector and F141022 Connector
21	F340444	Contact Block and Mounting Switch	800E-Series; Models through 8/31/2007; Normally open; With mount
	F200233400	Contact Block Switch	800F-series; Models starting 9/1/07; Includes F8069501 Contact Switch and F8538101 Contact Base
	F8069501	Contact Switch	Models starting 9/1/2007
	F8538101	Contact Base	Models starting 9/1/2007
22	F431106	Washer	
23	F430995	Screw	

N/A = Part no longer available

Jog Feature



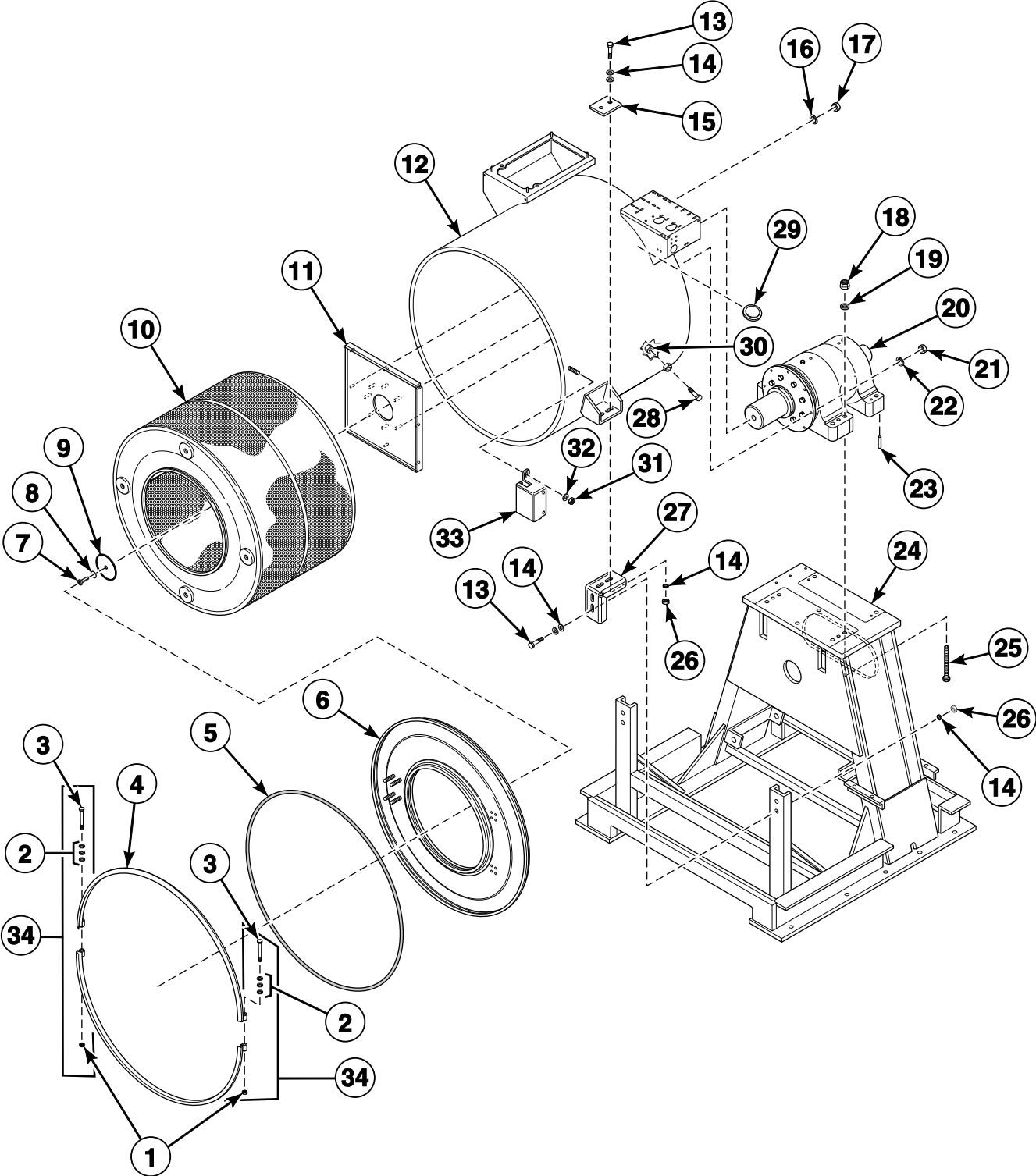
PHM2542P_F232220

Jog Feature

REF	PART NO.	DESCRIPTION	COMMENTS
1	F330230	Flange Relay	
2	F430482	Screw	
3	F430928	Screw	
4	F8390801	Magnet	
5	F430231	Nut	
6	F430266	Screw	
7	F200294300	Panel Safety Reed Switch Harness	
8	F430225	Nut	
9	F330170	Contact	800E-series; Models through 8/31/2007
10	F340444	Contact Block and Mounting Switch	800E-series; Models through 8/31/2007; Normally open; With mount
	F200233400	Contact Block Switch	800F-series; Models starting 9/1/2007; Includes F8069501 Contact Switch and F8538101 Contact Base
	F8069501	Contact Switch	Models starting 9/1/2007
	F8538101	Contact Base	Models starting 9/1/2007
11	N/A	Momentary Pushbutton	800E-series; Models through 8/31/2007; Replaced by F8069902P Button Kit
	F8069902P	Button Kit	Used to convert from 800E-series to 800F-series; Includes F200233400 Contact Block Switch and F8069602 Momentary Pushbutton
	F8069602	Momentary Pushbutton	800F-series; Models starting 9/1/2007
12	F200067200	Magnetic Switch Connection Bracket	
13	F079902300	Jog Feature Retrofit Kit	Includes F200311200 Jog Feature Retrofit Control Harness and items 1-12; Models with 1336-series AC Drive
	F200311200	Jog Feature Retrofit Control Harness	

N/A = Part no longer available

Basket, Trunnion, Shell and Frame

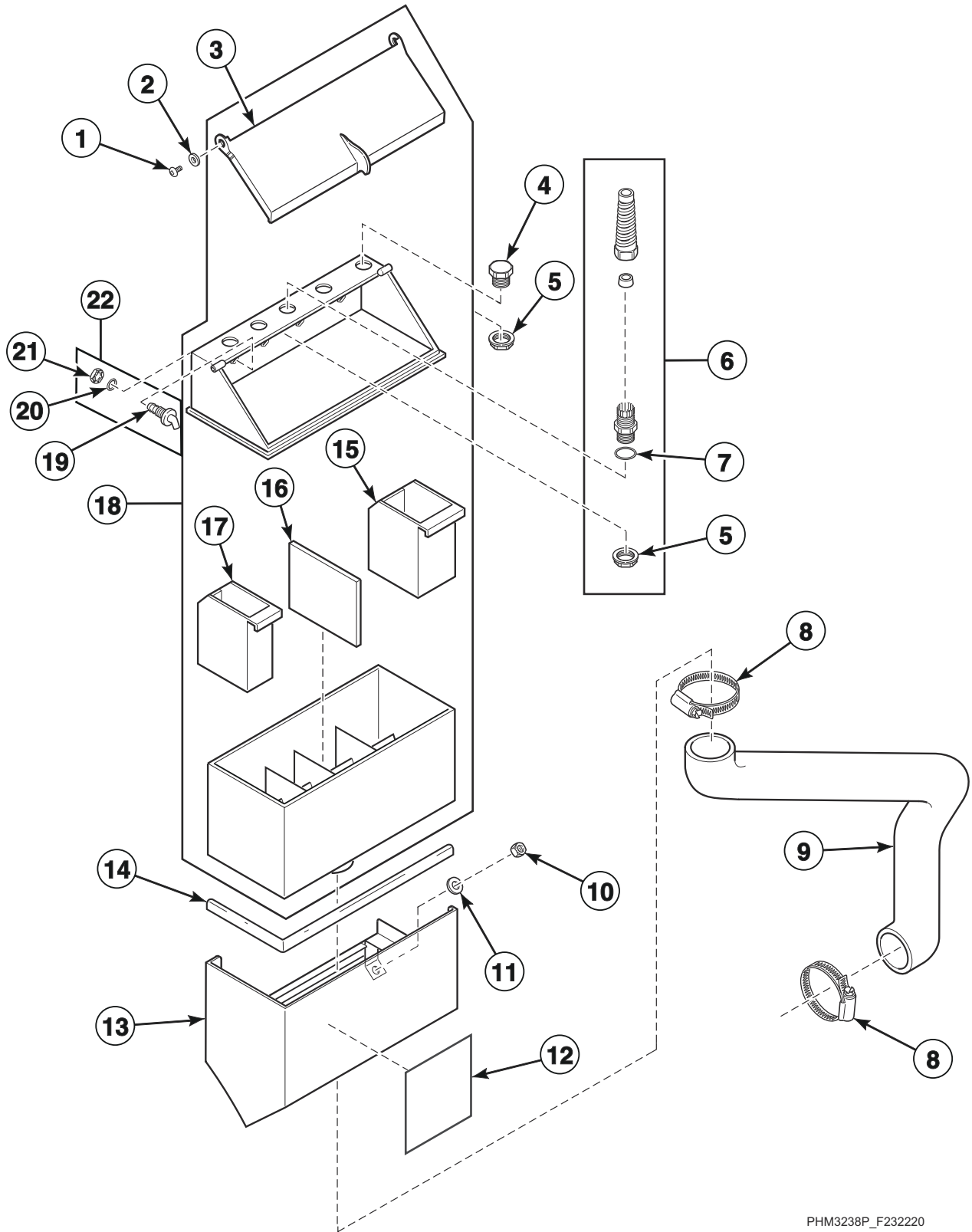


PHM2990P_F232220

Basket, Trunnion, Shell and Frame

REF	PART NO.	DESCRIPTION	COMMENTS
1	F430215	Nut	
2	F430317	Washer	
3	F430518	Screw	
4	F200066600	Shell Band Weldment	2 required
5	F170120RP	Shell Band Gasket	
6	F200075900P	Shell Front Weldment	
7	F200190800	Bolt	
8	F200088700	O-Ring	
9	F200068300	Basket Retainer Seal Plate	
10	F200068700	Basket Weldment	
11	F200065900	Shell Back Plate Weldment	
12	F200065000	Shell Weldment	
13	F430144	Screw	
14	F430311	Washer	
15	F601950	Washer	
16	M400013	Washer	
17	70142	Nut	
18	F430248	Nut	
19	F0430350-00	Washer	
20	F200062000	Trunnion Assembly	Standard
	F200062001	Trunnion Assembly	With viton seals
	F949P3	Bearing Housing Assembly Kit	Standard; Includes items 18, 19, 21, 22 and 25, F150389 Scupper, F200088400 O-Ring, F200088500 O-Ring, F200088600 O-Ring, F200107P Hose, F200190900 Threaded Insert, F210206P Grease, F410102 Sealant, F421929 Hose Barb, F8332401 Dowel Pin and F8332402 Dowel Pin
	F950P3	Bearing Housing Assembly Kit	Viton; Includes items 18, 19, 21, 22 and 25, F150389 Scupper, F200088400 O-Ring, F200088500 O-Ring, F200088600 O-Ring, F200107P Hose, F200190900 Threaded Insert, F210206P Grease, F410102 Sealant, F421929 Hose Barb, F8332401 Dowel Pin and F8332402 Dowel Pin
	F404P4-1	Trunnion Replacement Tool Kit	Requires F402P4 Hardware Kit; Includes F403P4 Trunnion Hoist Tool; Rental
	F404P4P	Trunnion Replacement Tool Kit	Requires F402P4 Hardware Kit; Includes F403P4 Trunnion Hoist Tool; Purchase
	F403P4	Trunnion Hoist Tool	Rental
	F403P4P	Trunnion Hoist Tool	
	986P3	Seal Replacement Kit	Standard; Includes items 18, 21, 22 and 25, F0430350-00 Washer; F150389 Scupper, F200088300 O-Ring, F200088400 O-Ring, F2000885000 O-Ring, F200107 Hose, F200190900 Threaded Insert, F410102 Sealant, F421929 Hose Barb, F8323001 Trunnion to Shell Adapter, F8332401 Dowel Pin, F8332402 Dowel Pin, 36801 Hose Clamp and F200062900 Shaft Seal
	987P3	Seal Replacement Kit	Viton; Includes items 18, 21, 22 and 25, F0430350-00 Washer; F150389 Scupper, F200088300 O-Ring, F200088400 O-Ring, F2000885000 O-Ring, F200107 Hose, F200190900 Threaded Insert, F410102 Sealant, F421929 Hose Barb, F8323001 Trunnion to Shell Adapter, F8332401 Dowel Pin, F8332402 Dowel Pin, 36801 Hose Clamp and F200062901 Shaft Seal
21	F431002	Nut	
22	F431120	Washer	
23	F8332401	Dowel Pin	7/16 x 3 inches
	F8332402	Dowel Pin	5/8 x 4 inches
24	F200071000	Frame Weldment	
25	F8285601	Screw	
26	F430218	Nut	
27	F200073700	Shell Support Bracket	
28	F432253	Screw	
29	F0200237-00	Plug	
30	F431025	Nut	
31	F8549401	Nut	
32	F431100	Washer	
33	F8098601	Side Panel Cover	
34	F791001	Shell Band Fastener Kit	Includes items 1-3; 2 required

Supply Dispenser

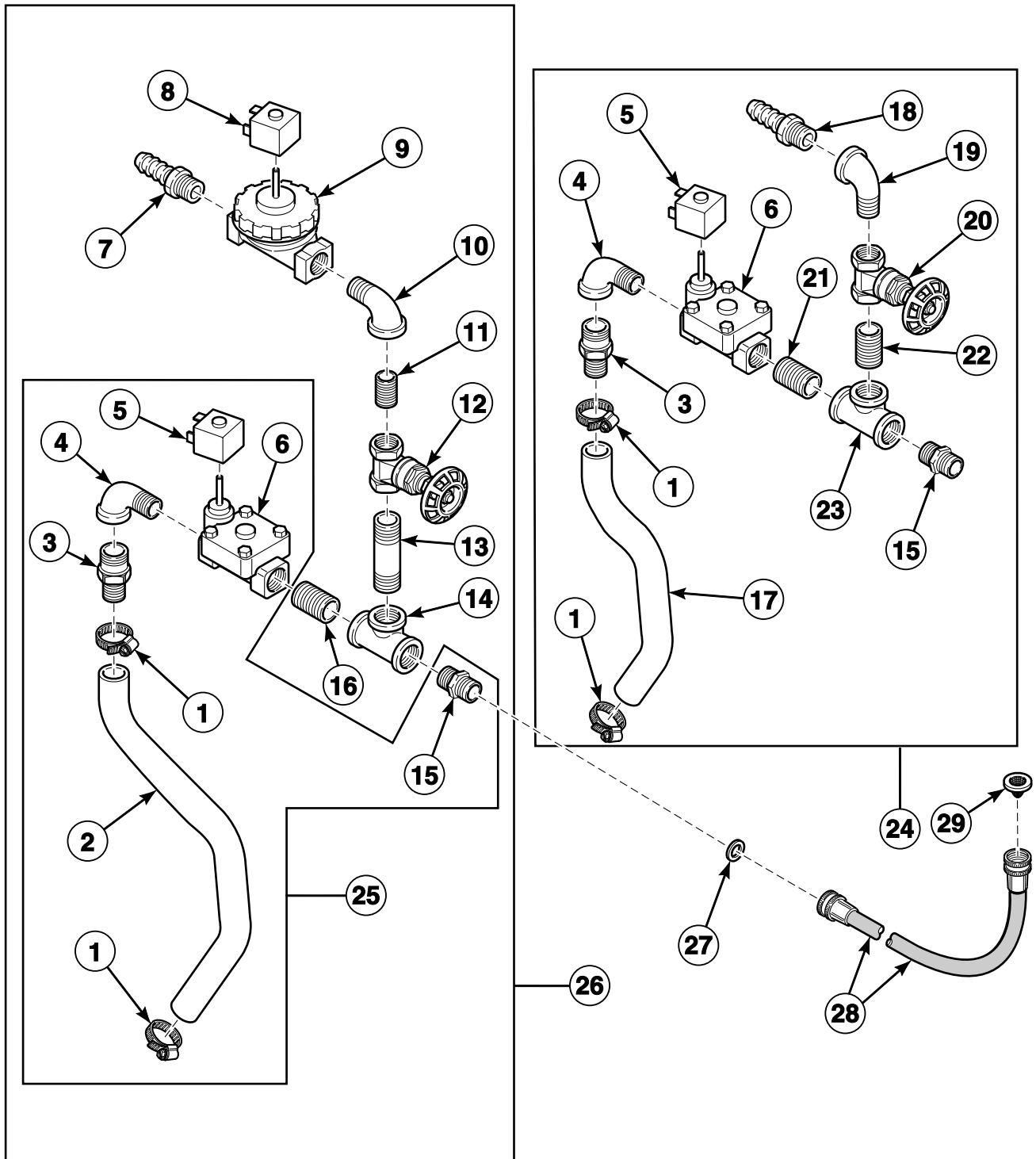


PHM3238P_F232220

Supply Dispenser

REF	PART NO.	DESCRIPTION	COMMENTS
1	F430917	Screw	
2	F8195301	Washer	
3	F0150514-00	Dispenser Lid	
4	F190304	Plug Cap	
5	F140340P	Strain Relief Connector	Includes F0431160-00 Nut
6	F749802	Strain Relief Adapter Kit	Includes items 5 and 7
7	F170215	O-Ring	
8	F200213	Hose Clamp	No. 40
9	F200081300	Chemical Supply Hose	
10	F431042	Nut	Loctite 262 required for installation
11	F431147	Washer	
12	F200085300	Hot Water and Chemical Caution Decal	
13	F8024303	Dispenser Shroud Weldment	
14	F170400RP	Trim	
15	F150386	Chemical Supply Cup	32 ounce; 2 used
16	F0150525-00	Supply Dispenser Spacer	
17	F150385	Chemical Supply Cup	20 ounce; 3 used
18	F0150512-00P	Dispenser Assembly	Includes items 3 and 15-17
19	F8322001	Injection Nozzle	
20	F170208	O-Ring	
21	802292	Nut	
22	F730168	Injection Nozzle Kit	Includes items 19-21

Fill Plumbing



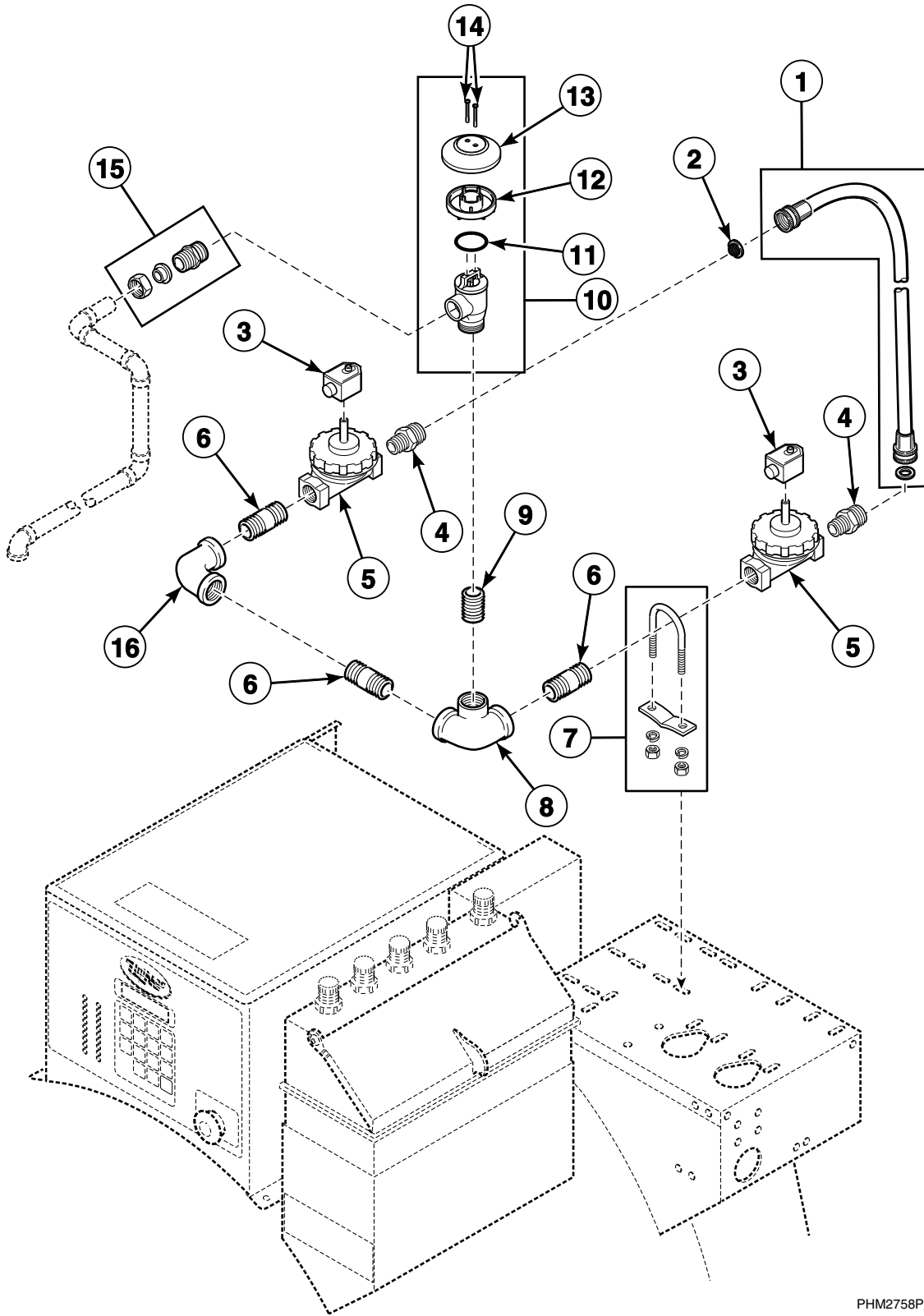
PHM2879P_F232220

Fill Plumbing

REF	PART NO.	DESCRIPTION	COMMENTS
	F141901P	DIN Harness Assembly	Use with F381703P Valve and F381733P Valve
	F380993P	Valve Repair Kit	Use with F381703P Valve
	F8382301	DIN Valve Adapter Kit	Use with F8322803P Valve
	F8456201P	Valve Transition Kit	Use with F8322803P Valve
1	F200204	Hose Clamp	No. 20
2	F200155P	Hose	
3	F421952	Hose Barb	
4	F422336	Street Elbow	
5	F380987P	DIN Coil	220 Volt
6	F381733P	Valve	220 Volt; 1 inch; F0381007P Water Valve Repair Kit
7	F421964	Hose Barb	Starch models
8	F380987P	DIN Coil	220 Volt; Starch models; Use with F381703P Valve
	F8514601	Coil	Use with F8322803 Valve
9	F8322803P	Valve	Replaces F381703P Valve; Includes F8322803 Valve, F8382301 DIN Valve Adapter Kit and F8514601 Coil
10	F422304	Street Elbow	Starch models
11	F421921	Nipple	Starch models
12	F380500	Gate Valve	Starch models
13	F421947	Nipple	Starch models
14	N/A	Tee	Starch models
15	F421968	Hose Adapter	Standard thread
	N/A	Inlet Nipple	Metric thread
16	F421965	Nipple	Starch models
17	F200155P	Hose	
18	F421964	Hose Barb	
19	F422304	Street Elbow	
20	F380500	Gate Valve	
21	F421965	Nipple	
22	F421921	Nipple	
23	N/A	Tee	
24	F0635821-00	Fill Plumbing Assembly	Hot; 220 Volt; Standard thread; Includes items 1, 3-6, 15 and 17-23
	F0635821-01	Fill Plumbing Assembly	Hot; 220 Volt; Metric thread; Includes items 1, 3-6, 15 and 17-23
25	F0635820-00	Fill Plumbing Assembly	Cold; 220 Volt; Standard thread; Includes items 1-6 and 15
	F0635820-02	Fill Plumbing Assembly	Cold; 220 Volt; Metric thread; Includes items 1-6 and 15
26	F0635820-01	Fill Plumbing Assembly	Cold; 220 Volt; Standard thread; With starch; Includes items 1-16
	F0635820-03	Fill Plumbing Assembly	Cold; 220 Volt; Metric thread; With starch; Includes items 1-16
27	F200503	Washer	
28	F200185	Water Hose	Standard thread
	F200193	Water Hose	Metric thread
29	F8126601	Strainer	

N/A = Part no longer available

Spray Plumbing

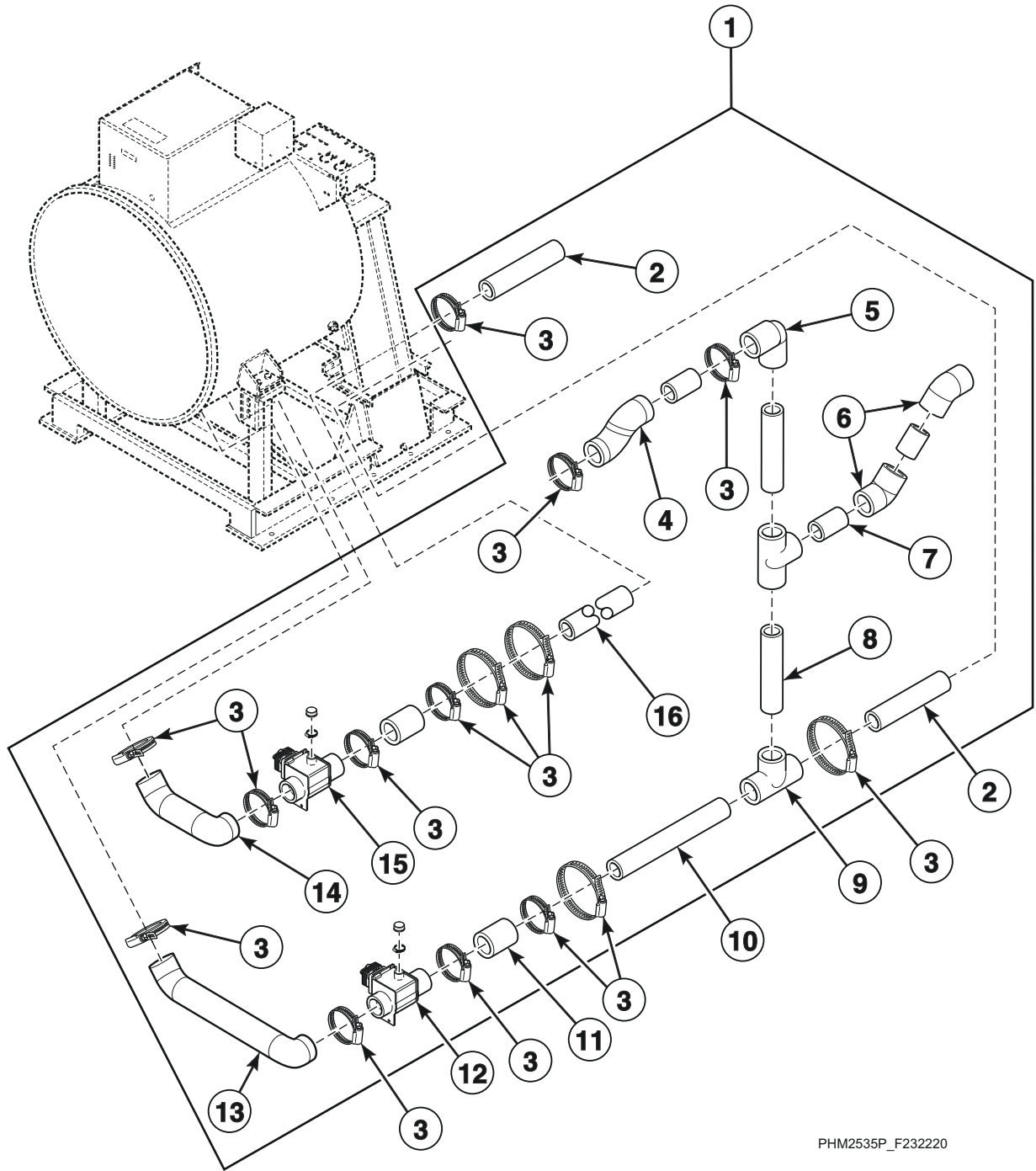


PHM2758P_F232220

Spray Plumbing

REF	PART NO.	DESCRIPTION	COMMENTS
	F141901P	DIN Harness Assembly	Use with F381701P Valve
	F380991P	Water Valve Repair Kit	Use with F381701P Valve
	F8382301	DIN Valve Adapter Kit	Use with F8322905P Valve
	F8379502	Valve Rebuild Kit	Use with F8322905P Valve
1	F200164	Water Hose	Standard thread
	F200166	Water Hose	Metric thread
2	803615	Washer	
	F8514601	Coil	Use with F8322905P Valve
3	F380987P	DIN Coil	220 Volt; Use with F381701P Valve
4	F421909	Hose Adapter	Standard thread
	F8265701	Adapter	Metric thread
5	F8322905P	Valve	Replaces F381701P Valve; Includes F8514601 Coil; For models that have been upgraded with F8521801 DIN Valve Kit
	F8521801	DIN Valve Kit	Replaces F381701P Valve; Includes F8322905P Valve, F8382301 DIN Valve Adapter Kit and F8514601 Coil
6	F421941	Nipple	
7	F200401P	U-Bolt Clamp	
8	F422332	Elbow	
9	C000417	Nipple	
10	F063754701P	Vacuum Breaker Valve	Includes items 10-14
	F0798922-00	Vacuum Breaker Kit	Includes items 11-14
11	F0170221-00	O-Ring	
12	F0380809-00	Containment Device	
13	F0380808-00	Vacuum Breaker Cap	
14	F430938	Screw	
15	F422106	Tube Connector	
16	F422314	Elbow	

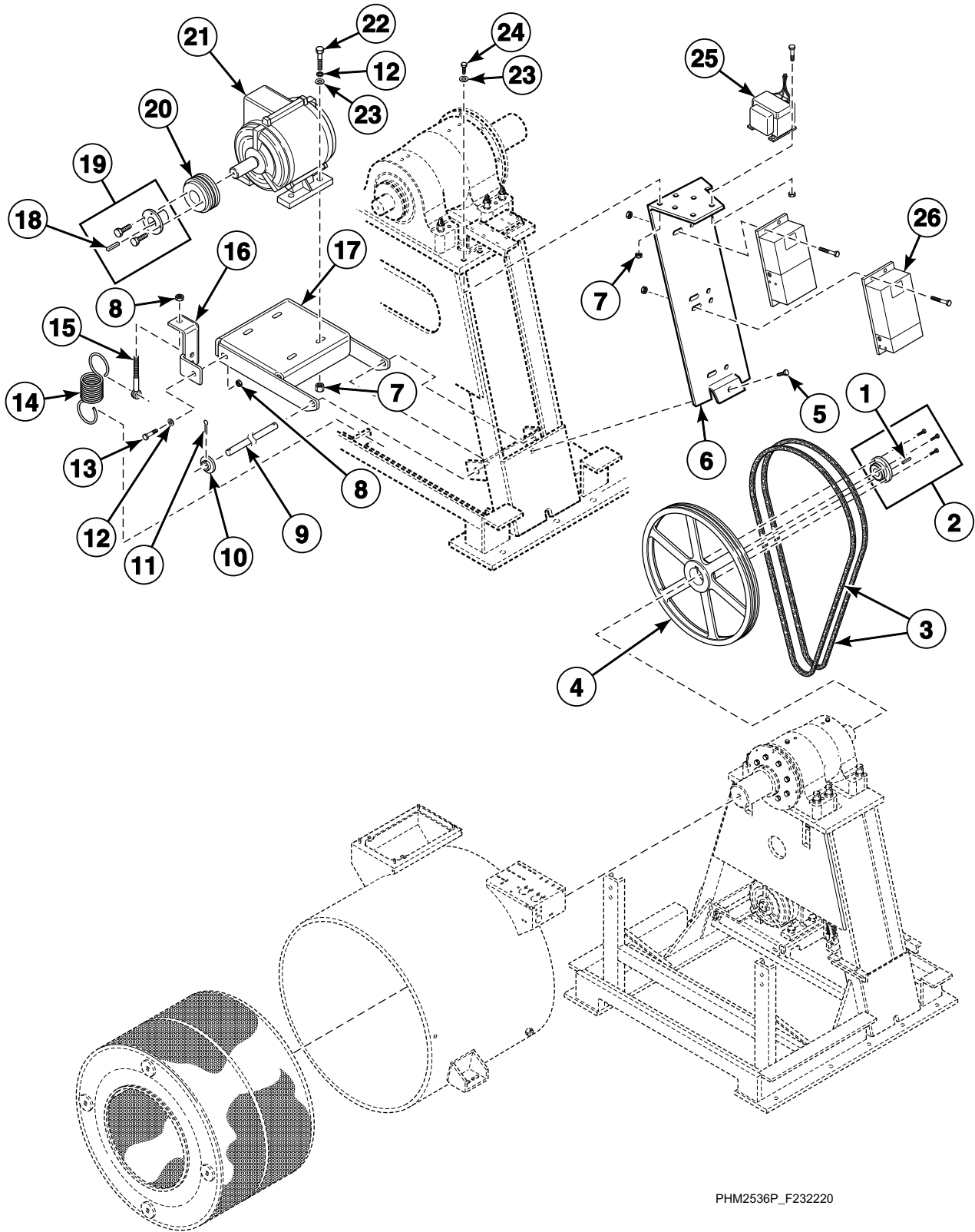
Drain Plumbing



Drain Plumbing

REF	PART NO.	DESCRIPTION	COMMENTS
	F380918	Main Drive Kit	
1	F200081000	Drain Assembly	
2	F0602365-02	Pipe	
3	F200201	Hose Clamp	
4	F0150488-00	Overflow Hose	
5	F422901	Elbow	
6	F422917	Elbow	
7	F0602365-15	Pipe	
8	F0602365-20	Pipe	
9	F422802	Tee	
10	F060236531	Pipe	
11	F200275800	Hose	
12	F200166402	Drain Valve Kit	
	F380933P	Drain Valve Motor	
13	F200081100	Drain Hose	
14	F200081200	Drain Hose	
15	F8577201	Drain Valve Kit	
16	F0602365-06	Pipe	

Motor, Belt, Pulley and Transformers



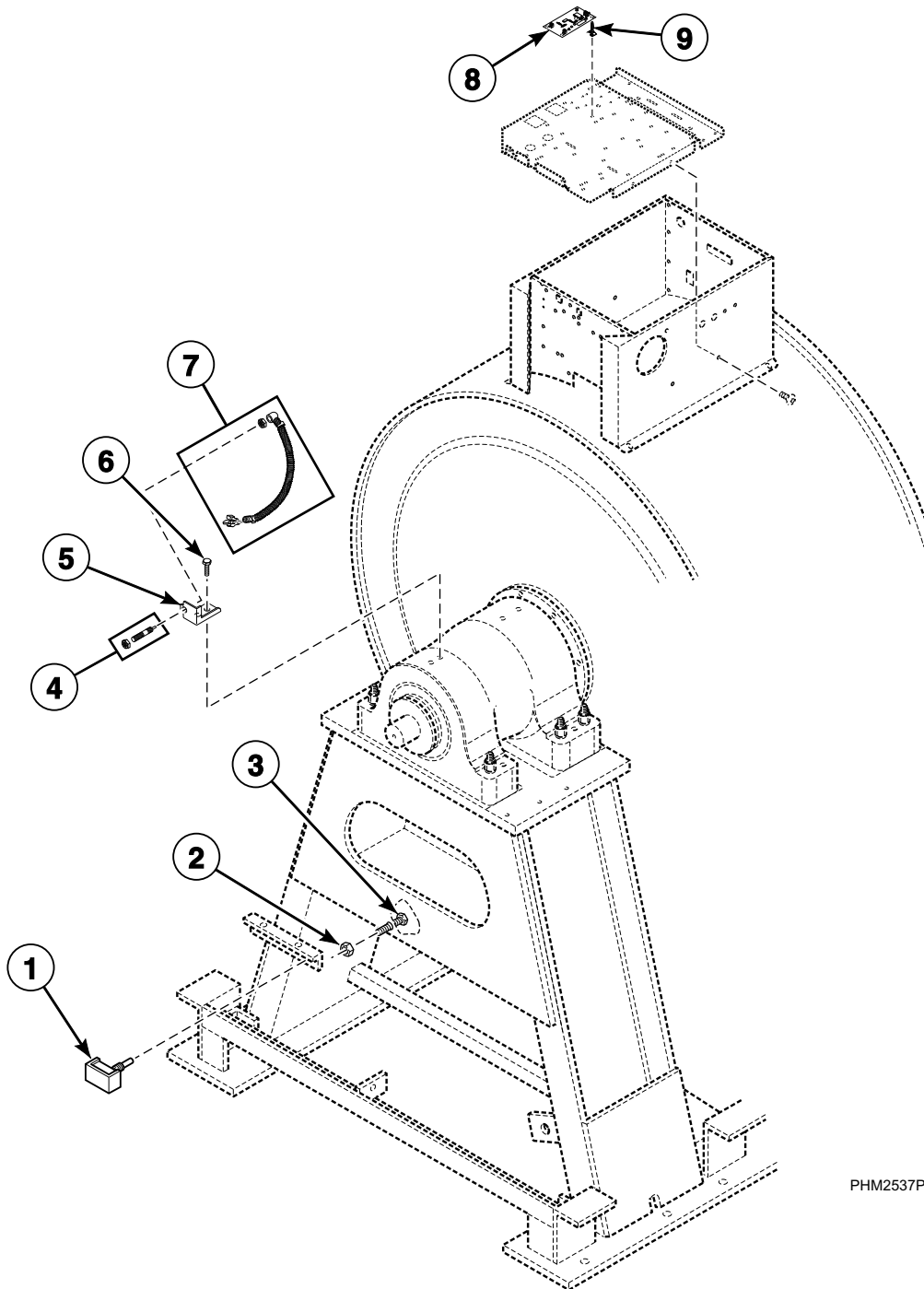
PHM2536P_F232220

Motor, Belt, Pulley and Transformers

REF	PART NO.	DESCRIPTION	COMMENTS
1	F602257	Key	
2	F280294P	Basket Pulley Bushing	Includes screws and item 1
3	F200196400	Belt	BX120; 2 required
	F981P3	Belt Kit	Includes items 8, 12, 15, F8319601 Banded Belt and 800464 Washer
4	F280412	Pulley	Basket; 2B305F
5	M400056	Screw	
6	F200284200	Buckboost Mounting Plate	N and P-voltage
7	F430205	Nut	
8	F430218	Nut	
9	F200051200	Motor Support Rod	
10	901690	Washer	
11	F430401	Cotter Pin	
12	M400081	Washer	
13	F430144	Screw	
14	F310148	Tension Spring	
15	F8319501	Bolt	
16	F200089300	Motor Tensioning Bracket	
17	F200071400	Motor Plate	
18	F430817	Key	
19	F280242	Motor Bushing	Includes screws and item 18
20	F280181	Pulley	Motor; 2BK34H; 2 groove; 3.55 inch OD
21	F200287200	Motor	AC drive parameters must be compatible with the motor pulley. Please request parameter illustration for parameter verification when ordering a motor.
22	800461	Screw	
23	M400014	Washer	
24	N/A	Screw	
25	F360157P	Transformer	
26	F200031200	Transformer	N and P-voltage

N/A = Part no longer available

Balance Switch and Rotation Sensor

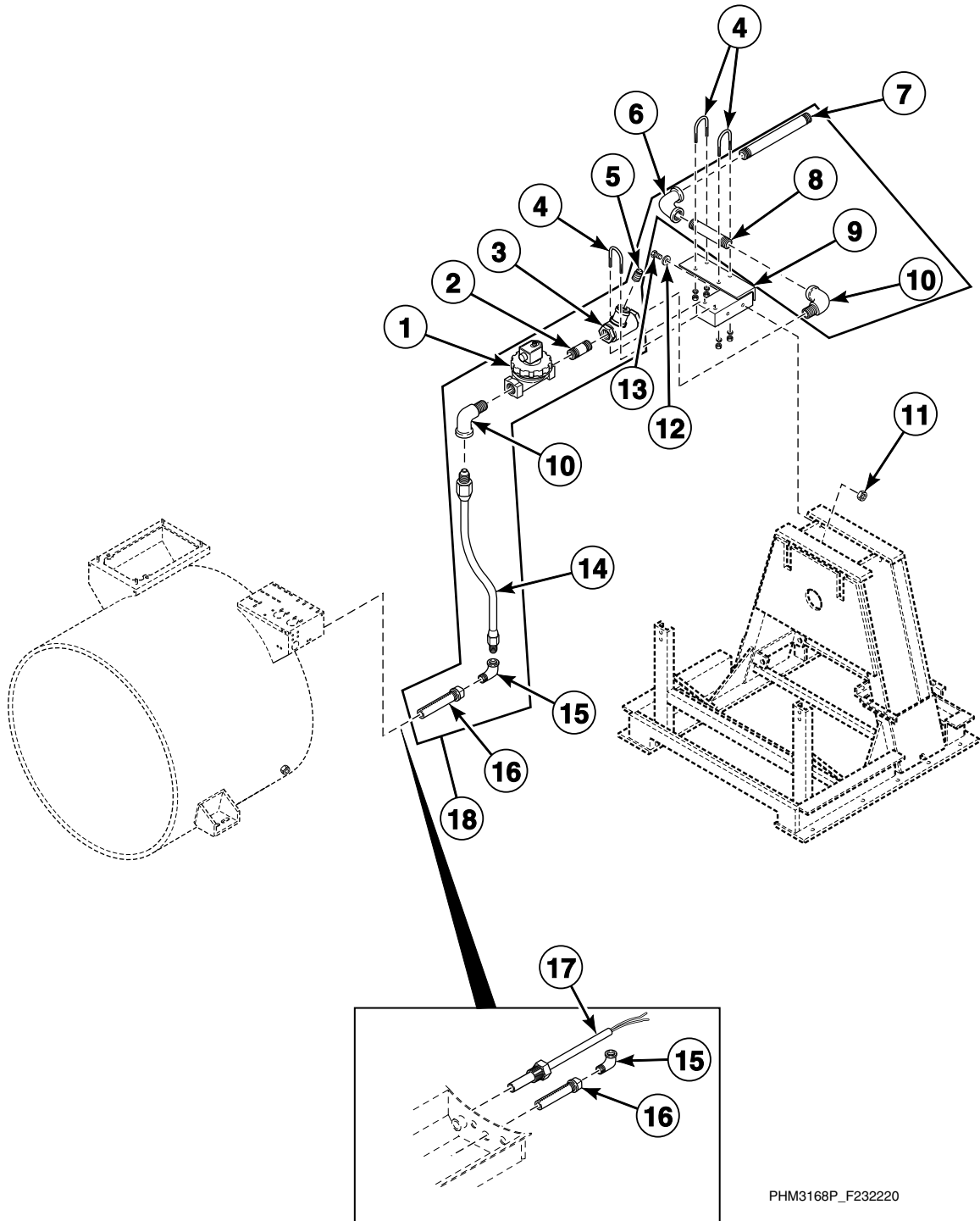


PHM2537P_F232220

Balance Switch and Rotation Sensor

REF	PART NO.	DESCRIPTION	COMMENTS
1	F340906	Microswitch	
2	H88412101	Nut	
3	F430124	Screw	
4	F8066201	Rotation Sensor	
5	F200090500	Rotation Sensor Bracket	
6	F200064000	Screw	
7	F8066401	Rotation Sensor Harness	
8	F200101300P	Rotation Sensor PCB	
9	F180501	Standoff	

Steam Heat Option



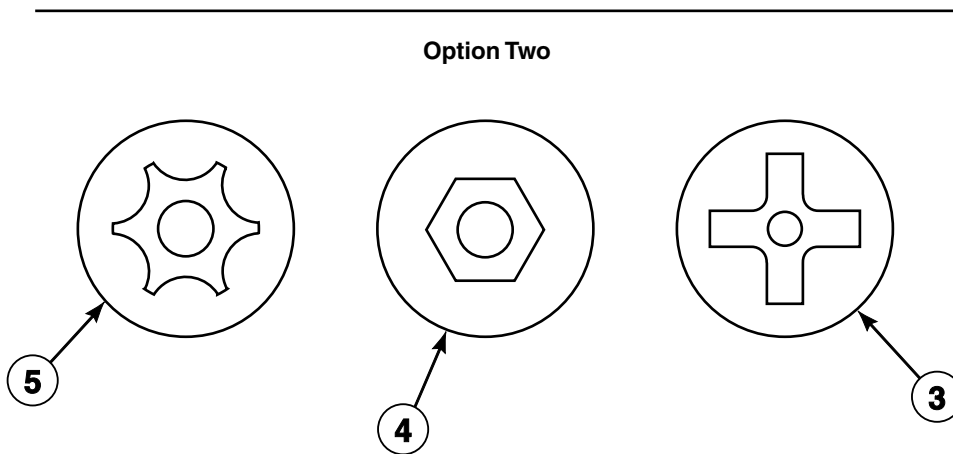
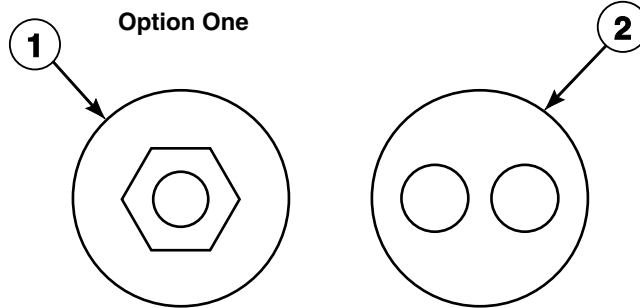
PHM3168P_F232220

Steam Heat Option

REF	PART NO.	DESCRIPTION	COMMENTS
	F410300	Pipe Insulation	
	F8382301	DIN Valve Adapter Kit	Use with F8322901P Valve
	F8379501P	Valve Kit	Use with F8322901P Valve
	F8514601	Coil	Use with F8322901P Valve
1	F8322904P	Steam Valve	3/4 inch; 120 Volt
	F8322901P	Valve	Replaces F380796P Steam Valve; Includes F8514601 Coil; For models that have been upgraded with F8522001 DIN Valve Kit
	F8522001	DIN Valve Kit	Replaces F380796P Steam Valve; Includes F8322901P Valve, F8382301 DIN Valve Adapter Kit and F8514601 Coil
2	F420731	Nipple	
3	F270308	Steam Filter	
4	N/A	U-Bolt Clamp	Includes washers and nuts
5	F420408	Plug	
6	F421107	Elbow	
7	F420729	Nipple	
8	F420711	Nipple	
9	F635634	Steam Bracket Weldment	
10	H86070034	Street Elbow	
11	F430205	Nut	
12	M400014	Washer	
13	N/A	Screw	
14	F150494	Steam Hose	
15	F421707	Street Elbow	
16	F603132	Steam Injector Tube Assembly	
17	F8058501	Temperature Probe Assembly	
18	F200214201	Steam Plumbing Assembly	Includes items 1-3, 5-8, 10, 14-16 and F410300 Pipe Insulation; 120 Volt
	F200214200	Steam Plumbing Assembly	Includes items 1-3, 5-8, 10, 14-16 and F410300 Pipe Insulation; 220 Volt

N/A = Part no longer available

Security Fasteners



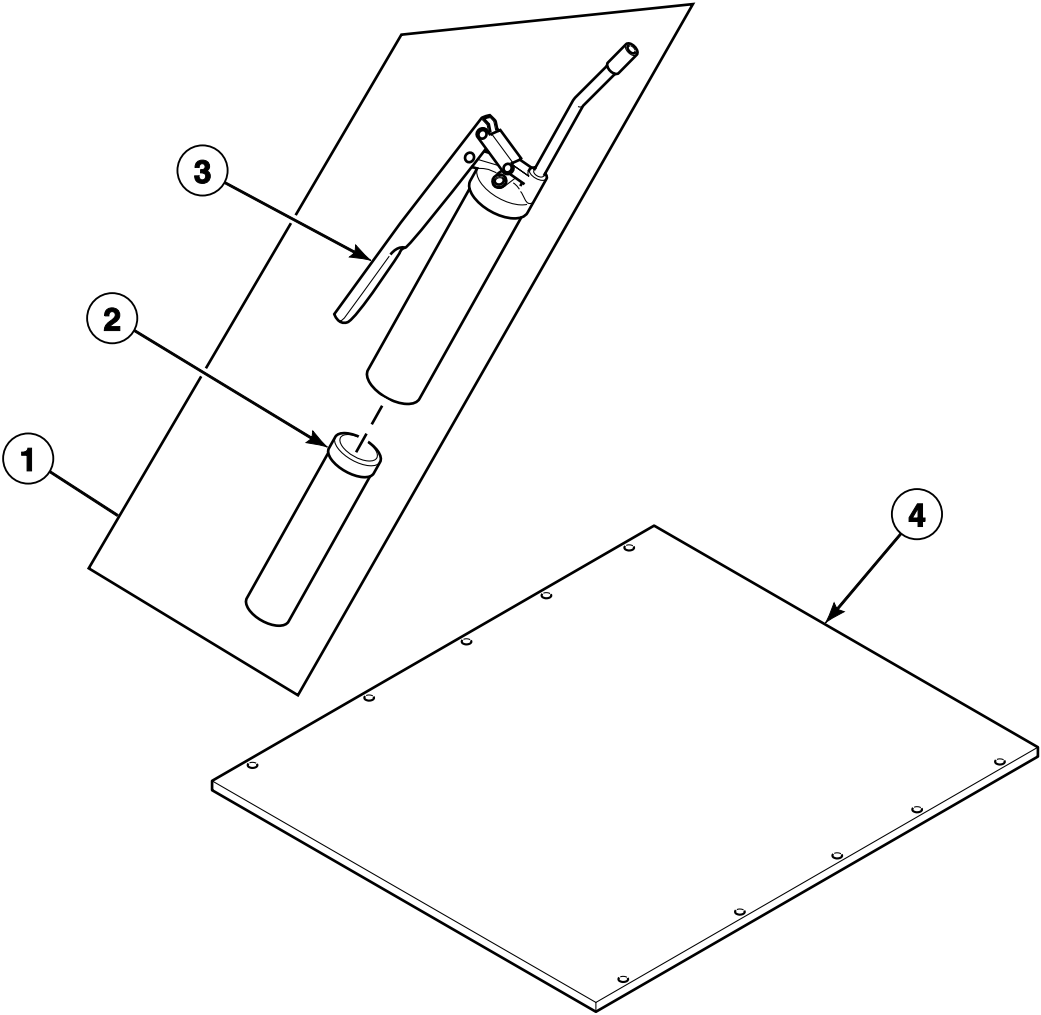
PHM2181P_F232220

Security Fasteners

REF	PART NO.	DESCRIPTION	COMMENTS
1	F0430275-00	Screw	No. 8; 32 x 1/2 inch; Used in place of F430956 Screw; Typical location is the side panels and module cover
	F430960	Screw	No. 10; 32 x 3/8 inch; Used in place of F430904 Screw; Typical location is the module to the shell
	N/A	Screw	Used in place of F430986 Screw; Typical location is the AC drive box
	F704906	Hex Bit	
2	F0430273-00	Screw	1/4 inch; 20 x 2-1/2 inch; Used in place of F430996 Screw; Typical location is the door box to the bracket
	F0430272-00	Screw	1/4 inch; 20 x 1-1/2 inch; Used in place of F430921 Screw; Typical location is the side panel to the bracket
	F0430274-00	Screw	1/4 inch; 20 x 1/2 inch; Used in place of F430925 Screw; Typical location is the drive box or the cover
	F704907	Spanner Bit	
3	F432260	Screw	1/4 inch; 20 x 2-1/2 inch; Used in place of F430996 Screw; Typical location is the door box to the bracket
	F704904	Phillips Bit	
4	N/A	Screw	1/4 inch; 20 x 1/2 inch; Used in place of F430925 Screw; Typical location is the drive box or cover
	F704897	Hex Bit	
5	F432259	Screw	No. 8; 32 x 1/2 inch; Used in place of F430956 Screw; Typical location is the side panels and module cover
	281P4	Torx Bit	

N/A = Part no longer available

Special Tools



PHM2991P_F232220

Special Tools

REF	PART NO.	DESCRIPTION	COMMENTS
	F404P4P	Trunnion Replacement Tool Kit	Requires F402P4 Hardware Kit; Purchase
	F403P4P	Trunnion Hoist Tool	Purchase
	F404P4-1	Trunnion Replacement Tool Kit	Requires F402P4 Hardware Kit; Rental
	F403P4	Trunnion Hoist Tool	Rental
	1113P	Concrete Hardware Kit	
1	F798700	Grease Gun Kit	Includes items 2 and 3
2	F210206P	Bearing Grease	
3	F210207P	Grease Gun	
4	F200192900	Rebar Frame Template	

Parts Index

A

AC Drive Enclosure Weldment F200097800	17
AC Drive Exhaust Duct F200060700	17
AC Drive Radio Filter Assembly F200320901	17
Adapter F8265701	35
Air Coupling F422114	17
Air Trap Hose F200163	15

B

Basket Pulley Bushing F280294P	39
Basket Retainer Seal Plate F200068300	29
Basket Weldment F200068700	29
Battery F191101	9
Bearing Grease F210206P	47
Bearing Housing Assembly Kit F949P3	29
F950P3	29
Before Power Is Connected Tag F230501	7
Belt F200196400	39
Belt Inspection Port Cover F200188300	21
Belt Kit F981P3	39
Bolt F200190800	29
F8319501	39
Buckboost Mounting Plate F200284200	39
Bushing F280252	23
F280253	23
Button Kit F8069902P	25, 27
Buzzer F300206	11

C

Cable Assembly F604713	13
Cable Tie F140605	9

F140606	9
Cable Tray Assembly F063561505	9
Cable Tray Cover F200078900	9
Cage Wrap Assembly F200078300	21
Cap Plug F180486	13
Chemical Supply Cup F150385	31
F150386	31
Chemical Supply Hose F200081300	31
Circuit Breaker F8303001P	11
Clean Filter Daily Decal F200061000	17
Coil F8514601	33, 35, 43
Cold Water Valve Decal F231368	7
Computer Cover F606826	9
Concrete Hardware Kit 1113P	47
Conductor Decal F231146	7
Conduit Assembly Guard F200090300	25
Connector F140312	17
F140575P	13
F140576P	13
F422500	15
J1408004	17
Contact F330170	27
Contact Base F8538101	9, 25, 27
Contact Block and Mounting Switch F340444	25, 27
Contact Block Switch F200233400	25, 27
F200233401P	9
F200299500	9
F340445	9
Contact Switch F8069501	9, 25, 27
Containment Device F0380809-00	35
Control Module Cover F635456	9
Control Module Decal F200205900	9
Cotter Pin F430401	39
Counterclockwise Spin Rotation Decal F230693	7

N/A items do not appear in index.

D

Diaphragm and Guide Kit G582P3	15
DIN Coil F380987P	33, 35
DIN Harness Assembly F141901P	33, 35
DIN Valve Adapter Kit F8382301	33, 35, 43
DIN Valve Kit F8521801	35
F8522001	43
Disconnect Power Warning Label 505281	7, 9
Dispenser Assembly F0150512-00P	31
Dispenser Lid F0150514-00	31
Dispenser Shroud Weldment F8024303	31
Do Not Connect Warning Decal F200085400	7
Do Not Push Decal F230302	7, 21
Door Cam Torsion Spring F310133	25
Door Gasket Kit F8434802P	23
Door Glass Gasket F200076000	23
Door Handle F150225	23
Door Hinge F200074300	23
Door Hinge Bracket Assembly F200077600	23
Door Lock Bracket Weldment F200113500	25
Door Lock Cam F0150518-00	25
Door Lock Cover Weldment F200089700	25
Door Lock Shim F606563	25
Door Unlock Decal F230816	25
Door Weldment F200075000	23
Dowel Pin F8332401	29
F8332402	29
Drain Assembly F200081000	37
Drain Hose F200081100	37
F200081200	37
Drain Valve Kit F200166402	37
F8577201	37
Drain Valve Motor F380933P	37

Drive F200276700	17
Drive Kit, 1336 to PowerFlex 40 F8324303	19
F8324403	19
Drive Mounting Plate Assembly F8018200	17

E

Elbow F421107	43
F422314	35
F422319	23
F422332	35
F422901	37
F422917	37
Electrical Access Panel F0637549-00	9
Emergency Stop Button Kit F200233700P	9
Emergency Stop Pushbutton F200233500	9
External Supply Box F635468	9
External Supply Box Cover F635365	9
External Supply Caution Decal F231345-4	13
F231345-5	13
External Supply Connection Decal F230764-10	13
F230764-9	13
F230917-1	7
Extrusion Insert F150397	21

F

Fill Plumbing Assembly F0635820-00	33
F0635820-01	33
F0635820-02	33
F0635820-03	33
F0635821-00	33
F0635821-01	33
Filter F200318900P	11, 17
Filter Retainer Guard F220900	11, 17
Flange Bushing F200076800	23
F200076900	23
Flange Relay F330230	11, 27
Follower Cam F100145	23
Frame Weldment F200071000	29
Front Panel F200079500P	21

N/A items do not appear in index.

Fuse	
F350108	11
F350109	11
F350110	11
F350115	13
F350142	13

Fuse Holder	
F0350312-10	13
F0350313-00P	13

G

Gate Valve	
F380500	33

Glass	
F200074400P	23

Glass Retainer	
F200076100	23

Grease Fitting	
F190701	17

Grease Gun	
F210207P	47

Grease Gun Kit	
F798700	47

Grease Instruction Decal	
F231563	17

Ground Terminal Lug	
F140734	13

H

Hall Effect Sensor Switch	
F340503P	25

Hex Bit	
F704897	45
F704906	45

Hinge Shim	
F200077400	23

Hinge Support Assembly Weldment	
F200074600	23

Hose	
F200155P	33
F200275800	37
F610068	23

Hose Adapter	
F421909	35
F421968	33

Hose Barb	
F421952	33
F421964	33

Hose Clamp	
F200201	37
F200204	33
F200213	31
F200215	15

Hose Strap	
F605324	21

Hot Surface Warning Decal	
F200085000	7
F231380	7

Hot Water and Chemical Caution Decal	
F200085300	7, 31

Hot Water Valve Decal	
F231367	7

I

Injection Nozzle	
F8322001	31

Injection Nozzle Kit	
F730168	31

Input Block Decal	
F0231636-00	13

Input Power Block	
F140794-1	13

Insulator Bushing	
F140909	13

J

Jog Feature Retrofit Control Harness	
F200311200	27

Jog Feature Retrofit Kit	
F079902300	27

Jumper Kit	
F784003P	11

K

Key	
F430817	39
F602257	39

Keymode Assembly	
F200174600P	13

Keymode Run/Program Switch	
F340800P	13

Keypad Decal	
F230724P	9

L

Light	
F350413	17

M

Magnet	
F8390801	23, 27

Magnetic Switch Assembly	
F200321200	25

Magnetic Switch Connection Bracket	
F200067200	27

Main Drive Kit	
F380918	37

Microswitch	
F340906	41

Momentary Pushbutton	
F8069602	25, 27

Motor	
F200287200	39

N/A items do not appear in index.

Motor Bushing F280242	39
Motor Plate F200071400	39
Motor Support Rod F200051200	39
Motor Tensioning Bracket F200089300	39
Moving Parts Plug Warning Decal F200085500	7
Muffin Fan F110105	17

N

Nipple	
C000417	35
F420711	43
F420729	43
F420731	43
F421921	33
F421941	35
F421947	33
F421965	33
No-Swivel Coupling F422109	23
Nut	
F0431807-00	21
F430205	39, 43
F430211	21
F430215	21, 25, 29
F430218	29, 39
F430225	27
F430231	9, 11, 17, 27
F430233	23
F430248	29
F430264	21
F431000	9, 13
F431002	23, 29
F431004	17
F431006	13
F431017	19
F431022	13, 23
F431024	17, 23
F431025	29
F431042	31
F8549401	9, 23, 29
H88412101	41
70142	29
802292	31

O

O-Ring	
F0170221-00	35
F170200	23
F170201	23
F170208	31
F170215	31
F200088700	29
Output CCA F8321901P	11
Overflow Hose F0150488-00	37

P

Panel Safety Reed Switch Harness F200294300	27
Personal Injury Warning Decal F231065	13
Phillips Bit F704904	45
Pin F430415	21
Pipe	
F0602365-02	37
F0602365-06	37
F0602365-15	37
F0602365-20	37
F060236531	37
Pipe Insulation F410300	43
Pivot Lock Cover Weldment F8210001	23
Pivot Lock Weldment F608536	23
Plug	
F0200237-00	29
F140563	23
F420408	43
Plug Cap F190304	31
Pop Rivet F431215	17
PowerFlex 40 AC Drive F8169654	19
F8169655	19
Program Key F370709	13
Pulley	
F280181	39
F280412	39

R

RC Network Filter F330217P	25
Rear Panel F200079300	21
Rebar Frame Template F200192900	47
Resistor F370116	13
Ribbon Cable	
F140218P	9, 11
F140219P	9, 11
F140248P	9, 11
Ring Retainer F310206	23
Rotation Sensor F8066201	41
Rotation Sensor Bracket F200090500	41
Rotation Sensor Harness F8066401	41

N/A items do not appear in index.

Rotation Sensor PCB F200101300P	41
Rub Rail F200079000	21

S

Screw

F0220908-02	23
F0430165-00	11, 17
F0430272-00	45
F0430273-00	45
F0430274-00	45
F0430275-00	45
F200064000	41
F200075400	23
F430124	41
F430144	29, 39
F430266	27
F430482	27
F430518	29
F430903	13
F430910	11, 17
F430917	9, 23, 31
F430920	19
F430921	21, 25
F430928	9, 25, 27
F430938	13, 35
F430956	21
F430960	45
F430985	25
F430986	17
F430995	13, 25
F432253	29
F432259	45
F432260	45
F8136401	9
F8285601	29
M400056	39
70240301	9, 21
800461	39
Seal Replacement Kit 986P3	29
987P3	29
Shell Back Plate Weldment F200065900	29
Shell Band Fastener Kit F791001	29
Shell Band Gasket F170120RP	29
Shell Band Weldment F200066600	29
Shell Front Weldment F200075900P	29
Shell Support Bracket F200073700	29
Shell Weldment F200065000	29
Side Panel F200079600	21
Side Panel Bracket F601982	21
Side Panel Cover F607262	21
F8098601	29

Snap Bushing F140938	15
Solenoid F0300130-00P	25
Spanner Bit F704907	45
Spin Warning Decal F200085100	7
Spray Rinse Bracket Assembly F602901P	23
Spray Rinse Hose Kit F730023	23
Spray Rinse Nozzle F380301	23
Spray Rinse Nozzle Kit F730077	23
Spray Rinse Strap F602880	23
Spray Rinse Tube Assembly F200081400	23
Spring F310107	25
Spring Pin F431222	23
Standoff F180501	41
F180506	11
Steam Bracket Weldment F635634	43
Steam Filter F270308	43
Steam Hose F150494	43
Steam Injector Tube Assembly F603132	43
Steam Plumbing Assembly F200214200	43
F200214201	43
Steam Valve F8322904P	43
Strain Relief Adapter Kit F749802	31
Strain Relief Connector F140340P	31
Strainer F8126601	33
Street Elbow F421707	43
F422304	33
F422336	33
H86070034	43
Supply Dispenser Spacer F0150525-00	31
Switch Magnet F340502P	23, 25
Switch Mode Decal F0231632-00	13
Swivel Coupling F422108	23

N/A items do not appear in index.

T

Tee	
F422802	37
Temperature Probe Assembly	
F8058501	43
Tension Spring	
F310148	39
Terminal	
F140766	25
Terminal Block	
F140782	13
Thermostat	
F290115	17
This Machine Must Be Protected Decal	
F230301	7
Tie Wrap Mounting Clamp	
F140602	9
Top Exhaust Panel Assembly	
F200097600	17
F200316100	19
Torx Bit	
281P4	45
Transformer	
F200031200	39
F360157P	39
Trim	
F170400RP	21, 31
F170404	25
Trunnion Assembly	
F200062000	29
F200062001	29
Trunnion Hoist Tool	
F403P4	29, 47
F403P4P	29, 47
Trunnion Replacement Tool Kit	
F404P4P	29, 47
F404P4-1	29, 47
Tube Connector	
F422106	35
Tubing	
C000628P	17
F422404P	15

U

U-Bolt Clamp	
F200401P	35

V

Vacuum Breaker Cap	
F0380808-00	35
Vacuum Breaker Kit	
F0798922-00	35
Vacuum Breaker Valve	
F063754701P	35
Valve	
F381733P	33
F8322803P	33
F8322901P	43

N/A items do not appear in index.

F8322905P	35
Valve Kit	
F8379501P	43
Valve Rebuild Kit	
F8379502	35
Valve Repair Kit	
F380993P	33
Valve Transition Kit	
F8456201P	33
Valve, 4-Way	
F381723P	15

W

Washer	
F0430350-00	29
F200503	33
F430311	29
F430317	21, 29
F430332	17
F431100	17, 21, 23, 29
F431101	17
F431106	13, 25
F431108	9, 13
F431113	9
F431120	23, 29
F431123	9
F431125	9
F431137	17
F431142	23
F431143	23
F431147	31
F431905	23
F431907	23
F601950	29
F8195301	31
M400013	29
M400014	39, 43
M400081	39
803615	35
901690	39
Water Hose	
F200164	35
F200166	35
F200185	33
F200193	33
Water Level Switch	
F0340348-10P	15
Water Valve Repair Kit	
F380991P	35
WE-6 Computer	
F200276400P	9
WE-6 Interface CCA Kit	
F0370446-21P	11
F370446-1P	11