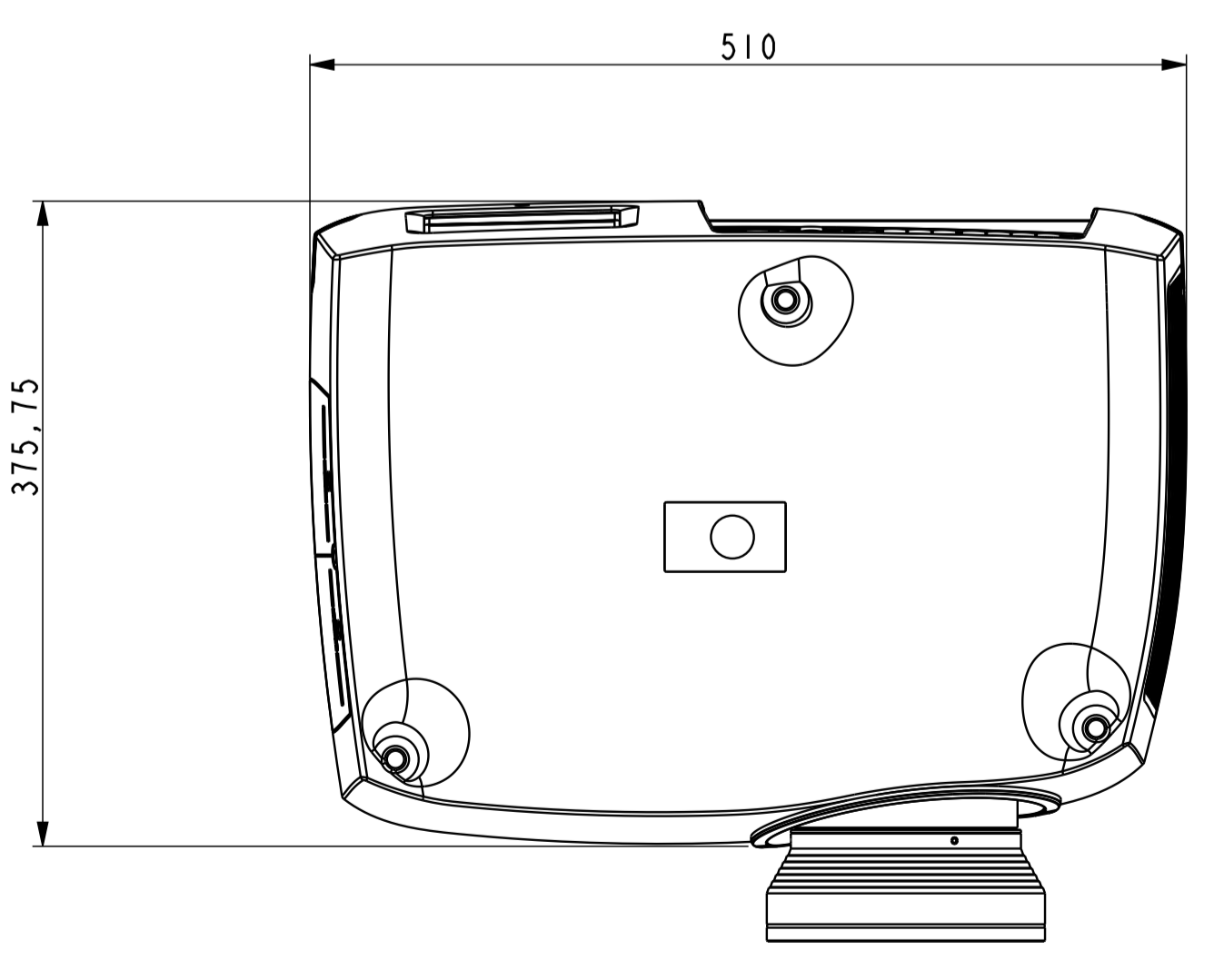
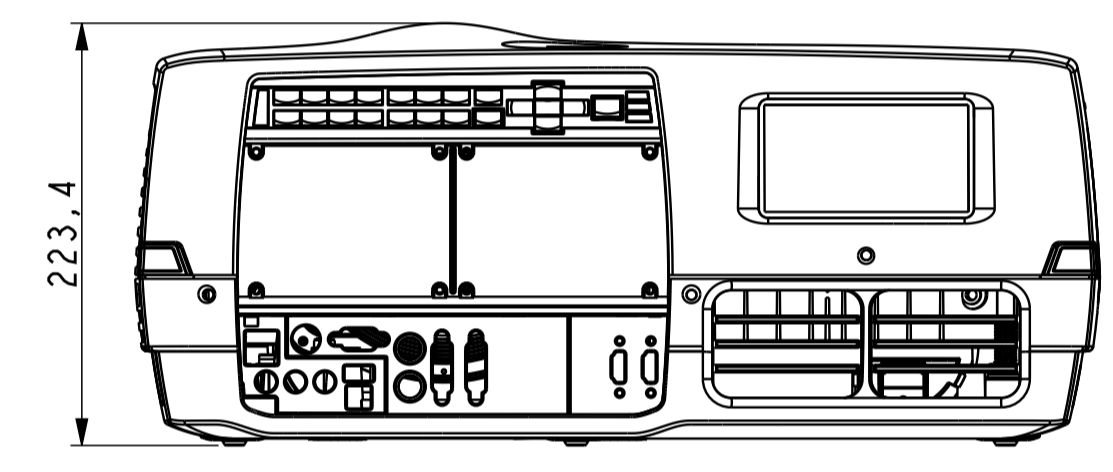
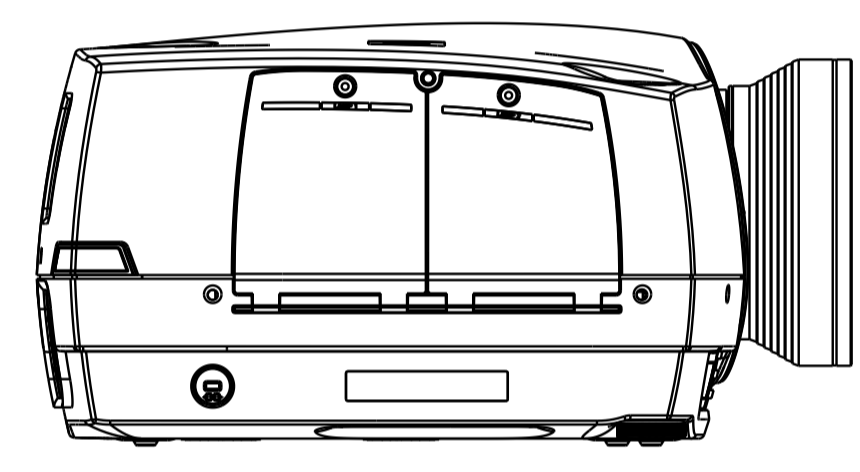
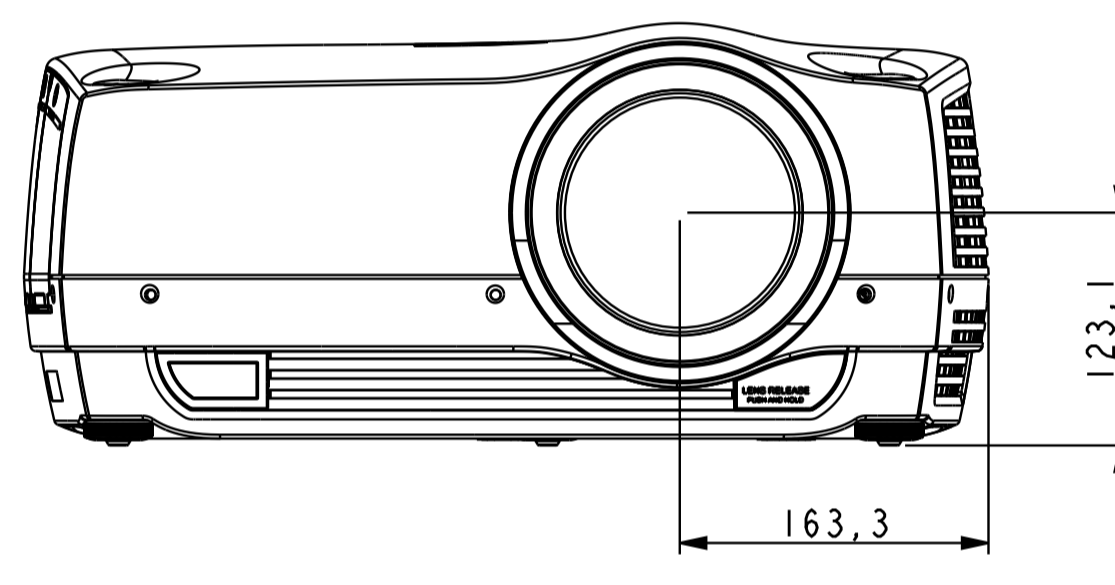
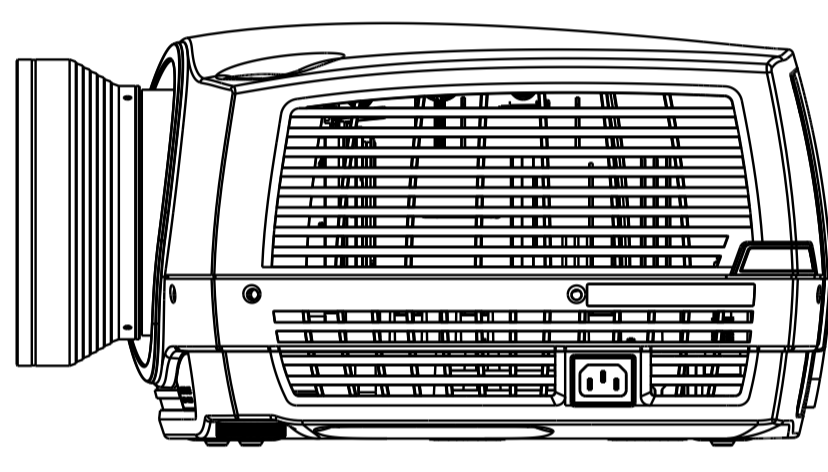
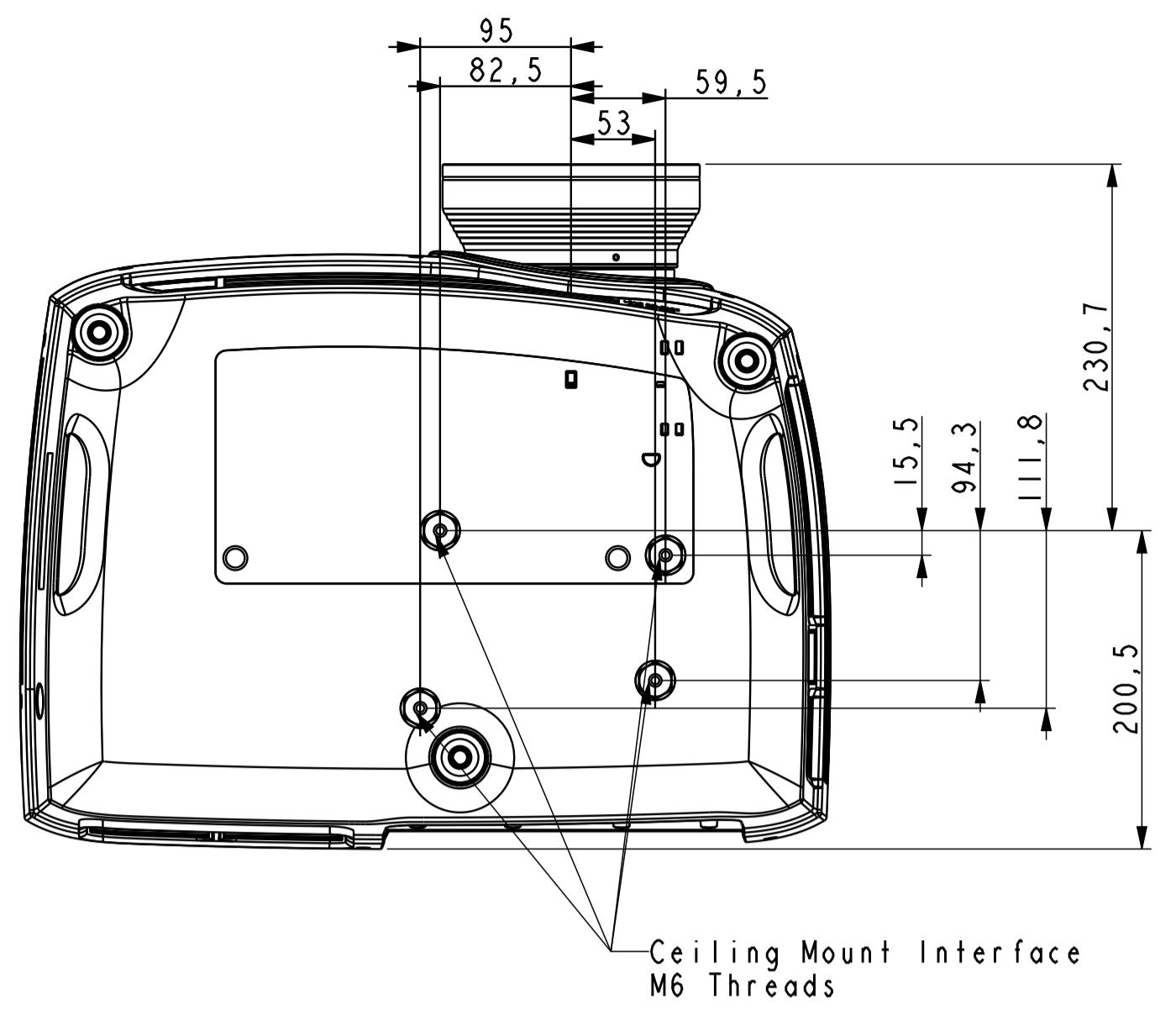


REV	AFFECTED GEOM	DESCRIPTION	CHK'D BY	DATE

PRELIMINARY



CONFIDENTIAL

<p>Notice on Reduction of Harmful Substances (RoHS) In conformance with EU directive 2002/95/EC, the following materials and their components shall not be used in the product(s) specified herein: Lead, Mercury, Cadmium, Hexavalent Chromium, Polybrominated diphenyl ethers (PBDEs), Polybrominated biphenyls (PBBs), Erbsenzinnäpfel (TBBz), Polychlorinated biphenyls (PCBs), Polycyclohexylolones, isobutyl, hex and octyl, Great migrating substances, Polycyclohexylolone (PCHO)</p>				
DESIGN	ENGINEERING	DATE	PROJ:	GROUP
MEDIUM	RB	03-Mar-11		
REVISIONS	DATE			
NS - ISO 2768-1	RB	Inherresen 53, B-1630, Geel, Frederikslaan, Meeuwse ma@projectiondesign.com, www.projectiondesign.com		
MATERIAL	PRODUCTION	DATE	PART NAME	
X			342 Line Drawing EN45	
APPROVED	DATE	SCALE	SIZE	PART NO.
		0,250	A1	X
All rights reserved. Reproduction in whole or in part is prohibited without the written consent of the copyright owner.			SHEET	DWG. NO.
			1 / 1	X