

REF. 03005 LOCK RELEASE MOD.6000A



The electric lock release is a unit installed in the door frame to control a doors release remotely with an electric pulse. In an audio installation it is possible to activate the entrance electric lock release to the building and allow the visitor to enter from the telephone or monitor of the apartment by pressing the electric lock release 'key' pushbutton. Electric lock release includes the mechanism and a faceplate or case depending whether it is surface or flush.

Surface door lock.

The electric lock release is a device installed in the door frame to control opening remotely using an electronic device. In an electric door entry system installation it is possible to activate the door lock of the building's entrance to allow the entry of the visit directly from the telephone or monitor just by pressing the doorlock key. The doorlock it made up of an electrical mechanisim and a shield if it is flush mounted.

Serie 6000

Surface with deadbolt recess.Surface door lock with attachment concealed on frame, reversible, for doors with locks with latch/bolt.Does not allow inverted operation or MAX version.

Reversible (Right DIN or Left DIN).

Lets you open the door from right and left.

Symmetrical.

Allows to change hands, maintaining the body symmetry.

DIN STANDARD

establishes the direction the door opens and designates the type of lock release installed.

Looking at the door from the side with the hinges visible:

- If the hinges are to the left of the observer, it is a left DIN lock release.

-If the hinges are on the observer's right, it is a right DIN.

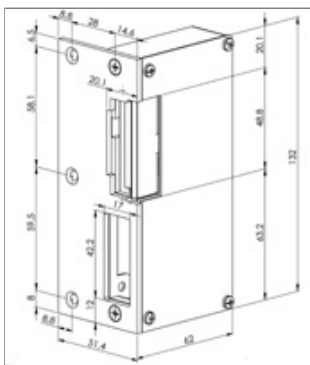
Operating type.

There are several types of door lock release mechanisms depending on the type of operation needed.

Type A Automatic 12Vac (Automatic operation and 12 Vac activation).

The lock release is unblocked when it receives a 12Vac voltage pulse. The lock release is blocked again once the voltage is cut off and the door opens and closes again mechanically. For proper installation, the automatic lock pin must be pressed in 3mm by the latch once the door is closed again.

TECHNICAL SPECIFICATIONS



There are different kinds of electric lock release mechanisms, depending on the TYPE OF FUNCTIONS required. This electric lock is type N: • N (12 Vac Normal and activation): the electric lock is only released as long as the door released is being pressed in the monitor or telephone. For electric locks put in the door frame (in surface). •Case model 2001: one piece. •Case model 2003: two pieces model.

Consumption:

N, A 12Vac: 980mA

N-412 12Vdc: 200mA.

N-512 12Vdc: 150mA.

Size of product when packed: 5,5x13,5x6,5

Weight: 0,598 kg

EAN 13: 8424299030050