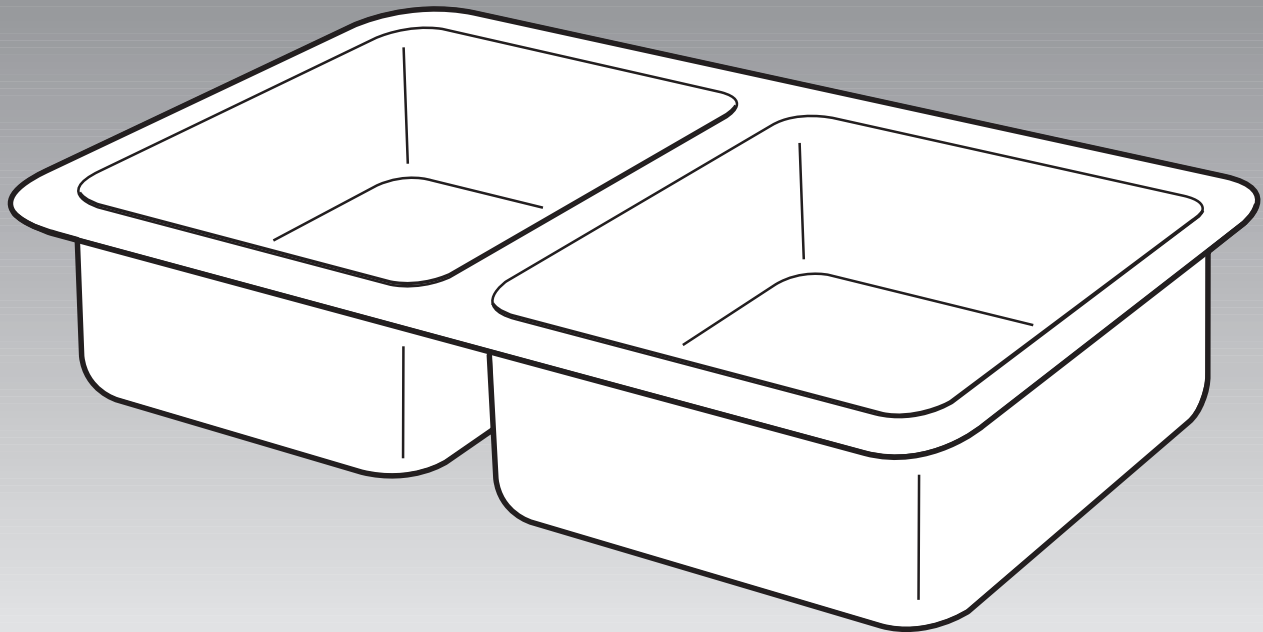


# **KitchenAid™**

## **Undermount Sinks**

For installation with solid surfaces



## **Installation Instructions and Use & Care Guide**

### **Quick Reference Table of Contents:**

#### **Pages**

- 2** Tools and Parts
- 2** Installation Requirements
- 3-4** Installation Instructions
- 5** Use & Care Guide
- 5** Warranty
- 6** Requesting Assistance or Service

# Installation requirements...

The KitchenAid™ Undermount System is based on installing Undermount Series sinks, including the plywood reinforcement sheet (sink support), with the countertop at the fabricator's shop.

## Tools and Parts:

Assemble the required tools and parts before starting installation. Read and follow the instructions provided with any tools listed here.

### Tools needed:

- drill
- 5/16" drill bit
- clamps
- 4, 1/2" Phillips flathead screws
- dust mask
- tape measure
- solvent, such as denatured alcohol
- silicone sealant\*
- router
- 3/8" router guide bushing
- 1-3/16" router guide bushing
- 1/4" straight cutter bit
- 1/2" straight cutter bit
- #2 Phillips screwdriver

### Parts and Materials needed:

- 1/2" plywood sheets
- faucet with check valve and accompanying plumbing supplies as needed.
- strainer basket

\*Silicone caulk/sealant must meet the qualifications of ASTM C920, FDA regulation no. 21, CFR 177.2600, NSF-51, Dow Corning® 786 is recommended.

Check local codes. All plumbing connections should be made by a licensed, qualified plumber.

Installation must be performed by a qualified fabricator/installer. The sink installation must comply with national and local plumbing codes and ordinances.

If more holes are required in the sink deck, the holes must be added by a qualified plumber according to the faucet manufacturer's specifications.

### Parts supplied:

- sink
- sink template (Masonite)
- Installation Instructions/Use and Care Guide

Additional Resources available:

CNC program download - sink template/cut-out dimensions (see "Create Template" section).

## Plumbing requirements

Sink should be plumbed to local plumbing codes.

All plumbing connections should be made by licensed, qualified plumbers.

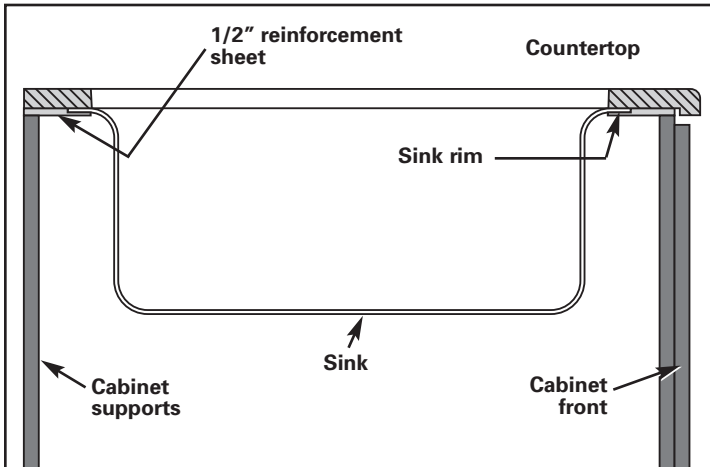
## Countertop requirements

This undermount sink is intended to be installed with solid surfaces only.

These instructions are intended for use by qualified fabricators and installers only.

# Installation Instructions...

- As with all metal objects, follow proper handling techniques.
- Freight handling and job site exposure may have damaged the sink. This sink should be examined for damage prior to enclosure/installation. Do not install a damaged sink. Return the sink to the dealer from whom you purchased it. Failure to do so will void the warranty.
- Installation of all KitchenAid™ Undermount sinks is based on “sandwiching” the rim of the sink between the countertop and 1/2” plywood reinforcement sheet (sink support). The reinforcement sheet rests on top of the cabinet. The front edge of the countertop must be built-up to hide this 1/2” underlayment.



- Aesthetics are essential to presentation of the installed sink. Take the necessary care to ensure that the exposed silicone joint is kept to a minimum, the sink is properly aligned to the cut-out, and the excess silicone is cleaned from the sink.

## Create female template

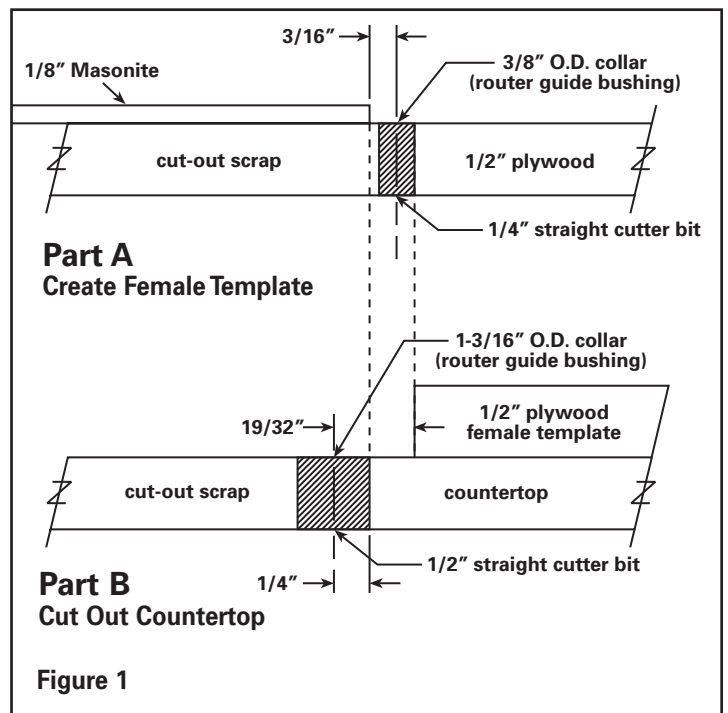
NOTE: As an alternative to creating a female template according to the instructions shown here, an “ElectronicTemplate” is also available.

A CNC program file is available to download from the internet address: <http://www.kitchenaid.com/>. This file includes the necessary sink template dimensions for cutting the holes in the countertop material and the plywood countertop reinforcement sub-layer.

If you have any questions regarding the downloadable program file, the file format, or program file requirements, please contact KitchenAid at 800-422-1230, and/or [www.kitchenaid.com](http://www.kitchenaid.com) for frequently asked questions.

**IMPORTANT:** The Masonite template supplied by KitchenAid has been machined to the exact size and shape of the finished countertop cut-out. It is recommended that the Masonite template be used to create a female template from 1/2” plywood as outlined in the instructions following. The female template will determine the final sink location.

1. Fasten the masonite template (provided) to the 1/2” plywood sheet with 1/2” Phillips flathead screws. The screws must be flush with or below the top of the masonite template.
2. Drill a 5/16” pilot hole in the 1/2” plywood at a tangent to the masonite template, in order to begin the router cut.
3. Create the female template from the 1/2” plywood sheet by using the 3/8” router guide bushing and the 1/4” straight cutter bit, as shown.

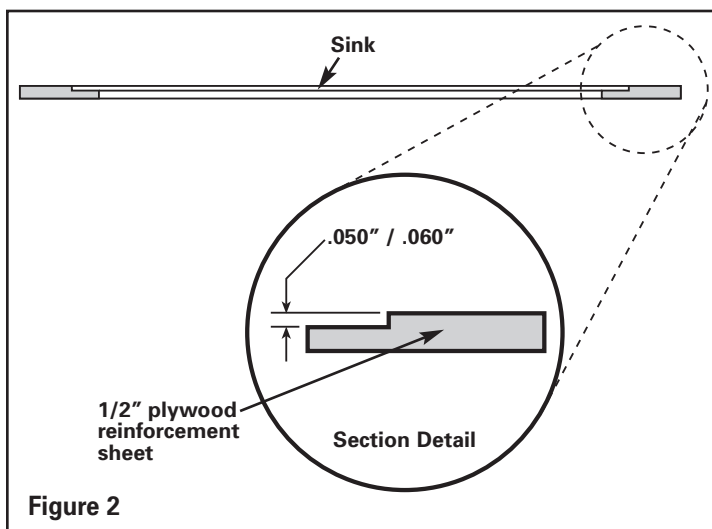


4. Sand the new female template (plywood) edge clean and smooth.

## Create sink support

1. Prepare minimum 1/2" plywood sheet (sink support) by cutting to dimensions of cabinet it will be mounted to.
2. Secure 1/2" plywood sheet (sink support) to work surface using various clamps. Fasten the female template (plywood) to the 1/2" plywood sheet (sink support). Using the 1-3/16" router guide bushing and the 1/2" straight cutter bit, cut opening in the 1/2" plywood sheet (sink support). Do not remove the female template from the sink support.
3. Using the 1/4" straight cutter bit, recess the opening in the sink support by .050" to .060", to accept flange of sink. (As shown in Figure 2).

NOTE: For reference, 1/16" is .0625"



4. Remove the female template and set aside.

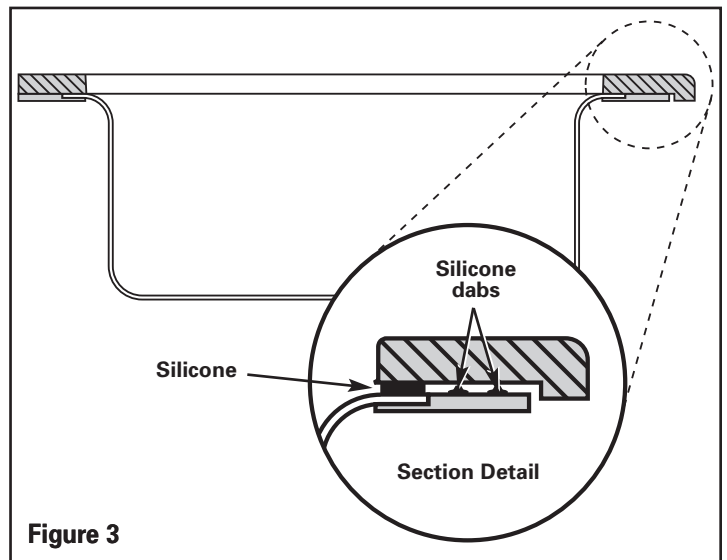
## Cut out countertop

**IMPORTANT:** All solid surfaces (such as marble and granite) must be cut by a qualified installer or fabricator.

1. Clamp 1/2" plywood female template on top surface of countertop, in desired position. This position will be determined by the relationship of the sink rim to cabinet gables, cabinet supporting members, and deck mounted fittings.
2. Cut out countertop by tracing edge of female template, using the 1-3/16" router guide bushing and the 1/2" straight cutter bit.
3. Finish cut-out edge of countertop with desired finishing techniques.

## Install undermount sink

1. Clean flange and rim of sink, and countertop mating surface (underside of countertop) with solvent such as denatured alcohol.
2. Set sink in sink support cutout.
3. Generously apply a continuous silicone bead around the sink rim. (Dow Corning® 786 recommended.)
4. Liberally apply silicone dabs on plywood sink support at least 2" back from the sink cut-out. (See Figure 3.)



5. Align sink to underside of countertop cut-out so that a uniform sink edge is visible from the topside of the countertop around the periphery of the cut-out.

**IMPORTANT:** You cannot make any adjustments after performing Step 6, following:

6. Clamp sink support and sink rim to countertop. Use a non-abrasive cloth and solvent to remove excess silicone that has been squeezed out beyond the cut-out edge. Do not use any metal implements that will scratch the sink. Keep clamps on for a minimum of 24 hours before installing in cabinet.

# Use & Care Guide

## Do routine cleaning

Use soap, warm water and sponge. Rinse thoroughly and wipe dry.

## To remove stubborn stains

Use any cleaner acceptable for use on stainless steel. Always rub in the direction of the grain. Rinse thoroughly and wipe dry.

## To maintain luster

Use a small amount of mineral oil on a soft cloth. Apply evenly to the entire surface of the sink and buff to a shiny finish.

**Do not use** steel wool, scouring pads, steel brushes, etc. Their particles may become embedded in the sink surface and cause a rusty discoloration.

**Do not use** rubber mats. They trap water causing iron deposits and surface discoloration.

# Warranty

## LIFETIME LIMITED WARRANTY

For the lifetime of the product from the date of purchase, when this sink is installed, operated and maintained according to instructions attached to or furnished with the product, KitchenAid will replace sinks found to be defective in materials or workmanship with an equivalent stainless steel sink supplied by KitchenAid.

KitchenAid reserves the right to inspect any sink reported to be defective prior to replacement. This Lifetime Limited Warranty is offered to the original owner of the sink.

### KitchenAid WILL NOT Pay For:

- Service calls to correct the installation of your sink, to instruct you on how to use your sink, to replace house fuses or correct house wiring or plumbing.
- Repairs when your sink is used in other than normal, single-family household use.
- Damage resulting from accident, alteration, unauthorized modification, misuse, abuse (such as heavy impact or dropped objects), fire, floods, acts of God, improper installation or installation not in accordance with local electrical and plumbing codes, or use of products not approved by KitchenAid.
- Damages resulting from improper care or maintenance.
- Damages resulting from improper application (such as exposure to corrosive chemical, photographic solution, etc.)
- Any unauthorized modifications made to the product after it leaves KitchenAid (or its suppliers) premises whether performed by a contractor, service company, or yourself.
- Any labor cost during the limited warranty period.
- Replacement parts for units operated outside the United States.
- Pickup and delivery. This product is designed to be serviced in the home.

### KITCHENAID SHALL NOT BE LIABLE FOR INCIDENTAL OR CONSEQUENTIAL DAMAGES.

Some states do not allow the exclusion or limitation of incidental or consequential damages, so this exclusion or limitation may not apply to you. This warranty gives you specific legal rights and you may also have other rights, which may vary from state to state.

**Outside the 50 United States, this warranty does not apply. Contact your authorized KitchenAid dealer to determine if another warranty applies.**

If you believe that you have a warranty claim, contact KitchenAid through your Dealer, Plumbing Contractor, Home Center or E-tailer. Or call our Customer Interaction Center at 1-800-422-1230 from anywhere in the USA, or write: CIC Center, KitchenAid Brand Home Appliances, Customer Interaction Center, 553 Benson Road, Benton Harbor, MI 49022-2692. *In the event of a warranty claim, the owner will be required to provide proof of purchase and a complete description of the problem.*

**This warranty supersedes all other warranties, expressed or implied.**

**Keep this book and your original invoice together for future reference. You must provide proof of purchase or installation date for in-warranty service.**

Write down the information about your sink in the box to the right to better help you obtain assistance or service if you ever need it.

Dealer Name _____
Address _____
Phone Number _____
Product _____
Model Number _____
Color and Finish _____
Purchase Date _____

# Requesting Assistance or Service

## If you need assistance or service in U.S.A.

**Call the KitchenAid Customer Interaction Center toll-free at 1-800-422-1230.**

**Our consultants are available to assist you.**

When calling: Please know the purchase date, and the complete model of your sink. This information will help us better respond to your request.



**Our consultants provide assistance with:**

- Features and specifications on our full line of sinks
- Installation information
- Use and maintenance procedures
- Accessory and repair parts sales
- Specialized customer assistance (Spanish speaking, hearing impaired, limited vision, etc.)
- Referrals to local dealers, service companies, and repair parts distributors

## For further assistance

If you need further assistance, you can write to KitchenAid with any questions or concerns at:

KitchenAid Brand Home Appliances  
Customer Interaction Center  
553 Benson Road  
Benton Harbor, MI 49022-2692

Please include a daytime phone number in your correspondence.

**KitchenAid™**  
HOME APPLIANCES

Part No. 8534965

® Registered Trademark/™ Trademark of KitchenAid, U.S.A.

© Dow Corning is a registered trademark of Dow Corning Corporation.

© 2003 All rights reserved.

7/2003  
Printed in U.S.A.