

 **Polaroid**

Photo*MAX*

***Fun! Digital
320 Camera***



SMILE!
**Digital
Photo
Fun!**
SMILE!



Quickstart Guide

Contents

Welcome to Polaroid PhotoMAX <i>FUN!</i>	1
The Polaroid PhotoMAX <i>FUN!</i> Digital 320 Creative Kit	2
Kit components	3
Polaroid Digital 320 Camera features	4
Getting the camera ready	5
To take a picture	6
Tips for great photos	8
Using the self-timer	10
Putting photos on your computer	11
Connecting the digital camera to your computer	14
Opening a photo in the software	22
Working with photos	23
Need Help?	29
Product Limited Warranties	30

Welcome to Polaroid PhotoMAX *FUN!*

Thank you for purchasing the Polaroid PhotoMAX *FUN!* Digital 320 Creative Kit. This kit contains everything you need to enter the world of digital imaging. Just follow the simple instructions in this Quickstart and you'll be working with digital images quickly and easily.

Our goal at Polaroid is to make digital imaging easy and fun — right from the moment you open the box.

If you get stuck or need help please visit our Help site on the Web at: **www.photomaxhelp.com** or call us at 1-800-897-0356.



**Please read this booklet
to learn how fun and easy
it is to use Polaroid
PhotoMAX *FUN!***

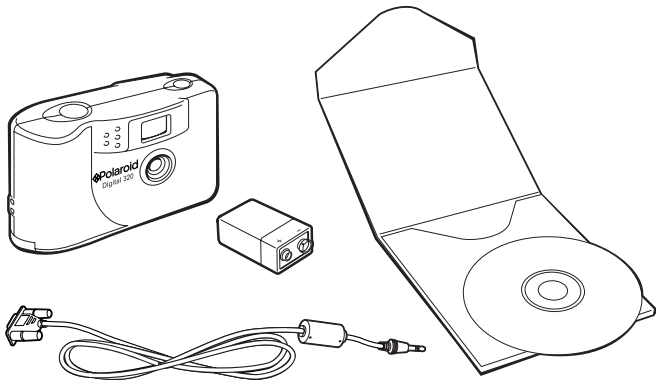
The Polaroid PhotoMAX *FUN!* Digital 320 Creative Kit

Your Polaroid PhotoMAX *FUN!* Digital 320 Creative Kit contains everything you need to take digital photographs and save them to your computer. Using the software in your kit you can correct, edit and play with your digital photos.

You can use your Polaroid PhotoMAX Image Maker Software with other digital cameras and scanners if they are TWAIN-compliant. Check the instructions that came with your device to see if it is TWAIN-compliant.

Kit components

Make sure that your kit contains the following:

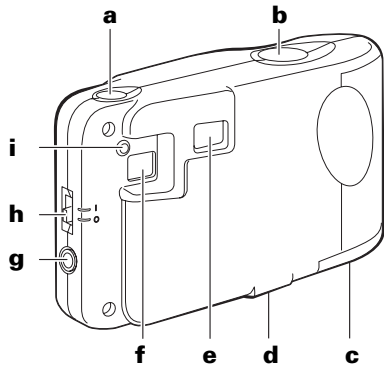


- Polaroid Digital 320 Camera
- Serial interface cable
- 9-volt battery
- Polaroid PhotoMAX SE 2.1 Image Maker Software CD-ROM



Note: Your computer needs a RS-232C serial port to use your digital camera.

Polaroid Digital 320 Camera features



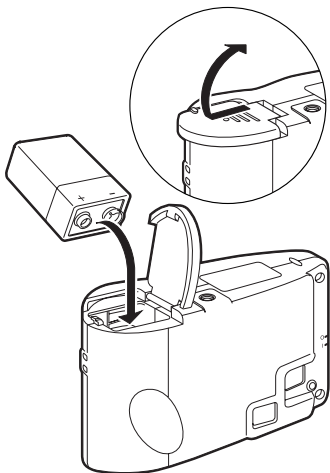
- a** Self-timer button
- b** Shutter button
- c** Battery door
- d** Tripod mount
- e** Viewfinder
- f** Picture counter/status panel
- g** Serial connector port
- h** ON/OFF switch
- i** Power indicator light

Getting the camera ready

Your kit includes one 9-volt battery to use with your Polaroid Digital 320 Camera.

1. Open the battery door as shown.
2. Insert one 9-volt battery into the compartment. Make sure that the battery terminal (+ and -) are properly positioned as shown.
3. Close the battery door.

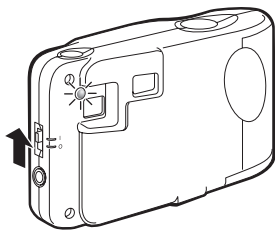
You are now ready to take pictures!



To take a picture

1. Turn on the camera.
The green power light on the back of the camera is lit.

If the green power light is not lit, check to make sure the battery is properly loaded.



2. Look through the camera viewfinder.

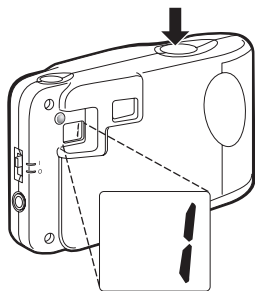
Hold the camera steady and press the shutter button. Keep holding the camera steady until you hear a beep.


When you hear the beep, a picture has been taken.



The picture counter on the back of the camera shows you how many pictures you have stored in your camera.

Your camera can store up to 18 images.



 **Note:** Your camera automatically shuts off after a few minutes if you don't take a picture. This helps to save your battery power.

The camera beeps to let you know that it is in power saving mode. When the camera beeps turn the camera off or take another photo.

Press the shutter button to take a photo while the camera is beeping. The camera turns itself on when you press the shutter button and takes the photo normally.

Tips for great photos

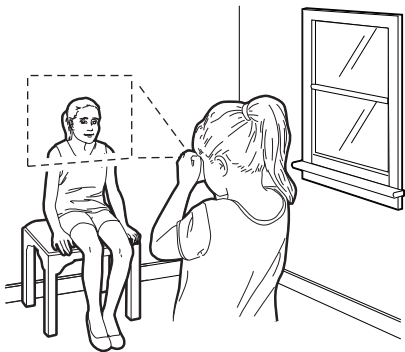
Follow the steps on this page to take great photos with your Polaroid Digital 320 Camera.

Indoor photos

3-6 feet

Take photos in a brightly lit room that has a mixture of both sunlight and lamp light.

For best results, take a photo near a large window.



Outdoor photos

3 feet to infinity

Take photos in sunlight or in bright shade. Avoid intense sunlight that may cause sun spots in photos.

Always make sure that the sun or other light source is behind the person taking the photo.



*For more tips on taking great photos with your Polaroid Digital 320 Camera, visit our Web Help site at: **www.photomaxhelp.com***

Using the self-timer

Your digital camera comes with a built-in self-timer.

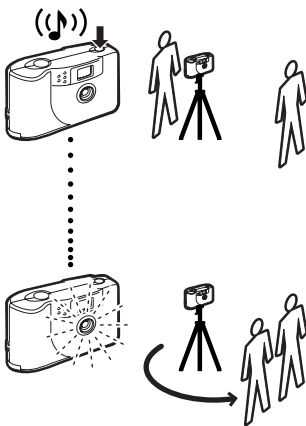


Note: *It is recommended that you use a tripod with the self-timer. There is a tripod mount on the bottom of your digital camera.*

1. Look through the viewfinder to compose your photo.
2. Press the self-timer button.
3. The camera makes a beeping noise.

The beeping continues for approximately 10 seconds.

After 10 seconds the camera makes a long beeping noise as the photo is taken.



*For more help with using your Polaroid Digital 320 Camera visit our Help Web site at: **www.photomaxhelp.com***

Putting photos on your computer

After you take digital photos with your camera you need to put them on your computer. To do this, you must first install the Polaroid PhotoMAX Image Maker Software included in your kit. Your software includes many fun and interesting features to use with your digital photos:

- Polaroid's Image Quality Assured (IQA) one-click fix technology that instantly improves any digital image.
- A wide selection of digital special effects such as melting, swirling, motion blur and more. Full preview of all your changes as you make them.
- PhotoFantasy that lets you put someone's picture inside one of the many supplied digital fantasies—such as a magazine cover or a 50's time warp.



***Note:** Before you install the software make sure that your computer meets the minimum system requirements necessary for installing it.*

Minimum System Requirements

- PC with Pentium class processor
- Microsoft Windows 95 or Windows 98
- 16 MB of RAM
- 50 MB available hard drive space
- Available COMM port
- 16-bit display adapter (24-bit recommended)
- High Color (16-bit) display settings at 1024x768 pixels (recommended)
- 2x or faster CD-ROM drive
- Mouse



To install the software:

1. Insert the CD-ROM in your CD-ROM drive.
2. Follow the instructions on your computer screen.
3. If the installation program does not start automatically:
 - a. Select **Run** from the Windows Start menu. The Start menu is usually found at the bottom of your screen.
 - b. Click **Browse** to locate your CD-ROM drive.
 - c. Select **Setup.exe** from the CD-ROM.
 - d. Click **Open**.
 - e. Click **OK** and follow the instructions on your computer screen.



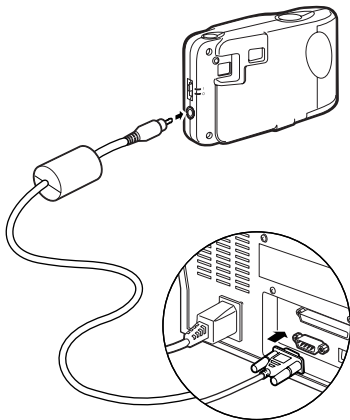
Note: Be sure to read the *README* file for any important last minute information about your software. The *README* file is called **readme.wri** and is located in the *Polaroid\PhotoMAX SE* folder on your computer.

Connecting the digital camera to your computer

1. Turn off your computer and any peripheral devices attached to it (scanner, printer).
2. Connect the serial cable to the serial port on your computer.



***Note:** To get help finding the serial port on your computer read the instruction manual that came with your computer or contact the computer manufacturer.*



3. Connect the other end to the serial port on the camera.
4. Turn on your computer.

5. Click the **Start** button on the Windows taskbar.



***Note:** The Windows taskbar is usually found at the bottom of your screen.*

6. Select **Polaroid PhotoMAX by ArcSoft** from the Programs menu.
7. Select **PhotoMAX SE**. The software launches.



***Note:** You also can open the Polaroid PhotoMAX SE Software by double-clicking the Polaroid PhotoMAX SE icon on your desktop. This icon is a shortcut to the Polaroid PhotoMAX application that was created automatically at the end of the installation procedure.*

To open a photo in the software

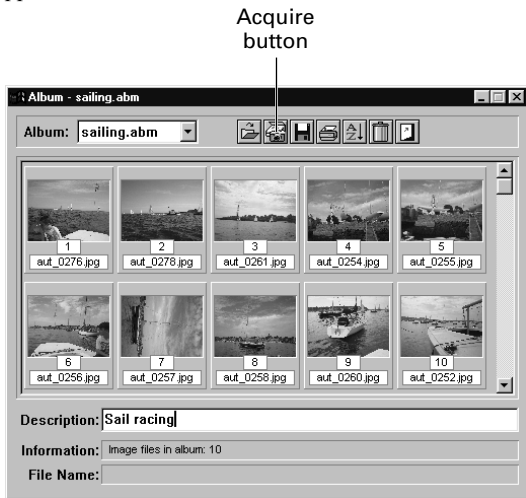
1. Click the **Get Photo** button.




The **Get Photo** button lets you select an image from a variety of sources. You can select an image from:

Selection:	Click on it to:
From File	<ul style="list-style-type: none">• open an image file on your computer
Album or Camera	<ul style="list-style-type: none">• download images from your camera• open an image file from a photo album <p>Note: you can build your own customized image albums.</p>
Other Devices	<ul style="list-style-type: none">• download directly from your TWAIN-compliant digital camera or scanner

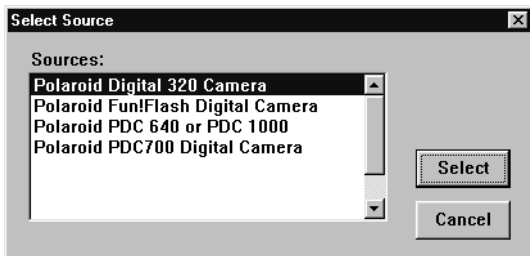
- Click **Album or Camera**. The Album manager window appears.



 *Note:* To create a new Album, select **New Album** from the **Album:** pull-down menu. Click the **Save** button to give your Album a name and save it to your computer.

- Click the **Acquire** button on the top menu bar.

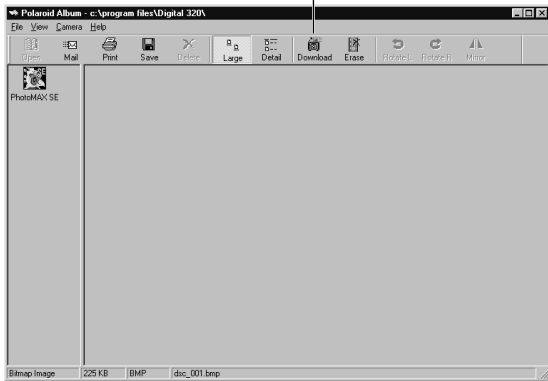
The **Select Source** window appears.



4. Click on **Polaroid Digital 320 Camera**. Click **Select**.

The Polaroid Digital 320 Camera TWAIN software opens. The TWAIN software is used to download, delete and save images from your digital camera.

Download
button



5. Follow the instructions that appear on the screen to download images, or click the **Download** button. The images stored on your camera appear in the window.



*Note: Click the **Detail** button to see information about any image.*

6. To open a photo in the Polaroid PhotoMAX SE software, click on the photo and drag it with your mouse to the Polaroid PhotoMAX SE icon.



The image is added to the Album that is open in the software.

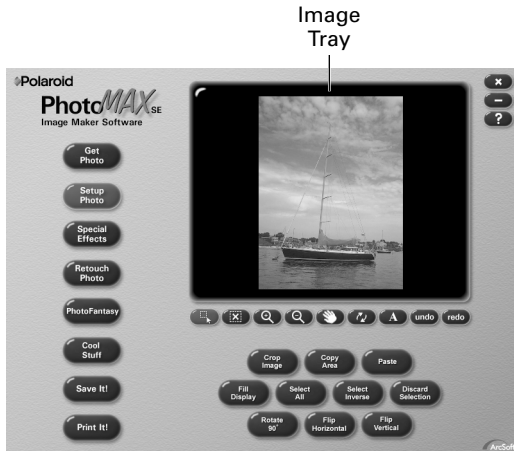


Note: To save an image to your computer, click on the image and click the **Save** button.

Opening a photo in the software

You can open any photo from your Album in the software.

1. Double-click on an Album image to open it in the software.
The image appears in the image tray.



**You are now ready to have fun with your photo
with Polaroid PhotoMAX Image Maker Software!**

Working with photos

With Polaroid PhotoMAX Image Maker Software you can add special effects, retouch colors, cut and paste selections between photos, and much more.

Applying a special effect

You can apply many different special effects to a selected part of your photo or to the entire photo. Try making part of your photo look like an oil painting!

1. Select the area on your image that you want to paint, or make sure no area is selected if you want to paint the entire image.
2. Click **Special Effects**.
3. Click the down arrow on the tool palette until you see the painting special effect.
4. Drag the slider to the left to decrease the intensity of the effect or to the right to increase the intensity of the effect. You also can click the – or the + buttons to change the intensity.
5. Click **painting** to apply the effect to your image.

The special effect appears on your image. Click **undo** if you change your mind.

Cropping an image

Sometimes you need to cut out part of a photo you scanned or took with your digital camera. Use the Crop tool.

1. Select the area you want to keep in your photo.
2. Click **Setup Photo**.
3. Click **Crop Image**.
4. Move the cursor over the selected area on your image.

The cursor changes to a pair of scissors.

5. Press the left mouse button.

The cropped image appears in the image tray. Click **undo** if you change your mind.

Saving an image

After you finish making changes to your photo, you need to save it to your computer.

To save the image. . .	Description
With the same file name and in the same file format	<ol style="list-style-type: none">1. Click Save It!.2. Click Quick Save.
With a different file name or in a different file format	<ol style="list-style-type: none">1. Click Save It!.2. Click Save Image as. The Save As dialog box appears.3. Select the folder where you want to save the file.4. Select a file format from the Save as type list, if needed.

To save the image. . .	Description
	<p><i>Note: If you select JPG, a slider appears to set the amount of image compression. A higher setting saves the file with less compression and higher image quality. A lower setting saves the file with more compression and a lower image quality. Files with more compression take up less hard disk space</i></p>
	5. Enter a different file name, if needed.
	6. Click Save .

To save the image. . .	Description
As a screen saver	<ol style="list-style-type: none">1. Click Save It!.2. Click Make Screen Saver.
As wallpaper for your desktop	<ol style="list-style-type: none">1. Click Save It!.2. Click Make Wallpaper.

Printing images

1. Click **Print It!**.
2. Click **Print Image.**
3. Select **Add Title** if you want to add a caption to your printed image. Double-click the title box on the preview area to add the text. The text appears in the active color.
4. Select **Add Frame** to print a black frame around the image. Use the Add Frame option to add a frame in a different color.
5. Select **Center Photo** to print the image in the center of the paper.
6. Select **Center Title** to center the text horizontally.

7. Drag the **Width** and **Height** slider to change the size of the image that prints on the page.

This does not change the actual size of the image.

8. Drag the image to reposition your image on the page.
9. Enter the number of copies.

This option is not available if your printer driver does not support multiple printing.

10. Click **Printer Setup** if needed.
11. Click **Print** to start printing.

Need Help?

Whenever you need help using Polaroid PhotoMAX SE Image Maker Software, click on the **?** button on the main window to open the *Online User's Guide*.



The *Online User's Guide* provides step-by-step instructions on using your Polaroid PhotoMAX SE Software.

Also, be sure to visit our *Help site on the Web* at:

www.photomaxhelp.com

Product Limited Warranties

One Year Limited Warranty

Polaroid PhotoMAX FUN! Digital 320 Camera

Polaroid will, at our option, repair or replace any unit found defective in manufacture within the warranty period. The warranty period is determined by the date of purchase. Keep the receipt as proof of purchase. Otherwise, the warranty period is determined by the date of manufacture. **This warranty does not apply to damage caused by accident, misuse or tampering, and excludes all consequential damages except in jurisdictions not allowing such exclusions or limitations.**

Caution

This unit is battery operated. Supervise children when camera is operated by them or used in their presence. To avoid electrical shock, do not expose to or immerse in water or other fluids, disassemble, or operate if dropped or damaged. Contact a Polaroid Service Center for repair information.

Limited Warranty

Polaroid PhotoMAX SE 2.1 Image Maker Software

Polaroid warrants that the Software media will be free of defects in materials and workmanship for a period of 90 days from the date of purchase. Polaroid's entire liability and your exclusive remedy shall be, at Polaroid's option, either (a) return of the price paid or (b) repair or replacement of the Software that does not meet Polaroid's Limited Warranty and which is returned to Polaroid with a copy of your sales receipt. This Limited Warranty is void if failure of the Software has resulted from accident, abuse, or misapplication. Any replacement Software will be warranted for the remainder of the original warranty period or 30 days, whichever is longer.

POLAROID MAKES NO OTHER WARRANTIES WITH RESPECT TO THE SOFTWARE, EITHER EXPRESS OR IMPLIED, INCLUDING BUT NOT LIMITED TO IMPLIED WARRANTIES OF MERCHANTABILITY AND FITNESS FOR A PARTICULAR PURPOSE. **Some states and countries do not allow the exclusion of implied warranties, so the above exclusions may not apply to you.**



Thank you for purchasing this Polaroid Digital Product. For more information on our other digital imaging products, please visit our Web site at: **www.photomaxhelp.com** or call us at: **1-800-897-0356.**



***Fun!* Digital 320 Camera**



Copyright 1999 Polaroid Corporation, Cambridge, MA 02139, USA, owner of the registered trademarks “Polaroid”, “IQA Design” and “Polaroid PhotoMAX”. “MAX the Bird (and feather design)” Copyright 1998 Polaroid Corporation. All other product names may be the property of their respective owners. All rights reserved.

Printed in U.S.A. PU-21153M-0