



Parts Manual IS2000Z Export Zero-Turning Riding Mower

**Models:**

5900627
5900628
5901187
5901188
5901189
5901190
5901191
5901192

Description:

Ferris 20HP Yanmar w/ 48" Side Discharge Mower Deck & ROPS (IS2000ZY20D48)
Ferris 20HP Yanmar w/ 52" Rear Discharge Deck & ROPS (IS2000ZY20D52R)
Simplicity 20HP Yanmar w/48" Side Discharge Mower Deck & ROPS (YANMAR2048)
Simplicity 20HP Yanmar w/48" Rear Discharge Deck & ROPS (YANMAR2048RD)
Simplicity 20HP Yanmar w/52" Side Discharge Mower Deck & ROPS (YANMAR2052)
Simplicity 20HP Yanmar w/52" Rear Discharge Mower Deck & ROPS (YANMAR2052RD)
Ferris 20HP Yanmar w/ 52" Side Discharge Deck & ROPS (IS2000ZY20D52)
Ferris 20HP Yanmar w/ 48 Rear Discharge Deck & ROPS (IS2000ZY20D48R)

Briggs and Stratton Yard Power Products Group

5375 North Main Street
Munnsville, NY 13409 USA
800-933-6175

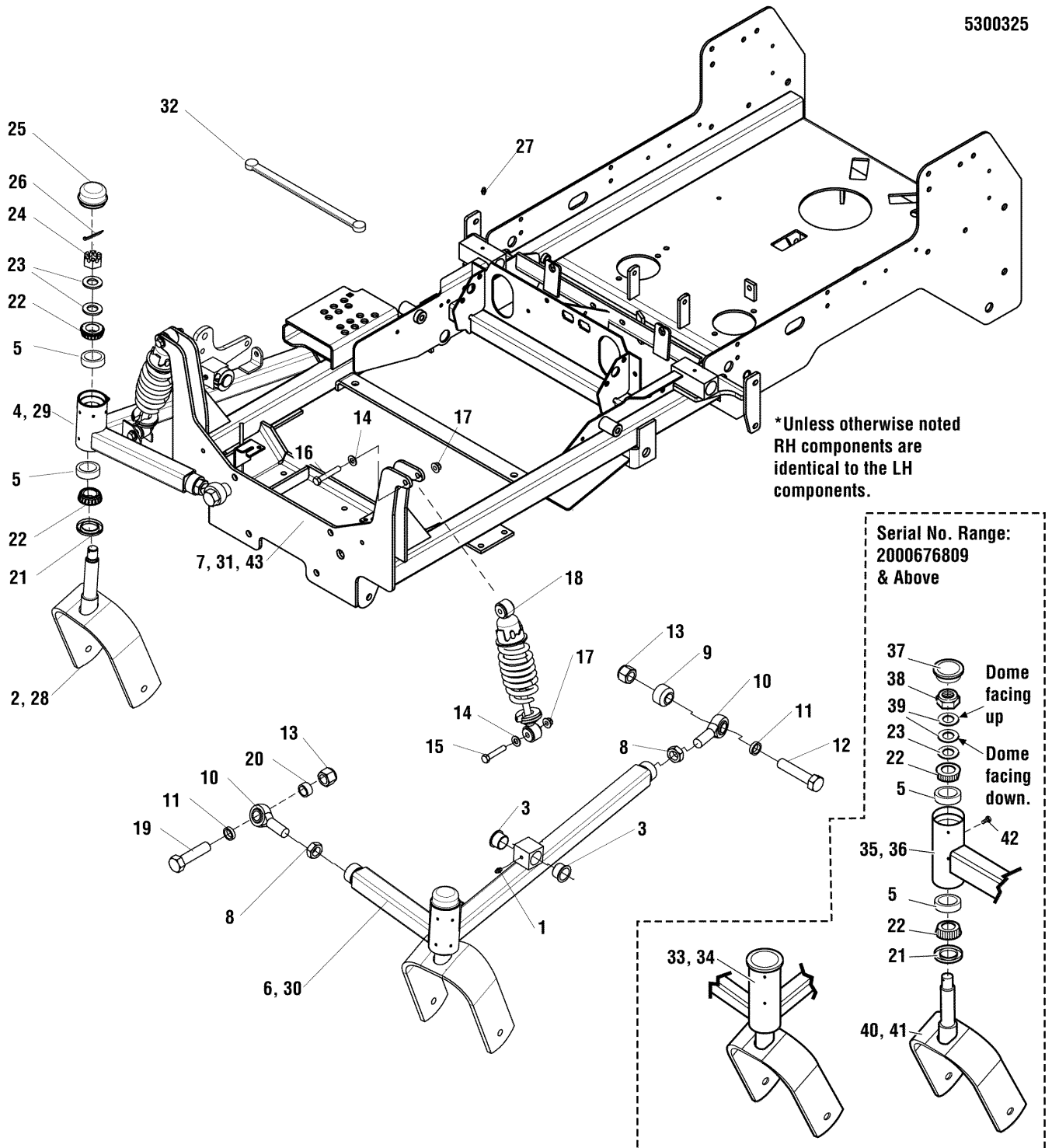
5100886
Revision AH
Rev. Date: 11/2008
TP 400-7318-AH-2D-FS

MODEL COMPONENTS	PAGE
Main Frame & Front Suspension Group	4
Rear Bumper, Roll Bar & Seat Belt Group	8
Seat Mount & Floor Group	10
Fuel Tank & Mount Group	12
Fuel Supply Hose & Tank Replacement Parts Group	14
Instrument & Control Panel Group	16
Engine & PTO Group	18
Hood & Radiator Accessories Group	20
Pump Drive Group	24
Motion Control Group	26
Hydraulic Group	30
Parking Brake Group	32
Rear Suspension Group	34
Deck Lift Group	36
Wheel & Tire Group	40
Decal Group - Safety & Operation	42
Decal Group - Brand - Ferris Models	44
Decal Group - Brand - Simplicity Models	46
48" & 52" Side Discharge Mower Deck Group - Housing, Covers, Spindles & Blades	48
48" & 52" Mower Deck Group - Pulleys, Belt & Arm	52
48" & 52" Mower Deck Group - Rollers	54
48" & 52" Mower Deck Group - Hanger Chains	56
48" & 52" Rear Discharge Mower Deck Group - Housing, Covers, Spindles & Blades	58
Spindle Service Parts	60
Electrical Schematics - □(S/N: 2000676808 & Above)	62-67
Electrical Schematics - □(S/N: 2000676807 & Below)	68-73
Torque Specification Chart	Inside Back Cover

Main Frame & Front Suspension Group

NOTE: Unless noted otherwise, use the standard hardware torque specification chart.

5300325



The above parts group applies to the following Mfg. Nos.:

- | | |
|--------------------------|------------------------|
| 5900627 (IS2000ZY20D48) | 5901189 (YANMAR2052) |
| 5900628 (IS2000ZY20D52R) | 5901190 (YANMAR2052RD) |
| 5901192 (IS2000ZY20D48R) | |
| 5901191 (IS2000ZY20D52) | |
| 5901187 (YANMAR2048) | |
| 5901188 (YANMAR2048RD) | |

Main Frame & Front Suspension Group

REF NO.	PART NO.	QTY.	DESCRIPTION
1	5020095	2	GREASE FITTING, 1/4-28 STRAIGHT
2	5047049B	2	WELD, CASTER YOKE - RED MODEL
3	5023356	4	BUSHING, 1.00X1.13X.75, PLA (Qty: 2 per suspension arm)
4	5400567B	1	WELD, FRONT A-ARM - RH - RED MODEL (Includes Ref. Nos 1 and 3.)
5	5020883	4	BEARING CUP
6	5400564B	1	WELD, FRONT A- ARM - LH - RED MODEL (Includes Ref Nos. 1 and 3)
7	5401530B	1	WELD, MAIN FRAME - RED MODEL (S/N: 2012612074 & Below)
8	5025093	4	NUT, HEX JAM, 3/4-16
9	5046093	2	SPACER, .75 X 1.50 X 1.00
10	5022039	4	BALL JOINT, 3/4-16 MALE
11	5047461	4	SPACER, .76 X 1.00 X .25
12	5025265X28	2	BOLT, 3/4-16 X 3-1/2" YZ GD5
13	5025284	4	NUT, 3/4-16 HEX NYLON LOCK
14	5025156	4	WASHER 3/8" SAE
15	5025013X16	2	BOLT, 3/8-16 X 2" GD5 YZ
16	5025013X18	2	BOLT, 3/8-16 X 2-1/4" GD5 YZ
17	5025394	4	NUT, 3/8-16 HEX NYLOCK FLANGE
18	5023436	2	SHOCK ABSORBER
19	5025265X24	2	BOLT, 3/4-16 X 3" YZ GD5
20	5046092	2	SPACER, .76 X 1.00 X .50
21	5021072	2	SEAL, GREASE
22	5020884	4	BEARING, TAPPERD ROLLER, 1"
23	5025160	4	WASHER, 3/4" SAE
24	5025104	2	NUT, 3/4-16 HEX SLOTTED
25	5021073	2	CAP, DUST
26	5025203X10	2	PIN, COTTER, 1/8" X 1-1/4"
27	5020020	2	GREASE FITTING, 1/4-28 45 DEGREE
28	5047049C	2	WELD, CASTER YOKE - ORANGE MODEL
29	5400567C	1	WELD, FRONT A-ARM - RH - ORANGE MODEL (Includes Ref. Nos 1 and 3.)
30	5400564C	1	WELD, FRONT A- ARM - ORANGE MODEL (Includes Ref Nos. 1 and 3)
31	5401530C	1	WELD, MAIN FRAME - ORANGE MODEL (S/N: 2012612074 & Below)
32	1722009	1	STRAP-BLACK RUBB
33	5400564B	1	WELD, FRONT A-ARM - LH - RED MODEL (Serial No.: 2000676809 & Above)
34	5400564C	1	WELD, FRONT A-ARM - LH - ORANGE MODEL (Serial No.: 2000676809 & Above)
35	5400567B	1	WELD, FRONT A-ARM - RH - RED MODEL (Serial No.: 2000676809 & Above)
36	5400567C	1	WELD, FRONT A-ARM - RH - ORANGE MODEL (Serial No.: 2000676809 & Above)
37	5100882	2	CAP, CASTER SPINDLE, LOW PROFILE (Serial No.: 2000676809 & Above)
38	5025448	2	NUT, 3/4-16, HEX JAM NYLON LOCK (Serial No.: 2000676809 & Above)
39	5025449	4	BELLEVILLE WASHER, 1.500 X .755 (Serial No.: 2000676809 & Above)
40	5402208B	2	WELD, CASTER YOKE - RED MODEL (Serial No.: 2000676809 & Above)
41	5402208C	2	WELD, CASTER YOKE - ORANGE MODEL (Serial No.: 2000676809 & Above)

Footnotes

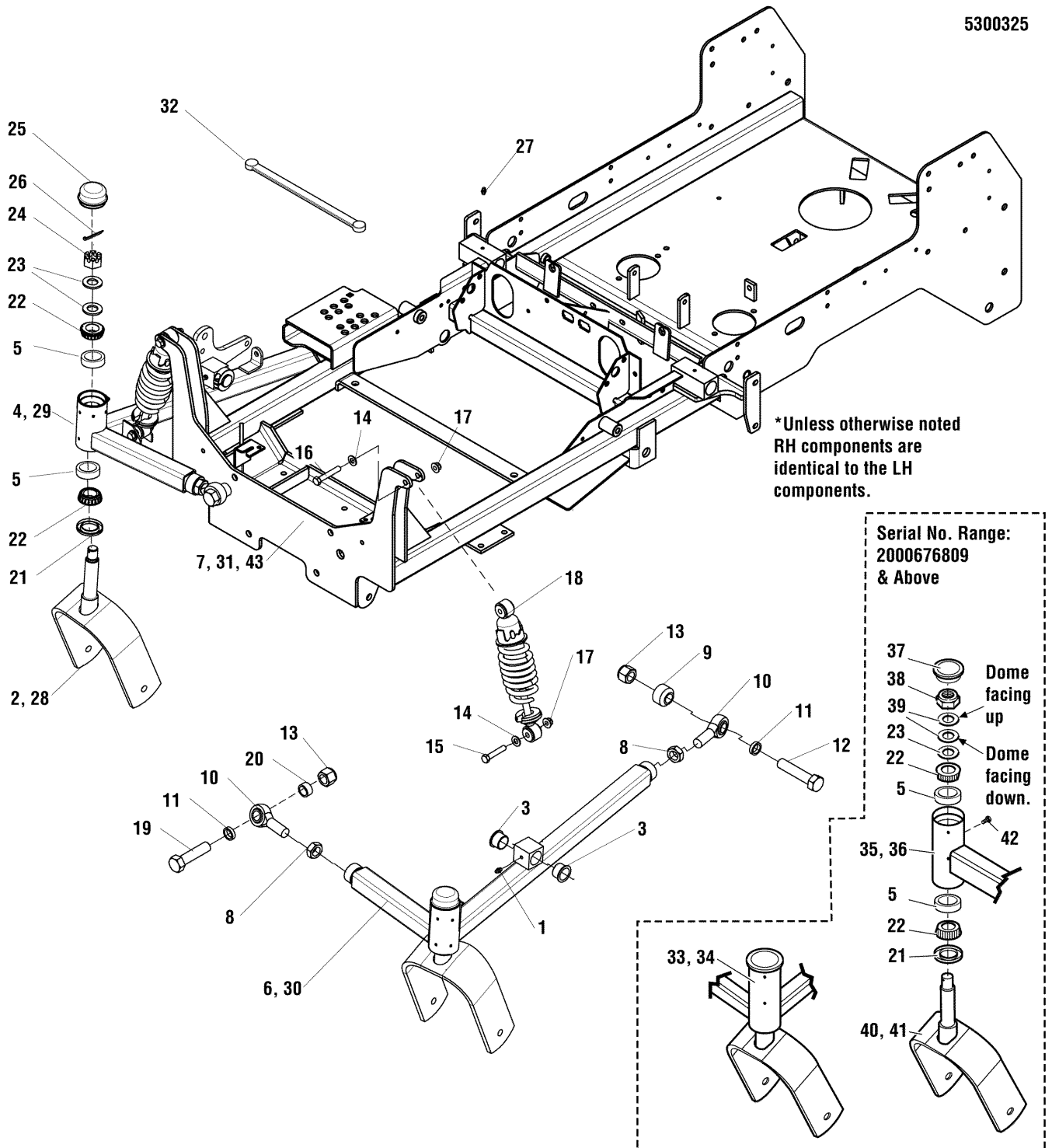
The above parts group applies to the following Mfg. Nos.:

5900627 (IS2000ZY20D48) 5901189 (YANMAR2052)
5900628 (IS2000ZY20D52R) 5901190 (YANMAR2052RD)
5901192 (IS2000ZY20D48R)
5901191 (IS2000ZY20D52)
5901187 (YANMAR2048)
5901188 (YANMAR2048RD)

Main Frame & Front Suspension Group

NOTE: Unless noted otherwise, use the standard hardware torque specification chart.

5300325



The above parts group applies to the following Mfg. Nos.:

- | | |
|--------------------------|------------------------|
| 5900627 (IS2000ZY20D48) | 5901189 (YANMAR2052) |
| 5900628 (IS2000ZY20D52R) | 5901190 (YANMAR2052RD) |
| 5901192 (IS2000ZY20D48R) | |
| 5901191 (IS2000ZY20D52) | |
| 5901187 (YANMAR2048) | |
| 5901188 (YANMAR2048RD) | |

Main Frame & Front Suspension Group

REF NO.	PART NO.	QTY.	DESCRIPTION
42	5025457	2	BOLT, 1/4-28 X 1/2, GD5 YZ (Serial No.: 2000676809 & Above)
43	5403762B	1	WELD, MAIN FRAME - RED MODEL (S/N: 2012612075 & Above)

Footnotes

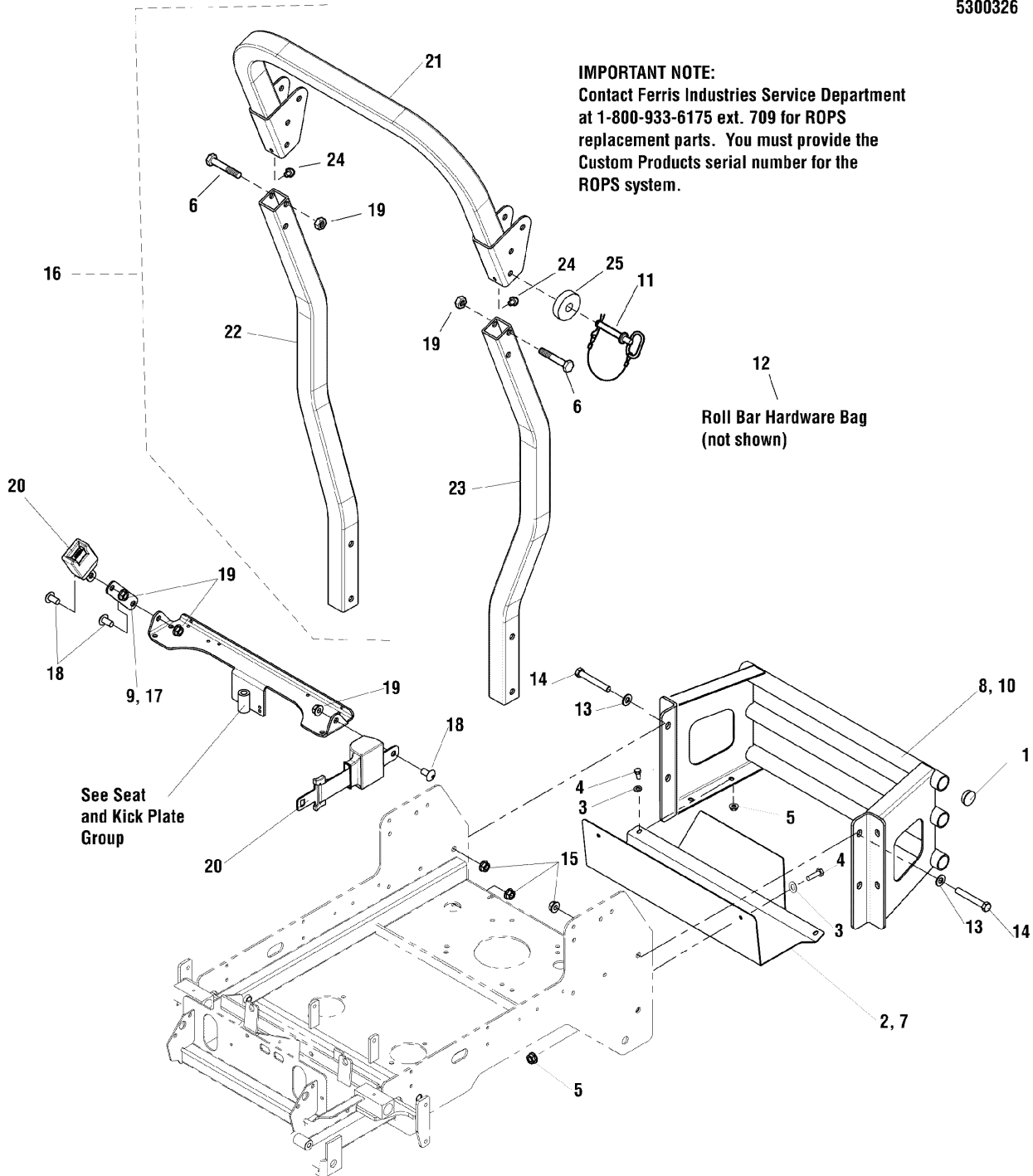
The above parts group applies to the following Mfg. Nos.:

5900627 (IS2000ZY20D48) 5901189 (YANMAR2052)
5900628 (IS2000ZY20D52R) 5901190 (YANMAR2052RD)
5901192 (IS2000ZY20D48R)
5901191 (IS2000ZY20D52)
5901187 (YANMAR2048)
5901188 (YANMAR2048RD)

Rear Bumper, Roll Bar & Seat Belt Group

NOTE: Unless noted otherwise, use the standard hardware torque specification chart.

5300326



The above parts group applies to the following Mfg. Nos.:

- | | |
|--------------------------|------------------------|
| 5900627 (IS2000ZY20D48) | 5901189 (YANMAR2052) |
| 5900628 (IS2000ZY20D52R) | 5901190 (YANMAR2052RD) |
| 5901192 (IS2000ZY20D48R) | |
| 5901191 (IS2000ZY20D52) | |
| 5901187 (YANMAR2048) | |
| 5901188 (YANMAR2048RD) | |

Rear Bumper, Roll Bar & Seat Belt Group

REF NO.	PART NO.	QTY.	DESCRIPTION
1	5023484	6	PLUG, PANEL, 1.25 - BLACK
2	5401928B	1	HEAT SHIELD - RED MODEL
3	5025292	4	WASHER, 5/16" GD.9 FLAT
4	5025011X6	4	BOLT, 5/16-18 X 3/4" GD5
5	5025392	4	NUT, 5/16-18 HEX NYLOCK FLANGE
6	-	2	*BOLT (See footnote.)
7	5401928C	1	HEAT SHIELD - ORANGE MODEL
8	5403806C	1	WELD, BUMPER, ORANGE MODEL
9	5401044C	1	EXTENSION, SEAT BELT - ORANGE MODEL
10	5403806B	1	WELD, BUMPER - RED MODEL
11	5100079	2	PIN, HITCH, BLACK W/ PLASTIC LANYARD
12	5100377	1	ROLL BAR HARDWARE BAG (Includes hitch pin)
13	5025158	4	WASHER, 1/2" SAE
14	5025017X26	4	BOLT, 1/2-13 X 3-1/4" GD5
15	5025396	7	NUT, 1/2-13 HEX NYLOCK FLANGE
16	5100190	1	ROPS COMPLETE IN BOX
17	5401044B	1	EXTENSION, SEAT BELT - RED MODEL
18	5100267	3	SCREW, 1/2-13 X 1.00, SHCS
19	-	2	*NUT (See footnote.)
20	5100139	1	SEAT BELT, RETRACTING - ASSM
21	-	1	ROLL BAR TOP LOOP (See drawing note.)
22	-	1	ROLL BAR POST, RH (See drawing note.)
23	-	1	ROLL BAR POST, LH (See drawing note.)
24	5100383	2	RUBBER BUMPER
25	5100545	2	RUBBER WASHER

Footnotes

(*Not serviced. For replacement hardware you must purchase complete Roll Bar kit.)

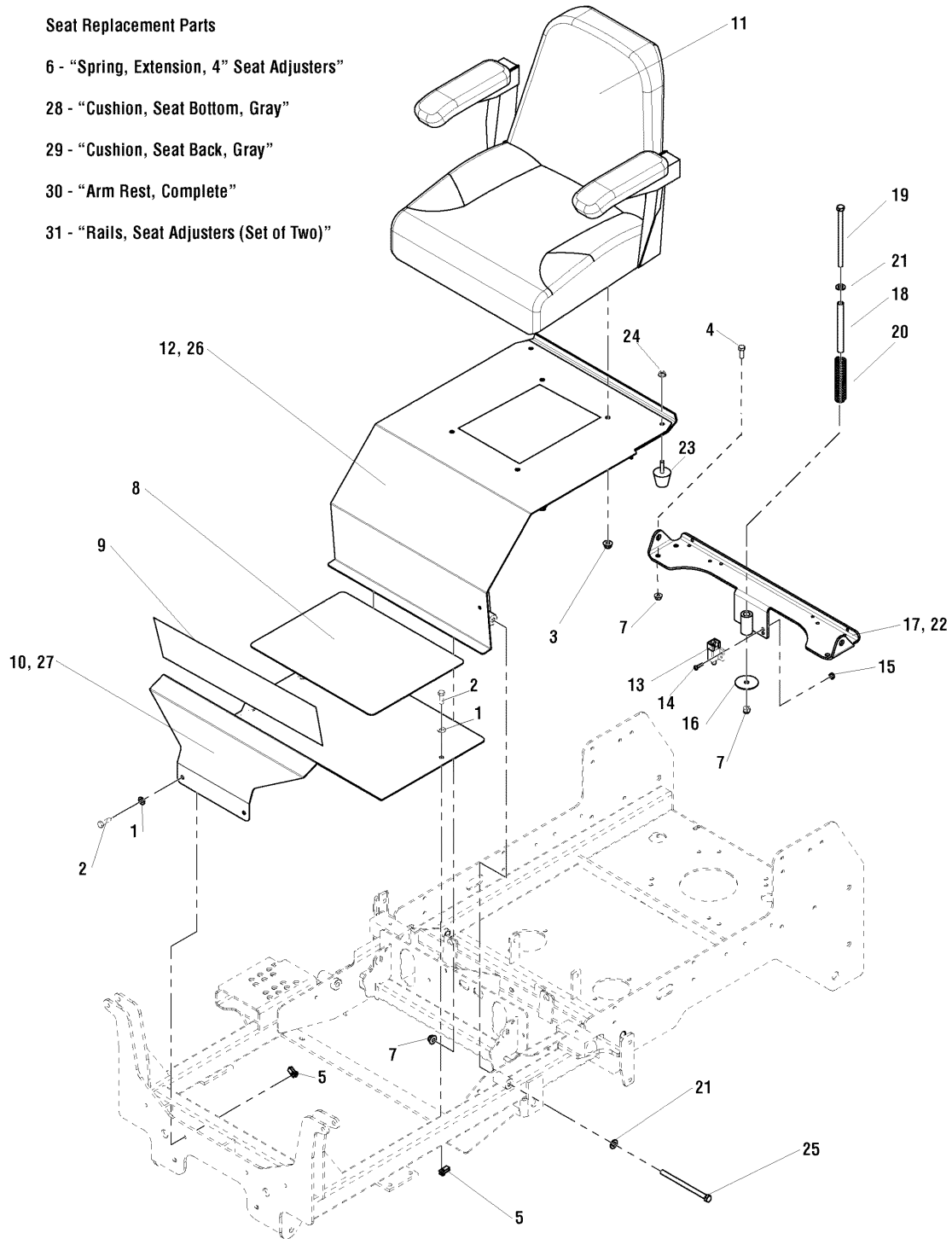
The above parts group applies to the following Mfg. Nos.:

5900627 (IS2000ZY20D48) 5901189 (YANMAR2052)
5900628 (IS2000ZY20D52R) 5901190 (YANMAR2052RD)
5901192 (IS2000ZY20D48R)
5901191 (IS2000ZY20D52)
5901187 (YANMAR2048)
5901188 (YANMAR2048RD)

Seat Mount & Floor Group

NOTE: Unless noted otherwise, use the standard hardware torque specification chart.

5300327



The above parts group applies to the following Mfg. Nos.:

5900627 (IS2000ZY20D48)	5901189 (YANMAR2052)
5900628 (IS2000ZY20D52R)	5901190 (YANMAR2052RD)
5901192 (IS2000ZY20D48R)	
5901191 (IS2000ZY20D52)	
5901187 (YANMAR2048)	
5901188 (YANMAR2048RD)	

Seat Mount & Floor Group

REF NO.	PART NO.	QTY.	DESCRIPTION
1	5025155	4	WASHER, 5/16" SAE
2	5025011X8	4	BOLT, 5/16-18 X 1" GD5 YZ
3	5025392	4	NUT, 5/16-18 HEX NYLOCK FLANGE
4	5025013X8	4	BOLT, 3/8-16 X 1" GD5 YZ
5	5025452	4	BODY CLIP, 5/16-18 X 1/2" DEEP
6	5100652	1	SPRING, EXTENSION, 4" SEAT ADJUSTMENT (Not an illustrated part.)
7	5025394	7	NUT, 3/8-16 HEX NYLOCK FLANGE
8	5101013	1	SAFETY WALK, 11.50 X 15.00
9	5101011	1	SAFETY WALK, 8.00 X 15.00
10	5401587B	1	PLATE, FLOOR - RED MODEL
11	5022031	1	SEAT, COMPLETE
12	5401589B	1	WELD, SEAT PLATE - RED MODEL
13	5022094	1	SWITCH PLUNGER N.C. / N.C.
14	5025179X6	2	SCREW, #10-24 X 1/2" RD PHILLIPS
15	5025029	2	NUT, #10-24 HEX
16	5025326	1	WASHER, .39 X 2.00 X X .14
17	5401940C	1	WELD, SEAT SUPPORT - ORANGE MODEL
18	5046586	1	SPACER, .38 X .50 X 5.06
19	5025013X48	1	BOLT, 3/8-16 X 6" GD5 YZ
20	5100356	1	SPRING, .688 ID X .130 WIRE DIA 4.25
21	5025156	1	WASHER 3/8" SAE
22	5401940B	1	WELD, SEAT SUPPORT - RED MODEL
23	5022612	2	BUMPER, RUBBER 5/16-18
24	5025127	2	NUT, 5/16-18 HEX SM. SERR. FLG.
25	5025013X44	2	BOLT, 3/8-16 X 5-1/2" GD5 YZ
26	5401589C	1	WELD, SEAT PLATE - ORANGE MODEL
27	5401587C	1	PLATE, FLOOR - ORANGE MODEL
28	5022031X2	1	CUSHION, SEAT BOTTOM, GRAY (Not an illustrated part.)
29	5022031X4	1	CUSHION, SEAT BACK, GRAY (Not an illustrated part.)
30	5022185	1	ARM REST, COMPLETE (Not an illustrated part.)
31	5020930X3	1	RAILS, SEAT ADJUSTER (SET OF TWO) (Not an illustrated part.)

Footnotes

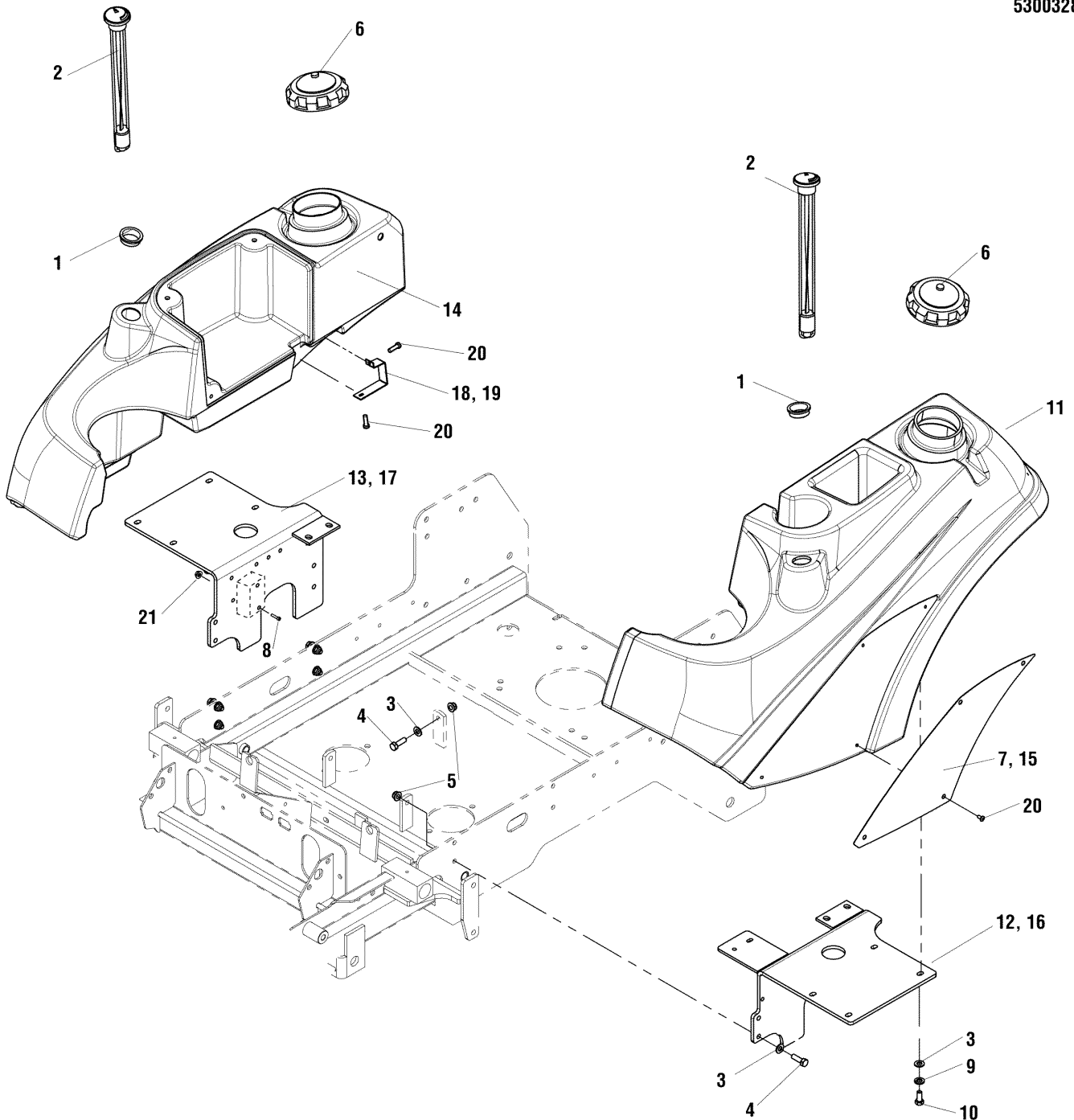
The above parts group applies to the following Mfg. Nos.:

5900627 (IS2000ZY20D48) 5901189 (YANMAR2052)
5900628 (IS2000ZY20D52R) 5901190 (YANMAR2052RD)
5901192 (IS2000ZY20D48R)
5901191 (IS2000ZY20D52)
5901187 (YANMAR2048)
5901188 (YANMAR2048RD)

Fuel Tank & Mount Group

NOTE: Unless noted otherwise, use the standard hardware torque specification chart.

5300328



The above parts group applies to the following Mfg. Nos.:

- | | |
|--------------------------|------------------------|
| 5900627 (IS2000ZY20D48) | 5901189 (YANMAR2052) |
| 5900628 (IS2000ZY20D52R) | 5901190 (YANMAR2052RD) |
| 5901192 (IS2000ZY20D48R) | |
| 5901191 (IS2000ZY20D52) | |
| 5901187 (YANMAR2048) | |
| 5901188 (YANMAR2048RD) | |

Fuel Tank & Mount Group

REF NO.	PART NO.	QTY.	DESCRIPTION
1	5022917x1	2	GROMMET, FUEL GUAGE
2	5022917	2	GAUGE, FUEL 12"
3	5025155	13	WASHER, 5/16" SAE
4	5025011X8	9	BOLT, 5/16-18 X 1" GD5 YZ
5	5025392	9	NUT, 5/16-18 HEX NYLOCK FLANGE
6	5022915	2	CAP, FUEL TANK (DIESEL)
7	5401095B	2	BADGE, IS2000 - IS3000 - RED MODEL
8	5025386	5	SCREW, #10-24 X 3/8" ALLEN BHBZ
9	5025170	8	WASHER, 5/16" LOCK
10	5025011X6	8	BOLT, 5/16-18 X 3/4" GRD5
11	5100603	1	TANK, FUEL, LH - DIESEL (Includes Ref. Nos 1 and 2.)
12	5401635B	1	WELD, TANK MOUNT - LH - RED MODEL
13	5401634B	1	WELD, TANK MOUNT - RH - RED MODEL
14	5100604	1	TANK, FUEL, RH - DIESEL (Includes Ref. Nos 1 and 2.)
15	5401095C	2	BADGE, IS2000 - IS3000 - ORANGE MODEL
16	5401635C	1	WELD, TANK MOUNT - LH - ORANGE MODEL
17	5401634C	1	WELD, TANK MOUNT - RH - ORANGE MODEL
18	5402480B	2	GUARD, FUEL TANK - RED MODEL
19	5402480C	2	WELD, TANK MOUNT - ORANGE MODEL
20	5025299X4	12	SCREW, 1/4-20 X 1/2" ALLEN BH
21	5025029	5	NUT, #10-24 HEX

Footnotes

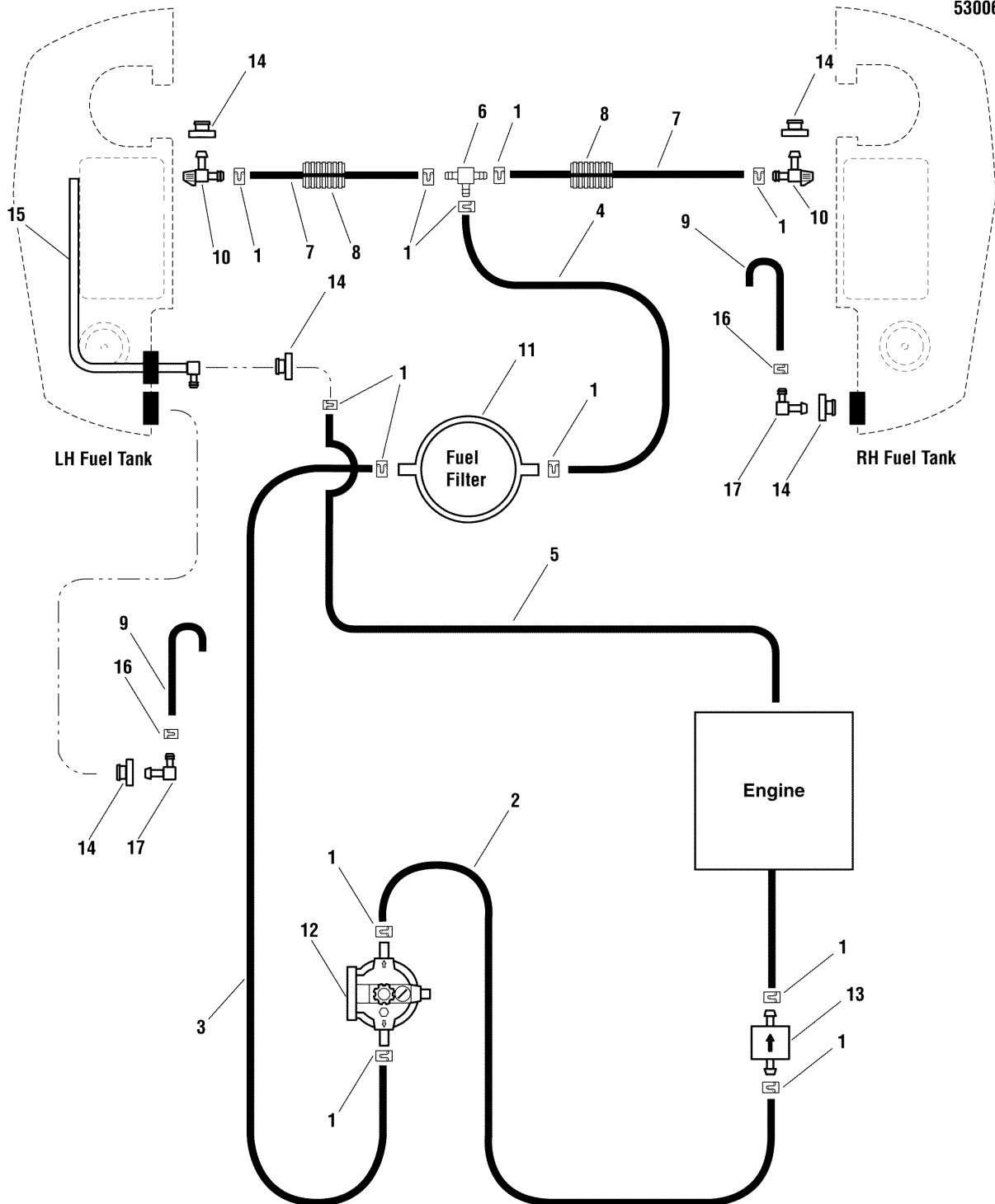
The above parts group applies to the following Mfg. Nos.:

5900627 (IS2000ZY20D48) 5901189 (YANMAR2052)
5900628 (IS2000ZY20D52R) 5901190 (YANMAR2052RD)
5901192 (IS2000ZY20D48R)
5901191 (IS2000ZY20D52)
5901187 (YANMAR2048)
5901188 (YANMAR2048RD)

Fuel Supply Hose & Tank Replacement Parts Group

NOTE: Unless noted otherwise, use the standard hardware torque specification chart.

5300699



The above parts group applies to the following Mfg. Nos.:

5900627 (IS2000ZY20D48)	5901189 (YANMAR2052)
5900628 (IS2000ZY20D52R)	5901190 (YANMAR2052RD)
5901192 (IS2000ZY20D48R)	
5901191 (IS2000ZY20D52)	
5901187 (YANMAR2048)	
5901188 (YANMAR2048RD)	

Fuel Supply Hose & Tank Replacement Parts Group

REF NO.	PART NO.	QTY.	DESCRIPTION
1	5020835	12	CLAMP, HOSE, EXTERNAL, 1/2 - RED
2	5050831X13	1	HOSE, 1/4" FUEL, 13.00"
3	5050831X26	1	HOSE, 1/4" FUEL, 26.00
4	5050831X18	1	HOSE, 1/4" FUEL, 18.00"
5	5050831X34	1	HOSE, 1/4" FUEL, 34.00"
6	5100876	1	1/4" BARBED TEE
7	5050831X21	2	HOSE, 1/4" FUEL, 21.00"
8	5050833X19	2	WIRE LOOM, 1/2" ID, 19" LONG
9	5050919X26	2	HOSE, 3/8" FUEL, 26.00
10	5100908	2	VALVE, FUEL, KNOB TYPE
11	5100595X3	1	FILTER, FUEL, PRIMARY
12	-	1	SEPERATOR, FUEL/WATER (See your Yanmar dealer for parts and service.)
13	-	1	PUMP, FUEL (See your Yanmar dealer for parts and service.)
14	5600050	1	KIT, BUSHING
15	5101158	1	HOSE ASSEMBLY (Includes Ref Nos 14 -18.)(Not shown.)
16	5025268	2	CLAMP, #4 HOSE
17	5100959	2	FITTING, 90 DEG, DAPCO

Footnotes

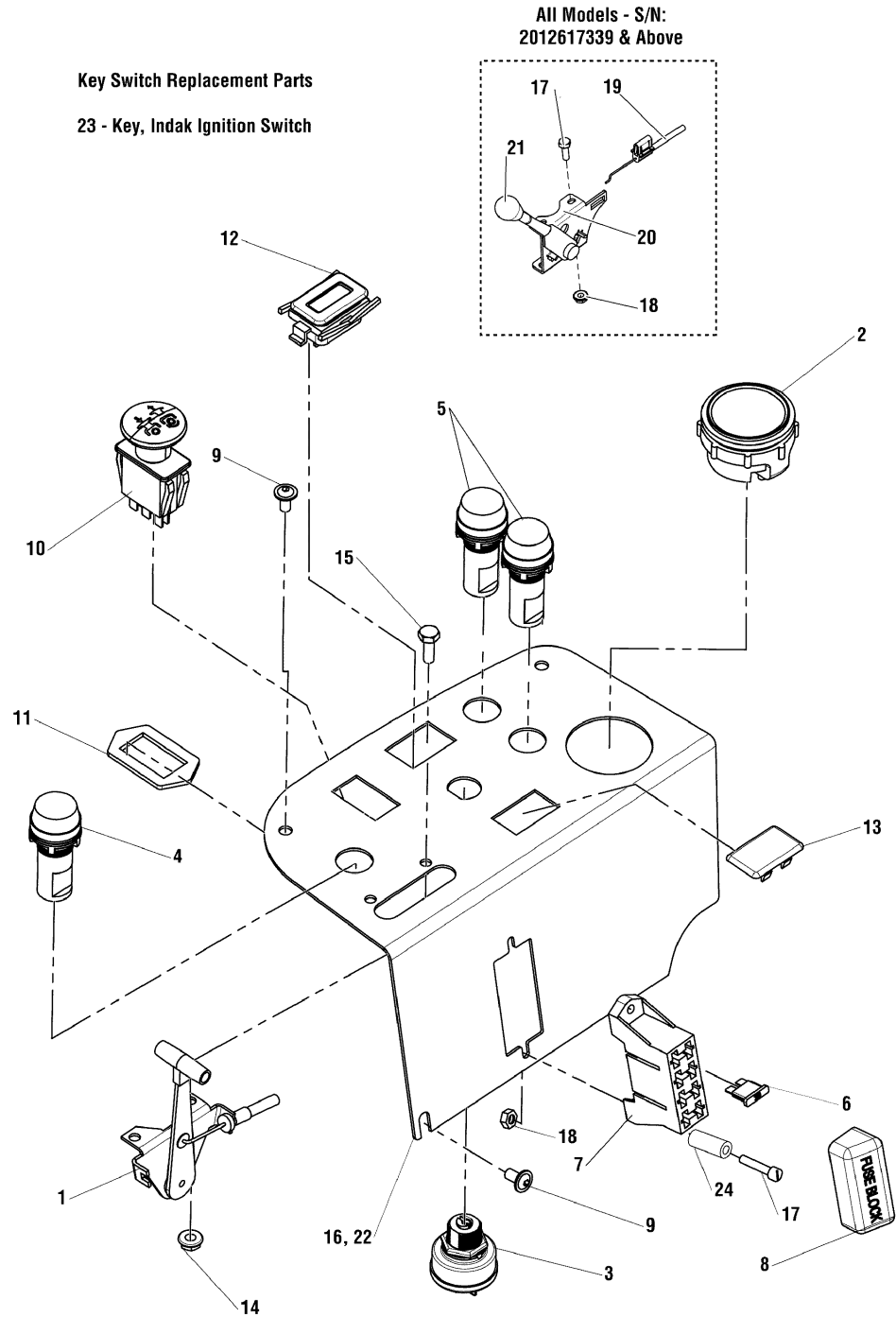
The above parts group applies to the following Mfg. Nos.:

5900627 (IS2000ZY20D48) 5901189 (YANMAR2052)
5900628 (IS2000ZY20D52R) 5901190 (YANMAR2052RD)
5901192 (IS2000ZY20D48R)
5901191 (IS2000ZY20D52)
5901187 (YANMAR2048)
5901188 (YANMAR2048RD)

Instrument & Control Panel Group

NOTE: Unless noted otherwise, use the standard hardware torque specification chart.

5300329



The above parts group applies to the following Mfg. Nos.:

- | | |
|--------------------------|------------------------|
| 5900627 (IS2000ZY20D48) | 5901189 (YANMAR2052) |
| 5900628 (IS2000ZY20D52R) | 5901190 (YANMAR2052RD) |
| 5901192 (IS2000ZY20D48R) | |
| 5901191 (IS2000ZY20D52) | |
| 5901187 (YANMAR2048) | |
| 5901188 (YANMAR2048RD) | |

Instrument & Control Panel Group

REF NO.	PART NO.	QTY.	DESCRIPTION
1	5100979	1	CABLE, THROTTLE CONTROL, 47" (S/N: 2012617338 & Below)
2	5023393	1	GAUGE, WATER TEMPERATURE
3	5100582	1	SWITCH, IGNITION, 6 POST - YANMAR
4	5023451	1	LIGHT, GLOW PLUG, 22MM AMBER
5	5023452	2	LIGHT, WARNING, 22MM RED
6	5021603	4	FUSE, ATO, 20 AMP
7	5021518	1	FUSE, BLOCK
8	5022805	1	COVER, VINYL FUSE BLOCK
9	5025299X4	3	SCREW, 1/4-20 X 1/2" ALLEN BH
10	5022180	1	SWITCH, BLADE ENGAGEMENT
11	5022222	1	RING, SWITCH RETAINER
12	5100996	1	HOUR METER, DIGITAL
13	1709188	1	PLUG, .820X1.44 HOLE, BLACK PLASTIC
14	5025391	2	NUT, 1/4-20 HEX NYLOCK FLANGE (S/N: 2012617338 & Below)
15	5025010X6	2	BOLT, 1/4-20 X 3/4" GD5 YZ (S/N: 2012617338 & Below)
16	5401544A	1	PLATE, CONTROL PANEL, DIESEL -IS2000 BLK (S/N: 2012617338 & Below)
17	5025179X6	4	SCREW, #10-24 X 3/4" ROUND PHILLIPS
18	5025271	4	NUT, #10-24 HEX NYLON LOCK
19	5101076	1	CABLE, THROTTLE CONTROL, 47" (S/N: 2012617339 & Above)
20	5101537	1	LEVER, THROTTLE CONTROL, HEAVY DUTY (S/N: 2012617339 & Above)
21	5046360X1	1	KNOB, THROTTLE CONTROL (S/N: 2012617339 & Above)
22	5403507A	1	PLATE, CONTROL PANEL, DIESEL -IS2000 BLK (S/N: 2012617339 & Above)
23	5100582X2	1	KEY, INDAK IGNITION SWITCH
24	5061763	2	SPACER, .20 X .38 X 1.25

Footnotes

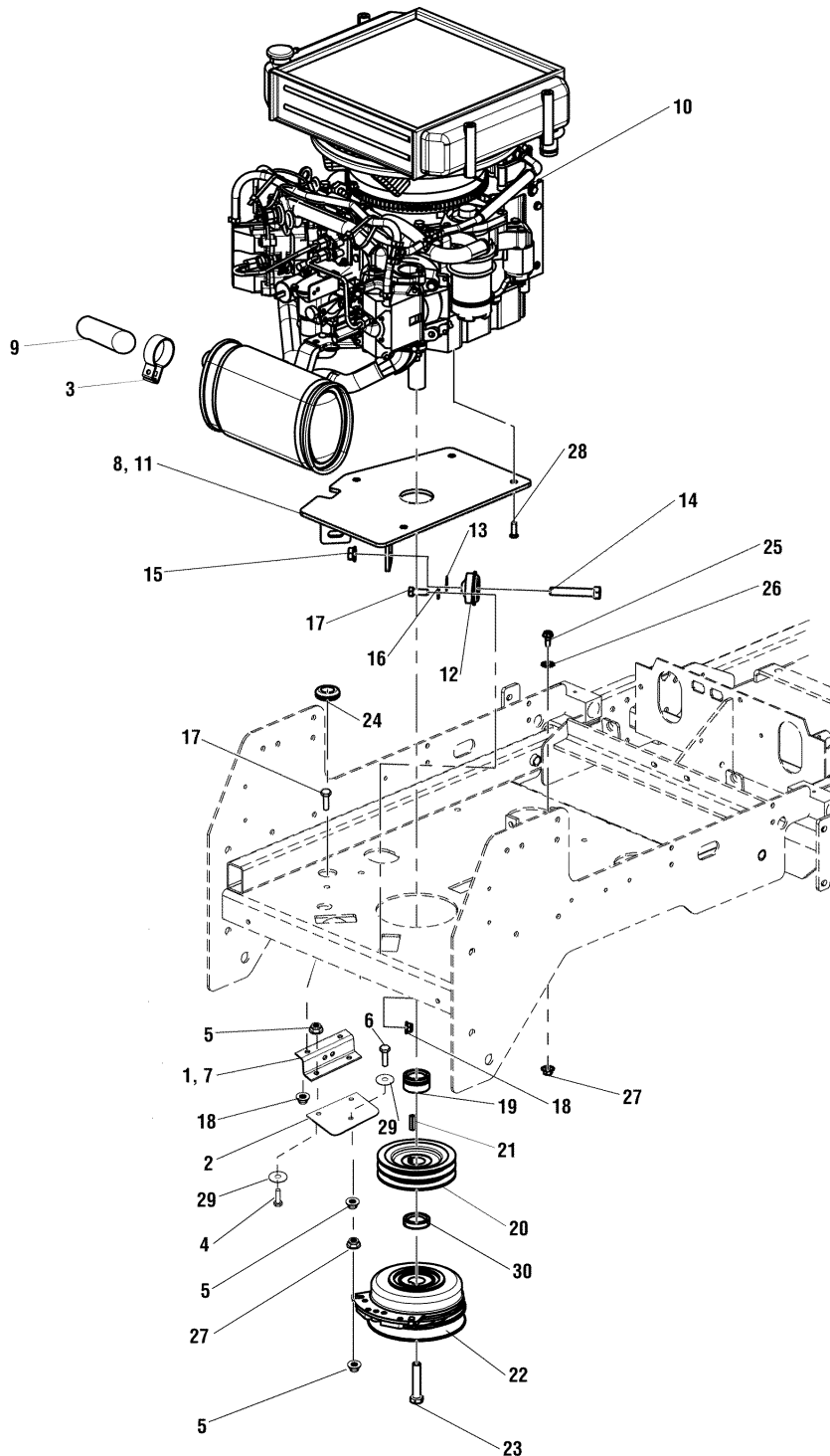
The above parts group applies to the following Mfg. Nos.:

5900627 (IS2000ZY20D48)	5901189 (YANMAR2052)
5900628 (IS2000ZY20D52R)	5901190 (YANMAR2052RD)
5901192 (IS2000ZY20D48R)	
5901191 (IS2000ZY20D52)	
5901187 (YANMAR2048)	
5901188 (YANMAR2048RD)	

Engine & PTO Group

NOTE: Unless noted otherwise, use the standard hardware torque specification chart.

5300330



The above parts group applies to the following Mfg. Nos.:

5900627 (IS2000ZY20D48)	5901189 (YANMAR2052)
5900628 (IS2000ZY20D52R)	5901190 (YANMAR2052RD)
5901192 (IS2000ZY20D48R)	
5901191 (IS2000ZY20D52)	
5901187 (YANMAR2048)	
5901188 (YANMAR2048RD)	

Engine & PTO Group

REF NO.	PART NO.	QTY.	DESCRIPTION
1	5046416B	1	ANCHOR, CLUTCH - RED MODEL
2	5043636	1	CLUTCH ANCHOR PAD
3	5100945X1	1	CLAMP, TAIL PIPE
4	5025011X8	2	BOLT, 5/16-18 X 1" GD5 YZ
5	5025392	5	NUT, 5/16-18 HEX NYLOCK FLANGE
6	5025052X18	1	BOLT, 5/16-18 X 2-1/4" GD5 TFL, YZ
7	5046416C	1	ANCHOR, CLUTCH - ORANGE MODEL
8	5401538C	1	WELD, ENGINE MOUNT - YANMAR DIESEL - ORANGE MODEL
9	5100945	1	EXHAUST EXTENSION
10	-	1	ENGINE, 20HP DIESEL - YANMAR (See your local Yanmar Engine Dealer)
11	5401538B	1	WELD, ENGINE MOUNT - YANMAR DIESEL - RED MODEL
12	5100888	3	MOUNT, ISO, YANMAR DIESEL ENGINE
13	5025381	3	WASHER, 7/16" GD9 YZ
14	5025016X24	3	BOLT, 7/16-20 X 3" GD8
15	5025094	3	NUT, 7/16-20 HEX NYLON LOCK
16	5025156	6	WASHER, 3/8" SAE
17	5025013X8	6	BOLT, 3/8-16 X 1" GD5 YZ
18	5025394	8	NUT, 3/8-16 HEX NYLOCK FLANGE
19	5046845	1	SPACER, 1.13 X 1.75 X .97
20	5100874	1	PULLEY, 5.25 OD X 1.126 ID
21	5050407X8	1	KEY, 1/4" SQ. X 1.00
22	5100084	1	CLUTCH,5218-134, WARNER
23	5025444	1	BOLT, CRANKSHAFT, MX10 X 80MM
24	5021379	1	GROMMET, 7/8
25	5025059X8	2	BOLT, 5/16-18 X 1", SELF-TAPPING (One located near battery for ground cable)
26	5023223	2	WASHER, 5/16, LOCK INT-EXT (One located near battery for ground cable)
27	5025139	2	NUT, 5/16-18 HEX SERRATED FLANGE (LARGE) (One located near battery for ground cable)
28	5025446	4	SCREW, M10 X 25MM - FHSCS
29	5044617	3	WASHER, .34 X 1.25 X 10 GA
30	5048135	1	SPACER, 1.13 X 1.75 X .62
31	5023448	2	CLAMP, HOSE (Not Shown, For Air Cleaner)
32	5023062	1	CAP, AIR CLEANER (Not Shown, For Air Cleaner)
33	5100595X1	1	YANMAR, OIL FILTER (Not Shown)
34	5100595X2	1	YANMAR, AIR FILTER (Not Shown)
35	5100595X3	1	YANMAR DIESEL FUEL FILTER (Not Shown)
36	5023394	1	SENDER, WATER TEMPERATURE (Not Shown)

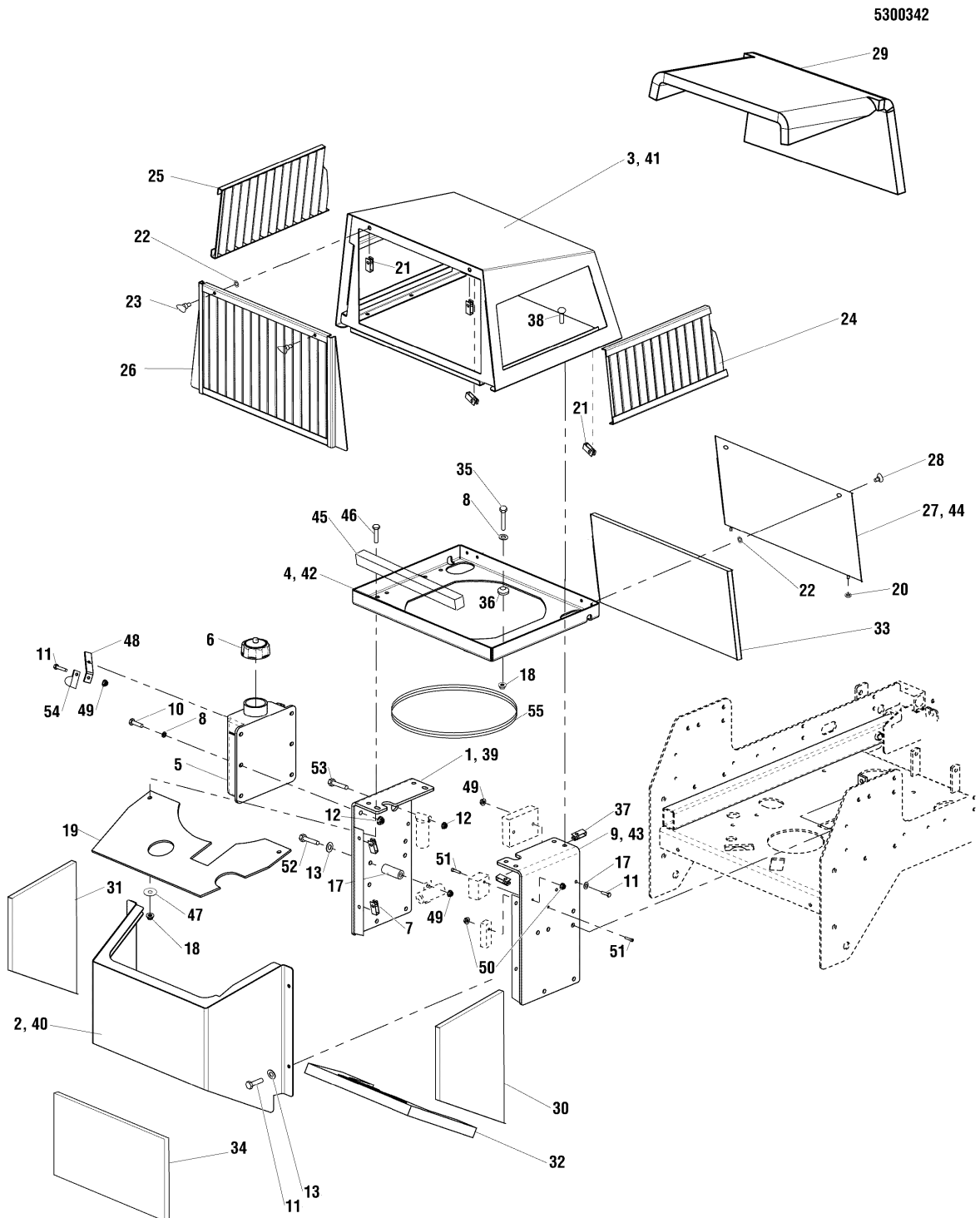
Footnotes

The above parts group applies to the following Mfg. Nos.:

5900627 (IS2000ZY20D48) 5901189 (YANMAR2052)
5900628 (IS2000ZY20D52R) 5901190 (YANMAR2052RD)
5901192 (IS2000ZY20D48R)
5901191 (IS2000ZY20D52)
5901187 (YANMAR2048)
5901188 (YANMAR2048RD)

Hood & Radiator Accessories Group

NOTE: Unless noted otherwise, use the standard hardware torque specification chart.



The above parts group applies to the following Mfg. Nos.:

- | | |
|--------------------------|------------------------|
| 5900627 (IS2000ZY20D48) | 5901189 (YANMAR2052) |
| 5900628 (IS2000ZY20D52R) | 5901190 (YANMAR2052RD) |
| 5901192 (IS2000ZY20D48R) | |
| 5901191 (IS2000ZY20D52) | |
| 5901187 (YANMAR2048) | |
| 5901188 (YANMAR2048RD) | |

Hood & Radiator Accessories Group

REF NO.	PART NO.	QTY.	DESCRIPTION
1	5401897B	1	WELD, RADIATOR MT, LH - RED MODEL
2	5402428B	1	WELD, FRAME, HOOD, REAR - RED MODEL
3	5402424B	1	WELD, FRAME, HOOD, YANMAR - RED MODEL
4	5401929B	1	WELD, MOUNT, RADIATOR - RED MODEL
5	5061712	1	TANK, HYDRAULIC, ASSEMBLY
6	5100017	1	CAP, HYDRAULIC
7	5022665	4	BODY CLIP, 1/4-20 X 1/2"
8	5025155	8	WASHER, 5/16" SAE
9	5402482B	1	WELD, MOUNT, RADIATOR, RH - RED MODEL
10	5025011X8	4	BOLT, 5/16-18 X 1" GD5 YZ
11	5025010X8	7	BOLT, 1/4-20 X 1", GD5
12	5025392	5	NUT, 5/16-18 HEX NYLOCK FLANGE
13	5025154	8	WASHER, 1/4" SAE
14	5100568	1	HOSE, COOLANT - YANMAR DIESEL (Right Side Radiator Hose)
15	5100569	1	HOSE, COOLANT - Z - YANMAR DIESEL (Left Side Radiator Hose)
16	5023447	4	CLAMP, SS HOSE, 1-3/4" (For Radiator Hoses)
17	5044959	2	SPACER, .20 X .38 X 1.25
18	5025394	4	NUT, 3/8-16 HEX NYLOCK FLANGE
19	5402432	1	FLAP, RUBBER, YANMAR
20	5100895	2	GROMMET, 3/8"
21	5025465	4	RECEPTACLE, #12 WING HEAD SCREW
22	5025466	4	RETAINER, #12 WING HEAD SCREW
23	5025467	2	SCREW, WING HEAD
24	5100917	1	SCREEN, HOOD, TOP, RH
25	5100916	1	SCREEN, HOOD, TOP, LH
26	5100601	1	PRESCREEN RADIATOR, YANMAR DIESEL ENGINE
27	5402422B	1	WELD, HOOD, FRONT - RED MODEL
28	5025464	2	SCREW, WING HEAD
29	5402417	1	FOAM, SOUND BAFFLE, TOP, YANMAR
30	5402433	1	FOAM, SOUND BAFFLE, REAR, YANMAR
31	5402435	1	FOAM, SOUND BAFFLE, REAR, YANMAR
32	5402436	1	FOAM, SOUND BAFFLE, REAR, YANMAR
33	5402418	1	FOAM, SOUND BAFFLE, YANMAR
34	5402434	1	FOAM, SOUND BAFFLE,
35	5025011X34	4	BOLT, 5/16-18 X 4.25" GD5 YZ
36	5100586	4	ISO MOUNT, YANMAR DIESEL, RADIATOR
37	5025452	4	U-NUT, MULTI-THREADED, 5/16-18
38	5025307	4	SCREW, 5/16-18 X 1-1/4" GD5
39	5401897C	1	WELD, RADIATOR MT, LH - ORANGE MODEL
40	5402428C	1	WELD, FRAME, HOOD, REAR - ORANGE MODEL
41	5402424C	1	WELD, FRAME, HOOD, YANMAR - ORANGE MODEL

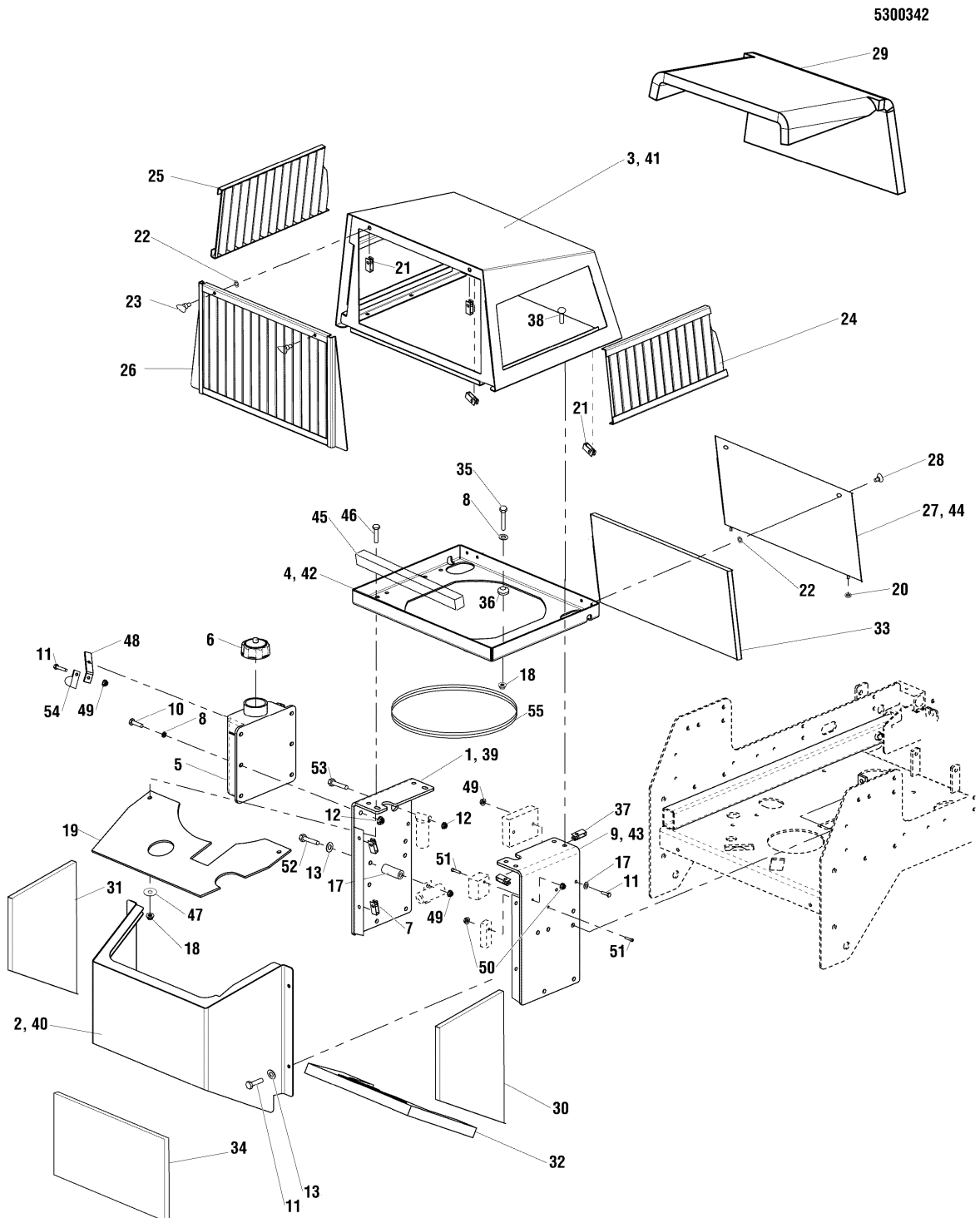
Footnotes

The above parts group applies to the following Mfg. Nos.:

5900627 (IS2000ZY20D48) 5901189 (YANMAR2052)
5900628 (IS2000ZY20D52R) 5901190 (YANMAR2052RD)
5901192 (IS2000ZY20D48R)
5901191 (IS2000ZY20D52)
5901187 (YANMAR2048)
5901188 (YANMAR2048RD)

Hood & Radiator Accessories Group

NOTE: Unless noted otherwise, use the standard hardware torque specification chart.



The above parts group applies to the following Mfg. Nos.:

5900627 (IS2000ZY20D48)	5901189 (YANMAR2052)
5900628 (IS2000ZY20D52R)	5901190 (YANMAR2052RD)
5901192 (IS2000ZY20D48R)	
5901191 (IS2000ZY20D52)	
5901187 (YANMAR2048)	
5901188 (YANMAR2048RD)	

Hood & Radiator Accessories Group

REF NO.	PART NO.	QTY.	DESCRIPTION
42	5401929C	1	WELD, MOUNT, RADIATOR - ORANGE MODEL
43	5402482C	1	WELD, MOUNT, RADIATOR, RH - ORANGE MODEL
44	5402422C	1	WELD, HOOD, FRONT - ORANGE MODEL
45	5050913X12P25	4	FOAM ,3/4" THICK X 1" WIDE - 12.25"
46	5025013X10	4	BOLT, 3/8-16 X 1-1/4" GD5
47	5025165	2	WASHER, 3/8" FENDER
48	5401736B	1	BRACKET, HOSE - RED
49	5025391	5	NUT, 1/4-20 HEX NYLOCK FLANGE
50	5025271	2	NUT, #10-24 HEX NYLON LOCK
51	5025179X6	2	SCREW, #10-24 X 3/4" ROUND PHILLIPS
52	5025010X16	2	BOLT, 1/4-20 X 2", GD5
53	5025011X22	1	BOLT, 5/16-18 X 2-3/4, GD 5, YZ
54	5021500	1	CLAMP, VINYL INSULATED
55	5050926X43P50	1	SEAL, WIPER, CLIP ON 43.50

Footnotes

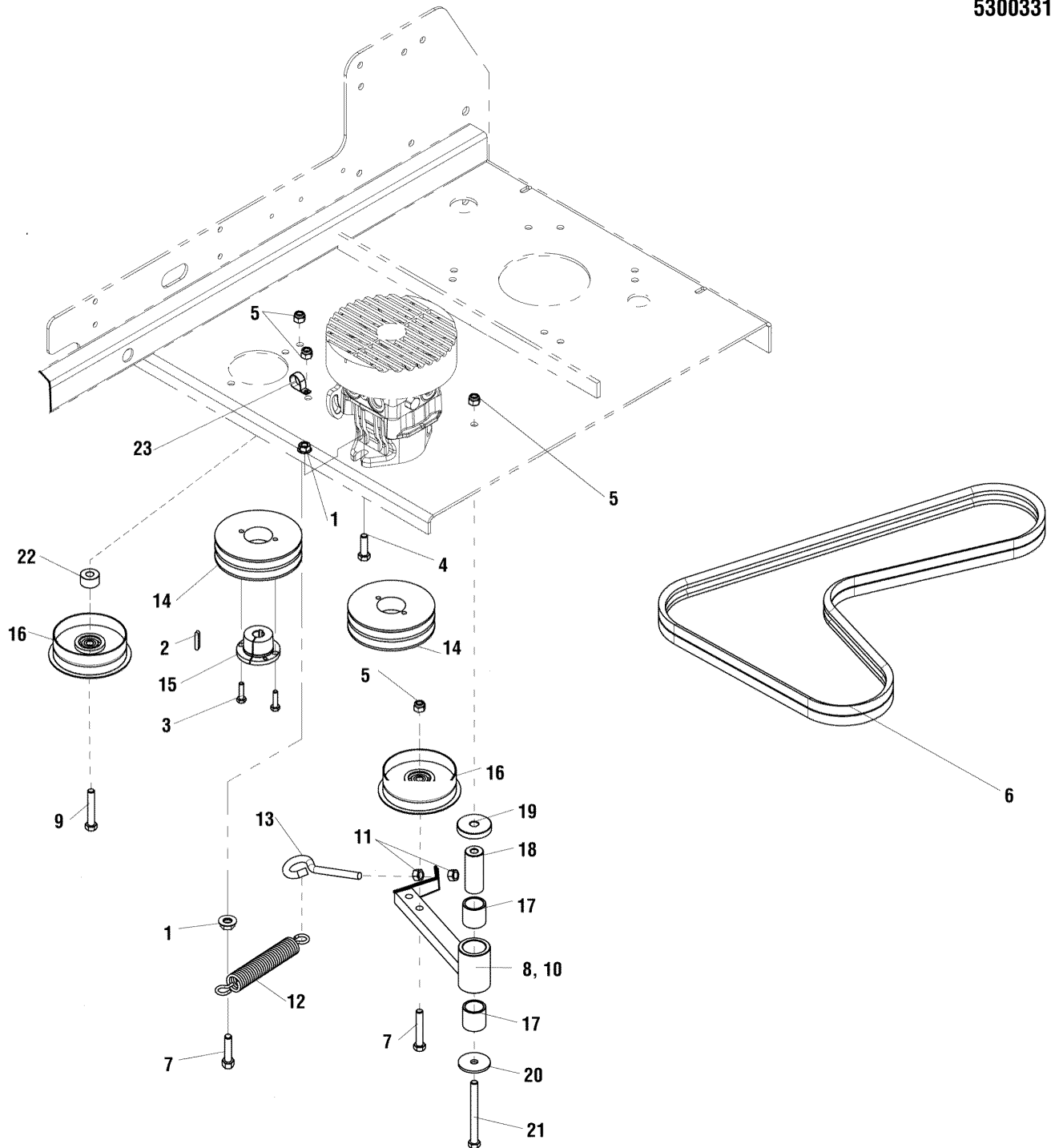
The above parts group applies to the following Mfg. Nos.:

5900627 (IS2000ZY20D48) 5901189 (YANMAR2052)
5900628 (IS2000ZY20D52R) 5901190 (YANMAR2052RD)
5901192 (IS2000ZY20D48R)
5901191 (IS2000ZY20D52)
5901187 (YANMAR2048)
5901188 (YANMAR2048RD)

Pump Drive Group

NOTE: Unless noted otherwise, use the standard hardware torque specification chart.

5300331



The above parts group applies to the following Mfg. Nos.:

- | | |
|--------------------------|------------------------|
| 5900627 (IS2000ZY20D48) | 5901189 (YANMAR2052) |
| 5900628 (IS2000ZY20D52R) | 5901190 (YANMAR2052RD) |
| 5901192 (IS2000ZY20D48R) | |
| 5901191 (IS2000ZY20D52) | |
| 5901187 (YANMAR2048) | |
| 5901188 (YANMAR2048RD) | |

Pump Drive Group

REF NO.	PART NO.	QTY.	DESCRIPTION
1	5025128	4	NUT, 3/8-16 HEX SERRATED FLANGE
2	5023254	2	KEY, 5MM SQ. W/ RADIUS
3	5025010X8	4	BOLT, 1/4-20 X 1" GD5
4	5025013X10	4	BOLT, 3/8-16 X 1-1/4" GD5
5	5025394	3	NUT, 3/8-16 HEX NYLOCK FLANGE
6	5100555	1	BELT,#41-1299, BANDED -EL 64.76 (pair)
7	5025013X18	1	BOLT, 3/8-16 X 2-1/4" GD5 YZ
8	5402603B	1	WELD, ARM, PUMP DRIVE IDLER - RED MODEL
9	5025013X14	1	BOLT, 3/8-16 X 1-3/4" GD5
10	5402603C	1	WELD, ARM, PUMP DRIVE IDLER - ORANGE MODEL
11	5025034	2	NUT, 3/8-16 HEX
12	5022847	1	SPRING, EXTENSION, SWIVEL END
13	5021812	1	EYE BOLT, 3/8-16 X 6", 1" EYE
14	5022586	2	PULLEY, PUMP DRIVE
15	5022587	2	BUSHING, TAPERED HUB
16	5022621	2	PULLEY, IDLER, SINGLE FLANGE
17	5022157	2	BUSHING, BRASS, 1.25X1X1.25
18	5045135	1	SPACER, .39 X 1.00 X 2.55
19	5100977	1	SPACER, .45 X 1.88 X .50
20	5045135	1	SPACER, .39 X 1.00 X 2.55
21	5025013X32	1	BOLT, 3/8-16 X 4" GD5
22	5046860	1	SPACER, .39 X 1.00 X .50
23	5023173	1	CLAMP, VINYL INSULATED

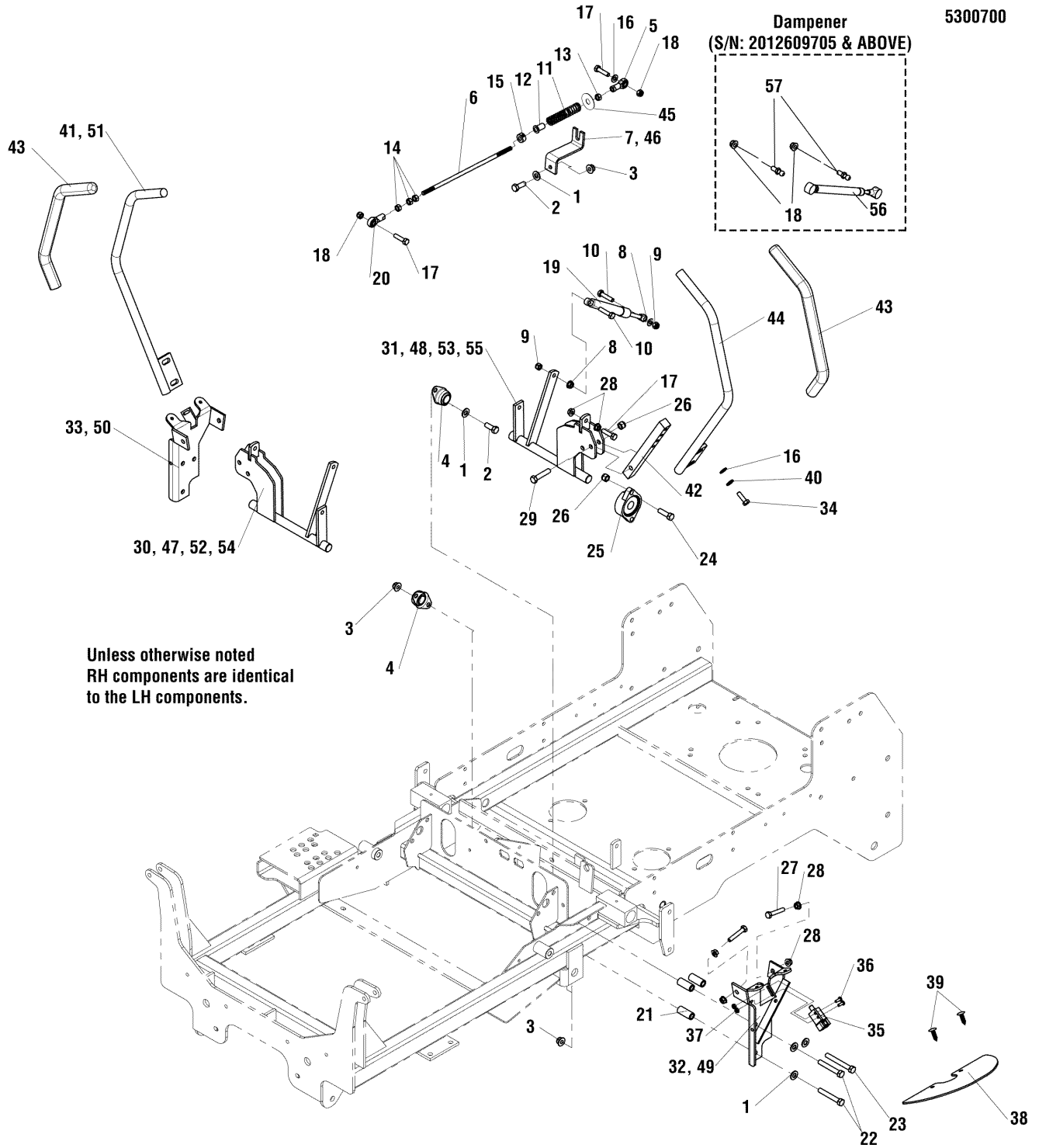
Footnotes

The above parts group applies to the following Mfg. Nos.:

5900627 (IS2000ZY20D48) 5901189 (YANMAR2052)
5900628 (IS2000ZY20D52R) 5901190 (YANMAR2052RD)
5901192 (IS2000ZY20D48R)
5901191 (IS2000ZY20D52)
5901187 (YANMAR2048)
5901188 (YANMAR2048RD)

Motion Control Group

NOTE: Unless noted otherwise, use the standard hardware torque specification chart.



Unless otherwise noted
RH components are identical
to the LH components.

The above parts group applies to the following Mfg. Nos.:

- | | |
|--------------------------|------------------------|
| 5900627 (IS2000ZY20D48) | 5901189 (YANMAR2052) |
| 5900628 (IS2000ZY20D52R) | 5901190 (YANMAR2052RD) |
| 5901192 (IS2000ZY20D48R) | |
| 5901191 (IS2000ZY20D52) | |
| 5901187 (YANMAR2048) | |
| 5901188 (YANMAR2048RD) | |

Motion Control Group

REF NO.	PART NO.	QTY.	DESCRIPTION
1	5025156	8	WASHER, 3/8" SAE
2	5025013X8	10	BOLT, 3/8-16 X 1" GD5 YZ
3	5025394	10	NUT, 3/8-16 HEX NYLOCK FLANGE
4	5021098	2	BEARING, BRONZE FLANGE, 3/4
5	5022628	2	BALL JOINT, 5/16-24, LH FEMALE
6	5046420	2	ROD, HYDRO LINKAGE
7	5400653B	2	MOUNT, REVERSE RETURN - RED MODEL
8	5025355	4	NUT, M8-1.25 SERR. FLANGE, CZ (S/N: 2012609704 & BELOW)
9	5025354	4	NUT, M8-1.25 NYLON LOCK, CZ (S/N: 2012609704 & BELOW)
10	5025335	4	BOLT, M8-1.25 X 35MM, GD8.8 (S/N: 2012609704 & BELOW)
11	5022645	2	SPRING, REVERSE RETURN
12	5023260	2	BUSHING, NYLON
13	5023212	2	NUT, 5/16-24 HEX, LH
14	5025033	6	NUT, 5/16-24 HEX
15	5020047	2	COLLAR, 5/16" SET
16	5025155	10	WASHER, 5/16" SAE
17	5025011X10	4	BOLT, 5/16-18 X 1-1/4" GD5 YZ
18	5025392	10	NUT, 5/16-18 HEX NYLOCK FLANGE
19	5100728	2	DAMPENER, CONTROL (S/N: 2012609704 & BELOW)
20	5021146	2	BALL JOINT, 5/16-24, FEMALE
21	5048264	6	SPACER, .39 X .63 X 1.50
22	5025013X20	4	BOLT, 3/8-16 X 2-1/2" GD5 YZ
23	5025013X24	2	BOLT, 3/8-16 X 3" GD5 YZ
24	5025013X10	2	BOLT, 3/8-16 X 1-1/4" GD5
25	5021499	2	BEARING, FLANGE
26	5025096	4	NUT, 3/8-16 HEX NYLON LOCK
27	5025055X14	4	BOLT, 5/16-18 X 1-3/4" GD5 TFL
28	5025139	12	NUT, 5/16-18 HEX SERRATED FLANGE (LARGE)
29	5025013X14	4	BOLT, 3/8-16 X 1-3/4" GD5
30	5400570B	1	WELD, CONTROL SHAFT - RH - RED MODEL (S/N: 2012609704 & BELOW)
31	5400573B	1	WELD, CONTROL SHAFT - LH - RED MODEL (S/N: 2012609704 & BELOW)
32	5400820B	1	WELD, NEUTRAL LOCK, LH - RED MODEL
33	5400824B	1	WELD, NEUTRAL LOCK, RH - RED MODEL
34	5025011X8	8	BOLT, 5/16-18 X 1" GD5 YZ
35	5021451	2	SWITCH, PLUNGER, N.O.
36	5025179X4	4	SCREW, #10-24 X 1/2" ROUND PHILLIPS
37	5025029	4	NUT, #10-24 HEX
38	5401248	2	GUARD, RUBBER MOTION CONTROL
39	5025431	4	PUSH RIVET (TREE TYPE), BLACK
40	5025170	4	WASHER, 5/16" LOCK
41	5400637B	1	WELD, HANDLE MOTION CONTROL RH - RED MODEL

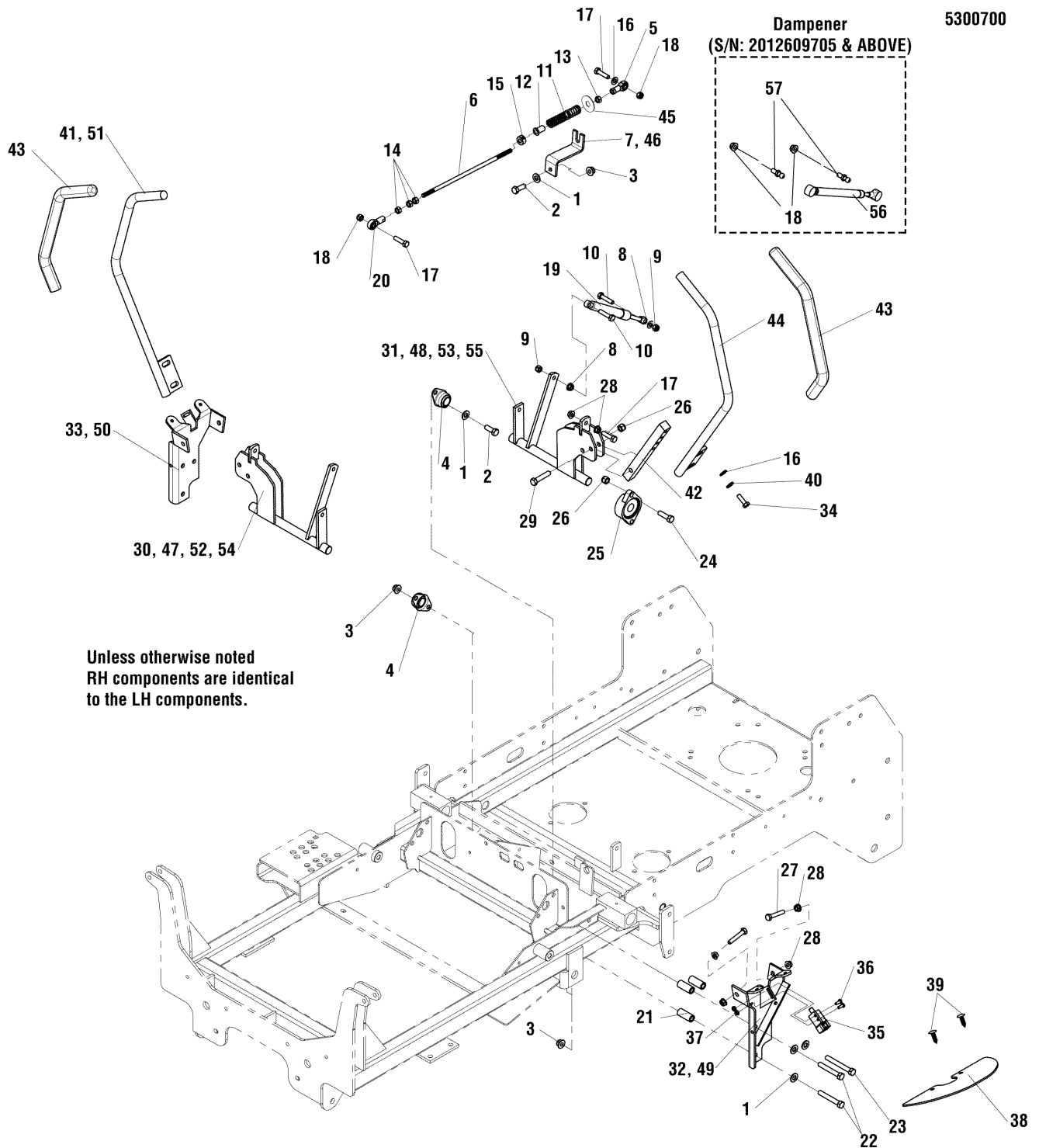
Footnotes

The above parts group applies to the following Mfg. Nos.:

5900627 (IS2000ZY20D48) 5901189 (YANMAR2052)
5900628 (IS2000ZY20D52R) 5901190 (YANMAR2052RD)
5901192 (IS2000ZY20D48R)
5901191 (IS2000ZY20D52)
5901187 (YANMAR2048)
5901188 (YANMAR2048RD)

Motion Control Group

NOTE: Unless noted otherwise, use the standard hardware torque specification chart.



Unless otherwise noted
RH components are identical
to the LH components.

The above parts group applies to the following Mfg. Nos.:

- | | |
|--------------------------|------------------------|
| 5900627 (IS2000ZY20D48) | 5901189 (YANMAR2052) |
| 5900628 (IS2000ZY20D52R) | 5901190 (YANMAR2052RD) |
| 5901192 (IS2000ZY20D48R) | |
| 5901191 (IS2000ZY20D52) | |
| 5901187 (YANMAR2048) | |
| 5901188 (YANMAR2048RD) | |

Motion Control Group

REF NO.	PART NO.	QTY.	DESCRIPTION
42	5047004	2	MOUNT, CONTROL ARM
43	5022068	2	GRIP, FOAM, 3/4" ID, 16" LONG
44	5400636B	1	WELD, HANDLE MOTION CONTROL LH - RED MODEL
45	5025424	2	WASHER, 3/8 X 1" X 1/16, NYLON F/W
46	5400653C	2	MOUNT, REVERSE RETURN
47	5400570C	1	WELD, CONTROL SHAFT - RH - ORANGE MODEL (S/N: 2012609704 & BELOW)
48	5400573C	1	WELD, CONTROL SHAFT - LH - ORANGE MODEL (S/N: 2012609704 & BELOW)
49	5400820C	1	WELD, NEUTRAL LOCK, LH - ORANGE MODEL
50	5400824C	1	WELD, NEUTRAL LOCK, RH - ORANGE MODEL
51	5400637C	1	WELD, HANDLE MOTION CONTROL RH - ORANGE MODEL
52	5403620B	1	WELD, CONTROL SHAFT - RH - RED MODEL (S/N: 2012609705 & ABOVE)
53	5403619B	1	WELD, CONTROL SHAFT - LH - RED MODEL (S/N: 2012609705 & ABOVE)
54	5403620C	1	WELD, CONTROL SHAFT - RH - ORANGE MODEL (S/N: 2012609705 & ABOVE)
55	5403619C	1	WELD, CONTROL SHAFT - LH - ORANGE MODEL (S/N: 2012609705 & ABOVE)
56	5100940	2	DAMPENER, CONTROL (S/N: 2012609705 & ABOVE)
57	5101307	4	10MM BALL STUD, 5/16-18 X 3/4" (S/N: 2012609705 & ABOVE)

Footnotes

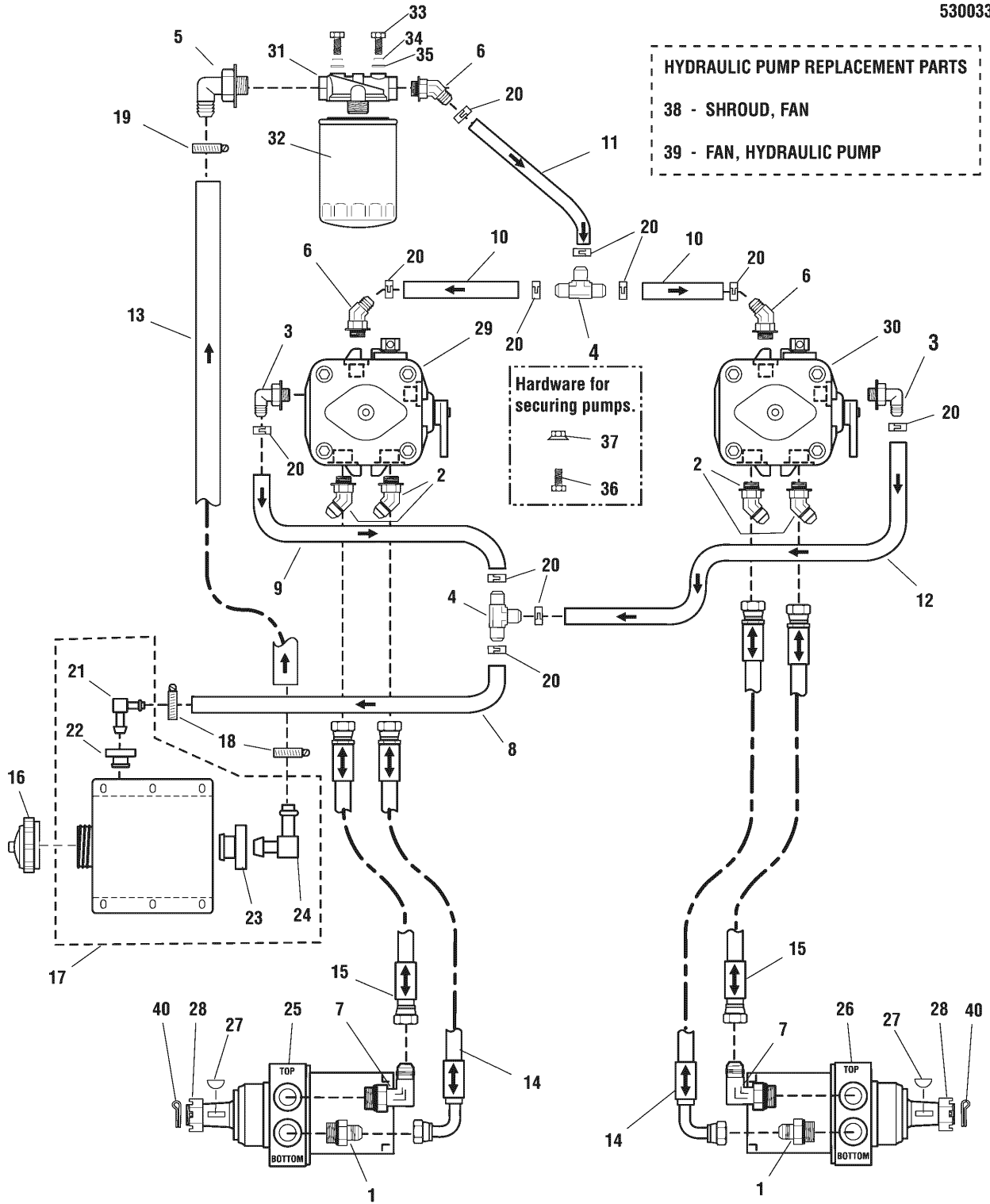
The above parts group applies to the following Mfg. Nos.:

5900627 (IS2000ZY20D48) 5901189 (YANMAR2052)
5900628 (IS2000ZY20D52R) 5901190 (YANMAR2052RD)
5901192 (IS2000ZY20D48R)
5901191 (IS2000ZY20D52)
5901187 (YANMAR2048)
5901188 (YANMAR2048RD)

Hydraulic Group

NOTE: Unless noted otherwise, use the standard hardware torque specification chart.

5300332



The above parts group applies to the following Mfg. Nos.:

- | | |
|--------------------------|------------------------|
| 5900627 (IS2000ZY20D48) | 5901189 (YANMAR2052) |
| 5900628 (IS2000ZY20D52R) | 5901190 (YANMAR2052RD) |
| 5901192 (IS2000ZY20D48R) | |
| 5901191 (IS2000ZY20D52) | |
| 5901187 (YANMAR2048) | |
| 5901188 (YANMAR2048RD) | |

Hydraulic Group

REF NO.	PART NO.	QTY.	DESCRIPTION
1	5022634	2	ADAPTER, HYDRAULIC
2	5023338	4	FITTING, #8 JIC - #8 O-RING 45DEG.
3	5023267	2	ADAPTER, 90 DEG. 9/16 - 3/8 BARB
4	5022920	2	FITTING, TEE, 1/2" HOSE
5	5023346	1	ADAPTER, 90 DEG. 9/16 - 5/8 BARB
6	5023461	3	ADAPTER, 45, 9/16 - 3/8 BARB
7	5023276	2	FITTING, #10 ORING-#8 JIC, 90D
8	5050860X22	1	HOSE, 3/8" PUSH-LOCK, 22.00"
9	5050860X6P5	1	HOSE, 3/8" PUSH-LOCK, 6.50"
10	5050860X6	2	HOSE, 3/8" PUSH-LOCK, 6.00"
11	5050860X8	1	HOSE, 3/8" PUSH-LOCK, 8.00"
12	5050860X23	1	HOSE, 3/8" PUSH-LOCK, 23.00"
13	5050933X24	1	HOSE, 5/8" PUSH-LOCK, 24.00"
14	5100248	2	HOSE ASSEMBLY, 26.50"
15	5100249	2	HOSE ASSEMBLY, 22.50"
16	5100017	1	CAP, HYDRAULIC
17	5061712	1	TANK, HYDRAULIC, ASSEMBLY (Includes Ref. Nos 21,22,23, and 24)
18	5022922	1	CLAMP, #4 HOSE, STAINLESS
19	5021164	2	CLAMP, #10 HOSE, STAINLESS
20	5023268	11	CLAMP, HOSE
21	5023118	1	FITTING, ELBOW, 3/8"
22	5600050	1	KIT, GROMMET
23	5023121	1	GROMMET
24	5023119	1	FITTING, ELBOW, 5/8"
25	5022975L	1	MOTOR,WHEEL,18 CI, LH (Includes Ref. Nos 27 and 28)
26	5022975R	1	MOTOR,WHEEL,18 CI, RH (Includes Ref. Nos 27 and 28)
27	5022042X2	2	KEY
28	5022042X3	2	NUT, CASTLE, 1-20
29	5100670	1	PUMP, HYDROGEAR 12CC - LH (Incl. Ref. No 38 and 39.)
30	5100671	1	PUMP, HYDROGEAR 12CC - RH (Incl. Ref. No 38 and 39.)
31	5023096	1	FILTER HEAD, HYDRAULIC
32	1719168	1	FILTER, OIL
33	5025010X6	2	BOLT, 1/4"-20 X 3/4" GD5 YZ
34	5025154	2	WASHER, 1/4" SAE
35	5025169	2	WASHER, 1/4" LOCK
36	5025013X10	4	BOLT, 3/8-16 X 1-1/4" GD5
37	5025128	4	NUT, 3/8-16 HEX SERRATED FLANGE
38	5100162	2	SHROUD, FAN
39	5100161X1	2	FAN, HYD. PUMP
40	5025203X16	2	PIN, COTTER, 1/8' X 2"

Footnotes

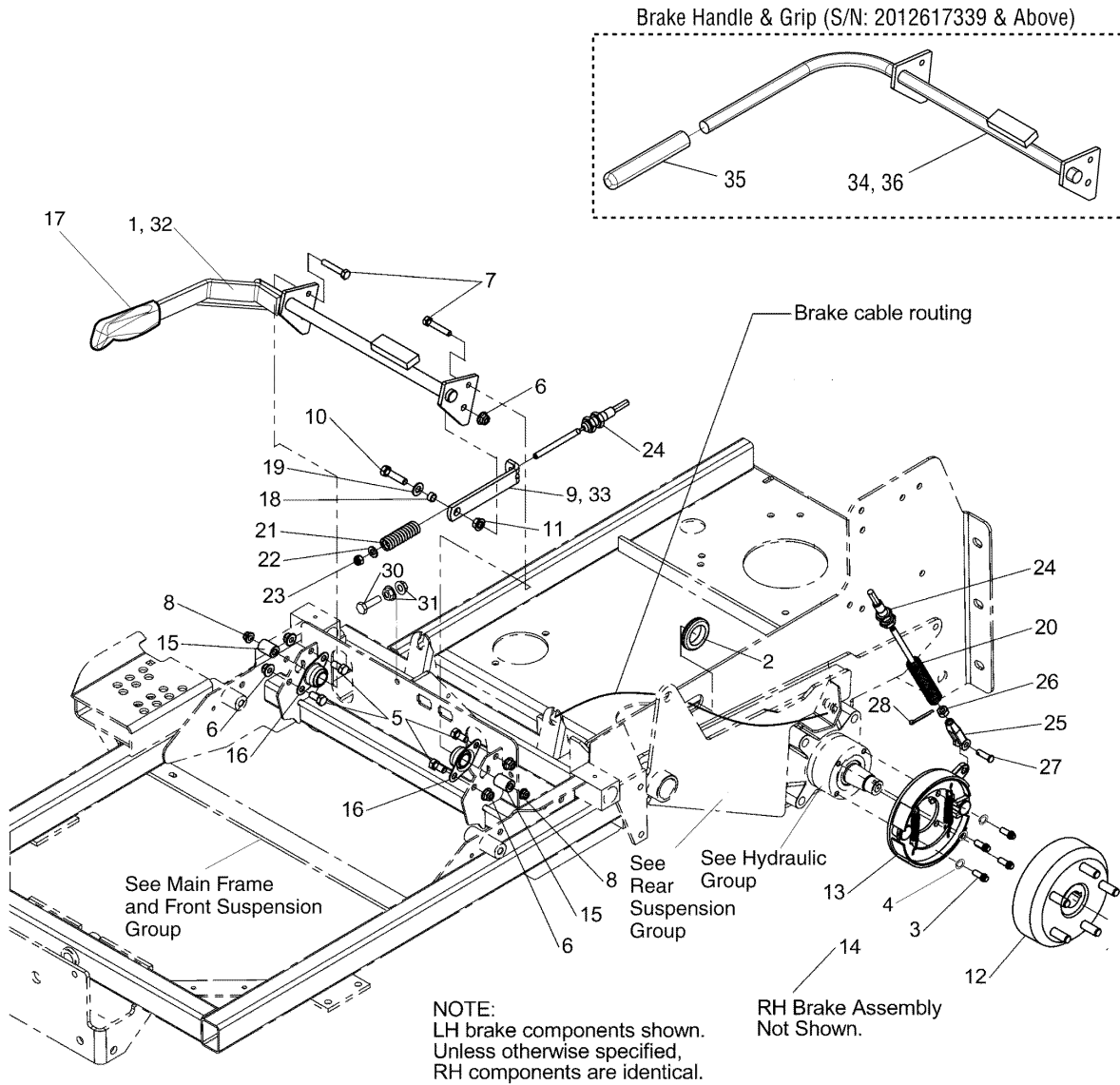
The above parts group applies to the following Mfg. Nos.:

5900627 (IS2000ZY20D48) 5901189 (YANMAR2052)
5900628 (IS2000ZY20D52R) 5901190 (YANMAR2052RD)
5901192 (IS2000ZY20D48R)
5901191 (IS2000ZY20D52)
5901187 (YANMAR2048)
5901188 (YANMAR2048RD)

Parking Brake Group

NOTE: Unless noted otherwise, use the standard hardware torque specification chart.

5300701



The above parts group applies to the following Mfg. Nos.:

- | | |
|--------------------------|------------------------|
| 5900627 (IS2000ZY20D48) | 5901189 (YANMAR2052) |
| 5900628 (IS2000ZY20D52R) | 5901190 (YANMAR2052RD) |
| 5901192 (IS2000ZY20D48R) | |
| 5901191 (IS2000ZY20D52) | |
| 5901187 (YANMAR2048) | |
| 5901188 (YANMAR2048RD) | |

Parking Brake Group

REF NO.	PART NO.	QTY.	DESCRIPTION
1	5401330B	1	WELD, BRAKE SHAFT - RED MODEL (S/N: 2012617338 & Below)
2	5021397	2	GROMMET, 1-1/4
3	5023490	8	BOLT, 5/16-18 X 3/4 12PT FLANGE - PATCH
4	5025170	8	WASHER, 5/16" LOCK
5	5025013X6	4	BOLT, 3/8-16 X 3/4" GD5 YZ
6	5025394	4	NUT, 3/8-16 HEX NYLOCK FLANGE
7	5025011X14	2	BOLT, 5/16-18 X 1-3/4" GD5 YZ
8	5025392	2	NUT, 5/16-18 HEX NYLOCK FLANGE
9	5047084B	2	LINK, BRAKE LOCK - RED MODEL
10	5025013X12	2	BOLT, 3/8-16 X 1-1/2" GD5 YZ
11	5025128	2	NUT, 3/8-16 HEX SERRATED FLANGE
12	5023368	2	DRUM, 1-1/4" TAPER, 5 BOLT
13	5023500	1	ASSM, BRAKE, 1-1/4 HUB, LH
14	5023501	1	ASSM, BRAKE, 1-1/4 HUB, RH
15	5042134	2	SPACER, .32 X .75 X 1.06
16	5021098	2	BEARING, BRONZE FLANGE, 3/4
17	5100171	1	GRIP, BLACK FLEXIBLE (S/N: 2012617338 & Below)
18	5041930	2	SPACER, .38 X .50 X .27
19	5025156	2	WASHER, 3/8" SAE
20	5023320	2	SPRING, COMPRESSION
21	5048719	2	SPRING-COMP, .75 X .162 X 2.5
22	5025155	4	WASHER, 5/16" SAE
23	5025045	2	NUT, 5/16-24 HEX NYLON LOCK
24	5100115	2	CABLE, PARKING BRAKE
25	5020979	2	CLEVIS, 5/16-24, PLASTIC
26	5025033	2	NUT, 5/16-24 HEX
27	5025213X8	2	PIN, CLEVIS, 5/16" X 1
28	5025211	2	PIN, HAIR, .0585" X 1-1/8"
29	5022853	1	SPANNER WRENCH (Not Shown)
30	5025011X10	1	BOLT, 5/16-18 X 1-1/4" GD5 YZ
31	5025139	2	NUT, 5/16-18 HEX SERRATED FLANGE (LARGE)
32	5401330C	1	WELD, BRAKE SHAFT - ORANGE MODEL (S/N: 2012617338 & Below)
33	5047084C	2	LINK, BRAKE LOCK - ORANGE MODEL
34	5403551B	1	WELD, BRAKE SHAFT - RED MODEL (S/N: 2012617339 & Above)
35	5101038	1	GRIP, FOAM, 3/4 ID X 6 X .187 (S/N: 2012617339 & Above)
36	5403551C	1	WELD, BRAKE SHAFT - ORANGE MODEL (S/N: 2012617339 & Above)

Footnotes

The above parts group applies to the following Mfg. Nos.:

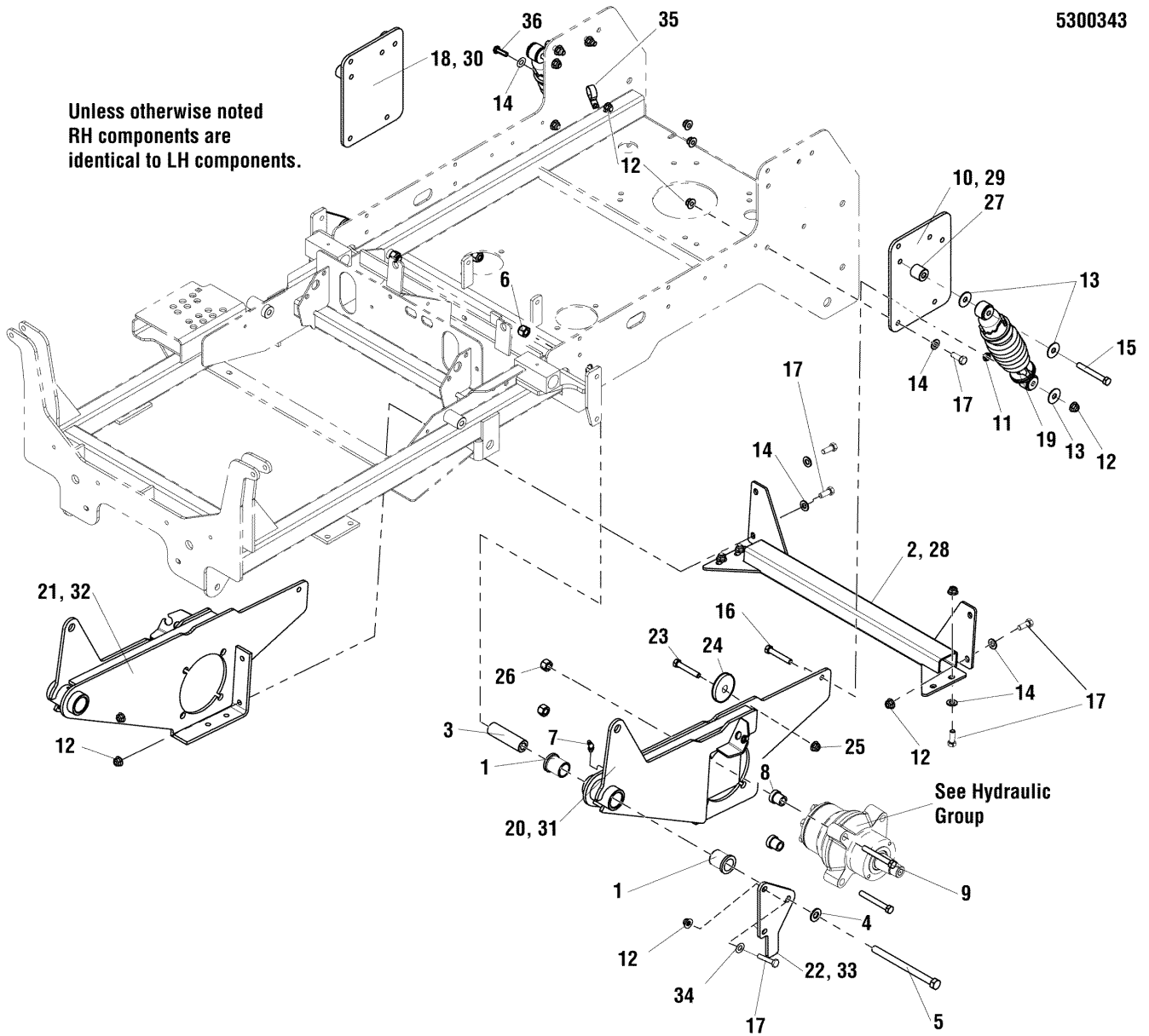
5900627 (IS2000ZY20D48) 5901189 (YANMAR2052)
5900628 (IS2000ZY20D52R) 5901190 (YANMAR2052RD)
5901192 (IS2000ZY20D48R)
5901191 (IS2000ZY20D52)
5901187 (YANMAR2048)
5901188 (YANMAR2048RD)

Rear Suspension Group

NOTE: Unless noted otherwise, use the standard hardware torque specification chart.

5300343

Unless otherwise noted RH components are identical to LH components.



The above parts group applies to the following Mfg. Nos.:

5900627 (IS2000ZY20D48)	5901189 (YANMAR2052)
5900628 (IS2000ZY20D52R)	5901190 (YANMAR2052RD)
5901192 (IS2000ZY20D48R)	
5901191 (IS2000ZY20D52)	
5901187 (YANMAR2048)	
5901188 (YANMAR2048RD)	

Rear Suspension Group

REF NO.	PART NO.	QTY.	DESCRIPTION
1	5021541	4	BUSHING, FLANGE
2	5600187	1	KIT, TIE BAR (S/N: 2012755256 & Below)(Includes Mounting Hardware)
3	5061339	2	SPACER, .52 X 1.00 X 3.42
4	5025440	2	WASHER, 1/2" GD9 YZ
5	5025017X52	2	BOLT, 1/2-13 X 6-1/2" GD8 YZ
6	5025056	10	NUT, 1/2-13 HEX NYLON LOCK
7	5020020	2	GREASE FITTING, 45 DEGREE
8	5047027	8	SPACER, .51 X .75 X .56 (Not Used on 48" Diesel Models)
9	5025017X24	8	BOLT, 1/2-13 X 3" GD5
10	5061751B	2	PLATE, FRAME SUPPORT - RED MODEL
11	5046860	2	SPACER, .39 X 1.00 X .50
12	5025394	20	NUT, 3/8-16 HEX NYLOCK FLANGE
13	5025165	6	WASHER, 3/8" FENDER
14	5025156	12	WASHER, 3/8" SAE
15	5025013X24	2	BOLT, 3/8-16 X 3" GD5 YZ
16	5025058X18	2	BOLT, 3/8-16 X 2-1/4" GD5 TFL
17	5025013X10	11	BOLT, 3/8-16 X 1-1/4" GD5 YZ
18	5401181B	1	WELD, FRAME SUPPORT - RH - RED MODEL
19	5022842	2	COIL-OVER SHOCK ASSEMBLY
20	5401744B	1	WELD, MOTOR MOUNT - LH - RED MODEL
21	5401745B	1	WELD, MOTOR MOUNT - RH - RED MODEL
22	5400648B	2	SUPPORT, SWING ARM - RED MODEL
23	5025303	2	SCREW, 5/16-18 X 1 FLAT HD SC
24	5400065	2	SPACER, .34 X 1.54 X .25 UHMW
25	5025392	2	NUT, 5/16-18 HEX NYLOCK FLANGE
26	5025396	8	NUT, 1/2-13 NEX NYLOCK FLANGE
27	5045943	2	SPACER, SHOULDER
28	5404056B	1	WELD, TIE BAR - RED (S/N: 2012755257 & Above)
29	5402626C	2	PLATE, FRAME SUPPORT, LH - ORANGE MODEL
30	5401181C	1	WELD, FRAME SUPPORT - RH - ORANGE MODEL
31	5401744C	1	WELD, MOTOR MOUNT - LH - ORANGE MODEL
32	5401745C	1	WELD, MOTOR MOUNT - RH - ORANGE MODEL
33	5400648C	2	SUPPORT, SWING ARM - ORANGE MODEL
34	5025293	4	WASHER, 3/8" GD.9 FLAT
35	5023173	1	CLAMP, VINYL INSULATED
36	5025013X10	11	BOLT, 3/8-16 X 1-1/4" GD5 YZ

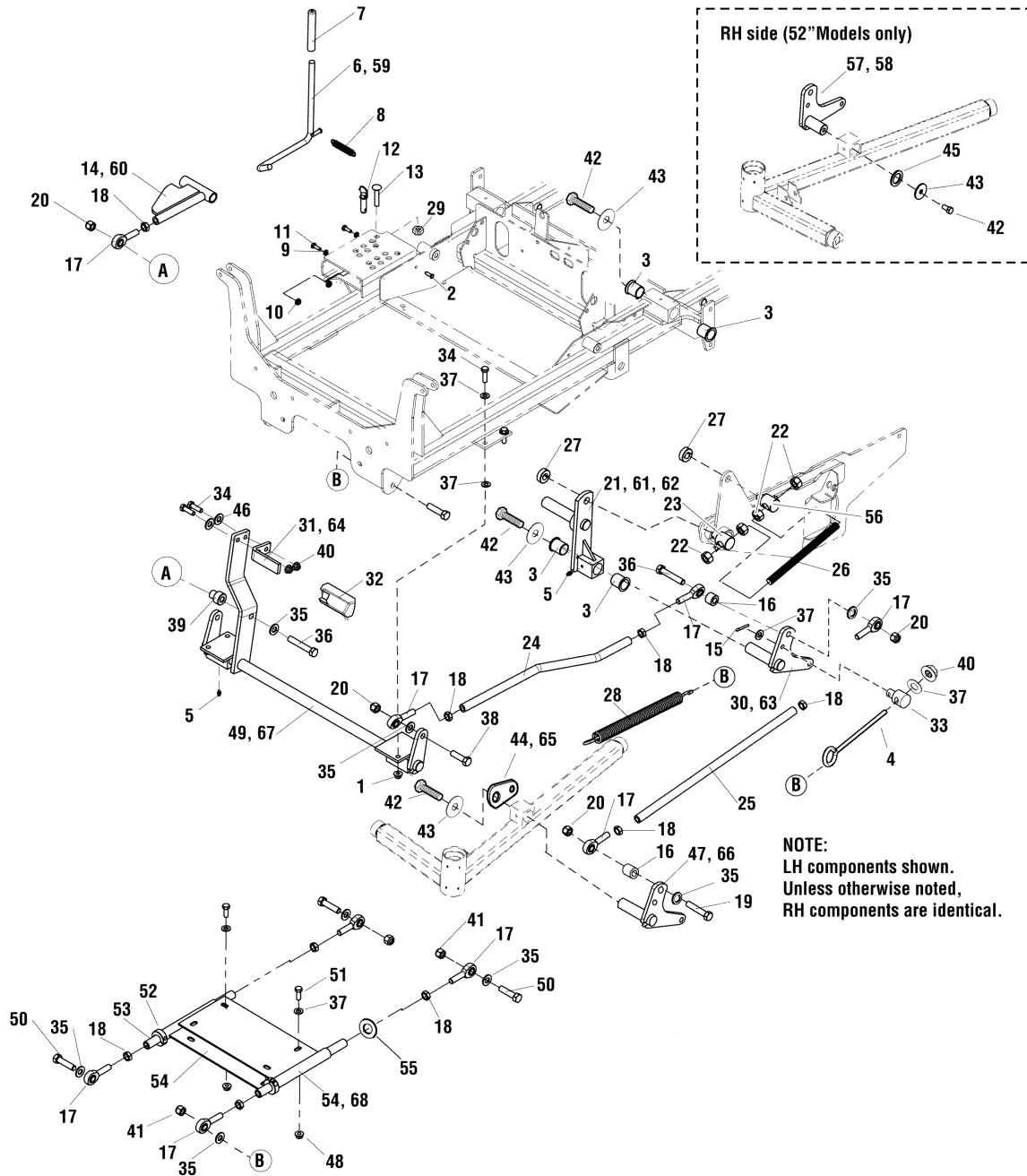
Footnotes

The above parts group applies to the following Mfg. Nos.:

5900627 (IS2000ZY20D48) 5901189 (YANMAR2052)
5900628 (IS2000ZY20D52R) 5901190 (YANMAR2052RD)
5901192 (IS2000ZY20D48R)
5901191 (IS2000ZY20D52)
5901187 (YANMAR2048)
5901188 (YANMAR2048RD)

Deck Lift Group

NOTE: Unless noted otherwise, use the standard hardware torque specification chart.



The above parts group applies to the following Mfg. Nos.:

- | | |
|--------------------------|------------------------|
| 5900627 (IS2000ZY20D48) | 5901189 (YANMAR2052) |
| 5900628 (IS2000ZY20D52R) | 5901190 (YANMAR2052RD) |
| 5901192 (IS2000ZY20D48R) | |
| 5901191 (IS2000ZY20D52) | |
| 5901187 (YANMAR2048) | |
| 5901188 (YANMAR2048RD) | |

Deck Lift Group

REF NO.	PART NO.	QTY.	DESCRIPTION
1	5025394	4	NUT, 3/8-16 HEX NYLOCK FLANGE
2	5025212X7	1	PIN, CLEVIS, 1/4" X 7/8"
3	5023343	8	BUSHING, 1.00 X 1.13 X 1.38, PLASTIC
4	5021811	1	EYE BOLT, 3/8-16 X 8", 1" EYE
5	5020095	4	GREASE FITTING, 1/4-28 STRAIGHT
6	5400719B	1	WELD, ROD DECK LIFT - RED MODEL
7	5021880	1	GRIP, FOAM
8	5020639	1	SPRING, EXTENSION
9	5025154	2	WASHER, 1/4" SAE
10	5025126	2	NUT, 1/4-20 HEX SERR. FLANGE
11	5025010X6	2	BOLT, 1/4-20 X 3/4" GD5 YZ
12	5023498	1	PIN, HITCH, 1/2 X 2.00 OAL, YP
13	5025146X16	1	BOLT, 3/8-16 X 2", CARRIAGE
14	5400769B	1	WELD, DECK ADJUST LINK - RED MODEL
15	5025203X6	2	PIN, COTTER, 1/8" X 3/4
16	5045178	4	SPACER, .52 X 1.00 X .75
17	5022434	13	BALL JOINT, 1/2-20, MALE
18	5025089	13	NUT, 1/2-20 HEX JAM
19	5025017X22	2	BOLT, 1/2-13 X 2-3/4" GD5
20	5025056	7	NUT, 1/2-13 HEX NYLON LOCK
21	5401664B	1	WELD, REAR LIFT - LH - RED MODEL
21	5401665B	1	WELD, REAR LIFT - RH - RED MODEL
22	5025040	8	NUT, 5/8-11 HEX
23	5045447	2	PIVOT, SPRING ROD
24	5100149	2	ROD, DECK LIFT BENT
25	5100148	2	ROD, DECK LIFT OUTER
26	5100247	2	ROD, 5/8-11 X 9.00
27	5020441	4	COLLAR, 5/8" SPLIT
28	5023355	1	SPRING, DECK LIFT ASSIST
29	5025100	1	NUT, 3/8-16 HEX SIDE LOCK
30	5401671B	1	WELD, DECK LIFT LEVER, LH - RED MODEL
31	5061569B	1	PEDAL, FOOT - RED MODEL
32	1715834	1	RUBBER, FOOT PEDAL
33	5100380	1	ADJUSTER, DECK HANGER
34	5025013X10	6	BOLT, 3/8-16 X 1-1/4" GD5
35	5025440	7	WASHER, 1/2" GD9 YZ
36	5025017X28	3	BOLT, 1/2-13 X 3-1/2" GD5
37	5025156	16	WASHER 3/8" SAE
38	5100268	2	BOLT, 1/2-13 X 1-3/4", HHCS GD5
39	5047103	1	ADAPTER, CASTER AXLE
40	5025096	4	NUT, 3/8-16 HEX NYLON LOCK

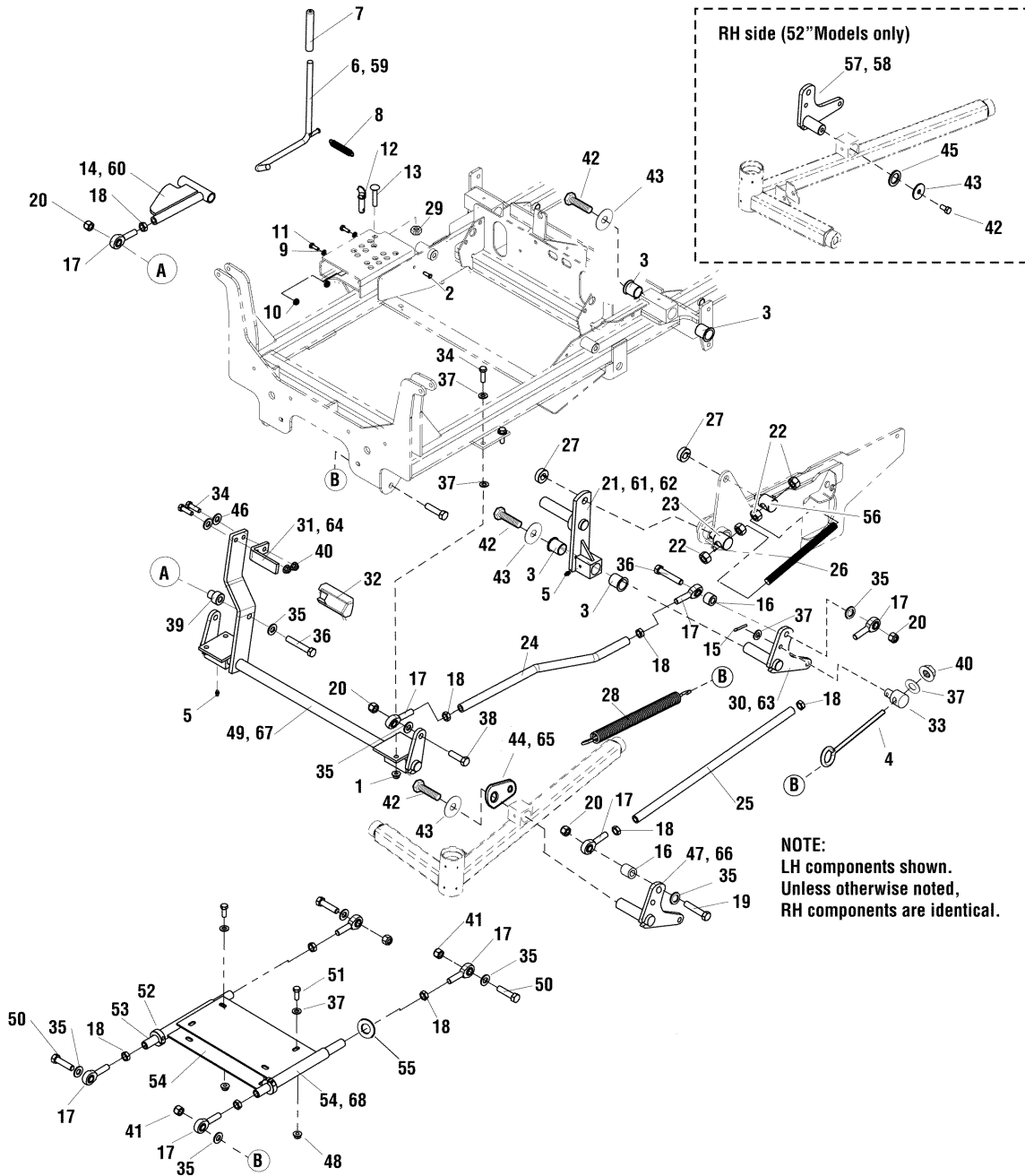
Footnotes

The above parts group applies to the following Mfg. Nos.:

5900627 (IS2000ZY20D48) 5901189 (YANMAR2052)
5900628 (IS2000ZY20D52R) 5901190 (YANMAR2052RD)
5901192 (IS2000ZY20D48R)
5901191 (IS2000ZY20D52)
5901187 (YANMAR2048)
5901188 (YANMAR2048RD)

Deck Lift Group

NOTE: Unless noted otherwise, use the standard hardware torque specification chart.



The above parts group applies to the following Mfg. Nos.:

- | | |
|--------------------------|------------------------|
| 5900627 (IS2000ZY20D48) | 5901189 (YANMAR2052) |
| 5900628 (IS2000ZY20D52R) | 5901190 (YANMAR2052RD) |
| 5901192 (IS2000ZY20D48R) | |
| 5901191 (IS2000ZY20D52) | |
| 5901187 (YANMAR2048) | |
| 5901188 (YANMAR2048RD) | |

Deck Lift Group

REF NO.	PART NO.	QTY.	DESCRIPTION
41	5025098	4	NUT, 1/2-20 HEX NYLON LOCK
42	5100548	6	WASHER, .390 X 1.50 X .109, YZ
43	5025443	6	BOLT, 3/8-16 X 3/4, GD5, YZ WITH PATCH
44	5401645B	1	MOUNT, SPRING, DECK LIFT - RED MODEL
45	5020929	1	SHIM, 1.0 X 1.5 X 0.125
46	5025293	2	WASHER, 3/8" GR9 FLAT
47	5401661B	1	WELD, DECK LIFT LEVER, LH - RED MODEL
48	5025128	4	NUT, 3/8-16 HEX SERRATED FLANGE
49	5400634B	1	WELD, DECK LIFT SHAFT - RED MODEL
50	5025018X14	4	BOLT, 1/2-20 X 1-3/4" GD5 YZ
51	5025013X8	4	BOLT, 3/8-16 X 1" GD5 YZ
52	5010114	2	COLLAR, 3/4" SPLIT
53	5100889	2	SHAFT, DECK STABILIZER
54	5400647B	2	WELD, DECK STABILIZER - RED MODEL
55	5025158	2	WASHER, 1/2" SAE
56	5045856	2	PIVOT, SPRING ROD
57	5401662B	1	WELD, DECK LIFT LEVER, RH - RED MODEL
58	5401662C	1	WELD, DECK LIFT LEVER, RH - ORANGE MODEL
59	5400719C	1	WELD, ROD DECK LIFT - ORANGE MODEL
60	5400769C	1	WELD, DECK ADJUST LINK - ORANGE MODEL
61	5401664C	1	WELD, REAR LIFT - LH - ORANGE MODEL
62	5401665C	1	WELD, REAR LIFT - RH - ORANGE MODEL
63	5401671C	1	WELD, DECK LIFT LEVER, LH - ORANGE MODEL
64	5061569C	1	PEDAL, FOOT - ORANGE MODEL
65	5401645C	1	MOUNT, SPRING, DECK LIFT - ORANGE MODEL
66	5401661C	1	WELD, DECK LIFT LEVER, LH - ORANGE MODEL
67	5400634C	1	WELD, DECK LIFT SHAFT - ORANGE MODEL
68	5400647C	2	WELD, DECK STABILIZER - ORANGE MODEL

Footnotes

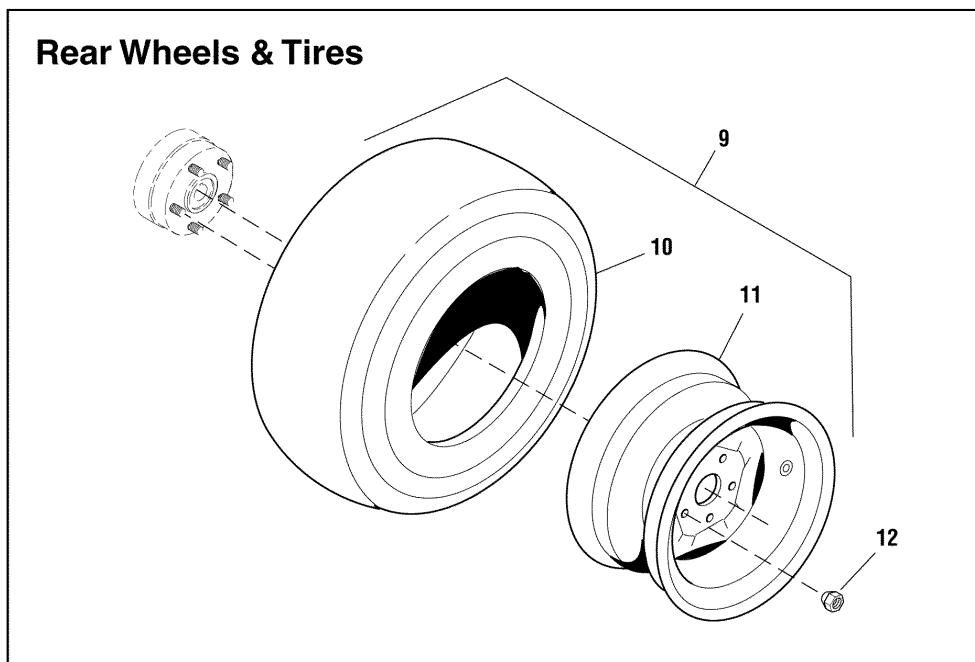
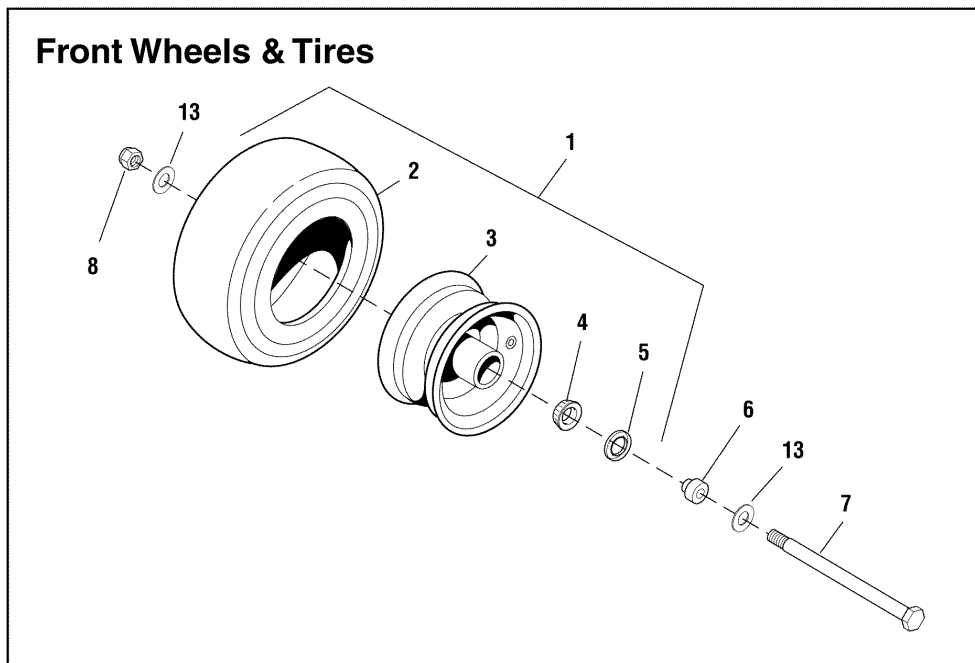
The above parts group applies to the following Mfg. Nos.:

5900627 (IS2000ZY20D48) 5901189 (YANMAR2052)
5900628 (IS2000ZY20D52R) 5901190 (YANMAR2052RD)
5901192 (IS2000ZY20D48R)
5901191 (IS2000ZY20D52)
5901187 (YANMAR2048)
5901188 (YANMAR2048RD)

Wheel & Tire Group

NOTE: Unless noted otherwise, use the standard hardware torque specification chart.

5300702



The above parts group applies to the following Mfg. Nos.:

5900627 (IS2000ZY20D48)	5901189 (YANMAR2052)
5900628 (IS2000ZY20D52R)	5901190 (YANMAR2052RD)
5901192 (IS2000ZY20D48R)	
5901191 (IS2000ZY20D52)	
5901187 (YANMAR2048)	
5901188 (YANMAR2048RD)	

Wheel & Tire Group

REF NO.	PART NO.	QTY.	DESCRIPTION
1	5022631S	2	TIRE, CASTER, 13 X 5.00-6 (Includes Ref No. 2 - 7 & 14)
1	5023280	2	* FLAT-FREE TIRE ASSEMBLY, 13 x 5.0 - 6 (Includes Ref No. 4 & 5, see foot note.)
2	5022029X1	2	TIRE, 13 x 5.0 - 6
3	5022631SX1	2	WHEEL ASSEMBLY, for 13 x 5.0 - 6 Tire, Complete (Includes Ref No. 4 & 5)
4	5022631SX2	4	BEARING, Tapered Roller (2 per tire)
5	5022631SX3	4	GREASE SEAL (2 per tire)
6	5047103	4	ADAPTER, CASTER AXLE (2 per tire)
7	5025017X64	2	BOLT, 1/2-13 X 8" GD5 YZ
8	5025396	2	NUT, 1/2-13 HEX NYLOCK FLANGE
9	5100006	2	TIRE ASSM, 22 X 10.00-10 (Includes Ref. Nos 10 and 11.)
10	5100006X1	2	TIRE, 22 X 10.0 -10
11	5023369X1	2	WHEEL ASSEMBLY, 10 X 7
12	5020601	10	NUT, 1/2-20, FOR WHEEL BOLT SILVER
13	5025158	2	WASHER, 1/2" SAE
14	5022631SX4	2	BEARING, RACE (Not Shown)

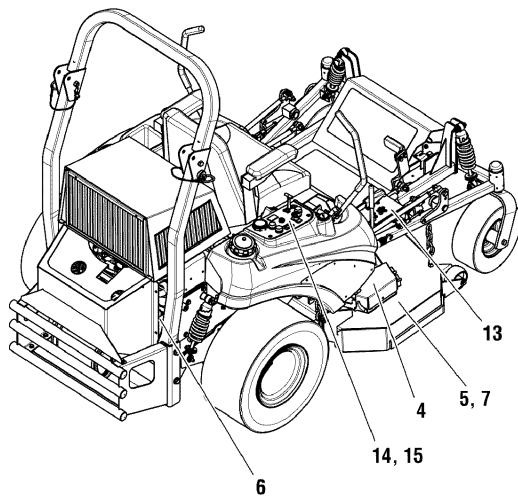
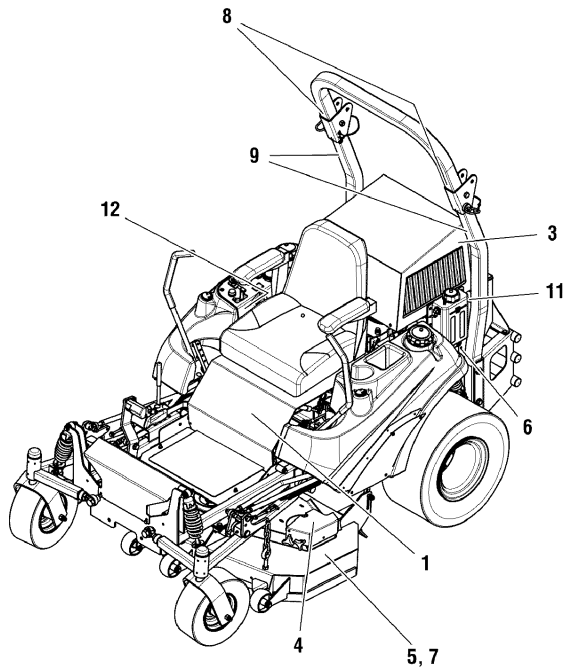
Footnotes

The above parts group applies to the following Mfg. Nos.:

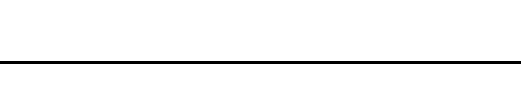
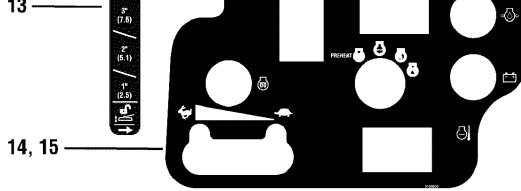
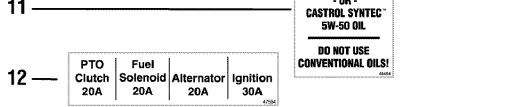
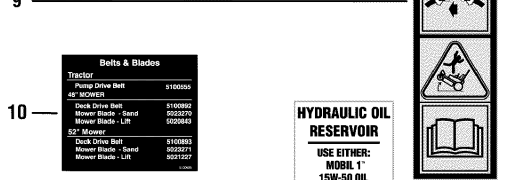
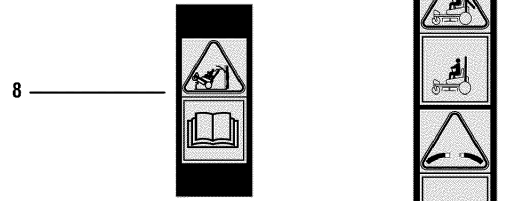
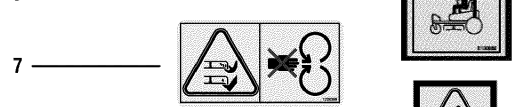
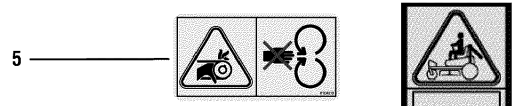
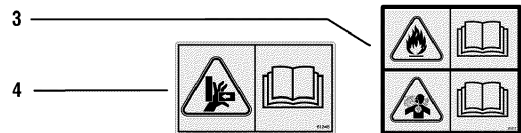
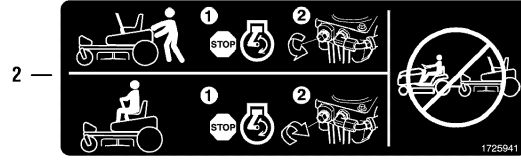
5900627 (IS2000ZY20D48) 5901189 (YANMAR2052)
5900628 (IS2000ZY20D52R) 5901190 (YANMAR2052RD)
5901192 (IS2000ZY20D48R)
5901191 (IS2000ZY20D52)
5901187 (YANMAR2048)
5901188 (YANMAR2048RD)

Decal Group - Safety & Operation

NOTE: Unless noted otherwise, use the standard hardware torque specification chart.



5300704



The above parts group applies to the following Mfg. Nos.:

5900627 (IS2000ZY20D48)	5901189 (YANMAR2052)
5900628 (IS2000ZY20D52R)	5901190 (YANMAR2052RD)
5901192 (IS2000ZY20D48R)	
5901191 (IS2000ZY20D52)	
5901187 (YANMAR2048)	
5901188 (YANMAR2048RD)	

Decal Group - Safety & Operation

REF NO.	PART NO.	QTY.	DESCRIPTION
1	5101233	1	DECAL, MAIN, CE
2	1725941	1	DECAL, CZT HYDRO RELEASE (Located on Engine Access Panel.)
3	5061217	1	DECAL, DANGER, CE
4	5061246	2	DECAL, PINCH POINT, CE
5	5061042	2	DECAL, CE DANGER
6	5100537	2	DECAL, SAFETY, CE ROPS, OBS
7	1720389	2	DECAL-DANGER ROTATING BLADE SYMBOLS
8	5100685	2	DECAL, WARNING, ROLL BAR, CE
9	5100536	2	DECAL, SAFETY, CE ROPS
10	5100606	1	DECAL, BELTS & BLADES, YANMAR (Located under seat plate.)
11	5048454	1	DECAL, OIL RESEVOIR
12	5047554	1	DECAL, FUSE LOCATION
13	5061724	1	DECAL-HEIGHT CITATION
14	5100605	1	DECAL, CONTROL PANEL - IS2000 YANMAR (S/N: 2012617338 & Below)
15	5101285	1	DECAL, CONTROL PANEL - IS2000 YANMAR (S/N: 2012617339 & Above)

Footnotes

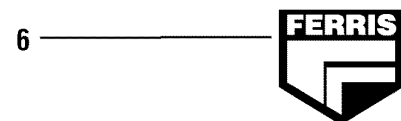
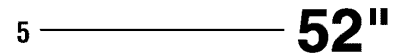
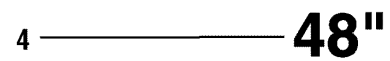
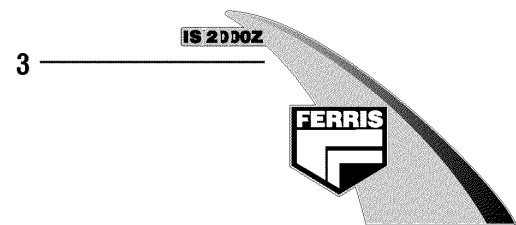
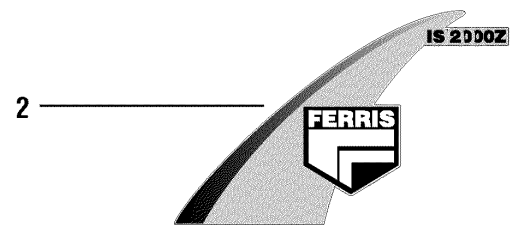
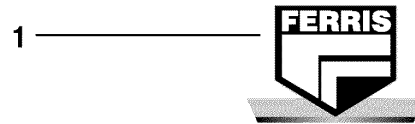
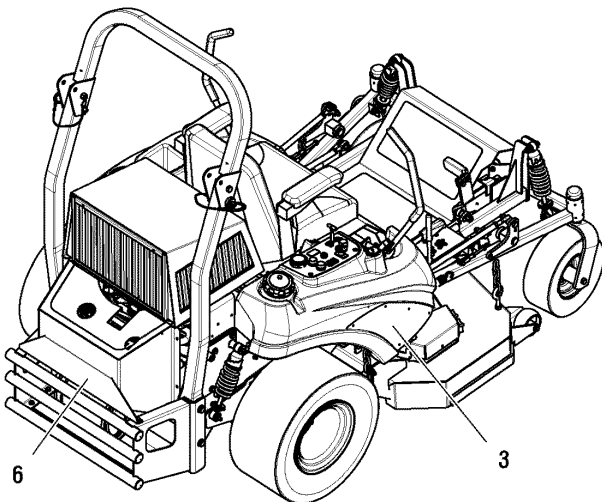
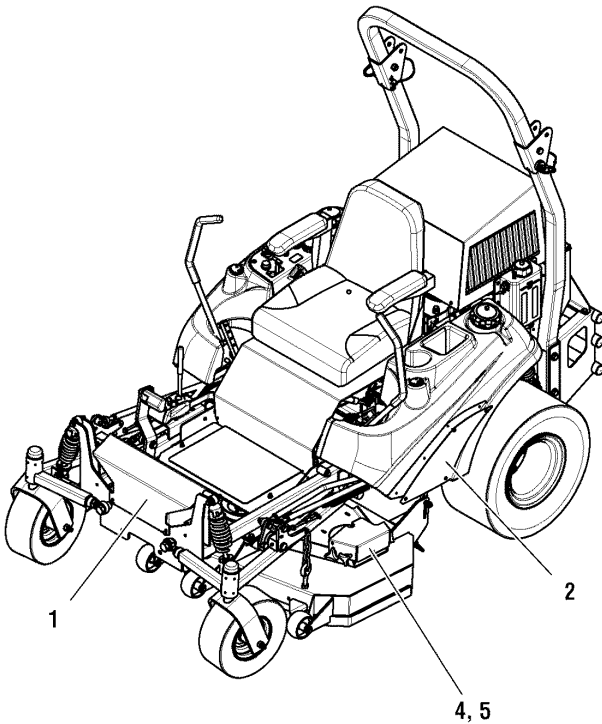
The above parts group applies to the following Mfg. Nos.:

5900627 (IS2000ZY20D48) 5901189 (YANMAR2052)
5900628 (IS2000ZY20D52R) 5901190 (YANMAR2052RD)
5901192 (IS2000ZY20D48R)
5901191 (IS2000ZY20D52)
5901187 (YANMAR2048)
5901188 (YANMAR2048RD)

Decal Group - Brand - Ferris Models

NOTE: Unless noted otherwise, use the standard hardware torque specification chart.

5300716
5300717



The above parts group applies to the following Mfg. Nos.:

- 5900627 (IS2000ZY20D48)
- 5900628 (IS2000ZY20D52R)
- 5901192 (IS2000ZY20D48R)
- 5901191 (IS2000ZY20D52)

Decal Group - Brand - Ferris Models

REF NO.	PART NO.	QTY.	DESCRIPTION
1	5100340	1	DECAL, FERRIS, FRONT, 6.75 X 4.25
2	5100336	1	DECAL, BADGE, IS2000Z, LH
3	5100337	1	DECAL, BADGE, IS2000Z, RH
4	5022811	1	DECAL, 48 (48" Models Only.)
5	5022812	1	DECAL, 52 (52" Models Only.)
6	5100369	1	DECAL, FERRIS LOGO, 5-3/8"

Footnotes

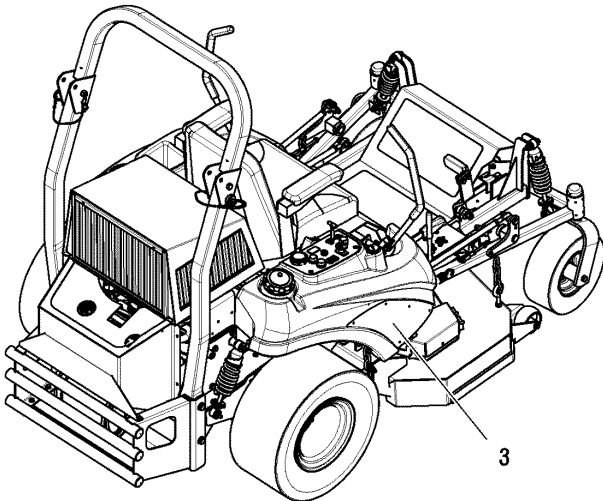
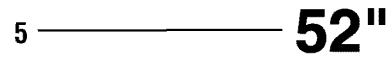
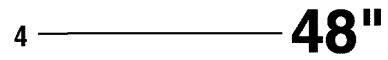
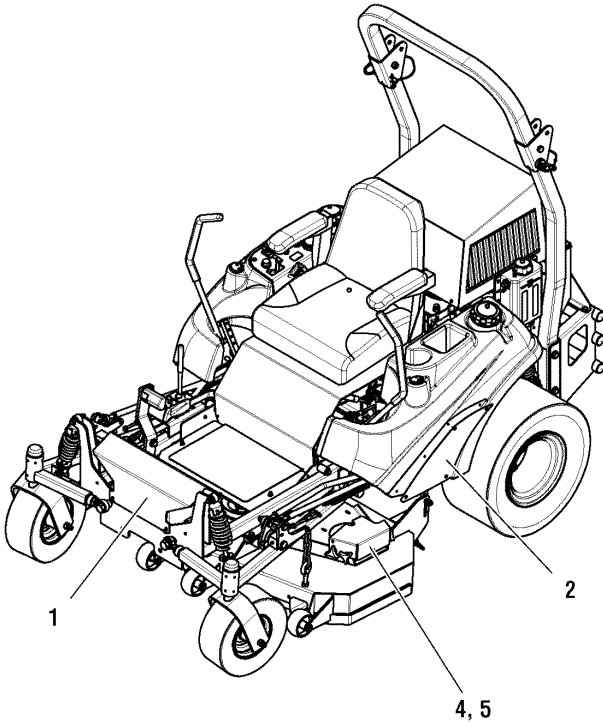
The above parts group applies to the following Mfg. Nos.:

- 5900627 (IS2000ZY20D48)
- 5900628 (IS2000ZY20D52R)
- 5901192 (IS2000ZY20D48R)
- 5901191 (IS2000ZY20D52)

Decal Group - Brand - Simplicity Models

NOTE: Unless noted otherwise, use the standard hardware torque specification chart.

5300716
5300717



6 —

TOUCH-UP PAINT PART NUMBERS	
12 Oz. Spray Can Paint	
Deep Orange	1885611
Solar Black	1886779

The above parts group applies to the following Mfg. Nos.:

- 5901187 (YANMAR2048)
- 5901188 (YANMAR2048RD)
- 5901189 (YANMAR2052)
- 5901190 (YANMAR2052RD)

Decal Group - Brand - Simplicity Models

REF NO.	PART NO.	QTY.	DESCRIPTION
1	1722551	1	DECAL-SIMPLICITY SILVER & BLUE W/ICON
2	5100401	1	DECAL, COBALT, BADGE, LH
3	5100402	1	DECAL, COBALT, BADGE, RH
4	5022811	1	DECAL, 48 (48" Models Only.)
5	5022812	1	DECAL, 52 (52" Models Only.)
6	1720454	1	DECAL-TOUCH UP PAINT ORANGE,BLACK,RED (Located under seat plate.)

Footnotes

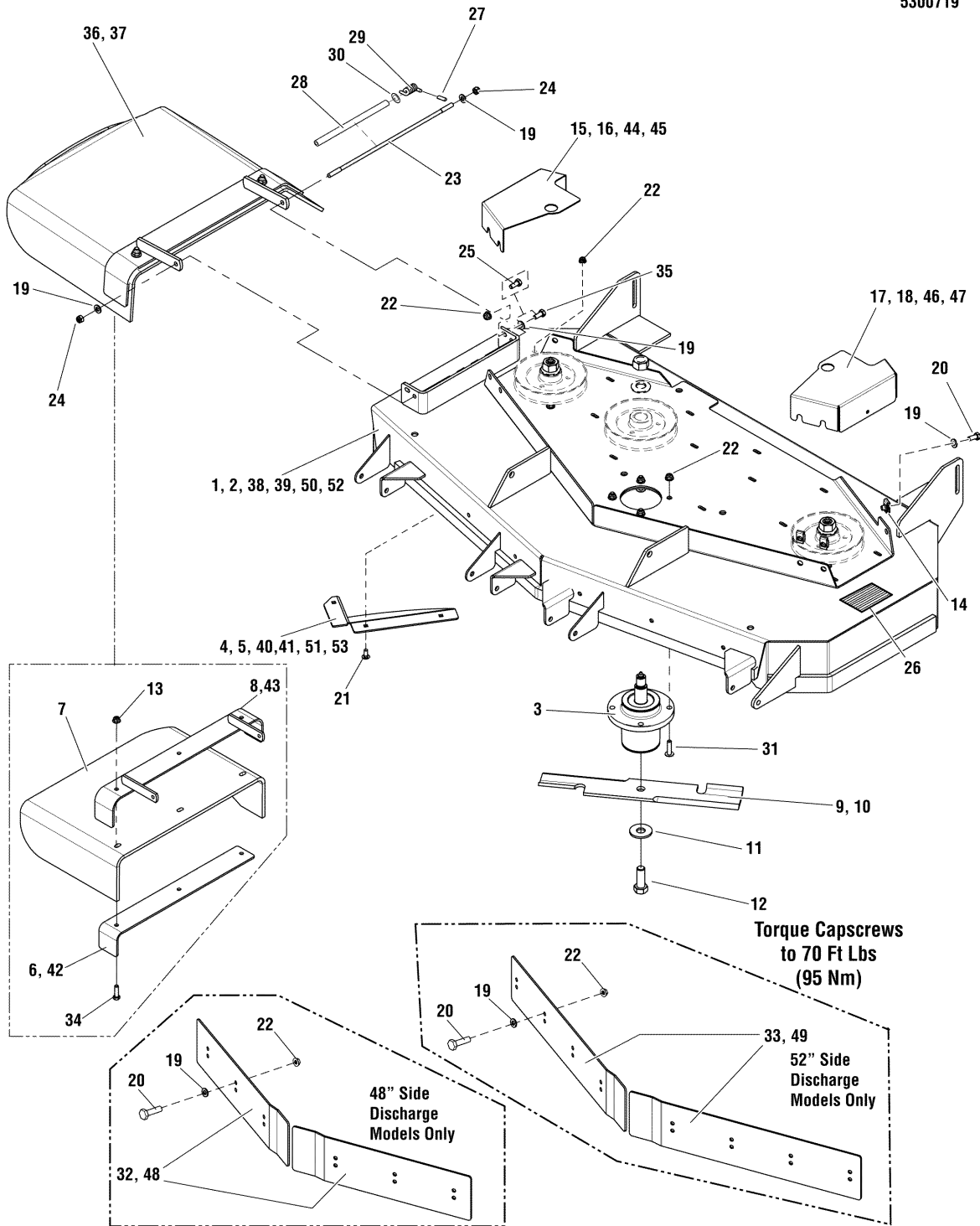
The above parts group applies to the following Mfg. Nos.:

5901187 (YANMAR2048)
5901188 (YANMAR2048RD)
5901189 (YANMAR2052)
5901190 (YANMAR2052RD)

48" & 52" Side Discharge Mower Deck Group - Housing, Covers, Spindles & Blades

NOTE: Unless noted otherwise, use the standard hardware torque specification chart.

5300706
5300719



The above parts group applies to the following Mfg. Nos.:

- 5900627 (IS2000ZY20D48)
- 5901191 (IS2000ZY20D52)
- 5901187 (YANMAR2048)
- 5901189 (YANMAR2052)

48" & 52" Side Discharge Mower Deck Group - Housing, Covers, Spindles & Blades

REF NO.	PART NO.	QTY.	DESCRIPTION
1	5600114	1	DECK SHELL W/DECALS, 48" - IS2000YAN - RED MODEL (48" Side Only)
2	5600118	1	DECK SHELL W/ DECALS, 52, IS2000YAN - RED MODEL (52" Side - S/N: 2012612045 & Below Only)
3	5061095	3	ASSM, SPINDLE, LOW PROFILE
4	5401271B	1	WELD, DISCHARGE BAFFLE, 48" - RED MODEL (48" Side Only)
5	5401254B	1	WELD, DISCHARGE BAFFLE, 52" - RED MODEL (52" Side - S/N: 2012612045 & Below Only)
6	5402362B	1	SUPPORT, DISCHARGE CHUTE, 44/48/52 - RED MODEL
7	5402404	1	CHUTE, DISCHARGE, BEND RUBBER, 44/48/52
8	5402361B	1	WELD, FRAME CHUTE, 44/48/52 - RED MODEL
9	5023270	3	BLADE, 16.25", SAND (48" Side Only)
10	5023271	3	BLADE, 18", SAND (52" Side Only)
11	5025477	3	WASHER, 5/8" GRADE 8
12	5025320X14	3	BOLT, 5/8-11 X 1-3/4" GD8
13	5025394	2	NUT, 3/8-16 HEX NYLOCK FLANGE
14	5022308	6	BODY CLIP, 5/16-18 X 1/2" DEEP
15	5401726B	1	GUARD, 48" DECK, RH - IS2000 YANMAR -RED MODEL (48" Side Only)
16	5401605B	1	GUARD, 52" DECK, IS2000 - RH - RED MODEL (52" Side Only)
17	5401727B	1	GUARD, 48" DECK, LH - IS2000 YANMAR - RED MODEL (48" Side Only)
18	5401606B	1	GUARD, 52" DECK, IS2000 - LH - RED MODEL (52" Side Only)
19	5025155	14	WASHER, 5/16" SAE (48" Side Only)
19	5025155	17	WASHER, 5/16" SAE (52" Side Only)
20	5025011X6	12	BOLT, 5/16-18 X 3/4" GD5 (48" Side Only)
20	5025011X6	14	BOLT, 5/16-18 X 3/4" GD5 (52" Side Only)
21	5025145X6	3	BOLT, 5/16-18 X 3/4", CARRIAGE
22	5025392	23	NUT, 5/16-18 HEX NYLOCK FLANGE (48" Side Only)
22	5025392	25	NUT, 5/16-18 HEX NYLOCK FLANGE (52" Side Only)
23	5042555	1	ROD, BRAKE LINKAGE
24	5025057	2	NUT, 5/16-18 HEX NYLON LOCK
25	5025411	1	BOLT, 5/16-18 X 3/4" FLANGE (48"Side Only)
26	5101004	1	SAFETY WALK, 4.00 X 7.50
27	5023489	1	CAP, PROTECTOR, .120 ID
28	5050086X8	1	SPACER, TORSION SPRING,9.63 LG
29	5023385	1	SPRING, TORSION
30	5025164	1	WASHER, 5/16" FENDER
31	5023156	12	BOLT, 5/16-18 X 1 1/4" FLANGE
32	5402452B	2	BAFFLES. FRONT DISCHARGE, 48 YAN - RED MODEL (48" Side Only)
33	5402476B	2	BAFFLES. FRONT DISCHARGE, 52 YAN - RED MODEL (52" Side Only)
34	5025013X12	2	BOLT, 3/8-16 X 1-1/2" GD5
35	5025011X10	1	BOLT, 5/16-18 X 1-1/4" GD5 YZ (52" Side Only)
36	5600088	1	KIT, DISCHARGE CHUTE, 48/52 RED MODEL (Includes Ref 4 - 6)
37	5600089	1	KIT, DISCHARGE CHUTE, 48/52 ORANGE MODEL (Includes Ref 4 - 6)
38	5600113	1	DECK SHELL W/DECALS, 48" - IS2000YAN - ORANGE MODEL (48" Side Only)

Footnotes

The above parts group applies to the following Mfg. Nos.:

5900627 (IS2000ZY20D48)

5901191 (IS2000ZY20D52)

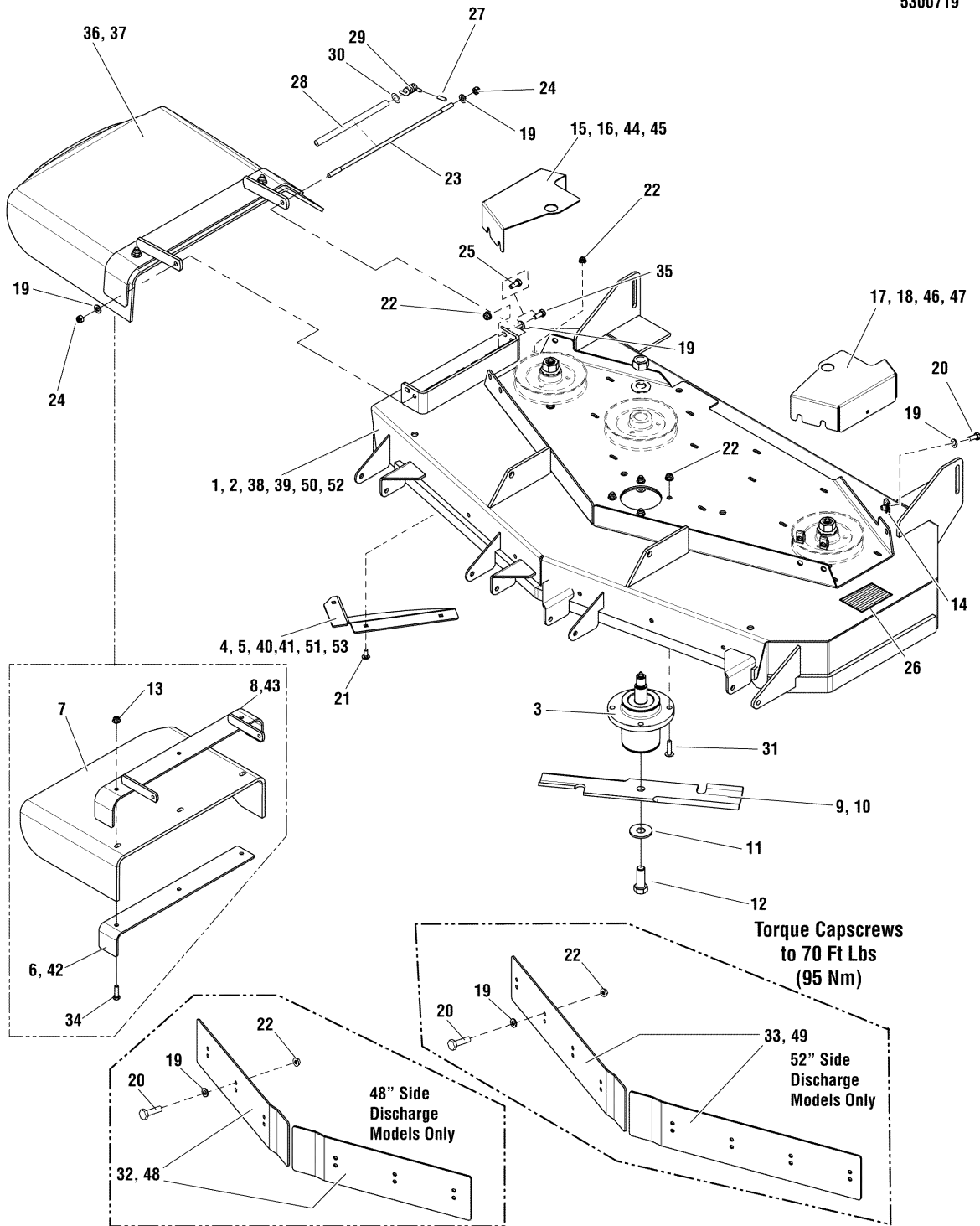
5901187 (YANMAR2048)

5901189 (YANMAR2052)

48" & 52" Side Discharge Mower Deck Group - Housing, Covers, Spindles & Blades

NOTE: Unless noted otherwise, use the standard hardware torque specification chart.

5300706
5300719



The above parts group applies to the following Mfg. Nos.:

- 5900627 (IS2000ZY20D48)
- 5901191 (IS2000ZY20D52)
- 5901187 (YANMAR2048)
- 5901189 (YANMAR2052)

48" & 52" Side Discharge Mower Deck Group - Housing, Covers, Spindles & Blades

REF NO.	PART NO.	QTY.	DESCRIPTION
39	5600117	1	DECK SHELL W/DECALS, 52, IS2000YAN - ORANGE MODEL (52" Side - S/N: 2012612045 & Below Only)
40	5401271C	1	WELD, DISCHARGE BAFFLE, 48" - ORANGE MODEL (48" Side Only)
41	5401254C	1	WELD, DISCHARGE BAFFLE, 52" - ORANGE MODEL (52" Side - S/N: 2012612045 & Below Only)
42	5402362C	1	SUPPORT, DISCHARGE CHUTE, 44/48/52 - ORANGE MODEL
43	5402361C	1	WELD, FRAME CHUTE, 44/48/52 - ORANGE MODEL
44	5401726C	1	GUARD, 48" DECK, RH - IS2000 YANMAR - ORANGE MODEL (48" Side Only)
45	5401605C	1	GUARD, 52" DECK, IS2000 - RH - ORANGE MODEL (52" Side Only)
46	5401727C	1	GUARD, 48" DECK, LH - IS2000 YANMAR - ORANGE MODEL (48" Side Only)
47	5401606C	1	GUARD, 52" DECK, IS2000 - LH - ORANGE MODEL (52" Side Only)
48	5402452C	2	BAFFLES. FRONT DISCHARGE, 48 YAN - ORANGE MODEL (48" Side Only)
49	5402476C	2	BAFFLES. FRONT DISCHARGE, 52 YAN - ORANGE MODEL (52" Side Only)
50	5600155	1	DECK SHELL W/ DECALS, 52, IS2000YAN - RED MODEL (52" Side - S/N: 2012612046 & Above Only)
51	5403548B	1	PLATE, DEFLECTOR, 52" - RED MODEL (52" Side - S/N: 2012612046 & Above Only)
52	5600156	1	DECK SHELL W/ DECALS, 52, IS2000YAN - ORANGE MODEL (52" Side - S/N: 2012612046 & Above Only)
53	5403548C	1	PLATE, DEFLECTOR, 52" - ORANGE MODEL (52" Side - S/N: 2012612046 & Above Only)

Footnotes

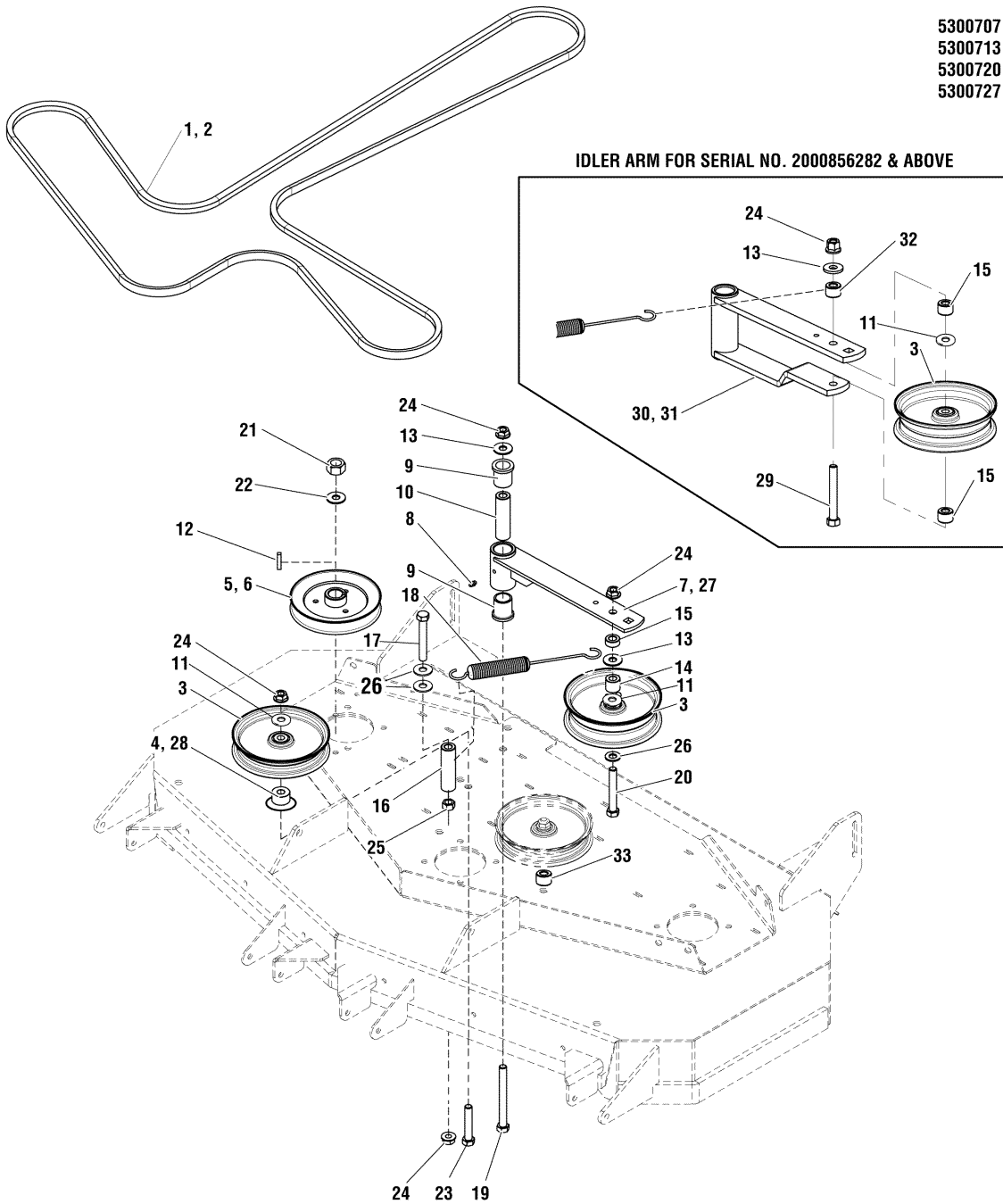
The above parts group applies to the following Mfg. Nos.:

5900627 (IS2000ZY20D48)
 5901191 (IS2000ZY20D52)
 5901187 (YANMAR2048)
 5901189 (YANMAR2052)

48" & 52" Mower Deck Group - Pulleys, Belt & Arm

NOTE: Unless noted otherwise, use the standard hardware torque specification chart.

5300707
5300713
5300720
5300727



The above parts group applies to the following Mfg. Nos.:

- | | |
|--------------------------|------------------------|
| 5900627 (IS2000ZY20D48) | 5901189 (YANMAR2052) |
| 5900628 (IS2000ZY20D52R) | 5901190 (YANMAR2052RD) |
| 5901192 (IS2000ZY20D48R) | |
| 5901191 (IS2000ZY20D52) | |
| 5901187 (YANMAR2048) | |
| 5901188 (YANMAR2048RD) | |

48" & 52" Mower Deck Group - Pulleys, Belt & Arm

REF NO.	PART NO.	QTY.	DESCRIPTION
1	5100892	1	BELT,# 7-9405, EL 158.9" (48" Deck Models Only.)
2	5100893	1	BELT, BP-SEC, 167.88EL, ARAMID, WRPD (52" Deck Models Only.)
3	5600184	2	KIT, PULLEY & SHIELD (Includes Part Nos 5021976 & 5101103)
4	5046434C	1	WELD, MOUNT, IDLER - ORANGE MODEL (52" Deck Models Only.)
5	5023178	3	PULLEY, 6.122 OD X .98 BORE (48" Deck Models Only.)
6	5100444	3	PULLEY, SPIN, 6.5 OD X 25MM, (52" Deck Models Only.)
7	5401741B	1	WELD, IDLER ARM - RED MODEL (S/N: 2000856281 & Below)
8	5020020	1	GREASE FITTING, 45 DEGREE
9	5021541	2	BUSHING, FLANGE
10	5045022	1	SPACER, .52 X 1.00 X 3.50
11	5101103	3	SHIELD, PULLEY BEARING
12	5050407X5	3	KEY, 1/4" SQ. X 1-1/4
13	5025150	2	WASHER, 1/2" USS
14	5044673	1	SPACER, .52 X 1.00 X .88
15	5045023	2	SPACER, .52 X 1.00 X .44
16	5050857X2P25	1	HOSE, 1/2" PUSH-ON 2.25"
17	5025017X32	1	BOLT, 1/2-13 X 4" GD5 YZ
18	5023340	1	SPRING, EXTENSION, SWIVEL END
19	5025017X40	1	BOLT, 1/2-13 X 5" GD5 YZ
20	5025017X28	1	BOLT, 1/2-13 X 3-1/2" GD5
21	5025405	3	NUT, 3/4-16 HEX
22	5025406	3	WASHER, 3/4" BELLEVILLE
23	5025017X20	2	BOLT, 1/2-13 X 2-1/2" GD5
24	5025396	5	NUT, 1/2-13 HEX NYLOCK FLANGE
25	5025038	1	NUT, 1/2-13 HEX
26	5025158	3	WASHER, 1/2" SAE
27	5401741C	1	WELD, IDLER ARM - ORANGE MODEL (S/N: 2000856281 & Below)
28	5046434B	1	WELD, MOUNT, IDLER - RED MODEL (52" Deck Models Only.)
29	5025017X26	1	BOLT, 1/2-13 X 3-1/4, HEX HD, GD5, YZ
30	5403134B	1	WELD, IDLER ARM - RED MODEL (S/N: 2000856282 & Above)
31	5403134C	1	WELD, IDLER ARM - ORANGE MODEL (S/N: 2000856282 & Above)
32	5100520	1	SPACER, .52 X 1.00 X .25
33	5047142	1	SPACER, .52 X 1.25 X .70

Footnotes

The above parts group applies to the following Mfg. Nos.:

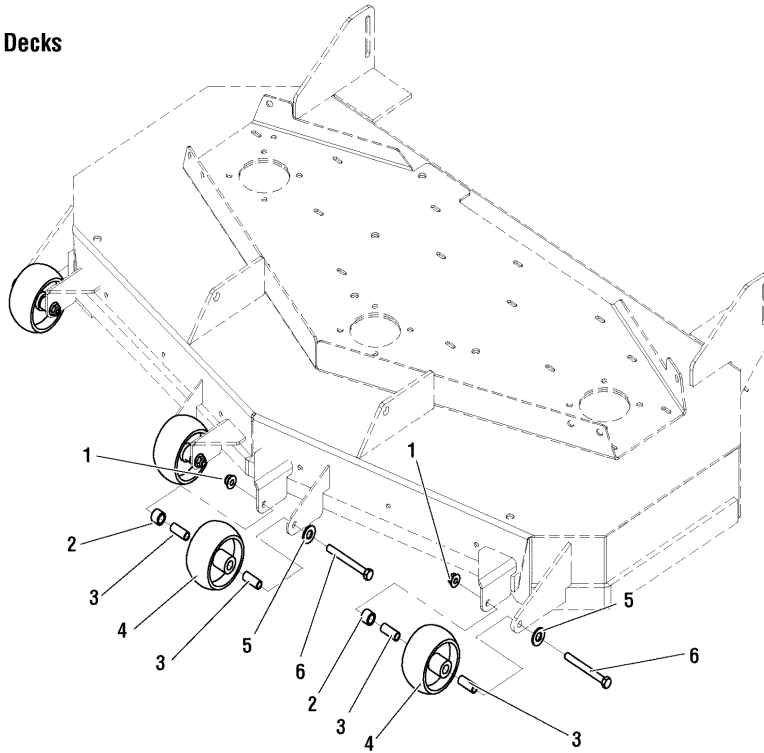
5900627 (IS2000ZY20D48) 5901189 (YANMAR2052)
5900628 (IS2000ZY20D52R) 5901190 (YANMAR2052RD)
5901192 (IS2000ZY20D48R)
5901191 (IS2000ZY20D52)
5901187 (YANMAR2048)
5901188 (YANMAR2048RD)

48" & 52" Mower Deck Group - Rollers

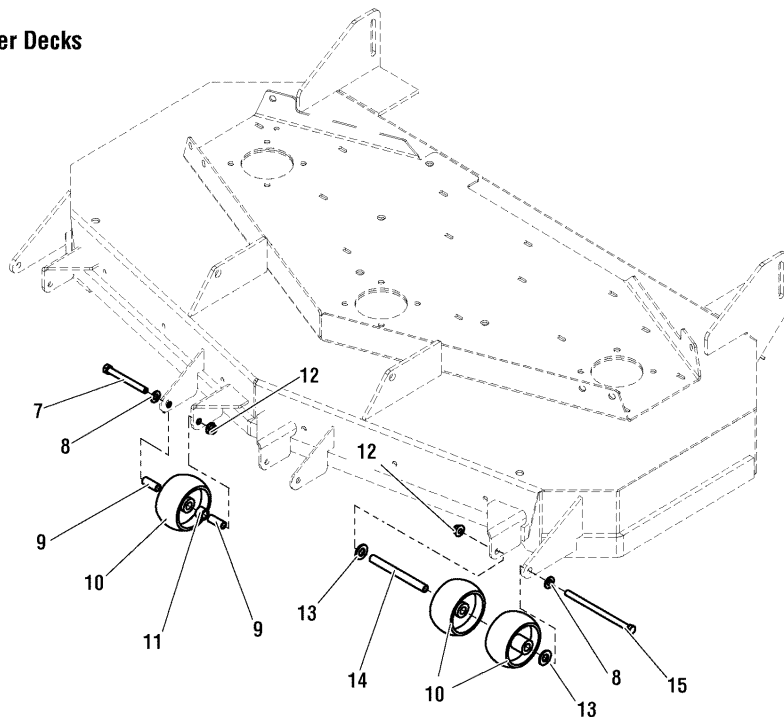
NOTE: Unless noted otherwise, use the standard hardware torque specification chart.

48" Mower Decks

5300708
5300714
5300721
5300728



52" Mower Decks



The above parts group applies to the following Mfg. Nos.:

- | | |
|--------------------------|------------------------|
| 5900627 (IS2000ZY20D48) | 5901189 (YANMAR2052) |
| 5900628 (IS2000ZY20D52R) | 5901190 (YANMAR2052RD) |
| 5901192 (IS2000ZY20D48R) | |
| 5901191 (IS2000ZY20D52) | |
| 5901187 (YANMAR2048) | |
| 5901188 (YANMAR2048RD) | |

48" & 52" Mower Deck Group - Rollers

REF NO.	PART NO.	QTY.	DESCRIPTION
1	5025394	4	NUT, 3/8-16 HEX NYLOCK FLANGE (48" Mower Decks Only.)
2	5047027	4	SPACER, .51 X .75 X .56 (48" Mower Decks Only.)
3	5041931	8	SPACER, .38 X .50 X 1.25 (48" Mower Decks Only.)
4	1714760	4	WHEEL- 2.00 WIDE 3.92 DIA 0.531ID POLY (48" Mower Decks Only.)
5	5025156	4	WASHER, 3/8" SAE (48" Mower Decks Only.)
6	5025013X10	4	BOLT, 3/8-16 X 1-1/4" GD5 (48" Mower Decks Only.)
7	5025013X10	2	BOLT, 3/8-16 X 1-1/4" GD5 (52" Mower Decks Only.)
8	5025156	4	WASHER, 3/8" SAE (52" Mower Decks Only.)
9	5041931	4	SPACER, .38 X .50 X 1.25 (52" Mower Decks Only.)
10	1714760	6	WHEEL- 2.00 WIDE 3.92 DIA 0.531ID POLY (52" Mower Decks Only.)
11	5047027	2	SPACER, .51 X .75 X .56 (52" Mower Decks Only.)
12	5025394	4	NUT, 3/8-16 HEX NYLOCK FLANGE (52" Mower Decks Only.)
13	5025158	4	WASHER, 1/2" SAE (52" Mower Decks Only.)
14	5046586	2	SPACER, .38 X .50 X 5.06 (52" Mower Decks Only.)
15	5025013X48	2	BOLT, 3/8-16 X 6" GD5 YZ (52" Mower Decks Only.)

Footnotes

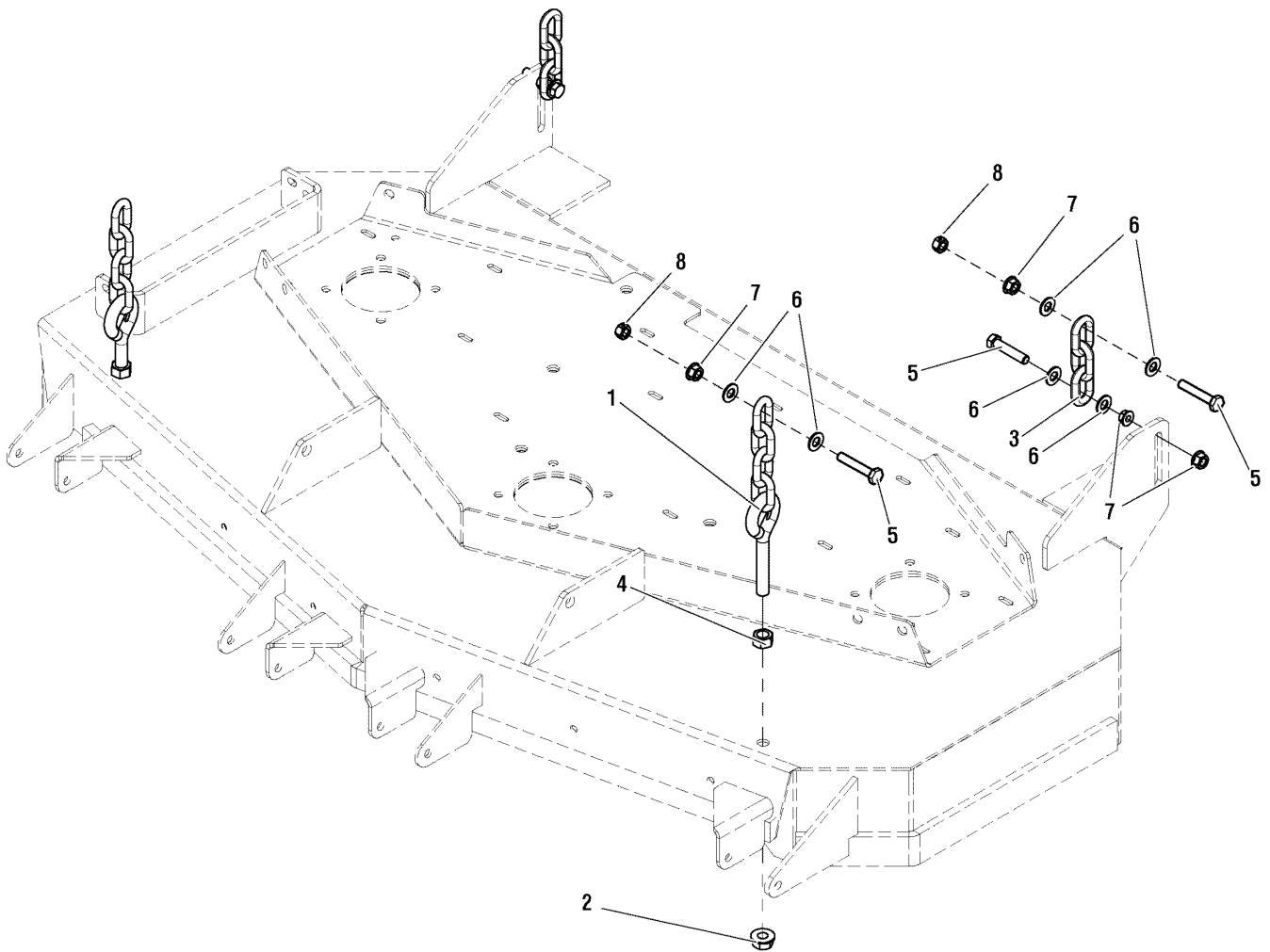
The above parts group applies to the following Mfg. Nos.:

5900627 (IS2000ZY20D48) 5901189 (YANMAR2052)
5900628 (IS2000ZY20D52R) 5901190 (YANMAR2052RD)
5901192 (IS2000ZY20D48R)
5901191 (IS2000ZY20D52)
5901187 (YANMAR2048)
5901188 (YANMAR2048RD)

48" & 52" Mower Deck Group - Hanger Chains

NOTE: Unless noted otherwise, use the standard hardware torque specification chart.

5300711



The above parts group applies to the following Mfg. Nos.:

5900627 (IS2000ZY20D48)	5901189 (YANMAR2052)
5900628 (IS2000ZY20D52R)	5901190 (YANMAR2052RD)
5901192 (IS2000ZY20D48R)	
5901191 (IS2000ZY20D52)	
5901187 (YANMAR2048)	
5901188 (YANMAR2048RD)	

48" & 52" Mower Deck Group - Hanger Chains

REF NO.	PART NO.	QTY.	DESCRIPTION
1	5045026	2	HANGER, FRONT DECK - 4 LINK
2	5025396	2	NUT, 1/2-13 HEX NYLOCK FLANGE
3	5050878X3	2	CHAIN, 5/16" GD30, 3 LINKS
4	5025038	2	NUT, 1/2-13 HEX
5	5025013X14	6	BOLT, 3/8-16 X 1-3/4" GD5
6	5025156	12	WASHER, 3/8" SAE
7	5025128	8	NUT, 3/8-16 HEX SERRATED FLANGE
8	5025100	4	NUT, 3/8-16 HEX SIDE LOCK

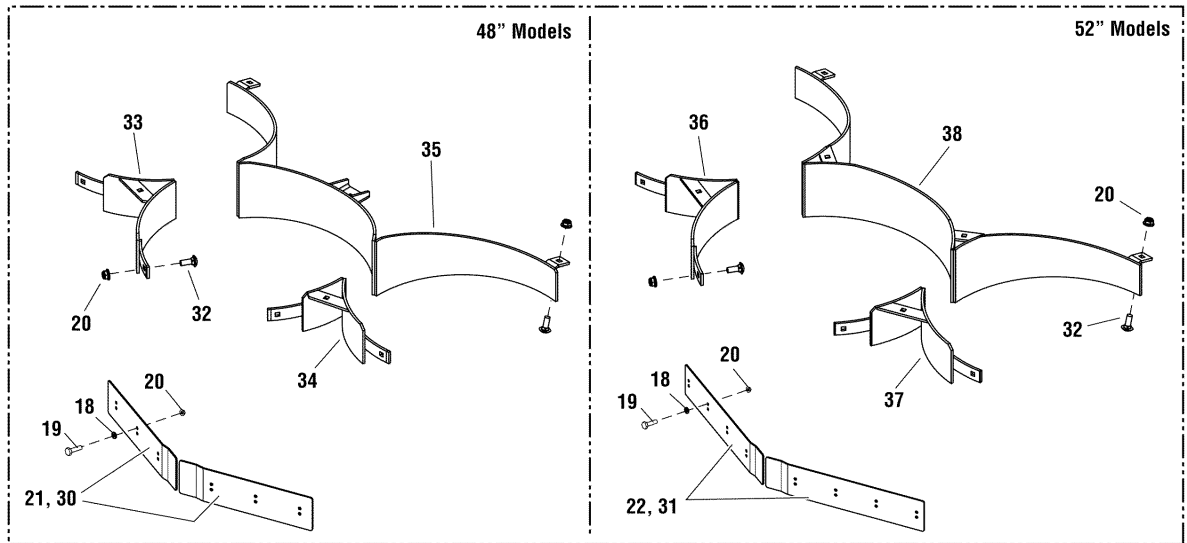
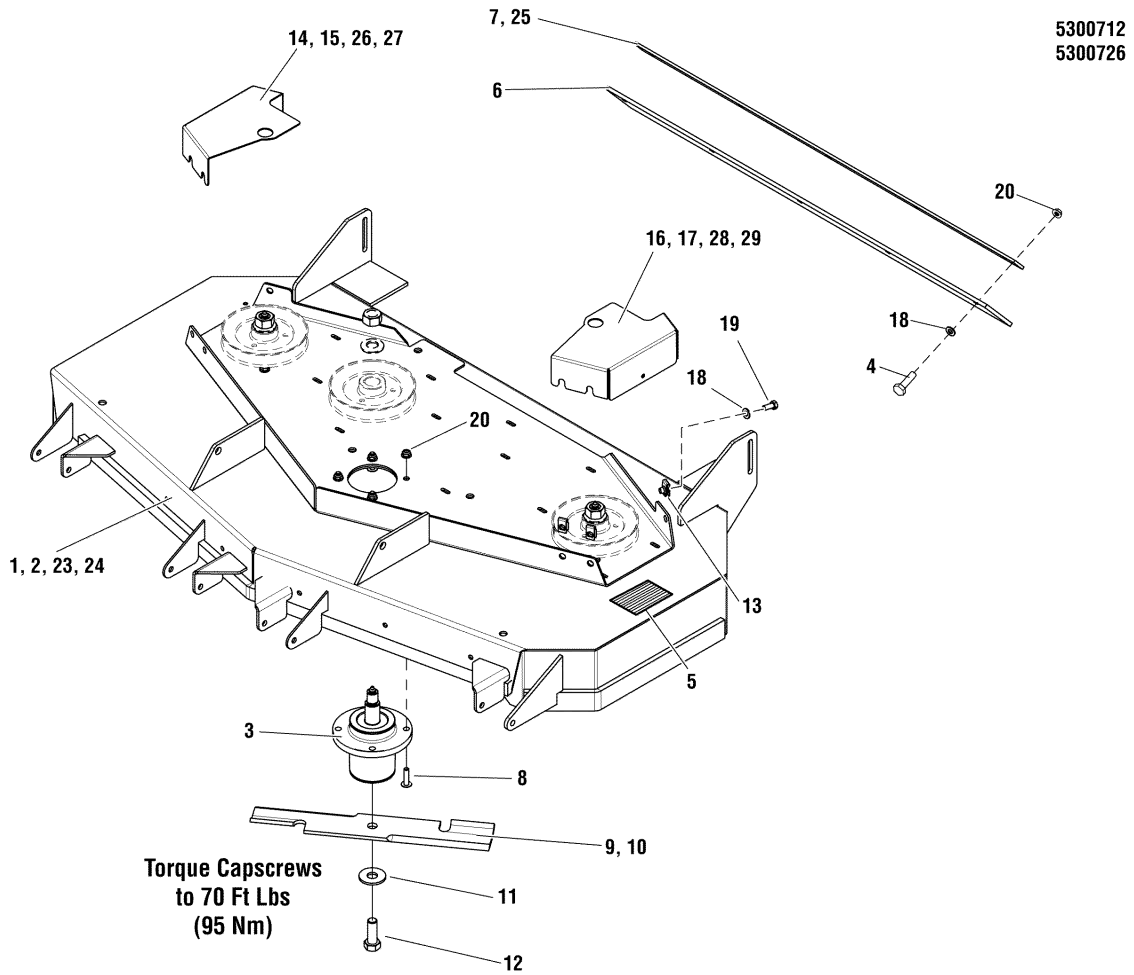
Footnotes

The above parts group applies to the following Mfg. Nos.:

5900627 (IS2000ZY20D48) 5901189 (YANMAR2052)
5900628 (IS2000ZY20D52R) 5901190 (YANMAR2052RD)
5901192 (IS2000ZY20D48R)
5901191 (IS2000ZY20D52)
5901187 (YANMAR2048)
5901188 (YANMAR2048RD)

48" & 52" Rear Discharge Mower Deck Group - Housing, Covers, Spindles & Blades

NOTE: Unless noted otherwise, use the standard hardware torque specification chart.



The above parts group applies to the following Mfg. Nos.:

- 5900628 (IS2000ZY20D52R)
- 5901192 (IS2000ZY20D48R)
- 5901188 (YANMAR2048RD)
- 5901190 (YANMAR2052RD)

48" & 52" Rear Discharge Mower Deck Group - Housing, Covers, Spindles & Blades

REF NO.	PART NO.	QTY.	DESCRIPTION
1	5600112	1	DECK SHELL W/DECALS, 48RD - RED MODEL (48" Model Only.)
2	5600116	1	DECK SHELL W/DECALS, 52RD - IS2000YAN-RED MODEL (52" Model Only.)
3	5061095	3	ASSM, SPINDLE, LOW PROFILE
4	5025011X10	5	BOLT, 5/16-18 X 1-1/4" GD5 YZ
5	5101004	1	SAFETY WALK, 4.00 X 7.50
6	5402474	1	FLAP, 2000 REAR DISCHARGE
7	5402475B	1	PLATE, FLAP RETIANER, 2000 RD - RED MODEL
8	5023156	12	BOLT, 5/16-18 X 1 1/4" FLANGE
9	5023270	3	BLADE, 16.25", SAND (48" Model Only.)
10	5023271	3	BLADE, 18", SAND (52" Model Only.)
11	5025477	3	WASHER, 5/8" GRADE 8
12	5025320X14	3	BOLT, 5/8-11 X 1-3/4" GD8
13	5022308	6	BODY CLIP, 5/16-18 X 1/2" DEEP
14	5401726B	1	GUARD, 48" DECK, RH - IS2000 YANMAR -RED MODEL (48" Model Only.)
15	5401605B	1	GUARD, 52" DECK, IS2000 - RH - RED MODEL (52" Model Only.)
16	5401727B	1	GUARD, 48" DECK, LH - IS2000 YANMAR -RED MODEL (48" Model Only.)
17	5401606B	1	GUARD, 52" DECK, IS2000 - LH - RED MODEL (52" Model Only.)
18	5025155	17	WASHER, 5/16" SAE (48" Model Only.)
18	5025155	19	WASHER, 5/16" SAE (52" Model Only.)
19	5025011X6	12	BOLT, 5/16-18 X 3/4" GD5 (48" Model Only.)
19	5025011X6	14	BOLT, 5/16-18 X 3/4" GD5 (52" Model Only.)
20	5025392	23	NUT, 5/16-18 HEX NYLOCK FLANGE (48" Model Only.)
20	5025392	25	NUT, 5/16-18 HEX NYLOCK FLANGE (52" Model Only.)
21	5402452B	2	BAFFLES. FRONT DISCHARGE, 48 YAN - RED MODEL (48" Model Only.)
22	5402476B	2	BAFFLES. FRONT DISCHARGE, 52 YAN - RED MODEL (52" Model Only.)
23	5600111	1	DECK SHELL W/DECALS, 48RD - ORANGE MODEL (48" Model Only.)
24	5600115	1	DECK SHELL W/DECALS, 52" RD - IS2000YAN-ORANGE MODEL (52" Model Only.)
25	5402475C	1	PLATE, FLAP RETIANER, 2000 RD - ORANGE MODEL
26	5401726C	1	GUARD, 48" DECK, RH - IS2000 YANMAR -ORANGE MODEL (48" Model Only.)
27	5401605C	1	GUARD, 52" DECK, IS2000 - RH - ORANGE MODEL (52" Model Only.)
28	5401727C	1	GUARD, 48" DECK, LH - IS2000 YANMAR -ORANGE MODEL (48" Model Only.)
29	5401606C	1	GUARD, 52" DECK, IS2000 - LH - ORANGE MODEL (52" Model Only.)
30	5402452C	2	BAFFLES. FRONT DISCHARGE, 48 YAN - ORANGE MODEL (48" Model Only.)
31	5402476C	2	BAFFLES. FRONT DISCHARGE, 52 YAN - ORANGE MODEL (52" Model Only.)
32	5025145X8	10	BOLT, 5/16-18 X 1, CARRIAGE (48" Model Uses Qty. 9)
33	5404731B	1	WELD, FRT-RGHT BAFFLE, 52 RD - RED (48" Model Only.)
34	5404730B	1	WELD, FRT-LFT BAFFLE, 52 RD - RED (48" Model Only.)
35	5404729B	1	WELD, REAR BAFFLE, 52 RD - RED (48" Model Only.)
36	5404806B	1	WELD, RIGHT FRONT BAFFLE, 48RD - RED (52" Model Only.)
37	5404803B	1	WELD, LEFT FRONT BAFFLE, 48RD - RED (52" Model Only.)
38	5404799B	1	WELD, REAR BAFFLE, 48RD - RED (52" Model Only.)

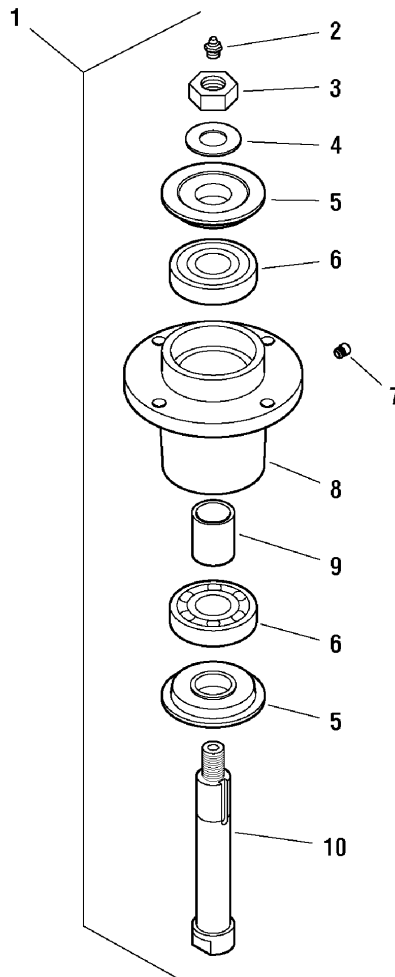
Footnotes

The above parts group applies to the following Mfg. Nos.:

5900628 (IS2000ZY20D52R)
 5901192 (IS2000ZY20D48R)
 5901188 (YANMAR2048RD)
 5901190 (YANMAR2052RD)

Spindle Service Parts

NOTE: Unless noted otherwise, use the standard hardware torque specification chart.



The above parts group applies to the following Mfg. Nos.:

5900627 (IS2000ZY20D48)	5901189 (YANMAR2052)
5900628 (IS2000ZY20D52R)	5901190 (YANMAR2052RD)
5901192 (IS2000ZY20D48R)	
5901191 (IS2000ZY20D52)	
5901187 (YANMAR2048)	
5901188 (YANMAR2048RD)	

Spindle Service Parts

REF NO.	PART NO.	QTY.	DESCRIPTION
1	5061095	3	ASSM, SPINDLE, LOW PROFILE (Includes Ref No. 2 - 10)
2	5023329	3	GREASE FITTING
3	5025405	3	NUT, 3/4-16 HEX
4	5025406	3	WASHER, 3/4" BELLEVILLE
5	5049793	6	TRASH SHIELD
6	5023330	6	BEARING
7	5023296	3	RELIEF VALVE
8	5061097	3	SPINDLE HOUSING
9	5061099	3	SPACER, 1.00 x 1.25 x 1.75
10	5061098	3	SPINDLE SHAFT

Footnotes

The above parts group applies to the following Mfg. Nos.:

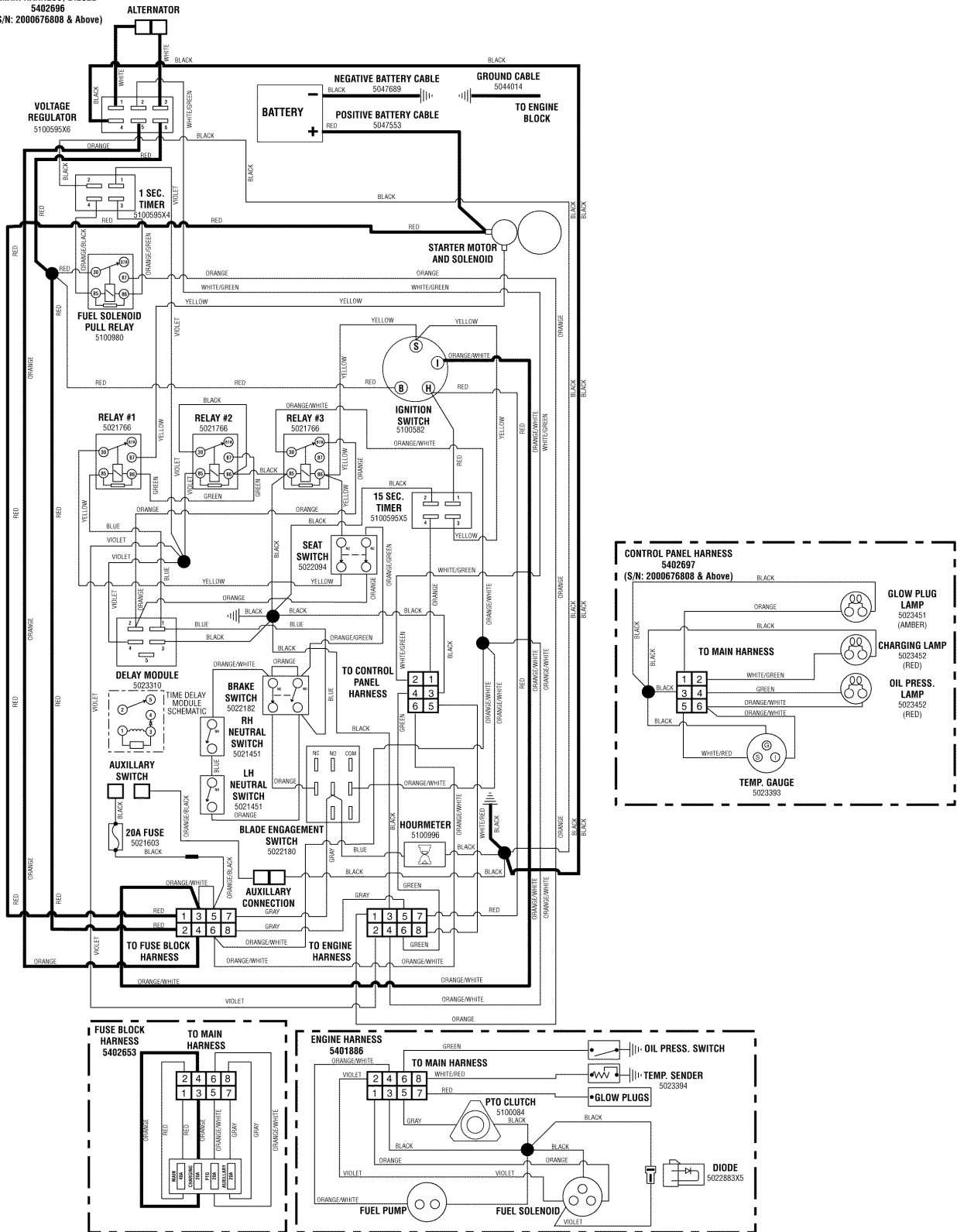
5900627 (IS2000ZY20D48) 5901189 (YANMAR2052)
5900628 (IS2000ZY20D52R) 5901190 (YANMAR2052RD)
5901192 (IS2000ZY20D48R)
5901191 (IS2000ZY20D52)
5901187 (YANMAR2048)
5901188 (YANMAR2048RD)

Electric Schematic - Charging Circuit

5300333C

(S/N: 2000676808 & Above)

MAIN HARNESS, DIESEL
5402696
(S/N: 2000676808 & Above)



The above parts group applies to the following Mfg. Nos.:

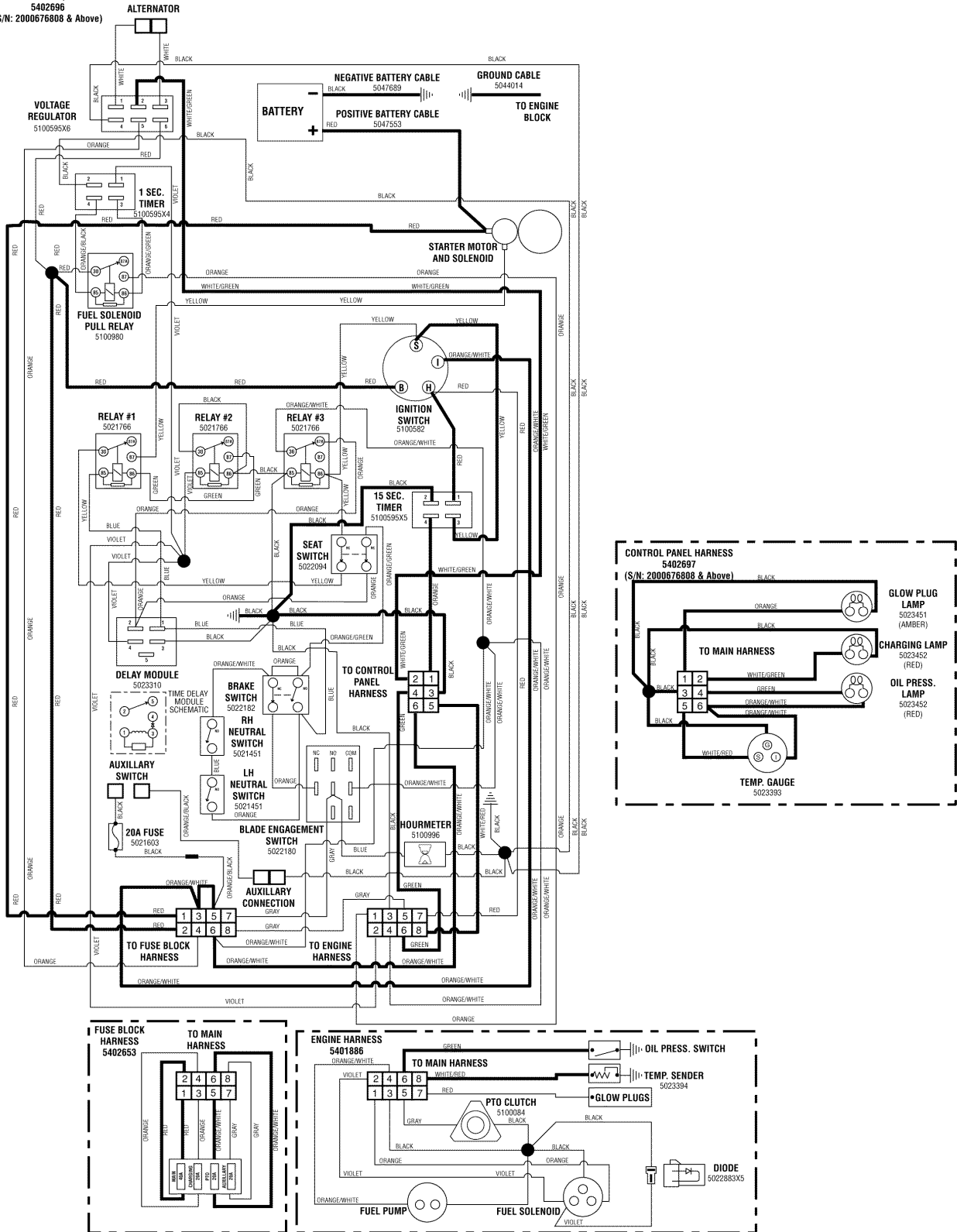
- | | |
|--------------------------|------------------------|
| 5900627 (IS2000ZY20D48) | 5901189 (YANMAR2052) |
| 5900628 (IS2000ZY20D52R) | 5901190 (YANMAR2052RD) |
| 5901192 (IS2000ZY20D48R) | |
| 5901191 (IS2000ZY20D52) | |
| 5901187 (YANMAR2048) | |
| 5901188 (YANMAR2048RD) | |

Electric Schematic - Cranking Circuit

(S/N: 2000676808 & Above)

5300333R

MAIN HARNESS, DIESEL
5402696
(S/N: 2000676808 & Above)



The above parts group applies to the following Mfg. Nos.:

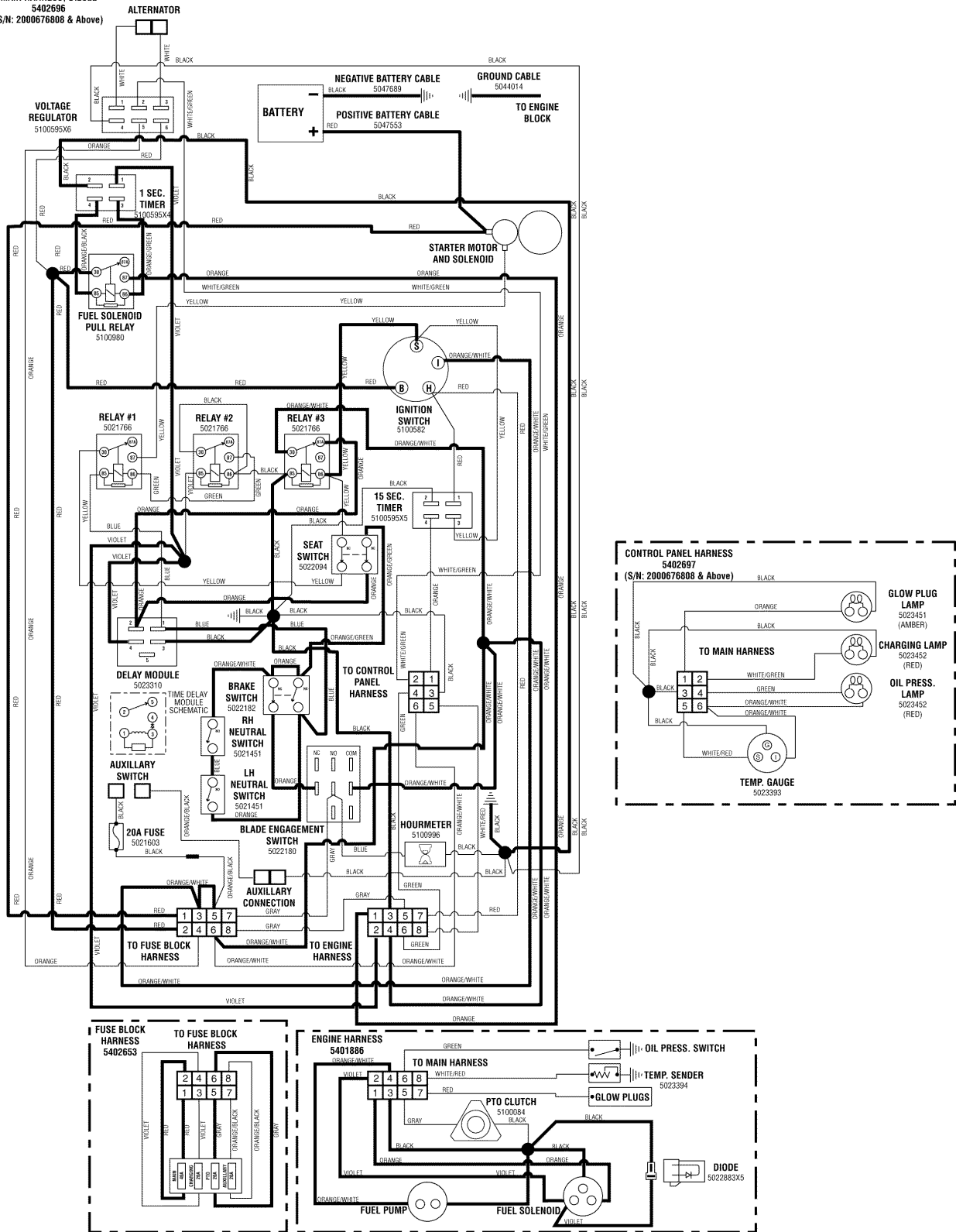
- | | |
|--------------------------|------------------------|
| 5900627 (IS2000ZY20D48) | 5901189 (YANMAR2052) |
| 5900628 (IS2000ZY20D52R) | 5901190 (YANMAR2052RD) |
| 5901192 (IS2000ZY20D48R) | |
| 5901191 (IS2000ZY20D52) | |
| 5901187 (YANMAR2048) | |
| 5901188 (YANMAR2048RD) | |

Electric Schematic - Operator Presence/Safety Circuit

(S/N: 2000676808 & Above)

5300333S

MAIN HARNESS, DIESEL
5402696
(S/N: 2000676808 & Above)



The above parts group applies to the following Mfg. Nos.:

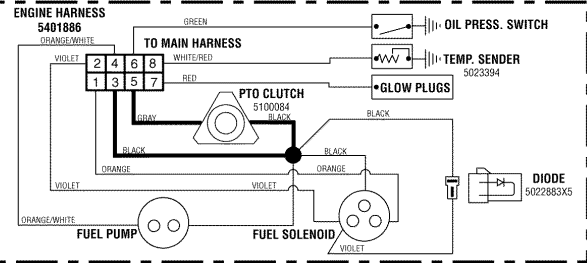
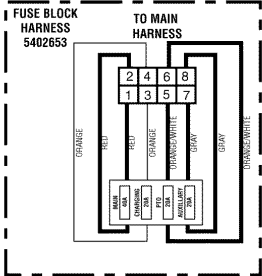
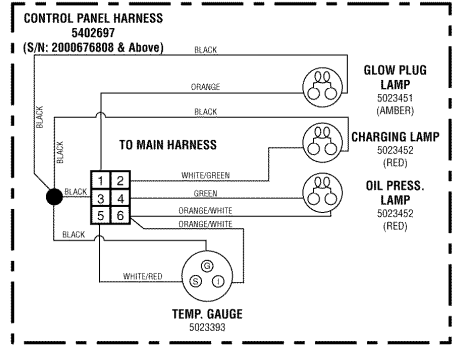
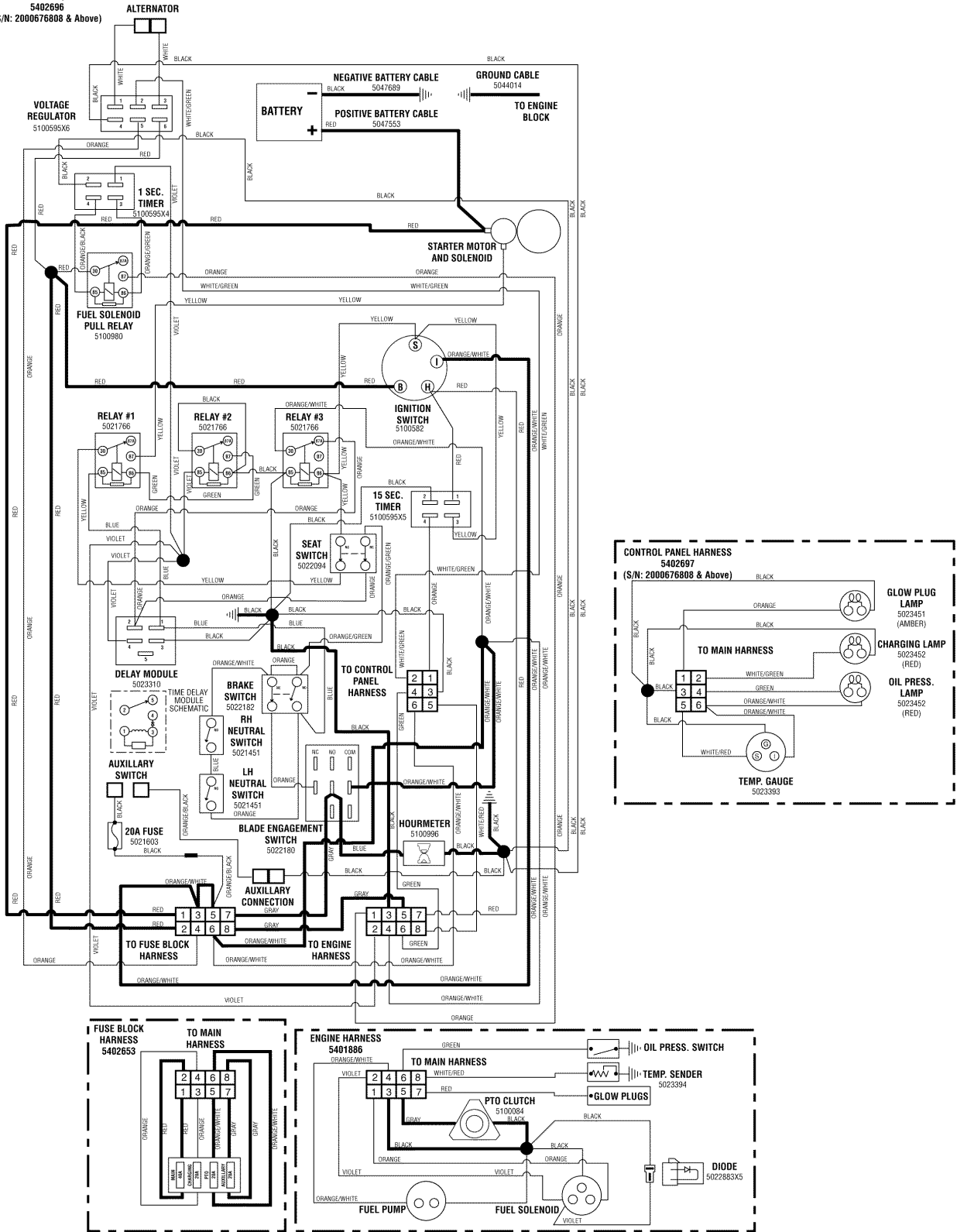
- | | |
|--------------------------|------------------------|
| 5900627 (IS2000ZY20D48) | 5901189 (YANMAR2052) |
| 5900628 (IS2000ZY20D52R) | 5901190 (YANMAR2052RD) |
| 5901192 (IS2000ZY20D48R) | |
| 5901191 (IS2000ZY20D52) | |
| 5901187 (YANMAR2048) | |
| 5901188 (YANMAR2048RD) | |

Electric Schematic - PTO & Hourmeter Circuit

(S/N: 2000676808 & Above)

5300333P

MAIN HARNESS, DIESEL
5402696
(S/N: 2000676808 & Above)



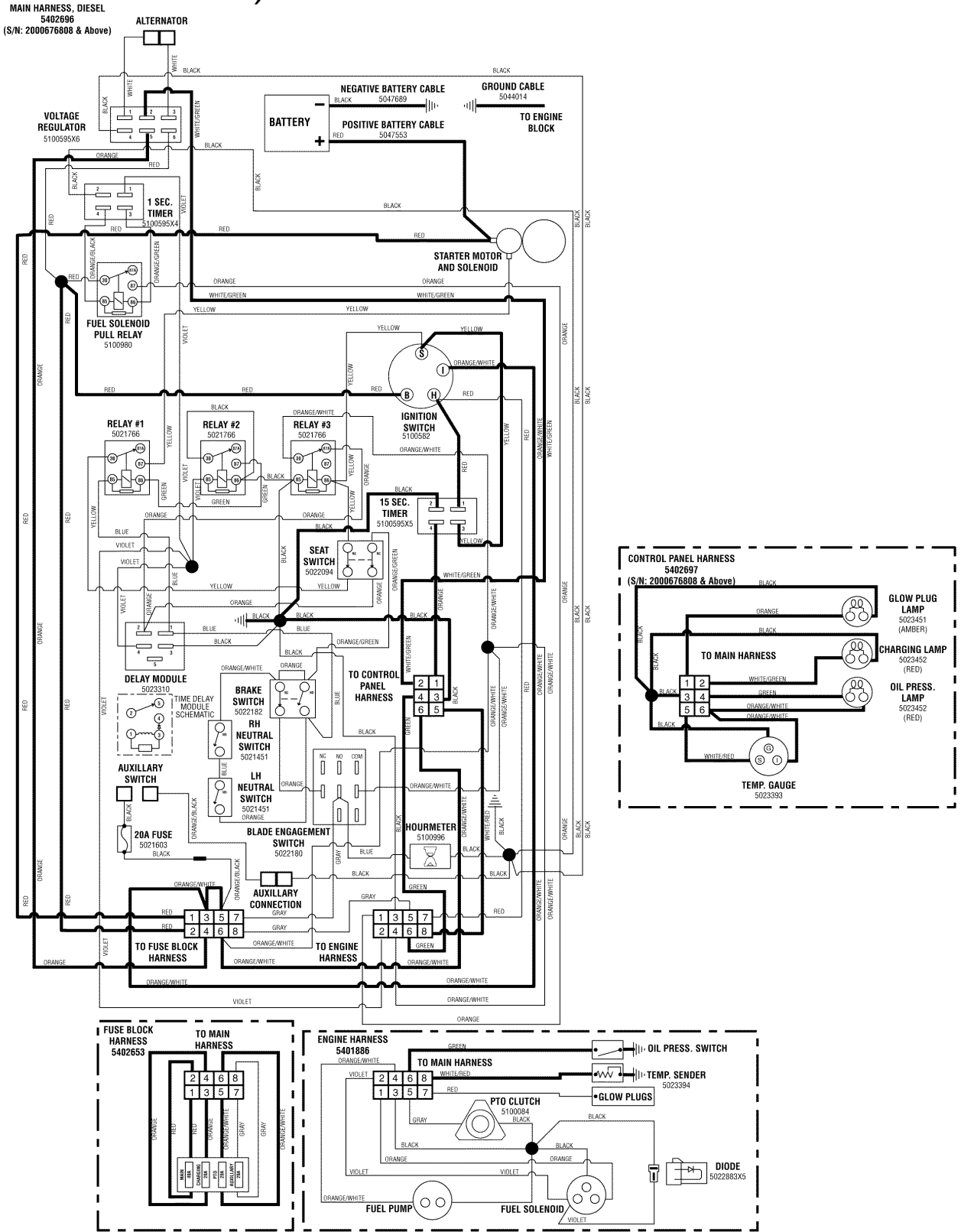
The above parts group applies to the following Mfg. Nos.:

- 5900627 (IS2000ZY20D48)
- 5900628 (IS2000ZY20D52R)
- 5901192 (IS2000ZY20D48R)
- 5901191 (IS2000ZY20D52)
- 5901187 (YANMAR2048)
- 5901188 (YANMAR2048RD)
- 5901189 (YANMAR2052)
- 5901190 (YANMAR2052RD)

Electric Schematic - Gauges & Warning Lamps Circuit

(S/N: 2000676808 & Above)

5300333G



The above parts group applies to the following Mfg. Nos.:

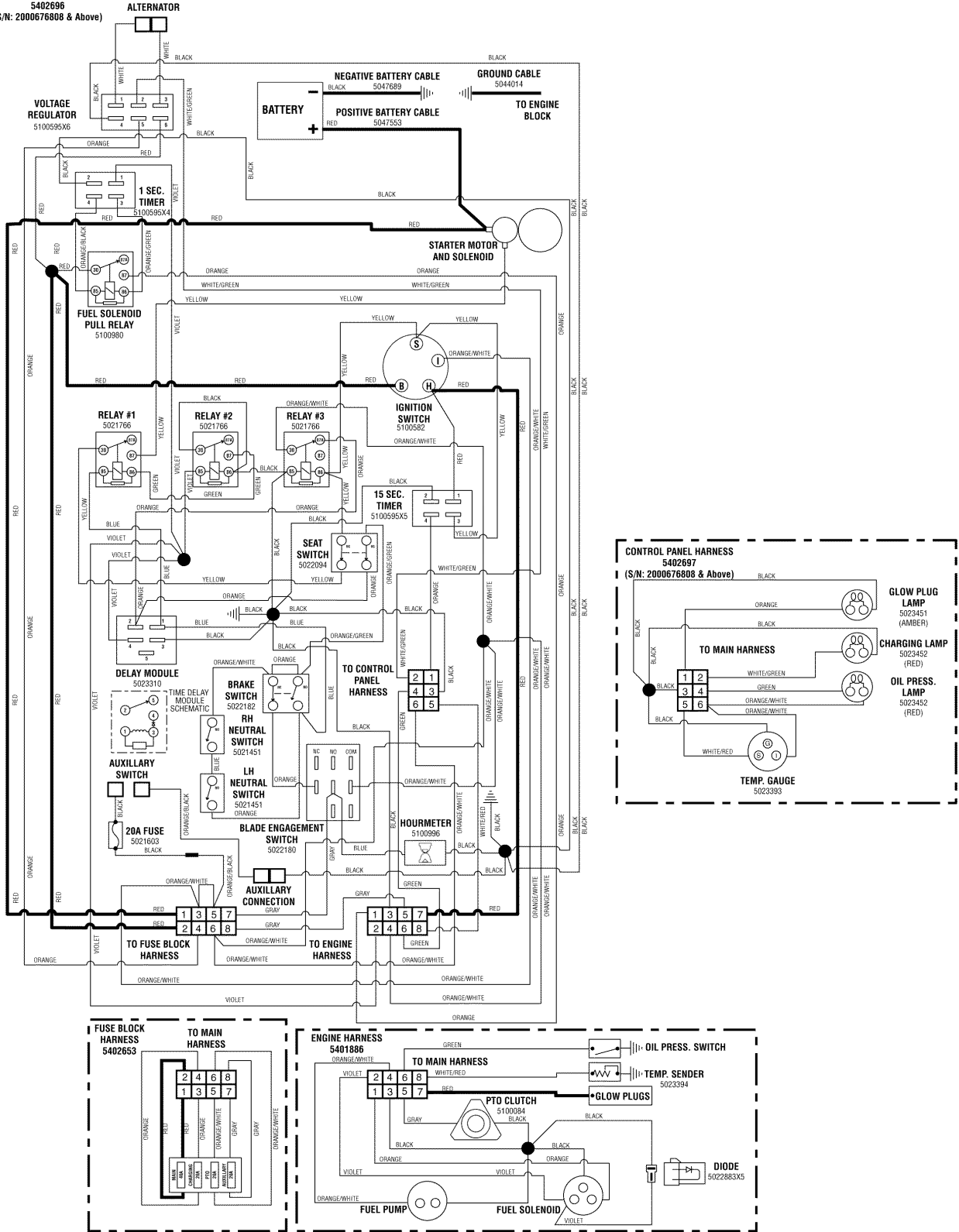
- | | |
|--------------------------|------------------------|
| 5900627 (IS2000ZY20D48) | 5901189 (YANMAR2052) |
| 5900628 (IS2000ZY20D52R) | 5901190 (YANMAR2052RD) |
| 5901192 (IS2000ZY20D48R) | |
| 5901191 (IS2000ZY20D52) | |
| 5901187 (YANMAR2048) | |
| 5901188 (YANMAR2048RD) | |

Electric Schematic - Glow Plug Heat Circuit

(S/N: 2000676808 & Above)

5300333H

MAIN HARNESS, DIESEL
5402686
(S/N: 2000676808 & Above)



The above parts group applies to the following Mfg. Nos.:

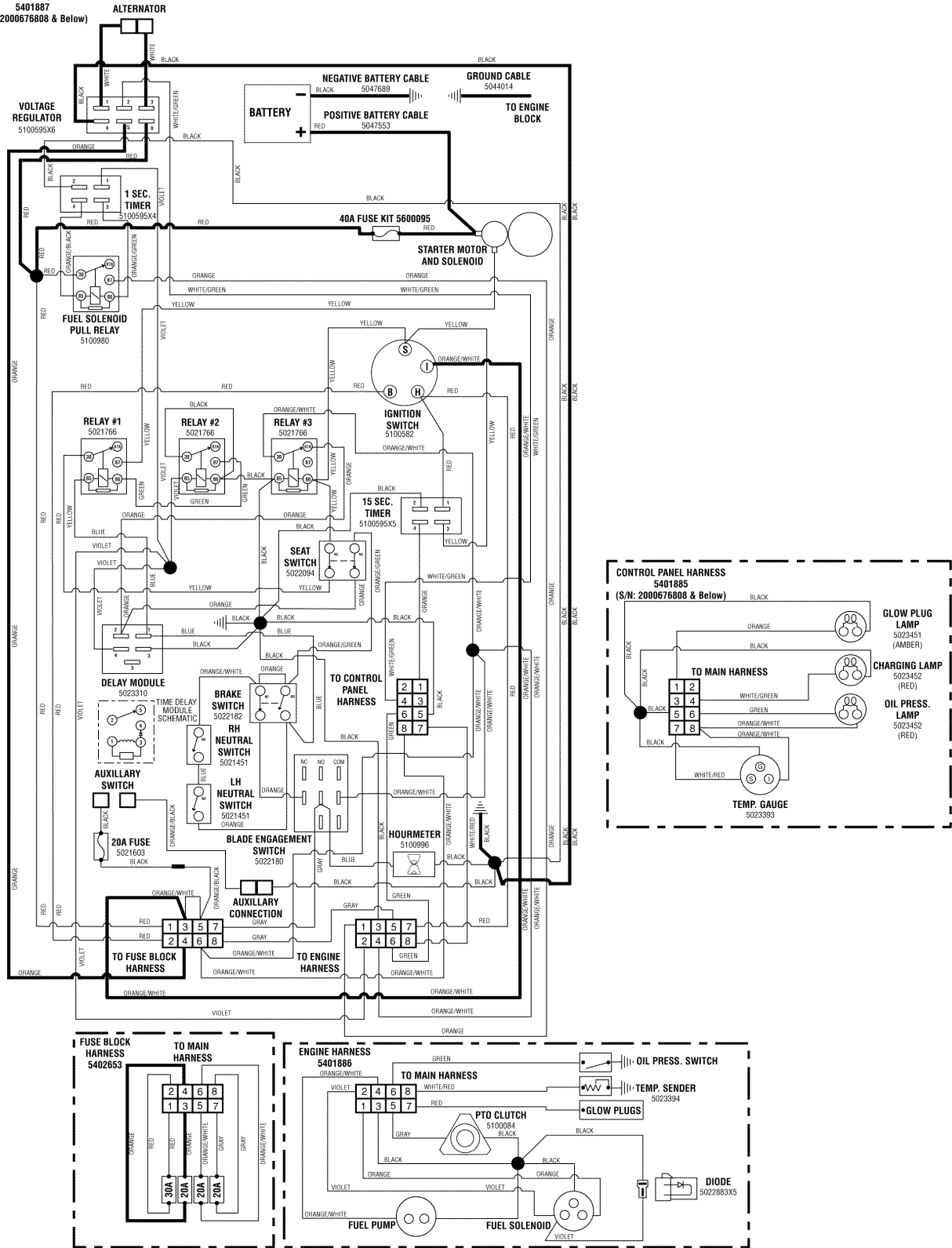
- | | |
|--------------------------|------------------------|
| 5900627 (IS2000ZY20D48) | 5901189 (YANMAR2052) |
| 5900628 (IS2000ZY20D52R) | 5901190 (YANMAR2052RD) |
| 5901192 (IS2000ZY20D48R) | |
| 5901191 (IS2000ZY20D52) | |
| 5901187 (YANMAR2048) | |
| 5901188 (YANMAR2048RD) | |

Electric Schematic - Charging Circuit

(S/N: 2000676807 & Below)

5401887C

MAIN HARNESS, DIESEL
5401887
(S/N: 2000676808 & Below)



The above parts group applies to the following Mfg. Nos.:

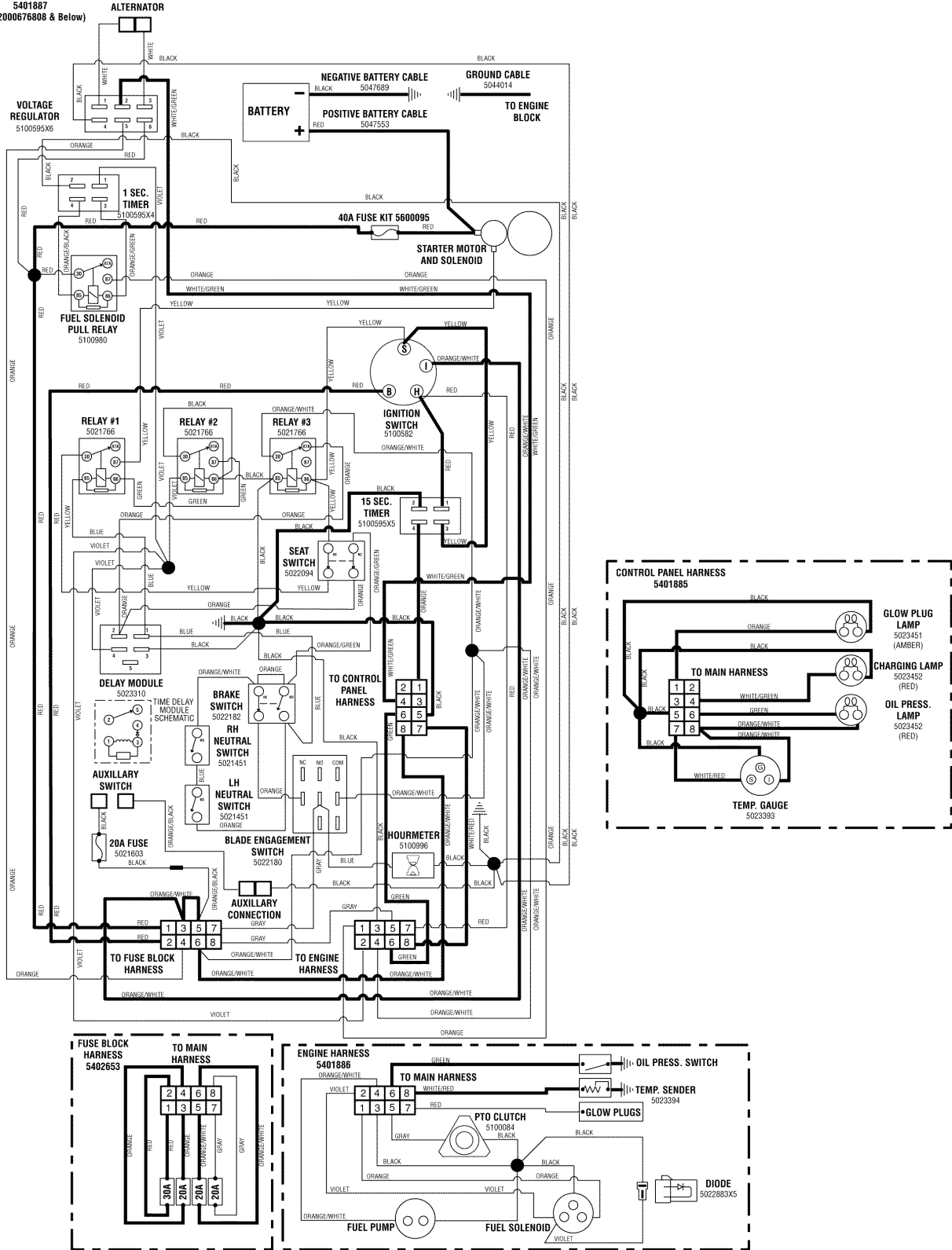
- | | |
|--------------------------|------------------------|
| 5900627 (IS2000ZY20D48) | 5901189 (YANMAR2052) |
| 5900628 (IS2000ZY20D52R) | 5901190 (YANMAR2052RD) |
| 5901192 (IS2000ZY20D48R) | |
| 5901191 (IS2000ZY20D52) | |
| 5901187 (YANMAR2048) | |
| 5901188 (YANMAR2048RD) | |

Electric Schematic - Cranking Circuit

(S/N: 2000676807 & Below)

5401887R

MAIN HARNESS, DIESEL
5401887
(S/N: 2000676808 & Below)



The above parts group applies to the following Mfg. Nos.:

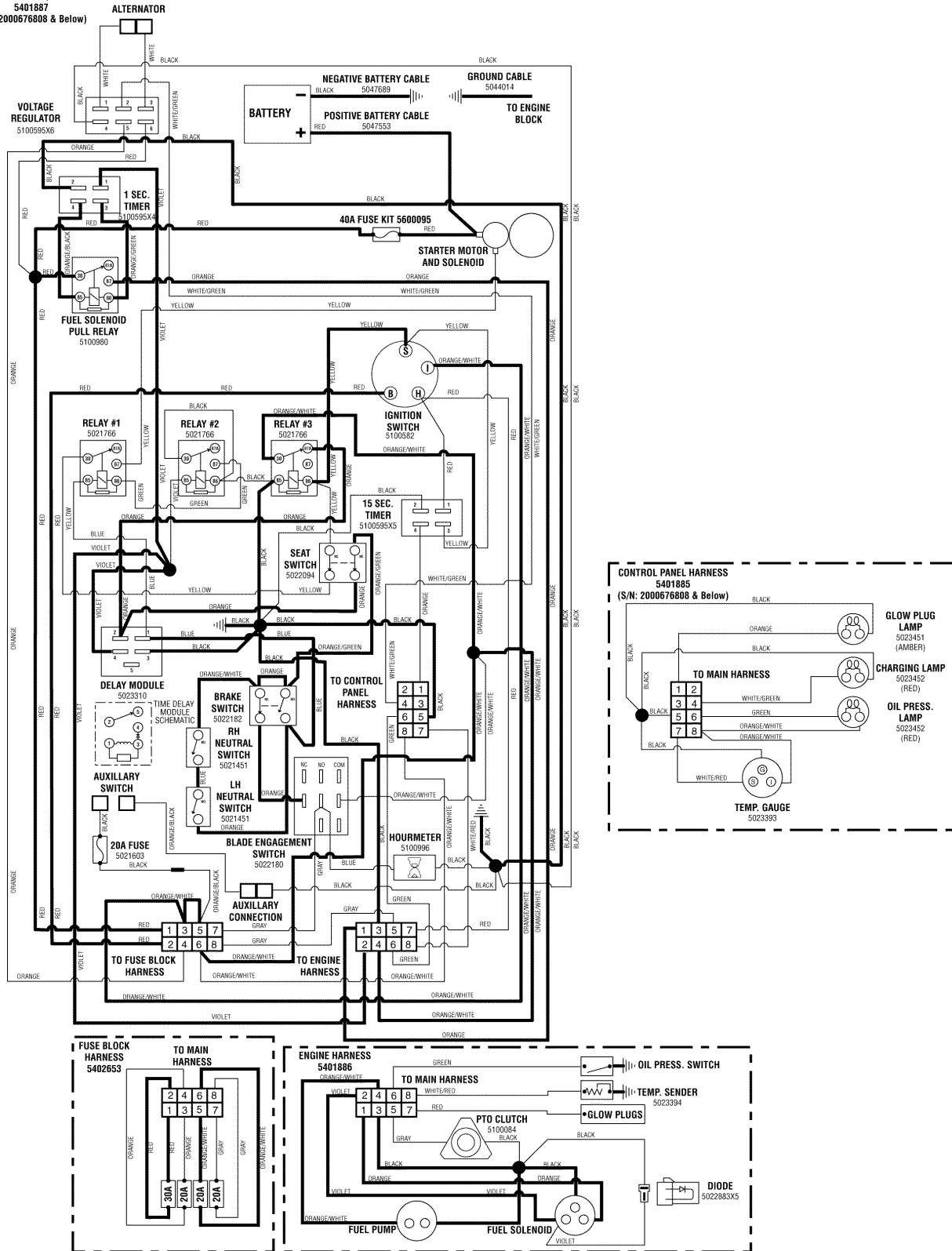
- | | |
|--------------------------|------------------------|
| 5900627 (IS2000ZY20D48) | 5901189 (YANMAR2052) |
| 5900628 (IS2000ZY20D52R) | 5901190 (YANMAR2052RD) |
| 5901192 (IS2000ZY20D48R) | |
| 5901191 (IS2000ZY20D52) | |
| 5901187 (YANMAR2048) | |
| 5901188 (YANMAR2048RD) | |

Electric Schematic - Operator Presence/Safety Circuit

(S/N: 2000676807 & Below)

5401887S

MAIN HARNESS, DIESEL
5401887
(S/N: 2000676808 & Below)



The above parts group applies to the following Mfg. Nos.:

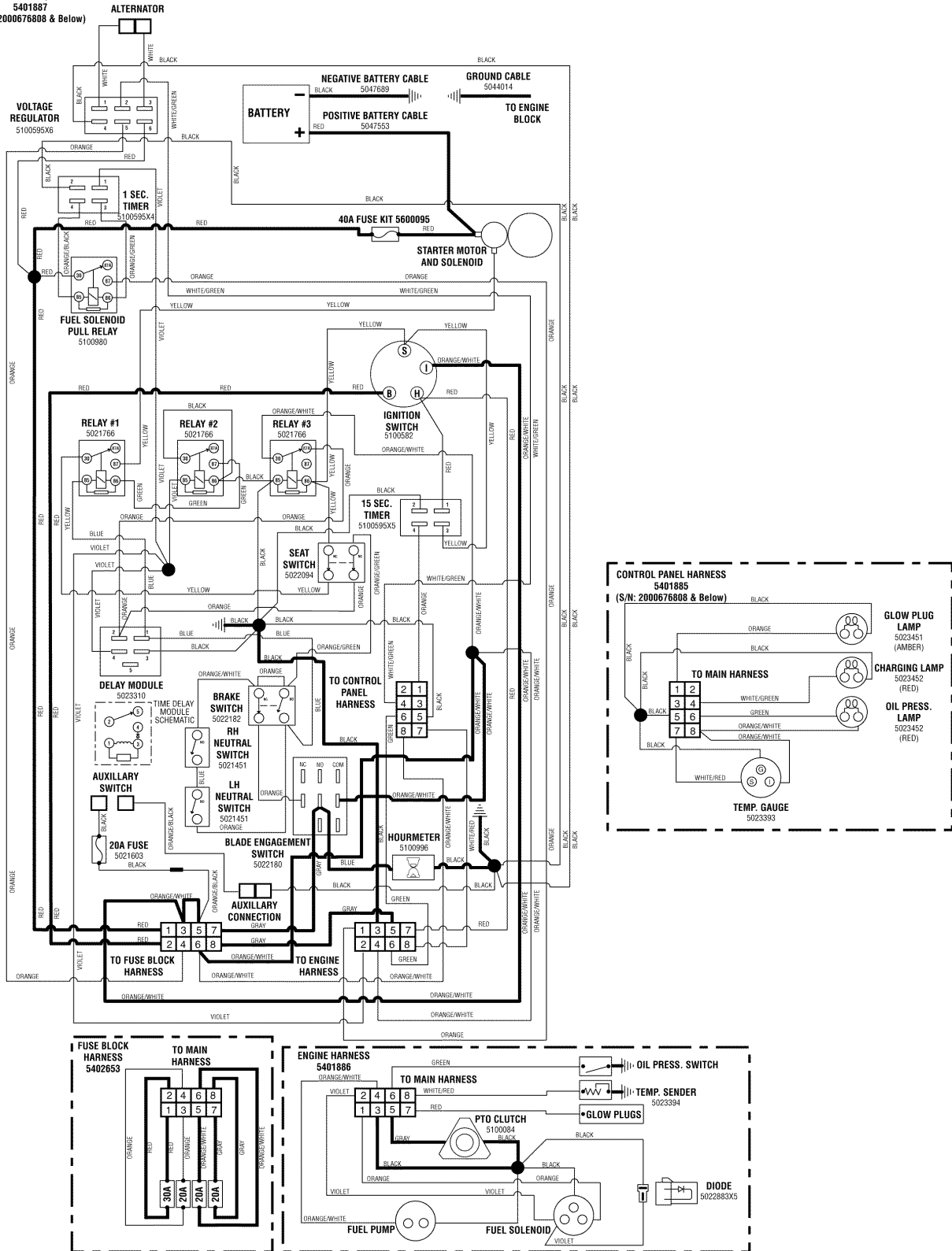
- | | |
|--------------------------|------------------------|
| 5900627 (IS2000ZY20D48) | 5901189 (YANMAR2052) |
| 5900628 (IS2000ZY20D52R) | 5901190 (YANMAR2052RD) |
| 5901192 (IS2000ZY20D48R) | |
| 5901191 (IS2000ZY20D52) | |
| 5901187 (YANMAR2048) | |
| 5901188 (YANMAR2048RD) | |

Electric Schematic - PTO & Hourmeter Circuit

5401887P

(S/N: 2000676807 & Below)

MAIN HARNESS, DIESEL
5401887
(S/N: 2000676808 & Below)



The above parts group applies to the following Mfg. Nos.:

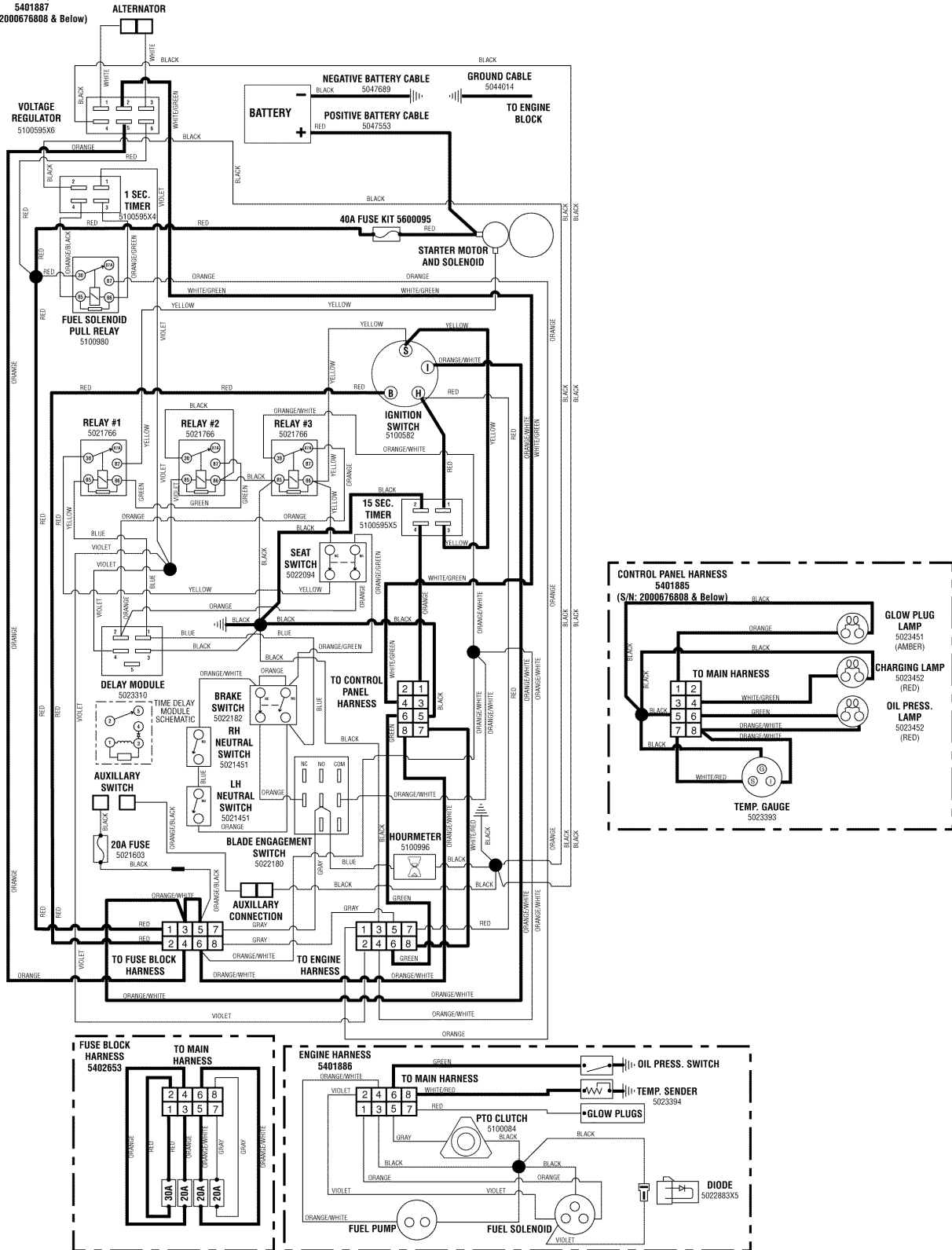
- | | |
|--------------------------|------------------------|
| 5900627 (IS2000ZY20D48) | 5901189 (YANMAR2052) |
| 5900628 (IS2000ZY20D52R) | 5901190 (YANMAR2052RD) |
| 5901192 (IS2000ZY20D48R) | |
| 5901191 (IS2000ZY20D52) | |
| 5901187 (YANMAR2048) | |
| 5901188 (YANMAR2048RD) | |

Electric Schematic - Gauges & Warning Lamps Circuit

(S/N: 2000676807 & Below)

5401887G

MAIN HARNESS, DIESEL
5401887
(S/N: 2000676808 & Below)



The above parts group applies to the following Mfg. Nos.:

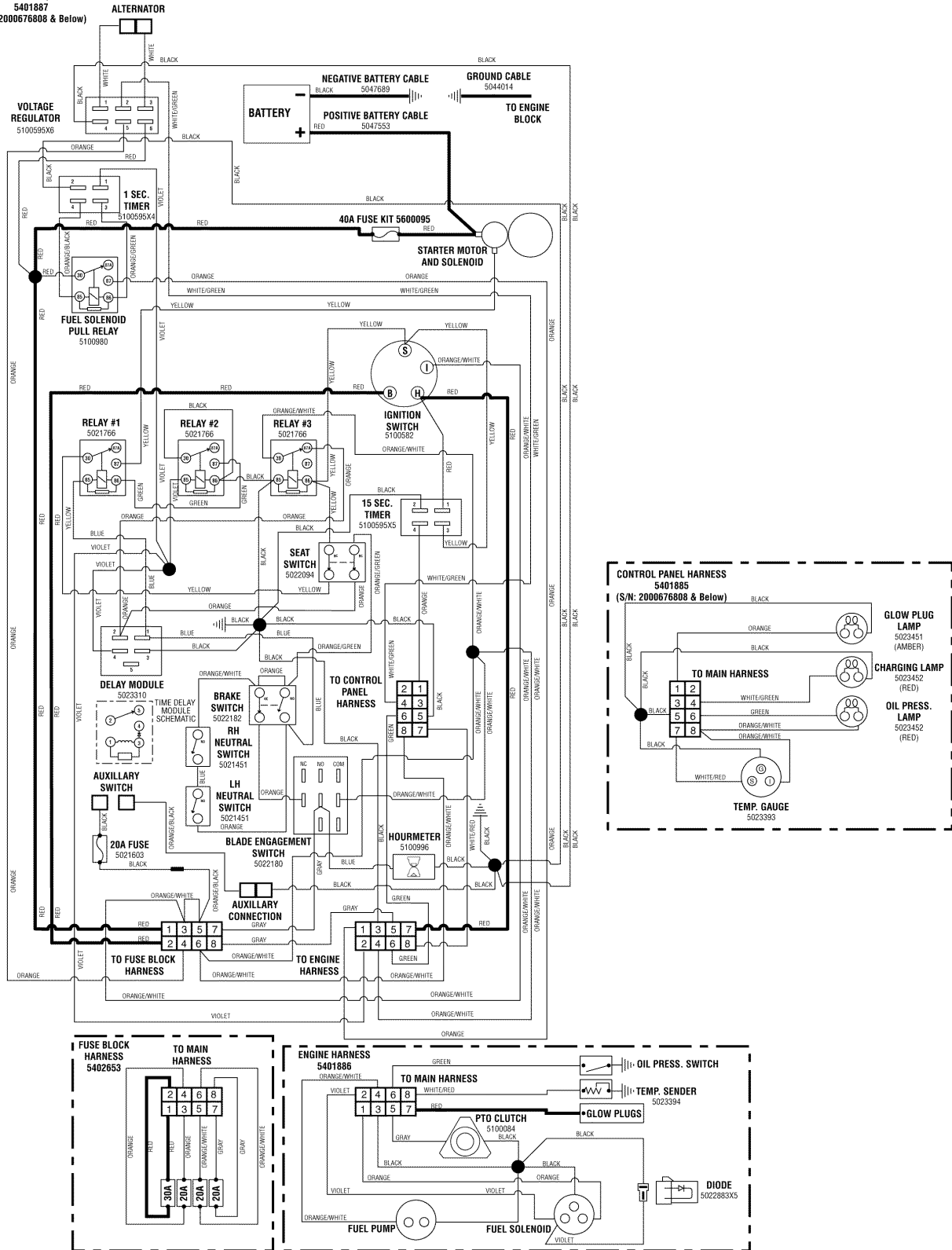
- | | |
|--------------------------|------------------------|
| 5900627 (IS2000ZY20D48) | 5901189 (YANMAR2052) |
| 5900628 (IS2000ZY20D52R) | 5901190 (YANMAR2052RD) |
| 5901192 (IS2000ZY20D48R) | |
| 5901191 (IS2000ZY20D52) | |
| 5901187 (YANMAR2048) | |
| 5901188 (YANMAR2048RD) | |

Electric Schematic - Glow Plug Heat Circuit

(S/N: 2000676807 & Below)

5401887H

MAIN HARNESS, DIESEL
5401887
(S/N: 2000676808 & Below)



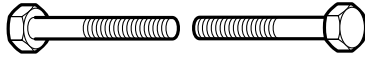
The above parts group applies to the following Mfg. Nos.:

- | | |
|--------------------------|------------------------|
| 5900627 (IS2000ZY20D48) | 5901189 (YANMAR2052) |
| 5900628 (IS2000ZY20D52R) | 5901190 (YANMAR2052RD) |
| 5901192 (IS2000ZY20D48R) | |
| 5901191 (IS2000ZY20D52) | |
| 5901187 (YANMAR2048) | |
| 5901188 (YANMAR2048RD) | |

Hardware Identification & Torque Specifications

Common Hardware Types

Hex Head Capscrew



Washer



Carriage Bolt



Lockwasher



Hex Nut

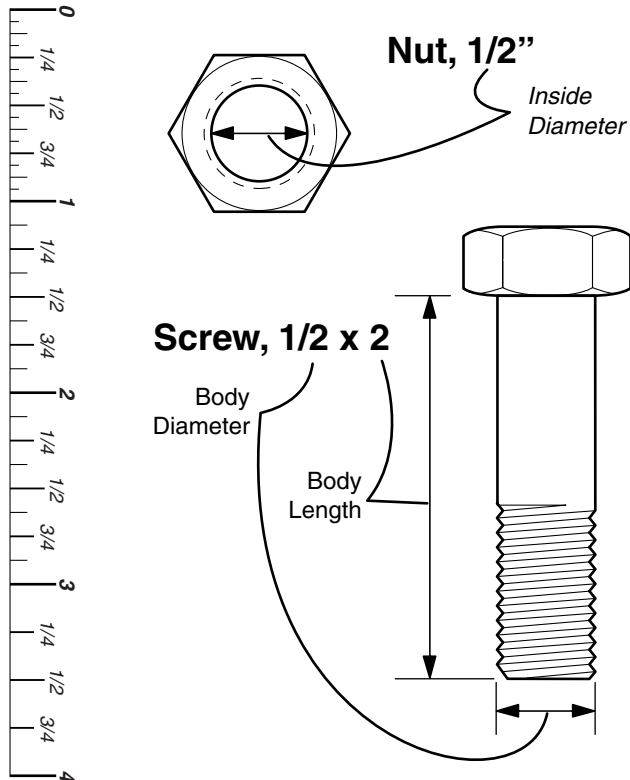


Standard Hardware Sizing

When a washer or nut is identified as $1/2''$, this is the *Nominal size*, meaning the *inside diameter* is $1/2$ inch; if a second number is present it represents the *threads per inch*

When bolt or capscrew is identified as $1/2 - 16 \times 2''$, this means the *Nominal size*, or *body diameter* is $1/2$ inch; the second number represents the *threads per inch* (16 in this example, and the final number is the *body length* of the bolt or screw (in this example 2 inches long).

The guides and ruler furnished below are designed to help you select the appropriate hardware and tools.



Torque Specification Chart

FOR STANDARD MACHINE HARDWARE (Tolerance $\pm 20\%$)

Hardware Grade	No Marks SAE Grade 2		SAE Grade 5		SAE Grade 8	
	in/lbs ft/lbs	Nm.	in/lbs ft/lbs	Nm.	in/lbs ft/lbs	Nm.
8-32	19	2.1	30	3.4	41	4.6
8-36	20	2.3	31	3.5	43	4.9
10-24	27	3.1	43	4.9	60	6.8
10-32	31	3.5	49	5.5	68	7.7
1/4-20	66	7.6	8	10.9	12	16.3
1/4-28	76	8.6	10	13.6	14	19.0
5/16-18	11	15.0	17	23.1	25	34.0
5/16-24	12	16.3	19	25.8	27	34.0
3/8-16	20	27.2	30	40.8	45	61.2
3/8-24	23	31.3	35	47.6	50	68.0
7/16-14	30	40.8	50	68.0	70	95.2
7/16-20	35	47.6	55	74.8	80	108.8
1/2-13	50	68.0	75	102.0	110	149.6
1/2-20	55	74.8	90	122.4	120	163.2
9/16-12	65	88.4	110	149.6	150	204.0
9/16-18	75	102.0	120	163.2	170	231.2
5/8-11	90	122.4	150	204.0	220	299.2
5/8-18	100	136	180	244.8	240	326.4
3/4-10	160	217.6	260	353.6	386	525.0
3/4-16	180	244.8	300	408.0	420	571.2
7/8-9	140	190.4	400	544.0	600	816.0
7/8-14	155	210.8	440	598.4	660	897.6
1-8	220	299.2	580	788.8	900	1,244.0
1-12	240	326.4	640	870.4	1,000	1,360.0

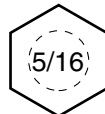
NOTES

- These torque values are to be used for all hardware excluding: locknuts, self-tapping screws, thread forming screws, sheet metal screws and socket head setscrews.
- Recommended seating torque values for locknuts:
 - for prevailing torque locknuts - use 65% of grade 5 torques.
 - for flange whizlock nuts and screws - use 135% of grade 5 torques.
- Unless otherwise noted on assembly drawings, all torque values must meet this specification.

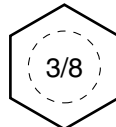
Wrench & Fastener Size Guide



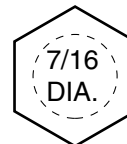
$1/4''$ Bolt or Nut
Wrench— $7/16''$



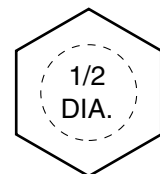
$5/16''$ Bolt or Nut
Wrench— $1/2''$



$3/8''$ Bolt or Nut
Wrench— $9/16''$



$7/16''$ Bolt or Nut
Wrench (Bolt)— $5/8''$
Wrench (Nut)— $11/16''$



$1/2''$ Bolt or Nut
Wrench— $3/4''$

Parts Manual IS2000Z Export

Zero-Turning Riding Mower

IT IS THE POLICY OF FERRIS INDUSTRIES TO IMPROVE ITS PRODUCTS WHENEVER IT IS POSSIBLE AND PRACTICAL TO DO SO. WE RESERVE THE RIGHT TO MAKE CHANGES OR ADD IMPROVEMENTS AT ANY TIME WITHOUT INCURRING ANY OBLIGATION TO MAKE SUCH CHANGES ON PRODUCTS MANUFACTURED

Briggs and Stratton Yard Power Products Group

5375 North Main Street
Munnsville, NY 13409 USA
800-933-6175

www.ferrisindustries.com

© Copyright 2008 Briggs and Stratton Corporation
All Rights Reserved. Printed In USA.