

OPERATING INSTRUCTIONS



FVH-8300

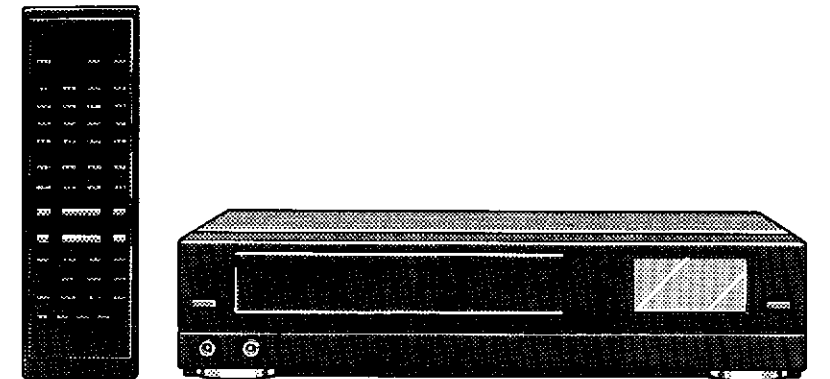
Video Cassette Recorder
with
RVR-8300
Wireless Remote Control



Only cassettes marked **VHS** can be used with this recorder.
VCRs with the HQ mark use the VHS high quality picture technology.
Compatibility with the conventional VHS video cassette recorder has been maintained.

Studio-Standard

SINCE 1937







21350 Lassen Street
Chatsworth CA 91311

FISHER Canada
50 Beth Neilson Dr.,
Toronto, Ontario M4H 1M6

NOTE: Locate serial number (shown on rear panel of unit) and record it here → _____

PRECAUTIONS

	CAUTION RISK OF ELECTRIC SHOCK, DO NOT OPEN!	
CAUTION: TO REDUCE THE RISK OF ELECTRIC SHOCK, DO NOT REMOVE COVER. NO USER-SERVICEABLE PARTS INSIDE. REFER SERVICING TO QUALIFIED SERVICE PERSONNEL.		

	THIS SYMBOL INDICATES THAT DANGEROUS VOLTAGE CONSTITUTING A RISK OF ELECTRIC SHOCK IS PRESENT WITHIN THIS UNIT.
	THIS SYMBOL INDICATES THAT THERE ARE IMPORTANT OPERATING AND MAINTENANCE INSTRUCTIONS IN THE LITERATURE ACCOMPANYING THIS UNIT.

WARNING: To reduce the risk of fire or electric shock, do not expose this appliance to rain or other moisture:

CAUTION: To prevent electric shock, do not use this (polarized) plug with an extension cord, receptacle or other outlet unless the plug can be fully inserted without exposing any part of the blades.

Location

For safe operation and satisfactory performance of your VCR, keep the following in mind when selecting a place for its installation:

- Shield it from direct sunlight and keep it away from sources of intense heat.
- Avoid dusty or humid places.
- Avoid places with insufficient ventilation for proper heat dissipation. Do not block the ventilation holes at the top and bottom of the VCR. Do not place the unit on a carpet because this will block the ventilation holes.
- Install the VCR in a horizontal position only.
- Avoid locations subject to strong vibrations.
- Do not move the VCR between cold and hot locations (see MOISTURE CONDENSATION PROBLEMS, this page).
- Do not place the VCR directly on top of the TV to avoid playback or recording problems.

Avoiding Electrical Shock and Fire

- Do not handle the power cord with wet hands.
- Do not pull on the power cord when disconnecting it from an AC wall outlet. Grasp it by the plug.
- If any liquid is spilled on the VCR, unplug the power cord immediately and have the unit serviced at a factory-authorized service center.
- Do not place anything directly on top of this VCR.

WARNING: Unauthorized recording or use of broadcast television programming, video tape film or other copyrighted material may violate applicable copyright laws. The manufacturer assumes no responsibility for the unauthorized duplication, use or other acts which infringe upon the rights of copyright owners.

Moisture Condensation Problems

Cause:

When the VCR is first installed, moved from a cold area to a warm area, or placed in a location with high humidity, dew (moisture) may form in the unit. If you operate the VCR with dew inside, damage may result.

Prevention:

- 1 Make all necessary connections.
- 2 Plug the power cable into a 120 V AC wall outlet.
- 3 Set the VCR POWER switch to ON. Do not insert a cassette.
- 4 Do not operate the VCR for about 2 hours.

This allows the VCR to warm up to the temperature of the room where it will be used.

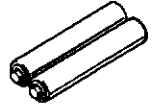
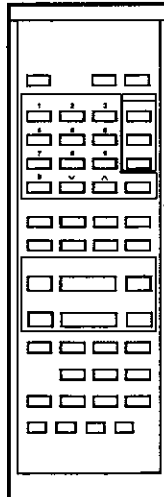
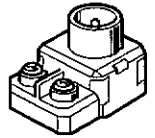
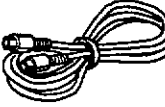
Technology licensed by **FAROUDJA** Laboratories Inc. This VCR has a Y/C filtering technique incorporated under license from Faroudja Laboratories Inc.

FEATURES

- Instant action full loading system.
- Double azimuth 4-head video recording/playback system.
- Digital synthesizer cable-compatible tuner with autochannel programming and multichannel scan.
- Bilingual on-screen display (English/Spanish for US models, English/French for Canadian models).
- On-screen programming from the remote control.
- 1-year/6-event program timer with DAILY and WEEKLY functions.
- Automatic tracking control.
- Special playback: Still, Frame advance, Cue, Review, Variable-speed slow.
- QTR (Quick Timer Recording).
- Real time tape counter.
- Index/Go-to search.
- Automatic blank (unrecorded) search.
- 38-function/48-button infrared remote control unit for TV/VCR operation.
- Automatic functions: Power ON, Playback, Rewind, Eject, Record Auto Cancel, Power-off Eject.
- Front panel AUDIO/VIDEO input connectors.

ACCESSORIES

Check to make sure that all accessories listed below have been included with your VCR.

Two "AAA" batteries (1.5 volt) 	Wireless remote control unit 
Matching transformer (300 ohm - 75 ohm) 	
75 ohm coaxial cable 	

CONTENTS

Precautions	2
Features	3
Accessories	3

DESCRIPTION

VHS video cassette tapes	4
Parts names and location	5

CONNECTIONS

Basic antenna/cable connection	9
Alternate cable TV connections	10
Audio/video connection	11

BASIC OPERATION

Programming channels	12
Viewing TV only	13
Playing a rental tape	13
Normal playback	14
Normal recording	15

ADVANCED USE

Setting the clock	16
Special playback	17
Program timer recording	18
Quick timer recording (QTR)	20
Copying a tape	21
Tape counter memory search	22
Blank search	22
Index/go-to search	23

Troubleshooting guide	24
Maintenance	24

Simplified instructions 25/26

Specifications	27
----------------------	----

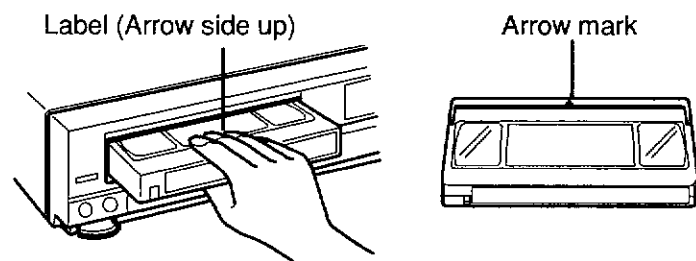
VHS VIDEO CASSETTE TAPES

Cassette Types and Speed

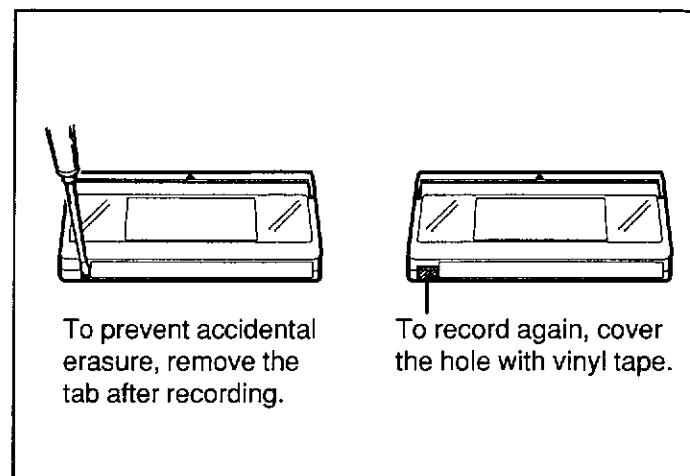
Cassette Type	T-60	T-120	T-160	
SP Mode	1 hour (60 minutes)	2 hours (120 minutes)	2-2/3 hours (160 minutes)	highest video fidelity
LP Mode	2 hours (120 minutes)	4 hours (240 minutes)	5-1/3 hours (320 minutes)	excellent video fidelity
EP Mode	3 hours (180 minutes)	6 hours (360 minutes)	8 hours (480 minutes)	good video fidelity (longest recording time)

When Handling Video Cassettes

- Do not expose video cassettes to extreme heat, high humidity, or strong magnetic fields.
- Do not tamper with the cassette mechanism.
- Do not touch the tape with your fingers.
- Always store an unused cassette in its case.



Safety Tab



Loading

- 1 Gently insert the cassette into the loading slot, label side up. The automatic loading mechanism pulls the cassette into the unit.
- 2 The Tape In indicator (●●) lights.

NOTES:

- If the cassette is not inserted correctly, it will be ejected in about 3 seconds.
- Do not try to pull the cassette out when automatic loading starts.
- Do not force the cassette into the VCR.

CAUTION: Keep children away from this unit to avoid possible injury or accident. Do not put your hand or other objects into the cassette loading slot.

Unloading

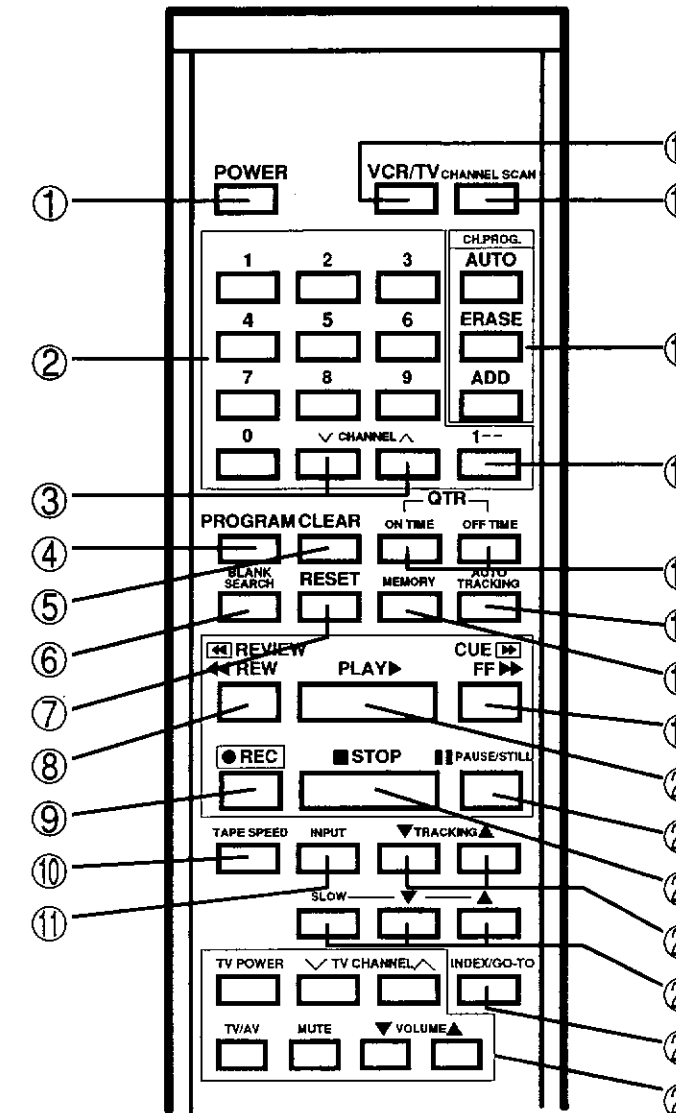
- 1 Press the **EJECT** button.
- 2 After the cassette appears in the loading slot, gently pull it out.

NOTE:

AUTO POWER-OFF-EJECT: The cassette is ejected when the **EJECT** button is pressed, even if the VCR's power is OFF. (The power cord must be connected to an AC wall outlet.)

PARTS NAMES AND LOCATION

Remote Control

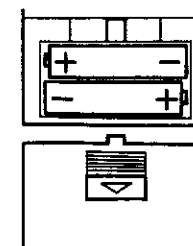


- 1 POWER button
- 2 Numbered buttons (0 - 9)
- 3 CHANNEL selector buttons

- 4 PROGRAM button
- 5 CLEAR button
- 6 BLANK SEARCH button
- 7 Tape counter RESET button
- 8 REW button (◀◀REVIEW/◀◀REW)
- 9 REC button (●)
- 10 TAPE SPEED button
- 11 INPUT button
- 12 VCR/TV button
- 13 CHANNEL SCAN button
- 14 Channel programming buttons
- 15 1-- (100) button
- 16 QTR (Quick Timer Recording) buttons
- 17 AUTO TRACKING button
- 18 Tape counter MEMORY button
- 19 FF button (CUE▶▶/FF▶▶)
- 20 PLAY button (▶)
- 21 PAUSE/STILL button (||)
- 22 STOP button (■)
- 23 TRACKING buttons
- 24 SLOW buttons
- 25 INDEX/GO-TO button
- 26 TV control buttons

Battery Installation and Operation

- 1 Install the two "AAA" batteries as shown.



Remote control back panel

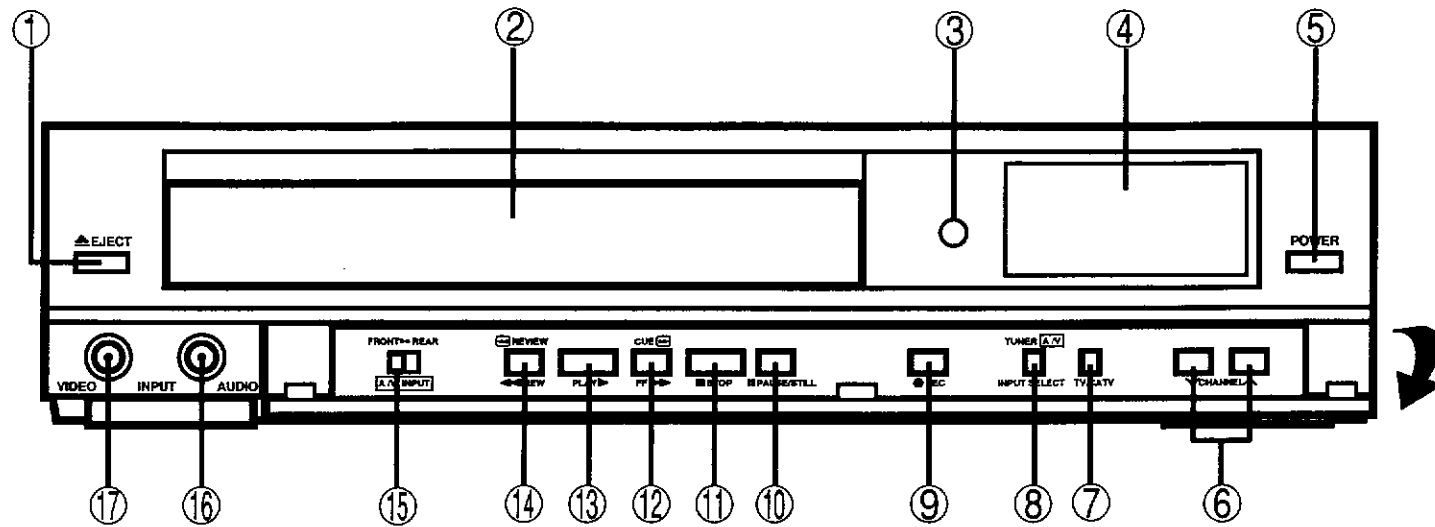
- 2 Aim the remote control at the VCR and press the desired buttons to operate.

NOTES:

- The remote control will not operate properly if something comes between the VCR and the remote control unit.
- This infrared remote control will also control the basic functions of FISHER TVs.

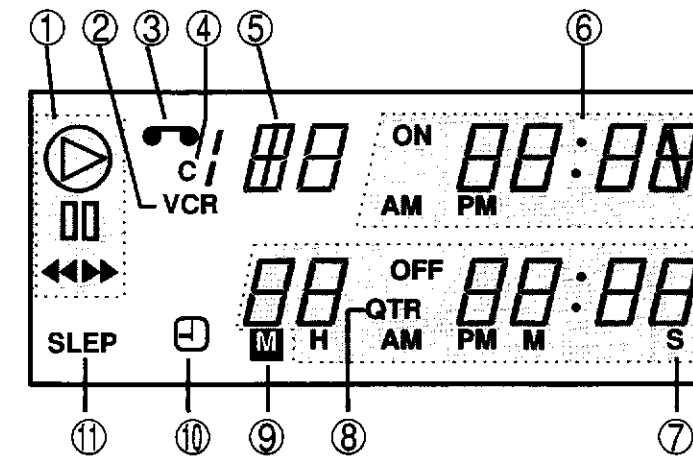
PARTS NAMES AND LOCATION

Front Panel



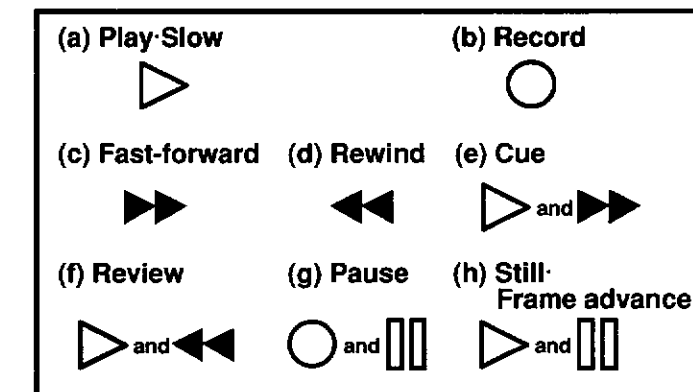
- ① EJECT button (▲)
- ② Cassette loading slot
- ③ Remote control sensor
- ④ Indicator panel
- ⑤ POWER button
- ⑥ CHANNEL selector buttons
- ⑦ TV/CATV select button
- ⑧ INPUT SELECT button
Press this button repeatedly to select the desired recording input source. When you select the external input mode, be sure to set the **A/V INPUT** switch correctly.
- ⑨ REC (record) button (●)
- ⑩ PAUSE/STILL button (||)
 - Press this button in the record mode, to temporarily stop a recording (PAUSE).
 - Press this button in the playback mode, to view a still frame (STILL). Press the **PAUSE/STILL** button repeatedly to advance the picture one frame at a time.
- ⑪ STOP button (■)
- ⑫ FF (fast forward) button (CUE▶▶/FF▶▶)
This button is used for both fast forward and forward picture search (CUE).
- ⑬ PLAY button (▶)
- ⑭ REW (rewind) button (◀◀REVIEW/◀◀REW)
This button is used for both fast rewind and reverse picture search (REVIEW).
- ⑮ A/V INPUT switch (FRONT/REAR)
This switch selects the front input or rear input.
- ⑯ AUDIO INPUT connector
Connect the audio output cable from an external unit to this connector. Set the **A/V INPUT** switch to the FRONT position.
- ⑰ VIDEO INPUT connector
Connect the video output cable from an external unit to this connector. Set the **A/V INPUT** switch to the FRONT position.

Indicator Panel

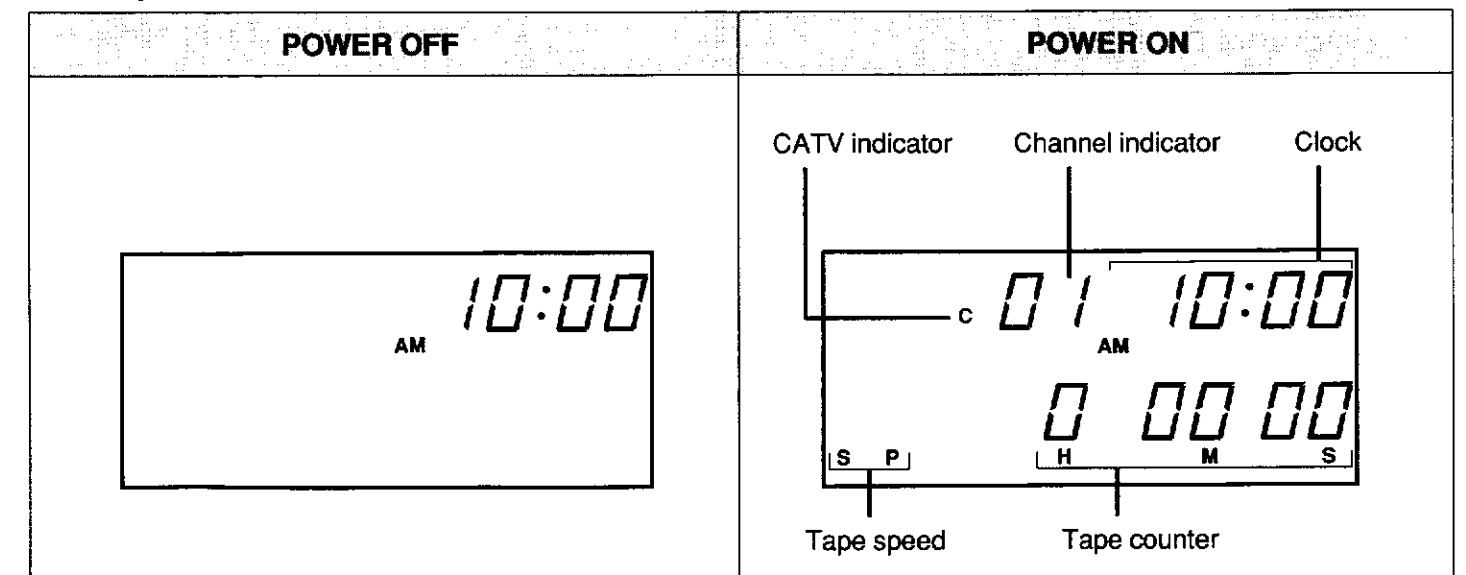


- ① Operation indicators
- ② VCR indicator
- ③ Tape In indicator
- ④ CATV indicator
- ⑤ Channel/AV indicator
- ⑥ Clock /QTR ON/ Tracking/ Index/ Go-to indicators
- ⑦ Tape Counter/QTR OFF indicators
- ⑧ QTR indicator
- ⑨ Counter Memory indicator
- ⑩ Timer indicator
- ⑪ Tape Speed indicators

Operation Indicators

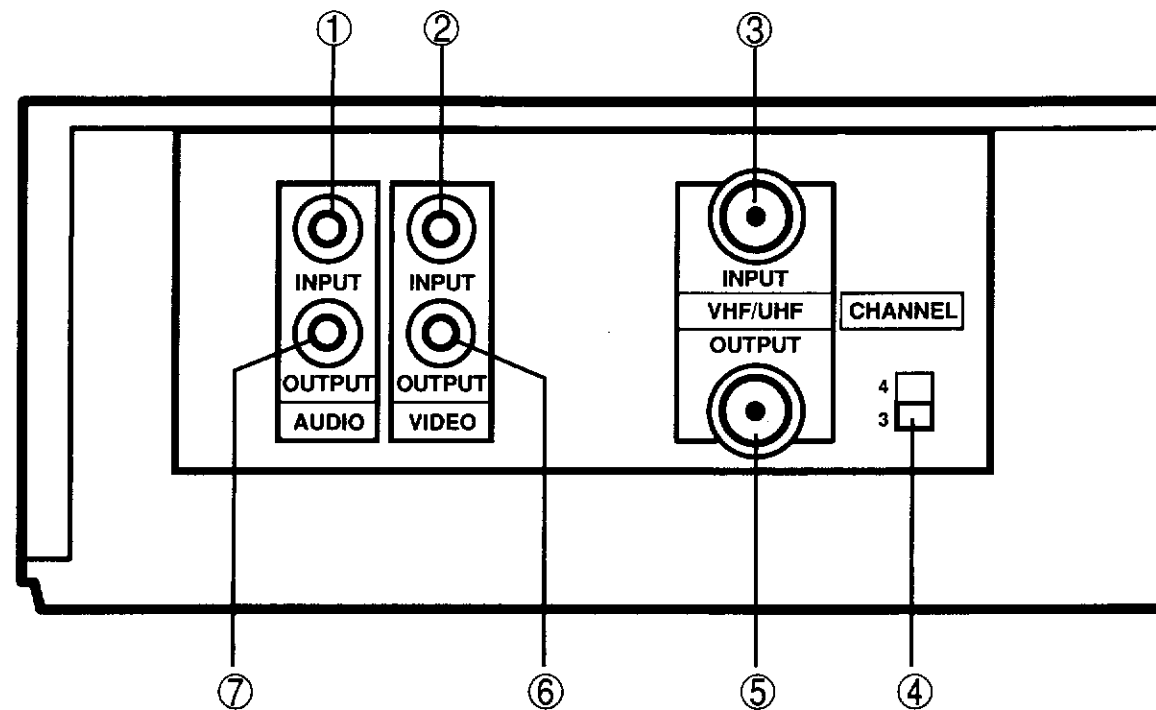


Example of Indications



PARTS NAMES AND LOCATION

Back Panel



① AUDIO INPUT connector

Connect to the audio output from a video camera, a second VCR, or an audio source for recording sound. Set the **A/V INPUT** switch to the REAR position.

② VIDEO INPUT connector

Connect to the video output from a video camera, or a second VCR. Set the **A/V INPUT** switch to the REAR position.

③ VHF/UHF antenna INPUT connector

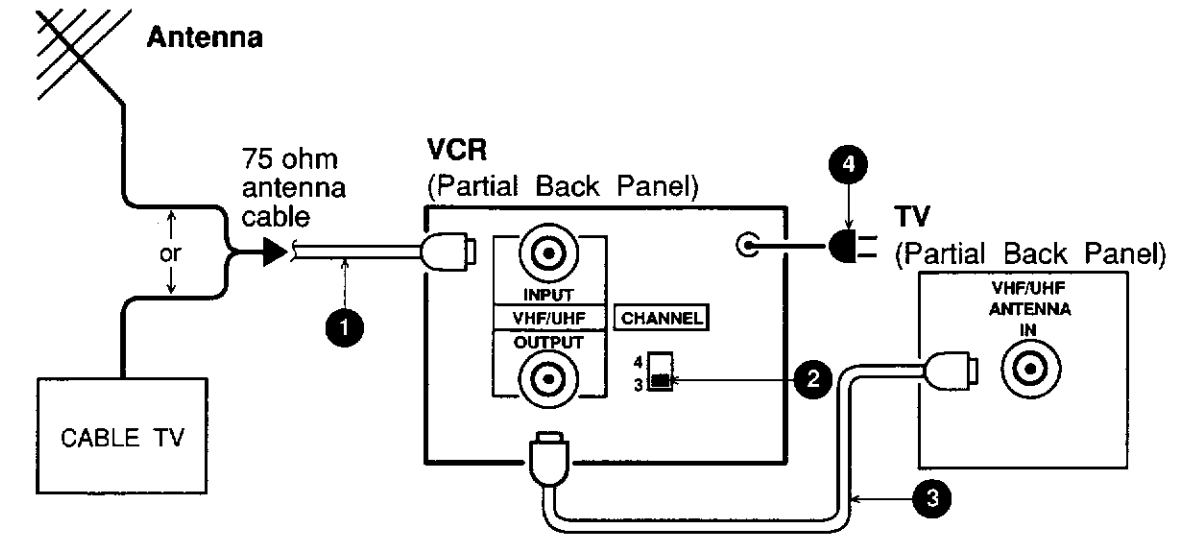
④ CHANNEL switch

⑤ VHF/UHF antenna OUTPUT connector

⑥ VIDEO OUTPUT connector

⑦ AUDIO OUTPUT connector

BASIC ANTENNA/CABLE CONNECTION



① Connect an antenna (or a Cable TV system) to the VCR.

② Set the **CHANNEL** switch to 3 or 4.

③ Connect the VCR to the TV with the cable supplied.

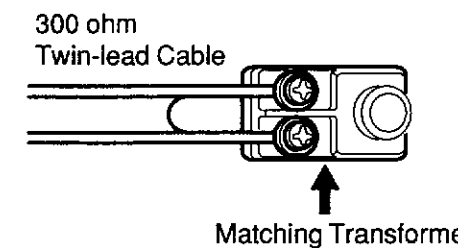
④ Connect to an AC wall outlet.

Channel Switch Setting

Set your TV to channel 3 first. If channel 3 is used for broadcasting by a station in your area, set to Channel 4. Slide the **CHANNEL** switch to Channel 3 or Channel 4 to match the channel you have set on the TV. This is your VCR channel. Your TV must be set to this channel any time a video cassette is played back on the VCR.

NOTES:

- If you have a cable converter connected to your TV, see **ALTERNATE CABLE TV CONNECTIONS**.
- If your antenna has twin-lead cable or if your TV has screw type antenna terminals, use the matching transformer supplied.



ALTERNATE CABLE TV CONNECTIONS

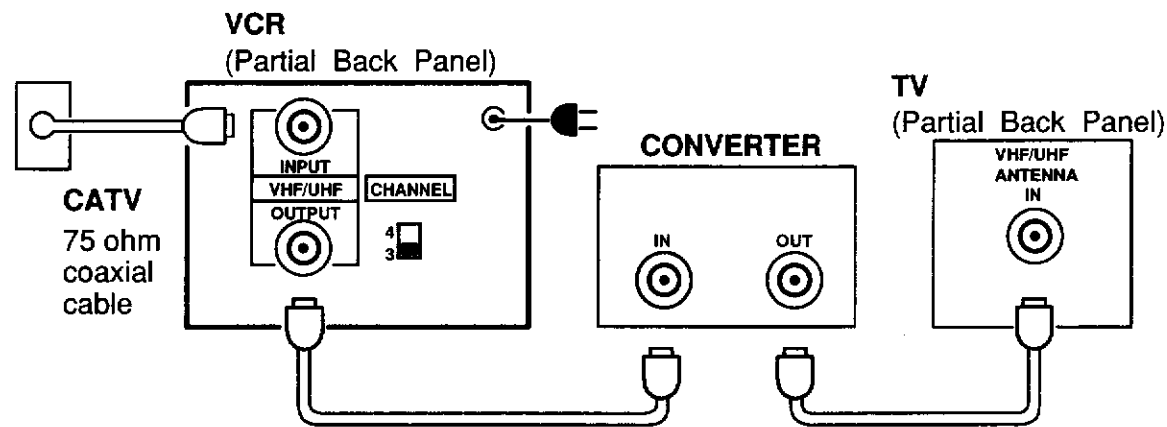
Your VCR has a built-in Cable TV converter. It can receive all unscrambled cable channels without using a converter when you subscribe to a cable TV service.

Your local cable TV company will advise you of the channels available in your area.

We recommend that you consult your cable TV company to make sure that the cable is properly connected.

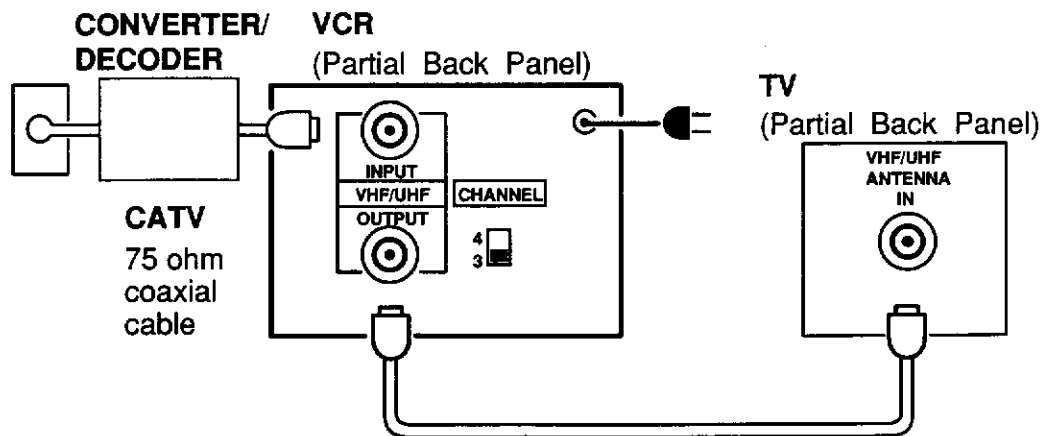
When the TV is not Cable TV Compatible

Connect the cable TV channel converter between the VCR and the TV so that you can watch a cable TV program while recording another program.



When you have both Cable and Pay TV (scrambled channels)

NOTE: With this method the TV and VCR receive the same channel. Time shifting (recording one program while watching another) is not possible.

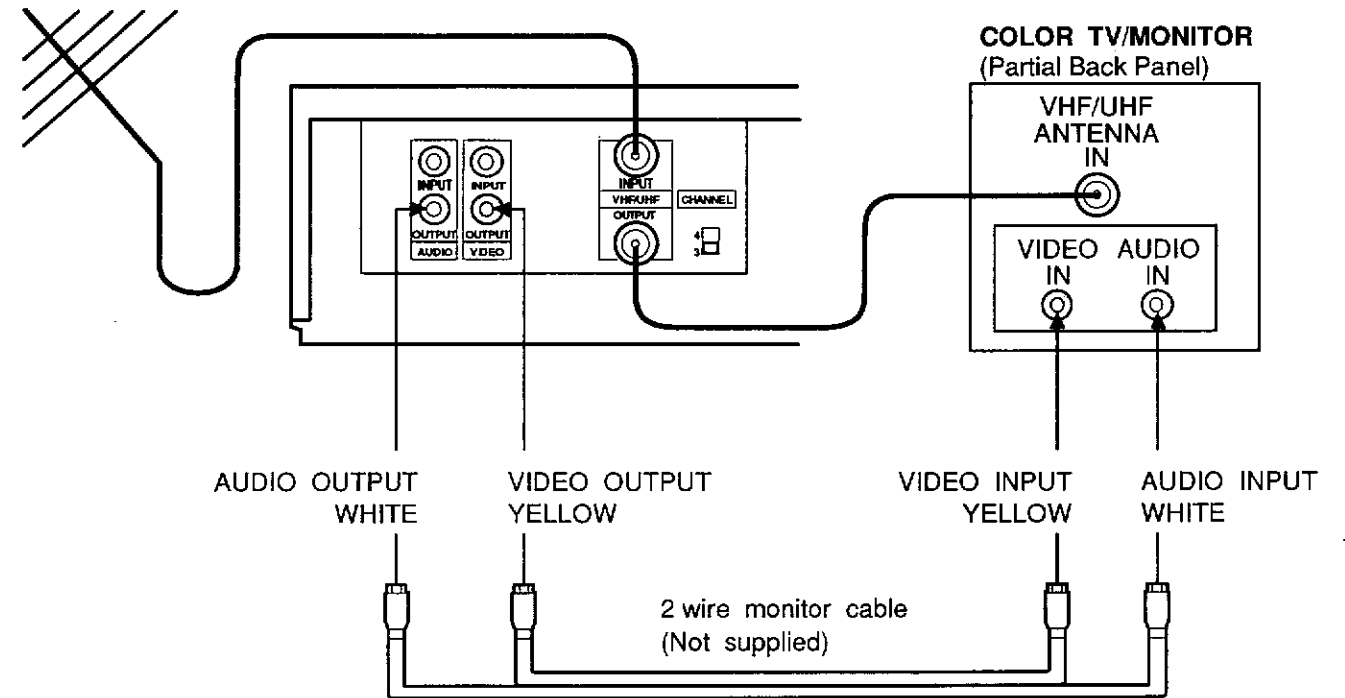


NOTE TO CATV SYSTEM INSTALLER (in the USA): This reminder is provided to call the CATV system installer's attention to Article 820-22 of the NEC that provides guidelines for proper grounding

and, in particular, specifies that the cable ground shall be connected to the grounding system of the building, as close to the point of cable entry as practicable.

AUDIO/VIDEO CONNECTION

The VIDEO and AUDIO OUTPUTS of your VCR can be connected separately to the input connectors of a TV monitor and an audio system. This will provide the best possible picture and sound quality, because the video/audio signals from your VCR will not have to be processed by the television tuner.



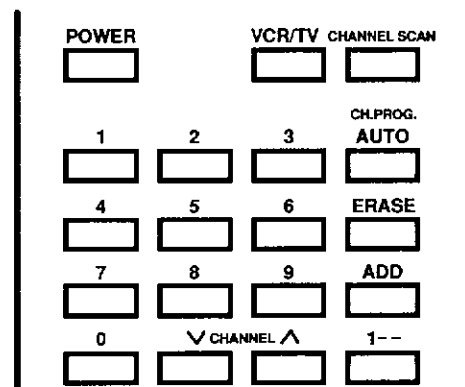
NOTES:

- Even with audio/video connections, always make the antenna connection between the VHF/UHF OUT (VCR) and the VHF/UHF IN (TV) using supplied connecting cable.
- If a direct VIDEO/AUDIO connection is made between the VCR and the TV, set the source selector on the television to VIDEO.

PROGRAMMING CHANNELS

Before starting

- Be sure the antenna input connection is correct. (See pages 9 and 10)
- Turn on the power (VCR and TV).
- Set the TV to channel 3 or 4.
- If the VCR indicator is OFF, press the remote control **VCR/TV** button.
 - *The VCR indicator lights.*
- If the A/V indicator (A/V) is ON, press the **INPUT** button.
 - *A channel number displays.*
- Press the **TV/CATV** button on the VCR to select normal TV programs or a cable TV system.
 - *C (CATV) indicator on: cable TV system selected.*



Channel Selection Convenience

You can select a channel on your VCR by using one of the three methods shown below:

10-Key Random Access Tuning

Select the desired channel number by using the numbered buttons and "1--" button on the remote control. For single digit numbers, press "0" first. For channel numbers higher than 99, press the "1--" button first.

Channel Scan Search

Press the **CHANNEL SCAN** button on the remote control.

The tuner shows each memorized channel for 2 seconds. Press the button again to stop scanning when the desired channel is shown.

UP/DOWN Selection

Press and hold the **CHANNEL UP** (▲) or **DOWN** (▼) button until the desired channel is received.

Manual Erase

You can eliminate unwanted channels or channels with weak or scrambled signals from the memorized channel sequence.

- 1 Select the channel you want to erase.
- 2 Press the **CH.PROG. ERASE** button.

Manual Program

You can bring back erased channels to the tuner memory by manually programming the channel sequence.

- 1 Select the channel you want to add by using the number buttons on the remote control.
- 2 Press the **CH.PROG. ADD** button. The channel is now added to the memory.

NOTES:

- If AUTOMATIC CHANNEL PROGRAMMING is started before an antenna or a CATV cable is connected, no channels will be received or memorized.
- If the AC power to the VCR is interrupted, the tuner memory may be erased.

VIEWING TV ONLY

You do not need to disconnect the VCR from the TV in order to watch a TV program without recording it.

- 1 Turn off the VCR.
- 2 Turn on the TV and set it to the channel you want to watch.

PLAYING A RENTAL TAPE

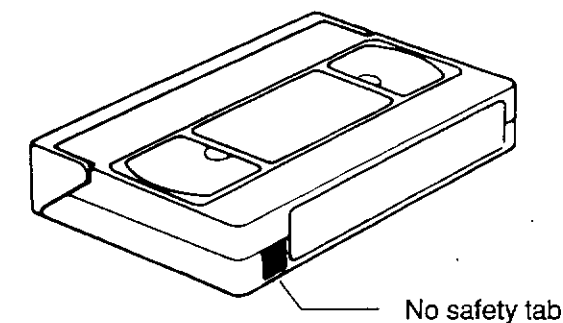
When you load a cassette with the safety tab removed, the VCR starts playing it automatically.

Before starting

- Turn on the TV.
- Set the TV to channel 3 or 4.

Load a cassette without a safety tab.

- *The power is turned on automatically and playback starts.*
- *At the end of the tape, it stops and rewinds.*
- *The cassette is ejected after rewinding.*



NORMAL PLAYBACK

Before starting

- Turn on the power (TV and VCR).
- Set the TV to channel 3 or 4.
- Load a cassette.

- 1 Press the **PLAY** button.
 - Normal playback begins.
 - The Play indicator (▷) lights.
 - The tape counter operates.
- 2 Press the **STOP** button to stop playback.
 - The tape stops and rewinds when the end of the tape is reached.

DIRECT POWER-ON: When a tape is already in the VCR, you can turn the power on and start playback, fast-forward or rewind by just pressing an operation button (**PLAY**, **FF** or **REW**).

Tracking Control Adjustments

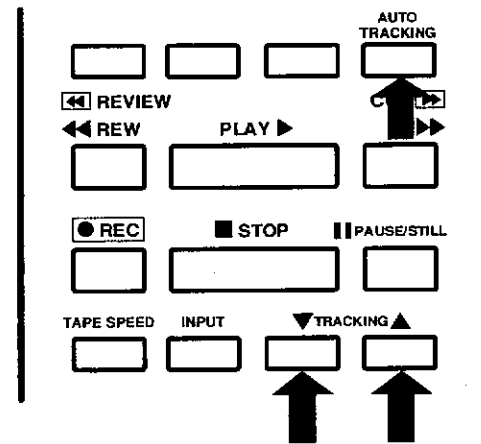
When you play a tape that was not recorded on this VCR, some noise may appear in the picture due to incorrect head to tape tracking.

- 1 Press the **AUTO TRACKING** button, and the optimum adjustment is made automatically.
 - The Auto Tracking indicator (T --:--) lights.

If noise still appears:

- 2 Press the **TRACKING** ▲ or ▼ button to eliminate the noise streaks from the picture.

NOTE: When a cassette is ejected, the tracking control will reset to the normal (center) position. If another cassette is inserted, it may be necessary to readjust the tracking control.



Tracking Indicators

Tracking position indicators replace the clock display while you adjust the **TRACKING** buttons.

Three seconds after the button is released, the clock display returns.

NORMAL RECORDING

Before starting

- Turn on the power (TV and VCR).
- Set the TV to channel 3 or 4.
- If the VCR indicator is OFF, press the **VCR/TV** button.
 - The VCR indicator lights.
- If the A/V indicator (A/V) is ON, press the **INPUT** button.
 - A channel number displays.
- Load a cassette.

- 1 Select a channel to record (and watch).
- 2 Press the **TAPE SPEED** button. Select SP, LP, or EP.
 - Selected Tape Speed indicator lights.
- 3 Press the **REC** button.
 - The Record indicator (○) lights.
 - The "Id" (index) indicator blinks for a few seconds. (See INDEX NOTES on page 23.)
 - Recording begins.

RECORD AUTO CANCEL: Recording will not start if the safety tab has been removed from the cassette. The cassette will automatically be ejected.

- 4 Press the **PAUSE/STILL** button to temporarily stop recording (record pause mode).
 - The Pause/Still indicator (⏏) blinks.

CHANGING TV CHANNELS: Press the **PAUSE/STILL** button during recording, then press the **CHANNEL ▲** or **CHANNEL ▼** button.

RECORD PAUSE TIME: If the record pause mode continues for about 5 minutes, the VCR switches to STOP.

- 5 Press the **REC** button, or press the **PAUSE/STILL** button again.
 - The Pause/Still indicator goes off.
 - Recording continues.
- 6 Press the **STOP** button to stop recording.
 - The Record indicator goes off.

SETTING THE CLOCK

On-screen Language Display

US model: English or Spanish, selectable

Canadian model: English or French, selectable

Language Selection

The language selection can be made when the MAIN MENU appears on the screen.

Clock setting

Before starting

- Turn on the power (VCR and TV).
- Set the TV to channel 3 or 4.
- If the VCR indicator is OFF, press the VCR/TV button.
 - The VCR indicator lights.

- 1 Press the **PROGRAM** button.
 - The **CLOCK SETTING** menu displays.

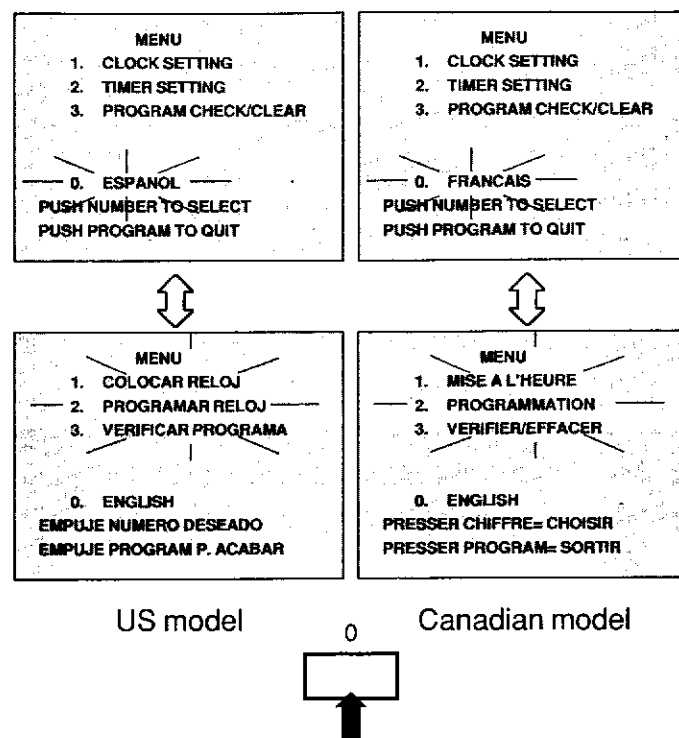
◦ When the **PROGRAM** button is pressed again, the **MAIN MENU** displays.

- 2 Press the remote control numbered buttons (0 - 9) to set the time and date.
 - **EXAMPLE:** Setting the clock to 9:30 PM, July 4, 1991 (09:30 PM, 07/04/91).
 - Time 9:30 PM : Press **0-9-3-0-2**
 - Date July 4 : Press **0-7-0-4**
 - Year '91 : Press **9-1**
 - "?" appears if the wrong number is pressed (like "14" for a month number). Press a correct number to remove the "?".

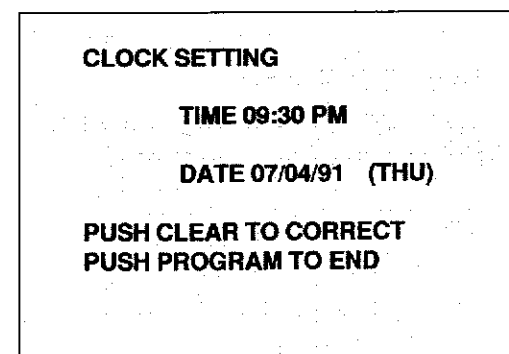
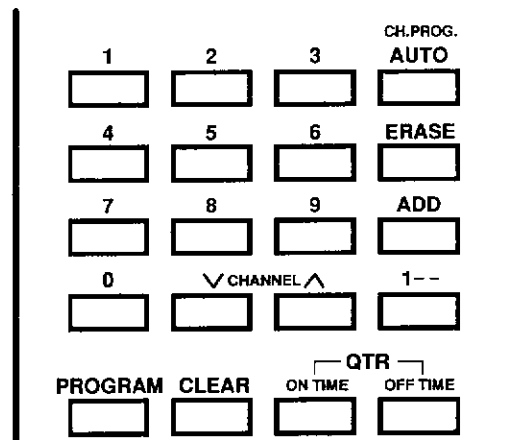
- 3 When finished, press the **PROGRAM** button twice to erase the menu displays.

Changing the Clock

- 1 Press the **PROGRAM** button.
 - The **MAIN MENU** displays.
- 2 Press the remote control "1" button to select the **CLOCK SETTING** display.
- 3 Follow the example in **CLOCK SETTING** (above) to reset the clock.



US model 0 Canadian model



SPECIAL PLAYBACK

Cue and Review (Picture Search)

- 1 Press the **FF** button or the **REW** button during normal playback.
 - The **Cue** (▷▶▶) or **Review** (▷◀◀) indicator lights.
 - The picture rapidly plays forward (**CUE**) or backward (**REVIEW**).
- 2 Press the **PLAY** button to resume normal playback.

FR (Fast Response) Search

- 1 Press the **FF** button during fast-forward mode, or the **REW** button during rewind mode.
 - The **CUE** or **REVIEW** picture can be viewed.
- 2 Press the **FF** or **REW** button again to resume fast-forward or rewind mode.

Still Image/Frame Advance

- 1 Press the **PAUSE/STILL** button during normal playback.
 - The **Pause/Still** indicator (□□) blinks.
 - A still image can be viewed.
- 2 Press the **PAUSE/STILL** button repeatedly.
 - The picture advances one frame at a time.
- 3 Press the **PLAY** button to resume normal playback.

Slow Motion

- 1 Press the remote control **SLOW** button during normal playback.
- 2 Press the remote control **SLOW** ▲ or ▼ button repeatedly.
 - Press the ▼ button to decrease the slow playback speed.
 - Press the ▲ button to increase the slow playback speed.
- 3 Press the **PLAY** button to resume normal playback.

SPECIAL PLAYBACK NOTES:

- During special effects playback, the sound is muted.
- The special playback functions can be used on EP or SP recorded tapes only, and will not provide a usable picture on LP recordings.
- Narrow bands of noise (framing noise) may appear during the picture search mode. This is normal and cannot be eliminated with the **TRACKING** control.
- If the picture is unstable during picture search mode, adjust the vertical hold control on the TV to minimize the vertical shaking.
- The VCR will switch back to stop about 5 minutes after **STILL IMAGE** or **SLOW MOTION** playback is selected.

Blue-Screen

The blue-screen display appears on the TV when the tape comes to a blank segment during the playback mode, or when an inactive TV channel is selected on the VCR.

NOTES:

- The **VCR/TV** button must be set to VCR.
- While the blue-screen display is seen, the sound is muted.
- During the special playback modes, the blue-screen display will not appear.

PROGRAM TIMER RECORDING

The Program Timer switches your VCR on and off to record a TV program at a preset time.

You can program up to six time slots to be recorded during the next one year period. You can also set any of the six slots to record the same channel at the same time every day or every week. DAILY and WEEKLY settings repeat until the tape comes to its end.

NOTE: The clock time must be set before setting the program timer.

Timer Programming

- Follow the steps **Before starting**, under NORMAL RECORDING on page 15.
- Press the **PROGRAM** button.
 - The MAIN MENU displays.
- Press "2".
 - The TIMER SETTING menu displays.
- Press the numbered buttons (0 - 9) to select a program number and set the timer program.

Recording Modes

Normal: Records a program once (press button "1").

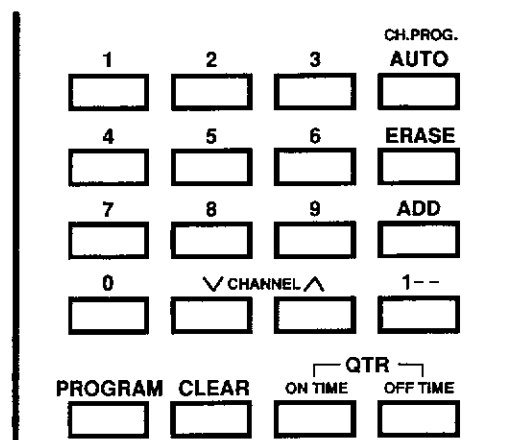
Weekly: Records a program at the same time each week (press button "2").

Daily: Records a program at the same time every day, Sunday through Saturday (press button "3").

- EXAMPLE:** Setting program number 3 to record a channel 10 program once (NORMAL recording mode) on July 9, from 09:00 PM to 10:30 PM, using the SP tape speed (July 9 = 07/09).

- PROGRAM NUMBER 3 : Press 3
- Once (Normal recording mode) : Press 1
- Date July 9 : Press 0-7-0-9
- Start time 9:00 PM : Press 0-9-0-0-2
- Stop time 10:30 PM : Press 1-0-3-0-2
- Channel 10 : Press 1-0
- Tape speed SP : Press 1
- The ON-SCREEN INDICATORS blink to indicate which portion of the program will be changed when a button is pressed.

NOTE: For A/V position recording, press button "0" twice instead of making the channel number setting.



- Press the **PROGRAM** button twice when finished to erase the menu displays.
- Press the VCR **POWER** button.
 - The VCR power turns off and the timer is set to the recording stand-by mode.
 - The Timer (□) indicator lights.

```

TIMER SETTING NO.3
MODE    NORMAL
START   07/09 (TUE)
        TIME 09:00 PM
END TIME 10:30 PM
CHANNEL 10 SPEED SP

PUSH CLEAR TO CORRECT
PUSH PROGRAM TO END
07/04 (THU) 10:20PM
    
```

Checking the Program Timer

- Turn on the power (VCR and TV).
- Set the TV to channel 3 or 4.
- Press the **PROGRAM** button.
 - The MAIN MENU displays.
- Press "3".
- Press a numbered button to select the number of the program (1 - 6) to be checked.
 - The selected program menu displays.
- Press the **PROGRAM** button twice when finished.

Clearing the Program Timer

- Turn on the power (VCR and TV).
- Set the TV to channel 3 or 4.
- Press the **PROGRAM** button.
 - The MAIN MENU displays.
- Press "3".
- Press a numbered button to select the number of the program (1 - 6) to be cleared.
 - The selected program menu displays.
- Press the **CLEAR** button.
 - The selected timer program is erased from the program memory.
- Press the **PROGRAM** button twice when finished to erase the menu displays.

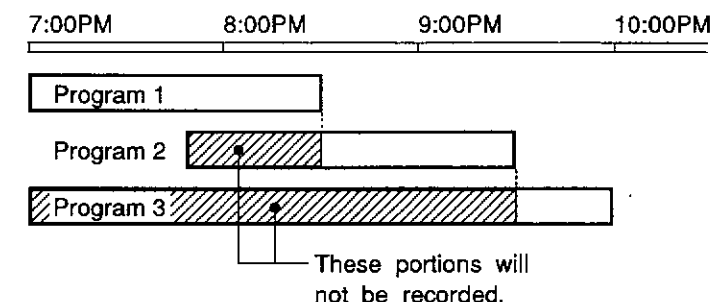
Changing the Program Timer

- Follow the steps under CLEARING THE PROGRAM TIMER to erase the program that you wish to change.
- Follow the steps under TIMER PROGRAMMING, to add a new timer program.

Using Timer Recording for Several Programs

If the start and end times of two or more timer programs overlap on the same day, the VCR will not begin recording a program until the program before it is over as shown below.

Program Recording Order



TIMER SETTING NOTES:

- 12:00 PM = noon; 12:00 AM = midnight.
- If a tape reaches the end during timer recording, the VCR will stop and power will turn off automatically.
- If the power fails, or if the VCR is unplugged from the AC outlet, the correct clock time and timer programs will be kept in memory for about 5 seconds. After 5 seconds, the clock and program timer must be reset when power is restored.

QUICK TIMER RECORDING (QTR)

The Quick Timer Recording (QTR) provides two simplified timer recording methods – immediate and delayed (for up to 24 hours). Both QTR methods override the program timer setting unless timer recording is in progress.

- The clock must be set before setting the QTR timer.
- Proceed to NORMAL RECORDING up to step 2.

Immediate QTR

- 1 Press the **QTR OFF TIME** button twice.
 - Recording begins immediately.
 - The **OFF TIME** (recording stop time) displays in 30-minute units.
- 2 Press the **QTR OFF TIME** button repeatedly until the desired OFF TIME is displayed.
 - Recording stops at the selected off time.

Delayed QTR

- 1 Press the **QTR ON TIME** button repeatedly until the desired start time is displayed.
- 2 Press the **QTR OFF TIME** button repeatedly until the desired stop time is displayed.
 - The **QTR OFF TIME** must be selected within 10 seconds, or the QTR function will be canceled.
 - VCR power turns off a few seconds after the **QTR OFF TIME** is set.

IMPORTANT NOTE: If the VCR power is switched ON, the QTR program will be cleared.

QTR INDICATOR MESSAGE: The QTR indicator will blink to alert you when the **QTR OFF TIME** button or **QTR ON TIME** button is pressed, if the safety tab of the cassette has been removed, or if a cassette has not been loaded.

NOTES:

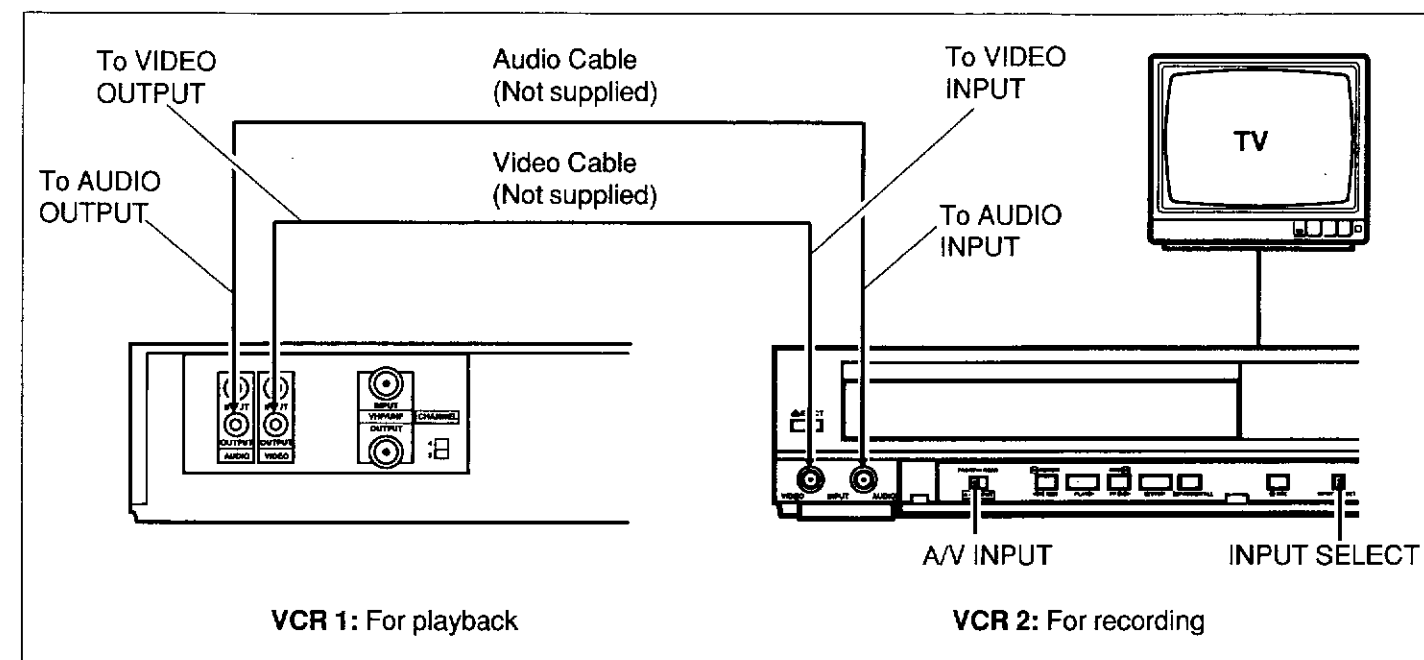
- The ON TIME and OFF TIME selection can be made up in 30-minute increments, up to 24 hours.
- Recording will end when the end of the tape is reached.
- To stop recording before the OFF TIME is reached, press the **STOP** button.

Clearing the QTR Memory (to stop the VCR during QTR)

Press the **CLEAR** button on the remote control.

COPYING A TAPE

You can copy a recording, or part of it, from one tape to another using two video cassette recorders.



- 1 Connect the VCRs as shown.
 - 2 Insert the recorded cassette into VCR 1.
 - 3 Insert a blank tape into VCR 2.
 - 4 Set the RECORD SPEED on VCR 2 to match the playback speed of VCR 1.
 - 5 Turn on the TV and set it to channel 3 or 4.
 - 6 Press the **VCR/TV** button on VCR 2 to select VCR.
 - 7 Place VCR 2 in record/pause mode.
 - 8 Press **PLAY** on VCR 1.
 - 9 When the tape in VCR 1 has reached the desired point, press (release) **PAUSE/STILL** on VCR 2. Recording begins.
 - 10 Press **STOP** on both VCRs when finished.
- If you use this model as VCR 2 to record:
- Press the VCR 2 **INPUT SELECT** button to A/V.
 - Set the VCR 2 **A/V INPUT** switch to FRONT.

TAPE COUNTER MEMORY SEARCH

The tape counter indicates tape running time accurately in hours, minutes and seconds.

Use the counter memory search function to locate the beginning of a program right after you have recorded it.

- 1 Press the **RESET** button.
 - "0H 00M 00S" displays.
- 2 Press the **MEMORY** button.
 - The Counter Memory indicator (M) lights.
- 3 Begin playback or recording.
- 4 Press the **STOP** button to stop recording or playback.
- 5 Press the **REW** button.
 - The tape stops at the "0H 00M 00S" position (the beginning of the program).

NOTES:

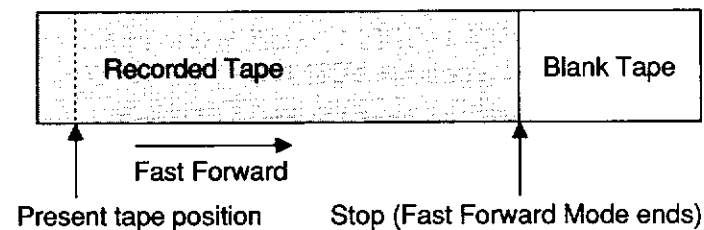
- When you insert a cassette, the tape counter resets to "0H 00M 00S".
- The time counter will not operate when a blank tape or portion is played.
- If the counter goes past "0H 00M 00S" when the tape is rewound, the reading is displayed with a negative (-) indication.

BLANK SEARCH

For locating the beginning of the blank portion of a partially recorded tape.

- 1 Set to STOP mode.
- 2 Press the **BLANK SEARCH** button.
 - "TO End" displays.
 - The VCR quickly advances the tape until a blank portion of the tape is found. It will then shuttle between rewind and cue (▷▶▶) modes to precisely locate the beginning of the blank portion.

Example:



NOTES:

- This function may also stop the VCR during slight pauses (unrecorded portions) between recorded programs.
- If no blank portions are found, the VCR rewinds the tape to the beginning and stop.

INDEX/GO-TO SEARCH

Index Scan

You can preview each recorded segment for 5 seconds.

- 1 In the stop (or playback) mode, press the remote control **INDEX/GO-TO** button once.
 - "Id P 0" displays.
- 2 Press the **FF** button to scan forward, or the **REW** button to scan backward.
 - "Id SCAN" displays.
 - Each time an index code is detected, the VCR plays the first 5 seconds of the following program.
- 3 Press the **PLAY** button to switch to normal playback.

Index Search

You can easily locate and play back a specific recorded segment of the tape.

- **EXAMPLE:** To locate and playback the third program from the present tape position.

- 1 In the stop (or playback) mode, press the remote control **INDEX/GO-TO** button once.
 - "Id P 0" displays.
- 2 Press the remote control numbered button 3 to enter index number 3.
 - "Id P 3" displays.
- 3 Press the **FF** button.
 - The tape quickly advances to the beginning of the selected program.
 - The playback begins.

INDEX NOTES:

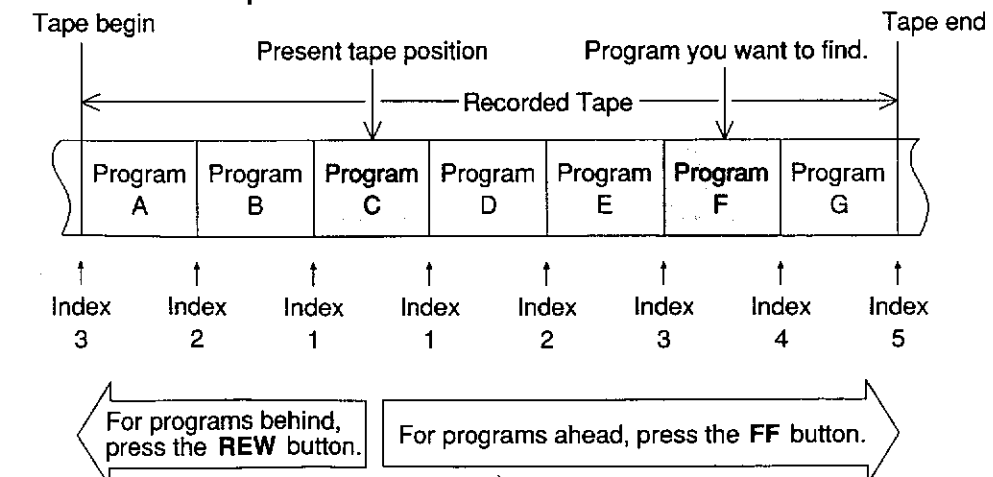
- Each time a recording is made, an index code is placed on the tape at the beginning of the recording.
- When a recording is resumed after a record pause, no index code is marked.
- The index search allows you to skip forward or backward up to 99 programs from your present position.
- When you search backward by using the index search mode, count the current program as the first program you skip.
- The index codes cannot be individually erased. However, when an indexed tape is recorded over again, the old index codes will be erased along with the other recordings.

GO-TO Playback

You can use the real time counter to begin playback from any point on the tape.

- **EXAMPLE:** To skip the next 1 hour 10 minutes of playback time.
- 1 In the stop (or playback) mode, press the remote control **INDEX/GO-TO** button twice.
 - "TO : 0" displays.
 - 2 Press the remote control numbered buttons (0 - 9) to enter 1 hour 10 minutes.
 - Press 1 - 1 - 0
 - "TO 1 : 10" displays.
 - 3 Press the **FF** button.
 - The tape quickly advances and playback begins.

INDEX SEARCH Operation



TROUBLESHOOTING GUIDE

If you have followed the instructions in this manual and still have difficulty operating your VCR:

- Before getting help from a factory-authorized service center, follow the steps below.
- Find the problem in the SYMPTOM column.

- Look in the POSSIBLE CAUSE column to see what might cause the problem.
- Check the CORRECTIVE ACTION column to find out how to fix the problem.

SYMPTOM	POSSIBLE CAUSE	CORRECTIVE ACTION
No power.	<ul style="list-style-type: none"> • The power cord is not connected. • The POWER button is not set to ON. 	<ul style="list-style-type: none"> • Connect the power cord to an AC wall outlet. • Set the POWER button to ON.
Timer recording does not function.	<ul style="list-style-type: none"> • The program timer is set incorrectly. • The timer is not set to ON. 	<ul style="list-style-type: none"> • Set the program timer correctly. • Set the POWER button to OFF. Timer indicator (⏏) will light on the display.
Recording is not possible.	<ul style="list-style-type: none"> • The record safety tab on the cassette is missing. 	<ul style="list-style-type: none"> • Place vinyl tape over the safety tab hole in the cassette.
The picture is poor during playback.	<ul style="list-style-type: none"> • The TV channel selector is not set to the proper channel. • The TV fine tuning is not set correctly. 	<ul style="list-style-type: none"> • During playback, set the TV's channel selector to channel 3 or 4, to match the VCR's channel switch setting. • Fine tune the TV. • If a direct VIDEO/AUDIO connection is made between VCR and TV, set the TV's source selector to VIDEO.
Noise in the picture during playback.	<ul style="list-style-type: none"> • The video heads are dirty. 	<ul style="list-style-type: none"> • The video heads need cleaning.
No picture during playback.	<ul style="list-style-type: none"> • The TV is not set to the proper channel. 	<ul style="list-style-type: none"> • Set the TV's channel selector to match the VCR's channel switch setting (channel 3 or 4).
Playback picture is partially noisy.	<ul style="list-style-type: none"> • The TRACKING control is not set to the proper position. 	<ul style="list-style-type: none"> • Adjust the TRACKING control for a better picture.
TV programs cannot be seen.	<ul style="list-style-type: none"> • The cable connections are incorrect. 	<ul style="list-style-type: none"> • Recheck all cable connections.
A mechanical noise is heard if the unit is left in the stop mode for about 5 minutes or more with the power on.	<ul style="list-style-type: none"> • This is the automatic activation of the tape-protection mechanism. (It is not a malfunction.) 	

MAINTENANCE

Head Care and Cleaning

- Under normal conditions, the heads should not require cleaning. If you suspect a problem, contact a factory-authorized service center.

Cleaning

- Clean the outside of the cabinet with a clean, soft cloth, moistened with lukewarm water, and wrung dry.

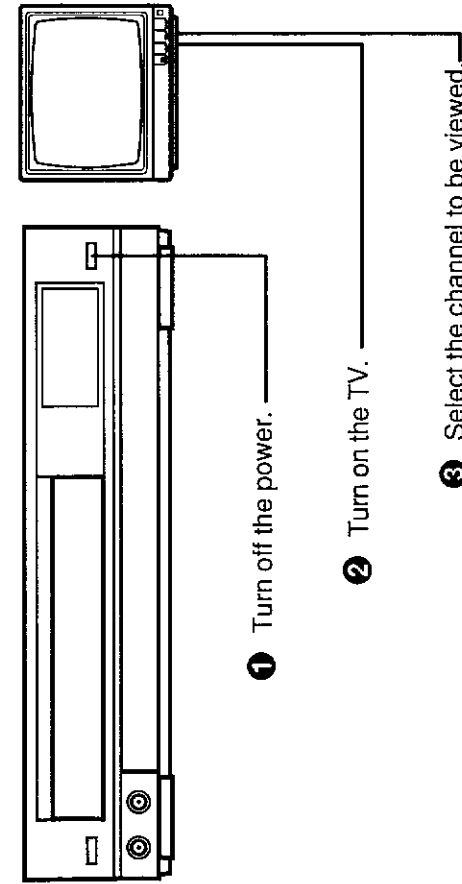
DO NOT USE SOLVENTS OR OTHER TYPES OF CLEANERS. THESE CHEMICALS CAN CRACK OR DISCOLOR THE CABINET.

SIMPLIFIED INSTRUCTIONS

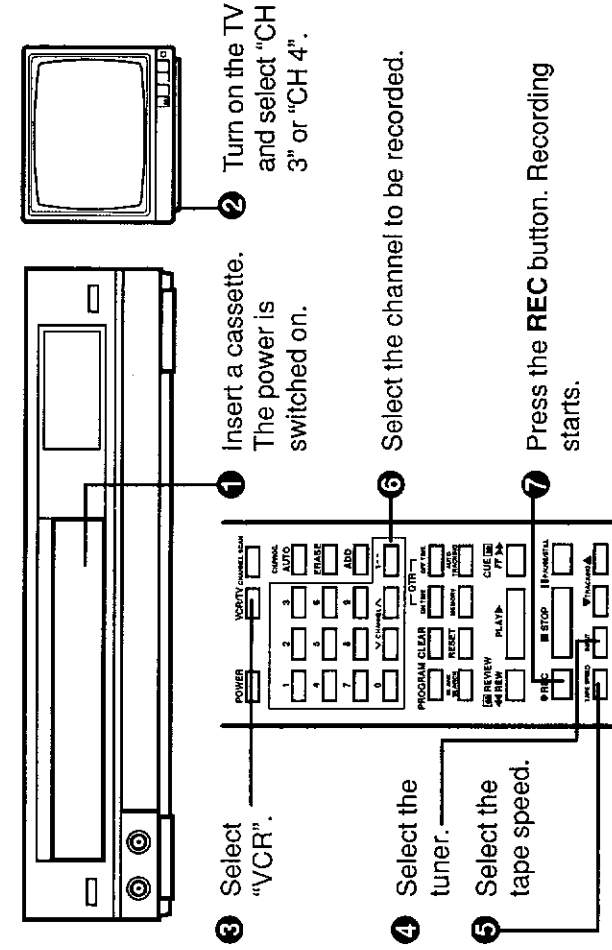
FVH-8300

(cut off here)

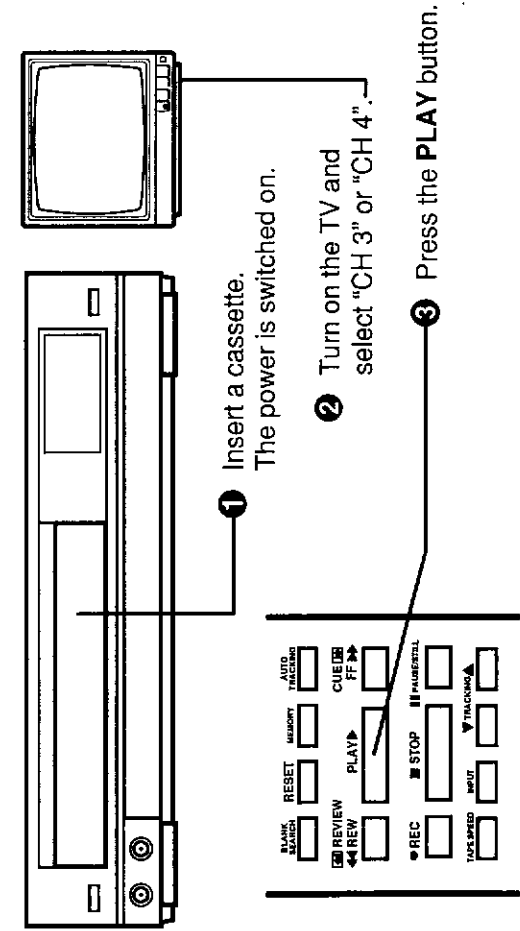
Normal TV Viewing



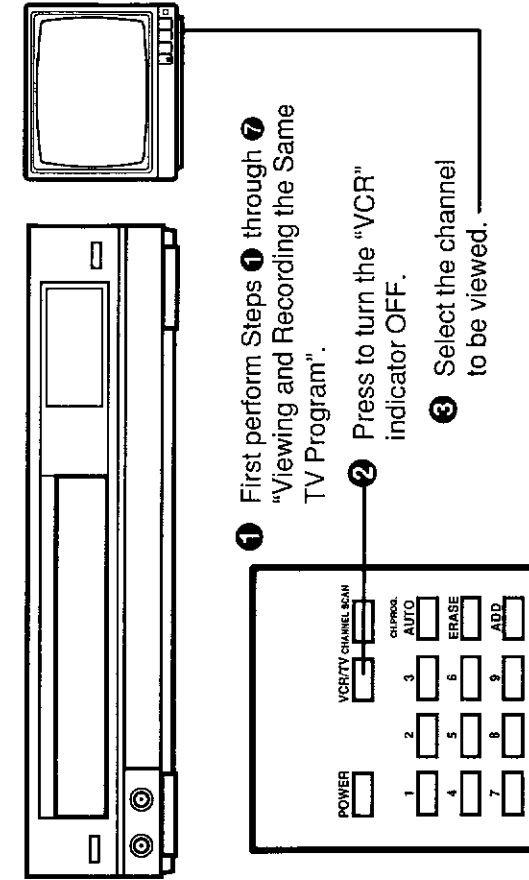
Viewing and Recording the Same TV Program



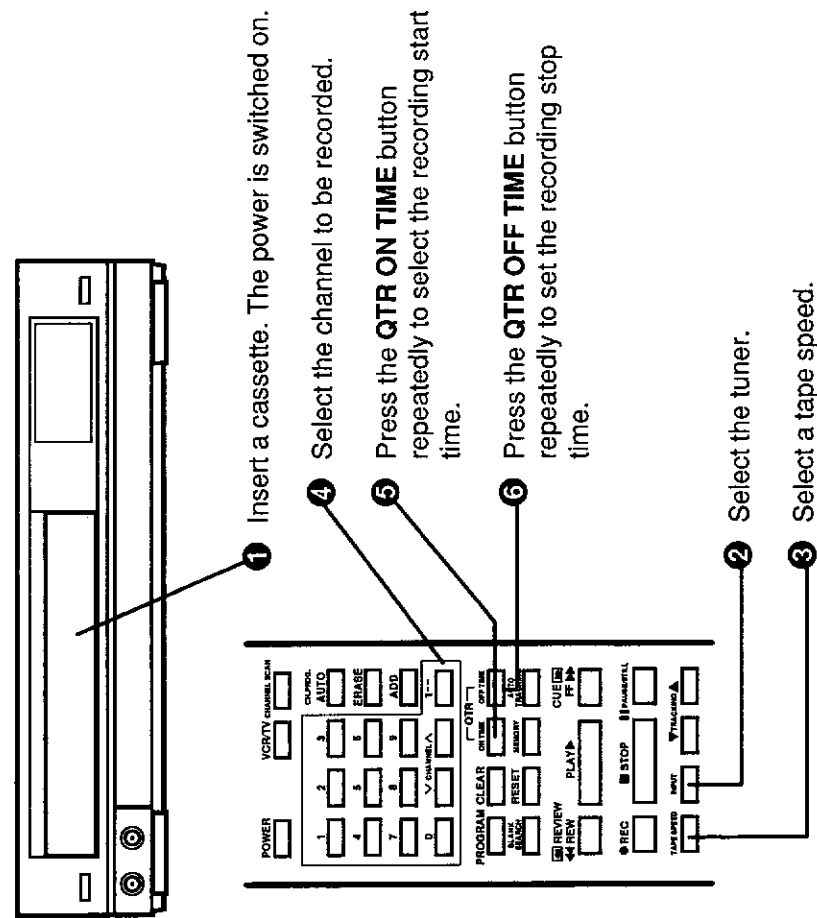
Playback



Recording One Program while Viewing Another



Quick Timer Recording (QTR)



1 Insert a cassette. The power is switched on.

4 Select the channel to be recorded.

5 Press the **QTR ON TIME** button repeatedly to select the recording start time.

6 Press the **QTR OFF TIME** button repeatedly to set the recording stop time.

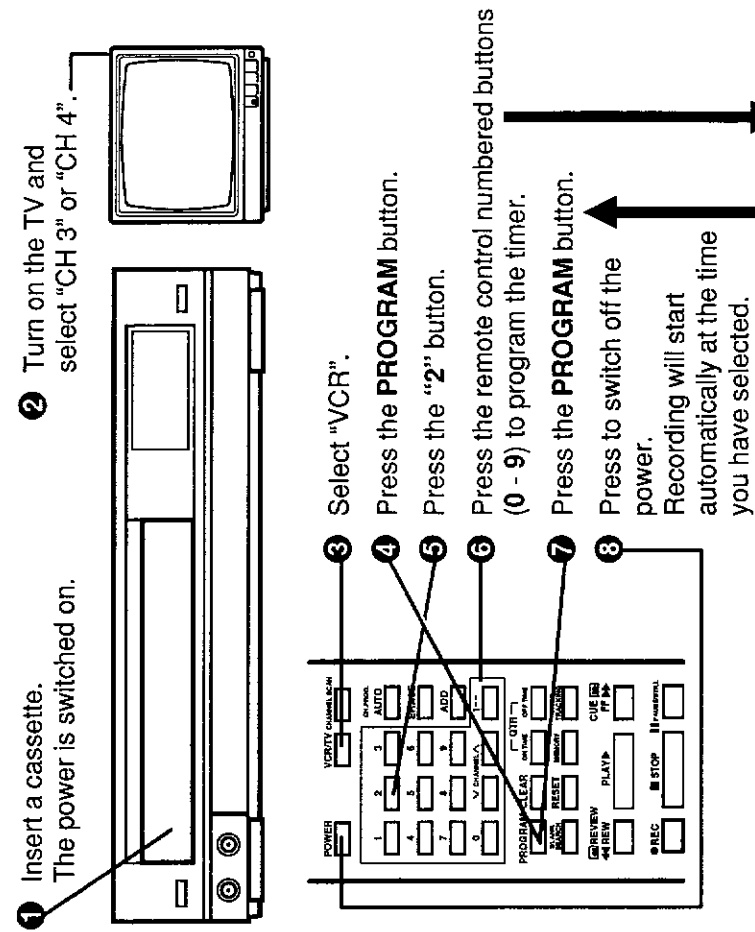
2 Select the tuner.

3 Select a tape speed.

NOTES:

- The recording delayed start time and recording stop time are presettable in 30-minute increments, within the 24-hour period beginning at the present time.
- To start recording immediately, press **QTR OFF TIME** button only, without pressing **QTR ON TIME** button.

Recording while you are away (Timer Recording)



1 Insert a cassette. The power is switched on.

2 Turn on the TV and select "CH 3" or "CH 4".

3 Select "VCR".

4 Press the **PROGRAM** button.

5 Press the "2" button.

6 Press the remote control numbered buttons (0 - 9) to program the timer.

7 Press the **PROGRAM** button.

8 Press to switch off the power.

Recording will start automatically at the time you have selected.

1 Select program No. ("1" "2", "3", "4", "5" or "6")

2 Select a recording mode: "1"...Normal program, "2"... Weekly program, "3"... Daily program, (Sunday through Saturday)

3 Select start date.

4 Select start time.

5 Select stop time.

6 Select the channel.

7 Select the recording tape speed.



FISHER

SPECIFICATIONS

General Specifications

Television system
Recording system
Format
Tape width
Tape speed

NTSC standard system
Rotary helical scan system
VHS standard
1/2 inch
SP: 1.31"/sec. (33.35 mm/sec.)
LP: 0.65"/sec. (16.67 mm/sec.)
EP: 0.43"/sec. (11.12 mm/sec.)

Recording time

SP: 120 minutes with T-120 cassette
LP: 240 minutes with T-120 cassette
EP: 360 minutes with T-120 cassette
EP: 480 minutes with T-160 cassette

Tuner receivable channels
(181 total)

TV Position	CATV Position
VHF channels 2-13	VHF channels 1-13
UHF channels 14-69	Mid band channels 14-22
	Super band channels 23-36
	Hyper band channels 37-94, 100-125
	Mid low band channels 95-99

RF converter
Converter output
Time indication
Timer

Built-in VHF converter
Channel 3 or 4 selectable
AM/PM 12-hour system
1 year/6-event programmable

Terminals

Antenna input
Antenna output
Video input (front and rear)/output
Audio input (front and rear)/output

VHF/UHF: F type
VHF/UHF: F type
RCA connector
RCA connector

Electrical Specifications

Video output level
Video output impedance
Audio output level
Audio output impedance
Video input level
Video input impedance
Audio input level
Audio input impedance

1 Vp-p
75 ohms
316 mV (-10 dBV)
600 ohms
0.5 Vp-p - 2.0 Vp-p
75 ohms
316 mV (-10 dBV)
50 kohms

Other Specifications

Power requirements
Power consumption
Dimensions (W x H x D)
Weight (approximate)
Remote control

120 V AC, 60 Hz
26 watts
360 mm x 85 mm 336 mm (14.17"x3.35"x13.23")
5.4 kg (11.9 lbs.)
RVR-8300

The manufacturer reserves the right to modify product designs and specifications without notice and without incurring any obligation.

DOC Regulation

This digital apparatus does not exceed class B limits for radio noise emissions from digital apparatus.