



PDF Updated
March 26, 2015

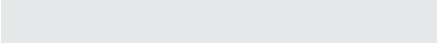
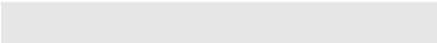
FRÍANT



NOVO

PRICE BOOK
effective October 2013

Table of Contents

					
Standard Fabrics	2				
Standard Finishes	3				
Panel Options	4				
Specification Guide (Segmented Panels)	19				
					
MONOLITHIC PANELS	5-11	SYSTEM WORKSURFACES	36-69	COMPONENTS	70-76
Monolithic Hard Surface Panel		Rectangular Worksurface	36	Overheads and Shelves	70
Non-Electrical	6	Wedge Worksurface	37	Components	72
Electrical	8	90° Notched and Curved Corner Worksurface		Frameless Glass	73
Monolithic Hard Surface Partial Glazed Panel		Worksurface	38	Tackboards	74
Non-Electrical	10	Square Edge Half Circle Worksurface	39	Markerboards	76
Electrical	11	Square Edge D-Shaped Worksurface	40		
Monolithic Fabric Covered Panel		90° Extended Notched Corner Worksurface	41	STORAGE	77-81
Non-Electrical	12	Worksurface		Pedestals	77
Electrical	14	90° Extended Curved Corner Worksurface	44	Lateral Files	79
Monolithic Partial Glazed Panel		90° Extended Notched Corner Peninsula Worksurface	47	Freestanding Credenza Units	80
Non-Electrical	16	Extended Curved Corner Peninsula Worksurface	51	Freestanding Towers	81
Electrical	17	Extended Curved Corner P-Shape Peninsula Worksurface	55	ACCESSORIES	82-83
SEGMENTED PANELS	24-27	Ellipse End Peninsula Worksurface	57	Accessories	82
Design 1	24	Rectangular Asymmetrical Worksurface	58	Keyed-Alike Information	83
Design 2	26	120° Rectangular Worksurface	59	TERMS & CONDITIONS	84-85
DOOR FRAMES	28	120° Corner Worksurface, 90° Ends	60		
PANEL HARDWARE	29-32	120° Corner Worksurface, 120° Ends	61		
Draw Rod	29	135° Corner Worksurface	62		
Connectors	30	135° Double Corner Worksurface	63		
ELECTRICAL DISTRIBUTION	33-35	Transaction Surface	64		
		Corner Transaction	65		
		Grommets	66		
		Flat Bracket	67		
		Supports	68		

Standard Fabrics

PASSAGE		TERRAIN		SLIDE	
PF601-1	Gull	PF701-1	Cloud	PF101-1	Caramel
PF601-2	Grove	PF701-2	Dusk	PF101-2	Slate
PF601-3	Wing	PF701-3	Wave	PF101-3	Pewter
PF601-4	Quartz	PF701-4	Earth	PF101-4	Verde
PF601-5	Leaf			PF101-5	Twilight
PF601-6	Brook			PF101-6	Vintage
PF601-7	Trail			PF101-7	Java
PF601-8	Amber			PF101-8	Latte
				PF101-9	Sterling
				PF101-10	Crema
				PF101-11	Breeze
				PF101-12	Stem

NOTE: Fabric direction as per Friant's fabric card.

Standard fabric application for panels 67" and below is horizontal application. 85"H panels are only available in vertical application. When ordering panels 67" and below to match an 85"H panel, specify vertical application.

All textiles listed are 66" wide.

Order fabric cards online at www.friant.com/samples.

Colors may vary slightly between dye lots.

Please consult your Friant sales consultant for:

- Panels taller than 67" high
- Other colors not listed above
- C.O.M. fabric

SKY		SILKY		STICKS	
PF301-1	Terra	PF401-1	Natural	PF501-1	Smoke
PF301-2	Birch	PF401-2	Parids	PF501-2	Almond
PF301-3	Moss	PF401-3	Overcast	PF501-3	Sage
		PF401-4	Field	PF501-4	Straw
		PF401-5	Graphite		

Standard Finishes

For other worksurface finish colors, please consult your Friant sales consultant.

NOTE: For information on LEED or environmental information about our products, contact our Design department at spec@friant.com or visit our website at www.friant.com/environment.

WORKSURFACE FINISHES with standard grommet color

Note: Grommets are CW or BU, see chart below. Order grommet cover separately for other color.

M1	Light Maple	CW grommets
M2	Light Cherry	BU grommets
M3	Medium Cherry	BU grommets
M4	Mahogany	BU grommets
M5	Light Mahogany	BU grommets
M6	Light Gray	CW grommets
M7	White	CW grommets
M8	Gray Specks	CW grommets
M9	Cloud White	CW grommets
M10	Espresso	BU grommets

HARDSURFACE FINISHES

Below are the standard Wilsonart laminates offered for hardsurface panels.

7909-60	Fusion Maple
7054-60	Wild Cherry
7924K-70	Biltmore Cherry
7040K-60	Figured Mahogany
7039K-78	Windsor Mahogany
D327-60	Pepperdust
1572-60	Antique White
4621-60	White Nebula
1573-60	Frosty White
7933K-07	Cafelle

EDGE FINISHES (3MM PVC)

E1	Light Maple
E2	Light Cherry
E3	Medium Cherry
E4	Mahogany
E5	Light Mahogany
E6	Light Gray
E7	White
E9	Cloud White
E10	Espresso
E11	MT Medium Tone
E12	DT Dark Tone

PAINT TRIM

DT	Dark Tone
MT	Medium Tone
CW	Cloud White

END PANEL

DT	Dark Tone
MT	Medium Tone
CW	Cloud White

PANEL GLAZING

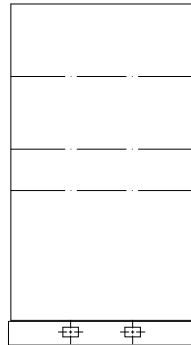
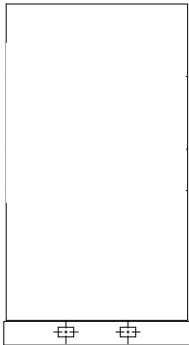
TR	Clear
FR	Frosted (XLT option)

BASE COVER

	Plastic (standard)
	Metal (\$29 upcharge)

Panel Options

The Novo system offers two categories of panels: monolithic and segmented.



MONOLITHIC

Fabric Covered or
Partial Glazed

SEGMENTED

Design 1 or Design 2
see pages 16-17

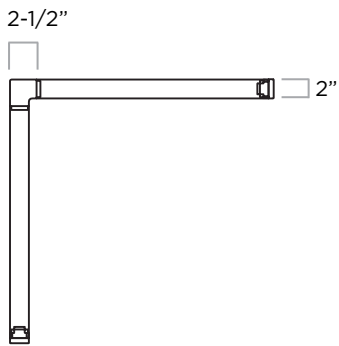
All panels are available electrical or non-electrical.

For Monolithic Panels, see pages 6-11.

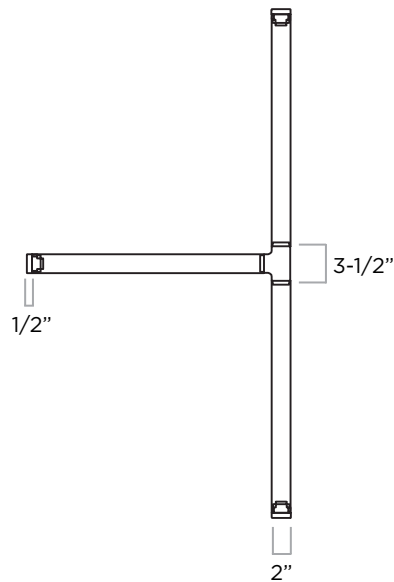
For Segmented Panels, see pages 14-17 for spec guide and pages 18-21 for ordering.

Panel Creep

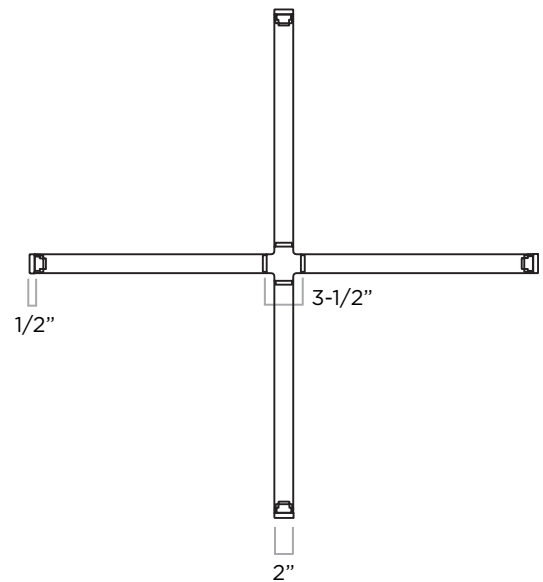
2-WAY



3-WAY

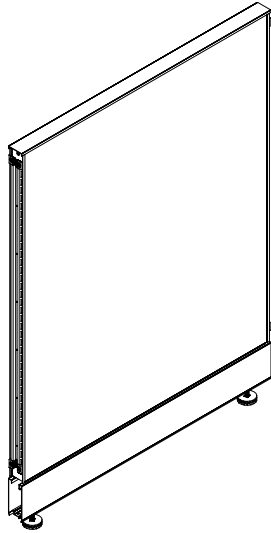


4-WAY



MONOLITHIC PANELS

Monolithic Hard Surface Panel / Non-Electrical



DESCRIPTION

Structural panel with laminate surfaces, painted top caps and trim, leveling glides, and cable management side covers.

NOTES

- Add \$29 to list for metal base cover
- Order connectors and finished ends separately
- Add an additional 2 weeks to the standard lead time for laminate panels

SPECIFICATION OPTIONS

product #: see charts below

finish: DT Dark Tone, MT Medium Tone, CW Cloud White

base material: plastic, metal (add \$29 to list for metal base)

laminate (side 1): see page 3 (standard Wilsonart laminates)

laminate (side 2): see page 3 (standard Wilsonart laminates)

ORDER EXAMPLE

product #: FHHSPA.3924N

finish: DT

base material: plastic

laminate (side 1): 7909-60 Fusion Maple

laminate (side 2): 7054-60 Wild Cherry

39" HIGH

PART #	HEIGHT	WIDTH	DEPTH	WT. (LBS)	LIST
FHHSPA.3924N	39"	24"	2"	26	\$612
FHHSPA.3930N	39"	30"	2"	27	\$735
FHHSPA.3936N	39"	36"	2"	31	\$852
FHHSPA.3942N	39"	42"	2"	36	\$931
FHHSPA.3948N	39"	48"	2"	39	\$959

47" HIGH

PART #	HEIGHT	WIDTH	DEPTH	WT. (LBS)	LIST
FHHSPA.4724N	47"	24"	2"	29	\$651
FHHSPA.4730N	47"	30"	2"	33	\$778
FHHSPA.4736N	47"	36"	2"	38	\$898
FHHSPA.4742N	47"	42"	2"	41	\$950
FHHSPA.4748N	47"	48"	2"	47	\$983

53" HIGH

PART #	HEIGHT	WIDTH	DEPTH	WT. (LBS)	LIST
FHHSPA.5324N	53"	24"	2"	32	\$664
FHHSPA.5330N	53"	30"	2"	38	\$793
FHHSPA.5336N	53"	36"	2"	41	\$921
FHHSPA.5342N	53"	42"	2"	44	\$1001
FHHSPA.5348N	53"	48"	2"	51	\$1031

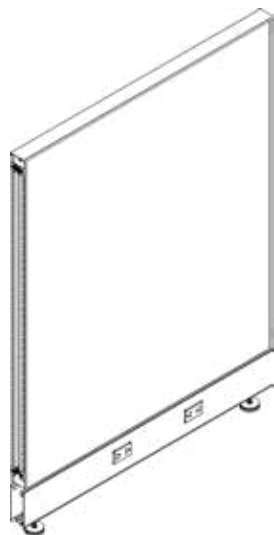
67" HIGH

PART #	HEIGHT	WIDTH	DEPTH	WT. (LBS)	LIST
FHHSPA.6724N	67"	24"	2"	40	\$887
FHHSPA.6730N	67"	30"	2"	46	\$1033
FHHSPA.6736N	67"	36"	2"	51	\$1200
FHHSPA.6742N	67"	42"	2"	57	\$1331
FHHSPA.6748N	67"	48"	2"	64	\$1365

85" HIGH

PART #	HEIGHT	WIDTH	DEPTH	WT. (LBS)	LIST
FHHSPA.8524N	85"	24"	2"	50	\$1118
FHHSPA.8530N	85"	30"	2"	58	\$1349
FHHSPA.8536N	85"	36"	2"	65	\$1570
FHHSPA.8542N	85"	42"	2"	73	\$1731
FHHSPA.8548N	85"	48"	2"	81	\$1785

Monolithic Hard Surface Panel / Electrical



DESCRIPTION

Structural panel with laminate surfaces, painted top caps and trim, leveling glides, 4-circuit power installed in cable management raceway covers.

NOTES

- Add \$29 to list for metal base cover
- 24" wide panels have one receptacle per side
- 30" to 48" wide panels have two receptacle locations per side
- Order receptacles separately
- Includes panel to panel festoon
- Order panel through post festoon separately
- Order connectors and finished ends separately
- Add an additional 2 weeks to the standard lead time for laminate panels

SPECIFICATION OPTIONS

product #: see charts below
finish: DT Dark Tone, MT Medium Tone, CW Cloud White
base material: plastic, metal (add \$29 to list for metal base)
laminate (side 1): see page 3 (standard Wilsonart laminates)
laminate (side 2): see page 3 (standard Wilsonart laminates)

ORDER EXAMPLE

product #: FHHSPA.3924E
finish: DT
base material: plastic
laminate (side 1): 7909-60 Fusion Maple
laminate (side 2): 7054-60 Wild Cherry

39" HIGH

PART #	HEIGHT	WIDTH	DEPTH	WT. (LBS)	LIST
FHHSPA.3924E	39"	24"	2"	27	\$742
FHHSPA.3930E	39"	30"	2"	29	\$888
FHHSPA.3936E	39"	36"	2"	33	\$1021
FHHSPA.3942E	39"	42"	2"	38	\$1121
FHHSPA.3948E	39"	48"	2"	42	\$1170

47" HIGH

PART #	HEIGHT	WIDTH	DEPTH	WT. (LBS)	LIST
FHHSPA.4724E	47"	24"	2"	30	\$781
FHHSPA.4730E	47"	30"	2"	35	\$931
FHHSPA.4736E	47"	36"	2"	40	\$1068
FHHSPA.4742E	47"	42"	2"	43	\$1140
FHHSPA.4748E	47"	48"	2"	50	\$1194

53" HIGH

PART #	HEIGHT	WIDTH	DEPTH	WT. (LBS)	LIST
FHHSPA.5324E	53"	24"	2"	33	\$796
FHHSPA.5330E	53"	30"	2"	40	\$945
FHHSPA.5336E	53"	36"	2"	43	\$1089
FHHSPA.5342E	53"	42"	2"	47	\$1191
FHHSPA.5348E	53"	48"	2"	53	\$1241

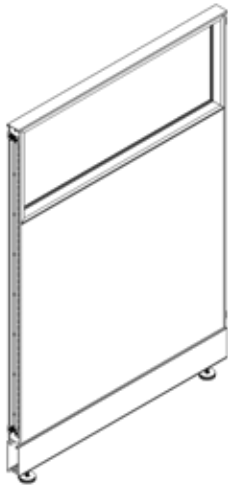
67" HIGH

PART #	HEIGHT	WIDTH	DEPTH	WT. (LBS)	LIST
FHHSPA.6724E	67"	24"	2"	41	\$1018
FHHSPA.6730E	67"	30"	2"	47	\$1187
FHHSPA.6736E	67"	36"	2"	53	\$1369
FHHSPA.6742E	67"	42"	2"	59	\$1521
FHHSPA.6748E	67"	48"	2"	67	\$1576

85" HIGH

PART #	HEIGHT	WIDTH	DEPTH	WT. (LBS)	LIST
FHHSPA.8524E	85"	24"	2"	50	\$1250
FHHSPA.8530E	85"	30"	2"	59	\$1503
FHHSPA.8536E	85"	36"	2"	67	\$1739
FHHSPA.8542E	85"	42"	2"	75	\$1921
FHHSPA.8548E	85"	48"	2"	84	\$1994

Monolithic Hard Surface Partial-Glazed Panel / Non-Electrical



DESCRIPTION

Structural panel with laminate lower surfaces and 14" high tempered glass top section, painted top caps and trim, leveling glides, and cable management side covers.

NOTES

- Add \$29 to list for metal base cover
- Order connectors and finished ends separately
- Add an additional 2 weeks to the standard lead time for laminate panels

SPECIFICATION OPTIONS

product #: see charts below

finish: DT Dark Tone, MT Medium Tone, CW Cloud White

base material: plastic, metal (add \$29 to list for metal base)

panel glazing: TR Clear, FR Frosted

laminate (side 1): see page 3 (standard Wilsonart laminates)

laminate (side 2): see page 3 (standard Wilsonart laminates)

ORDER EXAMPLE

product #: FHPGHSPA.5324N

finish: DT

base material: plastic

panel glazing: TR Clear

laminate (side 1): 7909-60 Fusion Maple

laminate (side 2): 7054-60 Wild Cherry

53" HIGH

PART #	HEIGHT	WIDTH	DEPTH	WT. (LBS)	LIST
FHPGHSPA.5324N	53"	24"	2"	32	\$950
FHPGHSPA.5330N	53"	30"	2"	38	\$1079
FHPGHSPA.5336N	53"	36"	2"	41	\$1207
FHPGHSPA.5342N	53"	42"	2"	44	\$1287
FHPGHSPA.5348N	53"	48"	2"	51	\$1317

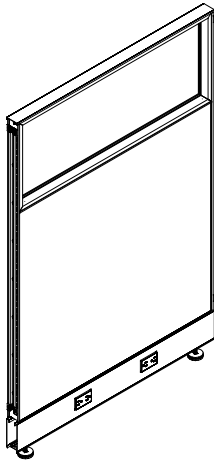
67" HIGH

PART #	HEIGHT	WIDTH	DEPTH	WT. (LBS)	LIST
FHPGHSPA.6724N	67"	24"	2"	40	\$1173
FHPGHSPA.6730N	67"	30"	2"	46	\$1319
FHPGHSPA.6736N	67"	36"	2"	51	\$1486
FHPGHSPA.6742N	67"	42"	2"	57	\$1617
FHPGHSPA.6748N	67"	48"	2"	64	\$1651

85" HIGH

PART #	HEIGHT	WIDTH	DEPTH	WT. (LBS)	LIST
FHPGHSPA.8524N	85"	24"	2"	50	\$1404
FHPGHSPA.8530N	85"	30"	2"	58	\$1635
FHPGHSPA.8536N	85"	36"	2"	65	\$1856
FHPGHSPA.8542N	85"	42"	2"	73	\$2017
FHPGHSPA.8548N	85"	48"	2"	81	\$2071

Monolithic Hard Surface Partial-Glazed Panel / Electrical



DESCRIPTION

Structural panel with laminate lower surfaces and 14" high tempered glass top section, painted top caps and trim, leveling glides, 4-circuit power installed in cable management raceway covers.

NOTES

- Add \$29 to list for metal base cover
- 24" wide panels have one receptacle per side
- 30" to 48" wide panels have two receptacle locations per side
- Order receptacles separately
- Includes panel to panel festoon
- Order panel through post festoon separately
- Order connectors and finished ends separately
- Add an additional 2 weeks to the standard lead time for laminate panels

SPECIFICATION OPTIONS

product #: see charts below
finish: DT Dark Tone, MT Medium Tone, CW Cloud White
base material: plastic, metal (add \$29 to list for metal base)
panel glazing: TR Clear, FR Frosted (XLT option)
laminate (side 1): see page 3 (standard Wilsonart laminates)
laminate (side 2): see page 3 (standard Wilsonart laminates)

ORDER EXAMPLE

product #: FHPGHSPA.3924E
finish: DT
base material: plastic
panel glazing: FR Frosted
laminate (side 1): 7909-60 Fusion Maple
laminate (side 2): 7054-60 Wild Cherry

53" HIGH

PART #	HEIGHT	WIDTH	DEPTH	WT. (LBS)	LIST
FHPGHSPA.5324E	53"	24"	2"	33	\$1082
FHPGHSPA.5330E	53"	30"	2"	40	\$1231
FHPGHSPA.5336E	53"	36"	2"	43	\$1375
FHPGHSPA.5342E	53"	42"	2"	47	\$1477
FHPGHSPA.5348E	53"	48"	2"	53	\$1527

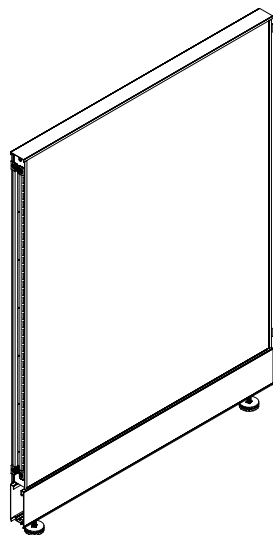
67" HIGH

PART #	HEIGHT	WIDTH	DEPTH	WT. (LBS)	LIST
FHPGHSPA.6724E	67"	24"	2"	41	\$1304
FHPGHSPA.6730E	67"	30"	2"	47	\$1473
FHPGHSPA.6736E	67"	36"	2"	53	\$1655
FHPGHSPA.6742E	67"	42"	2"	59	\$1807
FHPGHSPA.6748E	67"	48"	2"	67	\$1862

85" HIGH

PART #	HEIGHT	WIDTH	DEPTH	WT. (LBS)	LIST
FHPGHSPA.8524E	85"	24"	2"	50	\$1536
FHPGHSPA.8530E	85"	30"	2"	59	\$1789
FHPGHSPA.8536E	85"	36"	2"	67	\$2025
FHPGHSPA.8542E	85"	42"	2"	75	\$2207
FHPGHSPA.8548E	85"	48"	2"	84	\$2280

Monolithic Fabric-Covered Panel / Non-Electrical



DESCRIPTION

Structural panel with fabric surfaces, painted top caps and trim, leveling glides, and cable management side covers.

NOTES

- Add \$29 to list for metal base cover
- Order connectors and finished ends separately

SPECIFICATION OPTIONS

product #: see charts below

finish: DT Dark Tone, MT Medium Tone, CW Cloud White

base material: plastic, metal (add \$29 to list for metal base)

fabric (side 1): see page 2

fabric (side 2): see page 2

ORDER EXAMPLE

product #: FHFAPA.3924N

finish: DT

base material: plastic

fabric (side 1): Silky/Natural PF401-1

fabric (side 2): Silky/Natural PF401-1

39" HIGH

PART #	HEIGHT	WIDTH	DEPTH	WT. (LBS)	LIST
FHFAPA.3924N	39"	24"	2"	26	\$313
FHFAPA.3930N	39"	30"	2"	27	\$343
FHFAPA.3936N	39"	36"	2"	31	\$388
FHFAPA.3942N	39"	42"	2"	36	\$409
FHFAPA.3948N	39"	48"	2"	39	\$429

47" HIGH

PART #	HEIGHT	WIDTH	DEPTH	WT. (LBS)	LIST
FHFAPA.4724N	47"	24"	2"	29	\$331
FHFAPA.4730N	47"	30"	2"	33	\$371
FHFAPA.4736N	47"	36"	2"	38	\$425
FHFAPA.4742N	47"	42"	2"	41	\$470
FHFAPA.4748N	47"	48"	2"	47	\$485

53" HIGH

PART #	HEIGHT	WIDTH	DEPTH	WT. (LBS)	LIST
FHFAPA.5324N	53"	24"	2"	32	\$339
FHFAPA.5330N	53"	30"	2"	38	\$385
FHFAPA.5336N	53"	36"	2"	41	\$451
FHFAPA.5342N	53"	42"	2"	44	\$487
FHFAPA.5348N	53"	48"	2"	51	\$519

67" HIGH

PART #	HEIGHT	WIDTH	DEPTH	WT. (LBS)	LIST
FHFAPA.6724N	67"	24"	2"	40	\$394
FHFAPA.6730N	67"	30"	2"	46	\$443
FHFAPA.6736N	67"	36"	2"	51	\$513
FHFAPA.6742N	67"	42"	2"	57	\$547
FHFAPA.6748N	67"	48"	2"	64	\$583

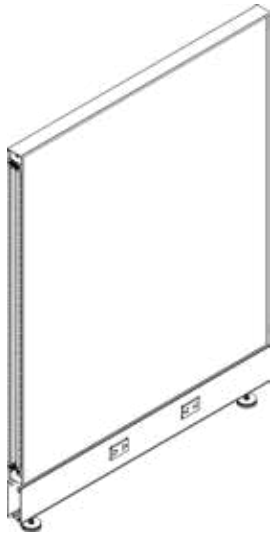
85" HIGH

PART #	HEIGHT	WIDTH	DEPTH	WT. (LBS)	LIST
FHFAPA.8524N	85"	24"	2"	50	\$466
FHFAPA.8530N	85"	30"	2"	58	\$518
FHFAPA.8536N	85"	36"	2"	65	\$600
FHFAPA.8542N	85"	42"	2"	73	\$638
FHFAPA.8548N	85"	48"	2"	81	\$678

NOTES

Standard fabric application for panels 67" and below is horizontal application. Panels taller than 67" are only available in vertical application. When ordering panels 67" and below to match a panel taller than 67", specify vertical application.

Monolithic Fabric-Covered Panel / Electrical



DESCRIPTION

Structural panel with fabric surfaces, painted top caps and trim, leveling glides, 4-circuit power installed in cable management raceway covers.

NOTES

- Add \$29 to list for metal base cover
- 24" wide panels have one receptacle per side
- 30" to 48" wide panels have two receptacle locations per side
- Order receptacles separately
- Includes panel to panel festoon
- Order panel through post festoon separately
- Order connectors and finished ends separately

SPECIFICATION OPTIONS

product #: see charts below

finish: DT Dark Tone, MT Medium Tone, CW Cloud White

base material: plastic, metal (add \$29 to list for metal base)

fabric (side 1): see page 2

fabric (side 2): see page 2

ORDER EXAMPLE

product #: FHFAPA.3924E

finish: DT

base material: plastic

fabric (side 1): Silky/Natural PF401-1

fabric (side 2): Silky/Natural PF401-1

39" HIGH

PART #	HEIGHT	WIDTH	DEPTH	WT. (LBS)	LIST
FHFAPA.3924E	39"	24"	2"	27	\$440
FHFAPA.3930E	39"	30"	2"	29	\$469
FHFAPA.3936E	39"	36"	2"	33	\$514
FHFAPA.3942E	39"	42"	2"	38	\$536
FHFAPA.3948E	39"	48"	2"	42	\$556

47" HIGH

PART #	HEIGHT	WIDTH	DEPTH	WT. (LBS)	LIST
FHFAPA.4724E	47"	24"	2"	30	\$459
FHFAPA.4730E	47"	30"	2"	35	\$498
FHFAPA.4736E	47"	36"	2"	40	\$551
FHFAPA.4742E	47"	42"	2"	43	\$598
FHFAPA.4748E	47"	48"	2"	50	\$612

53" HIGH

PART #	HEIGHT	WIDTH	DEPTH	WT. (LBS)	LIST
FHFAPA.5324E	53"	24"	2"	33	\$465
FHFAPA.5330E	53"	30"	2"	40	\$512
FHFAPA.5336E	53"	36"	2"	43	\$578
FHFAPA.5342E	53"	42"	2"	47	\$614
FHFAPA.5348E	53"	48"	2"	53	\$647

67" HIGH

PART #	HEIGHT	WIDTH	DEPTH	WT. (LBS)	LIST
FHFAPA.6724E	67"	24"	2"	41	\$521
FHFAPA.6730E	67"	30"	2"	47	\$570
FHFAPA.6736E	67"	36"	2"	53	\$640
FHFAPA.6742E	67"	42"	2"	59	\$674
FHFAPA.6748E	67"	48"	2"	67	\$710

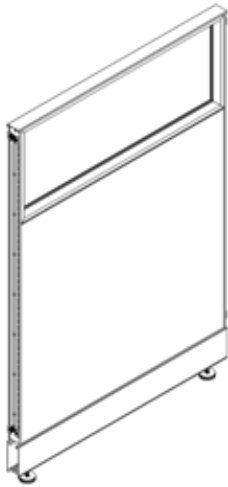
85" HIGH

PART #	HEIGHT	WIDTH	DEPTH	WT. (LBS)	LIST
FHFAPA.8524E	85"	24"	2"	50	\$594
FHFAPA.8530E	85"	30"	2"	59	\$646
FHFAPA.8536E	85"	36"	2"	67	\$726
FHFAPA.8542E	85"	42"	2"	75	\$764
FHFAPA.8548E	85"	48"	2"	84	\$805

NOTES

Standard fabric application for panels 67" and below is horizontal application. Panels taller than 67" are only available in vertical application. When ordering panels 67" and below to match a panel taller than 67", specify vertical application.

Monolithic Partial Glazed Panel / Non-Electrical



DESCRIPTION

Structural panel with fabric covered lower surfaces and 14" high tempered glass top section, painted top cap and cable management side covers.

NOTES

- Add \$29 to list for metal base cover
- Order connectors and finished ends separately

SPECIFICATION OPTIONS

product #: see charts below

finish: DT Dark Tone, MT Medium Tone, CW Cloud White

base material: plastic, metal (add \$29 to list for metal base)

panel glazing: TR Clear, FR Frosted (XLT option)

fabric (side 1): see page 2

fabric (side 2): see page 2

ORDER EXAMPLE

product #: FHPGPA.5324N

finish: DT

base material: metal (add \$29 to list)

panel glazing: TR Clear

fabric (side 1): Silky/Natural PF401-1

fabric (side 2): Silky/Natural PF401-1

53" HIGH

PART #	HEIGHT	WIDTH	DEPTH	WT. (LBS)	LIST
FHPGPA.5324N	53"	24"	2"	37	\$519
FHPGPA.5330N	53"	30"	2"	41	\$566
FHPGPA.5336N	53"	36"	2"	47	\$684
FHPGPA.5342N	53"	42"	2"	54	\$720
FHPGPA.5348N	53"	48"	2"	61	\$788

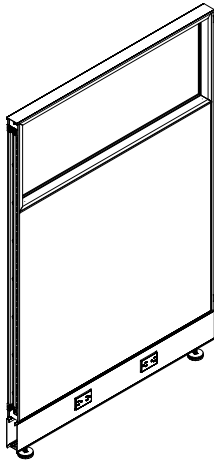
67" HIGH

PART #	HEIGHT	WIDTH	DEPTH	WT. (LBS)	LIST
FHPGPA.6724N	67"	24"	2"	42	\$574
FHPGPA.6730N	67"	30"	2"	50	\$623
FHPGPA.6736N	67"	36"	2"	56	\$745
FHPGPA.6742N	67"	42"	2"	62	\$779
FHPGPA.6748N	67"	48"	2"	71	\$852

85" HIGH

PART #	HEIGHT	WIDTH	DEPTH	WT. (LBS)	LIST
FHPGPA.8524N	85"	24"	2"	49	\$647
FHPGPA.8530N	85"	30"	2"	57	\$699
FHPGPA.8536N	85"	36"	2"	65	\$832
FHPGPA.8542N	85"	42"	2"	73	\$870
FHPGPA.8548N	85"	48"	2"	83	\$946

Monolithic Partial Glazed Panel / Electrical



DESCRIPTION

Structural panel with fabric covered lower surfaces and 14" high tempered glass top section, painted top cap and leveling glides, 4-circuit power installed in cable management raceway covers.

NOTES

- Add \$29 to list for metal base cover
- 24" wide panels have one receptacle per side
- 30" to 48" wide panels have two receptacle locations per side
- Includes panel to panel festoon
- Order connectors and finished ends separately
- Order panel through post festoon separately

SPECIFICATION OPTIONS

product #: see charts below

finish: DT Dark Tone, MT Medium Tone, CW Cloud White

base material: plastic, metal (add \$29 to list for metal base)

panel glazing: TR Clear, FR Frosted (XLT option)

fabric (side 1): see page 2

fabric (side 2): see page 2

ORDER EXAMPLE

product #: FHPGPA.5324E

finish: DT

base material: metal (add \$29 to list)

panel glazing: TR Clear

fabric (side 1): Silky/Natural PF401-1

fabric (side 2): Silky/Natural PF401-1

53" HIGH

PART #	HEIGHT	WIDTH	DEPTH	WT. (LBS)	LIST
FHPGPA.5324E	53"	24"	2"	38	\$647
FHPGPA.5330E	53"	30"	2"	42	\$692
FHPGPA.5336E	53"	36"	2"	49	\$810
FHPGPA.5342E	53"	42"	2"	56	\$846
FHPGPA.5348E	53"	48"	2"	63	\$914

67" HIGH

PART #	HEIGHT	WIDTH	DEPTH	WT. (LBS)	LIST
FHPGPA.6724E	67"	24"	2"	43	\$702
FHPGPA.6730E	67"	30"	2"	52	\$751
FHPGPA.6736E	67"	36"	2"	57	\$872
FHPGPA.6742E	67"	42"	2"	64	\$906
FHPGPA.6748E	67"	48"	2"	74	\$979

85" HIGH

PART #	HEIGHT	WIDTH	DEPTH	WT. (LBS)	LIST
FHPGPA.8524E	85"	24"	2"	50	\$774
FHPGPA.8530E	85"	30"	2"	58	\$826
FHPGPA.8536E	85"	36"	2"	67	\$959
FHPGPA.8542E	85"	42"	2"	75	\$997
FHPGPA.8548E	85"	48"	2"	85	\$1,073

SEGMENTED PANELS

Specification Guide: Design 1 & 2 Segmented Panel Kit

Both Design 1 and Design 2 panels require a **segmented panel kit**, the structure on which segments are added. Available electrical or non-electrical in these heights: 39", 47", 53", 67" and 85".

NON-ELECTRICAL

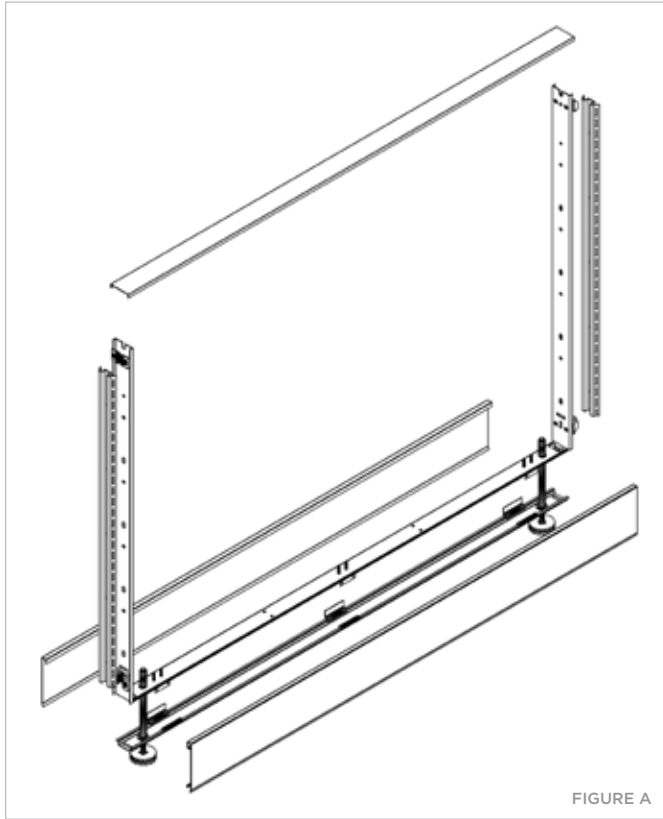


FIGURE A

ELECTRICAL

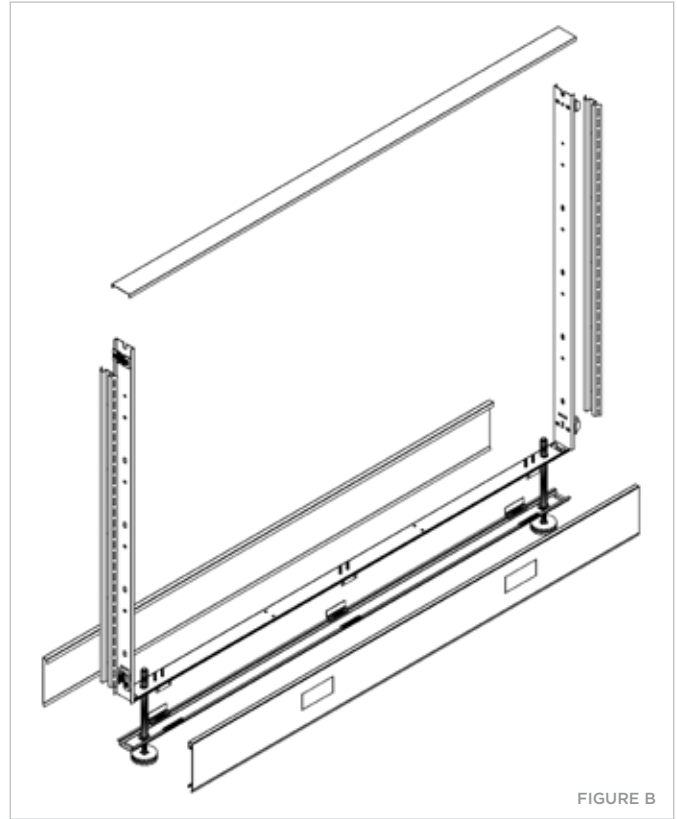


FIGURE B

NON-ELECTRICAL KIT INCLUDES

- Top cap
- Base kit
- Base covers
- Side rails
- Hanger rails

ELECTRICAL KIT INCLUDES

- Top cap
- Base kit
- Base covers
- Side rails
- Hanger rails
- Power retro
- Panel-to-panel festoon

NOTES

Panel through post festoon and 90° angle festoon must be ordered separately.

24" wide panel kits have one duplex cutout per side.
30" to 48" panel kits have two duplex cutouts per side.

Specification Guide: Design 1 & 2 Segments

Both Design 1 and Design 2 panels require a **base segment**, at the bottom of the panel kit, and **additional segments** to complete the panel. All segments finish both sides of the panel.

BASE SEGMENTS

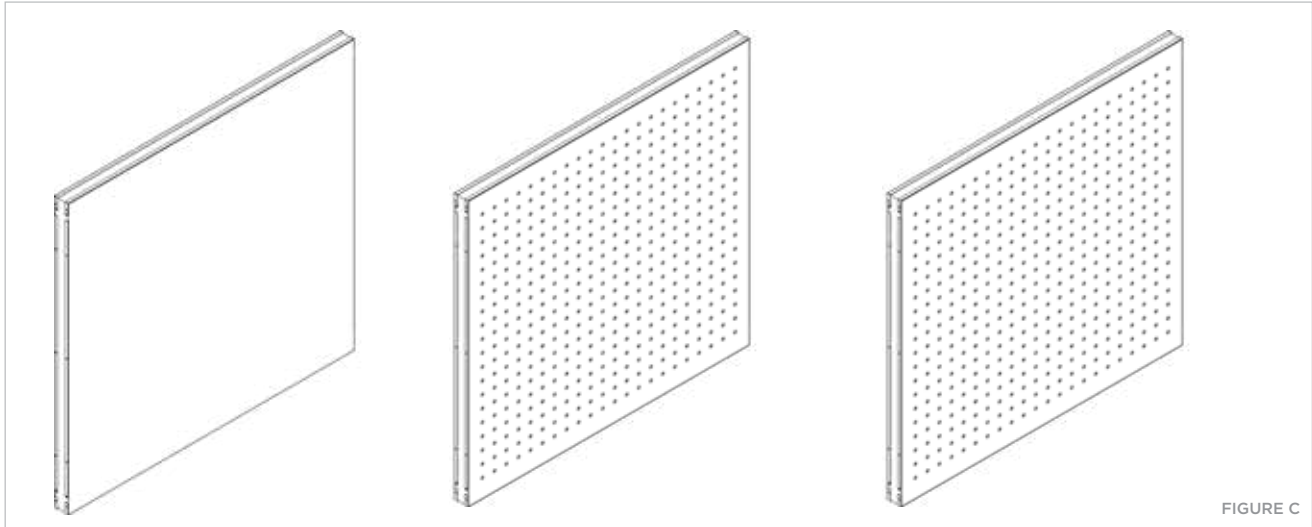


FIGURE C

Fabric/Fabric

Fabric on both sides.
Available for Design 1 or 2.

Perforated Metal/Fabric

Painted perforated metal on one side and fabric on other side.
Available for Design 1 only.

Perforated Metal/Perforated Metal

Painted perforated metal on both sides.
Available for Design 1 only.

ADDITIONAL SEGMENTS

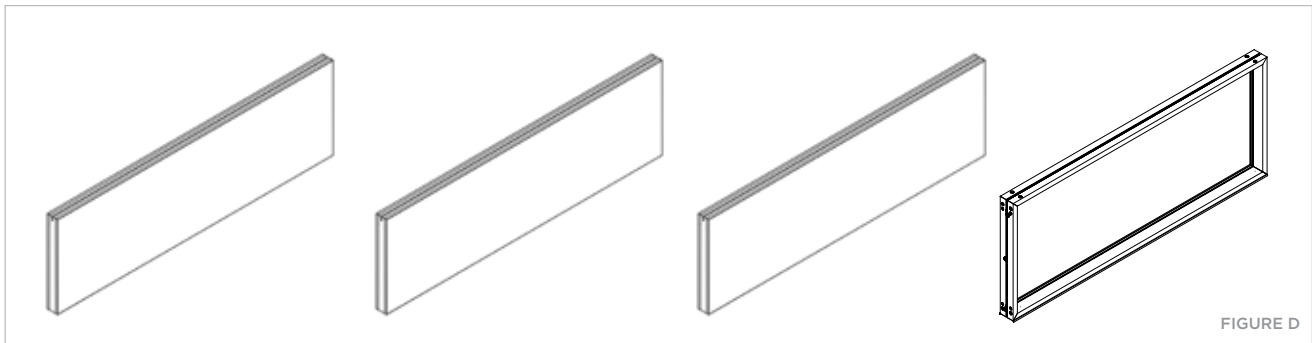


FIGURE D

Fabric/Fabric

Fabric on both sides.
Available for Design 1 or 2.

Markerboard/Fabric

Markerboard on one side, and fabric on other side.
Available for Design 1 or 2.

Markerboard/Markerboard

Markerboard both sides.
Available for Design 1 or 2.

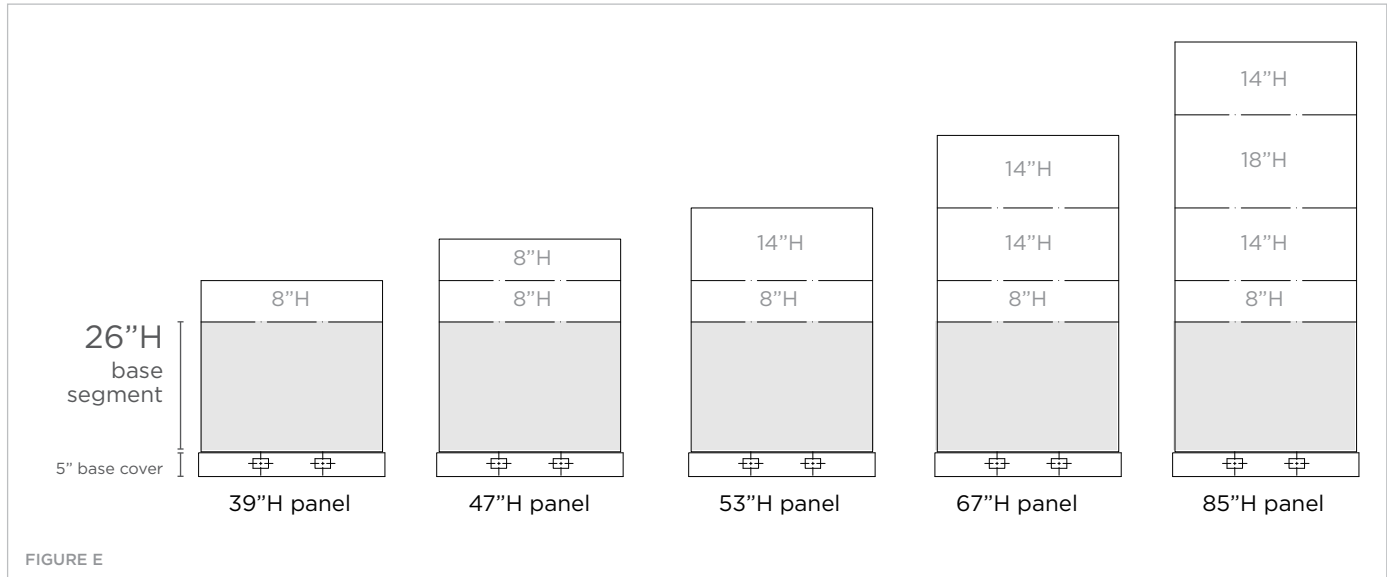
Glazed

Glass both sides, available clear or frosted.
Available for Design 1 or 2.

Specification Guide: Design 1 Segmented Panels

Design 1 panels have **26”H base segments**, allowing for an additional segment per panel compared to Design 2.

DESIGN 1 ELEVATIONS



DESIGN 1 BASE SEGMENT FINISH OPTIONS

Base segments for Design 1 panels are 26”H fabric/fabric, perforated metal/fabric or perforated metal/perforated metal.

26” high base segments

- fabric/fabric
- perforated metal/fabric
- perforated metal/perforated metal

DESIGN 1 ADDITIONAL SEGMENTS

Please refer to the diagram above (Figure E) for segment size combinations per panel height. Additional segments are available in the finishes and sizes below:

8” high	14” high	18” high
fabric/fabric	fabric/fabric	fabric/fabric
	markerboard/fabric	
	markerboard/markerboard	
	glazed	

HOW TO SPECIFY A DESIGN 1 PANEL

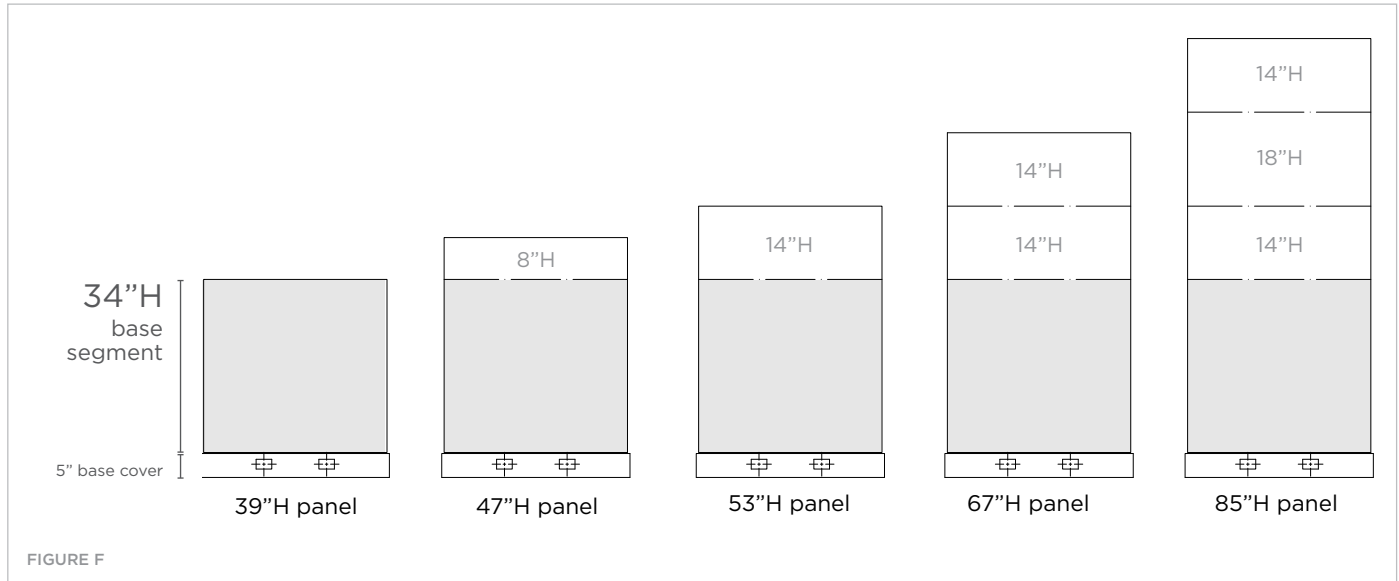
- 1 Order a Design 1 Segmented Panel Kit.**
Choose an electrical or non-electrical kit, then choose the panel size.

Note: All segments finish both sides of the panel. Specify the finish for each side.
- 2 Order a Design 1 Base Segment.**
Choose fabric/fabric, perforated metal/fabric, or perforated metal/perforated metal.
- 3 Order additional segments.**
Choose segments to complete the panel at the correct size per the diagram above (Figure E).

Specification Guide: Design 2 Segmented Panels

Design 2 panels have **34”H base segments**, with one less additional segment per panel compared to Design 1.

DESIGN 2 ELEVATIONS



DESIGN 2 BASE SEGMENT FINISH OPTION

Base segments for Design 2 panels are 34”H fabric covered.

34” high base segments

fabric/fabric

DESIGN 2 ADDITIONAL SEGMENTS

Please refer to the diagram above (Figure F) for segment size combinations per panel height. Additional segments are available in the finishes and sizes below:

8” high	14” high	18” high
fabric/fabric	fabric/fabric	fabric/fabric
	markerboard/fabric	
	markerboard/markerboard	
	glazed	

HOW TO SPECIFY A DESIGN 2 PANEL

- 1 Order a Design 2 Segmented Panel Kit.** Choose an electrical or non-electrical kit, then choose the panel size.

Note: All segments finish both sides of the panel. Specify the finish for each side.

- 2 Order a Design 2 Base Segment.**

All Design 2 base segments are fabric/fabric.

- 3 Order additional segments.**

Choose segments to complete the panel at the correct size per the diagram above (Figure F).

Design 1 Segmented Panel

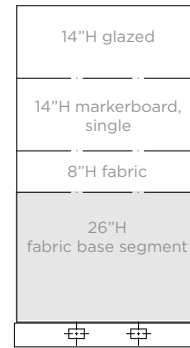
How to Order & Specify

- 1 Select a panel kit size.** Price is for a plastic base cover; add \$29 to price for a metal base cover.
- 2 Select a base segment.** Add price of one base segment to panel kit price.
- 3 Select additional segments.** Complete the panel with segments (reference diagram on page 16). Add prices to the total.

NOTE: All segments finish both sides of the panel. Specify the finish for each side.
- 4 Calculate total.** Add prices of all selections for total cost of panel.
- 5 Specify finishes.** Select fabrics and finishes as appropriate; reference opposite page.

Order Example

- 1 Select a panel kit size.**
67"H x 24"W non-electrical panel kit for \$184.
Add \$29 for metal base cover.
- 2 Select a base segment.**
26"H fabric covered base segment for \$100.
- 3 Select additional segments.**
8"H fabric/fabric segment for \$62
14"H markerboard/fabric segment for \$175
14"H glazed segment for \$274
- 4 Calculate total.**
panel kit (\$184 kit + \$29 metal base)
+ \$100 base segment
+ additional segments (\$62 + \$175 + \$274)
= \$824 total
- 5 Specify finishes.**
base segment: side 1 PF601-1, side 2 PF601-1
8"H fabric/fabric: side 1 PF601-5, side 2 PF601-6
14"H markerboard/fabric: side 1 markerboard, side 2 PF601-1
14"H glazed: side 1 TR clear, side 2 TR clear



67"H x 24"W non-electrical panel kit with metal base cover

NON-ELECTRICAL

(1) PANEL KIT Specify size of panel frame				(2) BASE SEGMENT Specify one base segment			(3) ADDITIONAL SEGMENT Specify as many segments as needed to complete panel					
HEIGHT	WIDTH	MODEL #	LIST	26"H FABRIC, FABRIC	26"H PERF. METAL, FABRIC	26"H PERF. METAL, PERF. METAL	8"H FABRIC, FABRIC	14"H FABRIC, FABRIC	14"H MARKER, FABRIC	14"H MARKER, MARKER	14"H GLAZED	18"H FABRIC, FABRIC
39"	24"	FHPK.3924N-D1	\$143	+\$100	+\$133	+\$168	+\$62	X	X	X	X	X
	30"	FHPK.3930N-D1	\$158	+\$119	+\$161	+\$206	+\$71	X	X	X	X	X
	36"	FHPK.3936N-D1	\$170	+\$161	+\$181	+\$245	+\$73	X	X	X	X	X
	42"	FHPK.3942N-D1	\$187	+\$178	+\$209	+\$281	+\$81	X	X	X	X	X
	48"	FHPK.3948N-D1	\$200	+\$178	+\$242	+\$317	+\$93	X	X	X	X	X
47"	24"	FHPK.4724N-D1	\$154	+\$100	+\$133	+\$168	+\$62	X	X	X	X	X
	30"	FHPK.4730N-D1	\$169	+\$119	+\$161	+\$206	+\$71	X	X	X	X	X
	36"	FHPK.4736N-D1	\$182	+\$161	+\$181	+\$245	+\$73	X	X	X	X	X
	42"	FHPK.4742N-D1	\$198	+\$178	+\$209	+\$281	+\$81	X	X	X	X	X
	48"	FHPK.4748N-D1	\$211	+\$178	+\$242	+\$317	+\$93	X	X	X	X	X
53"	24"	FHPK.5324N-D1	\$164	+\$100	+\$133	+\$168	+\$62	+\$75	+\$175	+\$153	+\$274	X
	30"	FHPK.5330N-D1	\$180	+\$119	+\$161	+\$206	+\$71	+\$81	+\$202	+\$176	+\$322	X
	36"	FHPK.5336N-D1	\$192	+\$161	+\$181	+\$245	+\$73	+\$92	+\$240	+\$210	+\$371	X
	42"	FHPK.5342N-D1	\$209	+\$178	+\$209	+\$281	+\$81	+\$106	+\$253	+\$219	+\$420	X
	48"	FHPK.5348N-D1	\$221	+\$178	+\$242	+\$317	+\$93	+\$117	+\$284	+\$246	+\$468	X
67"	24"	FHPK.6724N-D1	\$184	+\$100	+\$133	+\$168	+\$62	+\$75	+\$175	+\$153	+\$274	X
	30"	FHPK.6730N-D1	\$199	+\$119	+\$161	+\$206	+\$71	+\$81	+\$202	+\$176	+\$322	X
	36"	FHPK.6736N-D1	\$211	+\$161	+\$181	+\$245	+\$73	+\$92	+\$240	+\$210	+\$371	X
	42"	FHPK.6742N-D1	\$228	+\$178	+\$209	+\$281	+\$81	+\$106	+\$253	+\$219	+\$420	X
	48"	FHPK.6748N-D1	\$241	+\$178	+\$242	+\$317	+\$93	+\$117	+\$284	+\$246	+\$468	X
85"	24"	FHPK.8524N-D1	\$212	+\$100	+\$133	+\$168	+\$62	+\$75	+\$175	+\$153	+\$274	+\$83
	30"	FHPK.8530N-D1	\$228	+\$119	+\$161	+\$206	+\$71	+\$81	+\$202	+\$176	+\$322	+\$91
	36"	FHPK.8536N-D1	\$240	+\$161	+\$181	+\$245	+\$73	+\$92	+\$240	+\$210	+\$371	+\$127
	42"	FHPK.8542N-D1	\$257	+\$178	+\$209	+\$281	+\$81	+\$106	+\$253	+\$219	+\$420	+\$136
	48"	FHPK.8548N-D1	\$269	+\$178	+\$242	+\$317	+\$93	+\$117	+\$284	+\$246	+\$468	+\$141

Fabric/Finish Specifications		Specifications Example: Design 1	
BASE SEGMENTS	ADDITIONAL SEGMENTS		
Fabric/Fabric fabric (side 1): see page 2 fabric (side 2): see page 2	Fabric/Fabric fabric (side 1): see page 2 fabric (side 2): see page 2	glass: clear	glass: clear
Perforated Metal/Fabric paint (side 1 or 2): DT, MT, or CW fabric (side 1 or 2): see page 2	Markerboard/Markerboard no specifications	markerboard: n/a	fabric: PF601-1
Perforated Metal/ Perforated Metal paint (side 1): DT, MT, or CW paint (side 2): DT, MT, or CW	Markerboard/Fabric markerboard (side 1 or 2): n/a fabric (side 1 or 2): see page 2	fabric: PF601-5	fabric: PF601-6
	Glazed glass (side 1): TR Clear or FR Frosted (XLT option) glass (side 2): TR Clear or FR Frosted (XLT option)	fabric: PF601-1	fabric: PF601-1
		SIDE 1	SIDE 2

ELECTRICAL

(1) PANEL KIT Specify size of panel frame				(2) BASE SEGMENT Specify one base segment			(3) ADDITIONAL SEGMENT Specify as many segments as needed to complete panel					
HEIGHT	WIDTH	MODEL #	LIST	26"H FABRIC, FABRIC	26"H PERF. METAL, FABRIC	26"H PERF. METAL, PERF. METAL	8"H FABRIC, FABRIC	14"H FABRIC, FABRIC	14"H MARKER, FABRIC	14"H MARKER, MARKER	14"H GLAZED	18"H FABRIC, FABRIC
39"	24"	FHPK.3924E-D1	\$289	+ \$100	+ \$133	+ \$168	+ \$62	X	X	X	X	X
	30"	FHPK.3930E-D1	\$330	+ \$119	+ \$161	+ \$206	+ \$71	X	X	X	X	X
	36"	FHPK.3936E-D1	\$359	+ \$161	+ \$181	+ \$245	+ \$73	X	X	X	X	X
	42"	FHPK.3942E-D1	\$399	+ \$178	+ \$209	+ \$281	+ \$81	X	X	X	X	X
	48"	FHPK.3948E-D1	\$434	+ \$178	+ \$242	+ \$317	+ \$93	X	X	X	X	X
47"	24"	FHPK.4724E-D1	\$301	+ \$100	+ \$133	+ \$168	+ \$62	X	X	X	X	X
	30"	FHPK.4730E-D1	\$341	+ \$119	+ \$161	+ \$206	+ \$71	X	X	X	X	X
	36"	FHPK.4736E-D1	\$371	+ \$161	+ \$181	+ \$245	+ \$73	X	X	X	X	X
	42"	FHPK.4742E-D1	\$410	+ \$178	+ \$209	+ \$281	+ \$81	X	X	X	X	X
	48"	FHPK.4748E-D1	\$445	+ \$178	+ \$242	+ \$317	+ \$93	X	X	X	X	X
53"	24"	FHPK.5324E-D1	\$312	+ \$100	+ \$133	+ \$168	+ \$62	+ \$75	+ \$175	+ \$153	+ \$274	X
	30"	FHPK.5330E-D1	\$352	+ \$119	+ \$161	+ \$206	+ \$71	+ \$81	+ \$202	+ \$176	+ \$322	X
	36"	FHPK.5336E-D1	\$382	+ \$161	+ \$181	+ \$245	+ \$73	+ \$92	+ \$240	+ \$210	+ \$371	X
	42"	FHPK.5342E-D1	\$421	+ \$178	+ \$209	+ \$281	+ \$81	+ \$106	+ \$253	+ \$219	+ \$420	X
	48"	FHPK.5348E-D1	\$456	+ \$178	+ \$242	+ \$317	+ \$93	+ \$117	+ \$284	+ \$246	+ \$468	X
67"	24"	FHPK.6724E-D1	\$332	+ \$100	+ \$133	+ \$168	+ \$62	+ \$75	+ \$175	+ \$153	+ \$274	X
	30"	FHPK.6730E-D1	\$372	+ \$119	+ \$161	+ \$206	+ \$71	+ \$81	+ \$202	+ \$176	+ \$322	X
	36"	FHPK.6736E-D1	\$401	+ \$161	+ \$181	+ \$245	+ \$73	+ \$92	+ \$240	+ \$210	+ \$371	X
	42"	FHPK.6742E-D1	\$441	+ \$178	+ \$209	+ \$281	+ \$81	+ \$106	+ \$253	+ \$219	+ \$420	X
	48"	FHPK.6748E-D1	\$476	+ \$178	+ \$242	+ \$317	+ \$93	+ \$117	+ \$284	+ \$246	+ \$468	X
85"	24"	FHPK.8524E-D1	\$352	+ \$100	+ \$133	+ \$168	+ \$62	+ \$75	+ \$175	+ \$153	+ \$274	+ \$83
	30"	FHPK.8530E-D1	\$392	+ \$119	+ \$161	+ \$206	+ \$71	+ \$81	+ \$202	+ \$176	+ \$322	+ \$91
	36"	FHPK.8536E-D1	\$421	+ \$161	+ \$181	+ \$245	+ \$73	+ \$92	+ \$240	+ \$210	+ \$371	+ \$127
	42"	FHPK.8542E-D1	\$459	+ \$178	+ \$209	+ \$281	+ \$81	+ \$106	+ \$253	+ \$219	+ \$420	+ \$136
	48"	FHPK.8548E-D1	\$494	+ \$178	+ \$242	+ \$317	+ \$93	+ \$117	+ \$284	+ \$246	+ \$468	+ \$141

Design 2 Segmented Panel

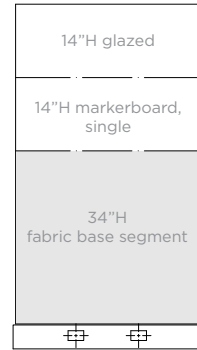
How to Order & Specify

- 1 Select a panel kit size.** Price is for a plastic base cover; add \$29 to price for a metal base cover.
- 2 Add a base segment.** Add price of the base segment to panel kit price.
- 3 Select additional segments.** Complete the panel with segments (reference diagram on page 17). Add prices to the total.

NOTE: All segments finish both sides of the panel. Specify the finish for each side.
- 4 Calculate total.** Add prices of all selections for total cost of panel.
- 5 Specify finishes.** Select fabrics and finishes as appropriate; reference opposite page.

Order Example



- 1 Select a panel kit size.**
67"H x 24"W non-electrical panel kit for \$184.
Add \$29 for metal base cover.
- 2 Add a base segment.**
34"H fabric covered base segment for \$159.
- 3 Select additional segments.**
14"H markerboard/fabric segment for \$175
14"H glazed segment for \$274
- 4 Calculate total.**
panel kit (\$184 kit + \$29 metal base)
+ \$159 base segment
+ additional segments (\$175 + \$274)
= \$821 total
- 5 Specify finishes.**
base segment: side 1 PF601-1, side 2 PF601-1
14"H markerboard/fabric: side 1 markerboard, side 2 PF601-1
14"H glazed: side 1 TR clear, side 2 TR clear



67"H x 24"W non-electrical panel kit with metal base cover

NON-ELECTRICAL

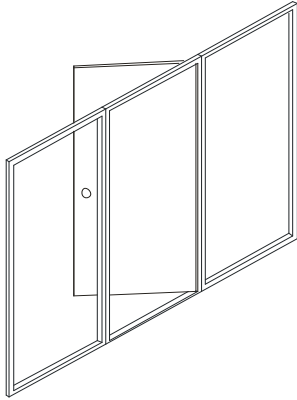
(1) PANEL KIT Specify size of panel frame				(2) BASE SEGMENT Add base segment	(3) ADDITIONAL SEGMENT Specify as many segments as needed to complete panel					
HEIGHT	WIDTH	MODEL #	LIST	34"H FABRIC, FABRIC	8"H FABRIC, FABRIC	14"H FABRIC, FABRIC	14"H MARKER, FABRIC	14"H MARKER, MARKER	14"H GLAZED	18"H FABRIC, FABRIC
39"	24"	FHPK.3924N-D2	\$143	+ \$159	X	X	X	X	X	X
	30"	FHPK.3930N-D2	\$158	+ \$187	X	X	X	X	X	X
	36"	FHPK.3936N-D2	\$170	+ \$229	X	X	X	X	X	X
	42"	FHPK.3942N-D2	\$187	+ \$252	X	X	X	X	X	X
	48"	FHPK.3948N-D2	\$200	+ \$267	X	X	X	X	X	X
47"	24"	FHPK.4724N-D2	\$154	+ \$159	+ \$62	X	X	X	X	X
	30"	FHPK.4730N-D2	\$169	+ \$187	+ \$71	X	X	X	X	X
	36"	FHPK.4736N-D2	\$182	+ \$229	+ \$73	X	X	X	X	X
	42"	FHPK.4742N-D2	\$198	+ \$252	+ \$81	X	X	X	X	X
	48"	FHPK.4748N-D2	\$211	+ \$267	+ \$93	X	X	X	X	X
53"	24"	FHPK.5324N-D2	\$164	+ \$159	X	+ \$75	+ \$175	+ \$153	+ \$274	X
	30"	FHPK.5330N-D2	\$180	+ \$187	X	+ \$81	+ \$202	+ \$176	+ \$322	X
	36"	FHPK.5336N-D2	\$192	+ \$229	X	+ \$92	+ \$240	+ \$210	+ \$371	X
	42"	FHPK.5342N-D2	\$209	+ \$252	X	+ \$106	+ \$253	+ \$219	+ \$420	X
	48"	FHPK.5348N-D2	\$221	+ \$267	X	+ \$117	+ \$284	+ \$246	+ \$468	X
67"	24"	FHPK.6724N-D2	\$184	+ \$159	X	+ \$75	+ \$175	+ \$153	+ \$274	X
	30"	FHPK.6730N-D2	\$199	+ \$187	X	+ \$81	+ \$202	+ \$176	+ \$322	X
	36"	FHPK.6736N-D2	\$211	+ \$229	X	+ \$92	+ \$240	+ \$210	+ \$371	X
	42"	FHPK.6742N-D2	\$228	+ \$252	X	+ \$106	+ \$253	+ \$219	+ \$420	X
	48"	FHPK.6748N-D2	\$241	+ \$267	X	+ \$117	+ \$284	+ \$246	+ \$468	X
85"	24"	FHPK.8524N-D2	\$212	+ \$159	X	+ \$75	+ \$175	+ \$153	+ \$274	+ \$83
	30"	FHPK.8530N-D2	\$228	+ \$187	X	+ \$81	+ \$202	+ \$176	+ \$322	+ \$91
	36"	FHPK.8536N-D2	\$240	+ \$229	X	+ \$92	+ \$240	+ \$210	+ \$371	+ \$127
	42"	FHPK.8542N-D2	\$257	+ \$252	X	+ \$106	+ \$253	+ \$219	+ \$420	+ \$136
	48"	FHPK.8548N-D2	\$269	+ \$267	X	+ \$117	+ \$284	+ \$246	+ \$468	+ \$141

Fabric/Finish Specifications		Specifications Example: Design 2	
BASE SEGMENT	ADDITIONAL SEGMENTS		
Fabric/Fabric fabric (side 1): see page 2 fabric (side 2): see page 2	Fabric/Fabric fabric (side 1): see page 2 fabric (side 2): see page 2		
	Markerboard/Markerboard no specifications		
	Markerboard/Fabric markerboard (side 1 or 2): n/a fabric (side 1 or 2): see page 2		
	Glazed glass (side 1): TR Clear or FR Frosted (XLT option) glass (side 2): TR Clear or FR Frosted (XLT option)		

ELECTRICAL

(1) PANEL KIT Specify size of panel frame				(2) BASE SEGMENT Add base segment	(3) ADDITIONAL SEGMENT Specify as many segments as needed to complete panel					
HEIGHT	WIDTH	MODEL #	LIST	34"H FABRIC, FABRIC	8"H FABRIC, FABRIC	14"H FABRIC, FABRIC	14"H MARKER, FABRIC	14"H MARKER, MARKER	14"H GLAZED	18"H FABRIC, FABRIC
39"	24"	FHPK.3924E-D2	\$289	+ \$159	X	X	X	X	X	X
	30"	FHPK.3930E-D2	\$330	+ \$187	X	X	X	X	X	X
	36"	FHPK.3936E-D2	\$359	+ \$229	X	X	X	X	X	X
	42"	FHPK.3942E-D2	\$399	+ \$252	X	X	X	X	X	X
	48"	FHPK.3948E-D2	\$434	+ \$267	X	X	X	X	X	X
47"	24"	FHPK.4724E-D2	\$301	+ \$159	+ \$62	X	X	X	X	X
	30"	FHPK.4730E-D2	\$341	+ \$187	+ \$71	X	X	X	X	X
	36"	FHPK.4736E-D2	\$371	+ \$229	+ \$73	X	X	X	X	X
	42"	FHPK.4742E-D2	\$410	+ \$252	+ \$81	X	X	X	X	X
	48"	FHPK.4748E-D2	\$445	+ \$267	+ \$93	X	X	X	X	X
53"	24"	FHPK.5324E-D2	\$312	+ \$159	X	+ \$75	+ \$175	+ \$153	+ \$274	X
	30"	FHPK.5330E-D2	\$352	+ \$187	X	+ \$81	+ \$202	+ \$176	+ \$322	X
	36"	FHPK.5336E-D2	\$382	+ \$229	X	+ \$92	+ \$240	+ \$210	+ \$371	X
	42"	FHPK.5342E-D2	\$421	+ \$252	X	+ \$106	+ \$253	+ \$219	+ \$420	X
	48"	FHPK.5348E-D2	\$456	+ \$267	X	+ \$117	+ \$284	+ \$246	+ \$468	X
67"	24"	FHPK.6724E-D2	\$332	+ \$159	X	+ \$75	+ \$175	+ \$153	+ \$274	X
	30"	FHPK.6730E-D2	\$372	+ \$187	X	+ \$81	+ \$202	+ \$176	+ \$322	X
	36"	FHPK.6736E-D2	\$401	+ \$229	X	+ \$92	+ \$240	+ \$210	+ \$371	X
	42"	FHPK.6742E-D2	\$441	+ \$252	X	+ \$106	+ \$253	+ \$219	+ \$420	X
	48"	FHPK.6748E-D2	\$476	+ \$267	X	+ \$117	+ \$284	+ \$246	+ \$468	X
85"	24"	FHPK.8524E-D2	\$352	+ \$159	X	+ \$75	+ \$175	+ \$153	+ \$274	+ \$83
	30"	FHPK.8530E-D2	\$392	+ \$187	X	+ \$81	+ \$202	+ \$176	+ \$322	+ \$91
	36"	FHPK.8536E-D2	\$421	+ \$229	X	+ \$92	+ \$240	+ \$210	+ \$371	+ \$127
	42"	FHPK.8542E-D2	\$459	+ \$252	X	+ \$106	+ \$253	+ \$219	+ \$420	+ \$136
	48"	FHPK.8548E-D2	\$494	+ \$267	X	+ \$117	+ \$284	+ \$246	+ \$468	+ \$141

Door Frames



DESCRIPTION

This door frame connects to an adjacent 85"H Frame. It comes with an 82-1/2"H door, a standard top cap, door knob, door stop, carpet grippers and hinges. Door Frame cannot be powered. Hinges and door knob have a satin aluminum finish standard

NOTES

- Specify L for left hand swing, and R for right hand swing.

SPECIFICATION OPTIONS

product #: see charts below

base and top cap finish: DT Dark Tone, MT Medium Tone, CW Cloud White

door finish: DT Dark Tone, MT Medium Tone, CW Cloud White

ORDER EXAMPLE

product #: FHDOPA.8536L

base and top cap finish: DT Dark Tone, MT Medium Tone, CW Cloud White

door finish: DT Dark Tone, MT Medium Tone, CW Cloud White

PART #	HEIGHT	WIDTH	DEPTH	WT. (LBS)	LIST
FHDOPA.8536L	85-3/4"	36"	2-9/16"	—	\$3,642
FHDOPA.8536R	85-3/4"	36"	2-9/16"	—	\$3,642
FHDOPA.8542L	85-3/4"	42"	2-9/16"	—	\$3,642
FHDOPA.8542R	85-3/4"	42"	2-9/16"	—	\$3,642

Draw Rod



DESCRIPTION

Panel hardware to connect two panels in a straight line.

SPECIFICATION OPTIONS

product #: see charts below

NOTES

- When connecting panels of different heights to each other, order draw rod change of height
- Draw rods are 5" shorter than the panel height

ORDER EXAMPLE

product #: FDR.34

DRAW ROD SAME HEIGHT



PART #	HEIGHT	WIDTH	DEPTH	WT. (LBS)	LIST
FDRSH.34	34"	—	—	1	\$20
FDRSH.42	42"	—	—	1	\$20
FDRSH.48	48"	—	—	1	\$21
FDRSH.62	62"	—	—	1	\$21
FDRSH.80	80"	—	—	2	\$21

NOTES

Rod and block assembly connects two panels of the same height

DRAW ROD CHANGE OF HEIGHT



PART #	HEIGHT	WIDTH	DEPTH	WT. (LBS)	LIST
FDRCH.34	34"	—	—	2	\$32
FDRCH.42	42"	—	—	2	\$32
FDRCH.48	48"	—	—	2	\$37
FDRCH.62	62"	—	—	2	\$37
FDRCH.80	80"	—	—	4	\$37

NOTES

Rod and block assembly connects two panels at 180° (straight line) when the panels are of different height.

Order the height of the shorter panel.

Includes hanger rail and draw rod to match the height of the shorter panel.

DRAW ROD WALL START/ POWER POLE

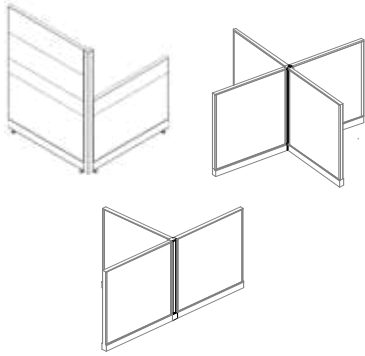


PART #	HEIGHT	WIDTH	DEPTH	WT. (LBS)	LIST
FDR.34	34"	—	—	1	\$20
FDR.42	42"	—	—	1	\$20
FDR.48	48"	—	—	1	\$21
FDR.62	62"	—	—	1	\$21
FDR.80	80"	—	—	2	\$21

NOTES

Rod and block assembly for use at wall start or power pole installed at end of run.

Connectors



DESCRIPTION

Panel hardware to connect 2, 3 or 4 panels.

SPECIFICATION OPTIONS

product #: see charts below

finish: DT Dark Tone, MT Medium Tone, CW Cloud White

NOTES

- Includes connector top cap

ORDER EXAMPLE

product #: FH2W.39

finish: DT

2-WAY 90° CONNECTOR POST HARD SURFACE

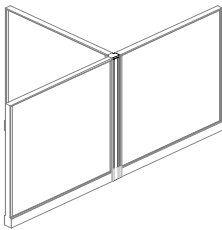


PART #	HEIGHT	WIDTH	DEPTH	WT. (LBS)	LIST
FH2W.39	39"	3.5"	3.5"	4	\$117
FH2W.47	47"	3.5"	3.5"	5	\$131
FH2W.53	53"	3.5"	3.5"	6	\$138
FH2W.67	67"	3.5"	3.5"	7	\$151
FH2W.85	85"	3.5"	3.5"	8	\$167

NOTES

Connects 2 panels at 90°.

3-WAY 90° CONNECTOR POST HARD SURFACE



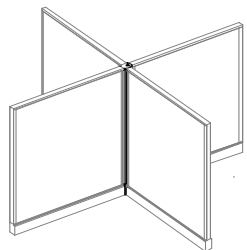
PART #	HEIGHT	WIDTH	DEPTH	WT. (LBS)	LIST
FH3W.39	39"	3.5"	3.5"	5	\$134
FH3W.47	47"	3.5"	3.5"	6	\$154
FH3W.53	53"	3.5"	3.5"	7	\$168
FH3W.67	67"	3.5"	3.5"	8	\$200
FH3W.85	85"	3.5"	3.5"	9	\$224

NOTES

Connects 3 panels at 90°.

Includes cable management trim cover and top cap

4-WAY 90° CONNECTOR POST HARD SURFACE



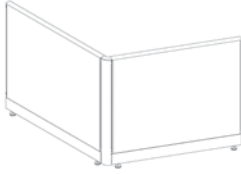
PART #	HEIGHT	WIDTH	DEPTH	WT. (LBS)	LIST
FH4W.39	39"	3.5"	3.5"	6	\$136
FH4W.47	47"	3.5"	3.5"	7	\$166
FH4W.53	53"	3.5"	3.5"	8	\$175
FH4W.67	67"	3.5"	3.5"	10	\$234
FH4W.85	85"	3.5"	3.5"	10	\$285

NOTES

Connects 4 panels at 90°.

Includes top cap

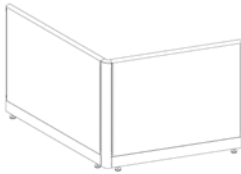
2-WAY 120° CONNECTOR POST HARD SURFACE



PART #	HEIGHT	WIDTH	DEPTH	WT. (LBS)	LIST
FH2W120.39	39"	3.5	—	—	\$199
FH2W120.47	47"	3.5	—	—	\$222
FH2W120.53	53"	3.5	—	—	\$239
FH2W120.67	67"	3.5	—	—	\$279
FH2W120.85	85"	3.5	—	—	\$327

NOTES
Connects 2 panels at 120°.

2-WAY 135° CONNECTOR POST HARD SURFACE



PART #	HEIGHT	WIDTH	DEPTH	WT. (LBS)	LIST
FH2W135.39	39"	3.5	—	—	\$195
FH2W135.47	47"	3.5	—	—	\$215
FH2W135.53	53"	3.5	—	—	\$231
FH2W135.67	67"	3.5	—	—	\$266
FH2W135.85	85"	3.5	—	—	\$308

NOTES
Connects 2 panels at 135°.

3-WAY 120° CONNECTOR POST HARD SURFACE



PART #	HEIGHT	WIDTH	DEPTH	WT. (LBS)	LIST
FH3W120.39	39"	3.5	—	—	\$195
FH3W120.47	47"	3.5	—	—	\$215
FH3W120.53	53"	3.5	—	—	\$231
FH3W120.67	67"	3.5	—	—	\$266
FH3W120.85	85"	3.5	—	—	\$308

NOTES
Connects 3 panels at 120°.

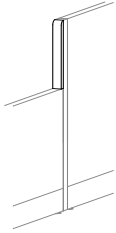
FINISHED END



PART #	HEIGHT	WIDTH	DEPTH	WT. (LBS)	LIST
FHFE.39	39"	3.5"	1"	2	\$53
FHFE.47	47"	3.5"	1"	2	\$60
FHFE.53	53"	3.5"	1"	2	\$63
FHFE.67	67"	3.5"	1"	2	\$71
FHFE.85	85"	3.5"	1"	3	\$79

NOTES
Finishes the vertical end of a panel at the end of a panel run.
Includes the cable management trim cover.

Connectors / continued

FINISHED END,
CHANGE OF HEIGHT

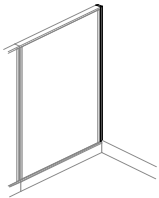
PART #	HEIGHT	WIDTH	DEPTH	WT. (LBS)	LIST
FHFECH.6	6"	1.75"	.25"	1	\$63
FHFECH.8	8"	1.75"	.25"	1	\$63
FHFECH.14	14"	1.75"	.25"	1	\$63
FHFECH.18	18"	1.75"	.25"	2	\$63
FHFECH.20	20"	1.75"	.25"	2	\$63
FHFECH.28	28"	1.75"	.25"	3	\$63
FHFECH.32	32"	1.75"	.25"	3	\$63
FHFECH.38	38"	1.75"	.25"	3	\$63
FHFECH.46	46"	1.75"	.25"	3	\$63

NOTES

Finishes the exposed end of a panel or connector at a change of height location.

Includes finished end trim and mounting hardware.

WALL START



PART #	HEIGHT	WIDTH	DEPTH	WT. (LBS)	LIST
FWSTA.34	34"	1.75"	1"	2	\$43
FWSTA.42	42"	1.75"	1"	3	\$49
FWSTA.48	48"	1.75"	1"	3	\$55
FWSTA.62	62"	1.75"	1"	3	\$61
FWSTA.80	80"	1.75"	1"	4	\$68

NOTES

Connects panel to structural wall or column. Can also connect equal height panels at a 90° angle at any point along the panel width.

Order one additional draw rod of the same height.

WALL STRIP



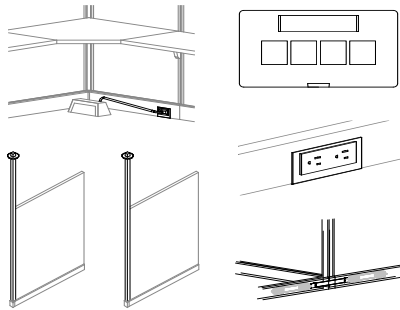
PART #	HEIGHT	WIDTH	DEPTH	WT. (LBS)	LIST
FWSST.60	60"	—	—	3	\$65
FWSST.72	72"	—	—	3	\$71
FWSST.84	84"	—	—	4	\$73

NOTES

Attaches to structural wall to hang worksurfaces and/or components.

Includes one wall strip.

Electrical Distribution



DESCRIPTION

Parts for distributing power through your system. Distributes up to four 20-amp circuits.

SPECIFICATION OPTIONS

product #: see charts below
finish: DT Dark Tone, MT Medium Tone, CW Cloud White

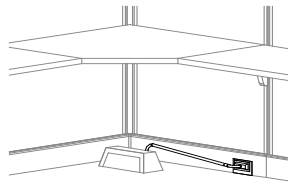
NOTES

- 4-circuit

ORDER EXAMPLE

product #: FHBPE

BASE POWER ENTRY DIRECT CONNECT, 4-CIRCUIT



PART #	HEIGHT	WIDTH	DEPTH	WT. (LBS)	LIST
FHBPE	left angle elbow	—	—	5	\$290

NOTES

Connects building power from a wall, floor or column to the base of a panel.

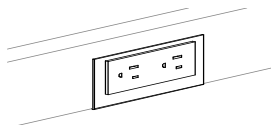
Plugs directly into the panel's electrical harness at receptacle location.

Distributes up to four 20-amp circuits.

Includes a cable that can be field-cut to the appropriate length.

MUST BE WIRED BY A LICENSED ELECTRICIAN.

RECEPTACLE 4-CIRCUIT



PART #	HEIGHT	WIDTH	DEPTH	WT. (LBS)	LIST
FHRECP4.I	circuit a			0.25	\$27
FHRECP4.II	circuit b			0.25	\$27
FHRECP4.III	circuit c			0.25	\$27
FHRECP4.IV	circuit d, dedicated			0.25	\$27

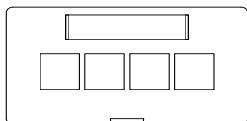
NOTES

Locks into panel base power harness.

Provides access to I, II, III, or IV circuit.

Provides dedicated circuit with "IV" receptacle.

DATA PORT PLATE



PART #	HEIGHT	WIDTH	DEPTH	WT. (LBS)	LIST
FHDPP	2.125"	3.625"	0.750"	0.10	\$39

NOTES

This Data Port plate is used at the base of a panel in unused duplex cutout to connect computers and/or communication equipment.

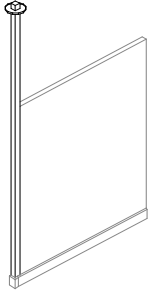
Data jacks should be top feed 90° type, not the back feed 180° type.

4 port locations and comes with 1 blank insert.

Available in CW or BU

Electrical Distribution / continued

CEILING POWER ENTRY INTERNAL DIRECT CONNECT 4-CIRCUIT



PART #	HEIGHT	WIDTH	DEPTH	WT. (LBS)	LIST
FHCPE4.39	39"	3.5"	3.5"	13	\$573
FHCPE4.47	47"	3.5"	3.5"	13	\$573
FHCPE4.53	53"	3.5"	3.5"	13	\$573
FHCPE4.67	67"	3.5"	3.5"	13	\$573
FHCPE4.85	85"	3.5"	3.5"	13	\$573

NOTES

Connects a ceiling electrical supply to the base of a powered panel. Distributes up to four 20-amp circuits. Attaches to the end of a panel run, or to a 3 or 4-way 90° connector. To attach the Power Pole at the end of a panel run, order a Draw Rod separately.

To attach at a:

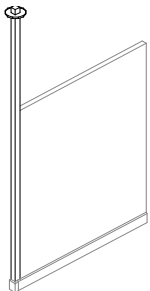
- 2-Way connection point, order a 3-Way connector
- 3-Way connection point, order a 4-Way connector

Includes a rigid conduit and conduit connector, factory installed power harness, 12' pole, bezel and end cap trim cover.

Available in MT, DT and CW only.

MUST BE WIRED BY A LICENSED ELECTRICIAN.

CEILING DATA ENTRY NON-POWERED



PART #	HEIGHT	WIDTH	DEPTH	WT. (LBS)	LIST
FHCDE.39	39"	3.5"	3.5"	8	\$258
FHCDE.47	47"	3.5"	3.5"	8	\$258
FHCDE.53	53"	3.5"	3.5"	8	\$258
FHCDE.67	67"	3.5"	3.5"	8	\$258
FHCDE.85	85"	3.5"	3.5"	8	\$258

NOTES

Routes data/telecommunication cables from the ceiling to the base of a panel. Attaches to the end of a panel run, to a 3 or 4-Way 90° connector. To attach the Power Pole at the end of a panel run, order a Draw Rod separately.

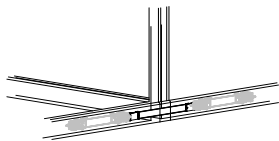
To attach at a:

- 2-Way connection point, order a 3-Way connector
- 3-Way connection point, order a 4-Way connector

Includes a 12' pole, bezel, and end cap trim cover.

Available in MT, DT and CW only.

POWER FESTOON PANEL THROUGH POST



PART #	HEIGHT	WIDTH	DEPTH	WT. (LBS)	LIST
FHC PK.1	23"	—	—	1	\$73

NOTES

Extends power in a straight line through 3-Way or 4-Way connector.

POWER FESTOON 90° ANGLE



PART #	HEIGHT	WIDTH	DEPTH	WT. (LBS)	LIST
FHC PK.90	—	—	—	1	\$73

NOTES

Extends power at a 90° angle through a 2-Way, 3-Way or 4-Way connector.

**POWER PANEL
CONVERSION KIT**

PART #	HEIGHT	WIDTH	DEPTH	WT. (LBS)	LIST
FHPPCK.24	—	24"	—	1	\$378
FHPPCK.30	—	30"	—	2	\$422
FHPPCK.36	—	36"	—	2	\$497
FHPPCK.42	—	42"	—	2	\$561
FHPPCK.48	—	48"	—	3	\$624

NOTES**Includes:**

- Power Retro
- Base Cover with power cutouts
- Panel to panel festoon

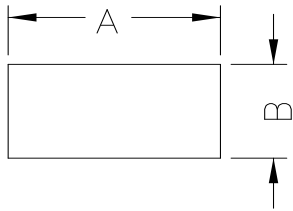
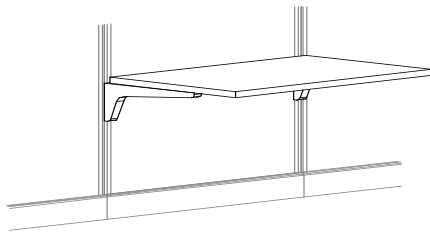
Order duplex outlets separately.

Specify base material:
plastic or metal (add \$29 to list
for metal base)
Specify base finish: DT, MT, CW

Order the Power Festoon
Through Post if you are
converting a non-electrical panel
in a straight line through a 3-Way
or 4-Way connection.

Order the Power Festoon 90°
Angle if you are converting a non-
electrical panel at a 90° angle
through a 2-Way, 3-Way or 4-Way
connection.

Rectangular Worksurface



DESCRIPTION

Worksurface hangs from a panel or wall strips. It has a laminate top and a PVC edge. There is a 1" gap at the back of the worksurface for plug and cord passage. 60" to 84" worksurfaces have a center support. Includes cantilever brackets and attachment hardware.

NOTES

When ordering a worksurface spanning a panel and a 3-Way or spacer connector, or 2 panels with a 3-way or spacer connector in between the panels, you will need to:

- add 3.5" to the length of the worksurface
- add "-3W" to the part number
- add \$80 to the list price

SPECIFICATION OPTIONS

product #: see charts below
worksurface finish: see page 3
edge finish: see page 3
support finish: DT Dark Tone, MT Medium Tone, CW Cloud White

ORDER EXAMPLE

product #: FHERWS.2424L
worksurface finish: M1 Light Maple
edge finish: Light Maple
support finish: CW Cloud White

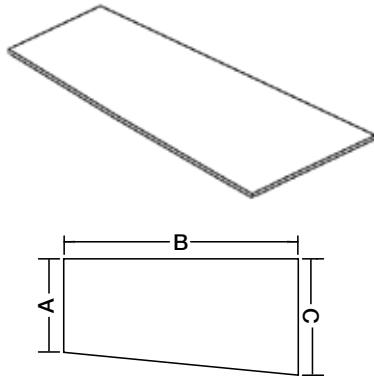
24" D WORKSURFACES

PART #	HEIGHT	A	B	C	D	WT. (LBS)	LIST
FHERWS.2424L	1.25"	24"	24"	—	—	30	\$185
FHERWS.2430L	1.25"	30"	24"	—	—	36	\$212
FHERWS.2436L	1.25"	36"	24"	—	—	41	\$219
FHERWS.2442L	1.25"	42"	24"	—	—	47	\$269
FHERWS.2448L	1.25"	48"	24"	—	—	53	\$276
FHERWS.2454L	1.25"	54"	24"	—	—	58	\$316
FHERWS.2460L	1.25"	60"	24"	—	—	64	\$343
FHERWS.2466L	1.25"	66"	24"	—	—	70	\$384
FHERWS.2472L	1.25"	72"	24"	—	—	76	\$393
FHERWS.2478L	1.25"	78"	24"	—	—	81	\$462
FHERWS.2484L	1.25"	84"	24"	—	—	87	\$466

30" D WORKSURFACES

PART #	HEIGHT	A	B	C	D	WT. (LBS)	LIST
FHERWS.3024L	1.25"	24"	30"	—	—	38	\$246
FHERWS.3030L	1.25"	30"	30"	—	—	45	\$281
FHERWS.3036L	1.25"	36"	30"	—	—	53	\$288
FHERWS.3042L	1.25"	42"	30"	—	—	60	\$346
FHERWS.3048L	1.25"	48"	30"	—	—	66	\$354
FHERWS.3054L	1.25"	54"	30"	—	—	74	\$402
FHERWS.3060L	1.25"	60"	30"	—	—	81	\$430
FHERWS.3066L	1.25"	66"	30"	—	—	88	\$480
FHERWS.3072L	1.25"	72"	30"	—	—	95	\$490
FHERWS.3078L	1.25"	78"	30"	—	—	103	\$575
FHERWS.3084L	1.25"	84"	30"	—	—	111	\$579

Wedge Worksurface



DESCRIPTION

Worksurface hangs from frames or wall strips. It has a laminate top and a PVC edge.

NOTES

- 78" and 84" worksurfaces will accept a 42" or 36"W lateral file
- 72"W worksurface will accept a 36"W lateral file
- 66"W worksurface will accept a 30"W lateral file
- Worksurfaces shorter than 48"W will not accept a pedestal
- Includes cantilever brackets, attachment hardware, and grommet(s)
- Worksurfaces 24"-48"W include 1 grommet, and worksurface 54"-84"W include 2 grommets

SPECIFICATION OPTIONS

product #: see charts below
worksurface finish: see page 3
edge finish: see page 3

ORDER EXAMPLE

product #: FHWDWS.243030
worksurface finish: M1 Light Maple
edge finish: Light Maple

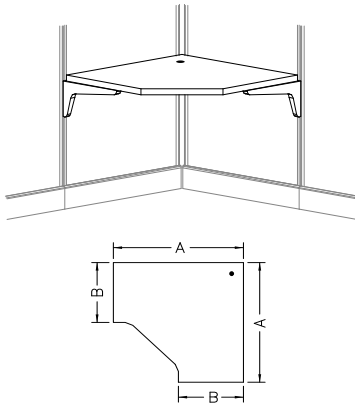
24" D WORKSURFACES

PART #	HEIGHT	A	B	C	D	WT. (LBS)	LIST
FHWDWS.243030	1.25"	24"	30"	30"	—	40	\$253
FHWDWS.243630	1.25"	24"	36"	30"	—	46	\$259
FHWDWS.244230	1.25"	24"	42"	30"	—	53	\$312
FHWDWS.244830	1.25"	24"	48"	30"	—	60	\$319
FHWDWS.245430	1.25"	24"	54"	30"	—	66	\$362
FHWDWS.246030	1.25"	24"	60"	30"	—	74	\$388
FHWDWS.246630	1.25"	24"	66"	30"	—	81	\$432
FHWDWS.247230	1.25"	24"	72"	30"	—	88	\$442
FHWDWS.247830	1.25"	24"	78"	30"	—	95	\$514
FHWDWS.248430	1.25"	24"	84"	30"	—	102	\$518

30" D WORKSURFACES

PART #	HEIGHT	A	B	C	D	WT. (LBS)	LIST
FHWDWS.303024	1.25"	30"	30"	24"	—	40	\$253
FHWDWS.303624	1.25"	30"	36"	24"	—	46	\$259
FHWDWS.304224	1.25"	30"	42"	24"	—	53	\$312
FHWDWS.304824	1.25"	30"	48"	24"	—	60	\$319
FHWDWS.305424	1.25"	30"	54"	24"	—	66	\$362
FHWDWS.306024	1.25"	30"	60"	24"	—	74	\$388
FHWDWS.306624	1.25"	30"	66"	24"	—	81	\$432
FHWDWS.307224	1.25"	30"	72"	24"	—	88	\$442
FHWDWS.307824	1.25"	30"	78"	24"	—	95	\$514
FHWDWS.308424	1.25"	30"	84"	24"	—	102	\$518

90° Notched and Curved Corner Worksurface



DESCRIPTION

Worksurface hangs from a panel or wall strips. It has a laminate top and a PVC edge. There is a 1" gap at the back of the worksurface for plug and cord passage. It has 24"D or 30"D connecting sides. Includes cantilever brackets and attachment hardware.

NOTES

- Includes one wire grommet, cantilever brackets, one corner bracket, and attachment hardware.
- *Corners are angled (not available with notched front edge)

SPECIFICATION OPTIONS

product #: see charts below
worksurface finish: see page 3
edge finish: see page 3
support finish: DT Dark Tone, MT Medium Tone, CW Cloud White

ORDER EXAMPLE

product #: FHECWS.2436L
worksurface finish: M1 Light Maple
edge finish: Light Maple
support finish: CW Cloud White

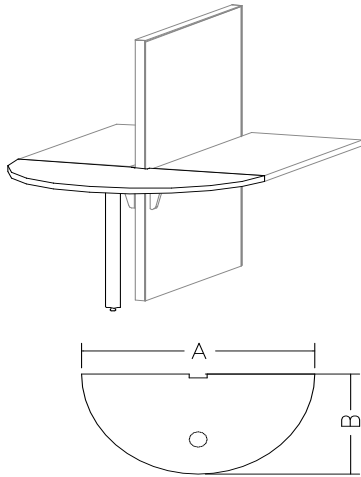
90° NOTCHED CORNER

PART #	HEIGHT	A	B	C	D	WT. (LBS)	LIST	NOTES
FHECWS.2436L	1.25"	36" *	24"	—	—	53	\$356	* Corners are angled (not available with notched front edge)
FHECWS.2442L	1.25"	42"	24"	—	—	72	\$440	
FHECWS.2448L	1.25"	48"	24"	—	—	83	\$466	
FHECWS.3036L	1.25"	36" *	30"	—	—	60	\$395	
FHECWS.3042L	1.25"	42" *	30"	—	—	74	\$479	
FHECWS.3048L	1.25"	48"	30"	—	—	85	\$504	

90° CURVED CORNER

PART #	HEIGHT	A	B	C	D	WT. (LBS)	LIST
FHECCWS.2436L	1.25"	36"	24"	—	—	54	\$356
FHECCWS.2442L	1.25"	42"	24"	—	—	68	\$440
FHECCWS.2448L	1.25"	48"	24"	—	—	72	\$466
FHECCWS.3036L	1.25"	36"	30"	—	—	60	\$395
FHECCWS.3042L	1.25"	42"	30"	—	—	76	\$479
FHECCWS.3048L	1.25"	48"	30"	—	—	78	\$504

Square Edge Half Circle Worksurface



DESCRIPTION

This Half Circle worksurface has a notch and attaches to the end of two back to back rectangular or extended corner worksurfaces, and includes one support column leg. It has a laminate top and a PVC edge.

NOTES

- Support column leg has a leveling glide and attaching hardware
- Ships knocked down
- Column leg finish matches support.

SPECIFICATION OPTIONS

product #: see charts below
worksurface finish: see page 3
edge finish: see page 3
support finish: DT Dark Tone, CW Cloud White

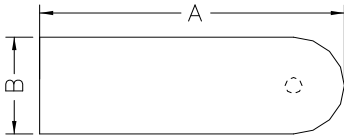
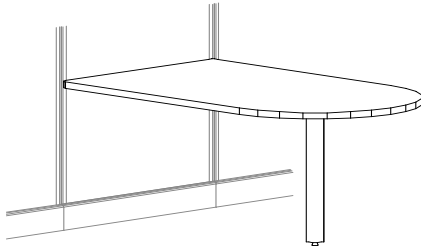
ORDER EXAMPLE

product #: FHEHCWS.50L
worksurface finish: M1 Light Maple
edge finish: Light Maple
support finish: CW Cloud White

SQUARE EDGE HALF CIRCLE

PART #	HEIGHT	A	B	C	D	WT. (LBS)	LIST
FHEHCWS.50L	29"	52"	26"	—	—	55	\$397
FHEHCWS.60L	29"	64"	32"	—	—	67	\$453

Square Edge D-Shaped Worksurface



DESCRIPTION

Worksurface hangs from a panel or wall strips. It has a laminate top and a PVC edge. There is a 1" gap at the back of the worksurface for plug and cord passage. Includes one support column leg.

NOTES

- Support column leg has a leveling glide and attaching hardware
- Ships knocked down
- Column leg finish matches support.

SPECIFICATION OPTIONS

product #: see charts below
worksurface finish: see page 3
edge finish: see page 3
support finish: DT Dark Tone, MT Medium Tone, CW Cloud White

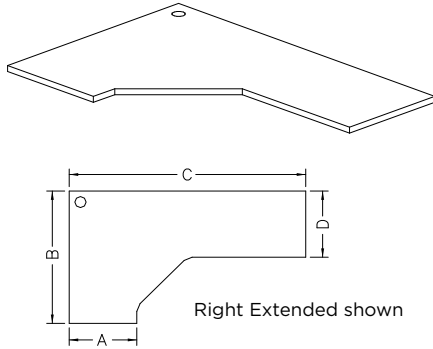
ORDER EXAMPLE

product #: FHEDSP.2448L
worksurface finish: M1 Light Maple
edge finish: Light Maple
support finish: CW Cloud White

SQUARE EDGE D-SHAPED

PART #	HEIGHT	A	B	C	D	WT. (LBS)	LIST
FHEDSP.2448L	29"	48"	24"	—	—	62	\$404
FHEDSP.3048L	29"	48"	30"	—	—	72	\$442
FHEDSP.2460L	29"	60"	24"	—	—	73	\$450
FHEDSP.3060L	29"	60"	30"	—	—	87	\$490
FHEDSP.3072L	29"	72"	30"	—	—	101	\$536
FHEDSP.3672L	29"	72"	36"	—	—	117	\$591

90° Extended Notched Corner Worksurface



DESCRIPTION

Worksurface hangs from a panel or wall strips. It has a laminate top and a PVC edge. There is a 1" gap at the back of the worksurface for plug and cord passage. 60" to 84" worksurfaces have a center support.

NOTES

- Includes one wire grommet, cantilever brackets, one corner bracket, and attachment hardware
 - Specify L for left extended, and R for right extended.
- When ordering a worksurface spanning a panel and a 3-Way or spacer connector or 2 panels with a 3-Way or spacer connector in between the panels, you will need to:
- add 3.5" to the length of the worksurface
 - add "-3W" to the part number
 - add \$80 to the list price

SPECIFICATION OPTIONS

product #: see charts below
worksurface finish: see page 3
edge finish: see page 3
support finish: DT Dark Tone, MT Medium Tone, CW Cloud White
left or right extended: L for Left, R for Right

ORDER EXAMPLE

product #: FHENCWS.24363024L
worksurface finish: M1 Light Maple
edge finish: Light Maple
support finish: CW Cloud White
left or right extended: L

24" D CONNECTING SIDE 24" D EXTENSION 36" D

PART #	HEIGHT	A	B	C	D	WT. (LBS)	LIST
FHENCWS.24366024L	1.25"	24"	36"	60"	24"	74	\$452
FHENCWS.24366024R	1.25"	24"	36"	60"	24"	74	\$452
FHENCWS.24366624L	1.25"	24"	36"	66"	24"	81	\$504
FHENCWS.24366624R	1.25"	24"	36"	66"	24"	81	\$504
FHENCWS.24367224L	1.25"	24"	36"	72"	24"	87	\$512
FHENCWS.24367224R	1.25"	24"	36"	72"	24"	87	\$512
FHENCWS.24367824L	1.25"	24"	36"	78"	24"	93	\$614
FHENCWS.24367824R	1.25"	24"	36"	78"	24"	93	\$614
FHENCWS.24368424L	1.25"	24"	36"	84"	24"	99	\$621
FHENCWS.24368424R	1.25"	24"	36"	84"	24"	99	\$621

90° Extended Notched Corner Worksurface / continued

**30" D CONNECTING SIDE
30" D EXTENSION
36" D**

PART #	HEIGHT	A	B	C	D	WT. (LBS)	LIST
FHENCWS.30366030L	1.25"	30"	36"	60"	30"	88	\$494
FHENCWS.30366030R	1.25"	30"	36"	60"	30"	88	\$494
FHENCWS.30366630L	1.25"	30"	36"	66"	30"	95	\$546
FHENCWS.30366630R	1.25"	30"	36"	66"	30"	95	\$546
FHENCWS.30367230L	1.25"	30"	36"	72"	30"	102	\$554
FHENCWS.30367230R	1.25"	30"	36"	72"	30"	102	\$554
FHENCWS.30367830L	1.25"	30"	36"	78"	30"	110	\$656
FHENCWS.30367830R	1.25"	30"	36"	78"	30"	110	\$656
FHENCWS.30368430L	1.25"	30"	36"	84"	30"	117	\$662
FHENCWS.30368430R	1.25"	30"	36"	84"	30"	117	\$662

**24" D CONNECTING SIDE
24" D EXTENSION
42" D**

PART #	HEIGHT	A	B	C	D	WT. (LBS)	LIST
FHENCWS.24426024L	1.25"	24"	42"	60"	24"	84	\$544
FHENCWS.24426024R	1.25"	24"	42"	60"	24"	84	\$544
FHENCWS.24426624L	1.25"	24"	42"	66"	24"	91	\$612
FHENCWS.24426624R	1.25"	24"	42"	66"	24"	91	\$612
FHENCWS.24427224L	1.25"	24"	42"	72"	24"	97	\$621
FHENCWS.24427224R	1.25"	24"	42"	72"	24"	97	\$621
FHENCWS.24427824L	1.25"	24"	42"	78"	24"	103	\$753
FHENCWS.24427824R	1.25"	24"	42"	78"	24"	103	\$753
FHENCWS.24428424L	1.25"	24"	42"	84"	24"	109	\$762
FHENCWS.24428424R	1.25"	24"	42"	84"	24"	109	\$762

**30" D CONNECTING SIDE
30" D EXTENSION
42" D**

PART #	HEIGHT	A	B	C	D	WT. (LBS)	LIST
FHENCWS.30426030L	1.25"	30"	42"	60"	30"	98	\$586
FHENCWS.30426030R	1.25"	30"	42"	60"	30"	98	\$586
FHENCWS.30426630L	1.25"	30"	42"	66"	30"	106	\$654
FHENCWS.30426630R	1.25"	30"	42"	66"	30"	106	\$654
FHENCWS.30427230L	1.25"	30"	42"	72"	30"	112	\$663
FHENCWS.30427230R	1.25"	30"	42"	72"	30"	112	\$663
FHENCWS.30427830L	1.25"	30"	42"	78"	30"	122	\$795
FHENCWS.30427830R	1.25"	30"	42"	78"	30"	122	\$795
FHENCWS.30428430L	1.25"	30"	42"	84"	30"	127	\$804
FHENCWS.30428430R	1.25"	30"	42"	84"	30"	127	\$804

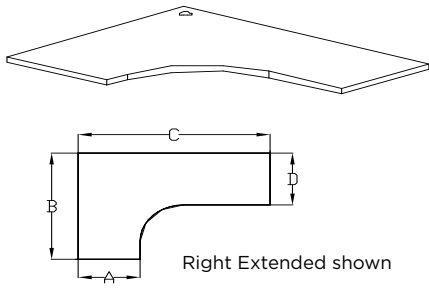
**24" D CONNECTING SIDE
24" D EXTENSION
48" D**

PART #	HEIGHT	A	B	C	D	WT. (LBS)	LIST
FHENCWS.24486024L	1.25"	24"	48"	60"	24"	93	\$552
FHENCWS.24486024R	1.25"	24"	48"	60"	24"	93	\$552
FHENCWS.24486624L	1.25"	24"	48"	66"	24"	99	\$621
FHENCWS.24486624R	1.25"	24"	48"	66"	24"	99	\$621
FHENCWS.24487224L	1.25"	24"	48"	72"	24"	104	\$635
FHENCWS.24487224R	1.25"	24"	48"	72"	24"	104	\$635
FHENCWS.24487824L	1.25"	24"	48"	78"	24"	110	\$774
FHENCWS.24487824R	1.25"	24"	48"	78"	24"	110	\$774
FHENCWS.24488424L	1.25"	24"	48"	84"	24"	116	\$778
FHENCWS.24488424R	1.25"	24"	48"	84"	24"	116	\$778

**30" D CONNECTING SIDE
30" D EXTENSION
48" D**

PART #	HEIGHT	A	B	C	D	WT. (LBS)	LIST
FHENCWS.30486030L	1.25"	30"	48"	60"	30"	108	\$595
FHENCWS.30486030R	1.25"	30"	48"	60"	30"	108	\$595
FHENCWS.30486630L	1.25"	30"	48"	66"	30"	116	\$663
FHENCWS.30486630R	1.25"	30"	48"	66"	30"	116	\$663
FHENCWS.30487230L	1.25"	30"	48"	72"	30"	123	\$678
FHENCWS.30487230R	1.25"	30"	48"	72"	30"	123	\$678
FHENCWS.30487830L	1.25"	30"	48"	78"	30"	134	\$816
FHENCWS.30487830R	1.25"	30"	48"	78"	30"	134	\$816
FHENCWS.30488430L	1.25"	30"	48"	84"	30"	146	\$820
FHENCWS.30488430R	1.25"	30"	48"	84"	30"	146	\$820

90° Extended Curved Corner Worksurface



DESCRIPTION

Worksurface hangs from a panel or wall strips. It has a laminate top and a PVC edge. There is a 1" gap at the back of the worksurface for plug and cord passage. 60" to 84" worksurfaces have a center support.

NOTES

- Includes one wire grommet, cantilever brackets, one corner bracket, and attachment hardware
 - Specify L for left extended, and R for right extended.
- When ordering a worksurface spanning a panel and a 3-Way or spacer connector or 2 panels with a 3-Way or spacer connector in between the panels, you will need to:
- add 3.5" to the length of the worksurface
 - add "-3W" to the part number
 - add \$80 to the list price

SPECIFICATION OPTIONS

product #: see charts below
worksurface finish: see page 3
edge finish: see page 3
support finish: DT Dark Tone, MT Medium Tone, CW Cloud White
left or right extended: L for Left, R for Right

ORDER EXAMPLE

product #: FHECCWWS.24366024L
worksurface finish: M1 Light Maple
edge finish: Light Maple
support finish: CW Cloud White
left or right extended: L

24" D CONNECTING SIDE 24" D EXTENSION 36" D

PART #	HEIGHT	A	B	C	D	WT. (LBS)	LIST
FHECCWS.24366024L	1.25"	24"	36"	60"	24"	76	\$452
FHECCWS.24366024R	1.25"	24"	36"	60"	24"	76	\$452
FHECCWS.24366624L	1.25"	24"	36"	66"	24"	82	\$504
FHECCWS.24366624R	1.25"	24"	36"	66"	24"	82	\$504
FHECCWS.24367224L	1.25"	24"	36"	72"	24"	88	\$512
FHECCWS.24367224R	1.25"	24"	36"	72"	24"	88	\$512
FHECCWS.24367824L	1.25"	24"	36"	78"	24"	94	\$614
FHECCWS.24367824R	1.25"	24"	36"	78"	24"	94	\$614
FHECCWS.24368424L	1.25"	24"	36"	84"	24"	100	\$620
FHECCWS.24368424R	1.25"	24"	36"	84"	24"	100	\$620

**30" D CONNECTING SIDE
30" D EXTENSION
36" D**

PART #	HEIGHT	A	B	C	D	WT. (LBS)	LIST
FHECCWS.30366030L	1.25"	30"	36"	60"	30"	87	\$494
FHECCWS.30366030R	1.25"	30"	36"	60"	30"	87	\$494
FHECCWS.30366630L	1.25"	30"	36"	66"	30"	95	\$546
FHECCWS.30366630R	1.25"	30"	36"	66"	30"	95	\$546
FHECCWS.30367230L	1.25"	30"	36"	72"	30"	102	\$554
FHECCWS.30367230R	1.25"	30"	36"	72"	30"	102	\$554
FHECCWS.30367830L	1.25"	30"	36"	78"	30"	110	\$656
FHECCWS.30367830R	1.25"	30"	36"	78"	30"	110	\$656
FHECCWS.30368430L	1.25"	30"	36"	84"	30"	117	\$662
FHECCWS.30368430R	1.25"	30"	36"	84"	30"	117	\$662

**24" D CONNECTING SIDE
24" D EXTENSION
42" D**

PART #	HEIGHT	A	B	C	D	WT. (LBS)	LIST
FHECCWS.24426024L	1.25"	24"	42"	60"	24"	83	\$544
FHECCWS.24426024R	1.25"	24"	42"	60"	24"	83	\$544
FHECCWS.24426624L	1.25"	24"	42"	66"	24"	89	\$612
FHECCWS.24426624R	1.25"	24"	42"	66"	24"	89	\$612
FHECCWS.24427224L	1.25"	24"	42"	72"	24"	95	\$621
FHECCWS.24427224R	1.25"	24"	42"	72"	24"	95	\$621
FHECCWS.24427824L	1.25"	24"	42"	78"	24"	101	\$753
FHECCWS.24427824R	1.25"	24"	42"	78"	24"	101	\$753
FHECCWS.24428424L	1.25"	24"	42"	84"	24"	106	\$762
FHECCWS.24428424R	1.25"	24"	42"	84"	24"	106	\$762

**30" D CONNECTING SIDE
30" D EXTENSION
42" D**

PART #	HEIGHT	A	B	C	D	WT. (LBS)	LIST
FHECCWS.30426030L	1.25"	30"	42"	60"	30"	95	\$586
FHECCWS.30426030R	1.25"	30"	42"	60"	30"	95	\$586
FHECCWS.30426630L	1.25"	30"	42"	66"	30"	103	\$654
FHECCWS.30426630R	1.25"	30"	42"	66"	30"	103	\$654
FHECCWS.30427230L	1.25"	30"	42"	72"	30"	110	\$663
FHECCWS.30427230R	1.25"	30"	42"	72"	30"	110	\$663
FHECCWS.30427830L	1.25"	30"	42"	78"	30"	118	\$795
FHECCWS.30427830R	1.25"	30"	42"	78"	30"	118	\$795
FHECCWS.30428430L	1.25"	30"	42"	84"	30"	125	\$804
FHECCWS.30428430R	1.25"	30"	42"	84"	30"	125	\$804

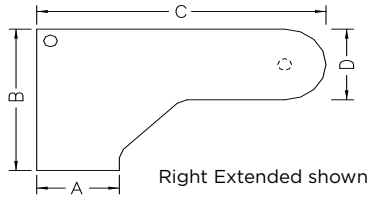
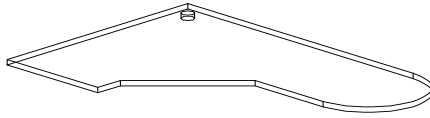
90° Extended Curved Corner Worksurface / continued**24" D CONNECTING SIDE
24" D EXTENSION
48" D**

PART #	HEIGHT	A	B	C	D	WT. (LBS)	LIST
FHECCWS.24486024L	1.25"	24"	48"	60"	24"	89	\$552
FHECCWS.24486024R	1.25"	24"	48"	60"	24"	89	\$552
FHECCWS.24486624L	1.25"	24"	48"	66"	24"	95	\$621
FHECCWS.24486624R	1.25"	24"	48"	66"	24"	95	\$621
FHECCWS.24487224L	1.25"	24"	48"	72"	24"	101	\$635
FHECCWS.24487224R	1.25"	24"	48"	72"	24"	101	\$635
FHECCWS.24487824L	1.25"	24"	48"	78"	24"	107	\$774
FHECCWS.24487824R	1.25"	24"	48"	78"	24"	107	\$774
FHECCWS.24488424L	1.25"	24"	48"	84"	24"	112	\$778
FHECCWS.24488424R	1.25"	24"	48"	84"	24"	112	\$778

**30" D CONNECTING SIDE
30" D EXTENSION
48" D**

PART #	HEIGHT	A	B	C	D	WT. (LBS)	LIST
FHECCWS.30486030L	1.25"	30"	48"	60"	30"	104	\$595
FHECCWS.30486030R	1.25"	30"	48"	60"	30"	104	\$595
FHECCWS.30486630L	1.25"	30"	48"	66"	30"	112	\$663
FHECCWS.30486630R	1.25"	30"	48"	66"	30"	112	\$663
FHECCWS.30487230L	1.25"	30"	48"	72"	30"	119	\$678
FHECCWS.30487230R	1.25"	30"	48"	72"	30"	119	\$678
FHECCWS.30487830L	1.25"	30"	48"	78"	30"	126	\$816
FHECCWS.30487830R	1.25"	30"	48"	78"	30"	126	\$816
FHECCWS.30488430L	1.25"	30"	48"	84"	30"	133	\$820
FHECCWS.30488430R	1.25"	30"	48"	84"	30"	133	\$820

90° Extended Notched Corner Peninsula Worksurface



DESCRIPTION

Worksurface hangs from a panel or wall strips. It has a laminate top and a PVC edge. There is a 1" gap at the back of the worksurface for plug and cord passage.

SPECIFICATION OPTIONS

product #: see charts below
worksurface finish: see page 3
edge finish: see page 3
support finish: DT Dark Tone, MT Medium Tone, CW Cloud White
left or right extended: L for Left, R for Right

NOTES

- Includes one wire grommet, cantilever brackets, one corner bracket, and attachment hardware
- Specify L for left extended, and R for right extended
- Includes one support column leg
- Column leg finish matches support

ORDER EXAMPLE

product #: FHENCPWS.24366024L
worksurface finish: M1 Light Maple
edge finish: Light Maple
support finish: CW Cloud White
left or right extended: L

**24" D CONNECTING SIDE
 24" D EXTENSION
 36" D**

PART #	HEIGHT	A	B	C	D	WT. (LBS)	LIST
FHENCPWS.24366024L	1.25"	24"	36"	60"	24"	89	\$620
FHENCPWS.24366024R	1.25"	24"	36"	60"	24"	89	\$620
FHENCPWS.24366624L	1.25"	24"	36"	66"	24"	95	\$681
FHENCPWS.24366624R	1.25"	24"	36"	66"	24"	95	\$681
FHENCPWS.24367224L	1.25"	24"	36"	72"	24"	101	\$695
FHENCPWS.24367224R	1.25"	24"	36"	72"	24"	101	\$695
FHENCPWS.24367824L	1.25"	24"	36"	78"	24"	107	\$807
FHENCPWS.24367824R	1.25"	24"	36"	78"	24"	107	\$807
FHENCPWS.24368424L	1.25"	24"	36"	84"	24"	112	\$823
FHENCPWS.24368424R	1.25"	24"	36"	84"	24"	112	\$823

**24" D CONNECTING SIDE
 24" D EXTENSION
 42" D**

PART #	HEIGHT	A	B	C	D	WT. (LBS)	LIST
FHENCPWS.24426024L	1.25"	24"	42"	60"	24"	97	\$704
FHENCPWS.24426024R	1.25"	24"	42"	60"	24"	97	\$704
FHENCPWS.24426624L	1.25"	24"	42"	66"	24"	103	\$781
FHENCPWS.24426624R	1.25"	24"	42"	66"	24"	103	\$781
FHENCPWS.24427224L	1.25"	24"	42"	72"	24"	109	\$795
FHENCPWS.24427224R	1.25"	24"	42"	72"	24"	109	\$795
FHENCPWS.24427824L	1.25"	24"	42"	78"	24"	114	\$966
FHENCPWS.24427824R	1.25"	24"	42"	78"	24"	114	\$966
FHENCPWS.24428424L	1.25"	24"	42"	84"	24"	120	\$970
FHENCPWS.24428424R	1.25"	24"	42"	84"	24"	120	\$970

90° Extended Notched Corner Peninsula Worksurface / continued

**24" D CONNECTING SIDE
24" D EXTENSION
48" D**

PART #	HEIGHT	A	B	C	D	WT. (LBS)	LIST
FHENCPCS.24486024L	1.25"	24"	48"	60"	24"	104	\$708
FHENCPCS.24486024R	1.25"	24"	48"	60"	24"	104	\$708
FHENCPCS.24486624L	1.25"	24"	48"	66"	24"	110	\$785
FHENCPCS.24486624R	1.25"	24"	48"	66"	24"	110	\$785
FHENCPCS.24487224L	1.25"	24"	48"	72"	24"	116	\$799
FHENCPCS.24487224R	1.25"	24"	48"	72"	24"	116	\$799
FHENCPCS.24487824L	1.25"	24"	48"	78"	24"	121	\$970
FHENCPCS.24487824R	1.25"	24"	48"	78"	24"	121	\$970
FHENCPCS.24488424L	1.25"	24"	48"	84"	24"	127	\$974
FHENCPCS.24488424R	1.25"	24"	48"	84"	24"	127	\$974

**24" D CONNECTING SIDE
30" D EXTENSION
36" D**

PART #	HEIGHT	A	B	C	D	WT. (LBS)	LIST
FHENCPCS.24366030L	1.25"	24"	36"	60"	30"	94	\$620
FHENCPCS.24366030R	1.25"	24"	36"	60"	30"	94	\$620
FHENCPCS.24366630L	1.25"	24"	36"	66"	30"	102	\$681
FHENCPCS.24366630R	1.25"	24"	36"	66"	30"	102	\$681
FHENCPCS.24367230L	1.25"	24"	36"	72"	30"	109	\$695
FHENCPCS.24367230R	1.25"	24"	36"	72"	30"	109	\$695
FHENCPCS.24367830L	1.25"	24"	36"	78"	30"	116	\$807
FHENCPCS.24367830R	1.25"	24"	36"	78"	30"	116	\$807
FHENCPCS.24368430L	1.25"	24"	36"	84"	30"	123	\$823
FHENCPCS.24368430R	1.25"	24"	36"	84"	30"	123	\$823

**24" D CONNECTING SIDE
30" D EXTENSION
42" D**

PART #	HEIGHT	A	B	C	D	WT. (LBS)	LIST
FHENCPCS.24426030L	1.25"	24"	42"	60"	30"	102	\$704
FHENCPCS.24426030R	1.25"	24"	42"	60"	30"	102	\$704
FHENCPCS.24426630L	1.25"	24"	42"	66"	30"	110	\$781
FHENCPCS.24426630R	1.25"	24"	42"	66"	30"	110	\$781
FHENCPCS.24427230L	1.25"	24"	42"	72"	30"	117	\$795
FHENCPCS.24427230R	1.25"	24"	42"	72"	30"	117	\$795
FHENCPCS.24427830L	1.25"	24"	42"	78"	30"	124	\$966
FHENCPCS.24427830R	1.25"	24"	42"	78"	30"	124	\$966
FHENCPCS.24428430L	1.25"	24"	42"	84"	30"	131	\$970
FHENCPCS.24428430R	1.25"	24"	42"	84"	30"	131	\$970

**24" D CONNECTING SIDE
30" D EXTENSION
48" D**

PART #	HEIGHT	A	B	C	D	WT. (LBS)	LIST
FHENCPCS.24486030L	1.25"	24"	48"	60"	30"	111	\$708
FHENCPCS.24486030R	1.25"	24"	48"	60"	30"	111	\$708
FHENCPCS.24486630L	1.25"	24"	48"	66"	30"	119	\$785
FHENCPCS.24486630R	1.25"	24"	48"	66"	30"	119	\$785
FHENCPCS.24487230L	1.25"	24"	48"	72"	30"	126	\$799
FHENCPCS.24487230R	1.25"	24"	48"	72"	30"	126	\$799
FHENCPCS.24487830L	1.25"	24"	48"	78"	30"	133	\$970
FHENCPCS.24487830R	1.25"	24"	48"	78"	30"	133	\$970
FHENCPCS.24488430L	1.25"	24"	48"	84"	30"	140	\$974
FHENCPCS.24488430R	1.25"	24"	48"	84"	30"	140	\$974

**30" D CONNECTING SIDE
30" D EXTENSION
36" D**

PART #	HEIGHT	A	B	C	D	WT. (LBS)	LIST
FHENCPCS.30366030L	1.25"	30"	36"	60"	30"	95	\$662
FHENCPCS.30366030R	1.25"	30"	36"	60"	30"	95	\$662
FHENCPCS.30366630L	1.25"	30"	36"	66"	30"	103	\$723
FHENCPCS.30366630R	1.25"	30"	36"	66"	30"	103	\$723
FHENCPCS.30367230L	1.25"	30"	36"	72"	30"	110	\$738
FHENCPCS.30367230R	1.25"	30"	36"	72"	30"	110	\$738
FHENCPCS.30367830L	1.25"	30"	36"	78"	30"	118	\$849
FHENCPCS.30367830R	1.25"	30"	36"	78"	30"	118	\$849
FHENCPCS.30368430L	1.25"	30"	36"	84"	30"	125	\$866
FHENCPCS.30368430R	1.25"	30"	36"	84"	30"	125	\$866

**30" D CONNECTING SIDE
30" D EXTENSION
42" D**

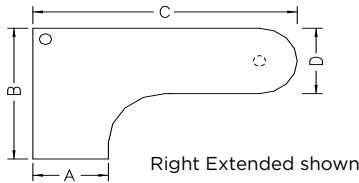
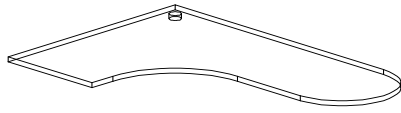
PART #	HEIGHT	A	B	C	D	WT. (LBS)	LIST
FHENCPCS.30426030L	1.25"	30"	42"	60"	30"	106	\$747
FHENCPCS.30426030R	1.25"	30"	42"	60"	30"	106	\$747
FHENCPCS.30426630L	1.25"	30"	42"	66"	30"	114	\$824
FHENCPCS.30426630R	1.25"	30"	42"	66"	30"	114	\$824
FHENCPCS.30427230L	1.25"	30"	42"	72"	30"	121	\$838
FHENCPCS.30427230R	1.25"	30"	42"	72"	30"	121	\$838
FHENCPCS.30427830L	1.25"	30"	42"	78"	30"	128	\$981
FHENCPCS.30427830R	1.25"	30"	42"	78"	30"	128	\$981
FHENCPCS.30428430L	1.25"	30"	42"	84"	30"	135	\$998
FHENCPCS.30428430R	1.25"	30"	42"	84"	30"	135	\$998

90° Extended Notched Corner Peninsula Worksurface / continued

30" D CONNECTING SIDE
30" D EXTENSION
48" D

PART #	HEIGHT	A	B	C	D	WT. (LBS)	LIST
FHENCPCS.30486030L	1.25"	30"	48"	60"	30"	116	\$751
FHENCPCS.30486030R	1.25"	30"	48"	60"	30"	116	\$751
FHENCPCS.30486630L	1.25"	30"	48"	66"	30"	124	\$828
FHENCPCS.30486630R	1.25"	30"	48"	66"	30"	124	\$828
FHENCPCS.30487230L	1.25"	30"	48"	72"	30"	131	\$842
FHENCPCS.30487230R	1.25"	30"	48"	72"	30"	131	\$842
FHENCPCS.30487830L	1.25"	30"	48"	78"	30"	138	\$985
FHENCPCS.30487830R	1.25"	30"	48"	78"	30"	138	\$985
FHENCPCS.30488430L	1.25"	30"	48"	84"	30"	144	\$1,002
FHENCPCS.30488430R	1.25"	30"	48"	84"	30"	144	\$1,002

Extended Curved Corner Peninsula Worksurface



DESCRIPTION

Worksurface hangs from a panel or wall strips. It has a laminate top and a PVC edge. There is a 1" gap at the back of the worksurface for plug and cord passage.

SPECIFICATION OPTIONS

product #: see charts below
worksurface finish: see page 3
edge finish: see page 3
support finish: DT Dark Tone, MT Medium Tone, CW Cloud White
left or right extended: L for Left, R for Right

NOTES

- Includes one wire grommet, cantilever brackets, one corner bracket, and attachment hardware
- Specify L for left extended, and R for right extended
- Includes one support column leg
- Column leg finish matches support

ORDER EXAMPLE

product #: FHECCPWS.24366024L
worksurface finish: M1 Light Maple
edge finish: Light Maple
support finish: CW Cloud White
left or right extended: L

24" D CONNECTING SIDE 24" D EXTENSION 36" D

PART #	HEIGHT	A	B	C	D	WT. (LBS)	LIST
FHECCPWS.24366024L	1.25"	24"	36"	60"	24"	87	\$620
FHECCPWS.24366024R	1.25"	24"	36"	60"	24"	87	\$620
FHECCPWS.24366624L	1.25"	24"	36"	66"	24"	93	\$681
FHECCPWS.24366624R	1.25"	24"	36"	66"	24"	93	\$681
FHECCPWS.24367224L	1.25"	24"	36"	72"	24"	99	\$695
FHECCPWS.24367224R	1.25"	24"	36"	72"	24"	99	\$695
FHECCPWS.24367824L	1.25"	24"	36"	78"	24"	105	\$807
FHECCPWS.24367824R	1.25"	24"	36"	78"	24"	105	\$807
FHECCPWS.24368424L	1.25"	24"	36"	84"	24"	110	\$823
FHECCPWS.24368424R	1.25"	24"	36"	84"	24"	110	\$823

24" D CONNECTING SIDE 24" D EXTENSION 42" D

PART #	HEIGHT	A	B	C	D	WT. (LBS)	LIST
FHECCPWS.24426024L	1.25"	24"	42"	60"	24"	94	\$704
FHECCPWS.24426024R	1.25"	24"	42"	60"	24"	94	\$704
FHECCPWS.24426624L	1.25"	24"	42"	66"	24"	100	\$781
FHECCPWS.24426624R	1.25"	24"	42"	66"	24"	100	\$781
FHECCPWS.24427224L	1.25"	24"	42"	72"	24"	106	\$795
FHECCPWS.24427224R	1.25"	24"	42"	72"	24"	106	\$795
FHECCPWS.24427824L	1.25"	24"	42"	78"	24"	111	\$966
FHECCPWS.24427824R	1.25"	24"	42"	78"	24"	111	\$966
FHECCPWS.24428424L	1.25"	24"	42"	84"	24"	116	\$970
FHECCPWS.24428424R	1.25"	24"	42"	84"	24"	116	\$970

Extended Curved Corner Peninsula Worksurface / continued

**24" D CONNECTING SIDE
24" D EXTENSION
48" D**

PART #	HEIGHT	A	B	C	D	WT. (LBS)	LIST
FHECCPWS.24486024L	1.25"	24"	48"	60"	24"	101	\$708
FHECCPWS.24486024R	1.25"	24"	48"	60"	24"	101	\$708
FHECCPWS.24486624L	1.25"	24"	48"	66"	24"	107	\$785
FHECCPWS.24486624R	1.25"	24"	48"	66"	24"	107	\$785
FHECCPWS.24487224L	1.25"	24"	48"	72"	24"	112	\$799
FHECCPWS.24487224R	1.25"	24"	48"	72"	24"	112	\$799
FHECCPWS.24487824L	1.25"	24"	48"	78"	24"	118	\$970
FHECCPWS.24487824R	1.25"	24"	48"	78"	24"	118	\$970
FHECCPWS.24488424L	1.25"	24"	48"	84"	24"	124	\$974
FHECCPWS.24488424R	1.25"	24"	48"	84"	24"	124	\$974

**24" D CONNECTING SIDE
30" D EXTENSION
36" D**

PART #	HEIGHT	A	B	C	D	WT. (LBS)	LIST
FHECCPWS.24366030L	1.25"	24"	36"	60"	30"	94	\$620
FHECCPWS.24366030R	1.25"	24"	36"	60"	30"	94	\$620
FHECCPWS.24366630L	1.25"	24"	36"	66"	30"	101	\$681
FHECCPWS.24366630R	1.25"	24"	36"	66"	30"	101	\$681
FHECCPWS.24367230L	1.25"	24"	36"	72"	30"	108	\$695
FHECCPWS.24367230R	1.25"	24"	36"	72"	30"	108	\$695
FHECCPWS.24367830L	1.25"	24"	36"	78"	30"	115	\$807
FHECCPWS.24367830R	1.25"	24"	36"	78"	30"	115	\$807
FHECCPWS.24368430L	1.25"	24"	36"	84"	30"	123	\$823
FHECCPWS.24368430R	1.25"	24"	36"	84"	30"	123	\$823

**24" D CONNECTING SIDE
30" D EXTENSION
42" D**

PART #	HEIGHT	A	B	C	D	WT. (LBS)	LIST
FHECCPWS.24426030L	1.25"	24"	42"	60"	30"	100	\$704
FHECCPWS.24426030R	1.25"	24"	42"	60"	30"	100	\$704
FHECCPWS.24426630L	1.25"	24"	42"	66"	30"	107	\$781
FHECCPWS.24426630R	1.25"	24"	42"	66"	30"	107	\$781
FHECCPWS.24427230L	1.25"	24"	42"	72"	30"	113	\$795
FHECCPWS.24427230R	1.25"	24"	42"	72"	30"	113	\$795
FHECCPWS.24427830L	1.25"	24"	42"	78"	30"	120	\$966
FHECCPWS.24427830R	1.25"	24"	42"	78"	30"	120	\$966
FHECCPWS.24428430L	1.25"	24"	42"	84"	30"	126	\$970
FHECCPWS.24428430R	1.25"	24"	42"	84"	30"	126	\$970

**24" D CONNECTING SIDE
30" D EXTENSION
48" D**

PART #	HEIGHT	A	B	C	D	WT. (LBS)	LIST
FHECCPWS.24486030L	1.25"	24"	48"	60"	30"	107	\$708
FHECCPWS.24486030R	1.25"	24"	48"	60"	30"	107	\$708
FHECCPWS.24486630L	1.25"	24"	48"	66"	30"	113	\$785
FHECCPWS.24486630R	1.25"	24"	48"	66"	30"	113	\$785
FHECCPWS.24487230L	1.25"	24"	48"	72"	30"	118	\$799
FHECCPWS.24487230R	1.25"	24"	48"	72"	30"	118	\$799
FHECCPWS.24487830L	1.25"	24"	48"	78"	30"	124	\$970
FHECCPWS.24487830R	1.25"	24"	48"	78"	30"	124	\$970
FHECCPWS.24488430L	1.25"	24"	48"	84"	30"	129	\$974
FHECCPWS.24488430R	1.25"	24"	48"	84"	30"	129	\$974

**30" D CONNECTING SIDE
30" D EXTENSION
36" D**

PART #	HEIGHT	A	B	C	D	WT. (LBS)	LIST
FHECCPWS.30366030L	1.25"	30"	36"	60"	30"	95	\$662
FHECCPWS.30366030R	1.25"	30"	36"	60"	30"	95	\$662
FHECCPWS.30366630L	1.25"	30"	36"	66"	30"	103	\$723
FHECCPWS.30366630R	1.25"	30"	36"	66"	30"	103	\$723
FHECCPWS.30367230L	1.25"	30"	36"	72"	30"	110	\$738
FHECCPWS.30367230R	1.25"	30"	36"	72"	30"	110	\$738
FHECCPWS.30367830L	1.25"	30"	36"	78"	30"	117	\$849
FHECCPWS.30367830R	1.25"	30"	36"	78"	30"	117	\$849
FHECCPWS.30368430L	1.25"	30"	36"	84"	30"	124	\$866
FHECCPWS.30368430R	1.25"	30"	36"	84"	30"	124	\$866

**30" D CONNECTING SIDE
30" D EXTENSION
42" D**

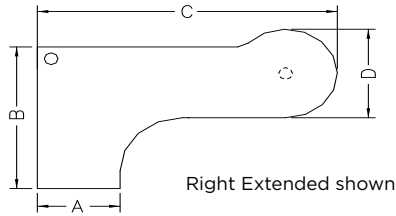
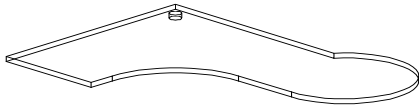
PART #	HEIGHT	A	B	C	D	WT. (LBS)	LIST
FHECCPWS.30426030L	1.25"	30"	42"	60"	30"	101	\$747
FHECCPWS.30426030R	1.25"	30"	42"	60"	30"	101	\$747
FHECCPWS.30426630L	1.25"	30"	42"	66"	30"	108	\$824
FHECCPWS.30426630R	1.25"	30"	42"	66"	30"	108	\$824
FHECCPWS.30427230L	1.25"	30"	42"	72"	30"	114	\$838
FHECCPWS.30427230R	1.25"	30"	42"	72"	30"	114	\$838
FHECCPWS.30427830L	1.25"	30"	42"	78"	30"	120	\$981
FHECCPWS.30427830R	1.25"	30"	42"	78"	30"	120	\$981
FHECCPWS.30428430L	1.25"	30"	42"	84"	30"	127	\$998
FHECCPWS.30428430R	1.25"	30"	42"	84"	30"	127	\$998

Extended Curved Corner Peninsula Worksurface / continued

30" D CONNECTING SIDE
30" D EXTENSION
48" D

PART #	HEIGHT	A	B	C	D	WT. (LBS)	LIST
FHECCPWS.30486030L	1.25"	30"	48"	60"	30"	107	\$751
FHECCPWS.30486030R	1.25"	30"	48"	60"	30"	107	\$751
FHECCPWS.30486630L	1.25"	30"	48"	66"	30"	113	\$828
FHECCPWS.30486630R	1.25"	30"	48"	66"	30"	113	\$828
FHECCPWS.30487230L	1.25"	30"	48"	72"	30"	118	\$842
FHECCPWS.30487230R	1.25"	30"	48"	72"	30"	118	\$842
FHECCPWS.30487830L	1.25"	30"	48"	78"	30"	124	\$985
FHECCPWS.30487830R	1.25"	30"	48"	78"	30"	124	\$985
FHECCPWS.30488430L	1.25"	30"	48"	84"	30"	129	\$1,002
FHECCPWS.30488430R	1.25"	30"	48"	84"	30"	129	\$1,002

Extended Curved Corner P-Shape Peninsula Worksurface



DESCRIPTION

Worksurface hangs from a panel or wall strips. It has a laminate top and a PVC edge. There is a 1" gap at the back of the worksurface for plug and cord passage.

SPECIFICATION OPTIONS

product #: see charts below
worksurface finish: see page 3
edge finish: see page 3
support finish: DT Dark Tone, MT Medium Tone, CW Cloud White
left or right extended: L for Left, R for Right

NOTES

- Includes one wire grommet, cantilever brackets, one corner bracket, and attachment hardware
- Specify L for left extended, and R for right extended
- Includes one support column leg
- Column leg finish matches support

ORDER EXAMPLE

product #: FHECCPPWS.24426024L
worksurface finish: M1 Light Maple
edge finish: Light Maple
support finish: CW Cloud White
left or right extended: L

24" D CONNECTING SIDES 42" D

PART #	HEIGHT	A	B	C	D	WT. (LBS)	LIST
FHECCPPWS.24426024L	1.25"	24"	42"	60"	36"	105	\$761
FHECCPPWS.24426024R	1.25"	24"	42"	60"	36"	105	\$761
FHECCPPWS.24426624L	1.25"	24"	42"	66"	36"	112	\$842
FHECCPPWS.24426624R	1.25"	24"	42"	66"	36"	112	\$842
FHECCPPWS.24427224L	1.25"	24"	42"	72"	36"	119	\$860
FHECCPPWS.24427224R	1.25"	24"	42"	72"	36"	119	\$860
FHECCPPWS.24427824L	1.25"	24"	42"	78"	36"	126	\$1,009
FHECCPPWS.24427824R	1.25"	24"	42"	78"	36"	126	\$1,009
FHECCPPWS.24428424L	1.25"	24"	42"	84"	36"	134	\$1,031
FHECCPPWS.24428424R	1.25"	24"	42"	84"	36"	134	\$1,031

24" D CONNECTING SIDES 48" D

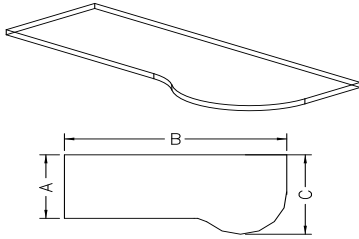
PART #	HEIGHT	A	B	C	D	WT. (LBS)	LIST
FHECCPPWS.24486024L	1.25"	24"	48"	60"	36"	113	\$845
FHECCPPWS.24486024R	1.25"	24"	48"	60"	36"	113	\$845
FHECCPPWS.24486624L	1.25"	24"	48"	66"	36"	120	\$942
FHECCPPWS.24486624R	1.25"	24"	48"	66"	36"	120	\$942
FHECCPPWS.24487224L	1.25"	24"	48"	72"	36"	127	\$960
FHECCPPWS.24487224R	1.25"	24"	48"	72"	36"	127	\$960
FHECCPPWS.24487824L	1.25"	24"	48"	78"	36"	134	\$1,141
FHECCPPWS.24487824R	1.25"	24"	48"	78"	36"	134	\$1,141
FHECCPPWS.24488424L	1.25"	24"	48"	84"	36"	141	\$1,164
FHECCPPWS.24488424R	1.25"	24"	48"	84"	36"	141	\$1,164

Extended Curved Corner P-Shape Peninsula Worksurface / continued

30" D CONNECTING SIDES 42" D	PART #	HEIGHT	A	B	C	D	WT. (LBS)	LIST
	FHECCPPWS.30426030L	1.25"	30"	42"	60"	36"	109	\$803
	FHECCPPWS.30426030R	1.25"	30"	42"	60"	36"	109	\$803
	FHECCPPWS.30426630L	1.25"	30"	42"	66"	36"	116	\$884
	FHECCPPWS.30426630R	1.25"	30"	42"	66"	36"	116	\$884
	FHECCPPWS.30427230L	1.25"	30"	42"	72"	36"	123	\$902
	FHECCPPWS.30427230R	1.25"	30"	42"	72"	36"	123	\$902
	FHECCPPWS.30427830L	1.25"	30"	42"	78"	36"	131	\$1,051
	FHECCPPWS.30427830R	1.25"	30"	42"	78"	36"	131	\$1,051
	FHECCPPWS.30428430L	1.25"	30"	42"	84"	36"	138	\$1,074
	FHECCPPWS.30428430R	1.25"	30"	42"	84"	36"	138	\$1,074

30" D CONNECTING SIDES 48" D	PART #	HEIGHT	A	B	C	D	WT. (LBS)	LIST
	FHECCPPWS.30486030L	1.25"	30"	48"	60"	36"	116	\$887
	FHECCPPWS.30486030R	1.25"	30"	48"	60"	36"	116	\$887
	FHECCPPWS.30486630L	1.25"	30"	48"	66"	36"	123	\$984
	FHECCPPWS.30486630R	1.25"	30"	48"	66"	36"	123	\$984
	FHECCPPWS.30487230L	1.25"	30"	48"	72"	36"	132	\$1,003
	FHECCPPWS.30487230R	1.25"	30"	48"	72"	36"	132	\$1,003
	FHECCPPWS.30487830L	1.25"	30"	48"	78"	36"	139	\$1,183
	FHECCPPWS.30487830R	1.25"	30"	48"	78"	36"	139	\$1,183
	FHECCPPWS.30488430L	1.25"	30"	48"	84"	36"	146	\$1,206
	FHECCPPWS.30488430R	1.25"	30"	48"	84"	36"	146	\$1,206

Ellipse End Peninsula Worksurface



Right Extended shown

DESCRIPTION

Worksurface hangs from a panel or wall strips. It has a laminate top and a PVC edge. There is a 1" gap at the back of the worksurface for plug and cord passage. 60" to 84" worksurfaces have center support.

NOTES

- Includes cantilever brackets and attachment hardware

SPECIFICATION OPTIONS

product #: see charts below
worksurface finish: see page 3
edge finish: see page 3
support finish: DT Dark Tone, MT Medium Tone, CW Cloud White

ORDER EXAMPLE

product #: FHEEPWS.246030
worksurface finish: M1 Light Maple
edge finish: Light Maple
support finish: CW Cloud White

24" D LEFT 30" D RIGHT

PART #	HEIGHT	A	B	C	D	WT. (LBS)	LIST
FHEEPWS.246030	1.25"	24"	60"	30"	—	52	\$490
FHEEPWS.246630	1.25"	24"	66"	30"	—	59	\$542
FHEEPWS.247230	1.25"	24"	72"	30"	—	66	\$555
FHEEPWS.247830	1.25"	24"	78"	30"	—	74	\$649
FHEEPWS.248430	1.25"	24"	84"	30"	—	81	\$664

30" D LEFT 24" D RIGHT

PART #	HEIGHT	A	B	C	D	WT. (LBS)	LIST
FHEEPWS.306024	1.25"	30"	60"	24"	—	52	\$490
FHEEPWS.306624	1.25"	30"	66"	24"	—	59	\$542
FHEEPWS.307224	1.25"	30"	72"	24"	—	66	\$555
FHEEPWS.307824	1.25"	30"	78"	24"	—	74	\$649
FHEEPWS.308424	1.25"	30"	84"	24"	—	81	\$664

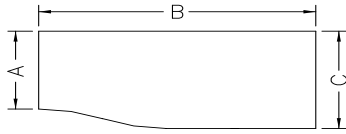
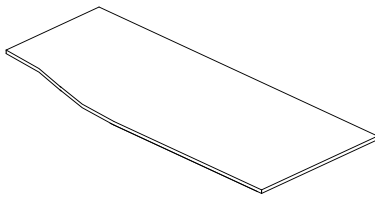
30" D LEFT 36" D RIGHT

PART #	HEIGHT	A	B	C	D	WT. (LBS)	LIST
FHEEPWS.306036	1.25"	30"	60"	36"	—	57	\$572
FHEEPWS.306636	1.25"	30"	66"	36"	—	64	\$632
FHEEPWS.307236	1.25"	30"	72"	36"	—	71	\$645
FHEEPWS.307836	1.25"	30"	78"	36"	—	79	\$756
FHEEPWS.308436	1.25"	30"	84"	36"	—	86	\$771

36" D LEFT 30" D RIGHT

PART #	HEIGHT	A	B	C	D	WT. (LBS)	LIST
FHEEPWS.366030	1.25"	36"	60"	30"	—	57	\$572
FHEEPWS.366630	1.25"	36"	66"	30"	—	64	\$632
FHEEPWS.367230	1.25"	36"	72"	30"	—	71	\$645
FHEEPWS.367830	1.25"	36"	78"	30"	—	79	\$756
FHEEPWS.368430	1.25"	36"	84"	30"	—	86	\$771

Rectangular Asymmetrical Worksurface



Right Extended shown

DESCRIPTION

Worksurface hangs from a panel or wall strips. It has a laminate top and a PVC edge. There is a 1" gap at the back of the worksurface for plug and cord passage. 60" to 84" worksurfaces have center support.

NOTES

- Includes cantilever brackets and attachment hardware
- 78"W and 84"W worksurfaces will accept a 42"W or 36"W lateral file
- 72"W worksurface will accept a 36"W lateral file
- 66"W worksurface will accept a 30"W lateral file
- Worksurfaces shorter than 48"W will not accept a pedestal

SPECIFICATION OPTIONS

product #: see charts below
worksurface finish: see page 3
edge finish: see page 3
support finish: DT Dark Tone, MT Medium Tone, CW Cloud White

ORDER EXAMPLE

product #: FHRWWS.243030
worksurface finish: M1 Light Maple
edge finish: Light Maple
support finish: CW Cloud White

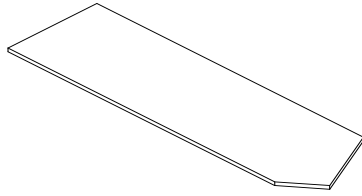
24" D LEFT 30" D RIGHT

PART #	HEIGHT	A	B	C	D	WT. (LBS)	LIST
FHRWWS.243030	1.25"	24"	30"	30"	—	40	\$246
FHRWWS.243630	1.25"	24"	36"	30"	—	46	\$281
FHRWWS.244230	1.25"	24"	42"	30"	—	53	\$287
FHRWWS.244830	1.25"	24"	48"	30"	—	60	\$344
FHRWWS.245430	1.25"	24"	54"	30"	—	66	\$350
FHRWWS.246030	1.25"	24"	60"	30"	—	74	\$416
FHRWWS.246630	1.25"	24"	66"	30"	—	81	\$423
FHRWWS.247230	1.25"	24"	72"	30"	—	88	\$469
FHRWWS.247830	1.25"	24"	78"	30"	—	95	\$556
FHRWWS.248430	1.25"	24"	84"	30"	—	102	\$560

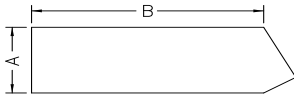
30" D LEFT 24" D RIGHT

PART #	HEIGHT	A	B	C	D	WT. (LBS)	LIST
FHRWWS.303024	1.25"	30"	30"	24"	—	40	\$246
FHRWWS.303624	1.25"	30"	36"	24"	—	46	\$281
FHRWWS.304224	1.25"	30"	42"	24"	—	53	\$287
FHRWWS.304824	1.25"	30"	48"	24"	—	60	\$344
FHRWWS.305424	1.25"	30"	54"	24"	—	66	\$350
FHRWWS.306024	1.25"	30"	60"	24"	—	74	\$416
FHRWWS.306624	1.25"	30"	66"	24"	—	81	\$423
FHRWWS.307224	1.25"	30"	72"	24"	—	88	\$469
FHRWWS.307824	1.25"	30"	78"	24"	—	95	\$556
FHRWWS.308424	1.25"	30"	84"	24"	—	102	\$560

120° Rectangular Worksurface



Right End shown



DESCRIPTION

Worksurface hangs from a panel and has a 120° end, either left or right. It has a PVC edge. There is a 1" gap at the back of the worksurface for plug and cord passage.

SPECIFICATION OPTIONS

product #: see charts below
worksurface finish: see page 3
edge finish: see page 3
support finish: DT Dark Tone, MT Medium Tone, CW Cloud White
left or right extended: L for Left, R for Right

NOTES

- Includes cantilever brackets and attachment hardware
- 78"W and 84"W worksurfaces will accept a 42"W or 36"W lateral file
- 72"W worksurface will accept a 36"W lateral file
- 66"W worksurface will accept a 30"W lateral file
- Worksurfaces shorter than 48"W will not accept a pedestal

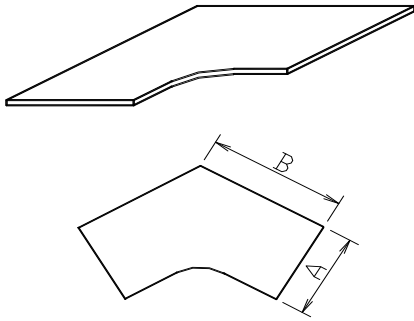
ORDER EXAMPLE

product #: FH12OWS.2424L
worksurface finish: M1 Light Maple
edge finish: Light Maple
support finish: CW Cloud White
left or right extended: L

120° RECTANGULAR

PART #	HEIGHT	A	B	C	D	WT. (LBS)	LIST
FH12OWS.2424L	1.25"	24"	24"	—	—	33	\$309
FH12OWS.2424R	1.25"	24"	24"	—	—	33	\$309
FH12OWS.2430L	1.25"	24"	30"	—	—	40	\$333
FH12OWS.2430R	1.25"	24"	30"	—	—	40	\$333
FH12OWS.2436L	1.25"	24"	36"	—	—	45	\$358
FH12OWS.2436R	1.25"	24"	36"	—	—	45	\$358
FH12OWS.2442L	1.25"	24"	42"	—	—	52	\$400
FH12OWS.2442R	1.25"	24"	42"	—	—	52	\$400
FH12OWS.2448L	1.25"	24"	48"	—	—	57	\$409
FH12OWS.2448R	1.25"	24"	48"	—	—	57	\$409
FH12OWS.2460L	1.25"	24"	60"	—	—	64	\$475
FH12OWS.2460R	1.25"	24"	60"	—	—	64	\$475

120° Corner Worksurface 90° Ends



DESCRIPTION

Worksurface hangs from a panel. It has a laminate top and a PVC edge. There is a 1" gap at the back of the worksurface for plug and cord passage. Worksurface is 24" deep.

NOTES

- Includes cantilever brackets, corner bracket, and attachment hardware

SPECIFICATION OPTIONS

product #: see charts below
worksurface finish: see page 3
edge finish: see page 3
support finish: DT Dark Tone, MT Medium Tone, CW Cloud White

ORDER EXAMPLE

product #: FH120/90WS.2424
worksurface finish: M1 Light Maple
edge finish: Light Maple
support finish: CW Cloud White

120° CORNER 90° ENDS

PART #	HEIGHT	A	B	C	D	WT. (LBS)	LIST
FH120/90WS.2424	1.25"	24"	24"	—	—	30	\$390
FH120/90WS.2430	1.25"	24"	30"	—	—	41	\$440
FH120/90WS.2436	1.25"	24"	36"	—	—	50	\$538
FH120/90WS.2442	1.25"	24"	42"	—	—	62	\$644
FH120/90WS.2448	1.25"	24"	48"	—	—	80	\$783

120° Corner Worksurface 120° Ends

DESCRIPTION

Worksurface hangs from a panel. It has a laminate top and a PVC edge. There is a 1" gap at the back of the worksurface for plug and cord passage. Worksurface is 24" deep.

NOTES

- Includes cantilever brackets, corner bracket, and attachment hardware

SPECIFICATION OPTIONS

product #: see charts below
worksurface finish: see page 3
edge finish: see page 3
support finish: DT Dark Tone, MT Medium Tone, CW Cloud White

ORDER EXAMPLE

product #: FH120/90WS.2424
worksurface finish: M1 Light Maple
edge finish: Light Maple
support finish: CW Cloud White

120° CORNER 120° ENDS

PART #	HEIGHT	A	B	C	D	WT. (LBS)	LIST
FH120/120WS.2436	1.25"	24"	36"	—	—	—	\$544
FH120/120WS.2442	1.25"	24"	42"	—	—	—	\$651
FH120/120WS.2448	1.25"	24"	48"	—	—	—	\$791

135° Corner Worksurface

DESCRIPTION

Worksurface hangs from a panel. It has a laminate top and a PVC edge. There is a 1" gap at the back of the worksurface for plug and cord passage. Worksurface is 24" deep.

NOTES

- Includes cantilever brackets, corner bracket, and attachment hardware

SPECIFICATION OPTIONS

product #: see charts below
worksurface finish: see page 3
edge finish: see page 3
support finish: DT Dark Tone, MT Medium Tone, CW Cloud White

ORDER EXAMPLE

product #: FH120/90WS.2424
worksurface finish: M1 Light Maple
edge finish: Light Maple
support finish: CW Cloud White

135° CORNER WORKSURFACE

PART #	HEIGHT	A	B	C	D	WT. (LBS)	LIST
FH135CWS24.2424	1.25"	24"	24"	—	—	—	\$486
FH135CWS24.3030	1.25"	30"	30"	—	—	—	\$564
FH135CWS24.4824	1.25"	48"	24"	—	—	—	\$546
FH135CWS24.2448	1.25"	24"	48"	—	—	—	\$648

PART #	HEIGHT	A	B	C	D	WT. (LBS)	LIST
FH135CWS30.2424	1.25"	24"	24"	—	—	—	\$515
FH135CWS30.3030	1.25"	30"	30"	—	—	—	\$594
FH135CWS30.4824	1.25"	48"	24"	—	—	—	\$663
FH135CWS30.2448	1.25"	24"	48"	—	—	—	\$670

135° Double Corner Worksurface

DESCRIPTION

Worksurface hangs from a panel. It has a laminate top and a PVC edge. There is a 1" gap at the back of the worksurface for plug and cord passage. Worksurface is 24" deep.

SPECIFICATION OPTIONS

product #: see charts below
worksurface finish: see page 3
edge finish: see page 3
support finish: DT Dark Tone, MT Medium Tone, CW Cloud White

NOTES

- Includes cantilever brackets, corner bracket, and attachment hardware

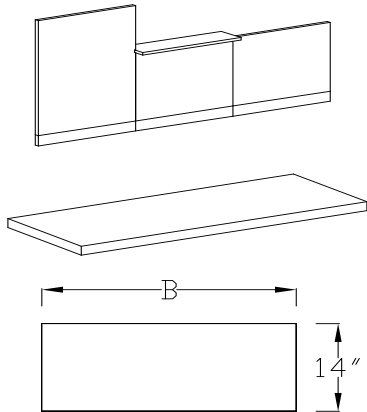
ORDER EXAMPLE

product #: FH120/90WS.2424
worksurface finish: M1 Light Maple
edge finish: Light Maple
support finish: CW Cloud White

135° DOUBLE CORNER WORKSURFACE

PART #	HEIGHT	A	B	C	D	WT. (LBS)	LIST
FH135DCWS24.244824	1.25"	24"	24"	48"	24"	—	\$925
FH135DCWS30.244824	1.25"	30"	24"	48"	24"	—	\$929

Transaction Surface



DESCRIPTION

14"D Rectangular transaction worksurface attaches to the top of a panel. Ends are flush with the panel. It has a PVC edge.

NOTES

- Attaches to the top of a panel for counter or display area.
- Includes transaction brackets and attachment hardware.

SPECIFICATION OPTIONS

product #: see charts below
worksurface finish: see page 3
edge finish: see page 3
support finish: DT Dark Tone, MT Medium Tone, CW Cloud White

ORDER EXAMPLE

product #: FHERTS.1424LC
worksurface finish: M1 Light Maple
edge finish: Light Maple
support finish: CW Cloud White

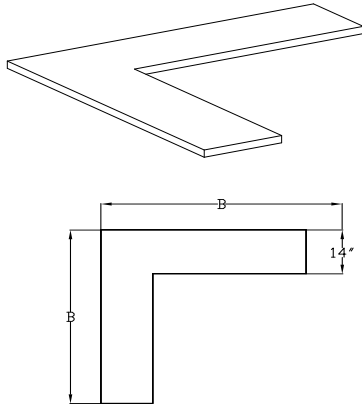
TRANSACTION SURFACE

PART #	HEIGHT	A	B	C	D	WT. (LBS)	LIST
FHERTS.1424L	1.25"	14"	24"	—	—	17	\$133
FHERTS.1430L	1.25"	14"	30"	—	—	21	\$153
FHERTS.1436L	1.25"	14"	36"	—	—	24	\$166
FHERTS.1442L	1.25"	14"	42"	—	—	27	\$198
FHERTS.1448L	1.25"	14"	48"	—	—	31	\$202
FHERTS.1460L	1.25"	14"	60"	—	—	38	\$234
FHERTS.1472L	1.25"	14"	72"	—	—	43	\$266

TRANSACTION SURFACE AT CHANGE OF HEIGHT

PART #	HEIGHT	A	B	C	D	WT. (LBS)	LIST
FHERTS.1424LC	1.25"	14"	23.5"	—	—	17	\$133
FHERTS.1430LC	1.25"	14"	29.5"	—	—	21	\$153
FHERTS.1436LC	1.25"	14"	35.5"	—	—	24	\$166
FHERTS.1442LC	1.25"	14"	41.5"	—	—	27	\$198
FHERTS.1448LC	1.25"	14"	47.5"	—	—	31	\$202
FHERTS.1460LC	1.25"	14"	59.5"	—	—	38	\$234
FHERTS.1472LC	1.25"	14"	71.5"	—	—	43	\$266

Corner Transaction



DESCRIPTION

14"D Transaction work surface attaches to the top of two panels. Ends are flush with the panels. It has a PVC edge.

NOTES

- Attaches to the top of two 24", 30", 36", 42" or 48"W.
- Panels connected at a 90° angle for corner counter or display area
- Includes transaction brackets and attachment hardware.

SPECIFICATION OPTIONS

product #: see charts below
worksurface finish: see page 3
edge finish: see page 3
support finish: DT Dark Tone, MT Medium Tone, CW Cloud White

ORDER EXAMPLE

product #: FHECTS.24
worksurface finish: M1 Light Maple
edge finish: Light Maple
support finish: CW Cloud White

CORNER TRANSACTION

PART #	HEIGHT	A	B	C	D	WT. (LBS)	LIST
FHECTS.24	1.25"	14"	32"	—	—	40	\$254
FHECTS.30	1.25"	14"	38"	—	—	48	\$338
FHECTS.36	1.25"	14"	44"	—	—	55	\$374
FHECTS.42	1.25"	14"	50"	—	—	62	\$526
FHECTS.48	1.25"	14"	56"	—	—	71	\$530

Grommets

DESCRIPTION

3" plastic grommet for use with worksurfaces.

NOTES

- Worksurfaces 24"-48" come with one grommet in center rear
- Worksurfaces 54"-84" come with two grommets, 18" from each end
- See chart below to see standard color grommet per each worksurface finish option.

SPECIFICATION OPTIONS

product #: see charts below

ORDER EXAMPLE

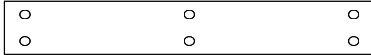
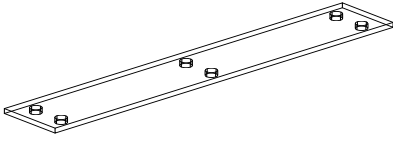
product #: FIG.BU (Black Umber finish)

GROMMET

PART #	HEIGHT	WIDTH	DEPTH	WT. (LBS)	PRICE	NOTES
FIG.BU (Black Umber)	-	-	-	-	\$2	Grommet color included with worksurface is standard.
FIG.CW (Cloud White)	-	-	-	-	\$2	Order separately for other color.

WORKSURFACE FINISH	STANDARD GROMMET COLOR
Light Maple	CW grommets
Light Cherry	BU grommets
Medium Cherry	BU grommets
Mahogany	BU grommets
Light Mahogany	BU grommets
Light Gray	CW grommets
White	CW grommets
Gray Specks	CW grommets
Cloud White	CW grommets
Espresso	BU grommets

Flat Bracket



DESCRIPTION

This flat bracket is used to support two worksurfaces when a support leg or panel leg is inappropriate.

NOTES

SPECIFICATION OPTIONS

product #: see charts below

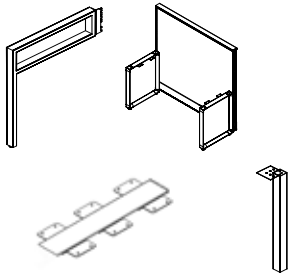
ORDER EXAMPLE

product #: FHFB.18

FLAT BRACKET

PART #	HEIGHT	A	B	C	D	WT. (LBS)	LIST
FHFB.18	3"	18"	—	—	—	1	\$36

Supports



DESCRIPTION

Provides support to the worksurface.

SPECIFICATION OPTIONS

product #: see charts below
support finish: DT Dark Tone, MT Medium Tone, CW Cloud White

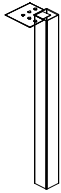
NOTES

- Use with frame and wall strip worksurfaces

ORDER EXAMPLE

product #: FHTMLD.24
support finish: CW Cloud White

SQUARE POST LEG



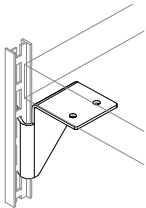
PART #	HEIGHT	WIDTH	DEPTH	WT. (LBS)	LIST
FHSPL.2	27.5"	2"	2"	.25	\$79
FHSPL.3	27.5"	3"	3"	.25	\$111

NOTES

Attaches to the underside of a worksurface and has an adjustable glide.

Specify finish: DT, MT, CW

CORNER BRACKET



Right Handed shown

PART #	HEIGHT	WIDTH	DEPTH	WT. (LBS)	LIST
FHWSB.L	2.75"	—	2.5"	.25	\$11
FHWSB.R	2.75"	—	2.5"	.25	\$11

NOTES

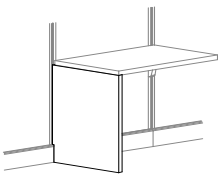
Attaches to the front corner of a hanging worksurface to provide additional support when the return panel matches the worksurface depth.

Also used as support for the back corner of a corner worksurface.

Specify left or right.

Color: Black

SUPPORT END PANEL

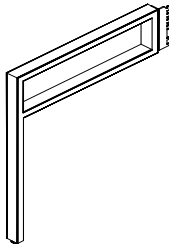


PART #	HEIGHT	WIDTH	DEPTH	WT. (LBS)	LIST
FHWSSEP.24-MEL	27.75"	1.25"	24"	26	\$289
FHWSSEP.30-MEL	27.75"	1.25"	30"	32	\$323

NOTES

Attaches to a worksurface and a frame or wall strip.

SQUARE METAL P LEG SINGLE SUPPORT



PART #	HEIGHT	WIDTH	DEPTH	WT. (LBS)	LIST
FHSMLS.24	27.5"	1.25"	24"	17	\$126
FHSMLS.30	27.5"	1.25"	30"	20	\$143

NOTES

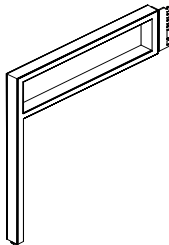
This support attaches to a worksurface and a frame or wall strip. It provides support for a single worksurface and eliminates the need for a return frame.

To convert from left handed to right handed, remove attachment brackets, and reinstall in the position needed.

Specify the depth of the worksurface support to match the depth of the worksurface.

Specify finish: DT, MT, CW

SQUARE METAL P LEG DOUBLE SUPPORT



PART #	HEIGHT	WIDTH	DEPTH	WT. (LBS)	LIST
FHSMLD.24	27.5"	1.25"	24"	17	\$139
FHSMLD.30	27.5"	1.25"	30"	20	\$158

NOTES

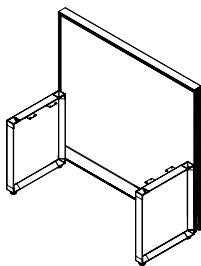
This support attaches to a worksurface and a frame or wall strip. It provides support for two worksurfaces and eliminates the need for a return frame.

To convert from left handed to right handed, remove attachment brackets, and reinstall in the position needed.

Specify the depth of the worksurface support to match the depth of the worksurface.

Specify finish: DT, MT, CW

SQUARE CORNER TRIANGLE SHAPE LEG SINGLE SUPPORT



PART #	HEIGHT	WIDTH	DEPTH	WT. (LBS)	LIST
FHTMLDS.24	27.5"	1.25"	24"	26	\$153
FHTMLDS.30	27.5"	1.25"	30"	32	\$173

NOTES

This support leg attaches to a worksurface and a frame or wall strip. It provides support for a single worksurface.

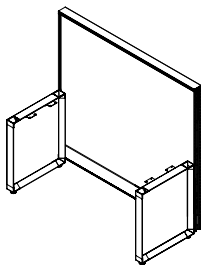
To convert to a left or right support, remove the top bar and reinstall it in the desired position.

Specify the depth of the support leg to match the depth of the worksurface.

Includes all attachment hardware.

Specify finish: DT, MT, CW

SQUARE CORNER TRIANGLE SHAPE LEG DOUBLE SUPPORT



PART #	HEIGHT	WIDTH	DEPTH	WT. (LBS)	LIST
FHTMLDD.24	27.5"	1.25"	24"	26	\$164
FHTMLDD.30	27.5"	1.25"	30"	32	\$187

NOTES

This support leg attaches to a worksurface and a frame or wall strip. It provides support for two worksurfaces.

To convert to a left or right support, remove the top bar and reinstall it in the desired position.

Specify the depth of the support leg to match the depth of the worksurface.

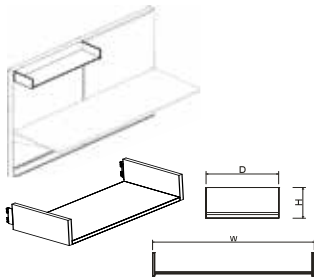
Includes all attachment hardware.

Specify finish: DT, MT, CW

Overheads and Shelves

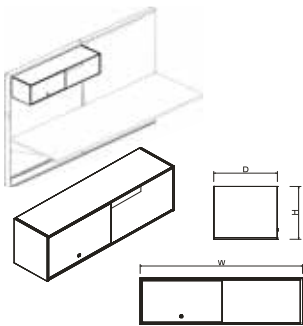
<p>DESCRIPTION</p> <p>Metal shelf and overhead storage.</p>	<p>SPECIFICATION OPTIONS</p> <p>product #: see charts below support finish: DT Dark Tone, MT Medium Tone, CW Cloud White</p>
<p>NOTES</p> <ul style="list-style-type: none"> Two styles of profile available. Order to match sliding front overhead or pneumatic overhead 	<p>ORDER EXAMPLE</p> <p>product #: FHSLSH.0824 support finish: CW Cloud White</p>

STRAIGHT FRONT HALF HEIGHT SHELF



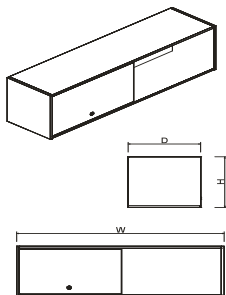
PART #	HEIGHT	WIDTH	DEPTH	WT. (LBS)	LIST	NOTES
FHSLSH.0824	7.5"	24"	12.75"	12	\$125	This shelf hangs from a frame or wall strips.
FHSLSH.0830	7.5"	30"	12.75"	13	\$132	Includes attachment hardware.
FHSLSH.0836	7.5"	36"	12.75"	13	\$146	Profile matches sliding front overhead.
FHSLSH.0842	7.5"	42"	12.75"	14	\$160	
FHSLSH.0848	7.5"	48"	12.75"	15	\$174	Specify Finish.

SLIDING DOOR OVERHEAD CABINET



PART #	HEIGHT	WIDTH	DEPTH	WT. (LBS)	LIST	NOTES
FHSLOV.1624	15.5"	24"	12.75"	21	\$353	This lockable sliding door storage cabinet hangs from a frame or wall strips. Includes a painted sliding door front, a lock and attaching hardware.
FHSLOV.1630	15.5"	30"	12.75"	24	\$386	
FHSLOV.1636	15.5"	36"	12.75"	26	\$420	
FHSLOV.1642	15.5"	42"	12.75"	29	\$459	Lock finish: Black
FHSLOV.1648	15.5"	48"	12.75"	32	\$497	Specify Finish.

UPMOUNT SLIDING OVERHEAD CABINET



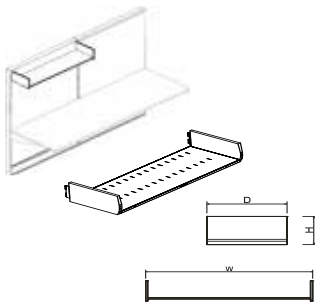
PART #	HEIGHT	WIDTH	DEPTH	WT. (LBS)	LIST	NOTES
FHSLOVU.1624	15.5"	24"	12.75"	21	\$440	This lockable sliding door storage cabinet is up-mounted on a panel.
FHSLOVU.1630	15.5"	30"	12.75"	24	\$487	
FHSLOVU.1636	15.5"	36"	12.75"	26	\$535	Includes a painted sliding door front, a lock and attaching hardware.
FHSLOVU.1642	15.5"	42"	12.75"	29	\$589	
FHSLOVU.1648	15.5"	48"	12.75"	32	\$641	Door locks on left side only.

If specifying a standard (non-LED) tasklight, specify one size smaller than the cabinet size. For example, when ordering a 42" cabinet, specify a 36" standard tasklight.

Lock Finish: Black

Specify Finish.

**RADIUS FRONT
HALF HEIGHT SHELF**



PART #	HEIGHT	WIDTH	DEPTH	WT. (LBS)	LIST
FHPHSH.0824	7.5"	24"	16"	12	\$129
FHPHSH.0830	7.5"	30"	16"	13	\$135
FHPHSH.0836	7.5"	36"	16"	13	\$150
FHPHSH.0842	7.5"	42"	16"	14	\$161
FHPHSH.0848	7.5"	48"	16"	15	\$169

NOTES

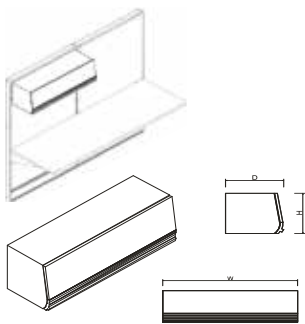
This shelf hangs from a frame or wall strips.

Includes attachment hardware.

Profile matches pneumatic overhead.

Specify Finish.

**PNEUMATIC OVERHEAD
CABINET**



PART #	HEIGHT	WIDTH	DEPTH	WT. (LBS)	LIST
FHPNOV.1624	15.5"	24"	16"	29	\$415
FHPNOV.1630	15.5"	30"	16"	31	\$454
FHPNOV.1636	15.5"	36"	16"	33	\$492
FHPNOV.1642	15.5"	42"	16"	35	\$527
FHPNOV.1648	15.5"	48"	16"	37	\$569

NOTES

This storage cabinet, with lockable pneumatic door, hangs from a frame or wall strips.

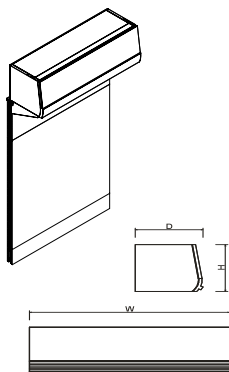
Includes pneumatic assist flipper door, a lock, and attaching hardware.

LED tasklight only.

Lock finish: Black

Specify Finish.

**UPMOUNT PNEUMATIC
OVERHEAD CABINET**



PART #	HEIGHT	WIDTH	DEPTH	WT. (LBS)	LIST
FHPNOVU.1624	15.5"	24"	16"	29	\$440
FHPNOVU.1630	15.5"	30"	16"	31	\$487
FHPNOVU.1636	15.5"	36"	16"	33	\$535
FHPNOVU.1642	15.5"	42"	16"	35	\$589
FHPNOVU.1648	15.5"	48"	16"	37	\$641

NOTES

This storage cabinet, with lockable pneumatic door, up-mounts to the top of a panel.

Includes pneumatic assist flipper door, a lock, and attaching hardware.

LED tasklight only.

Lock Finish: Black

Specify Finish.

Components

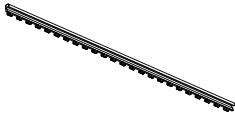
DESCRIPTION	SPECIFICATION OPTIONS
Components for the workstation.	product #: see charts below finish: DT Dark Tone, MT Medium Tone, CW Cloud White
NOTES	ORDER EXAMPLE
	product #: FPD finish: CW Cloud White

LED TASKLIGHT



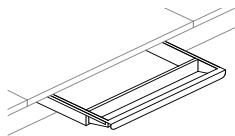
PART #	HEIGHT	WIDTH	DEPTH	WT. (LBS)	LIST	NOTES
FLED.20	0.75"	20"	1"	1	\$221	Attaches beneath a shelf or storage cabinet. It includes an LED light, motion sensor, power cord and installation hardware. Has a pivot range of +/-15°. For overheads 24"-36" use FLED.20 For overheads 42" or wider use FLED.38 Finish: Silver
FLED.38	0.75"	38"	1"	2	\$278	

WIRE MANAGER



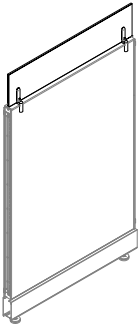
PART #	HEIGHT	WIDTH	DEPTH	WT. (LBS)	LIST	NOTES
F2WM.24	24"	.5"	—	1	\$73	This Wire Manager is used to manage electrical cords vertically. It fits between side-by-side panels, or between a panel and a connector. Package contains 4 wire managers. Finish: Black.

PENCIL DRAWER



PART #	HEIGHT	WIDTH	DEPTH	WT. (LBS)	LIST	NOTES
FPD	1.875"	21.125"	16.25"	5	\$164	Stores small items. Attaches under worksurface. Includes attachment hardware. Finish: DT Dark Tone, MT Medium Tone.

Frameless Glass / Clear



DESCRIPTION

SPECIFICATION OPTIONS

product #: see charts below

NOTES

- Frameless Glass screens are attached to the top of a single frame with included hardware.
- Matches width of the frame.
- Package contains 2.

ORDER EXAMPLE

product #: FHFG.0824-CL

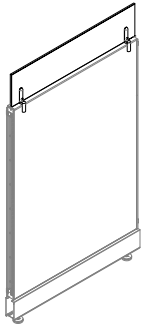
FRAMELESS GLASS 8" CLEAR

PART #	HEIGHT	WIDTH	DEPTH	WT. (LBS)	LIST	NOTES
FHFG.0824-CL	8"	23-1/4"	—	—	\$289	Includes attachment hardware, brushed finish.
FHFG.0830-CL	8"	29-1/4"	—	—	\$312	
FHFG.0836-CL	8"	35-1/4"	—	—	\$334	Package contains 2.
FHFG.0842-CL	8"	41-1/4"	—	—	\$357	
FHFG.0848-CL	8"	47-1/4"	—	—	\$380	

FRAMELESS GLASS 14" CLEAR

PART #	HEIGHT	WIDTH	DEPTH	WT. (LBS)	LIST	NOTES
FHFG.1424-CL	14"	23-1/4"	—	—	\$357	Includes attachment hardware, brushed finish.
FHFG.1430-CL	14"	29-1/4"	—	—	\$396	
FHFG.1436-CL	14"	35-1/4"	—	—	\$433	Package contains 2.
FHFG.1442-CL	14"	41-1/4"	—	—	\$470	
FHFG.1448-CL	14"	47-1/4"	—	—	\$511	

Frameless Glass / Frosted



DESCRIPTION

SPECIFICATION OPTIONS

product #: see charts below

NOTES

- Frameless Glass screens are attached to the top of a single frame with included hardware.
- Matches width of the frame.
- Package contains 2.

ORDER EXAMPLE

product #: FHFG.0824-FR

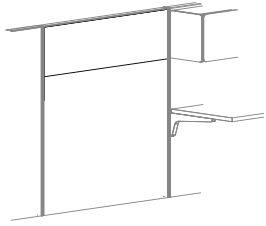
FRAMELESS GLASS 8" FROSTED

PART #	HEIGHT	WIDTH	DEPTH	WT. (LBS)	LIST	NOTES
FHFG.0824-FR	8"	23-1/4"	—	—	\$332	Includes attachment hardware, brushed finish.
FHFG.0830-FR	8"	29-1/4"	—	—	\$376	
FHFG.0836-FR	8"	35-1/4"	—	—	\$419	Package contains 2.
FHFG.0842-FR	8"	41-1/4"	—	—	\$463	
FHFG.0848-FR	8"	47-1/4"	—	—	\$506	

FRAMELESS GLASS 14" FROSTED

PART #	HEIGHT	WIDTH	DEPTH	WT. (LBS)	LIST	NOTES
FHFG.1424-FR	14"	23-1/4"	—	—	\$463	Includes attachment hardware, brushed finish.
FHFG.1430-FR	14"	29-1/4"	—	—	\$536	
FHFG.1436-FR	14"	35-1/4"	—	—	\$609	Package contains 2.
FHFG.1442-FR	14"	41-1/4"	—	—	\$680	
FHFG.1448-FR	14"	47-1/4"	—	—	\$758	

Tackboards



DESCRIPTION

Fabric covered tackable surface that attaches to panel or wall strips.

SPECIFICATION OPTIONS

product #: see charts below
fabric: see page 2

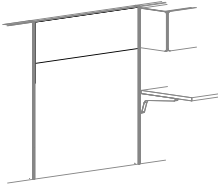
NOTES

- Includes attachment hardware.
- For "A" style components, call factory for availability

ORDER EXAMPLE

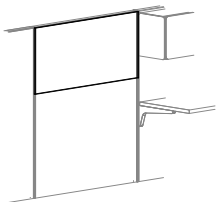
product #: FHTAKBS.0924
finish: PF301-1 Sky/Terra

"B" STYLE TACKBOARD SQUARE CORNERS CURVED TOP & BOTTOM 8.5" HIGH



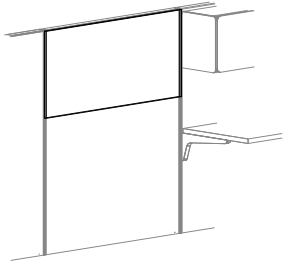
PART #	HEIGHT	WIDTH	DEPTH	WT. (LBS)	LIST
FHTAKBS.0924	8.5"	24"	—	3	\$75
FHTAKBS.0930	8.5"	30"	—	4	\$81
FHTAKBS.0936	8.5"	36"	—	4	\$91
FHTAKBS.0942	8.5"	42"	—	5	\$98
FHTAKBS.0948	8.5"	48"	—	6	\$103

"B" STYLE TACKBOARD SQUARE CORNERS CURVED TOP & BOTTOM 15.5" HIGH



PART #	HEIGHT	WIDTH	DEPTH	WT. (LBS)	LIST
FHTAKBS.1624	15.5"	24"	—	6	\$140
FHTAKBS.1630	15.5"	30"	—	7	\$149
FHTAKBS.1636	15.5"	36"	—	9	\$156
FHTAKBS.1642	15.5"	42"	—	10	\$163
FHTAKBS.1648	15.5"	48"	—	11	\$173

Markerboards



DESCRIPTION

Markerboards have an erasable writing surface.

NOTES

- Marker and eraser not included

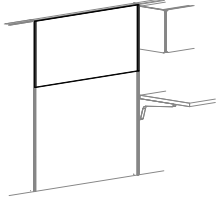
SPECIFICATION OPTIONS

product #: see charts below

ORDER EXAMPLE

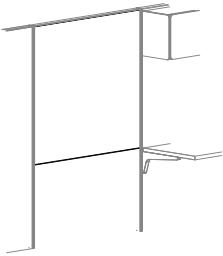
product #: F2MARBS.2424

“B” STYLE MARKERBOARD SQUARE CORNERS 24” HIGH



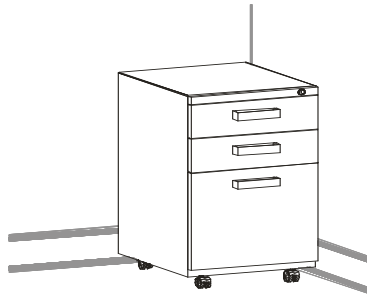
PART #	HEIGHT	WIDTH	DEPTH	WT. (LBS)	LIST
F2MARBS.2424	24"	24"	—	3	\$279
F2MARBS.2430	24"	30"	—	4	\$306
F2MARBS.2436	24"	36"	—	4	\$318
F2MARBS.2442	24"	42"	—	5	\$334
F2MARBS.2448	24"	48"	—	6	\$346
F2MARBS.2460	24"	60"	—	7	\$395

“B” STYLE MARKERBOARD SQUARE CORNERS 48” HIGH



PART #	HEIGHT	WIDTH	DEPTH	WT. (LBS)	LIST
F2MARBS.4824	48"	24"	—	20	\$346
F2MARBS.4830	48"	30"	—	24	\$388
F2MARBS.4836	48"	36"	—	30	\$438
F2MARBS.4842	48"	42"	—	32	\$493
F2MARBS.4848	48"	48"	—	36	\$558
F2MARBS.4860	48"	60"	—	40	\$631

Pedestals



DESCRIPTION

Storage with drawers.

SPECIFICATION OPTIONS

product #: see charts below
finish: DT Dark Tone, MT Medium Tone, CW Cloud White

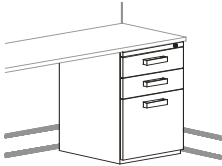
NOTES

- Square drawer front
- Order side-to-side file bars

ORDER EXAMPLE

product #: FPEDSQP.BBF-MET
finish: DT

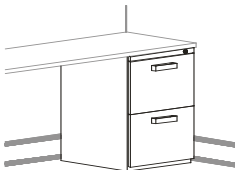
BOX / BOX / FILE PEDESTAL



PART #	HEIGHT	WIDTH	DEPTH	WT. (LBS)	LIST
FPEDSQP.BBF-MET	27"	15"	20"	55	\$607

NOTES
 Supporting metal pedestal with lock, without top cap. Attaches to the underside of a work surface.
 Square drawer pulls, silver color.
 Square drawer front.
 Order side to side file bars.

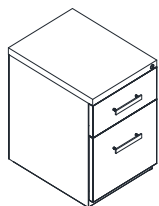
FILE / FILE PEDESTAL



PART #	HEIGHT	WIDTH	DEPTH	WT. (LBS)	LIST
FPEDSQP.FF-MET	27"	15"	20"	53	\$607

NOTES
 Supporting metal pedestal with lock, without top cap. Attaches to the underside of a work surface.
 Square drawer pulls, silver color.
 Square drawer front.
 Order side to side file bars.

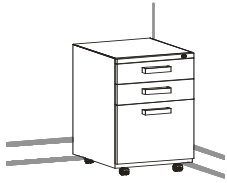
BOX / FILE PEDESTAL MOBILE



PART #	HEIGHT	WIDTH	DEPTH	WT. (LBS)	LIST
FPEDSQP.BF-MOB-MET	22"	15"	20"	85	\$665

NOTES
 Free-standing mobile pedestal with lock and with top cap.
 Square drawer pulls, silver color.
 Square drawer front.
 Order side to side file bars.

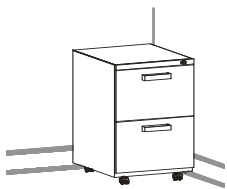
Pedestals / continued

BOX / BOX / FILE
PEDESTAL MOBILE

PART #	HEIGHT	WIDTH	DEPTH	WT. (LBS)	LIST
FPEDSQP.BBF-MOB-MET	27.25"	15"	20"	85	\$789

NOTES

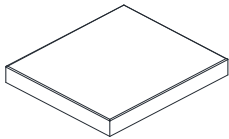
Free-standing mobile pedestal with lock and with top cap.
Square drawer pulls, silver color. Square drawer front.
Order side to side file bars.

FILE / FILE
PEDESTAL MOBILE

PART #	HEIGHT	WIDTH	DEPTH	WT. (LBS)	LIST
FPEDSQP.FF-MOB-MET	27.25"	15"	20"	76	\$789

NOTES

Free-standing mobile pedestal with lock and with top cap.
Square drawer pulls, silver color. Square drawer front.
Order side to side file bars.

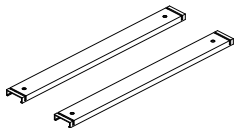
BOX / FILE PEDESTAL
MOBILE CUSHION

PART #	HEIGHT	WIDTH	DEPTH	WT. (LBS)	LIST
FPEDSQ.CUSH	1.75"	15"	20"	—	\$272

NOTES

For Box/File mobile pedestal only.

Note: If cushion is placed on a full height mobile pedestal, it will not fit under a worksurface.

SIDE-TO-SIDE
FILE BARS

PART #	HEIGHT	WIDTH	DEPTH	WT. (LBS)	LIST
FSSB	—	—	—	1	\$18

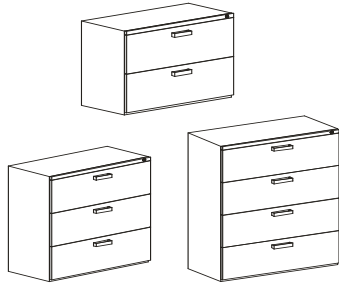
NOTES

Side-to-side File Bars for filing letter or legal size folders.

Order one per file drawer.

Finish: Black.

Lateral Files



DESCRIPTION

Storage with drawers.

SPECIFICATION OPTIONS

product #: see charts below
finish: DT Dark Tone, MT Medium Tone, CW Cloud White

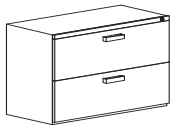
NOTES

- Freestanding 3- and 4-drawer lateral files must be bolted together or bolted to a wall.

ORDER EXAMPLE

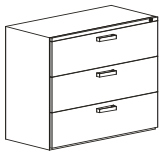
product #: FLFSQP-2-30-MET
finish: DT

2 DRAWER LATERAL FILES



PART #	HEIGHT	WIDTH	DEPTH	WT. (LBS)	LIST	NOTES
FLFSQP-2-30-MET	27.5"	30"	20"	103	\$1,088	Supporting lateral file with lock and finished top cap.
FLFSQP-2-36-MET	27.5"	36"	20"	123	\$1,320	Square drawer pulls, silver color. Square drawer front.
FLFSQP-2-42-MET	27.5"	42"	20"	151	\$1,352	Order front to back file bars. Order counterweight to convert to free-standing lateral file.

FREE-STANDING 3-DRAWER LATERAL FILES WITH TOP CAP



PART #	HEIGHT	WIDTH	DEPTH	WT. (LBS)	LIST	NOTES
FLFSQP-3-30-MET	40"	30"	20"	121	\$1,409	Supporting lateral file with lock and finished top cap.
FLFSQP-3-36-MET	40"	36"	20"	151	\$1,591	Square drawer pulls, silver color. Square drawer front.
FLFSQP-3-42-MET	40"	42"	20"	181	\$1,731	Order front to back file bars. Free-standing Lateral Files must be bolted to a wall or bolted together.

FREE-STANDING 4-DRAWER LATERAL FILES WITH TOP CAP



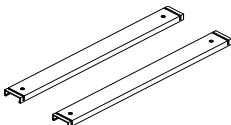
PART #	HEIGHT	WIDTH	DEPTH	WT. (LBS)	LIST	NOTES
FLFSQP-4-30-MET	51.5"	30"	20"	173	\$1,785	Supporting lateral file with lock and finished top cap.
FLFSQP-4-36-MET	51.5"	36"	20"	196	\$1,961	Square drawer pulls, silver color. Square drawer front.
FLFSQP-4-42-MET	51.5"	42"	20"	241	\$2,143	Order front to back file bars. Free-standing Lateral Files must be bolted to a wall or bolted together.

LATERAL FILE COUNTERWEIGHT

PART #	USAGE	WT. (LBS)	LIST	NOTES
FLFCW-30	use with 30" W lateral file *	23	\$61	Attaches securely to the inside back of the lateral file.
FLFCW-36	use with 36" W lateral file **	46	\$92	For use with 2-Drawer lateral files only.
FLFCW-42	use with 42" W lateral file **	46	\$92	

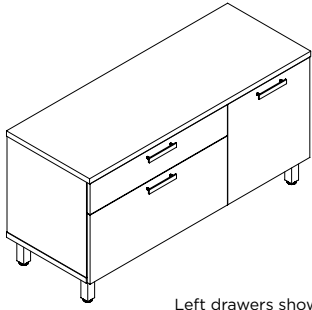
* Includes one 20 lb counterweight
 ** Includes two 20 lb counterweights, for a total of 40 lbs of counterweight

FRONT-TO-BACK FILE BARS



PART #	HEIGHT	WIDTH	DEPTH	WT. (LBS)	LIST	NOTES
FFB	3/8"	1 3/16"	15 11/16"	1	\$25	Front to back file bars. Package of two. Order one package of two per drawer. Color: Black.

Freestanding Credenza Units



Left drawers shown

DESCRIPTION

Storage with drawers.

SPECIFICATION OPTIONS

product #: see charts below
finish: CW Cloud White
drawer side: L for Left, R for Right

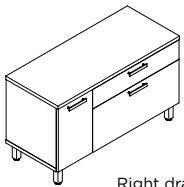
NOTES

- Drawers can be specified L for left side drawers or R for right side drawers
- Square feet are silver color to match pulls
- Surface is available in CW laminate only

ORDER EXAMPLE

product #: FCREDSQAP:1842L
finish: CW
drawer side: L

FREESTANDING CREDENZA: 42" WIDE



Right drawers shown

PART #	HEIGHT	WIDTH	DEPTH	WT. (LBS)	LIST
FCREDSQAP:1842L	24"	42"	18"	—	\$1,219
FCREDSQAP:1842R	24"	42"	18"	—	\$1,219

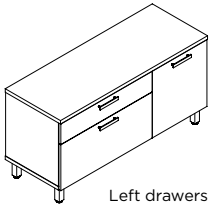
NOTES

Freestanding Credenza with square feet, storage unit and drawers.

Square drawer pulls, silver color.

Square drawer front.

FREESTANDING CREDENZA: 48" WIDE



Left drawers shown

PART #	HEIGHT	WIDTH	DEPTH	WT. (LBS)	LIST
FCREDSQAP:1848L	24"	48"	18"	—	\$1,334
FCREDSQAP:1848R	24"	48"	18"	—	\$1,334

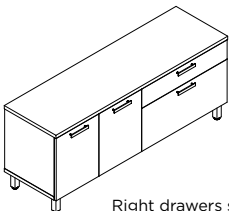
NOTES

Freestanding Credenza with square feet, storage unit and drawers.

Square drawer pulls, silver color.

Square drawer front.

FREESTANDING CREDENZA: 60" WIDE



Right drawers shown

PART #	HEIGHT	WIDTH	DEPTH	WT. (LBS)	LIST
FCREDSQAP:1860L	24"	60"	18"	—	\$1,501
FCREDSQAP:1860R	24"	60"	18"	—	\$1,501

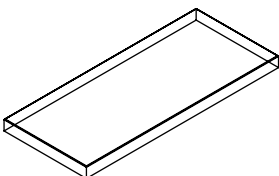
NOTES

Freestanding Credenza with square feet, storage unit and drawers.

Square drawer pulls, silver color.

Square drawer front.

CREDENZA CUSHION



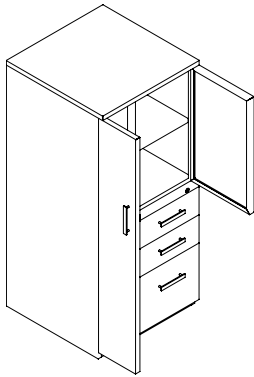
PART #	HEIGHT	WIDTH	DEPTH	WT. (LBS)	LIST
FCREDSQ.CUSH36	1.75"	36"	18"	—	\$286
FCREDSQ.CUSH42	1.75"	42"	18"	—	\$322
FCREDSQ.CUSH48	1.75"	48"	18"	—	\$358
FCREDSQ.CUSH60	1.75"	60"	18"	—	\$430

NOTES

For use with Credenza only.

Specify standard fabric.

Freestanding Towers



Left side wardrobe shown.

DESCRIPTION

Storage with drawers.

NOTES

- Drawers have lock.
- Door and cabinet do not have locks.

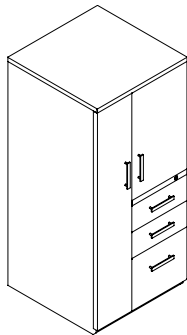
SPECIFICATION OPTIONS

product #: see charts below
finish: CW Cloud White, DT Dark Tone, MT Medium Tone (painted metal)
wardrobe side: L for Left, R for Right

ORDER EXAMPLE

product #: FCREDSQAP1842L
finish: CW
wardrobe side: L

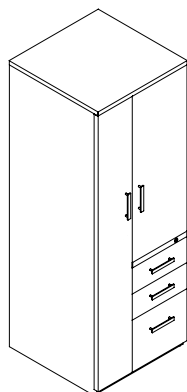
FREESTANDING TOWERS 53" HIGH



Left side wardrobe shown.

PART #	HEIGHT	WIDTH	DEPTH	WT. (LBS)	LIST	NOTES
FTBBFP.2453L	53"	24"	24"	—	\$1,995	Free-standing tower, 53" high.
FTBBFP.2453R	53"	24"	24"	—	\$1,995	Square pulls, silver color. Square drawer front. Order side to side file bars. Specify wardrobe on left or right side.

FREESTANDING TOWERS 67" HIGH



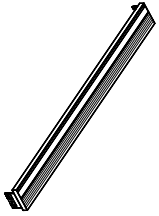
Left side wardrobe shown.

PART #	HEIGHT	WIDTH	DEPTH	WT. (LBS)	LIST	NOTES
FTBBF.2467L	67"	24"	24"	—	\$2,495	Free-standing tower, 67" high.
FTBBF.2467R	67"	24"	24"	—	\$2,495	Square pulls, silver color. Square drawer front. Order side to side file bars. Specify wardrobe on left or right side.

Accessories

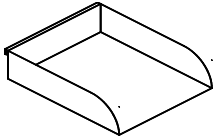
DESCRIPTION	SPECIFICATION OPTIONS
Workstation accessories.	product #: see charts below finish: CW Cloud White, DT Dark Tone, MT Medium Tone
NOTES	ORDER EXAMPLE
	product #: FTB.24 finish: CW

TOOL BARS



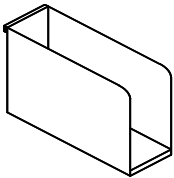
PART #	HEIGHT	WIDTH	DEPTH	WT. (LBS)	LIST	NOTES
FTB.24	3.5"	24"	0.75"	2	\$64	Attaches to a panel of same width.
FTB.30	3.5"	30"	0.75"	2	\$78	
FTB.36	3.5"	36"	0.75"	3	\$91	Mounting hardware included.
FTB.42	3.5"	42"	0.75"	3	\$105	
FTB.48	3.5"	48"	0.75"	4	\$118	

FLAT PAPER TRAY



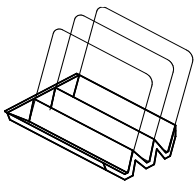
PART #	HEIGHT	WIDTH	DEPTH	WT. (LBS)	LIST	NOTES
FFPT	3"	10"	12"	2	\$40	Order tool bar separately.

VERTICAL SINGLE TRAY



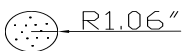
PART #	HEIGHT	WIDTH	DEPTH	WT. (LBS)	LIST	NOTES
FVST	8"	4"	12"	2	\$38	Order tool bar separately.

VERTICAL TRIPLE TRAY



PART #	HEIGHT	WIDTH	DEPTH	WT. (LBS)	PRICE	NOTES
FVTT	11"	12"	12"	4	\$74	Order tool bar separately.

CARPET GRIPPER



PART #	HEIGHT	WIDTH	DEPTH	WT. (LBS)	PRICE	NOTES
FTCG	—	2.125"	—	0.25	\$5	Plastic Gripper fits onto the adjustable glides of panel.

Finish: Black

Do not use on hard surface flooring.

Keyed-Alike Information

DESCRIPTION

All Friant pedestals, lateral files and overhead cabinets can be keyed-alike.

SPECIFICATION OPTIONS

product #: see charts below

NOTES

- Keyed-Alike Lock Cores are sold in sets of 4
- Each set includes four Lock Cores, each with two keys, all with the same lock number
- One Lock Core Removal Key is shipped with every order.
- Additional Lock Core Removal Keys and Master Keys are also available

ORDER EXAMPLE

product #: FLCKA

KEYED-ALIKE LOCKS

PART #	DESCRIPTION	LIST
FLCKA	Lock Core Keyed-Alike (set of 4)	\$115
FCK	Lock Core Removal Key	\$17
FMK	Lock Core Master Key	\$17

Terms and Conditions

PRICES

All Prices are F.O.B. destination (Continental U.S.). We reserve the right to change prices without prior notice.

ORDERING

Purchase Orders should be sent to Friant & Associates, LLC at orders@friant.com, or faxed to (510) 535-6895. If your specifications were created with CAP, GIZA, or Project Matrix please send the worksheet (SP4) with your Purchase Order.

TERMS

Net 30 days from date of invoice. Invoices are delinquent if not paid 30 days from date of invoice. In the event timely payment is not made, interest will be charged at the rate of 1.5% per month on delinquent accounts. Buyers will also be liable for normal collection costs and attorney's fee. 50% deposit is required with every order, unless prior arrangements have been made.

ORDERS

Orders are only accepted by issuance of our formal acknowledgment, and are subject to the terms set forth herein and on our order acknowledgment. It is the responsibility of the buyer to review our acknowledgment for its accuracy, and to notify Friant within 48 hours from the date of the acknowledgment of any discrepancies.

LEAD TIME

Lead times are subject to availability.

SHIPPING

Friant generally palletizes, boxes and/or shrink-wraps its products. If buyer requests additional packaging or special shipping, then it is responsible for any extra costs that result. Buyer obtains title to products and assumes the risk of loss for them upon shipment from Friant's plant.

CLAIMS

We are not responsible for damage suffered in transit. Merchandise should be inspected for possible freight damage upon delivery. The consignee should file for damage or shortages with the carrier within 5 days of delivery. You are also protected for "concealed damage" if you file claim with the carrier within 5 days of delivery. Buyer must make all claims against Friant for defects, errors or shortages in writing within 10 days after delivery. Failure to make such a claim shall constitute full acceptance.

RETURNS

No merchandise may be returned without our written consent and shipping instructions. Unauthorized returns will not be accepted and will be returned freight collect.

PARTIAL SHIPMENTS

We will make every attempt to ship orders complete and on schedule. However, we reserve the right to make partial shipments, as merchandise is ready. Invoices covering these shipments are to be paid as they become due.

ORDER CHANGE — CANCELLATIONS

Our order confirmation is final and binding. Any order change or cancellation is subject to our ability to conform. Such requests are to be made in writing to our office.

SHIPMENT AND PREPAID FREIGHT

Unless otherwise instructed, we reserve the option to ship by what is, in our opinion, the best possible way. Upon request, we will prepay and add freight for accounts with established credit.

DELIVERY

We are not liable for delay or failure of delivery due to strikes and/or differences with workmen, war, riot, fire, compliance with government regulations, acts of nature, failure or delays of sources of supply, or any other causes beyond our control.

STORAGE

If buyer cannot accept delivery when merchandise is ready, we reserve the right to transfer goods to storage. Costs of transfer and storage will be charged to the buyer's account, and we will deem such transfer as constituting shipment for all purposes, including invoicing, as of the date the transfer is made.

Terms and Conditions

CONSTRUCTION – SPECIFICATIONS

All items are produced to price list specifications unless otherwise advised. All dimensions shown are approximate. Manufacturer reserves the right to make modifications and/or improvements without prior notice.

FABRIC APPLICATION

Standard fabric application for panels 67" and below is horizontal application. Panels taller than 67" are only available in vertical application. When ordering panels 67" and below to match a panel taller than 67", specify vertical application.

Friant & Associates is not responsible for charges associated with replacement of products due to incorrect specifications.

CUSTOMER'S OWN MATERIAL

Yardage requirement is based on 66" wide plain covering material, and must be increased if less than 66" wide. Special instructions for handling material (pattern, directional fabric, right side of reversible fabric, etc.) must be submitted in writing before fabric is delivered. In the absence of special instructions, we reserve the right to use our own judgment. We reserve the right to reject any covering, which in our opinion, is unsuitable for our upholstery purposes. However, in no instance shall we be held responsible for unsatisfactory results due to use of covering unsuitable for our upholstery methods.

We will not be responsible for errors caused by buyers not supplying us with sample cuttings attached to their order giving full identification of covering material, (name of supplier, covering name, number and color) for identification purposes and advising us of model number and quantity to which each cover is to be applied.

Customer's own material that is shipped freight collect will be refused. A service charge will be applied for the return of unusable C.O.M. Contact factory.

RIGHTS AND WARRANTIES – LIMITED LIFETIME WARRANTY

This warranty is given to the initial purchaser and is valid from the date of purchase, for as long as the initial purchaser owns the product. This warranty covers defects in material and craftsmanship found during normal usage of the product during the warranty period. If the product is defective, and if written notice of the defect is given to Friant & Associates within the applicable warranty period, Friant & Associates, at its option, will either repair or replace the defective product with a comparable component or product. This warranty applies to all products except as noted below.

High wear parts, such as wood veneer, fabrics, and other covering material/finishes, foam, glides, etc. are warranted for one (1) year. This warranty does not apply to damage caused by a carrier, alteration to the product not expressly authorized by Friant & Associates, nor to product considered to be of a consumable nature such as bulbs, light ballasts, etc. It also does not apply to "Customer's Own Material" (i.e. material specified by the customer that is not a standard Friant & Associates offering) used in the manufacture of Friant & Associates products.

Friant & Associates does not warrant the matching of colors, grain or texture, except to within commercially acceptable standards.

A product will not be considered defective, and Friant & Associates will not be obligated to replace it, if it is not installed in a proper manner (i.e. product not leveled, not secured properly, etc.).

Except as noted above, Friant & Associates makes no express or implied warranties to any product, and in particular makes no warranty of fitness for any particular use. At Friant & Associates' option, product repair and replacement is the customer's exclusive remedy for any and all product defects.

Friant & Associates shall not be liable for consequential, economic, or incidental damages arising from any product defect.

CALIFORNIA PROP 65 WARNING

Products in this catalog may contain a chemical known to the state of California to cause cancer, or birth defects or other reproductive harm.



FRIANT DESIGN ^{MEETS} BUSINESS
SENSE SENSE

4901 EAST 12th St / Oakland / California 94601 / T: 510.535.5113 / F: 510.535.5237 / friant.com