

Goodmans



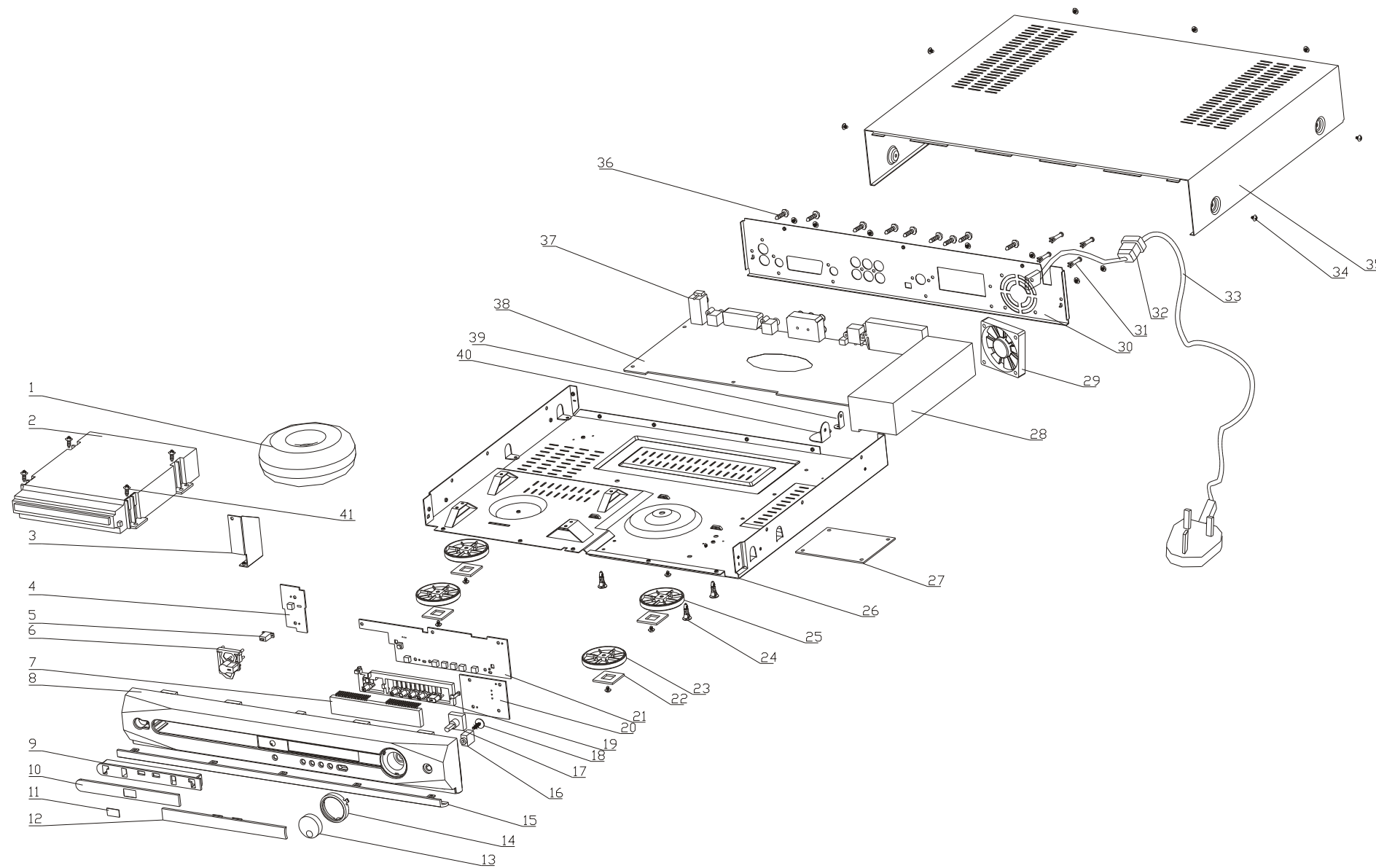
GDVD602

Service Manual - GDVD602

TABLE OF CONTENTS

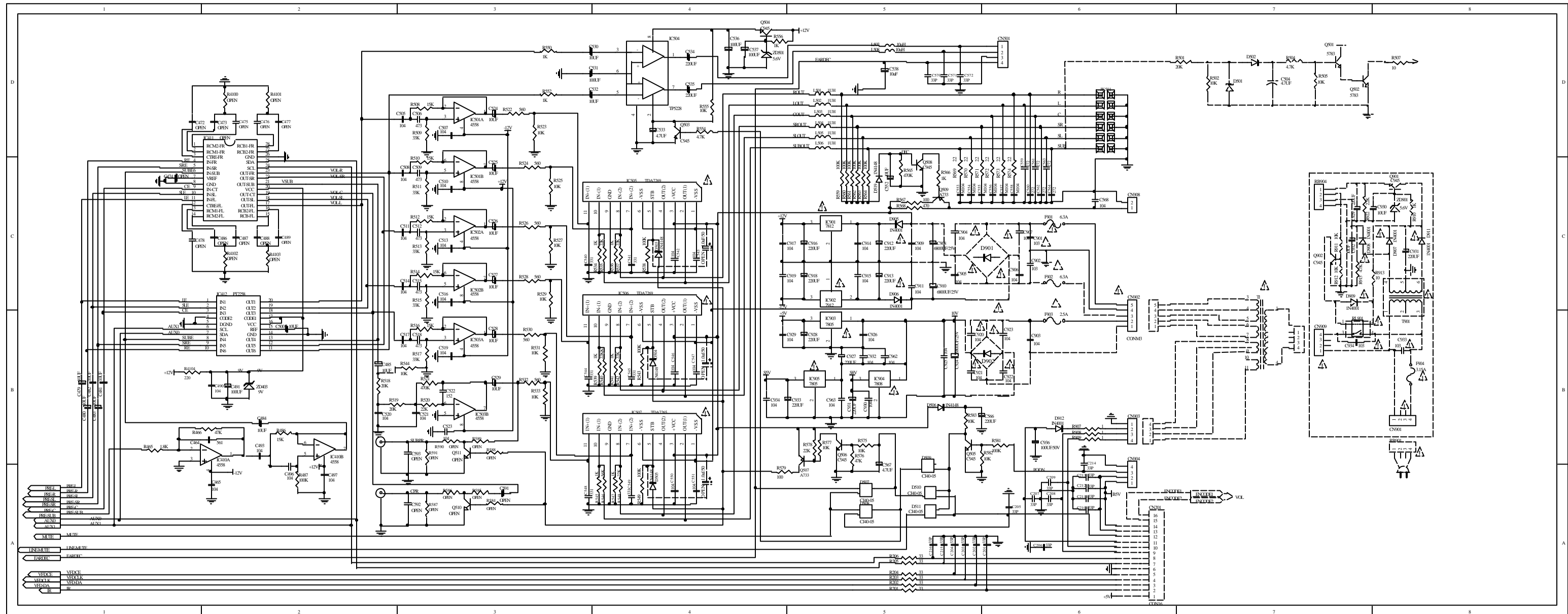
EXPLODED VIEW.....	3~4
AMP POWER.....	5~6
MPEG SCH.....	7~8
SERVO SCH.....	9~10
MAIN PCB (TOP).....	11
POWER PCB.....	12
ELECTRIC PARTS LIST.....	13~23
MECHANICAL PARTS LIST.....	24~25

DVD-5108PSPK EXPLODED VIEW

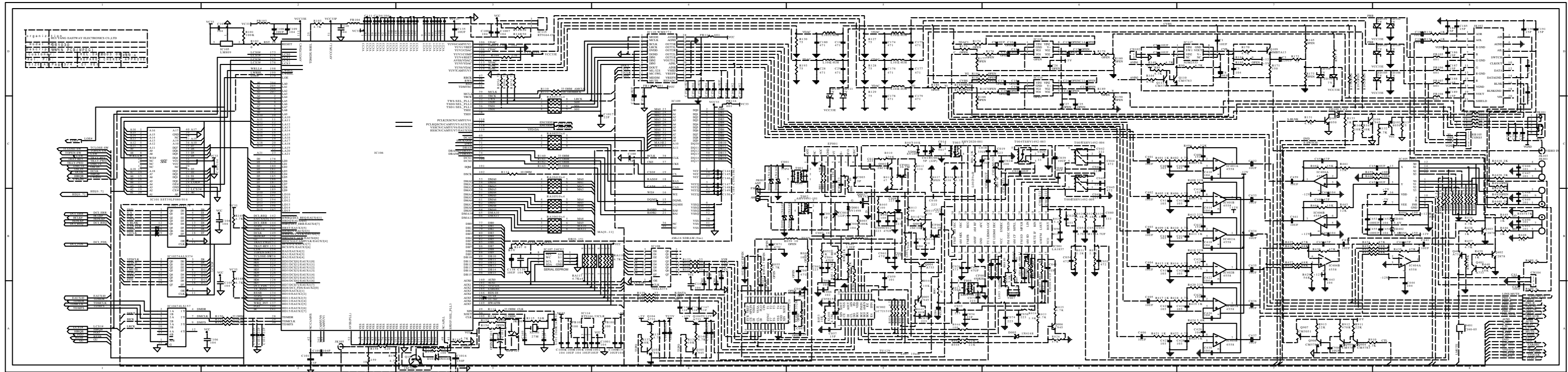


41	HST143084-1080	SCREW	M3.0XP0.5X8	9	
40	DHS101002-0001	HEAT SINK FIXTURE	SECC T=0.8MM	1	
39	GSE100211-0001	BRACKET	SECC T=0.8mm	1	
38	APE103110-0002	MAIN PCB		1	
37	CJC010004-3020	RCA+DIN JACK	AV-SW-01	1	
36	HSP140054-1080	SCREW	T3.0XL8XP1.06mm	22	
35	GSE100333-0001	TOP COVER	SECC T=0.8MM SPRAY SILVER	1	
34	HST143084-1060	SCREW	M3XP0.5X6	25	
33	VPE00A243-0020	LINE CORD BS 2200mm FUSE 3A	B=4P3.96 WR:BS WINBOW	1	
32	DBU001005-0010	BUSHING	PIN GOOD 5RF-5A	1	
31	HOT001008-0001	RIVET PINGOOD	SR-04F PU/NYLO BLK	4	
30	GSE100331-0002	REAR CAB	SECC T=0.8mm 430X69X6MM SPRAY SILVER	1	
29	FAN221202-0001	FAN	KD1205PHS2 DV12V	1	
28	DHS102002-0001	HEAT SINK	AL L173.5XW60XH42mm	1	
27	LVP103141-0001	POWER PCB	94V0 KB 69.5X90mm	1	
26	GSE100332-0001	BOTTOM	328X430X42.8MM SECC T=0.8MM	1	
25	BPE100025-0002	BACK FOOT	ABS SPRAY SILVER	2	
24	DSS100022-0001	SPACER	PINGOOD SCB-10	3	
23	BPE100025-0001	FRONT FOOT	ABS DIA50X7mm FINISHED:CHROMED	2	
22	BRF110004-0001	RUBBER PAD	BLK 26X26X2MM RUBBER W/ADV(SINGLE SIDE)	4	
21	LVC103161-0401	CNTL.PCB		1	
20	LVA103342-0401	VOL.PCB		1	
19	BPK116051-0001	FUNCTION KNOB	ABS SPRAY SILVER	1	
18	HSW140054-1081	SCREW	T3.0XL8.0XW/@10.0mm	1	
17	MSW005007-0010	R-ENCODER EC16B24204 ALPS	L=20MM NUT+WASHER	1	
16	CJM035002-1030	PHONE JACK	JY-3535-01-090	1	
15	BPF106005-0001	FRONT CAB TRIM	ABS	1	
14	BPK105064-0001	VOL RING	ø34Xø28X12 ABS	1	
13	BPK105063-0001	VOL KNOB	ø26X16 ABS	1	
12	BPN100146-0001	DISPLAY LENS	ACRYLIC	1	
11	BPL200005-0001	LOGO	PVC T=0.3mm	1	
10	BPN100145-0001	CD DOOR LENS	W137XH14XD3MM ACRYLIC	1	
9	BPD101057-0001	CD DOOR	137X14X12.7MM HIPS SILVER	1	
8	BPF104031-0002	FRONT CAB	L430XW66.1XH30MM ABS SPRAY SILVER	1	
7	KLVO00016-0010	VFD VA84X9PA100.2X20.5mm	10-BT-243GNK FUTABA	1	
6	BPK106051-0001	POWER KNOB	30X26X21 ABS SPRAY SILVER	1	
5	BPN100147-0001	LED LENS	16X10.1X5 ACRYLIC	1	
4	LVA103341-0401	POWER STAND BY PCB		1	
3	GSE100344-0001	BIG BRACKET SECC T=1mm	67X11X36MM DR1030 GOODMAN	1	
2	WVD100008-0001	LOADER	DVD LOADER SANYO:DVD-KDA898SP	1	
1	TNC123002-0013	X'FORMER	PWR AC 230V 50Hz R-CORE 15X5+25W	1	
NO.	PART NO.	PART NAME	DESCRIPTION	QTY	REMARK

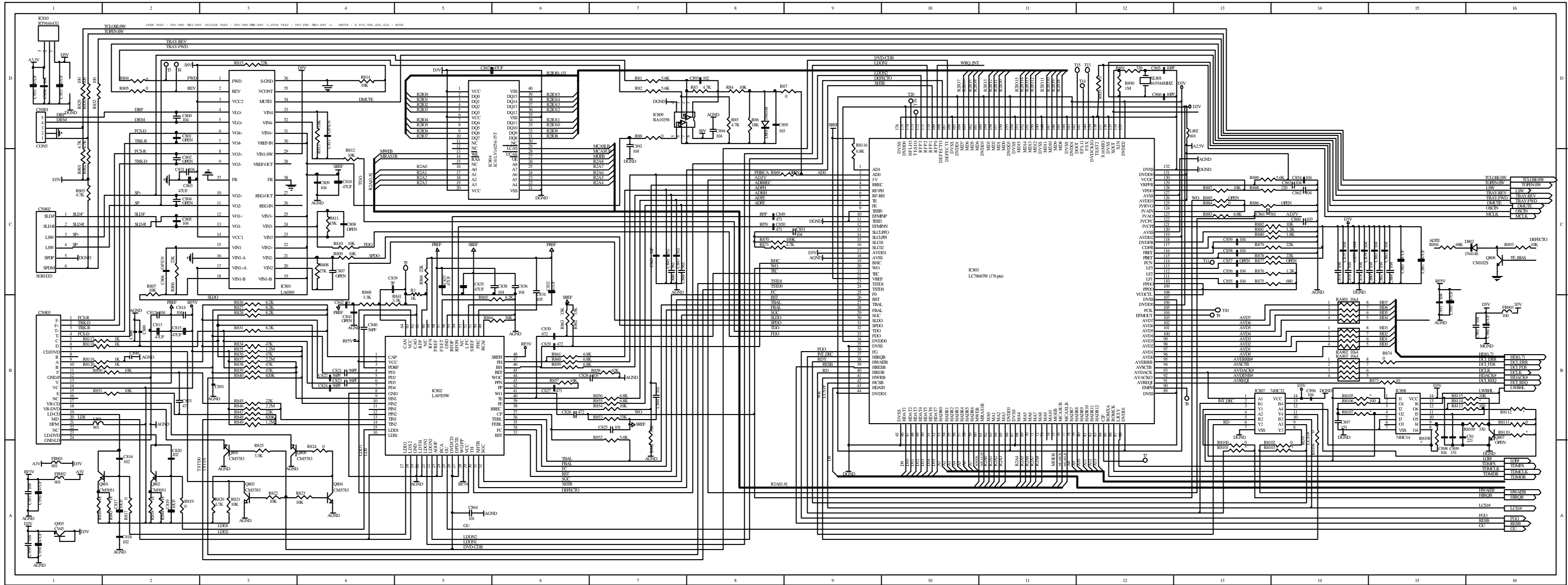
AMP POWER



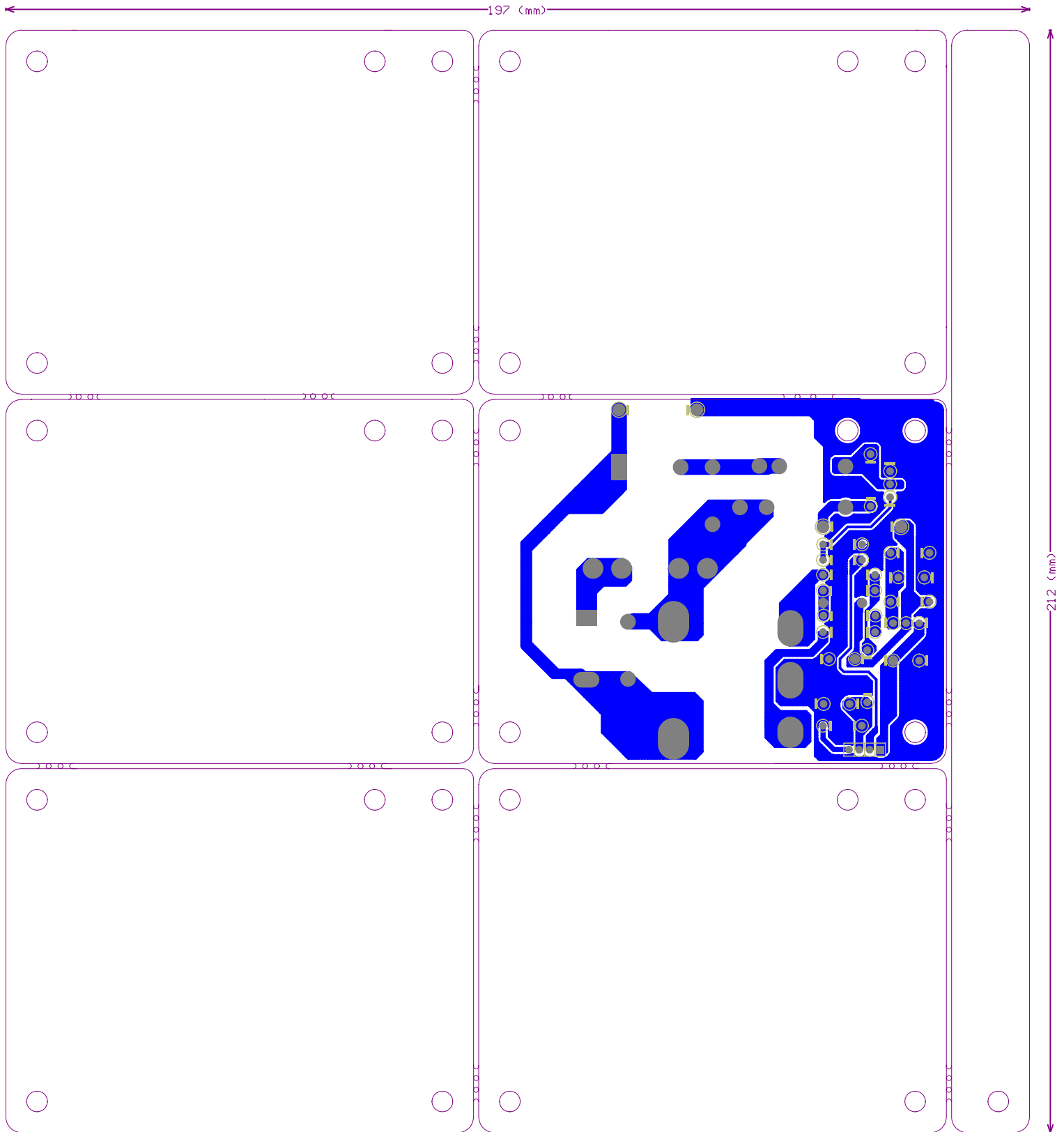
MPEG SCH



SERVO SCH



POWER PCB



PART NUMBER	PDESC	SPECA	SPEC B	WHUS	UM	USQTY
LVC103160-0401	CONTROL	PCB+PHONE PCB 94V0	192.5X196.5X1.6MM DR1030		PC	1
LVC103161-0401	CNTL. PCB	(REF) 94V0	DR1030		PC	0.001
PXL456470-1040	CHIP CAP	0.1 uF 50V 10%	0603 TYPE X7R	C251 C259	PC	2
PXL410370-1500	CHIP CAP	15 pF 50V 5%	0603 TYPE NPO	C250 C253 C254 C255	PC	4
PXL410370-1510	CHIP CAP	150pF 50V 5%	0603 TYPE NPO	C256 C257	PC	2
PXL410370-1010	CHIP CAP	100 pF 50V 5%	0603 TYPE NPO	C261 C262	PC	2
QCF015030-1010	CHIP RES.	100 OHM 1/10W 5%	0603 SMT TYPE	R212 R220 R221 R222	PC	4
QCF015030-1040	CHIP RES.	100K OHM 1/10W 5%	0603 SMT TYPE	R209 R210 R228	PC	3
QCF015030-5610	CHIP RES.	560 OHM 1/10W 5%	0603 SMT TYPE	R211 R229	PC	2
QCF015030-1020	CHIP RES.	1K OHM 1/10W 5%	0603 SMT TYPE	R213 R214 R223 R224 R225 R226	PC	6
QCF015030-1030	CHIP RES.	10K OHM 1/10W 5%	0603 SMT TYPE	R216 R217 R218 R219	PC	4
QCF015030-2230	CHIP RES.	22K OHM 1/10W 5%	0603 SMT TYPE	R215	PC	1
RCZ005006-0011	CHIP ZENER	5.6V 5% 0.5W (E2) SOD-123	SKYWELL MMSZ5232B	ZD201	PC	1
RCN201623-0001	XISTR NPN	HFE:200-400 L6	SMT TYPE (2SC1623)	Q201 Q203	PC	2
RCI006311-0002	IC 52 PIN	VDTR6311A VFD DRIVER	PLASTIC QFP(14X14)	IC201	PC	1
RCP005051-0001	XISTR PNP	CM5051-0 SOT23 HFE:70-140	GENERAL PURPOS	Q202	PC	1
RCI000809-0004	IC 3 PIN	IMP809MEUR-T RESET 4.38V	5.6PF SW. DIODE ARRAY W/CA	IC202	PC	1
QCF165030-3300	CHIP RES.	33 OHM 1/16 W 5%	0603 SMT TYPE	R227	PC	1
RCD114148-0011	DIODE CHIP	BAV16W/IN4148W (SKYWELL)	SOD-123	D201 D202	PC	2
PRE039540-1010	COND ELECT	100 uF 16 V 20%	85' C	C258 C252	PC	2
MAW060001-0010	AI TACT	SW SKHVBE3520 ALPS	5.0 MM 160 GF	TA201 TA202 TA203 TA206 TA208 TA207	PC	6
DLH010005-0003	LED HOLDER	2 PIN OD5xID3.5xH6	P=2.5MM WHT PINGOOD LED-6		PC	1
RHO693804-2001	IRT SENSOR	RPM6938-V4	REMOTE SENSOR	SN201	PC	1
KLV000016-0010	VFD	VA84x9PA100.2x20.5mm	10-BT-243GNK FUTABA	DP201	PC	1
VFLG01246-2800	CON/WIRE 16P	280mm UL2468#26	A=2.0MM B=2012H DR1030 GO	RB201	PC	1
VFL401245-1800	CON/WIRE 4P	180mm UL2468#26 RAINBOW	A=2MM B=2012V DR1030 GOOD	RB202	PC	1
VFL401245-4500	CON/WIRE 4P	450mm UL2468#26 RAINBOW	A=2.0MM B=2012V DR1030 GO	RB501	PC	1
VFL301245-0800	CON/WIRE 3P	80mm UL2468#26 RAINBOW	A=2.0MM B=2012V DR1030 GO	RB203	PC	1
CSL207035-1701	SOLDER LUG	OD7.0xID3.5xT0.3 mm	1007#20 80MM BLK	J201	PC	1
LVC103162-0401	PHONE PCB	(REF) 94V0	DR1030		PC	0.001
CJM035002-1030	PHONE JACK	D3.5 9 PIN NICKEL	JY-3535-01-090	JK501	PC	1
CSL207035-1700	SOLDER LUG	OD7.0xID3.5xT0.3 mm	1007#20 60MM BLK	J1	PC	1
JRN002001-0010	RESONATOR	MURATA CSB 455EB		XL201	PC	1
LVP103300-0601	POWER PCB	94V0 L214xW194xT1.6mm	1 PANEL 6 PCS		PC	1
LVP103141-0001	POWER PCB	(REF.) 94V0 KB 69.5x90mm	DR1060		PC	0.001

PART NUMBER	PDESC	SPECA	SPEC B	WHUS	UM	USQTY
QAS045100-1090	RESISTOR	1 OHM 1/4 W 5%	FUSEABLE AI	R906 R909	PC	2
QAF025000-1000	RESISTOR	10 OHM 1/2 W 5% CF		R913	PC	1
QAF065000-1030	RESISTOR	10K OHM 1/6 W 5% CF		R911 R912	PC	2
QAF065000-1020	RESISTOR	1K OHM 1/6 W 5% CF		R910	PC	1
RAD114001-0010	DIODE	RECTIFIER 1N4001	1A 35VRMS	D907 D908 D909 D911	PC	4
RAZ005006-0020	DIODE	ZENR 5.6-5.9V 0.5W	HITACHI HZ6B-2	ZD901	PC	1
XJP220000-0001	WIRE BARE	22 GA TINNED		JW470	PC	1
QAF065000-1220	RESISTOR	1.2K OHM 1/6 W 5% CF		R922	PC	1
QAF065000-4720	RESISTOR	4.7K OHM 1/6 W 5% CF		R915	PC	1
RAN200945-0001	XISTR NPN	2SC945P	NEC	Q901 Q902	PC	2
PRE039570-1000	COND ELECT	10 uF 50V 20%	85' C P=5MM	C930 C932	PC	2
PRE039550-2210	COND ELECT	220uF 25V 20%	85' C	C929 C931	PC	2
PRE039540-2210	COND ELECT	220 uF 16 V 20%	85' C	C935	PC	1
TTA123011-0020	X ² FORMER	230V/50Hz EI-28 DC12V 30mA	DR410 GTH	T901	PC	1
CCN396021-0104	CONNECTOR	4 PIN P=3.96mm	REMOVE PIN2&3 H TYPE	CN901 CN905	PC	2
PVY2705F0-1031	COND SAFTY	0.01uF 250V 20%	YITAI Y2 CUT 3.5MM	C933 C934	PC	2
MRL012015-0010	RELAY 12V	10A 250V TV-5 8A/60A	MASSUSE:ME-7012HL	RL901	PC	1
CFC011000-1001	FUSE CLIP	DIA5xL20mm FUSE			PC	2
VFL401245-3000	CON/WIRE	4P 300mm 2468# 26 RAINBOW	A=2MM B=2012V	RB904	PC	1
KSA020315-0120	FUSE	3.15A 250V SLOW(WALTER TSD)	5X20MM RUL/CSA/VDE	F904	PC	1
LFM103110-0001	MAIN PCB	FR-4 L325xW168mm	DR1060 BROOKSTONE		PC	1
QCF165030-0000	CHIP RES.	0 OHM JUMP WIRE	0603 SMT TYPE	R87 R88 R147 R102 R194 R804 R805 R817	PC	29
				R819 R824 R833 R874 R884 R8100 R8102		
				R8104 R8111 FB103 R196 R192 R200 R207		
				C842 R187 R178 R489 R490 R499 R914		
QCF165030-1220	CHIP RES.	1.2K OHM 1/16 W 5%	0603 SMT TYPE	R876 R881	PC	2
QCF165030-1820	CHIP RES.	1.8K OHM 1/16 W 5%	0603 SMT TYPE	R880	PC	1
QCF165030-1000	CHIP RES.	10 OHM 1/16 W 5%	0603 SMT TYPE	R873 R060 R112 R016 R058 R059 R507	PC	7
QCF165030-1010	CHIP RES.	100 OHM 1/16 W 5%	0603 SMT TYPE	R005 R006 R008 R013 R018 R046 R579 R829	PC	16
				R830 R832 R8106 R8113 R156 R159 R153		
				R110		
QCF165030-1040	CHIP RES.	100K OHM 1/16 W 5%	0603 SMT TYPE	R002 R003 R007 R043 R101 R459 R460 R487	PC	21
				R538 R543 R549 R559 R560 R561 R562 R563		
				R564 R870 R053 R551 R054		
PXL410370-1010	CHIP CAP	100 pF 50V 5%	0603 TYPE NPO	C059 C825 C864	PC	3

PART NUMBER	PDESC	SPECA	SPEC B	WHUS	UM	USQTY
PXL410370-1020	CHIP CAP	1000 pF 50V 5%	0603 TYPE NPO	C816 C142 C818 C820 C844 C847 C893 C066	PC	23
				C450 C451 C446 C447 C448 C449 C571 C572		
				C584 C583 C582 C581 C580 C579 C302		
PXL456470-1030	CHIP CAP	0.01 uF 50V 10%	0603 TYPE X7R	C407 C408 C411 C412 C415 C416 C419 C420	PC	14
				C423 C424 C427 C428 C860 C895		
PXL456470-1040	CHIP CAP	0.1 uF 50V 10%	0603 TYPE X7R	C505 C508 C511 C514 C517 C429 C520 C521	PC	178
				C493 C496 C02 C5 C006 C007 C016 C065		
				C103 C104 C105 C106 C107 C109 C110 C111		
				C112 C113 C114 C115 C116 C117 C118 C119		
				C120 C121 C122 C123 C124 C125 C126 C127		
				C128 C129 C130 C131 C132 C133 C134 C136		
				C137 C139 C143 C144 C145 C146 C147 C148		
				C149 C150 C152 C154 C156 C158 C159 C160		
				C161 C199 C410 C223 C228 C414 C229 C418		
				C234 C422 C235 C426 C430 C443 C444 C452		
				C454 C462 C463 C465 C490 C497 C507 C510		
				C513 C516 C519 C523 C542 C543 C546 C547		
				C550 C551 C568 C800 C805 C809 C812 C814		
				C831 C836 C838 C851 C854 C855 C856 C858		
				C859 C862 C863 C874 C875 C876 C877 C878		
				C879 C880 C881 C882 C883 C884 C892 C894		
				C896 C898 C914 C915 C917 C919 C951 C954		
				C957 C959 C961 C1001 C1004 C1006 C1007		
				C1008 C970 C982 C983 C984 C222 C218		
				C219 C220 C221 C226 C227 C240 C241 C242		
				C243 C244 C245 C246 C248 C249 C170 C171		
				C929 C930 C934 C963 C903 C079 C323 C325		
				C306 C305 C336 C1014		
PYL439570-1040	CHIP CAP	0.1 uF 50V 20%	0805 TYPE Y5V	C224 C230 C231 C904 C905 C906 C907 C909	PC	13
				C911 C920 C921 C922 C923		
QCF161030-4021	CHIP RES.	4.02K OHM 1/16W 1%	0603 SMT TYPE	R021	PC	1
QCF165030-1030	CHIP RES.	10K OHM 1/16 W 5%	0603 SMT TYPE	R84 R044 R137 R139 R440 R461 R463 R467	PC	48
				R523 R525 R527 R529 R531 R533 R555 R575		
				R577 R582 R583 R807 R809 R810 R812 R814		
				R821 R822 R823 R850 R851 R854 R857 R882		

PART NUMBER	PDESC	SPECA	SPEC B	WHUS	UM	USQTY
				R887 R8115 R893 R143 R144 R157 R155		
				R166 R167 R209 R210 R502 R505 R331 R553		
				R091		
PXL410370-1000	CHIP CAP	10 pF 50V 5%	0603 TYPE NPO	C865 C866	PC	2
QCF165030-1510	CHIP RES.	150 OHM 1/16 W 5%	0603 SMT TYPE	R146 R171 R4104 R4105	PC	4
PXL410370-1510	CHIP CAP	150pF 50V 5%	0603 TYPE NPO	C409 C413 C417 C421 C425 C897 C899	PC	8
				C1016		
QCF165030-1530	CHIP RES.	15K OHM 1/16 W 5%	0603 SMT TYPE	R508 R510 R512 R514 R516 R811 R462 R486	PC	9
				R464		
PXL410370-1500	CHIP CAP	15 pF 50V 5%	0603 TYPE NPO	C057 C058 C100 C186 C187 C188 C189 C184	PC	13
				C185 C190 C191 C192 C193		
QCF165030-1800	CHIP RES.	18 OHM 1/16 W 5%	0603 SMT TYPE	R816 R818 R843 R844	PC	4
QCF165030-1830	CHIP RES.	18K OHM 1/16 W 5%	0603 SMT TYPE	R86	PC	1
QCF165030-1020	CHIP RES.	1K OHM 1/16 W 5%	0603 SMT TYPE	R1 R403 R407 R411 R415 R419 R421 R423	PC	37
				R438 R439 R445 R446 R556 R566 R8117		
				R8118 R8119 R8120 R004 R033 R050 R052		
				R534 R536 R539 R541 R545 R547 R557 R558		
				R133 R135 R136 R061 R057 R544 R009		
QCF165030-1050	CHIP RES.	1M OHM 1/16 W 5%	0603 SMT TYPE	R890	PC	1
QCF165030-1840	CHIP RES.	180K OHM 1/16 W 5%	0603 SMT TYPE	R017	PC	1
QCF165030-2250	CHIP RES.	2.2M OHM 1/16 W 5%	0603 SMT TYPE	R837 R846	PC	2
QCF165030-2030	CHIP RES.	20K OHM 1/16 W 5%	0603 SMT TYPE	R518 R519 R501	PC	3
QCF165030-2210	CHIP RES.	220 OHM 1/16 W 5%	0603 SMT TYPE	R888 R158	PC	2
PXL410370-2210	CHIP CAP	220 pF 50V 5%	0603 TYPE NPO	C81 C024	PC	2
QCF165030-2230	CHIP RES.	22K OHM 1/16 W 5%	0603 SMT TYPE	R520 R578 R806 R815 R847 R866 R878 R879	PC	17
				R047 R048 R845 R90 R540 R542 R535 R537		
				R548		
PXL410370-2200	CHIP CAP	22 pF 50V 5%	0603 TYPE NPO	C140 C141 C034 C067 C068 C1009	PC	9
				C1010 C1011 C01		
QCF165030-2710	CHIP RES.	270 OHM 1/16 W 5%	0603 SMT TYPE	R104	PC	1
QCF165030-2720	CHIP RES.	2.7K OHM 1/16 W 5%	0603 SMT TYPE	R550 R552 R019	PC	3
QCF165030-2730	CHIP RES.	27K OHM 1/16 W 5%	0603 SMT TYPE	R808 R404 R408 R412 R416 R420	PC	6
QCF165030-3320	CHIP RES.	3.3K OHM 1/16 W 5%	0603 SMT TYPE	R825 R841 R868 R034 R035 R049 R051	PC	7
QCF165030-3620	CHIP RES.	3.6K OHM 1/16 W 5%	0603 SMT TYPE	R813	PC	1
QCF165030-3300	CHIP RES.	33 OHM 1/16 W 5%	0603 SMT TYPE	R201 R202 R203 R204 R205 R206 R111 R113	PC	23

PART NUMBER	PDESC	SPECA	SPEC B	WHUS	UM	USQTY
				R114 R119 R120 R121 R122		
				R123 R124 R125 R150 R151 R152 R160 R161		
				R162 R163		
QCF165030-3310	CHIP RES.	330 OHM 1/16 W 5%	0603 SMT TYPE	R891 R012 R015 R036 R8109	PC	5
PXL410370-3310	CHIP CAP	330 pF 50V 5%	0603 TYPE NPO	C540 C541 C544 C545 C548 C549 C075	PC	7
QCF165030-3330	CHIP RES.	33K OHM 1/16 W 5%	0603 SMT TYPE	R509 R511 R513 R515 R517 R853 R862 R863	PC	8
PXL410370-3300	CHIP CAP	33 pF 50V 5%	0603 TYPE NPO	C162 C163 C164 C165 C166 C167 C169 C206	PC	29
				C201 C202 C203 C204 C205 C207 C208 C209		
				C210 C211 C212 C213 C214 C215 C216 C570		
				C001 C1015 C025 C232 C233		
QCF165030-3930	CHIP RES.	39K OHM 1/16 W 5%	0603 SMT TYPE	R842	PC	1
QCF165030-3020	CHIP RES.	3K OHM 1/16 W 5%	0603 SMT TYPE	R022	PC	1
QCF165030-4720	CHIP RES.	4.7K OHM 1/16 W 5%	0603 SMT TYPE	R83 R85 R103 R106 R107 R116 R138 R140	PC	48
				R149 R402 R406 R410 R414 R418 R422 R436		
				R437 R554 R801 R802 R803 R820 R871		
				R023 R025 R038 R039 R040 R041		
				R042 R055 R056 R164 R168 R169 R170 R105		
				R142 R131 R132 R913 R910 R911 R504 R89		
				R320 R457 R458		
RCI004052-0001	IC 16 PIN	TC4052BFN CHIP	4 CH MULTIPLEXER	IC405	PC	1
QCF165030-4740	CHIP RES.	470K OHM 1/16 W 5%	0603 SMT TYPE	R521 R565 R912 R670	PC	4
PXL410370-4710	CHIP CAP	470 pF 50V 5%	0603 TYPE NPO	C174 C28 C29 C175 C176 C177 C178 C179	PC	13
				C180 C181 C833 C849 C850		
PXL456470-4720	CHIP CAP	0.0047uF 50V 10%	0603 TYPE X7R	C826 C829 C830 C044 C045 C054 C055	PC	7
PXL456470-4730	CHIP CAP	0.047 uF 50V 10%	0603 TYPE X7R	C026 C506 C509 C512 C515 C518 C827 C596	PC	9
				C597		
QCF165030-4730	CHIP RES.	47K OHM 1/16 W 5%	0603 SMT TYPE	R425 R430 R431 R435 R447 R448 R576 R834	PC	13
				R836 R838 R839 R026 R466		
PXL410370-4700	CHIP CAP	47 pF 50V 5%	0603 TYPE NPO	C194 C195 C196 C438 C440 C458 C460 C300	PC	9
				C301		
QCF165030-5620	CHIP RES.	5.6K OHM 1/16 W 5%	0603 SMT TYPE	R81 R82 R424 R852 R889 R027 R029	PC	7
QCF165030-5610	CHIP RES.	560 OHM 1/16 W 5%	0603 SMT TYPE	R522 R524 R526 R528 R530 R532 R401 R405	PC	11
				R409 R413 R417		
PXL410370-5610	CHIP CAP	560 pF 50V 5%	0603 TYPE NPO	C464 C846 C848 C861 C070	PC	5
QCF165030-5630	CHIP RES.	56K OHM 1/16 W 5%	0603 SMT TYPE	R115 R429 R581 R546 R465	PC	5

PART NUMBER	PDESC	SPECA	SPEC B	WHUS	UM	USQTY
PXL410370-5600	CHIP CAP	56 pF 50V 5%	0603 TYPE NPO	C843 C821 C822 C823 C824 C840	PC	6
QCF165030-6820	CHIP RES.	6.8K OHM 1/16 W 5%	0603 SMT TYPE	R453 R454 R855 R856 R859 R860 R861 R883	PC	23
				R8116 R001 R028 R030 R455 R497 R498		
				R450 R449 R451 R452 R456 C029		
SCB008050-6010	CHIP BEAD	600 OHM AT 100MHz	0805 SMD TYPE	FB105 FB106 FB107 FB111 FB112 FB113	PC	17
				FB114 FB115 FB116 FB901 FB902		
				L801 FB104 L802 FB108 FB109 FB110		
QCF165030-6230	CHIP RES.	62K OHM 1/16 W 5%	0603 SMT TYPE	R858	PC	1
QCF165030-6810	CHIP RES.	680 OHM 1/16 W 5%	0603 SMT TYPE	R875	PC	1
QCF165030-6830	CHIP RES.	68K OHM 1/16 W 5%	0603 SMT TYPE	R426 R432 R433 R434 R427 R428 R894	PC	7
RCI740374-0002	IC 20 PIN	74HC374		IC103 IC108	PC	2
RCI740032-0005	IC 14PIN	SN74LVC32ANS SOP TI	QUAD 2-I/P OR GATE	IC807	PC	1
RCI740014-0006	IC 14PIN	SN74HC14NS SOIC-D TI	HEX SCHMITT INVERTER	IC808	PC	1
RCI740157-0002	IC 16PIN	SN74F157A NS SOP TI	QUAD 2:1 MULTIPLEXER	IC104	PC	1
QCF165030-7500	CHIP RES.	75 OHM 1/16 W 5%	0603 SMT TYPE	R127 R128 R129 R130 R172 R193 R134	PC	7
SCN023500-2490	CHIP INDUC	2.4 uH 5% SMD 0805	VIDEO SW	L102 L103 L104 L105 L507 L106 L508	PC	7
RCI024002-0002	IC 8 PIN	AT24C02N-10SI-2.7 SOIC	ATMEL EEPROM	IC107	PC	1
RCI400160-0001	IC 54 PIN	4MX16Y3VTW StarRam	SYNCHRO. DRAM(TSOP)	IC109	PC	1
RCN201623-0001	XISTR NPN	HFE:200-400 L6	SMT TYPE (2SC1623)	Q103 Q105 Q503 Q504 Q505 Q506 Q508 Q903	PC	15
				Q005 Q006 Q101 Q300 Q107 Q108 Q512		
QCP015081-3300	RES ARRAY	4x33 OHM 1/10W 5%	8 PIN CHIP	RA101 RA102	PC	2
QCP015081-4720	RES ARRAY	4x4.7KOHM 1/10W 5%	8 PIN CHIP	RA118	PC	1
QCP015081-1000	CHIP ARRAY	10 OHMx4 1/10 W 5%	8 PIN	RA104 RA105 RA106 RA801 RA802 RA803	PC	6
QCF165030-1250	CHIP RES.	1.2M OHM 1/16 W 5%	0603 SMT TYPE	R835 R849	PC	2
PXL410870-2090	CHIP CAP	2PF 50V +-0.25PF	0603 TYPE NPO	C888 C889 C890 C891	PC	4
QCF165030-1210	CHIP RES.	120 OHM 1/16 W 5%	0603 SMT TYPE	R145	PC	1
PXL456470-1520	CHIP CAP	0.0015 uF 50V 10%	0603 TYPE X7R	C522 C845	PC	2
PXL439650-1050	CHIP CAP	1UF 25V +80-20%	603	C828 C032 C041 C834	PC	4
PXL410870-3090	CHIP CAP	3pF 50V +/-0.25pF	0603 TYPE NPO	C839	PC	1
RCI411625-0001	IC 40 PIN	IC41LV16256-35T TSOP-2 SI	256KX16(4MBIT)D-RAM	IC804	PC	1
RCI009703-0001	IC 64 PIN	LA9703W SQFP SANYO	DVD PLAYERS RF AMP	IC802	PC	1
QCF165030-2220	CHIP RES.	2.2K OHM 1/16 W 5%	0603 SMT TYPE	R031 R032 R063	PC	3
PXL456470-2220	CHIP CAP	0.0022 uF 50V 10%	0603 TYPE X7R	C042 C043 C008 C048 C049	PC	5
PXL456470-2230	CHIP CAP	0.022 uF 50V 10%	0603 TYPE X7R	C004 C009 C010 C011 C017 C019 C030	PC	17
				C033 C036 C046 C047 C060 C063 C073 C074		

PART NUMBER	PDESC	SPECA	SPEC B	WHUS	UM	USQTY
				C076 C077		
QCF165030-2740	CHIP RES.	270K OHM 1/16 W 5%	0603 SMT TYPE	R010 R014	PC	2
PXL456470-2720	CHIP CAP	0.0027uF 50V 10%	0603 TYPE X7R	C559 C560 C561 C562 C563 C564 C573 C574	PC	12
				C575 C576 C577 C578		
PXL456470-2730	CHIP CAP	0.027uF 50V 10%	0603 TYPE X7R	C028	PC	1
PXL456470-3330	CHIP CAP	0.033 uF 50V 10%	0603 TYPE X7R	C022	PC	1
QCF165030-3920	CHIP RES.	3.9K OHM 1/16 W 5%	0603 SMT TYPE	R024	PC	1
QCF165030-3630	CHIP RES.	36K OHM 1/16 W 5%	0603 SMT TYPE	R864	PC	1
RCI004558-0003	IC 8PIN	TEXAS RC4558D SOP8	DR401 DR420 DR610 DR620	IC401 IC402 IC403 IC404 IC406 IC410	PC	9
				IC501 IC502 IC503		
QCF165030-4700	CHIP RES.	47 OHM 1/16 W 5%	0603 SMT TYPE	R011	PC	1
QCF165030-5100	CHIP RES.	51 OHM 1/16 W 5%	0603 SMT TYPE	R020	PC	1
PXL410370-5090	CHIP CAP	5pF 50V 5%	0603 TYPE NPO	C003 C005 C013	PC	3
QCF165030-8220	CHIP RES.	8.2K OHM 1/16 W 5%	0603 SMT TYPE	R826 R865 R827 R828 R831 R441 R442 R443	PC	9
				R444		
QCF165030-8240	CHIP RES.	820K OHM 1/16 W 5%	0603 SMT TYPE	R840 R848	PC	2
RCI003580-0001	IC 8 PIN	LM358MX NS	LOW POWER DUAL OP AMP	IC809	PC	1
RCI006028-0001	IC 208 PIN	ES6028	MICRO CPU	IC106	PC	1
RCI001837-0001	IC 30 PIN	LA1837 SANYO	5.6PF SW. DIODE ARRAY W/CA	IC001	PC	1
RCI006560-0001	IC 36 PIN	LA6560 SOP SANYO	MOTOR DRIVER SANYO	IC801	PC	1
RCI072131-0001	IC 20 PIN	LC72131M SANYO	AM/FM FREQ. IC	IC002	PC	1
RCI078663-0001	IC 176 PIN	LC78663NRW SANYO	DVD FRONT END IC	IC803	PC	1
RCI000809-0003	IC 3 PIN	IMP809SEUR-T SOT23 RESET2.93V	MICROCNTLPWR SUPPLY SUPER	IC105	PC	1
PXL456470-1530	CHIP CAP	0.015 uF 50V 10%	0603 TYPE X7R	C050 C052	PC	2
RCI002534-0001	IC 8 PIN	NJM2534M SSOP JRC 3-I/P 1-O/P	VIDEO SW	IC117	PC	1
RCI002258-0001	IC 20 PIN	PT2258 6-CH VOL. IC	SOP 20 PIN PTC	IC412	PC	1
RCI916433-0001	IC 3 PIN	RT9164-33CLR		IC114 IC810	PC	2
RCI011170-0001	IC 4 PIN	B1117N-2.85 SOT-223 1A	L. DROPOUT VOL REG	IC115	PC	1
RCI005228-0001	IC 8PIN	TP5228 SOP-8 TOPRO DRIVER	DP301 GTH	IC504	PC	1
RCI003541-0001	IC 8 PIN	APA3541 SOP-8 HEADPHONE	DRIVER WITH MUTE ANPEC		PC	0.001
RCI008772-0001	IC 28 PIN	WM8772 TSOP WOLFSON	6CH D/A 2CH A/D	IC110	PC	1
RCP200733-0001	XISTR PNP	2SA812 hfe:200~400	SMT TYPE (2SA733)	Q004 Q104 Q106 Q401 Q404 Q507 Q509 Q102	PC	8
RCD114148-0011	DIODE CHIP	BAV16W/IN4148W (SKYWELL)	SOD-123	D801 D506 D512 D513 D519 D503 D504 D505	PC	22
				D005 D802 D001 D002 D003 D004 D101 D555		
				D501 D502 D006 ESD1 ESD2 D009		

PART NUMBER	PDESC	SPECA	SPEC B	WHUS	UM	USQTY
RCZ005006-0011	CHIP ZENER	5.6V 5% 0.5W (E2) SOD-123	SKYWELL MMSZ5232B	ZD501 ZD401 ZD402 ZD109	PC	4
RCZ005007-0021	CHIP ZENER	7.5V 5% 0.5W (F1) SOD-123	SKYWELL MMSZ5236B	ZD101 ZD102 ZD103 ZD104 ZD105 ZD106 ZD107 ZD108 ZD110 ZD111	PC	10
RCN005783-0001	XISTR NPN	CM5783GR SOT23 HFE:200-400	GENERAL PURPO	Q803 Q804 Q805 Q806 Q402 Q403 Q110 Q111 Q501 Q502 Q904 Q905 Q906	PC	13
RCN201009-0001	XISTR NPN	2SC1009A FA4 SOT23 NEC AM/FM	RF AMP.XIXER.OSC CONVERTE	Q002 Q003	PC	2
RCN000114-0001	XISTR NPN	DDTC114ECA SOT23 50mA	PRE-BIASED SMALL SIGNAL	Q808	PC	1
RCN000013-0001	XISTR NPN	MMBTA13-K2D SOT23 HI-CURRENT	GAIN	Q109	PC	1
RCP005051-0001	XISTR PNP	CM5051-O SOT23 HFE:70-140	GENERAL PURPOS	Q801 Q802 Q907	PC	3
RCZ005009-0021	CHIP ZENER	9.1V 5% 0.5W (F4) SOD-123	SKYWELL MMSZ5239B	ZD403	PC	1
RCD140005-0010	DIODE CHIP	CJ40-05 SOT23 70V 200mA 6nS	5.6PF SW.DIODE ARRAY W/CA	D401 D507 D508 D509 D510 D511	PC	6
RCI740374-0003	IC 20 PIN	74F374D	DR101/LENOXX SOUND	IC102	PC	1
CHC050050-0824	CHIP CONNECTOR	24PIN PITCH=0.5mm 90'	DR101/REGENT	CN803	PC	1
RCI072720-0002	IC 24 PIN	LC72720NM		IC003	PC	1
RCN000847-0001	XISTR NPN	BC847A SOT23 PHILIPS	HFE:110-220		PC	0.001
RCI390080-0001	IC 40PIN	SST39VF080 3.3V	MULTI-PURPOSE PLASH DP301	IC101	PC	1
QAS045100-1090	RESISTOR	10HM 1/4 W 5%	FUSEABLE AI	R907 R908 R909	PC	3
QAF025000-1010	RESISTOR	100 OHM 1/2 W 5% CF		R567	PC	1
QAF065000-1510	RESISTOR	150 OHM 1/6 W 5% CF		R494 R495	PC	2
QAF025000-2290	RESISTOR	2.2 OHM 1/2 W 5% CF		R569 R570 R571 R572 R573 R574	PC	6
SFB001001-0030	BEAD FERIT	DIA3.5x6mm	100 OHM/ AT 100MHZ	FB101 FB102 FB903 FB117 FB118	PC	5
SAN001600-1000	CHOKE	10 uH 10%	AI INDUCTOR	L001 L003 L007	PC	3
QAF025000-3310	RESISTOR	330 OHM 1/2 W 5% CF		R568	PC	1
QAF065000-4700	RESISTOR	47 OHM 1/6 W 5% CF		R045	PC	1
RAD114001-0010	DIODE RECTIFIER	1N4001	1A 35VRMS	D905 D906 D912	PC	3
PRE039540-1010	COND ELECT	100 uF 16V 20%	85' C	C197 C198 C453 C455 C531 C536 C537 C491 C500 C837 C786	PC	11
PRE039570-1010	COND ELECT	100uF 50V 20%	85' C	C936	PC	1
PRD235470-1030	COND DISC	0.01 uF 50V 10%	Y5P, II	C901 C902	PC	2
PRE039570-1000	COND ELECT	10 uF 50V 20%	85' C P=5MM	C1 C4 C102 C108 C135 C138 C151 C153 C155 C157 C401 C402 C403 C404 C405 C406 C432 C433 C434 C435 C436 C437 C439 C441 C456 C457 C459 C461 C479 C480 C481 C482 C483 C484 C485 C524 C525 C526 C527 C528 C529 C530 C532 C552 C817 C819 C1000	PC	61

PART NUMBER	PDESC	SPECA	SPEC B	WHUS	UM	USQTY
				C1002 C1003 C1005 C538 C7 C040 C182		
				C183 C023 C039 C25 C41 C42 C072		
PRE039540-2210	COND ELECT	220 uF 16 V 20%	85' C	C534 C535 C3	PC	3
PRE039550-2210	COND ELECT	220uF 25V 20%	85' C	C566 C912 C913 C916 C918 C928 C931 C933	PC	8
PRE039570-1090	COND ELECT	1uF 50V 20%	85' C P=5MM	C037	PC	1
PRE039570-4780	COND ELECT	0.47 uF 50V 20%	85' C	C038	PC	1
PRE039570-4790	COND ELECT	4.7 uF 50V 20%	85' C	C533 C567 C051 C053 C504	PC	5
PRE039540-4700	COND ELECT	47 uF 16 V 20%	85' C	C803 C012 C027 C031 C810 C056 C064 C835	PC	23
				C813 C061 C815 C832 C867 C885 C887 C950		
				C953 C955 C956 C958 C960 C071 C069		
PRE039540-2200	COND ELECT	22uF 16V 20%	85' C	C021	PC	1
PRE039540-3300	COND ELECT	33 uF 16 V 20%	85' C	C018 C020	PC	2
PRM0373A0-1040	COND MYLAR	0.1 uF 100V 5%	AI	C553 C554 C555 C556 C557 C558	PC	6
RAM200192-1001	FET	2SK192A-Y/GR	TOSHIBA	Q001	PC	1
PRE039570-3390	COND ELECT	3.3 uF 50V 20%	85' C	C062	PC	1
RHD208010-0010	BRIDGE	KBU8B 8A 100V UL	SEP	D901 D902	PC	2
PVE039550-6820	COND ELECT	6800 uF 25V 20% 85`C	CUT 3.5MM	C908 C910	PC	2
CCN250000-0102	CONNECTOR	B2B-XH-A 2 PIN	POST BASE TOP P=2.5	CN908	PC	1
CCN250000-0502	CONNECTOR	S2B-XH-A 2 PIN	POST BASE SIDE P=2.5	CN001	PC	1
JQC022000-2760	CRYSTAL	27.0000MHZ HC-49US +/-20ppm	L=12.7MM DY-	XL101	PC	1
CJS012102-0020	SPK JACK	RDx2-BU-GYx2-GN/BKx6 12P	ADD 1N STOP POINT DR401	JK501	PC	1
CSL207035-0200	SOLDER LUG	OD7.0xID3.5xT0.3 mm	W/26GA 60MM BLK WIRE		PC	1
CJR001301-0020	RCA JACK	1P YELLOW W/GND	RCA-108D-1	JK103	PC	1
MVC001001-0010	COND TRIM	3 - 10 PF NPO		TC001	PC	1
MVC001002-0010	COND TRIM	4.2 - 20 PF N450		TC002	PC	1
PME039570-1090	COND ELECT	1 uF 50V 20%	85' C		PC	3
PVE039540-4710	COND ELECT	470 uF 16V 20% 85`C	CUT 3.5MM		PC	1
JFT005002-0040	CER FILTER	10.7 MHZ	MURATA SFE-10.7MS3	CF001 CF002	PC	2
SIL002011-2001	CHOKE COIL	20uH 2A PIN:10mm+/-0.01	1-2=72/2-3=80/4-6=10	L501 L502 L503 L504 L505 L506	PC	6
SIL106003-3930	COIL	39 mH 10% D6xH11xP5mm	1-2=72/2-3=80/4-6=10	L002	PC	1
JQC023102-4550	CRYSTAL	4.5000MHZ HC-49U/S 30PPM	DY4.500(狗) DM220	XL001	PC	1
JFT005001-0030	CER FILTER	450 KHZ	TOKO:AHCFM2-450BL	CF003	PC	1
SIL013009-0011	ANT OSC	AM 4-6:10T 1-3:86T	COILS:R2523-0A10	T002	PC	1
CJC010004-3020	RCA+DIN JACK	1P RCA+4P DIN YEL W/GND	AV-SW-01	JK101	PC	1
CCN200000-0104	CONNECTOR	4 PIN PITCH=2.0mm	B4B-PH-K TOP BASE	CN904 CN501	PC	2

PART NUMBER	PDESC	SPECA	SPEC B	WHUS	UM	USQTY
SIL013012-0010	OSC FM	SUMIDA S-8N		T001	PC	1
CCN200000-0105	CONNECTOR	5 PIN PITCH=2.0mm	B5B-PH-K TOP BASE	CN801	PC	1
CCN250000-0104	CONNECTOR	B4B-XH-A 4 PIN	POST BASE TOP P=2.5	CN903	PC	1
SIF010001-0040	AM IFT	455KHz Q=130	1-2=72/2-3=80/4-6=10	T008	PC	1
SIL013010-0012	OSC COIL	108uH (796 KHz) COIL	R2523-0H07-502522	T003	PC	1
RHV100149-0001	DIODE TUNG	AM TOSHIBA 1SV149B		VD001 VD002	PC	2
SIF020001-0050	FM IFT	10.7MHz Q=60 MIN	SUMIDA P=7SB(SP-142-019)1	T007	PC	1
SIL016001-0010	BIAS COIL	78 KHz	COIL:00D8-865807	T004	PC	1
SIL016001-0020	BIAS COIL	16 KHz	COIL:00D8-865806	T005 T006	PC	2
PVE039550-4720	COND ELECT	4700 uF 25V 20% 85`C	16X32MM CUT 3.5MM	C924	PC	1
PVP026370-5610	COND POLY	560pF 50V 5%	CAMEL:PSR CUT 5.3MM	C014	PC	1
JQC012000-1661	CRYSTAL	16.9344MHz HC-49u +/-20ppm	L=12.7MM 狗方垂 筭 DY-	XL801	PC	1
CCN396020-0105	CONNECTOR	5 PIN CL3962WV0	POST BASE TOP P=3.96	CN902	PC	1
WTP000011-0001	TUNER PACK	KWANGSUN KST-F404VA2	FM TUNER	EF001	PC	1
CCN200000-0116	CONNECTOR	16PIN PITCH=2.0mm B16B-PH-K	TOP BASE DR620	CN201	PC	1
CFC011000-1001	FUSE CLIP	DIA5xL20mm FUSE			PC	6
CCH100010-2206	CONNECTOR	6P P=1.0mmx2	旧硇 FNA12-016-TO-2 (TPG)	CN802	PC	1
CJA003002-2010	RF JACK	FEMALE TYPE ID1.44mm	IF-01	JK001	PC	1
CJR006301-0040	RCA JACK	6P WHTx3/REDx3 AXIAL W/GND	LX700	JK401	PC	1
CJR001301-0040	RCA JACK	1 PIN BLAK W/GND PIN	DR410	JK105	PC	1
CSS021001-1020	SCART SOCK	21PIN PITCH=3.81mm	RC-2104(Z.Y)	JK102	PC	1
RHI007805-0001	IC 3 PIN	MC7805ACT 5V 2% 1A	(5V2) VOL. REGULATOR	IC905	PC	1
RHI007808-0001	IC 3 PIN	L7808 8V 1A	REGULATOR	IC904	PC	1
JQC013102-4351	CRYSTAL	4.332 MHZ HC-49/U 30PPM	DY4.332MHZ(狗) DM220	XL002	PC	1
KSA020630-0120	FUSE	6.3A 250V SLOW (WALTER TSD)	5X20MM RUL/VDE/CSA	F901 F902	PC	2
RHI007812-0001	IC 3 PIN	7812 12V 1A	REGULATOR	IC901	PC	1
RHI007912-0001	IC 3 PIN	7912	REGULATOR	IC902	PC	1
RHI007269-0001	IC 11 PIN	TDA7269A (ST) 14Wx2	STEREO AMPLIFIER	IC505 IC506	PC	2
RHI007265-0001	IC 11 PIN	TDA7265 SGS THOMSON	25+25 POWER IC	IC507	PC	1
KSA120250-0120	FUSE 2.5A	250V SLOW 5x20mm VDE/RUL/CSA	WALTER	F903	PC	1
RHI007805-0001	IC 3 PIN	MC7805ACT 5V 2% 1A	(5V2) VOL. REGULATOR	IC903	PC	1
LVA103340-0401	STAND BY+VOL PCB	94V0 KB 196.5x111x1.6mm	DR1030/GOODMANS		PC	1
LVA103341-0401	POWER	STAND BY PCB (REF)	DR1030		PC	0.001
KED500052-0020	LED 2x5mm	GREEN HI-LIGHT	523VGD-AA	LD201	PC	1
CCN200000-0104	CONNECTOR	4 PIN PITCH=2.0mm	B4B-PH-K TOP BASE	CN202	PC	1

PART NUMBER	PDESC	SPECA	SPEC B	WHUS	UM	USQTY
MAW060001-0010	AI TACT	SW SKHVB3520 ALPS	5.0 MM 160 GF	TA210	PC	1
LVA103342-0401	VOL. PCB	PCB (REF)	DR1030		PC	0.001
QAF065000-1020	RESISTOR	1K OHM 1/6 W 5% CF		R501 R502	PC	2
PRE039530-1010	COND ELECT	100uF 10V 20%	85' C	C503	PC	1
MSW005007-0010	R-ENCODER	EC16B 24204 ALPS / NOBEL	L=20MM NUT+WASHER	VR201	PC	1
PRD180370-2700	COND DISC	27 pF 50V 5%	SL I D=5	C501 C502	PC	2
CCN200000-0103	CONNECTOR	3 PIN PITCH=2.0mm	B3B-PH-K TOP BASE	CN203	PC	1
SFB002001-0040	BEAD FERIT	OD19.5xID9.5xH31+4mm	EMI CORE W/PLASTIC		PC	3
TNC123002-0013	PWR TRANS	AC 230V 50HZ R-CORE 15x5+25W	TEN PAO DR100/LENOX SOUND		PC	1
VPE003252-0020	LINE CORD	2P 2200mm BLK VDE	W/3.96VH 4P		PC	1
SFB001001-0200	BEAD FERIT	OD25xID15xH10mm	UI=800 W/O COAT		PC	1
LHI200370-0702	REMOTE CONTROL	PCB 1 PANEL 7PCS	DR101/REGENT		PC	1
RCN201623-0001	XISTR NPN	HFE:200-400 L6	SMT TYPE (2SC1623)	Q1	PC	1
PRE039550-4790	COND ELECT	4.7uF 25V 20%	85' C	C3	PC	1
RCI002222-0001	IC 24 PIN	PT2222-001 PTC	64 KEY X' MITTER	IC1	PC	1
RHO005208-2001	DIODE IRT	LTE-5208AC		D1	PC	1
QCF165030-4720	CHIP RES.	4.7K OHM 1/16 W 5%	0603 SMT TYPE	R1 R2	PC	2
QCF165030-1090	CHIP RES.	1 OHM 1/16 W 5%	0603 SMT TYPE	R3	PC	1
PXL410370-1510	CHIP CAP	150pF 50V 5%	0603 TYPE NPO	C1 C2	PC	2
RCD114148-0011	DIODE CHIP	BAV16W/IN4148W (SKYWELL)	SOD-123	D3	PC	1
JRN002001-0010	RESONATOR	MURATA CSB 455EB		X1	PC	1
VRC101008-0030	RCA CABLE	1600mm OD2.6mmBLK	A, B=1 YEL RCA		PC	1
VRC202002-0040	RCA CABLE	1.6M WHT/RED(WIRE BLK)	A, B=W/LABEL REAR L/R		PC	1
VSC000002-0010	SCART CABL	1000mm BLACK	A, B=SCART PLUG BLACK		PC	1
VTA100002-0010	LOOP ANT	2000mm 1007#26/1691#24 7Ts	W/2.5MM CONNECTOR		PC	1
IVA000001-0061	POLY BAG	L610xW540mm	W/RECYCLE		PC	1
IVA107009-0010	SOFT BAG	L550xW420xT0.5mm	DR402		PC	1
IVA102022-0010	POLY BAG PE	PE L400xW150xT0.03mm	DR101		PC	1
IVA000001-0048	POLY BAG	L240xW355mm	W/RECYCLE MARK&HOLE		PC	2
VTA400001-0030	FM ANTENNA	1500 mm 75 OHM MALE	JACK W/O PLASTIC WHT	FOR PWR TO FRONT-2 BIG BRACKET-0	PC	1

PART NUMBER	PDESC	SPECA	SPEC B	UM	USQTY
DCR030001-0001	FUSE COVER	ID19.6xW11xH5.5mm UL	PVC TRANSPARENT	PC	1
DHS102002-0001	HEAT SINK	AL L173.5xW60xH42.0mm	DR1060	PC	1
HSP140054-1080	SCREW	T3.0xL8xP1.06mm, 0.47g	NICKLE	PC	10
HST143084-1060	SCREW	M3.0xP0.5x6, 0.5g	NICKLE	PC	2
GSE100211-0001	BRACKET	SECC T=0.8mm	DR401	PC	1
DHS101002-0001	HEAT SINK	FIXTURE 2 SECC	L33XW21XH21MM FOR DR1060	PC	1
HIM000001-0008	MICA SHEET	L20xW25xT0.1mm	W/1 HOLE 3.0D	PC	3
HIM000001-0001	MICA SHEET	13x18xT0.1mm	W/1 HOLE D3.6 TO-220	PC	1
DHU201001-0001	WASHER	OD6xID3xH2.5mm 602S-V0	PINGOOD 602S-V0	PC	4
GAL000107-0004	HEAT SINK	L15xW10.5xH34mm (SMX-1)	ALUMINIUM DEGREASE	PC	2
BPD101057-0001	CD DOOR	HIPS SILVER	137X14X12.7MM	PC	1
BPK105063-0001	VOL. KNOB	ABS DIA26x16mm	SPRAY SILVER	PC	1
BPF104031-0002	FRONT PANEL	PMS 877C	DR1030/ROADSTAR	PC	1
BPF106005-0001	FRONT CAB TRIM	ABS	L430XW15.5XH11.9MM	PC	1
BPK106051-0001	POWER KNOB	ABS SPRAY SILVER	30X26X21MM	PC	1
BPK116051-0001	FUNCTION KNOB	ABS CHROMED SILVER	127.6X26X22MM	PC	1
BPN100147-0001	LED LENS	ACRYLIC 16x10.1x5mm		PC	1
BPN100145-0001	CD DOOR LENS	ACRYLIC MIRROR BACK	W137XH14XD3MM	PC	1
BPN100146-0101	DISPLAY LENS	ACRYLIC	DR1030	PC	1
BPK105064-0001	VOL. KNOB	RING ABS CHROMED SILVER	DIA34XDIA28X12MM	PC	1
BPE100025-0001	FRONT FOOT	ABS DIA50x7mm	FINISHED:CHROMED FOR DR10	PC	2
BPE100025-0002	BACK FOOT	ABS DIA50x7mm	DR1030 ROADSTAR	PC	2
GSE100332-0001	BOTTOM	SECC T=0.8mm	328X430X42.8MM FOR DR1	PC	1
GSE100333-0001	TOP COVER SECC	T=0.8mm SPRAY SILVER	329X430X69MM	PC	1
GSE100372-0001	X' FORMER WASHER	OD27XID6.4XT2mm	DR1030/GOODMANS	PC	1
GSE100331-1002	BACK PANEL	SECC T=0.8mm	DR1030/ROADSTAR	PC	1
GSE100344-0001	BIG BRACKET	SECC T=1.0mm	67X11X36MM DR1030 GOODMAN	PC	1
HSP140054-1080	SCREW	T3.0xL8xP1.06mm, 0.47g	NICKLE	PC	22
HST143084-1060	SCREW	M3.0xP0.5x6, 0.5g	NICKLE	PC	25
HST143084-1080	SCREW	M3.0xP0.5x8	NICKLE	PC	9
HSW140054-1081	SCREW	T3.0xL8.0xW/@10.0mm	NICKEL WASHER HEAD	PC	1
HWF118035-6100	WASHER FIB	OD8.0xID3.5xT1.0mm	DR620	PC	2
BRF110004-0001	RUBBER PAD	W/ADV. (SINGLE SIDE)	BLK 26X26X2MM	PC	4
HSW140054-1080	SCREW	T3.0xL8xP1.06mm, 0.69g	NICKLE WASHER HEAD	PC	3
VFC060120-3000	FFC CABLE	6P 300mm 20696 PITCH=1.0mm	DR1030 GOODMAN	PC	1
VFC240110-2400	FFC CABLE	24P 240mm 20696 PITCH=0.5mm	DR620	PC	1
VFL501244-3000	CON/WIRE	5P 300mm 2468#26 RAINBOW	A=B=2.0MM	PC	1
FAN221202-0001	FAN KD1205PHS2	DV12V	HT600	PC	1
HOT001008-0001	RIVET	PINGOOD:SR-04F PU/NYLO BLK	DR620	PC	4
BPL200005-0001	DVD LOGO	PVC T=0.3mm	HT600	PC	1
DSS100022-0001	SPACER	A=10 B=1.2-1.6mm	PINGOOD SCB-10	PC	3
IVE100232-0001	SPONGE	L10xW7xT8.5mm DR402	FIREPROF	PC	1
IVS010014-0001	FELT	L38xW14xT0.2mm, 40g	W/ADV. BLACK	PC	5
BPH100025-0001	ANTENNAL	HOLDEL	DE401	PC	1
DBU001005-0010	BUSHING	AC LINE BUSHING	PIN GOOD 5RF-5A	PC	1
DTB008000-0200	TUBING SRK	DIA=8 L=20mm BLACK	50% SHRINKAGE VINYL	PC	1
DWT000001-0900	WIRE TIE	GT-90M 90mm		PC	8
YLB102000-0001	LASER LABEL	LASER LABEL	GOODMANS	PC	1
YLB124000-0020	WIRE LABEL	180x55mm	GOODMANS	PC	1
YLB116006-0002	CAUTION LABEL	6 LANGUAGE 55x30mm	DR1030/ROADSTAR	PC	1
YLB121005-0001	DATE CODE LABEL	SIZE:13x9mm	DR101/GOODMANS	PC	1
YLB105023-0001	SERIAL LABEL	SIZE:L40xW5mm	DR1030/ROADSTAR	PC	1

