



Agroparts: www.HARDI-INTERNATIONAL.com

BNL 3 Pt. Hitch PTO

Country-Code 11

Date 16.03.2016 10:35

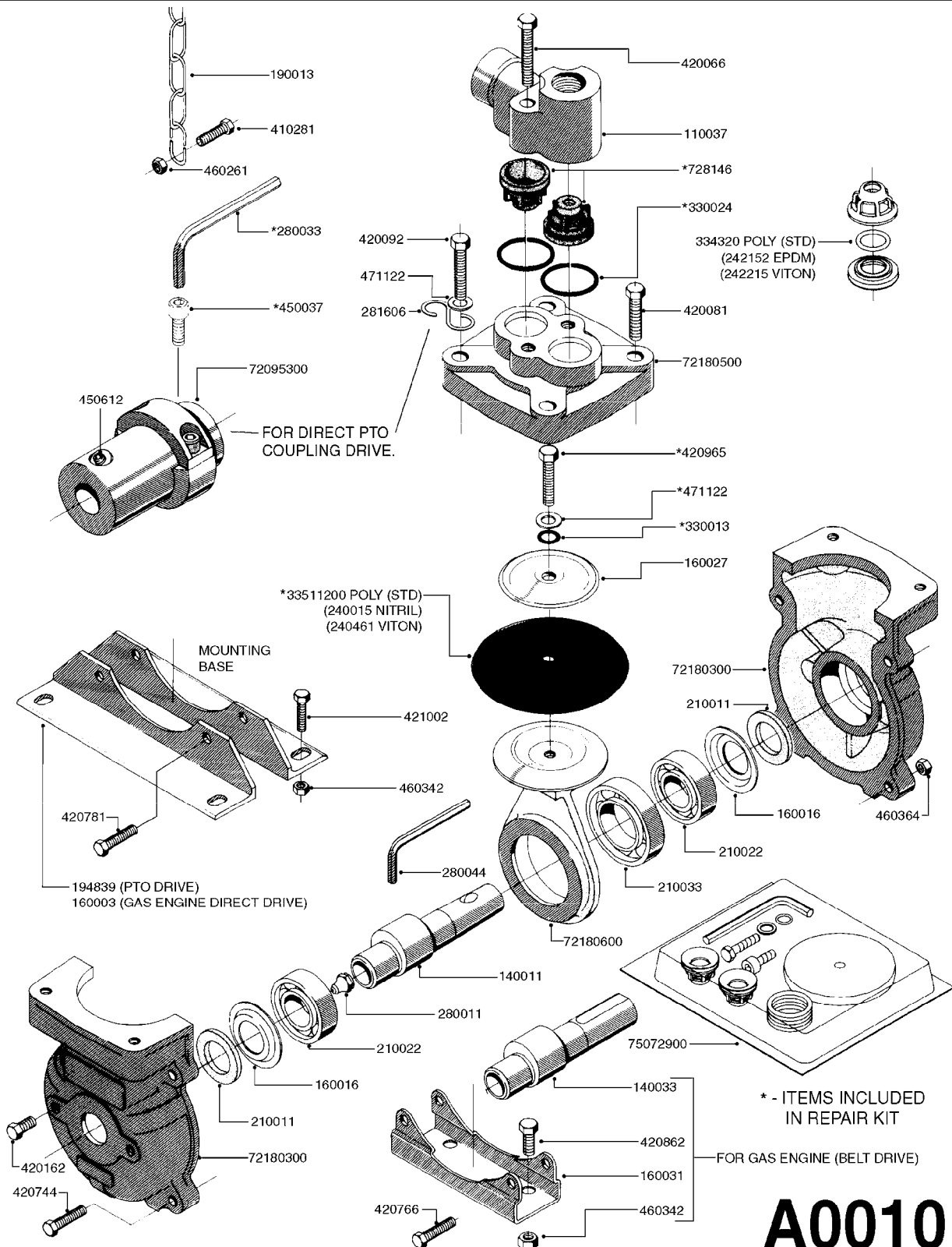




main group	page-n°	date	description
Pumps	A0010-HIN	01:01:16	PUMP - 500
	A0020-HIN	01:01:16	PUMP - 503
	A0050-HIN	01:01:16	PUMP - 500 FITTINGS
	A0510-HIN	01:01:16	PTO SHAFTS - BONDIOLI DIAPH.
	A0520-HIN	01:01:16	PTO SHAFTS - BONDIOLI CENT.
	A0580-HIN	01:01:16	PTO SHAFTS - AMA DIAPHRAGM
Controls, Filters, Valves	B0030-HIN	01:01:16	DISTRIBUTION VALVE - MANUAL
	B0070-HIN	01:01:16	CONTROL - M70 MANUAL
Booms, Nozzle Bodies & Tubes	D0020-HIN	01:01:16	BOOM - 14' HD
	D0030-HIN	01:01:16	BOOM - V-II
	D0040-HIN	01:01:16	BOOM - VS-8 & VS-10
	D0060-HIN	01:01:16	BOOM - SB 20' 26' 33'
	D0070-HIN	01:01:16	BOOM - SB H-FRAME & CENTER HY
	D1000-HIN	01:01:16	BOOM-NOZZLES 110° FLAT FAN ISO
	D1010-HIN	01:01:16	BOOM-NOZZLES 110° LOWDRIFT ISO
	D1020-HIN	01:01:16	BOOM-NOZZLES 80° FLAT FAN ISO
	D1030-HIN	01:01:16	BOOM-NOZZLE CAPS AND FILTERS
	D1040-HIN	01:01:16	BOOM-NOZZLES INJET
	D1050-HIN	01:01:16	BOOM-NOZZLES MINIDRIFT
	D1060-HIN	01:01:16	BOOM-NOZZLES QUINTASTREAM
	D1080-HIN	01:01:16	NOZZLE BODIES-THREADED
	D1090-HIN	01:01:16	NOZZLE BODIES-SNAP FIT
	D1100-HIN	01:01:16	DOUBLE NOZZLE HOLDER-SNAP FIT
Estate Sprayers	I0060-HIN	01:01:16	BNL 50/80 TANK & FRAME
Special equipment, Extras	K0480-HIN	01:01:16	HANDGUN TYPE 60S/60L POST 95
	K0520-HIN	01:01:16	HOSE WRAPS



PUMP - 500
A0010-HIN, 01:01:16



A0010



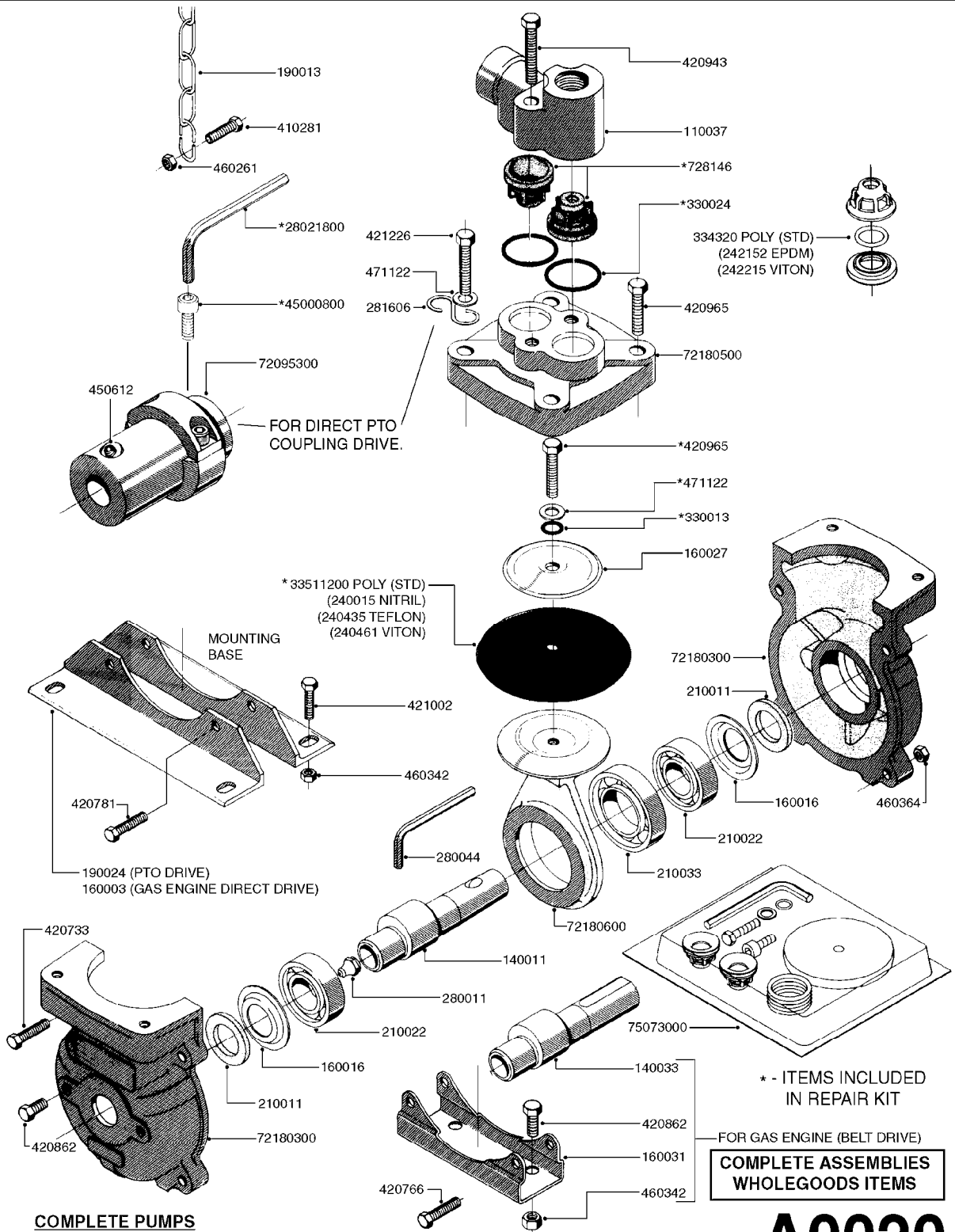
PUMP - 500
A0010-HIN, 01:01:16

Page 1
Date 16.03.2016 10:35

parts-n°	order qty	description
110037	1	VALVE CHAMBER MOD 500 PAINTED
140011	1	CRANK SHAFT MODEL 500
140033	1	CRANK SHAFT,MODEL 500/4
160003	1	PUMP MOUNT PLATE TALL 500/600
160016	1	DUST PLATE
160027	1	DIAPHRAGM UPPER DISC 500-600
160031	1	BASE PLATE MODEL 500-600
190013	1	CHAIN 35XL=800
194839	1	ANGLE IRON FOOT, M 500-600 RED
210011	1	SEAL FELT D39/23 X 4
210022	1	BEARING BALL 6205
210033	1	BEARING BALL 6007
240015	1	DIAPHRAGM MODEL 500-600 NITRIL
240461	1	DIAPHRAGM MODEL 500-600 VITON
242152	1	O-RING D18.2X3 EPDM
242215	1	O-RING D18X3 VITON
280011	1	GREASE NIPPLE 3/8' SAE H TR
280033	1	KEY HEXAGON W9 5/16"
280044	1	KEY HEXAGON W6 3/16'
281606	1	S-HOOK GALVANIZED
330013	1	O-RING D15/D10X2.5 F.3/8"NUT
330024	1	O-RING D41,1/D34.5 X 3,5
334320	1	O-RING D18X3 POLYURETHANE
410281	1	BOLT HEX 8.8 DEL M6X25 DIN933 A2
420066	1	BOLT HEX 8.8 DEL 3/8"X50MM
420081	1	BOLT HEX 8.8 DEL 3/8"X40MM
420092	1	BOLT HEX 8.8 RAW 3/8"X45MM
420162	1	BOLT HEX 8.8 DEL 3/8"x15MM
420744	1	BOLT HEX 8.8 DEL M8X40
420766	1	BOLT HEX 8.8 DEL M8X45
420781	1	BOLT HEX 8.8 DEL M8X50
420862	1	BOLT HEX 8.8 DEL M10X16 FT
420965	1	M10X40 MACHINE SCREW STAINLESS
421002	1	BOLT HEX 8.8 DEL M10X30 FT DIN933
450037	1	BOLT ROUND 3/8'X1' BLACK
450612	1	SCREW M10X16 POINTED
460261	1	NUT HEX M6X1 LOCK A2 DIN985
460342	1	NUT HEX M10 DEL DIN934
460364	1	NUT HEX M8 GALV.
471122	1	WASHER, M10, Ø20/10.5X 2.0, SS
728146	1	VALVE FOR 361(726890/707932)
33511200	1	DIAPHRAGM 500-603 PUR 2006
72095300	1	COUPLING 1-3/8' X 25, PAINTED
72180300	1	PUMP HOUSING 503 RED W/BOLTS
72180500	1	DIAPHRAGM COVER 503 W/BOLTS
72180600	1	CONNECTING ROD FOR 503-603 M10
75072900	1	PUMP KIT 500 "06"



PUMP - 503
A0020-HIN, 01:01:16



COMPLETE PUMPS
821617 - PUMP ONLY
10521303 - WITH PTO & DAMPER

A0020



PUMP - 503
A0020-HIN, 01:01:16

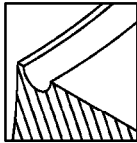
Page 1
Date 16.03.2016 10:35

parts-n°	order qty	description
110037	1	VALVE CHAMBER MOD 500 PAINTED
140011	1	CRANK SHAFT MODEL 500
140033	1	CRANK SHAFT,MODEL 500/4
160003	1	PUMP MOUNT PLATE TALL 500/600
160016	1	DUST PLATE
160027	1	DIAPHRAGM UPPER DISC 500-600
160031	1	BASE PLATE MODEL 500-600
190013	1	CHAIN 35XL=800
190024	1	ANGLE IRON FOOT, MODEL 500-600
210011	1	SEAL FELT D39/23 X 4
210022	1	BEARING BALL 6205
210033	1	BEARING BALL 6007
240015	1	DIAPHRAGM MODEL 500-600 NITRIL
240435	1	DIAP alts 332021PUR,240015NITR
240461	1	DIAPHRAGM MODEL 500-600 VITON
242152	1	O-RING D18.2X3 EPDM
242215	1	O-RING D18X3 VITON
280011	1	GREASE NIPPLE 3/8' SAE H TR
280044	1	KEY HEXAGON W6 3/16'
281606	1	S-HOOK GALVANIZED
330013	1	O-RING D15/D10X2.5 F.3/8"NUT
330024	1	O-RING D41,1/D34.5 X 3,5
334320	1	O-RING D18X3 POLYURETHANE
410281	1	BOLT HEX 8.8 DEL M6X25 DIN933 A2
420733	1	BOLT HEX 8.8 DEL M8X40
420766	1	BOLT HEX 8.8 DEL M8X45
420781	1	BOLT HEX 8.8 DEL M8X50
420862	1	BOLT HEX 8.8 DEL M10X16 FT
420943	1	BOLT HEX 8.8 DEL M10X50
420965	1	M10X40 MACHINE SCREW STAINLESS
421002	1	BOLT HEX 8.8 DEL M10X30 FT DIN933
421226	1	BOLT HEX 8.8 DEL M10X45
450612	1	SCREW M10X16 POINTED
460261	1	NUT HEX M6X1 LOCK A2 DIN985
460342	1	NUT HEX M10 DEL DIN934
460364	1	NUT HEX M8 GALV.
471122	1	WASHER, M10, Ø20/10.5X 2.0, SS
728146	1	VALVE FOR 361(726890/707932)
821617	1	PUMP 503/7 W FOOT TAPERED SHAF
10521303	1	PUMP 500 C/W PTO 540 RPM
28021800	1	KEY HEXAGON 8MM FOR M10
33511200	1	DIAPHRAGM 500-603 PUR 2006
45000800	1	BOLT ROUND M10X25
72095300	1	COUPLING 1-3/8' X 25, PAINTED
72180300	1	PUMP HOUSING 503 RED W/BOLTS
72180500	1	DIAPHRAGM COVER 503 W/BOLTS
72180600	1	CONNECTING ROD FOR 503-603 M10
75073000	1	PUMP KIT 503 "06"



Housing for Black Diaphragm-

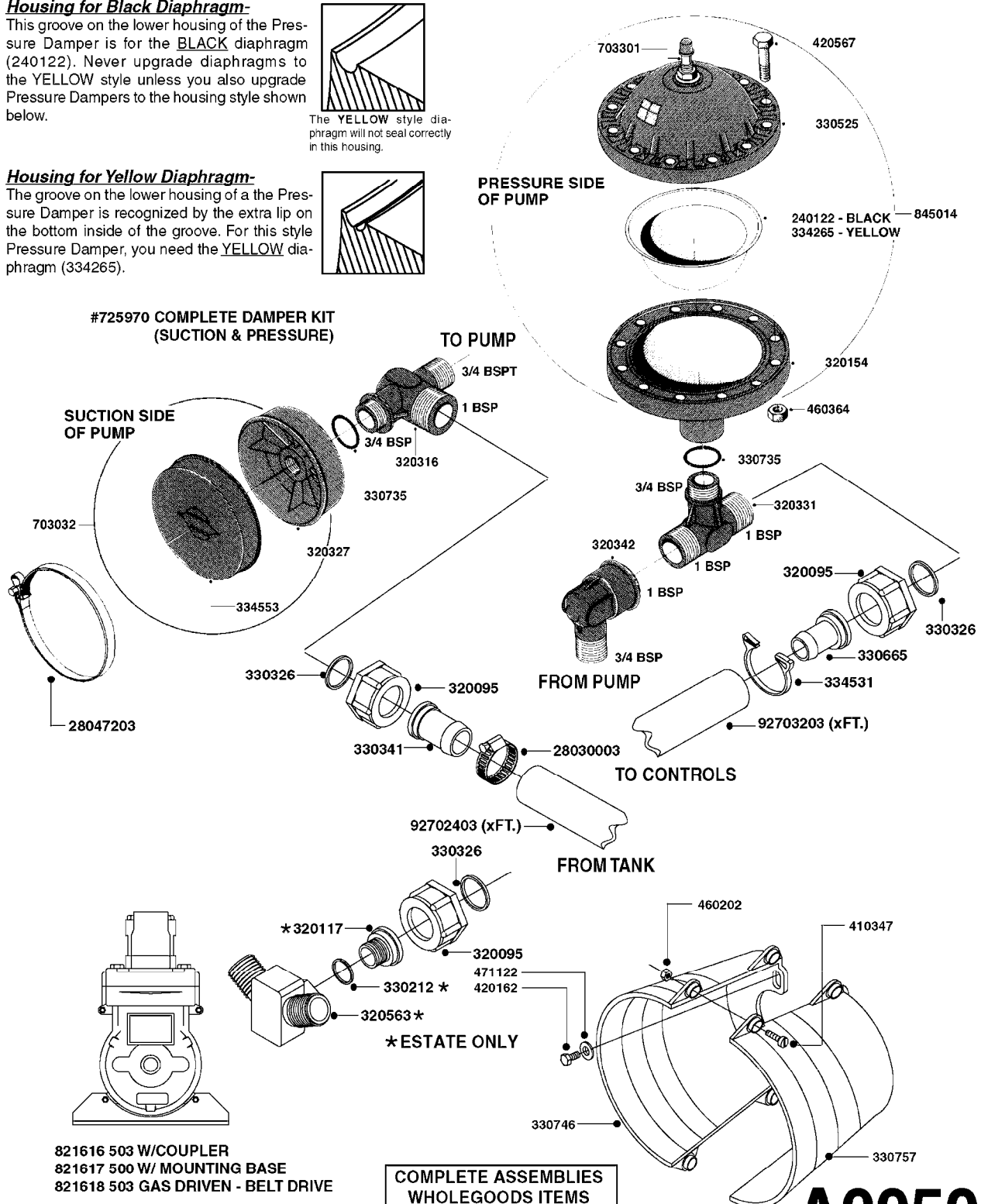
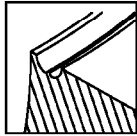
This groove on the lower housing of the Pressure Damper is for the **BLACK** diaphragm (240122). Never upgrade diaphragms to the **YELLOW** style unless you also upgrade Pressure Dampers to the housing style shown below.



The **YELLOW** style diaphragm will not seal correctly in this housing.

Housing for Yellow Diaphragm-

The groove on the lower housing of a Pressure Damper is recognized by the extra lip on the bottom inside of the groove. For this style Pressure Damper, you need the **YELLOW** diaphragm (334265).



821616 503 W/COUPLER
821617 500 W/ MOUNTING BASE
821618 503 GAS DRIVEN - BELT DRIVE

COMPLETE ASSEMBLIES
WHOLEGOODS ITEMS

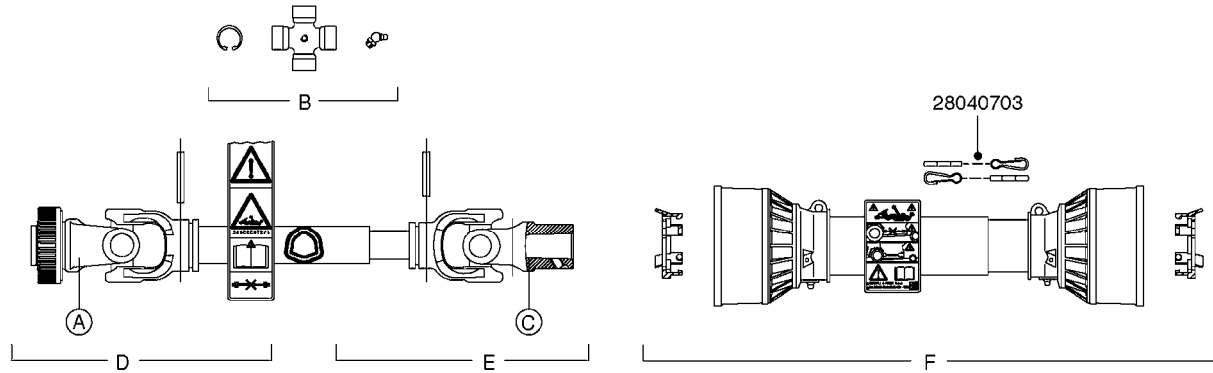
A0050



PUMP - 500 FITTINGS
A0050-HIN, 01:01:16

Page 1
Date 16.03.2016 10:35

parts-n°	order qty	description
240122	1	DIAPHRAGM FOR PRES.DAMP.(EPDM)
320095	1	FITT.DK NUT 1" BSP
320117	1	FITT.DK CONN.1/2"BSP F. 1" CAP
320154	1	AIR BOTTLE, BOTTOM PART
320316	1	FITT.DK TEE 3/4" X3/4" X1"BSP
320327	1	HOUSING F. SUCTION AIR BOTTLE
320331	1	FITT.DK TEE 1" - 1" - 3/4" BSP
320342	1	FITT.DK EL 3/4"M X 1"F BSP
320563	1	FITT.DK 3 WAY 1/2" 110 DEG.
330212	1	O-RING D19/D14X2.4 F.1/2"NUT
330326	1	O-RING D30/D24X2 F.1"NUT
330341	1	FITT.DK HB 1" F. 1" NUT
330525	1	AIR BOTTLE, TOP HALF
330665	1	3/4' HOSE TAIL F/1' CAP
330735	1	O-RING D30/D26X2
330746	1	GUARD PTO LOWER PART SHORT
330757	1	GUARD PTO UPPER PART SHORT
334265	1	DIAPHRAGM F. PRESS DAMP.NITRIL
334531	1	CLAMP HOSE PLASTIC 3/4"
334553	1	DIAPHRAGM F.SUCTION AIR BOTTLE
410347	1	SCREW M6X20 8.8
420162	1	BOLT HEX 8.8 DEL 3/8"x15MM
420567	1	BOLT HEX 8.8 DEL M8X30 FT
460202	1	NUT HEX M6
460364	1	NUT HEX M8 GALV.
471122	1	WASHER, M10, Ø20/10.5X 2.0, SS
703032	1	SUCTION AIR BOTTLE 3/4" COMPL.
703301	1	VALVE FOR AIR BOTTLE
725970	1	DAMPER KIT 600
821616	1	PUMP 503/7 W COUPLER
821617	1	PUMP 503/7 W FOOT TAPERED SHAF
821618	1	PUMP 503/4 800RPM STRIGHT SHAF
845014	1	AIR BOTTLE COMPLETE HJ73
28030003	1	CLAMP HOSE GEAR P1" 6716
28047203	1	CLAMP HOSE GEAR 60 X 80 6756
92702403	1	HOSE PVC SUCT GRAY 1"
92703203	1	HOSE R X3/4" X300PSI WP X0012"



PTO	TRACTOR	IMPLEMENT	LENGTH	A	B	C	D	E	F
28020203	1-3/4" 20-SPLINE	1-3/8" 21-SPLINE	860/1313	28015703	28009403	28040603	28015803	28015903	28016003
28020303	1-3/8" 21-SPLINE	1-3/8" 21-SPLINE	860/1328	28015103	28015203	28015303	28015403	28015503	28015603
829445	1-3/8" 6-SPLINE	1-3/8" 6-SPLINE	810/1219	284041	289045	289041	28016703	28016803	289050
829446	1-3/8" 6-SPLINE	1-3/8" 6-SPLINE	810/1230	289040	284041	289040	28016203	28016303	289049
829480	1-3/8" 21-SPLINE	1-3/8" 21-SPLINE	1210/1912	28005200	289042	28005800	28006700	28007300	28008100
829482 *	1-3/8" 6-SPLINE	Ø25 CONE 3	610/912	28005400	289042	28006000	28008500	28007500	28008600
829483 *	1-3/8" 6-SPLINE	Ø30 CONE 4	610/912	28005400	289042	28006100	28008500	-	28008600
829484 *	1-3/8" 6-SPLINE	1-3/8" 6-SPLINE	610/912	28005400	289042	28006200	28008500	-	28008600
829486	1-3/8" 6-SPLINE	Ø30 CONE 4	860/1328	28005400	289042	28006100	28006900	-	28008100
829487 *	1-3/8" 6-SPLINE	1-3/8" 6-SPLINE	860/1328	28005400	289042	28006200	28006900	-	28008100
829490	1-3/8" 6-SPLINE	Ø30 CONE 4	1210/1912	28005400	289042	28006100	28006900	-	28008100
829491	1-3/8" 6-SPLINE	Ø1"	610/912	28005400	289042	28006300	28008500	28007800	28008600
829502 *	1-3/8" 6-SPLINE	1-3/8" 6-SPLINE	1210/1912	28068800	28069700	28073000	-	-	28072800

* Supplier changed in 2011 - see page A0580 for "AMA" PTO's (yellow and black shields).

A0510

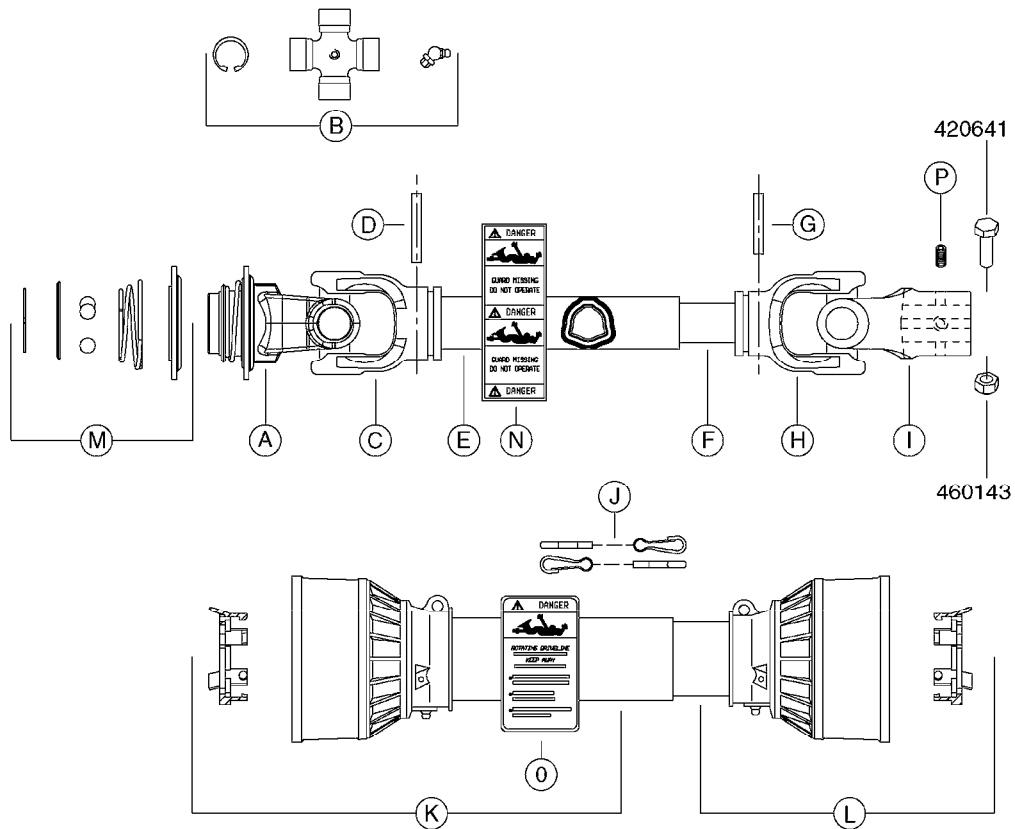


PTO SHAFTS - BONDIOLI DIAPH.
A0510-HIN, 01:01:16

Page 1

Date 16.03.2016 10:35

parts-n°	order qty	description
284041	1	UNIV. JOINT 27x70mm
289040	1	PTO YOKE 1-3/8" X 6 SPLINE
289041	1	PTO YOKE 1-3/8" X 6 SPLINE
289042	1	UNIV. JOINT 22x54mm
289045	1	UNIV. JOINT 30.2x79.4mm
289049	1	PTO SHIELD COMPLETE F.829446
289050	1	PTO SHIELD COMPLETE F.829445
829445	1	PTO 1-3/8/6X1-3/8/6X810M AXIAL
829446	1	PTO SHAFT LE-SPV + LP ZE-P540
829480	1	PTO 1-3/8/21 x 1-3/8/21x1210MM
829482	1	PTO 1-3/8/6X25MM X 600MM 1202
829483	1	PTO 1-3/8/6X30MM x 610MM 1302
829484	1	PTO 1-3/8/6X1-3/8/6X575MM 361
829486	1	PTO 1-3/8/6X30MM X870MM 1302
829487	1	PTO 1-3/8/6X1-3/8/6X870MM 361
829490	1	PTO 1-3/8/6X30MM 1320MM 1302
829491	1	PTO 1-3/8/6X1' 610/913MM 9016
829502	1	PTO 1-3/8/6x1210/1745
28005200	1	PTO YOKE 1-3/8" X 21 SPLINE
28005400	1	PTO YOKE 1-3/8" X 6 SPLINE
28005800	1	PTO YOKE 1-3/8" X 21 SPLINE
28006000	1	PTO YOKE D25 CONE 3 DEG.
28006100	1	PTO YOKE D30 CONE 4 DEG.
28006200	1	PTO YOKE 1-3/8" X 6 SPLINE
28006300	1	PTO YOKE D1"
28006700	1	PTO HALF SHAFT - TRACTOR END
28006900	1	PTO HALF SHAFT - TRACTOR END
28007300	1	PTO INNER D1" (NO SHIELD)
28007500	1	PTO INNER D1" (NO SHIELD)
28007800	1	PTO INNER D1" (NO SHIELD)
28008100	1	PTO SHIELD COMPLETE
28008500	1	PTO HALF SHAFT - TRACTOR END
28008600	1	PTO SHIELD ASSY COMPLETE
28009403	1	UNIV. JOINT 27x74.6mm
28015103	1	PTO YOKE 1-3/8"X21 TWST OLD
28015203	1	UNIV. JOINT 23.8x61.3mm
28015303	1	PTO YOKE 1-3/8"X21 BALL COLLAR
28015403	1	PTO OUTER 1-3/8"X21 (NO SHIELD)
28015503	1	PTO INNER 1-3/8"X21 (NO SHIELD)
28015603	1	PTO SHIELD COMPLETE F.28020303
28015703	1	PTO YOKE 1-3/4"X20 SPL OUTER
28015803	1	PTO OUTER 1-3/4"X20 (NO SHIELD)
28015903	1	PTO INNER 1-3/8"X21 (NO SHIELD)
28016003	1	PTO SHIELD COMPLETE F.10465803
28016203	1	PTO OUTER 1-3/8"X6 (SHIELDED)
28016303	1	PTO INNER 1-3/8"X6 (NO SHIELD)
28016703	1	PTO OUTER 1-3/8"X6 (NO SHIELD)
28016803	1	PTO INNER 1-3/8"X6 (NO SHIELD)
28020203	1	PTO 1-3/4/20x1-3/8/21 BP L=860
28020303	1	PTO 1-3/8/21 x 1-3/8/21 B&P
28040603	1	PTO YOKE 1-3/8X21SPL BLACK
28040703	1	SAFETY CHAIN F.CV BLACK PTO
28068800	1	PTO YOKE 1-3/8" X 6 SPLINE
28069700	1	UNIV. JOINT STD1 SFT
28072800	1	PTO SHIELD COMPLETE L=1912 SFT
28073000	1	PTO YOKE 1-3/8" X 6 SPLINE



**COMPLETE ASSEMBLIES
WHOLEGOOD ITEMS**

PTO #	28021403	28021503	28021603
TRACTOR	1-3/8" 6 SPLINE	1-3/8" 21 SPLINE	1-3/4" 20 SPLINE
IMPLEMENT	D1"	D1"	D1"
LENGTH	1031/1501	1031/1499	1066/1519
A	28056703	28056803	28056903
B	289042	289042	28040503
C	28057003	28057003	28057103
D	28057203	28057203	28009803
E	28057303	28057303	28057403
F	28057503	28057503	28057603
G	28057703	28057703	28009903
H	28058503	28058503	28010103
I	28057803	28057803	28057903
J	28040703	28040703	28040703
K	28058003	28058003	28058103
L	28058203	28058203	28058303
M	28027903	28027903	28058403
N	28041803	28041803	28041803
O	28041903	28041903	28041903
P	450015	450015	450015

A0520

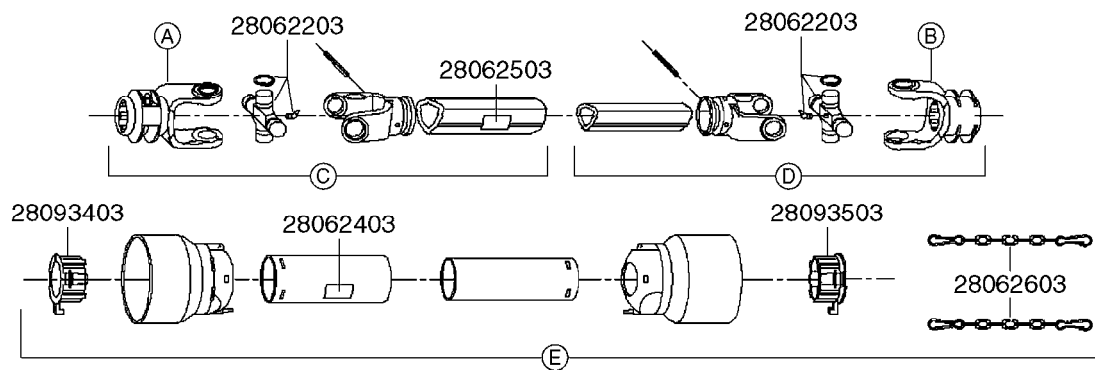


PTO SHAFTS - BONDIOLI CENT.
A0520-HIN, 01:01:16

Page 1

Date 16.03.2016 10:35

parts-n°	order qty	description
289042	1	UNIV. JOINT 22x54mm
420641	1	BOLT HEX 8.8 DEL M8X35
450015	1	SCREW ALLAN 3/8'X5/8' BLACK
460143	1	NUT HEX M8 LOCK A2 DIN985
28009803	1	PTO PIN TUBE RETAINER OUTER
28009903	1	PTO TUBE RETAINER INNER
28010103	1	PTO YOKE F.INNER TUBE CV PTO
28021403	1	PTO 1"STR/1-3/8" 6SPL B&P
28021503	1	PTO 1"STR/1-3/8" 21SPL B&P
28021603	1	PTO 1"STR/1-3/4" 20SPL B&P
28027903	1	PTO BALL LOCK.KIT F.1-3/8 YOKE
28040503	1	UNIV. JOINT 27x74.6mm
28040703	1	SAFETY CHAIN F.CV BLACK PTO
28041803	1	DECAL DANGER GUARD MISSING
28041903	1	DECAL DANGER ROT.DRIVELINE
28056703	1	PTO YOKE #1 1-3/8" X 6 SPLINE
28056803	1	PTO YOKE #1 1-3/8" X 21 SPLINE
28056903	1	PTO YOKE #4 1-3/8" X 20 SPLINE
28057003	1	PTO TUBE YOKE #1-G1 OUTER
28057103	1	PTO TUBE YOKE #4-G4 OUTER
28057203	1	PTO PIN TUBE RETAINER OUTER
28057303	1	PTO TUBE OUTER #1 745MM
28057403	1	PTO TUBE OUTER #4 720MM
28057503	1	PTO TUBE INNER #1 745MM
28057603	1	PTO TUBE INNER #4 720MM
28057703	1	PTO TUBE RETAINER INNER
28057803	1	PTO TUBE YOKE #1 Ø=1"
28057903	1	PTO TUBE YOKE #4 Ø=1"
28058003	1	PTO HALF SAFETY SHIELD OUTER
28058103	1	PTO HALF SAFETY SHIELD OUTER
28058203	1	PTO HALF SAFETY SHIELD INNER
28058303	1	PTO HALF SAFETY SHIELD INNER
28058403	1	PTO BALL LOCK.KIT F.1-3/4 YOKE
28058503	1	PTO TUBE YOKE #1-G1 INNER



PTO #	829482	829483	829484	829487
TRACTOR	1-3/8" 6 SPLINE	1-3/8" 6 SPLINE	1-3/8" 6 SPLINE	1-3/8" 6 SPLINE
IMPLEMENT	25 mm	30 mm	1-3/8" 6 SPLINE	1-3/8" 6 SPLINE
LENGTH	610/800	610/800	610/800	860/1050
A	28062103	28062103	28062103	28062103
B	28062303	28063003	28062103	28062103
C	28062703	28062703	28062703	28063403
D	28062803	28063103	28063203	28063503
E	28062903	28062903	28062903	28063303

Note: For "Bondioli" PTO's (previous supplier) - see page A0510.

COMPLETE ASSEMBLIES
WHOLEGOOD ITEMS

A0580

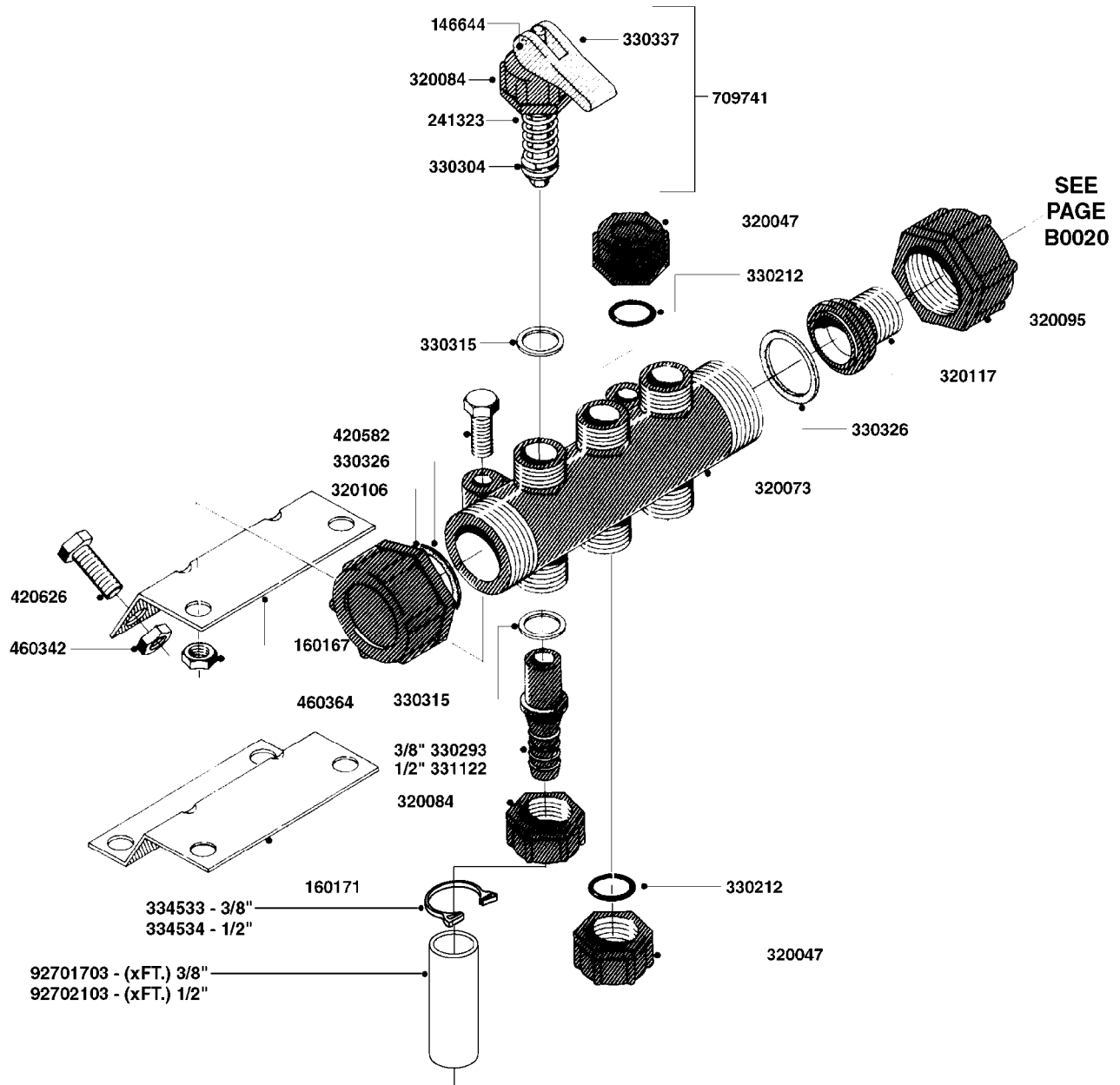


PTO SHAFTS - AMA DIAPHRAGM
A0580-HIN, 01:01:16

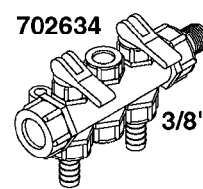
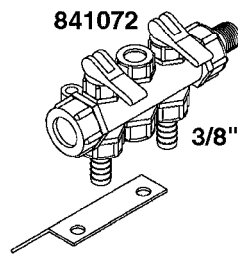
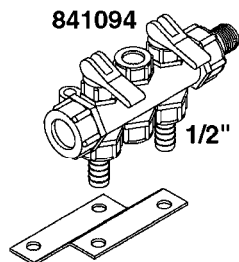
Page 1

Date 16.03.2016 10:35

parts-n°	order qty	description
829482	1	PTO 1-3/8/6X25MM X 600MM 1202
829483	1	PTO 1-3/8/6X30MM x 610MM 1302
829484	1	PTO 1-3/8/6X1-3/8/6X575MM 361
829487	1	PTO 1-3/8/6X1-3/8/6X870MM 361
28062103	1	PTO YOKE 1-3/8X6 AMA
28062203	1	UNIV.JOINT CAT.1 AMA
28062303	1	PTO YOKE D25 AMA
28062403	1	DECAL - DANGER ROTATING SHAFT
28062503	1	DECAL - DANGER MISSING GUARD
28062603	1	SAFETY CHAIN F.PTO AMA
28062703	1	PTO OUTER 1-3/8X6 (NO SHIELD)
28062803	1	PTO INNER D25 (NO SHIELD)
28062903	1	PTO SHIELD COMPLETE
28063003	1	PTO YOKE D30 AMA
28063103	1	PTO INNER D30 (NO SHIELD)
28063203	1	PTO INNER 1-3/8X6 (NO SHIELD)
28063303	1	PTO SHIELD COMPLETE
28063403	1	PTO OUTER 1-3/8X6 (NO SHIELD)
28063503	1	PTO INNER 1-3/8X6 (NO SHIELD)
28093403	1	PTO OUTER TUBE BEARING AMA
28093503	1	PTO INNER TUBE BEARING AMA



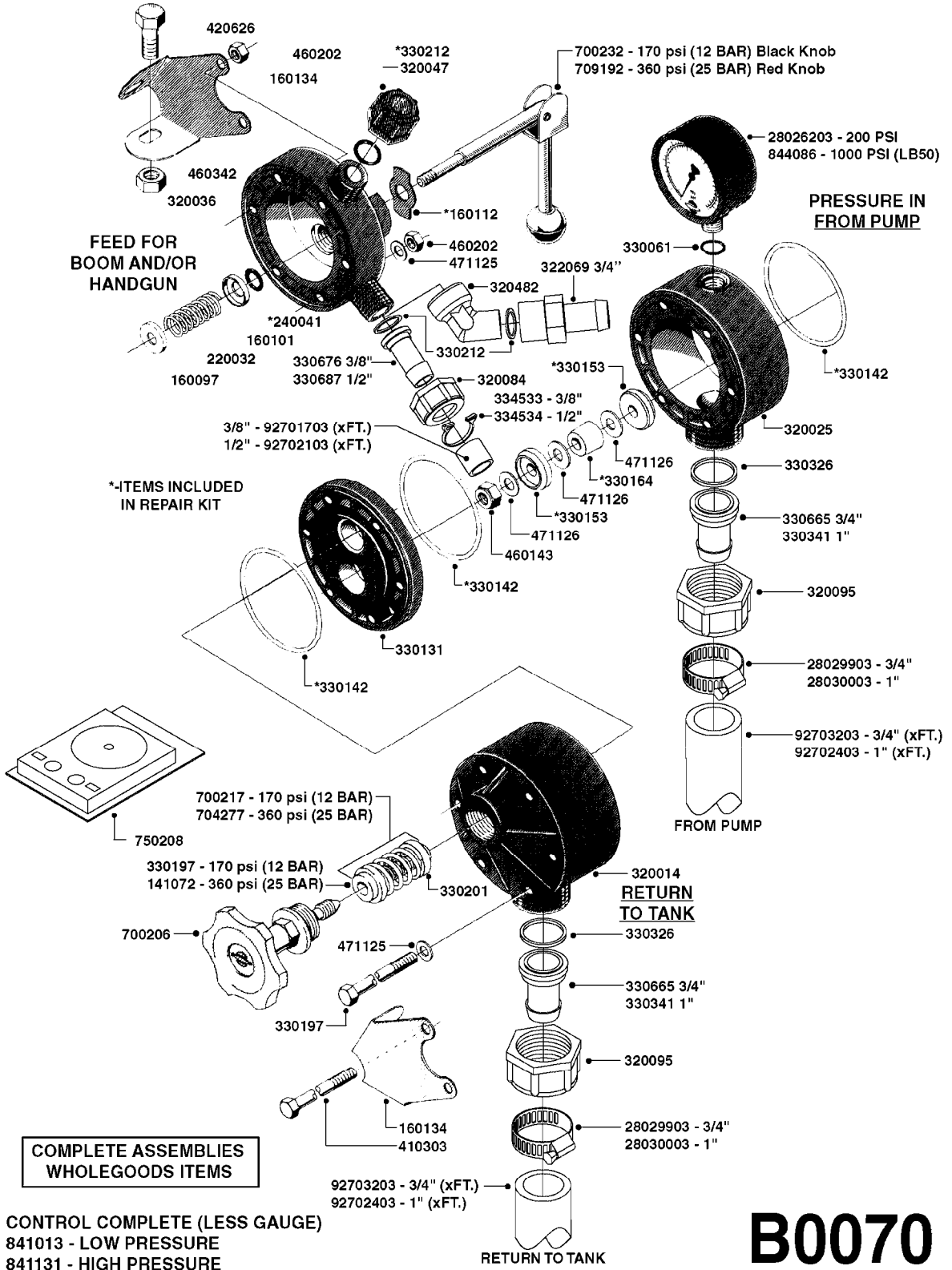
SEE
PAGE
B0020



B0030



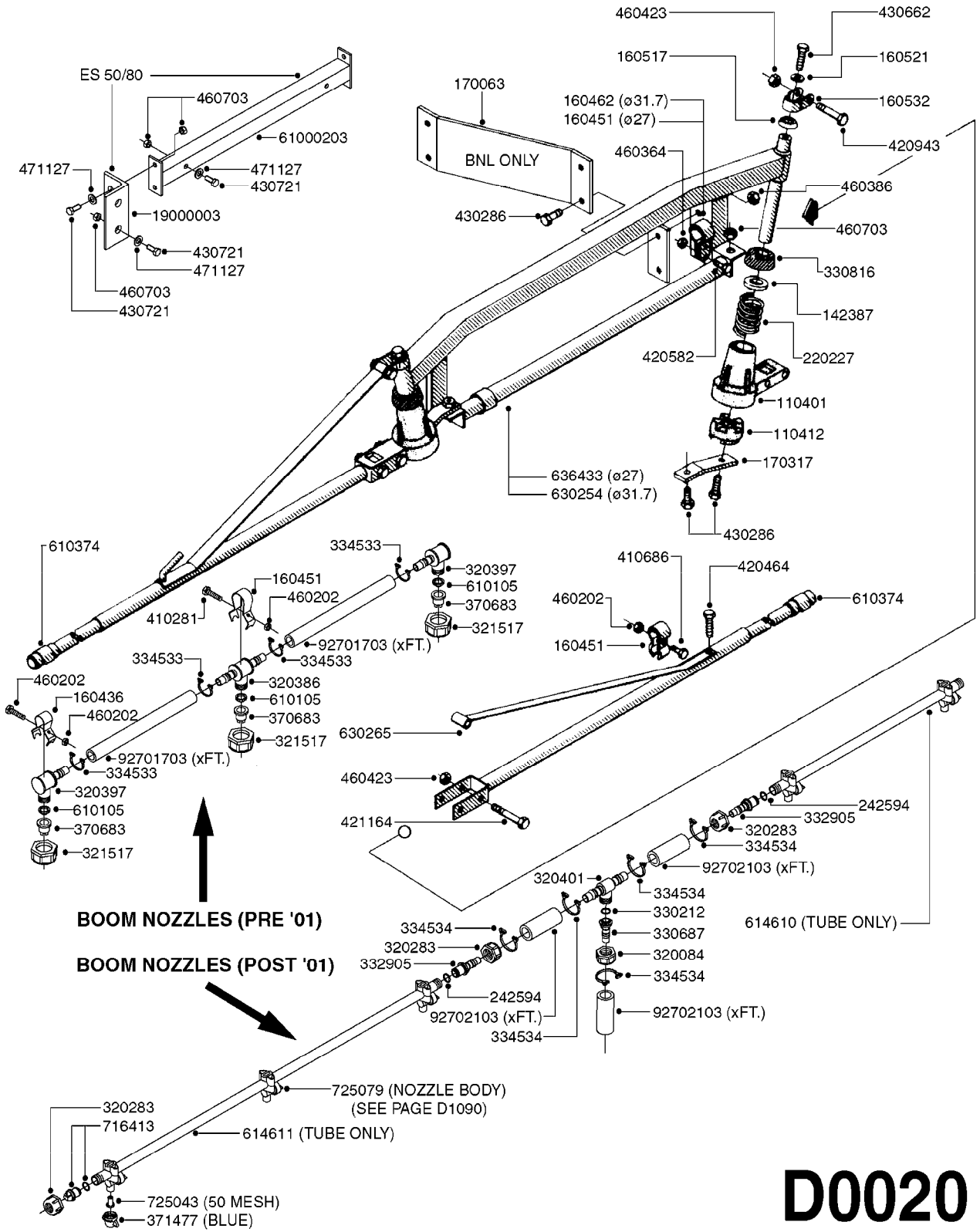
parts-n°	order qty	description
146644	1	PIN D3X19 STAINLESS
160167	1	MOUNTING PLATE LP
160171	1	MOUNTING PLATE NK
241323	1	O-RING D5.3X2.4 NITRIL
320047	1	FITT.DK CAPNUT 1/2" BSP
320073	1	DISTRIBUTOR HOUSING 1/2"
320084	1	FITT.DK NUT 1/2" BSP
320095	1	FITT.DK NUT 1" BSP
320106	1	FITT.DK CAPNUT 1" BSP
320117	1	FITT.DK CONN.1/2"BSP F. 1" CAP
330212	1	O-RING D19/D14X2.4 F.1/2"NUT
330293	1	VALVE SEAT WITH 3/8" HOSE TAIL
330304	1	VALVE CONE D14
330315	1	O-RING D18.4/D13X.6
330326	1	O-RING D30/D24X2 F.1"NUT
330337	1	HANDLE F. FLIP VALVE
331122	1	VALVE SEAT WITH 1/2" HOSE TAIL
334533	1	CLAMP HOSE PLASTIC 3/8"
334534	1	CLAMP HOSE PLASTIC 1/2"
420582	1	BOLT HEX 8.8 DEL M8X20 FT A2
420626	1	BOLT HEX 8.8 DEL M10X20 FT
460342	1	NUT HEX M10 DEL DIN934
460364	1	NUT HEX M8 GALV.
702634	1	DIST.HOUSING ASSEMBLY (2-VALVE)
709741	1	VALVE ASSY. 1/2" FLIP LEVER
841072	1	DISTRIBUT. VALVE 1/2" NK
841094	1	DISTRIBUT. VALVE 1/2" LP,BL
92701703	1	HOSE R X3/8" X300PSI WP X0012"
92702103	1	HOSE R X1/2" X300PSI WP X0012"



B0070



parts-n°	order qty	description
141072	1	SPRING GUIDE M70 HT
160097	1	SPRING RETAINER 8,2/19
160101	1	SPRING RETAINER 10,5/19
160112	1	WEAR PLATE M70
160134	1	MOUNTING PLATE M 70
220032	1	SPRING FOR PIVOT 48,5/0 14,5
240041	1	O-RING D15,1/10,3 X 2,4
320014	1	CASING CONTROL UNIT, END M70
320025	1	CASING CONTROL UNIT,CENTRE M70
320036	1	CAS. CONTR. UNIT END M70
320047	1	FITT.DK CAPNUT 1/2" BSP
320084	1	FITT.DK NUT 1/2" BSP
320095	1	FITT.DK NUT 1" BSP
320482	1	FITT.DK ELB. 1/2" BSP 60 DEG.
322069	1	FITTING
330061	1	O-RING D16/D11X2,5
330131	1	CASING CONTROL UNIT , MODEL 70
330142	1	O-RING D69X2
330153	1	VALVE CONE D26
330164	1	SPACER CONTROL UNIT, MODEL 70
330197	1	SPRING GUIDE
330201	1	VALVE CONE D24
330212	1	O-RING D19/D14X2.4 F.1/2"NUT
330326	1	O-RING D30/D24X2 F.1"NUT
330341	1	FITT.DK HB 1" F. 1" NUT
330665	1	3/4' HOSE TAIL F/1' CAP
330676	1	FITT.DK HB 3/8" F. 1/2" NUT
330687	1	FITT.DK HB 1/2" F. 1/2" NUT
334533	1	CLAMP HOSE PLASTIC 3/8"
334534	1	CLAMP HOSE PLASTIC 1/2"
410303	1	BOLT HEX 8.8 DEL M6X130
420626	1	BOLT HEX 8.8 DEL M10X20 FT
460143	1	NUT HEX M8 LOCK A2 DIN985
460202	1	NUT HEX M6
460342	1	NUT HEX M10 DEL DIN934
471125	1	WASHER, M6, Ø12/ 6.4X 1.6, SS
471126	1	WASHER, M8, Ø16/ 8.4X 1.6, SS
700206	1	RELIEF SCREW COMPLETE 3/4" RG
700217	1	PRESSURE REGULAT SPRING(ARM 70
700232	1	HANDLE, M70 CONTROL, BLACK
704277	1	PRESSURE SPRING COMPL. M70 HT
709192	1	HANDLE, M70 CONTROL, RED,
750208	1	REPAIR KIT M70
841013	1	OPERATING UNIT M70
841131	1	OP.UN.M70 HT
844086	1	GAUGE 2.5'BR BOTT.PSI1000BAR80
28026203	1	GAUGE 200PSI/BR,2.5"1/4BSP-BTM
28029903	1	CLAMP HOSE GEAR P3/4"-S1" 6712
28030003	1	CLAMP HOSE GEAR P1" 6716
92701703	1	HOSE R X3/8" X300PSI WP X0012"
92702103	1	HOSE R X1/2" X300PSI WP X0012"
92702403	1	HOSE PVC SUCT GRAY 1"
92703203	1	HOSE R X3/4" X300PSI WP X0012"



D0020



BOOM - 14' HD
D0020-HIN, 01:01:16

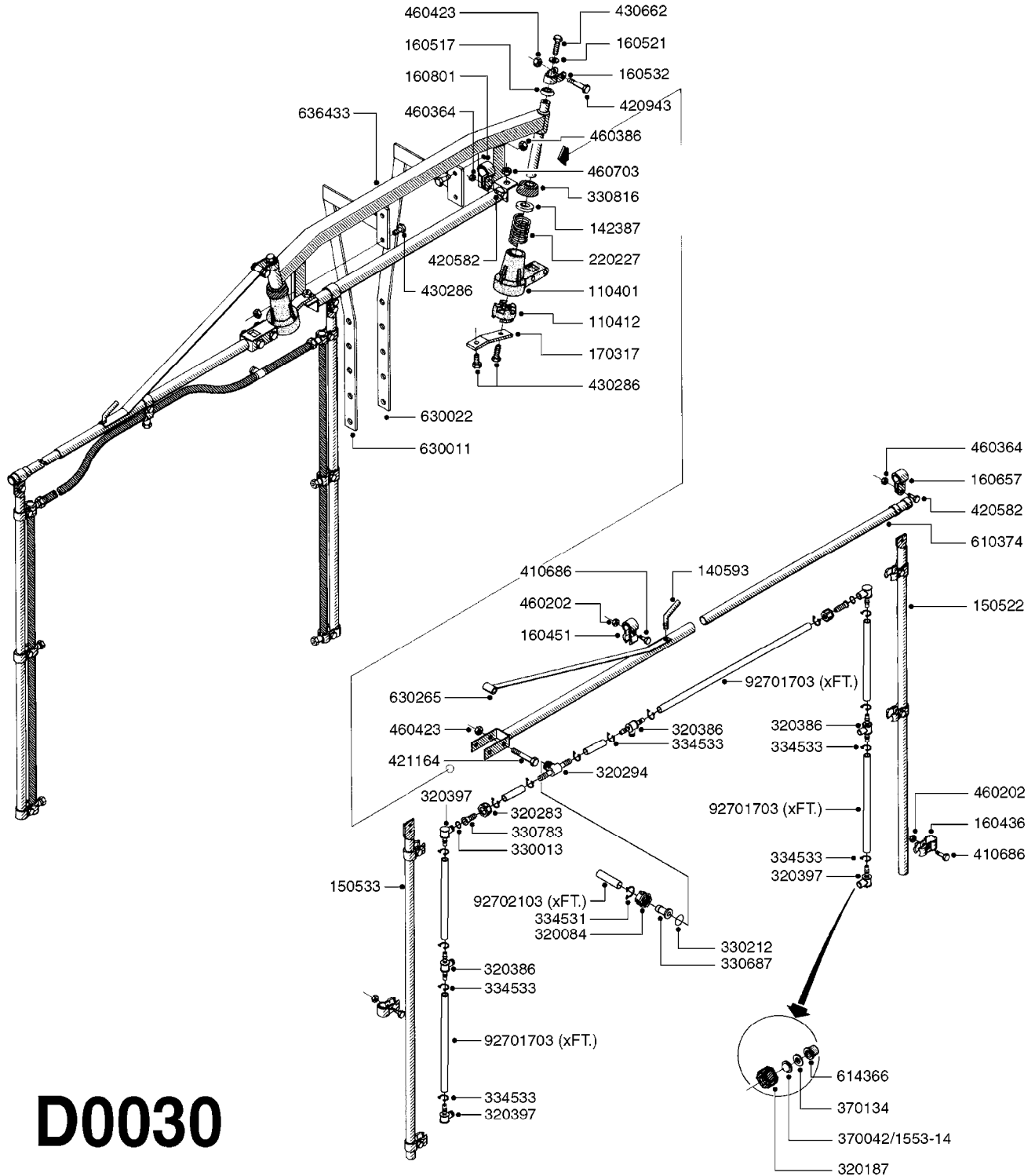
Page 1
Date 16.03.2016 10:35

parts-n°	order qty	description
110401	1	SPRING HOUSING STD BOOM
110412	1	CLUTCH STANDARD BOOM
142387	1	WASHER D40D23X5
160436	1	PIPE BRANCH HOLDER D22,2
160451	1	PIPE BRANCH HOLDER D25,4
160462	1	PIPE BRANCH HOLDER D31,7
160517	1	SPACER COLLAR, STANDARD BOM
160521	1	WASHER D30.5/D13X2
160532	1	CLAMP SWIVEL F. BOOM 14'H.D.
170063	1	SUPPORT BRKT.(USE-#725434 kit)
170317	1	CROSSBAR FOR BOOM WINE II
220227	1	SPRING FOR PIVOT
242594	1	O-RING D14 X 1.78 SCH.70-EPDM
320084	1	FITT.DK NUT 1/2" BSP
320283	1	FITT.DK NUT 3/4"BSP
320386	1	FITT.DK TEE 3/8X3/8HB X3/8"BSP
320397	1	FITT.DK ELB 3/8"HB X 3/8" BSP
320401	1	FITT.DK TEE 1/2X1/2HB X1/2"BSP
321517	1	FITT.DK CAP 3/8" BSP WHITE
330212	1	O-RING D19/D14X2.4 F.1/2"NUT
330687	1	FITT.DK HB 1/2" F. 1/2" NUT
330816	1	DUST COVER PLASTIC/STD.BOOM
332905	1	FITT.DK HB 1/2" F. 3/4" CAP
334533	1	CLAMP HOSE PLASTIC 3/8"
334534	1	CLAMP HOSE PLASTIC 1/2"
370683	1	NOZZLE FLAT FAN 4110-16
371477	1	COLOR TIP S4110-30 BLUE
410281	1	BOLT HEX 8.8 DEL M6X25 DIN933 A2
410686	1	BOLT HEX 8.8 DEL M6X30
420464	1	BOLT HEX 8.8 DEL 3/8'X20MM
420582	1	BOLT HEX 8.8 DEL M8X20 FT A2
420943	1	BOLT HEX 8.8 DEL M10X50
421164	1	BOLT HEX 8.8 DEL M10X70
430286	1	BOLT HEX 8.8 DEL M12X30 FT
430662	1	BOLT HEX 8.8 DEL M12X20 FT
430721	1	BOLT HEX 8.8 DEL M12X40 FT
460202	1	NUT HEX M6
460364	1	NUT HEX M8 GALV.
460386	1	NUT HEX M12X1.75
460423	1	NUT HEX M10X1.5 LOCK
460703	1	NUT HEX M12X1.75 LOCK DIN985
471127	1	WASHER, M12, Ø24/13.0X 2.5, SS
610105	1	NOZZLE FILTER
610374	1	BOOM WING OUT.SECTION (WINE11)
614610	1	NOZZLE TUBE 2 HOLE L-24"/SP20"
614611	1	NOZZLE TUBE 3 HOLE L-44"/SP20"
630265	1	BOOM WING 14' BOOM
636433	1	CENTER SECTION 14' BOOM D27.0
716413	1	FITT.DK PLUG ASSY. F.NOZ TUBE
725043	1	SCREEN 50 MESH W.GASKET,BLUE
725079	1	NOZZLE ASSY.SING.SNAP-FIT GREN
19000003	1	MOUNT ANGLE BRACKET ES50/80
61000203	1	MOUNT BRACKET F.14' BOOM
92701703	1	HOSE R X3/8" X300PSI WP X0012"
92702103	1	HOSE R X1/2" X300PSI WP X0012"



BOOM - V-II
D0030-HIN, 01:01:16

Page 0
Date 16.03.2016 10:35



D0030

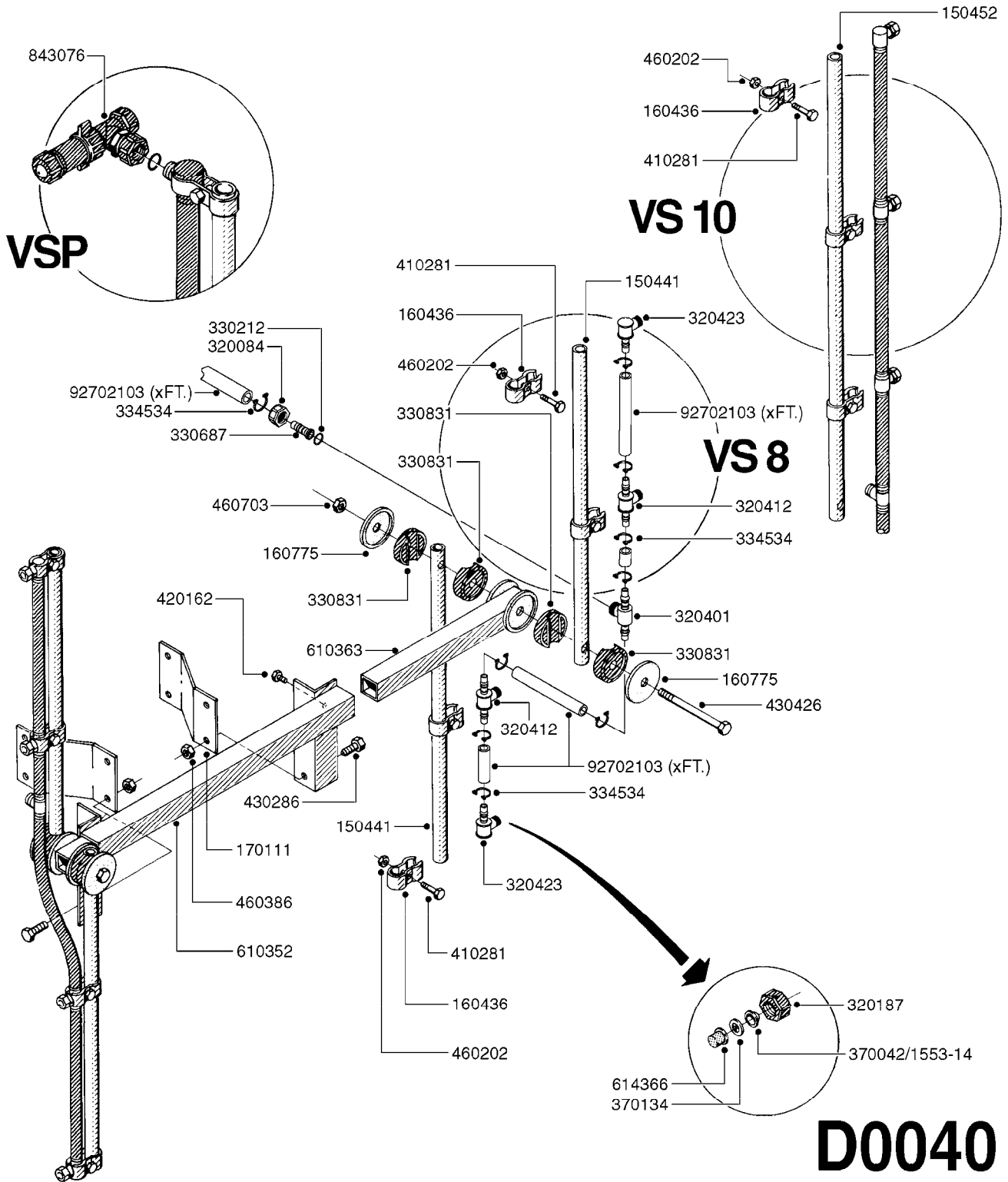


BOOM - V-II
D0030-HIN, 01:01:16

Page 1

Date 16.03.2016 10:35

parts-n°	order qty	description
110401	1	SPRING HOUSING STD BOOM
110412	1	CLUTCH STANDARD BOOM
140593	1	THUMB SCREW
142387	1	WASHER D40D23X5
150522	1	DROP TUBE WINE II
150533	1	DROP TUBE WINE II
160436	1	PIPE BRANCH HOLDER D22,2
160451	1	PIPE BRANCH HOLDER D25,4
160517	1	SPACER COLLAR, STANDARD BOM
160521	1	WASHER D30.5/D13X2
160532	1	CLAMP SWIVEL F. BOOM 14'H.D.
160657	1	CLIP FITTING FOT D22,2
160801	1	CLIP FITTINGS 31.7
170317	1	CROSSBAR FOR BOOM WINE II
220227	1	SPRING FOR PIVOT
320084	1	FITT.DK NUT 1/2" BSP
320187	1	FITT.DK CAP 3/8" BSP BLACK
320283	1	FITT.DK NUT 3/4"BSP
320294	1	FITT.DK TEE 3/8X3/8HB X1/2"BSP
320386	1	FITT.DK TEE 3/8X3/8HB X3/8"BSP
320397	1	FITT.DK ELB 3/8"HB X 3/8" BSP
330013	1	O-RING D15/D10X2.5 F.3/8"NUT
330212	1	O-RING D19/D14X2.4 F.1/2"NUT
330687	1	FITT.DK HB 1/2" F. 1/2" NUT
330783	1	FITT.DK HB 3/8"F.3/8" NUT
330816	1	DUST COVER PLASTIC/STD.BOOM
334531	1	CLAMP HOSE PLASTIC 3/4"
334533	1	CLAMP HOSE PLASTIC 3/8"
370042	1	NOZZLE CONE JET 1553-14
370134	1	NOZZLE SWIRL 1554-GREY
410686	1	BOLT HEX 8.8 DEL M6X30
420582	1	BOLT HEX 8.8 DEL M8X20 FT A2
420943	1	BOLT HEX 8.8 DEL M10X50
421164	1	BOLT HEX 8.8 DEL M10X70
430286	1	BOLT HEX 8.8 DEL M12X30 FT
430662	1	BOLT HEX 8.8 DEL M12X20 FT
460202	1	NUT HEX M6
460364	1	NUT HEX M8 GALV.
460386	1	NUT HEX M12X1.75
460423	1	NUT HEX M10X1.5 LOCK
460703	1	NUT HEX M12X1.75 LOCK DIN985
610374	1	BOOM WING OUT.SECTION (WINE11)
614366	1	FILTER 50 MESH F.NOZZLE BLUE
630011	1	630011
630022	1	630022
630265	1	BOOM WING 14' BOOM
636433	1	CENTER SECTION 14' BOOM D27.0
92701703	1	HOSE R X3/8" X300PSI WP X0012"
92702103	1	HOSE R X1/2" X300PSI WP X0012"





BOOM - VS-8 & VS-10
D0040-HIN, 01:01:16

Page 1

Date 16.03.2016 10:35

parts-n°	order qty	description
150441	1	BOOM WING OUT.SEC. WINE S630MM
150452	1	BOOM WING OUT.SEC. WINE S930MM
160436	1	PIPE BRANCH HOLDER D22,2
160775	1	WASHER F. FRICTION PLATE
170111	1	SUPP. ARM VIN S
320084	1	FITT.DK NUT 1/2" BSP
320187	1	FITT.DK CAP 3/8" BSP BLACK
320401	1	FITT.DK TEE 1/2X1/2HB X1/2"BSP
320412	1	FITT.DK TEE 1/2X1/2HB X3/8'BSP
320423	1	FITT.DK ELB 1/2'HB X 3/8' BSP
330212	1	O-RING D19/D14X2.4 F.1/2"NUT
330687	1	FITT.DK HB 1/2" F. 1/2" NUT
330831	1	FRICTION PLATE
334534	1	CLAMP HOSE PLASTIC 1/2"
370042	1	NOZZLE CONE JET 1553-14
370134	1	NOZZLE SWIRL 1554-GREY
410281	1	BOLT HEX 8.8 DEL M6X25 DIN933 A2
420162	1	BOLT HEX 8.8 DEL 3/8"x15MM
430286	1	BOLT HEX 8.8 DEL M12X30 FT
430426	1	BOLT HEX 8.8 DEL M12X130
460202	1	NUT HEX M6
460386	1	NUT HEX M12X1.75
460703	1	NUT HEX M12X1.75 LOCK DIN985
610352	1	CENTER SECTION WINE S
610363	1	BOOM WING INNER SECTION
614366	1	FILTER 50 MESH F.NOZZLE BLUE
843076	1	SPR. PISTOL FOR BOOM (PLAST)
92702103	1	HOSE R X1/2" X300PSI WP X0012"



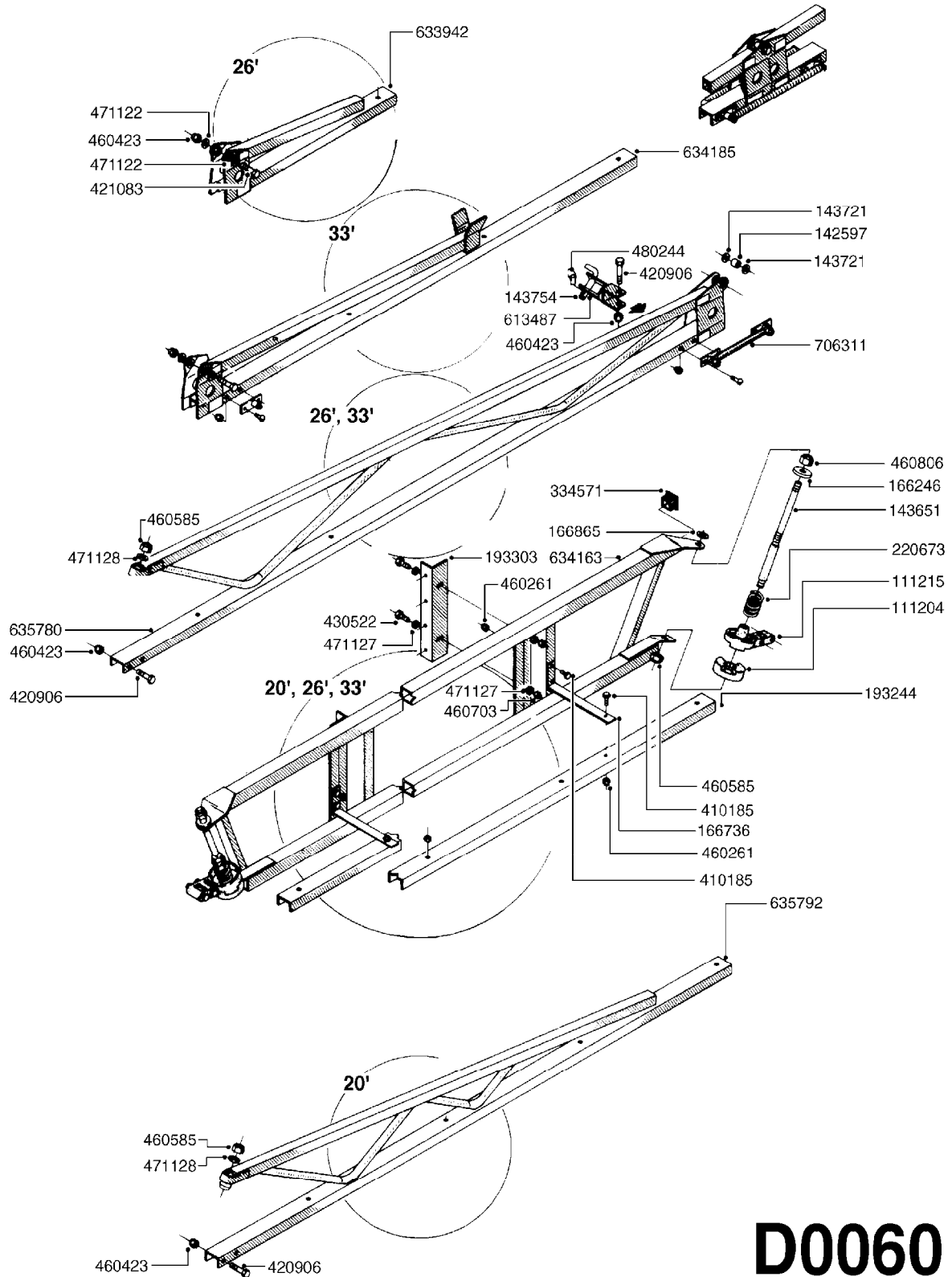
BOOM - SB 20' 26' 33'
D0060-HIN, 01:01:16

Page

0

Date

16.03.2016 10:35



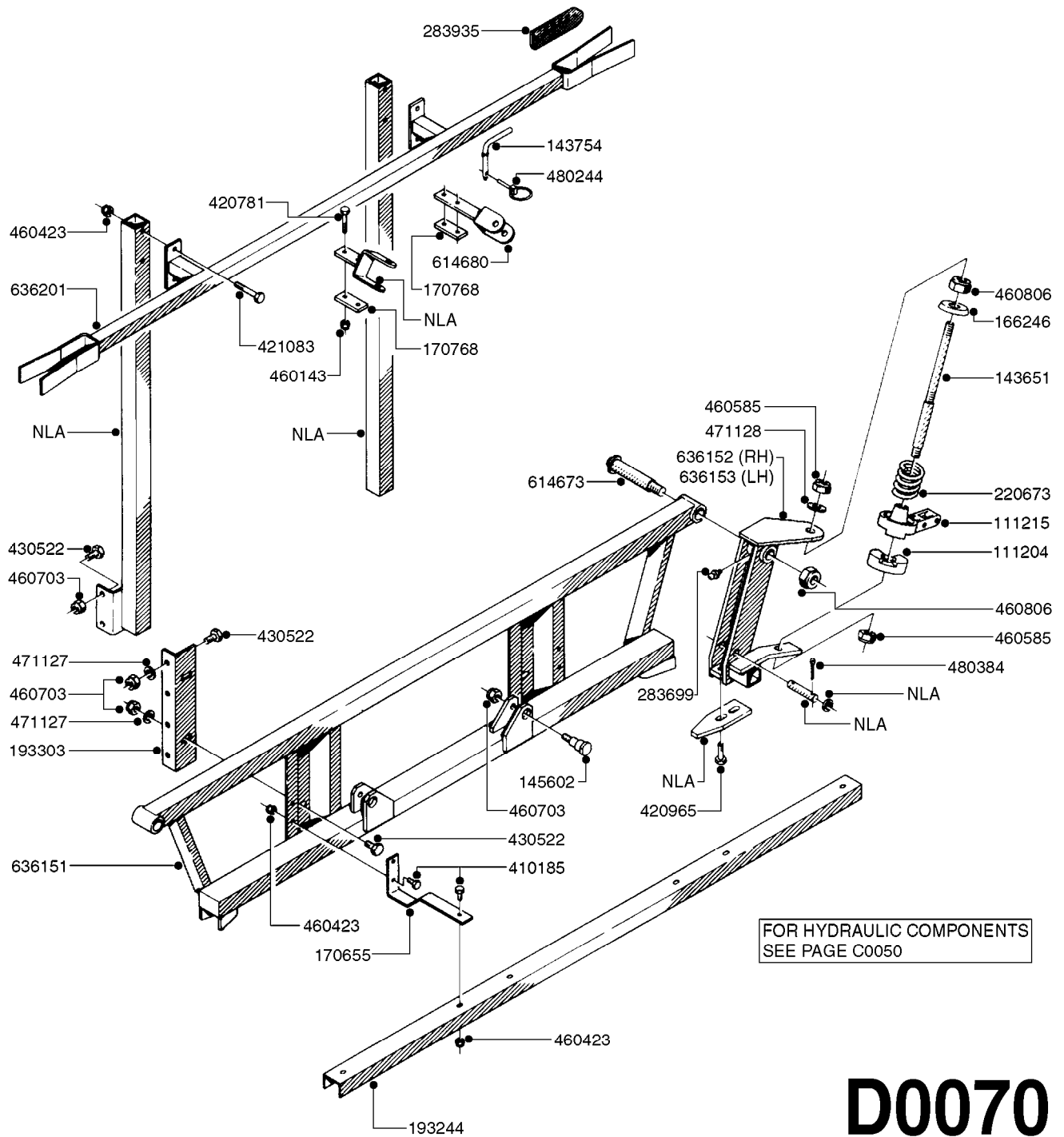
D0060



BOOM - SB 20' 26' 33'
D0060-HIN, 01:01:16

Page 1
Date 16.03.2016 10:35

parts-n°	order qty	description
111204	1	CLAW CLUTCH/LOWER D80
111215	1	CLAW CLUTCH/UPPER D80
142597	1	DISTANCE TUBE
143651	1	AXLE M20/M16 L=355 F/BREAKAWAY
143721	1	FRICITION DISC FOR BOOM D30
143754	1	PIN D10 X 56
166246	1	WASHER CUP D53 F.SPRING
166736	1	CLAMP FOR SB BOOM
166865	1	WASHER D35/D25X2
193244	1	NOZZLE TRACK 6-8-10 M SB
193303	1	SUPPORTING ARM FOR SB BOOM
220673	1	SPRING F.PIVOT 100 X 51
334571	1	TAPON 40x40x2 EMBELLECEDOR
410185	1	BOLT HEX 8.8 DEL M6X16 A2
420906	1	BOLT HEX 8.8 DEL M10X60
421083	1	BOLT HEX 8.8 DEL M10X65
430522	1	BOLT HEX 8.8 DEL M12X25 FT
460261	1	NUT HEX M6X1 LOCK A2 DIN985
460423	1	NUT HEX M10X1.5 LOCK
460585	1	NUT HEX M16X2 LOCK
460703	1	NUT HEX M12X1.75 LOCK DIN985
460806	1	NUT HEX M20X2.5 LOCK
471122	1	WASHER, M10, Ø20/10.5X 2.0, SS
471127	1	WASHER, M12, Ø24/13.0X 2.5, SS
471128	1	WASHER, M16, Ø30/17.0X 3.0, SS
480244	1	PIN SNAP D4.5
613487	1	TRANSPORT FITTINGS FOR SB BOOM
633942	1	OUTER BOOM WING 26', 28' SB
634163	1	CENTER SECTION - 20',26',33'
634185	1	BOOM WING OUTER PART 33' SB
635780	1	INNER WING SEC. 26',28',33'SB
635792	1	BOOM WING - 20',21'SB-BOOM
706311	1	SPRING WITH HAND-GRIB



FOR HYDRAULIC COMPONENTS
SEE PAGE C0050

D0070



BOOM - SB H-FRAME & CENTER HY
D0070-HIN, 01:01:16

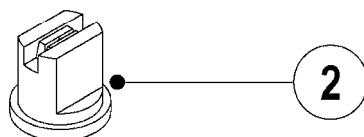
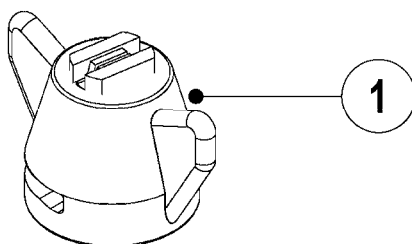
Page 1

Date 16.03.2016 10:35

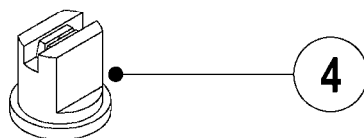
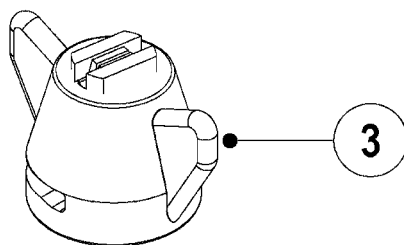
parts-n°	order qty	description
111204	1	CLAW CLUTCH/LOWER D80
111215	1	CLAW CLUTCH/UPPER D80
143651	1	AXLE M20/M16 L=355 F/BREAKAWAY
143754	1	PIN D10 X 56
145602	1	BOLT SHOULDER M12 X 68 D=17
166246	1	WASHER CUP D53 F.SPRING
170655	1	BRKT. F/SB/HY CENTER
170768	1	FLAT BAR 30X6 L=70/2XØ9
193244	1	NOZZLE TRACK 6-8-10 M SB
193303	1	SUPPORTING ARM FOR SB BOOM
220673	1	SPRING F.PIVOT 100 X 51
283699	1	GREASE NIPPLE M6X1
283935	1	PLASTIC COVER F. ARM SB/HYD
410185	1	BOLT HEX 8.8 DEL M6X16 A2
420781	1	BOLT HEX 8.8 DEL M8X50
420965	1	M10X40 MACHINE SCREW STAINLESS
421083	1	BOLT HEX 8.8 DEL M10X65
430522	1	BOLT HEX 8.8 DEL M12X25 FT
460143	1	NUT HEX M8 LOCK A2 DIN985
460423	1	NUT HEX M10X1.5 LOCK
460585	1	NUT HEX M16X2 LOCK
460703	1	NUT HEX M12X1.75 LOCK DIN985
460806	1	NUT HEX M20X2.5 LOCK
471127	1	WASHER, M12, Ø24/13.0X 2.5, SS
471128	1	WASHER, M16, Ø30/17.0X 3.0, SS
480244	1	PIN SNAP D4.5
480384	1	PIN COTTER 3/16 x 1-1/2"
614673	1	PIN D26X140MM
614680	1	ARM LONG FOR SB BOOM
636151	1	CENTER FRAME SB/
636152	1	HINGE 20/26'HY FOLD RH
636153	1	HINGE 20/26' HY FOLD LH
636201	1	TRANSPORT F.SB HYDRAULIC BOOM



SYNTAL



CERAMIC



D1000



BOOM-NOZZLES 110° FLAT FAN ISO
D1000-HIN, 01:01:16

Page

1

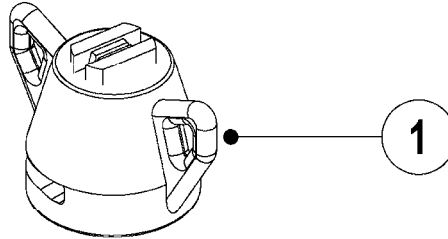
Date

16.03.2016 10:35

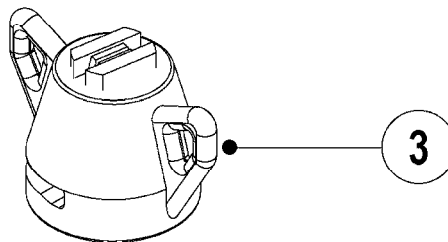
Pos.	parts-n°	order qty	description
1	371764	1	NOZZLE ISO CT F-01-110 ORANGE
1	371765	1	NOZZLE ISO CT F-015-110 GREEN
1	371766	1	NOZZLE ISO CT F-02-110 YELLOW
1	371767	1	NOZZLE ISO CT F-03-110 BLUE
1	371768	1	NOZZLE ISO CT F-04-110 RED
1	371769	1	NOZZLE ISO CT F-05-110 BROWN
1	371770	1	NOZZLE ISO CT F-06-110 GREY
1	371771	1	NOZZLE ISO CT F-08-110 WHITE
1	371950	1	NOZZLE ISO CT F-025-110 LILAC
1	371964	1	NOZZLE ISO CT F-075-110 PINK
1	371970	1	NOZZLE ISO CT F-10-110 LT BLUE
2	371706	1	NOZZLE ISO F-01-110 ORANGE
2	371707	1	NOZZLE ISO F-015-110 GREEN
2	371708	1	NOZZLE ISO F-02-110 YELLOW
2	371709	1	NOZZLE ISO F-03-110 BLUE
2	371710	1	NOZZLE ISO F-04-110 RED
2	371711	1	NOZZLE ISO F-05-110 BROWN
2	371712	1	NOZZLE ISO F-06-110 GREY
2	371713	1	NOZZLE ISO F-08-110 WHITE
2	371946	1	NOZZLE ISO F-025-110 LILAC
2	371963	1	NOZZLE ISO F-075-110 PINK
2	371966	1	NOZZLE ISO F-10-110 LT BLUE
3	371772	1	NOZZLE ISO CT F-015-110C GREEN
3	371773	1	NOZZLE ISO CT F-02-110C YELLOW
3	371774	1	NOZZLE ISO CT F-03-110C BLUE
3	371775	1	NOZZLE ISO CT F-04-110C RED
3	371776	1	NOZZLE ISO CT F-05-110C BROWN
3	371777	1	NOZZLE ISO CT F-06-110C GREY
4	371738	1	NOZZLE ISO F-015-110C GREEN
4	371739	1	NOZZLE ISO F-02-110C YELLOW
4	371740	1	NOZZLE ISO F-03-110C BLUE
4	371741	1	NOZZLE ISO F-04-110C RED
4	371742	1	NOZZLE ISO F-05-110C BROWN
4	371743	1	NOZZLE ISO F-06-110C GREY



SYNTAL



CERAMIC



D1010



BOOM-NOZZLES 110° LOWDRIFT ISO
D1010-HIN, 01:01:16

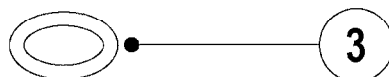
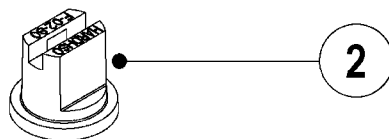
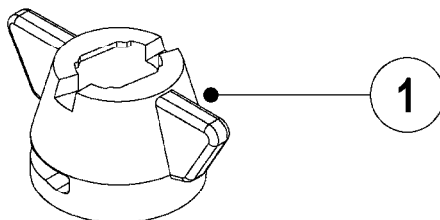
Page 1

Date 16.03.2016 10:35

Pos.	parts-n°	order qty	description
1	371837	1	NOZZLE ISO CT LD-01-110 ORANGE
1	371838	1	NOZZLE ISO CT LD-015-110 GREEN
1	371839	1	NOZZLE ISO CT LD-02-110 YELLOW
1	371840	1	NOZZLE ISO CT LD-03-110 BLUE
1	371841	1	NOZZLE ISO CT LD-04-110 RED
1	371894	1	NOZZLE ISO CT LD-05-110 BROWN
1	371958	1	NOZZLE ISO CT LD-025-110 LILAC
2	371817	1	NOZZLE ISO LD-01-110 ORANGE
2	371818	1	NOZZLE ISO LD-015-110 GREEN
2	371819	1	NOZZLE ISO LD-02-110 YELLOW
2	371820	1	NOZZLE ISO LD-03-110 BLUE
2	371821	1	NOZZLE ISO LD-04-110 RED
2	371893	1	NOZZLE ISO LD-05-110 BROWN
2	371957	1	NOZZLE ISO LD-025-110 LILAC
3	371842	1	NOZZLE ISO CT LD-01-110C ORANG
3	371843	1	NOZZLE ISO CT LD-015-110C GRN
3	371844	1	NOZZLE ISO CT LD-02-110C YELLO
3	371845	1	NOZZLE ISO CT LD-03-110C BLUE
3	371846	1	NOZZLE ISO CT LD-04-110C RED
3	371897	1	NOZZLE ISO CT LD-05-110C BROWN
4	371822	1	NOZZLE ISO LD-01-110C ORANGE
4	371823	1	NOZZLE ISO LD-015-110C GREEN
4	371824	1	NOZZLE ISO LD-02-110C YELLOW
4	371825	1	NOZZLE ISO LD-03-110C BLUE
4	371826	1	NOZZLE ISO LD-04-110C RED
4	371896	1	NOZZLE ISO LD-05-110C BROWN



SYNTAL



D1020

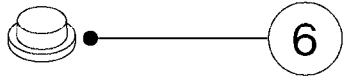


BOOM-NOZZLES 80° FLAT FAN ISO
D1020-HIN, 01:01:16

Page 1

Date 16.03.2016 10:35

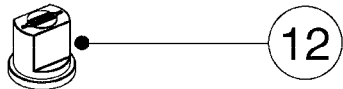
Pos.	parts-n°	order qty	description
1	334083	1	SNAP-FIT NOZZLE HOLDER SS BLCK
2	371931	1	SYNTAL ISO F-01-80 TIP ORNG
2	371932	1	SYNTAL ISO F-015-80 TIP GREEN
2	371933	1	SYNTAL ISO F-02-80 TIP YELLOW
2	371934	1	SYNTAL ISO F-03-80 TIP BLUE
3	10423503	1	O-RING 9.12x3.53 NITRIL



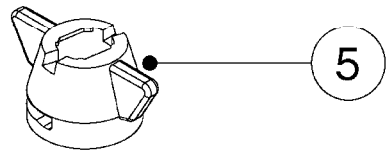
6



15



12



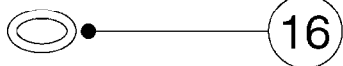
5



14



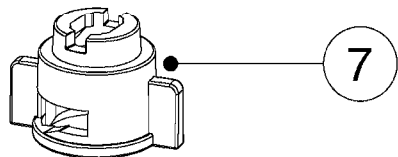
13



16



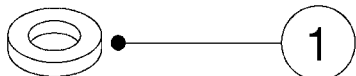
11



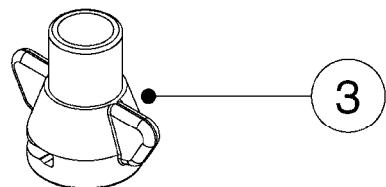
7



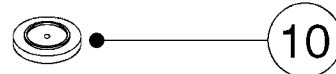
9



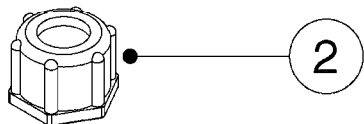
1



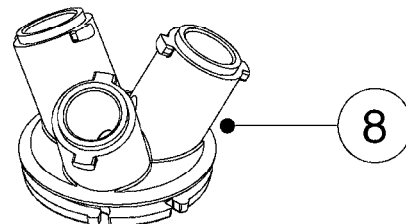
3



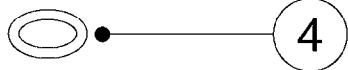
10



2



8



4

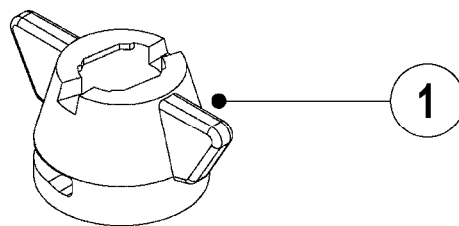
D1030



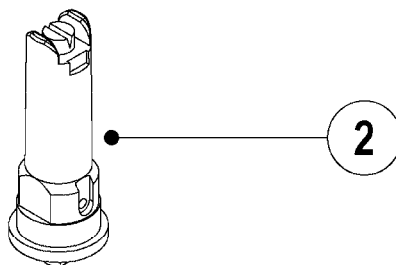
BOOM-NOZZLE CAPS AND FILTERS
D1030-HIN, 01:01:16

Page 1
Date 16.03.2016 10:35

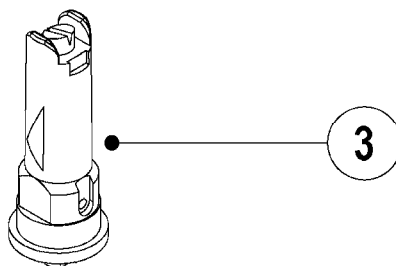
Pos.	parts-n°	order qty	description
1	242222	1	GASKET 19.0 X 10.0 X 3.3 EPDM
2	320187	1	FITT.DK CAP 3/8" BSP BLACK
2	321517	1	FITT.DK CAP 3/8" BSP WHITE
			ALWAYS USE WITH ISO AND INJET NOZZLES
2	321797	1	FITT.DK CAP 3/8' BSP BLUE
2	321801	1	FITT.DK CAP 3/8' BSP GREEN
2	321812	1	FITT.DK CAP 3/8' BSP RED
2	321823	1	FITT.DK CAP 3/8' BSP ORANGE
2	321834	1	FITT.DK CAP 3/8' BSP YELLOW
3	322068	1	SNAP-FIT ADAPTER THREAD. HARDI
4	330013	1	O-RING D15/D10X2.5 F.3/8"NUT
5	334083	1	SNAP-FIT NOZZLE HOLDER SS BLCK
6	334102	1	BLANK F.NOZZLE
7	334862	1	NOZZLE CAP TJBLACK F.ISO/INJET
8	334926	1	SNAP-FIT TURN PLATE F TRIPLET
9	370016	1	NOZZLE CONE JET 1553-08
9	370027	1	NOZZLE CONE JET 1553-10
9	370031	1	NOZZLE CONE JET 1553-12
9	370042	1	NOZZLE CONE JET 1553-14
9	370053	1	NOZZLE CONE JET 1553-16
9	370064	1	NOZZLE CONE JET 1553-18
9	370075	1	NOZZLE CONE JET 1553-20
9	370086	1	NOZZLE CONE JET 1553-22
9	370097	1	NOZZLE CONE JET 1553-24
9	370101	1	NOZZLE CONE JET 1553-30
9	370112	1	NOZZLE CONE JET 1553-35
9	370123	1	NOZZLE CONE JET 1553-40
10	370134	1	NOZZLE SWIRL 1554-GREY
10	370145	1	NOZZLE SWIRL 1554-BLACK
10	370156	1	NOZZLE SWIRL 1554-BLUE
10	370167	1	NOZZLE SWIRL 1554-1.3 WHITE
11	371551	1	NOZZ LRG DROP FLAT SPRAY SINGL
12	372140	1	HARDI ISO BLIND CAP
13	390639	1	O-RING F.NOZZLE FILTER
14	614366	1	FILTER 50 MESH F.NOZZLE BLUE
14	614367	1	FILTER 80 MESH F.NOZZLE RED
14	614368	1	FILTER 100 MESH F.NOZZLE YEL.
15	725042	1	SCREEN 80 MESH W.GASKET, RED
15	725043	1	SCREEN 50 MESH W.GASKET,BLUE
15	725044	1	SCREEN 100 MESH W.GASKET,YELLO
16	10423503	1	O-RING 9.12x3.53 NITRIL



INJET Nozzle SYNTAL



B-JET Nozzle SYNTAL



D1040

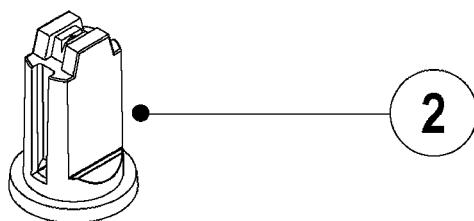
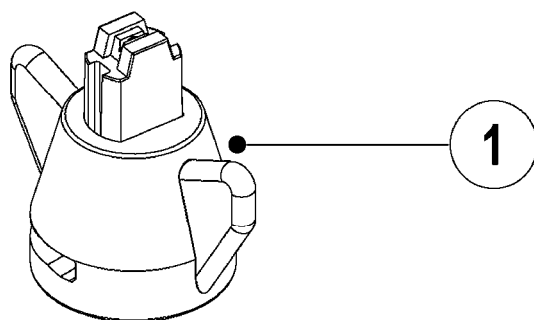


BOOM-NOZZLES INJET
D1040-HIN, 01:01:16

Page 1

Date 16.03.2016 10:35

Pos.	parts-n°	order qty	description
1	334083	1	SNAP-FIT NOZZLE HOLDER SS BLCK
2	371872	1	NOZZLE INJET 015 GREEN SINGLE
2	371873	1	NOZZLE INJET 02 YELLOW SINGLE
2	371874	1	NOZZLE INJET 025 LILAC SINGLE
2	371875	1	NOZZLE INJET 03 BLUE SINGLE
2	371876	1	NOZZLE INJET 04 RED SINGLE
2	371926	1	NOZZLE INJET 01 ORANGE SINGLE
2	371927	1	NOZZLE INJET 05 BROWN SINGLE
2	371928	1	NOZZLE INJET 06 GREY SINGLE
2	371929	1	NOZZLE INJET 08 WHITE SINGLE
3	371870	1	NOZZLE B-JET 03 BLUE
3	371871	1	NOZZLE B-JET 04 RED
3	371877	1	NOZZLE B-JET 025 LILAC
3	371930	1	NOZZLE B-JET 02 YELLOW



D1050



BOOM-NOZZLES MINIDRIFT
D1050-HIN, 01:01:16

Page 1

Date 16.03.2016 10:35

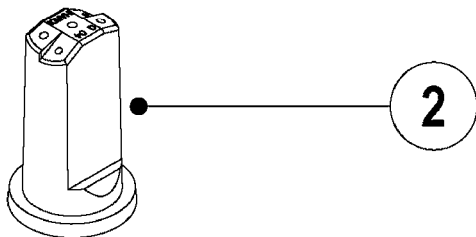
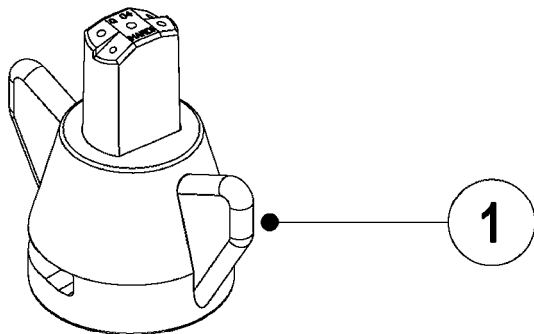
Pos.	parts-n°	order qty	description
1	372121	1	NOZZLE ISO CT MD-015-110 GREEN
1	372122	1	NOZZLE ISO CT MD-02-110 YELLOW
1	372123	1	NOZZLE ISO CT MD-025-110 LILAC
1	372124	1	NOZZLE ISO CT MD-03-110 BLUE
1	372125	1	NOZZLE ISO CT MD-04-110 RED
1	372126	1	NOZZLE ISO CT MD-05-110 BROWN
2	372111	1	NOZZLE ISO MD-015-110 GREEN
2	372112	1	NOZZLE ISO MD-02-110 YELLOW
2	372113	1	NOZZLE ISO MD-025-110 LILAC
2	372114	1	NOZZLE ISO MD-03-110 BLUE
2	372115	1	NOZZLE ISO MD-04-110 RED
2	372116	1	NOZZLE ISO MD-05-110 BROWN



BOOM-NOZZLES QUINTASTREAM
D1060-HIN, 01:01:16

Page 0

Date 16.03.2016 10:35



D1060



BOOM-NOZZLES QUINTASTREAM
D1060-HIN, 01:01:16

Page 1

Date 16.03.2016 10:35

Pos.	parts-n°	order qty	description
1	372011	1	NOZZLE ISO QS-015-5H GREEN
1	372012	1	NOZZLE ISO QS-02-5H YELLOW
1	372013	1	NOZZLE ISO QS-03-5H BLUE
1	372014	1	NOZZLE ISO QS-04-5H RED
1	372015	1	NOZZLE ISO QS-05-5H BROWN
1	372016	1	NOZZLE ISO QS-06-5H GREY
1	372017	1	NOZZLE ISO QS-08-5H WHITE
1	372018	1	NOZZLE ISO QS-10-5H LT. BLUE
1	372019	1	NOZZLE ISO QS-15-5H LT. GREEN
2	372002	1	ISO QNTSTRM 015 S-GREEN
2	372003	1	ISO QNTSTRM 02 S-YELLOW
2	372004	1	ISO QNTSTRM 03 S-BLUE
2	372005	1	ISO QNTSTRM 04 S-RED
2	372006	1	ISO QNTSTRM 05 S-BROWN
2	372007	1	ISO QNTSTRM 06 S-GREY
2	372008	1	ISO QNTSTRM 08 S-WHITE
2	372009	1	ISO QNTSTRM 10 S-LT.BLU
2	372010	1	ISO QNTSTRM 15 S-LT.GRN



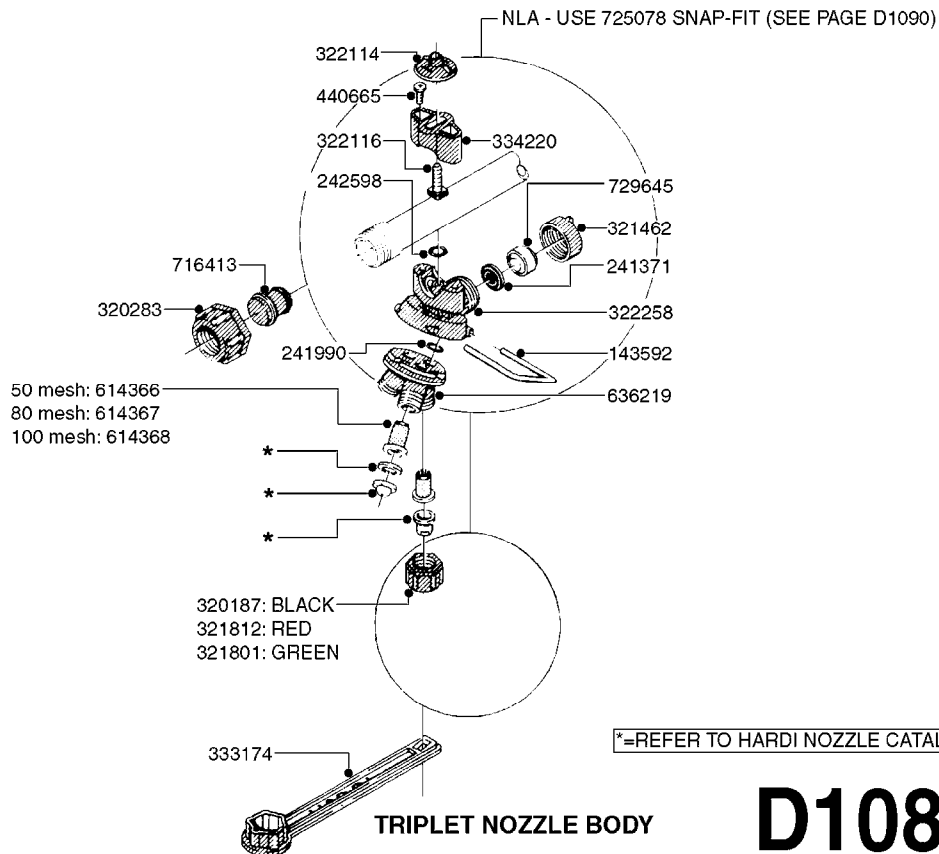
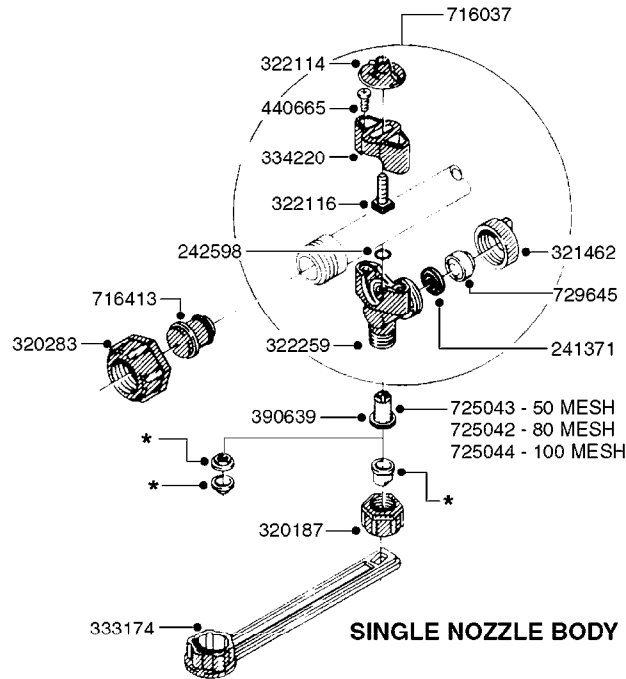
NOZZLE BODIES-THREADED
D1080-HIN, 01:01:16

Page

0

Date

16.03.2016 10:35



D1080

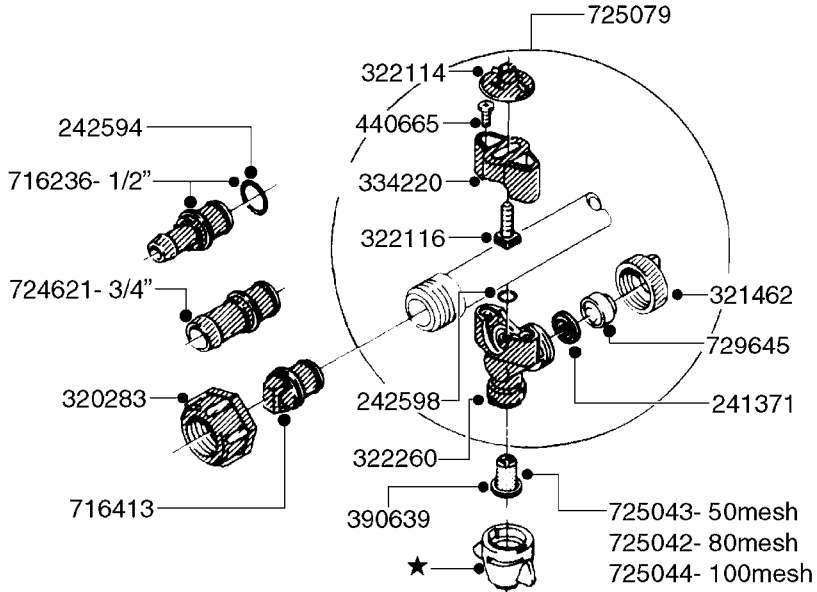


NOZZLE BODIES-THREADED
D1080-HIN, 01:01:16

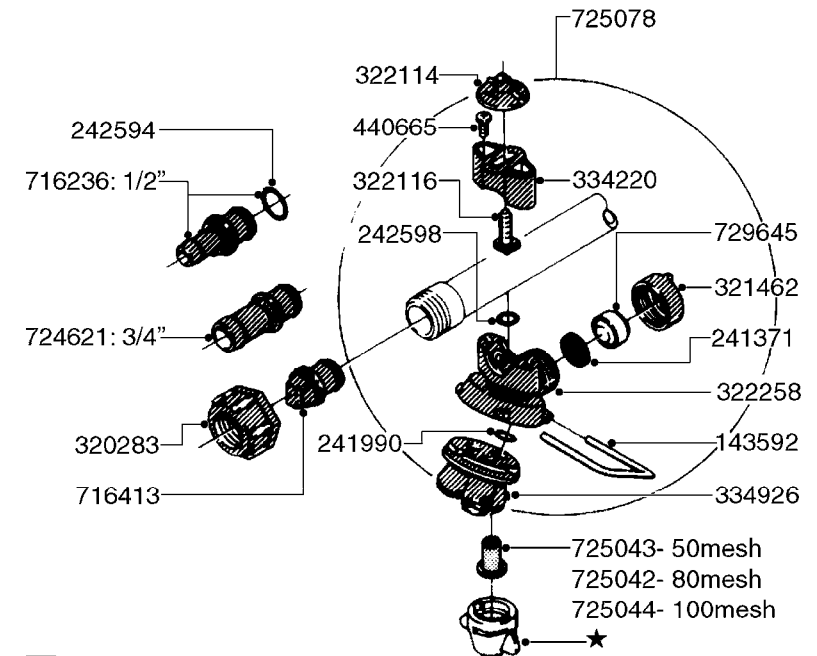
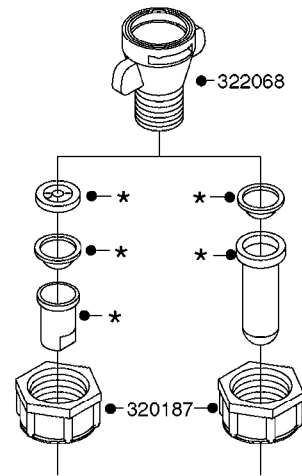
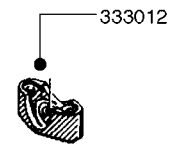
Page 1

Date 16.03.2016 10:35

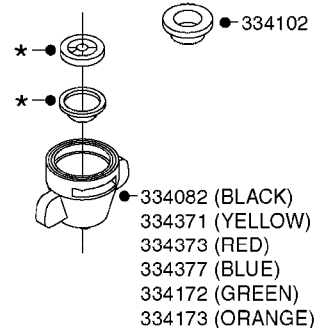
parts-n°	order qty	description
143592	1	LOCK CLAMP FOR TRIPLET
241371	1	DIAPHRAGM, NO-DRIP alt 241371
241990	1	O-RING D9.3 X 2.4 VITON
242598	1	O-RING D7.0 X 2.5 NITRIL
320187	1	FITT.DK CAP 3/8" BSP BLACK
320283	1	FITT.DK NUT 3/4"BSP
321462	1	CAP F.NO-DRIP ASSY.
321801	1	FITT.DK CAP 3/8' BSP GREEN
321812	1	FITT.DK CAP 3/8' BSP RED
322114	1	NUT PLASTIC F.NOZZ.H
322116	1	BOLT PLASTIC F.NOZZ.H.
322258	1	HOUSING F.TRIPLET
322259	1	HOUSING LOWER NOZZLE SNGL 3/8"
333174	1	NOZZLE ALIGNMENT KEY
334220	1	YOKE, UPPER NOZZLE BODY
390639	1	O-RING F.NOZZLE FILTER
440665	1	SCREW M4.2X16 STAINLESS
614366	1	FILTER 50 MESH F.NOZZLE BLUE
614367	1	FILTER 80 MESH F.NOZZLE RED
614368	1	FILTER 100 MESH F.NOZZLE YEL.
636219	1	THREADED TURN PLATE F TRIPLET
716037	1	NOZZLE BODY THREADED COMPLETE
716413	1	FITT.DK PLUG ASSY. F.NOZ TUBE
725042	1	SCREEN 80 MESH W.GASKET, RED
725043	1	SCREEN 50 MESH W.GASKET, BLUE
725044	1	SCREEN 100 MESH W.GASKET, YELLO
725078	1	SNAP-FIT TRIPLET W/O NOZZ HOLD
729645	1	NON-DRIP SPRING ASSY.GREEN 10



SINGLE NOZZLE BODY



TRIPLET NOZZLE BODY



D1090

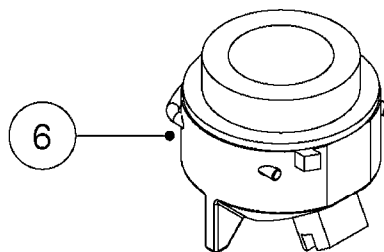
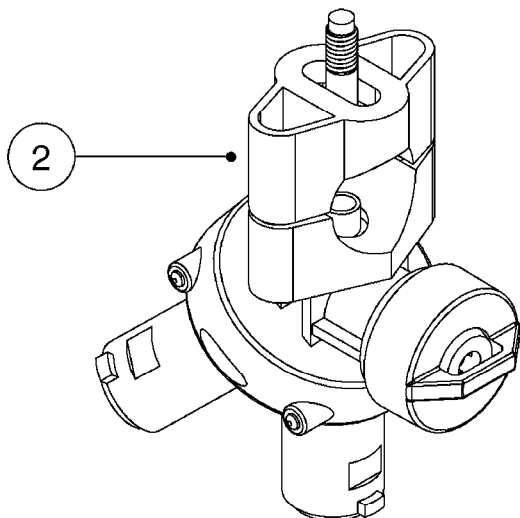
*=REFER TO HARDI NOZZLE CATALOG



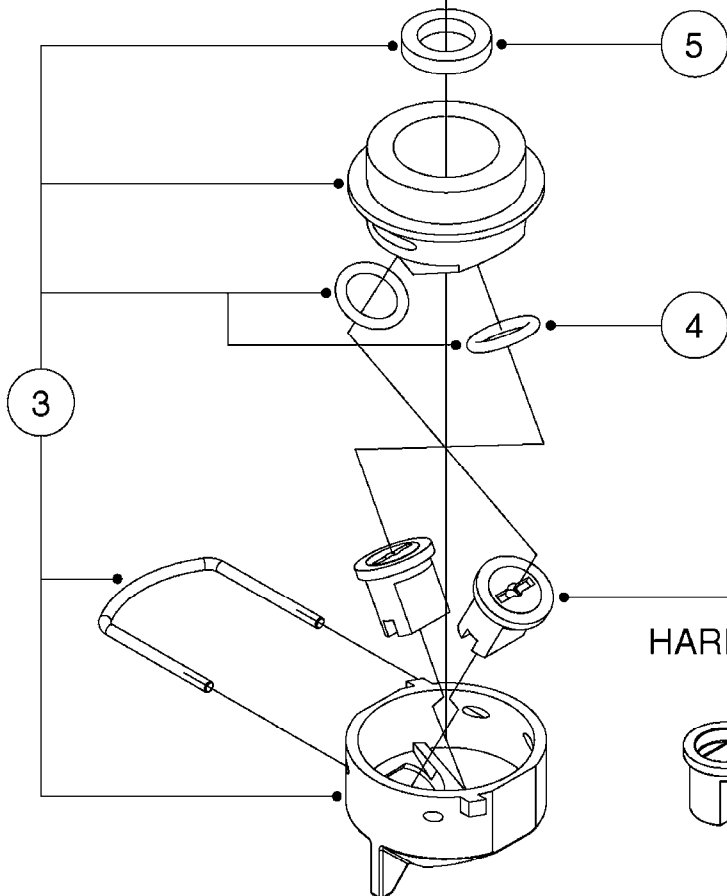
NOZZLE BODIES-SNAP FIT
D1090-HIN, 01:01:16

Page 1
Date 16.03.2016 10:35

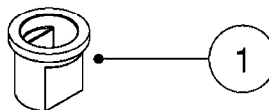
parts-n°	order qty	description
143592	1	LOCK CLAMP FOR TRIPLET
241371	1	DIAPHRAGM, NO-DRIP alt 241371
241990	1	O-RING D9.3 X 2.4 VITON
242594	1	O-RING D14 X 1.78 SCH.70-EPDM
242598	1	O-RING D7.0 X 2.5 NITRIL
320187	1	FITT.DK CAP 3/8" BSP BLACK
320283	1	FITT.DK NUT 3/4"BSP
321462	1	CAP F.NO-DRIP ASSY.
322068	1	SNAP-FIT ADAPTER THREAD. HARDI
322114	1	NUT PLASTIC F.NOZZ.H
322116	1	BOLT PLASTIC F.NOZZ.H.
322258	1	HOUSING F.TRIPLET
322260	1	NOZZLE HOLDER LOWER PART
333012	1	NOZZLE HOLD. UPPER PART
334082	1	SNAP-FIT NOZZ.HOLD.CONE BLACK
334102	1	BLANK F.NOZZLE
334172	1	SNAP-FIT NOZZ.HOLD.CONE GREEN
334173	1	SNAP-FIT NOZZ.HOLD.CONE ORANGE
334220	1	YOKE, UPPER NOZZLE BODY
334371	1	SNAP-FIT NOZZLE HOLDER YELLOW
334373	1	SNAP-FIT NOZZLE HOLDER RED
334377	1	SNAP-FIT NOZZLE HOLDER BLUE
334926	1	SNAP-FIT TURN PLATE F TRIPLET
390639	1	O-RING F.NOZZLE FILTER
440665	1	SCREW M4.2X16 STAINLESS
716236	1	FITT.DK HB 1/2" ASSY. F. 3/4"
716413	1	FITT.DK PLUG ASSY. F.NOZ TUBE
724621	1	FITT.DK HB 3/4"ASSY F.3/4" NUT
725042	1	SCREEN 80 MESH W.GASKET, RED
725043	1	SCREEN 50 MESH W.GASKET,BLUE
725044	1	SCREEN 100 MESH W.GASKET,YELLO
725078	1	SNAP-FIT TRIPLET W/O NOZZ HOLD
725079	1	NOZZLE ASSY.SING.SNAP-FIT GREN
729645	1	NON-DRIP SPRING ASSY.GREEN 10



COMPLETE ASSEMBLY
WITH NOZZLES



REFER TO
HARDI® NOZZLE CATALOG



D1100

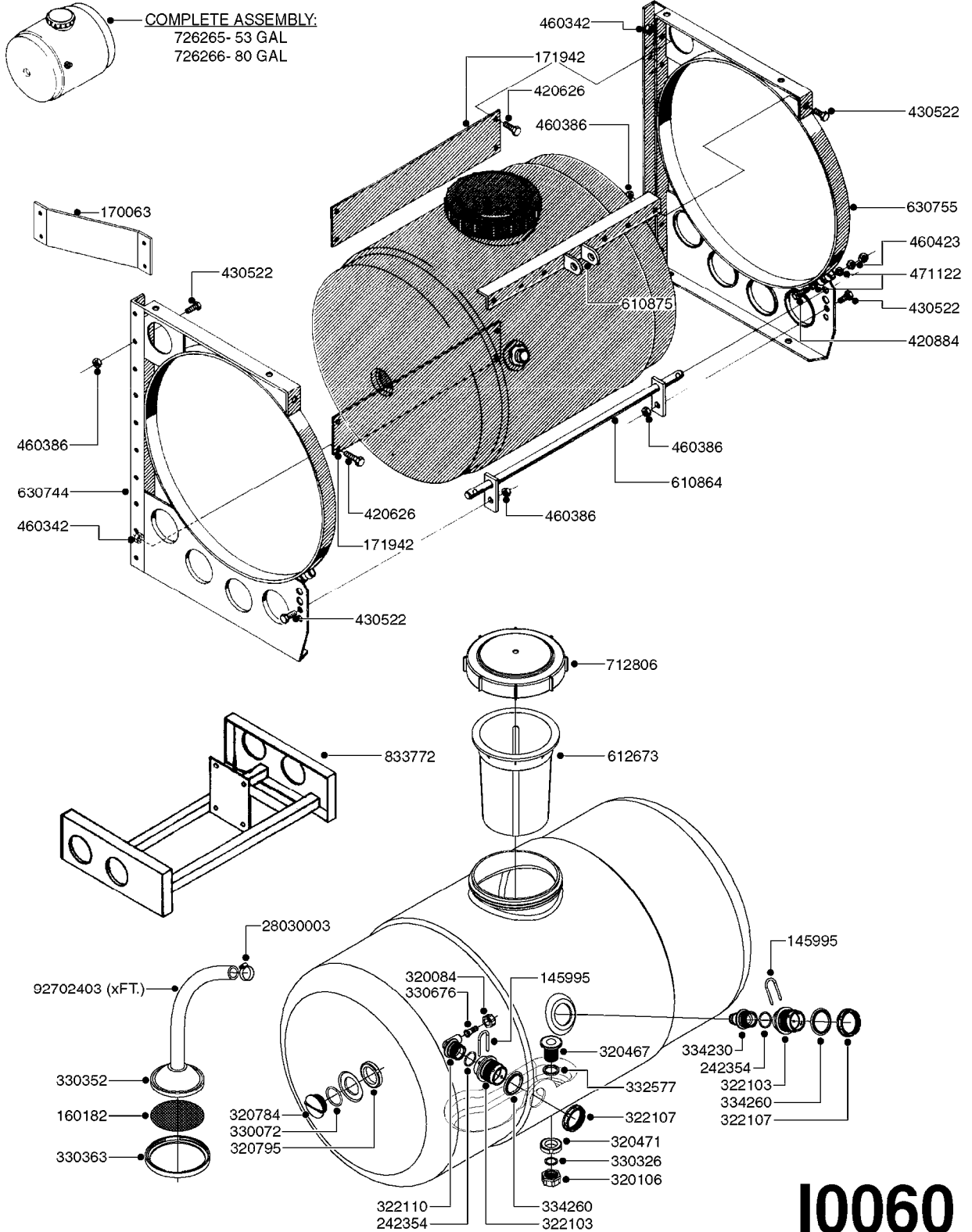


DOUBLE NOZZLE HOLDER-SNAP FIT
D1100-HIN, 01:01:16

Page 1

Date 16.03.2016 10:35

Pos.	parts-n°	order qty	description
1	372140	1	HARDI ISO BLIND CAP
2	725078	1	SNAP-FIT TRIPLET W/O NOZZ HOLD
3	28032503	1	DOUBLE NOZZLE HOLDER LD ISO
4	28040103	1	O-RING F.DOUBLE NOZZLE HOLDER
5	28089103	1	GASKET F.DOUBLE NOZZLE HOLDER
6	70056803	1	DOUBLE NOZZLE CAP ORANGE LD 01
6	70056903	1	DOUBLE NOZZLE CAP GREEN LD 015
6	70057003	1	DOUBLE NOZZLE CAP YELLOW LD 02
6	70057103	1	DOUBLE NOZZLE CAP LILAC LD 025
6	70057203	1	DOUBLE NOZZLE CAP BLUE LD 03
6	70057303	1	DOUBLE NOZZLE CAP RED LD 04
6	70057403	1	DOUBLE NOZZLE CAP BROWN LD 05



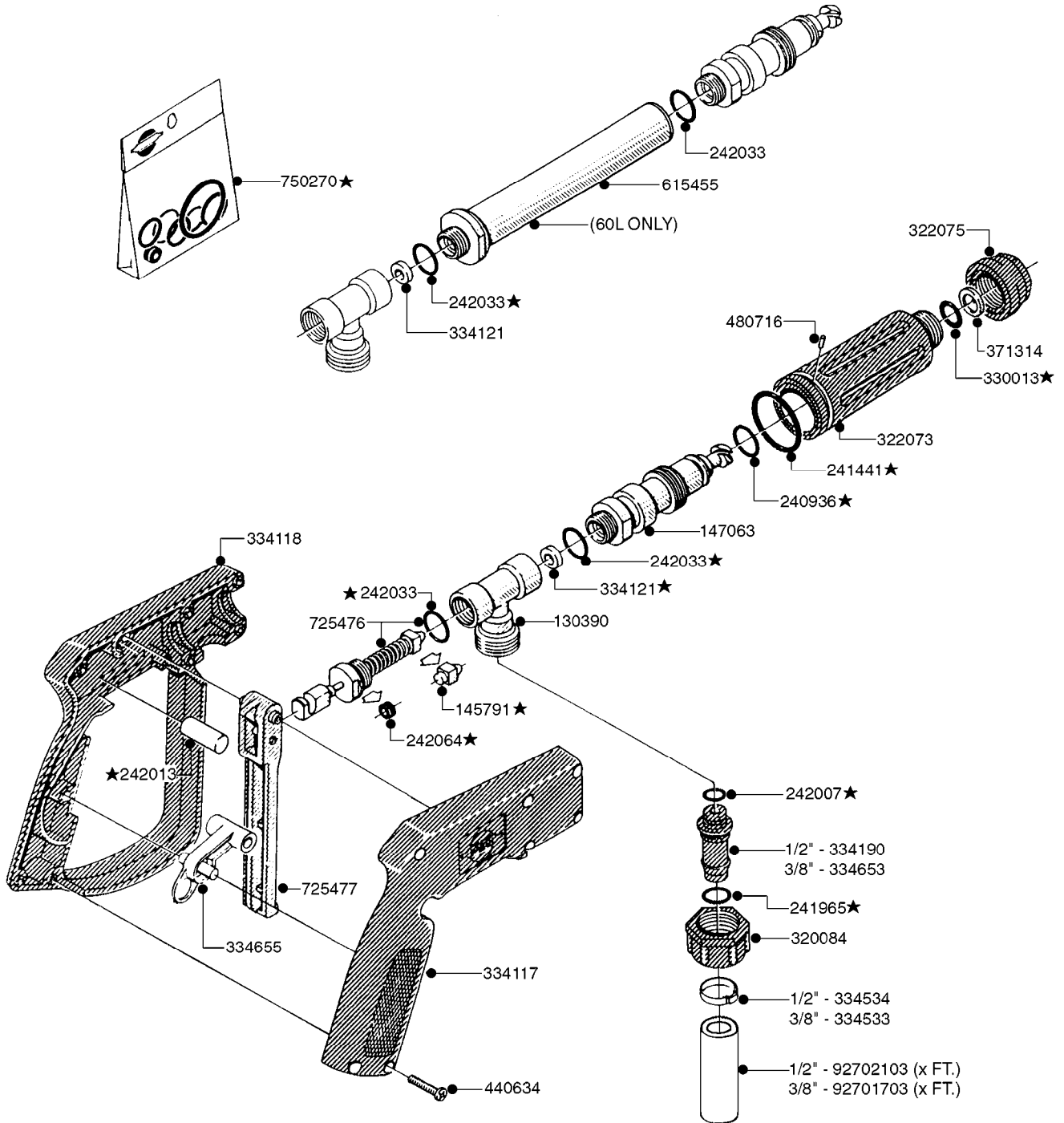
I0060



BNL 50/80 TANK & FRAME
I0060-HIN, 01:01:16

Page 1
Date 16.03.2016 10:35

parts-n°	order qty	description
145995	1	FITT.DK S-53 FORK
160182	1	FILTER SCREEN
170063	1	SUPPORT BRKT.(USE-#725434 kit)
171942	1	BL CROSS BRACE 110 X 5 X 565
242354	1	O-RING D32.2X3.0 VITON F.S-53
320084	1	FITT.DK NUT 1/2" BSP
320106	1	FITT.DK CAPNUT 1" BSP
320467	1	FITT.DK BULKHEAD 1"BSP SINGLE
320471	1	FITT.DK NUT 1" BSP JAMB
320784	1	FITT.DK CAP 1-1/2" BSP
320795	1	FITT.DK NUT 1-1/2" BSP JAMB
322103	1	FITT.DK S-53 BULKHEAD
322107	1	FITT.DK S-53 BULKHEAD NUT
322110	1	FITT.DK S-53 ELB. 1/2" BSP
330072	1	O-RING D53.5/D45.5X4
330326	1	O-RING D30/D24X2 F.1"NUT
330352	1	FOAM DROP HOUSING
330363	1	RETAINER FILTER GAUGE
330676	1	FITT.DK HB 3/8" F. 1/2" NUT
332577	1	O-RING D38/D30X4 F.1" PUR.
334230	1	FITT.DK S-53 STR.1"
334260	1	GASKET F. S-53 BULKHEAD
420626	1	BOLT HEX 8.8 DEL M10X20 FT
420884	1	BOLT HEX 8.8 DEL M10X80 FT
430522	1	BOLT HEX 8.8 DEL M12X25 FT
460342	1	NUT HEX M10 DEL DIN934
460386	1	NUT HEX M12X1.75
460423	1	NUT HEX M10X1.5 LOCK
471122	1	WASHER, M10, Ø20/10.5X 2.0, SS
610864	1	SHAFT F.3PT HITCH BL53
610875	1	BRACKET TOP LINK BL25 FRAME
612673	1	FILTER BASKET F. ES30/ES53
630744	1	FRAME BL RIGHT
630755	1	FRAME BL LEFT
712806	1	TANK LID WITH VENT S226 RED
726265	1	TANK 53 GAL. F/BNL
726266	1	TANK W/O FRAME BL80
833772	1	SUB FRAME FOR BNL53
28030003	1	CLAMP HOSE GEAR P1" 6716
92702403	1	HOSE PVC SUCT GRAY 1"



COMPLETE ASSEMBLY:
843197 - 60L
843196 - 60S

COMPLETE ASSEMBLIES
WHOLEGOODS ITEMS

K0480

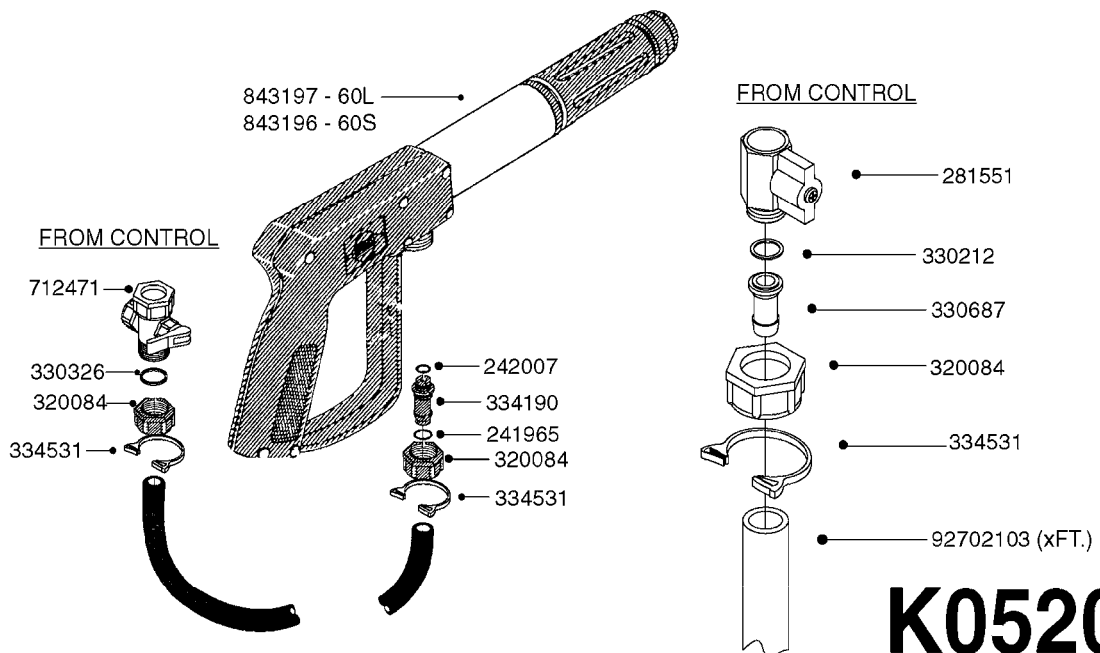
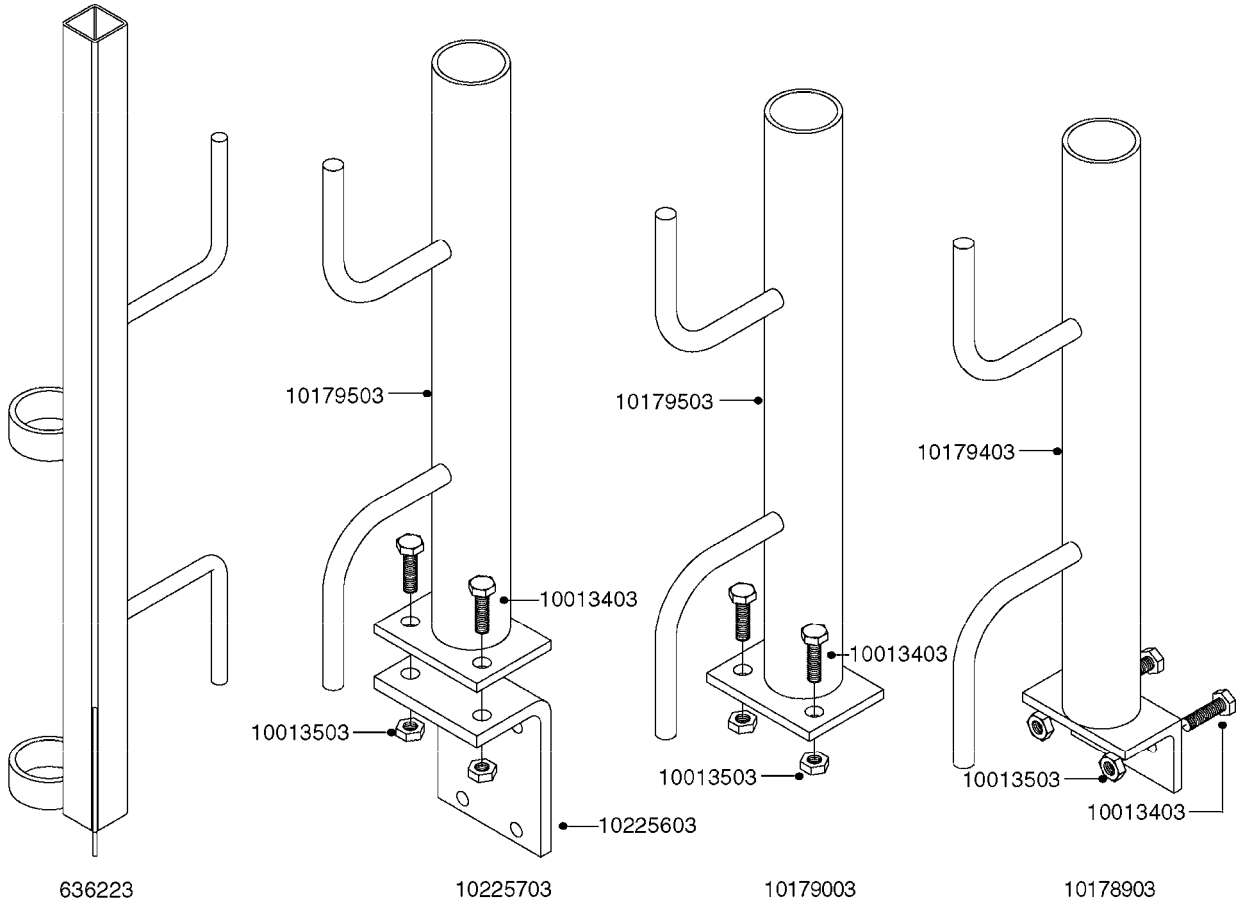


HANDGUN TYPE 60S/60L POST 95
K0480-HIN, 01:01:16

Page 1

Date 16.03.2016 10:35

parts-n°	order qty	description
130390	1	TEE 3/8'X 1/2' BSP F.TYPE 60S
145791	1	CONE FOR ON/OFF
147063	1	SWIRL F.SPRAY GUN TYPE 60
240936	1	O-RING D13.3X2.4 NITRIL
241441	1	O-RING D29.3X3
241965	1	O-RING 12.1 X 1.6
242007	1	O-RING D9.1X1.6
242013	1	SPRING RUBBER F/TRIGGER
242033	1	O-RING
242064	1	SLEEVE RUBBER 3X8X4MM
320084	1	FITT.DK NUT 1/2" BSP
322073	1	HOUSING F.SWIRL TYPE 60S H.G.
322075	1	HOUSING F. NOZZLE
330013	1	O-RING D15/D10X2.5 F.3/8"NUT
334117	1	HANDLE PIECE RIGHT F.60S/60L
334118	1	HANDLE PIECE LEFT F.60S/60L
334121	1	SEAT FOR ON-OFF TYPE
334190	1	FITT.DK HB 1/2' F. PISTOL 60S
334533	1	CLAMP HOSE PLASTIC 3/8"
334534	1	CLAMP HOSE PLASTIC 1/2"
334653	1	FITT.DK HB 3/8' F.HANDGUN
334655	1	TRIGGER SAFETY F.60S/60L GUN
371314	1	NOZZLE CERAMIC 1099-20
440634	1	SCREW 5/8"
480716	1	PIN D3X6 STAINLESS
615455	1	TUBE F.LANCE TYPE 60L
725476	1	SPINDLE
725477	1	TRIGGER
750270	1	GASKET KIT F.SPRAY GUN
843196	1	GUN, MODEL 60S
843197	1	HANDGUN KIT TYPE 60 LONG
92701703	1	HOSE R X3/8" X300PSI WP X0012"
92702103	1	HOSE R X1/2" X300PSI WP X0012"





HOSE WRAPS
K0520-HIN, 01:01:16

Page 1
Date 16.03.2016 10:36

parts-n°	order qty	description
241965	1	O-RING 12.1 X 1.6
242007	1	O-RING D9.1X1.6
281551	1	BALL VALVE 1/2"
320084	1	FITT.DK NUT 1/2" BSP
330212	1	O-RING D19/D14X2.4 F.1/2"NUT
330326	1	O-RING D30/D24X2 F.1"NUT
330687	1	FITT.DK HB 1/2" F. 1/2" NUT
334190	1	FITT.DK HB 1/2' F. PISTOL 60S
334531	1	CLAMP HOSE PLASTIC 3/4"
636223	1	POST 12 VOLT TR30
712471	1	AGITATION VALVE ASSY. ON/OFF
843196	1	GUN, MODEL 60S
843197	1	HANDGUN KIT TYPE 60 LONG
10013403	1	BOLT HEX 3/8-16X1 1/4 HCS Z5
10013503	1	NUT HEX NC 3/8"
10178903	1	WRAP HOSE SIDE MOUNT PLATE
10179003	1	WRAP HOSE BOTTOM PLATE MOUNT
10179403	1	WRAP WELDMENT FOR HI101789
10179503	1	WRAP WELDMENT FOR HI101790
10225603	1	BKT.FOR HOSE WRAP MOUNT NL NK
10225703	1	WRAP HOSE BDL.BOTTOM PLATE
92702103	1	HOSE R X1/2" X300PSI WP X0012"