

HC Serial Bluetooth Products

User Instructional Manual

1 Introduction

HC serial Bluetooth products consist of Bluetooth serial interface module and Bluetooth adapter, such as:

(1) Bluetooth serial interface module:

Industrial level: HC-03, HC-04(HC-04-M, HC-04-S)

Civil level: HC-05, HC-06(HC-06-M, HC-06-S)

HC-05-D, HC-06-D (with baseboard, for test and evaluation)

(2) Bluetooth adapter:

HC-M4

HC-M6

This document mainly introduces Bluetooth serial module. Bluetooth serial module is used for converting serial port to Bluetooth. These modules have two modes: master and slaver device. The device named after even number is defined to be master or slaver when out of factory and can't be changed to the other mode. But for the device named after odd number, users can set the work mode (master or slaver) of the device by AT commands.

HC-04 specifically includes:

Master device: HC-04-M, M=master

Slave device: HC-04-S, S=slaver

The default situation of HC-04 is slave mode. If you need master mode, please state it clearly or place an order for HC-04-M directly. The naming rule of HC-06 is same.

When HC-03 and HC-05 are out of factory, one part of parameters are set for activating the device. The work mode is not set, since user can set the mode of HC-03, HC-05 as they want.

The main function of Bluetooth serial module is replacing the serial port line, such as:

1. There are two MCUs want to communicate with each other. One connects to Bluetooth master device while the other one connects to slave device. Their connection can be built once the pair is made. This Bluetooth connection is equivalently liked to a serial port line connection including RXD, TXD

signals. And they can use the Bluetooth serial module to communicate with each other.

2. When MCU has Bluetooth slave module, it can communicate with Bluetooth adapter of computers and smart phones. Then there is a virtual communicable serial port line between MCU and computer or smart phone.

3. The Bluetooth devices in the market mostly are slave devices, such as Bluetooth printer, Bluetooth GPS. So, we can use master module to make pair and communicate with them.

Bluetooth Serial module's operation doesn't need drive, and can communicate with the other Bluetooth device who has the serial. But communication between two Bluetooth modules requires at least two conditions:

(1) The communication must be between master and slave.

(2) The password must be correct.

However, the two conditions are not sufficient conditions. There are also some other conditions basing on different device model. Detailed information is provided in the following chapters.

In the following chapters, we will repeatedly refer to Linvor's (Formerly known as Guangzhou HC Information Technology Co., Ltd.) material and photos.

2 Selection of the Module

The Bluetooth serial module named even number is compatible with each other; The slave module is also compatible with each other. In other word, the function of HC-04 and HC-06, HC-03 and HC-05 are mutually compatible with each other. HC-04 and HC-06 are former version that user can't reset the work mode (master or slave). And only a few AT commands and functions can be used, like reset the name of Bluetooth (only the slaver), reset the password, reset the baud rate and check the version number. The command set of HC-03 and HC-05 are more flexible than HC-04 and HC-06's. Generally, the Bluetooth of HC-03/HC-05 is recommended for the user.

Here are the main factory parameters of HC-05 and HC-06. Pay attention to the differences:

HC-05	HC-06
Master and slave mode can be switched	Master and slave mode can't be switched
Bluetooth name: HC-05	Bluetooth name: linvor
Password:1234	Password:1234

<p>Master role: have no function to remember the last paired slave device. It can be made paired to any slave device. In other words, just set AT+CMODE=1 when out of factory. If you want HC-05 to remember the last paired slave device address like HC-06, you can set AT+CMODE=0 after paired with the other device. Please refer the command set of HC-05 for the details.</p>	<p>Master role: have paired memory to remember last slave device and only make pair with that device unless KEY (PIN26) is triggered by high level. The default connected PIN26 is low level.</p>
<p>Pairing: The master device can not only make pair with the specified Bluetooth address, like cell-phone, computer adapter, slave device, but also can search and make pair with the slave device automatically.</p> <p>Typical method: On some specific conditions, master device and slave device can make pair with each other automatically. (This is the default method.)</p>	<p>Pairing: Master device search and make pair with the slave device automatically.</p> <p>Typical method: On some specific conditions, master and slave device can make pair with each other automatically.</p>
<p>Multi-device communication: There is only point to point communication for modules, but the adapter can communicate with multi-modules.</p>	<p>Multi-device communication: There is only point to point communication for modules, but the adapter can communicate with multi-modules.</p>
<p>AT Mode 1: After power on, it can enter the AT mode by triggering PIN34 with high level. Then the baud rate for setting AT command is equal to the baud rate in communication, for example: 9600.</p> <p>AT mode 2: First set the PIN34 as high level, or while on powering the module set the PIN34 to be high level, the Baud rate used here is 38400 bps.</p> <p>Notice: All AT commands can be operated only</p>	<p>AT Mode: Before paired, it is at the AT mode. After paired it's at transparent communication.</p>

<p>when the PIN34 is at high level. Only part of the AT commands can be used if PIN34 doesn't keep the high level after entering to the AT mode. Through this kind of designing, set permissions for the module is left to the user's external control circuit, that makes the application of HC-05 is very flexible.</p>	
<p>During the process of communication, the module can enter to AT mode by setting PIN34 to be high level. By releasing PIN34, the module can go back to communication mode in which user can inquire some information dynamically. For example, to inquire the pairing is finished or not.</p>	<p>During the communication mode, the module can't enter to the AT mode.</p>
<p>Default communication baud rate: 9600, 4800-1.3M are settable.</p>	<p>Default communication baud rate: 9600, 1200-1.3M are settable.</p>
<p>KEY: PIN34, for entering to the AT mode.</p>	<p>KEY: PIN26, for master abandons memory.</p>
<p>LED1: PIN31, indicator of Bluetooth mode. Slow flicker (1Hz) represents entering to the AT mode2, while fast flicker(2Hz) represents entering to the AT mode1 or during the communication pairing. Double flicker per second represents pairing is finished, the module is communicable.</p> <p>LED2: PIN32, before pairing is at low level, after the pairing is at high level.</p> <p>The using method of master and slaver's indicator is the same.</p> <p>Notice: The PIN of LED1 and LED2 are connected with LED+.</p>	<p>LED: The flicker frequency of slave device is 102ms. If master device already has the memory of slave device, the flicker frequency during the pairing is 110ms/s. If not, or master has emptied the memory, then the flicker frequency is 750m/s. After pairing, no matter it's a master or slave device, the LED PIN is at high level.</p> <p>Notice: The LED PIN connects to LED+ PIN.</p>
<p>Consumption: During the pairing, the current is</p>	<p>Consumption: During the pairing, the current is</p>

fluctuant in the range of 30-40mA. The mean current is about 25mA. After paring, no matter processing communication or not, the current is 8mA. There is no sleep mode. This parameter is same for all the Bluetooth modules.	fluctuant in the range of 30-40 m. The mean current is about 25mA. After paring, no matter processing communication or not, the current is 8mA. There is no sleep mode. This parameter is same for all the Bluetooth modules.
Reset: PIN11, active if it's input low level. It can be suspended in using.	Reset: PIN11, active if it's input low level. It can be suspended in using.
Level: Civil	Level: Civil

The table above that includes main parameters of two serial modules is a reference for user selection.

HC-03/HC-05 serial product is recommended.

3. Information of Package

The PIN definitions of HC-03, HC-04, HC-05 and HC-06 are kind of different, but the package size is the same: 28mm * 15mm * 2.35mm.

The following figure 1 is a picture of HC-06 and its main PINs. Figure 2 is a picture of HC-05 and its main PINs. Figure 3 is a comparative picture with one coin. Figure 4 is their package size information. When user designs the circuit, you can visit the website of Guangzhou HC Information Technology Co., Ltd. (www.wavesen.com) to download the package library of protle version.

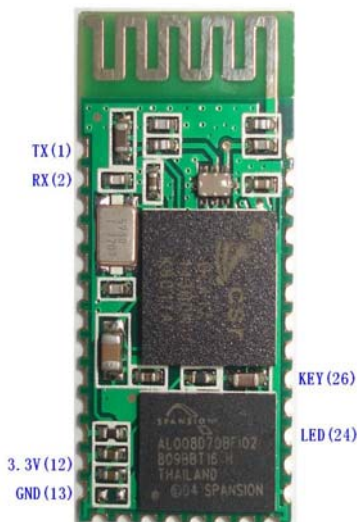


Figure 1 HC-06

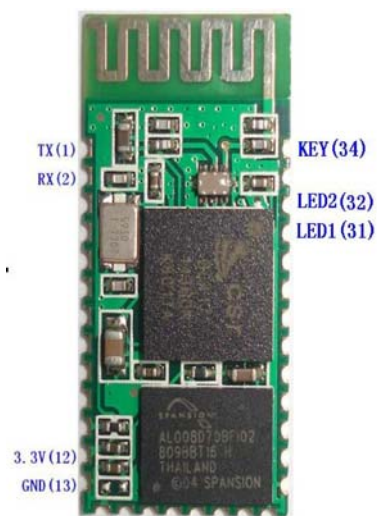


Figure 2 HC-05

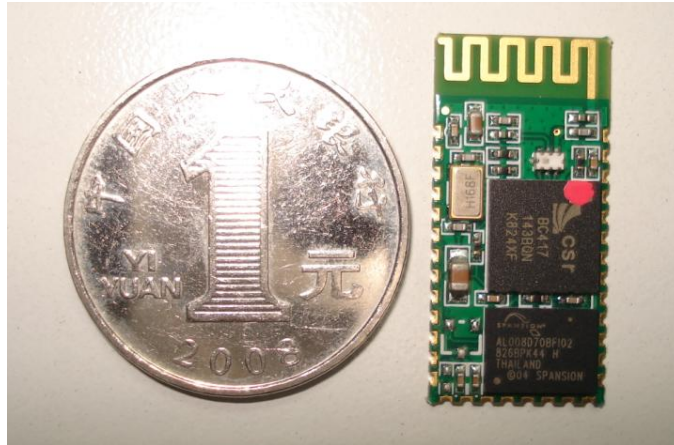


Figure 3 Comparative picture with one coin

LINVOR BLUE T
www.linvor.com

LV-BC-2.0

单位: mm

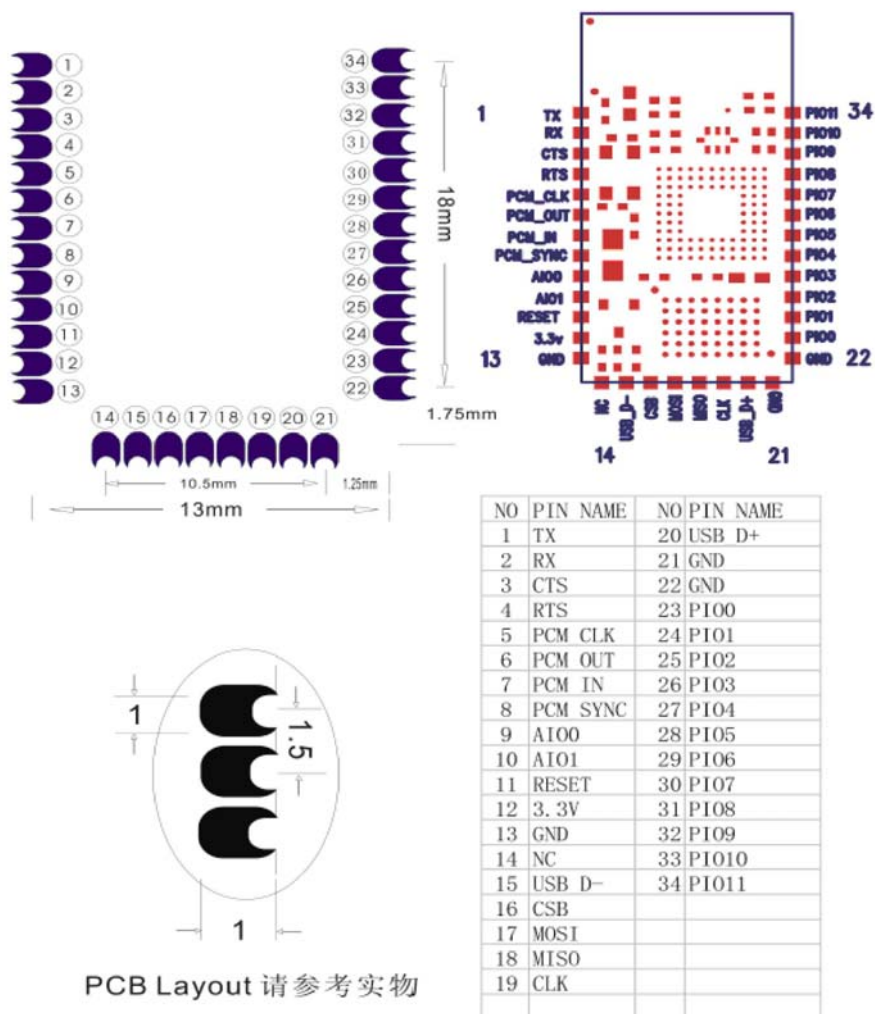


Figure 4 Package size information

4. The Using and Testing Method of HC-06 for the First Time

This chapter will introduce the using method of HC-06 in detail. User can test the module according to this chapter when he or she uses the module at the first time.

PINs description:

PIN1	UART_TXD , TTL/CMOS level, UART Data output
PIN2	UART_RXD, TTL/COMS level, s UART Data input
PIN11	RESET, the reset PIN of module, inputting low level can reset the module, when the module is in using, this PIN can connect to air.
PIN12	VCC, voltage supply for logic, the standard voltage is 3.3V, and can work at 3.0-4.2V
PIN13	GND
PIN22	GND
PIN24	LED, working mode indicator Slave device: Before paired, this PIN outputs the period of 102ms square wave. After paired, this PIN outputs high level. Master device: On the condition of having no memory of pairing with a slave device, this PIN outputs the period of 110ms square wave. On the condition of having the memory of pairing with a slave device, this PIN outputs the period of 750ms square wave. After paired, this PIN outputs high level.
PIN26	For master device, this PIN is used for emptying information about pairing. After emptying, master device will search slaver randomly, then remember the address of the new got slave device. In the next power on, master device will only search this address.

(1) The circuit 1 (connect the module to 3.3V serial port of MCU) is showed by figure 5.

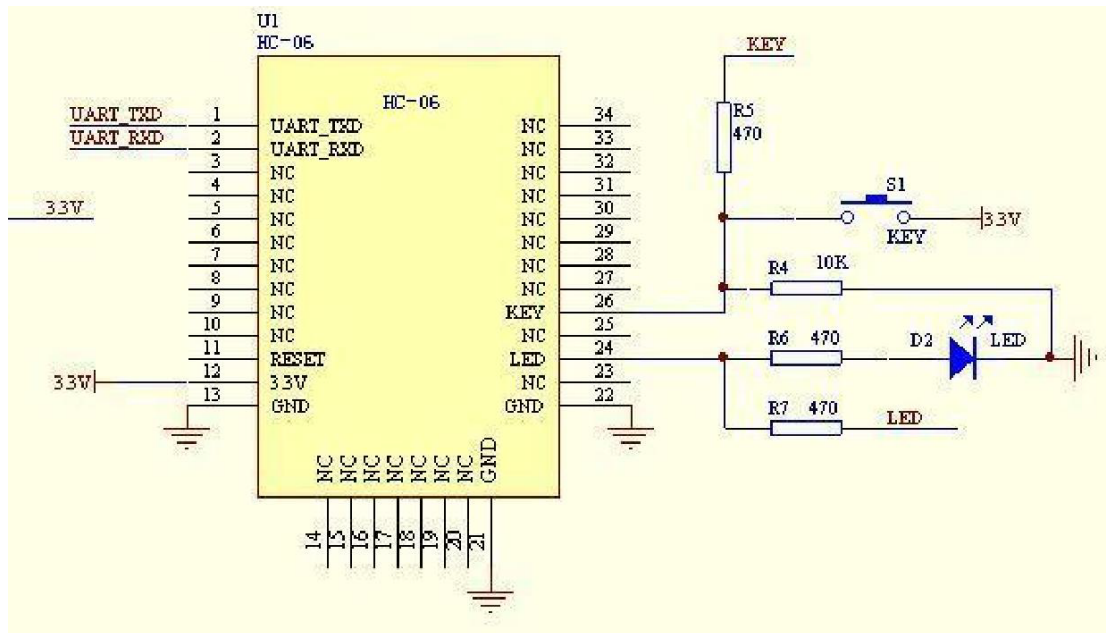


Figure 5 The circuit 1

In principle, HC-06 can work when UART_TXD, UART_RXD, VCC and GND are connected. However, for better testing results, connecting LED and KEY are recommended (when testing the master).

Where, the 3.3V TXD of MCU connects to HC-06's UART_RXD, the 3.3V RXD of MCU connects to HC-06's UART_TXD, and 3.3V power and GND should be connected. Then the minimum system is finished.

Note that, the PIN2:UART_RXD of Bluetooth module has no pull-up resistor. If the MCU TXD doesn't have pull-up function, then user should add a pull-up resistor to the UART_RXD. It may be easy to be ignored.

If there are two MCU which connect to master and slave device respectively, then before paired(LED will flicker) user can send AT commands by serial port when the system is power on. Please refer to HC-04 and HC-06's data sheet for detailed commands. In the last chapter, the command set will be introduced. Please pay attention to that the command of HC-04/HC-06 doesn't have terminator. For example, consider the call command, sending out AT is already enough, need not add the CRLF (carriage return line feed).

If the LED is constant lighting, it indicates the pairing is finished. The two MCUs can communicate with each other by serial port. User can think there is a serial port line between two MCUs.

(2) The circuit 2 (connect the module to 5V serial port of MCU) is showed by figure 6.

Figure 6 is the block diagram of Bluetooth baseboard. This kind of circuit can amplify Bluetooth module's operating voltage to 3.1-6.5V. In this diagram, the J1 port can not only be connected with MCU system of 3.3V and 5V, but also can be connected with computer serial port.

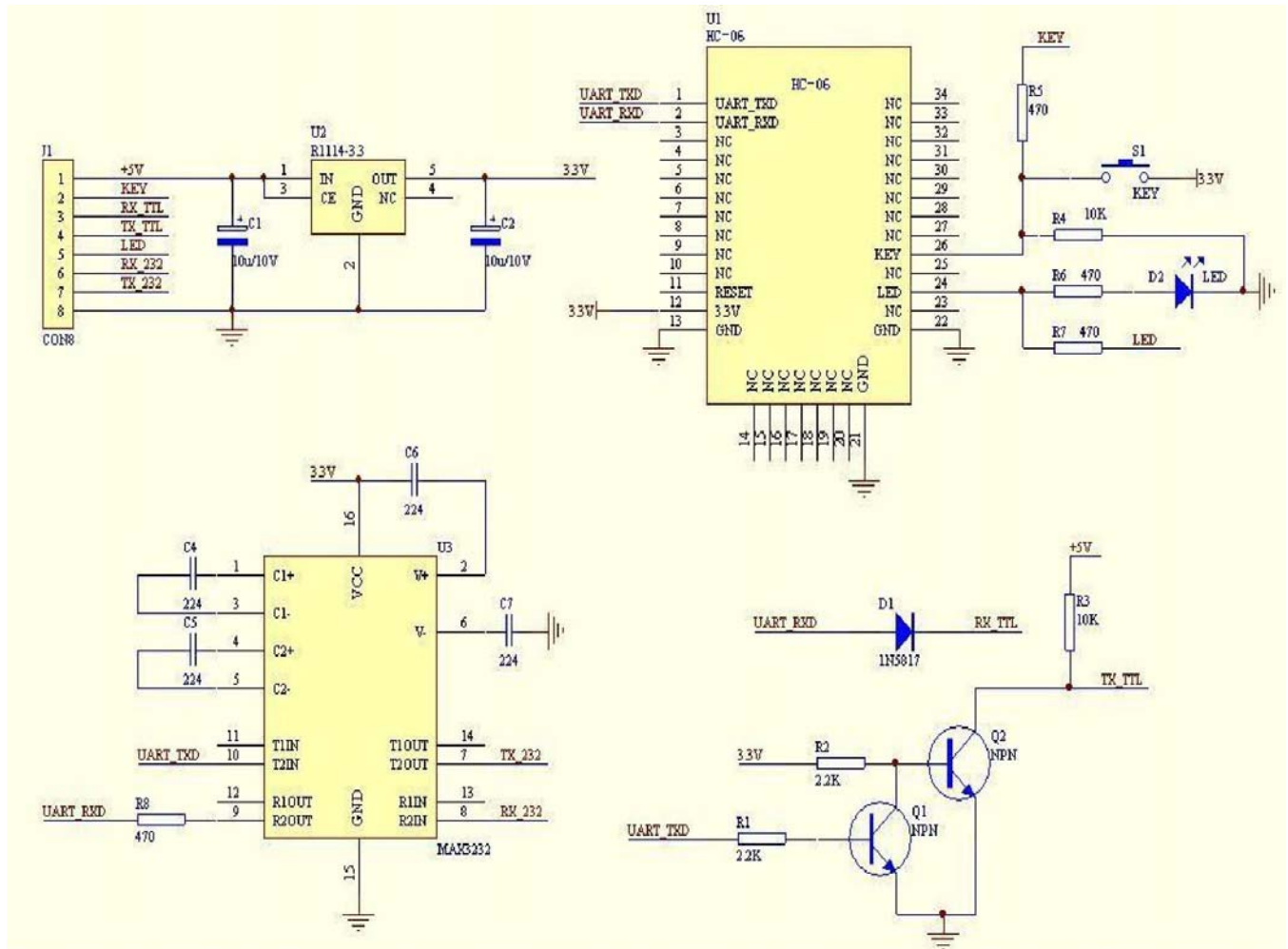


Figure 6 The circuit 2

(3) AT command test

Before paired, the mode of HC-04 and HC-06 are AT mode.

On the condition of 9600N81, OK will be received when user send the two letters AT. Please refer to the last chapter of datasheet for other commands of HC-06. Please pay attention to that sending out AT is already enough, need not add the CRLF (carriage return line feed).

The command set of Version V1.4 doesn't include parity. The version V1.5 and its later version have parity function. Moreover, there are three more commands of V1.5 than V1.4. They are:

No parity (default) AT+PN

Odd parity AT+PO

Even parity AT+PE

Do not let the sending frequency of AT command of HC-06 exceed 1Hz, because the command of HC-06 end or not is determined by the time interval.

(4) Pairing with adapter

User can refer to the download center of the company's website for "The Introduction of IVT" that introduces the Bluetooth module makes pair with computer adapter. That document taking HC-06-D for example introduces how the serial module makes pair with the adapter. That method is like to make pair with cell-phone. But the difference is that cell-phone need a third-party communication software to help. It's liked the kind of PC serial helper of and the hyper terminal. A software named "PDA serial helper" provided by our company is suitable for WM system. It has been proven that this serial module is supported by many smart phone systems' Bluetooth, such as, sybian, android, windows mobile and etc.

(5) Pairing introduction

HC-06 master device has no memory before the first use. If the password is correct, the mater device will make pair with the slave device automatically in the first use. In the following use, the master device will remember the Bluetooth address of the last paired device and search it. The searching won't stop until the device is found. If master device's PIN26 is input high level, the device will lose the memory. In that occasion, it'll search the proper slave device like the first use. Based on this function, the master device can be set to make pair with the specified address or any address by user.

(6) Reset new password introduction

User can set a new password for the HC-06 through AT+PINxxxx command. But the new password will become active after discharged all the energy of the module. If the module still has any energy, the old one is still active. In the test, for discharging all the system energy and activating the new password, we can connect the power supply PIN with GND about 20 seconds after the power is cut off. Generally, shutting down the device for 30 minutes also can discharge the energy, if there is no peripheral circuit helps discharge energy. User should make the proper way according to the specific situation.

(7) Name introduction

If the device has no name, it's better that user doesn't try to change the master device name. The name should be limited in 20 characters.

Summary: The character of HC-06: 1 not many command 2 easy for application 3 low price. It's good for some specific application. HC-04 is very similar with HC-06. Their only one difference is HC-04 is for industry, HC-06 is for civil. Except this, they don't have difference.

The following reference about HC-04 and HC-06 can be downloaded from company website

www.wavesen.com:

HC-06 datasheet .pdf	(the command set introduction is included)
HC-04 datasheet .pdf	(the command set introduction is included)
IVT BlueSoleil-2.6	(IVT Bluetooth drive test version)
Bluetooth FAQ.pdf	
HC-04-D(HD-06-D)datasheet(English).pdf	
HC-06-AT command software (test version)	(some commands in V1.5 is not supported by V1.4)
PCB package of Bluetooth key modules	(PCB package lib in protel)
IVT software manual.pdf	(introduce how to operate the modern and make pair with Bluetooth module)
PDA serial test helper.exe	(serial helper used for WM system)

5 manual for the first use of HC-05

This chapter will introduce how to test and use the HC-05 if it's the first time for user to operate it.

(1) PINs description

PIN1	UART_TXD, Bluetooth serial signal sending PIN, can connect with MCU's RXD PIN
PIN2	UART_RXD, Bluetooth serial signal receiving PIN, can connect with the MCU's TXD PIN, there is no pull-up resistor in this PIN. But It needs to be added an eternal pull-up resistor.
PIN11	RESET, the reset PIN of module, inputting low level can reset the module, when the module is in using, this PIN can connect to air.
PIN12	VCC, voltage supply for logic, the standard voltage is 3.3V, and can work at 3.0-4.2V
PIN13	GND

(3) Application circuit 2 (connect to 5V serial system or PC serial)

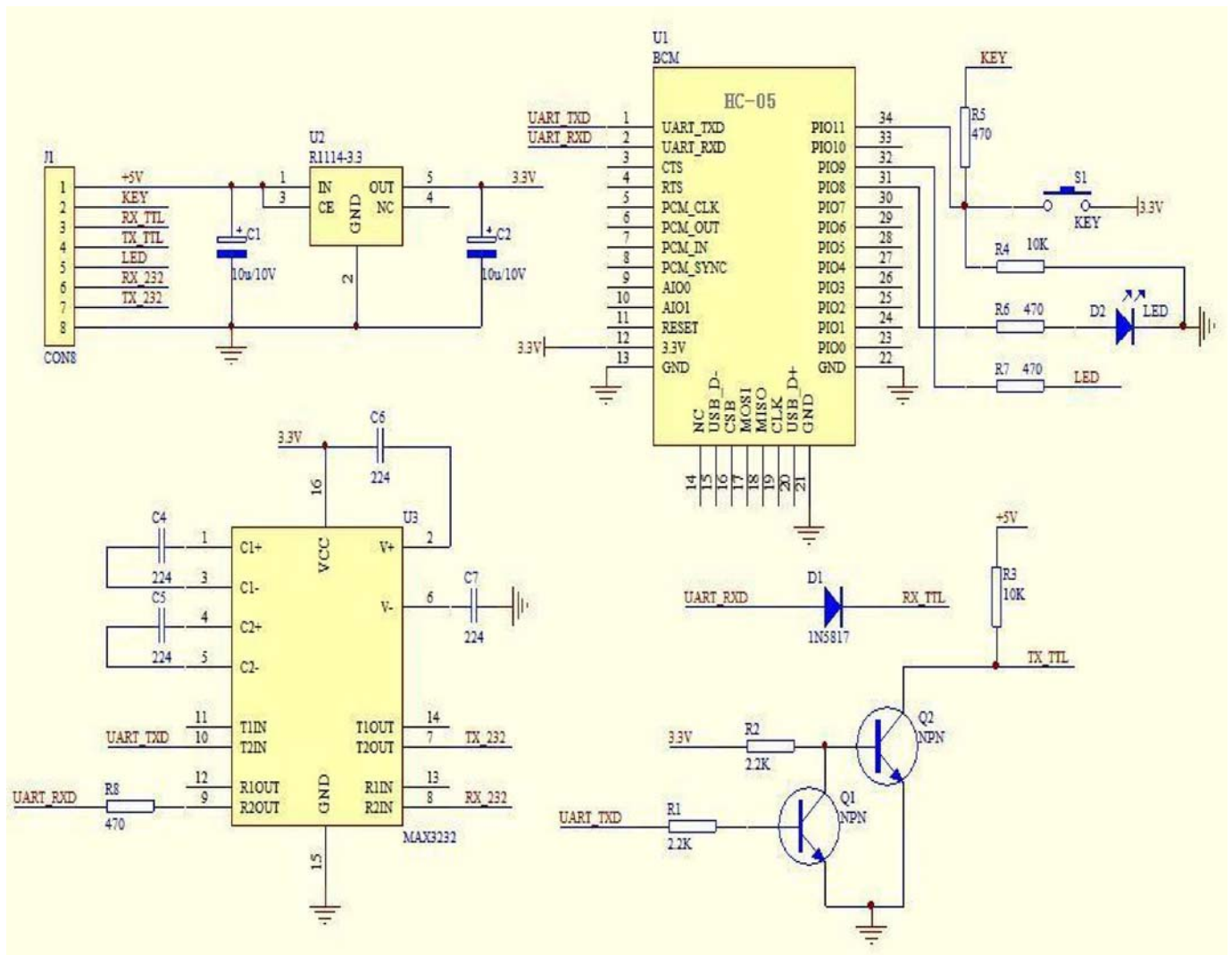


Figure 8 Application circuit 2

(4) AT command test

This chapter introduces some common commands in use. The detail introduction about HC-05 command is in HC-0305 AT command set.

Enter to AT mode:

Way1: Supply power to module and input high level to PIN34 at the same time, the module will enter to AT mode with the baud rate-38400.

Way2: In the first step, supply power to module; In the second step, input high level to PIN34. Then the module will enter to AT mode with the baud rate-9600. Way1 is recommended.

Command structure: all command should end up with “\r\n” (Hex: 0X0D X0A) as the terminator. If

the serial helper is installed, user just need enter “ENTER” key at the end of command.

Reset the master-slave role command:

AT+ROLE=0 ----Set the module to be slave mode. The default mode is slave.

AT+ROLE=1 ----Set the module to be master mode.

Set memory command:

AT+CMODE=1

Set the module to make pair with the other random Bluetooth module (Not specified address). The default is this mode.

AT+CMODE=1

Set the module to make pair with the other Bluetooth module (specified address). If set the module to make pair with random one first, then set the module to make pair with the Bluetooth module has specified address. Then the module will search the last paired module until the module is found.

Reset the password command

AT+PSWD=XXXX

Set the module pair password. The password must be 4-bits.

Reset the baud rate

AT+UART== <Param>,<Param2>,<Param3>.

More information is provided at HC-0305 command set

Example:

AT+UART=9600,0,0 ----set the baud rate to be 9600N81

Reset the Bluetooth name

AT+NAME=XXXXXX

Summary:

HC-05 has many functions and covers all functions of HC-06. The above commands are the most common ones. Besides this, HC-05 leaves lots of space for user. So HC-05 is better than HC-06 and

recommended. HC-03 is similar with HC-05. The above introduction also suits HC-03

The following reference about HC-03 and HC-05 can be downloaded from company website www.wavesen.com:

- | | |
|---|---|
| HC-03 datasheet .pdf | (the command set introduction is included) |
| HC-05 datasheet .pdf | (the command set introduction is included) |
| IVT BlueSoleil-2.6 | (IVT Bluetooth drive test version) |
| Bluetooth FAQ.pdf | |
| PCB package of Bluetooth key modules | (PCB package lib in protel) |
| IVT software manual.pdf | (introduce how to operate the module and make pair with Bluetooth module) |
| PDA serial test helper.exe | (serial helper used for WM system) |
| HC-03/05 Bluetooth serial command set.pdf | |

6. Ordering information

The website of Guangzhou HC Information Technology Co., Ltd is www.wavesen.com The contact information is provided at the company website.

Order Way: If you want our product, you can give order to the production center of our company directly or order it in Taobao. There is a link to Taobao in our company website.

Package: 50 pieces chips in an anti-static blister package. The weight of a module is about 0.9g. The weight of a package is about 50g.



Please provide the product's model when you order:

HC-04-M HC-04 master module

HC-04-S HC-04 slave module

HC-06-M HC-06 master module

HC-06-S HC-06 slave module

HC-03

HC-05 HC-03/05 can be preset to be master module or slave module.