

SONY®

HD DIGITAL VIDEOCASSETTE RECORDER

HDW-500

PARALLEL INTERFACE KIT
BKDW-509

HD-525 DOWN CONVERTER BOARD
HKDV-501

HD LINE CONVERTER BOARD
HKDV-502

HD DIGITAL VIDEO CONTROLLER
HKDV-503

HD DUBBING INTERFACE BOARD
HKDV-504

HD EDITING PROCESSOR BOARD
HKDV-505

HDCAM

ISR Interactive
Status
Reporting

MAINTENANCE MANUAL Part 2
Volume 2 1st Edition (Revised 1)

⚠ 警告

このマニュアルは、サービス専用です。

お客様が、このマニュアルに記載された設置や保守、点検、修理など行うと感電や火災、人身事故につながる可能性があります。

危険をさけるため、サービストレーニングを受けた技術者のみご使用ください。

⚠ WARNING

This manual is intended for qualified service personnel only.

To reduce the risk of electric shock, fire or injury, do not perform any servicing other than that contained in the operating instructions unless you are qualified to do so. Refer all servicing to qualified service personnel.

⚠ WARNUNG

Die Anleitung ist nur für qualifiziertes Fachpersonal bestimmt.

Alle Wartungsarbeiten dürfen nur von qualifiziertem Fachpersonal ausgeführt werden. Um die Gefahr eines elektrischen Schlages, Feuergefahr und Verletzungen zu vermeiden, sind bei Wartungsarbeiten strikt die Angaben in der Anleitung zu befolgen. Andere als die angegeben Wartungsarbeiten dürfen nur von Personen ausgeführt werden, die eine spezielle Befähigung dazu besitzen.

⚠ AVERTISSEMENT

Ce manuel est destiné uniquement aux personnes compétentes en charge de l'entretien. Afin de réduire les risques de décharge électrique, d'incendie ou de blessure n'effectuer que les réparations indiquées dans le mode d'emploi à moins d'être qualifié pour en effectuer d'autres. Pour toute réparation faire appel à une personne compétente uniquement.

HDW-500	Serial No. 10001 and Higher
BKDW-509	Serial No. 10001 and Higher
HKDV-501	Serial No. 10001 and Higher
HKDV-502	Serial No. 10001 and Higher
HKDV-503	Serial No. 10001 and Higher
HKDV-504	Serial No. 10001 and Higher
HKDV-505	Serial No. 10001 and Higher

Table of Contents

Manual Structure

Purpose of this manual	5(E)
Related manuals	5(E)
Contents	6(E)

1. Location of Mounted Circuit Boards

2. Semiconductor Pin Assignments

3. Spare Parts

3-1. Notes on Repair Parts	3-1
3-2. Exploded Views	3-3
3-3. Spare Parts List	3-4
3-4. Electrical Parts List for Boards	3-53
3-5. Parts List for Frame	3-194
3-6. Packing Materials & Supplied Accessories	3-200
3-7. Optional Fixtures	3-200

4. Block Diagrams

Overall	4-2
APR-32, CP-298/299/299A	4-4
CUE-10	4-6
DCP-11	4-7
DIF-43	4-8
DPR-89	4-12
EQ-65	4-14
PSW-51	4-15
SS-75	4-16

5. Board Layouts

AC-169	5-3
APR-32	5-4
CCM-15	5-6
CL-29	5-6
CP-266A	5-7
CP-298	5-8
CP299/299A	5-10
CUE-10	5-12
DCP-11	5-14
DIF-43A	5-16
DPR-89	5-18
DPR-104	5-21
DR-307	5-22
DT-34C	5-25
EQ-65	5-26
FP-103	5-29
HN-249	5-30
HN-250	5-32
HN-251	5-32
KY-330A	5-33
LP-81	5-37
MB-697	5-34
PC-70	5-37
PD-35	5-37
PSW-51	5-38
PTC-54	5-41
PTC-59	5-41
PTC-69	5-41
PTC-71	5-41
RM-82	5-41
SS-75	5-42
SW-749	5-44
SWC-17D	5-45
SWC-32	5-46
TR-78	5-46
TR-79	5-46
VR-152	5-47
VR-153	5-47

6. Schematic Diagrams

6-1. Frame Wiring	6-2
6-2. Schematic Diagrams	6-8
AC-169 (Frame Wiring)	6-7
APR-32	6-8
CCM-15 (Frame Wiring)	6-4
CL-29 (Frame Wiring)	6-4
CP-266A	6-26
CP-298	6-30
CP-299	6-32
CP-299A	6-34
CUE-10	6-37
DCP-11	6-48
DIF-43A	6-58
DPR-89	6-78
DPR-104	6-108
DR-307	6-112
DT-34C	6-121
EQ-65	6-123
FP-103	6-136
HN-249	6-138
HN-250	6-139
HN-251	6-140
KY-330A	6-141
LP-81 (Frame Wiring)	6-4
MB-697	6-143
PC-70 (Frame Wiring)	6-4
PD-35 (Frame Wiring)	6-4
PSW-51	6-152
PTC-54 (Frame Wiring)	6-4
PTC-59 (Frame Wiring)	6-5
PTC-69 (Frame Wiring)	6-3
PTC-71 (Frame Wiring)	6-4
RM-82 (Frame Wiring)	6-5
SS-75	6-154
SE-344 (Frame Wiring)	6-5
SW-749	6-181
SWC-17D	6-182
SWC-32	6-185
TR-78 (Frame Wiring)	6-4
TR-79 (Frame Wiring)	6-4
VR-152 (Frame Wiring)	6-6
VR-153 (Frame Wiring)	6-6

Manual Structure

Purpose of this manual

This manual is the maintenance manual part 2 of the HD digital video cassette recorder HDW-500.

This manual is intended for use by trained system and service engineers, and is provided information that is premised the parts level service (adjustments, board layouts, schematic diagrams, detailed parts list and the like) for this unit and the optional board.

Related manuals

Besides this maintenance manual part 2, the following manuals are available. The part numbers for the manuals are as of December 1997.

- **Operation Manual (Supplied with this unit)**

This manual is necessary for the use and operation (and installation) of this unit.
Part No. : 3-194-349-02

- **Maintenance Manual Part 1 (Supplied with this unit)**

This manual is provided the information required for the installation (including with option board), maintenance information and information for the service such as replacement of plug-in boards.
Part No. : 3-194-348-02

- **Protocol Manual for Remote (9-pin) (Available on your request)**

This manual is explained the protocols for controlling this unit by the RS-422A (9-pin serial remote). If this manual is required, please contact to your local Sony's sale/service office.
Part No. : 9-968-513-61

- **BKDW-509 Interface Manual (Available on your request)**

This manual is explained the protocols for controlling this unit by the parallel 50-pin. If this manual is required, please contact to your local Sony's sale/service office.
Part No. : 9-967-559-04

- **ISR Protocol Manual (Available on your request)**

This manual is explained the ISR functions (Interactive Status Reporting System/ Integrated Equipment Management Function) of this unit. If this manual is required, please contact to your local Sony's sale/service office.
ISR: Interactive Status Reporting / Integrated Equipment Management Function
Part No. : 9-968-521-61

Contents

The maintenance manuals part 2 are organized by following sections.

Maintenance Manual Part 2 Volume 1

Section 1 Service Overview

This section is described about the extension board, NV-RAM and flash-memory.

Section 2 General Information for Electrical Alignment

This section is described about the tools, measurement equipments and internal test signals.

Section 3 Electrical Alignment

This section is described about the electrical adjustment for the power supply, system control, servo, analog audio, RF, digital video, digital audio and the like.

Section 4 Electrical Alignment (Option Board HKDV-501)

This section is described about the electrical alignment for option board HKDV-501.

Section 5 Replacement of Main Parts

This section is described about the replacement for the drum head, capstan motor, reel motor, tape guides, cassette compartment, fan motor, power supply unit and the like.

Section 6 Alignment after Replacement of Main Parts

This section is described about the tape path alignment and electrical alignment after replacement of main parts.

Maintenance Manual Part 2 Volume 2

Section 1 Location of Mounted Circuit Boards

This section is described about the location of mounted circuit boards.

Section 2 Semiconductor Pin Assignments

This section is described about the semiconductor pin assignments.

Section 3 Spare Parts

This section is described about the detailed spare parts list and exploded views.

Section 4 Block Diagrams

This section is described about the block diagrams in the alphabetical order.

Section 5 Board Layouts

This section is described about the board layouts of mounted circuit boards in the alphabetical order.

Section 6 Schematic Diagrams

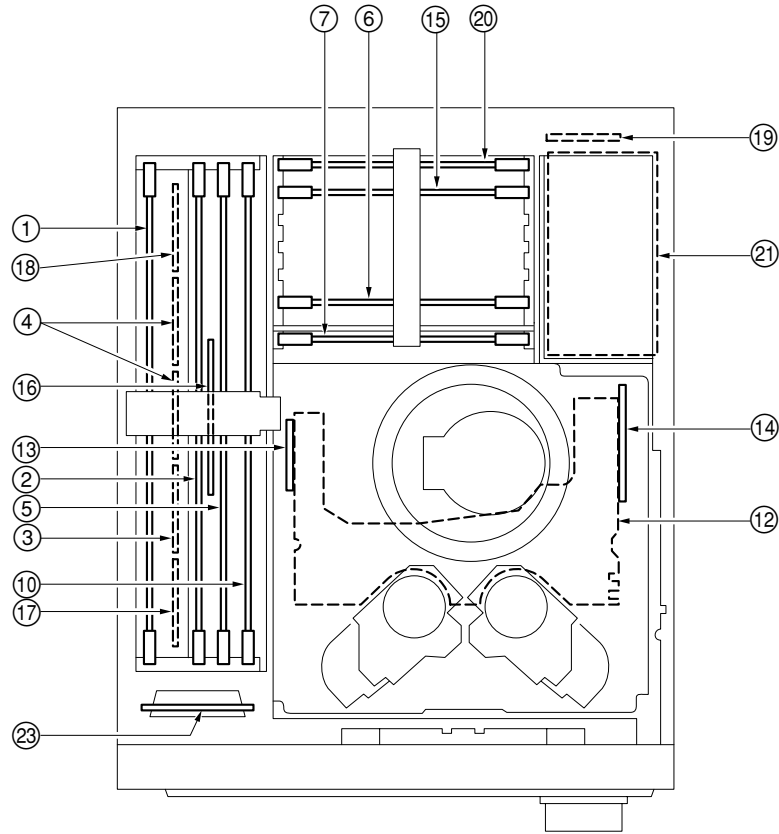
This section is described about the frame wiring and schematic diagrams of the mounted circuit boards in the alphabetical order.

Section 1

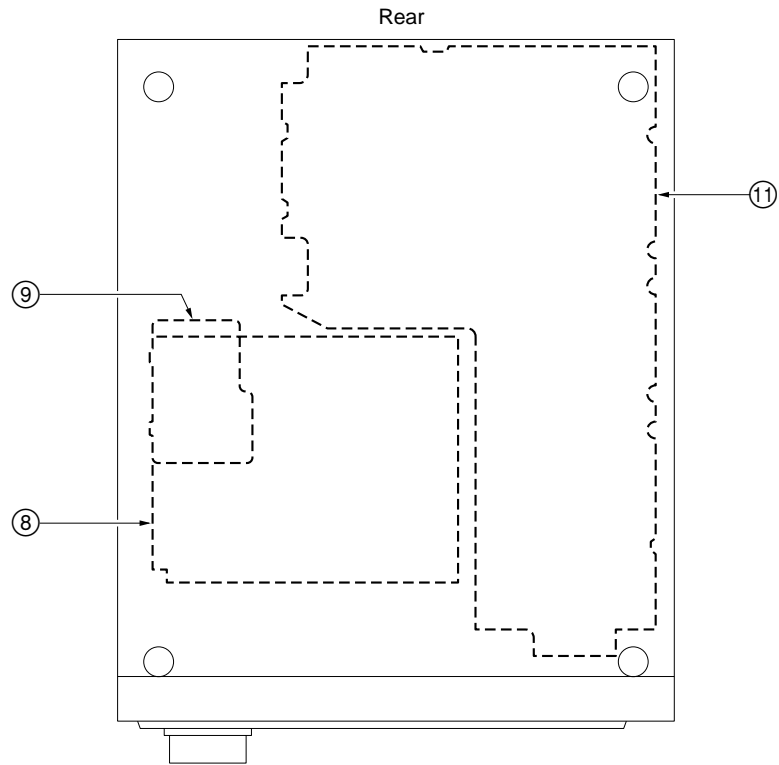
Location of Mounted Circuit Boards

System configuration	No.	Board name	Circuit function	Model name	Page
Digital process	1	DIF-43A	HD serial digital interface with Embedded audio	HDW-500	1-3
	2	DPR-89	Digital data processor (Encoder/Decoder, Error correction)		
	3	RX-35	HD serial digital interface RX module	Standard-equipped with HDW-500, or HK-102 (J only)	
	4	TX-52	HD serial digital interface TX module	Standard-equipped with HDW-500, or HK-101 (J only)	
RF/Analog process	5	APR-32	Audio signal processor (A-D, D-A, AES/EBU interface)	HDW-500	
	6	CUE-10	CUE, TC REC/PB and LAU PB circuit		
	7	EQ-65	RF equalizer (REC current cont., PB EQ, Analog BETACAM PB buffer)		
System/Servo control	8	DR-307	Motors (Drum, Reel, Capstan, etc.) driver, Solenoids driver		
	9	DT-34C	DT driver		
	10	SS-75	System , Servo, DT control		
Motherboard	11	MB-697	Motherboard	HDW-500	1-3 and 1-4
Connect	12	HN-249	Connection board (Drum, etc.) with REC inhibit sensor	HDW-500	1-3
	13	HN-250	Connection board (Threading motor, etc.)	HDW-500	1-3 and 1-5
	14	HN-251	Connection board with Dew sensor		
Option	15	DCP-11	HD-525 Down-converter	HKDV-501	1-3
	16	DPR-104	Digital data processor (Editing process board)	HKDV-505	
	17	RX-35	HD serial digital interface RX module for Dub-in	HKDV-504 (RX-35 and TX-52)	
	18	TX-52	HD serial digital interface TX module for Dub-out (Dubbing interface board)		
Power	19	AC-169	AC connector board with Breaker	HDW-500	
	20	PSW-51	DC-DC converter		
	21	PS unit	Switching regulator (PS = Power supply)		
Front panel function	22	CP-266A	CPU board for Control panel	HDW-500	1-4
	23	FP-103	Panel function (Switches, LEDs) control, CAV control level conversion	HDW-500	1-3 and 1-4
	24	KY-330A	SW board for Control panel	HDW-500	1-4
	25	PTC-69	Search dial sensor		
	26	SWC-17D	Upper panel function (Switches, LEDs)		
	27	SW-749	Function control switches		
	28	SWC-32	Int/Ext Control panel select		
	29	VR-152	Audio REC level VRs		
	30	VR-153	Audio PB level VRs		
	Rear panel function	31	CP-298	Rear panel connector board (Analog video signal buffer)	
32		CP-299/299A	Rear panel connector board (Analog/Digital audio, TC)	CP-299 : HDW-500 (J) CP-299A : HDW-500 (UC)	

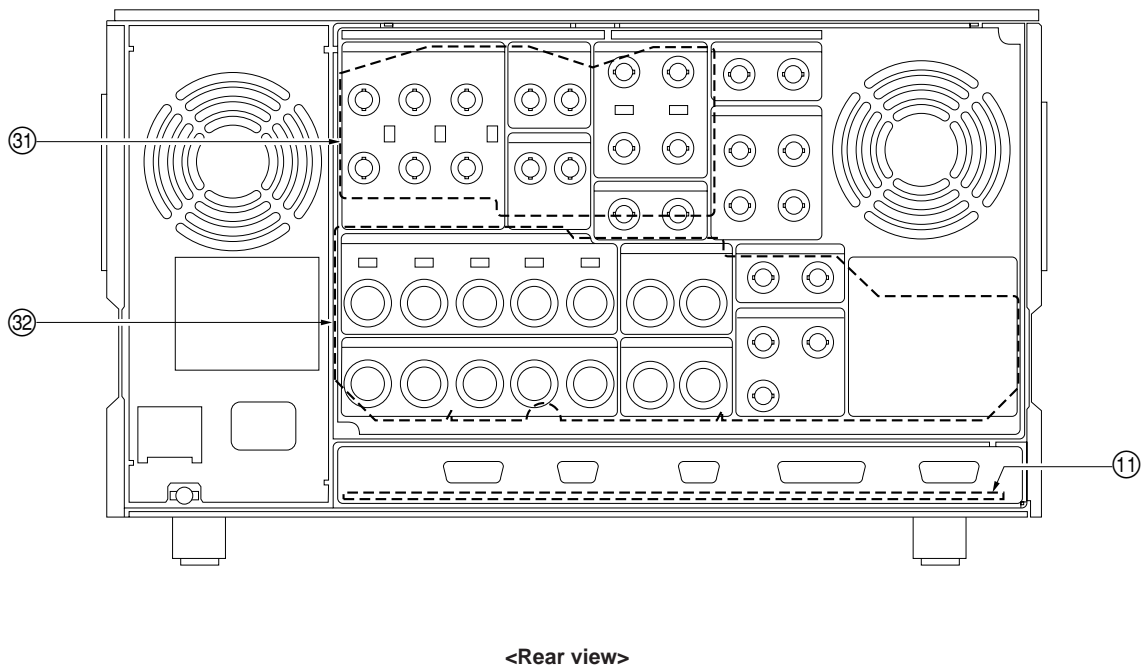
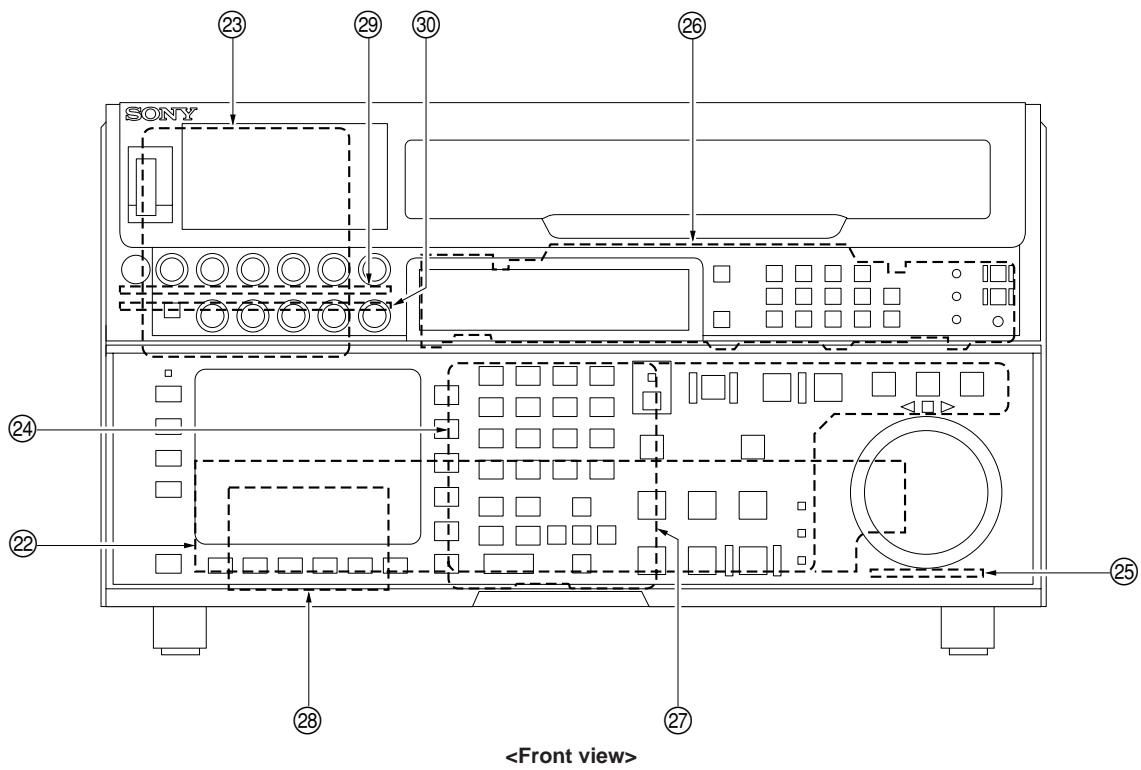
System configuration	No.	Board name	Circuit function	Model name	Page	
Mech. deck driver/sensor	33	CCM-15	Reel shift motor	HDW-500	1-5	
	34	CCM-15	Threading motor			
	35	PD-35	Pinch solenoid connection			
	36	PTC-54	Threading FG			
	37	PTC-59	Cassette's holes sensor			
	38	PTC-71	Reel position sensor			
	39	RM-82	S reel motor			
	40	RM-82	T reel motor			
	41	SE-344	S reel FG			
	42	SE-344	T reel FG			
	43	TR-78	S tension sensor			
	44	TR-79	T tension sensor, Threading-end and Unthreading-end sensors			
	Cassette compartment driver/sensor	45	CL-29			Cassette up/down motor, Cassette down sensors
		46	LP-81			Lamp of cassette compartment
47		PC-70	Cassette-in sensors, Cassette size sensor			

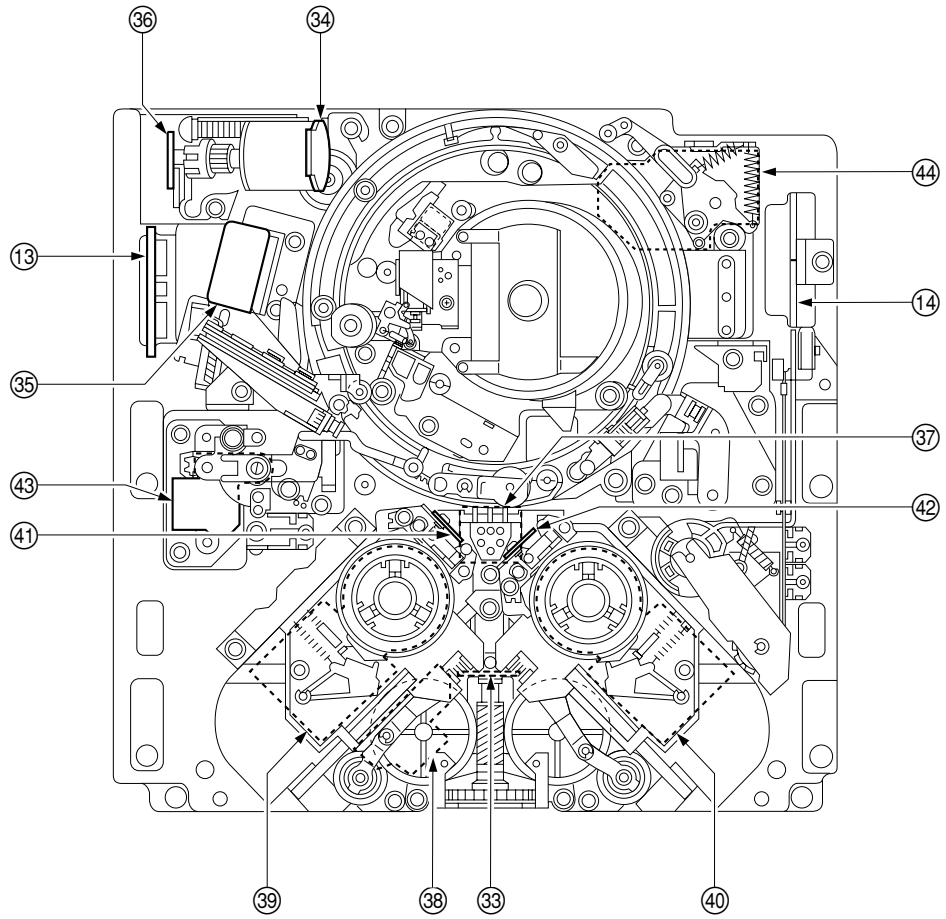


<Top view>

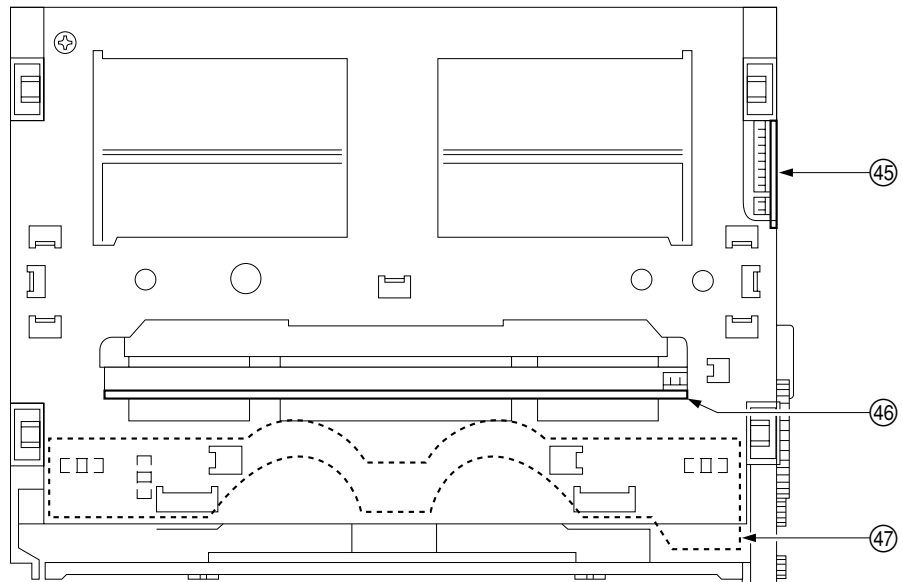


Front
<Bottom view>





<Top view of Mechanical deck>



<Top view of Cassette compartment>

Section 2

Semiconductor Pin Assignments

ここに記載されている半導体は、それぞれの機能を等価的に表したものです。なお、互換性のない型名を併記していることがありますので、部品を交換するときは、Spare Partsの章を参照してください。
等価回路はICメーカーのデータブックに従いました。

Semiconductors of which functions are equivalent are described here. For parts replacement, refer to the section of Spare Parts in this manual. The circuit diagram of each IC is obtained from the IC data book published by the manufacturer.

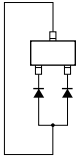
DIODE	Page	TRANSISTOR	Page	TRANSISTOR	Page	OTHERS	Page
1S2835-T1	2-4	2SA812-T1-M5M6	2-4	DTA144EUT106	2-5	CL-150D-CD	2-5
1S2836	2-4	2SA1162G	2-4	DTC114EU	2-5	CL-150D-CD-T	2-5
1SS123-T1	2-4	2SA1213Y-TE12L	2-4	DTC114EUA-T106	2-5	CL-150PG-CD	2-5
1SS193	2-4	2SA1314C-TE12L	2-4	DTC114YKA-T146	2-5	CL-150PG-CD-T	2-5
1SS193-TE85L	2-4	2SA1610-T1Y33	2-4	DTC123JUA-T106	2-5	CL-150R-CD	2-5
1SS226	2-4	2SA1610-Y33	2-4	DTC144ES	2-5	CL-150R-CD-T	2-5
1SS300-TE85L	2-4	2SA1611-M5M6	2-4	DTC144ESA	2-5	CL-150UR-CD	2-5
1SS301-TE85L	2-4	2SA1611T1-M5M6	2-4	DTC144EUA-T106	2-5		
1SS302	2-4	2SB798-DL	2-4			GL5HD8	2-5
1SS302-TE85L	2-4	2SB1115-T1YL	2-4	SI-9430DY-T1	2-5		
		2SB1115A-YQ	2-4			TLG182P	2-5
DA204U	2-4	2SB1151-K	2-4			TLG255A	2-5
DA204UT106	2-4	2SB1151-L	2-4			TLS255A	2-5
DAN202U	2-4	2SC1623	2-4			TLY255A	2-5
DAN202UT106	2-4	2SC1623-T1-L5L6	2-4				
DAP202U	2-4	2SC2120-Y	2-4			LED	Page
DAP202UT106	2-4	2SC2120-Y-TPE2	2-4			DM-211A	2-5
		2SC2603TP-F	2-4			GP1A52HR	2-5
EC10DS2	2-4	2SC2785-HFE	2-4			GP1A53HR	2-5
EC10DS2-TE12L5	2-4	2SC3356-(R25)	2-4				
ECL06B025-F	2-4	2SC3356-T1(R25)	2-4				
ECL06B025-TE16F2	2-4	2SC4177-L6	2-4				
ECL06B025-TE16F2	2-4	2SC4177-T1L5L6	2-4				
ERB81-004	2-4	2SC4213-B	2-4				
ERC84-009	2-4	2SC4213B-TE85L	2-4				
		2SD596-DV5	2-4				
MA141WK	2-4	2SD596-T1DV5	2-4				
		2SD773	2-4				
RB420D	2-4	2SD773-T-3	2-4				
		2SD1615A-GP	2-4				
SB007-03CP	2-4	2SD1615A-T1GQGP	2-4				
SB007-03CP-TB	2-4	2SD1683-T	2-4				
SB007T03Q	2-4	2SJ106-Y	2-5				
SB007T03Q-TL	2-4	2SJ106Y-TE85L	2-5				
SB01-05CP	2-4	2SJ294	2-5				
SB01-05CP-TB	2-4	2SK94-T1X3	2-5				
SB02-03C-TB	2-4	2SK94-X4	2-5				
		2SK208-Y	2-5				
		2SK2084L	2-5				
		2SK208Y-TE85L	2-5				
		2SK711-BL	2-5				
		2SK711-BL/V-TE85L	2-5				
		2SK2232	2-5				
				DTA114EUA	2-5		
				DTA114EUA-T106	2-5		
				DTA114TKA-T146	2-5		
				DTA123JKA-T146	2-5		
				DTA144EU	2-5		
				DTA144EUA-T106	2-5		

IC	Page	IC	Page	IC	Page	IC	Page
74AC245SJ	2-6	CXD9000CR	2-31	LM2577T-ADJ	2-58	NJM78L05UA-TE1	2-69
74AC245SJX	2-6	CXD9001AR	2-34	LM2903P	2-53	NJM78L09UA	2-69
74LCX00MTCX	2-6	CXD9003BR	2-38	LT1021DCS8-5	2-60	NJM78L09UA(TE1)	2-69
74LCX04MTCX	2-6	CXD9008Q	2-36	LT1227CS8	2-60	NJM78L12A	2-69
74LCX04SJX	2-6	CXD9013AR	2-35	LT1227CS8-E2	2-60	NJM78L12A-T3	2-69
74LCX08MTCX	2-6	CXD9014AR	2-39	LT1252CS8	2-60	NJM79L05A	2-69
74LCX14SJX	2-7	CXD9015BR	2-40	LT1252CS8-E2	2-60	NJM79L05A-T3	2-69
74LCX125SJX	2-7	CXD9016AR	2-39	LT1431CS8-E1	2-60	NJM79L05UA	2-71
74LCX240MTCX	2-7	CXD9017BR	2-41			NJM79L05UA-TE1	2-71
74LCX240SJX	2-7	CXD9018BR	2-40	M4T28-BR12SH1	2-61	NJM79L09UA(TE1)	2-71
74LCX244MTCX	2-7	CXD9019AR	2-41	M5M5408AFP-55LL	2-62	NJM360M	2-70
74LCX244SJX	2-7	CXD9020BR	2-42	M5M5408AFP-55LL-E2	2-62	NJM360M-TE2	2-70
74LCX245MTCX	2-6	CXD9021AR	2-43	M27C512-12F1	2-60	NJM2041M-D	2-61
74LCX245SJX	2-6	CXD9032R	2-42	M48T18-100MH1TR	2-61	NJM2041M-D(TE2)	2-61
74LCX540MTCX	2-8	CXG8003Q	2-45	M5238FP	2-61	NJM2068M-D-TE2	2-61
74LCX541MTCX	2-8	CXG8004Q	2-46	M5238FP-600D	2-61	NJM2903D	2-53
74LCX574MTCX	2-9	CXK1203AR	2-44	M51957BFP	2-60	NJM2903M	2-53
74LCX574SJX	2-9	CXK1203AR-T4	2-44	M51958AFP600D	2-61	NJM2903M-TE2	2-53
74LCX16244MTDX	2-7	CXP80P624AQ-1	2-48	M54532P	2-61	NJM4556M-A	2-61
74LCX16374MTDX	2-8	CXP80P624AQ-1-008	2-48	M62301FP	2-62	NJM4560M	2-61
74LVX4245QSCX	2-9	CY7C199-20VC	2-45	M62301FP-70ND	2-62	NJM4560MD	2-61
74VHC04SJ	2-6			MB90T736	2-68	NJM4565M-A	2-61
74VHC245SJ	2-6	DBX2151	2-46	MB8421-90LPFQ	2-63	NJM5532M	2-61
74VHCT574MTCX	2-9	DBX2155	2-46	MB8441-45PFQ	2-65	NJM5532M-D	2-61
		DS90LV031TMX	2-48	MB90091A-120	2-66	NJM5532S-D	2-70
AD1890JP	2-9	DS90LV032TMX	2-48	MB811161622A-100FN	2-63		
AD7528JN	2-10			MBM29F040A-12PD	2-64	PCM69AP-K	2-71
AK5390-VS	2-10	EL2244CS-TE2	2-46	MBM29F040A-90PD	2-65	PCM1702U-J	2-71
AK5390-VS-E2	2-10	EPM7032LC44-10	2-44	MBM29F400BA-90PF	2-66	PCM1702U-J-T2	2-71
AM26LS32ACNS	2-8	EPM7032QC44-15	2-47	MC10EL07DR2	2-64		
AM26LS32ACNS-E20	2-8	EPM7032VTC44-12	2-47	MC10EL11DR2	2-64	S-8052-ANY-NH	2-71
		EPM7064TC44-7	2-50	MC10EL16DR2	2-64	S-8052ANY-NH-T1	2-71
CA3094M	2-9			MC10H124M	2-64	S-8054HN-CB-S	2-71
CXA1432M	2-11	GAL16LV8C-15LJ	2-47	MC10H124MEL	2-64	S-8054HN-CB-T1	2-71
CXA1432M-T4	2-11	GAL16V8B-25LP	2-47	MC74HC133F	2-76	SBX1601A	2-72
CXA1451M	2-11			MC74HC163AF	2-69	SC7S32F	2-71
CXA1451M-TH	2-11	HD63484CP8	2-51	MC74HC175F	2-69	SM5842APT	2-72
CXD1095BQ	2-12	HD63487CP	2-52	MC74HC4053F	2-69	SN74CBT3345PW-E05	2-73
CXD2202Q	2-14	HD6415108RF10	2-54	MC74HC4053FEL	2-69	SN74HC00ANS	2-6
CXD2306Q	2-11	HD6417032F20	2-56	MC1488MEL	2-67	SN74HC00ANS-E05	2-6
CXD2306Q-T4	2-11	HM514402CZ-8	2-57	MC1489AM	2-67	SN74HC02ANS	2-73
CXD2308Q	2-13	HM62W8127HBJP-27Z	2-50	MC1489AM-T2	2-67	SN74HC02ANS-E05	2-73
CXD8110K	2-16			MC14051BF	2-67	SN74HC04ANS	2-6
CXD8115Q	2-12	IDT79R3041-20J	2-59	MC14051BFEL	2-67	SN74HC04ANS-E05	2-6
CXD8117P	2-13	IDT6116SA25S0	2-53	MC14053BF	2-67	SN74HC08ANS	2-6
CXD8176AQ	2-17	IDT6116SA25SO-T	2-53	MC14053BFEL	2-67	SN74HC08ANS-E05	2-6
CXD8277Q	2-18	IDT71024S20Y-TL	2-53	MC14538BF	2-67	SN74HC10ANS	2-73
CXD8278AQ	2-20			MC14538BFE	2-67	SN74HC10ANS-E05	2-73
CXD8281Q	2-22	L78M05T-FA	2-51	MC14538BFEL	2-67	SN74HC32ANS	2-74
CXD8384Q	2-24	L78M05T-FA-TL	2-51	MC34051M	2-67	SN74HC32ANS-E05	2-74
CXD8385Q	2-26	L79M05T-FA	2-51	MC34051MEL	2-67	SN74HC74ANS	2-75
CXD8591Q	2-23	L79M05T-FA-TL	2-51	MC34182DR2	2-61	SN74HC74ANS-E05	2-75
CXD8804Q	2-28	LC3564SM-70-TLM	2-58	MC34182M	2-61	SN74HC86ANS-E05	2-76
CXD8811AQ	2-30	LM311PS	2-58	MC34182MEL	2-61	SN74HC109ANS	2-73
CXD8814Q	2-32	LM311PS-E05	2-58	MN47V77ST1	2-70	SN74HC109ANS-E05	2-73
CXD8820AR	2-29	LM324NS	2-58	MSM514221B-30JS	2-70	SN74HC125ANS	2-7
CXD8824AQ	2-32	LM324NS-E05	2-58			SN74HC125ANS-E05	2-7
CXD8845Q	2-17	LM1881M	2-58	NJM78L05A	2-69	SN74HC138ANS	2-73
CXD8859AQ	2-21	LM1881MX	2-58	NJM78L05A-T3	2-69	SN74HC138ANS-E05	2-73
CXD8953Q	2-33	LM2576T-ADJ	2-59	NJM78L05UA	2-69	SN74HC157ANS	2-73

IC	Page	IC	Page	IC	Page
SN74HC157ANS-E05	2-73	TC74HC688AF(EL)	2-77	TL084CNS-E05	2-79
SN74HC163ANS-E05	2-69	TC74HC4024AF	2-77	TL431CPS	2-79
SN74HC193ANS	2-74	TC74HC4024AF(EL)	2-77	TL431CPS-E05	2-79
SN74HC193ANS-E05	2-74	TC74HC4053AF(EL)	2-69	TL1451ACNS	2-79
SN74HC244ANS	2-7	TC74HC4538AF	2-77	TL1451ACNS-E05	2-79
SN74HC244ANS-E05	2-7	TC74HC4538AF(EL)	2-77	TLC272CPW-E05	2-79
SN74HC245ANS	2-6	TC74HCT04AF	2-6	TLC2932IPW	2-80
SN74HC245ANS-E05	2-6	TC74HCT04AF(EL)	2-6	TLC2932IPW-E20	2-80
SN74HC373ANS	2-74	TC74VHC00F	2-6	TMS4C2973-26DTR	2-80
SN74HC373ANS-E05	2-74	TC74VHC00F(EL)	2-6		
SN74HC393ANS	2-74	TC74VHC00FS(EL)	2-6	UPA102G	2-79
SN74HC393ANS-E05	2-74	TC74VHC04F	2-6	UPC812G2	2-61
SN74HC541ANS	2-8	TC74VHC04FS(EL)	2-6	UPC2708T-E3	2-79
SN74HC541ANS-E05	2-8	TC74VHC08FS(EL)	2-6	UPC2712T-E3	2-80
SN74HC574ANS	2-9	TC74VHC10F	2-73	UPC4558C	2-61
SN74HC574ANS-E05	2-9	TC74VHC10F(EL)	2-73	UPC4570G2	2-61
SN74HC4040ANS	2-75	TC74VHC10FS(EL)	2-73	UPD78P014GC-AB8	2-85
SN74HC4040ANS-E05	2-75	TC74VHC21F	2-78	UPD78P218AGC-AB8	2-86
SN74HCT04ANS	2-6	TC74VHC21F(EL)	2-78	UPD485505G-25	2-85
SN74HCT04ANS-E05	2-6	TC74VHC32F	2-74	UPD485505G-25-E2	2-85
SN74HCT244ANS	2-7	TC74VHC32F(EL)	2-74	UPD485505G-35	2-85
SN74HCT244ANS-E05	2-7	TC74VHC32FS(EL)	2-74	UPD485505G-35-E2	2-85
SN74HCT245ANS	2-6	TC74VHC74F	2-75	UPD70325L-10	2-81
SN74HCT245ANS-E05	2-6	TC74VHC74F(EL)	2-75	UPD71054GB-3B4	2-81
SN74HCT541ANS	2-8	TC74VHC74FS(EL)	2-75	UPD71055GB-10-3B4	2-83
SN74HCT541ANS-E05	2-8	TC74VHC86FS(EL)	2-76	UPD71059GB-3B4	2-83
SN74HCU04ANS	2-6	TC74VHC125FS(EL)	2-7	UPD72001GC-11-3B6	2-84
SN74HCU04ANS-E05	2-6	TC74VHC153FS(EL)	2-77		
SN74LS164NS	2-75	TC74VHC157FS(EL)	2-73		
SN74LS164NS-E05	2-75	TC74VHC164F	2-78		
SN75207BNS	2-75	TC74VHC164FS(EL)	2-78		
SN75207BNS-E05	2-75	TC74VHC174F	2-78		
SN751177NS	2-75	TC74VHC174F(EL)	2-78		
SN75C1168NS-E05	2-76	TC74VHC174FS(EL)	2-78		
		TC74VHC221AFS(EL)	2-78		
TA78L05F	2-69	TC74VHC244F	2-7		
TA78L05F-TE12L	2-69	TC74VHC244FS(EL)	2-7		
TA78L09F-TE12L	2-69	TC74VHC245F	2-6		
TA78L12F	2-69	TC74VHC245F(EL)	2-6		
TA78L12F-TE12L	2-69	TC74VHC245FS(EL)	2-6		
TA79L12F(TE12L)	2-71	TC74VHC541F	2-8		
TA79L12F-TE12L	2-71	TC74VHC541F(EL)	2-8		
TC4W66F	2-76	TC74VHC541FS(EL)	2-8		
TC4W66F(TE12R)	2-76	TC74VHC573F	2-78		
TC7S32F(TE85R)	2-71	TC74VHC573F(EL)	2-78		
TC74AC00F	2-6	TC74VHC574F	2-9		
TC74AC00F-EL	2-6	TC74VHC574FS	2-9		
TC74AC08F	2-6	TC74VHC574FS(EL)	2-9		
TC74AC08F-EL	2-6	TC74VHCT00FS(EL)	2-6		
TC74AC32F	2-74	TC74VHCT04FS(EL)	2-6		
TC74AC32F(EL)	2-74	TC74VHCT138FS(EL)	2-73		
TC74AC139F	2-76	TC74VHCT244F	2-7		
TC74AC139F(EL)	2-76	TC74VHCT244FS(EL)	2-7		
TC74HC08AF(EL)	2-6	TC74VHCT245FS(EL)	2-6		
TC74HC86AF	2-76	TC74VHCT541FS(EL)	2-8		
TC74HC123AF	2-76	TD62003P	2-79		
TC74HC123AF(EL)	2-76	TL064CNS	2-79		
TC74HC133AF	2-76	TL064CNS-E05	2-79		
TC74HC175AF-TP2	2-69	TL082M	2-61		
TC74HC688AF	2-77	TL084CNS	2-79		

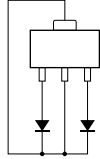
DIODE

—TOP VIEW—



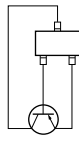
1S2835-T1
1S2836
1SS300-TE85L
DAP202U
DAP202UT106

—TOP VIEW—



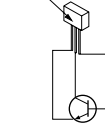
ECL06B025-F
ECL06B025-TE16F2

—TOP VIEW—



2SA812-T1-M5M6
2SA1162G
2SA1610-T1Y33
2SA1610-Y33
2SA1611-M5M6
2SA1611T1-M5M6

TYPE NO.
PRINTED

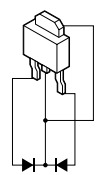


2SC2603TP-F
2SC2785-HFE

—TOP VIEW—

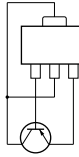


1SS193
1SS193-TE85L
SB007-03CP
SB007-03CP-TB
SB01-05CP
SB01-05CP-TB



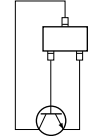
ECL06B025-TE16F2

—TOP VIEW—



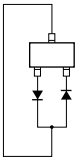
2SA1213Y-TE12L
2SA1314C-TE12L
2SB798-DL
2SB1115-T1YL
2SB1115A-YQ

—TOP VIEW—

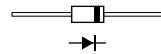


2SC4213-B
2SC4213B-TE85L

—TOP VIEW—

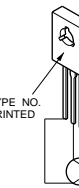


1SS123-T1
1SS226
1SS302
1SS302-TE85L
DA204U
DA204UT106
RB420D
SB007T03Q
SB007T03Q-TL
SB02-03C-TB



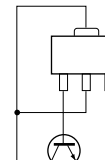
ERB81-004
ERC84-009

TYPE NO.
PRINTED



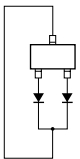
2SB1151-K
2SB1151-L

—TOP VIEW—



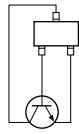
2SD1615A-GP
2SD1615A-T1GQGP
(NEC)

—TOP VIEW—



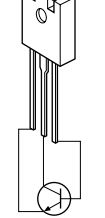
1SS301-TE85L
DAN202U
DAN202UT106
MA141WK

—TOP VIEW—



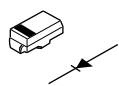
2SC1623
2SC1623-T1-L5L6
2SC3356-(R25)
2SC3356-T1(R25)
2SC4177-L6
2SC4177-T1L5L6
2SD596-DV5
2SD596-T1DV5

—TOP VIEW—

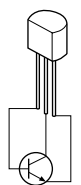


2SD1683-T

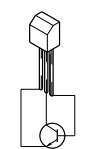
—TOP VIEW—



EC10DS2
EC10DS2-TE12L5



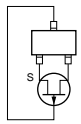
2SC2120-Y
2SC2120-Y-TPE2



2SD773
2SD773-T-3

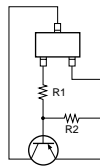
OTHERS

—TOP VIEW—

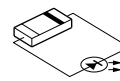


2SJ106-Y
2SJ106Y-TE85L

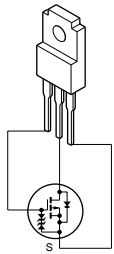
—TOP VIEW—



DTA114EUA (R1=10 K, R2=10 K)
DTA114EUA-T106
DTA114TKA-T146 (R1=10 K, R2=OPEN)
DTA123JKA-T146 (R1=2.2 K, R2=47 K)
DTA144EU (R1=47 K, R2=47 K)
DTA144EUA-T106 (R1=47 K, R2=47 K)
DTA144EUT106

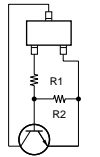


CL-150D-CD ; ORANGE
CL-150D-CD-T
CL-150PG-CD ; GREEN
CL-150PG-CD-T
CL-150R-CD ; RED
CL-150R-CD-T
CL-150UR-CD ; RED



2SJ294

—TOP VIEW—

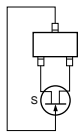


DTC114EU (R1=10 K, R2=10 K)
DTC114EUA-T106 (R1=10 K, R2=10 K)
DTC114YKA-T146 (R1=10 K, R2=47 K)
DTC123JUA-T106 (R1=2.2 K, R2=47 K)
DTC144EUA-T106 (R1=47 K, R2=47 K)

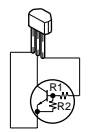


GL5HD8 ; RED
TLG182P ; GREEN

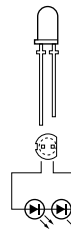
—TOP VIEW—



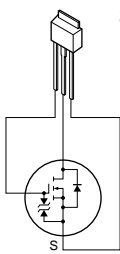
2SK94-T1X3
2SK94-X4
2SK208-Y
2SK208Y-TE85L
2SK711-BL
2SK711-BL/V-TE85L



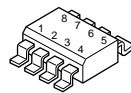
DTC144ES (R1=47 K, R2=47 K)
DTC144ESA (R1=47 K, R2=47 K)



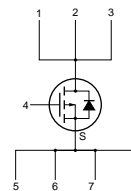
TLG255A ; GREEN
TLS255A ; RED
TLY255A ; YELLOW



2SK2084L



SI-9430DY-T1

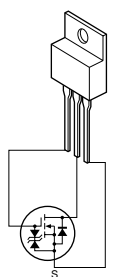
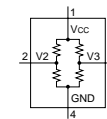


LED

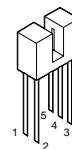


DM-211A

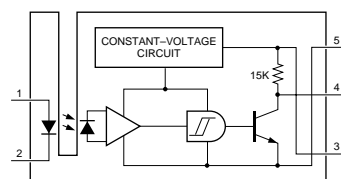
Magneto-Sensing Element
—Equivalent Circuit—



2SK2232

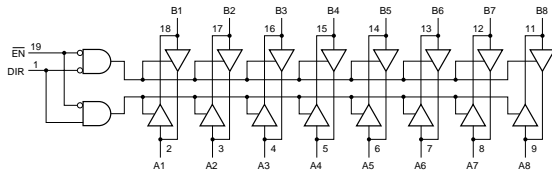
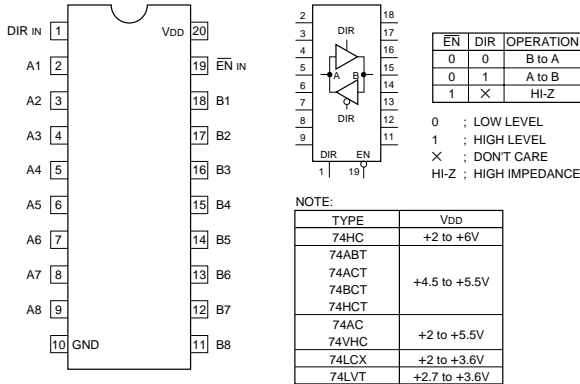


GP1A52HR
GP1A53HR



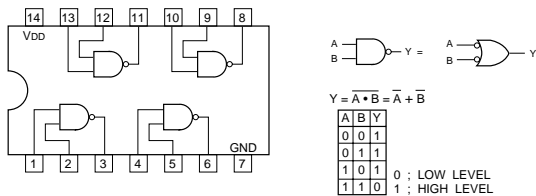
74AC245SJ (NS)FLAT PACKAGE
 74AC245SJX
 74LCX245MTCX (NS)FLAT PACKAGE
 74LCX245SJX (NS)FLAT PACKAGE
 74VHC245SJ (NS)FLAT PACKAGE
 SN74HC245ANS (TI)FLAT PACKAGE
 SN74HC245ANS-E05
 SN74HCT245ANS (TI)FLAT PACKAGE
 SN74HCT245ANS-E05
 TC74VHC245F (TOSHIBA)FLAT PACKAGE
 TC74VHC245F(EL) (TOSHIBA)FLAT PACKAGE
 TC74VHC245FS(EL) (TOSHIBA)FLAT PACKAGE
 TC74VHCT245FS(EL) (TOSHIBA)FLAT PACKAGE

C-MOS BILATERAL BUS TRANSCEIVERS WITH 3-STATE OUTPUTS
 —TOP VIEW—



74LCX00MTCX (NS)FLAT PACKAGE
 SN74HC00ANS (TI)FLAT PACKAGE
 SN74HC00ANS-E05
 TC74AC00F (TOSHIBA)FLAT PACKAGE
 TC74AC00F-EL
 TC74VHC00F (TOSHIBA)FLAT PACKAGE
 TC74VHC00F(EL)
 TC74VHC00FS(EL) (TOSHIBA)FLAT PACKAGE
 TC74VHCT00FS(EL) (TOSHIBA)FLAT PACKAGE

C-MOS QUAD 2-INPUT NAND GATES
 —TOP VIEW—

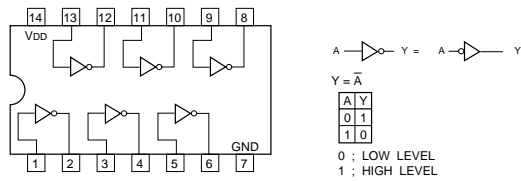


NOTE:

TYPE	V _{DD}
74AC/74VHC	+2 to +5.5V
74ACT/74HCT/74VHCT	+4.5 to +5.5V
LCX	+2 to +3.6V
OTHER TYPES	+2 to +6V

74LCX04MTCX (NS)FLAT PACKAGE
 74LCX04SJX (NS)FLAT PACKAGE
 74VHC04SJ (NS)FLAT PACKAGE
 SN74HC04ANS (TI)FLAT PACKAGE
 SN74HC04ANS-E05
 SN74HCT04ANS (TI)FLAT PACKAGE
 SN74HCT04ANS-E05 (TI)FLAT PACKAGE
 SN74HCU04ANS (TI)FLAT PACKAGE
 SN74HCU04ANS-E05
 TC74HCT04AF (TOSHIBA)FLAT PACKAGE
 TC74HCT04AF(EL)
 TC74VHC04F (TOSHIBA)FLAT PACKAGE
 TC74VHC04FS(EL)
 TC74VHCT04FS(EL) (TOSHIBA)FLAT PACKAGE

C-MOS HEX INVERTERS
 —TOP VIEW—

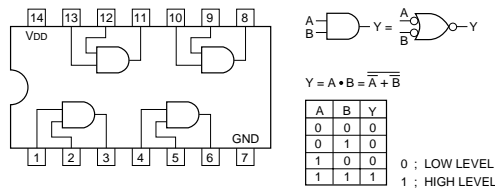


NOTE:

TYPE	V _{DD}
74AC/74VHC/74VHCT	+2 to +5.5V
74ACT/74HCT	+4.5 to +5.5V
74LCX	+2 to +3.6V
OTHER TYPE	+2 to +6V

74LCX08MTCX (NS)FLAT PACKAGE
 SN74HC08ANS (TI)FLAT PACKAGE
 SN74HC08ANS-E05
 TC74AC08F (TOSHIBA)FLAT PACKAGE
 TC74AC08F-EL
 TC74HC08AF(EL) (TOSHIBA)FLAT PACKAGE
 TC74VHC08FS(EL) (TOSHIBA)FLAT PACKAGE

C-MOS QUAD 2-INPUT AND GATE
 —TOP VIEW—

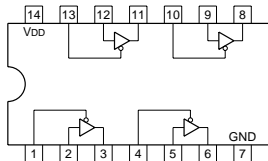


NOTE:

TYPE	V _{DD}
74AC	+2 to +5.5V
40H	+2 to +8V
74ACT/74HCT/74VHCT	+4.5 to +5.5V
74LCX	+2 to +3.6V
OTHER TYPES	+2 to +6V

74LCX125SJX (NS)FLAT PACKAGE
 SN74HC125ANS (TI)FLAT PACKAGE
 SN74HC125ANS-E05
 TC74VHC125FS(EL) (TOSHIBA)FLAT PACKAGE

C-MOS BUS BUFFER GATES WITH 3-STATE OUTPUT
 —TOP VIEW—



G	A	Y
0	0	0
0	1	1
1	X	HI-Z

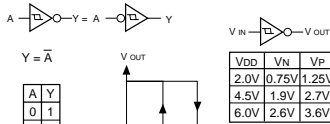
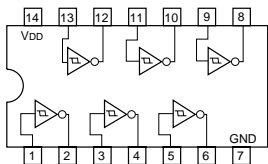
0 : LOW LEVEL
 1 : HIGH LEVEL
 X : DON'T CARE
 HI-Z : HIGH IMPEDANCE

NOTE:

TYPE	V _{DD}
74AC/ 74VHC	+2 to +5.5V
74ACT/74HCT	+4.5 to +5.5V
74LCX	+2 to +3.6V
74LV17/74LVC	+2.7 to +3.6V
OTHER TYPES	+2 to +6V

74LCX14SJX (NS)FLAT PACKAGE

C-MOS HEX SCHMITT TRIGGER INVERTERS
 —TOP VIEW—



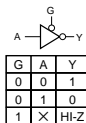
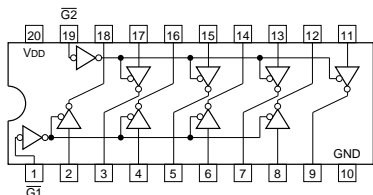
0 : LOW LEVEL
 1 : HIGH LEVEL

NOTE:

TYPE	V _{DD}
74LCX	+2 to +3.6V
TC74AC/VHC	+2 to +5.5V
OTHER TYPES	+2 to +6V

74LCX240MTCX (NS)FLAT PACKAGE
 74LCX240SJX (NS)FLAT PACKAGE

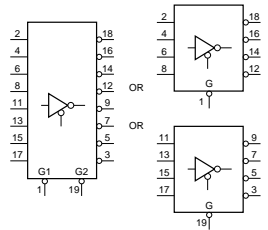
C-MOS 3-STATE INVERTER/LINE DRIVER
 —TOP VIEW—



0 : LOW LEVEL
 1 : HIGH LEVEL
 X : DON'T CARE
 HI-Z : HIGH IMPEDANCE

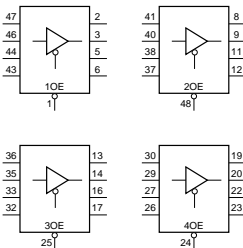
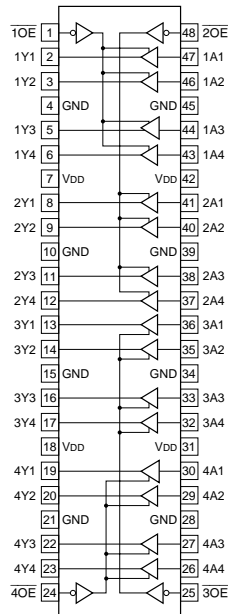
NOTE:

TYPE	V _{DD}
74HC	+2 to +6V
74ACT/74BC/74HCT	+4.5 to +5.5 V
74LCX	+2 to +3.6 V
74AC/74VHC	+2 to +5.5 V



74LCX16244MTDX (NS)FLAT PACKAGE

C-MOS 16-BIT BUFFER/DRIVER
 —TOP VIEW—



INPUTS	OUTPUTS
xOE	xAx
0	0
0	1
1	X
1	HI-Z

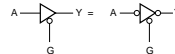
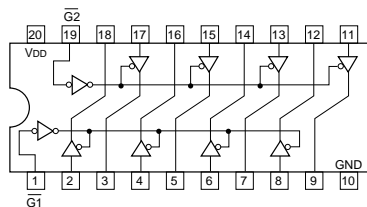
0 : LOW LEVEL
 1 : HIGH LEVEL
 X : DON'T CARE
 HI-Z : HIGH IMPEDANCE

NOTE:

TYPE	V _{DD}
IDT74FCT	+5V
IDT74LCX	+2 to +3.6V

74LCX244MTCX (NS)FLAT PACKAGE
 74LCX244SJX (NS)FLAT PACKAGE
 SN74HC244ANS (TI)FLAT PACKAGE
 SN74HC244ANS-E05
 SN74HCT244ANS (TI)FLAT PACKAGE
 SN74HCT244ANS-E05
 TC74VHC244F (TOSHIBA)FLAT PACKAGE
 TC74VHC244FS(EL) (TOSHIBA)FLAT PACKAGE
 TC74VHCT244F (TOSHIBA)FLAT PACKAGE
 TC74VHCT244FS(EL)

C-MOS BUS BUFFER WITH 3-STATE OUTPUTS
 —TOP VIEW—

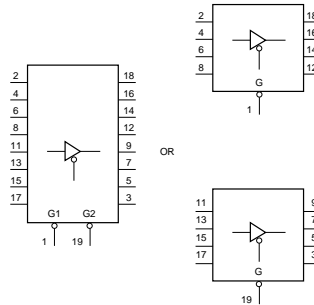


G	A	Y
0	0	0
0	1	1
1	X	HI-Z

0 : LOW LEVEL
 1 : HIGH LEVEL
 X : DON'T CARE
 HI-Z : HIGH IMPEDANCE

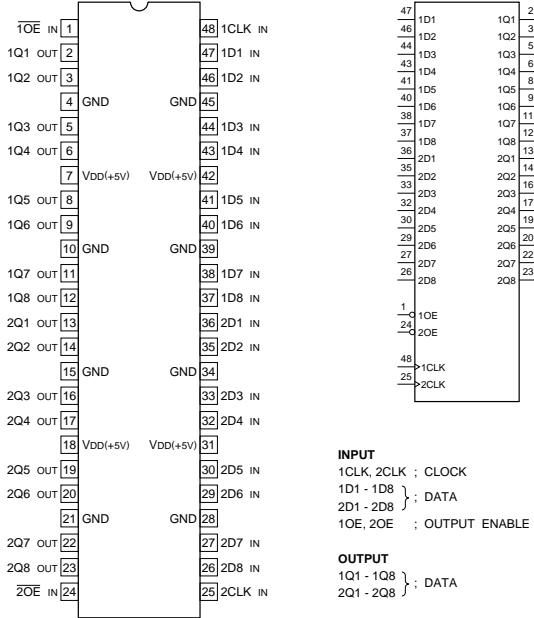
NOTE:

TYPE	V _{DD}
74HC 40H	+2 to +6V
74ACT 74BCT 74FCT 74HCT	+4.5 to +5.5V
74LCX	+2 to +3.6V
74AC/74VHC	+2 to +5.5V



74LCX16374MTDX (NS)FLAT PACKAGE

C-MOS 3-STATE 16-BIT D-TYPE FLIP-FLOP
—TOP VIEW—



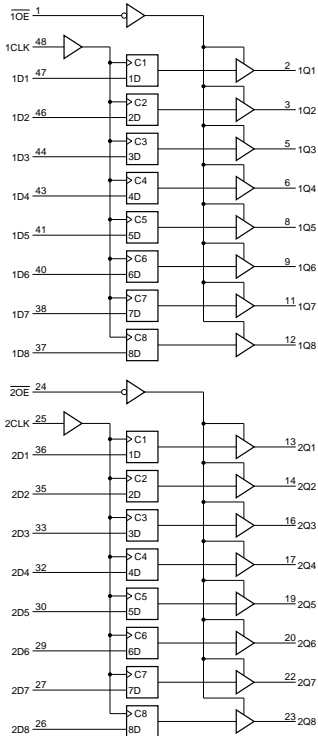
INPUTS

OE	CLK	D	Q
0	↑	1	1
0	↓	0	0
0	0	X	Q _o
1	X	X	Hi-Z

0 : LOW LEVEL
1 : HIGH LEVEL
X : DON'T CARE
Hi-Z : HIGH IMPEDANCE

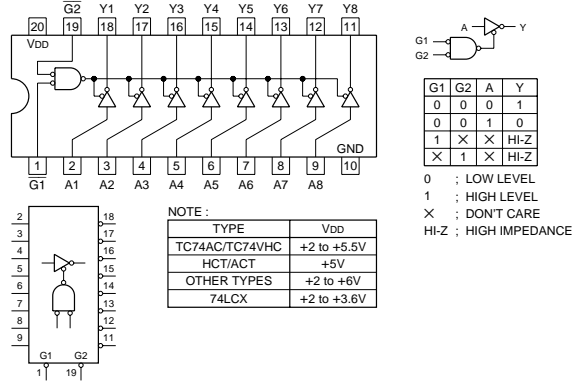
NOTE :

TYPE	V _{DD}
ABT	+5V
LCX	+2 to +3.6V



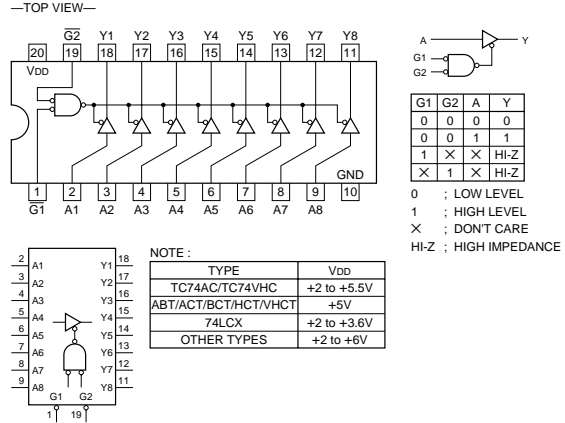
74LCX540MTCX (NS)FLAT PACKAGE

C-MOS 3-STATE OCTAL INVERTING BUFFERS/DRIVERS
—TOP VIEW—



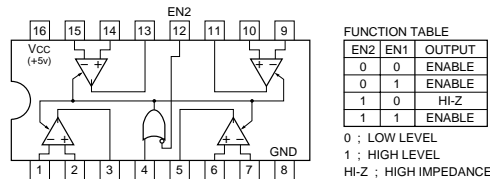
- 74LCX541MTCX (NS)FLAT PACKAGE
- SN74HC541ANS (TI)FLAT PACKAGE
- SN74HC541ANS-E05
- SN74HCT541ANS (TI)FLAT PACKAGE
- SN74HCT541ANS-E05
- TC74VHC541F (TOSHIBA)FLAT PACKAGE
- TC74VHC541F(EL)
- TC74VHC541FS(EL) (TOSHIBA)FLAT PACKAGE
- TC74VHCT541FS(EL) (TOSHIBA)FLAT PACKAGE

C-MOS BUFFERS AND LINE DRIVERS WITH 3-STATE OUTPUTS



AM26LS32ACNS (TI)FLAT PACKAGE
AM26LS32ACNS-E20

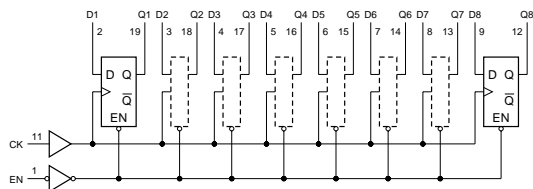
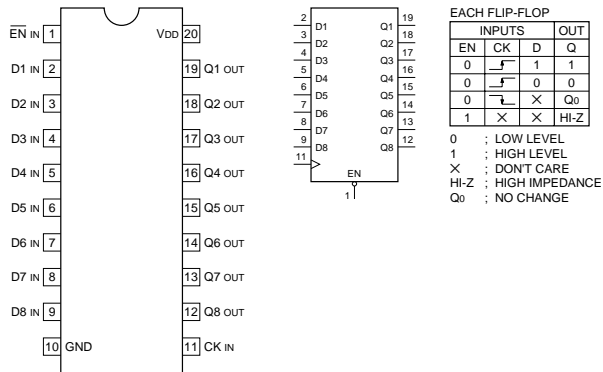
HIGH SPEED DIFFERENTIAL LINE RECEIVER
—TOP VIEW—



	SENSE	INPUT VOLT
C32/LS32	±200mV	±7V
LS33	±500mV	±15V

74LCX574MTCX (NS) FLAT PACKAGE
 74LCX574SJX (NS) FLAT PACKAGE
 74VHCT574MTCX (NS) FLAT PACKAGE
 SN74HC574ANS (TI) FLAT PACKAGE
 SN74HC574ANS-E05
 TC74VHC574F (TOSHIBA) FLAT PACKAGE
 TC74VHC574FS (TOSHIBA) FLAT PACKAGE
 TC74VHC574FS(EL)

C-MOS 3-STATE D-TYPE EDGE-TRIGGERED FLIP-FLOP
 —TOP VIEW—

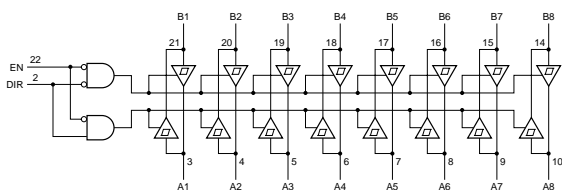
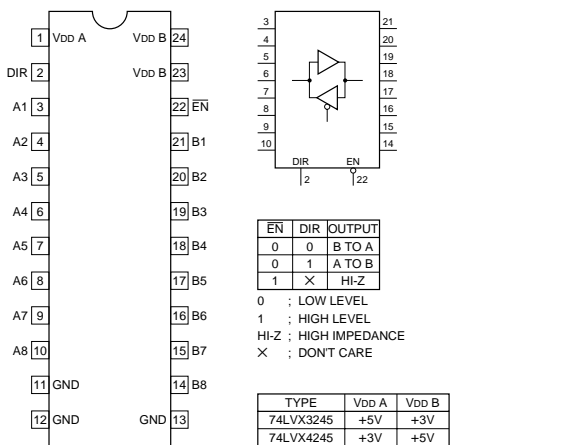


NOTE:

TYPE	V _{DD}
74HC	+2 to +6V
74AC/74VHC	+2 to +5.5V
74ACT/74FCT 74HCT/74VHCT	+4.5 to +5.5V
74LCX	+2 to +3.6V
74LVC	+2.7 to +3.6V

74LVX4245QSCX (NS) FLAT PACKAGE

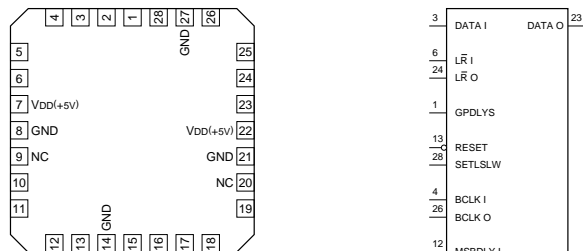
C-MOS 8-BIT DUAL SUPPLY VOLTAGE TRANSLATING TRANSCEIVER
 —TOP VIEW—



HDW-500 MMP2V2

AD1890JP (AD)

C-MOS STEREO ASYNCHRONOUS SAMPLE RATE CONVERTER
 —TOP VIEW—



(V_{DD} = +5V)

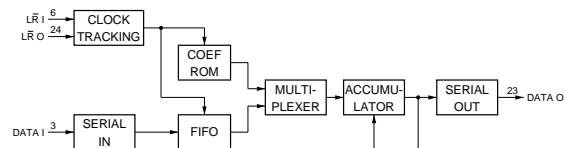
PIN No.	I/O	SIGNAL	PIN No.	I/O	SIGNAL	PIN No.	I/O	SIGNAL
1	I	GPDLYS	11	I	TRGLR I	21	—	GND
2	I	MCLK	12	I	MSBDLY I	22	—	V _{DD}
3	I	DATA I	13	I	RESET	23	O	DATA O
4	I	BCLK I	14	—	GND	24	I	LR O
5	I	WCLK I	15	I	MUTE I	25	I	WCLK O
6	I	LR I	16	O	MUTE O	26	I	BCLK O
7	—	V _{DD}	17	I	MSBDLY O	27	—	GND
8	—	GND	18	I	TRGLR O	28	I	SETLSLW
9	—	NC	19	I	BKPOL O			
10	I	BKPOL I	20	—	NC			

INPUT

BCLK I : BIT CLOCK INPUT FOR INPUT DATA
 BCLK O : BIT CLOCK INPUT FOR OUTPUT DATA
 BKPOL I, BKPOL O : BIT CLOCK POLARITY
 DATA I : SERIAL INPUT, MSB FIRST
 GPDLYS : GROUP DELAY-SHORT
 LR I : LEFT/RIGHT CLOCK INPUT FOR INPUT DATA
 LR O : LEFT/RIGHT CLOCK INPUT FOR OUTPUT DATA
 MCLK : MASTER CLOCK INPUT
 MSBDLY I, MSBDLY O : MSB DELAY
 MUTE I : MUTE INPUT
 RESET : ACTIVE LOW RESET
 SETLSLW : SETTLE SLOW TO CHANGES IN SAMPLE RATES
 TRGLR I, TRGLR O : TRIGGER ON LR
 WCLK I : WORD CLOCK INPUT FOR INPUT DATA
 WCLK O : WORD CLOCK INPUT FOR OUTPUT DATA

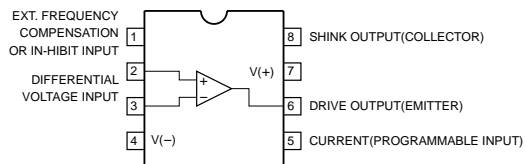
OUTPUT

DATA O : SERIAL OUTPUT, MSB FIRST
 MUTE O : MUTE OUTPUT



CA3094M (HARRIS) FLAT PACKAGE

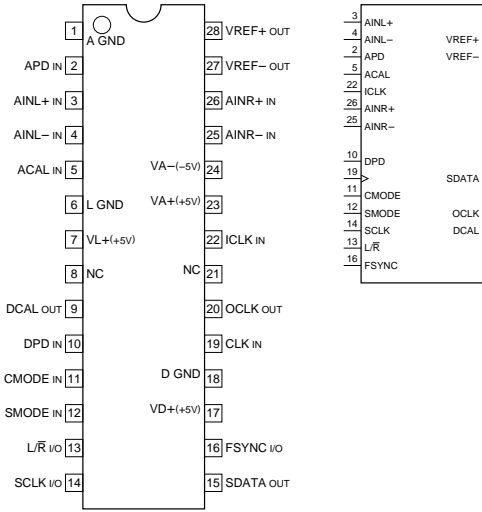
PROGRAMMABLE POWER SWITCH/AMPLIFIER
 —TOP VIEW—



OPERATION	V(+)	V(-)
SINGLE SUPPLY	+24V	GND
DUAL SUPPLIES	+12V	-12V

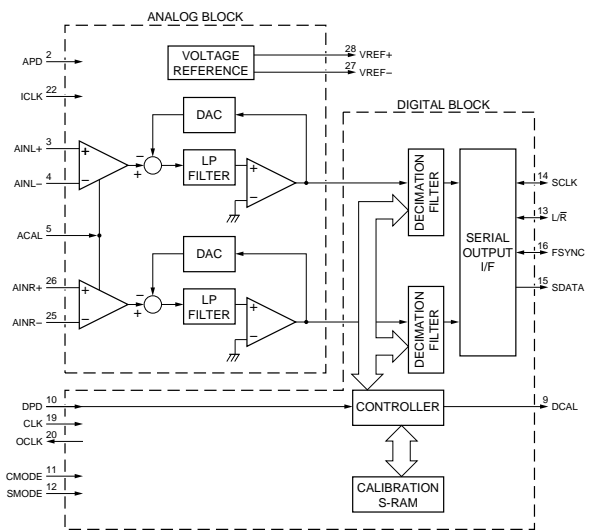
AK5390-VS (ASAHI KASEI) FLAT PACKAGE
AK5390-VS-E2

18-BIT STEREO A-D CONVERTER
—TOP VIEW—



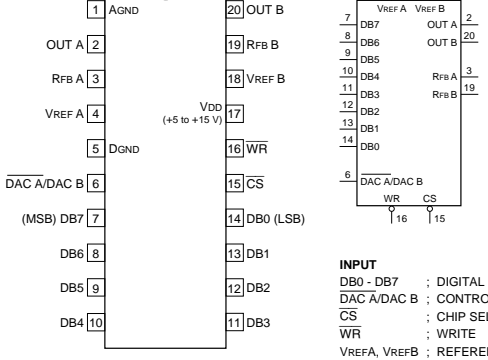
- INPUT**
- ACAL : ANALOG CALIBRATION (H : AGND) (L : ANALOG SIGNAL INPUT = AINL, AINR)
 - AINL + : CAHNNEL L ANALOG POSITIVE INPUT
 - AINL - : CAHNNEL L ANALOG NEGATIVE INPUT
 - AINR + : CAHNNEL R ANALOG POSITIVE INPUT
 - AINR - : CAHNNEL R ANALOG NEGATIVE INPUT
 - APD : POWER DOWN FOR ANALOG SECTION
 - CLK : MASTER CLOCK (CMODE = H : 384fs) (CMODE = L : 256fs)
 - CMODE : MASTER CLOCK SELECT (L : CLK = 256fs, 12.288 MHz @fs = 48 KHz) (H : CLK = 384fs, 18.432 MHz @fs = 48 KHz)
 - DPD : POWER DOWN FOR DIGITAL SECTION
 - ICLK : 128fs CLOCK
 - SMODE : INTERFACE CLOCK SELECT (L : SUB MODE) (H : MASTER MODE)
- OUTPUT**
- DCAL : DIGITAL CALIBRATION
 - OCLK : 128fs CLOCK
 - SDATA : SERIAL DATA
 - VREF + : REFERENCE POSITIVE VOLTAGE (+3.68 V)
 - VREF - : REFERENCE NEGATIVE VOLTAGE (-3.68 V)

- INPUT/OUTPUT**
- FSYNC : FRAME SYNC CLOCK
 - L/R : INPUT CAHNNEL SELECT (SUB MODE : fs CLK INPUT) (MASTER MODE : fs CLK OUTPUT)
 - SCLK : SERIAL DATA CLOCK (SUB MODE : 64fs CLK INPUT) (MASTER MODE : 64fs CLK OUTPUT)



AD7528JN (ANALOG DEVICES)
C-MOS 8-BIT D/A CONVERTER

—TOP VIEW—

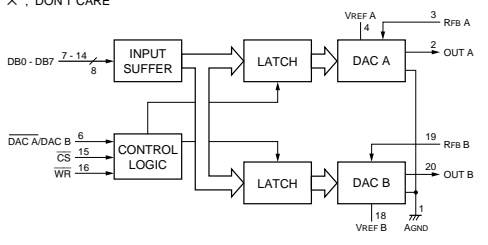


DAC A / DAC B	CS	WR	DAC A	DAC B
0	0	0	WRITE	HOLD
1	0	0	HOLD	WRITE
X	1	X	HOLD	HOLD
X	X	X	1	HOLD

0 : LOW LEVEL
1 : HIGH LEVEL
X : DONT CARE

- INPUT**
- DB0 - DB7 : DIGITAL DATA
 - DAC A/DAC B : CONTROL INPUT
 - CS : CHIP SELECT
 - WR : WRITE
 - VREF A, VREF B : REFERENCE VOLTAGE
 - RfB A, RfB B : FEEDBACK RESISTOR

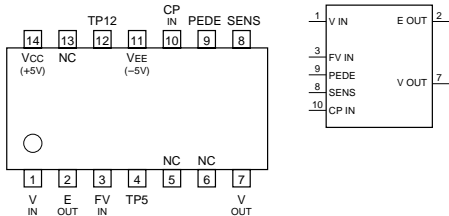
OUTPUT
OUT A, OUT B : D/A



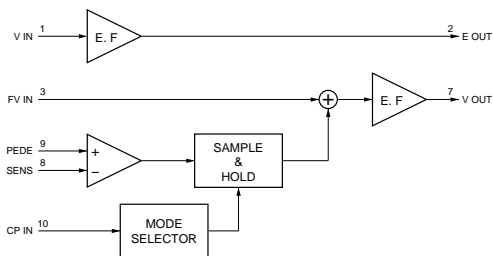
CXA1432M (SONY) FLAT PACKAGE
CXA1432M-T4

VIDEO SIGNAL CLAMPER

—TOP VIEW—



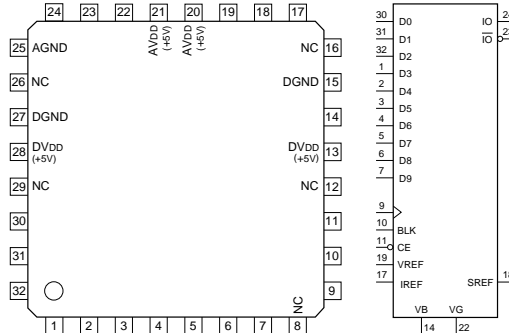
- CP IN : CLAMP PULSE INPUT
- E OUT : BUFFER AMP OUTPUT
- FV IN : FLOATING VIDEO SIGNAL INPUT
- PEDE : CLAMP LEVEL DC INPUT
- SENS : CLAMP POINT SIGNAL INPUT
- TP5, TP12 : FOR TEST
- V IN : VIDEO SIGNAL INPUT
- V OUT : VIDEO SIGNAL OUTPUT



CXD2306Q (SONY)
CXD2306Q-T4 (SONY)

C-MOS 10-BIT 1CH D/A CONVERTER

—TOP VIEW—



(AVDD, DVDD = +5V)

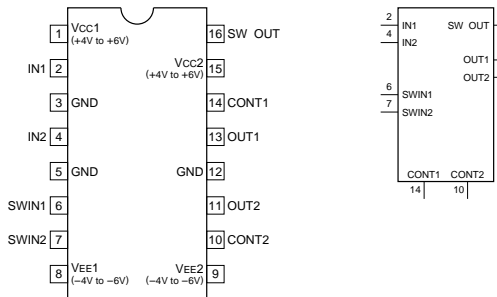
PIN No.	I/O	SIGNAL	PIN No.	I/O	SIGNAL
1	I	D3	17	I	IREF
2	I	D4	18	O	SREF
3	I	D5	19	I	VREF
4	I	D6	20	—	AVDD
5	I	D7	21	—	AVDD
6	I	D8	22	O	VG
7	I	D9(MSB)	23	O	IO
8	—	NC	24	O	IO
9	I	CK	25	—	AGND
10	I	BLK	26	—	NC
11	I	CE	27	—	DGND
12	—	NC	28	—	DVDD
13	—	DVDD	29	—	NC
14	O	VB	30	I	D0(LSB)
15	—	DGND	31	I	D1
16	—	NC	32	I	D2

- BLK : BLANKING PULSE INPUT
 - CE : CHIP ENABLE
 - CK : CLOCK INPUT
 - D0 - 7 : DIGITAL DATA INPUTS
 - IO : CURRENT OUTPUT
 - IO : INVERT CURRENT OUTPUT
 - IREF : CURRENT REFERENCE INPUT
 - SREF : INDEPENDENT CONSTANT VOLTAGE OUTPUT
 - VB, VG : FOR CAPACITOR
 - VREF : VOLTAGE REFERENCE INPUT
- MAXIMUM CONVERSION RATE
- | | |
|----------|--------|
| CXD2306Q | 75MSPS |
| CXD2315Q | 80MSPS |

CXA1451M (SONY) FLAT PACKAGE
CXA1451M-TH

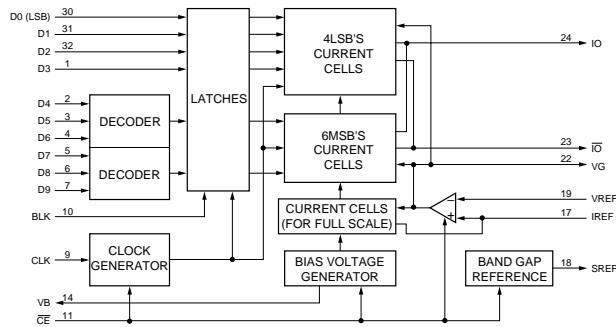
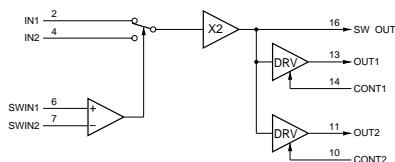
WIDEBAND VIDEO SWITCH

—TOP VIEW—



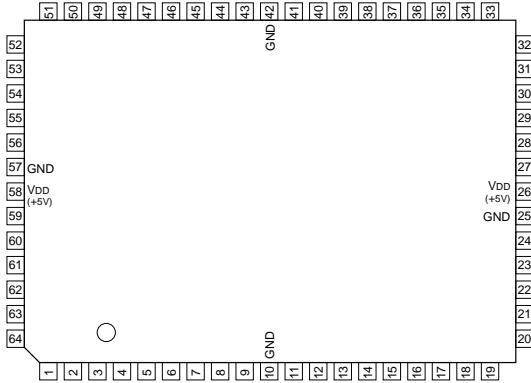
- INPUT**
- CONT1, 2 : POWER SAVE CONTROL PIN OF DRV. 1 AND DRV. 2
 - INT1, 2 : 1/2-CHANNEL INPUT PIN
 - SWIN1, 2 : IN1/IN2 PINS SWITCH CONTROL PIN

- OUTPUT**
- OUT1, 2 : OUTPUT PIN OF DRV. 1/2
 - SWOUT : OUTPUTS IN1 PIN OR IN2 PIN WHICH HAS BEEN SELECTED BY SWITCH

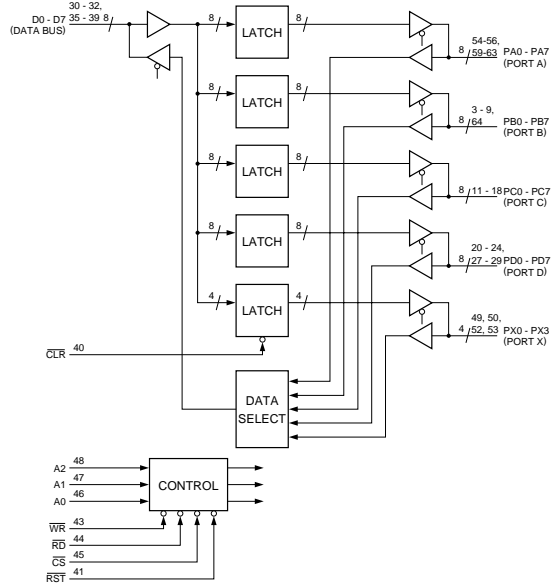


CXD1095BQ (SONY)

C-MOS I/O PORT EXPANDER
—TOP VIEW—



(VDD = +5V)											
PIN No.	I/O	SIGNAL	PIN No.	I/O	SIGNAL	PIN No.	I/O	SIGNAL	PIN No.	I/O	SIGNAL
1	—	NC	17	I/O	PC6	33	—	NC	49	I/O	PX0
2	—	NC	18	I/O	PC7	34	—	NC	50	I/O	PX1
3	I/O	PB1	19	—	NC	35	I/O	D3	51	—	NC
4	I/O	PB2	20	I/O	PD0	36	I/O	D4	52	I/O	PX2
5	I/O	PB3	21	I/O	PD1	37	I/O	D5	53	I/O	PX3
6	I/O	PB4	22	I/O	PD2	38	I/O	D6	54	I/O	PA0
7	I/O	PB5	23	I/O	PD3	39	I/O	D7	55	I/O	PA1
8	I/O	PB6	24	I/O	PD4	40	I	CLR	56	I/O	PA2
9	I/O	PB7	25	—	GND	41	I	RST	57	—	GND
10	—	GND	26	—	VDD	42	—	GND	58	—	VDD
11	I/O	PC0	27	I/O	PD5	43	I	WR	59	I/O	PA3
12	I/O	PC1	28	I/O	PD6	44	I	RD	60	I/O	PA4
13	I/O	PC2	29	I/O	PD7	45	I	CS	61	I/O	PA5
14	I/O	PC3	30	I/O	D0	46	I	A0	62	I/O	PA6
15	I/O	PC4	31	I/O	D1	47	I	A1	63	I/O	PA7
16	I/O	PC5	32	I/O	D2	48	I	A2	64	I/O	PB0



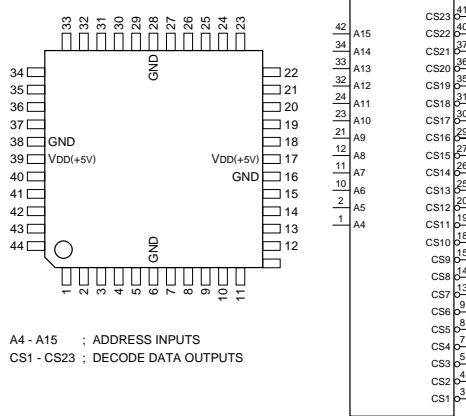
CS	RD	WR	A2	A1	A0	MODE
0	0	1	0	0	0	PORT A → DATA BUS
0	0	1	0	0	1	PORT B → DATA BUS
0	0	1	0	1	0	PORT C → DATA BUS
0	0	1	0	1	1	PORT D → DATA BUS
0	0	1	1	0	0	PORT X → DATA BUS
0	0	1	1	0	1	—
0	0	1	1	1	0	—
0	0	1	1	1	1	—
0	1	0	0	0	0	DATA BUS → PORT A
0	1	0	0	0	1	DATA BUS → PORT B
0	1	0	0	1	0	DATA BUS → PORT C
0	1	0	0	1	1	DATA BUS → PORT D
0	1	0	1	0	0	DATA BUS → PORT X
0	1	0	1	0	1	—
0	1	0	1	1	0	DATA BUS → CTL REG. 1
0	1	0	1	1	1	DATA BUS → CTL REG. 2
1	X	X	X	X	X	DATA BUS ; HI-Z

0 : LOW LEVEL
1 : HIGH LEVEL
X : DONT CARE
HI-Z : HIGH IMPEDANCE

D0 - D7 : DATA BUS INPUTS/OUTPUTS
CS : CHIP SELECT INPUT
RD : READ STROBE INPUT
WR : WRITE STROBE INPUT
A0 - A2 : ADDRESS INPUT
RST : RESET INPUT
CLR : CLEAR INPUT
PA0 - PA7 : PORT A INPUTS/OUTPUTS
PB0 - PB7 : PORT B INPUTS/OUTPUTS
PC0 - PC7 : PORT C INPUTS/OUTPUTS
PD0 - PD7 : PORT D INPUTS/OUTPUTS
PX0 - PX3 : PORT X INPUTS/OUTPUTS

CXD8115Q (SONY)

C-MOS ADDRESS DECODER
—TOP VIEW—

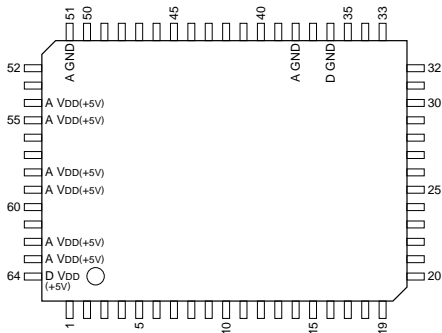


(VDD = +5V)											
PIN NO.	I/O	SIGNAL	PIN NO.	I/O	SIGNAL	PIN NO.	I/O	SIGNAL	PIN NO.	I/O	SIGNAL
1	I	A4	12	I	A8	23	I	A10	34	I	A14
2	I	A5	13	O	CS7	24	I	A11	35	O	CS19
3	O	CS1	14	O	CS8	25	O	CS13	36	O	CS20
4	O	CS2	15	O	CS9	26	O	CS14	37	O	CS21
5	O	CS3	16	—	GND	27	O	CS15	38	—	GND
6	—	GND	17	—	VDD	28	—	GND	39	—	VDD
7	O	CS4	18	O	CS10	29	O	CS16	40	O	CS22
8	O	CS5	19	O	CS11	30	O	CS17	41	O	CS23
9	O	CS6	20	O	CS12	31	O	CS18	42	I	A15
10	I	A6	21	I	A9	32	I	A12	43	—	NC
11	I	A7	22	—	NC	33	I	A13	44	—	NC

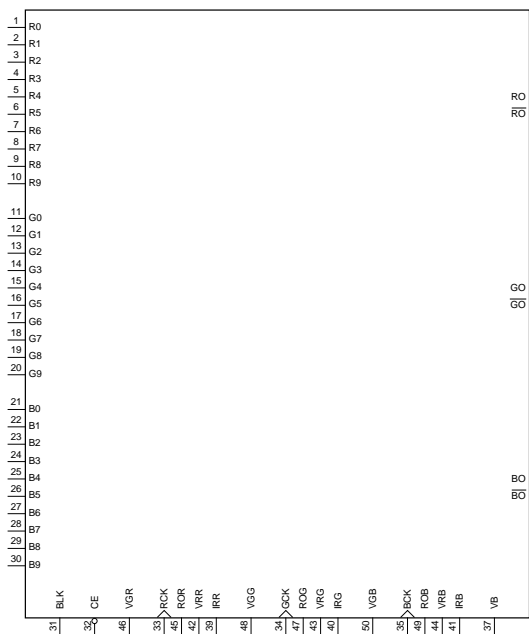
CXD2308Q (SONY)

C-MOS 10-BIT HIGH SPEED D/A CONVERTER

—TOP VIEW—



(VDD = +5V)														
PIN No.	I/O	SIGNAL	PIN No.	I/O	SIGNAL	PIN No.	I/O	SIGNAL	PIN No.	I/O	SIGNAL	PIN No.	I/O	SIGNAL
1	I	R0 (LSB)	14	I	G3	27	I	B6	40	I	IRG	53	O	RO
2	I	R1	15	I	G4	28	I	B7	41	I	IRB	54	—	A VDD
3	I	R2	16	I	G5	29	I	B8	42	I	VRR	55	—	A VDD
4	I	R3	17	I	G6	30	I	B9	43	I	VRG	56	O	GO
5	I	R4	18	I	G7	31	I	BLK	44	I	VRB	57	O	GO
6	I	R5	19	I	G8	32	I	CE	45	I	ROR	58	—	A VDD
7	I	R6	20	I	G9	33	I	RCK	46	I	VGR	59	—	A VDD
8	I	R7	21	I	B0 (LSB)	34	I	GCK	47	I	ROG	60	O	BO
9	I	R8	22	I	B1	35	I	BCK	48	I	VGG	61	O	BO
10	I	R9	23	I	B2	36	—	D GND	49	I	ROB	62	—	A VDD
11	I	G0 (LSB)	24	I	B3	37	I	VB	50	I	VGB	63	—	A VDD
12	I	G1	25	I	B4	38	—	A GND	51	—	A GND	64	—	D VDD
13	I	G2	26	I	B5	39	I	IRR	52	O	RO			



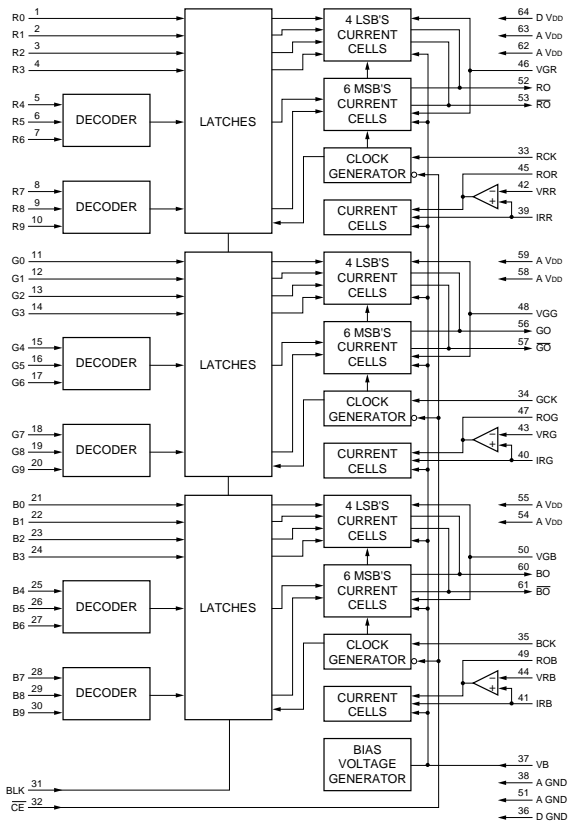
INPUT

- B0 - B9 ; Bch DIGITAL DATA
- BCK ; Bch CLOCK
- BLK ; BLANKING SIGNAL
- CE ; CHIP ENABLE
- G0 - G9 ; Gch DIGITAL DATA
- GCK ; Gch CLOCK
- IRB ; CONNECT 1.2KΩ TO A GND
- IRG ; CONNECT 1.2KΩ TO A GND
- IRR ; CONNECT 1.2KΩ TO A GND
- RO - R9 ; Rch DIGITAL DATA
- RCK ; Rch CLOCK

- ROB ; OUTPUT AMPLITUDE CONTROL
- ROG ; OUTPUT AMPLITUDE CONTROL
- ROR ; OUTPUT AMPLITUDE CONTROL
- VB ; CONNECT CAPACITOR TO D GND
- VGB ; CONNECT CAPACITOR
- VGG ; CONNECT CAPACITOR
- VGR ; CONNECT CAPACITOR
- VRR ; SET FULL SCALE (2.0V) OF OUTPUT
- VRG ; SET FULL SCALE (2.0V) OF OUTPUT
- VRR ; SET FULL SCALE (2.0V) OF OUTPUT

OUTPUT

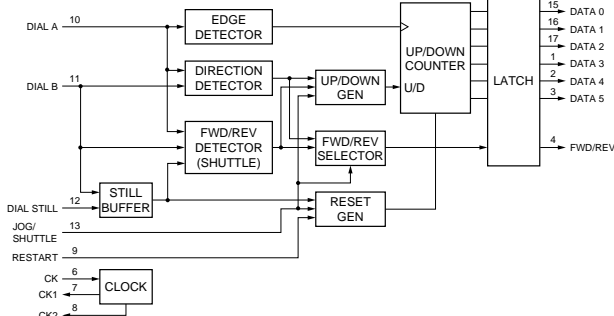
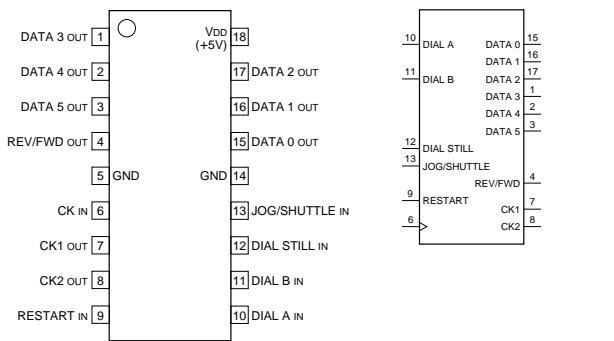
- BO, B0 ; Bch CURRENT OUTPUT
- GO, G0 ; Gch CURRENT OUTPUT
- RO, R0 ; Rch CURRENT OUTPUT



CXD8117P (SONY)

C-MOS DIAL DATA DECODER

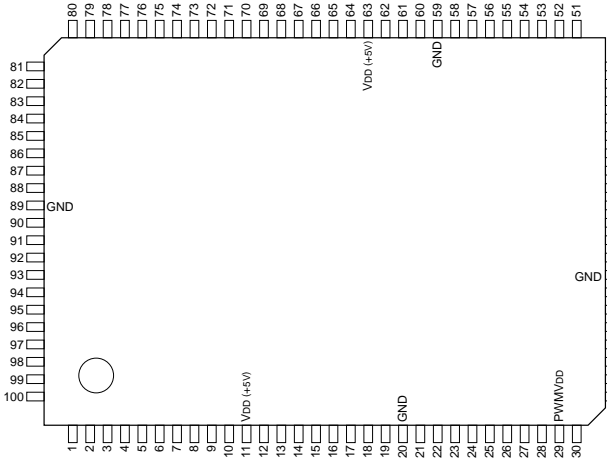
—TOP VIEW—



CXD2202Q (SONY)

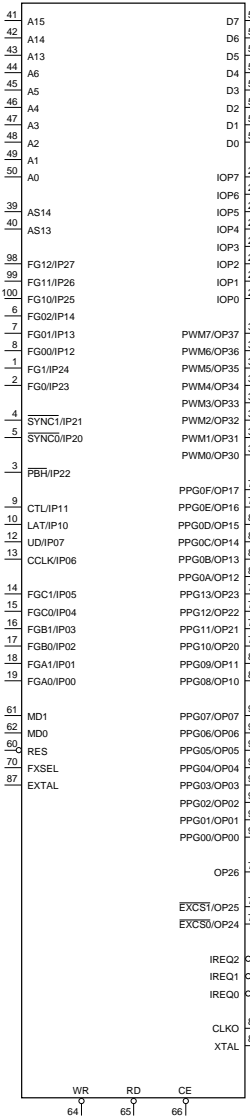
SERVO IC

—TOP VIEW—



(VDD = +5V)

PIN No.	I/O	SIGNAL	PIN No.	I/O	SIGNAL	PIN No.	I/O	SIGNAL	PIN No.	I/O	SIGNAL
1	I	FG1/IP24	26	I/O	IOP2	51	I/O	D7	76	O	PPG11/OP21
2	I	FG0/IP23	27	I/O	IOP1	52	I/O	D6	77	O	PPG10/OP20
3	I	PBH/IP22	28	I/O	IOP0	53	I/O	D5	78	O	PPG0F/OP17
4	I	SYNC1/IP21	29	—	PWM VDD	54	I/O	D4	79	O	PPG0E/OP16
5	I	SYNC0/IP20	30	O	PWM7/OP37	55	I/O	D3	80	O	PPG0D/OP15
6	I	FG02/IP14	31	O	PWM6/OP36	56	I/O	D2	81	O	PPG0C/OP14
7	I	FG01/IP13	32	O	PWM5/OP35	57	I/O	D1	82	O	PPG0B/OP13
8	I	FG00/IP12	33	O	PWM4/OP34	58	I/O	D0	83	O	PPG0A/OP12
9	I	CTL/IP11	34	O	PWM3/OP33	59	—	GND	84	O	PPG09/OP11
10	I	LAT/IP10	35	O	PWM2/OP32	60	I	RES	85	O	PPG08/OP10
11	—	VDD	36	O	PWM1/OP31	61	I	MD1	86	O	CLKO
12	I	UD/IP07	37	O	PWM0/OP30	62	I	MD0	87	I	EXTAL
13	I	CCLK/IP06	38	—	GND	63	—	VDD	88	O	XTAL
14	I	FGC1/IP05	39	I	AS14	64	I	WR	89	—	GND
15	I	FGC0/IP04	40	I	AS13	65	I	RD	90	O	PPG07/OP07
16	I	FGB1/IP03	41	I	A15	66	I	CE	91	O	PPG06/OP06
17	I	FGB0/IP02	42	I	A14	67	O	IREQ2	92	O	PPG05/OP05
18	I	FGA1/IP01	43	I	A13	68	O	IREQ1	93	O	PPG04/OP04
19	I	FGA0/IP00	44	I	A6	69	O	IREQ0	94	O	PPG03/OP03
20	—	GND	45	I	A5	70	I	FXSEL	95	O	PPG02/OP02
21	I/O	IOP7	46	I	A4	71	O	OP26	96	O	PPG01/OP01
22	I/O	IOP6	47	I	A3	72	O	EXCS1/OP25	97	O	PPG00/OP00
23	I/O	IOP5	48	I	A2	73	O	EXCS0/OP24	98	I	FG12/IP27
24	I/O	IOP4	49	I	A1	74	O	PPG13/OP23	99	I	FG11/IP26
25	I/O	IOP3	50	I	A0	75	O	PPG12/OP22	100	I	FG10/IP25



INPUT

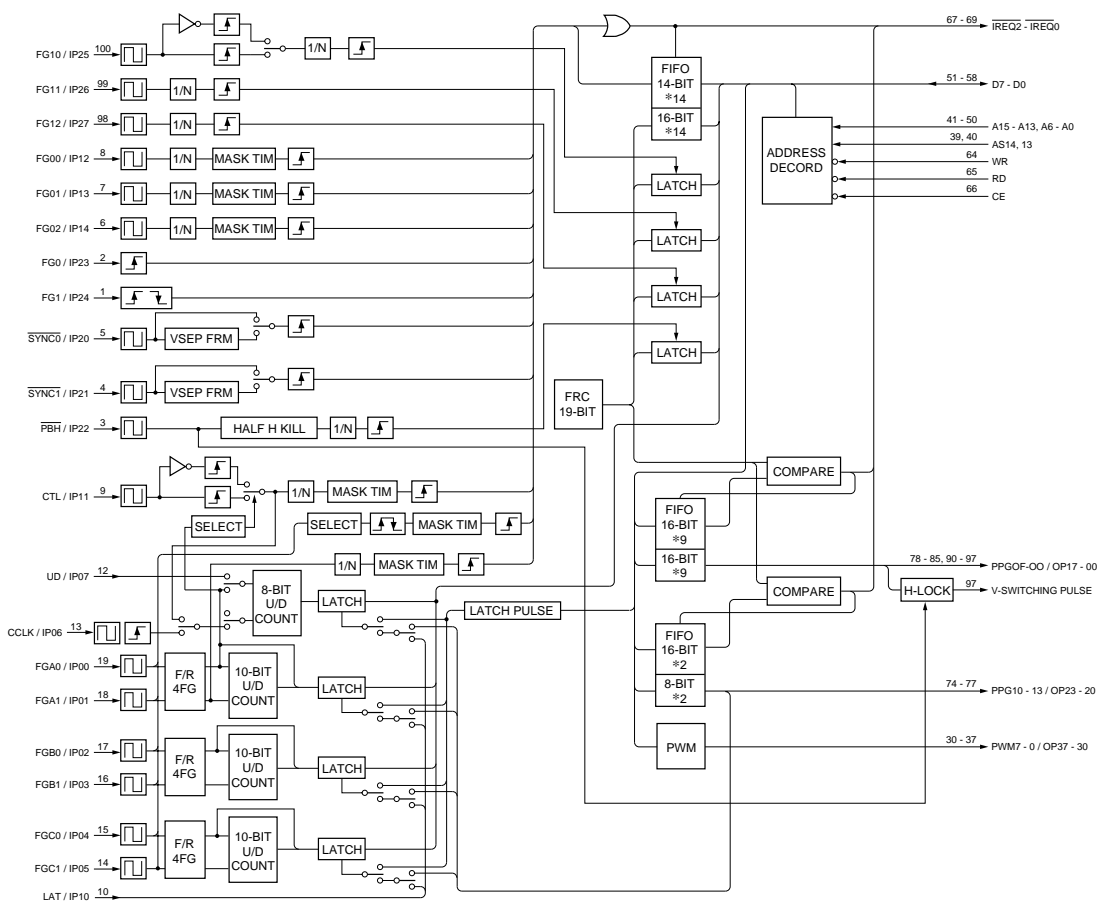
- A0 - A15 : ADDRSSS BUS
- AS13, AS14 : SELECTING CONDITION OF ADDRESS DECODER AS13 AND AS14 BITS
- CCLK : 8-BIT COUNTER CLOCK INPUT
- CE : CHIP ENABLE
- CTL : RESOLUTION 2.5MHz WITH EDGE SELECT FUNCTION.
- EXTAL : CRYSTAL OSCILLATION OR EXTERNAL CLOCK INPUT
- FG0 : RESOLUTION 2.5MHz
- FG00 - FG02 : FREQUENCY DIVISION ENABLE RESOLUTION 2.5MHz. WITH FREQUENCY DIVISION MASK TIMER
- FG1 : RESOLUTION 2.5MHz BOTH EDGES
- FG10 : EDGE SELECTION ENABLE RESOLUTION 10MHz
- FG11, FG12 : FREQUENCY DIVISION ENABLE RESOLUTION 10MHz
- FGA0 : PERFORMS FORWARD/REVERSE ROTATION DETECTION AND 4FG COUNT (UP/DOWN) BY FGA0 AND FGA1. 10BITS. UP/DOWN IS MADE BY CONTROLLING THE UP/DOWN OF 8-BIT COUNTER.
- FGA1 : 4FG PERFORMS FREQUENCY DIVISION AND FRC CAPTURE THROUGH MASK TIMER.
- FGB0 : *1: SELECTS ONE OF FGA0 TO FGC1 INPUT AND DETECTS BOTH EDGES AND PERFORM THE FRC CAPTURE THROUGH THE MASK TIMER.
- FGB1 : *1: SELECTS ONE OF FGA0 TO FGC1 INPUT AND DETECTS BOTH EDGES AND PERFORM THE FRC CAPTURE THROUGH THE MASK TIMER.
- FGC0 : PERFORMS FORWARD/REVERSE ROTATION DETECTION AND 4FG COUNT BY FGC0 AND FGC1.
- FGC1 : *1: SELECTS ONE OF FGA0 TO FGC1 INPUT AND DETECTS BOTH EDGES AND PERFORM THE FRC CAPTURE THROUGH THE MASK TIMER.
- FXSEL : FREQUENCY DIVISION SELECTION CLOCK INPUT
- LAT : EXTERNAL LATCH TIMING OF UP/DOWN COUNTER
- MD0, 1 : TEST MODE DESIGNATION
- PBH : INPUT OF COMPOSITE SYNC OR H SYNC. RESOLUTION 10MHz. WITH HALF H KILLER.
- RD : REDE
- RES : RESET
- SYNC0, 1 : INPUT OF COMPOSITE SYNC OR V SYNC. RESOLUTION 2.5MHz
- UD : 8-BIT COUNTER UP/ DOWN INPUT
- WR : WRITE

OUTPUT

- CLKO : CLOCK OUTPUT
- EXCS0, 1 : DECODE AT ADDRESS A3 LEVEL
- IREQ0 : INTERRUPTION SIGNAL OF FRC CAPTURE UNIT
- IREQ1 : COINCIDENCE INTERRUPTION OF PPG0
- IREQ2 : COINCIDENCE INTERRUPTION OF PPG1
- OP26 : EXCLUSIVELY OUTPUT PORT
- PPG00 - PPG0F : PROGRAMMABLE PULSE GENERATOR RESOLUTION 1.25MHz
- PPG10 - PPG13 : PPG00 : WITH HLOCK
- PWM0 - PWM5 : PWM OUTPUT NORMALLY PWM, OR PWM0 AND PWM1, PWM2 AND PWM3, OR PWM4 AND PWM5 OUTPUT SIGNAL CORRESPONDED TO PUSH-PULL.
- PWM6, 7 : PWM OUTPUT
- XTAL : CRYSTAL OSCILLATION

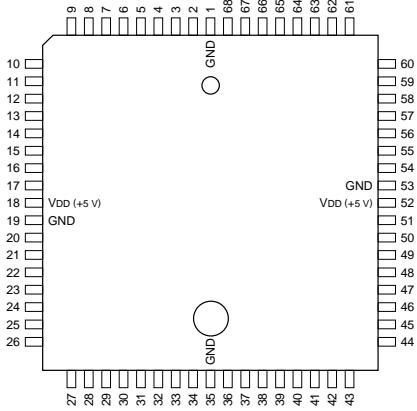
INPUT/OUTPUT

- D0 - D7 : DATA BUS
- IOP0 - IOP7 : SELECTS AND USES INPUT AND OUTPUT BY EVERY 1 BIT.



CXD8110K (SONY)

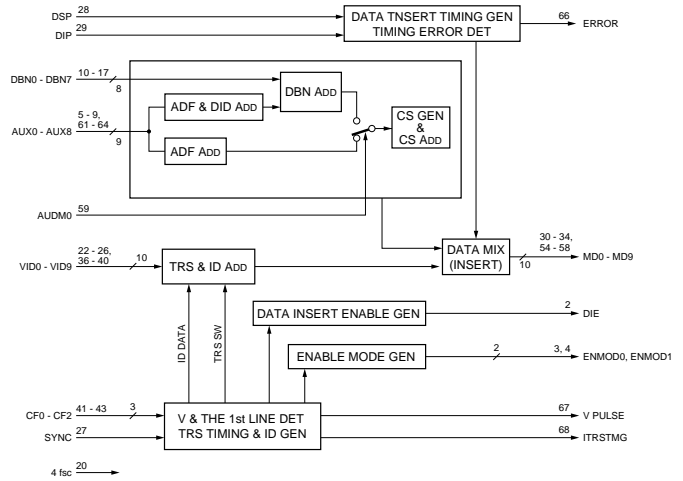
C-MOS SERIAL INTERFACE TRANSMITTER FOR NTSC/PAL
—TOP VIEW—



(VDD = +5 V)											
PIN NO.	I/O	SIGNAL	PIN NO.	I/O	SIGNAL	PIN NO.	I/O	SIGNAL	PIN NO.	I/O	SIGNAL
1	—	GND	18	—	VDD	35	—	GND	52	—	VDD
2	O	DIE	19	—	GND	36	I	VID4	53	—	GND
3	O	ENMOD0	20	I	4 fsc	37	I	VID3	54	O	MD4
4	O	ENMOD1	21	I	*VAREN	38	I	VID2	55	O	MD3
5	I	AUX4	22	I	VID9	39	I	VID1	56	O	MD2
6	I	AUX5	23	I	VID8	40	I	VID0	57	O	MD1
7	I	AUX6	24	I	VID7	41	I	CF2	58	O	MD0
8	I	AUX7	25	I	VID6	42	I	CF1	59	I	AUDMD
9	I	AUX8	26	I	VID5	43	I	CF0	60	I	HPLN
10	I	DBN7	27	I	SYNC	44	I	SPADJ2	61	I	AUX0
11	I	DBN6	28	I	DSP	45	I	SPADJ1	62	I	AUX1
12	I	DBN5	29	I	DIP	46	I	SPADJ0	63	I	AUX2
13	I	DBN4	30	O	MD9	47	I	*ENM1	64	I	AUX3
14	I	DBN3	31	O	MD8	48	I	*ENM0	65	I	*OEPOLSEL
15	I	DBN2	32	O	MD7	49	I	*SWCH	66	O	ERROR
16	I	DBN1	33	O	MD6	50	I	*EXCH	67	O	VPULSE
17	I	DBN0	34	O	MD5	51	I	*RESET	68	O	ITRSTMG

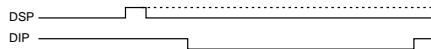
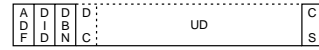
* : USED FOR DEVICE TEST

INPUT		OUTPUT	
40	VID0	58	MD0
39	VID1	57	MD1
38	VID2	56	MD2
37	VID3	55	MD3
36	VID4	54	MD4
26	VID5	34	MD5
25	VID6	33	MD6
24	VID7	32	MD7
23	VID8	31	MD8
22	VID9	30	MD9
10	DBN0	61	AUX0
11	DBN1	62	AUX1
12	DBN2	63	AUX2
13	DBN3	64	AUX3
14	DBN4	5	AUX4
15	DBN5	6	AUX5
16	DBN6	7	AUX6
17	DBN7	8	AUX7
		9	AUX8
59	AUDMD		
28	DSP	66	ERROR
29	DIP		
43	CF2	2	DIE
42	CF1	3	ENMOD0
41	CF0	4	ENMOD1
27	SYNC	67	VPULSE
20	4 fsc	68	ITRSTMG
60	HPLN		
44	SPADJ2		
45	SPADJ1		
46	SPADJ0		

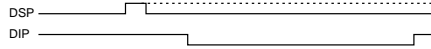
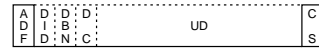


INPUT TIMING DIAGRAM

AUDIO MODE ONLY

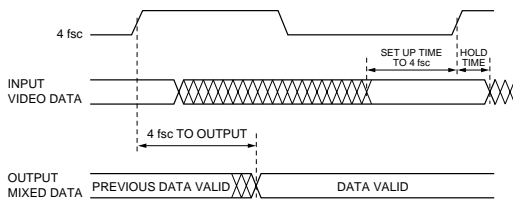


OTHER AUX. MODE



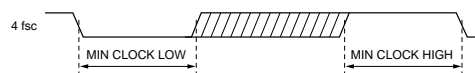
SWITCHING CHARACTERISTICS

INPUT OUTPUT TIMING



SET UP TIME TO 4 fsc	0 ns
HOLD TIME	10 ns
4 fsc TO OUTPUT	13 ns

CLOCK WAVEFORMS

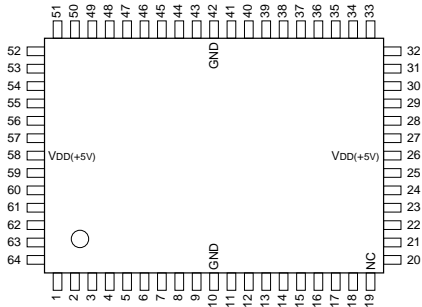


MIN CLOCK LOW	20 ns
MIN CLOCK HIGH	20 ns

CXD8277Q (SONY)

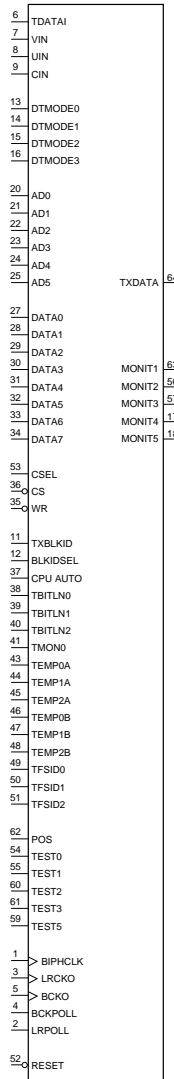
C-MOS DIGITAL AUDIO (AES/EBU) ENCODER

—TOP VIEW—



(VDD = +5V)

PIN No.	I/O	SIGNAL	PIN No.	I/O	SIGNAL	PIN No.	I/O	SIGNAL	PIN No.	I/O	SIGNAL
1	I	BIPHCLK	17	O	MONIT4	33	I	DATA6	49	I	TFSID0
2	I	LRPOLL	18	O	MONIT5	34	I	DATA7	50	I	TFSID1
3	I	LRCKO	19	—	NC	35	I	WR	51	I	TFSID2
4	I	BCKPOLL	20	I	AD0	36	I	CS	52	I	RESET
5	I	BCKO	21	I	AD1	37	I	CPU AUTO	53	I	CSEL
6	I	TDATAI	22	I	AD2	38	I	TBITLN0	54	I	TEST0
7	I	VIN	23	I	AD3	39	I	TBITLN1	55	I	TEST1
8	I	UIN	24	I	AD4	40	I	TBITLN2	56	O	MONIT2
9	I	CIN	25	I	AD5	41	I	TMONO	57	O	MONIT3
10	—	GND	26	—	VDD	42	—	GND	58	—	VDD
11	I	TxBLKID	27	I	DATA0	43	I	TEMP0A	59	I	TEST5
12	I	BLKIDSEL	28	I	DATA1	44	I	TEMP1A	60	I	TEST2
13	I	DTMODE0	29	I	DATA2	45	I	TEMP2A	61	I	TEST3
14	I	DTMODE1	30	I	DATA3	46	I	TEMP0B	62	I	POS
15	I	DTMODE2	31	I	DATA4	47	I	TEMP1B	63	O	MONIT1
16	I	DTMODE3	32	I	DATA5	48	I	TEMP2B	64	O	TxDATA

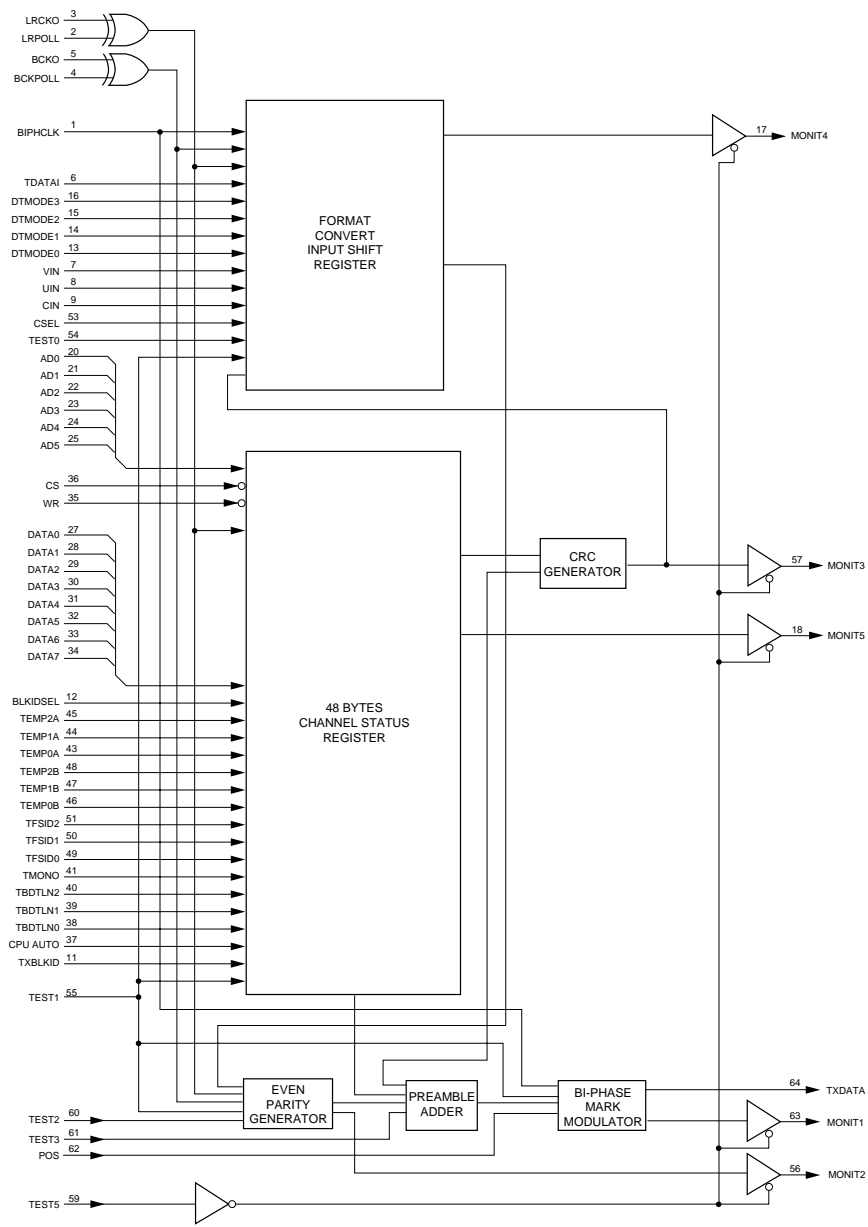


INPUT

- AD0 - AD5 : ADDRESS BUS FOR WRITING CHANNEL STATUS DATA FROM EXTERNAL CPU TO CHANNEL STATUS RESISTER
- BCKO : BIT CLOCK (64Fs, 32Fs) FOR TDATAI
- BCKPOLL : POLARITY SWITCHING OF BCKO (PIN No.5)
- BIPHCLK : 128Fs FOR DO OUTPUT
- BLKIDSEL : BLOCK ID EXTERNAL/INTERNAL SELECTION ("H" : INTERNAL MODE)
- CIN : SERIAL INPUT OF EACH SUB FRAME CHANNEL STATUS
- CPU AUTO : SWITCHING SIGNAL OF CPU AND AUTO MODE ("H" : AUTO MODE)
- CS : CHIP SELECT SIGNAL FROM EXTERNAL CPU TO CHANNEL STATUS RESISTER ("L" : SELECT, "H" : UNSELECT)
- CSEL : SELECTS THE USE OF CIN (EXTERNAL INPUT) OR INTERNAL RESISTER FOR CHANNEL STATUS DATA. ("H" : INTERNAL RESISTER)
- DATA0 - DATA7 : DATA BUS FOR WRITING CHANNEL STATUS DATA FROM EXTERNAL CPU TO CHANNEL STATUS RESISTER
- DTMODE0 - 3 : DECISION OF DIGITAL AUDIO SIGNAL INPUT FORMAT
- LRCKO : L/R CLOCK FOR DIGITAL AUDIO SIGNAL OUTPUT
- LRPOLL : POLARITY SWITCHING OF LRCKO (PIN No.3)
- POS : FORCIBLY SETS PREAMBLE TO BE POSITIVE POLARITY ("H" : ACTIVE)
- RESET : SETS TxDATA OUTPUT (AUDIO DATA, AND VALIDITY BIT, USER DATA AND CHANNEL STATUS DATA) TO BE "0". ("L" : ACTIVE)
- TBITLN0 - 2 : SUBFRAME A/B CHANNEL STATUS SETTING (DATA BIT LENGTH)
- TDATAI : DIGITAL AUDIO SIGNAL INPUT
- TEMP0A - 2A : SUBFRAME A EMP INFORMATION
- TEMP0B - 2B : SUBFRAME B EMP INFORMATION
- TEST0 : TEST RESET (CONNECTION TO GND)
- TEST1 : TEST RESET (CONNECTION TO GND)
- TEST2 : TEST
- TEST3 : TEST
- TEST5 : CONTROL SIGNAL OF MONIT1 TO 5
- TFSID0 - 2 : SUBFRAME A/B Fs INFORMATION
- TMONO : SUBFRAME A/B CHANNEL STATUS SETTING (MONOPHONIC/TWO CHANNEL MODE)
- TxBLKID : EXTERNAL BLOCK ID SIGNAL
- UNI : SERIAL INPUT OF EACH SUB FRAME USER DATA
- VIN : SERIAL INPUT OF EACH SUB FRAME VALIDITY BIT
- WR : CHANNEL STATUS DATA WRITING FROM EXTERNAL CPU TO CHANNELSTATUS RESISTER

OUTPUT

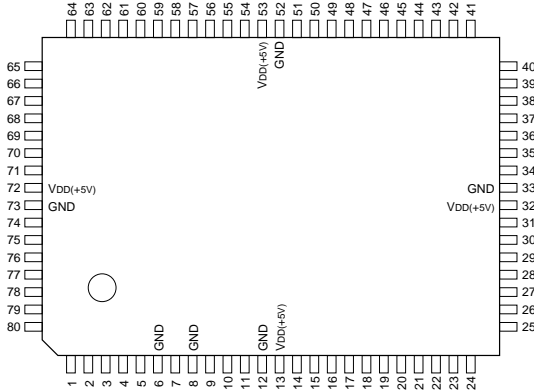
- MONIT1 - 5 : MONITOR
- TxDATA : AES/EBU FORMAT DIGITAL AUDIO OUTPUT



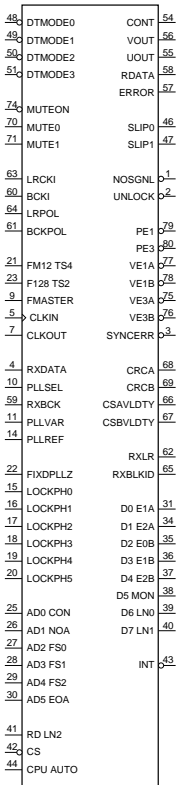
CXD8278AQ (SONY)

C-MOS DIGITAL AUDIO SIGNAL (AES/EBU) DECODER

—TOP VIEW—



PIN NO.	I/O	SIGNAL	PIN NO.	I/O	SIGNAL	PIN NO.	I/O	SIGNAL	PIN NO.	I/O	SIGNAL
1	O	NOSGNL	21	I/O	FM12 TS4	41	I/O	RD LN2	61	I	BCKPOL
2	O	UNLOCK	22	I/O	FIXDPLLZ	42	I	CS	62	O	RXLN
3	O	SYNCERR	23	I/O	F128 TS2	43	O	INT	63	I	LRCKI
4	I	RXDATA	24	I	TST3	44	I	CPU AUTO	64	I	LRPOL
5	I	CLKIN	25	I/O	AD0 CON	45	I	TST1	65	O	RXBLKID
6	—	GND	26	I/O	AD1 NOA	46	O	SLIP0	66	O	CSAVLDITY
7	O	CLKOUT	27	I/O	AD2 FS0	47	O	SLIP1	67	O	CSBVLDTY
8	—	GND	28	I/O	AD3 FS1	48	I	DTMODE0	68	O	CRCA
9	O	FMASTER	29	I/O	AD4 FS2	49	I	DTMODE1	69	O	CRCB
10	I	PLLSEL	30	I/O	AD5 E0A	50	I	DTMODE2	70	I	MUTE0
11	O	PLLVAR	31	O	D0 E1A	51	I	DTMODE3	71	I	MUTE1
12	—	GND	32	—	Vdd	52	—	GND	72	—	Vdd
13	—	Vdd	33	—	GND	53	—	Vdd	73	—	GND
14	O	PLLREF	34	O	D1 E2A	54	O	COUT	74	I	MUTEON
15	I/O	LOCKPH0	35	O	D2 E0B	55	O	UOUT	75	O	VE3A
16	I/O	LOCKPH1	36	O	D3 E1B	56	O	VOUT	76	O	VE3B
17	I/O	LOCKPH2	37	O	D4 E2B	57	O	ERROR	77	O	VE1A
18	I/O	LOCKPH3	38	O	D5 MON	58	O	RDATA	78	O	VE1B
19	I/O	LOCKPH4	39	O	D6 LN0	59	O	RXBCK	79	O	PE1
20	I/O	LOCKPH5	40	O	D7 LN1	60	I	BCKI	80	O	PE3



INPUT

- BCKI : REFERENCE BIT CLOCK (64/32Fs)
- BCKPOL : POLARITY SWITCHING SIGNAL OF BCKI (PIN NO.60) AND RXBCK (PIN NO.59)
- CLKIN : MASTER CLOCK OSCILLATOR INPUT AT DIGITAL PLL
- CPU AUTO : SELECTS CPU INTERFACE OR AUTO INTERFACE.
- CS : ("H" : AUTO INTERFACE, "L" : CPU INTERFACE)
- DTMODE0-3 : CHIP SELECT SIGNAL (INPUT FOR CHANNEL STATUS REGISTER) ("L" : SELECT)
- LRCKI : OUTPUT FORMAT SPECIFYING CODE OF RDATA SIGNAL (PIN NO.58)
- LRPOL : REFERENCE L/R CLOCK INPUT (Fs PERIOD)
- MUTE0, 1 : POLARITY SWITCHING SIGNAL OF LRCKI (PIN NO.63) AND RXLR (PIN NO.62)
- MUTEON : RDATA (PIN NO.58) MUTE PERIOD SETTING CODE
- PLLSEL : "L" : ANALOG PLL, "H" : DIGITAL PLL
- RXDATA : AES/EBU INPUT
- TST1 : TEST INPUT (NORMALLY FIXED TO "L")
- TST3 : TEST PIN (FIXED TO "L")

OUTPUT

- CLKOUT : MASTER CLOCK OSCILLATOR OUTPUT AT DIGITAL PLL
- COUT : C BIT STATUS SIGNAL EXTRACTED FROM AES/EBU INPUT SIGNAL
- CRCA, CRCB : OUTPUTS THE RESULT OF CHANNEL STATUS CRC CHECK OF SUBFRAME A AND B AT ERROR OCCURRING

CSAVLDITY, CSBVLDTY

- D0 E1A : SUBFRAME A CHANNEL STATUS (CPU AUTO : "H")
- D1 E2A : SUBFRAME A CHANNEL STATUS (CPU AUTO : "H")
- D2 E0B : SUBFRAME B CHANNEL STATUS (CPU AUTO : "H")
- D3 E1B : SUBFRAME B CHANNEL STATUS (CPU AUTO : "H")
- D4 E2B : SUBFRAME B CHANNEL STATUS (CPU AUTO : "H")
- D5 MON : SUBFRAME A CHANNEL STATUS (CPU AUTO : "H")
- D6 LN0 : SUBFRAME A/B CHANNEL STATUS (CPU AUTO : "H")
- D7 LN1 : SUBFRAME A/B CHANNEL STATUS (CPU AUTO : "H")
- ERROR : ERROR INFORMATION OUTPUT (PARITY, SLIP ERROR, etc.) IN SERIAL
- FMASTER : MASTER CLOCK OUTPUT
- INT : INTERRUPTION SIGNAL OUTPUT
- NOSGNL : NO SIGNAL DETECTION
- PE1 : PARITY ERROR DETECTION OUTPUT (1 SUBFRAM)
- PE3 : PARITY ERROR DETECTION OUTPUT (3 SUBFRAMS CONTINUOUSLY)
- PLLREF : RXDATA SYNC DETECTION
- PLLVAR : ANALOG PLL MASTER CLOCK 1/256 (2Fs) SIGNAL
- RDATA : AES/EBU INPUT SIGNAL DEMODULATED SIGNAL OUTPUT
- RXBCK : BIT CLOCK OUTPUT GENERATED FROM AES/EBU INPUT SIGNAL
- RXBLKID : BLOCK ID SIGNAL
- RXLN : REFERENCE L/R CLOCK OUTPUT (Fs PERIOD)
- SLIP0, SLIP1 : DATA SLIP DETECTION
- SYNCERR : SYNC ERROR DETECTION OUTPUT.
- UNLOCK : DIGITAL PLL UNLOCK DETECTION OUTPUT.
- UOUT : U BIT (USER DATA BIT) STATUS SIGNAL EXTRACTED FROM RXDATA SIGNAL
- VETA : VALIDITY ERROR DETECTION OUTPUT (ONE SUBFRAM A).
- VE1B : VALIDITY ERROR DETECTION OUTPUT (ONE SUBFRAM B).
- VE3A : VALIDITY ERROR DETECTION OUTPUT (3FRAMS CONTINUOUSLY FOR SUBFRAM A)
- VE3B : VALIDITY ERROR DETECTION OUTPUT (3FRAMS CONTINUOUSLY FOR SUBFRAM B)
- VOUT : V BIT (VALIDITY BIT) STATUS SIGNAL EXTRACTED FROM RXDATA SIGNAL

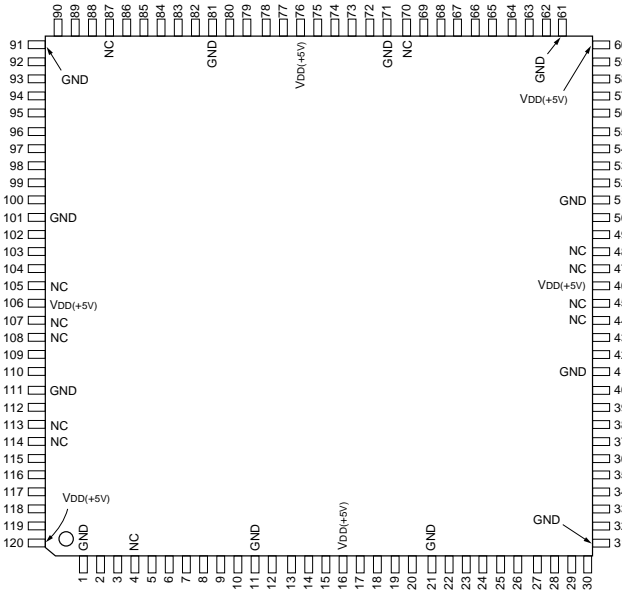
INPUT/OUTPUT

- AD0 CON : CHANNEL STATUS (CPU AUTO : "H")
- AD1 NOA : CHANNEL STATUS (CPU AUTO : "H")
- AD2 FS0 : CHANNEL STATUS (CPU AUTO : "H")
- AD3 FS1 : CHANNEL STATUS (CPU AUTO : "H")
- AD4 FS2 : CHANNEL STATUS (CPU AUTO : "H")
- AD5 E0A : SUBFRAME A CHANNEL STATUS (CPU AUTO : "H")
- F128 TS2 : OUTPUTS 128Fs OF DIGITAL PLL.
- FIXDPLL : PLLSEL : "H",
DIGITAL PLL OPERATION MODE SELECTION SIGNAL
("N" : NARROW MODE, "H" : WIDE MODE)
- FM12 TS4 : 1/2 MCK OUTPUT
- LOCKPH0 - 5 : PLLSEL : "H", FIXDPLL : "H"
OPERATION PERIOD SETTING DATA INPUT AT NARROW MODE
(DIGITAL PLL MODE)
- RD LN2 : SUBFRAME A/B CHANNEL STATUS (CPU AUTO : "H")

CXD8281Q (SONY)

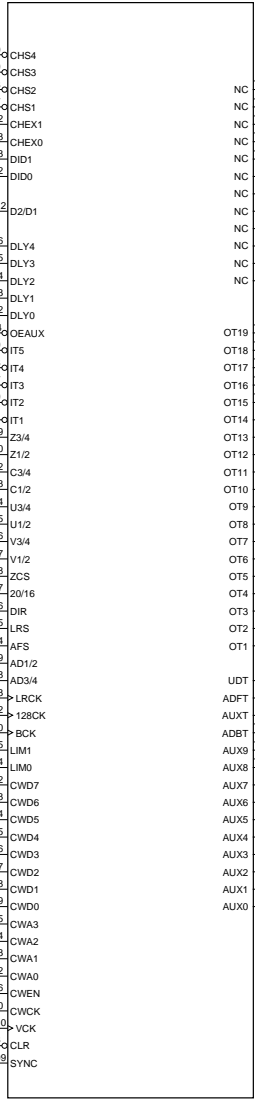
C-MOS DIGITAL AUDIO TIME BASE COMPRESSION FOR SIF TRANSMITTER

—TOP VIEW—



(VDD = +5V)											
PIN NO.	I/O	SIGNAL	PIN NO.	I/O	SIGNAL	PIN NO.	I/O	SIGNAL	PIN NO.	I/O	SIGNAL
1	—	GND	31	—	GND	61	—	GND	91	—	GND
2	IU	IT1	32	ID	C3/4	62	IU	CWA0 (LSB)	92	OT	AUX0 (LSB)
3	IU	CLR	33	ID	C1/2	63	IU	CWA1	93	OT	AUX1
4	—	NC	34	ID	U3/4	64	IU	CWA2	94	OT	AUX2
5	O	OT1	35	ID	U1/2	65	IU	CWA3 (MSB)	95	OT	AUX3
6	O	OT2	36	ID	V3/4	66	IU	CWEN	96	OT	AUX4
7	O	OT3	37	ID	V1/2	67	IU	IT3	97	OT	AUX5
8	O	OT4	38	ID	AD3/4	68	IU	IT4	98	OT	AUX6
9	O	OT5	39	ID	AD1/2	69	IU	IT5	99	OT	AUX7
10	O	OT6	40	ID	BCK	70	—	NC	100	OT	AUX8
11	—	GND	41	—	GND	71	—	GND	101	—	GND
12	O	OT7	42	ID	128CK	72	IU	DID0	102	OT	AUX9 (MSB)
13	O	OT8	43	IU	LRCK	73	IU	DID1	103	O	ADBT
14	O	OT9	44	—	NC	74	IU	LIM0	104	ID	OEAUX
15	O	OT10	45	—	NC	75	IU	LIM1	105	—	NC
16	—	VDD	46	—	VDD	76	—	VDD	106	—	VDD
17	O	OT11	47	—	NC	77	IU	CHS1	107	—	NC
18	O	OT12	48	—	NC	78	IU	CHS2	108	—	NC
19	O	OT13	49	IU	IT2	79	IU	CHS3	109	IU	SYNC
20	O	OT14	50	IU	CWCK	80	IU	CHS4	110	ID	VCK
21	—	GND	51	—	GND	81	—	GND	111	—	GND
22	IU	CHEX1	52	IU	CWD7 (MSB)	82	IU	DLY0 (LSB)	112	IU	D2/D1
23	IU	CHEX0	53	IU	CWD6	83	IU	DLY1	113	—	NC
24	IU	AFS	54	IU	CWD5	84	IU	DLY2	114	—	NC
25	IU	LRS	55	IU	CWD4	85	IU	DLY3	115	O	OT15
26	IU	DIR	56	IU	CWD3	86	IU	DLY4 (MSB)	116	O	OT16
27	IU	20/16	57	IU	CWD2	87	—	NC	117	O	OT17
28	IU	ZCS	58	IU	CWD1	88	O	AUXT	118	O	OT18
29	ID	Z3/4	59	IU	CWD0 (LSB)	89	O	UDT	119	O	OY19
30	ID	Z1/2	60	—	VDD	90	O	ADFT	120	—	VDD

I : INPUT WITH PULL-UP REGISTER
 D : INPUT WITH PULL-DOWN REGISTER
 OT : TRI-STATE OUTPUT



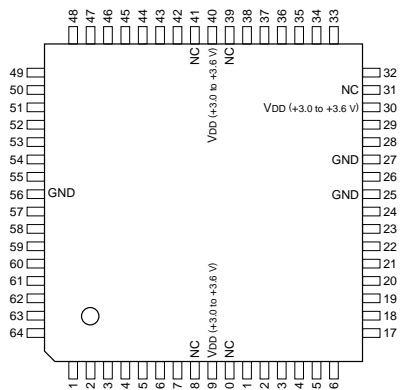
- INPUT (WITH PULL-DOWN REGISTER)**
- 128CK : DIGITAL AUDIO 128 x Fs CLOCK
 - AD1/2 : DIGITAL AUDIO CH-1/2 DATA
 - AD3/4 : DIGITAL AUDIO CH-3/4 DATA
 - BCK : DIGITAL AUDIO BIT CLOCK (=64 x Fs)
 - C1/2 : DIGITAL AUDIO CH-1/2 CHANNEL STATUS BIT
 - C3/4 : DIGITAL AUDIO CH-3/4 CHANNEL STATUS BIT
 - OEAUX : OUTPUT ENABLE FOR AUX0-9 (L)
 - U1/2 : DIGITAL AUDIO CH-1/2 USER DATA BIT
 - U3/4 : DIGITAL AUDIO CH-3/4 USER DATA BIT
 - V1/2 : DIGITAL AUDIO CH-1/2 VALIDITY FLAG
 - V3/4 : DIGITAL AUDIO CH-3/4 VALIDITY FLAG
 - VCK : VIDEO CLOCK (=4Fsc) INPUT
 - Z1/2 : DIGITAL AUDIO CH-1/2 BLOCK SYNC (Z-FLAG)
 - Z3/4 : DIGITAL AUDIO CH-3/4 BLOCK SYNC (Z-FLAG)
- INPUT (WITH PULL-UP REGISTER)**
- 20/16 : DIGITAL AUDIO 20BIT/16BIT SELECT
 - AFS : DIGITAL AUDIO FORMAT SELECT
 - CHEX0, 1 : CHANNEL EXCHANGE 0, 1
 - CHS1 - CHS4 : AUDIO CH1-CH4 OUTPUT SELECT (L)
 - CLR : POWER ON CLEAR (L)
 - CWA0 - CWA3 : CHANNEL STATUS REGISTER WRITE ADDRESS 0 - 3
 - CWCK : CHANNEL STATUS REGISTER WRITE CLOCK
 - CWD0 - CWD7 : CHANNEL STATUS REGISTER WRITE DATA 0 - 7
 - CWEN : CHANNEL STATUS REGISTER WRITE ENABLE
 - D2/D1 : VIDEO FORMAT D2/D1 SELECT
 - DID0, 1 : DATA ID BIT0, 1
 - DIR : DIGITAL AUDIO MSB FIRST/LSB FIRST SELECT
 - DLY0 - DLY4 : DELAY CONTROL BIT0 - BIT3
 - IT1 - IT5 : TEST (L)
 - LIM0, 1 : LINE MODE 0, 1
 - LRCK : DIGITAL AUDIO L/R CLOCK (=Fs)
 - LRS : DIGITAL AUDIO LEFT/RIGHT BIT POSITION SELECT
 - SYNC : VIDEO SYNC INPUT
 - ZCS : DIGITAL AUDIO Z-FLAG C-BIT SELECT

- OUTPUT**
- ADBT : AUX. DATA BLOCK TIMING
 - ADFT : AUX. DATA FLAG TIMING
 - AUXT : AUX. DATA TIMING
 - OT1 = OT19 : TEST
 - UDT : USER DATA TIMING
- OUTPUT (TRI-STATE)**
- AUX0 - AUX9 : AUX. DATA 0 - 9

CXD8591Q (SONY)

C-MOS SAMPLING RATE CONVERTER

—TOP VIEW—



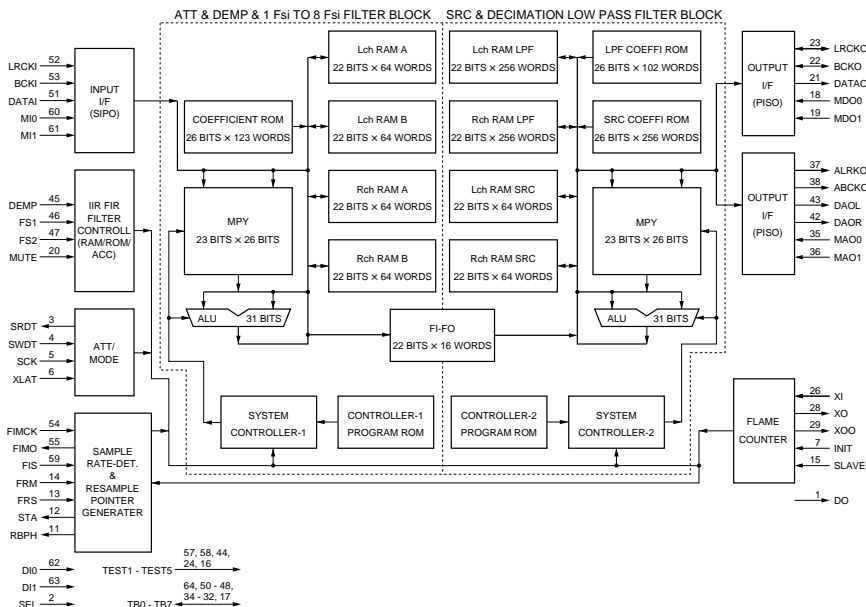
(VDD = +3.0 to +3.6 V)

PIN NO.	I/O	SIGNAL	PIN NO.	I/O	SIGNAL	PIN NO.	I/O	SIGNAL	PIN NO.	I/O	SIGNAL
1	O	DO	17	I/O	TB7	33	I/O	TB5	49	I/O	TB2
2	I	SEL	18	I	MDO0	34	I/O	TB4	50	I/O	TB1
3	O	SRDT	19	I	MDO1	35	I	MAO0	51	I	DATA1
4	I	SWDT	20	I	MUTE	36	I	MAO1	52	I	LRCKI
5	I	SCK	21	O	DATA0	37	O	ALRKO	53	I	BCKI
6	I	XLAT	22	I/O	BCKO	38	O	ABCKO	54	I	FIMCK
7	I	INIT	23	I/O	LRCKO	39	—	NC	55	O	FIMO
8	—	NC	24	I	TEST4	40	—	VDD	56	—	GND
9	—	VDD	25	—	GND	41	—	NC	57	I	TEST2
10	—	NC	26	I	XI	42	O	DAOR	58	I	TEST1
11	O	RBPH	27	—	GND	43	O	DAOL	59	I	FIS
12	O	STA	28	O	XO	44	I	TEST3	60	I	MIO
13	I	FRS	29	O	XOO	45	I	DEMP	61	I	MI1
14	I	FRM	30	—	VDD	46	I	FS1	62	I	DI0
15	I	SLAVE	31	—	NC	47	I	FS2	63	I	DI1
16	I	TEST5	32	I/O	TB6	48	I/O	TB3	64	I/O	TB0

- INPUT**
- BCKI : BIT CLOCK FOR THE INPUT SERIAL DATA
 - DATA1 : SERIAL DATA
 - DEMP : DEEMPHASIS SETTING
 - DI0, DI1 : DATA
 - FIMCK : MASTER CLOCK FOR THE INPUT DATA SYSTEM
 - FIS : FIMCK DIVIDING RATIO SETTING
 - FRM : F_s RATIO MEASURING MODE SELECT
 - FRS : F_s RATIO MEASURING TIME SELECT
 - FS1, FS2 : F_si FREQUENCY SELECT FOR DEEMPHASIS SETTING
 - INIT : INITIALIZE
 - LRCKI : 1 F_s WORD CLOCK FOR THE INPUT SERIAL DATA
 - MAO0, MAO1 : SERIAL DATA FORMAT SETTING FOR D/A OUTPUT
 - MDO0, MDO1 : SERIAL DATA FORMAT SETTING FOR THE STANDARD DATA OUTPUT
 - MIO, MI1 : INPUT SERIAL DATA FORMAT SETTING
 - MUTE : OUTPUT MUTING
 - SCK : ATTENUATION/MODE SETTING CLOCK
 - SEL : DATA SELECT CONTROL
 - SLAVE : OUTPUT SYNCHRONIZATION MODE SELECT
 - SWDT : ATTENUATION/MODE SETTING DATA
 - TEST1 - TEST5 : IC CHIP TEST
 - XI : CRYSTAL OSCILLATOR
 - XLAT : ATTENUATION/MODE SETTING DATA LATCH PULSE

- OUTPUT**
- ABCKO : BIT CLOCK FOR D/A OUTPUT
 - ALRKO : WORD CLOCK FOR D/A OUTPUT
 - DAOL : 8 F_{so}/4 F_{so} DATA FOR L-CHANNEL D/A CONVERSION
 - DAOR : 8 F_{so}/4 F_{so} DATA FOR R-CHANNEL D/A CONVERSION
 - DATA0 : STANDARD SERIAL DATA
 - DO : DATA
 - FIMO : INVERTING OUTPUT OF THE MASTER CLOCK
 - RBPH : RING BUFFER READ/WRITE PHASE CONTROL MONITOR
 - SRDT : ATTENUATION/MODE SETTING DATA
 - STA : F_s CONVERTING RATIO MONITOR
 - XO : CRYSTAL OSCILLATOR
 - XOO : MASTER CLOCK FOR THE OUTPUT SYSTEM

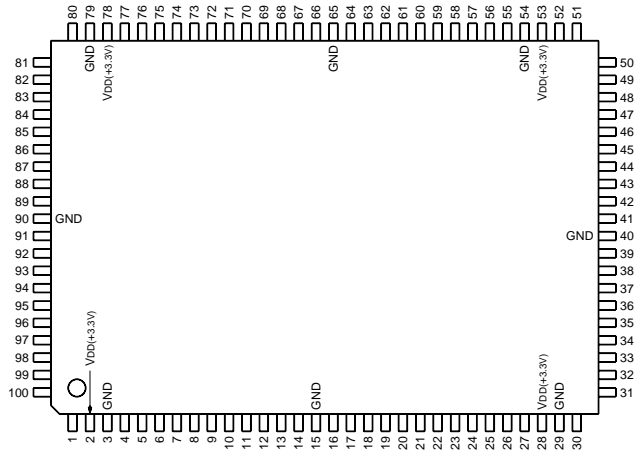
- INPUT/OUTPUT**
- TB0 - TB7 : TEST BUS
 - BCKO : BIT CLOCK FOR THE STANDARD SERIAL DATA
 - LRCKO : WORD CLOCK FOR THE STANDARD SERIAL DATA



CXD8384Q (SONY)

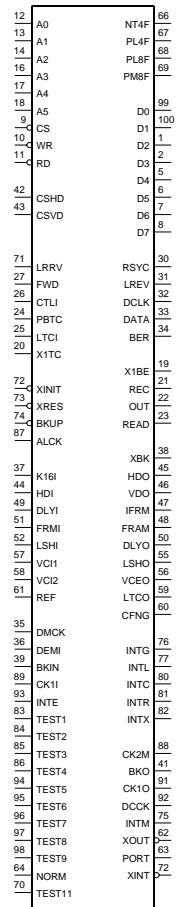
C-MOS LTC READER/GENERATOR

—TOP VIEW—



(VDD = +3.3V)

PIN No.	I/O	SIGNAL	PIN No.	I/O	SIGNAL	PIN No.	I/O	SIGNAL	PIN No.	I/O	SIGNAL
1	I/O	D2	26	I	CTLI	51	I	FRMI	76	O	INTG
2	I/O	D3	27	I	FWD	52	I	LSHI	77	O	INTL
3	—	Vdd	28	—	Vdd	53	—	Vdd	78	—	Vdd
4	—	GND	29	—	GND	54	—	GND	79	—	GND
5	I/O	D4	30	O	RSYC	55	O	LSHO	80	O	INTC
6	I/O	D5	31	O	LREV	56	O	VCEO	81	O	INTR
7	I/O	D6	32	O	DCLK	57	I	VCI1	82	O	INTX
8	I/O	D7	33	O	DATA	58	I	VCI2	83	I	TEST1
9	I	CS	34	O	BER	59	O	LTCO	84	I	TEST2
10	I	WR	35	I	DMCK	60	O	CFNG	85	I	TEST3
11	I	RD	36	I	DEMI	61	I	REF	86	I	TEST4
12	I	A0	37	I	K16I	62	O	XOUT	87	I	ALCK
13	I	A1	38	O	XBK	63	O	PORT	88	O	CK2M
14	I	A2	39	I	BKIN	64	I	NORM	89	I	CK11
15	—	GND	40	—	GND	65	—	GND	90	—	GND
16	I	A3	41	O	BKO	66	O	NT4F	91	O	CK10
17	I	A4	42	I	CSHD	67	O	PL4F	92	O	DCCK
18	I	A5	43	I	CSVD	68	O	PL8F	93	I	INTE
19	O	X1BE	44	I	HDI	69	O	PM8F	94	I	TEST5
20	I	X1TC	45	O	HDO	70	I	TEST11	95	I	TEST6
21	O	REC	46	O	VDO	71	I/O	LRRV	96	I	TEST7
22	O	OUT	47	O	IFRM	72	O	XINT	97	I	TEST8
23	O	READ	48	O	FRAM	73	I	XRES	98	I	TEST9
24	I	PBTC	49	I	DLYI	74	I	BKUP	99	I/O	D0
25	I	LTCI	50	O	DLYO	75	O	INTM	100	I/O	D1

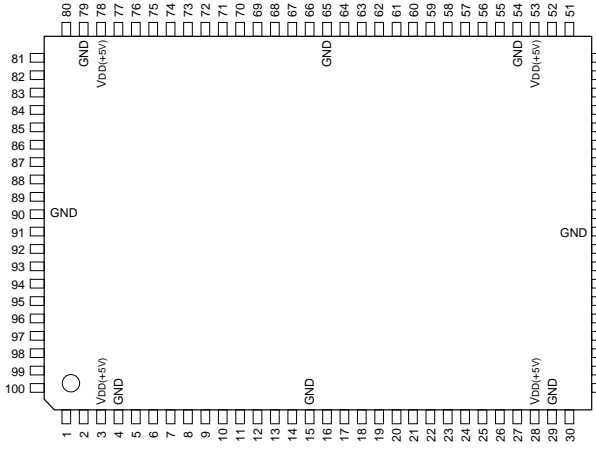


- INPUT**
- A0 - A5 : ADDRESS BUS IN
 - ALCK : ARITHMETIC LOGIC UNIT CLOCK IN
 - BKIN : BACKUP IN (NEGATIVE LOGIC)
 - BKUP : BACKUP EXECUTION IN (NEGATIVE LOGIC)
 - CK11 : SYSTEM CLOCK IN
 - CSHD : COMPOSITE SYNC/HDI IN
 - CSVD : COMPOSITE SYNC/VD IN
 - CTLI : CTL SIGNAL IN
 - DEMI : LONGITUDINAL TIME AND CONTROL CODE IN
 - DLYI : INPUT TO DELAY CIRCUIT
 - DMCK : LTC DEMODULATE CLOCK IN
 - FRMI : FRAME SIGNAL IN
 - FWD : CTL DIRECTION SIGNAL IN
 - HDI : HORIZONTAL SYNC INPUT
 - INTE : EXTERNAL INTERRUPT IN (POSITIVE LOGIC)
 - K16I : 16KHz CLOCK IN
 - LRRV : DIRECTION INPUT FOR LTC READER CALCULATION
 - LTCI : GENERATED LTC IN
 - LSHI : LTC SYNCHRONOUS H INPUT
 - NORM : NORMAL/BACKUP MODE SELECT
 - TEST1 - TEST9 : TEST IN
 - TEST11 : TEST IN
 - PBTC : PLAYBACK LTC IN
 - RD : READ IN (NEGATIVE LOGIC)
 - REF : REFERENCE OF LTC GENERATOR
 - VCI1 : LTC CLOCK IN-1
 - VCI2 : EXTERNAL LTC IN
 - X1TC : LTC CLOCK IN-2
 - XRES : SYSTEM RESET IN (NEGATIVE LOGIC)
 - WR : WRITE IN (NEGATIVE LOGIC)
- OUTPUT**
- BER : BI-PHASE MARK ERROR (BIT ERROR)
 - BKO : BACKUP CONTROL OUT-2 (POSITIVE LOGIC)
 - CFNG : COLOR FRAME ERROR FLAG OUT
 - CK10 : SYSTEM CLOCK OUT
 - CK2M : CLOCK 2M OUT
 - CS : CHIP SELECT IN (NEGATIVE LOGIC)
 - D0 - D7 : DATA BUS
 - DATA : DEMODULATED SERIAL DATA OUT
 - DCCK : LTC DECODE CLOCK OUT
 - DCLK : DEMODULATED CLOCK OUT
 - DLYO : OUTPUT FROM DELAY CIRCUIT
 - FRAM : FRAME SIGNAL OUT -2
 - HDO : HORIZONTAL SYNC DRIVE OUT
 - IFRM : FRAME SIGNAL OUT -1
 - INTC : CTL INTERRUPT OUT (POSITIVE LOGIC)
 - INTG : GENERATOR INTERRUPT OUT (POSITIVE LOGIC)
 - INTL : READER INTERRUPT -1 OUT (POSITIVE LOGIC)
 - INTM : INTERRUPT MIX OUT (POSITIVE LOGIC)
 - INTR : READER INTERRUPT -2 OUT (POSITIVE LOGIC)
 - INTX : EXTERNAL LTC INTERRUPT OUT (POSITIVE LOGIC)
 - LREV : READ REV/FWD BIT OUT
 - LSHO : LTC SYNCHRONOUS SIGNAL H OUT
 - LTCO : LTC SIGNAL OUT
 - NT4F, PL4F, PL8F, PM8F : DEMODULATED COLOR FRAME OUT
 - OUT : EXTERNAL OUTPUT LTC OUT
 - PORT : PORT
 - READ : READ LTC OUT
 - REC : RECORD LTC OUT
 - RSYC : READ SYNC WORD DATA OUT
 - VCEO : LTC CLOCK OUT
 - VDO : VERTICAL SYNC DRIVE OUT
 - X1BE : BI-PHASE MARK ERROR (NORMAL SPEED READER)
 - XBK : BACKUP CONTROL OUT-1 (NEGATIVE LOGIC)
 - XINT : INVERTED INTERRUPT MIX OUT (NEGATIVE LOGIC)
 - XOUT : INVERTED EXTERNAL OUTPUT LTC OUT

CXD8385Q (SONY)

C-MOS ENCODER

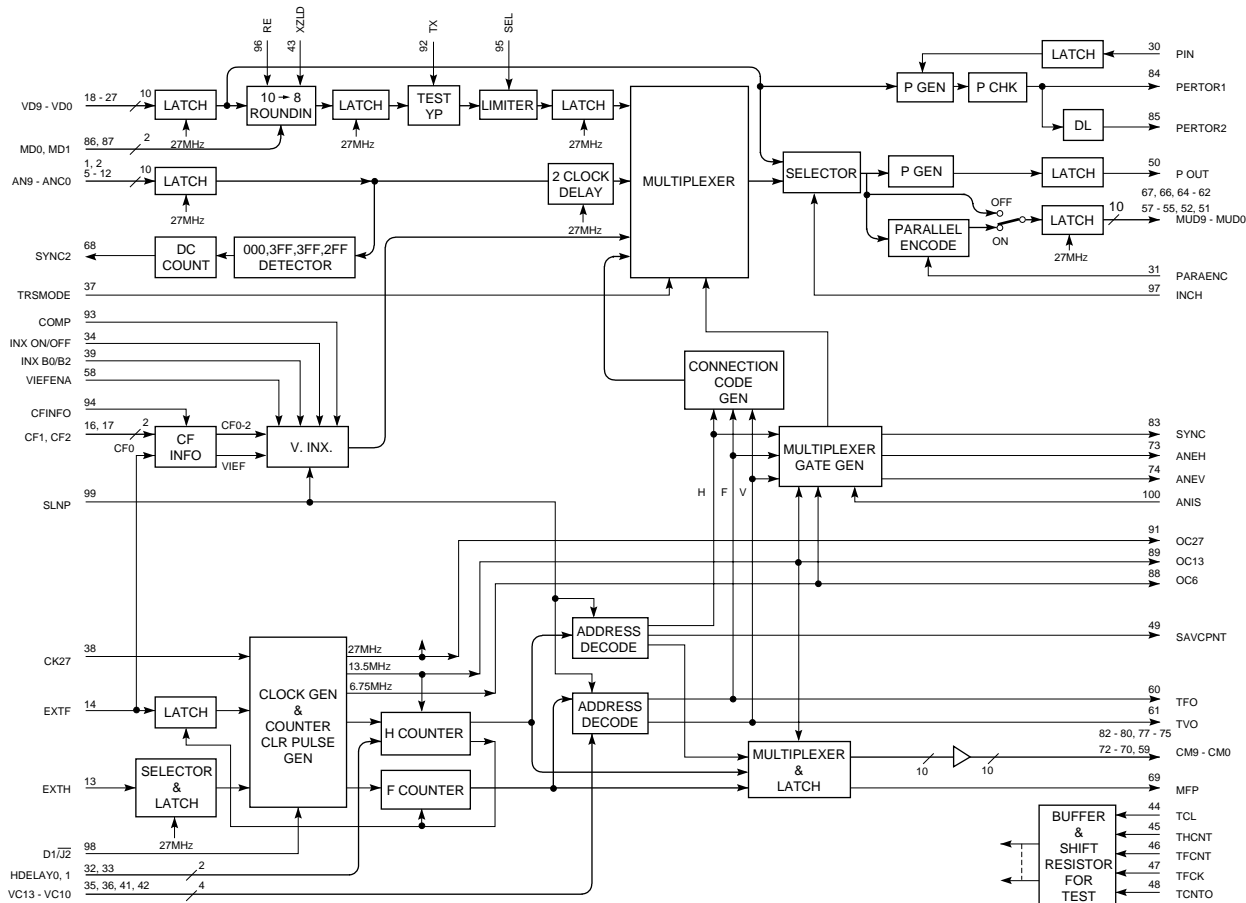
—TOP VIEW—



(VDD = +5V)

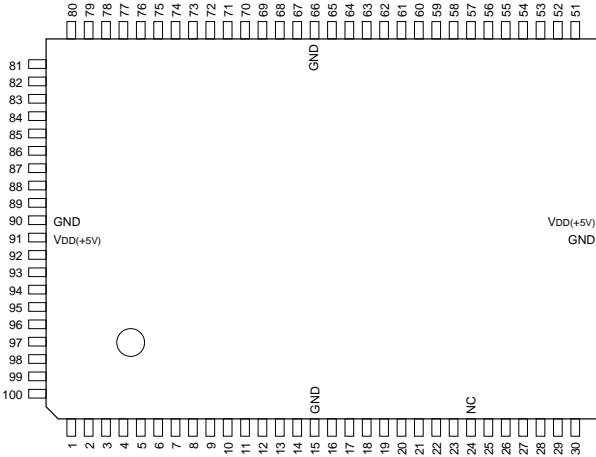
PIN No.	I/O	SIGNAL	PIN No.	I/O	SIGNAL	PIN No.	I/O	SIGNAL	PIN No.	I/O	SIGNAL
1	I	ANC9	26	I	VD1	51	O	MUD0	76	O	CM5
2	I	ANC8	27	I	VD0	52	O	MUD1	77	O	CM6
3	—	VDD	28	—	VDD	53	—	VDD	78	—	VDD
4	—	GND	29	—	GND	54	—	GND	79	—	GND
5	I	ANC7	30	I	PIN	55	O	MUD2	80	O	CM7
6	I	ANC6	31	I	PARAENC	56	O	MUD3	81	O	CM8
7	I	ANC5	32	I	HDELAY0	57	O	MUD4	82	O	CM9
8	I	ANC4	33	I	HDELAY1	58	I	VIEFENA	83	O	SYNC
9	I	ANC3	34	I	INX ON/OFF	59	O	CM0	84	O	PERROR1
10	I	ANC2	35	I	VC13	60	O	TFO	85	O	PERROR2
11	I	ANC1	36	I	VC12	61	O	TVO	86	I	MD0
12	I	ANC0	37	I	TRS MODE	62	O	MUD5	87	I	MD1
13	I	EXTH	38	I	CK27	63	O	MUD6	88	O	OC6
14	I	EXTF	39	I	INX B0/B2	64	O	MUD7	89	O	OC13
15	—	GND	40	—	GND	65	—	GND	90	—	GND
16	I	CF1	41	I	VC11	66	O	MUD8	91	O	OC27
17	I	CF2	42	I	VC10	67	O	MUD9	92	I	TX
18	I	VD9	43	I	XZLD	68	O	SYNC2	93	I	COMP
19	I	VD8	44	I	TCL	69	O	MFP	94	I	CFINFO
20	I	VD7	45	I	THCNT	70	O	CM1	95	I	SEL
21	I	VD6	46	I	TFCNT	71	O	CM2	96	I	RE
22	I	VD5	47	I	TFCK	72	O	CM3	97	I	INCH
23	I	VD4	48	I	TCNTO	73	O	ANEH	98	I	D1/J2
24	I	VD3	49	O	SAVPNT	74	O	ANEV	99	I	SLNP
25	I	VD2	50	O	POUT	75	O	CM4	100	I	ANIS

PIN	SIGNAL	FUNCTION	PIN	SIGNAL	FUNCTION
30	PIN	PERROR1	84	INPUT	
31	RE	PERROR2	85	ANC0 - ANC9	ANCILLARY DATA
32	XZLD		86	ANIS	ANC GATE CONTROL
33	VD0	MUD0	87	ANIS	ANC GATE CONTROL
34	VD1	MUD1	88	CF1/CF2	CF DATA
35	VD2	MUD2	89	CFINFO	CFINFO CONTROL
36	VD3	MUD3	90	CK27	27 MHz CLOCK
37	VD4	MUD4	91	COMP	COMPOSIT/COMPONENT
38	VD5	MUD5	92	D1/J2, SLNP	MODE CONTROL
39	VD6	MUD6	93	EXTF	REF F
40	VD7	MUD7	94	EXTH	REF H
41	VD8	MUD8	95	HDELAY0, HDELAY1	JZ REF H TRS ADVANCE CONTROL
42	VD9	MUD9	96	INCH, TCL, TCNTO, TFCK, TFCNT, THCNT, XZLD	TEST PIN
43	MD0		97	INX ON/OFF, INX B0/B2, VIEFENA	V. INX. CONTROL
44	MD1		98	PARAENC	SCRAMBLE NRZ CONVERT ON/OFF
45	TX		99	PIN	PARITY
46	SEL		100	RE	ROUND CONTROL
47	PARAENC			TRSMODE	TRS 10-BIT/8-BIT SELECT
48	INCH			TX	TEST PIN
49	ANC0	SYNC2	68	ANC2	VC10 - VC13
50	ANC1		69	ANC3	525/60 V BLANK CONTROL
51	ANC2	SYNC	83	ANC4	VIDEO DATA
52	ANC3		73	ANC5	
53	ANC4		74	ANC6	
54	ANC5		75	ANC7	
55	ANC6		76	ANC8	
56	ANC7		77	ANC9	
57	ANC8		78	TRSMODE	
58	ANC9		79	COMP	
59	TRSMODE		80	INX ON/OFF	
60	COMP	SAVPNT	49	INX B0/B2	
61	INX ON/OFF		60	VIEFENA	
62	INX B0/B2		61	CFINFO	
63	VIEFENA		62	CF1	
64	CFINFO		63	CF2	
65	CF1		64	CK27	
66	CF2		65	EXTF	
67	CK27		66	EXTH	
68	EXTF		67	D1/J2	
69	EXTH		68	HDELAY0	
70	D1/J2		69	HDELAY1	
71	HDELAY0		70	VC10	
72	HDELAY1		71	VC11	
73	VC10		72	VC12	
74	VC11		73	VC13	
75	VC12		74	TCL	
76	VC13		75	THCNT	
77	TCL		76	TFCNT	
78	THCNT		77	TFCK	
79	TFCNT		78	TCNTO	
80	TFCK		79		
81	TCNTO		80		
82			81		
83			82		
84			83		
85			84		
86			85		
87			86		
88			87		
89			88		
90			89		
91			90		
92			91		
93			92		
94			93		
95			94		
96			95		
97			96		
98			97		
99			98		
100			99		



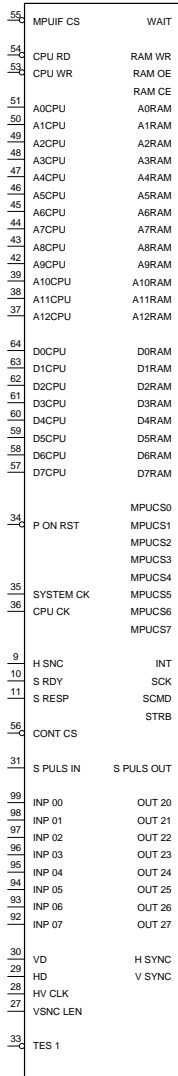
CXD8804Q (SONY)

C-MOS 8-MPU COMMUNICATION CONTROLLER WITH PARALLEL PORT
—TOP VIEW—

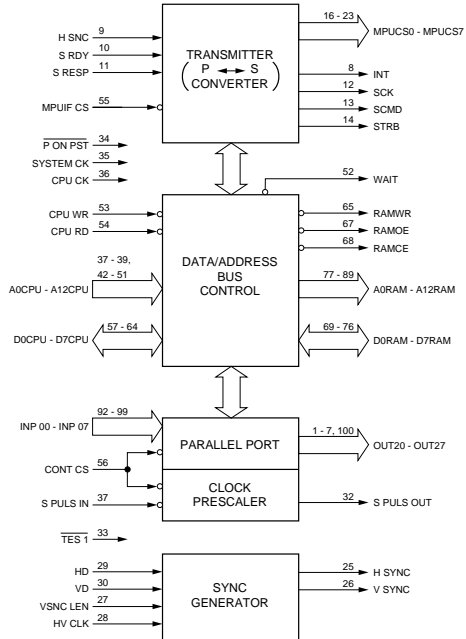


(VDD = +5V)

PIN NO.	I/O	SIGNAL	PIN NO.	I/O	SIGNAL	PIN NO.	I/O	SIGNAL	PIN NO.	I/O	SIGNAL
1	O	OUT26	26	O	V SYNC	51	I	A0 CPU	76	I/O	D0 RAM
2	O	OUT25	27	I	VSYNC LEN	52	O	WAIT	77	O	A12 RAM
3	O	OUT24	28	I	HV CLK	53	I	CPU WR	78	O	A11 RAM
4	O	OUT23	29	I	HD	54	I	CPU RD	79	O	A10 RAM
5	O	OUT22	30	I	VD	55	I	MPUIF CS	80	O	A9 RAM
6	O	OUT21	31	I	S PULS IN	56	I	CONT CS	81	O	A8 RAM
7	O	OUT20	32	O	S PULS OUT	57	I/O	D7 CPU	82	O	A7 RAM
8	O	INT	33	I	TES 1	58	I/O	D6 CPU	83	O	A6 RAM
9	I	H SNC	34	I	P ON RST	59	I/O	D5 CPU	84	O	A5 RAM
10	I	S RDY	35	I	SYSTEM CK	60	I/O	D4 CPU	85	O	A4 RAM
11	I	S RESP	36	I	CPU CK	61	I/O	D3 CPU	86	O	A3 RAM
12	O	SCK	37	I	A12 CPU	62	I/O	D2 CPU	87	O	A2 RAM
13	O	SCMD	38	I	A11 CPU	63	I/O	D1 CPU	88	O	A1 RAM
14	O	STRB	39	I	A10 CPU	64	I/O	D0 CPU	89	O	A0 RAM
15	—	GND	40	—	GND	65	O	RAM WR	90	—	GND
16	O	MPUCS7	41	—	Vdd	66	—	GND	91	—	VDD
17	O	MPUCS6	42	I	A9 CPU	67	O	RAM OE	92	I	INP 07
18	O	MPUCS5	43	I	A8 CPU	68	O	RAMCE	93	I	INP 06
19	O	MPUCS4	44	I	A7 CPU	69	I/O	D7 RAM	94	I	INP 05
20	O	MPUCS3	45	I	A6 CPU	70	I/O	D6 RAM	95	I	INP 04
21	O	MPUCS2	46	I	A5 CPU	71	I/O	D5 RAM	96	I	INP 03
22	O	MPUCS1	47	I	A4 CPU	72	I/O	D4 RAM	97	I	INP 02
23	O	MPUCS0	48	I	A3 CPU	73	I/O	D3 RAM	98	I	INP 01
24	—	N.C	49	I	A2 CPU	74	I/O	D2 RAM	99	I	INP 00
25	O	H SYNC	50	I	A1 CPU	75	I/O	D1 RAM	100	O	OUT 27



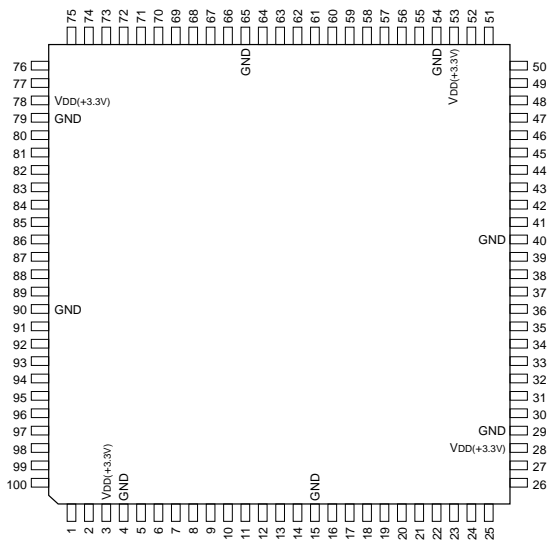
- INPUT**
- A0CPU - A12CPU : CPU ADDRESS BUS
 - CONT CS : INTERNAL/PARALLEL PORT
 - CPU CK : CPU CLOCK
 - CPU RD : CPU READ STROBE
 - CPU WR : CPU WRITE STROBE
 - HD : VIDEO HORIZONTAL SYNCHRONIZING PULSE
 - H SNC : SERIAL RECEIVE WAIT
 - HV CLK : VIDEO VERTICAL SAMPLING PULSE (13.5 MHz)
 - INP 00 - 07 : PARALLEL PORT
 - MPUIF CS : EXTERNAL RAM CHIP SELECT
 - P ON RST : POWER IN RESET (L)
 - S PULS : MEDIOCRITY CLOCK PULSE
 - S RDY : SERIAL TRANSMISSION LEADY
 - S RESP : SERIAL RECEIVE DATA
 - SYSTEM CK : SYSTEM CLOCK
 - TES 1 : TEST (L)
 - VD : VIDEO VERTICAL SYNCHRONIZING PULSE
 - VSYNC LEN : VIDEO VERTICAL SYNCHRONIZING PULSE OUTPUT WIDTH CONTROL
- OUTPUT**
- A0RAM - A12RAM : EXTERNAL RAM ADDRESS BUS
 - H SYNC : VIDEO HORIZONTAL SYNCHRONIZING PULSE
 - INT : SERIAL RECEIVE END
 - MPUCS0 - MPUCS7 : PARALLEL PORT
 - OUT 20 - 27 : PARALLEL PORT
 - RAM CE : EXTERNAL RAM CHIP SELECT
 - RAM OE : EXTERNAL RAM OUTPUT ENABLE
 - RAM WR : EXTERNAL RAM WRITE STROBE
 - SCK : SERIAL CORRESPONDENCE CLOCK
 - SCMD : SERIAL TRANSMISSION DATA
 - S PULS : MEDIOCRITY CLOCK PULSE FREQUENCY (1/2-1/27)
 - STRB : SERIAL TRANSMISSION STROBE
 - V SYNC : VIDEO VERTICAL SYNCHRONIZING PULSE
 - WAIT : CPU WAIT
- INPUT/OUTPUT**
- D0CPU - D7CPU : CPU DATA BUS
 - D0RAM - D7RAM : EXTERNAL RAM DATA BUS



CXD8820AR (SONY)

C-MOS VITC READER GENERATOR

—TOP VIEW—



PIN NO.	I/O	SIGNAL	PIN NO.	I/O	SIGNAL	PIN NO.	I/O	SIGNAL	PIN NO.	I/O	SIGNAL
1	O	OVD9	26	I	HRTH	51	I/O	DATA0	76	O	RVITC
2	O	OVD8	27	I	RESET	52	I/O	DATA1	77	O	RLTCH
3	—	VDD	28	—	VDD	53	—	VDD	78	—	VDD
4	—	GND	29	—	GND	54	—	GND	79	—	GND
5	O	OVD7	30	I	27CK	55	I/O	DATA2	80	O	GVITC
6	O	OVD6	31	I	ALLTH	56	I/O	DATA3	81	O	VGATE
7	O	OVD5	32	I	ICAD0	57	I/O	DATA4	82	O	BGATE
8	I	TST0	33	I	ICAD1	58	I/O	DATA5	83	O	XCFI
9	I	TST1	34	I	ICAD2	59	I/O	DATA6	84	O	NT4F
10	I	TST2	35	I	ICAD3	60	I/O	DATA7	85	O	PL4F
11	I	TST3	36	I	IPA	61	I	STS0	86	O	PL8F
12	O	OVD4	37	I	ICF	62	I	STS1	87	O	PM8F
13	O	OVD3	38	I	IVD	63	I	STRB	88	O	HMSK
14	O	OVD2	39	I	IHD	64	I	RD	89	O	VMASK
15	—	GND	40	—	GND	65	—	GND	90	—	GND
16	O	OVD1	41	I	IVD0	66	I	CS	91	O	CK135
17	O	OVD0	42	I	IVD1	67	I	LPARA	92	O	IDEN
18	O	OVD	43	I	IVD2	68	I	SCK	93	O	PERR
19	O	OVD	44	I	IVD3	69	I	START	94	O	IFBUSY
20	O	OCF	45	I	IVD4	70	I	SIN	95	O	RCF
21	O	OPA	46	I	IVD5	71	O	SOUT	96	O	RDF
22	I	TST4	47	I	IVD6	72	O	RINT	97	O	RFM
23	I	TST5	48	I	IVD7	73	O	REND	98	O	RERR
24	I	TST6	49	I	IVD8	74	O	OSVI	99	O	G SAV
25	I	TST7	50	I	IVD9	75	I	ISVI	100	O	EXP0

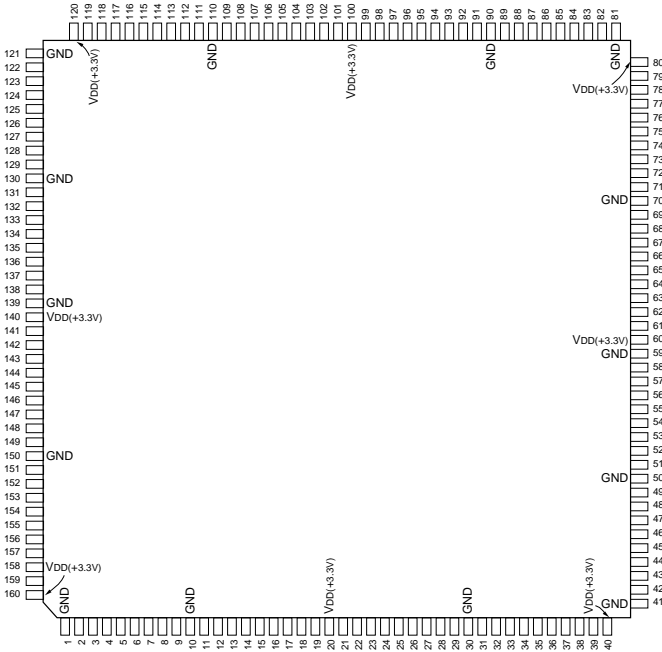
PIN NO.	SIGNAL	PIN NO.	SIGNAL	FUNCTION
17	OVD0	17	INPUT	
18	OVD1	18	27CK	: 27MHz CLOCK
19	ALLTH	19	ALLTH	: ALL THOUGH MODE
20	OVD2	20	CS	: CHIP SELECT (FOR PARALLEL INTERFACE)
21	OVD3	21	HRTH	: READER THOUGH MODE
22	OVD4	22	ICAD0 - ICAD3	: IC ADDRESS
23	OVD5	23	ICF	: COLOR FRAMING
24	OVD6	24	IHD	: HD
25	OVD7	25	IPA	: PARITY
26	OVD8	26	ISVI	: SLICED VITC
27	OVD9	27	IVD0 - IVD9	: VIDEO DATA
28	OVD	28	IVD	: VD
29	OHD	29	LPARA	: PARARELL INTERFACE SELECT
30	OCF	30	OPA	: READ (FOR PARALLEL INTERFACE)
31	IPA	31	PERR	: POWER ON RESET
32	ALLTH	32	SCK	: SERIAL INTERFACE CLOCK
33	DATA0	33	SIN	: SERIAL DATA
34	DATA1	34	START	: SERIAL INTERFACE START
35	DATA2	35	STRB	: STROBE (FOR PARALLEL INTERFACE)
36	DATA3	36	STS0, STS1	: STATUS 0, 1 (FOR PARALLEL INTERFACE)
37	DATA4	37	TST0 - TST7	: FOR TEST 0-7
38	DATA5	38		
39	DATA6	39		
40	DATA7	40		
41		41		
42		42		
43		43		
44		44		
45		45		
46		46		
47		47		
48		48		
49		49		
50		50		
51		51		
52		52		
53		53		
54		54		
55		55		
56		56		
57		57		
58		58		
59		59		
60		60		
61		61		
62		62		
63		63		
64		64		
65		65		
66		66		
67		67		
68		68		
69		69		
70		70		
71		71		
72		72		
73		73		
74		74		
75		75		
76		76		
77		77		
78		78		
79		79		
80		80		
81		81		
82		82		
83		83		
84		84		
85		85		
86		86		
87		87		
88		88		
89		89		
90		90		
91		91		
92		92		
93		93		
94		94		
95		95		
96		96		
97		97		
98		98		
99		99		
100		100		

INPUT/OUTPUT
DATA0 - DATA7 : PARARELL INTERFACE DATA BUS

CXD8811AQ (SONY)

C-MOS AUDIO PROCESSOR

—TOP VIEW—



(VDD = +3.3V)

PIN No.	I/O	SIGNAL	PIN No.	I/O	SIGNAL	PIN No.	I/O	SIGNAL	PIN No.	I/O	SIGNAL
1	—	GND	41	—	GND	81	—	GND	121	—	GND
2	I	RST	42	I/O	I/O0	82	O	A16	122	I	TEST10
3	I	TEST0	43	I/O	I/O1	83	O	A17	123	I	TEST11
4	I	TEST1	44	I/O	I/O2	84	I	AEIM1	124	I	ADV1/2
5	I	TEST2	45	I/O	I/O3	85	I	AEIM2	125	I	ADV3/4
6	I	TEST3	46	I/O	I/O4	86	I	AEIM3	126	I	VAR1/2
7	I	MTRI	47	I/O	I/O5	87	I	AEIM4	127	I	VAR3/4
8	O	MTRO	48	I/O	I/O6	88	I	SIIM1	128	I	PPL1/2
9	O	CUE	49	I/O	I/O7	89	I	SIIM2	129	I	PPL3/4
10	—	GND	50	—	GND	90	—	GND	130	—	GND
11	O	LIN1/2	51	I/O	I/O8	91	I	SIIM3	131	I	CNF1/2
12	O	LIN3/4	52	I/O	I/O9	92	I	SIIM4	132	I	CNF3/4
13	I	ADC1/2	53	I/O	I/O10	93	I	ADV1/2	133	I	REFV
14	I	ADC2	54	I/O	I/O11	94	I	ADV2/2	134	I	CA0
15	I	ADC3/4	55	I/O	I/O12	95	I	ADV3/2	135	I	CA1
16	I	ADC4	56	I/O	I/O13	96	I	ADV4/2	136	I	CA2
17	I	TMODE2	57	I/O	I/O14	97	I	CNFM1	137	I	CA3
18	I	TMODE3	58	I/O	I/O15	98	I	CNFM2	138	I	FS256
19	I	TMODE4	59	—	GND	99	I	CNFM3	139	—	GND
20	—	VDD	60	—	VDD	100	—	VDD	140	—	VDD
21	I	TMODE5	61	O	OE	101	I	CNFM4	141	I	FS
22	I	TMODE6	62	O	WE	102	I	ENCM	142	I	CA4
23	I	TMODE7	63	O	A0	103	I	SIOM	143	I	CA5
24	I	SIF1/2	64	O	A1	104	I	AEOM	144	I	CA6
25	I	SIF3/4	65	O	A2	105	I	LINM	145	I	CA7
26	O	SIFO1/2	66	O	A3	106	I	MTRM	146	I	START
27	O	SIFO3/4	67	O	A4	107	I	IFLG1	147	I	CLOCK
28	O	AES01/2	68	O	A5	108	I	IFLG2	148	I	SIN
29	O	AES02	69	O	A6	109	I	IFLG3	149	O	SOUT
30	—	GND	70	—	GND	110	—	GND	150	—	GND
31	O	AES03/4	71	O	A7	111	I	IFLG4	151	O	ENC1/2
32	O	AES04	72	O	A8	112	I	TEST4	152	O	ENC3/4
33	I	AES1/2	73	O	A9	113	I	TEST5	153	I	TEST12
34	I	AES12	74	O	A10	114	I	TEST6	154	I	TEST13
35	I	AES13/4	75	O	A11	115	I	TEST7	155	I	TEST14
36	I	AES14	76	O	A12	116	I	TEST8	156	I	TEST15
37	I	DSP1/2	77	O	A13	117	I	TEST9	157	I	TEST16
38	I	DSP13/4	78	O	A14	118	I	TMODE0	158	I	TEST17
39	O	VTRG	79	O	A15	119	I	TMODE1	159	I	POM
40	—	VDD	80	—	VDD	120	—	VDD	160	—	VDD

INPUT

- ADC1/2 : A/D INPUT CH1/CH2
- ADC2 : A/D INPUT CH2
- ADC3/4 : A/D INPUT CH3/CH4
- ADC4 : A/D INPUT CH4
- ADV1/2 : DECODER INPUT CH1/CH2 (ADVANCE IN)
- ADV3/4 : DECODER INPUT CH3/CH4 (ADVANCE IN)
- ADVM1 : ADVANCE INPUT MUTE CH1 (ACTIVE LOW)
- ADVM2 : ADVANCE INPUT MUTE CH2 (ACTIVE LOW)
- ADVM3 : ADVANCE INPUT MUTE CH3 (ACTIVE LOW)
- ADVM4 : ADVANCE INPUT MUTE CH4 (ACTIVE LOW)
- AEIM1 : AES INPUT MUTE CH1 (ACTIVE LOW)
- AEIM2 : AES INPUT MUTE CH2 (ACTIVE LOW)
- AEIM3 : AES INPUT MUTE CH3 (ACTIVE LOW)
- AEIM4 : AES INPUT MUTE CH4 (ACTIVE LOW)
- AEOM : AES OUTPUT MUTE (ACTIVE HIGH)
- AES1/2 : AES INPUT CH1/CH2
- AES12 : AES INPUT CH2
- AES13/4 : AES INPUT CH3/CH4
- AES14 : AES INPUT CH4
- CA0 -CA7 : IC ADDRESS
- CLOCK : CPU I/F CLOCK
- CNF1/2 : DECODER INPUT CH1/CH2 (CONFI IN)
- CNF3/4 : DECODER INPUT CH3/CH4 (CONFI IN)
- CNFM1 : CONFI INPUT MUTE CH1 (ACTIVE LOW)
- CNFM2 : CONFI INPUT MUTE CH2 (ACTIVE LOW)
- CNFM3 : CONFI INPUT MUTE CH3 (ACTIVE LOW)
- CNFM4 : CONFI INPUT MUTE CH4 (ACTIVE LOW)
- DSP1/2 : DSP INPUT CH1/CH2
- DSP13/4 : DSP INPUT CH3/CH4
- ENCM : ENCODER OUTPUT MUTE (ACTIVE HIGH)
- FS : SYSTEM CLOCK (Fs)
- FS256 : SYSTEM CLOCK (256 X Fs)
- IFLG1 : INSERT FLAG CH1 (ACTIVE HIGH)
- IFLG2 : INSERT FLAG CH2 (ACTIVE HIGH)
- IFLG3 : INSERT FLAG CH3 (ACTIVE HIGH)
- IFLG4 : INSERT FLAG CH4 (ACTIVE HIGH)
- LINM : LINE OUTPUT MUTE (ACTIVE HIGH)
- MTRI : MONITOR INPUT FOR 8-CHANNEL SYSTEM
- MTRM : MONITOR OUTPUT MUTE (ACTIVE HIGH)
- POM : POWER ON MUTE (ACTIVE LOW)
- PPL1/2 : DECODER INPUT CH1/CH2 (P. PLAY IN)
- PPL3/4 : DECODER INPUT CH3/CH4 (P. PLAY IN)
- REFV : SYSTEM CLOCK (V PULSE)
- RST : RESET (ACTIVE LOW)
- SIF1/2 : SIF INPUT CH1/CH2
- SIF3/4 : SIF INPUT CH3/CH4
- SIN : CPU I/F SERIAL IN
- SIIM1 : SIF INPUT MUTE CH1 (ACTIVE LOW)
- SIIM2 : SIF INPUT MUTE CH2 (ACTIVE LOW)
- SIIM3 : SIF INPUT MUTE CH3 (ACTIVE LOW)
- SIIM4 : SIF INPUT MUTE CH4 (ACTIVE LOW)
- SIOM : SIF OUTPUT MUTE (ACTIVE HIGH)
- START : CPU I/F START (PULSE)
- TEST0 - TEST17 : TEST INPUT (DEFAULT LOW)
- TMODE0 : TEST MODE 0 (DEFAULT LOW)
- TMODE1 : TEST MODE 1 (DEFAULT LOW)
- TMODE2 : TEST MODE 2 (DEFAULT LOW)
- TMODE3 : TEST MODE 3 (DEFAULT LOW)
- TMODE4 : TEST MODE 4 (DEFAULT LOW)
- TMODE5 : TEST MODE 5 (DEFAULT LOW)
- TMODE6 : TEST MODE 6 (DEFAULT LOW)
- TMODE7 : TEST MODE 7 (DEFAULT LOW)
- VAR1/2 : DECODER INPUT CH1/CH2 (VARIABLE IN)
- VAR3/4 : DECODER INPUT CH3/CH4 (VARIABLE IN)

OUTPUT

- AES01/2 : AES OUTPUT CH1/CH2
- AES02 : AES OUTPUT CH2
- AES03/4 : AES OUTPUT CH3/CH4
- AES04 : AES OUTPUT CH4
- A0 - A17 : EXTERNAL RAM ADDRESS
- CUE : CUE (D-MIX)
- ENC1/2 : ENCODER OUTPUT CH1/CH2
- ENC3/4 : ENCODER OUTPUT CH3/CH4
- LIN1/2 : LINE OUTPUT CH1/CH2
- LIN3/4 : LINE OUTPUT CH3/CH4
- MTRO : MONITOR OUTPUT FOR 8-CHANNEL SYSTEM
- SIFO1/2 : SIF OUTPUT CH1/CH2
- SIFO3/4 : SIF OUTPUT CH3/CH4
- SOUT : CPU I/F SERIAL OUT
- OE : EXTERNAL RAM OUTPUT ENABLE (ACTIVE LOW)
- VTRG : TRIGGER OUT (5V PULSE)
- WE : EXTERNAL RAM WRITE ENABLE (ACTIVE LOW)

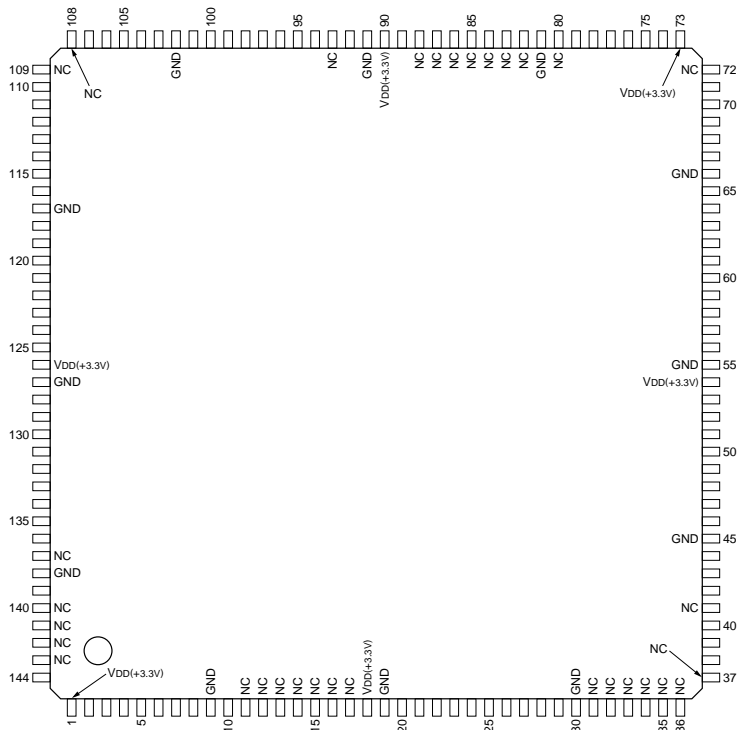
INPUT/OUTPUT

- I/O0 - I/O15 : EXTERNAL RAM

CXD9000CR (SONY)

C-MOS HD-SDI COPROCESSOR

—TOP VIEW—



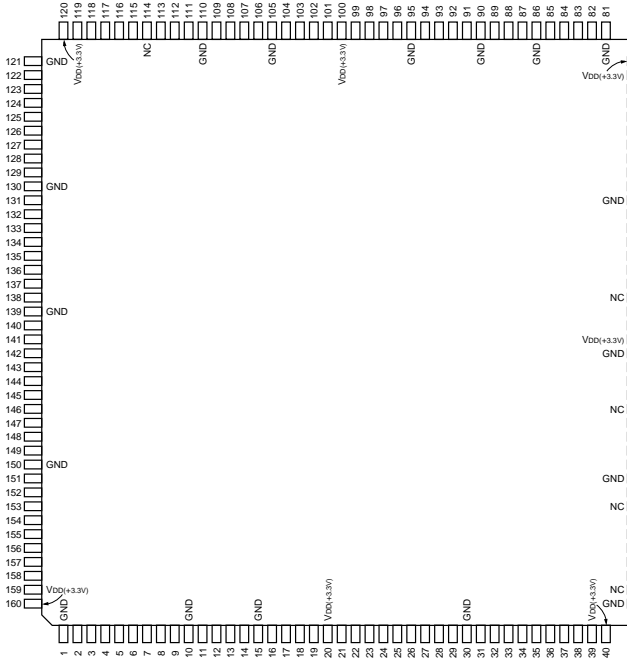
(VDD = +3.3V)

PIN NO.	I/O	SIGNAL	PIN NO.	I/O	SIGNAL	PIN NO.	I/O	SIGNAL	PIN NO.	I/O	SIGNAL
1	—	VDD	37	—	NC	73	—	VDD	109	—	NC
2	I	IP AUDA12	38	O	OP AUFLG1	74	O	OP MYFLG1	110	I	IP YDATA0
3	I	IP AUDA34	39	O	OP YADFLG	75	O	OP MYFLG2	111	I	IP YDATA1
4	I	IP AUDA56	40	O	OP CADFLG	76	O	OP MYFLG3	112	I	IP YDATA2
5	I	IP AUDA78	41	—	NC	77	O	OP MYFLG4	113	I	IP YDATA3
6	I	IP CAUA	42	O	OP CK74	78	O	OP MYFLG5	114	I	IP YDATA4
7	I	IP FSA	43	O	OP EXT V	79	I	IP RESET	115	I	IP YDATA5
8	I	IP CAUB	44	O	OP EXT H	80	—	NC	116	I	IP YDATA6
9	—	GND	45	—	GND	81	—	GND	117	—	GND
10	I	IP FSB	46	O	OP EXT F	82	—	NC	118	I	IP YDATA7
11	—	NC	47	O	OP CDATA10	83	—	NC	119	I	IP YDATA8
12	—	NC	48	O	OP CDATA9	84	—	NC	120	I	IP YDATA9
13	—	NC	49	O	OP CDATA8	85	—	NC	121	I	IP YDATA10
14	—	NC	50	O	OP CDATA7	86	—	NC	122	I	IP CDATA0
15	—	NC	51	O	OP CDATA6	87	—	NC	123	I	IP CDATA1
16	—	NC	52	O	OP CDATA5	88	—	NC	124	I	IP CDATA2
17	—	NC	53	O	OP CDATA4	89	O	OP SYRW	125	I	IP CDATA3
18	—	VDD	54	—	VDD	90	—	VDD	126	—	VDD
19	—	GND	55	—	GND	91	—	GND	127	—	GND
20	O	OP AUCKPH1	56	O	OP CDATA3	92	I	IP SYRW	128	I	IP CDATA4
21	O	OP AUCKPH2	57	O	OP CDATA2	93	—	NC	129	I	IP CDATA5
22	O	OP AUFLG12	58	O	OP CDATA1	94	I	IP XMM	130	I	IP CDATA6
23	O	OP AUFLG34	59	O	OP CDATA0	95	I	IP SYCS	131	I	IP CDATA7
24	O	OP AUFLG56	60	O	OP YDATA10	96	I	IP SYCK	132	I	IP CDATA8
25	O	OP AUFLG78	61	O	OP YDATA9	97	I	IP SYSTA1	133	I	IP CDATA9
26	O	OP AUDA12	62	O	OP YDATA8	98	I	IP SYSTA0	134	I	IP CDATA10
27	O	OP AUDA34	63	O	OP YDATA7	99	I/O	BP SYIF7	135	I	IP EXT F
28	O	OP AUDA56	64	O	OP YDATA6	100	I/O	BP SYIF6	136	I	IP EXT H
29	O	OP AUDA78	65	O	OP YDATA5	101	I/O	BP SYIF5	137	—	NC
30	—	GND	66	—	GND	102	—	GND	138	—	GND
31	—	NC	67	O	OP YDATA4	103	I/O	BP SYIF4	139	I	IP CK74
32	—	NC	68	O	OP YDATA3	104	I/O	BP SYIF3	140	—	NC
33	—	NC	69	O	OP YDATA2	105	I/O	BP SYIF2	141	—	NC
34	—	NC	70	O	OP YDATA1	106	I/O	BP SYIF1	142	—	NC
35	—	NC	71	O	OP YDATA0	107	I/O	BP SYIF0	143	—	NC
36	—	NC	72	—	NC	108	—	NC	144	O	OP ERR

CXD8824AQ (SONY)

C-MOS JOG AUDIO SOUND PROCESSOR

—TOP VIEW—



INPUT

- CAPFG : CAPSTAN FG
- CHIPID1, CHIPID0 : ID NUMBER
- DE2X1, DE2X2 : AUDIO SERIAL DATA (X1 = CH1/CH2, X2 = CH3/CH4)
- DE2XJP : DISCONTINUITY OF FIELD
- DE2XV, DE2YV : VD AT FIELD START OF AUDIO DATA
- DE2Y1, DE2Y2 : AUDIO SERIAL DATA (Y1 = CH1/CH2, Y2 = CH3/CH4)
- DIR : TAPE DRIVE DIRECTION
- DTJMP : DT HEAD JUMP SIGNAL
- ENMUTE : MUTE FLAG (H : NORMAL)
- FRNORM : DT HEAD JUMP AT FRAME OR FEILD
- FS : AUDIO SAMPLING FREQUENCY
- FS256 : REFERENCE CLOCK (FSx256)
- IBUSEN : I/O CONTROL FOR SYSTEM CONTROL TERMINAL
- JMPSL : CONTROL LINE SELECT FOR EXIT MEMORY
- LIMON : CONTROL WIDTH OF SELECT SPEED-DATA (H : NORMAL)
- MDTES3 - MDTES0 : TEST MODE SELECT
- RESET : SYSTEM RESET
- SCS : CLOCK SELECT FOR SYSTEM CONTROL
- STAT1, STAT0 : ATTRIBUTE DISCRIMINATE OF SYSTEM CONTROL DATA
- STRB : CLOCK FOR SYSTEM CONTROL
- TAI10 - TAI0, TD17 - TD10, TES18 - TES10 : TEST DATA
- TRJMP : JUMP SIGNAL AT FIELD DATA DISCONTINUITY
- TWE, TRE : TEST DATA FOR INTERNAL MEMORY
- XMM : SELECT INTERNAL MEMORY TEST

OUTPUT

- A16 - A0 : ADDRESS LINE FOR EXTERNAL MEMORY
- ADV1, ADV2 : PROCESS SIGNAL (CH1/CH2, CH3/CH4)
- ADVVD : PROCESS SIGNAL (VD)
- CNF1, CNF2 : INPUT SIGNAL SELECT (CH1/CH2, CH3/CH4)
- CNFVD : INPUT SIGNAL SELECT (VD)
- MNDN, MNUP : MONITOR OF SPEED DATA WINDOW POSITION
- MNMUTE : MONITOR OF MUTE
- OBUSEN : I/O CONTROL FOR SYSTEM CONTROL TERMINAL
- OE : I/O CONTROL FOR EXTERNAL MEMORY
- SPD7 - SPD0 : SPEED DATA MONITOR
- TDO7 - TDO0 : TEST DATA
- TES08 - TES00 : TEST DATA AND DIFFERENCE ADDRESS WRITE AND READ
- WE : WRITE ENABLE FOR EXTERNAL MEMORY

INPUT/OUTPUT

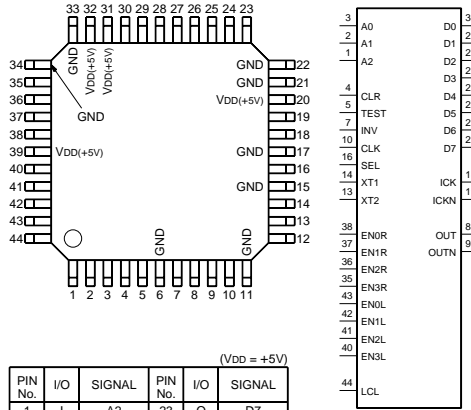
- I07 - I00 : DATA FOR EXTERNAL MEMORY
- SYSI07 - SYSI00 : DATA FOR SYSTEM CONTROL

PIN NO.	I/O	SIGNAL	PIN NO.	I/O	SIGNAL	PIN NO.	I/O	SIGNAL	PIN NO.	I/O	SIGNAL
1	—	GND	41	—	GND	81	—	GND	121	—	GND
2	I	RESET	42	—	NC	82	O	A16	122	I/O	IO6
3	I	JMPSL	43	I	TAI4	83	O	A15	123	I/O	IO5
4	I	LIMON	44	I	TAI3	84	O	A14	124	I/O	IO4
5	I	ENMUTE	45	I	TAI2	85	O	TESO8	125	I	DE2X1
6	O	TDO7	46	I	TAI1	86	—	GND	126	I	DE2X2
7	O	TDO6	47	I	TAI0	87	O	A13	127	I	DE2XV
8	O	TDO5	48	I	TD17	88	O	A12	128	I/O	IO3
9	O	OBUSEN	49	I	TD16	89	O	A11	129	I/O	IO2
10	—	GND	50	—	GND	90	—	GND	130	—	GND
11	I	IBUSEN	51	I	TD15	91	O	A10	131	I/O	IO1
12	O	TDO4	52	O	MNDN	92	O	A9	132	I/O	IO0
13	O	TDO3	53	O	MNUP	93	O	A8	133	I	DE2XJP
14	O	TDO2	54	O	MNMUTE	94	O	A7	134	I	TESI8
15	—	GND	55	—	NC	95	—	GND	135	I	TESI7
16	O	TDO1	56	I	TD14	96	O	TESO7	136	I	TESI6
17	O	TDO0	57	I	TD13	97	O	TESO6	137	I	TESI5
18	I	STAT1	58	I	TD12	98	O	TESO5	138	I	FS
19	I	STAT0	59	—	GND	99	O	TESO4	139	—	GND
20	I	VDD	60	—	VDD	100	—	VDD	140	—	VDD
21	I	STRB	61	I	TD11	101	O	TESO3	141	I	DE2Y1
22	I	SCS	62	I	TD10	102	O	TESO2	142	I	DE2Y2
23	I	TAI10	63	—	NC	103	O	TESO1	143	I	DE2YV
24	I	TAI9	64	I	TWE	104	O	TESO0	144	I	TESI4
25	I	TAI8	65	I	TRE	105	—	GND	145	I	TESI3
26	I/O	SYSI07	66	I	XMM	106	O	A6	146	I	TESI2
27	I/O	SYSI06	67	O	CNFVD	107	O	A5	147	I	TESI1
28	I/O	SYSI05	68	O	CNF2	108	O	A4	148	I	TESI0
29	I/O	SYSI04	69	O	CNF1	109	O	A3	149	I	FS256
30	—	GND	70	—	GND	110	—	GND	150	—	GND
31	I/O	SYSI03	71	O	ADV1	111	O	A2	151	I	DTJMP
32	I/O	SYSI02	72	O	ADV2	112	O	A1	152	I	TRJMP
33	I/O	SYSI01	73	O	ADVVD	113	O	A0	153	I	DIR
34	I/O	SYSI00	74	I	MDTES3	114	—	NC	154	I	CAPFG
35	I	CHIPID1	75	I	MDTES2	115	O	SPD3	155	I	FRNORM
36	I	CHIPID0	76	I	MDTES1	116	O	SPD2	156	O	SPD7
37	I	TAI7	77	I	MDTES0	117	O	SPD1	157	O	SPD6
38	I	TAI6	78	O	OE	118	O	SPD0	158	O	SPD5
39	I	TAI5	79	O	WE	119	I/O	IO7	159	O	SPD4
40	—	VDD	80	—	VDD	120	—	VDD	160	—	VDD

CXD8814Q (SONY)

C-MOS COUNTER FOR A/D CONVERTER

—TOP VIEW—



(VDD = +5V)

PIN No.	I/O	SIGNAL	PIN No.	I/O	SIGNAL
1	I	A2	23	O	D7
2	I	A1	24	O	D6
3	I	A0	25	O	D5
4	I	CLR	26	O	D4
5	I	TEST	27	O	D3
6	—	GND	28	O	D2
7	I	INV	29	O	D1
8	O	OUT	30	O	D0
9	O	OUTN	31	—	VDD
10	I	CLK	32	—	VDD
11	—	GND	33	—	GND
12	—	DDD	34	—	GND
13	I/O	XT2	35	I	EN3R
14	I/O	XT1	36	I	EN2R
15	—	GND	37	I	EN1R
16	I	SEL	38	I	EN0R
17	—	GND	39	—	VDD
18	O	ICK	40	I	EN3L
19	O	ICKN	41	I	EN2L
20	—	VDD	42	I	EN1L
21	—	GND	43	I	EN0L
22	—	GND	44	I	LCL

INPUT

- A0 - A3 : COUNTER CONTROL
- CLK : CLOCK IN
- CLR : COUNTER CLEAR
- EN0L - EN3L : COUNTER ENABLE(LOCAL)
- EN0R - EN3R : COUNTER ENABLE(REMOTE)
- INV : BUFFER IN
- LCL : LOCAL/REMOTE
- SEL : CLOCK SELECT "H" : XTAL "L" : CLK
- TEST : IC TEST PIN

OUTPUT

- D0 - D7 : COUNTER DATA
- ICK : CLOCK OUT (+)
- ICKN : CLOCK OUT (-)
- OUT : BUFFER OUT (+)
- OUTN : BUFFER OUT (-)

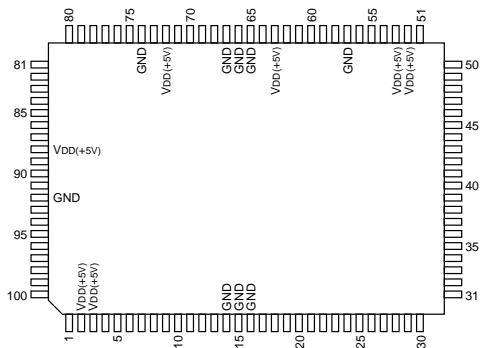
INPUT/OUTPUT

- XT1, XT2 : XTAL

CXD8953Q (SONY)

C-MOS ERROR DETECTION AND HANDLING

—TOP VIEW—



PIN No.	I/O	SIGNAL	PIN No.	I/O	SIGNAL	PIN No.	I/O	SIGNAL	PIN No.	I/O	SIGNAL	PIN No.	I/O	SIGNAL
1	O	TEST0	21	I	IDATA8	41	I	TEST6	61	O	ODATA8	81	O	APERR
2	—	Vdd	22	I	IDATA9	42	I	A3	62	O	ODATA7	82	O	FFERR
3	—	Vdd	23	I	FORM0	43	I	A2	63	—	Vdd	83	O	ANCER
4	O	TEST1	24	I	FORM1	44	I	A1	64	O	ODATA6	84	I/O	ANCEDH
5	O	TEST2	25	I	AUTO	45	I	A0	65	—	GND	85	I/O	ANCEDA
6	I	TEST3	26	I	MODE0	46	I	WRITE	66	—	GND	86	I/O	ANCIDH
7	I	TEST4	27	I	MODE1	47	I	READ	67	—	GND	87	I/O	ANCIDA
8	O	TEST5	28	I	MODE2	48	I	CS	68	O	ODATA5	88	—	Vdd
9	I	ICLOCK	29	O	OTHANC	49	O	TEST7	69	O	ODATA4	89	I/O	ANCUES
10	I	IDATA0	30	O	EDHVL	50	I	TEST8	70	O	ODATA3	90	I/O	APEDH
11	I	IDATA1	31	O	DPR	51	I	RESET	71	O	ODATA2	91	I/O	APEDA
12	I	IDATA2	32	O	INTR	52	—	Vdd	72	—	Vdd	92	—	GND
13	I	IDATA3	33	I/O	D7	53	—	Vdd	73	O	ODATA1	93	I/O	APIDH
14	—	GND	34	I/O	D6	54	O	TEST9	74	—	GND	94	I/O	APIDA
15	—	GND	35	I/O	D5	55	O	TEST10	75	O	ODATA0	95	I/O	APUES
16	—	GND	36	I/O	D4	56	O	TEST11	76	O	TEST13	96	I/O	FFEDH
17	I	IDATA4	37	I/O	D3	57	—	GND	77	O	OD1	97	I/O	FFEDA
18	I	IDATA5	38	I/O	D2	58	O	TEST12	78	O	OL525	98	I/O	FFIDH
19	I	IDATA6	39	I/O	D1	59	O	OCLOCK	79	I	TEST14	99	I/O	FFIDA
20	I	IDATA7	40	I/O	D0	60	O	ODATA9	80	I	TEST15	100	I/O	FFUES

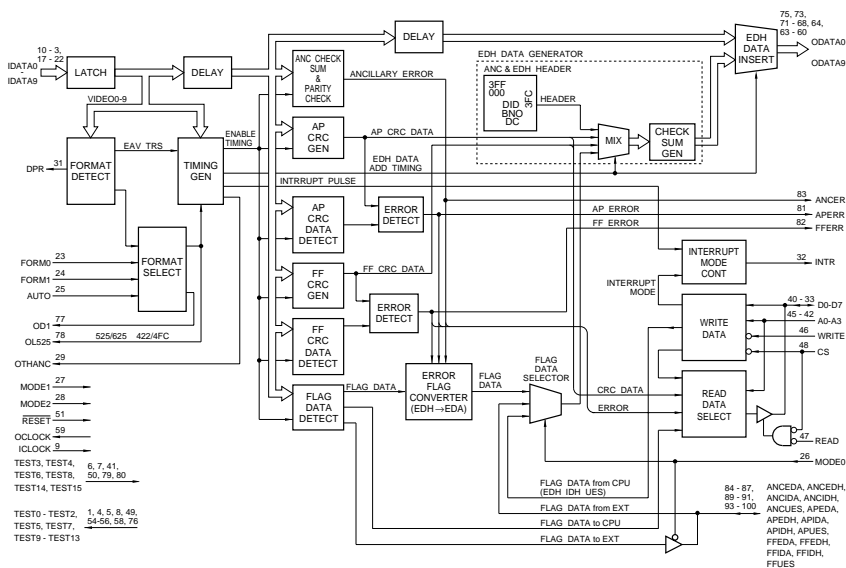
(Vdd = +5V)

INPUT
 A0 - A3 : ADDRESS
 AUTO : AUTO DETECT
 CS : CHIP SELECT
 FORM0, FORM1 : VIDEO FORMAT
 ICLOCK : CLOCK
 IDATA0 - IDATA9 : VIDEO DATA
 MODE0 : ; 1 = Detect each FLAG and calculate CRC.
 : Add the result and output.
 : 0 = Input each FLAG from outside and calculate CRC.
 : Add the result and output.
 MODE1 : ; 1 = If other ANCILLARY DATA existe EDH,
 : such as AUDIO, no EDH is added.
 : 0 = EDH is added unconditionally.
 MODE2 : MODE SELECT
 READ : READ
 RESET : RESET
 TEST3, TEST4, TEST6, TEST8, TEST14, TEST15 : TEST
 WRITE : WRITE

OUTPUT
 ANCER : ANCILLARY DATA ERROR
 APERR : ACTIVE PICTURE ERROR
 DPR : INPUT SIGNAL DETECT
 EDHVLB : ERROR DETECTION & HANDLING CORRESPOND DETECT
 FFERR : FULL FIELD ERROR
 INTR : INTERRUPT
 OCLOCK : OUTPUT CLOCK
 OD1 : D1/D2 FORMAT SELECT
 ODATA0 - ODATA9 : OUTPUT DATA
 OL525 : 525/625, 422/4FC FORMAT SELECT
 OTHANC : OTHER ANC DATA DETECT
 TEST0 - TEST2, TEST5, TEST7, TEST9 - TEST13 : TEST

INPUT / OUTPUT
 ANCEDA : ANCILLARY EDA FLAG
 ANCEDH : ANCILLARY EDH FLAG
 ANCEIDA : ANCILLARY IDA FLAG
 ANCIDH : ANCILLARY IDH FLAG
 ANCUES : ANCILLARY UES FLAG
 APEDA : ACTIVE PICTURE EDA FLAG
 APEDH : ACTIVE PICTURE EDH FLAG
 APIDA : ACTIVE PICTURE IDA FLAG
 APIDH : ACTIVE PICTURE IDH FLAG
 APUES : ACTIVE PICTURE UES FLAG
 D0 - D7 : CPU DATA
 FFEDA : FULL FIELD EDA FLAG
 FFEDH : FULL FIELD EDH FLAG
 FFIDA : FULL FIELD IDA FLAG
 FFIDH : FULL FIELD IDH FLAG
 FFUES : FULL FIELD UES FLAG

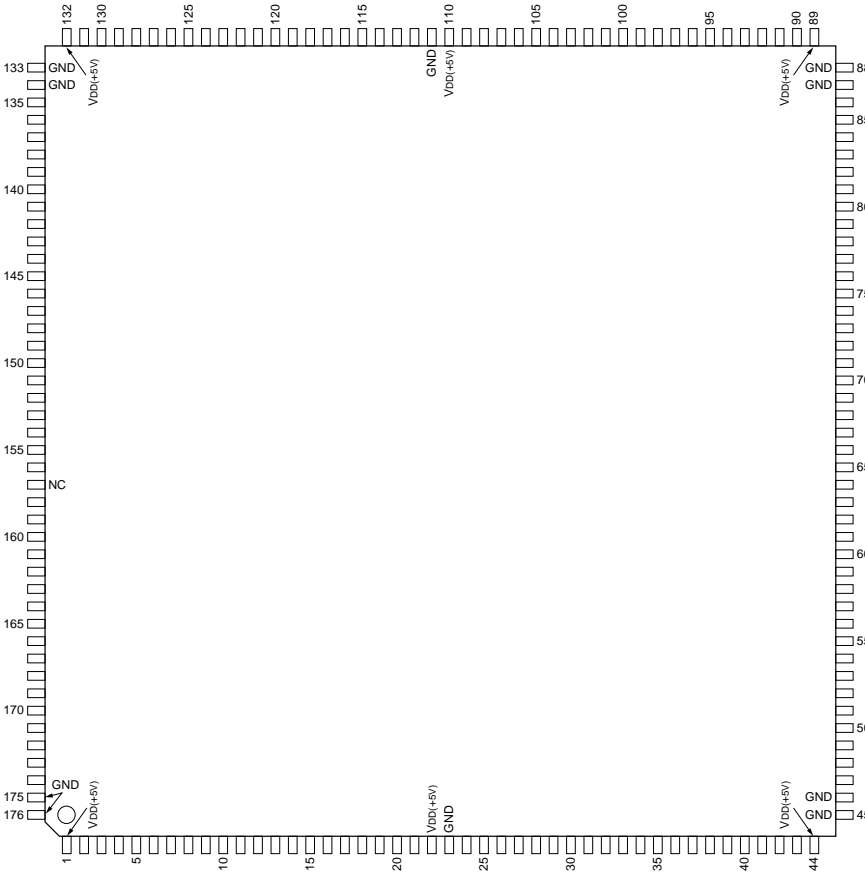
22	IDATA9	ODATA9	60
21	IDATA8	ODATA8	61
20	IDATA7	ODATA7	62
19	IDATA6	ODATA6	63
18	IDATA5	ODATA5	64
17	IDATA4	ODATA4	65
16	IDATA3	ODATA3	66
15	IDATA2	ODATA2	67
14	IDATA1	ODATA1	68
13	IDATA0	ODATA0	69
33	D7	ANCER	83
34	D6	APERR	81
35	D5	FFERR	82
36	D4	INTR	32
37	D3	DPR	31
38	D2	OD1	77
39	D1	OL525	78
40	D0	OL525	29
44	A3	OTHANC	29
43	A2	OCLOCK	29
42	A1	ANCEDH	84
41	A0	ANCEDA	85
23	FORM0	ANCIDH	86
24	FORM1	ANCIDA	87
25	AUTO	ANCUES	89
26	MODE0	APEDA	81
27	MODE1	APIDH	83
28	MODE2	APIDA	84
47	READ	APUES	85
46	WRITE	FFEDH	86
45	CS	FFEDA	87
51	RESET	FFIDH	88
		FFIDA	89
		FFUES	100
6	TEST3	TEST0	1
7	TEST4	TEST1	4
41	TEST5	TEST2	5
40	TEST6	TEST2	8
50	TEST8	TEST5	49
79	TEST14	TEST7	54
80	TEST15	TEST9	55
		TEST10	56
		TEST11	58
		TEST12	76
		TEST13	96



CXD9001AR (SONY)

C-MOS CPU R3041 PERIPHERAL

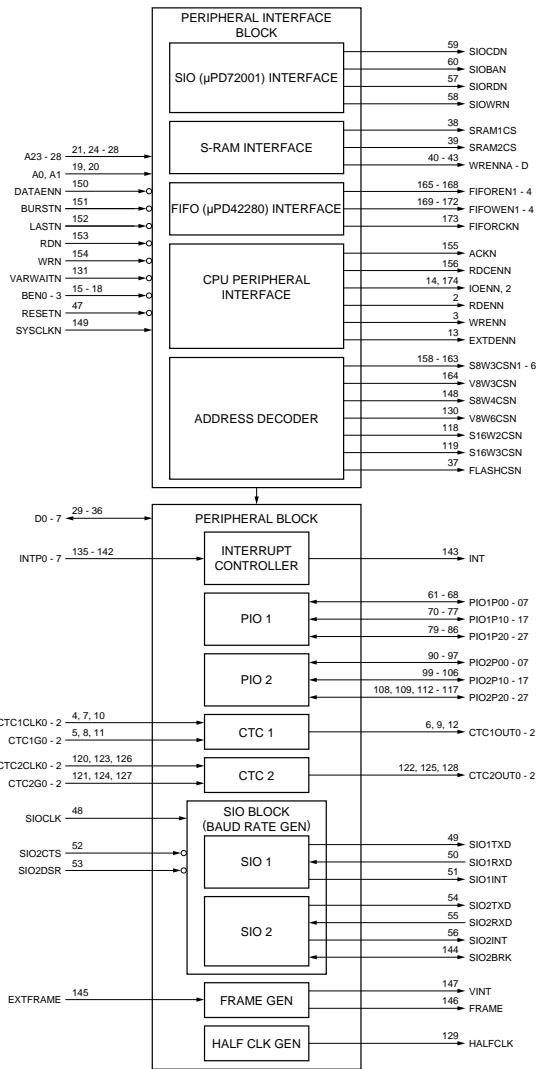
—TOP VIEW—



- INPUT**
- A0, A1 : ADDRESS BUS
 - A23 - A28 : ADDRESS BUS
 - BEN0 - BEN3 : 1st TO 4th BYTE SELECT
 - BURSTN : CPU BURST
 - CTC1CLK0 - CTC1CLK2 : CTC CLOCK
 - CTC1G0 - CTC1G2 : CTC GATE
 - CTC2CLK0 - CTC2CLK2 : CTC2 CLOCK
 - CTC2G0 - CTC2G2 : CTC2 GATE
 - DATAENN : CPU DATA ENABLE
 - EXTFRAME : EXTERNAL FRAME
 - INTP0 - INTP7 : INTERRUPT
 - LASTN : CPU LAST
 - RDN : CPU READ
 - RESETN : CPU RESET
 - SIO1RXD : SIO1 RECEIVE DATA
 - SIO2CTS : SIO2 CTS
 - SIO2DSR : SIO2 DSR
 - SIO2RXD : SIO2 RECEIVE DATA
 - SIOCLK : SIO CLOCK
 - SYSCLKN : CPU SYSTEM CLOCK
 - TEST0 - TEST3 : TEST
 - VARWAITN : VARIABLE WAIT
 - WRN : CPU WRITE
- OUTPUT**
- ACKN : CPU ACKNOWLEDGE
 - CTC1OUT0 - CTC1OUT2 : CTC1 OUT
 - CTC2OUT0 - CTC2OUT2 : CTC2 OUT
 - EXTDENN : READ/WRITE SELECT
 - FIFORCKN : FIFO READ CLOCK
 - FIFOREN1 - FIFOREN4 : FIFO READ ENABLE
 - FIFOWEN1 - FIFOWEN4 : FIFO WRITE ENABLE
 - FLASHCSN : FLASH ROM CHIP SELECT
 - FRAME : FRAME
 - HALFCLK : DIVIDED-BY-TWO SYSTEM CLOCK
 - INT : INTERRUPT
 - IOENN : DATA BUS DRIVER ENABLE
 - IOENN2 : 2nd DATA BUS DRIVER ENABLE
 - RDCENN : CPU READ CHIP ENABLE
 - RDENN : READ
 - S16W2CSN : 16-BIT 2-WAIT CHIP ENABLE
 - S16W3CSN : 16-BIT 3-WAIT CHIP ENABLE
 - S8W3CSN1 - S8W3CSN6 : 8-BIT 3-WAIT CHIP ENABLE
 - S8W4CSN : 8-BIT 4-WAIT CHIP ENABLE
 - SIO1INT : SIO1 INTERRUPT
 - SIO1TXD : SIO1 TRANSMIT DATA
 - SIO2INT : SIO2 INTERRUPT
 - SIO2TXD : SIO2 TRANSMIT DATA
 - SIOBAN : SIO B/A
 - SIOCDN : SIO C/D
 - SIORDN : SIO READ
 - SIOWRN : SIO WRITE
 - SRAM1CS : SRAM1 CHIP SELECT
 - SRAM2CS : SRAM2 CHIP SELECT
 - V8W3CSN : VARIABLE WAIT 8-BIT 3-WAIT CHIP ENABLE
 - V8W6CSN : VARIABLE WAIT 8-BIT 6-WAIT CHIP ENABLE
 - VINT : FRAME INTERRUPT
 - WRENN : WRITE
 - WRENNNA - WRENNND : SRAM 1st TO 4th BYTE WRITE

(VDD = +5V)

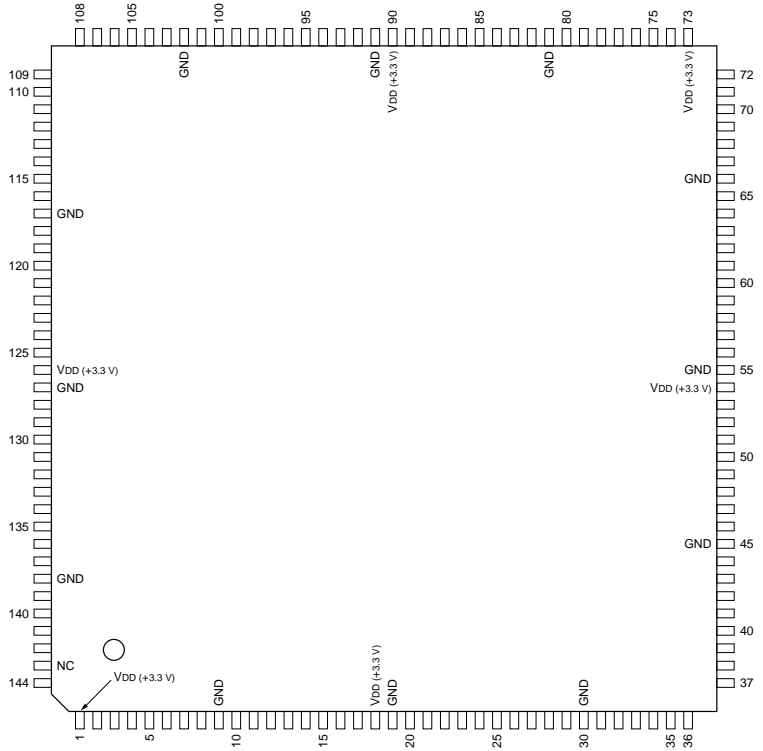
PIN NO.	I/O	SIGNAL	PIN NO.	I/O	SIGNAL	PIN NO.	I/O	SIGNAL	PIN NO.	I/O	SIGNAL
1	—	VDD	45	—	GND	89	—	VDD	133	—	GND
2	O	RDENN	46	—	GND	90	I/O	PIO2P00	134	—	GND
3	O	WRENN	47	I	RESETN	91	I/O	PIO2P01	135	I	INTP0
4	I	CTC1CLK0	48	I	SIOCLK	92	I/O	PIO2P02	136	I	INTP1
5	I	CTC1G0	49	O	SIO1TXD	93	I/O	PIO2P03	137	I	INTP2
6	O	CTC1OUT0	50	I	SIO1RXD	94	I/O	PIO2P04	138	I	INTP3
7	I	CTC1CLK1	51	O	SIO1INT	95	I/O	PIO2P05	139	I	INTP4
8	I	CTC1G1	52	I	SIO2CTS	96	I/O	PIO2P06	140	I	INTP5
9	O	CTC1OUT1	53	I	SIO2DSR	97	I/O	PIO2P07	141	I	INTP6
10	I	CTC1CLK2	54	O	SIO2TXD	98	I	TEST2	142	I	INTP7
11	I	CTC1G2	55	I	SIO2RXD	99	I/O	PIO2P10	143	O	INT
12	O	CTC1OUT2	56	O	SIO2INT	100	I/O	PIO2P11	144	I/O	SIO2BRK
13	O	EXTDENN	57	O	SIO2RN	101	I/O	PIO2P12	145	I	EXTFRAME
14	O	IOENN	58	O	SIOWRN	102	I/O	PIO2P13	146	O	FRAME
15	I	BEN0	59	O	SIOCDN	103	I/O	PIO2P14	147	O	VINT
16	I	BEN1	60	O	SIOBAN	104	I/O	PIO2P15	148	O	S8W4CSN
17	I	BEN2	61	I/O	PIO1P00	105	I/O	PIO2P16	149	I	SYSCLKN
18	I	BEN3	62	I/O	PIO1P01	106	I/O	PIO2P17	150	I	DATAENN
19	I	A0	63	I/O	PIO1P02	107	I	TEST3	151	I	BURSTN
20	I	A1	64	I/O	PIO1P03	108	I/O	PIO2P20	152	I	LASTN
21	I	A23	65	I/O	PIO1P04	109	I/O	PIO2P21	153	I	RDN
22	—	VDD	66	I/O	PIO1P05	110	—	VDD	154	I	WRN
23	—	GND	67	I/O	PIO1P06	111	—	GND	155	O	ACKN
24	I	A24	68	I/O	PIO1P07	112	I/O	PIO2P22	156	O	RDCENN
25	I	A25	69	I	TEST0	113	I/O	PIO2P23	157	—	NC
26	I	A26	70	I/O	PIO1P10	114	I/O	PIO2P24	158	O	S8W3CSN1
27	I	A27	71	I/O	PIO1P11	115	I/O	PIO2P25	159	O	S8W3CSN2
28	I	A28	72	I/O	PIO1P12	116	I/O	PIO2P26	160	O	S8W3CSN3
29	I/O	D0	73	I/O	PIO1P13	117	I/O	PIO2P27	161	O	S8W3CSN4
30	I/O	D1	74	I/O	PIO1P14	118	O	S16W2CSN	162	O	S8W3CSN5
31	I/O	D2	75	I/O	PIO1P15	119	O	S16W3CSN	163	O	S8W3CSN6
32	I/O	D3	76	I/O	PIO1P16	120	I	CTC2CLK0	164	O	V8W3CSN
33	I/O	D4	77	I/O	PIO1P17	121	I	CTC2G0	165	O	FIFOREN1
34	I/O	D5	78	I	TEST1	122	O	CTC2OUT0	166	O	FIFOREN2
35	I/O	D6	79	I/O	PIO1P20	123	I	CTC2CLK1	167	O	FIFOREN3
36	I/O	D7	80	I/O	PIO1P21	124	I	CTC2G1	168	O	FIFOREN4
37	O	FLASHCSN	81	I/O	PIO1P22	125	O	CTC2OUT1	169	O	FIFOWEN1
38	O	SRAM1CS	82	I/O	PIO1P23	126	I	CTC2CLK2	170	O	FIFOWEN2
39	O	SRAM2CS	83	I/O	PIO1P24	127	I	CTC2G2	171	O	FIFOWEN3
40	O	WRENNNA	84	I/O	PIO1P25	128	O	CTC2OUT2	172	O	FIFOWEN4
41	O	WRENNB	85	I/O	PIO1P26	129	O	HALFCLK	173	O	FIFORCKN
42	O	WRENNC	86	I/O	PIO1P27	130	O	V8W6CSN	174	O	IOENN2
43	O	WRENNND	87	—	GND	131	I	VARWAITN	175	—	GND
44	—	VDD	88	—	GND	132	—	VDD	176	—	GND



CXD9013AR (SONY)

C-MOS TIMING GENERATOR

—TOP VIEW—



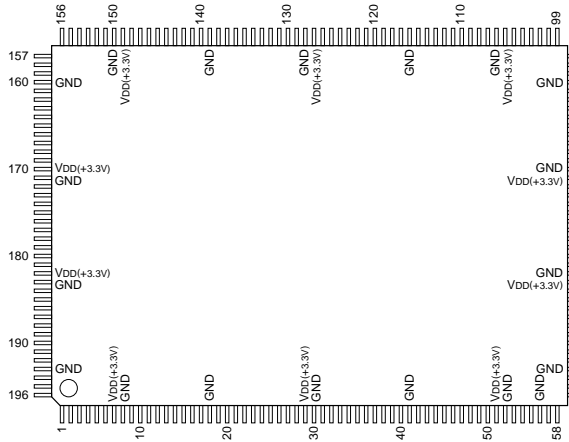
(V_{DD} = +3.3 V)

PIN NO.	I/O	SIGNAL	PIN NO.	I/O	SIGNAL	PIN NO.	I/O	SIGNAL	PIN NO.	I/O	SIGNAL
1	—	V _{DD}	37	O	OP FS512 479K	73	—	V _{DD}	109	O	OP VARDADT 2
2	I	IP SYCS	38	O	OP AUDFRM	74	O	OP H1125 5	110	O	OP VARDADT 3
3	I	IP SYSTRB	39	O	OP CFINF	75	O	OP F1125 5	111	O	OP VARDADT 4
4	I	IP SYSTAT 0	40	O	OP CFRM0	76	O	OP H1125 6	112	O	OP VARDADT 5
5	I	IP SYSTAT 1	41	O	OP CFRM1	77	O	OP F1125 6	113	O	OP VARDADT 6
6	I/O	BP SYSIO 0	42	O	OP H525 0	78	O	OP CKO 46M	114	O	OP VARDADT 7
7	I/O	BP SYSIO 1	43	O	OP V525 0	79	I	IP TEST4	115	O	OP VARDADT 8
8	I/O	BP SYSIO 2	44	O	OP F525 0	80	O	OP LOCK 46	116	O	OP VARDADT 9
9	—	GND	45	—	GND	81	—	GND	117	—	GND
10	I/O	BP SYSIO 3	46	O	OP CKO 27M	82	O	OP CKO 56M	118	I	IP SDI F
11	I/O	BP SYSIO 4	47	O	OP CKO 13M	83	I	IP TEST5	119	I	IP SDI V
12	I/O	BP SYSIO 5	48	O	OV _{SS} 3	84	O	OP LOCK 56	120	I	IP SDI H
13	I/O	BP SYSIO 6	49	O	OP VAR 27	85	I	IP TEST3	121	I	IP SDI FLG
14	I/O	BP SYSIO 7	50	O	OP REF 27	86	O	OP H1125 0	122	I	IP SDI CK
15	O	OV _{SS} 1	51	I	XSM	87	O	OP F1125 0	123	O	OV _{SS} 5
16	O	OP VAR 2458	52	I	XTST	88	O	OP H1125 1	124	I	IP CMP 1125
17	O	OP REF 2458	53	I	IP VCO 2700	89	O	OP F1125 1	125	I	IP CMP 525
18	—	V _{DD}	54	—	V _{DD}	90	—	V _{DD}	126	—	V _{DD}
19	—	GND	55	—	GND	91	—	GND	127	—	GND
20	I	IP VCO 2458	56	I	IP VCO 2703	92	O	OP H1125 2	128	O	SDO0
21	I	IP RST5FRM	57	O	OV _{DD} 2	93	O	OP F1125 2	129	I	IP SUBCAR
22	O	OP LR 48K	58	O	OP SYNC1125 0	94	I	IP PLLTEST	130	I	IP SDIA F
23	O	OP FS64 48K	59	O	OP SYNC1125 1	95	O	OP CKO 74M	131	I	IP SDIA V
24	O	OP FS128 48K	60	O	OP SYNC1125 2	96	O	OP CKO 37M	132	I	IP SDIA H
25	O	OP FS256 48K	61	O	OP SYNC1125 3	97	O	OP CKO 18M	133	I	IP SDIA CK
26	O	OP FS512 48K	62	O	OP SYNC1125 4	98	O	OV _{SS} 4	134	I	IP TEST0
27	O	OV _{SS} 2	63	O	OP SYNC1125 5	99	I	IP VCO 7425	135	I	IP TEST1
28	O	OP VAR 2455	64	O	OP SYNC1125 6	100	O	OV _{DD} 3	136	I	IP TEST2
29	O	OP REF 2455	65	O	OP SYNC1125 7	101	I	IP VCO 7418	137	I	VPDEA
30	—	GND	66	—	GND	102	—	GND	138	—	GND
31	I	IP VCO 2455	67	O	OP SYNC1125 8	103	O	OP VAR 74	139	O	OP LOCKAUD
32	O	OV _{DD} 1	68	O	OP SYNC1125 9	104	O	OP REF 74	140	I	IP TEST6
33	O	OP LR 479K	69	O	OP H1125 3	105	I	IP VARCMP 74	141	I	IP TEST7
34	O	OP FS64 479K	70	O	OP F1125 3	106	O	OP FRUN	142	O	OV _{DD} 4
35	O	OP FS128 479K	71	O	OP H1125 4	107	O	OP VARDADT 0	143	—	NC
36	O	OP FS256 479K	72	O	OP F1125 4	108	O	OP VARDADT 1	144	I	IP RESET

CXD9008Q (FUJITSU) FLAT PACKAGE

C-MOS DIGITAL ENCODER

—TOP VIEW—



(VDD = +3.3V)

PIN No.	I/O	SIGNAL	PIN No.	I/O	SIGNAL	PIN No.	I/O	SIGNAL	PIN No.	I/O	SIGNAL	PIN No.	I/O	SIGNAL
1	I	REF HD	41	—	GND	81	—	*	121	O	CMPNTB 0	161	I	CK8FSC
2	I	REF VD	42	O	DDATA 5	82	I	T04	122	O	CMPNTB 1	162	O	F4HD
3	I	REF CF	43	O	DDATA 4	83	I	R05	123	O	CMPNTB 2	163	I	PAL/NTSC
4	I	T00	44	O	DDATA 3	84	—	VDD	124	O	CMPNTB 3	164	I	TSEL 1
5	I	T01	45	O	DDATA 2	85	—	GND	125	O	CMPNTB 4	165	I	TSEL 2
6	I	T02	46	O	DDATA 1	86	O	CMPSTE 5	126	O	CMPNTB 5	166	I	TSEL 3
7	—	VDD	47	O	DDATA 0	87	O	CMPSTE 6	127	—	VDD	167	I	MUTE/TSEL 4
8	—	GND	48	—	T12	88	O	CMPSTE 7	128	—	GND	168	I	TSEL 5
9	I	POWER ON RESET	49	O	D1 HD	89	O	CMPSTE 8	129	O	CMPNTB 6	169	I	TSEL 6
10	I	T26	50	O	DDCF 2	90	O	CMPSTE 9	130	O	CMPNTB 7	170	—	VDD
11	I	PB DATA 09	51	—	VDD	91	I	T16	131	O	CMPNTB 8	171	—	GND
12	I	PB DATA 08	52	—	GND	92	O	CMPNTY 0	132	O	CMPNTB 9	172	I	TSEL 7
13	I	PB DATA 07	53	O	DDCF 1	93	O	CMPNTY 1	133	O	CLAMP P	173	O	DREF CF 0
14	I	PB DATA 06	54	O	DDCF 0	94	O	CMPNTY 2	134	I	T22	174	O	DREF CF 1
15	I	PB DATA 05	55	O	DPRITY	95	—	GND	135	I	T23	175	O	DREF CF 2
16	I	PB DATA 04	56	O	D2SYNC	96	O	CMPNTY 3	136	I	CADDR 0	176	O	DPB CF 0
17	I	PB DATA 03	57	I	T13	97	O	CMPNTY 4	137	I	CADDR 1	177	O	DPB CF 1
18	—	GND	58	O	VISC 0	98	O	CMPNTY 5	138	I	CADDR 2	178	O	DPB CF 2
19	I	PB DATA 02	59	O	VISC 1	99	O	CMPNTY 6	139	—	GND	179	I	T33
20	I	PB DATA 01	60	O	VISC 2	100	O	CMPNTY 7	140	I	T24	180	I	T34
21	I	PB DATA 00	61	O	VISC 3	101	O	CMPNTY 8	141	O	BBRST 0	181	I	T28
22	I	PB HD	62	—	GND	102	O	CMPNTY 9	142	O	BBRST 1	182	—	VDD
23	I	PB VD	63	O	VISC 4	103	I	T17	143	O	BBRST 2	183	—	GND
24	I	PB CF	64	O	VISC 5	104	I	T18	144	O	BBRST 3	184	O	WCK4FSC
25	I	PB PARITY	65	O	VISC 6	105	—	VDD	145	O	BBRST 4	185	I	T27
26	I	T03	66	O	VISC 7	106	—	GND	146	O	BBRST 5	186	I	DB START
27	O	WRADDR	67	O	VISC 8	107	I	T19	147	O	BBRST 6	187	I	DD SCK
28	O	RDADDR	68	O	VISC 9	108	O	CMPNTR 0	148	O	BBRST 7	188	I	MODE DATA
29	—	VDD	69	I	T14	109	O	CMPNTR 1	149	—	VDD	189	O	STSDATA
30	—	GND	70	O	HSHIFT	110	O	CMPNTR 2	150	—	GND	190	O	ADD CHECK
31	I	T06	71	O	VSHIFT	111	O	CMPNTR 3	151	O	BBRST 8	191	I	T29
32	I	T07	72	—	VDD	112	O	CMPNTR 4	152	O	BBRST 9	192	I	T30
33	I	T08	73	—	GND	113	O	CMPNTR 5	153	I	T25	193	—	GND
34	I	T09	74	O	CK 4FSC	114	O	CMPNTR 6	154	O	FAIHD	194	I	CK27
35	I	T10	75	I	T15	115	O	CMPNTR 7	155	O	H.H MUTE	195	I	T31
36	I	T11	76	O	CMPSTE 0	116	—	GND	156	I	ICADDR 0	196	I	T32
37	O	DDATA 9	77	O	CMPSTE 1	117	O	CMPNTR 8	157	I	ICADDR 1			
38	O	DDATA 8	78	O	CMPSTE 2	118	O	CMPNTR 9	158	I	ICADDR 2			
39	O	DDATA 7	79	O	CMPSTE 3	119	I	T20	159	I	ICADDR 3			
40	O	DDATA 6	80	O	CMPSTE 4	120	I	T21	160	—	GND			

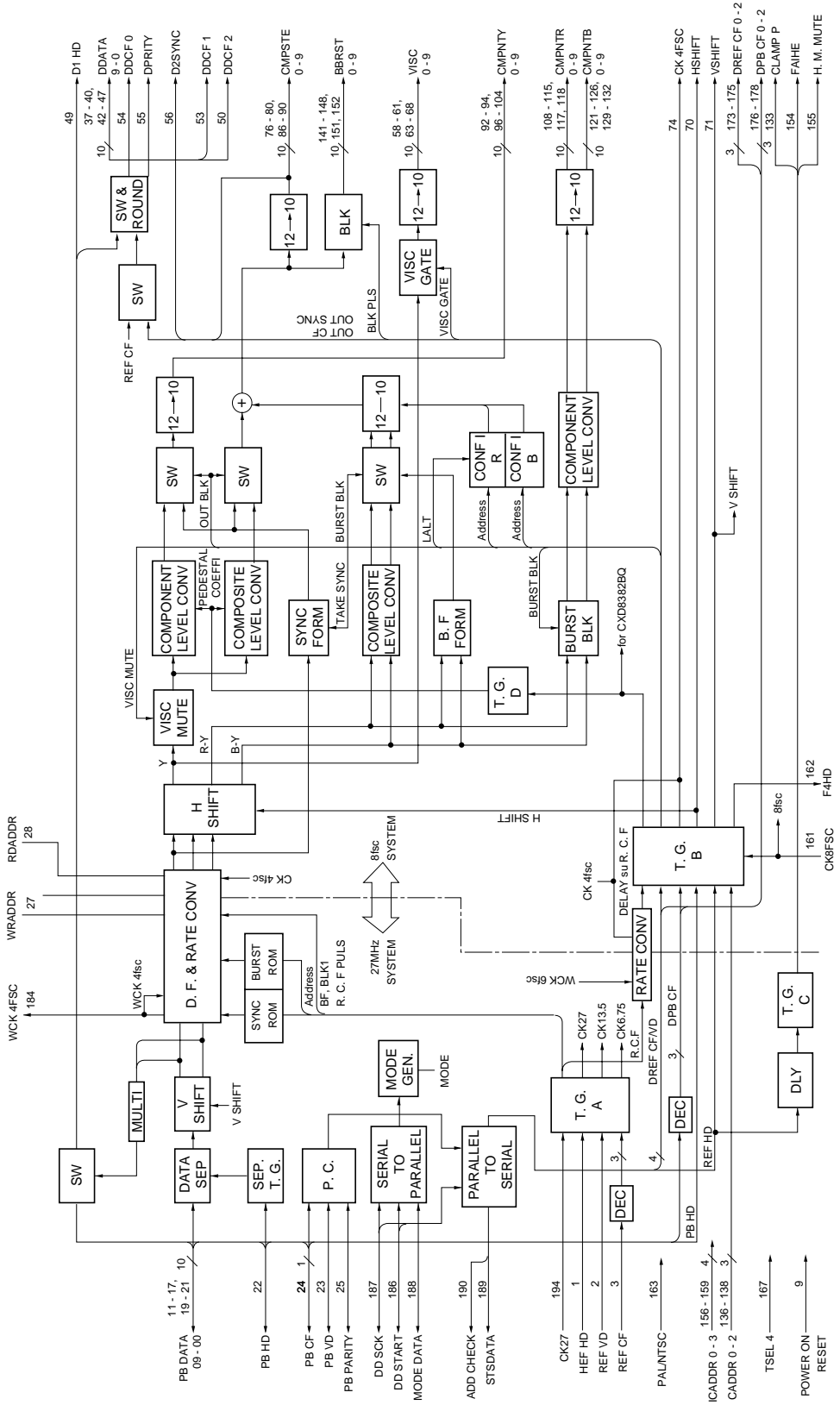
* Connect Pin 81 to the ground.

INPUT

- CADDR 0 - 2 : SCH SETUP OF OUTPUT SIGNAL
- CK 8FSC : STANDARD CLOCK FOR 8fsc MODE
- CK27 : STANDARD CLOCK FOR 27MHz MODE
- DD SCK : CLOCK FOR SERIAL COMMUNICATION BETWEEN MICROCOMPUTER
- DD START : STATUS PULSE FOR SERIAL COMMUNICATION BETWEEN MICROCOMPUTER
- ICADDR 0 - 3 : ADDRESS AUTHORIZE
- MODE DATA : DATA FOR SERIAL COMMUNICATION BETWEEN MICROCOMPUTER
- PAL/NTSC : INITIAL SETUP
- PB CF : COLOR FRAME (3-BIT) OF IMAGE DATA
- PB DATA 00 - 09 : IMAGE DATA
- PB HD : HD OF IMAGE DATA
- PB VD : VD OF IMAGE DATA
- PB PARITY : PARITY BIT OF IMAGE DATA
- POWER ON RESET : RESET TERMINAL
- REF CF : COLOR FRAME OF REFERENCE
- REF HD : HD OF REFERENCE
- REF VD : VD OF REFERENCE

OUTPUT

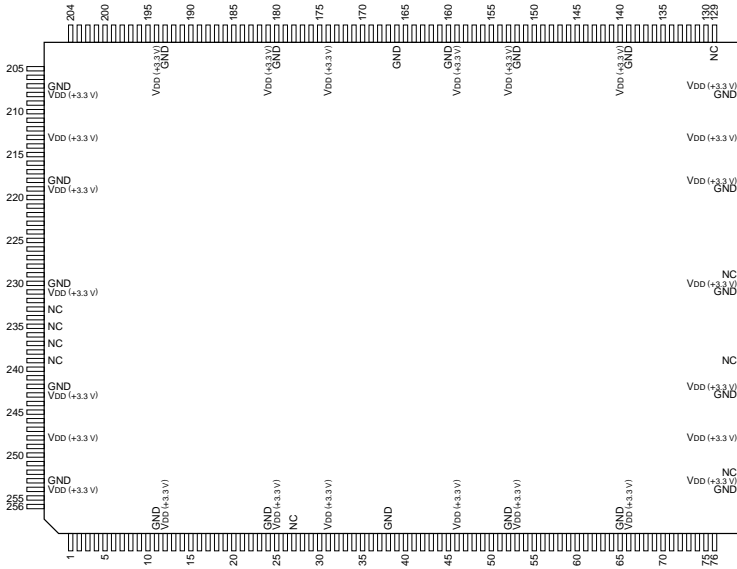
- ADD CHECK : CLOCK FOR SERIAL COMMUNICATION RECEIVE CHECK BETWEEN MICROCOMPUTER
- BBRST 0 - 9 : DIGITAL DATA FOR BLACK BURST
- CK 4FSC : 4fsc CLOCK AT 8fsc COUNT DOWN
- CLAMP P : CLAMP PULSE
- CMPNTB 0 - 9 : COMPONENT B DIGITAL DATA
- CMPNTR 0 - 9 : COMPONENT R DIGITAL DATA
- CMPNTY 0 - 9 : COMPONENT Y DIGITAL DATA
- CMPSTE 0 - 9 : COMPONENT DIGITAL DATA
- DDATA 0 - 9 : IMAGE DATA AT D1 OUTPUT MODE, D2 DATA AT D2 OUTPUT MODE
- D PARITY : PARITY BIT FOR DIGITAL DATA
- D1 HD : HD OF 27MHz (PHASE AGREE WITH DDATA)
- DDCF 0 : ON THE BIT 0 OF COLOR FRAME AT D1 AND D2 OUTPUT MODE
- DDCF 1 : COLOR FRAME (3-BIT) AT D1 OUTPUT MODE ON THE BIT1 OF COLOR FRAME AT D2 OUTPUT MODE
- DDCF 2 : ON THE BIT2 OF COLOR FRAME AT D2 OUTPUT MODE
- DPB CF 0 - 2 : PB CF DECODER DATA
- DREF CF 0 - 2 : REF CF DECODER DATA
- F4 HD : HD MAKE OF 4fsc
- FAIHD : HD OF 27MHz SYNC PHASE AGREE WITH ANALOG DATA
- H. H MUTE : MAKE DATA FAIHD
- HSHIFT : H SHIFT MODE
- RDADDR : FIFO READ ADDRESS MSB DATA FOR RATE CONVERT
- STSDATA : RESPONSE FOR SERIAL COMMUNICATION BETWEEN MICROCOMPUTER
- VSHIFT : V SHIFT MODE
- VISC 0 - 9 : VISC DIGITAL DATA
- WCK 4FSC : 4fsc CLOCK FOR RATE CONVERT
- WRADDR : FIFO WRITE ADDRESS MSB DATA FOR RATE CONVERT



CXD9003BR (SONY)

C-MOS DOWN CONVERTER

—TOP VIEW—



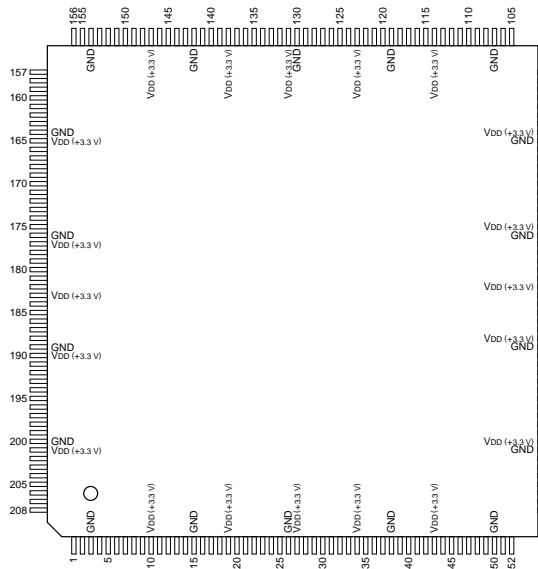
(VDD = +3.3 V)

PIN NO.	I/O	SIGNAL	PIN NO.	I/O	SIGNAL	PIN NO.	I/O	SIGNAL	PIN NO.	I/O	SIGNAL
1	I	IP C9	33	O	VS1	65	—	GND	97	I	IP TMUX2
2	I	IP C8	34	O	OP OV	66	—	VDD	98	I	IP TMUX3
3	I	IP C7	35	O	OP OH	67	O	OP OTEST2	99	I	IP TMUX4
4	I	IP C6	36	O	OP SUB9	68	O	OP OTEST3	100	I	IP TWE
5	O	VDE1	37	O	OP SUB8	69	O	OP OTEST4	101	I	IP TIH
6	I	IP C5	38	—	GND	70	O	OP OTEST5	102	—	GND
7	I	IP C4	39	O	OP SUB7	71	O	OP OTEST6	103	—	VDD
8	I	IP C3	40	O	OP SUB6	72	O	VS4	104	—	NC
9	I	IP C2	41	O	OP SUB5	73	O	VDE4	105	I	IP ITEST0
10	I	IP C1	42	O	OP SUB4	74	O	OP OTEST7	106	I	IP ITEST1
11	—	GND	43	O	OP SUB3	75	O	OP OTEST8	107	I	IP ITEST2
12	—	VDD	44	O	OP SUB2	76	O	OP OTEST9	108	I	IP ITEST3
13	I	IP C0	45	O	VS2	77	I	IP CFG	109	I	IP ITEST4
14	I	IP HDF	46	—	VDD	78	I	IP XMM	110	I	IP ITEST5
15	I	IP HDH	47	O	OP SUB1	79	—	GND	111	I	IP ITEST6
16	I	IP CLR SYS	48	O	OP SUB0	80	—	VDD	112	I	IP ITEST7
17	O	VDE2	49	O	OP MAIN9	81	—	NC	113	I	IP ITEST8
18	I	IP PCONSEL	50	O	OP MAIN8	82	I	IP TSEL0	114	—	GND
19	I	IP SCONSEL	51	O	OP MAIN7	83	I	IP TSEL1	115	—	VDD
20	I	IP SID0	52	—	GND	84	I	IP TSEL2	116	I	IP ITEST9
21	I	IP SID1	53	—	VDD	85	—	VDD	117	I	IP ITEST10
22	I	IP SID2	54	O	OP MAIN6	86	I	IP TSEL3	118	I	IP ITEST11
23	I	IP CK 74	55	O	OP MAIN5	87	I	IP TSEL4	119	I	IP ITEST12
24	—	GND	56	O	OP MAIN4	88	I	IP TSEL5	120	—	VDD
25	—	VDD	57	O	OP MAIN3	89	I	IP TSEL6	121	I	IP ITEST13
26	I	IP CK 27	58	O	OP MAIN2	90	—	GND	122	I	IP ITEST14
27	—	NC	59	O	VS3	91	—	VDD	123	I	IP ITEST15
28	I	IP EXI H	60	O	VDE3	92	I	IP TSEL7	124	I	IP ITEST16
29	I	IP EXI F	61	O	OP MAIN1	93	I	IP TSEL8	125	—	GND
30	O	OP OCK 27	62	O	OP MAIN0	94	—	NC	126	—	VDD
31	—	VDD	63	O	OP OTEST0	95	I	IP TMUX0	127	I	IP ITEST17
32	O	OP OF	64	O	OP OTEST1	96	I	IP TMUX1	128	I	IP ITEST18

PIN NO.	I/O	SIGNAL	PIN NO.	I/O	SIGNAL	PIN NO.	I/O	SIGNAL	PIN NO.	I/O	SIGNAL
129	—	NC	161	I	IP EXI B5	193	—	GND	225	I	IP SYIO2
130	I	IP EXI R0	162	I	IP EXI B6	194	—	VDD	226	I	IP SYIO3
131	I	IP EXI R1	163	I	IP EXI B7	195	O	OP EXO G2	227	I	IP SYIO4
132	I	IP EXI R2	164	I	IP EXI B8	196	O	OP EXO G3	228	I	IP SYIO5
133	I	IP EXI R3	165	I	IP EXI B9	197	O	OP EXO G4	229	I	IP SYIO6
134	I	IP EXI R4	166	—	GND	198	O	OP EXO G5	230	—	GND
135	I	IP EXI R5	167	O	OP FFRSTR	199	O	OP EXO G6	231	—	VDD
136	I	IP EXI R6	168	O	OP FFRREN	200	O	VS8	232	I	IP SYIO7
137	I	IP EXI R7	169	O	OP FFRCK0	201	O	VDE6	233	—	NC
138	I	IP EXI R8	170	O	OP FFRCK1	202	O	OP EXO G7	234	I	IP SCL
139	—	GND	171	O	OP FFRSTW	203	O	OP EXO G8	235	—	NC
140	—	VDD	172	O	OP FFRWEN	204	O	OP EXO G9	236	I	IP STRB
141	I	IP EXI R9	173	O	VS6	205	O	OP EXO B0	237	—	NC
142	I	IP EXI G0	174	—	VDD	206	O	OP EXO B1	238	I	IP CS
143	I	IP EXI G1	175	O	OP FFWCK0	207	—	GND	239	—	NC
144	I	IP EXI G2	176	O	OP FFWCK1	208	—	VDD	240	I	IP STAT0
145	I	IP EXI G3	177	O	OP EXO R0	209	O	VDE7	241	I	IP STAT1
146	I	IP EXI G4	178	O	OP EXO R1	210	O	OP EXO B2	242	—	GND
147	I	IP EXI G5	179	O	OP EXO R2	211	O	OP EXO B3	243	—	VDD
148	I	IP EXI G6	180	—	GND	212	O	OP EXO B4	244	I	IP Y9
149	I	IP EXI G7	181	—	VDD	213	—	VDD	245	I	IP Y8
150	I	IP EXI G8	182	O	OP EXO R3	214	O	OP EXO B5	246	I	IP Y7
151	I	IP EXI G9	183	O	OP EXO R4	215	O	OP EXO B6	247	I	IP Y6
152	—	GND	184	O	OP EXO R5	216	O	OP EXO B7	248	—	VDD
153	—	VDD	185	O	OP EXO R6	217	O	OP EXO B8	249	I	IP Y5
154	I	IP EXI B0	186	O	VS7	218	—	GND	250	I	IP Y4
155	I	IP EXI B1	187	O	VDE5	219	—	VDD	251	I	IP Y3
156	I	IP EXI B2	188	O	OP EXO R7	220	O	OP EXO B9	252	I	IP Y2
157	I	IP EXI B3	189	O	OP EXO R8	221	O	OP EXTIE EN	253	—	GND
158	I	IP EXI B4	190	O	OP EXO R9	222	O	SDA	254	—	VDD
159	—	VDD	191	O	OP EXO G0	223	I	IP SYIO0	255	I	IP Y1
160	—	GND	192	O	OP EXO G1	224	I	IP SYIO1	256	I	IP Y0

CXD9014AR (SONY)

C-MOS VIDEO FILTER
—TOP VIEW—



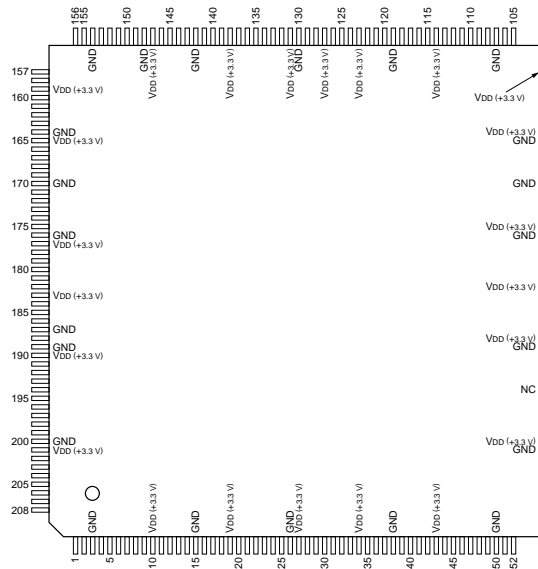
(VDD = +3.3 V)

PIN NO.	I/O	SIGNAL	PIN NO.	I/O	SIGNAL	PIN NO.	I/O	SIGNAL	PIN NO.	I/O	SIGNAL
1	I	CD 1	27	—	VDD	53	O	OP FRAME	79	—	VDD
2	I	CD 0	28	O	H	54	O	OP SYNC	80	I	XSM
3	—	GND	29	O	CD 0	55	O	EVEN OD 0	81	I	XTST
4	I	DATA EN	30	O	CD 1	56	O	EVEN OD 1	82	I	DUB FRAME
5	I	SDI H	31	O	CD 2	57	O	EVEN OD 2	83	I	DUB SYNC
6	I	SDI F	32	O	CD 3	58	O	EVEN OD 3	84	I	MST
7	I	REF 74F	33	O	CD 4	59	O	EVEN OD 4	85	—	GND
8	I	REF 46F	34	—	VDD	60	—	GND	86	—	VDD
9	I	OP ENABLE	35	O	CD 5	61	—	VDD	87	I	DUB BD 0
10	—	VDD	36	O	CD 6	62	O	EVEN OD 5	88	I	DUB BD 1
11	I	CHIP SELECT	37	O	CD 7	63	O	EVEN OD 6	89	I	DUB BD 2
12	I	STROBE	38	—	GND	64	O	EVEN OD 7	90	I	DUB BD 3
13	I	STATUS 0	39	O	CD 8	65	O	EVEN OD 8	91	I	DUB BD 4
14	I	STATUS 1	40	O	CD 9	66	O	EVEN OD 9	92	I	DUB BD 5
15	—	GND	41	O	YD 0	67	O	ODD OD 0	93	I	DUB BD 6
16	I/O	SYS BUS 0	42	O	YD 1	68	O	ODD OD 1	94	I	DUB BD 7
17	I/O	SYS BUS 1	43	—	VDD	69	O	ODD OD 2	95	I	DUB AD 0
18	I/O	SYS BUS 2	44	O	YD 2	70	O	ODD OD 3	96	—	GND
19	—	VDD	45	O	YD 3	71	O	ODD OD 4	97	—	VDD
20	I/O	SYS BUS 3	46	O	YD 4	72	—	GND	98	I	DUB AD 1
21	I/O	SYS BUS 4	47	O	YD 5	73	—	VDD	99	I	DUB AD 2
22	I/O	SYS BUS 5	48	O	YD 6	74	O	ODD OD 5	100	I	DUB AD 3
23	I/O	SYS BUS 6	49	O	YD 7	75	O	ODD OD 6	101	I	DUB AD 4
24	I/O	SYS BUS 7	50	—	GND	76	O	ODD OD 7	102	I	DUB AD 5
25	O	F	51	O	YD 8	77	O	ODD OD 8	103	I	DUB AD 6
26	—	GND	52	O	YD 9	78	O	ODD OD 9	104	I	DUB AD 7

PIN NO.	I/O	SIGNAL	PIN NO.	I/O	SIGNAL	PIN NO.	I/O	SIGNAL	PIN NO.	I/O	SIGNAL
105	I	VPD	131	—	VDD	157	I	ODD ID 4	183	—	VDD
106	I/O	SDR DATA 15	132	O	SDR CAS	158	I	ODD ID 3	184	I	SMCK
107	—	GND	133	O	SDR CKE	159	I	ODD ID 2	185	I	CK46
108	I/O	SDR DATA 14	134	O	SDR RAS	160	I	ODD ID 1	186	I	CK74
109	I/O	SDR DATA 13	135	O	SDR CS	161	I	ODD ID 0	187	I	YD 9
110	I/O	SDR DATA 12	136	O	SDR ADDR 11	162	I	EVEN ID 9	188	I	YD 8
111	I/O	SDR DATA 11	137	O	SDR ADDR 10	163	I	EVEN ID 8	189	—	GND
112	I/O	SDR DATA 10	138	—	VDD	164	—	GND	190	—	VDD
113	I/O	SDR DATA 9	139	O	SDR ADDR 9	165	—	VDD	191	I	YD 7
114	—	VDD	140	O	SDR ADDR 8	166	I	EVEN ID 7	192	I	YD 6
115	I/O	SDR DATA 8	141	O	SDR ADDR 7	167	I	EVEN ID 6	193	I	YD 5
116	I/O	SDR DATA 7	142	—	GND	168	I	EVEN ID 5	194	I	YD 4
117	I/O	SDR DATA 6	143	O	SDR ADDR 6	169	I	EVEN ID 4	195	I	YD 3
118	I	VREF	144	O	SDR ADDR 5	170	I	EVEN ID 3	196	I	YD 2
119	—	GND	145	O	SDR ADDR 4	171	I	EVEN ID 2	197	I	YD 1
120	I/O	SDR DATA 5	146	O	SDR ADDR 3	172	I	EVEN ID 1	198	I	YD 0
121	I/O	SDR DATA 4	147	—	VDD	173	I	EVEN ID 0	199	I	CD 9
122	I/O	SDR DATA 3	148	O	SDR ADDR 2	174	O	VS1	200	—	GND
123	—	VDD	149	O	SDR ADDR 1	175	O	VDI1	201	—	VDD
124	I/O	SDR DATA 2	150	O	SDR ADDR 0	176	—	GND	202	I	CD 8
125	I/O	SDR DATA 1	151	I	ODD ID 9	177	—	VDD	203	I	CD 7
126	I/O	SDR DATA 0	152	I	ODD ID 8	178	O	VS2	204	I	CD 6
127	O	SDR DQM	153	I	ODD ID 7	179	O	VDI2	205	I	CD 5
128	O	SDR WE	154	—	GND	180	I	IP HSYNC	206	I	CD 4
129	O	SDR CK	155	I	ODD ID 6	181	I	RESET	207	I	CD 3
130	—	GND	156	I	ODD ID 5	182	I	PLLS	208	I	CD 2

CXD9016AR (SONY)

C-MOS ERROR CORRECTION DECODER
—TOP VIEW—



(VDD = +3.3 V)

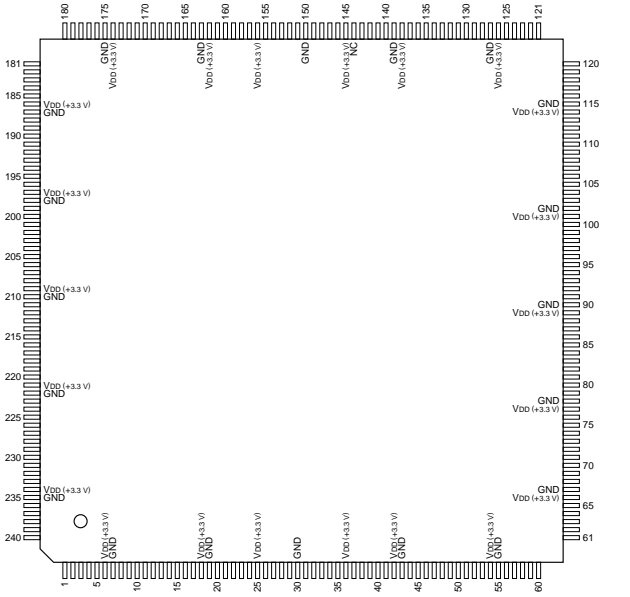
PIN NO.	I/O	SIGNAL	PIN NO.	I/O	SIGNAL	PIN NO.	I/O	SIGNAL	PIN NO.	I/O	SIGNAL
1	I	RST RESET	27	—	VDD	53	I	IP SYRW	79	—	VDD
2	O	VDD2 Add0	28	O	OP ADPO 0	54	O	OP SYRW	80	I	IP SPINS 5
3	—	GND	29	O	OP ADPO 1	55	O	OP ADOUT12	81	I	IP SPINS 6
4	I/O	BP AXD 0	30	O	OP ADPO 2	56	O	OP ADOUT34	82	I	IP SPINS 7
5	I/O	BP AXE	31	O	OP ADPO 3	57	O	OP AVSTO	83	I	CLK CKSPS
6	I/O	BP AXD 0	32	O	OP ADPO 4	58	I	IP DEBUG	84	I	IP SPSTOS
7	I/O	BP AXD 1	33	O	OP ADPO 5	59	I	IP VPD	85	—	GND
8	I/O	BP AXD 2	34	—	VDD	60	—	GND	86	—	VDD
9	I/O	BP AXD 3	35	O	OP ADPO 6	61	—	VDD	87	I	CLK CKEEMY
10	—	VDD	36	O	OP ADPO 7	62	I	IP JUMP	88	I	CLK CKEEMX
11	I/O	BP AXD 4	37	O	OP ADPSTO	63	I	IP REV	89	I	IP EERFSY
12	I/O	BP AXD 5	38	—	GND	64	I	IP FRAME	90	I	IP EERFSX
13	I/O	BP AXD 6	39	I	IP SYCS	65	I	IP FS	91	—	GND
14	I/O	BP AXD 7	40	I	CLK CKSY	66	I	CLK FS256	92	I	IP EERFSY
15	—	GND	41	I	IP SYSTA 0	67	—	NC	93	I	IP EERFMX
16	O	OP TRREF	42	I	IP SYSTA 1	68	I	IP EESWPS	94	I	CLK CKPBSY
17	O	OP ACEF	43	—	VDD	69	I	IP EESWPM	95	I	CLK CKPBSX
18	O	OP PBSYM	44	I/O	BP SYIO 0	70	I	IP PBSWPS	96	—	GND
19	—	VDD	45	I/O	BP SYIO 1	71	I	IP PBSWPM	97	—	VDD
20	O	OP PBSYS	46	I/O	BP SYIO 2	72	—	GND	98	I	IP PBRFSY
21	O	OP SEG 0	47	I/O	BP SYIO 3	73	—	VDD	99	I	IP PBRFSX
22	O	OP SEG 1	48	I/O	BP SYIO 4	74	I	IP SPINS 0	100	I	CLK CKPBMX
23	O	OP SEG 2	49	I/O	BP SYIO 5	75	I	IP SPINS 1	101	I	CLK CKPBMX
24	O	OP SEG 3	50	—	GND	76	I	IP SPINS 2	102	I	IP PBRFSY
25	O	OP ADERR	51	I/O	BP SYIO 6	77	I	IP SPINS 3	103	I	IP PBRFMX
26	—	GND	52	I/O	BP SYIO 7	78	I	IP SPINS 4	104	—	VDD

PIN NO.	I/O	SIGNAL	PIN NO.	I/O	SIGNAL	PIN NO.	I/O	SIGNAL	PIN NO.	I/O	SIGNAL
105	I	IP SPSTOM	131	—	VDD	157	O	OP MRAS	183	—	VDD
106	I	CLK CKSPM	132	I/O	BP MDQ 13	158	O	OP MCS	184	O	OP MCMON 0
107	—	GND	133	I/O	BP MDQ 12	159	—	VDD	185	I	XTST
108	I	IP SPINM 0	134	I/O	BP MDQ 11	160	O	OP MA 11	186	I	XSM
109	I	IP SPINM 6	135	I/O	BP MDQ 10	161	O	OP MA 10	187	—	GND
110	I	IP SPINM 5	136	I/O	BP MDQ 9	162	O	OP MA 9	188	I	CLK CK46
111	I	IP SPINM 4	137	I/O	BP MDQ 8	163	O	OP MA 8	189	—	GND
112	I	IP SPINM 3	138	—	VDD	164	—	GND	190	—	VDD
113	I	IP SPINM 2	139	I	IP MREF	165	—	VDD	191	I	CLK CKT46
114	—	VDD	140	I/O	BP MDQ 7	166	O	OP MA 7	192	O	VDD1 Add1
115	I	IP SPINM 1	141	I/O	BP MDQ 6	167	O	OP MA 6	193	I	IP SELCK
116	I	IP SPINM 0	142	—	GND	168	O	OP MA 5	194	I	MST
117	O	OP ECMONM 2	143	I/O	BP MDQ 5	169	O	OP MA 4	195	I	SMCK
118	O	OP ECMONM 1	144	I/O	BP MDQ 4	170	—	GND	196	O	OP VDOU 7
119	—	GND	145	I/O	BP MDQ 3	171	O	OP MA 3	197	O	OP VDOU 6
120	O	OP ECMONM 0	146	I/O	BP MDQ 2	172	O	OP MA 2	198	O	OP VDOU 5
121	O	OP ECMONS 2	147	—	VDD	173	O	OP MA 1	199	O	OP VDOU 4
122	O	OP ECMONS 1	148	—	GND	174	O	OP MA 0	200	—	GND
123	—	VDD	149	I/O	BP MDQ 1	175	I	IP MINIT	201	—	VDD
124	O	OP ECMONS 0	150	I/O	BP MDQ 0	176	—	GND	202	O	OP VDOU 3
125	I	IP MSEL	151	O	OP MDQM	177	—	VDD	203	O	OP VDOU 2
126	I	IP MRW	152	O	OP MWE	178	I	IP CID 2	204	O	OP VDOU 1
127	—	VDD	153	O	CLK CKM46	179	I	IP CID 1	205	O	OP VDOU 0
128	I/O	BP MDQ 15	154	—	GND	180	I	IP CID 0	206	O	OP VEOUT
129	I/O	BP MDQ 14	155	O	OP MCAS	181	O	OP MCMON 2	207	O	OP VSTO
130	—	GND	156	O	OP MCKE	182	O	OP MCMON 1	208	O	OP VFRAME

CXD9015BR (SONY)

C-MOS ERROR CORRECTION ENCODER

—TOP VIEW—



(VDD = +3.3 V)

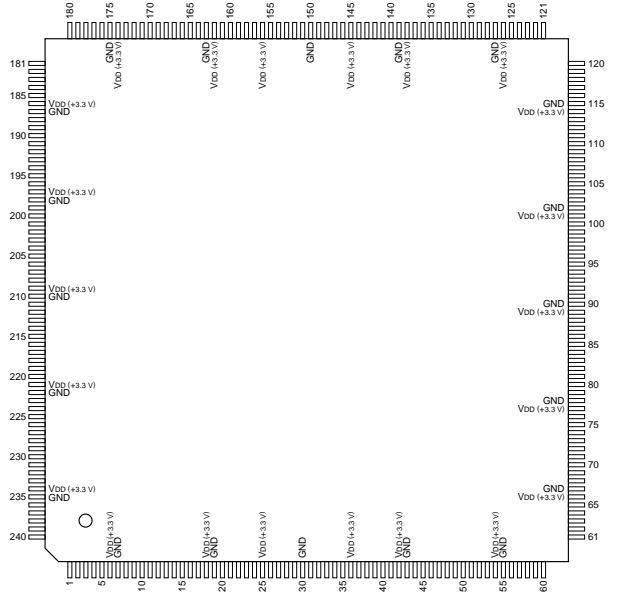
PIN NO.	I/O	SIGNAL	PIN NO.	I/O	SIGNAL	PIN NO.	I/O	SIGNAL	PIN NO.	I/O	SIGNAL
1	I	IP CAM	31	I	CLK46S0	61	O	OVss 3	91	I	PLL THROUGH
2	I	IP VPD	32	O	OVbd2 1	62	I/O	BP SYSBUS 4	92	O	OVbd2 4
3	I	IP ITSIO	33	O	OP 47MFF	63	I/O	BP SYSBUS 5	93	I	IP TESTCK94M
4	I	IP BRR0 7	34	O	OP 94MFL	64	I/O	BP SYSBUS 6	94	O	OVss 4
5	I	IP BRR0 6	35	O	OP 47TML	65	I/O	BP SYSBUS 7	95	I	IP TESTCK47M
6	—	VDD	36	—	VDD	66	—	VDD	96	O	OVbd1 3
7	—	GND	37	O	OVss 2	67	—	GND	97	I	CLK47M 60H
8	I	IP BRR0 5	38	O	OP 94ML	68	I	IP AUDFP	98	O	OVss 5
9	I	IP BRR0 4	39	I	IP RSTSYS	69	I	IP 256FS	99	I	CLK47M 59H
10	I	IP BRR0 3	40	I	IP SMCK	70	I	IP AUD1	100	O	OVss 6
11	I	IP BRR0 2	41	I	IP XSM	71	I	IP AUD0	101	—	VDD
12	O	OVbd1 1	42	—	VDD	72	O	OVbd2 2	102	—	GND
13	I	IP BRR0 1	43	—	GND	73	I	IP FS	103	O	OVbd1 4
14	I	IP BRR0 0	44	I	IP MST	74	O	OP CHEN	104	O	OVss 7
15	I	IP SYNC0	45	I	IP TSI2	75	O	OP MONEN	105	O	OP MONSYNCA
16	I	IP XTST	46	I	IP TSI1	76	O	OP MONSYNCA	106	O	OP TRSA
17	I	IP BRR1 7	47	I	IP TSI0	77	—	VDD	107	O	OP MONA 7
18	—	VDD	48	O	OVbd1 2	78	—	GND	108	O	OP MONA 6
19	—	GND	49	I	IP RECINH	79	O	OP TRSB	109	O	OP MONA 5
20	I	IP BRR1 6	50	I	IP SYSPREF	80	O	OP MONB 7	110	O	OVss 8
21	I	IP BRR1 5	51	I	IP SYSCS	81	O	OP MONB 6	111	O	OP MONA 4
22	I	IP BRR1 4	52	I	IP SYSTBR	82	O	OP MONB 5	112	O	OP MONA 3
23	I	IP BRR1 3	53	I	IP SYSTAT 1	83	O	OVbd2 3	113	O	OP MONA 2
24	I	IP BRR1 2	54	—	VDD	84	O	OP MONB 4	114	—	VDD
25	—	VDD	55	—	GND	85	O	OP MONB 3	115	—	GND
26	O	OVss 1	56	I	IP SYSTAT 0	86	O	OP MONB 2	116	O	OP MONA 1
27	O	IP BRR1 1	57	I/O	BP SYSBUS 0	87	O	OP MONB 1	117	O	OP MONA 0
28	I	IP BRR1 0	58	I/O	BP SYSBUS 1	88	O	OP MONB 0	118	I	IP F ERASEB
29	I	IP SYNC1	59	I/O	BP SYSBUS 2	89	—	VDD	119	I	IP F ERASEA
30	—	GND	60	I/O	BP SYSBUS 3	90	—	GND	120	I	PB BD SEL CONF

PIN NO.	I/O	SIGNAL	PIN NO.	I/O	SIGNAL	PIN NO.	I/O	SIGNAL	PIN NO.	I/O	SIGNAL
121	I	PB AC SEL CONF	151	O	OP EE CKO1N	181	O	OVss 13	211	I/O	BP DQ 1
122	I	PB BD SEL ADV	152	O	OP EE CKO1P	182	O	EE REC AF SEL	212	I/O	BP DQ 0
123	I	PB AC SEL ADV	153	O	OVbd2 7	183	O	EE REC BF SEL	213	O	OP LDQM
124	I	IP REC BD SEL	154	O	OP EE CKOON	184	O	EE REC CG SEL	214	O	OP UDQM
125	I	IP REC AC SEL	155	O	OP EE CKOOP	185	O	EE REC DH SEL	215	O	OP WE
126	—	VDD	156	—	VDD	186	—	VDD	216	O	OVbd2 12
127	—	GND	157	I	EAN	187	—	GND	217	O	OP SDRAMCLK
128	O	OP REC DATDN	158	I	EXN	188	I/O	BP DQ 15	218	O	OP CASN
129	O	OP REC DATDP	159	O	OVss 11	189	I/O	BP DQ 14	219	O	OP CKE
130	O	OP REC DATCN	160	I	EXP	190	I/O	BP DQ 13	220	O	OP RASN
131	O	OP REC DATCP	161	I	EAP	191	O	OVbd2 10	221	—	VDD
132	O	OVbd2 5	162	—	VDD	192	O	OVss 14	222	—	GND
133	O	OVss 9	163	—	GND	193	I/O	BP DQ 12	223	O	OP CS
134	O	OP REC DATBN	164	O	OVbd2 8	194	I/O	BP DQ 11	224	O	OP ADDRESS 11
135	O	OP REC DATBP	165	O	OVss 12	195	I/O	BP DQ 10	225	O	OP ADDRESS 10
136	O	OP REC DATAN	166	O	OP EE DATDN	196	I/O	BP DQ 9	226	O	OP ADDRESS 9
137	O	OP REC DATAP	167	O	OP EE DATDP	197	—	VDD	227	O	OP ADDRESS 8
138	—	VDD	168	O	OP EE DATCN	198	—	GND	228	O	OVss 16
139	—	GND	169	O	OP EE DATCP	199	I/O	BP DQ 8	229	O	OP ADDRESS 7
140	O	OP REC CKON	170	O	OP EE DATBN	200	I	SDRAM VREF	230	O	OP ADDRESS 6
141	O	OP REC CKOP	171	O	OP EE DATBP	201	I/O	BP DQ 7	231	O	OP ADDRESS 5
142	O	OP MPXCKN	172	O	OP EE DATAN	202	I/O	BP DQ 6	232	O	OP ADDRESS 4
143	O	OP MPXCKP	173	O	OP EE DATAP	203	I/O	BP DQ 5	233	O	OP ADDRESS 3
144	—	NC	174	—	VDD	204	O	OVbd2 11	234	—	VDD
145	—	VDD	175	—	GND	205	O	OVss 15	235	—	GND
146	O	OVss 10	176	O	OP RECEND	206	I/O	BP DQ 4	236	O	OP ADDRESS 2
147	O	OP MPXON	177	O	OP RECENQ	207	I/O	BP DQ 3	237	O	OP ADDRESS 1
148	O	OP MPXOP	178	O	OP RECENB	208	I/O	BP DQ 2	238	O	OP ADDRESS 0
149	O	OVbd2 6	179	O	OP RECENA	209	—	VDD	239	O	OVss 17
150	—	GND	180	O	OVbd2 9	210	—	GND	240	I	IP SDRAMINT

CXD9018BR (SONY)

C-MOS VIDEO PROCESSOR

—TOP VIEW—



(VDD = +3.3 V)

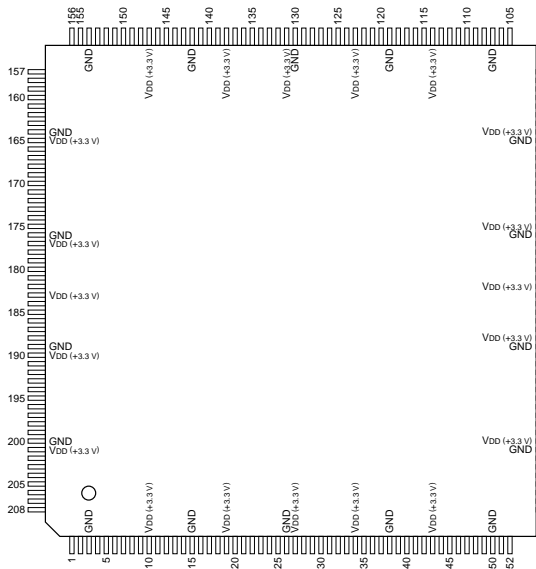
PIN NO.	I/O	SIGNAL	PIN NO.	I/O	SIGNAL	PIN NO.	I/O	SIGNAL	PIN NO.	I/O	SIGNAL
1	O	MY WDATA 19	31	O	MY WCKB	61	I	CD 3	91	O	Vss 2
2	O	MY WDATA 18	32	O	MY WR	62	I	CD 4	92	O	Vbd1 2
3	O	MY WDATA 17	33	O	Vbd2 1	63	I	CD 5	93	I	ICLK F
4	O	MY WDATA 16	34	O	MY RCKA	64	I	CD 6	94	I	ICLK H
5	O	MY WDATA 15	35	O	MY RCKB	65	I	CD 7	95	I	ICLK CD 0
6	—	VDD	36	—	VDD	66	—	VDD	96	I	ICLK CD 1
7	—	GND	37	O	MY RR	67	—	GND	97	I	ICLK CD 2
8	O	MY WDATA 14	38	I	FIFO VSP	68	I	CD 8	98	I	ICLK CD 3
9	O	MY WDATA 13	39	I/O	SY BUS 7	69	I	CD 9	99	I	ICLK CD 4
10	O	MY WDATA 12	40	I/O	SY BUS 6	70	I	YD 0	100	I	ICLK CD 5
11	O	MY WDATA 11	41	I/O	SY BUS 5	71	I	YD 1	101	—	VDD
12	O	MY WDATA 10	42	—	VDD	72	I	YD 2	102	—	GND
13	O	MY WDATA 9	43	—	GND	73	I	YD 3	103	I	ICLK CD 6
14	O	MY WDATA 8	44	I/O	SY BUS 4	74	I	YD 4	104	I	ICLK CD 7
15	O	MY WDATA 7	45	I/O	SY BUS 3	75	I	YD 5	105	I	ICLK CD 8
16	O	MY WDATA 6	46	I/O	SY BUS 2	76	I	YD 6	106	I	ICLK CD 9
17	O	MY WDATA 5	47	I/O	SY BUS 1	77	—	VDD	107	I	ICLK YD 0
18	—	VDD	48	I/O	SY BUS 0	78	—	GND	108	I	ICLK YD 1
19	—	GND	49	I	STATUS 1	79	I	YD 7	109	I	ICLK YD 2
20	O	MY WDATA 4	50	I	STATUS 0	80	I	YD 8	110	I	ICLK YD 3
21	O	MY WDATA 3	51	I	STROBE	81	I	YD 9	111	I	ICLK YD 4
22	O	MY WDATA 2	52	I	CHIP SELECT	82	I	CK74	112	I	ICLK YD 5
23	O	MY WDATA 1	53	I	RESET	83	I	SMCK	113	I	ICLK YD 6
24	O	MY WDATA 0	54	—	VDD	84	I	MST	114	—	VDD
25	—	VDD	55	—	GND	85	O	Vbd1 1	115	—	GND
26	O	OMY H	56	I	F	86	O	Vss 1	116	I	ICLK YD 7
27	O	OMY F	57	I	H	87	I	PLLS	117	I	ICLK YD 8
28	O	OMY PF	58	I	CD 0	88	I	ICLK CK74	118	I	ICLK YD 9
29	O	MY WCKA	59	I	CD 1	89	—	VDD	119	I	IMY F
30	—	GND	60	I	CD 2	90	—	GND	120	I	IMY H

PIN NO.	I/O	SIGNAL	PIN NO.	I/O	SIGNAL	PIN NO.	I/O	SIGNAL	PIN NO.	I/O	SIGNAL
121	I	MY RDATA 0	151	I	IINTEN	181	I	OUT ENABLE	211	O	Vbd2 2
122	I	MY RDATA 1	152	I	IVOB	182	I	VP	212	I	XTST
123	I	MY RDATA 2	153	O	CG H	183	O	CD 0	213	I	XSM
124	I	MY RDATA 3	154	O	CG V	184	O	CD 1	214	O	DNC CD 0
125	I	MY RDATA 4	155	O	CG ENEN	185	O	CD 2	215	O	DNC CD 1
126	—	VDD	156	—	VDD	186	—	VDD	216	O	DNC CD 2
127	—	GND	157	O	MONI CD 0	187	—	GND	217	O	DNC CD 3
128	I	MY RDATA 5	158	O	MONI CD 1	188	O	CD 3	218	O	DNC CD 4
129	I	MY RDATA 6	159	O	MONI CD 2	189	O	CD 4	219	O	DNC CD 5
130	I	MY RDATA 7	160	O	MONI CD 3	190	O	CD 5	220	O	DNC CD 6
131	I	MY RDATA 8	161	O	MONI CD 4	191	O	CD 6	221	—	VDD
132	I	MY RDATA 9	162	—	VDD	192	O	CD 7	222	—	GND
133	I	MY RDATA 10	163	—	GND	193	O	CD 8	223	O	DNC CD 7
134	I	MY RDATA 11	164	O	MONI CD 5	194	O	CD 9	224	O	DNC CD 8
135	I	MY RDATA 12	165	O	MONI CD 6	195	O	YD 0	225	O	DNC CD 9
136	I	MY RDATA 13	166	O	MONI CD 7	196	O	YD 1	226	O	DNC YD 0
137	I	MY RDATA 14	167	O	MONI CD 8	197	—	VDD	227	O	DNC YD 1
138	—	VDD	168	O	MONI CD 9	198	—	GND	228	O	DNC YD 2
139	—	GND	169	O	MONI YD 0	199	O	YD 2	229	O	DNC YD 3
140	I	MY RDATA 15	170	O	MONI YD 1	200	O	YD 3	230	O	DNC YD 4
141	I	MY RDATA 16	171	O	MONI YD 2	201	O	YD 4	231	O	DNC YD 5
142	I	MY RDATA 17	172	O	MONI YD 3	202	O	YD 5	232	O	DNC YD 6
143	I	MY RDATA 18	173	O	MONI YD 4	203	O	YD 6	233	O	DNC YD 7
144	I	MY RDATA 19	174	—	VDD	204	O	YD 7	234	—	VDD
145	—	VDD	175	—	GND	205	O	YD 8	235	—	GND
146	I	DOCK IN	176	O	MONI YD 5	206	O	YD 9	236	O	DNC YD 8
147	I	IREED	177	O	MONI YD 6	207	O	H	237	O	DNC YD 9
148	I	IGREEN	178	O	MONI YD 7	208	O	F	238	O	DNC H
149	I	IBLUE	179	O	MONI YD 8	209	—	VDD	239	O	DNC F
150	—	GND	180	O	MONI YD 9	210	—	GND	240	O	DNC PF

CXD9017BR (SONY)

C-MOS VIDEO CONCEALMENT

—TOP VIEW—



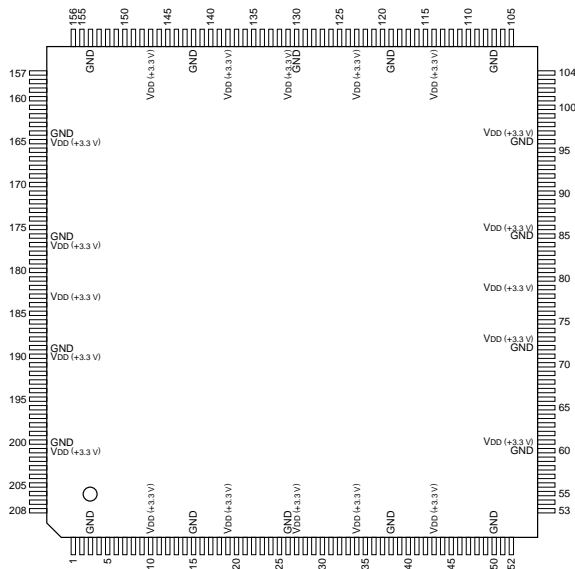
(Vdd = +3.3 V)

PIN NO.	I/O	SIGNAL	PIN NO.	I/O	SIGNAL	PIN NO.	I/O	SIGNAL	PIN NO.	I/O	SIGNAL
1	I	IP SYS STATUS 0	27	—	Vdd	53	O	OP SDRAM CS	79	—	Vdd
2	I	IP SYS STATUS 1	28	I/O	BP SDRAM DAT 15	54	O	OP SDRAM RAS	80	O	OP SDRAM ADDR 10
3	—	GND	29	I/O	BP SDRAM DAT 16	55	O	OVdd 2	81	O	OP SDRAM ADDR 11
4	O	OVdd 0	30	I/O	BP SDRAM DAT 17	56	O	OVss 4	82	I	IP HD SYNC A
5	I/O	BP SDRAM DAT 0	31	I/O	BP SDRAM DAT 18	57	O	OP SDRAM CAS	83	I	IP Q INDEX A 0
6	I/O	BP SDRAM DAT 1	32	I/O	BP SDRAM DAT 19	58	O	OP SDRAM WE	84	I	IP Q INDEX A 1
7	I/O	BP SDRAM DAT 2	33	O	OVss 2	59	O	OP SDRAM CKE	85	—	GND
8	I/O	BP SDRAM DAT 3	34	—	Vdd	60	—	GND	86	—	Vdd
9	I/O	BP SDRAM DAT 4	35	I/O	BP SDRAM DAT 20	61	—	Vdd	87	I	IP VIDEO A 0
10	—	Vdd	36	I/O	BP SDRAM DAT 21	62	O	OP SDRAM DQM	88	I	IP VIDEO A 1
11	O	OVss 0	37	I/O	BP SDRAM DAT 22	63	O	OP SDRAM CK	89	I	IP VIDEO A 2
12	I/O	BP SDRAM DAT 5	38	—	GND	64	O	OP SDRAM ADDR	90	I	IP VIDEO A 3
13	I/O	BP SDRAM DAT 6	39	I/O	BP SDRAM DAT 23	65	O	OP SDRAM ADDR 1	91	O	OVss 7
14	I/O	BP SDRAM DAT 7	40	I	IP SDRAM REF 1	66	O	OVdd 3	92	I	IP VIDEO A 4
15	—	GND	41	I/O	BP SDRAM DAT 24	67	O	OVss 5	93	I	IP VIDEO A 5
16	I	IP SDRAM REF 0	42	I/O	BP SDRAM DAT 25	68	O	OP SDRAM ADDR 2	94	I	IP VIDEO A 6
17	I/O	BP SDRAM DAT 8	43	—	Vdd	69	O	OP SDRAM ADDR 3	95	I	IP VIDEO A 7
18	I/O	BP SDRAM DAT 9	44	O	OVss 3	70	O	OP SDRAM ADDR 4	96	—	GND
19	—	Vdd	45	I/O	BP SDRAM DAT 26	71	O	OP SDRAM ADDR 5	97	—	Vdd
20	O	OVss 1	46	I/O	BP SDRAM DAT 27	72	—	GND	98	I	IP HD SYNC B 0
21	I/O	BP SDRAM DAT 10	47	I/O	BP SDRAM DAT 28	73	—	Vdd	99	I	IP Q INDEX B 0
22	I/O	BP SDRAM DAT 11	48	I/O	BP SDRAM DAT 29	74	O	OP SDRAM ADDR 6	100	I	IP Q INDEX B 1
23	I/O	BP SDRAM DAT 12	49	O	OVdd 1	75	O	OP SDRAM ADDR 7	101	I	IP VIDEO B 0
24	I/O	BP SDRAM DAT 13	50	—	GND	76	O	OP SDRAM ADDR 8	102	O	OVss 8
25	I/O	BP SDRAM DAT 14	51	I/O	BP SDRAM DAT 30	77	O	OP SDRAM ADDR 9	103	O	OVdd 4
26	—	GND	52	I/O	BP SDRAM DAT 31	78	O	OVss 6	104	I	IP VIDEO B 1

CXD9019AR (SONY)

C-MOS BIT REDUCTION ENCODER

—TOP VIEW—



(Vdd = +3.3 V)

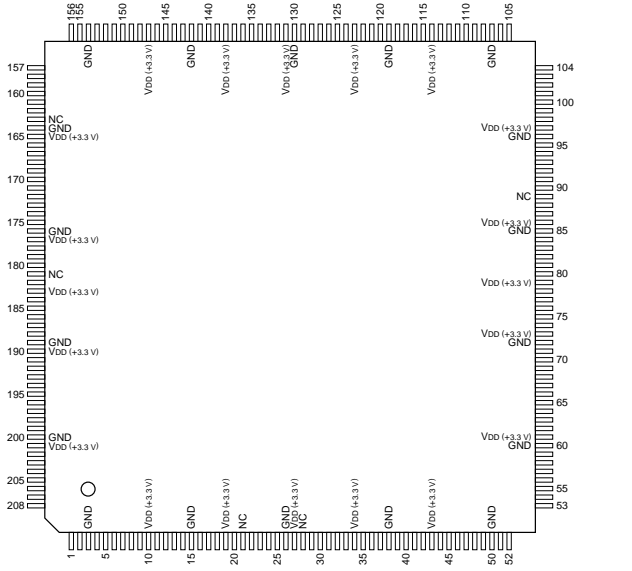
PIN NO.	I/O	SIGNAL	PIN NO.	I/O	SIGNAL	PIN NO.	I/O	SIGNAL	PIN NO.	I/O	SIGNAL
1	I	IP TBUS10	27	—	Vdd	53	I	SDI	79	—	Vdd
2	I	IP TBUS11	28	I	IP TOMX1	54	I	SM	80	O	VS1 3
3	—	GND	29	I	IP TOMX2	55	I	SMCK	81	O	OP TBUS16
4	I	IP TBUS12	30	I	IP TOMX3	56	O	VS1 1	82	O	OP TBUS17
5	I	IP TBUS13	31	I	IP TSEL0	57	O	OP TBUS0	83	O	OP TBUS18
6	I	IP TBUS14	32	I	IP TSEL1	58	O	OP TBUS1	84	O	OP TBUS19
7	I	IP TBUS15	33	I	IP TSEL2	59	O	OP TBUS2	85	—	GND
8	I	IP TBUS16	34	—	Vdd	60	—	GND	86	—	Vdd
9	I	IP TBUS17	35	I	IP TSEL3	61	—	Vdd	87	O	SDO
10	—	Vdd	36	I	IP CS	62	O	OP TBUS3	88	O	OP SEG P
11	I	IP TBUS18	37	I	IP STRB	63	O	OP TBUS4	89	O	OP FRM P
12	I	IP TBUS19	38	—	GND	64	O	OP TBUS5	90	O	OP SYNC
13	I	IP TBUS20	39	I	IP STAT0	65	O	OP TBUS6	91	O	VD2 3
14	I	IP TBUS21	40	I	IP STAT1	66	O	VS1 2	92	O	VD1 4
15	—	GND	41	I/O	BI SYSIO0	67	O	OP TBUS7	93	O	OP CVID0
16	I	IP TBUS22	42	I/O	BI SYSIO1	68	O	OP TBUS8	94	O	OP CVID1
17	I	IP TBUS23	43	—	Vdd	69	O	OP TBUS9	95	O	OP CVID2
18	I	IP TBUS24	44	I/O	BI SYSIO2	70	O	OP TBUS10	96	—	GND
19	—	Vdd	45	I/O	BI SYSIO3	71	O	VD2 2	97	—	Vdd
20	I	IP TBUS25	46	I/O	BI SYSIO4	72	—	GND	98	O	OP CVID3
21	I	IP TBUS26	47	I/O	BI SYSIO5	73	—	Vdd	99	O	OP CVID4
22	I	IP TBUS27	48	I/O	BI SYSIO6	74	O	OP TBUS11	100	O	OP CVID5
23	I	IP TBUS28	49	O	VD2 1	75	O	OP TBUS12	101	O	OP CVID6
24	I	IP TBUS29	50	—	GND	76	O	OP TBUS13	102	O	OP CVID7
25	I	IP TOMX0	51	I/O	BI SYSIO7	77	O	OP TBUS14	103	O	VS1 5
26	—	GND	52	I	MST	78	O	OP TBUS15	104	I	VPD

PIN NO.	I/O	SIGNAL	PIN NO.	I/O	SIGNAL	PIN NO.	I/O	SIGNAL	PIN NO.	I/O	SIGNAL
105	I	IP VIDEO B 2	131	—	Vdd	157	O	OP VIDEO 13	183	—	Vdd
106	I	IP VIDEO B 3	132	I	IP CONCEAL CTL 2	158	O	OP VIDEO 12	184	O	OVdd 5
107	—	GND	133	I	IP OUTPUT MASK	159	O	OVss 13	185	I	IP CKL SEL
108	I	IP VIDEO B 4	134	I	IP FREEZE CTL 0	160	O	OP VIDEO 11	186	O	OVss 15
109	I	IP VIDEO B 5	135	I	IP FREEZE CTL 1	161	O	OP VIDEO 10	187	I	IP CLK74
110	I	IP VIDEO B 6	136	I	IP FREEZE CTL 2	162	O	OP VIDEO 9	188	O	OVdd PLL
111	I	IP VIDEO B 7	137	O	OVss 11	163	O	OP VIDEO 8	189	—	GND
112	O	OP FIFO WRST	138	—	Vdd	164	—	GND	190	—	Vdd
113	O	OVss 9	139	O	OP PLL FF	165	—	Vdd	191	O	OVss PLL
114	—	Vdd	140	O	OP FIFO RRST	166	O	OP VIDEO 7	192	I	IP CKL46
115	O	OP FIFO WCK A	141	I	SDIO	167	O	OP VIDEO 6	193	O	OVdd 6
116	O	OP FIFO RCK A	142	—	GND	168	O	OP VIDEO 5	194	I	IP SYSTEM RESET
117	O	OP FIFO OE A	143	I	SDI1	169	O	OP VIDEO 4	195	I	IP RAM INIT
118	O	OP FIFO WE A	144	O	SDO0	170	O	OVss 14	196	I/O	BP SYS DATA 7
119	—	GND	145	O	SDO1	171	O	OP VIDEO 3	197	I/O	BP SYS DATA 6
120	O	OP FIFO RE A	146	I	XSM	172	O	OP VIDEO 2	198	I/O	BP SYS DATA 5
121	O	OP FIFO WCK B	147	—	Vdd	173	O	OP VIDEO 1	199	I/O	BP SYS DATA 4
122	O	OP FIFO RCK B	148	O	OVss 12	174	O	OP VIDEO 0	200	—	GND
123	—	Vdd	149	I	XTST	175	O	OP Q INDEX 3	201	—	Vdd
124	O	OVss10	150	I	SMCK	176	—	GND	202	I/O	BP SYS DATA 3
125	O	OP FIFO OE B	151	I	MST	177	—	Vdd	203	I/O	BP SYS DATA 2
126	O	OP FIFO WE B	152	I	IP OE	178	O	OP Q INDEX 2	204	I/O	BP SYS DATA 1
127	O	OP FIFO RE B	153	I	IP VP	179	O	OP Q INDEX 1	205	O	OVss 16
128	I	IP CONCEAL CTL 0	154	—	GND	180	O	OP Q INDEX 0	206	I/O	BP SYS DATA 0
129	I	IP CONCEAL CTL 1	155	O	OP VIDEO 15	181	O	OP HD SYNC	207	I	IP SYS CS
130	—	GND	156	O	OP VIDEO 14	182	O	OP SUB HD SYNC	208	I	IP SYS STROBE

PIN NO.	I/O	SIGNAL	PIN NO.	I/O	SIGNAL	PIN NO.	I/O	SIGNAL	PIN NO.	I/O	SIGNAL
105	O	VD2 4	131	—	Vdd	157	O	VD2 8	183	—	Vdd
106	I/O	BI EXT D15	132	O	DIR OUT	158	O	OP EXT A3	184	I	CLK TST0
107	—	GND	133	I	DIR IN	159	O	OP EXT A2	185	I	IP SEL
108	I/O	BI EXT D14	134	O	VD2 6	160	O	OP EXT A1	186	O	OP SEL
109	I/O	BI EXT D13	135	I	IP EXT CLK	161	O	OP EXT A0	187	I	IP LOFFSEL
110	I/O	BI EXT D12	136	O	VS1 8	162	I	IP IH	188	O	OP LOCK
111	I/O	BI EXT D11	137	O	OP EXT DOM	163	I	IP VID0	189	—	GND
112	I/O	BI EXT D10	138	—	Vdd	164	—	GND	190	—	Vdd
113	O	VS1 6	139	O	OP EXT WE	165	—	Vdd	191	O	OP PLLFF
114	—	Vdd	140	O	VD2 7	166	I	IP VID1	192	I	IP TEN
115	I/O	BI EXT D9	141	O	OP EXT CK	167	I	IP VID2	193	O	OP TIMX0
116	I/O	BI EXT D8	142	—	GND	168	I	IP VID3	194	O	OP TIMX1
117	I/O	BI EXT D7	143	O	OP EXT CAS	169	I	IP VID4	195	O	OP TIMX2
118	I	VREF IN	144	O	OP EXT RAS	170	I	IP VID5	196	O	OP TIMX3
119	—	GND	145	O	OP EXT CS2	171	I	IP VID6	197	O	OP TBUS0
120	O	VD2 5	146	O	OP EXT CSM1	172	I	IP VID7	198	O	OP TBUS1
121	I/O	BI EXT D6	147	—	Vdd	173	I	IP H SYNC	199	O	OP TBUS2
122	I/O	BI EXT D5	148	O	OP EXT A11	174	O	VD1 1	200	—	GND
123	—	Vdd	149	O	OP EXT A10	175	I	CLK TST1	201	—	Vdd
124	I/O	BI EXT D4	150	O	OP EXT A9	176	—	GND	202	I	IP TBUS3
125	I/O	BI EXT D3	151	O	OP EXT A8	177	—	Vdd	203	I	IP TBUS4
126	O	VS1 7	152	O	OP EXT A7	178	O	VS1 9	204	I	IP TBUS5
127	I/O	BI EXT D2	153	O	OP EXT A6	179	O	VD1 2	205	I	IP TBUS6
128	I/O	BI EXT D1	154	—	GND	180	I	CK VID	206	I	IP TBUS7
129	I/O	BI EXT D0	155	O	OP EXT A5	181	O	VS1 10	207	I	IP TBUS8
130	—	GND	156	O	OP EXT A4	182	I	CLR SYS	208	I	IP TBUS9

CXD9020BR (SONY)

C-MOS BIT REDUCTION DECODER
—TOP VIEW—



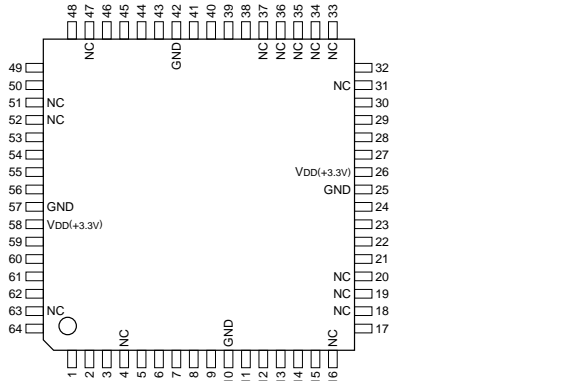
(V_{DD} = +3.3 V)

PIN NO.	I/O	SIGNAL	PIN NO.	I/O	SIGNAL	PIN NO.	I/O	SIGNAL	PIN NO.	I/O	SIGNAL
1	O	OP TBUS3	27	—	V _{DD}	53	I	IP TBUS9	79	—	V _{DD}
2	O	OP TBUS2	28	—	NC	54	I	IP TBUS10	80	I	CLR SYS
3	—	GND	29	I/O	BI SYSIO0	55	I	IP TBUS11	81	O	VS1 1
4	O	VD2 1	30	I/O	BI SYSIO1	56	I	IP TBUS12	82	I	CK VID
5	O	OP TBUS1	31	I/O	BI SYSIO2	57	I	IP TBUS13	83	O	VS1 PLL
6	O	OP TBUS0	32	I/O	BI SYSIO3	58	I	IP TBUS14	84	O	VD1 PLL
7	I	MMS 0	33	I/O	BI SYSIO4	59	I	IP TBUS15	85	—	GND
8	I	MMS 1	34	—	V _{DD}	60	—	GND	86	—	V _{DD}
9	I	MMS 2	35	I/O	BI SYSIO5	61	—	V _{DD}	87	I	CLK TST1
10	—	V _{DD}	36	I/O	BI SYSIO6	62	I	IP TBUS16	88	O	VD1 1
11	I	MST	37	I/O	BI SYSIO7	63	I	IP TBUS17	89	—	NC
12	I	SM	38	—	GND	64	I	IP TOMX0	90	I	IP F0 F1
13	I	SMCK	39	I	IP TEN	65	I	IP TOMX1	91	I	IP FRM P
14	I	SDI	40	I	IP TIMX0	66	I	IP TSEL0	92	I	IP SYNC
15	—	GND	41	I	IP TIMX1	67	I	IP TSEL1	93	I	IP CERR
16	O	SDO	42	I	IP TBUS0	68	I	IP TSEL2	94	I	IP CVID0
17	I	MMS 3	43	—	V _{DD}	69	I	IP TSEL3	95	I	IP CVID1
18	I	VPD	44	I	IP TBUS1	70	I	IP TSEL4	96	—	GND
19	—	V _{DD}	45	I	IP TBUS2	71	O	OP PLLFF	97	—	V _{DD}
20	I	MMS 4	46	I	IP TBUS3	72	—	GND	98	I	IP CVID2
21	—	NC	47	I	IP TBUS4	73	—	V _{DD}	99	I	IP CVID3
22	I	IP CS	48	I	IP TBUS5	74	O	OP LOCK	100	I	IP CVID4
23	I	IP STRB	49	I	IP TBUS6	75	I	IP LOFFSEL	101	I	IP CVID5
24	I	IP STAT0	50	—	GND	76	O	OP SEL	102	I	IP CVID6
25	I	IP STAT1	51	I	IP TBUS7	77	I	IP SEL	103	I	IP CVID7
26	—	GND	52	I	IP TBUS8	78	I	CLK TST0	104	O	VS1 2

PIN NO.	I/O	SIGNAL	PIN NO.	I/O	SIGNAL	PIN NO.	I/O	SIGNAL	PIN NO.	I/O	SIGNAL
105	O	VD2 2	131	—	V _{DD}	157	O	VD2 6	183	—	V _{DD}
106	I/O	BI EXT D15	132	O	DIR OUT	158	O	OP EXT A3	184	O	OP TBUS20
107	—	GND	133	I	DIR IN	159	O	OP EXT A2	185	O	OP TBUS19
108	I/O	BI EXT D14	134	O	VD2 4	160	O	OP EXT A1	186	O	OP TBUS18
109	I/O	BI EXT D13	135	I/O	IP EXT CLK	161	O	OP EXT A0	187	O	OP TBUS17
110	I/O	BI EXT D12	136	O	VS1 5	162	I	IP IH	188	O	VD1 8
111	I/O	BI EXT D11	137	O	IP EXT DQM	163	—	NC	189	—	GND
112	I/O	BI EXT D10	138	—	V _{DD}	164	—	GND	190	—	V _{DD}
113	O	VS1 3	139	O	IP EXT WE	165	—	V _{DD}	191	O	OP TBUS16
114	—	V _{DD}	140	O	VD2 5	166	O	OP VID7	192	O	OP TBUS15
115	I/O	BI EXT D9	141	O	OP EXT CK	167	O	OP VID6	193	O	OP TBUS14
116	I/O	BI EXT D8	142	—	GND	168	O	OP VID5	194	O	OP TBUS13
117	I/O	BI EXT D7	143	O	OP EXT CAS	169	O	OP VID4	195	O	VS1 8
118	I	VREF IN	144	O	OP EXT RAS	170	O	VS1 6	196	O	OP TBUS12
119	—	GND	145	O	OP EXT CS2	171	O	VD2 7	197	O	OP TBUS11
120	O	VD2 3	146	O	OP EXT CS1	172	O	OP VID3	198	O	OP TBUS10
121	I/O	BI EXT D6	147	—	V _{DD}	173	O	OP VID2	199	O	OP TBUS9
122	I/O	BI EXT D5	148	O	OP EXT A11	174	O	OP VID1	200	—	GND
123	—	V _{DD}	149	O	OP EXT A10	175	O	OP VID0	201	—	V _{DD}
124	O	VS1 4	150	O	OP EXT A9	176	—	GND	202	O	OP TBUS8
125	I/O	BI EXT D4	151	O	OP EXT A8	177	—	V _{DD}	203	O	OP TBUS7
126	I/O	BI EXT D3	152	O	OP EXT A7	178	O	OP QI1	204	O	OP TBUS6
127	I/O	BI EXT D2	153	O	OP EXT A6	179	O	OP QI0	205	O	OP TBUS5
128	I/O	BI EXT D1	154	—	GND	180	O	OP H SYNC	206	O	OP TBUS4
129	I/O	BI EXT D0	155	O	OP EXT A5	181	—	NC	207	O	VD2 9
130	—	GND	156	O	OP EXT A4	182	O	VS1 7	208	O	VS1 9

CXD9032R (SONY)

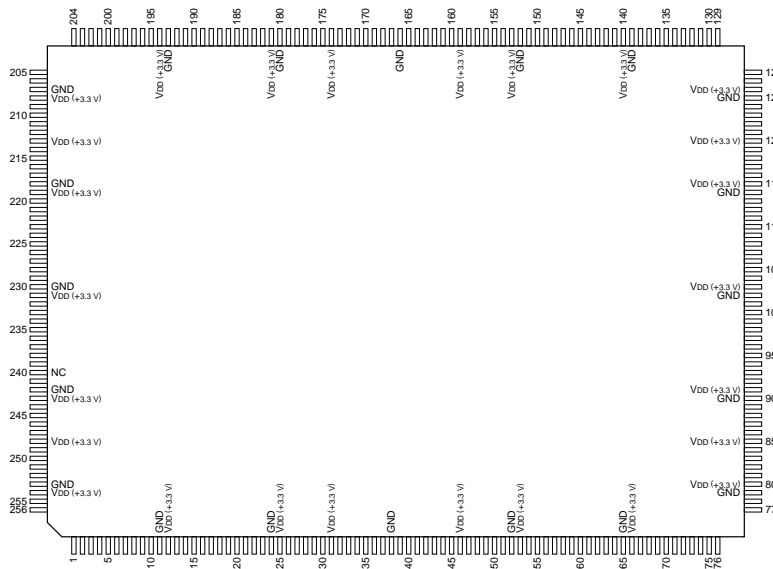
C-MOS AUDIO DATA RATE CONVERTER
—TOP VIEW—



CXD9021AR (SONY)

C-MOS VIDEO NOISE FILTER

—TOP VIEW—



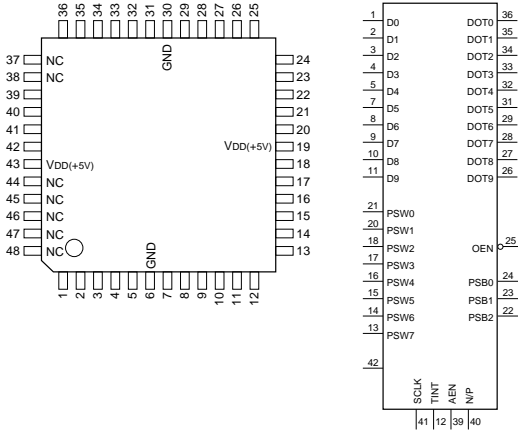
(VDD = +3.3 V)

PIN NO.	I/O	SIGNAL	PIN NO.	I/O	SIGNAL	PIN NO.	I/O	SIGNAL	PIN NO.	I/O	SIGNAL
1	I	ISYSCS	33	I	IVIDEO1 3	65	—	GND	97	I/O	BSDIOD 35
2	O	OSYSRW	34	I	IVIDEO1 4	66	—	VDD	98	I/O	BSDIOD 36
3	I	ISYSRW	35	I	IVIDEO1 5	67	I/O	BSDIOD 15	99	I/O	BSDIOD 37
4	O	OVSS 0	36	I	IVIDEO1 6	68	I/O	BSDIOD 16	100	I/O	BSDIOD 38
5	O	OVDD2 0	37	I	IVIDEO1 7	69	I/O	BSDIOD 17	101	I/O	BSDIOD 39
6	I/O	BSYSIOD 0	38	—	GND	70	I/O	BSDIOD 18	102	—	GND
7	I/O	BSYSIOD 1	39	I	IQ INDEX0 0	71	I/O	BSDIOD 19	103	—	VDD
8	I/O	BSYSIOD 2	40	I	IQ INDEX0 1	72	I/O	BSDIOD 20	104	I/O	BSDIOD 40
9	I/O	BSYSIOD 3	41	I	IQ INDEX1 0	73	O	OVSS 4	105	I/O	BSDIOD 41
10	I/O	BSYSIOD 4	42	I	IQ INDEX1 1	74	I/O	BSDIOD 21	106	I/O	BSDIOD 42
11	—	GND	43	I/O	BSDIOD 0	75	I/O	BSDIOD 22	107	I/O	BSDIOD 43
12	—	VDD	44	I/O	BSDIOD 1	76	I/O	BSDIOD 23	108	O	OVSS 7
13	I/O	BSYSIOD 5	45	O	OVSS 2	77	I/O	BSDIOD 24	109	O	OVDD2 4
14	I/O	BSYSIOD 6	46	—	VDD	78	O	OVDD2 3	110	I/O	BSDIOD 44
15	I/O	BSYSIOD 7	47	I/O	BSDIOD 2	79	—	GND	111	I/O	BSDIOD 45
16	O	OVSS 1	48	I/O	BSDIOD 3	80	—	VDD	112	I/O	BSDIOD 46
17	O	OVDD2 1	49	I/O	BSDIOD 4	81	I/O	BSDIOD 25	113	I/O	BSDIOD 47
18	I	IHD SY	50	I/O	BSDIOD 5	82	I/O	BSDIOD 26	114	—	GND
19	I	IVIDEO0 0	51	I/O	BSDIOD 6	83	I/O	BSDIOD 27	115	—	VDD
20	I	IVIDEO0 1	52	—	GND	84	I/O	BSDIOD 28	116	I/O	BSDIOD 48
21	I	IVIDEO0 2	53	—	VDD	85	—	VDD	117	I	VREF2
22	I	IVIDEO0 3	54	I/O	BSDIOD 7	86	O	OVSS 5	118	O	OVSS 8
23	I	IVIDEO0 4	55	I/O	BSDIOD 8	87	I	VREF1	119	I/O	BSDIOD 49
24	—	GND	56	I/O	BSDIOD 9	88	I/O	BSDIOD 29	120	—	VDD
25	—	VDD	57	I/O	BSDIOD 10	89	I/O	BSDIOD 30	121	I/O	BSDIOD 50
26	I	IVIDEO0 5	58	I	VREF0	90	—	GND	122	I/O	BSDIOD 51
27	I	IVIDEO0 6	59	O	OVSS 3	91	—	VDD	123	I/O	BSDIOD 52
28	I	IVIDEO0 7	60	O	OVDD2 2	92	I/O	BSDIOD 31	124	I/O	BSDIOD 53
29	I	IVIDEO1 0	61	I/O	BSDIOD 11	93	I/O	BSDIOD 32	125	—	GND
30	I	IVIDEO1 1	62	I/O	BSDIOD 12	94	I/O	BSDIOD 33	126	—	VDD
31	—	VDD	63	I/O	BSDIOD 13	95	I/O	BSDIOD 34	127	I/O	BSDIOD 54
32	I	IVIDEO1 2	64	I/O	BSDIOD 14	96	O	OVSS 6	128	I/O	BSDIOD 55

PIN NO.	I/O	SIGNAL	PIN NO.	I/O	SIGNAL	PIN NO.	I/O	SIGNAL	PIN NO.	I/O	SIGNAL
129	I/O	BSDIOD 56	161	I/O	BSDIOD 75	193	—	GND	225	O	OVDD2 10
130	I/O	BSDIOD 57	162	I/O	BSDIOD 76	194	—	VDD	226	O	OVVIDEO0 6
131	I/O	BSDIOD 58	163	I/O	BSDIOD 77	195	O	OSDADD 8	227	O	OVVIDEO0 7
132	I/O	BSDIOD 59	164	I/O	BSDIOD 78	196	O	OSDADD 9	228	O	OVVIDEO1 0
133	O	OVSS 9	165	I/O	BSDIOD 79	197	O	OSDADD 10	229	O	OVVIDEO1 1
134	O	OVDD2 5	166	—	GND	198	O	OSDADD 11	230	—	GND
135	I/O	BSDIOD 60	167	O	OVDD2 7	199	O	OVSS 17	231	—	VDD
136	I/O	BSDIOD 61	168	I	ISDRW	200	O	OVDD2 9	232	O	OVVIDEO1 2
137	I/O	BSDIOD 62	169	O	OSDRW	201	O	OLOCK PLL	233	O	OVVIDEO1 3
138	I/O	BSDIOD 63	170	O	OSDWE	202	O	OVSS 18	234	O	OVVIDEO1 4
139	—	GND	171	O	OSDCAS	203	I	XTST	235	O	OVVIDEO1 5
140	—	VDD	172	O	OSDRAS	204	I	XSM	236	O	OVSS 21
141	I/O	BSDIOD 64	173	O	OVSS 14	205	I	SMCK	237	O	OVDD2 11
142	I/O	BSDIOD 65	174	—	VDD	206	I	MST	238	O	OVVIDEO1 6
143	I/O	BSDIOD 66	175	O	OSDCS	207	—	GND	239	O	OVVIDEO1 7
144	I/O	BSDIOD 67	176	O	OSDDQM	208	—	VDD	240	—	NC
145	O	OVSS 10	177	O	OVSS 15	209	I	RESET	241	I	ISTRB
146	O	OVDD2 6	178	O	OSDCKB	210	I	IH	242	—	GND
147	I/O	BSDIOD 68	179	O	OSDCKA	211	I	VPD	243	—	VDD
148	I/O	BSDIOD 69	180	—	GND	212	O	OFF PLL	244	I	ISTATUS 0
149	O	OVSS 11	181	—	VDD	213	—	VDD	245	I	ISTATUS 1
150	I	VREF3	182	O	OSDCKE	214	O	OVSS 19	246	I	TSEL PLL
151	I/O	BSDIOD 70	183	O	OSDADD 0	215	O	OHD SY	247	I	CKT46
152	—	GND	184	O	OSDADD 1	216	O	OVVIDEO0 0	248	—	VDD
153	—	VDD	185	O	OSDADD 2	217	O	OVVIDEO0 1	249	I	CKT74
154	I/O	BSDIOD 71	186	O	OSDADD 3	218	—	GND	250	O	OVSS 22
155	I/O	BSDIOD 72	187	O	OVSS 16	219	—	VDD	251	I	CKM46
156	I/O	BSDIOD 73	188	O	OVDD2 8	220	O	OVVIDEO0 2	252	O	OVSS PLL2
157	I/O	BSDIOD 74	189	O	OSDADD 4	221	O	OVVIDEO0 3	253	—	GND
158	O	OVSS 12	190	O	OSDADD 5	222	O	OVVIDEO0 4	254	—	VDD
159	—	VDD	191	O	OSDADD						

CXK1203AR (SONY)
CXK1203AR-T4

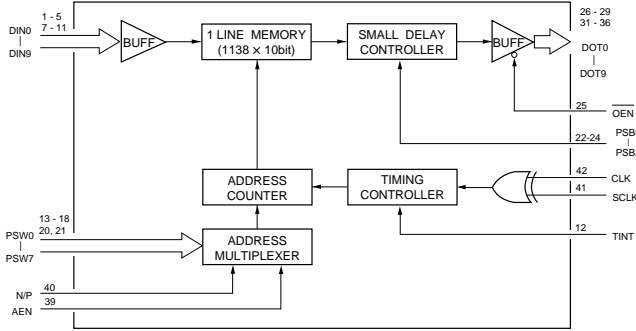
C-MOS DIGITAL LINE MEMORY
—TOP VIEW—



(VDD = +5V)

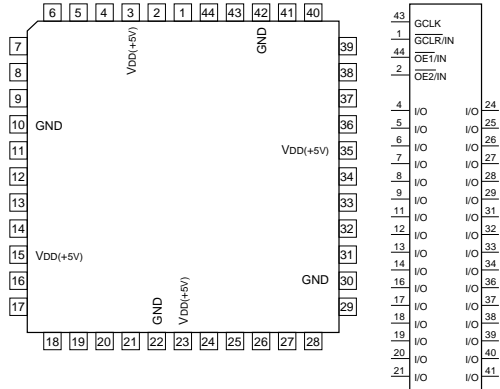
PIN NO.	I/O	SIGNAL	PIN NO.	I/O	SIGNAL	PIN NO.	I/O	SIGNAL	PIN NO.	I/O	SIGNAL
1	I	D0	13	I	PSW7	25	I	OEN	37	—	N.C
2	I	D1	14	I	PSW6	26	O	DOT9	38	—	N.C
3	I	D2	15	I	PSW5	27	O	DOT8	39	I	AEN
4	I	D3	16	I	PSW4	28	O	DOT7	40	I	N/P
5	I	D4	17	I	PSW3	29	O	DOT6	41	I	SCLK
6	—	GND	18	I	PSW2	30	—	GND	42	I	CLK
7	I	D5	19	—	VDD	31	O	DOT5	43	—	VDD
8	I	D6	20	I	PSW1	32	O	DOT4	44	—	N.C
9	I	D7	21	I	PSW0	33	O	DOT3	45	—	N.C
10	I	D8	22	I	PSB2	34	O	DOT2	46	—	N.C
11	I	D9	23	I	PSB1	35	O	DOT1	47	—	N.C
12	I	TINT	24	I	PSB0	36	O	DOT0	48	—	N.C

- AEN : LINE MEMORY SELECT
- CLK : CLOCK
- DIN0 - DIN9 : VIDEO DATA INPUT
- DOT0 - DOT9 : VIDEO DATA OUTPUT
- N/P : NTSC/PAL/SECAM SELECT
- OEN : OUTPUT ENABLE
- PSB0 - PSB2 : DELAY STEP SELECT (1 BITxN)
- PSW0 - PSW7 : DELAY STEP SELECT (8 BITxN)
- SCLK : CLOCK EDGE SELECT
- TINT : TEST



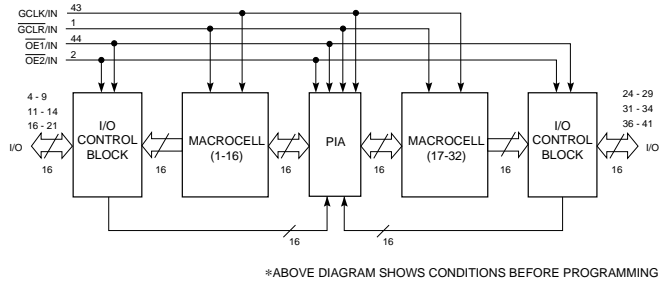
EPM7032LC44-10 (ALTERA)

C-MOS ERASABLE PLD
—TOP VIEW—



(VDD = +5V)

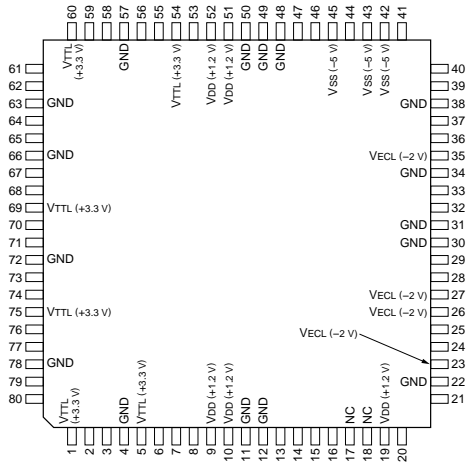
PIN No.	I/O	SIGNAL	PIN No.	I/O	SIGNAL	PIN No.	I/O	SIGNAL
1	I	GCLR/IN	17	I/O	I/O	33	I/O	I/O
2	I	OE2/IN	18	I/O	I/O	34	I/O	I/O
3	—	VDD	19	I/O	I/O	35	—	VDD
4	I/O	I/O	20	I/O	I/O	36	I/O	I/O
5	I/O	I/O	21	I/O	I/O	37	I/O	I/O
6	I/O	I/O	22	—	GND	38	I/O	I/O
7	I/O	I/O	23	—	VDD	39	I/O	I/O
8	I/O	I/O	24	I/O	I/O	40	I/O	I/O
9	I/O	I/O	25	I/O	I/O	41	I/O	I/O
10	—	GND	26	I/O	I/O	42	—	GND
11	I/O	I/O	27	I/O	I/O	43	I	GCLK/IN
12	I/O	I/O	28	I/O	I/O	44	I	OE1/IN
13	I/O	I/O	29	I/O	I/O			
14	I/O	I/O	30	—	GND			
15	—	VDD	31	I/O	I/O			
16	I/O	I/O	32	I/O	I/O			



CXG8003Q (SONY)

1.5 Gbps OPTICAL INTERFACE TRANSMITTER

—TOP VIEW—



INPUT

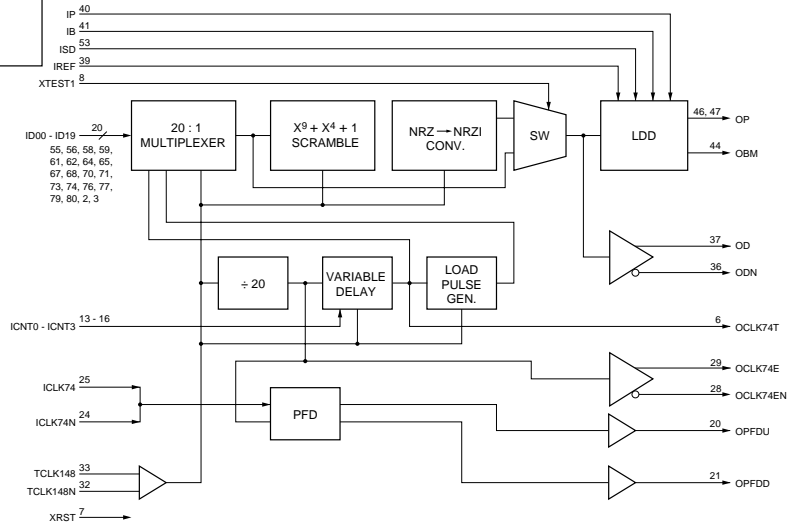
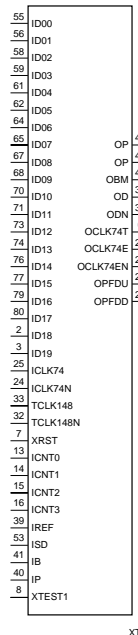
- IB : LD DRIVER BIAS CURRENT CONTROL
- ICLK74 : PLL REFERENCE CLOCK (74.25 MHz)
- ICLK74N : INVERTED PLL REFERENCE CLOCK (74.25 MHz)
- ICNT0 - ICNT3 : PARALLEL CLOCK DELAY CONTROL
- ID00 - ID19 : 20 BITS PARALLEL SIGNAL
- IP : LD DRIVER PEAK CURRENT CONTROL
- IREF : LD DRIVER DUTY CONTROL
- ISD : LD DRIVER OUTPUT CONTROL
- TCLK148 : EXTERNAL CLOCK (1.485 GHz)
- TCLK148N : INVERTED EXTERNAL CLOCK (1.485 GHz)
- XRST : RESET
- XTEST1 : SCRAMBLE/NRZ TO NRZI CONVERSION CONTROL

OUTPUT

- OBM : LD DRIVER BIAS CURRENT MONITOR
- OCLK74E : 74.25 MHz PARALLEL CLOCK (ECL LEVEL)
- OCLK74EN : INVERTED 74.25 MHz PARALLEL CLOCK (ECL LEVEL)
- OCLK74T : 74.25 MHz PARALLEL CLOCK (LVTTTL LEVEL)
- OD : 1.485 Gbps SERIAL DATA
- ODN : INVERTED 1.485 Gbps SERIAL DATA
- OP : LD DRIVER PEAK CURRENT
- OPFDD : LOWER SIDE OF THE PHASE COMPARATOR (PFD)
- OPFDU : UPPER SIDE OF THE PHASE COMPARATOR (PFD)

(VTTL = +3.3 V, VDD = +1.2 V, VECL = -2 V, VSS = -5 V)

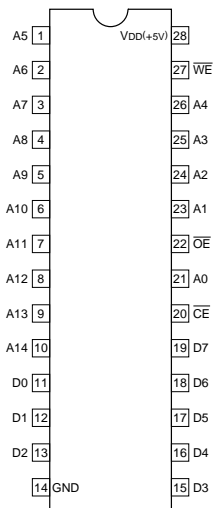
PIN NO.	I/O	SIGNAL	PIN NO.	I/O	SIGNAL	PIN NO.	I/O	SIGNAL	PIN NO.	I/O	SIGNAL
1	—	VTTL	21	O	OPFDD	41	I	IB	61	I	ID04
2	I	ID18	22	—	GND	42	—	VSS	62	I	ID05
3	I	ID19	23	—	VECL	43	—	VSS	63	—	GND
4	—	GND	24	I	ICLK74N	44	O	OBM	64	I	ID06
5	—	VTTL	25	I	ICLK74	45	—	VSS	65	I	ID07
6	O	OCLK74T	26	—	VECL	46	O	OP	66	—	GND
7	I	XRST	27	—	VECL	47	O	OP	67	I	ID08
8	I	XTEST1	28	O	OCLK74EN	48	—	GND	68	I	ID09
9	—	VDD	29	O	OCLK74E	49	—	GND	69	—	VTTL
10	—	VDD	30	—	GND	50	—	GND	70	I	ID10
11	—	GND	31	—	GND	51	—	VDD	71	I	ID11
12	—	GND	32	I	TCLK148N	52	—	VDD	72	—	GND
13	I	ICNT0	33	I	TCLK148	53	I	ISD	73	I	ID12
14	I	ICNT1	34	—	GND	54	—	VTTL	74	I	ID13
15	I	ICNT2	35	—	VECL	55	I	ID00	75	—	VTTL
16	I	ICNT3	36	O	ODN	56	I	ID01	76	I	ID14
17	—	NC	37	O	OD	57	—	GND	77	I	ID15
18	—	NC	38	—	GND	58	I	ID02	78	—	GND
19	—	VDD	39	I	IREF	59	I	ID03	79	I	ID16
20	O	OPFDD	40	I	IP	60	—	VTTL	80	I	ID17



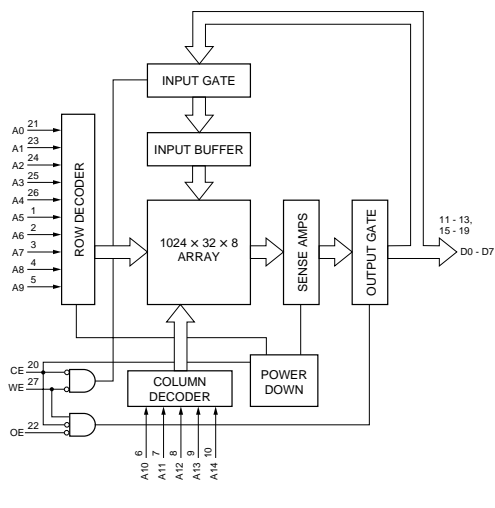
CY7C199-20VC (CYPRESS) J-LEADED PACKAGE

C-MOS 256K (32,768 x 8)-BIT STATIC RAM

—TOP VIEW—



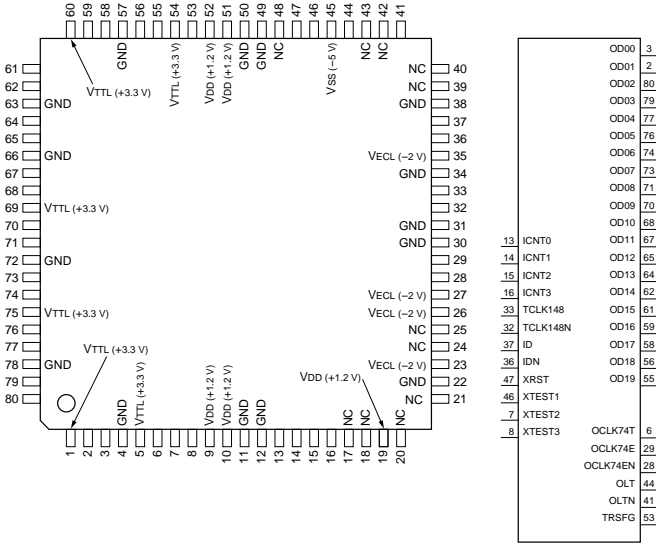
- A0 - A14 : ADDRESS INPUTS
- CE : CHIP ENABLE
- D0 - D7 : DATA INPUTS / OUTPUTS
- OE : OUTPUT ENABLE
- WE : WRITE ENABLE



CXG8004Q (SONY)

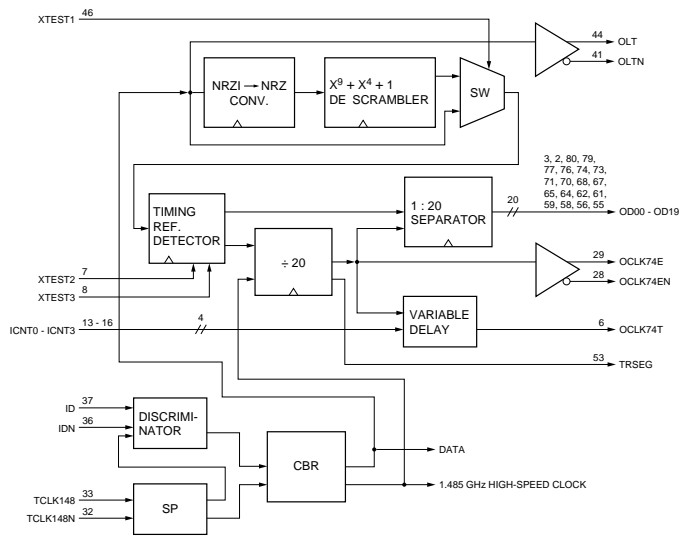
1.5 Gbps OPTICAL INTERFACE TRANSMITTER

—TOP VIEW—



INPUT
 ICNT0 - ICNT3 : PARALLEL CLOCK DELAY CONTROL
 ID : 1.485 Gbps SERIAL DATA
 IDN : INVERTED 1.485 Gbps SERIAL DATA
 TCLK148 : EXTERNAL CLOCK (1.485 GHz)
 TCLK148N : INVERTED EXTERNAL CLOCK (1.485 GHz)
 XRST : RESET
 XTST1 : NRZI → NRZ CONVERSION AND DESCRAMBLER CONTROL
 XTST2 : TRS DETECTOR CONTROL
 XTST3 : CHYH FLAG DETECTOR CONTROL

OUTPUT
 OD00 - OD19 : 20 BITS PARALLEL SIGNAL
 OCLK74E : 74.25 MHz PARALLEL CLOCK (ECL LEVEL)
 OCLK74EN : INVERTED 74.25 MHz PARALLEL CLOCK (ECL LEVEL)
 OCLK74T : 4.25 MHz PARALLEL CLOCK (LVTTL LEVEL)
 OLT : RETIMING DATA OF DISCRIMINATOR
 OLTN : INVERTED DATA OF DISCRIMINATOR
 TRSFG : TRS DETECTOR



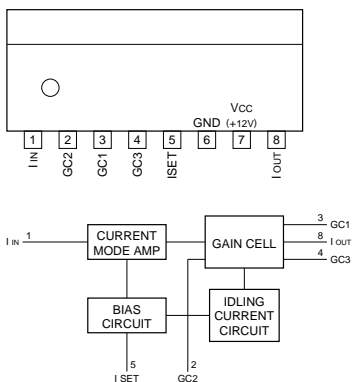
(VTTL = +3.3 V, VDD = +1.2 V, VECL = -2 V, VSS = -5 V)

PIN NO.	I/O	SIGNAL	PIN NO.	I/O	SIGNAL	PIN NO.	I/O	SIGNAL	PIN NO.	I/O	SIGNAL
1	—	VTTL	21	—	NC	41	O	OLTN	61	O	OD15
2	O	OD01	22	—	GND	42	—	NC	62	O	OD14
3	O	OD00	23	—	VECL	43	—	NC	63	—	GND
4	—	GND	24	—	NC	44	O	OLT	64	O	OD13
5	—	VTTL	25	—	NC	45	—	VSS	65	O	OD12
6	O	OCLK74T	26	—	VECL	46	I	XTST1	66	—	GND
7	I	XTST2	27	—	VECL	47	I	XRST	67	O	OD11
8	I	XTST3	28	O	OCLK74EN	48	—	NC	68	O	OD10
9	—	VDD	29	O	OCLK74E	49	—	GND	69	—	VTTL
10	—	VDD	30	—	GND	50	—	GND	70	O	OD09
11	—	GND	31	—	GND	51	—	VDD	71	O	OD08
12	—	GND	32	I	TCLK148N	52	—	VDD	72	—	GND
13	I	ICNT0	33	I	TCLK148	53	O	TRSFSG	73	O	OD07
14	I	ICNT1	34	—	GND	54	—	VTTL	74	O	OD06
15	I	ICNT2	35	—	VECL	55	O	OD19	75	—	VTTL
16	I	ICNT3	36	I	IDN	56	O	OD18	76	O	OD05
17	—	NC	37	I	ID	57	—	GND	77	O	OD04
18	—	NC	38	—	GND	58	O	OD17	78	—	GND
19	—	VDD	39	—	NC	59	O	OD16	79	O	OD03
20	—	NC	40	—	NC	60	—	VTTL	80	O	OD02

DBX2151 (THAT)
 DBX2155 (DBX INC.)

VOLTAGE CONTROLLED AMP

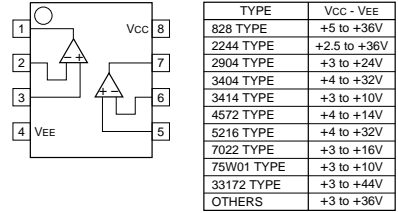
—SIDE VIEW—



EL2244CS-TE2 (ELANTEC INC.) FLAT PACKAGE

DUAL OPERATIONAL AMPLIFIERS
 (SINGLE-SUPPLY TYPE)

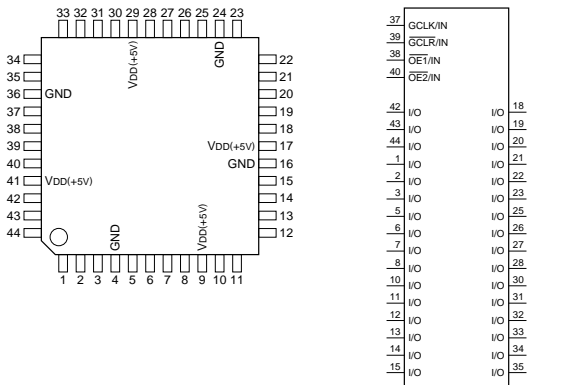
—TOP VIEW—



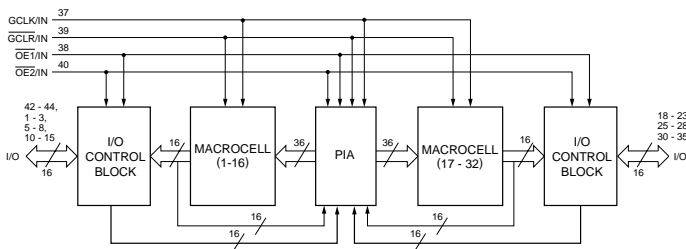
EPM7032QC44-15 (ALTERA)

C-MOS ERASABLE PLD

—TOP VIEW—



(VDD = +5V)											
PIN NO.	I/O	SIGNAL	PIN NO.	I/O	SIGNAL	PIN NO.	I/O	SIGNAL	PIN NO.	I/O	SIGNAL
1	I/O	I/O	12	I/O	I/O	23	I/O	I/O	34	I/O	I/O
2	I/O	I/O	13	I/O	I/O	24	—	GND	35	I/O	I/O
3	I/O	I/O	14	I/O	I/O	25	I/O	I/O	36	—	GND
4	—	GND	15	I/O	I/O	26	I/O	I/O	37	I	GCLK/IN
5	I/O	I/O	16	—	GND	27	I/O	I/O	38	I	OE1/IN
6	I/O	I/O	17	—	V _{DD}	28	I/O	I/O	39	I	GCLR/IN
7	I/O	I/O	18	I/O	I/O	29	—	V _{DD}	40	I	OE2/IN
8	I/O	I/O	19	I/O	I/O	30	I/O	I/O	41	—	V _{DD}
9	—	V _{DD}	20	I/O	I/O	31	I/O	I/O	42	I/O	I/O
10	I/O	I/O	21	I/O	I/O	32	I/O	I/O	43	I/O	I/O
11	I/O	I/O	22	I/O	I/O	33	I/O	I/O	44	I/O	I/O

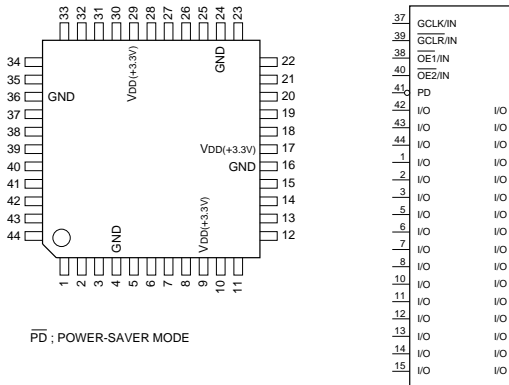


* ABOVE DIAGRAM SHOWS CONDITIONS BEFORE PROGRAMMING

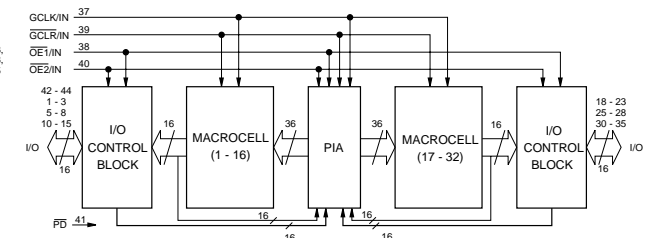
EPM7032VTC44-12 (ALTERA)

C-MOS ERASABLE PLD

—TOP VIEW—



(VDD = +3.3V)											
PIN NO.	I/O	SIGNAL	PIN NO.	I/O	SIGNAL	PIN NO.	I/O	SIGNAL	PIN NO.	I/O	SIGNAL
1	I/O	I/O	12	I/O	I/O	23	I/O	I/O	34	I/O	I/O
2	I/O	I/O	13	I/O	I/O	24	—	GND	35	I/O	I/O
3	I/O	I/O	14	I/O	I/O	25	I/O	I/O	36	—	GND
4	—	GND	15	I/O	I/O	26	I/O	I/O	37	I	GCLK/IN
5	I/O	I/O	16	—	GND	27	I/O	I/O	38	I	OE1/IN
6	I/O	I/O	17	—	V _{DD}	28	I/O	I/O	39	I	GCLR/IN
7	I/O	I/O	18	I/O	I/O	29	—	V _{DD}	40	I	OE2/IN
8	I/O	I/O	19	I/O	I/O	30	I/O	I/O	41	I	PD
9	—	V _{DD}	20	I/O	I/O	31	I/O	I/O	42	I/O	I/O
10	I/O	I/O	21	I/O	I/O	32	I/O	I/O	43	I/O	I/O
11	I/O	I/O	22	I/O	I/O	33	I/O	I/O	44	I/O	I/O

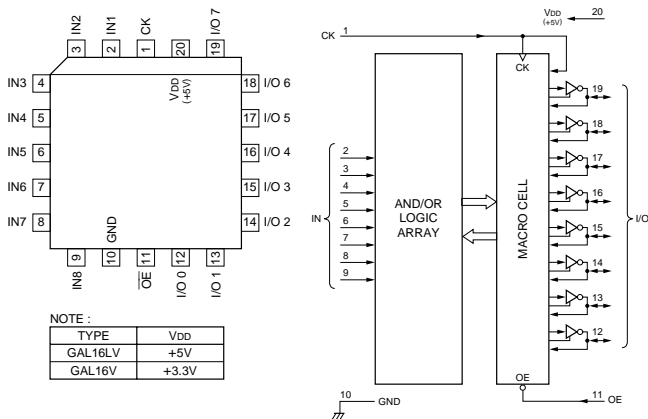


* ABOVE DIAGRAM SHOWS CONDITIONS BEFORE PROGRAMMING

GAL16LV8C-15LJ (LATTICE)

C-MOS ELECTRICALLY ERASABLE PROGRAMMABLE LOGIC DEVICE

—TOP VIEW—



NOTE :

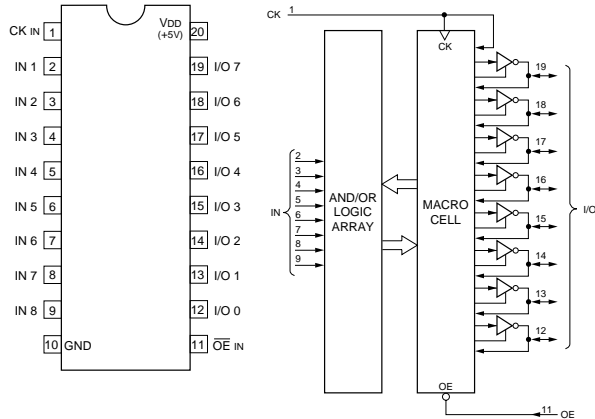
TYPE	V _{DD}
GAL16LV	+5V
GAL16V	+3.3V

* ABOVE DIAGRAM SHOWS CONDITIONS BEFORE PROGRAMMING.

GAL16V8B-25LP (LATTICE)

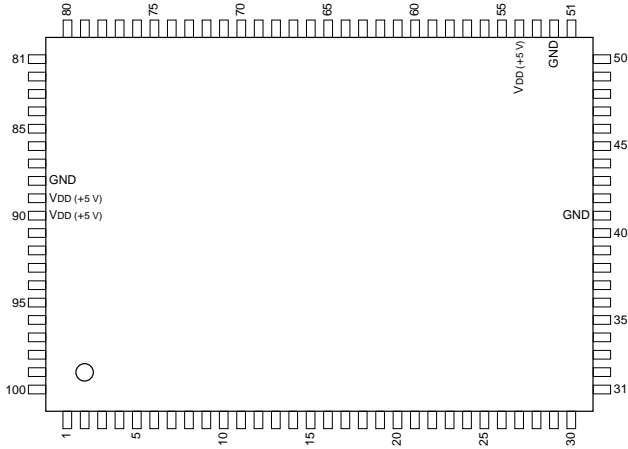
C-MOS ELECTRICALLY ERASABLE PROGRAMMABLE LOGIC DEVICE

—TOP VIEW—



CXP80P624AQ-1 (SONY)
CXP80P624AQ-1-008 (SONY)

C-MOS 8-BIT MICROPROCESSOR
—TOP VIEW—



- INPUT**
- AN0 - AN11 : ANALOG SIGNAL
 - CFG : CAPSTAN FG
 - CS0 : SERIAL CHIP SELECT
 - DFG : DRUM FG
 - DPG : DRUM PG
 - EC : EXTERNAL EVENT
 - EXI0, EXI1 : EXTERNAL INPUTS FOR FRC CAPTURE UNIT
 - EXTAL : CRYSTAL OSCILLATOR FOR SYSTEM CLOCK
 - INT0 - INT3 : EXTERNAL INTERRUPT REQUEST
 - MP : MICROPROCESSOR MODE
 - PBCTL : PLAYBACK CTL
 - PCK : EXTERNAL CLOCK
 - PE0, PE1 : PORT E
 - PF0 - PF3 : PORT F
 - PG0 - PG7 : PORT G
 - PI0 : PORT I
 - PK0 : INPUT PORT
 - SIO : SERIAL DATA
 - SI1 : SERIAL DATA
 - SYNC0, SYNC1 : COMPOSITE SYNC

- OUTPUT**
- DAA0, DAA1 : D/A GATE PULSE
 - DAB0, DAB1 : D/A GATE PULSE
 - PA0 - PA7 : PORT A
 - PB0 - PB7 : PORT B
 - PE2 - PE7 : PORT E
 - PF4 - PF7 : PORT F
 - PH0 - PH7 : PORT H
 - PO : GENERAL PURPOSE PRESCALER
 - PPO0 - PPO18 : PROGRAMMABLE PATTERN GENERATOR
 - PWM : 14-BIT PWM
 - PWM0, PWM1 : PULSE WIDTH MODULATION
 - RT03 - RT07 : REAL TIME PULSE GENERATOR
 - SO0, SO1 : SERIAL DATA
 - TO : TIMER/COUNTER
 - XTAL : CRYSTAL OSCILLATOR FOR SYSTEM CLOCK

(VDD = +5 V)

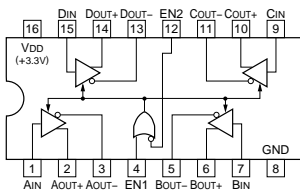
PIN NO.	I/O	SIGNAL	PIN NO.	I/O	SIGNAL	PIN NO.	I/O	SIGNAL	PIN NO.	I/O	SIGNAL
1	O	PB5/PPO13	26	I/O	PD4	51	I/O	PF4/AN8	76	O	PE2/PWM0
2	O	PB4/PPO12	27	I/O	PD3	52	—	GND	77	I	PE1/EC/INT2
3	O	PB3/PPO11	28	I/O	PD2	53	—	VREF	78	I	PE0/INT0
4	O	PB2/PPO10	29	I/O	PD1	54	—	VDD	79	I/O	PI7/SI1
5	O	PB1/PPO9	30	I/O	PD0	55	I	PF3/AN7	80	I/O	PI6/SO1
6	O	PB0/PPO8	31	O	PH7	56	I	PF2/AN6	81	I/O	PI5/SCK1
7	I/O	PC7/RT07	32	O	PH6	57	I	PF1/AN5	82	I/O	PI4/INT1/NMI
8	I/O	PC6/RT06	33	O	PH5	58	I	PF0/AN4	83	I/O	PI3/TO/DDO/ADJ
9	I/O	PC5/RT05	34	O	PH4	59	I	AN3	84	I/O	PI2/PWM
10	I/O	PC4/RT04	35	O	PH3	60	I	AN2	85	I/O	PI1/PO
11	I/O	PC3/RT03	36	O	PH2	61	I	AN1	86	I	PI0/PCK
12	I/O	PC2/PPO18	37	O	PH1	62	I	AN0	87	I	PK0
13	I/O	PC1/PPO17	38	O	PH0	63	I	PG7/EXI1	88	—	GND
14	I/O	PC0/PPO16	39	O	MP	64	I	PG6/EXI0	89	—	VDD
15	I/O	PJ7	40	I/O	RST	65	I	PG5/SYNC1	90	—	VDD
16	I/O	PJ6	41	—	GND	66	I	PG4/SYNC0	91	O	PA7/PPO7
17	I/O	PJ5	42	O	XTAL	67	I	PG3/PBCTL	92	O	PA6/PPO6
18	I/O	PJ4	43	I	EXTAL	68	I	PG2/DPG	93	O	PA5/PPO5
19	I/O	PJ3	44	I	CS0	69	I	PG1/DFG	94	O	PA4/PPO4
20	I/O	PJ2	45	I	SIO	70	I	PG0/CFG	95	O	PA3/PPO3
21	I/O	PJ1	46	O	SOO	71	O	PE7/DAB1	96	O	PA2/PPO2
22	I/O	PJ0	47	I/O	SCK0	72	O	PE6/DAB0	97	O	PA1/PPO1
23	I/O	PD7	48	I/O	PF7/AN11	73	O	PE5/DAA1	98	O	PA0/PPO0
24	I/O	PD6	49	I/O	PF6/AN10	74	O	PE4/DAA0	99	O	PB7/PPO15
25	I/O	PD5	50	I/O	PF5/AN9	75	O	PE3/PWM1	100	O	PB6/PPO14

- INPUT/OUTPUT**
- PC0 - PC7 : PORT C
 - PD0 - PD7 : PORT D
 - PI1 - PI7 : PORT I
 - PJ0 - PJ7 : PORT J
 - RST : SYSTEM RESET
 - SCK0, SCK1 : SERIAL CLOCK

DS90LV031TMX (NS)FLAT PACKAGE

C-MOS QUAD DIFFERENTIAL LINE DRIVER

—TOP VIEW—



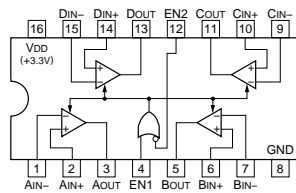
INPUTS		OUTPUTS		
EN2	EN1	IN	+ -	
1	0	x	HI-Z	HI-Z
ALL OTHER COMBINATIONS OF ENABLE INPUTS	L	L	H	
	H	H	L	

0 : LOW LEVEL
1 : HIGH LEVEL
x : DON'T CARE
HI-Z : HIGH IMPEDANCE

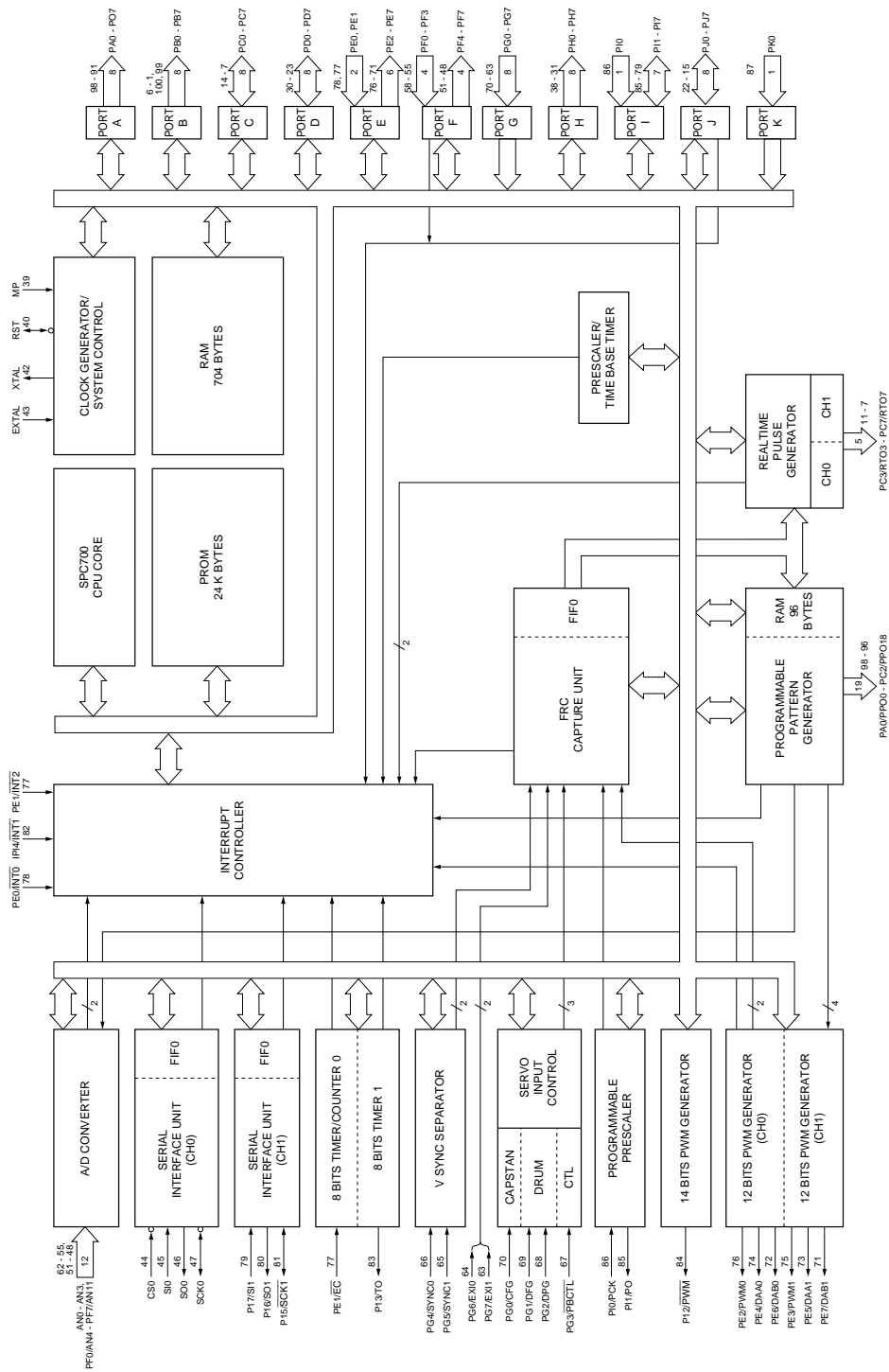
DS90LV032TMX (NS)FLAT PACKAGE

C-MOS QUAD DIFFERENTIAL LINE RECEIVER

—TOP VIEW—

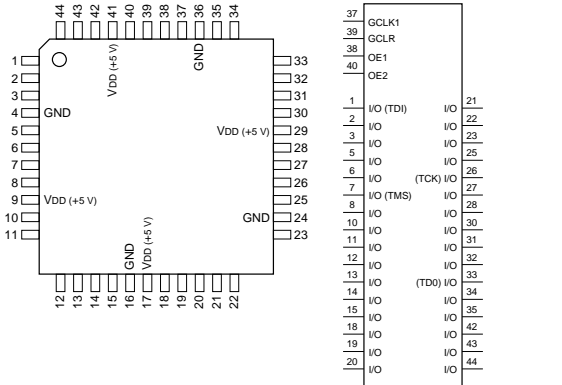


INPUTS		OUTPUTS		
EN2	EN1	IN+ - IN-	OUT	
1	0	x	HI-Z	
ALL OTHER COMBINATIONS OF ENABLE INPUTS		V _{id} ≥ 0.1V	1	0 : LOW LEVEL
		V _{id} ≤ -0.1V	0	1 : HIGH LEVEL
		FULL FAILSAFE OPEN/SHORT OR TERMINATED	1	x : DON'T CARE HI-Z : HIGH IMPEDANCE



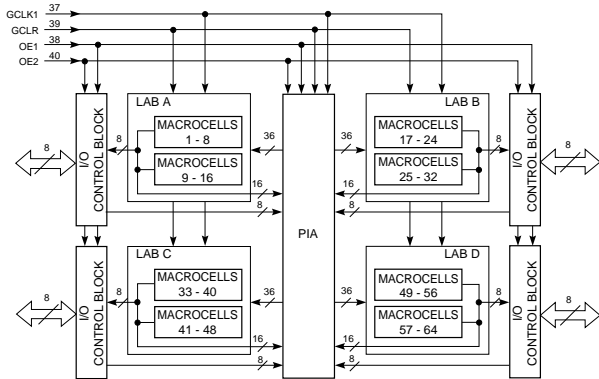
EPM7064TC44-7 (ALTERA)

C-MOS EEPROM
—TOP VIEW—



(VDD = +5 V)											
PIN NO.	I/O	SIGNAL	PIN NO.	I/O	SIGNAL	PIN NO.	I/O	SIGNAL	PIN NO.	I/O	SIGNAL
1	I/O	I/O (TDI)	12	I/O	I/O	23	I/O	I/O	34	I/O	I/O
2	I/O	I/O	13	I/O	I/O	24	—	GND	35	I/O	I/O
3	I/O	I/O	14	I/O	I/O	25	I/O	I/O	36	—	GND
4	—	GND	15	I/O	I/O	26	I/O	I/O (TCK)	37	I	GCLK1
5	I/O	I/O	16	—	GND	27	I/O	I/O	38	I	OE1
6	I/O	I/O	17	—	V _{DD}	28	I/O	I/O	39	I	GCLR
7	I/O	I/O (TMS)	18	I/O	I/O	29	—	V _{DD}	40	I	OE2
8	I/O	I/O	19	I/O	I/O	30	I/O	I/O	41	—	V _{DD}
9	—	V _{DD}	20	I/O	I/O	31	I/O	I/O	42	I/O	I/O
10	I/O	I/O	21	I/O	I/O	32	I/O	I/O	43	I/O	I/O
11	I/O	I/O	22	I/O	I/O	33	I/O	I/O (TDO)	44	I/O	I/O

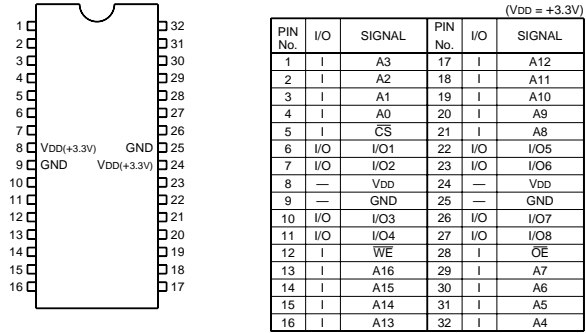
GCLK1 : GLOBAL CLOCK
GCLR : GLOBAL CLEAR
I/O : DATA INPUTS/OUTPUTS
OE1 : OUTPUT ENABLE 1 INPUT
OE2 : OUTPUT ENABLE 2 INPUT



*ABOVE DIAGRAM SHOWS CONDITIONS BEFORE PROGRAMMING.

HM62W8127HBJP-27Z (HITACHI)PLCC

C-MOS 1M (131,072 x 8)-BIT STATIC RAM
—TOP VIEW—



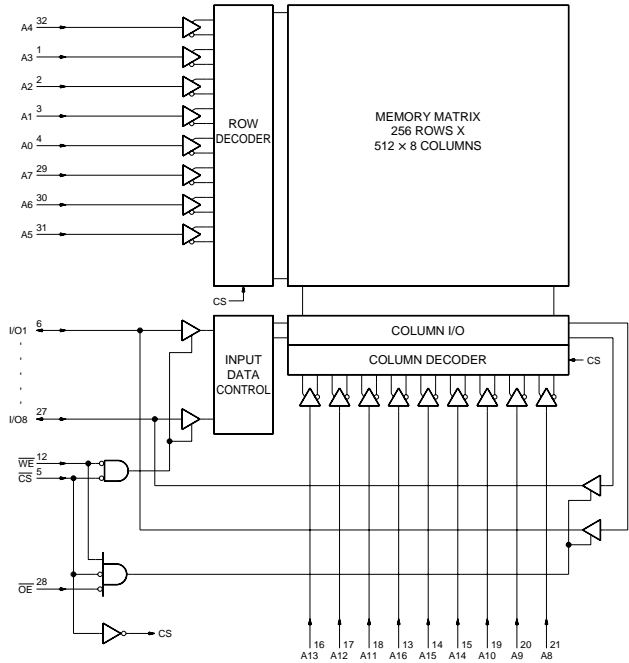
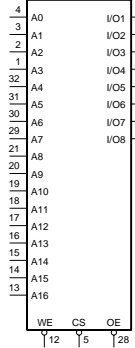
(VDD = +3.3V)					
PIN No.	I/O	SIGNAL	PIN No.	I/O	SIGNAL
1	I	A3	17	I	A12
2	I	A2	18	I	A11
3	I	A1	19	I	A10
4	I	A0	20	I	A9
5	I	CS	21	I	A8
6	I/O	I/O1	22	I/O	I/O5
7	I/O	I/O2	23	I/O	I/O6
8	—	V _{DD}	24	—	V _{DD}
9	—	GND	25	—	GND
10	I/O	I/O3	26	I/O	I/O7
11	I/O	I/O4	27	I/O	I/O8
12	I	WE	28	I	OE
13	I	A16	29	I	A7
14	I	A15	30	I	A6
15	I	A14	31	I	A5
16	I	A13	32	I	A4

INPUT
A0 - A16 : ADDRESS INPUTS
CS : CHIP SELECT
OE : OUTPUT ENABLE INPUT
WE : WRITE ENABLE INPUT

INPUT/OUTPUT
I/O1 - I/O8 : DATA INPUTS/OUTPUTS

CS	OE	WE	MODE	I/O
1	X	X	NON SELECT	HI-Z
0	1	1	OUTPUT DISABLE	HI-Z
0	0	1	READ	OUTPUT
0	X	0	WRITE	INPUT

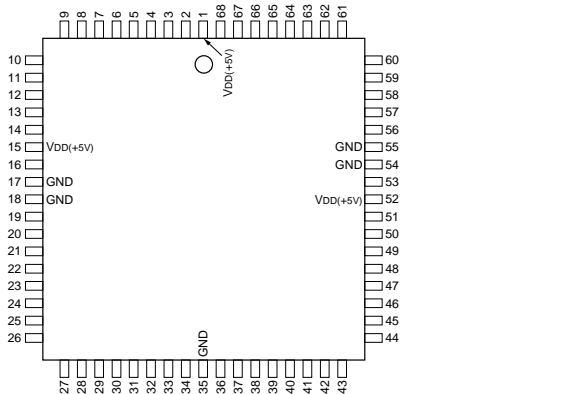
0 : LOW LEVEL
1 : HIGH LEVEL
X : DON'T CARE
HI-Z : HIGH IMPEDANCE



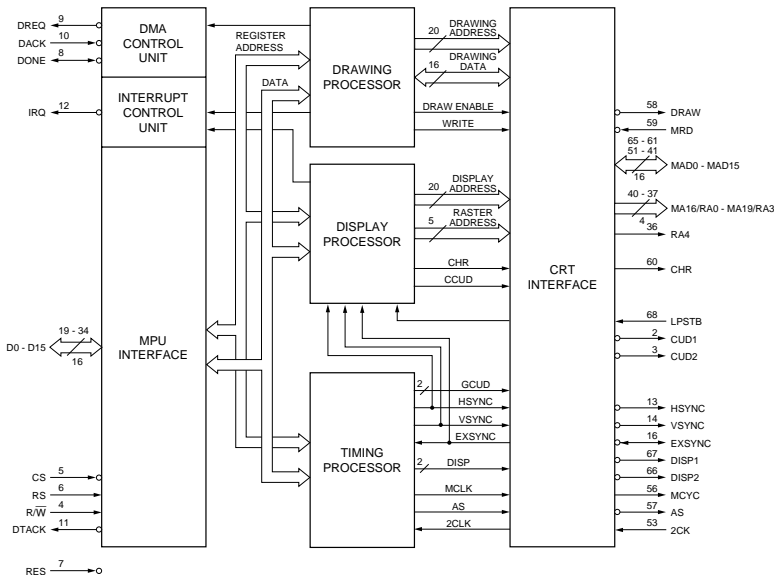
HD63484CP8 (HITACHI)

C-MOS ADVANCED CRT CONTROLLER

—TOP VIEW—



PIN No.	I/O	SIGNAL	PIN No.	I/O	SIGNAL	PIN No.	I/O	SIGNAL	PIN No.	I/O	SIGNAL
1	—	VDD	18	—	GND	35	—	GND	52	—	VDD
2	O	CUD1	19	I/O	D0	36	O	RA4	53	I	2CK
3	O	CUD2	20	I/O	D1	37	O	MA19/RA3	54	—	GND
4	I	R/W	21	I/O	D2	38	O	MA18/RA2	55	—	GND
5	I	CS	22	I/O	D3	39	O	MA17/RA1	56	O	MCYC
6	I	RS	23	I/O	D4	40	O	MA16/RA0	57	O	AS
7	I	RES	24	I/O	D5	41	I/O	MAD15	58	O	DRAW
8	I/O	DONE	25	I/O	D6	42	I/O	MAD14	59	O	MRD
9	O	DREQ	26	I/O	D7	43	I/O	MAD13	60	O	CHR
10	I	DACK	27	I/O	D8	44	I/O	MAD12	61	I/O	MAD4
11	I	DTACK	28	I/O	D9	45	I/O	MAD11	62	I/O	MAD3
12	O	IRQ	29	I/O	D10	46	I/O	MAD10	63	I/O	MAD2
13	O	HSYNC	30	I/O	D11	47	I/O	MAD9	64	I/O	MAD1
14	O	VSYNC	31	I/O	D12	48	I/O	MAD8	65	I/O	MAD0
15	—	VDD	32	I/O	D13	49	I/O	MAD7	66	O	DISP2
16	I/O	EXSYNC	33	I/O	D14	50	I/O	MAD6	67	O	DISP1
17	—	GND	34	I/O	D15	51	I/O	MAD5	68	I	LPSTB



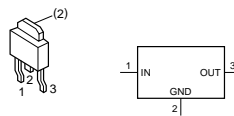
PIN No.	SIGNAL	DESCRIPTION
19	D0	MAD0
20	D1	MAD1
21	D2	MAD2
22	D3	MAD3
23	D4	MAD4
24	D5	MAD5
25	D6	MAD6
26	D7	MAD7
27	D8	MAD8
28	D9	MAD9
29	D10	MAD10
30	D11	MAD11
31	D12	MAD12
32	D13	MAD13
33	D14	MAD14
34	D15	MAD15
40	MA16/RA0	HSYNC
39	MA17/RA1	IRQ
38	MA18/RA2	MA16 - MA19
37	MA19/RA3	MCYC
36	RA4	MRD
56	MCYC	RA0 - RA4
57	AS	VSYNC
58	DRAW	
59	MRD	
60	CHR	
2	CUD1	
3	CUD2	
67	DISP1	
66	DISP2	
9	DREQ	
12	IRQ	
16	EXSYNC	
14	VSYNC	
13	HSYNC	
5	DONE	
10	DACK	
11	DTACK	
4	R/W	
5	CS	
6	RS	
53	2CK	
7	RES	
68	LPSTB	

- INPUT**
- 2CK : 2CLOCK
 - CS : CHIP SELECT
 - DACK : DMA ACKNOWLEDGE
 - DTACK : DATA TRANSFER ACKNOWLEDGE
 - LPSTB : LIGHT PEN STROBE
 - R/W : READ/WRITE
 - RWS : RESET
 - RS : REGISTER SELECT
- OUTPUT**
- AS : ADDRESS STROBE
 - CHR : CHARACTER
 - CUD1, CUD2 : CURSOR DISPLAY
 - DISP1, DISP2 : DISPLAY TIMING
 - DRAW : DRAW
 - DREQ : DMA REQUEST
 - HSYNC : HORIZONTAL SYNC
 - IRQ : INTERRUPT REQUEST
 - MA16 - MA19 : MEMORY ADDRESS
 - MCYC : MEMORY CYCLE
 - MRD : MEMORY READ
 - RA0 - RA4 : RASTER ADDRESS
 - VSYNC : VERTICAL SYNC

- INPUT/OUTPUT**
- D0 - D15 : DATA BUS
 - DONE : DONE
 - EXSYNC : EXTERNAL SYNC
 - MAD0 - MAD15 : MEMORY ADDRESS/DATA

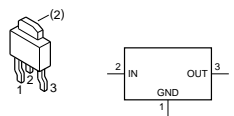
L78M05T-FA (SANYO)+5 V 0.5 A
L78M05T-FA-TL

POSITIVE VOLTAGE REGULATOR



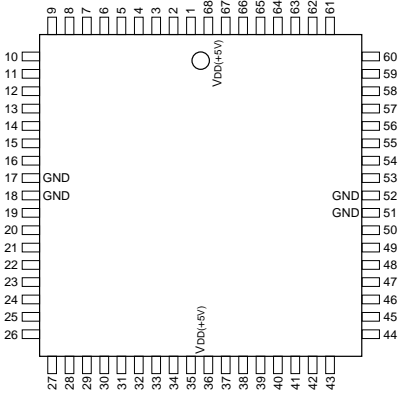
L79M05T-FA (SANYO)-5 V
L79M05T-FA-TL

NEGATIVE VOLTAGE REGULATOR



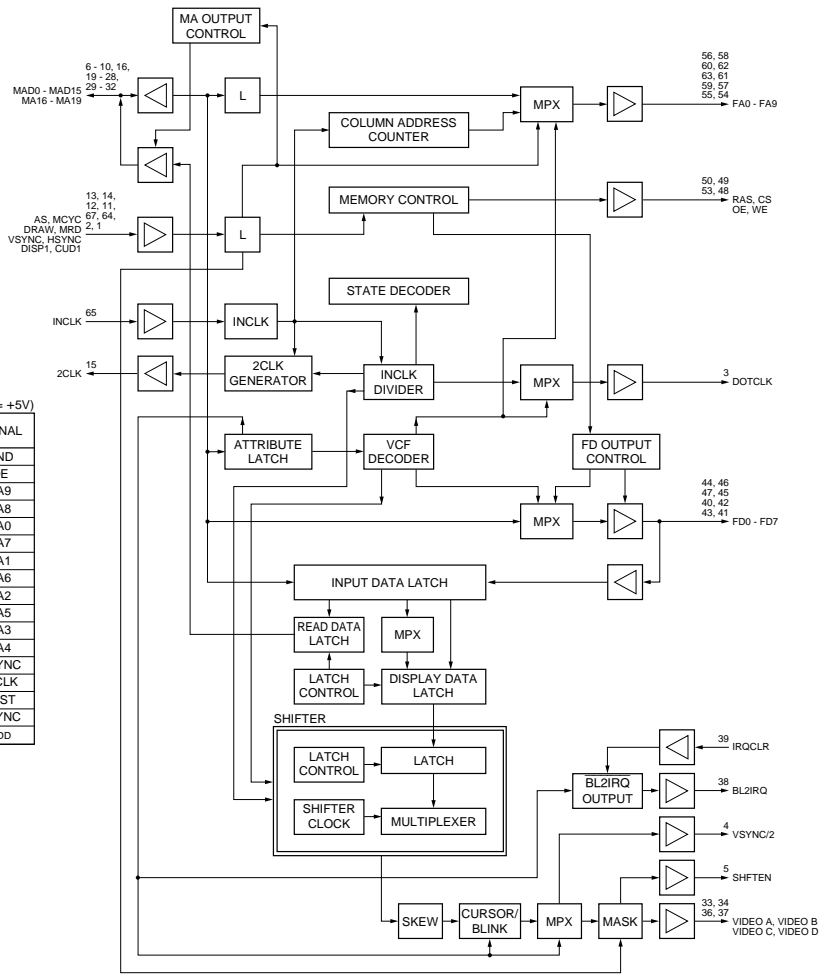
HD63487CP (HITACHI)

C-MOS MEMORY INTERFACE AND VIDEO ATTRIBUTE CONTROLLER
—TOP VIEW—



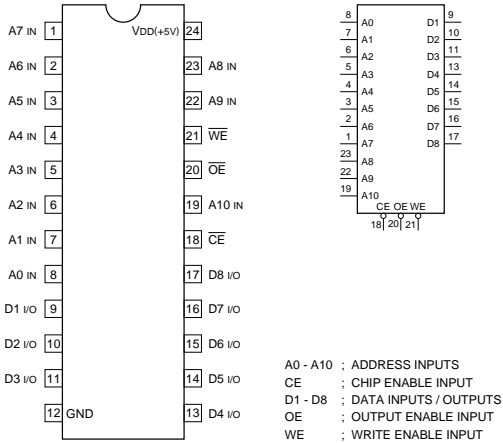
(VDD = +5V)											
PIN No.	I/O	SIGNAL	PIN No.	I/O	SIGNAL	PIN No.	I/O	SIGNAL	PIN No.	I/O	SIGNAL
1	I	CUD1	18	—	GND	35	—	V _{DD} V	52	—	GND
2	I	DISP1	19	I/O	MAD6	36	O	VIDEO C	53	O	OE
3	O	DOTCLK	20	I/O	MAD7	37	O	VIDEO D	54	O	FA9
4	O	VS _{YNC} /2	21	I/O	MAD8	38	O	BL2IRQ	55	O	FA8
5	O	SHFTEN	22	I/O	MAD9	39	I	IRQCLR	56	O	FA0
6	I/O	MAD0	23	I/O	MAD10	40	I/O	FD4	57	O	FA7
7	I/O	MAD1	24	I/O	MAD11	41	I/O	FD7	58	O	FA1
8	I/O	MAD2	25	I/O	MAD12	42	I/O	FD5	59	O	FA6
9	I/O	MAD3	26	I/O	MAD13	43	I/O	FD6	60	O	FA2
10	I/O	MAD4	27	I/O	MAD14	44	I/O	FD0	61	O	FA5
11	I	MRD	28	I/O	MAD15	45	I/O	FD3	62	O	FA3
12	I	DRAW	29	I	MA16	46	I/O	FD1	63	O	FA4
13	I	AS	30	I	MA17	47	I/O	FD2	64	I	HSYNC
14	I	MCYC	31	I	MA18	48	O	WE	65	I	INCLK
15	O	2CLK	32	I	MA19	49	O	CS	66	I	TEST
16	I/O	MAD5	33	O	VIDEO A	50	O	RAS	67	I	VS _{YNC}
17	—	GND	34	O	VIDEO B	51	—	GND	68	—	V _{DD}

6	MAD0	FA0	INPUT	56	AS	; ADDRESS STROBE
7	MAD1	FA1		58	CUD1	; CURSOR DISPLAY
8	MAD2	FA2		60	DISP1	; DISPLAY TIMING
9	MAD3	FA3		62	DRAW	; DRAW
10	MAD4	FA4		63	HSYNC	; HORIZONTAL SYNC
16	MAD5	FA5		61	INCLK	; MASTER CLOCK
19	MAD6	FA6		59	IRQCLR	; BL2IRQ CLEAR
20	MAD7	FA7		57	MA16 - MA19	; MEMORY ADDRESS
21	MAD8	FA8		55	MCYC	; MEMORY CYCLE
22	MAD9	FA9		54	MRD	; MEMORY READ
23	MAD10	FA0		48	TEST	; TEST
24	MAD11	WE		49	VS _{YNC}	; VERTICAL SYNC
25	MAD12	CS		50		
26	MAD13	RAS		53		
27	MAD14	OE	OUTPUT			
28	MAD15			44	2CLK	; 2 CLOCK
29	MA16	FD0		46	BL2IRQ	; SETTED MA19
30	MA17	FD1		48	CS	; CHIP SELECT
31	MA18	FD2		47	DOTCLK	; DOT CLOCK
32	MA19	FD3		45	FA0 - FA9	; FRAME BUFFER ADDRESS
		FD4		40	OE	; OUTPUT ENABLE
		FD5		42	RAS	; RAS TIMING FOR DRAM
1	CUD1	FD6		43	SHFTEN	; VIDEO SIGNAL OUTPUT ENABLE
2	DISP1	FD7		41	VIDEO A - VIDEO D	; VIDEO SIGNAL
11	MRD				VS _{YNC} /2	; HALF-V _{SYNC}
12	DRAW	VIDEO A		33	WE	; WRITE ENABLE
13	AS	VIDEO B		34		
14	MCYC	VIDEO C		36		
64	HSYNC	VIDEO D		37		
67	VS _{YNC}		INPUT/OUTPUT			
				37	FD0 - FD7	; FRAME BUFFER DATA
					MAD0 - MAD15	; MEMORY ADDRESS/DATA
65	INCLK	VS _{YNC} /2		3	DOTCLK	
15	2CLK	SHFTEN		4		
		BL2IRQ		5		
66	TEST	IRQCLR		33, 34, 36, 37	VIDEO A, VIDEO B, VIDEO C, VIDEO D	



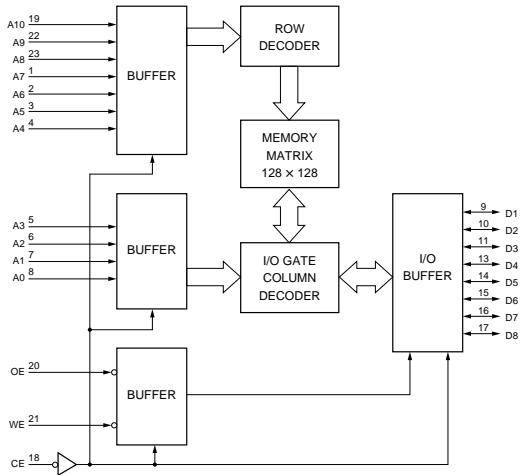
IDT6116SA25S0 (INTEGRATED DEVICE TECHNOLOGY)
IDT6116SA25SO-T

C-MOS 16K (2048 × 8)-BIT STATIC RAM
—TOP VIEW—



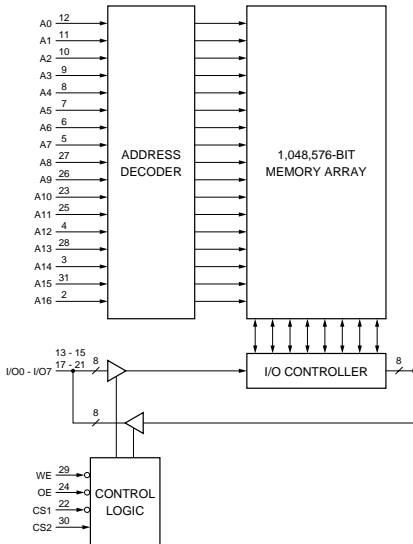
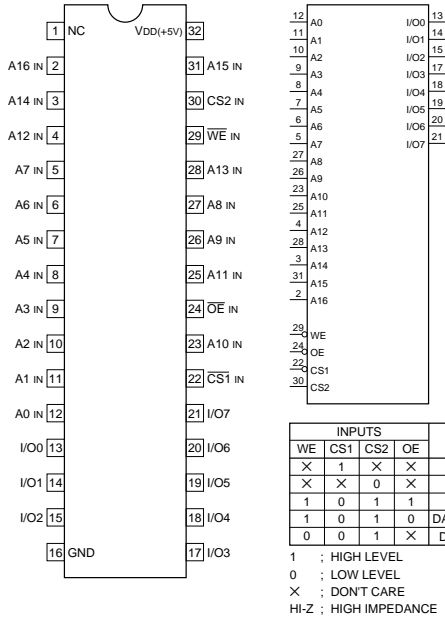
CONTROL INPUTS			MODE	D1 - D8
CE	OE	WE		
1	X	X	STANDBY	HI-Z
0	1	1	DISABLE OUTPUT	HI-Z
0	0	1	FEAD	OUTPUT
0	X	0	WRITE	INPUT

0 ; LOW LEVEL
1 ; HIGH LEVEL
X ; DON'T CARE
HI-Z ; HIGH IMPEDANCE



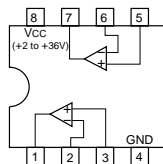
IDT71024S20Y-TL (IDT)

C-MOS 1M (128 × 8)BIT STATIC RAM
—TOP VIEW—



LM2903P (TI)
NJM2903D (JRC)
NJM2903M (JRC)FLAT PACKAGE
NJM2903M-TE2

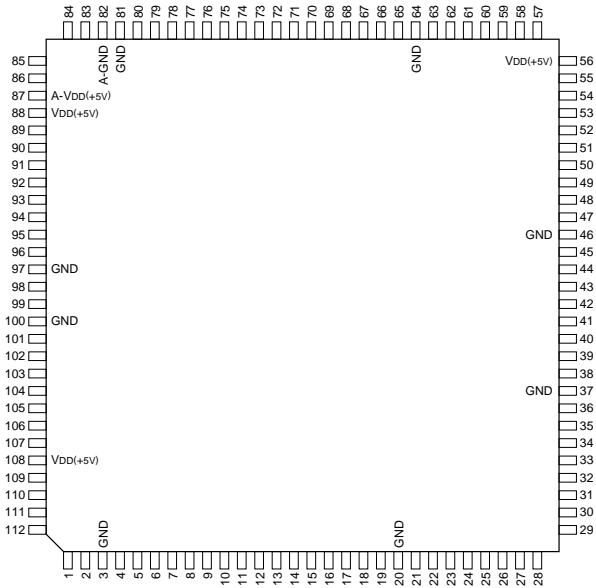
DUAL VOLTAGE COMPARATORS
—TOP VIEW—



HD6415108RF10 (HITACHI)

C-MOS 16-BIT MICROCOMPUTER UNIT

—TOP VIEW—



PIN NO.	EXPANSION MINIMUM MODE				EXPANSION MAXIMUM MODE			
	MODE 1	MODE 2	MODE 3	MODE 4	MODE 1	MODE 2	MODE 3	MODE 4
I/O	SIGNAL	I/O	SIGNAL	I/O	SIGNAL	I/O	SIGNAL	I/O
1	I/O	RES	I/O	RES	I/O	RES	I/O	RES
2	I	NMI	I	NMI	I	NMI	I	NMI
3	—	GND	—	GND	—	GND	—	GND
4	I/O	P10	I/O	D0	I/O	P10	I/O	D0
5	I/O	P11	I/O	D1	I/O	P11	I/O	D1
6	I/O	P12	I/O	D2	I/O	P12	I/O	D2
7	I/O	P13	I/O	D3	I/O	P13	I/O	D3
8	I/O	P14	I/O	D4	I/O	P14	I/O	D4
9	I/O	P15	I/O	D5	I/O	P15	I/O	D5
10	I/O	P16	I/O	D6	I/O	P16	I/O	D6
11	I/O	P17	I/O	D7	I/O	P17	I/O	D7
12	I/O	D8	I/O	D8	I/O	D8	I/O	D8
13	I/O	D9	I/O	D9	I/O	D9	I/O	D9
14	I/O	D10	I/O	D10	I/O	D10	I/O	D10
15	I/O	D11	I/O	D11	I/O	D11	I/O	D11
16	I/O	D12	I/O	D12	I/O	D12	I/O	D12
17	I/O	D13	I/O	D13	I/O	D13	I/O	D13
18	I/O	D14	I/O	D14	I/O	D14	I/O	D14
19	I/O	D15	I/O	D15	I/O	D15	I/O	D15
20	—	GND	—	GND	—	GND	—	GND
21	O	A0	O	A0	O	A0	O	A0
22	O	A1	O	A1	O	A1	O	A1
23	O	A2	O	A2	O	A2	O	A2
24	O	A3	O	A3	O	A3	O	A3
25	O	A4	O	A4	O	A4	O	A4
26	O	A5	O	A5	O	A5	O	A5
27	O	A6	O	A6	O	A6	O	A6
28	O	A7	O	A7	O	A7	O	A7
29	O	A8	O	A8	O	A8	O	A8
30	O	A9	O	A9	O	A9	O	A9
31	O	A10	O	A10	O	A10	O	A10
32	O	A11	O	A11	O	A11	O	A11
33	O	A12	O	A12	O	A12	O	A12
34	O	A13	O	A13	O	A13	O	A13
35	O	A14	O	A14	O	A14	O	A14
36	O	A15	O	A15	O	A15	O	A15
37	—	GND	—	GND	—	GND	—	GND
38	I/O	P20	I/O	P20	O	A16	O	P20
39	I/O	P21	I/O	P21	O	A17	O	P21
40	I/O	P22	I/O	P22	O	A18	O	P22

(V_{DD} = +5V)

PIN NO.	EXPANSION MINIMUM MODE				EXPANSION MAXIMUM MODE			
	MODE 1	MODE 2	MODE 3	MODE 4	MODE 1	MODE 2	MODE 3	MODE 4
I/O	SIGNAL	I/O	SIGNAL	I/O	SIGNAL	I/O	SIGNAL	I/O
41	I/O	P23	I/O	P23	O	A19	O	A19
42	I/O	P24	I/O	P24	O	A20	O	A20
43	I/O	P25	I/O	P25	O	A21	O	A21
44	I/O	P26	I/O	P26	O	A22	O	A22
45	I/O	P27	I/O	P27	O	A23	O	A23
46	—	GND	—	GND	—	GND	—	GND
47	I/O	P30 / WAIT	I/O	P30 / WAIT	I/O	P30 / WAIT	I/O	P30 / WAIT
48	I/O	P31 / BACK	I/O	P31 / BACK	I/O	P31 / BACK	I/O	P31 / BACK
49	I/O	P32 / BREQ	I/O	P32 / BREQ	I/O	P32 / BREQ	I/O	P32 / BREQ
50	I/O	P33	I/O	P33	I/O	P33	I/O	P33
51	I/O	P34	I/O	P34	I/O	P34	I/O	P34
52	I/O	P35	I/O	P35	I/O	P35	I/O	P35
53	I/O	P36	I/O	P36	I/O	P36	I/O	P36
54	I/O	P37	I/O	P37	I/O	P37	I/O	P37
55	—	V _{DD}	—	V _{DD}	—	V _{DD}	—	V _{DD}
56	I/O	P40 / ADTRG	I/O	P40 / ADTRG	I/O	P40 / ADTRG	I/O	P40 / ADTRG
57	I/O	P41 / TMC1	I/O	P41 / TMC1	I/O	P41 / TMC1	I/O	P41 / TMC1
58	I/O	P42 / TMR1	I/O	P42 / TMR1	I/O	P42 / TMR1	I/O	P42 / TMR1
59	I/O	P43 / TMO	I/O	P43 / TMO	I/O	P43 / TMO	I/O	P43 / TMO
60	I/O	P44 / FT1	I/O	P44 / FT1	I/O	P44 / FT1	I/O	P44 / FT1
61	I/O	P45 / FTC1	I/O	P45 / FTC1	I/O	P45 / FTC1	I/O	P45 / FTC1
62	I/O	P46 / FT2	I/O	P46 / FT2	I/O	P46 / FT2	I/O	P46 / FT2
63	I/O	P47 / FTC2	I/O	P47 / FTC2	I/O	P47 / FTC2	I/O	P47 / FTC2
64	—	GND	—	GND	—	GND	—	GND
65	I/O	P50 / FTOA1	I/O	P50 / FTOA1	I/O	P50 / FTOA1	I/O	P50 / FTOA1
66	I/O	P51 / FTOB1	I/O	P51 / FTOB1	I/O	P51 / FTOB1	I/O	P51 / FTOB1
67	I/O	P52 / FTOA2	I/O	P52 / FTOA2	I/O	P52 / FTOA2	I/O	P52 / FTOA2
68	I/O	P53 / FTOB2	I/O	P53 / FTOB2	I/O	P53 / FTOB2	I/O	P53 / FTOB2
69	I/O	P54	I/O	P54	I/O	P54	I/O	P54
70	I/O	P55	I/O	P55	I/O	P55	I/O	P55
71	I/O	P56	I/O	P56	I/O	P56	I/O	P56
72	I/O	P57	I/O	P57	I/O	P57	I/O	P57
73	I/O	P60	I/O	P60	I/O	P60	I/O	P60
74	I/O	P61	I/O	P61	I/O	P61	I/O	P61
75	I/O	P62	I/O	P62	I/O	P62	I/O	P62
76	I/O	P63	I/O	P63	I/O	P63	I/O	P63
77	I/O	P64	I/O	P64	I/O	P64	I/O	P64
78	I/O	P65	I/O	P65	I/O	P65	I/O	P65
79	I/O	P66	I/O	P66	I/O	P66	I/O	P66
80	I/O	P67	I/O	P67	I/O	P67	I/O	P67

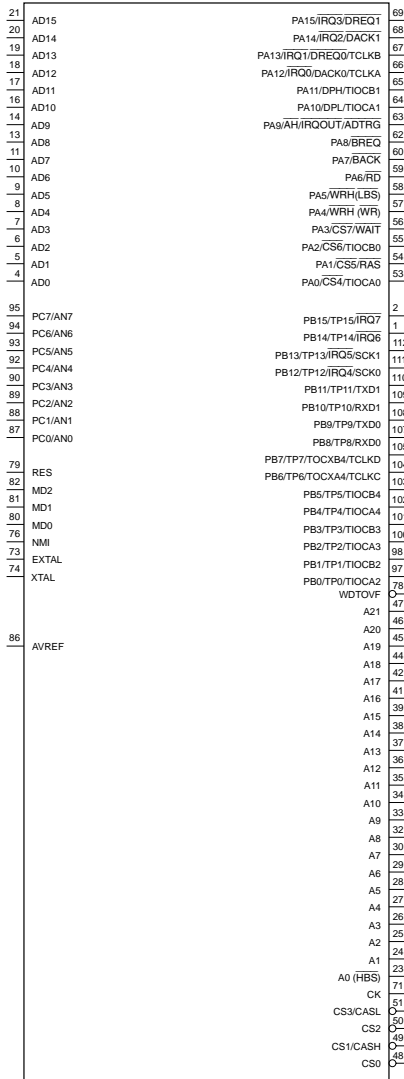
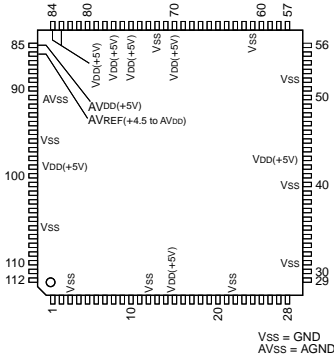
(V_{DD} = +5V)

PIN NO.	EXPANSION MINIMUM MODE				EXPANSION MAXIMUM MODE			
	MODE 1	MODE 2	MODE 3	MODE 4	MODE 1	MODE 2	MODE 3	MODE 4
I/O	SIGNAL	I/O	SIGNAL	I/O	SIGNAL	I/O	SIGNAL	I/O
81	—	GND	—	GND	—	GND	—	GND
82	—	A-GND	—	A-GND	—	A-GND	—	A-GND
83	I	P70 / AN0	I	P70 / AN0	I	P70 / AN0	I	P70 / AN0
84	I	P71 / AN1	I	P71 / AN1	I	P71 / AN1	I	P71 / AN1
85	I	P72 / AN2	I	P72 / AN2	I	P72 / AN2	I	P72 / AN2
86	I	P73 / AN3	I	P73 / AN3	I	P73 / AN3	I	P73 / AN3
87	—	A-V _{DD}	—	A-V _{DD}	—	A-V _{DD}	—	A-V _{DD}
88	—	V _{DD}	—	V _{DD}	—	V _{DD}	—	V _{DD}
89	I/O	P80 / IRQ0	I/O	P80 / IRQ0	I/O	P80 / IRQ0	I/O	P80 / IRQ0
90	I/O	P81 / IRQ1	I/O	P81 / IRQ1	I/O	P81 / IRQ1	I/O	P81 / IRQ1
91	I/O	P82 / IRQ2 / SCK1	I/O	P82 / IRQ2 / SCK1	I/O	P82 / IRQ2 / SCK1	I/O	P82 / IRQ2 / SCK1
92	I/O	P83 / IRQ3 / SCK2	I/O	P83 / IRQ3 / SCK2	I/O	P83 / IRQ3 / SCK2	I/O	P83 / IRQ3 / SCK2
93	I/O	P84 / RXD1	I/O	P84 / RXD1	I/O	P84 / RXD1	I/O	P84 / RXD1
94	I/O	P85 / TXD1	I/O	P85 / TXD1	I/O	P85 / TXD1	I/O	P85 / TXD1
95	I/O	P86 / RXD2	I/O	P86 / RXD2	I/O	P86 / RXD2	I/O	P86 / RXD2
96	I/O	P87 / TXD2	I/O	P87 / TXD2	I/O	P87 / TXD2	I/O	P87 / TXD2
97	—	GND	—	GND	—	GND	—	GND
98	I	EXTAL	I	EXTAL	I	EXTAL	I	EXTAL
99	I	XTAL	I	XTAL	I	XTAL	I	XTAL
100	—	GND	—	GND	—	GND	—	GND
101	O	σ	O	σ	O	σ	O	σ
102	O	E	O	E	O	E	O	E
103	O	AS	O	AS	O	AS	O	AS
104	O	RD	O	RD	O	RD	O	RD
105	O	HWR	O	HWR	O	HWR	O	HWR
106	O	LWR	O	LWR	O	LWR	O	LWR
107	O	RFSH	O	RFSH	O	RFSH	O	RFSH
108	—	V _{DD}	—	V _{DD}	—	V _{DD}	—	V _{DD}
109	I	MD0	I	MD0	I	MD0	I	MD0
110	I	MD1	I	MD1	I	MD1	I	MD1
111	I	MD2	I	MD2	I	MD2	I	MD2
112	I	STBY	I	STBY	I	STBY	I	STBY

HD6417032F20 (HITACHI)

C-MOS 32-BIT RISC MICROCOMPUTER

—TOP VIEW—



INPUT

- ADTRG : A/D CONVERSION TRIGGER
- AN0 - AN7 : ANALOG
- BREQ : BUS REQUEST
- DREQ0, 1 : DMA REQUEST
- EXTAL : CRYSTAL OSCILLATION OR EXTERNAL CLOCK
- IRQ0 - IRQ7 : MASKABLE INTERRUPT REQUEST
- LBS : LOW BYTE STROBE
- MD0 - MD2 : MODE CONTROL
- NMI : NON-MASKABLE INTERRUPT REQUEST
- RES : RESET
- RXD0, 1 : RECEIVE DATA
- TCLKA - TCLKD : ITU TIMER CLOCK
- WAIT : WAIT
- WR : WRITING
- WRH : HIGH ORDER WRITING
- WRL : LOW ORDER WRITING
- XTAL : CRYSTAL OSCILLATION

OUTPUT

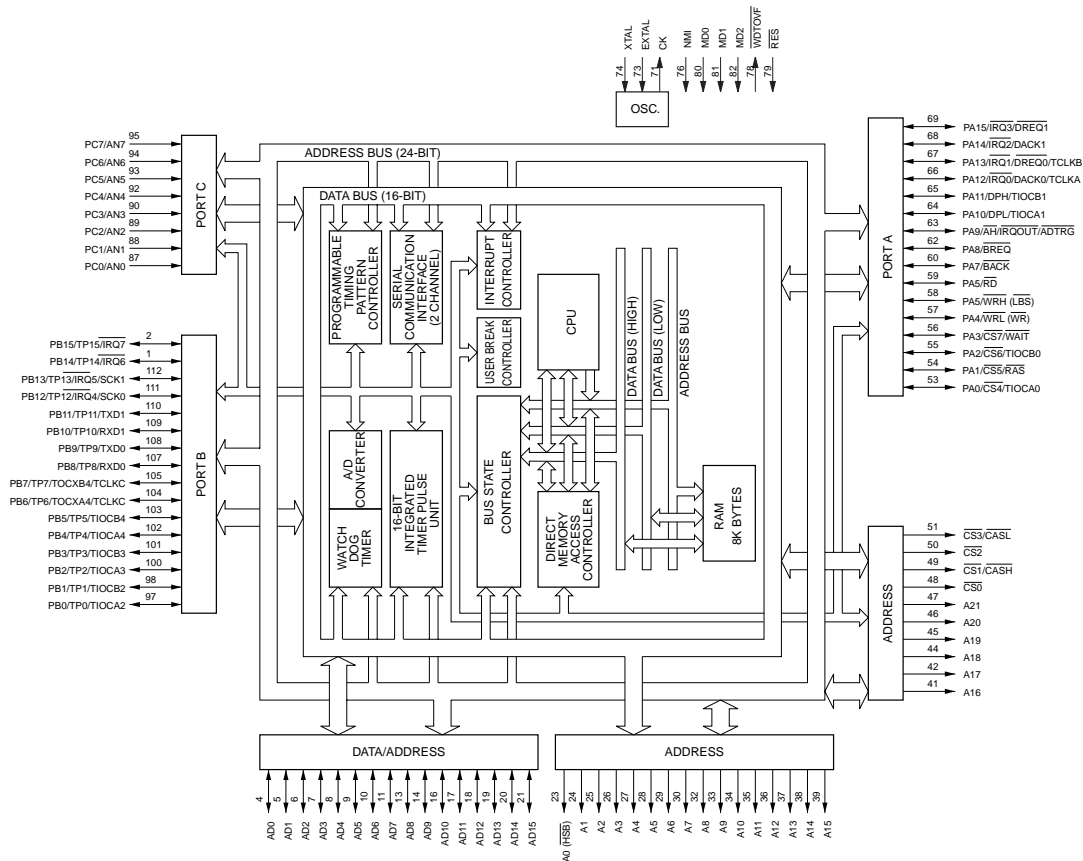
- A0 (HBS) - A21 : ADDRESS BUS
- AH : ADDRESS HOLD
- BACK : BUS REQUEST ACKNOWLEDGE
- CASH : HIGH ORDER COLUMN ADDRESS STROBE
- CASL : LOW ORDER COLUMN ADDRESS STROBE
- CK : SYSTEM CLOCK
- CS0 - CS7 : CHIP SELECT
- DACK0, 1 : DMA ACKNOWLEDGE
- IRQOUT : SLAVE INTERRUPT REQUEST
- RAS : ROW ADDRESS STROBE
- RD : READ
- TOCXA4 : ITU OUTPUT COMPARE A (CH4)
- TOCXB4 : ITU OUTPUT COMPARE B (CH4)
- TP0 - TP15 : TIMING PATTERN
- TXD0, 1 : TRANSMISSION DATA
- WDTOVF : WATCHDOG TIMER OVERFLOW

INPUT/OUTPUT

- AD0 - AD15 : DATA BUS
- DPH : HIGH ORDER DATA BUS PARITY
- DPL : LOW ORDER DATA BUS PARITY
- PA0 - PA15 : PORT A
- PB0 - PB15 : PORT B
- PC0 - PC7 : PORT C
- SCK0, 1 : SERIAL CLOCK
- TIOCA0 - TIOCA4 : ITU INPUT CAPTURE/OUTPUT COMPARE A (CH0 - 4)
- TIOCB0 - TIOCB4 : ITU INPUT CAPTURE/OUTPUT COMPARE B (CH0 - 4)

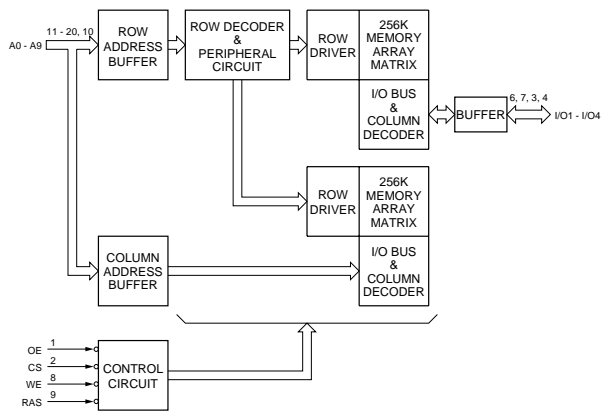
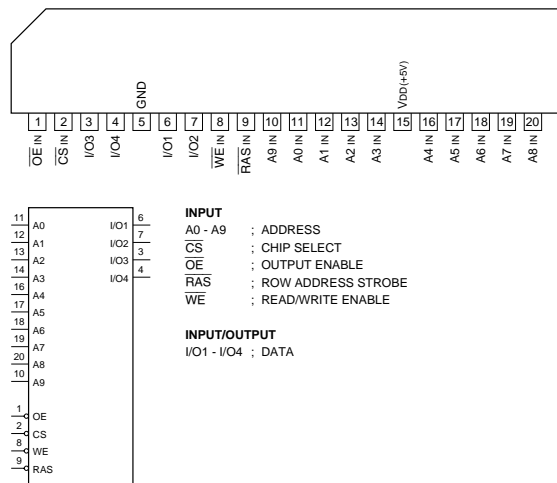
VDD = +5V
 AVDD = +5V
 VDD = GND
 AVSS = AGND
 AVREF = +4.5V to AVDD

PIN No.	I/O	SIGNAL	PIN No.	I/O	SIGNAL	PIN No.	I/O	SIGNAL
1	I/O	PB14/TP14/IRQ6	39	O	A15	77	—	VDD
2	I/O	PB15/TP15/IRQ7	40	—	VSS	78	O	WDTOVF
3	—	VSS	41	O	A16	79	I	RES
4	I/O	AD0	42	O	A17	80	I	MD0
5	I/O	AD1	43	—	VDD	81	I	MD1
6	I/O	AD2	44	O	A18	82	I	MD2
7	I/O	AD3	45	O	A19	83	—	VDD
8	I/O	AD4	46	O	A20	84	—	VDD
9	I/O	AD5	47	O	A21	85	—	AVDD
10	I/O	AD6	48	O	CS0	86	I	AVREF
11	I/O	AD7	49	O	CS1/CASH	87	I	PC0/AN0
12	—	VSS	50	O	CS2	88	I	PC1/AN1
13	I/O	AD8	51	O	CS3/CASL	89	I	PC2/AN2
14	I/O	AD9	52	—	VSS	90	I	PC3/AN3
15	—	VDD	53	I/O	PA0/CS4/TIOCA0	91	—	AVSS
16	I/O	AD10	54	I/O	PA1/CS5/RAS	92	I	PC4/AN4
17	I/O	AD11	55	I/O	PA2/CS6/TIOCB0	93	I	PC5/AN5
18	I/O	AD12	56	I/O	PA3/CS7/WAIT	94	I	PC6/AN6
19	I/O	AD13	57	I/O	PA4/WRL (WR)	95	I	PC7/AN7
20	I/O	AD14	58	I/O	PA5/WRH (LBS)	96	—	VSS
21	I/O	AD15	59	I/O	PA6/RD	97	I/O	PB0/TP0/TIOCA2
22	—	VSS	60	I/O	PA7/BACK	98	I/O	PB1/TP1/TIOCB2
23	O	A0 (HBS)	61	—	VSS	99	—	VDD
24	O	A1	62	I/O	PA8/BREQ	100	I/O	PB2/TP2/TIOCA3
25	O	A2	63	I/O	PA9/AH/IRQOUT/ADTRG	101	I/O	PB3/TP3/TIOCB3
26	O	A3	64	I/O	PA10/DPL/TIOCA1	102	I/O	PB4/TP4/TIOCA4
27	O	A4	65	I/O	PA11/DPH/TIOCB1	103	I/O	PB5/TP5/TIOCB4
28	O	A5	66	I/O	PA12/IRQ0/DACK0/TCLKA	104	I/O	PB6/TP6/TOCX4/TCLKC
29	O	A6	67	I/O	PA13/IRQ1/DREQ0/TCLKB	105	I/O	PB7/TP7/TOCX4/TCLKD
30	O	A7	68	I/O	PA14/IRQ2/DACK1	106	—	VSS
31	—	VSS	69	I/O	PA15/IRQ3/DREQ1	107	I/O	PB8/TP8/RXD0
32	O	A8	70	—	VDD	108	I/O	PB9/TP9/TXD0
33	O	A9	71	O	CK	109	I/O	PB10/TP10/RXD1
34	O	A10	72	—	VSS	110	I/O	PB11/TP11/TXD1
35	O	A11	73	I	EXTAL	111	I/O	PB12/TP12/IRQ4/SCK0
36	O	A12	74	I	XTAL	112	I/O	PB13/TP13/IRQ5/SCK1
37	O	A13	75	—	VDD			
38	O	A14	76	I	NMI			



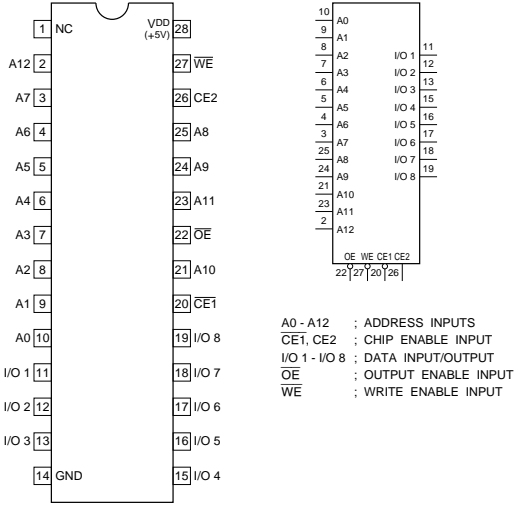
HM514402CZ-8 (HITACHI)

C-MOS 4M (1,048,576 × 4)-BIT DYNAMIC RAM
—SIDE VIEW—



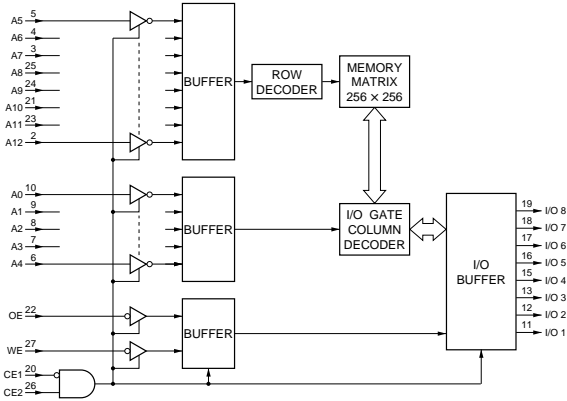
LC3564SM-70-TLM (SANYO)FLAT PACKAGE

C-MOS 64K (8192 x 8)-BIT STATIC RAM
—TOP VIEW—



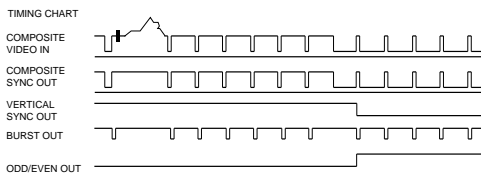
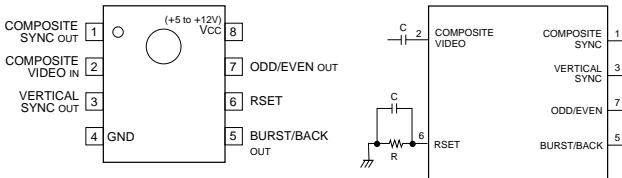
CE1	CE2	OE	WE	MODE	I/O TERMINAL
1	X	X	X	NOT SELECT	HIGH IMPEDANCE
X	0	X	X	NOT SELECT	HIGH IMPEDANCE
0	1	1	1	OUTPUT DISABLE	HIGH IMPEDANCE
0	1	0	1	READ	OUTPUT DATA
0	1	X	0	WRITE	INPUT DATA

0 : LOW LEVEL
 1 : HIGH LEVEL
 X : DONT CARE



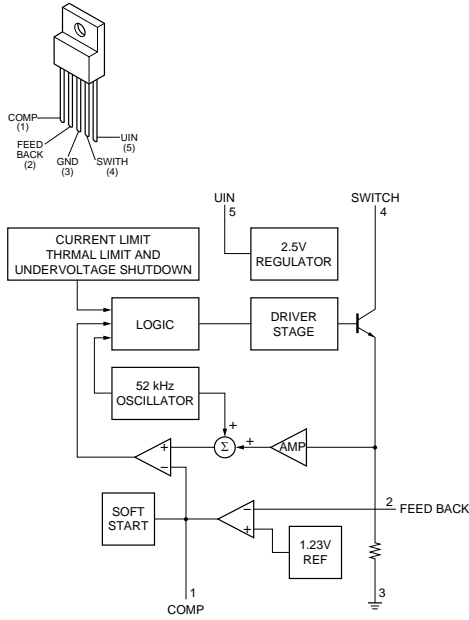
LM1881M (NS)FLAT PACKAGE
LM1881MX

VIDEO SYNC SEPARATOR
—TOP VIEW—



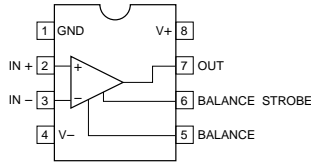
LM2577T-ADJ (NS)

STEP-UP AND FLYBACK SWITCHING REGULATOR
—TOP VIEW—



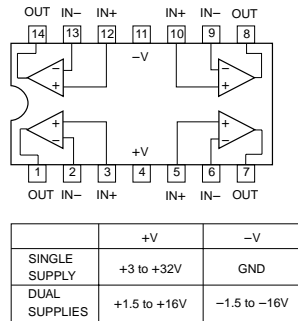
LM311PS (TI)FLAT PACKAGE
LM311PS-E05

VOLTAGE COMPARATOR WITH STROBE
—TOP VIEW—



LM324NS (TI)FLAT PACKAGE
LM324NS-E05

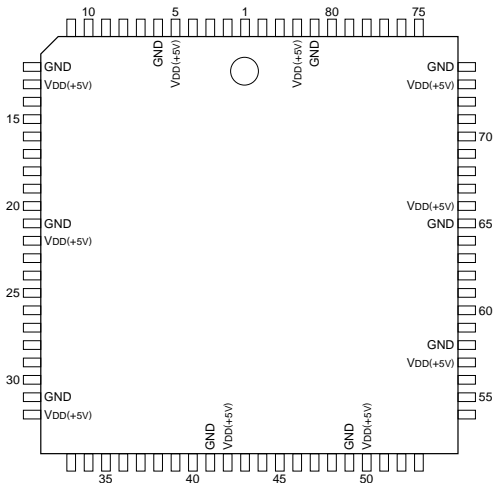
QUAD OPERATIONAL AMPLIFIERS
—TOP VIEW—



IDT79R3041-20J (IDT)J-LEADED PACKAGE

C-MOS RISC CPU

—TOP VIEW—



(VDD = +5V)											
PIN NO.	I/O	SIGNAL	PIN NO.	I/O	SIGNAL	PIN NO.	I/O	SIGNAL	PIN NO.	I/O	SIGNAL
1	I/O	A/D (23)	22	—	VDD	43	O	DATA EN	64	I/O	A/D (8)
2	I/O	A/D (24)	23	I	INT (4)	44	O	WR	65	—	GND
3	I/O	A/D (25)	24	I	INT (3)	45	O	RD	66	—	VDD
4	I/O	A/D (26)	25	I	SINT (2)	46	O	ALE	67	I/O	A/D (9)
5	—	VDD	26	I	SINT (1)	47	O	LAST	68	I/O	A/D (10)
6	—	GND	27	I	SINT (0)	48	O	DIAG	69	I/O	A/D (11)
7	I/O	A/D (27)	28	I/O	*1/IOSTROBE	49	—	GND	70	I/O	A/D (12)
8	I/O	A/D (28)	29	I/O	*2/EXTDATAEN	50	—	VDD	71	I/O	A/D (13)
9	I/O	A/D (29)	30	O	TC	51	O	ADDR (2)	72	I/O	A/D (14)
10	I/O	A/D (30)	31	—	GND	52	O	ADDR (3)	73	—	VDD
11	I/O	A/D (31)	32	—	VDD	53	O	BURST/WRNEAR	74	—	GND
12	—	GND	33	O	MEMSTROBE	54	I/O	A/D (0)	75	I/O	A/D (15)
13	—	VDD	34	I	BUSREQ	55	I/O	A/D (1)	76	I/O	A/D (16)
14	I	CLK IN	35	I	RDCEN	56	I/O	A/D (2)	77	I/O	A/D (17)
15	I	TRISTATE	36	I	ACK	57	—	VDD	78	I/O	A/D (18)
16	O	BET16 (1)	37	I	BUSERROR	58	—	GND	79	I/O	A/D (19)
17	O	BET16 (0)	38	I	RESET	59	I/O	A/D (3)	80	I/O	A/D (20)
18	O	ADDR (1)	39	O	BUSGNT	60	I/O	A/D (4)	81	—	GND
19	O	ADDR (0)	40	O	SYSCLK	61	I/O	A/D (5)	82	—	VDD
20	I	INT (5)	41	—	GND	62	I/O	A/D (6)	83	I/O	A/D (21)
21	—	GND	42	—	VDD	63	I/O	A/D (7)	84	I/O	A/D (22)

*1 ; SBRCOND (3) *2 ; SBRCOND (2)

INPUT

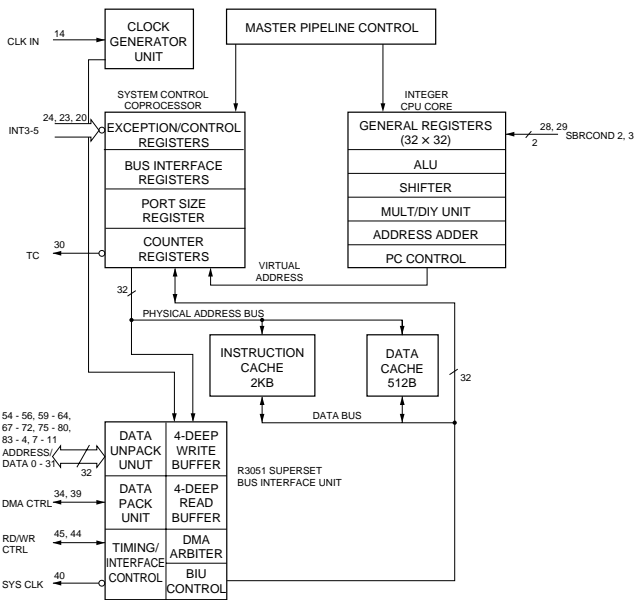
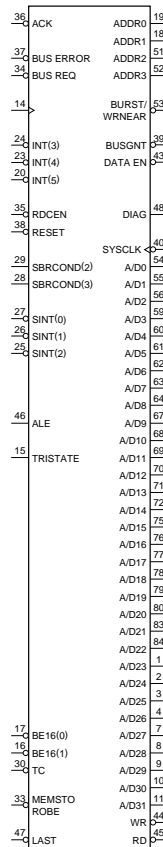
- ACK : ACKNOWLEDGE
- BUSERROR : BUS ERROR
- BUSREQ : DMA ARBITER BUS REQUEST
- CLK : MASTER CLOCK
- INT(3) - (5) : PROCESSOR INTERRUPT 3 - 5
- RDCEN : READ BUFFER CLOCK ENABLE
- RESET : MASTER PROCESSOR RESET
- SBRCOND/I/O STROBE : BRANCH CONDITION PORT /I/O STROBE
- SBRCOND/EXT DATA EN : BRANCH CONDITION PORT /EXT DATA EN
- SINT(0) - (2) : PROCESSOR INTERRUPT 0 - 2
- TRISTATE : TRL-STATE

OUTPUT

- ADDR0 - 3 : LOW ADDRESS 0 - 3
- BET16(0), (1) : BYTE ENABLE STROBES FOR 16-BIT MEMORY PORT 0, 1
- BURST/WRNEAR : BURST TRANSFER WRITE NEAR
- BUSGNT : DMA ARBITER BUS GRANT
- DATA EN : DATA ENABLE
- DIAG : DIAGNOSTIC
- LAST : LAST DATUM IN MINI BURST
- MEMSTROBE : MEMORY STROBE
- RD : READ
- SYSCLK : SYSTEM REFERENCE CLOCK
- TC : TERMINAL COUNT

INPUT/OUTPUT

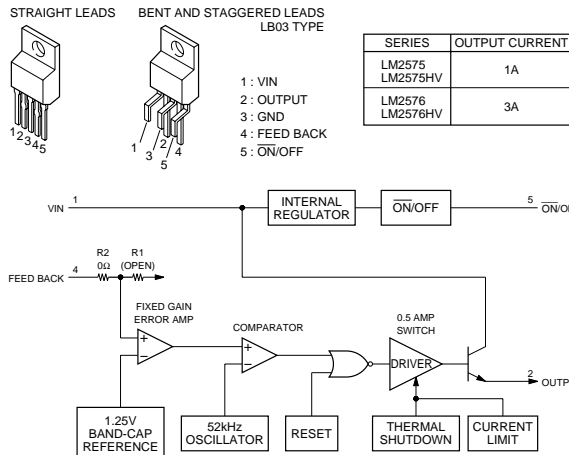
- A/D0 - 31 : ADDRESS DATA 0 - 31
- ALE : ADDRESS LATCH ENABLE
- WR : WRITE



LM2576T-ADJ (NS)

STEP-DOWN TYPE VOLTAGE REGULATOR

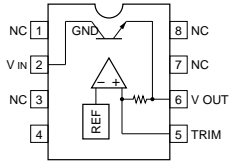
—SIDE VIEW—



LT1021DCS8-5 (LINEAR TECHNOLOGY)+5 V FLAT PACKAGE

PRECISION VOLTAGE REFERENCE

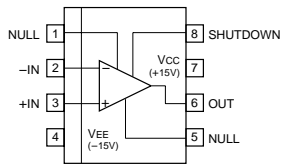
—TOP VIEW—



LT1227CS8 (LINEAR TECH)FLAT PACKAGE
LT1227CS8-E2

HIGH SPEED OPERATIONAL AMPLIFIER

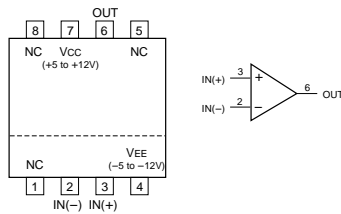
—TOP VIEW—



LT1252CS8 (LINEAR TECH)FLAT PACKAGE
LT1252CS8-E2

VIDEO AMPLIFIER

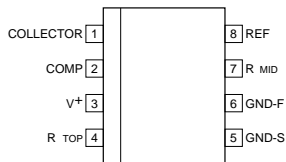
—TOP VIEW—



LT1431CS8-E1 (LINEAR TECH)

PROGRAMMABLE REFERENCE

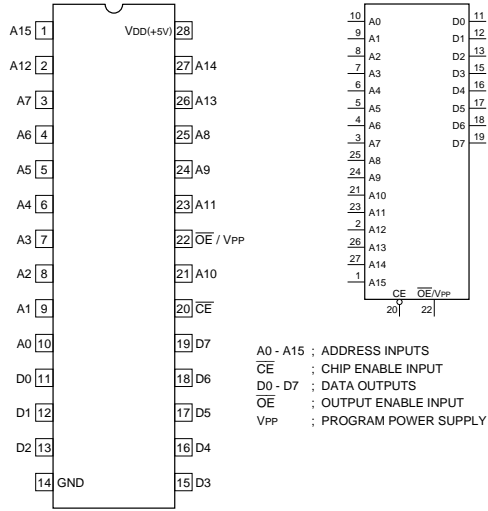
—TOP VIEW—



M27C512-12F1 (SGS)

C-MOS 512K (65,536 x 8)-BIT ERASABLE PROM

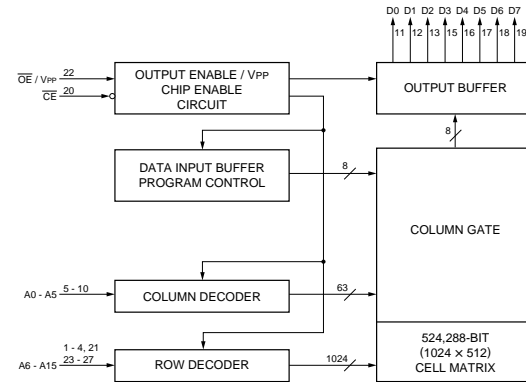
—TOP VIEW—



A0 - A15 ; ADDRESS INPUTS
CE ; CHIP ENABLE INPUT
D0 - D7 ; DATA OUTPUTS
OE ; OUTPUT ENABLE INPUT
Vpp ; PROGRAM POWER SUPPLY

An	CE	OE/VPP	VDD	Dn	FUNCTION
A1N	0	0	+5V	DOUT	READ
A1N	0	1	+5V	HI-Z	OUTPUT DISABLE
X	1	X	+5V	HI-Z	STANDBY
A1N	0	+12.5V	+6V	DIN	PGM
A1N	0	0	+6V	DOUT	PGM VERIFY
X	1	+12.5V	+6V	HI-Z	PGM INH

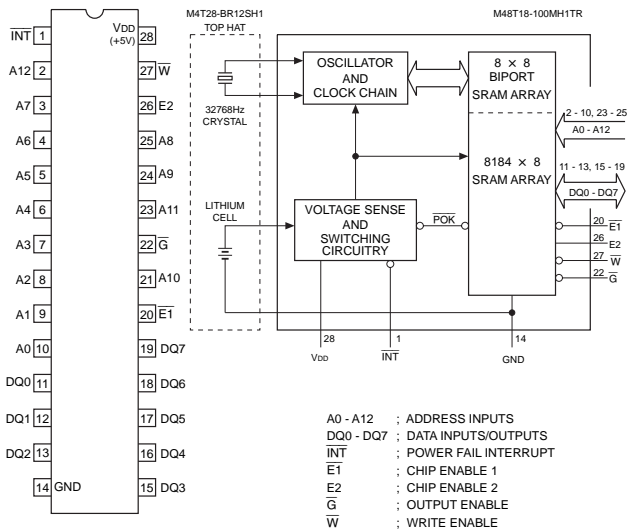
0 ; LOW LEVEL
1 ; HIGH LEVEL
X ; DONT CARE
HI-Z ; HIGH IMPEDANCE



M48T18-100MH1TR (SGS)

C-MOS 64k (8184 x 8)-BIT TIMEKEEPER RAM

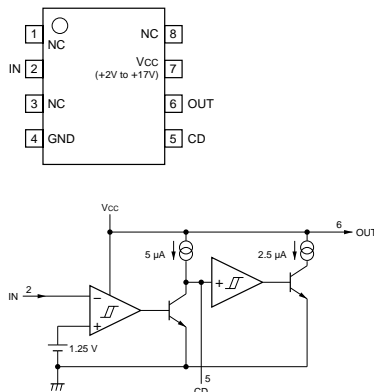
—TOP VIEW—



M51958AFP600D (MITSUBISHI)FLAT PACKAGE

VOLTAGE DETECT DELAY

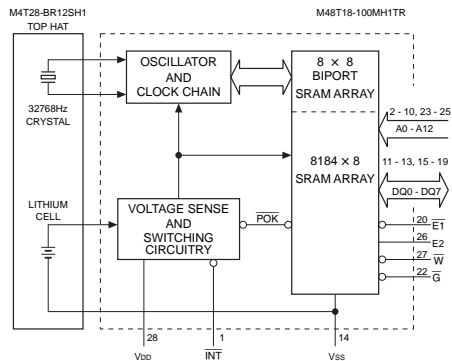
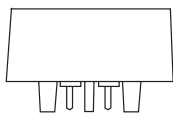
—TOP VIEW—



M4T28-BR12SH1 (SGS)

TIMEKEEPER SNAP HAT LITHIUM BATTERY

—SIDE VIEW—



M5238FP (MITSUBISHI)FLAT PACKAGE

M5238FP-600D

MC34182DR2 (MOTOROLA)FLAT PACKAGE

MC34182M (MOTOROLA)FLAT PACKAGE

MC34182MEL

NJM2041M-D (JRC)FLAT PACKAGE

NJM2041M-D(TE2)

NJM2068M-D-TE2 (JRC)

NJM4556M-A (JRC)FLAT PACKAGE

NJM4560M (JRC)FLAT PACKAGE

NJM4560MD (JRC)FLAT PACKAGE

NJM4565M-A (JRC)FLAT PACKAGE

NJM5532M (JRC)FLAT PACKAGE

NJM5532M-D (JRC)FLAT PACKAGE

TL082M (TI)FLAT PACKAGE

UPC4558C (NEC)FLAT PACKAGE

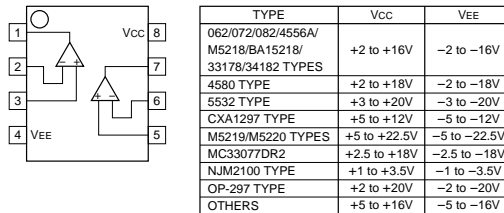
UPC4570G2 (NEC)FLAT PACKAGE

UPC812G2 (NEC)FLAT PACKAGE

DUAL OPERATIONAL AMPLIFIERS

(DUAL-SUPPLY TYPE)

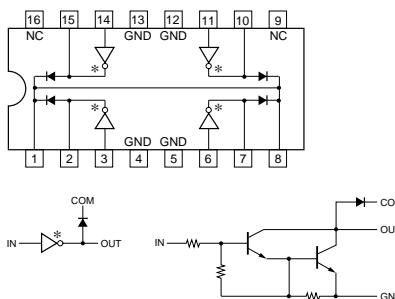
—TOP VIEW—



M54532P (MITSUBISHI)

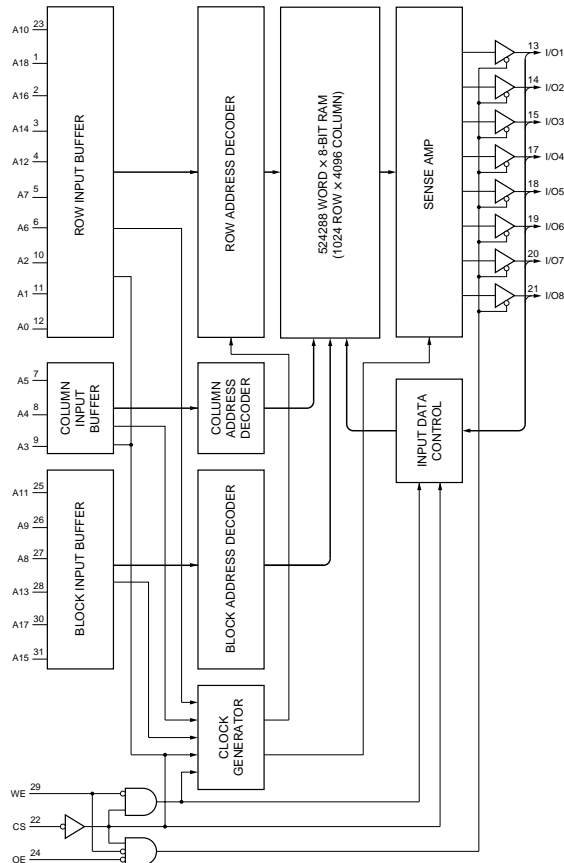
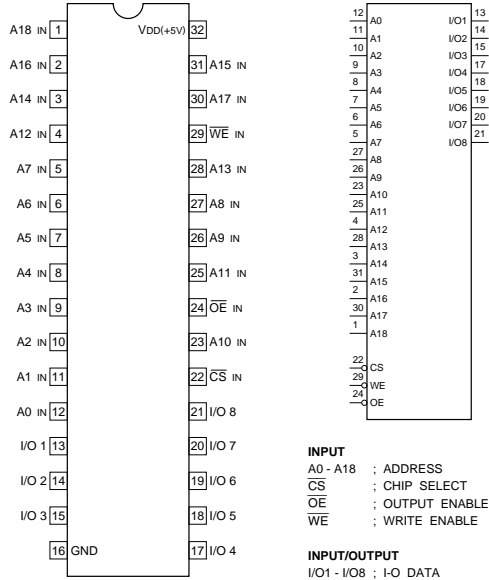
DARLINGTON TRANSISTOR ARRAY WITH CLAMP DIODE

—TOP VIEW—



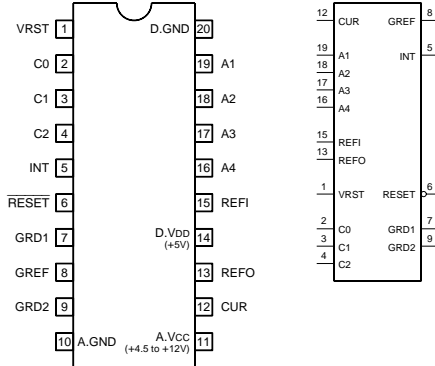
M5M5408AFP-55LL (MITSUBISHI) FLAT PACKAGE
M5M5408AFP-55LL-E2 (MITSUBISHI) FLAT PACKAGE

C-MOS 4M (524,288 x 8)-BIT STATIC RAM
-TOP VIEW-



M62301FP (MITSUBISHI) FLAT PACKAGE
M62301FP-70ND (MITSUBISHI) FLAT PACKAGE

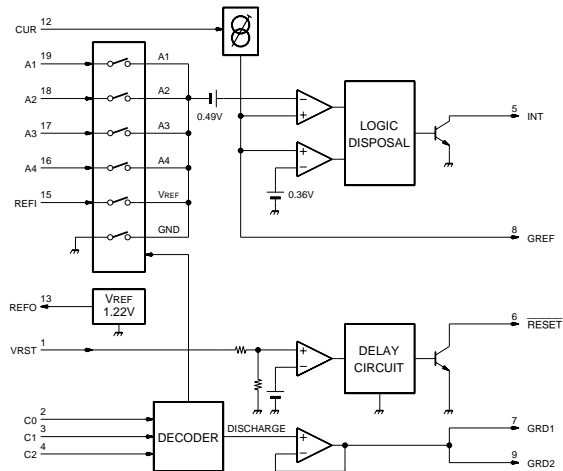
4 CHANNELS INTEGRATION A/D CONVERTER SUPPORTER
-TOP VIEW-



MODE	1	2	3	4	5	6	7	8
C0	0	1	0	1	0	1	0	1
C1	0	0	1	1	0	0	1	1
C2	0	0	0	0	1	1	1	1
-	DISCHARGE	GND	VREF	A1	A2	A3	A4	-

INPUT
A1 - 4 : ANALOG DATA INPUT
C0 - C2 : MODE SELECT
CUR : CURRENT CONTROL
REF1 : VREF INPUT
VRST : Vcc FOR RESET

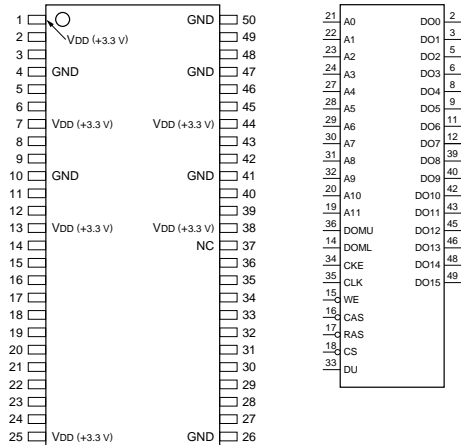
OUTPUT
GRD1 - GRD2 : GUARDLING (1 - 2)
GREF : CONNECT INTEGRATE CAPACITY
INT : INTERVAL
REF0 : VREF OUT
RESET : RESET OUTPUT



MB811161622A-100FN (FUJITSU) FLAT PACKAGE

C-MOS 16 M (2,048,000 × 4 × 2)-BIT SYNCHRONOUS DYNAMIC RAM

—TOP VIEW—

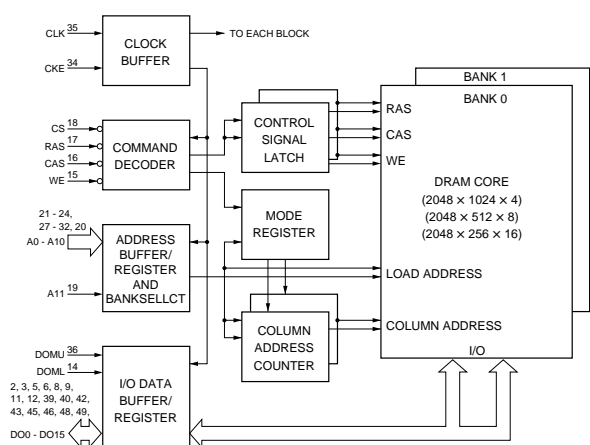


(V_{DD} = +3.3 V)

PIN NO.	I/O	SIGNAL	PIN NO.	I/O	SIGNAL
1	—	V _{DD}	26	—	GND
2	I/O	DO0	27	I	A4
3	I/O	DO1	28	I	A5
4	—	GND	29	I	A6
5	I/O	DO2	30	I	A7
6	I/O	DO3	31	I	A8
7	—	V _{DD}	32	I	A9
8	I/O	DO4	33	—	DU
9	I/O	DO5	34	I	CKE
10	—	GND	35	I	CLK
11	I/O	DO6	36	I	DOMU
12	I/O	DO7	37	—	NC
13	—	V _{DD}	38	—	V _{DD}
14	I	DOML	39	I/O	DO8
15	I	WE	40	I/O	DO9
16	I	CAS	41	—	GND
17	I	RAS	42	I/O	DO10
18	I	CS	43	I/O	DO11
19	I	A11	44	—	V _{DD}
20	I	A10	45	I/O	DO12
21	I	A9	46	I/O	DO13
22	I	A8	47	—	GND
23	I	A7	48	I/O	DO14
24	I	A6	49	I/O	DO15
25	—	V _{DD}	50	—	GND

INPUT
 A0 - A10 : ADDRESS
 A11 : BANK SELECT
 CAS : COLUMN ADDRESS STROBE
 CKE : CLOCK ENABLE
 CLK : CLOCK
 CS : CHIP SELECT
 DOML, DOMU : DATA OUTPUT MASKING
 RAS : LOAD ADDRESS STROBE
 WE : WRITE ENABLE

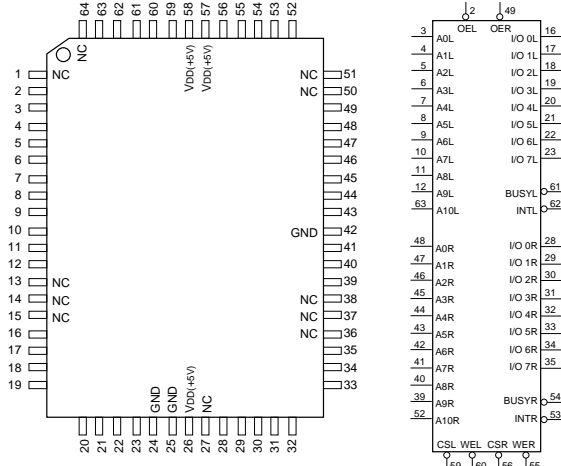
INPUT/OUTPUT
 DO0 - DO15 : DATA



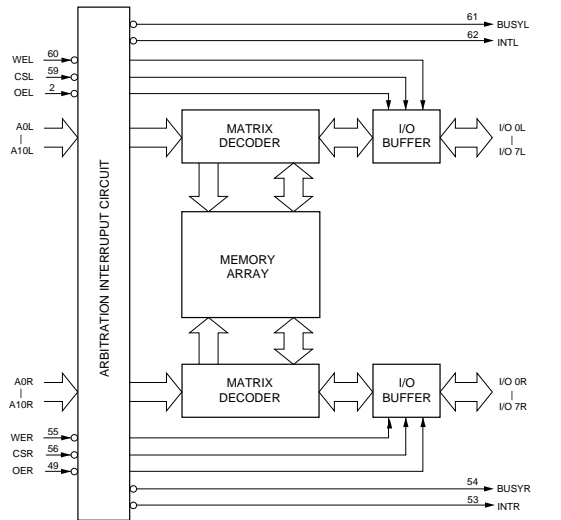
MB8421-90LPFQ (FUJITSU)(ACCESS TIME=90 ns)

C-MOS 16384 (2K × 8) BIT DUAL PORT STATIC RAM

—TOP VIEW—

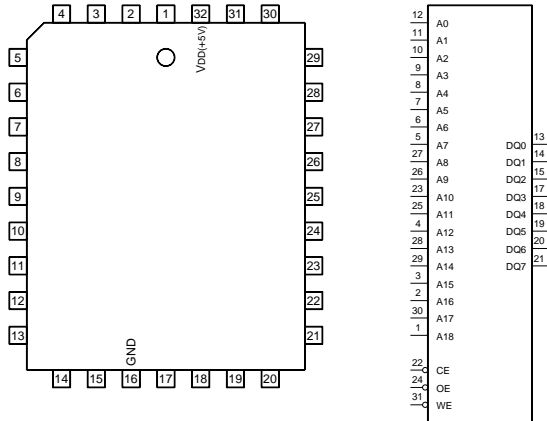


A0L - A10L, A0R - A10R : ADDRESS INPUTS
 I/O0L - I/O7L, I/O0R - I/O7R : DATA INPUTS/OUTPUTS
 CSL, CSR : CHIP SELECT INPUT
 WEL, WER : WRITE ENABLE INPUT
 OEL, OER : OUTPUT ENABLE INPUT
 BUSYL, BUSYR : BUSY OUTPUT
 INTL, INTR : INTERRUPT OUTPUT



MBM29F040A-12PD (FUJITSY)

C-MOS 4M (524,288 × 8)-BIT SECTOR ERASE FLASH MEMORY
—TOP VIEW—

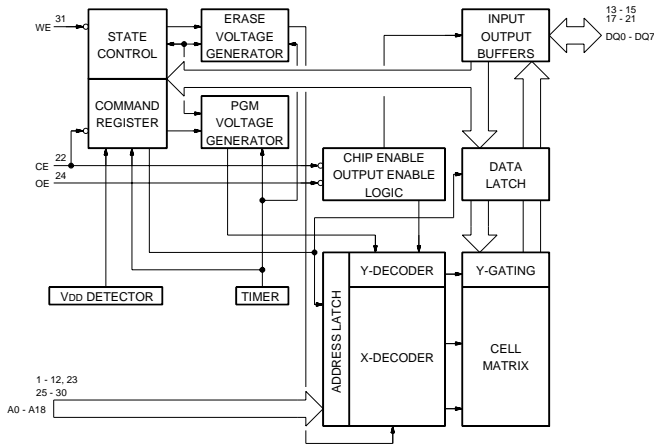


(V_{DD} = +5V)

PIN No.	I/O	SIGNAL	PIN No.	I/O	SIGNAL
1	I	A18	17	I/O	DQ3
2	I	A16	18	I/O	DQ4
3	I	A15	19	I/O	DQ5
4	I	A12	20	I/O	DQ6
5	I	A7	21	I/O	DQ7
6	I	A6	22	I	CE
7	I	A5	23	I	A10
8	I	A4	24	I	OE
9	I	A3	25	I	A11
10	I	A2	26	I	A9
11	I	A1	27	I	A8
12	I	A0	28	I	A13
13	I/O	DQ0	29	I	A14
14	I/O	DQ1	30	I	A17
15	I/O	DQ2	31	I	WE
16	—	GND	32	—	V _{DD}

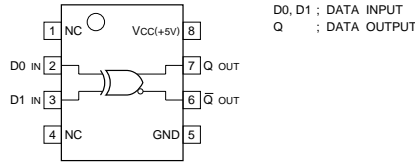
INPUT
A0 - A18 : ADDRESS INPUTS
CE : CHIP ENABLE
OE : OUTPUT ENABLE
WE : WRITE ENABLE

INPUT/OUTPUT
DQ0 - DQ7 : DATA INPUT/OUTPUT



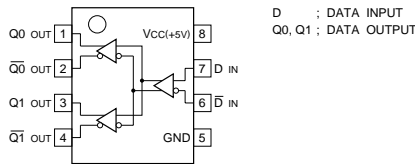
MC10EL07DR2 (MOTOROLA)FLAT PACKAGE

ECL 2-INPUT XOR/XNOR
—TOP VIEW—



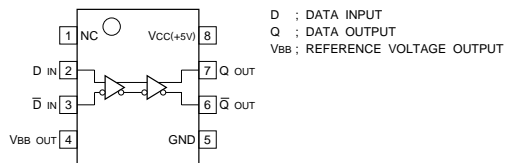
MC10EL11DR2 (MOTOROLA)FLAT PACKAGE

ECL 1:2 DIFFERENTIAL FANOUT BUFFER
—TOP VIEW—



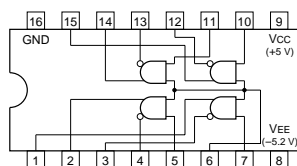
MC10EL16DR2 (MOTOROLA)FLAT PACKAGE

ECL DIFFERENTIAL RECEIVER
—TOP VIEW—



MC10H124M (MOTOROLA)FLAT PACKAGE
MC10H124MEL

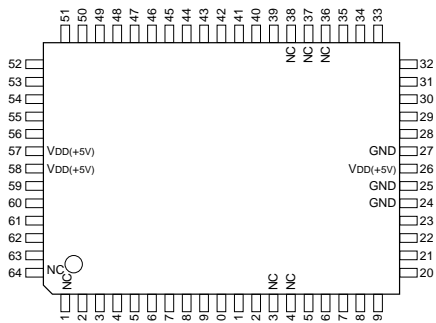
ECL TTL-TO-ECL TRANSLATOR
—TOP VIEW—



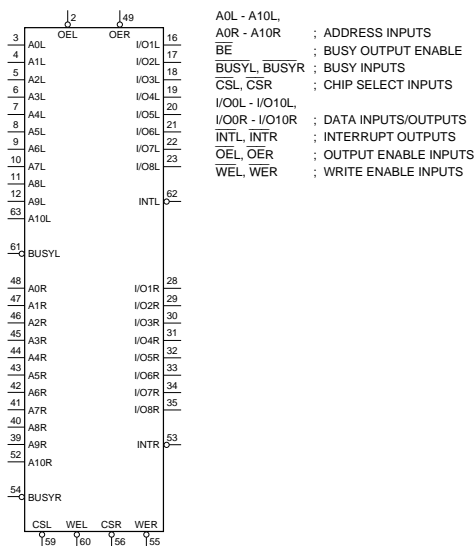
MB8441-45PFQ (FUJITSU) FLAT PACKAGE

C-MOS 64K-BIT DUAL PORT STATIC RAM

—TOP VIEW—



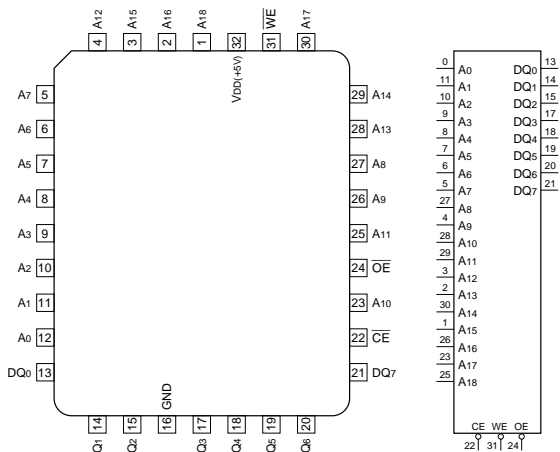
(VDD = +5V)											
PIN NO.	I/O	SIGNAL	PIN NO.	I/O	SIGNAL	PIN NO.	I/O	SIGNAL	PIN NO.	I/O	SIGNAL
1	I	A12L	17	I/O	I/O2L	33	I/O	I/O6R	49	I	OER
2	I	OEL	18	I/O	I/O3L	34	I/O	I/O7R	50	I	A12R
3	I	A0L	19	I/O	I/O4L	35	I/O	I/O8R	51	I	A11R
4	I	A1L	20	I/O	I/O5L	36	—	NC	52	I	A10R
5	I	A2L	21	I/O	I/O6L	37	—	NC	53	O	INTR
6	I	A3L	22	I/O	I/O7L	38	—	NC	54	I	BUSYR
7	I	A4L	23	I/O	I/O8L	39	I	A9R	55	I	WER
8	I	A5L	24	—	GND	40	I	A8R	56	I	CSR
9	I	A6L	25	—	GND	41	I	A7R	57	—	VDD
10	I	A7L	26	—	VDD	42	I	A6R	58	—	VDD
11	I	A8L	27	—	GND	43	I	A5R	59	I	CSL
12	I	A9L	28	I/O	I/O1R	44	I	A4R	60	I	WEL
13	—	NC	29	I/O	I/O2R	45	I	A3R	61	I	BUSYL
14	—	NC	30	I/O	I/O3R	46	I	A2R	62	O	INTL
15	O	BE	31	I/O	I/O4R	47	I	A1R	63	I	A10L
16	I/O	I/O1L	32	I/O	I/O5R	48	I	A0R	64	I	A11L



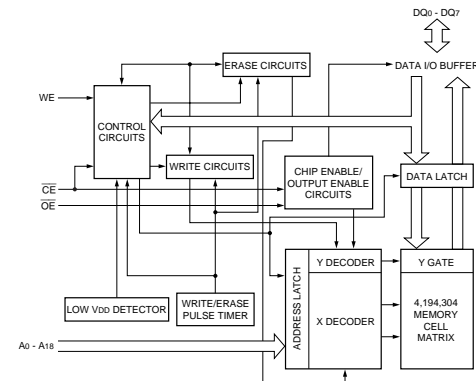
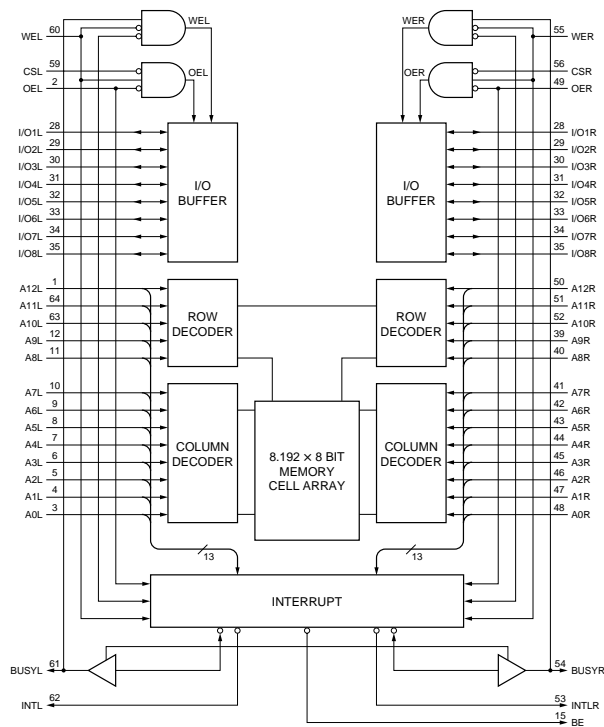
MBM29F040A-90PD (FUJITSU)

C-MOS 4M (536,576 × 8)-BIT FLASH MEMORY

—TOP VIEW—



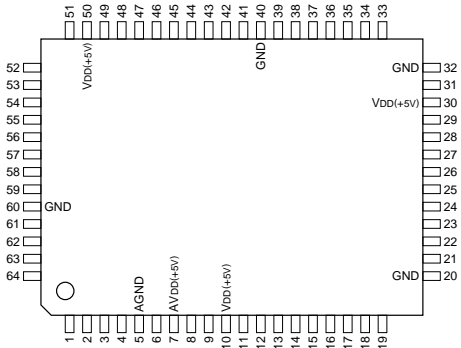
- A0 - A18 : ADDRESS INPUTS
- DQ0 - DQ7 : DATA INPUTS/OUTPUTS
- CE : CHIP ENABLE
- OE : OUTPUT ENABLE
- WE : WRITE ENABLE



MB90091A-120 (FUJITSU)

C-MOS ON SCREEN DISPLAY CONTROLLER

—TOP VIEW—



INPUTS

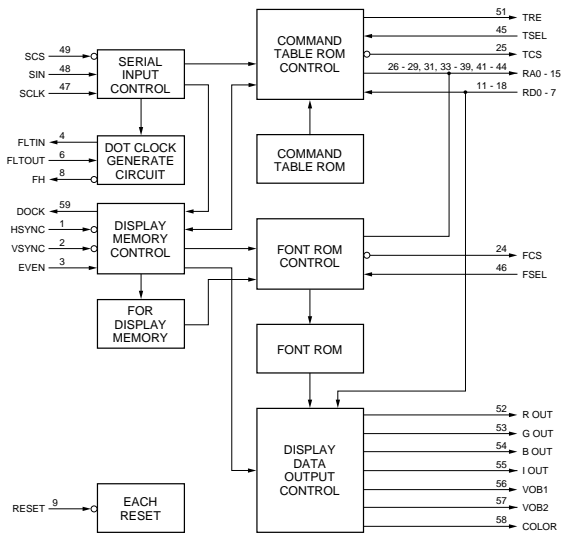
- EVEN : ODD/EVEN FIELD CONTROL (H = EVEN, L = ODD)
- FLTOUT : INTERNAL VCO VOLTAGE
- FSEL : FONT ROM INT/EXT SELECT
- HBLNK : HORIZONTAL BLANKING
- HSYNC : HORIZONTAL SYNC
- RD0 - RD7 : EXTERNAL ROM DATA
- RESET : SYSTEM RESET
- SCLK : SERIAL SHIFT CLOCK
- SCS : CHIP SELECT
- SIN : SERIAL DATA
- TEST : TEST SIGNAL
- TESTCK : TEST SIGNAL
- TESTSW : TEST SIGNAL
- TSEL : COMMAND TABLE ROM ADDRESS CONTROL
- VBLNK : VERTICAL BLANKING
- VSYNC : VERTICAL SYNC

OUTPUTS

- BOUT : B OUTPUT
- COLOR : COLOR/BW SELECT
- DOCK : DOT CLOCK
- FCS : EXTERNAL FONT ROM CHIP SELECT
- FH : HORIZONTAL PULSE
- FLTIN : PHASE COMPARED SIGNAL
- GOUT : G OUTPUT
- IOUT : I OUTPUT
- RA0 - RA15 : EXTERNAL ROM ADDRESSES
- ROUT : R OUTPUT
- TA16 - TA18 : TEST SIGNALS
- TCS : EXTERNAL COMMAND TABLE ROM CHIP SELECT
- TRE : INTERNAL OPERATION STATUS
- VOB1 : COLOR SIGNAL OUTPUT PERIOD
- VOB2 : SPECIFIED CHARACTER OUTPUT PERIOD

(V_{DD}, AV_{DD} = +5V)

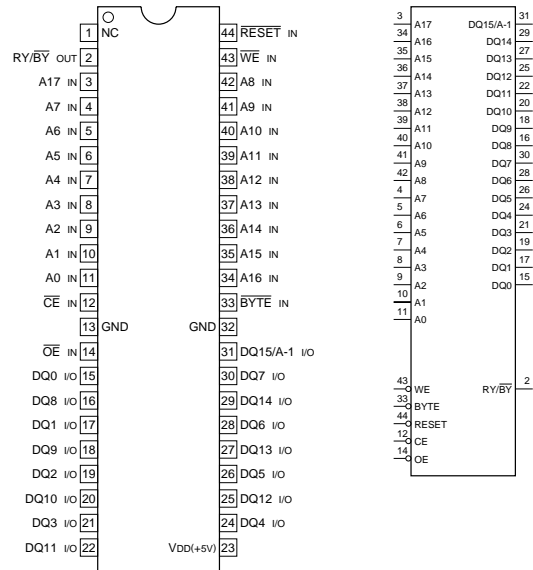
PIN NO.	I/O	SIGNAL	PIN NO.	I/O	SIGNAL	PIN NO.	I/O	SIGNAL	PIN NO.	I/O	SIGNAL
1	I	HSYNC	17	I	RD6	33	O	RA5	49	I	SCS
2	I	VSYNC	18	I	RD7	34	O	RA6	50	—	V _{DD}
3	I	EVEN	19	I	TEST	35	O	RA7	51	O	TRE
4	O	FLTIN	20	—	GND	36	O	RA8	52	O	R OUT
5	—	AGND	21	O	TA16	37	O	RA9	53	O	G OUT
6	I	FLTOUT	22	O	TA17	38	O	RA10	54	O	B OUT
7	—	AV _{DD}	23	O	TA18	39	O	RA11	55	O	I OUT
8	O	FH	24	O	FCS	40	—	GND	56	O	VOB1
9	I	RESET	25	O	TCS	41	O	RA12	57	O	VOB2
10	—	V _{DD}	26	O	RA0	42	O	RA13	58	O	COLOR
11	I	RD0	27	O	RA1	43	O	RA14	59	O	DOCK
12	I	RD1	28	O	RA2	44	O	RA15	60	—	GND
13	I	RD2	29	O	RA3	45	I	TSEL	61	I	TESTCK
14	I	RD3	30	—	V _{DD}	46	I	FSEL	62	I	TESTSW
15	I	RD4	31	O	RA4	47	I	SCLK	63	I	HBLNK
16	I	RD5	32	—	GND	48	I	SIN	64	I	VBLNK



MBM29F400BA-90PF (FUJITSU) FLAT PACKAGE

C-MOS 4M (256K x 16) -BIT FLASH MEMORY

—TOP VIEW—



INPUT

- A0 - A17, A-1 : ADDRESS
- BYTE : 8-BIT, 16-BIT MODE SELECT
- CE : CHIP ENABLE
- OE : OUTPUT ENABLE
- RESET : HARDWARE RESET
- WE : WRITE ENABLE

OUTPUT

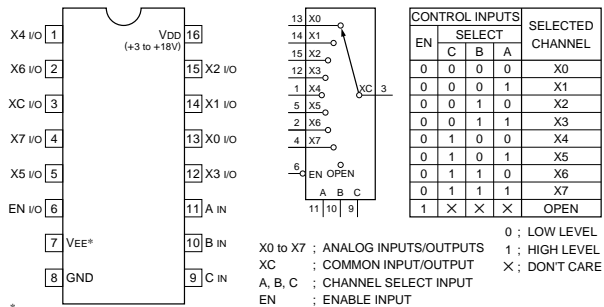
- RY/BY : READY/BUSY

INPUT/OUTPUT

- DQ0 - DQ15 : DATA

MC14051BF (MOTOROLA) FLAT PACKAGE
MC14051BFEL

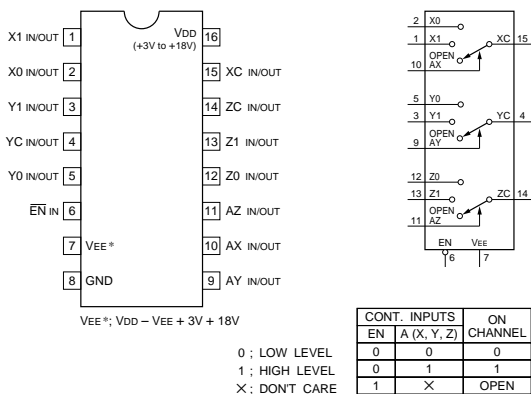
C-MOS 8-CHANNEL ANALOG MULTIPLEXER/DEMULTEPlexer
—TOP VIEW—



* VEE ; VDD - VEE = +3 to +18V

MC14053BF (MOTOROLA) FLAT PACKAGE
MC14053BFEL

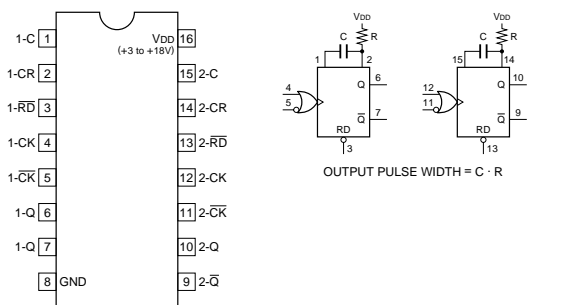
C-MOS TRIPLE 2-CHANNEL ANALOG MULTIPLEXERS/DEMULTEPlexERS
—TOP VIEW—



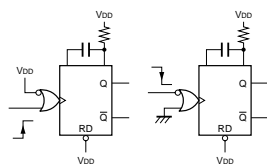
VEE* ; VDD - VEE + 3V + 18V

MC14538BF (MOTOROLA) FLAT PACKAGE
MC14538BFE (MOTOROLA) FLAT PACKAGE
MC14538BFEL

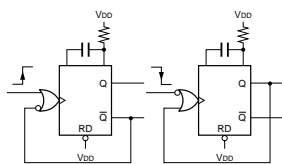
C-MOS DUAL RETRIGGERABLE MONOSTABLE MULTIVIBRATORS
—TOP VIEW—



RETRIGGERABLE M.M.V

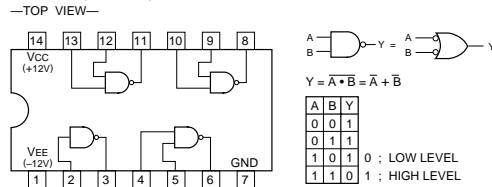


NON-RETRIGGERABLE M.M.V



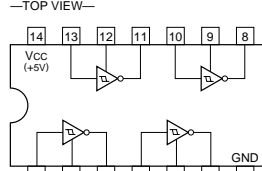
MC1488MEL (MOTOROLA)

2-INPUT (1-INPUT) POSITIVE-NAND LINE DRIVER
—TOP VIEW—

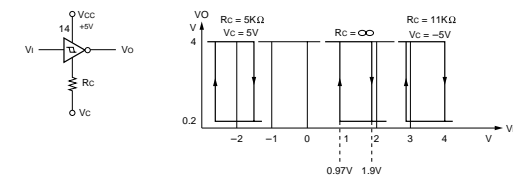


MC1489AM (MOTOROLA) FLAT PACKAGE
MC1489AM-T2

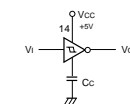
QUADRUPLE LINE RECEIVER
—TOP VIEW—



INPUT THRESHOLD SHIFTING

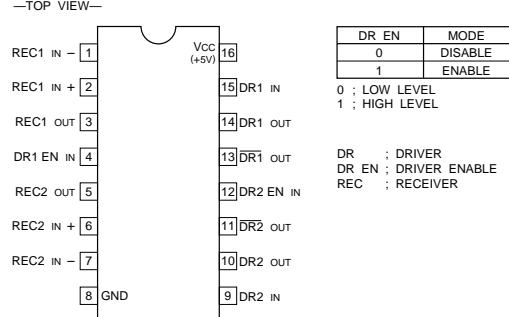


INPUT NOISE FILTERING

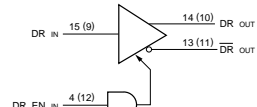


MC34051M (MOTOROLA) FLAT PACKAGE
MC34051MEL (MOTOROLA)

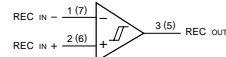
RS-422 DRIVER / RECEIVER
—TOP VIEW—



DRIVER CIRCUIT



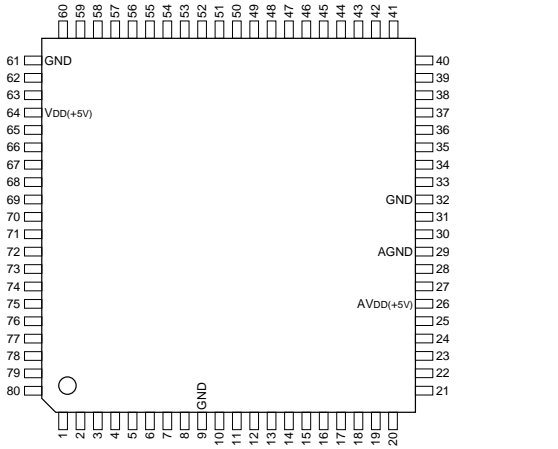
RECEIVER CIRCUIT



MB90T736 (FUJITSU)

C-MOS 16-BIT 1-CHIP MICROCONTROLLER

—TOP VIEW—

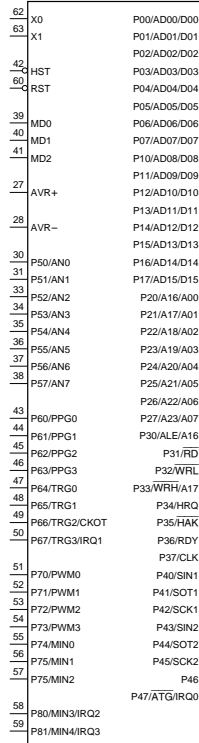


(AVDD, VDD = +5V)

PIN No.	I/O	SIGNAL	PIN No.	I/O	SIGNAL	PIN No.	I/O	SIGNAL	PIN No.	I/O	SIGNAL
1	I/O	P20/A16/A00	21	I/O	P43/SIN2	41	I	MD2	61	—	GND
2	I/O	P21/A17/A01	22	I/O	P44/SOT2	42	I	HST	62	I	X0
3	I/O	P22/A18/A02	23	I/O	P45/SCK2	43	I/O	P60/PPG0	63	I	X1
4	I/O	P23/A19/A03	24	I/O	P46	44	I/O	P61/PPG1	64	—	VDD
5	I/O	P24/A20/A04	25	I/O	P47/ATG/IRQ0	45	I/O	P62/PPG2	65	I/O	P00/AD00/D00
6	I/O	P25/A21/A05	26	—	AVDD	46	I/O	P63/PPG3	66	I/O	P01/AD01/D01
7	I/O	P26/A22/A06	27	I	AVR+	47	I/O	P64/TRG0	67	I/O	P02/AD02/D02
8	I/O	P27/A23/A07	28	I	AVR-	48	I/O	P65/TRG1	68	I/O	P03/AD03/D03
9	—	GND	29	—	AGND	49	I/O	P66/TRG2/CKOT	69	I/O	P04/AD04/D04
10	I/O	P30/ALE/A16	30	I/O	P50/AN0	50	I/O	P67/TRG3/IRQ1	70	I/O	P05/AD05/D05
11	I/O	P31/RD	31	I/O	P51/AN1	51	I/O	P70/PWM0	71	I/O	P06/AD06/D06
12	I/O	P32/WRL	32	—	GND	52	I/O	P71/PWM1	72	I/O	P07/AD07/D07
13	I/O	P33/WRH/A17	33	I/O	P52/AN2	53	I/O	P72/PWM2	73	I/O	P10/AD08/D08
14	I/O	P34/HRQ	34	I/O	P53/AN3	54	I/O	P73/PWM3	74	I/O	P11/AD09/D09
15	I/O	P35/HAK	35	I/O	P54/AN4	55	I/O	P74/MIN0	75	I/O	P12/AD10/D10
16	I/O	P36/RDY	36	I/O	P55/AN5	56	I/O	P75/MIN1	76	I/O	P13/AD11/D11
17	I/O	P37/CLK	37	I/O	P56/AN6	57	I/O	P76/MIN2	77	I/O	P14/AD12/D12
18	I/O	P40/SIN1	38	I/O	P57/AN7	58	I/O	P80/MIN3/IRQ2	78	I/O	P15/AD13/D13
19	I/O	P41/SOT1	39	I	MD0	59	I/O	P81/MIN4/IRQ3	79	I/O	P16/AD14/D14
20	I/O	P42/SCK1	40	I	MD1	60	I	RST	80	I/O	P17/AD15/D15

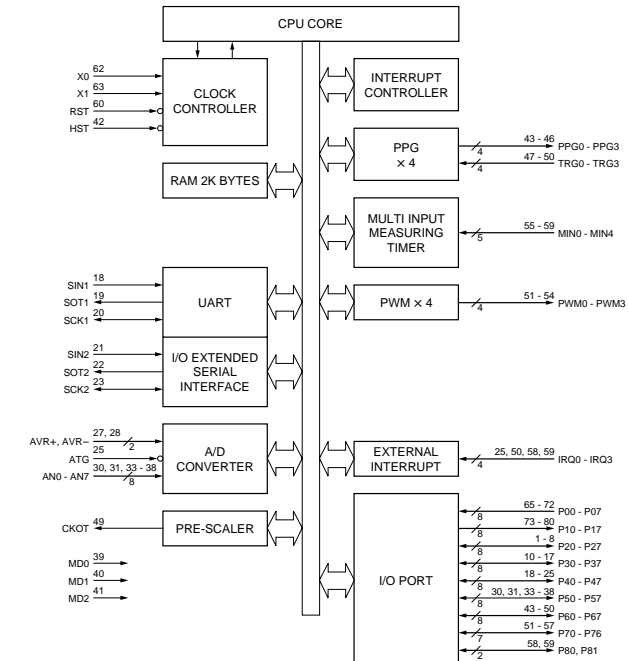
INPUT

- AVR+, AVR- : EXTERNAL REFERENCE VOLTAGE FOR A/D CONVERTER
- HST : HARDWARE STANDBY
- MD0 - MD2 : MB90T736 OPERATION MODE SELECT
- RST : RESET
- X0, X1 : CRYSTAL CONNECTION



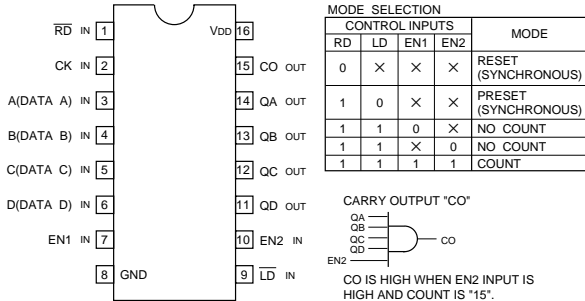
INPUT/OUTPUT

- P00/AD00/D00 - P07/AD07/A07 : I/O PORT 00 - 07 (SINGLE CHIP MODE)
ADDRESS/DATA BUS LINE 0 - 7 (MULTIPLEX BUS MODE)
DATA BUS LINE 0 - 7 (NON-MULTIPLEX BUS MODE)
- P10/AD08/A08 - P17/AD15/A15 : I/O PORT 10 - 17 (SINGLE CHIP MODE)
ADDRESS/DATA BUS LINE 8 - 15 (MULTIPLEX BUS MODE)
ADDRESS BUS LINE 8 - 15 (NON-MULTIPLEX BUS MODE)
- P20/A16/A00 - P27/A23/A07 : I/O PORT 20 - 27 (SINGLE CHIP MODE)
ADDRESS BUS LINE 16 - 23 (MULTIPLEX BUS MODE)
ADDRESS BUS LINE 0 - 7 (NON-MULTIPLEX BUS MODE)
- P30/ALE/A16 : I/O PORT 30 (SINGLE CHIP MODE)
ADDRESS LATCH ENABLE OUT (MULTIPLEX BUS MODE)
ADDRESS BUS LINE 16 (NON-MULTIPLEX BUS MODE)
- P31/RD : I/O PORT 31 (SINGLE CHIP MODE)
READ STROBE OUT (EXCEPT SINGLE CHIP MODE)
- P32/WRL : I/O PORT 32 (SINGLE CHIP MODE)
LOWER DATA WRITE STROBE OUT (EXCEPT SINGLE CHIP MODE)
- P33/WRH/A17 : I/O PORT 33 (SINGLE CHIP MODE)
UPPER DATA WRITE STROBE OUT (MULTIPLEX BUS MODE)
ADDRESS BUS LINE 17 (NON-MULTIPLEX BUS MODE)
- P34/HRQ : I/O PORT 34 (SINGLE CHIP MODE)
HOLD REQUEST IN (EXCEPT SINGLE CHIP MODE)
- P35/HAK : I/O PORT 35 (SINGLE CHIP MODE)
HOLD ACKNOWLEDGE OUT (EXCEPT SINGLE CHIP MODE)
- P36/RDY : I/O PORT 36 (SINGLE CHIP MODE)
EXTERNAL READY IN (EXCEPT SINGLE CHIP MODE)
- P37/CLK : I/O PORT 37 (SINGLE CHIP MODE)
MECHAN-CYCLE CLOCK OUT (EXCEPT SINGLE CHIP MODE)
- P40/SIN1 : I/O PORT 40
SERIAL DATA IN WHEN UART OPERATION MODE
- P41/SOT1 : I/O PORT 41
SERIAL DATA OUT OF UART
- P42/SCK1 : I/O PORT 42
SERIAL CLOCK OUT WHEN UART OPERATION IS EXTERNAL CLOCK MODE
- P43/SIN2 : I/O PORT 43
SERIAL DATA IN WHEN EXTENDED I/O SERIAL OPERATION MODE
- P44/SOT2 : I/O PORT 44
SERIAL DATA OUT OF EXTENDED I/O SERIAL I/F
- P45/SCK2 : I/O PORT 45
SERIAL CLOCK OUT WHEN EXTENDED I/O SERIAL OPERATION MODE
- P46 : I/O PORT 46
- P47/ATG/IRQ0 : I/O PORT 47 (INTERRUPT REQUEST 0 IN)
A/D CONVERTER STARTING TRIGGER IN
- P50/AN0 - P57/AN7 : I/O PORT 50 - 57
ANALOG IN PORT 0 - 7 WHEN A/D CONVERTER OPERATION MODE
- P60/PPG0 - P63/PPG3 : I/O PORT 60 - 63
PPG OUT 0 - 3 WHEN PPG OPERATION MODE
- P64/TRG0, P65/TRG1 : I/O PORT 64, 65
PPG 0/1 STARTING TRIGGER IN WHEN PPG OPERATION IS EXTERNAL STARTING TRIGGER MODE
- P66/TRG2/CKOT : I/O PORT 66
PPG 2 STARTING TRIGGER IN WHEN PPG OPERATION IS EXTERNAL STARTING TRIGGER MODE CLOCK OUT
- P67/TRG3/IRQ1 : I/O PORT 67 (INTERRUPT REQUEST 1 IN)
PPG 3 STARTING TRIGGER IN WHEN PPG OPERATION IS EXTERNAL STARTING TRIGGER MODE
- P70/PWM0 - P73/PWM3 : I/O PORT 70 - 73
PWM OUT 0 - 3 WHEN PWM OPERATION MODE
- P74/MIN0 - P76/MIN2 : I/O PORT 74 - 76
MIC TIMER 0/1/2 START/END TRIGGER IN WHEN MIC TIMER OPERATION MODE
- P80/MIN3/IRQ2, P81/MIN4/IRQ3 : I/O PORT 80, 81 (INTERRUPT REQUEST 2, 3 IN)
MIC TIMER 3/4 START/END TRIGGER IN WHEN MIC TIMER OPERATION MODE



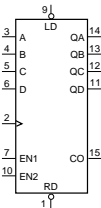
MC74HC163AF (MOTOROLA)FLAT PACKAGE
SN74HC163ANS-E05

C-MOS PRESETTABLE SYNCHRONOUS 4-BIT BINARY COUNTER
—TOP VIEW—



NOTE:

TYPE	V _{DD}
HC	+2 to +6V
AC/VHC	+2 to +5.5V
HCT/ACT/FCT	+5V

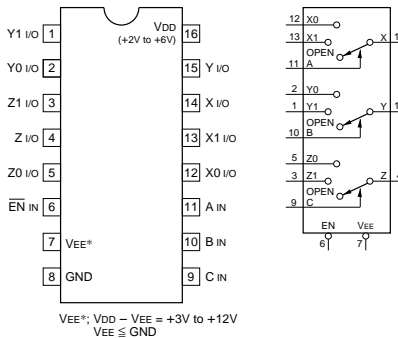


COUNT SEQUENCE

COUNT	OUTPUTS			
	QD	QC	QB	QA
0	0	0	0	0
1	0	0	0	1
2	0	0	1	0
3	0	0	1	1
4	0	1	0	0
5	0	1	0	1
6	0	1	1	0
7	0	1	1	1
8	1	0	0	0
9	1	0	0	1
10	1	0	1	0
11	1	0	1	1
12	1	1	0	0
13	1	1	0	1
14	1	1	1	0
15	1	1	1	1

MC74HC4053F (MOTOROLA)FLAT PACKAGE
MC74HC4053FEL (MOTOROLA)FLAT PACKAGE
TC74HC4053AF(EL)

C-MOS TRIPLE 2-CHANNEL ANALOG MULTIPLEXER/DEMULTIPLEXER
—TOP VIEW—

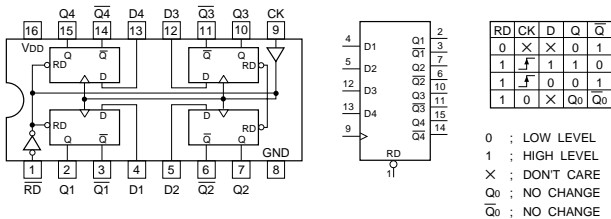


CONTROL INPUTS				ON CHANNEL		
EN	SELECT			Z0	Y0	X0
	C	B	A			
0	0	0	0	Z0	Y0	X0
0	0	0	1	Z0	Y0	X1
0	0	1	0	Z0	Y1	X0
0	0	1	1	Z0	Y1	X1
0	1	0	0	Z1	Y0	X0
0	1	0	1	Z1	Y0	X1
0	1	1	0	Z1	Y1	X0
0	1	1	1	Z1	Y1	X1
1	X	X	X	OPEN		

0 : LOW LEVEL
1 : HIGH LEVEL
X : DONT CARE

MC74HC175F (MOTOROLA)FLAT PACKAGE
TC74HC175AF-TP2

C-MOS QUAD D-TYPE FLIP-FLOPS WITH RESET
—TOP VIEW—

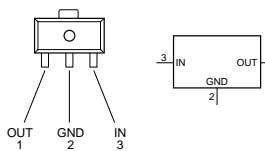


NOTE:

TYPE	V _{DD}
AC TYPE	+2V to +5.5V
74ACT175 TYPE	+4.5V to +5.5V
OTHER TYPES	+2V to +6V

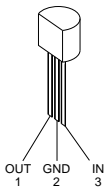
- NJM78L05UA (JRC)+5 V(100 mA)
- NJM78L05UA-TE1
- NJM78L09UA
- NJM78L09UA(TE1) (JRC)+12 V(100 mA)
- TA78L05F (TOSHIBA)+5 V (100 mA)
- TA78L05F-TE12L
- TA78L09F-TE12L (TOSHIBA)+12 V(100 mA)
- TA78L12F (TOSHIBA)+12 V (100 mA)
- TA78L12F-TE12L

POSITIVE VOLTAGE REGULATOR
—SIDE VIEW—



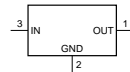
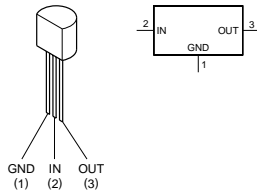
- NJM78L05A (JRC)+5 V(100 mA)
- NJM78L05A-T3 (JRC)
- NJM78L12A (JRC)+12 V(100 mA)
- NJM78L12A-T3

POSITIVE VOLTAGE REGULATOR



- NJM79L05A (JRC)-5 V(100 mA)
- NJM79L05A-T3

NEGATIVE VOLTAGE REGULATOR

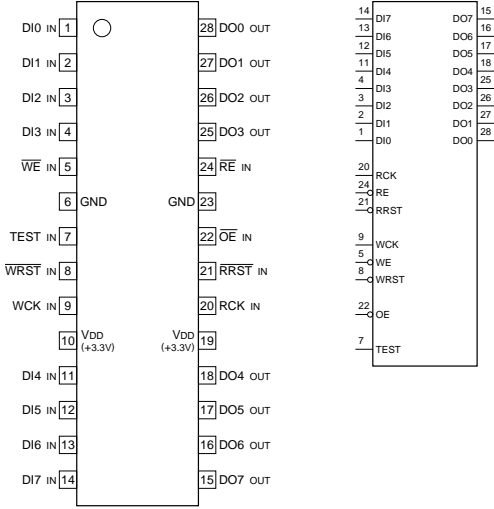


HDW-500 MMP2V2

MN47V77ST1 (MATSUSHITA)FLAT PACKAGE

C-MOS 2M (262,272-WORD × 8)-BIT FIFO (3.3V) MEMORY

—TOP VIEW—

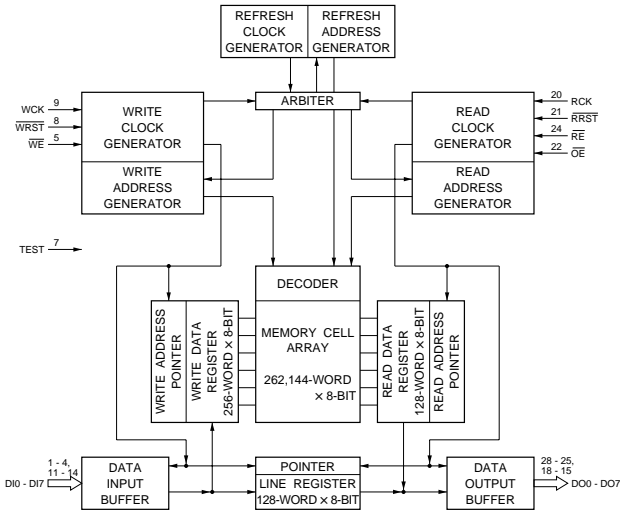


INPUT

- DI0 - DI7 : DATA
- OE : OUTPUT ENABLE
- RCK : READ CLOCK
- RE : READ ENABLE
- RRST : READ RESET
- TEST : TEST
- WCK : WRITE CLOCK
- WE : WRITE ENABLE
- WRST : WRITE RESET

OUTPUT

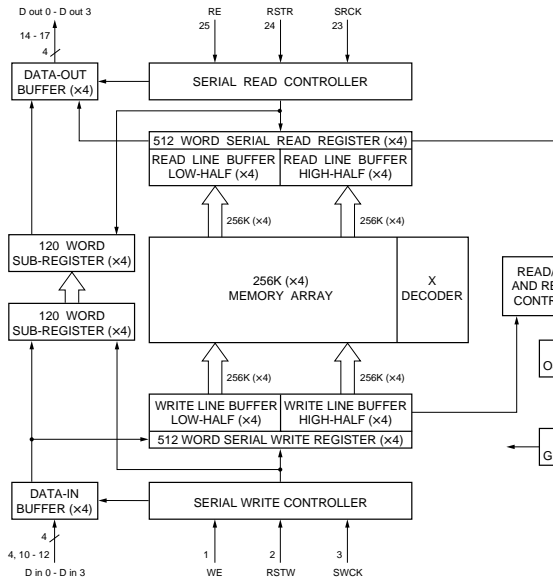
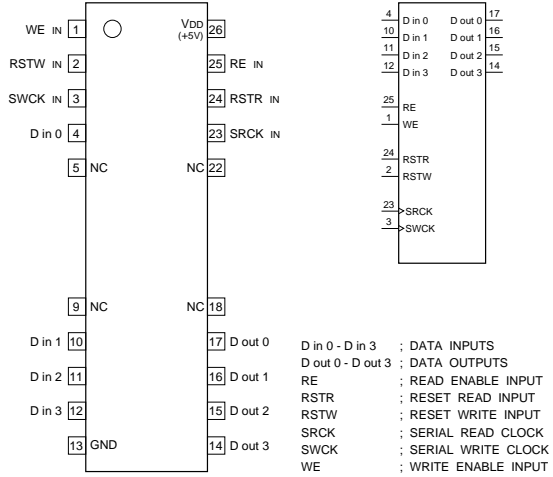
DO0 - DO7 : DATA



MSM514221B-30JS (OKI)

C-MOS 1M (262,263 × 4)-BIT FIELD MEMORY

—TOP VIEW—

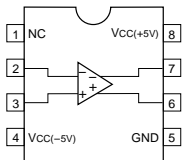


NJM360M (JRC)FLAT PACKAGE

NJM360M-TE2

HIGH SPEED VOLTAGE COMPARATOR

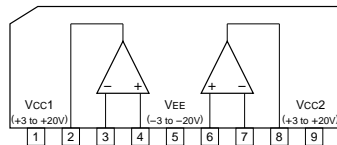
—TOP VIEW—



NJM5532S-D (JRC)

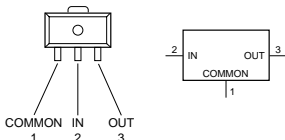
DUAL OPERATIONAL AMPLIFIER

—SIDE VIEW—



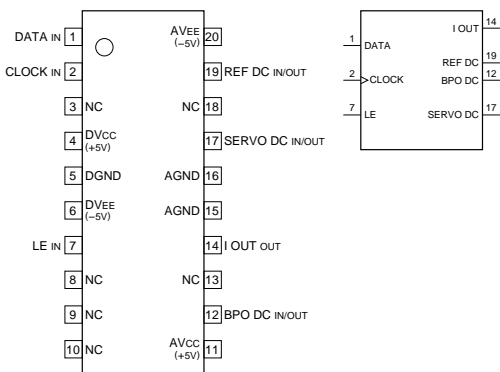
NJM79L05UA (JRC) -5 V(100 mA)
 NJM79L05UA-TE1
 NJM79L09UA(TE1) (JRC) -9 V(100 mA)
 TA79L12F(TE12L)
 TA79L12F-TE12L (TOSHIBA) -12 V(0.15 A)

VOLTAGE REGULATOR



PCM1702U-J (BURR-BROWN) FLAT PACKAGE
 PCM1702U-J-T2

20-BIT SERIAL INPUT D/A CONVERTER
 -TOP VIEW-

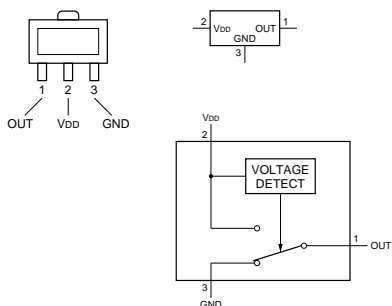


BPO DC : BIPOLAR OFFSET FILTER
 CLOCK : BIT CLOCK INPUT
 DATA : SERIAL DATA INPUT
 I OUT : CURRENT OUTPUT
 LE : LATCH ENABLE INPUT
 REF DC : REFERENCE FILTER
 SERVO DC : SERVO FILTER

S-8052-ANY-NH (SEIKO I AND E)
 S-8052ANY-NH-T1

C-MOS VOLTAGE DETECTOR

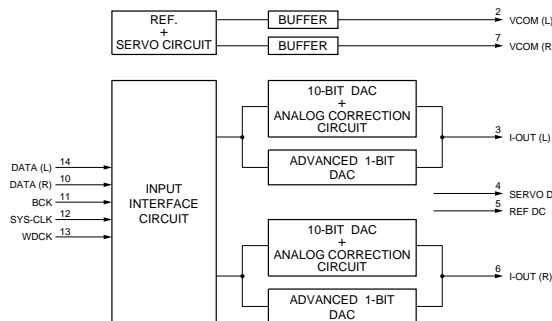
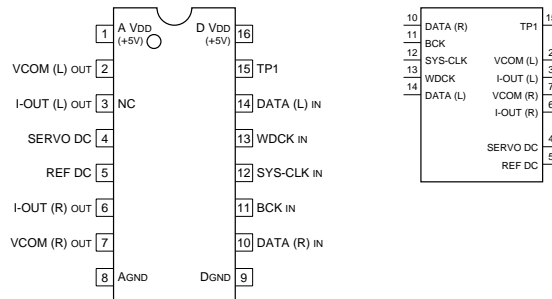
-TOP VIEW-



PCM69AP-K (BURR-BROWN)

C-MOS DUAL 18-BIT D/A CONVERTER

-TOP VIEW-

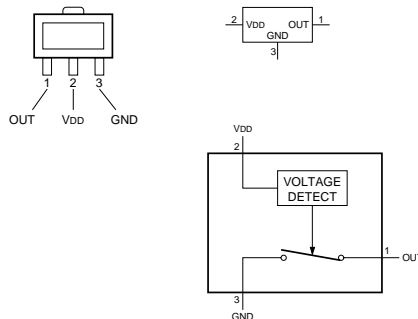


S-8054HN-CB-S (SEIKO I AND E)

S-8054HN-CB-T1

C-MOS VOLTAGE DETECTOR WITH N-CHANNEL OPEN DRAIN OUTPUT

-TOP VIEW-

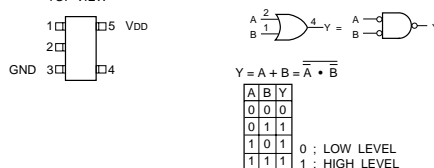


SC7S32F (MOTOROLA) CHIP PACKAGE

TC7S32F(TE85R)

C-MOS 2-INPUT OR GATE

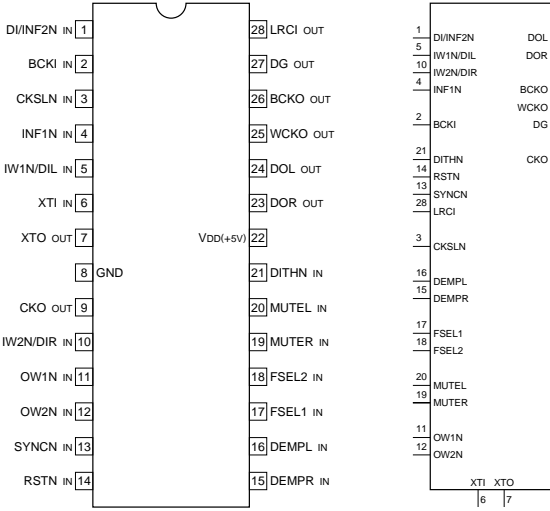
-TOP VIEW-



TYPE	VDD
7S32F	+2 to +6V
7S32FU	+2 to +6V
4S71F	+3 to +18V
7SH32FU	+2 to +5.5V

SM5842APT (NPC)

C-MOS 8TIMES OVER SAMPLING DIGITAL FILTER FOR DIGITAL AUDIO
—TOP VIEW—



INPUT
 BCKI : INPUT BIT CLOCK
 CKSLN : OSCILLATE AND INPUT FREQUENCY SELECT (H : 384 fs, L : 256 fs)
 DEMPL : Lch DEEMPHASIS SIGNAL (L : OFF, H : ON)
 DEMPR : Rch DEEMPHASIS SIGNAL (L : OFF, H : ON)
 DI/INF2N : INPUT DATA (INF1N = L)/INPUT FORMAT SELECT 2 (INF1N = H)
 DITHN : DITHER ON/OFF SELECT (L : ON, H : OFF)
 FSSEL1 : DEEMPHASIS FILTER SELECT 1
 FSSEL2 : DEEMPHASIS FILTER SELECT 2

fs (Hz)	32 k	44.1 k	48 k
FSSEL1	H	L	L
FSSEL2	H	L	H

INF1N : INPUT FORMAT SELECT 1

SETTING	TERMINAL	INPUT FORMAT		
		LR MUTUALLY BELOW STUFFING	LR MUTUALLY ABOVE STUFFING	LR SIMULTANEOUSLY ABOVE STUFFING
	INF1N	L	H	
	INF2N	DI TERMINAL		H
TERMINAL FUNCTION	NO. 1	DI	INF2N	
	NO. 5	IW1N	DIL	
	NO. 10	IW2N	DIR	

IW1N/DIL : INPUT WORD LENGTH SELECT 1 (INF1N = L)/Lch DATA INPUT (INF1N = H)
 IW2N/DIR : INPUT WORD LENGTH SELECT 2 (INF1N = L)/Rch INPUT DATA (INF1N = H)

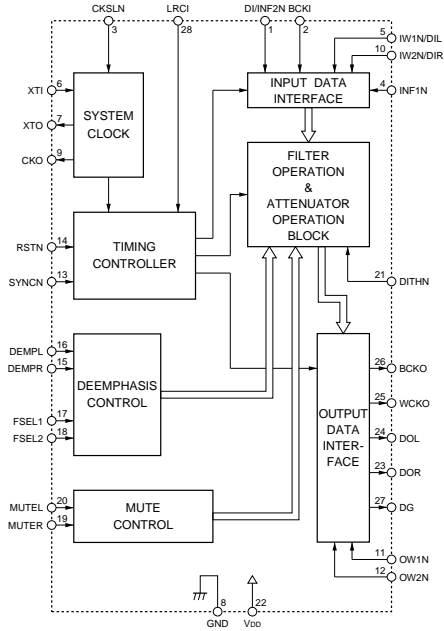
INPUT FORMAT	LR MUTUALLY BELOW STUFFING	LR MUTUALLY ABOVE STUFFING	LR SIMULTANEOUSLY ABOVE STUFFING
INPUT WORD LENGTH (BIT)	16 18 20 24	24	
5 IW1N/DIL	H L H L	(USED AS DIL TERMINAL)	
10 IW2N/DIR	H H L L	(USED AS DIR TERMINAL)	
4 INF1N	L	H	
1 INF2N/DI	(USED AS DI TERMINAL)	L	H

MUTEL : MUTE SIGNAL Lch (L : NORMAL OUTPUT, H : MUTING)
 MUTER : MUTE SIGNAL Rch (L : NORMAL OUTPUT, H : MUTING)
 OW1N : OUTPUT WORD LENGTH SELECT 1
 OW2N : OUTPUT WORD LENGTH SELECT 2

OUTPUT WORD LENGTH (BIT)	18	20	22	24
SETTING	OW1N	H L H L	H L H L	L L
	OW2N	H H L L	H L L L	L L

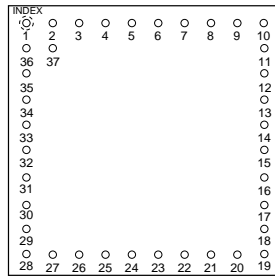
RSTN : SYSTEM RESET (L : SYSTEM RESET, H : NORMAL OPERATION)
 SYNCN : SYNCHRONIZATION MODE SELECT (L : FORCED SYNCHRONIZATION MODE, H : JITTER FREE MODE)
 XTl : OSCILLATOR INPUT TERMINAL

OUTPUT
 BCKO : OUTPUT BIT CLOCK
 CKO : OSCILLATOR BLOCK OUTPUT CLOCK
 DG : DEGLITCH OUTPUT
 DOL : Lch DATA OUTPUT
 DOR : Rch DATA OUTPUT
 LRCI : INPUT DATA SAMPLING RATE (fs) CLOCK
 WCKO : OUTPUT WORD CLOCK
 XTO : OSCILLATOR OUTPUT TERMINAL



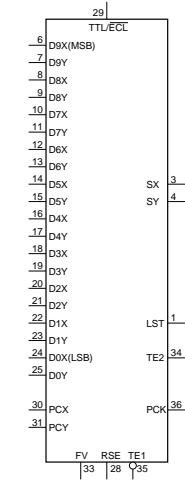
SBX1601A (SONY)

8- OR 10-BIT PARALLEL-TO-SERIAL CONVERTER
—BOTTOM VIEW—



INPUT
 D9X - D0X, D9Y - D0Y : PARALLEL DATA INPUTS
 PCX, PCY : PARALLEL CLOCK INPUTS
 FV : VCO FREQ. ADJ. INPUT
 RSE : VCO RANGE SELECT INPUT (H : HIGH RANGE)
 TE1 : TEST TERMINAL (LOW = TEST)
 TTL/ECL : VCC FOR INPUT LEVEL SELECT (+5 V = TTL, GND = ECL)

OUTPUT
 LST : PLL LOCK DETECT OUTPUT (H : LOCK)
 PCK : PARALLEL CLOCK OUTPUT
 SX, SY : SERIAL DATA OUTPUTS
 TE2 : TEST TERMINAL

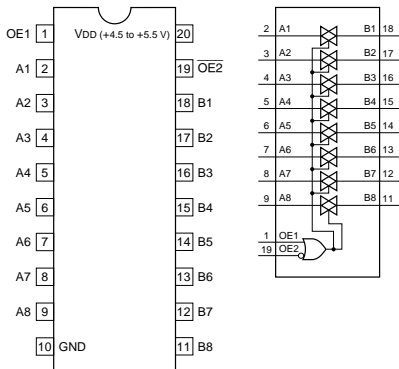


VEE1 = -5V
 VEE2 = -3.5V

PIN NO.	I/O	SIGNAL	PIN NO.	I/O	SIGNAL	PIN NO.	I/O	SIGNAL	PIN NO.	I/O	SIGNAL
1	O	LST	11	I	D7Y	21	I	D2Y	31	I	PCY
2	—	GND	12	I	D6X	22	I	D1X	32	—	GND
3	O	SX	13	I	D6Y	23	I	D1Y	33	I	FV
4	O	SY	14	I	D5X	24	I	D0X(LSB)	34	O	TE2
5	—	GND	15	I	D5Y	25	I	D0Y	35	I	TE1
6	I	D9X(MSB)	16	I	D4X	26	—	VEE1	36	O	PCK
7	I	D9Y	17	I	D4Y	27	—	VEE2	37	—	NC
8	I	D8X	18	I	D3X	28	I	RSE			
9	I	D8Y	19	I	D3Y	29	—	TTL/ECL			
10	I	D7X	20	I	D2X	30	I	PCX			

SN74CBT3345PW-E05 (TI) FLAT PACKAGE

BI-CMOS 8-BIT BUS SWITCH
—TOP VIEW—

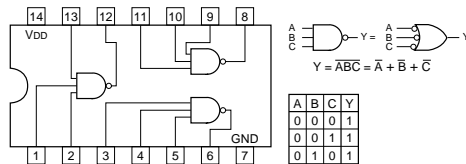


INPUTS	INPUTS/OUTPUTS	
OE2 OE1	A, B	0 : LOW LEVEL
0 x	A = B	1 : HIGH LEVEL
x 1	A = B	x : DON'T CARE
1 0	HI-Z	HI-Z : HIGH IMPEDANCE

SN74HC10ANS (TI) FLAT PACKAGE

SN74HC10ANS-E05
TC74VHC10F (TOSHIBA) FLAT PACKAGE
TC74VHC10F(EL)
TC74VHC10FS(EL) (TOSHIBA) FLAT PACKAGE

C-MOS 3-INPUT NAND GATE
—TOP VIEW—



NOTE:

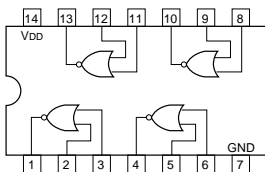
TYPE	V _{DD}
40H	+2 to +8V
74VHC	+2 to +5.5V
OTHERS	+2 to +6V

A	B	C	Y
0	0	0	1
0	0	1	1
0	1	0	1
0	1	1	1
1	0	0	1
1	0	1	1
1	1	0	1
1	1	1	0

0 : LOW LEVEL
1 : HIGH LEVEL

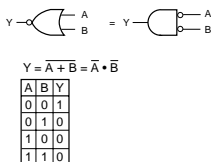
SN74HC02ANS (TI) FLAT PACKAGE
SN74HC02ANS-E05

C-MOS QUAD 2-INPUT NOR GATES
—TOP VIEW—



NOTE:

TYPE	V _{DD}
74HC	+2 to +6V
74AC/74VHC	+2 to +5.5V
74HCT/74ACT	+4.5 to +5.5V
74LCX	+2 to +3.6V

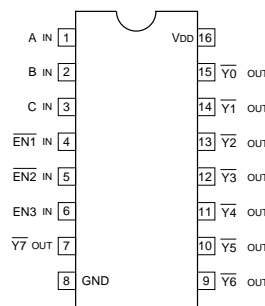


0 : LOW LEVEL
1 : HIGH LEVEL

SN74HC138ANS (TI) FLAT PACKAGE

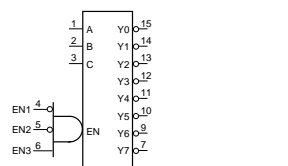
SN74HC138ANS-E05
TC74VHCT138FS(EL) (TOSHIBA) FLAT PACKAGE

C-MOS 3-TO-8 LINE DECODER / DEMULTIPLEXER
—TOP VIEW—



NOTE:

TYPE	V _{DD}
74HCT	+5 V
74ACT/74HCT/74VHCT	+4.5 to +5.5 V
74AC/74VHC	+2 to +5.5 V
OTHER TYPES	+2 to +6 V

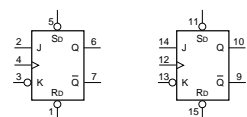
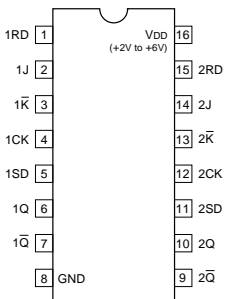


EN	C	B	A	Y ₀	Y ₁	Y ₂	Y ₃	Y ₄	Y ₅	Y ₆	Y ₇
0	X	X	X	1	1	1	1	1	1	1	1
1	0	0	0	1	1	1	1	1	1	1	0
1	0	0	1	1	1	1	1	1	1	0	1
1	0	1	0	1	1	1	1	1	0	1	1
1	0	1	1	1	1	1	1	0	1	1	1
1	1	0	0	1	1	1	0	1	1	1	1
1	1	0	1	1	1	0	1	1	1	1	1
1	1	1	0	1	1	1	1	0	1	1	1
1	1	1	1	0	1	1	1	1	1	1	1

EN = EN1 • EN2 • EN3
0 : LOW LEVEL
1 : HIGH LEVEL
X : DON'T CARE

SN74HC109ANS (TI) FLAT PACKAGE
SN74HC109ANS-E05

C-MOS J-K FLIP-FLOP WITH DIRECT SET/RESET
—TOP VIEW—



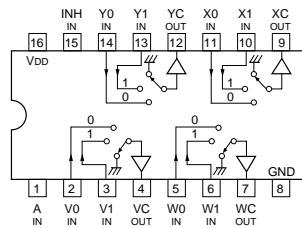
INPUTS							OUTPUTS	
Sd	Rd	CK	J	K̄	Q _{n+1}	Q̄ _{n+1}	Q _n	Q̄ _n
0	1	X	X	X	1	0		
1	0	X	X	X	0	1		
0	0	X	X	X	1*	1*		
1	1	↓	0	1	Q _n	Q̄ _n		
			0	0	0	1		
			1	1	1	0		
1	1	0	X	Q̄ _n	Q _n			
			X	Q _n	Q̄ _n			

0 : LOW LEVEL
1 : HIGH LEVEL
X : DON'T CARE
* : NONSTABLE

SN74HC157ANS (TI) FLAT PACKAGE

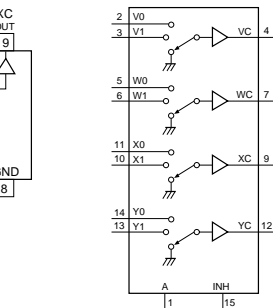
SN74HC157ANS-E05
TC74VHC157FS(EL) (TOSHIBA) FLAT PACKAGE

C-MOS QUAD 2-LINE-TO-1-LINE DATA SELECTOR/ DEMULTIPLEXER
—TOP VIEW—



NOTE:

TYPE	V _{DD}
74ACT/74FCT	+5V
TC74AC157P TC74AC157	+2 to +5.5V
TC40H	+2 to +8V
OTHER TYPES	+2 to +6V

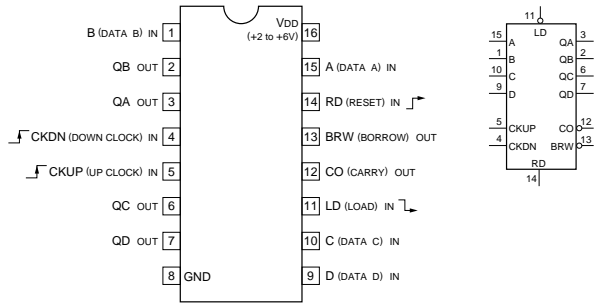


CONT	IN	A	ON CHANNEL
0	0	0	
0	1	1	
1	X	GND	

0 : LOW LEVEL
1 : HIGH LEVEL
X : DON'T CARE

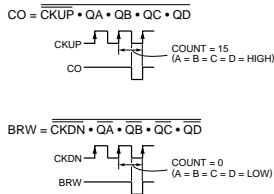
SN74HC193ANS (TI) FLAT PACKAGE
SN74HC193ANS-E05

C-MOS PRESETTABLE SYNCHRONOUS 4-BIT UP/DOWN COUNTER
—TOP VIEW—



CONTROL INPUT				MODE
RD	LD	CKUP	CKDN	
1	X	X	X	RESET TO ZERO
0	0	X	X	PRESET
0	1	↓	1	UP COUNT
0	1	1	↓	DOWN COUNT
0	1	1	1	NO COUNT

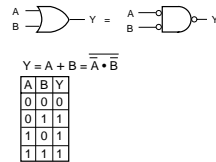
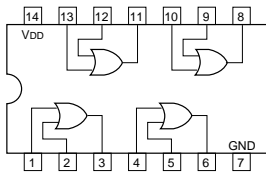
COUNT	OUTPUT			
	QD	QC	QB	QA
0	0	0	0	0
1	0	0	0	1
2	0	0	1	0
3	0	0	1	1
4	0	1	0	0
5	0	1	0	1
6	0	1	1	0
7	0	1	1	1
8	1	0	0	0
9	1	0	0	1
10	1	0	1	0
11	1	0	1	1
12	1	1	0	0
13	1	1	0	1
14	1	1	1	0
15	1	1	1	1



0 : LOW LEVEL
1 : HIGH LEVEL
X : DON'T CARE

SN74HC32ANS (TI) FLAT PACKAGE
SN74HC32ANS-E05
TC74AC32F (TOSHIBA) FLAT PACKAGE
TC74AC32F (EL)
TC74VHC32F (TOSHIBA) FLAT PACKAGE
TC74VHC32F (EL)
TC74VHC32FS (EL) (TOSHIBA) FLAT PACKAGE

C-MOS QUAD 2-INPUT OR GATES
—TOP VIEW—

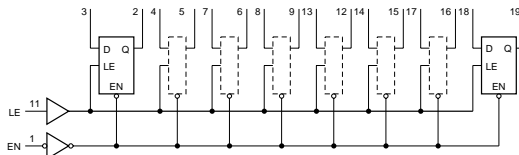
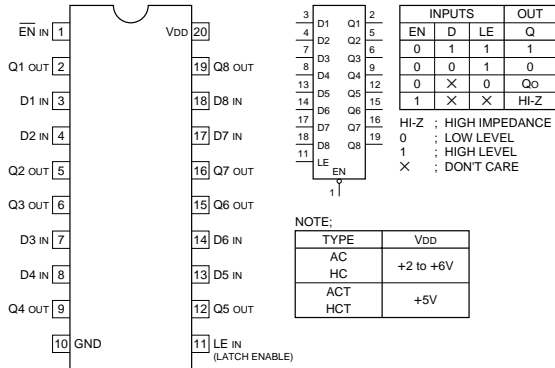


NOTE:

TYPE	V _{DD}
74AC/74VHC	+2 to +5.5V
74HC	+2 to +6V
74HCT	+4.5 to +5.5V

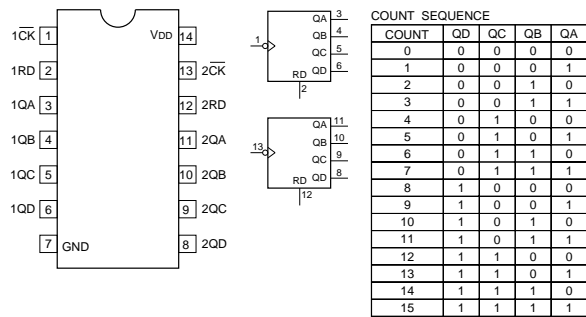
SN74HC373ANS (TI) FLAT PACKAGE
SN74HC373ANS-E05

C-MOS 3-STATE OUTPUT OCTAL LATCHES
—TOP VIEW—



SN74HC393ANS (TI) FLAT PACKAGE
SN74HC393ANS-E05

C-MOS DUAL 4-BIT BINARY COUNTER
—TOP VIEW—



RESET/COUNT FUNCTION

RD	QD	QC	QB	QA
1	0	0	0	0
0	COUNT			

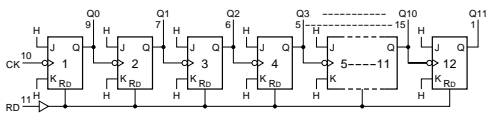
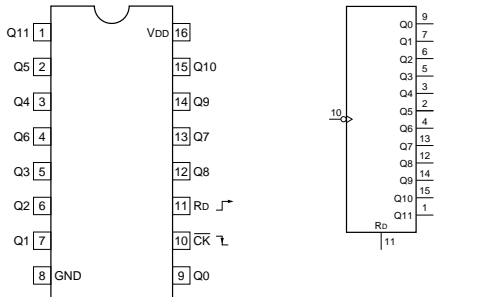
0 : LOW LEVEL
1 : HIGH LEVEL

NOTE:

TYPE	V _{DD}
AC/VHC	+2 to +5.5 V
HC	+2 to +6 V

SN74HC4040ANS (TI) FLAT PACKAGE
SN74HC4040ANS-E05

C-MOS 12-STAGE RIPPLE CARRY BINARY COUNTER/DRIVER
—TOP VIEW—



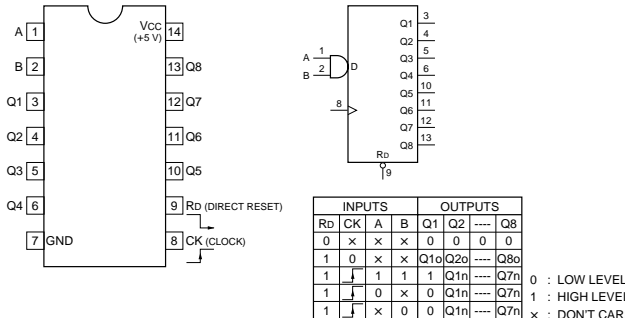
COUNT	Q11	Q10	Q9	Q8	Q7	Q6	Q5	Q4	Q3	Q2	Q1	Q0
0	0	0	0	0	0	0	0	0	0	0	0	0
1	0	0	0	0	0	0	0	0	0	0	0	1
2	0	0	0	0	0	0	0	0	0	0	1	0
3	0	0	0	0	0	0	0	0	0	0	1	1
...
4095	1	1	1	1	1	1	1	1	1	1	1	1

NOTE:

TYPE	V _{DD}
HC	+2 to +6V
VHC	+2 to +5.5V

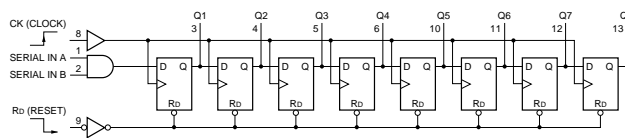
SN74LS164NS (TI) FLAT PACKAGE
SN74LS164NS-E05

TTL 8-BIT PARALLEL OUT SERIAL SHIFT REGISTER
—TOP VIEW—



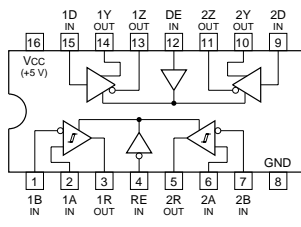
INPUTS		OUTPUTS							
Rd	CK	A	B	Q1	Q2	...	Q7n	Q8	
0	x	x	x	0	0	...	0	0	
1	0	x	x	Q1o	Q2o	...	Q7n	Q8o	
1	1	1	1	1	1	...	1	1	
1	0	x	0	0	0	...	0	0	
1	1	x	0	0	0	...	0	0	

0 : LOW LEVEL
1 : HIGH LEVEL
x : DON'T CARE



SN751177NS (TI) FLAT PACKAGE

DUAL DIFFERENTIAL LINE DRIVER/RECEIVER
—TOP VIEW—



DRIVER BLOCK

INPUT	ENABLE	OUTPUTS	
D	DE	Y	Z
1	1	1	0
0	1	0	1
x	0	HI-Z	HI-Z

RECEIVER BLOCK

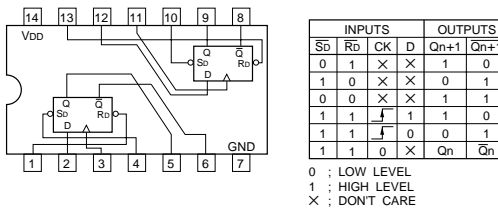
DIFFERENTIAL INPUT		ENABLE	OUTPUT
A-B	RE	R	R
V _{id} ≥ 0.2V	0	0	1
-0.2V < V _{id} < 0.2V	0	0	x
V _{id} ≤ -0.2V	0	0	0
0 OR 1	1	1	HI-Z

INPUT
1A, 1B, 2A, 2B : RECEIVER
1D, 2D : DRIVER
DE : DRIVER OUTPUT CONTROL
RE : RECEIVER OUTPUT CONTROL

OUTPUT
1R, 2R : RECEIVER
1Y, 2Y, 1Z, 2Z : DRIVER

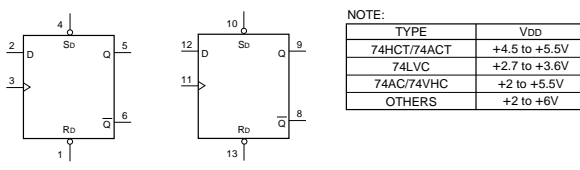
SN74HC74ANS (TI) FLAT PACKAGE
SN74HC74ANS-E05
TC74VHC74F (TOSHIBA) FLAT PACKAGE
TC74VHC74F(EL)
TC74VHC74FS(EL) (TOSHIBA) FLAT PACKAGE

C-MOS DUAL D-TYPE FLIP-FLOPS WITH DIRECT SET/RESET
—TOP VIEW—



INPUTS		OUTPUTS	
S _D	R _D	Qn	Qn+1
0	1	x	x
1	0	x	x
0	0	x	x
1	1	1	0
1	1	0	1
1	1	0	x

0 : LOW LEVEL
1 : HIGH LEVEL
x : DON'T CARE

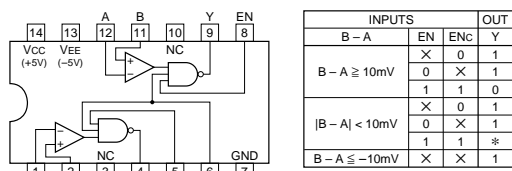


NOTE:

TYPE	V _{DD}
74HCT/74ACT	+4.5 to +5.5V
74LVC	+2.7 to +3.6V
74AC/74VHC	+2 to +5.5V
OTHERS	+2 to +6V

SN75207BNS (TI) FLAT PACKAGE
SN75207BNS-E05

BIPOLAR LINE RECEIVER (TTL COMPATIBLE)
—TOP VIEW—



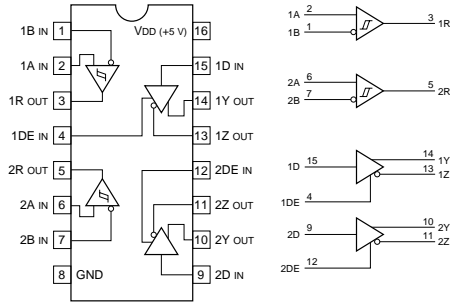
INPUTS		OUT
B - A	EN ENc	Y
B - A ≥ 10mV	x 0	1
	0 x	1
	1 1	0
B - A < 10mV	x 0	1
	0 x	1
B - A ≤ -10mV	1 1	*
	x x	1

0 : LOW LEVEL
1 : HIGH LEVEL
x : DON'T CARE
* : INDETERMINATE

SN75C1168NS-E05 (TI) FLAT PACKAGE

BI-CMOS DUAL DIFFERENTIAL LINE DRIVER/RECEIVER

—TOP VIEW—



DRIVER BLOCK

INPUT	ENABLE	OUTPUTS	
D	DE	Y	Z
1	1	1	0
0	1	0	1
x	0	HI-Z	HI-Z

0 : LOW LEVEL
 1 : HIGH LEVEL
 ? : INDETERMINATE
 x : DON'T CARE
 HI-Z : HIGH IMPEDANCE

RECEIVER BLOCK

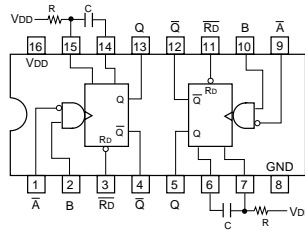
DIFFERENTIAL INPUT	OUTPUT
A - B	R
$V_{ID} \geq 0.2 V$	1
$-0.2 V < V_{ID} < 0.2 V$?
$V_{ID} \leq -0.2 V$	0
OPEN	1

TC74HC123AF (TOSHIBA) FLAT PACKAGE

TC74HC123AF(EL)

C-MOS DUAL RETRIGGERABLE MONOSTABLE MULTIVIBRATORS

—TOP VIEW—



INPUTS		OUTPUTS	
Rd	A	B	Q
0	x	x	0
1	1	x	0
1	x	0	0
1	0	1	1
1	1	1	1
1	0	1	1

0 : LOW LEVEL
 1 : HIGH LEVEL
 x : DON'T CARE
 OUTPUT PULSE WIDTH = 0.46 CR

NOTE :

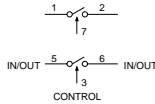
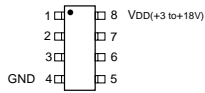
TYPE	V _{DD}
TC74HC123AF	+5V
TC74VHC	+2V to +5.5V
OTHER TYPES	+2V to +6V

TC4W66F (TOSHIBA) CHIP PACKAGE

TC4W66F(TE12R)

C-MOS DUAL BILATERAL SWITCH

—TOP VIEW—



CONTROL	SWITCH
0	OFF
1	ON

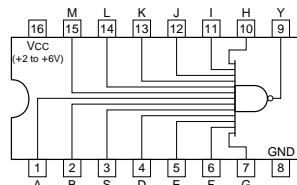
0 : LOW LEVEL
 1 : HIGH LEVEL

TC74HC133AF (TOSHIBA) FLAT PACKAGE

MC74HC133F

C-MOS 13-INPUT NAND GATE

—TOP VIEW—



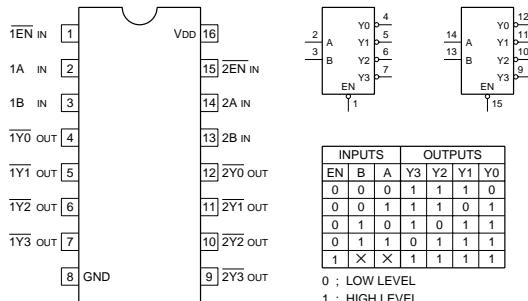
$$Y = A \cdot B \cdot C \cdot D \cdot E \cdot F \cdot G \cdot H \cdot I \cdot J \cdot K \cdot L \cdot M$$

TC74AC139F (TOSHIBA) FLAT PACKAGE

TC74AC139F(EL)

C-MOS DUAL 2-TO-4 DECODER/DEMULTIPLEXER

—TOP VIEW—



INPUTS		OUTPUTS			
EN	B A	Y3	Y2	Y1	Y0
0	0 0	1	1	1	0
0	0 1	1	1	0	1
0	1 0	1	0	1	1
0	1 1	0	1	1	1
1	x x	1	1	1	1

0 : LOW LEVEL
 1 : HIGH LEVEL
 x : DON'T CARE

NOTE :

TYPE	V _{DD}
TC74AC/TC74VHC	+2 to +5.5V
HCT/ACT	+5V
OTHER TYPES	+2 to +6V

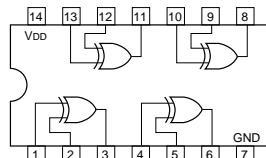
TC74HC86AF (TOSHIBA) FLAT PACKAGE

TC74VHC86FS(EL) (TOSHIBA) FLAT PACKAGE

SN74HC86ANS-E05

C-MOS QUAD EXCLUSIVE OR GATES

—TOP VIEW—



$$Y = \bar{A} \cdot B + A \cdot \bar{B}$$

A	B	Y
0	0	0
0	1	1
1	0	1
1	1	0

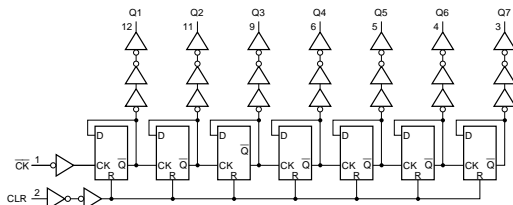
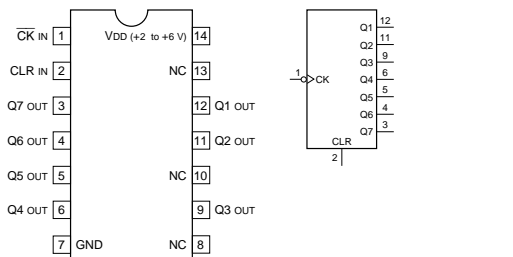
0 : LOW LEVEL
 1 : HIGH LEVEL

NOTE :

TYPE	V _{DD}
74AC/74VHC	+2 to +5.5V
74ACT/74HCT	+4.5 to +5.5V
74LCX	+2 to +3.6V
OTHER TYPES	+2 to +6V

TC74HC4024AF (TOSHIBA) FLAT PACKAGE
TC74HC4024AF(EL)

C-MOS 7-STAGE BINARY COUNTER
—TOP VIEW—

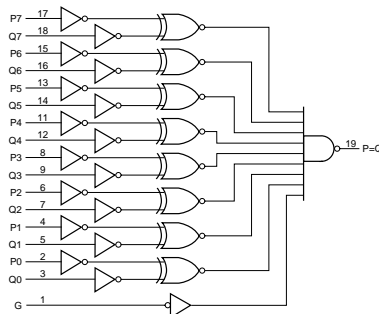
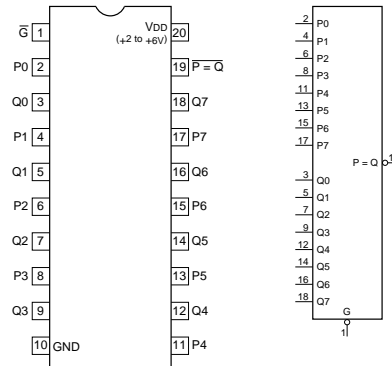


COUNT	INPUTS		OUTPUTS						
	CK	CLR	Q7	Q6	Q5	Q4	Q3	Q2	Q1
0	x	1	0	0	0	0	0	0	0
1		0	0	0	0	0	0	0	1
2		0	0	0	0	0	0	1	0
3		0	0	0	0	0	1	1	0
...									
125	1	0	1	1	1	1	1	0	1
126	1	0	1	1	1	1	1	1	0
127	1	0	1	1	1	1	1	1	1
—	0	0	NO CHANGE						
—	1	0	NO CHANGE						

0 : LOW LEVEL
1 : HIGH LEVEL
x : DON'T CARE

TC74HC688AF (TOSHIBA) FLAT PACKAGE
TC74HC688AF(EL)

C-MOS 8-BIT EQUALITY DETECTOR
—TOP VIEW—

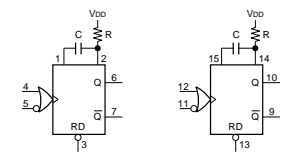
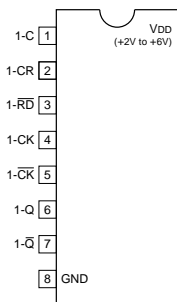


INPUTS	OUTPUTS	
P, Q	G	P = Q
P=Q	0	0
P>Q	0	1
P<Q	0	1
X	1	1

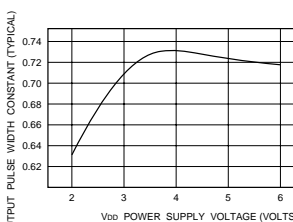
0 : LOW LEVEL
1 : HIGH LEVEL
x : DON'T CARE

TC74HC4538AF (TOSHIBA) FLAT PACKAGE
TC74HC4538AF(EL)

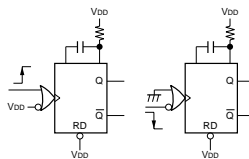
C-MOS DUAL RETRIGGERABLE / NON-RETRIGGERABLE MONOSTABLE MULTIVIBRATOR
—TOP VIEW—



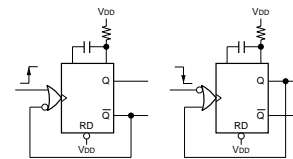
OUTPUT PULSE WIDTH = k · C · R



RETRIGGERABLE M. M. V

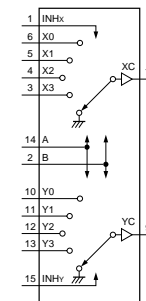
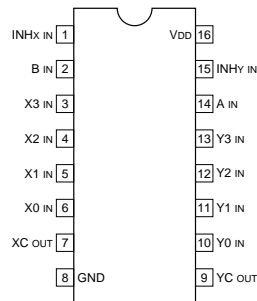


NON-RETRIGGERABLE M. M. V



TC74VHC153FS(EL) (TOSHIBA) FLAT PACKAGE

C-MOS DUAL 4-LINE-TO-1-LINE DATA SELECTOR/MULTIPLEXER
—TOP VIEW—



NOTE:

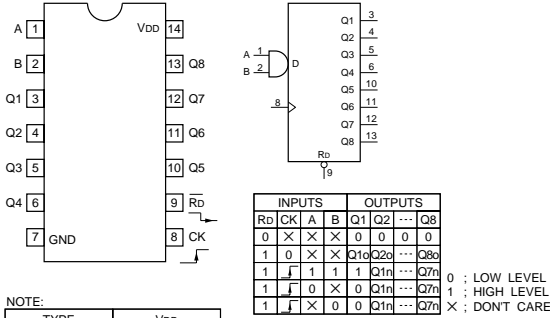
TYPE	VDD
ACT/HCT/FCT	+5V
40H	+2 to +8V
TC74AC/TC74VHC	+2 to +5.5V
OTHER TYPES	+2 to +6V

CONTROL IN	ON CHANNEL		
INH	B	A	CHANNEL
0	0	0	0
0	0	1	1
0	1	0	2
0	1	1	3
1	x	x	GND

0 : LOW LEVEL
1 : HIGH LEVEL
x : DON'T CARE

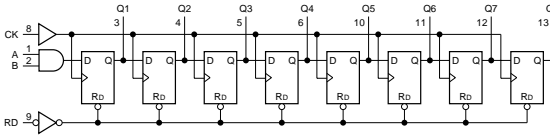
TC74VHC164F (TOSHIBA) FLAT PACKAGE
TC74VHC164FS(EL)

C-MOS 8-BIT SERIAL-IN/PARALLEL-OUT SHIFT REGISTER
—TOP VIEW—



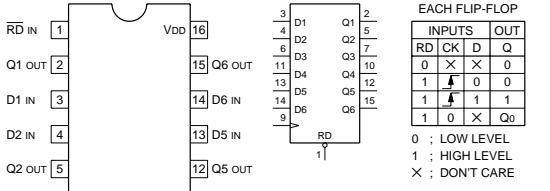
NOTE:

TYPE	VDD
AC/VHC	+2 to +5.5 V
HC	+2 to +6 V
HCT	+5 V



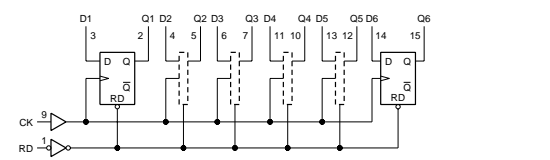
TC74VHC174F (TOSHIBA) FLAT PACKAGE
TC74VHC174F(EL)
TC74VHC174FS(EL) (TOSHIBA) FLAT PACKAGE

C-MOS D-TYPE FLIP-FLOP WITH RESET
—TOP VIEW—



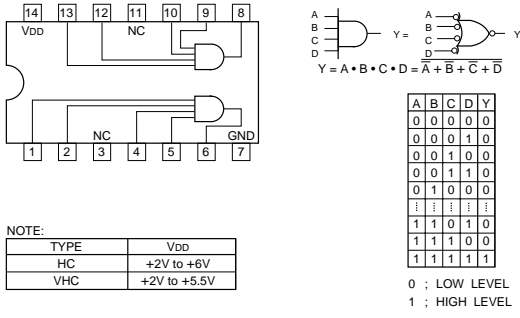
NOTE:

TYPE	VDD
ACT/HCT	+5V
TC74AC/TC74VHC	+2 to +5.5V
OTHER TYPES	+2 to +6V



TC74VHC21F (TOSHIBA) FLAT PACKAGE
TC74VHC21F(EL)

C-MOS DUAL 4-INPUT POSITIVE AND GATE
—TOP VIEW—

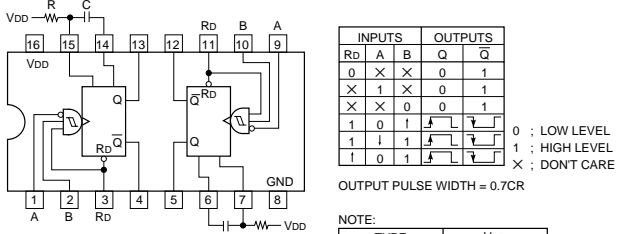


NOTE:

TYPE	VDD
HC	+2V to +6V
VHC	+2V to +5.5V

TC74VHC221AFS(EL) (TOSHIBA) FLAT PACKAGE

C-MOS MONOSTABLE MULTIVIBRATOR WITH SCHMITT TRIGGER INPUT
—TOP VIEW—

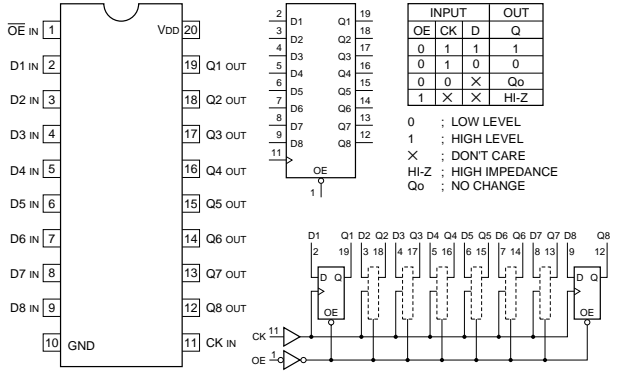


NOTE:

TYPE	VDD
74AC/74VHC	+2 to +5.5V
74HCT	+4.5 to +5.5V
74HC	+2 to +6V

TC74VHC573F (TOSHIBA) FLAT PACKAGE
TC74VHC573F(EL)

C-MOS 3-STATE OUTPUTS OCTAL LATCH
—TOP VIEW—



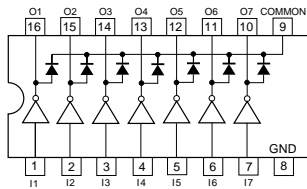
NOTE:

TYPE	VDD
74HC	+2 to +6V
74ABT	+5V
74ACT	+5V
74HCT/74VHCT	+5V
74AC/74VHC	+2 to +5.5V

TD62003P (TOSHIBA)

DARLINGTON DRIVER

—TOP VIEW—

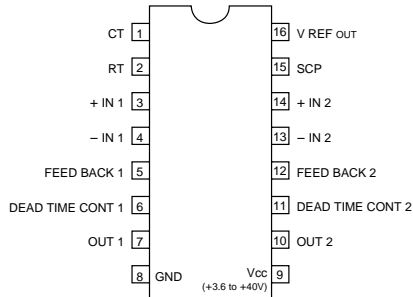


TL1451ACNS (TI) FLAT PACKAGE

TL1451ACNS-E05

DUAL PWM POWER CONTROLLER

—TOP VIEW—



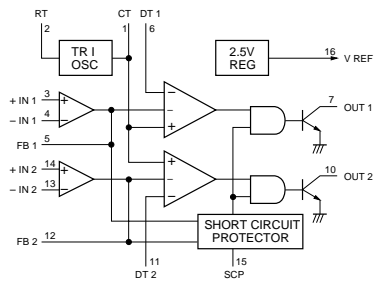
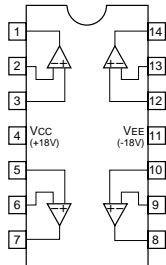
TL064CNS (TI) FLAT PACKAGE

TL064CNS-E05

OPERATIONAL AMPLIFIER

(J FET INPUT)

—TOP VIEW—



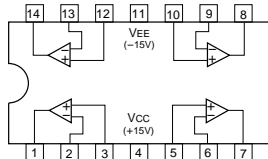
TL084CNS (TI) FLAT PACKAGE

TL084CNS-E05

OPERATIONAL AMPLIFIER

(J FET INPUT)

—TOP VIEW—

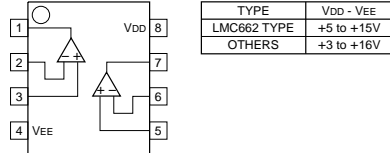


TLC272CPW-E05 (TI) FLAT PACKAGE

C-MOS DUAL OPERATIONAL AMPLIFIERS

(SINGLE-SUPPLY TYPE)

—TOP VIEW—

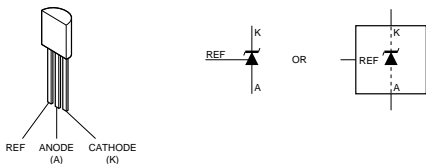


TL431CPS (TI)

TL431CPS-E05

ADJUSTABLE PRECISION SHUNT REGULATOR

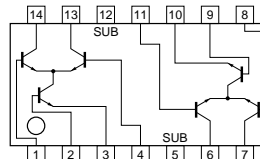
—TOP VIEW—



UPA102G (NEC) FLAT PACKAGE

HIGH FREQUENCY PNP TRANSISTOR ARRAY

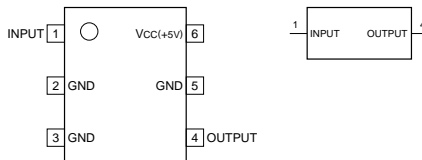
—TOP VIEW—



UPC2708T-E3 (NEC)

MIDDLE-OUTPUT HIGH-FREQUENCY WIDE-BAND AMPLIFIER

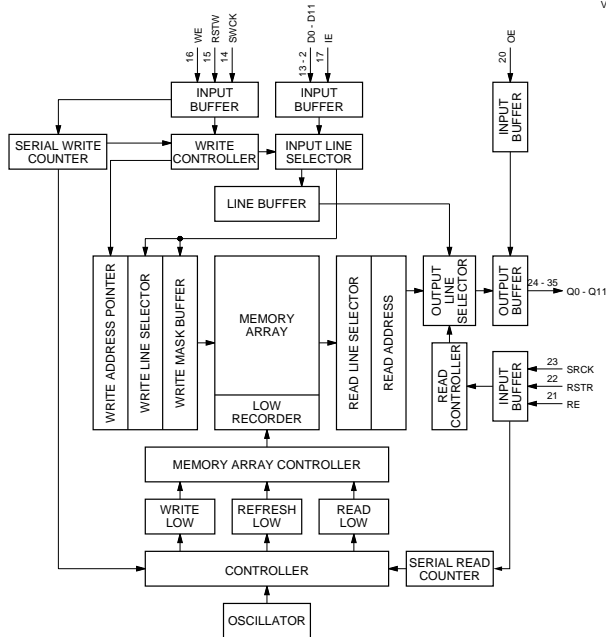
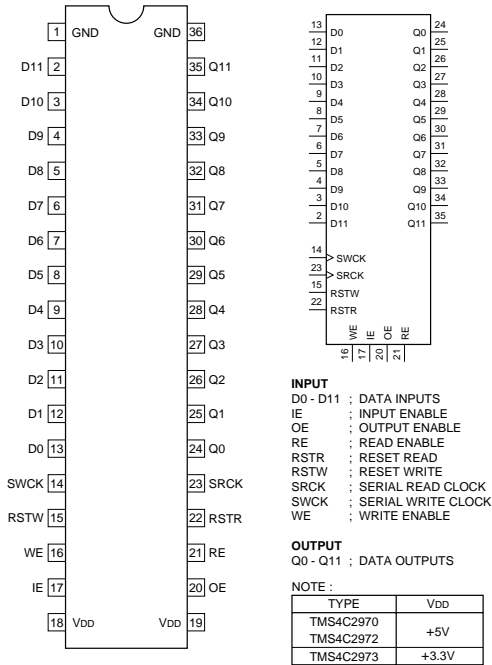
—BOTTOM VIEW—



TMS4C2973-26DTR (TI) FLAT PACKAGE

C-MOS 2.9M (245,760-WORD x 12) BITS FIELD MEMORY

—TOP VIEW—

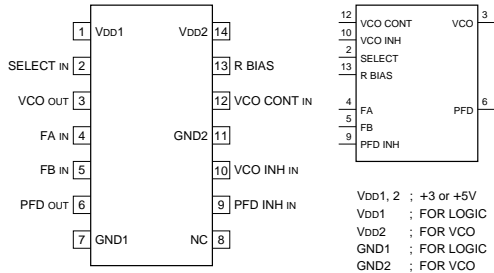


NOTE: TMS4C2972 AND TMS4C2973 ALLOW BLOCK RANDOM ACCESS.

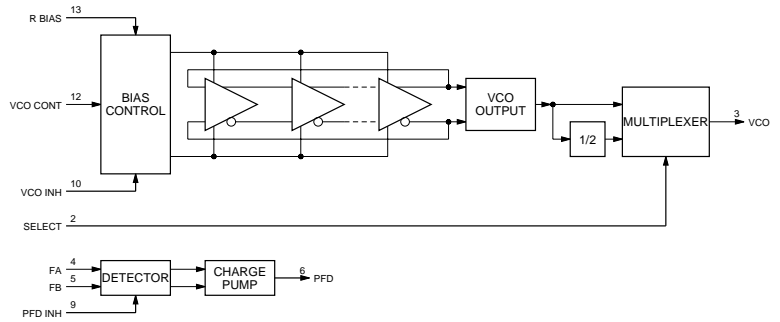
TLC2932IPW (TI)
TLC2932IPW-E20 (TI)

C-MOS VCO AND PHASE FREQUENCY DETECTOR

—TOP VIEW—



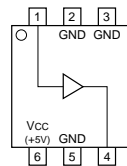
- INPUT**
- FA : REFERENCE FREQUENCY
 - FB : INPUT FREQUENCY FROM OUTSIDE COUNTER
 - PFD INH : PFD INHIBIT
 - SELECT : VCO OUTPUT FREQUENCY SELECT
 - VCO CONT : VCO CONTROL VOLTAGE
 - VCO INH : VCO INHIBIT
- OUTPUT**
- PFD : PHASE FREQUENCY DETECTOR
 - VCO : VOLTAGE CONTROLLED OSCILLATOR
- OTHER**
- R BIAS : BIAS RESISTOR FOR VCO OSCILLATION FREQUENCY SETTING



UPC2712T-E3 (NEC) FLAT PACKAGE

RF AMPLIFIER

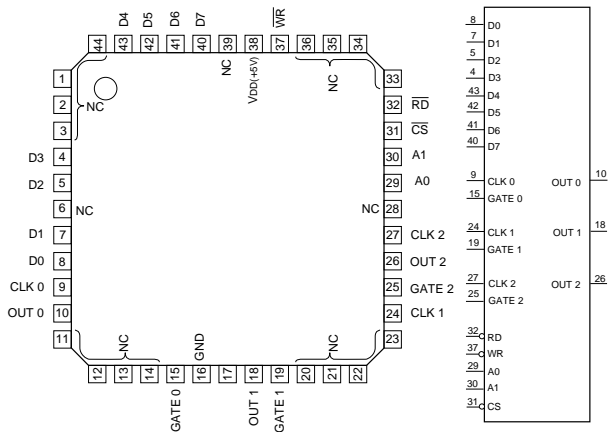
—TOP VIEW—



UPD71054GB-3B4 (NEC)

C-MOS PROGRAMMABLE TIMER COUNTER

—TOP VIEW—



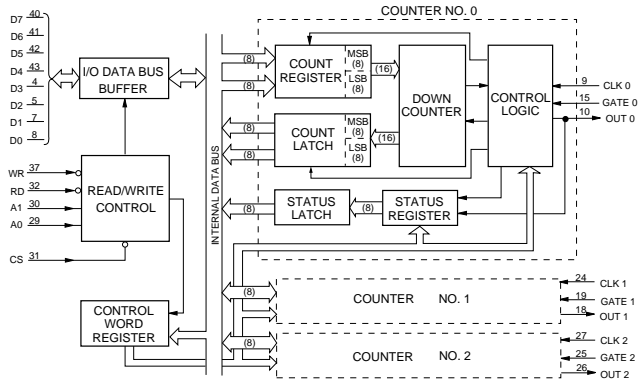
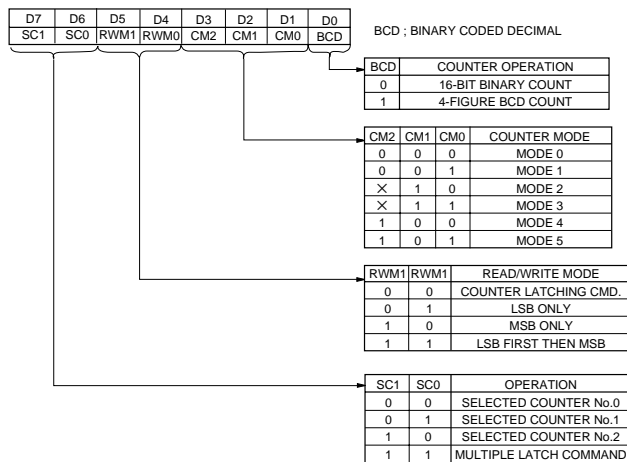
FUNCTION TABLE

INPUTS					FUNCTION
CS	RD	WR	A1	A0	
0	1	0	0	0	COUNTER NO. 1 WRITE
0	1	0	0	1	COUNTER NO. 2 WRITE
0	1	0	1	0	COUNTER NO. 3 WRITE
0	1	0	1	1	CONTROL WORD WRITE
0	0	1	0	0	COUNTER NO. 1 READ
0	0	1	0	1	COUNTER NO. 2 READ
0	0	1	1	0	COUNTER NO. 3 READ
0	0	1	1	1	NO-OPERATION (HI-Z)
1	X	X	X	X	DISABLE (HI-Z)
0	1	1	X	X	NO-OPERATION (HI-Z)

A1, A0 : SELECTED READ/WRITE OPERATION
 CLK n : COUNTER CLOCK INPUT n
 CS : CHIP SELECT
 D7 - D0 : 8-BIT DATA I/O
 GATE n : COUNTER GATE INPUT n
 IC : INTERNALLY CONNECTED
 OUT n : COUNTER CLOCK OUTPUT n
 RD : READ COUNTER/STATUS
 WR : WRITE COMMAND/DATA

0 : LOW LEVEL
 1 : HIGH LEVEL
 X : DON'T CARE
 HI-Z : HIGH IMPEDANCE

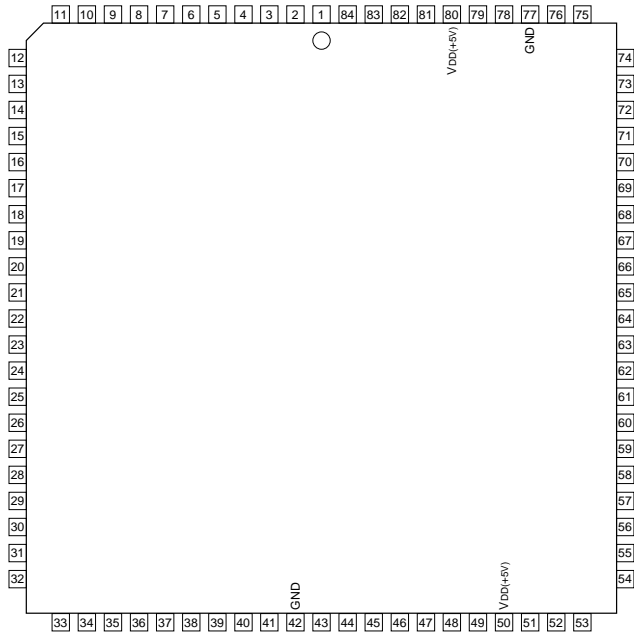
CONTROL WORD FORMAT



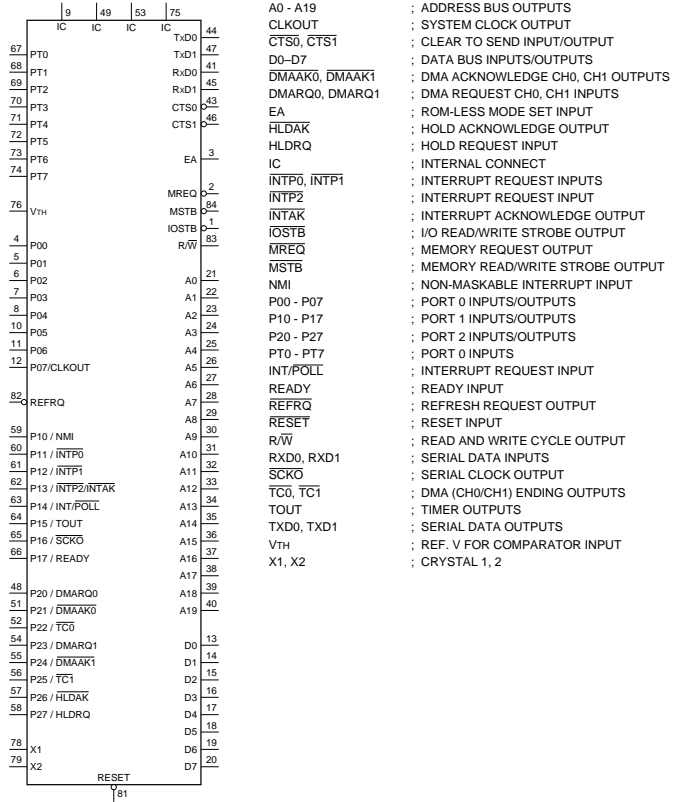
UPD70325L-10 (NEC)

C-MOS 16-BIT MICROPROCESSOR

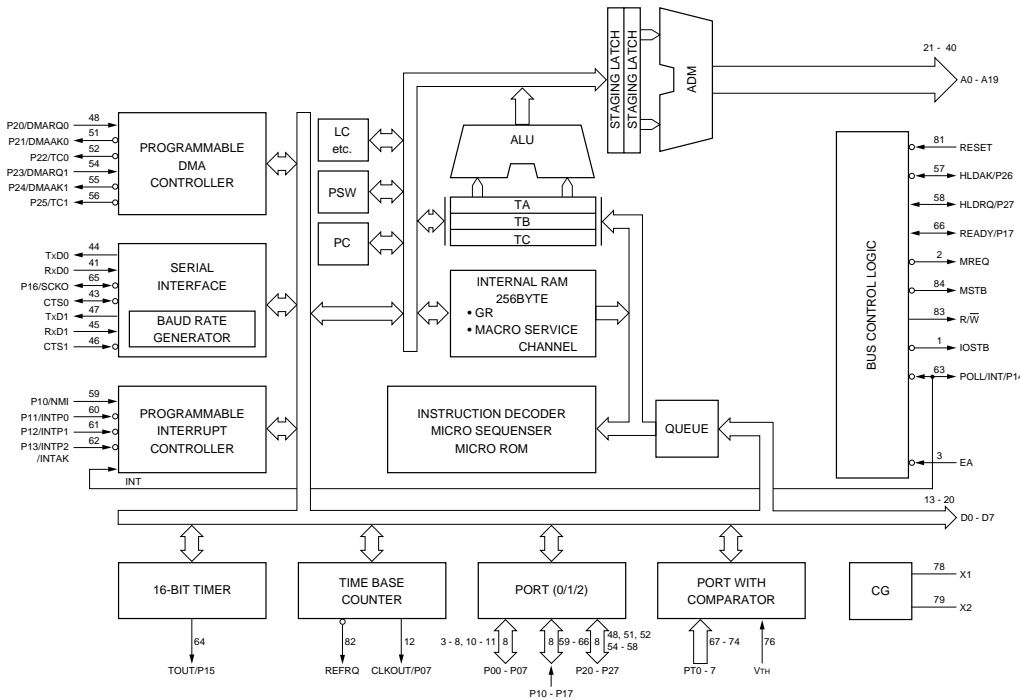
—TOP VIEW—



PIN NO.	I/O	SYMBOL	PIN NO.	I/O	SYMBOL	PIN NO.	I/O	SYMBOL
1	O	IOSTB	29	O	A8	57	I/O	P26/HLDAK
2	O	MREQ	30	O	A9	58	I/O	P27/HLDRQ
3	I	EA	31	O	A10	59	I/O	P10/NMI
4	I/O	P00	32	O	A11	60	I/O	P11/INTP0
5	I/O	P01	33	O	A12	61	I/O	P12/INTP1
6	I/O	P02	34	O	A13	62	I/O	P13/INTP2/INTAK
7	I/O	P03	35	O	A14	63	I/O	P14/INT/POLL
8	I/O	P04	36	O	A15	64	I/O	P15/TOUT
9	—	IC	37	O	A16	65	I/O	P16/SCKO
10	I/O	P05	38	O	A17	66	I/O	P17/READY
11	I/O	P06	39	O	A18	67	I	PT0
12	I/O	P07/CLKOUT	40	O	A19	68	I	PT1
13	I/O	D0	41	I	RXD0	69	I	PT2
14	I/O	D1	42	—	GND	70	I	PT3
15	I/O	D2	43	I/O	CTS0	71	I	PT4
16	I/O	D3	44	O	TXD0	72	I	PT5
17	I/O	D4	45	I	RXD1	73	I	PT6
18	I/O	D5	46	I	CTS1	74	I	PT7
19	I/O	D6	47	O	TXD1	75	—	IC
20	I/O	D7	48	I/O	P20/DMARQ0	76	I	VTH
21	O	A0	49	—	IC	77	—	GND
22	O	A1	50	I	VDD(+5V)	78	—	X1
23	O	A2	51	I/O	P21/DMAAK0	79	—	X2
24	O	A3	52	I/O	P22/TC0	80	I	VDD(+5V)
25	O	A4	53	—	IC	81	I	RESET
26	O	A5	54	I/O	P23/DMARQ1	82	O	REFRQ
27	O	A6	55	I/O	P24/DMAAK1	83	O	R/W
28	O	A7	56	I/O	P25/TC1	84	O	MSTB



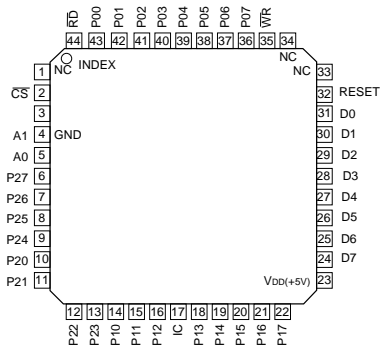
- A0 - A19 : ADDRESS BUS OUTPUTS
- CLKOUT : SYSTEM CLOCK OUTPUT
- CTS0, CTS1 : CLEAR TO SEND INPUT/OUTPUT
- D0-D7 : DATA BUS INPUTS/OUTPUTS
- DMAAK0, DMAAK1 : DMA ACKNOWLEDGE CH0, CH1 OUTPUTS
- DMARQ0, DMARQ1 : DMA REQUEST CH0, CH1 INPUTS
- EA : ROM-LESS MODE SET INPUT
- HLDAK : HOLD ACKNOWLEDGE OUTPUT
- HLDRQ : HOLD REQUEST INPUT
- IC : INTERNAL CONNECT
- INTP0, INTP1 : INTERRUPT REQUEST INPUTS
- INTP2 : INTERRUPT REQUEST INPUT
- INTAK : INTERRUPT ACKNOWLEDGE OUTPUT
- IOSTB : I/O READ/WRITE STROBE OUTPUT
- MREQ : MEMORY REQUEST OUTPUT
- MSTB : MEMORY READ/WRITE STROBE OUTPUT
- NMI : NON-MASKABLE INTERRUPT INPUT
- P00 - P07 : PORT 0 INPUTS/OUTPUTS
- P10 - P17 : PORT 1 INPUTS/OUTPUTS
- P20 - P27 : PORT 2 INPUTS/OUTPUTS
- PT0 - PT7 : PORT 0 INPUTS
- INT/POLL : INTERRUPT REQUEST INPUT
- READY : READY INPUT
- REFRQ : REFRESH REQUEST OUTPUT
- RESET : RESET INPUT
- R/W : READ AND WRITE CYCLE OUTPUT
- RXD0, RXD1 : SERIAL DATA INPUTS
- SCKO : SERIAL CLOCK OUTPUT
- TC0, TC1 : DMA (CH0/CH1) ENDING OUTPUTS
- TOUT : TIMER OUTPUTS
- TXD0, TXD1 : SERIAL DATA OUTPUTS
- VTH : REF. V FOR COMPARATOR INPUT
- X1, X2 : CRYSTAL 1, 2



UPD71055GB-10-3B4 (NEC)

C-MOS PARALLEL INTERFACE UNIT

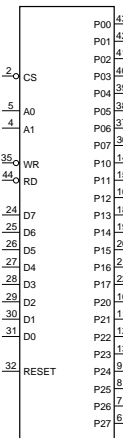
—TOP VIEW—



A1, A0 : ADDRESS
 CS : CHIP SELECT
 D7 - D0 : DATA BUS
 P07 - P00 : PORT 0
 P17 - P10 : PORT 1
 P27 - P20 : PORT 2
 RD : READ STROBE
 WR : WRITE STROBE

IC : INTERNALLY CONNECTED

CS	RD	WR	A1	A0	OPERATION	CPU ACTION
0	0	1	0	0	PORT0 → DATA • BUS	INPUT
0	0	1	0	1	PORT1 → DATA • BUS	INPUT
0	0	1	1	0	PORT2 → DATA • BUS	INPUT
0	0	1	1	1		
0	0	0	X	X	DISABLE	
0	1	0	0	0	DATA • BUS → PORT0	OUTPUT
0	1	0	0	1	DATA • BUS → PORT1	OUTPUT
0	1	0	1	0	DATA • BUS → PORT2	OUTPUT
0	1	0	1	1	DATA • BUS → COMMAND REGISTER	OUTPUT
0	1	1	X	X		
1	X	X	X	X	HIGH IMPEDANCE	

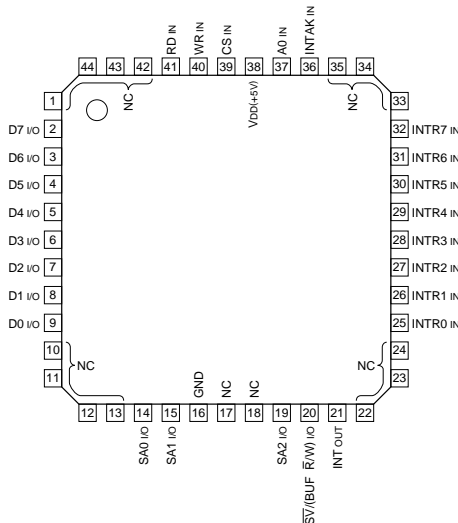


0 : LOW LEVEL
 1 : HIGH LEVEL
 X : DONT CARE

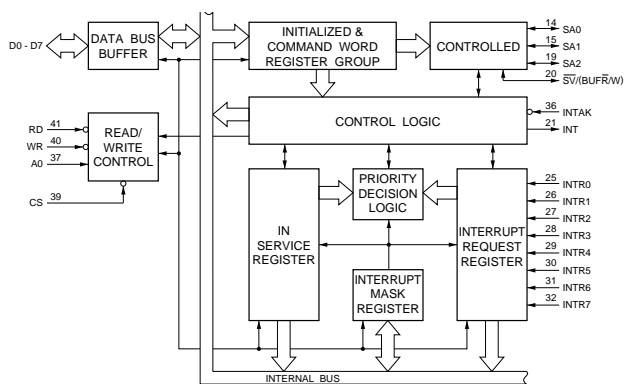
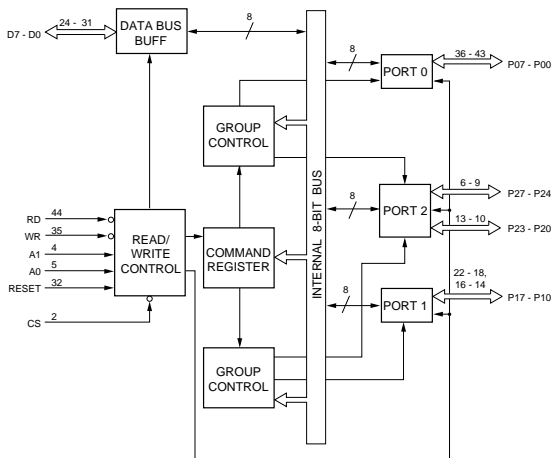
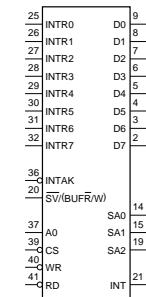
UPD71059GB-3B4 (NEC)

C-MOS INTERRUPT CONTROL UNIT

—TOP VIEW—

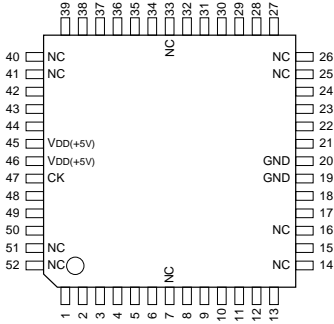


INTR0 - INTR7 : INTERRUPT REQUEST INPUTS
 D0 - D7 : DATA BUS INPUTS/OUTPUTS
 CS : CHIP SELECT INPUT
 RD : READ STROBE INPUT
 WR : WRITE STROBE INPUT
 A0 : ADDRESS INPUT
 INT : INTERRUPT OUTPUT
 INTAK : INTERRUPT ACKNOWLEDGE INPUT
 SV/(BUF R/W) : CONTROLLED/BUFFER READ/WRITE INPUT/OUTPUT
 SA0 - SA2 : CONTROLLED ADDRESS INPUTS/OUTPUTS



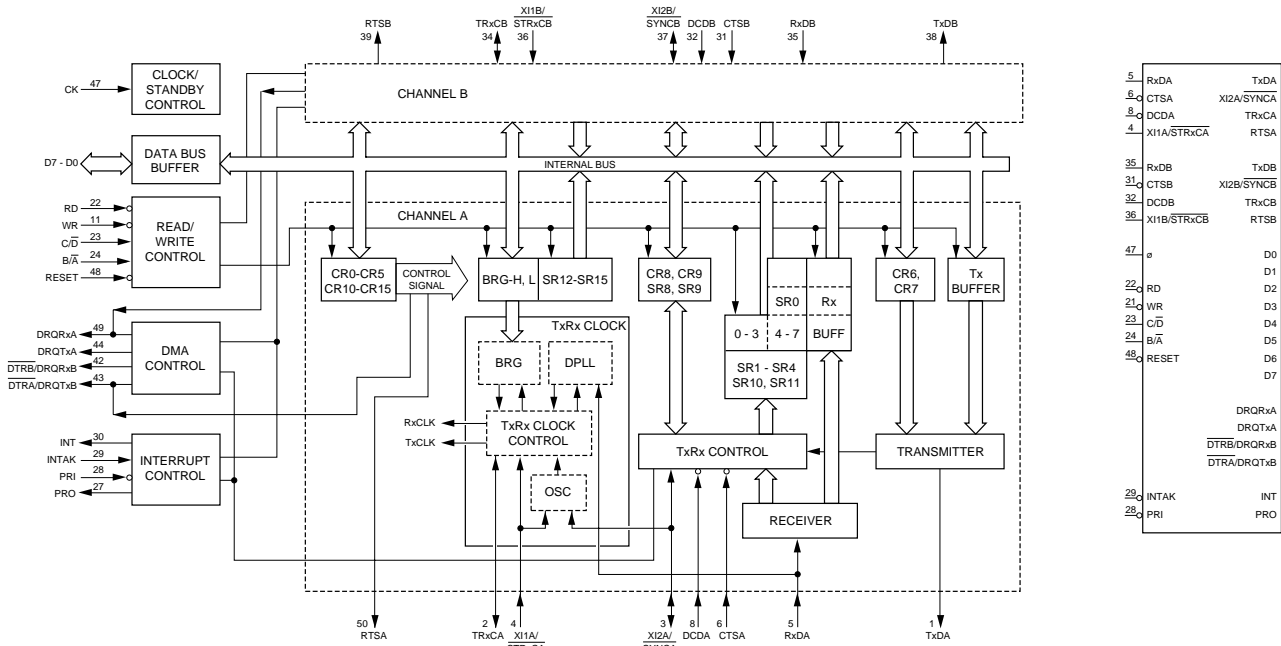
UPD72001GC-11-3B6 (NEC)

C-MOS ADVANCED MULTI-PROTOCOL SERIAL CONTROLLER
—TOP VIEW—



(VDD = +5V)

PIN NO.	I/O	SIGNAL	PIN NO.	I/O	SIGNAL	PIN NO.	I/O	SIGNAL
1	O	TxDA	19	—	GND	37	I/O	X12B/SYNCB
2	I/O	TRxCBA	20	—	GND	38	O	TxDB
3	I/O	X12A/SYNCA	21	I	WR	39	O	RTSB
4	I	X11A/STRxCBA	22	I	RD	40	—	NC
5	I	RxDA	23	I	C/D	41	—	NC
6	I	CTSA	24	I	B/A	42	O	DTRB/DRQRxB
7	—	NC(OPEN)	25	—	NC	43	O	DTRA/DRQTxB
8	I	DCDA	26	—	NC	44	O	DRQTxA
9	I/O	D7	27	O	PRO	45	—	VDD(+5V)
10	I/O	D6	28	I	PRI	46	—	VDD(+5V)
11	I/O	D5	29	I	INTAK	47	I	CK
12	I/O	D4	30	O	INT	48	I	RESET
13	I/O	D3	31	I	CTSB	49	O	DRQRxA
14	—	NC	32	I	DCDB	50	O	RTSA
15	I/O	D2	33	—	NC(OPEN)	51	—	NC
16	—	NC	34	I/O	TRxCB	52	—	NC
17	I/O	D1	35	I	RxDB			
18	I/O	D0	36	I	X11B/STRxCB			

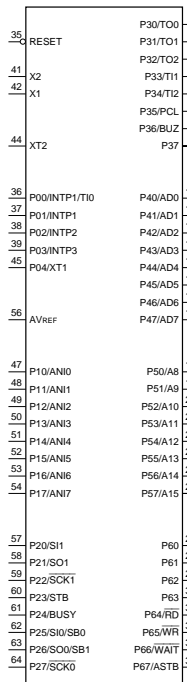
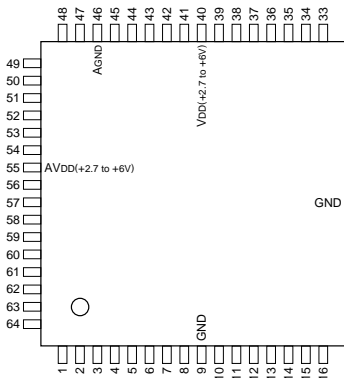


INPUTS				FUNCTION
WR	RD	B/A	C/D	
0	1	0	0	CHANNEL A WRITE (Tx/D)
0	1	1	0	CHANNEL B WRITE (Tx/D)
1	0	0	0	CHANNEL A READ (Rx/D)
1	0	1	0	CHANNEL B READ (Rx/D)
0	1	0	1	CHANNEL A WRITE (CONTROL REGISTER)
0	1	1	1	CHANNEL B WRITE (CONTROL REGISTER)
1	0	0	1	CHANNEL A READ (STATUS REGISTER)
1	0	1	1	CHANNEL B READ (STATUS REGISTER)
1	1	X	X	HIGH-IMPEDANCE
0	0	X	X	INHIBIT

- CK : SYSTEM CLOCK INPUT
- WR : WRITE ENABLE INPUT
- RD : READ ENABLE INPUT
- B/A : CHANNEL B/A SELECT INPUT
- C/D : CONTROL/DATA SELECT INPUT
- D0 - D7 : DATA BUS INPUTS/OUTPUTS
- INT : INTERRUPT OUTPUT
- INTAK : INTERRUPT ACKNOWLEDGE INPUT
- PRI : PRIORITY INPUT
- DRQTxA : DMA REQUEST Tx/A OUTPUT
- DRQRxA : DMA REQUEST Rx/A OUTPUT
- PRO : PRIORITY OUTPUT
- DTRA/DRQTxB : DATA TERMINAL READY A/DMA REQUEST Tx/B OUTPUT
- DTRB/DRQRxB : DATA TERMINAL READY B/DMA REQUEST Rx/B OUTPUT
- CTSA, CTSB : CLEAR TO SEND A/B INPUT
- DCDA, DCDB : DATA CARRIER DETECT A/B INPUT
- RTSA, RTSB : REQUEST TO SEND A/B OUTPUT
- RESET : RESET INPUT

UPD78P014GC-AB8 (NEC)

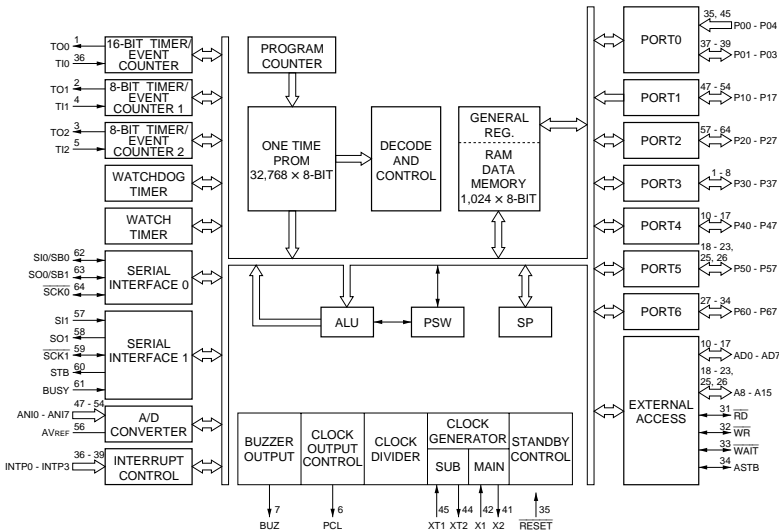
C-MOS 8-BIT SINGLE CHIP MICROCOMPUTER WITH ONE TIME PROM
—TOP VIEW—



- INPUT**
- AN10 - AN17 : ANALOG
 - AVREF : ANALOG REFERENCE VOLTAGE
 - BUSY : BUSY
 - INTP0 - INTP3 : INTERRUPT FROM PERIPHERALS
 - P00, P04 : PORT0
 - P10 - P17 : PORT1
 - RESET : RESET
 - S10, S11 : SERIAL
 - T10 - T12 : TIMER
 - WAIT : WAIT
 - X1, X2 : CRYSTAL (MAIN SYSTEM CLOCK)
 - XT1, XT2 : CRYSTAL (SUB SYSTEM CLOCK)
- OUTPUT**
- A8 - A15 : ADDRESS BUS
 - ASTB : ADDRESS STROBE
 - BUZ : BUZZER CLOCK
 - PCL : PROGRAMMABLE CLOCK
 - RD : READ STROBE
 - S00, S01 : SERIAL
 - STB : STROBE
 - TO0 - TO2 : TIMER
 - WR : WRITE STROBE
- INPUT/OUTPUT**
- AD0 - AD7 : ADDRESS/DATA BUS
 - P01 - P03 : PORT0
 - P20 - P27 : PORT2
 - P30 - P37 : PORT3
 - P40 - P47 : PORT4
 - P50 - P57 : PORT5
 - P60 - P67 : PORT6
 - SB0, SB1 : SERIAL BUS
 - SCK0, SCK1 : SERIAL CLOCK

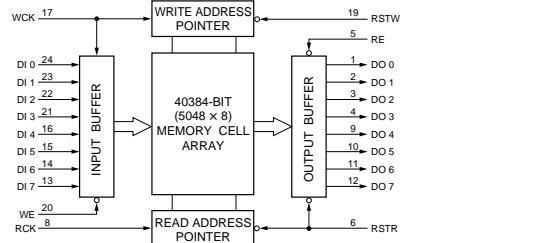
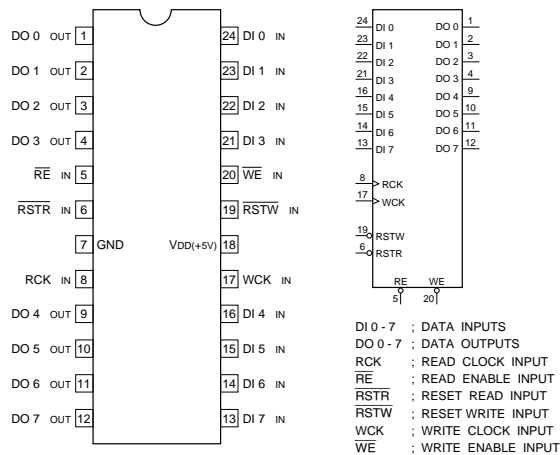
(AVDD, VDD = +2.7 to +6V)

PIN NO.	I/O	SIGNAL	PIN NO.	I/O	SIGNAL	PIN NO.	I/O	SIGNAL	PIN NO.	I/O	SIGNAL
1	I/O	P30/TO0	17	I/O	P47/AD7	33	I/O	P66/WAIT	49	I	P12/ANI2
2	I/O	P31/TO1	18	I/O	P50/A8	34	I/O	P67/ASTB	50	I	P13/ANI3
3	I/O	P32/TO2	19	I/O	P51/A9	35	I	RESET	51	I	P14/ANI4
4	I/O	P33/TI1	20	I/O	P52/A10	36	I	P00/INTP0/TI0	52	I	P15/ANI5
5	I/O	P34/TI2	21	I/O	P53/A11	37	I/O	P01/INTP1	53	I	P16/ANI6
6	I/O	P35/PCL	22	I/O	P54/A12	38	I/O	P02/INTP2	54	I	P17/ANI7
7	I/O	P36/BUZ	23	I/O	P55/A13	39	I/O	P03/INTP3	55	—	AVDD
8	I/O	P37	24	I/O	GND	40	—	VDD	56	—	AVREF
9	—	GND	25	I/O	P56/A14	41	O	X2	57	I/O	P20/SI1
10	I/O	P40/AD0	26	I/O	P57/A15	42	I	X1	58	I/O	P21/SO1
11	I/O	P41/AD1	27	I/O	P60	43	—	Vpp	59	I/O	P22/SCK1
12	I/O	P42/AD2	28	I/O	P61	44	—	XT2	60	I/O	P23/STB
13	I/O	P43/AD3	29	I/O	P62	45	I	P04/XT1	61	I/O	P24/BUSY
14	I/O	P44/AD4	30	I/O	P63	46	—	AGND	62	I/O	P25/SI0/SB0
15	I/O	P45/AD5	31	I/O	P64/RD	47	I	P10/ANI0	63	I/O	P26/SO0/SB1
16	I/O	P46/AD6	32	I/O	P65/WR	48	I	P11/ANI1	64	I/O	P27/SCK0



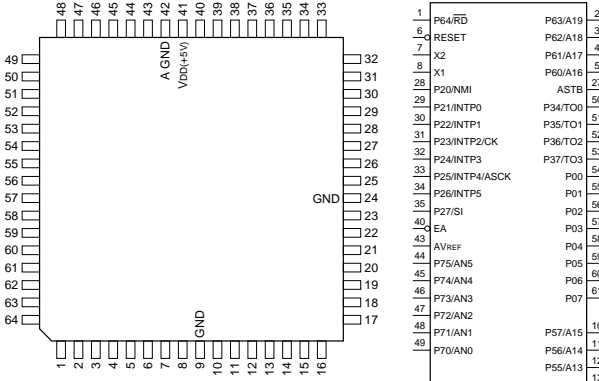
UPD485505G-25 (NEC) FLAT PACKAGE
UPD485505G-25-E2
UPD485505G-35 (NEC) FLAT PACKAGE
UPD485505G-35-E2

C-MOS 40K (5,048 x 8)-BIT FIFO MEMORY
—TOP VIEW—



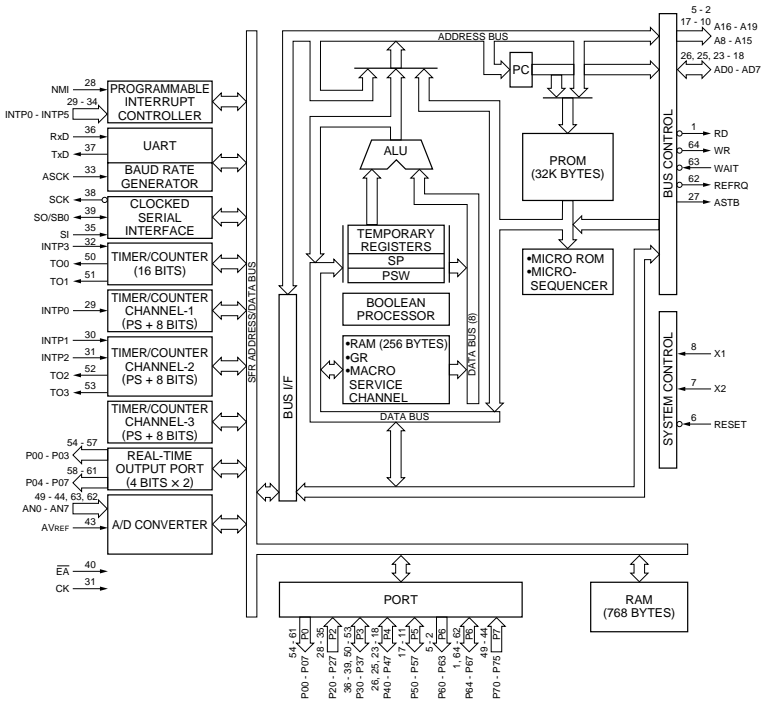
UPD78P218AGC-AB8 (NEC)

C-MOS 8-BIT SINGLE CHIP MICROCOMPUTER WITH ONE TIME PROM
 —TOP VIEW—



PIN NO.	I/O	SIGNAL	PIN NO.	I/O	SIGNAL	PIN NO.	I/O	SIGNAL	PIN NO.	I/O	SIGNAL
1	I/O	P64/RD	17	I/O	P50/A8	33	I	P25/INTP4/ASCK	49	I	P70/ANO
2	O	P63/A19	18	I/O	P47/AD7	34	I	P26/INTP5	50	O	P34/TO0
3	O	P62/A18	19	I/O	P46/AD6	35	I	P27/SI	51	O	P35/TO1
4	O	P61/A17	20	I/O	P45/AD5	36	I/O	P30/RXD	52	O	P36/TO2
5	O	P60/A16	21	I/O	P44/AD4	37	I/O	P31/TXD	53	O	P37/TO3
6	I	RESET	22	I/O	P43/AD3	38	I/O	P32/SCK	54	O	P00
7	I	X2	23	I/O	P42/AD2	39	I/O	P33/SO/SB0	55	O	P01
8	I	X1	24	—	GND	40	I	EA	56	O	P02
9	—	GND	25	I/O	P41/AD1	41	—	VDD	57	O	P03
10	I/O	P57/A15	26	I/O	P40/AD0	42	—	A GND	58	O	P04
11	I/O	P56/A14	27	O	ASTB	43	I	AVREF	59	O	P05
12	I/O	P55/A13	28	I	P20/NMI	44	I	P75/AN5	60	O	P06
13	I/O	P54/A12	29	I	P21/INTP0	45	I	P74/AN4	61	O	P07
14	I/O	P53/A11	30	I	P22/INTP1	46	I	P73/AN3	62	I/O	P67/REFRQ/AN7
15	I/O	P52/A10	31	I	P23/INTP2/CK	47	I	P72/AN2	63	I/O	P66/WAIT/AN6
16	I/O	P51/A9	32	I	P24/INTP3	48	I	P71/AN1	64	I/O	P65/WR

- INPUT**
- ANO - AN7 ; ANALOG DATA
 - ASCK ; ASYNCHRONOUS SERIAL CLOCK
 - AVREF ; REFERENCE VOLTAGE
 - CK ; CLOCK
 - EA ; EXTERNAL ACCESS
 - INTP0 - INTP5 ; INTERRUPT FROM PERIPHERALS
 - NMI ; NON-MASKABLE INTERRUPT
 - P20 - P27 ; PORT 2
 - P70 - P75 ; PORT 7
 - RESET ; SYSTEM RESET
 - RXD ; RECEIVE DATA
 - SI ; SERIAL DATA
 - WAIT ; WAIT
 - X1, X2 ; EXTERNAL CRYSTAL OSCILLATOR
- OUTPUT**
- A8 - A19 ; ADDRESS BUS
 - ASTB ; ADDRESS STROBE
 - P00 - P07 ; PORT 0
 - P60 - P63 ; PORT 6
 - RD ; READ STROBE
 - REFRQ ; REFRESH REQUEST
 - SCK ; SERIAL CLOCK
 - SO ; SERIAL DATA
 - TO0 - TO3 ; TIMER DATA
 - TXD ; TRANSMIT DATA
 - WR ; WRITE STROBE
- INPUT/OUTPUT**
- AD0 - AD7 ; ADDRESS/DATA BUS
 - P30 - P37 ; PORT 3
 - P40 - P47 ; PORT 4
 - P50 - P57 ; PORT 5
 - P64 - P67 ; PORT 6
 - SB0 ; SERIAL BUS



Section 3

Spare Parts

3-1. Notes on Repair Parts

1. Safety Related Components Warning

Components marked \triangle are critical to safe operation. Therefore, specified parts should be used in the case of replacement.

2. Standardization of Parts

Some repair parts supplied by Sony differ from those used for the unit. These are because of parts commonality and improvement.

Parts list has the present standardized repair parts.

3. Stock of Parts

Parts marked with “o” at SP (Supply Code) column of the spare parts list may not be stocked. Therefore, the delivery date will be delayed.

4. Units Representation

The following represented units are changed or omitted in writing.

Units		Representation
Capacitance	μ F	uF
Inductance	μ H	uH
Resistance	Ω	Abbreviation
Temperature	$^{\circ}$ C	XXX-DEG-C

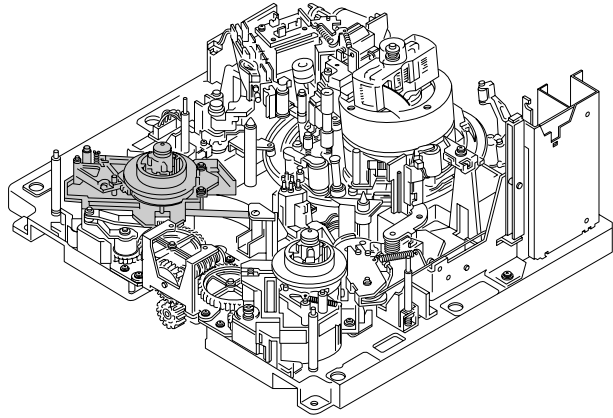
3-2. Exploded Views

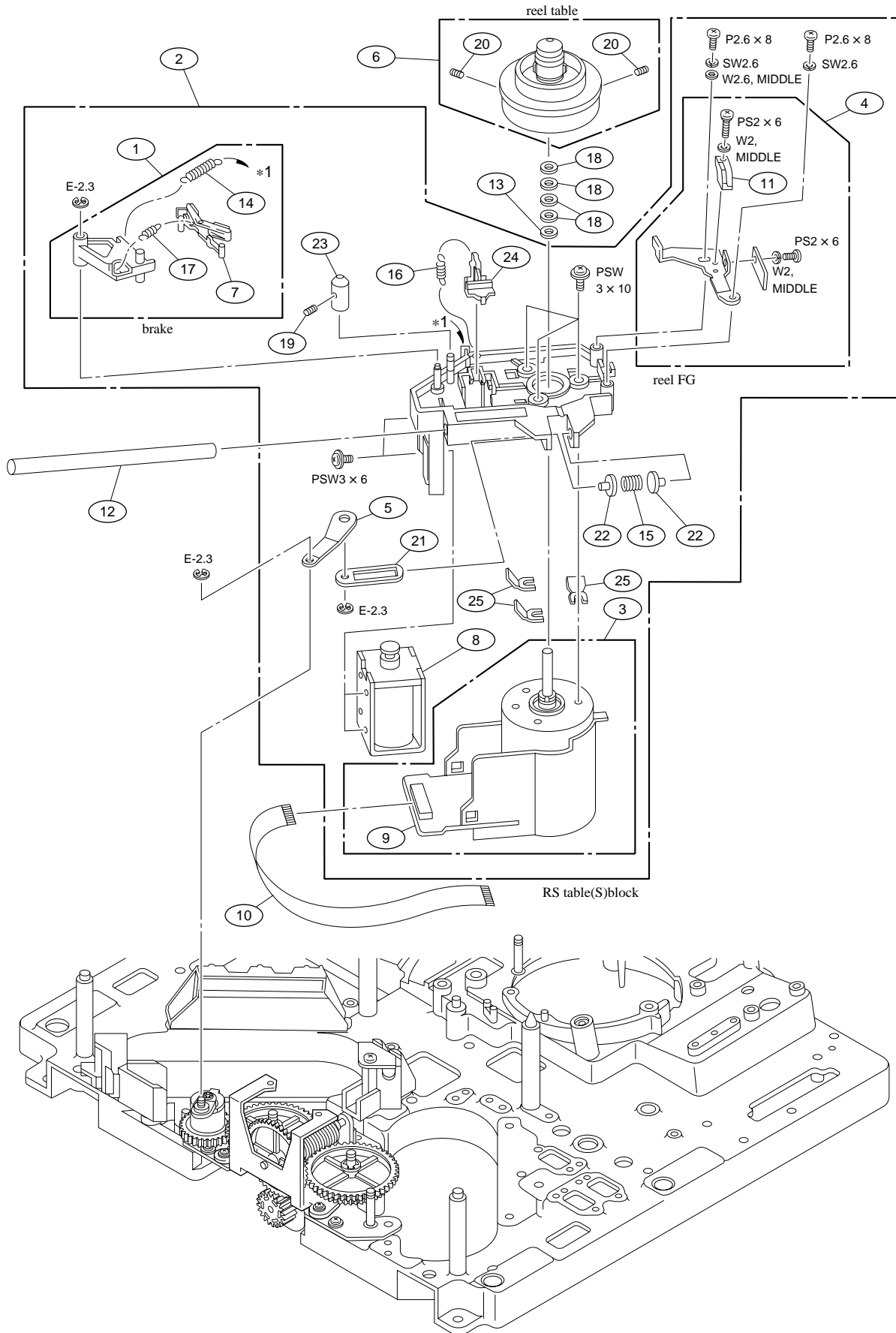
Index

Item	Title	Page
S side reel chassis	S REEL CHASSIS	3-4
Reel shift assembly MC sensor	REEL SHIFT BLOCK	3-6
T side reel chassis	T REEL CHASSIS	3-8
Upper drum Drum Video head cleaner assembly	DRUM	3-10
Tension regulator CTL/FE head assembly MR sensor	TENSION REGULATOR AND CTL/FE HEAD	3-12
Manual eject assembly MR sensor TG-2	MANUAL EJECT	3-14
Threading ring assembly Pinch roller Ring rollers CL guide rail	THREADING RING	3-16
S plate assembly AT head assembly Capstan motor TG-3	S PLATE AND AT HEAD	3-18
Gear box assembly Pinch press assembly	THREADING MOTOR AND PINCH PRESS BLOCK	3-20
T drawer arm assembly T tension regulator TG-4	T-ARM AND T TENSION REGULATOR	3-22
Cassette compartment	CASSETTE COMPARTMENT BLOCK	3-24
Mounted circuit boards	MOUNTED CIRCUIT BOARDS (BOTTOM SIDE-1)	3-26
Mounted circuit boards	MOUNTED CIRCUIT BOARDS (BOTTOM SIDE-2)	3-28
Outer panels	OUTER PANELS	3-30
Front panel Knobs Power switch	FRONT PANEL	3-32
SC guide SWC-17D board Fan motor (front)	SC GUIDE AND SWC-BOARD	3-34
Lower control panel Search dial	LOWER CONTROL PANEL	3-36 3-37
Sub control panel	SUB CONTROL PANEL	3-38
Power supply unit Power panel	POWER SUPPLY UNIT	3-40
Connector panel	CONNECTOR PANEL	3-42
MD plate Cassette compartment bracket Fan motor (rear)	MD PLATE AND CASSETTE COMPARTMENT BRACKET	3-44
Mother board Foot	MOTHER BOARD	3-46
Plug-in boards (L)	PLUG-IN BOARDS (L)	3-48
Plug-in boards (S)	PLUG-IN BOARDS (S)	3-50

3-3. Spare Parts List

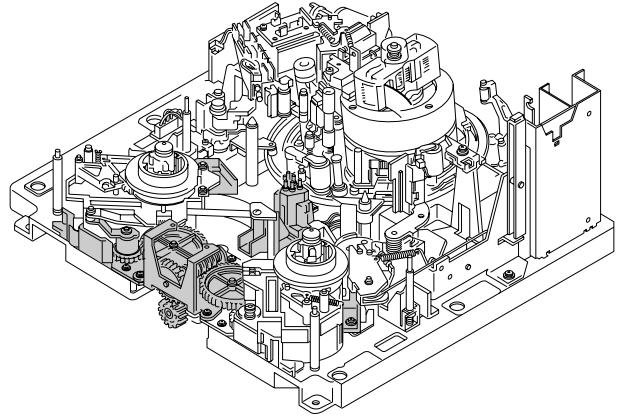
No.	Part No.	SP Description
1	A-6741-066-A	o BRAKE ASSY
2	A-8267-703-H	s BLOCK ASSY, RS TABLE (S)
3	A-8267-774-D	s RM ASSY
4	A-8278-310-A	s FG ASSY, REEL
5	X-3166-060-1	o ARM (B) ASSY, CRANK
6	X-3678-560-1	s TABLE ASSY, REEL
7	X-3717-205-1	s LINING ASSY
8	1-454-417-41	s SOLENOID, PLUNGER
9	1-640-166-13	o PRINTED CIRCUIT BOARD, RM-82
10	1-559-266-11	o WIRE, FLEXIBLE CARD
11	1-801-300-11	s RESISTOR, ELEMENT, MAGNETIC
12	3-171-431-01	s SHAFT, SLIDE
13	3-188-108-01	s SPACER, DIA. 4
14	3-307-381-00	s SPRING, TENSION
15	3-491-247-00	s SPRING, COMPRESSION
16	3-535-532-01	s SPRING, TENSION
17	3-648-217-00	o SPRING, TENSION
18	3-701-441-01	s WASHER, POLY 4mm DIA., 0.13T
	3-701-441-11	s WASHER, POLY 4mm DIA., 0.25T
	3-701-441-21	s WASHER, POLY 4mm DIA., 0.50T
19	3-701-506-01	s SET SCREW, DOUBLE POINT 3x4
20	3-701-507-00	s SET SCREW, DOUBLE POINT, (M3x5)
21	3-717-230-01	o BRACKET, LIMITER
22	3-717-231-01	o HOLDER, LIMITER
23	3-717-266-01	o CAP (S), CG SHAFT
24	3-717-450-02	o ARM, BRAKE RELEASE
25	3-717-625-01	s SPACER

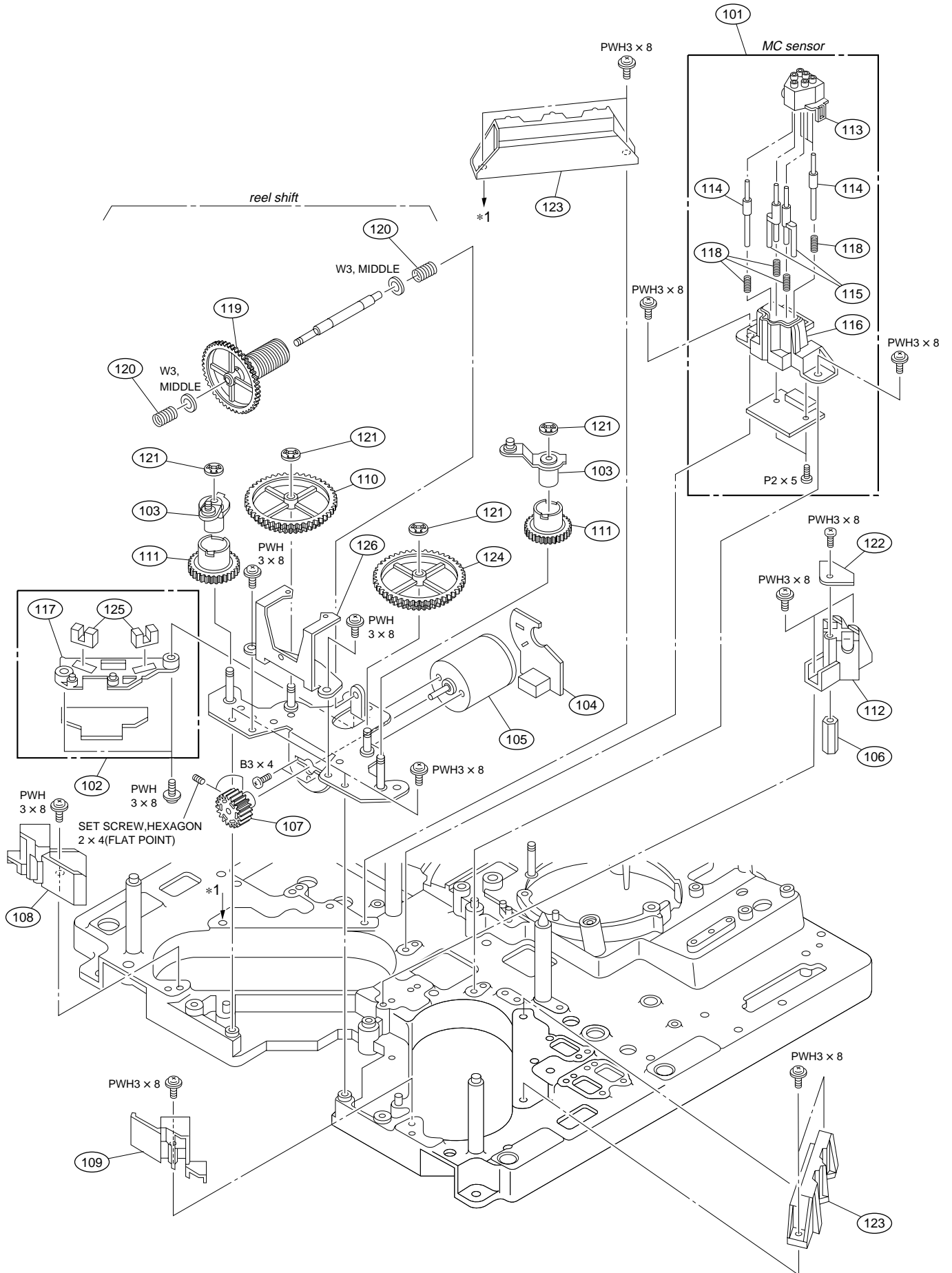




REEL SHIFT BLOCK

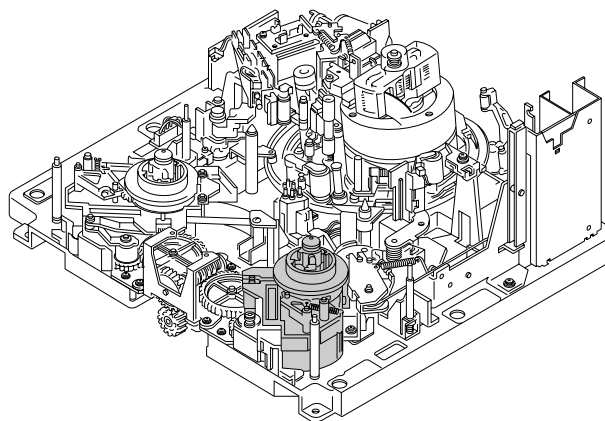
No.	Part No.	SP	Description
101	A-8267-549-B	o	SENSOR ASSY, MC
102	A-8276-619-A	o	MOUNTED CIRCUIT BOARD, PTC-71
103	X-3166-024-1	o	ARM (A) ASSY, CRANK
104	1-648-570-11	o	PRINTED CIRCUIT BOARD, CCM-15
105	1-698-152-11	s	MOTOR, DC (SVD-1449)
106	2-280-622-51	o	SUPPORT (M3), HEXAGON
107	3-171-316-01	s	GEAR, M
108	3-171-397-02	o	HOLDER (S), SHAFT
109	3-171-428-02	o	HOLDER (T), SHAFT
110	3-171-429-01	o	GEAR, LS
111	3-171-430-01	o	GEAR, CRANK
112	3-180-687-01	o	HOLDER (A), SHAFT
113	3-180-756-01	o	CAP, MC
114	3-180-757-01	o	PIN (1), MC
115	3-180-758-01	o	PIN (2), MC
116	3-180-759-01	o	HOLTER, MC
117	3-180-866-01	o	BASE, LS SENSOR
118	3-554-202-00	o	SPRING, COMPRESSION
119	3-603-393-01	o	GEAR, SHIFT
120	3-659-324-00	s	SPRING, COMPRESSION
121	3-669-596-00	s	WASHER (2.3), STOPPER
122	3-717-224-01	s	RETAINER, SHAFT, SLIDE
123	3-717-398-01	o	TABLE, SLIDE
124	3-717-399-01	s	WHEEL, W
125	8-719-939-05	s	PHOTO INTERRUPTER GP1S54
126	3-606-934-01	o	PLATE, SUPPORT

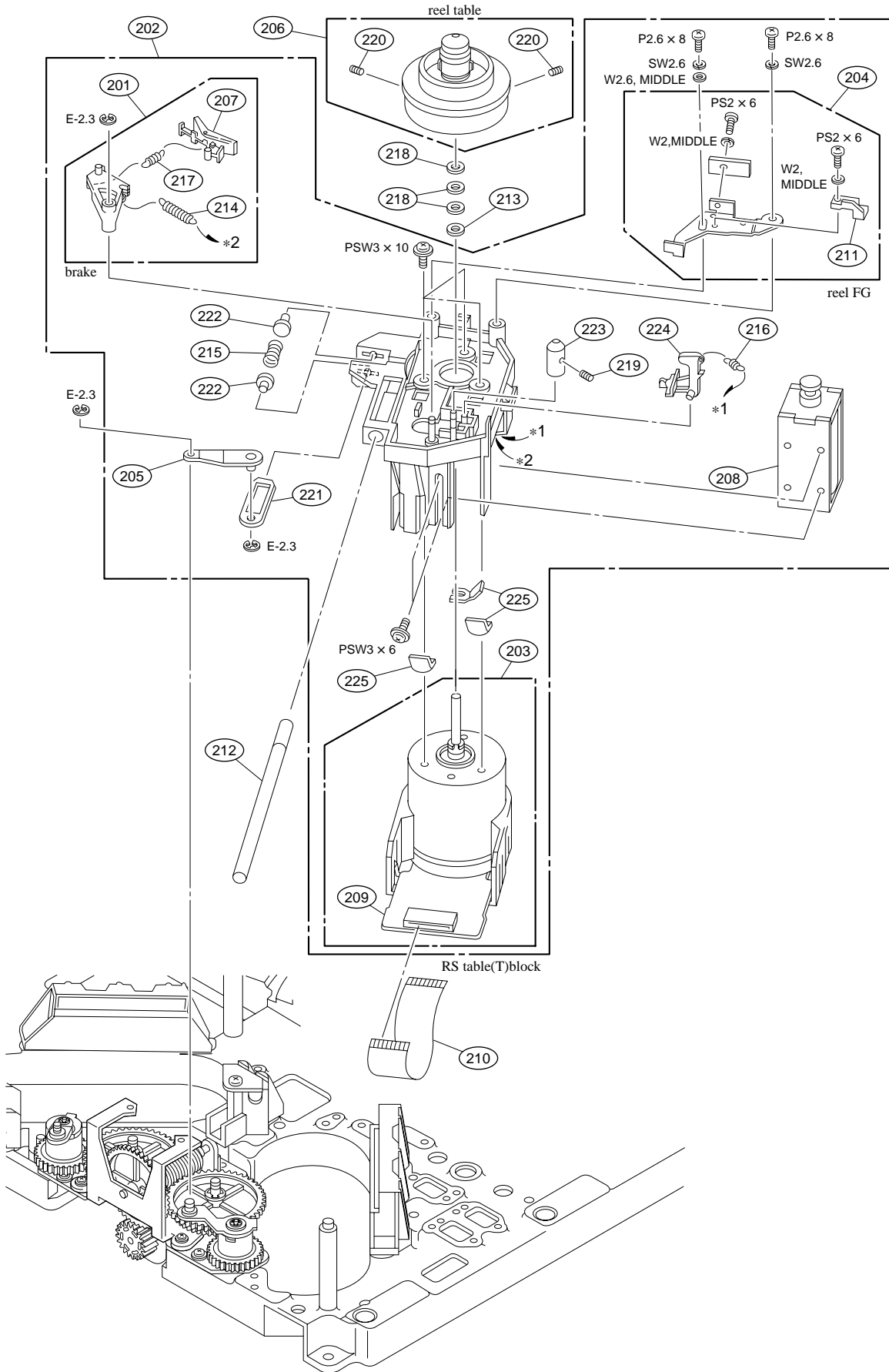




T REEL CHASSIS

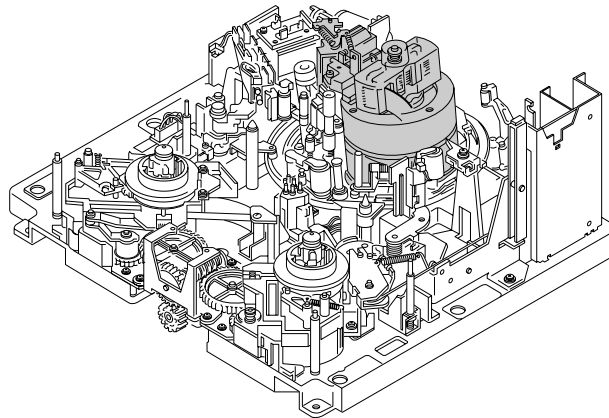
No.	Part No.	SP Description
201	A-6741-066-A	o BRAKE ASSY
202	A-8267-702-G	s BLOCK ASSY RS TABLE (T)
203	A-8267-774-D	s RM ASSY
204	A-8278-310-A	s FG ASSY, REEL
205	X-3166-060-1	o ARM (B) ASSY, CRANK
206	X-3678-560-1	s TABLE ASSY, REEL
207	X-3717-205-1	s LINING ASSY
208	1-454-417-41	s SOLENOID, PLUNGER
209	1-640-166-13	o PRINTED CIRCUIT BOARD, RM-82
210	1-559-266-11	o WIRE, FLEXIBLE CARD
211	1-801-300-11	s RESISTOR, ELEMENT, MAGNETIC
212	3-171-431-01	s SHAFT, SLIDE
213	3-188-108-01	s SPACER, DIA. 4
214	3-307-381-00	s SPRING, TENSION
215	3-491-247-00	s SPRING, COMPRESSION
216	3-535-532-01	s SPRING, TENSION
217	3-648-217-00	o SPRING, TENSION
218	3-701-441-01	s WASHER, POLY 4mm DIA., 0.13T
	3-701-441-11	s WASGER, POLY 4mm DIA., 0.25T
	3-701-441-21	s WASHER, POLY 4mm DIA., 0.50T
219	3-701-506-01	s SET SCREW, DOUBLE POINT 3x4
220	3-701-507-00	s SET SCREW, DOUBLE POINT, (M3x5)
221	3-717-230-01	o BRACKET, LIMITER
222	3-717-231-01	o HOLDER, LIMITER
223	3-717-266-01	o CAP (S), CG SHAFT
224	3-717-450-02	o ARM, BRAKE RELEASE
225	3-717-625-01	s SPACER

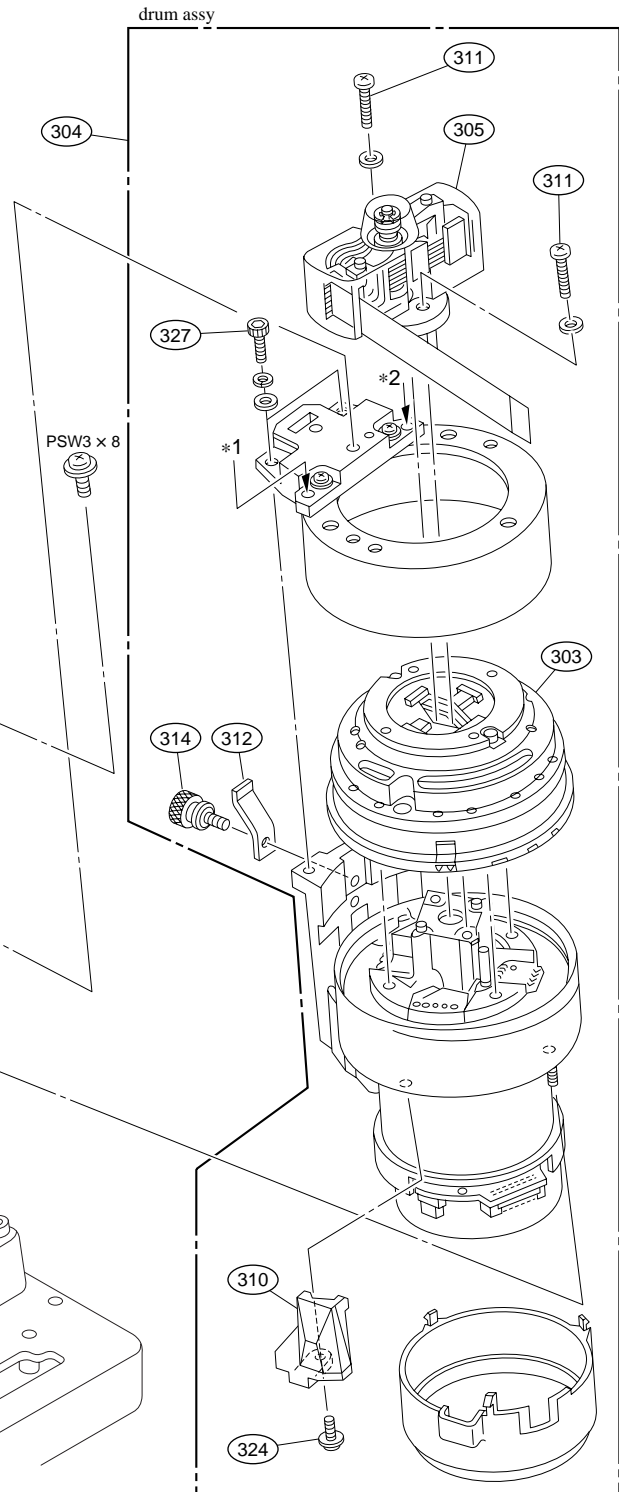
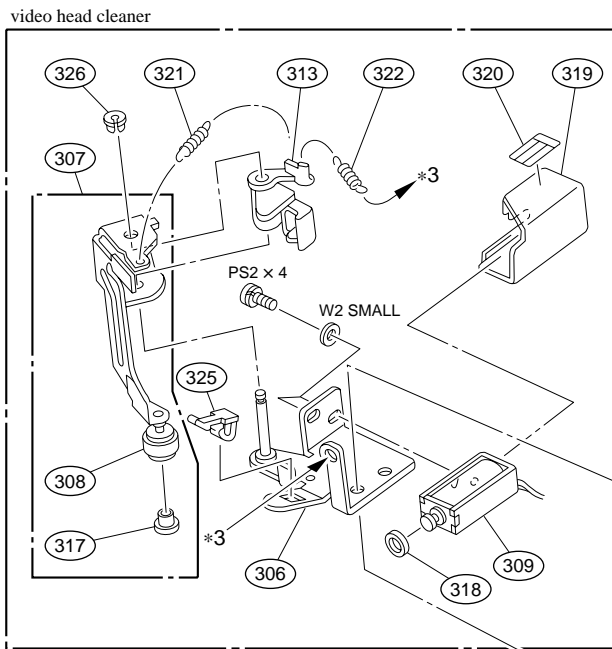
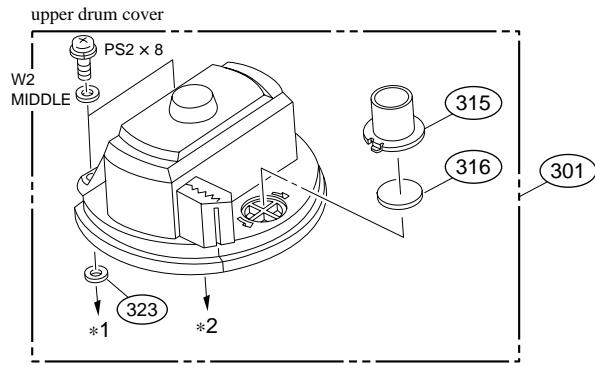




DRUM

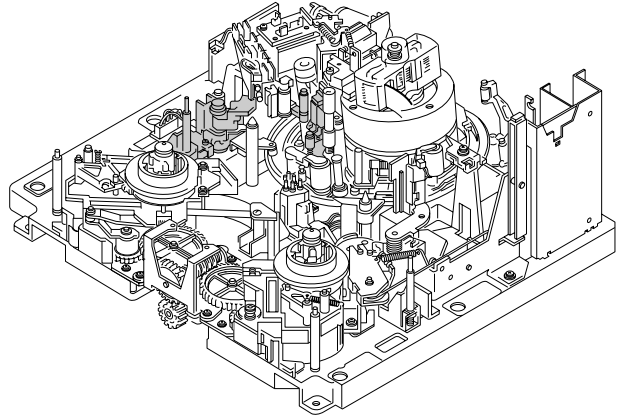
No.	Part No.	SP Description
301	A-8267-391-D	s COVER ASSY, DRUM, UPPER
302	A-8267-398-J	s CLEANER ASSY, VIDEO HEAD
303	A-8313-765-A	s INNER DRUM ASSY, DHR-03-R
304	A-8313-763-A	s DRUM ASSY, DHH-03A-R
305	A-8267-572-A	s SR9 ASSY (RP), BRUSH
306	X-3167-045-3	o BASE ASSY, V CLEANER
307	X-3167-280-3	s CLEANER SUB ASSY, VIDEO HEAD
308	X-3167-281-3	s ROLLER ASSY, V CLEANING
309	1-454-607-11	s SOLENOID, PLUNGER
310	3-180-112-02	o BRACKET, TAPE
311	3-180-163-01	s SCREW (2x16)
312	3-180-164-01	s SPRING, FITTING, UD
313	3-180-729-02	o LEVER, V CLEANER
314	3-182-488-02	s SCREW, UD FITTING
315	3-182-648-02	s CAP
316	3-182-649-01	s FILTER
317	3-182-765-02	s SPACER, CR
318	3-183-901-01	s WASHER, CL
319	3-183-903-01	o CASE, VH SHIELD
320	3-190-056-01	s LABEL, HOURS
321	3-307-378-00	s SPRING, TENSION
322	3-642-490-00	s SPRING, TENSION
323	3-669-465-01	s WASHER (1.5), STOPPER
324	3-669-607-11	s SCREW, PSW (SMALL ROUND) 2.6
325	3-671-150-01	o CLAMP
326	3-703-074-01	s CAP 3, SHAFT
327	3-899-249-11	s BOLT, HEXAGON SOCKET

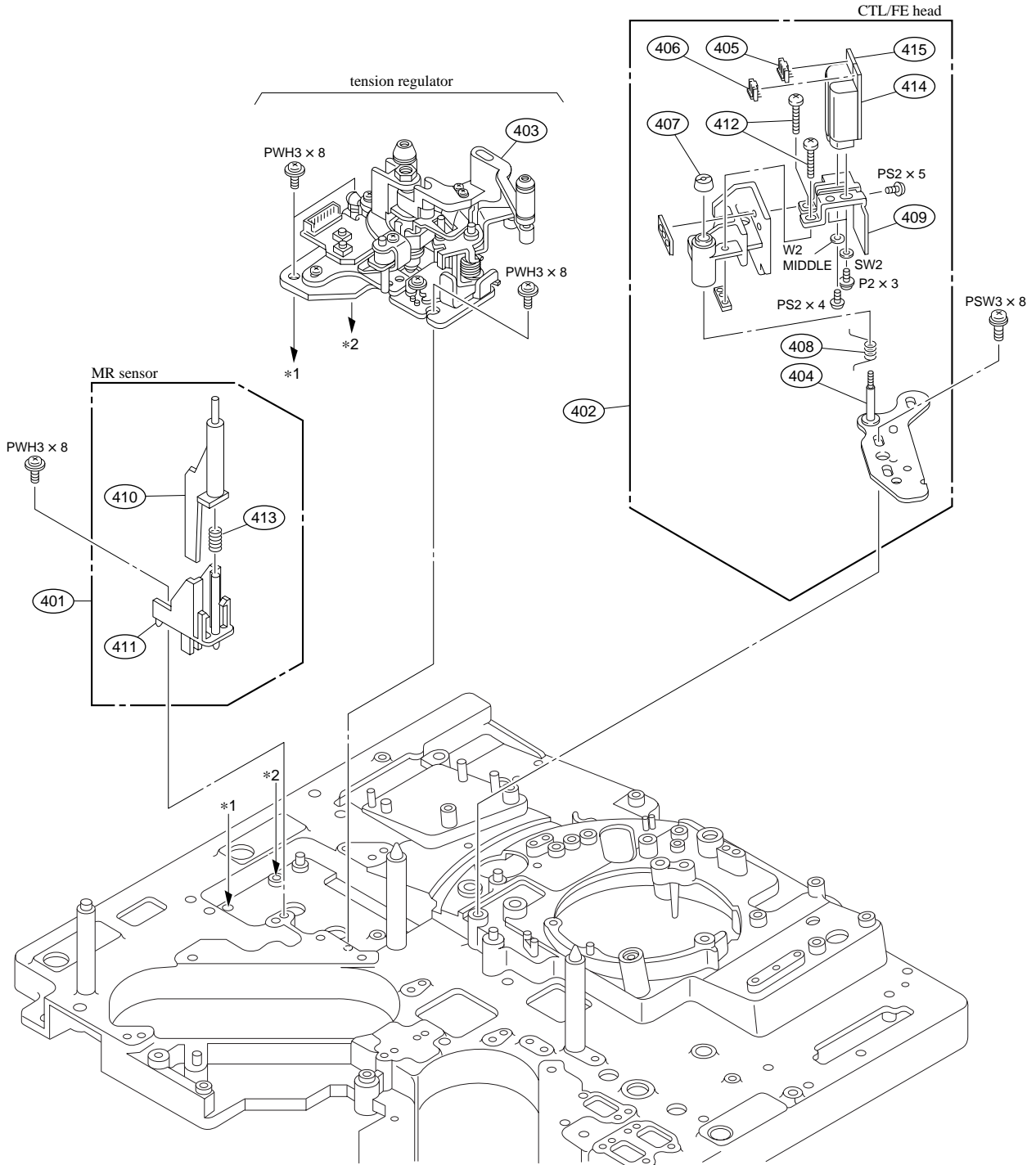




TENSION REGULATOR AND CTL/FE HEAD

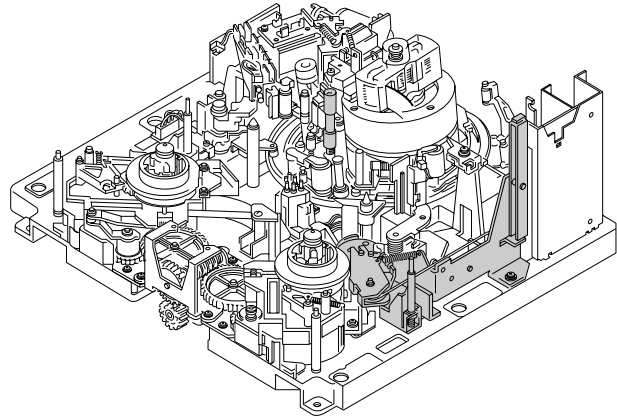
No.	Part No.	SP Description
401	A-8267-392-A	o SENSOR ASSY, MR
402	A-8267-411-B	o HEAD ASSY, CTL/FE
403	A-8267-795-E	s TENSION REGULATOR ASSY
404	X-3167-044-2	o BASE ASSY, CTL/FE
405	1-506-481-11	s PIN, CONNECTOR 2P
406	1-564-013-11	o PIN, CONNECTOR 3P
407	2-203-519-21	s NUT (A), LOCK, PIVOT
408	3-180-725-01	s SPRING, CTL/FE
409	3-180-726-02	o BRACKET, CTL/FE
410	3-180-745-01	o LEVER, MR
411	3-180-746-01	o HOLDER, MR
412	3-740-546-31	s SCREW (M2x12)
413	4-880-426-00	o SPRING, COMPRESSION
414	8-825-554-84	s HEAD, CTL PS244-21B
415	8-825-770-74	s HEAD, FE EF291-21

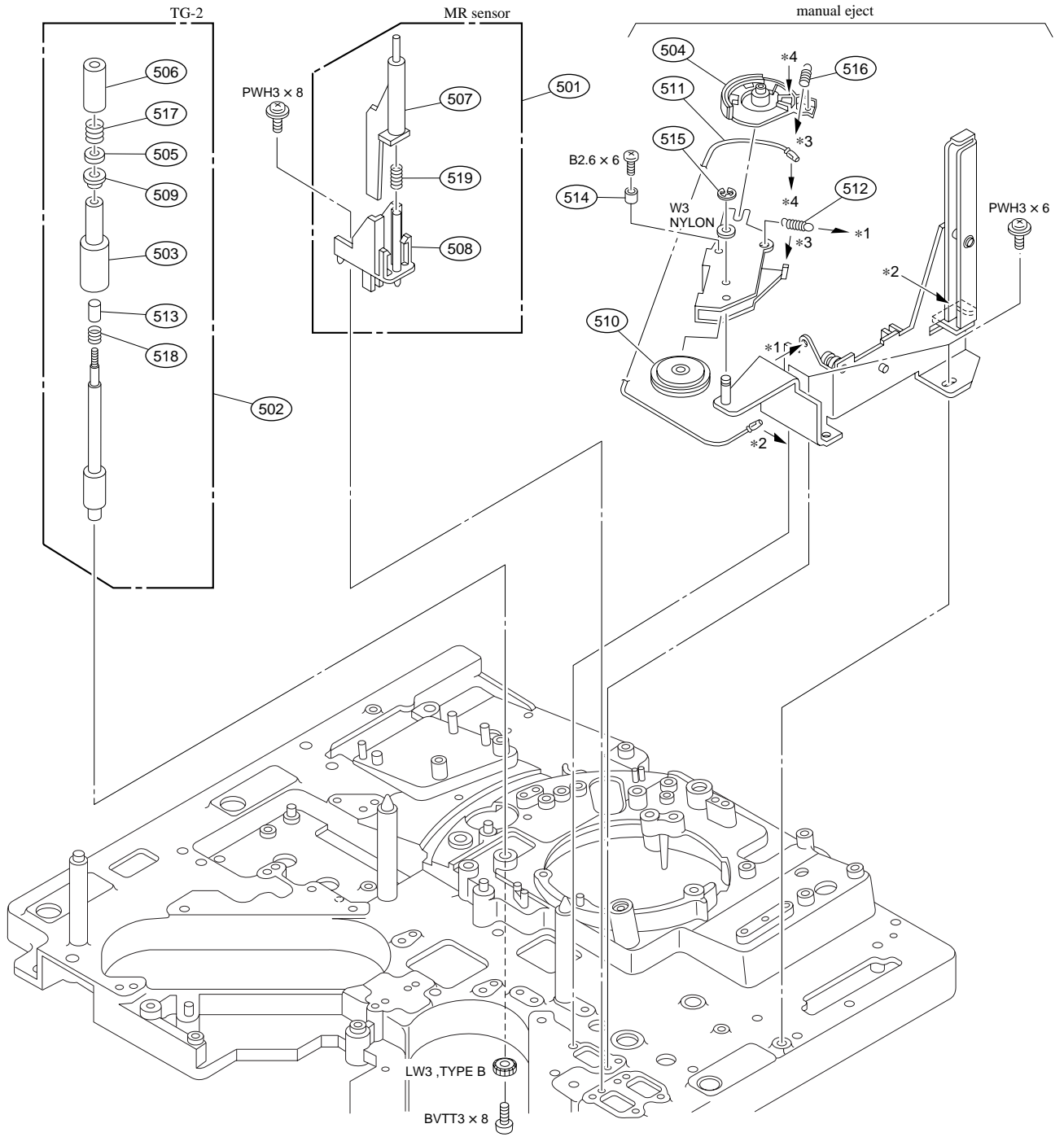




MANUAL EJECT

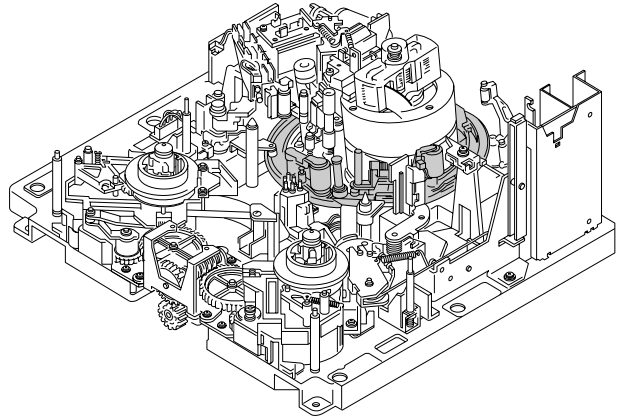
No.	Part No.	SP Description
501	A-8267-392-A	o SENSOR ASSY, MR
502	A-8267-554-A	s TG-2 ASSY
503	X-3167-056-1	s ROLLER ASSY, GUIDE
504	X-3167-257-1	o IDLER ASSY, ME
505	2-641-446-01	o COLLAR, GEAR
506	3-180-665-02	o FLANGE (L), UPPER
507	3-180-745-01	o LEVER, MR
508	3-180-746-01	o HOLDER, MR
509	3-181-489-01	s FLANGE, DIA. 8
510	3-181-834-01	o PULLEY, ME
511	3-181-839-01	o WIRE, STAINLESS
512	3-563-104-00	s SPRING, TENSION
513	3-657-842-11	o SPACER (3x7)
514	3-661-588-00	o SPACER (3x5)
515	3-669-596-00	s WASHER (2.3), STOPPER
516	3-453-144-01	s SPRING, TENSION
517	3-738-730-01	s SPRING, COMPRESSION
518	4-869-230-00	s SPRING, COMPRESSION
519	4-880-426-00	o SPRING, COMPRESSION

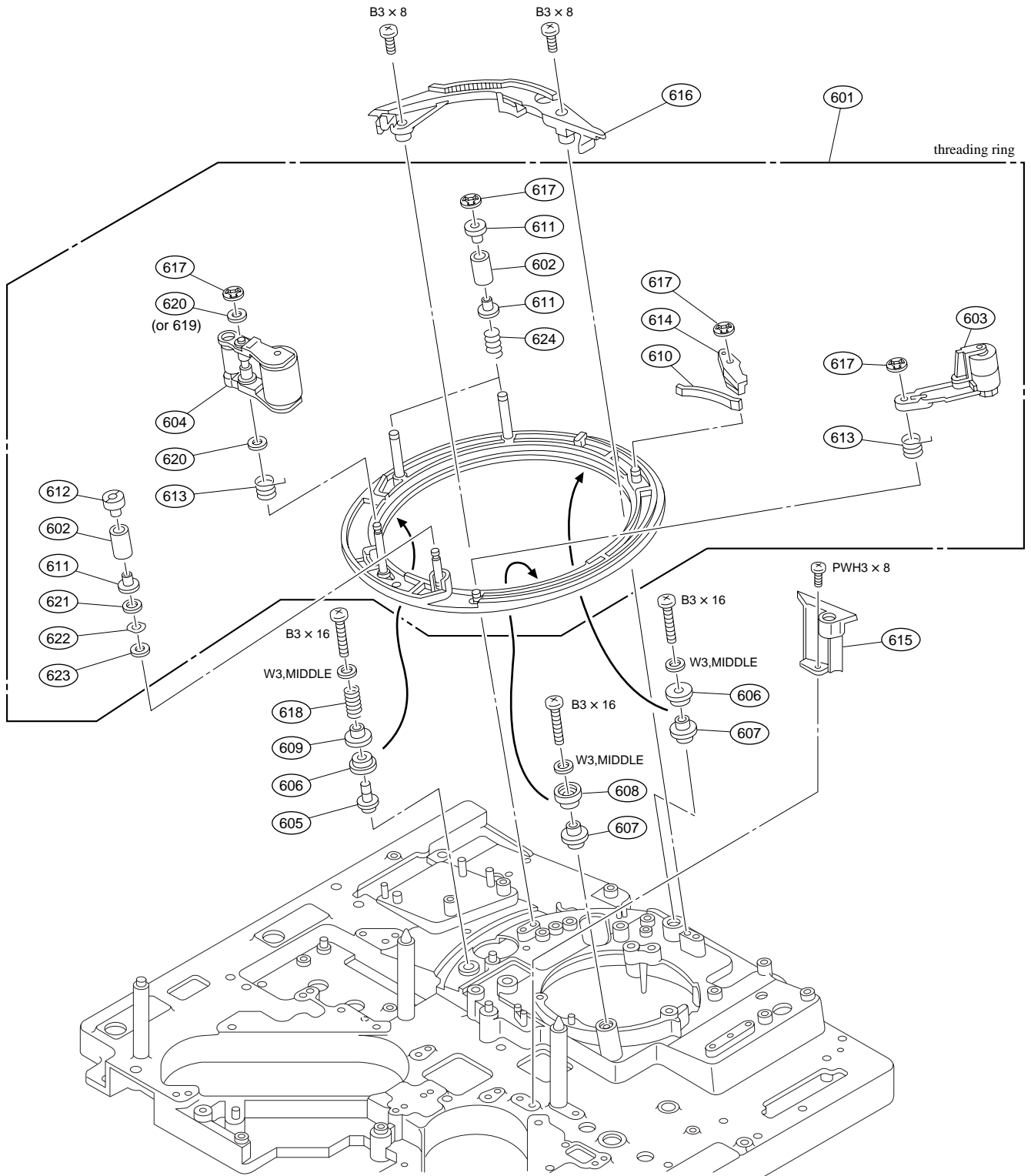




THREADING RING

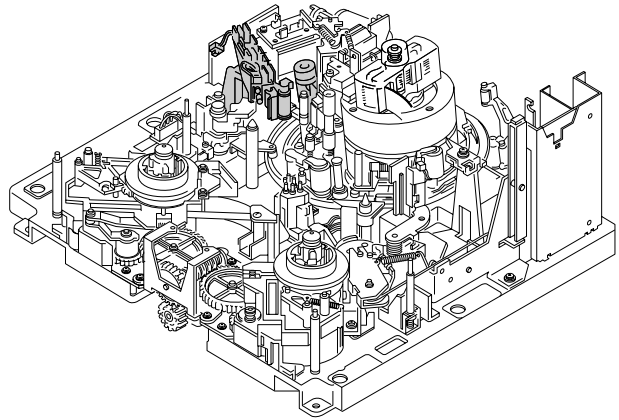
No.	Part No.	SP	Description
601	A-8267-395-F	s	RING ASSY, THREADING
602	X-3167-052-2	s	ROLLER ASSY, ONEBARE
603	X-3167-053-2	s	ARM ASSY, CL
604	X-3167-054-4	s	ARM ASSY, PINCH
605	3-180-676-01	s	SHAFT, (B) RING ROLLER
606	3-180-677-01	s	ROLLER, RING
607	3-180-678-01	s	SHAFT, RING ROLLER
608	3-180-679-01	s	ROLLER, (B) RING
609	3-180-681-01	s	ROLLER (C) RING
610	3-180-772-01	s	SPRING (RG), PLATE
611	3-180-773-02	s	FLANGE, ONEBARE USE
612	3-180-774-03	s	FLANGE, TG5 (UPPER)
613	3-180-849-01	s	SPRING (C), TORSION
614	3-180-850-01	s	ARM, LOCK
615	3-180-853-01	s	GUARD, PINCH ARM
616	3-180-874-02	s	RAIL, CL GUIDE
617	3-669-596-00	s	WASHER (2.3), STOPPER
618	3-676-327-01	s	SPRING, COMPRESSION
619	3-701-439-01	s	WASHER, POLY 3mm DIA., 0.13T
620	3-701-439-11	s	WASHER, POLY 3mm DIA., 0.25T
621	3-701-439-21	s	WASHER, POLY 3mm DIA., 0.50T
622	3-714-587-01	o	SPRING, LEAF
623	3-739-736-02	o	BASE, SPRING
624	4-879-563-00	s	SPRING, COMPRESSION

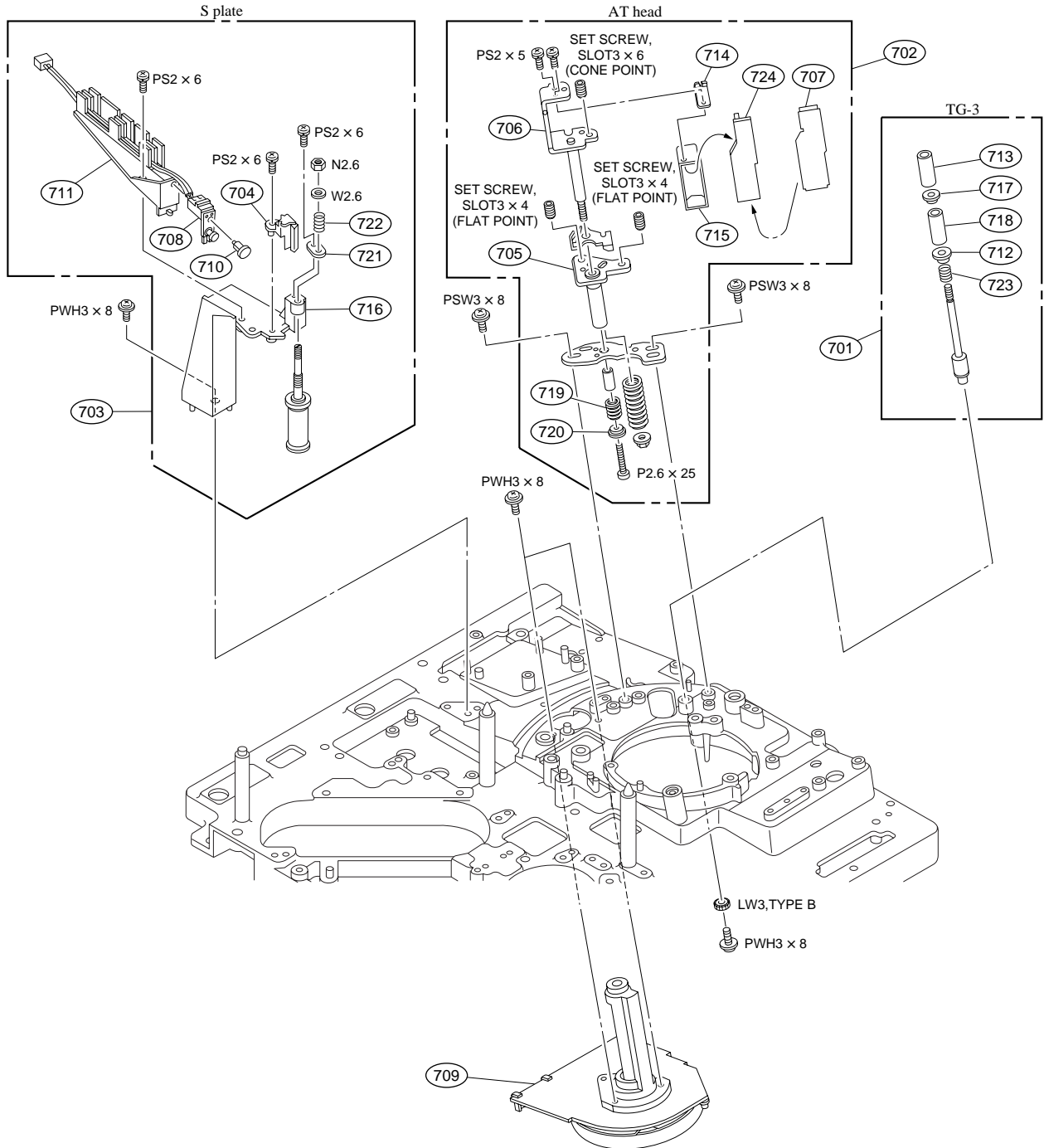




S PLATE AND AT HEAD

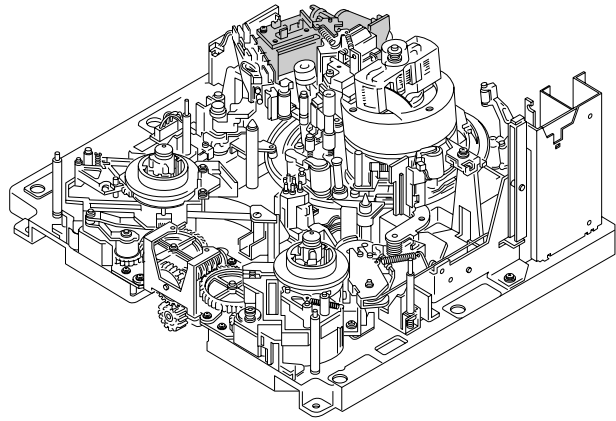
No.	Part No.	SP Description
701	A-8267-394-C	s TG-3 ASSY
702	A-8267-422-B	o HEAD ASSY, AT
703	A-8278-250-C	o PLATE ASSY, S
704	A-8278-345-B	o TURN BLADE ASSY
705	X-3167-057-1	o PLATE, ADJUSTMENT ASSY, AT
706	X-3167-061-2	o BRACKET ASSY, AT
707	X-3167-142-2	o PLATE, SHIELD ASSY, AT
708	1-543-316-31	s HEAD, SENSING (SMALL TYPE)
709	1-698-179-12	s MOTOR, DC (CAPSTAN)
710	2-279-715-01	s RIVET, NYLON
711	3-180-403-01	o HOLDER, SENSOR
712	3-180-669-02	s FLANGE, FIXED GUIDE USE
713	3-180-670-01	o NUT, FIXED GUIDE ADJUSTMENT
714	3-180-826-01	o GOOSENECK PLATE
715	3-180-829-04	o CASE, SHIELD AT
716	3-180-869-04	s PLATE, (S)
717	3-181-489-01	s FLANGE, DIA. 8
718	3-181-491-01	o SLEEVE, DIA. 6
719	3-181-979-01	o SPRING, COMPRESSION
720	3-181-980-01	o SPACER, AT
721	3-183-823-01	o BRACKET, GUIDE RETAINER
722	3-669-316-00	s SPRING, COMPRESSION
723	3-738-730-01	s SPRING, COMPRESSION
724	8-825-778-23	s HEAD, AUDIO EPS244-2103G





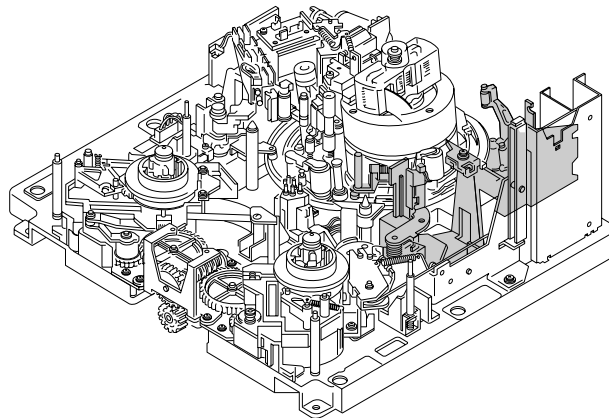
THREADING MOTOR AND PINCH PRESS BLOCK

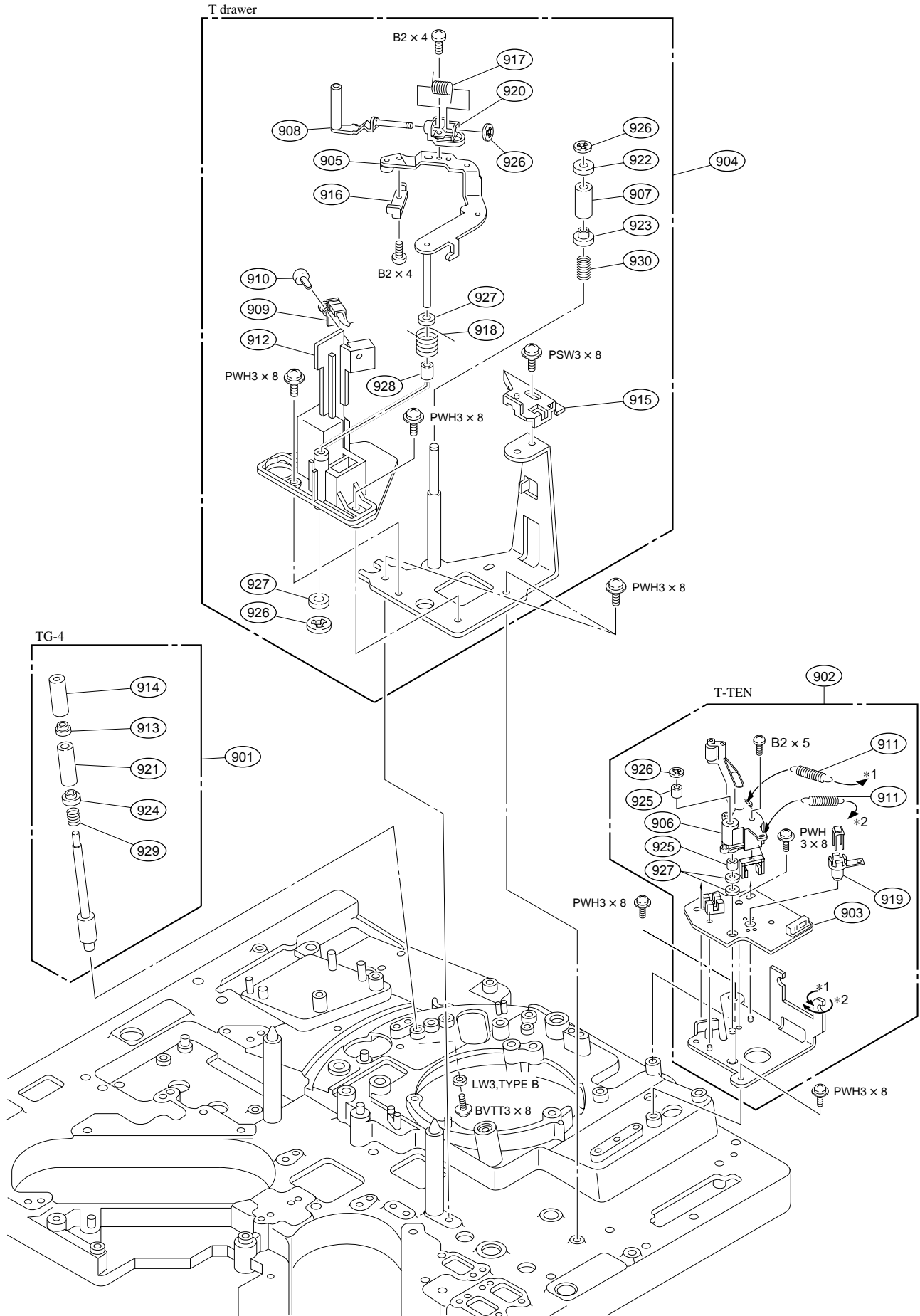
No.	Part No.	SP Description
801	A-6749-117-C	o PRESS ASSY, PINCH
802	A-8267-424-A	s BOX ASSY, GEAR
803	1-454-338-00	s SOLENOID, PLUNGER
804	1-622-596-11	o PRINTED CIRCUIT BOARD, PD-35
805	1-640-163-12	o PRINTED CIRCUIT BOARD, PTC-54
806	1-648-570-11	o PRINTED CIRCUIT BOARD, CCM-15
807	1-698-152-11	s MOTOR, DC (SVD-1449)
808	3-180-717-01	s GEAR, RING
809	3-180-718-01	s GEAR, DRIVE
810	3-180-719-01	s GEAR, WORM
811	3-180-720-01	o GUARD, WORM
812	3-180-843-02	o SHAFT, WORM
813	3-180-844-01	s GEAR, (M)
814	3-180-845-01	s (B), GEAR
815	3-537-674-03	s SPRING, TENSION
816	3-653-382-01	o SPACER (4x25)
817	3-659-324-00	s SPRING, COMPRESSION
818	3-669-596-00	s WASHER (2.3), STOPPER
819	3-701-441-21	s WASHER, POLY 4mm DIA., 0.50T
820	3-703-074-01	s CAP 3, SHAFT
821	3-717-246-01	o LEVER, PRESS, P
822	3-717-247-01	o LIMITER, P
823	3-717-248-01	o SPRING
824	3-717-249-01	o STOPPER, P
825	3-717-250-02	o SHAFT, JOINT, P



T-ARM AND T TENSION REGULATOR

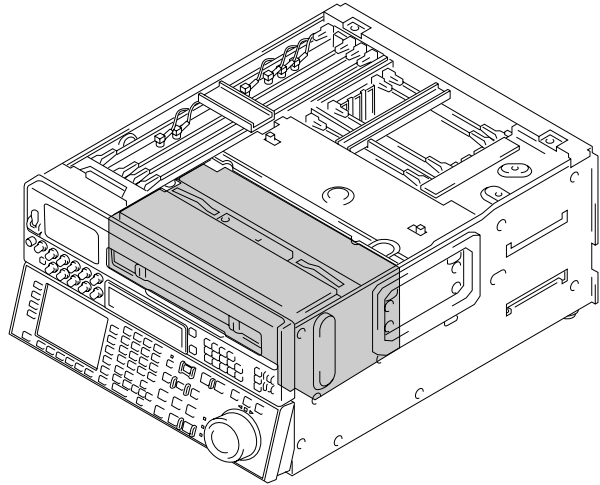
No.	Part No.	SP Description
901	A-8267-555-D	s TG-4 ASSY
902	A-8267-423-B	s T-TEN ASSY
903	A-8276-628-A	o MOUNTED CIRCUIT BOARD, TR-79
904	A-8274-876-C	s DRAWER ASSY (T)
905	X-3167-063-4	s ARM ASSY, DRAWING, T
906	X-3167-064-5	s ARM ASSY, T-TEN
907	X-3167-347-1	s ROLLER ASSY, GUIDE
908	X-3678-288-1	s GUIDE ASSY, SLANT
909	1-543-316-31	s HEAD, SENSING (SMALL TYPE)
910	2-279-715-01	s RIVET, NYLON
911	3-180-262-01	s SPRING, EXTENSION
912	3-180-404-02	o BASE, DRAWING, (T)
913	3-180-669-02	s FLANGE, FIXED GUIDE USE
914	3-180-670-01	o NUT, FIXED GUIDE ADJUSTMENT
915	3-180-708-01	s PLATE, SLANT GUIDE ADJUSTMENT
916	3-180-710-03	s GUARD, DRAWER
917	3-180-715-01	s SPRING, (A) TORSION COIL
918	3-180-716-02	s SPRING, (B) TORSION COIL
919	3-180-861-01	o HOLDER, DME
920	3-180-863-03	s BASE, SLANT GUIDE
921	3-181-490-01	o SLEEVE, DIA. 7
922	3-183-460-02	s FLANGE (B), UPPER
923	3-183-462-02	s FLANGE, LOWER
924	3-190-819-01	s FLANGE (1), DIA. 8
925	3-645-028-00	s BEARING, BALL
926	3-669-596-00	s WASHER (2.3), STOPPER
927	3-701-439-01	s WASHER, POLY 3mm DIA., 0.13T
	3-701-439-11	s WASHER, POLY 3mm DIA., 0.25T
	3-701-439-21	s WASHER, POLY 3mm DIA., 0.50T
928	3-717-253-01	s ROLLER
929	3-738-730-01	s SPRING, COMPRESSION
930	4-879-563-00	s SPRING, COMPRESSION





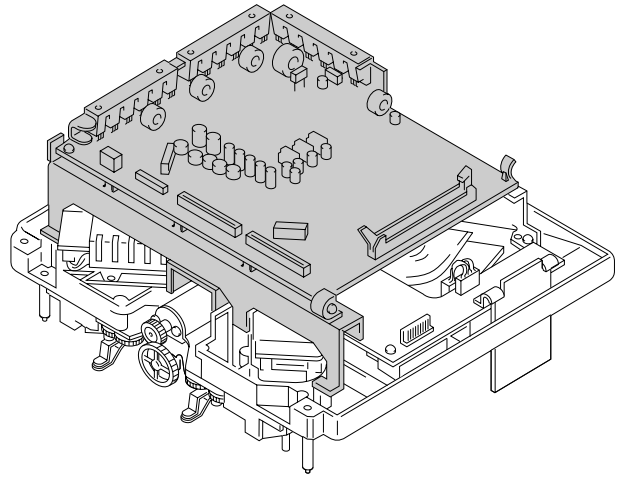
CASSETTE COMPARTMENT BLOCK

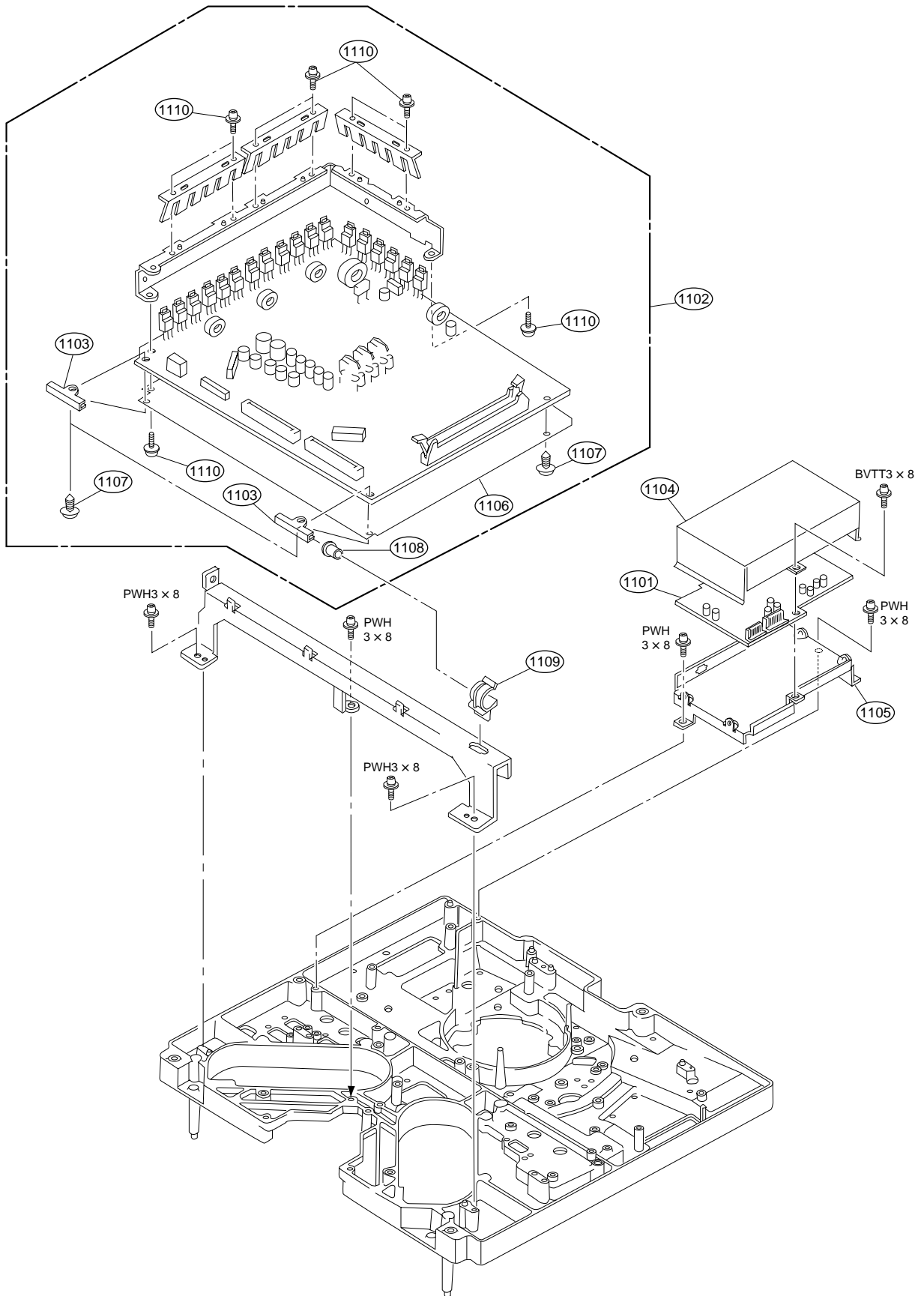
No.	Part No.	SP	Description
1001	A-8267-589-E	s	CASSETTE COMPARTMENT ASSY
1002	A-8276-625-A	o	MOUNTED CIRCUIT BOARD, PC-70
1003	A-8276-626-B	o	MOUNTED CIRCUIT BOARD, CL-29
1004	A-8276-627-A	o	MOUNTED CIRCUIT BOARD, LP-81
1005	A-8276-957-B	s	STAGE ASSY
1006	X-3166-217-1	s	MIRROR ASSY
1007	X-3167-446-3	o	SLIDER (L) ASSY
1008	X-3167-447-3	o	SLIDER (R) ASSY
1009	X-3167-848-1	o	DECK (R) ASSY, PULLEY
1010	X-3167-849-1	o	DECK (L) ASSY, PULLEY
1011	1-698-152-11	s	MOTOR, DC (SVD-1449)
1012	1-665-836-11	s	PC BOARD, CL-41 FLEXIBLE
1013	3-171-367-06	o	SWITCH (R), IN
1014	3-171-398-05	o	SWITCH (L), IN
1015	3-171-399-02	o	GUIDE (R), CASSETTE
1016	3-171-400-04	s	GUIDE (L), CASSETTE
1017	3-171-418-03	s	WORM
1018	3-171-419-11	s	WHEEL
1019	3-171-420-03	o	SHUTTER
1020	3-171-421-01	o	SLIDER, DOOR SWITCHING
1021	3-171-422-01	o	LEVER, DOOR SWITCHING
1022	3-171-423-02	o	JOINT, MOTOR
1023	3-171-424-02	o	HOLDER, SENSOR
1024	3-171-457-01	o	SHAFT, JOINT
1025	3-171-458-01	s	BELT, TIMING
1026	3-171-459-01	s	ROLLER, GUIDE
1027	3-171-460-01	s	ROLLER, SLIDER
1028	3-171-461-01	o	SHAFT, RETAINER, L CASSETTE
1029	3-171-462-01	o	HOLDER, SHAFT
1030	3-171-463-04	o	PLATE
1031	3-171-464-02	o	SPRING, LEAF
1032	3-171-465-01	o	GEAR, DRIVING
1033	3-171-466-02	o	GEAR, LIMITER
1034	3-171-479-01	o	GEAR, MIDWAY
1035	3-171-480-01	o	SHAFT, WORM WHEEL
1036	3-171-508-04	o	HOLDER, LAMP
1037	3-171-510-02	s	DOOR, CASSETTE
1038	3-176-139-01	s	SPRING, C GUIDE
1039	3-176-583-01	o	PULLEY (A)
1040	3-176-584-01	o	PULLEY (B)
1041	3-176-598-02	o	SPRING, GROUND
1042	3-181-430-01	o	WHEEL, WORM
1043	3-181-431-01	o	RUBBER, LIMITER
1044	3-182-706-01	s	SPACER
1045	3-188-273-01	s	ROLLER (B), GUIDE
1046	3-188-745-01	s	BALL BEARING, NON-FLANGED
1047	3-190-575-01	s	SPRING, TENSION
1048	3-548-757-00	s	SPRING, TENSION
1049	3-579-759-00	s	SPRING, COMPRESSION
1050	3-646-214-00	s	SPRING
1051	3-671-150-01	o	CLAMP
1052	3-672-461-00	s	SPRING, TENSION
1053	3-677-193-00	o	PIN, STOPPER
1054	3-698-217-11	s	BEARING (NO FLANGE), BALL
1055	3-701-439-21	s	WASHER
1056	3-712-786-01	s	DAMPER, OIL
1057	3-717-369-04	o	STOPPER, DOOR
1058	4-858-799-00	s	SPRING, TENSION



MOUNTED CIRCUIT BOARDS (BOTTOM SIDE-1)

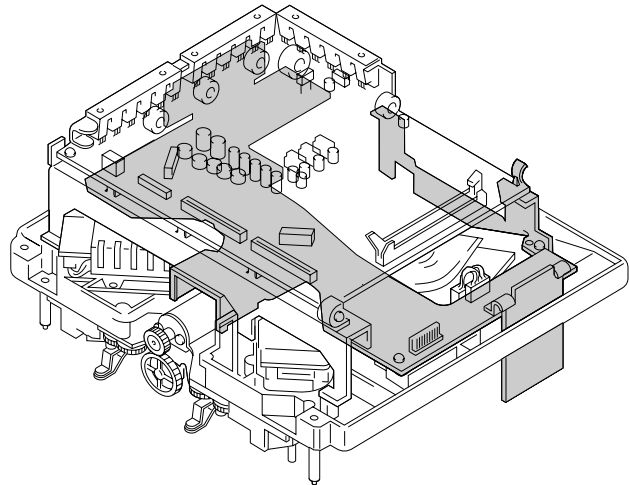
No.	Part No.	SP Description
1101	A-8312-855-A	o MOUNTED CIRCUIT BOARD, DT-34C
1102	A-8313-031-A	o MOUNTED CIRCUIT BOARD, DR-307
1103	3-180-760-01	o SUPPORT, DR
1104	3-180-762-02	o COVER (A), DT SHIELD
1105	3-180-763-02	o COVER (B), DT SHIELD
1106	3-180-873-06	o SHEET, INSULATING (DR)
1107	3-531-576-11	s RIVET
1108	3-646-084-00	o CAP, REINFORCEMENT
1109	3-646-086-00	o HOLDER, ROD
1110	3-703-249-01	s SCREW, PTTWH 3x6

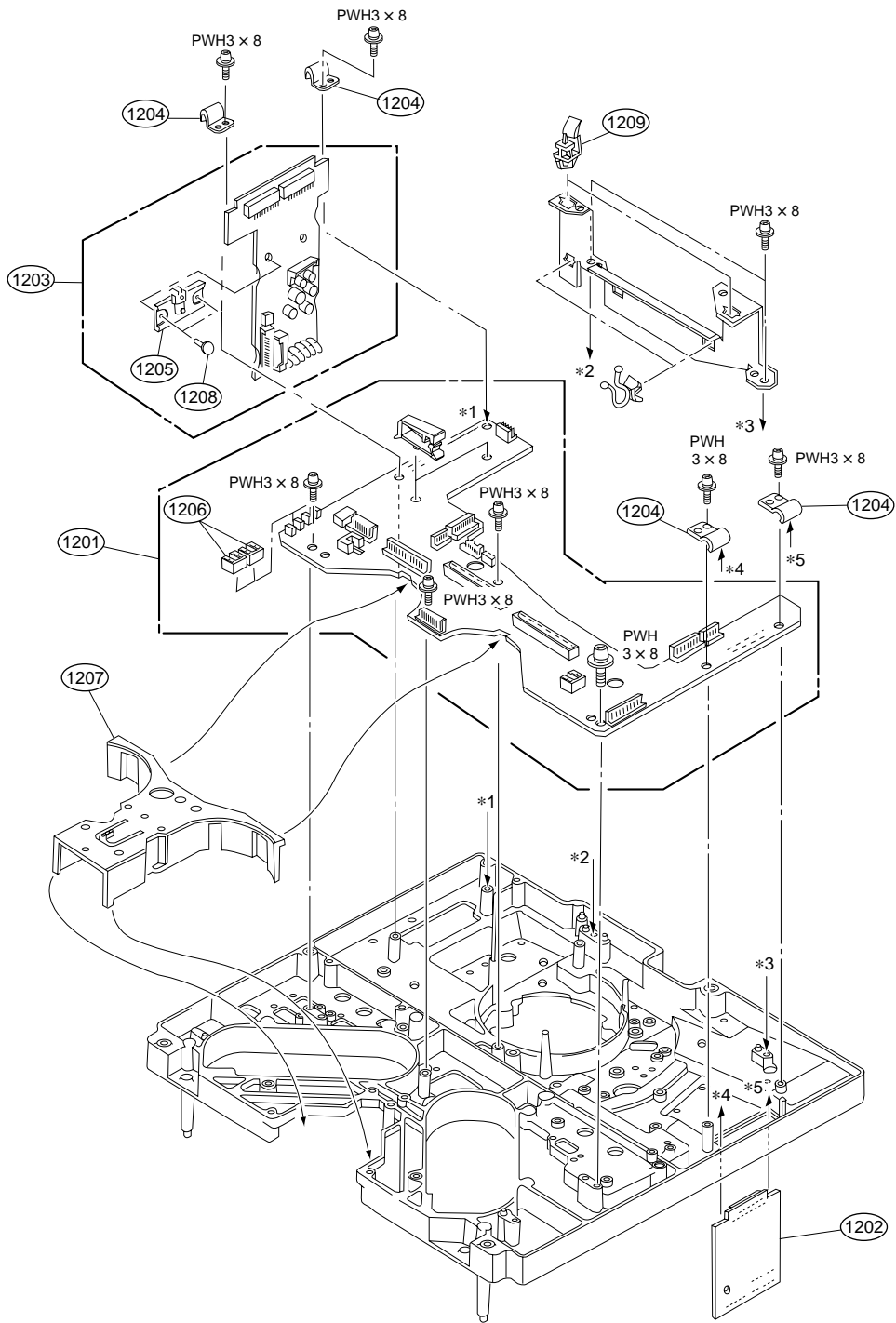




MOUNTED CIRCUIT BOARDS (BOTTOM SIDE-2)

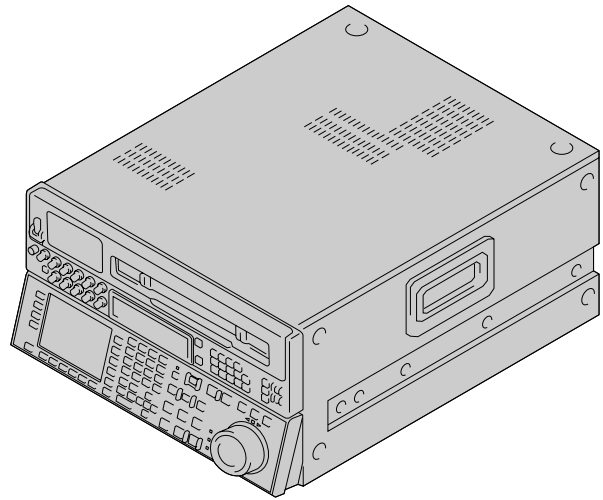
No.	Part No.	SP Description
1201	A-8312-982-A	o MOUNTED CIRCUIT BOARD, HN-249
1202	A-8312-983-A	o MOUNTED CIRCUIT BOARD, HN-250
1203	A-8312-984-A	o MOUNTED CIRCUIT BOARD, HN-251
1204	3-180-680-01	o BRACKET, HANDLE (B), HN
1205	3-180-819-02	o BRACKET, DEW SENSOR
1206	3-180-854-03	o COVER, MR SENSOR
1207	3-181-651-01	o COVER (RS), HARNESS
1208	3-531-576-21	s RIVET
1209	3-703-141-00	o HOLDER, PCB

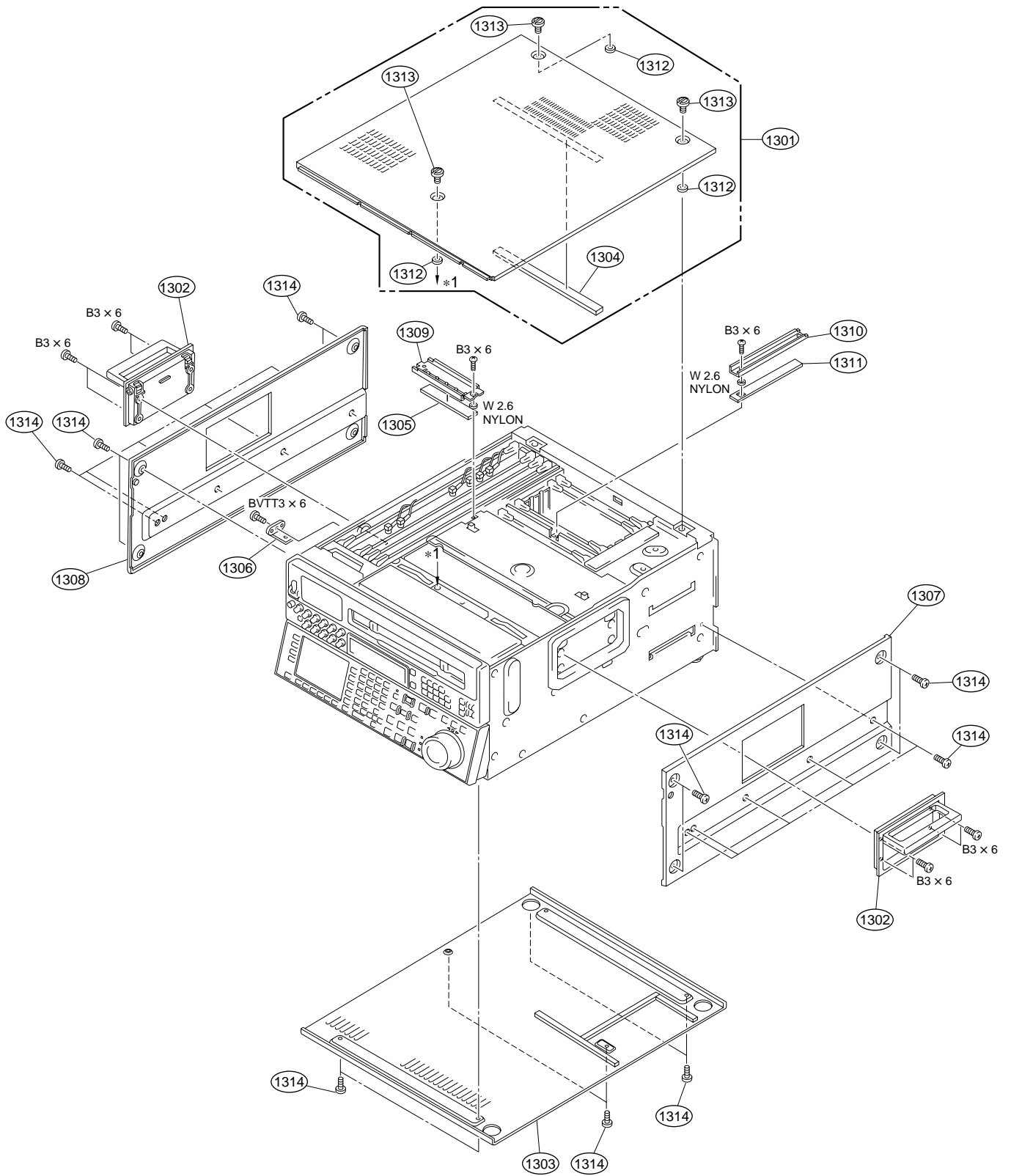




OUTER PANELS

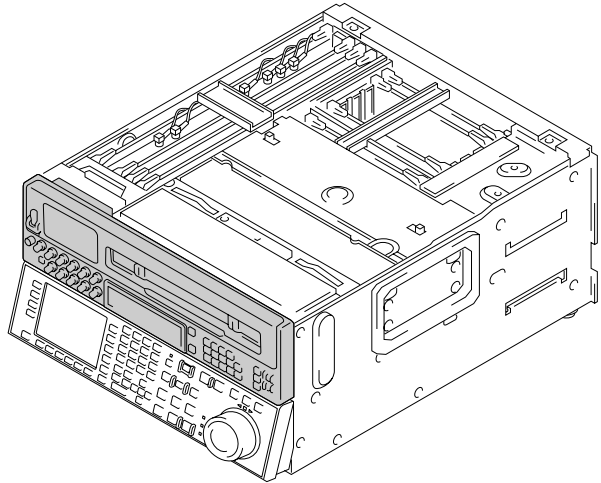
No.	Part No.	SP Description
1301	A-8278-583-C	o LID ASSY, UPPER
1302	X-3642-018-3	o HANDLE ASSY
1303	X-3679-542-1	o PLATE ASSY, BOTTOM
1304	3-171-369-01	o LID (A), UPPER, AIR GUARD
1305	3-171-410-01	o RETAINER (S), PC BOARD
1306	3-171-489-01	o BRACKET, PLATE, BOTTOM
1307	3-171-533-04	o CABINET (RIGHT)
1308	3-171-534-04	o CABINET (LEFT)
1309	3-180-641-01	o PLATE (L), PC BOARD RETAINER
1310	3-180-642-01	o PLATE (S), PC BOARD RETAINER
1311	3-180-643-01	o CUSHION, PC BOARD RETAINER
1312	3-688-102-01	o SPACER, M4
1313	3-717-392-02	o SCREW, LID
1314	3-733-690-01	s +B 4x6 (CU, NI)

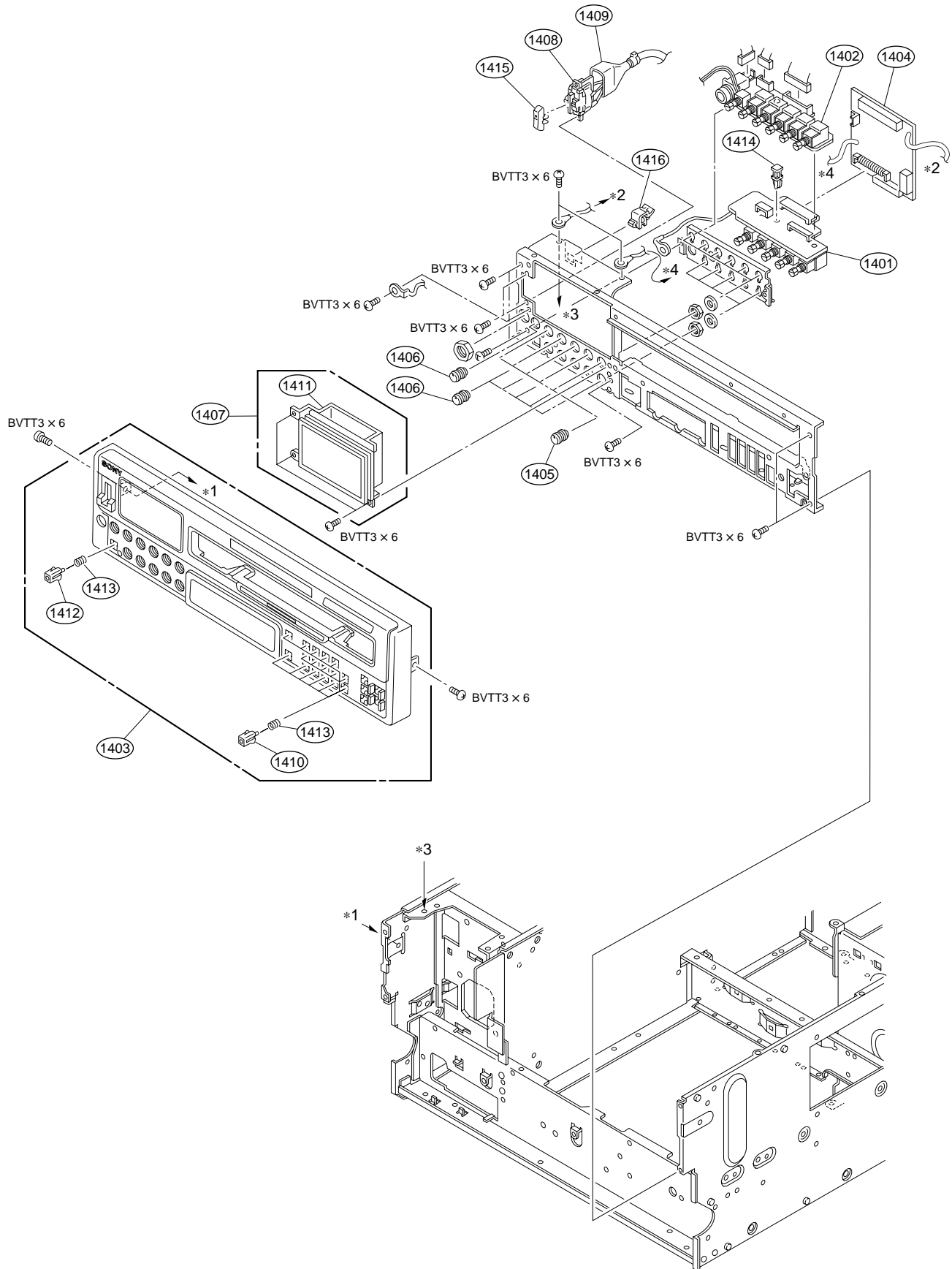




FRONT PANEL

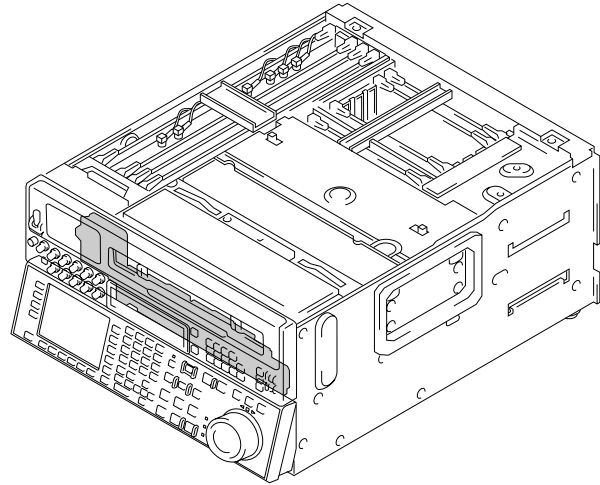
No.	Part No.	SP Description
1401	A-8275-075-A	o MOUNTED CIRCUIT BOARD, VR-153
1402	A-8275-078-A	o MOUNTED CIRCUIT BOARD, VR-152
1403	A-8278-527-C	o PANEL ASSY, FRONT
1404	A-8313-434-A	o MOUNTED CIRCUIT BOARD, FP-103
1405	X-3167-824-1	o KNOB ASSY (R), VOL
1406	X-3167-825-1	o KNOB ASSY (P), VOL
1407	1-517-185-32	s INDICATOR MODULE, FLUORESCENT
1408	△ 1-762-953-11	s SWITCH, ROCKER (AC POWER)
1409	2-269-962-00	o COVER, SWITCH
1410	3-180-822-03	s KEY TOP 6x6
1411	3-181-091-02	o CASE, INDICATION TUBE
1412	3-181-398-11	s KEY TOP 6x6
1413	3-611-769-01	s SPRING, COMPRESSION
1414	3-682-057-21	s SPACER (SMALL)
1415	3-688-814-01	s CAP, SWITCH
1416	3-703-141-00	o HOLDER, PCB

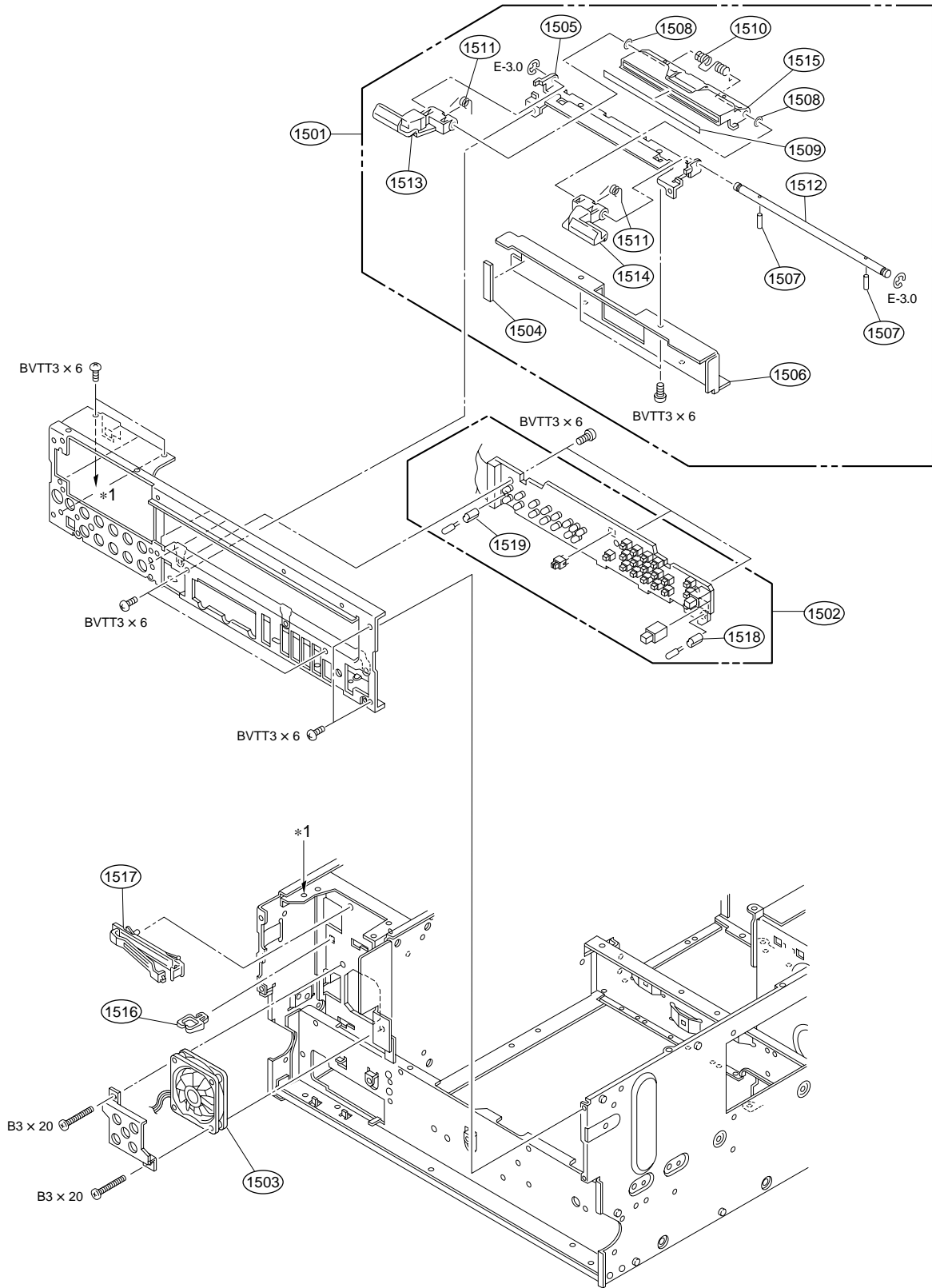




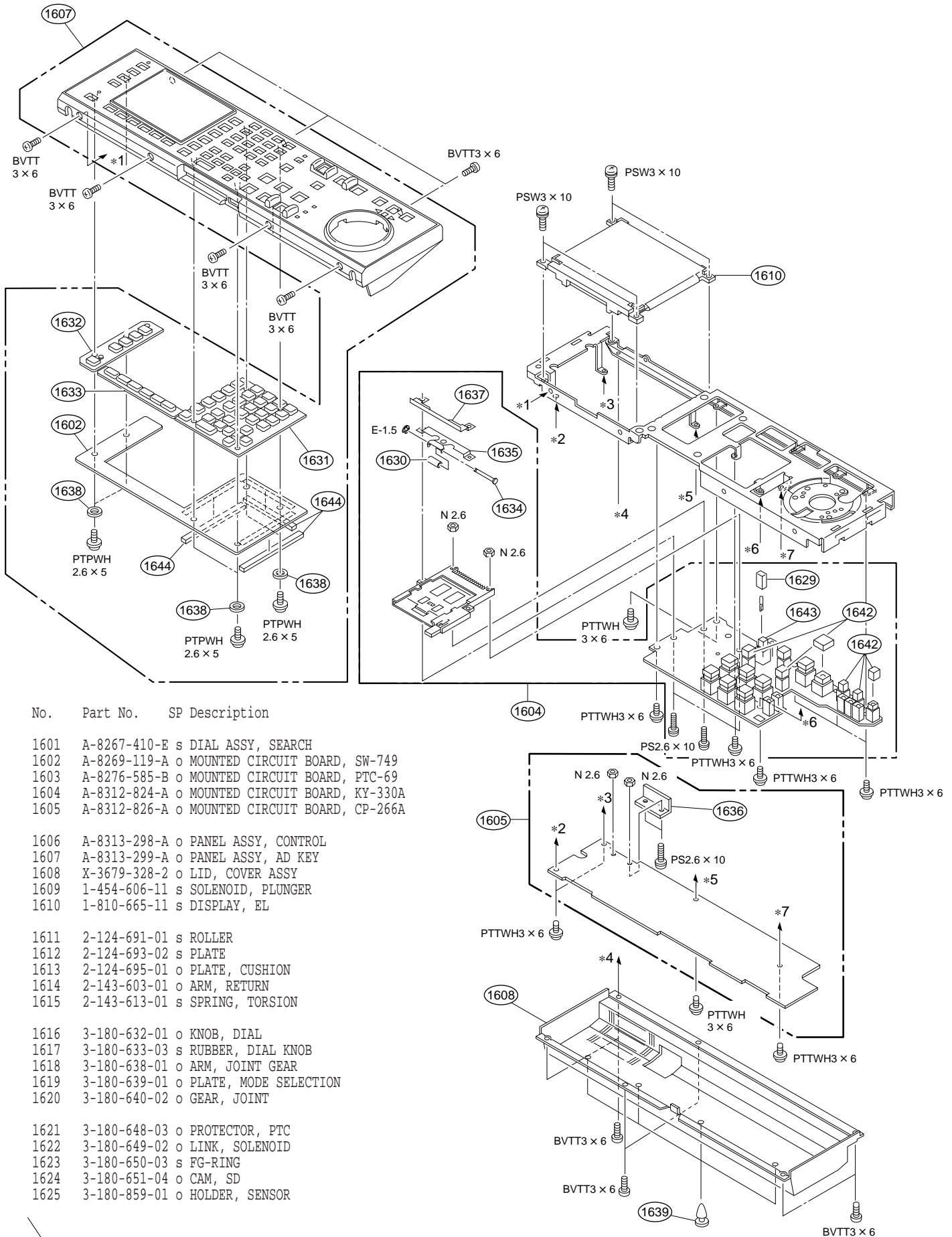
SC GUIDE AND SWC-BOARD

No.	Part No.	SP Description
1501	A-8278-592-A	o GUIDE ASSY, SC
1502	A-8313-017-A	o MOUNTED CIRCUIT BOARD, SWC-17D
1503	1-698-857-11	s FAN, DC (60 SQUARE)
1504	3-180-747-01	o GUARD (S), AIR
1505	3-608-272-01	o SUPPORT (A), SC GUIDE
1506	3-608-273-01	o SUPPORT (B), SC GUIDE
1507	3-677-193-00	o PIN, STOPPER
1508	3-701-441-21	s WASHER, POLY 4mm DIA., 0.50T
1509	3-717-614-01	o LABEL, C-LOCK OUT
1510	3-717-615-01	o SPRING
1511	3-717-616-01	o SPRING
1512	3-717-617-01	o SHAFT, SC GUIDE
1513	3-717-618-01	o GUIDE (LEFT), SC
1514	3-717-619-02	o GUIDE (RIGHT), SC
1515	3-717-620-01	o PLATE, OUT, C-LOCK
1516	4-314-320-00	o HOLDER, WIRE
1517	4-874-187-01	o CLIP, CABLE
1518	4-937-336-11	s HOLDER, LED
1519	4-937-336-52	o HOLDER, LED

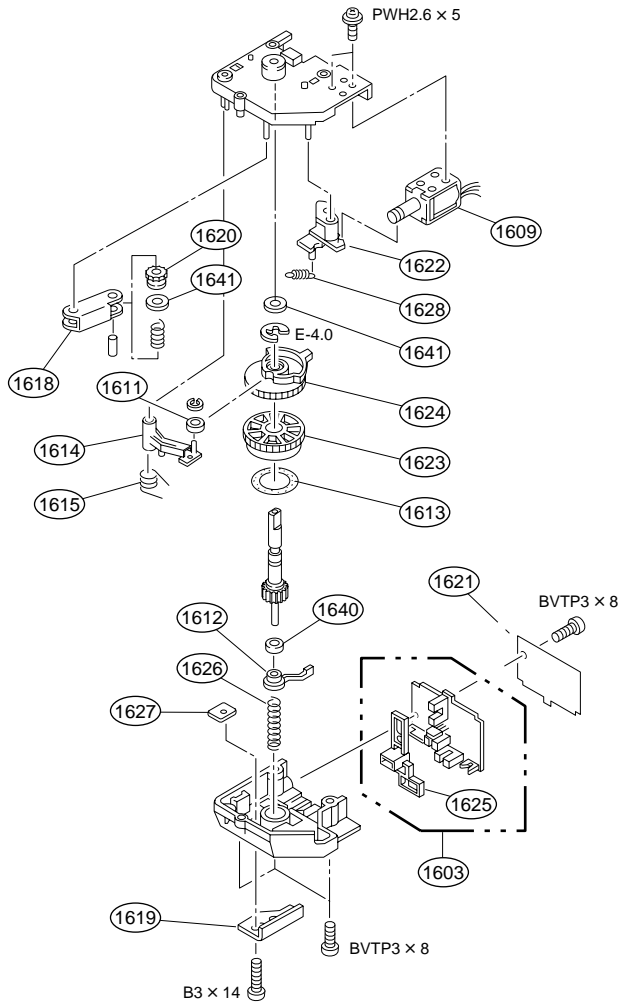
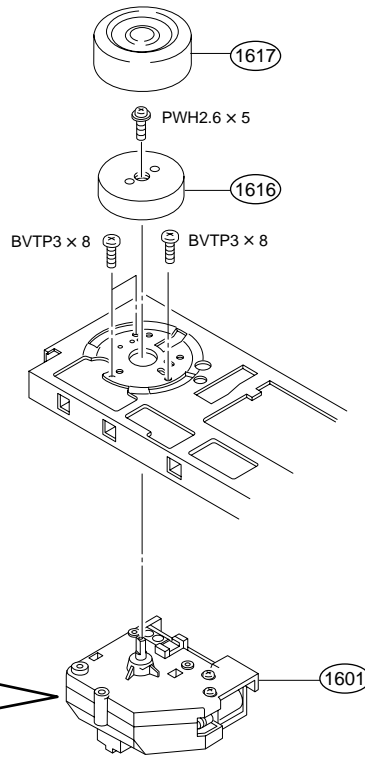
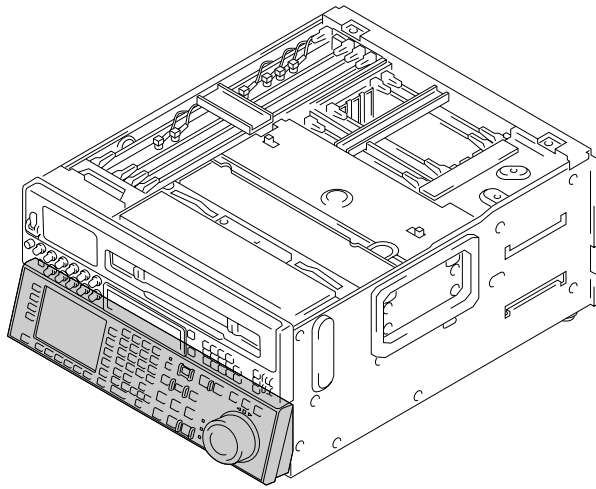




LOWER CONTROL PANEL



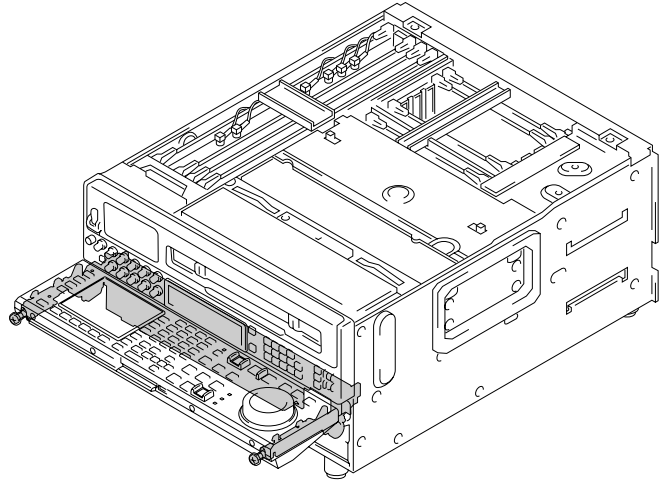
No.	Part No.	SP Description
1601	A-8267-410-E	s DIAL ASSY, SEARCH
1602	A-8269-119-A	o MOUNTED CIRCUIT BOARD, SW-749
1603	A-8276-585-B	o MOUNTED CIRCUIT BOARD, PTC-69
1604	A-8312-824-A	o MOUNTED CIRCUIT BOARD, KY-330A
1605	A-8312-826-A	o MOUNTED CIRCUIT BOARD, CP-266A
1606	A-8313-298-A	o PANEL ASSY, CONTROL
1607	A-8313-299-A	o PANEL ASSY, AD KEY
1608	X-3679-328-2	o LID, COVER ASSY
1609	1-454-606-11	s SOLENOID, PLUNGER
1610	1-810-665-11	s DISPLAY, EL
1611	2-124-691-01	s ROLLER
1612	2-124-693-02	s PLATE
1613	2-124-695-01	o PLATE, CUSHION
1614	2-143-603-01	o ARM, RETURN
1615	2-143-613-01	s SPRING, TORSION
1616	3-180-632-01	o KNOB, DIAL
1617	3-180-633-03	s RUBBER, DIAL KNOB
1618	3-180-638-01	o ARM, JOINT GEAR
1619	3-180-639-01	o PLATE, MODE SELECTION
1620	3-180-640-02	o GEAR, JOINT
1621	3-180-648-03	o PROTECTOR, PTC
1622	3-180-649-02	o LINK, SOLENOID
1623	3-180-650-03	s FG-RING
1624	3-180-651-04	o CAM, SD
1625	3-180-859-01	o HOLDER, SENSOR

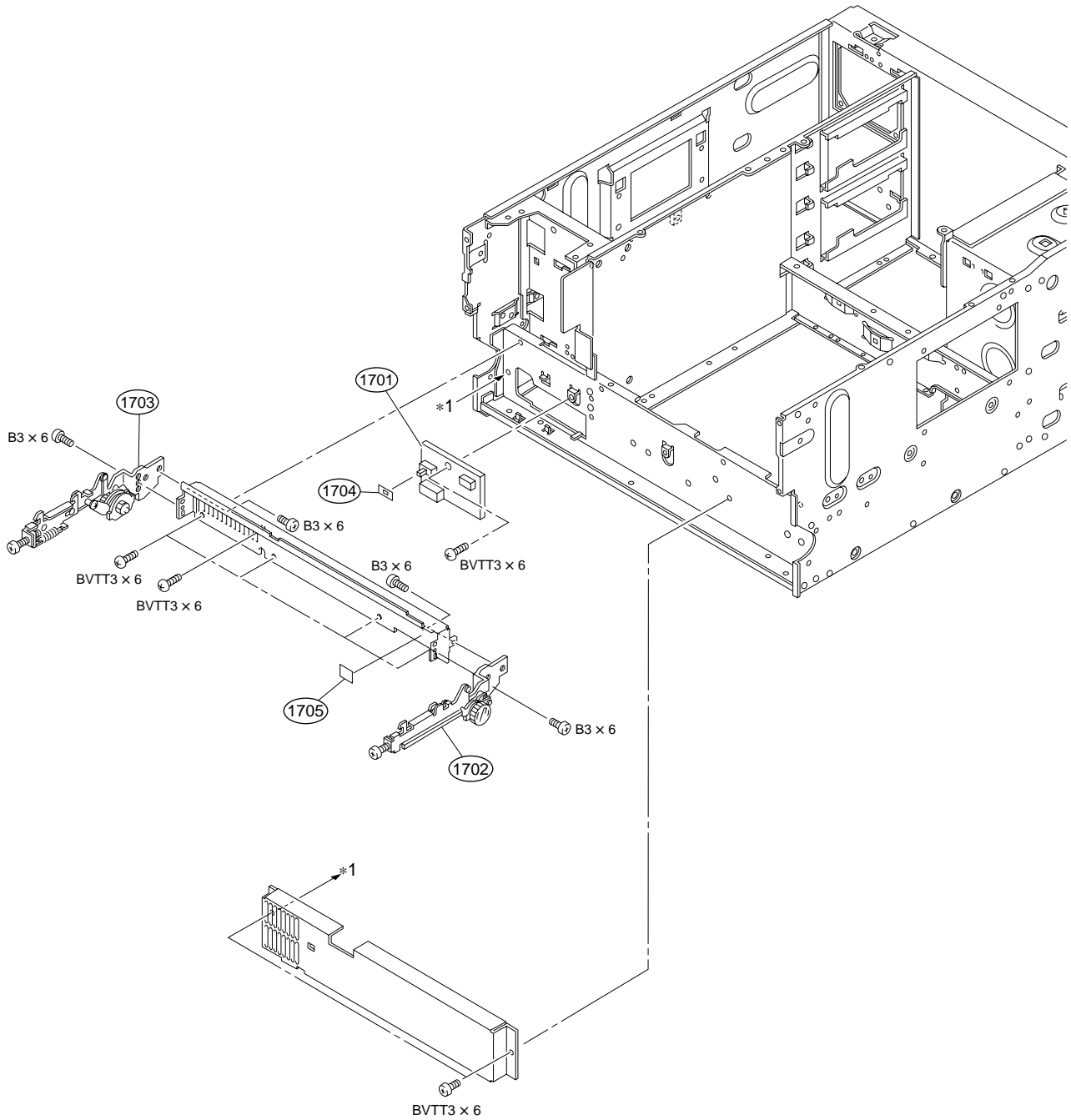


No.	Part No.	SP Description
1626	3-181-956-01	o SPRING, COMPRESSION
1627	3-618-225-03	s NUT, PLATE
1628	3-645-189-11	s SPRING, TENSION
1629	3-668-124-00	o HOLDER, LED
1630	3-668-919-00	s ROLLER, GUIDE, SR
1631	3-689-863-02	s KEY, TEN
1632	3-689-864-03	s KEY, FUNCTION A
1633	3-689-865-02	s KEY, FUNCTION B
1634	3-689-869-01	o PIN, HOLDING
1635	3-689-870-02	s HOLDER
1636	3-689-871-01	o HEAT SINK, TR
1637	3-689-876-02	o HOLDER
1638	3-692-673-01	s WASHER
1639	3-701-188-99	s FOOT, RUBBER
1640	3-701-441-21	s WASHER, POLY 4mm DIA., 0.50T
1641	3-701-443-21	s WASHER, POLY 5mm DIA., 0.50T
1642	3-708-877-01	s CAP
1643	3-708-895-01	s CAP
1644	4-921-411-01	o CUSHION

SUB CONTROL PANEL

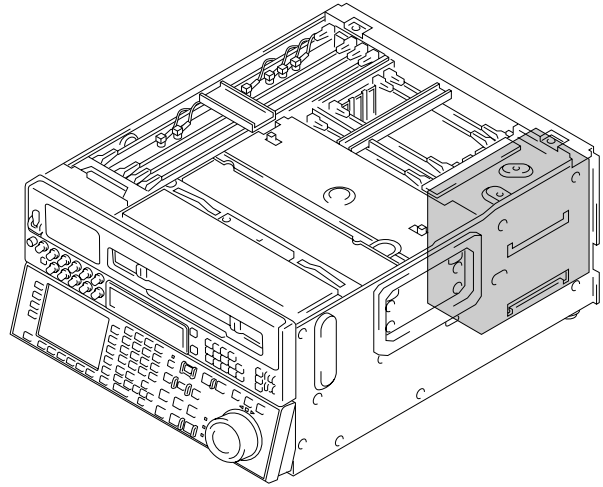
No.	Part No.	SP Description
1701	A-8313-138-A	o MOUNTED CIRCUIT BOARD, SWC-32
1702	X-3678-375-4	o SLIDER AD (R) ASSY
1703	X-3678-376-4	o SLIDER AD (L) ASSY
1704	3-180-814-01	o PLATE, ORNAMEN (SMALL), SLIDE SW
1705	3-185-303-01	o SEAL, EJECT

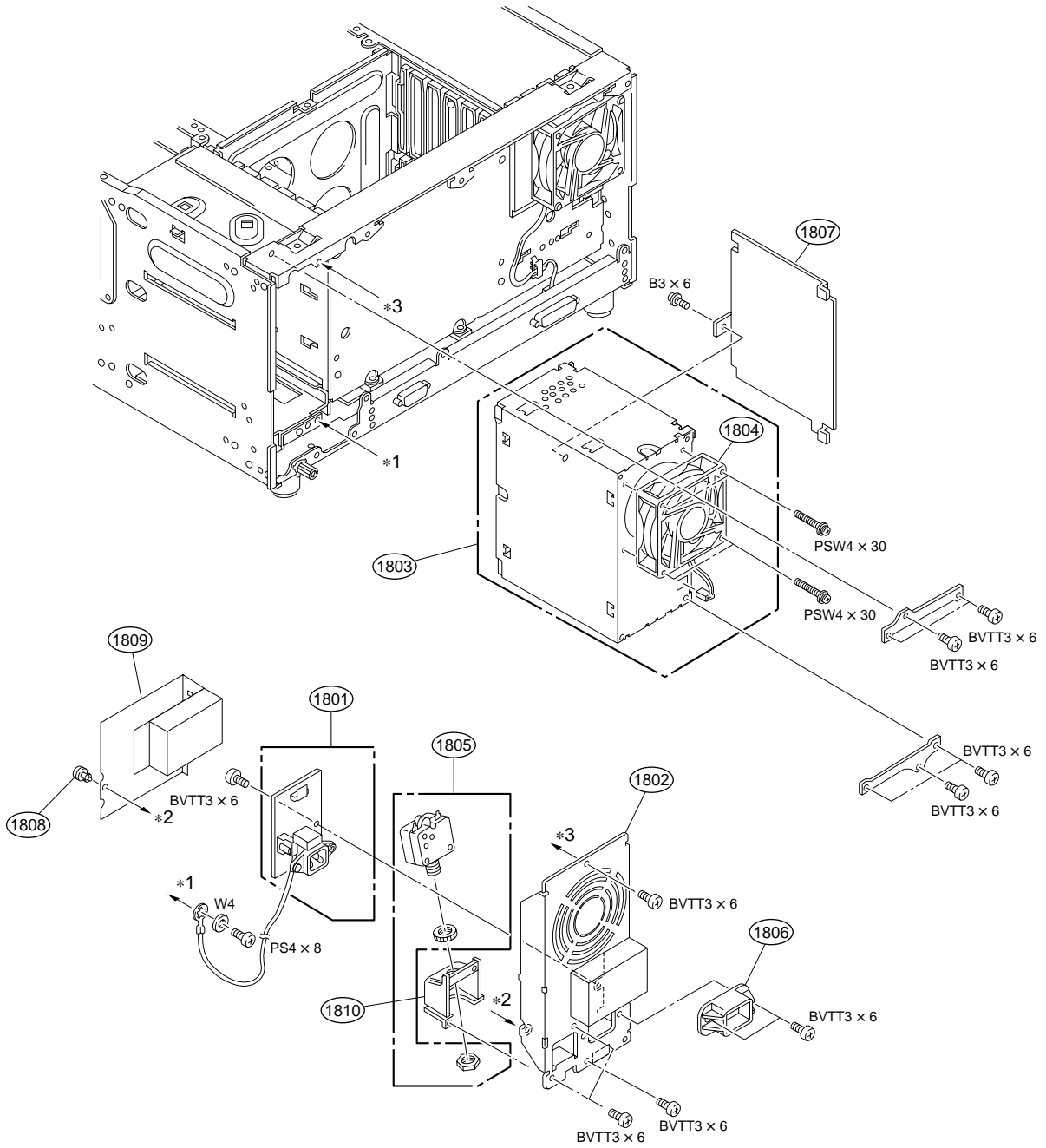




POWER SUPPLY UNIT

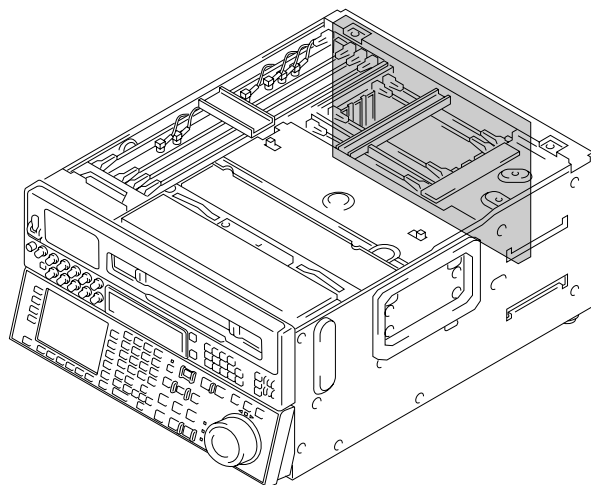
No.	Part No.	SP Description
1801	A-8273-562-A	o MOUNTED CIRCUIT BOARD, AC-169
1802	X-3678-925-3	o PANEL ASSY, POWER
1803	△ 1-413-831-22	s SWITCHING REGULATOR
1804	1-541-431-41	s FAN, DC (80 SQUARE)
1805	△ 1-576-036-11	s BREAKER, CIRCUIT
1806	2-990-241-02	s HOLDER (A), PLUG
1807	3-181-886-01	o PLATE, SHIELD, POWER
1808	3-531-576-01	s RIVET
1809	3-605-706-02	o SHEET, AC INSULATED
1810	3-608-198-01	o BRACKET, BREAKER

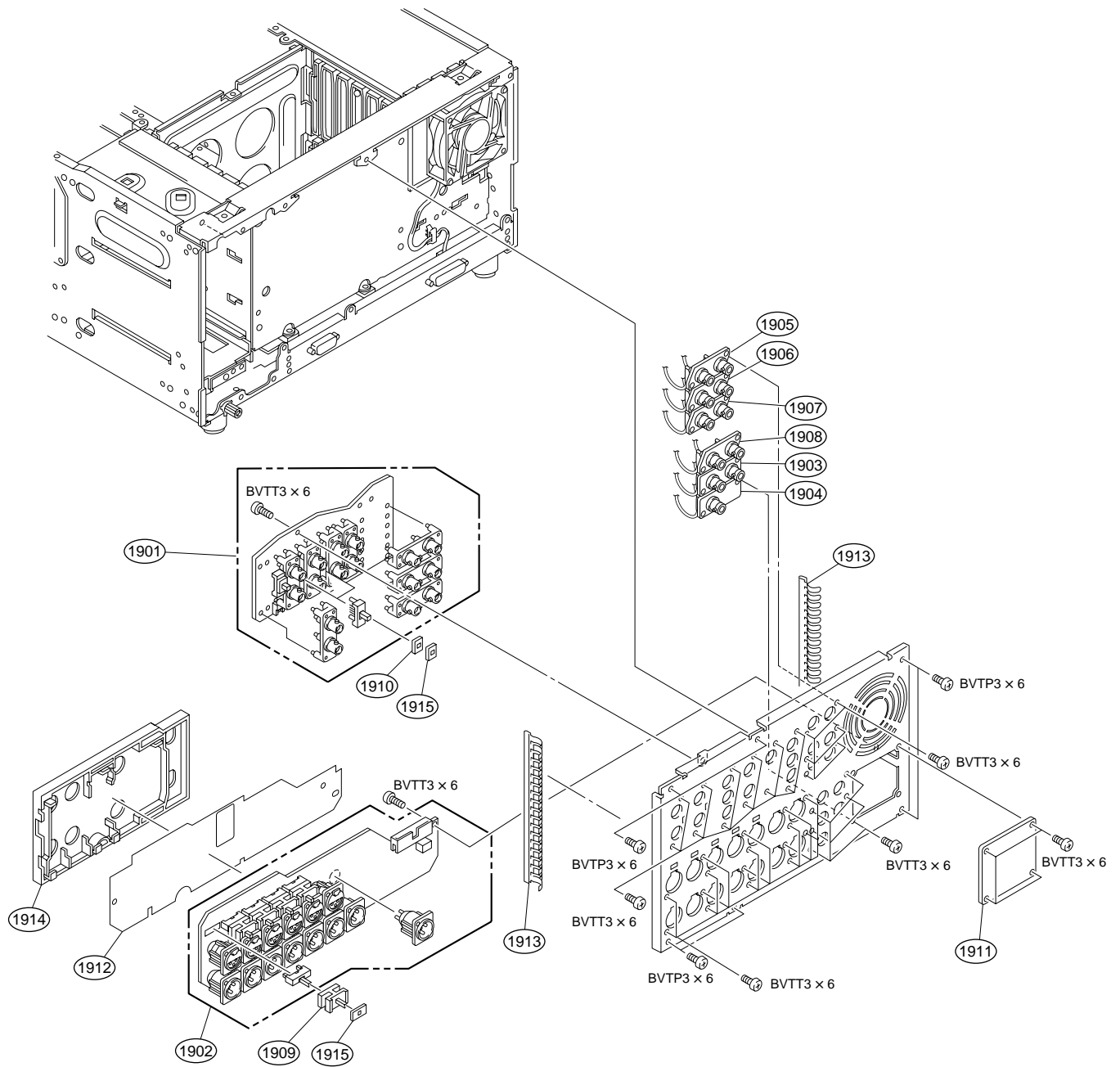




CONNECTOR PANEL

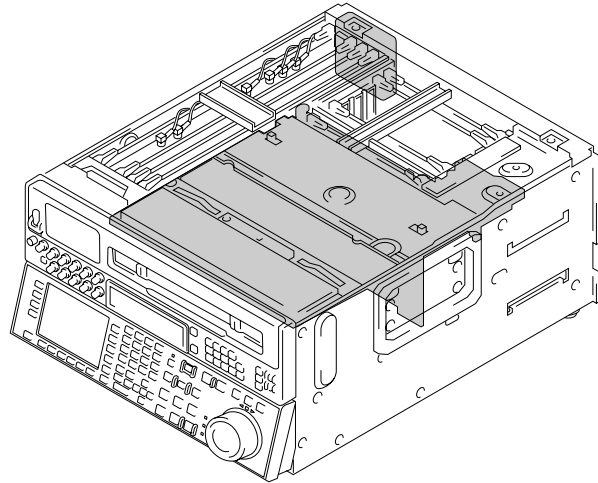
No.	Part No.	SP Description
1901	A-8312-993-A	o MOUNTED CIRCUIT BOARD, CP-298
1902	A-8312-994-A	o MOUNTED CIRCUIT BOARD, CP-299 (for J)
	A-8317-179-A	o MOUNTED CIRCUIT BOARD, CP-299A (for UC)
1903	1-750-881-11	s CONVERTER, COAXIAL CONNECTOR
1904	1-764-448-11	s CONVERTER, COAXIAL CONNECTOR
1905	1-782-374-11	o CABLE ASSY, COAXIAL
1906	1-782-374-21	o CABLE ASSY, COAXIAL
1907	1-782-374-31	o CABLE ASSY, COAXIAL
1908	1-782-374-41	o CABLE ASSY, COAXIAL
1909	3-171-450-01	o ADAPTOR, SW
1910	3-173-384-01	o SPACER, ORNAMENTAL PLATE
1911	3-180-675-01	o PANEL, OP
1912	3-606-505-02	o INSULATOR, CONNECTOR PANEL
1913	3-608-205-01	o FINGER (A), SHIELD
1914	3-612-654-01	o COVER, HARNESS
1915	3-717-394-03	o PLATE (SMALL), ORNAMENTAL, SW



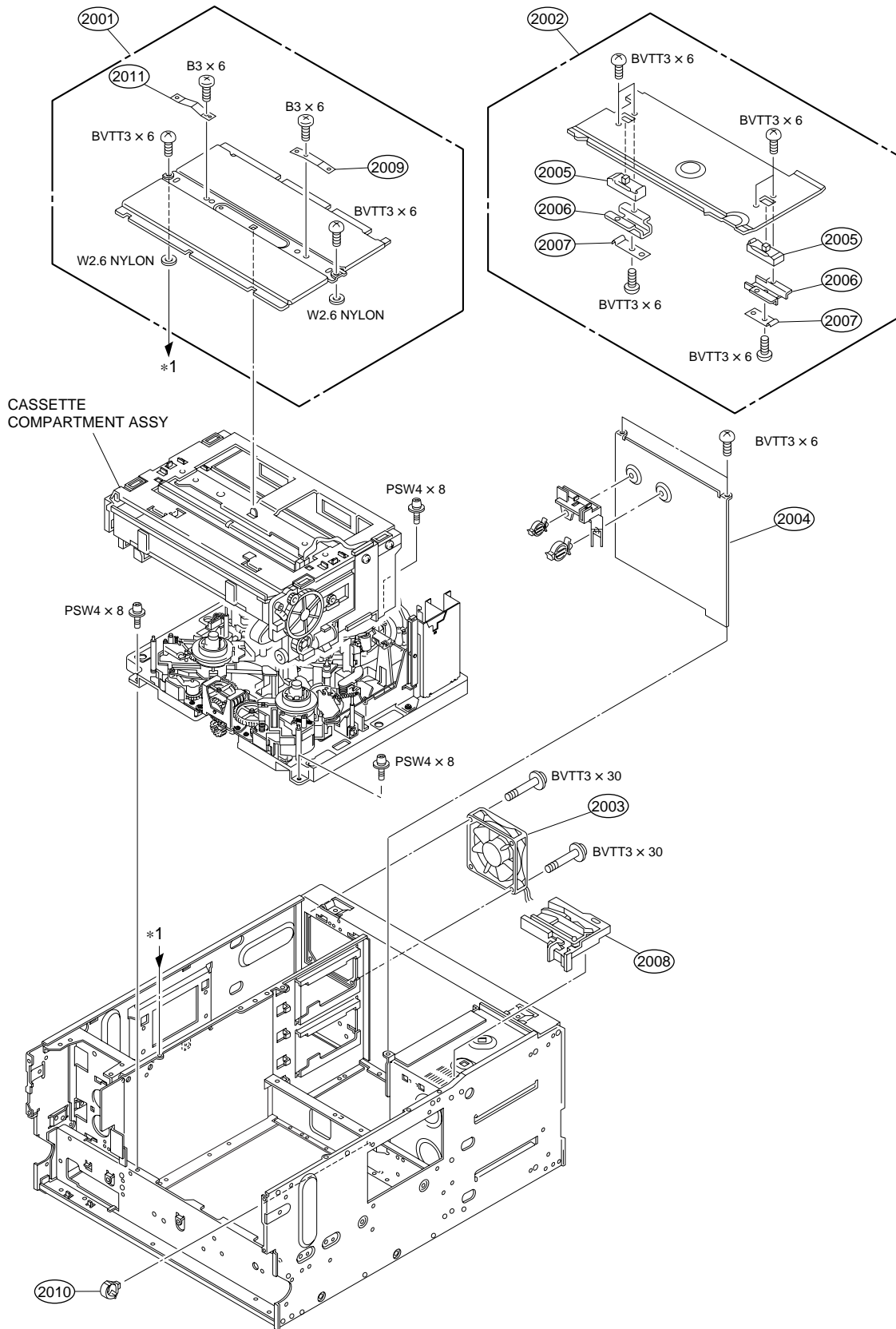


MD PLATE AND CASSETTE COMPARTMENT BRACKET

No.	Part No.	SP Description
2001	A-8267-384-D	s BRACKET ASSY
2002	A-8267-385-D	o PLATE (MD) ASSY
2003	1-541-431-41	s FAN, DC (80 SQUARE)
2004	3-180-479-03	o PLATE, MR
2005	3-180-751-01	o MD, SLIDER
2006	3-180-752-01	o BRACKET, SLIDER
2007	3-180-753-03	o MD, PLATE SPRING
2008	3-181-652-11	o HOLDER, HARNESS
2009	3-182-786-01	o SPRING, CASSETTE COMPARTMENT
2010	3-697-707-01	o CLAMP (A), HARNESS
2011	3-717-306-01	o SPRING

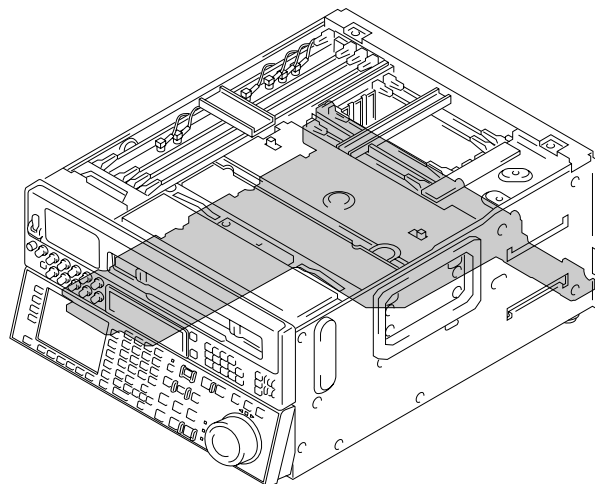


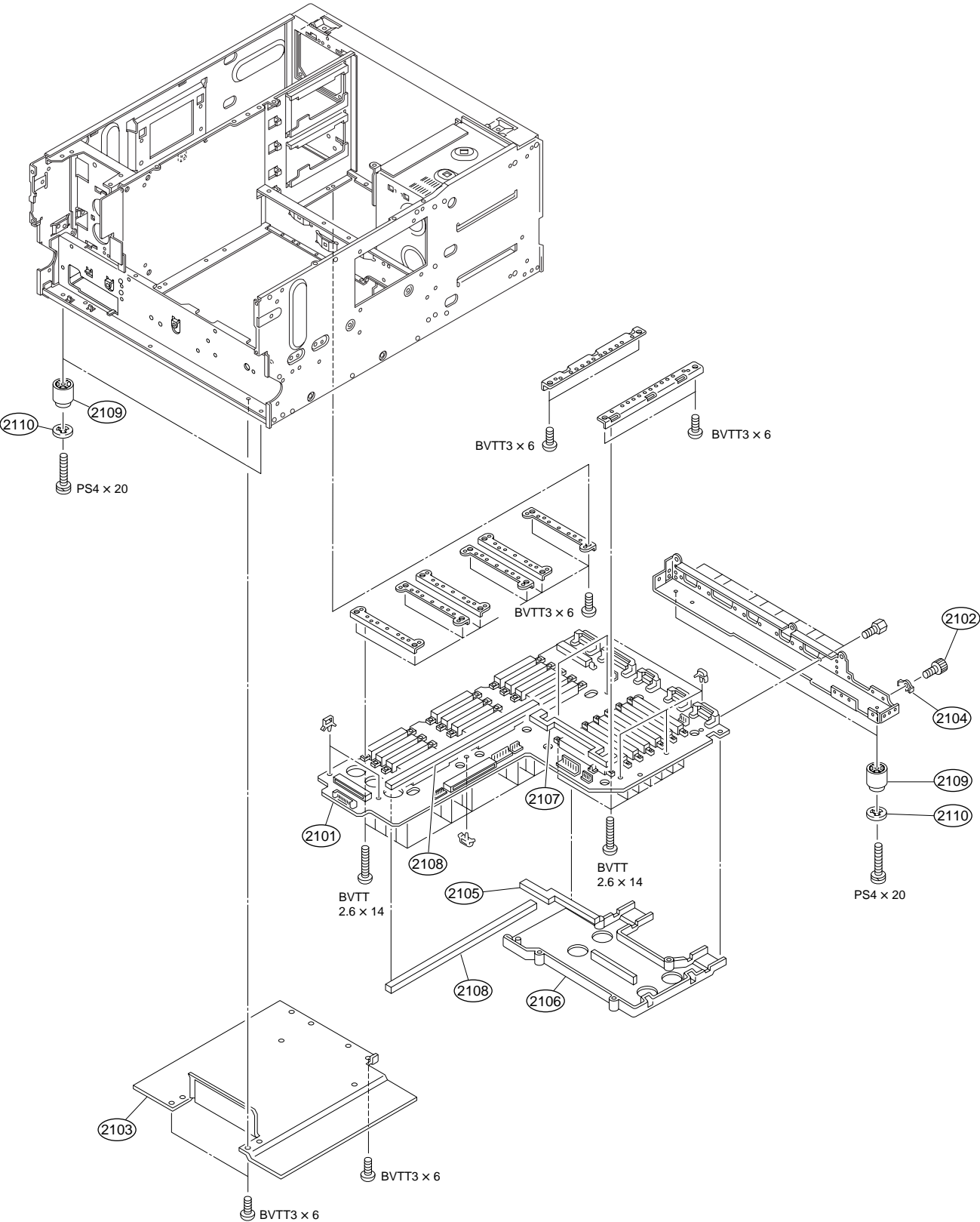
MD PLATE AND CASSETTE COMPARTMENT BRACKET



MOTHER BOARD

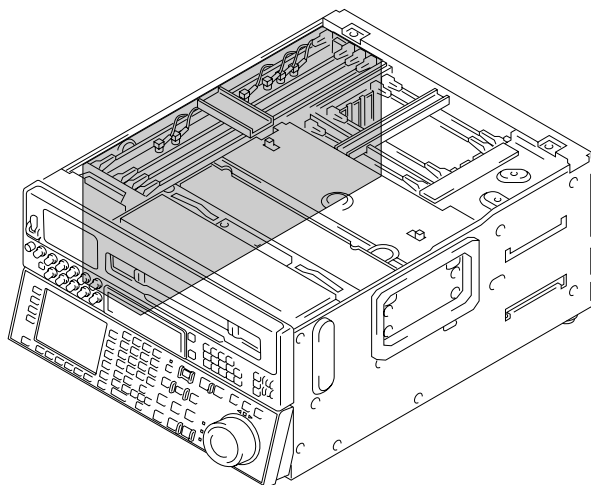
No.	Part No.	SP Description
2101	A-8312-820-A	o MOUNTED CIRCUIT BOARD, MB-697
2102	X-2068-004-0	s TERMINAL ASSY
2103	X-3679-376-1	o PLATE ASSY, ACOUSTIC ISOLATION
2104	2-068-008-00	s WASHER
2105	3-180-634-01	o GUARD (MB1), AIR
2106	3-180-655-01	o HARNESS (A), COVER
2107	3-180-656-01	o GUARD (MB3), AIR
2108	3-180-657-01	o GUARD (MB2), AIR
2109	3-642-656-01	s FOOT
2110	3-650-537-00	o WASHER

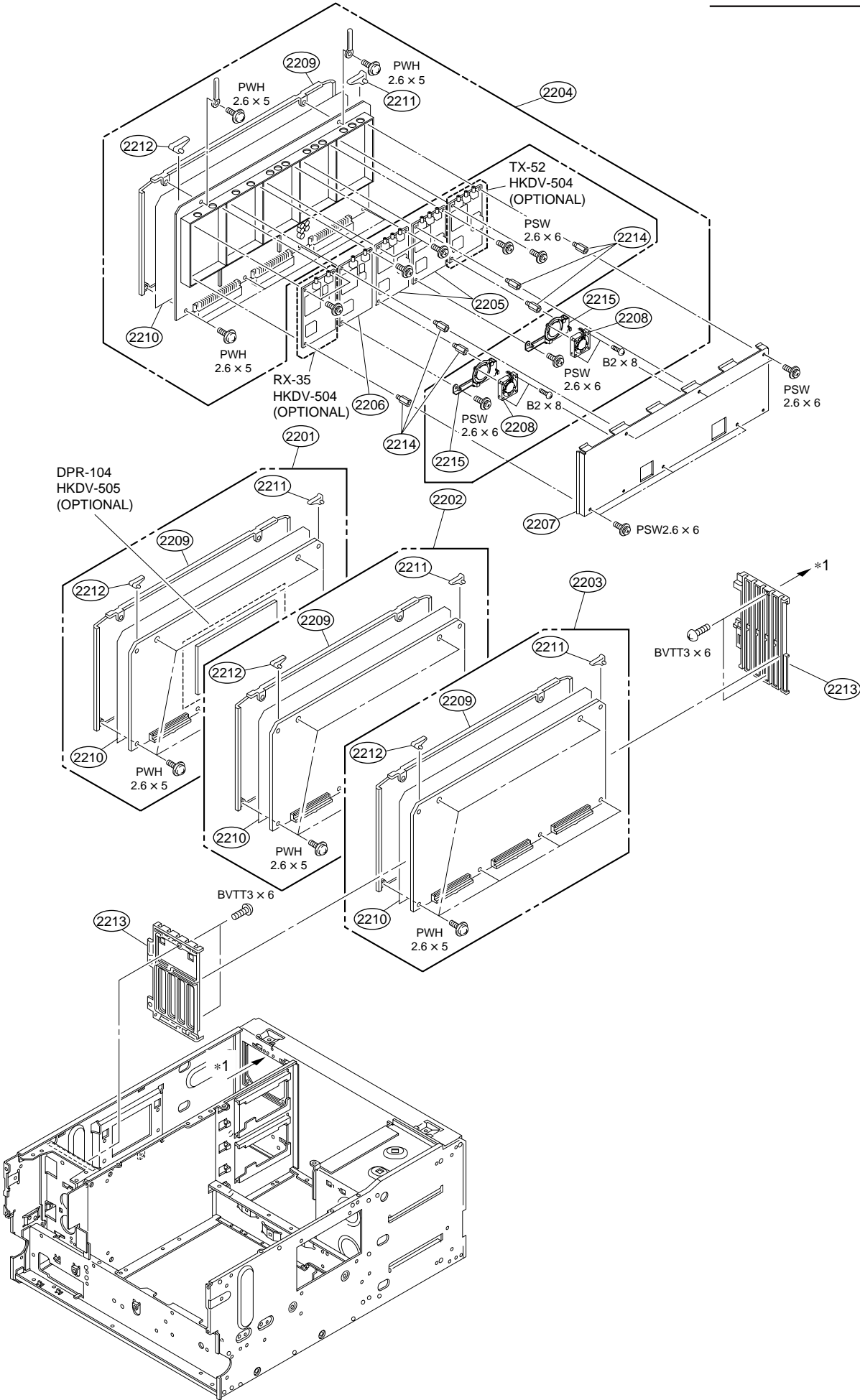




PLUG-IN BOARDS (L)

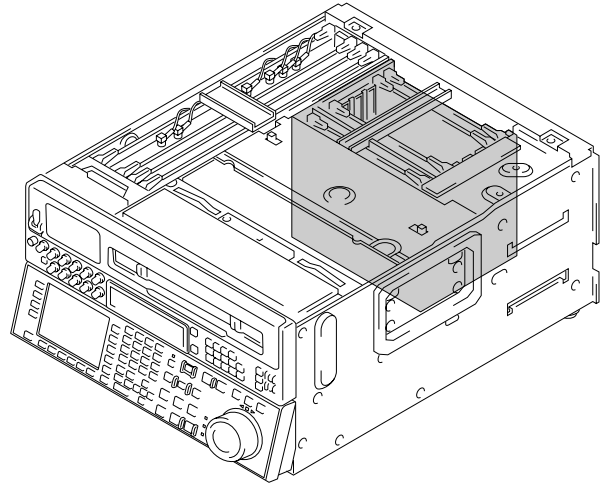
No.	Part No.	SP Description
2201	A-8312-986-A	o MOUNTED CIRCUIT BOARD, DPR-89
2202	A-8312-987-A	o MOUNTED CIRCUIT BOARD, APR-32
2203	A-8312-988-A	o MOUNTED CIRCUIT BOARD, SS-75
2204	A-8313-841-B	o MOUNTED CIRCUIT BOARD, DIF-43A
2205	HK-101	o MOUNTED CIRCUIT BOARD, TX-52 (for J)
2206	HK-102	o MOUNTED CIRCUIT BOARD, RX-35 (for J)
2207	X-3679-382-1	o COVER ASSY, SHIELD, DIF
2208	1-763-037-12	s FAN, DC
2209	3-171-453-03	o PLATE (L), SHIELD, CARD
2210	3-171-454-02	o SHEET (L), CARD
2211	3-179-084-01	s LEVER (R), PC BOARD
2212	3-179-085-01	s LEVER (L), PC BOARD
2213	3-180-646-02	o GUIDE (L), PC-BOARD
2214	3-608-438-01	o SUPPORT, HEXAGON
2215	3-609-613-02	o BRACKET, FAN
	HKDV-504	o MOUNTED CIRCUIT BOARDS, RX-35 AND TX-52
	HKDV-505	o MOUNTED CIRCUIT BOARD, DPR-104

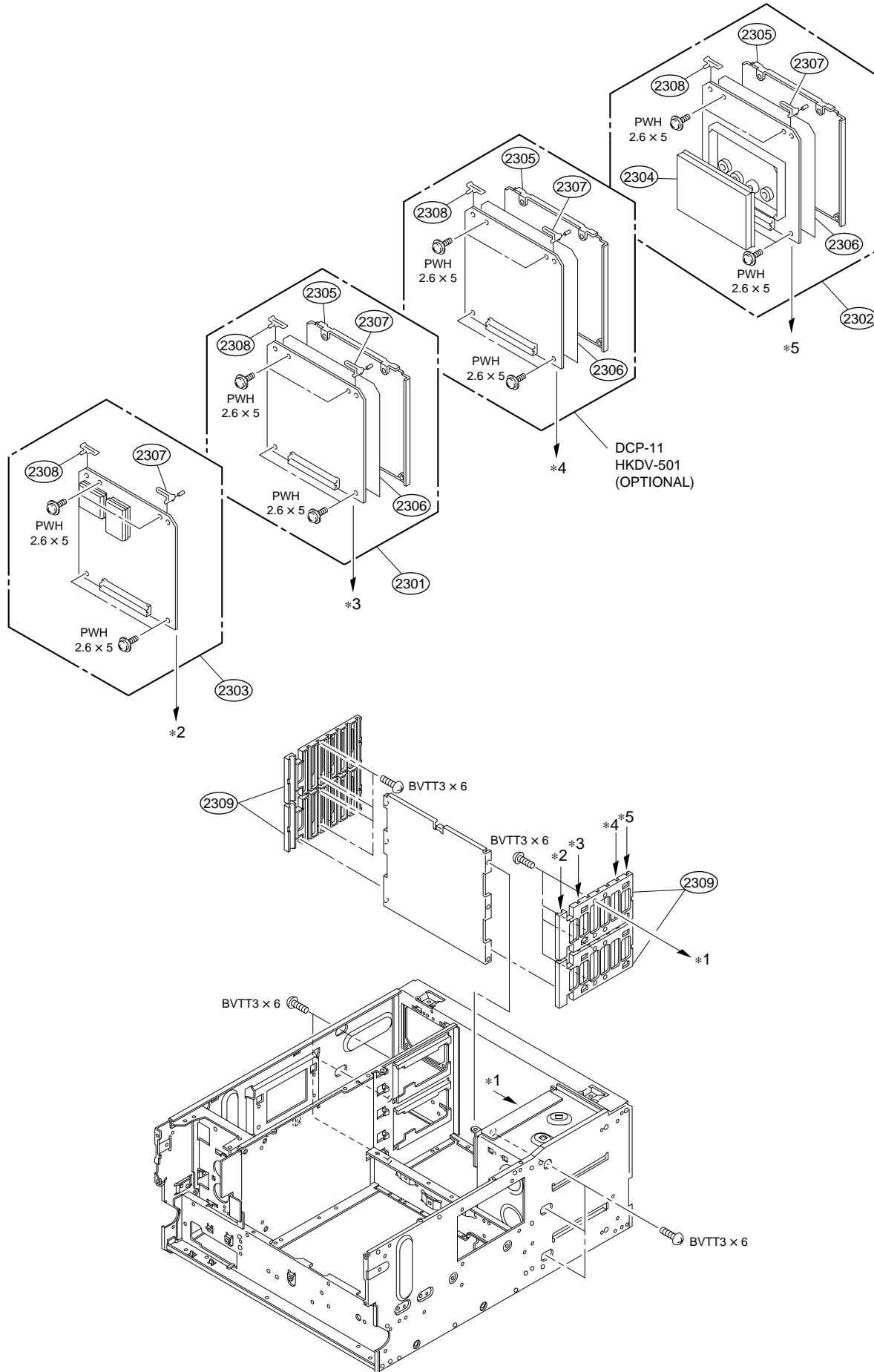




PLUG-IN BOARDS (S)

No.	Part No.	SP Description
2301	A-8312-991-A	o MOUNTED CIRCUIT BOARD, CUE-10
2302	A-8312-989-A	o MOUNTED CIRCUIT BOARD, PSW-51
2303	A-8313-235-A	o MOUNTED CIRCUIT BOARD, EQ-65
2304	X-3679-334-1	o COVER ASSY, SHIELD, PSW
2305	3-171-455-01	o PLATE, (S) CARD
2306	3-171-456-02	o SHEET (S), CARD
2307	3-179-084-01	s LEVER (R), PC BOARD
2308	3-179-085-01	s LEVER (L), PC BOARD
2309	3-180-674-01	o GUIDE (S), PC-BOARD
	HKDV-501	MOUNTED CIRCUIT BOARD, DCP-11





3-4. Electrical Parts List for Boards

AC-169 BOARD

Ref. No. or Q'ty	Part No.	SP Description
lpc	A-8273-562-A	o AC-169 MOUNTED PWB
C1	△ 1-115-166-11	s FILM 0.22uF 20% 275
C2	△ 1-113-905-11	s CERAMIC 220PF 10% 250
C3	△ 1-113-905-11	s CERAMIC 220PF 10% 250
C4	△ 1-113-905-11	s CERAMIC 220PF 10% 250
CN1	△ 1-580-838-11	o CONNECTOR PC BOARD 4P, MALE
CN2	△ 1-691-959-11	o CONNECTOR, PC BOARD 4P, MALE
CN3	△ 1-580-375-11	s INLET 3P
L1	△ 1-421-944-31	s TRANSFORMER, LINE FILTER
R1	△ 1-202-884-11	s COMP 820K 20% 1/2W

APR-32 BOARD

Ref. No. or Q'ty	Part No.	SP Description
lpc	A-8312-987-A	o MOUNTED CIRCUIT BOARD, APR-32
C1	1-163-038-91	s CERAMIC, CHIP 0.1uF 25V 0%
C52	1-163-037-11	s CERAMIC, CHIP 0.022uF 10% 25V
C53	1-163-037-11	s CERAMIC, CHIP 0.022uF 10% 25V
C54	1-163-037-11	s CERAMIC, CHIP 0.022uF 10% 25V
C55	1-163-037-11	s CERAMIC, CHIP 0.022uF 10% 25V
C58	1-163-037-11	s CERAMIC, CHIP 0.022uF 10% 25V
C59	1-163-037-11	s CERAMIC, CHIP 0.022uF 10% 25V
C60	1-126-965-11	s ELECT 22uF 20% 50V
C61	1-126-934-11	s ELECT 220uF 20% 16V
C62	1-126-933-11	s ELECT 100uF 20% 16V
C100	1-124-282-00	s ELECT, NONPOLAR 22uF 20% 25V
C101	1-124-282-00	s ELECT, NONPOLAR 22uF 20% 25V
C102	1-163-251-11	s CERAMIC, CHIP 100PF 5% 50V
C103	1-163-251-11	s CERAMIC, CHIP 100PF 5% 50V
C104	1-126-964-11	s ELECT 10uF 20% 50V
C105	1-163-038-91	s CERAMIC, CHIP 0.1uF 25V 0%
C106	1-163-251-11	s CERAMIC, CHIP 100PF 5% 50V
C107	1-163-251-11	s CERAMIC, CHIP 100PF 5% 50V
C108	1-124-278-00	s ELECT, NONPOLAR 10uF 20% 35V
C109	1-126-947-11	s ELECT 47uF 20% 35V
C110	1-163-038-91	s CERAMIC, CHIP 0.1uF 25V 0%
C111	1-126-947-11	s ELECT 47uF 20% 35V
C112	1-124-278-00	s ELECT, NONPOLAR 10uF 20% 35V
C113	1-163-038-91	s CERAMIC, CHIP 0.1uF 25V 0%
C114	1-163-243-11	s CERAMIC, CHIP 47PF 5% 50V
C115	1-124-282-00	s ELECT, NONPOLAR 22uF 20% 25V
C116	1-163-038-91	s CERAMIC, CHIP 0.1uF 25V 0%
C117	1-137-368-11	s FILM 0.0047uF 5% 50V
C118	1-163-227-11	s CERAMIC, CHIP 10PF 5% 50V
C119	1-137-366-11	s FILM 0.0022uF 5% 50V
C120	1-137-368-11	s FILM 0.0047uF 5% 50V
C121	1-124-282-00	s ELECT, NONPOLAR 22uF 20% 25V
C122	1-163-251-11	s CERAMIC, CHIP 100PF 5% 50V
C125	1-126-964-11	s ELECT 10uF 20% 50V
C126	1-164-161-11	s CERAMIC, CHIP 0.0022uF 10% 100V
C127	1-164-489-11	s CERAMIC, CHIP 0.22uF 10% 16V
C128	1-164-489-11	s CERAMIC, CHIP 0.22uF 10% 16V
C129	1-163-235-11	s CERAMIC, CHIP 22PF 5% 50V
C130	1-126-964-11	s ELECT 10uF 20% 50V
C131	1-163-038-91	s CERAMIC, CHIP 0.1uF 25V 0%
C132	1-163-038-91	s CERAMIC, CHIP 0.1uF 25V 0%
C133	1-163-038-91	s CERAMIC, CHIP 0.1uF 25V 0%
C134	1-163-038-91	s CERAMIC, CHIP 0.1uF 25V 0%
C135	1-163-251-11	s CERAMIC, CHIP 100PF 5% 50V
C136	1-126-964-11	s ELECT 10uF 20% 50V
C137	1-126-964-11	s ELECT 10uF 20% 50V
C138	1-126-964-11	s ELECT 10uF 20% 50V
C139	1-163-038-91	s CERAMIC, CHIP 0.1uF 25V 0%
C140	1-163-038-91	s CERAMIC, CHIP 0.1uF 25V 0%
C141	1-126-964-11	s ELECT 10uF 20% 50V
C142	1-163-251-11	s CERAMIC, CHIP 100PF 5% 50V
C146	1-163-251-11	s CERAMIC, CHIP 100PF 5% 50V
C147	1-163-251-11	s CERAMIC, CHIP 100PF 5% 50V
C200	1-124-282-00	s ELECT, NONPOLAR 22uF 20% 25V
C201	1-124-282-00	s ELECT, NONPOLAR 22uF 20% 25V
C202	1-163-251-11	s CERAMIC, CHIP 100PF 5% 50V
C203	1-163-251-11	s CERAMIC, CHIP 100PF 5% 50V

(APR-32 BOARD)

Ref. No. or Q'ty	Part No.	SP Description
C204	1-126-964-11	s ELECT 10uF 20% 50V
C205	1-163-038-91	s CERAMIC, CHIP 0.1uF 25V 0%
C206	1-163-251-11	s CERAMIC, CHIP 100PF 5% 50V
C207	1-163-251-11	s CERAMIC, CHIP 100PF 5% 50V
C208	1-124-278-00	s ELECT, NONPOLAR 10uF 20% 35V
C209	1-126-947-11	s ELECT 47uF 20% 35V
C210	1-163-038-91	s CERAMIC, CHIP 0.1uF 25V 0%
C211	1-126-947-11	s ELECT 47uF 20% 35V
C212	1-124-278-00	s ELECT, NONPOLAR 10uF 20% 35V
C213	1-163-038-91	s CERAMIC, CHIP 0.1uF 25V 0%
C214	1-163-243-11	s CERAMIC, CHIP 47PF 5% 50V
C215	1-124-282-00	s ELECT, NONPOLAR 22uF 20% 25V
C216	1-163-038-91	s CERAMIC, CHIP 0.1uF 25V 0%
C217	1-137-368-11	s FILM 0.0047uF 5% 50V
C218	1-163-227-11	s CERAMIC, CHIP 10PF 5% 50V
C219	1-137-366-11	s FILM 0.0022uF 5% 50V
C220	1-137-368-11	s FILM 0.0047uF 5% 50V
C221	1-124-282-00	s ELECT, NONPOLAR 22uF 20% 25V
C222	1-163-251-11	s CERAMIC, CHIP 100PF 5% 50V
C226	1-164-161-11	s CERAMIC, CHIP 0.0022uF 10% 100V
C227	1-163-235-11	s CERAMIC, CHIP 22PF 5% 50V
C228	1-163-235-11	s CERAMIC, CHIP 22PF 5% 50V
C229	1-163-235-11	s CERAMIC, CHIP 22PF 5% 50V
C242	1-163-251-11	s CERAMIC, CHIP 100PF 5% 50V
C246	1-163-251-11	s CERAMIC, CHIP 100PF 5% 50V
C247	1-163-251-11	s CERAMIC, CHIP 100PF 5% 50V
C300	1-124-282-00	s ELECT, NONPOLAR 22uF 20% 25V
C301	1-124-282-00	s ELECT, NONPOLAR 22uF 20% 25V
C302	1-163-251-11	s CERAMIC, CHIP 100PF 5% 50V
C303	1-163-251-11	s CERAMIC, CHIP 100PF 5% 50V
C304	1-126-964-11	s ELECT 10uF 20% 50V
C305	1-163-038-91	s CERAMIC, CHIP 0.1uF 25V 0%
C306	1-163-251-11	s CERAMIC, CHIP 100PF 5% 50V
C307	1-163-251-11	s CERAMIC, CHIP 100PF 5% 50V
C308	1-124-278-00	s ELECT, NONPOLAR 10uF 20% 35V
C309	1-126-947-11	s ELECT 47uF 20% 35V
C310	1-163-038-91	s CERAMIC, CHIP 0.1uF 25V 0%
C311	1-126-947-11	s ELECT 47uF 20% 35V
C312	1-124-278-00	s ELECT, NONPOLAR 10uF 20% 35V
C313	1-163-038-91	s CERAMIC, CHIP 0.1uF 25V 0%
C314	1-163-243-11	s CERAMIC, CHIP 47PF 5% 50V
C315	1-124-282-00	s ELECT, NONPOLAR 22uF 20% 25V
C316	1-163-038-91	s CERAMIC, CHIP 0.1uF 25V 0%
C317	1-137-368-11	s FILM 0.0047uF 5% 50V
C318	1-163-227-11	s CERAMIC, CHIP 10PF 5% 50V
C319	1-137-366-11	s FILM 0.0022uF 5% 50V
C320	1-137-368-11	s FILM 0.0047uF 5% 50V
C321	1-124-282-00	s ELECT, NONPOLAR 22uF 20% 25V
C322	1-163-251-11	s CERAMIC, CHIP 100PF 5% 50V
C325	1-126-964-11	s ELECT 10uF 20% 50V
C326	1-164-161-11	s CERAMIC, CHIP 0.0022uF 10% 100V
C327	1-164-489-11	s CERAMIC, CHIP 0.22uF 10% 16V
C328	1-164-489-11	s CERAMIC, CHIP 0.22uF 10% 16V
C329	1-163-235-11	s CERAMIC, CHIP 22PF 5% 50V
C330	1-126-964-11	s ELECT 10uF 20% 50V
C331	1-163-038-91	s CERAMIC, CHIP 0.1uF 25V 0%
C332	1-163-038-91	s CERAMIC, CHIP 0.1uF 25V 0%
C333	1-163-038-91	s CERAMIC, CHIP 0.1uF 25V 0%
C334	1-163-038-91	s CERAMIC, CHIP 0.1uF 25V 0%

(APR-32 BOARD)

Ref. No. or Q'ty	Part No.	SP Description
C335	1-163-251-11	s CERAMIC, CHIP 100PF 5% 50V
C336	1-126-964-11	s ELECT 10uF 20% 50V
C337	1-126-964-11	s ELECT 10uF 20% 50V
C338	1-126-964-11	s ELECT 10uF 20% 50V
C339	1-163-038-91	s CERAMIC, CHIP 0.1uF 25V 0%
C340	1-163-038-91	s CERAMIC, CHIP 0.1uF 25V 0%
C341	1-126-964-11	s ELECT 10uF 20% 50V
C342	1-163-251-11	s CERAMIC, CHIP 100PF 5% 50V
C346	1-163-251-11	s CERAMIC, CHIP 100PF 5% 50V
C347	1-163-251-11	s CERAMIC, CHIP 100PF 5% 50V
C400	1-124-282-00	s ELECT, NONPOLAR 22uF 20% 25V
C401	1-124-282-00	s ELECT, NONPOLAR 22uF 20% 25V
C402	1-163-251-11	s CERAMIC, CHIP 100PF 5% 50V
C403	1-163-251-11	s CERAMIC, CHIP 100PF 5% 50V
C404	1-126-964-11	s ELECT 10uF 20% 50V
C405	1-163-038-91	s CERAMIC, CHIP 0.1uF 25V 0%
C406	1-163-251-11	s CERAMIC, CHIP 100PF 5% 50V
C407	1-163-251-11	s CERAMIC, CHIP 100PF 5% 50V
C408	1-124-278-00	s ELECT, NONPOLAR 10uF 20% 35V
C409	1-126-947-11	s ELECT 47uF 20% 35V
C410	1-163-038-91	s CERAMIC, CHIP 0.1uF 25V 0%
C411	1-126-947-11	s ELECT 47uF 20% 35V
C412	1-124-278-00	s ELECT, NONPOLAR 10uF 20% 35V
C413	1-163-038-91	s CERAMIC, CHIP 0.1uF 25V 0%
C414	1-163-243-11	s CERAMIC, CHIP 47PF 5% 50V
C415	1-124-282-00	s ELECT, NONPOLAR 22uF 20% 25V
C416	1-163-038-91	s CERAMIC, CHIP 0.1uF 25V 0%
C417	1-137-368-11	s FILM 0.0047uF 5% 50V
C418	1-163-227-11	s CERAMIC, CHIP 10PF 5% 50V
C419	1-137-366-11	s FILM 0.0022uF 5% 50V
C420	1-137-368-11	s FILM 0.0047uF 5% 50V
C421	1-124-282-00	s ELECT, NONPOLAR 22uF 20% 25V
C422	1-163-251-11	s CERAMIC, CHIP 100PF 5% 50V
C426	1-164-161-11	s CERAMIC, CHIP 0.0022uF 10% 100V
C427	1-163-235-11	s CERAMIC, CHIP 22PF 5% 50V
C428	1-163-235-11	s CERAMIC, CHIP 22PF 5% 50V
C429	1-163-235-11	s CERAMIC, CHIP 22PF 5% 50V
C442	1-163-251-11	s CERAMIC, CHIP 100PF 5% 50V
C446	1-163-251-11	s CERAMIC, CHIP 100PF 5% 50V
C447	1-163-251-11	s CERAMIC, CHIP 100PF 5% 50V
C500	1-163-038-91	s CERAMIC, CHIP 0.1uF 25V 0%
C501	1-126-947-11	s ELECT 47uF 20% 35V
C502	1-126-965-11	s ELECT 22uF 20% 50V
C503	1-126-933-11	s ELECT 100uF 20% 16V
C504	1-124-282-00	s ELECT, NONPOLAR 22uF 20% 25V
C505	1-126-933-11	s ELECT 100uF 20% 16V
C506	1-124-282-00	s ELECT, NONPOLAR 22uF 20% 25V
C507	1-126-933-11	s ELECT 100uF 20% 16V
C508	1-163-038-91	s CERAMIC, CHIP 0.1uF 25V 0%
C509	1-163-251-11	s CERAMIC, CHIP 100PF 5% 50V
C510	1-163-251-11	s CERAMIC, CHIP 100PF 5% 50V
C511	1-163-038-91	s CERAMIC, CHIP 0.1uF 25V 0%
C512	1-126-964-11	s ELECT 10uF 20% 50V
C513	1-137-366-11	s FILM 0.0022uF 5% 50V
C514	1-137-366-11	s FILM 0.0022uF 5% 50V
C515	1-137-364-11	s FILM 0.001uF 5% 50V
C516	1-137-364-11	s FILM 0.001uF 5% 50V
C517	1-124-278-00	s ELECT, NONPOLAR 10uF 20% 35V
C518	1-124-278-00	s ELECT, NONPOLAR 10uF 20% 35V

(APR-32 BOARD)

Ref. No. or Q'ty	Part No.	SP Description
C519	1-137-368-11	s FILM 0.0047uF 5% 50V
C520	1-137-368-11	s FILM 0.0047uF 5% 50V
C521	1-163-038-91	s CERAMIC, CHIP 0.1uF 25V 0%
C522	1-163-038-91	s CERAMIC, CHIP 0.1uF 25V 0%
C523	1-126-933-11	s ELECT 100uF 20% 16V
C524	1-163-038-91	s CERAMIC, CHIP 0.1uF 25V 0%
C525	1-163-038-91	s CERAMIC, CHIP 0.1uF 25V 0%
C526	1-163-038-91	s CERAMIC, CHIP 0.1uF 25V 0%
C527	1-163-038-91	s CERAMIC, CHIP 0.1uF 25V 0%
C528	1-163-038-91	s CERAMIC, CHIP 0.1uF 25V 0%
C529	1-163-038-91	s CERAMIC, CHIP 0.1uF 25V 0%
C530	1-126-964-11	s ELECT 10uF 20% 50V
C531	1-124-282-00	s ELECT, NONPOLAR 22uF 20% 25V
C532	1-124-282-00	s ELECT, NONPOLAR 22uF 20% 25V
C533	1-124-282-00	s ELECT, NONPOLAR 22uF 20% 25V
C534	1-124-282-00	s ELECT, NONPOLAR 22uF 20% 25V
C535	1-163-235-11	s CERAMIC, CHIP 22PF 5% 50V
C536	1-163-235-11	s CERAMIC, CHIP 22PF 5% 50V
C537	1-163-235-11	s CERAMIC, CHIP 22PF 5% 50V
C538	1-163-235-11	s CERAMIC, CHIP 22PF 5% 50V
C539	1-124-282-00	s ELECT, NONPOLAR 22uF 20% 25V
C540	1-124-282-00	s ELECT, NONPOLAR 22uF 20% 25V
C541	1-124-282-00	s ELECT, NONPOLAR 22uF 20% 25V
C542	1-124-282-00	s ELECT, NONPOLAR 22uF 20% 25V
C543	1-163-251-11	s CERAMIC, CHIP 100PF 5% 50V
C544	1-163-251-11	s CERAMIC, CHIP 100PF 5% 50V
C545	1-163-251-11	s CERAMIC, CHIP 100PF 5% 50V
C546	1-163-251-11	s CERAMIC, CHIP 100PF 5% 50V
C547	1-124-282-00	s ELECT, NONPOLAR 22uF 20% 25V
C548	1-124-282-00	s ELECT, NONPOLAR 22uF 20% 25V
C549	1-124-282-00	s ELECT, NONPOLAR 22uF 20% 25V
C550	1-124-282-00	s ELECT, NONPOLAR 22uF 20% 25V
C551	1-137-364-11	s FILM 0.001uF 5% 50V
C552	1-137-364-11	s FILM 0.001uF 5% 50V
C553	1-126-933-11	s ELECT 100uF 20% 16V
C554	1-126-933-11	s ELECT 100uF 20% 16V
C555	1-126-947-11	s ELECT 47uF 20% 35V
C556	1-126-947-11	s ELECT 47uF 20% 35V
C557	1-163-037-11	s CERAMIC, CHIP 0.022uF 10% 25V
C558	1-163-037-11	s CERAMIC, CHIP 0.022uF 10% 25V
C559	1-126-947-11	s ELECT 47uF 20% 35V
C560	1-126-947-11	s ELECT 47uF 20% 35V
C561	1-163-037-11	s CERAMIC, CHIP 0.022uF 10% 25V
C562	1-163-037-11	s CERAMIC, CHIP 0.022uF 10% 25V
C563	1-163-227-11	s CERAMIC, CHIP 10PF 5% 50V
C564	1-163-227-11	s CERAMIC, CHIP 10PF 5% 50V
C565	1-126-947-11	s ELECT 47uF 20% 35V
C566	1-126-933-11	s ELECT 100uF 20% 16V
C567	1-163-038-91	s CERAMIC, CHIP 0.1uF 25V 0%
C568	1-126-965-11	s ELECT 22uF 20% 50V
C569	1-126-933-11	s ELECT 100uF 20% 16V
C570	1-163-038-91	s CERAMIC, CHIP 0.1uF 25V 0%
C571	1-163-038-91	s CERAMIC, CHIP 0.1uF 25V 0%
C572	1-126-964-11	s ELECT 10uF 20% 50V
C573	1-163-038-91	s CERAMIC, CHIP 0.1uF 25V 0%
C574	1-126-964-11	s ELECT 10uF 20% 50V
C700	1-163-038-91	s CERAMIC, CHIP 0.1uF 25V 0%
C701	1-126-947-11	s ELECT 47uF 20% 35V
C702	1-126-965-11	s ELECT 22uF 20% 50V

(APR-32 BOARD)

Ref. No. or Q'ty	Part No.	SP Description
C703	1-126-933-11	s ELECT 100uF 20% 16V
C704	1-124-282-00	s ELECT, NONPOLAR 22uF 20% 25V
C705	1-126-933-11	s ELECT 100uF 20% 16V
C706	1-124-282-00	s ELECT, NONPOLAR 22uF 20% 25V
C707	1-126-933-11	s ELECT 100uF 20% 16V
C708	1-163-038-91	s CERAMIC, CHIP 0.1uF 25V 0%
C709	1-163-251-11	s CERAMIC, CHIP 100PF 5% 50V
C710	1-163-251-11	s CERAMIC, CHIP 100PF 5% 50V
C711	1-163-038-91	s CERAMIC, CHIP 0.1uF 25V 0%
C712	1-126-964-11	s ELECT 10uF 20% 50V
C713	1-137-366-11	s FILM 0.0022uF 5% 50V
C714	1-137-366-11	s FILM 0.0022uF 5% 50V
C715	1-137-364-11	s FILM 0.001uF 5% 50V
C716	1-137-364-11	s FILM 0.001uF 5% 50V
C717	1-124-278-00	s ELECT, NONPOLAR 10uF 20% 35V
C718	1-124-278-00	s ELECT, NONPOLAR 10uF 20% 35V
C719	1-137-368-11	s FILM 0.0047uF 5% 50V
C720	1-137-368-11	s FILM 0.0047uF 5% 50V
C721	1-163-038-91	s CERAMIC, CHIP 0.1uF 25V 0%
C722	1-163-038-91	s CERAMIC, CHIP 0.1uF 25V 0%
C723	1-126-933-11	s ELECT 100uF 20% 16V
C724	1-163-038-91	s CERAMIC, CHIP 0.1uF 25V 0%
C725	1-163-038-91	s CERAMIC, CHIP 0.1uF 25V 0%
C726	1-163-038-91	s CERAMIC, CHIP 0.1uF 25V 0%
C727	1-163-038-91	s CERAMIC, CHIP 0.1uF 25V 0%
C728	1-163-038-91	s CERAMIC, CHIP 0.1uF 25V 0%
C729	1-163-038-91	s CERAMIC, CHIP 0.1uF 25V 0%
C730	1-126-964-11	s ELECT 10uF 20% 50V
C731	1-124-282-00	s ELECT, NONPOLAR 22uF 20% 25V
C732	1-124-282-00	s ELECT, NONPOLAR 22uF 20% 25V
C733	1-124-282-00	s ELECT, NONPOLAR 22uF 20% 25V
C734	1-124-282-00	s ELECT, NONPOLAR 22uF 20% 25V
C735	1-163-235-11	s CERAMIC, CHIP 22PF 5% 50V
C736	1-163-235-11	s CERAMIC, CHIP 22PF 5% 50V
C737	1-163-235-11	s CERAMIC, CHIP 22PF 5% 50V
C738	1-163-235-11	s CERAMIC, CHIP 22PF 5% 50V
C739	1-124-282-00	s ELECT, NONPOLAR 22uF 20% 25V
C740	1-124-282-00	s ELECT, NONPOLAR 22uF 20% 25V
C741	1-124-282-00	s ELECT, NONPOLAR 22uF 20% 25V
C742	1-124-282-00	s ELECT, NONPOLAR 22uF 20% 25V
C743	1-163-251-11	s CERAMIC, CHIP 100PF 5% 50V
C744	1-163-251-11	s CERAMIC, CHIP 100PF 5% 50V
C745	1-163-251-11	s CERAMIC, CHIP 100PF 5% 50V
C746	1-163-251-11	s CERAMIC, CHIP 100PF 5% 50V
C747	1-124-282-00	s ELECT, NONPOLAR 22uF 20% 25V
C748	1-124-282-00	s ELECT, NONPOLAR 22uF 20% 25V
C749	1-124-282-00	s ELECT, NONPOLAR 22uF 20% 25V
C750	1-124-282-00	s ELECT, NONPOLAR 22uF 20% 25V
C751	1-137-364-11	s FILM 0.001uF 5% 50V
C752	1-137-364-11	s FILM 0.001uF 5% 50V
C753	1-126-933-11	s ELECT 100uF 20% 16V
C754	1-126-933-11	s ELECT 100uF 20% 16V
C755	1-126-947-11	s ELECT 47uF 20% 35V
C756	1-126-947-11	s ELECT 47uF 20% 35V
C757	1-163-037-11	s CERAMIC, CHIP 0.022uF 10% 25V
C758	1-163-037-11	s CERAMIC, CHIP 0.022uF 10% 25V
C759	1-126-947-11	s ELECT 47uF 20% 35V
C760	1-126-947-11	s ELECT 47uF 20% 35V
C761	1-163-037-11	s CERAMIC, CHIP 0.022uF 10% 25V

(APR-32 BOARD)

Ref. No. or Q'ty	Part No.	SP Description
C762	1-163-037-11	s CERAMIC, CHIP 0.022uF 10% 25V
C763	1-163-227-11	s CERAMIC, CHIP 10PF 5% 50V
C764	1-163-227-11	s CERAMIC, CHIP 10PF 5% 50V
C765	1-126-947-11	s ELECT 47uF 20% 35V
C766	1-126-933-11	s ELECT 100uF 20% 16V
C767	1-163-038-91	s CERAMIC, CHIP 0.1uF 25V 0%
C768	1-126-965-11	s ELECT 22uF 20% 50V
C769	1-126-933-11	s ELECT 100uF 20% 16V
C770	1-163-038-91	s CERAMIC, CHIP 0.1uF 25V 0%
C771	1-163-038-91	s CERAMIC, CHIP 0.1uF 25V 0%
C772	1-126-964-11	s ELECT 10uF 20% 50V
C773	1-163-038-91	s CERAMIC, CHIP 0.1uF 25V 0%
C774	1-126-964-11	s ELECT 10uF 20% 50V
C900	1-163-038-91	s CERAMIC, CHIP 0.1uF 25V 0%
C901	1-164-161-11	s CERAMIC, CHIP 0.0022uF 10% 100V
C902	1-126-964-11	s ELECT 10uF 20% 50V
C903	1-126-933-11	s ELECT 100uF 20% 16V
C904	1-126-933-11	s ELECT 100uF 20% 16V
C905	1-126-933-11	s ELECT 100uF 20% 16V
C906	1-126-933-11	s ELECT 100uF 20% 16V
C907	1-126-933-11	s ELECT 100uF 20% 16V
C908	1-126-933-11	s ELECT 100uF 20% 16V
C909	1-163-038-91	s CERAMIC, CHIP 0.1uF 25V 0%
C910	1-163-251-11	s CERAMIC, CHIP 100PF 5% 50V
C911	1-163-251-11	s CERAMIC, CHIP 100PF 5% 50V
C912	1-163-038-91	s CERAMIC, CHIP 0.1uF 25V 0%
C913	1-126-964-11	s ELECT 10uF 20% 50V
C914	1-137-366-11	s FILM 0.0022uF 5% 50V
C915	1-137-366-11	s FILM 0.0022uF 5% 50V
C916	1-163-227-11	s CERAMIC, CHIP 10PF 5% 50V
C917	1-137-364-11	s FILM 0.001uF 5% 50V
C918	1-137-364-11	s FILM 0.001uF 5% 50V
C919	1-124-278-00	s ELECT, NONPOLAR 10uF 20% 35V
C920	1-124-278-00	s ELECT, NONPOLAR 10uF 20% 35V
C921	1-137-368-11	s FILM 0.0047uF 5% 50V
C922	1-137-368-11	s FILM 0.0047uF 5% 50V
C923	1-163-038-91	s CERAMIC, CHIP 0.1uF 25V 0%
C924	1-163-038-91	s CERAMIC, CHIP 0.1uF 25V 0%
C925	1-163-038-91	s CERAMIC, CHIP 0.1uF 25V 0%
C926	1-163-038-91	s CERAMIC, CHIP 0.1uF 25V 0%
C927	1-126-964-11	s ELECT 10uF 20% 50V
C928	1-126-964-11	s ELECT 10uF 20% 50V
C929	1-163-038-91	s CERAMIC, CHIP 0.1uF 25V 0%
C930	1-163-038-91	s CERAMIC, CHIP 0.1uF 25V 0%
C931	1-163-038-91	s CERAMIC, CHIP 0.1uF 25V 0%
C932	1-163-038-91	s CERAMIC, CHIP 0.1uF 25V 0%
C933	1-163-038-91	s CERAMIC, CHIP 0.1uF 25V 0%
C934	1-163-038-91	s CERAMIC, CHIP 0.1uF 25V 0%
C935	1-163-038-91	s CERAMIC, CHIP 0.1uF 25V 0%
C936	1-163-038-91	s CERAMIC, CHIP 0.1uF 25V 0%
C937	1-126-964-11	s ELECT 10uF 20% 50V
C938	1-126-964-11	s ELECT 10uF 20% 50V
C941	1-124-282-00	s ELECT, NONPOLAR 22uF 20% 25V
C942	1-124-282-00	s ELECT, NONPOLAR 22uF 20% 25V
C943	1-124-282-00	s ELECT, NONPOLAR 22uF 20% 25V
C944	1-124-282-00	s ELECT, NONPOLAR 22uF 20% 25V
C945	1-163-235-11	s CERAMIC, CHIP 22PF 5% 50V
C946	1-163-235-11	s CERAMIC, CHIP 22PF 5% 50V
C947	1-163-235-11	s CERAMIC, CHIP 22PF 5% 50V

(APR-32 BOARD)

Ref. No. or Q'ty	Part No.	SP Description
C948	1-163-235-11	s CERAMIC, CHIP 22PF 5% 50V
C949	1-124-282-00	s ELECT, NONPOLAR 22uF 20% 25V
C950	1-124-282-00	s ELECT, NONPOLAR 22uF 20% 25V
C951	1-124-282-00	s ELECT, NONPOLAR 22uF 20% 25V
C952	1-124-282-00	s ELECT, NONPOLAR 22uF 20% 25V
C953	1-163-251-11	s CERAMIC, CHIP 100PF 5% 50V
C954	1-163-251-11	s CERAMIC, CHIP 100PF 5% 50V
C955	1-163-251-11	s CERAMIC, CHIP 100PF 5% 50V
C956	1-163-251-11	s CERAMIC, CHIP 100PF 5% 50V
C957	1-124-282-00	s ELECT, NONPOLAR 22uF 20% 25V
C958	1-124-282-00	s ELECT, NONPOLAR 22uF 20% 25V
C959	1-124-282-00	s ELECT, NONPOLAR 22uF 20% 25V
C960	1-124-282-00	s ELECT, NONPOLAR 22uF 20% 25V
C961	1-137-364-11	s FILM 0.001uF 5% 50V
C962	1-137-364-11	s FILM 0.001uF 5% 50V
C963	1-126-933-11	s ELECT 100uF 20% 16V
C964	1-126-933-11	s ELECT 100uF 20% 16V
C965	1-126-947-11	s ELECT 47uF 20% 35V
C966	1-126-947-11	s ELECT 47uF 20% 35V
C967	1-163-037-11	s CERAMIC, CHIP 0.022uF 10% 25V
C968	1-163-037-11	s CERAMIC, CHIP 0.022uF 10% 25V
C969	1-126-947-11	s ELECT 47uF 20% 35V
C970	1-126-947-11	s ELECT 47uF 20% 35V
C971	1-163-037-11	s CERAMIC, CHIP 0.022uF 10% 25V
C972	1-163-037-11	s CERAMIC, CHIP 0.022uF 10% 25V
C973	1-163-227-11	s CERAMIC, CHIP 10PF 5% 50V
C974	1-163-235-11	s CERAMIC, CHIP 22PF 5% 50V
C975	1-163-235-11	s CERAMIC, CHIP 22PF 5% 50V
C1001	1-124-278-00	s ELECT, NONPOLAR 10uF 20% 35V
C1002	1-124-278-00	s ELECT, NONPOLAR 10uF 20% 35V
C1003	1-163-038-91	s CERAMIC, CHIP 0.1uF 25V 0%
C1004	1-163-038-91	s CERAMIC, CHIP 0.1uF 25V 0%
C1100	1-126-947-11	s ELECT 47uF 20% 35V
C1101	1-126-947-11	s ELECT 47uF 20% 35V
C1102	1-163-037-11	s CERAMIC, CHIP 0.022uF 10% 25V
C1103	1-126-947-11	s ELECT 47uF 20% 35V
C1104	1-126-947-11	s ELECT 47uF 20% 35V
C1105	1-126-947-11	s ELECT 47uF 20% 35V
C1106	1-126-947-11	s ELECT 47uF 20% 35V
C1107	1-126-947-11	s ELECT 47uF 20% 35V
C1108	1-126-947-11	s ELECT 47uF 20% 35V
C1109	1-126-947-11	s ELECT 47uF 20% 35V
C1110	1-126-947-11	s ELECT 47uF 20% 35V
C1111	1-163-037-11	s CERAMIC, CHIP 0.022uF 10% 25V
C1112	1-163-037-11	s CERAMIC, CHIP 0.022uF 10% 25V
C1113	1-163-037-11	s CERAMIC, CHIP 0.022uF 10% 25V
C1114	1-163-037-11	s CERAMIC, CHIP 0.022uF 10% 25V
C1120	1-126-947-11	s ELECT 47uF 20% 35V
C1121	1-163-037-11	s CERAMIC, CHIP 0.022uF 10% 25V
C1300	1-163-038-91	s CERAMIC, CHIP 0.1uF 25V 0%
C1301	1-126-964-11	s ELECT 10uF 20% 50V
C1303	1-163-038-91	s CERAMIC, CHIP 0.1uF 25V 0%
C1304	1-163-038-91	s CERAMIC, CHIP 0.1uF 25V 0%
C1315	1-163-037-11	s CERAMIC, CHIP 0.022uF 10% 25V
C1320	1-163-245-11	s CERAMIC, CHIP 56PF 5% 50V
C1321	1-163-245-11	s CERAMIC, CHIP 56PF 5% 50V
CN113	1-778-261-11	o CONNECTOR, BB 124P, MALE
CN114	1-778-261-11	o CONNECTOR, BB 124P, MALE

(APR-32 BOARD)

Ref. No. or Q'ty	Part No.	SP Description
CN115	1-778-262-11	o CONNECTOR, BB 148P, MALE
D1	8-719-024-81	s DIODE 1SS300-TE85L
D2	8-719-404-35	s DIODE MA141WK
D3	8-719-024-81	s DIODE 1SS300-TE85L
D4	8-719-024-81	s DIODE 1SS300-TE85L
D5	8-719-024-81	s DIODE 1SS300-TE85L
D6	8-719-404-35	s DIODE MA141WK
D7	8-719-404-35	s DIODE MA141WK
D8	8-719-404-35	s DIODE MA141WK
D50	8-719-801-48	s DIODE 1SS193
D51	8-719-026-16	s LED CL-150D-CD, ORG
D52	8-719-941-23	s DIODE DA204U
D53	8-719-941-23	s DIODE DA204U
D100	8-719-801-48	s DIODE 1SS193
D101	8-719-820-41	s DIODE 1SS302
D102	8-719-820-41	s DIODE 1SS302
D104	8-719-941-23	s DIODE DA204U
D105	8-719-941-23	s DIODE DA204U
D200	8-719-801-48	s DIODE 1SS193
D201	8-719-820-41	s DIODE 1SS302
D202	8-719-820-41	s DIODE 1SS302
D204	8-719-941-23	s DIODE DA204U
D205	8-719-941-23	s DIODE DA204U
D300	8-719-801-48	s DIODE 1SS193
D301	8-719-820-41	s DIODE 1SS302
D302	8-719-820-41	s DIODE 1SS302
D304	8-719-941-23	s DIODE DA204U
D305	8-719-941-23	s DIODE DA204U
D400	8-719-801-48	s DIODE 1SS193
D401	8-719-820-41	s DIODE 1SS302
D402	8-719-820-41	s DIODE 1SS302
D404	8-719-941-23	s DIODE DA204U
D405	8-719-941-23	s DIODE DA204U
D500	8-719-941-04	s DIODE SB007-03CP
D501	8-719-941-04	s DIODE SB007-03CP
D502	8-719-801-48	s DIODE 1SS193
D503	8-719-801-48	s DIODE 1SS193
D504	8-719-820-41	s DIODE 1SS302
D505	8-719-820-41	s DIODE 1SS302
D506	8-719-820-41	s DIODE 1SS302
D507	8-719-820-41	s DIODE 1SS302
D700	8-719-941-04	s DIODE SB007-03CP
D701	8-719-941-04	s DIODE SB007-03CP
D702	8-719-801-48	s DIODE 1SS193
D703	8-719-801-48	s DIODE 1SS193
D704	8-719-820-41	s DIODE 1SS302
D705	8-719-820-41	s DIODE 1SS302
D706	8-719-820-41	s DIODE 1SS302
D707	8-719-820-41	s DIODE 1SS302
D900	8-719-941-23	s DIODE DA204U
D903	8-719-801-48	s DIODE 1SS193
D904	8-719-801-48	s DIODE 1SS193
D905	8-719-801-48	s DIODE 1SS193
D906	8-719-801-48	s DIODE 1SS193
D907	8-719-820-41	s DIODE 1SS302
D908	8-719-820-41	s DIODE 1SS302
D909	8-719-820-41	s DIODE 1SS302
D910	8-719-820-41	s DIODE 1SS302

(APR-32 BOARD)

Ref. No. or Q'ty	Part No.	SP Description
FB1300	1-543-309-21	s BEAD, FERRITE
IC1	8-759-062-88	s IC CXD8277Q
IC2	8-759-925-74	s IC TC74HC04ANS
IC3	8-759-062-88	s IC CXD8277Q
IC4	8-759-061-67	s IC MC34051M
IC5	8-759-925-90	s IC SN74HC74ANS
IC6	8-759-926-05	s IC SN74HC125ANS
IC7	8-759-069-38	s IC CXD8278AQ
IC8	8-759-069-38	s IC CXD8278AQ
IC9	8-759-186-39	s IC TC74VHC74F
IC10	8-759-186-39	s IC TC74VHC74F
IC50	8-759-235-19	s IC TC74HC08AF(EL)
IC51	8-759-528-20	o IC APR32-IC51-V1.01, ONE TIME PROM
IC52	8-759-926-11	s IC SN74HC138ANS
IC53	8-759-926-66	s IC SN74HC373ANS
IC54	8-752-381-84	s IC CXD1095BQ
IC57	8-759-940-45	s IC S-8054HN-CB
IC58	8-759-081-42	s IC TC74VHC00F
IC59	8-759-940-45	s IC S-8054HN-CB
IC60	8-759-940-45	s IC S-8054HN-CB
IC100	8-759-064-92	s IC NJM5532M-D
IC101	8-759-112-66	s IC UPC812G2
IC102	8-759-745-64	s IC NJM4560M
IC103	8-759-518-74	s IC DBX2151
IC105	8-759-745-64	s IC NJM4560M
IC106	8-759-745-64	s IC NJM4560M
IC107	8-759-336-17	s IC AK5390-VS
IC108	8-759-700-65	s IC NJM79L05A
IC109	8-759-708-05	s IC NJM78L05A
IC112	8-759-925-90	s IC SN74HC74ANS
IC117	8-759-745-64	s IC NJM4560M
IC200	8-759-064-92	s IC NJM5532M-D
IC201	8-759-112-66	s IC UPC812G2
IC202	8-759-745-64	s IC NJM4560M
IC203	8-759-518-74	s IC DBX2151
IC205	8-759-745-64	s IC NJM4560M
IC206	8-759-745-64	s IC NJM4560M
IC217	8-759-745-64	s IC NJM4560M
IC300	8-759-064-92	s IC NJM5532M-D
IC301	8-759-112-66	s IC UPC812G2
IC302	8-759-745-64	s IC NJM4560M
IC303	8-759-518-74	s IC DBX2151
IC305	8-759-745-64	s IC NJM4560M
IC306	8-759-745-64	s IC NJM4560M
IC307	8-759-336-17	s IC AK5390-VS
IC308	8-759-700-65	s IC NJM79L05A
IC309	8-759-708-05	s IC NJM78L05A
IC317	8-759-745-64	s IC NJM4560M
IC400	8-759-064-92	s IC NJM5532M-D
IC401	8-759-112-66	s IC UPC812G2
IC402	8-759-745-64	s IC NJM4560M
IC403	8-759-518-74	s IC DBX2151
IC405	8-759-745-64	s IC NJM4560M
IC406	8-759-745-64	s IC NJM4560M
IC417	8-759-745-64	s IC NJM4560M
IC500	8-759-062-40	s IC SM5842APT
IC501	8-759-253-90	s IC PCM1702U-J
IC502	8-759-700-94	s IC NJM5532M

(APR-32 BOARD)

Ref. No. or Q'ty	Part No.	SP Description
IC503	8-759-700-94	s IC NJM5532M
IC504	8-759-711-58	s IC NJM78L05UA
IC505	8-759-745-64	s IC NJM4560M
IC506	8-759-745-64	s IC NJM4560M
IC507	8-759-745-64	s IC NJM4560M
IC508	8-759-745-64	s IC NJM4560M
IC509	8-759-745-64	s IC NJM4560M
IC510	8-759-745-64	s IC NJM4560M
IC511	8-759-521-14	s IC NJM5532S-D
IC512	8-759-521-14	s IC NJM5532S-D
IC513	8-759-745-64	s IC NJM4560M
IC514	8-759-521-14	s IC NJM5532S-D
IC515	8-759-521-14	s IC NJM5532S-D
IC516	8-759-745-64	s IC NJM4560M
IC519	8-759-045-17	s IC NJM79L05UA
IC520	8-759-253-90	s IC PCM1702U-J
IC521	8-759-711-58	s IC NJM78L05UA
IC522	8-759-045-17	s IC NJM79L05UA
IC700	8-759-062-40	s IC SM5842APT
IC701	8-759-253-90	s IC PCM1702U-J
IC702	8-759-700-94	s IC NJM5532M
IC703	8-759-700-94	s IC NJM5532M
IC704	8-759-711-58	s IC NJM78L05UA
IC705	8-759-745-64	s IC NJM4560M
IC706	8-759-745-64	s IC NJM4560M
IC707	8-759-745-64	s IC NJM4560M
IC708	8-759-745-64	s IC NJM4560M
IC709	8-759-745-64	s IC NJM4560M
IC710	8-759-745-64	s IC NJM4560M
IC711	8-759-521-14	s IC NJM5532S-D
IC712	8-759-521-14	s IC NJM5532S-D
IC713	8-759-745-64	s IC NJM4560M
IC714	8-759-521-14	s IC NJM5532S-D
IC715	8-759-521-14	s IC NJM5532S-D
IC716	8-759-745-64	s IC NJM4560M
IC719	8-759-045-17	s IC NJM79L05UA
IC720	8-759-253-90	s IC PCM1702U-J
IC721	8-759-711-58	s IC NJM78L05UA
IC722	8-759-045-17	s IC NJM79L05UA
IC900	8-759-062-40	s IC SM5842APT
IC901	8-759-745-64	s IC NJM4560M
IC902	8-759-158-89	s IC PCM69AP-K
IC903	8-759-009-07	s IC MC14053BF
IC904	8-759-700-94	s IC NJM5532M
IC905	8-759-700-94	s IC NJM5532M
IC906	8-759-708-05	s IC NJM78L05A
IC907	8-759-745-64	s IC NJM4560M
IC908	8-759-745-64	s IC NJM4560M
IC909	8-759-745-64	s IC NJM4560M
IC910	8-759-708-05	s IC NJM78L05A
IC911	8-759-700-65	s IC NJM79L05A
IC912	8-759-745-64	s IC NJM4560M
IC913	8-759-745-64	s IC NJM4560M
IC914	8-759-745-64	s IC NJM4560M
IC915	8-759-745-64	s IC NJM4560M
IC916	8-759-745-64	s IC NJM4560M
IC917	8-759-745-64	s IC NJM4560M
IC918	8-759-521-14	s IC NJM5532S-D
IC919	8-759-521-14	s IC NJM5532S-D

(APR-32 BOARD)

Ref. No. or Q'ty	Part No.	SP Description
IC920	8-759-745-64	s IC NJM4560M
IC921	8-759-521-14	s IC NJM5532S-D
IC922	8-759-521-14	s IC NJM5532S-D
IC923	8-759-745-64	s IC NJM4560M
IC1300	8-759-174-16	s IC TC74VHC244F
IC1301	8-759-233-66	s IC TC74HCT04AF
IC1304	8-759-927-15	s IC SN74HCT245NS
IC1307	8-759-927-12	s IC SN74HCT244ANS
IC1308	8-759-985-55	s IC 74AC245SJX
IC1309	8-759-985-55	s IC 74AC245SJX
IC1400	8-759-174-16	s IC TC74VHC244F
PS1100	△ 1-533-271-21	s FUSE 0.5A 125V
Q1	8-729-907-00	s TRANSISTOR DTC114EU
Q2	8-729-028-73	s TRANSISTOR DTA114EUA-T106
Q3	8-729-907-00	s TRANSISTOR DTC114EU
Q4	8-729-028-73	s TRANSISTOR DTA114EUA-T106
Q54	8-729-028-73	s TRANSISTOR DTA114EUA-T106
Q55	8-729-907-00	s TRANSISTOR DTC114EU
Q56	8-729-907-00	s TRANSISTOR DTC114EU
Q57	8-729-907-00	s TRANSISTOR DTC114EU
Q58	8-729-907-00	s TRANSISTOR DTC114EU
Q59	8-729-907-00	s TRANSISTOR DTC114EU
Q60	8-729-907-00	s TRANSISTOR DTC114EU
Q61	8-729-907-00	s TRANSISTOR DTC114EU
Q100	8-729-101-07	s TRANSISTOR 2SB798
Q101	8-729-140-63	s TRANSISTOR 2SA1611-M5M6
Q102	8-729-012-35	s TRANSISTOR 2SK711-BL
Q200	8-729-101-07	s TRANSISTOR 2SB798
Q201	8-729-140-63	s TRANSISTOR 2SA1611-M5M6
Q202	8-729-012-35	s TRANSISTOR 2SK711-BL
Q300	8-729-101-07	s TRANSISTOR 2SB798
Q301	8-729-140-63	s TRANSISTOR 2SA1611-M5M6
Q302	8-729-012-35	s TRANSISTOR 2SK711-BL
Q400	8-729-101-07	s TRANSISTOR 2SB798
Q401	8-729-140-63	s TRANSISTOR 2SA1611-M5M6
Q402	8-729-012-35	s TRANSISTOR 2SK711-BL
Q403	8-729-101-07	s TRANSISTOR 2SB798
Q500	8-729-012-35	s TRANSISTOR 2SK711-BL
Q501	8-729-012-35	s TRANSISTOR 2SK711-BL
Q504	8-729-140-63	s TRANSISTOR 2SA1611-M5M6
Q505	8-729-140-63	s TRANSISTOR 2SA1611-M5M6
Q506	8-729-119-78	s TRANSISTOR 2SC2785-HFE
Q507	8-729-119-78	s TRANSISTOR 2SC2785-HFE
Q700	8-729-012-35	s TRANSISTOR 2SK711-BL
Q701	8-729-012-35	s TRANSISTOR 2SK711-BL
Q704	8-729-140-63	s TRANSISTOR 2SA1611-M5M6
Q705	8-729-140-63	s TRANSISTOR 2SA1611-M5M6
Q706	8-729-119-78	s TRANSISTOR 2SC2785-HFE
Q707	8-729-119-78	s TRANSISTOR 2SC2785-HFE
Q900	8-729-012-35	s TRANSISTOR 2SK711-BL
Q901	8-729-012-35	s TRANSISTOR 2SK711-BL
Q902	8-729-119-78	s TRANSISTOR 2SC2785-HFE
Q903	8-729-119-78	s TRANSISTOR 2SC2785-HFE
Q904	8-729-140-63	s TRANSISTOR 2SA1611-M5M6
Q905	8-729-140-63	s TRANSISTOR 2SA1611-M5M6
Q906	8-729-119-78	s TRANSISTOR 2SC2785-HFE
Q907	8-729-119-78	s TRANSISTOR 2SC2785-HFE

(APR-32 BOARD)

Ref. No. or Q'ty	Part No.	SP Description
Q1000	8-729-012-35	s TRANSISTOR 2SK711-BL
Q1001	8-729-012-35	s TRANSISTOR 2SK711-BL
R1	1-216-073-00	s METAL, CHIP 10K 5% 1/10W
R2	1-216-073-00	s METAL, CHIP 10K 5% 1/10W
R3	1-216-073-00	s METAL, CHIP 10K 5% 1/10W
R4	1-216-073-00	s METAL, CHIP 10K 5% 1/10W
R5	1-216-073-00	s METAL, CHIP 10K 5% 1/10W
R6	1-216-073-00	s METAL, CHIP 10K 5% 1/10W
R7	1-216-001-00	s METAL, CHIP 10 5% 1/10W
R8	1-216-001-00	s METAL, CHIP 10 5% 1/10W
R9	1-216-001-00	s METAL, CHIP 10 5% 1/10W
R10	1-216-001-00	s METAL, CHIP 10 5% 1/10W
R11	1-216-619-11	s METAL, CHIP 47 0.5% 1/10W
R12	1-216-619-11	s METAL, CHIP 47 0.5% 1/10W
R13	1-216-619-11	s METAL, CHIP 47 0.5% 1/10W
R14	1-216-619-11	s METAL, CHIP 47 0.5% 1/10W
R15	1-216-073-00	s METAL, CHIP 10K 5% 1/10W
R16	1-216-073-00	s METAL, CHIP 10K 5% 1/10W
R17	1-216-295-91	s RES, CHIP 0
R18	1-216-295-91	s RES, CHIP 0
R19	1-216-295-91	s RES, CHIP 0
R20	1-216-295-91	s RES, CHIP 0
R21	1-216-295-91	s RES, CHIP 0
R22	1-216-295-91	s RES, CHIP 0
R23	1-216-295-91	s RES, CHIP 0
R24	1-216-295-91	s RES, CHIP 0
R25	1-216-295-91	s RES, CHIP 0
R26	1-216-295-91	s RES, CHIP 0
R27	1-216-073-00	s METAL, CHIP 10K 5% 1/10W
R28	1-216-643-11	s METAL, CHIP 470 0.5% 1/10W
R29	1-216-651-11	s METAL, CHIP 1K 0.5% 1/10W
R30	1-216-073-00	s METAL, CHIP 10K 5% 1/10W
R31	1-216-073-00	s METAL, CHIP 10K 5% 1/10W
R32	1-216-045-00	s METAL, CHIP 680 5% 1/10W
R34	1-216-057-00	s METAL, CHIP 2.2K 5% 1/10W
R35	1-216-073-00	s METAL, CHIP 10K 5% 1/10W
R41	1-216-025-11	s METAL, CHIP 100 5% 1/10W
R42	1-216-693-11	s METAL, CHIP 56K 0.5% 1/10W
R43	1-216-693-11	s METAL, CHIP 56K 0.5% 1/10W
R44	1-216-073-00	s METAL, CHIP 10K 5% 1/10W
R47	1-216-065-00	s METAL, CHIP 4.7K 5% 1/10W
R48	1-216-065-00	s METAL, CHIP 4.7K 5% 1/10W
R49	1-216-073-00	s METAL, CHIP 10K 5% 1/10W
R50	1-216-295-91	s RES, CHIP 0
R51	1-216-041-00	s METAL, CHIP 470 5% 1/10W
R52	1-216-675-11	s METAL, CHIP 10K 0.5% 1/10W
R53	1-216-041-00	s METAL, CHIP 470 5% 1/10W
R62	1-216-073-00	s METAL, CHIP 10K 5% 1/10W
R71	1-216-073-00	s METAL, CHIP 10K 5% 1/10W
R73	1-216-073-00	s METAL, CHIP 10K 5% 1/10W
R74	1-216-073-00	s METAL, CHIP 10K 5% 1/10W
R82	1-216-295-91	s RES, CHIP 0
R83	1-216-666-11	s METAL, CHIP 4.3K 0.5% 1/10W
R84	1-216-638-11	s METAL, CHIP 300 0.5% 1/10W
R85	1-216-065-00	s METAL, CHIP 4.7K 5% 1/10W
R86	1-216-065-00	s METAL, CHIP 4.7K 5% 1/10W
R93	1-216-089-91	s METAL, CHIP 47k 5% 1/10W
R94	1-216-049-11	s METAL, CHIP 1K 5% 1/10W

(APR-32 BOARD)

Ref. No. or Q'ty	Part No.	SP Description
R95	1-216-073-00	s METAL, CHIP 10K 5% 1/10W
R96	1-216-073-00	s METAL, CHIP 10K 5% 1/10W
R97	1-216-057-00	s METAL, CHIP 2.2K 5% 1/10W
R98	1-216-073-00	s METAL, CHIP 10K 5% 1/10W
R100	1-216-699-11	s METAL, CHIP 100K 0.5% 1/10W
R101	1-216-699-11	s METAL, CHIP 100K 0.5% 1/10W
R102	1-216-081-00	s METAL, CHIP 22K 5% 1/10W
R103	1-216-675-11	s METAL, CHIP 10K 0.5% 1/10W
R104	1-216-675-11	s METAL, CHIP 10K 0.5% 1/10W
R105	1-216-658-11	s METAL, CHIP 2K 0.5% 1/10W
R106	1-216-657-11	s METAL, CHIP 1.8K 0.5% 1/10W
R107	1-216-667-11	s METAL, CHIP 4.7K 0.5% 1/10W
R108	1-216-658-11	s METAL, CHIP 2K 0.5% 1/10W
R109	1-216-675-11	s METAL, CHIP 10K 0.5% 1/10W
R110	1-216-651-11	s METAL, CHIP 1K 0.5% 1/10W
R111	1-216-609-11	s METAL, CHIP 18 0.5% 1/10W
R112	1-216-025-11	s METAL, CHIP 100 5% 1/10W
R113	1-216-661-11	s METAL, CHIP 2.7K 0.5% 1/10W
R114	1-216-641-11	s METAL, CHIP 390 0.5% 1/10W
R115	1-216-668-11	s METAL, CHIP 5.1K 0.5% 1/10W
R116	1-216-121-11	s METAL, CHIP 1M 5% 1/10W
R117	1-216-121-11	s METAL, CHIP 1M 5% 1/10W
R118	1-216-667-11	s METAL, CHIP 4.7K 0.5% 1/10W
R119	1-216-667-11	s METAL, CHIP 4.7K 0.5% 1/10W
R120	1-216-667-11	s METAL, CHIP 4.7K 0.5% 1/10W
R121	1-216-667-11	s METAL, CHIP 4.7K 0.5% 1/10W
R122	1-216-295-91	s RES, CHIP 0
R123	1-216-663-11	s METAL, CHIP 3.3K 0.5% 1/10W
R124	1-216-661-11	s METAL, CHIP 2.7K 0.5% 1/10W
R125	1-216-670-11	s METAL, CHIP 6.2K 0.5% 1/10W
R126	1-216-641-11	s METAL, CHIP 390 0.5% 1/10W
R127	1-216-651-11	s METAL, CHIP 1K 0.5% 1/10W
R128	1-216-661-11	s METAL, CHIP 2.7K 0.5% 1/10W
R129	1-216-065-00	s METAL, CHIP 4.7K 5% 1/10W
R130	1-216-651-11	s METAL, CHIP 1K 0.5% 1/10W
R131	1-216-682-11	s METAL, CHIP 20K 0.5% 1/10W
R132	1-216-627-11	s METAL, CHIP 100 0.5% 1/10W
R133	1-216-668-11	s METAL, CHIP 5.1K 0.5% 1/10W
R134	1-216-615-11	s METAL, CHIP 33 0.5% 1/10W
R135	1-216-101-00	s METAL, CHIP 150K 5% 1/10W
R136	1-216-073-00	s METAL, CHIP 10K 5% 1/10W
R137	1-216-667-11	s METAL, CHIP 4.7K 0.5% 1/10W
R138	1-216-667-11	s METAL, CHIP 4.7K 0.5% 1/10W
R141	1-216-049-11	s METAL, CHIP 1K 5% 1/10W
R142	1-216-063-11	s METAL, CHIP 3.9K 5% 1/10W
R143	1-216-081-00	s METAL, CHIP 22K 5% 1/10W
R144	1-216-682-11	s METAL, CHIP 20K 0.5% 1/10W
R145	1-216-095-00	s METAL, CHIP 82K 5% 1/10W
R149	1-216-667-11	s METAL, CHIP 4.7K 0.5% 1/10W
R150	1-216-059-00	s METAL, CHIP 2.7K 5% 1/10W
R151	1-216-651-11	s METAL, CHIP 1K 0.5% 1/10W
R152	1-216-659-11	s METAL, CHIP 2.2K 0.5% 1/10W
R153	1-216-121-11	s METAL, CHIP 1M 5% 1/10W
R154	1-216-679-11	s METAL, CHIP 15K 0.5% 1/10W
R155	1-216-679-11	s METAL, CHIP 15K 0.5% 1/10W
R157	1-216-650-11	s METAL, CHIP 910 0.5% 1/10W
R158	1-216-650-11	s METAL, CHIP 910 0.5% 1/10W
R159	1-216-674-11	s METAL, CHIP 9.1K 0.5% 1/10W
R162	1-216-670-11	s METAL, CHIP 6.2K 0.5% 1/10W

(APR-32 BOARD)

Ref. No. or Q'ty	Part No.	SP Description
R163	1-216-015-00	s METAL 39 5% 1/10W
R165	1-216-015-00	s METAL 39 5% 1/10W
R166	1-216-678-11	s METAL, CHIP 13K 0.5% 1/10W
R167	1-216-643-11	s METAL, CHIP 470 0.5% 1/10W
R168	1-216-295-91	s RES, CHIP 0
R169	1-216-065-00	s METAL, CHIP 4.7K 5% 1/10W
R170	1-216-295-91	s RES, CHIP 0
R172	1-216-670-11	s METAL, CHIP 6.2K 0.5% 1/10W
R173	1-216-627-11	s METAL, CHIP 100 0.5% 1/10W
R174	1-216-065-00	s METAL, CHIP 4.7K 5% 1/10W
R175	1-216-065-00	s METAL, CHIP 4.7K 5% 1/10W
R176	1-216-065-00	s METAL, CHIP 4.7K 5% 1/10W
R177	1-216-065-00	s METAL, CHIP 4.7K 5% 1/10W
R178	1-216-663-11	s METAL, CHIP 3.3K 0.5% 1/10W
R180	1-216-699-11	s METAL, CHIP 100K 0.5% 1/10W
R181	1-216-699-11	s METAL, CHIP 100K 0.5% 1/10W
R182	1-216-295-91	s RES, CHIP 0
R183	1-216-295-91	s RES, CHIP 0
R184	1-216-017-11	s METAL, CHIP 47 5% 1/10W
R185	1-216-657-11	s METAL, CHIP 1.8K 0.5% 1/10W
R200	1-216-699-11	s METAL, CHIP 100K 0.5% 1/10W
R201	1-216-699-11	s METAL, CHIP 100K 0.5% 1/10W
R202	1-216-081-00	s METAL, CHIP 22K 5% 1/10W
R203	1-216-675-11	s METAL, CHIP 10K 0.5% 1/10W
R204	1-216-675-11	s METAL, CHIP 10K 0.5% 1/10W
R205	1-216-658-11	s METAL, CHIP 2K 0.5% 1/10W
R206	1-216-657-11	s METAL, CHIP 1.8K 0.5% 1/10W
R207	1-216-667-11	s METAL, CHIP 4.7K 0.5% 1/10W
R208	1-216-658-11	s METAL, CHIP 2K 0.5% 1/10W
R209	1-216-675-11	s METAL, CHIP 10K 0.5% 1/10W
R210	1-216-651-11	s METAL, CHIP 1K 0.5% 1/10W
R211	1-216-609-11	s METAL, CHIP 18 0.5% 1/10W
R212	1-216-025-11	s METAL, CHIP 100 5% 1/10W
R213	1-216-661-11	s METAL, CHIP 2.7K 0.5% 1/10W
R214	1-216-641-11	s METAL, CHIP 390 0.5% 1/10W
R215	1-216-668-11	s METAL, CHIP 5.1K 0.5% 1/10W
R216	1-216-121-11	s METAL, CHIP 1M 5% 1/10W
R217	1-216-121-11	s METAL, CHIP 1M 5% 1/10W
R218	1-216-667-11	s METAL, CHIP 4.7K 0.5% 1/10W
R219	1-216-667-11	s METAL, CHIP 4.7K 0.5% 1/10W
R220	1-216-667-11	s METAL, CHIP 4.7K 0.5% 1/10W
R221	1-216-667-11	s METAL, CHIP 4.7K 0.5% 1/10W
R222	1-216-295-91	s RES, CHIP 0
R223	1-216-663-11	s METAL, CHIP 3.3K 0.5% 1/10W
R224	1-216-661-11	s METAL, CHIP 2.7K 0.5% 1/10W
R225	1-216-670-11	s METAL, CHIP 6.2K 0.5% 1/10W
R226	1-216-641-11	s METAL, CHIP 390 0.5% 1/10W
R227	1-216-651-11	s METAL, CHIP 1K 0.5% 1/10W
R228	1-216-661-11	s METAL, CHIP 2.7K 0.5% 1/10W
R229	1-216-065-00	s METAL, CHIP 4.7K 5% 1/10W
R230	1-216-651-11	s METAL, CHIP 1K 0.5% 1/10W
R231	1-216-682-11	s METAL, CHIP 20K 0.5% 1/10W
R232	1-216-627-11	s METAL, CHIP 100 0.5% 1/10W
R233	1-216-668-11	s METAL, CHIP 5.1K 0.5% 1/10W
R234	1-216-101-00	s METAL, CHIP 150K 5% 1/10W
R235	1-216-615-11	s METAL, CHIP 33 0.5% 1/10W
R236	1-216-073-00	s METAL, CHIP 10K 5% 1/10W
R237	1-216-667-11	s METAL, CHIP 4.7K 0.5% 1/10W
R238	1-216-667-11	s METAL, CHIP 4.7K 0.5% 1/10W

(APR-32 BOARD)

Ref. No. or Q'ty	Part No.	SP Description
R241	1-216-049-11	s METAL, CHIP 1K 5% 1/10W
R242	1-216-063-11	s METAL, CHIP 3.9K 5% 1/10W
R243	1-216-081-00	s METAL, CHIP 22K 5% 1/10W
R244	1-216-682-11	s METAL, CHIP 20K 0.5% 1/10W
R245	1-216-095-00	s METAL, CHIP 82K 5% 1/10W
R249	1-216-667-11	s METAL, CHIP 4.7K 0.5% 1/10W
R250	1-216-059-00	s METAL, CHIP 2.7K 5% 1/10W
R251	1-216-651-11	s METAL, CHIP 1K 0.5% 1/10W
R252	1-216-659-11	s METAL, CHIP 2.2K 0.5% 1/10W
R253	1-216-121-11	s METAL, CHIP 1M 5% 1/10W
R254	1-216-679-11	s METAL, CHIP 15K 0.5% 1/10W
R255	1-216-679-11	s METAL, CHIP 15K 0.5% 1/10W
R257	1-216-650-11	s METAL, CHIP 910 0.5% 1/10W
R258	1-216-650-11	s METAL, CHIP 910 0.5% 1/10W
R259	1-216-674-11	s METAL, CHIP 9.1K 0.5% 1/10W
R262	1-216-670-11	s METAL, CHIP 6.2K 0.5% 1/10W
R263	1-216-015-00	s METAL 39 5% 1/10W
R265	1-216-015-00	s METAL 39 5% 1/10W
R266	1-216-295-91	s RES, CHIP 0
R267	1-216-643-11	s METAL, CHIP 470 0.5% 1/10W
R268	1-216-295-91	s RES, CHIP 0
R269	1-216-065-00	s METAL, CHIP 4.7K 5% 1/10W
R270	1-216-678-11	s METAL, CHIP 13K 0.5% 1/10W
R272	1-216-670-11	s METAL, CHIP 6.2K 0.5% 1/10W
R273	1-216-627-11	s METAL, CHIP 100 0.5% 1/10W
R274	1-216-065-00	s METAL, CHIP 4.7K 5% 1/10W
R275	1-216-065-00	s METAL, CHIP 4.7K 5% 1/10W
R276	1-216-065-00	s METAL, CHIP 4.7K 5% 1/10W
R277	1-216-065-00	s METAL, CHIP 4.7K 5% 1/10W
R278	1-216-663-11	s METAL, CHIP 3.3K 0.5% 1/10W
R280	1-216-699-11	s METAL, CHIP 100K 0.5% 1/10W
R281	1-216-699-11	s METAL, CHIP 100K 0.5% 1/10W
R282	1-216-295-91	s RES, CHIP 0
R283	1-216-295-91	s RES, CHIP 0
R284	1-216-657-11	s METAL, CHIP 1.8K 0.5% 1/10W
R300	1-216-699-11	s METAL, CHIP 100K 0.5% 1/10W
R301	1-216-699-11	s METAL, CHIP 100K 0.5% 1/10W
R302	1-216-081-00	s METAL, CHIP 22K 5% 1/10W
R303	1-216-675-11	s METAL, CHIP 10K 0.5% 1/10W
R304	1-216-675-11	s METAL, CHIP 10K 0.5% 1/10W
R305	1-216-658-11	s METAL, CHIP 2K 0.5% 1/10W
R306	1-216-657-11	s METAL, CHIP 1.8K 0.5% 1/10W
R307	1-216-667-11	s METAL, CHIP 4.7K 0.5% 1/10W
R308	1-216-658-11	s METAL, CHIP 2K 0.5% 1/10W
R309	1-216-675-11	s METAL, CHIP 10K 0.5% 1/10W
R310	1-216-651-11	s METAL, CHIP 1K 0.5% 1/10W
R311	1-216-609-11	s METAL, CHIP 18 0.5% 1/10W
R312	1-216-025-11	s METAL, CHIP 100 5% 1/10W
R313	1-216-661-11	s METAL, CHIP 2.7K 0.5% 1/10W
R314	1-216-641-11	s METAL, CHIP 390 0.5% 1/10W
R315	1-216-668-11	s METAL, CHIP 5.1K 0.5% 1/10W
R316	1-216-121-11	s METAL, CHIP 1M 5% 1/10W
R317	1-216-121-11	s METAL, CHIP 1M 5% 1/10W
R318	1-216-667-11	s METAL, CHIP 4.7K 0.5% 1/10W
R319	1-216-667-11	s METAL, CHIP 4.7K 0.5% 1/10W
R320	1-216-667-11	s METAL, CHIP 4.7K 0.5% 1/10W
R321	1-216-667-11	s METAL, CHIP 4.7K 0.5% 1/10W
R322	1-216-295-91	s RES, CHIP 0
R323	1-216-663-11	s METAL, CHIP 3.3K 0.5% 1/10W

(APR-32 BOARD)

Ref. No. or Q'ty	Part No.	SP Description
R324	1-216-661-11	s METAL, CHIP 2.7K 0.5% 1/10W
R325	1-216-670-11	s METAL, CHIP 6.2K 0.5% 1/10W
R326	1-216-641-11	s METAL, CHIP 390 0.5% 1/10W
R327	1-216-651-11	s METAL, CHIP 1K 0.5% 1/10W
R328	1-216-661-11	s METAL, CHIP 2.7K 0.5% 1/10W
R329	1-216-065-00	s METAL, CHIP 4.7K 5% 1/10W
R330	1-216-651-11	s METAL, CHIP 1K 0.5% 1/10W
R331	1-216-682-11	s METAL, CHIP 20K 0.5% 1/10W
R332	1-216-627-11	s METAL, CHIP 100 0.5% 1/10W
R333	1-216-668-11	s METAL, CHIP 5.1K 0.5% 1/10W
R334	1-216-615-11	s METAL, CHIP 33 0.5% 1/10W
R335	1-216-101-00	s METAL, CHIP 150K 5% 1/10W
R336	1-216-073-00	s METAL, CHIP 10K 5% 1/10W
R337	1-216-667-11	s METAL, CHIP 4.7K 0.5% 1/10W
R338	1-216-667-11	s METAL, CHIP 4.7K 0.5% 1/10W
R341	1-216-049-11	s METAL, CHIP 1K 5% 1/10W
R342	1-216-063-11	s METAL, CHIP 3.9K 5% 1/10W
R343	1-216-081-00	s METAL, CHIP 22K 5% 1/10W
R344	1-216-682-11	s METAL, CHIP 20K 0.5% 1/10W
R345	1-216-095-00	s METAL, CHIP 82K 5% 1/10W
R349	1-216-667-11	s METAL, CHIP 4.7K 0.5% 1/10W
R350	1-216-059-00	s METAL, CHIP 2.7K 5% 1/10W
R351	1-216-651-11	s METAL, CHIP 1K 0.5% 1/10W
R352	1-216-659-11	s METAL, CHIP 2.2K 0.5% 1/10W
R353	1-216-121-11	s METAL, CHIP 1M 5% 1/10W
R354	1-216-679-11	s METAL, CHIP 15K 0.5% 1/10W
R355	1-216-679-11	s METAL, CHIP 15K 0.5% 1/10W
R357	1-216-650-11	s METAL, CHIP 910 0.5% 1/10W
R358	1-216-650-11	s METAL, CHIP 910 0.5% 1/10W
R359	1-216-674-11	s METAL, CHIP 9.1K 0.5% 1/10W
R362	1-216-670-11	s METAL, CHIP 6.2K 0.5% 1/10W
R363	1-216-015-00	s METAL, CHIP 39 5% 1/10W
R365	1-216-015-00	s METAL, CHIP 39 5% 1/10W
R366	1-216-678-11	s METAL, CHIP 13K 0.5% 1/10W
R367	1-216-643-11	s METAL, CHIP 470 0.5% 1/10W
R368	1-216-295-91	s RES, CHIP 0
R369	1-216-065-00	s METAL, CHIP 4.7K 5% 1/10W
R370	1-216-295-91	s RES, CHIP 0
R372	1-216-670-11	s METAL, CHIP 6.2K 0.5% 1/10W
R373	1-216-627-11	s METAL, CHIP 100 0.5% 1/10W
R374	1-216-065-00	s METAL, CHIP 4.7K 5% 1/10W
R375	1-216-065-00	s METAL, CHIP 4.7K 5% 1/10W
R376	1-216-065-00	s METAL, CHIP 4.7K 5% 1/10W
R377	1-216-065-00	s METAL, CHIP 4.7K 5% 1/10W
R378	1-216-663-11	s METAL, CHIP 3.3K 0.5% 1/10W
R380	1-216-699-11	s METAL, CHIP 100K 0.5% 1/10W
R381	1-216-699-11	s METAL, CHIP 100K 0.5% 1/10W
R382	1-216-295-91	s RES, CHIP 0
R383	1-216-295-91	s RES, CHIP 0
R384	1-216-017-11	s METAL, CHIP 47 5% 1/10W
R385	1-216-657-11	s METAL, CHIP 1.8K 0.5% 1/10W
R400	1-216-699-11	s METAL, CHIP 100K 0.5% 1/10W
R401	1-216-699-11	s METAL, CHIP 100K 0.5% 1/10W
R402	1-216-081-00	s METAL, CHIP 22K 5% 1/10W
R403	1-216-675-11	s METAL, CHIP 10K 0.5% 1/10W
R404	1-216-675-11	s METAL, CHIP 10K 0.5% 1/10W
R405	1-216-658-11	s METAL, CHIP 2K 0.5% 1/10W
R406	1-216-657-11	s METAL, CHIP 1.8K 0.5% 1/10W
R407	1-216-667-11	s METAL, CHIP 4.7K 0.5% 1/10W

(APR-32 BOARD)

Ref. No. or Q'ty	Part No.	SP Description
R408	1-216-658-11	s METAL, CHIP 2K 0.5% 1/10W
R409	1-216-675-11	s METAL, CHIP 10K 0.5% 1/10W
R410	1-216-651-11	s METAL, CHIP 1K 0.5% 1/10W
R411	1-216-609-11	s METAL, CHIP 18 0.5% 1/10W
R412	1-216-025-11	s METAL, CHIP 100 5% 1/10W
R413	1-216-661-11	s METAL, CHIP 2.7K 0.5% 1/10W
R414	1-216-641-11	s METAL, CHIP 390 0.5% 1/10W
R415	1-216-668-11	s METAL, CHIP 5.1K 0.5% 1/10W
R416	1-216-121-11	s METAL, CHIP 1M 5% 1/10W
R417	1-216-121-11	s METAL, CHIP 1M 5% 1/10W
R418	1-216-667-11	s METAL, CHIP 4.7K 0.5% 1/10W
R419	1-216-667-11	s METAL, CHIP 4.7K 0.5% 1/10W
R420	1-216-667-11	s METAL, CHIP 4.7K 0.5% 1/10W
R421	1-216-667-11	s METAL, CHIP 4.7K 0.5% 1/10W
R422	1-216-295-91	s RES, CHIP 0
R423	1-216-663-11	s METAL, CHIP 3.3K 0.5% 1/10W
R424	1-216-661-11	s METAL, CHIP 2.7K 0.5% 1/10W
R425	1-216-670-11	s METAL, CHIP 6.2K 0.5% 1/10W
R426	1-216-641-11	s METAL, CHIP 390 0.5% 1/10W
R427	1-216-651-11	s METAL, CHIP 1K 0.5% 1/10W
R428	1-216-661-11	s METAL, CHIP 2.7K 0.5% 1/10W
R429	1-216-065-00	s METAL, CHIP 4.7K 5% 1/10W
R430	1-216-651-11	s METAL, CHIP 1K 0.5% 1/10W
R431	1-216-682-11	s METAL, CHIP 20K 0.5% 1/10W
R432	1-216-627-11	s METAL, CHIP 100 0.5% 1/10W
R433	1-216-668-11	s METAL, CHIP 5.1K 0.5% 1/10W
R434	1-216-101-00	s METAL, CHIP 150K 5% 1/10W
R435	1-216-615-11	s METAL, CHIP 33 0.5% 1/10W
R436	1-216-073-00	s METAL, CHIP 10K 5% 1/10W
R437	1-216-667-11	s METAL, CHIP 4.7K 0.5% 1/10W
R438	1-216-667-11	s METAL, CHIP 4.7K 0.5% 1/10W
R441	1-216-049-11	s METAL, CHIP 1K 5% 1/10W
R442	1-216-063-11	s METAL, CHIP 3.9K 5% 1/10W
R443	1-216-081-00	s METAL, CHIP 22K 5% 1/10W
R444	1-216-682-11	s METAL, CHIP 20K 0.5% 1/10W
R445	1-216-095-00	s METAL, CHIP 82K 5% 1/10W
R449	1-216-667-11	s METAL, CHIP 4.7K 0.5% 1/10W
R450	1-216-059-00	s METAL, CHIP 2.7K 5% 1/10W
R451	1-216-651-11	s METAL, CHIP 1K 0.5% 1/10W
R452	1-216-659-11	s METAL, CHIP 2.2K 0.5% 1/10W
R453	1-216-121-11	s METAL, CHIP 1M 5% 1/10W
R454	1-216-679-11	s METAL, CHIP 15K 0.5% 1/10W
R455	1-216-679-11	s METAL, CHIP 15K 0.5% 1/10W
R457	1-216-650-11	s METAL, CHIP 910 0.5% 1/10W
R458	1-216-650-11	s METAL, CHIP 910 0.5% 1/10W
R459	1-216-674-11	s METAL, CHIP 9.1K 0.5% 1/10W
R462	1-216-670-11	s METAL, CHIP 6.2K 0.5% 1/10W
R463	1-216-015-00	s METAL, CHIP 39 5% 1/10W
R465	1-216-015-00	s METAL, CHIP 39 5% 1/10W
R466	1-216-295-91	s RES, CHIP 0
R467	1-216-643-11	s METAL, CHIP 470 0.5% 1/10W
R468	1-216-295-91	s RES, CHIP 0
R469	1-216-065-00	s METAL, CHIP 4.7K 5% 1/10W
R470	1-216-678-11	s METAL, CHIP 13K 0.5% 1/10W
R472	1-216-670-11	s METAL, CHIP 6.2K 0.5% 1/10W
R473	1-216-627-11	s METAL, CHIP 100 0.5% 1/10W
R474	1-216-065-00	s METAL, CHIP 4.7K 5% 1/10W
R475	1-216-065-00	s METAL, CHIP 4.7K 5% 1/10W
R476	1-216-065-00	s METAL, CHIP 4.7K 5% 1/10W

(APR-32 BOARD)

Ref. No. or Q'ty	Part No.	SP Description
R477	1-216-065-00	s METAL, CHIP 4.7K 5% 1/10W
R478	1-216-663-11	s METAL, CHIP 3.3K 0.5% 1/10W
R480	1-216-699-11	s METAL, CHIP 100K 0.5% 1/10W
R481	1-216-699-11	s METAL, CHIP 100K 0.5% 1/10W
R482	1-216-295-91	s RES, CHIP 0
R483	1-216-295-91	s RES, CHIP 0
R484	1-216-657-11	s METAL, CHIP 1.8K 0.5% 1/10W
R500	1-216-073-00	s METAL, CHIP 10K 5% 1/10W
R501	1-216-073-00	s METAL, CHIP 10K 5% 1/10W
R502	1-216-073-00	s METAL, CHIP 10K 5% 1/10W
R503	1-216-073-00	s METAL, CHIP 10K 5% 1/10W
R504	1-216-073-00	s METAL, CHIP 10K 5% 1/10W
R505	1-216-121-11	s METAL, CHIP 1M 5% 1/10W
R506	1-216-121-11	s METAL, CHIP 1M 5% 1/10W
R507	1-216-659-11	s METAL, CHIP 2.2K 0.5% 1/10W
R508	1-216-659-11	s METAL, CHIP 2.2K 0.5% 1/10W
R509	1-216-638-11	s METAL, CHIP 300 0.5% 1/10W
R510	1-216-638-11	s METAL, CHIP 300 0.5% 1/10W
R511	1-216-676-11	s METAL, CHIP 11K 0.5% 1/10W
R512	1-216-676-11	s METAL, CHIP 11K 0.5% 1/10W
R513	1-216-683-11	s METAL, CHIP 22K 0.5% 1/10W
R514	1-216-683-11	s METAL, CHIP 22K 0.5% 1/10W
R515	1-216-655-11	s METAL, CHIP 1.5K 0.5% 1/10W
R516	1-216-655-11	s METAL, CHIP 1.5K 0.5% 1/10W
R517	1-216-655-11	s METAL, CHIP 1.5K 0.5% 1/10W
R518	1-216-655-11	s METAL, CHIP 1.5K 0.5% 1/10W
R519	1-216-679-11	s METAL, CHIP 15K 0.5% 1/10W
R520	1-216-679-11	s METAL, CHIP 15K 0.5% 1/10W
R521	1-216-679-11	s METAL, CHIP 15K 0.5% 1/10W
R522	1-216-679-11	s METAL, CHIP 15K 0.5% 1/10W
R523	1-216-651-11	s METAL, CHIP 1K 0.5% 1/10W
R524	1-216-651-11	s METAL, CHIP 1K 0.5% 1/10W
R525	1-216-095-00	s METAL, CHIP 82K 5% 1/10W
R526	1-216-095-00	s METAL, CHIP 82K 5% 1/10W
R527	1-216-659-11	s METAL, CHIP 2.2K 0.5% 1/10W
R528	1-216-659-11	s METAL, CHIP 2.2K 0.5% 1/10W
R531	1-216-295-91	s RES, CHIP 0
R532	1-216-295-91	s RES, CHIP 0
R533	1-216-081-00	s METAL, CHIP 22K 5% 1/10W
R534	1-216-081-00	s METAL, CHIP 22K 5% 1/10W
R535	1-216-049-11	s METAL, CHIP 1K 5% 1/10W
R536	1-216-063-11	s METAL, CHIP 3.9K 5% 1/10W
R537	1-216-049-11	s METAL, CHIP 1K 5% 1/10W
R538	1-216-063-11	s METAL, CHIP 3.9K 5% 1/10W
R539	1-216-073-00	s METAL, CHIP 10K 5% 1/10W
R540	1-216-073-00	s METAL, CHIP 10K 5% 1/10W
R541	1-216-073-00	s METAL, CHIP 10K 5% 1/10W
R542	1-216-073-00	s METAL, CHIP 10K 5% 1/10W
R543	1-216-073-00	s METAL, CHIP 10K 5% 1/10W
R544	1-216-073-00	s METAL, CHIP 10K 5% 1/10W
R545	1-216-679-11	s METAL, CHIP 15K 0.5% 1/10W
R546	1-216-679-11	s METAL, CHIP 15K 0.5% 1/10W
R547	1-216-682-11	s METAL, CHIP 20K 0.5% 1/10W
R548	1-216-677-11	s METAL, CHIP 12K 0.5% 1/10W
R549	1-216-673-11	s METAL, CHIP 8.2K 0.5% 1/10W
R550	1-216-682-11	s METAL, CHIP 20K 0.5% 1/10W
R551	1-216-677-11	s METAL, CHIP 12K 0.5% 1/10W
R552	1-216-673-11	s METAL, CHIP 8.2K 0.5% 1/10W
R553	1-216-652-11	s METAL, CHIP 1.1K 0.5% 1/10W

(APR-32 BOARD)

Ref. No. or Q'ty	Part No.	SP Description
R554	1-216-652-11	s METAL, CHIP 1.1K 0.5% 1/10W
R555	1-216-641-11	s METAL, CHIP 390 0.5% 1/10W
R556	1-216-646-11	s METAL, CHIP 620 0.5% 1/10W
R557	1-216-648-11	s METAL, CHIP 750 0.5% 1/10W
R558	1-216-631-11	s METAL, CHIP 150 0.5% 1/10W
R559	1-216-641-11	s METAL, CHIP 390 0.5% 1/10W
R560	1-216-646-11	s METAL, CHIP 620 0.5% 1/10W
R561	1-216-648-11	s METAL, CHIP 750 0.5% 1/10W
R562	1-216-631-11	s METAL, CHIP 150 0.5% 1/10W
R563	1-216-675-11	s METAL, CHIP 10K 0.5% 1/10W
R564	1-216-675-11	s METAL, CHIP 10K 0.5% 1/10W
R565	1-216-675-11	s METAL, CHIP 10K 0.5% 1/10W
R566	1-216-675-11	s METAL, CHIP 10K 0.5% 1/10W
R567	1-216-667-11	s METAL, CHIP 4.7K 0.5% 1/10W
R568	1-216-667-11	s METAL, CHIP 4.7K 0.5% 1/10W
R569	1-216-667-11	s METAL, CHIP 4.7K 0.5% 1/10W
R570	1-216-667-11	s METAL, CHIP 4.7K 0.5% 1/10W
R571	1-216-667-11	s METAL, CHIP 4.7K 0.5% 1/10W
R572	1-216-667-11	s METAL, CHIP 4.7K 0.5% 1/10W
R573	1-216-667-11	s METAL, CHIP 4.7K 0.5% 1/10W
R574	1-216-667-11	s METAL, CHIP 4.7K 0.5% 1/10W
R575	1-216-675-11	s METAL, CHIP 10K 0.5% 1/10W
R576	1-216-675-11	s METAL, CHIP 10K 0.5% 1/10W
R577	1-216-675-11	s METAL, CHIP 10K 0.5% 1/10W
R578	1-216-675-11	s METAL, CHIP 10K 0.5% 1/10W
R579	1-216-651-11	s METAL, CHIP 1K 0.5% 1/10W
R580	1-216-675-11	s METAL, CHIP 10K 0.5% 1/10W
R581	1-216-097-11	s METAL, CHIP 100K 5% 1/10W
R582	1-216-675-11	s METAL, CHIP 10K 0.5% 1/10W
R583	1-216-651-11	s METAL, CHIP 1K 0.5% 1/10W
R584	1-216-097-11	s METAL, CHIP 100K 5% 1/10W
R585	1-216-651-11	s METAL, CHIP 1K 0.5% 1/10W
R586	1-216-675-11	s METAL, CHIP 10K 0.5% 1/10W
R587	1-216-097-11	s METAL, CHIP 100K 5% 1/10W
R588	1-216-675-11	s METAL, CHIP 10K 0.5% 1/10W
R589	1-216-651-11	s METAL, CHIP 1K 0.5% 1/10W
R590	1-216-097-11	s METAL, CHIP 100K 5% 1/10W
R591	1-216-619-11	s METAL, CHIP 47 0.5% 1/10W
R592	1-216-619-11	s METAL, CHIP 47 0.5% 1/10W
R593	1-216-619-11	s METAL, CHIP 47 0.5% 1/10W
R594	1-216-619-11	s METAL, CHIP 47 0.5% 1/10W
R595	1-216-699-11	s METAL, CHIP 100K 0.5% 1/10W
R596	1-216-699-11	s METAL, CHIP 100K 0.5% 1/10W
R597	1-216-699-11	s METAL, CHIP 100K 0.5% 1/10W
R598	1-216-699-11	s METAL, CHIP 100K 0.5% 1/10W
R599	1-220-242-11	s METAL, CHIP 22 5% 1/4W
R600	1-220-242-11	s METAL, CHIP 22 5% 1/4W
R601	1-216-073-00	s METAL, CHIP 10K 5% 1/10W
R602	1-216-073-00	s METAL, CHIP 10K 5% 1/10W
R603	1-220-242-11	s METAL, CHIP 22 5% 1/4W
R604	1-220-242-11	s METAL, CHIP 22 5% 1/4W
R605	1-216-073-00	s METAL, CHIP 10K 5% 1/10W
R606	1-216-073-00	s METAL, CHIP 10K 5% 1/10W
R607	1-220-242-11	s METAL, CHIP 22 5% 1/4W
R608	1-220-242-11	s METAL, CHIP 22 5% 1/4W
R609	1-216-073-00	s METAL, CHIP 10K 5% 1/10W
R610	1-216-073-00	s METAL, CHIP 10K 5% 1/10W
R611	1-220-242-11	s METAL, CHIP 22 5% 1/4W
R612	1-220-242-11	s METAL, CHIP 22 5% 1/4W

(APR-32 BOARD)

Ref. No. or Q'ty	Part No.	SP Description
R613	1-216-073-00	s METAL, CHIP 10K 5% 1/10W
R614	1-216-073-00	s METAL, CHIP 10K 5% 1/10W
R615	1-216-037-00	s METAL, CHIP 330 5% 1/10W
R616	1-216-037-00	s METAL, CHIP 330 5% 1/10W
R617	1-216-073-00	s METAL, CHIP 10K 5% 1/10W
R618	1-216-073-00	s METAL, CHIP 10K 5% 1/10W
R619	1-216-295-91	s RES, CHIP 0
R620	1-216-017-11	s METAL, CHIP 47 5% 1/10W
R621	1-216-017-11	s METAL, CHIP 47 5% 1/10W
R622	1-216-017-11	s METAL, CHIP 47 5% 1/10W
R623	1-216-017-11	s METAL, CHIP 47 5% 1/10W
R624	1-216-295-91	s RES, CHIP 0
R625	1-216-295-91	s RES, CHIP 0
R626	1-216-690-11	s METAL, CHIP 43K 0.5% 1/10W
R627	1-216-680-11	s METAL, CHIP 16K 0.5% 1/10W
R628	1-216-670-11	s METAL, CHIP 6.2K 0.5% 1/10W
R629	1-216-295-91	s RES, CHIP 0
R630	1-216-690-11	s METAL, CHIP 43K 0.5% 1/10W
R631	1-216-680-11	s METAL, CHIP 16K 0.5% 1/10W
R632	1-216-654-11	s METAL, CHIP 1.3K 0.5% 1/10W
R633	1-216-670-11	s METAL, CHIP 6.2K 0.5% 1/10W
R634	1-216-654-11	s METAL, CHIP 1.3K 0.5% 1/10W
R640	1-216-121-11	s METAL, CHIP 1M 5% 1/10W
R641	1-216-121-11	s METAL, CHIP 1M 5% 1/10W
R700	1-216-073-00	s METAL, CHIP 10K 5% 1/10W
R701	1-216-073-00	s METAL, CHIP 10K 5% 1/10W
R702	1-216-073-00	s METAL, CHIP 10K 5% 1/10W
R703	1-216-073-00	s METAL, CHIP 10K 5% 1/10W
R704	1-216-073-00	s METAL, CHIP 10K 5% 1/10W
R705	1-216-121-11	s METAL, CHIP 1M 5% 1/10W
R706	1-216-121-11	s METAL, CHIP 1M 5% 1/10W
R707	1-216-659-11	s METAL, CHIP 2.2K 0.5% 1/10W
R708	1-216-659-11	s METAL, CHIP 2.2K 0.5% 1/10W
R709	1-216-638-11	s METAL, CHIP 300 0.5% 1/10W
R710	1-216-638-11	s METAL, CHIP 300 0.5% 1/10W
R711	1-216-676-11	s METAL, CHIP 11K 0.5% 1/10W
R712	1-216-676-11	s METAL, CHIP 11K 0.5% 1/10W
R713	1-216-683-11	s METAL, CHIP 22K 0.5% 1/10W
R714	1-216-683-11	s METAL, CHIP 22K 0.5% 1/10W
R715	1-216-655-11	s METAL, CHIP 1.5K 0.5% 1/10W
R716	1-216-655-11	s METAL, CHIP 1.5K 0.5% 1/10W
R717	1-216-655-11	s METAL, CHIP 1.5K 0.5% 1/10W
R718	1-216-655-11	s METAL, CHIP 1.5K 0.5% 1/10W
R719	1-216-679-11	s METAL, CHIP 15K 0.5% 1/10W
R720	1-216-679-11	s METAL, CHIP 15K 0.5% 1/10W
R721	1-216-679-11	s METAL, CHIP 15K 0.5% 1/10W
R722	1-216-679-11	s METAL, CHIP 15K 0.5% 1/10W
R723	1-216-651-11	s METAL, CHIP 1K 0.5% 1/10W
R724	1-216-651-11	s METAL, CHIP 1K 0.5% 1/10W
R725	1-216-095-00	s METAL, CHIP 82K 5% 1/10W
R726	1-216-095-00	s METAL, CHIP 82K 5% 1/10W
R727	1-216-659-11	s METAL, CHIP 2.2K 0.5% 1/10W
R728	1-216-659-11	s METAL, CHIP 2.2K 0.5% 1/10W
R731	1-216-295-91	s RES, CHIP 0
R732	1-216-295-91	s RES, CHIP 0
R733	1-216-081-00	s METAL, CHIP 22K 5% 1/10W
R734	1-216-081-00	s METAL, CHIP 22K 5% 1/10W
R735	1-216-049-11	s METAL, CHIP 1K 5% 1/10W
R736	1-216-063-11	s METAL, CHIP 3.9K 5% 1/10W

(APR-32 BOARD)

Ref. No. or Q'ty	Part No.	SP Description
R737	1-216-049-11	s METAL, CHIP 1K 5% 1/10W
R738	1-216-063-11	s METAL, CHIP 3.9K 5% 1/10W
R739	1-216-073-00	s METAL, CHIP 10K 5% 1/10W
R740	1-216-073-00	s METAL, CHIP 10K 5% 1/10W
R741	1-216-073-00	s METAL, CHIP 10K 5% 1/10W
R742	1-216-073-00	s METAL, CHIP 10K 5% 1/10W
R743	1-216-073-00	s METAL, CHIP 10K 5% 1/10W
R744	1-216-073-00	s METAL, CHIP 10K 5% 1/10W
R745	1-216-679-11	s METAL, CHIP 15K 0.5% 1/10W
R746	1-216-679-11	s METAL, CHIP 15K 0.5% 1/10W
R747	1-216-682-11	s METAL, CHIP 20K 0.5% 1/10W
R748	1-216-677-11	s METAL, CHIP 12K 0.5% 1/10W
R749	1-216-673-11	s METAL, CHIP 8.2K 0.5% 1/10W
R750	1-216-682-11	s METAL, CHIP 20K 0.5% 1/10W
R751	1-216-677-11	s METAL, CHIP 12K 0.5% 1/10W
R752	1-216-673-11	s METAL, CHIP 8.2K 0.5% 1/10W
R753	1-216-652-11	s METAL, CHIP 1.1K 0.5% 1/10W
R754	1-216-652-11	s METAL, CHIP 1.1K 0.5% 1/10W
R755	1-216-641-11	s METAL, CHIP 390 0.5% 1/10W
R756	1-216-646-11	s METAL, CHIP 620 0.5% 1/10W
R757	1-216-648-11	s METAL, CHIP 750 0.5% 1/10W
R758	1-216-631-11	s METAL, CHIP 150 0.5% 1/10W
R759	1-216-641-11	s METAL, CHIP 390 0.5% 1/10W
R760	1-216-646-11	s METAL, CHIP 620 0.5% 1/10W
R761	1-216-648-11	s METAL, CHIP 750 0.5% 1/10W
R762	1-216-631-11	s METAL, CHIP 150 0.5% 1/10W
R763	1-216-675-11	s METAL, CHIP 10K 0.5% 1/10W
R764	1-216-675-11	s METAL, CHIP 10K 0.5% 1/10W
R765	1-216-675-11	s METAL, CHIP 10K 0.5% 1/10W
R766	1-216-675-11	s METAL, CHIP 10K 0.5% 1/10W
R767	1-216-667-11	s METAL, CHIP 4.7K 0.5% 1/10W
R768	1-216-667-11	s METAL, CHIP 4.7K 0.5% 1/10W
R769	1-216-667-11	s METAL, CHIP 4.7K 0.5% 1/10W
R770	1-216-667-11	s METAL, CHIP 4.7K 0.5% 1/10W
R771	1-216-667-11	s METAL, CHIP 4.7K 0.5% 1/10W
R772	1-216-667-11	s METAL, CHIP 4.7K 0.5% 1/10W
R773	1-216-667-11	s METAL, CHIP 4.7K 0.5% 1/10W
R774	1-216-667-11	s METAL, CHIP 4.7K 0.5% 1/10W
R775	1-216-675-11	s METAL, CHIP 10K 0.5% 1/10W
R776	1-216-675-11	s METAL, CHIP 10K 0.5% 1/10W
R777	1-216-675-11	s METAL, CHIP 10K 0.5% 1/10W
R778	1-216-675-11	s METAL, CHIP 10K 0.5% 1/10W
R779	1-216-651-11	s METAL, CHIP 1K 0.5% 1/10W
R780	1-216-675-11	s METAL, CHIP 10K 0.5% 1/10W
R781	1-216-097-11	s METAL, CHIP 100K 5% 1/10W
R782	1-216-675-11	s METAL, CHIP 10K 0.5% 1/10W
R783	1-216-651-11	s METAL, CHIP 1K 0.5% 1/10W
R784	1-216-097-11	s METAL, CHIP 100K 5% 1/10W
R785	1-216-651-11	s METAL, CHIP 1K 0.5% 1/10W
R786	1-216-675-11	s METAL, CHIP 10K 0.5% 1/10W
R787	1-216-097-11	s METAL, CHIP 100K 5% 1/10W
R788	1-216-675-11	s METAL, CHIP 10K 0.5% 1/10W
R789	1-216-651-11	s METAL, CHIP 1K 0.5% 1/10W
R790	1-216-097-11	s METAL, CHIP 100K 5% 1/10W
R791	1-216-619-11	s METAL, CHIP 47 0.5% 1/10W
R792	1-216-619-11	s METAL, CHIP 47 0.5% 1/10W
R793	1-216-619-11	s METAL, CHIP 47 0.5% 1/10W
R794	1-216-619-11	s METAL, CHIP 47 0.5% 1/10W
R795	1-216-699-11	s METAL, CHIP 100K 0.5% 1/10W

(APR-32 BOARD)

Ref. No. or Q'ty	Part No.	SP Description
R796	1-216-699-11	s METAL, CHIP 100K 0.5% 1/10W
R797	1-216-699-11	s METAL, CHIP 100K 0.5% 1/10W
R798	1-216-699-11	s METAL, CHIP 100K 0.5% 1/10W
R799	1-220-242-11	s METAL, CHIP 22 5% 1/4W
R800	1-220-242-11	s METAL, CHIP 22 5% 1/4W
R801	1-216-073-00	s METAL, CHIP 10K 5% 1/10W
R802	1-216-073-00	s METAL, CHIP 10K 5% 1/10W
R803	1-220-242-11	s METAL, CHIP 22 5% 1/4W
R804	1-220-242-11	s METAL, CHIP 22 5% 1/4W
R805	1-216-073-00	s METAL, CHIP 10K 5% 1/10W
R806	1-216-073-00	s METAL, CHIP 10K 5% 1/10W
R807	1-220-242-11	s METAL, CHIP 22 5% 1/4W
R808	1-220-242-11	s METAL, CHIP 22 5% 1/4W
R809	1-216-073-00	s METAL, CHIP 10K 5% 1/10W
R810	1-216-073-00	s METAL, CHIP 10K 5% 1/10W
R811	1-220-242-11	s METAL, CHIP 22 5% 1/4W
R812	1-220-242-11	s METAL, CHIP 22 5% 1/4W
R813	1-216-073-00	s METAL, CHIP 10K 5% 1/10W
R814	1-216-073-00	s METAL, CHIP 10K 5% 1/10W
R815	1-216-037-00	s METAL, CHIP 330 5% 1/10W
R816	1-216-037-00	s METAL, CHIP 330 5% 1/10W
R817	1-216-073-00	s METAL, CHIP 10K 5% 1/10W
R818	1-216-073-00	s METAL, CHIP 10K 5% 1/10W
R819	1-216-295-91	s RES, CHIP 0
R820	1-216-017-11	s METAL, CHIP 47 5% 1/10W
R821	1-216-017-11	s METAL, CHIP 47 5% 1/10W
R822	1-216-017-11	s METAL, CHIP 47 5% 1/10W
R823	1-216-017-11	s METAL, CHIP 47 5% 1/10W
R824	1-216-295-91	s RES, CHIP 0
R825	1-216-295-91	s RES, CHIP 0
R826	1-216-690-11	s METAL, CHIP 43K 0.5% 1/10W
R827	1-216-680-11	s METAL, CHIP 16K 0.5% 1/10W
R828	1-216-670-11	s METAL, CHIP 6.2K 0.5% 1/10W
R829	1-216-295-91	s RES, CHIP 0
R830	1-216-690-11	s METAL, CHIP 43K 0.5% 1/10W
R831	1-216-680-11	s METAL, CHIP 16K 0.5% 1/10W
R832	1-216-654-11	s METAL, CHIP 1.3K 0.5% 1/10W
R833	1-216-670-11	s METAL, CHIP 6.2K 0.5% 1/10W
R834	1-216-654-11	s METAL, CHIP 1.3K 0.5% 1/10W
R840	1-216-121-11	s METAL, CHIP 1M 5% 1/10W
R841	1-216-121-11	s METAL, CHIP 1M 5% 1/10W
R900	1-216-073-00	s METAL, CHIP 10K 5% 1/10W
R901	1-216-295-91	s RES, CHIP 0
R902	1-216-295-91	s RES, CHIP 0
R903	1-216-655-11	s METAL, CHIP 1.5K 0.5% 1/10W
R904	1-216-073-00	s METAL, CHIP 10K 5% 1/10W
R905	1-216-644-11	s METAL, CHIP 510 0.5% 1/10W
R906	1-216-073-00	s METAL, CHIP 10K 5% 1/10W
R907	1-216-073-00	s METAL, CHIP 10K 5% 1/10W
R908	1-216-073-00	s METAL, CHIP 10K 5% 1/10W
R909	1-216-121-11	s METAL, CHIP 1M 5% 1/10W
R910	1-216-121-11	s METAL, CHIP 1M 5% 1/10W
R911	1-216-065-00	s METAL, CHIP 4.7K 5% 1/10W
R912	1-216-065-00	s METAL, CHIP 4.7K 5% 1/10W
R913	1-216-638-11	s METAL, CHIP 300 0.5% 1/10W
R914	1-216-638-11	s METAL, CHIP 300 0.5% 1/10W
R915	1-216-017-11	s METAL, CHIP 47 5% 1/10W
R916	1-216-017-11	s METAL, CHIP 47 5% 1/10W
R917	1-216-676-11	s METAL, CHIP 11K 0.5% 1/10W

(APR-32 BOARD)

Ref. No. or Q'ty	Part No.	SP Description
R918	1-216-676-11	s METAL, CHIP 11K 0.5% 1/10W
R919	1-216-683-11	s METAL, CHIP 22K 0.5% 1/10W
R920	1-216-683-11	s METAL, CHIP 22K 0.5% 1/10W
R921	1-216-655-11	s METAL, CHIP 1.5K 0.5% 1/10W
R922	1-216-655-11	s METAL, CHIP 1.5K 0.5% 1/10W
R923	1-216-017-11	s METAL, CHIP 47 5% 1/10W
R924	1-216-655-11	s METAL, CHIP 1.5K 0.5% 1/10W
R925	1-216-655-11	s METAL, CHIP 1.5K 0.5% 1/10W
R926	1-216-017-11	s METAL, CHIP 47 5% 1/10W
R927	1-216-679-11	s METAL, CHIP 15K 0.5% 1/10W
R928	1-216-679-11	s METAL, CHIP 15K 0.5% 1/10W
R929	1-216-679-11	s METAL, CHIP 15K 0.5% 1/10W
R930	1-216-679-11	s METAL, CHIP 15K 0.5% 1/10W
R931	1-216-651-11	s METAL, CHIP 1K 0.5% 1/10W
R932	1-216-651-11	s METAL, CHIP 1K 0.5% 1/10W
R933	1-216-095-00	s METAL, CHIP 82K 5% 1/10W
R934	1-216-095-00	s METAL, CHIP 82K 5% 1/10W
R935	1-216-659-11	s METAL, CHIP 2.2K 0.5% 1/10W
R936	1-216-659-11	s METAL, CHIP 2.2K 0.5% 1/10W
R937	1-216-081-00	s METAL, CHIP 22K 5% 1/10W
R938	1-216-081-00	s METAL, CHIP 22K 5% 1/10W
R939	1-216-295-91	s RES, CHIP 0
R940	1-216-295-91	s RES, CHIP 0
R941	1-216-081-00	s METAL, CHIP 22K 5% 1/10W
R942	1-216-081-00	s METAL, CHIP 22K 5% 1/10W
R943	1-216-049-11	s METAL, CHIP 1K 5% 1/10W
R944	1-216-063-11	s METAL, CHIP 3.9K 5% 1/10W
R945	1-216-049-11	s METAL, CHIP 1K 5% 1/10W
R946	1-216-063-11	s METAL, CHIP 3.9K 5% 1/10W
R947	1-216-073-00	s METAL, CHIP 10K 5% 1/10W
R948	1-216-073-00	s METAL, CHIP 10K 5% 1/10W
R949	1-216-073-00	s METAL, CHIP 10K 5% 1/10W
R950	1-216-073-00	s METAL, CHIP 10K 5% 1/10W
R951	1-216-073-00	s METAL, CHIP 10K 5% 1/10W
R952	1-216-073-00	s METAL, CHIP 10K 5% 1/10W
R953	1-216-073-00	s METAL, CHIP 10K 5% 1/10W
R954	1-216-073-00	s METAL, CHIP 10K 5% 1/10W
R955	1-216-073-00	s METAL, CHIP 10K 5% 1/10W
R956	1-216-073-00	s METAL, CHIP 10K 5% 1/10W
R957	1-216-121-11	s METAL, CHIP 1M 5% 1/10W
R958	1-216-121-11	s METAL, CHIP 1M 5% 1/10W
R959	1-216-073-00	s METAL, CHIP 10K 5% 1/10W
R960	1-216-073-00	s METAL, CHIP 10K 5% 1/10W
R961	1-216-073-00	s METAL, CHIP 10K 5% 1/10W
R962	1-216-073-00	s METAL, CHIP 10K 5% 1/10W
R963	1-216-679-11	s METAL, CHIP 15K 0.5% 1/10W
R964	1-216-679-11	s METAL, CHIP 15K 0.5% 1/10W
R965	1-216-682-11	s METAL, CHIP 20K 0.5% 1/10W
R966	1-216-677-11	s METAL, CHIP 12K 0.5% 1/10W
R967	1-216-673-11	s METAL, CHIP 8.2K 0.5% 1/10W
R968	1-216-682-11	s METAL, CHIP 20K 0.5% 1/10W
R969	1-216-677-11	s METAL, CHIP 12K 0.5% 1/10W
R970	1-216-673-11	s METAL, CHIP 8.2K 0.5% 1/10W
R971	1-216-652-11	s METAL, CHIP 1.1K 0.5% 1/10W
R972	1-216-652-11	s METAL, CHIP 1.1K 0.5% 1/10W
R973	1-216-641-11	s METAL, CHIP 390 0.5% 1/10W
R974	1-216-646-11	s METAL, CHIP 620 0.5% 1/10W
R975	1-216-648-11	s METAL, CHIP 750 0.5% 1/10W
R976	1-216-631-11	s METAL, CHIP 150 0.5% 1/10W

(APR-32 BOARD)

Ref. No. or Q'ty	Part No.	SP Description
R977	1-216-641-11	s METAL, CHIP 390 0.5% 1/10W
R978	1-216-646-11	s METAL, CHIP 620 0.5% 1/10W
R979	1-216-648-11	s METAL, CHIP 750 0.5% 1/10W
R980	1-216-631-11	s METAL, CHIP 150 0.5% 1/10W
R981	1-216-675-11	s METAL, CHIP 10K 0.5% 1/10W
R982	1-216-675-11	s METAL, CHIP 10K 0.5% 1/10W
R983	1-216-675-11	s METAL, CHIP 10K 0.5% 1/10W
R984	1-216-675-11	s METAL, CHIP 10K 0.5% 1/10W
R985	1-216-667-11	s METAL, CHIP 4.7K 0.5% 1/10W
R986	1-216-667-11	s METAL, CHIP 4.7K 0.5% 1/10W
R987	1-216-667-11	s METAL, CHIP 4.7K 0.5% 1/10W
R988	1-216-667-11	s METAL, CHIP 4.7K 0.5% 1/10W
R989	1-216-667-11	s METAL, CHIP 4.7K 0.5% 1/10W
R990	1-216-667-11	s METAL, CHIP 4.7K 0.5% 1/10W
R991	1-216-667-11	s METAL, CHIP 4.7K 0.5% 1/10W
R992	1-216-667-11	s METAL, CHIP 4.7K 0.5% 1/10W
R993	1-216-675-11	s METAL, CHIP 10K 0.5% 1/10W
R994	1-216-675-11	s METAL, CHIP 10K 0.5% 1/10W
R995	1-216-675-11	s METAL, CHIP 10K 0.5% 1/10W
R996	1-216-675-11	s METAL, CHIP 10K 0.5% 1/10W
R997	1-216-651-11	s METAL, CHIP 1K 0.5% 1/10W
R998	1-216-675-11	s METAL, CHIP 10K 0.5% 1/10W
R999	1-216-097-11	s METAL, CHIP 100K 5% 1/10W
R1000	1-216-675-11	s METAL, CHIP 10K 0.5% 1/10W
R1001	1-216-651-11	s METAL, CHIP 1K 0.5% 1/10W
R1002	1-216-097-11	s METAL, CHIP 100K 5% 1/10W
R1003	1-216-651-11	s METAL, CHIP 1K 0.5% 1/10W
R1004	1-216-675-11	s METAL, CHIP 10K 0.5% 1/10W
R1005	1-216-097-11	s METAL, CHIP 100K 5% 1/10W
R1006	1-216-675-11	s METAL, CHIP 10K 0.5% 1/10W
R1007	1-216-651-11	s METAL, CHIP 1K 0.5% 1/10W
R1008	1-216-097-11	s METAL, CHIP 100K 5% 1/10W
R1009	1-216-619-11	s METAL, CHIP 47 0.5% 1/10W
R1010	1-216-619-11	s METAL, CHIP 47 0.5% 1/10W
R1011	1-216-619-11	s METAL, CHIP 47 0.5% 1/10W
R1012	1-216-619-11	s METAL, CHIP 47 0.5% 1/10W
R1013	1-216-699-11	s METAL, CHIP 100K 0.5% 1/10W
R1014	1-216-699-11	s METAL, CHIP 100K 0.5% 1/10W
R1015	1-216-699-11	s METAL, CHIP 100K 0.5% 1/10W
R1016	1-216-699-11	s METAL, CHIP 100K 0.5% 1/10W
R1017	1-220-242-11	s METAL, CHIP 22 5% 1/4W
R1018	1-220-242-11	s METAL, CHIP 22 5% 1/4W
R1019	1-216-073-00	s METAL, CHIP 10K 5% 1/10W
R1020	1-216-073-00	s METAL, CHIP 10K 5% 1/10W
R1021	1-220-242-11	s METAL, CHIP 22 5% 1/4W
R1022	1-220-242-11	s METAL, CHIP 22 5% 1/4W
R1023	1-216-073-00	s METAL, CHIP 10K 5% 1/10W
R1024	1-220-242-11	s METAL, CHIP 22 5% 1/4W
R1025	1-220-242-11	s METAL, CHIP 22 5% 1/4W
R1026	1-216-073-00	s METAL, CHIP 10K 5% 1/10W
R1027	1-216-073-00	s METAL, CHIP 10K 5% 1/10W
R1028	1-220-242-11	s METAL, CHIP 22 5% 1/4W
R1029	1-220-242-11	s METAL, CHIP 22 5% 1/4W
R1030	1-216-073-00	s METAL, CHIP 10K 5% 1/10W
R1031	1-216-073-00	s METAL, CHIP 10K 5% 1/10W
R1032	1-216-073-00	s METAL, CHIP 10K 5% 1/10W
R1033	1-216-037-00	s METAL, CHIP 330 5% 1/10W
R1034	1-216-037-00	s METAL, CHIP 330 5% 1/10W
R1035	1-216-073-00	s METAL, CHIP 10K 5% 1/10W

(APR-32 BOARD)

Ref. No. or Q'ty	Part No.	SP Description
R1036	1-216-073-00	s METAL, CHIP 10K 5% 1/10W
R1038	1-216-295-91	s RES, CHIP 0
R1039	1-216-295-91	s RES, CHIP 0
R1040	1-216-121-11	s METAL, CHIP 1M 5% 1/10W
R1041	1-216-121-11	s METAL, CHIP 1M 5% 1/10W
R1042	1-216-295-91	s RES, CHIP 0
R1047	1-216-017-11	s METAL, CHIP 47 5% 1/10W
R1048	1-216-690-11	s METAL, CHIP 43K 0.5% 1/10W
R1049	1-216-680-11	s METAL, CHIP 16K 0.5% 1/10W
R1050	1-216-670-11	s METAL, CHIP 6.2K 0.5% 1/10W
R1051	1-216-690-11	s METAL, CHIP 43K 0.5% 1/10W
R1052	1-216-680-11	s METAL, CHIP 16K 0.5% 1/10W
R1053	1-216-654-11	s METAL, CHIP 1.3K 0.5% 1/10W
R1054	1-216-073-00	s METAL, CHIP 10K 5% 1/10W
R1055	1-216-073-00	s METAL, CHIP 10K 5% 1/10W
R1056	1-216-676-11	s METAL, CHIP 11K 0.5% 1/10W
R1057	1-216-053-00	s METAL, CHIP 1.5K 5% 1/10W
R1058	1-216-073-00	s METAL, CHIP 10K 5% 1/10W
R1059	1-216-073-00	s METAL, CHIP 10K 5% 1/10W
R1060	1-216-053-00	s METAL, CHIP 1.5K 5% 1/10W
R1061	1-216-676-11	s METAL, CHIP 11K 0.5% 1/10W
R1062	1-216-295-91	s RES, CHIP 0
R1063	1-216-295-91	s RES, CHIP 0
R1064	1-216-670-11	s METAL, CHIP 6.2K 0.5% 1/10W
R1065	1-216-654-11	s METAL, CHIP 1.3K 0.5% 1/10W
R1072	1-216-687-11	s METAL, CHIP 33K 0.5% 1/10W
R1073	1-216-687-11	s METAL, CHIP 33K 0.5% 1/10W
R1074	1-216-073-00	s METAL, CHIP 10K 5% 1/10W
R1075	1-216-073-00	s METAL, CHIP 10K 5% 1/10W
R1076	1-216-651-11	s METAL, CHIP 1K 0.5% 1/10W
R1077	1-216-651-11	s METAL, CHIP 1K 0.5% 1/10W
R1078	1-216-675-11	s METAL, CHIP 10K 0.5% 1/10W
R1079	1-216-675-11	s METAL, CHIP 10K 0.5% 1/10W
R1200	1-216-009-00	s METAL, CHIP 22 5% 1/10W
R1201	1-216-009-00	s METAL, CHIP 22 5% 1/10W
R1202	1-216-009-00	s METAL, CHIP 22 5% 1/10W
R1203	1-216-009-00	s METAL, CHIP 22 5% 1/10W
R1204	1-216-009-00	s METAL, CHIP 22 5% 1/10W
R1205	1-216-009-00	s METAL, CHIP 22 5% 1/10W
R1206	1-216-009-00	s METAL, CHIP 22 5% 1/10W
R1207	1-216-009-00	s METAL, CHIP 22 5% 1/10W
R1208	1-216-009-00	s METAL, CHIP 22 5% 1/10W
R1209	1-216-009-00	s METAL, CHIP 22 5% 1/10W
R1210	1-216-009-00	s METAL, CHIP 22 5% 1/10W
R1211	1-216-009-00	s METAL, CHIP 22 5% 1/10W
R1212	1-216-009-00	s METAL, CHIP 22 5% 1/10W
R1213	1-216-009-00	s METAL, CHIP 22 5% 1/10W
R1214	1-216-009-00	s METAL, CHIP 22 5% 1/10W
R1215	1-216-009-00	s METAL, CHIP 22 5% 1/10W
R1302	1-216-073-00	s METAL, CHIP 10K 5% 1/10W
R1303	1-216-073-00	s METAL, CHIP 10K 5% 1/10W
R1304	1-216-073-00	s METAL, CHIP 10K 5% 1/10W
R1305	1-216-073-00	s METAL, CHIP 10K 5% 1/10W
R1312	1-216-033-00	s METAL, CHIP 220 5% 1/10W
R1313	1-216-033-00	s METAL, CHIP 220 5% 1/10W
R1314	1-216-033-00	s METAL, CHIP 220 5% 1/10W
R1315	1-216-073-00	s METAL, CHIP 10K 5% 1/10W
R1316	1-216-073-00	s METAL, CHIP 10K 5% 1/10W
R1321	1-216-017-11	s METAL, CHIP 47 5% 1/10W

(APR-32 BOARD)

Ref. No. or Q'ty	Part No.	SP Description
R1322	1-216-017-11	s METAL, CHIP 47 5% 1/10W
R1323	1-216-017-11	s METAL, CHIP 47 5% 1/10W
R1324	1-216-073-00	s METAL, CHIP 10K 5% 1/10W
R1325	1-216-073-00	s METAL, CHIP 10K 5% 1/10W
R1327	1-216-295-91	s RES, CHIP 0
R1329	1-216-073-00	s METAL, CHIP 10K 5% 1/10W
R1338	1-216-295-91	s RES, CHIP 0
R1345	1-216-295-91	s RES, CHIP 0
R1352	1-216-295-91	s RES, CHIP 0
R1402	1-216-073-00	s METAL, CHIP 10K 5% 1/10W
R1403	1-216-073-00	s METAL, CHIP 10K 5% 1/10W
R1404	1-216-073-00	s METAL, CHIP 10K 5% 1/10W
R1405	1-216-073-00	s METAL, CHIP 10K 5% 1/10W
R1501	1-216-295-91	s RES, CHIP 0
R1509	1-216-295-91	s RES, CHIP 0
R1516	1-216-295-91	s RES, CHIP 0
R1517	1-216-295-91	s RES, CHIP 0
R1518	1-216-295-91	s RES, CHIP 0
R1519	1-216-295-91	s RES, CHIP 0
R1525	1-216-295-91	s RES, CHIP 0
R1526	1-216-295-91	s RES, CHIP 0
R1529	1-216-295-91	s RES, CHIP 0
R1530	1-216-295-91	s RES, CHIP 0
RB51	1-239-308-11	s RESISTOR BLOCK, CHIP 47Kx8
RB53	1-239-306-11	s RESISTOR BLOCK, CHIP 10Kx8
RB54	1-239-306-11	s RESISTOR BLOCK, CHIP 10Kx8
RB55	1-239-306-11	s RESISTOR BLOCK, CHIP 10Kx8
RV100	1-241-764-11	s RES, ADJ METAL 10K
RV101	1-241-761-11	s RES, ADJ METAL 1K
RV102	1-241-765-11	s RES, ADJ METAL 22K
RV103	1-241-765-11	s RES, ADJ METAL 22K
RV200	1-241-764-11	s RES, ADJ METAL 10K
RV201	1-241-761-11	s RES, ADJ METAL 1K
RV202	1-241-765-11	s RES, ADJ METAL 22K
RV203	1-241-765-11	s RES, ADJ METAL 22K
RV300	1-241-764-11	s RES, ADJ METAL 10K
RV301	1-241-761-11	s RES, ADJ METAL 1K
RV302	1-241-765-11	s RES, ADJ METAL 22K
RV303	1-241-765-11	s RES, ADJ METAL 22K
RV400	1-241-764-11	s RES, ADJ METAL 10K
RV401	1-241-761-11	s RES, ADJ METAL 1K
RV402	1-241-765-11	s RES, ADJ METAL 22K
RV403	1-241-765-11	s RES, ADJ METAL 22K
RV500	1-241-764-11	s RES, ADJ METAL 10K
RV501	1-241-764-11	s RES, ADJ METAL 10K
RV700	1-241-764-11	s RES, ADJ METAL 10K
RV701	1-241-764-11	s RES, ADJ METAL 10K
RV900	1-241-764-11	s RES, ADJ METAL 10K
RV901	1-241-764-11	s RES, ADJ METAL 10K
RV902	1-241-764-11	s RES, ADJ METAL 10K
RV903	1-241-764-11	s RES, ADJ METAL 10K
RY100	1-515-716-11	s RELAY
RY200	1-515-716-11	s RELAY
RY300	1-515-716-11	s RELAY
RY400	1-515-716-11	s RELAY
RY502	1-515-716-11	s RELAY
RY503	1-515-716-11	s RELAY
RY702	1-515-716-11	s RELAY

(APR-32 BOARD)

Ref. No. or Q'ty	Part No.	SP Description
RY703	1-515-716-11	s RELAY
RY900	1-515-928-11	s RELAY
RY901	1-515-928-11	s RELAY
RY902	1-515-716-11	s RELAY
RY903	1-515-716-11	s RELAY
TH100	1-810-106-11	s THERMISTOR, POSITIVE, CHIP
TH200	1-810-106-11	s THERMISTOR, POSITIVE, CHIP
TH300	1-810-106-11	s THERMISTOR, POSITIVE, CHIP
TH400	1-810-106-11	s THERMISTOR, POSITIVE, CHIP
X50	1-579-599-11	s RESONATOR, CERAMIC 8.38MHz

CCM-15 BOARD		

Ref. No. or Q'ty	Part No.	SP Description
1pc	1-648-570-11	o PRINTED CIRCUIT BOARD, CCM-15
CN920	1-506-468-11	s CONNECTOR 3P, MALE
M103	1-698-152-11	s MOTOR, DC SVD-1449

CL-29 BOARD		

Ref. No. or Q'ty	Part No.	SP Description
1pc	A-8276-626-B	o MOUNTED CIRCUIT BOARD, CL-29
C1	1-161-051-00	s CERAMIC 0.01uF 10% 50V
CN930	1-564-011-11	o CONNECTOR 12P, MALE
CN931	1-564-001-11	s CONNECTOR 2P, MALE
CN933	1-573-599-11	s CONNECTOR 5P, FEMALE
CN935	1-564-001-11	s CONNECTOR 2P, MALE
D1	8-719-938-07	s LED GL480, INFRARED
D2	8-719-938-07	s LED GL480, INFRARED
Q1	8-729-903-81	s PHOTOTRANSISTOR PT480
Q2	8-729-903-81	s PHOTOTRANSISTOR PT480
R1	1-247-825-31	s CARBON 560 5% 1/4W
R2	1-247-825-31	s CARBON 560 5% 1/4W

CL-41 BOARD		

Ref. No. or Q'ty	Part No.	SP Description
1pc	1-665-836-11	s FLEXIBLE CIRCUIT BOARD, CL-41

 CP-266A BOARD

Ref. No. or Q'ty	Part No.	SP	Description
1pc	A-8312-826-A	o	MOUNTED CIRCUIT BOARD, CP-266A
BZ1	1-529-025-00	s	BUZZER
C1	1-126-396-11	s	ELECT, CHIP 47uF 20% 16V
C2	1-126-396-11	s	ELECT, CHIP 47uF 20% 16V
C3	1-111-036-11	s	ELECT 470uF 20% 16V
C4	1-126-397-11	s	ELECT, CHIP 33uF 20% 25V
C5	1-163-038-91	s	CERAMIC, CHIP 0.1uF 25V 0%
C6	1-135-179-21	s	TANTALUM 2.2uF 10% 16V
C7	1-126-396-11	s	ELECT, CHIP 47uF 20% 16V
C8	1-126-396-11	s	ELECT, CHIP 47uF 20% 16V
C9	1-111-012-11	s	ELECT 560uF 20% 10V
C10	1-126-396-11	s	ELECT, CHIP 47uF 20% 16V
C11	1-163-038-91	s	CERAMIC, CHIP 0.1uF 25V 0%
C12	1-163-038-91	s	CERAMIC, CHIP 0.1uF 25V 0%
C13	1-163-038-91	s	CERAMIC, CHIP 0.1uF 25V 0%
C14	1-135-179-21	s	TANTALUM 2.2uF 10% 16V
C106	1-163-038-91	s	CERAMIC, CHIP 0.1uF 25V 0%
C107	1-163-038-91	s	CERAMIC, CHIP 0.1uF 25V 0%
C108	1-163-038-91	s	CERAMIC, CHIP 0.1uF 25V 0%
C109	1-163-038-91	s	CERAMIC, CHIP 0.1uF 25V 0%
C110	1-163-038-91	s	CERAMIC, CHIP 0.1uF 25V 0%
C111	1-163-038-91	s	CERAMIC, CHIP 0.1uF 25V 0%
C112	1-163-038-91	s	CERAMIC, CHIP 0.1uF 25V 0%
C113	1-163-038-91	s	CERAMIC, CHIP 0.1uF 25V 0%
C114	1-163-038-91	s	CERAMIC, CHIP 0.1uF 25V 0%
C115	1-163-038-91	s	CERAMIC, CHIP 0.1uF 25V 0%
C117	1-163-038-91	s	CERAMIC, CHIP 0.1uF 25V 0%
C118	1-163-038-91	s	CERAMIC, CHIP 0.1uF 25V 0%
C119	1-163-038-91	s	CERAMIC, CHIP 0.1uF 25V 0%
C120	1-163-038-91	s	CERAMIC, CHIP 0.1uF 25V 0%
C121	1-163-038-91	s	CERAMIC, CHIP 0.1uF 25V 0%
C122	1-163-038-91	s	CERAMIC, CHIP 0.1uF 25V 0%
C123	1-163-038-91	s	CERAMIC, CHIP 0.1uF 25V 0%
C124	1-163-038-91	s	CERAMIC, CHIP 0.1uF 25V 0%
C125	1-163-038-91	s	CERAMIC, CHIP 0.1uF 25V 0%
C126	1-163-038-91	s	CERAMIC, CHIP 0.1uF 25V 0%
C127	1-163-038-91	s	CERAMIC, CHIP 0.1uF 25V 0%
C128	1-163-038-91	s	CERAMIC, CHIP 0.1uF 25V 0%
C129	1-127-515-11	s	ALUMN SOLID 47uF 20% 10V
C201	1-163-038-91	s	CERAMIC, CHIP 0.1uF 25V 0%
C202	1-163-038-91	s	CERAMIC, CHIP 0.1uF 25V 0%
C203	1-163-038-91	s	CERAMIC, CHIP 0.1uF 25V 0%
C204	1-163-038-91	s	CERAMIC, CHIP 0.1uF 25V 0%
C205	1-163-038-91	s	CERAMIC, CHIP 0.1uF 25V 0%
C209	1-163-038-91	s	CERAMIC, CHIP 0.1uF 25V 0%
C210	1-163-038-91	s	CERAMIC, CHIP 0.1uF 25V 0%
C211	1-163-038-91	s	CERAMIC, CHIP 0.1uF 25V 0%
C212	1-163-038-91	s	CERAMIC, CHIP 0.1uF 25V 0%
C213	1-163-038-91	s	CERAMIC, CHIP 0.1uF 25V 0%
C214	1-163-038-91	s	CERAMIC, CHIP 0.1uF 25V 0%
C215	1-163-243-11	s	CERAMIC, CHIP 47PF 5% 50V
C216	1-163-038-91	s	CERAMIC, CHIP 0.1uF 25V 0%
C217	1-163-257-11	s	CERAMIC, CHIP 180PF 5% 50V
C218	1-163-257-11	s	CERAMIC, CHIP 180PF 5% 50V
C219	1-163-257-11	s	CERAMIC, CHIP 180PF 5% 50V
C220	1-163-257-11	s	CERAMIC, CHIP 180PF 5% 50V
C221	1-124-455-00	s	ELECT 100uF 20% 16V

(CP-266A BOARD)

Ref. No. or Q'ty	Part No.	SP	Description
C222	1-124-455-00	s	ELECT 100uF 20% 16V
C223	1-163-038-91	s	CERAMIC, CHIP 0.1uF 25V 0%
C224	1-163-038-91	s	CERAMIC, CHIP 0.1uF 25V 0%
C225	1-163-038-91	s	CERAMIC, CHIP 0.1uF 25V 0%
CN1	1-506-489-11	s	CONNECTOR 10P, MALE
CN2	1-566-566-11	o	CONNECTOR 40P, MALE
CN3	1-580-565-11	o	CONNECTOR LY 20P, MALE
CN4	1-566-567-11	o	CONNECTOR, TX 60P, MALE
CN5	1-506-484-11	s	CONNECTOR 5P, MALE
CN6	1-955-028-11	o	HARNESS, SUB (CP-DVV)
CN7	1-580-537-11	o	CONNECTOR, LY 16P, MALE
D1	8-719-982-04	s	DIODE ERB81-004
D2	8-719-903-06	s	DIODE ERC84-009
D101	8-719-987-43	s	LED CL-150PG-CD, GRN
D102	8-719-989-22	s	LED CL-150R-CD, RED
FB1	1-543-236-11	s	BEAD, FERRITE
FB2	1-543-236-11	s	BEAD, FERRITE
IC1	8-759-164-80	s	IC LM2577T-ADJ
IC2	8-759-355-26	s	IC LM2576T-ADJ
IC3	8-759-636-63	s	IC M51957BFP
IC102	8-759-061-67	s	IC MC34051M
IC103	8-759-296-67	s	IC HD6417032F20
IC104	8-759-925-90	s	IC SN74HC74ANS
IC105	8-759-636-63	s	IC M51957BFP
IC108	8-759-927-46	s	IC SN74HC00ANS
IC109	8-759-436-44	s	IC IDT71024S20Y-TL
IC110	8-759-436-44	s	IC IDT71024S20Y-TL
IC111	8-759-436-44	s	IC IDT71024S20Y-TL
IC112	8-759-436-44	s	IC IDT71024S20Y-TL
IC113	8-759-296-31	s	IC M48T18-100MH1TR
IC114	8-759-528-19	o	IC MBM29F040A-CP266-V111, FLASH
IC115	8-759-380-23	o	IC EPM7032LC44-PLD-V100, PLD
IC116	8-749-010-67	s	IC M4T28-BR12SH1
IC201	8-759-927-18	s	IC SN74HCT541NS
IC202	8-759-927-18	s	IC SN74HCT541NS
IC203	8-759-927-18	s	IC SN74HCT541NS
IC204	8-759-927-15	s	IC SN74HCT245NS
IC205	8-759-927-15	s	IC SN74HCT245NS
IC206	8-759-322-47	s	IC HD63484CP8
IC207	8-759-322-07	s	IC HD63487CP
IC208	8-759-338-22	s	IC HM514402CZ-8
IC209	8-759-154-60	s	IC UPD71055GB-10-3B4
IC210	8-759-154-60	s	IC UPD71055GB-10-3B4
IC211	8-759-154-60	s	IC UPD71055GB-10-3B4
IC212	8-759-500-43	s	IC CXD8117P
IC213	8-759-600-34	s	IC M54532P
IC214	8-759-925-72	s	IC SN74HC02ANS
IC220	8-759-052-52	s	IC L78M05T-FA
IS114	1-251-350-11	o	SOCKET, IC 32P
IS115	1-251-351-11	o	SOCKET, IC 44P
L1	1-412-525-31	s	INDUCTOR 10uH
L2	1-424-449-11	s	COIL, CHOKE 110mH
L3	1-412-533-21	s	INDUCTOR 47uH
L4	1-412-525-31	s	INDUCTOR 10uH
L5	1-409-339-00	s	COIL, CHOKE
L6	1-412-525-31	s	INDUCTOR 10uH

(CP-266A BOARD)

Ref. No. or Q'ty	Part No.	SP	Description
Q1	8-729-029-04	s	TRANSISTOR DTC123JUA-T106
Q2	8-729-029-04	s	TRANSISTOR DTC123JUA-T106
Q209	8-729-020-94	s	TRANSISTOR 2SA1314C-TE12L
Q210	8-729-029-04	s	TRANSISTOR DTC123JUA-T106
R1	1-216-648-11	s	METAL, CHIP 750 0.5% 1/10W
R2	1-216-679-11	s	METAL, CHIP 15K 0.5% 1/10W
R3	1-216-660-11	s	METAL, CHIP 2.4K 0.5% 1/10W
R4	1-216-658-11	s	METAL, CHIP 2K 0.5% 1/10W
R5	1-216-667-11	s	METAL, CHIP 4.7K 0.5% 1/10W
R6	1-216-654-11	s	METAL, CHIP 1.3K 0.5% 1/10W
R7	1-216-073-00	s	METAL, CHIP 10K 5% 1/10W
R8	1-216-073-00	s	METAL, CHIP 10K 5% 1/10W
R9	1-216-627-11	s	METAL, CHIP 100 0.5% 1/10W
R10	1-216-662-11	s	METAL, CHIP 3K 0.5% 1/10W
R11	1-216-651-11	s	METAL, CHIP 1K 0.5% 1/10W
R12	1-216-089-91	s	METAL, CHIP 47k 5% 1/10W
R13	1-216-089-91	s	METAL, CHIP 47k 5% 1/10W
R101	1-216-049-11	s	METAL, CHIP 1K 5% 1/10W
R102	1-216-077-00	s	METAL, CHIP 15K 5% 1/10W
R103	1-216-077-00	s	METAL, CHIP 15K 5% 1/10W
R104	1-216-097-11	s	METAL, CHIP 100K 5% 1/10W
R105	1-216-097-11	s	METAL, CHIP 100K 5% 1/10W
R106	1-216-037-00	s	METAL, CHIP 330 5% 1/10W
R108	1-216-037-00	s	METAL, CHIP 330 5% 1/10W
R109	1-216-686-11	s	METAL, CHIP 30K 0.5% 1/10W
R110	1-216-677-11	s	METAL, CHIP 12K 0.5% 1/10W
R111	1-216-049-11	s	METAL, CHIP 1K 5% 1/10W
R112	1-216-059-00	s	METAL, CHIP 2.7K 5% 1/10W
R122	1-216-089-91	s	METAL, CHIP 47k 5% 1/10W
R123	1-216-089-91	s	METAL, CHIP 47k 5% 1/10W
R124	1-216-073-00	s	METAL, CHIP 10K 5% 1/10W
R125	1-216-089-91	s	METAL, CHIP 47k 5% 1/10W
R126	1-216-049-11	s	METAL, CHIP 1K 5% 1/10W
R206	1-216-089-91	s	METAL, CHIP 47k 5% 1/10W
R207	1-216-089-91	s	METAL, CHIP 47k 5% 1/10W
R208	1-216-089-91	s	METAL, CHIP 47k 5% 1/10W
R219	1-216-089-91	s	METAL, CHIP 47k 5% 1/10W
R230	1-216-067-00	s	METAL, CHIP 5.6K 5% 1/10W
R231	1-216-049-11	s	METAL, CHIP 1K 5% 1/10W
R232	1-216-049-11	s	METAL, CHIP 1K 5% 1/10W
R233	1-216-049-11	s	METAL, CHIP 1K 5% 1/10W
R234	1-216-049-11	s	METAL, CHIP 1K 5% 1/10W
R240	1-216-073-00	s	METAL, CHIP 10K 5% 1/10W
R241	1-216-049-11	s	METAL, CHIP 1K 5% 1/10W
RB1	1-239-419-11	s	RESISTOR BLOCK 470X4
RB2	1-239-419-11	s	RESISTOR BLOCK 470X4
RB3	1-239-419-11	s	RESISTOR BLOCK 470X4
RB4	1-239-419-11	s	RESISTOR BLOCK 470X4
RB101	1-239-308-11	s	RESISTOR BLOCK, CHIP 47Kx8
RB102	1-239-308-11	s	RESISTOR BLOCK, CHIP 47Kx8
RB103	1-239-308-11	s	RESISTOR BLOCK, CHIP 47Kx8
RB104	1-239-308-11	s	RESISTOR BLOCK, CHIP 47Kx8
RB105	1-239-308-11	s	RESISTOR BLOCK, CHIP 47Kx8
RB106	1-239-308-11	s	RESISTOR BLOCK, CHIP 47Kx8
RB107	1-239-308-11	s	RESISTOR BLOCK, CHIP 47Kx8
RB108	1-239-308-11	s	RESISTOR BLOCK, CHIP 47Kx8
RB109	1-239-308-11	s	RESISTOR BLOCK, CHIP 47Kx8
RB201	1-239-308-11	s	RESISTOR BLOCK, CHIP 47Kx8
RB202	1-239-308-11	s	RESISTOR BLOCK, CHIP 47Kx8

(CP-266A BOARD)

Ref. No. or Q'ty	Part No.	SP	Description
RB203	1-239-308-11	s	RESISTOR BLOCK, CHIP 47Kx8
RB204	1-239-999-11	s	RESISTOR BLOCK 1Kx4
RB205	1-233-235-11	s	RESISTOR NETWORK 10Kx4
RB206	1-239-308-11	s	RESISTOR BLOCK, CHIP 47Kx8
RB207	1-239-999-11	s	RESISTOR BLOCK 1Kx4
S101	1-692-271-31	s	SWITCH, SLIDE
S102	1-554-088-00	s	SWITCH, TACTILE
X1	1-760-527-11	s	CRYSTAL 32MHZ

 CP-298 BOARD (Suffix number of board is 12.)

Ref. No. or Q'ty	Part No.	SP	Description
lpc	A-8312-993-A	o	MOUNTED CIRCUIT BOARD, CP-298
C1	1-216-295-91	s	RES, CHIP 0
C2	1-126-964-11	s	ELECT 10uF 20% 50V
C3	1-126-933-11	s	ELECT 100uF 20% 16V
C4	1-126-933-11	s	ELECT 100uF 20% 16V
C5	1-126-933-11	s	ELECT 100uF 20% 16V
C6	1-126-933-11	s	ELECT 100uF 20% 16V
C7	1-126-933-11	s	ELECT 100uF 20% 16V
C8	1-126-933-11	s	ELECT 100uF 20% 16V
C9	1-126-933-11	s	ELECT 100uF 20% 16V
C10	1-126-933-11	s	ELECT 100uF 20% 16V
C11	1-163-038-91	s	CERAMIC, CHIP 0.1uF 25V 0%
C12	1-216-295-91	s	RES, CHIP 0
C13	1-163-037-11	s	CERAMIC, CHIP 0.022uF 10% 25V
C14	1-163-037-11	s	CERAMIC, CHIP 0.022uF 10% 25V
C15	1-163-037-11	s	CERAMIC, CHIP 0.022uF 10% 25V
C16	1-163-037-11	s	CERAMIC, CHIP 0.022uF 10% 25V
C17	1-163-037-11	s	CERAMIC, CHIP 0.022uF 10% 25V
C18	1-126-964-11	s	ELECT 10uF 20% 50V
C19	1-163-038-91	s	CERAMIC, CHIP 0.1uF 25V 0%
C20	1-126-933-11	s	ELECT 100uF 20% 16V
C21	1-126-933-11	s	ELECT 100uF 20% 16V
C22	1-163-037-11	s	CERAMIC, CHIP 0.022uF 10% 25V
C23	1-163-037-11	s	CERAMIC, CHIP 0.022uF 10% 25V
C24	1-126-933-11	s	ELECT 100uF 20% 16V
C25	1-126-933-11	s	ELECT 100uF 20% 16V
C26	1-163-037-11	s	CERAMIC, CHIP 0.022uF 10% 25V
C27	1-163-037-11	s	CERAMIC, CHIP 0.022uF 10% 25V
C28	1-163-037-11	s	CERAMIC, CHIP 0.022uF 10% 25V
C32	1-126-933-11	s	ELECT 100uF 20% 16V
C33	1-126-933-11	s	ELECT 100uF 20% 16V
C34	1-163-037-11	s	CERAMIC, CHIP 0.022uF 10% 25V
C35	1-163-037-11	s	CERAMIC, CHIP 0.022uF 10% 25V
C36	1-126-933-11	s	ELECT 100uF 20% 16V
C37	1-163-037-11	s	CERAMIC, CHIP 0.022uF 10% 25V
C39	1-126-933-11	s	ELECT 100uF 20% 16V
C40	1-126-933-11	s	ELECT 100uF 20% 16V
C41	1-163-037-11	s	CERAMIC, CHIP 0.022uF 10% 25V
C42	1-163-037-11	s	CERAMIC, CHIP 0.022uF 10% 25V
C43	1-126-933-11	s	ELECT 100uF 20% 16V
C44	1-163-037-11	s	CERAMIC, CHIP 0.022uF 10% 25V
C45	1-126-933-11	s	ELECT 100uF 20% 16V
C46	1-163-037-11	s	CERAMIC, CHIP 0.022uF 10% 25V
C47	1-163-037-11	s	CERAMIC, CHIP 0.022uF 10% 25V
C48	1-126-960-11	s	ELECT 1uF 20% 50V
C49	1-126-960-11	s	ELECT 1uF 20% 50V
C50	1-163-037-11	s	CERAMIC, CHIP 0.022uF 10% 25V
C51	1-163-037-11	s	CERAMIC, CHIP 0.022uF 10% 25V
C52	1-163-037-11	s	CERAMIC, CHIP 0.022uF 10% 25V
C53	1-163-037-11	s	CERAMIC, CHIP 0.022uF 10% 25V
C54	1-163-037-11	s	CERAMIC, CHIP 0.022uF 10% 25V
C55	1-163-037-11	s	CERAMIC, CHIP 0.022uF 10% 25V
C56	1-126-933-11	s	ELECT 100uF 20% 16V
C57	1-126-933-11	s	ELECT 100uF 20% 16V
C58	1-126-933-11	s	ELECT 100uF 20% 16V
C59	1-163-037-11	s	CERAMIC, CHIP 0.022uF 10% 25V
C60	1-163-037-11	s	CERAMIC, CHIP 0.022uF 10% 25V
C61	1-126-933-11	s	ELECT 100uF 20% 16V

(CP-298 BOARD (Suffix number of board is 12.))

Ref. No. or Q'ty	Part No.	SP	Description
C62	1-126-933-11	s	ELECT 100uF 20% 16V
C63	1-163-037-11	s	CERAMIC, CHIP 0.022uF 10% 25V
C64	1-163-037-11	s	CERAMIC, CHIP 0.022uF 10% 25V
C109	1-126-933-11	s	ELECT 100uF 20% 16V
C114	1-163-037-11	s	CERAMIC, CHIP 0.022uF 10% 25V
C120	1-126-933-11	s	ELECT 100uF 20% 16V
C122	1-163-037-11	s	CERAMIC, CHIP 0.022uF 10% 25V
CN1	1-573-580-11	s	CONNECTOR, BNC, FEMALE
CN2	1-573-580-11	s	CONNECTOR, BNC, FEMALE
CN3	1-573-580-11	s	CONNECTOR, BNC, FEMALE
CN4	1-573-580-11	s	CONNECTOR, BNC, FEMALE
CN5	1-573-580-11	s	CONNECTOR, BNC, FEMALE
CN6	1-573-580-11	s	CONNECTOR, BNC, FEMALE
CN7	1-573-580-11	s	CONNECTOR, BNC, FEMALE
CN8	1-573-580-11	s	CONNECTOR, BNC, FEMALE
CN412	1-564-014-11	s	CONNECTOR 4P, MALE
CN413	1-506-484-11	s	CONNECTOR 5P, MALE
CN414	1-506-485-11	s	CONNECTOR 6P, MALE
CN416	1-506-491-11	s	CONNECTOR 12P, MALE
D1	8-719-800-76	s	DIODE 1SS226
D2	8-719-800-76	s	DIODE 1SS226
IC1	8-759-234-08	s	IC TA78L05F
IC2	8-759-045-17	s	IC NJM79L05UA
IC3	8-752-052-73	s	IC CXA1451M
IC4	8-752-052-73	s	IC CXA1451M
IC5	8-759-923-64	s	IC AM26LS32ACNS
IC8	8-759-234-08	s	IC TA78L05F
IC9	8-759-045-17	s	IC NJM79L05UA
IC10	8-759-061-67	s	IC MC34051M
IC11	8-759-234-08	s	IC TA78L05F
IC12	8-759-045-17	s	IC NJM79L05UA
IC13	8-759-061-67	s	IC MC34051M
IC14	8-752-052-73	s	IC CXA1451M
IC15	8-752-052-73	s	IC CXA1451M
IC16	8-752-052-73	s	IC CXA1451M
IC17	8-752-052-73	s	IC CXA1451M
IC18	8-752-052-73	s	IC CXA1451M
IC101	8-759-234-08	s	IC TA78L05F
L1	1-410-482-31	s	INDUCTOR 100uH
L2	1-410-482-31	s	INDUCTOR 100uH
L3	1-410-482-31	s	INDUCTOR 100uH
L4	1-410-482-31	s	INDUCTOR 100uH
L5	1-410-482-31	s	INDUCTOR 100uH
L6	1-410-482-31	s	INDUCTOR 100uH
L7	1-410-482-31	s	INDUCTOR 100uH
L8	1-410-482-31	s	INDUCTOR 100uH
L9	1-410-471-11	s	INDUCTOR 12uH
L10	1-410-471-11	s	INDUCTOR 12uH
L101	1-410-482-31	s	INDUCTOR 100uH
R2	1-216-624-11	s	METAL, CHIP 75 0.5% 1/10W
R3	1-216-624-11	s	METAL, CHIP 75 0.5% 1/10W
R4	1-216-624-11	s	METAL, CHIP 75 0.5% 1/10W
R5	1-216-624-11	s	METAL, CHIP 75 0.5% 1/10W
R6	1-216-651-11	s	METAL, CHIP 1K 0.5% 1/10W
R7	1-216-651-11	s	METAL, CHIP 1K 0.5% 1/10W
R8	1-216-089-91	s	METAL, CHIP 47k 5% 1/10W

(CP-298 BOARD (Suffix number of board is 12.))

Ref. No. or Q'ty	Part No.	SP Description
R9	1-216-679-11	s METAL, CHIP 15K 0.5% 1/10W
R10	1-216-679-11	s METAL, CHIP 15K 0.5% 1/10W
R11	1-216-679-11	s METAL, CHIP 15K 0.5% 1/10W
R12	1-216-017-11	s METAL, CHIP 47 5% 1/10W
R13	1-216-009-00	s METAL, CHIP 22 5% 1/10W
R14	1-216-009-00	s METAL, CHIP 22 5% 1/10W
R15	1-216-009-00	s METAL, CHIP 22 5% 1/10W
R16	1-216-295-91	s RES, CHIP 0
R17	1-216-651-11	s METAL, CHIP 1K 0.5% 1/10W
R19	1-216-624-11	s METAL, CHIP 75 0.5% 1/10W
R20	1-216-624-11	s METAL, CHIP 75 0.5% 1/10W
R21	1-216-624-11	s METAL, CHIP 75 0.5% 1/10W
R22	1-216-049-11	s METAL, CHIP 1K 5% 1/10W
R23	1-216-049-11	s METAL, CHIP 1K 5% 1/10W
R24	1-216-624-11	s METAL, CHIP 75 0.5% 1/10W
R25	1-216-624-11	s METAL, CHIP 75 0.5% 1/10W
R26	1-216-624-11	s METAL, CHIP 75 0.5% 1/10W
R27	1-216-061-00	s METAL, CHIP 3.3K 5% 1/10W
R28	1-216-061-00	s METAL, CHIP 3.3K 5% 1/10W
R29	1-216-656-11	s METAL, CHIP 1.6K 0.5% 1/10W
R30	1-216-656-11	s METAL, CHIP 1.6K 0.5% 1/10W
R31	1-216-009-00	s METAL, CHIP 22 5% 1/10W
R32	1-216-009-00	s METAL, CHIP 22 5% 1/10W
R33	1-211-750-11	s METAL, CHIP 150 0.1% 1/10W
R34	1-211-750-11	s METAL, CHIP 150 0.1% 1/10W
R35	1-216-624-11	s METAL, CHIP 75 0.5% 1/10W
R36	1-216-624-11	s METAL, CHIP 75 0.5% 1/10W
R37	1-216-624-11	s METAL, CHIP 75 0.5% 1/10W
R38	1-216-624-11	s METAL, CHIP 75 0.5% 1/10W
R39	1-216-624-11	s METAL, CHIP 75 0.5% 1/10W
R40	1-216-651-11	s METAL, CHIP 1K 0.5% 1/10W
R41	1-216-651-11	s METAL, CHIP 1K 0.5% 1/10W
R42	1-216-295-91	s RES, CHIP 0
R43	1-216-651-11	s METAL, CHIP 1K 0.5% 1/10W
R44	1-215-461-00	s METAL 47K 1% 1/6W
R45	1-215-461-00	s METAL 47K 1% 1/6W
S1	1-570-157-51	s SWITCH, SLIDE
S2	1-570-157-51	s SWITCH, SLIDE
S3	1-570-157-51	s SWITCH, SLIDE
S4	1-570-157-51	s SWITCH, SLIDE
S5	1-570-157-51	s SWITCH, SLIDE

CP-298 BOARD (Suffix number of board is 11.)

Ref. No. or Q'ty	Part No.	SP Description
lpc	A-8312-993-A	o MOUNTED CIRCUIT BOARD, CP-298
C1	1-216-295-91	s RES, CHIP 0
C2	1-126-964-11	s ELECT 10uF 20% 50V
C3	1-126-933-11	s ELECT 100uF 20% 16V
C4	1-126-933-11	s ELECT 100uF 20% 16V
C5	1-126-933-11	s ELECT 100uF 20% 16V
C6	1-126-933-11	s ELECT 100uF 20% 16V
C7	1-126-933-11	s ELECT 100uF 20% 16V
C8	1-126-933-11	s ELECT 100uF 20% 16V
C9	1-126-933-11	s ELECT 100uF 20% 16V
C10	1-126-933-11	s ELECT 100uF 20% 16V
C11	1-163-038-91	s CERAMIC, CHIP 0.1uF 25V 0%
C12	1-216-295-91	s RES, CHIP 0
C13	1-163-037-11	s CERAMIC, CHIP 0.022uF 10% 25V
C14	1-163-037-11	s CERAMIC, CHIP 0.022uF 10% 25V
C15	1-163-037-11	s CERAMIC, CHIP 0.022uF 10% 25V
C16	1-163-037-11	s CERAMIC, CHIP 0.022uF 10% 25V
C17	1-163-037-11	s CERAMIC, CHIP 0.022uF 10% 25V
C18	1-126-964-11	s ELECT 10uF 20% 50V
C19	1-163-038-91	s CERAMIC, CHIP 0.1uF 25V 0%
C20	1-126-933-11	s ELECT 100uF 20% 16V
C21	1-126-933-11	s ELECT 100uF 20% 16V
C22	1-163-037-11	s CERAMIC, CHIP 0.022uF 10% 25V
C23	1-163-037-11	s CERAMIC, CHIP 0.022uF 10% 25V
C24	1-126-933-11	s ELECT 100uF 20% 16V
C25	1-126-933-11	s ELECT 100uF 20% 16V
C26	1-163-037-11	s CERAMIC, CHIP 0.022uF 10% 25V
C27	1-163-037-11	s CERAMIC, CHIP 0.022uF 10% 25V
C28	1-163-037-11	s CERAMIC, CHIP 0.022uF 10% 25V
C32	1-126-933-11	s ELECT 100uF 20% 16V
C33	1-126-933-11	s ELECT 100uF 20% 16V
C34	1-163-037-11	s CERAMIC, CHIP 0.022uF 10% 25V
C35	1-163-037-11	s CERAMIC, CHIP 0.022uF 10% 25V
C36	1-126-933-11	s ELECT 100uF 20% 16V
C37	1-163-037-11	s CERAMIC, CHIP 0.022uF 10% 25V
C39	1-126-933-11	s ELECT 100uF 20% 16V
C40	1-126-933-11	s ELECT 100uF 20% 16V
C41	1-163-037-11	s CERAMIC, CHIP 0.022uF 10% 25V
C42	1-163-037-11	s CERAMIC, CHIP 0.022uF 10% 25V
C43	1-126-933-11	s ELECT 100uF 20% 16V
C44	1-163-037-11	s CERAMIC, CHIP 0.022uF 10% 25V
C45	1-126-933-11	s ELECT 100uF 20% 16V
C46	1-163-037-11	s CERAMIC, CHIP 0.022uF 10% 25V
C47	1-163-037-11	s CERAMIC, CHIP 0.022uF 10% 25V
C48	1-126-960-11	s ELECT 1uF 20% 50V
C49	1-126-960-11	s ELECT 1uF 20% 50V
C50	1-163-037-11	s CERAMIC, CHIP 0.022uF 10% 25V
C51	1-163-037-11	s CERAMIC, CHIP 0.022uF 10% 25V
C52	1-163-037-11	s CERAMIC, CHIP 0.022uF 10% 25V
C53	1-163-037-11	s CERAMIC, CHIP 0.022uF 10% 25V
C54	1-163-037-11	s CERAMIC, CHIP 0.022uF 10% 25V
C55	1-163-037-11	s CERAMIC, CHIP 0.022uF 10% 25V
C56	1-126-933-11	s ELECT 100uF 20% 16V
C57	1-126-933-11	s ELECT 100uF 20% 16V
C58	1-126-933-11	s ELECT 100uF 20% 16V
C59	1-163-037-11	s CERAMIC, CHIP 0.022uF 10% 25V
C60	1-163-037-11	s CERAMIC, CHIP 0.022uF 10% 25V
C61	1-126-933-11	s ELECT 100uF 20% 16V

(CP-298 BOARD (Suffix number of board is 11.))

Ref. No. or Q'ty	Part No.	SP	Description
C62	1-126-933-11	s	ELECT 100uF 20% 16V
C63	1-163-037-11	s	CERAMIC, CHIP 0.022uF 10% 25V
C64	1-163-037-11	s	CERAMIC, CHIP 0.022uF 10% 25V
C109	1-126-933-11	s	ELECT 100uF 20% 16V
C114	1-163-037-11	s	CERAMIC, CHIP 0.022uF 10% 25V
C120	1-126-933-11	s	ELECT 100uF 20% 16V
C122	1-163-037-11	s	CERAMIC, CHIP 0.022uF 10% 25V
CN1	1-573-580-11	s	CONNECTOR, BNC, FEMALE
CN2	1-573-580-11	s	CONNECTOR, BNC, FEMALE
CN3	1-573-580-11	s	CONNECTOR, BNC, FEMALE
CN4	1-573-580-11	s	CONNECTOR, BNC, FEMALE
CN5	1-573-580-11	s	CONNECTOR, BNC, FEMALE
CN6	1-573-580-11	s	CONNECTOR, BNC, FEMALE
CN7	1-573-580-11	s	CONNECTOR, BNC, FEMALE
CN8	1-573-580-11	s	CONNECTOR, BNC, FEMALE
CN412	1-564-014-11	s	CONNECTOR 4P, MALE
CN413	1-506-484-11	s	CONNECTOR 5P, MALE
CN414	1-506-485-11	s	CONNECTOR 6P, MALE
CN416	1-506-491-11	s	CONNECTOR 12P, MALE
D1	8-719-800-76	s	DIODE 1SS226
D2	8-719-800-76	s	DIODE 1SS226
IC1	8-759-234-08	s	IC TA78L05F
IC2	8-759-045-17	s	IC NJM79L05UA
IC3	8-752-052-73	s	IC CXA1451M
IC4	8-752-052-73	s	IC CXA1451M
IC5	8-759-923-64	s	IC AM26LS32ACNS
IC8	8-759-234-08	s	IC TA78L05F
IC9	8-759-045-17	s	IC NJM79L05UA
IC10	8-759-061-67	s	IC MC34051M
IC11	8-759-234-08	s	IC TA78L05F
IC12	8-759-045-17	s	IC NJM79L05UA
IC13	8-759-061-67	s	IC MC34051M
IC14	8-752-052-73	s	IC CXA1451M
IC15	8-752-052-73	s	IC CXA1451M
IC16	8-752-052-73	s	IC CXA1451M
IC17	8-752-052-73	s	IC CXA1451M
IC18	8-752-052-73	s	IC CXA1451M
IC101	8-759-234-08	s	IC TA78L05F
L1	1-410-482-31	s	INDUCTOR 100uH
L2	1-410-482-31	s	INDUCTOR 100uH
L3	1-410-482-31	s	INDUCTOR 100uH
L4	1-410-482-31	s	INDUCTOR 100uH
L5	1-410-482-31	s	INDUCTOR 100uH
L6	1-410-482-31	s	INDUCTOR 100uH
L7	1-410-482-31	s	INDUCTOR 100uH
L8	1-410-482-31	s	INDUCTOR 100uH
L9	1-410-471-11	s	INDUCTOR 12uH
L10	1-410-471-11	s	INDUCTOR 12uH
L101	1-410-482-31	s	INDUCTOR 100uH
R2	1-216-624-11	s	METAL, CHIP 75 0.5% 1/10W
R3	1-216-624-11	s	METAL, CHIP 75 0.5% 1/10W
R4	1-216-624-11	s	METAL, CHIP 75 0.5% 1/10W
R5	1-216-624-11	s	METAL, CHIP 75 0.5% 1/10W
R6	1-216-651-11	s	METAL, CHIP 1K 0.5% 1/10W
R7	1-216-651-11	s	METAL, CHIP 1K 0.5% 1/10W
R8	1-216-089-91	s	METAL, CHIP 47k 5% 1/10W

(CP-298 BOARD (Suffix number of board is 11.))

Ref. No. or Q'ty	Part No.	SP	Description
R9	1-216-679-11	s	METAL, CHIP 15K 0.5% 1/10W
R10	1-216-679-11	s	METAL, CHIP 15K 0.5% 1/10W
R11	1-216-679-11	s	METAL, CHIP 15K 0.5% 1/10W
R12	1-216-017-11	s	METAL, CHIP 47 5% 1/10W
R13	1-216-009-00	s	METAL, CHIP 22 5% 1/10W
R14	1-216-009-00	s	METAL, CHIP 22 5% 1/10W
R15	1-216-009-00	s	METAL, CHIP 22 5% 1/10W
R16	1-216-295-91	s	RES, CHIP 0
R17	1-216-651-11	s	METAL, CHIP 1K 0.5% 1/10W
R19	1-216-624-11	s	METAL, CHIP 75 0.5% 1/10W
R20	1-216-624-11	s	METAL, CHIP 75 0.5% 1/10W
R21	1-216-624-11	s	METAL, CHIP 75 0.5% 1/10W
R22	1-216-049-11	s	METAL, CHIP 1K 5% 1/10W
R23	1-216-049-11	s	METAL, CHIP 1K 5% 1/10W
R24	1-216-624-11	s	METAL, CHIP 75 0.5% 1/10W
R25	1-216-624-11	s	METAL, CHIP 75 0.5% 1/10W
R26	1-216-624-11	s	METAL, CHIP 75 0.5% 1/10W
R27	1-216-061-00	s	METAL, CHIP 3.3K 5% 1/10W
R28	1-216-061-00	s	METAL, CHIP 3.3K 5% 1/10W
R29	1-216-656-11	s	METAL, CHIP 1.6K 0.5% 1/10W
R30	1-216-656-11	s	METAL, CHIP 1.6K 0.5% 1/10W
R31	1-216-009-00	s	METAL, CHIP 22 5% 1/10W
R32	1-216-009-00	s	METAL, CHIP 22 5% 1/10W
R33	1-211-750-11	s	METAL, CHIP 150 0.1% 1/10W
R34	1-211-750-11	s	METAL, CHIP 150 0.1% 1/10W
R35	1-216-624-11	s	METAL, CHIP 75 0.5% 1/10W
R36	1-216-624-11	s	METAL, CHIP 75 0.5% 1/10W
R37	1-216-624-11	s	METAL, CHIP 75 0.5% 1/10W
R38	1-216-624-11	s	METAL, CHIP 75 0.5% 1/10W
R39	1-216-624-11	s	METAL, CHIP 75 0.5% 1/10W
R40	1-216-651-11	s	METAL, CHIP 1K 0.5% 1/10W
R41	1-216-651-11	s	METAL, CHIP 1K 0.5% 1/10W
R42	1-216-295-91	s	RES, CHIP 0
R43	1-216-651-11	s	METAL, CHIP 1K 0.5% 1/10W
R44	1-215-461-00	s	METAL 47K 1% 1/6W
R45	1-215-461-00	s	METAL 47K 1% 1/6W
S1	1-570-157-51	s	SWITCH, SLIDE
S2	1-570-157-51	s	SWITCH, SLIDE
S3	1-570-157-51	s	SWITCH, SLIDE
S4	1-570-157-51	s	SWITCH, SLIDE
S5	1-570-157-51	s	SWITCH, SLIDE

 CP-299A BOARD

Ref. No. or Q'ty	Part No.	SP Description
1pc	A-8317-179-A	o MOUNTED CIRCUIT BOARD, CP-299A
C1	1-126-396-11	s ELECT, CHIP 47uF 20% 16V
C2	1-126-396-11	s ELECT, CHIP 47uF 20% 16V
C3	1-163-037-11	s CERAMIC, CHIP 0.022uF 10% 25V
C4	1-163-037-11	s CERAMIC, CHIP 0.022uF 10% 25V
C5	1-126-396-11	s ELECT, CHIP 47uF 20% 16V
C6	1-126-396-11	s ELECT, CHIP 47uF 20% 16V
C7	1-126-396-11	s ELECT, CHIP 47uF 20% 16V
C8	1-126-396-11	s ELECT, CHIP 47uF 20% 16V
C9	1-163-037-11	s CERAMIC, CHIP 0.022uF 10% 25V
C10	1-163-037-11	s CERAMIC, CHIP 0.022uF 10% 25V
C11	1-126-396-11	s ELECT, CHIP 47uF 20% 16V
C12	1-126-396-11	s ELECT, CHIP 47uF 20% 16V
C13	1-126-394-11	s ELECT, CHIP 10uF 20% 16V
C14	1-126-394-11	s ELECT, CHIP 10uF 20% 16V
C15	1-126-394-11	s ELECT, CHIP 10uF 20% 16V
C16	1-126-394-11	s ELECT, CHIP 10uF 20% 16V
C17	1-163-037-11	s CERAMIC, CHIP 0.022uF 10% 25V
C18	1-163-037-11	s CERAMIC, CHIP 0.022uF 10% 25V
C19	1-163-037-11	s CERAMIC, CHIP 0.022uF 10% 25V
C20	1-163-037-11	s CERAMIC, CHIP 0.022uF 10% 25V
C21	1-126-396-11	s ELECT, CHIP 47uF 20% 16V
C22	1-163-037-11	s CERAMIC, CHIP 0.022uF 10% 25V
C23	1-163-037-11	s CERAMIC, CHIP 0.022uF 10% 25V
C24	1-163-037-11	s CERAMIC, CHIP 0.022uF 10% 25V
C25	1-163-037-11	s CERAMIC, CHIP 0.022uF 10% 25V
C26	1-126-394-11	s ELECT, CHIP 10uF 20% 16V
C27	1-126-394-11	s ELECT, CHIP 10uF 20% 16V
C28	1-163-037-11	s CERAMIC, CHIP 0.022uF 10% 25V
C29	1-163-037-11	s CERAMIC, CHIP 0.022uF 10% 25V
C100	1-163-251-11	s CERAMIC, CHIP 100PF 5% 50V
C101	1-163-251-11	s CERAMIC, CHIP 100PF 5% 50V
C200	1-163-251-11	s CERAMIC, CHIP 100PF 5% 50V
C201	1-163-251-11	s CERAMIC, CHIP 100PF 5% 50V
C300	1-163-251-11	s CERAMIC, CHIP 100PF 5% 50V
C301	1-163-251-11	s CERAMIC, CHIP 100PF 5% 50V
C400	1-163-251-11	s CERAMIC, CHIP 100PF 5% 50V
C401	1-163-251-11	s CERAMIC, CHIP 100PF 5% 50V
C500	1-163-251-11	s CERAMIC, CHIP 100PF 5% 50V
C501	1-163-251-11	s CERAMIC, CHIP 100PF 5% 50V
C600	1-163-251-11	s CERAMIC, CHIP 100PF 5% 50V
C601	1-163-251-11	s CERAMIC, CHIP 100PF 5% 50V
CN10	1-750-786-21	s CONNECTOR, XLR 3P, FEMALE
CN11	1-750-785-21	s CONNECTOR, XLR 3P, MALE
CN30	1-750-786-21	s CONNECTOR, XLR 3P, FEMALE
CN31	1-750-785-21	s CONNECTOR, XLR 3P, MALE
CN50	1-750-786-21	s CONNECTOR, XLR 3P, FEMALE
CN51	1-750-785-21	s CONNECTOR, XLR 3P, MALE
CN52	1-750-787-21	s CONNECTOR (XLR TYPE) 3P
CN61	1-750-787-21	s CONNECTOR (XLR TYPE) 3P
CN400	1-506-492-11	o CONNECTOR 13P, MALE
CN401	1-506-491-11	s CONNECTOR 12P, MALE
CN402	1-506-485-11	s CONNECTOR 6P, MALE
CN403	1-506-486-11	s CONNECTOR 7P, MALE
CN404	1-766-405-11	s CONNECTOR, FLAT CABLE 34P, MALE
CN405	1-562-480-11	o CONNECTOR, 10P, FEMALE
CN406	1-506-493-11	s CONNECTOR 14P, MALE

(CP-299A BOARD)

Ref. No. or Q'ty	Part No.	SP Description
CN407	1-506-487-11	s CONNECTOR 8P, MALE
D1	8-719-801-48	s DIODE 1SS193
FB100	1-414-230-11	s BEAD, FERRITE
FB103	1-414-230-11	s BEAD, FERRITE
FB104	1-414-230-11	s BEAD, FERRITE
FB131	1-414-230-11	s BEAD, FERRITE
FB133	1-414-230-11	s BEAD, FERRITE
FB134	1-414-230-11	s BEAD, FERRITE
FB200	1-414-230-11	s BEAD, FERRITE
FB203	1-414-230-11	s BEAD, FERRITE
FB231	1-414-230-11	s BEAD, FERRITE
FB233	1-414-230-11	s BEAD, FERRITE
FB300	1-414-230-11	s BEAD, FERRITE
FB303	1-414-230-11	s BEAD, FERRITE
FB304	1-414-230-11	s BEAD, FERRITE
FB331	1-414-230-11	s BEAD, FERRITE
FB333	1-414-230-11	s BEAD, FERRITE
FB334	1-414-230-11	s BEAD, FERRITE
FB400	1-414-230-11	s BEAD, FERRITE
FB403	1-414-230-11	s BEAD, FERRITE
FB431	1-414-230-11	s BEAD, FERRITE
FB433	1-414-230-11	s BEAD, FERRITE
FB500	1-414-230-11	s BEAD, FERRITE
FB503	1-414-230-11	s BEAD, FERRITE
FB504	1-414-230-11	s BEAD, FERRITE
FB531	1-414-230-11	s BEAD, FERRITE
FB533	1-414-230-11	s BEAD, FERRITE
FB535	1-414-230-11	s BEAD, FERRITE
FB537	1-414-230-11	s BEAD, FERRITE
FB539	1-414-230-11	s BEAD, FERRITE
FB541	1-414-230-11	s BEAD, FERRITE
FB542	1-414-230-11	s BEAD, FERRITE
FB543	1-414-230-11	s BEAD, FERRITE
FB600	1-414-230-11	s BEAD, FERRITE
FB603	1-414-230-11	s BEAD, FERRITE
FB630	1-414-230-11	s BEAD, FERRITE
FB632	1-414-230-11	s BEAD, FERRITE
FB634	1-414-230-11	s BEAD, FERRITE
IC1	8-759-745-64	s IC NJM4560M
IC2	8-759-745-64	s IC NJM4560M
IC3	8-759-234-08	s IC TA78L05F
IC4	8-759-045-17	s IC NJM79L05UA
IC5	8-759-011-65	s IC MC74HC4053F
IC6	8-759-011-65	s IC MC74HC4053F
IC7	8-759-745-64	s IC NJM4560M
L1	1-424-641-11	s COIL, CHOKE 22uH
L2	1-424-641-11	s COIL, CHOKE 22uH
L3	1-424-641-11	s COIL, CHOKE 22uH
L4	1-424-641-11	s COIL, CHOKE 22uH
L100	1-410-369-11	s INDUCTOR CHIP 1UH
L101	1-410-369-11	s INDUCTOR CHIP 1UH
L200	1-410-369-11	s INDUCTOR CHIP 1UH
L201	1-410-369-11	s INDUCTOR CHIP 1UH
L300	1-410-369-11	s INDUCTOR CHIP 1UH
L301	1-410-369-11	s INDUCTOR CHIP 1UH
L400	1-410-369-11	s INDUCTOR CHIP 1UH

(CP-299A BOARD)

Ref. No. or Q'ty	Part No.	SP	Description
L401	1-410-369-11	s	INDUCTOR CHIP 1UH
L500	1-410-369-11	s	INDUCTOR CHIP 1UH
L501	1-410-369-11	s	INDUCTOR CHIP 1UH
L600	1-410-369-11	s	INDUCTOR CHIP 1UH
L601	1-410-369-11	s	INDUCTOR CHIP 1UH
Q1	8-729-027-46	s	TRANSISTOR DTC114YKA-T146
R1	1-216-085-00	s	METAL, CHIP 33K 5% 1/10W
R2	1-216-085-00	s	METAL, CHIP 33K 5% 1/10W
R3	1-216-085-00	s	METAL, CHIP 33K 5% 1/10W
R4	1-216-085-00	s	METAL, CHIP 33K 5% 1/10W
R5	1-216-089-91	s	METAL, CHIP 47k 5% 1/10W
R6	1-216-089-91	s	METAL, CHIP 47k 5% 1/10W
R7	1-216-089-91	s	METAL, CHIP 47k 5% 1/10W
R8	1-216-089-91	s	METAL, CHIP 47k 5% 1/10W
R9	1-216-676-11	s	METAL, CHIP 11K 0.5% 1/10W
R10	1-216-676-11	s	METAL, CHIP 11K 0.5% 1/10W
R11	1-216-676-11	s	METAL, CHIP 11K 0.5% 1/10W
R12	1-216-676-11	s	METAL, CHIP 11K 0.5% 1/10W
R13	1-216-017-11	s	METAL, CHIP 47 5% 1/10W
R14	1-216-017-11	s	METAL, CHIP 47 5% 1/10W
R15	1-216-017-11	s	METAL, CHIP 47 5% 1/10W
R16	1-216-017-11	s	METAL, CHIP 47 5% 1/10W
R17	1-216-073-00	s	METAL, CHIP 10K 5% 1/10W
R18	1-216-073-00	s	METAL, CHIP 10K 5% 1/10W
R19	1-216-073-00	s	METAL, CHIP 10K 5% 1/10W
R20	1-216-073-00	s	METAL, CHIP 10K 5% 1/10W
R21	1-216-121-11	s	METAL, CHIP 1M 5% 1/10W
R22	1-216-073-00	s	METAL, CHIP 10K 5% 1/10W
R23	1-216-025-11	s	METAL, CHIP 100 5% 1/10W
R24	1-216-025-11	s	METAL, CHIP 100 5% 1/10W
R25	1-216-025-11	s	METAL, CHIP 100 5% 1/10W
R26	1-216-025-11	s	METAL, CHIP 100 5% 1/10W
R27	1-216-682-11	s	METAL, CHIP 20K 0.5% 1/10W
R28	1-216-073-00	s	METAL, CHIP 10K 5% 1/10W
R29	1-216-073-00	s	METAL, CHIP 10K 5% 1/10W
R30	1-216-089-91	s	METAL, CHIP 47k 5% 1/10W
R32	1-216-025-11	s	METAL, CHIP 100 5% 1/10W
R33	1-216-025-11	s	METAL, CHIP 100 5% 1/10W
R100	1-216-295-91	s	RES, CHIP 0
R101	1-216-295-91	s	RES, CHIP 0
R102	1-215-423-00	s	METAL 1.2K 1% 1/6W
R103	1-215-423-00	s	METAL 1.2K 1% 1/6W
R104	1-216-295-91	s	RES, CHIP 0
R105	1-216-295-91	s	RES, CHIP 0
R200	1-216-295-91	s	RES, CHIP 0
R201	1-216-295-91	s	RES, CHIP 0
R202	1-215-423-00	s	METAL 1.2K 1% 1/6W
R203	1-215-423-00	s	METAL 1.2K 1% 1/6W
R204	1-216-295-91	s	RES, CHIP 0
R205	1-216-295-91	s	RES, CHIP 0
R300	1-216-295-91	s	RES, CHIP 0
R301	1-216-295-91	s	RES, CHIP 0
R302	1-215-423-00	s	METAL 1.2K 1% 1/6W
R303	1-215-423-00	s	METAL 1.2K 1% 1/6W
R304	1-216-295-91	s	RES, CHIP 0
R305	1-216-295-91	s	RES, CHIP 0
R400	1-216-295-91	s	RES, CHIP 0
R401	1-216-295-91	s	RES, CHIP 0

(CP-299A BOARD)

Ref. No. or Q'ty	Part No.	SP	Description
R402	1-215-423-00	s	METAL 1.2K 1% 1/6W
R403	1-215-423-00	s	METAL 1.2K 1% 1/6W
R404	1-216-295-91	s	RES, CHIP 0
R405	1-216-295-91	s	RES, CHIP 0
R500	1-216-295-91	s	RES, CHIP 0
R501	1-216-295-91	s	RES, CHIP 0
R502	1-215-423-00	s	METAL 1.2K 1% 1/6W
R503	1-215-423-00	s	METAL 1.2K 1% 1/6W
R504	1-216-295-91	s	RES, CHIP 0
R505	1-216-295-91	s	RES, CHIP 0
R600	1-216-295-91	s	RES, CHIP 0
R601	1-216-295-91	s	RES, CHIP 0
RY1	1-515-716-11	s	RELAY
S100	1-572-042-11	s	SWITCH, SLIDE
S200	1-572-042-11	s	SWITCH, SLIDE
S300	1-572-042-11	s	SWITCH, SLIDE
S400	1-572-042-11	s	SWITCH, SLIDE
S500	1-572-042-11	s	SWITCH, SLIDE

 CP-299 BOARD (Suffix number of board is 12.)

Ref. No. or Q'ty	Part No.	SP Description
1pc	A-8312-994-A	o MOUNTED CIRCUIT BOARD, CP-299
C1	1-126-396-11	s ELECT, CHIP 47uF 20% 16V
C2	1-126-396-11	s ELECT, CHIP 47uF 20% 16V
C3	1-163-037-11	s CERAMIC, CHIP 0.022uF 10% 25V
C4	1-163-037-11	s CERAMIC, CHIP 0.022uF 10% 25V
C5	1-126-396-11	s ELECT, CHIP 47uF 20% 16V
C6	1-126-396-11	s ELECT, CHIP 47uF 20% 16V
C7	1-126-396-11	s ELECT, CHIP 47uF 20% 16V
C8	1-126-396-11	s ELECT, CHIP 47uF 20% 16V
C9	1-163-037-11	s CERAMIC, CHIP 0.022uF 10% 25V
C10	1-163-037-11	s CERAMIC, CHIP 0.022uF 10% 25V
C11	1-126-396-11	s ELECT, CHIP 47uF 20% 16V
C12	1-126-396-11	s ELECT, CHIP 47uF 20% 16V
C13	1-126-394-11	s ELECT, CHIP 10uF 20% 16V
C14	1-126-394-11	s ELECT, CHIP 10uF 20% 16V
C15	1-126-394-11	s ELECT, CHIP 10uF 20% 16V
C16	1-126-394-11	s ELECT, CHIP 10uF 20% 16V
C17	1-163-037-11	s CERAMIC, CHIP 0.022uF 10% 25V
C18	1-163-037-11	s CERAMIC, CHIP 0.022uF 10% 25V
C19	1-163-037-11	s CERAMIC, CHIP 0.022uF 10% 25V
C20	1-163-037-11	s CERAMIC, CHIP 0.022uF 10% 25V
C21	1-126-396-11	s ELECT, CHIP 47uF 20% 16V
C22	1-163-037-11	s CERAMIC, CHIP 0.022uF 10% 25V
C23	1-163-037-11	s CERAMIC, CHIP 0.022uF 10% 25V
C24	1-163-037-11	s CERAMIC, CHIP 0.022uF 10% 25V
C25	1-163-037-11	s CERAMIC, CHIP 0.022uF 10% 25V
C26	1-126-394-11	s ELECT, CHIP 10uF 20% 16V
C27	1-126-394-11	s ELECT, CHIP 10uF 20% 16V
C28	1-163-037-11	s CERAMIC, CHIP 0.022uF 10% 25V
C29	1-163-037-11	s CERAMIC, CHIP 0.022uF 10% 25V
C100	1-163-251-11	s CERAMIC, CHIP 100PF 5% 50V
C101	1-163-251-11	s CERAMIC, CHIP 100PF 5% 50V
C200	1-163-251-11	s CERAMIC, CHIP 100PF 5% 50V
C201	1-163-251-11	s CERAMIC, CHIP 100PF 5% 50V
C300	1-163-251-11	s CERAMIC, CHIP 100PF 5% 50V
C301	1-163-251-11	s CERAMIC, CHIP 100PF 5% 50V
C400	1-163-251-11	s CERAMIC, CHIP 100PF 5% 50V
C401	1-163-251-11	s CERAMIC, CHIP 100PF 5% 50V
C500	1-163-251-11	s CERAMIC, CHIP 100PF 5% 50V
C501	1-163-251-11	s CERAMIC, CHIP 100PF 5% 50V
C600	1-163-251-11	s CERAMIC, CHIP 100PF 5% 50V
C601	1-163-251-11	s CERAMIC, CHIP 100PF 5% 50V
CN10	1-750-785-21	s CONNECTOR, XLR 3P, MALE
CN11	1-750-786-21	s CONNECTOR, XLR 3P, FEMALE
CN30	1-750-785-21	s CONNECTOR, XLR 3P, MALE
CN31	1-750-786-21	s CONNECTOR, XLR 3P, FEMALE
CN50	1-750-785-21	s CONNECTOR, XLR 3P, MALE
CN51	1-750-786-21	s CONNECTOR, XLR 3P, FEMALE
CN52	1-750-788-21	s CONNECTOR, XLR 3P, MALE
CN61	1-750-788-21	s CONNECTOR, XLR 3P, MALE
CN400	1-506-492-11	o CONNECTOR 13P, MALE
CN401	1-506-491-11	s CONNECTOR 12P, MALE
CN402	1-506-485-11	s CONNECTOR 6P, MALE
CN403	1-506-486-11	s CONNECTOR 7P, MALE
CN404	1-766-405-11	s CONNECTOR, FLAT CABLE 34P, MALE
CN405	1-562-480-11	o CONNECTOR, 10P, FEMALE
CN406	1-506-493-11	s CONNECTOR 14P, MALE

(CP-299 BOARD (Suffix number of board is 12.))

Ref. No. or Q'ty	Part No.	SP Description
CN407	1-506-487-11	s CONNECTOR 8P, MALE
D1	8-719-801-48	s DIODE 1SS193
FB101	1-414-230-11	s BEAD, FERRITE
FB102	1-414-230-11	s BEAD, FERRITE
FB104	1-414-230-11	s BEAD, FERRITE
FB130	1-414-230-11	s BEAD, FERRITE
FB132	1-414-230-11	s BEAD, FERRITE
FB134	1-414-230-11	s BEAD, FERRITE
FB201	1-414-230-11	s BEAD, FERRITE
FB202	1-414-230-11	s BEAD, FERRITE
FB230	1-414-230-11	s BEAD, FERRITE
FB232	1-414-230-11	s BEAD, FERRITE
FB301	1-414-230-11	s BEAD, FERRITE
FB302	1-414-230-11	s BEAD, FERRITE
FB304	1-414-230-11	s BEAD, FERRITE
FB330	1-414-230-11	s BEAD, FERRITE
FB332	1-414-230-11	s BEAD, FERRITE
FB334	1-414-230-11	s BEAD, FERRITE
FB401	1-414-230-11	s BEAD, FERRITE
FB402	1-414-230-11	s BEAD, FERRITE
FB430	1-414-230-11	s BEAD, FERRITE
FB432	1-414-230-11	s BEAD, FERRITE
FB501	1-414-230-11	s BEAD, FERRITE
FB502	1-414-230-11	s BEAD, FERRITE
FB504	1-414-230-11	s BEAD, FERRITE
FB530	1-414-230-11	s BEAD, FERRITE
FB532	1-414-230-11	s BEAD, FERRITE
FB534	1-414-230-11	s BEAD, FERRITE
FB536	1-414-230-11	s BEAD, FERRITE
FB538	1-414-230-11	s BEAD, FERRITE
FB540	1-414-230-11	s BEAD, FERRITE
FB542	1-414-230-11	s BEAD, FERRITE
FB543	1-414-230-11	s BEAD, FERRITE
FB601	1-414-230-11	s BEAD, FERRITE
FB602	1-414-230-11	s BEAD, FERRITE
FB631	1-414-230-11	s BEAD, FERRITE
FB633	1-414-230-11	s BEAD, FERRITE
FB634	1-414-230-11	s BEAD, FERRITE
IC1	8-759-745-64	s IC NJM4560M
IC2	8-759-745-64	s IC NJM4560M
IC3	8-759-234-08	s IC TA78L05F
IC4	8-759-045-17	s IC NJM79L05UA
IC5	8-759-011-65	s IC MC74HC4053F
IC6	8-759-011-65	s IC MC74HC4053F
IC7	8-759-745-64	s IC NJM4560M
L1	1-424-641-11	s COIL, CHOKE 22uH
L2	1-424-641-11	s COIL, CHOKE 22uH
L3	1-424-641-11	s COIL, CHOKE 22uH
L4	1-424-641-11	s COIL, CHOKE 22uH
L100	1-410-369-11	s INDUCTOR CHIP 1UH
L101	1-410-369-11	s INDUCTOR CHIP 1UH
L200	1-410-369-11	s INDUCTOR CHIP 1UH
L201	1-410-369-11	s INDUCTOR CHIP 1UH
L300	1-410-369-11	s INDUCTOR CHIP 1UH
L301	1-410-369-11	s INDUCTOR CHIP 1UH
L400	1-410-369-11	s INDUCTOR CHIP 1UH

(CP-299 BOARD (Suffix number of board is 12.))

Ref. No. or Q'ty	Part No.	SP	Description
L401	1-410-369-11	s	INDUCTOR CHIP 1UH
L500	1-410-369-11	s	INDUCTOR CHIP 1UH
L501	1-410-369-11	s	INDUCTOR CHIP 1UH
L600	1-410-369-11	s	INDUCTOR CHIP 1UH
L601	1-410-369-11	s	INDUCTOR CHIP 1UH
Q1	8-729-027-46	s	TRANSISTOR DTC114YKA-T146
R1	1-216-085-00	s	METAL, CHIP 33K 5% 1/10W
R2	1-216-085-00	s	METAL, CHIP 33K 5% 1/10W
R3	1-216-085-00	s	METAL, CHIP 33K 5% 1/10W
R4	1-216-085-00	s	METAL, CHIP 33K 5% 1/10W
R5	1-216-089-91	s	METAL, CHIP 47k 5% 1/10W
R6	1-216-089-91	s	METAL, CHIP 47k 5% 1/10W
R7	1-216-089-91	s	METAL, CHIP 47k 5% 1/10W
R8	1-216-089-91	s	METAL, CHIP 47k 5% 1/10W
R9	1-216-676-11	s	METAL, CHIP 11K 0.5% 1/10W
R10	1-216-676-11	s	METAL, CHIP 11K 0.5% 1/10W
R11	1-216-676-11	s	METAL, CHIP 11K 0.5% 1/10W
R12	1-216-676-11	s	METAL, CHIP 11K 0.5% 1/10W
R13	1-216-017-11	s	METAL, CHIP 47 5% 1/10W
R14	1-216-017-11	s	METAL, CHIP 47 5% 1/10W
R15	1-216-017-11	s	METAL, CHIP 47 5% 1/10W
R16	1-216-017-11	s	METAL, CHIP 47 5% 1/10W
R17	1-216-073-00	s	METAL, CHIP 10K 5% 1/10W
R18	1-216-073-00	s	METAL, CHIP 10K 5% 1/10W
R19	1-216-073-00	s	METAL, CHIP 10K 5% 1/10W
R20	1-216-073-00	s	METAL, CHIP 10K 5% 1/10W
R21	1-216-121-11	s	METAL, CHIP 1M 5% 1/10W
R22	1-216-073-00	s	METAL, CHIP 10K 5% 1/10W
R23	1-216-025-11	s	METAL, CHIP 100 5% 1/10W
R24	1-216-025-11	s	METAL, CHIP 100 5% 1/10W
R25	1-216-025-11	s	METAL, CHIP 100 5% 1/10W
R26	1-216-025-11	s	METAL, CHIP 100 5% 1/10W
R27	1-216-682-11	s	METAL, CHIP 20K 0.5% 1/10W
R28	1-216-073-00	s	METAL, CHIP 10K 5% 1/10W
R29	1-216-073-00	s	METAL, CHIP 10K 5% 1/10W
R30	1-216-089-91	s	METAL, CHIP 47k 5% 1/10W
R32	1-216-025-11	s	METAL, CHIP 100 5% 1/10W
R33	1-216-025-11	s	METAL, CHIP 100 5% 1/10W
R100	1-216-295-91	s	RES, CHIP 0
R101	1-216-295-91	s	RES, CHIP 0
R102	1-215-423-00	s	METAL 1.2K 1% 1/6W
R103	1-215-423-00	s	METAL 1.2K 1% 1/6W
R104	1-216-295-91	s	RES, CHIP 0
R105	1-216-295-91	s	RES, CHIP 0
R200	1-216-295-91	s	RES, CHIP 0
R201	1-216-295-91	s	RES, CHIP 0
R202	1-215-423-00	s	METAL 1.2K 1% 1/6W
R203	1-215-423-00	s	METAL 1.2K 1% 1/6W
R204	1-216-295-91	s	RES, CHIP 0
R205	1-216-295-91	s	RES, CHIP 0
R300	1-216-295-91	s	RES, CHIP 0
R301	1-216-295-91	s	RES, CHIP 0
R302	1-215-423-00	s	METAL 1.2K 1% 1/6W
R303	1-215-423-00	s	METAL 1.2K 1% 1/6W
R304	1-216-295-91	s	RES, CHIP 0
R305	1-216-295-91	s	RES, CHIP 0
R400	1-216-295-91	s	RES, CHIP 0
R401	1-216-295-91	s	RES, CHIP 0

(CP-299 BOARD (Suffix number of board is 12.))

Ref. No. or Q'ty	Part No.	SP	Description
R402	1-215-423-00	s	METAL 1.2K 1% 1/6W
R403	1-215-423-00	s	METAL 1.2K 1% 1/6W
R404	1-216-295-91	s	RES, CHIP 0
R405	1-216-295-91	s	RES, CHIP 0
R500	1-216-295-91	s	RES, CHIP 0
R501	1-216-295-91	s	RES, CHIP 0
R502	1-215-423-00	s	METAL 1.2K 1% 1/6W
R503	1-215-423-00	s	METAL 1.2K 1% 1/6W
R504	1-216-295-91	s	RES, CHIP 0
R505	1-216-295-91	s	RES, CHIP 0
R600	1-216-295-91	s	RES, CHIP 0
R601	1-216-295-91	s	RES, CHIP 0
RY1	1-515-716-11	s	RELAY
S100	1-572-042-11	s	SWITCH, SLIDE
S200	1-572-042-11	s	SWITCH, SLIDE
S300	1-572-042-11	s	SWITCH, SLIDE
S400	1-572-042-11	s	SWITCH, SLIDE
S500	1-572-042-11	s	SWITCH, SLIDE

 CP-299 BOARD (Suffix number of board is 11.)

Ref. No. or Q'ty	Part No.	SP Description
1pc	A-8312-994-A	o MOUNTED CIRCUIT BOARD, CP-299
C1	1-126-396-11	s ELECT, CHIP 47uF 20% 16V
C2	1-126-396-11	s ELECT, CHIP 47uF 20% 16V
C3	1-163-037-11	s CERAMIC, CHIP 0.022uF 10% 25V
C4	1-163-037-11	s CERAMIC, CHIP 0.022uF 10% 25V
C5	1-126-396-11	s ELECT, CHIP 47uF 20% 16V
C6	1-126-396-11	s ELECT, CHIP 47uF 20% 16V
C7	1-126-396-11	s ELECT, CHIP 47uF 20% 16V
C8	1-126-396-11	s ELECT, CHIP 47uF 20% 16V
C9	1-163-037-11	s CERAMIC, CHIP 0.022uF 10% 25V
C10	1-163-037-11	s CERAMIC, CHIP 0.022uF 10% 25V
C11	1-126-396-11	s ELECT, CHIP 47uF 20% 16V
C12	1-126-396-11	s ELECT, CHIP 47uF 20% 16V
C13	1-126-394-11	s ELECT, CHIP 10uF 20% 16V
C14	1-126-394-11	s ELECT, CHIP 10uF 20% 16V
C15	1-126-394-11	s ELECT, CHIP 10uF 20% 16V
C16	1-126-394-11	s ELECT, CHIP 10uF 20% 16V
C17	1-163-037-11	s CERAMIC, CHIP 0.022uF 10% 25V
C18	1-163-037-11	s CERAMIC, CHIP 0.022uF 10% 25V
C19	1-163-037-11	s CERAMIC, CHIP 0.022uF 10% 25V
C20	1-163-037-11	s CERAMIC, CHIP 0.022uF 10% 25V
C21	1-126-396-11	s ELECT, CHIP 47uF 20% 16V
C22	1-163-037-11	s CERAMIC, CHIP 0.022uF 10% 25V
C23	1-163-037-11	s CERAMIC, CHIP 0.022uF 10% 25V
C24	1-163-037-11	s CERAMIC, CHIP 0.022uF 10% 25V
C25	1-163-037-11	s CERAMIC, CHIP 0.022uF 10% 25V
C26	1-126-394-11	s ELECT, CHIP 10uF 20% 16V
C27	1-126-394-11	s ELECT, CHIP 10uF 20% 16V
C28	1-163-037-11	s CERAMIC, CHIP 0.022uF 10% 25V
C29	1-163-037-11	s CERAMIC, CHIP 0.022uF 10% 25V
C100	1-163-251-11	s CERAMIC, CHIP 100PF 5% 50V
C101	1-163-251-11	s CERAMIC, CHIP 100PF 5% 50V
C200	1-163-251-11	s CERAMIC, CHIP 100PF 5% 50V
C201	1-163-251-11	s CERAMIC, CHIP 100PF 5% 50V
C300	1-163-251-11	s CERAMIC, CHIP 100PF 5% 50V
C301	1-163-251-11	s CERAMIC, CHIP 100PF 5% 50V
C400	1-163-251-11	s CERAMIC, CHIP 100PF 5% 50V
C401	1-163-251-11	s CERAMIC, CHIP 100PF 5% 50V
C500	1-163-251-11	s CERAMIC, CHIP 100PF 5% 50V
C501	1-163-251-11	s CERAMIC, CHIP 100PF 5% 50V
C600	1-163-251-11	s CERAMIC, CHIP 100PF 5% 50V
C601	1-163-251-11	s CERAMIC, CHIP 100PF 5% 50V
CN10	1-750-785-21	s CONNECTOR, XLR 3P, MALE
CN11	1-750-786-21	s CONNECTOR, XLR 3P, FEMALE
CN30	1-750-785-21	s CONNECTOR, XLR 3P, MALE
CN31	1-750-786-21	s CONNECTOR, XLR 3P, FEMALE
CN50	1-750-785-21	s CONNECTOR, XLR 3P, MALE
CN51	1-750-786-21	s CONNECTOR, XLR 3P, FEMALE
CN52	1-750-788-21	s CONNECTOR, XLR 3P, MALE
CN61	1-750-788-21	s CONNECTOR, XLR 3P, MALE
CN400	1-506-492-11	o CONNECTOR 13P, MALE
CN401	1-506-491-11	s CONNECTOR 12P, MALE
CN402	1-506-485-11	s CONNECTOR 6P, MALE
CN403	1-506-486-11	s CONNECTOR 7P, MALE
CN404	1-766-405-11	s CONNECTOR, FLAT CABLE 34P, MALE
CN405	1-562-480-11	o CONNECTOR, 10P, FEMALE
CN406	1-506-493-11	s CONNECTOR 14P, MALE

(CP-299 BOARD (Suffix number of board is 11.))

Ref. No. or Q'ty	Part No.	SP Description
CN407	1-506-487-11	s CONNECTOR 8P, MALE
D1	8-719-801-48	s DIODE 1SS193
FB101	1-414-230-11	s BEAD, FERRITE
FB102	1-414-230-11	s BEAD, FERRITE
FB104	1-414-230-11	s BEAD, FERRITE
FB130	1-414-230-11	s BEAD, FERRITE
FB132	1-414-230-11	s BEAD, FERRITE
FB134	1-414-230-11	s BEAD, FERRITE
FB201	1-414-230-11	s BEAD, FERRITE
FB202	1-414-230-11	s BEAD, FERRITE
FB230	1-414-230-11	s BEAD, FERRITE
FB232	1-414-230-11	s BEAD, FERRITE
FB301	1-414-230-11	s BEAD, FERRITE
FB302	1-414-230-11	s BEAD, FERRITE
FB304	1-414-230-11	s BEAD, FERRITE
FB330	1-414-230-11	s BEAD, FERRITE
FB332	1-414-230-11	s BEAD, FERRITE
FB334	1-414-230-11	s BEAD, FERRITE
FB401	1-414-230-11	s BEAD, FERRITE
FB402	1-414-230-11	s BEAD, FERRITE
FB430	1-414-230-11	s BEAD, FERRITE
FB432	1-414-230-11	s BEAD, FERRITE
FB501	1-414-230-11	s BEAD, FERRITE
FB502	1-414-230-11	s BEAD, FERRITE
FB504	1-414-230-11	s BEAD, FERRITE
FB530	1-414-230-11	s BEAD, FERRITE
FB532	1-414-230-11	s BEAD, FERRITE
FB534	1-414-230-11	s BEAD, FERRITE
FB536	1-414-230-11	s BEAD, FERRITE
FB538	1-414-230-11	s BEAD, FERRITE
FB540	1-414-230-11	s BEAD, FERRITE
FB542	1-414-230-11	s BEAD, FERRITE
FB543	1-414-230-11	s BEAD, FERRITE
FB601	1-414-230-11	s BEAD, FERRITE
FB602	1-414-230-11	s BEAD, FERRITE
FB631	1-414-230-11	s BEAD, FERRITE
FB633	1-414-230-11	s BEAD, FERRITE
FB634	1-414-230-11	s BEAD, FERRITE
IC1	8-759-745-64	s IC NJM4560M
IC2	8-759-745-64	s IC NJM4560M
IC3	8-759-234-08	s IC TA78L05F
IC4	8-759-045-17	s IC NJM79L05UA
IC5	8-759-011-65	s IC MC74HC4053F
IC6	8-759-011-65	s IC MC74HC4053F
IC7	8-759-745-64	s IC NJM4560M
L1	1-424-641-11	s COIL, CHOKE 22uH
L2	1-424-641-11	s COIL, CHOKE 22uH
L3	1-424-641-11	s COIL, CHOKE 22uH
L4	1-424-641-11	s COIL, CHOKE 22uH
L100	1-410-369-11	s INDUCTOR CHIP 1UH
L101	1-410-369-11	s INDUCTOR CHIP 1UH
L200	1-410-369-11	s INDUCTOR CHIP 1UH
L201	1-410-369-11	s INDUCTOR CHIP 1UH
L300	1-410-369-11	s INDUCTOR CHIP 1UH
L301	1-410-369-11	s INDUCTOR CHIP 1UH
L400	1-410-369-11	s INDUCTOR CHIP 1UH

(CP-299 BOARD (Suffix number of board is 11.))

Ref. No. or Q'ty	Part No.	SP	Description
L401	1-410-369-11	s	INDUCTOR CHIP 1UH
L500	1-410-369-11	s	INDUCTOR CHIP 1UH
L501	1-410-369-11	s	INDUCTOR CHIP 1UH
L600	1-410-369-11	s	INDUCTOR CHIP 1UH
L601	1-410-369-11	s	INDUCTOR CHIP 1UH
Q1	8-729-027-46	s	TRANSISTOR DTC114YKA-T146
R1	1-216-085-00	s	METAL, CHIP 33K 5% 1/10W
R2	1-216-085-00	s	METAL, CHIP 33K 5% 1/10W
R3	1-216-085-00	s	METAL, CHIP 33K 5% 1/10W
R4	1-216-085-00	s	METAL, CHIP 33K 5% 1/10W
R5	1-216-089-91	s	METAL, CHIP 47K 5% 1/10W
R6	1-216-089-91	s	METAL, CHIP 47K 5% 1/10W
R7	1-216-089-91	s	METAL, CHIP 47K 5% 1/10W
R8	1-216-089-91	s	METAL, CHIP 47K 5% 1/10W
R9	1-216-676-11	s	METAL, CHIP 11K 0.5% 1/10W
R10	1-216-676-11	s	METAL, CHIP 11K 0.5% 1/10W
R11	1-216-676-11	s	METAL, CHIP 11K 0.5% 1/10W
R12	1-216-676-11	s	METAL, CHIP 11K 0.5% 1/10W
R13	1-216-017-11	s	METAL, CHIP 47 5% 1/10W
R14	1-216-017-11	s	METAL, CHIP 47 5% 1/10W
R15	1-216-017-11	s	METAL, CHIP 47 5% 1/10W
R16	1-216-017-11	s	METAL, CHIP 47 5% 1/10W
R17	1-216-073-00	s	METAL, CHIP 10K 5% 1/10W
R18	1-216-073-00	s	METAL, CHIP 10K 5% 1/10W
R19	1-216-073-00	s	METAL, CHIP 10K 5% 1/10W
R20	1-216-073-00	s	METAL, CHIP 10K 5% 1/10W
R21	1-216-121-11	s	METAL, CHIP 1M 5% 1/10W
R22	1-216-073-00	s	METAL, CHIP 10K 5% 1/10W
R23	1-216-025-11	s	METAL, CHIP 100 5% 1/10W
R24	1-216-025-11	s	METAL, CHIP 100 5% 1/10W
R25	1-216-025-11	s	METAL, CHIP 100 5% 1/10W
R26	1-216-025-11	s	METAL, CHIP 100 5% 1/10W
R27	1-216-682-11	s	METAL, CHIP 20K 0.5% 1/10W
R28	1-216-073-00	s	METAL, CHIP 10K 5% 1/10W
R29	1-216-073-00	s	METAL, CHIP 10K 5% 1/10W
R30	1-216-089-91	s	METAL, CHIP 47K 5% 1/10W
R32	1-216-025-11	s	METAL, CHIP 100 5% 1/10W
R33	1-216-025-11	s	METAL, CHIP 100 5% 1/10W
R100	1-216-295-91	s	RES, CHIP 0
R101	1-216-295-91	s	RES, CHIP 0
R102	1-215-423-00	s	METAL 1.2K 1% 1/6W
R103	1-215-423-00	s	METAL 1.2K 1% 1/6W
R104	1-216-295-91	s	RES, CHIP 0
R105	1-216-295-91	s	RES, CHIP 0
R200	1-216-295-91	s	RES, CHIP 0
R201	1-216-295-91	s	RES, CHIP 0
R202	1-215-423-00	s	METAL 1.2K 1% 1/6W
R203	1-215-423-00	s	METAL 1.2K 1% 1/6W
R204	1-216-295-91	s	RES, CHIP 0
R205	1-216-295-91	s	RES, CHIP 0
R300	1-216-295-91	s	RES, CHIP 0
R301	1-216-295-91	s	RES, CHIP 0
R302	1-215-423-00	s	METAL 1.2K 1% 1/6W
R303	1-215-423-00	s	METAL 1.2K 1% 1/6W
R304	1-216-295-91	s	RES, CHIP 0
R305	1-216-295-91	s	RES, CHIP 0
R400	1-216-295-91	s	RES, CHIP 0
R401	1-216-295-91	s	RES, CHIP 0

(CP-299 BOARD (Suffix number of board is 11.))

Ref. No. or Q'ty	Part No.	SP	Description
R402	1-215-423-00	s	METAL 1.2K 1% 1/6W
R403	1-215-423-00	s	METAL 1.2K 1% 1/6W
R404	1-216-295-91	s	RES, CHIP 0
R405	1-216-295-91	s	RES, CHIP 0
R500	1-216-295-91	s	RES, CHIP 0
R501	1-216-295-91	s	RES, CHIP 0
R502	1-215-423-00	s	METAL 1.2K 1% 1/6W
R503	1-215-423-00	s	METAL 1.2K 1% 1/6W
R504	1-216-295-91	s	RES, CHIP 0
R505	1-216-295-91	s	RES, CHIP 0
R600	1-216-295-91	s	RES, CHIP 0
R601	1-216-295-91	s	RES, CHIP 0
RY1	1-515-716-11	s	RELAY
S100	1-572-042-11	s	SWITCH, SLIDE
S200	1-572-042-11	s	SWITCH, SLIDE
S300	1-572-042-11	s	SWITCH, SLIDE
S400	1-572-042-11	s	SWITCH, SLIDE
S500	1-572-042-11	s	SWITCH, SLIDE

 CUE-10 BOARD

Ref. No. or Q'ty	Part No.	SP Description
lpc	A-8312-991-A	o MOUNTED CIRCUIT BOARD, CUE-10
C100	1-126-394-11	s ELECT, CHIP 10uF 20% 16V
C101	1-126-394-11	s ELECT, CHIP 10uF 20% 16V
C102	1-163-125-00	s CERAMIC 220PF 5% 50V
C103	1-135-212-21	s TANTALUM 2.2uF 10% 35V
C104	1-163-038-91	s CERAMIC, CHIP 0.1uF 25V 0%
C105	1-113-985-11	s TANTALUM, CHIP 10uF 20% 20V
C106	1-104-545-11	s FILM, CHIP 0.0033uF 5% 16V
C107	1-104-545-11	s FILM, CHIP 0.0033uF 5% 16V
C108	1-107-553-11	s FILM, CHIP 0.0056uF 2% 16V
C109	1-163-235-11	s CERAMIC, CHIP 22PF 5% 50V
C110	1-104-557-11	s FILM, CHIP 0.033uF 5% 16V
C111	1-126-394-11	s ELECT, CHIP 10uF 20% 16V
C112	1-163-235-11	s CERAMIC, CHIP 22PF 5% 50V
C113	1-126-394-11	s ELECT, CHIP 10uF 20% 16V
C114	1-126-394-11	s ELECT, CHIP 10uF 20% 16V
C115	1-126-394-11	s ELECT, CHIP 10uF 20% 16V
C116	1-163-243-11	s CERAMIC, CHIP 47PF 5% 50V
C117	1-163-263-11	s CERAMIC, CHIP 330PF 5% 50V
C118	1-163-239-11	s CERAMIC, CHIP 33PF 5% 50V
C119	1-136-439-11	s FILM 330PF 5% 630V
C120	1-126-394-11	s ELECT, CHIP 10uF 20% 16V
C122	1-104-957-11	s ELECT 47uF 20% 25V
C123	1-104-957-11	s ELECT 47uF 20% 25V
C124	1-104-957-11	s ELECT 47uF 20% 25V
C125	1-163-038-91	s CERAMIC, CHIP 0.1uF 25V 0%
C127	1-163-133-00	s CERAMIC, CHIP 470PF 5% 50V
C128	1-163-038-91	s CERAMIC, CHIP 0.1uF 25V 0%
C129	1-104-957-11	s ELECT 47uF 20% 25V
C134	1-126-394-11	s ELECT, CHIP 10uF 20% 16V
C136	1-113-642-11	s TANTALUM 47uF 20% 10V
C138	1-104-553-11	s FILM, CHIP 0.015uF 5% 16V
C140	1-163-125-00	s CERAMIC 220PF 5% 50V
C142	1-126-394-11	s ELECT, CHIP 10uF 20% 16V
C150	1-126-394-11	s ELECT, CHIP 10uF 20% 16V
C152	1-126-394-11	s ELECT, CHIP 10uF 20% 16V
C154	1-126-394-11	s ELECT, CHIP 10uF 20% 16V
C156	1-104-561-11	s FILM, CHIP 0.068uF 5% 16V
C158	1-163-243-11	s CERAMIC, CHIP 47PF 5% 50V
C161	1-104-555-11	s FILM, CHIP 0.022uF 5% 16V
C162	1-104-555-11	s FILM, CHIP 0.022uF 5% 16V
C163	1-104-556-11	s FILM, CHIP 0.027uF 5% 16V
C164	1-104-556-11	s FILM, CHIP 0.027uF 5% 16V
C165	1-104-555-11	s FILM, CHIP 0.022uF 5% 16V
C166	1-104-555-11	s FILM, CHIP 0.022uF 5% 16V
C167	1-163-235-11	s CERAMIC, CHIP 22PF 5% 50V
C168	1-107-906-11	s ELECT 10uF 20% 50V
C169	1-107-906-11	s ELECT 10uF 20% 50V
C170	1-163-038-91	s CERAMIC, CHIP 0.1uF 25V 0%
C171	1-163-038-91	s CERAMIC, CHIP 0.1uF 25V 0%
C172	1-163-038-91	s CERAMIC, CHIP 0.1uF 25V 0%
C173	1-104-957-11	s ELECT 47uF 20% 25V
C174	1-104-957-11	s ELECT 47uF 20% 25V
C175	1-163-038-91	s CERAMIC, CHIP 0.1uF 25V 0%
C176	1-163-038-91	s CERAMIC, CHIP 0.1uF 25V 0%
C177	1-163-038-91	s CERAMIC, CHIP 0.1uF 25V 0%
C179	1-136-275-11	s FILM 390PF 5% 630V
C180	1-135-161-21	s TANTALUM, CHIP 22uF 10% 10V

(CUE-10 BOARD)

Ref. No. or Q'ty	Part No.	SP Description
C181	1-126-394-11	s ELECT, CHIP 10uF 20% 16V
C182	1-126-392-11	s ELECT, CHIP 100uF 20% 6.3V
C183	1-163-235-11	s CERAMIC, CHIP 22PF 5% 50V
C184	1-163-038-91	s CERAMIC, CHIP 0.1uF 25V 0%
C187	1-104-957-11	s ELECT 47uF 20% 25V
C188	1-163-235-11	s CERAMIC, CHIP 22PF 5% 50V
C189	1-163-243-11	s CERAMIC, CHIP 47PF 5% 50V
C190	1-163-038-91	s CERAMIC, CHIP 0.1uF 25V 0%
C191	1-104-957-11	s ELECT 47uF 20% 25V
C192	1-163-038-91	s CERAMIC, CHIP 0.1uF 25V 0%
C193	1-104-539-11	s FILM, CHIP 0.001uF 5% 50V
C194	1-104-543-11	s FILM, CHIP 0.0022uF 5% 50V
C195	1-163-251-11	s CERAMIC, CHIP 100PF 5% 50V
C196	1-163-251-11	s CERAMIC, CHIP 100PF 5% 50V
C197	1-163-251-11	s CERAMIC, CHIP 100PF 5% 50V
C198	1-163-251-11	s CERAMIC, CHIP 100PF 5% 50V
C200	1-163-251-11	s CERAMIC, CHIP 100PF 5% 50V
C201	1-126-394-11	s ELECT, CHIP 10uF 20% 16V
C203	1-163-251-11	s CERAMIC, CHIP 100PF 5% 50V
C204	1-163-251-11	s CERAMIC, CHIP 100PF 5% 50V
C205	1-126-394-11	s ELECT, CHIP 10uF 20% 16V
C340	1-126-395-11	s ELECT, CHIP 22uF 20% 16V
C342	1-163-038-91	s CERAMIC, CHIP 0.1uF 25V 0%
C343	1-126-395-11	s ELECT, CHIP 22uF 20% 16V
C400	1-107-906-11	s ELECT 10uF 20% 50V
C401	1-107-906-11	s ELECT 10uF 20% 50V
C403	1-163-038-91	s CERAMIC, CHIP 0.1uF 25V 0%
C404	1-163-038-91	s CERAMIC, CHIP 0.1uF 25V 0%
C405	1-163-227-11	s CERAMIC, CHIP 10PF 5% 50V
C406	1-104-957-11	s ELECT 47uF 20% 25V
C407	1-104-957-11	s ELECT 47uF 20% 25V
C408	1-163-038-91	s CERAMIC, CHIP 0.1uF 25V 0%
C409	1-163-038-91	s CERAMIC, CHIP 0.1uF 25V 0%
C410	1-126-394-11	s ELECT, CHIP 10uF 20% 16V
C411	1-126-394-11	s ELECT, CHIP 10uF 20% 16V
C412	1-126-392-11	s ELECT, CHIP 100uF 20% 6.3V
C413	1-104-551-11	s FILM, CHIP 0.01uF 5% 16V
C414	1-163-251-11	s CERAMIC, CHIP 100PF 5% 50V
C415	1-126-394-11	s ELECT, CHIP 10uF 20% 16V
C416	1-163-137-00	s CERAMIC, CHIP 680PF 5% 50V
C417	1-164-232-11	s CERAMIC, CHIP 0.01uF 10% 100V
C418	1-164-182-11	s CERAMIC, CHIP 3300PF 10% 100V
C419	1-164-232-11	s CERAMIC, CHIP 0.01uF 10% 100V
C420	1-126-394-11	s ELECT, CHIP 10uF 20% 16V
C421	1-104-760-11	s CERAMIC, CHIP 0.047uF 10% 50V
C422	1-115-185-11	s CERAMIC, CHIP 0.033uF 10% 50V
C423	1-163-113-00	s CERAMIC, CHIP 68PF 5% 50V
C424	1-126-394-11	s ELECT, CHIP 10uF 20% 16V
C433	1-163-038-91	s CERAMIC, CHIP 0.1uF 25V 0%
C501	1-164-489-11	s CERAMIC, CHIP 0.22uF 10% 16V
C502	1-163-038-91	s CERAMIC, CHIP 0.1uF 25V 0%
C506	1-163-038-91	s CERAMIC, CHIP 0.1uF 25V 0%
C507	1-164-695-11	s CERAMIC 0.0022uF 5% 50V
C508	1-164-695-11	s CERAMIC 0.0022uF 5% 50V
C510	1-126-401-11	s ELECT, CHIP 1uF 20% 50V
C511	1-107-901-11	s ELECT 0.47uF 20% 50V
C512	1-136-804-11	s FILM 680PF 5% 630
C513	1-164-489-11	s CERAMIC, CHIP 0.22uF 10% 16V
C514	1-164-489-11	s CERAMIC, CHIP 0.22uF 10% 16V

(CUE-10 BOARD)

Ref. No. or Q'ty	Part No.	SP	Description
C516	1-135-092-21	s	TANTALUM, CHIP 3.3uF 10% 16V
C517	1-124-122-11	s	ELECT 100uF 20% 50V
C518	1-124-122-11	s	ELECT 100uF 20% 50V
C519	1-163-017-00	s	CERAMIC, CHIP 0.0047uF 5% 50V
C520	1-163-017-00	s	CERAMIC, CHIP 0.0047uF 5% 50V
C521	1-163-017-00	s	CERAMIC, CHIP 0.0047uF 5% 50V
C522	1-163-017-00	s	CERAMIC, CHIP 0.0047uF 5% 50V
C523	1-163-017-00	s	CERAMIC, CHIP 0.0047uF 5% 50V
C524	1-163-017-00	s	CERAMIC, CHIP 0.0047uF 5% 50V
C525	1-164-232-11	s	CERAMIC, CHIP 0.01uF 10% 100V
C526	1-164-182-11	s	CERAMIC, CHIP 3300PF 10% 100V
C527	1-107-823-11	s	CERAMIC, CHIP 0.47uF 10% 16V
C530	1-107-901-11	s	ELECT 0.47uF 20% 50V
C531	1-107-901-11	s	ELECT 0.47uF 20% 50V
C532	1-136-562-11	s	FILM 0.0082uF 5% 630V
C533	1-136-562-11	s	FILM 0.0082uF 5% 630V
C534	1-136-562-11	s	FILM 0.0082uF 5% 630V
C535	1-163-222-11	s	CERAMIC, CHIP 5PF 50V
C536	1-163-222-11	s	CERAMIC, CHIP 5PF 50V
C537	1-163-227-11	s	CERAMIC, CHIP 10PF 5% 50V
C538	1-163-235-11	s	CERAMIC, CHIP 22PF 5% 50V
C539	1-163-038-91	s	CERAMIC, CHIP 0.1uF 25V 0%
C540	1-163-243-11	s	CERAMIC, CHIP 47PF 5% 50V
C541	1-126-401-11	s	ELECT, CHIP 1uF 20% 50V
C542	1-163-227-11	s	CERAMIC, CHIP 10PF 5% 50V
C543	1-126-401-11	s	ELECT, CHIP 1uF 20% 50V
C544	1-163-227-11	s	CERAMIC, CHIP 10PF 5% 50V
C545	1-126-401-11	s	ELECT, CHIP 1uF 20% 50V
C547	1-163-038-91	s	CERAMIC, CHIP 0.1uF 25V 0%
C552	1-163-038-91	s	CERAMIC, CHIP 0.1uF 25V 0%
C553	1-164-232-11	s	CERAMIC, CHIP 0.01uF 10% 100V
C554	1-164-232-11	s	CERAMIC, CHIP 0.01uF 10% 100V
C555	1-163-038-91	s	CERAMIC, CHIP 0.1uF 25V 0%
C556	1-163-038-91	s	CERAMIC, CHIP 0.1uF 25V 0%
C557	1-164-232-11	s	CERAMIC, CHIP 0.01uF 10% 100V
C558	1-164-232-11	s	CERAMIC, CHIP 0.01uF 10% 100V
C700	1-126-396-11	s	ELECT, CHIP 47uF 20% 16V
C701	1-163-023-00	s	CERAMIC, CHIP 0.015uF 5% 50V
C702	1-163-251-11	s	CERAMIC, CHIP 100PF 5% 50V
C703	1-126-395-11	s	ELECT, CHIP 22uF 20% 16V
C704	1-126-395-11	s	ELECT, CHIP 22uF 20% 16V
C705	1-163-243-11	s	CERAMIC, CHIP 47PF 5% 50V
C706	1-163-235-11	s	CERAMIC, CHIP 22PF 5% 50V
C707	1-163-235-11	s	CERAMIC, CHIP 22PF 5% 50V
C708	1-126-395-11	s	ELECT, CHIP 22uF 20% 16V
C709	1-126-395-11	s	ELECT, CHIP 22uF 20% 16V
C710	1-164-182-11	s	CERAMIC, CHIP 3300PF 10% 100V
C711	1-163-251-11	s	CERAMIC, CHIP 100PF 5% 50V
C712	1-163-251-11	s	CERAMIC, CHIP 100PF 5% 50V
C713	1-126-395-11	s	ELECT, CHIP 22uF 20% 16V
C714	1-126-395-11	s	ELECT, CHIP 22uF 20% 16V
C715	1-163-222-11	s	CERAMIC, CHIP 5PF 50V
C716	1-124-122-11	s	ELECT 100uF 20% 50V
C717	1-124-122-11	s	ELECT 100uF 20% 50V
C718	1-104-539-11	s	FILM, CHIP 0.001uF 5% 50V
C719	1-107-906-11	s	ELECT 10uF 20% 50V
C720	1-163-038-91	s	CERAMIC, CHIP 0.1uF 25V 0%
C721	1-107-906-11	s	ELECT 10uF 20% 50V
C722	1-107-906-11	s	ELECT 10uF 20% 50V

(CUE-10 BOARD)

Ref. No. or Q'ty	Part No.	SP	Description
C800	1-163-251-11	s	CERAMIC, CHIP 100PF 5% 50V
C801	1-126-098-11	s	ELECT 22uF 20% 35V
C802	1-126-098-11	s	ELECT 22uF 20% 35V
C803	1-163-251-11	s	CERAMIC, CHIP 100PF 5% 50V
C804	1-163-251-11	s	CERAMIC, CHIP 100PF 5% 50V
C805	1-107-908-11	s	ELECT 33uF 20% 50V
C806	1-107-908-11	s	ELECT 33uF 20% 50V
C807	1-163-251-11	s	CERAMIC, CHIP 100PF 5% 50V
C809	1-126-395-11	s	ELECT, CHIP 22uF 20% 16V
C810	1-163-251-11	s	CERAMIC, CHIP 100PF 5% 50V
C811	1-163-251-11	s	CERAMIC, CHIP 100PF 5% 50V
C812	1-126-395-11	s	ELECT, CHIP 22uF 20% 16V
C901	1-104-539-11	s	FILM, CHIP 0.001uF 5% 50V
C902	1-104-539-11	s	FILM, CHIP 0.001uF 5% 50V
C903	1-104-555-11	s	FILM, CHIP 0.022uF 5% 16V
C910	1-104-653-11	s	ELECT 220uF 20% 16V
C911	1-104-653-11	s	ELECT 220uF 20% 16V
C920	1-163-038-91	s	CERAMIC, CHIP 0.1uF 25V 0%
C921	1-163-038-91	s	CERAMIC, CHIP 0.1uF 25V 0%
C922	1-107-906-11	s	ELECT 10uF 20% 50V
C923	1-107-906-11	s	ELECT 10uF 20% 50V
C930	1-126-395-11	s	ELECT, CHIP 22uF 20% 16V
CN105	1-778-261-11	o	CONNECTOR, BB 124P, MALE
CN900	1-506-471-11	s	CONNECTOR 6P, MALE
CN901	1-564-005-11	o	CONNECTOR 6P, MALE
CN902	1-564-002-11	s	CONNECTOR 3P, MALE
CN903	1-506-468-11	s	CONNECTOR 3P, MALE
D100	8-719-941-23	s	DIODE DA204U
D101	8-719-941-23	s	DIODE DA204U
D102	8-719-941-23	s	DIODE DA204U
D103	8-719-941-23	s	DIODE DA204U
D105	8-719-941-23	s	DIODE DA204U
D106	8-719-941-23	s	DIODE DA204U
D107	8-719-941-23	s	DIODE DA204U
D108	8-719-941-23	s	DIODE DA204U
D310	8-719-024-81	s	DIODE 1SS300-TE85L
D311	8-719-024-81	s	DIODE 1SS300-TE85L
D400	8-719-404-35	s	DIODE MA141WK
D401	8-719-024-81	s	DIODE 1SS300-TE85L
D402	8-719-024-81	s	DIODE 1SS300-TE85L
D403	8-719-024-81	s	DIODE 1SS300-TE85L
D404	8-719-024-81	s	DIODE 1SS300-TE85L
D405	8-719-024-81	s	DIODE 1SS300-TE85L
D406	8-719-941-23	s	DIODE DA204U
D411	8-719-941-04	s	DIODE SB007-03CP
D501	8-719-024-81	s	DIODE 1SS300-TE85L
D502	8-719-941-23	s	DIODE DA204U
D504	8-719-024-81	s	DIODE 1SS300-TE85L
D505	8-719-024-81	s	DIODE 1SS300-TE85L
D507	8-719-941-23	s	DIODE DA204U
D508	8-719-941-23	s	DIODE DA204U
D509	8-719-941-23	s	DIODE DA204U
D700	8-719-941-23	s	DIODE DA204U
D701	8-719-024-81	s	DIODE 1SS300-TE85L
D710	8-719-820-41	s	DIODE 1SS302
D720	8-719-820-41	s	DIODE 1SS302
D801	8-719-024-81	s	DIODE 1SS300-TE85L
D802	8-719-820-41	s	DIODE 1SS302

(CUE-10 BOARD)

Ref. No. or Q'ty	Part No.	SP Description
D803	8-719-820-41	s DIODE 1SS302
D804	8-719-820-41	s DIODE 1SS302
D805	8-719-820-41	s DIODE 1SS302
D806	8-719-941-23	s DIODE DA204U
D900	8-719-941-04	s DIODE SB007-03CP
IC101	8-759-112-66	s IC UPC812G2
IC102	8-759-112-66	s IC UPC812G2
IC103	8-759-988-97	s IC DBX2155
IC104	8-759-988-97	s IC DBX2155
IC105	8-759-106-02	s IC UPC4570G2
IC106	8-759-106-02	s IC UPC4570G2
IC107	8-759-710-77	s IC NJM4560MD
IC108	8-759-106-02	s IC UPC4570G2
IC109	8-759-106-02	s IC UPC4570G2
IC111	8-759-394-76	s IC NJM2068M-D-TE2
IC112	8-759-106-02	s IC UPC4570G2
IC113	8-759-106-02	s IC UPC4570G2
IC117	8-759-112-66	s IC UPC812G2
IC118	8-759-045-17	s IC NJM79L05UA
IC119	8-759-106-02	s IC UPC4570G2
IC320	8-759-106-02	s IC UPC4570G2
IC321	8-759-700-07	s IC NJM2903M
IC322	8-759-925-72	s IC SN74HC02ANS
IC324	8-759-700-07	s IC NJM2903M
IC400	8-759-710-77	s IC NJM4560MD
IC401	8-759-711-58	s IC NJM78L05UA
IC402	8-759-045-17	s IC NJM79L05UA
IC403	8-759-925-72	s IC SN74HC02ANS
IC404	8-759-603-04	s IC M5238FP
IC405	8-759-106-02	s IC UPC4570G2
IC406	8-759-981-48	s IC NJM082M
IC407	8-759-700-07	s IC NJM2903M
IC500	8-759-927-29	s IC SN74HCU04NS
IC501	8-759-925-72	s IC SN74HC02ANS
IC502	8-759-453-43	s IC TC74HC4024AF (EL)
IC503	8-759-925-76	s IC SN74HC08ANS
IC504	8-759-710-28	s IC NJM4565M-A
IC505	8-759-239-34	s IC TC74HC4538AF
IC506	8-759-925-76	s IC SN74HC08ANS
IC508	8-759-037-79	s IC MC74HC163AF
IC509	8-759-700-07	s IC NJM2903M
IC510	8-759-927-29	s IC SN74HCU04NS
IC511	8-759-106-02	s IC UPC4570G2
IC512	8-759-106-02	s IC UPC4570G2
IC513	8-759-700-07	s IC NJM2903M
IC515	8-759-239-55	s IC TC74HC123AF
IC516	8-759-925-99	s IC SN74HC109ANS
IC517	8-759-239-55	s IC TC74HC123AF
IC700	8-759-106-02	s IC UPC4570G2
IC701	8-759-981-48	s IC NJM082M
IC702	8-759-106-02	s IC UPC4570G2
IC703	8-759-700-45	s IC NJM4556M-A
IC704	8-759-521-14	s IC NJM5532S-D
IC705	8-759-521-14	s IC NJM5532S-D
IC706	8-759-710-28	s IC NJM4565M-A
IC801	8-759-700-07	s IC NJM2903M
IC802	8-759-700-84	s IC NJM2041M-D
IC803	8-759-106-02	s IC UPC4570G2

(CUE-10 BOARD)

Ref. No. or Q'ty	Part No.	SP Description
L500	1-412-533-21	s INDUCTOR 47uH
L501	1-412-533-21	s INDUCTOR 47uH
L502	1-412-533-21	s INDUCTOR 47uH
L503	1-412-533-21	s INDUCTOR 47uH
L700	1-412-533-21	s INDUCTOR 47uH
LV100	1-410-934-21	s COIL, VAR 7.1uH
LV101	1-410-934-21	s COIL, VAR 7.1uH
LV102	1-459-411-00	s COIL, VAR 18mH
LV500	1-414-007-11	s COIL, VAR 1.5uH
LV501	1-414-007-11	s COIL, VAR 1.5uH
PS101	△ 1-532-679-00	s LINK, IC 0.6A
PS102	△ 1-532-679-00	s LINK, IC 0.6A
PS501	△ 1-532-727-11	s LINK, IC 0.25A
PS502	△ 1-532-605-00	s LINK, IC 0.4A
PS503	△ 1-532-605-00	s LINK, IC 0.4A
PS504	△ 1-532-605-00	s LINK, IC 0.4A
Q100	8-729-203-30	s TRANSISTOR 2SJ106Y
Q101	8-729-205-38	s TRANSISTOR 2SK208-Y
Q102	8-729-209-07	s TRANSISTOR 2SC4213-B
Q103	8-729-205-38	s TRANSISTOR 2SK208-Y
Q104	8-729-203-30	s TRANSISTOR 2SJ106Y
Q105	8-729-209-07	s TRANSISTOR 2SC4213-B
Q106	8-729-109-44	s TRANSISTOR 2SK94
Q107	8-729-109-44	s TRANSISTOR 2SK94
Q108	8-729-109-44	s TRANSISTOR 2SK94
Q109	8-729-109-44	s TRANSISTOR 2SK94
Q110	8-729-109-44	s TRANSISTOR 2SK94
Q111	8-729-109-44	s TRANSISTOR 2SK94
Q121	8-729-209-07	s TRANSISTOR 2SC4213-B
Q123	8-729-209-07	s TRANSISTOR 2SC4213-B
Q125	8-729-209-07	s TRANSISTOR 2SC4213-B
Q134	8-729-209-07	s TRANSISTOR 2SC4213-B
Q135	8-729-109-44	s TRANSISTOR 2SK94
Q136	8-729-109-44	s TRANSISTOR 2SK94
Q402	8-729-209-07	s TRANSISTOR 2SC4213-B
Q403	8-729-209-07	s TRANSISTOR 2SC4213-B
Q404	8-729-109-44	s TRANSISTOR 2SK94
Q405	8-729-209-07	s TRANSISTOR 2SC4213-B
Q406	8-729-209-07	s TRANSISTOR 2SC4213-B
Q407	8-729-209-07	s TRANSISTOR 2SC4213-B
Q408	8-729-028-91	s TRANSISTOR DTA144EUA-T106
Q410	8-729-029-14	s TRANSISTOR DTC144EUA-T106
Q411	8-729-140-63	s TRANSISTOR 2SA1611-M5M6
Q412	8-729-029-14	s TRANSISTOR DTC144EUA-T106
Q413	8-729-140-63	s TRANSISTOR 2SA1611-M5M6
Q415	8-729-029-14	s TRANSISTOR DTC144EUA-T106
Q416	8-729-140-63	s TRANSISTOR 2SA1611-M5M6
Q417	8-729-029-14	s TRANSISTOR DTC144EUA-T106
Q418	8-729-140-63	s TRANSISTOR 2SA1611-M5M6
Q419	8-729-029-14	s TRANSISTOR DTC144EUA-T106
Q420	8-729-140-63	s TRANSISTOR 2SA1611-M5M6
Q425	8-729-028-91	s TRANSISTOR DTA144EUA-T106
Q429	8-729-029-14	s TRANSISTOR DTC144EUA-T106
Q500	8-729-029-14	s TRANSISTOR DTC144EUA-T106
Q501	8-729-140-63	s TRANSISTOR 2SA1611-M5M6
Q502	8-729-117-11	s TRANSISTOR 2SB1151-L
Q503	8-729-117-32	s TRANSISTOR 2SC4177
Q507	8-729-212-02	s TRANSISTOR 2SC2120-Y

(CUE-10 BOARD)

Ref. No. or Q'ty	Part No.	SP	Description
Q508	8-729-212-02	s	TRANSISTOR 2SC2120-Y
Q509	8-729-029-14	s	TRANSISTOR DTC144EUA-T106
Q510	8-729-029-14	s	TRANSISTOR DTC144EUA-T106
Q511	8-729-029-14	s	TRANSISTOR DTC144EUA-T106
Q512	8-729-140-63	s	TRANSISTOR 2SA1611-M5M6
Q513	8-729-140-63	s	TRANSISTOR 2SA1611-M5M6
Q514	8-729-140-63	s	TRANSISTOR 2SA1611-M5M6
Q515	8-729-117-11	s	TRANSISTOR 2SB1151-L
Q516	8-729-117-11	s	TRANSISTOR 2SB1151-L
Q517	8-729-117-11	s	TRANSISTOR 2SB1151-L
Q518	8-729-117-32	s	TRANSISTOR 2SC4177
Q519	8-729-117-32	s	TRANSISTOR 2SC4177
Q520	8-729-117-32	s	TRANSISTOR 2SC4177
Q521	8-729-140-63	s	TRANSISTOR 2SA1611-M5M6
Q522	8-729-209-07	s	TRANSISTOR 2SC4213-B
Q523	8-729-159-65	s	TRANSISTOR 2SD596-DV5
Q524	8-729-159-65	s	TRANSISTOR 2SD596-DV5
Q525	8-729-140-98	s	TRANSISTOR 2SD773-3
Q526	8-729-140-98	s	TRANSISTOR 2SD773-3
Q527	8-729-209-07	s	TRANSISTOR 2SC4213-B
Q528	8-729-140-98	s	TRANSISTOR 2SD773-3
Q529	8-729-140-98	s	TRANSISTOR 2SD773-3
Q531	8-729-029-14	s	TRANSISTOR DTC144EUA-T106
Q540	8-729-029-14	s	TRANSISTOR DTC144EUA-T106
Q700	8-729-109-44	s	TRANSISTOR 2SK94
Q701	8-729-028-91	s	TRANSISTOR DTA144EUA-T106
Q702	8-729-117-32	s	TRANSISTOR 2SC4177
Q801	8-729-140-63	s	TRANSISTOR 2SA1611-M5M6
Q901	8-729-820-53	s	TRANSISTOR 2SD1683-T
Q902	8-729-117-11	s	TRANSISTOR 2SB1151-L
Q903	8-759-245-45	s	IC NJM78L09UA(TEL)
Q904	8-759-068-03	s	IC NJM79L09UA
Q905	8-729-140-63	s	TRANSISTOR 2SA1611-M5M6
Q906	8-729-109-44	s	TRANSISTOR 2SK94
R100	1-216-025-11	s	METAL, CHIP 100 5% 1/10W
R101	1-216-089-91	s	METAL, CHIP 47k 5% 1/10W
R102	1-216-025-11	s	METAL, CHIP 100 5% 1/10W
R103	1-216-670-11	s	METAL, CHIP 6.2K 0.5% 1/10W
R104	1-216-121-11	s	METAL, CHIP 1M 5% 1/10W
R105	1-216-121-11	s	METAL, CHIP 1M 5% 1/10W
R106	1-216-670-11	s	METAL, CHIP 6.2K 0.5% 1/10W
R107	1-216-651-11	s	METAL, CHIP 1K 0.5% 1/10W
R108	1-216-097-11	s	METAL, CHIP 100K 5% 1/10W
R109	1-216-670-11	s	METAL, CHIP 6.2K 0.5% 1/10W
R110	1-216-049-11	s	METAL, CHIP 1K 5% 1/10W
R111	1-216-101-00	s	METAL, CHIP 150K 5% 1/10W
R112	1-216-643-11	s	METAL, CHIP 470 0.5% 1/10W
R113	1-216-025-11	s	METAL, CHIP 100 5% 1/10W
R114	1-216-049-11	s	METAL, CHIP 1K 5% 1/10W
R115	1-216-654-11	s	METAL, CHIP 1.3K 0.5% 1/10W
R116	1-216-101-00	s	METAL, CHIP 150K 5% 1/10W
R117	1-216-643-11	s	METAL, CHIP 470 0.5% 1/10W
R118	1-216-025-11	s	METAL, CHIP 100 5% 1/10W
R119	1-216-682-11	s	METAL, CHIP 20K 0.5% 1/10W
R120	1-216-019-00	s	METAL, CHIP 56 5% 1/10W
R121	1-216-121-11	s	METAL, CHIP 1M 5% 1/10W
R122	1-216-121-11	s	METAL, CHIP 1M 5% 1/10W
R123	1-216-121-11	s	METAL, CHIP 1M 5% 1/10W
R124	1-216-121-11	s	METAL, CHIP 1M 5% 1/10W

(CUE-10 BOARD)

Ref. No. or Q'ty	Part No.	SP	Description
R125	1-218-760-11	s	METAL, CHIP 220K 0.5% 1/10W
R126	1-216-073-00	s	METAL, CHIP 10K 5% 1/10W
R127	1-216-694-11	s	METAL, CHIP 62K 0.5% 1/10W
R128	1-216-073-00	s	METAL, CHIP 10K 5% 1/10W
R129	1-216-067-00	s	METAL, CHIP 5.6K 5% 1/10W
R130	1-216-675-11	s	METAL, CHIP 10K 0.5% 1/10W
R131	1-216-019-00	s	METAL, CHIP 56 5% 1/10W
R132	1-216-677-11	s	METAL, CHIP 12K 0.5% 1/10W
R133	1-216-669-11	s	METAL, CHIP 5.6K 0.5% 1/10W
R136	1-216-679-11	s	METAL, CHIP 15K 0.5% 1/10W
R137	1-216-699-11	s	METAL, CHIP 100K 0.5% 1/10W
R138	1-216-121-11	s	METAL, CHIP 1M 5% 1/10W
R139	1-216-121-11	s	METAL, CHIP 1M 5% 1/10W
R140	1-216-121-11	s	METAL, CHIP 1M 5% 1/10W
R141	1-216-121-11	s	METAL, CHIP 1M 5% 1/10W
R142	1-216-687-11	s	METAL, CHIP 33K 0.5% 1/10W
R143	1-216-073-00	s	METAL, CHIP 10K 5% 1/10W
R144	1-216-089-91	s	METAL, CHIP 47k 5% 1/10W
R145	1-216-682-11	s	METAL, CHIP 20K 0.5% 1/10W
R146	1-216-682-11	s	METAL, CHIP 20K 0.5% 1/10W
R147	1-216-682-11	s	METAL, CHIP 20K 0.5% 1/10W
R148	1-216-675-11	s	METAL, CHIP 10K 0.5% 1/10W
R149	1-216-675-11	s	METAL, CHIP 10K 0.5% 1/10W
R150	1-216-097-11	s	METAL, CHIP 100K 5% 1/10W
R151	1-216-679-11	s	METAL, CHIP 15K 0.5% 1/10W
R152	1-216-670-11	s	METAL, CHIP 6.2K 0.5% 1/10W
R153	1-216-071-00	s	METAL, CHIP 8.2K 5% 1/10W
R154	1-216-675-11	s	METAL, CHIP 10K 0.5% 1/10W
R155	1-216-121-11	s	METAL, CHIP 1M 5% 1/10W
R156	1-216-081-00	s	METAL, CHIP 22K 5% 1/10W
R157	1-216-121-11	s	METAL, CHIP 1M 5% 1/10W
R158	1-216-121-11	s	METAL, CHIP 1M 5% 1/10W
R159	1-216-121-11	s	METAL, CHIP 1M 5% 1/10W
R160	1-220-238-11	s	METAL, CHIP 10 5% 1/4W
R161	1-216-121-11	s	METAL, CHIP 1M 5% 1/10W
R162	1-216-687-11	s	METAL, CHIP 33K 0.5% 1/10W
R163	1-216-682-11	s	METAL, CHIP 20K 0.5% 1/10W
R168	1-216-697-91	s	METAL, CHIP 82K 0.5% 1/10W
R169	1-216-625-11	s	METAL, CHIP 82 0.5% 1/10W
R171	1-216-699-11	s	METAL, CHIP 100K 0.5% 1/10W
R173	1-216-691-11	s	METAL, CHIP 47K 0.5% 1/10W
R174	1-216-691-11	s	METAL, CHIP 47K 0.5% 1/10W
R184	1-216-659-11	s	METAL, CHIP 2.2K 0.5% 1/10W
R190	1-216-073-00	s	METAL, CHIP 10K 5% 1/10W
R192	1-216-073-00	s	METAL, CHIP 10K 5% 1/10W
R194	1-216-073-00	s	METAL, CHIP 10K 5% 1/10W
R196	1-216-073-00	s	METAL, CHIP 10K 5% 1/10W
R198	1-216-675-11	s	METAL, CHIP 10K 0.5% 1/10W
R200	1-216-073-00	s	METAL, CHIP 10K 5% 1/10W
R202	1-216-073-00	s	METAL, CHIP 10K 5% 1/10W
R204	1-216-675-11	s	METAL, CHIP 10K 0.5% 1/10W
R206	1-216-053-00	s	METAL, CHIP 1.5K 5% 1/10W
R208	1-216-645-11	s	METAL, CHIP 560 0.5% 1/10W
R210	1-216-073-00	s	METAL, CHIP 10K 5% 1/10W
R211	1-216-691-11	s	METAL, CHIP 47K 0.5% 1/10W
R212	1-216-675-11	s	METAL, CHIP 10K 0.5% 1/10W
R213	1-218-772-11	s	METAL 680K 0.5% 1/10W
R214	1-216-687-11	s	METAL, CHIP 33K 0.5% 1/10W
R215	1-218-754-11	s	METAL, CHIP 120K 0.50% 1/10W

(CUE-10 BOARD)

Ref. No. or Q'ty	Part No.	SP Description
R216	1-216-675-11	s METAL, CHIP 10K 0.5% 1/10W
R217	1-218-762-11	s METAL, CHIP 270K 0.5% 1/10W
R218	1-216-687-11	s METAL, CHIP 33K 0.5% 1/10W
R219	1-216-683-11	s METAL, CHIP 22K 0.5% 1/10W
R220	1-218-764-11	s METAL, CHIP 330K 0.5% 1/10W
R221	1-218-774-11	s METAL, CHIP 820K 0.5% 1/10W
R222	1-218-756-11	s METAL, CHIP 150K 0.5% 1/10W
R223	1-216-675-11	s METAL, CHIP 10K 0.5% 1/10W
R224	1-216-683-11	s METAL, CHIP 22K 0.5% 1/10W
R226	1-216-073-00	s METAL, CHIP 10K 5% 1/10W
R236	1-216-668-11	s METAL, CHIP 5.1K 0.5% 1/10W
R238	1-216-655-11	s METAL, CHIP 1.5K 0.5% 1/10W
R239	1-216-653-11	s METAL, CHIP 1.2K 0.5% 1/10W
R240	1-216-295-91	s RES, CHIP 0
R243	1-216-668-11	s METAL, CHIP 5.1K 0.5% 1/10W
R244	1-216-657-11	s METAL, CHIP 1.8K 0.5% 1/10W
R245	1-216-670-11	s METAL, CHIP 6.2K 0.5% 1/10W
R246	1-216-025-11	s METAL, CHIP 100 5% 1/10W
R253	1-216-073-00	s METAL, CHIP 10K 5% 1/10W
R254	1-216-682-11	s METAL, CHIP 20K 0.5% 1/10W
R255	1-216-065-00	s METAL, CHIP 4.7K 5% 1/10W
R256	1-216-065-00	s METAL, CHIP 4.7K 5% 1/10W
R257	1-216-065-00	s METAL, CHIP 4.7K 5% 1/10W
R258	1-216-065-00	s METAL, CHIP 4.7K 5% 1/10W
R259	1-216-071-00	s METAL, CHIP 8.2K 5% 1/10W
R261	1-216-664-11	s METAL, CHIP 3.6K 0.5% 1/10W
R262	1-218-760-11	s METAL, CHIP 220K 0.5% 1/10W
R263	1-216-295-91	s RES, CHIP 0
R264	1-216-682-11	s METAL, CHIP 20K 0.5% 1/10W
R265	1-216-689-11	s METAL, CHIP 39K 0.5% 1/10W
R266	1-216-095-00	s METAL, CHIP 82K 5% 1/10W
R267	1-216-295-91	s RES, CHIP 0
R268	1-218-767-11	s METAL, CHIP 430K 0.5% 1/10W
R274	1-216-121-11	s METAL, CHIP 1M 5% 1/10W
R275	1-216-121-11	s METAL, CHIP 1M 5% 1/10W
R276	1-216-121-11	s METAL, CHIP 1M 5% 1/10W
R277	1-216-121-11	s METAL, CHIP 1M 5% 1/10W
R279	1-216-121-11	s METAL, CHIP 1M 5% 1/10W
R280	1-216-655-11	s METAL, CHIP 1.5K 0.5% 1/10W
R281	1-216-655-11	s METAL, CHIP 1.5K 0.5% 1/10W
R282	1-216-065-00	s METAL, CHIP 4.7K 5% 1/10W
R283	1-216-073-00	s METAL, CHIP 10K 5% 1/10W
R284	1-216-121-11	s METAL, CHIP 1M 5% 1/10W
R285	1-216-121-11	s METAL, CHIP 1M 5% 1/10W
R286	1-216-121-11	s METAL, CHIP 1M 5% 1/10W
R287	1-216-121-11	s METAL, CHIP 1M 5% 1/10W
R288	1-216-295-91	s RES, CHIP 0
R289	1-216-295-91	s RES, CHIP 0
R290	1-216-295-91	s RES, CHIP 0
R304	1-216-689-11	s METAL, CHIP 39K 0.5% 1/10W
R321	1-216-071-00	s METAL, CHIP 8.2K 5% 1/10W
R322	1-216-684-91	s METAL, CHIP 24K 0.5% 1/10W
R323	1-216-664-11	s METAL, CHIP 3.6K 0.5% 1/10W
R324	1-216-655-11	s METAL, CHIP 1.5K 0.5% 1/10W
R325	1-216-049-11	s METAL, CHIP 1K 5% 1/10W
R326	1-216-049-11	s METAL, CHIP 1K 5% 1/10W
R327	1-216-121-11	s METAL, CHIP 1M 5% 1/10W
R328	1-216-121-11	s METAL, CHIP 1M 5% 1/10W
R352	1-216-071-00	s METAL, CHIP 8.2K 5% 1/10W

(CUE-10 BOARD)

Ref. No. or Q'ty	Part No.	SP Description
R353	1-216-684-91	s METAL, CHIP 24K 0.5% 1/10W
R354	1-216-664-11	s METAL, CHIP 3.6K 0.5% 1/10W
R355	1-216-655-11	s METAL, CHIP 1.5K 0.5% 1/10W
R356	1-216-049-11	s METAL, CHIP 1K 5% 1/10W
R357	1-216-049-11	s METAL, CHIP 1K 5% 1/10W
R358	1-216-121-11	s METAL, CHIP 1M 5% 1/10W
R359	1-216-121-11	s METAL, CHIP 1M 5% 1/10W
R400	1-216-073-00	s METAL, CHIP 10K 5% 1/10W
R401	1-216-025-11	s METAL, CHIP 100 5% 1/10W
R402	1-216-025-11	s METAL, CHIP 100 5% 1/10W
R403	1-216-089-91	s METAL, CHIP 47k 5% 1/10W
R404	1-216-073-00	s METAL, CHIP 10K 5% 1/10W
R405	1-216-675-11	s METAL, CHIP 10K 0.5% 1/10W
R406	1-216-077-00	s METAL, CHIP 15K 5% 1/10W
R407	1-216-603-11	s METAL, CHIP 10 0.5% 1/10W
R408	1-216-065-00	s METAL, CHIP 4.7K 5% 1/10W
R409	1-216-649-11	s METAL, CHIP 820 0.5% 1/10W
R410	1-216-635-11	s METAL, CHIP 220 0.5% 1/10W
R411	1-216-097-11	s METAL, CHIP 100K 5% 1/10W
R412	1-218-760-11	s METAL, CHIP 220K 0.5% 1/10W
R413	1-216-033-00	s METAL, CHIP 220 5% 1/10W
R414	1-216-065-00	s METAL, CHIP 4.7K 5% 1/10W
R415	1-218-760-11	s METAL, CHIP 220K 0.5% 1/10W
R416	1-216-121-11	s METAL, CHIP 1M 5% 1/10W
R417	1-216-121-11	s METAL, CHIP 1M 5% 1/10W
R418	1-216-049-11	s METAL, CHIP 1K 5% 1/10W
R419	1-216-073-00	s METAL, CHIP 10K 5% 1/10W
R420	1-216-053-00	s METAL, CHIP 1.5K 5% 1/10W
R421	1-216-073-00	s METAL, CHIP 10K 5% 1/10W
R422	1-216-097-11	s METAL, CHIP 100K 5% 1/10W
R423	1-216-053-00	s METAL, CHIP 1.5K 5% 1/10W
R424	1-216-025-11	s METAL, CHIP 100 5% 1/10W
R425	1-216-105-11	s METAL, CHIP 220K 5% 1/10W
R426	1-216-081-00	s METAL, CHIP 22K 5% 1/10W
R427	1-216-073-00	s METAL, CHIP 10K 5% 1/10W
R428	1-216-073-00	s METAL, CHIP 10K 5% 1/10W
R429	1-216-097-11	s METAL, CHIP 100K 5% 1/10W
R430	1-216-049-11	s METAL, CHIP 1K 5% 1/10W
R431	1-216-121-11	s METAL, CHIP 1M 5% 1/10W
R432	1-216-061-00	s METAL, CHIP 3.3K 5% 1/10W
R433	1-216-073-00	s METAL, CHIP 10K 5% 1/10W
R434	1-216-075-00	s METAL, CHIP 12K 5% 1/10W
R435	1-216-073-00	s METAL, CHIP 10K 5% 1/10W
R436	1-216-121-11	s METAL, CHIP 1M 5% 1/10W
R437	1-216-089-91	s METAL, CHIP 47k 5% 1/10W
R438	1-216-065-00	s METAL, CHIP 4.7K 5% 1/10W
R439	1-216-061-00	s METAL, CHIP 3.3K 5% 1/10W
R440	1-216-061-00	s METAL, CHIP 3.3K 5% 1/10W
R441	1-216-689-11	s METAL, CHIP 39K 0.5% 1/10W
R442	1-216-065-00	s METAL, CHIP 4.7K 5% 1/10W
R443	1-216-089-91	s METAL, CHIP 47k 5% 1/10W
R444	1-216-689-11	s METAL, CHIP 39K 0.5% 1/10W
R445	1-216-065-00	s METAL, CHIP 4.7K 5% 1/10W
R446	1-216-089-91	s METAL, CHIP 47k 5% 1/10W
R447	1-216-073-00	s METAL, CHIP 10K 5% 1/10W
R448	1-216-067-00	s METAL, CHIP 5.6K 5% 1/10W
R449	1-216-692-11	s METAL, CHIP 51K 0.5% 1/10W
R450	1-216-073-00	s METAL, CHIP 10K 5% 1/10W
R451	1-216-067-00	s METAL, CHIP 5.6K 5% 1/10W

(CUE-10 BOARD)

Ref. No. or Q'ty	Part No.	SP	Description
R452	1-216-692-11	s	METAL, CHIP 51K 0.5% 1/10W
R453	1-216-689-11	s	METAL, CHIP 39K 0.5% 1/10W
R454	1-216-065-00	s	METAL, CHIP 4.7K 5% 1/10W
R455	1-216-089-91	s	METAL, CHIP 47k 5% 1/10W
R461	1-216-692-11	s	METAL, CHIP 51K 0.5% 1/10W
R462	1-216-077-00	s	METAL, CHIP 15K 5% 1/10W
R463	1-216-049-11	s	METAL, CHIP 1K 5% 1/10W
R464	1-216-049-11	s	METAL, CHIP 1K 5% 1/10W
R466	1-216-295-91	s	RES, CHIP 0
R468	1-216-073-00	s	METAL, CHIP 10K 5% 1/10W
R469	1-216-001-00	s	METAL, CHIP 10 5% 1/10W
R470	1-216-001-00	s	METAL, CHIP 10 5% 1/10W
R471	1-216-065-00	s	METAL, CHIP 4.7K 5% 1/10W
R472	1-216-073-00	s	METAL, CHIP 10K 5% 1/10W
R480	1-216-073-00	s	METAL, CHIP 10K 5% 1/10W
R481	1-216-684-91	s	METAL, CHIP 24K 0.5% 1/10W
R482	1-216-097-11	s	METAL, CHIP 100K 5% 1/10W
R483	1-216-055-00	s	METAL, CHIP 1.8K 5% 1/10W
R484	1-216-067-00	s	METAL, CHIP 5.6K 5% 1/10W
R500	1-216-089-91	s	METAL, CHIP 47k 5% 1/10W
R501	1-216-063-11	s	METAL, CHIP 3.9K 5% 1/10W
R502	1-216-121-11	s	METAL, CHIP 1M 5% 1/10W
R503	1-216-057-00	s	METAL, CHIP 2.2K 5% 1/10W
R504	1-216-089-91	s	METAL, CHIP 47k 5% 1/10W
R505	1-216-081-00	s	METAL, CHIP 22K 5% 1/10W
R509	1-216-045-00	s	METAL, CHIP 680 5% 1/10W
R510	1-216-045-00	s	METAL, CHIP 680 5% 1/10W
R511	1-216-049-11	s	METAL, CHIP 1K 5% 1/10W
R512	1-216-121-11	s	METAL, CHIP 1M 5% 1/10W
R513	1-216-675-11	s	METAL, CHIP 10K 0.5% 1/10W
R514	1-216-699-11	s	METAL, CHIP 100K 0.5% 1/10W
R515	1-220-240-11	s	METAL, CHIP 15 5% 1/4W
R516	1-220-240-11	s	METAL, CHIP 15 5% 1/4W
R517	1-216-660-11	s	METAL, CHIP 2.4K 0.5% 1/10W
R518	1-216-049-11	s	METAL, CHIP 1K 5% 1/10W
R519	1-216-121-11	s	METAL, CHIP 1M 5% 1/10W
R520	1-218-236-11	s	METAL 1 10% 1/4W
R521	1-216-085-00	s	METAL, CHIP 33K 5% 1/10W
R522	1-216-091-00	s	METAL, CHIP 56K 5% 1/10W
R523	1-216-091-00	s	METAL, CHIP 56K 5% 1/10W
R525	1-216-065-00	s	METAL, CHIP 4.7K 5% 1/10W
R526	1-216-065-00	s	METAL, CHIP 4.7K 5% 1/10W
R527	1-216-069-00	s	METAL, CHIP 6.8K 5% 1/10W
R528	1-216-653-11	s	METAL, CHIP 1.2K 0.5% 1/10W
R530	1-216-081-00	s	METAL, CHIP 22K 5% 1/10W
R531	1-216-645-11	s	METAL, CHIP 560 0.5% 1/10W
R532	1-216-073-00	s	METAL, CHIP 10K 5% 1/10W
R533	1-216-645-11	s	METAL, CHIP 560 0.5% 1/10W
R534	1-216-653-11	s	METAL, CHIP 1.2K 0.5% 1/10W
R535	1-216-081-00	s	METAL, CHIP 22K 5% 1/10W
R536	1-216-081-00	s	METAL, CHIP 22K 5% 1/10W
R537	1-216-073-00	s	METAL, CHIP 10K 5% 1/10W
R538	1-216-077-00	s	METAL, CHIP 15K 5% 1/10W
R539	1-216-035-00	s	METAL, CHIP 270 5% 1/10W
R540	1-216-035-00	s	METAL, CHIP 270 5% 1/10W
R541	1-216-035-00	s	METAL, CHIP 270 5% 1/10W
R542	1-216-035-00	s	METAL, CHIP 270 5% 1/10W
R543	1-216-093-00	s	METAL, CHIP 68K 5% 1/10W
R544	1-216-093-00	s	METAL, CHIP 68K 5% 1/10W

(CUE-10 BOARD)

Ref. No. or Q'ty	Part No.	SP	Description
R545	1-216-057-00	s	METAL, CHIP 2.2K 5% 1/10W
R546	1-216-057-00	s	METAL, CHIP 2.2K 5% 1/10W
R547	1-220-248-11	s	METAL, CHIP 6.8 10% 1/2W
R548	1-220-248-11	s	METAL, CHIP 6.8 10% 1/2W
R549	1-220-248-11	s	METAL, CHIP 6.8 10% 1/2W
R550	1-220-248-11	s	METAL, CHIP 6.8 10% 1/2W
R551	1-218-236-11	s	METAL 1 10% 1/4W
R552	1-218-236-11	s	METAL 1 10% 1/4W
R553	1-218-236-11	s	METAL 1 10% 1/4W
R555	1-216-065-00	s	METAL, CHIP 4.7K 5% 1/10W
R556	1-218-326-11	s	METAL, CHIP 470 5% 1/2W
R558	1-216-025-11	s	METAL, CHIP 100 5% 1/10W
R559	1-216-049-11	s	METAL, CHIP 1K 5% 1/10W
R560	1-216-675-11	s	METAL, CHIP 10K 0.5% 1/10W
R561	1-216-675-11	s	METAL, CHIP 10K 0.5% 1/10W
R562	1-216-635-11	s	METAL, CHIP 220 0.5% 1/10W
R563	1-216-699-11	s	METAL, CHIP 100K 0.5% 1/10W
R564	1-216-651-11	s	METAL, CHIP 1K 0.5% 1/10W
R565	1-216-675-11	s	METAL, CHIP 10K 0.5% 1/10W
R566	1-216-661-11	s	METAL, CHIP 2.7K 0.5% 1/10W
R568	1-216-295-91	s	RES, CHIP 0
R569	1-216-635-11	s	METAL, CHIP 220 0.5% 1/10W
R570	1-216-675-11	s	METAL, CHIP 10K 0.5% 1/10W
R571	1-216-675-11	s	METAL, CHIP 10K 0.5% 1/10W
R572	1-216-699-11	s	METAL, CHIP 100K 0.5% 1/10W
R573	1-216-699-11	s	METAL, CHIP 100K 0.5% 1/10W
R574	1-216-675-11	s	METAL, CHIP 10K 0.5% 1/10W
R575	1-216-653-11	s	METAL, CHIP 1.2K 0.5% 1/10W
R576	1-216-089-91	s	METAL, CHIP 47K 5% 1/10W
R577	1-216-697-91	s	METAL, CHIP 82K 0.5% 1/10W
R578	1-216-695-11	s	METAL, CHIP 68K 0.5% 1/10W
R579	1-216-049-11	s	METAL, CHIP 1K 5% 1/10W
R580	1-216-121-11	s	METAL, CHIP 1M 5% 1/10W
R581	1-216-065-00	s	METAL, CHIP 4.7K 5% 1/10W
R582	1-216-675-11	s	METAL, CHIP 10K 0.5% 1/10W
R583	1-216-675-11	s	METAL, CHIP 10K 0.5% 1/10W
R584	1-216-699-11	s	METAL, CHIP 100K 0.5% 1/10W
R585	1-216-699-11	s	METAL, CHIP 100K 0.5% 1/10W
R586	1-216-675-11	s	METAL, CHIP 10K 0.5% 1/10W
R587	1-216-657-11	s	METAL, CHIP 1.8K 0.5% 1/10W
R588	1-216-089-91	s	METAL, CHIP 47k 5% 1/10W
R589	1-216-049-11	s	METAL, CHIP 1K 5% 1/10W
R590	1-216-121-11	s	METAL, CHIP 1M 5% 1/10W
R591	1-216-065-00	s	METAL, CHIP 4.7K 5% 1/10W
R592	1-216-675-11	s	METAL, CHIP 10K 0.5% 1/10W
R593	1-216-675-11	s	METAL, CHIP 10K 0.5% 1/10W
R594	1-216-699-11	s	METAL, CHIP 100K 0.5% 1/10W
R595	1-216-699-11	s	METAL, CHIP 100K 0.5% 1/10W
R596	1-216-675-11	s	METAL, CHIP 10K 0.5% 1/10W
R597	1-216-653-11	s	METAL, CHIP 1.2K 0.5% 1/10W
R598	1-216-073-00	s	METAL, CHIP 10K 5% 1/10W
R599	1-216-045-00	s	METAL, CHIP 680 5% 1/10W
R601	1-216-073-00	s	METAL, CHIP 10K 5% 1/10W
R602	1-216-699-11	s	METAL, CHIP 100K 0.5% 1/10W
R603	1-216-699-11	s	METAL, CHIP 100K 0.5% 1/10W
R604	1-216-073-00	s	METAL, CHIP 10K 5% 1/10W
R605	1-216-699-11	s	METAL, CHIP 100K 0.5% 1/10W
R606	1-216-699-11	s	METAL, CHIP 100K 0.5% 1/10W
R607	1-216-089-91	s	METAL, CHIP 47k 5% 1/10W

(CUE-10 BOARD)

Ref. No. or Q'ty	Part No.	SP Description
R608	1-216-073-00	s METAL, CHIP 10K 5% 1/10W
R617	1-216-640-11	s METAL, CHIP 360 0.5% 1/10W
R618	1-216-640-11	s METAL, CHIP 360 0.5% 1/10W
R619	1-220-248-11	s METAL, CHIP 6.8 10% 1/2W
R620	1-220-248-11	s METAL, CHIP 6.8 10% 1/2W
R621	1-216-638-11	s METAL, CHIP 300 0.5% 1/10W
R622	1-216-638-11	s METAL, CHIP 300 0.5% 1/10W
R623	1-220-248-11	s METAL, CHIP 6.8 10% 1/2W
R624	1-220-248-11	s METAL, CHIP 6.8 10% 1/2W
R700	1-216-661-11	s METAL, CHIP 2.7K 0.5% 1/10W
R701	1-216-669-11	s METAL, CHIP 5.6K 0.5% 1/10W
R703	1-216-659-11	s METAL, CHIP 2.2K 0.5% 1/10W
R704	1-216-651-11	s METAL, CHIP 1K 0.5% 1/10W
R705	1-216-647-11	s METAL, CHIP 680 0.5% 1/10W
R706	1-216-631-11	s METAL, CHIP 150 0.5% 1/10W
R707	1-218-776-11	s METAL 1M 0.5% 1/10W
R708	1-216-651-11	s METAL, CHIP 1K 0.5% 1/10W
R709	1-216-643-11	s METAL, CHIP 470 0.5% 1/10W
R710	1-216-647-11	s METAL, CHIP 680 0.5% 1/10W
R711	1-216-644-11	s METAL, CHIP 510 0.5% 1/10W
R712	1-216-609-11	s METAL, CHIP 18 0.5% 1/10W
R713	1-216-121-11	s METAL, CHIP 1M 5% 1/10W
R714	1-216-121-11	s METAL, CHIP 1M 5% 1/10W
R715	1-216-676-11	s METAL, CHIP 11K 0.5% 1/10W
R716	1-216-675-11	s METAL, CHIP 10K 0.5% 1/10W
R717	1-216-081-00	s METAL, CHIP 22K 5% 1/10W
R718	1-216-667-11	s METAL, CHIP 4.7K 0.5% 1/10W
R719	1-216-675-11	s METAL, CHIP 10K 0.5% 1/10W
R721	1-216-667-11	s METAL, CHIP 4.7K 0.5% 1/10W
R722	1-216-667-11	s METAL, CHIP 4.7K 0.5% 1/10W
R723	1-216-667-11	s METAL, CHIP 4.7K 0.5% 1/10W
R724	1-216-667-11	s METAL, CHIP 4.7K 0.5% 1/10W
R727	1-216-675-11	s METAL, CHIP 10K 0.5% 1/10W
R728	1-216-675-11	s METAL, CHIP 10K 0.5% 1/10W
R729	1-216-651-11	s METAL, CHIP 1K 0.5% 1/10W
R730	1-216-675-11	s METAL, CHIP 10K 0.5% 1/10W
R731	1-216-699-11	s METAL, CHIP 100K 0.5% 1/10W
R732	1-216-675-11	s METAL, CHIP 10K 0.5% 1/10W
R733	1-216-651-11	s METAL, CHIP 1K 0.5% 1/10W
R734	1-216-699-11	s METAL, CHIP 100K 0.5% 1/10W
R736	1-216-651-11	s METAL, CHIP 1K 0.5% 1/10W
R739	1-216-619-11	s METAL, CHIP 47 0.5% 1/10W
R740	1-216-619-11	s METAL, CHIP 47 0.5% 1/10W
R741	1-216-699-11	s METAL, CHIP 100K 0.5% 1/10W
R742	1-216-699-11	s METAL, CHIP 100K 0.5% 1/10W
R743	1-216-675-11	s METAL, CHIP 10K 0.5% 1/10W
R744	1-216-682-11	s METAL, CHIP 20K 0.5% 1/10W
R745	1-216-686-11	s METAL, CHIP 30K 0.5% 1/10W
R746	1-220-242-11	s METAL, CHIP 22 5% 1/4W
R747	1-220-242-11	s METAL, CHIP 22 5% 1/4W
R748	1-216-675-11	s METAL, CHIP 10K 0.5% 1/10W
R749	1-216-675-11	s METAL, CHIP 10K 0.5% 1/10W
R750	1-220-242-11	s METAL, CHIP 22 5% 1/4W
R751	1-220-242-11	s METAL, CHIP 22 5% 1/4W
R752	1-216-675-11	s METAL, CHIP 10K 0.5% 1/10W
R753	1-216-675-11	s METAL, CHIP 10K 0.5% 1/10W
R754	1-216-619-11	s METAL, CHIP 47 0.5% 1/10W
R755	1-216-619-11	s METAL, CHIP 47 0.5% 1/10W
R756	1-216-619-11	s METAL, CHIP 47 0.5% 1/10W

(CUE-10 BOARD)

Ref. No. or Q'ty	Part No.	SP Description
R757	1-216-619-11	s METAL, CHIP 47 0.5% 1/10W
R758	1-216-061-00	s METAL, CHIP 3.3K 5% 1/10W
R759	1-216-639-11	s METAL, CHIP 330 0.5% 1/10W
R760	1-216-073-00	s METAL, CHIP 10K 5% 1/10W
R761	1-216-073-00	s METAL, CHIP 10K 5% 1/10W
R762	1-216-295-91	s RES, CHIP 0
R801	1-216-699-11	s METAL, CHIP 100K 0.5% 1/10W
R802	1-216-699-11	s METAL, CHIP 100K 0.5% 1/10W
R803	1-216-683-11	s METAL, CHIP 22K 0.5% 1/10W
R804	1-216-073-00	s METAL, CHIP 10K 5% 1/10W
R805	1-216-675-11	s METAL, CHIP 10K 0.5% 1/10W
R806	1-216-675-11	s METAL, CHIP 10K 0.5% 1/10W
R807	1-216-654-11	s METAL, CHIP 1.3K 0.5% 1/10W
R808	1-216-635-11	s METAL, CHIP 220 0.5% 1/10W
R809	1-216-295-91	s RES, CHIP 0
R810	1-216-663-11	s METAL, CHIP 3.3K 0.5% 1/10W
R811	1-216-663-11	s METAL, CHIP 3.3K 0.5% 1/10W
R812	1-216-651-11	s METAL, CHIP 1K 0.5% 1/10W
R813	1-216-655-11	s METAL, CHIP 1.5K 0.5% 1/10W
R814	1-216-675-11	s METAL, CHIP 10K 0.5% 1/10W
R815	1-216-657-11	s METAL, CHIP 1.8K 0.5% 1/10W
R816	1-216-658-11	s METAL, CHIP 2K 0.5% 1/10W
R817	1-216-675-11	s METAL, CHIP 10K 0.5% 1/10W
R818	1-216-675-11	s METAL, CHIP 10K 0.5% 1/10W
R819	1-216-617-11	s METAL, CHIP 39 0.50% 1/10W
R820	1-216-686-11	s METAL, CHIP 30K 0.5% 1/10W
R821	1-216-665-11	s METAL, CHIP 3.9K 0.5% 1/10W
R822	1-216-643-11	s METAL, CHIP 470 0.5% 1/10W
R823	1-216-668-11	s METAL, CHIP 5.1K 0.5% 1/10W
R824	1-218-760-11	s METAL, CHIP 220K 0.5% 1/10W
R825	1-216-121-11	s METAL, CHIP 1M 5% 1/10W
R826	1-216-665-11	s METAL, CHIP 3.9K 0.5% 1/10W
R827	1-216-665-11	s METAL, CHIP 3.9K 0.5% 1/10W
R828	1-216-675-11	s METAL, CHIP 10K 0.5% 1/10W
R829	1-216-675-11	s METAL, CHIP 10K 0.5% 1/10W
R830	1-216-667-11	s METAL, CHIP 4.7K 0.5% 1/10W
R831	1-216-667-11	s METAL, CHIP 4.7K 0.5% 1/10W
R832	1-216-667-11	s METAL, CHIP 4.7K 0.5% 1/10W
R833	1-216-667-11	s METAL, CHIP 4.7K 0.5% 1/10W
R870	1-216-073-00	s METAL, CHIP 10K 5% 1/10W
R872	1-216-073-00	s METAL, CHIP 10K 5% 1/10W
R876	1-216-073-00	s METAL, CHIP 10K 5% 1/10W
R878	1-216-073-00	s METAL, CHIP 10K 5% 1/10W
R880	1-216-073-00	s METAL, CHIP 10K 5% 1/10W
R882	1-216-073-00	s METAL, CHIP 10K 5% 1/10W
R884	1-216-073-00	s METAL, CHIP 10K 5% 1/10W
R886	1-216-073-00	s METAL, CHIP 10K 5% 1/10W
R888	1-216-073-00	s METAL, CHIP 10K 5% 1/10W
R892	1-216-073-00	s METAL, CHIP 10K 5% 1/10W
R896	1-216-658-11	s METAL, CHIP 2K 0.5% 1/10W
R901	1-216-081-00	s METAL, CHIP 22K 5% 1/10W
R903	1-216-645-11	s METAL, CHIP 560 0.5% 1/10W
R904	1-216-675-11	s METAL, CHIP 10K 0.5% 1/10W
R910	1-220-273-11	s METAL, CHIP 1K 5% 1/2W
R912	1-220-273-11	s METAL, CHIP 1K 5% 1/2W
R920	1-216-049-11	s METAL, CHIP 1K 5% 1/10W
R921	1-216-069-00	s METAL, CHIP 6.8K 5% 1/10W
R922	1-216-073-00	s METAL, CHIP 10K 5% 1/10W
R923	1-216-089-91	s METAL, CHIP 47k 5% 1/10W

(CUE-10 BOARD)

Ref. No. or Q'ty	Part No.	SP	Description
R924	1-216-073-00	s	METAL, CHIP 10K 5% 1/10W
RV100	1-237-038-11	s	RES, ADJ METAL 50K
RV102	1-237-036-11	s	RES, ADJ METAL 10K
RV103	1-237-037-11	s	RES, ADJ METAL 20K
RV104	1-237-037-11	s	RES, ADJ METAL 20K
RV114	1-237-037-11	s	RES, ADJ METAL 20K
RV120	1-237-033-11	s	RES, ADJ METAL 1K
RV121	1-237-033-11	s	RES, ADJ METAL 1K
RV122	1-237-037-11	s	RES, ADJ METAL 20K
RV400	1-237-033-11	s	RES, ADJ METAL 1K
RV401	1-237-036-11	s	RES, ADJ METAL 10K
RV500	1-237-038-11	s	RES, ADJ METAL 50K
RV502	1-237-035-11	s	RES, ADJ METAL 5K
RV700	1-237-033-11	s	RES, ADJ METAL 1K
RV801	1-237-036-11	s	RES, ADJ METAL 10K
RV901	1-237-038-11	s	RES, ADJ METAL 50K
RY700	1-515-716-11	s	RELAY
RY801	1-515-716-11	s	RELAY
T500	1-433-326-11	s	TRANSFORMER, BIAS OSCILLATION
T501	1-424-511-11	s	TRANSFORMER, FE
T502	1-424-511-11	s	TRANSFORMER, FE
T503	1-424-511-11	s	TRANSFORMER, FE
TH100	1-810-106-11	s	THERMISTOR, POSITIVE, CHIP
TH101	1-810-106-11	s	THERMISTOR, POSITIVE, CHIP
X500	1-577-101-11	s	RESONATOR, CERAMIC 4.19MHZ

DCP-11 BOARD (Suffix number of board is 12.)

Ref. No. or Q'ty	Part No.	SP	Description
C1	1-163-038-91	s	CERAMIC, CHIP 0.1uF 25V 0%
C2	1-163-038-91	s	CERAMIC, CHIP 0.1uF 25V 0%
C3	1-163-038-91	s	CERAMIC, CHIP 0.1uF 25V 0%
C4	1-163-038-91	s	CERAMIC, CHIP 0.1uF 25V 0%
C5	1-163-038-91	s	CERAMIC, CHIP 0.1uF 25V 0%
C6	1-163-038-91	s	CERAMIC, CHIP 0.1uF 25V 0%
C7	1-163-038-91	s	CERAMIC, CHIP 0.1uF 25V 0%
C8	1-163-038-91	s	CERAMIC, CHIP 0.1uF 25V 0%
C9	1-163-038-91	s	CERAMIC, CHIP 0.1uF 25V 0%
C10	1-163-038-91	s	CERAMIC, CHIP 0.1uF 25V 0%
C11	1-163-038-91	s	CERAMIC, CHIP 0.1uF 25V 0%
C12	1-163-038-91	s	CERAMIC, CHIP 0.1uF 25V 0%
C13	1-163-038-91	s	CERAMIC, CHIP 0.1uF 25V 0%
C14	1-163-038-91	s	CERAMIC, CHIP 0.1uF 25V 0%
C15	1-163-038-91	s	CERAMIC, CHIP 0.1uF 25V 0%
C16	1-163-038-91	s	CERAMIC, CHIP 0.1uF 25V 0%
C17	1-163-038-91	s	CERAMIC, CHIP 0.1uF 25V 0%
C18	1-163-038-91	s	CERAMIC, CHIP 0.1uF 25V 0%
C19	1-163-038-91	s	CERAMIC, CHIP 0.1uF 25V 0%
C20	1-163-038-91	s	CERAMIC, CHIP 0.1uF 25V 0%
C21	1-163-038-91	s	CERAMIC, CHIP 0.1uF 25V 0%
C22	1-163-038-91	s	CERAMIC, CHIP 0.1uF 25V 0%
C23	1-163-038-91	s	CERAMIC, CHIP 0.1uF 25V 0%
C24	1-163-038-91	s	CERAMIC, CHIP 0.1uF 25V 0%
C28	1-163-037-11	s	CERAMIC, CHIP 0.022uF 10% 25V
C29	1-163-037-11	s	CERAMIC, CHIP 0.022uF 10% 25V
C30	1-163-037-11	s	CERAMIC, CHIP 0.022uF 10% 25V
C31	1-163-037-11	s	CERAMIC, CHIP 0.022uF 10% 25V
C32	1-163-037-11	s	CERAMIC, CHIP 0.022uF 10% 25V
C33	1-163-037-11	s	CERAMIC, CHIP 0.022uF 10% 25V
C34	1-163-037-11	s	CERAMIC, CHIP 0.022uF 10% 25V
C35	1-163-037-11	s	CERAMIC, CHIP 0.022uF 10% 25V
C36	1-163-037-11	s	CERAMIC, CHIP 0.022uF 10% 25V
C37	1-163-037-11	s	CERAMIC, CHIP 0.022uF 10% 25V
C38	1-163-037-11	s	CERAMIC, CHIP 0.022uF 10% 25V
C39	1-163-037-11	s	CERAMIC, CHIP 0.022uF 10% 25V
C40	1-163-037-11	s	CERAMIC, CHIP 0.022uF 10% 25V
C41	1-163-037-11	s	CERAMIC, CHIP 0.022uF 10% 25V
C42	1-163-037-11	s	CERAMIC, CHIP 0.022uF 10% 25V
C43	1-163-037-11	s	CERAMIC, CHIP 0.022uF 10% 25V
C44	1-163-037-11	s	CERAMIC, CHIP 0.022uF 10% 25V
C45	1-163-037-11	s	CERAMIC, CHIP 0.022uF 10% 25V
C46	1-163-037-11	s	CERAMIC, CHIP 0.022uF 10% 25V
C47	1-163-037-11	s	CERAMIC, CHIP 0.022uF 10% 25V
C48	1-163-037-11	s	CERAMIC, CHIP 0.022uF 10% 25V
C49	1-163-037-11	s	CERAMIC, CHIP 0.022uF 10% 25V
C50	1-163-037-11	s	CERAMIC, CHIP 0.022uF 10% 25V
C51	1-163-037-11	s	CERAMIC, CHIP 0.022uF 10% 25V
C52	1-163-037-11	s	CERAMIC, CHIP 0.022uF 10% 25V
C53	1-163-037-11	s	CERAMIC, CHIP 0.022uF 10% 25V
C54	1-163-037-11	s	CERAMIC, CHIP 0.022uF 10% 25V
C55	1-163-037-11	s	CERAMIC, CHIP 0.022uF 10% 25V
C56	1-163-037-11	s	CERAMIC, CHIP 0.022uF 10% 25V
C57	1-163-037-11	s	CERAMIC, CHIP 0.022uF 10% 25V
C58	1-163-037-11	s	CERAMIC, CHIP 0.022uF 10% 25V
C59	1-163-037-11	s	CERAMIC, CHIP 0.022uF 10% 25V
C60	1-163-037-11	s	CERAMIC, CHIP 0.022uF 10% 25V
C61	1-163-037-11	s	CERAMIC, CHIP 0.022uF 10% 25V
C62	1-163-037-11	s	CERAMIC, CHIP 0.022uF 10% 25V

(DCP-11 BOARD (Suffix number of board is 12.))

(DCP-11 BOARD (Suffix number of board is 12.))

Ref. No. or Q'ty	Part No.	SP Description
C63	1-107-682-11	s CERAMIC, CHIP 1uF 10% 16V
C64	1-163-038-91	s CERAMIC, CHIP 0.1uF 25V 0%
C67	1-163-038-91	s CERAMIC, CHIP 0.1uF 25V 0%
C68	1-163-038-91	s CERAMIC, CHIP 0.1uF 25V 0%
C70	1-163-038-91	s CERAMIC, CHIP 0.1uF 25V 0%
C71	1-163-038-91	s CERAMIC, CHIP 0.1uF 25V 0%
C72	1-163-038-91	s CERAMIC, CHIP 0.1uF 25V 0%
C73	1-163-038-91	s CERAMIC, CHIP 0.1uF 25V 0%
C74	1-163-038-91	s CERAMIC, CHIP 0.1uF 25V 0%
C75	1-163-037-11	s CERAMIC, CHIP 0.022uF 10% 25V
C76	1-163-038-91	s CERAMIC, CHIP 0.1uF 25V 0%
C77	1-135-167-21	s TANTALUM, CHIP 68uF 10% 6.3V
C78	1-164-232-11	s CERAMIC, CHIP 0.01uF 10% 100V
C79	1-163-038-91	s CERAMIC, CHIP 0.1uF 25V 0%
C81	1-163-037-11	s CERAMIC, CHIP 0.022uF 10% 25V
C82	1-163-037-11	s CERAMIC, CHIP 0.022uF 10% 25V
C83	1-163-145-00	s CERAMIC, CHIP 0.0015uF 5% 50V
C84	1-163-092-00	s CERAMIC, CHIP 9PF 0.5% 50V
C85	1-163-125-00	s CERAMIC 220PF 5% 50V
C86	1-163-145-00	s CERAMIC, CHIP 0.0015uF 5% 50V
C87	1-163-092-00	s CERAMIC, CHIP 9PF 0.5% 50V
C88	1-163-125-00	s CERAMIC 220PF 5% 50V
C89	1-163-220-11	s CERAMIC, CHIP 3PF 50V
C90	1-163-227-11	s CERAMIC, CHIP 10PF 5% 50V
C91	1-163-037-11	s CERAMIC, CHIP 0.022uF 10% 25V
C92	1-163-037-11	s CERAMIC, CHIP 0.022uF 10% 25V
C93	1-163-243-11	s CERAMIC, CHIP 47PF 5% 50V
C94	1-163-222-11	s CERAMIC, CHIP 5PF 50V
C100	1-163-038-91	s CERAMIC, CHIP 0.1uF 25V 0%
C101	1-163-038-91	s CERAMIC, CHIP 0.1uF 25V 0%
C105	1-163-038-91	s CERAMIC, CHIP 0.1uF 25V 0%
C106	1-163-038-91	s CERAMIC, CHIP 0.1uF 25V 0%
C107	1-127-516-11	s ALUMN SOLID 220uF 20% 10V
C108	1-127-516-11	s ALUMN SOLID 220uF 20% 10V
C109	1-163-037-11	s CERAMIC, CHIP 0.022uF 10% 25V
C110	1-163-037-11	s CERAMIC, CHIP 0.022uF 10% 25V
C111	1-163-038-91	s CERAMIC, CHIP 0.1uF 25V 0%
C112	1-163-038-91	s CERAMIC, CHIP 0.1uF 25V 0%
C113	1-163-037-11	s CERAMIC, CHIP 0.022uF 10% 25V
C114	1-163-227-11	s CERAMIC, CHIP 10PF 5% 50V
C117	1-127-516-11	s ALUMN SOLID 220uF 20% 10V
C118	1-163-037-11	s CERAMIC, CHIP 0.022uF 10% 25V
C119	1-113-577-11	s ELECT 47uF 20% 16V
C120	1-163-037-11	s CERAMIC, CHIP 0.022uF 10% 25V
C121	1-163-037-11	s CERAMIC, CHIP 0.022uF 10% 25V
C122	1-163-037-11	s CERAMIC, CHIP 0.022uF 10% 25V
C123	1-163-037-11	s CERAMIC, CHIP 0.022uF 10% 25V
C126	1-163-037-11	s CERAMIC, CHIP 0.022uF 10% 25V
C127	1-163-275-11	s CERAMIC, CHIP 0.001uF 5% 50V
C128	1-163-275-11	s CERAMIC, CHIP 0.001uF 5% 50V
C129	1-163-037-11	s CERAMIC, CHIP 0.022uF 10% 25V
C130	1-163-037-11	s CERAMIC, CHIP 0.022uF 10% 25V
C131	1-163-037-11	s CERAMIC, CHIP 0.022uF 10% 25V
C132	1-163-037-11	s CERAMIC, CHIP 0.022uF 10% 25V
C133	1-163-037-11	s CERAMIC, CHIP 0.022uF 10% 25V
C136	1-163-037-11	s CERAMIC, CHIP 0.022uF 10% 25V
C137	1-163-037-11	s CERAMIC, CHIP 0.022uF 10% 25V
C138	1-163-037-11	s CERAMIC, CHIP 0.022uF 10% 25V
C139	1-163-037-11	s CERAMIC, CHIP 0.022uF 10% 25V

Ref. No. or Q'ty	Part No.	SP Description
C140	1-163-037-11	s CERAMIC, CHIP 0.022uF 10% 25V
C141	1-163-037-11	s CERAMIC, CHIP 0.022uF 10% 25V
C142	1-163-037-11	s CERAMIC, CHIP 0.022uF 10% 25V
C143	1-163-037-11	s CERAMIC, CHIP 0.022uF 10% 25V
C144	1-163-037-11	s CERAMIC, CHIP 0.022uF 10% 25V
C145	1-163-037-11	s CERAMIC, CHIP 0.022uF 10% 25V
C146	1-163-037-11	s CERAMIC, CHIP 0.022uF 10% 25V
C147	1-163-038-91	s CERAMIC, CHIP 0.1uF 25V 0%
C148	1-163-037-11	s CERAMIC, CHIP 0.022uF 10% 25V
C149	1-163-037-11	s CERAMIC, CHIP 0.022uF 10% 25V
C150	1-163-037-11	s CERAMIC, CHIP 0.022uF 10% 25V
C151	1-135-155-21	s TANTALUM, CHIP 4.7uF 10% 16V
C152	1-163-038-91	s CERAMIC, CHIP 0.1uF 25V 0%
C153	1-163-038-91	s CERAMIC, CHIP 0.1uF 25V 0%
C154	1-163-038-91	s CERAMIC, CHIP 0.1uF 25V 0%
C155	1-163-038-91	s CERAMIC, CHIP 0.1uF 25V 0%
C156	1-163-038-91	s CERAMIC, CHIP 0.1uF 25V 0%
C157	1-163-038-91	s CERAMIC, CHIP 0.1uF 25V 0%
C158	1-163-038-91	s CERAMIC, CHIP 0.1uF 25V 0%
C159	1-163-038-91	s CERAMIC, CHIP 0.1uF 25V 0%
C160	1-163-038-91	s CERAMIC, CHIP 0.1uF 25V 0%
C161	1-163-038-91	s CERAMIC, CHIP 0.1uF 25V 0%
C162	1-163-038-91	s CERAMIC, CHIP 0.1uF 25V 0%
C163	1-163-038-91	s CERAMIC, CHIP 0.1uF 25V 0%
C164	1-163-038-91	s CERAMIC, CHIP 0.1uF 25V 0%
C165	1-163-038-91	s CERAMIC, CHIP 0.1uF 25V 0%
C166	1-163-038-91	s CERAMIC, CHIP 0.1uF 25V 0%
C167	1-163-038-91	s CERAMIC, CHIP 0.1uF 25V 0%
C168	1-163-038-91	s CERAMIC, CHIP 0.1uF 25V 0%
C169	1-163-038-91	s CERAMIC, CHIP 0.1uF 25V 0%
C170	1-163-038-91	s CERAMIC, CHIP 0.1uF 25V 0%
C171	1-163-038-91	s CERAMIC, CHIP 0.1uF 25V 0%
C172	1-163-038-91	s CERAMIC, CHIP 0.1uF 25V 0%
C173	1-163-038-91	s CERAMIC, CHIP 0.1uF 25V 0%
C174	1-163-038-91	s CERAMIC, CHIP 0.1uF 25V 0%
C175	1-163-038-91	s CERAMIC, CHIP 0.1uF 25V 0%
C176	1-104-914-11	s TANTALUM 22uF 20% 16V
C177	1-163-038-91	s CERAMIC, CHIP 0.1uF 25V 0%
C178	1-163-038-91	s CERAMIC, CHIP 0.1uF 25V 0%
C179	1-163-038-91	s CERAMIC, CHIP 0.1uF 25V 0%
C180	1-163-038-91	s CERAMIC, CHIP 0.1uF 25V 0%
C181	1-163-038-91	s CERAMIC, CHIP 0.1uF 25V 0%
C182	1-163-038-91	s CERAMIC, CHIP 0.1uF 25V 0%
C183	1-163-038-91	s CERAMIC, CHIP 0.1uF 25V 0%
C184	1-107-682-11	s CERAMIC, CHIP 1uF 10% 16V
C185	1-107-682-11	s CERAMIC, CHIP 1uF 10% 16V
C186	1-163-038-91	s CERAMIC, CHIP 0.1uF 25V 0%
C187	1-107-682-11	s CERAMIC, CHIP 1uF 10% 16V
C188	1-163-037-11	s CERAMIC, CHIP 0.022uF 10% 25V
C189	1-107-682-11	s CERAMIC, CHIP 1uF 10% 16V
C190	1-163-038-91	s CERAMIC, CHIP 0.1uF 25V 0%
C191	1-163-121-00	s CERAMIC, CHIP 150PF 5% 50V
C192	1-163-121-00	s CERAMIC, CHIP 150PF 5% 50V
C193	1-163-263-11	s CERAMIC, CHIP 330PF 5% 50V
C194	1-104-914-11	s TANTALUM 22uF 20% 16V
C195	1-163-038-91	s CERAMIC, CHIP 0.1uF 25V 0%
C199	1-163-038-91	s CERAMIC, CHIP 0.1uF 25V 0%
C200	1-163-038-91	s CERAMIC, CHIP 0.1uF 25V 0%
C201	1-163-038-91	s CERAMIC, CHIP 0.1uF 25V 0%

(DCP-11 BOARD (Suffix number of board is 12.))

Ref. No. or Q'ty	Part No.	SP	Description
C202	1-163-038-91	s	CERAMIC, CHIP 0.1uF 25V 0%
C203	1-163-038-91	s	CERAMIC, CHIP 0.1uF 25V 0%
C204	1-163-121-00	s	CERAMIC, CHIP 150PF 5% 50V
C205	1-163-121-00	s	CERAMIC, CHIP 150PF 5% 50V
C206	1-163-263-11	s	CERAMIC, CHIP 330PF 5% 50V
C207	1-104-914-11	s	TANTALUM 22uF 20% 16V
C208	1-163-038-91	s	CERAMIC, CHIP 0.1uF 25V 0%
C212	1-163-038-91	s	CERAMIC, CHIP 0.1uF 25V 0%
C213	1-163-038-91	s	CERAMIC, CHIP 0.1uF 25V 0%
C214	1-163-038-91	s	CERAMIC, CHIP 0.1uF 25V 0%
C215	1-163-038-91	s	CERAMIC, CHIP 0.1uF 25V 0%
C216	1-163-038-91	s	CERAMIC, CHIP 0.1uF 25V 0%
C217	1-127-532-11	s	ALUMN SOLID 47uF 20% 20V
C218	1-127-532-11	s	ALUMN SOLID 47uF 20% 20V
C219	1-127-532-11	s	ALUMN SOLID 47uF 20% 20V
C220	1-127-532-11	s	ALUMN SOLID 47uF 20% 20V
C221	1-127-532-11	s	ALUMN SOLID 47uF 20% 20V
C222	1-163-038-91	s	CERAMIC, CHIP 0.1uF 25V 0%
C223	1-163-038-91	s	CERAMIC, CHIP 0.1uF 25V 0%
C224	1-163-038-91	s	CERAMIC, CHIP 0.1uF 25V 0%
C225	1-127-516-11	s	ALUMN SOLID 220uF 20% 10V
C226	1-163-038-91	s	CERAMIC, CHIP 0.1uF 25V 0%
C227	1-163-038-91	s	CERAMIC, CHIP 0.1uF 25V 0%
C228	1-163-037-11	s	CERAMIC, CHIP 0.022uF 10% 25V
C229	1-104-914-11	s	TANTALUM 22uF 20% 16V
C232	1-163-038-91	s	CERAMIC, CHIP 0.1uF 25V 0%
C233	1-163-038-91	s	CERAMIC, CHIP 0.1uF 25V 0%
C234	1-163-038-91	s	CERAMIC, CHIP 0.1uF 25V 0%
C235	1-163-038-91	s	CERAMIC, CHIP 0.1uF 25V 0%
C236	1-163-038-91	s	CERAMIC, CHIP 0.1uF 25V 0%
C237	1-163-038-91	s	CERAMIC, CHIP 0.1uF 25V 0%
C238	1-163-038-91	s	CERAMIC, CHIP 0.1uF 25V 0%
C239	1-163-038-91	s	CERAMIC, CHIP 0.1uF 25V 0%
C240	1-163-038-91	s	CERAMIC, CHIP 0.1uF 25V 0%
C241	1-163-038-91	s	CERAMIC, CHIP 0.1uF 25V 0%
C242	1-163-038-91	s	CERAMIC, CHIP 0.1uF 25V 0%
C243	1-163-038-91	s	CERAMIC, CHIP 0.1uF 25V 0%
C244	1-163-038-91	s	CERAMIC, CHIP 0.1uF 25V 0%
C245	1-163-037-11	s	CERAMIC, CHIP 0.022uF 10% 25V
C246	1-163-275-11	s	CERAMIC, CHIP 0.001uF 5% 50V
C247	1-163-275-11	s	CERAMIC, CHIP 0.001uF 5% 50V
C248	1-163-038-91	s	CERAMIC, CHIP 0.1uF 25V 0%
C249	1-163-038-91	s	CERAMIC, CHIP 0.1uF 25V 0%
C250	1-163-038-91	s	CERAMIC, CHIP 0.1uF 25V 0%
C251	1-163-038-91	s	CERAMIC, CHIP 0.1uF 25V 0%
C252	1-163-038-91	s	CERAMIC, CHIP 0.1uF 25V 0%
C253	1-163-038-91	s	CERAMIC, CHIP 0.1uF 25V 0%
C254	1-163-038-91	s	CERAMIC, CHIP 0.1uF 25V 0%
C255	1-163-038-91	s	CERAMIC, CHIP 0.1uF 25V 0%
C256	1-163-038-91	s	CERAMIC, CHIP 0.1uF 25V 0%
C257	1-163-038-91	s	CERAMIC, CHIP 0.1uF 25V 0%
C258	1-163-038-91	s	CERAMIC, CHIP 0.1uF 25V 0%
C259	1-163-038-91	s	CERAMIC, CHIP 0.1uF 25V 0%
C260	1-163-038-91	s	CERAMIC, CHIP 0.1uF 25V 0%
C261	1-163-038-91	s	CERAMIC, CHIP 0.1uF 25V 0%
C262	1-164-232-11	s	CERAMIC, CHIP 0.01uF 10% 100V
C263	1-164-232-11	s	CERAMIC, CHIP 0.01uF 10% 100V
C264	1-163-038-91	s	CERAMIC, CHIP 0.1uF 25V 0%
C265	1-163-038-91	s	CERAMIC, CHIP 0.1uF 25V 0%

(DCP-11 BOARD (Suffix number of board is 12.))

Ref. No. or Q'ty	Part No.	SP	Description
C266	1-163-038-91	s	CERAMIC, CHIP 0.1uF 25V 0%
C267	1-163-038-91	s	CERAMIC, CHIP 0.1uF 25V 0%
C268	1-163-038-91	s	CERAMIC, CHIP 0.1uF 25V 0%
C269	1-163-038-91	s	CERAMIC, CHIP 0.1uF 25V 0%
C270	1-163-243-11	s	CERAMIC, CHIP 47PF 5% 50V
C271	1-163-243-11	s	CERAMIC, CHIP 47PF 5% 50V
C272	1-163-243-11	s	CERAMIC, CHIP 47PF 5% 50V
C273	1-163-243-11	s	CERAMIC, CHIP 47PF 5% 50V
C274	1-164-232-11	s	CERAMIC, CHIP 0.01uF 10% 100V
C275	1-164-232-11	s	CERAMIC, CHIP 0.01uF 10% 100V
C276	1-163-038-91	s	CERAMIC, CHIP 0.1uF 25V 0%
C277	1-163-038-91	s	CERAMIC, CHIP 0.1uF 25V 0%
C278	1-163-038-91	s	CERAMIC, CHIP 0.1uF 25V 0%
C279	1-163-038-91	s	CERAMIC, CHIP 0.1uF 25V 0%
C280	1-163-038-91	s	CERAMIC, CHIP 0.1uF 25V 0%
C281	1-163-038-91	s	CERAMIC, CHIP 0.1uF 25V 0%
C282	1-163-038-91	s	CERAMIC, CHIP 0.1uF 25V 0%
C283	1-163-038-91	s	CERAMIC, CHIP 0.1uF 25V 0%
C284	1-163-038-91	s	CERAMIC, CHIP 0.1uF 25V 0%
C285	1-163-038-91	s	CERAMIC, CHIP 0.1uF 25V 0%
C286	1-163-038-91	s	CERAMIC, CHIP 0.1uF 25V 0%
C287	1-163-038-91	s	CERAMIC, CHIP 0.1uF 25V 0%
C288	1-163-038-91	s	CERAMIC, CHIP 0.1uF 25V 0%
C289	1-163-038-91	s	CERAMIC, CHIP 0.1uF 25V 0%
C290	1-163-038-91	s	CERAMIC, CHIP 0.1uF 25V 0%
C291	1-163-038-91	s	CERAMIC, CHIP 0.1uF 25V 0%
C292	1-127-516-11	s	ALUMN SOLID 220uF 20% 10V
C293	1-163-038-91	s	CERAMIC, CHIP 0.1uF 25V 0%
C294	1-163-038-91	s	CERAMIC, CHIP 0.1uF 25V 0%
C297	1-163-038-91	s	CERAMIC, CHIP 0.1uF 25V 0%
C298	1-163-038-91	s	CERAMIC, CHIP 0.1uF 25V 0%
C301	1-163-038-91	s	CERAMIC, CHIP 0.1uF 25V 0%
C302	1-163-038-91	s	CERAMIC, CHIP 0.1uF 25V 0%
C303	1-163-038-91	s	CERAMIC, CHIP 0.1uF 25V 0%
C304	1-163-038-91	s	CERAMIC, CHIP 0.1uF 25V 0%
C305	1-163-038-91	s	CERAMIC, CHIP 0.1uF 25V 0%
C306	1-163-038-91	s	CERAMIC, CHIP 0.1uF 25V 0%
C307	1-163-038-91	s	CERAMIC, CHIP 0.1uF 25V 0%
C308	1-163-038-91	s	CERAMIC, CHIP 0.1uF 25V 0%
C309	1-163-038-91	s	CERAMIC, CHIP 0.1uF 25V 0%
C310	1-163-038-91	s	CERAMIC, CHIP 0.1uF 25V 0%
C311	1-163-038-91	s	CERAMIC, CHIP 0.1uF 25V 0%
C312	1-163-038-91	s	CERAMIC, CHIP 0.1uF 25V 0%
C313	1-163-038-91	s	CERAMIC, CHIP 0.1uF 25V 0%
C314	1-163-038-91	s	CERAMIC, CHIP 0.1uF 25V 0%
C315	1-163-038-91	s	CERAMIC, CHIP 0.1uF 25V 0%
C316	1-163-038-91	s	CERAMIC, CHIP 0.1uF 25V 0%
C322	1-163-038-91	s	CERAMIC, CHIP 0.1uF 25V 0%
C323	1-163-038-91	s	CERAMIC, CHIP 0.1uF 25V 0%
C324	1-163-038-91	s	CERAMIC, CHIP 0.1uF 25V 0%
C325	1-163-275-11	s	CERAMIC, CHIP 0.001uF 5% 50V
C326	1-163-037-11	s	CERAMIC, CHIP 0.022uF 10% 25V
C327	1-163-275-11	s	CERAMIC, CHIP 0.001uF 5% 50V
C328	1-104-914-11	s	TANTALUM 22uF 20% 16V
C329	1-163-038-91	s	CERAMIC, CHIP 0.1uF 25V 0%
C330	1-163-038-91	s	CERAMIC, CHIP 0.1uF 25V 0%
C331	1-127-516-11	s	ALUMN SOLID 220uF 20% 10V
CN101	1-778-261-11	o	CONNECTOR, BB 124P, MALE

(DCP-11 BOARD (Suffix number of board is 12.))

Ref. No. or Q'ty	Part No.	SP Description
D3	8-719-941-09	s DIODE DAP202U
D4	8-719-941-86	s DIODE DAN202U
D5	8-719-941-86	s DIODE DAN202U
D6	8-719-941-86	s DIODE DAN202U
FB1	1-543-309-21	s BEAD, FERRITE
FB2	1-543-309-21	s BEAD, FERRITE
FB3	1-543-309-21	s BEAD, FERRITE
FB4	1-543-309-21	s BEAD, FERRITE
FB8	1-543-309-21	s BEAD, FERRITE
FB12	1-543-309-21	s BEAD, FERRITE
FB13	1-543-309-21	s BEAD, FERRITE
FB14	1-543-309-21	s BEAD, FERRITE
FL1	1-239-931-11	s FILTER, LOW-PASS
FL2	1-239-931-11	s FILTER, LOW-PASS
IC1	8-759-461-41	s IC DS90LV032TMX
IC2	8-759-461-41	s IC DS90LV032TMX
IC3	8-759-461-41	s IC DS90LV032TMX
IC4	8-759-461-41	s IC DS90LV032TMX
IC5	8-759-461-41	s IC DS90LV032TMX
IC6	8-759-461-41	s IC DS90LV032TMX
IC8	8-759-459-41	s IC TMS4C2973-26DTR
IC9	8-759-459-41	s IC TMS4C2973-26DTR
IC10	8-759-459-41	s IC TMS4C2973-26DTR
IC11	8-759-528-18	o IC EPM7064-DCP11 IC11V4, PLD
IC14	8-759-175-57	s IC CXD8820AR
IC19	8-759-454-75	s IC CXD9008Q
IC20	8-759-295-09	s IC TLC2932IPW
IC21	8-752-357-63	s IC CXD2308Q
IC22	8-759-822-95	s IC L79M05T-FA
IC23	8-759-052-52	s IC L78M05T-FA
IC26	8-759-098-16	s IC LT1227CS8
IC27	8-759-098-16	s IC LT1227CS8
IC29	8-752-052-73	s IC CXA1451M
IC30	8-759-517-31	s IC S-8052ANY-NH
IC31	8-759-079-81	s IC TC74VHC221AFS(EL)
IC35	8-759-271-04	s IC LT1252CS8
IC36	8-759-271-04	s IC LT1252CS8
IC39	8-759-080-06	s IC TC74VHC574FS(EL)
IC40	8-759-080-06	s IC TC74VHC574FS(EL)
IC41	8-759-277-19	s IC UPD485505G-35
IC42	8-759-277-19	s IC UPD485505G-35
IC43	8-759-080-03	s IC TC74VHCT541FS(EL)
IC44	8-759-172-73	s IC CXD8385Q
IC45	8-759-500-28	s IC CXD8110K
IC46	8-759-079-73	s IC TC74VHC153FS(EL)
IC47	8-759-079-74	s IC TC74VHC157FS(EL)
IC48	8-759-079-74	s IC TC74VHC157FS(EL)
IC49	8-759-079-74	s IC TC74VHC157FS(EL)
IC50	8-759-079-73	s IC TC74VHC153FS(EL)
IC51	8-759-079-73	s IC TC74VHC153FS(EL)
IC52	8-759-079-73	s IC TC74VHC153FS(EL)
IC53	8-759-079-73	s IC TC74VHC153FS(EL)
IC54	8-759-179-75	s IC CXD8845Q
IC55	8-759-079-74	s IC TC74VHC157FS(EL)
IC56	8-759-079-74	s IC TC74VHC157FS(EL)
IC58	8-759-461-39	s IC MB90091A-120
IC59	8-741-601-11	s IC SBX1601A
IC60	8-741-601-11	s IC SBX1601A

(DCP-11 BOARD (Suffix number of board is 12.))

Ref. No. or Q'ty	Part No.	SP Description
IC63	8-759-079-88	s IC TC74VHCT245FS(EL)
IC64	8-759-519-12	s IC CXD8281Q
IC65	8-759-079-50	s IC TC74VHCT04FS(EL)
IC66	8-759-079-52	s IC TC74VHC08FS(EL)
IC67	8-759-079-60	s IC TC74VHC32FS(EL)
IC68	8-759-079-52	s IC TC74VHC08FS(EL)
IC69	8-759-079-50	s IC TC74VHCT04FS(EL)
IC70	8-759-822-95	s IC L79M05T-FA
IC80	1-760-277-11	s CRYSTAL 28.636360MHz
IC82	8-759-485-82	s IC MC34182DR2
IC83	8-759-485-82	s IC MC34182DR2
IC84	8-752-360-44	s IC CXK1203AR
IC85	8-759-079-61	s IC TC74VHC74FS(EL)
IC87	8-759-389-33	s IC 74LCX244MTCX
IC88	8-759-386-26	s IC 74LCX574MTCX
IC89	8-759-386-26	s IC 74LCX574MTCX
IC90	8-759-386-26	s IC 74LCX574MTCX
IC92	8-759-386-26	s IC 74LCX574MTCX
IC93	8-759-079-60	s IC TC74VHC32FS(EL)
IC94	8-759-079-54	s IC TC74VHC10FS(EL)
IC95	8-759-079-79	s IC TC74VHC174FS(EL)
IC96	8-759-389-32	s IC 74LCX240MTCX
IC97	8-752-360-44	s IC CXK1203AR
IC98	8-759-391-22	s IC CA3094M
IC99	8-759-391-22	s IC CA3094M
IC100	8-759-391-22	s IC CA3094M
IC101	8-759-391-22	s IC CA3094M
IC102	8-759-079-81	s IC TC74VHC221AFS(EL)
IC103	8-759-237-95	s IC TC74HC688AF(EL)
IC104	8-759-472-67	s IC 74VHCT574MTCX
IC105	8-759-079-67	s IC TC74VHC125FS(EL)
IC106	8-759-079-61	s IC TC74VHC74FS(EL)
IC107	8-759-079-71	s IC TC74VHCT138FS(EL)
IC108	8-759-344-84	s IC CXD8953Q
IC109	8-759-344-84	s IC CXD8953Q
IC110	8-759-079-81	s IC TC74VHC221AFS(EL)
IC111	8-759-386-25	s IC 74LCX245MTCX
IC112	8-759-386-25	s IC 74LCX245MTCX
IC113	8-759-079-50	s IC TC74VHCT04FS(EL)
IC114	8-759-386-26	s IC 74LCX574MTCX
IC115	8-752-360-44	s IC CXK1203AR
IC116	8-759-277-19	s IC UPD485505G-35
IC117	8-759-079-46	s IC TC74VHC00FS(EL)
IC150	8-759-186-54	s IC TC74VHC164FS
IC151	8-759-186-54	s IC TC74VHC164FS
IC152	8-759-822-95	s IC L79M05T-FA
IC153	8-759-186-54	s IC TC74VHC164FS
IC154	8-759-079-50	s IC TC74VHCT04FS(EL)
IC157	8-759-080-06	s IC TC74VHC574FS(EL)
IC158	8-759-080-03	s IC TC74VHCT541FS(EL)
IC200	8-759-079-85	s IC TC74VHC244FS(EL)
IC201	8-759-079-86	s IC TC74VHCT244FS(EL)
IC202	8-759-080-03	s IC TC74VHCT541FS(EL)
IC203	8-759-079-61	s IC TC74VHC74FS(EL)
IC204	8-759-237-95	s IC TC74HC688AF(EL)
IC205	8-759-472-67	s IC 74VHCT574MTCX
IC206	8-759-079-61	s IC TC74VHC74FS(EL)
IC207	8-759-079-60	s IC TC74VHC32FS(EL)
IC208	8-759-472-67	s IC 74VHCT574MTCX

(DCP-11 BOARD (Suffix number of board is 12.))

Ref. No. or Q'ty	Part No.	SP	Description
IC209	8-759-472-67	s	IC 74VHCT574MTCX
IC210	8-759-079-74	s	IC TC74VHC157FS(EL)
IC211	8-759-079-74	s	IC TC74VHC157FS(EL)
IC212	8-759-079-74	s	IC TC74VHC157FS(EL)
IC213	8-759-528-17	o	IC EPM7032-DCP11 IC213V1, PLD
IC214	8-759-079-61	s	IC TC74VHC74FS(EL)
IC222	8-759-080-02	s	IC TC74VHC541FS(EL)
IC223	8-759-079-60	s	IC TC74VHC32FS(EL)
J3	1-750-880-11	s	CONNECTOR, COAXIAL, MALE
J6	1-750-880-11	s	CONNECTOR, COAXIAL, MALE
J7	1-750-880-11	s	CONNECTOR, COAXIAL, MALE
L1	1-412-166-11	s	INDUCTOR 0.18uH
L2	1-412-143-11	s	INDUCTOR 39uH
L3	1-412-166-11	s	INDUCTOR 0.18uH
L4	1-412-143-11	s	INDUCTOR 39uH
L5	1-408-783-00	s	INDUCTOR, CHIP 33uH
L6	1-410-733-11	s	INDUCTOR 0.22uH
L7	1-410-736-41	s	INDUCTOR 0.39uH
L8	1-410-733-11	s	INDUCTOR 0.22uH
L9	1-410-736-41	s	INDUCTOR 0.39uH
Q1	8-729-145-13	s	TRANSISTOR 2SC3356-(R25)
Q6	8-729-145-13	s	TRANSISTOR 2SC3356-(R25)
Q7	8-729-145-13	s	TRANSISTOR 2SC3356-(R25)
Q8	8-729-145-13	s	TRANSISTOR 2SC3356-(R25)
Q10	8-729-120-28	s	TRANSISTOR 2SC1623-L5L6
Q11	8-729-120-28	s	TRANSISTOR 2SC1623-L5L6
Q12	8-729-216-22	s	TRANSISTOR 2SA1162
Q13	8-729-145-13	s	TRANSISTOR 2SC3356-(R25)
Q14	8-729-145-13	s	TRANSISTOR 2SC3356-(R25)
Q15	8-729-216-22	s	TRANSISTOR 2SA1162
Q16	8-729-120-28	s	TRANSISTOR 2SC1623-L5L6
Q17	8-729-145-13	s	TRANSISTOR 2SC3356-(R25)
Q18	8-729-120-28	s	TRANSISTOR 2SC1623-L5L6
Q19	8-729-216-22	s	TRANSISTOR 2SA1162
Q20	8-729-216-22	s	TRANSISTOR 2SA1162
Q21	8-729-216-22	s	TRANSISTOR 2SA1162
R1	1-216-675-11	s	METAL, CHIP 10K 0.5% 1/10W
R2	1-216-675-11	s	METAL, CHIP 10K 0.5% 1/10W
R3	1-216-620-11	s	METAL, CHIP 51 0.5% 1/10W
R4	1-216-620-11	s	METAL, CHIP 51 0.5% 1/10W
R5	1-216-625-11	s	METAL, CHIP 82 0.5% 1/10W
R6	1-216-620-11	s	METAL, CHIP 51 0.5% 1/10W
R7	1-216-620-11	s	METAL, CHIP 51 0.5% 1/10W
R8	1-216-625-11	s	METAL, CHIP 82 0.5% 1/10W
R9	1-216-620-11	s	METAL, CHIP 51 0.5% 1/10W
R10	1-216-620-11	s	METAL, CHIP 51 0.5% 1/10W
R11	1-216-625-11	s	METAL, CHIP 82 0.5% 1/10W
R12	1-216-620-11	s	METAL, CHIP 51 0.5% 1/10W
R13	1-216-620-11	s	METAL, CHIP 51 0.5% 1/10W
R14	1-216-625-11	s	METAL, CHIP 82 0.5% 1/10W
R15	1-216-620-11	s	METAL, CHIP 51 0.5% 1/10W
R16	1-216-620-11	s	METAL, CHIP 51 0.5% 1/10W
R17	1-216-625-11	s	METAL, CHIP 82 0.5% 1/10W
R18	1-216-620-11	s	METAL, CHIP 51 0.5% 1/10W
R19	1-216-620-11	s	METAL, CHIP 51 0.5% 1/10W
R20	1-216-625-11	s	METAL, CHIP 82 0.5% 1/10W
R21	1-216-620-11	s	METAL, CHIP 51 0.5% 1/10W

(DCP-11 BOARD (Suffix number of board is 12.))

Ref. No. or Q'ty	Part No.	SP	Description
R22	1-216-620-11	s	METAL, CHIP 51 0.5% 1/10W
R23	1-216-625-11	s	METAL, CHIP 82 0.5% 1/10W
R24	1-216-620-11	s	METAL, CHIP 51 0.5% 1/10W
R25	1-216-620-11	s	METAL, CHIP 51 0.5% 1/10W
R26	1-216-625-11	s	METAL, CHIP 82 0.5% 1/10W
R27	1-216-620-11	s	METAL, CHIP 51 0.5% 1/10W
R28	1-216-620-11	s	METAL, CHIP 51 0.5% 1/10W
R29	1-216-625-11	s	METAL, CHIP 82 0.5% 1/10W
R30	1-216-620-11	s	METAL, CHIP 51 0.5% 1/10W
R31	1-216-620-11	s	METAL, CHIP 51 0.5% 1/10W
R32	1-216-625-11	s	METAL, CHIP 82 0.5% 1/10W
R33	1-216-620-11	s	METAL, CHIP 51 0.5% 1/10W
R34	1-216-620-11	s	METAL, CHIP 51 0.5% 1/10W
R35	1-216-625-11	s	METAL, CHIP 82 0.5% 1/10W
R36	1-216-620-11	s	METAL, CHIP 51 0.5% 1/10W
R37	1-216-620-11	s	METAL, CHIP 51 0.5% 1/10W
R38	1-216-625-11	s	METAL, CHIP 82 0.5% 1/10W
R39	1-216-620-11	s	METAL, CHIP 51 0.5% 1/10W
R40	1-216-620-11	s	METAL, CHIP 51 0.5% 1/10W
R41	1-216-625-11	s	METAL, CHIP 82 0.5% 1/10W
R42	1-216-620-11	s	METAL, CHIP 51 0.5% 1/10W
R43	1-216-620-11	s	METAL, CHIP 51 0.5% 1/10W
R44	1-216-625-11	s	METAL, CHIP 82 0.5% 1/10W
R45	1-216-620-11	s	METAL, CHIP 51 0.5% 1/10W
R46	1-216-620-11	s	METAL, CHIP 51 0.5% 1/10W
R47	1-216-625-11	s	METAL, CHIP 82 0.5% 1/10W
R48	1-216-620-11	s	METAL, CHIP 51 0.5% 1/10W
R49	1-216-620-11	s	METAL, CHIP 51 0.5% 1/10W
R50	1-216-625-11	s	METAL, CHIP 82 0.5% 1/10W
R51	1-216-620-11	s	METAL, CHIP 51 0.5% 1/10W
R52	1-216-620-11	s	METAL, CHIP 51 0.5% 1/10W
R53	1-216-625-11	s	METAL, CHIP 82 0.5% 1/10W
R54	1-216-620-11	s	METAL, CHIP 51 0.5% 1/10W
R55	1-216-620-11	s	METAL, CHIP 51 0.5% 1/10W
R56	1-216-625-11	s	METAL, CHIP 82 0.5% 1/10W
R57	1-216-620-11	s	METAL, CHIP 51 0.5% 1/10W
R58	1-216-620-11	s	METAL, CHIP 51 0.5% 1/10W
R59	1-216-625-11	s	METAL, CHIP 82 0.5% 1/10W
R60	1-216-620-11	s	METAL, CHIP 51 0.5% 1/10W
R61	1-216-620-11	s	METAL, CHIP 51 0.5% 1/10W
R62	1-216-625-11	s	METAL, CHIP 82 0.5% 1/10W
R63	1-216-620-11	s	METAL, CHIP 51 0.5% 1/10W
R64	1-216-620-11	s	METAL, CHIP 51 0.5% 1/10W
R65	1-216-625-11	s	METAL, CHIP 82 0.5% 1/10W
R66	1-216-620-11	s	METAL, CHIP 51 0.5% 1/10W
R67	1-216-620-11	s	METAL, CHIP 51 0.5% 1/10W
R68	1-216-625-11	s	METAL, CHIP 82 0.5% 1/10W
R69	1-216-620-11	s	METAL, CHIP 51 0.5% 1/10W
R70	1-216-620-11	s	METAL, CHIP 51 0.5% 1/10W
R71	1-216-625-11	s	METAL, CHIP 82 0.5% 1/10W
R72	1-216-620-11	s	METAL, CHIP 51 0.5% 1/10W
R73	1-216-620-11	s	METAL, CHIP 51 0.5% 1/10W
R74	1-216-620-11	s	METAL, CHIP 51 0.5% 1/10W
R75	1-216-620-11	s	METAL, CHIP 51 0.5% 1/10W
R76	1-216-620-11	s	METAL, CHIP 51 0.5% 1/10W
R77	1-216-620-11	s	METAL, CHIP 51 0.5% 1/10W
R78	1-216-620-11	s	METAL, CHIP 51 0.5% 1/10W
R79	1-216-620-11	s	METAL, CHIP 51 0.5% 1/10W
R80	1-216-620-11	s	METAL, CHIP 51 0.5% 1/10W

(DCP-11 BOARD (Suffix number of board is 12.))

Ref. No. or Q'ty	Part No.	SP Description
R81	1-216-620-11	s METAL, CHIP 51 0.5% 1/10W
R82	1-216-620-11	s METAL, CHIP 51 0.5% 1/10W
R83	1-216-620-11	s METAL, CHIP 51 0.5% 1/10W
R84	1-216-620-11	s METAL, CHIP 51 0.5% 1/10W
R85	1-216-620-11	s METAL, CHIP 51 0.5% 1/10W
R86	1-216-620-11	s METAL, CHIP 51 0.5% 1/10W
R87	1-216-620-11	s METAL, CHIP 51 0.5% 1/10W
R88	1-216-620-11	s METAL, CHIP 51 0.5% 1/10W
R89	1-216-620-11	s METAL, CHIP 51 0.5% 1/10W
R90	1-216-620-11	s METAL, CHIP 51 0.5% 1/10W
R91	1-216-620-11	s METAL, CHIP 51 0.5% 1/10W
R92	1-216-620-11	s METAL, CHIP 51 0.5% 1/10W
R93	1-216-620-11	s METAL, CHIP 51 0.5% 1/10W
R94	1-216-615-11	s METAL, CHIP 33 0.5% 1/10W
R95	1-216-620-11	s METAL, CHIP 51 0.5% 1/10W
R96	1-216-620-11	s METAL, CHIP 51 0.5% 1/10W
R97	1-216-627-11	s METAL, CHIP 100 0.5% 1/10W
R98	1-216-635-11	s METAL, CHIP 220 0.5% 1/10W
R99	1-216-635-11	s METAL, CHIP 220 0.5% 1/10W
R100	1-216-620-11	s METAL, CHIP 51 0.5% 1/10W
R101	1-216-620-11	s METAL, CHIP 51 0.5% 1/10W
R102	1-216-620-11	s METAL, CHIP 51 0.5% 1/10W
R103	1-216-620-11	s METAL, CHIP 51 0.5% 1/10W
R104	1-216-620-11	s METAL, CHIP 51 0.5% 1/10W
R105	1-216-620-11	s METAL, CHIP 51 0.5% 1/10W
R106	1-216-620-11	s METAL, CHIP 51 0.5% 1/10W
R107	1-216-620-11	s METAL, CHIP 51 0.5% 1/10W
R108	1-216-616-11	s METAL, CHIP 36 0.50% 1/10W
R109	1-216-616-11	s METAL, CHIP 36 0.50% 1/10W
R110	1-216-616-11	s METAL, CHIP 36 0.50% 1/10W
R111	1-216-616-11	s METAL, CHIP 36 0.50% 1/10W
R112	1-216-616-11	s METAL, CHIP 36 0.50% 1/10W
R113	1-216-616-11	s METAL, CHIP 36 0.50% 1/10W
R116	1-216-675-11	s METAL, CHIP 10K 0.5% 1/10W
R117	1-216-295-91	s RES, CHIP 0
R118	1-216-619-11	s METAL, CHIP 47 0.5% 1/10W
R119	1-216-619-11	s METAL, CHIP 47 0.5% 1/10W
R120	1-216-295-91	s RES, CHIP 0
R121	1-216-295-91	s RES, CHIP 0
R122	1-216-295-91	s RES, CHIP 0
R124	1-216-619-11	s METAL, CHIP 47 0.5% 1/10W
R125	1-216-619-11	s METAL, CHIP 47 0.5% 1/10W
R126	1-216-619-11	s METAL, CHIP 47 0.5% 1/10W
R127	1-216-619-11	s METAL, CHIP 47 0.5% 1/10W
R128	1-216-619-11	s METAL, CHIP 47 0.5% 1/10W
R129	1-216-619-11	s METAL, CHIP 47 0.5% 1/10W
R130	1-218-764-11	s METAL, CHIP 330K 0.5% 1/10W
R131	1-216-627-11	s METAL, CHIP 100 0.5% 1/10W
R134	1-216-295-91	s RES, CHIP 0
R135	1-216-295-91	s RES, CHIP 0
R136	1-216-627-11	s METAL, CHIP 100 0.5% 1/10W
R137	1-216-627-11	s METAL, CHIP 100 0.5% 1/10W
R138	1-216-653-11	s METAL, CHIP 1.2K 0.5% 1/10W
R141	1-216-653-11	s METAL, CHIP 1.2K 0.5% 1/10W
R142	1-216-620-11	s METAL, CHIP 51 0.5% 1/10W
R144	1-216-653-11	s METAL, CHIP 1.2K 0.5% 1/10W
R145	1-216-680-11	s METAL, CHIP 16K 0.5% 1/10W
R146	1-216-638-11	s METAL, CHIP 300 0.5% 1/10W
R147	1-216-658-11	s METAL, CHIP 2K 0.5% 1/10W

(DCP-11 BOARD (Suffix number of board is 12.))

Ref. No. or Q'ty	Part No.	SP Description
R148	1-216-631-11	s METAL, CHIP 150 0.5% 1/10W
R149	1-216-666-11	s METAL, CHIP 4.3K 0.5% 1/10W
R150	1-216-654-11	s METAL, CHIP 1.3K 0.5% 1/10W
R151	1-216-658-11	s METAL, CHIP 2K 0.5% 1/10W
R152	1-216-666-11	s METAL, CHIP 4.3K 0.5% 1/10W
R153	1-216-654-11	s METAL, CHIP 1.3K 0.5% 1/10W
R154	1-216-631-11	s METAL, CHIP 150 0.5% 1/10W
R155	1-216-609-11	s METAL, CHIP 18 0.5% 1/10W
R156	1-216-625-11	s METAL, CHIP 82 0.5% 1/10W
R157	1-216-631-11	s METAL, CHIP 150 0.5% 1/10W
R158	1-216-631-11	s METAL, CHIP 150 0.5% 1/10W
R159	1-216-656-11	s METAL, CHIP 1.6K 0.5% 1/10W
R160	1-216-631-11	s METAL, CHIP 150 0.5% 1/10W
R161	1-216-668-11	s METAL, CHIP 5.1K 0.5% 1/10W
R162	1-216-641-11	s METAL, CHIP 390 0.5% 1/10W
R163	1-216-653-11	s METAL, CHIP 1.2K 0.5% 1/10W
R164	1-216-609-11	s METAL, CHIP 18 0.5% 1/10W
R165	1-216-625-11	s METAL, CHIP 82 0.5% 1/10W
R166	1-216-631-11	s METAL, CHIP 150 0.5% 1/10W
R167	1-216-631-11	s METAL, CHIP 150 0.5% 1/10W
R168	1-216-656-11	s METAL, CHIP 1.6K 0.5% 1/10W
R169	1-216-631-11	s METAL, CHIP 150 0.5% 1/10W
R170	1-216-679-11	s METAL, CHIP 15K 0.5% 1/10W
R171	1-216-653-11	s METAL, CHIP 1.2K 0.5% 1/10W
R172	1-216-653-11	s METAL, CHIP 1.2K 0.5% 1/10W
R173	1-216-658-11	s METAL, CHIP 2K 0.5% 1/10W
R174	1-216-651-11	s METAL, CHIP 1K 0.5% 1/10W
R175	1-216-627-11	s METAL, CHIP 100 0.5% 1/10W
R176	1-216-627-11	s METAL, CHIP 100 0.5% 1/10W
R177	1-216-295-91	s RES, CHIP 0
R178	1-216-620-11	s METAL, CHIP 51 0.5% 1/10W
R181	1-216-663-11	s METAL, CHIP 3.3K 0.5% 1/10W
R182	1-216-653-11	s METAL, CHIP 1.2K 0.5% 1/10W
R183	1-216-667-11	s METAL, CHIP 4.7K 0.5% 1/10W
R184	1-216-619-11	s METAL, CHIP 47 0.5% 1/10W
R185	1-216-651-11	s METAL, CHIP 1K 0.5% 1/10W
R187	1-216-295-91	s RES, CHIP 0
R189	1-216-624-11	s METAL, CHIP 75 0.5% 1/10W
R190	1-216-624-11	s METAL, CHIP 75 0.5% 1/10W
R191	1-216-624-11	s METAL, CHIP 75 0.5% 1/10W
R192	1-216-624-11	s METAL, CHIP 75 0.5% 1/10W
R193	1-216-651-11	s METAL, CHIP 1K 0.5% 1/10W
R194	1-216-683-11	s METAL, CHIP 22K 0.5% 1/10W
R195	1-216-651-11	s METAL, CHIP 1K 0.5% 1/10W
R196	1-216-683-11	s METAL, CHIP 22K 0.5% 1/10W
R197	1-216-295-91	s RES, CHIP 0
R200	1-216-691-11	s METAL, CHIP 47K 0.5% 1/10W
R201	1-216-691-11	s METAL, CHIP 47K 0.5% 1/10W
R202	1-216-635-11	s METAL, CHIP 220 0.5% 1/10W
R203	1-216-635-11	s METAL, CHIP 220 0.5% 1/10W
R204	1-216-620-11	s METAL, CHIP 51 0.5% 1/10W
R205	1-216-620-11	s METAL, CHIP 51 0.5% 1/10W
R206	1-216-620-11	s METAL, CHIP 51 0.5% 1/10W
R207	1-216-620-11	s METAL, CHIP 51 0.5% 1/10W
R208	1-216-620-11	s METAL, CHIP 51 0.5% 1/10W
R213	1-216-295-91	s RES, CHIP 0
R214	1-216-295-91	s RES, CHIP 0
R215	1-216-295-91	s RES, CHIP 0
R216	1-216-295-91	s RES, CHIP 0

(DCP-11 BOARD (Suffix number of board is 12.))

(DCP-11 BOARD (Suffix number of board is 12.))

Ref. No. or Q'ty	Part No.	SP	Description
R221	1-216-295-91	s	RES, CHIP 0
R222	1-216-295-91	s	RES, CHIP 0
R223	1-216-295-91	s	RES, CHIP 0
R224	1-216-295-91	s	RES, CHIP 0
R225	1-216-295-91	s	RES, CHIP 0
R239	1-216-295-91	s	RES, CHIP 0
R241	1-216-295-91	s	RES, CHIP 0
R244	1-216-627-11	s	METAL, CHIP 100 0.5% 1/10W
R245	1-216-295-91	s	RES, CHIP 0
R262	1-216-295-91	s	RES, CHIP 0
R263	1-216-295-91	s	RES, CHIP 0
R265	1-216-295-91	s	RES, CHIP 0
R267	1-216-295-91	s	RES, CHIP 0
R268	1-216-295-91	s	RES, CHIP 0
R269	1-216-295-91	s	RES, CHIP 0
R270	1-216-295-91	s	RES, CHIP 0
R271	1-216-295-91	s	RES, CHIP 0
R284	1-216-295-91	s	RES, CHIP 0
R287	1-216-295-91	s	RES, CHIP 0
R288	1-216-295-91	s	RES, CHIP 0
R291	1-216-295-91	s	RES, CHIP 0
R292	1-216-295-91	s	RES, CHIP 0
R293	1-216-295-91	s	RES, CHIP 0
R294	1-216-295-91	s	RES, CHIP 0
R299	1-216-295-91	s	RES, CHIP 0
R300	1-216-295-91	s	RES, CHIP 0
R301	1-216-295-91	s	RES, CHIP 0
R302	1-216-295-91	s	RES, CHIP 0
R309	1-218-716-11	s	METAL, CHIP 10K 0.5% 1/16W
R310	1-218-716-11	s	METAL, CHIP 10K 0.5% 1/16W
R311	1-218-688-11	s	METAL, CHIP 680 0.50% 1/16W
R312	1-218-688-11	s	METAL, CHIP 680 0.50% 1/16W
R313	1-218-688-11	s	METAL, CHIP 680 0.50% 1/16W
R314	1-218-688-11	s	METAL, CHIP 680 0.50% 1/16W
R315	1-218-688-11	s	METAL, CHIP 680 0.50% 1/16W
R316	1-218-688-11	s	METAL, CHIP 680 0.50% 1/16W
R317	1-218-688-11	s	METAL, CHIP 680 0.50% 1/16W
R318	1-218-688-11	s	METAL, CHIP 680 0.50% 1/16W
R319	1-218-688-11	s	METAL, CHIP 680 0.50% 1/16W
R321	1-218-688-11	s	METAL, CHIP 680 0.50% 1/16W
R322	1-218-688-11	s	METAL, CHIP 680 0.50% 1/16W
R323	1-218-716-11	s	METAL, CHIP 10K 0.5% 1/16W
R324	1-218-716-11	s	METAL, CHIP 10K 0.5% 1/16W
R325	1-218-688-11	s	METAL, CHIP 680 0.50% 1/16W
R326	1-218-688-11	s	METAL, CHIP 680 0.50% 1/16W
R327	1-218-688-11	s	METAL, CHIP 680 0.50% 1/16W
R328	1-218-688-11	s	METAL, CHIP 680 0.50% 1/16W
R329	1-218-688-11	s	METAL, CHIP 680 0.50% 1/16W
R330	1-218-688-11	s	METAL, CHIP 680 0.50% 1/16W
R331	1-218-688-11	s	METAL, CHIP 680 0.50% 1/16W
R332	1-218-688-11	s	METAL, CHIP 680 0.50% 1/16W
R333	1-218-688-11	s	METAL, CHIP 680 0.50% 1/16W
R334	1-218-688-11	s	METAL, CHIP 680 0.50% 1/16W
R335	1-218-688-11	s	METAL, CHIP 680 0.50% 1/16W
R336	1-216-295-91	s	RES, CHIP 0
R337	1-216-295-91	s	RES, CHIP 0
R338	1-216-295-91	s	RES, CHIP 0
R339	1-216-627-11	s	METAL, CHIP 100 0.5% 1/10W
R340	1-216-295-91	s	RES, CHIP 0

Ref. No. or Q'ty	Part No.	SP	Description
R341	1-216-675-11	s	METAL, CHIP 10K 0.5% 1/10W
R344	1-216-675-11	s	METAL, CHIP 10K 0.5% 1/10W
R345	1-216-631-11	s	METAL, CHIP 150 0.5% 1/10W
R346	1-216-627-11	s	METAL, CHIP 100 0.5% 1/10W
R347	1-216-651-11	s	METAL, CHIP 1K 0.5% 1/10W
R348	1-216-627-11	s	METAL, CHIP 100 0.5% 1/10W
R349	1-216-683-11	s	METAL, CHIP 22K 0.5% 1/10W
R350	1-216-651-11	s	METAL, CHIP 1K 0.5% 1/10W
R351	1-216-627-11	s	METAL, CHIP 100 0.5% 1/10W
R352	1-216-620-11	s	METAL, CHIP 51 0.5% 1/10W
R353	1-216-620-11	s	METAL, CHIP 51 0.5% 1/10W
R354	1-216-620-11	s	METAL, CHIP 51 0.5% 1/10W
R355	1-216-620-11	s	METAL, CHIP 51 0.5% 1/10W
R356	1-216-620-11	s	METAL, CHIP 51 0.5% 1/10W
R357	1-216-635-11	s	METAL, CHIP 220 0.5% 1/10W
R358	1-216-624-11	s	METAL, CHIP 75 0.5% 1/10W
R359	1-216-635-11	s	METAL, CHIP 220 0.5% 1/10W
R360	1-216-615-11	s	METAL, CHIP 33 0.5% 1/10W
R361	1-216-615-11	s	METAL, CHIP 33 0.5% 1/10W
R362	1-216-624-11	s	METAL, CHIP 75 0.5% 1/10W
R363	1-216-625-11	s	METAL, CHIP 82 0.5% 1/10W
R364	1-216-675-11	s	METAL, CHIP 10K 0.5% 1/10W
R365	1-216-660-11	s	METAL, CHIP 2.4K 0.5% 1/10W
R366	1-216-624-11	s	METAL, CHIP 75 0.5% 1/10W
R370	1-216-620-11	s	METAL, CHIP 51 0.5% 1/10W
R371	1-216-624-11	s	METAL, CHIP 75 0.5% 1/10W
R372	1-216-635-11	s	METAL, CHIP 220 0.5% 1/10W
R373	1-216-635-11	s	METAL, CHIP 220 0.5% 1/10W
R374	1-216-625-11	s	METAL, CHIP 82 0.5% 1/10W
R375	1-216-615-11	s	METAL, CHIP 33 0.5% 1/10W
R376	1-216-615-11	s	METAL, CHIP 33 0.5% 1/10W
R389	1-216-631-11	s	METAL, CHIP 150 0.5% 1/10W
R390	1-216-651-11	s	METAL, CHIP 1K 0.5% 1/10W
R395	1-216-631-11	s	METAL, CHIP 150 0.5% 1/10W
R396	1-216-651-11	s	METAL, CHIP 1K 0.5% 1/10W
R397	1-216-623-11	s	METAL, CHIP 68 0.5% 1/10W
R400	1-216-627-11	s	METAL, CHIP 100 0.5% 1/10W
R403	1-216-623-11	s	METAL, CHIP 68 0.5% 1/10W
R411	1-216-623-11	s	METAL, CHIP 68 0.5% 1/10W
R412	1-216-651-11	s	METAL, CHIP 1K 0.5% 1/10W
R413	1-216-631-11	s	METAL, CHIP 150 0.5% 1/10W
R424	1-216-295-91	s	RES, CHIP 0
R425	1-216-295-91	s	RES, CHIP 0
R427	1-216-295-91	s	RES, CHIP 0
R430	1-216-295-91	s	RES, CHIP 0
R432	1-216-295-91	s	RES, CHIP 0
R433	1-216-295-91	s	RES, CHIP 0
R437	1-216-295-91	s	RES, CHIP 0
R438	1-216-624-11	s	METAL, CHIP 75 0.5% 1/10W
R440	1-216-295-91	s	RES, CHIP 0
R441	1-216-295-91	s	RES, CHIP 0
R444	1-216-295-91	s	RES, CHIP 0
R451	1-216-295-91	s	RES, CHIP 0
R452	1-216-295-91	s	RES, CHIP 0
R454	1-216-295-91	s	RES, CHIP 0
R458	1-216-620-11	s	METAL, CHIP 51 0.5% 1/10W
R463	1-216-620-11	s	METAL, CHIP 51 0.5% 1/10W
R466	1-216-651-11	s	METAL, CHIP 1K 0.5% 1/10W
R467	1-216-619-11	s	METAL, CHIP 47 0.5% 1/10W

(DCP-11 BOARD (Suffix number of board is 12.))

(DCP-11 BOARD (Suffix number of board is 12.))

Ref. No. or Q'ty	Part No.	SP Description
R468	1-216-619-11	s METAL, CHIP 47 0.5% 1/10W
R469	1-216-619-11	s METAL, CHIP 47 0.5% 1/10W
R470	1-216-619-11	s METAL, CHIP 47 0.5% 1/10W
R471	1-216-651-11	s METAL, CHIP 1K 0.5% 1/10W
R472	1-216-651-11	s METAL, CHIP 1K 0.5% 1/10W
R473	1-216-619-11	s METAL, CHIP 47 0.5% 1/10W
R474	1-216-619-11	s METAL, CHIP 47 0.5% 1/10W
R475	1-216-619-11	s METAL, CHIP 47 0.5% 1/10W
R476	1-216-619-11	s METAL, CHIP 47 0.5% 1/10W
R477	1-216-651-11	s METAL, CHIP 1K 0.5% 1/10W
R478	1-216-651-11	s METAL, CHIP 1K 0.5% 1/10W
R479	1-216-638-11	s METAL, CHIP 300 0.5% 1/10W
R480	1-216-659-11	s METAL, CHIP 2.2K 0.5% 1/10W
R481	1-216-687-11	s METAL, CHIP 33K 0.5% 1/10W
R482	1-216-627-11	s METAL, CHIP 100 0.5% 1/10W
R483	1-216-683-11	s METAL, CHIP 22K 0.5% 1/10W
R484	1-216-651-11	s METAL, CHIP 1K 0.5% 1/10W
R485	1-216-651-11	s METAL, CHIP 1K 0.5% 1/10W
R486	1-216-651-11	s METAL, CHIP 1K 0.5% 1/10W
R487	1-216-651-11	s METAL, CHIP 1K 0.5% 1/10W
R488	1-216-643-11	s METAL, CHIP 470 0.5% 1/10W
R489	1-216-643-11	s METAL, CHIP 470 0.5% 1/10W
R490	1-216-638-11	s METAL, CHIP 300 0.5% 1/10W
R491	1-216-627-11	s METAL, CHIP 100 0.5% 1/10W
R492	1-216-683-11	s METAL, CHIP 22K 0.5% 1/10W
R493	1-216-687-11	s METAL, CHIP 33K 0.5% 1/10W
R494	1-216-667-11	s METAL, CHIP 4.7K 0.5% 1/10W
R495	1-216-659-11	s METAL, CHIP 2.2K 0.5% 1/10W
R496	1-216-659-11	s METAL, CHIP 2.2K 0.5% 1/10W
R497	1-216-675-11	s METAL, CHIP 10K 0.5% 1/10W
R498	1-216-675-11	s METAL, CHIP 10K 0.5% 1/10W
R499	1-216-659-11	s METAL, CHIP 2.2K 0.5% 1/10W
R500	1-216-659-11	s METAL, CHIP 2.2K 0.5% 1/10W
R501	1-216-675-11	s METAL, CHIP 10K 0.5% 1/10W
R502	1-216-675-11	s METAL, CHIP 10K 0.5% 1/10W
R503	1-216-658-11	s METAL, CHIP 2K 0.5% 1/10W
R504	1-216-643-11	s METAL, CHIP 470 0.5% 1/10W
R505	1-216-643-11	s METAL, CHIP 470 0.5% 1/10W
R506	1-216-691-11	s METAL, CHIP 47K 0.5% 1/10W
R507	1-216-295-91	s RES, CHIP 0
R508	1-216-295-91	s RES, CHIP 0
R524	1-216-295-91	s RES, CHIP 0
R560	1-216-295-91	s RES, CHIP 0
R582	1-216-625-11	s METAL, CHIP 82 0.5% 1/10W
R583	1-216-625-11	s METAL, CHIP 82 0.5% 1/10W
R589	1-216-620-11	s METAL, CHIP 51 0.5% 1/10W
R590	1-216-620-11	s METAL, CHIP 51 0.5% 1/10W
R592	1-216-620-11	s METAL, CHIP 51 0.5% 1/10W
R594	1-216-295-91	s RES, CHIP 0
R595	1-216-295-91	s RES, CHIP 0
R598	1-216-295-91	s RES, CHIP 0
R600	1-216-295-91	s RES, CHIP 0
R601	1-216-295-91	s RES, CHIP 0
R602	1-216-295-91	s RES, CHIP 0
R605	1-216-295-91	s RES, CHIP 0
R607	1-216-295-91	s RES, CHIP 0
R609	1-216-620-11	s METAL, CHIP 51 0.5% 1/10W
R610	1-216-620-11	s METAL, CHIP 51 0.5% 1/10W
R611	1-216-620-11	s METAL, CHIP 51 0.5% 1/10W

Ref. No. or Q'ty	Part No.	SP Description
R612	1-216-620-11	s METAL, CHIP 51 0.5% 1/10W
R613	1-216-620-11	s METAL, CHIP 51 0.5% 1/10W
R614	1-216-620-11	s METAL, CHIP 51 0.5% 1/10W
R615	1-216-620-11	s METAL, CHIP 51 0.5% 1/10W
R616	1-216-620-11	s METAL, CHIP 51 0.5% 1/10W
R625	1-216-620-11	s METAL, CHIP 51 0.5% 1/10W
R626	1-216-620-11	s METAL, CHIP 51 0.5% 1/10W
R627	1-216-620-11	s METAL, CHIP 51 0.5% 1/10W
R628	1-216-620-11	s METAL, CHIP 51 0.5% 1/10W
R629	1-216-620-11	s METAL, CHIP 51 0.5% 1/10W
R630	1-216-620-11	s METAL, CHIP 51 0.5% 1/10W
R631	1-216-620-11	s METAL, CHIP 51 0.5% 1/10W
R632	1-216-620-11	s METAL, CHIP 51 0.5% 1/10W
R641	1-216-620-11	s METAL, CHIP 51 0.5% 1/10W
R642	1-216-620-11	s METAL, CHIP 51 0.5% 1/10W
R643	1-216-620-11	s METAL, CHIP 51 0.5% 1/10W
R644	1-216-620-11	s METAL, CHIP 51 0.5% 1/10W
R645	1-216-620-11	s METAL, CHIP 51 0.5% 1/10W
R646	1-216-620-11	s METAL, CHIP 51 0.5% 1/10W
R700	1-216-620-11	s METAL, CHIP 51 0.5% 1/10W
R701	1-216-620-11	s METAL, CHIP 51 0.5% 1/10W
R702	1-216-620-11	s METAL, CHIP 51 0.5% 1/10W
R703	1-216-620-11	s METAL, CHIP 51 0.5% 1/10W
R704	1-216-620-11	s METAL, CHIP 51 0.5% 1/10W
R706	1-216-683-11	s METAL, CHIP 22K 0.5% 1/10W
R800	1-216-620-11	s METAL, CHIP 51 0.5% 1/10W
R801	1-215-390-00	s METAL 51 1% 1/6W
R802	1-216-620-11	s METAL, CHIP 51 0.5% 1/10W
R803	1-216-620-11	s METAL, CHIP 51 0.5% 1/10W
R804	1-216-620-11	s METAL, CHIP 51 0.5% 1/10W
R805	1-216-620-11	s METAL, CHIP 51 0.5% 1/10W
R806	1-216-620-11	s METAL, CHIP 51 0.5% 1/10W
R807	1-216-620-11	s METAL, CHIP 51 0.5% 1/10W
R808	1-216-620-11	s METAL, CHIP 51 0.5% 1/10W
R809	1-216-620-11	s METAL, CHIP 51 0.5% 1/10W
R810	1-216-620-11	s METAL, CHIP 51 0.5% 1/10W
R811	1-216-295-91	s RES, CHIP 0
R812	1-216-295-91	s RES, CHIP 0
R813	1-216-620-11	s METAL, CHIP 51 0.5% 1/10W
R815	1-216-620-11	s METAL, CHIP 51 0.5% 1/10W
R816	1-216-675-11	s METAL, CHIP 10K 0.5% 1/10W
R819	1-216-663-11	s METAL, CHIP 3.3K 0.5% 1/10W
R820	1-216-663-11	s METAL, CHIP 3.3K 0.5% 1/10W
R821	1-216-295-91	s RES, CHIP 0
R822	1-216-620-11	s METAL, CHIP 51 0.5% 1/10W
R823	1-216-620-11	s METAL, CHIP 51 0.5% 1/10W
R824	1-216-620-11	s METAL, CHIP 51 0.5% 1/10W
R825	1-216-620-11	s METAL, CHIP 51 0.5% 1/10W
R827	1-216-663-11	s METAL, CHIP 3.3K 0.5% 1/10W
R828	1-216-620-11	s METAL, CHIP 51 0.5% 1/10W
R830	1-216-295-91	s RES, CHIP 0
R831	1-216-295-91	s RES, CHIP 0
R850	1-216-295-91	s RES, CHIP 0
R851	1-216-295-91	s RES, CHIP 0
R852	1-216-295-91	s RES, CHIP 0
R853	1-216-295-91	s RES, CHIP 0
R854	1-216-295-91	s RES, CHIP 0
R855	1-216-295-91	s RES, CHIP 0
R856	1-216-295-91	s RES, CHIP 0

(DCP-11 BOARD (Suffix number of board is 12.))

Ref. No. or Q'ty	Part No.	SP	Description
R857	1-216-295-91	s	RES, CHIP 0
RB1	1-239-409-11	s	RESISTOR BLOCK 47X4
RB2	1-239-409-11	s	RESISTOR BLOCK 47X4
RB3	1-239-409-11	s	RESISTOR BLOCK 47X4
RB4	1-239-409-11	s	RESISTOR BLOCK 47X4
RB5	1-239-389-11	s	RESISTOR BLOCK 47KX4
RB6	1-239-389-11	s	RESISTOR BLOCK 47KX4
RB7	1-236-908-11	s	RESISTOR BLOCK 10KX4
RB8	1-239-624-11	s	RESISTOR BLOCK 10KX8
RB9	1-239-624-11	s	RESISTOR BLOCK 10KX8
RB10	1-239-624-11	s	RESISTOR BLOCK 10KX8
RB11	1-236-908-11	s	RESISTOR BLOCK 10KX4
RB12	1-236-908-11	s	RESISTOR BLOCK 10KX4
RB13	1-236-908-11	s	RESISTOR BLOCK 10KX4
RB14	1-236-908-11	s	RESISTOR BLOCK 10KX4
RB15	1-236-908-11	s	RESISTOR BLOCK 10KX4
RB16	1-236-908-11	s	RESISTOR BLOCK 10KX4
RB17	1-236-908-11	s	RESISTOR BLOCK 10KX4
RB18	1-236-908-11	s	RESISTOR BLOCK 10KX4
RB19	1-236-908-11	s	RESISTOR BLOCK 10KX4
RB20	1-236-908-11	s	RESISTOR BLOCK 10KX4
RB21	1-236-908-11	s	RESISTOR BLOCK 10KX4
RB22	1-239-409-11	s	RESISTOR BLOCK 47X4
RB23	1-239-409-11	s	RESISTOR BLOCK 47X4
RB24	1-239-409-11	s	RESISTOR BLOCK 47X4
RB25	1-239-409-11	s	RESISTOR BLOCK 47X4
RB30	1-239-409-11	s	RESISTOR BLOCK 47X4
RB31	1-239-409-11	s	RESISTOR BLOCK 47X4
RB32	1-239-409-11	s	RESISTOR BLOCK 47X4
RB33	1-236-908-11	s	RESISTOR BLOCK 10KX4
RB34	1-236-908-11	s	RESISTOR BLOCK 10KX4
RB35	1-239-409-11	s	RESISTOR BLOCK 47X4
RB36	1-239-409-11	s	RESISTOR BLOCK 47X4
RB37	1-239-409-11	s	RESISTOR BLOCK 47X4
RB38	1-239-409-11	s	RESISTOR BLOCK 47X4
RB39	1-239-409-11	s	RESISTOR BLOCK 47X4
RB40	1-239-409-11	s	RESISTOR BLOCK 47X4
RB41	1-239-409-11	s	RESISTOR BLOCK 47X4
RB42	1-239-409-11	s	RESISTOR BLOCK 47X4
RB43	1-239-409-11	s	RESISTOR BLOCK 47X4
RB44	1-239-409-11	s	RESISTOR BLOCK 47X4
RB45	1-239-409-11	s	RESISTOR BLOCK 47X4
RB46	1-236-908-11	s	RESISTOR BLOCK 10KX4
RB47	1-236-908-11	s	RESISTOR BLOCK 10KX4
RB48	1-239-409-11	s	RESISTOR BLOCK 47X4
RB200	1-239-624-11	s	RESISTOR BLOCK 10KX8
RB201	1-239-624-11	s	RESISTOR BLOCK 10KX8
RV3	1-237-036-11	s	RES, ADJ METAL 10K
RV4	1-237-036-11	s	RES, ADJ METAL 10K
RV5	1-237-036-11	s	RES, ADJ METAL 10K
RV6	1-237-036-11	s	RES, ADJ METAL 10K
RV7	1-237-035-11	s	RES, ADJ METAL 5K
RV8	1-237-035-11	s	RES, ADJ METAL 5K
RV9	1-237-036-11	s	RES, ADJ METAL 10K
RV10	1-237-036-11	s	RES, ADJ METAL 10K

DCP-11 BOARD (Suffix number of board is 11.)

Ref. No. or Q'ty	Part No.	SP	Description
C1	1-163-038-91	s	CERAMIC, CHIP 0.1uF 25V 0%
C2	1-163-038-91	s	CERAMIC, CHIP 0.1uF 25V 0%
C3	1-163-038-91	s	CERAMIC, CHIP 0.1uF 25V 0%
C4	1-163-038-91	s	CERAMIC, CHIP 0.1uF 25V 0%
C5	1-163-038-91	s	CERAMIC, CHIP 0.1uF 25V 0%
C6	1-163-038-91	s	CERAMIC, CHIP 0.1uF 25V 0%
C7	1-163-038-91	s	CERAMIC, CHIP 0.1uF 25V 0%
C8	1-163-038-91	s	CERAMIC, CHIP 0.1uF 25V 0%
C9	1-163-038-91	s	CERAMIC, CHIP 0.1uF 25V 0%
C10	1-163-038-91	s	CERAMIC, CHIP 0.1uF 25V 0%
C11	1-163-038-91	s	CERAMIC, CHIP 0.1uF 25V 0%
C12	1-163-038-91	s	CERAMIC, CHIP 0.1uF 25V 0%
C13	1-163-038-91	s	CERAMIC, CHIP 0.1uF 25V 0%
C14	1-163-038-91	s	CERAMIC, CHIP 0.1uF 25V 0%
C15	1-163-038-91	s	CERAMIC, CHIP 0.1uF 25V 0%
C16	1-163-038-91	s	CERAMIC, CHIP 0.1uF 25V 0%
C17	1-163-038-91	s	CERAMIC, CHIP 0.1uF 25V 0%
C18	1-163-038-91	s	CERAMIC, CHIP 0.1uF 25V 0%
C19	1-163-038-91	s	CERAMIC, CHIP 0.1uF 25V 0%
C20	1-163-038-91	s	CERAMIC, CHIP 0.1uF 25V 0%
C21	1-163-038-91	s	CERAMIC, CHIP 0.1uF 25V 0%
C22	1-163-038-91	s	CERAMIC, CHIP 0.1uF 25V 0%
C23	1-163-038-91	s	CERAMIC, CHIP 0.1uF 25V 0%
C24	1-163-038-91	s	CERAMIC, CHIP 0.1uF 25V 0%
C28	1-163-037-11	s	CERAMIC, CHIP 0.022uF 10% 25V
C29	1-163-037-11	s	CERAMIC, CHIP 0.022uF 10% 25V
C30	1-163-037-11	s	CERAMIC, CHIP 0.022uF 10% 25V
C31	1-163-037-11	s	CERAMIC, CHIP 0.022uF 10% 25V
C32	1-163-037-11	s	CERAMIC, CHIP 0.022uF 10% 25V
C33	1-163-037-11	s	CERAMIC, CHIP 0.022uF 10% 25V
C34	1-163-037-11	s	CERAMIC, CHIP 0.022uF 10% 25V
C35	1-163-037-11	s	CERAMIC, CHIP 0.022uF 10% 25V
C36	1-163-037-11	s	CERAMIC, CHIP 0.022uF 10% 25V
C37	1-163-037-11	s	CERAMIC, CHIP 0.022uF 10% 25V
C38	1-163-037-11	s	CERAMIC, CHIP 0.022uF 10% 25V
C39	1-163-037-11	s	CERAMIC, CHIP 0.022uF 10% 25V
C40	1-163-037-11	s	CERAMIC, CHIP 0.022uF 10% 25V
C41	1-163-037-11	s	CERAMIC, CHIP 0.022uF 10% 25V
C42	1-163-037-11	s	CERAMIC, CHIP 0.022uF 10% 25V
C43	1-163-037-11	s	CERAMIC, CHIP 0.022uF 10% 25V
C44	1-163-037-11	s	CERAMIC, CHIP 0.022uF 10% 25V
C45	1-163-037-11	s	CERAMIC, CHIP 0.022uF 10% 25V
C46	1-163-037-11	s	CERAMIC, CHIP 0.022uF 10% 25V
C47	1-163-037-11	s	CERAMIC, CHIP 0.022uF 10% 25V
C48	1-163-037-11	s	CERAMIC, CHIP 0.022uF 10% 25V
C49	1-163-037-11	s	CERAMIC, CHIP 0.022uF 10% 25V
C50	1-163-037-11	s	CERAMIC, CHIP 0.022uF 10% 25V
C51	1-163-037-11	s	CERAMIC, CHIP 0.022uF 10% 25V
C52	1-163-037-11	s	CERAMIC, CHIP 0.022uF 10% 25V
C53	1-163-037-11	s	CERAMIC, CHIP 0.022uF 10% 25V
C54	1-163-037-11	s	CERAMIC, CHIP 0.022uF 10% 25V
C55	1-163-037-11	s	CERAMIC, CHIP 0.022uF 10% 25V
C56	1-163-037-11	s	CERAMIC, CHIP 0.022uF 10% 25V
C57	1-163-037-11	s	CERAMIC, CHIP 0.022uF 10% 25V
C58	1-163-037-11	s	CERAMIC, CHIP 0.022uF 10% 25V
C59	1-163-037-11	s	CERAMIC, CHIP 0.022uF 10% 25V
C60	1-163-037-11	s	CERAMIC, CHIP 0.022uF 10% 25V
C61	1-163-037-11	s	CERAMIC, CHIP 0.022uF 10% 25V
C62	1-163-037-11	s	CERAMIC, CHIP 0.022uF 10% 25V

(DCP-11 BOARD (Suffix number of board is 11.))

(DCP-11 BOARD (Suffix number of board is 11.))

Ref. No. or Q'ty	Part No.	SP Description
C63	1-107-682-11	s CERAMIC, CHIP 1uF 10% 16V
C64	1-163-038-91	s CERAMIC, CHIP 0.1uF 25V 0%
C67	1-163-038-91	s CERAMIC, CHIP 0.1uF 25V 0%
C68	1-163-038-91	s CERAMIC, CHIP 0.1uF 25V 0%
C70	1-163-038-91	s CERAMIC, CHIP 0.1uF 25V 0%
C71	1-163-038-91	s CERAMIC, CHIP 0.1uF 25V 0%
C72	1-163-038-91	s CERAMIC, CHIP 0.1uF 25V 0%
C73	1-163-038-91	s CERAMIC, CHIP 0.1uF 25V 0%
C74	1-163-038-91	s CERAMIC, CHIP 0.1uF 25V 0%
C75	1-163-037-11	s CERAMIC, CHIP 0.022uF 10% 25V
C76	1-163-038-91	s CERAMIC, CHIP 0.1uF 25V 0%
C77	1-135-167-21	s TANTALUM, CHIP 68uF 10% 6.3V
C78	1-164-232-11	s CERAMIC, CHIP 0.01uF 10% 100V
C79	1-163-038-91	s CERAMIC, CHIP 0.1uF 25V 0%
C81	1-163-037-11	s CERAMIC, CHIP 0.022uF 10% 25V
C82	1-163-037-11	s CERAMIC, CHIP 0.022uF 10% 25V
C83	1-163-145-00	s CERAMIC, CHIP 0.0015uF 5% 50V
C84	1-163-092-00	s CERAMIC 9PF 0.25PF 50V
C85	1-163-125-00	s CERAMIC 220PF 5% 50V
C86	1-163-145-00	s CERAMIC, CHIP 0.0015uF 5% 50V
C87	1-163-092-00	s CERAMIC 9PF 0.25PF 50V
C88	1-163-125-00	s CERAMIC 220PF 5% 50V
C89	1-163-220-11	s CERAMIC, CHIP 3PF 50V
C90	1-163-227-11	s CERAMIC, CHIP 10PF 5% 50V
C91	1-163-037-11	s CERAMIC, CHIP 0.022uF 10% 25V
C92	1-163-037-11	s CERAMIC, CHIP 0.022uF 10% 25V
C93	1-163-243-11	s CERAMIC, CHIP 47PF 5% 50V
C94	1-163-222-11	s CERAMIC, CHIP 5PF 50V
C100	1-163-038-91	s CERAMIC, CHIP 0.1uF 25V 0%
C101	1-163-038-91	s CERAMIC, CHIP 0.1uF 25V 0%
C105	1-163-038-91	s CERAMIC, CHIP 0.1uF 25V 0%
C106	1-163-038-91	s CERAMIC, CHIP 0.1uF 25V 0%
C107	1-127-516-11	s ALUMN SOLID 220uF 20% 10V
C108	1-127-516-11	s ALUMN SOLID 220uF 20% 10V
C109	1-163-037-11	s CERAMIC, CHIP 0.022uF 10% 25V
C110	1-163-037-11	s CERAMIC, CHIP 0.022uF 10% 25V
C111	1-163-038-91	s CERAMIC, CHIP 0.1uF 25V 0%
C112	1-163-038-91	s CERAMIC, CHIP 0.1uF 25V 0%
C113	1-163-037-11	s CERAMIC, CHIP 0.022uF 10% 25V
C114	1-163-227-11	s CERAMIC, CHIP 10PF 5% 50V
C117	1-127-516-11	s ALUMN SOLID 220uF 20% 10V
C118	1-163-037-11	s CERAMIC, CHIP 0.022uF 10% 25V
C119	1-126-925-11	s ELECT 470uF 20% 10V
C120	1-163-037-11	s CERAMIC, CHIP 0.022uF 10% 25V
C121	1-163-037-11	s CERAMIC, CHIP 0.022uF 10% 25V
C122	1-163-037-11	s CERAMIC, CHIP 0.022uF 10% 25V
C123	1-163-037-11	s CERAMIC, CHIP 0.022uF 10% 25V
C126	1-163-037-11	s CERAMIC, CHIP 0.022uF 10% 25V
C127	1-163-275-11	s CERAMIC, CHIP 0.001uF 5% 50V
C128	1-163-275-11	s CERAMIC, CHIP 0.001uF 5% 50V
C129	1-163-037-11	s CERAMIC, CHIP 0.022uF 10% 25V
C130	1-163-037-11	s CERAMIC, CHIP 0.022uF 10% 25V
C131	1-163-037-11	s CERAMIC, CHIP 0.022uF 10% 25V
C132	1-163-037-11	s CERAMIC, CHIP 0.022uF 10% 25V
C133	1-163-037-11	s CERAMIC, CHIP 0.022uF 10% 25V
C136	1-163-037-11	s CERAMIC, CHIP 0.022uF 10% 25V
C137	1-163-037-11	s CERAMIC, CHIP 0.022uF 10% 25V
C138	1-163-037-11	s CERAMIC, CHIP 0.022uF 10% 25V
C139	1-163-037-11	s CERAMIC, CHIP 0.022uF 10% 25V

Ref. No. or Q'ty	Part No.	SP Description
C140	1-163-037-11	s CERAMIC, CHIP 0.022uF 10% 25V
C141	1-163-037-11	s CERAMIC, CHIP 0.022uF 10% 25V
C142	1-163-037-11	s CERAMIC, CHIP 0.022uF 10% 25V
C143	1-163-037-11	s CERAMIC, CHIP 0.022uF 10% 25V
C144	1-163-037-11	s CERAMIC, CHIP 0.022uF 10% 25V
C145	1-163-037-11	s CERAMIC, CHIP 0.022uF 10% 25V
C146	1-163-037-11	s CERAMIC, CHIP 0.022uF 10% 25V
C147	1-163-038-91	s CERAMIC, CHIP 0.1uF 25V 0%
C148	1-163-037-11	s CERAMIC, CHIP 0.022uF 10% 25V
C149	1-163-037-11	s CERAMIC, CHIP 0.022uF 10% 25V
C150	1-163-037-11	s CERAMIC, CHIP 0.022uF 10% 25V
C151	1-135-155-21	s TANTALUM, CHIP 4.7uF 10% 16V
C152	1-163-038-91	s CERAMIC, CHIP 0.1uF 25V 0%
C153	1-163-038-91	s CERAMIC, CHIP 0.1uF 25V 0%
C154	1-163-038-91	s CERAMIC, CHIP 0.1uF 25V 0%
C155	1-163-038-91	s CERAMIC, CHIP 0.1uF 25V 0%
C156	1-163-038-91	s CERAMIC, CHIP 0.1uF 25V 0%
C157	1-163-038-91	s CERAMIC, CHIP 0.1uF 25V 0%
C158	1-163-038-91	s CERAMIC, CHIP 0.1uF 25V 0%
C159	1-163-038-91	s CERAMIC, CHIP 0.1uF 25V 0%
C160	1-163-038-91	s CERAMIC, CHIP 0.1uF 25V 0%
C161	1-163-038-91	s CERAMIC, CHIP 0.1uF 25V 0%
C162	1-163-038-91	s CERAMIC, CHIP 0.1uF 25V 0%
C163	1-163-038-91	s CERAMIC, CHIP 0.1uF 25V 0%
C164	1-163-038-91	s CERAMIC, CHIP 0.1uF 25V 0%
C165	1-163-038-91	s CERAMIC, CHIP 0.1uF 25V 0%
C166	1-163-038-91	s CERAMIC, CHIP 0.1uF 25V 0%
C167	1-163-038-91	s CERAMIC, CHIP 0.1uF 25V 0%
C168	1-163-038-91	s CERAMIC, CHIP 0.1uF 25V 0%
C169	1-163-038-91	s CERAMIC, CHIP 0.1uF 25V 0%
C170	1-163-038-91	s CERAMIC, CHIP 0.1uF 25V 0%
C171	1-163-038-91	s CERAMIC, CHIP 0.1uF 25V 0%
C172	1-163-038-91	s CERAMIC, CHIP 0.1uF 25V 0%
C173	1-163-038-91	s CERAMIC, CHIP 0.1uF 25V 0%
C174	1-163-038-91	s CERAMIC, CHIP 0.1uF 25V 0%
C175	1-163-038-91	s CERAMIC, CHIP 0.1uF 25V 0%
C176	1-104-914-11	s TANTALUM 22uF 20% 16V
C177	1-163-038-91	s CERAMIC, CHIP 0.1uF 25V 0%
C178	1-163-038-91	s CERAMIC, CHIP 0.1uF 25V 0%
C179	1-163-038-91	s CERAMIC, CHIP 0.1uF 25V 0%
C180	1-163-038-91	s CERAMIC, CHIP 0.1uF 25V 0%
C181	1-163-038-91	s CERAMIC, CHIP 0.1uF 25V 0%
C182	1-163-038-91	s CERAMIC, CHIP 0.1uF 25V 0%
C183	1-163-038-91	s CERAMIC, CHIP 0.1uF 25V 0%
C184	1-107-682-11	s CERAMIC, CHIP 1uF 10% 16V
C185	1-107-682-11	s CERAMIC, CHIP 1uF 10% 16V
C186	1-163-038-91	s CERAMIC, CHIP 0.1uF 25V 0%
C187	1-107-682-11	s CERAMIC, CHIP 1uF 10% 16V
C188	1-163-037-11	s CERAMIC, CHIP 0.022uF 10% 25V
C189	1-107-682-11	s CERAMIC, CHIP 1uF 10% 16V
C190	1-163-038-91	s CERAMIC, CHIP 0.1uF 25V 0%
C191	1-163-121-00	s CERAMIC, CHIP 150PF 5% 50V
C192	1-163-121-00	s CERAMIC, CHIP 150PF 5% 50V
C193	1-163-263-11	s CERAMIC, CHIP 330PF 5% 50V
C194	1-104-914-11	s TANTALUM 22uF 20% 16V
C195	1-163-038-91	s CERAMIC, CHIP 0.1uF 25V 0%
C199	1-163-038-91	s CERAMIC, CHIP 0.1uF 25V 0%
C200	1-163-038-91	s CERAMIC, CHIP 0.1uF 25V 0%
C201	1-163-038-91	s CERAMIC, CHIP 0.1uF 25V 0%

(DCP-11 BOARD (Suffix number of board is 11.))

Ref. No. or Q'ty	Part No.	SP	Description
C202	1-163-038-91	s	CERAMIC, CHIP 0.1uF 25V 0%
C203	1-163-038-91	s	CERAMIC, CHIP 0.1uF 25V 0%
C204	1-163-121-00	s	CERAMIC, CHIP 150PF 5% 50V
C205	1-163-121-00	s	CERAMIC, CHIP 150PF 5% 50V
C206	1-163-263-11	s	CERAMIC, CHIP 330PF 5% 50V
C207	1-104-914-11	s	TANTALUM 22uF 20% 16V
C208	1-163-038-91	s	CERAMIC, CHIP 0.1uF 25V 0%
C212	1-163-038-91	s	CERAMIC, CHIP 0.1uF 25V 0%
C213	1-163-038-91	s	CERAMIC, CHIP 0.1uF 25V 0%
C214	1-163-038-91	s	CERAMIC, CHIP 0.1uF 25V 0%
C215	1-163-038-91	s	CERAMIC, CHIP 0.1uF 25V 0%
C216	1-163-038-91	s	CERAMIC, CHIP 0.1uF 25V 0%
C217	1-127-532-11	s	ALUMN SOLID 47uF 20% 20V
C218	1-127-532-11	s	ALUMN SOLID 47uF 20% 20V
C219	1-127-532-11	s	ALUMN SOLID 47uF 20% 20V
C220	1-127-532-11	s	ALUMN SOLID 47uF 20% 20V
C221	1-127-532-11	s	ALUMN SOLID 47uF 20% 20V
C222	1-163-038-91	s	CERAMIC, CHIP 0.1uF 25V 0%
C223	1-163-038-91	s	CERAMIC, CHIP 0.1uF 25V 0%
C224	1-163-038-91	s	CERAMIC, CHIP 0.1uF 25V 0%
C225	1-127-516-11	s	ALUMN SOLID 220uF 20% 10V
C226	1-163-038-91	s	CERAMIC, CHIP 0.1uF 25V 0%
C227	1-163-038-91	s	CERAMIC, CHIP 0.1uF 25V 0%
C228	1-163-037-11	s	CERAMIC, CHIP 0.022uF 10% 25V
C229	1-104-914-11	s	TANTALUM 22uF 20% 16V
C232	1-163-038-91	s	CERAMIC, CHIP 0.1uF 25V 0%
C233	1-163-038-91	s	CERAMIC, CHIP 0.1uF 25V 0%
C234	1-163-038-91	s	CERAMIC, CHIP 0.1uF 25V 0%
C235	1-163-038-91	s	CERAMIC, CHIP 0.1uF 25V 0%
C236	1-163-038-91	s	CERAMIC, CHIP 0.1uF 25V 0%
C237	1-163-038-91	s	CERAMIC, CHIP 0.1uF 25V 0%
C238	1-163-038-91	s	CERAMIC, CHIP 0.1uF 25V 0%
C239	1-163-038-91	s	CERAMIC, CHIP 0.1uF 25V 0%
C240	1-163-038-91	s	CERAMIC, CHIP 0.1uF 25V 0%
C241	1-163-038-91	s	CERAMIC, CHIP 0.1uF 25V 0%
C242	1-163-038-91	s	CERAMIC, CHIP 0.1uF 25V 0%
C243	1-163-038-91	s	CERAMIC, CHIP 0.1uF 25V 0%
C244	1-163-038-91	s	CERAMIC, CHIP 0.1uF 25V 0%
C245	1-163-037-11	s	CERAMIC, CHIP 0.022uF 10% 25V
C246	1-163-275-11	s	CERAMIC, CHIP 0.001uF 5% 50V
C247	1-163-275-11	s	CERAMIC, CHIP 0.001uF 5% 50V
C248	1-163-038-91	s	CERAMIC, CHIP 0.1uF 25V 0%
C249	1-163-038-91	s	CERAMIC, CHIP 0.1uF 25V 0%
C250	1-163-038-91	s	CERAMIC, CHIP 0.1uF 25V 0%
C251	1-163-038-91	s	CERAMIC, CHIP 0.1uF 25V 0%
C252	1-163-038-91	s	CERAMIC, CHIP 0.1uF 25V 0%
C253	1-163-038-91	s	CERAMIC, CHIP 0.1uF 25V 0%
C254	1-163-038-91	s	CERAMIC, CHIP 0.1uF 25V 0%
C255	1-163-038-91	s	CERAMIC, CHIP 0.1uF 25V 0%
C256	1-163-038-91	s	CERAMIC, CHIP 0.1uF 25V 0%
C257	1-163-038-91	s	CERAMIC, CHIP 0.1uF 25V 0%
C258	1-163-038-91	s	CERAMIC, CHIP 0.1uF 25V 0%
C259	1-163-038-91	s	CERAMIC, CHIP 0.1uF 25V 0%
C260	1-163-038-91	s	CERAMIC, CHIP 0.1uF 25V 0%
C261	1-163-038-91	s	CERAMIC, CHIP 0.1uF 25V 0%
C262	1-164-232-11	s	CERAMIC, CHIP 0.01uF 10% 100V
C263	1-164-232-11	s	CERAMIC, CHIP 0.01uF 10% 100V
C264	1-163-038-91	s	CERAMIC, CHIP 0.1uF 25V 0%
C265	1-163-038-91	s	CERAMIC, CHIP 0.1uF 25V 0%

(DCP-11 BOARD (Suffix number of board is 11.))

Ref. No. or Q'ty	Part No.	SP	Description
C266	1-163-038-91	s	CERAMIC, CHIP 0.1uF 25V 0%
C267	1-163-038-91	s	CERAMIC, CHIP 0.1uF 25V 0%
C268	1-163-038-91	s	CERAMIC, CHIP 0.1uF 25V 0%
C269	1-163-038-91	s	CERAMIC, CHIP 0.1uF 25V 0%
C270	1-163-243-11	s	CERAMIC, CHIP 47PF 5% 50V
C271	1-163-243-11	s	CERAMIC, CHIP 47PF 5% 50V
C272	1-163-243-11	s	CERAMIC, CHIP 47PF 5% 50V
C273	1-163-243-11	s	CERAMIC, CHIP 47PF 5% 50V
C274	1-164-232-11	s	CERAMIC, CHIP 0.01uF 10% 100V
C275	1-164-232-11	s	CERAMIC, CHIP 0.01uF 10% 100V
C276	1-163-038-91	s	CERAMIC, CHIP 0.1uF 25V 0%
C277	1-163-038-91	s	CERAMIC, CHIP 0.1uF 25V 0%
C278	1-163-038-91	s	CERAMIC, CHIP 0.1uF 25V 0%
C279	1-163-038-91	s	CERAMIC, CHIP 0.1uF 25V 0%
C280	1-163-038-91	s	CERAMIC, CHIP 0.1uF 25V 0%
C281	1-163-038-91	s	CERAMIC, CHIP 0.1uF 25V 0%
C282	1-163-038-91	s	CERAMIC, CHIP 0.1uF 25V 0%
C283	1-163-038-91	s	CERAMIC, CHIP 0.1uF 25V 0%
C284	1-163-038-91	s	CERAMIC, CHIP 0.1uF 25V 0%
C285	1-163-038-91	s	CERAMIC, CHIP 0.1uF 25V 0%
C286	1-163-038-91	s	CERAMIC, CHIP 0.1uF 25V 0%
C287	1-163-038-91	s	CERAMIC, CHIP 0.1uF 25V 0%
C288	1-163-038-91	s	CERAMIC, CHIP 0.1uF 25V 0%
C289	1-163-038-91	s	CERAMIC, CHIP 0.1uF 25V 0%
C290	1-163-038-91	s	CERAMIC, CHIP 0.1uF 25V 0%
C291	1-163-038-91	s	CERAMIC, CHIP 0.1uF 25V 0%
C292	1-127-516-11	s	ALUMN SOLID 220uF 20% 10V
C293	1-163-038-91	s	CERAMIC, CHIP 0.1uF 25V 0%
C294	1-163-038-91	s	CERAMIC, CHIP 0.1uF 25V 0%
C297	1-163-038-91	s	CERAMIC, CHIP 0.1uF 25V 0%
C298	1-163-038-91	s	CERAMIC, CHIP 0.1uF 25V 0%
C301	1-163-038-91	s	CERAMIC, CHIP 0.1uF 25V 0%
C302	1-163-038-91	s	CERAMIC, CHIP 0.1uF 25V 0%
C303	1-163-038-91	s	CERAMIC, CHIP 0.1uF 25V 0%
C304	1-163-038-91	s	CERAMIC, CHIP 0.1uF 25V 0%
C305	1-163-038-91	s	CERAMIC, CHIP 0.1uF 25V 0%
C306	1-163-038-91	s	CERAMIC, CHIP 0.1uF 25V 0%
C307	1-163-038-91	s	CERAMIC, CHIP 0.1uF 25V 0%
C308	1-163-038-91	s	CERAMIC, CHIP 0.1uF 25V 0%
C309	1-163-038-91	s	CERAMIC, CHIP 0.1uF 25V 0%
C310	1-163-038-91	s	CERAMIC, CHIP 0.1uF 25V 0%
C311	1-163-038-91	s	CERAMIC, CHIP 0.1uF 25V 0%
C312	1-163-038-91	s	CERAMIC, CHIP 0.1uF 25V 0%
C313	1-163-038-91	s	CERAMIC, CHIP 0.1uF 25V 0%
C314	1-163-038-91	s	CERAMIC, CHIP 0.1uF 25V 0%
C315	1-163-038-91	s	CERAMIC, CHIP 0.1uF 25V 0%
C316	1-163-038-91	s	CERAMIC, CHIP 0.1uF 25V 0%
C322	1-163-038-91	s	CERAMIC, CHIP 0.1uF 25V 0%
C323	1-163-038-91	s	CERAMIC, CHIP 0.1uF 25V 0%
C324	1-163-038-91	s	CERAMIC, CHIP 0.1uF 25V 0%
C325	1-163-275-11	s	CERAMIC, CHIP 0.001uF 5% 50V
C326	1-163-037-11	s	CERAMIC, CHIP 0.022uF 10% 25V
C327	1-163-275-11	s	CERAMIC, CHIP 0.001uF 5% 50V
C328	1-104-914-11	s	TANTALUM 22uF 20% 16V
C329	1-163-038-91	s	CERAMIC, CHIP 0.1uF 25V 0%
C330	1-163-038-91	s	CERAMIC, CHIP 0.1uF 25V 0%
C331	1-127-516-11	s	ALUMN SOLID 220uF 20% 10V
CN101	1-778-261-11	o	CONNECTOR, BB 124P, MALE

(DCP-11 BOARD (Suffix number of board is 11.))

Ref. No. or Q'ty	Part No.	SP Description
D3	8-719-941-09	s DIODE DAP202U
D4	8-719-941-86	s DIODE DAN202U
D5	8-719-941-86	s DIODE DAN202U
FB1	1-543-309-21	s BEAD, FERRITE
FB2	1-543-309-21	s BEAD, FERRITE
FB3	1-543-309-21	s BEAD, FERRITE
FB4	1-543-309-21	s BEAD, FERRITE
FB8	1-543-309-21	s BEAD, FERRITE
FB12	1-543-309-21	s BEAD, FERRITE
FB13	1-543-309-21	s BEAD, FERRITE
FB14	1-543-309-21	s BEAD, FERRITE
FL1	1-239-931-11	s FILTER, LOW-PASS
FL2	1-239-931-11	s FILTER, LOW-PASS
IC1	8-759-461-41	s IC DS90LV032TMX
IC2	8-759-461-41	s IC DS90LV032TMX
IC3	8-759-461-41	s IC DS90LV032TMX
IC4	8-759-461-41	s IC DS90LV032TMX
IC5	8-759-461-41	s IC DS90LV032TMX
IC6	8-759-461-41	s IC DS90LV032TMX
IC8	8-759-459-41	s IC TMS4C2973-26DTR
IC9	8-759-459-41	s IC TMS4C2973-26DTR
IC10	8-759-459-41	s IC TMS4C2973-26DTR
IC14	8-759-175-57	s IC CXD8820AR
IC19	8-759-454-75	s IC CXD9008Q
IC20	8-759-295-09	s IC TLC2932IPW
IC21	8-752-357-63	s IC CXD2308Q
IC22	8-759-822-95	s IC L79M05T-FA
IC23	8-759-052-52	s IC L78M05T-FA
IC26	8-759-098-16	s IC LT1227CS8
IC27	8-759-098-16	s IC LT1227CS8
IC29	8-752-052-73	s IC CXA1451M
IC30	8-759-517-31	s IC S-8052ANY-NH
IC31	8-759-079-81	s IC TC74VHC221AFS(EL)
IC35	8-759-271-04	s IC LT1252CS8
IC36	8-759-271-04	s IC LT1252CS8
IC39	8-759-080-06	s IC TC74VHC574FS(EL)
IC40	8-759-080-06	s IC TC74VHC574FS(EL)
IC41	8-759-277-19	s IC UPD485505G-35
IC42	8-759-277-19	s IC UPD485505G-35
IC43	8-759-080-03	s IC TC74VHCT541FS(EL)
IC44	8-759-172-73	s IC CXD8385Q
IC45	8-759-500-28	s IC CXD8110K
IC46	8-759-079-73	s IC TC74VHC153FS(EL)
IC47	8-759-079-74	s IC TC74VHC157FS(EL)
IC48	8-759-079-74	s IC TC74VHC157FS(EL)
IC49	8-759-079-74	s IC TC74VHC157FS(EL)
IC50	8-759-079-73	s IC TC74VHC153FS(EL)
IC51	8-759-079-73	s IC TC74VHC153FS(EL)
IC52	8-759-079-73	s IC TC74VHC153FS(EL)
IC53	8-759-079-73	s IC TC74VHC153FS(EL)
IC54	8-759-179-75	s IC CXD8845Q
IC55	8-759-079-74	s IC TC74VHC157FS(EL)
IC56	8-759-079-74	s IC TC74VHC157FS(EL)
IC58	8-759-461-39	s IC MB90091A-120
IC59	8-741-601-11	s IC SBX1601A
IC60	8-741-601-11	s IC SBX1601A
IC63	8-759-079-88	s IC TC74VHCT245FS(EL)
IC64	8-759-519-12	s IC CXD8281Q

(DCP-11 BOARD (Suffix number of board is 11.))

Ref. No. or Q'ty	Part No.	SP Description
IC65	8-759-079-50	s IC TC74VHCT04FS(EL)
IC66	8-759-079-52	s IC TC74VHC08FS(EL)
IC67	8-759-079-60	s IC TC74VHC32FS(EL)
IC68	8-759-079-52	s IC TC74VHC08FS(EL)
IC69	8-759-079-50	s IC TC74VHCT04FS(EL)
IC70	8-759-822-95	s IC L79M05T-FA
IC80	1-760-277-11	s CRYSTAL 28.636360MHz
IC82	8-759-485-82	s IC MC34182DR2
IC83	8-759-485-82	s IC MC34182DR2
IC84	8-752-360-44	s IC CXK1203AR
IC85	8-759-079-61	s IC TC74VHC74FS(EL)
IC87	8-759-389-33	s IC 74LCX244MTCX
IC88	8-759-386-26	s IC 74LCX574MTCX
IC89	8-759-386-26	s IC 74LCX574MTCX
IC90	8-759-386-26	s IC 74LCX574MTCX
IC92	8-759-386-26	s IC 74LCX574MTCX
IC93	8-759-079-60	s IC TC74VHC32FS(EL)
IC94	8-759-079-54	s IC TC74VHC10FS(EL)
IC95	8-759-079-79	s IC TC74VHC174FS(EL)
IC96	8-759-389-32	s IC 74LCX240MTCX
IC97	8-752-360-44	s IC CXK1203AR
IC98	8-759-391-22	s IC CA3094M
IC99	8-759-391-22	s IC CA3094M
IC100	8-759-391-22	s IC CA3094M
IC101	8-759-391-22	s IC CA3094M
IC102	8-759-079-81	s IC TC74VHC221AFS(EL)
IC103	8-759-237-95	s IC TC74HC688AF(EL)
IC104	8-759-472-67	s IC 74VHCT574MTCX
IC105	8-759-079-67	s IC TC74VHC125FS(EL)
IC106	8-759-079-61	s IC TC74VHC74FS(EL)
IC107	8-759-079-71	s IC TC74VHCT138FS(EL)
IC108	8-759-344-84	s IC CXD8953Q
IC109	8-759-344-84	s IC CXD8953Q
IC110	8-759-079-81	s IC TC74VHC221AFS(EL)
IC111	8-759-386-25	s IC 74LCX245MTCX
IC112	8-759-386-25	s IC 74LCX245MTCX
IC113	8-759-079-50	s IC TC74VHCT04FS(EL)
IC114	8-759-386-26	s IC 74LCX574MTCX
IC115	8-752-360-44	s IC CXK1203AR
IC116	8-759-277-19	s IC UPD485505G-35
IC117	8-759-079-46	s IC TC74VHC00FS(EL)
IC150	8-759-186-54	s IC TC74VHC164FS
IC151	8-759-186-54	s IC TC74VHC164FS
IC152	8-759-822-95	s IC L79M05T-FA
IC153	8-759-186-54	s IC TC74VHC164FS
IC154	8-759-079-50	s IC TC74VHCT04FS(EL)
IC157	8-759-080-06	s IC TC74VHC574FS(EL)
IC158	8-759-080-03	s IC TC74VHCT541FS(EL)
IC200	8-759-079-85	s IC TC74VHC244FS(EL)
IC201	8-759-079-86	s IC TC74VHCT244FS(EL)
IC202	8-759-080-03	s IC TC74VHCT541FS(EL)
IC203	8-759-079-61	s IC TC74VHC74FS(EL)
IC204	8-759-237-95	s IC TC74HC688AF(EL)
IC205	8-759-472-67	s IC 74VHCT574MTCX
IC206	8-759-079-61	s IC TC74VHC74FS(EL)
IC207	8-759-079-60	s IC TC74VHC32FS(EL)
IC208	8-759-472-67	s IC 74VHCT574MTCX
IC209	8-759-472-67	s IC 74VHCT574MTCX
IC210	8-759-079-74	s IC TC74VHC157FS(EL)

(DCP-11 BOARD (Suffix number of board is 11.))

Ref. No. or Q'ty	Part No.	SP	Description
IC211	8-759-079-74	s	IC TC74VHC157FS(EL)
IC212	8-759-079-74	s	IC TC74VHC157FS(EL)
IC214	8-759-079-61	s	IC TC74VHC74FS(EL)
IC222	8-759-080-03	s	IC TC74VHCT541FS(EL)
IC223	8-759-079-60	s	IC TC74VHC32FS(EL)
J3	1-750-880-11	s	CONNECTOR, COAXIAL, MALE
J6	1-750-880-11	s	CONNECTOR, COAXIAL, MALE
J7	1-750-880-11	s	CONNECTOR, COAXIAL, MALE
L1	1-412-166-11	s	INDUCTOR 0.18uH
L2	1-412-143-11	s	INDUCTOR 39uH
L3	1-412-166-11	s	INDUCTOR 0.18uH
L4	1-412-143-11	s	INDUCTOR 39uH
L5	1-408-783-00	s	INDUCTOR, CHIP 33uH
L6	1-410-733-11	s	INDUCTOR 0.22uH
L7	1-410-736-41	s	INDUCTOR 0.39uH
L8	1-410-733-11	s	INDUCTOR 0.22uH
L9	1-410-736-41	s	INDUCTOR 0.39uH
Q1	8-729-145-13	s	TRANSISTOR 2SC3356-(R25)
Q6	8-729-145-13	s	TRANSISTOR 2SC3356-(R25)
Q7	8-729-145-13	s	TRANSISTOR 2SC3356-(R25)
Q8	8-729-145-13	s	TRANSISTOR 2SC3356-(R25)
Q10	8-729-120-28	s	TRANSISTOR 2SC1623-L5L6
Q11	8-729-120-28	s	TRANSISTOR 2SC1623-L5L6
Q12	8-729-216-22	s	TRANSISTOR 2SA1162
Q13	8-729-145-13	s	TRANSISTOR 2SC3356-(R25)
Q14	8-729-145-13	s	TRANSISTOR 2SC3356-(R25)
Q15	8-729-216-22	s	TRANSISTOR 2SA1162
Q16	8-729-120-28	s	TRANSISTOR 2SC1623-L5L6
Q17	8-729-145-13	s	TRANSISTOR 2SC3356-(R25)
Q18	8-729-120-28	s	TRANSISTOR 2SC1623-L5L6
Q19	8-729-216-22	s	TRANSISTOR 2SA1162
Q20	8-729-216-22	s	TRANSISTOR 2SA1162
Q21	8-729-216-22	s	TRANSISTOR 2SA1162
R1	1-216-675-11	s	METAL, CHIP 10K 0.5% 1/10W
R2	1-216-675-11	s	METAL, CHIP 10K 0.5% 1/10W
R3	1-216-620-11	s	METAL, CHIP 51 0.5% 1/10W
R4	1-216-620-11	s	METAL, CHIP 51 0.5% 1/10W
R5	1-216-625-11	s	METAL, CHIP 82 0.5% 1/10W
R6	1-216-620-11	s	METAL, CHIP 51 0.5% 1/10W
R7	1-216-620-11	s	METAL, CHIP 51 0.5% 1/10W
R8	1-216-625-11	s	METAL, CHIP 82 0.5% 1/10W
R9	1-216-620-11	s	METAL, CHIP 51 0.5% 1/10W
R10	1-216-620-11	s	METAL, CHIP 51 0.5% 1/10W
R11	1-216-625-11	s	METAL, CHIP 82 0.5% 1/10W
R12	1-216-620-11	s	METAL, CHIP 51 0.5% 1/10W
R13	1-216-620-11	s	METAL, CHIP 51 0.5% 1/10W
R14	1-216-625-11	s	METAL, CHIP 82 0.5% 1/10W
R15	1-216-620-11	s	METAL, CHIP 51 0.5% 1/10W
R16	1-216-620-11	s	METAL, CHIP 51 0.5% 1/10W
R17	1-216-625-11	s	METAL, CHIP 82 0.5% 1/10W
R18	1-216-620-11	s	METAL, CHIP 51 0.5% 1/10W
R19	1-216-620-11	s	METAL, CHIP 51 0.5% 1/10W
R20	1-216-625-11	s	METAL, CHIP 82 0.5% 1/10W
R21	1-216-620-11	s	METAL, CHIP 51 0.5% 1/10W
R22	1-216-620-11	s	METAL, CHIP 51 0.5% 1/10W
R23	1-216-625-11	s	METAL, CHIP 82 0.5% 1/10W
R24	1-216-620-11	s	METAL, CHIP 51 0.5% 1/10W
R25	1-216-620-11	s	METAL, CHIP 51 0.5% 1/10W

(DCP-11 BOARD (Suffix number of board is 11.))

Ref. No. or Q'ty	Part No.	SP	Description
R26	1-216-625-11	s	METAL, CHIP 82 0.5% 1/10W
R27	1-216-620-11	s	METAL, CHIP 51 0.5% 1/10W
R28	1-216-620-11	s	METAL, CHIP 51 0.5% 1/10W
R29	1-216-625-11	s	METAL, CHIP 82 0.5% 1/10W
R30	1-216-620-11	s	METAL, CHIP 51 0.5% 1/10W
R31	1-216-620-11	s	METAL, CHIP 51 0.5% 1/10W
R32	1-216-625-11	s	METAL, CHIP 82 0.5% 1/10W
R33	1-216-620-11	s	METAL, CHIP 51 0.5% 1/10W
R34	1-216-620-11	s	METAL, CHIP 51 0.5% 1/10W
R35	1-216-625-11	s	METAL, CHIP 82 0.5% 1/10W
R36	1-216-620-11	s	METAL, CHIP 51 0.5% 1/10W
R37	1-216-620-11	s	METAL, CHIP 51 0.5% 1/10W
R38	1-216-625-11	s	METAL, CHIP 82 0.5% 1/10W
R39	1-216-620-11	s	METAL, CHIP 51 0.5% 1/10W
R40	1-216-620-11	s	METAL, CHIP 51 0.5% 1/10W
R41	1-216-625-11	s	METAL, CHIP 82 0.5% 1/10W
R42	1-216-620-11	s	METAL, CHIP 51 0.5% 1/10W
R43	1-216-620-11	s	METAL, CHIP 51 0.5% 1/10W
R44	1-216-625-11	s	METAL, CHIP 82 0.5% 1/10W
R45	1-216-620-11	s	METAL, CHIP 51 0.5% 1/10W
R46	1-216-620-11	s	METAL, CHIP 51 0.5% 1/10W
R47	1-216-625-11	s	METAL, CHIP 82 0.5% 1/10W
R48	1-216-620-11	s	METAL, CHIP 51 0.5% 1/10W
R49	1-216-620-11	s	METAL, CHIP 51 0.5% 1/10W
R50	1-216-625-11	s	METAL, CHIP 82 0.5% 1/10W
R51	1-216-620-11	s	METAL, CHIP 51 0.5% 1/10W
R52	1-216-620-11	s	METAL, CHIP 51 0.5% 1/10W
R53	1-216-625-11	s	METAL, CHIP 82 0.5% 1/10W
R54	1-216-620-11	s	METAL, CHIP 51 0.5% 1/10W
R55	1-216-620-11	s	METAL, CHIP 51 0.5% 1/10W
R56	1-216-625-11	s	METAL, CHIP 82 0.5% 1/10W
R57	1-216-620-11	s	METAL, CHIP 51 0.5% 1/10W
R58	1-216-620-11	s	METAL, CHIP 51 0.5% 1/10W
R59	1-216-625-11	s	METAL, CHIP 82 0.5% 1/10W
R60	1-216-620-11	s	METAL, CHIP 51 0.5% 1/10W
R61	1-216-620-11	s	METAL, CHIP 51 0.5% 1/10W
R62	1-216-625-11	s	METAL, CHIP 82 0.5% 1/10W
R63	1-216-620-11	s	METAL, CHIP 51 0.5% 1/10W
R64	1-216-620-11	s	METAL, CHIP 51 0.5% 1/10W
R65	1-216-625-11	s	METAL, CHIP 82 0.5% 1/10W
R66	1-216-620-11	s	METAL, CHIP 51 0.5% 1/10W
R67	1-216-620-11	s	METAL, CHIP 51 0.5% 1/10W
R68	1-216-625-11	s	METAL, CHIP 82 0.5% 1/10W
R69	1-216-620-11	s	METAL, CHIP 51 0.5% 1/10W
R70	1-216-620-11	s	METAL, CHIP 51 0.5% 1/10W
R71	1-216-625-11	s	METAL, CHIP 82 0.5% 1/10W
R72	1-216-620-11	s	METAL, CHIP 51 0.5% 1/10W
R73	1-216-620-11	s	METAL, CHIP 51 0.5% 1/10W
R74	1-216-620-11	s	METAL, CHIP 51 0.5% 1/10W
R75	1-216-620-11	s	METAL, CHIP 51 0.5% 1/10W
R76	1-216-620-11	s	METAL, CHIP 51 0.5% 1/10W
R77	1-216-620-11	s	METAL, CHIP 51 0.5% 1/10W
R78	1-216-620-11	s	METAL, CHIP 51 0.5% 1/10W
R79	1-216-620-11	s	METAL, CHIP 51 0.5% 1/10W
R80	1-216-620-11	s	METAL, CHIP 51 0.5% 1/10W
R81	1-216-620-11	s	METAL, CHIP 51 0.5% 1/10W
R82	1-216-620-11	s	METAL, CHIP 51 0.5% 1/10W
R83	1-216-620-11	s	METAL, CHIP 51 0.5% 1/10W
R84	1-216-620-11	s	METAL, CHIP 51 0.5% 1/10W

(DCP-11 BOARD (Suffix number of board is 11.))

Ref. No. or Q'ty	Part No.	SP Description
R85	1-216-620-11	s METAL, CHIP 51 0.5% 1/10W
R86	1-216-620-11	s METAL, CHIP 51 0.5% 1/10W
R87	1-216-620-11	s METAL, CHIP 51 0.5% 1/10W
R88	1-216-620-11	s METAL, CHIP 51 0.5% 1/10W
R89	1-216-620-11	s METAL, CHIP 51 0.5% 1/10W
R90	1-216-620-11	s METAL, CHIP 51 0.5% 1/10W
R91	1-216-620-11	s METAL, CHIP 51 0.5% 1/10W
R92	1-216-620-11	s METAL, CHIP 51 0.5% 1/10W
R93	1-216-620-11	s METAL, CHIP 51 0.5% 1/10W
R94	1-216-615-11	s METAL, CHIP 33 0.5% 1/10W
R95	1-216-620-11	s METAL, CHIP 51 0.5% 1/10W
R96	1-216-620-11	s METAL, CHIP 51 0.5% 1/10W
R97	1-216-627-11	s METAL, CHIP 100 0.5% 1/10W
R98	1-216-635-11	s METAL, CHIP 220 0.5% 1/10W
R99	1-216-635-11	s METAL, CHIP 220 0.5% 1/10W
R100	1-216-620-11	s METAL, CHIP 51 0.5% 1/10W
R101	1-216-620-11	s METAL, CHIP 51 0.5% 1/10W
R102	1-216-620-11	s METAL, CHIP 51 0.5% 1/10W
R103	1-216-620-11	s METAL, CHIP 51 0.5% 1/10W
R104	1-216-620-11	s METAL, CHIP 51 0.5% 1/10W
R105	1-216-620-11	s METAL, CHIP 51 0.5% 1/10W
R106	1-216-620-11	s METAL, CHIP 51 0.5% 1/10W
R107	1-216-620-11	s METAL, CHIP 51 0.5% 1/10W
R108	1-216-616-11	s METAL, CHIP 36 0.50% 1/10W
R109	1-216-616-11	s METAL, CHIP 36 0.50% 1/10W
R110	1-216-616-11	s METAL, CHIP 36 0.50% 1/10W
R111	1-216-616-11	s METAL, CHIP 36 0.50% 1/10W
R112	1-216-616-11	s METAL, CHIP 36 0.50% 1/10W
R113	1-216-616-11	s METAL, CHIP 36 0.50% 1/10W
R116	1-216-675-11	s METAL, CHIP 10K 0.5% 1/10W
R117	1-216-295-91	s RES, CHIP 0
R118	1-216-619-11	s METAL, CHIP 47 0.5% 1/10W
R119	1-216-619-11	s METAL, CHIP 47 0.5% 1/10W
R120	1-216-295-91	s RES, CHIP 0
R121	1-216-295-91	s RES, CHIP 0
R122	1-216-295-91	s RES, CHIP 0
R124	1-216-619-11	s METAL, CHIP 47 0.5% 1/10W
R125	1-216-619-11	s METAL, CHIP 47 0.5% 1/10W
R126	1-216-619-11	s METAL, CHIP 47 0.5% 1/10W
R127	1-216-619-11	s METAL, CHIP 47 0.5% 1/10W
R128	1-216-619-11	s METAL, CHIP 47 0.5% 1/10W
R129	1-216-619-11	s METAL, CHIP 47 0.5% 1/10W
R130	1-216-675-11	s METAL, CHIP 10K 0.5% 1/10W
R131	1-216-627-11	s METAL, CHIP 100 0.5% 1/10W
R134	1-216-295-91	s RES, CHIP 0
R135	1-216-295-91	s RES, CHIP 0
R136	1-216-627-11	s METAL, CHIP 100 0.5% 1/10W
R137	1-216-627-11	s METAL, CHIP 100 0.5% 1/10W
R138	1-216-653-11	s METAL, CHIP 1.2K 0.5% 1/10W
R141	1-216-653-11	s METAL, CHIP 1.2K 0.5% 1/10W
R142	1-216-620-11	s METAL, CHIP 51 0.5% 1/10W
R144	1-216-653-11	s METAL, CHIP 1.2K 0.5% 1/10W
R145	1-216-680-11	s METAL, CHIP 16K 0.5% 1/10W
R146	1-216-638-11	s METAL, CHIP 300 0.5% 1/10W
R147	1-216-658-11	s METAL, CHIP 2K 0.5% 1/10W
R148	1-216-631-11	s METAL, CHIP 150 0.5% 1/10W
R149	1-216-666-11	s METAL, CHIP 4.3K 0.5% 1/10W
R150	1-216-654-11	s METAL, CHIP 1.3K 0.5% 1/10W
R151	1-216-658-11	s METAL, CHIP 2K 0.5% 1/10W

(DCP-11 BOARD (Suffix number of board is 11.))

Ref. No. or Q'ty	Part No.	SP Description
R152	1-216-666-11	s METAL, CHIP 4.3K 0.5% 1/10W
R153	1-216-654-11	s METAL, CHIP 1.3K 0.5% 1/10W
R154	1-216-631-11	s METAL, CHIP 150 0.5% 1/10W
R155	1-216-609-11	s METAL, CHIP 18 0.5% 1/10W
R156	1-216-625-11	s METAL, CHIP 82 0.5% 1/10W
R157	1-216-631-11	s METAL, CHIP 150 0.5% 1/10W
R158	1-216-631-11	s METAL, CHIP 150 0.5% 1/10W
R159	1-216-656-11	s METAL, CHIP 1.6K 0.5% 1/10W
R160	1-216-631-11	s METAL, CHIP 150 0.5% 1/10W
R161	1-216-668-11	s METAL, CHIP 5.1K 0.5% 1/10W
R162	1-216-641-11	s METAL, CHIP 390 0.5% 1/10W
R163	1-216-653-11	s METAL, CHIP 1.2K 0.5% 1/10W
R164	1-216-609-11	s METAL, CHIP 18 0.5% 1/10W
R165	1-216-625-11	s METAL, CHIP 82 0.5% 1/10W
R166	1-216-631-11	s METAL, CHIP 150 0.5% 1/10W
R167	1-216-631-11	s METAL, CHIP 150 0.5% 1/10W
R168	1-216-656-11	s METAL, CHIP 1.6K 0.5% 1/10W
R169	1-216-631-11	s METAL, CHIP 150 0.5% 1/10W
R170	1-216-679-11	s METAL, CHIP 15K 0.5% 1/10W
R171	1-216-653-11	s METAL, CHIP 1.2K 0.5% 1/10W
R172	1-216-653-11	s METAL, CHIP 1.2K 0.5% 1/10W
R173	1-216-657-11	s METAL, CHIP 1.8K 0.5% 1/10W
R174	1-216-651-11	s METAL, CHIP 1K 0.5% 1/10W
R175	1-216-627-11	s METAL, CHIP 100 0.5% 1/10W
R176	1-216-627-11	s METAL, CHIP 100 0.5% 1/10W
R177	1-216-295-91	s RES, CHIP 0
R178	1-216-620-11	s METAL, CHIP 51 0.5% 1/10W
R181	1-216-663-11	s METAL, CHIP 3.3K 0.5% 1/10W
R182	1-216-653-11	s METAL, CHIP 1.2K 0.5% 1/10W
R183	1-216-667-11	s METAL, CHIP 4.7K 0.5% 1/10W
R184	1-216-619-11	s METAL, CHIP 47 0.5% 1/10W
R185	1-216-651-11	s METAL, CHIP 1K 0.5% 1/10W
R187	1-216-295-91	s RES, CHIP 0
R188	1-216-295-91	s RES, CHIP 0
R189	1-216-624-11	s METAL, CHIP 75 0.5% 1/10W
R190	1-216-624-11	s METAL, CHIP 75 0.5% 1/10W
R191	1-216-624-11	s METAL, CHIP 75 0.5% 1/10W
R192	1-216-624-11	s METAL, CHIP 75 0.5% 1/10W
R193	1-216-651-11	s METAL, CHIP 1K 0.5% 1/10W
R194	1-216-683-11	s METAL, CHIP 22K 0.5% 1/10W
R195	1-216-651-11	s METAL, CHIP 1K 0.5% 1/10W
R196	1-216-683-11	s METAL, CHIP 22K 0.5% 1/10W
R197	1-216-295-91	s RES, CHIP 0
R200	1-216-691-11	s METAL, CHIP 47K 0.5% 1/10W
R201	1-216-691-11	s METAL, CHIP 47K 0.5% 1/10W
R202	1-216-635-11	s METAL, CHIP 220 0.5% 1/10W
R203	1-216-635-11	s METAL, CHIP 220 0.5% 1/10W
R204	1-216-620-11	s METAL, CHIP 51 0.5% 1/10W
R205	1-216-620-11	s METAL, CHIP 51 0.5% 1/10W
R206	1-216-620-11	s METAL, CHIP 51 0.5% 1/10W
R207	1-216-620-11	s METAL, CHIP 51 0.5% 1/10W
R208	1-216-620-11	s METAL, CHIP 51 0.5% 1/10W
R213	1-216-295-91	s RES, CHIP 0
R214	1-216-295-91	s RES, CHIP 0
R215	1-216-295-91	s RES, CHIP 0
R216	1-216-295-91	s RES, CHIP 0
R221	1-216-295-91	s RES, CHIP 0
R222	1-216-295-91	s RES, CHIP 0
R223	1-216-295-91	s RES, CHIP 0

(DCP-11 BOARD (Suffix number of board is 11.))

Ref. No. or Q'ty	Part No.	SP	Description
R224	1-216-295-91	s	RES, CHIP 0
R225	1-216-295-91	s	RES, CHIP 0
R239	1-216-295-91	s	RES, CHIP 0
R241	1-216-295-91	s	RES, CHIP 0
R244	1-216-627-11	s	METAL, CHIP 100 0.5% 1/10W
R245	1-216-295-91	s	RES, CHIP 0
R262	1-216-295-91	s	RES, CHIP 0
R263	1-216-295-91	s	RES, CHIP 0
R265	1-216-295-91	s	RES, CHIP 0
R267	1-216-295-91	s	RES, CHIP 0
R268	1-216-295-91	s	RES, CHIP 0
R269	1-216-295-91	s	RES, CHIP 0
R270	1-216-295-91	s	RES, CHIP 0
R271	1-216-295-91	s	RES, CHIP 0
R284	1-216-295-91	s	RES, CHIP 0
R287	1-216-295-91	s	RES, CHIP 0
R288	1-216-295-91	s	RES, CHIP 0
R291	1-216-295-91	s	RES, CHIP 0
R292	1-216-295-91	s	RES, CHIP 0
R293	1-216-295-91	s	RES, CHIP 0
R294	1-216-295-91	s	RES, CHIP 0
R299	1-216-295-91	s	RES, CHIP 0
R300	1-216-295-91	s	RES, CHIP 0
R301	1-216-295-91	s	RES, CHIP 0
R302	1-216-295-91	s	RES, CHIP 0
R309	1-218-716-11	s	METAL, CHIP 10K 0.5% 1/16W
R310	1-218-716-11	s	METAL, CHIP 10K 0.5% 1/16W
R311	1-218-688-11	s	METAL, CHIP 680 0.50% 1/16W
R312	1-218-688-11	s	METAL, CHIP 680 0.50% 1/16W
R313	1-218-688-11	s	METAL, CHIP 680 0.50% 1/16W
R314	1-218-688-11	s	METAL, CHIP 680 0.50% 1/16W
R315	1-218-688-11	s	METAL, CHIP 680 0.50% 1/16W
R316	1-218-688-11	s	METAL, CHIP 680 0.50% 1/16W
R317	1-218-688-11	s	METAL, CHIP 680 0.50% 1/16W
R318	1-218-688-11	s	METAL, CHIP 680 0.50% 1/16W
R319	1-218-688-11	s	METAL, CHIP 680 0.50% 1/16W
R321	1-218-688-11	s	METAL, CHIP 680 0.50% 1/16W
R322	1-218-688-11	s	METAL, CHIP 680 0.50% 1/16W
R323	1-218-716-11	s	METAL, CHIP 10K 0.5% 1/16W
R324	1-218-716-11	s	METAL, CHIP 10K 0.5% 1/16W
R325	1-218-688-11	s	METAL, CHIP 680 0.50% 1/16W
R326	1-218-688-11	s	METAL, CHIP 680 0.50% 1/16W
R327	1-218-688-11	s	METAL, CHIP 680 0.50% 1/16W
R328	1-218-688-11	s	METAL, CHIP 680 0.50% 1/16W
R329	1-218-688-11	s	METAL, CHIP 680 0.50% 1/16W
R330	1-218-688-11	s	METAL, CHIP 680 0.50% 1/16W
R331	1-218-688-11	s	METAL, CHIP 680 0.50% 1/16W
R332	1-218-688-11	s	METAL, CHIP 680 0.50% 1/16W
R333	1-218-688-11	s	METAL, CHIP 680 0.50% 1/16W
R334	1-218-688-11	s	METAL, CHIP 680 0.50% 1/16W
R335	1-218-688-11	s	METAL, CHIP 680 0.50% 1/16W
R336	1-216-295-91	s	RES, CHIP 0
R337	1-216-295-91	s	RES, CHIP 0
R338	1-216-295-91	s	RES, CHIP 0
R339	1-216-627-11	s	METAL, CHIP 100 0.5% 1/10W
R340	1-216-295-91	s	RES, CHIP 0
R341	1-216-675-11	s	METAL, CHIP 10K 0.5% 1/10W
R344	1-216-675-11	s	METAL, CHIP 10K 0.5% 1/10W
R345	1-216-631-11	s	METAL, CHIP 150 0.5% 1/10W

(DCP-11 BOARD (Suffix number of board is 11.))

Ref. No. or Q'ty	Part No.	SP	Description
R346	1-216-627-11	s	METAL, CHIP 100 0.5% 1/10W
R347	1-216-651-11	s	METAL, CHIP 1K 0.5% 1/10W
R348	1-216-627-11	s	METAL, CHIP 100 0.5% 1/10W
R349	1-216-683-11	s	METAL, CHIP 22K 0.5% 1/10W
R350	1-216-651-11	s	METAL, CHIP 1K 0.5% 1/10W
R351	1-216-627-11	s	METAL, CHIP 100 0.5% 1/10W
R352	1-216-620-11	s	METAL, CHIP 51 0.5% 1/10W
R353	1-216-620-11	s	METAL, CHIP 51 0.5% 1/10W
R354	1-216-620-11	s	METAL, CHIP 51 0.5% 1/10W
R355	1-216-620-11	s	METAL, CHIP 51 0.5% 1/10W
R356	1-216-620-11	s	METAL, CHIP 51 0.5% 1/10W
R357	1-216-635-11	s	METAL, CHIP 220 0.5% 1/10W
R358	1-216-624-11	s	METAL, CHIP 75 0.5% 1/10W
R359	1-216-635-11	s	METAL, CHIP 220 0.5% 1/10W
R360	1-216-615-11	s	METAL, CHIP 33 0.5% 1/10W
R361	1-216-615-11	s	METAL, CHIP 33 0.5% 1/10W
R362	1-216-624-11	s	METAL, CHIP 75 0.5% 1/10W
R363	1-216-625-11	s	METAL, CHIP 82 0.5% 1/10W
R364	1-216-675-11	s	METAL, CHIP 10K 0.5% 1/10W
R365	1-216-684-91	s	METAL, CHIP 24K 0.5% 1/10W
R366	1-216-624-11	s	METAL, CHIP 75 0.5% 1/10W
R370	1-216-620-11	s	METAL, CHIP 51 0.5% 1/10W
R371	1-216-624-11	s	METAL, CHIP 75 0.5% 1/10W
R372	1-216-635-11	s	METAL, CHIP 220 0.5% 1/10W
R373	1-216-635-11	s	METAL, CHIP 220 0.5% 1/10W
R374	1-216-625-11	s	METAL, CHIP 82 0.5% 1/10W
R375	1-216-615-11	s	METAL, CHIP 33 0.5% 1/10W
R376	1-216-615-11	s	METAL, CHIP 33 0.5% 1/10W
R389	1-216-631-11	s	METAL, CHIP 150 0.5% 1/10W
R390	1-216-651-11	s	METAL, CHIP 1K 0.5% 1/10W
R395	1-216-631-11	s	METAL, CHIP 150 0.5% 1/10W
R396	1-216-651-11	s	METAL, CHIP 1K 0.5% 1/10W
R397	1-216-623-11	s	METAL, CHIP 68 0.5% 1/10W
R400	1-216-627-11	s	METAL, CHIP 100 0.5% 1/10W
R403	1-216-623-11	s	METAL, CHIP 68 0.5% 1/10W
R411	1-216-623-11	s	METAL, CHIP 68 0.5% 1/10W
R412	1-216-651-11	s	METAL, CHIP 1K 0.5% 1/10W
R413	1-216-631-11	s	METAL, CHIP 150 0.5% 1/10W
R424	1-216-295-91	s	RES, CHIP 0
R425	1-216-295-91	s	RES, CHIP 0
R427	1-216-295-91	s	RES, CHIP 0
R430	1-216-295-91	s	RES, CHIP 0
R432	1-216-295-91	s	RES, CHIP 0
R433	1-216-295-91	s	RES, CHIP 0
R437	1-216-295-91	s	RES, CHIP 0
R438	1-216-624-11	s	METAL, CHIP 75 0.5% 1/10W
R440	1-216-295-91	s	RES, CHIP 0
R441	1-216-295-91	s	RES, CHIP 0
R444	1-216-295-91	s	RES, CHIP 0
R451	1-216-295-91	s	RES, CHIP 0
R452	1-216-295-91	s	RES, CHIP 0
R454	1-216-295-91	s	RES, CHIP 0
R458	1-216-295-91	s	RES, CHIP 0
R463	1-216-295-91	s	RES, CHIP 0
R466	1-216-651-11	s	METAL, CHIP 1K 0.5% 1/10W
R467	1-216-619-11	s	METAL, CHIP 47 0.5% 1/10W
R468	1-216-619-11	s	METAL, CHIP 47 0.5% 1/10W
R469	1-216-619-11	s	METAL, CHIP 47 0.5% 1/10W
R470	1-216-619-11	s	METAL, CHIP 47 0.5% 1/10W

(DCP-11 BOARD (Suffix number of board is 11.))

Ref. No. or Q'ty	Part No.	SP Description
R471	1-216-651-11	s METAL, CHIP 1K 0.5% 1/10W
R472	1-216-651-11	s METAL, CHIP 1K 0.5% 1/10W
R473	1-216-619-11	s METAL, CHIP 47 0.5% 1/10W
R474	1-216-619-11	s METAL, CHIP 47 0.5% 1/10W
R475	1-216-619-11	s METAL, CHIP 47 0.5% 1/10W
R476	1-216-619-11	s METAL, CHIP 47 0.5% 1/10W
R477	1-216-651-11	s METAL, CHIP 1K 0.5% 1/10W
R478	1-216-651-11	s METAL, CHIP 1K 0.5% 1/10W
R479	1-216-638-11	s METAL, CHIP 300 0.5% 1/10W
R480	1-216-659-11	s METAL, CHIP 2.2K 0.5% 1/10W
R481	1-216-687-11	s METAL, CHIP 33K 0.5% 1/10W
R482	1-216-627-11	s METAL, CHIP 100 0.5% 1/10W
R483	1-216-683-11	s METAL, CHIP 22K 0.5% 1/10W
R484	1-216-651-11	s METAL, CHIP 1K 0.5% 1/10W
R485	1-216-651-11	s METAL, CHIP 1K 0.5% 1/10W
R486	1-216-651-11	s METAL, CHIP 1K 0.5% 1/10W
R487	1-216-651-11	s METAL, CHIP 1K 0.5% 1/10W
R488	1-216-643-11	s METAL, CHIP 470 0.5% 1/10W
R489	1-216-643-11	s METAL, CHIP 470 0.5% 1/10W
R490	1-216-638-11	s METAL, CHIP 300 0.5% 1/10W
R491	1-216-627-11	s METAL, CHIP 100 0.5% 1/10W
R492	1-216-683-11	s METAL, CHIP 22K 0.5% 1/10W
R493	1-216-687-11	s METAL, CHIP 33K 0.5% 1/10W
R494	1-216-667-11	s METAL, CHIP 4.7K 0.5% 1/10W
R495	1-216-659-11	s METAL, CHIP 2.2K 0.5% 1/10W
R496	1-216-659-11	s METAL, CHIP 2.2K 0.5% 1/10W
R497	1-216-675-11	s METAL, CHIP 10K 0.5% 1/10W
R498	1-216-675-11	s METAL, CHIP 10K 0.5% 1/10W
R499	1-216-659-11	s METAL, CHIP 2.2K 0.5% 1/10W
R500	1-216-659-11	s METAL, CHIP 2.2K 0.5% 1/10W
R501	1-216-675-11	s METAL, CHIP 10K 0.5% 1/10W
R502	1-216-675-11	s METAL, CHIP 10K 0.5% 1/10W
R503	1-216-657-11	s METAL, CHIP 1.8K 0.5% 1/10W
R504	1-216-643-11	s METAL, CHIP 470 0.5% 1/10W
R505	1-216-643-11	s METAL, CHIP 470 0.5% 1/10W
R506	1-216-691-11	s METAL, CHIP 47K 0.5% 1/10W
R507	1-216-295-91	s RES, CHIP 0
R508	1-216-295-91	s RES, CHIP 0
R512	1-216-295-91	s RES, CHIP 0
R524	1-216-295-91	s RES, CHIP 0
R548	1-216-295-91	s RES, CHIP 0
R560	1-216-295-91	s RES, CHIP 0
R582	1-216-625-11	s METAL, CHIP 82 0.5% 1/10W
R583	1-216-625-11	s METAL, CHIP 82 0.5% 1/10W
R589	1-216-620-11	s METAL, CHIP 51 0.5% 1/10W
R590	1-216-620-11	s METAL, CHIP 51 0.5% 1/10W
R592	1-216-620-11	s METAL, CHIP 51 0.5% 1/10W
R594	1-216-295-91	s RES, CHIP 0
R595	1-216-295-91	s RES, CHIP 0
R598	1-216-295-91	s RES, CHIP 0
R600	1-216-295-91	s RES, CHIP 0
R601	1-216-295-91	s RES, CHIP 0
R602	1-216-295-91	s RES, CHIP 0
R605	1-216-295-91	s RES, CHIP 0
R607	1-216-295-91	s RES, CHIP 0
R609	1-216-620-11	s METAL, CHIP 51 0.5% 1/10W
R610	1-216-620-11	s METAL, CHIP 51 0.5% 1/10W
R611	1-216-620-11	s METAL, CHIP 51 0.5% 1/10W
R612	1-216-620-11	s METAL, CHIP 51 0.5% 1/10W

(DCP-11 BOARD (Suffix number of board is 11.))

Ref. No. or Q'ty	Part No.	SP Description
R613	1-216-620-11	s METAL, CHIP 51 0.5% 1/10W
R614	1-216-620-11	s METAL, CHIP 51 0.5% 1/10W
R615	1-216-620-11	s METAL, CHIP 51 0.5% 1/10W
R616	1-216-620-11	s METAL, CHIP 51 0.5% 1/10W
R625	1-216-620-11	s METAL, CHIP 51 0.5% 1/10W
R626	1-216-620-11	s METAL, CHIP 51 0.5% 1/10W
R627	1-216-620-11	s METAL, CHIP 51 0.5% 1/10W
R628	1-216-620-11	s METAL, CHIP 51 0.5% 1/10W
R629	1-216-620-11	s METAL, CHIP 51 0.5% 1/10W
R630	1-216-620-11	s METAL, CHIP 51 0.5% 1/10W
R631	1-216-620-11	s METAL, CHIP 51 0.5% 1/10W
R632	1-216-620-11	s METAL, CHIP 51 0.5% 1/10W
R641	1-216-620-11	s METAL, CHIP 51 0.5% 1/10W
R642	1-216-620-11	s METAL, CHIP 51 0.5% 1/10W
R643	1-216-620-11	s METAL, CHIP 51 0.5% 1/10W
R644	1-216-620-11	s METAL, CHIP 51 0.5% 1/10W
R646	1-216-620-11	s METAL, CHIP 51 0.5% 1/10W
R700	1-216-620-11	s METAL, CHIP 51 0.5% 1/10W
R701	1-216-620-11	s METAL, CHIP 51 0.5% 1/10W
R702	1-216-620-11	s METAL, CHIP 51 0.5% 1/10W
R703	1-216-620-11	s METAL, CHIP 51 0.5% 1/10W
R704	1-216-620-11	s METAL, CHIP 51 0.5% 1/10W
R706	1-216-683-11	s METAL, CHIP 22K 0.5% 1/10W
R800	1-216-620-11	s METAL, CHIP 51 0.5% 1/10W
R801	1-215-390-00	s METAL 51 1% 1/6W
R802	1-216-620-11	s METAL, CHIP 51 0.5% 1/10W
R803	1-216-620-11	s METAL, CHIP 51 0.5% 1/10W
R804	1-216-620-11	s METAL, CHIP 51 0.5% 1/10W
R805	1-216-620-11	s METAL, CHIP 51 0.5% 1/10W
R806	1-216-620-11	s METAL, CHIP 51 0.5% 1/10W
R807	1-216-620-11	s METAL, CHIP 51 0.5% 1/10W
R808	1-216-620-11	s METAL, CHIP 51 0.5% 1/10W
R809	1-216-620-11	s METAL, CHIP 51 0.5% 1/10W
R810	1-216-620-11	s METAL, CHIP 51 0.5% 1/10W
R811	1-216-295-91	s RES, CHIP 0
R812	1-216-295-91	s RES, CHIP 0
R813	1-216-620-11	s METAL, CHIP 51 0.5% 1/10W
R814	1-216-295-91	s RES, CHIP 0
R815	1-216-620-11	s METAL, CHIP 51 0.5% 1/10W
R816	1-216-675-11	s METAL, CHIP 10K 0.5% 1/10W
R818	1-216-295-91	s RES, CHIP 0
R821	1-216-295-91	s RES, CHIP 0
R822	1-216-620-11	s METAL, CHIP 51 0.5% 1/10W
R823	1-216-620-11	s METAL, CHIP 51 0.5% 1/10W
R824	1-216-620-11	s METAL, CHIP 51 0.5% 1/10W
R825	1-216-620-11	s METAL, CHIP 51 0.5% 1/10W
R826	1-216-295-91	s RES, CHIP 0
R828	1-216-620-11	s METAL, CHIP 51 0.5% 1/10W
R830	1-216-295-91	s RES, CHIP 0
R831	1-216-295-91	s RES, CHIP 0
R850	1-216-295-91	s RES, CHIP 0
R851	1-216-295-91	s RES, CHIP 0
R852	1-216-295-91	s RES, CHIP 0
R853	1-216-295-91	s RES, CHIP 0
R854	1-216-295-91	s RES, CHIP 0
R855	1-216-295-91	s RES, CHIP 0
R856	1-216-295-91	s RES, CHIP 0
R857	1-216-295-91	s RES, CHIP 0

(DCP-11 BOARD (Suffix number of board is 11.))

Ref. No. or Q'ty	Part No.	SP	Description
RB1	1-239-409-11	s	RESISTOR BLOCK 47x4
RB2	1-239-409-11	s	RESISTOR BLOCK 47x4
RB3	1-239-409-11	s	RESISTOR BLOCK 47x4
RB4	1-239-409-11	s	RESISTOR BLOCK 47x4
RB5	1-239-389-11	s	RESISTOR BLOCK 47Kx4
RB6	1-239-389-11	s	RESISTOR BLOCK 47Kx4
RB7	1-236-908-11	s	RESISTOR BLOCK 10Kx4
RB8	1-239-624-11	s	RESISTOR BLOCK 10Kx8
RB9	1-239-624-11	s	RESISTOR BLOCK 10Kx8
RB10	1-239-624-11	s	RESISTOR BLOCK 10Kx8
RB11	1-236-908-11	s	RESISTOR BLOCK 10Kx4
RB12	1-236-908-11	s	RESISTOR BLOCK 10Kx4
RB13	1-236-908-11	s	RESISTOR BLOCK 10Kx4
RB14	1-236-908-11	s	RESISTOR BLOCK 10Kx4
RB15	1-236-908-11	s	RESISTOR BLOCK 10Kx4
RB16	1-236-908-11	s	RESISTOR BLOCK 10Kx4
RB17	1-236-908-11	s	RESISTOR BLOCK 10Kx4
RB18	1-236-908-11	s	RESISTOR BLOCK 10Kx4
RB19	1-236-908-11	s	RESISTOR BLOCK 10Kx4
RB20	1-236-908-11	s	RESISTOR BLOCK 10Kx4
RB21	1-236-908-11	s	RESISTOR BLOCK 10Kx4
RB22	1-239-409-11	s	RESISTOR BLOCK 47x4
RB23	1-239-409-11	s	RESISTOR BLOCK 47x4
RB24	1-239-409-11	s	RESISTOR BLOCK 47x4
RB25	1-239-409-11	s	RESISTOR BLOCK 47x4
RB30	1-239-409-11	s	RESISTOR BLOCK 47x4
RB31	1-239-409-11	s	RESISTOR BLOCK 47x4
RB32	1-239-409-11	s	RESISTOR BLOCK 47x4
RB33	1-236-908-11	s	RESISTOR BLOCK 10Kx4
RB34	1-236-908-11	s	RESISTOR BLOCK 10Kx4
RB35	1-239-409-11	s	RESISTOR BLOCK 47x4
RB36	1-239-409-11	s	RESISTOR BLOCK 47x4
RB37	1-239-409-11	s	RESISTOR BLOCK 47x4
RB38	1-239-409-11	s	RESISTOR BLOCK 47x4
RB39	1-239-409-11	s	RESISTOR BLOCK 47x4
RB40	1-239-409-11	s	RESISTOR BLOCK 47x4
RB41	1-239-409-11	s	RESISTOR BLOCK 47x4
RB42	1-239-409-11	s	RESISTOR BLOCK 47x4
RB43	1-239-409-11	s	RESISTOR BLOCK 47x4
RB44	1-239-409-11	s	RESISTOR BLOCK 47x4
RB45	1-239-409-11	s	RESISTOR BLOCK 47x4
RB46	1-236-908-11	s	RESISTOR BLOCK 10Kx4
RB47	1-236-908-11	s	RESISTOR BLOCK 10Kx4
RB48	1-239-409-11	s	RESISTOR BLOCK 47x4
RB200	1-239-624-11	s	RESISTOR BLOCK 10Kx8
RB201	1-239-624-11	s	RESISTOR BLOCK 10Kx8
RV3	1-237-036-11	s	RES, ADJ METAL 10K
RV4	1-237-036-11	s	RES, ADJ METAL 10K
RV5	1-237-036-11	s	RES, ADJ METAL 10K
RV6	1-237-036-11	s	RES, ADJ METAL 10K
RV7	1-237-035-11	s	RES, ADJ METAL 5K
RV8	1-237-035-11	s	RES, ADJ METAL 5K
RV9	1-237-036-11	s	RES, ADJ METAL 10K
RV10	1-237-036-11	s	RES, ADJ METAL 10K

DIF-43 BOARD (Suffix number of board is 13.)

Ref. No. or Q'ty	Part No.	SP	Description
C1	1-164-156-11	s	CERAMIC, CHIP 0.1uF 25V
C2	1-164-156-11	s	CERAMIC, CHIP 0.1uF 25V
C3	1-164-156-11	s	CERAMIC, CHIP 0.1uF 25V
C4	1-164-156-11	s	CERAMIC, CHIP 0.1uF 25V
C5	1-164-156-11	s	CERAMIC, CHIP 0.1uF 25V
C6	1-164-156-11	s	CERAMIC, CHIP 0.1uF 25V
C7	1-164-156-11	s	CERAMIC, CHIP 0.1uF 25V
C8	1-164-156-11	s	CERAMIC, CHIP 0.1uF 25V
C9	1-164-156-11	s	CERAMIC, CHIP 0.1uF 25V
C10	1-127-516-11	s	ALUMN SOLID 220uF 20% 10V
C11	1-127-516-11	s	ALUMN SOLID 220uF 20% 10V
C12	1-127-516-11	s	ALUMN SOLID 220uF 20% 10V
C13	1-127-516-11	s	ALUMN SOLID 220uF 20% 10V
C14	1-164-156-11	s	CERAMIC, CHIP 0.1uF 25V
C15	1-164-156-11	s	CERAMIC, CHIP 0.1uF 25V
C16	1-164-156-11	s	CERAMIC, CHIP 0.1uF 25V
C17	1-164-156-11	s	CERAMIC, CHIP 0.1uF 25V
C18	1-164-156-11	s	CERAMIC, CHIP 0.1uF 25V
C19	1-164-156-11	s	CERAMIC, CHIP 0.1uF 25V
C20	1-164-156-11	s	CERAMIC, CHIP 0.1uF 25V
C21	1-164-156-11	s	CERAMIC, CHIP 0.1uF 25V
C22	1-164-156-11	s	CERAMIC, CHIP 0.1uF 25V
C23	1-164-156-11	s	CERAMIC, CHIP 0.1uF 25V
C24	1-164-156-11	s	CERAMIC, CHIP 0.1uF 25V
C25	1-164-156-11	s	CERAMIC, CHIP 0.1uF 25V
C26	1-164-156-11	s	CERAMIC, CHIP 0.1uF 25V
C27	1-164-156-11	s	CERAMIC, CHIP 0.1uF 25V
C28	1-164-156-11	s	CERAMIC, CHIP 0.1uF 25V
C29	1-164-156-11	s	CERAMIC, CHIP 0.1uF 25V
C30	1-164-156-11	s	CERAMIC, CHIP 0.1uF 25V
C31	1-164-156-11	s	CERAMIC, CHIP 0.1uF 25V
C32	1-164-156-11	s	CERAMIC, CHIP 0.1uF 25V
C33	1-164-156-11	s	CERAMIC, CHIP 0.1uF 25V
C34	1-164-156-11	s	CERAMIC, CHIP 0.1uF 25V
C35	1-164-156-11	s	CERAMIC, CHIP 0.1uF 25V
C36	1-164-156-11	s	CERAMIC, CHIP 0.1uF 25V
C37	1-164-156-11	s	CERAMIC, CHIP 0.1uF 25V
C38	1-164-156-11	s	CERAMIC, CHIP 0.1uF 25V
C39	1-164-156-11	s	CERAMIC, CHIP 0.1uF 25V
C40	1-164-156-11	s	CERAMIC, CHIP 0.1uF 25V
C41	1-164-156-11	s	CERAMIC, CHIP 0.1uF 25V
C42	1-164-156-11	s	CERAMIC, CHIP 0.1uF 25V
C43	1-164-156-11	s	CERAMIC, CHIP 0.1uF 25V
C44	1-164-156-11	s	CERAMIC, CHIP 0.1uF 25V
C45	1-164-156-11	s	CERAMIC, CHIP 0.1uF 25V
C46	1-164-156-11	s	CERAMIC, CHIP 0.1uF 25V
C47	1-164-156-11	s	CERAMIC, CHIP 0.1uF 25V
C48	1-162-923-11	s	CERAMIC, CHIP 47PF 5% 50V
C49	1-164-156-11	s	CERAMIC, CHIP 0.1uF 25V
C50	1-162-303-11	s	CERAMIC, CHIP 0.01uF 25V
C100	1-164-156-11	s	CERAMIC, CHIP 0.1uF 25V
C101	1-164-156-11	s	CERAMIC, CHIP 0.1uF 25V
C102	1-164-156-11	s	CERAMIC, CHIP 0.1uF 25V
C103	1-164-156-11	s	CERAMIC, CHIP 0.1uF 25V
C104	1-164-156-11	s	CERAMIC, CHIP 0.1uF 25V
C105	1-164-156-11	s	CERAMIC, CHIP 0.1uF 25V
C106	1-164-156-11	s	CERAMIC, CHIP 0.1uF 25V
C107	1-164-156-11	s	CERAMIC, CHIP 0.1uF 25V
C108	1-164-156-11	s	CERAMIC, CHIP 0.1uF 25V

(DIF-43 BOARD (Suffix number of board is 13.))

Ref. No. or Q'ty	Part No.	SP	Description
C552	1-164-156-11	s	CERAMIC, CHIP 0.1uF 25V
C553	1-164-156-11	s	CERAMIC, CHIP 0.1uF 25V
C554	1-164-156-11	s	CERAMIC, CHIP 0.1uF 25V
C555	1-164-156-11	s	CERAMIC, CHIP 0.1uF 25V
C556	1-164-156-11	s	CERAMIC, CHIP 0.1uF 25V
C557	1-164-156-11	s	CERAMIC, CHIP 0.1uF 25V
C558	1-164-156-11	s	CERAMIC, CHIP 0.1uF 25V
C559	1-164-156-11	s	CERAMIC, CHIP 0.1uF 25V
C560	1-164-156-11	s	CERAMIC, CHIP 0.1uF 25V
C561	1-164-156-11	s	CERAMIC, CHIP 0.1uF 25V
C562	1-164-156-11	s	CERAMIC, CHIP 0.1uF 25V
C563	1-164-156-11	s	CERAMIC, CHIP 0.1uF 25V
C564	1-164-156-11	s	CERAMIC, CHIP 0.1uF 25V
C565	1-164-156-11	s	CERAMIC, CHIP 0.1uF 25V
C566	1-164-156-11	s	CERAMIC, CHIP 0.1uF 25V
C567	1-164-156-11	s	CERAMIC, CHIP 0.1uF 25V
C568	1-164-156-11	s	CERAMIC, CHIP 0.1uF 25V
C569	1-164-156-11	s	CERAMIC, CHIP 0.1uF 25V
C570	1-164-156-11	s	CERAMIC, CHIP 0.1uF 25V
C571	1-164-156-11	s	CERAMIC, CHIP 0.1uF 25V
C572	1-164-156-11	s	CERAMIC, CHIP 0.1uF 25V
C573	1-135-216-11	s	TANTALUM, CHIP 10uF 20% 10V
C574	1-135-216-11	s	TANTALUM, CHIP 10uF 20% 10V
C575	1-164-156-11	s	CERAMIC, CHIP 0.1uF 25V
C576	1-164-156-11	s	CERAMIC, CHIP 0.1uF 25V
C577	1-135-216-11	s	TANTALUM, CHIP 10uF 20% 10V
C578	1-135-216-11	s	TANTALUM, CHIP 10uF 20% 10V
C579	1-164-156-11	s	CERAMIC, CHIP 0.1uF 25V
C580	1-164-156-11	s	CERAMIC, CHIP 0.1uF 25V
C581	1-135-216-11	s	TANTALUM, CHIP 10uF 20% 10V
C582	1-164-156-11	s	CERAMIC, CHIP 0.1uF 25V
C583	1-164-156-11	s	CERAMIC, CHIP 0.1uF 25V
C584	1-164-156-11	s	CERAMIC, CHIP 0.1uF 25V
C585	1-164-156-11	s	CERAMIC, CHIP 0.1uF 25V
C586	1-164-156-11	s	CERAMIC, CHIP 0.1uF 25V
C587	1-164-156-11	s	CERAMIC, CHIP 0.1uF 25V
C588	1-164-156-11	s	CERAMIC, CHIP 0.1uF 25V
C589	1-164-156-11	s	CERAMIC, CHIP 0.1uF 25V
C591	1-164-156-11	s	CERAMIC, CHIP 0.1uF 25V
C592	1-164-156-11	s	CERAMIC, CHIP 0.1uF 25V
C593	1-164-156-11	s	CERAMIC, CHIP 0.1uF 25V
C594	1-164-156-11	s	CERAMIC, CHIP 0.1uF 25V
C595	1-135-216-11	s	TANTALUM, CHIP 10uF 20% 10V
C596	1-164-156-11	s	CERAMIC, CHIP 0.1uF 25V
C597	1-135-216-11	s	TANTALUM, CHIP 10uF 20% 10V
C598	1-164-156-11	s	CERAMIC, CHIP 0.1uF 25V
C600	1-162-924-11	s	CERAMIC 56PF 5% 50V
C601	1-162-924-11	s	CERAMIC 56PF 5% 50V
C602	1-162-924-11	s	CERAMIC 56PF 5% 50V
C603	1-162-924-11	s	CERAMIC 56PF 5% 50V
CN1	1-779-393-11	o	CONNECTOR, BB 100P, MALE
CN2	1-779-393-11	o	CONNECTOR, BB 100P, MALE
CN3	1-779-393-11	o	CONNECTOR, BB 100P, MALE
CN4	1-779-393-11	o	CONNECTOR, BB 100P, MALE
CN5	1-779-393-11	o	CONNECTOR, BB 100P, MALE
CN6	1-774-391-11	o	CONNECTOR, BB, 60P, MALE
CN7	1-774-391-11	o	CONNECTOR, BB, 60P, MALE
CN122	1-778-261-11	o	CONNECTOR, BB 124P, MALE
CN123	1-778-261-11	o	CONNECTOR, BB 124P, MALE

(DIF-43 BOARD (Suffix number of board is 13.))

Ref. No. or Q'ty	Part No.	SP	Description
CN124	1-778-262-11	o	CONNECTOR, BB 148P, MALE
IC1	8-759-272-97	s	IC 74VHC245SJ
IC2	8-759-272-97	s	IC 74VHC245SJ
IC3	8-759-272-97	s	IC 74VHC245SJ
IC4	8-759-272-97	s	IC 74VHC245SJ
IC5	8-759-272-97	s	IC 74VHC245SJ
IC6	8-759-528-16	s	IC DIF43-IC6-V1.00, PLD
IC7	8-759-528-15	s	IC DIF43-IC7-V1.00, PLD
IC9	8-759-925-76	s	IC SN74HC08ANS
IC10	8-759-186-77	s	IC TC74VHC541F
IC11	8-759-186-38	s	IC TC74VHC32F
IC12	8-759-186-63	s	IC TC74VHC245F
IC100	8-759-389-48	s	IC 74LCX16374MTDX
IC101	8-759-389-48	s	IC 74LCX16374MTDX
IC102	8-759-461-38	s	IC DS90LV031TMX
IC103	8-759-461-38	s	IC DS90LV031TMX
IC104	8-759-461-38	s	IC DS90LV031TMX
IC105	8-759-461-38	s	IC DS90LV031TMX
IC106	8-759-389-48	s	IC 74LCX16374MTDX
IC107	8-759-389-48	s	IC 74LCX16374MTDX
IC108	8-759-461-38	s	IC DS90LV031TMX
IC109	8-759-461-38	s	IC DS90LV031TMX
IC110	8-759-461-38	s	IC DS90LV031TMX
IC111	8-759-272-27	s	IC 74VHC04SJ
IC112	8-759-386-33	s	IC 74LCX240SJX
IC113	8-759-386-23	s	IC 74LCX125SJX
IC200	8-759-461-41	s	IC DS90LV032TMX
IC201	8-759-461-41	s	IC DS90LV032TMX
IC202	8-759-461-41	s	IC DS90LV032TMX
IC203	8-759-461-41	s	IC DS90LV032TMX
IC204	8-759-461-41	s	IC DS90LV032TMX
IC205	8-759-461-41	s	IC DS90LV032TMX
IC206	8-759-389-48	s	IC 74LCX16374MTDX
IC207	8-759-389-48	s	IC 74LCX16374MTDX
IC300	8-759-461-41	s	IC DS90LV032TMX
IC301	8-759-461-41	s	IC DS90LV032TMX
IC302	8-759-461-41	s	IC DS90LV032TMX
IC303	8-759-461-41	s	IC DS90LV032TMX
IC304	8-759-461-41	s	IC DS90LV032TMX
IC305	8-759-461-41	s	IC DS90LV032TMX
IC306	8-759-389-48	s	IC 74LCX16374MTDX
IC307	8-759-389-48	s	IC 74LCX16374MTDX
IC308	8-759-389-48	s	IC 74LCX16374MTDX
IC309	8-759-389-48	s	IC 74LCX16374MTDX
IC310	8-759-386-22	s	IC 74LCX04SJX
IC311	8-759-386-22	s	IC 74LCX04SJX
IC312	8-759-461-38	s	IC DS90LV031TMX
IC313	8-759-461-38	s	IC DS90LV031TMX
IC314	8-759-461-38	s	IC DS90LV031TMX
IC315	8-759-461-38	s	IC DS90LV031TMX
IC316	8-759-461-38	s	IC DS90LV031TMX
IC317	8-759-461-38	s	IC DS90LV031TMX
IC319	8-759-927-15	s	IC SN74HCT245NS
IC320	8-759-461-39	s	IC MB90091A-120
IC321	8-759-386-32	s	IC 74LCX245SJX
IC322	8-759-459-41	s	IC TMS4C2973-26DTR
IC323	8-759-459-41	s	IC TMS4C2973-26DTR
IC324	8-759-459-41	s	IC TMS4C2973-26DTR

(DIF-43 BOARD (Suffix number of board is 13.))

Ref. No. or Q'ty	Part No.	SP	Description
IC325	8-759-459-41	s	IC TMS4C2973-26DTR
IC326	8-759-389-48	s	IC 74LCX16374MTDX
IC327	8-759-389-48	s	IC 74LCX16374MTDX
IC328	8-759-389-48	s	IC 74LCX16374MTDX
IC329	8-759-389-48	s	IC 74LCX16374MTDX
IC330	8-759-389-48	s	IC 74LCX16374MTDX
IC500	8-759-386-31	s	IC 74LCX244SJX
IC501	8-759-456-32	s	IC CXD8591Q
IC502	8-759-272-27	s	IC 74VHC04SJ
IC503	8-759-252-89	s	IC AD1890JP
IC504	8-759-252-89	s	IC AD1890JP
IC505	8-759-386-23	s	IC 74LCX125SJX
IC506	8-759-389-27	s	IC 74LCX145JX
IC507	8-759-386-32	s	IC 74LCX245SJX
IC508	8-759-177-76	s	IC CXD8811AQ
IC509	8-759-293-90	s	IC MSM514221B-30JS
IC510	8-759-927-15	s	IC SN74HCT245NS
IC511	8-759-386-32	s	IC 74LCX245SJX
IC512	8-759-253-97	s	IC CXD8859AQ
IC514	8-759-925-90	s	IC SN74HC74ANS
IC515	8-759-482-54	s	IC HM62W8127HBJP-27Z
IC516	8-759-482-54	s	IC HM62W8127HBJP-27Z
IC517	8-759-386-32	s	IC 74LCX245SJX
IC518	8-759-925-76	s	IC SN74HC08ANS
IC519	8-759-269-09	s	IC SN74HCT04ANS
IC520	8-759-926-98	s	IC SN74HC4040ANS
IC521	8-759-232-52	s	IC TC74HC133AF
IC522	8-759-925-90	s	IC SN74HC74ANS
IC523	8-759-196-73	s	IC UPD485505G-25-E2
IC524	8-759-927-46	s	IC SN74HC00ANS
IC525	8-759-925-90	s	IC SN74HC74ANS
IC526	8-759-926-74	s	IC SN74HC393ANS
IC527	8-759-927-46	s	IC SN74HC00ANS
IC528	8-759-177-77	s	IC CXD8824AQ
IC529	8-759-927-46	s	IC SN74HC00ANS
IC530	8-759-482-54	s	IC HM62W8127HBJP-27Z
IC531	8-759-456-32	s	IC CXD8591Q
IC532	8-759-456-32	s	IC CXD8591Q
IC533	8-759-456-32	s	IC CXD8591Q
IC534	8-759-456-32	s	IC CXD8591Q
IC535	8-759-386-32	s	IC 74LCX245SJX
IC536	8-759-386-32	s	IC 74LCX245SJX
IC537	8-759-386-32	s	IC 74LCX245SJX
IC538	8-759-386-32	s	IC 74LCX245SJX
IC539	8-759-386-31	s	IC 74LCX244SJX
IC540	8-759-386-23	s	IC 74LCX125SJX
IC541	8-759-456-32	s	IC CXD8591Q
IC542	8-759-386-32	s	IC 74LCX245SJX
IC543	8-759-386-32	s	IC 74LCX245SJX
IC544	8-759-386-23	s	IC 74LCX125SJX
IC545	8-759-386-23	s	IC 74LCX125SJX
IC546	8-759-272-27	s	IC 74VHC04SJ
IC550	8-759-386-32	s	IC 74LCX245SJX
IS6	1-251-421-11	o	SOCKET, IC 20P
IS7	1-251-421-11	o	SOCKET, IC 20P
L1	1-424-641-11	s	COIL, CHOKE 22uH
L2	1-424-641-11	s	COIL, CHOKE 22uH
L3	1-424-641-11	s	COIL, CHOKE 22uH

(DIF-43 BOARD (Suffix number of board is 13.))

Ref. No. or Q'ty	Part No.	SP	Description
L4	1-424-641-11	s	COIL, CHOKE 22uH
L5	1-424-643-11	s	COIL, CHOKE 10uH
L6	1-424-643-11	s	COIL, CHOKE 10uH
L7	1-424-643-11	s	COIL, CHOKE 10uH
L8	1-424-643-11	s	COIL, CHOKE 10uH
L9	1-424-643-11	s	COIL, CHOKE 10uH
L10	1-424-643-11	s	COIL, CHOKE 10uH
L11	1-424-643-11	s	COIL, CHOKE 10uH
L12	1-424-643-11	s	COIL, CHOKE 10uH
L13	1-424-643-11	s	COIL, CHOKE 10uH
L14	1-424-643-11	s	COIL, CHOKE 10uH
L15	1-424-643-11	s	COIL, CHOKE 10uH
L16	1-424-643-11	s	COIL, CHOKE 10uH
L17	1-424-643-11	s	COIL, CHOKE 10uH
L18	1-424-643-11	s	COIL, CHOKE 10uH
L19	1-424-643-11	s	COIL, CHOKE 10uH
L20	1-424-643-11	s	COIL, CHOKE 10uH
L21	1-424-643-11	s	COIL, CHOKE 10uH
L22	1-424-643-11	s	COIL, CHOKE 10uH
L23	1-424-643-11	s	COIL, CHOKE 10uH
L24	1-424-643-11	s	COIL, CHOKE 10uH
L25	1-424-643-11	s	COIL, CHOKE 10uH
L26	1-424-643-11	s	COIL, CHOKE 10uH
L27	1-424-643-11	s	COIL, CHOKE 10uH
L28	1-424-643-11	s	COIL, CHOKE 10uH
L29	1-424-643-11	s	COIL, CHOKE 10uH
L30	1-424-643-11	s	COIL, CHOKE 10uH
L31	1-424-643-11	s	COIL, CHOKE 10uH
L32	1-424-643-11	s	COIL, CHOKE 10uH
L33	1-424-643-11	s	COIL, CHOKE 10uH
L500	1-410-803-11	s	INDUCTOR 0.047uH
L501	1-410-803-11	s	INDUCTOR 0.047uH
L502	1-410-803-11	s	INDUCTOR 0.047uH
L503	1-410-803-11	s	INDUCTOR 0.047uH
R1	1-218-661-11	s	METAL, CHIP 51 0.5% 1/16W
R2	1-218-661-11	s	METAL, CHIP 51 0.5% 1/16W
R3	1-218-661-11	s	METAL, CHIP 51 0.5% 1/16W
R4	1-218-661-11	s	METAL, CHIP 51 0.5% 1/16W
R100	1-218-644-11	s	METAL, CHIP 10 0.5% 1/16W
R101	1-218-644-11	s	METAL, CHIP 10 0.5% 1/16W
R102	1-218-644-11	s	METAL, CHIP 10 0.5% 1/16W
R103	1-218-644-11	s	METAL, CHIP 10 0.5% 1/16W
R104	1-218-644-11	s	METAL, CHIP 10 0.5% 1/16W
R105	1-218-644-11	s	METAL, CHIP 10 0.5% 1/16W
R106	1-218-644-11	s	METAL, CHIP 10 0.5% 1/16W
R107	1-218-644-11	s	METAL, CHIP 10 0.5% 1/16W
R108	1-218-644-11	s	METAL, CHIP 10 0.5% 1/16W
R109	1-218-644-11	s	METAL, CHIP 10 0.5% 1/16W
R110	1-218-644-11	s	METAL, CHIP 10 0.5% 1/16W
R111	1-218-644-11	s	METAL, CHIP 10 0.5% 1/16W
R112	1-218-644-11	s	METAL, CHIP 10 0.5% 1/16W
R113	1-218-644-11	s	METAL, CHIP 10 0.5% 1/16W
R114	1-218-644-11	s	METAL, CHIP 10 0.5% 1/16W
R115	1-218-644-11	s	METAL, CHIP 10 0.5% 1/16W
R116	1-218-644-11	s	METAL, CHIP 10 0.5% 1/16W
R117	1-218-644-11	s	METAL, CHIP 10 0.5% 1/16W
R118	1-218-644-11	s	METAL, CHIP 10 0.5% 1/16W
R119	1-218-644-11	s	METAL, CHIP 10 0.5% 1/16W
R120	1-218-644-11	s	METAL, CHIP 10 0.5% 1/16W

(DIF-43 BOARD (Suffix number of board is 12.))

Ref. No. or Q'ty	Part No.	SP	Description
C351	1-164-156-11	s	CERAMIC, CHIP 0.1uF 25V
C352	1-164-156-11	s	CERAMIC, CHIP 0.1uF 25V
C353	1-164-156-11	s	CERAMIC, CHIP 0.1uF 25V
C354	1-164-156-11	s	CERAMIC, CHIP 0.1uF 25V
C355	1-164-156-11	s	CERAMIC, CHIP 0.1uF 25V
C500	1-162-924-11	s	CERAMIC 56PF 5% 50V
C501	1-162-924-11	s	CERAMIC 56PF 5% 50V
C502	1-164-156-11	s	CERAMIC, CHIP 0.1uF 25V
C503	1-135-216-11	s	TANTALUM, CHIP 10uF 20% 10V
C504	1-164-156-11	s	CERAMIC, CHIP 0.1uF 25V
C505	1-164-156-11	s	CERAMIC, CHIP 0.1uF 25V
C506	1-164-156-11	s	CERAMIC, CHIP 0.1uF 25V
C507	1-164-156-11	s	CERAMIC, CHIP 0.1uF 25V
C508	1-135-216-11	s	TANTALUM, CHIP 10uF 20% 10V
C509	1-135-216-11	s	TANTALUM, CHIP 10uF 20% 10V
C510	1-164-156-11	s	CERAMIC, CHIP 0.1uF 25V
C511	1-162-915-11	s	CERAMIC, CHIP 10PF 50V
C512	1-162-915-11	s	CERAMIC, CHIP 10PF 50V
C513	1-164-156-11	s	CERAMIC, CHIP 0.1uF 25V
C514	1-135-216-11	s	TANTALUM, CHIP 10uF 20% 10V
C515	1-164-156-11	s	CERAMIC, CHIP 0.1uF 25V
C516	1-164-156-11	s	CERAMIC, CHIP 0.1uF 25V
C517	1-164-156-11	s	CERAMIC, CHIP 0.1uF 25V
C518	1-164-156-11	s	CERAMIC, CHIP 0.1uF 25V
C519	1-164-156-11	s	CERAMIC, CHIP 0.1uF 25V
C520	1-164-156-11	s	CERAMIC, CHIP 0.1uF 25V
C521	1-164-156-11	s	CERAMIC, CHIP 0.1uF 25V
C522	1-164-156-11	s	CERAMIC, CHIP 0.1uF 25V
C523	1-164-156-11	s	CERAMIC, CHIP 0.1uF 25V
C524	1-164-156-11	s	CERAMIC, CHIP 0.1uF 25V
C525	1-164-156-11	s	CERAMIC, CHIP 0.1uF 25V
C526	1-164-156-11	s	CERAMIC, CHIP 0.1uF 25V
C527	1-164-156-11	s	CERAMIC, CHIP 0.1uF 25V
C528	1-164-156-11	s	CERAMIC, CHIP 0.1uF 25V
C531	1-164-156-11	s	CERAMIC, CHIP 0.1uF 25V
C532	1-135-216-11	s	TANTALUM, CHIP 10uF 20% 10V
C533	1-164-156-11	s	CERAMIC, CHIP 0.1uF 25V
C534	1-164-156-11	s	CERAMIC, CHIP 0.1uF 25V
C535	1-164-156-11	s	CERAMIC, CHIP 0.1uF 25V
C536	1-164-156-11	s	CERAMIC, CHIP 0.1uF 25V
C537	1-164-156-11	s	CERAMIC, CHIP 0.1uF 25V
C538	1-164-156-11	s	CERAMIC, CHIP 0.1uF 25V
C539	1-164-156-11	s	CERAMIC, CHIP 0.1uF 25V
C540	1-164-156-11	s	CERAMIC, CHIP 0.1uF 25V
C541	1-164-156-11	s	CERAMIC, CHIP 0.1uF 25V
C542	1-164-156-11	s	CERAMIC, CHIP 0.1uF 25V
C543	1-164-156-11	s	CERAMIC, CHIP 0.1uF 25V
C544	1-164-156-11	s	CERAMIC, CHIP 0.1uF 25V
C545	1-164-156-11	s	CERAMIC, CHIP 0.1uF 25V
C546	1-164-156-11	s	CERAMIC, CHIP 0.1uF 25V
C547	1-164-156-11	s	CERAMIC, CHIP 0.1uF 25V
C548	1-164-156-11	s	CERAMIC, CHIP 0.1uF 25V
C549	1-164-156-11	s	CERAMIC, CHIP 0.1uF 25V
C550	1-164-156-11	s	CERAMIC, CHIP 0.1uF 25V
C551	1-164-156-11	s	CERAMIC, CHIP 0.1uF 25V
C552	1-164-156-11	s	CERAMIC, CHIP 0.1uF 25V
C553	1-164-156-11	s	CERAMIC, CHIP 0.1uF 25V
C554	1-164-156-11	s	CERAMIC, CHIP 0.1uF 25V
C555	1-164-156-11	s	CERAMIC, CHIP 0.1uF 25V

(DIF-43 BOARD (Suffix number of board is 12.))

Ref. No. or Q'ty	Part No.	SP	Description
C556	1-164-156-11	s	CERAMIC, CHIP 0.1uF 25V
C557	1-164-156-11	s	CERAMIC, CHIP 0.1uF 25V
C558	1-164-156-11	s	CERAMIC, CHIP 0.1uF 25V
C559	1-164-156-11	s	CERAMIC, CHIP 0.1uF 25V
C560	1-164-156-11	s	CERAMIC, CHIP 0.1uF 25V
C561	1-164-156-11	s	CERAMIC, CHIP 0.1uF 25V
C562	1-164-156-11	s	CERAMIC, CHIP 0.1uF 25V
C563	1-164-156-11	s	CERAMIC, CHIP 0.1uF 25V
C564	1-164-156-11	s	CERAMIC, CHIP 0.1uF 25V
C565	1-164-156-11	s	CERAMIC, CHIP 0.1uF 25V
C566	1-164-156-11	s	CERAMIC, CHIP 0.1uF 25V
C567	1-164-156-11	s	CERAMIC, CHIP 0.1uF 25V
C568	1-164-156-11	s	CERAMIC, CHIP 0.1uF 25V
C569	1-164-156-11	s	CERAMIC, CHIP 0.1uF 25V
C570	1-164-156-11	s	CERAMIC, CHIP 0.1uF 25V
C571	1-164-156-11	s	CERAMIC, CHIP 0.1uF 25V
C572	1-164-156-11	s	CERAMIC, CHIP 0.1uF 25V
C573	1-135-216-11	s	TANTALUM, CHIP 10uF 20% 10V
C574	1-135-216-11	s	TANTALUM, CHIP 10uF 20% 10V
C575	1-164-156-11	s	CERAMIC, CHIP 0.1uF 25V
C576	1-164-156-11	s	CERAMIC, CHIP 0.1uF 25V
C577	1-135-216-11	s	TANTALUM, CHIP 10uF 20% 10V
C578	1-135-216-11	s	TANTALUM, CHIP 10uF 20% 10V
C579	1-164-156-11	s	CERAMIC, CHIP 0.1uF 25V
C580	1-164-156-11	s	CERAMIC, CHIP 0.1uF 25V
C581	1-135-216-11	s	TANTALUM, CHIP 10uF 20% 10V
C582	1-164-156-11	s	CERAMIC, CHIP 0.1uF 25V
C583	1-164-156-11	s	CERAMIC, CHIP 0.1uF 25V
C584	1-164-156-11	s	CERAMIC, CHIP 0.1uF 25V
C585	1-164-156-11	s	CERAMIC, CHIP 0.1uF 25V
C586	1-164-156-11	s	CERAMIC, CHIP 0.1uF 25V
C587	1-164-156-11	s	CERAMIC, CHIP 0.1uF 25V
C588	1-164-156-11	s	CERAMIC, CHIP 0.1uF 25V
C589	1-164-156-11	s	CERAMIC, CHIP 0.1uF 25V
C591	1-164-156-11	s	CERAMIC, CHIP 0.1uF 25V
C592	1-164-156-11	s	CERAMIC, CHIP 0.1uF 25V
C593	1-164-156-11	s	CERAMIC, CHIP 0.1uF 25V
C594	1-164-156-11	s	CERAMIC, CHIP 0.1uF 25V
C595	1-135-216-11	s	TANTALUM, CHIP 10uF 20% 10V
C596	1-164-156-11	s	CERAMIC, CHIP 0.1uF 25V
C597	1-135-216-11	s	TANTALUM, CHIP 10uF 20% 10V
C598	1-164-156-11	s	CERAMIC, CHIP 0.1uF 25V
C600	1-162-924-11	s	CERAMIC 56PF 5% 50V
C601	1-162-924-11	s	CERAMIC 56PF 5% 50V
C602	1-162-924-11	s	CERAMIC 56PF 5% 50V
C603	1-162-924-11	s	CERAMIC 56PF 5% 50V
CN1	1-779-393-11	o	CONNECTOR, BB 100P, MALE
CN2	1-779-393-11	o	CONNECTOR, BB 100P, MALE
CN3	1-779-393-11	o	CONNECTOR, BB 100P, MALE
CN4	1-779-393-11	o	CONNECTOR, BB 100P, MALE
CN5	1-779-393-11	o	CONNECTOR, BB 100P, MALE
CN6	1-774-391-11	o	CONNECTOR, BB, 60P, MALE
CN7	1-774-391-11	o	CONNECTOR, BB, 60P, MALE
CN122	1-778-261-11	o	CONNECTOR, BB 124P, MALE
CN123	1-778-261-11	o	CONNECTOR, BB 124P, MALE
CN124	1-778-262-11	o	CONNECTOR, BB 148P, MALE
IC1	8-759-272-97	s	IC 74VHC245SJ
IC2	8-759-272-97	s	IC 74VHC245SJ

(DIF-43 BOARD (Suffix number of board is 12.))

Ref. No. or Q'ty	Part No.	SP Description
IC3	8-759-272-97	s IC 74VHC245SJ
IC4	8-759-272-97	s IC 74VHC245SJ
IC5	8-759-272-97	s IC 74VHC245SJ
IC6	8-759-528-16	s IC DIF43-IC6-V1.00, PLD
IC7	8-759-528-15	s IC DIF43-IC7-V1.00, PLD
IC9	8-759-925-76	s IC SN74HC08ANS
IC10	8-759-186-77	s IC TC74VHC541F
IC11	8-759-186-38	s IC TC74VHC32F
IC12	8-759-186-63	s IC TC74VHC245F
IC100	8-759-389-48	s IC 74LCX16374MTDX
IC101	8-759-389-48	s IC 74LCX16374MTDX
IC102	8-759-461-38	s IC DS90LV031TMX
IC103	8-759-461-38	s IC DS90LV031TMX
IC104	8-759-461-38	s IC DS90LV031TMX
IC105	8-759-461-38	s IC DS90LV031TMX
IC106	8-759-389-48	s IC 74LCX16374MTDX
IC107	8-759-389-48	s IC 74LCX16374MTDX
IC108	8-759-461-38	s IC DS90LV031TMX
IC109	8-759-461-38	s IC DS90LV031TMX
IC110	8-759-461-38	s IC DS90LV031TMX
IC111	8-759-272-27	s IC 74VHC04SJ
IC112	8-759-386-33	s IC 74LCX240SJX
IC113	8-759-386-23	s IC 74LCX125SJX
IC200	8-759-461-41	s IC DS90LV032TMX
IC201	8-759-461-41	s IC DS90LV032TMX
IC202	8-759-461-41	s IC DS90LV032TMX
IC203	8-759-461-41	s IC DS90LV032TMX
IC204	8-759-461-41	s IC DS90LV032TMX
IC205	8-759-461-41	s IC DS90LV032TMX
IC206	8-759-389-48	s IC 74LCX16374MTDX
IC207	8-759-389-48	s IC 74LCX16374MTDX
IC300	8-759-461-41	s IC DS90LV032TMX
IC301	8-759-461-41	s IC DS90LV032TMX
IC302	8-759-461-41	s IC DS90LV032TMX
IC303	8-759-461-41	s IC DS90LV032TMX
IC304	8-759-461-41	s IC DS90LV032TMX
IC305	8-759-461-41	s IC DS90LV032TMX
IC306	8-759-389-48	s IC 74LCX16374MTDX
IC307	8-759-389-48	s IC 74LCX16374MTDX
IC308	8-759-389-48	s IC 74LCX16374MTDX
IC309	8-759-389-48	s IC 74LCX16374MTDX
IC310	8-759-386-22	s IC 74LCX04SJX
IC311	8-759-386-22	s IC 74LCX04SJX
IC312	8-759-461-38	s IC DS90LV031TMX
IC313	8-759-461-38	s IC DS90LV031TMX
IC314	8-759-461-38	s IC DS90LV031TMX
IC315	8-759-461-38	s IC DS90LV031TMX
IC316	8-759-461-38	s IC DS90LV031TMX
IC317	8-759-461-38	s IC DS90LV031TMX
IC319	8-759-927-15	s IC SN74HCT245NS
IC320	8-759-461-39	s IC MB90091A-120
IC321	8-759-386-32	s IC 74LCX245SJX
IC322	8-759-459-41	s IC TMS4C2973-26DTR
IC323	8-759-459-41	s IC TMS4C2973-26DTR
IC324	8-759-459-41	s IC TMS4C2973-26DTR
IC325	8-759-459-41	s IC TMS4C2973-26DTR
IC326	8-759-389-48	s IC 74LCX16374MTDX
IC327	8-759-389-48	s IC 74LCX16374MTDX
IC328	8-759-389-48	s IC 74LCX16374MTDX

(DIF-43 BOARD (Suffix number of board is 12.))

Ref. No. or Q'ty	Part No.	SP Description
IC500	8-759-386-31	s IC 74LCX244SJX
IC501	8-759-456-32	s IC CXD8591Q
IC502	8-759-272-27	s IC 74VHC04SJ
IC503	8-759-252-89	s IC AD1890JP
IC504	8-759-252-89	s IC AD1890JP
IC505	8-759-386-23	s IC 74LCX125SJX
IC506	8-759-389-27	s IC 74LCX14SJX
IC507	8-759-386-32	s IC 74LCX245SJX
IC508	8-759-177-76	s IC CXD8811AQ
IC509	8-759-293-90	s IC MSM514221B-30JS
IC510	8-759-927-15	s IC SN74HCT245NS
IC511	8-759-386-32	s IC 74LCX245SJX
IC512	8-759-253-97	s IC CXD8859AQ
IC514	8-759-925-90	s IC SN74HC74ANS
IC515	8-759-482-54	s IC HM62W8127HBJP-27Z
IC516	8-759-482-54	s IC HM62W8127HBJP-27Z
IC517	8-759-386-32	s IC 74LCX245SJX
IC518	8-759-925-76	s IC SN74HC08ANS
IC519	8-759-269-09	s IC SN74HCT04ANS
IC520	8-759-926-98	s IC SN74HC4040ANS
IC521	8-759-232-52	s IC TC74HC133AF
IC522	8-759-925-90	s IC SN74HC74ANS
IC523	8-759-196-73	s IC UPD485505G-25-E2
IC524	8-759-927-46	s IC SN74HC00ANS
IC525	8-759-925-90	s IC SN74HC74ANS
IC526	8-759-926-74	s IC SN74HC393ANS
IC527	8-759-927-46	s IC SN74HC00ANS
IC528	8-759-177-77	s IC CXD8824AQ
IC529	8-759-927-46	s IC SN74HC00ANS
IC530	8-759-482-54	s IC HM62W8127HBJP-27Z
IC531	8-759-456-32	s IC CXD8591Q
IC532	8-759-456-32	s IC CXD8591Q
IC533	8-759-456-32	s IC CXD8591Q
IC534	8-759-456-32	s IC CXD8591Q
IC535	8-759-386-32	s IC 74LCX245SJX
IC536	8-759-386-32	s IC 74LCX245SJX
IC537	8-759-386-32	s IC 74LCX245SJX
IC538	8-759-386-32	s IC 74LCX245SJX
IC539	8-759-386-31	s IC 74LCX244SJX
IC540	8-759-386-23	s IC 74LCX125SJX
IC541	8-759-456-32	s IC CXD8591Q
IC542	8-759-386-32	s IC 74LCX245SJX
IC543	8-759-386-32	s IC 74LCX245SJX
IC544	8-759-386-23	s IC 74LCX125SJX
IC545	8-759-386-23	s IC 74LCX125SJX
IC546	8-759-272-27	s IC 74VHC04SJ
IC550	8-759-386-32	s IC 74LCX245SJX
IS6	1-251-421-11	o SOCKET, IC 20P
IS7	1-251-421-11	o SOCKET, IC 20P
L1	1-424-641-11	s COIL, CHOKE 22uH
L2	1-424-641-11	s COIL, CHOKE 22uH
L3	1-424-641-11	s COIL, CHOKE 22uH
L4	1-424-641-11	s COIL, CHOKE 22uH
L5	1-424-643-11	s COIL, CHOKE 10uH
L6	1-424-643-11	s COIL, CHOKE 10uH
L7	1-424-643-11	s COIL, CHOKE 10uH
L8	1-424-643-11	s COIL, CHOKE 10uH
L9	1-424-643-11	s COIL, CHOKE 10uH

(DIF-43 BOARD (Suffix number of board is 12.))

Ref. No. or Q'ty	Part No.	SP Description
R583	1-216-864-11	s METAL, CHIP 0 5% 1/16W
R584	1-216-864-11	s METAL, CHIP 0 5% 1/16W
R585	1-216-864-11	s METAL, CHIP 0 5% 1/16W
R586	1-216-864-11	s METAL, CHIP 0 5% 1/16W
R587	1-216-864-11	s METAL, CHIP 0 5% 1/16W
R591	1-216-864-11	s METAL, CHIP 0 5% 1/16W
R593	1-216-864-11	s METAL, CHIP 0 5% 1/16W
R594	1-216-864-11	s METAL, CHIP 0 5% 1/16W
R595	1-216-864-11	s METAL, CHIP 0 5% 1/16W
R596	1-216-864-11	s METAL, CHIP 0 5% 1/16W
R597	1-216-864-11	s METAL, CHIP 0 5% 1/16W
R598	1-216-864-11	s METAL, CHIP 0 5% 1/16W
R602	1-216-864-11	s METAL, CHIP 0 5% 1/16W
R604	1-216-864-11	s METAL, CHIP 0 5% 1/16W
R605	1-216-864-11	s METAL, CHIP 0 5% 1/16W
R606	1-216-864-11	s METAL, CHIP 0 5% 1/16W
R607	1-216-864-11	s METAL, CHIP 0 5% 1/16W
R608	1-216-864-11	s METAL, CHIP 0 5% 1/16W
R609	1-216-864-11	s METAL, CHIP 0 5% 1/16W
R613	1-216-864-11	s METAL, CHIP 0 5% 1/16W
R615	1-216-864-11	s METAL, CHIP 0 5% 1/16W
R616	1-216-864-11	s METAL, CHIP 0 5% 1/16W
R617	1-216-864-11	s METAL, CHIP 0 5% 1/16W
R618	1-216-864-11	s METAL, CHIP 0 5% 1/16W
R619	1-216-864-11	s METAL, CHIP 0 5% 1/16W
R620	1-216-864-11	s METAL, CHIP 0 5% 1/16W
RB1	1-239-305-11	s RESISTOR BLOCK, CHIP 4.7Kx8
RB2	1-239-305-11	s RESISTOR BLOCK, CHIP 4.7Kx8
RB3	1-239-305-11	s RESISTOR BLOCK, CHIP 4.7Kx8
RB4	1-239-305-11	s RESISTOR BLOCK, CHIP 4.7Kx8
RB5	1-239-305-11	s RESISTOR BLOCK, CHIP 4.7Kx8
RB6	1-239-305-11	s RESISTOR BLOCK, CHIP 4.7Kx8
RB500	1-236-904-11	s RESISTOR BLOCK 1Kx4
RB501	1-236-904-11	s RESISTOR BLOCK 1Kx4
X1	1-760-527-11	s CRYSTAL 32MHZ

DIF-43 BOARD (Suffix number of board is 11.)

Ref. No. or Q'ty	Part No.	SP Description
C1	1-164-156-11	s CERAMIC, CHIP 0.1uF 25V
C2	1-164-156-11	s CERAMIC, CHIP 0.1uF 25V
C3	1-164-156-11	s CERAMIC, CHIP 0.1uF 25V
C4	1-164-156-11	s CERAMIC, CHIP 0.1uF 25V
C5	1-164-156-11	s CERAMIC, CHIP 0.1uF 25V
C6	1-164-156-11	s CERAMIC, CHIP 0.1uF 25V
C7	1-164-156-11	s CERAMIC, CHIP 0.1uF 25V
C8	1-164-156-11	s CERAMIC, CHIP 0.1uF 25V
C10	1-127-516-11	s ALUMN SOLID 220uF 20% 10V
C11	1-127-516-11	s ALUMN SOLID 220uF 20% 10V
C12	1-127-516-11	s ALUMN SOLID 220uF 20% 10V
C13	1-127-516-11	s ALUMN SOLID 220uF 20% 10V
C14	1-164-156-11	s CERAMIC, CHIP 0.1uF 25V
C15	1-164-156-11	s CERAMIC, CHIP 0.1uF 25V
C16	1-164-156-11	s CERAMIC, CHIP 0.1uF 25V
C17	1-164-156-11	s CERAMIC, CHIP 0.1uF 25V
C18	1-164-156-11	s CERAMIC, CHIP 0.1uF 25V
C19	1-164-156-11	s CERAMIC, CHIP 0.1uF 25V
C20	1-164-156-11	s CERAMIC, CHIP 0.1uF 25V
C21	1-164-156-11	s CERAMIC, CHIP 0.1uF 25V
C22	1-164-156-11	s CERAMIC, CHIP 0.1uF 25V
C23	1-164-156-11	s CERAMIC, CHIP 0.1uF 25V
C24	1-164-156-11	s CERAMIC, CHIP 0.1uF 25V
C25	1-164-156-11	s CERAMIC, CHIP 0.1uF 25V
C26	1-164-156-11	s CERAMIC, CHIP 0.1uF 25V
C27	1-164-156-11	s CERAMIC, CHIP 0.1uF 25V
C28	1-164-156-11	s CERAMIC, CHIP 0.1uF 25V
C29	1-164-156-11	s CERAMIC, CHIP 0.1uF 25V
C30	1-164-156-11	s CERAMIC, CHIP 0.1uF 25V
C31	1-164-156-11	s CERAMIC, CHIP 0.1uF 25V
C32	1-164-156-11	s CERAMIC, CHIP 0.1uF 25V
C33	1-164-156-11	s CERAMIC, CHIP 0.1uF 25V
C34	1-164-156-11	s CERAMIC, CHIP 0.1uF 25V
C35	1-164-156-11	s CERAMIC, CHIP 0.1uF 25V
C36	1-164-156-11	s CERAMIC, CHIP 0.1uF 25V
C37	1-164-156-11	s CERAMIC, CHIP 0.1uF 25V
C38	1-164-156-11	s CERAMIC, CHIP 0.1uF 25V
C39	1-164-156-11	s CERAMIC, CHIP 0.1uF 25V
C40	1-164-156-11	s CERAMIC, CHIP 0.1uF 25V
C41	1-164-156-11	s CERAMIC, CHIP 0.1uF 25V
C42	1-164-156-11	s CERAMIC, CHIP 0.1uF 25V
C43	1-164-156-11	s CERAMIC, CHIP 0.1uF 25V
C44	1-164-156-11	s CERAMIC, CHIP 0.1uF 25V
C45	1-164-156-11	s CERAMIC, CHIP 0.1uF 25V
C46	1-164-156-11	s CERAMIC, CHIP 0.1uF 25V
C47	1-164-156-11	s CERAMIC, CHIP 0.1uF 25V
C48	1-162-923-11	s CERAMIC, CHIP 47PF 5% 50V
C50	1-161-888-11	s CERAMIC 0.01uF 50V
C100	1-164-156-11	s CERAMIC, CHIP 0.1uF 25V
C101	1-164-156-11	s CERAMIC, CHIP 0.1uF 25V
C102	1-164-156-11	s CERAMIC, CHIP 0.1uF 25V
C103	1-164-156-11	s CERAMIC, CHIP 0.1uF 25V
C104	1-164-156-11	s CERAMIC, CHIP 0.1uF 25V
C105	1-164-156-11	s CERAMIC, CHIP 0.1uF 25V
C106	1-164-156-11	s CERAMIC, CHIP 0.1uF 25V
C107	1-164-156-11	s CERAMIC, CHIP 0.1uF 25V
C108	1-164-156-11	s CERAMIC, CHIP 0.1uF 25V
C109	1-164-156-11	s CERAMIC, CHIP 0.1uF 25V
C110	1-164-156-11	s CERAMIC, CHIP 0.1uF 25V

(DIF-43 BOARD (Suffix number of board is 11.))

(DIF-43 BOARD (Suffix number of board is 11.))

Ref. No. or Q'ty	Part No.	SP Description	Ref. No. or Q'ty	Part No.	SP Description
C556	1-164-156-11	s CERAMIC, CHIP 0.1uF 25V	IC3	8-759-272-97	s IC 74VHC245SJ
C557	1-164-156-11	s CERAMIC, CHIP 0.1uF 25V	IC4	8-759-272-97	s IC 74VHC245SJ
C558	1-164-156-11	s CERAMIC, CHIP 0.1uF 25V	IC5	8-759-272-97	s IC 74VHC245SJ
C559	1-164-156-11	s CERAMIC, CHIP 0.1uF 25V	IC6	8-759-528-16	s IC DIF43-IC6-V1.00, PLD
C560	1-164-156-11	s CERAMIC, CHIP 0.1uF 25V	IC7	8-759-528-15	s IC DIF43-IC7-V1.00, PLD
C561	1-164-156-11	s CERAMIC, CHIP 0.1uF 25V	IC9	8-759-925-76	s IC SN74HC08ANS
C562	1-164-156-11	s CERAMIC, CHIP 0.1uF 25V	IC10	8-759-186-77	s IC TC74VHC541F
C563	1-164-156-11	s CERAMIC, CHIP 0.1uF 25V	IC11	8-759-186-38	s IC TC74VHC32F
C564	1-164-156-11	s CERAMIC, CHIP 0.1uF 25V	IC12	8-759-186-63	s IC TC74VHC245F
C565	1-164-156-11	s CERAMIC, CHIP 0.1uF 25V	IC100	8-759-389-48	s IC 74LCX16374MTDX
C566	1-164-156-11	s CERAMIC, CHIP 0.1uF 25V	IC101	8-759-389-48	s IC 74LCX16374MTDX
C567	1-164-156-11	s CERAMIC, CHIP 0.1uF 25V	IC102	8-759-461-38	s IC DS90LV031TMX
C568	1-164-156-11	s CERAMIC, CHIP 0.1uF 25V	IC103	8-759-461-38	s IC DS90LV031TMX
C569	1-164-156-11	s CERAMIC, CHIP 0.1uF 25V	IC104	8-759-461-38	s IC DS90LV031TMX
C570	1-164-156-11	s CERAMIC, CHIP 0.1uF 25V	IC105	8-759-461-38	s IC DS90LV031TMX
C571	1-164-156-11	s CERAMIC, CHIP 0.1uF 25V	IC106	8-759-389-48	s IC 74LCX16374MTDX
C572	1-164-156-11	s CERAMIC, CHIP 0.1uF 25V	IC107	8-759-389-48	s IC 74LCX16374MTDX
C573	1-135-216-11	s TANTALUM, CHIP 10uF 20% 10V	IC108	8-759-461-38	s IC DS90LV031TMX
C574	1-135-216-11	s TANTALUM, CHIP 10uF 20% 10V	IC109	8-759-461-38	s IC DS90LV031TMX
C575	1-164-156-11	s CERAMIC, CHIP 0.1uF 25V	IC110	8-759-461-38	s IC DS90LV031TMX
C576	1-164-156-11	s CERAMIC, CHIP 0.1uF 25V	IC111	8-759-272-27	s IC 74VHC04SJ
C577	1-135-216-11	s TANTALUM, CHIP 10uF 20% 10V	IC112	8-759-386-33	s IC 74LCX240SJX
C578	1-135-216-11	s TANTALUM, CHIP 10uF 20% 10V	IC113	8-759-386-23	s IC 74LCX125SJX
C579	1-164-156-11	s CERAMIC, CHIP 0.1uF 25V	IC200	8-759-461-41	s IC DS90LV032TMX
C580	1-164-156-11	s CERAMIC, CHIP 0.1uF 25V	IC201	8-759-461-41	s IC DS90LV032TMX
C581	1-135-216-11	s TANTALUM, CHIP 10uF 20% 10V	IC202	8-759-461-41	s IC DS90LV032TMX
C582	1-164-156-11	s CERAMIC, CHIP 0.1uF 25V	IC203	8-759-461-41	s IC DS90LV032TMX
C583	1-164-156-11	s CERAMIC, CHIP 0.1uF 25V	IC204	8-759-461-41	s IC DS90LV032TMX
C584	1-164-156-11	s CERAMIC, CHIP 0.1uF 25V	IC205	8-759-461-41	s IC DS90LV032TMX
C585	1-164-156-11	s CERAMIC, CHIP 0.1uF 25V	IC206	8-759-389-48	s IC 74LCX16374MTDX
C586	1-164-156-11	s CERAMIC, CHIP 0.1uF 25V	IC207	8-759-389-48	s IC 74LCX16374MTDX
C587	1-164-156-11	s CERAMIC, CHIP 0.1uF 25V	IC300	8-759-461-41	s IC DS90LV032TMX
C588	1-164-156-11	s CERAMIC, CHIP 0.1uF 25V	IC301	8-759-461-41	s IC DS90LV032TMX
C589	1-164-156-11	s CERAMIC, CHIP 0.1uF 25V	IC302	8-759-461-41	s IC DS90LV032TMX
C591	1-164-156-11	s CERAMIC, CHIP 0.1uF 25V	IC303	8-759-461-41	s IC DS90LV032TMX
C592	1-164-156-11	s CERAMIC, CHIP 0.1uF 25V	IC304	8-759-461-41	s IC DS90LV032TMX
C593	1-164-156-11	s CERAMIC, CHIP 0.1uF 25V	IC305	8-759-461-41	s IC DS90LV032TMX
C594	1-164-156-11	s CERAMIC, CHIP 0.1uF 25V	IC306	8-759-389-48	s IC 74LCX16374MTDX
C595	1-135-216-11	s TANTALUM, CHIP 10uF 20% 10V	IC307	8-759-389-48	s IC 74LCX16374MTDX
C596	1-164-156-11	s CERAMIC, CHIP 0.1uF 25V	IC308	8-759-389-48	s IC 74LCX16374MTDX
C597	1-135-216-11	s TANTALUM, CHIP 10uF 20% 10V	IC309	8-759-389-48	s IC 74LCX16374MTDX
C598	1-164-156-11	s CERAMIC, CHIP 0.1uF 25V	IC310	8-759-386-22	s IC 74LCX04SJX
C600	1-162-924-11	s CERAMIC 56PF 5% 50V	IC311	8-759-386-22	s IC 74LCX04SJX
C601	1-162-924-11	s CERAMIC 56PF 5% 50V	IC312	8-759-461-38	s IC DS90LV031TMX
C602	1-162-924-11	s CERAMIC 56PF 5% 50V	IC313	8-759-461-38	s IC DS90LV031TMX
C603	1-162-924-11	s CERAMIC 56PF 5% 50V	IC314	8-759-461-38	s IC DS90LV031TMX
CN1	1-779-393-11	o CONNECTOR, BB 100P, MALE	IC315	8-759-461-38	s IC DS90LV031TMX
CN2	1-779-393-11	o CONNECTOR, BB 100P, MALE	IC316	8-759-461-38	s IC DS90LV031TMX
CN3	1-779-393-11	o CONNECTOR, BB 100P, MALE	IC317	8-759-461-38	s IC DS90LV031TMX
CN4	1-779-393-11	o CONNECTOR, BB 100P, MALE	IC319	8-759-927-15	s IC SN74HCT245NS
CN5	1-779-393-11	o CONNECTOR, BB 100P, MALE	IC320	8-759-461-39	s IC MB90091A-120
CN6	1-774-391-11	o CONNECTOR, BB, 60P, MALE	IC321	8-759-386-32	s IC 74LCX245SJX
CN7	1-774-391-11	o CONNECTOR, BB, 60P, MALE	IC322	8-759-459-41	s IC TMS4C2973-26DTR
CN122	1-778-261-11	o CONNECTOR, BB 124P, MALE	IC323	8-759-459-41	s IC TMS4C2973-26DTR
CN123	1-778-261-11	o CONNECTOR, BB 124P, MALE	IC324	8-759-459-41	s IC TMS4C2973-26DTR
CN124	1-778-262-11	o CONNECTOR, BB 148P, MALE	IC325	8-759-459-41	s IC TMS4C2973-26DTR
IC1	8-759-272-97	s IC 74VHC245SJ	IC326	8-759-389-48	s IC 74LCX16374MTDX
IC2	8-759-272-97	s IC 74VHC245SJ	IC327	8-759-389-48	s IC 74LCX16374MTDX
			IC328	8-759-389-48	s IC 74LCX16374MTDX

(DIF-43 BOARD (Suffix number of board is 11.))

Ref. No. or Q'ty	Part No.	SP	Description
IC500	8-759-386-31	s	IC 74LCX244SJX
IC501	8-759-456-32	s	IC CXD8591Q
IC502	8-759-272-27	s	IC 74VHC04SJ
IC503	8-759-252-89	s	IC AD1890JP
IC504	8-759-252-89	s	IC AD1890JP
IC505	8-759-386-23	s	IC 74LCX125SJX
IC506	8-759-389-27	s	IC 74LCX14SJX
IC507	8-759-386-32	s	IC 74LCX245SJX
IC508	8-759-177-76	s	IC CXD8811AQ
IC509	8-759-293-90	s	IC MSM514221B-30JS
IC510	8-759-927-15	s	IC SN74HCT245NS
IC511	8-759-386-32	s	IC 74LCX245SJX
IC512	8-759-253-97	s	IC CXD8859AQ
IC514	8-759-925-90	s	IC SN74HC74ANS
IC515	8-759-482-54	s	IC HM62W8127HBJP-27Z
IC516	8-759-482-54	s	IC HM62W8127HBJP-27Z
IC517	8-759-386-32	s	IC 74LCX245SJX
IC518	8-759-925-76	s	IC SN74HC08ANS
IC519	8-759-269-09	s	IC SN74HCT04ANS
IC520	8-759-926-98	s	IC SN74HC4040ANS
IC521	8-759-232-52	s	IC TC74HC133AF
IC522	8-759-925-90	s	IC SN74HC74ANS
IC523	8-759-196-73	s	IC UPD485505G-25-E2
IC524	8-759-927-46	s	IC SN74HC00ANS
IC525	8-759-925-90	s	IC SN74HC74ANS
IC526	8-759-926-74	s	IC SN74HC393ANS
IC527	8-759-927-46	s	IC SN74HC00ANS
IC528	8-759-177-77	s	IC CXD8824AQ
IC529	8-759-927-46	s	IC SN74HC00ANS
IC530	8-759-482-54	s	IC HM62W8127HBJP-27Z
IC531	8-759-456-32	s	IC CXD8591Q
IC532	8-759-456-32	s	IC CXD8591Q
IC533	8-759-456-32	s	IC CXD8591Q
IC534	8-759-456-32	s	IC CXD8591Q
IC535	8-759-386-32	s	IC 74LCX245SJX
IC536	8-759-386-32	s	IC 74LCX245SJX
IC537	8-759-386-32	s	IC 74LCX245SJX
IC538	8-759-386-32	s	IC 74LCX245SJX
IC539	8-759-386-31	s	IC 74LCX244SJX
IC540	8-759-386-23	s	IC 74LCX125SJX
IC541	8-759-456-32	s	IC CXD8591Q
IC542	8-759-386-32	s	IC 74LCX245SJX
IC543	8-759-386-32	s	IC 74LCX245SJX
IC544	8-759-386-23	s	IC 74LCX125SJX
IC545	8-759-386-23	s	IC 74LCX125SJX
IC546	8-759-272-27	s	IC 74VHC04SJ
IC550	8-759-386-32	s	IC 74LCX245SJX
IS6	1-251-421-11	o	SOCKET, IC 20P
IS7	1-251-421-11	o	SOCKET, IC 20P
L1	1-424-641-11	s	COIL, CHOKE 22uH
L2	1-424-641-11	s	COIL, CHOKE 22uH
L3	1-424-641-11	s	COIL, CHOKE 22uH
L4	1-424-641-11	s	COIL, CHOKE 22uH
L5	1-424-643-11	s	COIL, CHOKE 10uH
L6	1-424-643-11	s	COIL, CHOKE 10uH
L7	1-424-643-11	s	COIL, CHOKE 10uH
L8	1-424-643-11	s	COIL, CHOKE 10uH
L9	1-424-643-11	s	COIL, CHOKE 10uH

(DIF-43 BOARD (Suffix number of board is 11.))

Ref. No. or Q'ty	Part No.	SP	Description
L10	1-424-643-11	s	COIL, CHOKE 10uH
L11	1-424-643-11	s	COIL, CHOKE 10uH
L12	1-424-643-11	s	COIL, CHOKE 10uH
L13	1-424-643-11	s	COIL, CHOKE 10uH
L14	1-424-643-11	s	COIL, CHOKE 10uH
L15	1-424-643-11	s	COIL, CHOKE 10uH
L16	1-424-643-11	s	COIL, CHOKE 10uH
L17	1-424-643-11	s	COIL, CHOKE 10uH
L18	1-424-643-11	s	COIL, CHOKE 10uH
L19	1-424-643-11	s	COIL, CHOKE 10uH
L20	1-424-643-11	s	COIL, CHOKE 10uH
L21	1-424-643-11	s	COIL, CHOKE 10uH
L22	1-424-643-11	s	COIL, CHOKE 10uH
L23	1-424-643-11	s	COIL, CHOKE 10uH
L24	1-424-643-11	s	COIL, CHOKE 10uH
L25	1-424-643-11	s	COIL, CHOKE 10uH
L26	1-424-643-11	s	COIL, CHOKE 10uH
L27	1-424-643-11	s	COIL, CHOKE 10uH
L28	1-424-643-11	s	COIL, CHOKE 10uH
L29	1-424-643-11	s	COIL, CHOKE 10uH
L30	1-424-643-11	s	COIL, CHOKE 10uH
L31	1-424-643-11	s	COIL, CHOKE 10uH
L32	1-424-643-11	s	COIL, CHOKE 10uH
L33	1-424-643-11	s	COIL, CHOKE 10uH
L500	1-410-803-11	s	INDUCTOR 0.047uH
L501	1-410-803-11	s	INDUCTOR 0.047uH
L502	1-410-803-11	s	INDUCTOR 0.047uH
L503	1-410-803-11	s	INDUCTOR 0.047uH
R100	1-218-644-11	s	METAL, CHIP 10 0.5% 1/16W
R101	1-218-644-11	s	METAL, CHIP 10 0.5% 1/16W
R102	1-218-644-11	s	METAL, CHIP 10 0.5% 1/16W
R103	1-218-644-11	s	METAL, CHIP 10 0.5% 1/16W
R104	1-218-644-11	s	METAL, CHIP 10 0.5% 1/16W
R105	1-218-644-11	s	METAL, CHIP 10 0.5% 1/16W
R106	1-218-644-11	s	METAL, CHIP 10 0.5% 1/16W
R107	1-218-644-11	s	METAL, CHIP 10 0.5% 1/16W
R108	1-218-644-11	s	METAL, CHIP 10 0.5% 1/16W
R109	1-218-644-11	s	METAL, CHIP 10 0.5% 1/16W
R110	1-218-644-11	s	METAL, CHIP 10 0.5% 1/16W
R111	1-218-644-11	s	METAL, CHIP 10 0.5% 1/16W
R112	1-218-644-11	s	METAL, CHIP 10 0.5% 1/16W
R113	1-218-644-11	s	METAL, CHIP 10 0.5% 1/16W
R114	1-218-644-11	s	METAL, CHIP 10 0.5% 1/16W
R115	1-218-644-11	s	METAL, CHIP 10 0.5% 1/16W
R116	1-218-644-11	s	METAL, CHIP 10 0.5% 1/16W
R117	1-218-644-11	s	METAL, CHIP 10 0.5% 1/16W
R118	1-218-644-11	s	METAL, CHIP 10 0.5% 1/16W
R119	1-218-644-11	s	METAL, CHIP 10 0.5% 1/16W
R120	1-218-644-11	s	METAL, CHIP 10 0.5% 1/16W
R121	1-218-644-11	s	METAL, CHIP 10 0.5% 1/16W
R122	1-218-644-11	s	METAL, CHIP 10 0.5% 1/16W
R123	1-218-644-11	s	METAL, CHIP 10 0.5% 1/16W
R124	1-218-644-11	s	METAL, CHIP 10 0.5% 1/16W
R125	1-218-644-11	s	METAL, CHIP 10 0.5% 1/16W
R126	1-218-644-11	s	METAL, CHIP 10 0.5% 1/16W
R127	1-218-644-11	s	METAL, CHIP 10 0.5% 1/16W
R128	1-218-644-11	s	METAL, CHIP 10 0.5% 1/16W
R129	1-218-644-11	s	METAL, CHIP 10 0.5% 1/16W

(DPR-104 BOARD)

Ref. No. or Q'ty	Part No.	SP Description
C328	1-164-156-11	s CERAMIC, CHIP 0.1uF 25V
C329	1-164-156-11	s CERAMIC, CHIP 0.1uF 25V
C330	1-164-156-11	s CERAMIC, CHIP 0.1uF 25V
C331	1-164-156-11	s CERAMIC, CHIP 0.1uF 25V
C332	1-164-156-11	s CERAMIC, CHIP 0.1uF 25V
C333	1-164-156-11	s CERAMIC, CHIP 0.1uF 25V
C334	1-164-156-11	s CERAMIC, CHIP 0.1uF 25V
C335	1-164-156-11	s CERAMIC, CHIP 0.1uF 25V
C336	1-164-156-11	s CERAMIC, CHIP 0.1uF 25V
C337	1-164-156-11	s CERAMIC, CHIP 0.1uF 25V
C338	1-164-156-11	s CERAMIC, CHIP 0.1uF 25V
C339	1-164-156-11	s CERAMIC, CHIP 0.1uF 25V
C340	1-164-156-11	s CERAMIC, CHIP 0.1uF 25V
C341	1-164-156-11	s CERAMIC, CHIP 0.1uF 25V
C342	1-164-156-11	s CERAMIC, CHIP 0.1uF 25V
C343	1-164-156-11	s CERAMIC, CHIP 0.1uF 25V
C344	1-164-156-11	s CERAMIC, CHIP 0.1uF 25V
CN1	1-770-265-11	s CONNECTOR, BB, 60P
CN2	1-750-667-11	s CONNECTOR, BB 100P
IC102	8-759-470-52	s IC MB811161622A-100FN
IC103	8-759-470-52	s IC MB811161622A-100FN
IC202	8-759-470-52	s IC MB811161622A-100FN
IC203	8-759-470-52	s IC MB811161622A-100FN
IC302	8-759-470-52	s IC MB811161622A-100FN
IC303	8-759-470-52	s IC MB811161622A-100FN
IC304	8-759-389-48	s IC 74LCX16374MTDX
IC305	8-759-389-48	s IC 74LCX16374MTDX
R101	1-218-732-11	s METAL, CHIP 47K 0.5% 1/16W
R102	1-218-716-11	s METAL, CHIP 10K 0.5% 1/16W
R103	1-218-718-11	s METAL, CHIP 12K 0.5% 1/16W
R104	1-216-864-11	s METAL, CHIP 0 5% 1/16W
R105	1-216-864-11	s METAL, CHIP 0 5% 1/16W
R106	1-216-864-11	s METAL, CHIP 0 5% 1/16W
R107	1-216-864-11	s METAL, CHIP 0 5% 1/16W
R108	1-216-864-11	s METAL, CHIP 0 5% 1/16W
R109	1-216-864-11	s METAL, CHIP 0 5% 1/16W
R110	1-216-864-11	s METAL, CHIP 0 5% 1/16W
R111	1-216-864-11	s METAL, CHIP 0 5% 1/16W
R112	1-216-864-11	s METAL, CHIP 0 5% 1/16W
R113	1-218-675-11	s METAL, CHIP 200 0.50% 1/16W
R114	1-216-864-11	s METAL, CHIP 0 5% 1/16W
R115	1-216-864-11	s METAL, CHIP 0 5% 1/16W
R116	1-218-675-11	s METAL, CHIP 200 0.50% 1/16W
R201	1-218-716-11	s METAL, CHIP 10K 0.5% 1/16W
R202	1-218-718-11	s METAL, CHIP 12K 0.5% 1/16W
R203	1-218-732-11	s METAL, CHIP 47K 0.5% 1/16W
R204	1-216-864-11	s METAL, CHIP 0 5% 1/16W
R205	1-216-864-11	s METAL, CHIP 0 5% 1/16W
R206	1-216-864-11	s METAL, CHIP 0 5% 1/16W
R207	1-216-864-11	s METAL, CHIP 0 5% 1/16W
R208	1-216-864-11	s METAL, CHIP 0 5% 1/16W
R209	1-216-864-11	s METAL, CHIP 0 5% 1/16W
R210	1-216-864-11	s METAL, CHIP 0 5% 1/16W
R211	1-216-864-11	s METAL, CHIP 0 5% 1/16W
R212	1-218-675-11	s METAL, CHIP 200 0.50% 1/16W
R213	1-216-864-11	s METAL, CHIP 0 5% 1/16W
R214	1-216-864-11	s METAL, CHIP 0 5% 1/16W

(DPR-104 BOARD)

Ref. No. or Q'ty	Part No.	SP Description
R215	1-216-864-11	s METAL, CHIP 0 5% 1/16W
R216	1-218-675-11	s METAL, CHIP 200 0.50% 1/16W
R301	1-218-718-11	s METAL, CHIP 12K 0.5% 1/16W
R302	1-218-716-11	s METAL, CHIP 10K 0.5% 1/16W
R305	1-216-864-11	s METAL, CHIP 0 5% 1/16W
R306	1-216-864-11	s METAL, CHIP 0 5% 1/16W
R307	1-216-864-11	s METAL, CHIP 0 5% 1/16W
R308	1-216-864-11	s METAL, CHIP 0 5% 1/16W
R309	1-216-864-11	s METAL, CHIP 0 5% 1/16W
R310	1-216-864-11	s METAL, CHIP 0 5% 1/16W
R311	1-216-864-11	s METAL, CHIP 0 5% 1/16W
R312	1-216-864-11	s METAL, CHIP 0 5% 1/16W
R313	1-216-864-11	s METAL, CHIP 0 5% 1/16W
R314	1-216-864-11	s METAL, CHIP 0 5% 1/16W
R315	1-216-864-11	s METAL, CHIP 0 5% 1/16W
R316	1-216-864-11	s METAL, CHIP 0 5% 1/16W
R317	1-216-864-11	s METAL, CHIP 0 5% 1/16W
R318	1-216-864-11	s METAL, CHIP 0 5% 1/16W
R319	1-216-864-11	s METAL, CHIP 0 5% 1/16W
R320	1-216-864-11	s METAL, CHIP 0 5% 1/16W
R321	1-216-864-11	s METAL, CHIP 0 5% 1/16W
R322	1-216-864-11	s METAL, CHIP 0 5% 1/16W
R323	1-216-864-11	s METAL, CHIP 0 5% 1/16W
R324	1-216-864-11	s METAL, CHIP 0 5% 1/16W
R325	1-216-864-11	s METAL, CHIP 0 5% 1/16W
R326	1-218-675-11	s METAL, CHIP 200 0.50% 1/16W
R327	1-218-675-11	s METAL, CHIP 200 0.50% 1/16W
R328	1-216-864-11	s METAL, CHIP 0 5% 1/16W
R329	1-216-864-11	s METAL, CHIP 0 5% 1/16W
R330	1-216-864-11	s METAL, CHIP 0 5% 1/16W
R331	1-216-864-11	s METAL, CHIP 0 5% 1/16W
R332	1-216-864-11	s METAL, CHIP 0 5% 1/16W
R333	1-216-864-11	s METAL, CHIP 0 5% 1/16W
R334	1-216-864-11	s METAL, CHIP 0 5% 1/16W
R335	1-216-864-11	s METAL, CHIP 0 5% 1/16W
R336	1-216-864-11	s METAL, CHIP 0 5% 1/16W
R337	1-216-864-11	s METAL, CHIP 0 5% 1/16W
R338	1-216-864-11	s METAL, CHIP 0 5% 1/16W
R339	1-216-864-11	s METAL, CHIP 0 5% 1/16W
R340	1-216-864-11	s METAL, CHIP 0 5% 1/16W
R341	1-216-864-11	s METAL, CHIP 0 5% 1/16W
R342	1-216-864-11	s METAL, CHIP 0 5% 1/16W
R343	1-216-864-11	s METAL, CHIP 0 5% 1/16W
R344	1-216-864-11	s METAL, CHIP 0 5% 1/16W
R345	1-216-864-11	s METAL, CHIP 0 5% 1/16W
R346	1-216-864-11	s METAL, CHIP 0 5% 1/16W
R347	1-216-864-11	s METAL, CHIP 0 5% 1/16W
R348	1-216-864-11	s METAL, CHIP 0 5% 1/16W

 DPR-89 BOARD

(DPR-89 BOARD)

Ref. No. or Q'ty	Part No.	SP	Description
1pc	A-8312-986-A	s	MOUNTED CIRCUIT BOARD, DPR-89
C1	1-163-235-11	s	CERAMIC, CHIP 22PF 5% 50V
C2	1-163-253-11	s	CERAMIC, CHIP 120PF 5% 50V
C3	1-107-823-11	s	CERAMIC, CHIP 0.47uF 10% 16V
C4	1-164-232-11	s	CERAMIC, CHIP 0.01uF 10% 100V
C6	1-163-253-11	s	CERAMIC, CHIP 120PF 5% 50V
C7	1-163-245-11	s	CERAMIC, CHIP 56PF 5% 50V
C8	1-163-253-11	s	CERAMIC, CHIP 120PF 5% 50V
C9	1-163-253-11	s	CERAMIC, CHIP 120PF 5% 50V
C10	1-163-239-11	s	CERAMIC, CHIP 33PF 5% 50V
C11	1-163-235-11	s	CERAMIC, CHIP 22PF 5% 50V
C12	1-163-125-00	s	CERAMIC 220PF 5% 50V
C13	1-164-232-11	s	CERAMIC, CHIP 0.01uF 10% 100V
C14	1-163-133-00	s	CERAMIC, CHIP 470PF 5% 50V
C15	1-163-125-00	s	CERAMIC 220PF 5% 50V
C16	1-163-125-00	s	CERAMIC 220PF 5% 50V
C17	1-164-232-11	s	CERAMIC, CHIP 0.01uF 10% 100V
C19	1-104-559-11	s	FILM, CHIP 0.047uF 5% 16V
C20	1-163-037-11	s	CERAMIC, CHIP 0.022uF 10% 25V
C21	1-163-133-00	s	CERAMIC, CHIP 470PF 5% 50V
C23	1-163-089-00	s	CERAMIC, CHIP 6PF 50V
C24	1-163-085-00	s	CERAMIC, CHIP 2PF 50V
C25	1-163-239-11	s	CERAMIC, CHIP 33PF 5% 50V
C26	1-163-239-11	s	CERAMIC, CHIP 33PF 5% 50V
C27	1-164-004-11	s	CERAMIC, CHIP 0.1uF 10% 25V
C28	1-126-396-11	s	ELECT, CHIP 47uF 20% 16V
C29	1-164-004-11	s	CERAMIC, CHIP 0.1uF 10% 25V
C30	1-164-004-11	s	CERAMIC, CHIP 0.1uF 10% 25V
C31	1-126-396-11	s	ELECT, CHIP 47uF 20% 16V
C32	1-164-004-11	s	CERAMIC, CHIP 0.1uF 10% 25V
C33	1-164-156-11	s	CERAMIC, CHIP 0.1uF 25V
C34	1-164-156-11	s	CERAMIC, CHIP 0.1uF 25V
C35	1-164-156-11	s	CERAMIC, CHIP 0.1uF 25V
C36	1-164-156-11	s	CERAMIC, CHIP 0.1uF 25V
C37	1-164-156-11	s	CERAMIC, CHIP 0.1uF 25V
C38	1-164-156-11	s	CERAMIC, CHIP 0.1uF 25V
C39	1-164-156-11	s	CERAMIC, CHIP 0.1uF 25V
C40	1-164-156-11	s	CERAMIC, CHIP 0.1uF 25V
C41	1-164-156-11	s	CERAMIC, CHIP 0.1uF 25V
C42	1-164-156-11	s	CERAMIC, CHIP 0.1uF 25V
C43	1-164-156-11	s	CERAMIC, CHIP 0.1uF 25V
C44	1-164-156-11	s	CERAMIC, CHIP 0.1uF 25V
C45	1-164-156-11	s	CERAMIC, CHIP 0.1uF 25V
C46	1-164-156-11	s	CERAMIC, CHIP 0.1uF 25V
C47	1-164-156-11	s	CERAMIC, CHIP 0.1uF 25V
C48	1-164-156-11	s	CERAMIC, CHIP 0.1uF 25V
C49	1-164-156-11	s	CERAMIC, CHIP 0.1uF 25V
C50	1-164-156-11	s	CERAMIC, CHIP 0.1uF 25V
C51	1-164-156-11	s	CERAMIC, CHIP 0.1uF 25V
C52	1-164-156-11	s	CERAMIC, CHIP 0.1uF 25V
C61	1-164-156-11	s	CERAMIC, CHIP 0.1uF 25V
C62	1-164-156-11	s	CERAMIC, CHIP 0.1uF 25V
C63	1-164-156-11	s	CERAMIC, CHIP 0.1uF 25V
C64	1-164-156-11	s	CERAMIC, CHIP 0.1uF 25V
C65	1-164-156-11	s	CERAMIC, CHIP 0.1uF 25V
C66	1-164-156-11	s	CERAMIC, CHIP 0.1uF 25V
C67	1-164-156-11	s	CERAMIC, CHIP 0.1uF 25V
C68	1-164-156-11	s	CERAMIC, CHIP 0.1uF 25V

Ref. No. or Q'ty	Part No.	SP	Description
C69	1-164-156-11	s	CERAMIC, CHIP 0.1uF 25V
C70	1-164-156-11	s	CERAMIC, CHIP 0.1uF 25V
C71	1-164-156-11	s	CERAMIC, CHIP 0.1uF 25V
C72	1-164-156-11	s	CERAMIC, CHIP 0.1uF 25V
C73	1-164-156-11	s	CERAMIC, CHIP 0.1uF 25V
C74	1-164-156-11	s	CERAMIC, CHIP 0.1uF 25V
C75	1-164-156-11	s	CERAMIC, CHIP 0.1uF 25V
C76	1-164-156-11	s	CERAMIC, CHIP 0.1uF 25V
C77	1-164-156-11	s	CERAMIC, CHIP 0.1uF 25V
C78	1-164-156-11	s	CERAMIC, CHIP 0.1uF 25V
C79	1-164-156-11	s	CERAMIC, CHIP 0.1uF 25V
C101	1-164-156-11	s	CERAMIC, CHIP 0.1uF 25V
C102	1-164-156-11	s	CERAMIC, CHIP 0.1uF 25V
C103	1-164-156-11	s	CERAMIC, CHIP 0.1uF 25V
C104	1-164-156-11	s	CERAMIC, CHIP 0.1uF 25V
C105	1-164-156-11	s	CERAMIC, CHIP 0.1uF 25V
C106	1-164-156-11	s	CERAMIC, CHIP 0.1uF 25V
C107	1-164-156-11	s	CERAMIC, CHIP 0.1uF 25V
C108	1-164-156-11	s	CERAMIC, CHIP 0.1uF 25V
C109	1-164-156-11	s	CERAMIC, CHIP 0.1uF 25V
C110	1-164-156-11	s	CERAMIC, CHIP 0.1uF 25V
C111	1-164-156-11	s	CERAMIC, CHIP 0.1uF 25V
C112	1-164-156-11	s	CERAMIC, CHIP 0.1uF 25V
C113	1-164-156-11	s	CERAMIC, CHIP 0.1uF 25V
C114	1-164-156-11	s	CERAMIC, CHIP 0.1uF 25V
C115	1-164-156-11	s	CERAMIC, CHIP 0.1uF 25V
C116	1-164-156-11	s	CERAMIC, CHIP 0.1uF 25V
C117	1-164-156-11	s	CERAMIC, CHIP 0.1uF 25V
C118	1-164-156-11	s	CERAMIC, CHIP 0.1uF 25V
C119	1-164-156-11	s	CERAMIC, CHIP 0.1uF 25V
C120	1-164-156-11	s	CERAMIC, CHIP 0.1uF 25V
C121	1-164-156-11	s	CERAMIC, CHIP 0.1uF 25V
C122	1-164-156-11	s	CERAMIC, CHIP 0.1uF 25V
C123	1-164-156-11	s	CERAMIC, CHIP 0.1uF 25V
C124	1-164-156-11	s	CERAMIC, CHIP 0.1uF 25V
C125	1-164-156-11	s	CERAMIC, CHIP 0.1uF 25V
C126	1-164-156-11	s	CERAMIC, CHIP 0.1uF 25V
C127	1-164-156-11	s	CERAMIC, CHIP 0.1uF 25V
C128	1-164-156-11	s	CERAMIC, CHIP 0.1uF 25V
C129	1-164-156-11	s	CERAMIC, CHIP 0.1uF 25V
C130	1-164-156-11	s	CERAMIC, CHIP 0.1uF 25V
C132	1-164-156-11	s	CERAMIC, CHIP 0.1uF 25V
C133	1-164-156-11	s	CERAMIC, CHIP 0.1uF 25V
C134	1-164-156-11	s	CERAMIC, CHIP 0.1uF 25V
C135	1-162-970-11	s	CERAMIC, CHIP 0.01uF 10% 25V
C136	1-164-156-11	s	CERAMIC, CHIP 0.1uF 25V
C137	1-164-156-11	s	CERAMIC, CHIP 0.1uF 25V
C138	1-164-156-11	s	CERAMIC, CHIP 0.1uF 25V
C139	1-164-156-11	s	CERAMIC, CHIP 0.1uF 25V
C140	1-164-156-11	s	CERAMIC, CHIP 0.1uF 25V
C301	1-164-156-11	s	CERAMIC, CHIP 0.1uF 25V
C302	1-164-156-11	s	CERAMIC, CHIP 0.1uF 25V
C303	1-164-156-11	s	CERAMIC, CHIP 0.1uF 25V
C304	1-164-156-11	s	CERAMIC, CHIP 0.1uF 25V
C305	1-164-156-11	s	CERAMIC, CHIP 0.1uF 25V
C306	1-164-156-11	s	CERAMIC, CHIP 0.1uF 25V
C307	1-164-156-11	s	CERAMIC, CHIP 0.1uF 25V
C308	1-164-156-11	s	CERAMIC, CHIP 0.1uF 25V
C309	1-164-156-11	s	CERAMIC, CHIP 0.1uF 25V

(DPR-89 BOARD)

Ref. No. or Q'ty	Part No.	SP	Description
C1931	1-164-004-11	s	CERAMIC, CHIP 0.1uF 10% 25V
C1932	1-164-004-11	s	CERAMIC, CHIP 0.1uF 10% 25V
C1935	1-164-004-11	s	CERAMIC, CHIP 0.1uF 10% 25V
C1936	1-104-551-11	s	FILM, CHIP 0.01uF 5% 16V
C1937	1-164-004-11	s	CERAMIC, CHIP 0.1uF 10% 25V
C1938	1-164-004-11	s	CERAMIC, CHIP 0.1uF 10% 25V
C1939	1-164-004-11	s	CERAMIC, CHIP 0.1uF 10% 25V
C1940	1-104-551-11	s	FILM, CHIP 0.01uF 5% 16V
C1941	1-164-004-11	s	CERAMIC, CHIP 0.1uF 10% 25V
C1942	1-164-004-11	s	CERAMIC, CHIP 0.1uF 10% 25V
C1943	1-104-551-11	s	FILM, CHIP 0.01uF 5% 16V
C1944	1-164-004-11	s	CERAMIC, CHIP 0.1uF 10% 25V
C1945	1-164-004-11	s	CERAMIC, CHIP 0.1uF 10% 25V
C1946	1-104-551-11	s	FILM, CHIP 0.01uF 5% 16V
C1947	1-164-004-11	s	CERAMIC, CHIP 0.1uF 10% 25V
C1948	1-164-004-11	s	CERAMIC, CHIP 0.1uF 10% 25V
C1949	1-126-396-11	s	ELECT, CHIP 47uF 20% 16V
C1950	1-164-004-11	s	CERAMIC, CHIP 0.1uF 10% 25V
C1951	1-164-004-11	s	CERAMIC, CHIP 0.1uF 10% 25V
C1952	1-126-396-11	s	ELECT, CHIP 47uF 20% 16V
C1953	1-164-004-11	s	CERAMIC, CHIP 0.1uF 10% 25V
C1954	1-164-004-11	s	CERAMIC, CHIP 0.1uF 10% 25V
C1955	1-126-396-11	s	ELECT, CHIP 47uF 20% 16V
C1956	1-164-004-11	s	CERAMIC, CHIP 0.1uF 10% 25V
C1957	1-164-004-11	s	CERAMIC, CHIP 0.1uF 10% 25V
C1958	1-126-396-11	s	ELECT, CHIP 47uF 20% 16V
C1959	1-164-004-11	s	CERAMIC, CHIP 0.1uF 10% 25V
C1960	1-164-004-11	s	CERAMIC, CHIP 0.1uF 10% 25V
C1961	1-126-396-11	s	ELECT, CHIP 47uF 20% 16V
C1962	1-164-004-11	s	CERAMIC, CHIP 0.1uF 10% 25V
C1963	1-164-004-11	s	CERAMIC, CHIP 0.1uF 10% 25V
C1964	1-126-396-11	s	ELECT, CHIP 47uF 20% 16V
C1965	1-164-004-11	s	CERAMIC, CHIP 0.1uF 10% 25V
C1966	1-164-004-11	s	CERAMIC, CHIP 0.1uF 10% 25V
C1967	1-164-004-11	s	CERAMIC, CHIP 0.1uF 10% 25V
C1968	1-164-004-11	s	CERAMIC, CHIP 0.1uF 10% 25V
C1969	1-164-004-11	s	CERAMIC, CHIP 0.1uF 10% 25V
C1970	1-164-004-11	s	CERAMIC, CHIP 0.1uF 10% 25V
C1971	1-164-004-11	s	CERAMIC, CHIP 0.1uF 10% 25V
C1972	1-164-004-11	s	CERAMIC, CHIP 0.1uF 10% 25V
C1973	1-164-004-11	s	CERAMIC, CHIP 0.1uF 10% 25V
C1974	1-164-004-11	s	CERAMIC, CHIP 0.1uF 10% 25V
C1975	1-164-004-11	s	CERAMIC, CHIP 0.1uF 10% 25V
C1976	1-104-563-11	s	FILM, CHIP 0.1uF 5% 16V
C1977	1-104-563-11	s	FILM, CHIP 0.1uF 5% 16V
C1978	1-104-563-11	s	FILM, CHIP 0.1uF 5% 16V
C1979	1-104-563-11	s	FILM, CHIP 0.1uF 5% 16V
C2001	1-163-037-11	s	CERAMIC, CHIP 0.022uF 10% 25V
C2002	1-126-396-11	s	ELECT, CHIP 47uF 20% 16V
C2003	1-126-396-11	s	ELECT, CHIP 47uF 20% 16V
C2004	1-163-037-11	s	CERAMIC, CHIP 0.022uF 10% 25V
C2005	1-163-037-11	s	CERAMIC, CHIP 0.022uF 10% 25V
C2006	1-126-396-11	s	ELECT, CHIP 47uF 20% 16V
C2007	1-126-396-11	s	ELECT, CHIP 47uF 20% 16V
C2008	1-163-037-11	s	CERAMIC, CHIP 0.022uF 10% 25V
C2009	1-163-037-11	s	CERAMIC, CHIP 0.022uF 10% 25V
C2010	1-126-396-11	s	ELECT, CHIP 47uF 20% 16V
C2011	1-126-396-11	s	ELECT, CHIP 47uF 20% 16V
C2012	1-163-037-11	s	CERAMIC, CHIP 0.022uF 10% 25V

(DPR-89 BOARD)

Ref. No. or Q'ty	Part No.	SP	Description
C2013	1-163-037-11	s	CERAMIC, CHIP 0.022uF 10% 25V
C2014	1-126-392-11	s	ELECT, CHIP 100uF 20% 6.3V
C2015	1-126-392-11	s	ELECT, CHIP 100uF 20% 6.3V
C2016	1-163-037-11	s	CERAMIC, CHIP 0.022uF 10% 25V
C2017	1-126-392-11	s	ELECT, CHIP 100uF 20% 6.3V
C2018	1-163-037-11	s	CERAMIC, CHIP 0.022uF 10% 25V
C2019	1-126-392-11	s	ELECT, CHIP 100uF 20% 6.3V
C2020	1-163-037-11	s	CERAMIC, CHIP 0.022uF 10% 25V
C2021	1-163-037-11	s	CERAMIC, CHIP 0.022uF 10% 25V
C2022	1-126-392-11	s	ELECT, CHIP 100uF 20% 6.3V
C2023	1-126-392-11	s	ELECT, CHIP 100uF 20% 6.3V
C2024	1-163-037-11	s	CERAMIC, CHIP 0.022uF 10% 25V
C2025	1-163-037-11	s	CERAMIC, CHIP 0.022uF 10% 25V
C2026	1-126-392-11	s	ELECT, CHIP 100uF 20% 6.3V
C2027	1-126-392-11	s	ELECT, CHIP 100uF 20% 6.3V
C2028	1-163-037-11	s	CERAMIC, CHIP 0.022uF 10% 25V
C2029	1-126-392-11	s	ELECT, CHIP 100uF 20% 6.3V
C2030	1-163-037-11	s	CERAMIC, CHIP 0.022uF 10% 25V
C2031	1-126-392-11	s	ELECT, CHIP 100uF 20% 6.3V
C2032	1-163-037-11	s	CERAMIC, CHIP 0.022uF 10% 25V
C2033	1-126-392-11	s	ELECT, CHIP 100uF 20% 6.3V
C2034	1-163-037-11	s	CERAMIC, CHIP 0.022uF 10% 25V
C2035	1-126-392-11	s	ELECT, CHIP 100uF 20% 6.3V
C2036	1-163-037-11	s	CERAMIC, CHIP 0.022uF 10% 25V
C2037	1-126-392-11	s	ELECT, CHIP 100uF 20% 6.3V
C2038	1-163-037-11	s	CERAMIC, CHIP 0.022uF 10% 25V
C2039	1-127-516-11	s	ALUMN SOLID 220uF 20% 10V
C2040	1-127-516-11	s	ALUMN SOLID 220uF 20% 10V
C2111	1-164-004-11	s	CERAMIC, CHIP 0.1uF 10% 25V
C2112	1-164-004-11	s	CERAMIC, CHIP 0.1uF 10% 25V
C2113	1-164-004-11	s	CERAMIC, CHIP 0.1uF 10% 25V
C2114	1-164-004-11	s	CERAMIC, CHIP 0.1uF 10% 25V
C2115	1-164-004-11	s	CERAMIC, CHIP 0.1uF 10% 25V
C2116	1-164-004-11	s	CERAMIC, CHIP 0.1uF 10% 25V
C2117	1-126-394-11	s	ELECT, CHIP 10uF 20% 16V
C2118	1-126-394-11	s	ELECT, CHIP 10uF 20% 16V
C2119	1-126-394-11	s	ELECT, CHIP 10uF 20% 16V
C2120	1-164-004-11	s	CERAMIC, CHIP 0.1uF 10% 25V
C2121	1-164-156-11	s	CERAMIC, CHIP 0.1uF 25V
C2122	1-164-156-11	s	CERAMIC, CHIP 0.1uF 25V
C2123	1-164-156-11	s	CERAMIC, CHIP 0.1uF 25V
C2124	1-164-156-11	s	CERAMIC, CHIP 0.1uF 25V
CN116	1-778-261-11	o	CONNECTOR, BB 124P, MALE
CN117	1-778-261-11	o	CONNECTOR, BB 124P, MALE
CN118	1-778-262-11	o	CONNECTOR, BB 148P, MALE
CN1002	1-774-864-11	o	CONNECTOR, BB, 60P
CN1003	1-774-865-11	o	CONNECTOR, BB, 100P
D2	8-719-941-23	s	DIODE DA204U
D3	8-719-023-69	s	DIODE SB007T03Q
D4	8-719-023-69	s	DIODE SB007T03Q
D5	8-719-023-69	s	DIODE SB007T03Q
D6	8-719-023-69	s	DIODE SB007T03Q
FL1	1-239-894-11	s	FILTER, LOW-PASS
IC3	8-759-978-96	s	IC SN75207BNS
IC4	8-759-079-52	s	IC TC74VHC08FS(EL)
IC5	8-759-079-81	s	IC TC74VHC221AFS(EL)
IC6	8-759-079-61	s	IC TC74VHC74FS(EL)
IC7	8-759-079-81	s	IC TC74VHC221AFS(EL)

(DPR-89 BOARD)

Ref. No. or Q'ty	Part No.	SP	Description
IC8	8-759-987-27	s IC	LM1881M
IC9	8-759-079-81	s IC	TC74VHC221AFS(EL)
IC10	8-759-030-16	s IC	MC34182M
IC11	8-759-702-08	s IC	NJM360M
IC12	8-759-366-35	s IC	TC4W66F(TL2R)
IC13	8-759-702-08	s IC	NJM360M
IC14	8-759-234-08	s IC	TA78L05F
IC15	8-759-045-17	s IC	NJM79L05UA
IC16	8-759-473-94	s IC	CXD9013AR
IC25	8-759-389-45	s IC	74LCX16244MTDX
IC26	8-752-356-44	s IC	CXD2306Q
IC27	8-759-252-21	s IC	EL2244CS-TE2
IC28	8-752-052-82	s IC	CXA1432M
IC29	8-759-252-21	s IC	EL2244CS-TE2
IC30	8-759-079-81	s IC	TC74VHC221AFS(EL)
IC31	8-759-079-47	s IC	TC74VHCT00FS(EL)
IC32	8-759-389-45	s IC	74LCX16244MTDX
IC33	8-752-356-44	s IC	CXD2306Q
IC34	8-759-252-21	s IC	EL2244CS-TE2
IC35	8-759-702-08	s IC	NJM360M
IC36	8-759-929-26	s IC	TL431CPS
IC37	8-759-079-46	s IC	TC74VHC00FS(EL)
IC40	8-759-295-09	s IC	TLC2932IPW
IC41	8-759-079-47	s IC	TC74VHCT00FS(EL)
IC42	8-759-030-16	s IC	MC34182M
IC43	8-759-929-26	s IC	TL431CPS
IC45	8-759-011-65	s IC	MC74HC4053F
IC46	8-759-295-09	s IC	TLC2932IPW
IC47	8-759-030-16	s IC	MC34182M
IC48	8-759-295-09	s IC	TLC2932IPW
IC49	8-759-030-16	s IC	MC34182M
IC50	8-759-295-09	s IC	TLC2932IPW
IC51	8-759-030-16	s IC	MC34182M
IC52	8-759-234-08	s IC	TA78L05F
IC53	8-759-045-17	s IC	NJM79L05UA
IC54	8-759-234-08	s IC	TA78L05F
IC55	8-759-045-17	s IC	NJM79L05UA
IC56	8-759-234-08	s IC	TA78L05F
IC57	8-759-045-17	s IC	NJM79L05UA
IC58	8-759-389-33	s IC	74LCX244MTCX
IC59	8-759-389-33	s IC	74LCX244MTCX
IC60	8-759-386-27	s IC	74LCX04MTCX
IC61	8-759-386-27	s IC	74LCX04MTCX
IC62	8-759-386-27	s IC	74LCX04MTCX
IC63	8-759-386-27	s IC	74LCX04MTCX
IC64	8-759-386-27	s IC	74LCX04MTCX
IC65	8-759-389-45	s IC	74LCX16244MTDX
IC66	8-759-456-26	s IC	74LCX541MTCX
IC67	8-759-456-26	s IC	74LCX541MTCX
IC68	8-759-456-26	s IC	74LCX541MTCX
IC69	8-759-456-26	s IC	74LCX541MTCX
IC70	8-759-456-26	s IC	74LCX541MTCX
IC71	8-759-456-26	s IC	74LCX541MTCX
IC72	8-759-456-26	s IC	74LCX541MTCX
IC73	8-759-456-26	s IC	74LCX541MTCX
IC74	8-759-456-26	s IC	74LCX541MTCX
IC75	8-759-386-27	s IC	74LCX04MTCX
IC76	8-759-386-27	s IC	74LCX04MTCX
IC77	8-759-079-63	s IC	TC74VHC86FS(EL)

(DPR-89 BOARD)

Ref. No. or Q'ty	Part No.	SP	Description
IC78	8-759-386-26	s IC	74LCX574MTCX
IC79	8-759-389-26	s IC	74LCX08MTCX
IC80	8-759-456-26	s IC	74LCX541MTCX
IC81	8-759-456-26	s IC	74LCX541MTCX
IC82	8-759-079-61	s IC	TC74VHC74FS(EL)
IC83	8-759-234-08	s IC	TA78L05F
IC84	8-759-234-08	s IC	TA78L05F
IC85	8-759-234-08	s IC	TA78L05F
IC86	8-759-987-27	s IC	LM1881M
IC87	8-759-252-21	s IC	EL2244CS-TE2
IC88	8-759-456-26	s IC	74LCX541MTCX
IC101	8-759-463-88	s IC	CXD9014AR
IC102	8-759-470-52	s IC	MB811161622A-100FN
IC103	8-759-461-41	s IC	DS90LV032TMX
IC104	8-759-461-41	s IC	DS90LV032TMX
IC105	8-759-461-41	s IC	DS90LV032TMX
IC106	8-759-461-41	s IC	DS90LV032TMX
IC107	8-759-461-41	s IC	DS90LV032TMX
IC108	8-759-461-41	s IC	DS90LV032TMX
IC109	8-759-389-48	s IC	74LCX16374MTDX
IC110	8-759-389-48	s IC	74LCX16374MTDX
IC113	8-759-461-41	s IC	DS90LV032TMX
IC114	8-759-456-24	s IC	74LCX540MTCX
IC302	8-759-470-52	s IC	MB811161622A-100FN
IC303	8-759-470-52	s IC	MB811161622A-100FN
IC305	8-759-470-52	s IC	MB811161622A-100FN
IC306	8-759-470-52	s IC	MB811161622A-100FN
IC307	8-759-389-48	s IC	74LCX16374MTDX
IC308	8-759-389-48	s IC	74LCX16374MTDX
IC501	8-759-079-60	s IC	TC74VHC32FS(EL)
IC502	8-759-080-02	s IC	TC74VHC541FS(EL)
IC504	8-759-470-52	s IC	MB811161622A-100FN
IC505	8-759-080-02	s IC	TC74VHC541FS(EL)
IC703	8-759-470-52	s IC	MB811161622A-100FN
IC704	8-759-080-02	s IC	TC74VHC541FS(EL)
IC706	8-759-470-52	s IC	MB811161622A-100FN
IC708	8-759-470-52	s IC	MB811161622A-100FN
IC709	8-759-080-02	s IC	TC74VHC541FS(EL)
IC711	8-759-470-52	s IC	MB811161622A-100FN
IC712	8-759-080-02	s IC	TC74VHC541FS(EL)
IC713	8-759-440-78	s IC	SN74CBT3345PW-E05
IC714	8-759-440-78	s IC	SN74CBT3345PW-E05
IC715	8-759-440-78	s IC	SN74CBT3345PW-E05
IC716	8-759-389-48	s IC	74LCX16374MTDX
IC717	8-759-389-48	s IC	74LCX16374MTDX
IC906	8-759-470-52	s IC	MB811161622A-100FN
IC907	8-759-470-52	s IC	MB811161622A-100FN
IC912	8-759-470-52	s IC	MB811161622A-100FN
IC913	8-759-470-52	s IC	MB811161622A-100FN
IC1102	8-759-422-80	s IC	MN47V77ST1
IC1103	8-759-422-80	s IC	MN47V77ST1
IC1104	8-759-422-80	s IC	MN47V77ST1
IC1105	8-759-422-80	s IC	MN47V77ST1
IC1106	8-759-470-52	s IC	MB811161622A-100FN
IC1107	8-759-389-48	s IC	74LCX16374MTDX
IC1108	8-759-389-48	s IC	74LCX16374MTDX
IC1109	8-759-470-52	s IC	MB811161622A-100FN
IC1110	8-759-389-48	s IC	74LCX16374MTDX
IC1111	8-759-389-48	s IC	74LCX16374MTDX

(DPR-89 BOARD)

Ref. No. or Q'ty	Part No.	SP	Description
IC1302	8-759-470-52	s	IC MB811161622A-100FN
IC1303	8-759-470-52	s	IC MB811161622A-100FN
IC1304	8-759-470-52	s	IC MB811161622A-100FN
IC1305	8-759-470-52	s	IC MB811161622A-100FN
IC1306	8-759-470-52	s	IC MB811161622A-100FN
IC1307	8-759-440-78	s	IC SN74CBT3345PW-E05
IC1308	8-759-440-78	s	IC SN74CBT3345PW-E05
IC1309	8-759-440-78	s	IC SN74CBT3345PW-E05
IC1501	8-759-463-88	s	IC CXD9014AR
IC1502	8-759-470-52	s	IC MB811161622A-100FN
IC1503	8-759-461-38	s	IC DS90LV031TMX
IC1504	8-759-461-38	s	IC DS90LV031TMX
IC1505	8-759-461-38	s	IC DS90LV031TMX
IC1506	8-759-461-38	s	IC DS90LV031TMX
IC1507	8-759-461-38	s	IC DS90LV031TMX
IC1508	8-759-461-38	s	IC DS90LV031TMX
IC1509	8-759-461-38	s	IC DS90LV031TMX
IC1510	8-759-461-38	s	IC DS90LV031TMX
IC1511	8-759-461-38	s	IC DS90LV031TMX
IC1512	8-759-461-38	s	IC DS90LV031TMX
IC1513	8-759-461-38	s	IC DS90LV031TMX
IC1514	8-759-461-38	s	IC DS90LV031TMX
IC1515	8-759-389-48	s	IC 74LCX16374MTDX
IC1516	8-759-389-48	s	IC 74LCX16374MTDX
IC1517	8-759-389-48	s	IC 74LCX16374MTDX
IC1518	8-759-389-48	s	IC 74LCX16374MTDX
IC1701	8-759-079-87	s	IC TC74VHC245FS(EL)
IC1702	8-759-079-87	s	IC TC74VHC245FS(EL)
IC1705	8-759-080-02	s	IC TC74VHC541FS(EL)
IC1706	8-759-079-60	s	IC TC74VHC32FS(EL)
IC1708	8-759-080-06	s	IC TC74VHC574FS(EL)
IC1709	8-759-080-06	s	IC TC74VHC574FS(EL)
IC1710	8-759-080-06	s	IC TC74VHC574FS(EL)
IC1711	8-759-080-02	s	IC TC74VHC541FS(EL)
IC1712	8-759-080-02	s	IC TC74VHC541FS(EL)
IC1713	8-759-080-02	s	IC TC74VHC541FS(EL)
IC1714	8-759-080-02	s	IC TC74VHC541FS(EL)
IC1715	8-759-079-49	s	IC TC74VHC04FS(EL)
IS1703	1-251-093-11	o	SOCKET, IC 20P
IS1704	1-251-093-11	o	SOCKET, IC 20P
IS1707	1-251-093-11	o	SOCKET, IC 20P
L1	1-410-377-31	s	INDUCTOR, CHIP 4.7uH
L2	1-410-393-11	s	INDUCTOR, CHIP 100uH
L3	1-410-385-11	s	INDUCTOR, CHIP 22uH
L4	1-410-391-11	s	INDUCTOR, CHIP 68uH
L5	1-410-377-31	s	INDUCTOR, CHIP 4.7uH
L6	1-406-864-21	s	COIL, CHOKE 4.7uH
L7	1-406-864-21	s	COIL, CHOKE 4.7uH
L8	1-406-864-21	s	COIL, CHOKE 4.7uH
L9	1-406-864-21	s	COIL, CHOKE 4.7uH
L10	1-406-864-21	s	COIL, CHOKE 4.7uH
L11	1-406-864-21	s	COIL, CHOKE 4.7uH
L12	1-406-864-21	s	COIL, CHOKE 4.7uH
L13	1-406-864-21	s	COIL, CHOKE 4.7uH
L14	1-406-864-21	s	COIL, CHOKE 4.7uH
L15	1-406-864-21	s	COIL, CHOKE 4.7uH
L16	1-406-864-21	s	COIL, CHOKE 4.7uH
L17	1-406-864-21	s	COIL, CHOKE 4.7uH

(DPR-89 BOARD)

Ref. No. or Q'ty	Part No.	SP	Description
L18	1-406-864-21	s	COIL, CHOKE 4.7uH
Q1	8-729-140-63	s	TRANSISTOR 2SA1611-M5M6
Q2	8-729-140-63	s	TRANSISTOR 2SA1611-M5M6
Q3	8-729-140-63	s	TRANSISTOR 2SA1611-M5M6
Q4	8-729-143-07	s	TRANSISTOR 2SA1610-YY33
Q5	8-729-143-07	s	TRANSISTOR 2SA1610-YY33
Q6	8-729-117-32	s	TRANSISTOR 2SC4177
Q7	8-729-117-32	s	TRANSISTOR 2SC4177
Q8	8-729-117-32	s	TRANSISTOR 2SC4177
Q9	8-729-143-07	s	TRANSISTOR 2SA1610-YY33
R1	1-216-651-11	s	METAL, CHIP 1K 0.5% 1/10W
R2	1-216-651-11	s	METAL, CHIP 1K 0.5% 1/10W
R3	1-216-636-11	s	METAL, CHIP 240 0.5% 1/10W
R4	1-216-660-11	s	METAL, CHIP 2.4K 0.5% 1/10W
R11	1-216-627-11	s	METAL, CHIP 100 0.5% 1/10W
R12	1-216-627-11	s	METAL, CHIP 100 0.5% 1/10W
R13	1-216-668-11	s	METAL, CHIP 5.1K 0.5% 1/10W
R14	1-216-651-11	s	METAL, CHIP 1K 0.5% 1/10W
R15	1-216-667-11	s	METAL, CHIP 4.7K 0.5% 1/10W
R16	1-216-662-11	s	METAL, CHIP 3K 0.5% 1/10W
R17	1-216-651-11	s	METAL, CHIP 1K 0.5% 1/10W
R18	1-216-651-11	s	METAL, CHIP 1K 0.5% 1/10W
R19	1-216-649-11	s	METAL, CHIP 820 0.5% 1/10W
R20	1-216-651-11	s	METAL, CHIP 1K 0.5% 1/10W
R21	1-216-651-11	s	METAL, CHIP 1K 0.5% 1/10W
R22	1-216-675-11	s	METAL, CHIP 10K 0.5% 1/10W
R23	1-216-661-11	s	METAL, CHIP 2.7K 0.5% 1/10W
R24	1-216-659-11	s	METAL, CHIP 2.2K 0.5% 1/10W
R25	1-216-675-11	s	METAL, CHIP 10K 0.5% 1/10W
R26	1-216-133-00	s	METAL, CHIP 3.3M 5% 1/10W
R28	1-216-133-00	s	METAL, CHIP 3.3M 5% 1/10W
R29	1-216-659-11	s	METAL, CHIP 2.2K 0.5% 1/10W
R30	1-216-675-11	s	METAL, CHIP 10K 0.5% 1/10W
R31	1-218-776-11	s	METAL, CHIP 1M 0.5% 1/10W
R32	1-216-661-11	s	METAL, CHIP 2.7K 0.5% 1/10W
R33	1-216-651-11	s	METAL, CHIP 1K 0.5% 1/10W
R34	1-216-651-11	s	METAL, CHIP 1K 0.5% 1/10W
R35	1-216-667-11	s	METAL, CHIP 4.7K 0.5% 1/10W
R36	1-216-635-11	s	METAL, CHIP 220 0.5% 1/10W
R37	1-216-651-11	s	METAL, CHIP 1K 0.5% 1/10W
R38	1-216-659-11	s	METAL, CHIP 2.2K 0.5% 1/10W
R39	1-216-651-11	s	METAL, CHIP 1K 0.5% 1/10W
R40	1-216-651-11	s	METAL, CHIP 1K 0.5% 1/10W
R41	1-216-651-11	s	METAL, CHIP 1K 0.5% 1/10W
R42	1-216-651-11	s	METAL, CHIP 1K 0.5% 1/10W
R43	1-216-683-11	s	METAL, CHIP 22K 0.5% 1/10W
R44	1-216-667-11	s	METAL, CHIP 4.7K 0.5% 1/10W
R101	1-218-718-11	s	METAL, CHIP 12K 0.5% 1/16W
R102	1-218-716-11	s	METAL, CHIP 10K 0.5% 1/16W
R120	1-216-864-11	s	METAL, CHIP 0 5% 1/16W
R121	1-216-864-11	s	METAL, CHIP 0 5% 1/16W
R122	1-216-864-11	s	METAL, CHIP 0 5% 1/16W
R123	1-216-864-11	s	METAL, CHIP 0 5% 1/16W
R124	1-216-864-11	s	METAL, CHIP 0 5% 1/16W
R125	1-216-864-11	s	METAL, CHIP 0 5% 1/16W
R126	1-216-864-11	s	METAL, CHIP 0 5% 1/16W
R127	1-216-864-11	s	METAL, CHIP 0 5% 1/16W
R128	1-216-864-11	s	METAL, CHIP 0 5% 1/16W

(DPR-89 BOARD)

Ref. No. or Q'ty	Part No.	SP Description
R1141	1-216-864-11	s METAL, CHIP 0 5% 1/16W
R1142	1-216-864-11	s METAL, CHIP 0 5% 1/16W
R1143	1-216-864-11	s METAL, CHIP 0 5% 1/16W
R1144	1-216-864-11	s METAL, CHIP 0 5% 1/16W
R1145	1-216-864-11	s METAL, CHIP 0 5% 1/16W
R1146	1-216-864-11	s METAL, CHIP 0 5% 1/16W
R1147	1-216-864-11	s METAL, CHIP 0 5% 1/16W
R1148	1-216-864-11	s METAL, CHIP 0 5% 1/16W
R1149	1-216-864-11	s METAL, CHIP 0 5% 1/16W
R1150	1-216-864-11	s METAL, CHIP 0 5% 1/16W
R1151	1-216-864-11	s METAL, CHIP 0 5% 1/16W
R1152	1-216-864-11	s METAL, CHIP 0 5% 1/16W
R1153	1-216-864-11	s METAL, CHIP 0 5% 1/16W
R1154	1-216-864-11	s METAL, CHIP 0 5% 1/16W
R1155	1-216-864-11	s METAL, CHIP 0 5% 1/16W
R1156	1-216-864-11	s METAL, CHIP 0 5% 1/16W
R1157	1-216-864-11	s METAL, CHIP 0 5% 1/16W
R1158	1-216-864-11	s METAL, CHIP 0 5% 1/16W
R1159	1-216-864-11	s METAL, CHIP 0 5% 1/16W
R1160	1-218-675-11	s METAL, CHIP 200 0.50% 1/16W
R1161	1-218-675-11	s METAL, CHIP 200 0.50% 1/16W
R1162	1-218-708-11	s METAL, CHIP 4.7K 0.50% 1/16W
R1318	1-218-718-11	s METAL, CHIP 12K 0.5% 1/16W
R1319	1-218-716-11	s METAL, CHIP 10K 0.5% 1/16W
R1320	1-216-864-11	s METAL, CHIP 0 5% 1/16W
R1321	1-216-864-11	s METAL, CHIP 0 5% 1/16W
R1322	1-216-864-11	s METAL, CHIP 0 5% 1/16W
R1323	1-216-864-11	s METAL, CHIP 0 5% 1/16W
R1324	1-216-864-11	s METAL, CHIP 0 5% 1/16W
R1325	1-216-864-11	s METAL, CHIP 0 5% 1/16W
R1326	1-216-864-11	s METAL, CHIP 0 5% 1/16W
R1327	1-216-864-11	s METAL, CHIP 0 5% 1/16W
R1328	1-216-864-11	s METAL, CHIP 0 5% 1/16W
R1329	1-216-864-11	s METAL, CHIP 0 5% 1/16W
R1330	1-216-864-11	s METAL, CHIP 0 5% 1/16W
R1331	1-216-864-11	s METAL, CHIP 0 5% 1/16W
R1332	1-216-864-11	s METAL, CHIP 0 5% 1/16W
R1333	1-216-864-11	s METAL, CHIP 0 5% 1/16W
R1334	1-216-864-11	s METAL, CHIP 0 5% 1/16W
R1335	1-216-864-11	s METAL, CHIP 0 5% 1/16W
R1336	1-216-864-11	s METAL, CHIP 0 5% 1/16W
R1337	1-218-675-11	s METAL, CHIP 200 0.50% 1/16W
R1338	1-218-675-11	s METAL, CHIP 200 0.50% 1/16W
R1339	1-218-675-11	s METAL, CHIP 200 0.50% 1/16W
R1340	1-218-675-11	s METAL, CHIP 200 0.50% 1/16W
R1519	1-218-718-11	s METAL, CHIP 12K 0.5% 1/16W
R1520	1-218-716-11	s METAL, CHIP 10K 0.5% 1/16W
R1521	1-218-675-11	s METAL, CHIP 200 0.50% 1/16W
R1522	1-218-675-11	s METAL, CHIP 200 0.50% 1/16W
R1523	1-218-732-11	s METAL, CHIP 47K 0.5% 1/16W
R1701	1-218-684-11	s METAL, CHIP 470 0.5% 1/16W
R1702	1-218-684-11	s METAL, CHIP 470 0.5% 1/16W
R1703	1-218-661-11	s METAL, CHIP 51 0.5% 1/16W
R1704	1-218-661-11	s METAL, CHIP 51 0.5% 1/16W
R1705	1-218-661-11	s METAL, CHIP 51 0.5% 1/16W
R1706	1-218-661-11	s METAL, CHIP 51 0.5% 1/16W
R1707	1-218-661-11	s METAL, CHIP 51 0.5% 1/16W
R1708	1-218-661-11	s METAL, CHIP 51 0.5% 1/16W
R1709	1-218-661-11	s METAL, CHIP 51 0.5% 1/16W

(DPR-89 BOARD)

Ref. No. or Q'ty	Part No.	SP Description
R1710	1-218-661-11	s METAL, CHIP 51 0.5% 1/16W
R1711	1-218-661-11	s METAL, CHIP 51 0.5% 1/16W
R1712	1-218-661-11	s METAL, CHIP 51 0.5% 1/16W
R1713	1-218-661-11	s METAL, CHIP 51 0.5% 1/16W
R1714	1-218-661-11	s METAL, CHIP 51 0.5% 1/16W
R1715	1-218-661-11	s METAL, CHIP 51 0.5% 1/16W
R1716	1-218-661-11	s METAL, CHIP 51 0.5% 1/16W
R1717	1-218-661-11	s METAL, CHIP 51 0.5% 1/16W
R1718	1-218-661-11	s METAL, CHIP 51 0.5% 1/16W
R1719	1-218-661-11	s METAL, CHIP 51 0.5% 1/16W
R1720	1-218-661-11	s METAL, CHIP 51 0.5% 1/16W
R1901	1-216-661-11	s METAL, CHIP 2.7K 0.5% 1/10W
R1902	1-216-636-11	s METAL, CHIP 240 0.5% 1/10W
R1903	1-216-651-11	s METAL, CHIP 1K 0.5% 1/10W
R1904	1-216-651-11	s METAL, CHIP 1K 0.5% 1/10W
R1905	1-216-643-11	s METAL, CHIP 470 0.5% 1/10W
R1906	1-216-643-11	s METAL, CHIP 470 0.5% 1/10W
R1908	1-216-295-91	s RES, CHIP 0
R1909	1-216-619-11	s METAL, CHIP 47 0.5% 1/10W
R1910	1-216-651-11	s METAL, CHIP 1K 0.5% 1/10W
R1911	1-216-624-11	s METAL, CHIP 75 0.5% 1/10W
R1912	1-216-676-11	s METAL, CHIP 11K 0.5% 1/10W
R1913	1-216-664-11	s METAL, CHIP 3.6K 0.5% 1/10W
R1914	1-216-661-11	s METAL, CHIP 2.7K 0.5% 1/10W
R1915	1-216-636-11	s METAL, CHIP 240 0.5% 1/10W
R1916	1-216-651-11	s METAL, CHIP 1K 0.5% 1/10W
R1917	1-216-651-11	s METAL, CHIP 1K 0.5% 1/10W
R1918	1-216-636-11	s METAL, CHIP 240 0.5% 1/10W
R1919	1-216-660-11	s METAL, CHIP 2.4K 0.5% 1/10W
R1921	1-216-295-91	s RES, CHIP 0
R1922	1-216-651-11	s METAL, CHIP 1K 0.5% 1/10W
R1923	1-216-667-11	s METAL, CHIP 4.7K 0.5% 1/10W
R1924	1-216-636-11	s METAL, CHIP 240 0.5% 1/10W
R1925	1-216-655-11	s METAL, CHIP 1.5K 0.5% 1/10W
R1926	1-216-651-11	s METAL, CHIP 1K 0.5% 1/10W
R1929	1-216-651-11	s METAL, CHIP 1K 0.5% 1/10W
R1930	1-216-651-11	s METAL, CHIP 1K 0.5% 1/10W
R1931	1-216-627-11	s METAL, CHIP 100 0.5% 1/10W
R1932	1-216-627-11	s METAL, CHIP 100 0.5% 1/10W
R1933	1-216-635-11	s METAL, CHIP 220 0.5% 1/10W
R1934	1-216-648-11	s METAL, CHIP 750 0.5% 1/10W
R1935	1-216-635-11	s METAL, CHIP 220 0.5% 1/10W
R1936	1-216-648-11	s METAL, CHIP 750 0.5% 1/10W
R1939	1-216-651-11	s METAL, CHIP 1K 0.5% 1/10W
R1940	1-216-651-11	s METAL, CHIP 1K 0.5% 1/10W
R1941	1-216-627-11	s METAL, CHIP 100 0.5% 1/10W
R1944	1-216-651-11	s METAL, CHIP 1K 0.5% 1/10W
R1945	1-216-651-11	s METAL, CHIP 1K 0.5% 1/10W
R1946	1-216-627-11	s METAL, CHIP 100 0.5% 1/10W
R1949	1-216-651-11	s METAL, CHIP 1K 0.5% 1/10W
R1950	1-216-651-11	s METAL, CHIP 1K 0.5% 1/10W
R1951	1-216-627-11	s METAL, CHIP 100 0.5% 1/10W
R1952	1-216-659-11	s METAL, CHIP 2.2K 0.5% 1/10W
R1953	1-216-663-11	s METAL, CHIP 3.3K 0.5% 1/10W
R1954	1-216-683-11	s METAL, CHIP 22K 0.5% 1/10W
R1955	1-216-677-11	s METAL, CHIP 12K 0.5% 1/10W
R1956	1-216-675-11	s METAL, CHIP 10K 0.5% 1/10W
R1957	1-216-683-11	s METAL, CHIP 22K 0.5% 1/10W
R1958	1-216-677-11	s METAL, CHIP 12K 0.5% 1/10W

(DPR-89 BOARD)

Ref. No. or Q'ty	Part No.	SP Description
R2210	1-218-661-11	s METAL, CHIP 51 0.5% 1/16W
R2211	1-218-661-11	s METAL, CHIP 51 0.5% 1/16W
R2212	1-218-661-11	s METAL, CHIP 51 0.5% 1/16W
R2214	1-216-864-11	s METAL, CHIP 0 5% 1/16W
R2215	1-216-651-11	s METAL, CHIP 1K 0.5% 1/10W
R2216	1-216-659-11	s METAL, CHIP 2.2K 0.5% 1/10W
R2217	1-216-675-11	s METAL, CHIP 10K 0.5% 1/10W
R2218	1-216-133-00	s METAL, CHIP 3.3M 5% 1/10W
R2221	1-216-864-11	s METAL, CHIP 0 5% 1/16W
R2223	1-216-864-11	s METAL, CHIP 0 5% 1/16W
R2225	1-218-661-11	s METAL, CHIP 51 0.5% 1/16W
R2226	1-218-661-11	s METAL, CHIP 51 0.5% 1/16W
R2227	1-218-661-11	s METAL, CHIP 51 0.5% 1/16W
R2228	1-218-661-11	s METAL, CHIP 51 0.5% 1/16W
R2229	1-218-661-11	s METAL, CHIP 51 0.5% 1/16W
R2230	1-218-661-11	s METAL, CHIP 51 0.5% 1/16W
R2231	1-215-433-00	s METAL 3.3K 1% 1/6W
R2232	1-215-397-11	s METAL 100 1% 1/4W
RB1301	1-231-405-00	s RESISTOR BLOCK 1Kx8
RB1302	1-231-405-00	s RESISTOR BLOCK 1Kx8
RB1701	1-239-305-11	s RESISTOR BLOCK, CHIP 4.7kx8
RB1702	1-239-305-11	s RESISTOR BLOCK, CHIP 4.7kx8
RB1703	1-239-305-11	s RESISTOR BLOCK, CHIP 4.7kx8
RV1	1-237-034-11	s RES, ADJ METAL 2K
RV2	1-237-034-11	s RES, ADJ METAL 2K
RV3	1-237-033-11	s RES, ADJ METAL 1K
RV4	1-237-033-11	s RES, ADJ METAL 1K
X1	1-767-329-11	s CRYSTAL 74.175824MHZ
X2	1-767-328-11	s CRYSTAL 74.2500MHZ
X3	1-760-275-11	s CRYSTAL 27.0MHZ
X4	1-760-274-11	s CRYSTAL 24.576MHZ
X5	1-767-482-11	s VCO CRYSTAL 24.551448MHZ
X501	1-767-484-11	s CRYSTAL 46.933250MHZ
X502	1-767-483-11	s CRYSTAL 46.980183MHZ

DR-307 BOARD

Ref. No. or Q'ty	Part No.	SP Description
lpc	A-8313-031-A	o MOUNTED CIRCUIT BOARD, DR-307
C101	1-126-941-11	s ELECT 470uF 20% 25V
C102	1-126-941-11	s ELECT 470uF 20% 25V
C103	1-126-933-11	s ELECT 100uF 20% 16V
C104	1-126-933-11	s ELECT 100uF 20% 16V
C105	1-126-941-11	s ELECT 470uF 20% 25V
C106	1-126-933-11	s ELECT 100uF 20% 16V
C107	1-126-964-11	s ELECT 10uF 20% 50V
C108	1-125-565-11	s DOUBLE LAYERS 0.22FARAD 5.5V
C109	1-126-964-11	s ELECT 10uF 20% 50V
C110	1-126-964-11	s ELECT 10uF 20% 50V
C111	1-115-185-11	s CERAMIC, CHIP 0.033uF 10% 50V
C112	1-163-263-11	s CERAMIC, CHIP 330PF 5% 50V
C113	1-163-022-00	s CERAMIC, CHIP 0.012uF 10% 50V
C114	1-135-181-21	s TANTALUM, CHIP 4.7uF 10% 6.3V
C115	1-135-181-21	s TANTALUM, CHIP 4.7uF 10% 6.3V
C116	1-135-181-21	s TANTALUM, CHIP 4.7uF 10% 6.3V
C117	1-126-934-11	s ELECT 220uF 20% 16V
C118	1-126-940-11	s ELECT 330uF 20% 25V
C119	1-135-164-21	s TANTALUM, CHIP 22uF 10% 16V
C120	1-163-017-00	s CERAMIC, CHIP 0.0047uF 5% 50V
C121	1-126-940-11	s ELECT 330uF 20% 25V
C122	1-164-161-11	s CERAMIC, CHIP 0.0022uF 10% 100V
C123	1-164-232-11	s CERAMIC, CHIP 0.01uF 10% 100V
C124	1-164-232-11	s CERAMIC, CHIP 0.01uF 10% 100V
C125	1-163-037-11	s CERAMIC, CHIP 0.022uF 10% 25V
C126	1-164-004-11	s CERAMIC, CHIP 0.1uF 10% 25V
C127	1-164-004-11	s CERAMIC, CHIP 0.1uF 10% 25V
C128	1-163-133-00	s CERAMIC, CHIP 470PF 5% 50V
C129	1-164-004-11	s CERAMIC, CHIP 0.1uF 10% 25V
C130	1-163-037-11	s CERAMIC, CHIP 0.022uF 10% 25V
C131	1-163-037-11	s CERAMIC, CHIP 0.022uF 10% 25V
C132	1-163-009-11	s CERAMIC, CHIP 0.001uF 10% 50V
C133	1-163-037-11	s CERAMIC, CHIP 0.022uF 10% 25V
C134	1-163-037-11	s CERAMIC, CHIP 0.022uF 10% 25V
C135	1-164-161-11	s CERAMIC, CHIP 0.0022uF 10% 100V
C136	1-164-161-11	s CERAMIC, CHIP 0.0022uF 10% 100V
C137	1-104-760-11	s CERAMIC, CHIP 0.047uF 10% 50V
C138	1-130-497-00	s MYLAR 0.15uF 5% 50V
C139	1-130-497-00	s MYLAR 0.15uF 5% 50V
C140	1-163-275-11	s CERAMIC, CHIP 0.001uF 5% 50V
C141	1-115-781-11	s ELECT 220uF 20% 25V
C142	1-115-781-11	s ELECT 220uF 20% 25V
C143	1-163-275-11	s CERAMIC, CHIP 0.001uF 5% 50V
C144	1-126-964-11	s ELECT 10uF 20% 50V
C145	1-126-964-11	s ELECT 10uF 20% 50V
C146	1-163-239-11	s CERAMIC, CHIP 33PF 5% 50V
C147	1-163-239-11	s CERAMIC, CHIP 33PF 5% 50V
C148	1-163-037-11	s CERAMIC, CHIP 0.022uF 10% 25V
C149	1-163-251-11	s CERAMIC, CHIP 100PF 5% 50V
C150	1-163-037-11	s CERAMIC, CHIP 0.022uF 10% 25V
C151	1-115-827-11	s ELECT 56uF 20% 50V
C152	1-115-827-11	s ELECT 56uF 20% 50V
C153	1-115-827-11	s ELECT 56uF 20% 50V
C154	1-164-232-11	s CERAMIC, CHIP 0.01uF 10% 100V
C155	1-163-037-11	s CERAMIC, CHIP 0.022uF 10% 25V
C156	1-164-232-11	s CERAMIC, CHIP 0.01uF 10% 100V
C157	1-163-037-11	s CERAMIC, CHIP 0.022uF 10% 25V

(DR-307 BOARD)

Ref. No. or Q'ty	Part No.	SP	Description
C158	1-163-037-11	s	CERAMIC, CHIP 0.022uF 10% 25V
C159	1-163-037-11	s	CERAMIC, CHIP 0.022uF 10% 25V
C200	1-137-378-11	s	FILM 0.22uF 5% 50V
C201	1-126-964-11	s	ELECT 10uF 20% 50V
C202	1-163-037-11	s	CERAMIC, CHIP 0.022uF 10% 25V
C203	1-115-781-11	s	ELECT 220uF 20% 25V
C204	1-126-160-11	s	ELECT 1uF 20% 50V
C205	1-163-243-11	s	CERAMIC, CHIP 47PF 5% 50V
C206	1-126-948-11	s	ELECT 100uF 20% 35V
C207	1-163-243-11	s	CERAMIC, CHIP 47PF 5% 50V
C208	1-126-940-11	s	ELECT 330uF 20% 25V
C209	1-137-378-11	s	FILM 0.22uF 5% 50V
C210	1-126-613-11	s	ELECT 10uF 20% 50V
C211	1-126-964-11	s	ELECT 10uF 20% 50V
C212	1-126-964-11	s	ELECT 10uF 20% 50V
C213	1-126-964-11	s	ELECT 10uF 20% 50V
C214	1-164-232-11	s	CERAMIC, CHIP 0.01uF 10% 100V
C215	1-126-948-11	s	ELECT 100uF 20% 35V
C216	1-137-378-11	s	FILM 0.22uF 5% 50V
C217	1-163-251-11	s	CERAMIC, CHIP 100PF 5% 50V
C218	1-163-251-11	s	CERAMIC, CHIP 100PF 5% 50V
C219	1-126-613-11	s	ELECT 10uF 20% 50V
C220	1-137-378-11	s	FILM 0.22uF 5% 50V
C221	1-137-378-11	s	FILM 0.22uF 5% 50V
C222	1-163-251-11	s	CERAMIC, CHIP 100PF 5% 50V
C223	1-163-251-11	s	CERAMIC, CHIP 100PF 5% 50V
C224	1-126-613-11	s	ELECT 10uF 20% 50V
C225	1-137-378-11	s	FILM 0.22uF 5% 50V
C226	1-137-378-11	s	FILM 0.22uF 5% 50V
C227	1-137-378-11	s	FILM 0.22uF 5% 50V
C228	1-163-037-11	s	CERAMIC, CHIP 0.022uF 10% 25V
C229	1-163-037-11	s	CERAMIC, CHIP 0.022uF 10% 25V
C230	1-163-037-11	s	CERAMIC, CHIP 0.022uF 10% 25V
C231	1-163-037-11	s	CERAMIC, CHIP 0.022uF 10% 25V
C232	1-163-037-11	s	CERAMIC, CHIP 0.022uF 10% 25V
C233	1-163-037-11	s	CERAMIC, CHIP 0.022uF 10% 25V
C234	1-163-037-11	s	CERAMIC, CHIP 0.022uF 10% 25V
C235	1-163-037-11	s	CERAMIC, CHIP 0.022uF 10% 25V
C237	1-163-037-11	s	CERAMIC, CHIP 0.022uF 10% 25V
C239	1-137-378-11	s	FILM 0.22uF 5% 50V
C240	1-137-378-11	s	FILM 0.22uF 5% 50V
C241	1-126-613-11	s	ELECT 10uF 20% 50V
C242	1-126-613-11	s	ELECT 10uF 20% 50V
C243	1-115-781-11	s	ELECT 220uF 20% 25V
C244	1-126-613-11	s	ELECT 10uF 20% 50V
C245	1-126-947-11	s	ELECT 47uF 20% 35V
C246	1-126-613-11	s	ELECT 10uF 20% 50V
C247	1-126-613-11	s	ELECT 10uF 20% 50V
C248	1-126-613-11	s	ELECT 10uF 20% 50V
C249	1-126-613-11	s	ELECT 10uF 20% 50V
C272	1-126-947-11	s	ELECT 47uF 20% 35V
C300	1-126-933-11	s	ELECT 100uF 20% 16V
C301	1-164-232-11	s	CERAMIC, CHIP 0.01uF 10% 100V
C302	1-126-965-11	s	ELECT 22uF 20% 50V
C303	1-104-760-11	s	CERAMIC, CHIP 0.047uF 10% 50V
C304	1-163-037-11	s	CERAMIC, CHIP 0.022uF 10% 25V
C305	1-164-004-11	s	CERAMIC, CHIP 0.1uF 10% 25V
C306	1-163-037-11	s	CERAMIC, CHIP 0.022uF 10% 25V
C307	1-164-004-11	s	CERAMIC, CHIP 0.1uF 10% 25V

(DR-307 BOARD)

Ref. No. or Q'ty	Part No.	SP	Description
C308	1-104-760-11	s	CERAMIC, CHIP 0.047uF 10% 50V
C309	1-164-004-11	s	CERAMIC, CHIP 0.1uF 10% 25V
C310	1-130-477-00	s	MYLAR 0.0033uF 5% 50V
C311	1-163-275-11	s	CERAMIC, CHIP 0.001uF 5% 50V
C312	1-163-251-11	s	CERAMIC, CHIP 100PF 5% 50V
C313	1-126-964-11	s	ELECT 10uF 20% 50V
C314	1-163-037-11	s	CERAMIC, CHIP 0.022uF 10% 25V
C315	1-104-760-11	s	CERAMIC, CHIP 0.047uF 10% 50V
C316	1-104-760-11	s	CERAMIC, CHIP 0.047uF 10% 50V
C317	1-164-004-11	s	CERAMIC, CHIP 0.1uF 10% 25V
C318	1-130-477-00	s	MYLAR 0.0033uF 5% 50V
C319	1-163-275-11	s	CERAMIC, CHIP 0.001uF 5% 50V
C320	1-126-964-11	s	ELECT 10uF 20% 50V
C321	1-163-251-11	s	CERAMIC, CHIP 100PF 5% 50V
C322	1-163-037-11	s	CERAMIC, CHIP 0.022uF 10% 25V
C323	1-163-037-11	s	CERAMIC, CHIP 0.022uF 10% 25V
C324	1-163-037-11	s	CERAMIC, CHIP 0.022uF 10% 25V
C325	1-104-760-11	s	CERAMIC, CHIP 0.047uF 10% 50V
C326	1-104-760-11	s	CERAMIC, CHIP 0.047uF 10% 50V
C327	1-163-275-11	s	CERAMIC, CHIP 0.001uF 5% 50V
C328	1-163-275-11	s	CERAMIC, CHIP 0.001uF 5% 50V
C329	1-163-275-11	s	CERAMIC, CHIP 0.001uF 5% 50V
C330	1-163-037-11	s	CERAMIC, CHIP 0.022uF 10% 25V
C331	1-164-004-11	s	CERAMIC, CHIP 0.1uF 10% 25V
C332	1-104-760-11	s	CERAMIC, CHIP 0.047uF 10% 50V
C333	1-163-275-11	s	CERAMIC, CHIP 0.001uF 5% 50V
C334	1-163-275-11	s	CERAMIC, CHIP 0.001uF 5% 50V
C335	1-163-037-11	s	CERAMIC, CHIP 0.022uF 10% 25V
C336	1-164-004-11	s	CERAMIC, CHIP 0.1uF 10% 25V
C337	1-163-037-11	s	CERAMIC, CHIP 0.022uF 10% 25V
C338	1-164-004-11	s	CERAMIC, CHIP 0.1uF 10% 25V
C339	1-163-037-11	s	CERAMIC, CHIP 0.022uF 10% 25V
C340	1-163-037-11	s	CERAMIC, CHIP 0.022uF 10% 25V
C341	1-163-037-11	s	CERAMIC, CHIP 0.022uF 10% 25V
C343	1-126-965-11	s	ELECT 22uF 20% 50V
C344	1-164-232-11	s	CERAMIC, CHIP 0.01uF 10% 100V
C345	1-107-682-11	s	CERAMIC, CHIP 1uF 10% 16V
C346	1-164-232-11	s	CERAMIC, CHIP 0.01uF 10% 100V
C347	1-107-682-11	s	CERAMIC, CHIP 1uF 10% 16V
C348	1-164-232-11	s	CERAMIC, CHIP 0.01uF 10% 100V
C349	1-107-682-11	s	CERAMIC, CHIP 1uF 10% 16V
C350	1-164-232-11	s	CERAMIC, CHIP 0.01uF 10% 100V
C351	1-107-682-11	s	CERAMIC, CHIP 1uF 10% 16V
C401	1-136-481-11	s	FILM 0.0022uF 5% 100V
C402	1-136-481-11	s	FILM 0.0022uF 5% 100V
C403	1-163-037-11	s	CERAMIC, CHIP 0.022uF 10% 25V
C404	1-126-964-11	s	ELECT 10uF 20% 50V
C405	1-164-004-11	s	CERAMIC, CHIP 0.1uF 10% 25V
C406	1-164-004-11	s	CERAMIC, CHIP 0.1uF 10% 25V
C407	1-104-760-11	s	CERAMIC, CHIP 0.047uF 10% 50V
C408	1-104-760-11	s	CERAMIC, CHIP 0.047uF 10% 50V
C409	1-163-263-11	s	CERAMIC, CHIP 330PF 5% 50V
C410	1-163-263-11	s	CERAMIC, CHIP 330PF 5% 50V
C411	1-135-167-21	s	TANTALUM, CHIP 68uF 10% 6.3V
C412	1-135-167-21	s	TANTALUM, CHIP 68uF 10% 6.3V
C413	1-126-947-11	s	ELECT 47uF 20% 35V
C414	1-126-947-11	s	ELECT 47uF 20% 35V
C415	1-126-966-11	s	ELECT 33uF 20% 50V
C416	1-115-185-11	s	CERAMIC, CHIP 0.033uF 10% 50V

(DR-307 BOARD)

Ref. No. or Q'ty	Part No.	SP	Description
C417	1-126-947-11	s	ELECT 47uF 20% 35V
C419	1-126-964-11	s	ELECT 10uF 20% 50V
C420	1-126-964-11	s	ELECT 10uF 20% 50V
C421	1-126-964-11	s	ELECT 10uF 20% 50V
C422	1-126-964-11	s	ELECT 10uF 20% 50V
C423	1-126-964-11	s	ELECT 10uF 20% 50V
C424	1-163-037-11	s	CERAMIC, CHIP 0.022uF 10% 25V
C425	1-163-037-11	s	CERAMIC, CHIP 0.022uF 10% 25V
C426	1-163-037-11	s	CERAMIC, CHIP 0.022uF 10% 25V
C427	1-126-964-11	s	ELECT 10uF 20% 50V
C428	1-126-964-11	s	ELECT 10uF 20% 50V
C429	1-135-145-11	s	TANTALUM, CHIP 0.47uF 10% 35V
C430	1-135-145-11	s	TANTALUM, CHIP 0.47uF 10% 35V
C431	1-164-232-11	s	CERAMIC, CHIP 0.01uF 10% 100V
C432	1-163-037-11	s	CERAMIC, CHIP 0.022uF 10% 25V
C500	1-164-004-11	s	CERAMIC, CHIP 0.1uF 10% 25V
C502	1-163-037-11	s	CERAMIC, CHIP 0.022uF 10% 25V
C503	1-163-037-11	s	CERAMIC, CHIP 0.022uF 10% 25V
C504	1-104-760-11	s	CERAMIC, CHIP 0.047uF 10% 50V
C505	1-163-037-11	s	CERAMIC, CHIP 0.022uF 10% 25V
C506	1-164-004-11	s	CERAMIC, CHIP 0.1uF 10% 25V
C507	1-164-161-11	s	CERAMIC, CHIP 0.0022uF 10% 100V
C508	1-163-125-00	s	CERAMIC 220PF 5% 50V
C509	1-163-125-00	s	CERAMIC 220PF 5% 50V
C510	1-164-004-11	s	CERAMIC, CHIP 0.1uF 10% 25V
C511	1-164-004-11	s	CERAMIC, CHIP 0.1uF 10% 25V
C512	1-164-004-11	s	CERAMIC, CHIP 0.1uF 10% 25V
C514	1-163-037-11	s	CERAMIC, CHIP 0.022uF 10% 25V
C515	1-163-037-11	s	CERAMIC, CHIP 0.022uF 10% 25V
C516	1-104-760-11	s	CERAMIC, CHIP 0.047uF 10% 50V
C517	1-163-037-11	s	CERAMIC, CHIP 0.022uF 10% 25V
C518	1-164-004-11	s	CERAMIC, CHIP 0.1uF 10% 25V
C519	1-164-161-11	s	CERAMIC, CHIP 0.0022uF 10% 100V
C520	1-163-125-00	s	CERAMIC 220PF 5% 50V
C521	1-163-125-00	s	CERAMIC 220PF 5% 50V
C522	1-164-004-11	s	CERAMIC, CHIP 0.1uF 10% 25V
C523	1-164-004-11	s	CERAMIC, CHIP 0.1uF 10% 25V
C524	1-164-004-11	s	CERAMIC, CHIP 0.1uF 10% 25V
C525	1-104-760-11	s	CERAMIC, CHIP 0.047uF 10% 50V
C526	1-104-760-11	s	CERAMIC, CHIP 0.047uF 10% 50V
C527	1-163-037-11	s	CERAMIC, CHIP 0.022uF 10% 25V
C528	1-104-760-11	s	CERAMIC, CHIP 0.047uF 10% 50V
C529	1-163-037-11	s	CERAMIC, CHIP 0.022uF 10% 25V
C530	1-164-004-11	s	CERAMIC, CHIP 0.1uF 10% 25V
C531	1-164-161-11	s	CERAMIC, CHIP 0.0022uF 10% 100V
C532	1-163-125-00	s	CERAMIC 220PF 5% 50V
C533	1-163-125-00	s	CERAMIC 220PF 5% 50V
C534	1-164-004-11	s	CERAMIC, CHIP 0.1uF 10% 25V
C535	1-164-004-11	s	CERAMIC, CHIP 0.1uF 10% 25V
C541	1-126-157-11	s	ELECT 10uF 20% 16V
C542	1-126-157-11	s	ELECT 10uF 20% 16V
C543	1-163-037-11	s	CERAMIC, CHIP 0.022uF 10% 25V
C800	1-164-161-11	s	CERAMIC, CHIP 0.0022uF 10% 100V
C801	1-164-161-11	s	CERAMIC, CHIP 0.0022uF 10% 100V
C802	1-164-161-11	s	CERAMIC, CHIP 0.0022uF 10% 100V
C803	1-164-161-11	s	CERAMIC, CHIP 0.0022uF 10% 100V
C804	1-164-161-11	s	CERAMIC, CHIP 0.0022uF 10% 100V
C805	1-164-161-11	s	CERAMIC, CHIP 0.0022uF 10% 100V
C806	1-164-161-11	s	CERAMIC, CHIP 0.0022uF 10% 100V

(DR-307 BOARD)

Ref. No. or Q'ty	Part No.	SP	Description
C807	1-164-161-11	s	CERAMIC, CHIP 0.0022uF 10% 100V
CN302	1-750-879-11	s	CONNECTOR, FLAT CABLE 60P, MALE
CN303	1-506-480-11	s	CONNECTOR 15P, MALE
CN304	1-565-189-11	s	CONNECTOR, FPC/FEC 36P, MALE
CN305	1-565-189-11	s	CONNECTOR, FPC/FEC 36P, MALE
CN306	1-766-175-11	o	CONNECTOR PC BOARD 5P, MALE
CN321	1-562-708-11	o	CONNECTOR, FPC 13P
CN322	1-562-708-11	o	CONNECTOR, FPC 13P
D101	8-719-974-51	s	DIODE SB20-03P
D102	8-719-404-35	s	DIODE MA141WK
D103	8-719-903-06	s	DIODE ERC84-009
D104	8-719-974-51	s	DIODE SB20-03P
D105	8-719-404-35	s	DIODE MA141WK
D106	8-719-404-35	s	DIODE MA141WK
D200	8-719-801-48	s	DIODE 1SS193
D201	8-719-157-33	s	DIODE RD6.2M-B
D202	8-719-974-51	s	DIODE SB20-03P
D203	8-719-801-48	s	DIODE 1SS193
D204	8-719-974-51	s	DIODE SB20-03P
D205	8-719-210-33	s	DIODE EC10DS2
D206	8-719-210-33	s	DIODE EC10DS2
D207	8-719-210-33	s	DIODE EC10DS2
D208	8-719-210-33	s	DIODE EC10DS2
D209	8-719-210-33	s	DIODE EC10DS2
D210	8-719-210-33	s	DIODE EC10DS2
D211	8-719-801-48	s	DIODE 1SS193
D212	8-719-801-48	s	DIODE 1SS193
D213	8-719-801-48	s	DIODE 1SS193
D214	8-719-801-48	s	DIODE 1SS193
D215	8-719-801-48	s	DIODE 1SS193
D216	8-719-801-48	s	DIODE 1SS193
D217	8-719-801-48	s	DIODE 1SS193
D218	8-719-801-48	s	DIODE 1SS193
D300	8-719-404-35	s	DIODE MA141WK
D301	8-719-404-35	s	DIODE MA141WK
D400	8-719-404-35	s	DIODE MA141WK
D401	8-719-404-35	s	DIODE MA141WK
D402	8-719-404-35	s	DIODE MA141WK
D500	8-719-104-34	s	DIODE 1S2835
D501	8-719-104-34	s	DIODE 1S2835
D502	8-719-104-34	s	DIODE 1S2835
D800	8-719-028-24	s	DIODE 1SS154
D801	8-719-028-24	s	DIODE 1SS154
IC13	8-759-175-68	s	IC HD29029FP
IC15	8-759-175-68	s	IC HD29029FP
IC16	8-759-983-69	s	IC LM358PS
IC17	8-759-981-48	s	IC NJM082M
IC18	8-759-175-68	s	IC HD29029FP
IC19	8-759-205-56	s	IC TA7267P
IC20	8-759-205-56	s	IC TA7267P
IC21	8-759-205-56	s	IC TA7267P
IC22	8-759-175-68	s	IC HD29029FP
IC23	8-759-981-48	s	IC NJM082M
IC24	8-759-175-68	s	IC HD29029FP
IC26	8-759-981-48	s	IC NJM082M
IC27	8-759-908-92	s	IC TL084CNS
IC28	8-759-925-05	s	IC LM2903PS
IC29	8-759-925-05	s	IC LM2903PS

(DR-307 BOARD)

Ref. No. or Q'ty	Part No.	SP	Description
IC30	8-759-946-00	s IC	MB88341PFV
IC32	8-759-981-48	s IC	NJM082M
IC33	8-759-981-48	s IC	NJM082M
IC34	8-759-925-05	s IC	LM2903PS
IC35	8-759-106-02	s IC	UPC4570G2
IC36	8-759-925-05	s IC	LM2903PS
IC37	8-759-106-02	s IC	UPC4570G2
IC38	8-759-925-05	s IC	LM2903PS
IC40	8-759-981-48	s IC	NJM082M
IC44	8-759-009-07	s IC	MC14053BF
IC45	8-759-805-32	s IC	LA7205M
IC46	8-759-805-32	s IC	LA7205M
IC47	8-743-914-00	s IC	BX3914
IC48	8-759-106-02	s IC	UPC4570G2
IC49	8-759-927-46	s IC	SN74HC00ANS
IC50	8-759-009-07	s IC	MC14053BF
IC52	8-759-231-53	s IC	TA7805S
IC53	8-759-245-79	s IC	TA79005S
IC54	8-759-903-37	s IC	LM337T
IC100	8-759-009-07	s IC	MC14053BF
IC101	8-759-464-95	s IC	AK6420HF-E2
IC102	8-759-920-14	s IC	S-8053ALR
IC103	8-759-929-26	s IC	TL431CPS
IC104	8-759-925-05	s IC	LM2903PS
IC105	8-759-983-69	s IC	LM358PS
IC106	8-759-463-91	s IC	UPD75106GF-J20-3BE
IC107	8-759-600-34	s IC	M54532P
IC108	8-759-645-23	s IC	M54523P
IC109	8-759-925-76	s IC	SN74HC08ANS
IC110	8-759-009-04	s IC	MC14050BF
IC111	8-759-906-22	s IC	MB3759PF
IC112	8-759-983-69	s IC	LM358PS
IC113	8-759-700-07	s IC	NJM2903M
IC114	8-759-112-58	s IC	UPC1246G
IC115	8-759-925-05	s IC	LM2903PS
IC116	8-759-925-80	s IC	SN74HC14ANS
IC117	8-759-009-07	s IC	MC14053BF
IC500	8-759-264-50	s IC	MB3759PF-ER
IC501	8-759-009-03	s IC	MC14049UBF
IC502	8-759-981-48	s IC	NJM082M
IC503	8-759-264-50	s IC	MB3759PF-ER
IC504	8-759-009-03	s IC	MC14049UBF
IC505	8-759-981-48	s IC	NJM082M
IC506	8-759-264-50	s IC	MB3759PF-ER
IC507	8-759-009-03	s IC	MC14049UBF
IC508	8-759-981-48	s IC	NJM082M
L101	1-412-533-21	s	INDUCTOR 47uH
L102	1-412-533-21	s	INDUCTOR 47uH
L103	1-412-533-21	s	INDUCTOR 47uH
L104	1-412-533-21	s	INDUCTOR 47uH
L105	1-412-533-21	s	INDUCTOR 47uH
L106	1-412-533-21	s	INDUCTOR 47uH
L107	1-408-519-00	s	COIL, CHOKE
L108	1-406-749-11	s	COIL 100uH
L200	1-406-977-21	s	COIL, CHOKE 100uH
L201	1-406-977-21	s	COIL, CHOKE 100uH
L202	1-406-977-21	s	COIL, CHOKE 100uH
L203	1-406-977-21	s	COIL, CHOKE 100uH

(DR-307 BOARD)

Ref. No. or Q'ty	Part No.	SP	Description
L204	1-406-977-21	s	COIL, CHOKE 100uH
L205	1-406-977-21	s	COIL, CHOKE 100uH
PS101	Δ 1-533-275-21	s	FUSE 5A 125V
Q101	8-729-117-32	s	TRANSISTOR 2SC4177
Q102	8-729-140-63	s	TRANSISTOR 2SA1611-M5M6
Q103	8-729-029-14	s	TRANSISTOR DTC144EUA-T106
Q104	8-729-035-62	s	TRANSISTOR 2SJ418
Q105	8-729-117-32	s	TRANSISTOR 2SC4177
Q106	8-729-029-14	s	TRANSISTOR DTC144EUA-T106
Q107	8-729-117-32	s	TRANSISTOR 2SC4177
Q108	8-729-117-32	s	TRANSISTOR 2SC4177
Q109	8-729-140-63	s	TRANSISTOR 2SA1611-M5M6
Q110	8-729-035-62	s	TRANSISTOR 2SJ418
Q111	8-729-140-63	s	TRANSISTOR 2SA1611-M5M6
Q112	8-729-117-32	s	TRANSISTOR 2SC4177
Q113	8-729-035-62	s	TRANSISTOR 2SJ418
Q114	8-729-036-04	s	TRANSISTOR 2SK2046
Q115	8-729-140-63	s	TRANSISTOR 2SA1611-M5M6
Q116	8-729-117-32	s	TRANSISTOR 2SC4177
Q117	8-729-035-62	s	TRANSISTOR 2SJ418
Q118	8-729-036-04	s	TRANSISTOR 2SK2046
Q119	8-729-140-63	s	TRANSISTOR 2SA1611-M5M6
Q120	8-729-117-32	s	TRANSISTOR 2SC4177
Q121	8-729-035-62	s	TRANSISTOR 2SJ418
Q122	8-729-036-04	s	TRANSISTOR 2SK2046
Q202	8-729-159-65	s	TRANSISTOR 2SD596-DV5
Q203	8-729-035-62	s	TRANSISTOR 2SJ418
Q204	8-729-035-62	s	TRANSISTOR 2SJ418
Q206	8-729-101-07	s	TRANSISTOR 2SB798
Q210	8-729-035-62	s	TRANSISTOR 2SJ418
Q212	8-729-807-51	s	TRANSISTOR 2SCD1623-S
Q213	8-729-035-62	s	TRANSISTOR 2SJ418
Q214	8-729-035-62	s	TRANSISTOR 2SJ418
Q218	8-729-036-04	s	TRANSISTOR 2SK2046
Q219	8-729-035-62	s	TRANSISTOR 2SJ418
Q222	8-729-036-04	s	TRANSISTOR 2SK2046
Q224	8-729-035-62	s	TRANSISTOR 2SJ418
Q228	8-729-036-04	s	TRANSISTOR 2SK2046
Q229	8-729-035-62	s	TRANSISTOR 2SJ418
Q232	8-729-036-04	s	TRANSISTOR 2SK2046
Q300	8-729-209-07	s	TRANSISTOR 2SC4213-B
Q400	8-729-029-14	s	TRANSISTOR DTC144EUA-T106
Q401	8-729-029-14	s	TRANSISTOR DTC144EUA-T106
Q402	8-729-140-63	s	TRANSISTOR 2SA1611-M5M6
Q403	8-729-028-73	s	TRANSISTOR DTA114EUA-T106
Q404	8-729-907-00	s	TRANSISTOR DTC114EU
Q405	8-729-029-14	s	TRANSISTOR DTC144EUA-T106
Q406	8-729-028-74	s	TRANSISTOR DTA114TUA-T106
Q407	8-729-028-97	s	TRANSISTOR DTC114TUA-T106
Q500	8-729-029-14	s	TRANSISTOR DTC144EUA-T106
Q501	8-729-029-14	s	TRANSISTOR DTC144EUA-T106
Q504	8-729-101-07	s	TRANSISTOR 2SB798
Q505	8-729-029-06	s	TRANSISTOR DTC124EUA-T106
Q506	8-729-029-06	s	TRANSISTOR DTC124EUA-T106
R101	1-212-873-11	s	RES, FUSIBLE 47 1/4W
R102	1-216-097-11	s	METAL, CHIP 100K 5% 1/10W
R103	1-216-097-11	s	METAL, CHIP 100K 5% 1/10W

(DR-307 BOARD)

Ref. No. or Q'ty	Part No.	SP Description
R104	1-216-073-00	s METAL, CHIP 10K 5% 1/10W
R105	1-216-073-00	s METAL, CHIP 10K 5% 1/10W
R106	1-216-049-11	s METAL, CHIP 1K 5% 1/10W
R107	1-216-073-00	s METAL, CHIP 10K 5% 1/10W
R108	1-216-073-00	s METAL, CHIP 10K 5% 1/10W
R111	1-216-049-11	s METAL, CHIP 1K 5% 1/10W
R112	1-216-049-11	s METAL, CHIP 1K 5% 1/10W
R113	1-216-049-11	s METAL, CHIP 1K 5% 1/10W
R114	1-216-073-00	s METAL, CHIP 10K 5% 1/10W
R115	1-216-057-00	s METAL, CHIP 2.2K 5% 1/10W
R116	1-216-089-91	s METAL, CHIP 47k 5% 1/10W
R117	1-216-659-11	s METAL, CHIP 2.2K 0.5% 1/10W
R118	1-216-659-11	s METAL, CHIP 2.2K 0.5% 1/10W
R119	1-216-089-91	s METAL, CHIP 47k 5% 1/10W
R120	1-216-073-00	s METAL, CHIP 10K 5% 1/10W
R122	1-216-089-91	s METAL, CHIP 47k 5% 1/10W
R123	1-216-113-00	s METAL, CHIP 470K 5% 1/10W
R124	1-216-113-00	s METAL, CHIP 470K 5% 1/10W
R125	1-216-105-11	s METAL, CHIP 220K 5% 1/10W
R126	1-216-115-00	s METAL, CHIP 560K 5% 1/10W
R127	1-216-105-11	s METAL, CHIP 220K 5% 1/10W
R128	1-216-093-00	s METAL, CHIP 68K 5% 1/10W
R129	1-216-099-00	s METAL, CHIP 120K 5% 1/10W
R130	1-216-091-00	s METAL, CHIP 56K 5% 1/10W
R131	1-216-065-00	s METAL, CHIP 4.7K 5% 1/10W
R132	1-216-089-91	s METAL, CHIP 47k 5% 1/10W
R133	1-216-089-91	s METAL, CHIP 47k 5% 1/10W
R134	1-216-073-00	s METAL, CHIP 10K 5% 1/10W
R135	1-216-073-00	s METAL, CHIP 10K 5% 1/10W
R136	1-216-073-00	s METAL, CHIP 10K 5% 1/10W
R137	1-216-073-00	s METAL, CHIP 10K 5% 1/10W
R138	1-216-073-00	s METAL, CHIP 10K 5% 1/10W
R139	1-216-073-00	s METAL, CHIP 10K 5% 1/10W
R140	1-216-073-00	s METAL, CHIP 10K 5% 1/10W
R141	1-216-073-00	s METAL, CHIP 10K 5% 1/10W
R142	1-216-073-00	s METAL, CHIP 10K 5% 1/10W
R143	1-216-073-00	s METAL, CHIP 10K 5% 1/10W
R144	1-216-073-00	s METAL, CHIP 10K 5% 1/10W
R145	1-216-073-00	s METAL, CHIP 10K 5% 1/10W
R146	1-216-049-11	s METAL, CHIP 1K 5% 1/10W
R147	1-216-049-11	s METAL, CHIP 1K 5% 1/10W
R148	1-216-049-11	s METAL, CHIP 1K 5% 1/10W
R149	1-216-073-00	s METAL, CHIP 10K 5% 1/10W
R150	1-216-049-11	s METAL, CHIP 1K 5% 1/10W
R151	1-216-049-11	s METAL, CHIP 1K 5% 1/10W
R152	1-216-073-00	s METAL, CHIP 10K 5% 1/10W
R153	1-216-049-11	s METAL, CHIP 1K 5% 1/10W
R154	1-216-089-91	s METAL, CHIP 47k 5% 1/10W
R155	1-216-089-91	s METAL, CHIP 47k 5% 1/10W
R156	1-216-057-00	s METAL, CHIP 2.2K 5% 1/10W
R157	1-216-089-91	s METAL, CHIP 47k 5% 1/10W
R158	1-216-089-91	s METAL, CHIP 47k 5% 1/10W
R159	1-216-689-11	s METAL, CHIP 39K 0.5% 1/10W
R160	1-216-073-00	s METAL, CHIP 10K 5% 1/10W
R161	1-216-089-91	s METAL, CHIP 47k 5% 1/10W
R162	1-216-089-91	s METAL, CHIP 47k 5% 1/10W
R163	1-216-073-00	s METAL, CHIP 10K 5% 1/10W
R164	1-216-089-91	s METAL, CHIP 47k 5% 1/10W
R165	1-216-073-00	s METAL, CHIP 10K 5% 1/10W

(DR-307 BOARD)

Ref. No. or Q'ty	Part No.	SP Description
R166	1-216-047-11	s METAL, CHIP 820 5% 1/10W
R167	1-216-089-91	s METAL, CHIP 47k 5% 1/10W
R168	1-216-089-91	s METAL, CHIP 47k 5% 1/10W
R169	1-216-073-00	s METAL, CHIP 10K 5% 1/10W
R170	1-216-089-91	s METAL, CHIP 47k 5% 1/10W
R171	1-216-089-91	s METAL, CHIP 47k 5% 1/10W
R172	1-216-073-00	s METAL, CHIP 10K 5% 1/10W
R173	1-216-689-11	s METAL, CHIP 39K 0.5% 1/10W
R174	1-216-089-91	s METAL, CHIP 47k 5% 1/10W
R175	1-216-073-00	s METAL, CHIP 10K 5% 1/10W
R176	1-216-675-11	s METAL, CHIP 10K 0.5% 1/10W
R177	1-216-675-11	s METAL, CHIP 10K 0.5% 1/10W
R178	1-216-089-91	s METAL, CHIP 47k 5% 1/10W
R179	1-217-611-00	s METAL 0.1 10% 2W
R180	1-216-049-11	s METAL, CHIP 1K 5% 1/10W
R181	1-216-049-11	s METAL, CHIP 1K 5% 1/10W
R182	1-216-089-91	s METAL, CHIP 47k 5% 1/10W
R183	1-216-073-00	s METAL, CHIP 10K 5% 1/10W
R185	1-216-049-11	s METAL, CHIP 1K 5% 1/10W
R186	1-216-073-00	s METAL, CHIP 10K 5% 1/10W
R187	1-216-073-00	s METAL, CHIP 10K 5% 1/10W
R188	1-216-073-00	s METAL, CHIP 10K 5% 1/10W
R189	1-216-049-11	s METAL, CHIP 1K 5% 1/10W
R190	1-216-089-91	s METAL, CHIP 47k 5% 1/10W
R200	1-216-073-00	s METAL, CHIP 10K 5% 1/10W
R201	1-216-073-00	s METAL, CHIP 10K 5% 1/10W
R202	1-216-073-00	s METAL, CHIP 10K 5% 1/10W
R203	1-215-889-00	s METAL 330 5% 2W
R204	1-216-057-00	s METAL, CHIP 2.2K 5% 1/10W
R205	1-216-089-91	s METAL, CHIP 47k 5% 1/10W
R206	1-216-073-00	s METAL, CHIP 10K 5% 1/10W
R207	1-216-097-11	s METAL, CHIP 100K 5% 1/10W
R208	1-216-097-11	s METAL, CHIP 100K 5% 1/10W
R209	1-216-073-00	s METAL, CHIP 10K 5% 1/10W
R210	1-216-049-11	s METAL, CHIP 1K 5% 1/10W
R212	1-216-385-11	s METAL 0.47 5% 3W
R213	1-216-675-11	s METAL, CHIP 10K 0.5% 1/10W
R214	1-216-675-11	s METAL, CHIP 10K 0.5% 1/10W
R215	1-216-691-11	s METAL, CHIP 47k 0.5% 1/10W
R216	1-216-675-11	s METAL, CHIP 10K 0.5% 1/10W
R217	1-216-669-11	s METAL, CHIP 5.6K 0.5% 1/10W
R218	1-216-691-11	s METAL, CHIP 47k 0.5% 1/10W
R220	1-216-089-91	s METAL, CHIP 47k 5% 1/10W
R221	1-216-073-00	s METAL, CHIP 10K 5% 1/10W
R222	1-216-073-00	s METAL, CHIP 10K 5% 1/10W
R223	1-216-073-00	s METAL, CHIP 10K 5% 1/10W
R224	1-216-073-00	s METAL, CHIP 10K 5% 1/10W
R225	1-216-073-00	s METAL, CHIP 10K 5% 1/10W
R226	1-216-073-00	s METAL, CHIP 10K 5% 1/10W
R227	1-216-383-11	s METAL 0.33 5% 3W
R228	1-216-383-11	s METAL 0.33 5% 3W
R229	1-216-383-11	s METAL 0.33 5% 3W
R230	1-216-073-00	s METAL, CHIP 10K 5% 1/10W
R231	1-217-611-00	s METAL 0.1 10% 2W
R232	1-216-073-00	s METAL, CHIP 10K 5% 1/10W
R235	1-215-889-00	s METAL 330 5% 2W
R237	1-216-073-00	s METAL, CHIP 10K 5% 1/10W
R238	1-216-071-00	s METAL, CHIP 8.2K 5% 1/10W
R239	1-216-693-11	s METAL, CHIP 56K 0.5% 1/10W

(DR-307 BOARD)

Ref. No. or Q'ty	Part No.	SP	Description
R240	1-216-071-00	s	METAL, CHIP 8.2K 5% 1/10W
R241	1-216-693-11	s	METAL, CHIP 56K 0.5% 1/10W
R242	1-216-693-11	s	METAL, CHIP 56K 0.5% 1/10W
R243	1-216-693-11	s	METAL, CHIP 56K 0.5% 1/10W
R244	1-216-675-11	s	METAL, CHIP 10K 0.5% 1/10W
R245	1-216-675-11	s	METAL, CHIP 10K 0.5% 1/10W
R246	1-216-675-11	s	METAL, CHIP 10K 0.5% 1/10W
R247	1-216-675-11	s	METAL, CHIP 10K 0.5% 1/10W
R248	1-216-385-11	s	METAL 0.47 5% 3W
R249	1-216-385-11	s	METAL 0.47 5% 3W
R250	1-216-071-00	s	METAL, CHIP 8.2K 5% 1/10W
R251	1-216-071-00	s	METAL, CHIP 8.2K 5% 1/10W
R252	1-216-071-00	s	METAL, CHIP 8.2K 5% 1/10W
R253	1-216-071-00	s	METAL, CHIP 8.2K 5% 1/10W
R254	1-216-071-00	s	METAL, CHIP 8.2K 5% 1/10W
R255	1-216-071-00	s	METAL, CHIP 8.2K 5% 1/10W
R256	1-216-073-00	s	METAL, CHIP 10K 5% 1/10W
R257	1-216-073-00	s	METAL, CHIP 10K 5% 1/10W
R258	1-216-073-00	s	METAL, CHIP 10K 5% 1/10W
R259	1-216-073-00	s	METAL, CHIP 10K 5% 1/10W
R260	1-216-073-00	s	METAL, CHIP 10K 5% 1/10W
R261	1-216-073-00	s	METAL, CHIP 10K 5% 1/10W
R262	1-216-073-00	s	METAL, CHIP 10K 5% 1/10W
R263	1-216-073-00	s	METAL, CHIP 10K 5% 1/10W
R264	1-216-073-00	s	METAL, CHIP 10K 5% 1/10W
R265	1-216-073-00	s	METAL, CHIP 10K 5% 1/10W
R266	1-216-073-00	s	METAL, CHIP 10K 5% 1/10W
R267	1-216-073-00	s	METAL, CHIP 10K 5% 1/10W
R268	1-217-611-00	s	METAL 0.1 10% 2W
R272	1-216-073-00	s	METAL, CHIP 10K 5% 1/10W
R300	1-216-065-00	s	METAL, CHIP 4.7K 5% 1/10W
R301	1-216-089-91	s	METAL, CHIP 47k 5% 1/10W
R302	1-216-073-00	s	METAL, CHIP 10K 5% 1/10W
R303	1-216-067-00	s	METAL, CHIP 5.6K 5% 1/10W
R304	1-216-073-00	s	METAL, CHIP 10K 5% 1/10W
R305	1-216-683-11	s	METAL, CHIP 22K 0.5% 1/10W
R306	1-216-683-11	s	METAL, CHIP 22K 0.5% 1/10W
R307	1-216-695-11	s	METAL, CHIP 68K 0.5% 1/10W
R308	1-216-073-00	s	METAL, CHIP 10K 5% 1/10W
R309	1-216-097-11	s	METAL, CHIP 100K 5% 1/10W
R310	1-216-085-00	s	METAL, CHIP 33K 5% 1/10W
R311	1-216-073-00	s	METAL, CHIP 10K 5% 1/10W
R312	1-216-097-11	s	METAL, CHIP 100K 5% 1/10W
R313	1-216-695-11	s	METAL, CHIP 68K 0.5% 1/10W
R314	1-216-695-11	s	METAL, CHIP 68K 0.5% 1/10W
R315	1-216-121-11	s	METAL, CHIP 1M 5% 1/10W
R316	1-216-695-11	s	METAL, CHIP 68K 0.5% 1/10W
R317	1-216-097-11	s	METAL, CHIP 100K 5% 1/10W
R318	1-216-073-00	s	METAL, CHIP 10K 5% 1/10W
R319	1-216-057-00	s	METAL, CHIP 2.2K 5% 1/10W
R320	1-216-089-91	s	METAL, CHIP 47k 5% 1/10W
R321	1-216-073-00	s	METAL, CHIP 10K 5% 1/10W
R322	1-216-073-00	s	METAL, CHIP 10K 5% 1/10W
R323	1-216-067-00	s	METAL, CHIP 5.6K 5% 1/10W
R324	1-216-683-11	s	METAL, CHIP 22K 0.5% 1/10W
R325	1-216-683-11	s	METAL, CHIP 22K 0.5% 1/10W
R326	1-216-695-11	s	METAL, CHIP 68K 0.5% 1/10W
R327	1-216-073-00	s	METAL, CHIP 10K 5% 1/10W
R328	1-216-695-11	s	METAL, CHIP 68K 0.5% 1/10W

(DR-307 BOARD)

Ref. No. or Q'ty	Part No.	SP	Description
R329	1-216-695-11	s	METAL, CHIP 68K 0.5% 1/10W
R330	1-216-097-11	s	METAL, CHIP 100K 5% 1/10W
R331	1-216-085-00	s	METAL, CHIP 33K 5% 1/10W
R332	1-216-097-11	s	METAL, CHIP 100K 5% 1/10W
R333	1-216-073-00	s	METAL, CHIP 10K 5% 1/10W
R334	1-216-121-11	s	METAL, CHIP 1M 5% 1/10W
R335	1-216-695-11	s	METAL, CHIP 68K 0.5% 1/10W
R336	1-216-683-11	s	METAL, CHIP 22K 0.5% 1/10W
R337	1-216-073-00	s	METAL, CHIP 10K 5% 1/10W
R338	1-216-057-00	s	METAL, CHIP 2.2K 5% 1/10W
R339	1-216-089-91	s	METAL, CHIP 47k 5% 1/10W
R340	1-216-089-91	s	METAL, CHIP 47k 5% 1/10W
R341	1-216-081-00	s	METAL, CHIP 22K 5% 1/10W
R342	1-216-081-00	s	METAL, CHIP 22K 5% 1/10W
R343	1-216-081-00	s	METAL, CHIP 22K 5% 1/10W
R344	1-216-081-00	s	METAL, CHIP 22K 5% 1/10W
R345	1-216-666-11	s	METAL, CHIP 4.3K 0.5% 1/10W
R346	1-216-666-11	s	METAL, CHIP 4.3K 0.5% 1/10W
R347	1-216-121-11	s	METAL, CHIP 1M 5% 1/10W
R348	1-216-121-11	s	METAL, CHIP 1M 5% 1/10W
R349	1-216-025-11	s	METAL, CHIP 100 5% 1/10W
R350	1-216-025-11	s	METAL, CHIP 100 5% 1/10W
R351	1-216-057-00	s	METAL, CHIP 2.2K 5% 1/10W
R352	1-216-057-00	s	METAL, CHIP 2.2K 5% 1/10W
R353	1-216-089-91	s	METAL, CHIP 47k 5% 1/10W
R354	1-216-089-91	s	METAL, CHIP 47k 5% 1/10W
R355	1-216-081-00	s	METAL, CHIP 22K 5% 1/10W
R356	1-216-081-00	s	METAL, CHIP 22K 5% 1/10W
R357	1-216-081-00	s	METAL, CHIP 22K 5% 1/10W
R358	1-216-081-00	s	METAL, CHIP 22K 5% 1/10W
R359	1-216-666-11	s	METAL, CHIP 4.3K 0.5% 1/10W
R360	1-216-666-11	s	METAL, CHIP 4.3K 0.5% 1/10W
R361	1-216-121-11	s	METAL, CHIP 1M 5% 1/10W
R362	1-216-121-11	s	METAL, CHIP 1M 5% 1/10W
R363	1-216-057-00	s	METAL, CHIP 2.2K 5% 1/10W
R364	1-216-057-00	s	METAL, CHIP 2.2K 5% 1/10W
R365	1-216-089-91	s	METAL, CHIP 47k 5% 1/10W
R366	1-216-041-00	s	METAL, CHIP 470 5% 1/10W
R367	1-216-081-00	s	METAL, CHIP 22K 5% 1/10W
R368	1-216-081-00	s	METAL, CHIP 22K 5% 1/10W
R369	1-216-089-91	s	METAL, CHIP 47k 5% 1/10W
R370	1-216-683-11	s	METAL, CHIP 22K 0.5% 1/10W
R371	1-216-049-11	s	METAL, CHIP 1K 5% 1/10W
R372	1-216-073-00	s	METAL, CHIP 10K 5% 1/10W
R373	1-216-683-11	s	METAL, CHIP 22K 0.5% 1/10W
R374	1-216-109-00	s	METAL, CHIP 330K 5% 1/10W
R375	1-216-109-00	s	METAL, CHIP 330K 5% 1/10W
R376	1-216-097-11	s	METAL, CHIP 100K 5% 1/10W
R377	1-216-073-00	s	METAL, CHIP 10K 5% 1/10W
R378	1-216-081-00	s	METAL, CHIP 22K 5% 1/10W
R379	1-216-081-00	s	METAL, CHIP 22K 5% 1/10W
R380	1-216-089-91	s	METAL, CHIP 47k 5% 1/10W
R381	1-216-025-11	s	METAL, CHIP 100 5% 1/10W
R382	1-216-025-11	s	METAL, CHIP 100 5% 1/10W
R383	1-216-089-91	s	METAL, CHIP 47k 5% 1/10W
R384	1-216-081-00	s	METAL, CHIP 22K 5% 1/10W
R385	1-216-683-11	s	METAL, CHIP 22K 0.5% 1/10W
R386	1-216-097-11	s	METAL, CHIP 100K 5% 1/10W
R387	1-216-063-11	s	METAL, CHIP 3.9K 5% 1/10W

(DR-307 BOARD)

Ref. No. or Q'ty	Part No.	SP Description
R388	1-216-063-11	s METAL, CHIP 3.9K 5% 1/10W
R389	1-216-063-11	s METAL, CHIP 3.9K 5% 1/10W
R390	1-216-063-11	s METAL, CHIP 3.9K 5% 1/10W
R391	1-216-025-11	s METAL, CHIP 100 5% 1/10W
R392	1-216-025-11	s METAL, CHIP 100 5% 1/10W
R393	1-216-025-11	s METAL, CHIP 100 5% 1/10W
R394	1-216-025-11	s METAL, CHIP 100 5% 1/10W
R395	1-216-025-11	s METAL, CHIP 100 5% 1/10W
R396	1-216-025-11	s METAL, CHIP 100 5% 1/10W
R397	1-216-025-11	s METAL, CHIP 100 5% 1/10W
R398	1-216-025-11	s METAL, CHIP 100 5% 1/10W
R399	1-216-025-11	s METAL, CHIP 100 5% 1/10W
R400	1-216-025-11	s METAL, CHIP 100 5% 1/10W
R401	1-216-025-11	s METAL, CHIP 100 5% 1/10W
R402	1-216-089-91	s METAL, CHIP 47k 5% 1/10W
R403	1-216-065-00	s METAL, CHIP 4.7K 5% 1/10W
R404	1-216-646-11	s METAL, CHIP 620 0.5% 1/10W
R405	1-216-065-00	s METAL, CHIP 4.7K 5% 1/10W
R406	1-216-089-91	s METAL, CHIP 47k 5% 1/10W
R407	1-216-690-11	s METAL, CHIP 43K 0.5% 1/10W
R408	1-216-691-11	s METAL, CHIP 47K 0.5% 1/10W
R409	1-216-055-00	s METAL, CHIP 1.8K 5% 1/10W
R410	1-216-089-91	s METAL, CHIP 47k 5% 1/10W
R411	1-216-089-91	s METAL, CHIP 47k 5% 1/10W
R412	1-216-073-00	s METAL, CHIP 10K 5% 1/10W
R413	1-216-075-00	s METAL, CHIP 12K 5% 1/10W
R414	1-216-133-00	s METAL, CHIP 3.3M 5% 1/10W
R415	1-216-073-00	s METAL, CHIP 10K 5% 1/10W
R416	1-216-073-00	s METAL, CHIP 10K 5% 1/10W
R417	1-216-073-00	s METAL, CHIP 10K 5% 1/10W
R418	1-216-097-11	s METAL, CHIP 100K 5% 1/10W
R419	1-216-069-00	s METAL, CHIP 6.8K 5% 1/10W
R420	1-216-065-00	s METAL, CHIP 4.7K 5% 1/10W
R421	1-216-025-11	s METAL, CHIP 100 5% 1/10W
R422	1-216-097-11	s METAL, CHIP 100K 5% 1/10W
R423	1-216-101-00	s METAL, CHIP 150K 5% 1/10W
R424	1-216-073-00	s METAL, CHIP 10K 5% 1/10W
R425	1-216-629-11	s METAL, CHIP 120 0.5% 1/10W
R426	1-216-651-11	s METAL, CHIP 1K 0.5% 1/10W
R427	1-216-025-11	s METAL, CHIP 100 5% 1/10W
R428	1-216-049-11	s METAL, CHIP 1K 5% 1/10W
R429	1-216-089-91	s METAL, CHIP 47k 5% 1/10W
R430	1-216-053-00	s METAL, CHIP 1.5K 5% 1/10W
R431	1-216-073-00	s METAL, CHIP 10K 5% 1/10W
R432	1-216-121-11	s METAL, CHIP 1M 5% 1/10W
R433	1-216-097-11	s METAL, CHIP 100K 5% 1/10W
R500	1-216-059-00	s METAL, CHIP 2.7K 5% 1/10W
R501	1-216-089-91	s METAL, CHIP 47k 5% 1/10W
R502	1-216-666-11	s METAL, CHIP 4.3K 0.5% 1/10W
R503	1-216-666-11	s METAL, CHIP 4.3K 0.5% 1/10W
R504	1-216-666-11	s METAL, CHIP 4.3K 0.5% 1/10W
R505	1-216-107-00	s METAL, CHIP 270K 5% 1/10W
R506	1-216-089-91	s METAL, CHIP 47k 5% 1/10W
R507	1-216-089-91	s METAL, CHIP 47k 5% 1/10W
R508	1-216-065-00	s METAL, CHIP 4.7K 5% 1/10W
R509	1-216-065-00	s METAL, CHIP 4.7K 5% 1/10W
R510	1-216-666-11	s METAL, CHIP 4.3K 0.5% 1/10W
R511	1-216-089-91	s METAL, CHIP 47k 5% 1/10W
R512	1-216-081-00	s METAL, CHIP 22K 5% 1/10W

(DR-307 BOARD)

Ref. No. or Q'ty	Part No.	SP Description
R513	1-216-045-00	s METAL, CHIP 680 5% 1/10W
R514	1-216-065-00	s METAL, CHIP 4.7K 5% 1/10W
R515	1-216-059-00	s METAL, CHIP 2.7K 5% 1/10W
R516	1-216-089-91	s METAL, CHIP 47k 5% 1/10W
R517	1-216-666-11	s METAL, CHIP 4.3K 0.5% 1/10W
R518	1-216-666-11	s METAL, CHIP 4.3K 0.5% 1/10W
R519	1-216-666-11	s METAL, CHIP 4.3K 0.5% 1/10W
R520	1-216-107-00	s METAL, CHIP 270K 5% 1/10W
R521	1-216-089-91	s METAL, CHIP 47k 5% 1/10W
R522	1-216-089-91	s METAL, CHIP 47k 5% 1/10W
R523	1-216-065-00	s METAL, CHIP 4.7K 5% 1/10W
R524	1-216-065-00	s METAL, CHIP 4.7K 5% 1/10W
R525	1-216-666-11	s METAL, CHIP 4.3K 0.5% 1/10W
R526	1-216-089-91	s METAL, CHIP 47k 5% 1/10W
R527	1-216-081-00	s METAL, CHIP 22K 5% 1/10W
R528	1-216-045-00	s METAL, CHIP 680 5% 1/10W
R529	1-216-065-00	s METAL, CHIP 4.7K 5% 1/10W
R530	1-216-089-91	s METAL, CHIP 47k 5% 1/10W
R531	1-216-089-91	s METAL, CHIP 47k 5% 1/10W
R532	1-216-666-11	s METAL, CHIP 4.3K 0.5% 1/10W
R533	1-216-077-00	s METAL, CHIP 15K 5% 1/10W
R534	1-216-666-11	s METAL, CHIP 4.3K 0.5% 1/10W
R535	1-216-113-00	s METAL, CHIP 470K 5% 1/10W
R536	1-216-089-91	s METAL, CHIP 47k 5% 1/10W
R537	1-216-089-91	s METAL, CHIP 47k 5% 1/10W
R538	1-216-065-00	s METAL, CHIP 4.7K 5% 1/10W
R539	1-216-065-00	s METAL, CHIP 4.7K 5% 1/10W
R540	1-216-666-11	s METAL, CHIP 4.3K 0.5% 1/10W
R541	1-216-089-91	s METAL, CHIP 47k 5% 1/10W
R542	1-216-081-00	s METAL, CHIP 22K 5% 1/10W
R543	1-216-045-00	s METAL, CHIP 680 5% 1/10W
R544	1-216-065-00	s METAL, CHIP 4.7K 5% 1/10W
R545	1-217-611-00	s METAL 0.1 10% 2W
R546	1-216-073-00	s METAL, CHIP 10K 5% 1/10W
R547	1-216-073-00	s METAL, CHIP 10K 5% 1/10W
R548	1-216-073-00	s METAL, CHIP 10K 5% 1/10W
R549	1-216-001-00	s METAL, CHIP 10 5% 1/10W
R550	1-216-295-91	s RES, CHIP 0
R551	1-216-073-00	s METAL, CHIP 10K 5% 1/10W
R552	1-216-001-00	s METAL, CHIP 10 5% 1/10W
R553	1-216-666-11	s METAL, CHIP 4.3K 0.5% 1/10W
R554	1-216-073-00	s METAL, CHIP 10K 5% 1/10W
R555	1-216-666-11	s METAL, CHIP 4.3K 0.5% 1/10W
R556	1-216-117-00	s METAL, CHIP 680K 5% 1/10W
R701	1-216-049-11	s METAL, CHIP 1K 5% 1/10W
R702	1-216-049-11	s METAL, CHIP 1K 5% 1/10W
R703	1-216-073-00	s METAL, CHIP 10K 5% 1/10W
R704	1-216-073-00	s METAL, CHIP 10K 5% 1/10W
R705	1-216-065-00	s METAL, CHIP 4.7K 5% 1/10W
R706	1-216-065-00	s METAL, CHIP 4.7K 5% 1/10W
R707	1-216-065-00	s METAL, CHIP 4.7K 5% 1/10W
R708	1-216-109-00	s METAL, CHIP 330K 5% 1/10W
R709	1-216-075-00	s METAL, CHIP 12K 5% 1/10W
R710	1-216-121-11	s METAL, CHIP 1M 5% 1/10W
R711	1-216-089-91	s METAL, CHIP 47k 5% 1/10W
R712	1-216-091-00	s METAL, CHIP 56K 5% 1/10W
R713	1-216-089-91	s METAL, CHIP 47k 5% 1/10W
R714	1-216-089-91	s METAL, CHIP 47k 5% 1/10W
R715	1-216-083-00	s METAL, CHIP 27K 5% 1/10W

(DR-307 BOARD)

Ref. No. or Q'ty	Part No.	SP	Description
R716	1-216-073-00	s	METAL, CHIP 10K 5% 1/10W
R717	1-216-085-00	s	METAL, CHIP 33K 5% 1/10W
R718	1-216-097-11	s	METAL, CHIP 100K 5% 1/10W
R719	1-216-065-00	s	METAL, CHIP 4.7K 5% 1/10W
R720	1-216-065-00	s	METAL, CHIP 4.7K 5% 1/10W
R721	1-216-069-00	s	METAL, CHIP 6.8K 5% 1/10W
R722	1-216-069-00	s	METAL, CHIP 6.8K 5% 1/10W
R723	1-216-097-11	s	METAL, CHIP 100K 5% 1/10W
R724	1-216-073-00	s	METAL, CHIP 10K 5% 1/10W
R725	1-216-099-00	s	METAL, CHIP 120K 5% 1/10W
R726	1-216-073-00	s	METAL, CHIP 10K 5% 1/10W
R727	1-216-067-00	s	METAL, CHIP 5.6K 5% 1/10W
R728	1-216-067-00	s	METAL, CHIP 5.6K 5% 1/10W
R729	1-216-033-00	s	METAL, CHIP 220 5% 1/10W
R730	1-216-097-11	s	METAL, CHIP 100K 5% 1/10W
R731	1-216-097-11	s	METAL, CHIP 100K 5% 1/10W
R732	1-216-071-00	s	METAL, CHIP 8.2K 5% 1/10W
R733	1-216-073-00	s	METAL, CHIP 10K 5% 1/10W
R734	1-216-097-11	s	METAL, CHIP 100K 5% 1/10W
R735	1-216-097-11	s	METAL, CHIP 100K 5% 1/10W
R736	1-216-085-00	s	METAL, CHIP 33K 5% 1/10W
R737	1-216-073-00	s	METAL, CHIP 10K 5% 1/10W
R738	1-216-099-00	s	METAL, CHIP 120K 5% 1/10W
R739	1-216-071-00	s	METAL, CHIP 8.2K 5% 1/10W
R740	1-216-071-00	s	METAL, CHIP 8.2K 5% 1/10W
R741	1-216-121-11	s	METAL, CHIP 1M 5% 1/10W
R742	1-216-109-00	s	METAL, CHIP 330K 5% 1/10W
R743	1-216-073-00	s	METAL, CHIP 10K 5% 1/10W
R744	1-216-073-00	s	METAL, CHIP 10K 5% 1/10W
R745	1-216-081-00	s	METAL, CHIP 22K 5% 1/10W
R746	1-216-089-91	s	METAL, CHIP 47k 5% 1/10W
R747	1-216-057-00	s	METAL, CHIP 2.2K 5% 1/10W
R748	1-216-057-00	s	METAL, CHIP 2.2K 5% 1/10W
R749	1-216-057-00	s	METAL, CHIP 2.2K 5% 1/10W
R750	1-219-684-11	s	METAL, CHIP 0.01 1% 1W
R751	1-216-025-11	s	METAL, CHIP 100 5% 1/10W
R752	1-216-025-11	s	METAL, CHIP 100 5% 1/10W
R753	1-216-081-00	s	METAL, CHIP 22K 5% 1/10W
R754	1-216-089-91	s	METAL, CHIP 47k 5% 1/10W
R755	1-216-057-00	s	METAL, CHIP 2.2K 5% 1/10W
R756	1-216-057-00	s	METAL, CHIP 2.2K 5% 1/10W
R757	1-216-057-00	s	METAL, CHIP 2.2K 5% 1/10W
R758	1-216-081-00	s	METAL, CHIP 22K 5% 1/10W
R759	1-216-089-91	s	METAL, CHIP 47k 5% 1/10W
R760	1-216-057-00	s	METAL, CHIP 2.2K 5% 1/10W
R761	1-216-057-00	s	METAL, CHIP 2.2K 5% 1/10W
R762	1-216-057-00	s	METAL, CHIP 2.2K 5% 1/10W
R800	1-216-017-11	s	METAL, CHIP 47 5% 1/10W
R801	1-216-017-11	s	METAL, CHIP 47 5% 1/10W
R802	1-216-017-11	s	METAL, CHIP 47 5% 1/10W
R803	1-216-017-11	s	METAL, CHIP 47 5% 1/10W
R804	1-216-017-11	s	METAL, CHIP 47 5% 1/10W
R805	1-216-017-11	s	METAL, CHIP 47 5% 1/10W
R806	1-216-017-11	s	METAL, CHIP 47 5% 1/10W
R807	1-216-017-11	s	METAL, CHIP 47 5% 1/10W
X101	1-579-928-11	s	RESONATOR, CERAMIC 2.27MHz

DT-34C BOARD

Ref. No. or Q'ty	Part No.	SP	Description
lpc	A-8312-855-A	o	MOUNTED CIRCUIT BOARD, DT-34C
C1	1-104-760-11	s	CERAMIC, CHIP 0.047uF 10% 50V
C2	1-126-935-11	s	ELECT 470uF 20% 16V
C3	1-126-935-11	s	ELECT 470uF 20% 16V
C4	1-126-935-11	s	ELECT 470uF 20% 16V
C5	1-126-935-11	s	ELECT 470uF 20% 16V
C6	1-126-935-11	s	ELECT 470uF 20% 16V
C7	1-164-232-11	s	CERAMIC, CHIP 0.01uF 10% 100V
C8	1-126-960-11	s	ELECT 1uF 20% 50V
C9	1-107-967-11	s	ELECT 1uF 20% 400V
C10	1-107-967-11	s	ELECT 1uF 20% 400V
C11	1-107-967-11	s	ELECT 1uF 20% 400V
C12	1-107-967-11	s	ELECT 1uF 20% 400V
C13	1-107-967-11	s	ELECT 1uF 20% 400V
C14	1-107-967-11	s	ELECT 1uF 20% 400V
C15	1-130-491-00	s	MYLAR 0.047uF 5% 50V
C16	1-130-491-00	s	MYLAR 0.047uF 5% 50V
C17	1-163-017-00	s	CERAMIC, CHIP 0.0047uF 5% 50V
C18	1-163-251-11	s	CERAMIC, CHIP 100PF 5% 50V
C19	1-128-582-11	s	ELECT 10uF 20% 100V
C20	1-163-251-11	s	CERAMIC, CHIP 100PF 5% 50V
C21	1-128-582-11	s	ELECT 10uF 20% 100V
C22	1-163-017-00	s	CERAMIC, CHIP 0.0047uF 5% 50V
C23	1-163-017-00	s	CERAMIC, CHIP 0.0047uF 5% 50V
C24	1-163-017-00	s	CERAMIC, CHIP 0.0047uF 5% 50V
C25	1-164-232-11	s	CERAMIC, CHIP 0.01uF 10% 100V
C26	1-164-232-11	s	CERAMIC, CHIP 0.01uF 10% 100V
C27	1-164-232-11	s	CERAMIC, CHIP 0.01uF 10% 100V
C28	1-164-232-11	s	CERAMIC, CHIP 0.01uF 10% 100V
C29	1-164-232-11	s	CERAMIC, CHIP 0.01uF 10% 100V
C30	1-164-232-11	s	CERAMIC, CHIP 0.01uF 10% 100V
C31	1-126-933-11	s	ELECT 100uF 20% 16V
C32	1-126-933-11	s	ELECT 100uF 20% 16V
C33	1-128-582-11	s	ELECT 10uF 20% 100V
C34	1-128-582-11	s	ELECT 10uF 20% 100V
C35	1-126-933-11	s	ELECT 100uF 20% 16V
C36	1-164-232-11	s	CERAMIC, CHIP 0.01uF 10% 100V
C37	1-164-232-11	s	CERAMIC, CHIP 0.01uF 10% 100V
C38	1-164-232-11	s	CERAMIC, CHIP 0.01uF 10% 100V
CN390	1-564-009-11	o	CONNECTOR 10P, MALE
CN391	1-506-472-11	s	CONNECTOR 7P, MALE
D2	8-719-300-33	s	DIODE RU-3AM
D3	8-719-300-33	s	DIODE RU-3AM
D4	8-719-300-33	s	DIODE RU-3AM
D5	8-719-300-33	s	DIODE RU-3AM
D6	8-719-404-35	s	DIODE MA141WK
D7	8-719-941-23	s	DIODE DA204U
D8	8-719-941-23	s	DIODE DA204U
D9	8-719-024-81	s	DIODE 1SS300-TE85L
D11	8-719-024-81	s	DIODE 1SS300-TE85L
D12	8-719-941-23	s	DIODE DA204U
D13	8-719-941-23	s	DIODE DA204U
D14	8-719-024-81	s	DIODE 1SS300-TE85L
F1	Δ 1-532-822-11	s	FUSE 1A 250V
IC1	8-759-981-48	s	IC NJM082M
IC2	8-759-981-48	s	IC NJM082M

(DT-34C BOARD)

Ref. No. or Q'ty	Part No.	SP	Description
IC3	8-759-981-48	s	IC NJM082M
IC4	8-759-981-48	s	IC NJM082M
IC5	8-759-700-07	s	IC NJM2903M
IC6	8-759-929-26	s	IC TL431CPS
L1	1-412-533-21	s	INDUCTOR 47uH
L2	1-412-533-21	s	INDUCTOR 47uH
L3	1-408-247-00	s	INDUCTOR 33mH
L4	1-408-247-00	s	INDUCTOR 33mH
L5	1-408-247-00	s	INDUCTOR 33mH
L6	1-408-247-00	s	INDUCTOR 33mH
L7	1-412-533-21	s	INDUCTOR 47uH
L8	1-412-533-21	s	INDUCTOR 47uH
L9	1-412-533-21	s	INDUCTOR 47uH
Q1	8-729-105-19	s	TRANSISTOR 2SC3518-L
Q2	8-729-105-19	s	TRANSISTOR 2SC3518-L
Q3	8-729-105-97	s	TRANSISTOR 2SA1156-2K
Q4	8-729-141-78	s	TRANSISTOR 2SC3632-K
Q5	8-729-141-78	s	TRANSISTOR 2SC3632-K
Q6	8-729-209-07	s	TRANSISTOR 2SC4213-B
Q7	8-729-140-63	s	TRANSISTOR 2SA1611-M5M6
Q8	8-729-118-43	s	TRANSISTOR 2SA1413-L
Q9	8-729-105-97	s	TRANSISTOR 2SA1156-2K
Q10	8-729-141-78	s	TRANSISTOR 2SC3632-K
Q11	8-729-141-78	s	TRANSISTOR 2SC3632-K
Q12	8-729-209-07	s	TRANSISTOR 2SC4213-B
Q13	8-729-140-63	s	TRANSISTOR 2SA1611-M5M6
Q14	8-729-118-43	s	TRANSISTOR 2SA1413-L
Q15	8-729-106-68	s	TRANSISTOR 2SC1615A-GP
Q16	8-729-029-14	s	TRANSISTOR DTC144EUA-T106
R1	1-216-298-00	s	METAL 2.2 5% 1/10W
R3	1-216-298-00	s	METAL 2.2 5% 1/10W
R4	1-216-049-11	s	METAL, CHIP 1K 5% 1/10W
R5	1-216-089-91	s	METAL, CHIP 47k 5% 1/10W
R6	1-216-065-00	s	METAL, CHIP 4.7K 5% 1/10W
R7	1-216-073-00	s	METAL, CHIP 10K 5% 1/10W
R8	1-214-929-00	s	METAL 470K 1% 1/2W
R9	1-216-065-00	s	METAL, CHIP 4.7K 5% 1/10W
R10	1-216-065-00	s	METAL, CHIP 4.7K 5% 1/10W
R11	1-216-073-00	s	METAL, CHIP 10K 5% 1/10W
R12	1-214-924-00	s	METAL 300K 1% 1/2W
R13	1-216-081-00	s	METAL, CHIP 22K 5% 1/10W
R14	1-220-332-11	s	METAL, CHIP 100K 5% 1/2W
R15	1-220-332-11	s	METAL, CHIP 100K 5% 1/2W
R16	1-216-013-00	s	METAL, CHIP 33 5% 1/10W
R17	1-216-013-00	s	METAL, CHIP 33 5% 1/10W
R18	1-218-369-11	s	METAL, CHIP 2.2K 5% 1/2W
R19	1-218-776-11	s	METAL 1M 0.5% 1/10W
R20	1-218-776-11	s	METAL 1M 0.5% 1/10W
R21	1-216-697-91	s	METAL, CHIP 82K 0.5% 1/10W
R22	1-216-073-00	s	METAL, CHIP 10K 5% 1/10W
R23	1-216-675-11	s	METAL, CHIP 10K 0.5% 1/10W
R24	1-216-675-11	s	METAL, CHIP 10K 0.5% 1/10W
R27	1-216-073-00	s	METAL, CHIP 10K 5% 1/10W
R28	1-220-332-11	s	METAL, CHIP 100K 5% 1/2W
R29	1-220-332-11	s	METAL, CHIP 100K 5% 1/2W
R30	1-216-013-00	s	METAL, CHIP 33 5% 1/10W
R31	1-218-776-11	s	METAL 1M 0.5% 1/10W
R32	1-218-776-11	s	METAL 1M 0.5% 1/10W

(DT-34C BOARD)

Ref. No. or Q'ty	Part No.	SP	Description
R33	1-218-369-11	s	METAL, CHIP 2.2K 5% 1/2W
R34	1-216-697-91	s	METAL, CHIP 82K 0.5% 1/10W
R35	1-216-089-91	s	METAL, CHIP 47k 5% 1/10W
R36	1-216-065-00	s	METAL, CHIP 4.7K 5% 1/10W
R37	1-216-073-00	s	METAL, CHIP 10K 5% 1/10W
R38	1-214-929-00	s	METAL 470K 1% 1/2W
R39	1-216-065-00	s	METAL, CHIP 4.7K 5% 1/10W
R40	1-216-065-00	s	METAL, CHIP 4.7K 5% 1/10W
R41	1-216-073-00	s	METAL, CHIP 10K 5% 1/10W
R42	1-216-081-00	s	METAL, CHIP 22K 5% 1/10W
R43	1-214-924-00	s	METAL 300K 1% 1/2W
R44	1-216-013-00	s	METAL, CHIP 33 5% 1/10W
R45	1-216-121-11	s	METAL, CHIP 1M 5% 1/10W
R46	1-216-107-00	s	METAL, CHIP 270K 5% 1/10W
R47	1-216-073-00	s	METAL, CHIP 10K 5% 1/10W
R48	1-216-121-11	s	METAL, CHIP 1M 5% 1/10W
R49	1-216-107-00	s	METAL, CHIP 270K 5% 1/10W
R50	1-216-073-00	s	METAL, CHIP 10K 5% 1/10W
R52	1-216-694-11	s	METAL, CHIP 62K 0.5% 1/10W
R53	1-216-686-11	s	METAL, CHIP 30K 0.5% 1/10W
R54	1-216-049-11	s	METAL, CHIP 1K 5% 1/10W
R60	1-216-298-00	s	METAL 2.2 5% 1/10W
R61	1-216-295-91	s	RES, CHIP 0
R62	1-216-295-91	s	RES, CHIP 0
R63	1-216-298-00	s	METAL 2.2 5% 1/10W
RY1	1-515-762-11	s	RELAY
T1	1-448-937-11	s	TRANSFORMER, CONVERTER

 EQ-65 BOARD (Suffix number of board is 12.)

Ref. No. or Q'ty	Part No.	SP	Description
lpc	A-8313-235-A	o	MOUNTED CIRCUIT BOARD, EQ-65
C102	1-162-970-11	s	CERAMIC, CHIP 0.01uF 10% 25V
C103	1-162-970-11	s	CERAMIC, CHIP 0.01uF 10% 25V
C104	1-162-970-11	s	CERAMIC, CHIP 0.01uF 10% 25V
C105	1-162-970-11	s	CERAMIC, CHIP 0.01uF 10% 25V
C106	1-164-156-11	s	CERAMIC, CHIP 0.1uF 25V
C107	1-162-970-11	s	CERAMIC, CHIP 0.01uF 10% 25V
C108	1-162-970-11	s	CERAMIC, CHIP 0.01uF 10% 25V
C109	1-162-970-11	s	CERAMIC, CHIP 0.01uF 10% 25V
C110	1-164-156-11	s	CERAMIC, CHIP 0.1uF 25V
C111	1-126-396-11	s	ELECT, CHIP 47uF 20% 16V
C112	1-126-392-11	s	ELECT, CHIP 100uF 20% 6.3V
C113	1-126-392-11	s	ELECT, CHIP 100uF 20% 6.3V
C114	1-126-396-11	s	ELECT, CHIP 47uF 20% 16V
C115	1-164-156-11	s	CERAMIC, CHIP 0.1uF 25V
C116	1-164-156-11	s	CERAMIC, CHIP 0.1uF 25V
C117	1-164-156-11	s	CERAMIC, CHIP 0.1uF 25V
C118	1-164-156-11	s	CERAMIC, CHIP 0.1uF 25V
C119	1-164-156-11	s	CERAMIC, CHIP 0.1uF 25V
C122	1-164-156-11	s	CERAMIC, CHIP 0.1uF 25V
C123	1-164-156-11	s	CERAMIC, CHIP 0.1uF 25V
C124	1-164-156-11	s	CERAMIC, CHIP 0.1uF 25V
C200	1-164-156-11	s	CERAMIC, CHIP 0.1uF 25V
C201	1-164-156-11	s	CERAMIC, CHIP 0.1uF 25V
C202	1-164-156-11	s	CERAMIC, CHIP 0.1uF 25V
C203	1-164-156-11	s	CERAMIC, CHIP 0.1uF 25V
C204	1-162-970-11	s	CERAMIC, CHIP 0.01uF 10% 25V
C205	1-164-315-11	s	CERAMIC, CHIP 470PF 5% 50V
C206	1-164-315-11	s	CERAMIC, CHIP 470PF 5% 50V
C207	1-164-315-11	s	CERAMIC, CHIP 470PF 5% 50V
C208	1-126-392-11	s	ELECT, CHIP 100uF 20% 6.3V
C209	1-164-315-11	s	CERAMIC, CHIP 470PF 5% 50V
C210	1-164-156-11	s	CERAMIC, CHIP 0.1uF 25V
C211	1-162-970-11	s	CERAMIC, CHIP 0.01uF 10% 25V
C212	1-162-970-11	s	CERAMIC, CHIP 0.01uF 10% 25V
C213	1-164-156-11	s	CERAMIC, CHIP 0.1uF 25V
C214	1-164-156-11	s	CERAMIC, CHIP 0.1uF 25V
C215	1-164-156-11	s	CERAMIC, CHIP 0.1uF 25V
C216	1-164-739-11	s	CERAMIC, CHIP 560PF 5% 50V
C217	1-164-739-11	s	CERAMIC, CHIP 560PF 5% 50V
C218	1-162-970-11	s	CERAMIC, CHIP 0.01uF 10% 25V
C219	1-162-921-11	s	CERAMIC, CHIP 33PF 5% 50V
C220	1-162-926-11	s	CERAMIC, CHIP 82PF 5% 50V
C221	1-162-958-11	s	CERAMIC, CHIP 270PF 5% 50V
C222	1-164-739-11	s	CERAMIC, CHIP 560PF 5% 50V
C223	1-164-739-11	s	CERAMIC, CHIP 560PF 5% 50V
C224	1-162-958-11	s	CERAMIC, CHIP 270PF 5% 50V
C225	1-164-156-11	s	CERAMIC, CHIP 0.1uF 25V
C226	1-164-156-11	s	CERAMIC, CHIP 0.1uF 25V
C227	1-164-156-11	s	CERAMIC, CHIP 0.1uF 25V
C228	1-164-156-11	s	CERAMIC, CHIP 0.1uF 25V
C229	1-164-156-11	s	CERAMIC, CHIP 0.1uF 25V
C230	1-164-156-11	s	CERAMIC, CHIP 0.1uF 25V
C231	1-164-156-11	s	CERAMIC, CHIP 0.1uF 25V
C232	1-164-156-11	s	CERAMIC, CHIP 0.1uF 25V
C233	1-164-156-11	s	CERAMIC, CHIP 0.1uF 25V
C234	1-164-156-11	s	CERAMIC, CHIP 0.1uF 25V
C235	1-164-315-11	s	CERAMIC, CHIP 470PF 5% 50V

(EQ-65 BOARD (Suffix number of board is 12.))

Ref. No. or Q'ty	Part No.	SP	Description
C236	1-164-156-11	s	CERAMIC, CHIP 0.1uF 25V
C237	1-164-156-11	s	CERAMIC, CHIP 0.1uF 25V
C238	1-164-156-11	s	CERAMIC, CHIP 0.1uF 25V
C239	1-164-156-11	s	CERAMIC, CHIP 0.1uF 25V
C240	1-164-156-11	s	CERAMIC, CHIP 0.1uF 25V
C241	1-164-156-11	s	CERAMIC, CHIP 0.1uF 25V
C242	1-162-970-11	s	CERAMIC, CHIP 0.01uF 10% 25V
C243	1-164-156-11	s	CERAMIC, CHIP 0.1uF 25V
C244	1-164-156-11	s	CERAMIC, CHIP 0.1uF 25V
C245	1-164-156-11	s	CERAMIC, CHIP 0.1uF 25V
C246	1-164-156-11	s	CERAMIC, CHIP 0.1uF 25V
C247	1-162-970-11	s	CERAMIC, CHIP 0.01uF 10% 25V
C248	1-162-970-11	s	CERAMIC, CHIP 0.01uF 10% 25V
C249	1-164-156-11	s	CERAMIC, CHIP 0.1uF 25V
C250	1-164-156-11	s	CERAMIC, CHIP 0.1uF 25V
C251	1-162-970-11	s	CERAMIC, CHIP 0.01uF 10% 25V
C252	1-115-416-11	s	CERAMIC, CHIP 1000PF 5% 25V
C253	1-164-156-11	s	CERAMIC, CHIP 0.1uF 25V
C254	1-164-156-11	s	CERAMIC, CHIP 0.1uF 25V
C255	1-164-156-11	s	CERAMIC, CHIP 0.1uF 25V
C300	1-164-156-11	s	CERAMIC, CHIP 0.1uF 25V
C301	1-164-156-11	s	CERAMIC, CHIP 0.1uF 25V
C302	1-164-156-11	s	CERAMIC, CHIP 0.1uF 25V
C303	1-162-970-11	s	CERAMIC, CHIP 0.01uF 10% 25V
C304	1-162-970-11	s	CERAMIC, CHIP 0.01uF 10% 25V
C305	1-164-156-11	s	CERAMIC, CHIP 0.1uF 25V
C306	1-162-970-11	s	CERAMIC, CHIP 0.01uF 10% 25V
C307	1-164-156-11	s	CERAMIC, CHIP 0.1uF 25V
C308	1-164-315-11	s	CERAMIC, CHIP 470PF 5% 50V
C309	1-162-970-11	s	CERAMIC, CHIP 0.01uF 10% 25V
C310	1-162-919-11	s	CERAMIC, CHIP 22PF 5% 50V
C311	1-162-927-11	s	CERAMIC, CHIP 100PF 5% 50V
C312	1-162-920-11	s	CERAMIC, CHIP 27PF 5% 50V
C313	1-162-919-11	s	CERAMIC, CHIP 22PF 5% 50V
C314	1-164-156-11	s	CERAMIC, CHIP 0.1uF 25V
C315	1-162-970-11	s	CERAMIC, CHIP 0.01uF 10% 25V
C316	1-162-970-11	s	CERAMIC, CHIP 0.01uF 10% 25V
C317	1-164-315-11	s	CERAMIC, CHIP 470PF 5% 50V
C318	1-164-315-11	s	CERAMIC, CHIP 470PF 5% 50V
C319	1-164-156-11	s	CERAMIC, CHIP 0.1uF 25V
C320	1-164-156-11	s	CERAMIC, CHIP 0.1uF 25V
C321	1-162-970-11	s	CERAMIC, CHIP 0.01uF 10% 25V
C322	1-162-970-11	s	CERAMIC, CHIP 0.01uF 10% 25V
C323	1-164-156-11	s	CERAMIC, CHIP 0.1uF 25V
C324	1-164-156-11	s	CERAMIC, CHIP 0.1uF 25V
C325	1-164-156-11	s	CERAMIC, CHIP 0.1uF 25V
C326	1-164-156-11	s	CERAMIC, CHIP 0.1uF 25V
C327	1-164-315-11	s	CERAMIC, CHIP 470PF 5% 50V
C328	1-164-156-11	s	CERAMIC, CHIP 0.1uF 25V
C329	1-164-156-11	s	CERAMIC, CHIP 0.1uF 25V
C330	1-162-970-11	s	CERAMIC, CHIP 0.01uF 10% 25V
C331	1-164-156-11	s	CERAMIC, CHIP 0.1uF 25V
C332	1-164-315-11	s	CERAMIC, CHIP 470PF 5% 50V
C333	1-162-928-11	s	CERAMIC, CHIP 120PF 5% 50V
C334	1-164-739-11	s	CERAMIC, CHIP 560PF 5% 50V
C335	1-164-156-11	s	CERAMIC, CHIP 0.1uF 25V
C336	1-162-970-11	s	CERAMIC, CHIP 0.01uF 10% 25V
C337	1-164-217-11	s	CERAMIC, CHIP 150PF 5% 50V
C338	1-164-217-11	s	CERAMIC, CHIP 150PF 5% 50V

(EQ-65 BOARD (Suffix number of board is 12.))

Ref. No. or Q'ty	Part No.	SP Description
C339	1-164-156-11	s CERAMIC, CHIP 0.1uF 25V
C340	1-164-156-11	s CERAMIC, CHIP 0.1uF 25V
C341	1-104-851-11	s TANTALUM 10uF 20% 10V
C342	1-164-156-11	s CERAMIC, CHIP 0.1uF 25V
C343	1-164-156-11	s CERAMIC, CHIP 0.1uF 25V
C344	1-162-915-11	s CERAMIC, CHIP 10PF 50V
C345	1-164-156-11	s CERAMIC, CHIP 0.1uF 25V
C346	1-164-156-11	s CERAMIC, CHIP 0.1uF 25V
C347	1-164-156-11	s CERAMIC, CHIP 0.1uF 25V
C348	1-164-156-11	s CERAMIC, CHIP 0.1uF 25V
C349	1-164-156-11	s CERAMIC, CHIP 0.1uF 25V
C350	1-162-970-11	s CERAMIC, CHIP 0.01uF 10% 25V
C351	1-164-156-11	s CERAMIC, CHIP 0.1uF 25V
C352	1-164-156-11	s CERAMIC, CHIP 0.1uF 25V
C353	1-164-156-11	s CERAMIC, CHIP 0.1uF 25V
C357	1-164-315-11	s CERAMIC, CHIP 470PF 5% 50V
C400	1-164-156-11	s CERAMIC, CHIP 0.1uF 25V
C401	1-164-156-11	s CERAMIC, CHIP 0.1uF 25V
C402	1-162-970-11	s CERAMIC, CHIP 0.01uF 10% 25V
C403	1-164-156-11	s CERAMIC, CHIP 0.1uF 25V
C404	1-164-315-11	s CERAMIC, CHIP 470PF 5% 50V
C405	1-162-970-11	s CERAMIC, CHIP 0.01uF 10% 25V
C406	1-162-919-11	s CERAMIC, CHIP 22PF 5% 50V
C407	1-162-920-11	s CERAMIC, CHIP 27PF 5% 50V
C408	1-162-919-11	s CERAMIC, CHIP 22PF 5% 50V
C409	1-164-156-11	s CERAMIC, CHIP 0.1uF 25V
C410	1-162-970-11	s CERAMIC, CHIP 0.01uF 10% 25V
C411	1-162-970-11	s CERAMIC, CHIP 0.01uF 10% 25V
C412	1-164-315-11	s CERAMIC, CHIP 470PF 5% 50V
C413	1-164-315-11	s CERAMIC, CHIP 470PF 5% 50V
C414	1-164-156-11	s CERAMIC, CHIP 0.1uF 25V
C415	1-164-156-11	s CERAMIC, CHIP 0.1uF 25V
C416	1-162-970-11	s CERAMIC, CHIP 0.01uF 10% 25V
C417	1-162-970-11	s CERAMIC, CHIP 0.01uF 10% 25V
C418	1-164-156-11	s CERAMIC, CHIP 0.1uF 25V
C419	1-164-156-11	s CERAMIC, CHIP 0.1uF 25V
C420	1-164-156-11	s CERAMIC, CHIP 0.1uF 25V
C421	1-164-315-11	s CERAMIC, CHIP 470PF 5% 50V
C422	1-164-156-11	s CERAMIC, CHIP 0.1uF 25V
C423	1-162-970-11	s CERAMIC, CHIP 0.01uF 10% 25V
C424	1-164-315-11	s CERAMIC, CHIP 470PF 5% 50V
C425	1-162-928-11	s CERAMIC, CHIP 120PF 5% 50V
C426	1-164-739-11	s CERAMIC, CHIP 560PF 5% 50V
C427	1-164-156-11	s CERAMIC, CHIP 0.1uF 25V
C428	1-162-970-11	s CERAMIC, CHIP 0.01uF 10% 25V
C429	1-164-217-11	s CERAMIC, CHIP 150PF 5% 50V
C430	1-164-217-11	s CERAMIC, CHIP 150PF 5% 50V
C431	1-164-156-11	s CERAMIC, CHIP 0.1uF 25V
C432	1-164-156-11	s CERAMIC, CHIP 0.1uF 25V
C433	1-104-851-11	s TANTALUM 10uF 20% 10V
C434	1-164-156-11	s CERAMIC, CHIP 0.1uF 25V
C435	1-164-156-11	s CERAMIC, CHIP 0.1uF 25V
C436	1-162-915-11	s CERAMIC, CHIP 10PF 50V
C437	1-162-927-11	s CERAMIC, CHIP 100PF 5% 50V
C438	1-164-156-11	s CERAMIC, CHIP 0.1uF 25V
C439	1-162-970-11	s CERAMIC, CHIP 0.01uF 10% 25V
C440	1-164-156-11	s CERAMIC, CHIP 0.1uF 25V
C441	1-164-315-11	s CERAMIC, CHIP 470PF 5% 50V
C442	1-164-156-11	s CERAMIC, CHIP 0.1uF 25V

(EQ-65 BOARD (Suffix number of board is 12.))

Ref. No. or Q'ty	Part No.	SP Description
C446	1-164-156-11	s CERAMIC, CHIP 0.1uF 25V
C447	1-164-156-11	s CERAMIC, CHIP 0.1uF 25V
C500	1-164-156-11	s CERAMIC, CHIP 0.1uF 25V
C501	1-164-156-11	s CERAMIC, CHIP 0.1uF 25V
C502	1-162-970-11	s CERAMIC, CHIP 0.01uF 10% 25V
C503	1-164-156-11	s CERAMIC, CHIP 0.1uF 25V
C504	1-162-970-11	s CERAMIC, CHIP 0.01uF 10% 25V
C505	1-164-156-11	s CERAMIC, CHIP 0.1uF 25V
C506	1-164-315-11	s CERAMIC, CHIP 470PF 5% 50V
C507	1-162-970-11	s CERAMIC, CHIP 0.01uF 10% 25V
C508	1-162-919-11	s CERAMIC, CHIP 22PF 5% 50V
C509	1-162-920-11	s CERAMIC, CHIP 27PF 5% 50V
C510	1-162-919-11	s CERAMIC, CHIP 22PF 5% 50V
C511	1-164-156-11	s CERAMIC, CHIP 0.1uF 25V
C512	1-162-970-11	s CERAMIC, CHIP 0.01uF 10% 25V
C513	1-162-970-11	s CERAMIC, CHIP 0.01uF 10% 25V
C514	1-164-315-11	s CERAMIC, CHIP 470PF 5% 50V
C515	1-164-315-11	s CERAMIC, CHIP 470PF 5% 50V
C516	1-164-156-11	s CERAMIC, CHIP 0.1uF 25V
C517	1-164-156-11	s CERAMIC, CHIP 0.1uF 25V
C518	1-162-970-11	s CERAMIC, CHIP 0.01uF 10% 25V
C519	1-162-970-11	s CERAMIC, CHIP 0.01uF 10% 25V
C520	1-164-156-11	s CERAMIC, CHIP 0.1uF 25V
C521	1-164-156-11	s CERAMIC, CHIP 0.1uF 25V
C522	1-164-156-11	s CERAMIC, CHIP 0.1uF 25V
C523	1-164-315-11	s CERAMIC, CHIP 470PF 5% 50V
C524	1-164-156-11	s CERAMIC, CHIP 0.1uF 25V
C525	1-162-970-11	s CERAMIC, CHIP 0.01uF 10% 25V
C526	1-162-927-11	s CERAMIC, CHIP 100PF 5% 50V
C527	1-162-928-11	s CERAMIC, CHIP 120PF 5% 50V
C528	1-164-739-11	s CERAMIC, CHIP 560PF 5% 50V
C529	1-164-156-11	s CERAMIC, CHIP 0.1uF 25V
C530	1-162-970-11	s CERAMIC, CHIP 0.01uF 10% 25V
C531	1-164-217-11	s CERAMIC, CHIP 150PF 5% 50V
C532	1-164-217-11	s CERAMIC, CHIP 150PF 5% 50V
C533	1-164-156-11	s CERAMIC, CHIP 0.1uF 25V
C534	1-164-156-11	s CERAMIC, CHIP 0.1uF 25V
C535	1-104-851-11	s TANTALUM 10uF 20% 10V
C536	1-164-156-11	s CERAMIC, CHIP 0.1uF 25V
C537	1-164-156-11	s CERAMIC, CHIP 0.1uF 25V
C538	1-162-915-11	s CERAMIC, CHIP 10PF 50V
C539	1-164-156-11	s CERAMIC, CHIP 0.1uF 25V
C540	1-164-156-11	s CERAMIC, CHIP 0.1uF 25V
C541	1-164-156-11	s CERAMIC, CHIP 0.1uF 25V
C542	1-164-156-11	s CERAMIC, CHIP 0.1uF 25V
C543	1-164-156-11	s CERAMIC, CHIP 0.1uF 25V
C544	1-162-970-11	s CERAMIC, CHIP 0.01uF 10% 25V
C545	1-164-315-11	s CERAMIC, CHIP 470PF 5% 50V
C546	1-164-315-11	s CERAMIC, CHIP 470PF 5% 50V
C547	1-164-156-11	s CERAMIC, CHIP 0.1uF 25V
C600	1-164-156-11	s CERAMIC, CHIP 0.1uF 25V
C601	1-164-156-11	s CERAMIC, CHIP 0.1uF 25V
C602	1-162-970-11	s CERAMIC, CHIP 0.01uF 10% 25V
C603	1-164-156-11	s CERAMIC, CHIP 0.1uF 25V
C604	1-164-315-11	s CERAMIC, CHIP 470PF 5% 50V
C605	1-162-970-11	s CERAMIC, CHIP 0.01uF 10% 25V
C606	1-162-919-11	s CERAMIC, CHIP 22PF 5% 50V
C607	1-162-920-11	s CERAMIC, CHIP 27PF 5% 50V
C608	1-162-919-11	s CERAMIC, CHIP 22PF 5% 50V

(EQ-65 BOARD (Suffix number of board is 12.))

Ref. No. or Q'ty	Part No.	SP	Description
C609	1-164-156-11	s	CERAMIC, CHIP 0.1uF 25V
C610	1-162-970-11	s	CERAMIC, CHIP 0.01uF 10% 25V
C611	1-162-970-11	s	CERAMIC, CHIP 0.01uF 10% 25V
C612	1-164-315-11	s	CERAMIC, CHIP 470PF 5% 50V
C613	1-164-315-11	s	CERAMIC, CHIP 470PF 5% 50V
C614	1-164-156-11	s	CERAMIC, CHIP 0.1uF 25V
C615	1-164-156-11	s	CERAMIC, CHIP 0.1uF 25V
C616	1-162-970-11	s	CERAMIC, CHIP 0.01uF 10% 25V
C617	1-162-970-11	s	CERAMIC, CHIP 0.01uF 10% 25V
C618	1-164-156-11	s	CERAMIC, CHIP 0.1uF 25V
C619	1-164-156-11	s	CERAMIC, CHIP 0.1uF 25V
C620	1-164-156-11	s	CERAMIC, CHIP 0.1uF 25V
C621	1-164-315-11	s	CERAMIC, CHIP 470PF 5% 50V
C622	1-164-156-11	s	CERAMIC, CHIP 0.1uF 25V
C623	1-162-970-11	s	CERAMIC, CHIP 0.01uF 10% 25V
C624	1-164-315-11	s	CERAMIC, CHIP 470PF 5% 50V
C625	1-162-928-11	s	CERAMIC, CHIP 120PF 5% 50V
C626	1-164-739-11	s	CERAMIC, CHIP 560PF 5% 50V
C627	1-164-156-11	s	CERAMIC, CHIP 0.1uF 25V
C628	1-162-970-11	s	CERAMIC, CHIP 0.01uF 10% 25V
C629	1-164-217-11	s	CERAMIC, CHIP 150PF 5% 50V
C630	1-164-217-11	s	CERAMIC, CHIP 150PF 5% 50V
C631	1-164-156-11	s	CERAMIC, CHIP 0.1uF 25V
C632	1-164-156-11	s	CERAMIC, CHIP 0.1uF 25V
C633	1-104-851-11	s	TANTALUM 10uF 20% 10V
C634	1-164-156-11	s	CERAMIC, CHIP 0.1uF 25V
C635	1-164-156-11	s	CERAMIC, CHIP 0.1uF 25V
C636	1-162-915-11	s	CERAMIC, CHIP 10PF 50V
C637	1-162-927-11	s	CERAMIC, CHIP 100PF 5% 50V
C638	1-164-156-11	s	CERAMIC, CHIP 0.1uF 25V
C639	1-162-970-11	s	CERAMIC, CHIP 0.01uF 10% 25V
C640	1-164-156-11	s	CERAMIC, CHIP 0.1uF 25V
C641	1-164-315-11	s	CERAMIC, CHIP 470PF 5% 50V
C642	1-164-156-11	s	CERAMIC, CHIP 0.1uF 25V
C700	1-164-156-11	s	CERAMIC, CHIP 0.1uF 25V
C701	1-164-346-11	s	CERAMIC 1uF 16V
C702	1-164-346-11	s	CERAMIC 1uF 16V
C703	1-164-156-11	s	CERAMIC, CHIP 0.1uF 25V
C704	1-164-156-11	s	CERAMIC, CHIP 0.1uF 25V
C705	1-162-969-11	s	CERAMIC, CHIP 0.0068uF 10% 25V
C706	1-162-969-11	s	CERAMIC, CHIP 0.0068uF 10% 25V
C707	1-164-245-11	s	CERAMIC, CHIP 0.015uF 10% 25V
C708	1-164-245-11	s	CERAMIC, CHIP 0.015uF 10% 25V
C709	1-164-156-11	s	CERAMIC, CHIP 0.1uF 25V
C710	1-164-156-11	s	CERAMIC, CHIP 0.1uF 25V
C712	1-164-156-11	s	CERAMIC, CHIP 0.1uF 25V
C713	1-164-156-11	s	CERAMIC, CHIP 0.1uF 25V
C715	1-164-156-11	s	CERAMIC, CHIP 0.1uF 25V
C716	1-164-156-11	s	CERAMIC, CHIP 0.1uF 25V
C717	1-164-156-11	s	CERAMIC, CHIP 0.1uF 25V
C718	1-164-156-11	s	CERAMIC, CHIP 0.1uF 25V
C719	1-164-156-11	s	CERAMIC, CHIP 0.1uF 25V
C720	1-164-156-11	s	CERAMIC, CHIP 0.1uF 25V
C721	1-164-156-11	s	CERAMIC, CHIP 0.1uF 25V
C722	1-164-156-11	s	CERAMIC, CHIP 0.1uF 25V
C723	1-164-156-11	s	CERAMIC, CHIP 0.1uF 25V
C724	1-164-156-11	s	CERAMIC, CHIP 0.1uF 25V
C725	1-164-156-11	s	CERAMIC, CHIP 0.1uF 25V
C726	1-162-927-11	s	CERAMIC, CHIP 100PF 5% 50V

(EQ-65 BOARD (Suffix number of board is 12.))

Ref. No. or Q'ty	Part No.	SP	Description
C727	1-162-927-11	s	CERAMIC, CHIP 100PF 5% 50V
C728	1-162-927-11	s	CERAMIC, CHIP 100PF 5% 50V
C729	1-162-927-11	s	CERAMIC, CHIP 100PF 5% 50V
C730	1-162-927-11	s	CERAMIC, CHIP 100PF 5% 50V
C731	1-162-927-11	s	CERAMIC, CHIP 100PF 5% 50V
C732	1-164-156-11	s	CERAMIC, CHIP 0.1uF 25V
C733	1-164-156-11	s	CERAMIC, CHIP 0.1uF 25V
C734	1-164-156-11	s	CERAMIC, CHIP 0.1uF 25V
C735	1-164-156-11	s	CERAMIC, CHIP 0.1uF 25V
C736	1-162-970-11	s	CERAMIC, CHIP 0.01uF 10% 25V
C737	1-162-970-11	s	CERAMIC, CHIP 0.01uF 10% 25V
C738	1-162-970-11	s	CERAMIC, CHIP 0.01uF 10% 25V
C739	1-162-970-11	s	CERAMIC, CHIP 0.01uF 10% 25V
C740	1-164-156-11	s	CERAMIC, CHIP 0.1uF 25V
C741	1-164-156-11	s	CERAMIC, CHIP 0.1uF 25V
C742	1-164-156-11	s	CERAMIC, CHIP 0.1uF 25V
C743	1-164-156-11	s	CERAMIC, CHIP 0.1uF 25V
C744	1-164-156-11	s	CERAMIC, CHIP 0.1uF 25V
C745	1-164-156-11	s	CERAMIC, CHIP 0.1uF 25V
C746	1-164-156-11	s	CERAMIC, CHIP 0.1uF 25V
C747	1-164-156-11	s	CERAMIC, CHIP 0.1uF 25V
C748	1-164-156-11	s	CERAMIC, CHIP 0.1uF 25V
C749	1-164-156-11	s	CERAMIC, CHIP 0.1uF 25V
C750	1-164-156-11	s	CERAMIC, CHIP 0.1uF 25V
C751	1-164-156-11	s	CERAMIC, CHIP 0.1uF 25V
C752	1-164-156-11	s	CERAMIC, CHIP 0.1uF 25V
C753	1-164-156-11	s	CERAMIC, CHIP 0.1uF 25V
C754	1-164-156-11	s	CERAMIC, CHIP 0.1uF 25V
C755	1-164-156-11	s	CERAMIC, CHIP 0.1uF 25V
C756	1-164-156-11	s	CERAMIC, CHIP 0.1uF 25V
C757	1-162-910-11	s	CERAMIC, CHIP 5PF 50V
C758	1-162-910-11	s	CERAMIC, CHIP 5PF 50V
C759	1-164-156-11	s	CERAMIC, CHIP 0.1uF 25V
C760	1-164-156-11	s	CERAMIC, CHIP 0.1uF 25V
C800	1-164-156-11	s	CERAMIC, CHIP 0.1uF 25V
C801	1-164-346-11	s	CERAMIC 1uF 16V
C802	1-164-346-11	s	CERAMIC 1uF 16V
C803	1-164-156-11	s	CERAMIC, CHIP 0.1uF 25V
C804	1-164-156-11	s	CERAMIC, CHIP 0.1uF 25V
C805	1-162-969-11	s	CERAMIC, CHIP 0.0068uF 10% 25V
C806	1-162-969-11	s	CERAMIC, CHIP 0.0068uF 10% 25V
C807	1-164-245-11	s	CERAMIC, CHIP 0.015uF 10% 25V
C808	1-164-245-11	s	CERAMIC, CHIP 0.015uF 10% 25V
C809	1-164-156-11	s	CERAMIC, CHIP 0.1uF 25V
C810	1-164-156-11	s	CERAMIC, CHIP 0.1uF 25V
C812	1-164-156-11	s	CERAMIC, CHIP 0.1uF 25V
C813	1-164-156-11	s	CERAMIC, CHIP 0.1uF 25V
C815	1-164-156-11	s	CERAMIC, CHIP 0.1uF 25V
C816	1-164-156-11	s	CERAMIC, CHIP 0.1uF 25V
C817	1-164-156-11	s	CERAMIC, CHIP 0.1uF 25V
C818	1-164-156-11	s	CERAMIC, CHIP 0.1uF 25V
C819	1-164-156-11	s	CERAMIC, CHIP 0.1uF 25V
C820	1-164-156-11	s	CERAMIC, CHIP 0.1uF 25V
C821	1-164-156-11	s	CERAMIC, CHIP 0.1uF 25V
C822	1-164-156-11	s	CERAMIC, CHIP 0.1uF 25V
C823	1-164-156-11	s	CERAMIC, CHIP 0.1uF 25V
C824	1-164-156-11	s	CERAMIC, CHIP 0.1uF 25V
C825	1-164-156-11	s	CERAMIC, CHIP 0.1uF 25V
C826	1-162-927-11	s	CERAMIC, CHIP 100PF 5% 50V

(EQ-65 BOARD (Suffix number of board is 12.))

(EQ-65 BOARD (Suffix number of board is 12.))

Ref. No. or Q'ty	Part No.	SP	Description
C827	1-162-927-11	s	CERAMIC, CHIP 100PF 5% 50V
C828	1-162-927-11	s	CERAMIC, CHIP 100PF 5% 50V
C829	1-162-927-11	s	CERAMIC, CHIP 100PF 5% 50V
C830	1-162-927-11	s	CERAMIC, CHIP 100PF 5% 50V
C831	1-162-927-11	s	CERAMIC, CHIP 100PF 5% 50V
C832	1-164-156-11	s	CERAMIC, CHIP 0.1uF 25V
C833	1-164-156-11	s	CERAMIC, CHIP 0.1uF 25V
C834	1-164-156-11	s	CERAMIC, CHIP 0.1uF 25V
C835	1-164-156-11	s	CERAMIC, CHIP 0.1uF 25V
C836	1-162-970-11	s	CERAMIC, CHIP 0.01uF 10% 25V
C837	1-162-970-11	s	CERAMIC, CHIP 0.01uF 10% 25V
C838	1-162-970-11	s	CERAMIC, CHIP 0.01uF 10% 25V
C839	1-162-970-11	s	CERAMIC, CHIP 0.01uF 10% 25V
C840	1-164-156-11	s	CERAMIC, CHIP 0.1uF 25V
C841	1-164-156-11	s	CERAMIC, CHIP 0.1uF 25V
C842	1-164-156-11	s	CERAMIC, CHIP 0.1uF 25V
C843	1-164-156-11	s	CERAMIC, CHIP 0.1uF 25V
C844	1-164-156-11	s	CERAMIC, CHIP 0.1uF 25V
C845	1-164-156-11	s	CERAMIC, CHIP 0.1uF 25V
C846	1-164-156-11	s	CERAMIC, CHIP 0.1uF 25V
C847	1-164-156-11	s	CERAMIC, CHIP 0.1uF 25V
C848	1-164-156-11	s	CERAMIC, CHIP 0.1uF 25V
C849	1-164-156-11	s	CERAMIC, CHIP 0.1uF 25V
C850	1-164-156-11	s	CERAMIC, CHIP 0.1uF 25V
C851	1-164-156-11	s	CERAMIC, CHIP 0.1uF 25V
C852	1-164-156-11	s	CERAMIC, CHIP 0.1uF 25V
C853	1-164-156-11	s	CERAMIC, CHIP 0.1uF 25V
C854	1-164-156-11	s	CERAMIC, CHIP 0.1uF 25V
C855	1-162-910-11	s	CERAMIC, CHIP 5PF 50V
C856	1-162-910-11	s	CERAMIC, CHIP 5PF 50V
C857	1-164-156-11	s	CERAMIC, CHIP 0.1uF 25V
C858	1-164-156-11	s	CERAMIC, CHIP 0.1uF 25V
C900	1-164-156-11	s	CERAMIC, CHIP 0.1uF 25V
C901	1-164-156-11	s	CERAMIC, CHIP 0.1uF 25V
C902	1-164-227-11	s	CERAMIC, CHIP 0.022uF 10% 25V
C903	1-164-227-11	s	CERAMIC, CHIP 0.022uF 10% 25V
C904	1-164-315-11	s	CERAMIC, CHIP 470PF 5% 50V
C905	1-164-315-11	s	CERAMIC, CHIP 470PF 5% 50V
C906	1-164-156-11	s	CERAMIC, CHIP 0.1uF 25V
C907	1-162-919-11	s	CERAMIC, CHIP 22PF 5% 50V
C908	1-164-315-11	s	CERAMIC, CHIP 470PF 5% 50V
C909	1-164-315-11	s	CERAMIC, CHIP 470PF 5% 50V
C911	1-162-919-11	s	CERAMIC, CHIP 22PF 5% 50V
C912	1-164-315-11	s	CERAMIC, CHIP 470PF 5% 50V
C913	1-164-315-11	s	CERAMIC, CHIP 470PF 5% 50V
C915	1-164-315-11	s	CERAMIC, CHIP 470PF 5% 50V
C916	1-164-156-11	s	CERAMIC, CHIP 0.1uF 25V
C917	1-164-156-11	s	CERAMIC, CHIP 0.1uF 25V
C918	1-162-970-11	s	CERAMIC, CHIP 0.01uF 10% 25V
C919	1-162-970-11	s	CERAMIC, CHIP 0.01uF 10% 25V
C920	1-164-156-11	s	CERAMIC, CHIP 0.1uF 25V
C921	1-162-970-11	s	CERAMIC, CHIP 0.01uF 10% 25V
C922	1-164-156-11	s	CERAMIC, CHIP 0.1uF 25V
C923	1-164-156-11	s	CERAMIC, CHIP 0.1uF 25V
C924	1-164-156-11	s	CERAMIC, CHIP 0.1uF 25V
C925	1-164-156-11	s	CERAMIC, CHIP 0.1uF 25V
C1447	1-164-156-11	s	CERAMIC, CHIP 0.1uF 25V
CN101	1-506-471-11	o	CONNECTOR 6P, MALE

Ref. No. or Q'ty	Part No.	SP	Description
CN106	1-778-261-11	o	CONNECTOR, BB 124P, MALE
CN200	1-506-469-11	s	CONNECTOR 4P, MALE
CN201	1-506-469-11	s	CONNECTOR 4P, MALE
CN300	1-506-468-11	o	CONNECTOR 3P, MALE
CN400	1-506-468-11	o	CONNECTOR 3P, MALE
CN500	1-506-468-11	o	CONNECTOR 3P, MALE
CN600	1-506-468-11	o	CONNECTOR 3P, MALE
CN900	1-506-484-11	s	CONNECTOR 5P, MALE
D300	8-719-157-36	s	DIODE RD6.8M-B
D900	8-719-024-81	s	DIODE 1SS300-TE85L
D901	8-719-987-43	s	LED CL-150PG-CD, GRN
D902	8-719-989-22	s	LED CL-150R-CD, RED
D903	8-719-988-82	s	DIODE RB715F
D904	8-719-988-82	s	DIODE RB715F
D905	8-719-989-08	s	DIODE RB717F
D906	8-719-989-08	s	DIODE RB717F
DL300	1-416-060-21	s	DELAY LINE 10.6nS
DL400	1-416-060-21	s	DELAY LINE 10.6nS
DL500	1-416-060-21	s	DELAY LINE 10.6nS
DL600	1-416-060-21	s	DELAY LINE 10.6nS
FL300	1-233-897-21	s	FILTER, LOW-PASS
FL400	1-233-897-21	s	FILTER, LOW-PASS
FL500	1-233-897-21	s	FILTER, LOW-PASS
FL600	1-233-897-21	s	FILTER, LOW-PASS
IC100	8-759-985-55	s	IC 74AC245SJX
IC101	8-759-081-44	s	IC TC74VHC04F
IC102	8-759-081-44	s	IC TC74VHC04F
IC104	8-759-461-41	s	IC DS90LV032TMX
IC200	8-759-925-76	s	IC SN74HC08ANS
IC201	8-759-112-53	s	IC UPC1663G
IC203	8-759-635-27	s	IC M62352GP
IC204	8-759-049-96	s	IC SN74HC32APW-E05
IC206	8-759-066-61	s	IC TC4053BFS
IC207	8-759-141-60	s	IC UPA101G
IC208	8-759-260-55	s	IC TLC272CPW-E05
IC209	8-759-234-08	s	IC TA78L05F
IC210	8-759-045-17	s	IC NJM79L05UA
IC211	8-759-186-39	s	IC TC74VHC74F
IC301	8-759-635-27	s	IC M62352GP
IC302	8-759-066-61	s	IC TC4053BFS
IC303	8-759-635-27	s	IC M62352GP
IC304	8-759-260-55	s	IC TLC272CPW-E05
IC305	8-759-234-08	s	IC TA78L05F
IC306	8-759-045-17	s	IC NJM79L05UA
IC307	8-759-234-08	s	IC TA78L05F
IC401	8-759-066-61	s	IC TC4053BFS
IC402	8-759-260-55	s	IC TLC272CPW-E05
IC501	8-759-066-61	s	IC TC4053BFS
IC502	8-759-635-27	s	IC M62352GP
IC503	8-759-260-55	s	IC TLC272CPW-E05
IC504	8-759-234-08	s	IC TA78L05F
IC505	8-759-045-17	s	IC NJM79L05UA
IC506	8-759-234-08	s	IC TA78L05F
IC601	8-759-066-61	s	IC TC4053BFS
IC602	8-759-260-55	s	IC TLC272CPW-E05
IC700	8-752-057-15	s	IC CXA1627Q
IC701	8-752-057-15	s	IC CXA1627Q
IC704	8-759-173-13	s	IC CXD8815Q

(EQ-65 BOARD (Suffix number of board is 12.))

Ref. No. or Q'ty	Part No.	SP	Description
IC705	8-759-012-13	s	IC MC10H125M
IC706	8-759-186-39	s	IC TC74VHC74F
IC707	8-759-461-38	s	IC DS90LV031TMX
IC708	8-759-461-38	s	IC DS90LV031TMX
IC709	8-759-174-16	s	IC TC74VHC244F
IC710	8-759-234-08	s	IC TA78L05F
IC711	8-759-234-08	s	IC TA78L05F
IC712	8-759-045-17	s	IC NJM79L05UA
IC713	8-759-234-08	s	IC TA78L05F
IC714	8-759-234-08	s	IC TA78L05F
IC800	8-752-057-15	s	IC CXA1627Q
IC801	8-752-057-15	s	IC CXA1627Q
IC804	8-759-173-13	s	IC CXD8815Q
IC805	8-759-012-13	s	IC MC10H125M
IC806	8-759-186-39	s	IC TC74VHC74F
IC807	8-759-461-38	s	IC DS90LV031TMX
IC808	8-759-461-38	s	IC DS90LV031TMX
IC809	8-759-174-16	s	IC TC74VHC244F
IC810	8-759-234-08	s	IC TA78L05F
IC811	8-759-234-08	s	IC TA78L05F
IC812	8-759-234-08	s	IC TA78L05F
IC813	8-759-234-08	s	IC TA78L05F
IC901	8-759-464-95	s	IC AK6420HF-E2
IC903	8-759-937-56	s	IC S-8054ALB-LM-S
IC904	8-759-927-12	s	IC SN74HCT244ANS
IC905	8-759-925-76	s	IC SN74HC08ANS
IC906	8-759-927-12	s	IC SN74HCT244ANS
IC907	8-759-510-71	s	IC BA10358F-E2
IC908	8-759-066-61	s	IC TC4053BFS
IC909	8-759-066-61	s	IC TC4053BFS
IC910	8-759-927-46	s	IC SN74HC00ANS
IC911	8-759-066-61	s	IC TC4053BFS
IC912	8-759-973-72	s	IC SN74LS07NS
L200	1-410-739-31	s	INDUCTOR 0.68uH
L201	1-410-370-31	s	INDUCTOR 1.2uH
L202	1-410-391-11	s	INDUCTOR, CHIP 68uH
L203	1-410-370-31	s	INDUCTOR 1.2uH
L204	1-410-739-31	s	INDUCTOR 0.68uH
PS100	△ 1-533-348-11	s	LINK, IC 4A
Q100	8-729-143-13	s	TRANSISTOR 2SC4176-B34
Q101	8-729-143-13	s	TRANSISTOR 2SC4176-B34
Q102	8-729-143-13	s	TRANSISTOR 2SC4176-B34
Q103	8-729-143-13	s	TRANSISTOR 2SC4176-B34
Q200	8-729-143-13	s	TRANSISTOR 2SC4176-B34
Q201	8-729-028-91	s	TRANSISTOR DTA144EUA-T106
Q202	8-729-143-13	s	TRANSISTOR 2SC4176-B34
Q203	8-729-028-91	s	TRANSISTOR DTA144EUA-T106
Q206	8-729-143-13	s	TRANSISTOR 2SC4176-B34
Q207	8-729-143-13	s	TRANSISTOR 2SC4176-B34
Q208	8-729-143-13	s	TRANSISTOR 2SC4176-B34
Q209	8-729-143-13	s	TRANSISTOR 2SC4176-B34
Q210	8-729-143-13	s	TRANSISTOR 2SC4176-B34
Q211	8-729-143-13	s	TRANSISTOR 2SC4176-B34
Q212	8-729-143-13	s	TRANSISTOR 2SC4176-B34
Q213	8-729-143-13	s	TRANSISTOR 2SC4176-B34
Q214	8-729-143-13	s	TRANSISTOR 2SC4176-B34
Q300	8-729-143-13	s	TRANSISTOR 2SC4176-B34
Q301	8-729-143-13	s	TRANSISTOR 2SC4176-B34

(EQ-65 BOARD (Suffix number of board is 12.))

Ref. No. or Q'ty	Part No.	SP	Description
Q302	8-729-143-13	s	TRANSISTOR 2SC4176-B34
Q303	8-729-143-13	s	TRANSISTOR 2SC4176-B34
Q304	8-729-143-13	s	TRANSISTOR 2SC4176-B34
Q306	8-729-143-13	s	TRANSISTOR 2SC4176-B34
Q307	8-729-143-13	s	TRANSISTOR 2SC4176-B34
Q400	8-729-143-13	s	TRANSISTOR 2SC4176-B34
Q401	8-729-143-13	s	TRANSISTOR 2SC4176-B34
Q402	8-729-143-13	s	TRANSISTOR 2SC4176-B34
Q403	8-729-143-13	s	TRANSISTOR 2SC4176-B34
Q405	8-729-143-13	s	TRANSISTOR 2SC4176-B34
Q406	8-729-143-13	s	TRANSISTOR 2SC4176-B34
Q500	8-729-029-14	s	TRANSISTOR DTC144EUA-T106
Q501	8-729-143-13	s	TRANSISTOR 2SC4176-B34
Q502	8-729-143-13	s	TRANSISTOR 2SC4176-B34
Q503	8-729-143-13	s	TRANSISTOR 2SC4176-B34
Q505	8-729-143-13	s	TRANSISTOR 2SC4176-B34
Q506	8-729-143-13	s	TRANSISTOR 2SC4176-B34
Q600	8-729-029-14	s	TRANSISTOR DTC144EUA-T106
Q601	8-729-143-13	s	TRANSISTOR 2SC4176-B34
Q602	8-729-143-13	s	TRANSISTOR 2SC4176-B34
Q603	8-729-143-13	s	TRANSISTOR 2SC4176-B34
Q605	8-729-143-13	s	TRANSISTOR 2SC4176-B34
Q606	8-729-143-13	s	TRANSISTOR 2SC4176-B34
R100	1-216-821-11	s	METAL, CHIP 1K 5% 1/16W
R101	1-216-821-11	s	METAL, CHIP 1K 5% 1/16W
R102	1-216-821-11	s	METAL, CHIP 1K 5% 1/16W
R103	1-216-821-11	s	METAL, CHIP 1K 5% 1/16W
R104	1-216-821-11	s	METAL, CHIP 1K 5% 1/16W
R105	1-216-821-11	s	METAL, CHIP 1K 5% 1/16W
R106	1-216-821-11	s	METAL, CHIP 1K 5% 1/16W
R107	1-216-833-11	s	METAL, CHIP 10K 5% 1/16W
R108	1-216-833-11	s	METAL, CHIP 10K 5% 1/16W
R109	1-216-833-11	s	METAL, CHIP 10K 5% 1/16W
R110	1-216-833-11	s	METAL, CHIP 10K 5% 1/16W
R111	1-216-833-11	s	METAL, CHIP 10K 5% 1/16W
R112	1-216-833-11	s	METAL, CHIP 10K 5% 1/16W
R113	1-218-668-11	s	METAL, CHIP 100 0.5% 1/16W
R114	1-216-805-11	s	METAL, CHIP 47 5% 1/16W
R115	1-216-805-11	s	METAL, CHIP 47 5% 1/16W
R116	1-216-805-11	s	METAL, CHIP 47 5% 1/16W
R117	1-216-797-11	s	METAL, CHIP 10 5% 1/16W
R118	1-218-644-11	s	METAL, CHIP 10 0.5% 1/16W
R119	1-216-805-11	s	METAL, CHIP 47 5% 1/16W
R120	1-216-805-11	s	METAL, CHIP 47 5% 1/16W
R121	1-216-805-11	s	METAL, CHIP 47 5% 1/16W
R122	1-216-805-11	s	METAL, CHIP 47 5% 1/16W
R123	1-216-805-11	s	METAL, CHIP 47 5% 1/16W
R124	1-216-805-11	s	METAL, CHIP 47 5% 1/16W
R125	1-216-833-11	s	METAL, CHIP 10K 5% 1/16W
R126	1-218-644-11	s	METAL, CHIP 10 0.5% 1/16W
R127	1-218-644-11	s	METAL, CHIP 10 0.5% 1/16W
R128	1-218-644-11	s	METAL, CHIP 10 0.5% 1/16W
R129	1-218-660-11	s	METAL, CHIP 47 0.50% 1/16W
R130	1-218-660-11	s	METAL, CHIP 47 0.50% 1/16W
R131	1-218-660-11	s	METAL, CHIP 47 0.50% 1/16W
R136	1-218-668-11	s	METAL, CHIP 100 0.5% 1/16W
R137	1-218-660-11	s	METAL, CHIP 47 0.50% 1/16W
R138	1-218-644-11	s	METAL, CHIP 10 0.5% 1/16W

(EQ-65 BOARD (Suffix number of board is 12.))

(EQ-65 BOARD (Suffix number of board is 12.))

Ref. No. or Q'ty	Part No.	SP Description
R139	1-218-644-11	s METAL, CHIP 10 0.5% 1/16W
R142	1-218-644-11	s METAL, CHIP 10 0.5% 1/16W
R143	1-218-644-11	s METAL, CHIP 10 0.5% 1/16W
R144	1-216-821-11	s METAL, CHIP 1K 5% 1/16W
R145	1-216-821-11	s METAL, CHIP 1K 5% 1/16W
R146	1-216-821-11	s METAL, CHIP 1K 5% 1/16W
R147	1-216-821-11	s METAL, CHIP 1K 5% 1/16W
R148	1-216-864-11	s METAL, CHIP 0 5% 1/16W
R149	1-218-668-11	s METAL, CHIP 100 0.5% 1/16W
R150	1-218-675-11	s METAL, CHIP 200 0.50% 1/16W
R151	1-218-675-11	s METAL, CHIP 200 0.50% 1/16W
R152	1-216-864-11	s METAL, CHIP 0 5% 1/16W
R153	1-216-805-11	s METAL, CHIP 47 5% 1/16W
R154	1-216-805-11	s METAL, CHIP 47 5% 1/16W
R155	1-216-805-11	s METAL, CHIP 47 5% 1/16W
R156	1-216-805-11	s METAL, CHIP 47 5% 1/16W
R157	1-216-805-11	s METAL, CHIP 47 5% 1/16W
R158	1-218-686-11	s METAL, CHIP 560 0.5% 1/16W
R159	1-218-686-11	s METAL, CHIP 560 0.5% 1/16W
R160	1-218-689-11	s METAL, CHIP 750 0.5% 1/16W
R161	1-216-809-11	s METAL, CHIP 100 5% 1/16W
R162	1-216-805-11	s METAL, CHIP 47 5% 1/16W
R163	1-218-686-11	s METAL, CHIP 560 0.5% 1/16W
R164	1-218-686-11	s METAL, CHIP 560 0.5% 1/16W
R165	1-218-689-11	s METAL, CHIP 750 0.5% 1/16W
R166	1-216-809-11	s METAL, CHIP 100 5% 1/16W
R167	1-216-805-11	s METAL, CHIP 47 5% 1/16W
R200	1-216-821-11	s METAL, CHIP 1K 5% 1/16W
R201	1-216-829-11	s METAL, CHIP 4.7K 5% 1/16W
R202	1-218-690-11	s METAL, CHIP 820 0.5% 1/16W
R203	1-218-699-11	s METAL, CHIP 2K 0.5% 1/16W
R204	1-218-668-11	s METAL, CHIP 100 0.5% 1/16W
R205	1-216-809-11	s METAL, CHIP 100 5% 1/16W
R206	1-218-708-11	s METAL, CHIP 4.7K 0.50% 1/16W
R207	1-218-708-11	s METAL, CHIP 4.7K 0.50% 1/16W
R208	1-218-708-11	s METAL, CHIP 4.7K 0.50% 1/16W
R209	1-218-708-11	s METAL, CHIP 4.7K 0.50% 1/16W
R214	1-218-707-11	s METAL, CHIP 4.3K 0.50% 1/16W
R215	1-218-711-11	s METAL, CHIP 6.2K 0.5% 1/16W
R224	1-218-720-11	s METAL, CHIP 15K 0.5% 1/16W
R225	1-218-720-11	s METAL, CHIP 15K 0.5% 1/16W
R226	1-218-720-11	s METAL, CHIP 15K 0.5% 1/16W
R227	1-218-720-11	s METAL, CHIP 15K 0.5% 1/16W
R228	1-218-716-11	s METAL, CHIP 10K 0.5% 1/16W
R229	1-218-711-11	s METAL, CHIP 6.2K 0.5% 1/16W
R230	1-218-716-11	s METAL, CHIP 10K 0.5% 1/16W
R231	1-218-716-11	s METAL, CHIP 10K 0.5% 1/16W
R232	1-218-716-11	s METAL, CHIP 10K 0.5% 1/16W
R233	1-216-825-11	s METAL, CHIP 2.2K 5% 1/16W
R235	1-216-829-11	s METAL, CHIP 4.7K 5% 1/16W
R236	1-216-829-11	s METAL, CHIP 4.7K 5% 1/16W
R237	1-216-821-11	s METAL, CHIP 1K 5% 1/16W
R238	1-216-821-11	s METAL, CHIP 1K 5% 1/16W
R240	1-216-821-11	s METAL, CHIP 1K 5% 1/16W
R241	1-216-821-11	s METAL, CHIP 1K 5% 1/16W
R243	1-218-680-11	s METAL, CHIP 330 0.50% 1/16W
R244	1-218-680-11	s METAL, CHIP 330 0.50% 1/16W
R247	1-216-809-11	s METAL, CHIP 100 5% 1/16W
R248	1-218-680-11	s METAL, CHIP 330 0.50% 1/16W

Ref. No. or Q'ty	Part No.	SP Description
R249	1-218-680-11	s METAL, CHIP 330 0.50% 1/16W
R250	1-216-809-11	s METAL, CHIP 100 5% 1/16W
R251	1-216-805-11	s METAL, CHIP 47 5% 1/16W
R252	1-218-694-11	s METAL, CHIP 1.2K 0.5% 1/16W
R253	1-216-825-11	s METAL, CHIP 2.2K 5% 1/16W
R254	1-216-805-11	s METAL, CHIP 47 5% 1/16W
R255	1-216-817-11	s METAL, CHIP 470 5% 1/16W
R256	1-216-809-11	s METAL, CHIP 100 5% 1/16W
R257	1-216-833-11	s METAL, CHIP 10K 5% 1/16W
R258	1-216-821-11	s METAL, CHIP 1K 5% 1/16W
R259	1-216-821-11	s METAL, CHIP 1K 5% 1/16W
R260	1-216-825-11	s METAL, CHIP 2.2K 5% 1/16W
R261	1-216-825-11	s METAL, CHIP 2.2K 5% 1/16W
R262	1-216-805-11	s METAL, CHIP 47 5% 1/16W
R263	1-216-805-11	s METAL, CHIP 47 5% 1/16W
R264	1-218-716-11	s METAL, CHIP 10K 0.5% 1/16W
R265	1-216-817-11	s METAL, CHIP 470 5% 1/16W
R266	1-216-809-11	s METAL, CHIP 100 5% 1/16W
R267	1-218-692-11	s METAL, CHIP 1K 0.5% 1/16W
R268	1-218-692-11	s METAL, CHIP 1K 0.5% 1/16W
R269	1-218-692-11	s METAL, CHIP 1K 0.5% 1/16W
R270	1-218-716-11	s METAL, CHIP 10K 0.5% 1/16W
R271	1-216-821-11	s METAL, CHIP 1K 5% 1/16W
R272	1-216-821-11	s METAL, CHIP 1K 5% 1/16W
R273	1-218-692-11	s METAL, CHIP 1K 0.5% 1/16W
R274	1-216-805-11	s METAL, CHIP 47 5% 1/16W
R275	1-216-809-11	s METAL, CHIP 100 5% 1/16W
R276	1-216-809-11	s METAL, CHIP 100 5% 1/16W
R277	1-216-809-11	s METAL, CHIP 100 5% 1/16W
R278	1-216-809-11	s METAL, CHIP 100 5% 1/16W
R279	1-216-825-11	s METAL, CHIP 2.2K 5% 1/16W
R280	1-218-698-11	s METAL, CHIP 1.8K 0.50% 1/16W
R281	1-218-700-11	s METAL, CHIP 2.2K 0.5% 1/16W
R282	1-218-661-11	s METAL, CHIP 51 0.5% 1/16W
R283	1-218-696-11	s METAL, CHIP 1.5K 0.5% 1/16W
R284	1-218-661-11	s METAL, CHIP 51 0.5% 1/16W
R285	1-218-698-11	s METAL, CHIP 1.8K 0.50% 1/16W
R286	1-218-704-11	s METAL, CHIP 3.3K 0.50% 1/16W
R287	1-218-704-11	s METAL, CHIP 3.3K 0.50% 1/16W
R288	1-216-805-11	s METAL, CHIP 47 5% 1/16W
R289	1-218-735-11	s METAL, CHIP 62K 0.50% 1/16W
R290	1-218-735-11	s METAL, CHIP 62K 0.50% 1/16W
R291	1-216-809-11	s METAL, CHIP 100 5% 1/16W
R292	1-216-825-11	s METAL, CHIP 2.2K 5% 1/16W
R293	1-216-805-11	s METAL, CHIP 47 5% 1/16W
R294	1-216-805-11	s METAL, CHIP 47 5% 1/16W
R295	1-218-661-11	s METAL, CHIP 51 0.5% 1/16W
R296	1-218-661-11	s METAL, CHIP 51 0.5% 1/16W
R297	1-218-661-11	s METAL, CHIP 51 0.5% 1/16W
R298	1-218-661-11	s METAL, CHIP 51 0.5% 1/16W
R299	1-218-668-11	s METAL, CHIP 100 0.5% 1/16W
R300	1-216-833-11	s METAL, CHIP 10K 5% 1/16W
R301	1-218-660-11	s METAL, CHIP 47 0.50% 1/16W
R302	1-216-855-11	s METAL, CHIP 680K 5% 1/16W
R303	1-216-841-11	s METAL, CHIP 47K 5% 1/16W
R304	1-216-821-11	s METAL, CHIP 1K 5% 1/16W
R305	1-216-797-11	s METAL, CHIP 10 5% 1/16W
R306	1-216-797-11	s METAL, CHIP 10 5% 1/16W
R307	1-216-864-11	s METAL, CHIP 0 5% 1/16W

(EQ-65 BOARD (Suffix number of board is 12.))

Ref. No. or Q'ty	Part No.	SP	Description
R308	1-216-811-11	s	METAL, CHIP 150 5% 1/16W
R309	1-216-805-11	s	METAL, CHIP 47 5% 1/16W
R310	1-216-826-11	s	METAL, CHIP 2.7K 5% 1/16W
R311	1-216-809-11	s	METAL, CHIP 100 5% 1/16W
R312	1-216-809-11	s	METAL, CHIP 100 5% 1/16W
R313	1-216-805-11	s	METAL, CHIP 47 5% 1/16W
R314	1-216-821-11	s	METAL, CHIP 1K 5% 1/16W
R316	1-218-676-11	s	METAL, CHIP 220 0.5% 1/16W
R317	1-218-689-11	s	METAL, CHIP 750 0.5% 1/16W
R318	1-218-724-11	s	METAL, CHIP 22K 0.5% 1/16W
R319	1-218-676-11	s	METAL, CHIP 220 0.5% 1/16W
R320	1-218-689-11	s	METAL, CHIP 750 0.5% 1/16W
R321	1-216-805-11	s	METAL, CHIP 47 5% 1/16W
R322	1-216-821-11	s	METAL, CHIP 1K 5% 1/16W
R324	1-218-665-11	s	METAL, CHIP 75 0.5% 1/16W
R325	1-218-689-11	s	METAL, CHIP 750 0.5% 1/16W
R326	1-216-809-11	s	METAL, CHIP 100 5% 1/16W
R327	1-218-698-11	s	METAL, CHIP 1.8K 0.50% 1/16W
R328	1-218-716-11	s	METAL, CHIP 10K 0.5% 1/16W
R329	1-218-694-11	s	METAL, CHIP 1.2K 0.5% 1/16W
R330	1-218-696-11	s	METAL, CHIP 1.5K 0.5% 1/16W
R331	1-218-692-11	s	METAL, CHIP 1K 0.5% 1/16W
R332	1-218-692-11	s	METAL, CHIP 1K 0.5% 1/16W
R333	1-218-690-11	s	METAL, CHIP 820 0.5% 1/16W
R334	1-216-833-11	s	METAL, CHIP 10K 5% 1/16W
R335	1-216-831-11	s	METAL, CHIP 6.8K 5% 1/16W
R336	1-218-708-11	s	METAL, CHIP 4.7K 0.50% 1/16W
R337	1-218-708-11	s	METAL, CHIP 4.7K 0.50% 1/16W
R338	1-216-840-11	s	METAL, CHIP 39K 5% 1/16W
R339	1-218-736-11	s	METAL, CHIP 68K 0.5% 1/16W
R340	1-216-803-11	s	METAL, CHIP 33 5% 1/16W
R341	1-216-825-11	s	METAL, CHIP 2.2K 5% 1/16W
R342	1-218-285-11	s	METAL, CHIP 75 5% 1/16W
R343	1-218-700-11	s	METAL, CHIP 2.2K 0.5% 1/16W
R344	1-216-809-11	s	METAL, CHIP 100 5% 1/16W
R345	1-218-676-11	s	METAL, CHIP 220 0.5% 1/16W
R346	1-218-675-11	s	METAL, CHIP 200 0.50% 1/16W
R347	1-216-817-11	s	METAL, CHIP 470 5% 1/16W
R348	1-216-864-11	s	METAL, CHIP 0 5% 1/16W
R349	1-216-821-11	s	METAL, CHIP 1K 5% 1/16W
R350	1-218-285-11	s	METAL, CHIP 75 5% 1/16W
R351	1-216-805-11	s	METAL, CHIP 47 5% 1/16W
R352	1-216-853-11	s	METAL, CHIP 470K 5% 1/16W
R354	1-216-864-11	s	METAL, CHIP 0 5% 1/16W
R355	1-216-864-11	s	METAL, CHIP 0 5% 1/16W
R356	1-216-825-11	s	METAL, CHIP 2.2K 5% 1/16W
R357	1-216-825-11	s	METAL, CHIP 2.2K 5% 1/16W
R400	1-216-833-11	s	METAL, CHIP 10K 5% 1/16W
R401	1-216-864-11	s	METAL, CHIP 0 5% 1/16W
R402	1-216-841-11	s	METAL, CHIP 47K 5% 1/16W
R403	1-216-797-11	s	METAL, CHIP 10 5% 1/16W
R404	1-216-811-11	s	METAL, CHIP 150 5% 1/16W
R405	1-216-821-11	s	METAL, CHIP 1K 5% 1/16W
R406	1-216-797-11	s	METAL, CHIP 10 5% 1/16W
R407	1-216-805-11	s	METAL, CHIP 47 5% 1/16W
R408	1-216-826-11	s	METAL, CHIP 2.7K 5% 1/16W
R409	1-216-809-11	s	METAL, CHIP 100 5% 1/16W
R410	1-216-809-11	s	METAL, CHIP 100 5% 1/16W
R411	1-216-821-11	s	METAL, CHIP 1K 5% 1/16W

(EQ-65 BOARD (Suffix number of board is 12.))

Ref. No. or Q'ty	Part No.	SP	Description
R412	1-218-676-11	s	METAL, CHIP 220 0.5% 1/16W
R413	1-218-689-11	s	METAL, CHIP 750 0.5% 1/16W
R414	1-218-724-11	s	METAL, CHIP 22K 0.5% 1/16W
R415	1-218-676-11	s	METAL, CHIP 220 0.5% 1/16W
R416	1-218-689-11	s	METAL, CHIP 750 0.5% 1/16W
R417	1-216-821-11	s	METAL, CHIP 1K 5% 1/16W
R418	1-218-665-11	s	METAL, CHIP 75 0.5% 1/16W
R419	1-218-689-11	s	METAL, CHIP 750 0.5% 1/16W
R420	1-218-698-11	s	METAL, CHIP 1.8K 0.50% 1/16W
R421	1-218-716-11	s	METAL, CHIP 10K 0.5% 1/16W
R422	1-218-694-11	s	METAL, CHIP 1.2K 0.5% 1/16W
R423	1-218-696-11	s	METAL, CHIP 1.5K 0.5% 1/16W
R424	1-218-692-11	s	METAL, CHIP 1K 0.5% 1/16W
R425	1-218-692-11	s	METAL, CHIP 1K 0.5% 1/16W
R426	1-216-833-11	s	METAL, CHIP 10K 5% 1/16W
R427	1-216-831-11	s	METAL, CHIP 6.8K 5% 1/16W
R428	1-216-853-11	s	METAL, CHIP 470K 5% 1/16W
R429	1-218-708-11	s	METAL, CHIP 4.7K 0.50% 1/16W
R430	1-218-708-11	s	METAL, CHIP 4.7K 0.50% 1/16W
R431	1-216-840-11	s	METAL, CHIP 39K 5% 1/16W
R432	1-218-736-11	s	METAL, CHIP 68K 0.5% 1/16W
R433	1-216-803-11	s	METAL, CHIP 33 5% 1/16W
R434	1-216-825-11	s	METAL, CHIP 2.2K 5% 1/16W
R435	1-218-285-11	s	METAL, CHIP 75 5% 1/16W
R436	1-218-700-11	s	METAL, CHIP 2.2K 0.5% 1/16W
R437	1-216-809-11	s	METAL, CHIP 100 5% 1/16W
R438	1-218-676-11	s	METAL, CHIP 220 0.5% 1/16W
R439	1-218-675-11	s	METAL, CHIP 200 0.50% 1/16W
R440	1-216-817-11	s	METAL, CHIP 470 5% 1/16W
R441	1-216-864-11	s	METAL, CHIP 0 5% 1/16W
R442	1-216-821-11	s	METAL, CHIP 1K 5% 1/16W
R443	1-218-285-11	s	METAL, CHIP 75 5% 1/16W
R444	1-216-805-11	s	METAL, CHIP 47 5% 1/16W
R445	1-216-825-11	s	METAL, CHIP 2.2K 5% 1/16W
R446	1-216-825-11	s	METAL, CHIP 2.2K 5% 1/16W
R447	1-218-690-11	s	METAL, CHIP 820 0.5% 1/16W
R448	1-216-805-11	s	METAL, CHIP 47 5% 1/16W
R449	1-216-805-11	s	METAL, CHIP 47 5% 1/16W
R450	1-216-864-11	s	METAL, CHIP 0 5% 1/16W
R451	1-216-864-11	s	METAL, CHIP 0 5% 1/16W
R452	1-218-660-11	s	METAL, CHIP 47 0.50% 1/16W
R453	1-216-855-11	s	METAL, CHIP 680K 5% 1/16W
R454	1-216-805-11	s	METAL, CHIP 47 5% 1/16W
R455	1-216-805-11	s	METAL, CHIP 47 5% 1/16W
R500	1-218-690-11	s	METAL, CHIP 820 0.5% 1/16W
R501	1-216-825-11	s	METAL, CHIP 2.2K 5% 1/16W
R502	1-216-797-11	s	METAL, CHIP 10 5% 1/16W
R503	1-216-821-11	s	METAL, CHIP 1K 5% 1/16W
R504	1-216-797-11	s	METAL, CHIP 10 5% 1/16W
R505	1-216-864-11	s	METAL, CHIP 0 5% 1/16W
R506	1-216-811-11	s	METAL, CHIP 150 5% 1/16W
R507	1-216-805-11	s	METAL, CHIP 47 5% 1/16W
R508	1-216-826-11	s	METAL, CHIP 2.7K 5% 1/16W
R509	1-216-809-11	s	METAL, CHIP 100 5% 1/16W
R510	1-216-809-11	s	METAL, CHIP 100 5% 1/16W
R511	1-216-805-11	s	METAL, CHIP 47 5% 1/16W
R512	1-216-821-11	s	METAL, CHIP 1K 5% 1/16W
R513	1-218-676-11	s	METAL, CHIP 220 0.5% 1/16W
R514	1-218-689-11	s	METAL, CHIP 750 0.5% 1/16W

(EQ-65 BOARD (Suffix number of board is 12.))

(EQ-65 BOARD (Suffix number of board is 12.))

Ref. No. or Q'ty	Part No.	SP Description
R515	1-218-724-11	s METAL, CHIP 22K 0.5% 1/16W
R516	1-218-676-11	s METAL, CHIP 220 0.5% 1/16W
R517	1-218-689-11	s METAL, CHIP 750 0.5% 1/16W
R518	1-216-805-11	s METAL, CHIP 47 5% 1/16W
R519	1-216-821-11	s METAL, CHIP 1K 5% 1/16W
R520	1-218-665-11	s METAL, CHIP 75 0.5% 1/16W
R521	1-218-689-11	s METAL, CHIP 750 0.5% 1/16W
R522	1-218-698-11	s METAL, CHIP 1.8K 0.50% 1/16W
R523	1-218-716-11	s METAL, CHIP 10K 0.5% 1/16W
R524	1-218-694-11	s METAL, CHIP 1.2K 0.5% 1/16W
R525	1-218-696-11	s METAL, CHIP 1.5K 0.5% 1/16W
R526	1-218-692-11	s METAL, CHIP 1K 0.5% 1/16W
R527	1-218-692-11	s METAL, CHIP 1K 0.5% 1/16W
R528	1-216-833-11	s METAL, CHIP 10K 5% 1/16W
R529	1-216-831-11	s METAL, CHIP 6.8K 5% 1/16W
R530	1-218-708-11	s METAL, CHIP 4.7K 0.50% 1/16W
R531	1-218-708-11	s METAL, CHIP 4.7K 0.50% 1/16W
R532	1-218-736-11	s METAL, CHIP 68K 0.5% 1/16W
R533	1-216-840-11	s METAL, CHIP 39K 5% 1/16W
R534	1-216-825-11	s METAL, CHIP 2.2K 5% 1/16W
R535	1-216-803-11	s METAL, CHIP 33 5% 1/16W
R536	1-216-825-11	s METAL, CHIP 2.2K 5% 1/16W
R537	1-218-285-11	s METAL, CHIP 75 5% 1/16W
R538	1-218-700-11	s METAL, CHIP 2.2K 0.5% 1/16W
R539	1-216-809-11	s METAL, CHIP 100 5% 1/16W
R540	1-218-676-11	s METAL, CHIP 220 0.5% 1/16W
R541	1-218-675-11	s METAL, CHIP 200 0.50% 1/16W
R542	1-216-817-11	s METAL, CHIP 470 5% 1/16W
R543	1-216-864-11	s METAL, CHIP 0 5% 1/16W
R544	1-216-821-11	s METAL, CHIP 1K 5% 1/16W
R545	1-218-285-11	s METAL, CHIP 75 5% 1/16W
R546	1-216-805-11	s METAL, CHIP 47 5% 1/16W
R547	1-216-853-11	s METAL, CHIP 470K 5% 1/16W
R548	1-216-864-11	s METAL, CHIP 0 5% 1/16W
R549	1-216-864-11	s METAL, CHIP 0 5% 1/16W
R550	1-216-805-11	s METAL, CHIP 47 5% 1/16W
R551	1-216-805-11	s METAL, CHIP 47 5% 1/16W
R554	1-218-660-11	s METAL 47 0.50% 1/16W
R555	1-216-855-11	s METAL, CHIP 680K 5% 1/16W
R600	1-216-825-11	s METAL, CHIP 2.2K 5% 1/16W
R601	1-216-825-11	s METAL, CHIP 2.2K 5% 1/16W
R602	1-216-797-11	s METAL, CHIP 10 5% 1/16W
R603	1-216-821-11	s METAL, CHIP 1K 5% 1/16W
R604	1-216-797-11	s METAL, CHIP 10 5% 1/16W
R605	1-216-864-11	s METAL, CHIP 0 5% 1/16W
R606	1-216-811-11	s METAL, CHIP 150 5% 1/16W
R607	1-216-805-11	s METAL, CHIP 47 5% 1/16W
R608	1-216-826-11	s METAL, CHIP 2.7K 5% 1/16W
R609	1-216-809-11	s METAL, CHIP 100 5% 1/16W
R610	1-216-809-11	s METAL, CHIP 100 5% 1/16W
R611	1-216-805-11	s METAL, CHIP 47 5% 1/16W
R612	1-216-821-11	s METAL, CHIP 1K 5% 1/16W
R613	1-218-676-11	s METAL, CHIP 220 0.5% 1/16W
R614	1-218-689-11	s METAL, CHIP 750 0.5% 1/16W
R615	1-218-724-11	s METAL, CHIP 22K 0.5% 1/16W
R616	1-218-676-11	s METAL, CHIP 220 0.5% 1/16W
R617	1-218-689-11	s METAL, CHIP 750 0.5% 1/16W
R618	1-216-805-11	s METAL, CHIP 47 5% 1/16W
R619	1-216-821-11	s METAL, CHIP 1K 5% 1/16W

Ref. No. or Q'ty	Part No.	SP Description
R620	1-218-665-11	s METAL, CHIP 75 0.5% 1/16W
R621	1-218-689-11	s METAL, CHIP 750 0.5% 1/16W
R622	1-218-698-11	s METAL, CHIP 1.8K 0.50% 1/16W
R623	1-218-716-11	s METAL, CHIP 10K 0.5% 1/16W
R624	1-218-694-11	s METAL, CHIP 1.2K 0.5% 1/16W
R625	1-218-696-11	s METAL, CHIP 1.5K 0.5% 1/16W
R626	1-218-692-11	s METAL, CHIP 1K 0.5% 1/16W
R627	1-218-692-11	s METAL, CHIP 1K 0.5% 1/16W
R628	1-216-833-11	s METAL, CHIP 10K 5% 1/16W
R629	1-216-831-11	s METAL, CHIP 6.8K 5% 1/16W
R630	1-218-708-11	s METAL, CHIP 4.7K 0.50% 1/16W
R631	1-218-708-11	s METAL, CHIP 4.7K 0.50% 1/16W
R632	1-216-840-11	s METAL, CHIP 39K 5% 1/16W
R633	1-218-736-11	s METAL, CHIP 68K 0.5% 1/16W
R634	1-218-690-11	s METAL, CHIP 820 0.5% 1/16W
R635	1-216-803-11	s METAL, CHIP 33 5% 1/16W
R636	1-216-825-11	s METAL, CHIP 2.2K 5% 1/16W
R637	1-218-285-11	s METAL, CHIP 75 5% 1/16W
R638	1-218-700-11	s METAL, CHIP 2.2K 0.5% 1/16W
R639	1-216-809-11	s METAL, CHIP 100 5% 1/16W
R640	1-218-676-11	s METAL, CHIP 220 0.5% 1/16W
R641	1-218-675-11	s METAL, CHIP 200 0.50% 1/16W
R642	1-216-817-11	s METAL, CHIP 470 5% 1/16W
R643	1-216-864-11	s METAL, CHIP 0 5% 1/16W
R644	1-216-821-11	s METAL, CHIP 1K 5% 1/16W
R645	1-218-285-11	s METAL, CHIP 75 5% 1/16W
R646	1-216-805-11	s METAL, CHIP 47 5% 1/16W
R647	1-216-853-11	s METAL, CHIP 470K 5% 1/16W
R648	1-216-805-11	s METAL, CHIP 47 5% 1/16W
R649	1-216-805-11	s METAL, CHIP 47 5% 1/16W
R650	1-218-660-11	s METAL 47 0.50% 1/16W
R651	1-216-855-11	s METAL, CHIP 680K 5% 1/16W
R652	1-216-864-11	s METAL, CHIP 0 5% 1/16W
R653	1-216-864-11	s METAL, CHIP 0 5% 1/16W
R700	1-216-829-11	s METAL, CHIP 4.7K 5% 1/16W
R701	1-216-821-11	s METAL, CHIP 1K 5% 1/16W
R702	1-216-821-11	s METAL, CHIP 1K 5% 1/16W
R703	1-218-732-11	s METAL, CHIP 47K 0.5% 1/16W
R704	1-218-732-11	s METAL, CHIP 47K 0.5% 1/16W
R705	1-216-815-11	s METAL, CHIP 330 5% 1/16W
R706	1-216-815-11	s METAL, CHIP 330 5% 1/16W
R707	1-216-815-11	s METAL, CHIP 330 5% 1/16W
R708	1-216-815-11	s METAL, CHIP 330 5% 1/16W
R709	1-216-797-11	s METAL, CHIP 10 5% 1/16W
R710	1-216-797-11	s METAL, CHIP 10 5% 1/16W
R711	1-216-797-11	s METAL, CHIP 10 5% 1/16W
R712	1-216-797-11	s METAL, CHIP 10 5% 1/16W
R713	1-216-797-11	s METAL, CHIP 10 5% 1/16W
R714	1-216-797-11	s METAL, CHIP 10 5% 1/16W
R715	1-216-797-11	s METAL, CHIP 10 5% 1/16W
R716	1-216-797-11	s METAL, CHIP 10 5% 1/16W
R717	1-216-821-11	s METAL, CHIP 1K 5% 1/16W
R718	1-216-821-11	s METAL, CHIP 1K 5% 1/16W
R719	1-216-821-11	s METAL, CHIP 1K 5% 1/16W
R720	1-216-821-11	s METAL, CHIP 1K 5% 1/16W
R721	1-216-817-11	s METAL, CHIP 470 5% 1/16W
R722	1-216-817-11	s METAL, CHIP 470 5% 1/16W
R723	1-216-797-11	s METAL, CHIP 10 5% 1/16W
R724	1-216-797-11	s METAL, CHIP 10 5% 1/16W

(EQ-65 BOARD (Suffix number of board is 12.))

Ref. No. or Q'ty	Part No.	SP Description
R919	1-216-821-11	s METAL, CHIP 1K 5% 1/16W
R920	1-218-716-11	s METAL, CHIP 10K 0.5% 1/16W
R921	1-218-716-11	s METAL, CHIP 10K 0.5% 1/16W
R923	1-216-864-11	s METAL, CHIP 0 5% 1/16W
R924	1-216-821-11	s METAL, CHIP 1K 5% 1/16W
R925	1-216-821-11	s METAL, CHIP 1K 5% 1/16W
R926	1-216-821-11	s METAL, CHIP 1K 5% 1/16W
R927	1-218-716-11	s METAL, CHIP 10K 0.5% 1/16W
R928	1-218-692-11	s METAL, CHIP 1K 0.5% 1/16W
R929	1-216-821-11	s METAL, CHIP 1K 5% 1/16W
R931	1-216-821-11	s METAL, CHIP 1K 5% 1/16W
R932	1-216-857-11	s METAL, CHIP 1M 5% 1/16W
R933	1-216-841-11	s METAL, CHIP 47K 5% 1/16W
R934	1-216-841-11	s METAL, CHIP 47K 5% 1/16W
R935	1-216-841-11	s METAL, CHIP 47K 5% 1/16W
R936	1-216-817-11	s METAL, CHIP 470 5% 1/16W
R937	1-216-817-11	s METAL, CHIP 470 5% 1/16W
R938	1-216-829-11	s METAL, CHIP 4.7K 5% 1/16W
R939	1-216-841-11	s METAL, CHIP 47K 5% 1/16W
R940	1-216-829-11	s METAL, CHIP 4.7K 5% 1/16W
R941	1-216-841-11	s METAL, CHIP 47K 5% 1/16W
R942	1-216-829-11	s METAL, CHIP 4.7K 5% 1/16W
R943	1-216-841-11	s METAL, CHIP 47K 5% 1/16W
R944	1-216-829-11	s METAL, CHIP 4.7K 5% 1/16W
R945	1-216-829-11	s METAL, CHIP 4.7K 5% 1/16W
R946	1-216-841-11	s METAL, CHIP 47K 5% 1/16W
R947	1-216-829-11	s METAL, CHIP 4.7K 5% 1/16W
R948	1-216-864-11	s METAL, CHIP 0 5% 1/16W
RV200	1-237-033-11	s RES, ADJ METAL 1K
RV300	1-237-031-11	s RES, ADJ METAL 200
RV400	1-237-031-11	s RES, ADJ METAL 200
RV500	1-237-031-11	s RES, ADJ METAL 200
RV600	1-237-031-11	s RES, ADJ METAL 200
RV701	1-237-039-11	s RES, ADJ METAL 100K
RV702	1-237-039-11	s RES, ADJ METAL 100K
RV801	1-237-039-11	s RES, ADJ METAL 100K
RV802	1-237-039-11	s RES, ADJ METAL 100K
TH900	1-810-919-11	s THERMISTOR 103HT-1P
X900	1-567-970-31	s CRYSTAL 24.576MHZ

EQ-65 BOARD (Suffix number of board is 11.)

Ref. No. or Q'ty	Part No.	SP Description
lpc	A-8313-235-A	o MOUNTED CIRCUIT BOARD, EQ-65
C102	1-162-970-11	s CERAMIC, CHIP 0.01uF 10% 25V
C103	1-162-970-11	s CERAMIC, CHIP 0.01uF 10% 25V
C104	1-162-970-11	s CERAMIC, CHIP 0.01uF 10% 25V
C105	1-162-970-11	s CERAMIC, CHIP 0.01uF 10% 25V
C106	1-164-156-11	s CERAMIC, CHIP 0.1uF 25V
C107	1-162-970-11	s CERAMIC, CHIP 0.01uF 10% 25V
C108	1-162-970-11	s CERAMIC, CHIP 0.01uF 10% 25V
C109	1-162-970-11	s CERAMIC, CHIP 0.01uF 10% 25V
C110	1-164-156-11	s CERAMIC, CHIP 0.1uF 25V
C111	1-126-396-11	s ELECT, CHIP 47uF 20% 16V
C112	1-126-392-11	s ELECT, CHIP 100uF 20% 6.3V
C113	1-126-392-11	s ELECT, CHIP 100uF 20% 6.3V
C114	1-126-396-11	s ELECT, CHIP 47uF 20% 16V
C115	1-164-156-11	s CERAMIC, CHIP 0.1uF 25V
C116	1-164-156-11	s CERAMIC, CHIP 0.1uF 25V
C117	1-164-156-11	s CERAMIC, CHIP 0.1uF 25V
C118	1-164-156-11	s CERAMIC, CHIP 0.1uF 25V
C119	1-164-156-11	s CERAMIC, CHIP 0.1uF 25V
C122	1-164-156-11	s CERAMIC, CHIP 0.1uF 25V
C123	1-164-156-11	s CERAMIC, CHIP 0.1uF 25V
C124	1-164-156-11	s CERAMIC, CHIP 0.1uF 25V
C200	1-164-156-11	s CERAMIC, CHIP 0.1uF 25V
C201	1-164-156-11	s CERAMIC, CHIP 0.1uF 25V
C202	1-164-156-11	s CERAMIC, CHIP 0.1uF 25V
C203	1-164-156-11	s CERAMIC, CHIP 0.1uF 25V
C204	1-162-970-11	s CERAMIC, CHIP 0.01uF 10% 25V
C205	1-164-315-11	s CERAMIC, CHIP 470PF 5% 50V
C206	1-164-315-11	s CERAMIC, CHIP 470PF 5% 50V
C207	1-164-315-11	s CERAMIC, CHIP 470PF 5% 50V
C208	1-126-392-11	s ELECT, CHIP 100uF 20% 6.3V
C209	1-164-315-11	s CERAMIC, CHIP 470PF 5% 50V
C210	1-164-156-11	s CERAMIC, CHIP 0.1uF 25V
C211	1-162-970-11	s CERAMIC, CHIP 0.01uF 10% 25V
C212	1-162-970-11	s CERAMIC, CHIP 0.01uF 10% 25V
C213	1-164-156-11	s CERAMIC, CHIP 0.1uF 25V
C214	1-164-156-11	s CERAMIC, CHIP 0.1uF 25V
C215	1-164-156-11	s CERAMIC, CHIP 0.1uF 25V
C216	1-164-739-11	s CERAMIC, CHIP 560PF 5% 50V
C217	1-164-739-11	s CERAMIC, CHIP 560PF 5% 50V
C218	1-162-970-11	s CERAMIC, CHIP 0.01uF 10% 25V
C219	1-162-921-11	s CERAMIC, CHIP 33PF 5% 50V
C220	1-162-926-11	s CERAMIC, CHIP 82PF 5% 50V
C221	1-162-958-11	s CERAMIC, CHIP 270PF 5% 50V
C222	1-164-739-11	s CERAMIC, CHIP 560PF 5% 50V
C223	1-164-739-11	s CERAMIC, CHIP 560PF 5% 50V
C224	1-162-958-11	s CERAMIC, CHIP 270PF 5% 50V
C225	1-164-156-11	s CERAMIC, CHIP 0.1uF 25V
C226	1-164-156-11	s CERAMIC, CHIP 0.1uF 25V
C227	1-164-156-11	s CERAMIC, CHIP 0.1uF 25V
C228	1-164-156-11	s CERAMIC, CHIP 0.1uF 25V
C229	1-164-156-11	s CERAMIC, CHIP 0.1uF 25V
C230	1-164-156-11	s CERAMIC, CHIP 0.1uF 25V
C231	1-164-156-11	s CERAMIC, CHIP 0.1uF 25V
C232	1-164-156-11	s CERAMIC, CHIP 0.1uF 25V
C233	1-164-156-11	s CERAMIC, CHIP 0.1uF 25V
C234	1-164-156-11	s CERAMIC, CHIP 0.1uF 25V
C235	1-164-315-11	s CERAMIC, CHIP 470PF 5% 50V

(EQ-65 BOARD (Suffix number of board is 11.))

Ref. No. or Q'ty	Part No.	SP	Description
C236	1-164-156-11	s	CERAMIC, CHIP 0.1uF 25V
C237	1-164-156-11	s	CERAMIC, CHIP 0.1uF 25V
C238	1-164-156-11	s	CERAMIC, CHIP 0.1uF 25V
C239	1-164-156-11	s	CERAMIC, CHIP 0.1uF 25V
C240	1-164-156-11	s	CERAMIC, CHIP 0.1uF 25V
C241	1-164-156-11	s	CERAMIC, CHIP 0.1uF 25V
C242	1-162-970-11	s	CERAMIC, CHIP 0.01uF 10% 25V
C243	1-164-156-11	s	CERAMIC, CHIP 0.1uF 25V
C244	1-164-156-11	s	CERAMIC, CHIP 0.1uF 25V
C245	1-164-156-11	s	CERAMIC, CHIP 0.1uF 25V
C246	1-164-156-11	s	CERAMIC, CHIP 0.1uF 25V
C247	1-162-970-11	s	CERAMIC, CHIP 0.01uF 10% 25V
C248	1-162-970-11	s	CERAMIC, CHIP 0.01uF 10% 25V
C249	1-164-156-11	s	CERAMIC, CHIP 0.1uF 25V
C250	1-164-156-11	s	CERAMIC, CHIP 0.1uF 25V
C251	1-162-970-11	s	CERAMIC, CHIP 0.01uF 10% 25V
C252	1-115-416-11	s	CERAMIC, CHIP 1000PF 5% 25V
C253	1-164-156-11	s	CERAMIC, CHIP 0.1uF 25V
C254	1-164-156-11	s	CERAMIC, CHIP 0.1uF 25V
C255	1-164-156-11	s	CERAMIC, CHIP 0.1uF 25V
C300	1-164-156-11	s	CERAMIC, CHIP 0.1uF 25V
C301	1-164-156-11	s	CERAMIC, CHIP 0.1uF 25V
C302	1-164-156-11	s	CERAMIC, CHIP 0.1uF 25V
C303	1-162-970-11	s	CERAMIC, CHIP 0.01uF 10% 25V
C304	1-162-970-11	s	CERAMIC, CHIP 0.01uF 10% 25V
C305	1-164-156-11	s	CERAMIC, CHIP 0.1uF 25V
C306	1-162-970-11	s	CERAMIC, CHIP 0.01uF 10% 25V
C307	1-164-156-11	s	CERAMIC, CHIP 0.1uF 25V
C308	1-164-315-11	s	CERAMIC, CHIP 470PF 5% 50V
C309	1-162-970-11	s	CERAMIC, CHIP 0.01uF 10% 25V
C310	1-162-919-11	s	CERAMIC, CHIP 22PF 5% 50V
C311	1-162-927-11	s	CERAMIC, CHIP 100PF 5% 50V
C312	1-162-920-11	s	CERAMIC, CHIP 27PF 5% 50V
C313	1-162-919-11	s	CERAMIC, CHIP 22PF 5% 50V
C314	1-164-156-11	s	CERAMIC, CHIP 0.1uF 25V
C315	1-162-970-11	s	CERAMIC, CHIP 0.01uF 10% 25V
C316	1-162-970-11	s	CERAMIC, CHIP 0.01uF 10% 25V
C317	1-164-315-11	s	CERAMIC, CHIP 470PF 5% 50V
C318	1-164-315-11	s	CERAMIC, CHIP 470PF 5% 50V
C319	1-164-156-11	s	CERAMIC, CHIP 0.1uF 25V
C320	1-164-156-11	s	CERAMIC, CHIP 0.1uF 25V
C321	1-162-970-11	s	CERAMIC, CHIP 0.01uF 10% 25V
C322	1-162-970-11	s	CERAMIC, CHIP 0.01uF 10% 25V
C323	1-164-156-11	s	CERAMIC, CHIP 0.1uF 25V
C324	1-164-156-11	s	CERAMIC, CHIP 0.1uF 25V
C325	1-164-156-11	s	CERAMIC, CHIP 0.1uF 25V
C326	1-164-156-11	s	CERAMIC, CHIP 0.1uF 25V
C327	1-164-315-11	s	CERAMIC, CHIP 470PF 5% 50V
C328	1-164-156-11	s	CERAMIC, CHIP 0.1uF 25V
C329	1-164-156-11	s	CERAMIC, CHIP 0.1uF 25V
C330	1-162-970-11	s	CERAMIC, CHIP 0.01uF 10% 25V
C331	1-164-156-11	s	CERAMIC, CHIP 0.1uF 25V
C332	1-164-315-11	s	CERAMIC, CHIP 470PF 5% 50V
C333	1-162-928-11	s	CERAMIC, CHIP 120PF 5% 50V
C334	1-164-739-11	s	CERAMIC, CHIP 560PF 5% 50V
C335	1-164-156-11	s	CERAMIC, CHIP 0.1uF 25V
C336	1-162-970-11	s	CERAMIC, CHIP 0.01uF 10% 25V
C337	1-164-217-11	s	CERAMIC, CHIP 150PF 5% 50V
C338	1-164-217-11	s	CERAMIC, CHIP 150PF 5% 50V

(EQ-65 BOARD (Suffix number of board is 11.))

Ref. No. or Q'ty	Part No.	SP	Description
C339	1-164-156-11	s	CERAMIC, CHIP 0.1uF 25V
C340	1-164-156-11	s	CERAMIC, CHIP 0.1uF 25V
C341	1-104-851-11	s	TANTALUM 10uF 20% 10V
C342	1-164-156-11	s	CERAMIC, CHIP 0.1uF 25V
C343	1-164-156-11	s	CERAMIC, CHIP 0.1uF 25V
C344	1-162-915-11	s	CERAMIC, CHIP 10PF 50V
C345	1-164-156-11	s	CERAMIC, CHIP 0.1uF 25V
C346	1-164-156-11	s	CERAMIC, CHIP 0.1uF 25V
C347	1-164-156-11	s	CERAMIC, CHIP 0.1uF 25V
C348	1-164-156-11	s	CERAMIC, CHIP 0.1uF 25V
C349	1-164-156-11	s	CERAMIC, CHIP 0.1uF 25V
C350	1-162-970-11	s	CERAMIC, CHIP 0.01uF 10% 25V
C351	1-164-156-11	s	CERAMIC, CHIP 0.1uF 25V
C352	1-164-156-11	s	CERAMIC, CHIP 0.1uF 25V
C353	1-164-156-11	s	CERAMIC, CHIP 0.1uF 25V
C357	1-164-315-11	s	CERAMIC, CHIP 470PF 5% 50V
C400	1-164-156-11	s	CERAMIC, CHIP 0.1uF 25V
C401	1-164-156-11	s	CERAMIC, CHIP 0.1uF 25V
C402	1-162-970-11	s	CERAMIC, CHIP 0.01uF 10% 25V
C403	1-164-156-11	s	CERAMIC, CHIP 0.1uF 25V
C404	1-164-315-11	s	CERAMIC, CHIP 470PF 5% 50V
C405	1-162-970-11	s	CERAMIC, CHIP 0.01uF 10% 25V
C406	1-162-919-11	s	CERAMIC, CHIP 22PF 5% 50V
C407	1-162-920-11	s	CERAMIC, CHIP 27PF 5% 50V
C408	1-162-919-11	s	CERAMIC, CHIP 22PF 5% 50V
C409	1-164-156-11	s	CERAMIC, CHIP 0.1uF 25V
C410	1-162-970-11	s	CERAMIC, CHIP 0.01uF 10% 25V
C411	1-162-970-11	s	CERAMIC, CHIP 0.01uF 10% 25V
C412	1-164-315-11	s	CERAMIC, CHIP 470PF 5% 50V
C413	1-164-315-11	s	CERAMIC, CHIP 470PF 5% 50V
C414	1-164-156-11	s	CERAMIC, CHIP 0.1uF 25V
C415	1-164-156-11	s	CERAMIC, CHIP 0.1uF 25V
C416	1-162-970-11	s	CERAMIC, CHIP 0.01uF 10% 25V
C417	1-162-970-11	s	CERAMIC, CHIP 0.01uF 10% 25V
C418	1-164-156-11	s	CERAMIC, CHIP 0.1uF 25V
C419	1-164-156-11	s	CERAMIC, CHIP 0.1uF 25V
C420	1-164-156-11	s	CERAMIC, CHIP 0.1uF 25V
C421	1-164-315-11	s	CERAMIC, CHIP 470PF 5% 50V
C422	1-164-156-11	s	CERAMIC, CHIP 0.1uF 25V
C423	1-162-970-11	s	CERAMIC, CHIP 0.01uF 10% 25V
C424	1-164-315-11	s	CERAMIC, CHIP 470PF 5% 50V
C425	1-162-928-11	s	CERAMIC, CHIP 120PF 5% 50V
C426	1-164-739-11	s	CERAMIC, CHIP 560PF 5% 50V
C427	1-164-156-11	s	CERAMIC, CHIP 0.1uF 25V
C428	1-162-970-11	s	CERAMIC, CHIP 0.01uF 10% 25V
C429	1-164-217-11	s	CERAMIC, CHIP 150PF 5% 50V
C430	1-164-217-11	s	CERAMIC, CHIP 150PF 5% 50V
C431	1-164-156-11	s	CERAMIC, CHIP 0.1uF 25V
C432	1-164-156-11	s	CERAMIC, CHIP 0.1uF 25V
C433	1-104-851-11	s	TANTALUM 10uF 20% 10V
C434	1-164-156-11	s	CERAMIC, CHIP 0.1uF 25V
C435	1-164-156-11	s	CERAMIC, CHIP 0.1uF 25V
C436	1-162-915-11	s	CERAMIC, CHIP 10PF 50V
C437	1-162-927-11	s	CERAMIC, CHIP 100PF 5% 50V
C438	1-164-156-11	s	CERAMIC, CHIP 0.1uF 25V
C439	1-162-970-11	s	CERAMIC, CHIP 0.01uF 10% 25V
C440	1-164-156-11	s	CERAMIC, CHIP 0.1uF 25V
C441	1-164-315-11	s	CERAMIC, CHIP 470PF 5% 50V
C442	1-164-156-11	s	CERAMIC, CHIP 0.1uF 25V

(EQ-65 BOARD (Suffix number of board is 11.))

(EQ-65 BOARD (Suffix number of board is 11.))

Ref. No. or Q'ty	Part No.	SP Description
C446	1-164-156-11	s CERAMIC, CHIP 0.1uF 25V
C447	1-164-156-11	s CERAMIC, CHIP 0.1uF 25V
C500	1-164-156-11	s CERAMIC, CHIP 0.1uF 25V
C501	1-164-156-11	s CERAMIC, CHIP 0.1uF 25V
C502	1-162-970-11	s CERAMIC, CHIP 0.01uF 10% 25V
C503	1-164-156-11	s CERAMIC, CHIP 0.1uF 25V
C504	1-162-970-11	s CERAMIC, CHIP 0.01uF 10% 25V
C505	1-164-156-11	s CERAMIC, CHIP 0.1uF 25V
C506	1-164-315-11	s CERAMIC, CHIP 470PF 5% 50V
C507	1-162-970-11	s CERAMIC, CHIP 0.01uF 10% 25V
C508	1-162-919-11	s CERAMIC, CHIP 22PF 5% 50V
C509	1-162-920-11	s CERAMIC, CHIP 27PF 5% 50V
C510	1-162-919-11	s CERAMIC, CHIP 22PF 5% 50V
C511	1-164-156-11	s CERAMIC, CHIP 0.1uF 25V
C512	1-162-970-11	s CERAMIC, CHIP 0.01uF 10% 25V
C513	1-162-970-11	s CERAMIC, CHIP 0.01uF 10% 25V
C514	1-164-315-11	s CERAMIC, CHIP 470PF 5% 50V
C515	1-164-315-11	s CERAMIC, CHIP 470PF 5% 50V
C516	1-164-156-11	s CERAMIC, CHIP 0.1uF 25V
C517	1-164-156-11	s CERAMIC, CHIP 0.1uF 25V
C518	1-162-970-11	s CERAMIC, CHIP 0.01uF 10% 25V
C519	1-162-970-11	s CERAMIC, CHIP 0.01uF 10% 25V
C520	1-164-156-11	s CERAMIC, CHIP 0.1uF 25V
C521	1-164-156-11	s CERAMIC, CHIP 0.1uF 25V
C522	1-164-156-11	s CERAMIC, CHIP 0.1uF 25V
C523	1-164-315-11	s CERAMIC, CHIP 470PF 5% 50V
C524	1-164-156-11	s CERAMIC, CHIP 0.1uF 25V
C525	1-162-970-11	s CERAMIC, CHIP 0.01uF 10% 25V
C526	1-162-927-11	s CERAMIC, CHIP 100PF 5% 50V
C527	1-162-928-11	s CERAMIC, CHIP 120PF 5% 50V
C528	1-164-739-11	s CERAMIC, CHIP 560PF 5% 50V
C529	1-164-156-11	s CERAMIC, CHIP 0.1uF 25V
C530	1-162-970-11	s CERAMIC, CHIP 0.01uF 10% 25V
C531	1-164-217-11	s CERAMIC, CHIP 150PF 5% 50V
C532	1-164-217-11	s CERAMIC, CHIP 150PF 5% 50V
C533	1-164-156-11	s CERAMIC, CHIP 0.1uF 25V
C534	1-164-156-11	s CERAMIC, CHIP 0.1uF 25V
C535	1-104-851-11	s TANTALUM 10uF 20% 10V
C536	1-164-156-11	s CERAMIC, CHIP 0.1uF 25V
C537	1-164-156-11	s CERAMIC, CHIP 0.1uF 25V
C538	1-162-915-11	s CERAMIC, CHIP 10PF 50V
C539	1-164-156-11	s CERAMIC, CHIP 0.1uF 25V
C540	1-164-156-11	s CERAMIC, CHIP 0.1uF 25V
C541	1-164-156-11	s CERAMIC, CHIP 0.1uF 25V
C542	1-164-156-11	s CERAMIC, CHIP 0.1uF 25V
C543	1-164-156-11	s CERAMIC, CHIP 0.1uF 25V
C544	1-162-970-11	s CERAMIC, CHIP 0.01uF 10% 25V
C545	1-164-315-11	s CERAMIC, CHIP 470PF 5% 50V
C546	1-164-315-11	s CERAMIC, CHIP 470PF 5% 50V
C547	1-164-156-11	s CERAMIC, CHIP 0.1uF 25V
C600	1-164-156-11	s CERAMIC, CHIP 0.1uF 25V
C601	1-164-156-11	s CERAMIC, CHIP 0.1uF 25V
C602	1-162-970-11	s CERAMIC, CHIP 0.01uF 10% 25V
C603	1-164-156-11	s CERAMIC, CHIP 0.1uF 25V
C604	1-164-315-11	s CERAMIC, CHIP 470PF 5% 50V
C605	1-162-970-11	s CERAMIC, CHIP 0.01uF 10% 25V
C606	1-162-919-11	s CERAMIC, CHIP 22PF 5% 50V
C607	1-162-920-11	s CERAMIC, CHIP 27PF 5% 50V
C608	1-162-919-11	s CERAMIC, CHIP 22PF 5% 50V

Ref. No. or Q'ty	Part No.	SP Description
C609	1-164-156-11	s CERAMIC, CHIP 0.1uF 25V
C610	1-162-970-11	s CERAMIC, CHIP 0.01uF 10% 25V
C611	1-162-970-11	s CERAMIC, CHIP 0.01uF 10% 25V
C612	1-164-315-11	s CERAMIC, CHIP 470PF 5% 50V
C613	1-164-315-11	s CERAMIC, CHIP 470PF 5% 50V
C614	1-164-156-11	s CERAMIC, CHIP 0.1uF 25V
C615	1-164-156-11	s CERAMIC, CHIP 0.1uF 25V
C616	1-162-970-11	s CERAMIC, CHIP 0.01uF 10% 25V
C617	1-162-970-11	s CERAMIC, CHIP 0.01uF 10% 25V
C618	1-164-156-11	s CERAMIC, CHIP 0.1uF 25V
C619	1-164-156-11	s CERAMIC, CHIP 0.1uF 25V
C620	1-164-156-11	s CERAMIC, CHIP 0.1uF 25V
C621	1-164-315-11	s CERAMIC, CHIP 470PF 5% 50V
C622	1-164-156-11	s CERAMIC, CHIP 0.1uF 25V
C623	1-162-970-11	s CERAMIC, CHIP 0.01uF 10% 25V
C624	1-164-315-11	s CERAMIC, CHIP 470PF 5% 50V
C625	1-162-928-11	s CERAMIC, CHIP 120PF 5% 50V
C626	1-164-739-11	s CERAMIC, CHIP 560PF 5% 50V
C627	1-164-156-11	s CERAMIC, CHIP 0.1uF 25V
C628	1-162-970-11	s CERAMIC, CHIP 0.01uF 10% 25V
C629	1-164-217-11	s CERAMIC, CHIP 150PF 5% 50V
C630	1-164-217-11	s CERAMIC, CHIP 150PF 5% 50V
C631	1-164-156-11	s CERAMIC, CHIP 0.1uF 25V
C632	1-164-156-11	s CERAMIC, CHIP 0.1uF 25V
C633	1-104-851-11	s TANTALUM 10uF 20% 10V
C634	1-164-156-11	s CERAMIC, CHIP 0.1uF 25V
C635	1-164-156-11	s CERAMIC, CHIP 0.1uF 25V
C636	1-162-915-11	s CERAMIC, CHIP 10PF 50V
C637	1-162-927-11	s CERAMIC, CHIP 100PF 5% 50V
C638	1-164-156-11	s CERAMIC, CHIP 0.1uF 25V
C639	1-162-970-11	s CERAMIC, CHIP 0.01uF 10% 25V
C640	1-164-156-11	s CERAMIC, CHIP 0.1uF 25V
C641	1-164-315-11	s CERAMIC, CHIP 470PF 5% 50V
C642	1-164-156-11	s CERAMIC, CHIP 0.1uF 25V
C700	1-164-156-11	s CERAMIC, CHIP 0.1uF 25V
C701	1-164-346-11	s CERAMIC 1uF 16V
C702	1-164-346-11	s CERAMIC 1uF 16V
C703	1-164-156-11	s CERAMIC, CHIP 0.1uF 25V
C704	1-164-156-11	s CERAMIC, CHIP 0.1uF 25V
C705	1-162-969-11	s CERAMIC, CHIP 0.0068uF 10% 25V
C706	1-162-969-11	s CERAMIC, CHIP 0.0068uF 10% 25V
C707	1-164-245-11	s CERAMIC, CHIP 0.015uF 10% 25V
C708	1-164-245-11	s CERAMIC, CHIP 0.015uF 10% 25V
C709	1-164-156-11	s CERAMIC, CHIP 0.1uF 25V
C710	1-164-156-11	s CERAMIC, CHIP 0.1uF 25V
C711	1-164-156-11	s CERAMIC, CHIP 0.1uF 25V
C712	1-164-156-11	s CERAMIC, CHIP 0.1uF 25V
C713	1-164-156-11	s CERAMIC, CHIP 0.1uF 25V
C714	1-164-156-11	s CERAMIC, CHIP 0.1uF 25V
C715	1-164-156-11	s CERAMIC, CHIP 0.1uF 25V
C716	1-164-156-11	s CERAMIC, CHIP 0.1uF 25V
C717	1-164-156-11	s CERAMIC, CHIP 0.1uF 25V
C718	1-164-156-11	s CERAMIC, CHIP 0.1uF 25V
C719	1-164-156-11	s CERAMIC, CHIP 0.1uF 25V
C720	1-164-156-11	s CERAMIC, CHIP 0.1uF 25V
C721	1-164-156-11	s CERAMIC, CHIP 0.1uF 25V
C722	1-164-156-11	s CERAMIC, CHIP 0.1uF 25V
C723	1-164-156-11	s CERAMIC, CHIP 0.1uF 25V
C724	1-164-156-11	s CERAMIC, CHIP 0.1uF 25V

(EQ-65 BOARD (Suffix number of board is 11.))

Ref. No. or Q'ty	Part No.	SP Description
C925	1-164-156-11	s CERAMIC, CHIP 0.1uF 25V
C1447	1-164-156-11	s CERAMIC, CHIP 0.1uF 25V
CN101	1-506-471-11	o CONNECTOR 6P, MALE
CN106	1-778-261-11	o CONNECTOR, BB 124P, MALE
CN200	1-506-469-11	s CONNECTOR 4P, MALE
CN201	1-506-469-11	s CONNECTOR 4P, MALE
CN300	1-506-468-11	o CONNECTOR 3P, MALE
CN400	1-506-468-11	o CONNECTOR 3P, MALE
CN500	1-506-468-11	o CONNECTOR 3P, MALE
CN600	1-506-468-11	o CONNECTOR 3P, MALE
CN900	1-506-484-11	s CONNECTOR 5P, MALE
D300	8-719-157-36	s DIODE RD6.8M-B
D900	8-719-024-81	s DIODE 1SS300-TE85L
D901	8-719-987-43	s LED CL-150PG-CD, GRN
D902	8-719-989-22	s LED CL-150R-CD, RED
D903	8-719-988-82	s DIODE RB715F
D904	8-719-988-82	s DIODE RB715F
D905	8-719-989-08	s DIODE RB717F
D906	8-719-989-08	s DIODE RB717F
DL300	1-416-060-21	s DELAY LINE 10.6nS
DL400	1-416-060-21	s DELAY LINE 10.6nS
DL500	1-416-060-21	s DELAY LINE 10.6nS
DL600	1-416-060-21	s DELAY LINE 10.6nS
FL300	1-233-897-21	s FILTER, LOW-PASS
FL400	1-233-897-21	s FILTER, LOW-PASS
FL500	1-233-897-21	s FILTER, LOW-PASS
FL600	1-233-897-21	s FILTER, LOW-PASS
IC100	8-759-985-55	s IC 74AC245SJX
IC101	8-759-081-44	s IC TC74VHC04F
IC102	8-759-081-44	s IC TC74VHC04F
IC104	8-759-461-41	s IC DS90LV032TMX
IC200	8-759-925-76	s IC SN74HC08ANS
IC201	8-759-112-53	s IC UPC1663G
IC203	8-759-635-27	s IC M62352GP
IC204	8-759-049-96	s IC SN74HC32APW-E05
IC206	8-759-066-61	s IC TC4053BFS
IC207	8-759-141-60	s IC UPA101G
IC208	8-759-260-55	s IC TLC272CPW-E05
IC209	8-759-234-08	s IC TA78L05F
IC210	8-759-045-17	s IC NJM79L05UA
IC211	8-759-186-39	s IC TC74VHC74F
IC301	8-759-635-27	s IC M62352GP
IC302	8-759-066-61	s IC TC4053BFS
IC303	8-759-635-27	s IC M62352GP
IC304	8-759-260-55	s IC TLC272CPW-E05
IC305	8-759-234-08	s IC TA78L05F
IC306	8-759-045-17	s IC NJM79L05UA
IC307	8-759-234-08	s IC TA78L05F
IC401	8-759-066-61	s IC TC4053BFS
IC402	8-759-260-55	s IC TLC272CPW-E05
IC501	8-759-066-61	s IC TC4053BFS
IC502	8-759-635-27	s IC M62352GP
IC503	8-759-260-55	s IC TLC272CPW-E05
IC504	8-759-234-08	s IC TA78L05F
IC505	8-759-045-17	s IC NJM79L05UA
IC506	8-759-234-08	s IC TA78L05F
IC601	8-759-066-61	s IC TC4053BFS

(EQ-65 BOARD (Suffix number of board is 11.))

Ref. No. or Q'ty	Part No.	SP Description
IC602	8-759-260-55	s IC TLC272CPW-E05
IC700	8-752-057-15	s IC CXA1627Q
IC701	8-752-057-15	s IC CXA1627Q
IC704	8-759-173-13	s IC CXD8815Q
IC705	8-759-012-13	s IC MC10H125M
IC706	8-759-186-39	s IC TC74VHC74F
IC707	8-759-461-38	s IC DS90LV031TMX
IC708	8-759-461-38	s IC DS90LV031TMX
IC709	8-759-174-16	s IC TC74VHC244F
IC710	8-759-234-08	s IC TA78L05F
IC711	8-759-234-08	s IC TA78L05F
IC712	8-759-045-17	s IC NJM79L05UA
IC713	8-759-234-08	s IC TA78L05F
IC714	8-759-234-08	s IC TA78L05F
IC800	8-752-057-15	s IC CXA1627Q
IC801	8-752-057-15	s IC CXA1627Q
IC804	8-759-173-13	s IC CXD8815Q
IC805	8-759-012-13	s IC MC10H125M
IC806	8-759-186-39	s IC TC74VHC74F
IC807	8-759-461-38	s IC DS90LV031TMX
IC808	8-759-461-38	s IC DS90LV031TMX
IC809	8-759-174-16	s IC TC74VHC244F
IC810	8-759-234-08	s IC TA78L05F
IC811	8-759-234-08	s IC TA78L05F
IC812	8-759-234-08	s IC TA78L05F
IC813	8-759-234-08	s IC TA78L05F
IC901	8-759-464-95	s IC AK6420HF-E2
IC903	8-759-937-56	s IC S-8054ALB-LM-S
IC904	8-759-927-12	s IC SN74HCT244ANS
IC905	8-759-925-76	s IC SN74HC08ANS
IC906	8-759-927-12	s IC SN74HCT244ANS
IC907	8-759-510-71	s IC BA10358F-E2
IC908	8-759-066-61	s IC TC4053BFS
IC909	8-759-066-61	s IC TC4053BFS
IC910	8-759-927-46	s IC SN74HC00ANS
IC911	8-759-066-61	s IC TC4053BFS
IC912	8-759-973-72	s IC SN74LS07NS
L200	1-410-739-31	s INDUCTOR 0.68uH
L201	1-410-370-31	s INDUCTOR 1.2uH
L202	1-410-391-11	s INDUCTOR, CHIP 68uH
L203	1-410-370-31	s INDUCTOR 1.2uH
L204	1-410-739-31	s INDUCTOR 0.68uH
PS100	△ 1-533-348-11	s LINK, IC 4A
Q100	8-729-143-13	s TRANSISTOR 2SC4176-B34
Q101	8-729-143-13	s TRANSISTOR 2SC4176-B34
Q102	8-729-143-13	s TRANSISTOR 2SC4176-B34
Q103	8-729-143-13	s TRANSISTOR 2SC4176-B34
Q200	8-729-143-13	s TRANSISTOR 2SC4176-B34
Q201	8-729-028-91	s TRANSISTOR DTA144EUA-T106
Q202	8-729-143-13	s TRANSISTOR 2SC4176-B34
Q203	8-729-028-91	s TRANSISTOR DTA144EUA-T106
Q206	8-729-143-13	s TRANSISTOR 2SC4176-B34
Q207	8-729-143-13	s TRANSISTOR 2SC4176-B34
Q208	8-729-143-13	s TRANSISTOR 2SC4176-B34
Q209	8-729-143-13	s TRANSISTOR 2SC4176-B34
Q210	8-729-143-13	s TRANSISTOR 2SC4176-B34
Q211	8-729-143-13	s TRANSISTOR 2SC4176-B34
Q212	8-729-143-13	s TRANSISTOR 2SC4176-B34

(EQ-65 BOARD (Suffix number of board is 11.))

Ref. No. or Q'ty	Part No.	SP	Description
Q213	8-729-143-13	s	TRANSISTOR 2SC4176-B34
Q214	8-729-143-13	s	TRANSISTOR 2SC4176-B34
Q300	8-729-143-13	s	TRANSISTOR 2SC4176-B34
Q301	8-729-143-13	s	TRANSISTOR 2SC4176-B34
Q302	8-729-143-13	s	TRANSISTOR 2SC4176-B34
Q303	8-729-143-13	s	TRANSISTOR 2SC4176-B34
Q304	8-729-143-13	s	TRANSISTOR 2SC4176-B34
Q306	8-729-143-13	s	TRANSISTOR 2SC4176-B34
Q307	8-729-143-13	s	TRANSISTOR 2SC4176-B34
Q400	8-729-143-13	s	TRANSISTOR 2SC4176-B34
Q401	8-729-143-13	s	TRANSISTOR 2SC4176-B34
Q402	8-729-143-13	s	TRANSISTOR 2SC4176-B34
Q403	8-729-143-13	s	TRANSISTOR 2SC4176-B34
Q405	8-729-143-13	s	TRANSISTOR 2SC4176-B34
Q406	8-729-143-13	s	TRANSISTOR 2SC4176-B34
Q500	8-729-029-14	s	TRANSISTOR DTC144EUA-T106
Q501	8-729-143-13	s	TRANSISTOR 2SC4176-B34
Q502	8-729-143-13	s	TRANSISTOR 2SC4176-B34
Q503	8-729-143-13	s	TRANSISTOR 2SC4176-B34
Q505	8-729-143-13	s	TRANSISTOR 2SC4176-B34
Q506	8-729-143-13	s	TRANSISTOR 2SC4176-B34
Q600	8-729-029-14	s	TRANSISTOR DTC144EUA-T106
Q601	8-729-143-13	s	TRANSISTOR 2SC4176-B34
Q602	8-729-143-13	s	TRANSISTOR 2SC4176-B34
Q603	8-729-143-13	s	TRANSISTOR 2SC4176-B34
Q605	8-729-143-13	s	TRANSISTOR 2SC4176-B34
Q606	8-729-143-13	s	TRANSISTOR 2SC4176-B34
R100	1-216-821-11	s	METAL, CHIP 1K 5% 1/16W
R101	1-216-821-11	s	METAL, CHIP 1K 5% 1/16W
R102	1-216-821-11	s	METAL, CHIP 1K 5% 1/16W
R103	1-216-821-11	s	METAL, CHIP 1K 5% 1/16W
R104	1-216-821-11	s	METAL, CHIP 1K 5% 1/16W
R105	1-216-821-11	s	METAL, CHIP 1K 5% 1/16W
R106	1-216-821-11	s	METAL, CHIP 1K 5% 1/16W
R107	1-216-833-11	s	METAL, CHIP 10K 5% 1/16W
R108	1-216-833-11	s	METAL, CHIP 10K 5% 1/16W
R109	1-216-833-11	s	METAL, CHIP 10K 5% 1/16W
R110	1-216-833-11	s	METAL, CHIP 10K 5% 1/16W
R111	1-216-833-11	s	METAL, CHIP 10K 5% 1/16W
R112	1-216-833-11	s	METAL, CHIP 10K 5% 1/16W
R113	1-218-668-11	s	METAL, CHIP 100 0.5% 1/16W
R114	1-216-805-11	s	METAL, CHIP 47 5% 1/16W
R115	1-216-805-11	s	METAL, CHIP 47 5% 1/16W
R116	1-216-805-11	s	METAL, CHIP 47 5% 1/16W
R117	1-216-797-11	s	METAL, CHIP 10 5% 1/16W
R118	1-218-644-11	s	METAL, CHIP 10 0.5% 1/16W
R119	1-216-805-11	s	METAL, CHIP 47 5% 1/16W
R120	1-216-805-11	s	METAL, CHIP 47 5% 1/16W
R121	1-216-805-11	s	METAL, CHIP 47 5% 1/16W
R122	1-216-805-11	s	METAL, CHIP 47 5% 1/16W
R123	1-216-805-11	s	METAL, CHIP 47 5% 1/16W
R124	1-216-805-11	s	METAL, CHIP 47 5% 1/16W
R125	1-216-833-11	s	METAL, CHIP 10K 5% 1/16W
R126	1-218-644-11	s	METAL, CHIP 10 0.5% 1/16W
R127	1-218-644-11	s	METAL, CHIP 10 0.5% 1/16W
R128	1-218-644-11	s	METAL, CHIP 10 0.5% 1/16W
R129	1-218-660-11	s	METAL 47 0.50% 1/16W
R130	1-218-660-11	s	METAL 47 0.50% 1/16W

(EQ-65 BOARD (Suffix number of board is 11.))

Ref. No. or Q'ty	Part No.	SP	Description
R131	1-218-660-11	s	METAL 47 0.50% 1/16W
R136	1-218-668-11	s	METAL, CHIP 100 0.5% 1/16W
R137	1-218-660-11	s	METAL 47 0.50% 1/16W
R138	1-218-644-11	s	METAL, CHIP 10 0.5% 1/16W
R139	1-218-644-11	s	METAL, CHIP 10 0.5% 1/16W
R142	1-218-644-11	s	METAL, CHIP 10 0.5% 1/16W
R143	1-218-644-11	s	METAL, CHIP 10 0.5% 1/16W
R144	1-216-821-11	s	METAL, CHIP 1K 5% 1/16W
R145	1-216-821-11	s	METAL, CHIP 1K 5% 1/16W
R146	1-216-821-11	s	METAL, CHIP 1K 5% 1/16W
R147	1-216-821-11	s	METAL, CHIP 1K 5% 1/16W
R148	1-216-864-11	s	METAL, CHIP 0 5% 1/16W
R149	1-218-668-11	s	METAL, CHIP 100 0.5% 1/16W
R150	1-218-675-11	s	METAL, CHIP 200 0.50% 1/16W
R151	1-218-675-11	s	METAL, CHIP 200 0.50% 1/16W
R152	1-216-805-11	s	METAL, CHIP 47 5% 1/16W
R153	1-216-805-11	s	METAL, CHIP 47 5% 1/16W
R154	1-216-805-11	s	METAL, CHIP 47 5% 1/16W
R155	1-216-805-11	s	METAL, CHIP 47 5% 1/16W
R156	1-216-805-11	s	METAL, CHIP 47 5% 1/16W
R157	1-216-805-11	s	METAL, CHIP 47 5% 1/16W
R158	1-218-686-11	s	METAL, CHIP 560 0.5% 1/16W
R159	1-218-686-11	s	METAL, CHIP 560 0.5% 1/16W
R160	1-218-689-11	s	METAL, CHIP 750 0.5% 1/16W
R161	1-216-809-11	s	METAL, CHIP 100 5% 1/16W
R162	1-216-805-11	s	METAL, CHIP 47 5% 1/16W
R163	1-218-686-11	s	METAL, CHIP 560 0.5% 1/16W
R164	1-218-686-11	s	METAL, CHIP 560 0.5% 1/16W
R165	1-218-689-11	s	METAL, CHIP 750 0.5% 1/16W
R166	1-216-809-11	s	METAL, CHIP 100 5% 1/16W
R167	1-216-805-11	s	METAL, CHIP 47 5% 1/16W
R200	1-216-821-11	s	METAL, CHIP 1K 5% 1/16W
R201	1-216-829-11	s	METAL, CHIP 4.7K 5% 1/16W
R202	1-218-692-11	s	METAL, CHIP 1K 0.5% 1/16W
R203	1-218-699-11	s	METAL, CHIP 2K 0.5% 1/16W
R204	1-218-668-11	s	METAL, CHIP 100 0.5% 1/16W
R205	1-216-809-11	s	METAL, CHIP 100 5% 1/16W
R206	1-218-708-11	s	METAL, CHIP 4.7K 0.50% 1/16W
R207	1-218-708-11	s	METAL, CHIP 4.7K 0.50% 1/16W
R208	1-218-708-11	s	METAL, CHIP 4.7K 0.50% 1/16W
R209	1-218-708-11	s	METAL, CHIP 4.7K 0.50% 1/16W
R214	1-218-707-11	s	METAL, CHIP 4.3K 0.50% 1/16W
R215	1-218-711-11	s	METAL, CHIP 6.2K 0.5% 1/16W
R224	1-218-720-11	s	METAL, CHIP 15K 0.5% 1/16W
R225	1-218-720-11	s	METAL, CHIP 15K 0.5% 1/16W
R226	1-218-720-11	s	METAL, CHIP 15K 0.5% 1/16W
R227	1-218-720-11	s	METAL, CHIP 15K 0.5% 1/16W
R228	1-218-716-11	s	METAL, CHIP 10K 0.5% 1/16W
R229	1-218-711-11	s	METAL, CHIP 6.2K 0.5% 1/16W
R230	1-218-716-11	s	METAL, CHIP 10K 0.5% 1/16W
R231	1-218-716-11	s	METAL, CHIP 10K 0.5% 1/16W
R232	1-218-716-11	s	METAL, CHIP 10K 0.5% 1/16W
R233	1-216-825-11	s	METAL, CHIP 2.2K 5% 1/16W
R235	1-216-829-11	s	METAL, CHIP 4.7K 5% 1/16W
R236	1-216-829-11	s	METAL, CHIP 4.7K 5% 1/16W
R237	1-216-821-11	s	METAL, CHIP 1K 5% 1/16W
R238	1-216-821-11	s	METAL, CHIP 1K 5% 1/16W
R240	1-216-821-11	s	METAL, CHIP 1K 5% 1/16W
R241	1-216-821-11	s	METAL, CHIP 1K 5% 1/16W

(EQ-65 BOARD (Suffix number of board is 11.))

Ref. No. or Q'ty	Part No.	SP Description
R243	1-218-680-11	s METAL, CHIP 330 0.50% 1/16W
R244	1-218-680-11	s METAL, CHIP 330 0.50% 1/16W
R247	1-216-809-11	s METAL, CHIP 100 5% 1/16W
R248	1-218-680-11	s METAL, CHIP 330 0.50% 1/16W
R249	1-218-680-11	s METAL, CHIP 330 0.50% 1/16W
R250	1-216-809-11	s METAL, CHIP 100 5% 1/16W
R251	1-216-805-11	s METAL, CHIP 47 5% 1/16W
R252	1-218-694-11	s METAL, CHIP 1.2K 0.5% 1/16W
R253	1-216-825-11	s METAL, CHIP 2.2K 5% 1/16W
R254	1-216-805-11	s METAL, CHIP 47 5% 1/16W
R255	1-216-817-11	s METAL, CHIP 470 5% 1/16W
R256	1-216-809-11	s METAL, CHIP 100 5% 1/16W
R257	1-216-833-11	s METAL, CHIP 10K 5% 1/16W
R258	1-216-821-11	s METAL, CHIP 1K 5% 1/16W
R259	1-216-821-11	s METAL, CHIP 1K 5% 1/16W
R260	1-216-825-11	s METAL, CHIP 2.2K 5% 1/16W
R261	1-216-825-11	s METAL, CHIP 2.2K 5% 1/16W
R262	1-216-805-11	s METAL, CHIP 47 5% 1/16W
R263	1-216-805-11	s METAL, CHIP 47 5% 1/16W
R264	1-218-716-11	s METAL, CHIP 10K 0.5% 1/16W
R265	1-216-817-11	s METAL, CHIP 470 5% 1/16W
R266	1-216-809-11	s METAL, CHIP 100 5% 1/16W
R267	1-218-692-11	s METAL, CHIP 1K 0.5% 1/16W
R268	1-218-692-11	s METAL, CHIP 1K 0.5% 1/16W
R269	1-218-692-11	s METAL, CHIP 1K 0.5% 1/16W
R270	1-218-716-11	s METAL, CHIP 10K 0.5% 1/16W
R271	1-216-821-11	s METAL, CHIP 1K 5% 1/16W
R272	1-216-821-11	s METAL, CHIP 1K 5% 1/16W
R273	1-218-692-11	s METAL, CHIP 1K 0.5% 1/16W
R274	1-216-805-11	s METAL, CHIP 47 5% 1/16W
R275	1-216-809-11	s METAL, CHIP 100 5% 1/16W
R276	1-216-809-11	s METAL, CHIP 100 5% 1/16W
R277	1-216-809-11	s METAL, CHIP 100 5% 1/16W
R278	1-216-809-11	s METAL, CHIP 100 5% 1/16W
R279	1-216-825-11	s METAL, CHIP 2.2K 5% 1/16W
R280	1-218-700-11	s METAL, CHIP 2.2K 0.5% 1/16W
R281	1-218-700-11	s METAL, CHIP 2.2K 0.5% 1/16W
R282	1-218-661-11	s METAL, CHIP 51 0.5% 1/16W
R283	1-218-696-11	s METAL, CHIP 1.5K 0.5% 1/16W
R284	1-218-661-11	s METAL, CHIP 51 0.5% 1/16W
R285	1-218-700-11	s METAL, CHIP 2.2K 0.5% 1/16W
R286	1-218-704-11	s METAL, CHIP 3.3K 0.50% 1/16W
R287	1-218-704-11	s METAL, CHIP 3.3K 0.50% 1/16W
R288	1-216-805-11	s METAL, CHIP 47 5% 1/16W
R289	1-218-735-11	s METAL, CHIP 62K 0.50% 1/16W
R290	1-218-735-11	s METAL, CHIP 62K 0.50% 1/16W
R291	1-216-809-11	s METAL, CHIP 100 5% 1/16W
R292	1-216-825-11	s METAL, CHIP 2.2K 5% 1/16W
R293	1-216-805-11	s METAL, CHIP 47 5% 1/16W
R294	1-216-805-11	s METAL, CHIP 47 5% 1/16W
R295	1-218-661-11	s METAL, CHIP 51 0.5% 1/16W
R296	1-218-661-11	s METAL, CHIP 51 0.5% 1/16W
R297	1-218-661-11	s METAL, CHIP 51 0.5% 1/16W
R298	1-218-661-11	s METAL, CHIP 51 0.5% 1/16W
R299	1-218-668-11	s METAL, CHIP 100 0.5% 1/16W
R300	1-216-833-11	s METAL, CHIP 10K 5% 1/16W
R301	1-218-660-11	s METAL, CHIP 47 0.50% 1/16W
R302	1-216-855-11	s METAL, CHIP 680K 5% 1/16W
R303	1-216-841-11	s METAL, CHIP 47K 5% 1/16W

(EQ-65 BOARD (Suffix number of board is 11.))

Ref. No. or Q'ty	Part No.	SP Description
R304	1-216-821-11	s METAL, CHIP 1K 5% 1/16W
R305	1-216-797-11	s METAL, CHIP 10 5% 1/16W
R306	1-216-797-11	s METAL, CHIP 10 5% 1/16W
R307	1-216-864-11	s METAL, CHIP 0 5% 1/16W
R308	1-216-811-11	s METAL, CHIP 150 5% 1/16W
R309	1-216-805-11	s METAL, CHIP 47 5% 1/16W
R310	1-216-826-11	s METAL, CHIP 2.7K 5% 1/16W
R311	1-216-809-11	s METAL, CHIP 100 5% 1/16W
R312	1-216-809-11	s METAL, CHIP 100 5% 1/16W
R313	1-216-805-11	s METAL, CHIP 47 5% 1/16W
R314	1-216-821-11	s METAL, CHIP 1K 5% 1/16W
R316	1-218-676-11	s METAL, CHIP 220 0.5% 1/16W
R317	1-218-689-11	s METAL, CHIP 750 0.5% 1/16W
R318	1-218-724-11	s METAL, CHIP 22K 0.5% 1/16W
R319	1-218-676-11	s METAL, CHIP 220 0.5% 1/16W
R320	1-218-689-11	s METAL, CHIP 750 0.5% 1/16W
R321	1-216-805-11	s METAL, CHIP 47 5% 1/16W
R322	1-216-821-11	s METAL, CHIP 1K 5% 1/16W
R324	1-218-665-11	s METAL, CHIP 75 0.5% 1/16W
R325	1-218-689-11	s METAL, CHIP 750 0.5% 1/16W
R326	1-216-809-11	s METAL, CHIP 100 5% 1/16W
R327	1-218-698-11	s METAL, CHIP 1.8K 0.50% 1/16W
R328	1-218-716-11	s METAL, CHIP 10K 0.5% 1/16W
R329	1-218-694-11	s METAL, CHIP 1.2K 0.5% 1/16W
R330	1-218-696-11	s METAL, CHIP 1.5K 0.5% 1/16W
R331	1-218-692-11	s METAL, CHIP 1K 0.5% 1/16W
R332	1-218-692-11	s METAL, CHIP 1K 0.5% 1/16W
R333	1-218-690-11	s METAL, CHIP 820 0.5% 1/16W
R334	1-216-833-11	s METAL, CHIP 10K 5% 1/16W
R335	1-216-831-11	s METAL, CHIP 6.8K 5% 1/16W
R336	1-218-708-11	s METAL, CHIP 4.7K 0.50% 1/16W
R337	1-218-708-11	s METAL, CHIP 4.7K 0.50% 1/16W
R338	1-216-840-11	s METAL, CHIP 39K 5% 1/16W
R339	1-218-736-11	s METAL, CHIP 68K 0.5% 1/16W
R340	1-216-803-11	s METAL, CHIP 33 5% 1/16W
R341	1-216-825-11	s METAL, CHIP 2.2K 5% 1/16W
R342	1-218-285-11	s METAL, CHIP 75 5% 1/16W
R343	1-218-700-11	s METAL, CHIP 2.2K 0.5% 1/16W
R344	1-216-809-11	s METAL, CHIP 100 5% 1/16W
R345	1-218-676-11	s METAL, CHIP 220 0.5% 1/16W
R346	1-218-675-11	s METAL, CHIP 200 0.50% 1/16W
R347	1-216-817-11	s METAL, CHIP 470 5% 1/16W
R348	1-216-864-11	s METAL, CHIP 0 5% 1/16W
R349	1-216-821-11	s METAL, CHIP 1K 5% 1/16W
R350	1-218-285-11	s METAL, CHIP 75 5% 1/16W
R351	1-216-805-11	s METAL, CHIP 47 5% 1/16W
R352	1-216-853-11	s METAL, CHIP 470K 5% 1/16W
R354	1-216-864-11	s METAL, CHIP 0 5% 1/16W
R355	1-216-864-11	s METAL, CHIP 0 5% 1/16W
R356	1-216-825-11	s METAL, CHIP 2.2K 5% 1/16W
R357	1-216-825-11	s METAL, CHIP 2.2K 5% 1/16W
R400	1-216-833-11	s METAL, CHIP 10K 5% 1/16W
R401	1-216-864-11	s METAL, CHIP 0 5% 1/16W
R402	1-216-841-11	s METAL, CHIP 47K 5% 1/16W
R403	1-216-797-11	s METAL, CHIP 10 5% 1/16W
R404	1-216-811-11	s METAL, CHIP 150 5% 1/16W
R405	1-216-821-11	s METAL, CHIP 1K 5% 1/16W
R406	1-216-797-11	s METAL, CHIP 10 5% 1/16W
R407	1-216-805-11	s METAL, CHIP 47 5% 1/16W

(EQ-65 BOARD (Suffix number of board is 11.))

Ref. No. or Q'ty	Part No.	SP	Description
R408	1-216-826-11	s	METAL, CHIP 2.7K 5% 1/16W
R409	1-216-809-11	s	METAL, CHIP 100 5% 1/16W
R410	1-216-809-11	s	METAL, CHIP 100 5% 1/16W
R411	1-216-821-11	s	METAL, CHIP 1K 5% 1/16W
R412	1-218-676-11	s	METAL, CHIP 220 0.5% 1/16W
R413	1-218-689-11	s	METAL, CHIP 750 0.5% 1/16W
R414	1-218-724-11	s	METAL, CHIP 22K 0.5% 1/16W
R415	1-218-676-11	s	METAL, CHIP 220 0.5% 1/16W
R416	1-218-689-11	s	METAL, CHIP 750 0.5% 1/16W
R417	1-216-821-11	s	METAL, CHIP 1K 5% 1/16W
R418	1-218-665-11	s	METAL, CHIP 75 0.5% 1/16W
R419	1-218-689-11	s	METAL, CHIP 750 0.5% 1/16W
R420	1-218-698-11	s	METAL, CHIP 1.8K 0.50% 1/16W
R421	1-218-716-11	s	METAL, CHIP 10K 0.5% 1/16W
R422	1-218-694-11	s	METAL, CHIP 1.2K 0.5% 1/16W
R423	1-218-696-11	s	METAL, CHIP 1.5K 0.5% 1/16W
R424	1-218-692-11	s	METAL, CHIP 1K 0.5% 1/16W
R425	1-218-692-11	s	METAL, CHIP 1K 0.5% 1/16W
R426	1-216-833-11	s	METAL, CHIP 10K 5% 1/16W
R427	1-216-831-11	s	METAL, CHIP 6.8K 5% 1/16W
R428	1-216-853-11	s	METAL, CHIP 470K 5% 1/16W
R429	1-218-708-11	s	METAL, CHIP 4.7K 0.50% 1/16W
R430	1-218-708-11	s	METAL, CHIP 4.7K 0.50% 1/16W
R431	1-216-840-11	s	METAL, CHIP 39K 5% 1/16W
R432	1-218-736-11	s	METAL, CHIP 68K 0.5% 1/16W
R433	1-216-803-11	s	METAL, CHIP 33 5% 1/16W
R434	1-216-825-11	s	METAL, CHIP 2.2K 5% 1/16W
R435	1-218-285-11	s	METAL, CHIP 75 5% 1/16W
R436	1-218-700-11	s	METAL, CHIP 2.2K 0.5% 1/16W
R437	1-216-809-11	s	METAL, CHIP 100 5% 1/16W
R438	1-218-676-11	s	METAL, CHIP 220 0.5% 1/16W
R439	1-218-675-11	s	METAL, CHIP 200 0.50% 1/16W
R440	1-216-817-11	s	METAL, CHIP 470 5% 1/16W
R441	1-216-864-11	s	METAL, CHIP 0 5% 1/16W
R442	1-216-821-11	s	METAL, CHIP 1K 5% 1/16W
R443	1-218-285-11	s	METAL, CHIP 75 5% 1/16W
R444	1-216-805-11	s	METAL, CHIP 47 5% 1/16W
R445	1-216-825-11	s	METAL, CHIP 2.2K 5% 1/16W
R446	1-216-825-11	s	METAL, CHIP 2.2K 5% 1/16W
R447	1-218-690-11	s	METAL, CHIP 820 0.5% 1/16W
R448	1-216-805-11	s	METAL, CHIP 47 5% 1/16W
R449	1-216-805-11	s	METAL, CHIP 47 5% 1/16W
R450	1-216-864-11	s	METAL, CHIP 0 5% 1/16W
R451	1-216-864-11	s	METAL, CHIP 0 5% 1/16W
R452	1-218-660-11	s	METAL 47 0.50% 1/16W
R453	1-216-855-11	s	METAL, CHIP 680K 5% 1/16W
R454	1-216-805-11	s	METAL, CHIP 47 5% 1/16W
R455	1-216-805-11	s	METAL, CHIP 47 5% 1/16W
R500	1-218-690-11	s	METAL, CHIP 820 0.5% 1/16W
R501	1-216-825-11	s	METAL, CHIP 2.2K 5% 1/16W
R502	1-216-797-11	s	METAL, CHIP 10 5% 1/16W
R503	1-216-821-11	s	METAL, CHIP 1K 5% 1/16W
R504	1-216-797-11	s	METAL, CHIP 10 5% 1/16W
R505	1-216-864-11	s	METAL, CHIP 0 5% 1/16W
R506	1-216-811-11	s	METAL, CHIP 150 5% 1/16W
R507	1-216-805-11	s	METAL, CHIP 47 5% 1/16W
R508	1-216-826-11	s	METAL, CHIP 2.7K 5% 1/16W
R509	1-216-809-11	s	METAL, CHIP 100 5% 1/16W
R510	1-216-809-11	s	METAL, CHIP 100 5% 1/16W

(EQ-65 BOARD (Suffix number of board is 11.))

Ref. No. or Q'ty	Part No.	SP	Description
R511	1-216-805-11	s	METAL, CHIP 47 5% 1/16W
R512	1-216-821-11	s	METAL, CHIP 1K 5% 1/16W
R513	1-218-676-11	s	METAL, CHIP 220 0.5% 1/16W
R514	1-218-689-11	s	METAL, CHIP 750 0.5% 1/16W
R515	1-218-724-11	s	METAL, CHIP 22K 0.5% 1/16W
R516	1-218-676-11	s	METAL, CHIP 220 0.5% 1/16W
R517	1-218-689-11	s	METAL, CHIP 750 0.5% 1/16W
R518	1-216-805-11	s	METAL, CHIP 47 5% 1/16W
R519	1-216-821-11	s	METAL, CHIP 1K 5% 1/16W
R520	1-218-665-11	s	METAL, CHIP 75 0.5% 1/16W
R521	1-218-689-11	s	METAL, CHIP 750 0.5% 1/16W
R522	1-218-698-11	s	METAL, CHIP 1.8K 0.50% 1/16W
R523	1-218-716-11	s	METAL, CHIP 10K 0.5% 1/16W
R524	1-218-694-11	s	METAL, CHIP 1.2K 0.5% 1/16W
R525	1-218-696-11	s	METAL, CHIP 1.5K 0.5% 1/16W
R526	1-218-692-11	s	METAL, CHIP 1K 0.5% 1/16W
R527	1-218-692-11	s	METAL, CHIP 1K 0.5% 1/16W
R528	1-216-833-11	s	METAL, CHIP 10K 5% 1/16W
R529	1-216-831-11	s	METAL, CHIP 6.8K 5% 1/16W
R530	1-218-708-11	s	METAL, CHIP 4.7K 0.50% 1/16W
R531	1-218-708-11	s	METAL, CHIP 4.7K 0.50% 1/16W
R532	1-218-736-11	s	METAL, CHIP 68K 0.5% 1/16W
R533	1-216-840-11	s	METAL, CHIP 39K 5% 1/16W
R534	1-216-825-11	s	METAL, CHIP 2.2K 5% 1/16W
R535	1-216-803-11	s	METAL, CHIP 33 5% 1/16W
R536	1-216-825-11	s	METAL, CHIP 2.2K 5% 1/16W
R537	1-218-285-11	s	METAL, CHIP 75 5% 1/16W
R538	1-218-700-11	s	METAL, CHIP 2.2K 0.5% 1/16W
R539	1-216-809-11	s	METAL, CHIP 100 5% 1/16W
R540	1-218-676-11	s	METAL, CHIP 220 0.5% 1/16W
R541	1-218-675-11	s	METAL, CHIP 200 0.50% 1/16W
R542	1-216-817-11	s	METAL, CHIP 470 5% 1/16W
R543	1-216-864-11	s	METAL, CHIP 0 5% 1/16W
R544	1-216-821-11	s	METAL, CHIP 1K 5% 1/16W
R545	1-218-285-11	s	METAL, CHIP 75 5% 1/16W
R546	1-216-805-11	s	METAL, CHIP 47 5% 1/16W
R547	1-216-853-11	s	METAL, CHIP 470K 5% 1/16W
R548	1-216-864-11	s	METAL, CHIP 0 5% 1/16W
R549	1-216-864-11	s	METAL, CHIP 0 5% 1/16W
R550	1-216-805-11	s	METAL, CHIP 47 5% 1/16W
R551	1-216-805-11	s	METAL, CHIP 47 5% 1/16W
R554	1-218-660-11	s	METAL 47 0.50% 1/16W
R555	1-216-855-11	s	METAL, CHIP 680K 5% 1/16W
R600	1-216-825-11	s	METAL, CHIP 2.2K 5% 1/16W
R601	1-216-825-11	s	METAL, CHIP 2.2K 5% 1/16W
R602	1-216-797-11	s	METAL, CHIP 10 5% 1/16W
R603	1-216-821-11	s	METAL, CHIP 1K 5% 1/16W
R604	1-216-797-11	s	METAL, CHIP 10 5% 1/16W
R605	1-216-864-11	s	METAL, CHIP 0 5% 1/16W
R606	1-216-811-11	s	METAL, CHIP 150 5% 1/16W
R607	1-216-805-11	s	METAL, CHIP 47 5% 1/16W
R608	1-216-826-11	s	METAL, CHIP 2.7K 5% 1/16W
R609	1-216-809-11	s	METAL, CHIP 100 5% 1/16W
R610	1-216-809-11	s	METAL, CHIP 100 5% 1/16W
R611	1-216-805-11	s	METAL, CHIP 47 5% 1/16W
R612	1-216-821-11	s	METAL, CHIP 1K 5% 1/16W
R613	1-218-676-11	s	METAL, CHIP 220 0.5% 1/16W
R614	1-218-689-11	s	METAL, CHIP 750 0.5% 1/16W
R615	1-218-724-11	s	METAL, CHIP 22K 0.5% 1/16W

(EQ-65 BOARD (Suffix number of board is 11.))

(EQ-65 BOARD (Suffix number of board is 11.))

Ref. No. or Q'ty	Part No.	SP Description
R616	1-218-676-11	s METAL, CHIP 220 0.5% 1/16W
R617	1-218-689-11	s METAL, CHIP 750 0.5% 1/16W
R618	1-216-805-11	s METAL, CHIP 47 5% 1/16W
R619	1-216-821-11	s METAL, CHIP 1K 5% 1/16W
R620	1-218-665-11	s METAL, CHIP 75 0.5% 1/16W
R621	1-218-689-11	s METAL, CHIP 750 0.5% 1/16W
R622	1-218-698-11	s METAL, CHIP 1.8K 0.50% 1/16W
R623	1-218-716-11	s METAL, CHIP 10K 0.5% 1/16W
R624	1-218-694-11	s METAL, CHIP 1.2K 0.5% 1/16W
R625	1-218-696-11	s METAL, CHIP 1.5K 0.5% 1/16W
R626	1-218-692-11	s METAL, CHIP 1K 0.5% 1/16W
R627	1-218-692-11	s METAL, CHIP 1K 0.5% 1/16W
R628	1-216-833-11	s METAL, CHIP 10K 5% 1/16W
R629	1-216-831-11	s METAL, CHIP 6.8K 5% 1/16W
R630	1-218-708-11	s METAL, CHIP 4.7K 0.50% 1/16W
R631	1-218-708-11	s METAL, CHIP 4.7K 0.50% 1/16W
R632	1-216-840-11	s METAL, CHIP 39K 5% 1/16W
R633	1-218-736-11	s METAL, CHIP 68K 0.5% 1/16W
R634	1-218-690-11	s METAL, CHIP 820 0.5% 1/16W
R635	1-216-803-11	s METAL, CHIP 33 5% 1/16W
R636	1-216-825-11	s METAL, CHIP 2.2K 5% 1/16W
R637	1-218-285-11	s METAL, CHIP 75 5% 1/16W
R638	1-218-700-11	s METAL, CHIP 2.2K 0.5% 1/16W
R639	1-216-809-11	s METAL, CHIP 100 5% 1/16W
R640	1-218-676-11	s METAL, CHIP 220 0.5% 1/16W
R641	1-218-675-11	s METAL, CHIP 200 0.50% 1/16W
R642	1-216-817-11	s METAL, CHIP 470 5% 1/16W
R643	1-216-864-11	s METAL, CHIP 0 5% 1/16W
R644	1-216-821-11	s METAL, CHIP 1K 5% 1/16W
R645	1-218-285-11	s METAL, CHIP 75 5% 1/16W
R646	1-216-805-11	s METAL, CHIP 47 5% 1/16W
R647	1-216-853-11	s METAL, CHIP 470K 5% 1/16W
R648	1-216-805-11	s METAL, CHIP 47 5% 1/16W
R649	1-216-805-11	s METAL, CHIP 47 5% 1/16W
R650	1-218-660-11	s METAL 47 0.50% 1/16W
R651	1-216-855-11	s METAL, CHIP 680K 5% 1/16W
R652	1-216-864-11	s METAL, CHIP 0 5% 1/16W
R653	1-216-864-11	s METAL, CHIP 0 5% 1/16W
R700	1-216-829-11	s METAL, CHIP 4.7K 5% 1/16W
R701	1-216-821-11	s METAL, CHIP 1K 5% 1/16W
R702	1-216-821-11	s METAL, CHIP 1K 5% 1/16W
R703	1-218-732-11	s METAL, CHIP 47K 0.5% 1/16W
R704	1-218-732-11	s METAL, CHIP 47K 0.5% 1/16W
R705	1-216-815-11	s METAL, CHIP 330 5% 1/16W
R706	1-216-815-11	s METAL, CHIP 330 5% 1/16W
R707	1-216-815-11	s METAL, CHIP 330 5% 1/16W
R708	1-216-815-11	s METAL, CHIP 330 5% 1/16W
R709	1-216-797-11	s METAL, CHIP 10 5% 1/16W
R710	1-216-797-11	s METAL, CHIP 10 5% 1/16W
R711	1-216-797-11	s METAL, CHIP 10 5% 1/16W
R712	1-216-797-11	s METAL, CHIP 10 5% 1/16W
R713	1-216-797-11	s METAL, CHIP 10 5% 1/16W
R714	1-216-797-11	s METAL, CHIP 10 5% 1/16W
R715	1-216-797-11	s METAL, CHIP 10 5% 1/16W
R716	1-216-797-11	s METAL, CHIP 10 5% 1/16W
R717	1-216-821-11	s METAL, CHIP 1K 5% 1/16W
R718	1-216-821-11	s METAL, CHIP 1K 5% 1/16W
R719	1-216-821-11	s METAL, CHIP 1K 5% 1/16W
R720	1-216-821-11	s METAL, CHIP 1K 5% 1/16W

Ref. No. or Q'ty	Part No.	SP Description
R721	1-216-817-11	s METAL, CHIP 470 5% 1/16W
R722	1-216-817-11	s METAL, CHIP 470 5% 1/16W
R723	1-216-797-11	s METAL, CHIP 10 5% 1/16W
R724	1-216-797-11	s METAL, CHIP 10 5% 1/16W
R725	1-216-833-11	s METAL, CHIP 10K 5% 1/16W
R726	1-216-833-11	s METAL, CHIP 10K 5% 1/16W
R727	1-218-661-11	s METAL, CHIP 51 0.5% 1/16W
R728	1-218-661-11	s METAL, CHIP 51 0.5% 1/16W
R729	1-218-661-11	s METAL, CHIP 51 0.5% 1/16W
R730	1-218-661-11	s METAL, CHIP 51 0.5% 1/16W
R731	1-218-661-11	s METAL, CHIP 51 0.5% 1/16W
R732	1-218-661-11	s METAL, CHIP 51 0.5% 1/16W
R733	1-218-661-11	s METAL, CHIP 51 0.5% 1/16W
R734	1-218-661-11	s METAL, CHIP 51 0.5% 1/16W
R735	1-218-661-11	s METAL, CHIP 51 0.5% 1/16W
R736	1-218-661-11	s METAL, CHIP 51 0.5% 1/16W
R737	1-216-797-11	s METAL, CHIP 10 5% 1/16W
R738	1-216-797-11	s METAL, CHIP 10 5% 1/16W
R739	1-216-797-11	s METAL, CHIP 10 5% 1/16W
R740	1-216-797-11	s METAL, CHIP 10 5% 1/16W
R741	1-216-797-11	s METAL, CHIP 10 5% 1/16W
R742	1-216-797-11	s METAL, CHIP 10 5% 1/16W
R743	1-216-797-11	s METAL, CHIP 10 5% 1/16W
R744	1-216-797-11	s METAL, CHIP 10 5% 1/16W
R745	1-216-821-11	s METAL, CHIP 1K 5% 1/16W
R746	1-216-821-11	s METAL, CHIP 1K 5% 1/16W
R747	1-216-821-11	s METAL, CHIP 1K 5% 1/16W
R748	1-216-821-11	s METAL, CHIP 1K 5% 1/16W
R749	1-216-829-11	s METAL, CHIP 4.7K 5% 1/16W
R750	1-216-829-11	s METAL, CHIP 4.7K 5% 1/16W
R751	1-216-829-11	s METAL, CHIP 4.7K 5% 1/16W
R753	1-216-864-11	s METAL, CHIP 0 5% 1/16W
R754	1-216-864-11	s METAL, CHIP 0 5% 1/16W
R756	1-216-864-11	s METAL, CHIP 0 5% 1/16W
R757	1-216-864-11	s METAL, CHIP 0 5% 1/16W
R758	1-216-821-11	s METAL, CHIP 1K 5% 1/16W
R759	1-216-821-11	s METAL, CHIP 1K 5% 1/16W
R760	1-216-821-11	s METAL, CHIP 1K 5% 1/16W
R761	1-216-821-11	s METAL, CHIP 1K 5% 1/16W
R762	1-216-864-11	s METAL, CHIP 0 5% 1/16W
R763	1-216-864-11	s METAL, CHIP 0 5% 1/16W
R764	1-216-864-11	s METAL, CHIP 0 5% 1/16W
R765	1-216-864-11	s METAL, CHIP 0 5% 1/16W
R800	1-216-829-11	s METAL, CHIP 4.7K 5% 1/16W
R801	1-216-821-11	s METAL, CHIP 1K 5% 1/16W
R802	1-216-821-11	s METAL, CHIP 1K 5% 1/16W
R803	1-218-732-11	s METAL, CHIP 47K 0.5% 1/16W
R804	1-218-732-11	s METAL, CHIP 47K 0.5% 1/16W
R805	1-216-815-11	s METAL, CHIP 330 5% 1/16W
R806	1-216-815-11	s METAL, CHIP 330 5% 1/16W
R807	1-216-815-11	s METAL, CHIP 330 5% 1/16W
R808	1-216-815-11	s METAL, CHIP 330 5% 1/16W
R809	1-216-797-11	s METAL, CHIP 10 5% 1/16W
R810	1-216-797-11	s METAL, CHIP 10 5% 1/16W
R811	1-216-797-11	s METAL, CHIP 10 5% 1/16W
R812	1-216-797-11	s METAL, CHIP 10 5% 1/16W
R813	1-216-797-11	s METAL, CHIP 10 5% 1/16W
R814	1-216-797-11	s METAL, CHIP 10 5% 1/16W
R815	1-216-797-11	s METAL, CHIP 10 5% 1/16W

(EQ-65 BOARD (Suffix number of board is 11.))

Ref. No. or Q'ty	Part No.	SP	Description
R816	1-216-797-11	s	METAL, CHIP 10 5% 1/16W
R817	1-216-821-11	s	METAL, CHIP 1K 5% 1/16W
R818	1-216-821-11	s	METAL, CHIP 1K 5% 1/16W
R819	1-216-821-11	s	METAL, CHIP 1K 5% 1/16W
R820	1-216-821-11	s	METAL, CHIP 1K 5% 1/16W
R821	1-216-817-11	s	METAL, CHIP 470 5% 1/16W
R822	1-216-817-11	s	METAL, CHIP 470 5% 1/16W
R823	1-216-797-11	s	METAL, CHIP 10 5% 1/16W
R824	1-216-797-11	s	METAL, CHIP 10 5% 1/16W
R825	1-216-833-11	s	METAL, CHIP 10K 5% 1/16W
R826	1-216-833-11	s	METAL, CHIP 10K 5% 1/16W
R827	1-218-661-11	s	METAL, CHIP 51 0.5% 1/16W
R828	1-218-661-11	s	METAL, CHIP 51 0.5% 1/16W
R829	1-218-661-11	s	METAL, CHIP 51 0.5% 1/16W
R830	1-218-661-11	s	METAL, CHIP 51 0.5% 1/16W
R831	1-218-661-11	s	METAL, CHIP 51 0.5% 1/16W
R832	1-218-661-11	s	METAL, CHIP 51 0.5% 1/16W
R833	1-218-661-11	s	METAL, CHIP 51 0.5% 1/16W
R834	1-218-661-11	s	METAL, CHIP 51 0.5% 1/16W
R835	1-218-661-11	s	METAL, CHIP 51 0.5% 1/16W
R836	1-218-661-11	s	METAL, CHIP 51 0.5% 1/16W
R837	1-216-797-11	s	METAL, CHIP 10 5% 1/16W
R838	1-216-797-11	s	METAL, CHIP 10 5% 1/16W
R839	1-216-797-11	s	METAL, CHIP 10 5% 1/16W
R840	1-216-797-11	s	METAL, CHIP 10 5% 1/16W
R841	1-216-797-11	s	METAL, CHIP 10 5% 1/16W
R842	1-216-797-11	s	METAL, CHIP 10 5% 1/16W
R843	1-216-797-11	s	METAL, CHIP 10 5% 1/16W
R844	1-216-797-11	s	METAL, CHIP 10 5% 1/16W
R845	1-216-821-11	s	METAL, CHIP 1K 5% 1/16W
R846	1-216-821-11	s	METAL, CHIP 1K 5% 1/16W
R847	1-216-821-11	s	METAL, CHIP 1K 5% 1/16W
R848	1-216-821-11	s	METAL, CHIP 1K 5% 1/16W
R849	1-216-829-11	s	METAL, CHIP 4.7K 5% 1/16W
R850	1-216-829-11	s	METAL, CHIP 4.7K 5% 1/16W
R851	1-216-829-11	s	METAL, CHIP 4.7K 5% 1/16W
R853	1-216-864-11	s	METAL, CHIP 0 5% 1/16W
R854	1-216-864-11	s	METAL, CHIP 0 5% 1/16W
R856	1-216-864-11	s	METAL, CHIP 0 5% 1/16W
R857	1-216-864-11	s	METAL, CHIP 0 5% 1/16W
R858	1-216-821-11	s	METAL, CHIP 1K 5% 1/16W
R859	1-216-821-11	s	METAL, CHIP 1K 5% 1/16W
R860	1-216-821-11	s	METAL, CHIP 1K 5% 1/16W
R861	1-216-821-11	s	METAL, CHIP 1K 5% 1/16W
R900	1-216-819-11	s	METAL, CHIP 680 5% 1/16W
R901	1-216-841-11	s	METAL, CHIP 47K 5% 1/16W
R902	1-216-841-11	s	METAL, CHIP 47K 5% 1/16W
R903	1-216-821-11	s	METAL, CHIP 1K 5% 1/16W
R904	1-216-821-11	s	METAL, CHIP 1K 5% 1/16W
R905	1-216-841-11	s	METAL, CHIP 47K 5% 1/16W
R906	1-216-841-11	s	METAL, CHIP 47K 5% 1/16W
R907	1-216-841-11	s	METAL, CHIP 47K 5% 1/16W
R908	1-216-829-11	s	METAL, CHIP 4.7K 5% 1/16W
R909	1-216-821-11	s	METAL, CHIP 1K 5% 1/16W
R910	1-216-841-11	s	METAL, CHIP 47K 5% 1/16W
R911	1-216-841-11	s	METAL, CHIP 47K 5% 1/16W
R912	1-216-821-11	s	METAL, CHIP 1K 5% 1/16W
R913	1-216-841-11	s	METAL, CHIP 47K 5% 1/16W
R914	1-216-841-11	s	METAL, CHIP 47K 5% 1/16W

(EQ-65 BOARD (Suffix number of board is 11.))

Ref. No. or Q'ty	Part No.	SP	Description
R915	1-216-841-11	s	METAL, CHIP 47K 5% 1/16W
R916	1-216-821-11	s	METAL, CHIP 1K 5% 1/16W
R917	1-216-821-11	s	METAL, CHIP 1K 5% 1/16W
R918	1-216-821-11	s	METAL, CHIP 1K 5% 1/16W
R919	1-216-821-11	s	METAL, CHIP 1K 5% 1/16W
R920	1-218-716-11	s	METAL, CHIP 10K 0.5% 1/16W
R921	1-218-716-11	s	METAL, CHIP 10K 0.5% 1/16W
R923	1-216-864-11	s	METAL, CHIP 0 5% 1/16W
R924	1-216-821-11	s	METAL, CHIP 1K 5% 1/16W
R925	1-216-821-11	s	METAL, CHIP 1K 5% 1/16W
R926	1-216-821-11	s	METAL, CHIP 1K 5% 1/16W
R927	1-218-716-11	s	METAL, CHIP 10K 0.5% 1/16W
R928	1-218-692-11	s	METAL, CHIP 1K 0.5% 1/16W
R929	1-216-821-11	s	METAL, CHIP 1K 5% 1/16W
R931	1-216-821-11	s	METAL, CHIP 1K 5% 1/16W
R932	1-216-857-11	s	METAL, CHIP 1M 5% 1/16W
R933	1-216-841-11	s	METAL, CHIP 47K 5% 1/16W
R934	1-216-841-11	s	METAL, CHIP 47K 5% 1/16W
R935	1-216-841-11	s	METAL, CHIP 47K 5% 1/16W
R936	1-216-817-11	s	METAL, CHIP 470 5% 1/16W
R937	1-216-817-11	s	METAL, CHIP 470 5% 1/16W
R938	1-216-829-11	s	METAL, CHIP 4.7K 5% 1/16W
R939	1-216-841-11	s	METAL, CHIP 47K 5% 1/16W
R940	1-216-829-11	s	METAL, CHIP 4.7K 5% 1/16W
R941	1-216-841-11	s	METAL, CHIP 47K 5% 1/16W
R942	1-216-829-11	s	METAL, CHIP 4.7K 5% 1/16W
R943	1-216-841-11	s	METAL, CHIP 47K 5% 1/16W
R944	1-216-829-11	s	METAL, CHIP 4.7K 5% 1/16W
R945	1-216-829-11	s	METAL, CHIP 4.7K 5% 1/16W
R946	1-216-841-11	s	METAL, CHIP 47K 5% 1/16W
R947	1-216-829-11	s	METAL, CHIP 4.7K 5% 1/16W
R948	1-216-864-11	s	METAL, CHIP 0 5% 1/16W
RV300	1-237-031-11	s	RES, ADJ METAL 200
RV400	1-237-031-11	s	RES, ADJ METAL 200
RV500	1-237-031-11	s	RES, ADJ METAL 200
RV600	1-237-031-11	s	RES, ADJ METAL 200
RV701	1-237-039-11	s	RES, ADJ METAL 100K
RV702	1-237-039-11	s	RES, ADJ METAL 100K
RV801	1-237-039-11	s	RES, ADJ METAL 100K
RV802	1-237-039-11	s	RES, ADJ METAL 100K
TH900	1-810-919-11	s	THERMISTOR 103HT-1P
X900	1-567-970-31	s	CRYSTAL 24.576MHz

 FP-103 BOARD

Ref. No. or Q'ty	Part No.	SP Description
1pc	A-8313-434-A	o MOUNTED CIRCUIT BOARD, FP-103
C1	1-126-964-11	s ELECT 10uF 20% 50V
C2	1-126-964-11	s ELECT 10uF 20% 50V
C3	1-163-038-91	s CERAMIC, CHIP 0.1uF 25V 0%
C4	1-163-038-91	s CERAMIC, CHIP 0.1uF 25V 0%
C5	1-164-161-11	s CERAMIC, CHIP 0.0022uF 10% 100V
C6	1-126-964-11	s ELECT 10uF 20% 50V
C7	1-163-251-11	s CERAMIC, CHIP 100PF 5% 50V
C8	1-163-251-11	s CERAMIC, CHIP 100PF 5% 50V
C9	1-163-038-91	s CERAMIC, CHIP 0.1uF 25V 0%
C10	1-163-251-11	s CERAMIC, CHIP 100PF 5% 50V
C11	1-163-251-11	s CERAMIC, CHIP 100PF 5% 50V
C12	1-126-964-11	s ELECT 10uF 20% 50V
C13	1-163-251-11	s CERAMIC, CHIP 100PF 5% 50V
C14	1-163-251-11	s CERAMIC, CHIP 100PF 5% 50V
C15	1-163-251-11	s CERAMIC, CHIP 100PF 5% 50V
C16	1-163-251-11	s CERAMIC, CHIP 100PF 5% 50V
C17	1-164-161-11	s CERAMIC, CHIP 0.0022uF 10% 100V
C18	1-126-964-11	s ELECT 10uF 20% 50V
C19	1-126-933-11	s ELECT 100uF 20% 16V
C20	1-163-038-91	s CERAMIC, CHIP 0.1uF 25V 0%
C21	1-126-933-11	s ELECT 100uF 20% 16V
C22	1-163-038-91	s CERAMIC, CHIP 0.1uF 25V 0%
C23	1-163-038-91	s CERAMIC, CHIP 0.1uF 25V 0%
C24	1-163-038-91	s CERAMIC, CHIP 0.1uF 25V 0%
C25	1-163-038-91	s CERAMIC, CHIP 0.1uF 25V 0%
C26	1-163-038-91	s CERAMIC, CHIP 0.1uF 25V 0%
C27	1-163-038-91	s CERAMIC, CHIP 0.1uF 25V 0%
C28	1-163-017-00	s CERAMIC, CHIP 0.0047uF 5% 50V
C29	1-104-553-11	s FILM, CHIP 0.015uF 5% 16V
C30	1-163-017-00	s CERAMIC, CHIP 0.0047uF 5% 50V
C31	1-104-553-11	s FILM, CHIP 0.015uF 5% 16V
C32	1-163-137-00	s CERAMIC, CHIP 680PF 5% 50V
C33	1-163-137-00	s CERAMIC, CHIP 680PF 5% 50V
C34	1-163-038-91	s CERAMIC, CHIP 0.1uF 25V 0%
C35	1-163-038-91	s CERAMIC, CHIP 0.1uF 25V 0%
C36	1-163-038-91	s CERAMIC, CHIP 0.1uF 25V 0%
CN500	1-750-878-11	s CONNECTOR, FLAT CABLE 40P, MALE
CN501	1-565-845-11	o CONNECTOR, 26P, MALE
CN503	1-568-098-11	o CONNECTOR, HINGE 30P, MALE
CN505	1-506-475-11	o CONNECTOR 10P, MALE
IC1	8-759-708-12	s IC NJM78L12A
IC2	8-759-995-03	s IC LT1021DCS8-5
IC3	8-759-175-74	s IC M62301FP
IC4	8-759-175-74	s IC M62301FP
IC5	8-759-007-80	s IC MC74HC175F
IC6	8-759-175-93	s IC CXD8814Q
IC7	8-759-528-14	o IC UPD78P218AGC-FP103-V101
L1	1-412-533-21	s INDUCTOR 47uH
L2	1-412-533-21	s INDUCTOR 47uH
L3	1-412-533-21	s INDUCTOR 47uH
Q1	8-729-140-63	s TRANSISTOR 2SA1611-M5M6
R1	1-216-069-00	s METAL, CHIP 6.8K 5% 1/10W
R2	1-218-780-11	s METAL, CHIP 270 5% 1/4W
R3	1-216-073-00	s METAL, CHIP 10K 5% 1/10W
R4	1-216-679-11	s METAL, CHIP 15K 0.5% 1/10W

(FP-103 BOARD)

Ref. No. or Q'ty	Part No.	SP Description
R5	1-216-679-11	s METAL, CHIP 15K 0.5% 1/10W
R6	1-216-073-00	s METAL, CHIP 10K 5% 1/10W
R7	1-216-017-11	s METAL, CHIP 47 5% 1/10W
R8	1-216-017-11	s METAL, CHIP 47 5% 1/10W
R9	1-216-073-00	s METAL, CHIP 10K 5% 1/10W
R10	1-216-073-00	s METAL, CHIP 10K 5% 1/10W
R11	1-216-073-00	s METAL, CHIP 10K 5% 1/10W
R12	1-216-097-11	s METAL, CHIP 100K 5% 1/10W
R13	1-216-097-11	s METAL, CHIP 100K 5% 1/10W
R14	1-216-073-00	s METAL, CHIP 10K 5% 1/10W
R15	1-216-025-11	s METAL, CHIP 100 5% 1/10W
R16	1-216-025-11	s METAL, CHIP 100 5% 1/10W
R17	1-216-025-11	s METAL, CHIP 100 5% 1/10W
R18	1-216-025-11	s METAL, CHIP 100 5% 1/10W
R19	1-216-025-11	s METAL, CHIP 100 5% 1/10W
R20	1-216-025-11	s METAL, CHIP 100 5% 1/10W
R21	1-216-025-11	s METAL, CHIP 100 5% 1/10W
R22	1-216-025-11	s METAL, CHIP 100 5% 1/10W
R23	1-216-025-11	s METAL, CHIP 100 5% 1/10W
R24	1-216-025-11	s METAL, CHIP 100 5% 1/10W
R25	1-216-025-11	s METAL, CHIP 100 5% 1/10W
R26	1-216-025-11	s METAL, CHIP 100 5% 1/10W
R27	1-216-025-11	s METAL, CHIP 100 5% 1/10W
R28	1-216-025-11	s METAL, CHIP 100 5% 1/10W
R29	1-216-025-11	s METAL, CHIP 100 5% 1/10W
R30	1-216-025-11	s METAL, CHIP 100 5% 1/10W
R31	1-216-025-11	s METAL, CHIP 100 5% 1/10W
R32	1-216-025-11	s METAL, CHIP 100 5% 1/10W
R34	1-216-295-91	s RES, CHIP 0
R37	1-216-295-91	s RES, CHIP 0
R38	1-216-295-91	s RES, CHIP 0
X1	1-579-929-11	s RESONATOR, CERAMIC 9.83MHZ

 HN-249 BOARD

Ref. No. or Q'ty	Part No.	SP	Description
1pc	A-8312-982-A	o	MOUNTED CIRCUIT BOARD, HN-249
C201	1-161-051-00	s	CERAMIC 0.01uF 10% 50V
CN201	1-506-475-11	s	CONNECTOR 10P, MALE
CN202	1-506-473-11	s	CONNECTOR 8P, MALE
CN203	1-750-927-11	s	CONNECTOR, BB 20P, FEMALE
CN204	1-779-370-11	o	CONNECTOR, PC BOARD 3P, MALE
CN205	1-564-005-11	o	CONNECTOR 6P, MALE
CN206	1-750-927-11	s	CONNECTOR, BB 20P, FEMALE
CN207	1-750-927-11	s	CONNECTOR, BB 20P, FEMALE
CN208	1-564-009-11	o	CONNECTOR 10P, MALE
CN209	1-506-472-11	s	CONNECTOR 7P, MALE
CN211	1-564-002-11	s	CONNECTOR 3P, MALE
CN212	1-766-175-11	o	CONNECTOR PC BOARD 5P, MALE
CN213	1-506-480-11	s	CONNECTOR 15P, MALE
CN214	1-750-683-11	s	CONNECTOR, FPC/FFC 36P, MALE
CN215	1-750-683-11	s	CONNECTOR, FPC/FFC 36P, MALE
CN216	1-566-764-11	o	CONNECTOR 9P, MALE
CN217	1-506-468-11	s	CONNECTOR 3P, MALE
CN218	1-506-469-11	s	CONNECTOR 4P, MALE
D202	8-719-938-07	s	LED GL480, INFRARED
D204	8-719-938-07	s	LED GL480, INFRARED
Q202	8-729-903-81	s	PHOTOTRANSISTOR PT480
Q204	8-729-903-81	s	PHOTOTRANSISTOR PT480
R202	1-247-815-91	s	CARBON 220 5% 1/4W
R204	1-247-815-91	s	CARBON 220 5% 1/4W

 HN-250 BOARD

Ref. No. or Q'ty	Part No.	SP	Description
1pc	A-8312-983-A	o	MOUNTED CIRCUIT BOARD HN-250
CN203	1-750-928-11	s	CONNECTOR, BB 20P, MALE
CN231	1-506-472-11	s	CONNECTOR 7P, MALE
CN232	1-564-001-11	s	CONNECTOR 2P, MALE
CN233	1-564-002-11	s	CONNECTOR 3P, MALE
CN234	1-564-005-11	o	CONNECTOR 6P, MALE
CN235	1-506-468-11	s	CONNECTOR 3P, MALE
R231	1-247-815-91	s	CARBON 220 5% 1/4W
R232	1-216-395-00	s	METAL 3.3 5% 3W

 HN-251 BOARD

Ref. No. or Q'ty	Part No.	SP	Description
1pc	A-8312-984-A	o	MOUNTED CIRCUIT BOARD, HN-251
C200	1-161-772-11	s	CERAMIC 0.1uF 10% 25V
C241	1-162-292-31	s	CERAMIC 680PF 10% 50V
C242	1-162-292-31	s	CERAMIC 680PF 10% 50V
C243	1-124-455-00	s	ELECT 100uF 20% 16V
C244	1-124-455-00	s	ELECT 100uF 20% 16V
C245	1-161-494-00	s	CERAMIC 0.022uF 25V
C246	1-124-455-00	s	ELECT 100uF 20% 16V
C247	1-124-455-00	s	ELECT 100uF 20% 16V
C248	1-161-494-00	s	CERAMIC 0.022uF 25V
C250	1-161-772-11	s	CERAMIC 0.1uF 10% 25V
C251	1-126-160-11	s	ELECT 1uF 20% 50V
C270	1-161-494-00	s	CERAMIC 0.022uF 25V
C271	1-124-455-00	s	ELECT 100uF 20% 16V
C272	1-124-455-00	s	ELECT 100uF 20% 16V
C280	1-161-494-00	s	CERAMIC 0.022uF 25V
CN206	1-750-928-11	s	CONNECTOR, BB 20P, MALE
CN207	1-750-928-11	s	CONNECTOR, BB 20P, MALE
CN241	1-750-669-11	s	CONNECTOR, FPC 13P, MALE
CN242	1-564-011-11	o	CONNECTOR 12P, MALE
CN243	1-564-001-11	s	CONNECTOR 2P, MALE
CN244	1-506-473-11	s	CONNECTOR 8P, MALE
DS241	1-810-657-11	s	SENSOR, DEW CONDENSATION
IC242	8-759-729-03	s	IC NJM2903D
L242	1-412-533-21	s	INDUCTOR 47uH
L270	1-412-533-21	s	INDUCTOR 47uH
Q270	8-729-143-63	s	TRANSISTOR 2SJ132
R241	1-249-428-11	s	CARBON 8.2K 5% 1/4W
R242	1-249-428-11	s	CARBON 8.2K 5% 1/4W
R245	1-249-428-11	s	CARBON 8.2K 5% 1/4W
R250	1-247-903-00	s	CARBON 1M 5% 1/4W
R251	1-249-429-11	s	CARBON 10K 5% 1/4W
R252	1-215-439-00	s	METAL 5.6K 1% 1/6W
R253	1-249-413-11	s	CARBON 470 5% 1/4W
R254	1-249-431-11	s	CARBON 15K 5% 1/4W
R255	1-249-419-11	s	CARBON 1.5K 5% 1/4W
R256	1-249-424-11	s	CARBON 3.9K 5% 1/4W
R257	1-247-903-00	s	CARBON 1M 5% 1/4W
R258	1-249-419-11	s	CARBON 1.5K 5% 1/4W
R259	1-249-431-11	s	CARBON 15K 5% 1/4W
R270	1-249-439-11	s	CARBON 68K 5% 1/4W
R271	1-249-437-11	s	CARBON 47K 5% 1/4W

 KY-330A BOARD

Ref. No. or Q'ty	Part No.	SP Description
1pc	A-8312-824-A	o MOUNTED CIRCUIT BOARD, KY-330A
C1	1-124-455-00	s ELECT 100uF 20% 16V
C2	1-163-038-91	s CERAMIC, CHIP 0.1uF 25V 0%
CN2	1-540-216-11	s CONNECTOR, IC CARD 68P, MALE
D1	8-719-024-81	s DIODE 1SS300-TE85L
D2	8-719-024-81	s DIODE 1SS300-TE85L
D3	8-719-024-81	s DIODE 1SS300-TE85L
D4	8-719-024-81	s DIODE 1SS300-TE85L
D5	8-719-024-81	s DIODE 1SS300-TE85L
D6	8-719-024-81	s DIODE 1SS300-TE85L
D7	8-719-024-81	s DIODE 1SS300-TE85L
D9	8-719-939-39	s LED GL5HD8, RED
D10	8-719-041-89	s LED TLG182P, GRN
D11	8-719-041-85	s LED TLY255A, YEL
D12	8-719-041-89	s LED TLG182P, GRN
D13	8-719-041-89	s LED TLG182P, GRN
D14	8-719-939-39	s LED GL5HD8, RED
D15	8-719-041-89	s LED TLG182P, GRN
Q1	8-729-029-04	s TRANSISTOR DTC123JUA-T106
Q2	8-729-029-04	s TRANSISTOR DTC123JUA-T106
Q3	8-729-029-04	s TRANSISTOR DTC123JUA-T106
Q4	8-729-029-04	s TRANSISTOR DTC123JUA-T106
Q5	8-729-029-04	s TRANSISTOR DTC123JUA-T106
Q6	8-729-029-04	s TRANSISTOR DTC123JUA-T106
Q7	8-729-029-04	s TRANSISTOR DTC123JUA-T106
Q8	8-729-029-04	s TRANSISTOR DTC123JUA-T106
Q9	8-729-029-04	s TRANSISTOR DTC123JUA-T106
Q10	8-729-029-04	s TRANSISTOR DTC123JUA-T106
Q11	8-729-029-04	s TRANSISTOR DTC123JUA-T106
Q12	8-729-029-04	s TRANSISTOR DTC123JUA-T106
Q13	8-729-029-04	s TRANSISTOR DTC123JUA-T106
Q14	8-729-029-04	s TRANSISTOR DTC123JUA-T106
Q15	8-729-029-04	s TRANSISTOR DTC123JUA-T106
Q16	8-729-029-04	s TRANSISTOR DTC123JUA-T106
Q17	8-729-029-04	s TRANSISTOR DTC123JUA-T106
Q18	8-729-029-04	s TRANSISTOR DTC123JUA-T106
Q19	8-729-029-04	s TRANSISTOR DTC123JUA-T106
Q20	8-729-029-04	s TRANSISTOR DTC123JUA-T106
Q21	8-729-029-04	s TRANSISTOR DTC123JUA-T106
Q22	8-729-029-04	s TRANSISTOR DTC123JUA-T106
Q23	8-729-029-04	s TRANSISTOR DTC123JUA-T106
R1	1-218-478-11	s METAL, CHIP 330 5% 1/4W
R2	1-220-260-11	s METAL, CHIP 390 5% 1/4W
R3	1-218-477-11	s METAL, CHIP 220 5% 1/4W
R4	1-220-260-11	s METAL, CHIP 390 5% 1/4W
R5	1-220-260-11	s METAL, CHIP 390 5% 1/4W
R6	1-220-260-11	s METAL, CHIP 390 5% 1/4W
R7	1-220-260-11	s METAL, CHIP 390 5% 1/4W
R8	1-218-477-11	s METAL, CHIP 220 5% 1/4W
R9	1-220-260-11	s METAL, CHIP 390 5% 1/4W
R10	1-220-260-11	s METAL, CHIP 390 5% 1/4W
R11	1-220-260-11	s METAL, CHIP 390 5% 1/4W
R12	1-220-260-11	s METAL, CHIP 390 5% 1/4W
R13	1-220-260-11	s METAL, CHIP 390 5% 1/4W
R14	1-220-260-11	s METAL, CHIP 390 5% 1/4W
R15	1-220-260-11	s METAL, CHIP 390 5% 1/4W

(KY-330A BOARD)

Ref. No. or Q'ty	Part No.	SP Description
R16	1-220-260-11	s METAL, CHIP 390 5% 1/4W
R17	1-218-478-11	s METAL, CHIP 330 5% 1/4W
R18	1-218-478-11	s METAL, CHIP 330 5% 1/4W
R19	1-218-478-11	s METAL, CHIP 330 5% 1/4W
R20	1-220-260-11	s METAL, CHIP 390 5% 1/4W
R21	1-220-260-11	s METAL, CHIP 390 5% 1/4W
R22	1-220-260-11	s METAL, CHIP 390 5% 1/4W
R23	1-220-260-11	s METAL, CHIP 390 5% 1/4W
S1	1-692-892-21	s SWITCH, PUSH
S2	1-692-890-21	s SWITCH, PUSH
S3	1-692-891-21	s SWITCH, PUSH
S4	1-692-890-11	s SWITCH, PUSH
S5	1-692-890-11	s SWITCH, PUSH
S6	1-692-890-11	s SWITCH, PUSH
S7	1-692-994-11	s SWITCH, PUSH
S9	1-692-994-11	s SWITCH, PUSH
S10	1-762-042-11	s SWITCH, PUSH
S11	1-762-033-11	s SWITCH, PUSH
S12	1-692-890-11	s SWITCH, PUSH
S13	1-692-890-11	s SWITCH, PUSH
S14	1-692-994-11	s SWITCH, PUSH
S15	1-692-994-11	s SWITCH, PUSH
S16	1-692-994-11	s SWITCH, PUSH

 LP-81 BOARD

Ref. No. or Q'ty	Part No.	SP Description
1pc	A-8276-627-A	o MOUNTED CIRCUIT BOARD, LP-81
CN932	1-564-001-11	s CONNECTOR 2P, MALE
D1	8-719-820-27	s LED TLY-256, YEL
D2	8-719-820-27	s LED TLY-256, YEL
D3	8-719-820-27	s LED TLY-256, YEL
D4	8-719-820-27	s LED TLY-256, YEL
D5	8-719-820-27	s LED TLY-256, YEL
D6	8-719-820-27	s LED TLY-256, YEL
D7	8-719-820-27	s LED TLY-256, YEL
D8	8-719-820-27	s LED TLY-256, YEL
D9	8-719-820-27	s LED TLY-256, YEL
D10	8-719-820-27	s LED TLY-256, YEL
R1	1-249-409-11	s CARBON 220 5% 1/4W
R2	1-249-409-11	s CARBON 220 5% 1/4W
R3	1-249-409-11	s CARBON 220 5% 1/4W
R4	1-249-409-11	s CARBON 220 5% 1/4W
R5	1-249-409-11	s CARBON 220 5% 1/4W

 MB-697 BOARD

Ref. No. or Q'ty	Part No.	SP	Description
1pc	A-8312-820-A	o	MOUNTED CIRCUIT BOARD, MB-697
C100	1-126-940-11	s	ELECT 330uF 20% 25V
C101	1-126-948-11	s	ELECT 100uF 20% 35V
C102	1-126-948-11	s	ELECT 100uF 20% 35V
C103	1-126-948-11	s	ELECT 100uF 20% 35V
C104	1-126-948-11	s	ELECT 100uF 20% 35V
CN100	1-778-258-11	o	CONNECTOR, BB, 124P, FEMALE
CN101	1-778-258-11	o	CONNECTOR, BB, 124P, FEMALE
CN105	1-778-258-11	o	CONNECTOR, BB, 124P, FEMALE
CN106	1-778-258-11	o	CONNECTOR, BB, 124P, FEMALE
CN110	1-778-258-11	o	CONNECTOR, BB, 124P, FEMALE
CN111	1-778-258-11	o	CONNECTOR, BB, 124P, FEMALE
CN112	1-778-259-11	o	CONNECTOR, BB 148P, FEMALE
CN113	1-778-258-11	o	CONNECTOR, BB, 124P, FEMALE
CN114	1-778-258-11	o	CONNECTOR, BB, 124P, FEMALE
CN115	1-778-259-11	o	CONNECTOR, BB 148P, FEMALE
CN116	1-778-258-11	o	CONNECTOR, BB, 124P, FEMALE
CN117	1-778-258-11	o	CONNECTOR, BB, 124P, FEMALE
CN118	1-778-259-11	o	CONNECTOR, BB 148P, FEMALE
CN122	1-778-258-11	o	CONNECTOR, BB, 124P, FEMALE
CN123	1-778-258-11	o	CONNECTOR, BB, 124P, FEMALE
CN124	1-778-259-11	o	CONNECTOR, BB 148P, FEMALE
CN130	1-563-772-11	o	CONNECTOR, D-SUB 25P, FEMALE
CN131	1-563-770-11	s	CONNECTOR, D-SUB 9P, FEMALE
CN132	1-563-770-11	s	CONNECTOR, D-SUB 9P, FEMALE
CN133	1-563-770-11	s	CONNECTOR, D-SUB 9P, FEMALE
CN134	1-563-771-11	s	CONNECTOR, D-SUB 15P, FEMALE
CN137	1-751-358-11	s	CABLE, FLAT 34P
CN140	1-506-485-11	s	CONNECTOR 6P, MALE
CN142	1-506-492-11	o	CONNECTOR 13P, MALE
CN143	1-506-491-11	s	CONNECTOR 12P, MALE
CN144	1-506-486-11	s	CONNECTOR 7P, MALE
CN145	1-506-487-11	s	CONNECTOR 8P, MALE
CN146	1-751-357-11	s	CABLE, FLAT 60P
CN147	1-751-352-11	s	CABLE, FLAT 40P
CN148	1-568-093-11	s	CONNECTOR, HINGE 20P, MALE
CN149	1-506-475-11	s	CONNECTOR 10P, MALE
CN150	1-560-356-00	o	CONNECTOR, IL-G 2P, MALE
CN151	1-779-092-11	s	CONNECTOR, PC BOARD 10P, MALE
CN152	1-691-757-11	o	CONNECTOR, PC BOARD 8P, MALE
CN153	1-580-838-11	o	CONNECTOR PC BOARD 4P, MALE
CN154	1-564-005-11	o	CONNECTOR 6P, MALE
CN155	1-506-468-11	s	CONNECTOR 3P, MALE
CN156	1-564-002-11	s	CONNECTOR 3P, MALE
CN170	1-506-485-11	s	CONNECTOR 6P, MALE
CN171	1-506-469-11	s	CONNECTOR 4P, MALE
CN172	1-506-469-11	s	CONNECTOR 4P, MALE
CN173	1-506-485-11	s	CONNECTOR 6P, MALE
CN180	1-564-002-11	s	CONNECTOR 3P, MALE
CN181	1-564-002-11	s	CONNECTOR 3P, MALE
CN190	1-564-013-11	o	CONNECTOR 3P, MALE
FB1	1-412-694-11	s	BEAD, INDUCTOR
FB2	1-412-694-11	s	BEAD, INDUCTOR
FB3	1-412-694-11	s	BEAD, INDUCTOR
FB4	1-412-694-11	s	BEAD, INDUCTOR
FB5	1-412-694-11	s	BEAD, INDUCTOR
FB6	1-412-694-11	s	BEAD, INDUCTOR
FB7	1-412-694-11	s	BEAD, INDUCTOR

(MB-697 BOARD)

Ref. No. or Q'ty	Part No.	SP	Description
FB8	1-412-694-11	s	BEAD, INDUCTOR
FB9	1-412-694-11	s	BEAD, INDUCTOR
FB10	1-412-694-11	s	BEAD, INDUCTOR
FB11	1-412-694-11	s	BEAD, INDUCTOR
FB12	1-412-694-11	s	BEAD, INDUCTOR
FB13	1-412-694-11	s	BEAD, INDUCTOR
FB14	1-412-694-11	s	BEAD, INDUCTOR
FB15	1-412-694-11	s	BEAD, INDUCTOR
FB16	1-412-694-11	s	BEAD, INDUCTOR
FB17	1-412-694-11	s	BEAD, INDUCTOR
FB18	1-412-694-11	s	BEAD, INDUCTOR
FB19	1-412-694-11	s	BEAD, INDUCTOR
FB20	1-412-694-11	s	BEAD, INDUCTOR
FB21	1-412-694-11	s	BEAD, INDUCTOR
R100	1-215-910-00	s	METAL 68 5% 3W
R101	1-215-864-00	s	METAL 150 5% 1W
R102	1-215-910-00	s	METAL 68 5% 3W
R103	1-215-910-00	s	METAL 68 5% 3W

 PC-70 BOARD

Ref. No. or Q'ty	Part No.	SP	Description
1pc	A-8276-625-A	o	MOUNTED CIRCUIT BOARD, PC-70
CN934	1-565-038-11	s	CONNECTOR, FPC 5P
PH1	8-719-939-05	s	PHOTOINTERRUPTER GP-1S54
PH2	8-719-939-05	s	PHOTOINTERRUPTER GP-1S54
PH3	8-719-939-05	s	PHOTOINTERRUPTER GP-1S54
R1	1-247-825-31	s	CARBON 560 5% 1/4W
R2	1-247-825-31	s	CARBON 560 5% 1/4W
R3	1-247-825-31	s	CARBON 560 5% 1/4W

 PD-35 BOARD

Ref. No. or Q'ty	Part No.	SP	Description
1pc	1-622-596-11	o	PRINTED CIRCUIT BOARD, PD-35
CN854	1-564-005-11	o	CONNECTOR, 6P, MALE

PSW-51 BOARD

Ref. No. or Q'ty	Part No.	SP Description
1pc	A-8312-989-A	o MOUNTED CIRCUIT BOARD, PSW-51
C1	1-111-107-11	s ELECT 10uF 20% 50V
C2	1-163-038-91	s CERAMIC, CHIP 0.1uF 25V 0%
C3	1-135-209-11	s TANTALUM, CHIP 3.3uF 20% 10V
C4	1-163-038-91	s CERAMIC, CHIP 0.1uF 25V 0%
C6	1-163-038-91	s CERAMIC, CHIP 0.1uF 25V 0%
C7	1-127-517-11	s ALMUN SOLID 150uF 20% 16V
C8	1-135-216-11	s TANTALUM, CHIP 10uF 20% 10V
C9	1-135-209-11	s TANTALUM, CHIP 3.3uF 20% 10V
C10	1-163-038-91	s CERAMIC, CHIP 0.1uF 25V 0%
C11	1-127-517-11	s ALMUN SOLID 150uF 20% 16V
C12	1-163-038-91	s CERAMIC, CHIP 0.1uF 25V 0%
C100	1-135-209-11	s TANTALUM, CHIP 3.3uF 20% 10V
C101	1-164-232-11	s CERAMIC, CHIP 0.01uF 10% 100V
C102	1-163-037-11	s CERAMIC, CHIP 0.022uF 10% 25V
C103	1-163-257-11	s CERAMIC, CHIP 180PF 5% 50V
C104	1-163-251-11	s CERAMIC, CHIP 100PF 5% 50V
C105	1-163-038-91	s CERAMIC, CHIP 0.1uF 25V 0%
C106	1-163-038-91	s CERAMIC, CHIP 0.1uF 25V 0%
C107	1-163-037-11	s CERAMIC, CHIP 0.022uF 10% 25V
C108	1-163-037-11	s CERAMIC, CHIP 0.022uF 10% 25V
C109	1-163-038-91	s CERAMIC, CHIP 0.1uF 25V 0%
C110	1-127-517-11	s ALMUN SOLID 150uF 20% 16V
C111	1-113-578-11	s ALUMN SOLID 68uF 20% 10V
C112	1-110-984-11	s ELECT 680uF 20% 6.3V
C115	1-163-038-91	s CERAMIC, CHIP 0.1uF 25V 0%
C200	1-135-216-11	s TANTALUM, CHIP 10uF 20% 10V
C201	1-163-038-91	s CERAMIC, CHIP 0.1uF 25V 0%
C202	1-135-209-11	s TANTALUM, CHIP 3.3uF 20% 10V
C203	1-163-038-91	s CERAMIC, CHIP 0.1uF 25V 0%
C204	1-164-232-11	s CERAMIC, CHIP 0.01uF 10% 100V
C205	1-163-037-11	s CERAMIC, CHIP 0.022uF 10% 25V
C206	1-163-251-11	s CERAMIC, CHIP 100PF 5% 50V
C207	1-163-038-91	s CERAMIC, CHIP 0.1uF 25V 0%
C208	1-163-038-91	s CERAMIC, CHIP 0.1uF 25V 0%
C209	1-163-037-11	s CERAMIC, CHIP 0.022uF 10% 25V
C210	1-163-037-11	s CERAMIC, CHIP 0.022uF 10% 25V
C211	1-163-038-91	s CERAMIC, CHIP 0.1uF 25V 0%
C212	1-127-517-11	s ALMUN SOLID 150uF 20% 16V
C213	1-127-518-11	s ALUMN SOLID 100uF 20% 16V
C214	1-163-038-91	s CERAMIC, CHIP 0.1uF 25V 0%
C215	1-110-984-11	s ELECT 680uF 20% 6.3V
C217	1-163-038-91	s CERAMIC, CHIP 0.1uF 25V 0%
C300	1-135-209-11	s TANTALUM, CHIP 3.3uF 20% 10V
C301	1-163-037-11	s CERAMIC, CHIP 0.022uF 10% 25V
C302	1-163-037-11	s CERAMIC, CHIP 0.022uF 10% 25V
C303	1-163-251-11	s CERAMIC, CHIP 100PF 5% 50V
C304	1-163-038-91	s CERAMIC, CHIP 0.1uF 25V 0%
C305	1-163-038-91	s CERAMIC, CHIP 0.1uF 25V 0%
C306	1-163-037-11	s CERAMIC, CHIP 0.022uF 10% 25V
C307	1-163-037-11	s CERAMIC, CHIP 0.022uF 10% 25V
C308	1-163-038-91	s CERAMIC, CHIP 0.1uF 25V 0%
C309	1-127-517-11	s ALMUN SOLID 150uF 20% 16V
C310	1-113-578-11	s ALUMN SOLID 68uF 20% 10V
C311	1-110-984-11	s ELECT 680uF 20% 6.3V
C315	1-163-038-91	s CERAMIC, CHIP 0.1uF 25V 0%
C400	1-135-216-11	s TANTALUM, CHIP 10uF 20% 10V
C401	1-163-038-91	s CERAMIC, CHIP 0.1uF 25V 0%

(PSW-51 BOARD)

Ref. No. or Q'ty	Part No.	SP Description
C402	1-135-209-11	s TANTALUM, CHIP 3.3uF 20% 10V
C403	1-163-037-11	s CERAMIC, CHIP 0.022uF 10% 25V
C404	1-163-037-11	s CERAMIC, CHIP 0.022uF 10% 25V
C405	1-163-251-11	s CERAMIC, CHIP 100PF 5% 50V
C406	1-163-038-91	s CERAMIC, CHIP 0.1uF 25V 0%
C407	1-163-038-91	s CERAMIC, CHIP 0.1uF 25V 0%
C408	1-163-037-11	s CERAMIC, CHIP 0.022uF 10% 25V
C409	1-163-037-11	s CERAMIC, CHIP 0.022uF 10% 25V
C410	1-163-038-91	s CERAMIC, CHIP 0.1uF 25V 0%
C411	1-127-517-11	s ALMUN SOLID 150uF 20% 16V
C412	1-113-578-11	s ALUMN SOLID 68uF 20% 10V
C413	1-110-984-11	s ELECT 680uF 20% 6.3V
C417	1-163-038-91	s CERAMIC, CHIP 0.1uF 25V 0%
C500	1-135-209-11	s TANTALUM, CHIP 3.3uF 20% 10V
C501	1-164-232-11	s CERAMIC, CHIP 0.01uF 10% 100V
C502	1-163-038-91	s CERAMIC, CHIP 0.1uF 25V 0%
C504	1-163-251-11	s CERAMIC, CHIP 100PF 5% 50V
C505	1-163-038-91	s CERAMIC, CHIP 0.1uF 25V 0%
C507	1-163-038-91	s CERAMIC, CHIP 0.1uF 25V 0%
C508	1-127-517-11	s ALMUN SOLID 150uF 20% 16V
C509	1-127-518-11	s ALUMN SOLID 100uF 20% 16V
C510	1-111-014-11	s ELECT 560uF 20% 10V
C514	1-163-038-91	s CERAMIC, CHIP 0.1uF 25V 0%
C515	1-163-038-91	s CERAMIC, CHIP 0.1uF 25V 0%
CN1	1-778-261-11	o CONNECTOR, BB 124P, MALE
D1	8-719-044-72	s DIODE ECL06B025-F
D100	8-719-975-43	s DIODE RB420D
D101	8-719-975-43	s DIODE RB420D
D200	8-719-975-43	s DIODE RB420D
D201	8-719-975-43	s DIODE RB420D
D300	8-719-975-43	s DIODE RB420D
D301	8-719-975-43	s DIODE RB420D
D400	8-719-975-43	s DIODE RB420D
D401	8-719-975-43	s DIODE RB420D
D500	8-719-044-72	s DIODE ECL06B025-F
FB100	1-543-821-11	s BEAD, AMORPHOUS
FB200	1-543-821-11	s BEAD, AMORPHOUS
FB300	1-543-821-11	s BEAD, AMORPHOUS
FB301	1-543-821-11	s BEAD, AMORPHOUS
FB400	1-543-821-11	s BEAD, AMORPHOUS
FB401	1-543-821-11	s BEAD, AMORPHOUS
FB500	1-543-821-11	s BEAD, AMORPHOUS
IC1	8-759-371-78	s IC LT1431CS8-E1
IC100	8-759-937-36	s IC TL1451ACNS
IC300	8-759-937-36	s IC TL1451ACNS
IC500	8-759-937-36	s IC TL1451ACNS
L1	1-421-459-21	s COIL, CHOKE
L100	1-416-221-11	s COIL, CHOKE
L101	1-421-459-21	s COIL, CHOKE
L200	1-416-222-11	s COIL, CHOKE
L201	1-421-459-21	s COIL, CHOKE
L300	1-416-220-11	s COIL, CHOKE
L301	1-421-459-21	s COIL, CHOKE
L400	1-416-220-11	s COIL, CHOKE
L401	1-421-459-21	s COIL, CHOKE
L500	1-416-221-11	s COIL, CHOKE
L501	1-421-459-21	s COIL, CHOKE

(PSW-51 BOARD)

Ref. No. or Q'ty	Part No.	SP	Description
Q1	8-729-117-32	s	TRANSISTOR 2SC4177
Q2	8-729-028-91	s	TRANSISTOR DTA144EUA-T106
Q100	8-729-117-32	s	TRANSISTOR 2SC4177
Q101	8-729-140-63	s	TRANSISTOR 2SA1611-M5M6
Q102	8-729-117-32	s	TRANSISTOR 2SC4177
Q103	8-729-140-63	s	TRANSISTOR 2SA1611-M5M6
Q104	8-729-031-13	s	TRANSISTOR SI-9430DY-T1
Q105	8-729-032-73	s	TRANSISTOR 2SK2084L
Q200	8-729-117-32	s	TRANSISTOR 2SC4177
Q201	8-729-140-63	s	TRANSISTOR 2SA1611-M5M6
Q202	8-729-117-32	s	TRANSISTOR 2SC4177
Q203	8-729-140-63	s	TRANSISTOR 2SA1611-M5M6
Q204	8-729-031-13	s	TRANSISTOR SI-9430DY-T1
Q205	8-729-032-73	s	TRANSISTOR 2SK2084L
Q300	8-729-117-32	s	TRANSISTOR 2SC4177
Q301	8-729-140-63	s	TRANSISTOR 2SA1611-M5M6
Q302	8-729-117-32	s	TRANSISTOR 2SC4177
Q303	8-729-140-63	s	TRANSISTOR 2SA1611-M5M6
Q304	8-729-025-13	s	TRANSISTOR 2SJ294
Q305	8-729-032-73	s	TRANSISTOR 2SK2084L
Q400	8-729-117-32	s	TRANSISTOR 2SC4177
Q401	8-729-140-63	s	TRANSISTOR 2SA1611-M5M6
Q402	8-729-117-32	s	TRANSISTOR 2SC4177
Q403	8-729-140-63	s	TRANSISTOR 2SA1611-M5M6
Q404	8-729-025-13	s	TRANSISTOR 2SJ294
Q405	8-729-032-73	s	TRANSISTOR 2SK2084L
Q500	8-729-117-32	s	TRANSISTOR 2SC4177
Q501	8-729-140-63	s	TRANSISTOR 2SA1611-M5M6
Q502	8-729-117-32	s	TRANSISTOR 2SC4177
Q503	8-729-143-07	s	TRANSISTOR 2SA1610-YY33
Q504	8-729-117-32	s	TRANSISTOR 2SC4177
Q505	8-729-140-63	s	TRANSISTOR 2SA1611-M5M6
Q506	8-729-035-32	s	TRANSISTOR 2SK2232
R1	1-216-651-11	s	METAL, CHIP 1K 0.5% 1/10W
R2	1-216-651-11	s	METAL, CHIP 1K 0.5% 1/10W
R3	1-216-699-11	s	METAL, CHIP 100K 0.5% 1/10W
R4	1-216-677-11	s	METAL, CHIP 12K 0.5% 1/10W
R6	1-216-659-11	s	METAL, CHIP 2.2K 0.5% 1/10W
R7	1-216-651-11	s	METAL, CHIP 1K 0.5% 1/10W
R8	1-216-627-11	s	METAL, CHIP 100 0.5% 1/10W
R9	1-216-627-11	s	METAL, CHIP 100 0.5% 1/10W
R10	1-216-627-11	s	METAL, CHIP 100 0.5% 1/10W
R11	1-216-627-11	s	METAL, CHIP 100 0.5% 1/10W
R12	1-216-655-11	s	METAL, CHIP 1.5K 0.5% 1/10W
R13	1-216-631-11	s	METAL, CHIP 150 0.5% 1/10W
R14	1-216-646-11	s	METAL, CHIP 620 0.5% 1/10W
R15	1-216-649-11	s	METAL, CHIP 820 0.5% 1/10W
R16	1-216-636-11	s	METAL, CHIP 240 0.5% 1/10W
R100	1-216-695-11	s	METAL, CHIP 68K 0.5% 1/10W
R101	1-218-754-11	s	METAL, CHIP 120K 0.50% 1/10W
R102	1-216-675-11	s	METAL, CHIP 10K 0.5% 1/10W
R103	1-216-675-11	s	METAL, CHIP 10K 0.5% 1/10W
R104	1-216-627-11	s	METAL, CHIP 100 0.5% 1/10W
R105	1-216-679-11	s	METAL, CHIP 15K 0.5% 1/10W
R106	1-216-295-91	s	RES, CHIP 0
R107	1-216-679-11	s	METAL, CHIP 15K 0.5% 1/10W
R108	1-216-635-11	s	METAL, CHIP 220 0.5% 1/10W
R109	1-216-689-11	s	METAL, CHIP 39K 0.5% 1/10W

(PSW-51 BOARD)

Ref. No. or Q'ty	Part No.	SP	Description
R110	1-216-627-11	s	METAL, CHIP 100 0.5% 1/10W
R111	1-216-345-11	s	METAL 0.47 5% 1W
R112	1-216-653-11	s	METAL, CHIP 1.2K 0.5% 1/10W
R113	1-216-689-11	s	METAL, CHIP 39K 0.5% 1/10W
R114	1-216-655-11	s	METAL, CHIP 1.5K 0.5% 1/10W
R115	1-216-659-11	s	METAL, CHIP 2.2K 0.5% 1/10W
R116	1-216-675-11	s	METAL, CHIP 10K 0.5% 1/10W
R117	1-216-619-11	s	METAL, CHIP 47 0.5% 1/10W
R118	1-216-627-11	s	METAL, CHIP 100 0.5% 1/10W
R119	1-216-675-11	s	METAL, CHIP 10K 0.5% 1/10W
R120	1-216-675-11	s	METAL, CHIP 10K 0.5% 1/10W
R200	1-216-695-11	s	METAL, CHIP 68K 0.5% 1/10W
R201	1-218-754-11	s	METAL, CHIP 120K 0.50% 1/10W
R202	1-216-627-11	s	METAL, CHIP 100 0.5% 1/10W
R203	1-216-675-11	s	METAL, CHIP 10K 0.5% 1/10W
R204	1-216-664-11	s	METAL, CHIP 3.6K 0.5% 1/10W
R205	1-216-675-11	s	METAL, CHIP 10K 0.5% 1/10W
R206	1-216-675-11	s	METAL, CHIP 10K 0.5% 1/10W
R207	1-216-667-11	s	METAL, CHIP 4.7K 0.5% 1/10W
R208	1-216-659-11	s	METAL, CHIP 2.2K 0.5% 1/10W
R209	1-216-635-11	s	METAL, CHIP 220 0.5% 1/10W
R210	1-216-347-11	s	METAL 0.68 5% 1W
R211	1-216-627-11	s	METAL, CHIP 100 0.5% 1/10W
R212	1-216-653-11	s	METAL, CHIP 1.2K 0.5% 1/10W
R213	1-216-689-11	s	METAL, CHIP 39K 0.5% 1/10W
R214	1-216-659-11	s	METAL, CHIP 2.2K 0.5% 1/10W
R215	1-216-665-11	s	METAL, CHIP 3.9K 0.5% 1/10W
R216	1-216-683-11	s	METAL, CHIP 22K 0.5% 1/10W
R217	1-216-619-11	s	METAL, CHIP 47 0.5% 1/10W
R218	1-216-627-11	s	METAL, CHIP 100 0.5% 1/10W
R219	1-216-675-11	s	METAL, CHIP 10K 0.5% 1/10W
R220	1-216-675-11	s	METAL, CHIP 10K 0.5% 1/10W
R300	1-216-695-11	s	METAL, CHIP 68K 0.5% 1/10W
R301	1-218-754-11	s	METAL, CHIP 120K 0.50% 1/10W
R302	1-216-675-11	s	METAL, CHIP 10K 0.5% 1/10W
R303	1-216-675-11	s	METAL, CHIP 10K 0.5% 1/10W
R304	1-216-627-11	s	METAL, CHIP 100 0.5% 1/10W
R305	1-216-673-11	s	METAL, CHIP 8.2K 0.5% 1/10W
R306	1-216-675-11	s	METAL, CHIP 10K 0.5% 1/10W
R307	1-216-675-11	s	METAL, CHIP 10K 0.5% 1/10W
R308	1-216-635-11	s	METAL, CHIP 220 0.5% 1/10W
R309	1-216-341-11	s	METAL 0.22 5% 1W
R310	1-216-341-11	s	METAL 0.22 5% 1W
R311	1-216-627-11	s	METAL, CHIP 100 0.5% 1/10W
R312	1-216-653-11	s	METAL, CHIP 1.2K 0.5% 1/10W
R313	1-216-689-11	s	METAL, CHIP 39K 0.5% 1/10W
R314	1-216-651-11	s	METAL, CHIP 1K 0.5% 1/10W
R315	1-216-665-11	s	METAL, CHIP 3.9K 0.5% 1/10W
R316	1-216-675-11	s	METAL, CHIP 10K 0.5% 1/10W
R317	1-216-619-11	s	METAL, CHIP 47 0.5% 1/10W
R318	1-216-627-11	s	METAL, CHIP 100 0.5% 1/10W
R319	1-216-675-11	s	METAL, CHIP 10K 0.5% 1/10W
R320	1-216-675-11	s	METAL, CHIP 10K 0.5% 1/10W
R400	1-216-695-11	s	METAL, CHIP 68K 0.5% 1/10W
R401	1-218-754-11	s	METAL, CHIP 120K 0.50% 1/10W
R402	1-216-675-11	s	METAL, CHIP 10K 0.5% 1/10W
R403	1-216-675-11	s	METAL, CHIP 10K 0.5% 1/10W
R404	1-216-627-11	s	METAL, CHIP 100 0.5% 1/10W
R405	1-216-677-11	s	METAL, CHIP 12K 0.5% 1/10W

(PSW-51 BOARD)

Ref. No. or Q'ty	Part No.	SP Description
R406	1-216-675-11	s METAL, CHIP 10K 0.5% 1/10W
R407	1-216-675-11	s METAL, CHIP 10K 0.5% 1/10W
R408	1-216-635-11	s METAL, CHIP 220 0.5% 1/10W
R409	1-216-341-11	s METAL 0.22 5% 1W
R410	1-216-627-11	s METAL, CHIP 100 0.5% 1/10W
R411	1-216-341-11	s METAL 0.22 5% 1W
R412	1-216-653-11	s METAL, CHIP 1.2K 0.5% 1/10W
R413	1-216-689-11	s METAL, CHIP 39K 0.5% 1/10W
R414	1-216-651-11	s METAL, CHIP 1K 0.5% 1/10W
R415	1-216-665-11	s METAL, CHIP 3.9K 0.5% 1/10W
R416	1-216-675-11	s METAL, CHIP 10K 0.5% 1/10W
R417	1-216-619-11	s METAL, CHIP 47 0.5% 1/10W
R418	1-216-627-11	s METAL, CHIP 100 0.5% 1/10W
R419	1-216-675-11	s METAL, CHIP 10K 0.5% 1/10W
R420	1-216-675-11	s METAL, CHIP 10K 0.5% 1/10W
R500	1-216-695-11	s METAL, CHIP 68K 0.5% 1/10W
R501	1-218-754-11	s METAL, CHIP 120K 0.50% 1/10W
R502	1-216-627-11	s METAL, CHIP 100 0.5% 1/10W
R503	1-216-675-11	s METAL, CHIP 10K 0.5% 1/10W
R504	1-216-663-11	s METAL, CHIP 3.3K 0.5% 1/10W
R505	1-216-675-11	s METAL, CHIP 10K 0.5% 1/10W
R506	1-216-681-11	s METAL, CHIP 18K 0.5% 1/10W
R507	1-216-667-11	s METAL, CHIP 4.7K 0.5% 1/10W
R508	1-216-675-11	s METAL, CHIP 10K 0.5% 1/10W
R509	1-216-635-11	s METAL, CHIP 220 0.5% 1/10W
R510	1-216-343-00	s METAL 0.33 5% 1W
R511	1-216-343-00	s METAL 0.33 5% 1W
R512	1-216-627-11	s METAL, CHIP 100 0.5% 1/10W
R513	1-216-689-11	s METAL, CHIP 39K 0.5% 1/10W
R514	1-216-653-11	s METAL, CHIP 1.2K 0.5% 1/10W
R515	1-216-667-11	s METAL, CHIP 4.7K 0.5% 1/10W
R516	1-216-675-11	s METAL, CHIP 10K 0.5% 1/10W
R517	1-216-675-11	s METAL, CHIP 10K 0.5% 1/10W
R518	1-216-603-11	s METAL, CHIP 10 0.5% 1/10W
R519	1-216-675-11	s METAL, CHIP 10K 0.5% 1/10W
TH100	1-809-308-21	s THERMISTOR, CHIP 3.3K
TH200	1-809-308-21	s THERMISTOR, CHIP 3.3K
TH300	1-809-308-21	s THERMISTOR, CHIP 3.3K
TH400	1-809-308-21	s THERMISTOR, CHIP 3.3K
TH500	1-809-308-21	s THERMISTOR, CHIP 3.3K

PTC-54 BOARD

Ref. No. or Q'ty	Part No.	SP Description
1pc	1-640-163-12	o PRINTED CIRCUIT BOARD, PTC-54
CN904	1-564-013-11	o CONNECTOR 3P, MALE
PH1	8-719-939-05	s PHOTOINTERRUPTER GP-1S54

PTC-59 BOARD

Ref. No. or Q'ty	Part No.	SP Description
D1	8-719-938-07	s LED GL480, INFRARED
D2	8-719-938-07	s LED GL480, INFRARED
D3	8-719-938-07	s LED GL480, INFRARED
D4	8-719-938-07	s LED GL480, INFRARED
D5	8-719-938-07	s LED GL480, INFRARED
D6	8-719-938-07	s LED GL480, INFRARED
Q1	8-729-903-81	s PHOTOTRANSISTOR PT480
Q2	8-729-903-81	s PHOTOTRANSISTOR PT480
Q3	8-729-903-81	s PHOTOTRANSISTOR PT480
Q4	8-729-903-81	s PHOTOTRANSISTOR PT480
Q5	8-729-903-81	s PHOTOTRANSISTOR PT480
Q6	8-729-903-81	s PHOTOTRANSISTOR PT480

PTC-69 BOARD

Ref. No. or Q'ty	Part No.	SP Description
1pc	A-8276-585-B	o MOUNTED CIRCUIT BOARD, PTC-69
C1	1-162-875-11	s CERAMIC 68PF 5% 50V
C2	1-162-875-11	s CERAMIC 68PF 5% 50V
C3	1-124-589-11	s ELECT 47uF 20% 16V
C4	1-164-096-11	s CERAMIC 0.01uF 50V
C5	1-164-096-11	s CERAMIC 0.01uF 50V
CN1	1-564-009-11	o CONNECTOR 10P, MALE
CN2	1-564-002-11	s CONNECTOR 3P, MALE
DME1	8-745-001-00	s DME DM-211A
IC1	8-759-145-58	s IC UPC4558C
IC2	8-759-729-03	s IC NJM2903D
IC3	8-719-985-75	s PHOTOINTERRUPTER GP1A53HR
IC4	8-719-985-74	s PHOTOINTERRUPTER GP1A52HR
IC5	8-719-985-74	s PHOTOINTERRUPTER GP1A52HR
Q1	8-729-030-02	s TRANSISTOR DTC144ESA
R1	1-247-895-00	s CARBON 470K 5% 1/4W
R2	1-247-847-31	s CARBON 4.7K 5% 1/4W
R3	1-247-887-00	s CARBON 220K 5% 1/4W
R4	1-249-433-11	s CARBON 22K 5% 1/4W
R5	1-249-433-11	s CARBON 22K 5% 1/4W
R6	1-249-433-11	s CARBON 22K 5% 1/4W
R7	1-247-895-00	s CARBON 470K 5% 1/4W
R8	1-247-847-31	s CARBON 4.7K 5% 1/4W
R9	1-247-887-00	s CARBON 220K 5% 1/4W
R10	1-249-433-11	s CARBON 22K 5% 1/4W
R11	1-249-433-11	s CARBON 22K 5% 1/4W
R12	1-249-433-11	s CARBON 22K 5% 1/4W
R13	1-249-404-00	s CARBON 82 5% 1/4W
RV1	1-228-472-11	s RES, ADJ CERMET 2K
RV2	1-228-472-11	s RES, ADJ CERMET 2K

 PTC-71 BOARD

Ref. No. or Q'ty	Part No.	SP Description
1pc	A-8276-619-A	o MOUNTED CIRCUIT BOARD, PTC-71
CN1	1-564-014-11	s CONNECTOR 4P, MALE
PH1	8-719-939-05	s PHOTOINTERRUPTER GP-1S54
PH2	8-719-939-05	s PHOTOINTERRUPTER GP-1S54
R1	1-249-409-11	s CARBON 220 5% 1/4W
R2	1-249-409-11	s CARBON 220 5% 1/4W

 RM-82 BOARD

Ref. No. or Q'ty	Part No.	SP Description
2pcs	1-640-166-13	o PRINTED CIRCUIT BOARD, RM-82
CN923	1-563-233-11	o CONNECTOR, FPC 13P, FEMALE
CN923	1-563-233-11	o CONNECTOR, FPC 13P, FEMALE
CN926	1-506-469-11	s CONNECTOR 4P, MALE
CN926	1-506-469-11	s CONNECTOR 4P, MALE
CN927	1-506-468-11	s CONNECTOR 3P, MALE
CN927	1-506-468-11	s CONNECTOR 3P, MALE

 RX-35 BOARD

Ref. No. or Q'ty	Part No.	SP Description
If customer in Japan is required this RX-52 board, please buy HK-102 (J).		
If customer in the U.S.A./Canada is required this RX-52 board, please contact to your local Sony's sale/service office.		

 SS-75 BOARD (Suffix number of board is 12.)

Ref. No. or Q'ty	Part No.	SP Description
1pc	A-8312-988-A	o MOUNTED CIRCUIT BOARD, SS-75
C101	1-126-396-11	s ELECT, CHIP 47uF 20% 16V
C102	1-163-038-91	s CERAMIC, CHIP 0.1uF 25V 0%
C103	1-107-682-11	s CERAMIC, CHIP 1uF 10% 16V
C104	1-163-038-91	s CERAMIC, CHIP 0.1uF 25V 0%
C105	1-163-038-91	s CERAMIC, CHIP 0.1uF 25V 0%
C106	1-163-038-91	s CERAMIC, CHIP 0.1uF 25V 0%
C107	1-163-038-91	s CERAMIC, CHIP 0.1uF 25V 0%
C109	1-163-038-91	s CERAMIC, CHIP 0.1uF 25V 0%
C110	1-163-038-91	s CERAMIC, CHIP 0.1uF 25V 0%
C111	1-163-038-91	s CERAMIC, CHIP 0.1uF 25V 0%
C112	1-163-038-91	s CERAMIC, CHIP 0.1uF 25V 0%
C113	1-163-038-91	s CERAMIC, CHIP 0.1uF 25V 0%
C114	1-163-038-91	s CERAMIC, CHIP 0.1uF 25V 0%
C115	1-163-038-91	s CERAMIC, CHIP 0.1uF 25V 0%
C116	1-163-038-91	s CERAMIC, CHIP 0.1uF 25V 0%
C117	1-163-038-91	s CERAMIC, CHIP 0.1uF 25V 0%
C118	1-163-038-91	s CERAMIC, CHIP 0.1uF 25V 0%
C119	1-163-038-91	s CERAMIC, CHIP 0.1uF 25V 0%
C201	1-163-038-91	s CERAMIC, CHIP 0.1uF 25V 0%
C202	1-163-038-91	s CERAMIC, CHIP 0.1uF 25V 0%
C203	1-163-038-91	s CERAMIC, CHIP 0.1uF 25V 0%
C204	1-163-038-91	s CERAMIC, CHIP 0.1uF 25V 0%
C205	1-163-038-91	s CERAMIC, CHIP 0.1uF 25V 0%
C206	1-163-038-91	s CERAMIC, CHIP 0.1uF 25V 0%
C207	1-163-038-91	s CERAMIC, CHIP 0.1uF 25V 0%
C208	1-163-038-91	s CERAMIC, CHIP 0.1uF 25V 0%
C209	1-126-947-11	s ELECT 47uF 20% 35V
C210	1-126-947-11	s ELECT 47uF 20% 35V
C211	1-163-038-91	s CERAMIC, CHIP 0.1uF 25V 0%
C212	1-163-038-91	s CERAMIC, CHIP 0.1uF 25V 0%
C213	1-163-038-91	s CERAMIC, CHIP 0.1uF 25V 0%
C214	1-126-947-11	s ELECT 47uF 20% 35V
C215	1-126-947-11	s ELECT 47uF 20% 35V
C216	1-163-038-91	s CERAMIC, CHIP 0.1uF 25V 0%
C217	1-163-038-91	s CERAMIC, CHIP 0.1uF 25V 0%
C218	1-163-037-11	s CERAMIC, CHIP 0.022uF 10% 25V
C219	1-163-037-11	s CERAMIC, CHIP 0.022uF 10% 25V
C220	1-163-037-11	s CERAMIC, CHIP 0.022uF 10% 25V
C221	1-163-037-11	s CERAMIC, CHIP 0.022uF 10% 25V
C222	1-163-038-91	s CERAMIC, CHIP 0.1uF 25V 0%
C223	1-163-038-91	s CERAMIC, CHIP 0.1uF 25V 0%
C224	1-163-038-91	s CERAMIC, CHIP 0.1uF 25V 0%
C301	1-163-038-91	s CERAMIC, CHIP 0.1uF 25V 0%
C302	1-163-038-91	s CERAMIC, CHIP 0.1uF 25V 0%
C303	1-163-038-91	s CERAMIC, CHIP 0.1uF 25V 0%
C304	1-163-038-91	s CERAMIC, CHIP 0.1uF 25V 0%
C313	1-163-038-91	s CERAMIC, CHIP 0.1uF 25V 0%
C314	1-163-038-91	s CERAMIC, CHIP 0.1uF 25V 0%
C401	1-163-038-91	s CERAMIC, CHIP 0.1uF 25V 0%
C402	1-163-038-91	s CERAMIC, CHIP 0.1uF 25V 0%
C403	1-163-038-91	s CERAMIC, CHIP 0.1uF 25V 0%
C404	1-163-038-91	s CERAMIC, CHIP 0.1uF 25V 0%
C405	1-163-038-91	s CERAMIC, CHIP 0.1uF 25V 0%
C406	1-163-038-91	s CERAMIC, CHIP 0.1uF 25V 0%
C407	1-163-243-11	s CERAMIC, CHIP 47PF 5% 50V
C408	1-163-038-91	s CERAMIC, CHIP 0.1uF 25V 0%
C409	1-163-038-91	s CERAMIC, CHIP 0.1uF 25V 0%

(SS-75 BOARD (Suffix number of board is 12.))

(SS-75 BOARD (Suffix number of board is 12.))

Ref. No. or Q'ty	Part No.	SP Description
C410	1-163-038-91	s CERAMIC, CHIP 0.1uF 25V 0%
C411	1-163-038-91	s CERAMIC, CHIP 0.1uF 25V 0%
C412	1-163-038-91	s CERAMIC, CHIP 0.1uF 25V 0%
C413	1-163-038-91	s CERAMIC, CHIP 0.1uF 25V 0%
C414	1-163-038-91	s CERAMIC, CHIP 0.1uF 25V 0%
C415	1-163-038-91	s CERAMIC, CHIP 0.1uF 25V 0%
C418	1-163-038-91	s CERAMIC, CHIP 0.1uF 25V 0%
C419	1-163-038-91	s CERAMIC, CHIP 0.1uF 25V 0%
C420	1-163-038-91	s CERAMIC, CHIP 0.1uF 25V 0%
C421	1-163-038-91	s CERAMIC, CHIP 0.1uF 25V 0%
C422	1-163-038-91	s CERAMIC, CHIP 0.1uF 25V 0%
C501	1-163-038-91	s CERAMIC, CHIP 0.1uF 25V 0%
C502	1-163-038-91	s CERAMIC, CHIP 0.1uF 25V 0%
C503	1-163-038-91	s CERAMIC, CHIP 0.1uF 25V 0%
C504	1-163-038-91	s CERAMIC, CHIP 0.1uF 25V 0%
C505	1-163-038-91	s CERAMIC, CHIP 0.1uF 25V 0%
C506	1-163-038-91	s CERAMIC, CHIP 0.1uF 25V 0%
C507	1-163-038-91	s CERAMIC, CHIP 0.1uF 25V 0%
C508	1-163-038-91	s CERAMIC, CHIP 0.1uF 25V 0%
C509	1-163-038-91	s CERAMIC, CHIP 0.1uF 25V 0%
C550	1-163-038-91	s CERAMIC, CHIP 0.1uF 25V 0%
C551	1-163-038-91	s CERAMIC, CHIP 0.1uF 25V 0%
C552	1-163-038-91	s CERAMIC, CHIP 0.1uF 25V 0%
C601	1-163-038-91	s CERAMIC, CHIP 0.1uF 25V 0%
C602	1-163-235-11	s CERAMIC, CHIP 22PF 5% 50V
C603	1-163-235-11	s CERAMIC, CHIP 22PF 5% 50V
C604	1-163-038-91	s CERAMIC, CHIP 0.1uF 25V 0%
C605	1-163-038-91	s CERAMIC, CHIP 0.1uF 25V 0%
C606	1-163-038-91	s CERAMIC, CHIP 0.1uF 25V 0%
C607	1-163-038-91	s CERAMIC, CHIP 0.1uF 25V 0%
C608	1-163-038-91	s CERAMIC, CHIP 0.1uF 25V 0%
C609	1-163-038-91	s CERAMIC, CHIP 0.1uF 25V 0%
C610	1-163-038-91	s CERAMIC, CHIP 0.1uF 25V 0%
C611	1-163-038-91	s CERAMIC, CHIP 0.1uF 25V 0%
C612	1-163-038-91	s CERAMIC, CHIP 0.1uF 25V 0%
C613	1-163-038-91	s CERAMIC, CHIP 0.1uF 25V 0%
C614	1-163-038-91	s CERAMIC, CHIP 0.1uF 25V 0%
C615	1-163-038-91	s CERAMIC, CHIP 0.1uF 25V 0%
C1000	1-126-960-11	s ELECT 1uF 20% 50V
C1001	1-104-760-11	s CERAMIC, CHIP 0.047uF 10% 50V
C1002	1-104-760-11	s CERAMIC, CHIP 0.047uF 10% 50V
C1003	1-104-760-11	s CERAMIC, CHIP 0.047uF 10% 50V
C1004	1-135-177-21	s TANTALUM, CHIP 1uF 10% 25V
C1005	1-104-760-11	s CERAMIC, CHIP 0.047uF 10% 50V
C1006	1-115-339-11	s CERAMIC 0.1uF 10% 50V
C1007	1-135-177-21	s TANTALUM, CHIP 1uF 10% 25V
C1008	1-115-339-11	s CERAMIC 0.1uF 10% 50V
C1009	1-115-339-11	s CERAMIC 0.1uF 10% 50V
C1010	1-163-251-11	s CERAMIC, CHIP 100PF 5% 50V
C1011	1-104-760-11	s CERAMIC, CHIP 0.047uF 10% 50V
C1012	1-163-251-11	s CERAMIC, CHIP 100PF 5% 50V
C1013	1-104-760-11	s CERAMIC, CHIP 0.047uF 10% 50V
C1014	1-163-251-11	s CERAMIC, CHIP 100PF 5% 50V
C1015	1-163-038-91	s CERAMIC, CHIP 0.1uF 25V 0%
C1016	1-163-251-11	s CERAMIC, CHIP 100PF 5% 50V
C1017	1-163-038-91	s CERAMIC, CHIP 0.1uF 25V 0%
C1018	1-163-038-91	s CERAMIC, CHIP 0.1uF 25V 0%
C1019	1-163-038-91	s CERAMIC, CHIP 0.1uF 25V 0%
C1020	1-163-038-91	s CERAMIC, CHIP 0.1uF 25V 0%

Ref. No. or Q'ty	Part No.	SP Description
C1021	1-163-038-91	s CERAMIC, CHIP 0.1uF 25V 0%
C1022	1-163-038-91	s CERAMIC, CHIP 0.1uF 25V 0%
C1023	1-163-038-91	s CERAMIC, CHIP 0.1uF 25V 0%
C1024	1-163-038-91	s CERAMIC, CHIP 0.1uF 25V 0%
C1025	1-163-038-91	s CERAMIC, CHIP 0.1uF 25V 0%
C1026	1-163-038-91	s CERAMIC, CHIP 0.1uF 25V 0%
C1027	1-163-038-91	s CERAMIC, CHIP 0.1uF 25V 0%
C1028	1-163-038-91	s CERAMIC, CHIP 0.1uF 25V 0%
C1100	1-163-009-11	s CERAMIC, CHIP 0.001uF 10% 50V
C1101	1-164-232-11	s CERAMIC, CHIP 0.01uF 10% 100V
C1102	1-164-232-11	s CERAMIC, CHIP 0.01uF 10% 100V
C1103	1-163-009-11	s CERAMIC, CHIP 0.001uF 10% 50V
C1104	1-163-009-11	s CERAMIC, CHIP 0.001uF 10% 50V
C1105	1-163-017-00	s CERAMIC, CHIP 0.0047uF 5% 50V
C1106	1-163-009-11	s CERAMIC, CHIP 0.001uF 10% 50V
C1107	1-163-017-00	s CERAMIC, CHIP 0.0047uF 5% 50V
C1108	1-163-009-11	s CERAMIC, CHIP 0.001uF 10% 50V
C1109	1-163-038-91	s CERAMIC, CHIP 0.1uF 25V 0%
C1110	1-163-037-11	s CERAMIC, CHIP 0.022uF 10% 25V
C1111	1-163-037-11	s CERAMIC, CHIP 0.022uF 10% 25V
C1112	1-163-037-11	s CERAMIC, CHIP 0.022uF 10% 25V
C1113	1-163-038-91	s CERAMIC, CHIP 0.1uF 25V 0%
C1114	1-163-038-91	s CERAMIC, CHIP 0.1uF 25V 0%
C1115	1-163-038-91	s CERAMIC, CHIP 0.1uF 25V 0%
C1116	1-163-038-91	s CERAMIC, CHIP 0.1uF 25V 0%
C1117	1-163-038-91	s CERAMIC, CHIP 0.1uF 25V 0%
C1118	1-163-038-91	s CERAMIC, CHIP 0.1uF 25V 0%
C1119	1-163-038-91	s CERAMIC, CHIP 0.1uF 25V 0%
C1120	1-163-038-91	s CERAMIC, CHIP 0.1uF 25V 0%
C1121	1-163-038-91	s CERAMIC, CHIP 0.1uF 25V 0%
C1122	1-163-038-91	s CERAMIC, CHIP 0.1uF 25V 0%
C1200	1-163-009-11	s CERAMIC, CHIP 0.001uF 10% 50V
C1201	1-163-009-11	s CERAMIC, CHIP 0.001uF 10% 50V
C1202	1-163-135-00	s CERAMIC, CHIP 560PF 5% 50V
C1204	1-163-251-11	s CERAMIC, CHIP 100PF 5% 50V
C1206	1-163-038-91	s CERAMIC, CHIP 0.1uF 25V 0%
C1207	1-163-038-91	s CERAMIC, CHIP 0.1uF 25V 0%
C1208	1-163-235-11	s CERAMIC, CHIP 22PF 5% 50V
C1209	1-163-251-11	s CERAMIC, CHIP 100PF 5% 50V
C1212	1-163-038-91	s CERAMIC, CHIP 0.1uF 25V 0%
C1213	1-163-038-91	s CERAMIC, CHIP 0.1uF 25V 0%
C1214	1-163-038-91	s CERAMIC, CHIP 0.1uF 25V 0%
C1215	1-163-038-91	s CERAMIC, CHIP 0.1uF 25V 0%
C1216	1-163-038-91	s CERAMIC, CHIP 0.1uF 25V 0%
C1217	1-163-038-91	s CERAMIC, CHIP 0.1uF 25V 0%
C1218	1-163-038-91	s CERAMIC, CHIP 0.1uF 25V 0%
C1219	1-163-038-91	s CERAMIC, CHIP 0.1uF 25V 0%
C1220	1-163-038-91	s CERAMIC, CHIP 0.1uF 25V 0%
C1221	1-163-038-91	s CERAMIC, CHIP 0.1uF 25V 0%
C1300	1-126-947-11	s ELECT 47uF 20% 35V
C1301	1-126-947-11	s ELECT 47uF 20% 35V
C1302	1-163-038-91	s CERAMIC, CHIP 0.1uF 25V 0%
C1303	1-163-038-91	s CERAMIC, CHIP 0.1uF 25V 0%
C1304	1-126-947-11	s ELECT 47uF 20% 35V
C1305	1-126-947-11	s ELECT 47uF 20% 35V
C1306	1-163-038-91	s CERAMIC, CHIP 0.1uF 25V 0%
C1307	1-163-038-91	s CERAMIC, CHIP 0.1uF 25V 0%
C1308	1-163-038-91	s CERAMIC, CHIP 0.1uF 25V 0%
C1309	1-163-038-91	s CERAMIC, CHIP 0.1uF 25V 0%

(SS-75 BOARD (Suffix number of board is 12.))

Ref. No. or Q'ty	Part No.	SP	Description
C1310	1-163-038-91	s	CERAMIC, CHIP 0.1uF 25V 0%
C1311	1-163-038-91	s	CERAMIC, CHIP 0.1uF 25V 0%
C1312	1-163-038-91	s	CERAMIC, CHIP 0.1uF 25V 0%
C1313	1-163-038-91	s	CERAMIC, CHIP 0.1uF 25V 0%
C1314	1-126-933-11	s	ELECT 100uF 20% 16V
C1315	1-126-933-11	s	ELECT 100uF 20% 16V
C1316	1-126-933-11	s	ELECT 100uF 20% 16V
C1317	1-126-933-11	s	ELECT 100uF 20% 16V
C2100	1-164-232-11	s	CERAMIC, CHIP 0.01uF 10% 100V
C2101	1-164-232-11	s	CERAMIC, CHIP 0.01uF 10% 100V
C2102	1-163-251-11	s	CERAMIC, CHIP 100PF 5% 50V
C2103	1-163-251-11	s	CERAMIC, CHIP 100PF 5% 50V
C2104	1-164-232-11	s	CERAMIC, CHIP 0.01uF 10% 100V
C2105	1-164-232-11	s	CERAMIC, CHIP 0.01uF 10% 100V
C2106	1-164-232-11	s	CERAMIC, CHIP 0.01uF 10% 100V
C2107	1-164-232-11	s	CERAMIC, CHIP 0.01uF 10% 100V
C2108	1-164-232-11	s	CERAMIC, CHIP 0.01uF 10% 100V
C2109	1-164-232-11	s	CERAMIC, CHIP 0.01uF 10% 100V
C2110	1-126-933-11	s	ELECT 100uF 20% 16V
C2111	1-163-038-91	s	CERAMIC, CHIP 0.1uF 25V 0%
C2113	1-164-232-11	s	CERAMIC, CHIP 0.01uF 10% 100V
C2114	1-164-232-11	s	CERAMIC, CHIP 0.01uF 10% 100V
C2115	1-163-038-91	s	CERAMIC, CHIP 0.1uF 25V 0%
C2116	1-163-038-91	s	CERAMIC, CHIP 0.1uF 25V 0%
C2117	1-163-038-91	s	CERAMIC, CHIP 0.1uF 25V 0%
C2118	1-164-232-11	s	CERAMIC, CHIP 0.01uF 10% 100V
C2119	1-164-232-11	s	CERAMIC, CHIP 0.01uF 10% 100V
C2121	1-164-232-11	s	CERAMIC, CHIP 0.01uF 10% 100V
C2123	1-163-038-91	s	CERAMIC, CHIP 0.1uF 25V 0%
C2124	1-163-038-91	s	CERAMIC, CHIP 0.1uF 25V 0%
C2128	1-163-038-91	s	CERAMIC, CHIP 0.1uF 25V 0%
C2129	1-163-038-91	s	CERAMIC, CHIP 0.1uF 25V 0%
C2130	1-163-038-91	s	CERAMIC, CHIP 0.1uF 25V 0%
C2133	1-163-038-91	s	CERAMIC, CHIP 0.1uF 25V 0%
C2134	1-163-038-91	s	CERAMIC, CHIP 0.1uF 25V 0%
C2135	1-163-038-91	s	CERAMIC, CHIP 0.1uF 25V 0%
C2136	1-163-038-91	s	CERAMIC, CHIP 0.1uF 25V 0%
C2140	1-163-038-91	s	CERAMIC, CHIP 0.1uF 25V 0%
C2141	1-163-038-91	s	CERAMIC, CHIP 0.1uF 25V 0%
C2202	1-163-038-91	s	CERAMIC, CHIP 0.1uF 25V 0%
C2205	1-163-038-91	s	CERAMIC, CHIP 0.1uF 25V 0%
C2207	1-163-038-91	s	CERAMIC, CHIP 0.1uF 25V 0%
C2208	1-163-038-91	s	CERAMIC, CHIP 0.1uF 25V 0%
C2209	1-164-232-11	s	CERAMIC, CHIP 0.01uF 10% 100V
C2210	1-164-232-11	s	CERAMIC, CHIP 0.01uF 10% 100V
C2211	1-126-959-11	s	ELECT 0.47uF 20% 50V
C2212	1-163-038-91	s	CERAMIC, CHIP 0.1uF 25V 0%
C2213	1-163-227-11	s	CERAMIC, CHIP 10PF 5% 50V
C2214	1-163-038-91	s	CERAMIC, CHIP 0.1uF 25V 0%
C2215	1-163-038-91	s	CERAMIC, CHIP 0.1uF 25V 0%
C2216	1-163-038-91	s	CERAMIC, CHIP 0.1uF 25V 0%
C2217	1-163-038-91	s	CERAMIC, CHIP 0.1uF 25V 0%
C2300	1-115-339-11	s	CERAMIC 0.1uF 10% 50V
C2302	1-163-009-11	s	CERAMIC, CHIP 0.001uF 10% 50V
C2303	1-163-038-91	s	CERAMIC, CHIP 0.1uF 25V 0%
C2304	1-163-038-91	s	CERAMIC, CHIP 0.1uF 25V 0%
C2305	1-163-037-11	s	CERAMIC, CHIP 0.022uF 10% 25V
C2306	1-164-232-11	s	CERAMIC, CHIP 0.01uF 10% 100V
C2308	1-163-241-11	s	CERAMIC, CHIP 39PF 5% 50V

(SS-75 BOARD (Suffix number of board is 12.))

Ref. No. or Q'ty	Part No.	SP	Description
C2309	1-163-037-11	s	CERAMIC, CHIP 0.022uF 10% 25V
C2310	1-163-009-11	s	CERAMIC, CHIP 0.001uF 10% 50V
C2311	1-115-339-11	s	CERAMIC 0.1uF 10% 50V
C2312	1-164-232-11	s	CERAMIC, CHIP 0.01uF 10% 100V
C2313	1-163-038-91	s	CERAMIC, CHIP 0.1uF 25V 0%
C2314	1-163-038-91	s	CERAMIC, CHIP 0.1uF 25V 0%
C2315	1-163-038-91	s	CERAMIC, CHIP 0.1uF 25V 0%
C2316	1-163-038-91	s	CERAMIC, CHIP 0.1uF 25V 0%
C2317	1-115-339-11	s	CERAMIC 0.1uF 10% 50V
C2322	1-115-339-11	s	CERAMIC 0.1uF 10% 50V
C2323	1-163-038-91	s	CERAMIC, CHIP 0.1uF 25V 0%
C2324	1-164-232-11	s	CERAMIC, CHIP 0.01uF 10% 100V
C2325	1-164-232-11	s	CERAMIC, CHIP 0.01uF 10% 100V
C2326	1-164-232-11	s	CERAMIC, CHIP 0.01uF 10% 100V
C2327	1-163-038-91	s	CERAMIC, CHIP 0.1uF 25V 0%
C2328	1-164-232-11	s	CERAMIC, CHIP 0.01uF 10% 100V
C2329	1-115-339-11	s	CERAMIC 0.1uF 10% 50V
C2330	1-163-009-11	s	CERAMIC, CHIP 0.001uF 10% 50V
C2331	1-163-241-11	s	CERAMIC, CHIP 39PF 5% 50V
C2500	1-164-232-11	s	CERAMIC, CHIP 0.01uF 10% 100V
C2501	1-164-232-11	s	CERAMIC, CHIP 0.01uF 10% 100V
C2502	1-104-760-11	s	CERAMIC, CHIP 0.047uF 10% 50V
C2503	1-104-760-11	s	CERAMIC, CHIP 0.047uF 10% 50V
C2504	1-163-139-00	s	CERAMIC, CHIP 820PF 5% 50V
C2505	1-163-139-00	s	CERAMIC, CHIP 820PF 5% 50V
C2506	1-163-017-00	s	CERAMIC, CHIP 0.0047uF 5% 50V
C2507	1-163-017-00	s	CERAMIC, CHIP 0.0047uF 5% 50V
C2508	1-164-232-11	s	CERAMIC, CHIP 0.01uF 10% 100V
C2509	1-164-232-11	s	CERAMIC, CHIP 0.01uF 10% 100V
C2510	1-164-232-11	s	CERAMIC, CHIP 0.01uF 10% 100V
C2511	1-164-232-11	s	CERAMIC, CHIP 0.01uF 10% 100V
C2512	1-163-133-00	s	CERAMIC, CHIP 470PF 5% 50V
C2513	1-163-133-00	s	CERAMIC, CHIP 470PF 5% 50V
C2514	1-115-339-11	s	CERAMIC 0.1uF 10% 50V
C2515	1-163-038-91	s	CERAMIC, CHIP 0.1uF 25V 0%
C2516	1-163-139-00	s	CERAMIC, CHIP 820PF 5% 50V
C2517	1-163-139-00	s	CERAMIC, CHIP 820PF 5% 50V
C2518	1-115-339-11	s	CERAMIC 0.1uF 10% 50V
C2519	1-163-038-91	s	CERAMIC, CHIP 0.1uF 25V 0%
C2520	1-163-038-91	s	CERAMIC, CHIP 0.1uF 25V 0%
C2521	1-163-017-00	s	CERAMIC, CHIP 0.0047uF 5% 50V
C2522	1-163-017-00	s	CERAMIC, CHIP 0.0047uF 5% 50V
C2523	1-163-038-91	s	CERAMIC, CHIP 0.1uF 25V 0%
C2524	1-163-038-91	s	CERAMIC, CHIP 0.1uF 25V 0%
C2525	1-163-038-91	s	CERAMIC, CHIP 0.1uF 25V 0%
C2526	1-163-038-91	s	CERAMIC, CHIP 0.1uF 25V 0%
C2527	1-163-038-91	s	CERAMIC, CHIP 0.1uF 25V 0%
C2528	1-163-038-91	s	CERAMIC, CHIP 0.1uF 25V 0%
C2529	1-163-038-91	s	CERAMIC, CHIP 0.1uF 25V 0%
C2530	1-163-038-91	s	CERAMIC, CHIP 0.1uF 25V 0%
C2531	1-163-038-91	s	CERAMIC, CHIP 0.1uF 25V 0%
C2532	1-163-038-91	s	CERAMIC, CHIP 0.1uF 25V 0%
C2533	1-163-038-91	s	CERAMIC, CHIP 0.1uF 25V 0%
C2573	1-163-038-91	s	CERAMIC, CHIP 0.1uF 25V 0%
C2574	1-163-038-91	s	CERAMIC, CHIP 0.1uF 25V 0%
C2579	1-163-038-91	s	CERAMIC, CHIP 0.1uF 25V 0%
C2580	1-163-038-91	s	CERAMIC, CHIP 0.1uF 25V 0%
C2600	1-163-038-91	s	CERAMIC, CHIP 0.1uF 25V 0%
C2601	1-163-038-91	s	CERAMIC, CHIP 0.1uF 25V 0%

(SS-75 BOARD (Suffix number of board is 12.))

(SS-75 BOARD (Suffix number of board is 12.))

Ref. No. or Q'ty	Part No.	SP Description
C2602	1-163-038-91	s CERAMIC, CHIP 0.1uF 25V 0%
C2603	1-163-038-91	s CERAMIC, CHIP 0.1uF 25V 0%
C2700	1-115-339-11	s CERAMIC 0.1uF 10% 50V
C2702	1-163-009-11	s CERAMIC, CHIP 0.001uF 10% 50V
C2703	1-163-038-91	s CERAMIC, CHIP 0.1uF 25V 0%
C2704	1-163-038-91	s CERAMIC, CHIP 0.1uF 25V 0%
C2705	1-163-037-11	s CERAMIC, CHIP 0.022uF 10% 25V
C2706	1-164-232-11	s CERAMIC, CHIP 0.01uF 10% 100V
C2708	1-163-241-11	s CERAMIC, CHIP 39PF 5% 50V
C2709	1-163-037-11	s CERAMIC, CHIP 0.022uF 10% 25V
C2710	1-163-009-11	s CERAMIC, CHIP 0.001uF 10% 50V
C2711	1-115-339-11	s CERAMIC 0.1uF 10% 50V
C2712	1-164-232-11	s CERAMIC, CHIP 0.01uF 10% 100V
C2713	1-163-038-91	s CERAMIC, CHIP 0.1uF 25V 0%
C2714	1-163-038-91	s CERAMIC, CHIP 0.1uF 25V 0%
C2715	1-163-038-91	s CERAMIC, CHIP 0.1uF 25V 0%
C2716	1-163-038-91	s CERAMIC, CHIP 0.1uF 25V 0%
C2717	1-115-339-11	s CERAMIC 0.1uF 10% 50V
C2721	1-115-339-11	s CERAMIC 0.1uF 10% 50V
C2723	1-164-232-11	s CERAMIC, CHIP 0.01uF 10% 100V
C2724	1-164-232-11	s CERAMIC, CHIP 0.01uF 10% 100V
C2725	1-164-232-11	s CERAMIC, CHIP 0.01uF 10% 100V
C2726	1-164-232-11	s CERAMIC, CHIP 0.01uF 10% 100V
C2727	1-163-038-91	s CERAMIC, CHIP 0.1uF 25V 0%
C2728	1-163-038-91	s CERAMIC, CHIP 0.1uF 25V 0%
C2729	1-115-339-11	s CERAMIC 0.1uF 10% 50V
CN1	1-564-014-11	s CONNECTOR 4P, MALE
CN2	1-580-192-11	o CONNECTOR, FLAT CABLE 50P, MALE
CN3	1-564-014-11	s CONNECTOR 4P, MALE
CN110	1-778-261-11	o CONNECTOR, BB 124P, MALE
CN111	1-778-261-11	o CONNECTOR, BB 124P, MALE
CN112	1-778-262-11	o CONNECTOR, BB 148P, MALE
CN1000	1-506-484-11	s CONNECTOR 5P, MALE
CN2101	1-506-484-11	s CONNECTOR 5P, MALE
D101	8-719-989-22	s LED CL-150R-CD, RED
D102	8-719-987-43	s LED CL-150PG-CD, GRN
D201	8-719-210-33	s DIODE EC10DS2
D202	8-719-210-33	s DIODE EC10DS2
D501	8-719-989-22	s LED CL-150R-CD, RED
D502	8-719-987-43	s LED CL-150PG-CD, GRN
D503	8-719-989-22	s LED CL-150R-CD, RED
D1000	8-719-941-23	s DIODE DA204U
D1001	8-719-941-23	s DIODE DA204U
D1002	8-719-941-23	s DIODE DA204U
D1003	8-719-941-23	s DIODE DA204U
D1004	8-719-941-23	s DIODE DA204U
D1005	8-719-941-23	s DIODE DA204U
D1006	8-719-938-72	s DIODE SB01-05CP
D1007	8-719-938-72	s DIODE SB01-05CP
D1008	8-719-941-23	s DIODE DA204U
D1009	8-719-941-23	s DIODE DA204U
D1010	8-719-987-43	s LED CL-150PG-CD, GRN
D1011	8-719-989-22	s LED CL-150R-CD, RED
D1100	8-719-024-81	s DIODE 1SS300-TE85L
D1101	8-719-941-23	s DIODE DA204U
D1102	8-719-941-23	s DIODE DA204U
D1103	8-719-941-23	s DIODE DA204U
D1104	8-719-941-23	s DIODE DA204U

Ref. No. or Q'ty	Part No.	SP Description
D1200	8-719-941-23	s DIODE DA204U
D1201	8-719-938-72	s DIODE SB01-05CP
D1202	8-719-938-72	s DIODE SB01-05CP
D1203	8-719-987-43	s LED CL-150PG-CD, GRN
D1204	8-719-941-23	s DIODE DA204U
D2101	8-719-941-23	s DIODE DA204U
D2102	8-719-941-23	s DIODE DA204U
D2103	8-719-941-23	s DIODE DA204U
D2104	8-719-941-23	s DIODE DA204U
D2105	8-719-941-23	s DIODE DA204U
D2106	8-719-941-23	s DIODE DA204U
D2108	8-719-941-23	s DIODE DA204U
D2300	8-719-938-72	s DIODE SB01-05CP
D2301	8-719-938-72	s DIODE SB01-05CP
D2302	8-719-941-23	s DIODE DA204U
D2500	8-719-941-23	s DIODE DA204U
D2501	8-719-941-23	s DIODE DA204U
D2502	8-719-941-23	s DIODE DA204U
D2503	8-719-941-23	s DIODE DA204U
D2600	8-719-987-43	s LED CL-150PG-CD, GRN
D2601	8-719-024-81	s DIODE 1SS300-TE85L
D2700	8-719-938-72	s DIODE SB01-05CP
D2701	8-719-938-72	s DIODE SB01-05CP
D2702	8-719-941-23	s DIODE DA204U
FB1300	1-543-309-21	s BEAD, FERRITE
IC101	8-759-479-32	s IC SN75C1168NS-E05
IC102	8-759-925-74	s IC TC74HC04ANS
IC103	8-759-925-74	s IC TC74HC04ANS
IC104	8-759-369-92	s IC M51958AFP600D
IC105	8-759-009-07	s IC MC14053BF
IC106	8-759-153-05	s IC UPD70325L-10
IC107	8-759-528-10	o IC GAL16V8B-SS75-V110, PLD
IC108	8-759-926-11	s IC SN74HC138ANS
IC109	8-759-186-38	s IC TC74VHC32F
IC111	8-759-296-24	s IC CY7C199-20VC
IC112	8-759-528-13	o IC MBM29F040A-SS75-SY1-V111, PLD
IC113	8-759-925-76	s IC SN74HC08ANS
IC114	8-759-926-49	s IC SN74HC245NS
IC115	8-759-926-48	s IC SN74HC244NS
IC116	8-759-926-48	s IC SN74HC244NS
IC117	8-759-926-48	s IC SN74HC244NS
IC119	8-759-925-85	s IC SN74HC32ANS
IC201	8-759-175-56	s IC CXD8804Q
IC202	8-759-374-82	s IC LC3564SM-70-TLM
IC203	8-759-926-48	s IC SN74HC244NS
IC204	8-759-925-78	s IC SN74HC10ANS
IC205	8-759-190-79	s IC UPD72001GC-11-3B6
IC206	8-759-479-32	s IC SN75C1168NS-E05
IC207	8-759-143-23	s IC UPD71059GB-3B4
IC208	8-759-031-69	s IC MC1488M
IC209	8-759-169-45	s IC TA78L12F
IC210	8-759-446-76	s IC TA79L12F(TE12L)
IC211	8-759-031-68	s IC MC1489AM
IC212	8-759-925-85	s IC SN74HC32ANS
IC301	8-759-066-08	s IC MB8441-45PFQ
IC302	8-759-973-43	s IC MB8421-90LPFQ
IC303	8-759-113-55	s IC UPD71054GB
IC304	8-759-926-74	s IC SN74HC393ANS

(SS-75 BOARD (Suffix number of board is 12.))

Ref. No. or Q'ty	Part No.	SP	Description
IC401	8-759-186-39	s IC	TC74VHC74F
IC402	8-759-174-16	s IC	TC74VHC244F
IC403	8-759-926-18	s IC	SN74HC157ANS
IC404	8-759-378-13	s IC	IDT79R3041-20J
IC406	8-759-186-79	s IC	TC74VHC573F
IC407	8-759-186-79	s IC	TC74VHC573F
IC408	8-759-186-79	s IC	TC74VHC573F
IC409	8-759-186-79	s IC	TC74VHC573F
IC410	8-759-186-63	s IC	TC74VHC245F
IC411	8-759-528-12	o IC	MBM29F040A-SS75-SY2A-V115, PLD
IC412	8-759-528-11	o IC	MBM29F040A-SS75-SY2B-V115, PLD
IC413	8-759-186-38	s IC	TC74VHC32F
IC414	8-759-296-31	s IC	M48T18-100MH1TR
IC415	8-749-010-67	s IC	M4T28-BR12SH1
IC416	8-759-470-13	s IC	M5M5408AFP-55LL
IC417	8-759-470-13	s IC	M5M5408AFP-55LL
IC418	8-759-470-13	s IC	M5M5408AFP-55LL
IC419	8-759-470-13	s IC	M5M5408AFP-55LL
IC501	8-759-186-32	s IC	TC74VHC21F
IC502	8-759-269-09	s IC	SN74HCT04ANS
IC504	8-759-925-74	s IC	TC74HC04ANS
IC505	8-759-925-85	s IC	SN74HC32ANS
IC506	8-759-925-74	s IC	TC74HC04ANS
IC507	8-759-176-47	s IC	SN751177NS
IC550	8-759-925-90	s IC	SN74HC74ANS
IC551	8-759-035-93	s IC	TC7S32F-TE85L
IC552	8-759-293-90	s IC	MSM514221B-30JS
IC553	8-759-011-65	s IC	MC74HC4053F
IC601	8-759-174-16	s IC	TC74VHC244F
IC602	8-759-175-77	s IC	CXD8384Q
IC603	8-759-374-82	s IC	LC3564SM-70-TLM
IC604	8-759-175-56	s IC	CXD8804Q
IC605	8-759-927-12	s IC	SN74HCT244ANS
IC606	8-759-374-82	s IC	LC3564SM-70-TLM
IC607	8-759-175-56	s IC	CXD8804Q
IC608	8-759-174-16	s IC	TC74VHC244F
IC609	8-759-399-51	s IC	74LVX4245QSCX
IC610	8-759-927-46	s IC	SN74HC00ANS
IC611	8-759-926-82	s IC	SN74HC574ANS
IC1000	8-759-983-74	s IC	LM324NS
IC1001	8-759-009-51	s IC	MC14538BF
IC1002	8-759-243-39	s IC	TC74AC00F
IC1003	8-759-243-50	s IC	TC74AC08F
IC1004	8-759-009-05	s IC	MC14051BF
IC1005	8-759-348-69	s IC	HD6415108RF10
IC1006	8-759-243-62	s IC	TC74AC32F(EL)
IC1007	8-759-460-13	s IC	TC74AC139F(EL)
IC1008	8-759-374-82	s IC	LC3564SM-70-TLM
IC1009	8-759-374-82	s IC	LC3564SM-70-TLM
IC1010	8-759-377-83	s IC	MBM29F400BA-90PF
IC1011	8-759-700-07	s IC	NJM2903M
IC1012	8-759-009-51	s IC	MC14538BF
IC1013	8-759-700-07	s IC	NJM2903M
IC1014	8-759-009-07	s IC	MC14053BF
IC1015	8-759-239-23	s IC	TC74HC86AF
IC1016	8-759-925-90	s IC	SN74HC74ANS
IC1017	8-759-926-37	s IC	SN74HC193ANS
IC1018	8-759-009-07	s IC	MC14053BF
IC1020	8-752-343-05	s IC	CXD2202Q

(SS-75 BOARD (Suffix number of board is 12.))

Ref. No. or Q'ty	Part No.	SP	Description
IC1021	8-759-983-74	s IC	LM324NS
IC1022	8-759-981-48	s IC	NJM082M
IC1023	8-759-981-48	s IC	NJM082M
IC1024	8-752-849-13	s IC	CXP80P624AQ-1-008
IC1025	8-759-980-04	s IC	LM311PS
IC1026	8-759-011-65	s IC	MC74HC4053F
IC1027	8-759-925-76	s IC	SN74HC08ANS
IC1028	8-759-925-74	s IC	TC74HC04ANS
IC1029	8-759-174-16	s IC	TC74VHC244F
IC2100	8-759-925-74	s IC	TC74HC04ANS
IC2101	8-759-906-54	s IC	TL064CNS
IC2103	8-759-906-54	s IC	TL064CNS
IC2104	8-759-175-67	s IC	MB90T736
IC2106	8-759-926-49	s IC	SN74HC245NS
IC2107	8-759-926-77	s IC	SN74HC541ANS
IC2108	8-759-996-06	s IC	CXD8115Q
IC2110	8-759-492-89	o IC	M27C512-DT-V106, EPROM
IC2113	8-759-095-41	s IC	CXD8176AQ
IC2114	8-759-186-39	s IC	TC74VHC74F
IC2115	8-759-053-58	s IC	IDT6116SA25SO
IC2200	8-752-343-05	s IC	CXD2202Q
IC2202	8-759-113-55	s IC	UPD71054GB
IC2204	8-759-113-55	s IC	UPD71054GB
IC2205	8-759-925-85	s IC	SN74HC32ANS
IC2207	8-759-113-55	s IC	UPD71054GB
IC2208	8-759-009-07	s IC	MC14053BF
IC2209	8-759-925-76	s IC	SN74HC08ANS
IC2210	8-759-946-12	s IC	AD7528JN
IC2300	8-759-908-92	s IC	TL084CNS
IC2301	8-759-906-54	s IC	TL064CNS
IC2302	8-759-906-54	s IC	TL064CNS
IC2303	8-759-009-07	s IC	MC14053BF
IC2500	8-759-906-54	s IC	TL064CNS
IC2501	8-759-009-07	s IC	MC14053BF
IC2502	8-759-906-54	s IC	TL064CNS
IC2503	8-759-906-54	s IC	TL064CNS
IC2504	8-759-009-07	s IC	MC14053BF
IC2505	8-759-906-54	s IC	TL064CNS
IC2506	8-759-906-54	s IC	TL064CNS
IC2507	8-759-009-07	s IC	MC14053BF
IC2508	8-759-906-54	s IC	TL064CNS
IC2600	8-759-174-16	s IC	TC74VHC244F
IC2601	8-752-381-84	s IC	CXD1095BQ
IC2603	8-759-927-15	s IC	SN74HCT245NS
IC2604	8-759-927-15	s IC	SN74HCT245NS
IC2700	8-759-908-92	s IC	TL084CNS
IC2701	8-759-906-54	s IC	TL064CNS
IC2702	8-759-906-54	s IC	TL064CNS
IC2703	8-759-009-07	s IC	MC14053BF
IS112	1-251-350-11	o SOCKET	IC 32P
IS404	1-251-353-11	o SOCKET	IC 84P
IS411	1-251-350-11	o SOCKET	IC 32P
IS412	1-251-350-11	o SOCKET	IC 32P
IS2110	1-526-659-00	o SOCKET	IC 28P
L1300	1-412-533-21	s INDUCTOR	47uH
L1301	1-412-533-21	s INDUCTOR	47uH
L1302	1-412-533-21	s INDUCTOR	47uH
L1303	1-412-533-21	s INDUCTOR	47uH
L2103	1-412-533-21	s INDUCTOR	47uH

(SS-75 BOARD (Suffix number of board is 12.))

Ref. No. or Q'ty	Part No.	SP Description
Q101	8-729-027-46	s TRANSISTOR DTC114YKA-T146
Q1300	8-729-106-68	s TRANSISTOR 2SC1615A-GP
Q1301	8-729-106-60	s TRANSISTOR 2SB1115A
R101	1-216-073-00	s METAL, CHIP 10K 5% 1/10W
R102	1-216-073-00	s METAL, CHIP 10K 5% 1/10W
R103	1-216-073-00	s METAL, CHIP 10K 5% 1/10W
R104	1-216-073-00	s METAL, CHIP 10K 5% 1/10W
R105	1-216-097-11	s METAL, CHIP 100K 5% 1/10W
R106	1-216-097-11	s METAL, CHIP 100K 5% 1/10W
R107	1-216-097-11	s METAL, CHIP 100K 5% 1/10W
R108	1-216-097-11	s METAL, CHIP 100K 5% 1/10W
R109	1-216-089-91	s METAL, CHIP 47k 5% 1/10W
R110	1-216-049-11	s METAL, CHIP 1K 5% 1/10W
R111	1-216-047-11	s METAL, CHIP 820 5% 1/10W
R112	1-216-047-11	s METAL, CHIP 820 5% 1/10W
R113	1-216-089-91	s METAL, CHIP 47k 5% 1/10W
R114	1-216-689-11	s METAL, CHIP 39K 0.5% 1/10W
R115	1-216-680-11	s METAL, CHIP 16K 0.5% 1/10W
R116	1-216-089-91	s METAL, CHIP 47k 5% 1/10W
R117	1-216-089-91	s METAL, CHIP 47k 5% 1/10W
R118	1-216-089-91	s METAL, CHIP 47k 5% 1/10W
R119	1-216-089-91	s METAL, CHIP 47k 5% 1/10W
R120	1-216-089-91	s METAL, CHIP 47k 5% 1/10W
R121	1-216-089-91	s METAL, CHIP 47k 5% 1/10W
R122	1-216-089-91	s METAL, CHIP 47k 5% 1/10W
R123	1-216-073-00	s METAL, CHIP 10K 5% 1/10W
R124	1-216-073-00	s METAL, CHIP 10K 5% 1/10W
R125	1-216-073-00	s METAL, CHIP 10K 5% 1/10W
R126	1-216-073-00	s METAL, CHIP 10K 5% 1/10W
R127	1-216-073-00	s METAL, CHIP 10K 5% 1/10W
R128	1-216-089-91	s METAL, CHIP 47k 5% 1/10W
R129	1-216-089-91	s METAL, CHIP 47k 5% 1/10W
R130	1-216-089-91	s METAL, CHIP 47k 5% 1/10W
R131	1-216-089-91	s METAL, CHIP 47k 5% 1/10W
R132	1-216-089-91	s METAL, CHIP 47k 5% 1/10W
R133	1-216-073-00	s METAL, CHIP 10K 5% 1/10W
R134	1-216-065-00	s METAL, CHIP 4.7K 5% 1/10W
R135	1-216-065-00	s METAL, CHIP 4.7K 5% 1/10W
R136	1-216-065-00	s METAL, CHIP 4.7K 5% 1/10W
R137	1-216-065-00	s METAL, CHIP 4.7K 5% 1/10W
R138	1-216-089-91	s METAL, CHIP 47k 5% 1/10W
R139	1-216-089-91	s METAL, CHIP 47k 5% 1/10W
R140	1-216-089-91	s METAL, CHIP 47k 5% 1/10W
R141	1-216-089-91	s METAL, CHIP 47k 5% 1/10W
R144	1-216-013-00	s METAL, CHIP 33 5% 1/10W
R201	1-216-049-11	s METAL, CHIP 1K 5% 1/10W
R202	1-216-049-11	s METAL, CHIP 1K 5% 1/10W
R203	1-216-049-11	s METAL, CHIP 1K 5% 1/10W
R204	1-216-025-11	s METAL, CHIP 100 5% 1/10W
R205	1-216-025-11	s METAL, CHIP 100 5% 1/10W
R206	1-216-025-11	s METAL, CHIP 100 5% 1/10W
R207	1-216-025-11	s METAL, CHIP 100 5% 1/10W
R208	1-216-025-11	s METAL, CHIP 100 5% 1/10W
R209	1-216-073-00	s METAL, CHIP 10K 5% 1/10W
R210	1-216-097-11	s METAL, CHIP 100K 5% 1/10W
R211	1-216-097-11	s METAL, CHIP 100K 5% 1/10W
R212	1-216-089-91	s METAL, CHIP 47k 5% 1/10W
R213	1-216-089-91	s METAL, CHIP 47k 5% 1/10W

(SS-75 BOARD (Suffix number of board is 12.))

Ref. No. or Q'ty	Part No.	SP Description
R214	1-216-073-00	s METAL, CHIP 10K 5% 1/10W
R215	1-216-295-91	s RES, CHIP 0
R216	1-216-295-91	s RES, CHIP 0
R217	1-216-097-11	s METAL, CHIP 100K 5% 1/10W
R218	1-216-097-11	s METAL, CHIP 100K 5% 1/10W
R219	1-216-073-00	s METAL, CHIP 10K 5% 1/10W
R220	1-216-073-00	s METAL, CHIP 10K 5% 1/10W
R221	1-216-073-00	s METAL, CHIP 10K 5% 1/10W
R222	1-216-073-00	s METAL, CHIP 10K 5% 1/10W
R223	1-216-073-00	s METAL, CHIP 10K 5% 1/10W
R224	1-216-073-00	s METAL, CHIP 10K 5% 1/10W
R225	1-216-089-91	s METAL, CHIP 47k 5% 1/10W
R226	1-216-089-91	s METAL, CHIP 47k 5% 1/10W
R227	1-216-089-91	s METAL, CHIP 47k 5% 1/10W
R228	1-216-089-91	s METAL, CHIP 47k 5% 1/10W
R229	1-216-073-00	s METAL, CHIP 10K 5% 1/10W
R230	1-216-073-00	s METAL, CHIP 10K 5% 1/10W
R231	1-216-073-00	s METAL, CHIP 10K 5% 1/10W
R232	1-216-073-00	s METAL, CHIP 10K 5% 1/10W
R233	1-216-073-00	s METAL, CHIP 10K 5% 1/10W
R234	1-216-073-00	s METAL, CHIP 10K 5% 1/10W
R235	1-216-089-91	s METAL, CHIP 47k 5% 1/10W
R301	1-216-089-91	s METAL, CHIP 47k 5% 1/10W
R302	1-216-089-91	s METAL, CHIP 47k 5% 1/10W
R303	1-216-089-91	s METAL, CHIP 47k 5% 1/10W
R304	1-216-089-91	s METAL, CHIP 47k 5% 1/10W
R305	1-216-073-00	s METAL, CHIP 10K 5% 1/10W
R401	1-216-025-11	s METAL, CHIP 100 5% 1/10W
R402	1-216-025-11	s METAL, CHIP 100 5% 1/10W
R403	1-216-065-00	s METAL, CHIP 4.7K 5% 1/10W
R404	1-216-065-00	s METAL, CHIP 4.7K 5% 1/10W
R405	1-216-065-00	s METAL, CHIP 4.7K 5% 1/10W
R406	1-216-065-00	s METAL, CHIP 4.7K 5% 1/10W
R407	1-216-065-00	s METAL, CHIP 4.7K 5% 1/10W
R409	1-216-065-00	s METAL, CHIP 4.7K 5% 1/10W
R410	1-216-065-00	s METAL, CHIP 4.7K 5% 1/10W
R411	1-216-065-00	s METAL, CHIP 4.7K 5% 1/10W
R412	1-216-065-00	s METAL, CHIP 4.7K 5% 1/10W
R413	1-216-065-00	s METAL, CHIP 4.7K 5% 1/10W
R414	1-216-065-00	s METAL, CHIP 4.7K 5% 1/10W
R415	1-216-065-00	s METAL, CHIP 4.7K 5% 1/10W
R416	1-216-065-00	s METAL, CHIP 4.7K 5% 1/10W
R417	1-216-065-00	s METAL, CHIP 4.7K 5% 1/10W
R418	1-216-065-00	s METAL, CHIP 4.7K 5% 1/10W
R419	1-216-065-00	s METAL, CHIP 4.7K 5% 1/10W
R420	1-216-065-00	s METAL, CHIP 4.7K 5% 1/10W
R421	1-216-065-00	s METAL, CHIP 4.7K 5% 1/10W
R422	1-216-065-00	s METAL, CHIP 4.7K 5% 1/10W
R423	1-216-089-91	s METAL, CHIP 47k 5% 1/10W
R424	1-216-065-00	s METAL, CHIP 4.7K 5% 1/10W
R501	1-216-295-91	s RES, CHIP 0
R502	1-216-295-91	s RES, CHIP 0
R503	1-216-295-91	s RES, CHIP 0
R504	1-216-295-91	s RES, CHIP 0
R505	1-216-295-91	s RES, CHIP 0
R506	1-216-295-91	s RES, CHIP 0
R507	1-216-295-91	s RES, CHIP 0
R508	1-216-295-91	s RES, CHIP 0
R509	1-216-097-11	s METAL, CHIP 100K 5% 1/10W

(SS-75 BOARD (Suffix number of board is 12.))

Ref. No. or Q'ty	Part No.	SP	Description
R510	1-216-089-91	s	METAL, CHIP 47k 5% 1/10W
R511	1-216-295-91	s	RES, CHIP 0
R513	1-216-295-91	s	RES, CHIP 0
R514	1-216-295-91	s	RES, CHIP 0
R516	1-216-295-91	s	RES, CHIP 0
R517	1-216-295-91	s	RES, CHIP 0
R520	1-216-295-91	s	RES, CHIP 0
R521	1-216-073-00	s	METAL, CHIP 10K 5% 1/10W
R522	1-216-073-00	s	METAL, CHIP 10K 5% 1/10W
R523	1-216-073-00	s	METAL, CHIP 10K 5% 1/10W
R524	1-216-073-00	s	METAL, CHIP 10K 5% 1/10W
R525	1-216-073-00	s	METAL, CHIP 10K 5% 1/10W
R526	1-216-073-00	s	METAL, CHIP 10K 5% 1/10W
R527	1-216-073-00	s	METAL, CHIP 10K 5% 1/10W
R528	1-216-073-00	s	METAL, CHIP 10K 5% 1/10W
R529	1-216-073-00	s	METAL, CHIP 10K 5% 1/10W
R530	1-216-097-11	s	METAL, CHIP 100K 5% 1/10W
R531	1-216-097-11	s	METAL, CHIP 100K 5% 1/10W
R532	1-216-073-00	s	METAL, CHIP 10K 5% 1/10W
R533	1-216-073-00	s	METAL, CHIP 10K 5% 1/10W
R534	1-216-073-00	s	METAL, CHIP 10K 5% 1/10W
R535	1-216-049-11	s	METAL, CHIP 1K 5% 1/10W
R536	1-216-049-11	s	METAL, CHIP 1K 5% 1/10W
R537	1-216-049-11	s	METAL, CHIP 1K 5% 1/10W
R538	1-216-049-11	s	METAL, CHIP 1K 5% 1/10W
R539	1-216-049-11	s	METAL, CHIP 1K 5% 1/10W
R540	1-216-049-11	s	METAL, CHIP 1K 5% 1/10W
R550	1-216-049-11	s	METAL, CHIP 1K 5% 1/10W
R551	1-216-049-11	s	METAL, CHIP 1K 5% 1/10W
R552	1-216-057-00	s	METAL, CHIP 2.2K 5% 1/10W
R553	1-216-057-00	s	METAL, CHIP 2.2K 5% 1/10W
R601	1-216-057-00	s	METAL, CHIP 2.2K 5% 1/10W
R602	1-216-057-00	s	METAL, CHIP 2.2K 5% 1/10W
R605	1-216-037-00	s	METAL, CHIP 330 5% 1/10W
R606	1-216-121-11	s	METAL, CHIP 1M 5% 1/10W
R607	1-216-097-11	s	METAL, CHIP 100K 5% 1/10W
R608	1-216-097-11	s	METAL, CHIP 100K 5% 1/10W
R609	1-216-097-11	s	METAL, CHIP 100K 5% 1/10W
R610	1-216-097-11	s	METAL, CHIP 100K 5% 1/10W
R611	1-216-097-11	s	METAL, CHIP 100K 5% 1/10W
R612	1-216-097-11	s	METAL, CHIP 100K 5% 1/10W
R613	1-216-097-11	s	METAL, CHIP 100K 5% 1/10W
R614	1-216-089-91	s	METAL, CHIP 47k 5% 1/10W
R1000	1-216-089-91	s	METAL, CHIP 47k 5% 1/10W
R1001	1-216-001-00	s	METAL, CHIP 10 5% 1/10W
R1002	1-216-097-11	s	METAL, CHIP 100K 5% 1/10W
R1003	1-216-097-11	s	METAL, CHIP 100K 5% 1/10W
R1004	1-216-676-11	s	METAL, CHIP 11K 0.5% 1/10W
R1005	1-216-676-11	s	METAL, CHIP 11K 0.5% 1/10W
R1006	1-216-025-11	s	METAL, CHIP 100 5% 1/10W
R1007	1-216-089-91	s	METAL, CHIP 47k 5% 1/10W
R1008	1-216-025-11	s	METAL, CHIP 100 5% 1/10W
R1009	1-216-065-00	s	METAL, CHIP 4.7K 5% 1/10W
R1010	1-216-049-11	s	METAL, CHIP 1K 5% 1/10W
R1011	1-216-025-11	s	METAL, CHIP 100 5% 1/10W
R1012	1-216-121-11	s	METAL, CHIP 1M 5% 1/10W
R1013	1-216-061-00	s	METAL, CHIP 3.3K 5% 1/10W
R1014	1-216-085-00	s	METAL, CHIP 33K 5% 1/10W
R1015	1-216-085-00	s	METAL, CHIP 33K 5% 1/10W

(SS-75 BOARD (Suffix number of board is 12.))

Ref. No. or Q'ty	Part No.	SP	Description
R1016	1-216-089-91	s	METAL, CHIP 47k 5% 1/10W
R1017	1-216-065-00	s	METAL, CHIP 4.7K 5% 1/10W
R1018	1-218-769-11	s	METAL, CHIP 510K 0.5% 1/10W
R1019	1-216-676-11	s	METAL, CHIP 11K 0.5% 1/10W
R1020	1-216-676-11	s	METAL, CHIP 11K 0.5% 1/10W
R1021	1-216-025-11	s	METAL, CHIP 100 5% 1/10W
R1022	1-216-073-00	s	METAL, CHIP 10K 5% 1/10W
R1023	1-216-073-00	s	METAL, CHIP 10K 5% 1/10W
R1024	1-216-073-00	s	METAL, CHIP 10K 5% 1/10W
R1025	1-216-121-11	s	METAL, CHIP 1M 5% 1/10W
R1026	1-216-109-00	s	METAL, CHIP 330K 5% 1/10W
R1027	1-216-109-00	s	METAL, CHIP 330K 5% 1/10W
R1028	1-218-769-11	s	METAL, CHIP 510K 0.5% 1/10W
R1029	1-216-073-00	s	METAL, CHIP 10K 5% 1/10W
R1030	1-216-073-00	s	METAL, CHIP 10K 5% 1/10W
R1031	1-216-113-00	s	METAL, CHIP 470K 5% 1/10W
R1032	1-216-073-00	s	METAL, CHIP 10K 5% 1/10W
R1034	1-216-089-91	s	METAL, CHIP 47k 5% 1/10W
R1035	1-216-089-91	s	METAL, CHIP 47k 5% 1/10W
R1036	1-216-089-91	s	METAL, CHIP 47k 5% 1/10W
R1037	1-216-089-91	s	METAL, CHIP 47k 5% 1/10W
R1038	1-216-089-91	s	METAL, CHIP 47k 5% 1/10W
R1039	1-216-089-91	s	METAL, CHIP 47k 5% 1/10W
R1040	1-216-089-91	s	METAL, CHIP 47k 5% 1/10W
R1041	1-216-089-91	s	METAL, CHIP 47k 5% 1/10W
R1042	1-216-113-00	s	METAL, CHIP 470K 5% 1/10W
R1043	1-216-089-91	s	METAL, CHIP 47k 5% 1/10W
R1045	1-216-089-91	s	METAL, CHIP 47k 5% 1/10W
R1046	1-216-089-91	s	METAL, CHIP 47k 5% 1/10W
R1047	1-216-089-91	s	METAL, CHIP 47k 5% 1/10W
R1048	1-216-089-91	s	METAL, CHIP 47k 5% 1/10W
R1051	1-216-073-00	s	METAL, CHIP 10K 5% 1/10W
R1052	1-216-073-00	s	METAL, CHIP 10K 5% 1/10W
R1053	1-216-057-00	s	METAL, CHIP 2.2K 5% 1/10W
R1054	1-216-089-91	s	METAL, CHIP 47k 5% 1/10W
R1055	1-216-089-91	s	METAL, CHIP 47k 5% 1/10W
R1056	1-216-089-91	s	METAL, CHIP 47k 5% 1/10W
R1057	1-216-089-91	s	METAL, CHIP 47k 5% 1/10W
R1058	1-216-089-91	s	METAL, CHIP 47k 5% 1/10W
R1059	1-216-073-00	s	METAL, CHIP 10K 5% 1/10W
R1065	1-216-089-91	s	METAL, CHIP 47k 5% 1/10W
R1066	1-216-089-91	s	METAL, CHIP 47k 5% 1/10W
R1068	1-216-049-11	s	METAL, CHIP 1K 5% 1/10W
R1069	1-216-049-11	s	METAL, CHIP 1K 5% 1/10W
R1070	1-216-057-00	s	METAL, CHIP 2.2K 5% 1/10W
R1100	1-216-089-91	s	METAL, CHIP 47k 5% 1/10W
R1101	1-216-025-11	s	METAL, CHIP 100 5% 1/10W
R1102	1-216-089-91	s	METAL, CHIP 47k 5% 1/10W
R1103	1-216-049-11	s	METAL, CHIP 1K 5% 1/10W
R1104	1-216-049-11	s	METAL, CHIP 1K 5% 1/10W
R1105	1-216-025-11	s	METAL, CHIP 100 5% 1/10W
R1106	1-216-073-00	s	METAL, CHIP 10K 5% 1/10W
R1107	1-216-073-00	s	METAL, CHIP 10K 5% 1/10W
R1109	1-216-025-11	s	METAL, CHIP 100 5% 1/10W
R1110	1-216-025-11	s	METAL, CHIP 100 5% 1/10W
R1111	1-216-089-91	s	METAL, CHIP 47k 5% 1/10W
R1112	1-216-089-91	s	METAL, CHIP 47k 5% 1/10W
R1113	1-216-025-11	s	METAL, CHIP 100 5% 1/10W
R1114	1-216-025-11	s	METAL, CHIP 100 5% 1/10W

(SS-75 BOARD (Suffix number of board is 12.))

Ref. No. or Q'ty	Part No.	SP Description
R1115	1-216-073-00	s METAL, CHIP 10K 5% 1/10W
R1116	1-216-073-00	s METAL, CHIP 10K 5% 1/10W
R1117	1-216-073-00	s METAL, CHIP 10K 5% 1/10W
R1118	1-216-073-00	s METAL, CHIP 10K 5% 1/10W
R1119	1-216-081-00	s METAL, CHIP 22K 5% 1/10W
R1120	1-216-081-00	s METAL, CHIP 22K 5% 1/10W
R1121	1-216-081-00	s METAL, CHIP 22K 5% 1/10W
R1122	1-216-081-00	s METAL, CHIP 22K 5% 1/10W
R1123	1-216-065-00	s METAL, CHIP 4.7K 5% 1/10W
R1124	1-216-089-91	s METAL, CHIP 47k 5% 1/10W
R1125	1-216-089-91	s METAL, CHIP 47k 5% 1/10W
R1126	1-216-097-11	s METAL, CHIP 100K 5% 1/10W
R1127	1-216-109-00	s METAL, CHIP 330K 5% 1/10W
R1128	1-216-057-00	s METAL, CHIP 2.2K 5% 1/10W
R1129	1-216-057-00	s METAL, CHIP 2.2K 5% 1/10W
R1130	1-216-085-00	s METAL, CHIP 33K 5% 1/10W
R1134	1-216-025-11	s METAL, CHIP 100 5% 1/10W
R1135	1-216-025-11	s METAL, CHIP 100 5% 1/10W
R1141	1-216-089-91	s METAL, CHIP 47k 5% 1/10W
R1142	1-216-025-11	s METAL, CHIP 100 5% 1/10W
R1143	1-216-081-00	s METAL, CHIP 22K 5% 1/10W
R1146	1-216-025-11	s METAL, CHIP 100 5% 1/10W
R1147	1-216-081-00	s METAL, CHIP 22K 5% 1/10W
R1148	1-216-025-11	s METAL, CHIP 100 5% 1/10W
R1149	1-216-025-11	s METAL, CHIP 100 5% 1/10W
R1157	1-216-049-11	s METAL, CHIP 1K 5% 1/10W
R1158	1-216-025-11	s METAL, CHIP 100 5% 1/10W
R1160	1-216-025-11	s METAL, CHIP 100 5% 1/10W
R1161	1-216-081-00	s METAL, CHIP 22K 5% 1/10W
R1201	1-216-025-11	s METAL, CHIP 100 5% 1/10W
R1202	1-216-051-00	s METAL, CHIP 1.2K 5% 1/10W
R1203	1-216-051-00	s METAL, CHIP 1.2K 5% 1/10W
R1204	1-216-051-00	s METAL, CHIP 1.2K 5% 1/10W
R1206	1-216-073-00	s METAL, CHIP 10K 5% 1/10W
R1210	1-216-089-91	s METAL, CHIP 47k 5% 1/10W
R1212	1-216-073-00	s METAL, CHIP 10K 5% 1/10W
R1213	1-216-089-91	s METAL, CHIP 47k 5% 1/10W
R1214	1-216-089-91	s METAL, CHIP 47k 5% 1/10W
R1218	1-216-699-11	s METAL, CHIP 100K 0.5% 1/10W
R1219	1-216-651-11	s METAL, CHIP 1K 0.5% 1/10W
R1220	1-216-651-11	s METAL, CHIP 1K 0.5% 1/10W
R1221	1-216-699-11	s METAL, CHIP 100K 0.5% 1/10W
R1222	1-216-025-11	s METAL, CHIP 100 5% 1/10W
R1223	1-216-065-00	s METAL, CHIP 4.7K 5% 1/10W
R1224	1-216-057-00	s METAL, CHIP 2.2K 5% 1/10W
R1226	1-216-089-91	s METAL, CHIP 47k 5% 1/10W
R1227	1-216-089-91	s METAL, CHIP 47k 5% 1/10W
R1228	1-216-089-91	s METAL, CHIP 47k 5% 1/10W
R1229	1-216-089-91	s METAL, CHIP 47k 5% 1/10W
R1233	1-216-025-11	s METAL, CHIP 100 5% 1/10W
R1234	1-216-025-11	s METAL, CHIP 100 5% 1/10W
R1300	1-218-478-11	s METAL, CHIP 330 5% 1/4W
R1301	1-218-478-11	s METAL, CHIP 330 5% 1/4W
R2100	1-216-073-00	s METAL, CHIP 10K 5% 1/10W
R2101	1-216-073-00	s METAL, CHIP 10K 5% 1/10W
R2102	1-216-089-91	s METAL, CHIP 47k 5% 1/10W
R2103	1-216-089-91	s METAL, CHIP 47k 5% 1/10W
R2104	1-216-025-11	s METAL, CHIP 100 5% 1/10W
R2105	1-216-025-11	s METAL, CHIP 100 5% 1/10W

(SS-75 BOARD (Suffix number of board is 12.))

Ref. No. or Q'ty	Part No.	SP Description
R2106	1-216-089-91	s METAL, CHIP 47k 5% 1/10W
R2107	1-216-089-91	s METAL, CHIP 47k 5% 1/10W
R2108	1-216-089-91	s METAL, CHIP 47k 5% 1/10W
R2109	1-216-089-91	s METAL, CHIP 47k 5% 1/10W
R2110	1-216-049-11	s METAL, CHIP 1K 5% 1/10W
R2116	1-216-089-91	s METAL, CHIP 47k 5% 1/10W
R2117	1-216-049-11	s METAL, CHIP 1K 5% 1/10W
R2135	1-216-089-91	s METAL, CHIP 47k 5% 1/10W
R2136	1-216-089-91	s METAL, CHIP 47k 5% 1/10W
R2138	1-216-089-91	s METAL, CHIP 47k 5% 1/10W
R2142	1-216-049-11	s METAL, CHIP 1K 5% 1/10W
R2200	1-216-089-91	s METAL, CHIP 47k 5% 1/10W
R2201	1-216-089-91	s METAL, CHIP 47k 5% 1/10W
R2202	1-216-089-91	s METAL, CHIP 47k 5% 1/10W
R2203	1-216-067-00	s METAL, CHIP 5.6K 5% 1/10W
R2204	1-216-089-91	s METAL, CHIP 47k 5% 1/10W
R2205	1-216-089-91	s METAL, CHIP 47k 5% 1/10W
R2206	1-216-049-11	s METAL, CHIP 1K 5% 1/10W
R2207	1-216-049-11	s METAL, CHIP 1K 5% 1/10W
R2208	1-216-049-11	s METAL, CHIP 1K 5% 1/10W
R2209	1-216-049-11	s METAL, CHIP 1K 5% 1/10W
R2210	1-216-049-11	s METAL, CHIP 1K 5% 1/10W
R2212	1-216-089-91	s METAL, CHIP 47k 5% 1/10W
R2225	1-216-073-00	s METAL, CHIP 10K 5% 1/10W
R2226	1-216-085-00	s METAL, CHIP 33K 5% 1/10W
R2227	1-216-073-00	s METAL, CHIP 10K 5% 1/10W
R2228	1-216-091-00	s METAL, CHIP 56K 5% 1/10W
R2229	1-216-055-00	s METAL, CHIP 1.8K 5% 1/10W
R2230	1-216-073-00	s METAL, CHIP 10K 5% 1/10W
R2231	1-216-073-00	s METAL, CHIP 10K 5% 1/10W
R2232	1-216-061-00	s METAL, CHIP 3.3K 5% 1/10W
R2301	1-216-089-91	s METAL, CHIP 47k 5% 1/10W
R2302	1-216-676-11	s METAL, CHIP 11K 0.5% 1/10W
R2303	1-216-025-11	s METAL, CHIP 100 5% 1/10W
R2305	1-216-675-11	s METAL, CHIP 10K 0.5% 1/10W
R2306	1-216-677-11	s METAL, CHIP 12K 0.5% 1/10W
R2307	1-216-687-11	s METAL, CHIP 33K 0.5% 1/10W
R2308	1-216-667-11	s METAL, CHIP 4.7K 0.5% 1/10W
R2309	1-216-097-11	s METAL, CHIP 100K 5% 1/10W
R2310	1-216-693-11	s METAL, CHIP 56K 0.5% 1/10W
R2311	1-216-675-11	s METAL, CHIP 10K 0.5% 1/10W
R2312	1-216-693-11	s METAL, CHIP 56K 0.5% 1/10W
R2313	1-216-097-11	s METAL, CHIP 100K 5% 1/10W
R2315	1-216-667-11	s METAL, CHIP 4.7K 0.5% 1/10W
R2317	1-216-689-11	s METAL, CHIP 39K 0.5% 1/10W
R2318	1-216-675-11	s METAL, CHIP 10K 0.5% 1/10W
R2319	1-216-049-11	s METAL, CHIP 1K 5% 1/10W
R2322	1-216-049-11	s METAL, CHIP 1K 5% 1/10W
R2323	1-216-097-11	s METAL, CHIP 100K 5% 1/10W
R2324	1-216-089-91	s METAL, CHIP 47k 5% 1/10W
R2325	1-216-049-11	s METAL, CHIP 1K 5% 1/10W
R2326	1-216-049-11	s METAL, CHIP 1K 5% 1/10W
R2327	1-216-059-00	s METAL, CHIP 2.7K 5% 1/10W
R2328	1-216-105-11	s METAL, CHIP 220K 5% 1/10W
R2329	1-216-073-00	s METAL, CHIP 10K 5% 1/10W
R2330	1-216-049-11	s METAL, CHIP 1K 5% 1/10W
R2331	1-216-089-91	s METAL, CHIP 47k 5% 1/10W
R2332	1-216-073-00	s METAL, CHIP 10K 5% 1/10W
R2333	1-216-049-11	s METAL, CHIP 1K 5% 1/10W

(SS-75 BOARD (Suffix number of board is 12.))

Ref. No. or Q'ty	Part No.	SP	Description
R2334	1-216-059-00	s	METAL, CHIP 2.7K 5% 1/10W
R2335	1-216-105-11	s	METAL, CHIP 220K 5% 1/10W
R2340	1-216-073-00	s	METAL, CHIP 10K 5% 1/10W
R2341	1-216-073-00	s	METAL, CHIP 10K 5% 1/10W
R2342	1-216-073-00	s	METAL, CHIP 10K 5% 1/10W
R2344	1-216-073-00	s	METAL, CHIP 10K 5% 1/10W
R2345	1-216-097-11	s	METAL, CHIP 100K 5% 1/10W
R2346	1-216-073-00	s	METAL, CHIP 10K 5% 1/10W
R2347	1-216-049-11	s	METAL, CHIP 1K 5% 1/10W
R2348	1-216-681-11	s	METAL, CHIP 18K 0.5% 1/10W
R2349	1-216-677-11	s	METAL, CHIP 12K 0.5% 1/10W
R2350	1-216-681-11	s	METAL, CHIP 18K 0.5% 1/10W
R2351	1-216-688-11	s	METAL, CHIP 36K 0.5% 1/10W
R2354	1-216-025-11	s	METAL, CHIP 100 5% 1/10W
R2355	1-216-667-11	s	METAL, CHIP 4.7K 0.5% 1/10W
R2356	1-216-689-11	s	METAL, CHIP 39K 0.5% 1/10W
R2360	1-216-682-11	s	METAL, CHIP 20K 0.5% 1/10W
R2361	1-216-693-11	s	METAL, CHIP 56K 0.5% 1/10W
R2362	1-216-693-11	s	METAL, CHIP 56K 0.5% 1/10W
R2363	1-216-693-11	s	METAL, CHIP 56K 0.5% 1/10W
R2500	1-216-687-11	s	METAL, CHIP 33K 0.5% 1/10W
R2501	1-216-687-11	s	METAL, CHIP 33K 0.5% 1/10W
R2502	1-216-675-11	s	METAL, CHIP 10K 0.5% 1/10W
R2503	1-216-675-11	s	METAL, CHIP 10K 0.5% 1/10W
R2504	1-216-675-11	s	METAL, CHIP 10K 0.5% 1/10W
R2505	1-216-675-11	s	METAL, CHIP 10K 0.5% 1/10W
R2506	1-216-651-11	s	METAL, CHIP 1K 0.5% 1/10W
R2507	1-216-651-11	s	METAL, CHIP 1K 0.5% 1/10W
R2508	1-216-689-11	s	METAL, CHIP 39K 0.5% 1/10W
R2509	1-216-689-11	s	METAL, CHIP 39K 0.5% 1/10W
R2510	1-218-758-11	s	METAL, CHIP 180K 0.5% 1/10W
R2511	1-218-758-11	s	METAL, CHIP 180K 0.5% 1/10W
R2512	1-216-663-11	s	METAL, CHIP 3.3K 0.5% 1/10W
R2513	1-216-663-11	s	METAL, CHIP 3.3K 0.5% 1/10W
R2514	1-216-694-11	s	METAL, CHIP 62K 0.5% 1/10W
R2515	1-216-665-11	s	METAL, CHIP 3.9K 0.5% 1/10W
R2516	1-216-694-11	s	METAL, CHIP 62K 0.5% 1/10W
R2517	1-216-665-11	s	METAL, CHIP 3.9K 0.5% 1/10W
R2518	1-216-692-11	s	METAL, CHIP 51K 0.5% 1/10W
R2519	1-216-692-11	s	METAL, CHIP 51K 0.5% 1/10W
R2520	1-216-049-11	s	METAL, CHIP 1K 5% 1/10W
R2521	1-218-756-11	s	METAL, CHIP 150K 0.5% 1/10W
R2522	1-216-651-11	s	METAL, CHIP 1K 0.5% 1/10W
R2523	1-216-651-11	s	METAL, CHIP 1K 0.5% 1/10W
R2524	1-216-667-11	s	METAL, CHIP 4.7K 0.5% 1/10W
R2525	1-216-049-11	s	METAL, CHIP 1K 5% 1/10W
R2526	1-216-073-00	s	METAL, CHIP 10K 5% 1/10W
R2527	1-216-073-00	s	METAL, CHIP 10K 5% 1/10W
R2528	1-216-687-11	s	METAL, CHIP 33K 0.5% 1/10W
R2529	1-216-687-11	s	METAL, CHIP 33K 0.5% 1/10W
R2530	1-216-687-11	s	METAL, CHIP 33K 0.5% 1/10W
R2531	1-216-687-11	s	METAL, CHIP 33K 0.5% 1/10W
R2532	1-216-687-11	s	METAL, CHIP 33K 0.5% 1/10W
R2533	1-216-687-11	s	METAL, CHIP 33K 0.5% 1/10W
R2534	1-216-687-11	s	METAL, CHIP 33K 0.5% 1/10W
R2535	1-216-687-11	s	METAL, CHIP 33K 0.5% 1/10W
R2536	1-216-675-11	s	METAL, CHIP 10K 0.5% 1/10W
R2537	1-216-675-11	s	METAL, CHIP 10K 0.5% 1/10W
R2538	1-216-675-11	s	METAL, CHIP 10K 0.5% 1/10W

(SS-75 BOARD (Suffix number of board is 12.))

Ref. No. or Q'ty	Part No.	SP	Description
R2539	1-216-675-11	s	METAL, CHIP 10K 0.5% 1/10W
R2540	1-216-687-11	s	METAL, CHIP 33K 0.5% 1/10W
R2541	1-216-687-11	s	METAL, CHIP 33K 0.5% 1/10W
R2542	1-216-687-11	s	METAL, CHIP 33K 0.5% 1/10W
R2543	1-216-687-11	s	METAL, CHIP 33K 0.5% 1/10W
R2544	1-216-073-00	s	METAL, CHIP 10K 5% 1/10W
R2545	1-216-089-91	s	METAL, CHIP 47k 5% 1/10W
R2546	1-216-655-11	s	METAL, CHIP 1.5K 0.5% 1/10W
R2547	1-218-756-11	s	METAL, CHIP 150K 0.5% 1/10W
R2548	1-216-687-11	s	METAL, CHIP 33K 0.5% 1/10W
R2549	1-216-687-11	s	METAL, CHIP 33K 0.5% 1/10W
R2550	1-218-754-11	s	METAL, CHIP 120K 0.50% 1/10W
R2551	1-216-687-11	s	METAL, CHIP 33K 0.5% 1/10W
R2552	1-216-687-11	s	METAL, CHIP 33K 0.5% 1/10W
R2553	1-216-073-00	s	METAL, CHIP 10K 5% 1/10W
R2554	1-216-089-91	s	METAL, CHIP 47k 5% 1/10W
R2555	1-216-049-11	s	METAL, CHIP 1K 5% 1/10W
R2556	1-216-073-00	s	METAL, CHIP 10K 5% 1/10W
R2557	1-216-073-00	s	METAL, CHIP 10K 5% 1/10W
R2560	1-216-686-11	s	METAL, CHIP 30K 0.5% 1/10W
R2561	1-216-675-11	s	METAL, CHIP 10K 0.5% 1/10W
R2562	1-216-073-00	s	METAL, CHIP 10K 5% 1/10W
R2563	1-216-073-00	s	METAL, CHIP 10K 5% 1/10W
R2602	1-216-047-11	s	METAL, CHIP 820 5% 1/10W
R2603	1-216-073-00	s	METAL, CHIP 10K 5% 1/10W
R2604	1-216-089-91	s	METAL, CHIP 47k 5% 1/10W
R2605	1-216-073-00	s	METAL, CHIP 10K 5% 1/10W
R2606	1-216-089-91	s	METAL, CHIP 47k 5% 1/10W
R2607	1-216-089-91	s	METAL, CHIP 47k 5% 1/10W
R2608	1-216-049-11	s	METAL, CHIP 1K 5% 1/10W
R2610	1-216-049-11	s	METAL, CHIP 1K 5% 1/10W
R2612	1-216-073-00	s	METAL, CHIP 10K 5% 1/10W
R2613	1-216-073-00	s	METAL, CHIP 10K 5% 1/10W
R2614	1-216-073-00	s	METAL, CHIP 10K 5% 1/10W
R2615	1-216-073-00	s	METAL, CHIP 10K 5% 1/10W
R2616	1-216-073-00	s	METAL, CHIP 10K 5% 1/10W
R2617	1-216-073-00	s	METAL, CHIP 10K 5% 1/10W
R2701	1-216-089-91	s	METAL, CHIP 47k 5% 1/10W
R2702	1-216-676-11	s	METAL, CHIP 11K 0.5% 1/10W
R2703	1-216-025-11	s	METAL, CHIP 100 5% 1/10W
R2705	1-216-675-11	s	METAL, CHIP 10K 0.5% 1/10W
R2706	1-216-677-11	s	METAL, CHIP 12K 0.5% 1/10W
R2707	1-216-085-00	s	METAL, CHIP 33K 5% 1/10W
R2708	1-216-667-11	s	METAL, CHIP 4.7K 0.5% 1/10W
R2709	1-216-097-11	s	METAL, CHIP 100K 5% 1/10W
R2711	1-216-675-11	s	METAL, CHIP 10K 0.5% 1/10W
R2712	1-216-693-11	s	METAL, CHIP 56K 0.5% 1/10W
R2713	1-216-097-11	s	METAL, CHIP 100K 5% 1/10W
R2715	1-216-667-11	s	METAL, CHIP 4.7K 0.5% 1/10W
R2717	1-216-689-11	s	METAL, CHIP 39K 0.5% 1/10W
R2718	1-216-675-11	s	METAL, CHIP 10K 0.5% 1/10W
R2719	1-216-049-11	s	METAL, CHIP 1K 5% 1/10W
R2722	1-216-049-11	s	METAL, CHIP 1K 5% 1/10W
R2723	1-216-097-11	s	METAL, CHIP 100K 5% 1/10W
R2724	1-216-089-91	s	METAL, CHIP 47k 5% 1/10W
R2725	1-216-049-11	s	METAL, CHIP 1K 5% 1/10W
R2727	1-216-059-00	s	METAL, CHIP 2.7K 5% 1/10W
R2728	1-216-105-11	s	METAL, CHIP 220K 5% 1/10W
R2729	1-216-073-00	s	METAL, CHIP 10K 5% 1/10W

(SS-75 BOARD (Suffix number of board is 12.))

Ref. No. or Q'ty	Part No.	SP Description
R2730	1-216-049-11	s METAL, CHIP 1K 5% 1/10W
R2731	1-216-089-91	s METAL, CHIP 47K 5% 1/10W
R2732	1-216-073-00	s METAL, CHIP 10K 5% 1/10W
R2733	1-216-049-11	s METAL, CHIP 1K 5% 1/10W
R2734	1-216-059-00	s METAL, CHIP 2.7K 5% 1/10W
R2735	1-216-105-11	s METAL, CHIP 220K 5% 1/10W
R2740	1-216-073-00	s METAL, CHIP 10K 5% 1/10W
R2741	1-216-073-00	s METAL, CHIP 10K 5% 1/10W
R2743	1-216-073-00	s METAL, CHIP 10K 5% 1/10W
R2744	1-216-049-11	s METAL, CHIP 1K 5% 1/10W
R2745	1-216-073-00	s METAL, CHIP 10K 5% 1/10W
R2746	1-216-681-11	s METAL, CHIP 18K 0.5% 1/10W
R2747	1-216-097-11	s METAL, CHIP 100K 5% 1/10W
R2748	1-216-073-00	s METAL, CHIP 10K 5% 1/10W
R2749	1-216-677-11	s METAL, CHIP 12K 0.5% 1/10W
R2750	1-216-681-11	s METAL, CHIP 18K 0.5% 1/10W
R2751	1-216-688-11	s METAL, CHIP 36K 0.5% 1/10W
R2754	1-216-676-11	s METAL, CHIP 11K 0.5% 1/10W
R2755	1-216-683-11	s METAL, CHIP 22K 0.5% 1/10W
R2760	1-216-682-11	s METAL, CHIP 20K 0.5% 1/10W
R2761	1-216-693-11	s METAL, CHIP 56K 0.5% 1/10W
R2762	1-216-693-11	s METAL, CHIP 56K 0.5% 1/10W
R2763	1-216-693-11	s METAL, CHIP 56K 0.5% 1/10W
R9726	1-216-049-11	s METAL, CHIP 1K 5% 1/10W
RB101	1-239-305-11	s RESISTOR BLOCK, CHIP 4.7Kx8
RB102	1-239-305-11	s RESISTOR BLOCK, CHIP 4.7Kx8
RB103	1-239-305-11	s RESISTOR BLOCK, CHIP 4.7Kx8
RB104	1-239-308-11	s RESISTOR BLOCK, CHIP 47Kx8
RB105	1-239-308-11	s RESISTOR BLOCK, CHIP 47Kx8
RB201	1-239-308-11	s RESISTOR BLOCK, CHIP 47Kx8
RB202	1-239-308-11	s RESISTOR BLOCK, CHIP 47Kx8
RB401	1-239-305-11	s RESISTOR BLOCK, CHIP 4.7Kx8
RB402	1-239-305-11	s RESISTOR BLOCK, CHIP 4.7Kx8
RB403	1-239-305-11	s RESISTOR BLOCK, CHIP 4.7Kx8
RB404	1-239-305-11	s RESISTOR BLOCK, CHIP 4.7Kx8
RB405	1-239-305-11	s RESISTOR BLOCK, CHIP 4.7Kx8
RB501	1-239-308-11	s RESISTOR BLOCK, CHIP 47Kx8
RB502	1-239-308-11	s RESISTOR BLOCK, CHIP 47Kx8
RB503	1-239-308-11	s RESISTOR BLOCK, CHIP 47Kx8
RB504	1-236-904-11	s RESISTOR BLOCK 1KX4
RB505	1-236-904-11	s RESISTOR BLOCK 1KX4
RB506	1-239-308-11	s RESISTOR BLOCK, CHIP 47Kx8
RB507	1-239-308-11	s RESISTOR BLOCK, CHIP 47Kx8
RB601	1-239-308-11	s RESISTOR BLOCK, CHIP 47Kx8
RB602	1-239-308-11	s RESISTOR BLOCK, CHIP 47Kx8
RB604	1-239-308-11	s RESISTOR BLOCK, CHIP 47Kx8
RB605	1-239-308-11	s RESISTOR BLOCK, CHIP 47Kx8
RB606	1-239-308-11	s RESISTOR BLOCK, CHIP 47Kx8
RB607	1-239-308-11	s RESISTOR BLOCK, CHIP 47Kx8
RB608	1-239-305-11	s RESISTOR BLOCK, CHIP 4.7Kx8
RB1000	1-239-308-11	s RESISTOR BLOCK, CHIP 47Kx8
RB1001	1-239-305-11	s RESISTOR BLOCK, CHIP 4.7Kx8
RB1002	1-239-305-11	s RESISTOR BLOCK, CHIP 4.7Kx8
RB1003	1-239-305-11	s RESISTOR BLOCK, CHIP 4.7Kx8
RB1004	1-239-305-11	s RESISTOR BLOCK, CHIP 4.7Kx8
RB1005	1-239-305-11	s RESISTOR BLOCK, CHIP 4.7Kx8
RB1100	1-239-308-11	s RESISTOR BLOCK, CHIP 47Kx8
RB1101	1-239-412-11	s RESISTOR BLOCK 100X4
RB1102	1-239-412-11	s RESISTOR BLOCK 100X4

(SS-75 BOARD (Suffix number of board is 12.))

Ref. No. or Q'ty	Part No.	SP Description
RB1103	1-236-904-11	s RESISTOR BLOCK 1KX4
RB1104	1-236-904-11	s RESISTOR BLOCK 1KX4
RB1105	1-236-904-11	s RESISTOR BLOCK 1KX4
RB1200	1-239-419-11	s RESISTOR BLOCK 470X4
RB1201	1-239-419-11	s RESISTOR BLOCK 470X4
RB2100	1-239-419-11	s RESISTOR BLOCK 470X4
RB2101	1-239-419-11	s RESISTOR BLOCK 470X4
RB2102	1-239-419-11	s RESISTOR BLOCK 470X4
RB2103	1-239-419-11	s RESISTOR BLOCK 470X4
RB2104	1-239-308-11	s RESISTOR BLOCK, CHIP 47Kx8
RB2105	1-239-308-11	s RESISTOR BLOCK, CHIP 47Kx8
RB2106	1-239-308-11	s RESISTOR BLOCK, CHIP 47Kx8
RB2600	1-236-904-11	s RESISTOR BLOCK 1KX4
RB2601	1-239-308-11	s RESISTOR BLOCK, CHIP 47Kx8
RB2602	1-239-308-11	s RESISTOR BLOCK, CHIP 47Kx8
RB2603	1-236-904-11	s RESISTOR BLOCK 1KX4
RB2604	1-236-904-11	s RESISTOR BLOCK 1KX4
RB2605	1-236-904-11	s RESISTOR BLOCK 1KX4
RV1000	1-241-785-11	s RES, ADJ METAL 10K
S101	1-572-473-11	s SWITCH, PUSH
S102	1-692-535-11	s SWITCH, DIP 4-CKT
S501	1-692-536-11	s SWITCH, DIP 8-CKT
S1000	1-572-473-11	s SWITCH, PUSH
S1001	1-692-535-11	s SWITCH, DIP 4-CKT
S2100	1-572-473-11	s SWITCH, PUSH
S2101	1-692-536-11	s SWITCH, DIP 8-CKT
X401	1-760-528-11	s CRYSTAL 40MHZ
X501	1-767-139-21	s CRYSTAL 9.8304MHZ
X601	1-579-993-21	s CRYSTAL 13.50MHZ

 SS-75 BOARD (Suffix number of board is 11.)

(SS-75 BOARD (Suffix number of board is 11.))

Ref. No. or Q'ty	Part No.	SP	Description
lpc	A-8312-988-A	o	MOUNTED CIRCUIT BOARD, SS-75
C101	1-126-396-11	s	ELECT, CHIP 47uF 20% 16V
C102	1-163-038-91	s	CERAMIC, CHIP 0.1uF 25V 0%
C103	1-107-682-11	s	CERAMIC, CHIP 1uF 10% 16V
C104	1-163-038-91	s	CERAMIC, CHIP 0.1uF 25V 0%
C105	1-163-038-91	s	CERAMIC, CHIP 0.1uF 25V 0%
C106	1-163-038-91	s	CERAMIC, CHIP 0.1uF 25V 0%
C107	1-163-038-91	s	CERAMIC, CHIP 0.1uF 25V 0%
C109	1-163-038-91	s	CERAMIC, CHIP 0.1uF 25V 0%
C110	1-163-038-91	s	CERAMIC, CHIP 0.1uF 25V 0%
C111	1-163-038-91	s	CERAMIC, CHIP 0.1uF 25V 0%
C112	1-163-038-91	s	CERAMIC, CHIP 0.1uF 25V 0%
C113	1-163-038-91	s	CERAMIC, CHIP 0.1uF 25V 0%
C114	1-163-038-91	s	CERAMIC, CHIP 0.1uF 25V 0%
C115	1-163-038-91	s	CERAMIC, CHIP 0.1uF 25V 0%
C116	1-163-038-91	s	CERAMIC, CHIP 0.1uF 25V 0%
C117	1-163-038-91	s	CERAMIC, CHIP 0.1uF 25V 0%
C118	1-163-038-91	s	CERAMIC, CHIP 0.1uF 25V 0%
C119	1-163-038-91	s	CERAMIC, CHIP 0.1uF 25V 0%
C201	1-163-038-91	s	CERAMIC, CHIP 0.1uF 25V 0%
C202	1-163-038-91	s	CERAMIC, CHIP 0.1uF 25V 0%
C203	1-163-038-91	s	CERAMIC, CHIP 0.1uF 25V 0%
C204	1-163-038-91	s	CERAMIC, CHIP 0.1uF 25V 0%
C205	1-163-038-91	s	CERAMIC, CHIP 0.1uF 25V 0%
C206	1-163-038-91	s	CERAMIC, CHIP 0.1uF 25V 0%
C207	1-163-038-91	s	CERAMIC, CHIP 0.1uF 25V 0%
C208	1-163-038-91	s	CERAMIC, CHIP 0.1uF 25V 0%
C209	1-126-947-11	s	ELECT 47uF 20% 35V
C210	1-126-947-11	s	ELECT 47uF 20% 35V
C211	1-163-038-91	s	CERAMIC, CHIP 0.1uF 25V 0%
C212	1-163-038-91	s	CERAMIC, CHIP 0.1uF 25V 0%
C213	1-163-038-91	s	CERAMIC, CHIP 0.1uF 25V 0%
C214	1-126-947-11	s	ELECT 47uF 20% 35V
C215	1-126-947-11	s	ELECT 47uF 20% 35V
C216	1-163-038-91	s	CERAMIC, CHIP 0.1uF 25V 0%
C217	1-163-038-91	s	CERAMIC, CHIP 0.1uF 25V 0%
C218	1-163-037-11	s	CERAMIC, CHIP 0.022uF 10% 25V
C219	1-163-037-11	s	CERAMIC, CHIP 0.022uF 10% 25V
C220	1-163-037-11	s	CERAMIC, CHIP 0.022uF 10% 25V
C221	1-163-037-11	s	CERAMIC, CHIP 0.022uF 10% 25V
C222	1-163-038-91	s	CERAMIC, CHIP 0.1uF 25V 0%
C223	1-163-038-91	s	CERAMIC, CHIP 0.1uF 25V 0%
C224	1-163-038-91	s	CERAMIC, CHIP 0.1uF 25V 0%
C301	1-163-038-91	s	CERAMIC, CHIP 0.1uF 25V 0%
C302	1-163-038-91	s	CERAMIC, CHIP 0.1uF 25V 0%
C303	1-163-038-91	s	CERAMIC, CHIP 0.1uF 25V 0%
C304	1-163-038-91	s	CERAMIC, CHIP 0.1uF 25V 0%
C313	1-163-038-91	s	CERAMIC, CHIP 0.1uF 25V 0%
C314	1-163-038-91	s	CERAMIC, CHIP 0.1uF 25V 0%
C401	1-163-038-91	s	CERAMIC, CHIP 0.1uF 25V 0%
C402	1-163-038-91	s	CERAMIC, CHIP 0.1uF 25V 0%
C403	1-163-038-91	s	CERAMIC, CHIP 0.1uF 25V 0%
C404	1-163-038-91	s	CERAMIC, CHIP 0.1uF 25V 0%
C405	1-163-038-91	s	CERAMIC, CHIP 0.1uF 25V 0%
C406	1-163-038-91	s	CERAMIC, CHIP 0.1uF 25V 0%
C407	1-163-243-11	s	CERAMIC, CHIP 47PF 5% 50V
C408	1-163-038-91	s	CERAMIC, CHIP 0.1uF 25V 0%
C409	1-163-038-91	s	CERAMIC, CHIP 0.1uF 25V 0%

Ref. No. or Q'ty	Part No.	SP	Description
C410	1-163-038-91	s	CERAMIC, CHIP 0.1uF 25V 0%
C411	1-163-038-91	s	CERAMIC, CHIP 0.1uF 25V 0%
C412	1-163-038-91	s	CERAMIC, CHIP 0.1uF 25V 0%
C413	1-163-038-91	s	CERAMIC, CHIP 0.1uF 25V 0%
C414	1-163-038-91	s	CERAMIC, CHIP 0.1uF 25V 0%
C415	1-163-038-91	s	CERAMIC, CHIP 0.1uF 25V 0%
C418	1-163-038-91	s	CERAMIC, CHIP 0.1uF 25V 0%
C419	1-163-038-91	s	CERAMIC, CHIP 0.1uF 25V 0%
C420	1-163-038-91	s	CERAMIC, CHIP 0.1uF 25V 0%
C421	1-163-038-91	s	CERAMIC, CHIP 0.1uF 25V 0%
C422	1-163-038-91	s	CERAMIC, CHIP 0.1uF 25V 0%
C501	1-163-038-91	s	CERAMIC, CHIP 0.1uF 25V 0%
C502	1-163-038-91	s	CERAMIC, CHIP 0.1uF 25V 0%
C503	1-163-038-91	s	CERAMIC, CHIP 0.1uF 25V 0%
C504	1-163-038-91	s	CERAMIC, CHIP 0.1uF 25V 0%
C505	1-163-038-91	s	CERAMIC, CHIP 0.1uF 25V 0%
C506	1-163-038-91	s	CERAMIC, CHIP 0.1uF 25V 0%
C507	1-163-038-91	s	CERAMIC, CHIP 0.1uF 25V 0%
C508	1-163-038-91	s	CERAMIC, CHIP 0.1uF 25V 0%
C509	1-163-038-91	s	CERAMIC, CHIP 0.1uF 25V 0%
C601	1-163-038-91	s	CERAMIC, CHIP 0.1uF 25V 0%
C602	1-163-235-11	s	CERAMIC, CHIP 22PF 5% 50V
C603	1-163-235-11	s	CERAMIC, CHIP 22PF 5% 50V
C604	1-163-038-91	s	CERAMIC, CHIP 0.1uF 25V 0%
C605	1-163-038-91	s	CERAMIC, CHIP 0.1uF 25V 0%
C606	1-163-038-91	s	CERAMIC, CHIP 0.1uF 25V 0%
C607	1-163-038-91	s	CERAMIC, CHIP 0.1uF 25V 0%
C608	1-163-038-91	s	CERAMIC, CHIP 0.1uF 25V 0%
C609	1-163-038-91	s	CERAMIC, CHIP 0.1uF 25V 0%
C610	1-163-038-91	s	CERAMIC, CHIP 0.1uF 25V 0%
C611	1-163-038-91	s	CERAMIC, CHIP 0.1uF 25V 0%
C612	1-163-038-91	s	CERAMIC, CHIP 0.1uF 25V 0%
C613	1-163-038-91	s	CERAMIC, CHIP 0.1uF 25V 0%
C614	1-163-038-91	s	CERAMIC, CHIP 0.1uF 25V 0%
C615	1-163-038-91	s	CERAMIC, CHIP 0.1uF 25V 0%
C1000	1-126-960-11	s	ELECT 1uF 20% 50V
C1001	1-104-760-11	s	CERAMIC, CHIP 0.047uF 10% 50V
C1002	1-104-760-11	s	CERAMIC, CHIP 0.047uF 10% 50V
C1003	1-104-760-11	s	CERAMIC, CHIP 0.047uF 10% 50V
C1004	1-135-177-21	s	TANTALUM, CHIP 1uF 10% 25V
C1005	1-104-760-11	s	CERAMIC, CHIP 0.047uF 10% 50V
C1006	1-164-004-11	s	CERAMIC, CHIP 0.1uF 10% 25V
C1007	1-135-177-21	s	TANTALUM, CHIP 1uF 10% 25V
C1008	1-164-004-11	s	CERAMIC, CHIP 0.1uF 10% 25V
C1009	1-164-004-11	s	CERAMIC, CHIP 0.1uF 10% 25V
C1010	1-163-251-11	s	CERAMIC, CHIP 100PF 5% 50V
C1011	1-104-760-11	s	CERAMIC, CHIP 0.047uF 10% 50V
C1012	1-163-251-11	s	CERAMIC, CHIP 100PF 5% 50V
C1013	1-104-760-11	s	CERAMIC, CHIP 0.047uF 10% 50V
C1014	1-163-251-11	s	CERAMIC, CHIP 100PF 5% 50V
C1015	1-163-038-91	s	CERAMIC, CHIP 0.1uF 25V 0%
C1016	1-163-251-11	s	CERAMIC, CHIP 100PF 5% 50V
C1017	1-163-038-91	s	CERAMIC, CHIP 0.1uF 25V 0%
C1018	1-163-038-91	s	CERAMIC, CHIP 0.1uF 25V 0%
C1019	1-163-038-91	s	CERAMIC, CHIP 0.1uF 25V 0%
C1020	1-163-038-91	s	CERAMIC, CHIP 0.1uF 25V 0%
C1021	1-163-038-91	s	CERAMIC, CHIP 0.1uF 25V 0%
C1022	1-163-038-91	s	CERAMIC, CHIP 0.1uF 25V 0%
C1023	1-163-038-91	s	CERAMIC, CHIP 0.1uF 25V 0%

(SS-75 BOARD (Suffix number of board is 11.))

(SS-75 BOARD (Suffix number of board is 11.))

Ref. No. or Q'ty	Part No.	SP Description
C1024	1-163-038-91	s CERAMIC, CHIP 0.1uF 25V 0%
C1025	1-163-038-91	s CERAMIC, CHIP 0.1uF 25V 0%
C1026	1-163-038-91	s CERAMIC, CHIP 0.1uF 25V 0%
C1027	1-163-038-91	s CERAMIC, CHIP 0.1uF 25V 0%
C1028	1-163-038-91	s CERAMIC, CHIP 0.1uF 25V 0%
C1100	1-163-009-11	s CERAMIC, CHIP 0.001uF 10% 50V
C1101	1-164-232-11	s CERAMIC, CHIP 0.01uF 10% 100V
C1102	1-164-232-11	s CERAMIC, CHIP 0.01uF 10% 100V
C1103	1-163-009-11	s CERAMIC, CHIP 0.001uF 10% 50V
C1104	1-163-009-11	s CERAMIC, CHIP 0.001uF 10% 50V
C1105	1-163-017-00	s CERAMIC, CHIP 0.0047uF 5% 50V
C1106	1-163-009-11	s CERAMIC, CHIP 0.001uF 10% 50V
C1107	1-163-017-00	s CERAMIC, CHIP 0.0047uF 5% 50V
C1108	1-163-009-11	s CERAMIC, CHIP 0.001uF 10% 50V
C1109	1-163-038-91	s CERAMIC, CHIP 0.1uF 25V 0%
C1110	1-163-037-11	s CERAMIC, CHIP 0.022uF 10% 25V
C1111	1-163-037-11	s CERAMIC, CHIP 0.022uF 10% 25V
C1112	1-163-037-11	s CERAMIC, CHIP 0.022uF 10% 25V
C1113	1-163-038-91	s CERAMIC, CHIP 0.1uF 25V 0%
C1114	1-163-038-91	s CERAMIC, CHIP 0.1uF 25V 0%
C1115	1-163-038-91	s CERAMIC, CHIP 0.1uF 25V 0%
C1116	1-163-038-91	s CERAMIC, CHIP 0.1uF 25V 0%
C1117	1-163-038-91	s CERAMIC, CHIP 0.1uF 25V 0%
C1118	1-163-038-91	s CERAMIC, CHIP 0.1uF 25V 0%
C1119	1-163-038-91	s CERAMIC, CHIP 0.1uF 25V 0%
C1120	1-163-038-91	s CERAMIC, CHIP 0.1uF 25V 0%
C1121	1-163-038-91	s CERAMIC, CHIP 0.1uF 25V 0%
C1122	1-163-038-91	s CERAMIC, CHIP 0.1uF 25V 0%
C1200	1-163-009-11	s CERAMIC, CHIP 0.001uF 10% 50V
C1201	1-163-009-11	s CERAMIC, CHIP 0.001uF 10% 50V
C1202	1-163-135-00	s CERAMIC, CHIP 560PF 5% 50V
C1204	1-163-251-11	s CERAMIC, CHIP 100PF 5% 50V
C1206	1-163-038-91	s CERAMIC, CHIP 0.1uF 25V 0%
C1207	1-163-038-91	s CERAMIC, CHIP 0.1uF 25V 0%
C1208	1-163-235-11	s CERAMIC, CHIP 22PF 5% 50V
C1209	1-163-251-11	s CERAMIC, CHIP 100PF 5% 50V
C1212	1-163-038-91	s CERAMIC, CHIP 0.1uF 25V 0%
C1213	1-163-038-91	s CERAMIC, CHIP 0.1uF 25V 0%
C1214	1-163-038-91	s CERAMIC, CHIP 0.1uF 25V 0%
C1215	1-163-038-91	s CERAMIC, CHIP 0.1uF 25V 0%
C1216	1-163-038-91	s CERAMIC, CHIP 0.1uF 25V 0%
C1217	1-163-038-91	s CERAMIC, CHIP 0.1uF 25V 0%
C1218	1-163-038-91	s CERAMIC, CHIP 0.1uF 25V 0%
C1219	1-163-038-91	s CERAMIC, CHIP 0.1uF 25V 0%
C1220	1-163-038-91	s CERAMIC, CHIP 0.1uF 25V 0%
C1221	1-163-038-91	s CERAMIC, CHIP 0.1uF 25V 0%
C1300	1-126-947-11	s ELECT 47uF 20% 35V
C1301	1-126-947-11	s ELECT 47uF 20% 35V
C1302	1-163-038-91	s CERAMIC, CHIP 0.1uF 25V 0%
C1303	1-163-038-91	s CERAMIC, CHIP 0.1uF 25V 0%
C1304	1-126-947-11	s ELECT 47uF 20% 35V
C1305	1-126-947-11	s ELECT 47uF 20% 35V
C1306	1-163-038-91	s CERAMIC, CHIP 0.1uF 25V 0%
C1307	1-163-038-91	s CERAMIC, CHIP 0.1uF 25V 0%
C1308	1-163-038-91	s CERAMIC, CHIP 0.1uF 25V 0%
C1309	1-163-038-91	s CERAMIC, CHIP 0.1uF 25V 0%
C1310	1-163-038-91	s CERAMIC, CHIP 0.1uF 25V 0%
C1311	1-163-038-91	s CERAMIC, CHIP 0.1uF 25V 0%
C1312	1-163-038-91	s CERAMIC, CHIP 0.1uF 25V 0%

Ref. No. or Q'ty	Part No.	SP Description
C1313	1-163-038-91	s CERAMIC, CHIP 0.1uF 25V 0%
C1314	1-126-933-11	s ELECT 100uF 20% 16V
C1315	1-126-933-11	s ELECT 100uF 20% 16V
C1316	1-126-933-11	s ELECT 100uF 20% 16V
C1317	1-126-933-11	s ELECT 100uF 20% 16V
C2100	1-164-232-11	s CERAMIC, CHIP 0.01uF 10% 100V
C2101	1-164-232-11	s CERAMIC, CHIP 0.01uF 10% 100V
C2102	1-163-251-11	s CERAMIC, CHIP 100PF 5% 50V
C2103	1-163-251-11	s CERAMIC, CHIP 100PF 5% 50V
C2104	1-164-232-11	s CERAMIC, CHIP 0.01uF 10% 100V
C2105	1-164-232-11	s CERAMIC, CHIP 0.01uF 10% 100V
C2106	1-164-232-11	s CERAMIC, CHIP 0.01uF 10% 100V
C2107	1-164-232-11	s CERAMIC, CHIP 0.01uF 10% 100V
C2108	1-164-232-11	s CERAMIC, CHIP 0.01uF 10% 100V
C2109	1-164-232-11	s CERAMIC, CHIP 0.01uF 10% 100V
C2110	1-126-933-11	s ELECT 100uF 20% 16V
C2111	1-163-038-91	s CERAMIC, CHIP 0.1uF 25V 0%
C2113	1-164-232-11	s CERAMIC, CHIP 0.01uF 10% 100V
C2114	1-164-232-11	s CERAMIC, CHIP 0.01uF 10% 100V
C2115	1-163-038-91	s CERAMIC, CHIP 0.1uF 25V 0%
C2116	1-163-038-91	s CERAMIC, CHIP 0.1uF 25V 0%
C2117	1-163-038-91	s CERAMIC, CHIP 0.1uF 25V 0%
C2118	1-164-232-11	s CERAMIC, CHIP 0.01uF 10% 100V
C2119	1-164-232-11	s CERAMIC, CHIP 0.01uF 10% 100V
C2121	1-164-232-11	s CERAMIC, CHIP 0.01uF 10% 100V
C2123	1-163-038-91	s CERAMIC, CHIP 0.1uF 25V 0%
C2124	1-163-038-91	s CERAMIC, CHIP 0.1uF 25V 0%
C2128	1-163-038-91	s CERAMIC, CHIP 0.1uF 25V 0%
C2129	1-163-038-91	s CERAMIC, CHIP 0.1uF 25V 0%
C2130	1-163-038-91	s CERAMIC, CHIP 0.1uF 25V 0%
C2133	1-163-038-91	s CERAMIC, CHIP 0.1uF 25V 0%
C2134	1-163-038-91	s CERAMIC, CHIP 0.1uF 25V 0%
C2135	1-163-038-91	s CERAMIC, CHIP 0.1uF 25V 0%
C2136	1-163-038-91	s CERAMIC, CHIP 0.1uF 25V 0%
C2140	1-163-038-91	s CERAMIC, CHIP 0.1uF 25V 0%
C2141	1-163-038-91	s CERAMIC, CHIP 0.1uF 25V 0%
C2202	1-163-038-91	s CERAMIC, CHIP 0.1uF 25V 0%
C2205	1-163-038-91	s CERAMIC, CHIP 0.1uF 25V 0%
C2207	1-163-038-91	s CERAMIC, CHIP 0.1uF 25V 0%
C2208	1-163-038-91	s CERAMIC, CHIP 0.1uF 25V 0%
C2209	1-164-232-11	s CERAMIC, CHIP 0.01uF 10% 100V
C2210	1-164-232-11	s CERAMIC, CHIP 0.01uF 10% 100V
C2211	1-126-959-11	s ELECT 0.47uF 20% 50V
C2212	1-163-038-91	s CERAMIC, CHIP 0.1uF 25V 0%
C2213	1-163-227-11	s CERAMIC, CHIP 10PF 5% 50V
C2214	1-163-038-91	s CERAMIC, CHIP 0.1uF 25V 0%
C2215	1-163-038-91	s CERAMIC, CHIP 0.1uF 25V 0%
C2216	1-163-038-91	s CERAMIC, CHIP 0.1uF 25V 0%
C2217	1-163-038-91	s CERAMIC, CHIP 0.1uF 25V 0%
C2300	1-164-004-11	s CERAMIC, CHIP 0.1uF 10% 25V
C2302	1-163-009-11	s CERAMIC, CHIP 0.001uF 10% 50V
C2303	1-163-038-91	s CERAMIC, CHIP 0.1uF 25V 0%
C2304	1-163-038-91	s CERAMIC, CHIP 0.1uF 25V 0%
C2305	1-163-037-11	s CERAMIC, CHIP 0.022uF 10% 25V
C2306	1-164-232-11	s CERAMIC, CHIP 0.01uF 10% 100V
C2308	1-163-241-11	s CERAMIC, CHIP 39PF 5% 50V
C2309	1-163-037-11	s CERAMIC, CHIP 0.022uF 10% 25V
C2310	1-163-009-11	s CERAMIC, CHIP 0.001uF 10% 50V
C2311	1-164-004-11	s CERAMIC, CHIP 0.1uF 10% 25V

(SS-75 BOARD (Suffix number of board is 11.))

Ref. No. or Q'ty	Part No.	SP	Description
C2312	1-164-232-11	s	CERAMIC, CHIP 0.01uF 10% 100V
C2313	1-163-038-91	s	CERAMIC, CHIP 0.1uF 25V 0%
C2314	1-163-038-91	s	CERAMIC, CHIP 0.1uF 25V 0%
C2315	1-163-038-91	s	CERAMIC, CHIP 0.1uF 25V 0%
C2316	1-163-038-91	s	CERAMIC, CHIP 0.1uF 25V 0%
C2317	1-164-004-11	s	CERAMIC, CHIP 0.1uF 10% 25V
C2320	1-163-038-91	s	CERAMIC, CHIP 0.1uF 25V 0%
C2321	1-163-038-91	s	CERAMIC, CHIP 0.1uF 25V 0%
C2322	1-164-004-11	s	CERAMIC, CHIP 0.1uF 10% 25V
C2323	1-163-038-91	s	CERAMIC, CHIP 0.1uF 25V 0%
C2324	1-164-232-11	s	CERAMIC, CHIP 0.01uF 10% 100V
C2325	1-164-232-11	s	CERAMIC, CHIP 0.01uF 10% 100V
C2326	1-164-232-11	s	CERAMIC, CHIP 0.01uF 10% 100V
C2327	1-163-038-91	s	CERAMIC, CHIP 0.1uF 25V 0%
C2328	1-164-232-11	s	CERAMIC, CHIP 0.01uF 10% 100V
C2329	1-164-004-11	s	CERAMIC, CHIP 0.1uF 10% 25V
C2330	1-163-009-11	s	CERAMIC, CHIP 0.001uF 10% 50V
C2331	1-163-241-11	s	CERAMIC, CHIP 39PF 5% 50V
C2500	1-164-232-11	s	CERAMIC, CHIP 0.01uF 10% 100V
C2501	1-164-232-11	s	CERAMIC, CHIP 0.01uF 10% 100V
C2502	1-104-760-11	s	CERAMIC, CHIP 0.047uF 10% 50V
C2503	1-104-760-11	s	CERAMIC, CHIP 0.047uF 10% 50V
C2504	1-163-139-00	s	CERAMIC, CHIP 820PF 5% 50V
C2505	1-163-139-00	s	CERAMIC, CHIP 820PF 5% 50V
C2506	1-163-017-00	s	CERAMIC, CHIP 0.0047uF 5% 50V
C2507	1-163-017-00	s	CERAMIC, CHIP 0.0047uF 5% 50V
C2508	1-164-232-11	s	CERAMIC, CHIP 0.01uF 10% 100V
C2509	1-164-232-11	s	CERAMIC, CHIP 0.01uF 10% 100V
C2510	1-164-232-11	s	CERAMIC, CHIP 0.01uF 10% 100V
C2511	1-164-232-11	s	CERAMIC, CHIP 0.01uF 10% 100V
C2512	1-163-133-00	s	CERAMIC, CHIP 470PF 5% 50V
C2513	1-163-133-00	s	CERAMIC, CHIP 470PF 5% 50V
C2514	1-164-004-11	s	CERAMIC, CHIP 0.1uF 10% 25V
C2515	1-163-038-91	s	CERAMIC, CHIP 0.1uF 25V 0%
C2516	1-163-139-00	s	CERAMIC, CHIP 820PF 5% 50V
C2517	1-163-139-00	s	CERAMIC, CHIP 820PF 5% 50V
C2518	1-164-004-11	s	CERAMIC, CHIP 0.1uF 10% 25V
C2519	1-163-038-91	s	CERAMIC, CHIP 0.1uF 25V 0%
C2520	1-163-038-91	s	CERAMIC, CHIP 0.1uF 25V 0%
C2521	1-163-017-00	s	CERAMIC, CHIP 0.0047uF 5% 50V
C2522	1-163-017-00	s	CERAMIC, CHIP 0.0047uF 5% 50V
C2523	1-163-038-91	s	CERAMIC, CHIP 0.1uF 25V 0%
C2524	1-163-038-91	s	CERAMIC, CHIP 0.1uF 25V 0%
C2525	1-163-038-91	s	CERAMIC, CHIP 0.1uF 25V 0%
C2526	1-163-038-91	s	CERAMIC, CHIP 0.1uF 25V 0%
C2527	1-163-038-91	s	CERAMIC, CHIP 0.1uF 25V 0%
C2528	1-163-038-91	s	CERAMIC, CHIP 0.1uF 25V 0%
C2529	1-163-038-91	s	CERAMIC, CHIP 0.1uF 25V 0%
C2530	1-163-038-91	s	CERAMIC, CHIP 0.1uF 25V 0%
C2531	1-163-038-91	s	CERAMIC, CHIP 0.1uF 25V 0%
C2532	1-163-038-91	s	CERAMIC, CHIP 0.1uF 25V 0%
C2533	1-163-038-91	s	CERAMIC, CHIP 0.1uF 25V 0%
C2573	1-163-038-91	s	CERAMIC, CHIP 0.1uF 25V 0%
C2574	1-163-038-91	s	CERAMIC, CHIP 0.1uF 25V 0%
C2579	1-163-038-91	s	CERAMIC, CHIP 0.1uF 25V 0%
C2580	1-163-038-91	s	CERAMIC, CHIP 0.1uF 25V 0%
C2600	1-163-038-91	s	CERAMIC, CHIP 0.1uF 25V 0%
C2601	1-163-038-91	s	CERAMIC, CHIP 0.1uF 25V 0%
C2602	1-163-038-91	s	CERAMIC, CHIP 0.1uF 25V 0%

(SS-75 BOARD (Suffix number of board is 11.))

Ref. No. or Q'ty	Part No.	SP	Description
C2603	1-163-038-91	s	CERAMIC, CHIP 0.1uF 25V 0%
C2700	1-164-004-11	s	CERAMIC, CHIP 0.1uF 10% 25V
C2702	1-163-009-11	s	CERAMIC, CHIP 0.001uF 10% 50V
C2703	1-163-038-91	s	CERAMIC, CHIP 0.1uF 25V 0%
C2704	1-163-038-91	s	CERAMIC, CHIP 0.1uF 25V 0%
C2705	1-163-037-11	s	CERAMIC, CHIP 0.022uF 10% 25V
C2706	1-164-232-11	s	CERAMIC, CHIP 0.01uF 10% 100V
C2708	1-163-241-11	s	CERAMIC, CHIP 39PF 5% 50V
C2709	1-163-037-11	s	CERAMIC, CHIP 0.022uF 10% 25V
C2710	1-163-009-11	s	CERAMIC, CHIP 0.001uF 10% 50V
C2711	1-164-004-11	s	CERAMIC, CHIP 0.1uF 10% 25V
C2712	1-164-232-11	s	CERAMIC, CHIP 0.01uF 10% 100V
C2713	1-163-038-91	s	CERAMIC, CHIP 0.1uF 25V 0%
C2714	1-163-038-91	s	CERAMIC, CHIP 0.1uF 25V 0%
C2715	1-163-038-91	s	CERAMIC, CHIP 0.1uF 25V 0%
C2716	1-163-038-91	s	CERAMIC, CHIP 0.1uF 25V 0%
C2717	1-164-004-11	s	CERAMIC, CHIP 0.1uF 10% 25V
C2720	1-163-038-91	s	CERAMIC, CHIP 0.1uF 25V 0%
C2721	1-164-004-11	s	CERAMIC, CHIP 0.1uF 10% 25V
C2722	1-163-038-91	s	CERAMIC, CHIP 0.1uF 25V 0%
C2723	1-164-232-11	s	CERAMIC, CHIP 0.01uF 10% 100V
C2724	1-164-232-11	s	CERAMIC, CHIP 0.01uF 10% 100V
C2725	1-164-232-11	s	CERAMIC, CHIP 0.01uF 10% 100V
C2726	1-164-232-11	s	CERAMIC, CHIP 0.01uF 10% 100V
C2727	1-163-038-91	s	CERAMIC, CHIP 0.1uF 25V 0%
C2728	1-163-038-91	s	CERAMIC, CHIP 0.1uF 25V 0%
C2729	1-164-004-11	s	CERAMIC, CHIP 0.1uF 10% 25V
CN1	1-564-014-11	s	CONNECTOR 4P, MALE
CN2	1-580-192-11	o	CONNECTOR, FLAT CABLE 50P, MALE
CN3	1-564-014-11	s	CONNECTOR 4P, MALE
CN110	1-778-261-11	o	CONNECTOR, BB 124P, MALE
CN111	1-778-261-11	o	CONNECTOR, BB 124P, MALE
CN112	1-778-262-11	o	CONNECTOR, BB 148P, MALE
CN1000	1-506-484-11	s	CONNECTOR 5P, MALE
CN2101	1-506-484-11	s	CONNECTOR 5P, MALE
D101	8-719-989-22	s	LED CL-150R-CD, RED
D102	8-719-987-43	s	LED CL-150PG-CD, GRN
D201	8-719-210-33	s	DIODE EC10DS2
D202	8-719-210-33	s	DIODE EC10DS2
D501	8-719-989-22	s	LED CL-150R-CD, RED
D502	8-719-987-43	s	LED CL-150PG-CD, GRN
D503	8-719-989-22	s	LED CL-150R-CD, RED
D1000	8-719-941-23	s	DIODE DA204U
D1001	8-719-941-23	s	DIODE DA204U
D1002	8-719-941-23	s	DIODE DA204U
D1003	8-719-941-23	s	DIODE DA204U
D1004	8-719-941-23	s	DIODE DA204U
D1005	8-719-941-23	s	DIODE DA204U
D1006	8-719-938-72	s	DIODE SB01-05CP
D1007	8-719-938-72	s	DIODE SB01-05CP
D1008	8-719-941-23	s	DIODE DA204U
D1009	8-719-941-23	s	DIODE DA204U
D1010	8-719-987-43	s	LED CL-150PG-CD, GRN
D1011	8-719-989-22	s	LED CL-150R-CD, RED
D1100	8-719-024-81	s	DIODE 1SS300-TE85L
D1101	8-719-941-23	s	DIODE DA204U
D1102	8-719-941-23	s	DIODE DA204U
D1103	8-719-941-23	s	DIODE DA204U

(SS-75 BOARD (Suffix number of board is 11.))

Ref. No. or Q'ty	Part No.	SP Description
D1104	8-719-941-23	s DIODE DA204U
D1200	8-719-941-23	s DIODE DA204U
D1201	8-719-938-72	s DIODE SB01-05CP
D1202	8-719-938-72	s DIODE SB01-05CP
D1203	8-719-987-43	s LED CL-150PG-CD, GRN
D1204	8-719-941-23	s DIODE DA204U
D2101	8-719-941-23	s DIODE DA204U
D2102	8-719-941-23	s DIODE DA204U
D2103	8-719-941-23	s DIODE DA204U
D2104	8-719-941-23	s DIODE DA204U
D2105	8-719-941-23	s DIODE DA204U
D2106	8-719-941-23	s DIODE DA204U
D2108	8-719-941-23	s DIODE DA204U
D2300	8-719-938-72	s DIODE SB01-05CP
D2301	8-719-938-72	s DIODE SB01-05CP
D2302	8-719-941-23	s DIODE DA204U
D2500	8-719-941-23	s DIODE DA204U
D2501	8-719-941-23	s DIODE DA204U
D2502	8-719-941-23	s DIODE DA204U
D2503	8-719-941-23	s DIODE DA204U
D2600	8-719-987-43	s LED CL-150PG-CD, GRN
D2601	8-719-024-81	s DIODE 1SS300-TE85L
D2700	8-719-938-72	s DIODE SB01-05CP
D2701	8-719-938-72	s DIODE SB01-05CP
D2702	8-719-941-23	s DIODE DA204U
IC101	8-759-061-67	s IC MC34051M
IC102	8-759-925-74	s IC TC74HC04ANS
IC103	8-759-925-74	s IC TC74HC04ANS
IC104	8-759-369-92	s IC M51958AFP600D
IC105	8-759-009-07	s IC MC14053BF
IC106	8-759-153-05	s IC UPD70325L-10
IC108	8-759-926-11	s IC SN74HC138ANS
IC109	8-759-925-85	s IC SN74HC32ANS
IC111	8-759-296-24	s IC CY7C199-20VC
IC112	8-759-363-59	s IC MBM29F040A-90PD
IC113	8-759-925-76	s IC SN74HC08ANS
IC114	8-759-926-49	s IC SN74HC245NS
IC115	8-759-926-48	s IC SN74HC244NS
IC116	8-759-926-48	s IC SN74HC244NS
IC117	8-759-926-48	s IC SN74HC244NS
IC119	8-759-925-85	s IC SN74HC32ANS
IC201	8-759-175-56	s IC CXD8804Q
IC202	8-759-374-82	s IC LC3564SM-70-TLM
IC203	8-759-926-48	s IC SN74HC244NS
IC204	8-759-925-78	s IC SN74HC10ANS
IC205	8-759-190-79	s IC UPD72001GC-11-3B6
IC206	8-759-061-67	s IC MC34051M
IC207	8-759-143-23	s IC UPD71059GB-3B4
IC208	8-759-460-58	s IC MC1488MEL
IC209	8-759-169-45	s IC TA78L12F
IC210	8-759-446-76	s IC TA79L12F (TE12L)
IC211	8-759-031-68	s IC MC1489AM
IC212	8-759-925-85	s IC SN74HC32ANS
IC301	8-759-066-08	s IC MB8441-45PFQ
IC302	8-759-973-43	s IC MB8421-90LPFQ
IC303	8-759-113-55	s IC UPD71054GB
IC304	8-759-926-74	s IC SN74HC393ANS
IC401	8-759-186-39	s IC TC74VHC74F
IC402	8-759-174-16	s IC TC74VHC244F

(SS-75 BOARD (Suffix number of board is 11.))

Ref. No. or Q'ty	Part No.	SP Description
IC403	8-759-926-18	s IC SN74HC157ANS
IC404	8-759-378-13	s IC IDT79R3041-20J
IC406	8-759-186-79	s IC TC74VHC573F
IC407	8-759-186-79	s IC TC74VHC573F
IC408	8-759-186-79	s IC TC74VHC573F
IC409	8-759-186-79	s IC TC74VHC573F
IC410	8-759-186-63	s IC TC74VHC245F
IC411	8-759-363-59	s IC MBM29F040A-90PD
IC412	8-759-363-59	s IC MBM29F040A-90PD
IC413	8-759-186-38	s IC TC74VHC32F
IC414	8-759-296-31	s IC M48T18-100MH1TR
IC415	8-749-010-67	s IC M4T28-BR12SH1
IC416	8-759-470-13	s IC M5M5408AFP-55LL
IC417	8-759-470-13	s IC M5M5408AFP-55LL
IC418	8-759-470-13	s IC M5M5408AFP-55LL
IC419	8-759-470-13	s IC M5M5408AFP-55LL
IC501	8-759-186-32	s IC TC74VHC21F
IC502	8-759-269-09	s IC SN74HCT04ANS
IC504	8-759-925-74	s IC TC74HC04ANS
IC505	8-759-925-85	s IC SN74HC32ANS
IC506	8-759-925-74	s IC TC74HC04ANS
IC507	8-759-176-47	s IC SN751177NS
IC601	8-759-174-16	s IC TC74VHC244F
IC602	8-759-175-77	s IC CXD8384Q
IC603	8-759-374-82	s IC LC3564SM-70-TLM
IC604	8-759-175-56	s IC CXD8804Q
IC605	8-759-926-48	s IC SN74HC244NS
IC606	8-759-374-82	s IC LC3564SM-70-TLM
IC607	8-759-175-56	s IC CXD8804Q
IC608	8-759-174-16	s IC TC74VHC244F
IC609	8-759-399-51	s IC 74LVX4245QSCX
IC610	8-759-927-46	s IC SN74HC00ANS
IC611	8-759-926-82	s IC SN74HC574ANS
IC1000	8-759-983-74	s IC LM324NS
IC1001	8-759-009-51	s IC MC14538BF
IC1002	8-759-243-39	s IC TC74AC00F
IC1003	8-759-243-50	s IC TC74AC08F
IC1004	8-759-009-05	s IC MC14051BF
IC1005	8-759-348-69	s IC HD6415108RF10
IC1006	8-759-460-12	s IC TC74AC32F (EL)
IC1007	8-759-460-13	s IC TC74AC139F (EL)
IC1008	8-759-374-82	s IC LC3564SM-70-TLM
IC1009	8-759-374-82	s IC LC3564SM-70-TLM
IC1010	8-759-377-83	s IC MBM29F400BA-90PF
IC1011	8-759-700-07	s IC NJM2903M
IC1012	8-759-009-51	s IC MC14538BF
IC1013	8-759-700-07	s IC NJM2903M
IC1014	8-759-009-07	s IC MC14053BF
IC1015	8-759-239-23	s IC TC74HC86AF
IC1016	8-759-925-90	s IC SN74HC74ANS
IC1017	8-759-926-37	s IC SN74HC193ANS
IC1018	8-759-009-07	s IC MC14053BF
IC1020	8-752-343-05	s IC CXD2202Q
IC1021	8-759-983-74	s IC LM324NS
IC1022	8-759-981-48	s IC NJM082M
IC1023	8-759-981-48	s IC NJM082M
IC1024	8-752-845-05	s IC CXP80P624AQ-1
IC1025	8-759-980-04	s IC LM311PS
IC1026	8-759-011-65	s IC MC74HC4053F

(SS-75 BOARD (Suffix number of board is 11.))

Ref. No. or Q'ty	Part No.	SP	Description
IC1027	8-759-925-76	s IC	SN74HC08ANS
IC1028	8-759-925-74	s IC	TC74HC04ANS
IC1029	8-759-174-16	s IC	TC74VHC244F
IC2100	8-759-925-74	s IC	TC74HC04ANS
IC2101	8-759-906-54	s IC	TL064CNS
IC2103	8-759-906-54	s IC	TL064CNS
IC2104	8-759-175-67	s IC	MB90T736
IC2106	8-759-926-49	s IC	SN74HC245NS
IC2107	8-759-926-77	s IC	SN74HC541ANS
IC2108	8-759-996-06	s IC	CXD8115Q
IC2113	8-759-095-41	s IC	CXD8176AQ
IC2114	8-759-186-39	s IC	TC74VHC74F
IC2115	8-759-053-58	s IC	IDT6116SA25SO
IC2200	8-752-343-05	s IC	CXD2202Q
IC2202	8-759-113-55	s IC	UPD71054GB
IC2204	8-759-113-55	s IC	UPD71054GB
IC2205	8-759-925-85	s IC	SN74HC32ANS
IC2207	8-759-113-55	s IC	UPD71054GB
IC2208	8-759-009-07	s IC	MC14053BF
IC2209	8-759-925-76	s IC	SN74HC08ANS
IC2210	8-759-946-12	s IC	AD7528JN
IC2300	8-759-908-92	s IC	TL084CNS
IC2301	8-759-906-54	s IC	TL064CNS
IC2302	8-759-906-54	s IC	TL064CNS
IC2303	8-759-009-07	s IC	MC14053BF
IC2304	8-759-009-07	s IC	MC14053BF
IC2500	8-759-906-54	s IC	TL064CNS
IC2501	8-759-009-07	s IC	MC14053BF
IC2502	8-759-906-54	s IC	TL064CNS
IC2503	8-759-906-54	s IC	TL064CNS
IC2504	8-759-009-07	s IC	MC14053BF
IC2505	8-759-906-54	s IC	TL064CNS
IC2506	8-759-906-54	s IC	TL064CNS
IC2507	8-759-009-07	s IC	MC14053BF
IC2508	8-759-906-54	s IC	TL064CNS
IC2600	8-759-174-16	s IC	TC74VHC244F
IC2601	8-752-381-84	s IC	CXD1095BQ
IC2603	8-759-927-15	s IC	SN74HCT245NS
IC2604	8-759-927-15	s IC	SN74HCT245NS
IC2700	8-759-908-92	s IC	TL084CNS
IC2701	8-759-906-54	s IC	TL064CNS
IC2702	8-759-906-54	s IC	TL064CNS
IC2703	8-759-009-07	s IC	MC14053BF
IC2704	8-759-009-07	s IC	MC14053BF
IS112	1-251-350-11	o SOCKET	IC 32P
IS404	1-251-353-11	o SOCKET	IC 84P
IS411	1-251-350-11	o SOCKET	IC 32P
IS412	1-251-350-11	o SOCKET	IC 32P
IS2110	1-526-659-00	o SOCKET	IC 28P
L1300	1-412-533-21	s INDUCTOR	47uH
L1301	1-412-533-21	s INDUCTOR	47uH
L1302	1-412-533-21	s INDUCTOR	47uH
L1303	1-412-533-21	s INDUCTOR	47uH
L2103	1-412-533-21	s INDUCTOR	47uH
Q101	8-729-027-46	s TRANSISTOR	DTC114YKA-T146
Q1300	8-729-106-68	s TRANSISTOR	2SC1615A-GP
Q1301	8-729-106-60	s TRANSISTOR	2SB1115A
R101	1-216-073-00	s METAL, CHIP	10K 5% 1/10W

(SS-75 BOARD (Suffix number of board is 11.))

Ref. No. or Q'ty	Part No.	SP	Description
R102	1-216-073-00	s METAL, CHIP	10K 5% 1/10W
R103	1-216-073-00	s METAL, CHIP	10K 5% 1/10W
R104	1-216-073-00	s METAL, CHIP	10K 5% 1/10W
R105	1-216-097-11	s METAL, CHIP	100K 5% 1/10W
R106	1-216-097-11	s METAL, CHIP	100K 5% 1/10W
R107	1-216-097-11	s METAL, CHIP	100K 5% 1/10W
R108	1-216-097-11	s METAL, CHIP	100K 5% 1/10W
R109	1-216-089-91	s METAL, CHIP	47K 5% 1/10W
R110	1-216-049-11	s METAL, CHIP	1K 5% 1/10W
R111	1-216-047-11	s METAL, CHIP	820 5% 1/10W
R112	1-216-047-11	s METAL, CHIP	820 5% 1/10W
R113	1-216-089-91	s METAL, CHIP	47K 5% 1/10W
R114	1-216-689-11	s METAL, CHIP	39K 0.5% 1/10W
R115	1-216-680-11	s METAL, CHIP	16K 0.5% 1/10W
R116	1-216-089-91	s METAL, CHIP	47K 5% 1/10W
R117	1-216-089-91	s METAL, CHIP	47K 5% 1/10W
R118	1-216-089-91	s METAL, CHIP	47K 5% 1/10W
R119	1-216-089-91	s METAL, CHIP	47K 5% 1/10W
R120	1-216-089-91	s METAL, CHIP	47K 5% 1/10W
R121	1-216-089-91	s METAL, CHIP	47K 5% 1/10W
R122	1-216-089-91	s METAL, CHIP	47K 5% 1/10W
R123	1-216-073-00	s METAL, CHIP	10K 5% 1/10W
R124	1-216-073-00	s METAL, CHIP	10K 5% 1/10W
R125	1-216-073-00	s METAL, CHIP	10K 5% 1/10W
R126	1-216-073-00	s METAL, CHIP	10K 5% 1/10W
R127	1-216-073-00	s METAL, CHIP	10K 5% 1/10W
R128	1-216-089-91	s METAL, CHIP	47K 5% 1/10W
R129	1-216-089-91	s METAL, CHIP	47K 5% 1/10W
R130	1-216-089-91	s METAL, CHIP	47K 5% 1/10W
R131	1-216-089-91	s METAL, CHIP	47K 5% 1/10W
R132	1-216-089-91	s METAL, CHIP	47K 5% 1/10W
R133	1-216-073-00	s METAL, CHIP	10K 5% 1/10W
R134	1-216-065-00	s METAL, CHIP	4.7K 5% 1/10W
R135	1-216-065-00	s METAL, CHIP	4.7K 5% 1/10W
R136	1-216-065-00	s METAL, CHIP	4.7K 5% 1/10W
R137	1-216-065-00	s METAL, CHIP	4.7K 5% 1/10W
R138	1-216-089-91	s METAL, CHIP	47K 5% 1/10W
R139	1-216-089-91	s METAL, CHIP	47K 5% 1/10W
R140	1-216-089-91	s METAL, CHIP	47K 5% 1/10W
R141	1-216-089-91	s METAL, CHIP	47K 5% 1/10W
R144	1-216-013-00	s METAL, CHIP	33 5% 1/10W
R201	1-216-049-11	s METAL, CHIP	1K 5% 1/10W
R202	1-216-049-11	s METAL, CHIP	1K 5% 1/10W
R203	1-216-049-11	s METAL, CHIP	1K 5% 1/10W
R204	1-216-025-11	s METAL, CHIP	100 5% 1/10W
R205	1-216-025-11	s METAL, CHIP	100 5% 1/10W
R206	1-216-025-11	s METAL, CHIP	100 5% 1/10W
R207	1-216-025-11	s METAL, CHIP	100 5% 1/10W
R208	1-216-025-11	s METAL, CHIP	100 5% 1/10W
R209	1-216-073-00	s METAL, CHIP	10K 5% 1/10W
R210	1-216-097-11	s METAL, CHIP	100K 5% 1/10W
R211	1-216-097-11	s METAL, CHIP	100K 5% 1/10W
R212	1-216-089-91	s METAL, CHIP	47K 5% 1/10W
R213	1-216-089-91	s METAL, CHIP	47K 5% 1/10W
R214	1-216-073-00	s METAL, CHIP	10K 5% 1/10W
R215	1-216-295-91	s RES, CHIP	0
R216	1-216-295-91	s RES, CHIP	0
R217	1-216-097-11	s METAL, CHIP	100K 5% 1/10W
R218	1-216-097-11	s METAL, CHIP	100K 5% 1/10W

(SS-75 BOARD (Suffix number of board is 11.))

(SS-75 BOARD (Suffix number of board is 11.))

Ref. No. or Q'ty	Part No.	SP Description
R219	1-216-073-00	s METAL, CHIP 10K 5% 1/10W
R220	1-216-073-00	s METAL, CHIP 10K 5% 1/10W
R221	1-216-073-00	s METAL, CHIP 10K 5% 1/10W
R222	1-216-073-00	s METAL, CHIP 10K 5% 1/10W
R223	1-216-073-00	s METAL, CHIP 10K 5% 1/10W
R224	1-216-073-00	s METAL, CHIP 10K 5% 1/10W
R225	1-216-089-91	s METAL, CHIP 47K 5% 1/10W
R226	1-216-089-91	s METAL, CHIP 47K 5% 1/10W
R227	1-216-089-91	s METAL, CHIP 47K 5% 1/10W
R228	1-216-089-91	s METAL, CHIP 47K 5% 1/10W
R229	1-216-073-00	s METAL, CHIP 10K 5% 1/10W
R230	1-216-073-00	s METAL, CHIP 10K 5% 1/10W
R231	1-216-073-00	s METAL, CHIP 10K 5% 1/10W
R232	1-216-073-00	s METAL, CHIP 10K 5% 1/10W
R233	1-216-073-00	s METAL, CHIP 10K 5% 1/10W
R234	1-216-073-00	s METAL, CHIP 10K 5% 1/10W
R235	1-216-089-91	s METAL, CHIP 47K 5% 1/10W
R301	1-216-089-91	s METAL, CHIP 47K 5% 1/10W
R302	1-216-089-91	s METAL, CHIP 47K 5% 1/10W
R303	1-216-089-91	s METAL, CHIP 47K 5% 1/10W
R304	1-216-089-91	s METAL, CHIP 47K 5% 1/10W
R305	1-216-073-00	s METAL, CHIP 10K 5% 1/10W
R401	1-216-025-11	s METAL, CHIP 100 5% 1/10W
R402	1-216-025-11	s METAL, CHIP 100 5% 1/10W
R403	1-216-065-00	s METAL, CHIP 4.7K 5% 1/10W
R404	1-216-065-00	s METAL, CHIP 4.7K 5% 1/10W
R405	1-216-065-00	s METAL, CHIP 4.7K 5% 1/10W
R406	1-216-065-00	s METAL, CHIP 4.7K 5% 1/10W
R407	1-216-065-00	s METAL, CHIP 4.7K 5% 1/10W
R409	1-216-065-00	s METAL, CHIP 4.7K 5% 1/10W
R410	1-216-065-00	s METAL, CHIP 4.7K 5% 1/10W
R411	1-216-065-00	s METAL, CHIP 4.7K 5% 1/10W
R412	1-216-065-00	s METAL, CHIP 4.7K 5% 1/10W
R413	1-216-065-00	s METAL, CHIP 4.7K 5% 1/10W
R414	1-216-065-00	s METAL, CHIP 4.7K 5% 1/10W
R415	1-216-065-00	s METAL, CHIP 4.7K 5% 1/10W
R416	1-216-065-00	s METAL, CHIP 4.7K 5% 1/10W
R417	1-216-065-00	s METAL, CHIP 4.7K 5% 1/10W
R418	1-216-065-00	s METAL, CHIP 4.7K 5% 1/10W
R419	1-216-065-00	s METAL, CHIP 4.7K 5% 1/10W
R420	1-216-065-00	s METAL, CHIP 4.7K 5% 1/10W
R421	1-216-065-00	s METAL, CHIP 4.7K 5% 1/10W
R422	1-216-065-00	s METAL, CHIP 4.7K 5% 1/10W
R423	1-216-089-91	s METAL, CHIP 47K 5% 1/10W
R424	1-216-065-00	s METAL, CHIP 4.7K 5% 1/10W
R501	1-216-295-91	s RES, CHIP 0
R502	1-216-295-91	s RES, CHIP 0
R503	1-216-295-91	s RES, CHIP 0
R504	1-216-295-91	s RES, CHIP 0
R505	1-216-295-91	s RES, CHIP 0
R506	1-216-295-91	s RES, CHIP 0
R507	1-216-295-91	s RES, CHIP 0
R508	1-216-295-91	s RES, CHIP 0
R509	1-216-097-11	s METAL, CHIP 100K 5% 1/10W
R510	1-216-089-91	s METAL, CHIP 47K 5% 1/10W
R511	1-216-295-91	s RES, CHIP 0
R513	1-216-295-91	s RES, CHIP 0
R514	1-216-295-91	s RES, CHIP 0
R516	1-216-295-91	s RES, CHIP 0

Ref. No. or Q'ty	Part No.	SP Description
R517	1-216-295-91	s RES, CHIP 0
R520	1-216-295-91	s RES, CHIP 0
R521	1-216-073-00	s METAL, CHIP 10K 5% 1/10W
R522	1-216-073-00	s METAL, CHIP 10K 5% 1/10W
R523	1-216-073-00	s METAL, CHIP 10K 5% 1/10W
R524	1-216-073-00	s METAL, CHIP 10K 5% 1/10W
R525	1-216-073-00	s METAL, CHIP 10K 5% 1/10W
R526	1-216-073-00	s METAL, CHIP 10K 5% 1/10W
R527	1-216-073-00	s METAL, CHIP 10K 5% 1/10W
R528	1-216-073-00	s METAL, CHIP 10K 5% 1/10W
R529	1-216-073-00	s METAL, CHIP 10K 5% 1/10W
R530	1-216-097-11	s METAL, CHIP 100K 5% 1/10W
R531	1-216-097-11	s METAL, CHIP 100K 5% 1/10W
R532	1-216-073-00	s METAL, CHIP 10K 5% 1/10W
R533	1-216-073-00	s METAL, CHIP 10K 5% 1/10W
R534	1-216-073-00	s METAL, CHIP 10K 5% 1/10W
R535	1-216-049-11	s METAL, CHIP 1K 5% 1/10W
R536	1-216-049-11	s METAL, CHIP 1K 5% 1/10W
R537	1-216-049-11	s METAL, CHIP 1K 5% 1/10W
R538	1-216-049-11	s METAL, CHIP 1K 5% 1/10W
R539	1-216-049-11	s METAL, CHIP 1K 5% 1/10W
R540	1-216-049-11	s METAL, CHIP 1K 5% 1/10W
R601	1-216-057-00	s METAL, CHIP 2.2K 5% 1/10W
R602	1-216-057-00	s METAL, CHIP 2.2K 5% 1/10W
R603	1-216-065-00	s METAL, CHIP 4.7K 5% 1/10W
R604	1-216-065-00	s METAL, CHIP 4.7K 5% 1/10W
R605	1-216-037-00	s METAL, CHIP 330 5% 1/10W
R606	1-216-121-11	s METAL, CHIP 1M 5% 1/10W
R607	1-216-097-11	s METAL, CHIP 100K 5% 1/10W
R608	1-216-097-11	s METAL, CHIP 100K 5% 1/10W
R609	1-216-097-11	s METAL, CHIP 100K 5% 1/10W
R610	1-216-097-11	s METAL, CHIP 100K 5% 1/10W
R611	1-216-097-11	s METAL, CHIP 100K 5% 1/10W
R612	1-216-097-11	s METAL, CHIP 100K 5% 1/10W
R613	1-216-097-11	s METAL, CHIP 100K 5% 1/10W
R1000	1-216-089-91	s METAL, CHIP 47K 5% 1/10W
R1001	1-216-001-00	s METAL, CHIP 10 5% 1/10W
R1002	1-216-097-11	s METAL, CHIP 100K 5% 1/10W
R1003	1-216-097-11	s METAL, CHIP 100K 5% 1/10W
R1004	1-216-676-11	s METAL, CHIP 11K 0.5% 1/10W
R1005	1-216-676-11	s METAL, CHIP 11K 0.5% 1/10W
R1006	1-216-025-11	s METAL, CHIP 100 5% 1/10W
R1007	1-216-089-91	s METAL, CHIP 47K 5% 1/10W
R1008	1-216-025-11	s METAL, CHIP 100 5% 1/10W
R1009	1-216-065-00	s METAL, CHIP 4.7K 5% 1/10W
R1010	1-216-049-11	s METAL, CHIP 1K 5% 1/10W
R1011	1-216-025-11	s METAL, CHIP 100 5% 1/10W
R1012	1-216-121-11	s METAL, CHIP 1M 5% 1/10W
R1013	1-216-061-00	s METAL, CHIP 3.3K 5% 1/10W
R1014	1-216-085-00	s METAL, CHIP 33K 5% 1/10W
R1015	1-216-085-00	s METAL, CHIP 33K 5% 1/10W
R1016	1-216-089-91	s METAL, CHIP 47K 5% 1/10W
R1017	1-216-065-00	s METAL, CHIP 4.7K 5% 1/10W
R1018	1-218-769-11	s METAL, CHIP 510K 0.5% 1/10W
R1019	1-216-676-11	s METAL, CHIP 11K 0.5% 1/10W
R1020	1-216-676-11	s METAL, CHIP 11K 0.5% 1/10W
R1021	1-216-025-11	s METAL, CHIP 100 5% 1/10W
R1022	1-216-073-00	s METAL, CHIP 10K 5% 1/10W
R1023	1-216-073-00	s METAL, CHIP 10K 5% 1/10W

(SS-75 BOARD (Suffix number of board is 11.))

Ref. No. or Q'ty	Part No.	SP	Description
R1024	1-216-073-00	s	METAL, CHIP 10K 5% 1/10W
R1025	1-216-121-11	s	METAL, CHIP 1M 5% 1/10W
R1026	1-216-109-00	s	METAL, CHIP 330K 5% 1/10W
R1027	1-216-109-00	s	METAL, CHIP 330K 5% 1/10W
R1028	1-218-769-11	s	METAL, CHIP 510K 0.5% 1/10W
R1029	1-216-073-00	s	METAL, CHIP 10K 5% 1/10W
R1030	1-216-073-00	s	METAL, CHIP 10K 5% 1/10W
R1031	1-216-113-00	s	METAL, CHIP 470K 5% 1/10W
R1032	1-216-073-00	s	METAL, CHIP 10K 5% 1/10W
R1034	1-216-089-91	s	METAL, CHIP 47K 5% 1/10W
R1035	1-216-089-91	s	METAL, CHIP 47K 5% 1/10W
R1036	1-216-089-91	s	METAL, CHIP 47K 5% 1/10W
R1037	1-216-089-91	s	METAL, CHIP 47K 5% 1/10W
R1038	1-216-089-91	s	METAL, CHIP 47K 5% 1/10W
R1039	1-216-089-91	s	METAL, CHIP 47K 5% 1/10W
R1040	1-216-089-91	s	METAL, CHIP 47K 5% 1/10W
R1041	1-216-089-91	s	METAL, CHIP 47K 5% 1/10W
R1042	1-216-113-00	s	METAL, CHIP 470K 5% 1/10W
R1043	1-216-089-91	s	METAL, CHIP 47K 5% 1/10W
R1045	1-216-089-91	s	METAL, CHIP 47K 5% 1/10W
R1046	1-216-089-91	s	METAL, CHIP 47K 5% 1/10W
R1047	1-216-089-91	s	METAL, CHIP 47K 5% 1/10W
R1048	1-216-089-91	s	METAL, CHIP 47K 5% 1/10W
R1051	1-216-073-00	s	METAL, CHIP 10K 5% 1/10W
R1052	1-216-073-00	s	METAL, CHIP 10K 5% 1/10W
R1053	1-216-057-00	s	METAL, CHIP 2.2K 5% 1/10W
R1054	1-216-089-91	s	METAL, CHIP 47K 5% 1/10W
R1055	1-216-089-91	s	METAL, CHIP 47K 5% 1/10W
R1056	1-216-089-91	s	METAL, CHIP 47K 5% 1/10W
R1057	1-216-089-91	s	METAL, CHIP 47K 5% 1/10W
R1058	1-216-089-91	s	METAL, CHIP 47K 5% 1/10W
R1059	1-216-073-00	s	METAL, CHIP 10K 5% 1/10W
R1065	1-216-089-91	s	METAL, CHIP 47K 5% 1/10W
R1066	1-216-089-91	s	METAL, CHIP 47K 5% 1/10W
R1068	1-216-049-11	s	METAL, CHIP 1K 5% 1/10W
R1069	1-216-049-11	s	METAL, CHIP 1K 5% 1/10W
R1070	1-216-057-00	s	METAL, CHIP 2.2K 5% 1/10W
R1100	1-216-089-91	s	METAL, CHIP 47K 5% 1/10W
R1101	1-216-025-11	s	METAL, CHIP 100 5% 1/10W
R1102	1-216-089-91	s	METAL, CHIP 47K 5% 1/10W
R1103	1-216-049-11	s	METAL, CHIP 1K 5% 1/10W
R1104	1-216-049-11	s	METAL, CHIP 1K 5% 1/10W
R1105	1-216-025-11	s	METAL, CHIP 100 5% 1/10W
R1106	1-216-073-00	s	METAL, CHIP 10K 5% 1/10W
R1107	1-216-073-00	s	METAL, CHIP 10K 5% 1/10W
R1109	1-216-025-11	s	METAL, CHIP 100 5% 1/10W
R1110	1-216-025-11	s	METAL, CHIP 100 5% 1/10W
R1111	1-216-089-91	s	METAL, CHIP 47K 5% 1/10W
R1112	1-216-089-91	s	METAL, CHIP 47K 5% 1/10W
R1113	1-216-025-11	s	METAL, CHIP 100 5% 1/10W
R1114	1-216-025-11	s	METAL, CHIP 100 5% 1/10W
R1115	1-216-073-00	s	METAL, CHIP 10K 5% 1/10W
R1116	1-216-073-00	s	METAL, CHIP 10K 5% 1/10W
R1117	1-216-073-00	s	METAL, CHIP 10K 5% 1/10W
R1118	1-216-073-00	s	METAL, CHIP 10K 5% 1/10W
R1119	1-216-081-00	s	METAL, CHIP 22K 5% 1/10W
R1120	1-216-081-00	s	METAL, CHIP 22K 5% 1/10W
R1121	1-216-081-00	s	METAL, CHIP 22K 5% 1/10W
R1122	1-216-081-00	s	METAL, CHIP 22K 5% 1/10W

(SS-75 BOARD (Suffix number of board is 11.))

Ref. No. or Q'ty	Part No.	SP	Description
R1123	1-216-065-00	s	METAL, CHIP 4.7K 5% 1/10W
R1124	1-216-089-91	s	METAL, CHIP 47K 5% 1/10W
R1125	1-216-089-91	s	METAL, CHIP 47K 5% 1/10W
R1126	1-216-085-00	s	METAL, CHIP 33K 5% 1/10W
R1127	1-216-109-00	s	METAL, CHIP 330K 5% 1/10W
R1128	1-216-057-00	s	METAL, CHIP 2.2K 5% 1/10W
R1129	1-216-057-00	s	METAL, CHIP 2.2K 5% 1/10W
R1130	1-216-085-00	s	METAL, CHIP 33K 5% 1/10W
R1134	1-216-025-11	s	METAL, CHIP 100 5% 1/10W
R1135	1-216-025-11	s	METAL, CHIP 100 5% 1/10W
R1141	1-216-089-91	s	METAL, CHIP 47K 5% 1/10W
R1142	1-216-025-11	s	METAL, CHIP 100 5% 1/10W
R1143	1-216-081-00	s	METAL, CHIP 22K 5% 1/10W
R1146	1-216-025-11	s	METAL, CHIP 100 5% 1/10W
R1147	1-216-081-00	s	METAL, CHIP 22K 5% 1/10W
R1148	1-216-025-11	s	METAL, CHIP 100 5% 1/10W
R1149	1-216-025-11	s	METAL, CHIP 100 5% 1/10W
R1157	1-216-049-11	s	METAL, CHIP 1K 5% 1/10W
R1158	1-216-025-11	s	METAL, CHIP 100 5% 1/10W
R1160	1-216-025-11	s	METAL, CHIP 100 5% 1/10W
R1161	1-216-081-00	s	METAL, CHIP 22K 5% 1/10W
R1201	1-216-025-11	s	METAL, CHIP 100 5% 1/10W
R1202	1-216-051-00	s	METAL, CHIP 1.2K 5% 1/10W
R1203	1-216-051-00	s	METAL, CHIP 1.2K 5% 1/10W
R1204	1-216-051-00	s	METAL, CHIP 1.2K 5% 1/10W
R1206	1-216-073-00	s	METAL, CHIP 10K 5% 1/10W
R1210	1-216-089-91	s	METAL, CHIP 47K 5% 1/10W
R1212	1-216-073-00	s	METAL, CHIP 10K 5% 1/10W
R1213	1-216-089-91	s	METAL, CHIP 47K 5% 1/10W
R1214	1-216-089-91	s	METAL, CHIP 47K 5% 1/10W
R1218	1-216-699-11	s	METAL, CHIP 100K 0.5% 1/10W
R1219	1-216-651-11	s	METAL, CHIP 1K 0.5% 1/10W
R1220	1-216-651-11	s	METAL, CHIP 1K 0.5% 1/10W
R1221	1-216-699-11	s	METAL, CHIP 100K 0.5% 1/10W
R1222	1-216-025-11	s	METAL, CHIP 100 5% 1/10W
R1223	1-216-065-00	s	METAL, CHIP 4.7K 5% 1/10W
R1224	1-216-057-00	s	METAL, CHIP 2.2K 5% 1/10W
R1226	1-216-089-91	s	METAL, CHIP 47K 5% 1/10W
R1227	1-216-089-91	s	METAL, CHIP 47K 5% 1/10W
R1228	1-216-089-91	s	METAL, CHIP 47K 5% 1/10W
R1229	1-216-089-91	s	METAL, CHIP 47K 5% 1/10W
R1233	1-216-025-11	s	METAL, CHIP 100 5% 1/10W
R1234	1-216-025-11	s	METAL, CHIP 100 5% 1/10W
R1300	1-218-478-11	s	METAL, CHIP 330 5% 1/4W
R1301	1-218-478-11	s	METAL, CHIP 330 5% 1/4W
R2100	1-216-073-00	s	METAL, CHIP 10K 5% 1/10W
R2101	1-216-073-00	s	METAL, CHIP 10K 5% 1/10W
R2102	1-216-089-91	s	METAL, CHIP 47K 5% 1/10W
R2103	1-216-089-91	s	METAL, CHIP 47K 5% 1/10W
R2104	1-216-025-11	s	METAL, CHIP 100 5% 1/10W
R2105	1-216-025-11	s	METAL, CHIP 100 5% 1/10W
R2106	1-216-089-91	s	METAL, CHIP 47K 5% 1/10W
R2107	1-216-089-91	s	METAL, CHIP 47K 5% 1/10W
R2108	1-216-089-91	s	METAL, CHIP 47K 5% 1/10W
R2109	1-216-089-91	s	METAL, CHIP 47K 5% 1/10W
R2110	1-216-049-11	s	METAL, CHIP 1K 5% 1/10W
R2116	1-216-089-91	s	METAL, CHIP 47K 5% 1/10W
R2117	1-216-049-11	s	METAL, CHIP 1K 5% 1/10W
R2135	1-216-089-91	s	METAL, CHIP 47K 5% 1/10W

(SS-75 BOARD (Suffix number of board is 11.))

Ref. No. or Q'ty	Part No.	SP Description
R2136	1-216-089-91	s METAL, CHIP 47K 5% 1/10W
R2138	1-216-089-91	s METAL, CHIP 47K 5% 1/10W
R2142	1-216-049-11	s METAL, CHIP 1K 5% 1/10W
R2200	1-216-089-91	s METAL, CHIP 47K 5% 1/10W
R2201	1-216-089-91	s METAL, CHIP 47K 5% 1/10W
R2202	1-216-089-91	s METAL, CHIP 47K 5% 1/10W
R2203	1-216-067-00	s METAL, CHIP 5.6K 5% 1/10W
R2204	1-216-089-91	s METAL, CHIP 47K 5% 1/10W
R2205	1-216-089-91	s METAL, CHIP 47K 5% 1/10W
R2206	1-216-049-11	s METAL, CHIP 1K 5% 1/10W
R2207	1-216-049-11	s METAL, CHIP 1K 5% 1/10W
R2208	1-216-049-11	s METAL, CHIP 1K 5% 1/10W
R2209	1-216-049-11	s METAL, CHIP 1K 5% 1/10W
R2210	1-216-049-11	s METAL, CHIP 1K 5% 1/10W
R2212	1-216-089-91	s METAL, CHIP 47K 5% 1/10W
R2225	1-216-073-00	s METAL, CHIP 10K 5% 1/10W
R2226	1-216-085-00	s METAL, CHIP 33K 5% 1/10W
R2227	1-216-073-00	s METAL, CHIP 10K 5% 1/10W
R2228	1-216-091-00	s METAL, CHIP 56K 5% 1/10W
R2229	1-216-055-00	s METAL, CHIP 1.8K 5% 1/10W
R2230	1-216-073-00	s METAL, CHIP 10K 5% 1/10W
R2231	1-216-073-00	s METAL, CHIP 10K 5% 1/10W
R2232	1-216-061-00	s METAL, CHIP 3.3K 5% 1/10W
R2301	1-216-089-91	s METAL, CHIP 47K 5% 1/10W
R2302	1-216-676-11	s METAL, CHIP 11K 0.5% 1/10W
R2303	1-216-025-11	s METAL, CHIP 100 5% 1/10W
R2305	1-216-675-11	s METAL, CHIP 10K 0.5% 1/10W
R2306	1-216-677-11	s METAL, CHIP 12K 0.5% 1/10W
R2307	1-216-687-11	s METAL, CHIP 33K 0.5% 1/10W
R2308	1-216-667-11	s METAL, CHIP 4.7K 0.5% 1/10W
R2309	1-216-097-11	s METAL, CHIP 100K 5% 1/10W
R2310	1-216-693-11	s METAL, CHIP 56K 0.5% 1/10W
R2311	1-216-675-11	s METAL, CHIP 10K 0.5% 1/10W
R2312	1-216-693-11	s METAL, CHIP 56K 0.5% 1/10W
R2313	1-216-097-11	s METAL, CHIP 100K 5% 1/10W
R2315	1-216-667-11	s METAL, CHIP 4.7K 0.5% 1/10W
R2317	1-216-689-11	s METAL, CHIP 39K 0.5% 1/10W
R2318	1-216-675-11	s METAL, CHIP 10K 0.5% 1/10W
R2319	1-216-049-11	s METAL, CHIP 1K 5% 1/10W
R2322	1-216-049-11	s METAL, CHIP 1K 5% 1/10W
R2323	1-216-097-11	s METAL, CHIP 100K 5% 1/10W
R2324	1-216-089-91	s METAL, CHIP 47K 5% 1/10W
R2325	1-216-049-11	s METAL, CHIP 1K 5% 1/10W
R2326	1-216-049-11	s METAL, CHIP 1K 5% 1/10W
R2327	1-216-059-00	s METAL, CHIP 2.7K 5% 1/10W
R2328	1-216-105-11	s METAL, CHIP 220K 5% 1/10W
R2329	1-216-073-00	s METAL, CHIP 10K 5% 1/10W
R2330	1-216-049-11	s METAL, CHIP 1K 5% 1/10W
R2331	1-216-089-91	s METAL, CHIP 47K 5% 1/10W
R2332	1-216-073-00	s METAL, CHIP 10K 5% 1/10W
R2333	1-216-049-11	s METAL, CHIP 1K 5% 1/10W
R2334	1-216-059-00	s METAL, CHIP 2.7K 5% 1/10W
R2335	1-216-105-11	s METAL, CHIP 220K 5% 1/10W
R2340	1-216-073-00	s METAL, CHIP 10K 5% 1/10W
R2341	1-216-073-00	s METAL, CHIP 10K 5% 1/10W
R2342	1-216-073-00	s METAL, CHIP 10K 5% 1/10W
R2344	1-216-073-00	s METAL, CHIP 10K 5% 1/10W
R2345	1-216-097-11	s METAL, CHIP 100K 5% 1/10W
R2346	1-216-073-00	s METAL, CHIP 10K 5% 1/10W

(SS-75 BOARD (Suffix number of board is 11.))

Ref. No. or Q'ty	Part No.	SP Description
R2347	1-216-049-11	s METAL, CHIP 1K 5% 1/10W
R2348	1-216-681-11	s METAL, CHIP 18K 0.5% 1/10W
R2349	1-216-677-11	s METAL, CHIP 12K 0.5% 1/10W
R2350	1-216-681-11	s METAL, CHIP 18K 0.5% 1/10W
R2351	1-216-688-11	s METAL, CHIP 36K 0.5% 1/10W
R2354	1-216-025-11	s METAL, CHIP 100 5% 1/10W
R2355	1-216-667-11	s METAL, CHIP 4.7K 0.5% 1/10W
R2356	1-216-689-11	s METAL, CHIP 39K 0.5% 1/10W
R2360	1-215-452-00	s METAL 20K 1% 1/6W
R2361	1-215-463-00	s METAL 56K 1% 1/6W
R2362	1-215-463-00	s METAL 56K 1% 1/6W
R2363	1-215-463-00	s METAL 56K 1% 1/6W
R2500	1-216-687-11	s METAL, CHIP 33K 0.5% 1/10W
R2501	1-216-687-11	s METAL, CHIP 33K 0.5% 1/10W
R2502	1-216-675-11	s METAL, CHIP 10K 0.5% 1/10W
R2503	1-216-675-11	s METAL, CHIP 10K 0.5% 1/10W
R2504	1-216-675-11	s METAL, CHIP 10K 0.5% 1/10W
R2505	1-216-675-11	s METAL, CHIP 10K 0.5% 1/10W
R2506	1-216-651-11	s METAL, CHIP 1K 0.5% 1/10W
R2507	1-216-651-11	s METAL, CHIP 1K 0.5% 1/10W
R2508	1-216-689-11	s METAL, CHIP 39K 0.5% 1/10W
R2509	1-216-689-11	s METAL, CHIP 39K 0.5% 1/10W
R2510	1-218-758-11	s METAL, CHIP 180K 0.5% 1/10W
R2511	1-218-758-11	s METAL, CHIP 180K 0.5% 1/10W
R2512	1-216-663-11	s METAL, CHIP 3.3K 0.5% 1/10W
R2513	1-216-663-11	s METAL, CHIP 3.3K 0.5% 1/10W
R2514	1-216-694-11	s METAL, CHIP 62K 0.5% 1/10W
R2515	1-216-665-11	s METAL, CHIP 3.9K 0.5% 1/10W
R2516	1-216-694-11	s METAL, CHIP 62K 0.5% 1/10W
R2517	1-216-665-11	s METAL, CHIP 3.9K 0.5% 1/10W
R2518	1-216-692-11	s METAL, CHIP 51K 0.5% 1/10W
R2519	1-216-692-11	s METAL, CHIP 51K 0.5% 1/10W
R2520	1-216-049-11	s METAL, CHIP 1K 5% 1/10W
R2521	1-218-756-11	s METAL, CHIP 150K 0.5% 1/10W
R2522	1-216-651-11	s METAL, CHIP 1K 0.5% 1/10W
R2523	1-216-651-11	s METAL, CHIP 1K 0.5% 1/10W
R2524	1-216-667-11	s METAL, CHIP 4.7K 0.5% 1/10W
R2525	1-216-049-11	s METAL, CHIP 1K 5% 1/10W
R2526	1-216-073-00	s METAL, CHIP 10K 5% 1/10W
R2527	1-216-073-00	s METAL, CHIP 10K 5% 1/10W
R2528	1-216-687-11	s METAL, CHIP 33K 0.5% 1/10W
R2529	1-216-687-11	s METAL, CHIP 33K 0.5% 1/10W
R2530	1-216-687-11	s METAL, CHIP 33K 0.5% 1/10W
R2531	1-216-687-11	s METAL, CHIP 33K 0.5% 1/10W
R2532	1-216-687-11	s METAL, CHIP 33K 0.5% 1/10W
R2533	1-216-687-11	s METAL, CHIP 33K 0.5% 1/10W
R2534	1-216-687-11	s METAL, CHIP 33K 0.5% 1/10W
R2535	1-216-687-11	s METAL, CHIP 33K 0.5% 1/10W
R2536	1-216-675-11	s METAL, CHIP 10K 0.5% 1/10W
R2537	1-216-675-11	s METAL, CHIP 10K 0.5% 1/10W
R2538	1-216-675-11	s METAL, CHIP 10K 0.5% 1/10W
R2539	1-216-675-11	s METAL, CHIP 10K 0.5% 1/10W
R2540	1-216-687-11	s METAL, CHIP 33K 0.5% 1/10W
R2541	1-216-687-11	s METAL, CHIP 33K 0.5% 1/10W
R2542	1-216-687-11	s METAL, CHIP 33K 0.5% 1/10W
R2543	1-216-687-11	s METAL, CHIP 33K 0.5% 1/10W
R2544	1-216-073-00	s METAL, CHIP 10K 5% 1/10W
R2545	1-216-089-91	s METAL, CHIP 47K 5% 1/10W
R2546	1-216-655-11	s METAL, CHIP 1.5K 0.5% 1/10W

(SS-75 BOARD (Suffix number of board is 11.))

Ref. No. or Q'ty	Part No.	SP	Description
R2547	1-218-756-11	s	METAL, CHIP 150K 0.5% 1/10W
R2548	1-216-687-11	s	METAL, CHIP 33K 0.5% 1/10W
R2549	1-216-687-11	s	METAL, CHIP 33K 0.5% 1/10W
R2550	1-218-754-11	s	METAL, CHIP 120K 0.50% 1/10W
R2551	1-216-687-11	s	METAL, CHIP 33K 0.5% 1/10W
R2552	1-216-687-11	s	METAL, CHIP 33K 0.5% 1/10W
R2553	1-216-073-00	s	METAL, CHIP 10K 5% 1/10W
R2554	1-216-089-91	s	METAL, CHIP 47K 5% 1/10W
R2555	1-216-049-11	s	METAL, CHIP 1K 5% 1/10W
R2556	1-216-073-00	s	METAL, CHIP 10K 5% 1/10W
R2557	1-216-073-00	s	METAL, CHIP 10K 5% 1/10W
R2560	1-216-686-11	s	METAL, CHIP 30K 0.5% 1/10W
R2561	1-216-675-11	s	METAL, CHIP 10K 0.5% 1/10W
R2562	1-216-073-00	s	METAL, CHIP 10K 5% 1/10W
R2563	1-216-073-00	s	METAL, CHIP 10K 5% 1/10W
R2600	1-216-049-11	s	METAL, CHIP 1K 5% 1/10W
R2601	1-216-049-11	s	METAL, CHIP 1K 5% 1/10W
R2602	1-216-047-11	s	METAL, CHIP 820 5% 1/10W
R2603	1-216-073-00	s	METAL, CHIP 10K 5% 1/10W
R2604	1-216-089-91	s	METAL, CHIP 47K 5% 1/10W
R2605	1-216-073-00	s	METAL, CHIP 10K 5% 1/10W
R2606	1-216-089-91	s	METAL, CHIP 47K 5% 1/10W
R2607	1-216-089-91	s	METAL, CHIP 47K 5% 1/10W
R2608	1-216-049-11	s	METAL, CHIP 1K 5% 1/10W
R2610	1-216-049-11	s	METAL, CHIP 1K 5% 1/10W
R2612	1-216-073-00	s	METAL, CHIP 10K 5% 1/10W
R2613	1-216-073-00	s	METAL, CHIP 10K 5% 1/10W
R2614	1-216-073-00	s	METAL, CHIP 10K 5% 1/10W
R2615	1-216-073-00	s	METAL, CHIP 10K 5% 1/10W
R2616	1-216-073-00	s	METAL, CHIP 10K 5% 1/10W
R2617	1-216-073-00	s	METAL, CHIP 10K 5% 1/10W
R2618	1-216-025-11	s	METAL, CHIP 100 5% 1/10W
R2701	1-216-089-91	s	METAL, CHIP 47K 5% 1/10W
R2702	1-216-676-11	s	METAL, CHIP 11K 0.5% 1/10W
R2703	1-216-025-11	s	METAL, CHIP 100 5% 1/10W
R2705	1-216-675-11	s	METAL, CHIP 10K 0.5% 1/10W
R2706	1-216-677-11	s	METAL, CHIP 12K 0.5% 1/10W
R2708	1-216-085-00	s	METAL, CHIP 33K 5% 1/10W
R2709	1-216-667-11	s	METAL, CHIP 4.7K 0.5% 1/10W
R2710	1-216-097-11	s	METAL, CHIP 100K 5% 1/10W
R2711	1-216-675-11	s	METAL, CHIP 10K 0.5% 1/10W
R2712	1-216-693-11	s	METAL, CHIP 56K 0.5% 1/10W
R2713	1-216-097-11	s	METAL, CHIP 100K 5% 1/10W
R2715	1-216-667-11	s	METAL, CHIP 4.7K 0.5% 1/10W
R2717	1-216-689-11	s	METAL, CHIP 39K 0.5% 1/10W
R2718	1-216-675-11	s	METAL, CHIP 10K 0.5% 1/10W
R2719	1-216-049-11	s	METAL, CHIP 1K 5% 1/10W
R2722	1-216-049-11	s	METAL, CHIP 1K 5% 1/10W
R2723	1-216-097-11	s	METAL, CHIP 100K 5% 1/10W
R2724	1-216-089-91	s	METAL, CHIP 47K 5% 1/10W
R2725	1-216-049-11	s	METAL, CHIP 1K 5% 1/10W
R2727	1-216-059-00	s	METAL, CHIP 2.7K 5% 1/10W
R2728	1-216-105-11	s	METAL, CHIP 220K 5% 1/10W
R2729	1-216-073-00	s	METAL, CHIP 10K 5% 1/10W
R2730	1-216-049-11	s	METAL, CHIP 1K 5% 1/10W
R2731	1-216-089-91	s	METAL, CHIP 47K 5% 1/10W
R2732	1-216-073-00	s	METAL, CHIP 10K 5% 1/10W
R2733	1-216-049-11	s	METAL, CHIP 1K 5% 1/10W
R2734	1-216-059-00	s	METAL, CHIP 2.7K 5% 1/10W

(SS-75 BOARD (Suffix number of board is 11.))

Ref. No. or Q'ty	Part No.	SP	Description
R2735	1-216-105-11	s	METAL, CHIP 220K 5% 1/10W
R2740	1-216-073-00	s	METAL, CHIP 10K 5% 1/10W
R2741	1-216-073-00	s	METAL, CHIP 10K 5% 1/10W
R2743	1-216-073-00	s	METAL, CHIP 10K 5% 1/10W
R2744	1-216-049-11	s	METAL, CHIP 1K 5% 1/10W
R2745	1-216-073-00	s	METAL, CHIP 10K 5% 1/10W
R2746	1-216-681-11	s	METAL, CHIP 18K 0.5% 1/10W
R2747	1-216-097-11	s	METAL, CHIP 100K 5% 1/10W
R2748	1-216-073-00	s	METAL, CHIP 10K 5% 1/10W
R2749	1-216-677-11	s	METAL, CHIP 12K 0.5% 1/10W
R2750	1-216-681-11	s	METAL, CHIP 18K 0.5% 1/10W
R2751	1-216-688-11	s	METAL, CHIP 36K 0.5% 1/10W
R2754	1-216-676-11	s	METAL, CHIP 11K 0.5% 1/10W
R2755	1-216-683-11	s	METAL, CHIP 22K 0.5% 1/10W
R2760	1-215-452-00	s	METAL 20K 1% 1/6W
R2761	1-215-463-00	s	METAL 56K 1% 1/6W
R2762	1-215-463-00	s	METAL 56K 1% 1/6W
R2763	1-215-463-00	s	METAL 56K 1% 1/6W
R9726	1-216-049-11	s	METAL, CHIP 1K 5% 1/10W
RB101	1-239-305-11	s	RESISTOR BLOCK, CHIP 4.7Kx8
RB102	1-239-305-11	s	RESISTOR BLOCK, CHIP 4.7Kx8
RB103	1-239-305-11	s	RESISTOR BLOCK, CHIP 4.7Kx8
RB104	1-239-308-11	s	RESISTOR BLOCK, CHIP 47Kx8
RB105	1-239-308-11	s	RESISTOR BLOCK, CHIP 47Kx8
RB201	1-239-308-11	s	RESISTOR BLOCK, CHIP 47Kx8
RB202	1-239-308-11	s	RESISTOR BLOCK, CHIP 47Kx8
RB401	1-239-305-11	s	RESISTOR BLOCK, CHIP 4.7Kx8
RB402	1-239-305-11	s	RESISTOR BLOCK, CHIP 4.7Kx8
RB403	1-239-305-11	s	RESISTOR BLOCK, CHIP 4.7Kx8
RB404	1-239-305-11	s	RESISTOR BLOCK, CHIP 4.7Kx8
RB405	1-239-305-11	s	RESISTOR BLOCK, CHIP 4.7Kx8
RB501	1-239-308-11	s	RESISTOR BLOCK, CHIP 47Kx8
RB502	1-239-308-11	s	RESISTOR BLOCK, CHIP 47Kx8
RB503	1-239-308-11	s	RESISTOR BLOCK, CHIP 47Kx8
RB504	1-236-904-11	s	RESISTOR BLOCK 1KX4
RB505	1-236-904-11	s	RESISTOR BLOCK 1KX4
RB506	1-239-308-11	s	RESISTOR BLOCK, CHIP 47Kx8
RB507	1-239-308-11	s	RESISTOR BLOCK, CHIP 47Kx8
RB601	1-239-308-11	s	RESISTOR BLOCK, CHIP 47Kx8
RB602	1-239-308-11	s	RESISTOR BLOCK, CHIP 47Kx8
RB604	1-239-308-11	s	RESISTOR BLOCK, CHIP 47Kx8
RB605	1-239-308-11	s	RESISTOR BLOCK, CHIP 47Kx8
RB606	1-239-308-11	s	RESISTOR BLOCK, CHIP 47Kx8
RB607	1-239-308-11	s	RESISTOR BLOCK, CHIP 47Kx8
RB608	1-239-305-11	s	RESISTOR BLOCK, CHIP 4.7Kx8
RB1000	1-239-308-11	s	RESISTOR BLOCK, CHIP 47Kx8
RB1001	1-239-305-11	s	RESISTOR BLOCK, CHIP 4.7Kx8
RB1002	1-239-305-11	s	RESISTOR BLOCK, CHIP 4.7Kx8
RB1003	1-239-305-11	s	RESISTOR BLOCK, CHIP 4.7Kx8
RB1004	1-239-305-11	s	RESISTOR BLOCK, CHIP 4.7Kx8
RB1005	1-239-305-11	s	RESISTOR BLOCK, CHIP 4.7Kx8
RB1100	1-239-308-11	s	RESISTOR BLOCK, CHIP 47Kx8
RB1101	1-239-412-11	s	RESISTOR BLOCK 100X4
RB1102	1-239-412-11	s	RESISTOR BLOCK 100X4
RB1103	1-236-904-11	s	RESISTOR BLOCK 1KX4
RB1104	1-236-904-11	s	RESISTOR BLOCK 1KX4
RB1105	1-236-904-11	s	RESISTOR BLOCK 1KX4
RB1200	1-239-419-11	s	RESISTOR BLOCK 470X4
RB1201	1-239-419-11	s	RESISTOR BLOCK 470x4

(SS-75 BOARD (Suffix number of board is 11.))

Ref. No. or Q'ty	Part No.	SP Description
RB2100	1-239-419-11	s RESISTOR BLOCK 470x4
RB2101	1-239-419-11	s RESISTOR BLOCK 470x4
RB2102	1-239-419-11	s RESISTOR BLOCK 470x4
RB2103	1-239-419-11	s RESISTOR BLOCK 470x4
RB2104	1-239-308-11	s RESISTOR BLOCK, CHIP 47Kx8
RB2105	1-239-308-11	s RESISTOR BLOCK, CHIP 47Kx8
RB2106	1-239-308-11	s RESISTOR BLOCK, CHIP 47Kx8
RB2600	1-236-904-11	s RESISTOR BLOCK 1Kx4
RB2601	1-239-308-11	s RESISTOR BLOCK, CHIP 47Kx8
RB2602	1-239-308-11	s RESISTOR BLOCK, CHIP 47Kx8
RB2603	1-236-904-11	s RESISTOR BLOCK 1Kx4
RB2604	1-236-904-11	s RESISTOR BLOCK 1Kx4
RV1000	1-241-785-11	s RES, ADJ METAL 10K
S101	1-572-473-11	s SWITCH, PUSH
S102	1-692-535-11	s SWITCH, DIP 4-CKT
S501	1-692-536-11	s SWITCH, DIP 8-CKT
S1000	1-572-473-11	s SWITCH, PUSH
S1001	1-692-535-11	s SWITCH, DIP 4-CKT
S2100	1-572-473-11	s SWITCH, PUSH
S2101	1-692-536-11	s SWITCH, DIP 8-CKT
X401	1-760-528-11	s CRYSTAL 40MHz
X501	1-767-139-11	s CRYSTAL 9.8304MHz
X601	1-579-993-21	s CRYSTAL 13.50MHz

SW-749 BOARD

Ref. No. or Q'ty	Part No.	SP Description
lpc	A-8269-119-A	o MOUNTED CIRCUIT BOARD, SW-749
CN1	1-750-934-21	o CONNECTOR, 20P MALE
D1	8-719-024-81	s DIODE 1SS300-TE85L
D2	8-719-024-81	s DIODE 1SS300-TE85L
D3	8-719-024-81	s DIODE 1SS300-TE85L
D4	8-719-024-81	s DIODE 1SS300-TE85L
D5	8-719-024-81	s DIODE 1SS300-TE85L
D6	8-719-024-81	s DIODE 1SS300-TE85L
D7	8-719-024-81	s DIODE 1SS300-TE85L
D8	8-719-024-81	s DIODE 1SS300-TE85L
D11	8-719-024-81	s DIODE 1SS300-TE85L
D12	8-719-024-81	s DIODE 1SS300-TE85L
D13	8-719-024-81	s DIODE 1SS300-TE85L
D14	8-719-024-81	s DIODE 1SS300-TE85L
D15	8-719-024-81	s DIODE 1SS300-TE85L
D16	8-719-024-81	s DIODE 1SS300-TE85L
D17	8-719-024-81	s DIODE 1SS300-TE85L
D18	8-719-024-81	s DIODE 1SS300-TE85L
D21	8-719-024-81	s DIODE 1SS300-TE85L
D22	8-719-024-81	s DIODE 1SS300-TE85L
D23	8-719-024-81	s DIODE 1SS300-TE85L
D24	8-719-024-81	s DIODE 1SS300-TE85L
D25	8-719-024-81	s DIODE 1SS300-TE85L
D26	8-719-024-81	s DIODE 1SS300-TE85L
D27	8-719-024-81	s DIODE 1SS300-TE85L
D28	8-719-024-81	s DIODE 1SS300-TE85L
D101	8-719-026-39	s LED CL-150UR-CD, RED
Q101	8-729-029-04	s TRANSISTOR DTC123JUA-T106
R101	1-220-262-11	s METAL, CHIP 680 5% 1/4W

 SWC-17D BOARD

Ref. No. or Q'ty	Part No.	SP	Description
lpc	A-8313-017-A	o	MOUNTED CIRCUIT BOARD, SWC-17D
C101	1-126-795-11	s	ELECT 10uF 20% 50V
C102	1-126-795-11	s	ELECT 10uF 20% 50V
C103	1-163-038-91	s	CERAMIC, CHIP 0.1uF 25V 0%
C104	1-163-038-91	s	CERAMIC, CHIP 0.1uF 25V 0%
C105	1-163-038-91	s	CERAMIC, CHIP 0.1uF 25V 0%
C201	1-135-210-11	s	TANTALUM, CHIP 4.7uF 20% 10V
C202	1-135-210-11	s	TANTALUM, CHIP 4.7uF 20% 10V
C203	1-135-210-11	s	TANTALUM, CHIP 4.7uF 20% 10V
C204	1-135-210-11	s	TANTALUM, CHIP 4.7uF 20% 10V
C205	1-135-210-11	s	TANTALUM, CHIP 4.7uF 20% 10V
C206	1-135-210-11	s	TANTALUM, CHIP 4.7uF 20% 10V
C207	1-135-210-11	s	TANTALUM, CHIP 4.7uF 20% 10V
C208	1-135-210-11	s	TANTALUM, CHIP 4.7uF 20% 10V
C209	1-135-210-11	s	TANTALUM, CHIP 4.7uF 20% 10V
C210	1-135-210-11	s	TANTALUM, CHIP 4.7uF 20% 10V
C211	1-135-210-11	s	TANTALUM, CHIP 4.7uF 20% 10V
C212	1-135-210-11	s	TANTALUM, CHIP 4.7uF 20% 10V
C213	1-135-210-11	s	TANTALUM, CHIP 4.7uF 20% 10V
C214	1-135-210-11	s	TANTALUM, CHIP 4.7uF 20% 10V
C215	1-135-210-11	s	TANTALUM, CHIP 4.7uF 20% 10V
C216	1-135-210-11	s	TANTALUM, CHIP 4.7uF 20% 10V
C217	1-135-210-11	s	TANTALUM, CHIP 4.7uF 20% 10V
C218	1-135-210-11	s	TANTALUM, CHIP 4.7uF 20% 10V
C219	1-135-210-11	s	TANTALUM, CHIP 4.7uF 20% 10V
C220	1-135-210-11	s	TANTALUM, CHIP 4.7uF 20% 10V
C221	1-135-210-11	s	TANTALUM, CHIP 4.7uF 20% 10V
C222	1-135-210-11	s	TANTALUM, CHIP 4.7uF 20% 10V
C223	1-135-210-11	s	TANTALUM, CHIP 4.7uF 20% 10V
C224	1-135-210-11	s	TANTALUM, CHIP 4.7uF 20% 10V
CN560	1-751-360-11	s	CABLE, FLAT 26P
D101	8-719-024-81	s	DIODE 1SS300-TE85L
D102	8-719-024-81	s	DIODE 1SS300-TE85L
D103	8-719-024-81	s	DIODE 1SS300-TE85L
D104	8-719-024-81	s	DIODE 1SS300-TE85L
D105	8-719-024-81	s	DIODE 1SS300-TE85L
D106	8-719-024-81	s	DIODE 1SS300-TE85L
D107	8-719-024-81	s	DIODE 1SS300-TE85L
D108	8-719-024-81	s	DIODE 1SS300-TE85L
D109	8-719-024-81	s	DIODE 1SS300-TE85L
D110	8-719-024-81	s	DIODE 1SS300-TE85L
D111	8-719-024-81	s	DIODE 1SS300-TE85L
D112	8-719-024-81	s	DIODE 1SS300-TE85L
D113	8-719-041-80	s	LED TLG255A, GRN
D114	8-719-041-80	s	LED TLG255A, GRN
D115	8-719-041-80	s	LED TLG255A, GRN
D116	8-719-041-80	s	LED TLG255A, GRN
D117	8-719-041-80	s	LED TLG255A, GRN
D118	8-719-041-80	s	LED TLG255A, GRN
D119	8-719-041-85	s	LED TLY255A, YEL
D120	8-719-041-85	s	LED TLY255A, YEL
D121	8-719-820-36	s	LED TLS255A, RED
D201	8-719-041-80	s	LED TLG255A, GRN
D202	8-719-041-80	s	LED TLG255A, GRN
D203	8-719-041-80	s	LED TLG255A, GRN
D204	8-719-820-36	s	LED TLS255A, RED
D205	8-719-820-36	s	LED TLS255A, RED

(SWC-17D BOARD)

Ref. No. or Q'ty	Part No.	SP	Description
D206	8-719-820-36	s	LED TLS255A, RED
D207	8-719-041-80	s	LED TLG255A, GRN
D208	8-719-041-80	s	LED TLG255A, GRN
D209	8-719-041-80	s	LED TLG255A, GRN
IC101	8-759-245-40	s	IC TD62003P
Q101	8-729-027-29	s	TRANSISTOR DTA123JKA-T146
Q102	8-729-027-29	s	TRANSISTOR DTA123JKA-T146
Q103	8-729-027-29	s	TRANSISTOR DTA123JKA-T146
Q104	8-729-027-29	s	TRANSISTOR DTA123JKA-T146
Q105	8-729-027-29	s	TRANSISTOR DTA123JKA-T146
Q106	8-729-140-63	s	TRANSISTOR 2SA1611-M5M6
Q107	8-729-140-63	s	TRANSISTOR 2SA1611-M5M6
Q108	8-729-140-63	s	TRANSISTOR 2SA1611-M5M6
Q109	8-729-140-63	s	TRANSISTOR 2SA1611-M5M6
Q110	8-729-140-63	s	TRANSISTOR 2SA1611-M5M6
Q111	8-729-140-63	s	TRANSISTOR 2SA1611-M5M6
Q112	8-729-140-63	s	TRANSISTOR 2SA1611-M5M6
Q113	8-729-140-63	s	TRANSISTOR 2SA1611-M5M6
Q114	8-729-029-04	s	TRANSISTOR DTC123JUA-T106
Q115	8-729-029-04	s	TRANSISTOR DTC123JUA-T106
Q116	8-729-029-04	s	TRANSISTOR DTC123JUA-T106
Q117	8-729-029-04	s	TRANSISTOR DTC123JUA-T106
Q118	8-729-029-04	s	TRANSISTOR DTC123JUA-T106
Q119	8-729-029-04	s	TRANSISTOR DTC123JUA-T106
Q120	8-729-029-04	s	TRANSISTOR DTC123JUA-T106
Q121	8-729-029-04	s	TRANSISTOR DTC123JUA-T106
Q201	8-729-027-24	s	TRANSISTOR DTA114TKA-T146
Q202	8-729-027-24	s	TRANSISTOR DTA114TKA-T146
Q203	8-729-027-24	s	TRANSISTOR DTA114TKA-T146
Q204	8-729-027-24	s	TRANSISTOR DTA114TKA-T146
Q205	8-729-117-32	s	TRANSISTOR 2SC4177
Q206	8-729-117-32	s	TRANSISTOR 2SC4177
Q207	8-729-117-32	s	TRANSISTOR 2SC4177
Q208	8-729-117-32	s	TRANSISTOR 2SC4177
Q209	8-729-027-24	s	TRANSISTOR DTA114TKA-T146
Q210	8-729-027-24	s	TRANSISTOR DTA114TKA-T146
Q211	8-729-027-24	s	TRANSISTOR DTA114TKA-T146
Q212	8-729-117-32	s	TRANSISTOR 2SC4177
Q213	8-729-117-32	s	TRANSISTOR 2SC4177
Q214	8-729-117-32	s	TRANSISTOR 2SC4177
Q215	8-729-117-32	s	TRANSISTOR 2SC4177
Q216	8-729-117-32	s	TRANSISTOR 2SC4177
Q217	8-729-027-24	s	TRANSISTOR DTA114TKA-T146
Q218	8-729-027-24	s	TRANSISTOR DTA114TKA-T146
Q219	8-729-027-24	s	TRANSISTOR DTA114TKA-T146
Q220	8-729-027-24	s	TRANSISTOR DTA114TKA-T146
Q221	8-729-117-32	s	TRANSISTOR 2SC4177
Q222	8-729-117-32	s	TRANSISTOR 2SC4177
Q223	8-729-117-32	s	TRANSISTOR 2SC4177
Q224	8-729-117-32	s	TRANSISTOR 2SC4177
Q225	8-729-117-32	s	TRANSISTOR 2SC4177
Q226	8-729-027-24	s	TRANSISTOR DTA114TKA-T146
Q227	8-729-027-24	s	TRANSISTOR DTA114TKA-T146
Q228	8-729-027-24	s	TRANSISTOR DTA114TKA-T146
Q229	8-729-117-32	s	TRANSISTOR 2SC4177
Q230	8-729-117-32	s	TRANSISTOR 2SC4177
Q231	8-729-117-32	s	TRANSISTOR 2SC4177
Q232	8-729-117-32	s	TRANSISTOR 2SC4177

(SWC-17D BOARD)

Ref. No. or Q'ty	Part No.	SP	Description
R271	1-220-261-11	s	METAL, CHIP 470 5% 1/4W
R272	1-220-261-11	s	METAL, CHIP 470 5% 1/4W
R273	1-218-780-11	s	METAL, CHIP 270 5% 1/4W
R274	1-216-013-00	s	METAL, CHIP 33 5% 1/10W
R275	1-216-013-00	s	METAL, CHIP 33 5% 1/10W
R276	1-216-013-00	s	METAL, CHIP 33 5% 1/10W
R277	1-216-065-00	s	METAL, CHIP 4.7K 5% 1/10W
R278	1-216-065-00	s	METAL, CHIP 4.7K 5% 1/10W
R279	1-216-065-00	s	METAL, CHIP 4.7K 5% 1/10W
R280	1-216-065-00	s	METAL, CHIP 4.7K 5% 1/10W
R281	1-216-065-00	s	METAL, CHIP 4.7K 5% 1/10W
R282	1-216-065-00	s	METAL, CHIP 4.7K 5% 1/10W
R283	1-218-780-11	s	METAL, CHIP 270 5% 1/4W
R284	1-220-261-11	s	METAL, CHIP 470 5% 1/4W
R285	1-220-261-11	s	METAL, CHIP 470 5% 1/4W
R286	1-220-260-11	s	METAL, CHIP 390 5% 1/4W
R287	1-216-013-00	s	METAL, CHIP 33 5% 1/10W
R288	1-216-013-00	s	METAL, CHIP 33 5% 1/10W
R289	1-216-013-00	s	METAL, CHIP 33 5% 1/10W
R290	1-216-065-00	s	METAL, CHIP 4.7K 5% 1/10W
R291	1-216-065-00	s	METAL, CHIP 4.7K 5% 1/10W
R292	1-216-065-00	s	METAL, CHIP 4.7K 5% 1/10W
R293	1-216-065-00	s	METAL, CHIP 4.7K 5% 1/10W
R294	1-216-065-00	s	METAL, CHIP 4.7K 5% 1/10W
R295	1-216-065-00	s	METAL, CHIP 4.7K 5% 1/10W
R296	1-220-261-11	s	METAL, CHIP 470 5% 1/4W
R297	1-220-261-11	s	METAL, CHIP 470 5% 1/4W
R298	1-220-260-11	s	METAL, CHIP 390 5% 1/4W
R299	1-216-013-00	s	METAL, CHIP 33 5% 1/10W
R300	1-216-065-00	s	METAL, CHIP 4.7K 5% 1/10W
R301	1-216-065-00	s	METAL, CHIP 4.7K 5% 1/10W
R302	1-220-261-11	s	METAL, CHIP 470 5% 1/4W
RB101	1-239-305-11	s	RESISTOR BLOCK, CHIP 4.7Kx8
RB102	1-239-306-11	s	RESISTOR BLOCK, CHIP 10Kx8
S201	1-692-537-11	s	SWITCH, PUSH
S202	1-692-537-11	s	SWITCH, PUSH
S203	1-692-537-11	s	SWITCH, PUSH
S204	1-692-537-11	s	SWITCH, PUSH
S205	1-692-537-11	s	SWITCH, PUSH
S206	1-692-537-11	s	SWITCH, PUSH
S207	1-692-537-11	s	SWITCH, PUSH
S208	1-692-537-11	s	SWITCH, PUSH
S209	1-692-537-11	s	SWITCH, PUSH
S210	1-692-537-11	s	SWITCH, PUSH
S211	1-692-537-11	s	SWITCH, PUSH
S212	1-692-537-11	s	SWITCH, PUSH
S213	1-692-537-11	s	SWITCH, PUSH
S214	1-692-537-11	s	SWITCH, PUSH
S215	1-692-537-11	s	SWITCH, PUSH
S216	1-692-537-11	s	SWITCH, PUSH
S217	1-762-042-11	s	SWITCH, PUSH
S218	1-692-537-11	s	SWITCH, PUSH
S219	1-692-537-11	s	SWITCH, PUSH
S220	1-762-042-11	s	SWITCH, PUSH
S221	1-692-537-11	s	SWITCH, PUSH

SWC-32 BOARD

Ref. No. or Q'ty	Part No.	SP	Description
1pc	A-8313-138-A	o	MOUNTED CIRCUIT BOARD, SWC-32
C1	1-124-584-00	s	ELECT 100uF 20% 10V
C2	1-163-038-91	s	CERAMIC, CHIP 0.1uF 25V 0%
CN148	1-568-079-11	s	CONNECTOR, HINGE 20P, FEMALE
CN580	1-750-877-11	s	CONNECTOR, FLAT CABLE 16P, MALE
FL1	1-412-694-11	s	BEAD, INDUCTOR
FL2	1-412-694-11	s	BEAD, INDUCTOR
FL3	1-412-694-11	s	BEAD, INDUCTOR
FL4	1-412-694-11	s	BEAD, INDUCTOR
R1	1-216-097-11	s	METAL, CHIP 100K 5% 1/10W
R2	1-216-097-11	s	METAL, CHIP 100K 5% 1/10W
R3	1-216-097-11	s	METAL, CHIP 100K 5% 1/10W
R4	1-216-097-11	s	METAL, CHIP 100K 5% 1/10W
R5	1-216-097-11	s	METAL, CHIP 100K 5% 1/10W
S1	1-570-157-51	s	SWITCH, SLIDE

TR-78 BOARD

Ref. No. or Q'ty	Part No.	SP	Description
C1	1-163-038-91	s	CERAMIC, CHIP 0.1uF 25V 0%
C2	1-163-038-91	s	CERAMIC, CHIP 0.1uF 25V 0%
C3	1-163-038-91	s	CERAMIC, CHIP 0.1uF 25V 0%
CN1	1-506-472-11	s	CONNECTOR 7P, MALE
CP1	8-745-001-07	s	DME DM-230-1
IC1	8-759-112-66	s	IC UPC812G2
R1	1-216-079-00	s	METAL, CHIP 18K 5% 1/10W
R2	1-216-079-00	s	METAL, CHIP 18K 5% 1/10W
R3	1-216-023-00	s	METAL, CHIP 82 5% 1/10W
R4	1-216-081-00	s	METAL, CHIP 22K 5% 1/10W
R5	1-216-081-00	s	METAL, CHIP 22K 5% 1/10W
R6	1-216-109-00	s	METAL, CHIP 330K 5% 1/10W
R7	1-216-109-00	s	METAL, CHIP 330K 5% 1/10W
R8	1-216-053-00	s	METAL, CHIP 1.5K 5% 1/10W
R9	1-216-071-00	s	METAL, CHIP 8.2K 5% 1/10W
RV1	1-237-036-11	s	RES, ADJ METAL 10K
RV2	1-237-037-11	s	RES, ADJ METAL 20K

 TR-79 BOARD

Ref. No. or Q'ty	Part No.	SP Description
1pc	A-8276-628-A	o MOUNTED CIRCUIT BOARD, TR-79
CN1	1-506-473-11	s CONNECTOR 8P, MALE
CP1	8-745-001-07	s DME DM-230-1
PH1	8-719-939-05	s PHOT INTERRUPTER GP-1S54
PH2	8-719-939-05	s PHOT INTERRUPTER GP-1S54
R1	1-249-409-11	s CARBON 220 5% 1/4W
R2	1-249-409-11	s CARBON 220 5% 1/4W

 TX-52 BOARD

Ref. No. or Q'ty	Part No.	SP Description
If customer in Japan is required this TX-52 board, please buy HK-101 (J).		
If customer in the U.S.A./Canada is required this TX-52 board, please contact to your local Sony's sale/service office.		

 VR-152 BOARD

Ref. No. or Q'ty	Part No.	SP Description
1pc	A-8275-078-A	o MOUNTED CIRCUIT BOARD, VR-152
C1	1-126-948-11	s ELECT 100uF 20% 35V
C2	1-163-038-91	s CERAMIC, CHIP 0.1uF 25V 0%
C3	1-126-948-11	s ELECT 100uF 20% 35V
C4	1-163-038-91	s CERAMIC, CHIP 0.1uF 25V 0%
C5	1-163-243-11	s CERAMIC, CHIP 47PF 5% 50V
C6	1-124-282-00	s ELECT, NONPOLAR 22uF 20% 25V
C7	1-163-243-11	s CERAMIC, CHIP 47PF 5% 50V
C8	1-124-282-00	s ELECT, NONPOLAR 22uF 20% 25V
C9	1-163-038-91	s CERAMIC, CHIP 0.1uF 25V 0%
C10	1-163-038-91	s CERAMIC, CHIP 0.1uF 25V 0%
C11	1-163-243-11	s CERAMIC, CHIP 47PF 5% 50V
C12	1-163-243-11	s CERAMIC, CHIP 47PF 5% 50V
C13	1-126-933-11	s ELECT 100uF 20% 16V
C14	1-163-038-91	s CERAMIC, CHIP 0.1uF 25V 0%
C15	1-126-933-11	s ELECT 100uF 20% 16V
C16	1-163-038-91	s CERAMIC, CHIP 0.1uF 25V 0%
C17	1-163-038-91	s CERAMIC, CHIP 0.1uF 25V 0%
C18	1-163-038-91	s CERAMIC, CHIP 0.1uF 25V 0%
C19	1-163-038-91	s CERAMIC, CHIP 0.1uF 25V 0%
C20	1-163-038-91	s CERAMIC, CHIP 0.1uF 25V 0%
C21	1-163-038-91	s CERAMIC, CHIP 0.1uF 25V 0%
CN510	1-506-472-11	s CONNECTOR 7P, MALE
CN511	1-506-480-11	o CONNECTOR 15P, MALE
CN512	1-506-473-11	s CONNECTOR 8P, MALE
D1	8-719-024-81	s DIODE 1SS300-TE85L
D2	8-719-024-81	s DIODE 1SS300-TE85L
D5	8-719-801-48	s DIODE 1SS193
FL1	1-239-825-11	s FILTER BLOCK, FEED-THROUGH 220pFX3
FL2	1-239-825-11	s FILTER BLOCK, FEED-THROUGH 220pFX3
FL3	1-239-825-11	s FILTER BLOCK, FEED-THROUGH 220pFX3
IC1	8-759-745-64	s IC NJM4560M
IC2	8-759-745-64	s IC NJM4560M
IC3	8-759-521-14	s IC NJM5532S-D
J1	1-507-863-51	s JACK, PHONE
Q1	8-729-905-12	s TRANSISTOR DTA144EU
Q2	8-729-119-78	s TRANSISTOR 2SC2785-HFE
R1	1-216-667-11	s METAL, CHIP 4.7K 0.5% 1/10W
R2	1-216-667-11	s METAL, CHIP 4.7K 0.5% 1/10W
R3	1-216-603-11	s METAL, CHIP 10 0.5% 1/10W
R4	1-216-667-11	s METAL, CHIP 4.7K 0.5% 1/10W
R5	1-216-667-11	s METAL, CHIP 4.7K 0.5% 1/10W
R6	1-216-603-11	s METAL, CHIP 10 0.5% 1/10W
R7	1-216-660-11	s METAL, CHIP 2.4K 0.5% 1/10W
R8	1-216-675-11	s METAL, CHIP 10K 0.5% 1/10W
R9	1-220-220-11	s METAL, CHIP 120 5% 1/2W
R11	1-216-660-11	s METAL, CHIP 2.4K 0.5% 1/10W
R12	1-216-675-11	s METAL, CHIP 10K 0.5% 1/10W
R13	1-220-220-11	s METAL, CHIP 120 5% 1/2W
R15	1-216-065-00	s METAL, CHIP 4.7K 5% 1/10W
R16	1-216-603-11	s METAL, CHIP 10 0.5% 1/10W
R17	1-216-603-11	s METAL, CHIP 10 0.5% 1/10W
R18	1-216-665-11	s METAL, CHIP 3.9K 0.5% 1/10W
R19	1-216-687-11	s METAL, CHIP 33K 0.5% 1/10W
R22	1-216-665-11	s METAL, CHIP 3.9K 0.5% 1/10W

(VR-152 BOARD)

Ref. No. or Q'ty	Part No.	SP	Description
R23	1-216-687-11	s	METAL, CHIP 33K 0.5% 1/10W
R26	1-216-665-11	s	METAL, CHIP 3.9K 0.5% 1/10W
R27	1-216-687-11	s	METAL, CHIP 33K 0.5% 1/10W
R30	1-216-665-11	s	METAL, CHIP 3.9K 0.5% 1/10W
R31	1-216-687-11	s	METAL, CHIP 33K 0.5% 1/10W
R34	1-216-665-11	s	METAL, CHIP 3.9K 0.5% 1/10W
R35	1-216-687-11	s	METAL, CHIP 33K 0.5% 1/10W
R38	1-216-073-00	s	METAL, CHIP 10K 5% 1/10W
R39	1-216-073-00	s	METAL, CHIP 10K 5% 1/10W
R40	1-216-073-00	s	METAL, CHIP 10K 5% 1/10W
R41	1-216-073-00	s	METAL, CHIP 10K 5% 1/10W
RV1	1-223-536-11	s	RES WITH SWITCH, VAR, CARBON 10K
RV2	1-223-536-11	s	RES WITH SWITCH, VAR, CARBON 10K
RV3	1-223-536-11	s	RES WITH SWITCH, VAR, CARBON 10K
RV4	1-223-536-11	s	RES WITH SWITCH, VAR, CARBON 10K
RV5	1-223-536-11	s	RES WITH SWITCH, VAR, CARBON 10K
RV6	1-241-577-11	s	RES, VAR CARBON 20k/20k
RY1	1-515-716-11	s	RELAY

VR-153 BOARD

Ref. No. or Q'ty	Part No.	SP	Description
1pc	A-8275-075-A	o	MOUNTED CIRCUIT BOARD, VR-153
C1	1-163-038-91	s	CERAMIC, CHIP 0.1uF 25V 0%
C2	1-126-933-11	s	ELECT 100uF 20% 16V
C3	1-163-038-91	s	CERAMIC, CHIP 0.1uF 25V 0%
C4	1-163-038-91	s	CERAMIC, CHIP 0.1uF 25V 0%
C5	1-163-038-91	s	CERAMIC, CHIP 0.1uF 25V 0%
C6	1-163-038-91	s	CERAMIC, CHIP 0.1uF 25V 0%
C7	1-163-038-91	s	CERAMIC, CHIP 0.1uF 25V 0%
C8	1-163-038-91	s	CERAMIC, CHIP 0.1uF 25V 0%
CN520	1-568-084-11	s	CONNECTOR, HINGE 30P, FEMALE
CN522	1-506-472-11	s	CONNECTOR 7P, MALE
CN523	1-506-480-11	o	CONNECTOR 15P, MALE
D1	8-719-024-81	s	DIODE 1SS300-TE85L
D2	8-719-024-81	s	DIODE 1SS300-TE85L
Q1	8-729-905-12	s	TRANSISTOR DTA144EU
R1	1-216-665-11	s	METAL, CHIP 3.9K 0.5% 1/10W
R2	1-216-687-11	s	METAL, CHIP 33K 0.5% 1/10W
R5	1-216-665-11	s	METAL, CHIP 3.9K 0.5% 1/10W
R6	1-216-687-11	s	METAL, CHIP 33K 0.5% 1/10W
R9	1-216-665-11	s	METAL, CHIP 3.9K 0.5% 1/10W
R10	1-216-687-11	s	METAL, CHIP 33K 0.5% 1/10W
R13	1-216-665-11	s	METAL, CHIP 3.9K 0.5% 1/10W
R14	1-216-687-11	s	METAL, CHIP 33K 0.5% 1/10W
R17	1-216-665-11	s	METAL, CHIP 3.9K 0.5% 1/10W
R18	1-216-685-11	s	METAL, CHIP 27K 0.5% 1/10W
R21	1-216-073-00	s	METAL, CHIP 10K 5% 1/10W
R22	1-216-073-00	s	METAL, CHIP 10K 5% 1/10W
R23	1-216-073-00	s	METAL, CHIP 10K 5% 1/10W
R24	1-216-073-00	s	METAL, CHIP 10K 5% 1/10W
RV1	1-223-536-11	s	RES WITH SWITCH, VAR, CARBON 10K
RV2	1-223-536-11	s	RES WITH SWITCH, VAR, CARBON 10K
RV3	1-223-536-11	s	RES WITH SWITCH, VAR, CARBON 10K
RV4	1-223-536-11	s	RES WITH SWITCH, VAR, CARBON 10K
RV5	1-223-536-11	s	RES WITH SWITCH, VAR, CARBON 10K
S1	1-554-088-00	s	SWITCH, TACTILE

3-5. Parts List for Frame

 PARTS LIST FOR FRAME

Ref. No. or Q'ty	Part No.	SP Description
1pc	A-8313-765-A	s INNER DRUM ASSY, DHR-03-R
1pc	A-8313-763-A	s DRUM ASSY, DHH-03A-R
1pc	A-8267-572-A	s SR9 ASSY (RP), BRUSH
1pc	△ 1-413-831-21	s REGULATOR, SWITCHING SOPS-1042(A)
1pc	1-517-185-32	s INDICATOR MODULE, FLUORESCENT "LEVEL METERS"
CB1001	△ 1-576-036-11	s BREAKER, CIRCUIT
CN3	△ 1-580-375-11	s INLET, AC 3P MALE
H001	8-825-778-23	s HEAD, AUDIO EPS244-2103G "AUDIO/TC HEAD"
H002	8-825-554-84	s HEAD, CTL PS244-21B "REEL SHIFT"
H003	8-825-770-74	s HEAD FE EF291-21 "AUDIO/TC HEAD"
M001	1-541-431-41	s FAN, DC (R)
M002	1-698-152-11	s MOTOR, DC (SVD-1449) "REEL SHIFT"
M003	1-698-152-11	s MOTOR, DC (SVD-1449) "THREADING"
M004	1-698-152-11	s MOTOR, DC (SVC-1449) "CASSETTE UP/DOWN MOTOR"
M005	A-8267-774-D	s RM ASSY "S-REEL"
M006	A-8267-774-D	s RM ASSY "T-REEL"
M007	1-698-179-12	s MOTOR, DC "CAPSTAN"
M008	1-541-431-41	s FAN, DC (Included in switching regulator)
M009	1-698-857-11	s FAN, DC (Front)
PM001	1-454-607-11	s SOLENOID "CLEANING"
PM002	1-454-338-00	s SOLENOID "PINCH"
PM003	1-454-417-41	s SOLENOID "S-REEL"
PM004	1-454-417-41	s SOLENOID "T-REEL"
PM005	1-454-606-11	s SOLENOID "DIAL"
S001	△ 1-762-953-11	s SWITCH, POWER (AC POWER)
FROM BREAKER (CB1001) TO CN001 ON AC-169 BOARD		
1pc	△ 1-951-965-13	o HARNESS, SUB (BREAKER)
FROM GND ON VR-152 BOARD TO GND ON CHASSIS		
1pc	1-958-138-11	o HARNESS, SUB (HP-GND)
FROM CNA ON RX-35 BOARD TO CNA (SERIAL V/A INPUT) ON CONNECTOR PANEL		
1pc	1-782-374-11	o CABLE, COAXIAL 0.57 m
FROM CNB ON RX-35 BOARD TO CNB (INPUT MONITOR) ON CONNECTOR PANEL		
1pc	1-782-374-11	o CABLE, COAXIAL 0.57 m
FROM CNC ON TX-52 BOARD TO CNC (SERIAL V/A OUTPUT 1) ON CONNECTOR PANEL		
1pc	1-782-374-21	o CABLE, COAXIAL 0.57 m
FROM CND ON TX-52 BOARD TO CND (SERIAL V/A OUTPUT 2) ON CONNECTOR PANEL		
1pc	1-782-374-21	o CABLE, COAXIAL 0.57 m
FROM CNE ON TX-52 BOARD TO CNE (SERIAL V/A OUTPUT 3) ON CONNECTOR PANEL		
1pc	1-782-374-31	o CABLE, COAXIAL 0.57 m
FROM CNF ON TX-52 BOARD TO CNF (SERIAL V/A OUTPUT 4) ON CONNECTOR PANEL		
1pc	1-782-374-31	o CABLE, COAXIAL 0.57 m
FROM CNG ON RX-35 BOARD (Option HKDV-504) TO CNG (DUB IN) ON CONNECTOR PANEL		
1pc	1-782-374-41	o CABLE, COAXIAL 0.57 m
FROM CNH ON TX-52 BOARD (Option HKDV-504) TO CNH (DUB OUT) ON CONNECTOR PANEL		
1pc	1-782-374-41	o CABLE, COAXIAL 0.57 m
FROM CN560 ON SWC-17D BOARD TO CN6 ON CP-266A BOARD		
1pc	1-955-028-11	o HARNESS, SUB (CP-DVW)
FROM CN137 ON MB-697 BOARD TO CN404 CP-299/299A BOARD		
1pc	1-751-358-11	s CABLE, FLAT 34P
FROM CN416 ON CP-298 BOARD TO CN406 ON CP-299/299A BOARD		
1pc	1-957-234-11	o HARNESS, SUB (CP CP)

(PARTS LIST FOR FRAME)

Ref. No. or Q'ty	Part No.	SP Description
	FROM RM-82 BOARD (S-REEL) TO DR-307 BOARD	
1pc	1-559-266-11	o WIRE, FLEXIBLE CARD 13P
	FROM RM-82 BOARD (T-REEL) TO DR-307 BOARD	
1pc	1-559-266-11	o WIRE, FLEXIBLE CARD 13P
	FROM CN147 ON MB-697 BOARD TO CN500 ON FP-103 BOARD	
1pc	1-751-352-11	s CABLE, FLAT 40P
	FROM CN560 ON SWC-17 BOARD TO CN501 ON FP-103 BOARD	
1pc	1-751-360-11	s CABLE, FLAT 26P
	FROM CN1 ON EL INDICATOR MODULE TO CN505 ON FP-103 BOARD	
1pc	1-951-935-11	o HARNESS, SUB (DISPLAY)
	FROM CN001 ON CAPSTAN MOTOR TO CN202 ON HN-249 BOARD	
1pc	1-951-926-11	o HARNESS, SUB (CAP MOTOR)
	FROM CN390 ON DT-34 BOARD TO CN208 ON HN-249 BOARD	
1pc	1-951-984-11	o HARNESS, SUB (DT CONT)
	FROM CN391 ON DT-34 BOARD TO CN209 ON HN-249 BOARD	
1pc	1-951-983-11	o HARNESS, SUB (DT DRIVE)
	FROM CN1 ON PTC-59 BOARD TO CN216 ON HN-249 BOARD	
1pc	1-951-933-11	o HARNESS, SUB (CAS SENS)
	FROM CN920 ON CCM-15 BOARD (REEL SHIFT MOTOR) TO CN217 ON HN-249 BOARD	
1pc	1-951-929-11	o HARNESS, SUB (SFT MOTOR)
	FROM CN1 ON PTC-71 BOARD TO CN218 ON HN-249 BOARD	
1pc	1-951-979-11	o HARNESS, SUB (REEL POS)
	FROM CN1 ON TR-78 BOARD TO CN231 ON HN-250 BOARD	
1pc	1-951-925-11	o HARNESS, SUB (S-TEN REG)
	FROM CN904 ON PTC-54 BOARD TO CN233 ON HN-250 BOARD	
1pc	1-951-924-11	o HARNESS, SUB (THD FG)
	FROM CN920 ON CCM-15 BOARD (THREADING MOTOR) TO CN235 ON HN-250 BOARD	
1pc	1-951-930-12	o HARNESS, SUB (THD MOTOR)
	FROM CN930 ON CL-29 BOARD TO CN242 ON HN-251 BOARD	
1pc	1-951-980-15	o HARNESS, SUB (CASS CON)
	FROM CN001 ON TAPE TOP SENSOR TO CN243 ON HN-251 BOARD	
1pc	1-951-937-11	o HARNESS, SUB (TOP/END SENS)
	FROM CN1 ON TR-79 BOARD TO CN244 ON HN-251 BOARD	
1pc	1-951-981-11	o HARNESS, SUB (T-TEN/THD)
	FROM CN931 ON CL-29 BOARD TO CN932 ON LP-81 BOARD	
1pc	1-948-962-12	o HARNESS (CC LAMP)
	FROM CN402 ON CP-299/299A BOARD TO CN140 ON MB-697 BOARD	
1pc	1-951-971-11	o HARNESS, SUB (CUE IN/OUT)
	FROM CN401 ON CP-299/299A BOARD TO CN143 ON MB-697 BOARD	
1pc	1-951-972-11	o HARNESS, SUB (AU OUT)
	FROM CN403 ON CP-299/299A BOARD TO CN144 ON MB-697 BOARD	
1pc	1-951-973-11	o HARNESS, SUB (MONI OUT)
	FROM CN512 ON VR-152 BOARD TO CN145 ON MB-697 BOARD	
1pc	1-951-974-11	o HARNESS, SUB (MONI L/R)
	FROM CN201 ON HN-249 BOARD TO CN149 ON MB-697 BOARD	
1pc	1-951-977-11	o HARNESS, SUB (DT SIG)
	FROM CN203 ON SWITCHING REGULATOR TO CN156 MB-697 BOARD	
1pc	1-951-978-11	o HARNESS, SUB (FAN POW)

(PARTS LIST FOR FRAME)

Ref. No.

or Q'ty Part No. SP Description

FROM CN407 ON CP-299/299A BOARD TO CN170 ON MB-697 BOARD
1pc 1-957-235-11 o HARNESS, SUB (MIX CONT)

FROM CN412 ON CP-298 BOARD TO CN171 ON MB-697 BOARD
1pc 1-957-232-11 o HARENSS, SUB (525 OUT)

FROM CN413 ON CP-298 BOARD TO CN172 ON MB-697 BOARD
1pc 1-957-233-11 o HARENSS, SUB (CP POW)

FROM CN414 ON CP-298 BOARD TO CN173 ON MB-697 BOARD
1pc 1-957-231-11 o HARNESS, SUB (SYNC IN/OUT)

FROM CN510 ON VR-152 BOARD TO CN522 ON VR-153 BOARD
1pc 1-951-927-11 o HARNESS, SUB (VR RP1)

FROM CN511 ON VR-152 BOARD TO CN523 ON VR-153 BOARD
1pc 1-951-928-11 o HARNESS, SUB (VR RP2)

TO AC-169 BOARD

(CN002: FROM POWER SWITCH)

1pc Δ 1-562-285-11 o HOUSING, VH 4P

2pcs Δ 1-562-210-11 o CONTACT, FEMALE AWG18-22

TO AT HEAD

(CN910: FROM CN900, CN901 AND CN903 ON CUE-10 BOARD)

1pc 1-580-585-11 o HOUSING, LY 18P

5pcs 1-573-176-11 o CONTACT, FEMALE AWG22-26

10pc 1-580-599-11 o CONTACT, LY FEMALE, AWG22-30

TO CL-29 BOARD

(CN935: FROM CASSETTE UP/DOWN MOTOR)

1pc 1-569-195-11 o HOUSING 2P

1pc 1-569-193-11 o CONTACT, FEMALE AWG24-30

TO CP-266A BOARD

(CN1: FROM CN1 ON PTC-69 BOARD)

1pc 1-569-203-11 o HOUSING 10P

10pcs 1-569-194-11 o CONTACT, FEMALE AWG24-30

(CN3: FROM CN1 ON SW-749 BOARD)

1pc 1-580-586-11 o HOUSING 20P

17pcs 1-580-599-11 o CONTACT, FEMALE AWG26-30

(CN7: FROM CN14 ON EL DISPLAY)

1pc 1-580-584-11 o HOUSING 16P

16pcs 1-580-599-11 o CONTACT, FEMALE AWG26-30

TO CP-299/299A BOARD

(CN400: FROM CN142 ON MB-697 BOARD)

1pc 1-569-206-41 o HOUSING 13P

8pcs 1-569-193-11 o CONTACT, FEMALE AWG24-30

4pcs 1-569-191-11 o CONTACT, FEMALE AWG22-26

TO CTL HEAD

(FROM CN211 ON HN-249 BOARD)

1pc 1-569-195-11 o HOUSING 2P

2pcs 1-569-193-11 o CONTACT, FEMALE AWG24-30

TO CUE-10 BOARD

(CN900: FROM CN910 ON AT HEAD)

1pc 1-569-199-21 o HOUSING 6P

2pcs 1-569-191-11 o CONTACT, FEMALE AWG22-26

4pcs 1-569-193-11 o CONTACT, FEMALE AWG24-30

(CN901: FROM CN910 ON AT HEAD)

1pc 1-569-199-11 o HOUSING 6P

2pcs 1-569-191-11 o CONTACT, FEMALE AWG22-26

4pcs 1-569-193-11 o CONTACT, FEMALE AWG24-30

(PARTS LIST FOR FRAME)

Ref. No. or Q'ty	Part No.	SP Description
(CN902: FROM CN001 ON FULL ERASE HEAD)		
1pc	1-569-196-11	o HOUSING 3P
1pc	1-569-191-11	o CONTACT, FEMALE AWG22-26
2pcs	1-569-193-11	o CONTACT, FEMALE AWG24-30
(CN903: FROM CN910 ON AT HEAD)		
1pc	1-569-196-21	o HOUSING 3P
1pc	1-569-191-11	o CONTACT, FEMALE AWG22-26
2pcs	1-569-193-11	o CONTACT, FEMALE AWG24-30
TO DRUM ASSY		
(CN610: FROM CN101, CN200 AND CN201 ON EQ-65 BOARD)		
1pc	1-580-599-11	o HOUSING 16P
4pcs	1-573-176-11	o CONTACT, LY FEMALE, AWG22-26
8pcs	1-580-599-11	o CONTACT, LY FEMALE, AWG22-30
(CN611: FROM CN300, CN400, CN500 AND CN600 ON EQ-65 BOARD)		
1pc	1-580-579-11	o HOUSING, LY 6P
4pcs	1-573-176-11	o CONTACT, FEMALE AWG22-26
8pcs	1-580-599-11	o CONTACT, LY FEMALE, AWG22-30
(CN612: FROM CN210 ON HN-249 BOARD)		
1pc	1-580-587-11	o HOUSING, LY 22P
6pcs	1-573-176-11	o CONTACT, FEMALE AWG22-26
16pcs	1-580-599-11	o CONTACT, LY FEMALE, AWG22-30
TO DR-307 BOARD		
(CN303: FROM CN213 ON HN-249 BOARD)		
1pc	1-569-208-11	o HOUSING 15P
15pcs	1-569-191-11	o CONTACT, FEMALE AWG22-26
(CN306: FROM CN212 ON HN-249 BOARD)		
1pc	1-562-286-11	o HOUSING, VH 5P
5pcs	1-562-210-11	o CONTACT, FEMALE AWG18-22
TO EL DISPLAY		
(CN14: FROM CN7 ON CP-266A BOARD)		
1pc	1-766-726-11	o HOUSING 16P
16pcs	1-569-282-11	o CONTACT, FEMALE AWG26-30
TO EQ-65 BOARD		
(CN101: FROM CN620 ON DRUM ASSY)		
1pc	1-569-199-11	o HOUSING 6P
2pcs	1-569-192-11	o CONTACT, FEMALE AWG22-26
4pcs	1-569-194-11	o CONTACT, FEMALE AWG24-30
(CN200: FROM CN610 ON DRUM ASSY)		
1pc	1-569-197-11	o HOUSING 4P
1pc	1-569-192-11	o CONTACT, FEMALE AWG22-26
2pcs	1-569-194-11	o CONTACT, FEMALE AWG24-30
(CN201: FROM CN610 ON DRUM ASSY)		
1pc	1-569-197-21	o HOUSING 4P
1pc	1-569-192-11	o CONTACT, FEMALE AWG22-26
2pcs	1-569-194-11	o CONTACT, FEMALE AWG24-30
(CN300: FROM CN611 ON DRUM ASSY)		
1pc	1-569-196-11	o HOUSING 3P
1pc	1-569-192-21	o CONTACT, FEMALE AWG22-26
2pcs	1-569-194-11	o CONTACT, FEMALE AWG24-30
(CN400: FROM CN611 ON DRUM ASSY)		
1pc	1-569-196-21	o HOUSING 3P
1pc	1-569-192-11	o CONTACT, FEMALE AWG22-26
2pcs	1-569-194-11	o CONTACT, FEMALE AWG24-30
(CN500: FROM CN611 ON DRUM ASSY)		
1pc	1-569-196-31	o HOUSING 3P
1pc	1-569-192-11	o CONTACT, FEMALE AWG22-26
2pcs	1-569-194-11	o CONTACT, FEMALE AWG24-30

(PARTS LIST FOR FRAME)

Ref. No.

or Q'ty Part No. SP Description

(CN600: FROM CN611 ON DRUM ASSY)

1pc 1-569-196-41 o HOUSING 3P
1pc 1-569-192-11 o CONTACT, FEMALE AWG22-26
2pcs 1-569-194-11 o CONTACT, FEMALE AWG24-30

TO FULL ERASE HEAD

(CN001: FROM CN902 ON CUE-10 BOARD)

1pc 1-569-196-11 o HOUSING 3P
1pc 1-569-191-11 o CONTACT, FEMALE AWG22-26
2pcs 1-569-193-11 o CONTACT, FEMALE AWG24-30

TO HN-249 BOARD

(CN204: FROM CN204 ON SWITCHING REGULATOR)

1pc 1-562-211-11 o HOUSING, VH 3P
3pcs 1-562-210-11 o CONTACT, FEMALE AWG28-22

(CN205: FROM CN154 ON MB-697 BOARD)

1pc 1-569-199-11 o HOUSING 6P
6pcs 1-569-191-11 o CONTACT, FEMALE AWG22-26

(CN210: FROM CN612 ON DRUM ASSY)

1pc 1-580-587-11 o HOUSING, LY 22P
6pcs 1-573-176-11 o CONTACT, FEMALE AWG22-26
16pcs 1-580-599-11 o CONTACT, LY FEMALE, AWG22-30

(CN211: FROM CTL HEAD)

1pc 1-569-196-11 o HOUSING 3P
1pcs 1-569-191-11 o CONTACT, FEMALE AWG22-26
2pcs 1-569-193-11 o CONTACT, FEMALE AWG24-30

(CN212: FROM CN306 ON HN-249 BOARD)

1pc 1-562-286-11 o HOUSING, VH 5P
5pcs 1-562-210-11 o CONTACT, FEMALE AWG18-22

(CN213: FROM CN303 ON DR-307 BOARD)

1pc 1-569-208-11 o HOUSING 15P
15pcs 1-569-191-11 o CONTACT, FEMALE AWG22-26

TO HN-250 BOARD

(CN232: FROM CLEANING SOLENOID)

1pc 1-569-195-11 o HOUSING 2P
2pcs 1-569-193-11 o CONTACT, FEMALE AWG24-30

(CN234: FROM CN854 ON PD-35 BOARD AND CN001 ON TAPE END SENSOR)

1pc 1-569-199-11 o HOUSING 6P
6pcs 1-569-193-11 o CONTACT, FEMALE AWG24-30

TO MB-697 BOARD

(CN142: FROM CN400 ON CP-299/299A BOARD)

1pc 1-569-206-11 o HOUSING 13P
4pcs 1-569-191-11 o CONTACT, FEMALE AWG22-26
8pcs 1-569-193-11 o CONTACT, FEMALE AWG24-30

(CN151: FROM CN201 ON SWITCHING REGULATOR)

1pc 1-563-888-11 s HOUSING, VH 10P
10pcs 1-562-210-11 o CONTACT, FEMALE AWG18-22

(CN152: FROM CN202 ON SWITCHING REGULATOR)

1pc 1-562-640-11 o HOUSING, VH 8P
8pcs 1-562-210-11 o CONTACT, FEMALE AWG18-22

(CN153: FROM CN206 ON SWITCHING REGULATOR)

1pc 1-562-285-11 o HOUSING, VH 4P
4pcs 1-562-210-11 o CONTACT, FEMALE AWG18-22

(CN154: FROM CN205 ON HN-249 BOARD)

1pc 1-569-199-11 o HOUSING 6P
6pcs 1-569-191-11 o CONTACT, FEMALE AWG22-26

(PARTS LIST FOR FRAME)

Ref. No. or Q'ty	Part No.	SP Description
TO PD-35 BOARD		
(CN854: FROM CN234 ON HN-250 BOARD)		
1pc	1-569-199-11	o HOUSING 6P
4pcs	1-569-193-11	o CONTACT, FEMALE AWG24-30
TO PTC-69 BOARD		
(CN1: FROM CN1 ON CP-266A BOARD)		
1pc	1-569-203-11	o HOUSING 10P
10pcs	1-569-194-11	o CONTACT, FEMALE AWG24-30
TO RM-82 BOARD (S-REEL)		
(CN926: FROM CN321 ON DR-307 BOARD)		
1pc	1-562-149-11	o HOUSING 4P
4pcs	1-564-026-00	o CONTACT, FEMALE AWG26-30
(CN927: FROM S-BRAKE SOLENOID)		
1pc	1-562-148-11	o HOUSING 3P
3pcs	1-564-026-00	o CONTACT, FEMALE AWG26-30
TO RM-82 BOARD (T-REEL)		
(CN926: FROM CN322 ON DR-307 BOARD)		
1pc	1-562-149-11	o HOUSING 4P
4pcs	1-564-026-00	o CONTACT, FEMALE AWG26-30
(CN927: FROM T-BRAKE SOLENOID)		
1pc	1-562-148-11	o HOUSING 3P
3pcs	1-564-026-00	o CONTACT, FEMALE AWG26-30
TO SW-749 BOARD		
(CN1: FROM CN3 ON CP-266A BOARD)		
1pc	1-580-586-11	o HOUSING 20P
17pcs	1-580-599-11	o CONTACT, FEMALE AWG26-30
TO SWITCHING REGULATOR		
(CN101: FROM POWER SWITCH)		
1pc	△ 1-562-285-11	o HOUSING, VH 4P
2pcs	△ 1-562-210-11	o CONTACT, FEMALE AWG18-22
(CN201: FROM CN151 ON MB-697 BOARD)		
1pc	1-563-888-11	s HOUSING, VH 10P
10pcs	1-562-210-11	o CONTACT, FEMALE AWG18-22
(CN202: FROM CN152 ON MB-697 BOARD)		
1pc	1-562-640-11	o HOUSING, VH 8P
8pcs	1-562-210-11	o CONTACT, FEMALE AWG18-22
(CN204: FROM CN204 ON HN-249 BOARD)		
1pc	1-562-211-11	o HOUSING, VH 3P
3pcs	1-562-210-11	o CONTACT, FEMALE AWG18-22
(CN206: FROM CN153 ON MB-697 BOARD)		
1pc	1-562-285-11	o HOUSING, VH 4P
4pcs	1-562-210-11	o CONTACT, FEMALE AWG18-22
TO TAPE END SENSOR		
(CN001: FROM CN234 ON HN-250 BOARD)		
1pc	1-569-195-11	s HOUSING 2P
2pc	1-569-193-11	o CONTACT, FEMALE AWG24-30

3-6. Packing Materials & Supplied Accessories

PACKING MATERIALS & SUPPLIED ACCESSORIES

Ref. No. or Q'ty	Part No.	SP Description
1	△ 1-575-181-11	s CORD SET, POWER 3P
1	△ 1-750-686-11	s ADAPTOR, AC PLUG 3P-2P (For Japan model only)
1	1-759-164-11	s CARD, MEMORY (SRAM 64K BYTES)
1	2-990-242-01	s HOLDER (B), PWG
4	7-682-965-01	s SCREW +PSW 4X16

3-7. Optional Fixtures

OPTIONAL FIXTURES

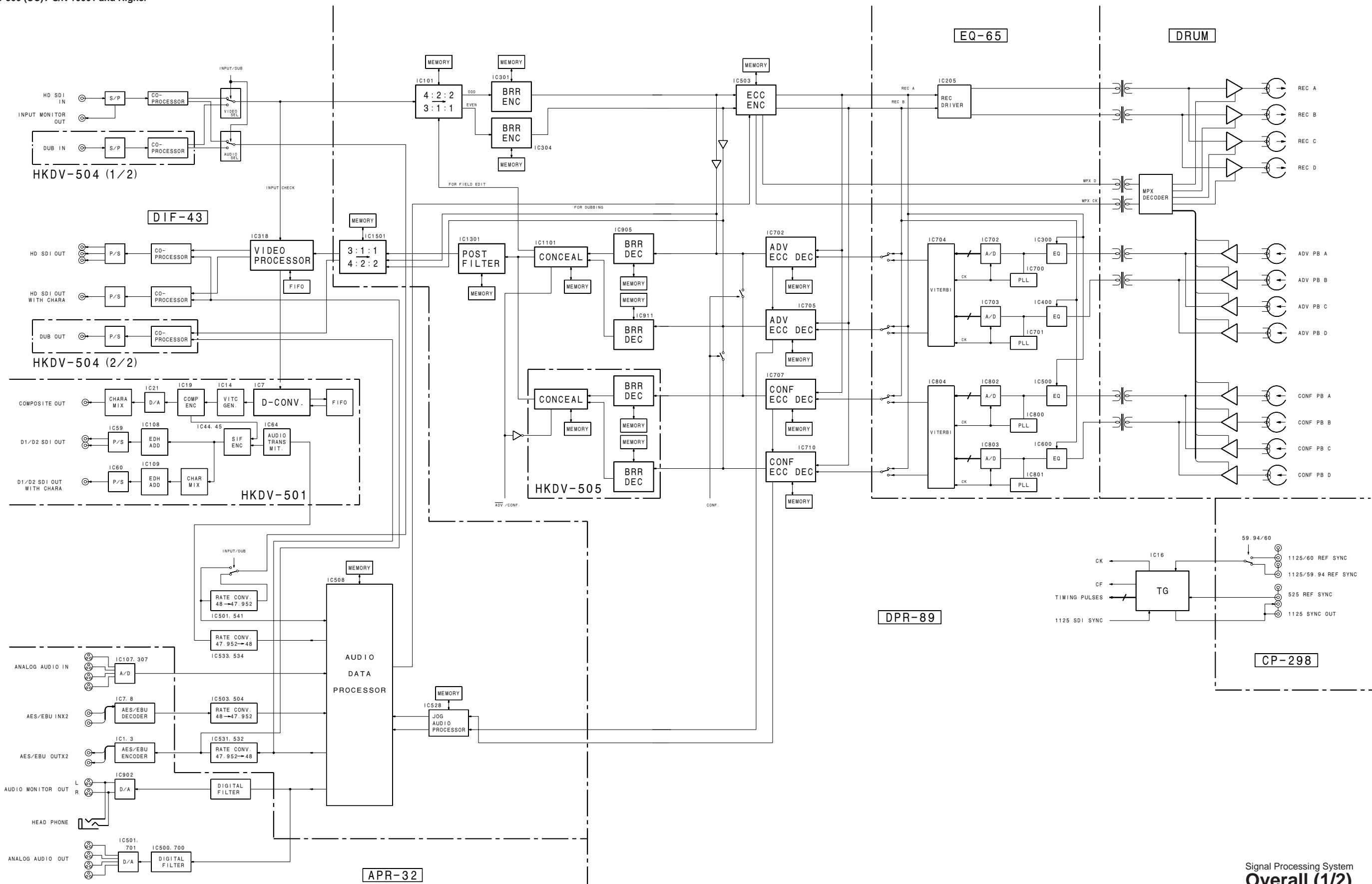
Ref. No. or Q'ty	Part No.	SP Description
	A-8312-821-A	o EXTENSION BOARD, EX-579
	A-8312-822-A	o EXTENSION BOARD, EX-580
	A-8312-823-A	o EXTENSION BOARD, EX-596
	A-8317-700-A	o IC CARD SOCKET, CDS-20
	J-6001-820-A	o DRUM ECCENTRICITY GAUGE (3)
	J-6001-830-A	o DRUM ECCENTRICITY GAUGE (2)
	J-6001-840-A	o DRUM ECCENTRICITY TOOL
	J-6035-070-A	o EXTRACTION TOOL, IC (CT-2101)
	J-6080-029-A	o MIRROR (SMALL ROUND TYPE 12MM)
	J-6086-570-A	o FLATNESS PLATE
	J-6087-000-A	o SHAFT (5), ADJUSTMENT (DRUM)
	J-6152-450-A	o WIRE CLEARANCE CHECK GAUGE
	J-6190-800-A	o TENSION REGULATOR ADJ. TOOL
	J-6251-090-A	o TORQUEDRIVER BIT (d=2.5 mm, l=120 mm)
	J-6252-510-A	o TORQUE DRIVER 6KG-CM
	J-6252-520-A	o TORQUE DRIVER 12KG-CM
	J-6320-870-A	o REEL SHAFT CHECK
	J-6320-880-A	o CASSETT BASE PLATE (L)
	J-6322-610-A	o TAPE GUIDE ADJUSTMENT DRIVER
	J-6323-420-A	o TORQUE SCREWDRIVER'S BIT (+2 mm, l=75 mm)
	J-6323-430-A	o TORQUE SCREWDRIVER'S BIT (+3 mm, l=90 mm)
	J-6323-440-A	o TORQUE SCREW DRIVER'S BIT (d=0.89 mm, l=50 mm)
	J-6323-500-A	o TORQUE SCREWDRIVER'S HEX BIT (d=2 mm, l=75 mm)
	J-6324-030-A	o DRUM ECCENTRICITY GAUGE (7)
	J-6325-530-A	o DRUM ECCENTRICITY ADJ. TOOL
	J-6329-350-A	o REEL TABLE HEIGHT GAUGE (MW-935)
	J-6420-320-A	o EXTENTION CABLE SET OF SWITCHING REGULATOR
	J-6510-010-A	o EXTENCION CABLE OF SDI
	3-184-527-01	o CLOTH, CLEANING (POLYESTER)
	7-432-114-11	o THREE BOND-1401B
	7-661-018-18	o OIL, MITSUBISHI DIAMOND (NT-68)
	7-651-000-10	o SONY GREASE (SGL-601/50G)
	7-700-736-01	o L-SHAPED HEX. WRENCH (1.27 MM)
	7-700-736-03	o L-SHAPED HEX. WRENCH (2.0 MM)
	7-700-736-05	o L-SHAPED HEX. WRENCH (1.5 MM)
	7-700-736-06	o L-SHAPED HEX. WRENCH (0.89 MM)
	7-700-766-04	o HEX. WRENCH DRIVER 2.5X105 MM
	8-960-076-01	o TAPE, ALIGNMENT HR5-1A
	8-960-076-11	o TAPE, ALIGNMENT HR2-1A
	9-911-053-00	o GAUGE, THICKNESS
	9-919-573-01	o HEAD CLANING LIQUID
	7-700-000-90	o SCREW DRIVER FOR WING SCREW (4 MM)

Section 4 Block Diagrams

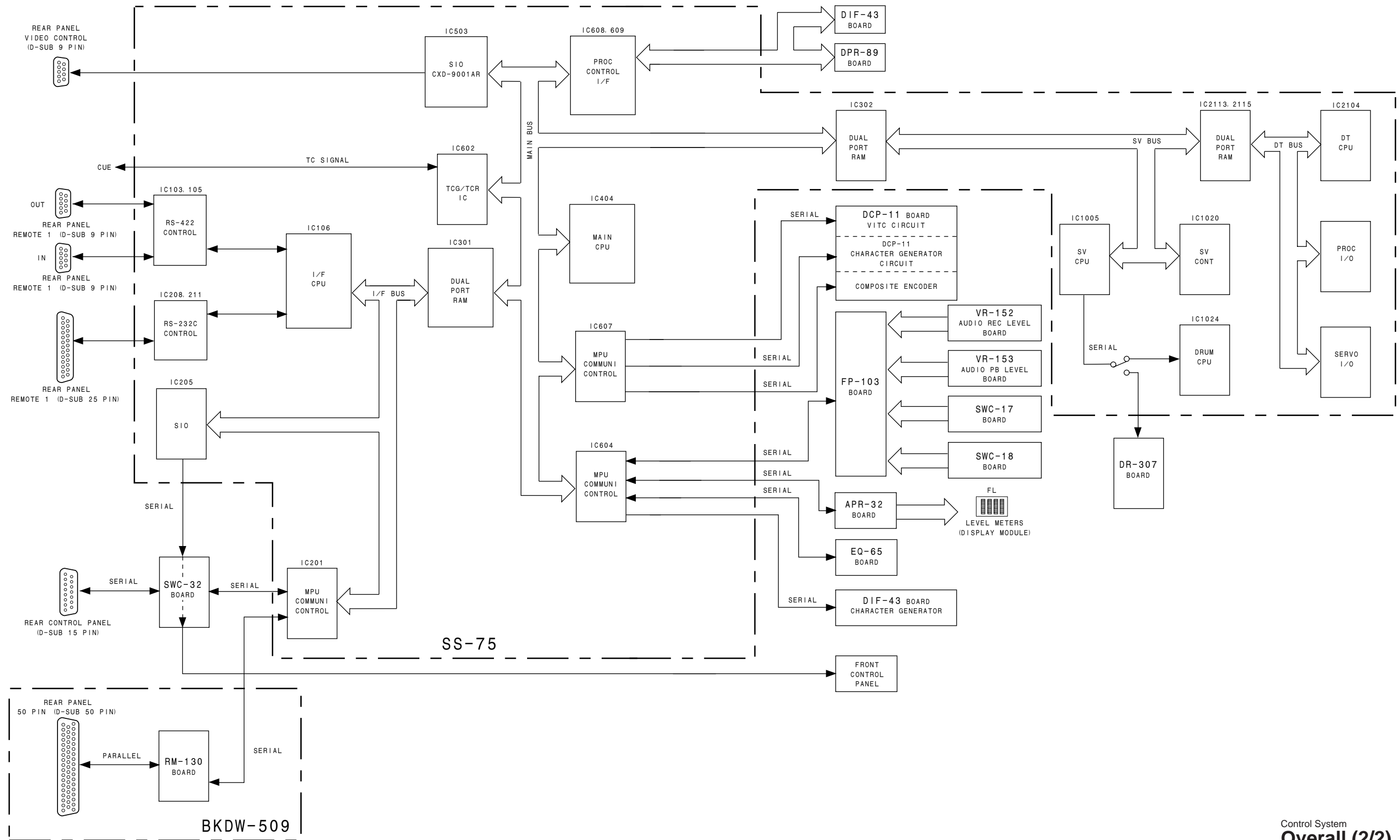
INDEX

No.	Board name	Circuit function	Page
1	Overall	Signal Processing System, Control System	4-2
2	APR-32 CP-298/299/299A	Audio Signal Processor Rear panel connector board	4-4
3	CUE-10	CUE, TC REC/PB and LAU PB circuit	4-6
4	DCP-11	HD-525 Down-converter (Option Board HKDV-501)	4-7
5	DIF-43	HD serial digital interface with Embedded audio	4-8
6	DPR-89	Digital data processor (Encoder/Decoder, Error correction)	4-12
7	EQ-65	RF equalizer (REC current cont., PB EQ, Analog BETACAM PB buffer)	4-14
8	PSW-51	DC-DC converter	4-15
9	SS-75	System, Servo, DT Control	4-16

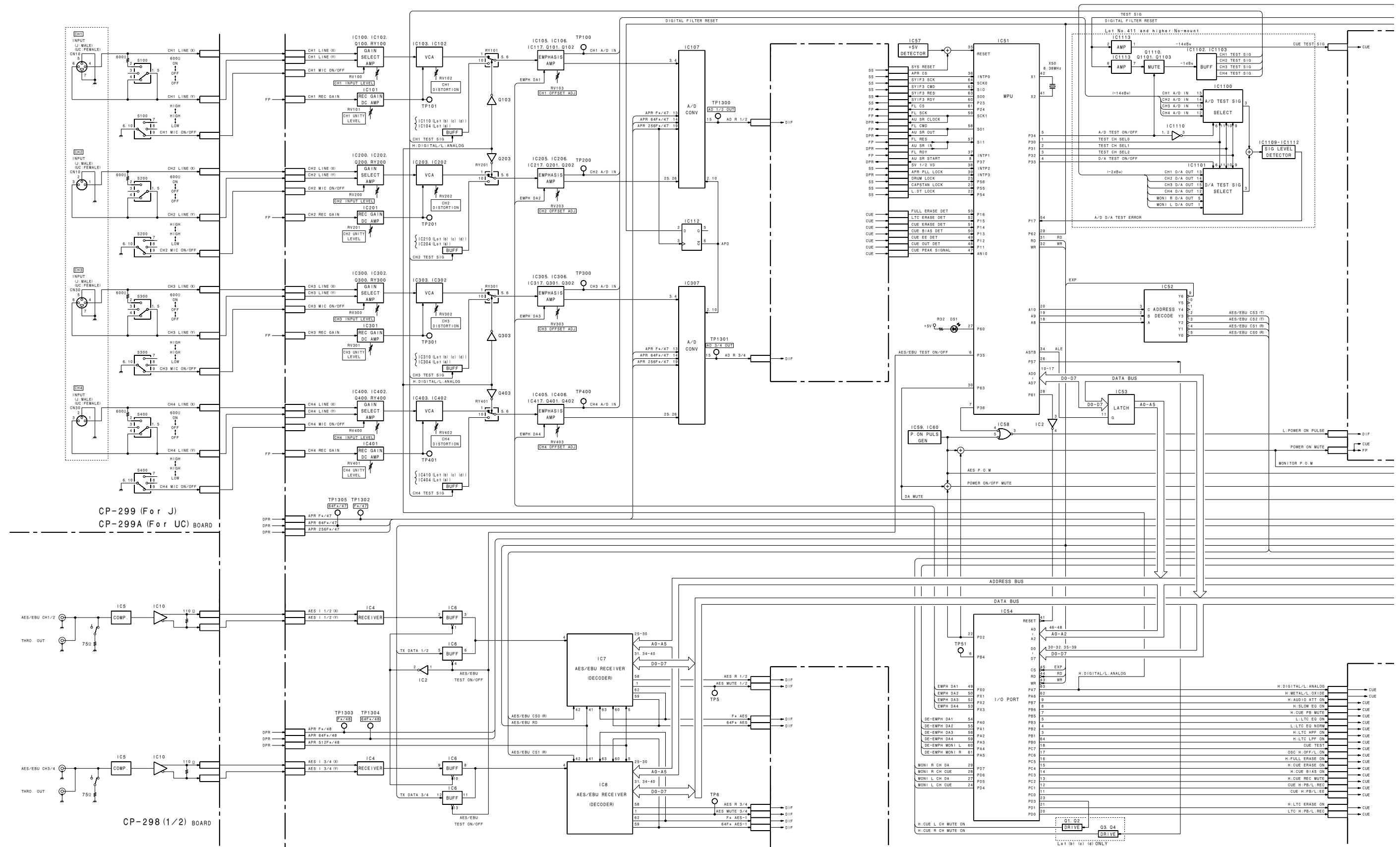
HDW-500 (J) : S/N 10001 and Higher
 HDW-500 (UC): S/N 10001 and Higher



HDW-500 (J) : S/N 10001 and Higher
 HDW-500 (UC) : S/N 10001 and Higher

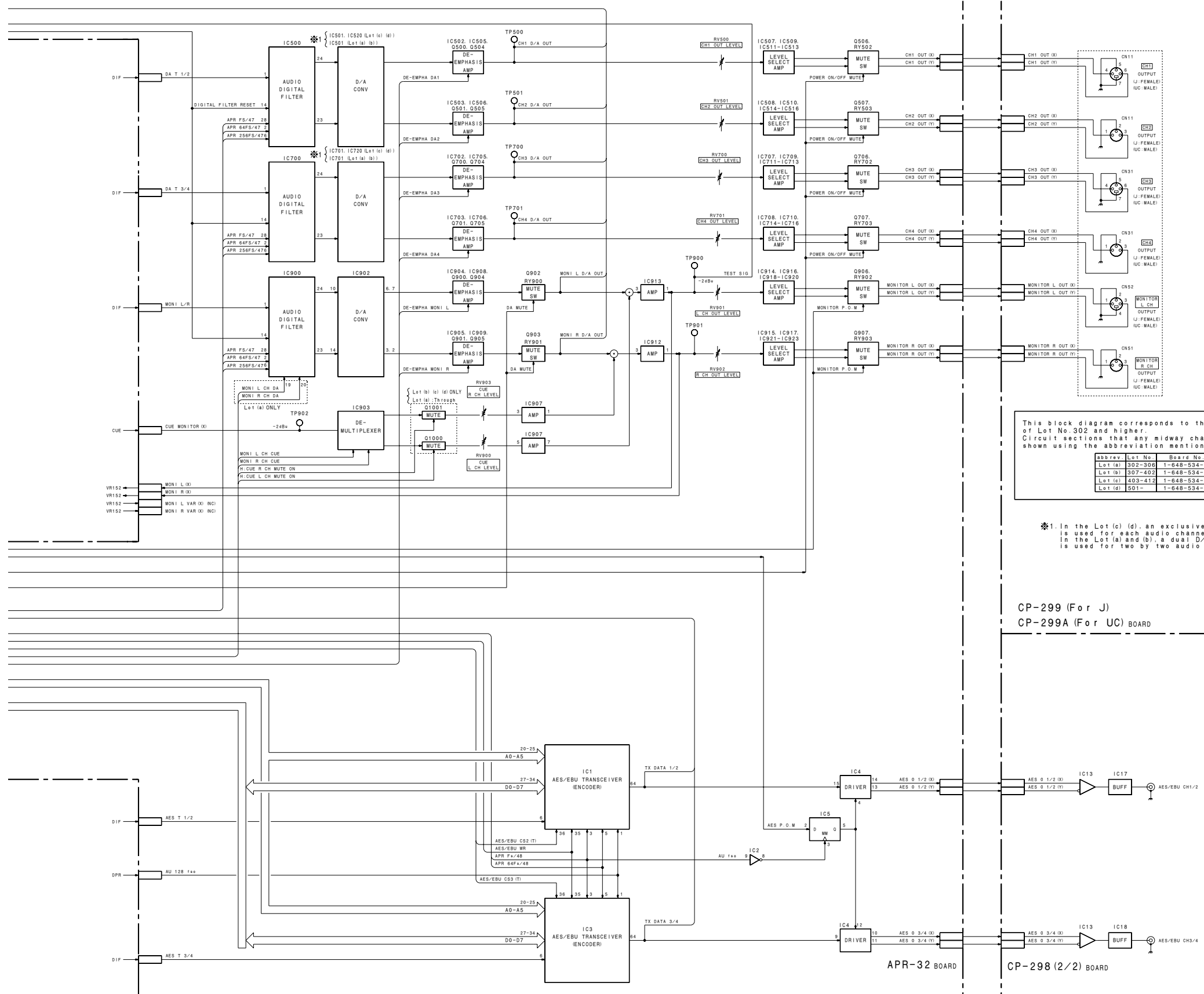


HDW-500 (J) : S/N 10001 and Higher
 HDW-500 (UC) : S/N 10001 and Higher



CP-299 (For J)
 CP-299A (For UC) BOARD

CP-298 (1/2) BOARD



This block diagram corresponds to the production lots of Lot No. 302 and higher. Circuit sections that any midway change occurred are shown using the abbreviation mentioned below.

Abbrev.	Lot No.	Board No.
Lot (a)	302-306	1-648-534-11
Lot (b)	307-402	1-648-534-12
Lot (c)	403-412	1-648-534-13
Lot (d)	501-	1-648-534-14

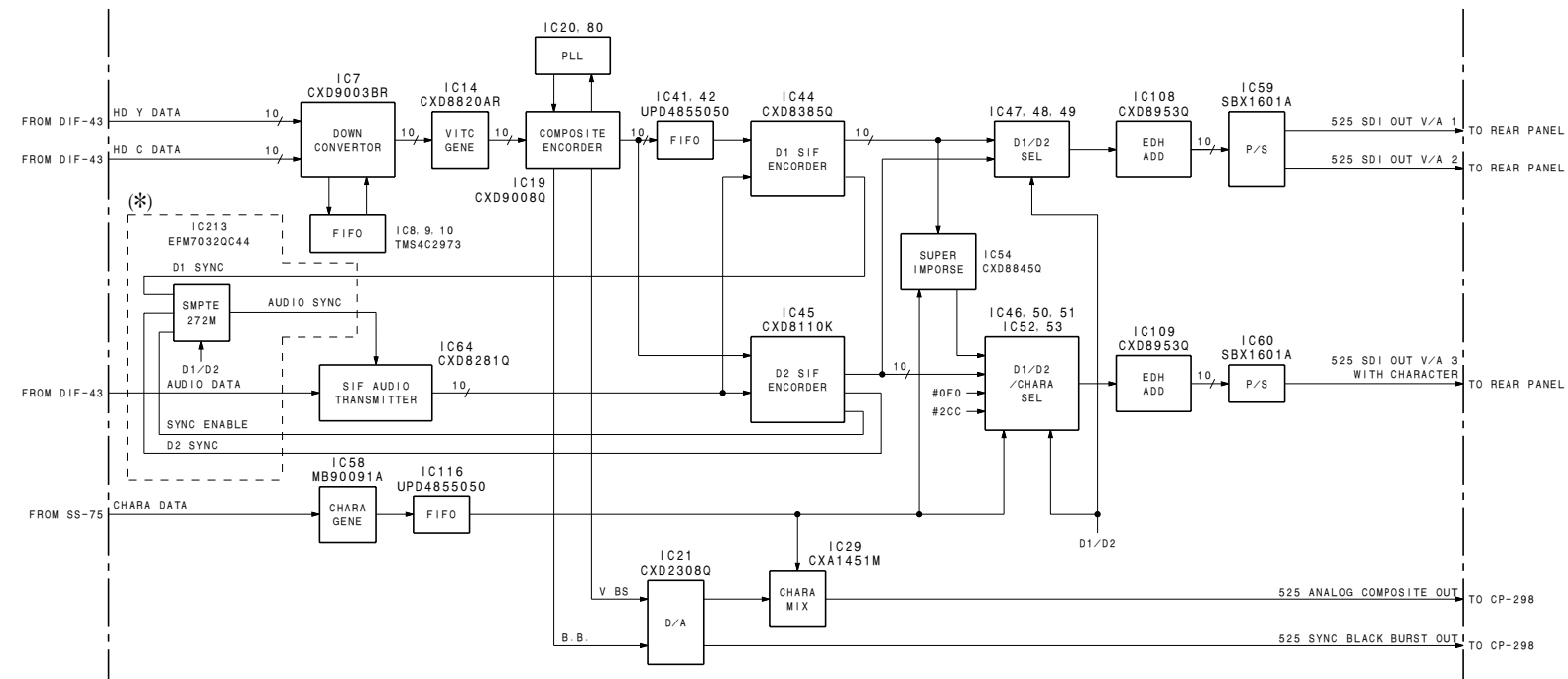
*1. In the Lot (c) (d), an exclusive D/A converter is used for each audio channel. In the Lot (a) and (b), a dual D/A converter is used for two by two audio channels.

CP-299 (For J)
CP-299A (For UC) BOARD

APR-32 BOARD CP-298 (2/2) BOARD

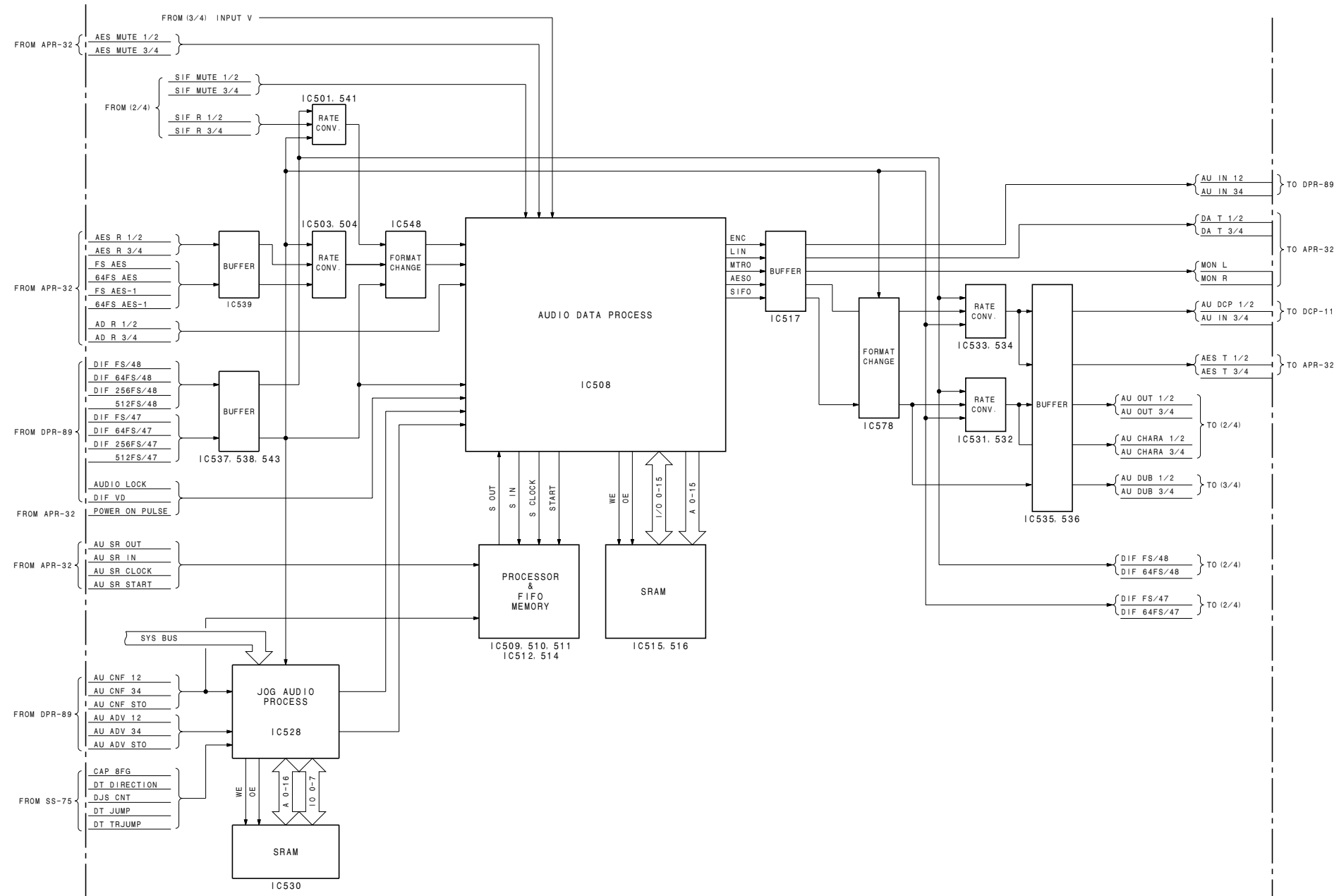
Audio Signal Processor
APR-32
HDW-500
Rear Panel Connector Board
CP-298/299/299A
HDW-500

HKDV-501 (J) : S/N 10001 through 10100
 HKDV-501 (UCJ) : S/N 10101 and Higher

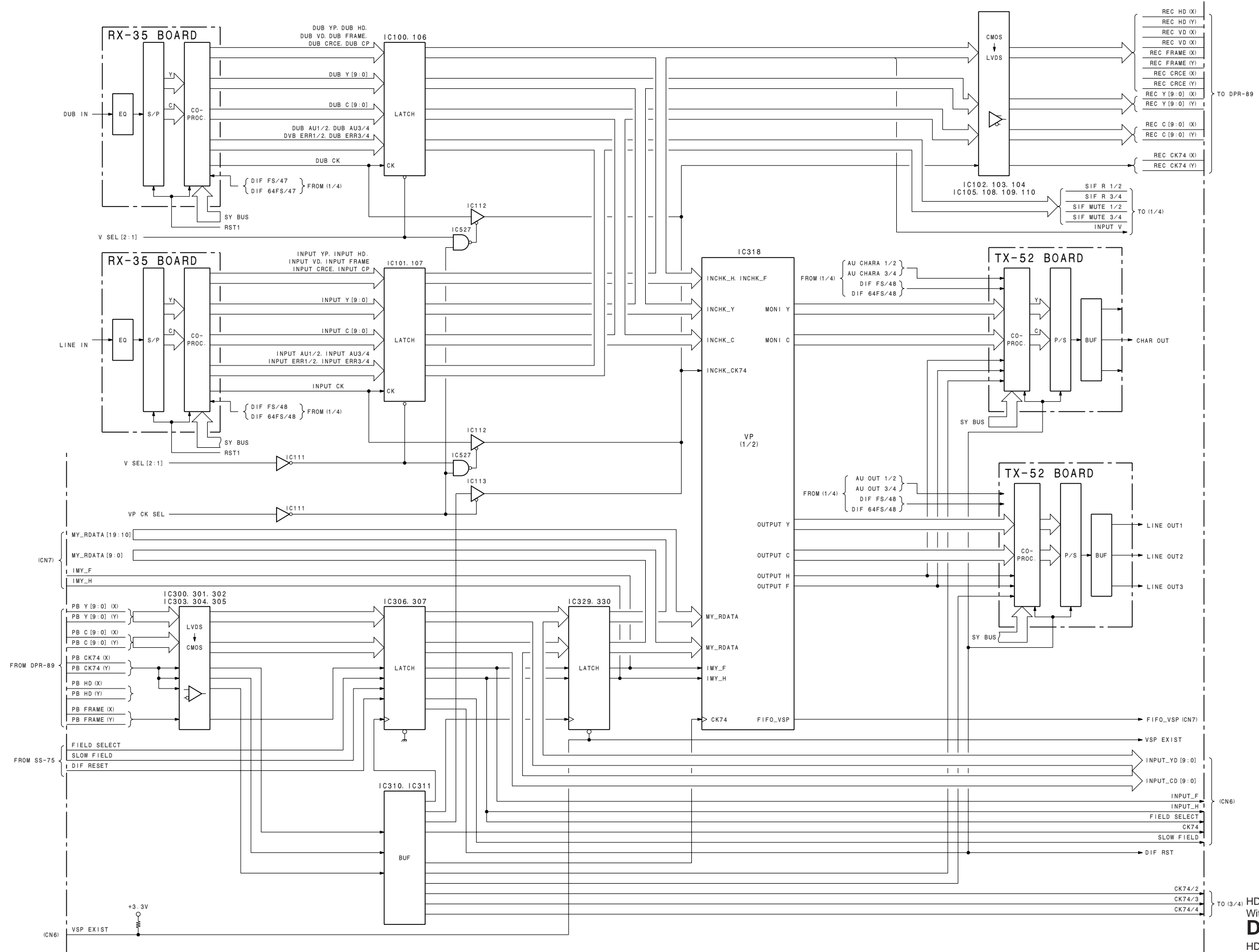


(*) :HKDV-501 (J) : S/N 10041 through 10100
 HKDV-501(UCJ) : S/N 10101 and Higher

HDW-500 (J) : S/N 10201 and Higher
 HDW-500 (UC) : S/N 10001 and Higher



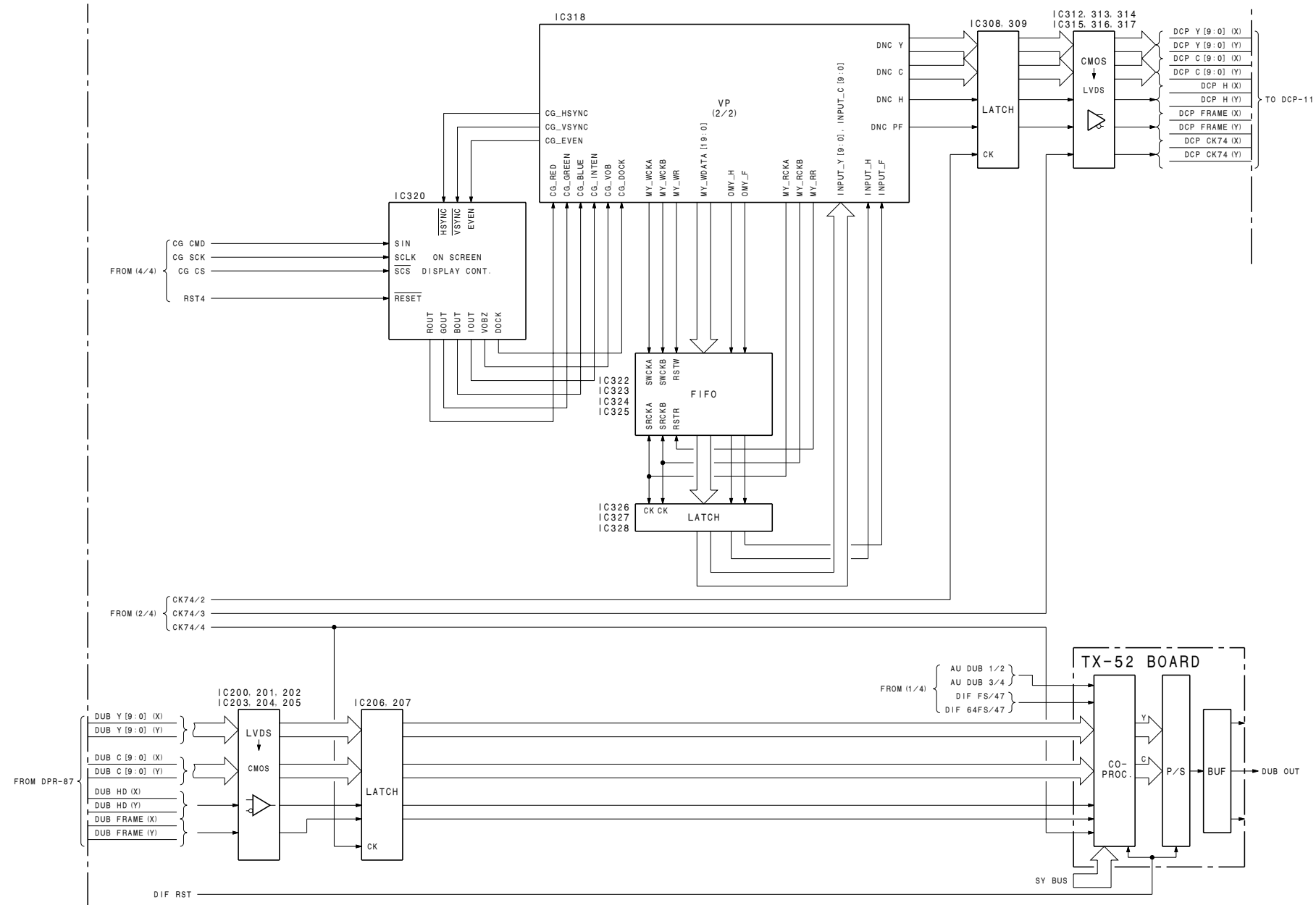
HDW-500 (J) : S/N 10201 and Higher
 HDW-500 (UC) : S/N 10001 and Higher



TO DPR-89
 TO (1/4)
 TO (3/4)
 TO (CN7)
 TO (CN6)
 TO (CN6)
 TO (3/4)

HD Serial Digital Interface
 With Embedded Audio
DIF-43 (2/4)
 HDW-500
 HDW-500 (J) : LOT NO. 706-
 HDW-500 (UC) : LOT NO. 707-

HDW-500 (J) : S/N 10201 and Higher
 HDW-500 (UC) : S/N 10001 and Higher

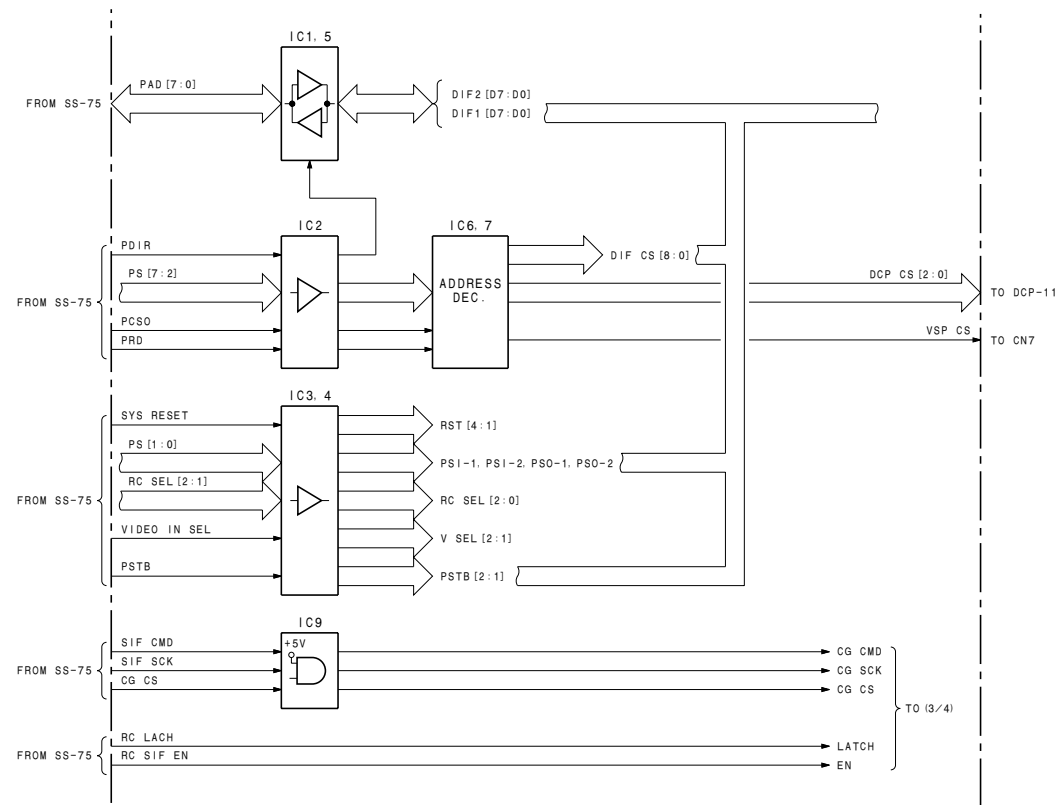


4-10 (a)

4-10 (a)

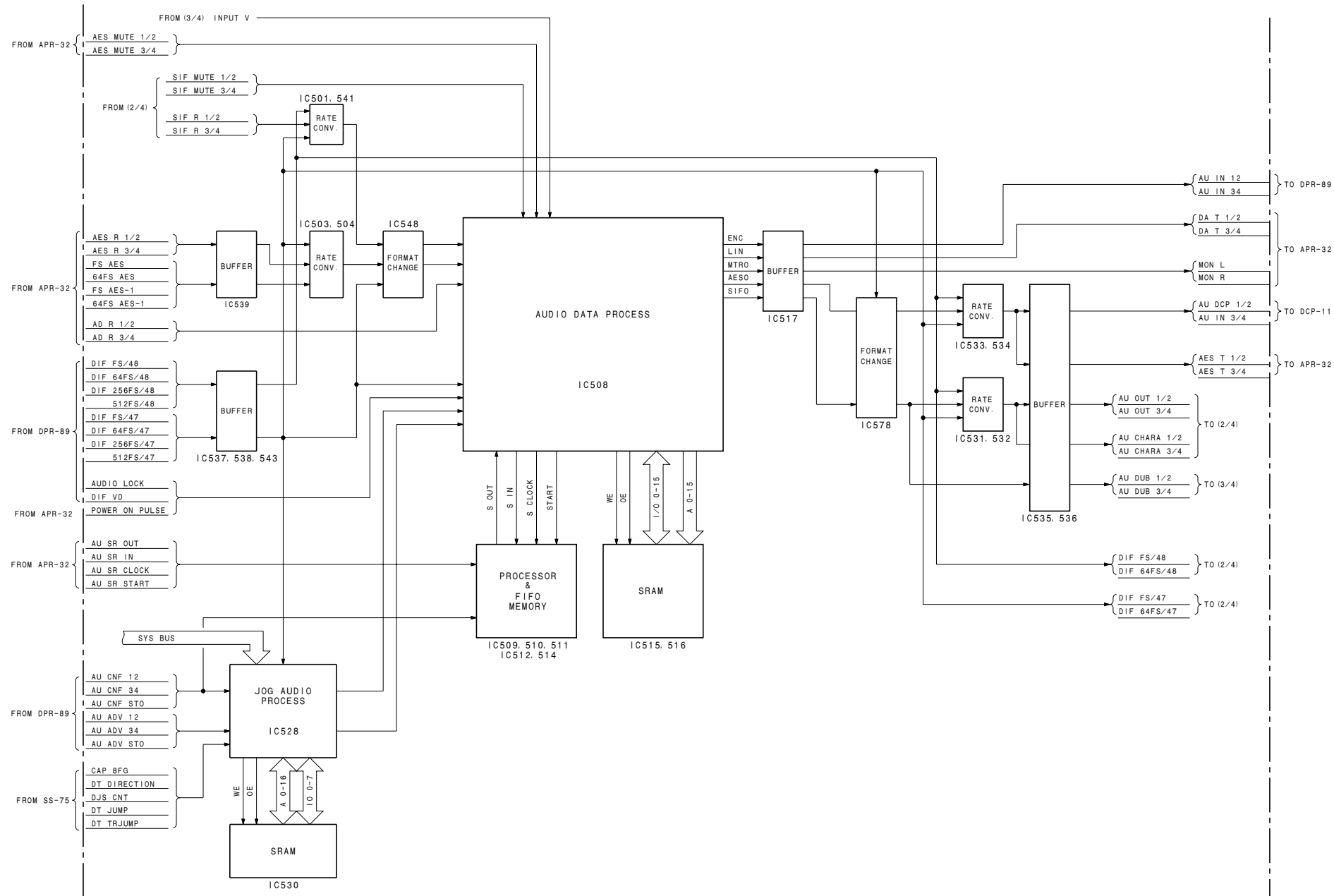
HD Serial Digital Interface
 With Embedded Audio
DIF-43 (3/4)
 HDW-500
 HDW-500 (J) : LOT NO. 706-
 HDW-500 (UC) : LOT NO. 707-

HDW-500 (J) : S/N 10201 and Higher
 HDW-500 (UC) : S/N 10001 and Higher

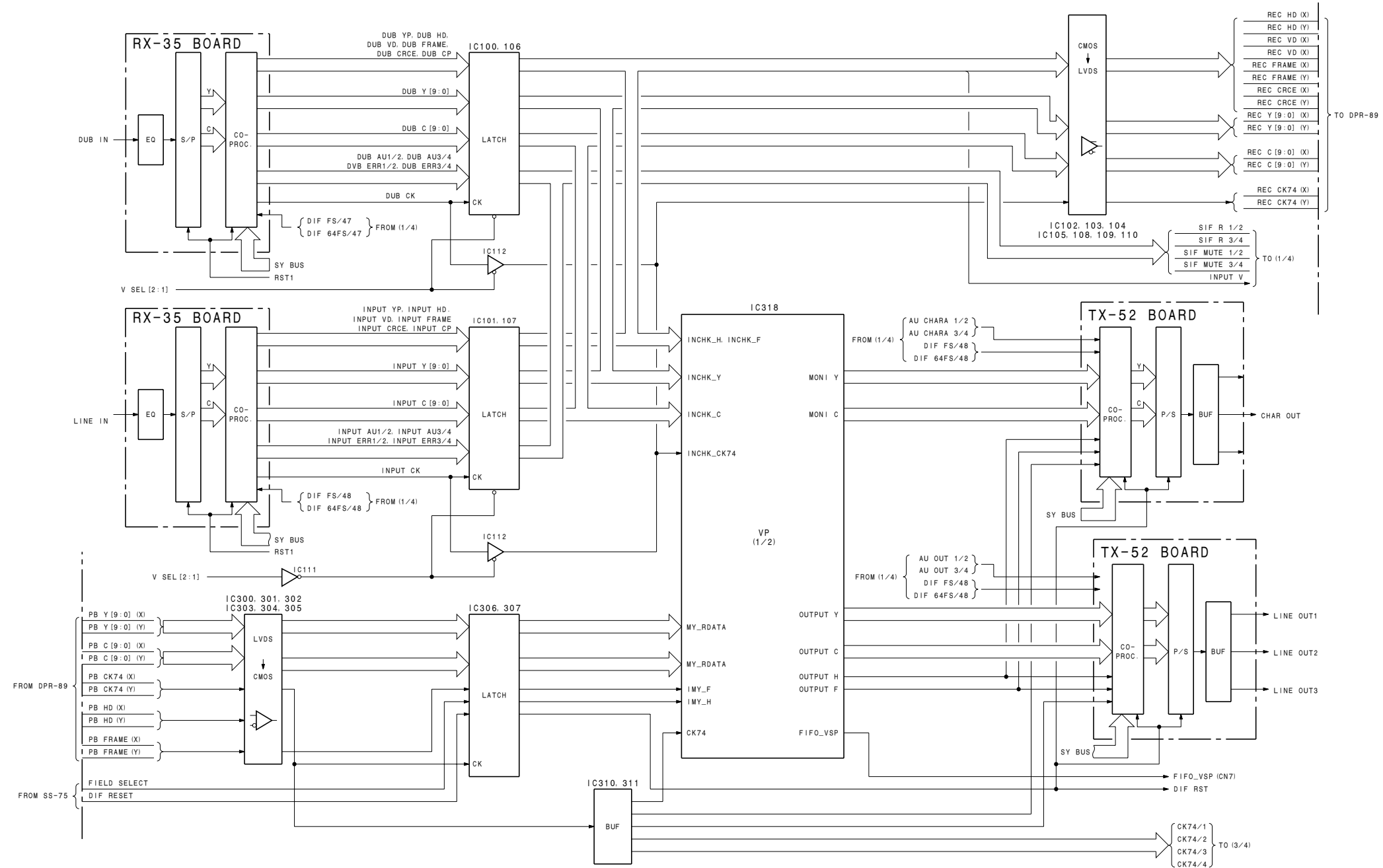


HD Serial Digital Interface
 With Embedded Audio
DIF-43 (4/4)
 HDW-500
 HDW-500 (J) : LOT NO. 706-
 HDW-500 (UC) : LOT NO. 707-

HDW-500 (J) : S/N 10001 through 10200
 HDW-500 (UC) : S/N 10001 and Higher

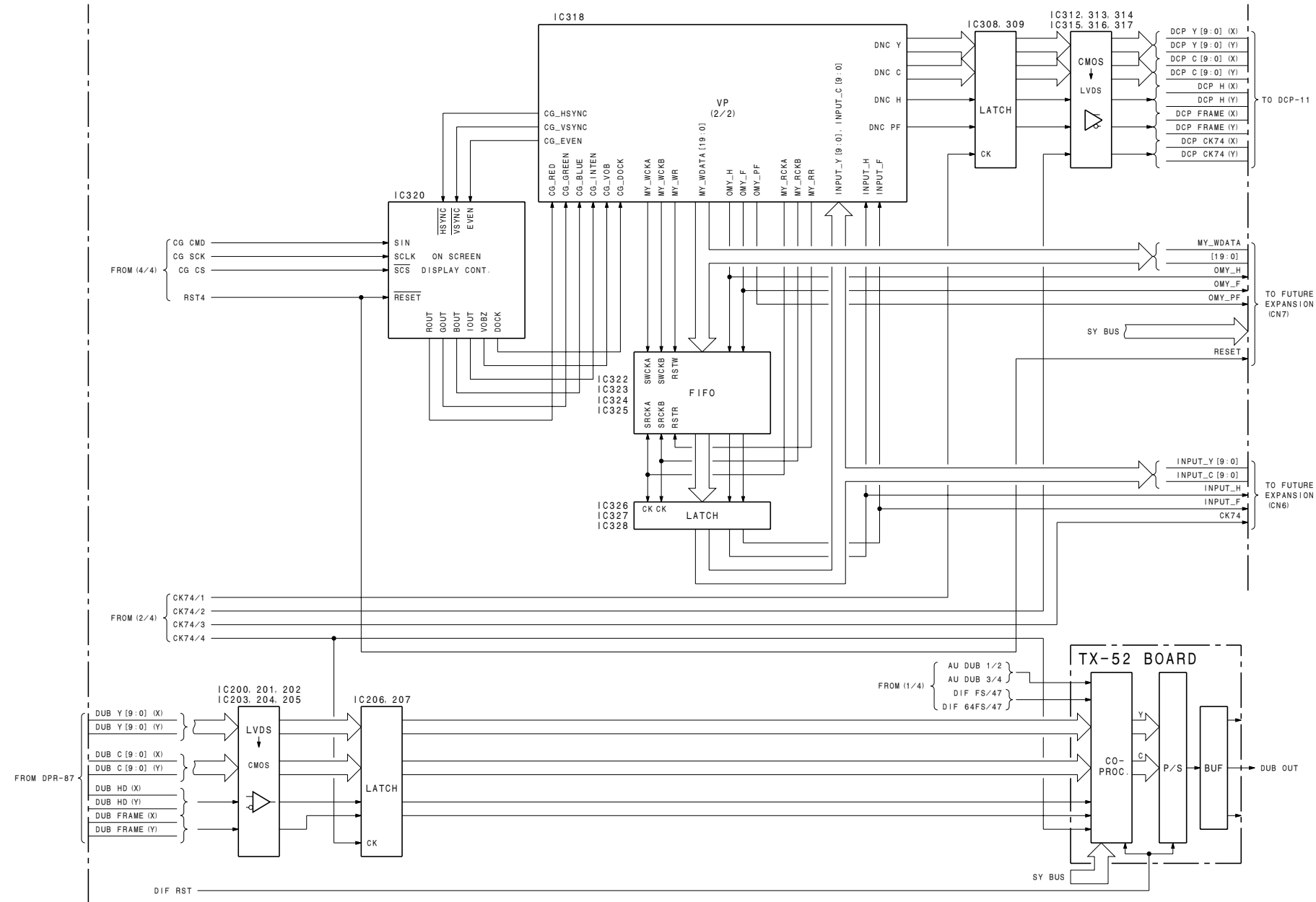


HDW-500 (J) : S/N 10001 through 10200
 HDW-500 (UC): S/N 10001 and Higher



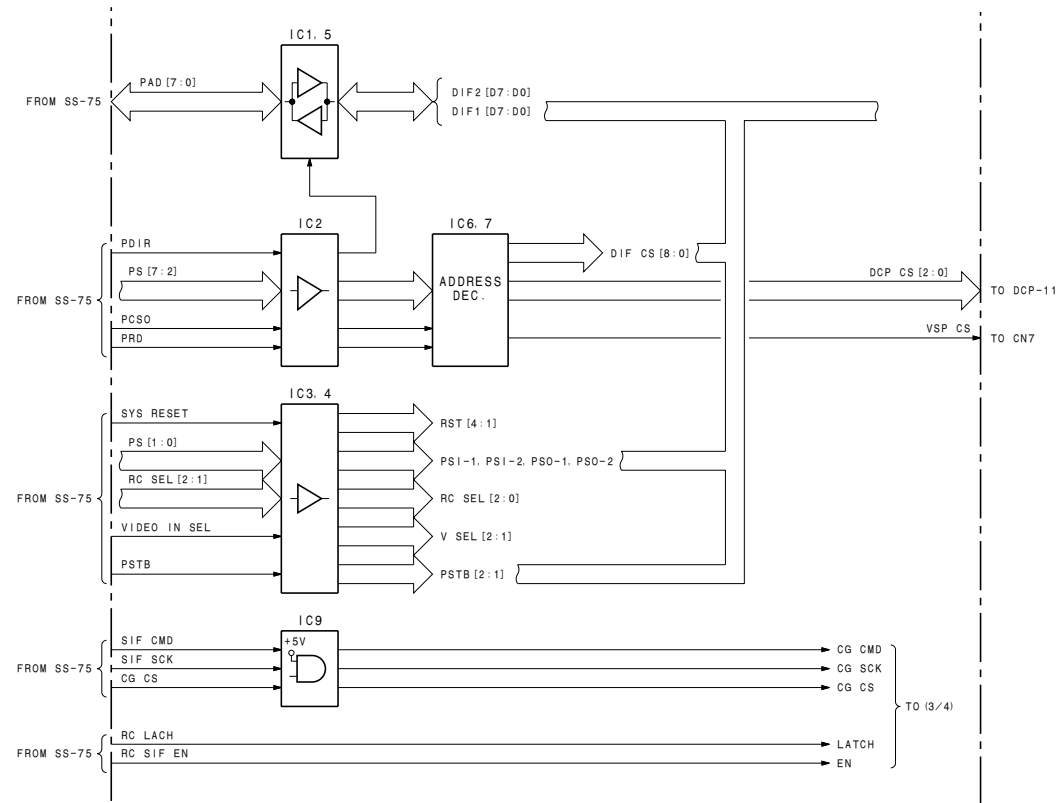
HD Serial Digital Interface
 With Embedded Audio
DIF-43 (2/4)
 HDW-500
 HDW-500 (J) : LOT NO. 611-705

HDW-500 (J) : S/N 10001 through 10200
 HDW-500 (UC): S/N 10001 and Higher



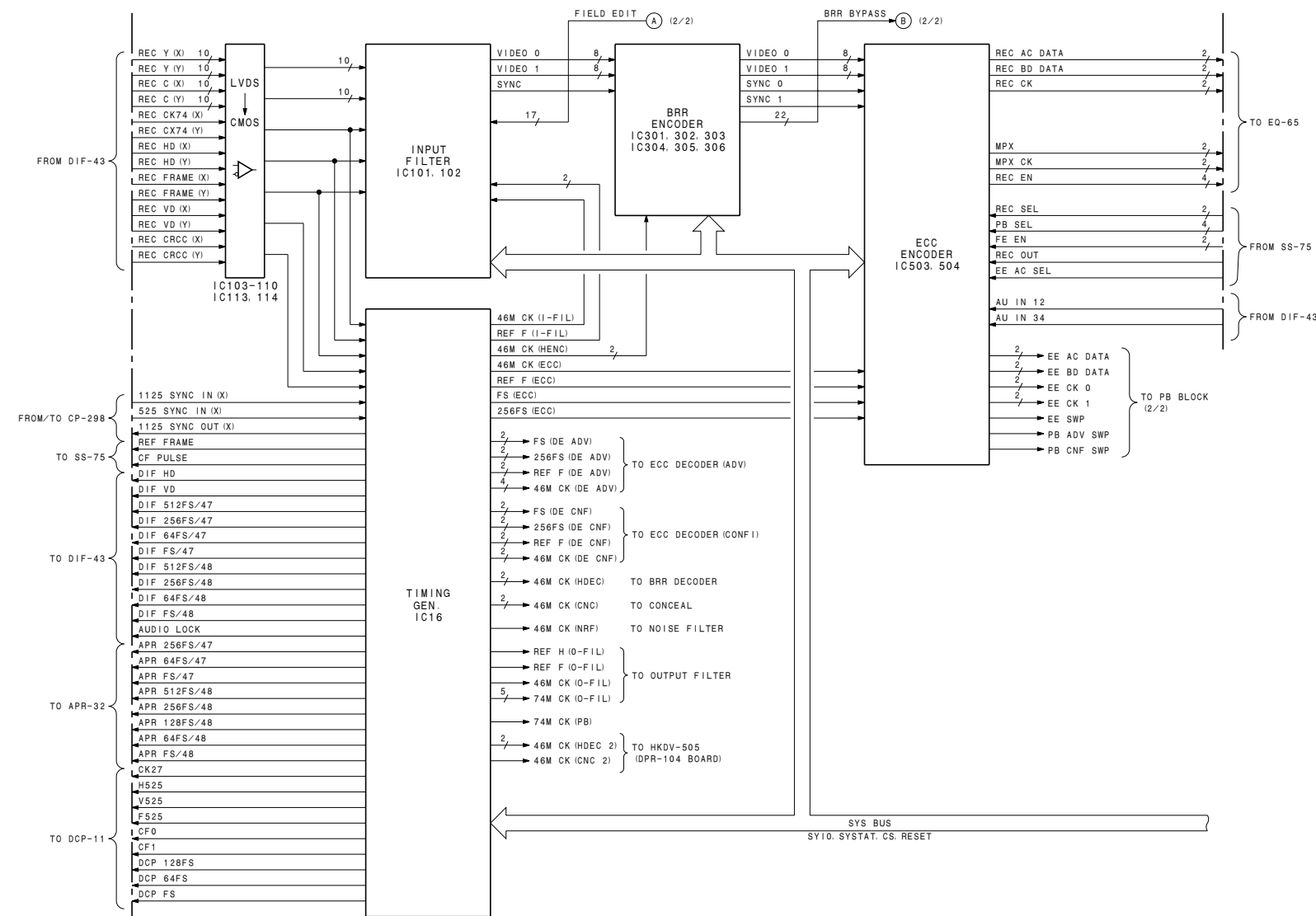
HD Serial Digital Interface
 With Embedded Audio
DIF-43 (3/4)
 HDW-500
 HDW-500 (J) : LOT NO. 611-705

HDW-500 (J) : S/N 10001 through 10200
 HDW-500 (UC): S/N 10001 and Higher

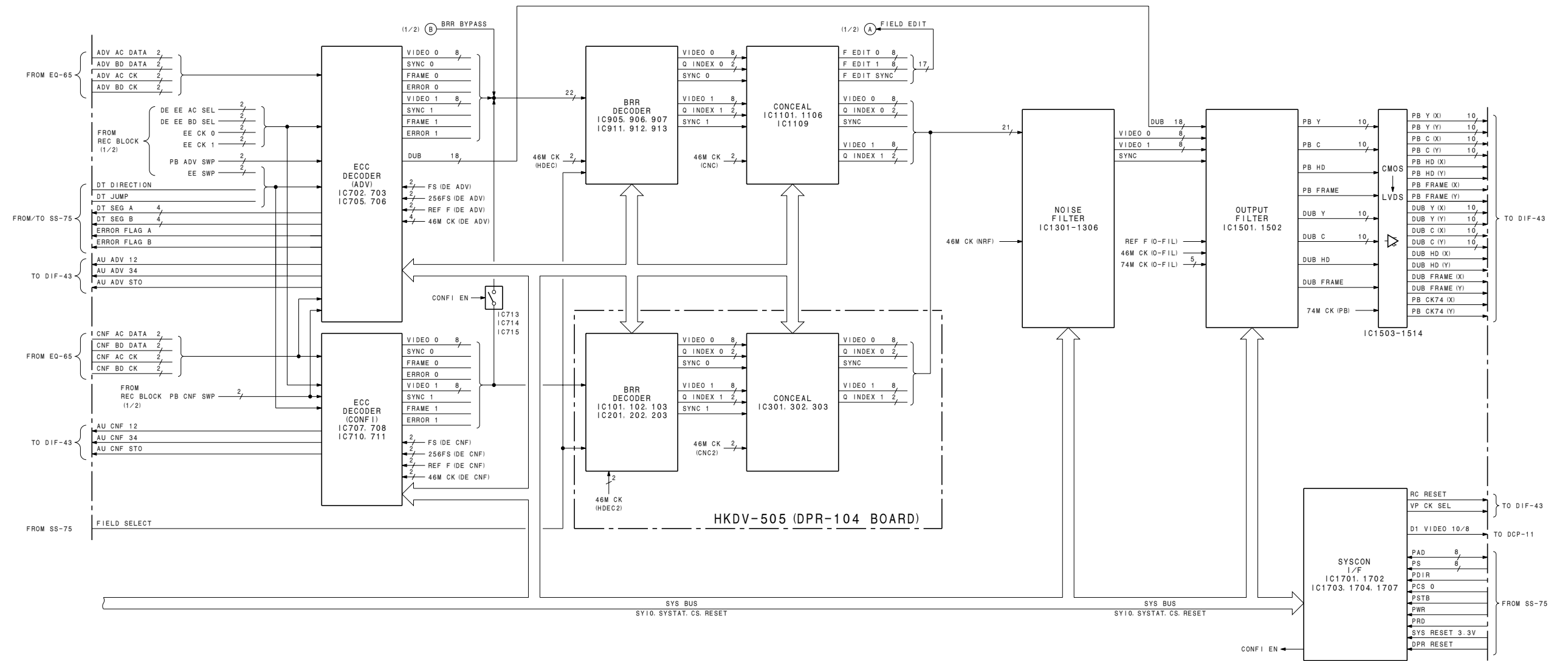


HD Serial Digital Interface
 With Embedded Audio
DIF-43 (4/4)
 HDW-500
 HDW-500 (J) : LOT NO. 611-705

HDW-500 (J) : S/N 10001 and Higher
 HDW-500 (UC): S/N 10001 and Higher

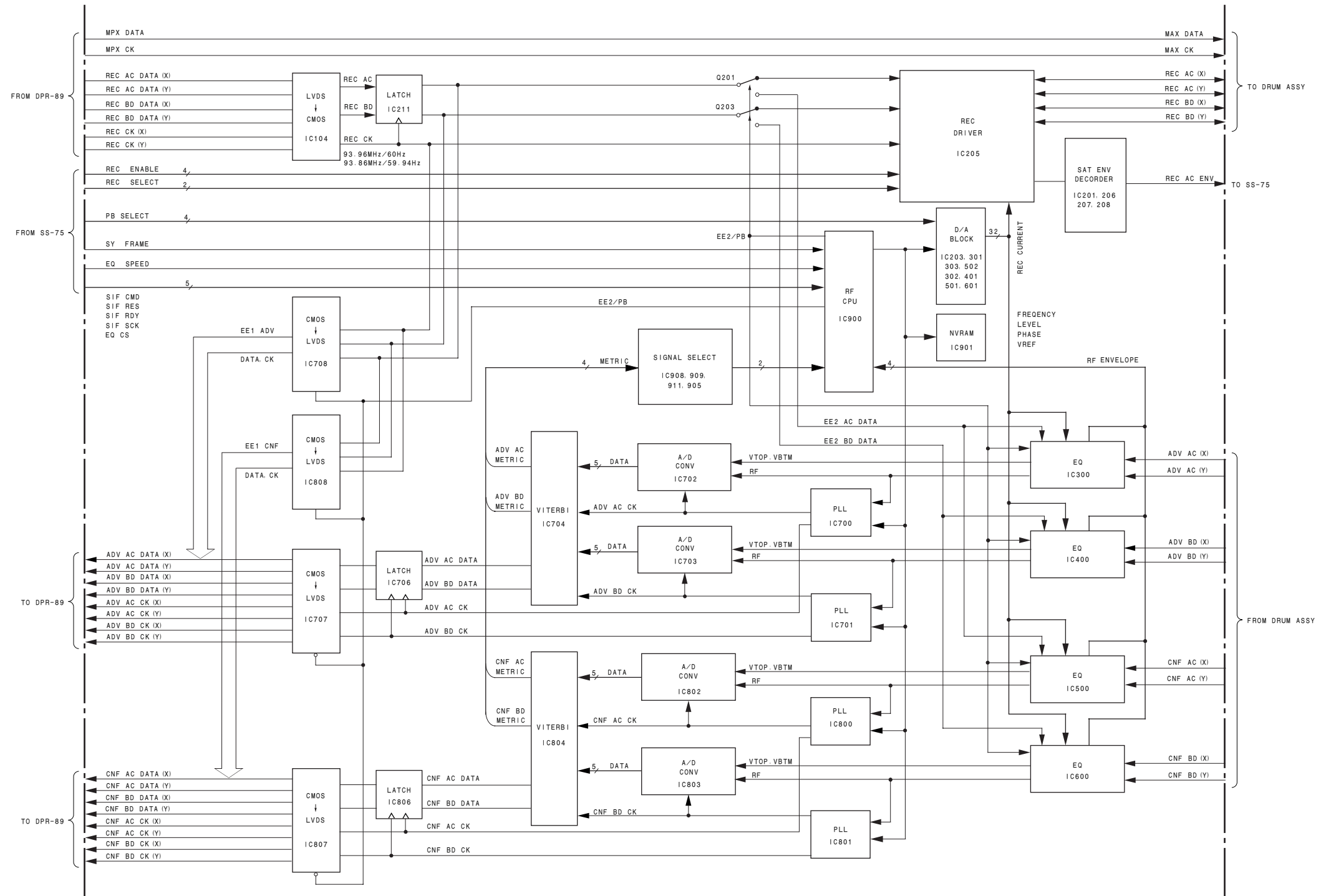


HDW-500 (J) : S/N 10001 and Higher
 HDW-500 (UC): S/N 10001 and Higher



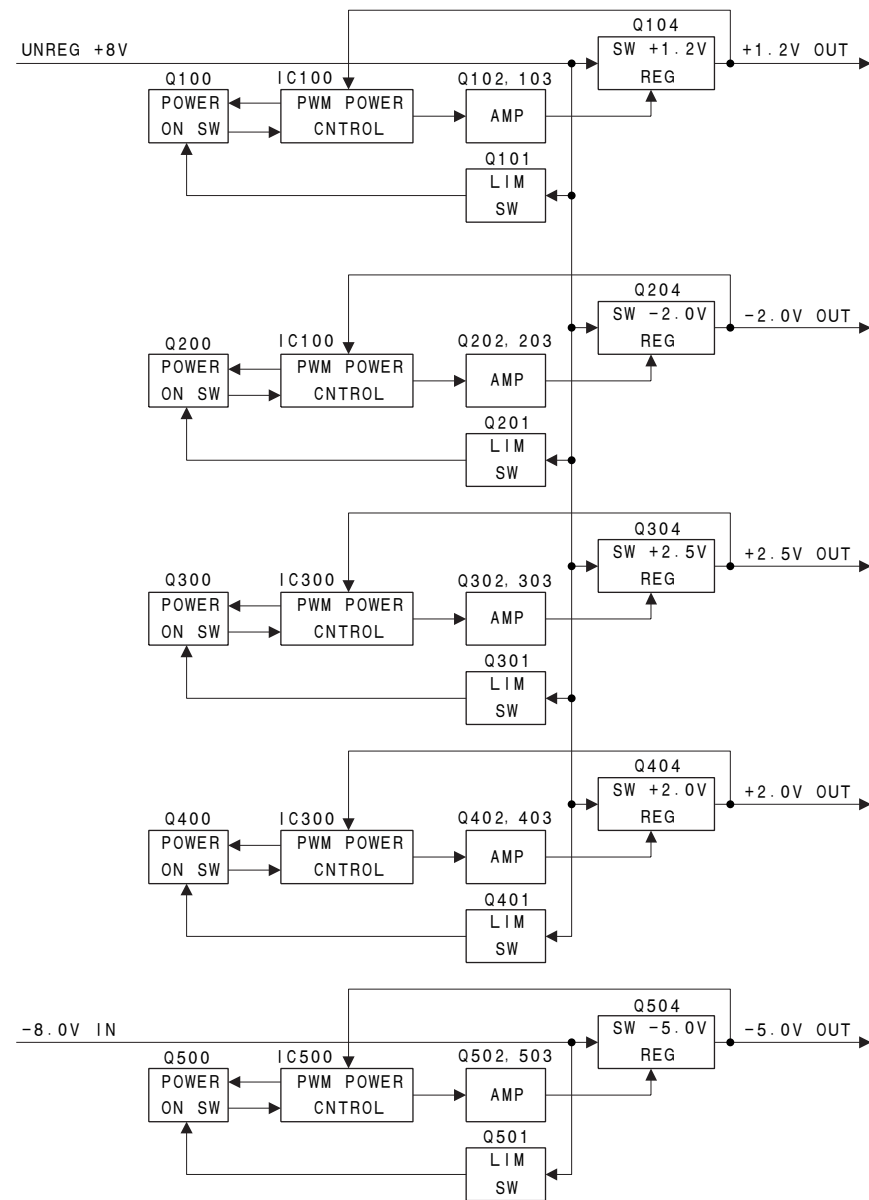
Digital Data Processor
 (Encoder/Decoder Error correction)
DPR-89 (2/2)
 HDW-500

HDW-500 (J) : S/N 10001 and Higher
 HDW-500 (UC): S/N 10001 and Higher



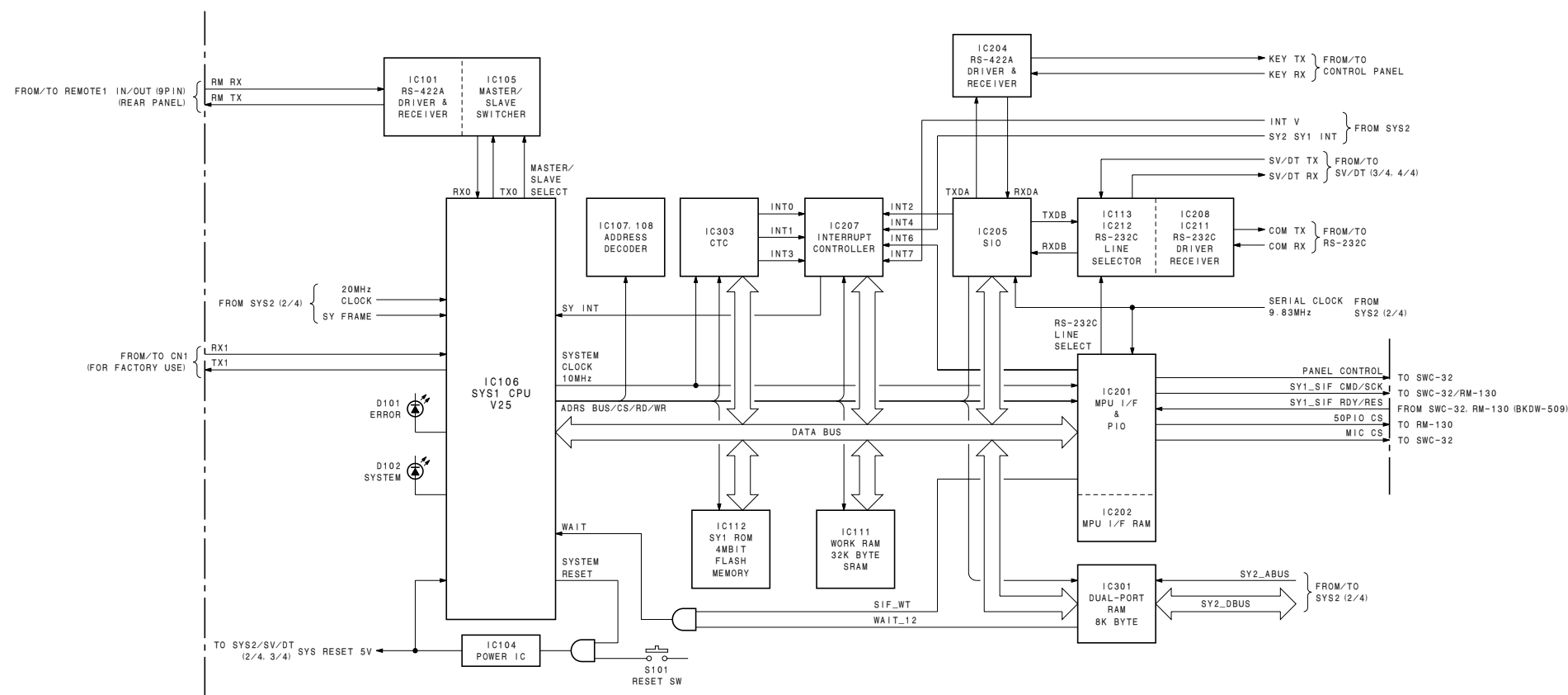
RF Equalizer
 (REC Current Cont., PB EQ Analog BETACAM PB Buffer)
EQ-65
 HDW-500

HDW-500 (J) : S/N 10001 and Higher
 HDW-500 (UC): S/N 10001 and Higher



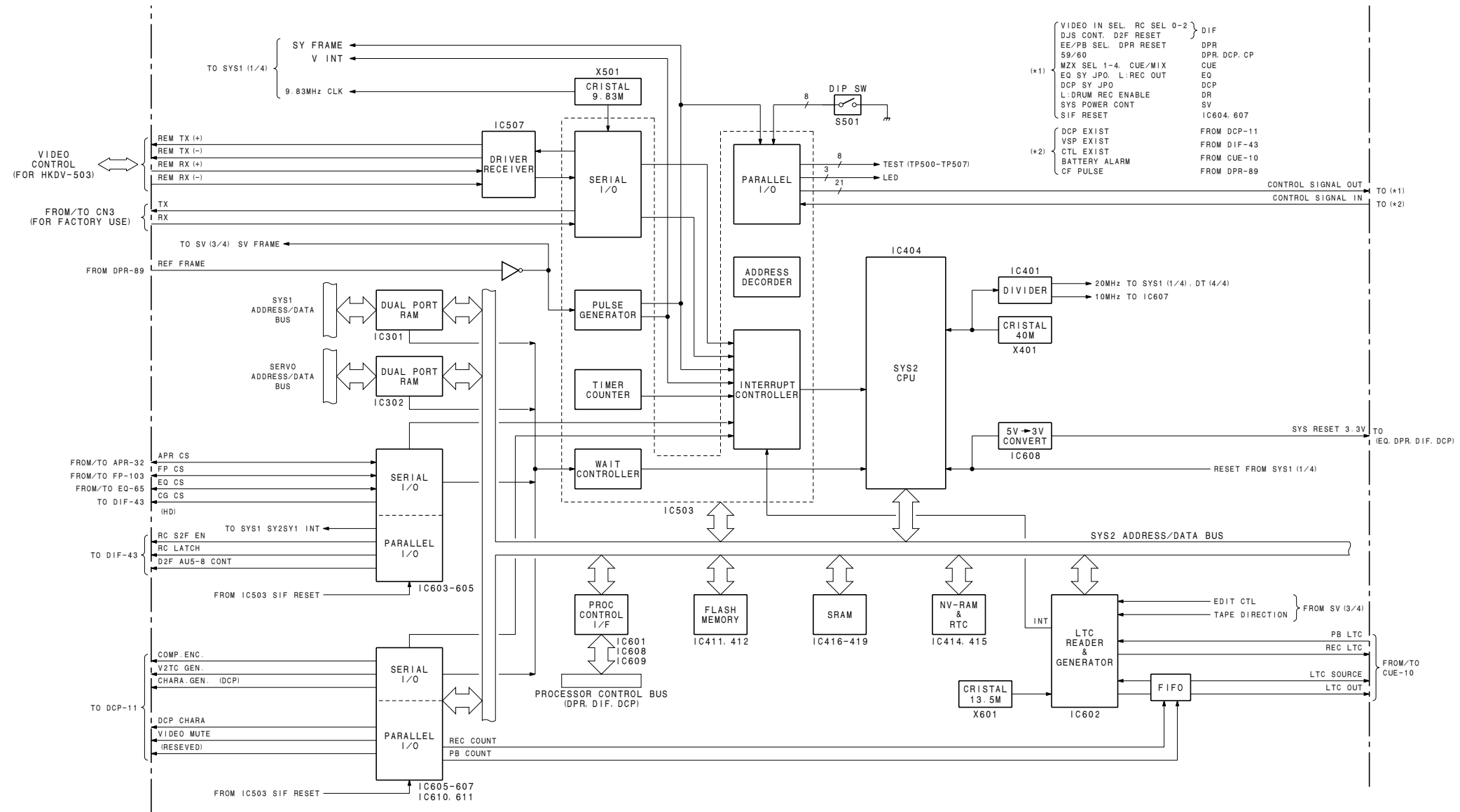
DC-DC Converter
PSW-51
 HDW-500

HDW-500 (J) : S/N 10001 and Higher
 HDW-500 (UC) : S/N 10001 and Higher

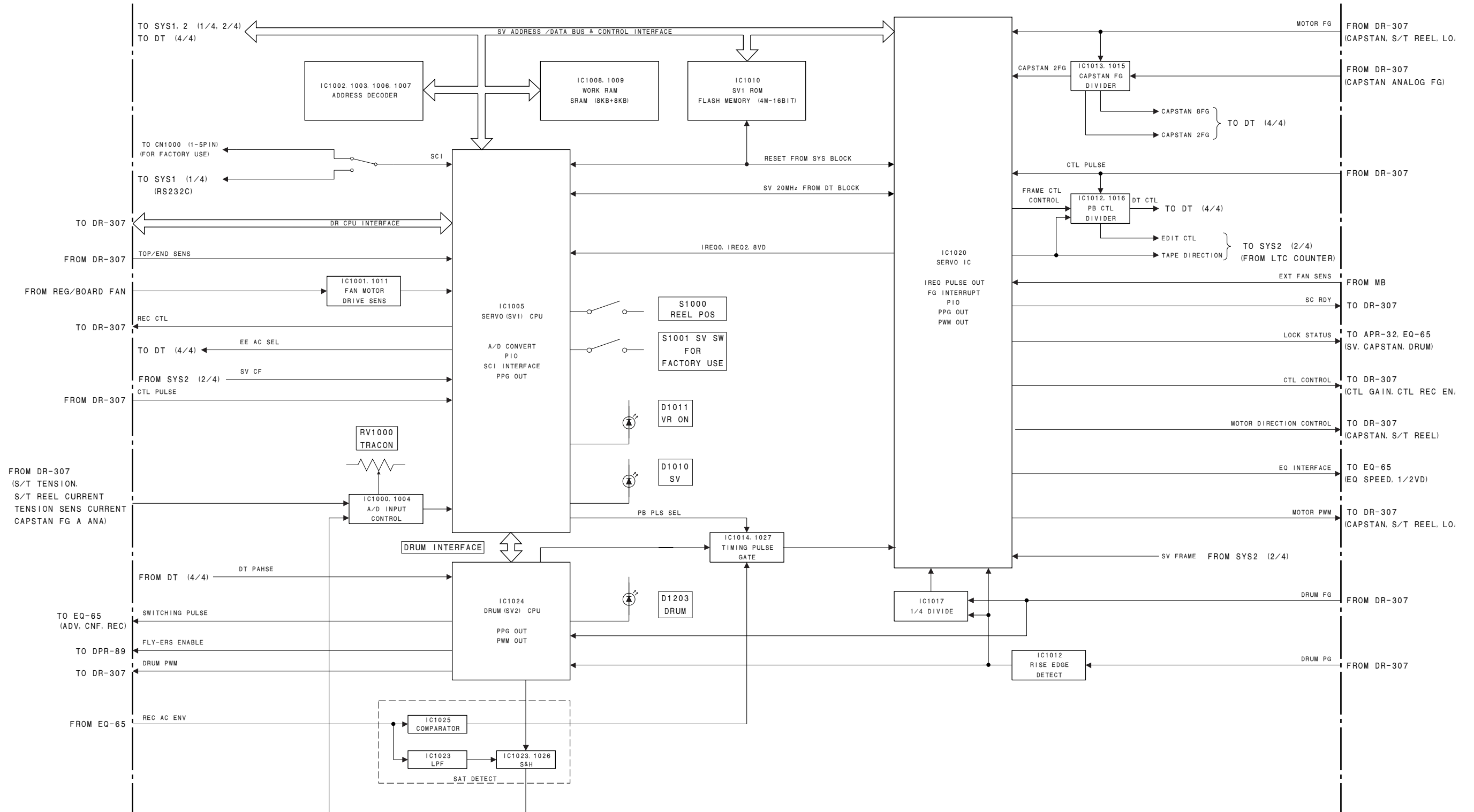


System, Servo, DT Control
 (System Control 1)
SS-75 (1/4)
 HDW-500

HDW-500 (J) : S/N 10001 and Higher
 HDW-500 (UC): S/N 10001 and Higher

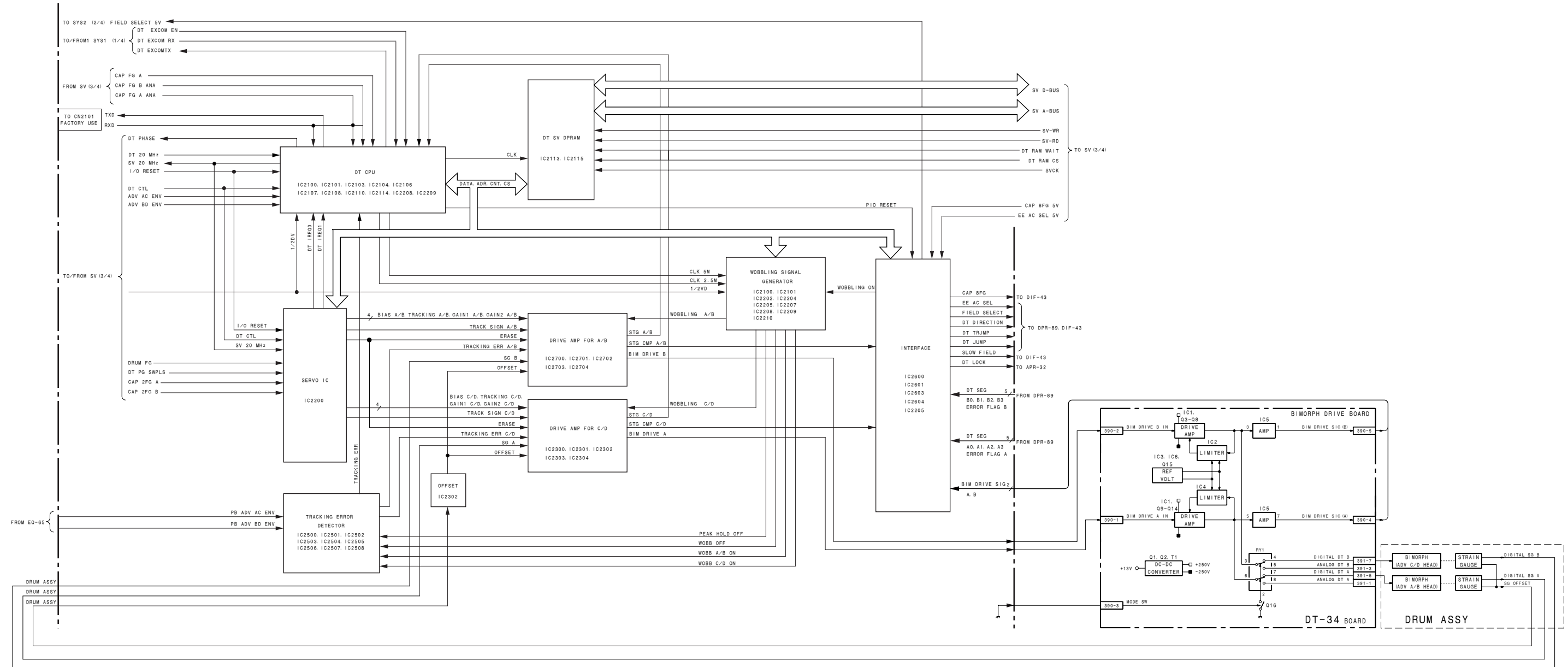


HDW-500 (J) : S/N 10001 and Higher
 HDW-500 (UC): S/N 10001 and Higher



System, Servo, DT Control
 (Servo Control)
SS-75 (3/4)
 HDW-500

HDW-500 (J) : S/N 10001 and Higher
 HDW-500 (UC): S/N 10001 and Higher

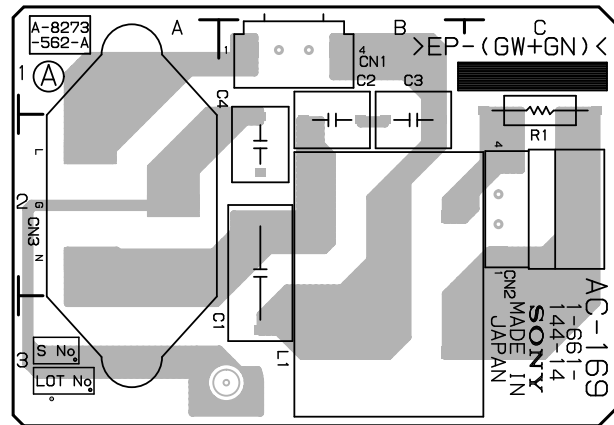


System, Servo, DT Control
 (Dynamic Tracking)
SS-75 (4/4)
 HDW-500

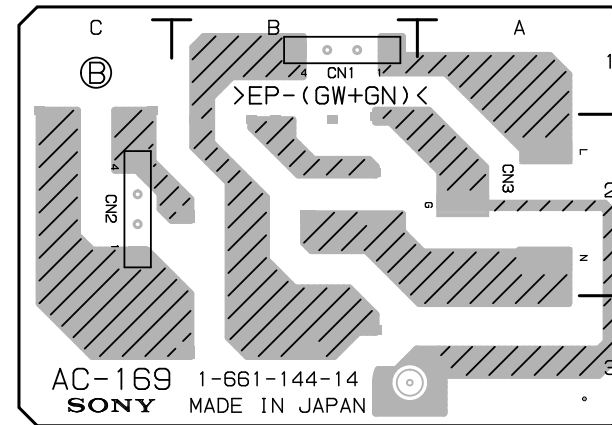
Section 5 Board Layouts

INDEX

No.	Board name	Circuit function	Page
1	AC-169	AC connector board with Breaker	5-3
2	APR-32	Audio signal processor (A-D, D-A, AES/EBU interface)	5-4
3	CCM-15	Reel shift/Threading motor	5-6
4	CL-29	Cassette up/down motor, Cassette down sensors	5-6
5	CP-266A	CPU board for Control panel	5-7
6	CP-298	Rear panel connector board (Analog video signal buffer)	5-8
7	CP-299/299A	Rear panel connector board (Analog/Digital audio, TC)	5-10
8	CUE-10	CUE, TC REC/PB and LAU PB circuit	5-12
9	DCP-11	HD-525 Down-converter (Option board HKDV-501)	5-14
10	DIF-43A	HD serial digital interface with Embedded audio	5-16
11	DPR-89	Digital data processor (Encoder/Decoder, Error correction)	5-18
12	DPR-104	Digital data processor (Editing process board) (Option board HKDV-505)	5-21
13	DR-307	Motors (Drum, Reel Capstan, etc.) driver, Solenoids driver	5-22
14	DT-34C	DT driver	5-25
15	EQ-65	RF equalizer (REC current cont., PB EQ, Analog BETACAM PB buffer)	5-26
16	FP-103	Panel function (Switches, LEDs) control, CAV control level conversion	5-29
17	HN-249	Connection board (Drum etc.) with REC inhibit sensor	5-30
18	HN-250	Connection board (Threading motor, etc.)	5-32
19	HN-251	Connection board with Dew sensor	5-32
20	KY-330A	SW board for Control panel	5-33
21	LP-81	Lamp of cassette compartment	5-37
22	MB-697	Mother board	5-34
23	PC-70	Cassette-in sensors, Cassette size sensor	5-37
24	PD-35	Pinch solenoid connection	5-37
25	PSW-51	DC-DC converter	5-38
26	PTC-54	Threading FG	5-41
27	PTC-59	Cassette's holes sensor	5-41
28	PTC-69	Search dial sensor	5-41
29	PTC-71	Reel position sensor	5-41
30	RM-82	S/T reel motor	5-41
31	SE-344	S/T reel FG	—
32	SS-75	System, Servo, DT control	5-42
33	SW-749	Function control switches	5-44
34	SWC-17D	Upper panel function (Switches, LEDs)	5-45
35	SWC-32	Int/Ext Control panel select	5-46
36	TR-78	S tension sensor	5-46
37	TR-79	T tension sensor, Threading-end and Unthreading-end sensors	5-46
38	VR-152	Audio REC level VRs	5-47
39	VR-153	Audio PB level VRs	5-47



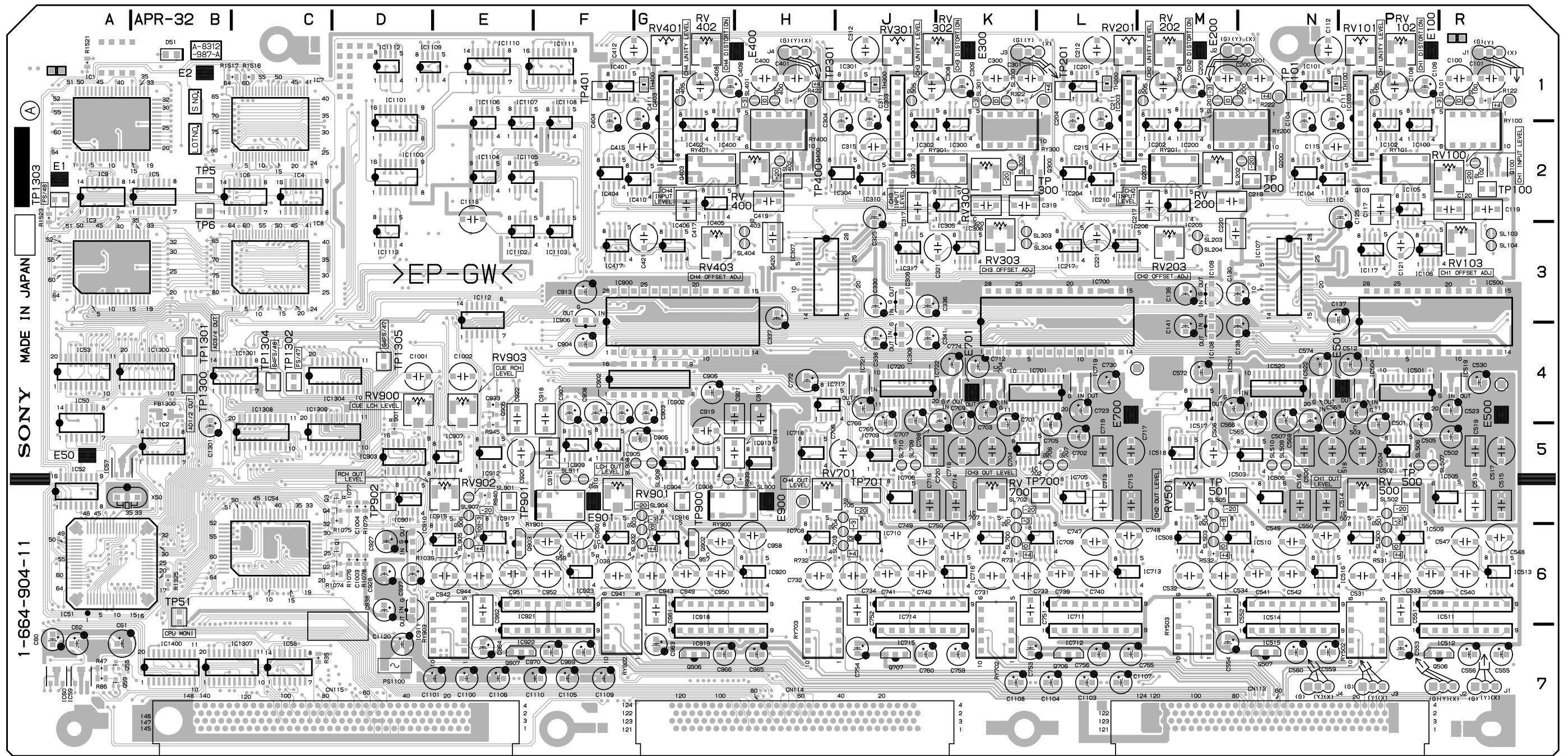
HDW-500 (J) : S/N 10001 and Higher
 HDW-500 (UC) : S/N 10001 and Higher
AC-169 -A SIDE-
 HDW-500
 1-661-144-14



AC-169 -B SIDE-
 HDW-500
 1-661-144-14

AC-169 (1-661-144-14)

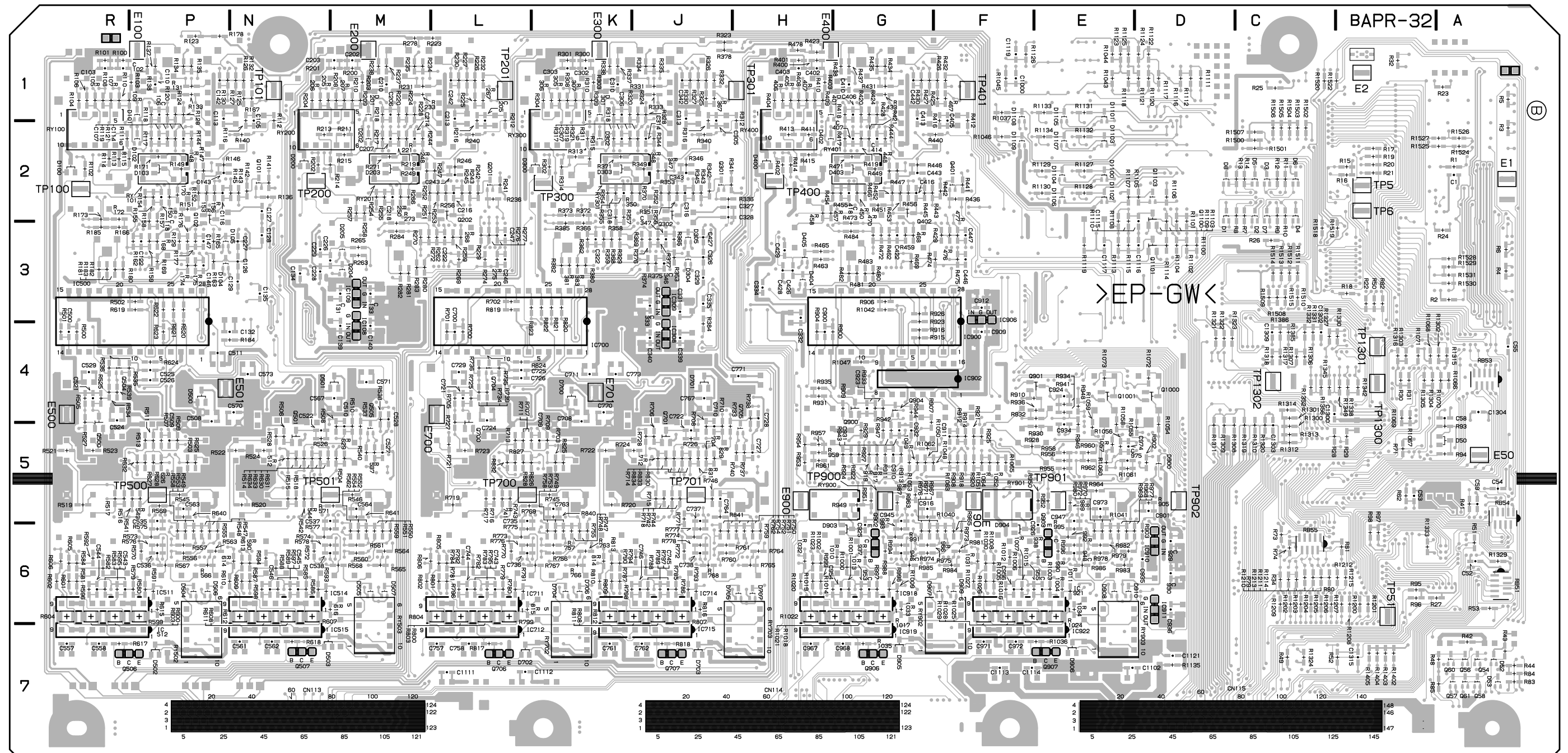
CN1	B1
CN2	B1
CN3	A2
L1	B3



HDW-500 (J) : S/N 10001 and Higher
 HDW-500 (UC) : S/N 10001 and Higher

APR-32 (1-664-904-11)

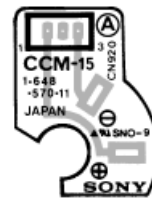
AIC51	A6	D53	*A7	D401	*H1	D705	*H6	E200	M1	IC6	B2	IC106	P3	IC305	K2	IC504	P4	IC700	K4	IC719	L4	IC913	H5	IC1400	B7	Q101	*N2	Q507	N7
CN113	N7	D100	*R2	D402	*H2	D706	*K6	E300	K1	IC7	C2	IC107	N3	IC306	K3	IC505	R5	IC701	L4	IC720	J4	IC914	F6	PS1100	D7	Q102	*P2	Q508	*L5
CN114	H7	D101	*P1	D404	*H3	D707	*H6	E400	H1	IC8	C3	IC108	M4	IC307	H3	IC506	N5	IC702	K5	IC721	J4	IC915	E6			Q200	N2	Q509	*J5
CN115	D7	D102	*P2	D405	*H3	D900	*D5	E500	R4	IC9	A2	IC109	M3	IC308	J4	IC507	P6	IC703	J5	IC722	K4	IC916	G6			Q201	*L2	Q510	*L4
		D104	*P3	D500	*P4	D903	*G6	E501	P4	IC10	A5	IC110	E4	IC309	J3	IC508	M6	IC704	K4	IC723	F4	IC917	E6	Q1	D6	Q202	*L2	Q511	*H5
		D105	*P3	D501	*M4	D904	*F6	E700	L4	IC11	A5	IC111	P3	IC310	J3	IC509	P6	IC705	L5	IC724	D5	IC918	G6	Q2	D6	Q300	K2	Q512	L7
D1	*D2	D200	*N2	D502	*P7	D905	*G7	E701	K4	IC12	A4	IC112	E4	IC311	G2	IC510	M6	IC706	J5	IC725	F4	IC919	G7	Q3	D5	Q301	*J2	Q513	J7
D2	*C2	D201	*M1	D503	*N7	D906	*E7	E900	H5	IC13	C6	IC113	L1	IC312	F1	IC511	P6	IC707	K6	IC726	D5	IC920	H6	Q4	D5	Q302	*J2	Q514	*G4
D3	*C2	D202	*M2	D504	*P6	D907	*F6	E901	F5	IC14	A5	IC114	M2	IC401	G2	IC512	P7	IC708	H6	IC727	G5	IC921	E6	Q54	*A7	Q400	H2	Q901	*E4
D4	*C2	D204	*M3	D505	*M6	D908	*E6			IC15	C7	IC115	L1	IC402	G1	IC513	R6	IC709	K6	IC728	F5	IC922	E7	Q55	A7	Q401	*F2	Q902	G6
D5	*C2	D205	*M3	D506	*P6	D909	*E6			IC16	A7	IC116	M2	IC403	G2	IC514	N6	IC710	J6	IC729	F3	IC923	F6	Q56	*A7	Q402	*G2	Q903	E6
D6	*C2	D300	*K2	D507	*M6	D910	*E6	FB1300	B4	IC17	A7	IC117	L3	IC404	G3	IC515	N7	IC711	L6	IC730	E5	IC924	A4	Q57	*A7	Q403	G2	Q904	*G4
D7	*C2	D301	*K1	D700	*K4			IC1	A2	IC18	P2	IC118	L3	IC411	F3	IC516	N6	IC712	L7	IC731	G5	IC925	B4	Q58	*A7	Q500	*R5	Q905	E4
D8	*D2	D302	*K2	D701	*J4	E1	A2	IC2	B5	IC19	N1	IC119	K2	IC500	P4	IC519	R4	IC713	L6	IC732	F5	IC926	C4	Q59	A7	Q501	*N5	Q906	G7
D50	*A5	D304	*J3	D702	*L7	E2	B1	IC3	A3	IC20	P2	IC120	J1	IC501	P4	IC520	N4	IC714	J6	IC733	D6	IC927	B7	Q60	*A7	Q504	*R4	Q907	E7
D51	B1	D305	*J3	D703	*J7	E50	A5	IC4	C2	IC21	P1	IC121	J2	IC502	P5	IC521	M4	IC715	J7	IC734	D6	IC928	C5	Q61	*A7	Q505	*M5	Q1000	*D4
D52	*A7	D400	*H2	D704	*K6	E100	P1	IC5	B2	IC22	P3	IC122	J1	IC503	N5	IC522	N4	IC716	K6	IC735	E5	IC929	C5	Q100	R2	Q506	R7	Q1001	*E4



APR-32 -B SIDE-
HDW-500
1-664-904-11

RB51	*A6	RV400	H2	RY502	P7	TP100	R2	TP1302	C4
RB53	*A4	RV401	G1	RY503	M7	TP101	N1	TP1303	A2
RB54	*A5	RV402	G1	RY702	K7	TP200	N2	TP1304	C4
RB55	*C6	RV403	G3	RY703	H7	TP201	L1	TP1305	D4
		RV500	P5	RY900	G5	TP300	K2		
RV100	R2	RV501	M5	RY901	F5	TP301	H1	X50	A5
RV101	P1	RV700	K5	RY902	F7	TP400	H2		
RV102	P1	RV701	H5	RY903	E7	TP401	F1		
RV103	R3	RV900	D4			TP500	P5		
RV200	M2	RV901	F5	TH100	N1	TP501	N5		
RV201	L1	RV902	E5	TH200	L1	TP700	L5		
RV202	M1	RV903	E4	TH300	J1	TP701	J5		
RV203	M3			TH400	G1	TP900	G5		
RV300	K2	RY100	R2			TP901	E5		
RV301	J1	RY200	N2	TP5	B2	TP902	D5		
RV302	K1	RY300	K2	TP6	B2	TP1300	B4		
RV303	K3	RY400	H2	TP51	B6	TP1301	B4		

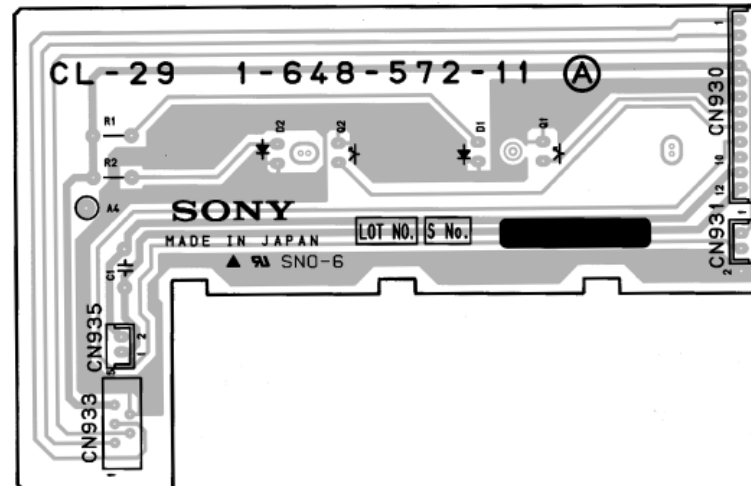
* : B SIDE



CCM-15 -A SIDE-

HDW-500
1-648-570-11

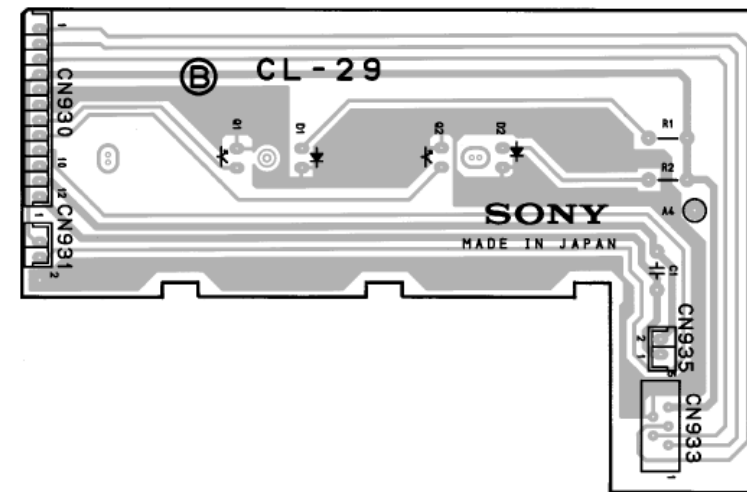
HDW-500 (J) : S/N 10001 and Higher
HDW-500 (UC) : S/N 10001 and Higher



HDW-500 (J) : S/N 10001 and Higher
HDW-500 (UC) : S/N 10001 and Higher

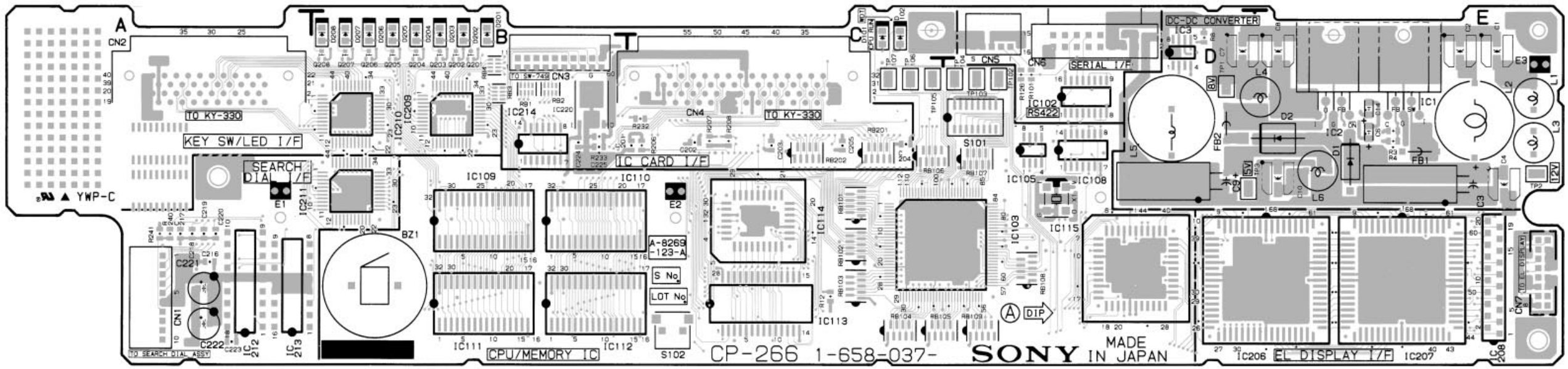
CL-29 -A SIDE-

HDW-500
1-648-572-11



CL-29 -B SIDE-

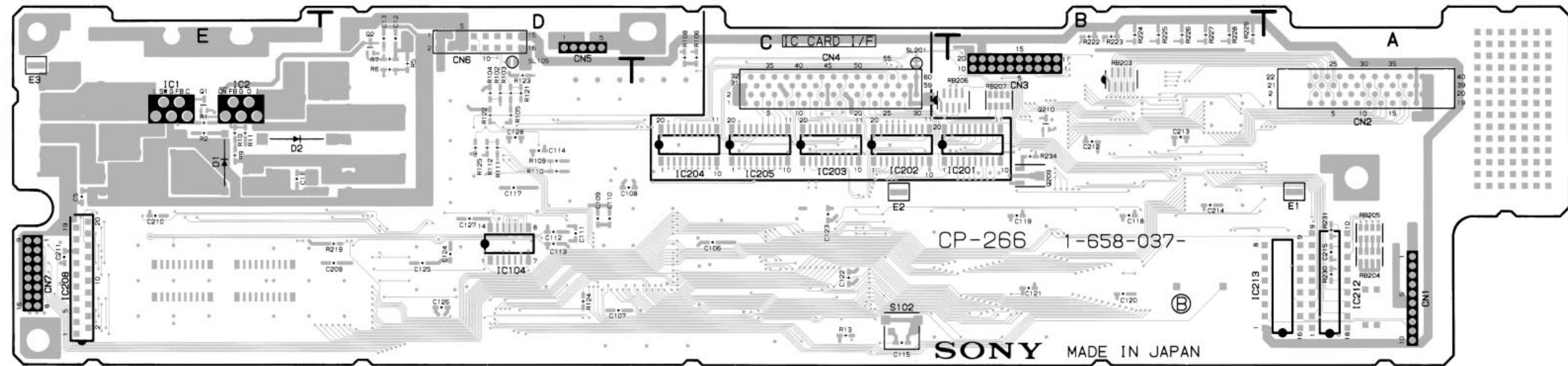
HDW-500
1-648-572-11



HDW-500 (J) : S/N 10001 and Higher
 HDW-500 (UC) : S/N 10001 and Higher

CP-266A -A SIDE-
 HDW-500
 1-658-037-12

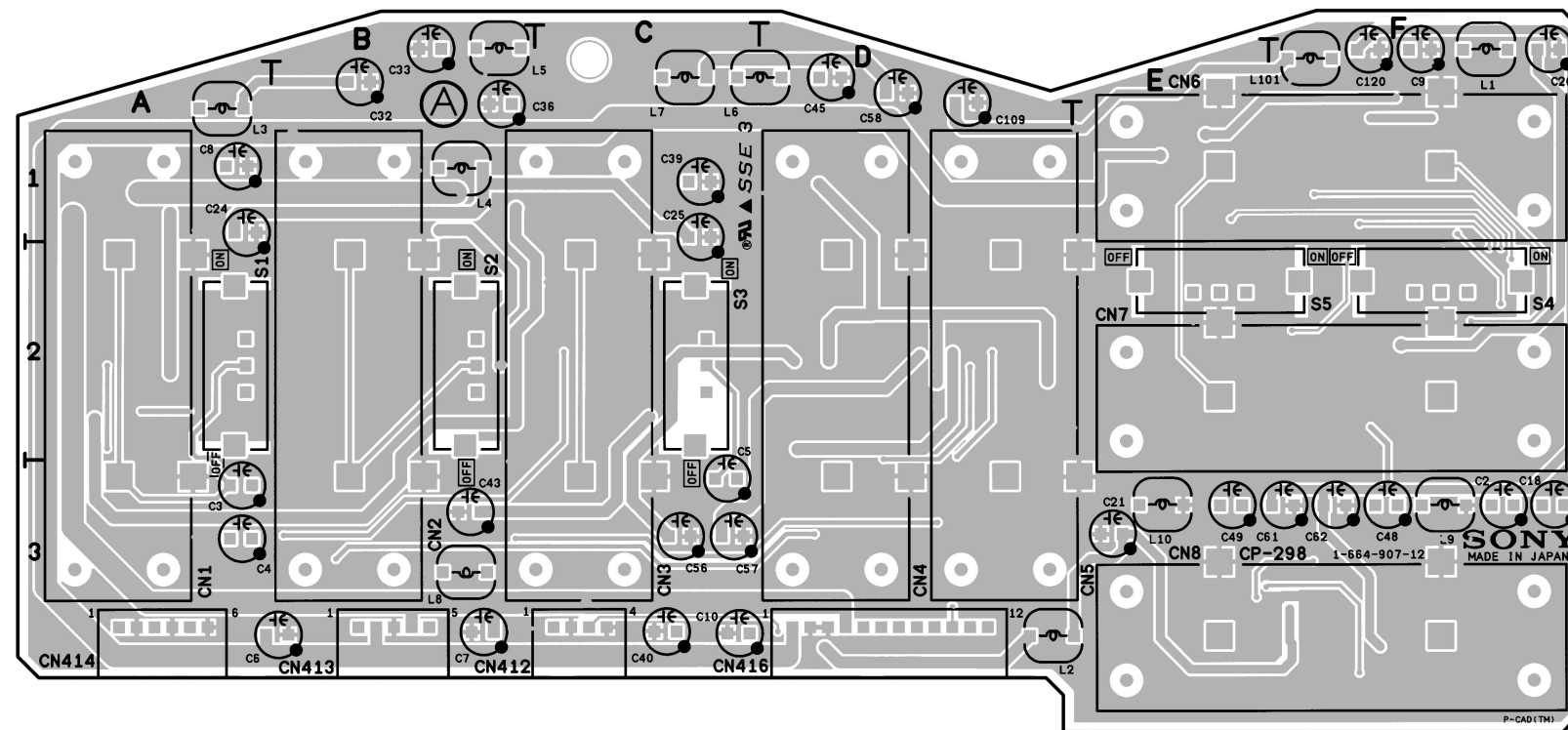
BZ1	B1
CN1	A1
CN2	A1
CN3	B1
CN4	C1
CN5	D1
CN6	D1
CN7	E1
D1	E1
D2	E1
D101	C1
D102	C1
E1	A1
E2	C1
E3	E1
FB1	E1
FB2	D1
IC1	E1
IC2	E1
IC3	D1
IC102	D1
IC103	C1
IC104	*D1
IC105	D1
IC108	D1
IC109	B1
IC110	B1
IC111	B1
IC112	B1
IC113	C1
IC114	C1
IC115	D1
IC116	C1
IC201	*C1
IC202	*C1
IC203	*C1
IC204	*C1
IC205	*C1
IC206	E1
IC207	E1
IC208	E1
IC209	B1
IC210	B1
IC211	B1
IC212	A1
IC213	A1
IC214	B1
IC220	B1
IS114	C1
IS115	D1



CP-266A -B SIDE-
 HDW-500
 1-658-037-12

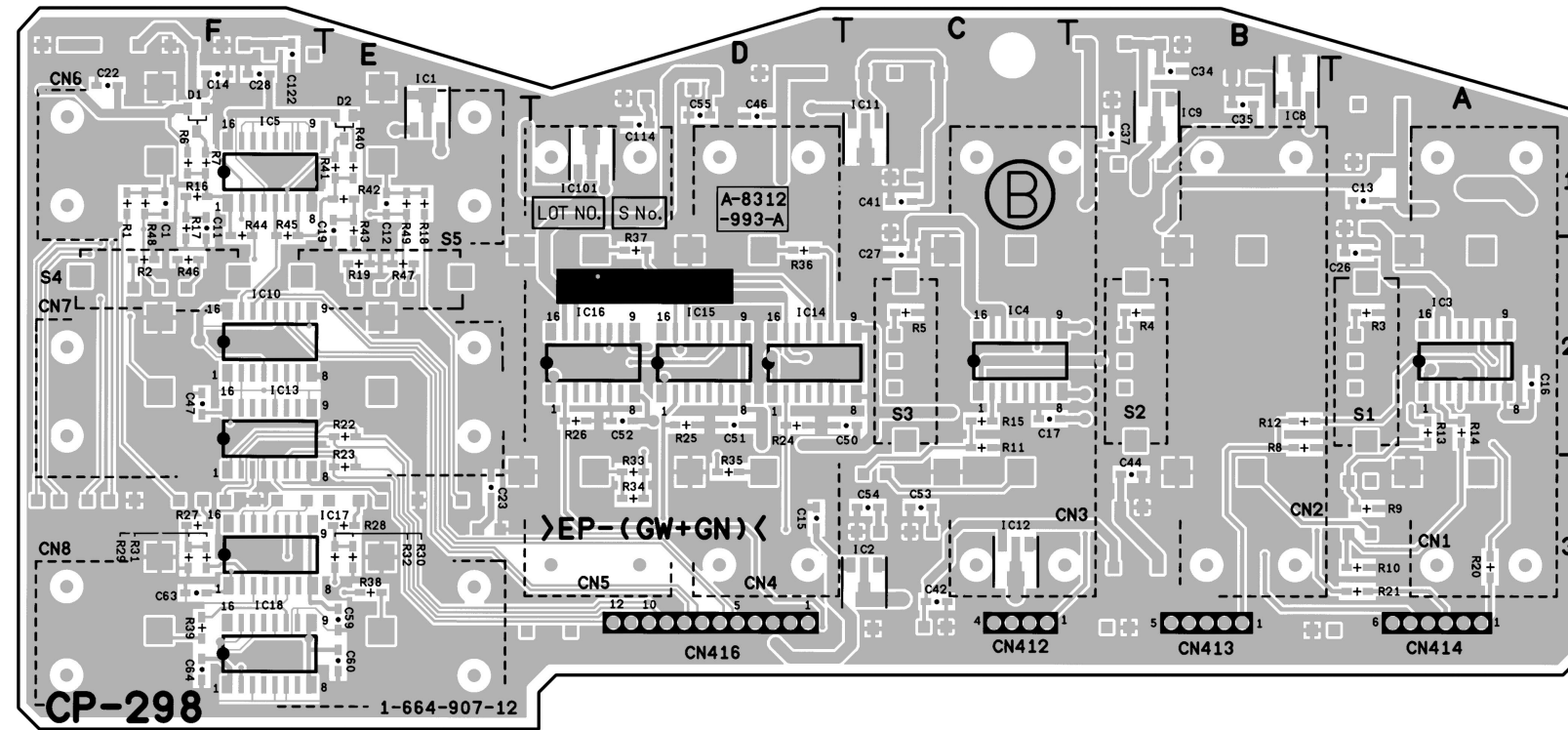
L1	E1
L2	E1
L3	E1
L4	E1
L5	D1
L6	E1
Q1	*E1
Q2	*D1
Q209	*B1
Q210	*B1
RB1	B1
RB2	B1
RB3	B1
RB4	B1
RB101	C1
RB102	C1
RB103	C1
RB104	C1
RB105	C1
RB106	C1
RB107	D1
RB108	D1
RB109	D1
RB201	C1
RB202	C1
RB203	*B1
RB204	*A1
RB205	*A1
RB206	*B1
RB207	*B1
S101	D1
S102	C1
TP1	D1
TP2	E1
TP3	D1
X1	D1

* : B SIDE



HDW-500 (J) : S/N 10201 and Higher
 HDW-500 (UC) : S/N 10001 and Higher

CP-298 -A SIDE-
 HDW-500
 1-664-907-12



CN1	A2
CN2	B2
CN3	C2
CN4	D2
CN5	D2
CN6	F1
CN7	F2
CN8	F3
CN412	C3
CN413	B3
CN414	A3
CN416	D3

D1	*F1
D2	*E1

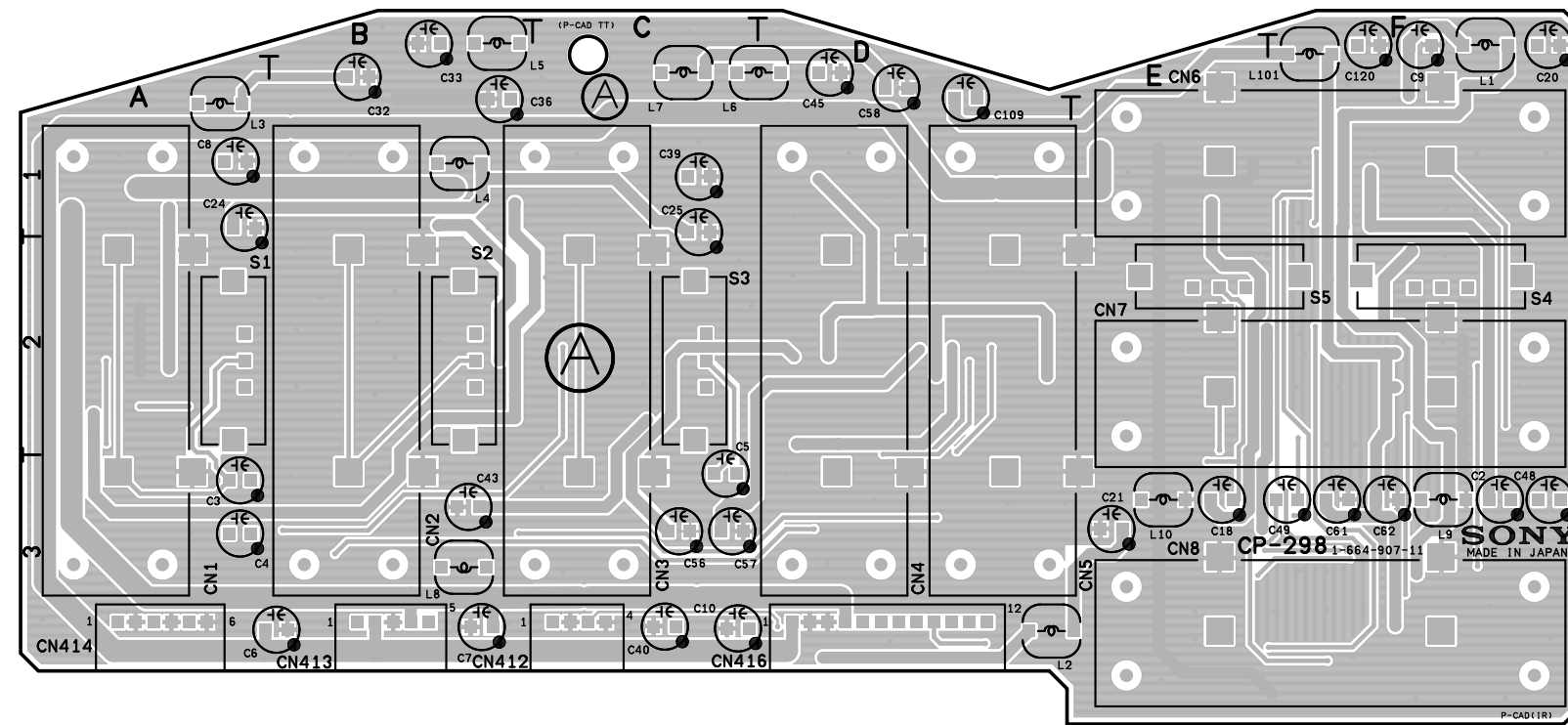
IC1	*E1
IC2	*C3
IC3	*A2
IC4	*C2
IC5	*F1
IC8	*B1
IC9	*B1
IC10	*F2
IC11	*C1
IC12	*C3
IC13	*F2
IC14	*D2
IC15	*D2
IC16	*D2
IC17	*F3
IC18	*F3
IC101	*D1

L1	F1
L2	D3
L3	A1
L4	B1
L5	B1
L6	D1
L7	C1
L8	B3
L9	F3
L10	E3
L101	F1

S1	A2
S2	B2
S3	C2
S4	F2
S5	E2

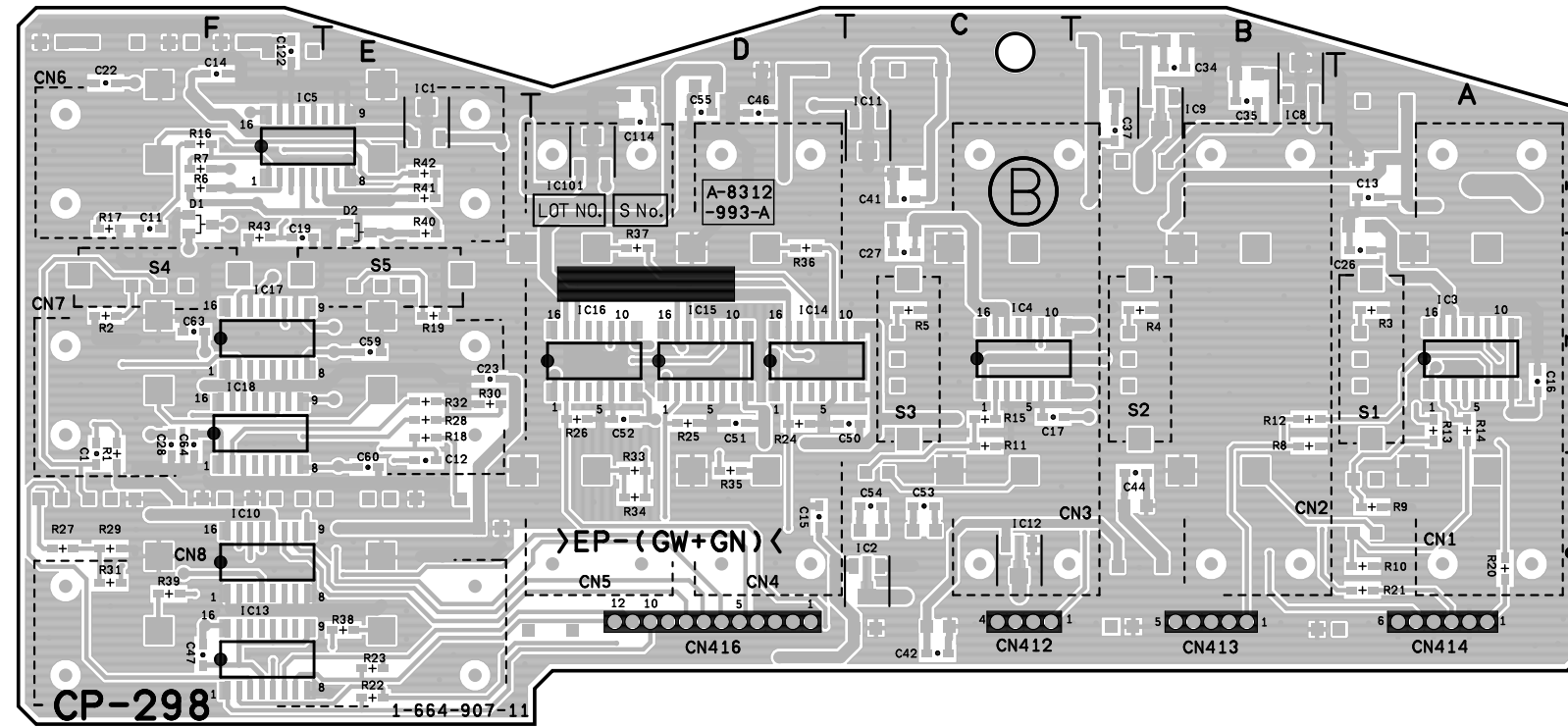
* : B SIDE

CP-298 -B SIDE-
HDW-500
1-664-907-12



HDW-500 (J) : S/N 10001 through 10200

CP-298 -A SIDE-
 HDW-500
 1-664-907-11



CP-298 -B SIDE-
HDW-500
1-664-907-11

CN1	A2
CN2	B2
CN3	C2
CN4	D2
CN5	D2
CN6	F1
CN7	F2
CN8	F3
CN412	C3
CN413	B3
CN414	A3
CN416	D3

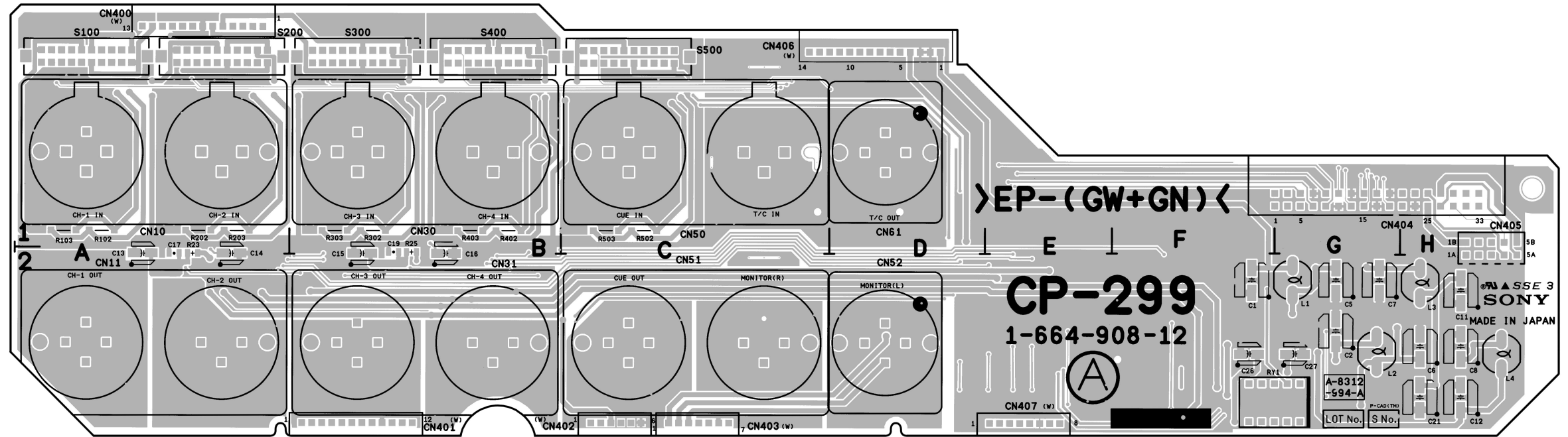
D1	*F1
D2	*E1

IC1	*E1
IC2	*C3
IC3	*A2
IC4	*C2
IC5	*F1
IC8	*B1
IC9	*B1
IC10	*F3
IC11	*C1
IC12	*C3
IC13	*F3
IC14	*D2
IC15	*D2
IC16	*D2
IC17	*F2
IC18	*F2
IC101	*D1

L1	F1
L2	D3
L3	A1
L4	B1
L5	B1
L6	D1
L7	C1
L8	B3
L9	F3
L10	E3
L101	F1

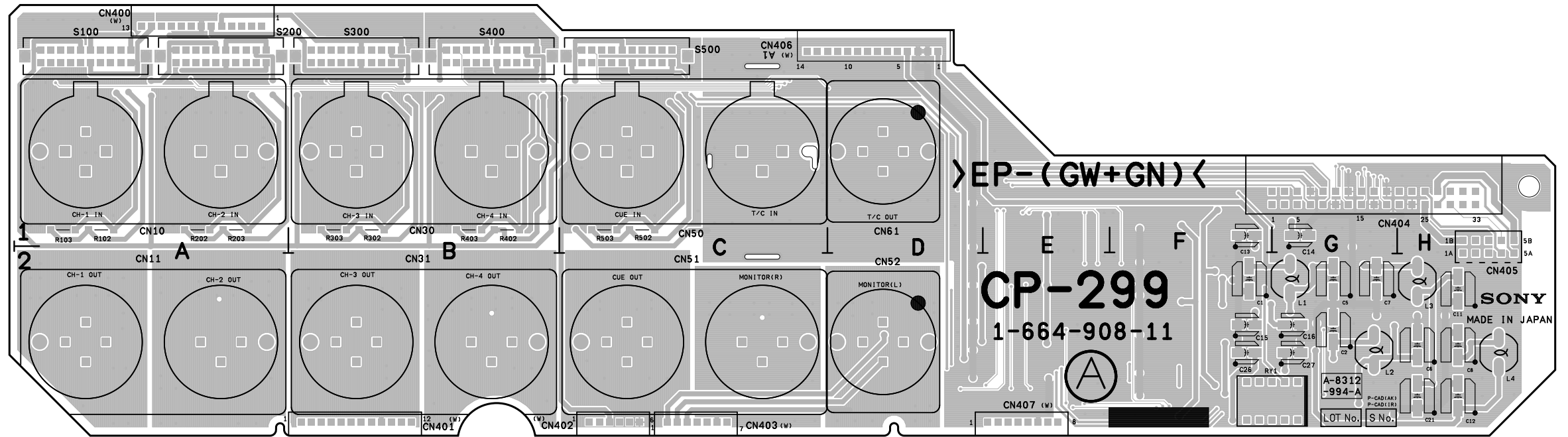
S1	A2
S2	B2
S3	C2
S4	F2
S5	E2

* : B SIDE



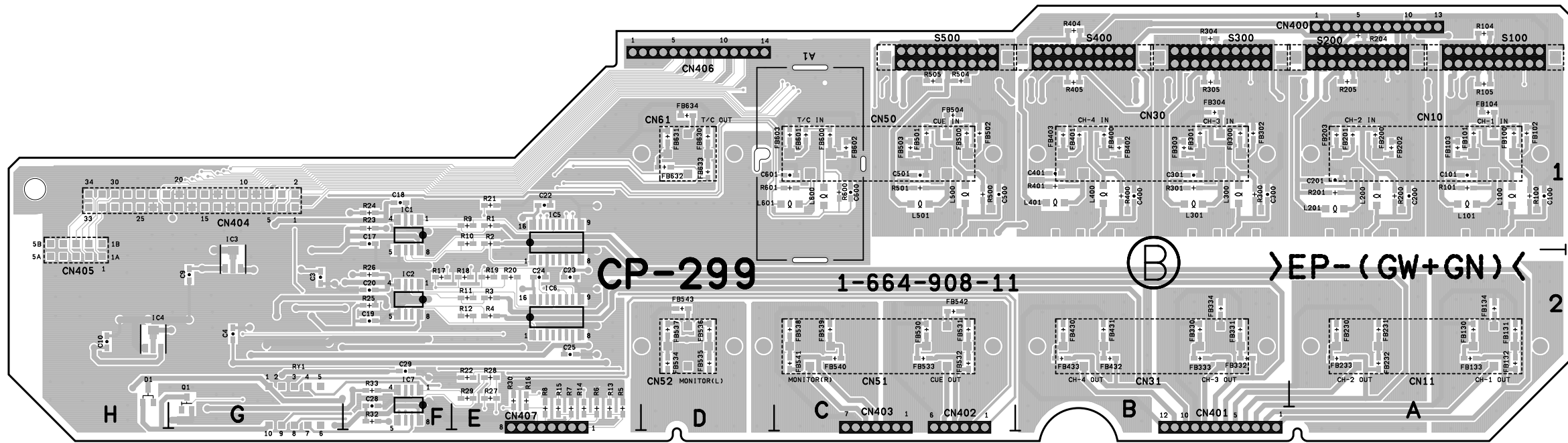
HDW-500 (J) : S/N 10201 and Higher
 HDW-500 (UC) : S/N 10001 and Higher

CP-299/299A -A SIDE-
 HDW-500
 1-664-908-12
 CP-299 : FOR HDW-500 (J)
 CP-299A : FOR HDW-500 (UC)



HDW-500 (J) : S/N 10001 through 10200

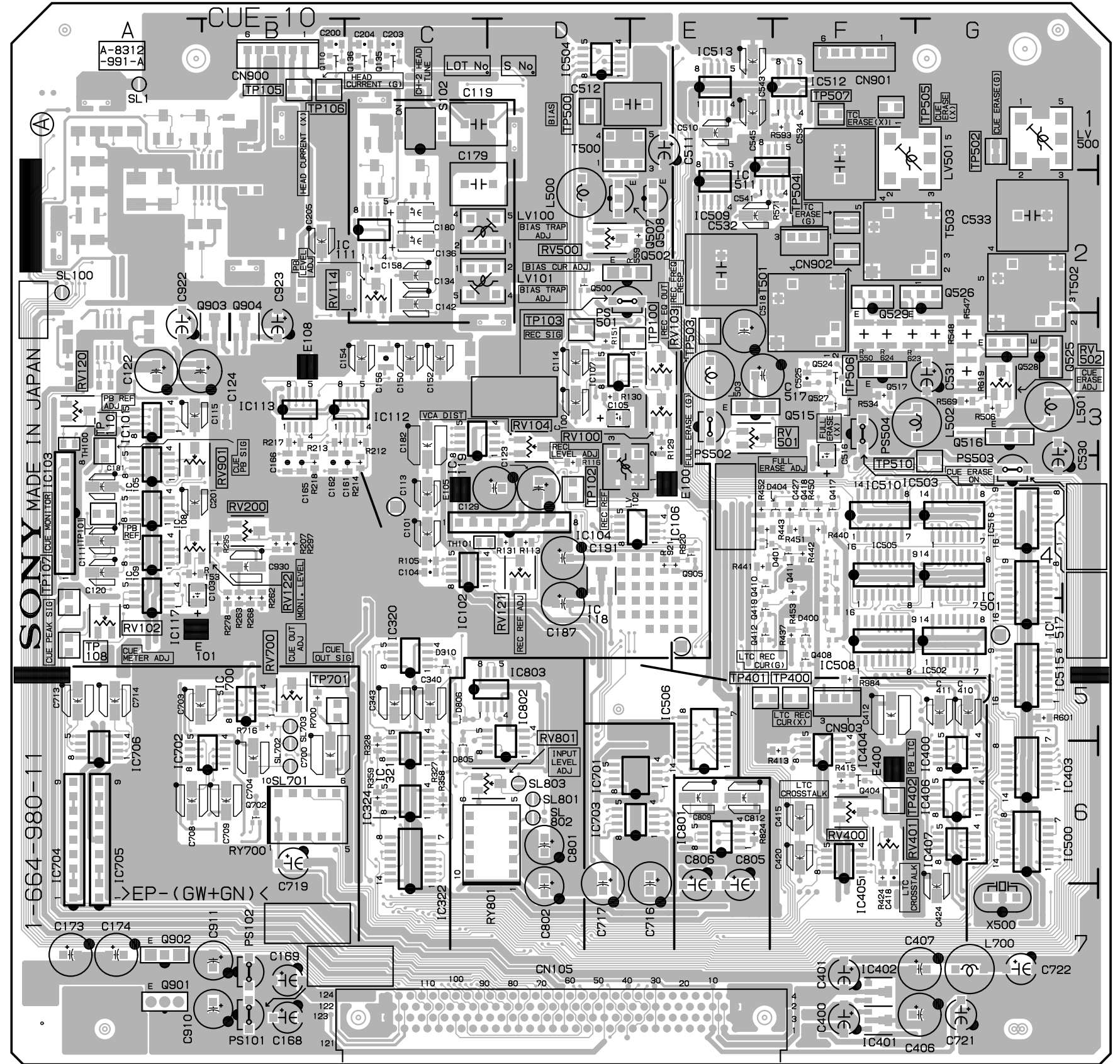
CP-299 -A SIDE-
HDW-500
1-664-908-11



CP-299 -B SIDE-
HDW-500
1-664-908-11

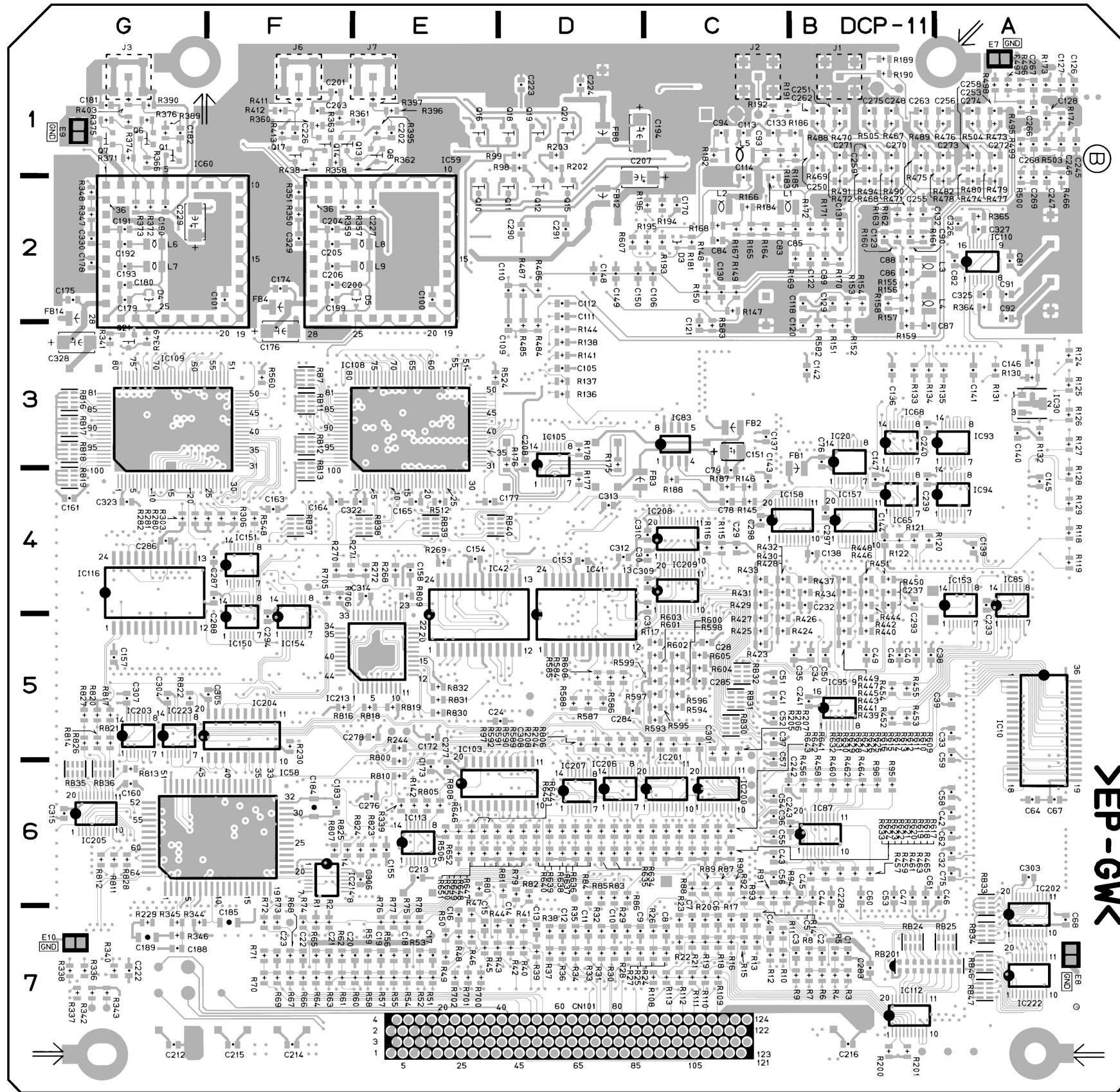
CN10	A1
CN11	A2
CN30	B1
CN31	B2
CN50	C1
CN51	C2
CN52	D2
CN61	D1
CN400	A1
CN401	B2
CN402	C2
CN403	C2
CN404	F1
CN405	H2
CN406	D1
CN407	E2
D1	*H2
FB101	*A1
FB102	*A1
FB104	*A1
FB130	*A2
FB132	*A2
FB134	*A2
FB201	*A1
FB202	*A1
FB230	*A2
FB232	*A2
FB301	*B1
FB302	*B1
FB304	*B1
FB330	*B2
FB332	*B2
FB334	*B2
FB401	*B1
FB402	*B1
FB430	*B2
FB432	*B2
FB501	*C1
FB502	*C1
FB504	*C1
FB530	*C2
FB532	*C2
FB534	*D2
FB536	*D2
FB538	*C2
FB540	*C2
FB542	*C2
FB543	*D2
FB601	*C1
FB602	*C1
FB630	
FB632	
FB634	*D1
IC1	*F1
IC2	*F2
IC3	*G2
IC4	*H2
IC5	*E1
IC6	*E2
IC7	*F2
L1	G2
L2	G2
L3	H2
L4	H2
L100	*A1
L101	*A1
L200	*A1
L201	*A1
L300	*B1
L301	*B1
L400	*B1
L401	*B1
L500	*C1
L501	*C1
L600	*C1
L601	*C1
Q1	*G2
RY1	G2
S100	A1
S200	A1
S300	B1
S400	B1
S500	C1

* : B SIDE



CUE-10 -A SIDE-
 HDW-500
 1-664-980-11

HDW-500 (J) : S/N 10001 and Higher
 HDW-500 (UC) : S/N 10001 and Higher

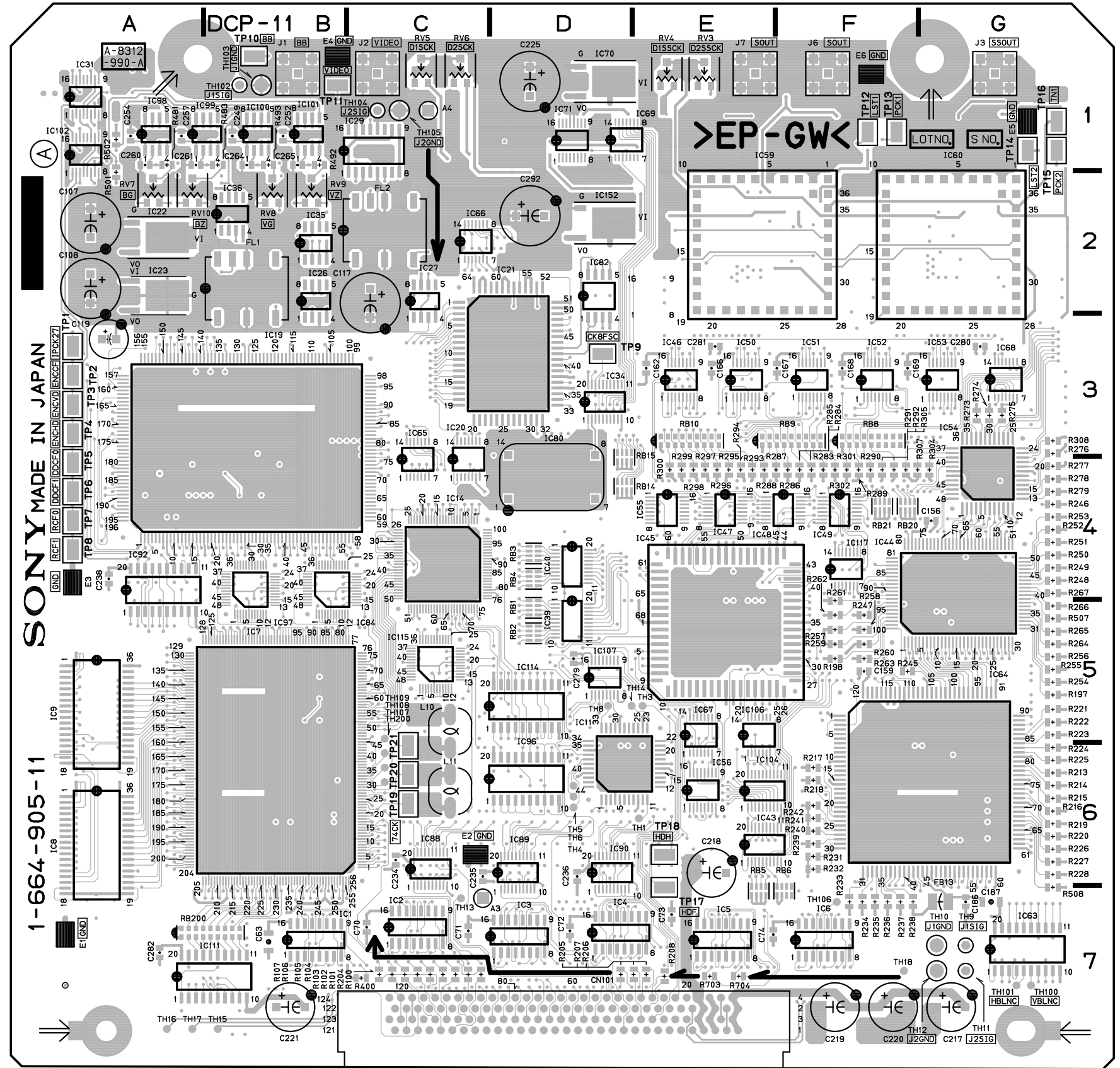


DCP-11 (1-664-905-12)

CN101	D7	IC92	A4	RB11	*F3
		IC93	*A3	RB12	*F3
D3	*C2	IC94	*A4	RB13	*F4
D4	*G2	IC95	*B5	RB14	D3
D5	*E2	IC96	C6	RB15	D3
		IC97	B4	RB16	*G3
E1	A7	IC98	A1	RB17	*G3
E2	C6	IC99	A1	RB18	*G3
E3	A4	IC100	B1	RB19	*G4
E4	B1	IC101	B1	RB20	F4
E5	G1	IC102	A2	RB21	F4
E6	F1	IC103	*E6	RB22	A7
E7	*A1	IC104	E6	RB23	B7
E8	*A7	IC105	*D4	RB24	*B7
E9	*G1	IC106	E6	RB25	*A7
E10	*G7	IC107	D6	RB30	*C5
		IC108	*E3	RB31	*C5
FB1	*B4	IC109	*G3	RB32	*C5
FB2	*C3	IC110	*A2	RB33	*A7
FB3	*D4	IC111	A7	RB34	*A7
FB4	*F2	IC112	*B7	RB35	*G6
FB8	*D1	IC113	*E6	RB36	*G6
FB12	*D2	IC114	D5	RB37	*F4
FB13	G7	IC115	C5	RB38	*E4
FB14	*G2	IC116	*G5	RB39	*E4
		IC117	F4	RB40	*E4
FL1	B2	IC150	*F5	RB41	D4
FL2	C2	IC151	*F4	RB42	D4
		IC152	D2	RB43	A7
IC1	B7	IC153	*A5	RB44	A7
IC2	C7	IC154	*F5	RB45	D4
IC3	D7	IC157	*B4	RB46	*A7
IC4	D7	IC158	*C4	RB47	*A7
IC5	E7	IC200	*C6	RB48	D6
IC6	F7	IC201	*C6	RB200	B7
IC7	B6	IC202	*A7	RB201	*B7
IC8	A6	IC203	*G5		
IC9	A5	IC204	*F5	RV3	E1
IC10	*A5	IC205	*G6	RV4	E1
IC11	D6	IC206	*D6	RV5	C1
IC14	C4	IC207	*D6	RV6	C1
IC19	B3	IC208	*C4	RV7	A2
IC20	*B4	IC209	*C4	RV8	B2
IC21	D3	IC210	D5	RV9	B2
IC22	A2	IC211	D4	RV10	A2
IC23	A2	IC212	D4		
IC26	B3	IC213	*E5	TP1	A3
IC27	C3	IC214	*F6	TP2	A3
IC29	C2	IC222	*A7	TP3	A3
IC30	*A3	IC223	*G5	TP4	A3
IC31	A1			TP5	A4
IC35	B2	J3	G1	TP6	A4
IC36	B2	J6	F1	TP7	A4
IC39	D5	J7	E1	TP8	A4
IC40	D4			TP9	D3
IC41	*D5	L1	*C2	TP10	B1
IC42	*E5	L2	*C2	TP11	B1
IC43	E6	L3	*B2	TP12	F1
IC44	G4	L4	*B2	TP13	F1
IC45	E5	L5	*C1	TP14	G1
IC46	E3	L6	*G2	TP15	G1
IC47	E4	L7	*G2	TP16	G1
IC48	E4	L8	*E2	TP17	E6
IC49	F4	L9	*E2	TP18	E6
IC50	E3			TP19	C6
IC51	F3	Q1	*G1	TP20	C6
IC52	F3	Q6	*G1	TP21	C5
IC53	G3	Q7	*G1	TP22	F5
IC54	G4	Q8	*E1		
IC55	D4	Q10	*E2		
IC56	E6	Q11	*D2		
IC58	*F6	Q12	*D2		
IC59	E2	Q13	*F1		
IC60	G2	Q14	*F1		
IC63	G7	Q15	*D2		
IC64	G6	Q16	*F1		
IC65	*B4	Q17	*E1		
IC66	C2	Q18	*D1		
IC67	E6	Q19	*D1		
IC68	*B3	Q20	*D1		
IC69	D1	Q21	*G3		
IC70	D1				
IC71	D1	RB1	D5		
IC80	C3	RB2	D5		
IC82	D3	RB3	D4		
IC83	*C3	RB4	D4		
IC84	B4	RB5	E7		
IC85	*A5	RB6	F7		
IC87	*B6	RB7	*F3		
IC88	C6	RB8	F3		
IC89	D6	RB9	F3		
IC90	D6	RB10	E3		

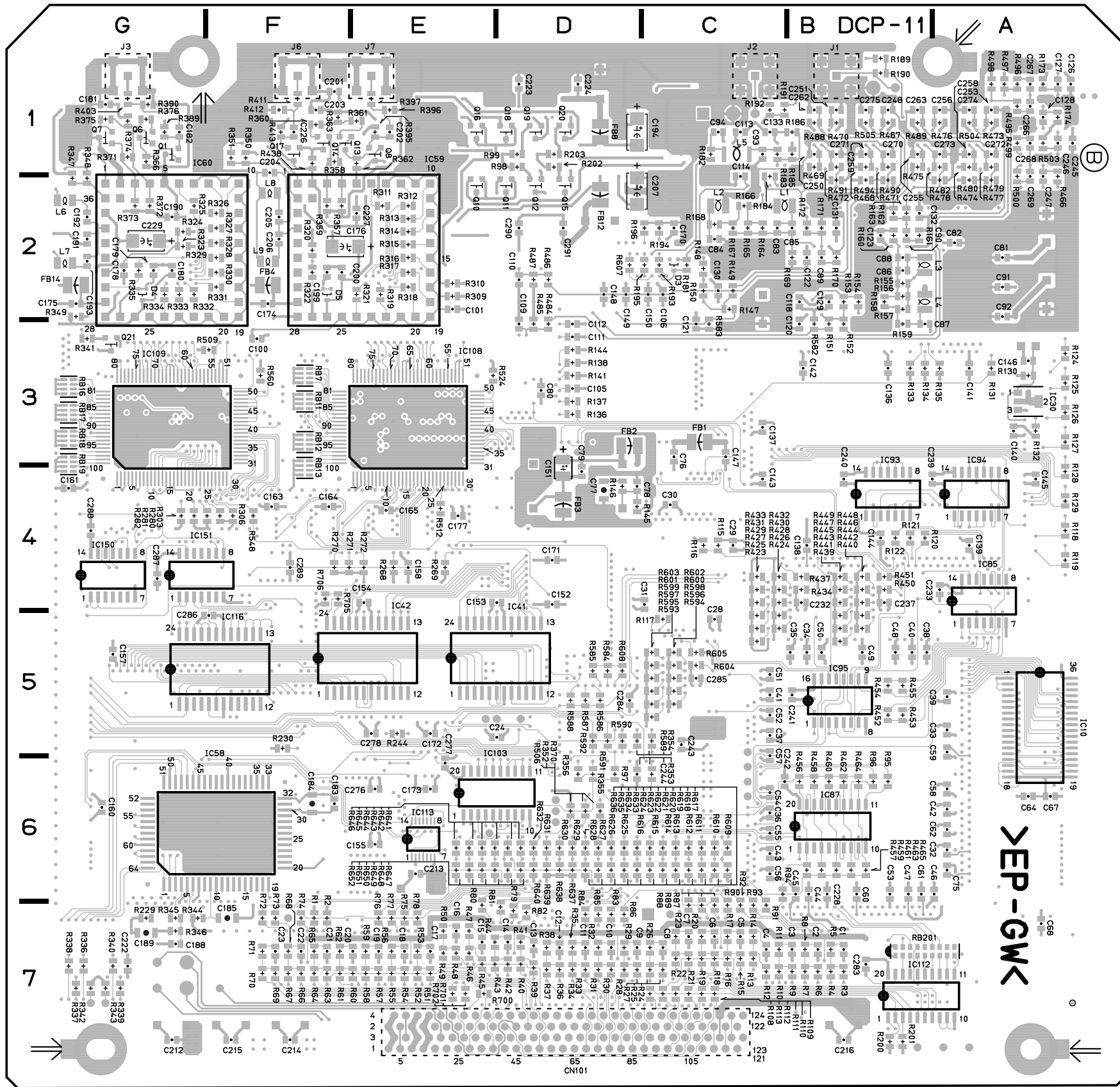
* : B SIDE

DCP-11 -B SIDE-
HKDV-501
1-664-905-12
FOR HDW-500 (J)
HDW-500 (UC)



DCP-11 -A SIDE-
 HKDV-501
 1-664-905-11
 FOR HDW-500 (J)

HKDV-501 (J) : S/N 10001 through 10040

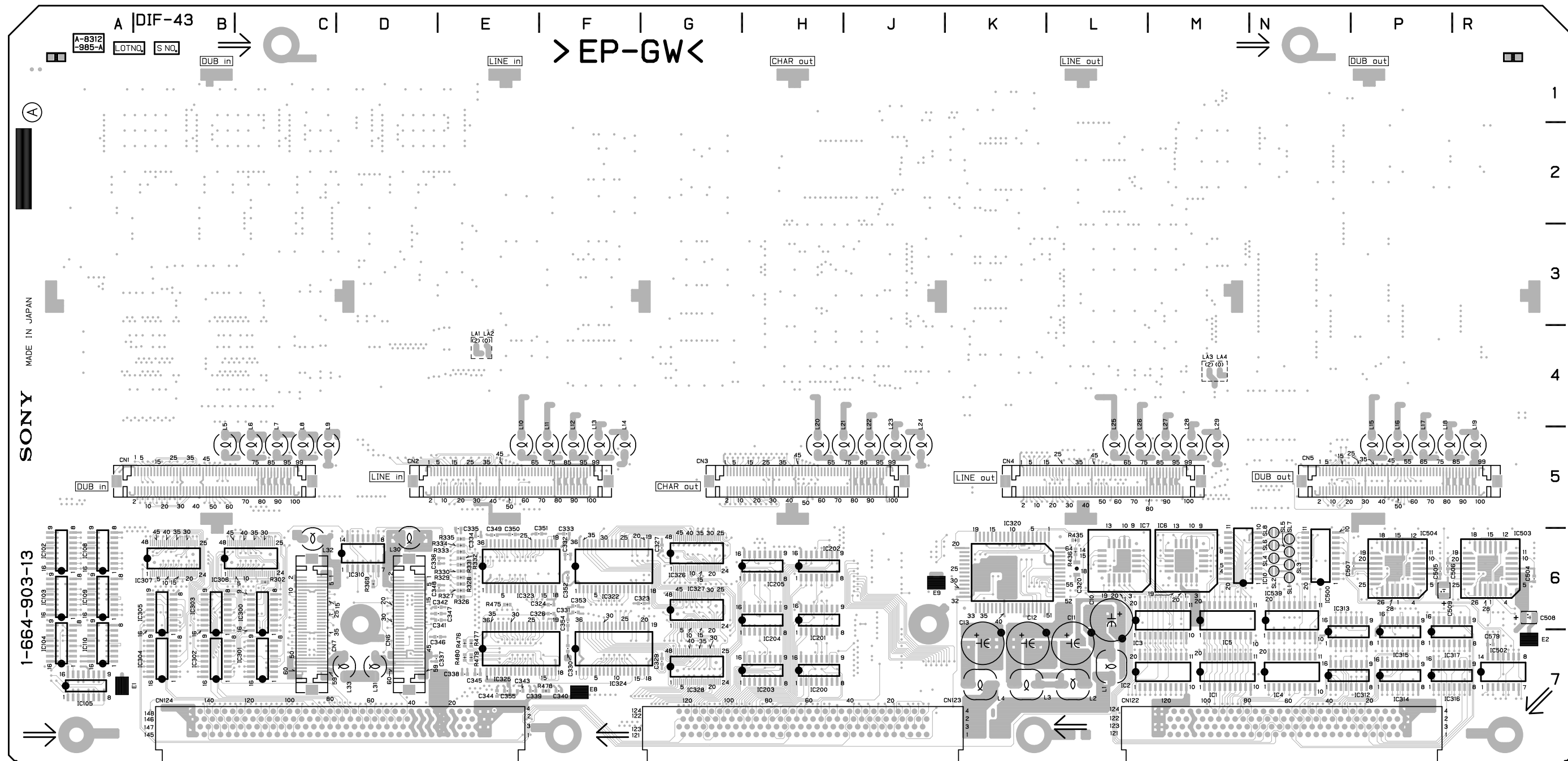


DCP-11 (1-664-905-11)

CN101	D7	IC96	D6	TP4	A3
		IC97	B4	TP5	A4
D3	*C2	IC98	A1	TP6	A4
D4	*G2	IC99	A1	TP7	A4
D5	*F2	IC100	B1	TP8	A4
		IC101	B1	TP9	D3
E1	A7	IC102	A2	TP10	B1
E2	C6	IC103	*E6	TP11	B1
E3	A4	IC104	E6	TP12	F1
E4	B1	IC106	E6	TP13	F1
E5	G1	IC107	D5	TP14	G1
E6	F1	IC108	*E3	TP15	G1
		IC109	*G3	TP16	G1
FB1	*C3	IC111	A7	TP17	E7
FB2	*D3	IC112	*B7	TP18	E6
FB3	*D4	IC113	*E6	TP19	C6
FB4	*F2	IC114	D5	TP20	C6
FB8	*D1	IC115	C5	TP21	C6
FB12	*D2	IC116	*G5		
FB13	G7	IC117	F4		
FB14	*G2	IC150	*G4		
		IC151	*G4		
FL1	B2	IC152	D2		
FL2	C2				
IC1	B7	J3	G1		
IC2	C7	J6	F1		
IC3	D7	J7	E1		
IC4	D7	L1	*C2		
IC5	E7	L2	*C2		
IC6	F7	L3	*B2		
IC7	B6	L4	*B2		
IC8	A6	L5	*C1		
IC9	A5	L6	*G2		
IC10	*A5	L7	*G2		
IC11	D6	L8	*F2		
IC14	C4	L9	*F2		
IC19	B3	L10	C5		
IC20	C4	L11	C6		
IC21	D3	Q1	*G1		
IC22	A2	Q6	*G1		
IC23	A2	Q7	*G1		
IC26	B3	Q8	*E1		
IC27	C3	Q10	*E2		
IC29	C2	Q11	*D2		
IC30	*A3	Q12	*D2		
IC31	A1	Q13	*F1		
IC34	D3	Q14	*F1		
IC35	B2	Q15	*D2		
IC36	B2	Q16	*E1		
IC39	D5	Q17	*F1		
IC40	D4	Q18	*D1		
IC41	*E5	Q19	*D1		
IC42	*F5	Q20	*D1		
IC43	E6	Q21	*G3		
IC44	G4				
IC45	E5	RB1	D5		
IC46	E3	RB2	D5		
IC47	E4	RB3	D4		
IC48	E4	RB4	D4		
IC49	F4	RB5	E7		
IC50	E3	RB6	F7		
IC51	F3	RB7	*F3		
IC52	F3	RB8	F3		
IC53	G3	RB9	F3		
IC54	G4	RB10	E3		
IC55	E4	RB11	*F3		
IC56	E6	RB12	*F3		
IC58	*F6	RB13	*F4		
IC59	E2	RB14	D4		
IC60	G2	RB15	D4		
IC63	G7	RB16	*G3		
IC64	G6	RB17	*G3		
IC65	C4	RB18	*G3		
IC66	C2	RB19	*G3		
IC67	E6	RB20	F4		
IC68	G3	RB21	F4		
IC69	D1	RB200	B7		
IC70	D1	RB201	*B7		
IC71	D1				
IC80	D4	RV3	E1		
IC82	D3	RV4	E1		
IC84	B4	RV5	C1		
IC85	*A5	RV6	C1		
IC87	*B6	RV7	A2		
IC88	C7	RV8	B2		
IC89	D7	RV9	B2		
IC90	D7	RV10	A2		
IC92	A5				
IC93	*B4	TP1	A3		
IC94	*A4	TP2	A3		
IC95	*B5	TP3	A3		

* : B SIDE

DCP-11 -B SIDE-
HKDV-501
1-664-905-11
FOR HDW-500 (J)

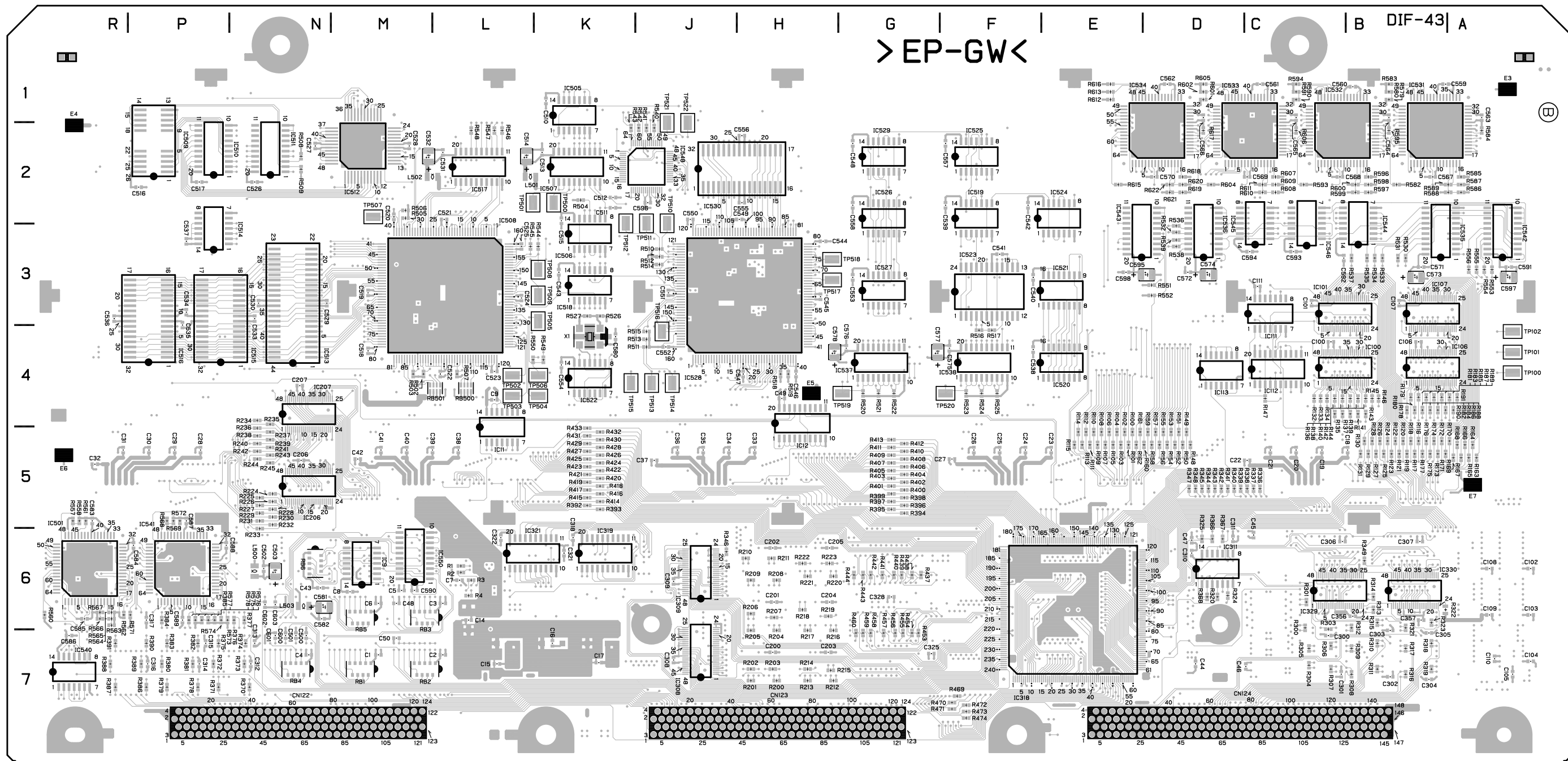


HDW-500 (J) : S/N 10201 and Higher
 HDW-500 (UC) : S/N 10001 and Higher

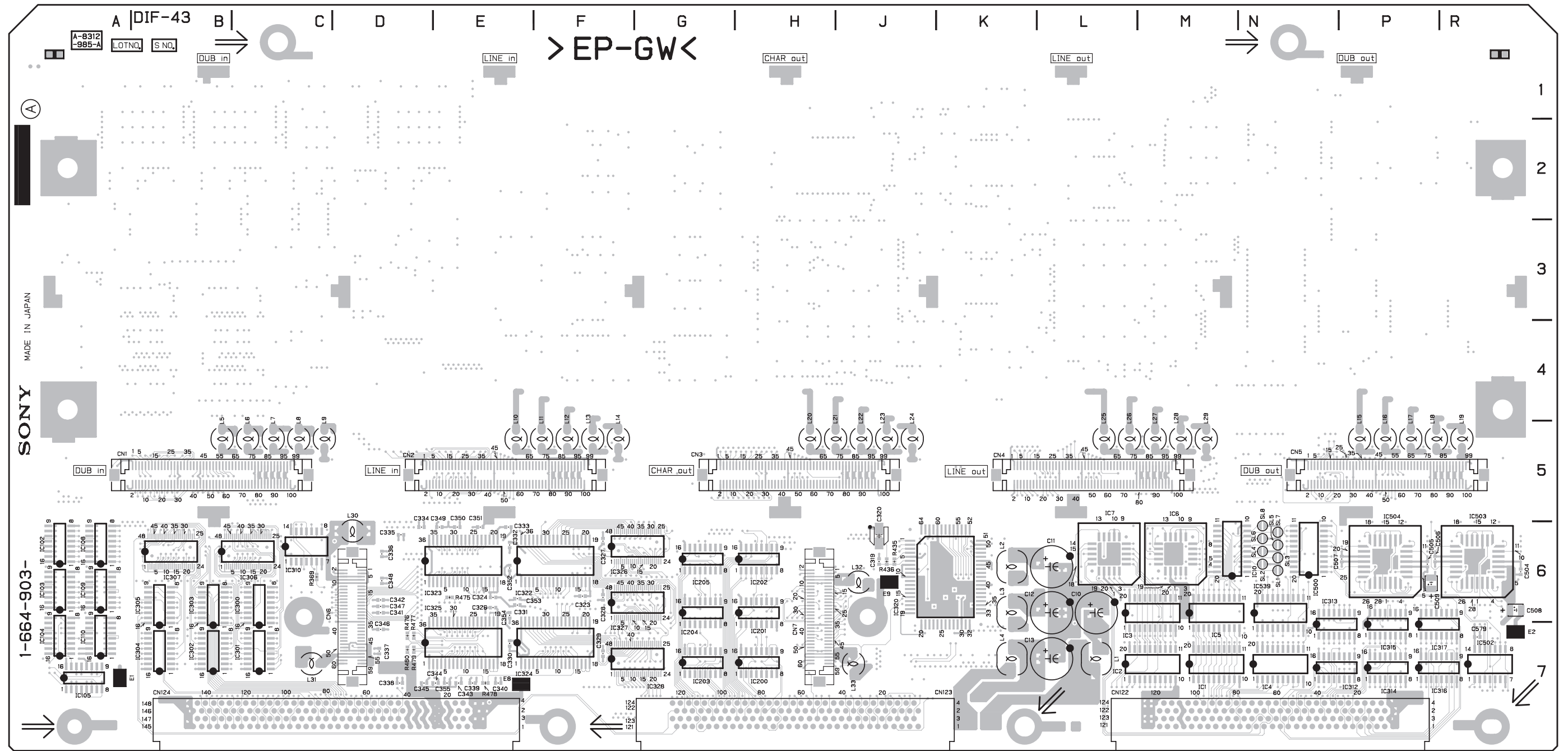
DIF-43A (1-664-903-13)

CN1	B5	E6	*R5	IC100	*C4	IC202	H6	IC310	D6	IC326	G6	IC511	*N2	IC528	*H3	IC544	*B3	L11	F5	L27	M5	RB5	*M6	TP508	*K3	X1	*K4
CN2	E5	E7	*A5	IC101	*C4	IC203	H7	IC311	*D6	IC327	G6	IC512	*M2	IC529	*G2	IC545	*C3	L12	F5	L28	M5	RB6	*N6	TP509	*K3		
CN3	H5	E8	F7	IC102	A6	IC204	H7	IC312	N7	IC328	G7	IC514	*P3	IC530	*J2	IC546	*C3	L13	F5	L29	M5	RB500	*L4	TP510	*J2		
CN4	L5	E9	J6	IC103	A6	IC205	H6	IC313	N7	IC329	*C6	IC515	*N4	IC531	*B2	IC548	*J2	L14	F5	L30	D6	RB501	*L4	TP511	*J2		* : B SIDE
CN5	P5			IC104	A7	IC206	*N5	IC314	P7	IC330	*B6	IC516	*P4	IC532	*C2	IC550	*M6	L15	P5	L31	D7			TP512	*K2		
CN6	D6	IC1	M7	IC105	A7	IC207	*N5	IC315	P7	IC500	N6	IC517	*L2	IC533	*C2			L16	P5	L32	C6	TP100	*A4	TP513	*J4		
CN7	C6	IC2	L7	IC106	*B4	IC300	C7	IC316	P7	IC501	*R6	IC518	*K3	IC534	*D2	L1	L7	L17	P5	L33	D7	TP101	*A4	TP514	*J4		
CN122	N7	IC3	L7	IC107	*B4	IC301	C7	IC317	P7	IC502	R7	IC519	*F3	IC535	*A3	L2	L7	L18	P5	L500	*N6	TP102	*A4	TP515	*K4		
CN123	H7	IC4	N7	IC108	A6	IC302	B7	IC318	*E6	IC503	R6	IC520	*E4	IC536	*D3	L3	K7	L19	R5	L501	*L2	TP500	*K2	TP516	*J4		
CN124	D7	IC5	M7	IC109	A6	IC303	B7	IC319	*K6	IC504	P6	IC521	*E3	IC537	*G4	L4	K7	L20	H5	L502	*L2	TP501	*L2	TP517	*H3		
		IC6	M6	IC110	A7	IC304	B7	IC320	K6	IC505	*K2	IC522	*K4	IC538	*F4	L5	B5	L21	J5	L503	*N6	TP502	*L4	TP518	*H3		
		IC7	L6	IC111	*C4	IC305	B7	IC321	*L6	IC506	*K3	IC523	*F3	IC539	N7	L6	C5	L22	J5			TP503	*L4	TP519	*G4		
E1	A7	IC9	*M6	IC112	*C4	IC306	B6	IC322	F6	IC507	*K2	IC524	*E3	IC540	*R7	L7	C5	L23	J5	RB1	*M7	TP504	*K4	TP520	*F4		
E2	R7	IC10	N6	IC113	*D4	IC307	B6	IC323	E6	IC508	*L3	IC525	*F2	IC541	*P6	L8	C5	L24	J5	RB2	*M7	TP505	*K3	TP521	*J2		
E3	*A1	IC11	*L5	IC200	H7	IC308	*J7	IC324	F7	IC509	*P2	IC526	*G3	IC542	*A3	L9	C5	L25	L5	RB3	*M6	TP506	*K4	TP522	*J2		
E4	*R2	IC12	*H5	IC201	H7	IC309	*J6	IC325	E7	IC510	*P2	IC527	*G3	IC543	*D3	L10	B5	L26	L5	RB4	*N7	TP507	*M2				

DIF-43A -A SIDE-
 HDW-500
 1-664-903-13



DIF-43A -B SIDE-
 HDW-500
 1-664-903-13



HDW-500 (J) : S/N 10001 through 10200

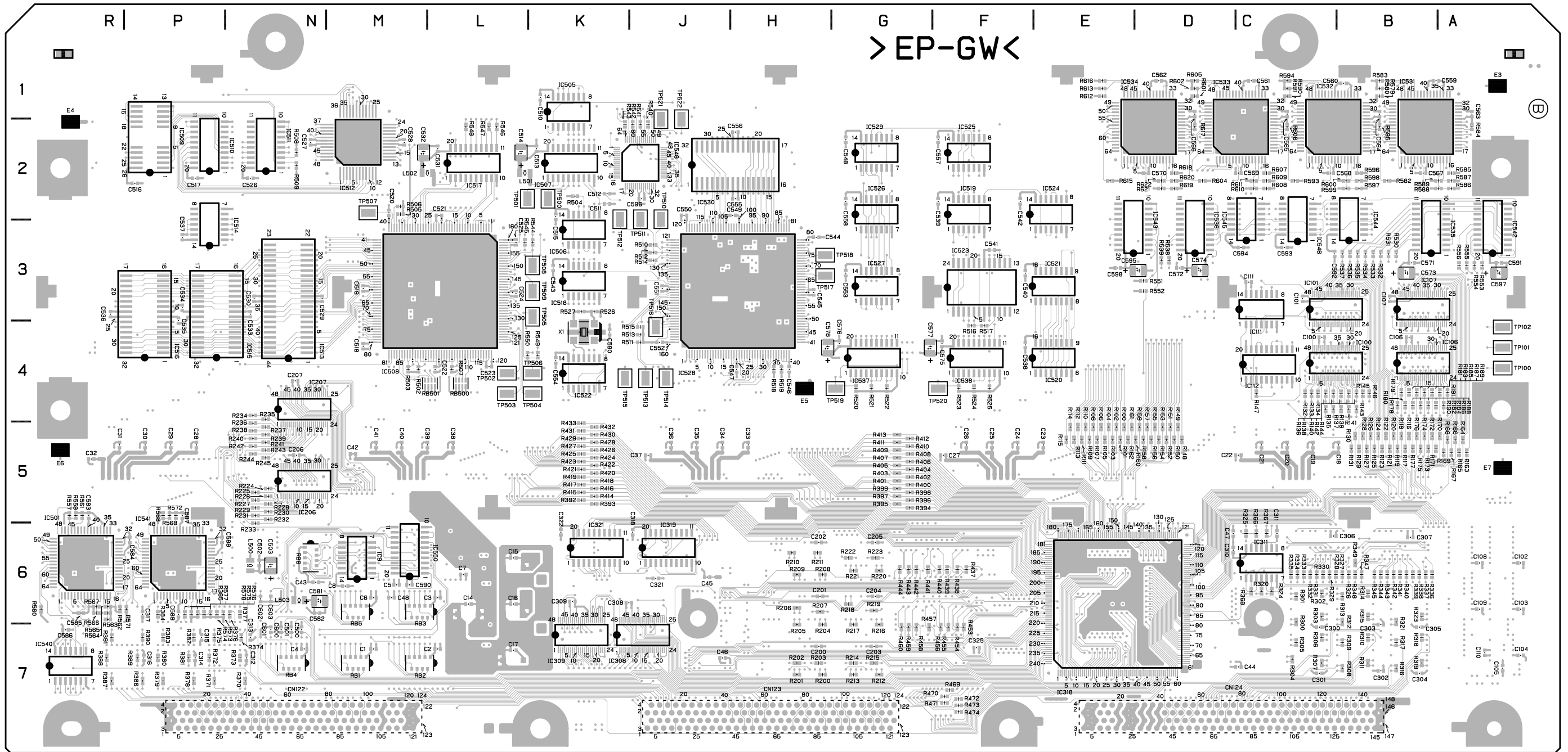
DIF-43A (1-664-903-11/12)

CN1	B5	E5	*H4	IC101	*C4	IC204	G7	IC312	N7	IC328	F7	IC516	*P4	IC532	*C2	IC550	*M6	L15	P5	L31	C7	TP100	*A4	TP513	*J4
CN2	E5	E6	*R5	IC102	A6	IC205	G6	IC313	N7	IC500	N6	IC517	*L2	IC533	*C2			L16	P5	L32	J6	TP101	*A4	TP514	*J4
CN3	H5	E7	*A5	IC103	A6	IC206	*N5	IC314	P7	IC501	*R6	IC518	*K3	IC534	*D2	L1	L7	L17	P5	L33	J7	TP102	*A4	TP515	*K4
CN4	L5	E8	E7	IC104	A7	IC207	*N5	IC315	P7	IC502	R7	IC519	*F3	IC535	*A3	L2	K6	L18	P5	L500	*N6	TP500	*K2	TP516	*J4
CN5	P5	E9	J6	IC105	A7	IC300	C7	IC316	P7	IC503	R6	IC520	*E4	IC536	*D3	L3	K6	L19	R5	L501	*L2	TP501	*L2	TP517	*H3
CN6	D6			IC106	*B4	IC301	C7	IC317	P7	IC504	P6	IC521	*E3	IC537	*G4	L4	K7	L20	H5	L502	*L2	TP502	*L4	TP518	*H3
CN7	H6	IC1	M7	IC107	*B4	IC302	B7	IC318	*E6	IC505	*K2	IC522	*K4	IC538	*F4	L5	B5	L21	J5	L503	*N6	TP503	*L4	TP519	*G4
		IC2	L7	IC108	A6	IC303	B7	IC319	*J6	IC506	*K3	IC523	*F3	IC539	N7	L6	C5	L22	J5			TP504	*K4	TP520	*F4
CN122	N7	IC3	L7	IC109	A6	IC304	B7	IC320	K6	IC507	*K2	IC524	*E3	IC540	*R7	L7	C5	L23	J5	RB1	*M7	TP505	*K3	TP521	*J2
CN123	H7	IC4	N7	IC110	A7	IC305	B7	IC321	*K6	IC508	*L3	IC525	*F2	IC541	*P6	L8	C5	L24	J5	RB2	*M7	TP506	*K4	TP522	*J2
CN124	D7	IC5	M7	IC111	*C4	IC306	B6	IC322	E6	IC509	*P2	IC526	*G3	IC542	*A3	L9	C5	L25	L5	RB3	*M6	TP507	*M2		
		IC6	M6	IC112	*C4	IC307	B6	IC323	D6	IC510	*P2	IC527	*G3	IC543	*D3	L10	E5	L26	L5	RB4	*N7	TP508	*K3	X1	*K4
E1	A7	IC7	L6	IC200	H7	IC308	*K7	IC324	D7	IC511	*N2	IC528	*H3	IC544	*B3	L11	F5	L27	M5	RB5	*M6	TP509	*K3		
E2	R7	IC9	*M6	IC201	H7	IC309	*K7	IC325	D7	IC512	*M2	IC529	*G2	IC545	*C3	L12	F5	L28	M5	RB6	*N6	TP510	*J2		
E3	*A1	IC10	N6	IC202	H6	IC310	C6	IC326	F6	IC514	*P3	IC530	*J2	IC546	*C3	L13	F5	L29	M5	RB500	*L4	TP511	*J2		
E4	*R2	IC100	*C4	IC203	G7	IC311	*C6	IC327	F6	IC515	*N4	IC531	*B2	IC548	*J2	L14	F5	L30	D6	RB501	*L4	TP512	*K2		

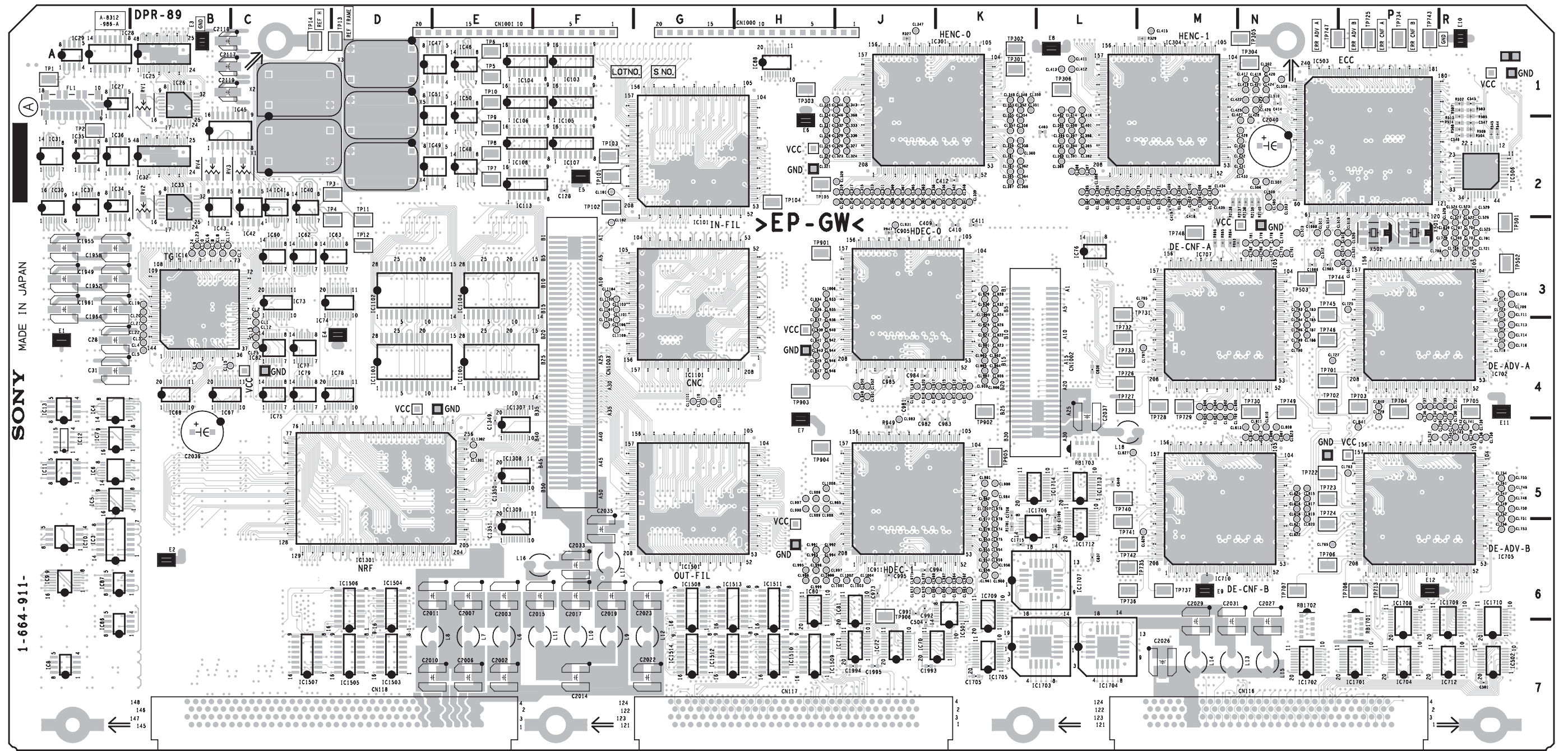
DIF-43A -A SIDE-
HDW-500
1-664-903-11/12

* : B SIDE

>EP-GW<



DIF-43A -B SIDE-
HDW-500
1-664-903-11/12



HDW-500 (J) : S/N 10001 and Higher
 HDW-500 (UC) : S/N 10001 and Higher

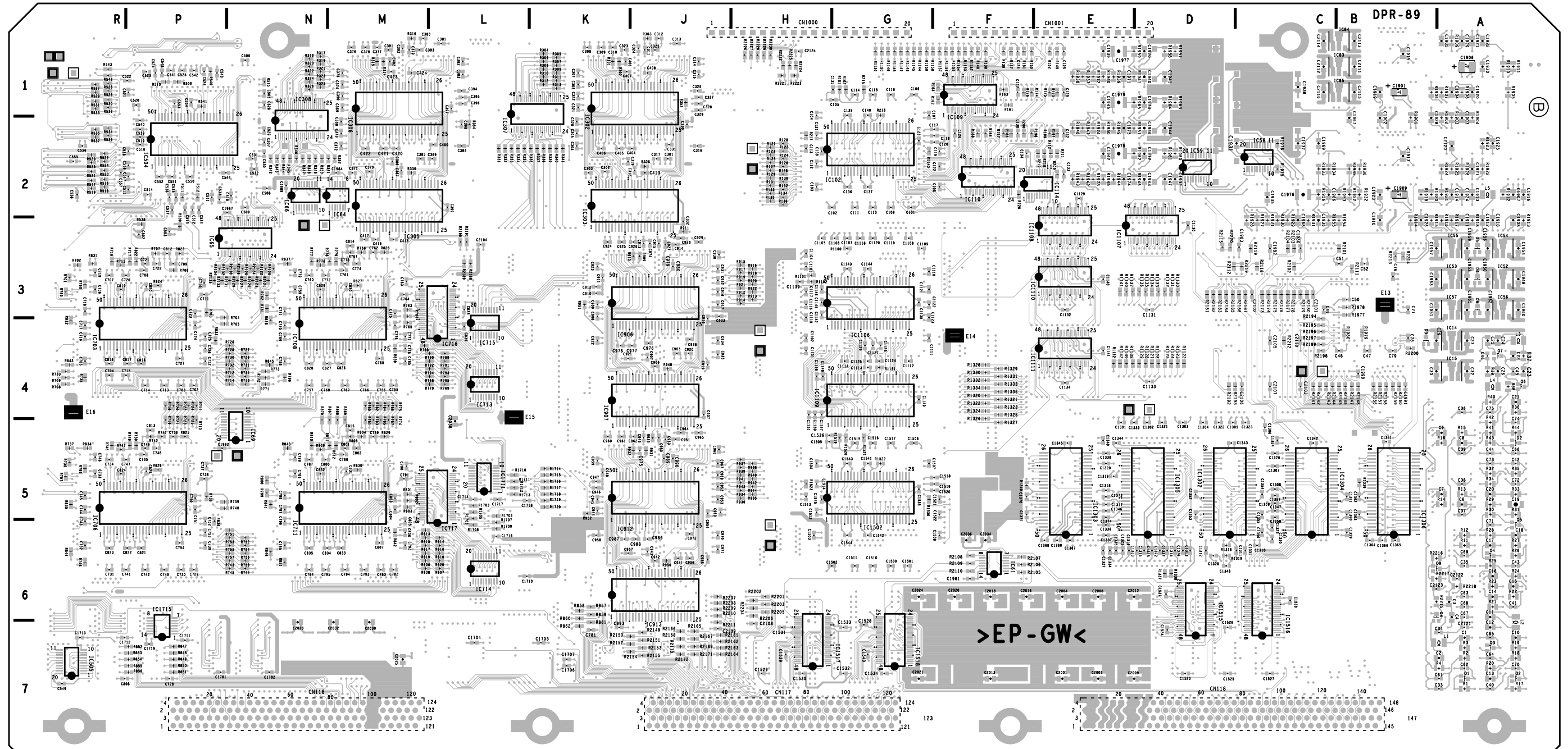
DPR-89 (1-664-911-11/12)

DPR-89 -A SIDE-

HDW-500

1-664-911-11/12

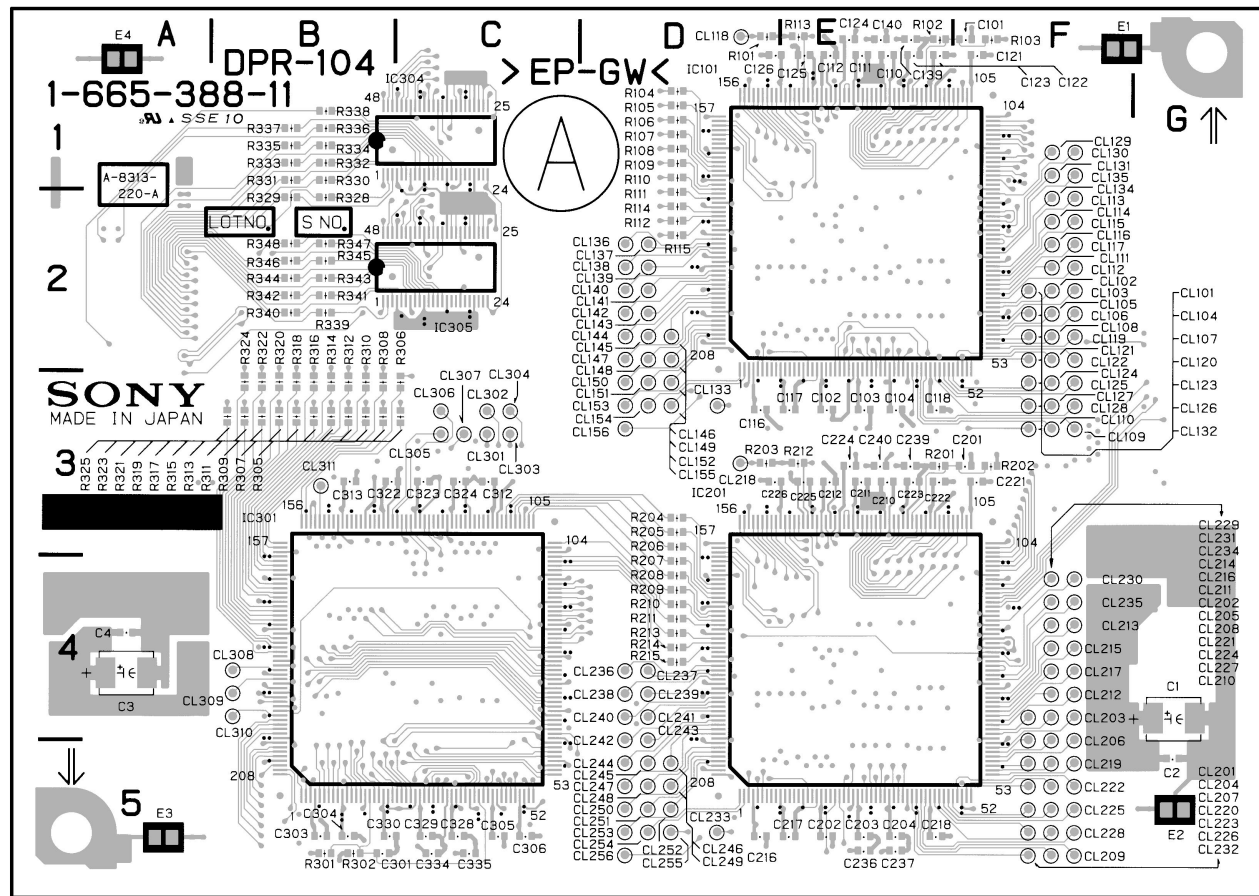
CN116	N7	E6	H2	IC6	A5	IC31	A2	IC51	D2	IC68	B4	IC85	*B1	IC302	*K2	IC706	*R6	IC913	*K6	IC1306	*B6	IC1514	G7	IC1713	L5	L11	F7
CN117	H7	E7	H5	IC7	A5	IC32	B2	IC52	*A3	IC69	*N5	IC86	B7	IC303	*K3	IC707	M4	IC911	G3	IC1307	E5	IC1515	*D7	IC1714	L5	L12	G7
CN118	D7	E8	L1	IC8	A7	IC33	B2	IC53	*A3	IC70	K7	IC87	B6	IC304	M1	IC708	*N4	IC912	D3	IC1308	E5	IC1516	*C7	IC1715	*P7	L13	M7
CN1002	K4	E9	M6	IC9	A6	IC34	A2	IC54	*A3	IC71	J7	IC88	H1	IC305	*M3	IC709	K7	IC913	D4	IC1309	E6	IC1517	*H7	IS1703	L7	L14	M7
CN1003	F4	E10	R1	IC10	A6	IC35	A2	IC55	*A3	IC72	J7	IC101	G2	IC306	*M2	IC710	M5	IC914	E3	IC1501	G5	IC1518	*G7	IS1704	L7	L15	N7
		E11	R4	IC11	A5	IC36	A2	IC56	*A3	IC73	C3	IC102	*H2	IC307	*L2	IC711	*N6	IC915	E4	IC1502	*H5	IC1701	P7	IS1707	L6	L16	F6
D2	*A5	E12	P6	IC12	A5	IC37	A3	IC57	*A3	IC74	C3	IC103	F1	IC308	*N2	IC712	R7	IC916	*H4	IC1503	D7	IC1702	N7			L17	F6
D3	*B4	E13	*B3	IC13	A4	IC38	C3	IC58	*C2	IC75	C4	IC104	E1	IC501	K7	IC713	*L4	IC917	*E3	IC1504	D7	IC1703	L7	L1	*A7	L18	L5
D4	*A3	E14	*F4	IC14	*A4	IC39	C3	IC59	*D2	IC76	L3	IC105	F1	IC502	R7	IC714	*L6	IC918	*E3	IC1505	D7	IC1704	L7	L2	*A7		
D5	*A3	E15	*L4	IC15	*A4	IC40	C3	IC60	C3	IC77	C4	IC106	E1	IC503	P2	IC715	*L4	IC919	*H5	IC1506	D7	IC1705	K7	L3	*A4	Q1	*A7
D6	*A3	E16	*R4	IC16	B3	IC41	B3	IC61	*F6	IC78	C4	IC107	F2	IC504	*P2	IC716	*L4	IC920	*E3	IC1507	C7	IC1706	L6	L4	*A4	Q2	*A7
				IC25	B1	IC42	B2	IC62	C3	IC79	C4	IC108	E2	IC505	*R7	IC717	*L5	IC921	*E4	IC1508	G7	IC1707	L6	L5	*A2	Q3	*A7
E1	A4	FL1	A1	IC26	B1	IC43	E1	IC63	C3	IC80	H7	IC109	*F1	IC506	R2	IC718	J3	IC922	D5	IC1509	H7	IC1708	P7	L6	E7	Q4	*A6
E2	B6			IC27	A1	IC44	D1	IC64	*M2	IC81	J7	IC110	*F2	IC702	P4	IC719	*K4	IC923	*C6	IC1510	H7	IC1709	R7	L7	E7	Q5	*A6
E3	B1	IC3	B6	IC28	A1	IC45	E2	IC65	*P3	IC82	C4	IC111	E2	IC703	*R4	IC720	*K5	IC924	*E6	IC1511	H7	IC1710	R7	L8	E7	Q6	*A4
E4	D4	IC4	A4	IC29	A1	IC46	D2	IC66	*N2	IC83	*B1	IC112	F2	IC704	P7	IC721	J5	IC925	*C6	IC1512	H7	IC1711	*L5	L9	F7	Q7	*A4
E5	F2	IC5	A5	IC30	A3	IC50	E2	IC67	B4	IC84	*B1	IC301	J1	IC705	P5	IC912	*K5	IC926	*D6	IC1513	H7	IC1712	L6	L10	F7	Q8	*B6



DPR-89 -B SIDE-
HDW-500
1-664-911-11/12

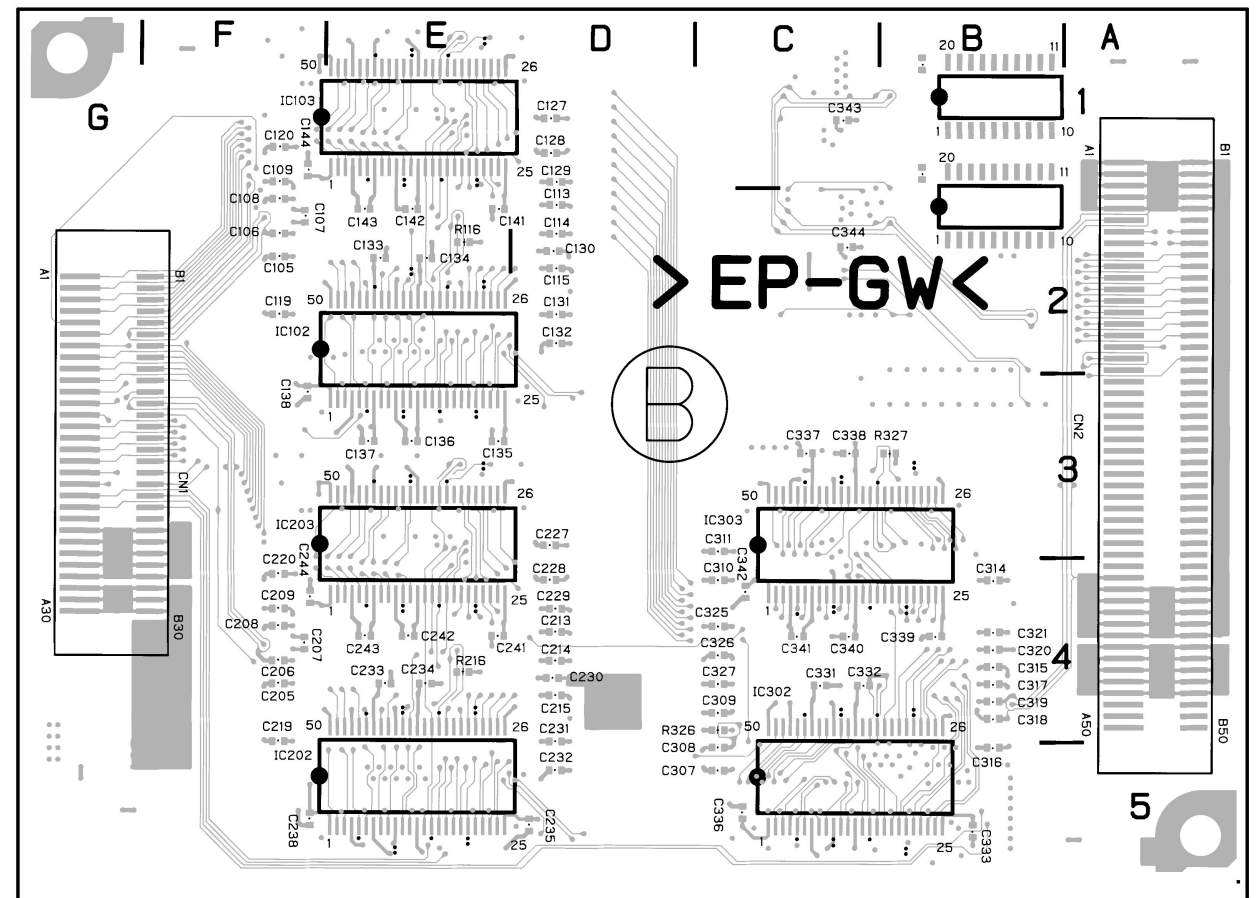
Q9	*B6	TP7	E2	TP305	N1	TP725	P1	TP744	N3	X5	D1
RB1701	P7	TP8	E2	TP306	L1	TP726	L4	TP745	N3	X501	P3
RB1702	N7	TP9	E2	TP501	R3	TP727	L4	TP746	N4	X502	P3
RB1703	L5	TP10	E1	TP502	R3	TP728	M4	TP747	P1		
		TP11	D3	TP503	N3	TP729	M4	TP748	M3		
RV1	B1	TP12	D3	TP701	N4	TP730	N4	TP749	N4		
RV2	B2	TP13	D1	TP702	N4	TP731	L3	TP901	H3		
RV3	C2	TP14	C1	TP703	P4	TP732	L4	TP902	K4		
RV4	B2	TP101	F2	TP704	P4	TP733	L4	TP903	H4		
		TP102	F2	TP705	R4	TP734	P1	TP904	H5		
		TP103	F2	TP706	N6	TP735	L6	TP905	K5		
TP1	A1	TP104	H2	TP707	N6	TP736	L6	TP906	J6		
TP2	A2	TP105	H2	TP708	P6	TP737	M6				
TP3	D2	TP301	K1	TP713	P6	TP740	L5	X1	C2		
TP4	D3	TP302	K1	TP722	N5	TP741	L6	X2	C1		
TP5	E1	TP303	H1	TP723	N5	TP742	L6	X3	D1		
TP6	E1	TP304	N1	TP724	N6	TP743	P1	X4	D2		

* : B SIDE



HKDV-505 (UCJ) : S/N 10001 and Higher

DPR-104 -A SIDE-
 HKDV-505
 1-665-388-11
 FOR HDW-500 (J)
 HDW-500 (UC)

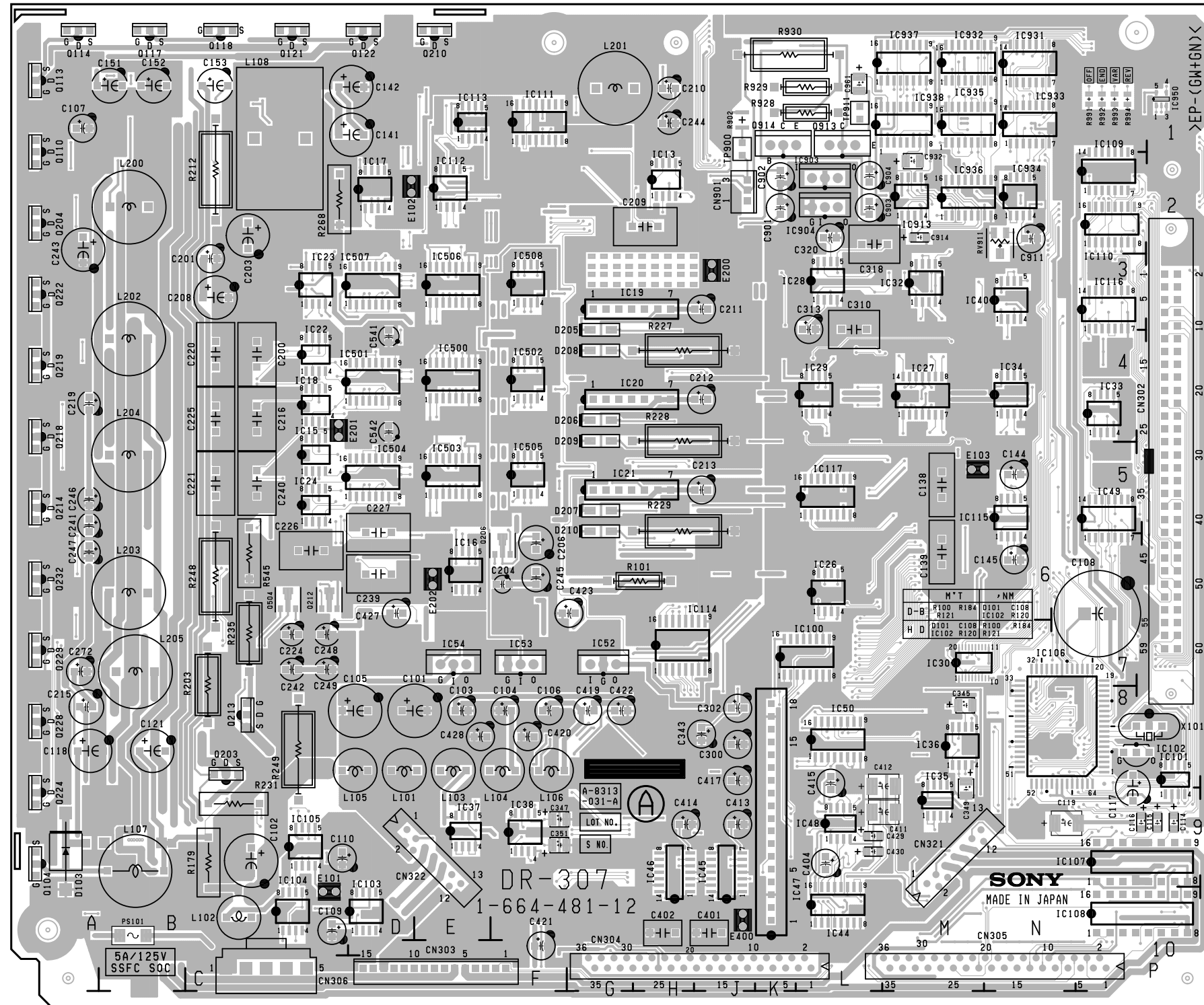


DPR-104 -B SIDE-
 HKDV-505
 1-665-388-11
 FOR HDW-500 (J)
 HDW-500 (UC)

DPR-104 (1-665-388-11)

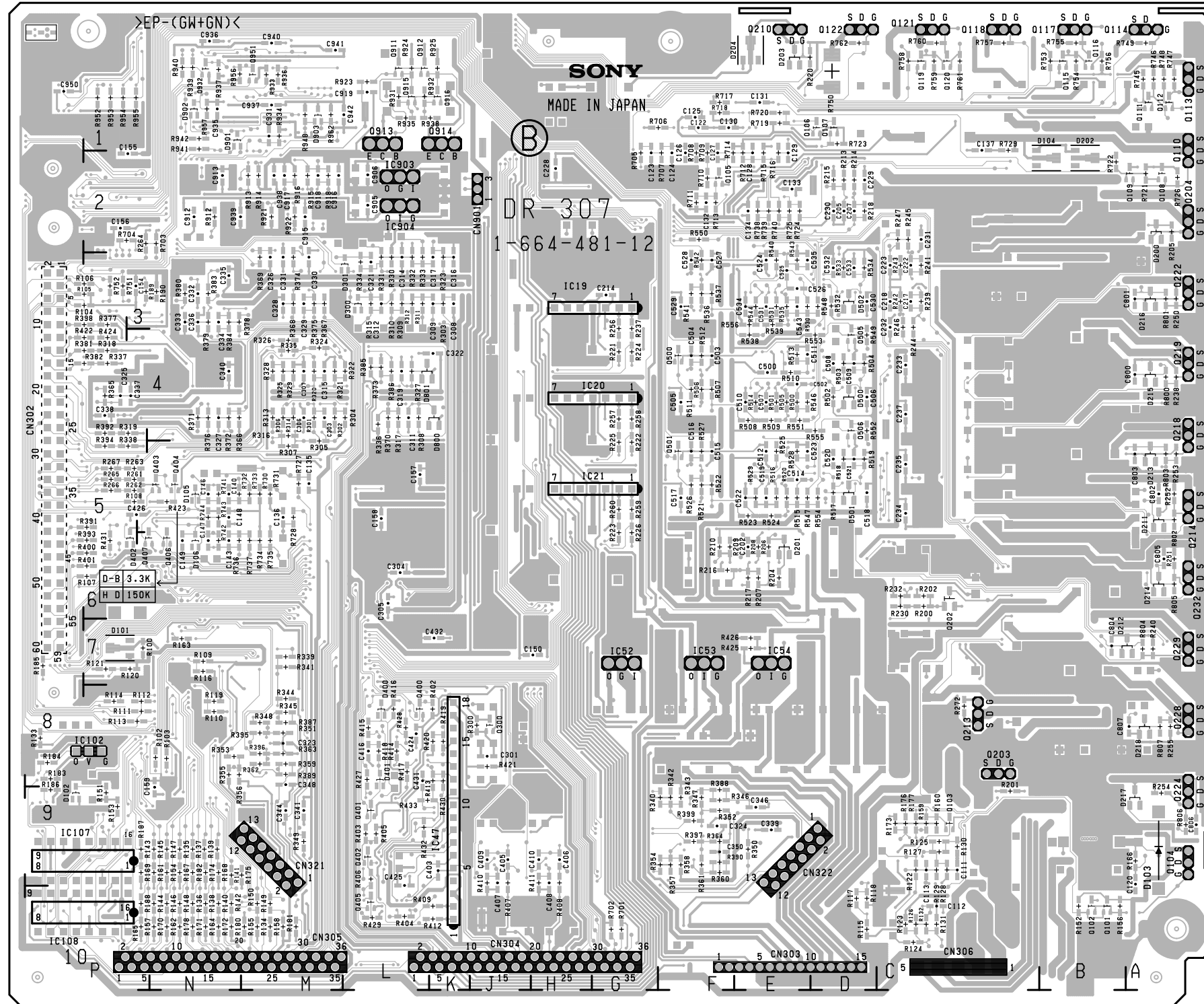
CN1	*G3
CN2	*A3
E1	F1
E2	G5
E3	A5
E4	A1
IC101	E2
IC102	*E3
IC103	*E1
IC201	E4
IC202	*E5
IC203	*E4
IC301	C4
IC302	*C5
IC303	*C4
IC304	B1
IC305	B2

* : B SIDE



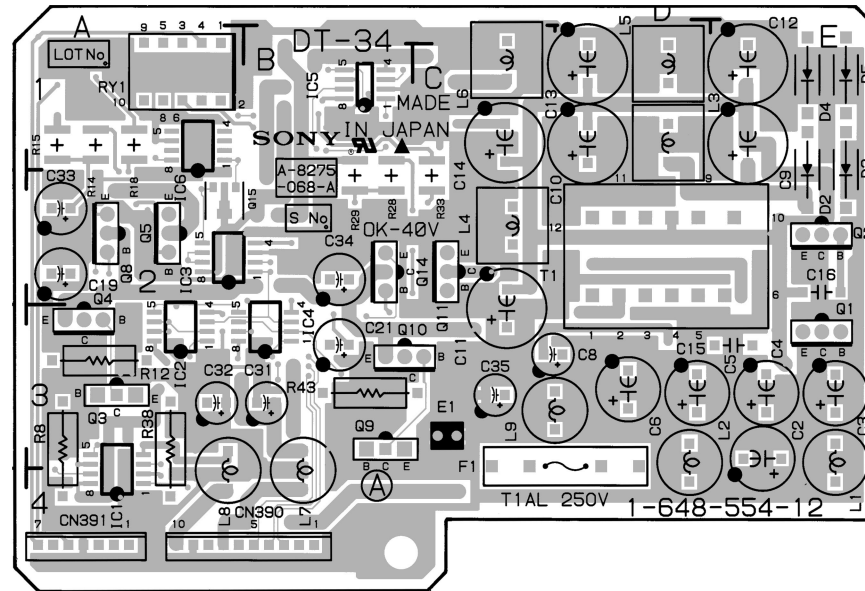
HDW-500 (J) : S/N 10001 and Higher
HDW-500 (UC) : S/N 10001 and Higher

DR-307 -A SIDE-
HDW-500
1-664-481-12



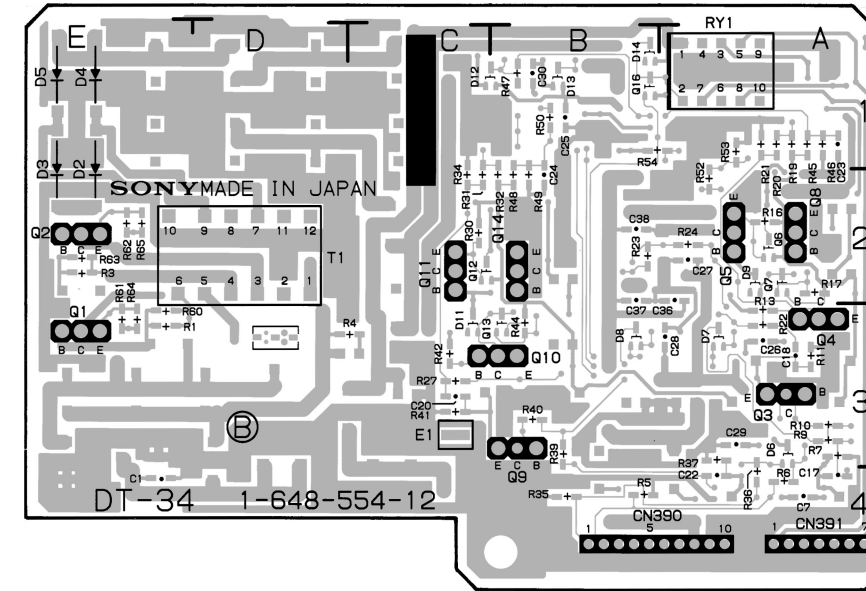
CN302	P5	IC106	N8
CN303	E10	IC107	P9
CN304	J10	IC108	P10
CN305	N10	IC109	P2
CN306	C10	IC110	P2
CN321	M9	IC111	F1
CN322	E9	IC112	E2
		IC113	E1
		IC114	H7
D101	*P7	IC115	N6
D102	*P9	IC116	P3
D103	A9	IC117	L5
D104	*B2	IC118	E4
D105	*N5	IC500	D4
D106	*N6	IC501	F4
D200	*A2	IC502	E5
D201	*E6	IC503	D5
D202	*B2	IC504	F5
D203	*E1	IC505	E3
D204	*E1	IC506	D3
D205	G3	IC507	F3
D206	G4	IC508	D8
D207	G5	L101	E8
D208	G4	L102	C10
D209	G4	L103	E8
D210	G5	L104	F8
D211	*A5	L105	D8
D212	*A7	L106	F8
D213	*A5	L107	B9
D214	*A6	L108	C1
D215	*A4	L200	B2
D216	*A3	L201	G1
D217	*A9	L202	B4
D218	*A8	L203	B6
D300	*L3	L204	B5
D301	*L3	L205	B7
D400	*L8	PS101	B10
D401	*L8	Q101	*B10
D402	*P6	Q102	*B10
D500	*D4	Q103	*C9
D501	*D5	Q104	A9
D502	*D3	Q105	*F2
D800	*K4	Q106	*D1
D801	*L4	Q107	*D1
		Q108	*A2
E101	C10	Q109	*A2
E102	D2	Q110	A2
E103	M5	Q111	*A1
E200	J3	Q112	*A1
E201	C4	Q113	A1
E202	E6	Q114	*A1
E400	J10	Q115	*B1
		Q116	*B1
IC13	H2	Q117	B1
IC15	C5	Q118	C1
IC16	E6	Q119	*C1
IC17	D2	Q120	*C1
IC18	C4	Q121	C1
IC19	G3	Q122	D1
IC20	G4	Q202	*C6
IC21	G5	Q203	C8
IC22	C4	Q204	A2
IC23	C3	Q206	F6
IC24	C5	Q210	E1
IC26	L6	Q212	C6
IC27	M4	Q213	C8
IC28	L3	Q214	A5
IC29	L4	Q218	A4
IC30	M7	Q219	A4
IC32	M3	Q222	A3
IC33	P4	Q224	A9
IC34	N4	Q228	A8
IC35	M9	Q229	A7
IC36	M8	Q232	A6
IC37	E9	Q300	*J8
IC38	F9	Q400	*L8
IC40	N3	Q401	*L9
IC44	L10	Q402	*L9
IC45	J10	Q403	*N5
IC46	H10	Q404	*N5
IC47	K10	Q405	*L10
IC48	L9	Q406	*N6
IC49	P6	Q407	*P6
IC50	L8	Q500	*F4
IC52	G7	Q501	*F5
IC53	F7	Q504	C6
IC54	E7	Q505	*D4
IC100	K7	Q506	*D4
IC101	P9	X101	P8
IC102	P8		
IC103	D10		
IC104	C10		
IC105	C9		

DR-307 -B SIDE-
HDW-500
1-664-481-12



HDW-500 (J) : S/N 10001 and Higher
 HDW-500 (UC) : S/N 10001 and Higher

DT-34C -A SIDE-
 HDW-500
 1-648-554-12

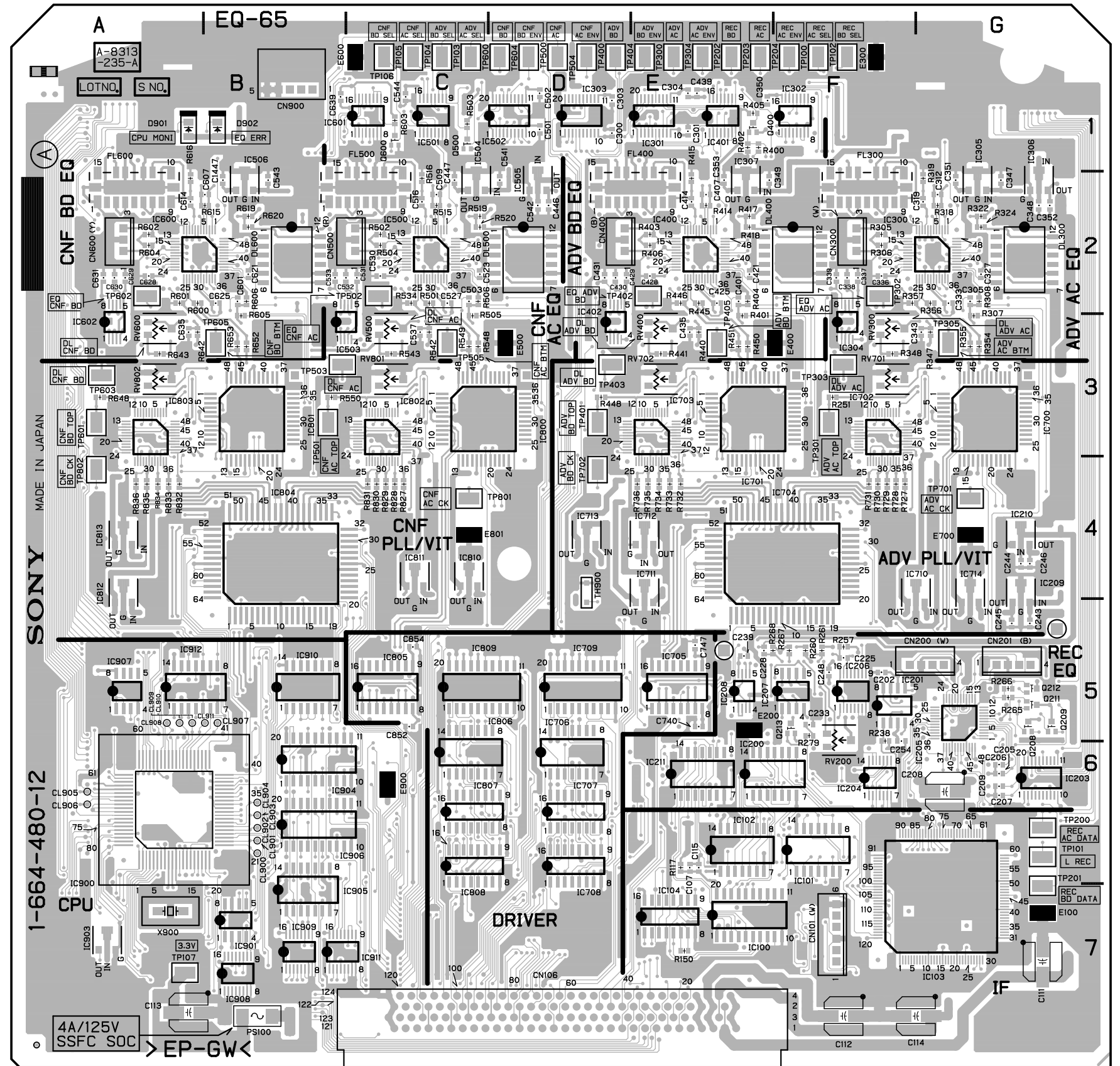


DT-34C -B SIDE-
 HDW-500
 1-648-554-12

DT-34C (1-648-554-12)

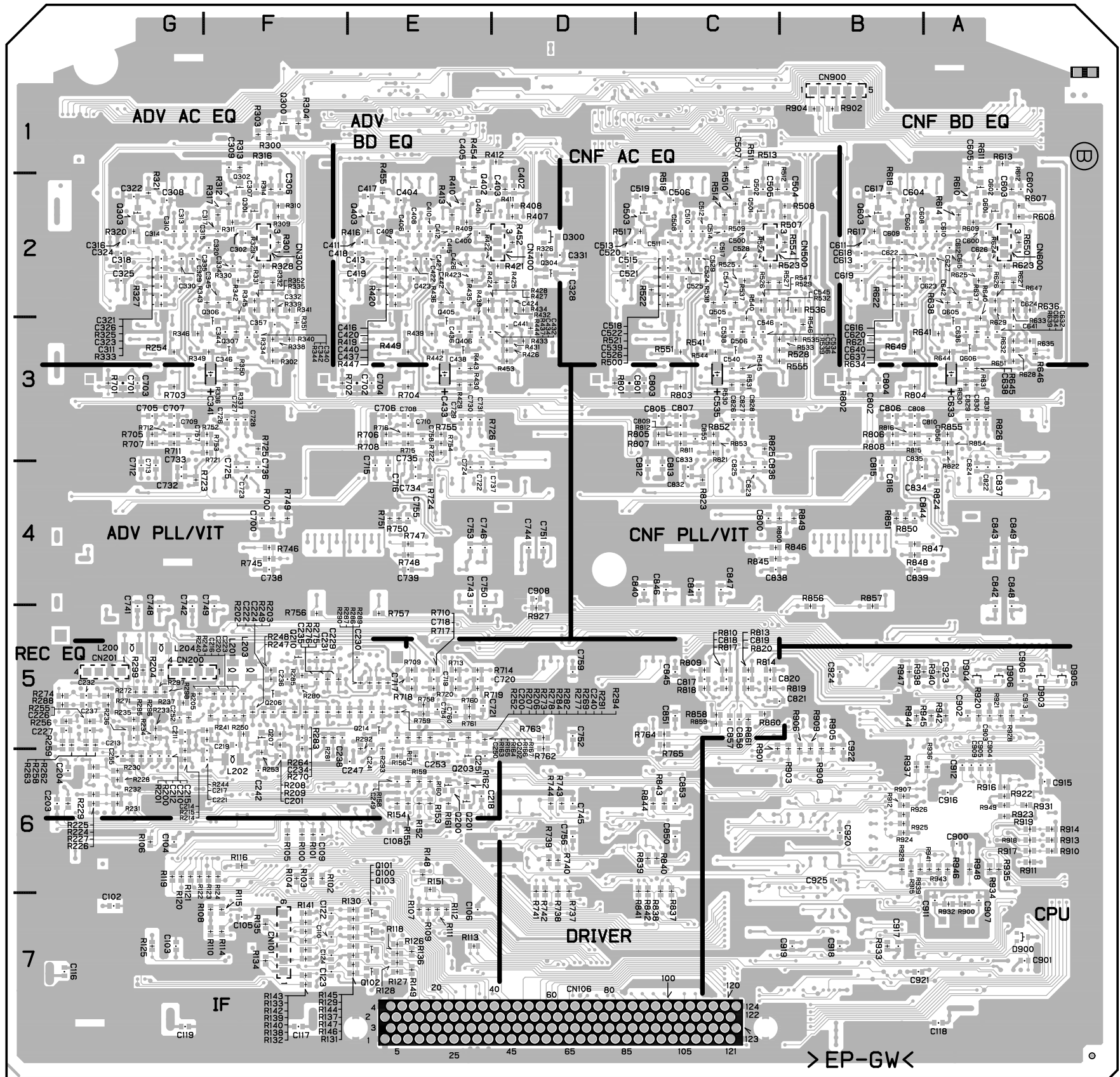
CN390	B4
CN391	A4
D2	E2
D3	E2
D4	E1
D5	E1
D6	*A3
D7	*A3
D8	*B3
D9	*A2
D11	*C3
D12	*B1
D13	*B1
D14	*B1
E1	C3
F1	C3
IC1	A4
IC2	A3
IC3	B2
IC4	B3
IC5	B1
IC6	A1
L1	E3
L2	D3
L3	D1
L4	C2
L5	D1
L6	C1
L7	B4
L8	A4
L9	C3
Q1	E3
Q2	E2
Q3	A3
Q4	A3
Q5	A2
Q6	*A2
Q7	*A2
Q8	A2
Q9	B3
Q10	B3
Q11	C2
Q12	*C2
Q13	*B3
Q14	B2
Q15	A2
Q16	*B1
RY1	A1
T1	D2

* : B SIDE



EQ-65 -A SIDE-
HDW-500
1-664-480-12

HDW-500 (J) : S/N 10201 and Higher
HDW-500 (UC) : S/N 10001 and Higher

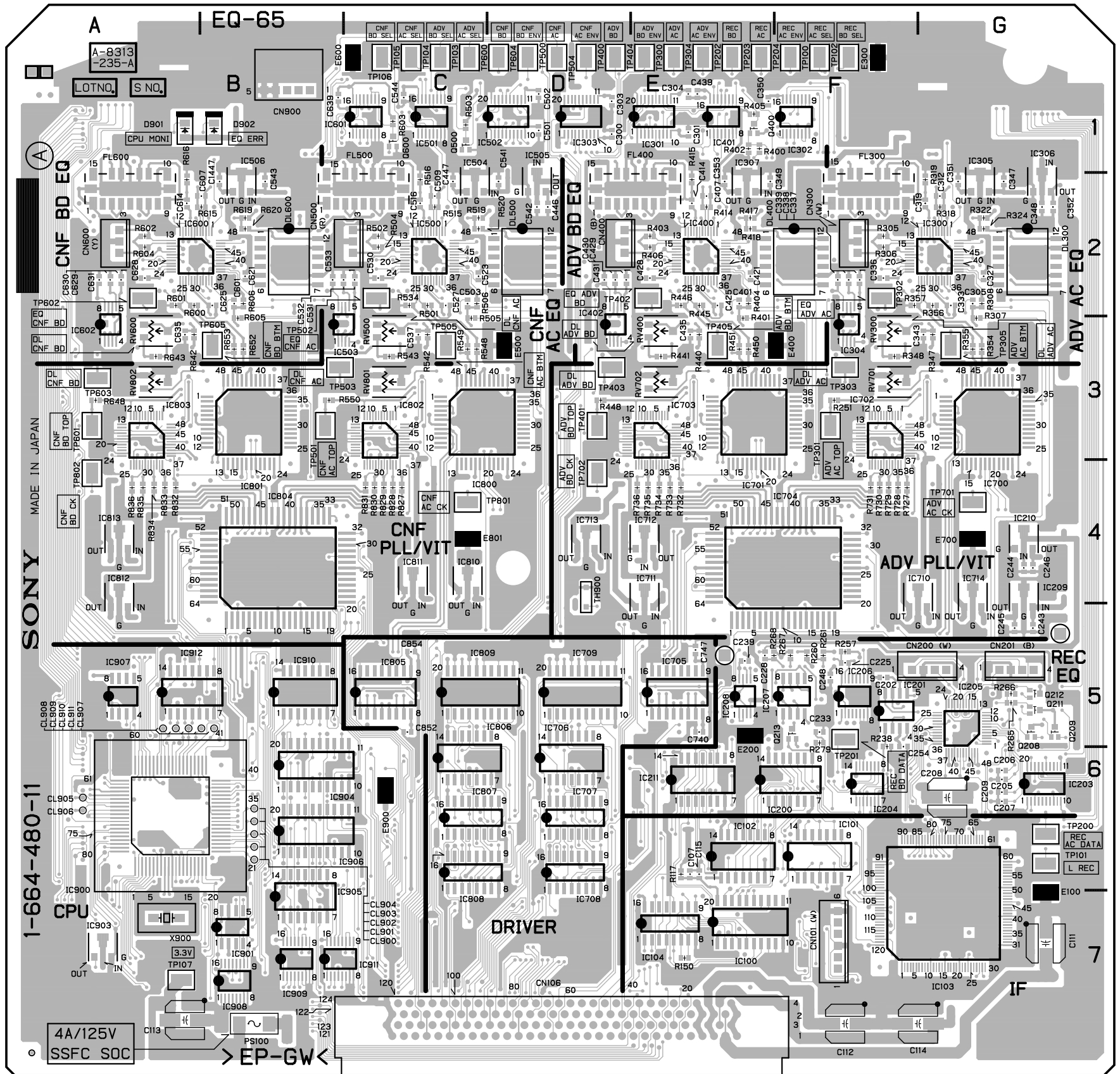


EQ-65 (1-664-480-12)

CN101	F7	IC803	A3	TP106	C1
CN106	D7	IC804	B4	TP107	A7
CN200	G5	IC805	C5	TP200	G6
CN201	G5	IC806	C6	TP201	G7
CN300	F2	IC807	C6	TP202	E1
CN400	D2	IC808	C6	TP203	E1
CN500	C2	IC809	C5	TP204	F1
CN600	A2	IC810	C4	TP300	E1
CN900	B1	IC811	C4	TP301	F3
		IC812	A4	TP302	F2
		IC813	A4	TP303	F3
DL300	G2	IC900	A6	TP304	E1
DL400	F2	IC901	B7	TP305	G3
DL500	D2	IC902	A7	TP400	D1
DL600	B2	IC904	B6	TP401	D3
		IC905	B7	TP402	E2
D300	*D2	IC906	B6	TP403	D3
D900	*A7	IC907	A5	TP404	E1
D901	A1	IC908	B7	TP405	E3
D902	B1	IC909	B7	TP500	D1
D903	*A5	IC910	B5	TP501	B3
D904	*A5	IC911	B7	TP502	C2
D905	*A5	IC912	A5	TP503	B3
D906	*A5			TP504	D1
				TP505	C3
E100	G7	L200	*G5	TP600	D1
E200	E5	L201	*F5	TP601	A3
E300	F1	L202	*F6	TP602	A2
E400	F3	L203	*G5	TP603	A3
E500	D3	L204	*F5	TP604	D1
E600	C1			TP605	B3
E700	G4	PS100	B7	TP701	G4
E801	C4			TP702	D4
E900	C6			TP801	C4
				TP802	A4
FL300	F2	Q100	*E7		
FL400	E2	Q101	*E7		
FL500	C2	Q102	*E7		
FL600	A2	Q103	*E7		
		Q200	*E6	X900	A7
		Q201	*E6		
		Q202	*E5		
		Q203	*E6		
		Q206	*F5		
		Q207	*F5		
		Q208	G5		
		Q209	G5		
		Q210	*F5		
		Q211	G5		
		Q212	G5		
		Q213	F5		
		Q214	*E5		
		Q300	*F1		
		Q301	*F2		
		Q302	*F2		
		Q303	*G2		
		Q304	*D2		
		Q306	*F3		
		Q307	*F3		
		Q400	E1		
		Q401	*E2		
		Q402	*E2		
		Q403	*E2		
		Q405	*E3		
		Q406	*E3		
		Q500	C1		
		Q501	*C2		
		Q502	*C2		
		Q503	*C2		
		Q505	*C3		
		Q506	*C3		
		Q600	C1		
		Q601	*A2		
		Q602	*A2		
		Q603	*B2		
		Q605	*A3		
		Q606	*A3		
				RV200	F5
				RV300	F3
				RV400	E3
				RV500	C3
				RV600	A3
				RV701	F3
				RV702	E3
				RV801	C3
				RV802	A3
				TH900	D4
				TP100	F1
				TP101	G6
				TP102	F1
				TP103	C1
				TP104	C1
				TP105	C1

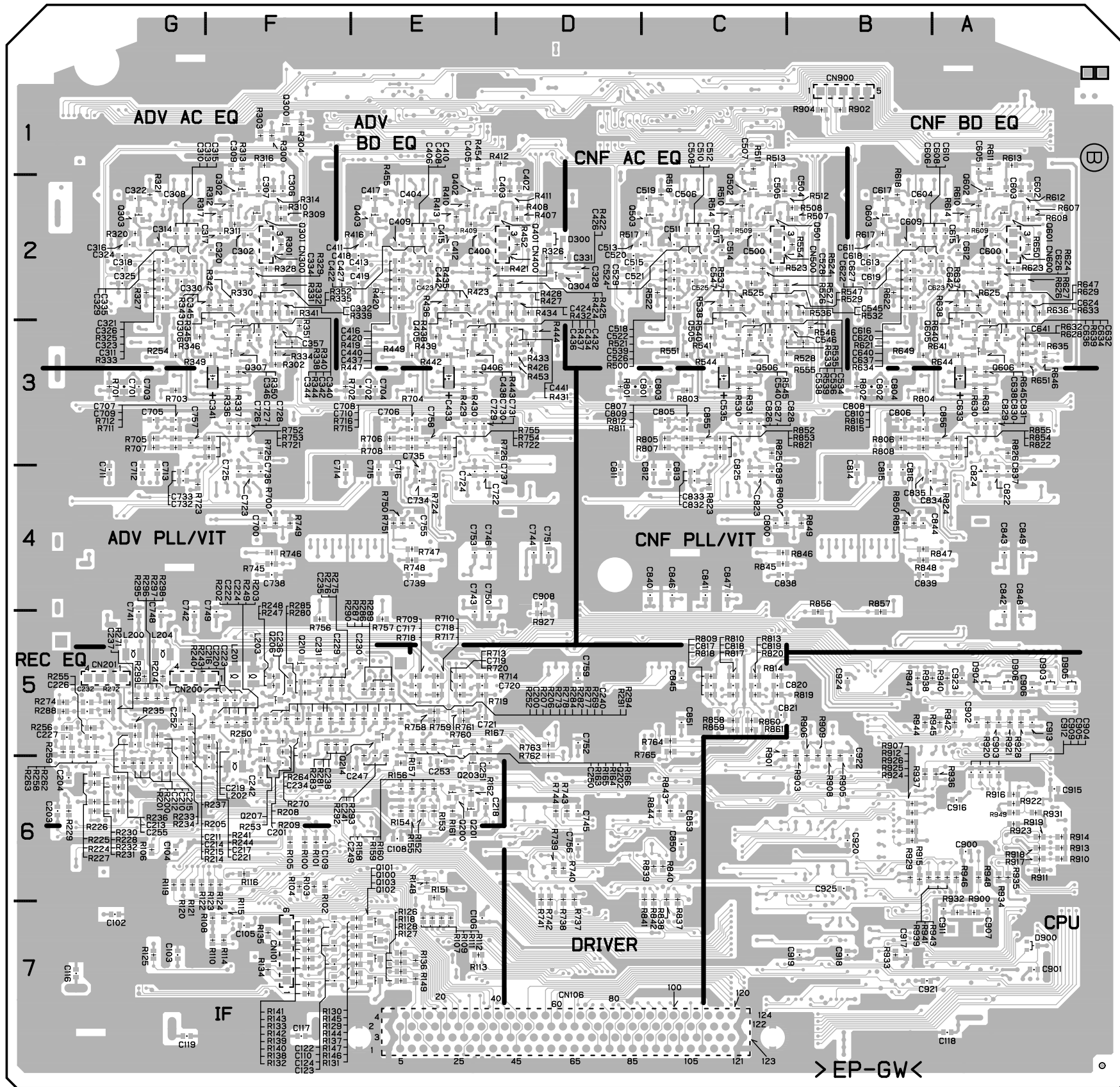
* : B SIDE

EQ-65 -B SIDE-
HDW-500
1-664-480-12



EQ-65 -A SIDE-
 HDW-500
 1-664-480-11

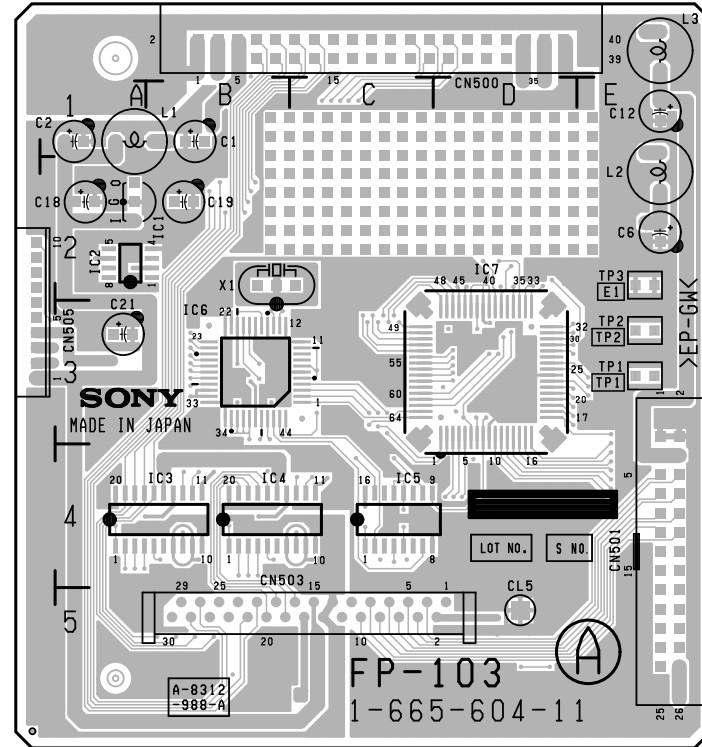
HDW-500 (J) : S/N 10001 through 10200



EQ-65 (1-664-480-11)

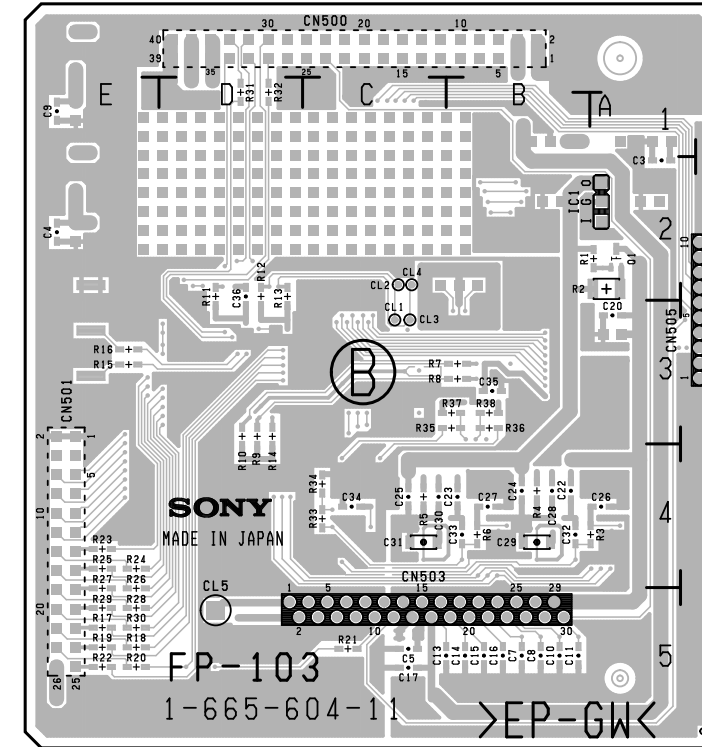
CN101	F7	IC803	A3	TP200	G6
CN106	D7	IC804	B4	TP201	F5
CN200	G5	IC805	C5	TP202	E1
CN201	G5	IC806	C6	TP203	E1
CN300	F2	IC807	C6	TP204	F1
CN400	D2	IC808	C6	TP300	E1
CN500	C2	IC809	C5	TP301	F3
CN600	A2	IC810	C4	TP302	F2
CN900	B1	IC811	C4	TP303	F3
		IC812	A4	TP304	E1
		IC813	A4	TP305	G3
DL300	G2	IC901	B7	TP400	D1
DL400	F2	IC903	A7	TP401	D3
DL500	D2	IC904	B6	TP402	E2
DL600	B2	IC905	B7	TP403	D3
		IC906	B6	TP404	E1
D300	*D2	IC907	A5	TP405	E3
D900	*A7	IC908	B7	TP500	D1
D901	A1	IC909	B7	TP501	B3
D902	B1	IC910	B5	TP502	C2
D903	*A5	IC911	B7	TP503	B3
D904	*A5	IC912	A5	TP504	D1
D905	*A5			TP505	C3
D906	*A5			TP600	D1
		L200	*G5	TP601	A3
E100	G7	L201	*F5	TP602	A2
E200	E5	L202	*F6	TP603	A3
E300	F1	L203	*F5	TP604	D1
E400	F3	L204	*G5	TP605	B3
E500	D3			TP701	G4
E600	C1	PS100	B7	TP702	D4
E700	G4			TP801	C4
E801	C4	Q100	*E7	TP802	A4
E900	C6	Q101	*E7		
		Q102	*E7		
FL300	F2	Q103	*E7	X900	A7
FL400	E2	Q200	*E6		
FL500	C2	Q201	*E6		
FL600	A2	Q202	*E5		
		Q203	*E6		
		Q206	*F5		
IC100	E7	Q207	*F5		
IC101	F6	Q208	G5		
IC102	E6	Q209	G5		
IC104	E7	Q210	*F5		
IC200	E6	Q211	G5		
IC201	F5	Q212	G5		
IC203	G6	Q213	F5		
IC204	F6	Q214	*E5		
IC205	G5	Q300	*F1		
IC206	F5	Q301	*F2		
IC207	F5	Q302	*F2		
IC208	E5	Q303	*G2		
IC209	G4	Q304	*D2		
IC210	G4	Q306	*F3		
IC211	E6	Q307	*F3		
IC300	G2	Q400	E1		
IC301	E1	Q401	*E2		
IC302	F1	Q402	*E2		
IC303	D1	Q403	*E2		
IC304	F3	Q405	*E3		
IC305	G2	Q500	C1		
IC306	G2	Q501	*C2		
IC307	E2	Q502	*C2		
IC400	E2	Q503	*C2		
IC401	E1	Q505	*C3		
IC402	D3	Q506	*C3		
IC500	C2	Q600	C1		
IC501	C1	Q601	*A2		
IC502	D1	Q602	*A2		
IC503	B3	Q603	*B2		
IC504	C2	Q605	*A3		
IC505	D2	Q606	*A3		
IC506	B2				
IC600	A2				
IC601	C1	RV300	F3		
IC602	A3	RV400	E3		
IC700	G3	RV500	C3		
IC701	E3	RV600	A3		
IC702	F3	RV701	F3		
IC703	E3	RV702	E3		
IC704	F4	RV801	C3		
IC705	E5	RV802	A3		
IC706	D6				
IC707	D6	TH900	D4		
IC708	D6				
IC709	D5				
IC710	G4	TP100	F1		
IC711	E4	TP101	G6		
IC712	E4	TP102	F1		
IC713	D4	TP103	C1		
IC714	G4	TP104	C1		
IC800	C3	TP105	C1		
IC801	B3	TP106	C1		
IC802	C3	TP107	A7		

EQ-65 - B SIDE-
HDW-500
1-664-480-11



HDW-500 (J) : S/N 10001 and Higher
 HDW-500 (UC) : S/N 10001 and Higher

FP-103 -A SIDE-
 HDW-500
 1-665-604-11



FP-103 -B SIDE-
 HDW-500
 1-665-604-11

FP-103(1-665-604-11)

AIC7

CN500 C1
 CN501 E4
 CN503 C5
 CN505 A3

IC1 A2
 IC2 B2
 IC3 A4
 IC4 B4
 IC5 C4
 IC6 B3
 IC7 D3

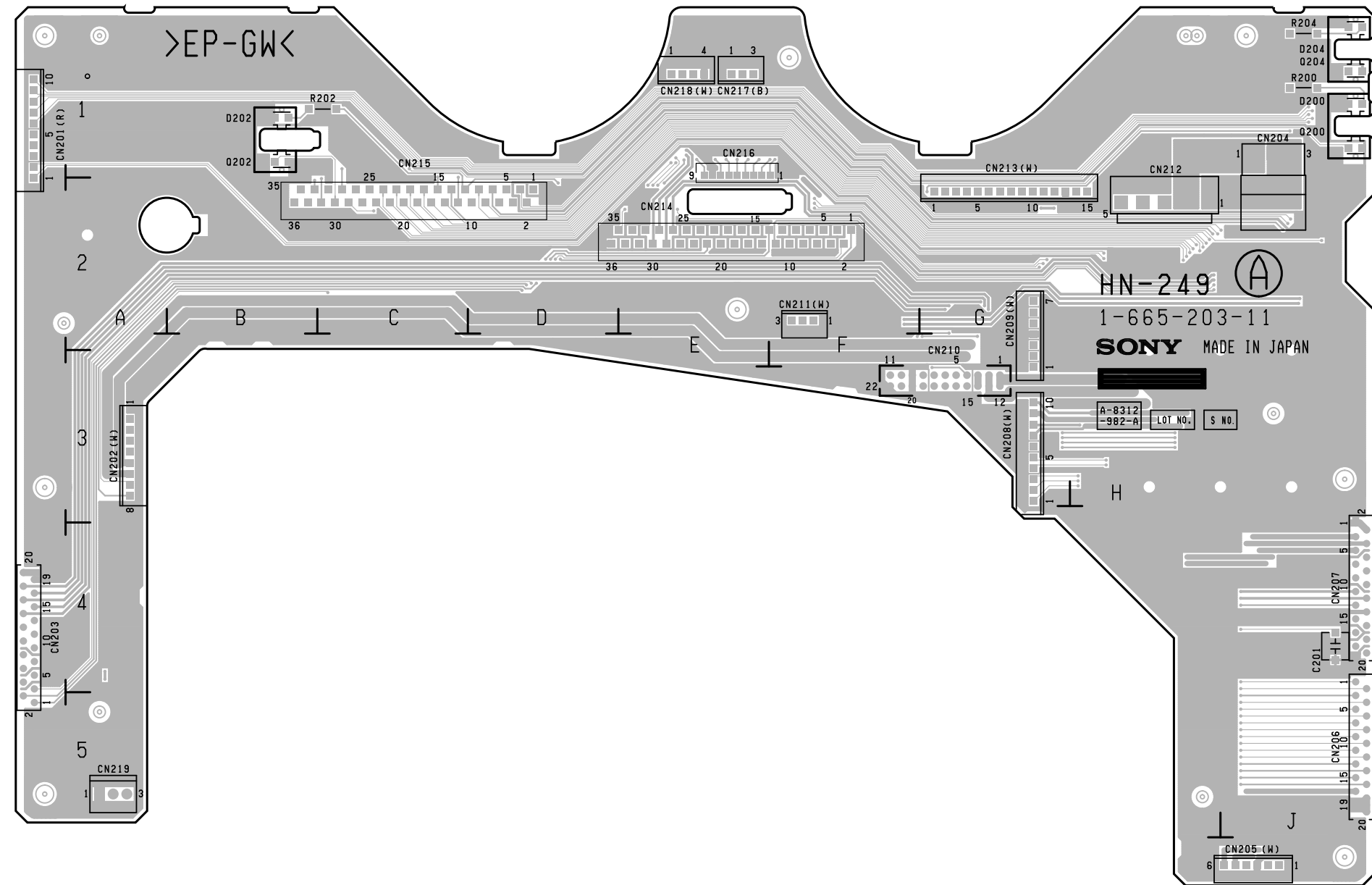
L1 A1
 L2 E2
 L3 E1

Q1 *A2

TP1 E3
 TP2 E3
 TP3 E2

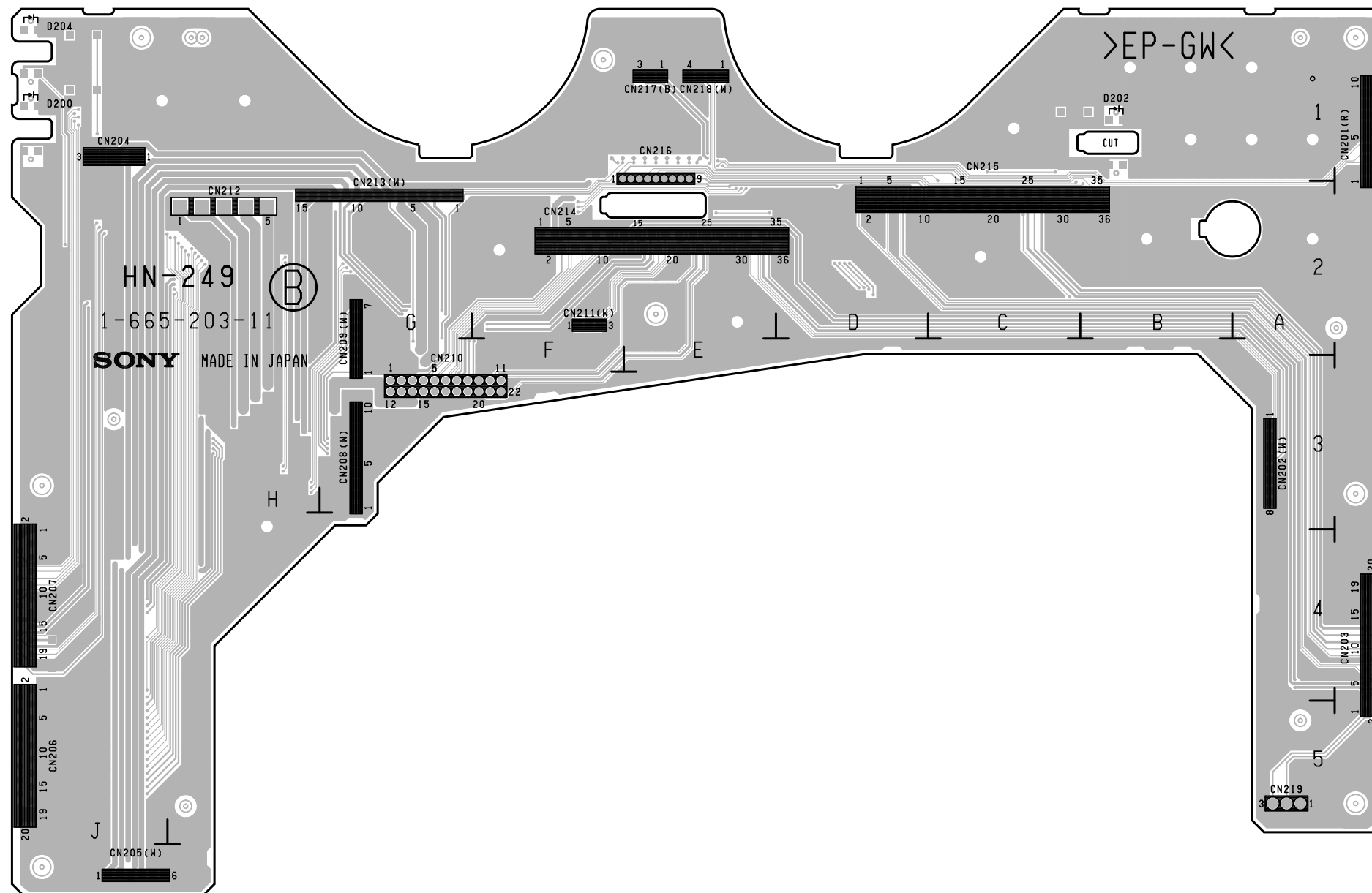
X1 B2

* : B SIDE



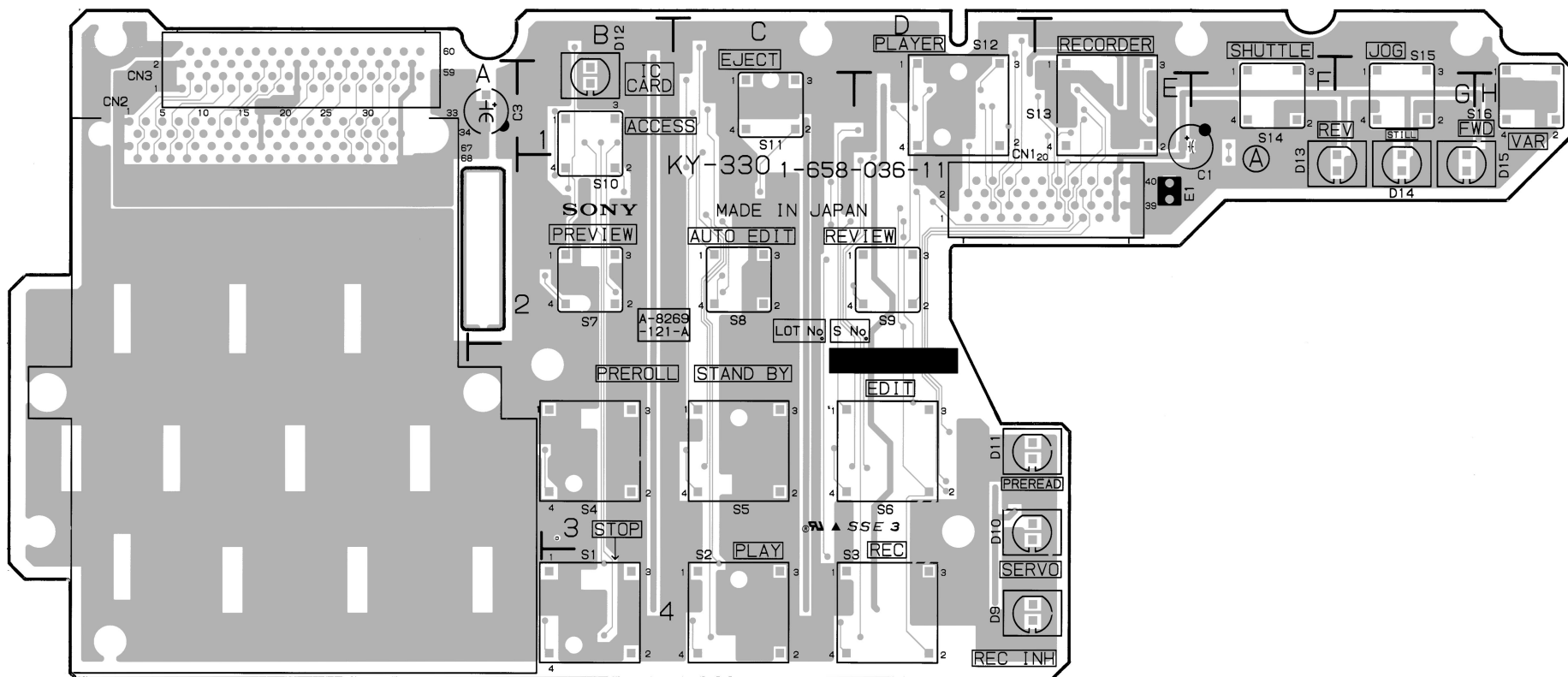
HDW-500 (J) : S/N 10001 and Higher
 HDW-500 (UC) : S/N 10001 and Higher

HN-249 -A SIDE-
 HDW-500
 1-665-203-11



CN201	A1
CN202	A3
CN203	A4
CN204	J1
CN205	J5
CN206	J5
CN207	J4
CN208	G3
CN209	G2
CN210	G3
CN211	F2
CN212	H2
CN213	G2
CN214	E2
CN215	C2
CN216	E1
CN217	E1
CN218	E1
D202	B1
D204	J1
Q202	B1
Q204	J1

HN-249 -B SIDE-
HDW-500
1-665-203-11



HDW-500 (J) : S/N 10001 and Higher
 HDW-500 (UC) : S/N 10001 and Higher

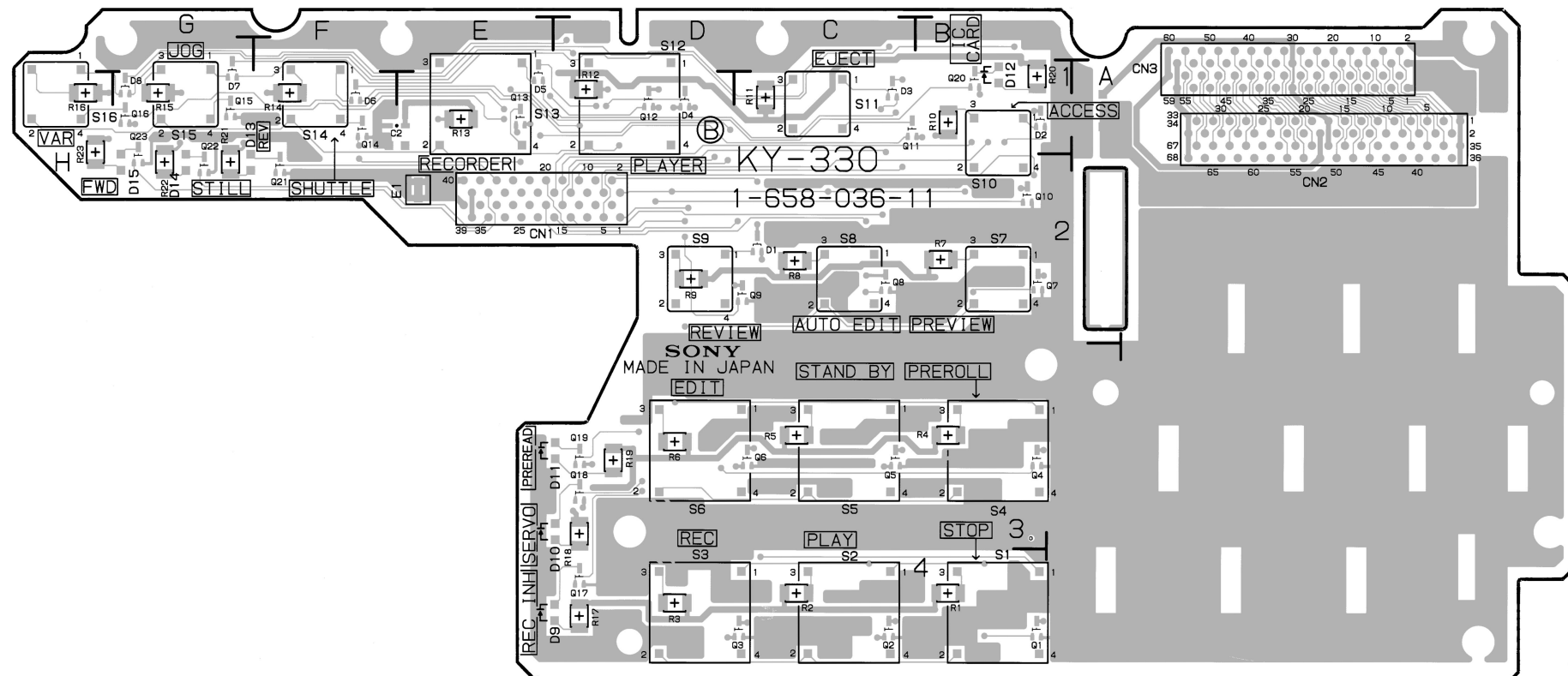
KY-330A -A SIDE-
 HDW-500
 1-658-036-11

KY-330A (1-658-036-11)

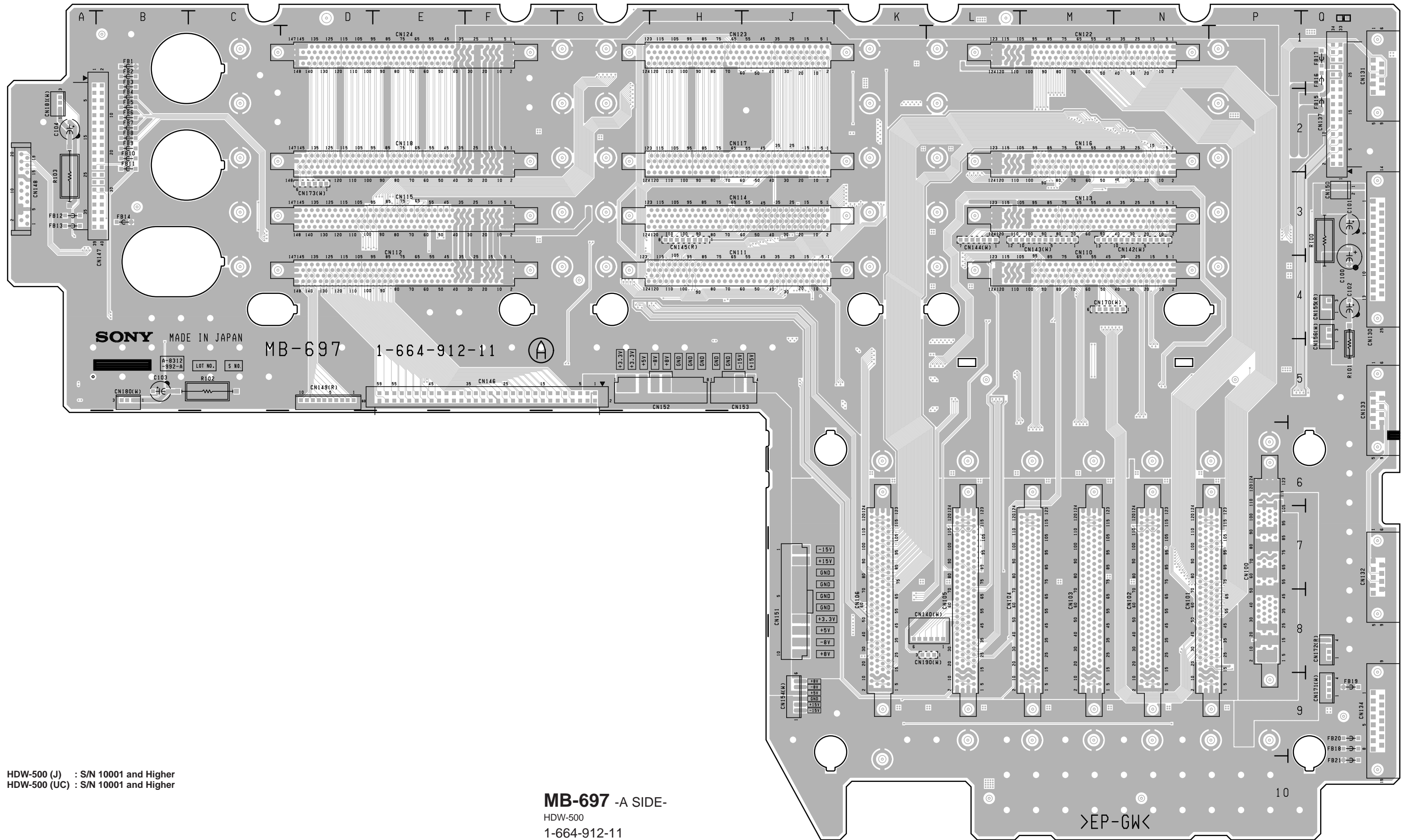
- | | |
|-----|-----|
| CN1 | E2 |
| CN2 | A1 |
| CN3 | A1 |
| D1 | *C2 |
| D2 | *B1 |
| D3 | *C1 |
| D4 | *D1 |
| D5 | *E1 |
| D6 | *F1 |
| D7 | *G1 |
| D9 | D4 |
| D10 | D3 |
| D11 | D3 |
| D12 | B1 |
| D13 | G2 |
| D14 | G2 |
| D15 | G2 |
| E1 | E2 |
| Q1 | *B4 |
| Q2 | *C4 |
| Q3 | *C4 |
| Q4 | *B3 |
| Q5 | *C3 |
| Q6 | *C3 |
| Q7 | *B2 |
| Q8 | *C2 |
| Q9 | *C2 |
| Q10 | *B2 |
| Q11 | *C1 |
| Q12 | *D1 |
| Q13 | *E1 |
| Q14 | *F1 |
| Q15 | *G1 |
| Q16 | *G1 |
| Q17 | *D4 |
| Q18 | *D3 |
| Q19 | *D3 |
| Q20 | *B1 |
| Q21 | *F2 |
| Q22 | *G2 |
| Q23 | *G2 |

- | | |
|-----|----|
| S1 | B4 |
| S2 | C4 |
| S3 | D4 |
| S4 | B3 |
| S5 | C3 |
| S6 | D3 |
| S7 | B2 |
| S9 | D2 |
| S10 | B1 |
| S11 | C1 |
| S12 | D1 |
| S13 | E1 |
| S14 | F1 |
| S15 | G1 |
| S16 | H1 |

* : B SIDE

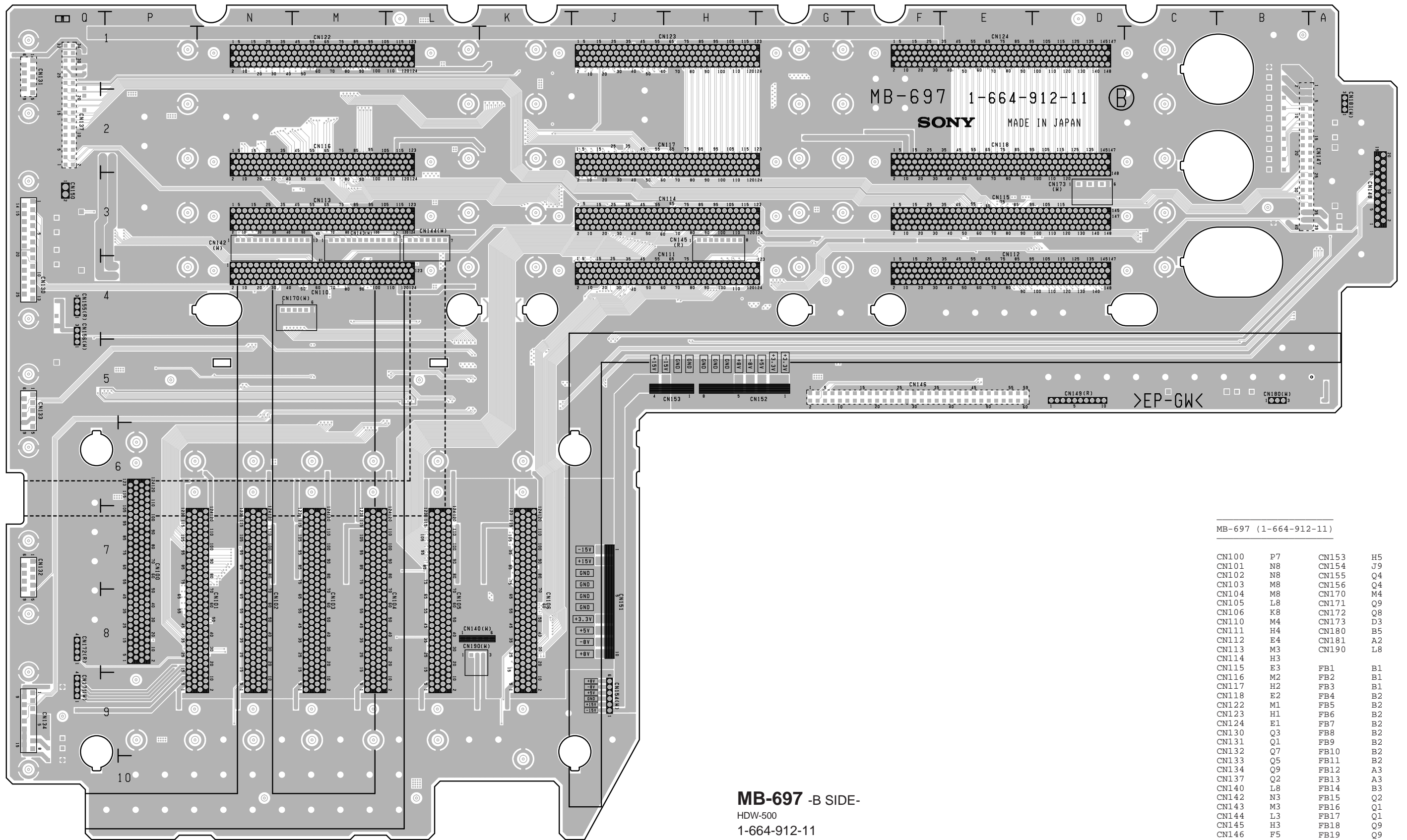


KY-330A -B SIDE-
 HDW-500
 1-658-036-11



HDW-500 (J) : S/N 10001 and Higher
 HDW-500 (UC) : S/N 10001 and Higher

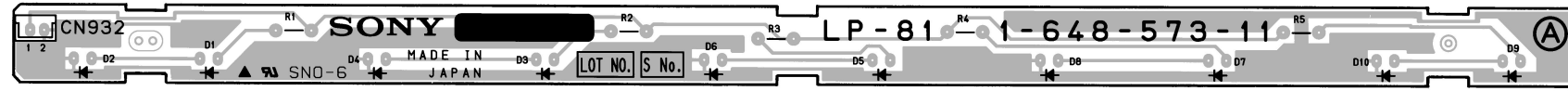
MB-697 -A SIDE-
 HDW-500
 1-664-912-11



MB-697 -B SIDE-
HDW-500
1-664-912-11

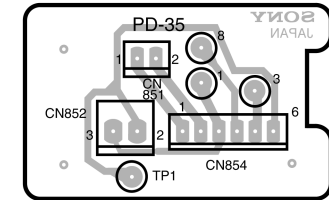
MB-697 (1-664-912-11)

CN100	P7	CN153	H5
CN101	N8	CN154	J9
CN102	N8	CN155	Q4
CN103	M8	CN156	Q4
CN104	M8	CN170	M4
CN105	L8	CN171	Q9
CN106	K8	CN172	Q8
CN110	M4	CN173	D3
CN111	H4	CN180	B5
CN112	E4	CN181	A2
CN113	M3	CN190	L8
CN114	H3		
CN115	E3	FB1	B1
CN116	M2	FB2	B1
CN117	H2	FB3	B1
CN118	E2	FB4	B2
CN122	M1	FB5	B2
CN123	H1	FB6	B2
CN124	E1	FB7	B2
CN130	Q3	FB8	B2
CN131	Q1	FB9	B2
CN132	Q7	FB10	B2
CN133	Q5	FB11	B2
CN134	Q9	FB12	A3
CN137	Q2	FB13	A3
CN140	L8	FB14	B3
CN142	N3	FB15	Q2
CN143	M3	FB16	Q1
CN144	L3	FB17	Q1
CN145	H3	FB18	Q9
CN146	F5	FB19	Q9
CN147	B2	FB20	Q9
CN148	A3	FB21	Q10
CN149	D5		
CN150	Q3		
CN151	J8		
CN152	H5		



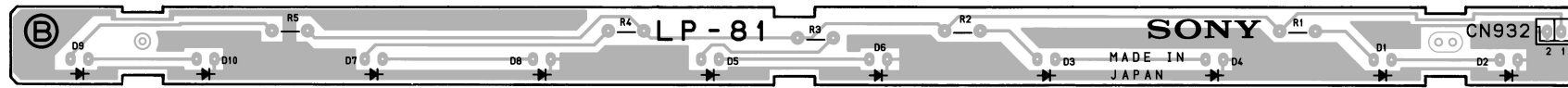
HDW-500 (J) : S/N 10001 and Higher
 HDW-500 (UC) : S/N 10001 and Higher

LP-81 -A SIDE-
 HDW-500
 1-648-573-11

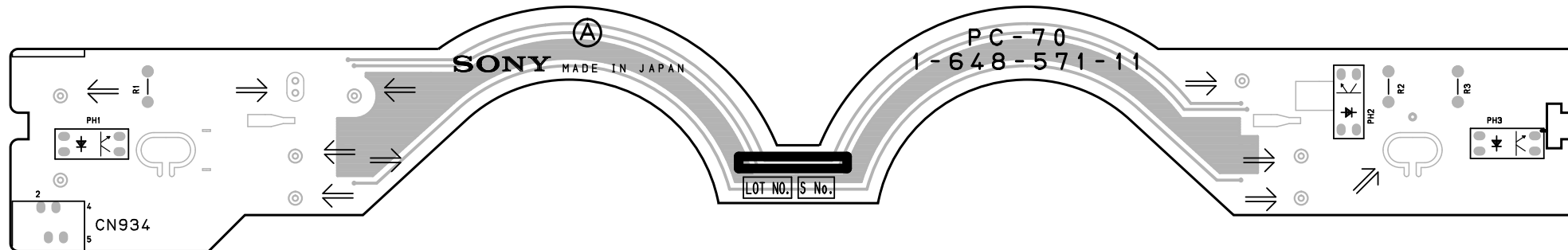


PD-35 -A SIDE-
 HDW-500
 1-622-596-11

HDW-500 (J) : S/N 10001 and Higher
 HDW-500 (UC) : S/N 10001 and Higher

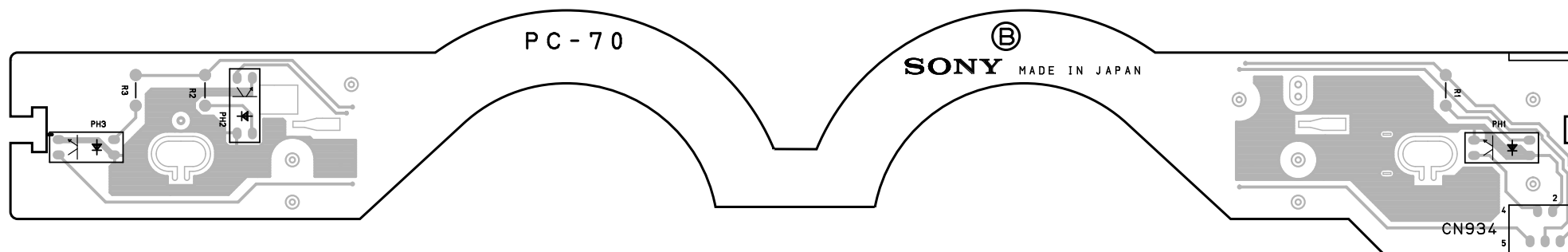


LP-81 -B SIDE-
 HDW-500
 1-648-573-11

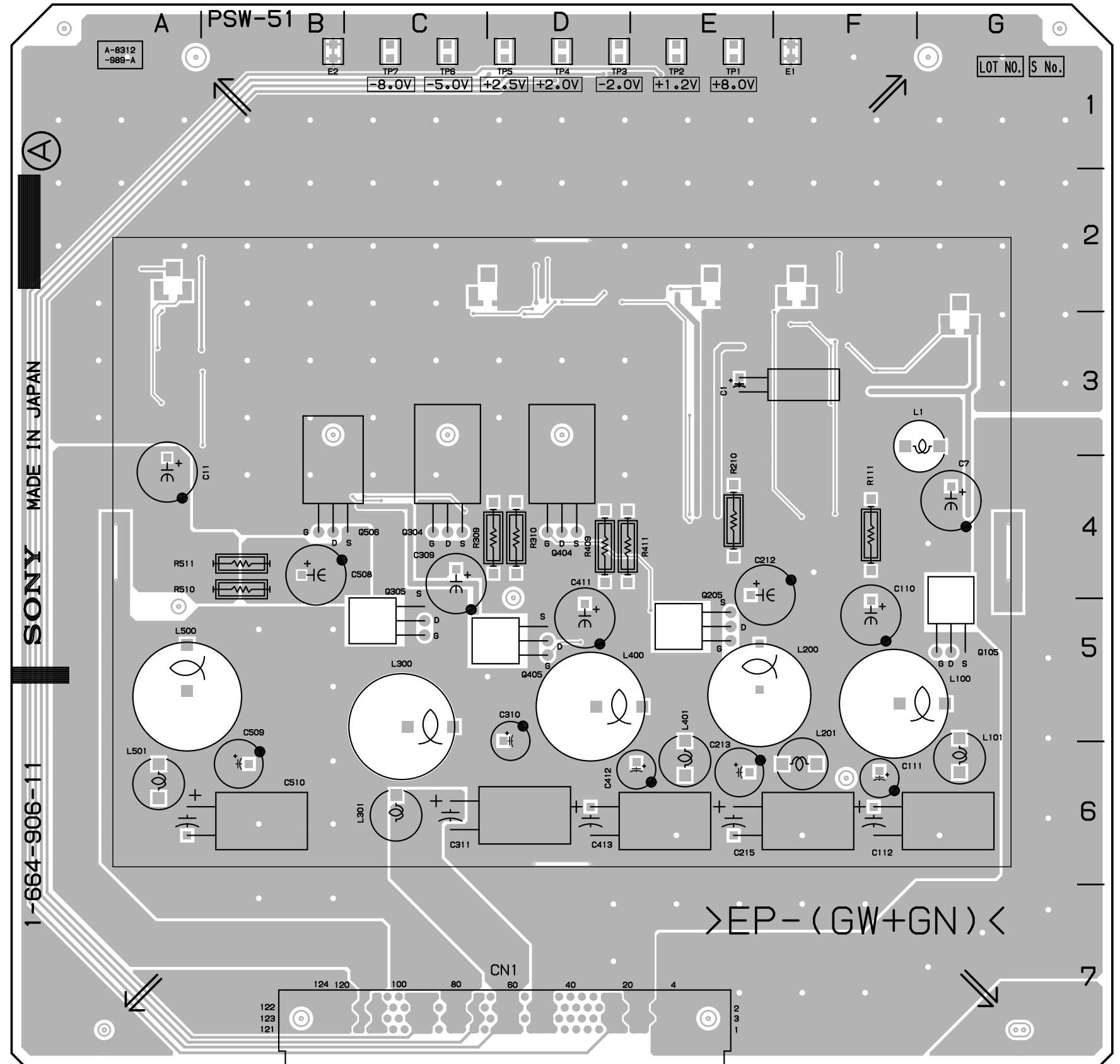


HDW-500 (J) : S/N 10001 and Higher
 HDW-500 (UC) : S/N 10001 and Higher

PC-70 -A SIDE-
 HDW-500
 1-648-571-11

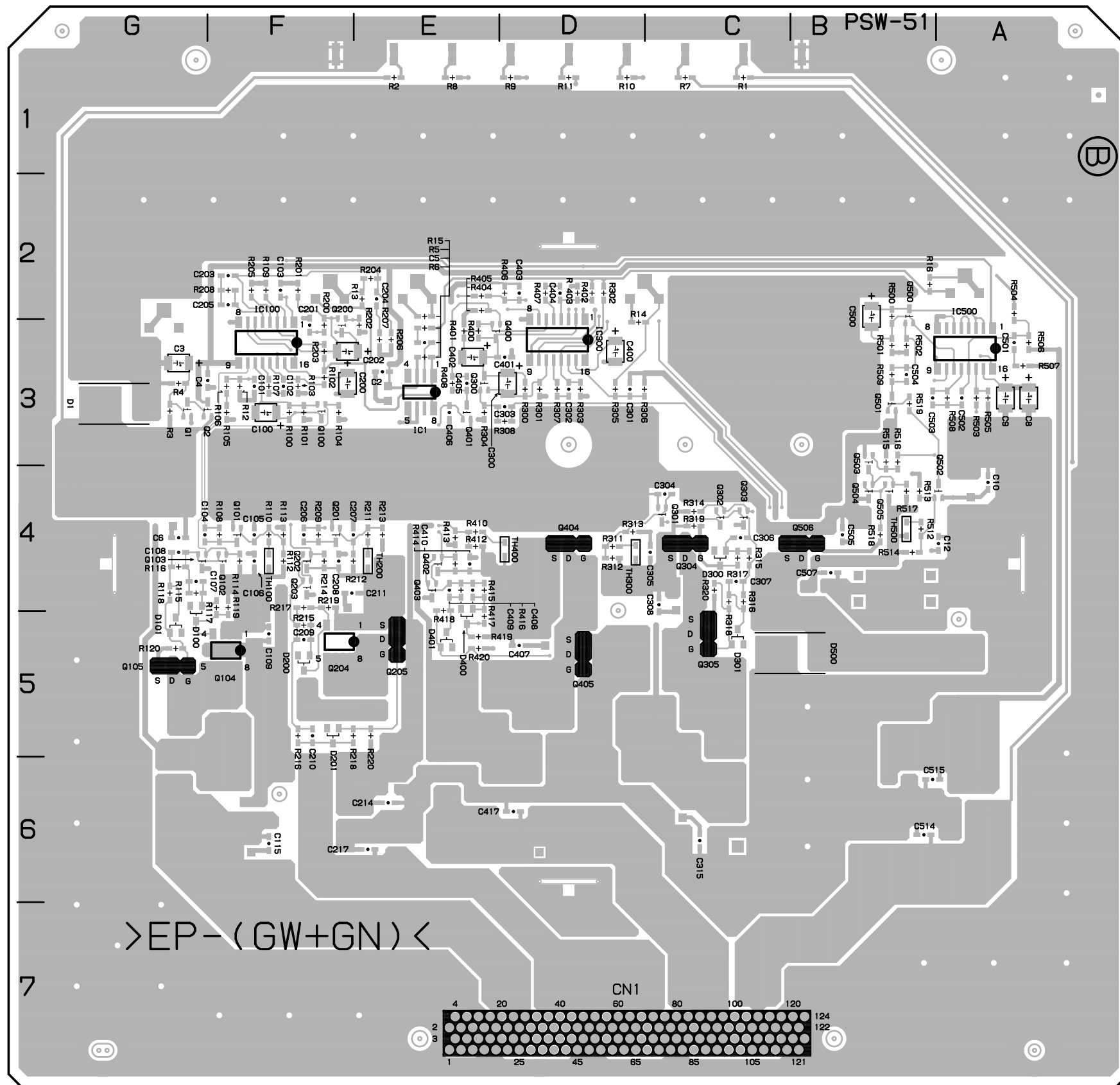


PC-70 -B SIDE-
 HDW-500
 1-648-571-11



PSW-51 -A SIDE-
 HDW-500
 1-664-906-11

HDW-500 (J) : S/N 10001 and Higher
 HDW-500 (UC) : S/N 10001 and Higher

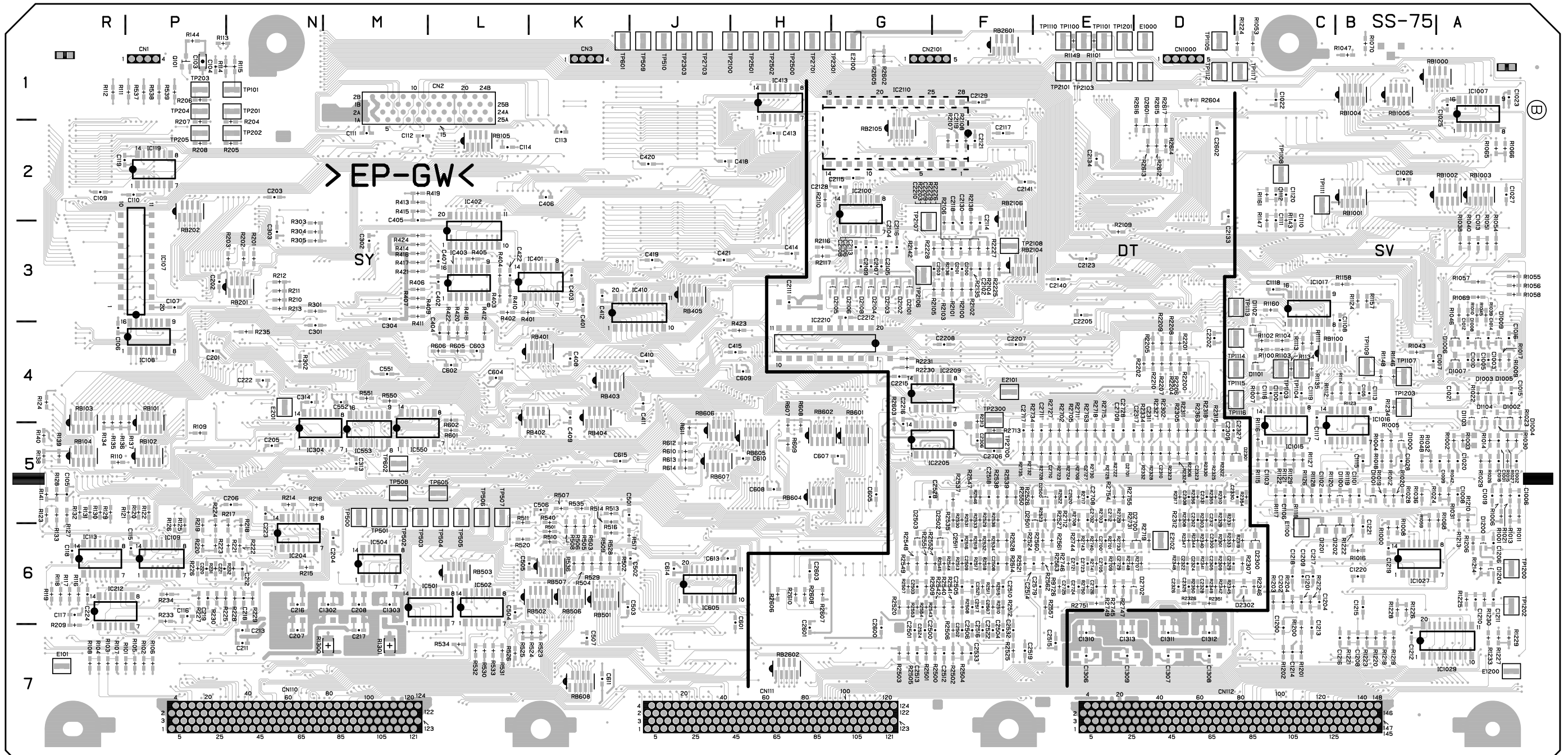


PSW-51 (1-664-906-11)

CN1	D7
D1	*G3
D100	*G5
D101	*G5
D200	*F5
D201	*F5
D300	*C4
D301	*C5
D400	*E5
D401	*E5
D500	*C5
E1	F1
E2	B1
IC1	*E3
IC100	*F3
IC300	*D2
IC500	*A3
L1	G3
L100	F5
L101	G6
L200	E5
L201	F6
L300	C5
L301	C6
L400	D5
L401	E6
L500	A5
L501	A6
Q1	*G3
Q2	*G3
Q100	*F3
Q101	*F4
Q102	*F4
Q103	*G4
Q104	*F5
Q105	G5
Q200	*F3
Q201	*F4
Q202	*F4
Q203	*F4
Q204	*F5
Q205	E5
Q300	*E3
Q301	*C4
Q302	*C4
Q303	*C4
Q304	C4
Q305	C5
Q400	*E3
Q401	*E3
Q402	*E4
Q403	*E4
Q404	D4
Q405	D5
Q500	*B2
Q501	*B3
Q502	*A4
Q503	*B3
Q504	*B4
Q505	*B4
Q506	B4
RV100	G3
RV200	F2
RV300	D2
RV400	E2
RV500	A2
TH100	*F4
TH200	*E4
TH300	*D4
TH400	*D4
TH500	*B4
TP1	E1
TP2	E1
TP3	D1
TP4	D1
TP5	D1
TP6	C1
TP7	C1

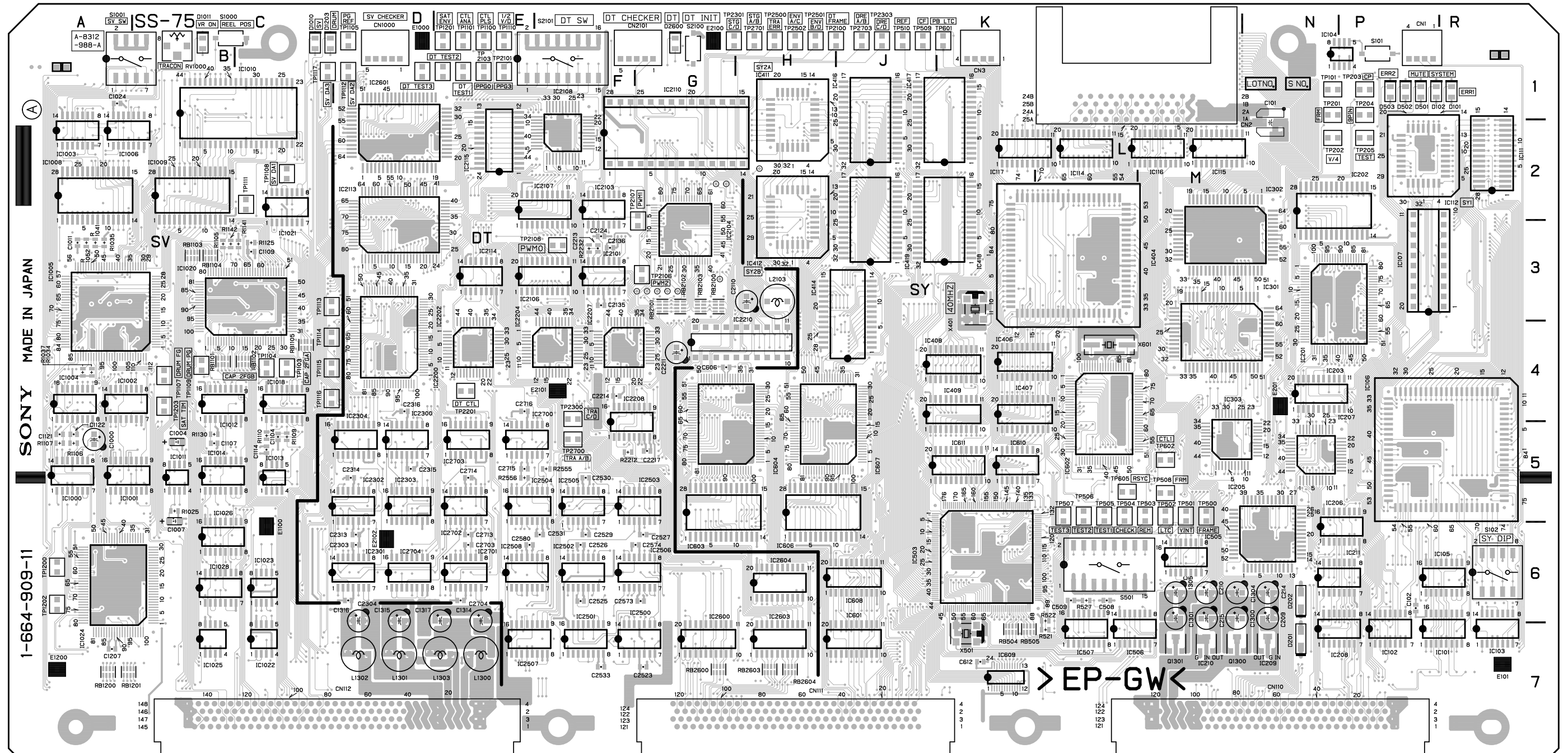
PSW-51 -B SIDE-
HDW-500
1-664-906-11

* : B SIDE



SS-75 -B SIDE-
 HDW-500
 1-664-909-12

IC2502	F6	IC2703	E5	Q101	*P1	RB404	*K4	RB607	*J5	RB1200	A7	RB2605	G7	TP203	P1	TP601	K1	TP1201	E1	TP2700	F5
IC2503	F5			Q1300	M7	RB405	*J3	RB608	*K7	RB1201	A7			TP204	P1	TP602	M5	TP1203	B4	TP2701	H1
IC2504	E5	IS112	P2	Q1301	M7	RB501	*K6	RB1000	*A1	RB2100	G3	RV1000	B1	TP205	P2	TP605	L5	TP2100	J1	TP2703	J1
IC2505	F5	IS404	L3			RB502	*K6	RB1001	*B2	RB2101	G3			TP500	M5	TP1100	E1	TP2101	E1		
IC2506	F6	IS411	H2	RB101	*P5	RB503	*L6	RB1002	*A2	RB2102	G3	S101	P1	TP501	M5	TP1101	E1	TP2103	E1	X401	K3
IC2507	E7	IS412	H2	RB102	*P5	RB504	K7	RB1003	*A2	RB2103	G3	S102	R6	TP502	M5	TP1103	C4	TP2106	G3	X501	K7
IC2508	E6	IS2110	F2	RB103	*R5	RB505	K7	RB1004	*B1	RB2104	*F3	S501	L6	TP503	M5	TP1104	C4	TP2107	G3	X601	L4
IC2600	G7			RB104	*R5	RB506	*K6	RB1005	*B1	RB2105	*G2	S1000	B1	TP504	L5	TP1105	D1	TP2108	F3		
IC2601	D2	L1300	E7	RB105	*L2	RB507	*K6	RB1100	*C4	RB2106	*F2	S1001	A1	TP505	L5	TP1107	B4	TP2300	F4		
IC2603	H7	L1301	D7	RB106	*N3	RB601	*G5	RB1101	B4	RB2600	G7	S2100	G1	TP506	L5	TP1108	C2	TP2301	G1		* : B SIDE
IC2604	H6	L1302	D7	RB202	*P2	RB602	*H5	RB1102	C4	RB2601	*F1	S2101	F1	TP507	L5	TP1109	B4	TP2303	J1		
IC2700	E5	L1303	E7	RB401	*K4	RB604	*H5	RB1103	B3	RB2602	*H7			TP508	M5	TP1110	E1	TP2500	H1		
IC2701	E6	L2103	H3	RB402	*K4	RB605	*H5	RB1104	B3	RB2603	H7	TP201	N1	TP509	J1	TP1112	D1	TP2501	H1		
IC2702	E5			RB403	*K4	RB606	*J5	RB1105	C4	RB2604	H7	TP202	N2	TP510	J1	TP1117	C1	TP2502	H1		



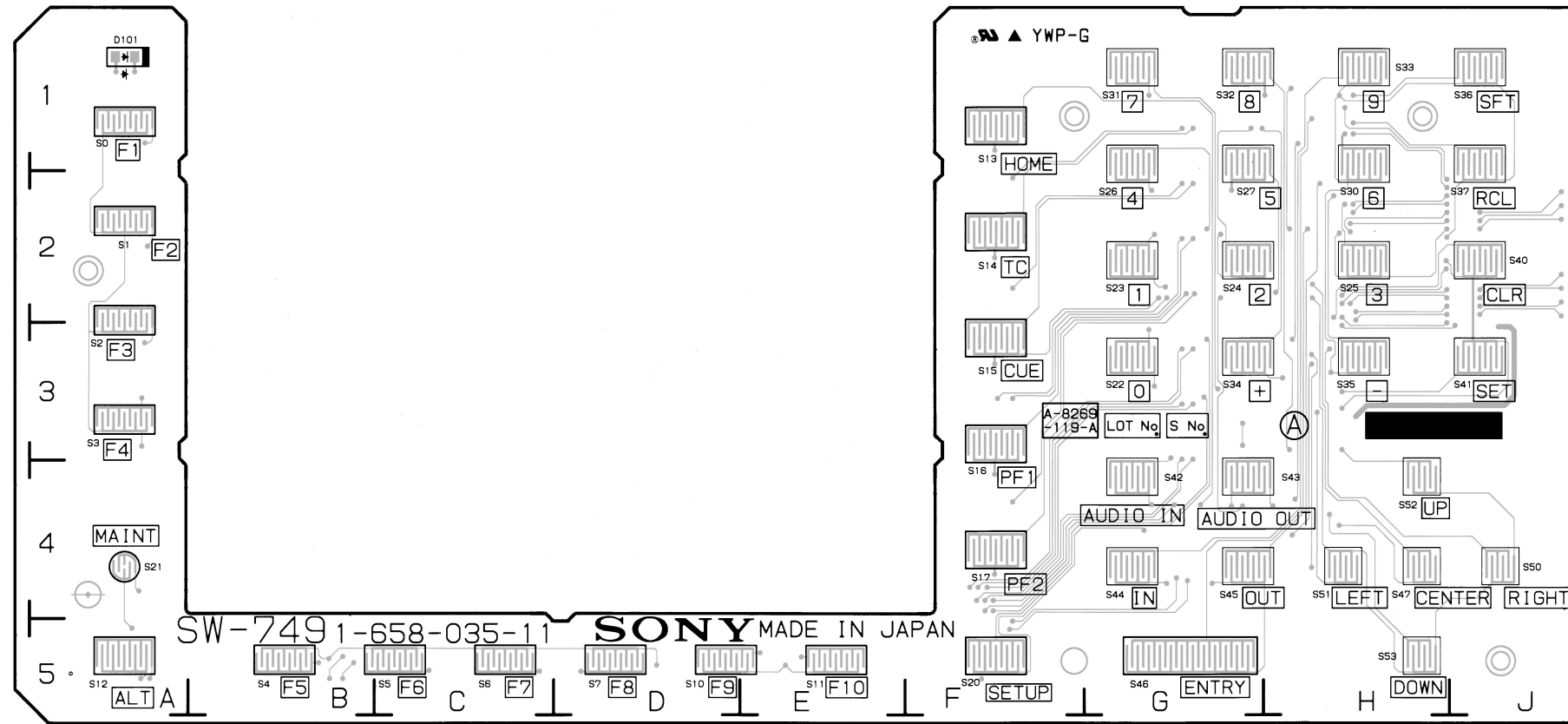
HDW-500 (J) : S/N 10001 through 10200

SS-75 -A SIDE-
HDW-500
1-664-909-11

SS-75 (1-664-909-11)

CN1	P1	D502	P1	D1100	*B5	D2105	*G3	D2702	*E6	IC104	N1	IC201	P3	IC303	M5	IC414	J4	IC602	L4	IC1004	A4	IC1018	C4	IC2104	G3	IC2209	*G4
CN2	L1	D503	*P1	D1101	*C4	D2106	*G3			IC105	P6	IC202	N3	IC304	*N5	IC415	J2	IC603	G6	IC1005	A3	IC1020	C3	IC2106	E3	IC2210	G4
CN3	K1	D1000	*B5	D1102	*C4	D2108	*G3	E101	R7	IC106	R5	IC203	N4	IC401	*L3	IC416	J2	IC604	G5	IC1006	A2	IC1021	C3	IC2107	E3	IC2300	D5
CN110	N7	D1001	*B5	D1103	*A4	D2300	*C6	E201	N4	IC107	R3	IC204	*N6	IC402	*L3	IC417	K2	IC605	*J6	IC1007	*A2	IC1022	C7	IC2108	F2	IC2301	D6
CN111	H7	D1002	*A4	D1104	*A4	D2301	*C5	E1000	D1	IC108	*P4	IC205	N6	IC403	*L3	IC418	K3	IC606	H6	IC1008	A2	IC1023	C6	IC2110	F2	IC2302	D5
CN112	D7	D1003	*A4	D1200	*A6	D2302	*C6	E1100	C6	IC109	*P6	IC206	N6	IC404	L3	IC419	J3	IC607	H5	IC1009	B2	IC1024	A6	IC2111	D3	IC2303	D5
CN1000	D1	D1004	*A4	D1201	*C6	D2500	*E5	E1200	A7	IC111	R2	IC207	N5	IC406	K4	IC501	*M6	IC608	H6	IC1010	B2	IC1025	B7	IC2114	E3	IC2304	D5
CN2101	G1	D1005	*A4	D1202	*B6	D2501	*E5	E2100	G1	IC112	P2	IC208	N7	IC407	K5	IC502	*L6	IC609	K7	IC1011	B5	IC1026	B6	IC2115	E2	IC2500	F7
		D1006	*A4	D1203	C1	D2502	*F6	E2101	F4	IC113	*R6	IC209	N7	IC408	J4	IC503	K6	IC610	K5	IC1012	B4	IC1027	*B6	IC2200	D4	IC2501	F7
D101	R1	D1007	*A4	D1204	*A6	D2503	*G6	E2102	D6	IC114	L2	IC210	M7	IC409	J5	IC504	*M6	IC611	J5	IC1013	C5	IC1028	B6	IC2202	E4	IC2502	F6
D102	P1	D1008	*A4	D2101	*G3	D2600	G1			IC115	M2	IC211	N6	IC410	*K4	IC505	M6	IC1000	A5	IC1014	B5	IC1029	*B7	IC2204	F4	IC2503	F5
D201	N7	D1009	*A4	D2102	*G3	D2601	*D2	IC101	P7	IC116	L2	IC212	*R7	IC411	H2	IC506	L7	IC1001	A5	IC1015	*C5	IC2100	*G3	IC2205	*G5	IC2504	E5
D202	N6	D1010	C1	D2103	*G3	D2700	*D6	IC102	P7	IC117	K2	IC301	M4	IC412	H2	IC507	L7	IC1002	A4	IC1016	*C5	IC2101	F3	IC2207	F4	IC2505	F5
D501	P1	D1011	B1	D2104	*G3	D2701	*D6	IC103	R7	IC119	*P2	IC302	M3	IC413	*H1	IC601	H7	IC1003	A2	IC1017	*C4	IC2103	F3	IC2208	F5	IC2506	F6

HDW-500 (J) : S/N 10001 and Higher
 HDW-500 (UC) : S/N 10001 and Higher

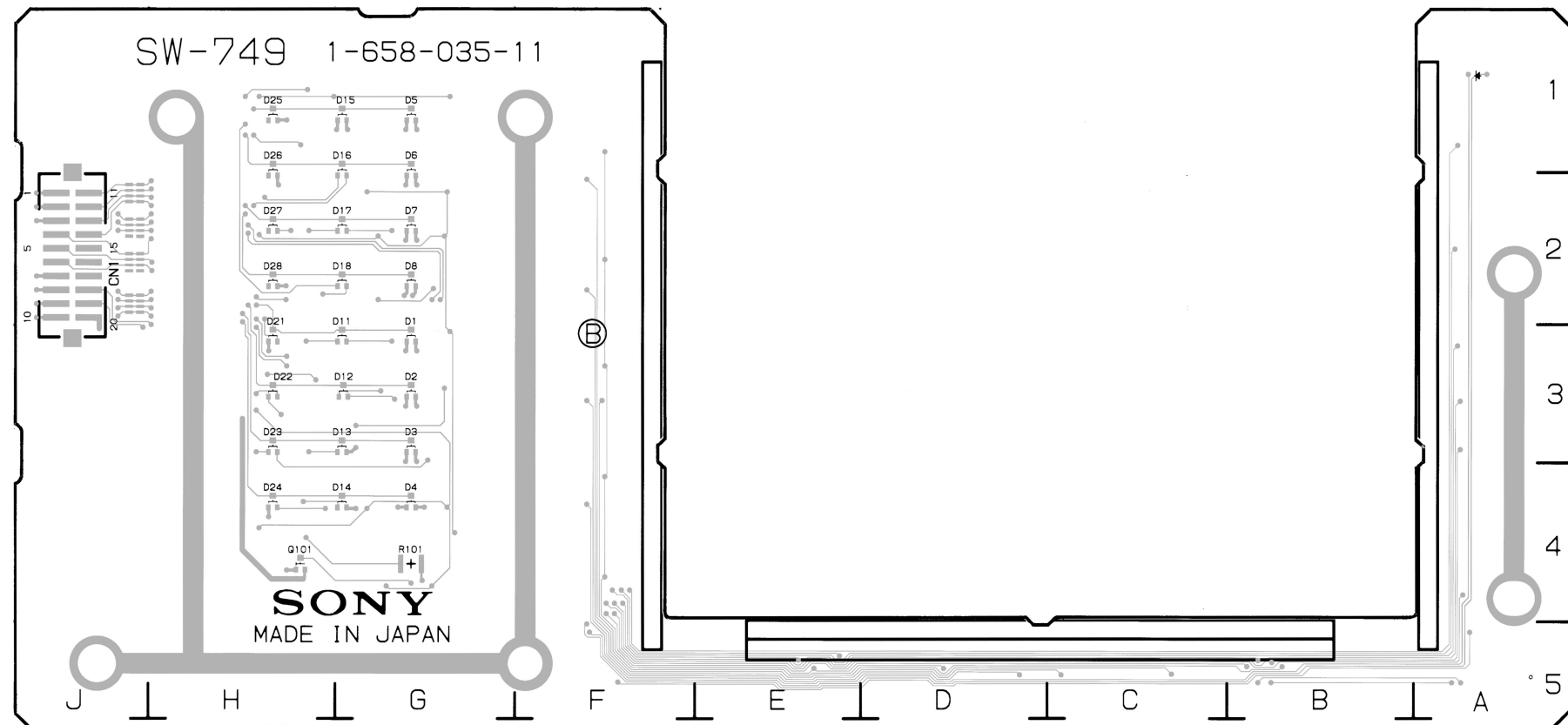


SW-749 (1-658-035-11)

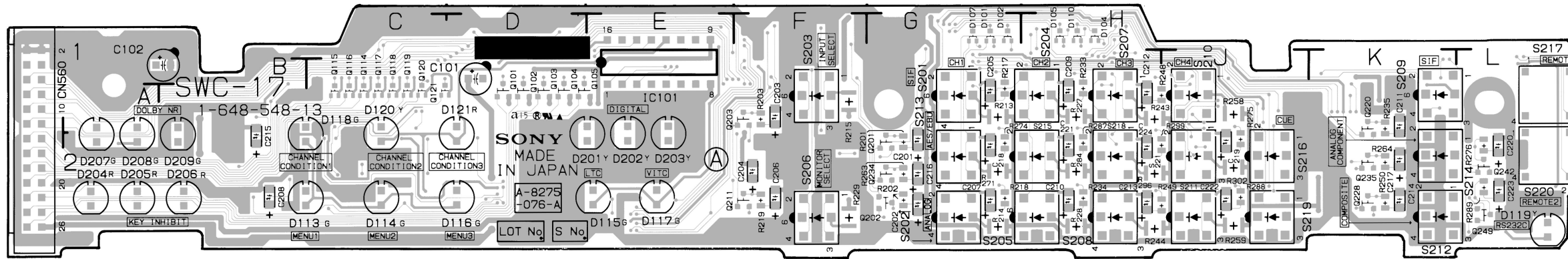
- CN1 * J2
- D1 * G3
- D2 * G3
- D3 * G3
- D4 * G4
- D5 * G1
- D6 * G1
- D7 * G2
- D8 * G2
- D11 * G3
- D12 * G3
- D13 * G3
- D14 * G4
- D15 * G1
- D16 * G1
- D17 * G2
- D18 * G2
- D21 * H3
- D22 * H3
- D23 * H3
- D24 * H4
- D25 * H1
- D26 * H1
- D27 * H2
- D28 * H2
- D101 A1
- Q101 * H4

* : B SIDE

SW-749 -A SIDE-
 HDW-500
 1-658-035-11



SW-749 -B SIDE-
 HDW-500
 1-658-035-11



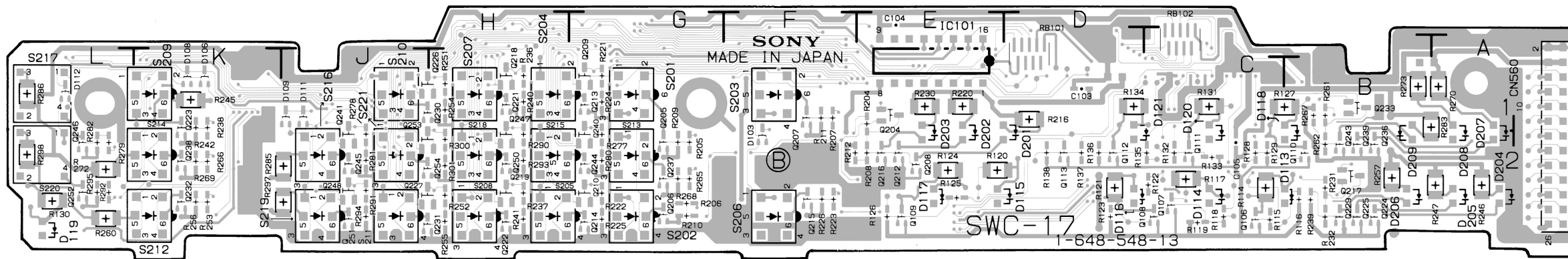
HDW-500 (J) : S/N 10001 and Higher
 HDW-500 (UC) : S/N 10001 and Higher

SWC-17D -A SIDE-
 HDW-500
 1-648-548-13

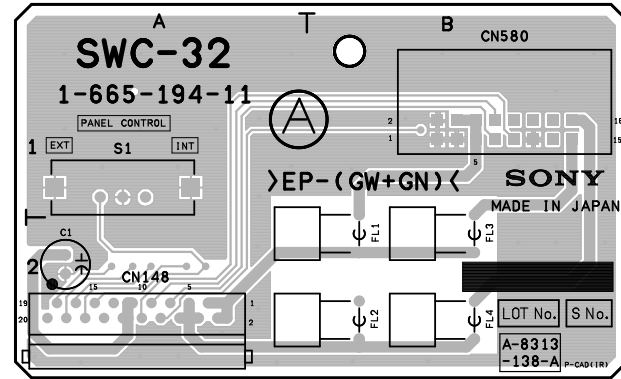
SWC-17D (1-648-548-13)

CN560	A2	Q237	*G2
		Q238	*K2
D101	G1	Q239	*B2
D102	G1	Q240	*G2
D103	*F2	Q241	*J2
D104	H1	Q242	L2
D105	H1	Q243	*B2
D106	*K1	Q244	*G2
D107	G1	Q245	*J2
D108	*K1	Q246	*L2
D109	*J1	Q247	*H2
D110	H1	Q248	*J2
D111	*J1	Q249	L2
D112	*L1	Q250	*H2
D113	B2	Q251	*J2
D114	C2	Q252	*L2
D115	E2	Q253	*J2
D116	D2	Q254	*J2
D117	E2		
D118	B2	RB101	*D1
D119	L2	RB102	*C1
D120	C2		
D121	D2	S201	G1
D201	E2	S202	G2
D202	E2	S203	F1
D203	E2	S204	H1
D204	A2	S205	H2
D205	A2	S206	F2
D206	B2	S207	H1
D207	A2	S208	H2
D208	A2	S209	K1
D209	B2	S210	J1
		S211	J2
		S212	K2
		S213	G2
		S214	K2
		S215	H2
		S216	J2
		S217	L1
		S218	H2
		S219	J2
		S220	L2
		S221	J2
IC101	E1		
Q101	D1		
Q102	D1		
Q103	D1		
Q104	D1		
Q105	D1		
Q106	*C2		
Q107	*C2		
Q108	*C2		
Q109	*E2		
Q110	*B2		
Q111	*C2		
Q112	*D2		
Q113	*D2		
Q114	C1		
Q115	C1		
Q116	C1		
Q117	C1		
Q118	C1		
Q119	C1		
Q120	C1		
Q121	C1		
Q201	G2		
Q202	G2		
Q203	F1		
Q204	*E1		
Q205	*G2		
Q206	*G2		
Q207	*F1		
Q208	*E2		
Q209	*G1		
Q210	*G2		
Q211	F2		
Q212	*E2		
Q213	*G1		
Q214	*G2		
Q215	*F2		
Q216	*E2		
Q217	*B2		
Q218	*H1		
Q219	*H2		
Q220	K1		
Q221	*H1		
Q222	*H2		
Q223	*K1		
Q224	*B2		
Q225	*B2		
Q226	*J1		
Q227	*J2		
Q228	K2		
Q229	*B2		
Q230	*J1		
Q231	*J2		
Q232	*K2		
Q233	*B1		
Q234	G2		
Q235	K2		
Q236	*B2		

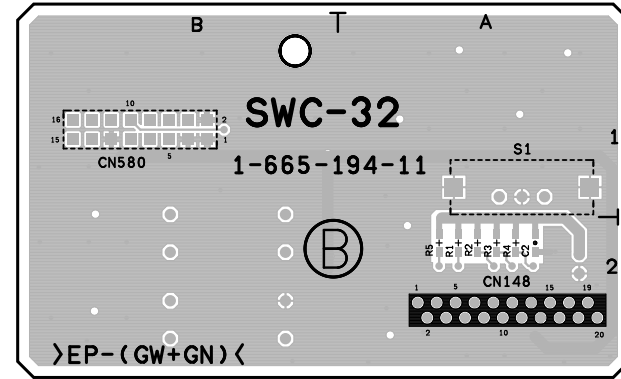
* : B SIDE



SWC-17D -B SIDE-
 HDW-500
 1-648-548-13



SWC-32 -A SIDE-
HDW-500
1-665-194-11

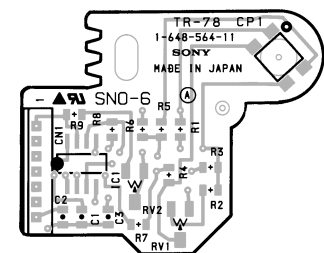


SWC-32 -B SIDE-
HDW-500
1-665-194-11

HDW-500 (J) : S/N 10001 and Higher
HDW-500 (UC) : S/N 10001 and Higher

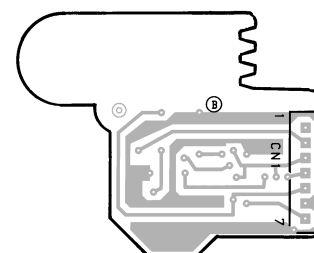
SWC-32 (1-665-194-11)

CN148	A2
CN580	B1
FL1	B2
FL2	B2
FL3	B2
FL4	B2
S1	A1

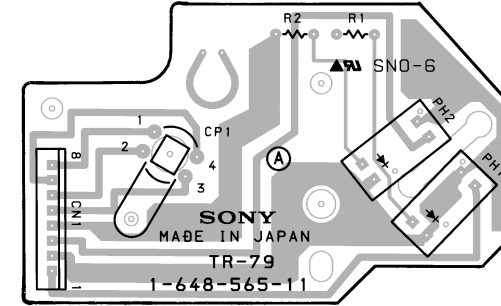


TR-78 -A SIDE-
HDW-500
1-648-564-11

HDW-500 (J) : S/N 10001 and Higher
HDW-500 (UC) : S/N 10001 and Higher

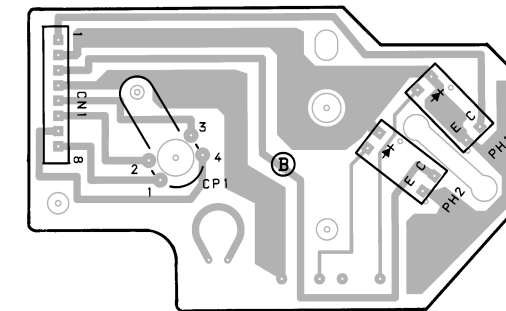


TR-78 -B SIDE-
HDW-500
1-648-564-11

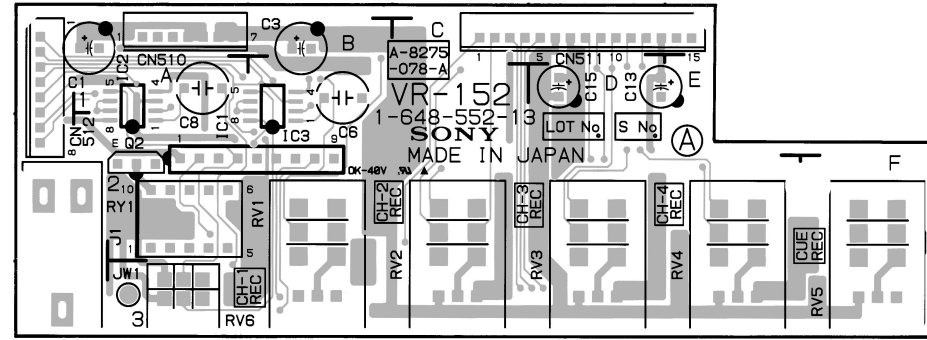


TR-79 -A SIDE-
HDW-500
1-648-565-11

HDW-500 (J) : S/N 10001 and Higher
HDW-500 (UC) : S/N 10001 and Higher

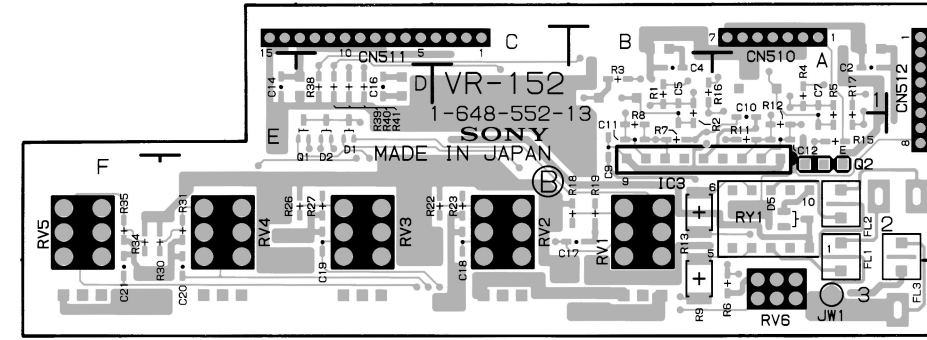


TR-79 -B SIDE-
HDW-500
1-648-565-11



HDW-500 (J) : S/N 10001 and Higher
 HDW-500 (UC) : S/N 10001 and Higher

VR-152 -A SIDE-
 HDW-500
 1-648-552-13

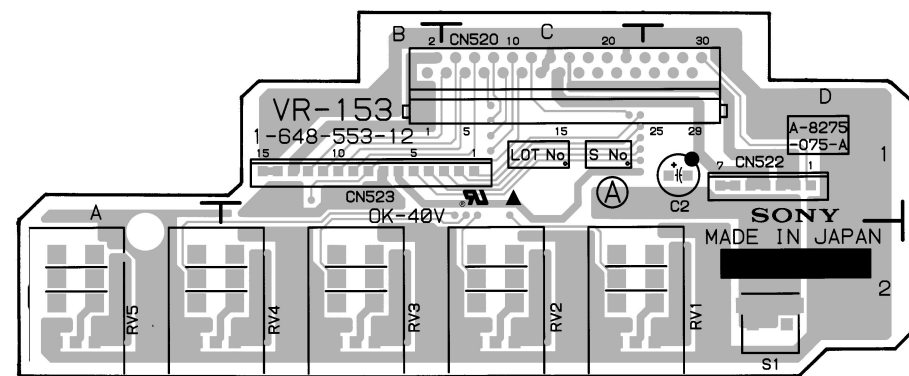


VR-152 -B SIDE-
 HDW-500
 1-648-552-13

VR-152 (1-648-552-13)

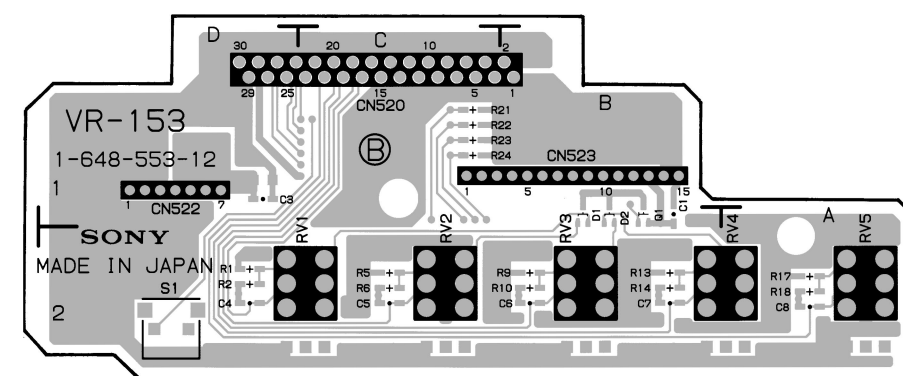
CN510	A1	J1	A2
CN511	D1		
CN512	A1	Q1	*D2
		Q2	A2
D1	*D2		
D2	*D2	RV1	B2
D5	*A2	RV2	C2
		RV3	D2
FL1	*A2	RV4	E2
FL2	*A2	RV5	F2
FL3	*A2	RV6	A3
IC1	B2	RY1	A2
IC2	A2		
IC3	A2		
JW1	A3		

* : B SIDE



HDW-500 (J) : S/N 10001 and Higher
 HDW-500 (UC) : S/N 10001 and Higher

VR-153 -A SIDE-
 HDW-500
 1-648-553-12



VR-153 -B SIDE-
 HDW-500
 1-648-553-12

VR-153 (1-648-553-13)

CN520	C1		
CN522	D1		
CN523	B1		
D1	*B1		
D2	*B1		
Q1	*B1		
RV1	C2		
RV2	C2		
RV3	B2		
RV4	A2		
RV5	A2		
S1	D2		

* : B SIDE

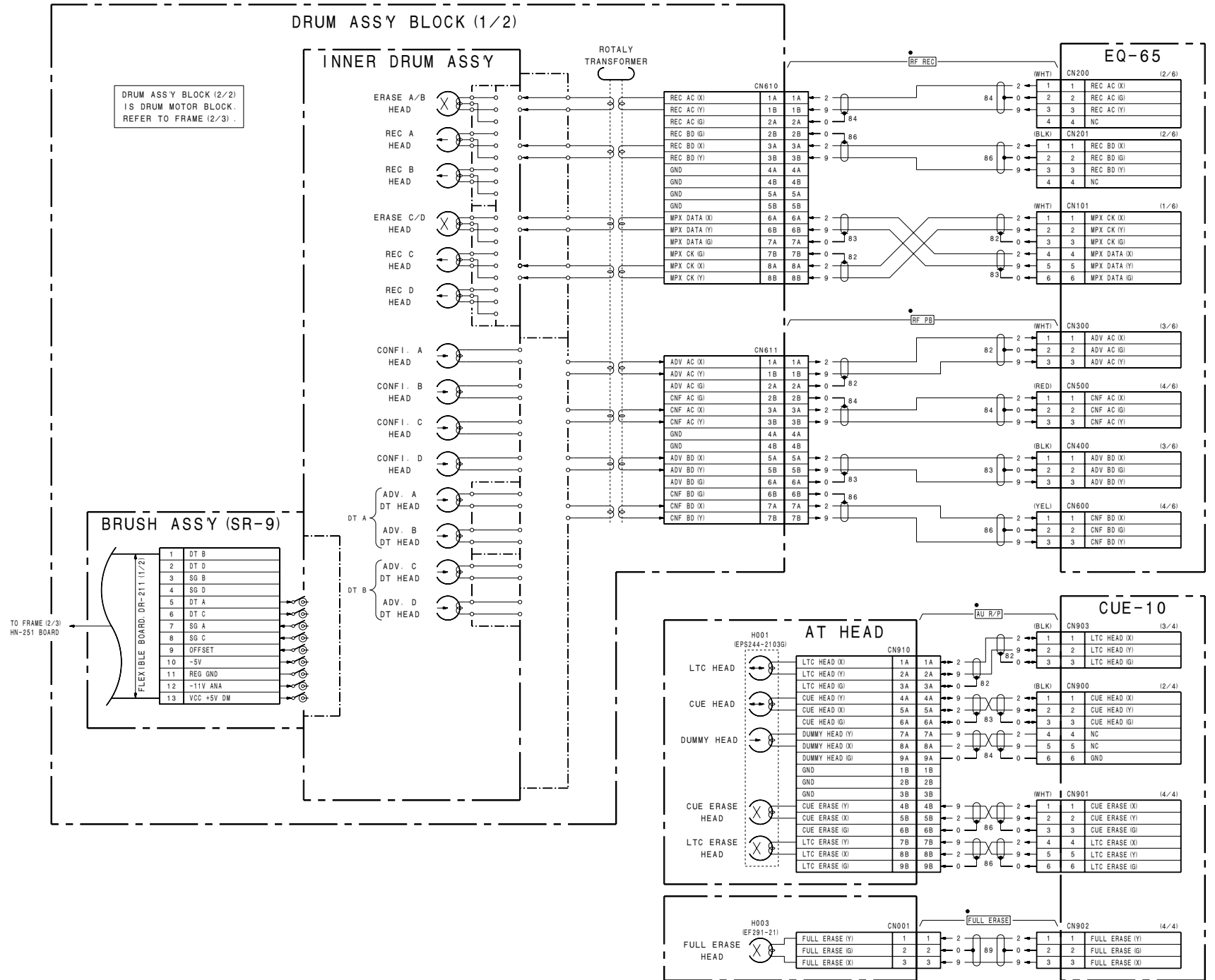
Section 6 Schematic Diagrams

INDEX

No.	Board name	Circuit function	Page
1	Frame Wiring		6-2
2	AC-169	AC connector board with Breaker	6-7 (Frame Wiring)
3	APR-32	Audio signal processor (A-D, D-A, AES/EBU interface)	6-8
4	CCM-15	Reel shift/threading motor	6-4 (Frame Wiring)
5	CL-29	Cassette up/down motor, Cassette down sensors	6-4 (Frame Wiring)
6	CP-266A	CPU board for Control panel	6-26
7	CP-298	Rear panel connector board (Analog video signal buffer)	6-30
8	CP-299	Rear panel connector board (Analog/Digital audio, TC) (For J)	6-32
9	CP-299A	Rear panel connector board (Analog/Digital audio, TC) (For UC)	6-34
10	CUE-10	CUE, TC REC/PB and LAU PB circuit	6-37
11	DCP-11	HD-525 Down-converter (Option board HKDV-501)	6-48
12	DIF-43A	HD serial digital interface with Embedded audio	6-58
13	DPR-89	Digital data processor (Encoder/Decoder, Error correction)	6-78
14	DPR-104	Digital data processor (Editing process board) (Option board HKDV-505)	6-108
15	DR-307	Motors (Drum, Reel Capstan, etc.) driver, Solenoids driver	6-112
16	DT-34C	DT driver	6-121
17	EQ-65	RF equalizer (REC current cont., PB EQ, Analog BETACAM PB buffer)	6-123
18	FP-103	Panel function (Switches, LEDs) control, CAV control level conversion	6-136
19	HN-249	Connection board (Drum etc.) with REC inhibit sensor	6-138
20	HN-250	Connection board (Threading motor, etc.)	6-139
21	HN-251	Connection board with Dew sensor	6-140
22	KY-330A	SW board for Control panel	6-141
23	LP-81	Lamp of cassette compartment	6-4 (Frame Wiring)
24	MB-697	Mother board	6-143
25	PC-70	Cassette-in sensors, Cassette size sensor	6-4 (Frame Wiring)
26	PD-35	Pinch solenoid connection	6-4 (Frame Wiring)
27	PSW-51	DC-DC converter	6-152
28	PTC-54	Threading FG	6-4 (Frame Wiring)
29	PTC-59	Cassette's holes sensor	6-5 (Frame Wiring)
30	PTC-69	Search dial sensor	6-3 (Frame Wiring)
31	PTC-71	Reel position sensor	6-4 (Frame Wiring)
32	RM-82	S/T reel motor	6-5 (Frame Wiring)
33	SS-75	System, Servo, DT control	6-154
34	SE-344	S/T reel FG	6-5 (Frame Wiring)
35	SW-749	Function control switches	6-181
36	SWC-17D	Upper panel function (Switches, LEDs)	6-182
37	SWC-32	Int/Ext Control panel select	6-185
38	TR-78	S tention sensor, Threading-end and Unthreading sensors	6-4 (Frame Wiring)
39	TR-79	T tention sensor	6-4 (Frame Wiring)
40	VR-152	Audio REC Level VRs	6-6 (Frame Wiring)
41	VR-153	Audio PB Level VRs	6-6 (Frame Wiring)

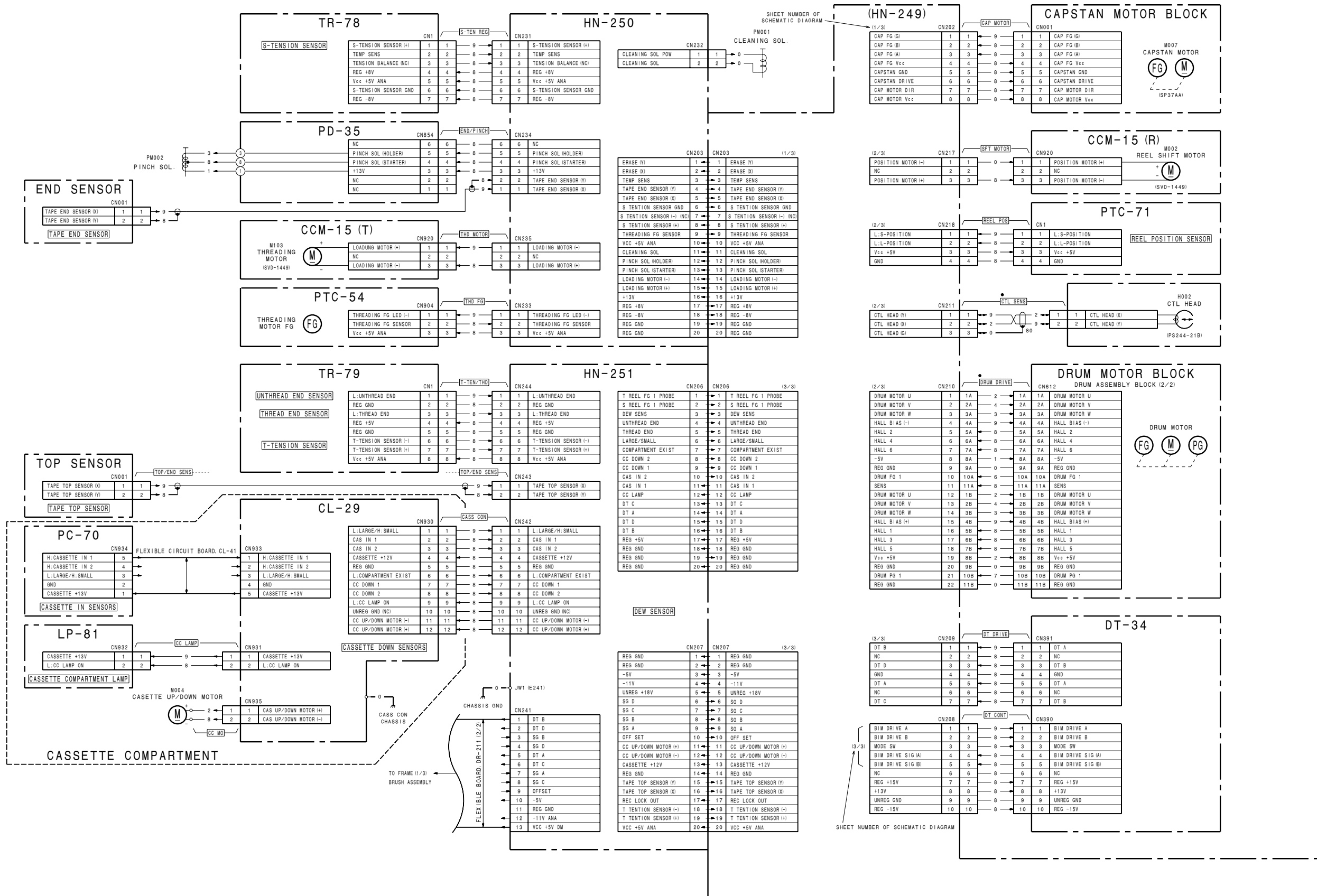
6-1. Frame Wiring

1 HDW-500 (J) : S/N 10001 and Higher
 HDW-500 (UC): S/N 10001 and Higher





HDW-500 (J) : S/N 10001 and Higher
 HDW-500 (UC): S/N 10001 and Higher



1

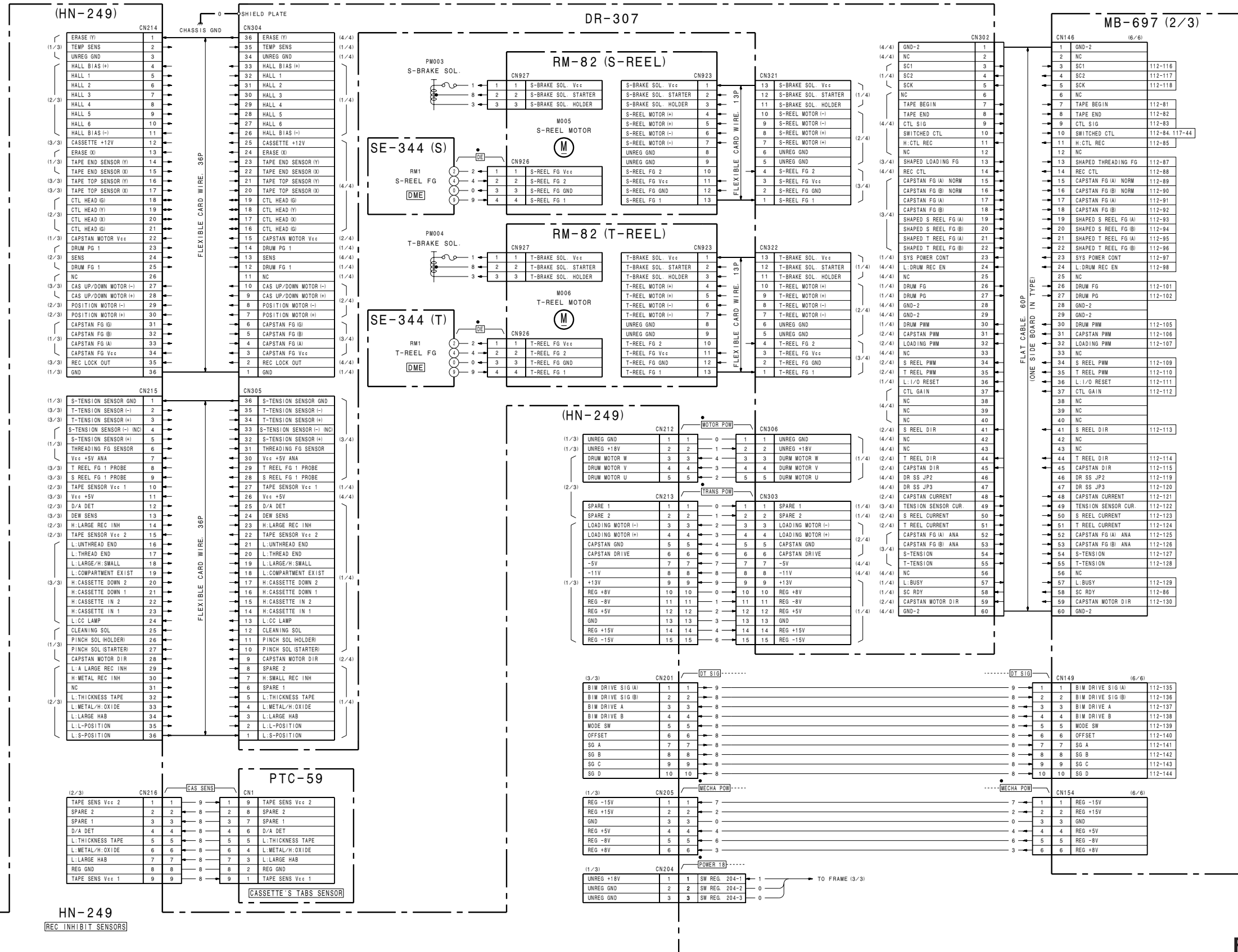
2

3

4

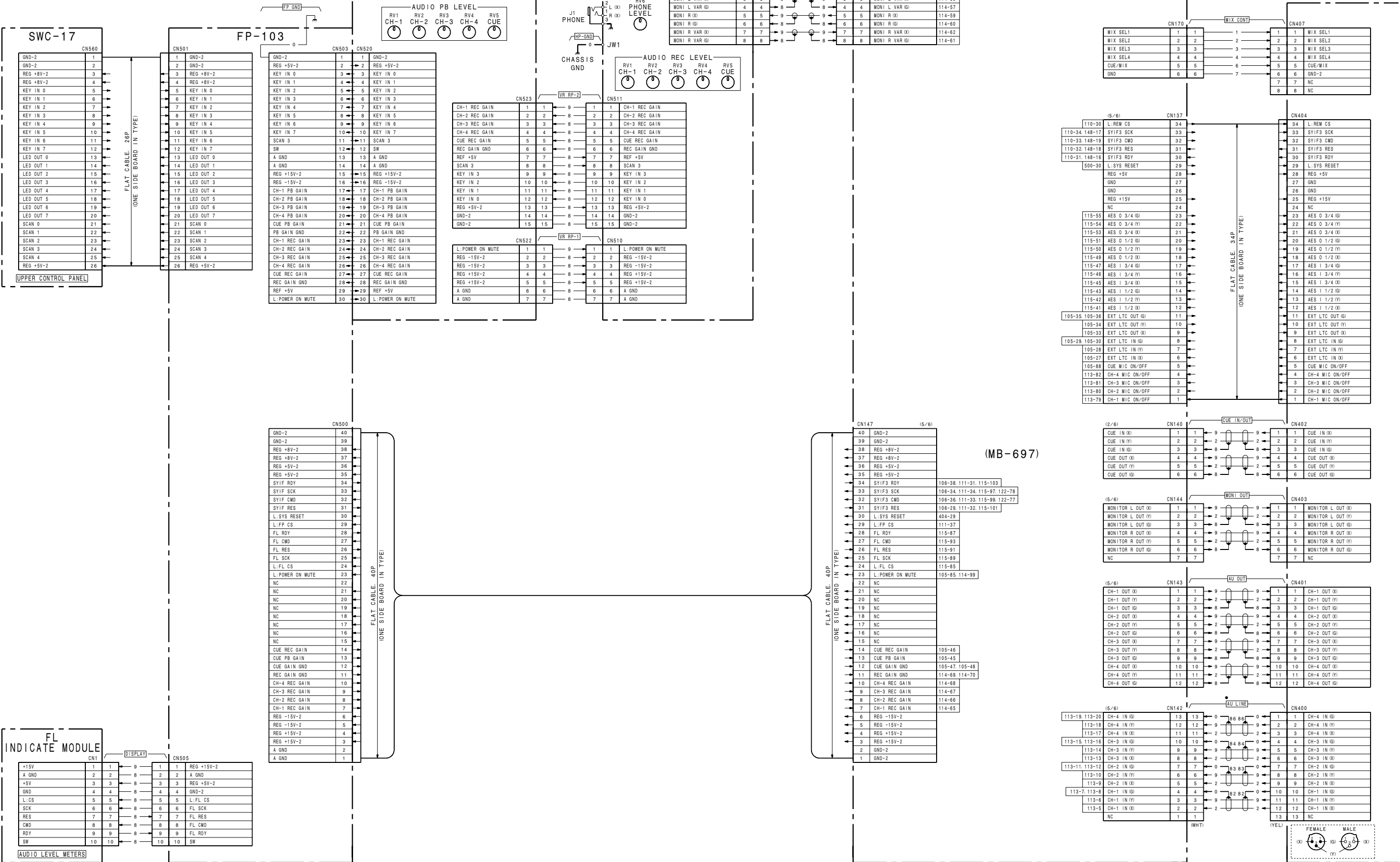
5

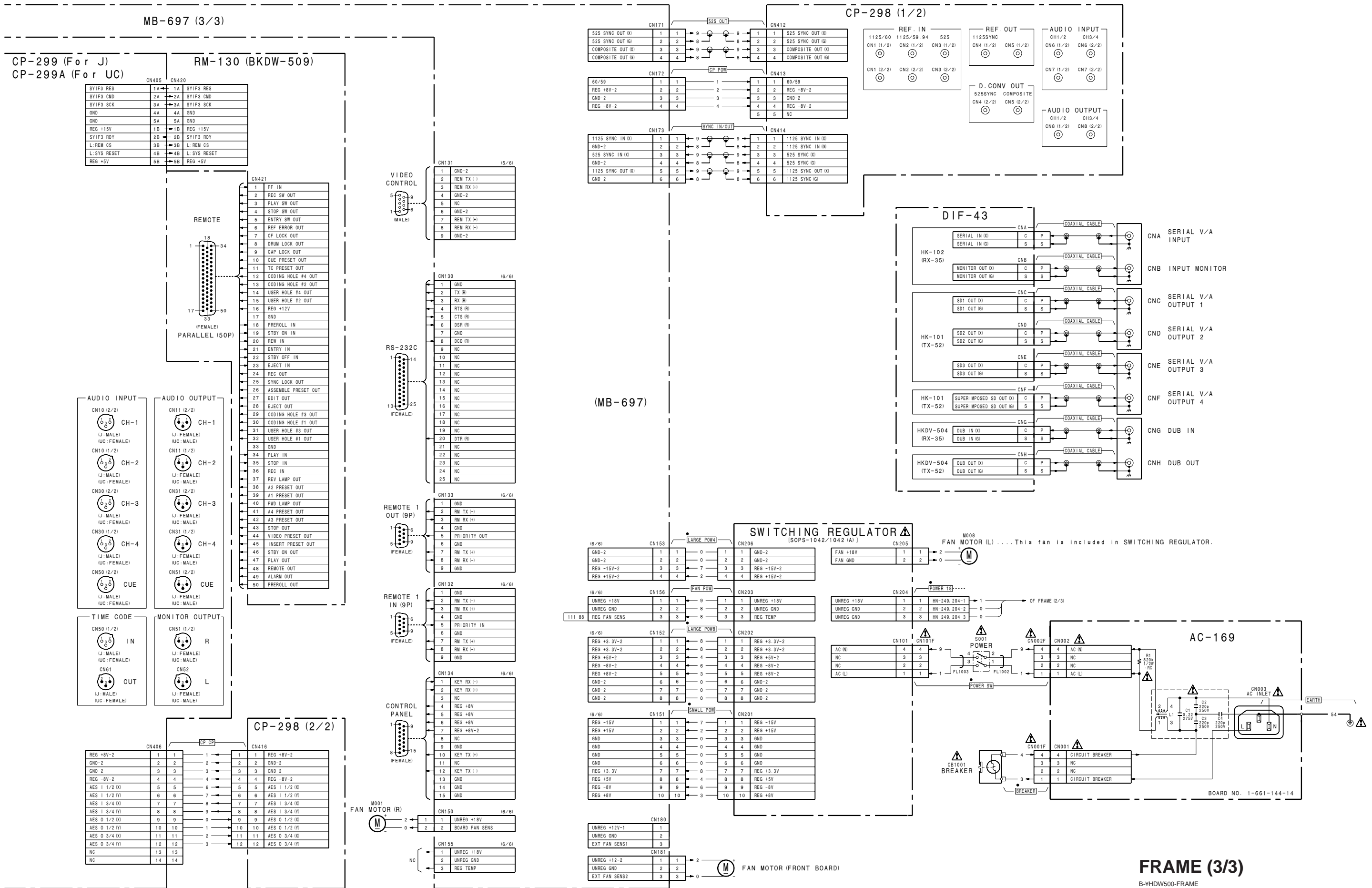
A B C D E F G H



HDW-500 (J) : S/N 10001 and Higher
 HDW-500 (UC) : S/N 10001 and Higher

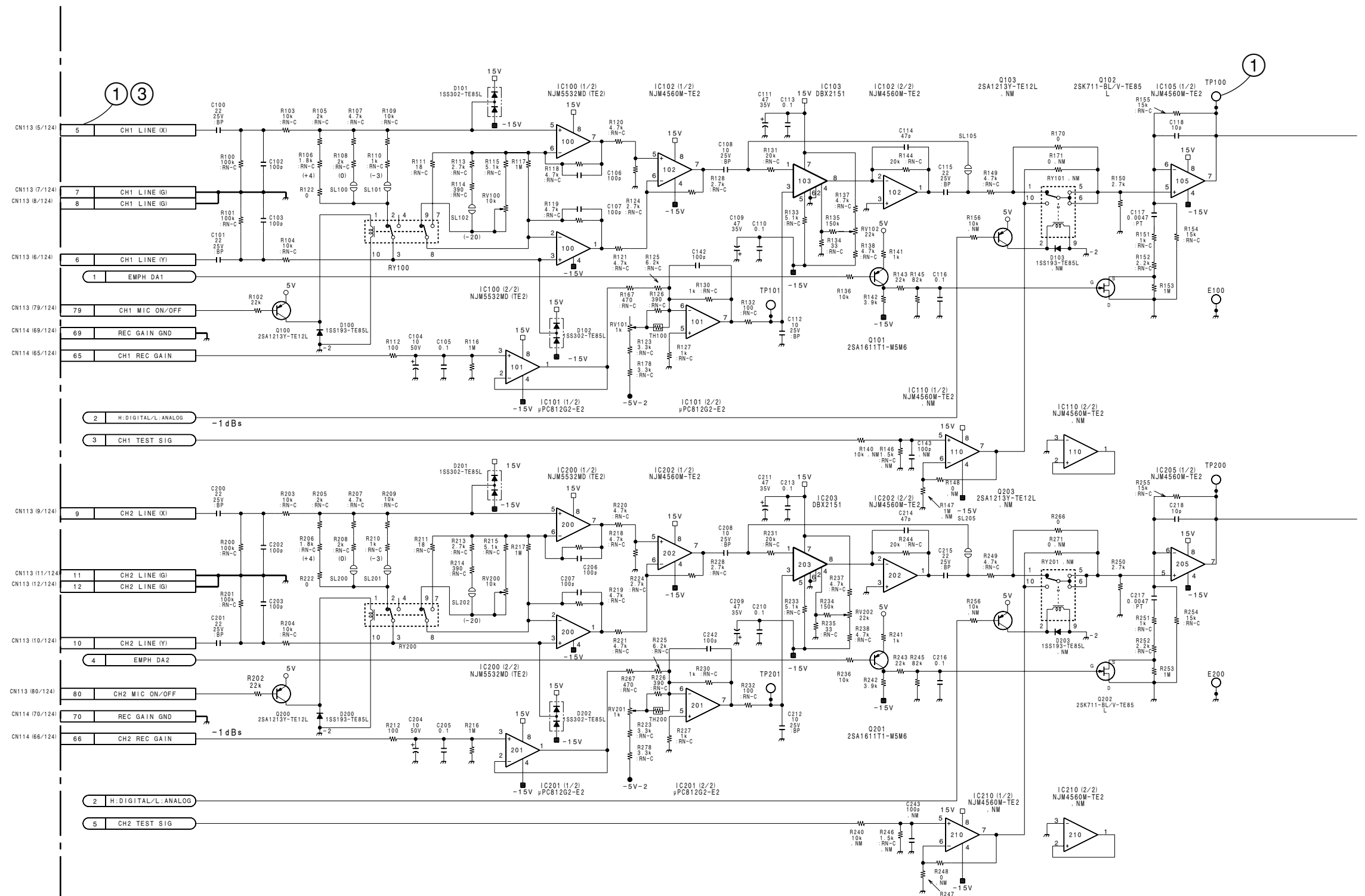
SHEET NUMBER OF SCHEMATIC DIAGRAM

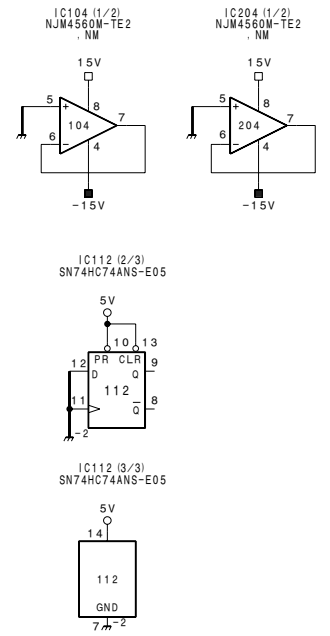
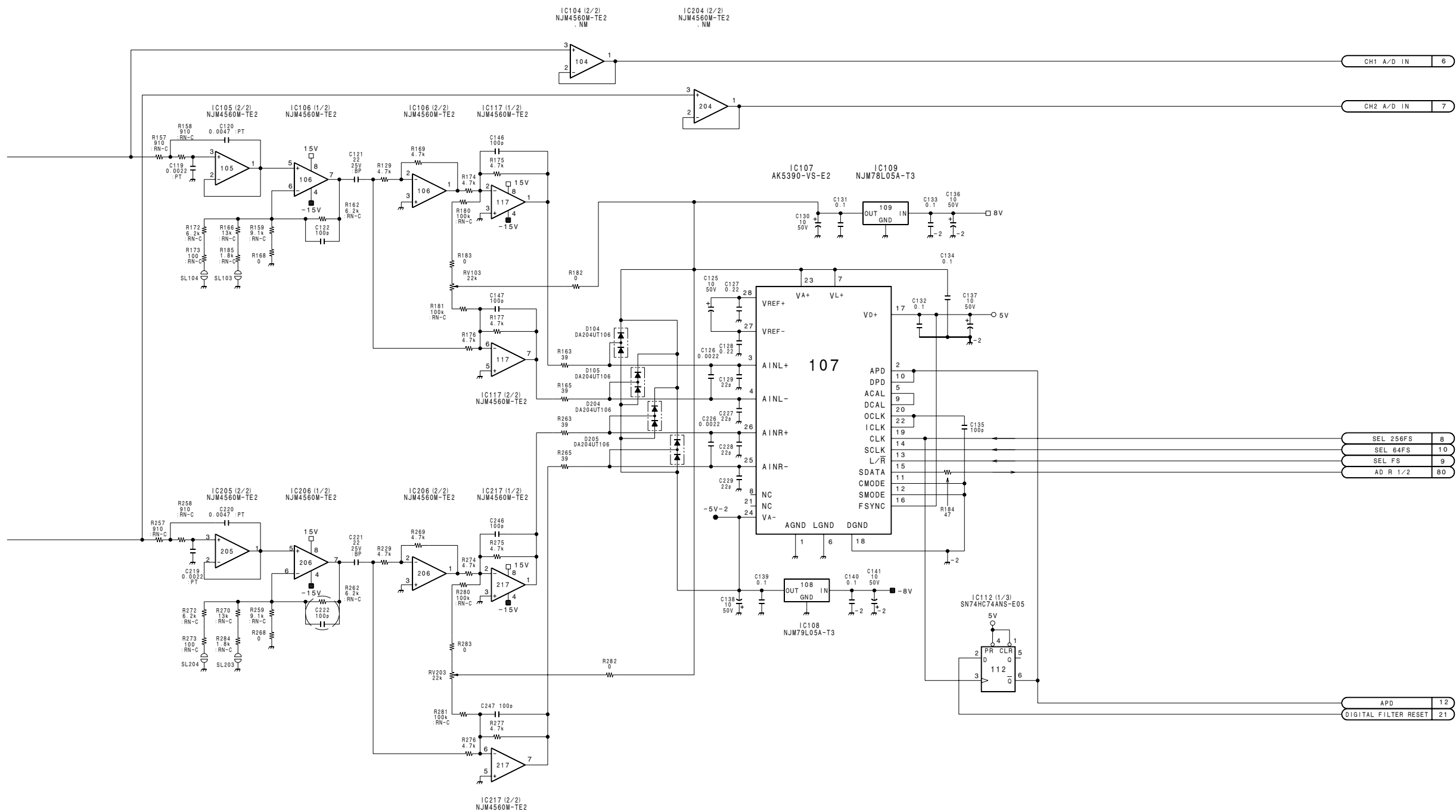




6-2. Schematic Diagrams

HDW-500 (J) : S/N 10001 and Higher
 HDW-500 (UC): S/N 10001 and Higher





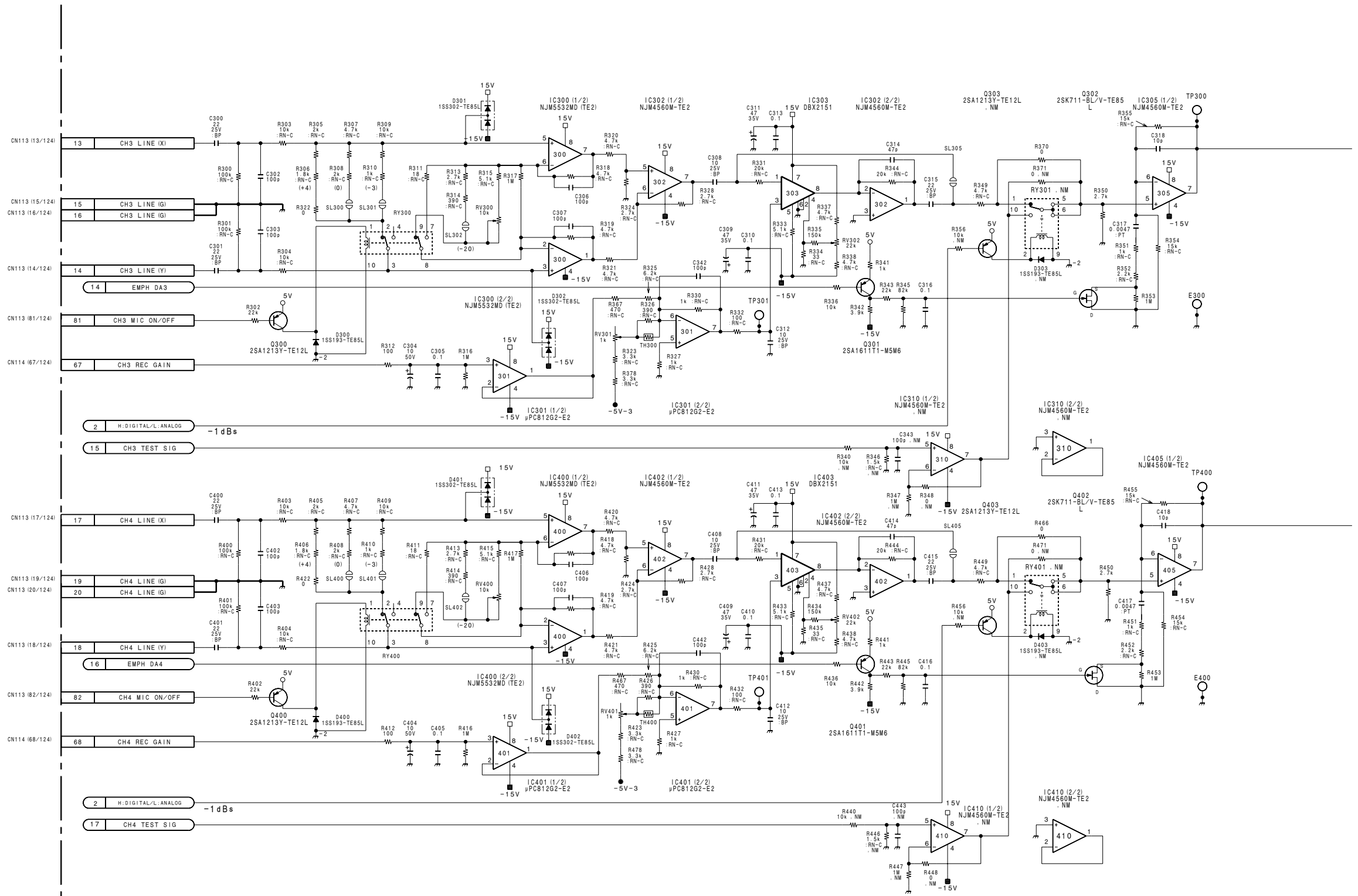
CH1 A/D IN 6

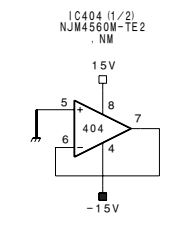
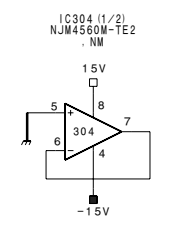
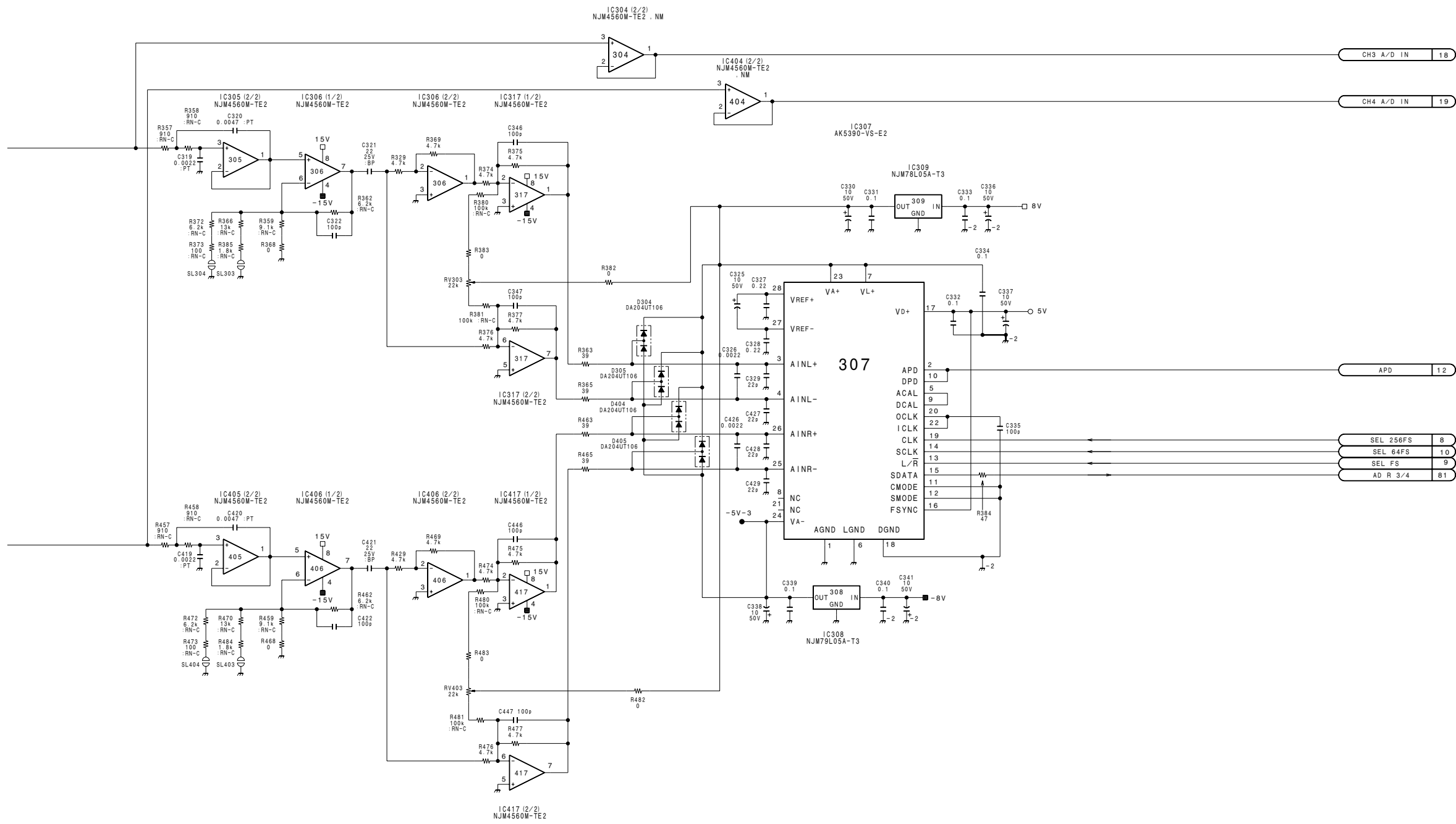
CH2 A/D IN 7

SEL 256FS 8
SEL 64FS 10
SEL FS 9
AD R 1/2 80

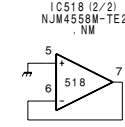
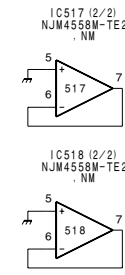
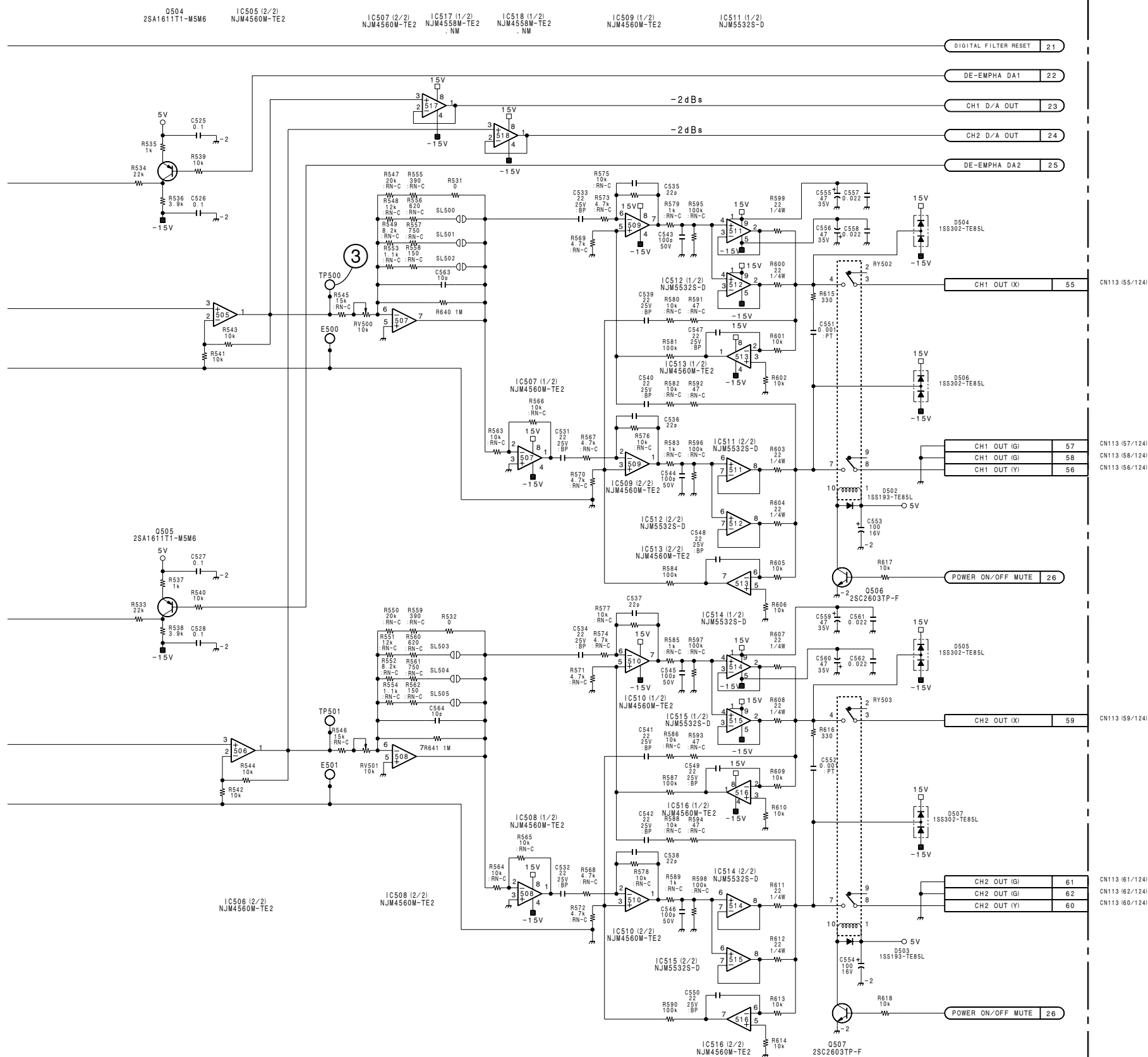
APD 12
DIGITAL FILTER RESET 21

HDW-500 (J) : S/N 10001 and Higher
HDW-500 (UC): S/N 10001 and Higher



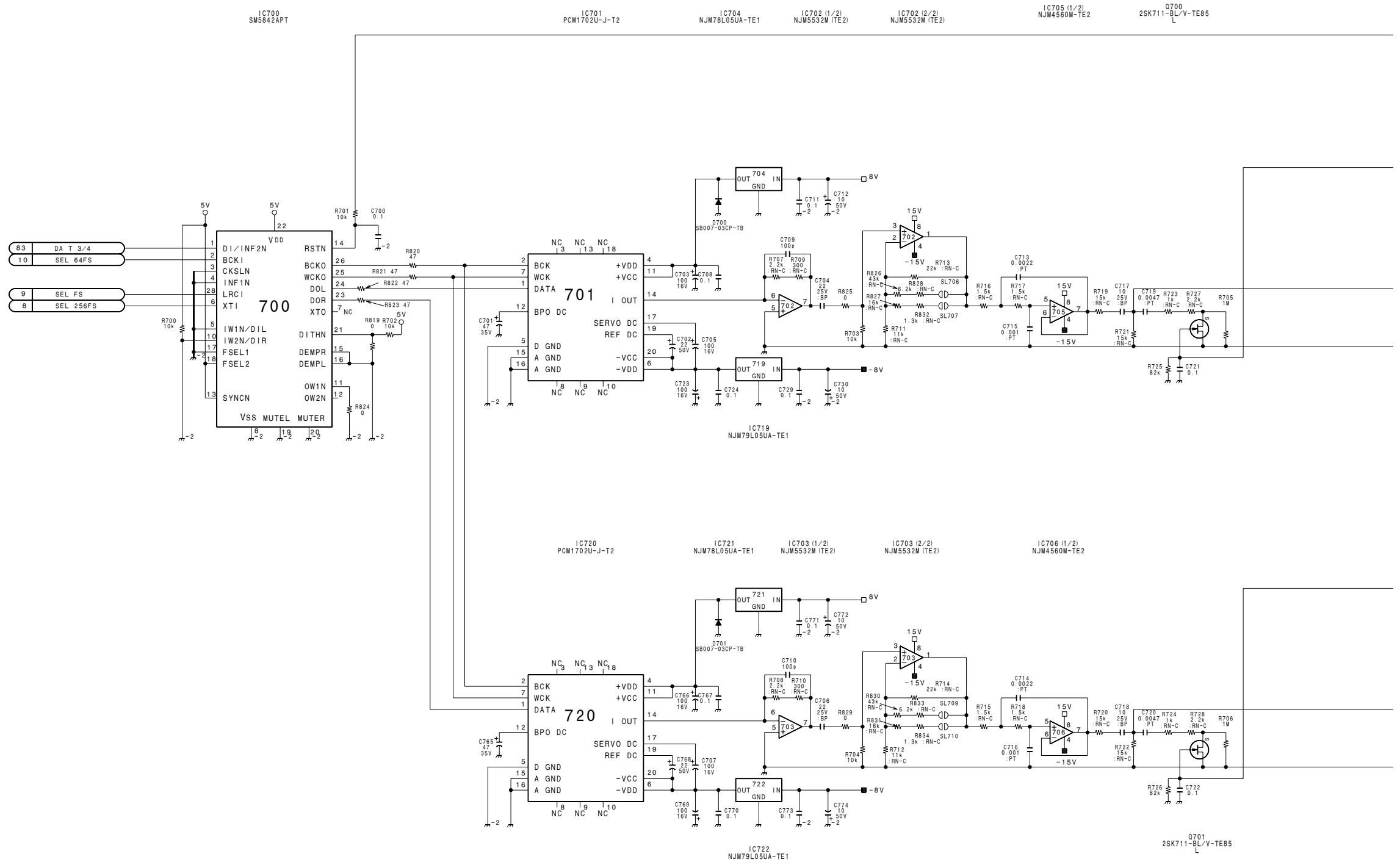


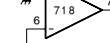
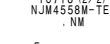
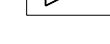
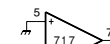
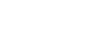
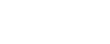
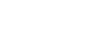
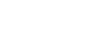
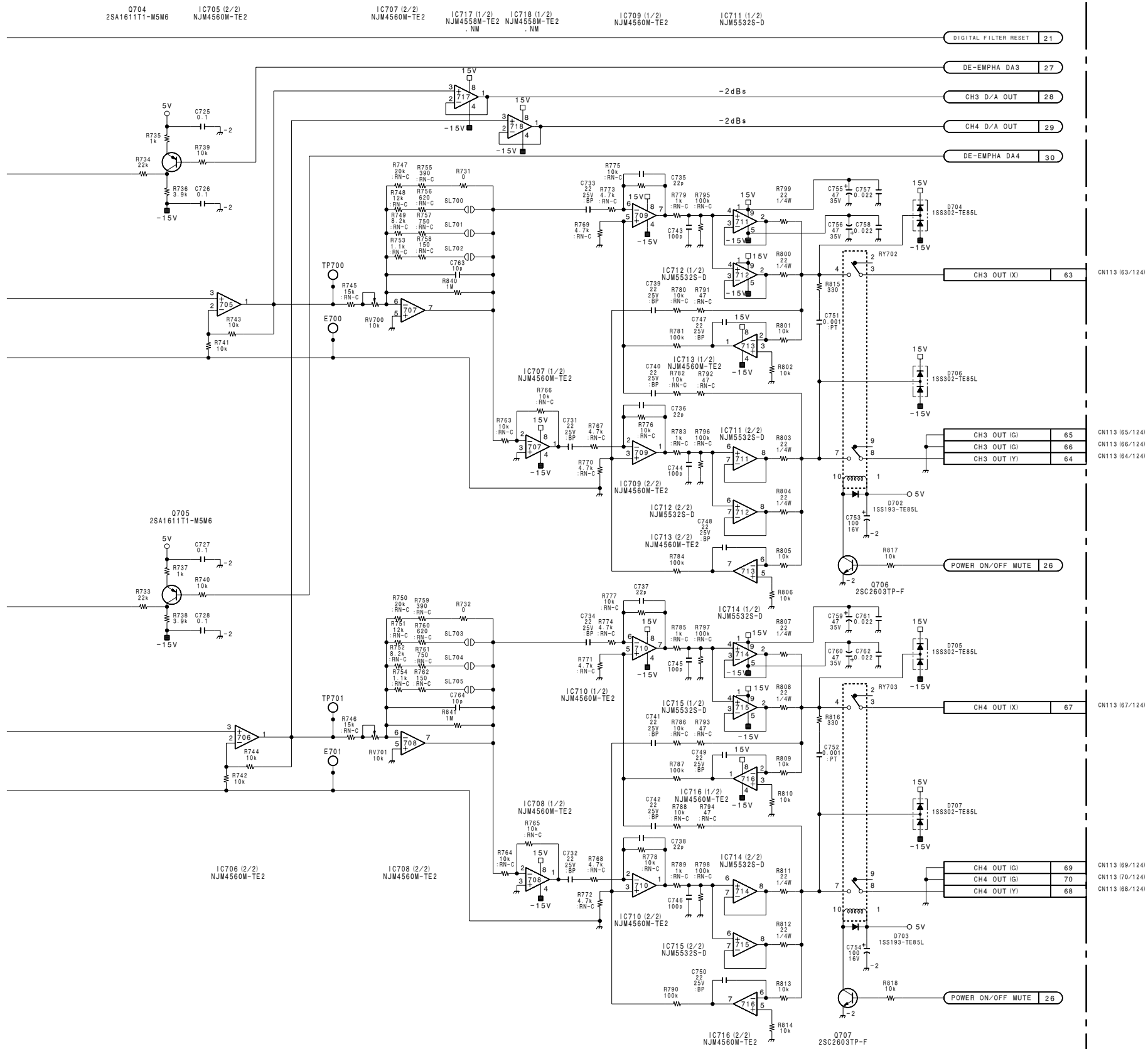
Audio signal processor
(A-D, D-A, AES/EBU interface)
APR-32 (2/9)
HDW-500
BOARD NO. 1-664-904-11
HDW-500 (J) : LOT NO. 611-
HDW-500 (UC) : LOT NO. 707-
B-VHDW500-APR32-11-®



Audio signal processor
 (A-D, D-A, AES/EBU interface)
APR-32 (3/9)
 HDW-500
 BOARD NO. 1-664-904-11
 HDW-500 (J) : LOT NO. 611-
 HDW-500 (UC) : LOT NO. 707-
 B-VHDW500-APR32-11-@

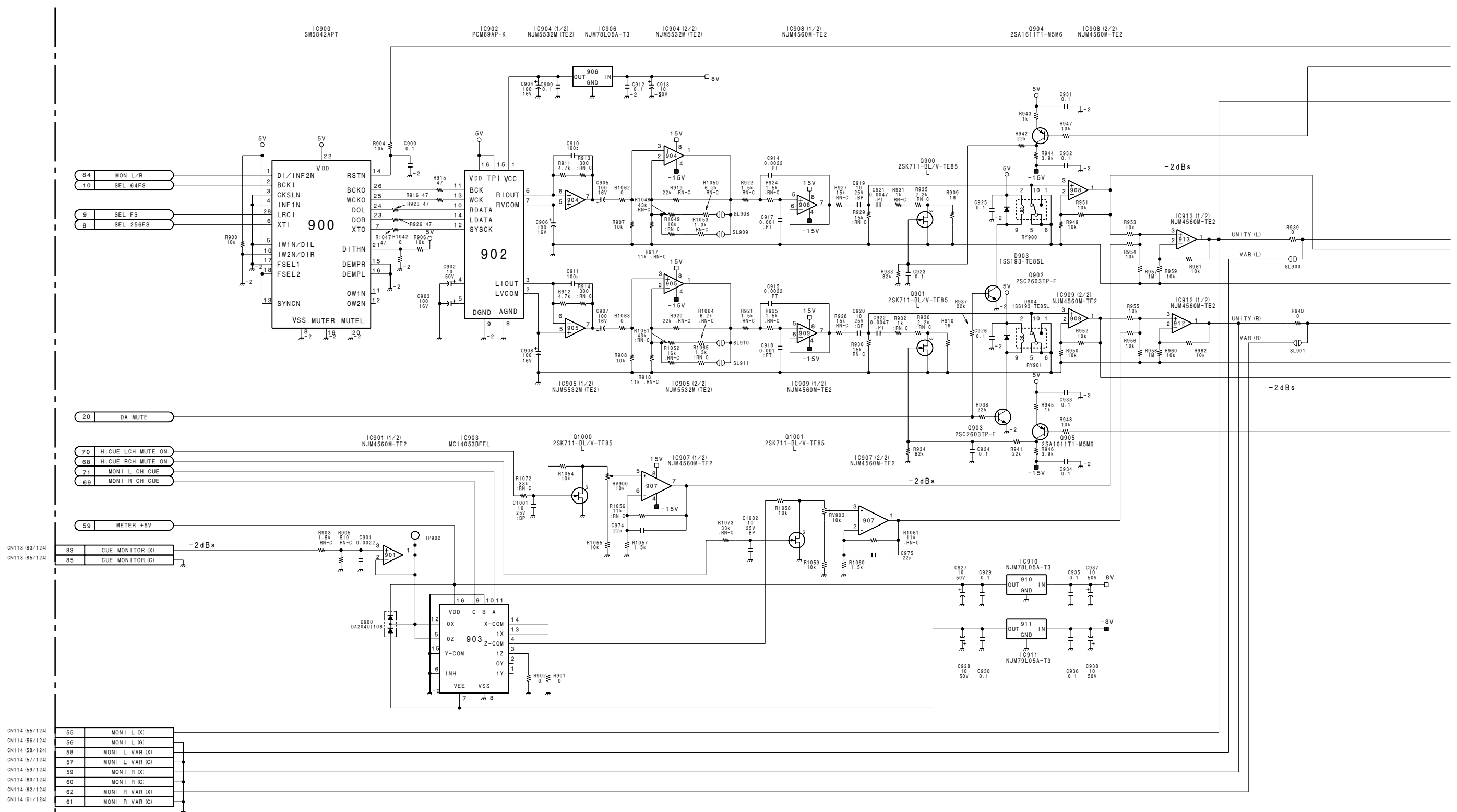
HDW-500 (J) : S/N 10001 and Higher
HDW-500 (UC): S/N 10001 and Higher

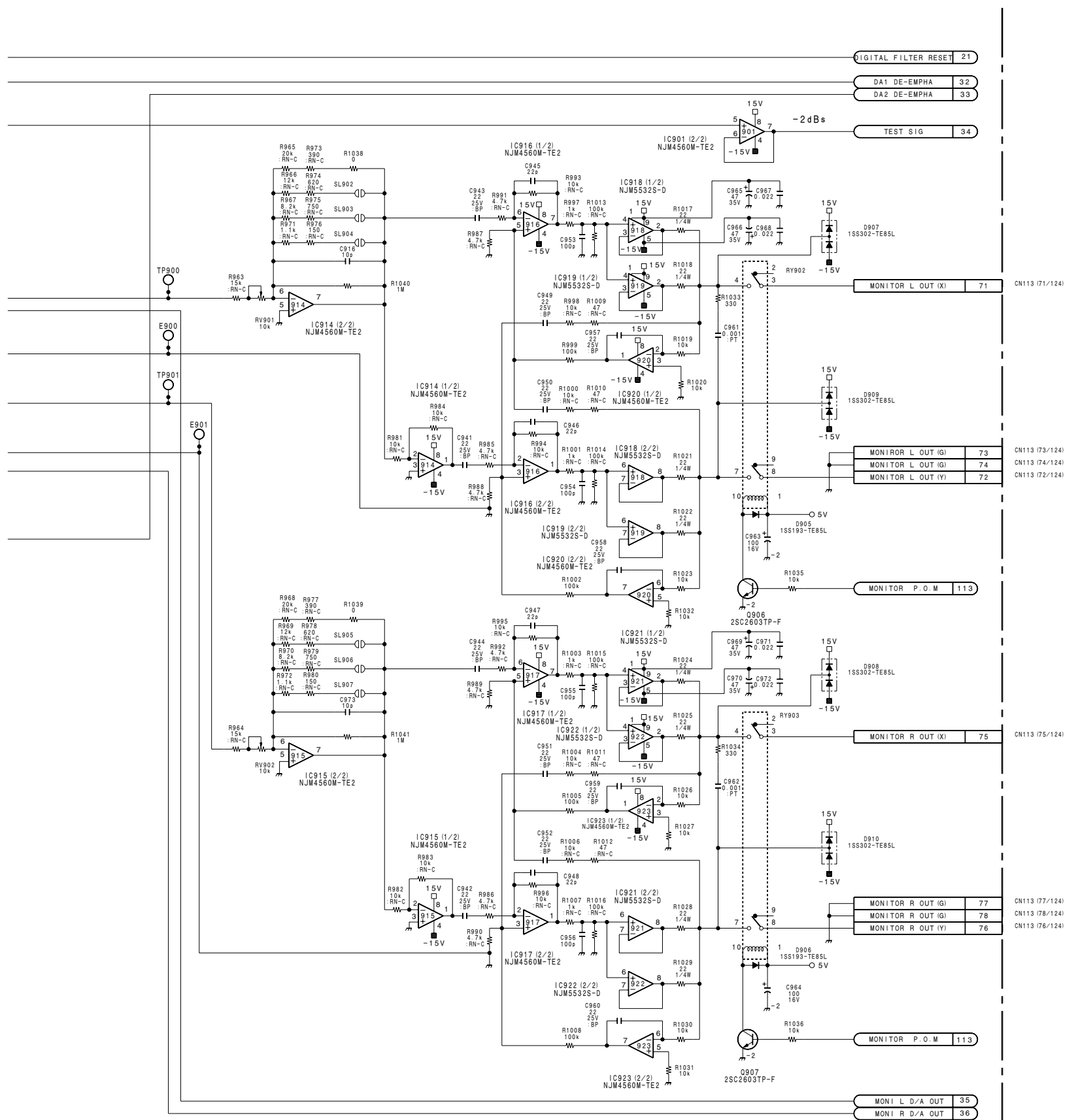




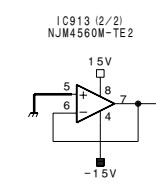
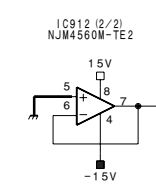
Audio signal processor
 (A-D, D-A, AES/EBU interface)
APR-32 (4/9)
 HDW-500
 BOARD NO. 1-664-904-11
 HDW-500 (J) : LOT NO. 611-
 HDW-500 (UC) : LOT NO. 707-
 B-VHDW500-APR32-11-@

HDW-500 (J) : S/N 10001 and Higher
 HDW-500 (UC) : S/N 10001 and Higher



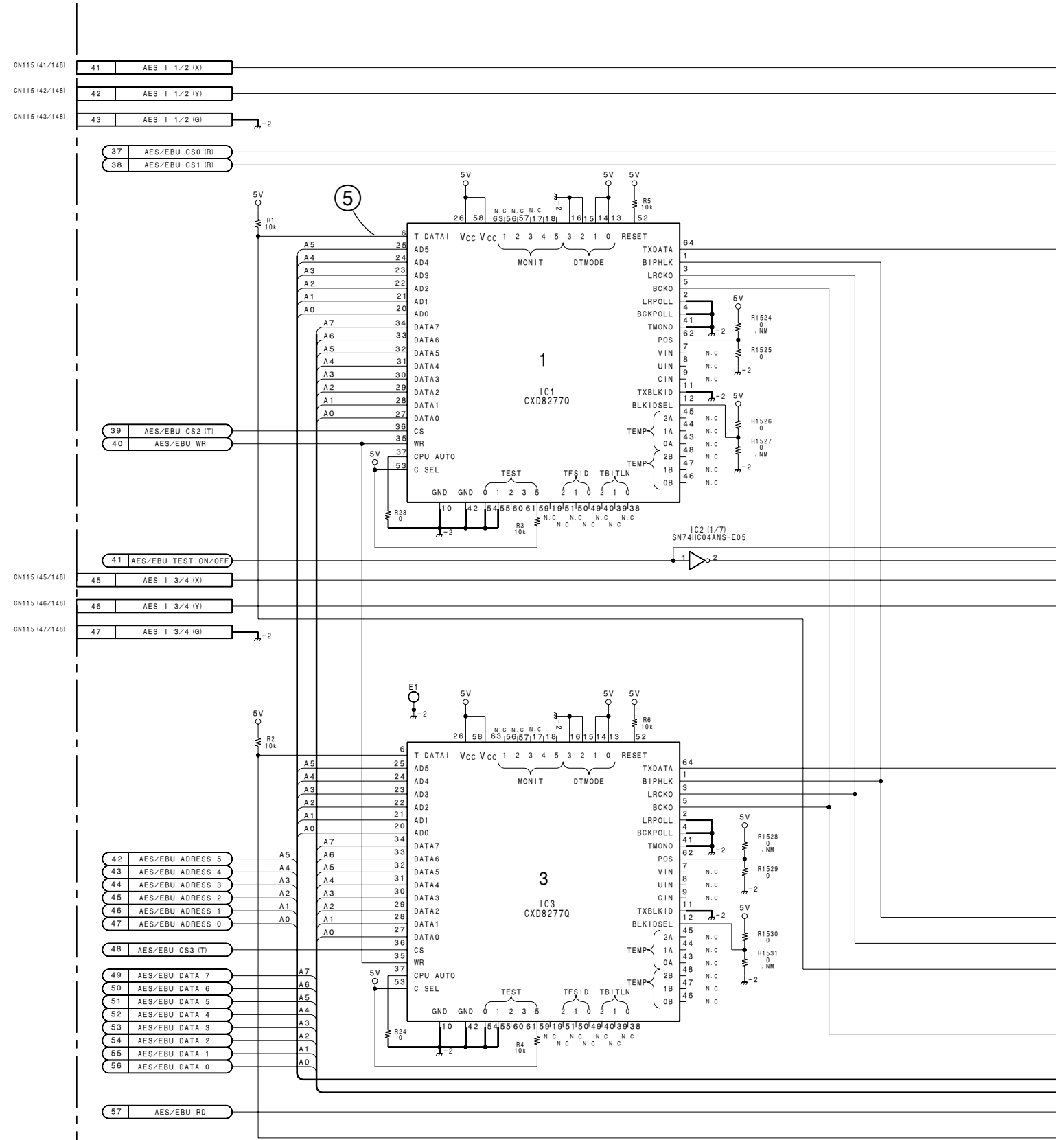


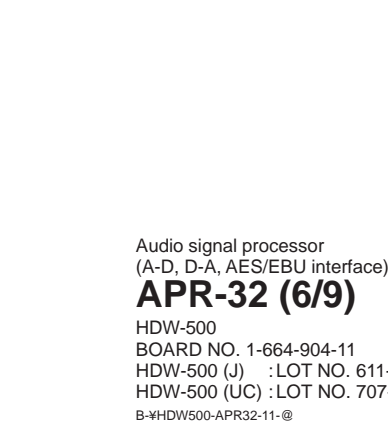
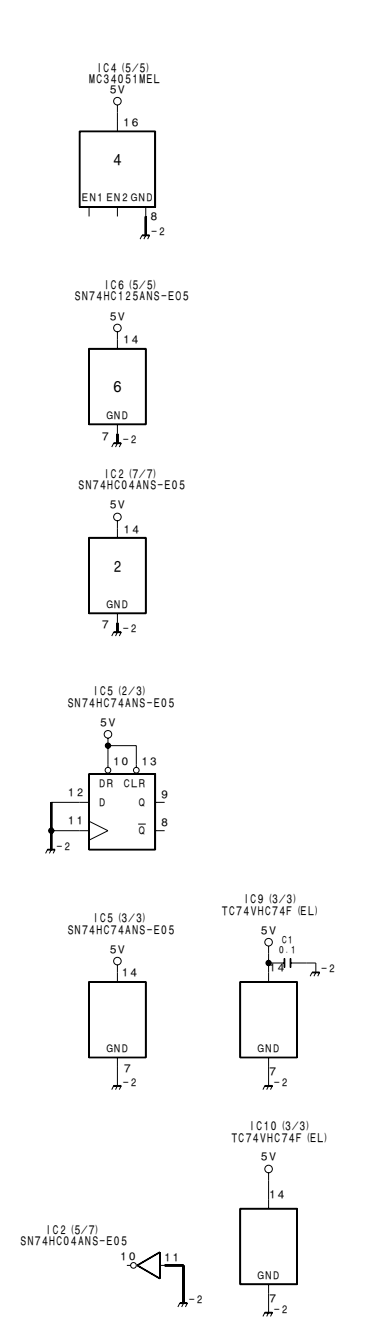
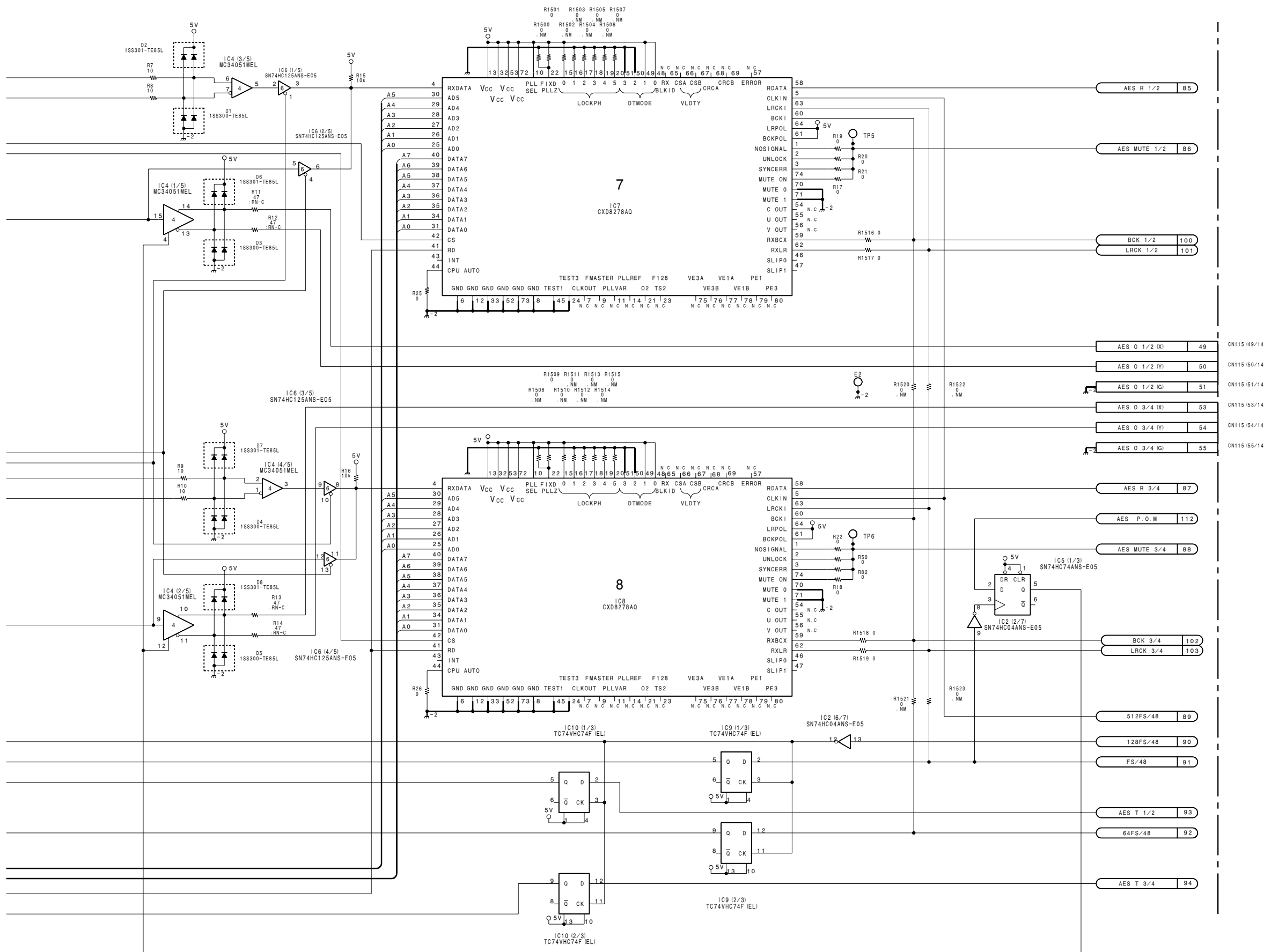
DIGITAL FILTER RESET	21
DA1 DE-EMPHA	32
DA2 DE-EMPHA	33
TEST SIG	34
MONITOR L OUT (X)	71
MONITOR L OUT (Y)	72
MONITOR L OUT (G)	73
MONITOR L OUT (G)	74
MONITOR P. O. M	113
MONITOR R OUT (X)	75
MONITOR R OUT (Y)	76
MONITOR R OUT (G)	77
MONITOR R OUT (G)	78
MONITOR P. O. M	113
MONI L D/A OUT	35
MONI R D/A OUT	36



Audio signal processor
 (A-D, D-A, AES/EBU interface)
APR-32 (5/9)
 HDW-500
 BOARD NO. 1-664-904-11
 HDW-500 (J) : LOT NO. 611-
 HDW-500 (UC) : LOT NO. 707-
 B-VHDW500-APR32-11-@

HDW-500 (J) : S/N 10001 and Higher
HDW-500 (UC) : S/N 10001 and Higher





Audio signal processor
 (A-D, D-A, AES/EBU interface)
APR-32 (6/9)
 HDW-500
 BOARD NO. 1-664-904-11
 HDW-500 (J) : LOT NO. 611-
 HDW-500 (UC) : LOT NO. 707-
 B-VHDW500-APR32-11-@

HDW-500 (J) : S/N 10001 and Higher
 HDW-500 (UC) : S/N 10001 and Higher

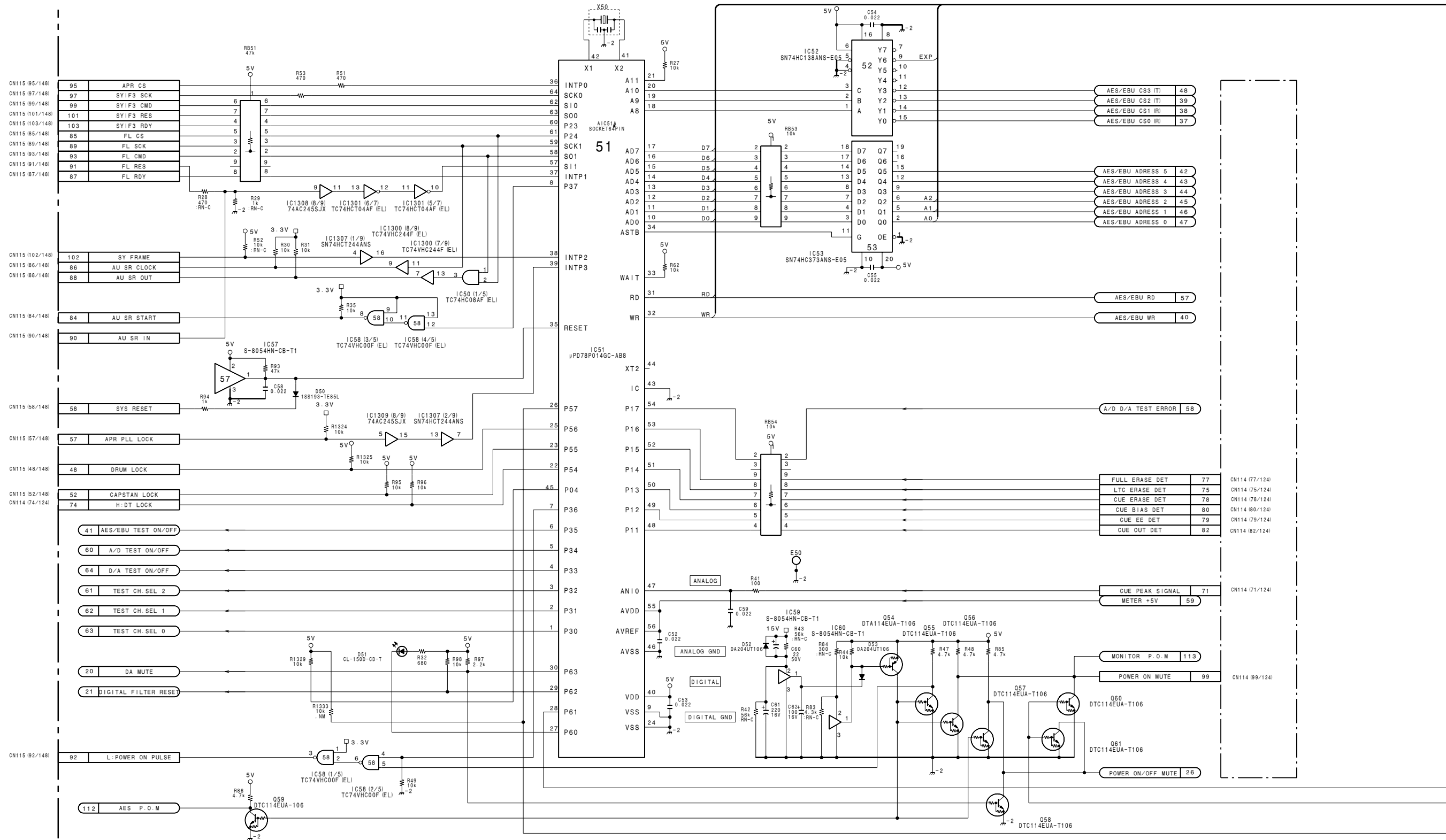
1

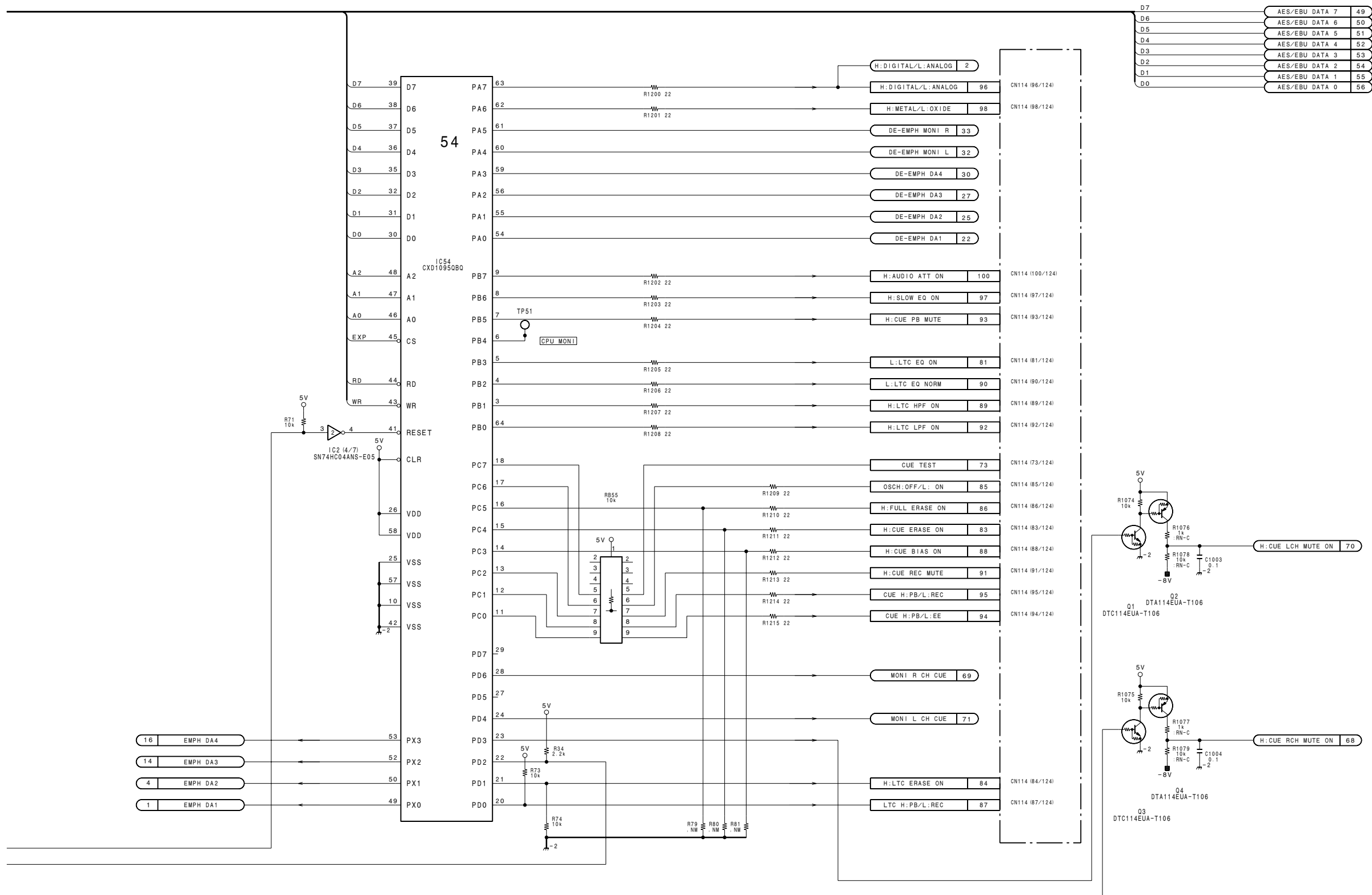
2

3

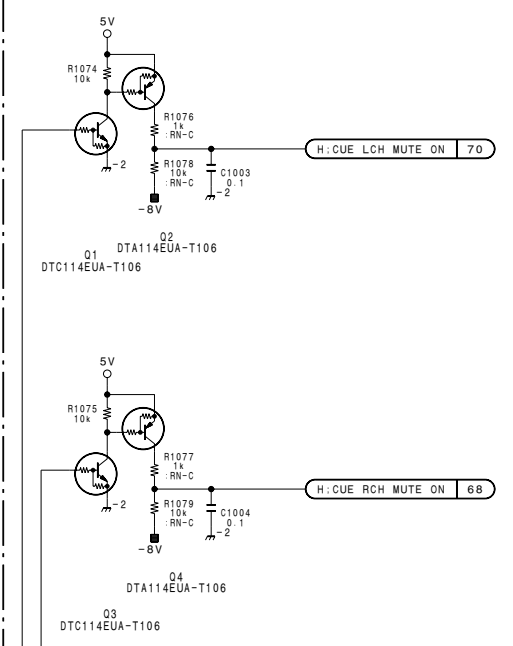
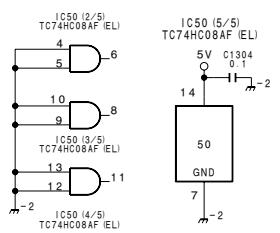
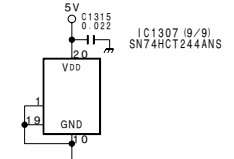
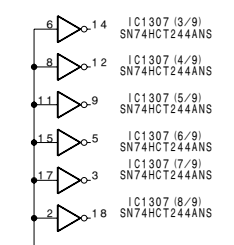
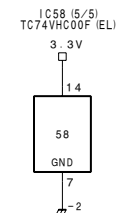
4

5



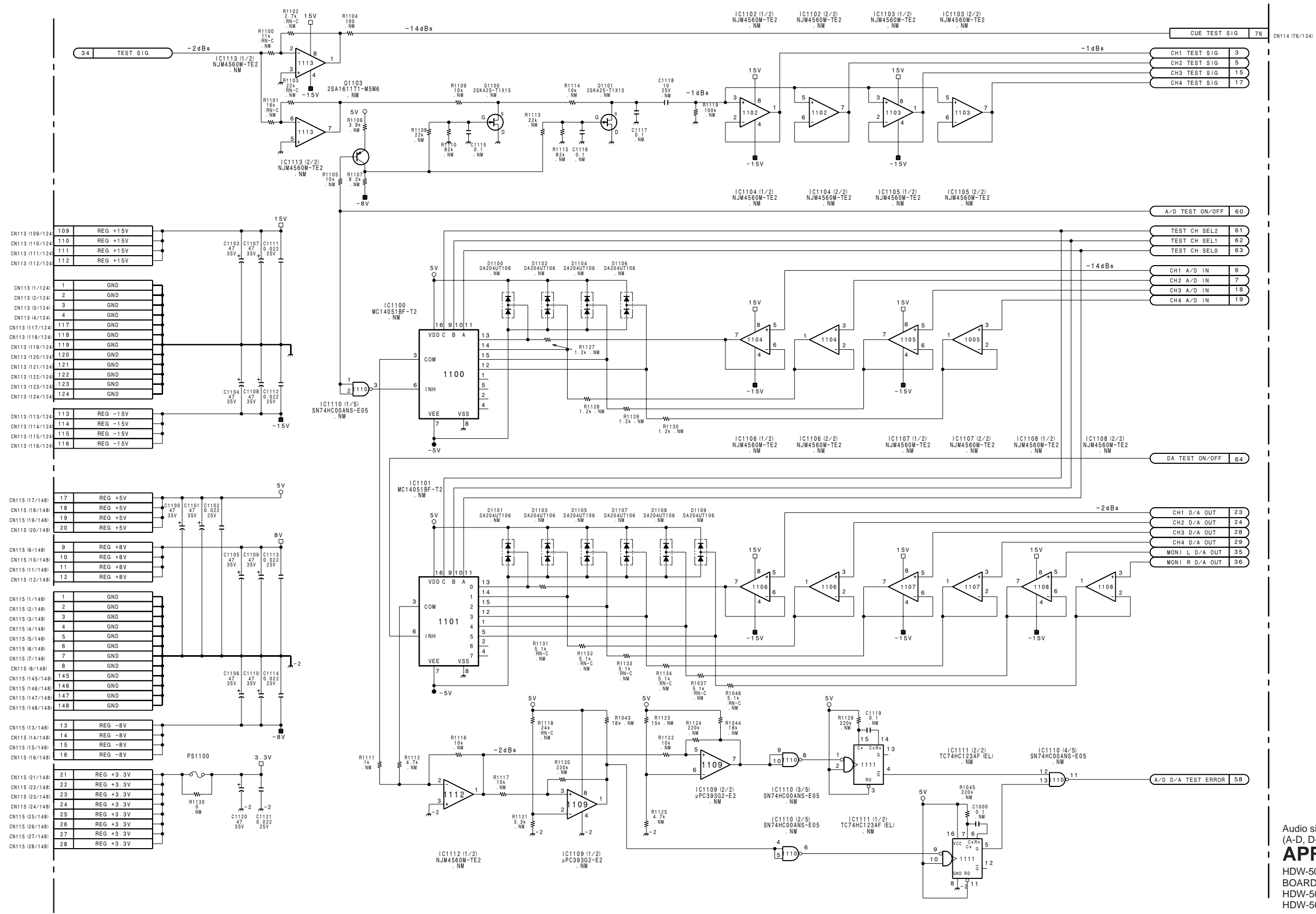


D7	AES/EBU DATA 7	49
D6	AES/EBU DATA 6	50
D5	AES/EBU DATA 5	51
D4	AES/EBU DATA 4	52
D3	AES/EBU DATA 3	53
D2	AES/EBU DATA 2	54
D1	AES/EBU DATA 1	55
D0	AES/EBU DATA 0	56



Audio signal processor
(A-D, D-A, AES/EBU interface)
APR-32 (7/9)
HDW-500
BOARD NO. 1-664-904-11
HDW-500 (J) : LOT NO. 611-
HDW-500 (UC) : LOT NO. 707-
B-VHDW500-APR32-11-@

HDW-500 (J) : S/N 10001 and Higher
HDW-500 (UC) : S/N 10001 and Higher



Audio signal processor
(A-D, D-A, AES/EBU interface)
APR-32 (8/9)
HDW-500
BOARD NO. 1-664-904-11
HDW-500 (J) : LOT NO. 611-
HDW-500 (UC) : LOT NO. 707-
B-VHDW500-APR32-11-@

HDW-500 (J) : S/N 10001 and Higher
HDW-500 (UC) : S/N 10001 and Higher

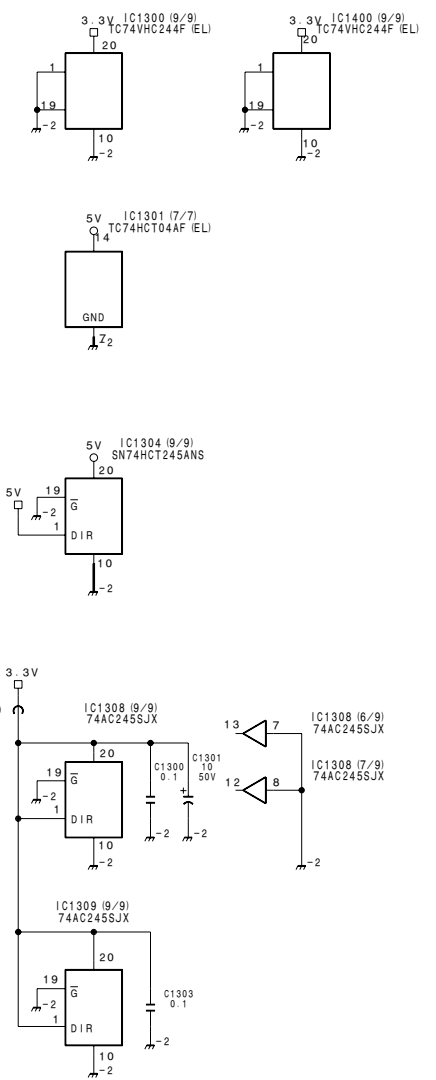
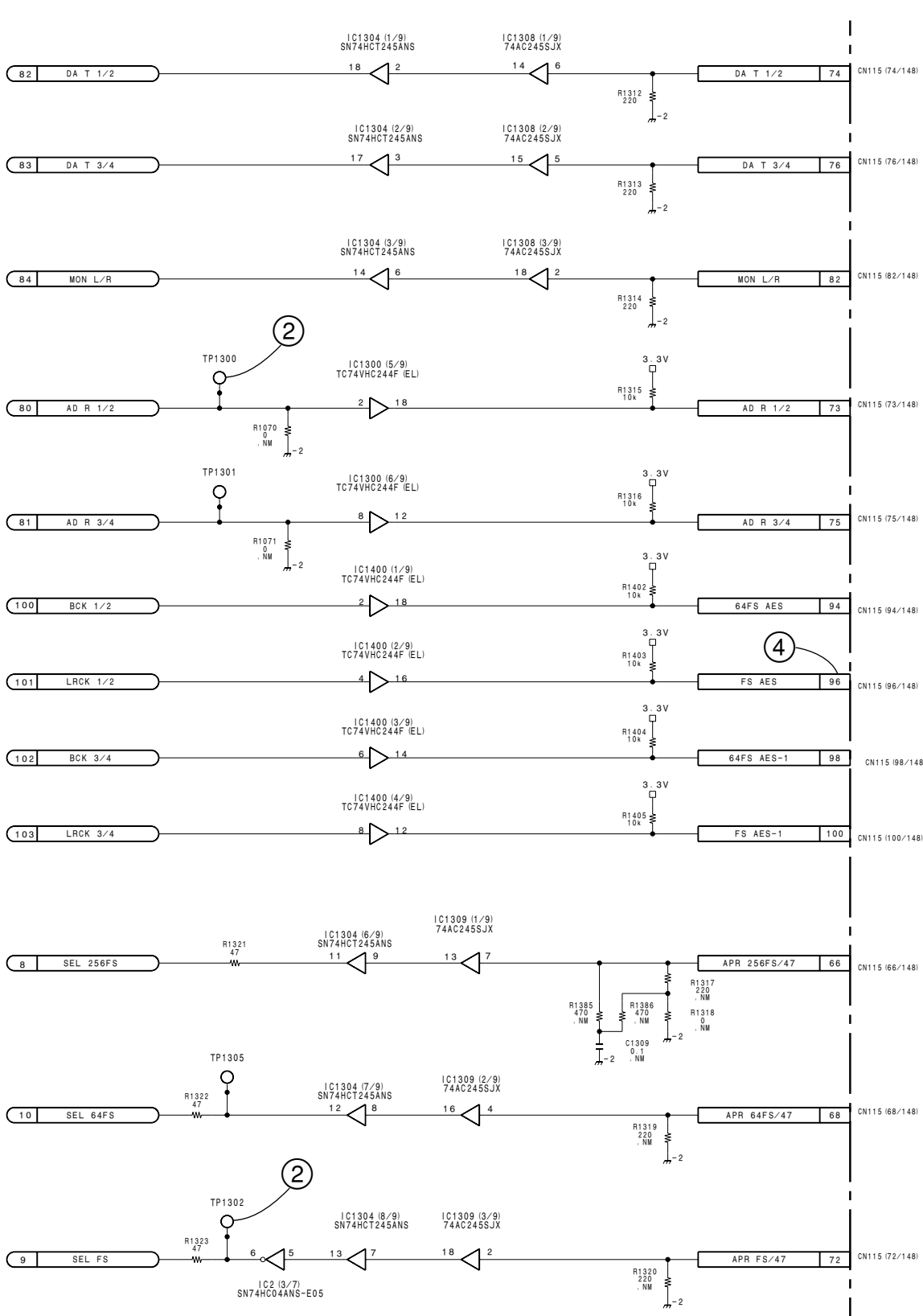
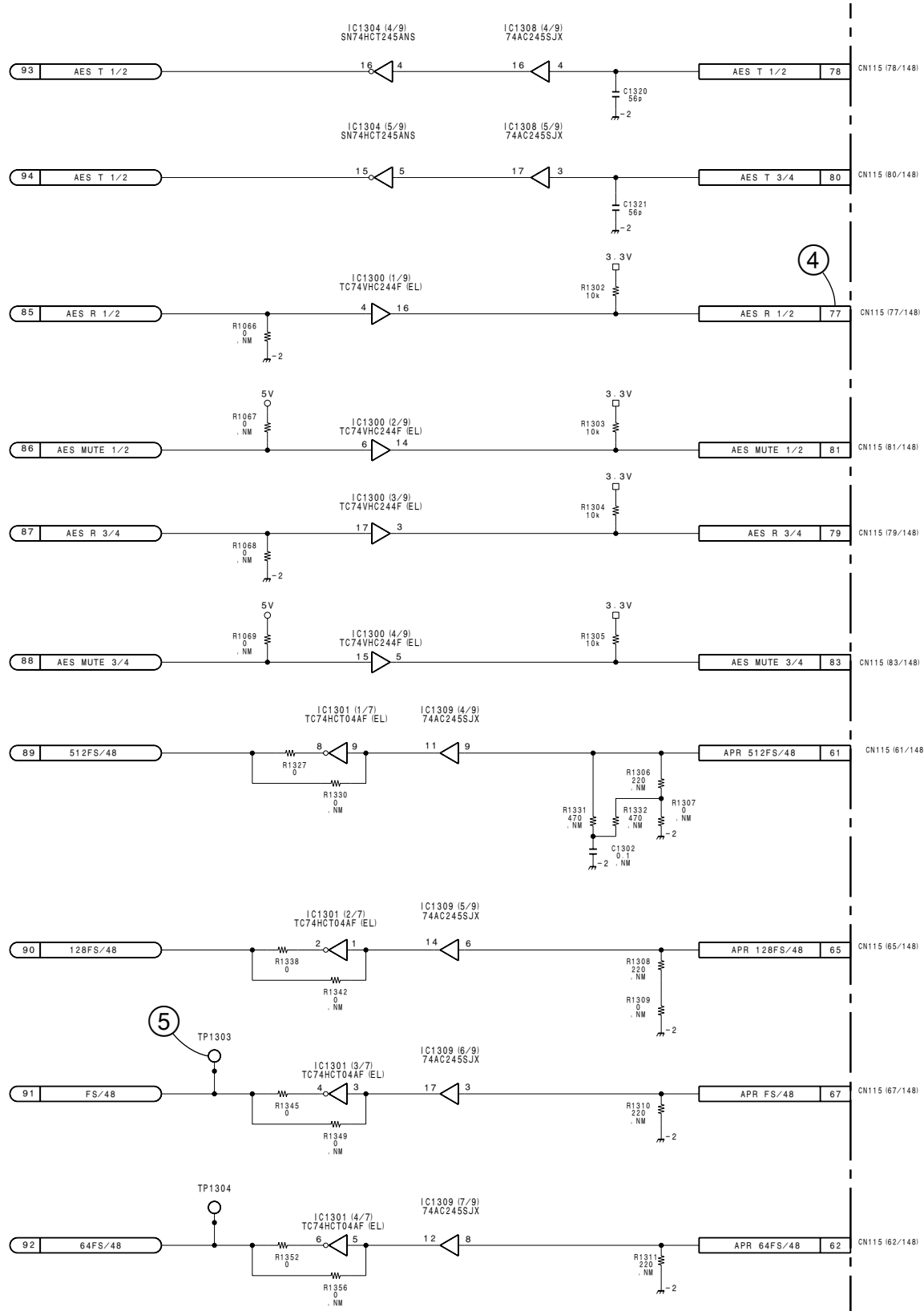
1

2

3

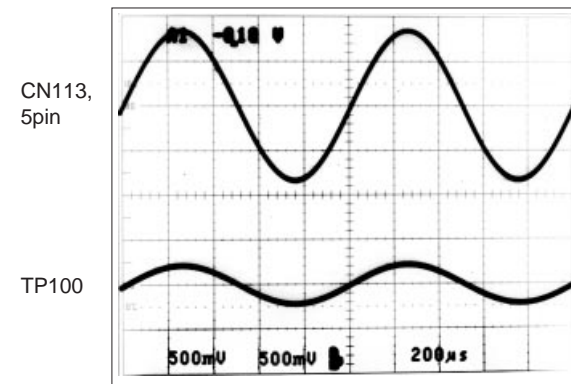
4

5

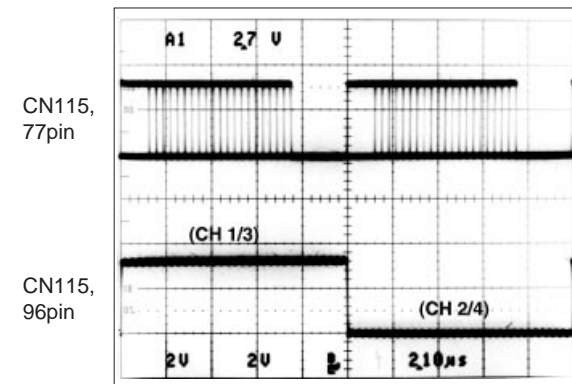


Audio signal processor
(A-D, D-A, AES/EBU interface)
APR-32 (9/9)
HDW-500
BOARD NO. 1-664-904-11
HDW-500 (J) : LOT NO. 611-
HDW-500 (UC) : LOT NO. 707-
B-WHDW500-APR32-11-@

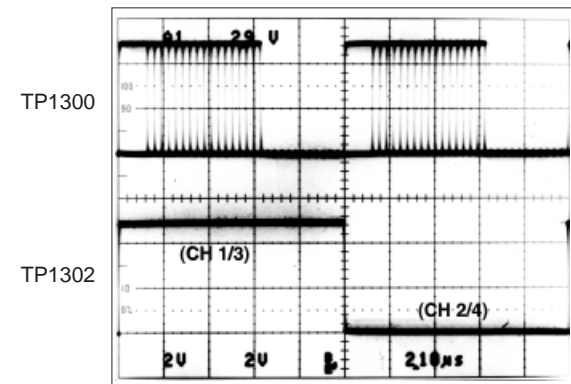
① ANALOG INPUT EMPH PROCESS OUT
 CH1:CN113, 5pin (1/9) CH1:TP100 (1/9)
 CH2:CN113, 9pin (1/9) CH2:TP200 (1/9)
 CH3:CN113, 13pin (2/9) CH3:TP300 (2/9)
 CH4:CN113, 17pin (2/9) CH4:TP400 (2/9)



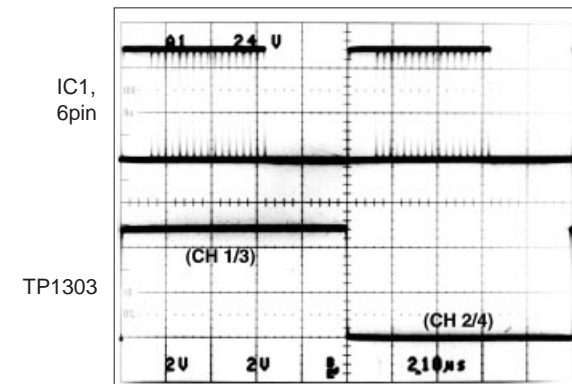
④ AES DEC OUTPUT AES FS (TRIG)
 CH1/2:CN115, 77pin (9/9) CH1/2:CN115, 96pin (9/9)
 CH3/4:CN115, 79pin (9/9) CH3/4:CN115, 100pin (9/9)



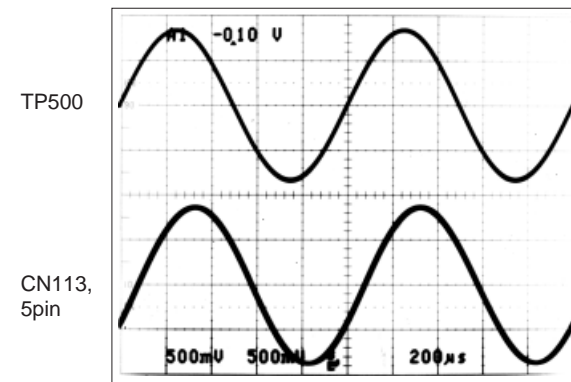
② A/D R SEL FS (TRIG)
 1/2:TP1300 (9/9) TP1302 (9/9)
 3/4:TP1301 (9/9)



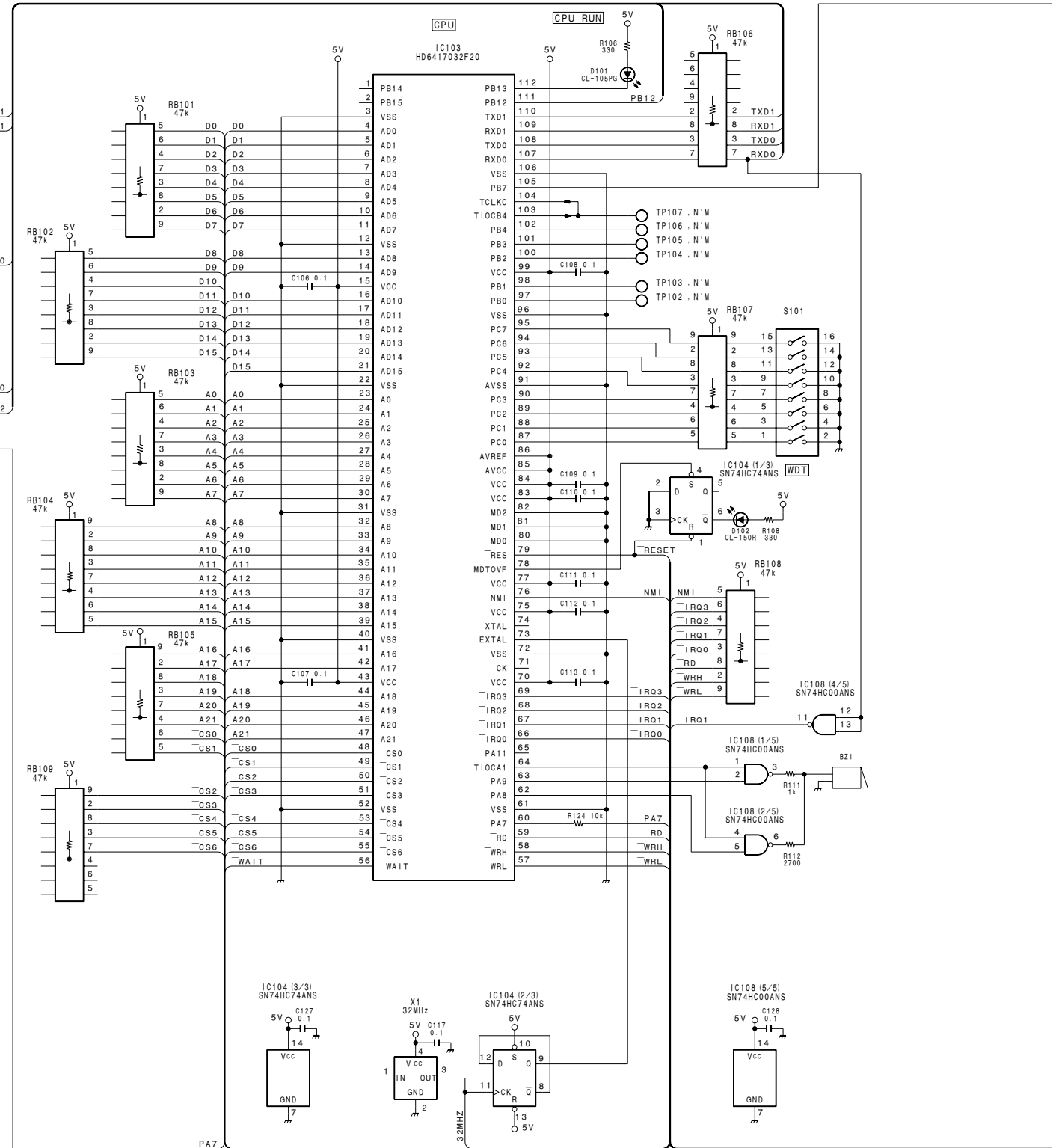
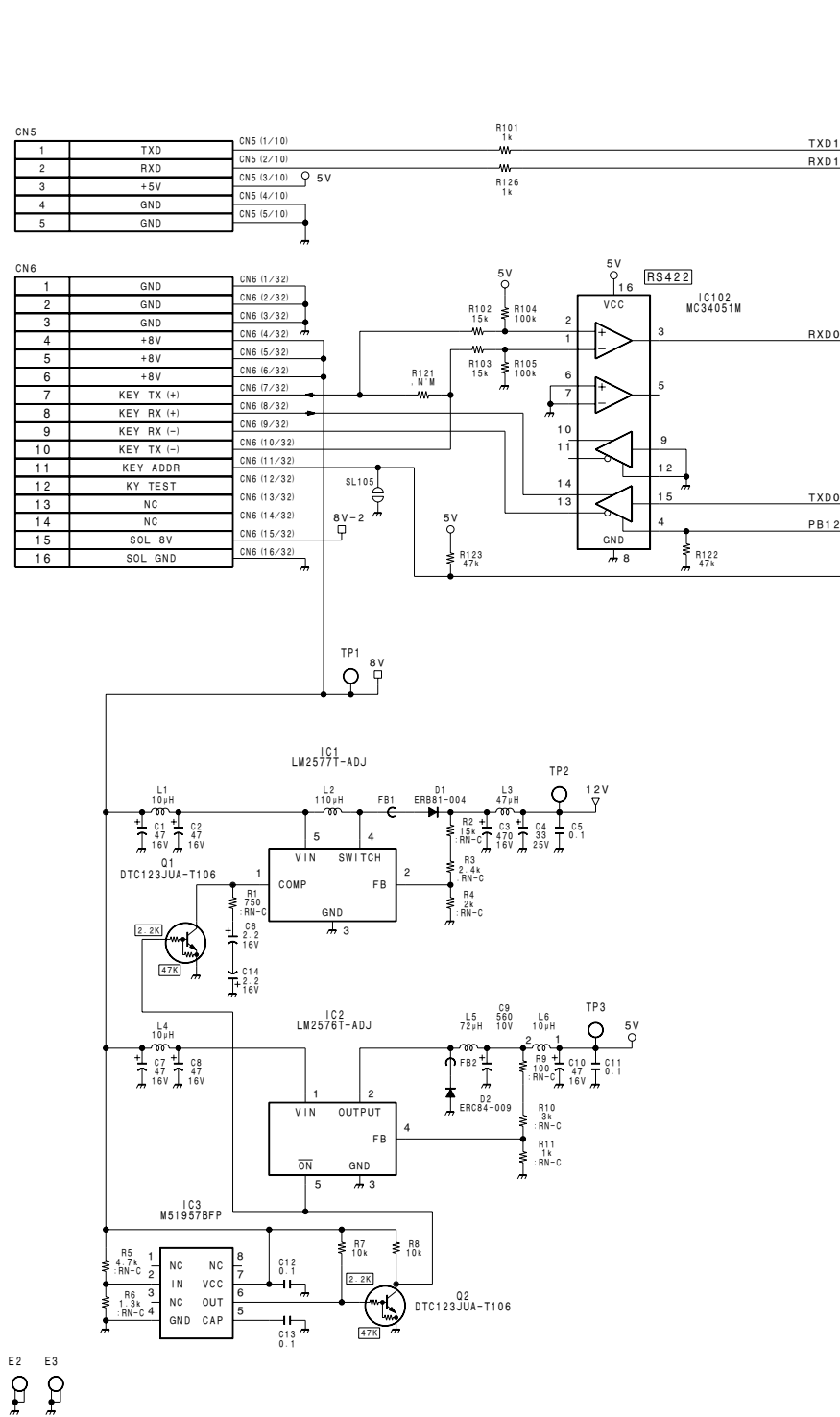
⑤ AES ENC INPUT FS (TRIG)
 CH1/2:IC1, 6pin (6/9) TP1303 (9/9)
 CH3/4:IC3, 6pin (6/9)



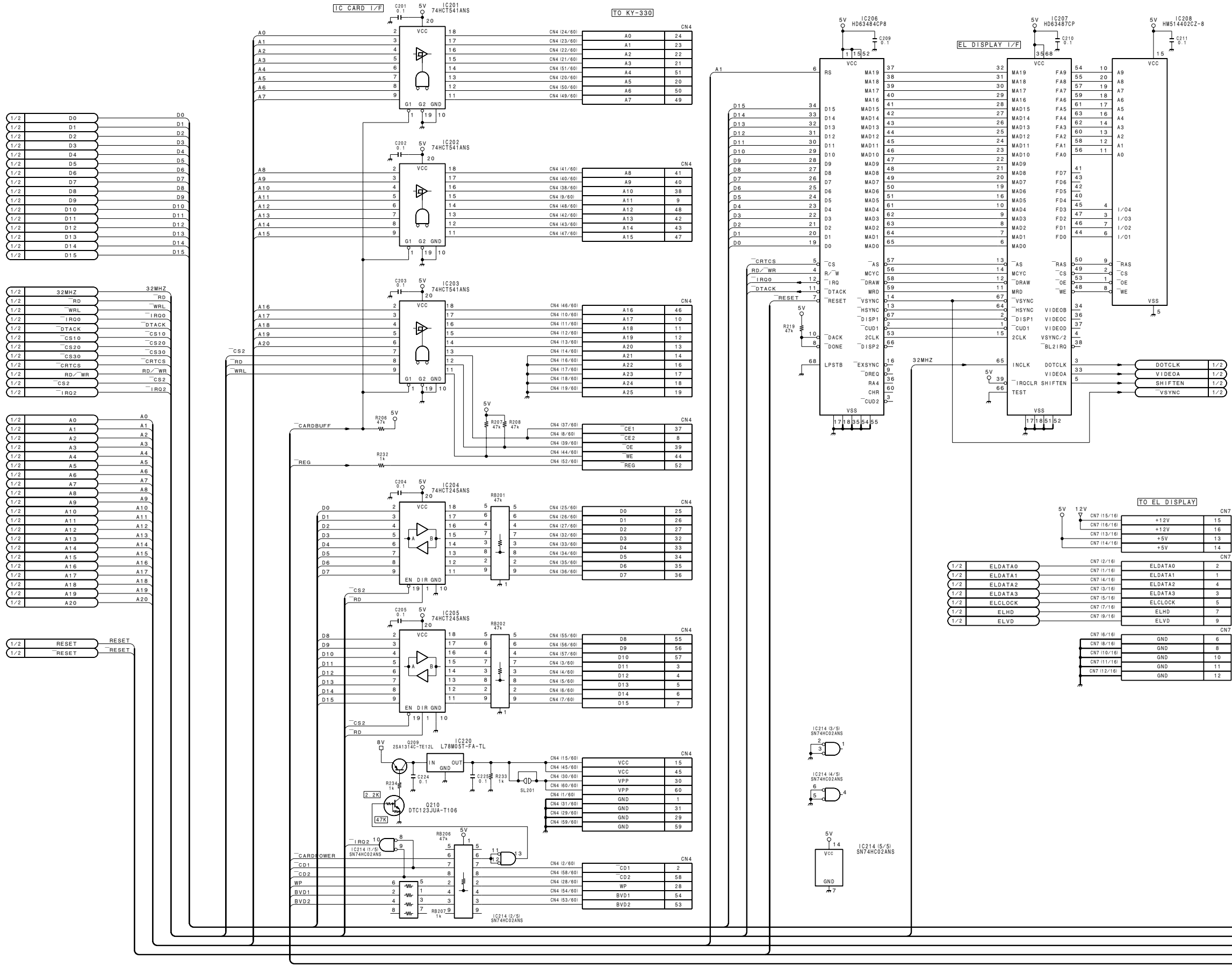
③ ANALOG OUTPUT ANALOG INPUT (TRIG)
 CH1:TP500 (3/9) CH1:CN113, 5pin (1/9)
 CH2:TP600 (3/9) CH2:CN113, 9pin (1/9)
 CH3:TP700 (4/9) CH3:CN113, 13pin (1/9)
 CH4:TP800 (4/9) CH4:CN113, 17pin (1/9)
 MONITOR L :TP900 (5/9)
 MONITOR R :TP901 (5/9)
 (TRIG)
 TP1302 (9/9)



HDW-500 (J) : S/N 10001 and Higher
 HDW-500 (UC) : S/N 10001 and Higher



HDW-500 (J) : S/N 10001 and Higher
 HDW-500 (UC): S/N 10001 and Higher



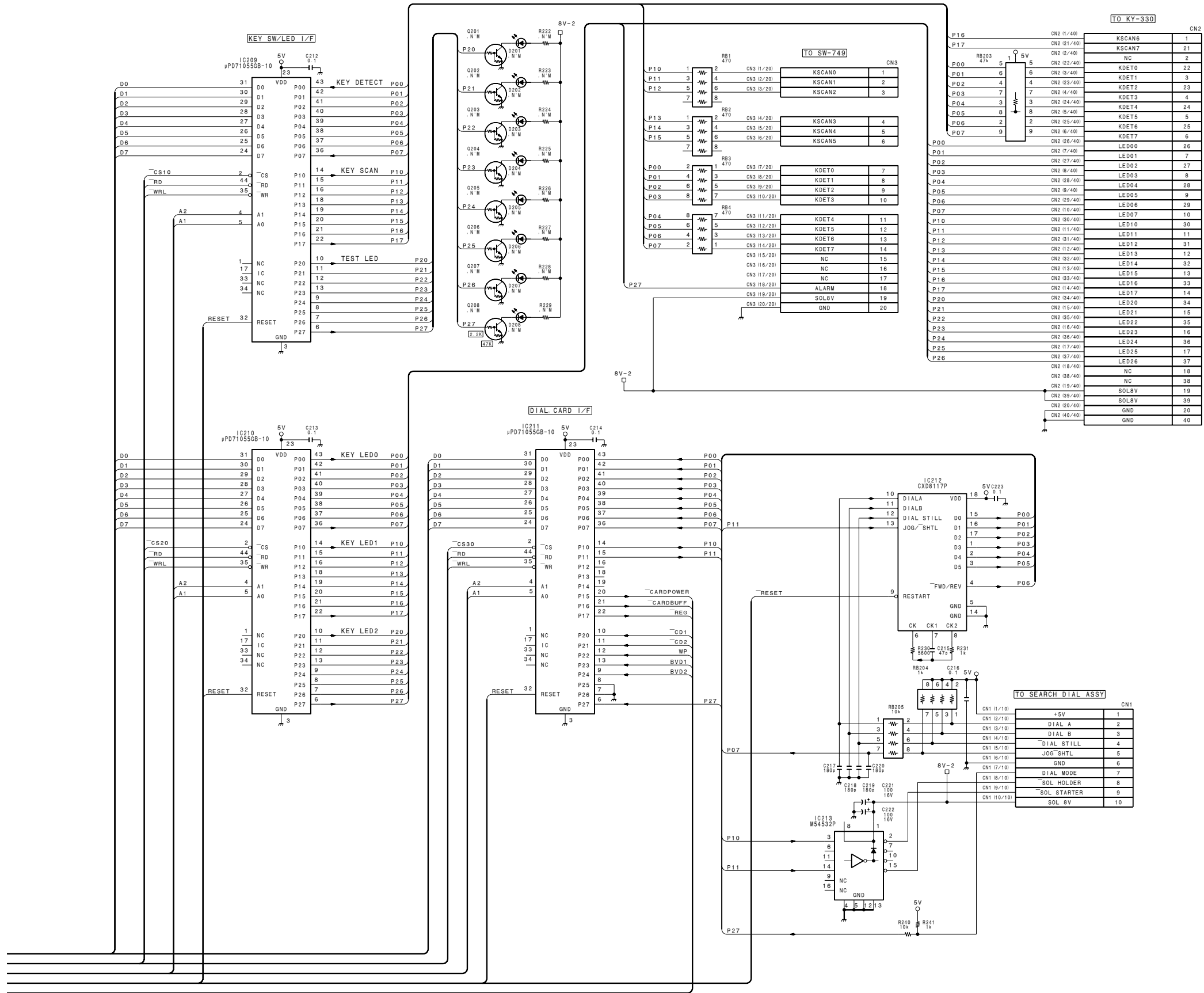
1

2

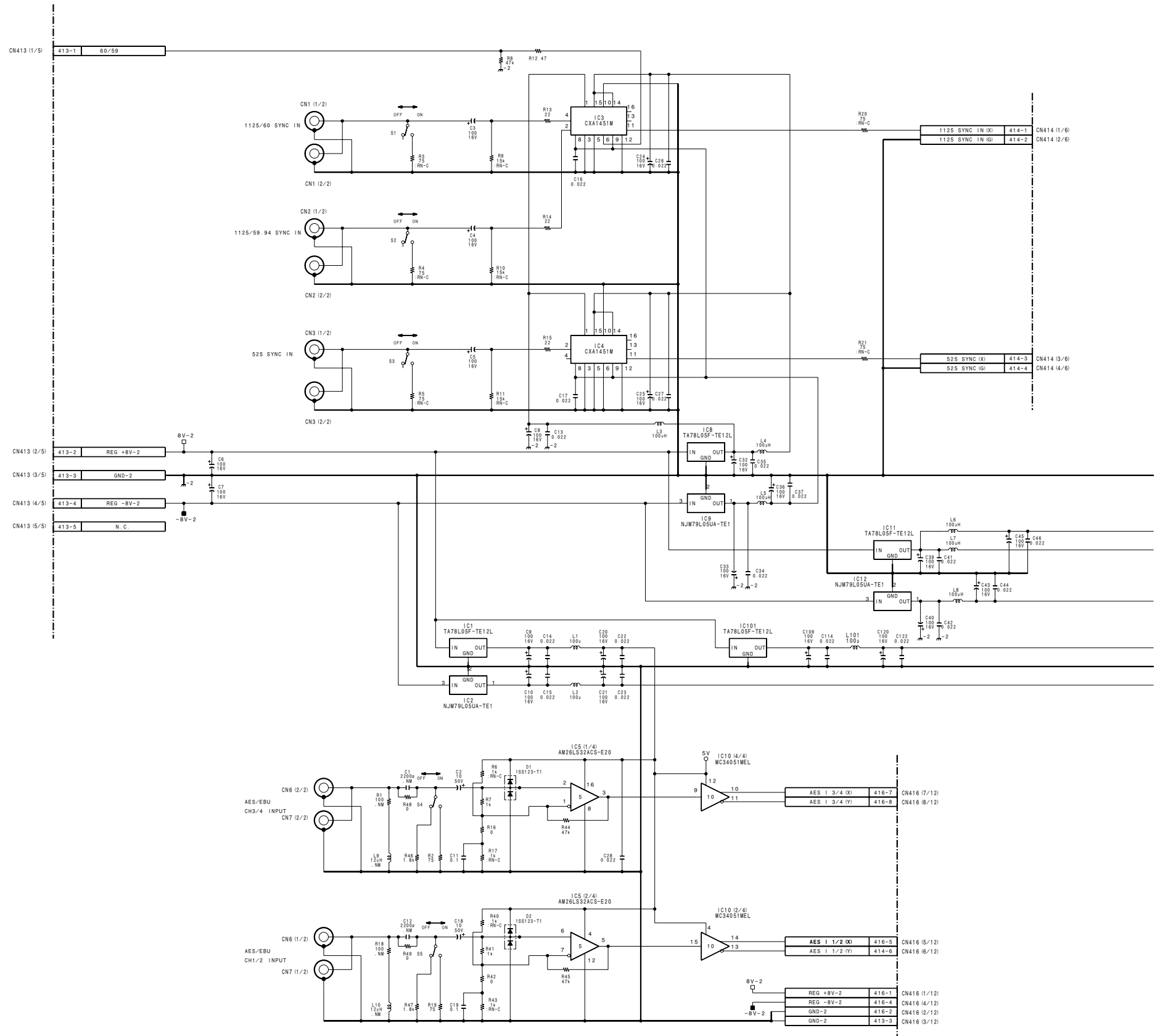
3

4

5

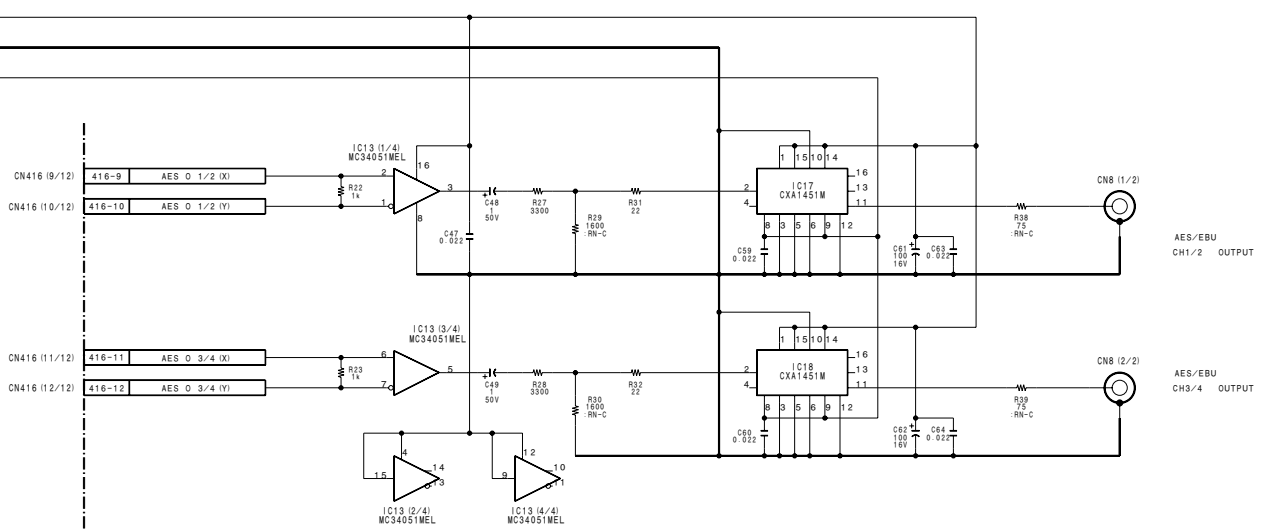
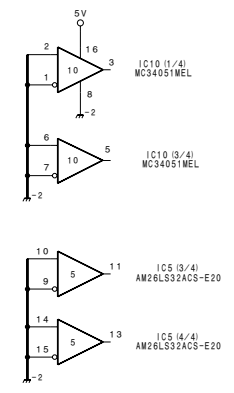
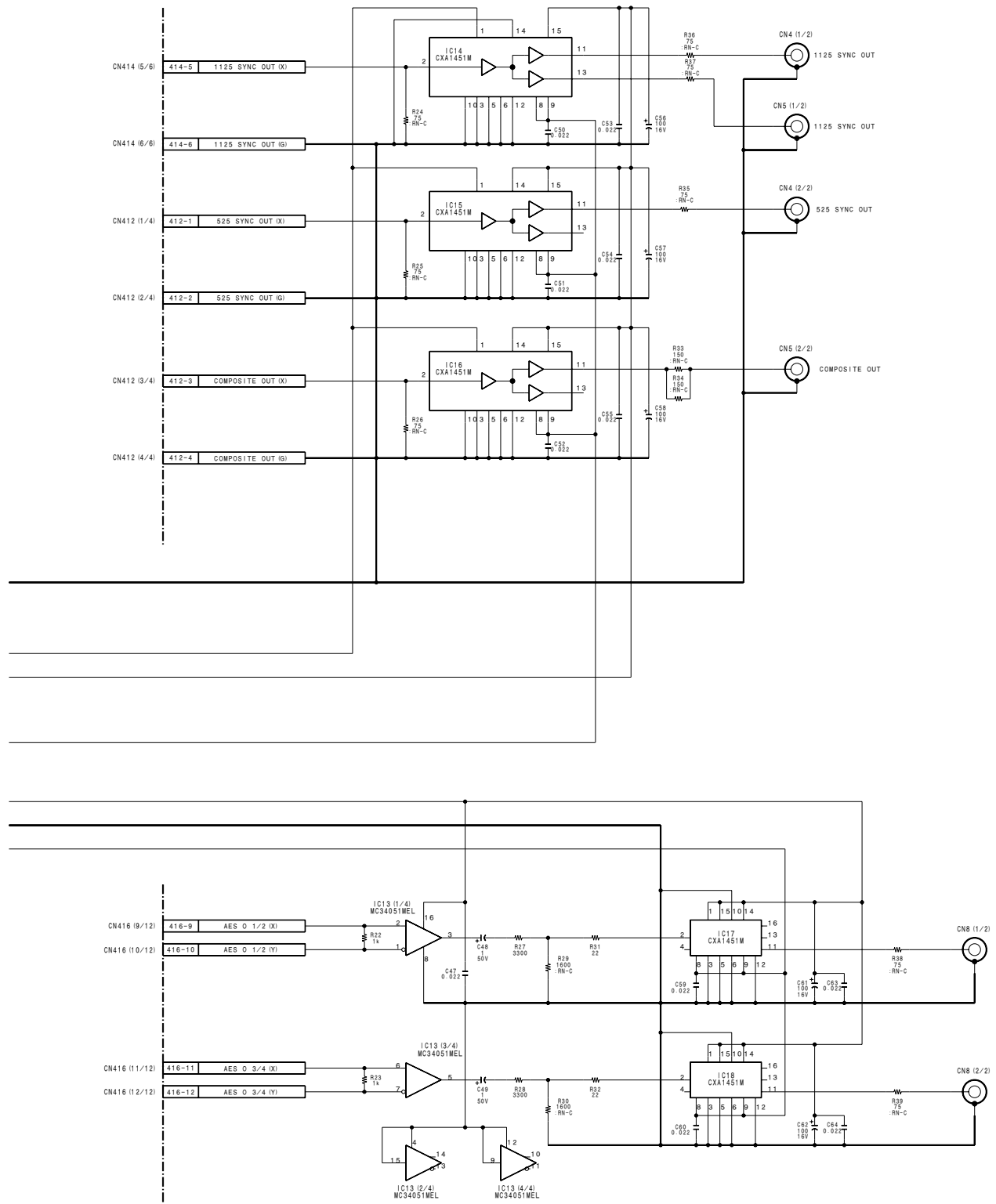


HDW-500 (J) : S/N 10201 and Higher



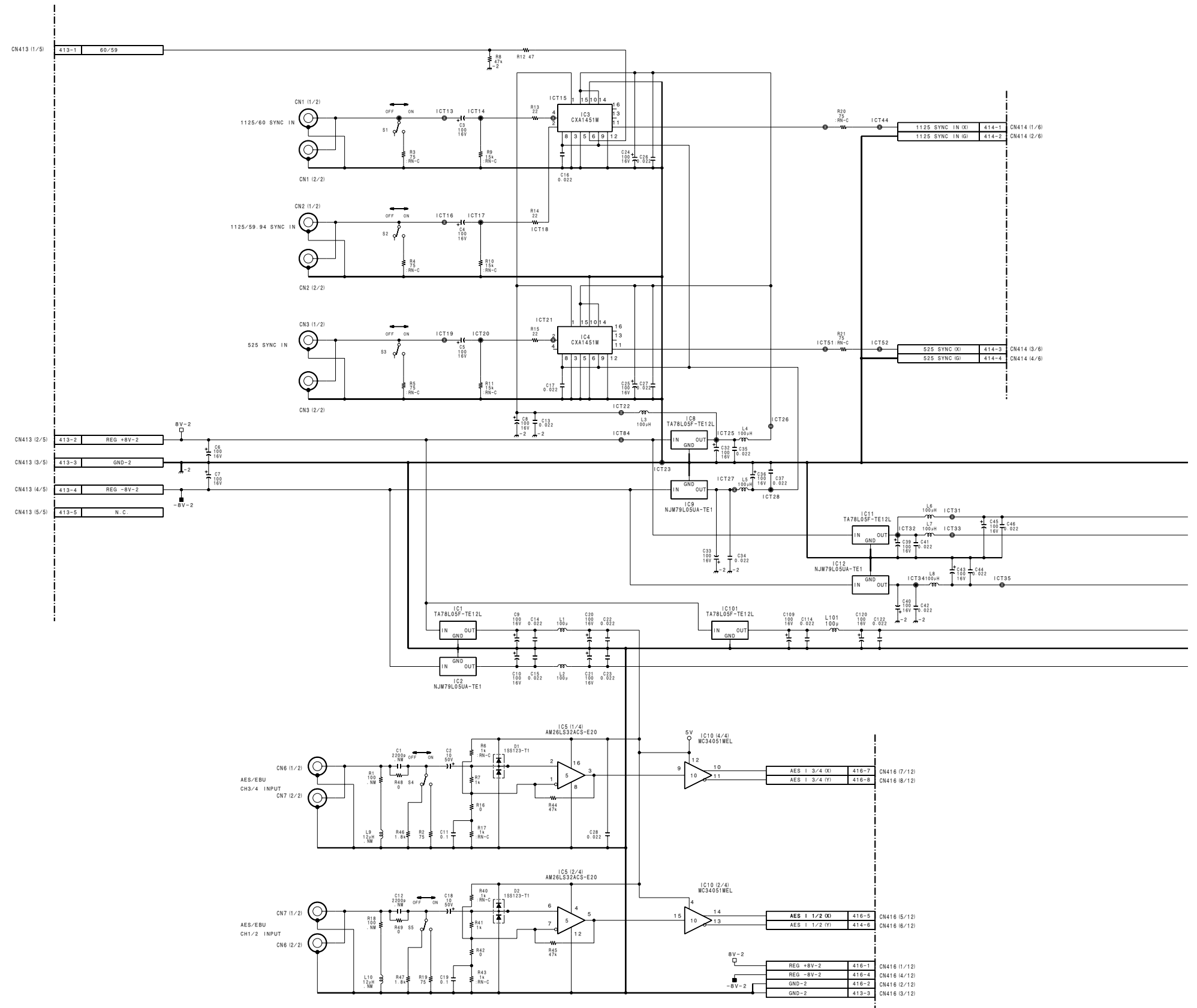
6-30 (a)

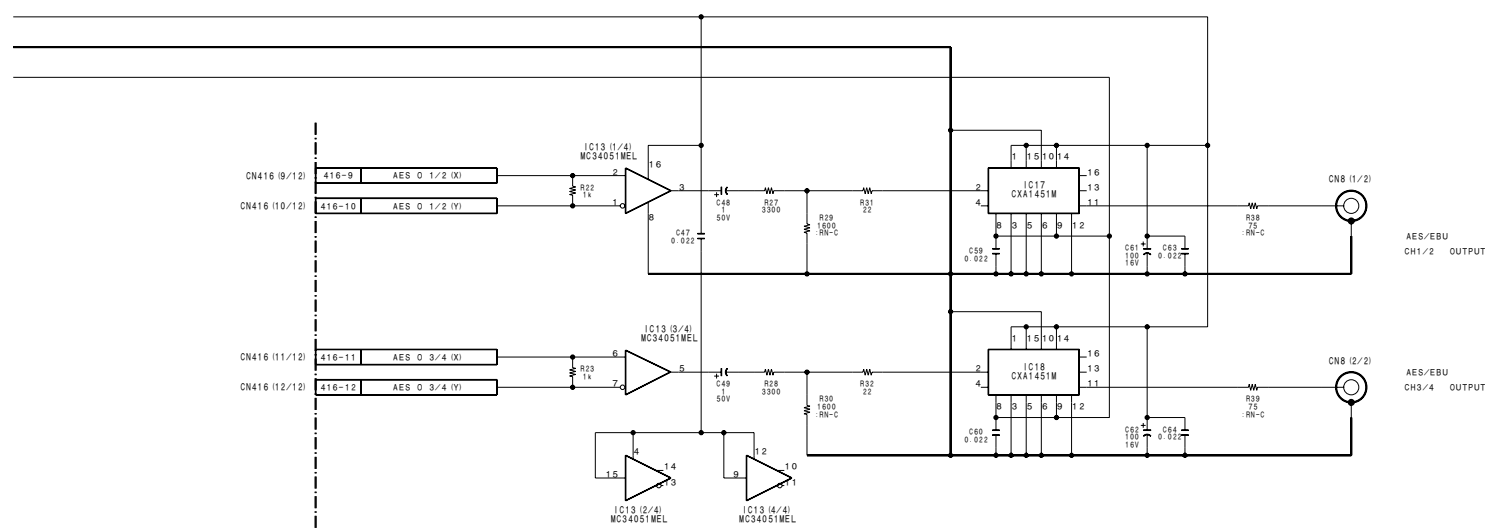
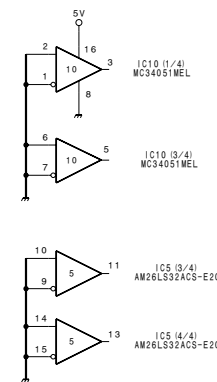
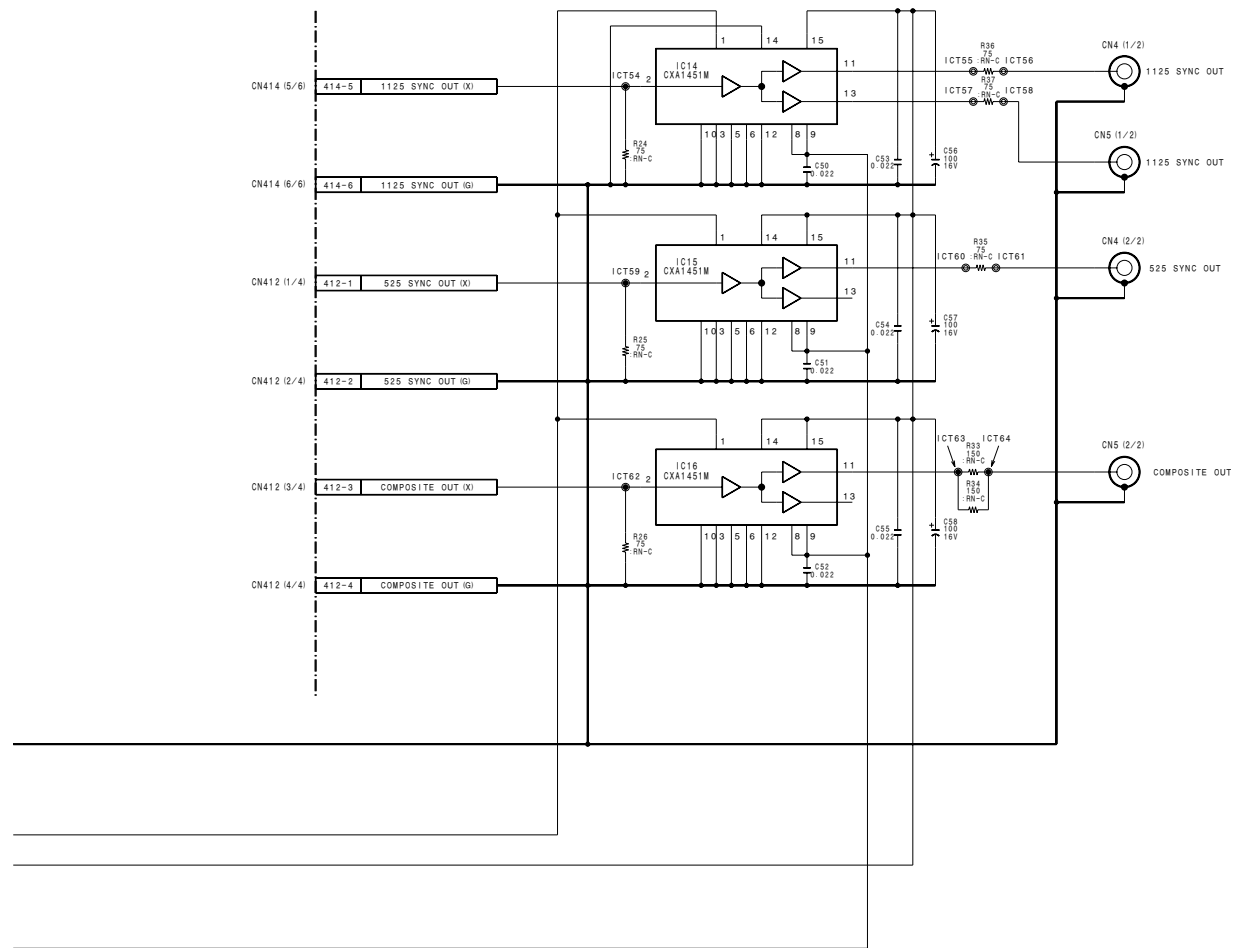
6-30 (a)



Rear panel connector board
(Analog Video Signal buffer)
CP-298
HDW-500
BOARD NO. 1-664-907-12
HDW-500 (J) : LOT NO. 706-
B-WHDW500-CP298-12-@

HDW-500 (J) : S/N 10001 through 10200





Rear panel connector board
 (Analog Video Signal buffer)
CP-298
 HDW-500
 BOARD NO. 1-664-907-11
 HDW-500 (J) : LOT NO. 611-705
 B-WHDW500-CP298-11-@

HDW-500 (J) : S/N 10201 and Higher

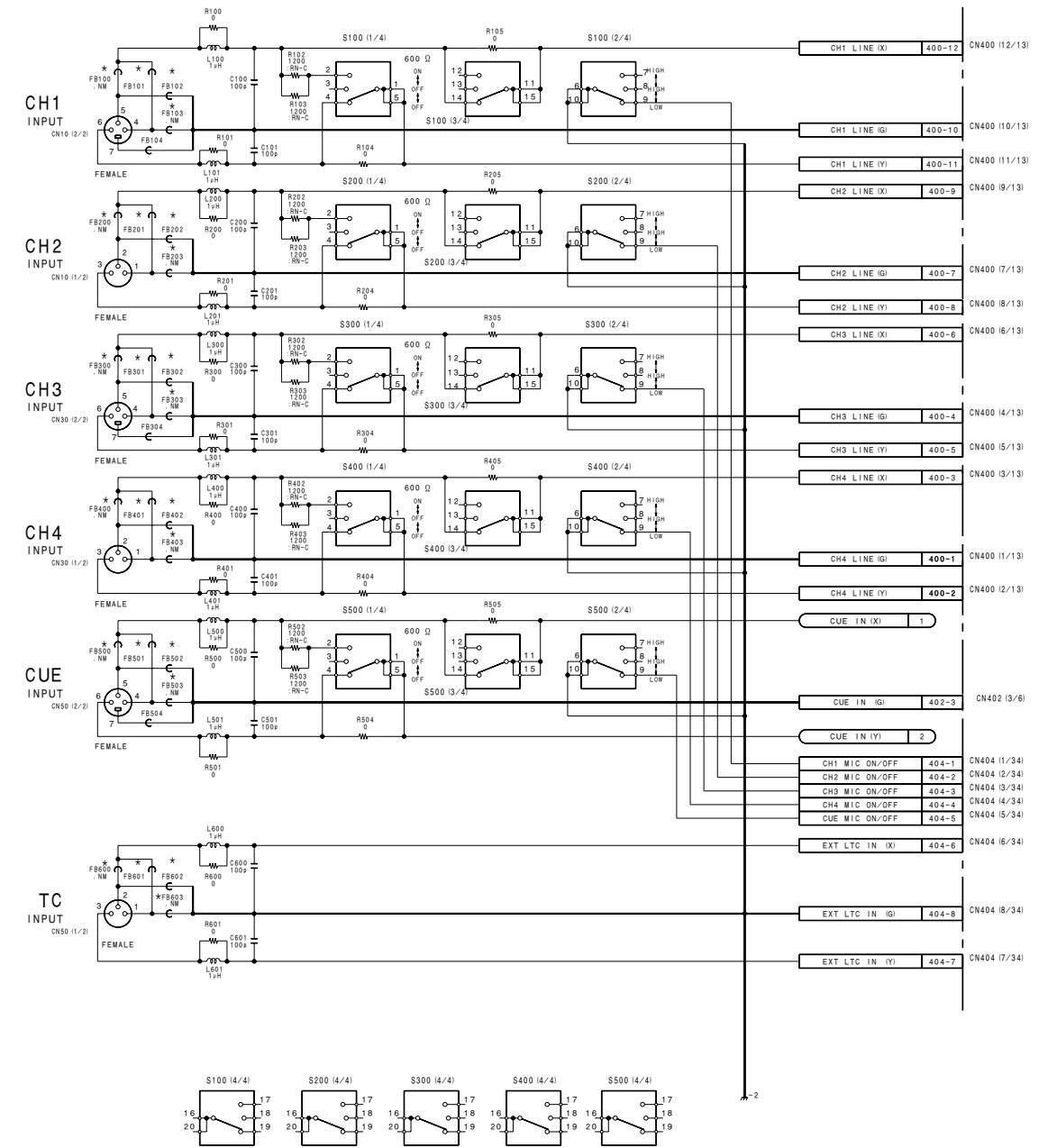
1

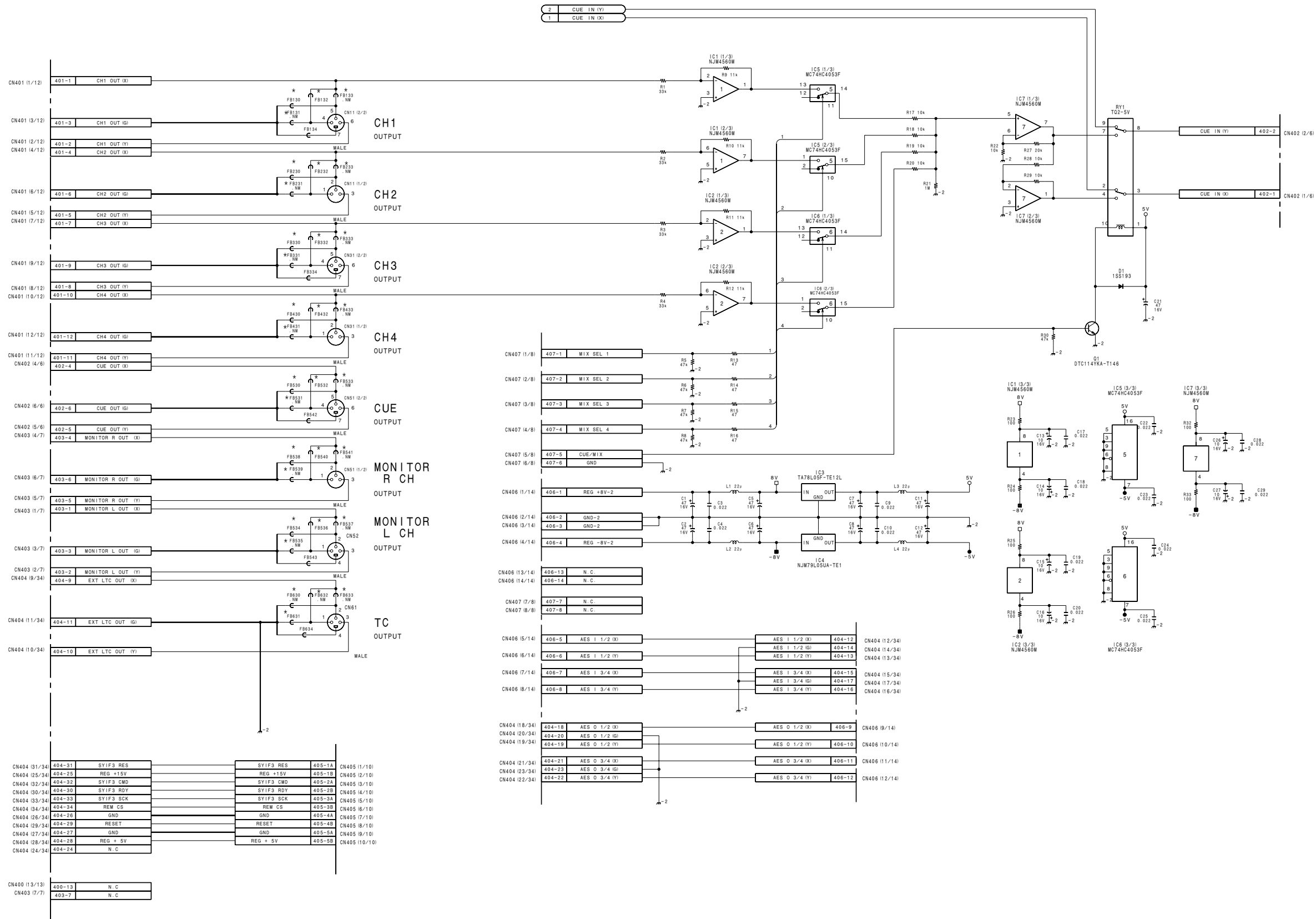
2

3

4

5





1

2

3

4

5

HDW-500 (J) : S/N 10001 through 10200

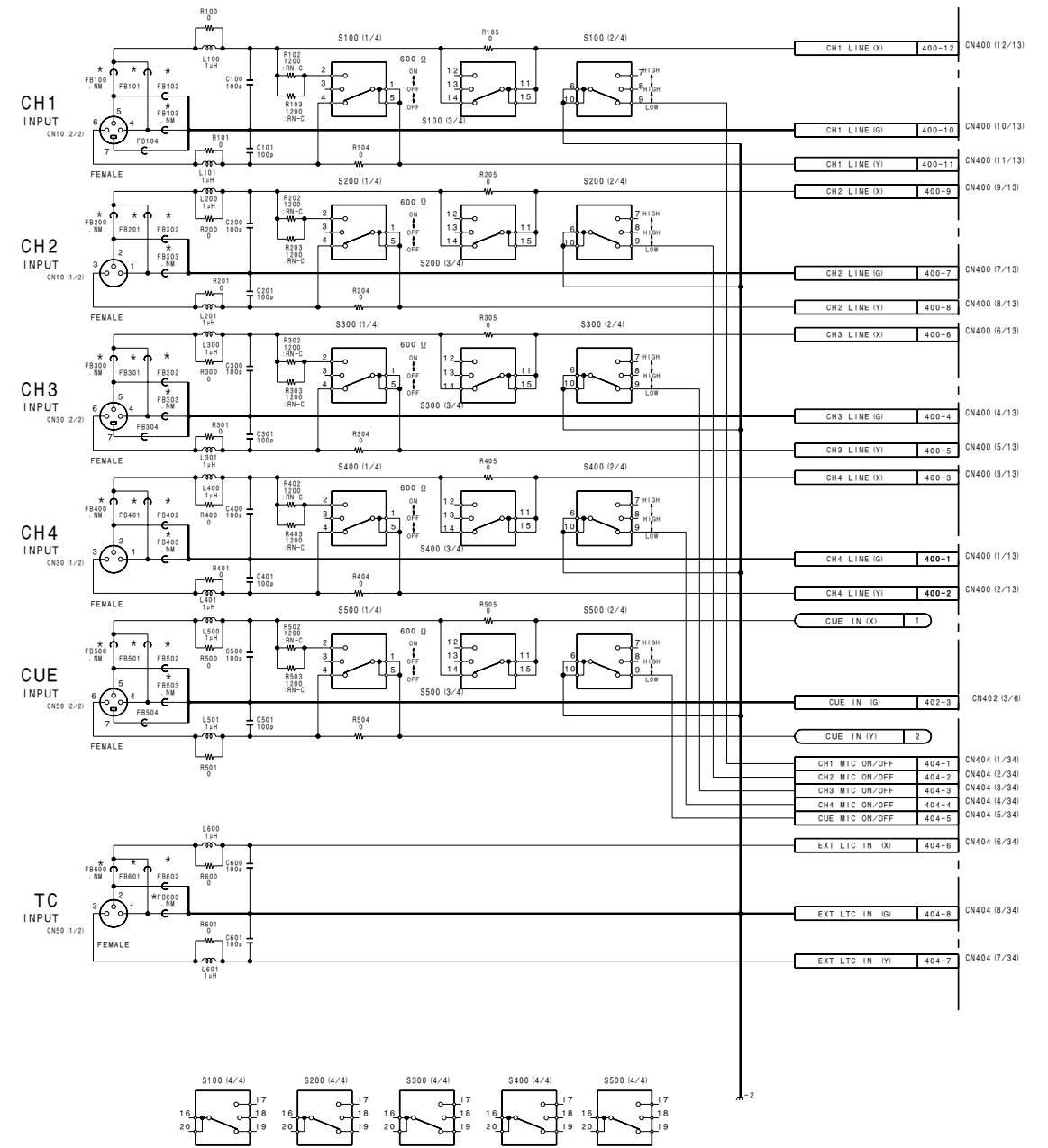
1

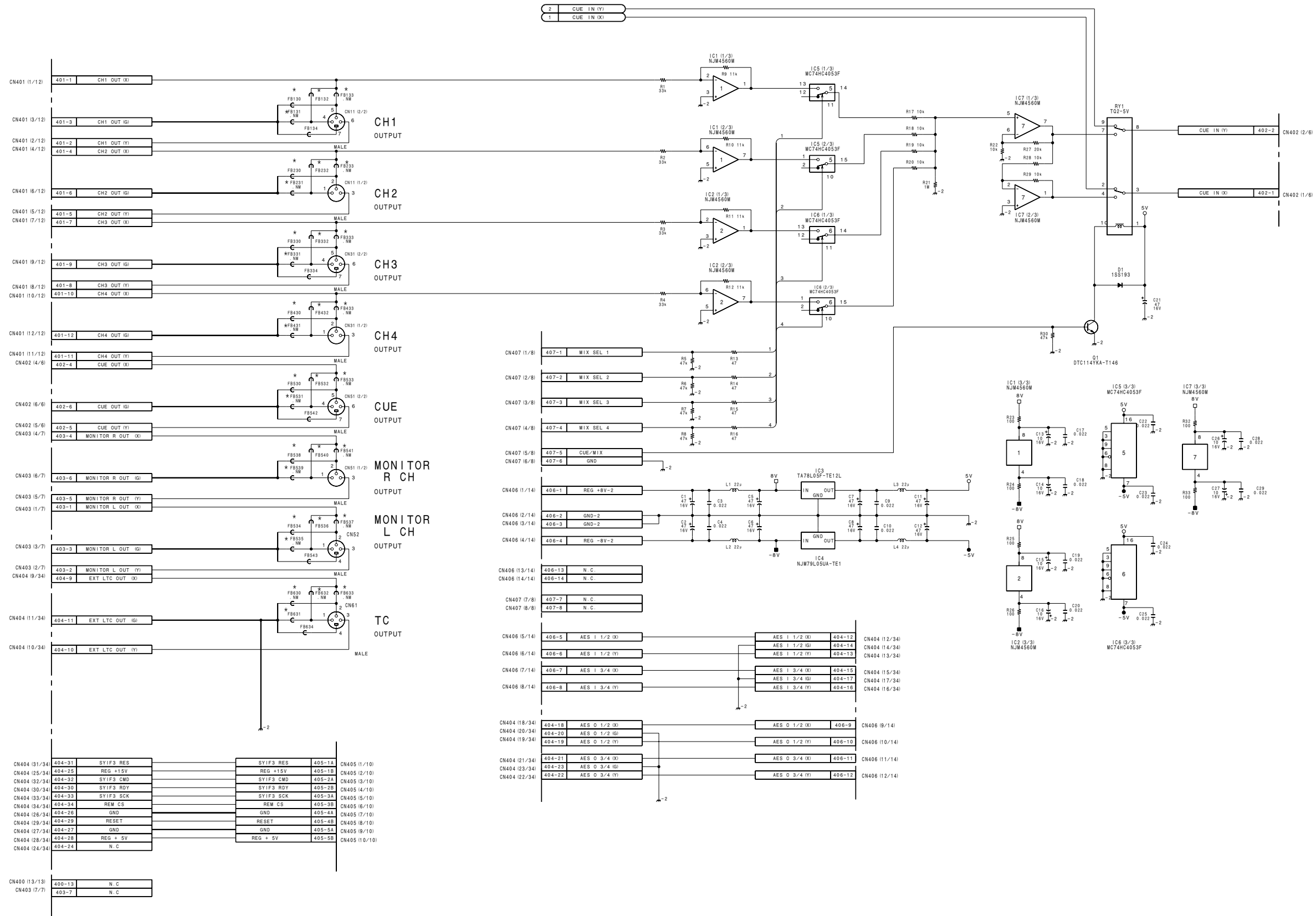
2

3

4

5

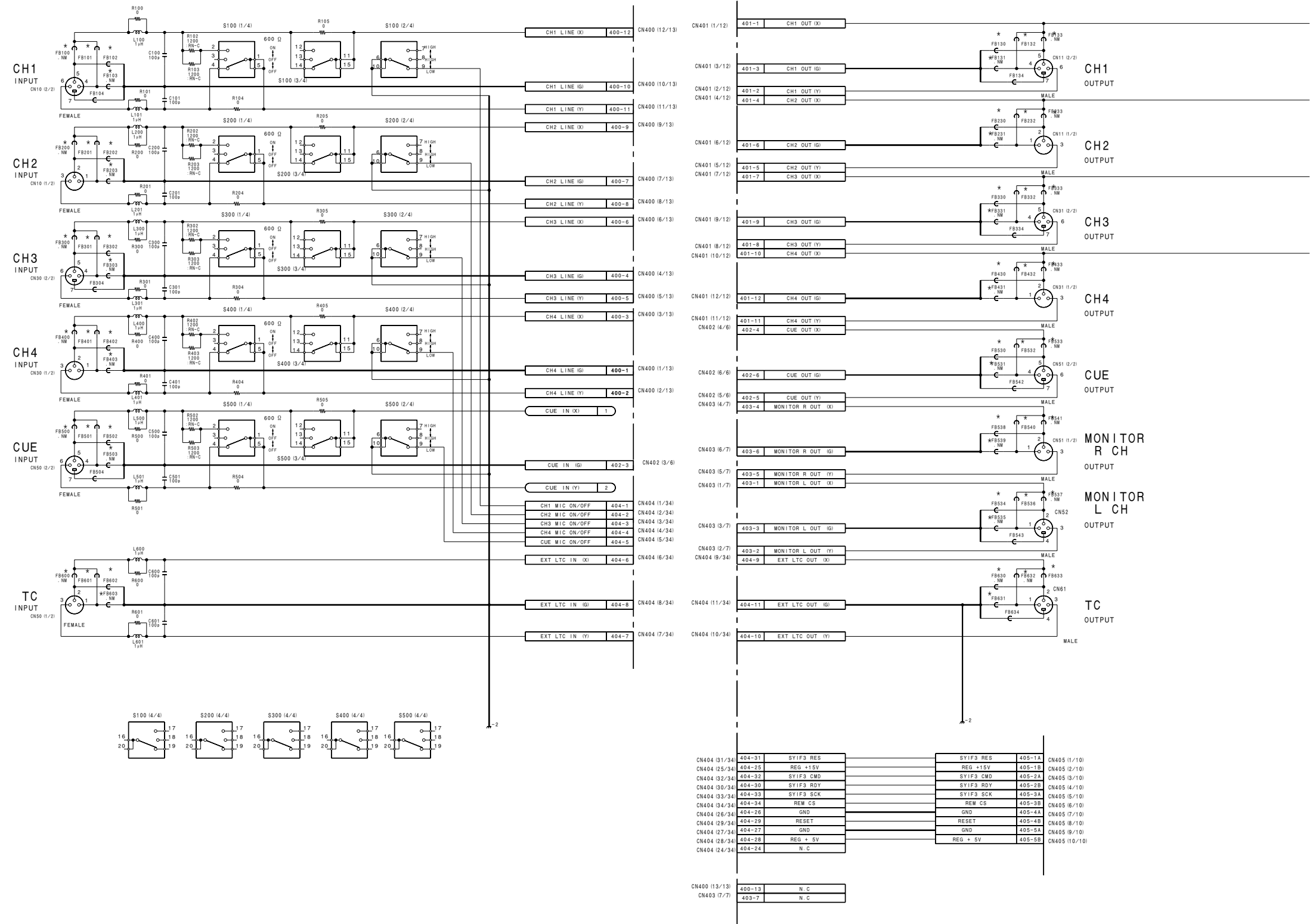


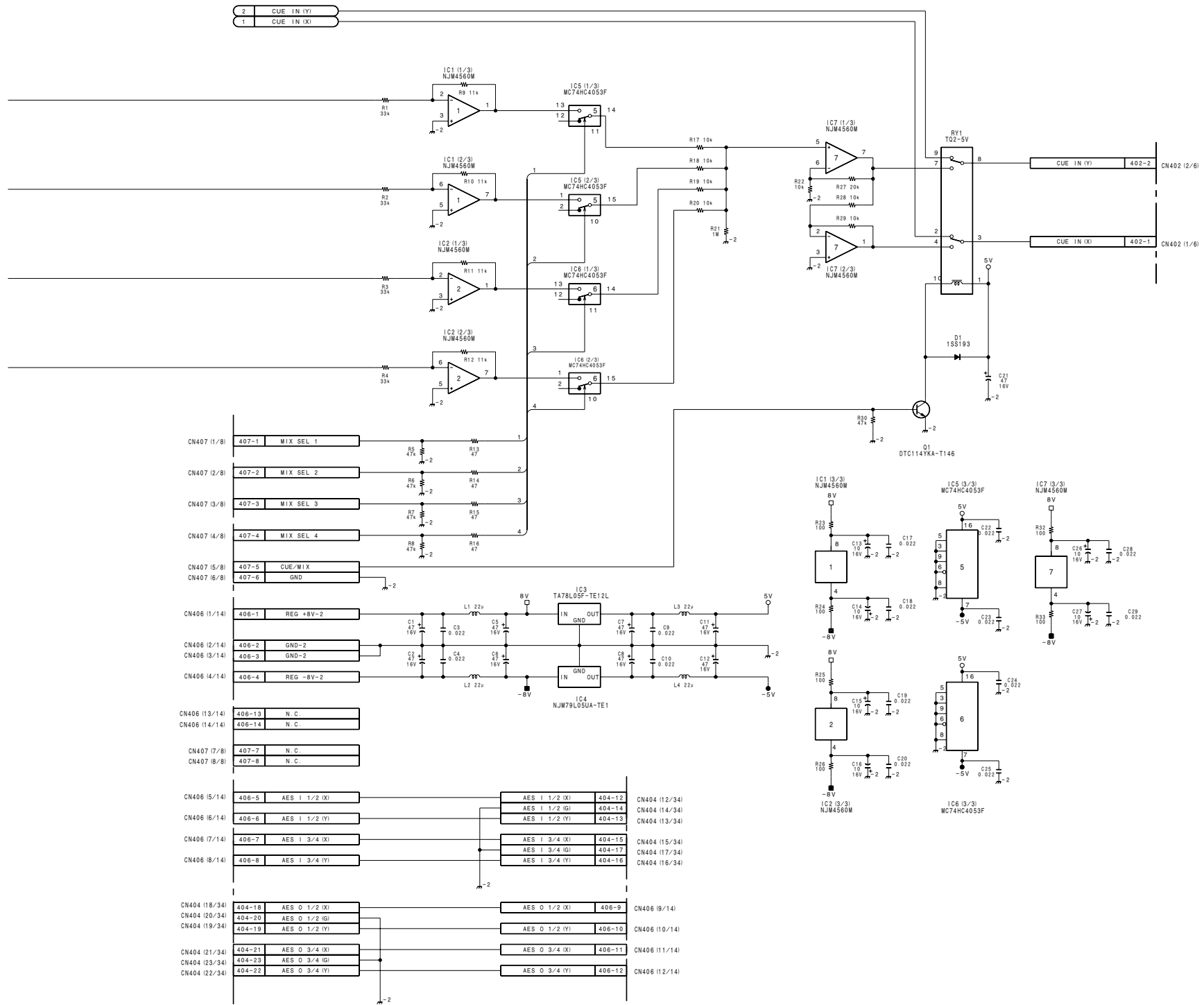


1
2
3
4
5

Rear panel connector board
(Analog/Digital audio, TC)
CP-299
HDW-500
BOARD NO. 1-664-908-11
HDW-500 (J) : LOT NO. 611-705
B-WHDW500-CP299-11-@

HDW-500 (UC) : S/N 10001 and Higher

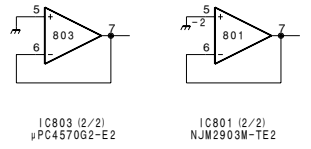
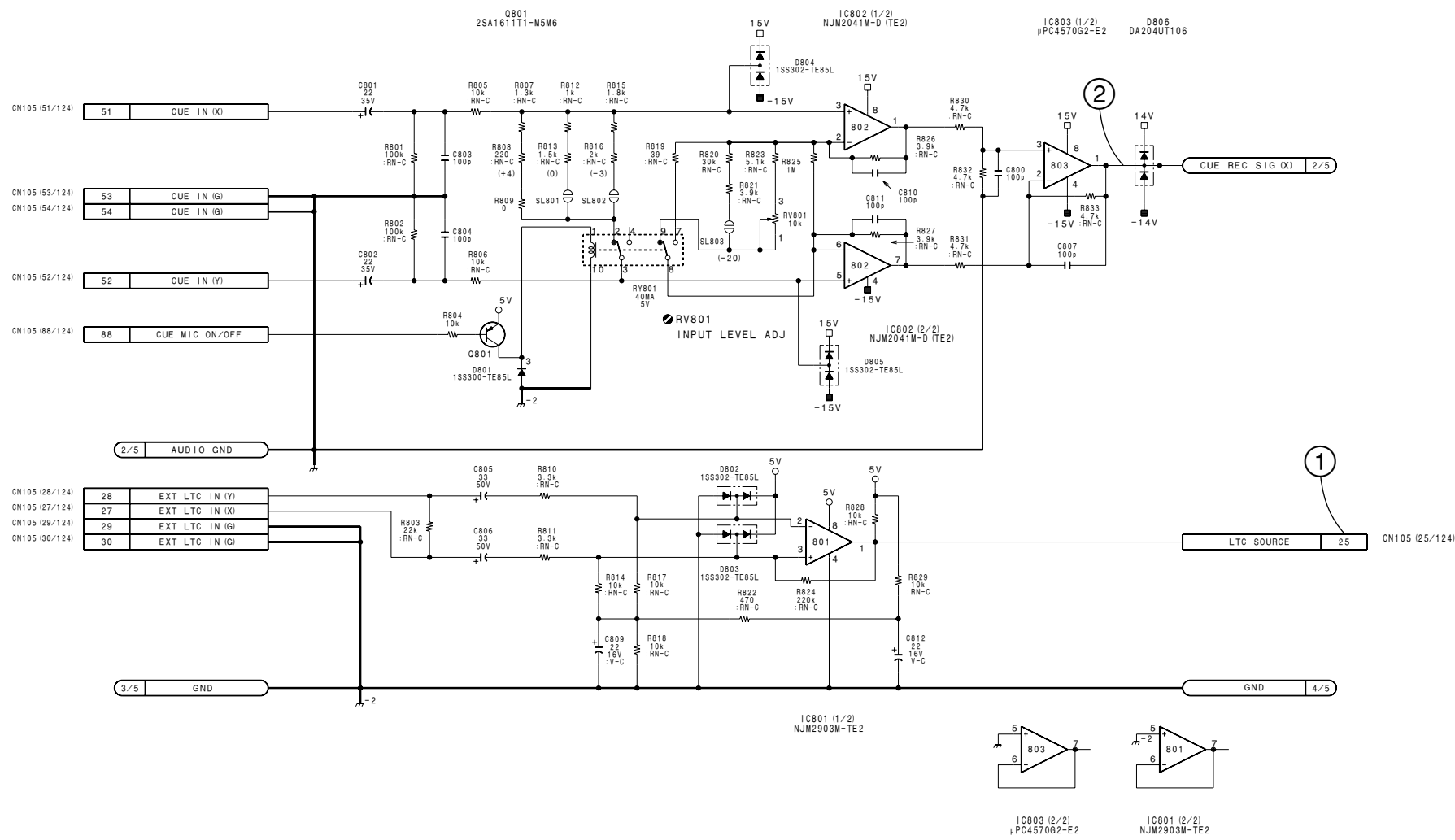




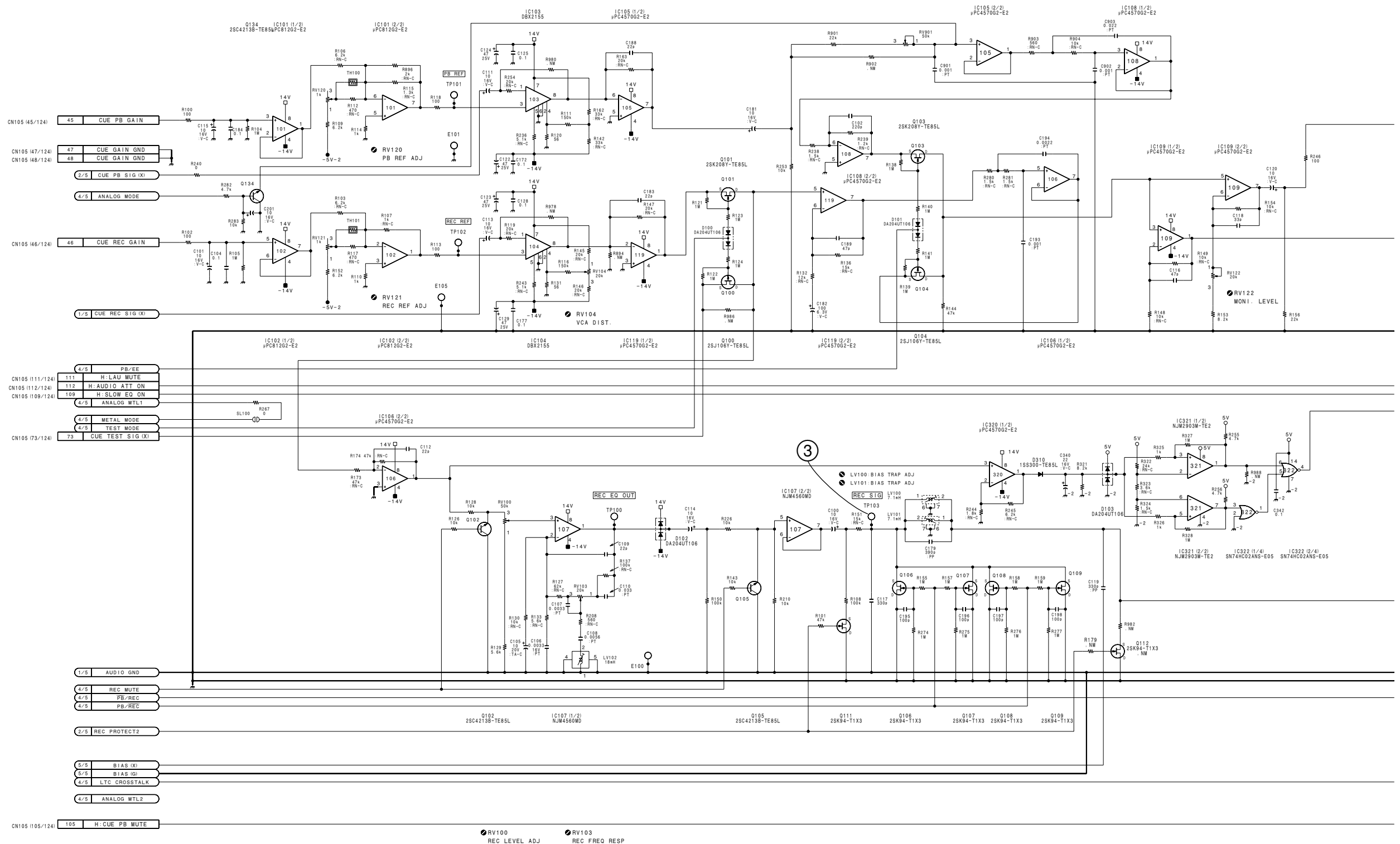
1
2
3
4
5

Rear panel connector board
(Analog/Digital audio, TC)
CP-299A
HDW-500
BOARD NO. 1-664-908-12
HDW-500 (UC) : LOT NO. 707-
B-VHDW500-CP299-11-UC-@

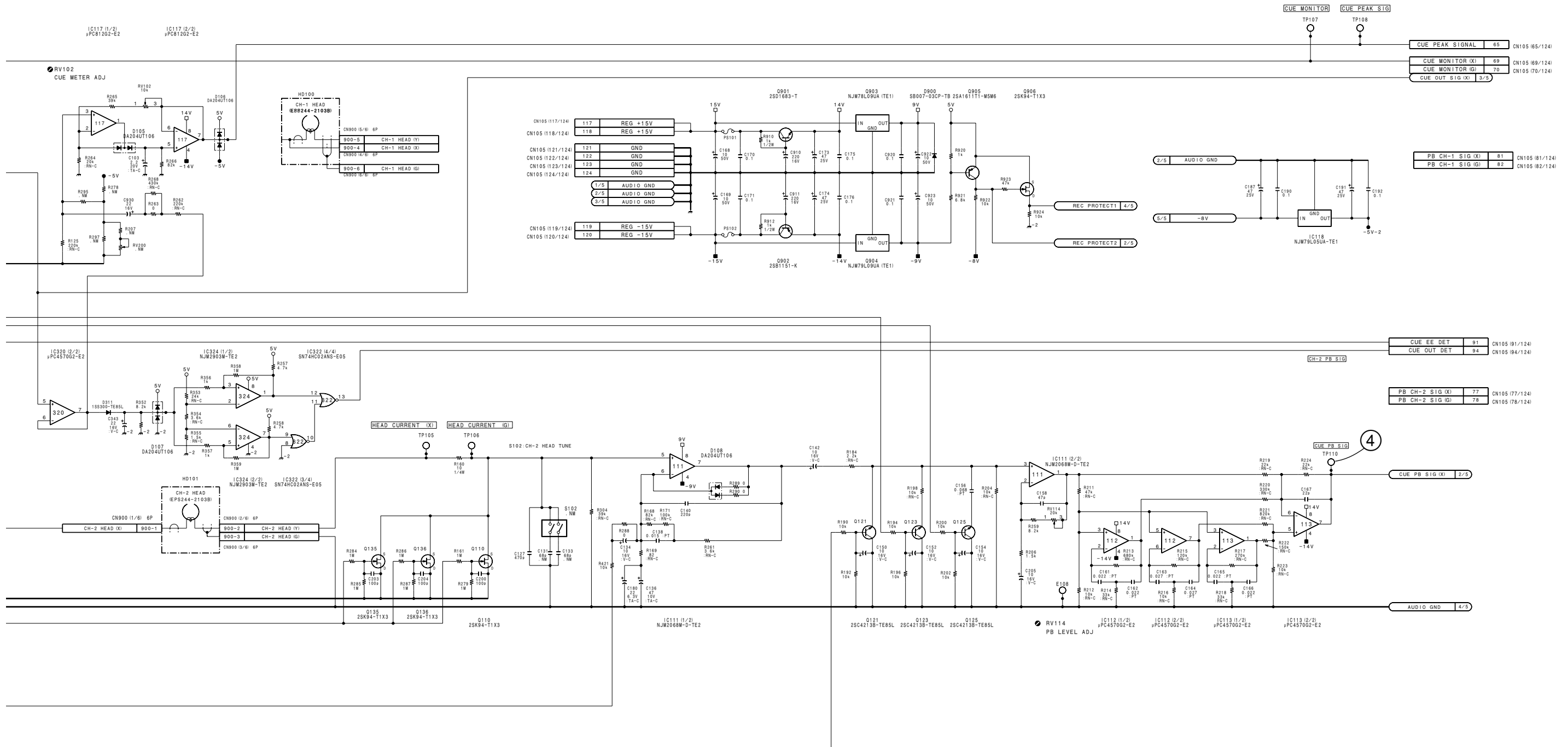
HDW-500 (J) : S/N 10001 and Higher
 HDW-500 (UC) : S/N 10001 and Higher



HDW-500 (J) : S/N 10001 and Higher
 HDW-500 (UC) : S/N 10001 and Higher

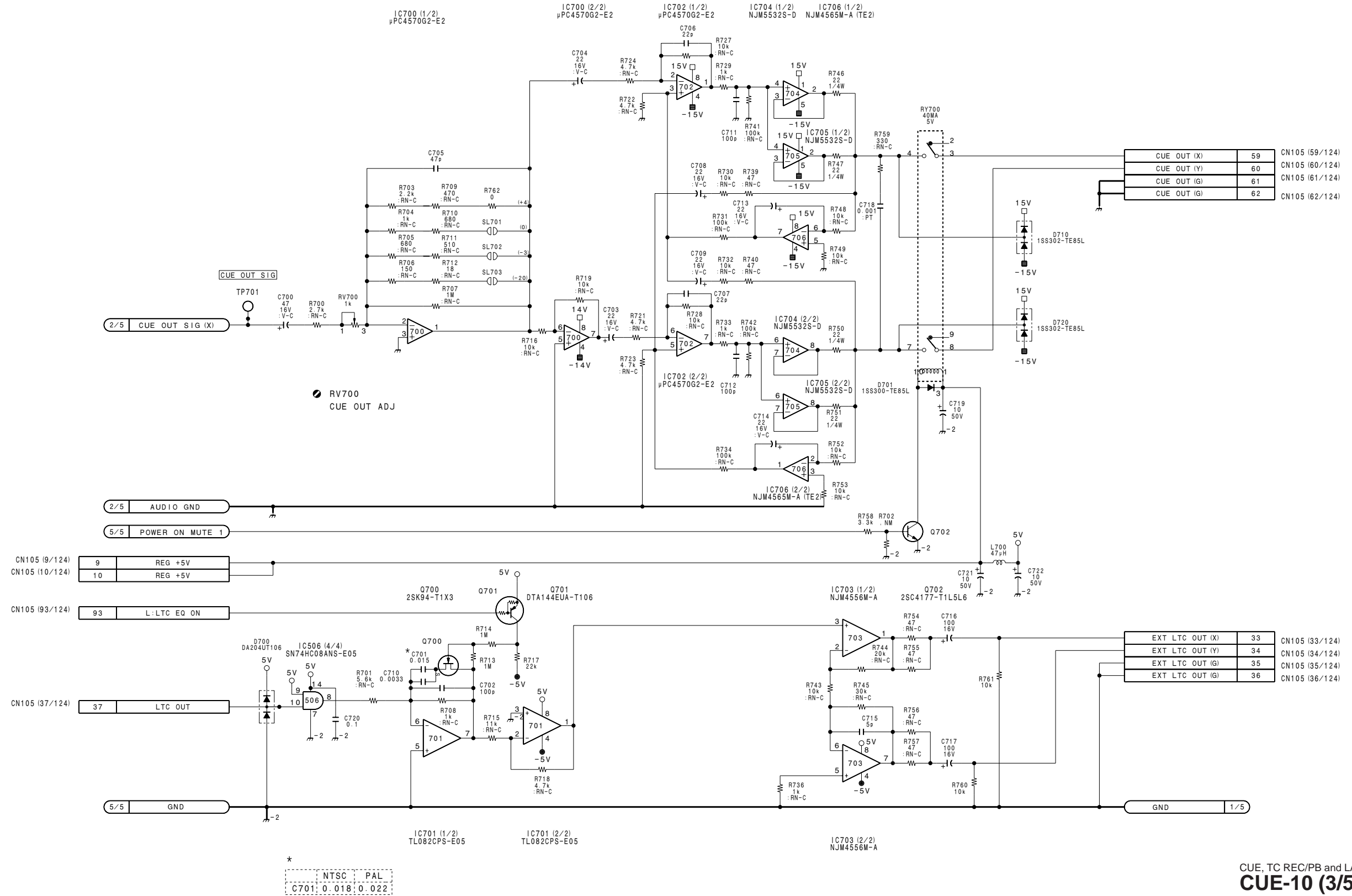


RV100 REC LEVEL ADJ RV103 REC FREQ RESP



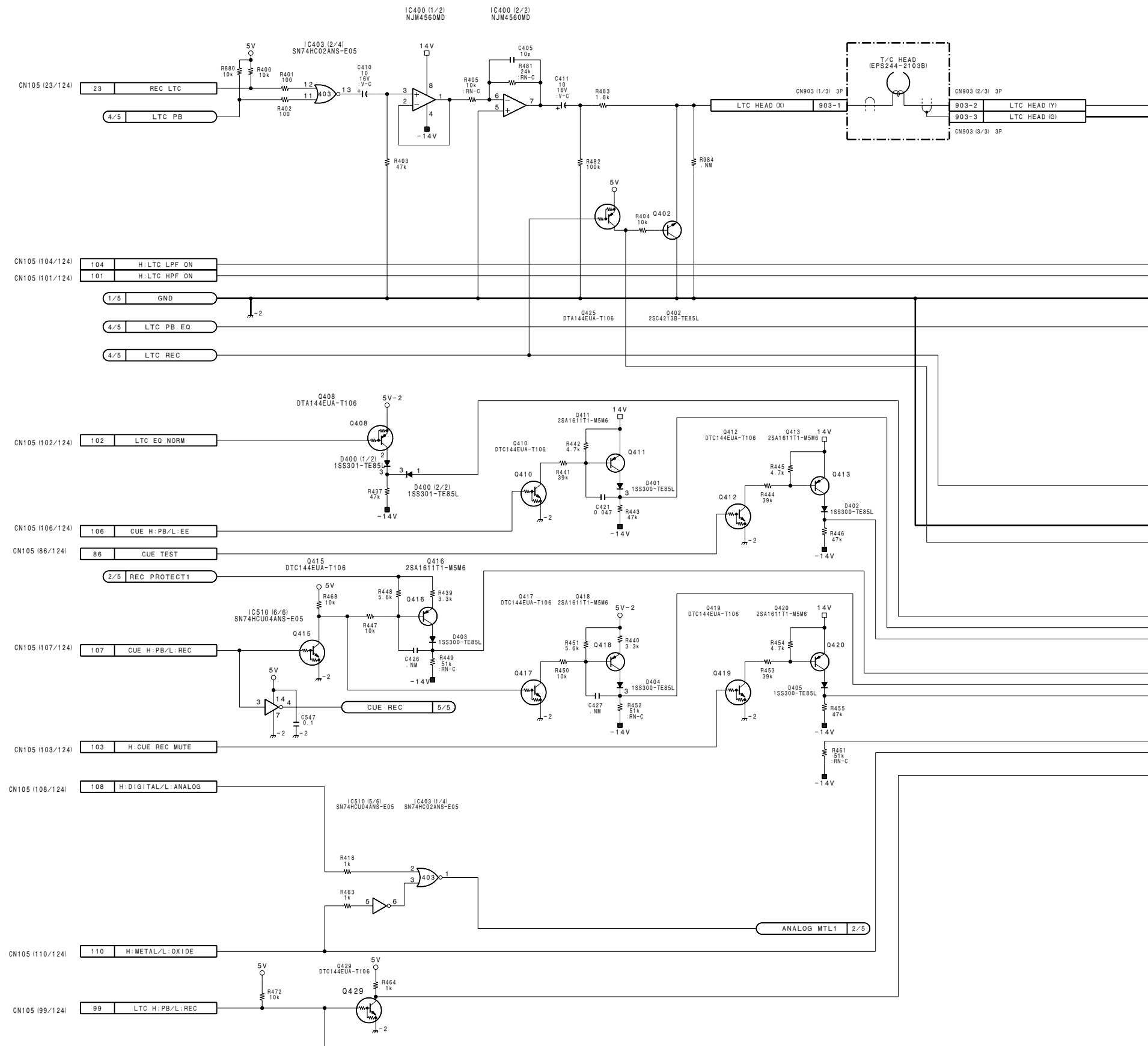
CUE, TC REC/PB and LAU PB circuit
CUE-10 (2/5)
 HDW-500
 BOARD NO. 1-664-980-11
 HDW-500 (J) : LOT NO. 611-
 HDW-500 (UC) : LOT NO. 707-
 B-WHDW500-CUE10-11-@

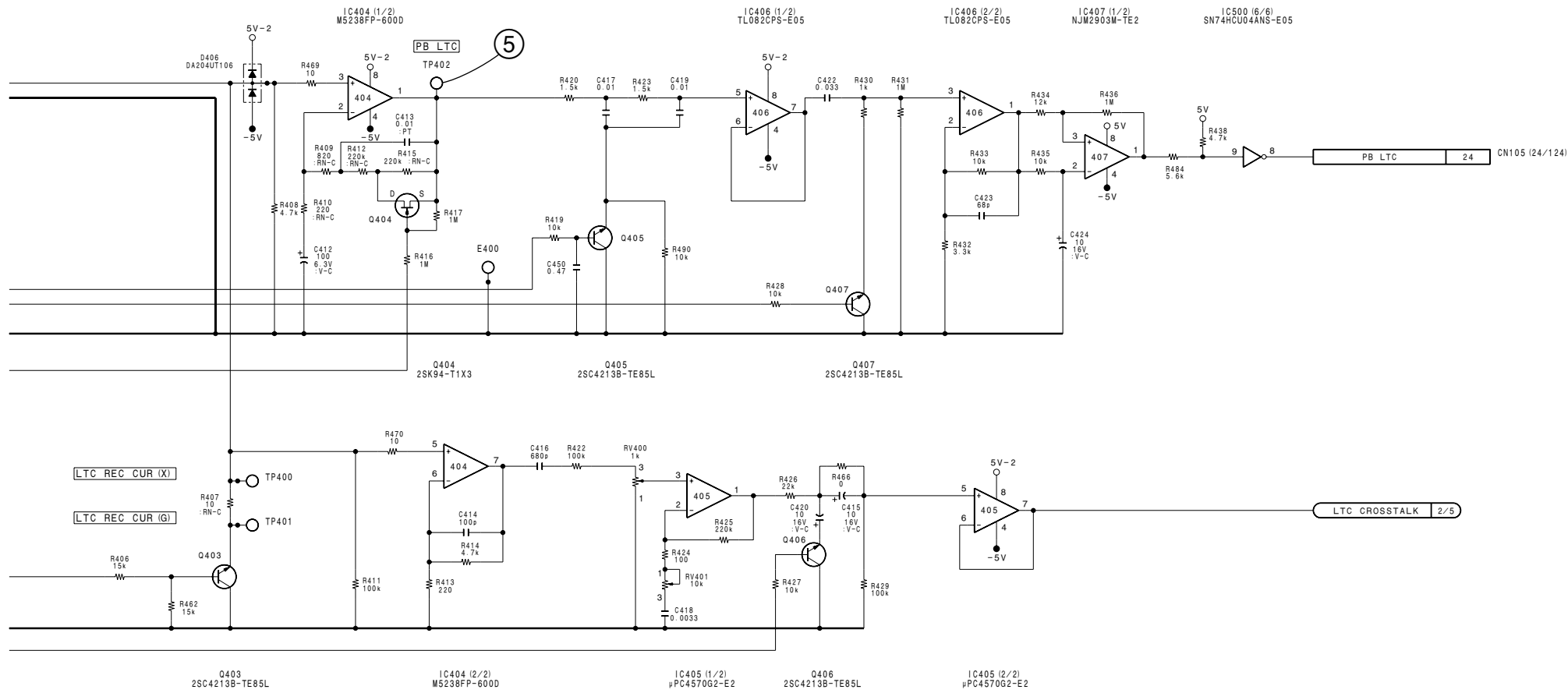
HDW-500 (J) : S/N 10001 and Higher
 HDW-500 (UC): S/N 10001 and Higher



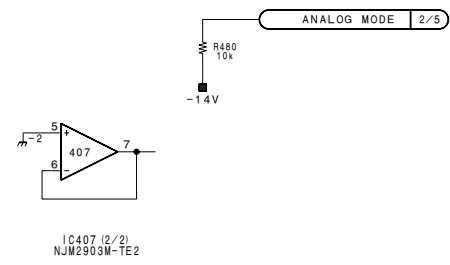
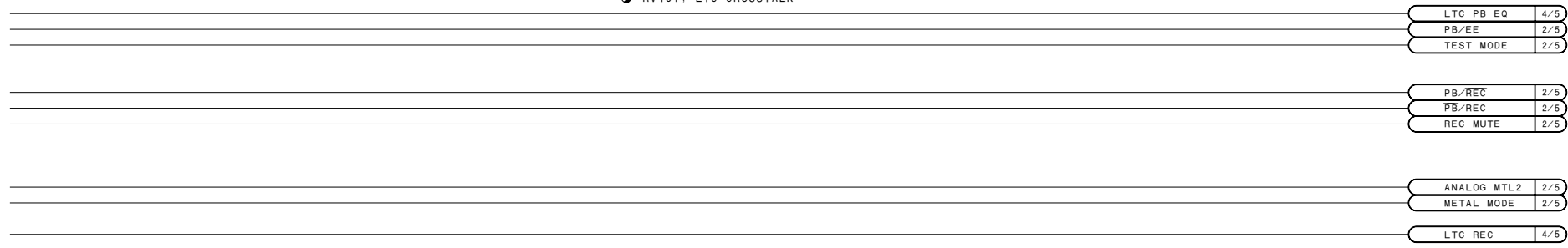
CUE, TC REC/PB and LAU PB circuit
CUE-10 (3/5)
 HDW-500
 BOARD NO. 1-664-980-11
 HDW-500 (J) : LOT NO. 611-
 HDW-500 (UC) : LOT NO. 707-
 B-WHDW500-CUE10-11-@

HDW-500 (J) : S/N 10001 and Higher
 HDW-500 (UC): S/N 10001 and Higher

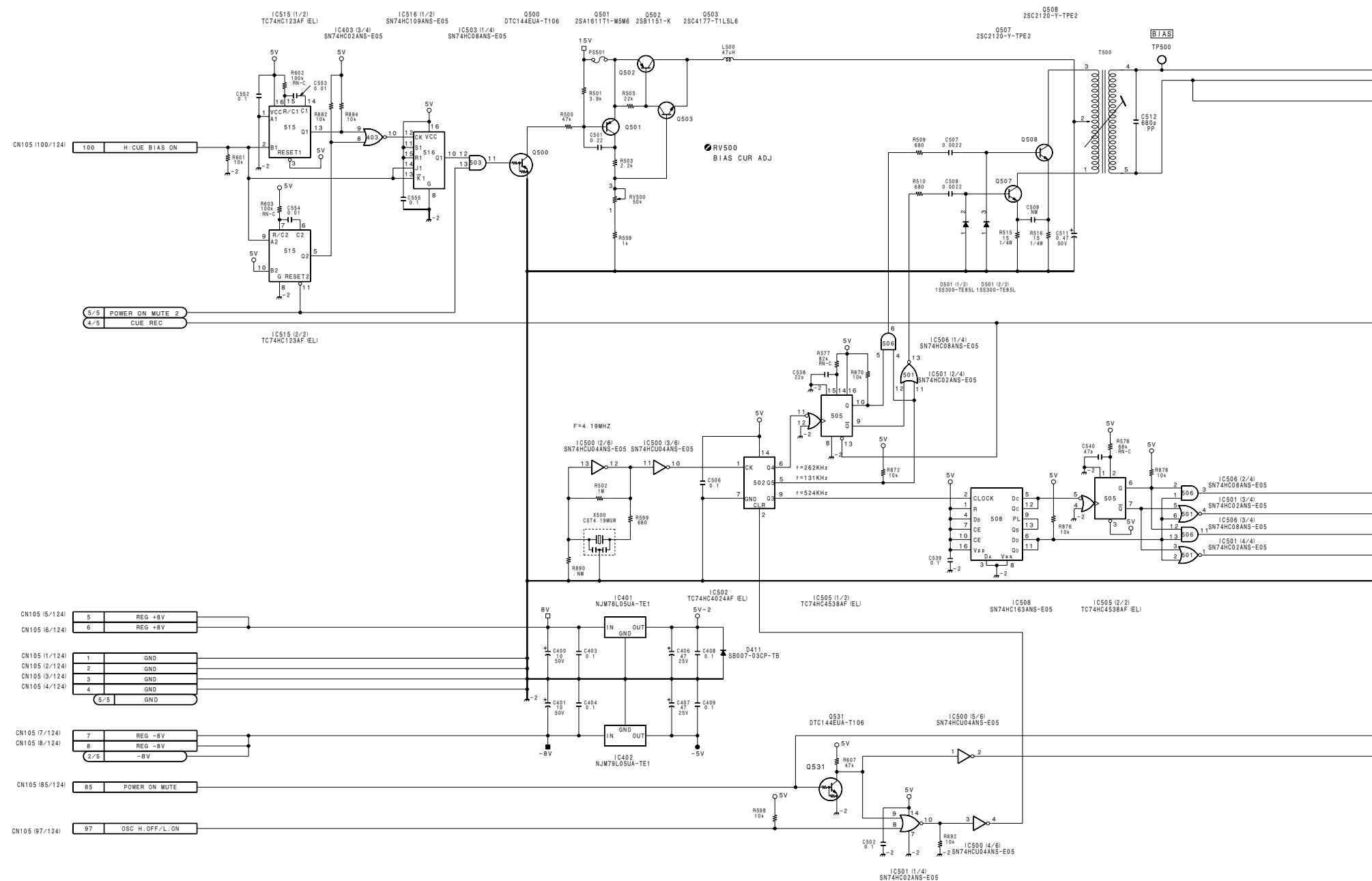


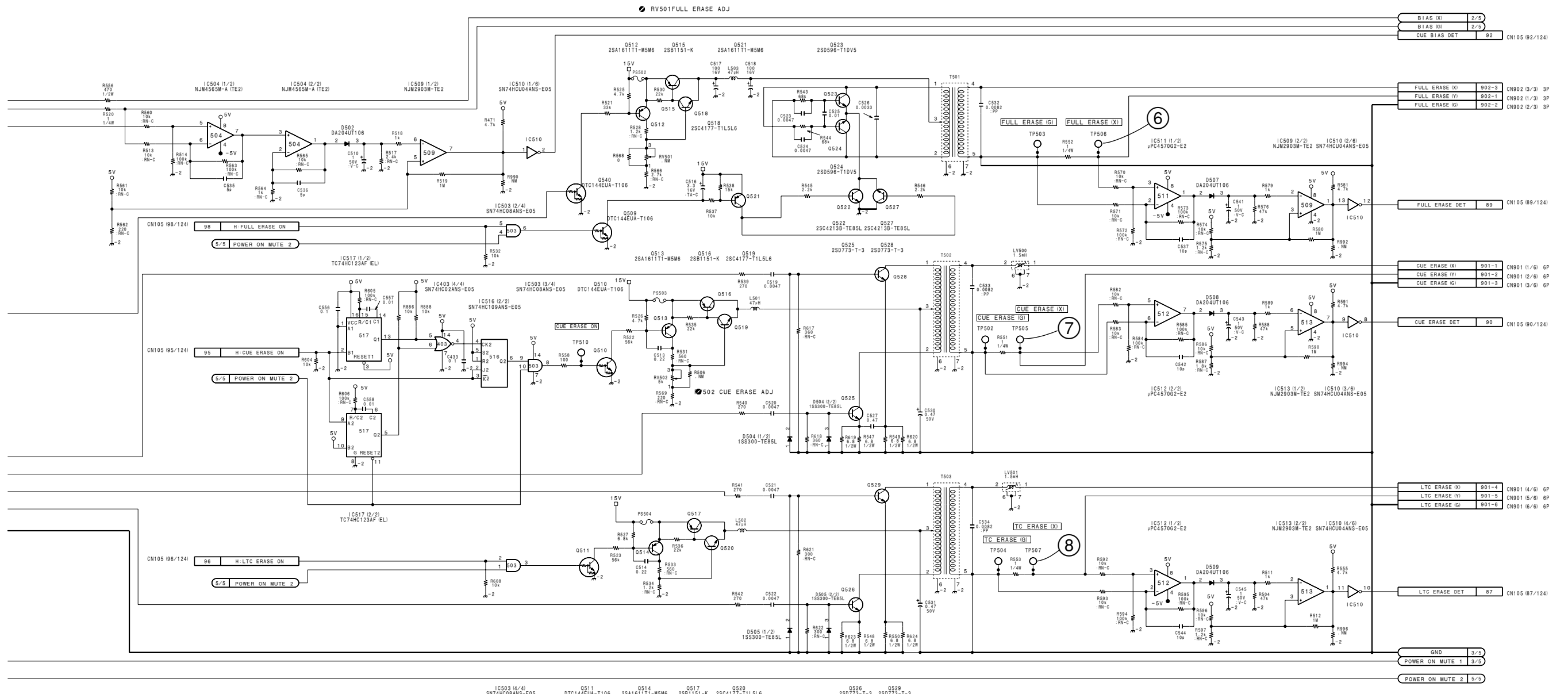


RV400: LTC CROSSTALK
RV401: LTC CROSSTALK

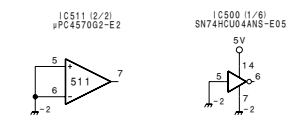


HDW-500 (J) : S/N 10001 and Higher
 HDW-500 (UC): S/N 10001 and Higher





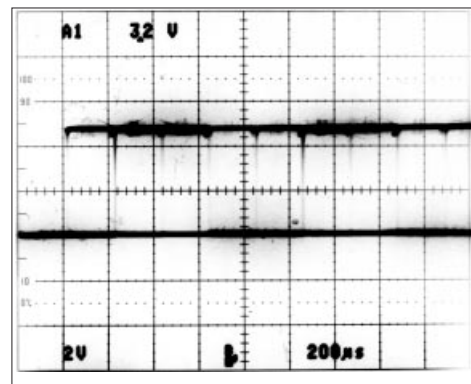
IC503 (4/4) SN74HC09ANS-E05 DTC144EUA-T106 Q514 2SA1611T1-MSM6 Q517 2SB1151-K Q520 2SC4177-T1LSL6 Q526 2SD773-T-3 Q529 2SD773-T-3



BIAS IXI	2/5	
BIAS IGI	2/5	
CUE BIAS DET	92	CN105 (92/124)
FULL ERASE IXI	902-3	CN902 (3/3) 3P
FULL ERASE IYI	902-1	CN902 (1/3) 3P
FULL ERASE IGI	902-2	CN902 (2/3) 3P
FULL ERASE DET	89	CN105 (89/124)
CUE ERASE IXI	901-1	CN901 (1/6) 6P
CUE ERASE IYI	901-2	CN901 (2/6) 6P
CUE ERASE IGI	901-3	CN901 (3/6) 6P
CUE ERASE DET	90	CN105 (90/124)
LTC ERASE IXI	901-4	CN901 (4/6) 6P
LTC ERASE IYI	901-5	CN901 (5/6) 6P
LTC ERASE IGI	901-6	CN901 (6/6) 6P
LTC ERASE DET	87	CN105 (87/124)
GND	3/5	
POWER ON MUTE 1	3/5	
POWER ON MUTE 2	5/5	

① LTC SOURCE
CN105, 25pin (1/5)

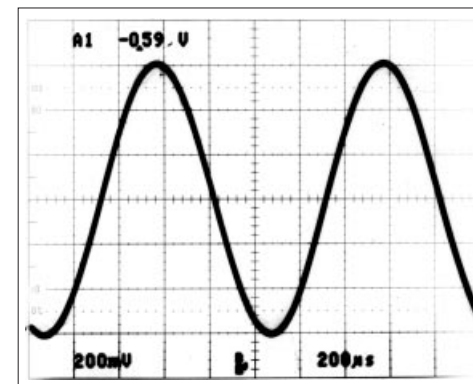
CN105,
25pin



MODE : EXT LTC IN REC

④ CUE PB SIG
TP110 (2/5)

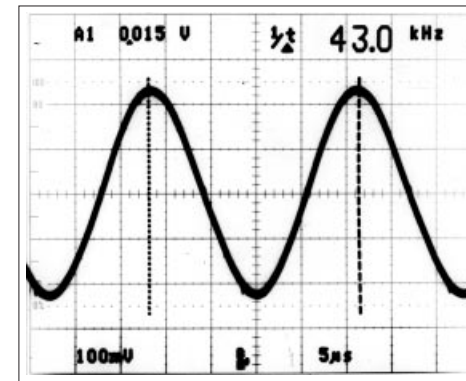
TP110



MODE : PB

⑦ CUE ERASE
TP505 (5/5)

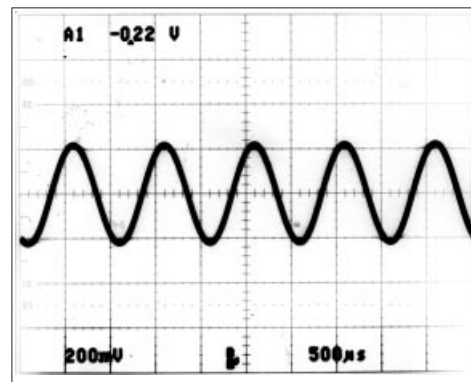
TP505



MODE : CUE INSERT

② CUE REC SIG
CN803, 1pin (1/5)

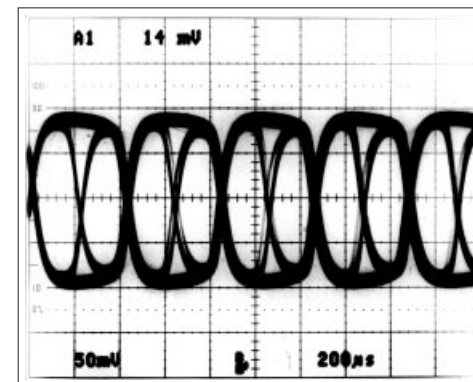
CN803,
1pin



MODE : EXT LTC IN REC

⑤ PB LTC
TP402 (4/5)

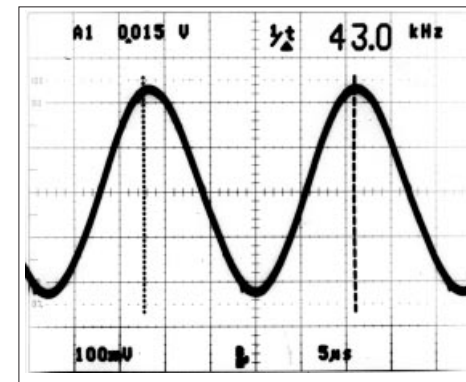
TP402



MODE : PB

⑧ TC ERASE
TP507 (5/5)

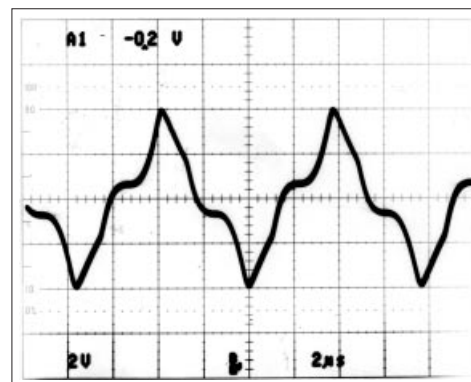
TP507



MODE : TC INSERT

③ REC SIG
TP103 (2/5)

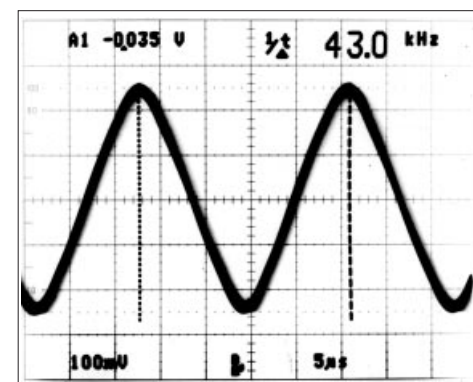
TP103



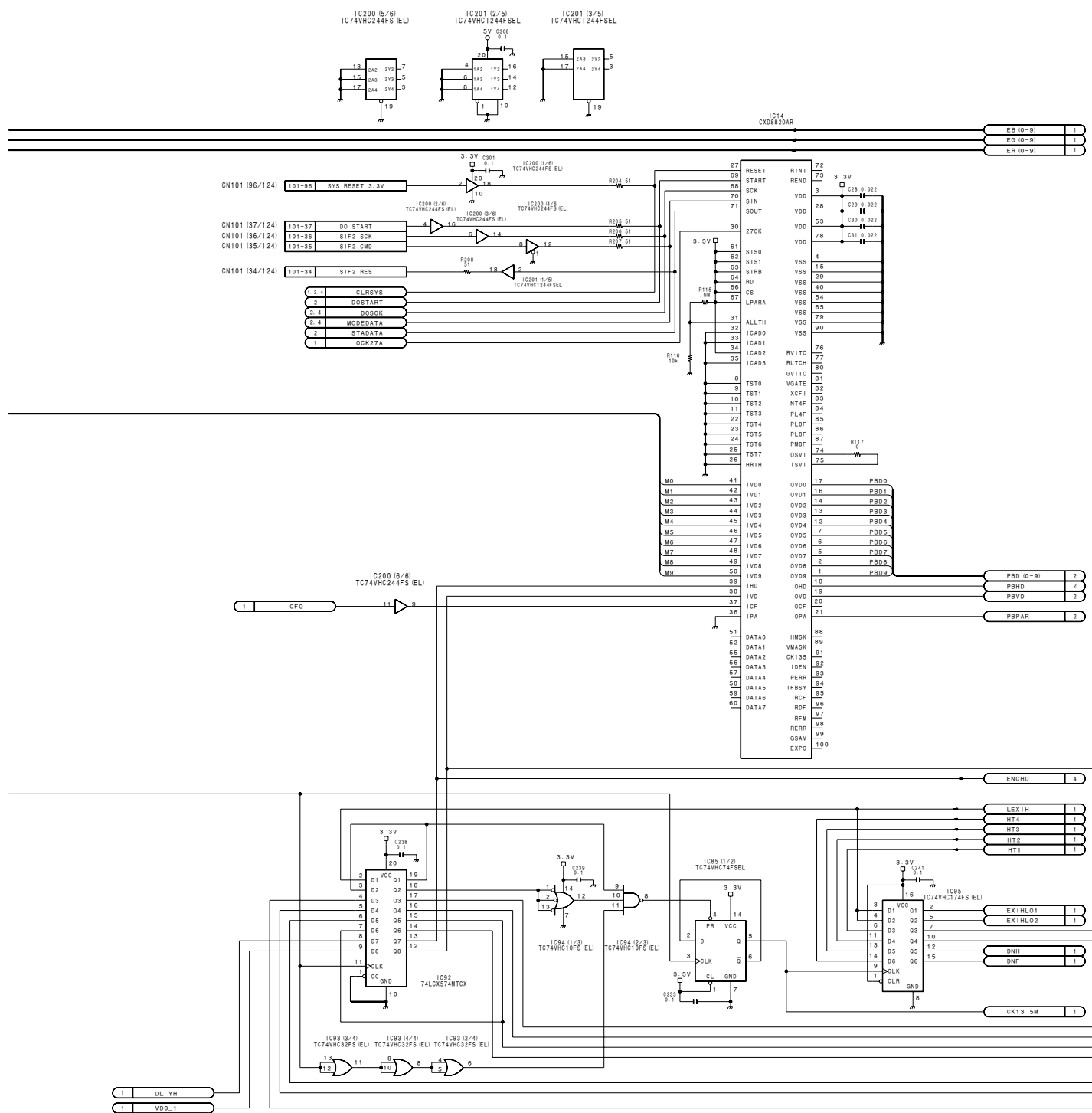
MODE : EXT LTC IN REC

⑥ FULL ERASE
TP506 (5/5)

TP506



MODE : REC (CRASH)



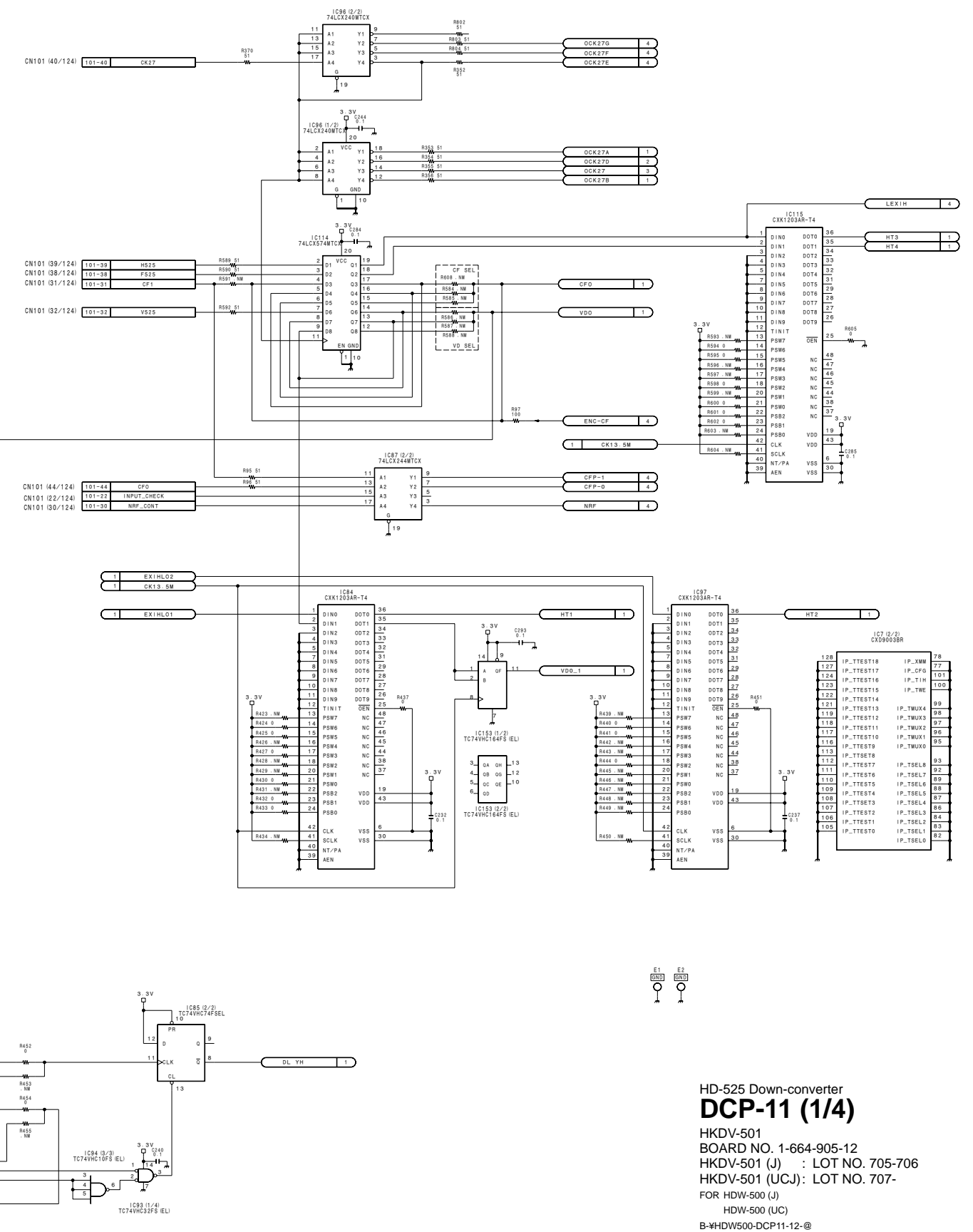
HDW-500 MMP2V2

I

J

K

6-49 (a)



6-49 (a)

M

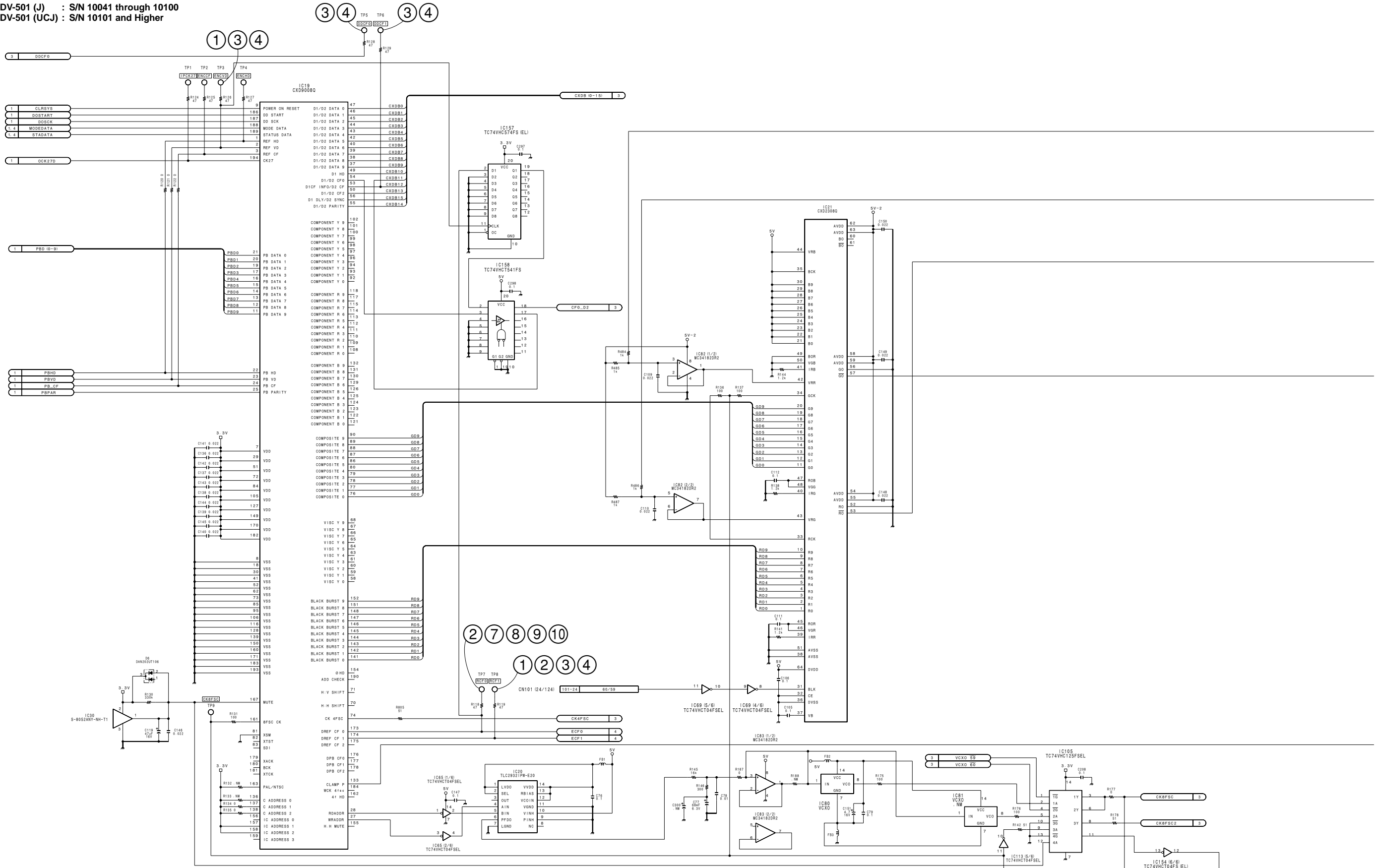
N

O

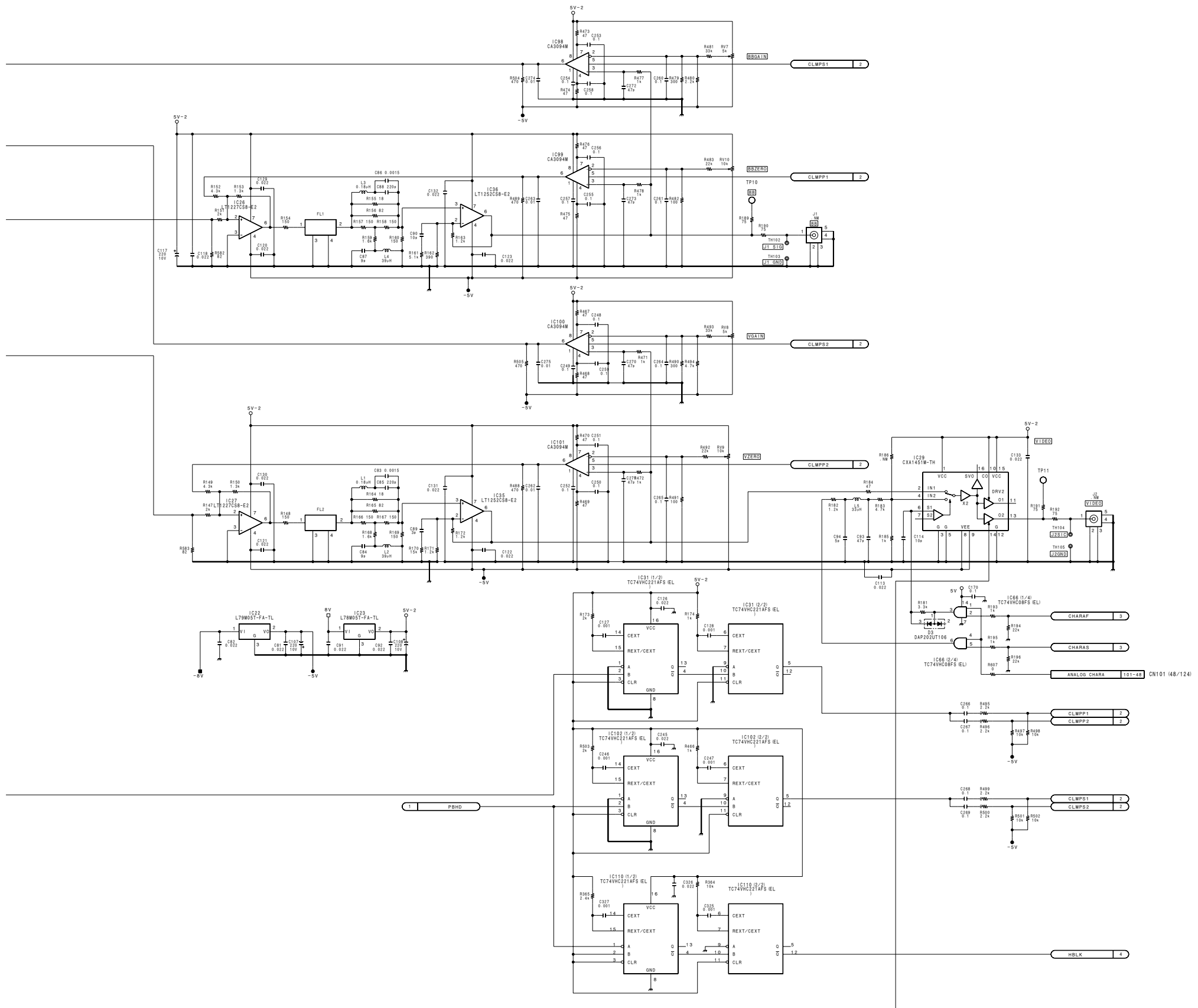
P

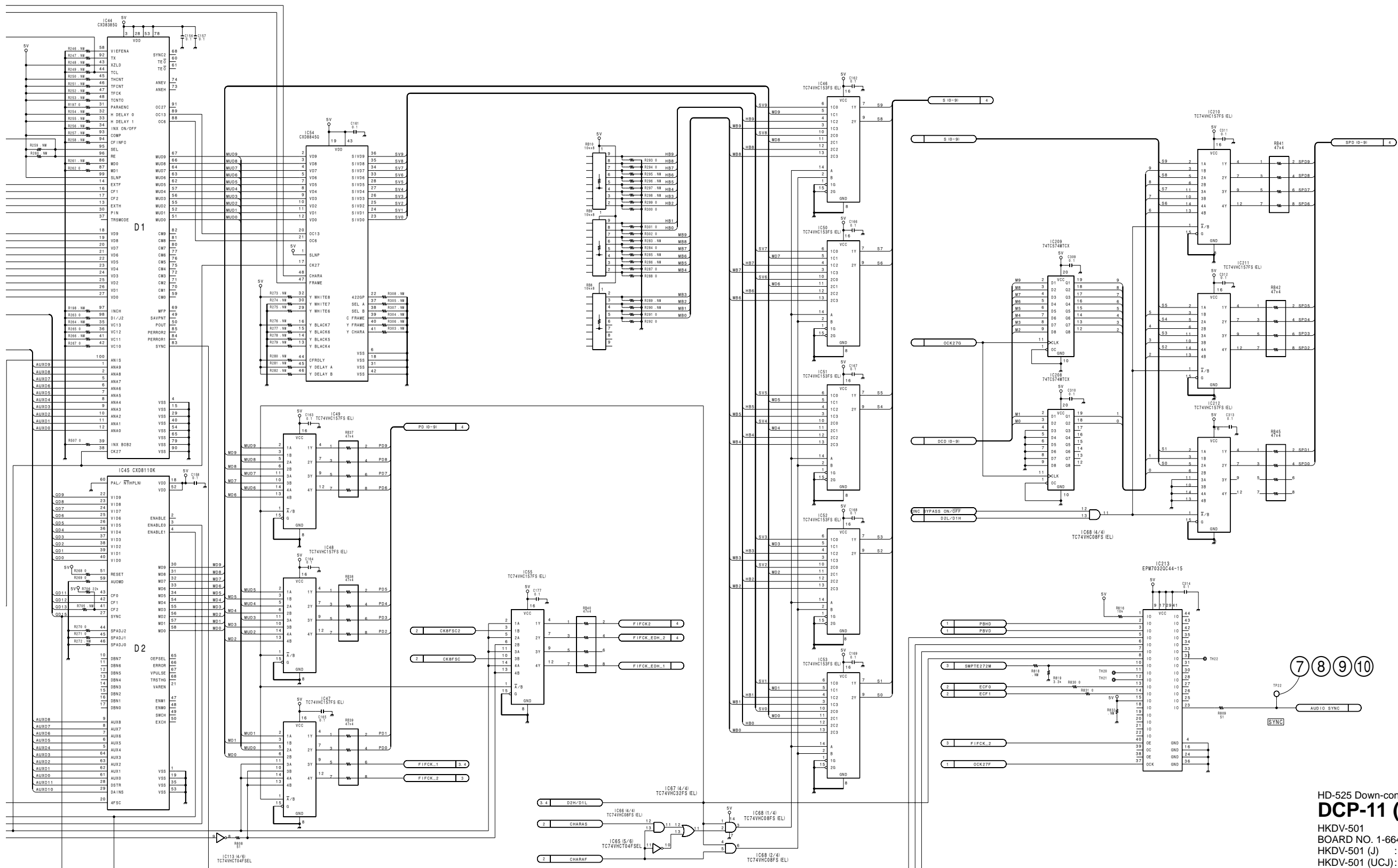
HD-525 Down-converter
DCP-11 (1/4)
 HKDV-501
 BOARD NO. 1-664-905-12
 HKDV-501 (J) : LOT NO. 705-706
 HKDV-501 (JCJ): LOT NO. 707-
 FOR HDW-500 (J)
 HDW-500 (UC)
 B-WHD500-DCP11-12-@

HKDV-501 (J) : S/N 10041 through 10100
HKDV-501 (UCJ) : S/N 10101 and Higher



6-50 (a) 6-50 (a)





HD-525 Down-converter
DCP-11 (3/4)
 HKDV-501
 BOARD NO. 1-664-905-12
 HKDV-501 (J) : LOT NO. 705-706
 HKDV-501 (UCJ): LOT NO. 707-
 FOR HDW-500 (J)
 HDW-500 (UC)
 B-VHDW500-DCP11-12-®

HKDV-501 (J) : S/N 10041 through 10100
HKDV-501 (UCJ) : S/N 10101 and Higher

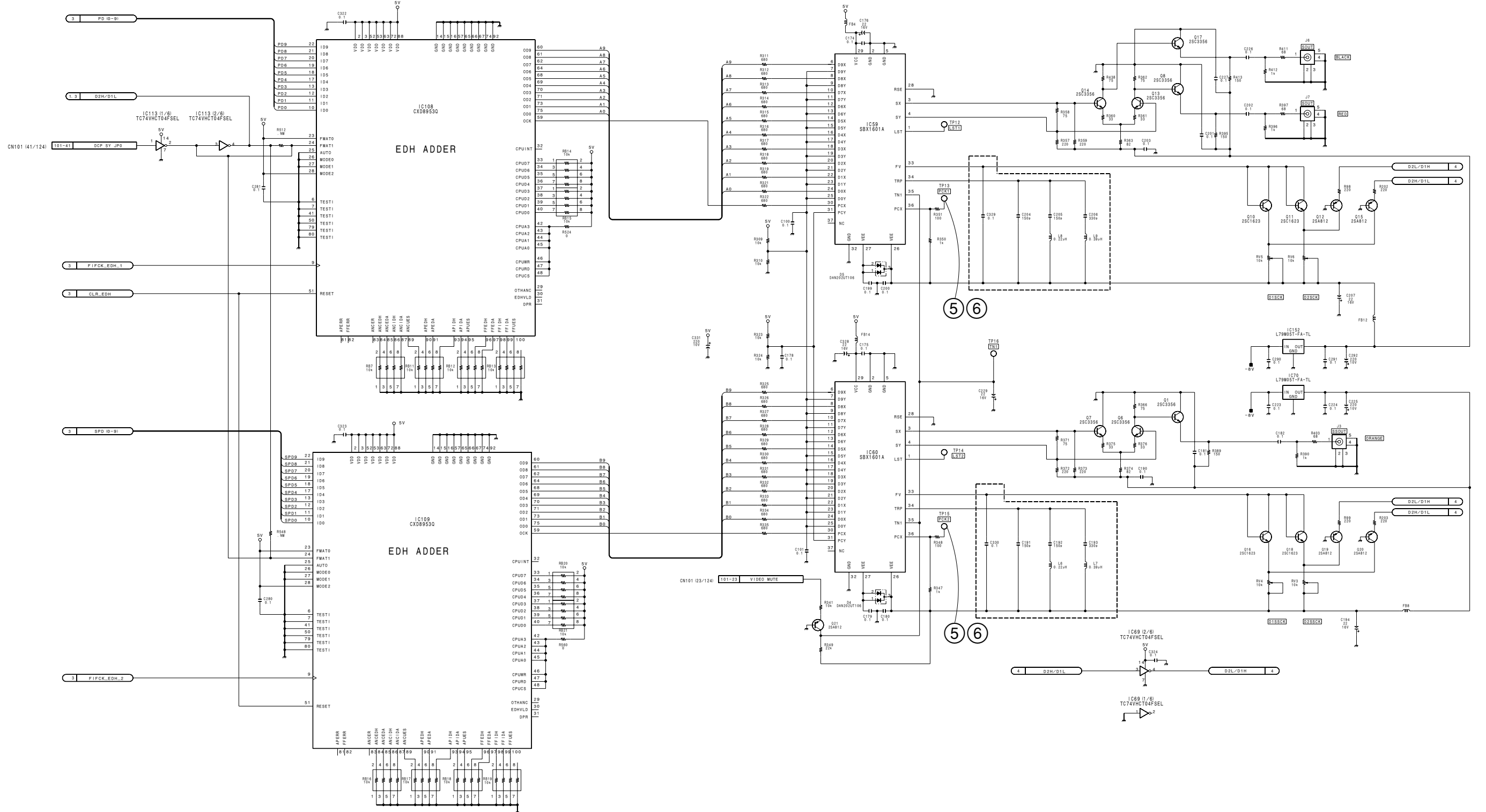
1

2

3

4

5



6-54 (a)

6-54 (a)

HKDV-501 (J) : S/N 10001 through 10040

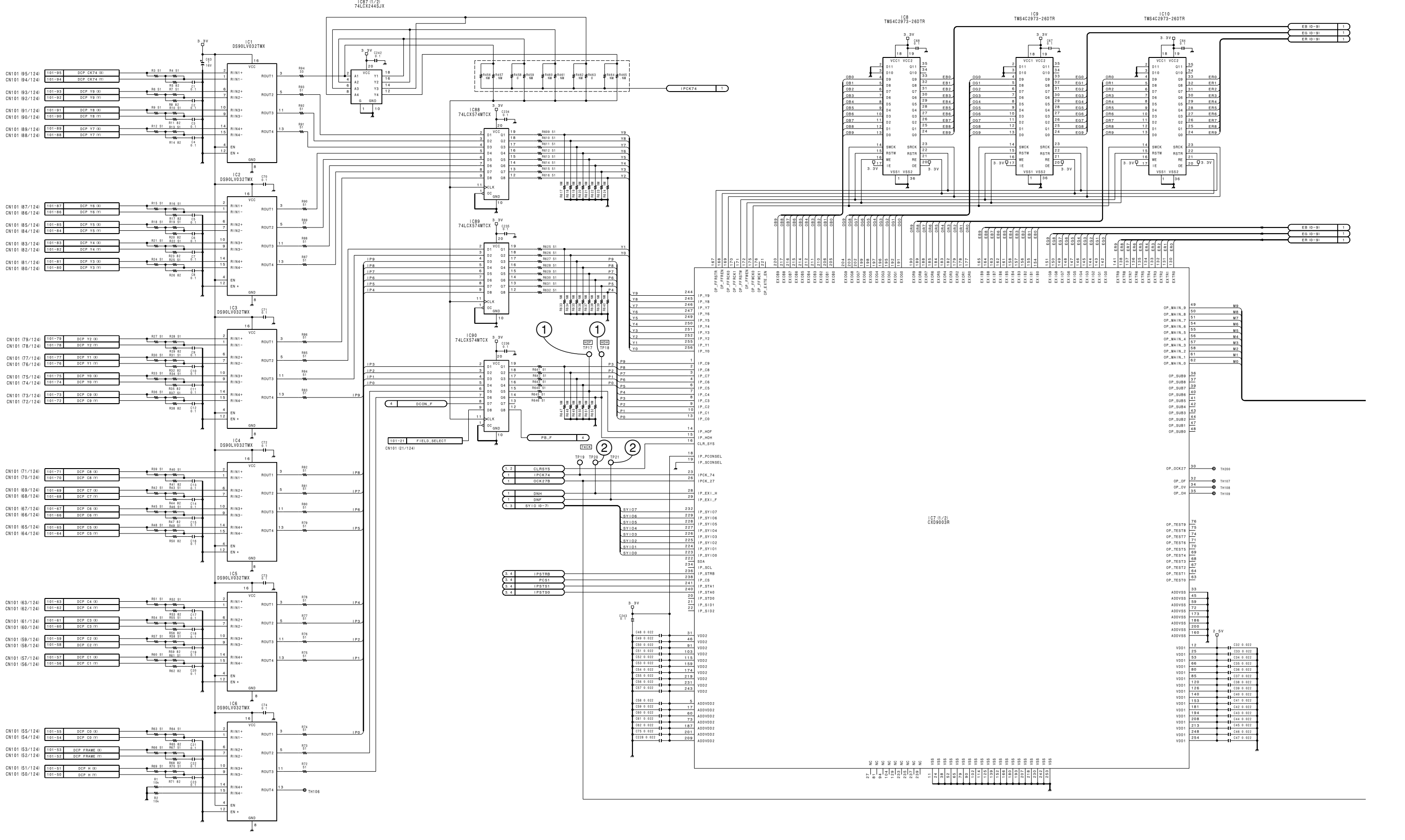
1

2

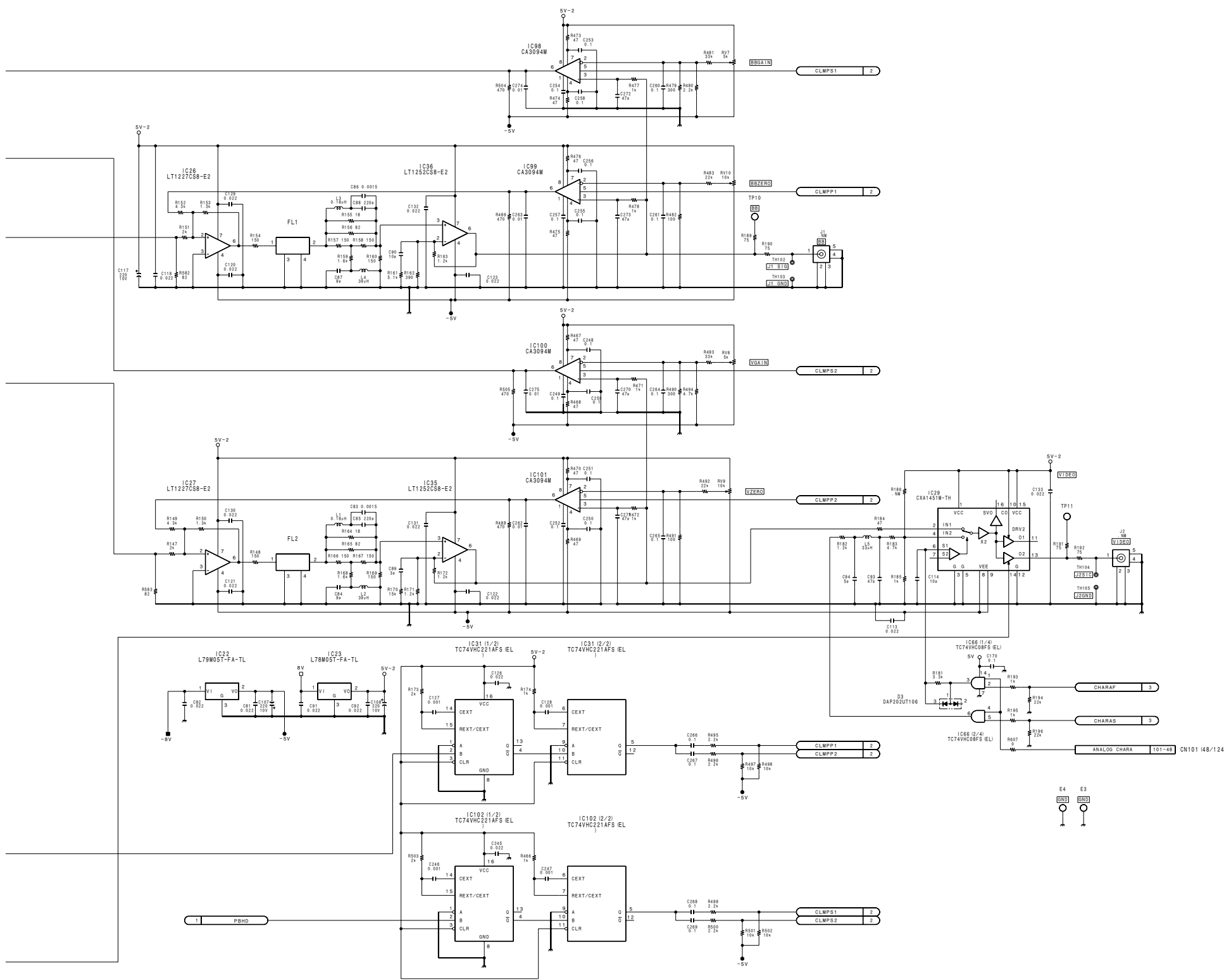
3

4

5

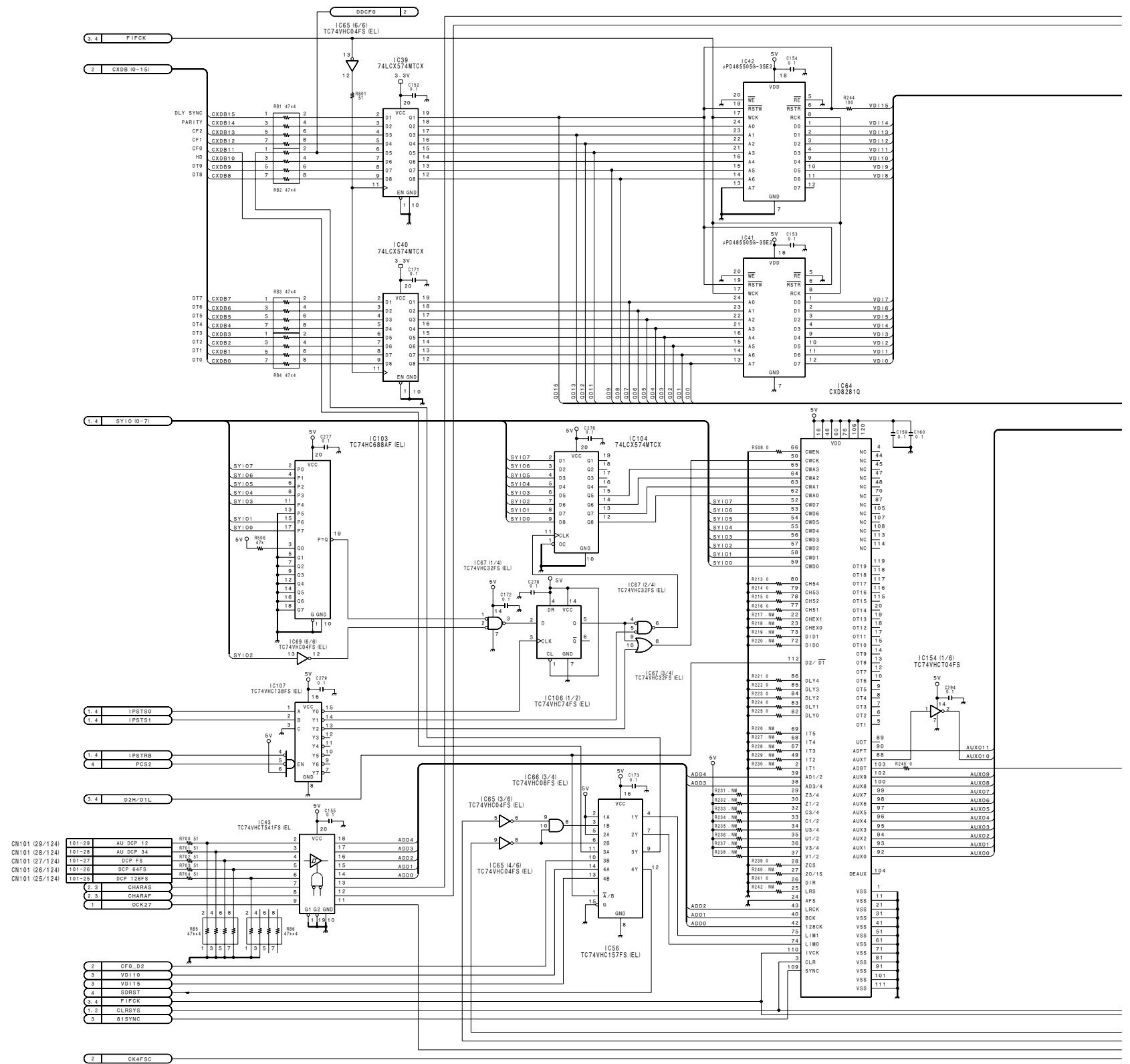


A B C D E F G H



HD-525 Down-converter
DCP-11 (2/4)
 HKDV-501
 BOARD NO. 1-664-905-11
 LOT NO. 612-704
 FOR HDW-500 (J)
 B-WHDW500-DCP11-11-@

HKDV-501 (J) : S/N 10001 through 10040



1

2

3

4

5

A

B

C

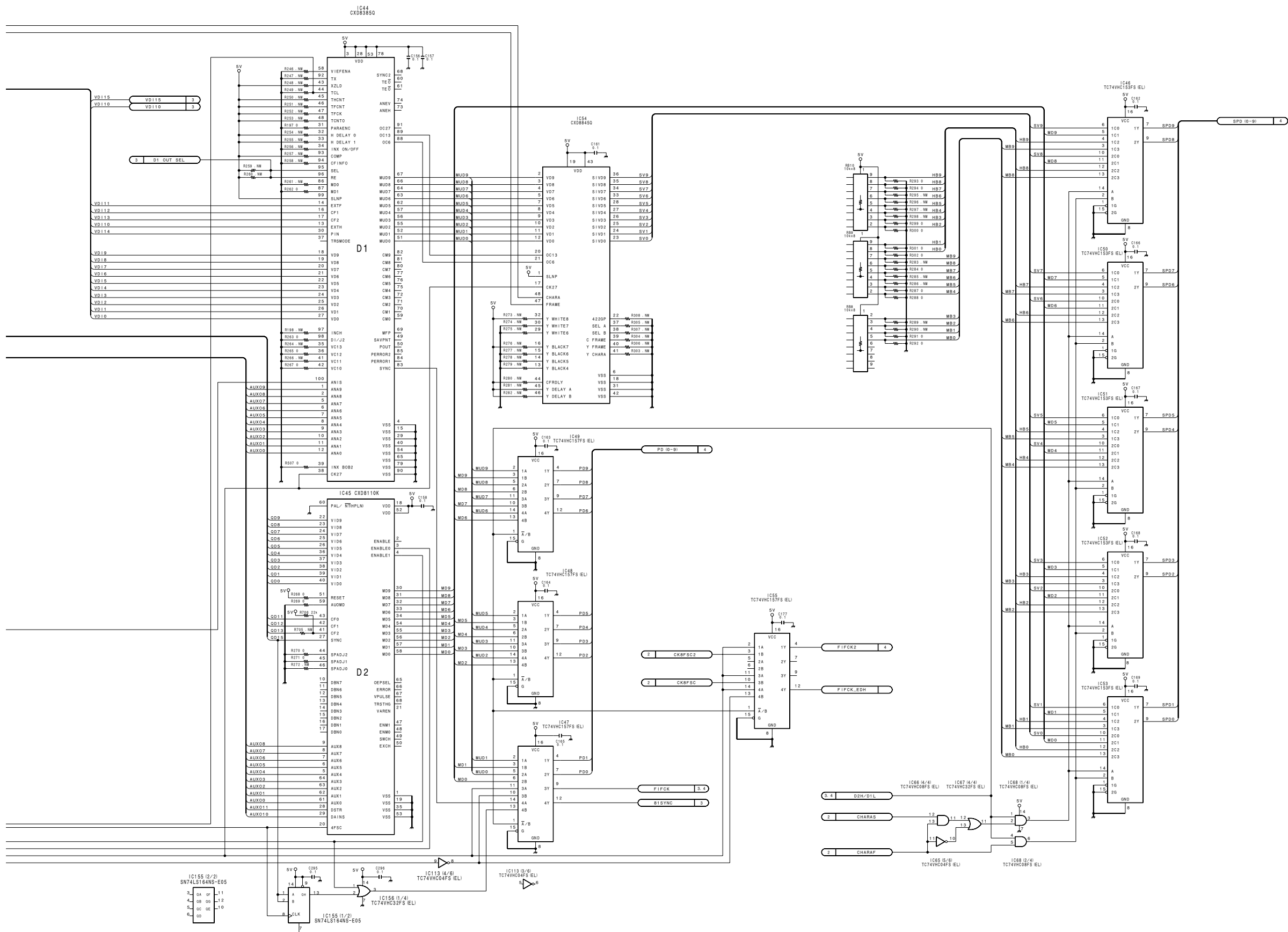
D

E

F

G

H



HKDV-501 (J) : S/N 10001 through 10040

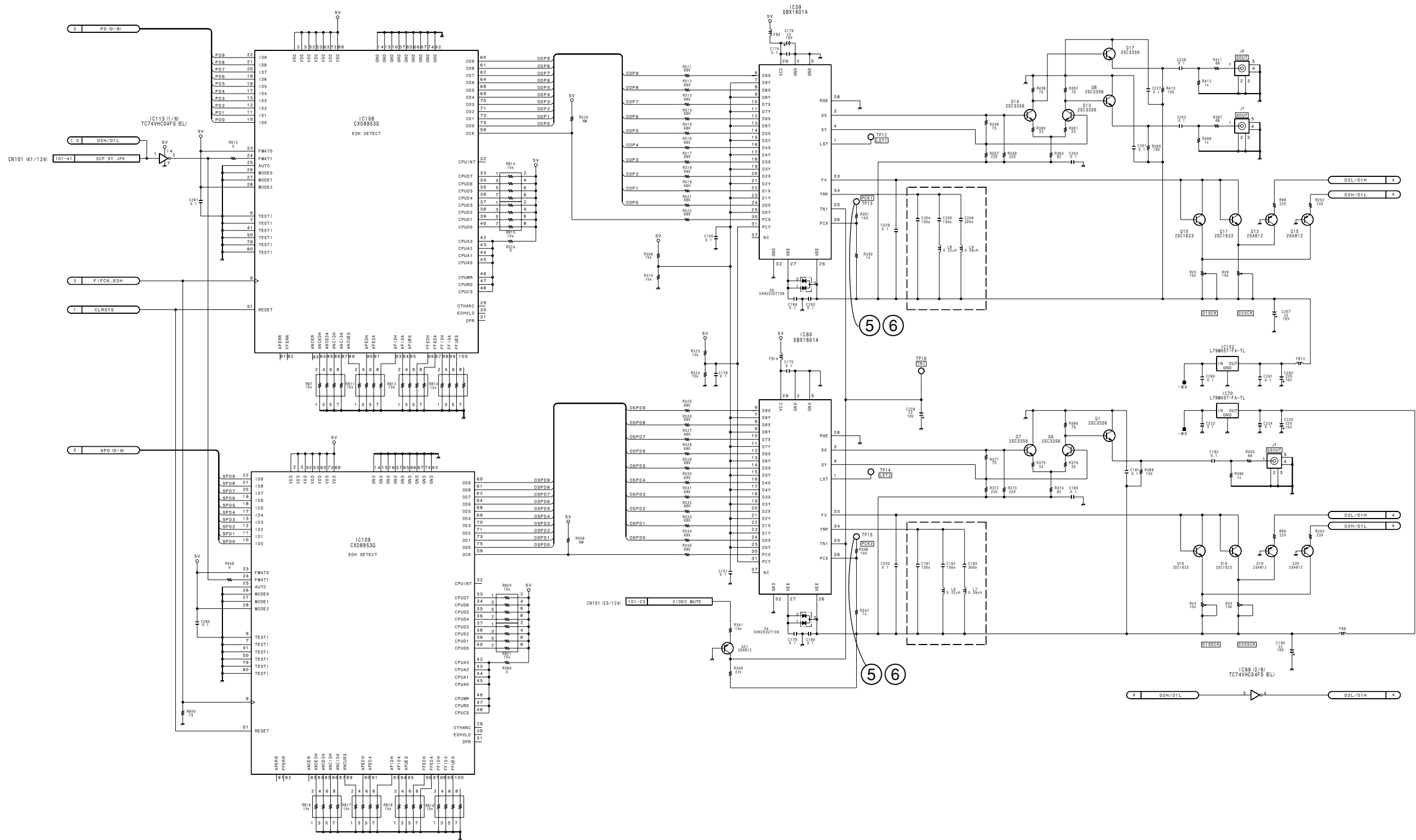
1

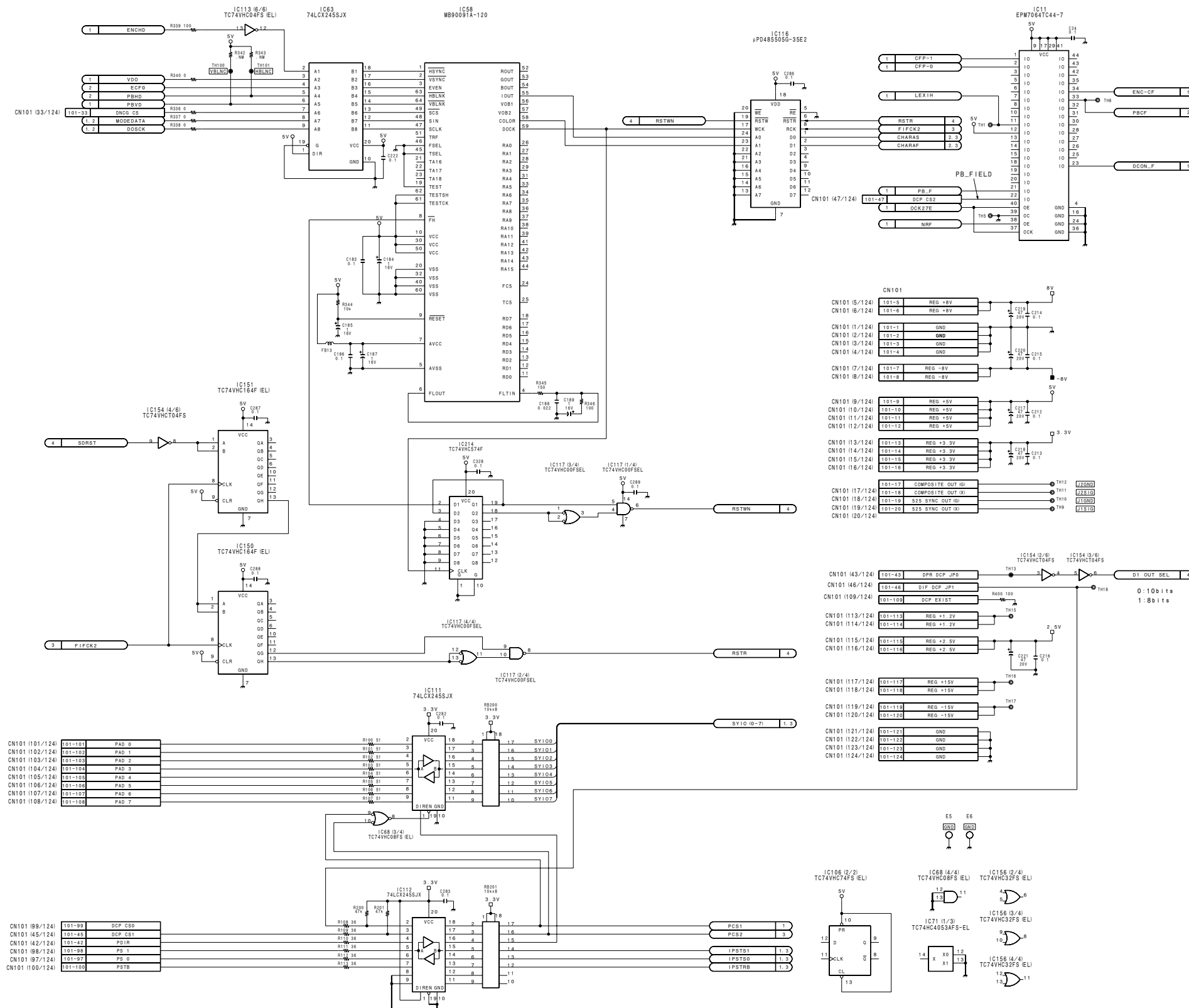
2

3

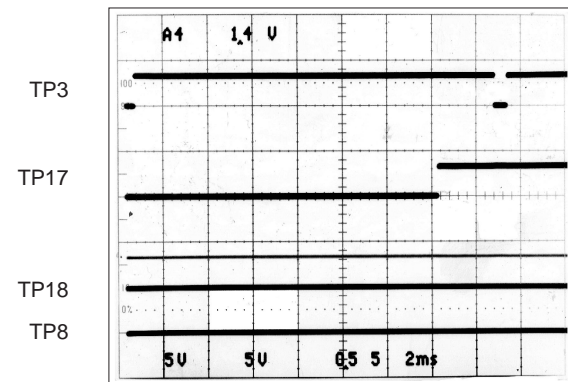
4

5



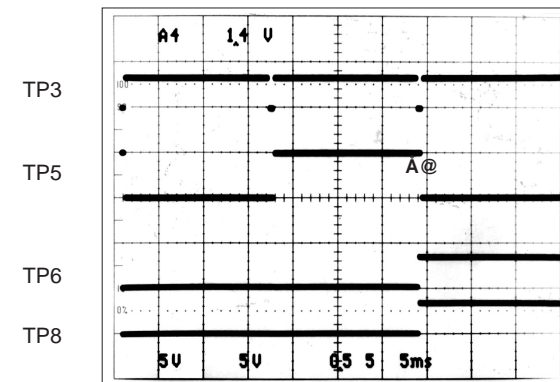


- ① ENC VD HDH
 TP3 (2/4) TP18 (1/4)
 HDF RCF1 (TRIG)
 TP17 (1/4) TP8 (2/4)



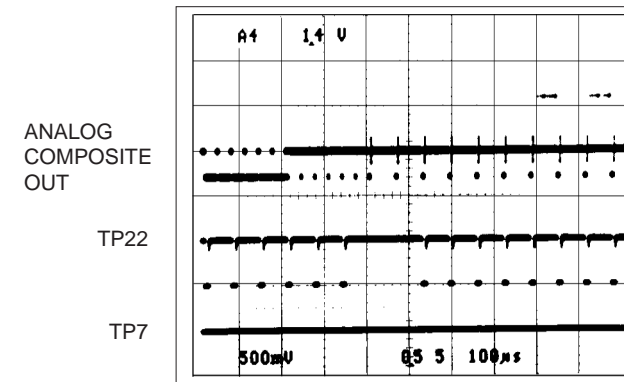
MODE : D1, D2

- ④ ENC VD D DCF1
 TP3 (2/4) TP6 (2/4)
 D DCF0 RCF1 (TRIG)
 TP5 (2/4) TP8 (2/4)

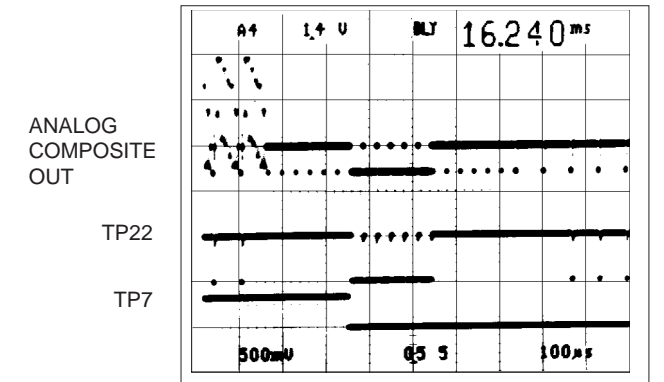


MODE : D2

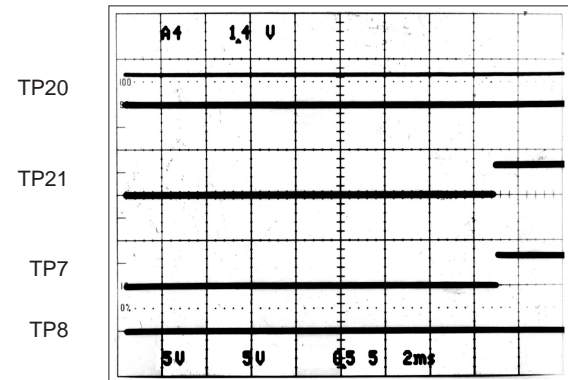
- Only for suffix number of board is 12.
 ⑦ ANALOG COMPOSITE OUT RCF0 (TRIG(-))
 SYNC TP7 (2/4)
 TP22 (3/4)



- Only for suffix number of board is 12.
 ⑩ ANALOG COMPOSITE OUT RCF0 (TRIG(-))
 SYNC TP7 (2/4)
 TP22 (3/4)

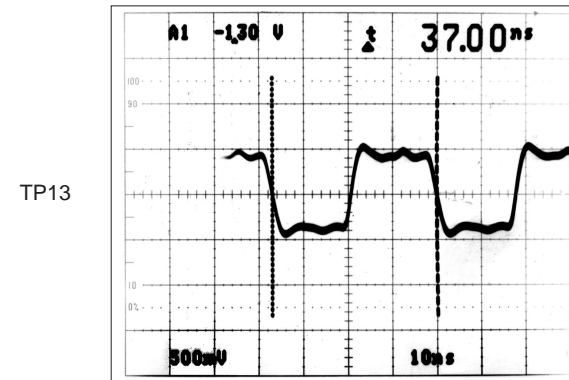


- ② DNH RCF0
 TP20 (1/4) TP7 (2/4)
 DNF RCF1 (TRIG)
 TP21 (1/4) TP8 (2/4)



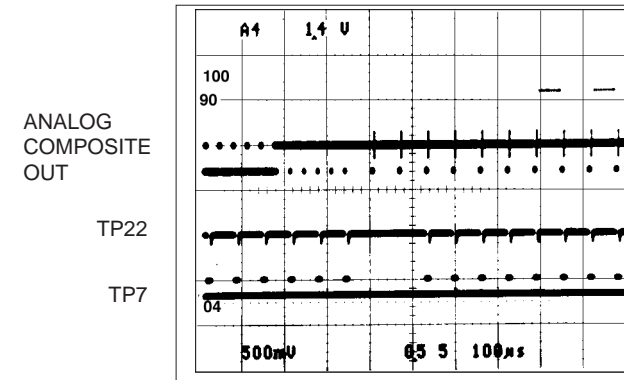
MODE : D1, D2

- ⑤ PCK1
 TP13 (4/4)
 PCK2
 TP15 (4/4)

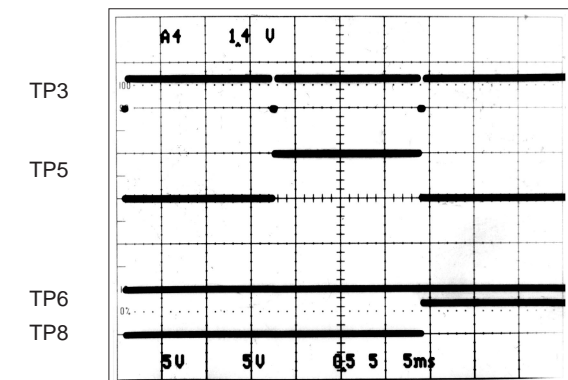


MODE : D1

- Only for suffix number of board is 12.
 ⑧ ANALOG COMPOSITE OUT RCF0 (TRIG(+))
 SYNC TP7 (2/4)
 TP22 (3/4)

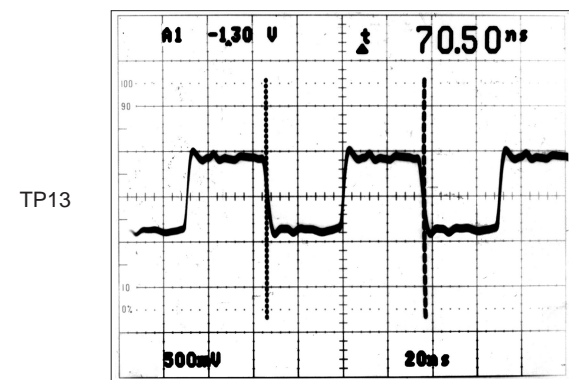


- ③ ENC VD D DCF1
 TP3 (2/4) TP6 (2/4)
 D DCF0 RCF1 (TRIG)
 TP5 (2/4) TP8 (2/4)



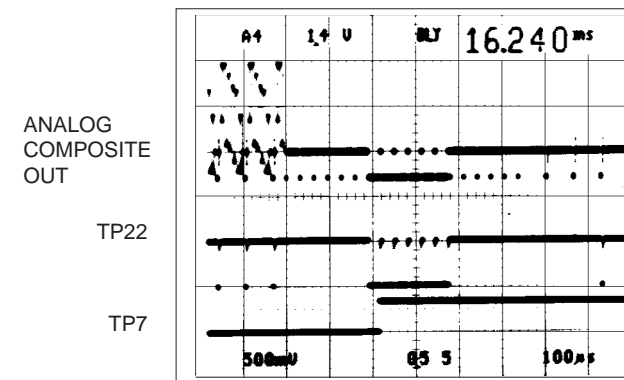
MODE : D1

- ⑥ PCK1
 TP13 (4/4)
 PCK2
 TP15 (4/4)

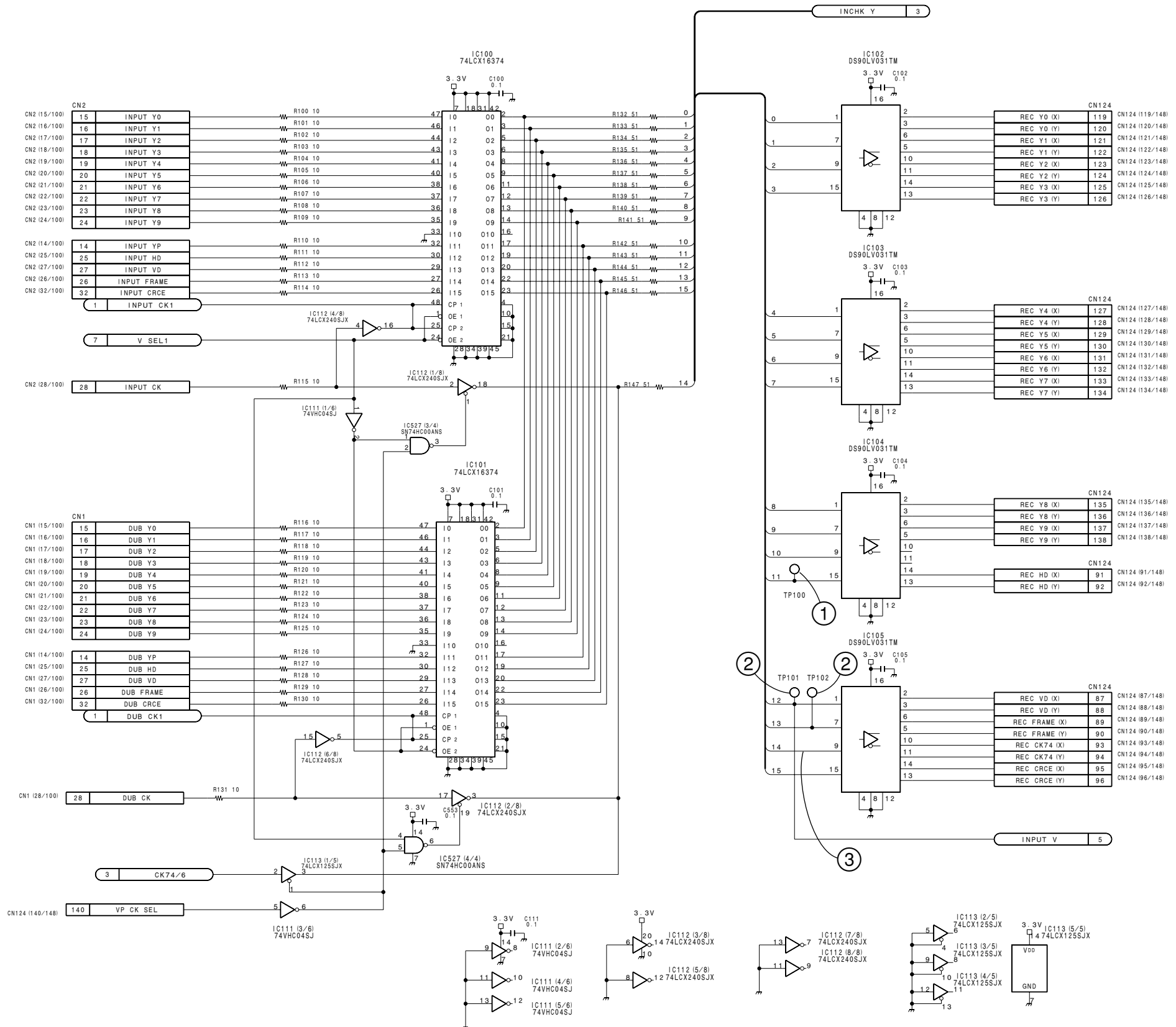


MODE : D2

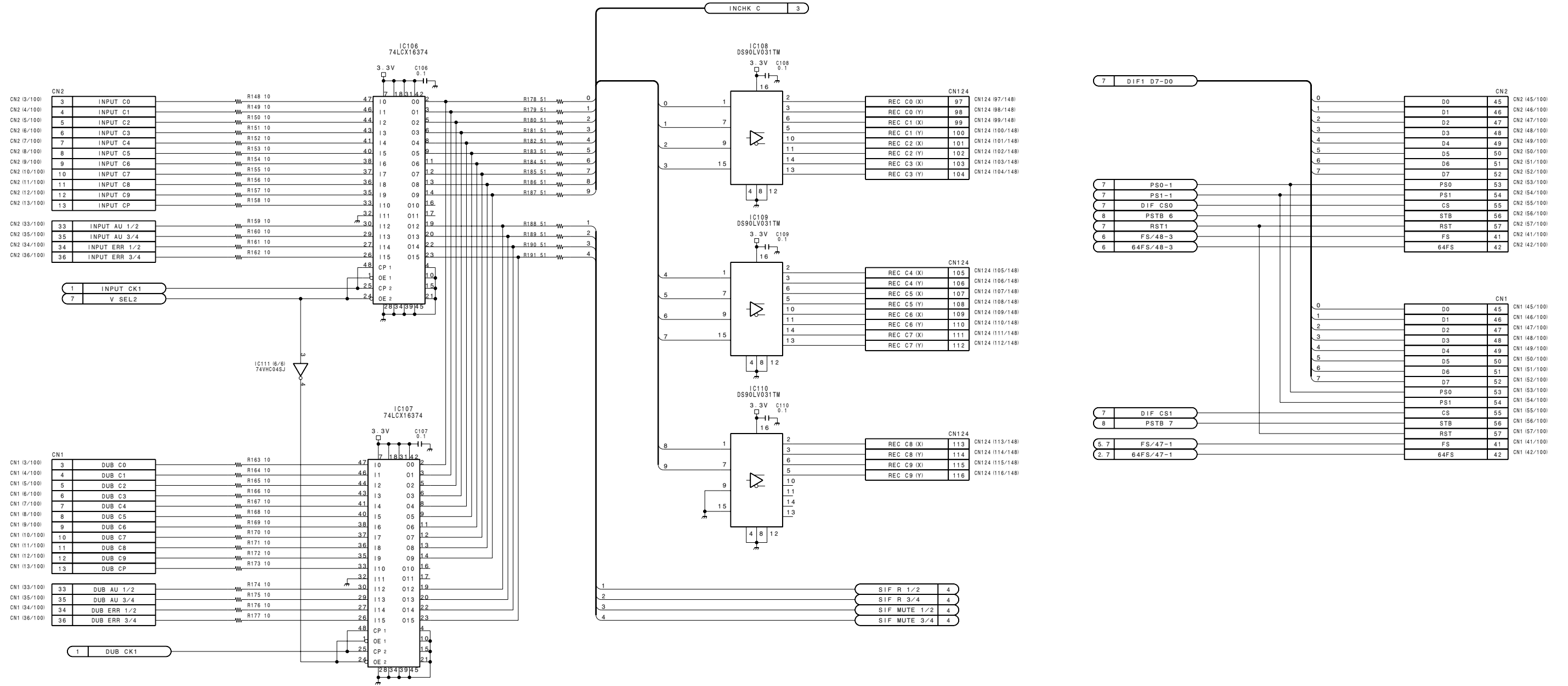
- Only for suffix number of board is 12.
 ⑨ ANALOG COMPOSITE OUT RCF0 (TRIG(+))
 SYNC TP7 (2/4)
 TP22 (3/4)



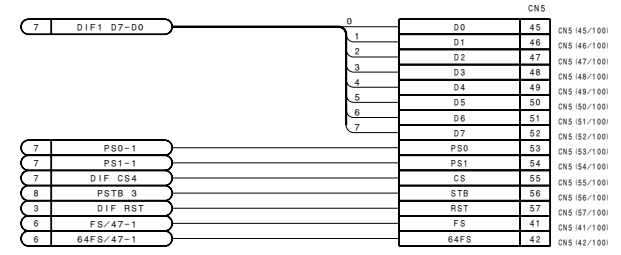
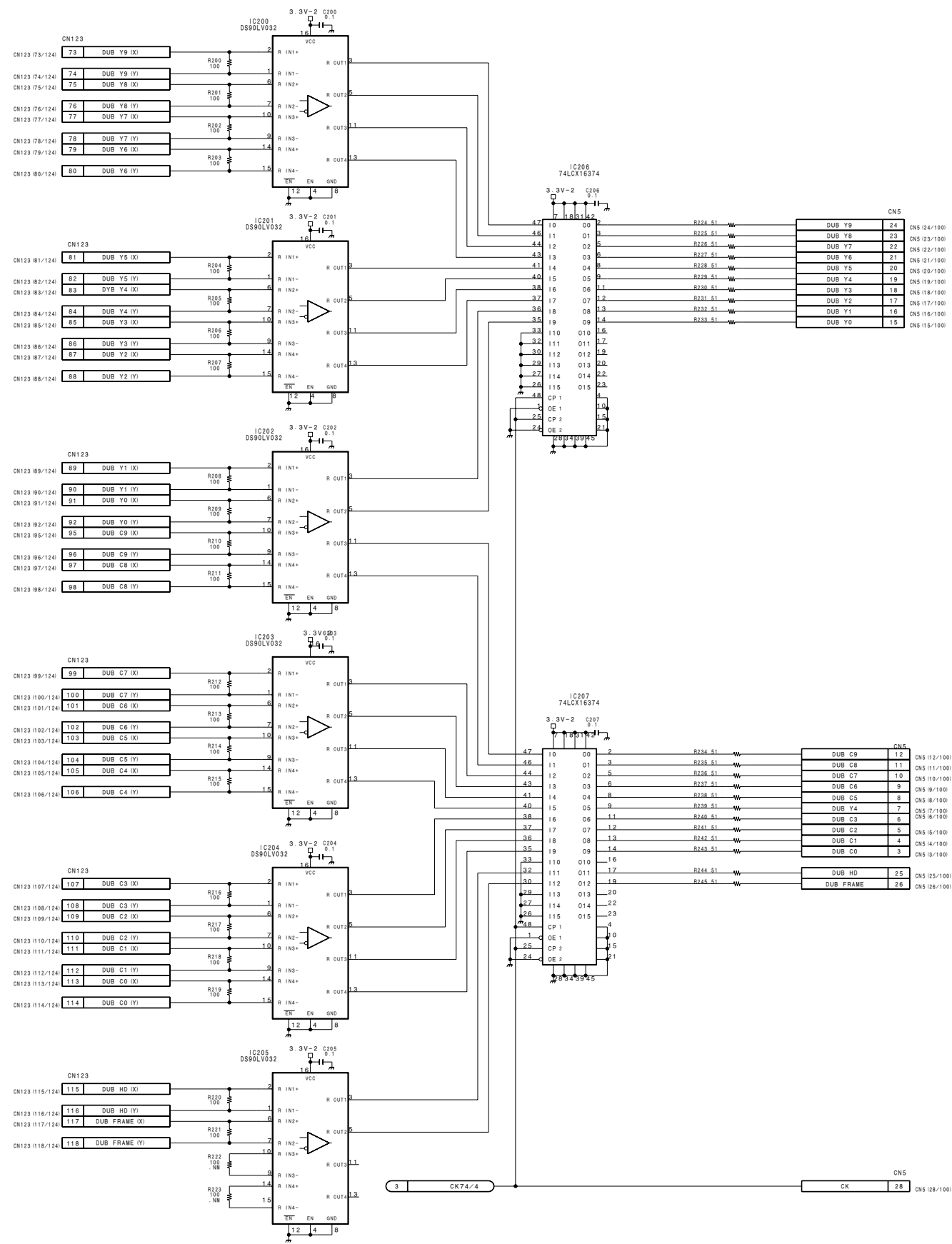
HDW-500 (J) : S/N 10201 and Higher
HDW-500 (UC): S/N 10001 and Higher



6-58 (a) 6-58 (a)



HDW-500 (J) : S/N 10201 and Higher
 HDW-500 (UC) : S/N 10001 and Higher



HD serial digital interface with Embedded audio
DIF-43A (2/9)
 HDW-500
 BOARD NO. 1-664-903-13
 HDW-500 (J) : LOT NO. 706-
 HDW-500 (UC) : LOT NO. 707-
 B-WHD500-DIF43-13-@

HDW-500 (J) : S/N 10201 and Higher
HDW-500 (UC): S/N 10001 and Higher

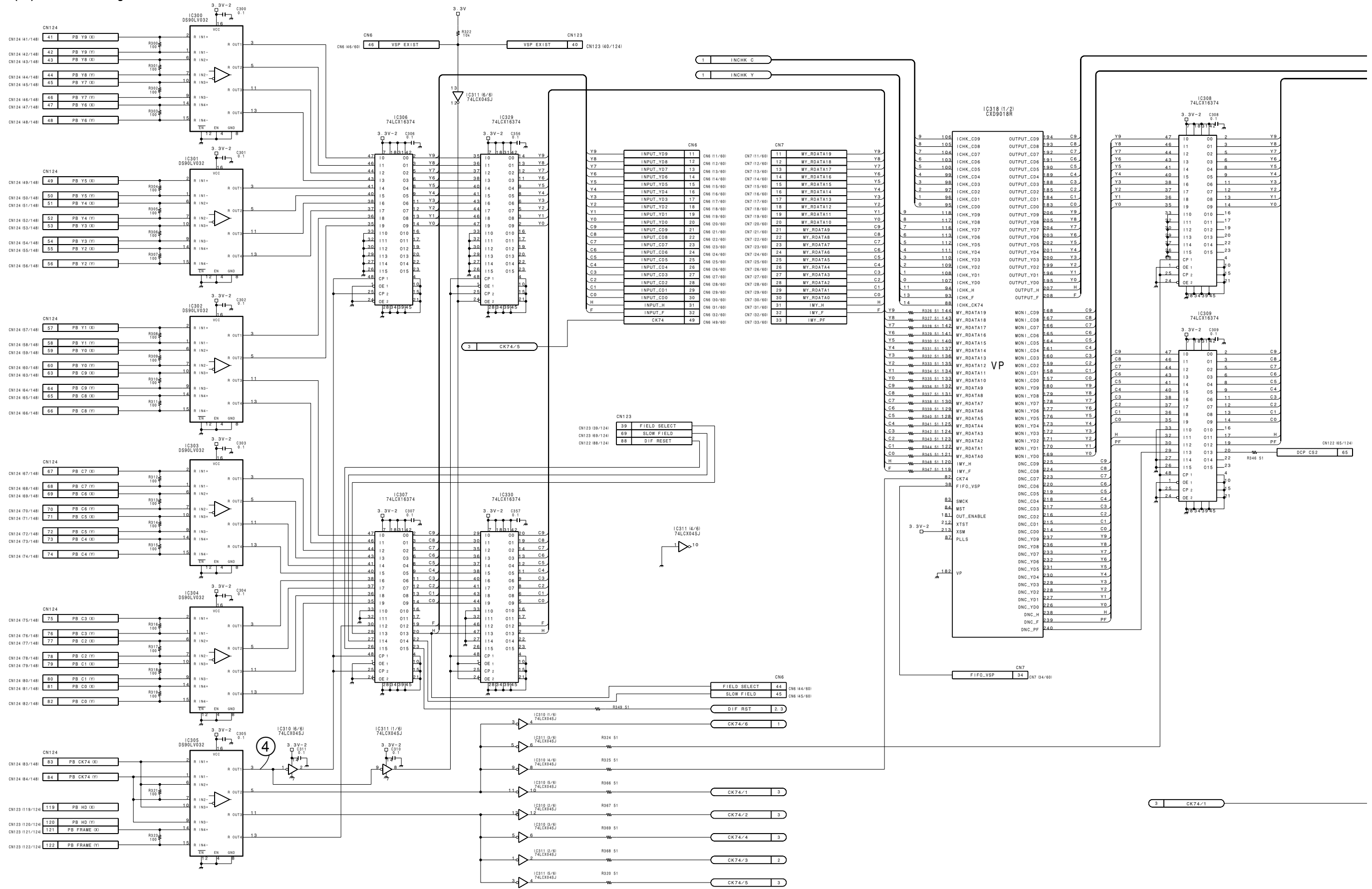
1

2

3

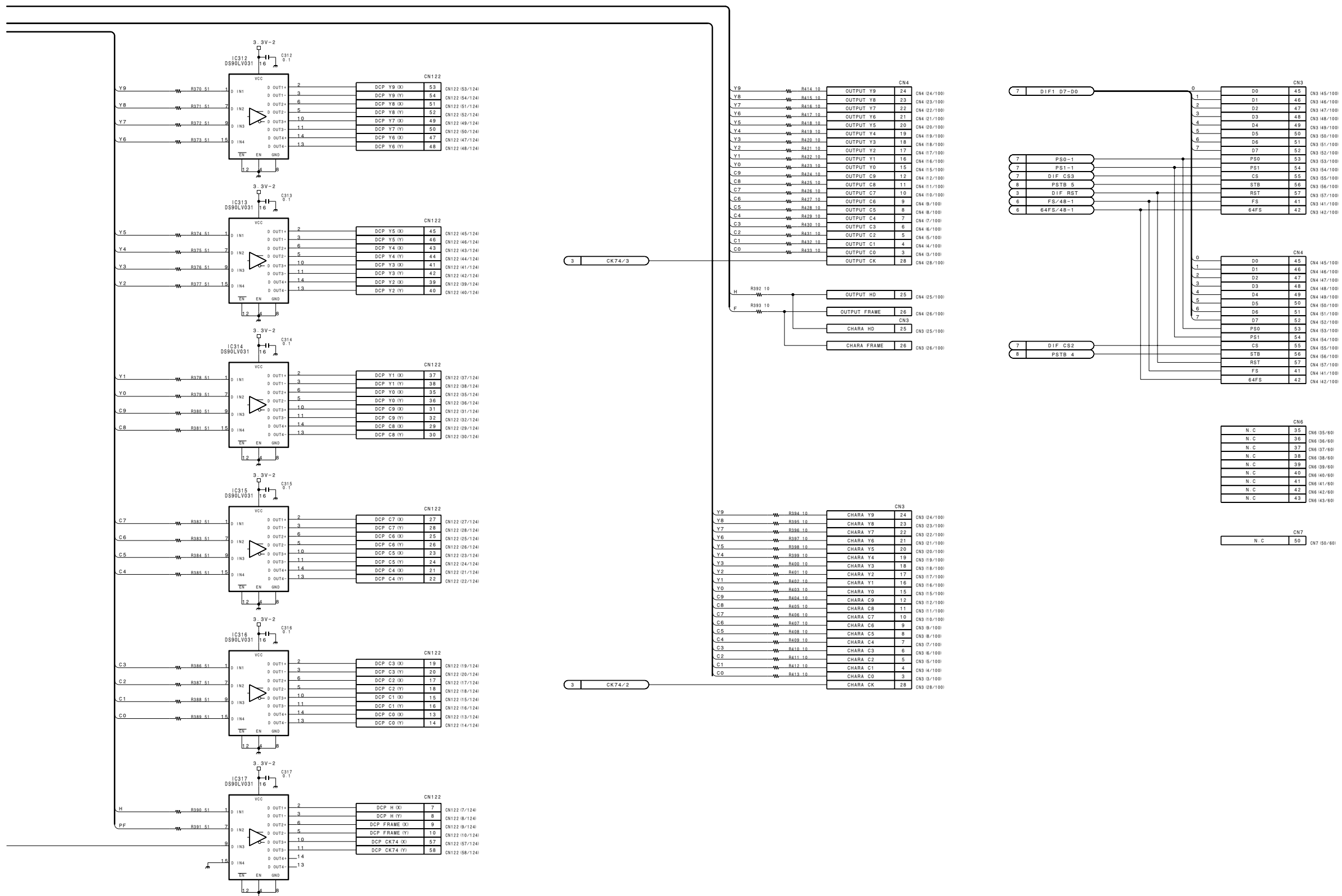
4

5

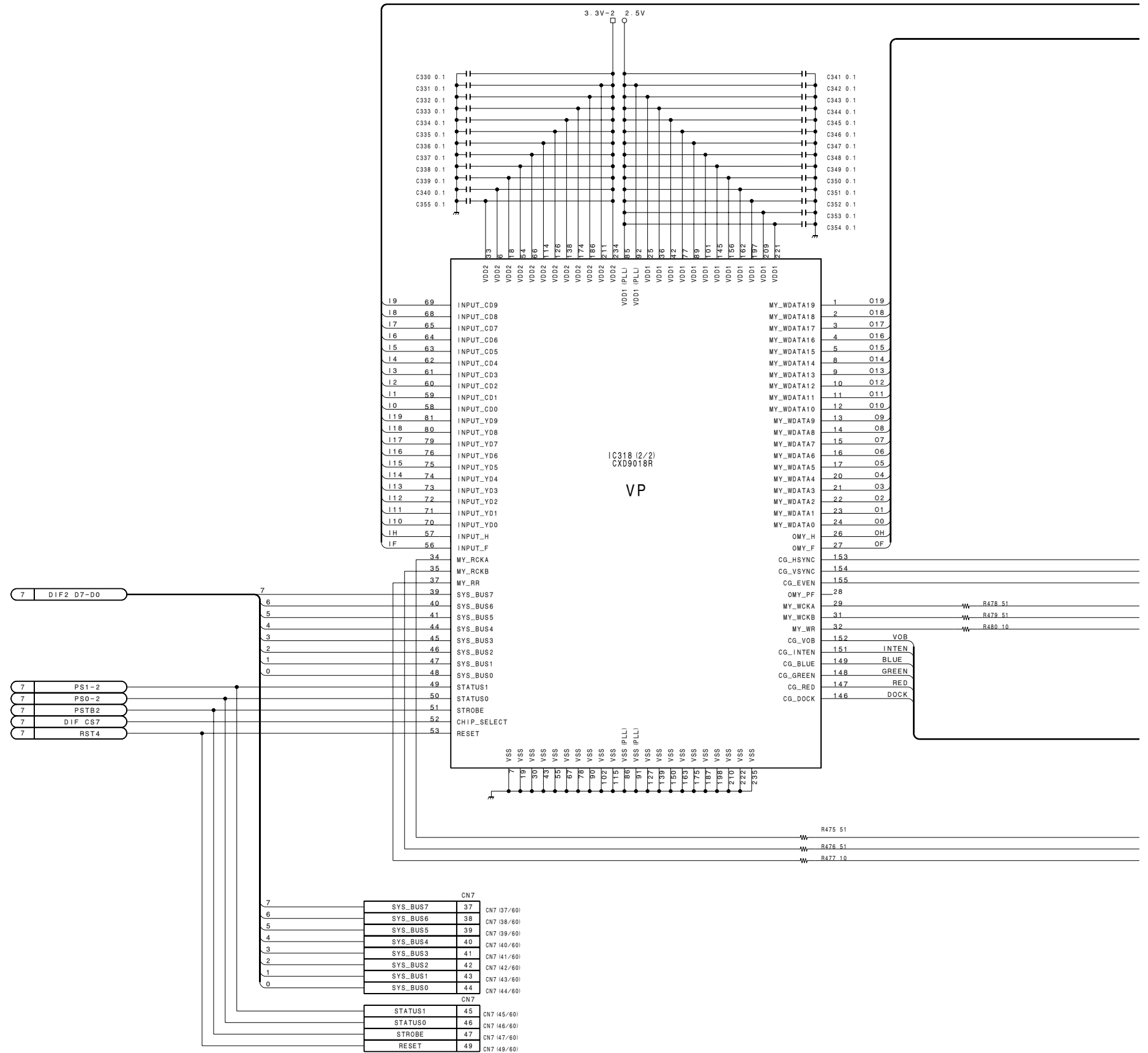


6-62 (a)

6-62 (a)

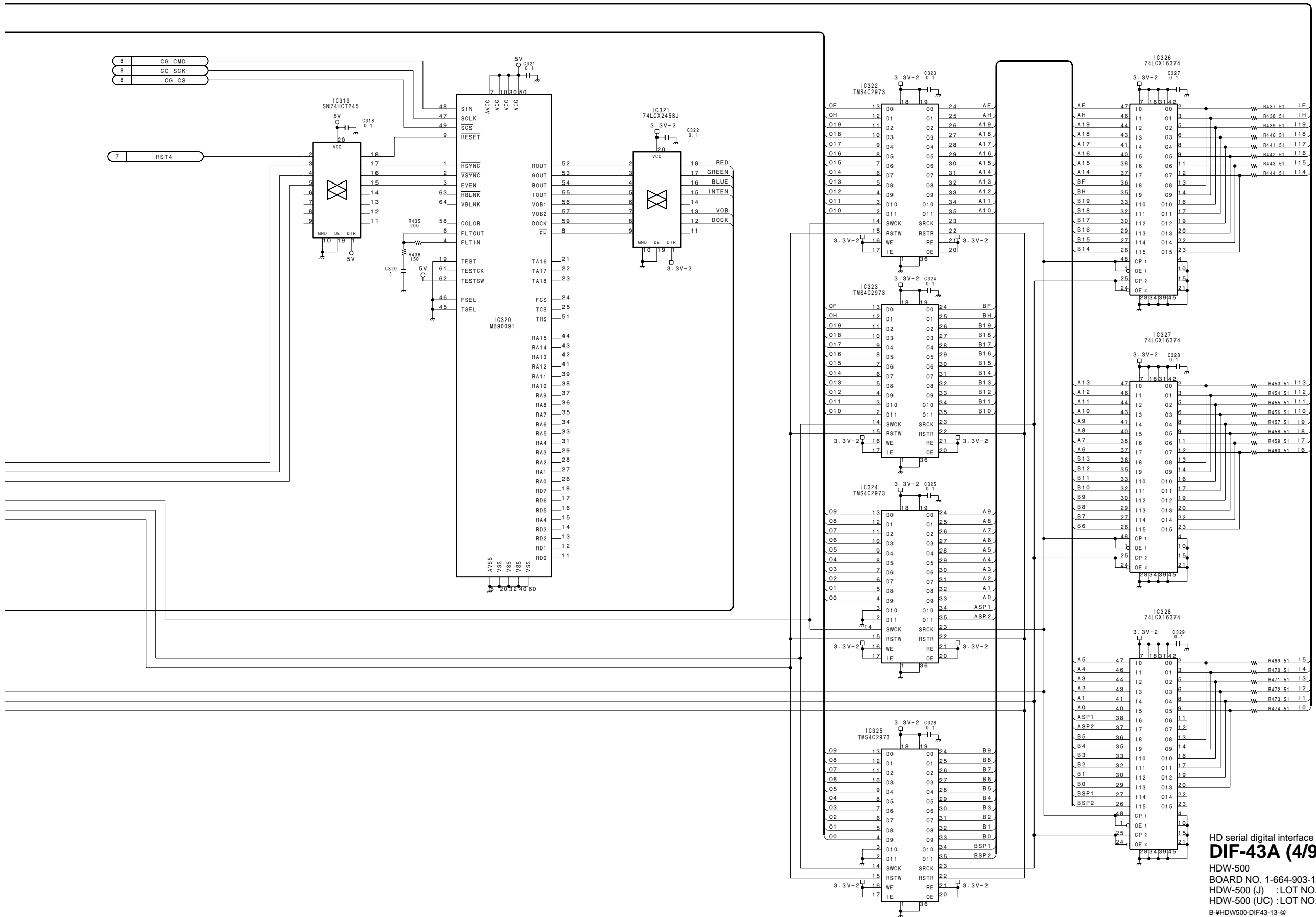


HDW-500 (J) : S/N 10201 and Higher
 HDW-500 (UC): S/N 10001 and Higher



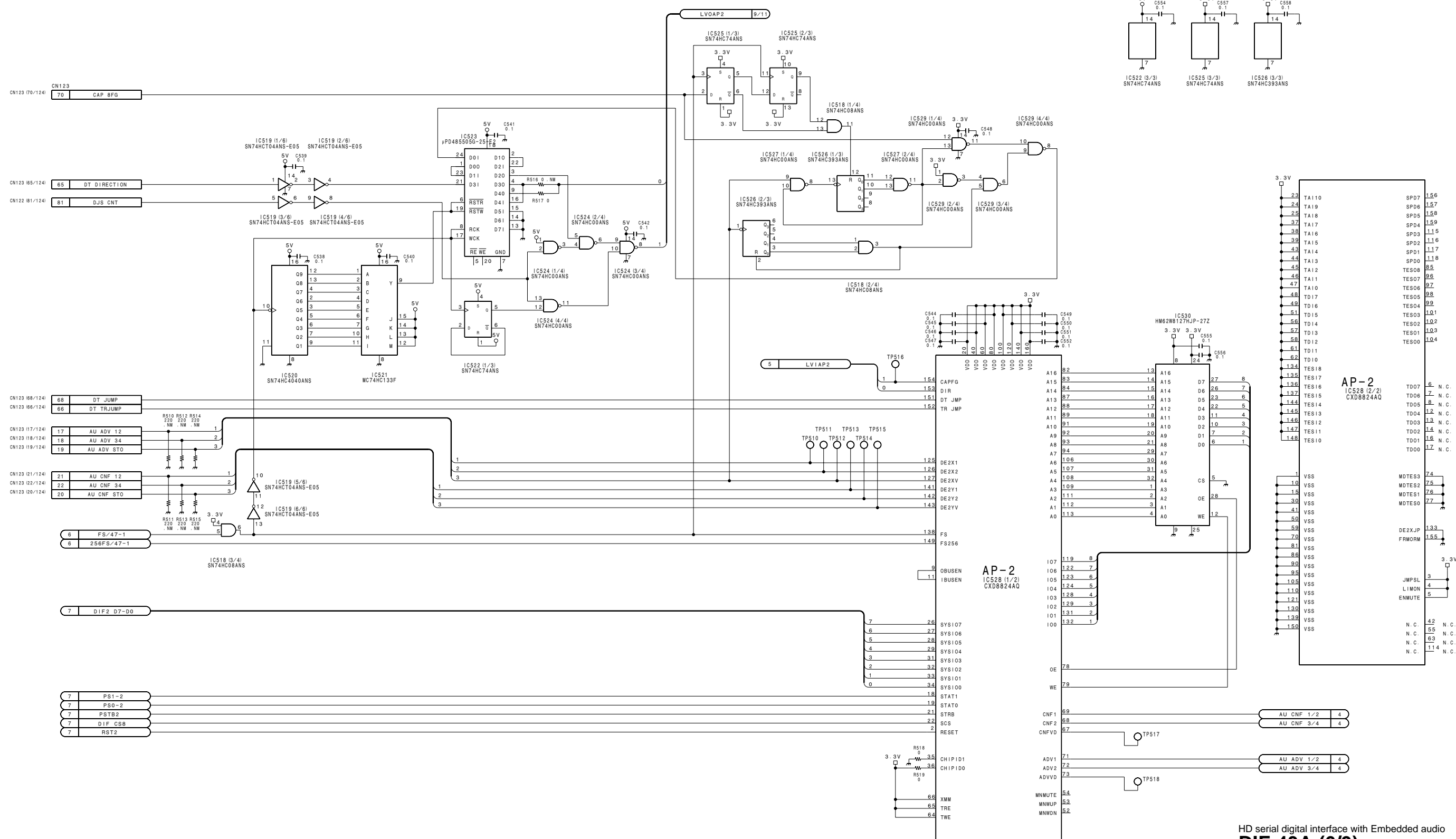
6-64 (a)

6-64 (a)



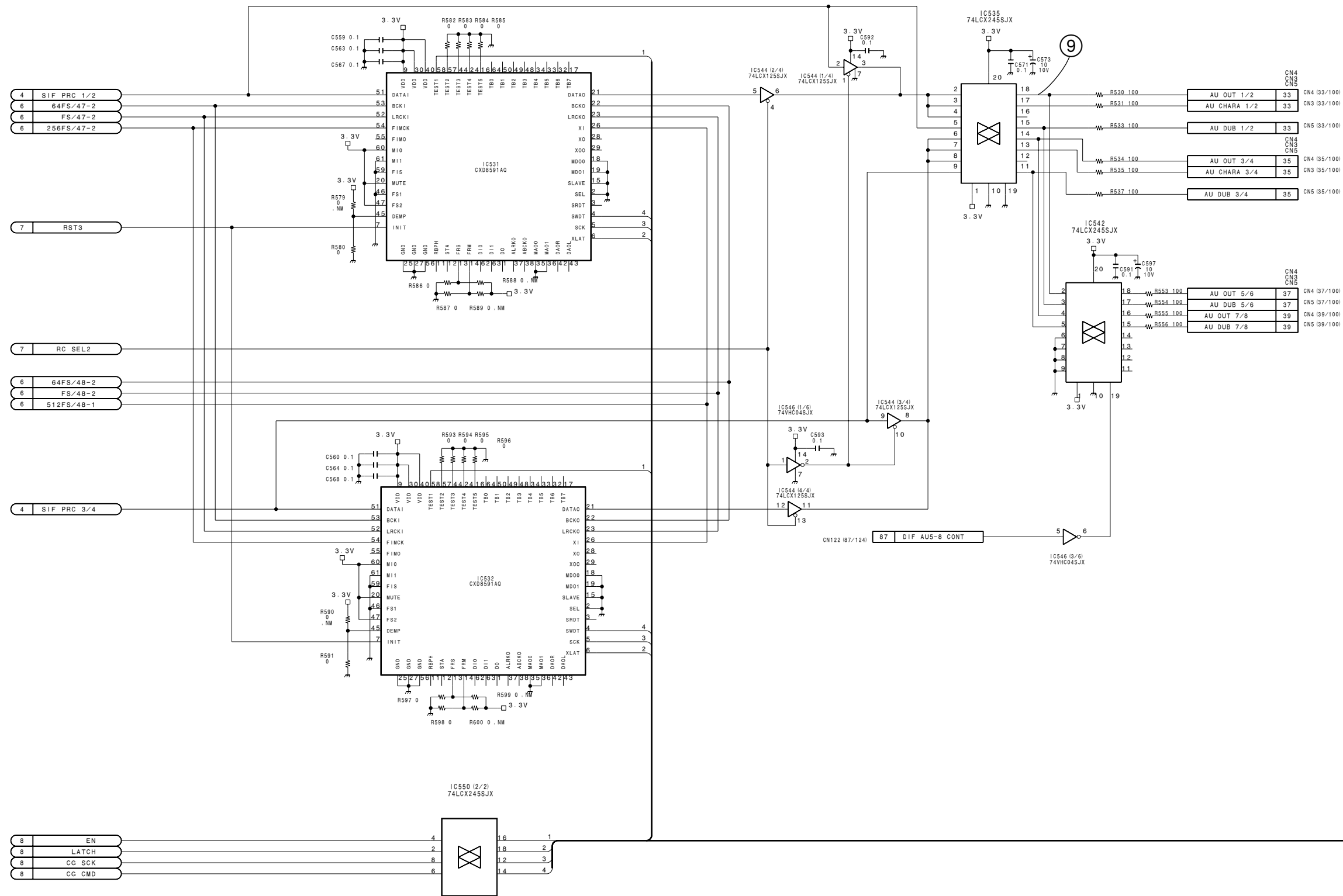
HD serial digital interface with Embedded audio
DIF-43A (4/9)
 HDW-500
 BOARD NO. 1-664-903-13
 HDW-500 (J) : LOT NO. 706-
 HDW-500 (UC) : LOT NO. 707-
 B-VHDW500-DIF43-13-@

HDW-500 (J) : S/N 10201 and Higher
HDW-500 (UC) : S/N 10001 and Higher



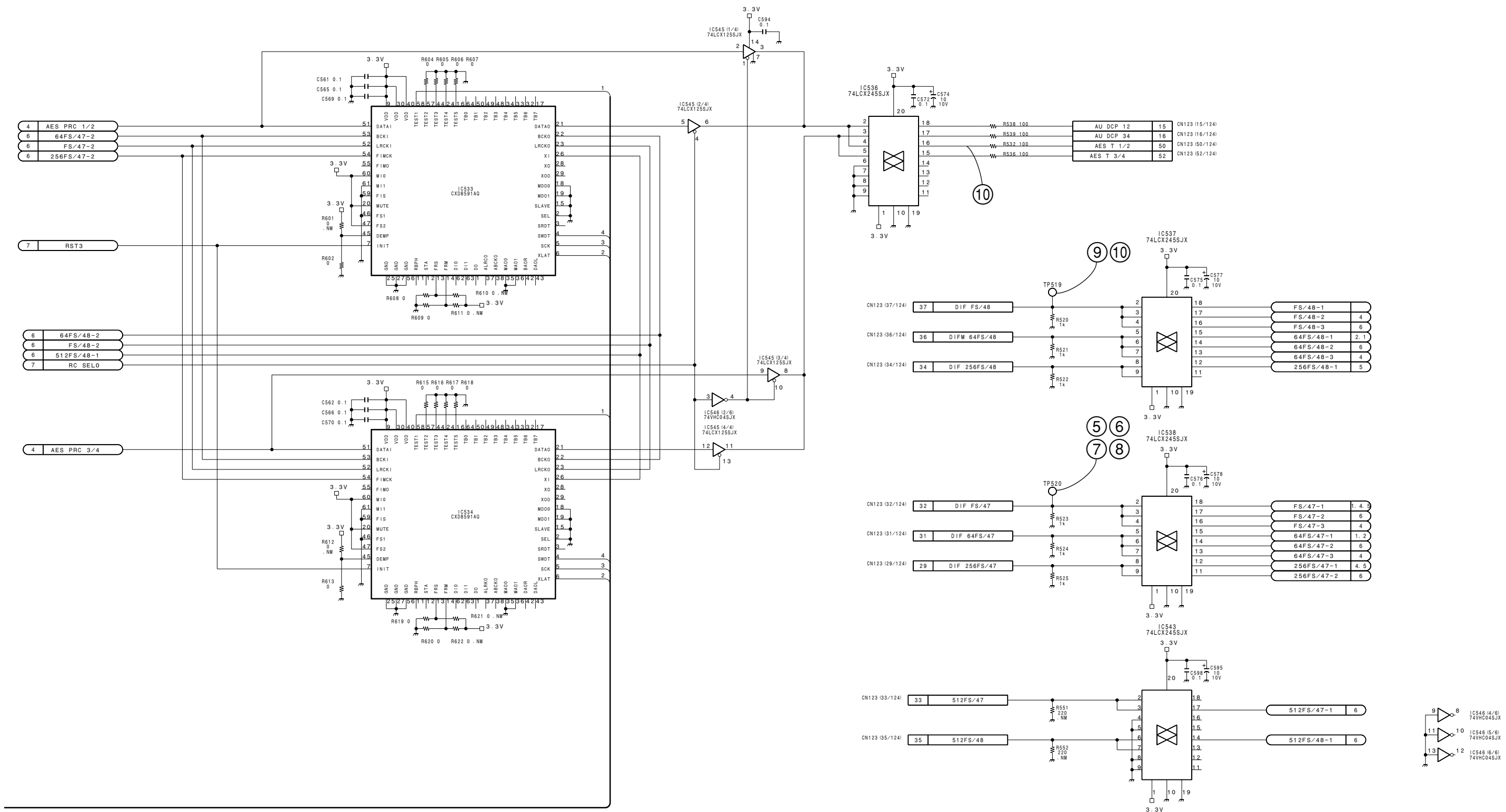
HD serial digital interface with Embedded audio
DIF-43A (6/9)
 HDW-500
 BOARD NO. 1-664-903-13
 HDW-500 (J) : LOT NO. 706-
 HDW-500 (UC) : LOT NO. 707-
 B-WHDW500-DIF43-13-@

HDW-500 (J) : S/N 10201 and Higher
HDW-500 (UC) : S/N 10001 and Higher



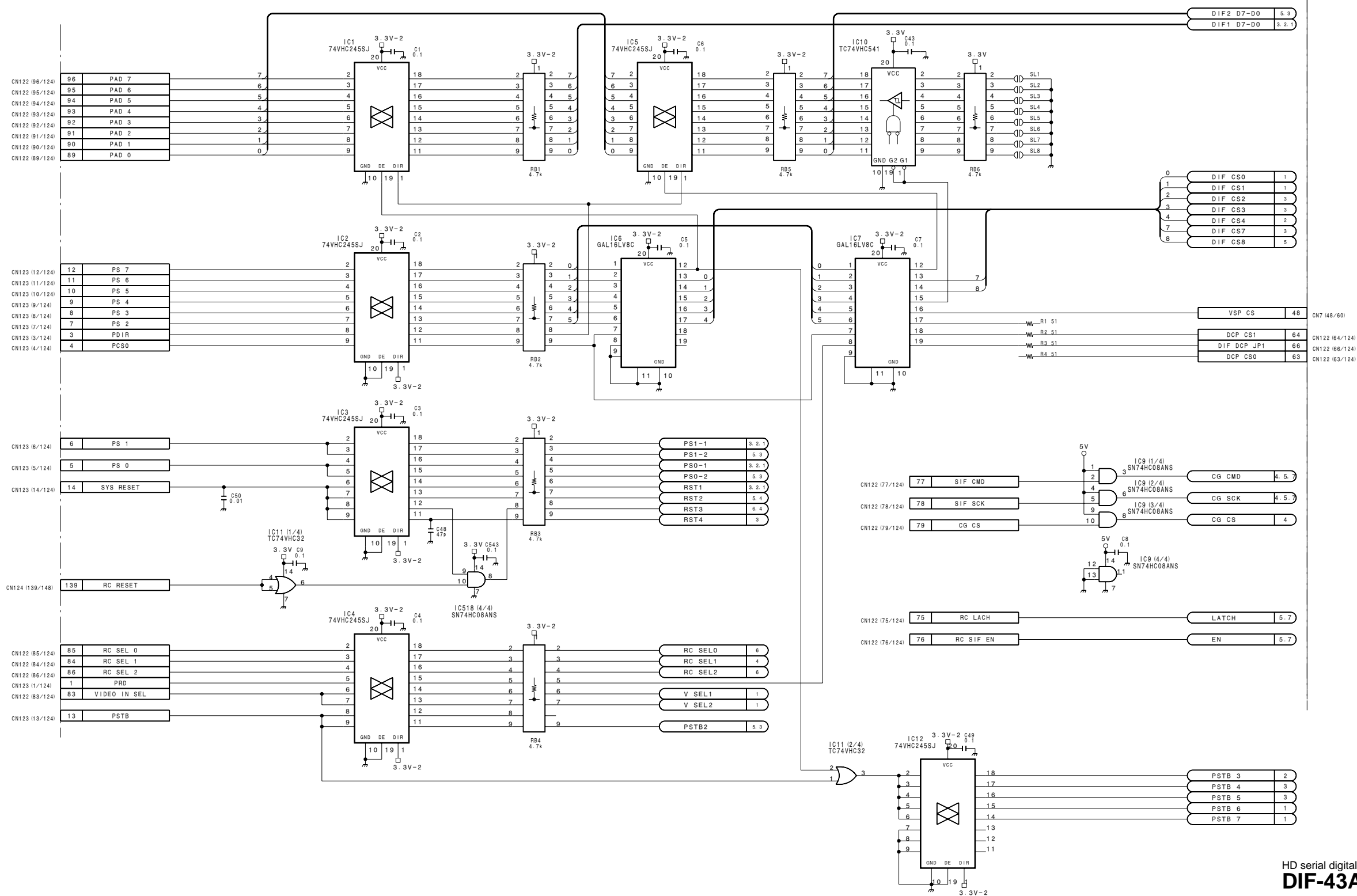
6-70 (a)

6-70 (a)



1
2
3
4
5

HDW-500 (J) : S/N 10201 and Higher
 HDW-500 (UC) : S/N 10001 and Higher



HD serial digital interface with Embedded audio
DIF-43A (8/9)
 HDW-500
 BOARD NO. 1-664-903-13
 HDW-500 (J) : LOT NO. 706-
 HDW-500 (UC) : LOT NO. 707-
 B-WHDW500-DIF43-13-@

HDW-500 (J) : S/N 10201 and Higher
 HDW-500 (UC): S/N 10001 and Higher

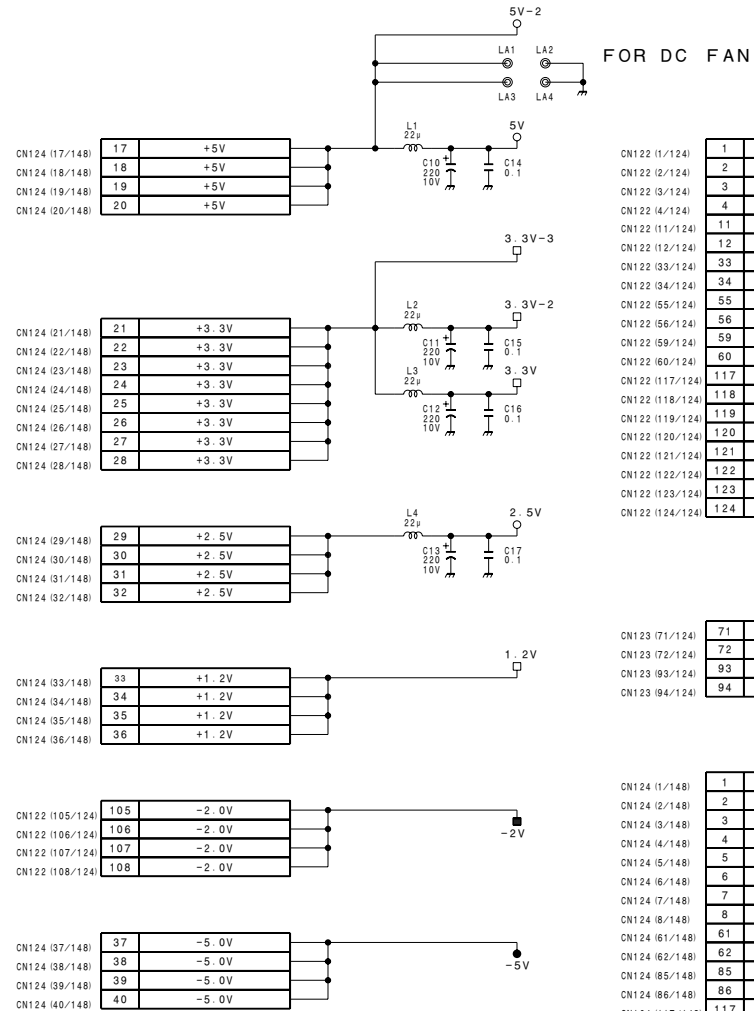
1

2

3

4

5

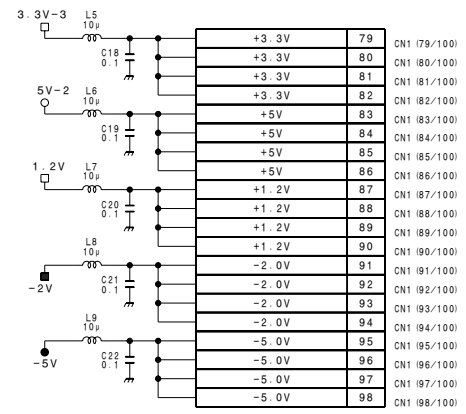


FOR DC FAN

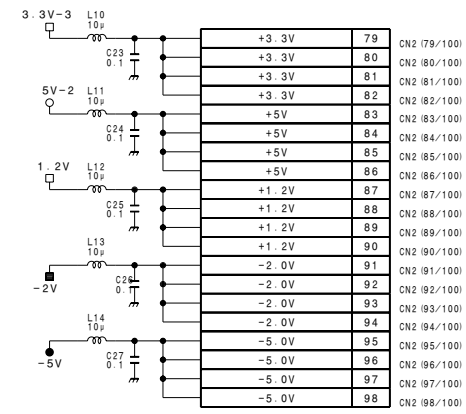
CN122 (1/124)	1	GND
CN122 (2/124)	2	GND
CN122 (3/124)	3	GND
CN122 (4/124)	4	GND
CN122 (11/124)	11	GND
CN122 (12/124)	12	GND
CN122 (33/124)	33	GND
CN122 (34/124)	34	GND
CN122 (55/124)	55	GND
CN122 (56/124)	56	GND
CN122 (59/124)	59	GND
CN122 (60/124)	60	GND
CN122 (117/124)	117	GND
CN122 (118/124)	118	GND
CN122 (119/124)	119	GND
CN122 (120/124)	120	GND
CN122 (121/124)	121	GND
CN122 (122/124)	122	GND
CN122 (123/124)	123	GND
CN122 (124/124)	124	GND

CN123 (71/124)	71	GND
CN123 (72/124)	72	GND
CN123 (93/124)	93	GND
CN123 (94/124)	94	GND

CN124 (1/148)	1	GND
CN124 (2/148)	2	GND
CN124 (3/148)	3	GND
CN124 (4/148)	4	GND
CN124 (5/148)	5	GND
CN124 (6/148)	6	GND
CN124 (7/148)	7	GND
CN124 (8/148)	8	GND
CN124 (61/148)	61	GND
CN124 (62/148)	62	GND
CN124 (85/148)	85	GND
CN124 (86/148)	86	GND
CN124 (117/148)	117	GND
CN124 (118/148)	118	GND
CN124 (141/148)	141	GND
CN124 (142/148)	142	GND
CN124 (145/148)	145	GND
CN124 (146/148)	146	GND
CN124 (147/148)	147	GND
CN124 (148/148)	148	GND



CN1 (1/100)	GND	1
CN1 (2/100)	GND	2
CN1 (29/100)	GND	29
CN1 (30/100)	GND	30
CN1 (43/100)	GND	43
CN1 (44/100)	GND	44
CN1 (77/100)	GND	77
CN1 (78/100)	GND	78
CN1 (99/100)	GND	99
CN1 (100/100)	GND	100

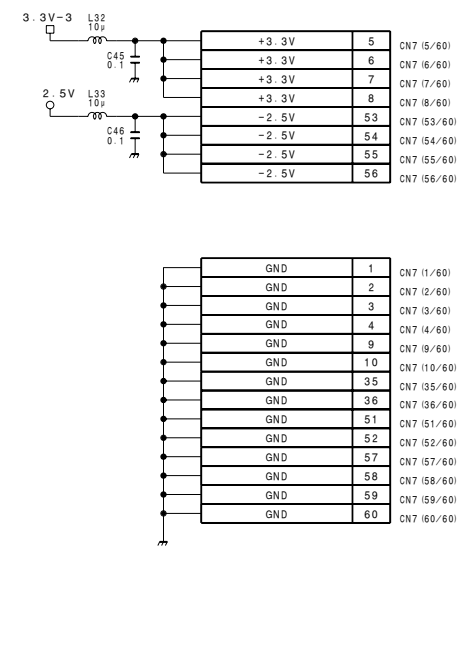
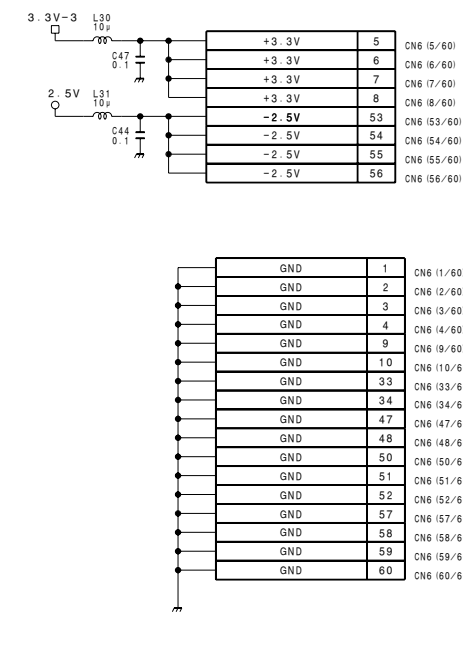
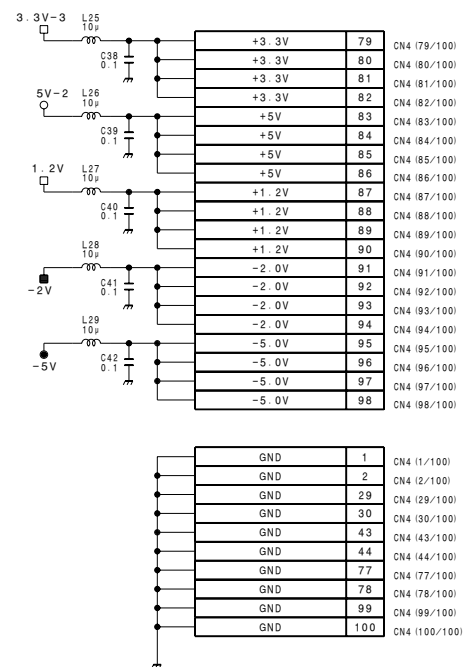
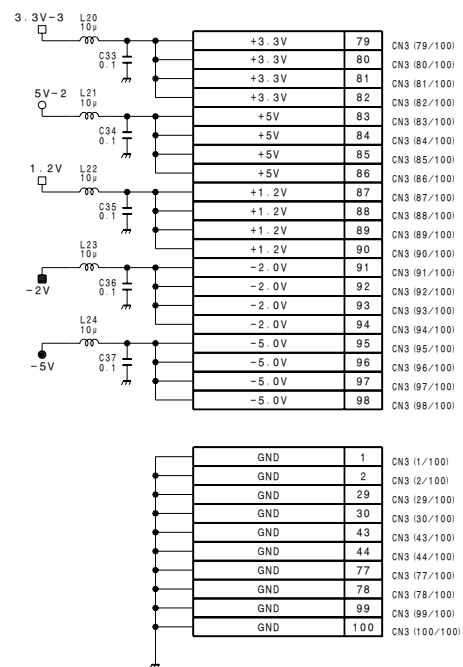
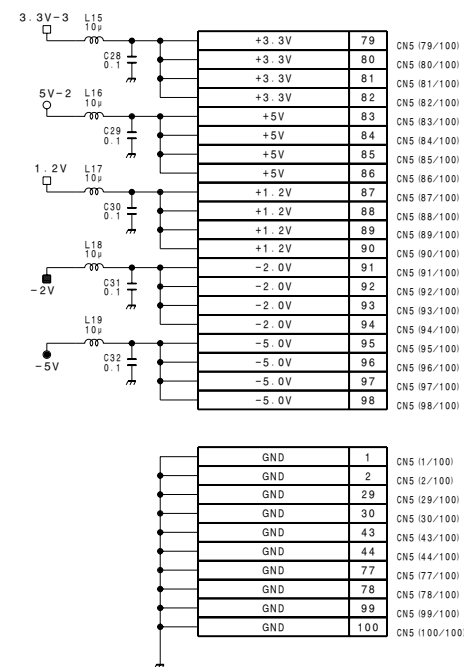


CN2 (1/100)	GND	1
CN2 (2/100)	GND	2
CN2 (29/100)	GND	29
CN2 (30/100)	GND	30
CN2 (43/100)	GND	43
CN2 (44/100)	GND	44
CN2 (77/100)	GND	77
CN2 (78/100)	GND	78
CN2 (99/100)	GND	99
CN2 (100/100)	GND	100

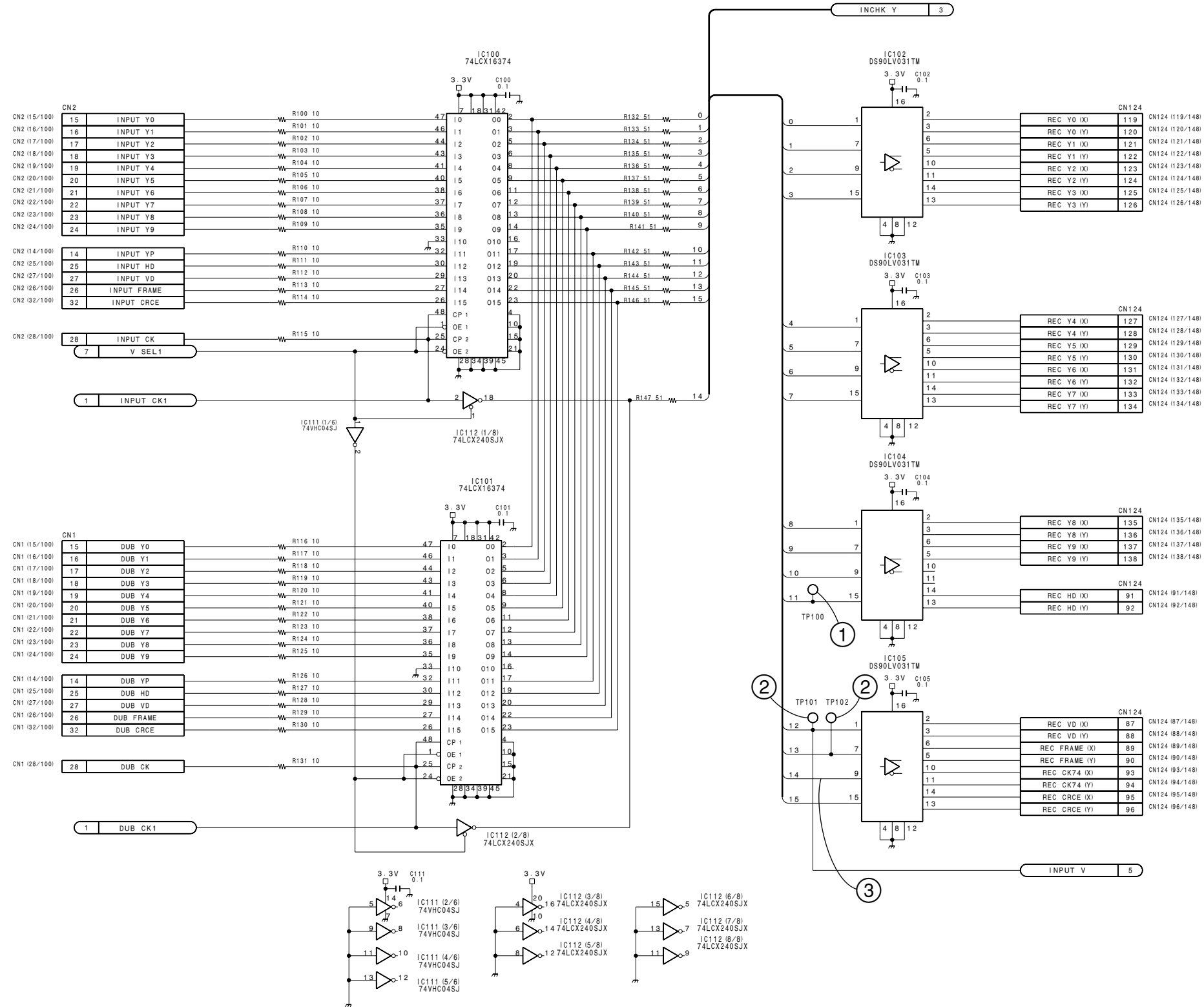


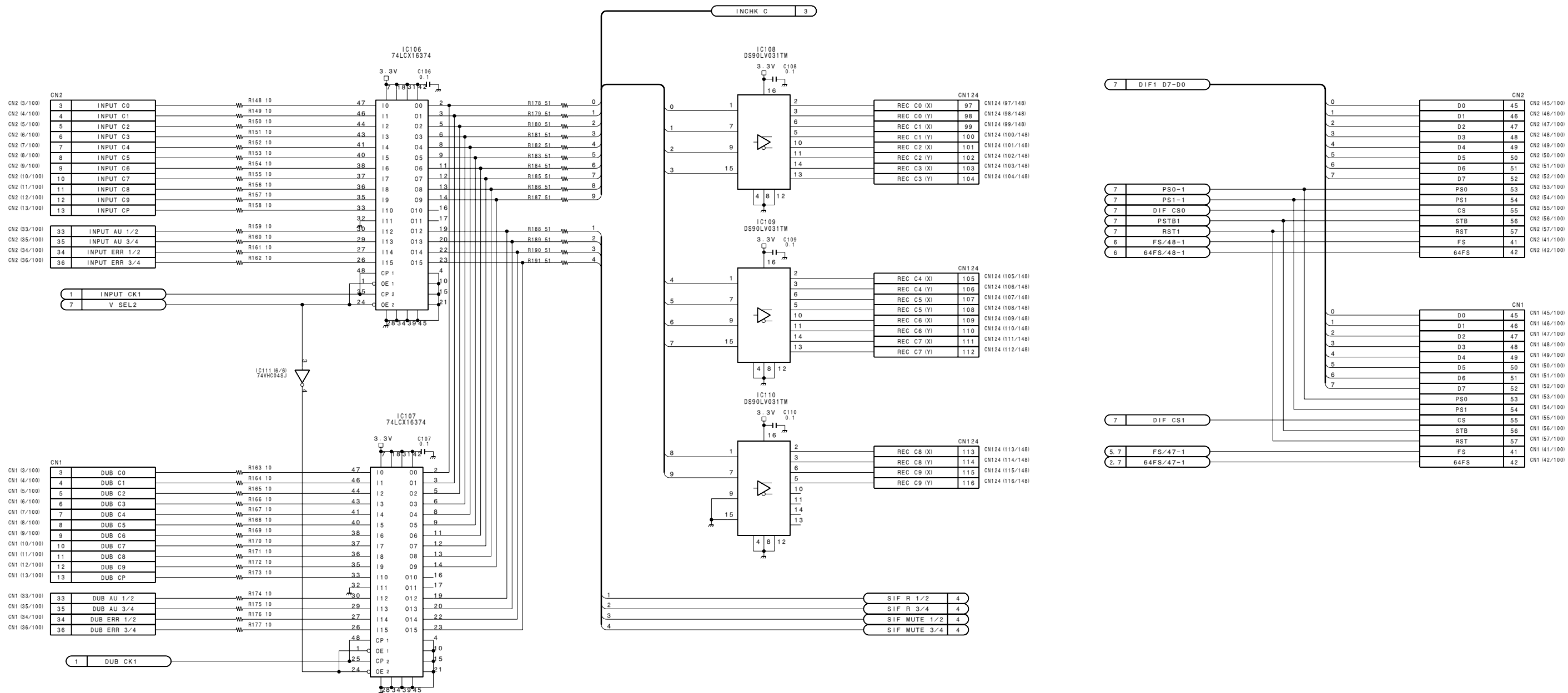
6-74 (a)

6-74 (a)

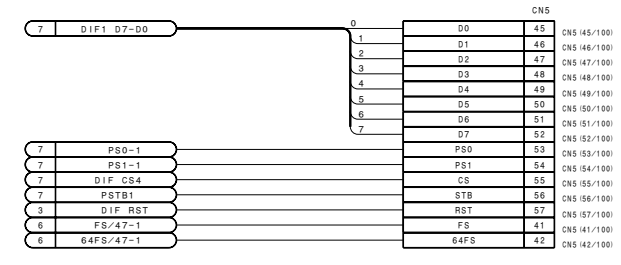
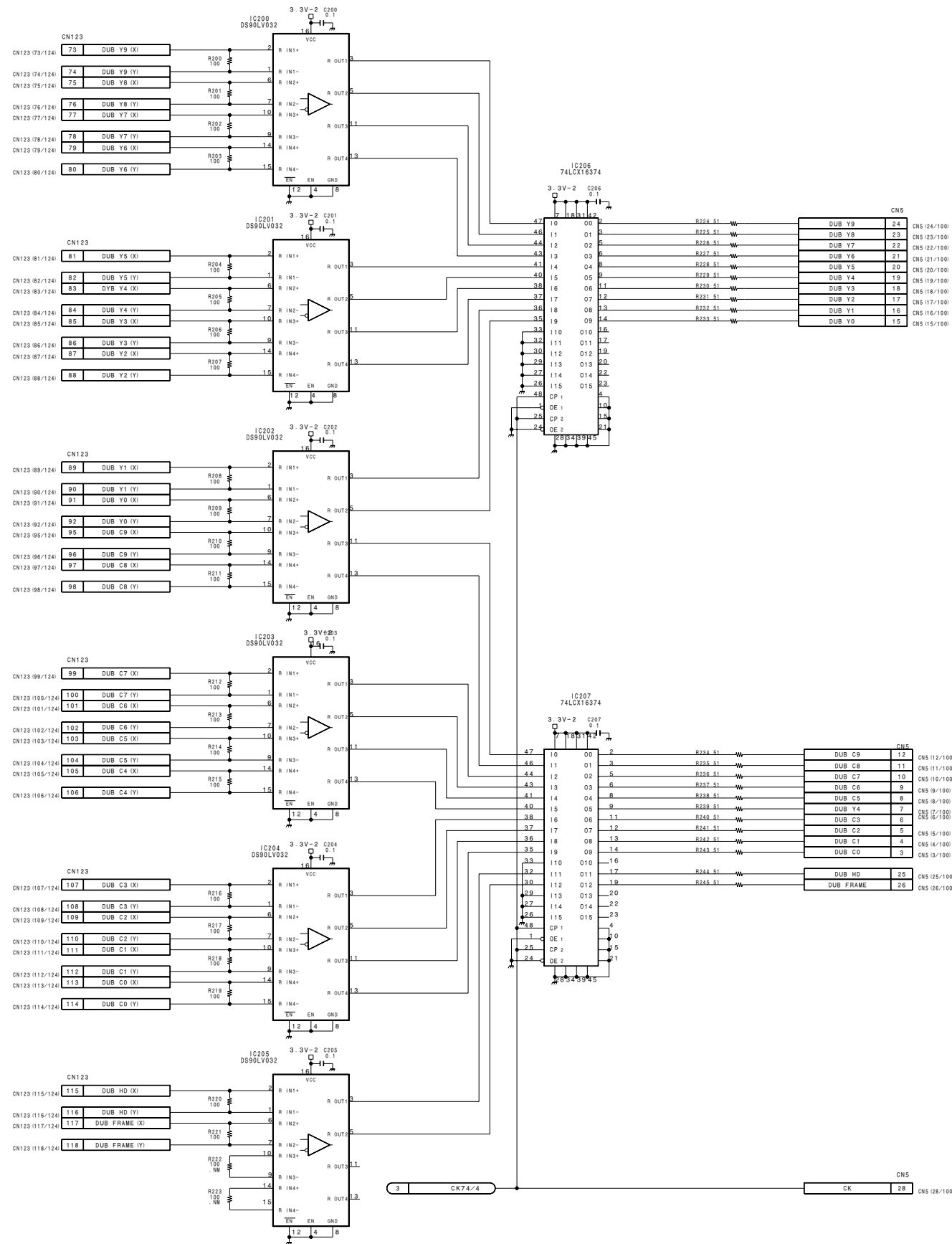


HDW-500 (J) : S/N 10001 through 10200

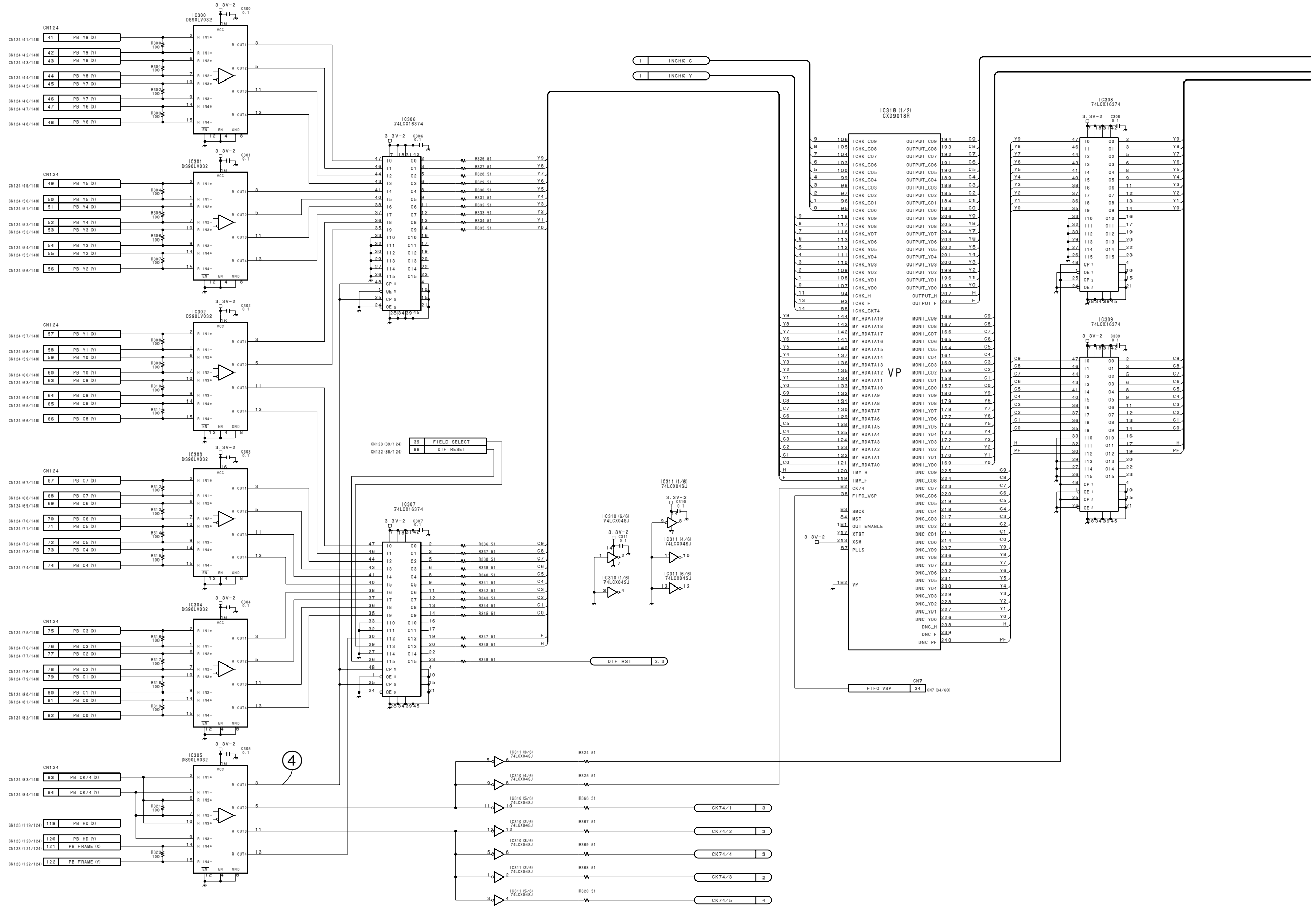




HDW-500 (J) : S/N 10001 through 10200



HDW-500 (J) : S/N 10001 through 10200



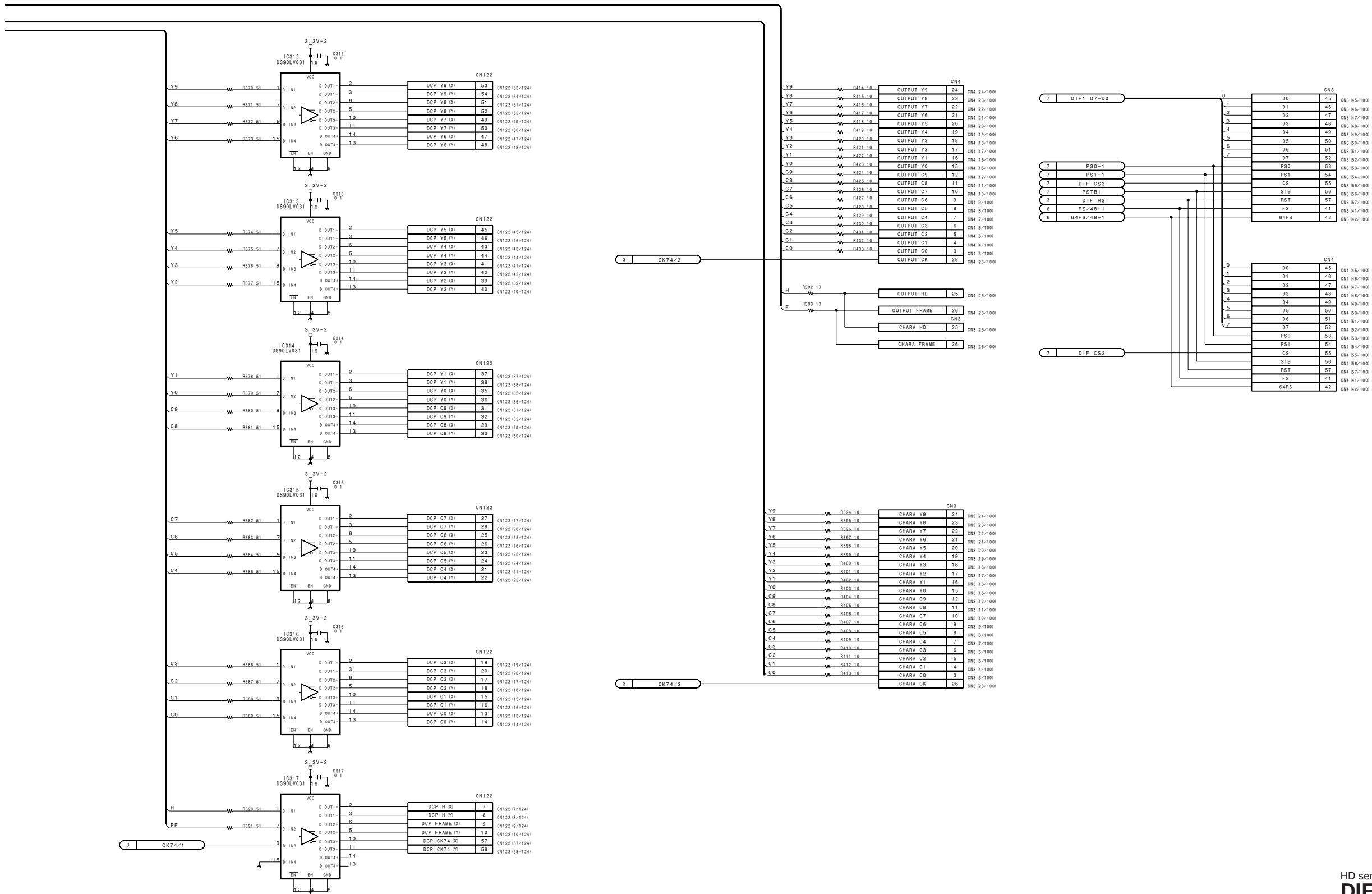
1

2

3

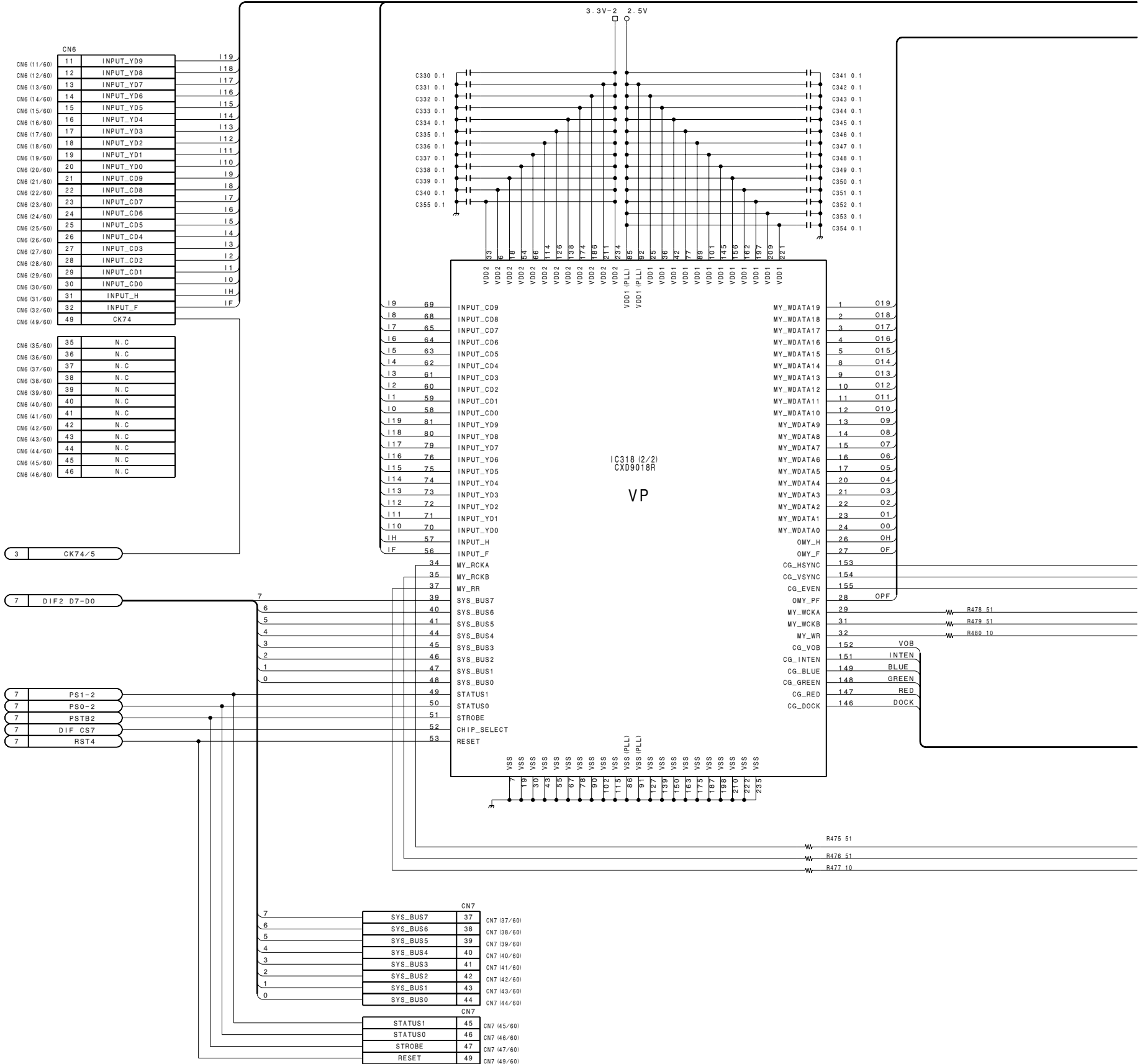
4

5



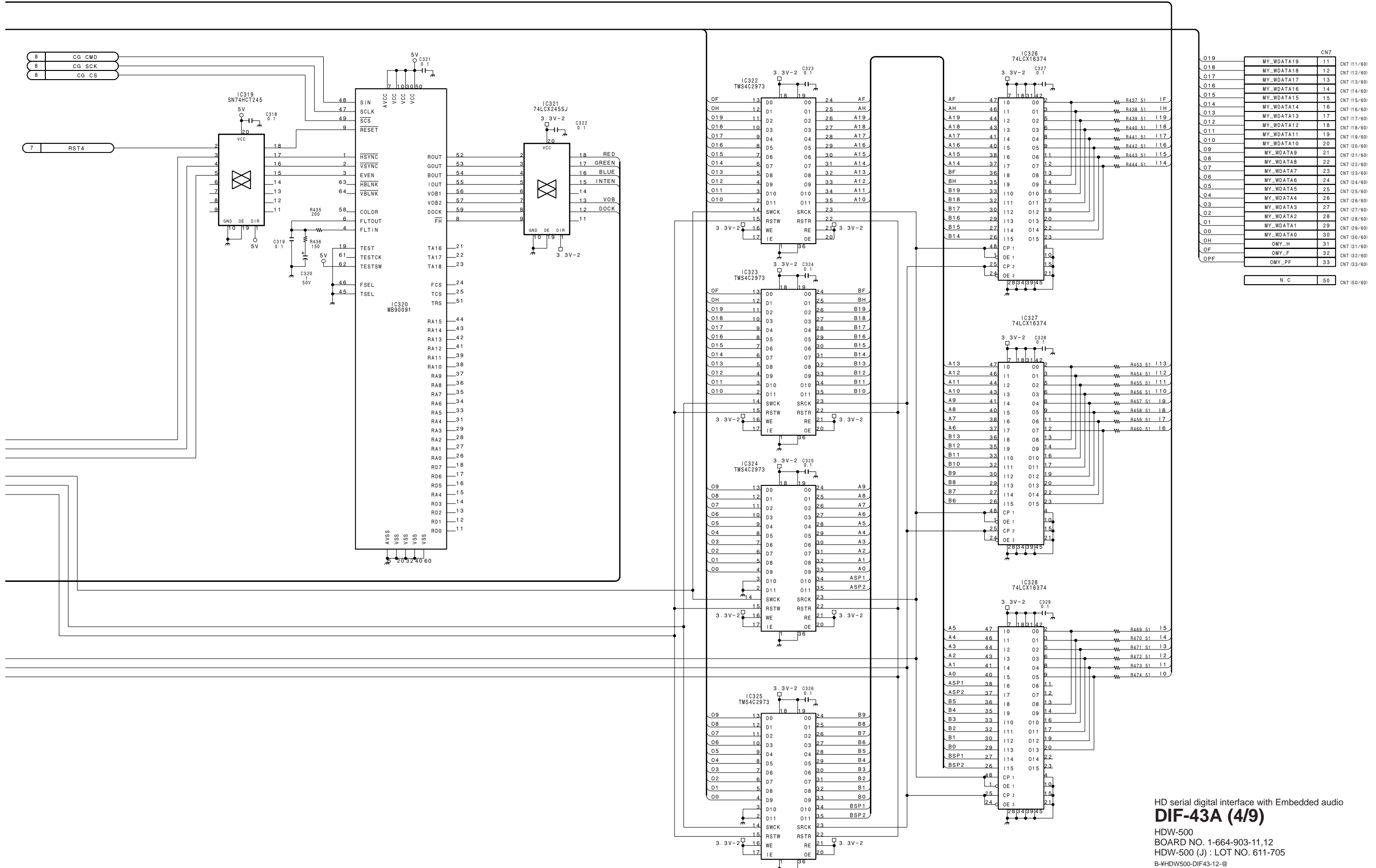
HD serial digital interface with Embedded audio
DIF-43A (3/9)
 HDW-500
 BOARD NO. 1-664-903-11,12
 HDW-500 (J) : LOT NO. 611-705
 B-WHDW500-DIF43-12-@

HDW-500 (J) : S/N 10001 through 10200

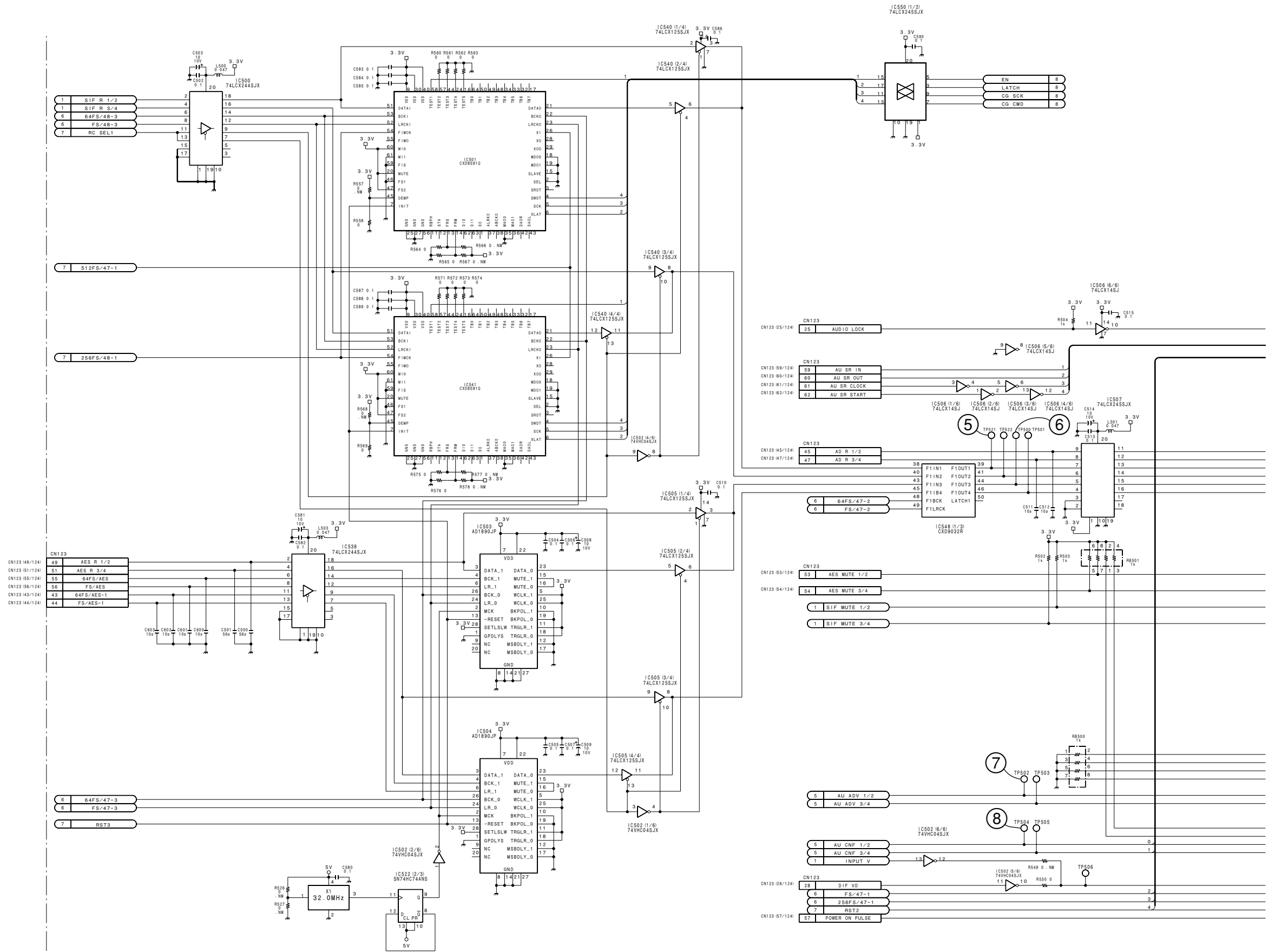


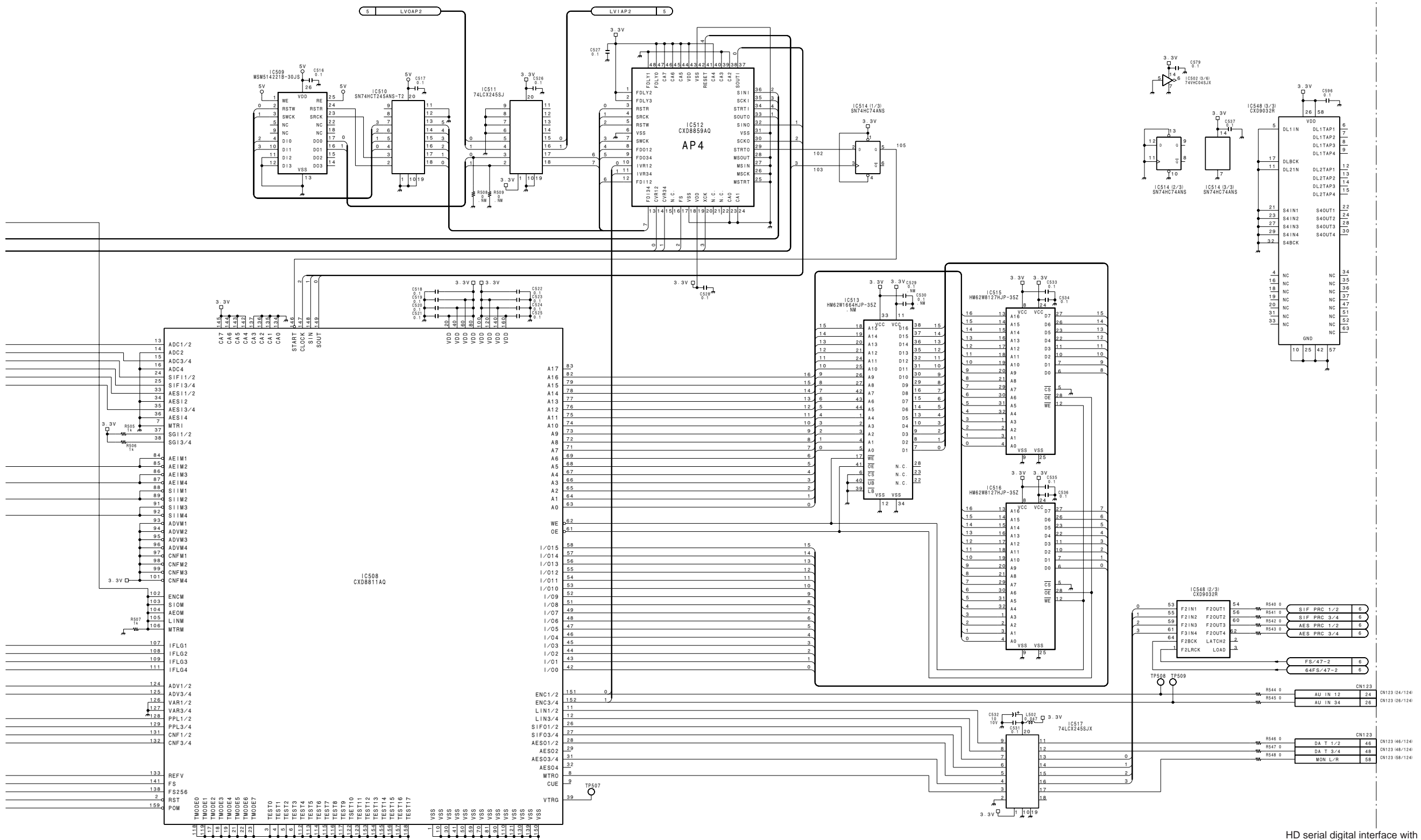
6-64

6-64



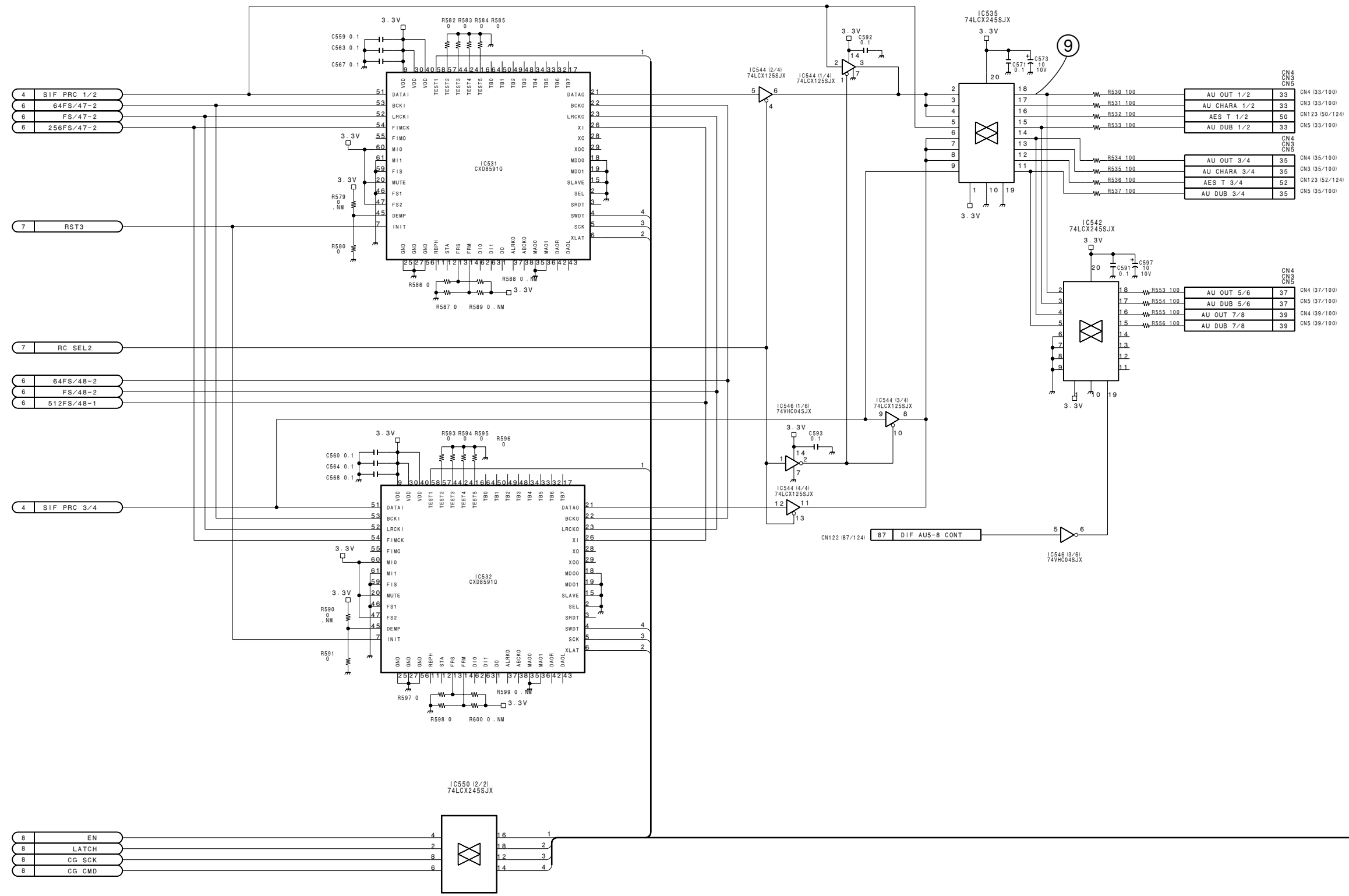
HDW-500 (J) : S/N 10001 through 10200





HD serial digital interface with Embedded audio
DIF-43A (5/9)
 HDW-500
 BOARD NO. 1-664-903-11,12
 HDW-500 (J) : LOT NO. 611-705
 B-#HDW500-DIF43-12-@

HDW-500 (J) : S/N 10001 through 10200



6-70

6-70

A

B

C

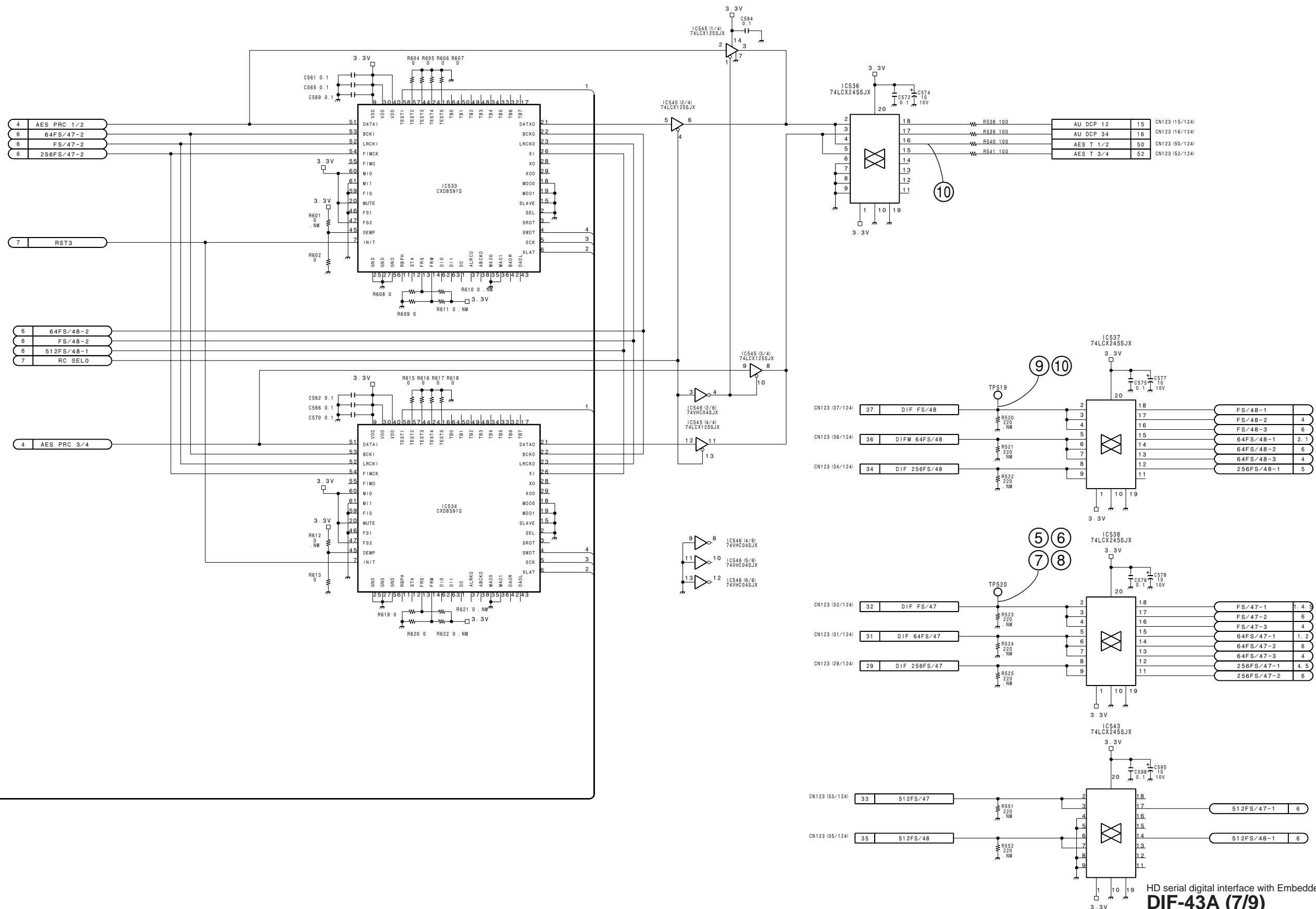
D

E

F

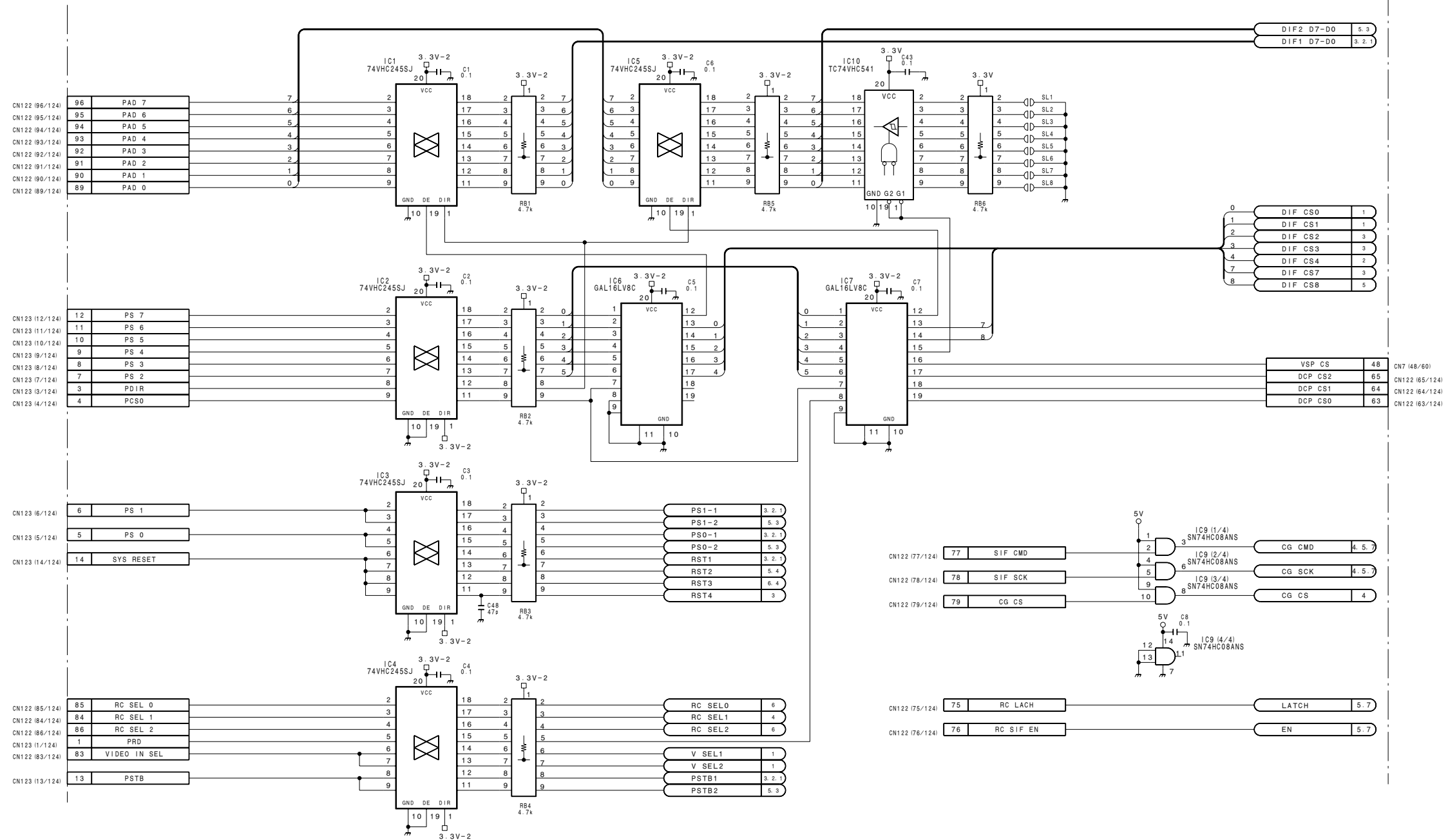
G

H



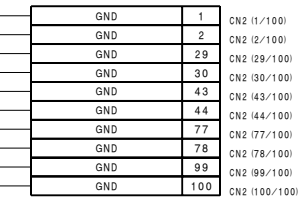
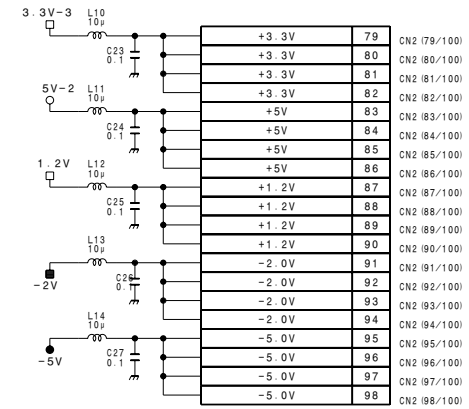
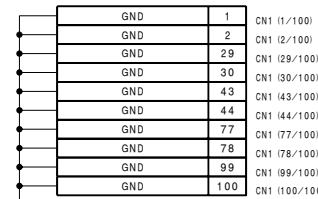
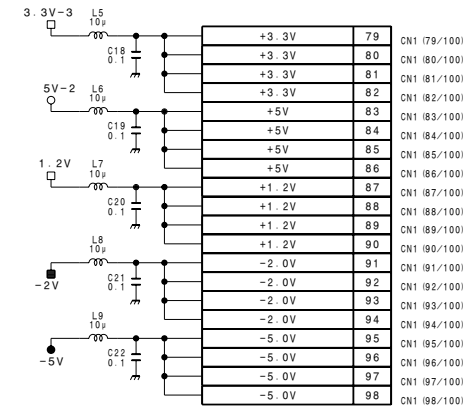
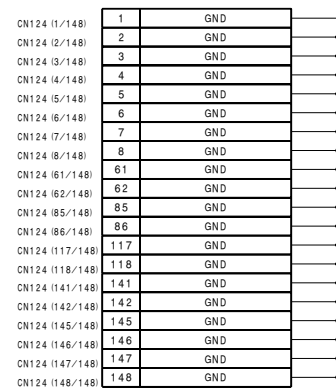
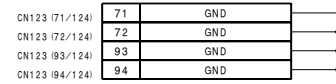
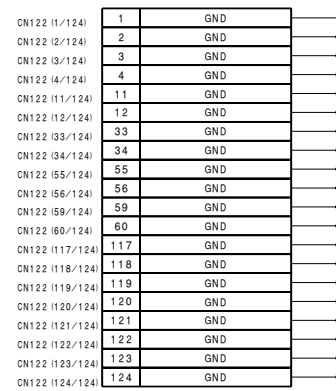
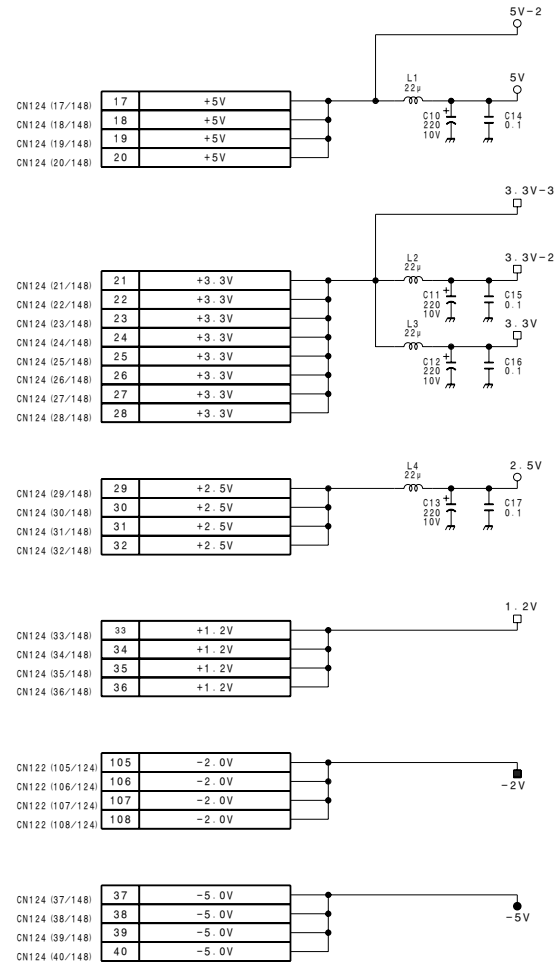
HD serial digital interface with Embedded audio
DIF-43A (7/9)
 HDW-500
 BOARD NO. 1-664-903-11,12
 HDW-500 (J) : LOT NO. 611-705
 B-WHDW500-DIF43-12-@

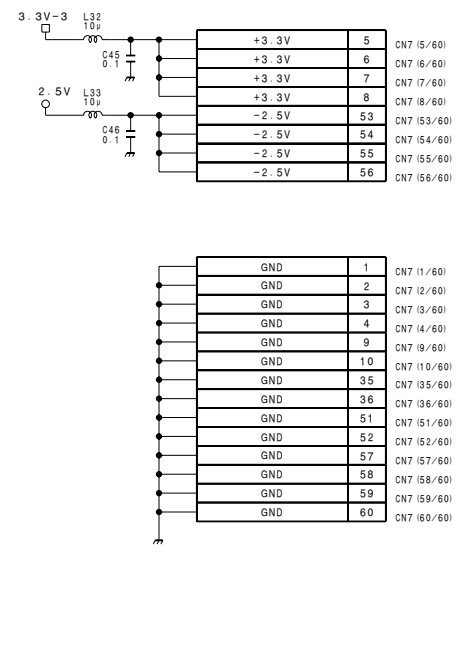
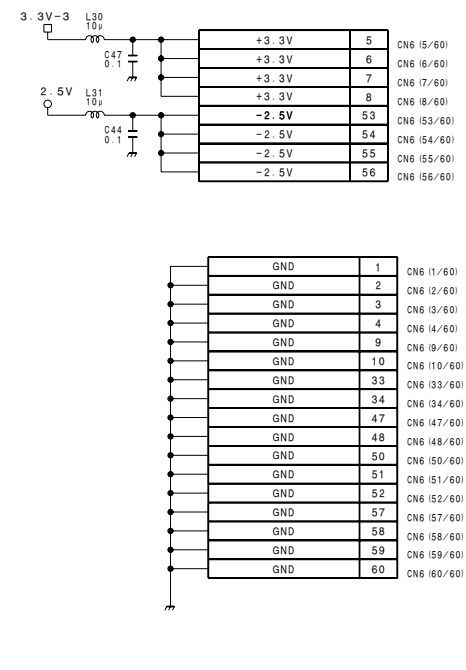
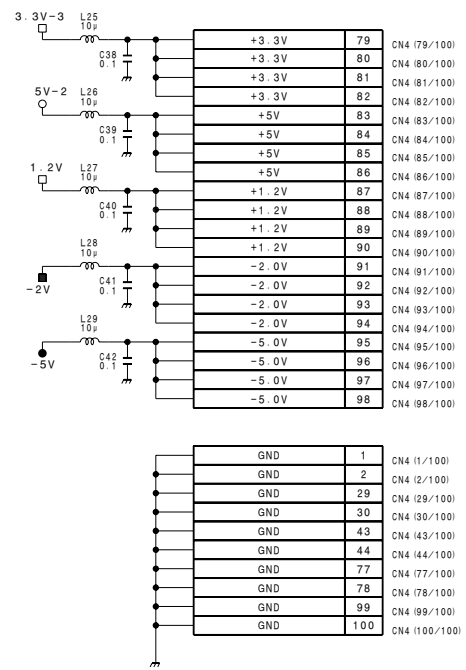
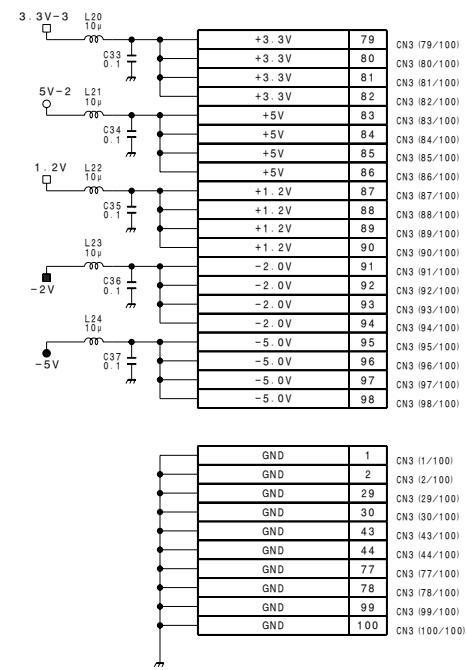
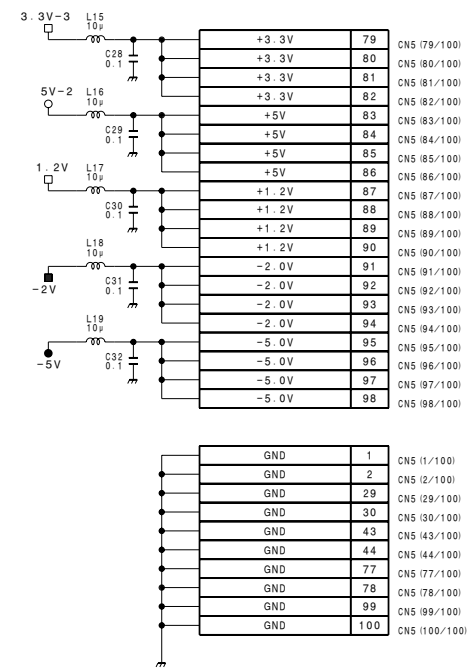
HDW-500 (J) : S/N 10001 through 10200



HD serial digital interface with Embedded audio
DIF-43A (8/9)
 HDW-500
 BOARD NO. 1-664-903-11,12
 HDW-500 (J) : LOT NO. 611-705
 B-VHDW500-DIF43-12-@

HDW-500 (J) : S/N 10001 through 10200





1

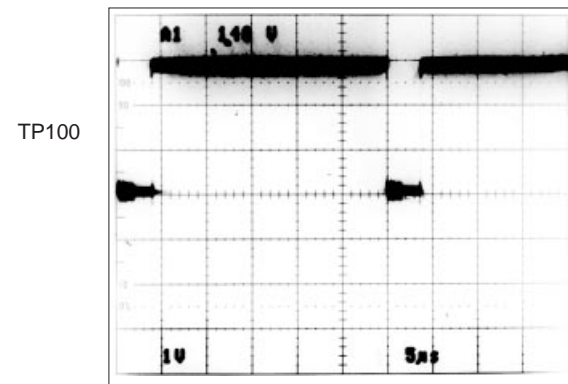
2

3

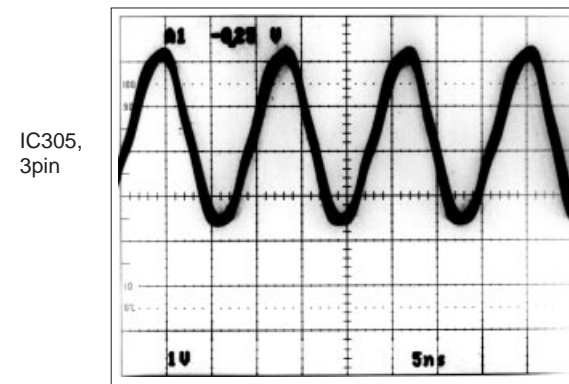
4

5

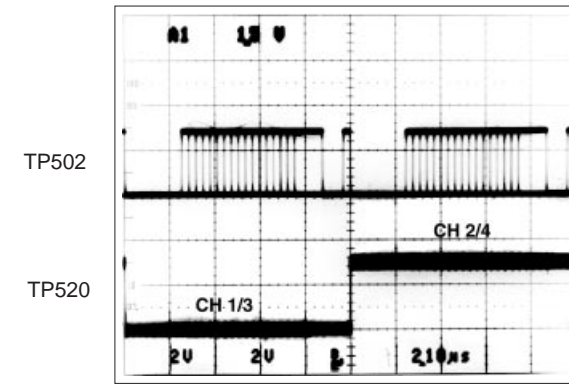
① REC HD
TP100 (1/9)



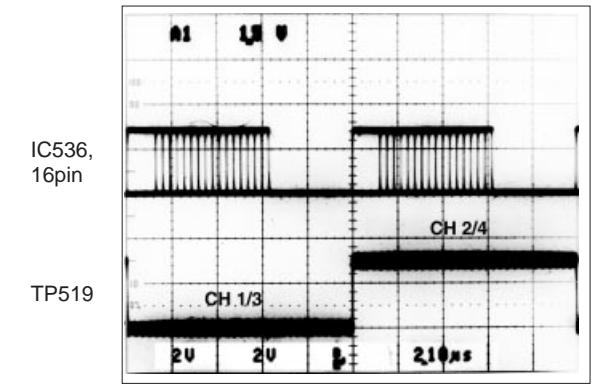
④ PB CK74
IC305, 3pin (3/9)



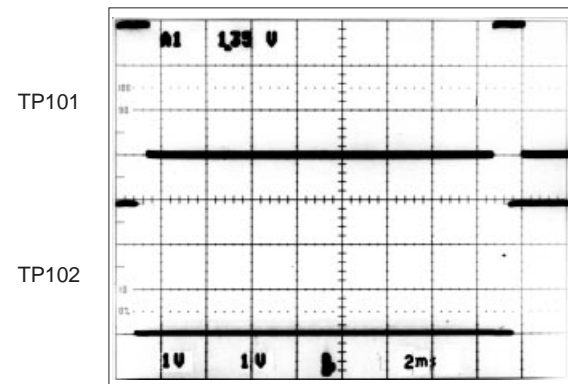
⑦ PB ADV AUDIO
CH1/2 : TP502 (5/9) FS (TRIG)
TP520 (7/9)
CH3/4 : TP503 (5/9)



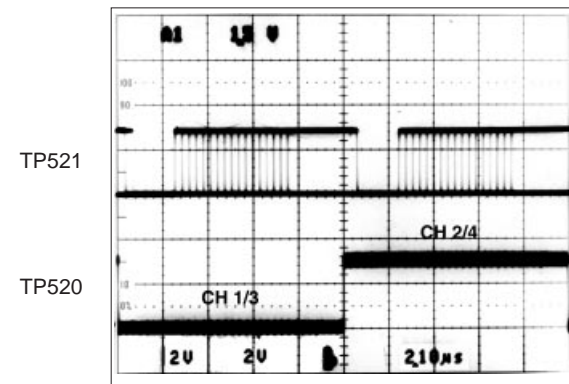
⑩ AES/DC AUDIO OUTPUT FS (TRIG)
CH1/2: IC536, 16pin (7/9) TP519 (7/9)
CH3/4: IC535, 15pin (7/9)



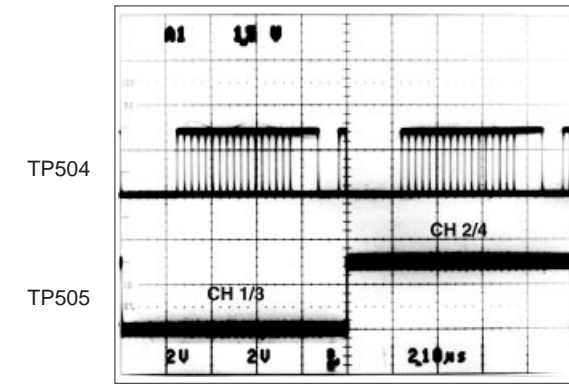
② REC VD
TP101 (1/9) REC FRAME (TRIG)
TP102 (1/9)



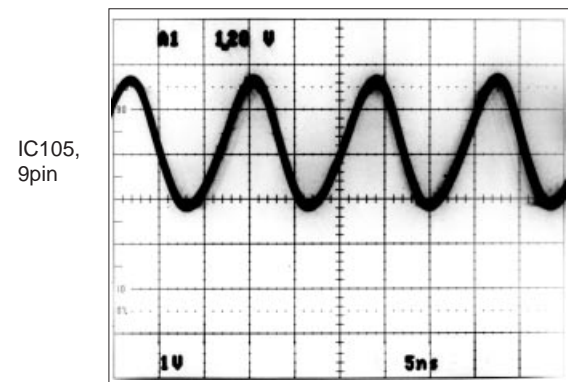
⑤ SIF AUDIO INPUT
CH1/2 : TP521 (5/9) FS (TRIG)
TP520 (7/9)
CH3/4 : TP522 (5/9)



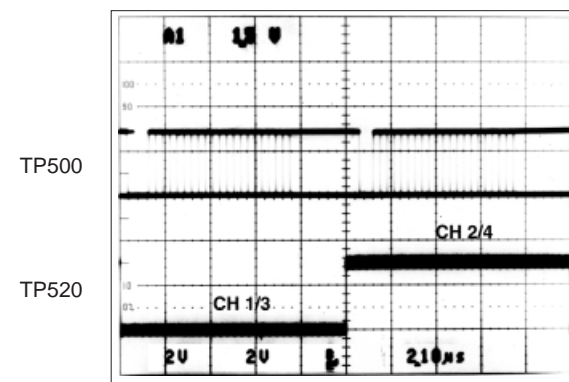
⑧ PB CNF AUDIO
CH1/2 : TP504 (5/9) FS (TRIG)
TP520 (7/9)
CH3/4 : TP505 (5/9)



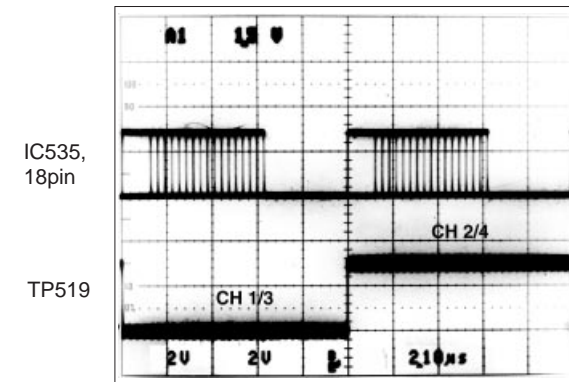
③ REC CK74
IC105, 9pin (1/9)



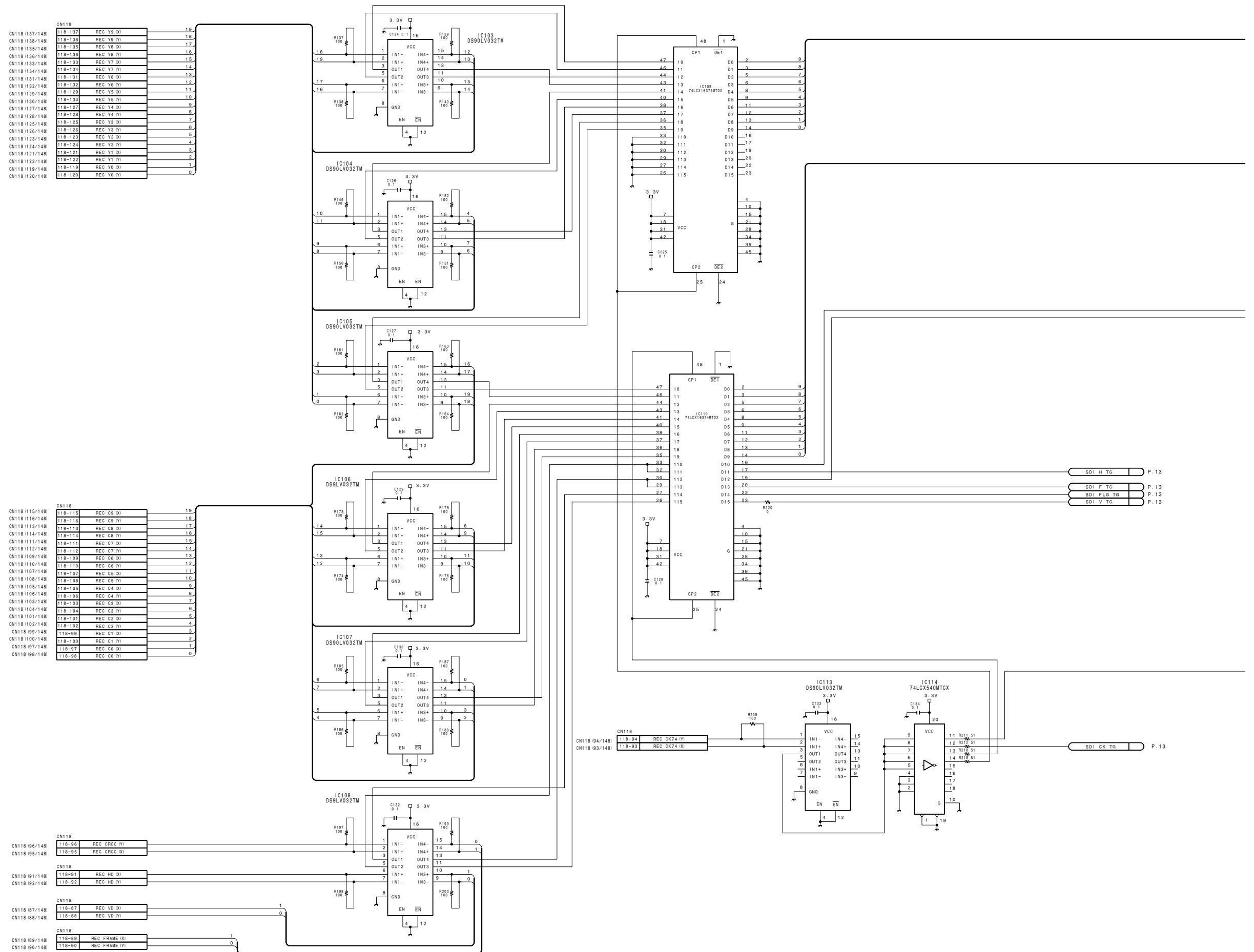
⑥ AES AUDIO INPUT
CH1/2 : TP500 (5/9) FS (TRIG)
TP520 (7/9)
CH3/4 : TP501 (5/9)



⑨ SDI AUDIO OUTPUT
CH1/2: IC535, 18pin (7/9) TP519 (7/9)
CH3/4: IC535, 14pin (7/9)



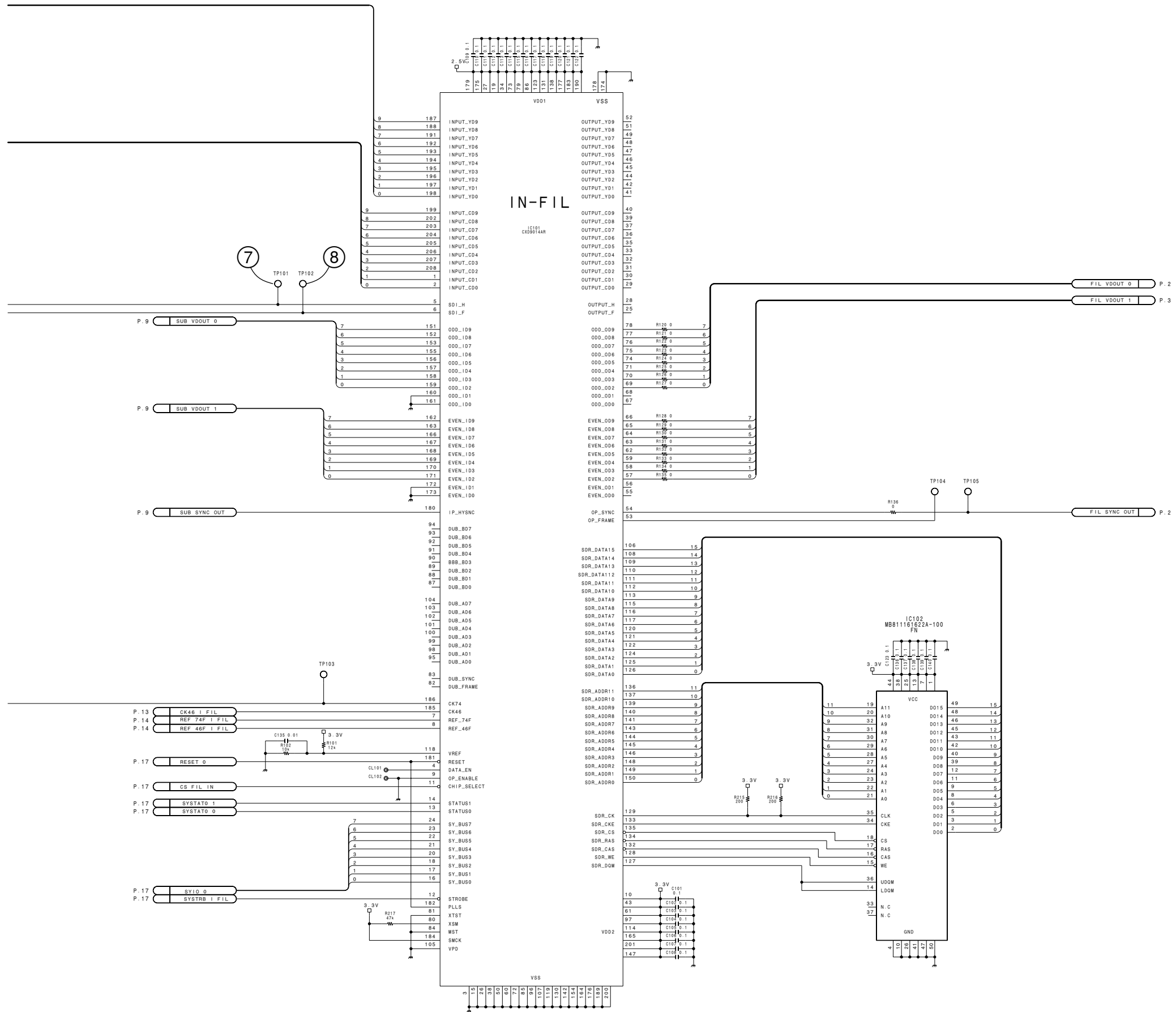
HDW-500 (J) : S/N 10001 and Higher
 HDW-500 (UC) : S/N 10001 and Higher



CN118	118-137	REC Y9 (X)	19
CN118 (137/148)	118-138	REC Y9 (Y)	18
CN118 (138/148)	118-139	REC Y8 (X)	17
CN118 (139/148)	118-140	REC Y8 (Y)	16
CN118 (140/148)	118-141	REC Y7 (X)	15
CN118 (141/148)	118-142	REC Y7 (Y)	14
CN118 (142/148)	118-143	REC Y6 (X)	13
CN118 (143/148)	118-144	REC Y6 (Y)	12
CN118 (144/148)	118-145	REC Y5 (X)	11
CN118 (145/148)	118-146	REC Y5 (Y)	10
CN118 (146/148)	118-147	REC Y4 (X)	9
CN118 (147/148)	118-148	REC Y4 (Y)	8
CN118 (148/148)	118-149	REC Y3 (X)	7
CN118 (149/148)	118-150	REC Y3 (Y)	6
CN118 (150/148)	118-151	REC Y2 (X)	5
CN118 (151/148)	118-152	REC Y2 (Y)	4
CN118 (152/148)	118-153	REC Y1 (X)	3
CN118 (153/148)	118-154	REC Y1 (Y)	2
CN118 (154/148)	118-155	REC Y0 (X)	1
CN118 (155/148)	118-156	REC Y0 (Y)	0

CN118	118-118	REC C9 (X)	19
CN118 (118/148)	118-119	REC C9 (Y)	18
CN118 (119/148)	118-120	REC C8 (X)	17
CN118 (120/148)	118-121	REC C8 (Y)	16
CN118 (121/148)	118-122	REC C7 (X)	15
CN118 (122/148)	118-123	REC C7 (Y)	14
CN118 (123/148)	118-124	REC C6 (X)	13
CN118 (124/148)	118-125	REC C6 (Y)	12
CN118 (125/148)	118-126	REC C5 (X)	11
CN118 (126/148)	118-127	REC C5 (Y)	10
CN118 (127/148)	118-128	REC C4 (X)	9
CN118 (128/148)	118-129	REC C4 (Y)	8
CN118 (129/148)	118-130	REC C3 (X)	7
CN118 (130/148)	118-131	REC C3 (Y)	6
CN118 (131/148)	118-132	REC C2 (X)	5
CN118 (132/148)	118-133	REC C2 (Y)	4
CN118 (133/148)	118-134	REC C1 (X)	3
CN118 (134/148)	118-135	REC C1 (Y)	2
CN118 (135/148)	118-136	REC C0 (X)	1
CN118 (136/148)	118-137	REC C0 (Y)	0

CN118	118-96	REC CRCC (Y)	19
CN118 (96/148)	118-97	REC CRCC (X)	18
CN118 (97/148)	118-98	REC HD (X)	17
CN118 (98/148)	118-99	REC HD (Y)	16
CN118 (99/148)	118-100	REC VD (X)	15
CN118 (100/148)	118-101	REC VD (Y)	14
CN118 (101/148)	118-102	REC FRAME (X)	13
CN118 (102/148)	118-103	REC FRAME (Y)	12



Digital data processor
 (Encoder/decoder, Error correction)
DPR-89 (1/17)
 HDW-500
 BOARD NO. 1-664-911-11,12
 HDW-500 (J) : LOT NO. 611-
 HDW-500 (UC) : LOT NO. 707-
 B-VHDW500-DPR89-12-@

HDW-500 (J) : S/N 10001 and Higher
HDW-500 (UC) : S/N 10001 and Higher

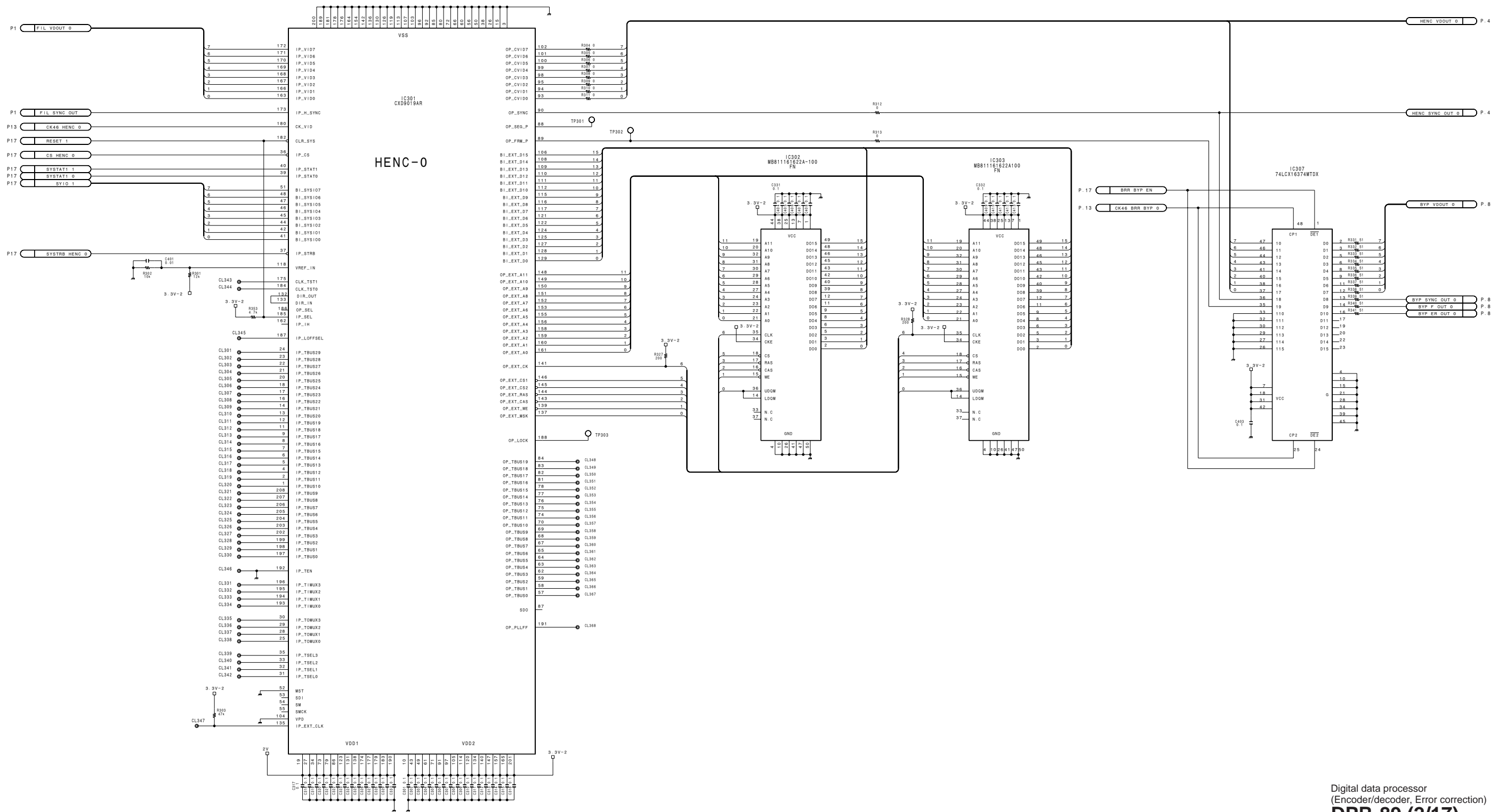
1

2

3

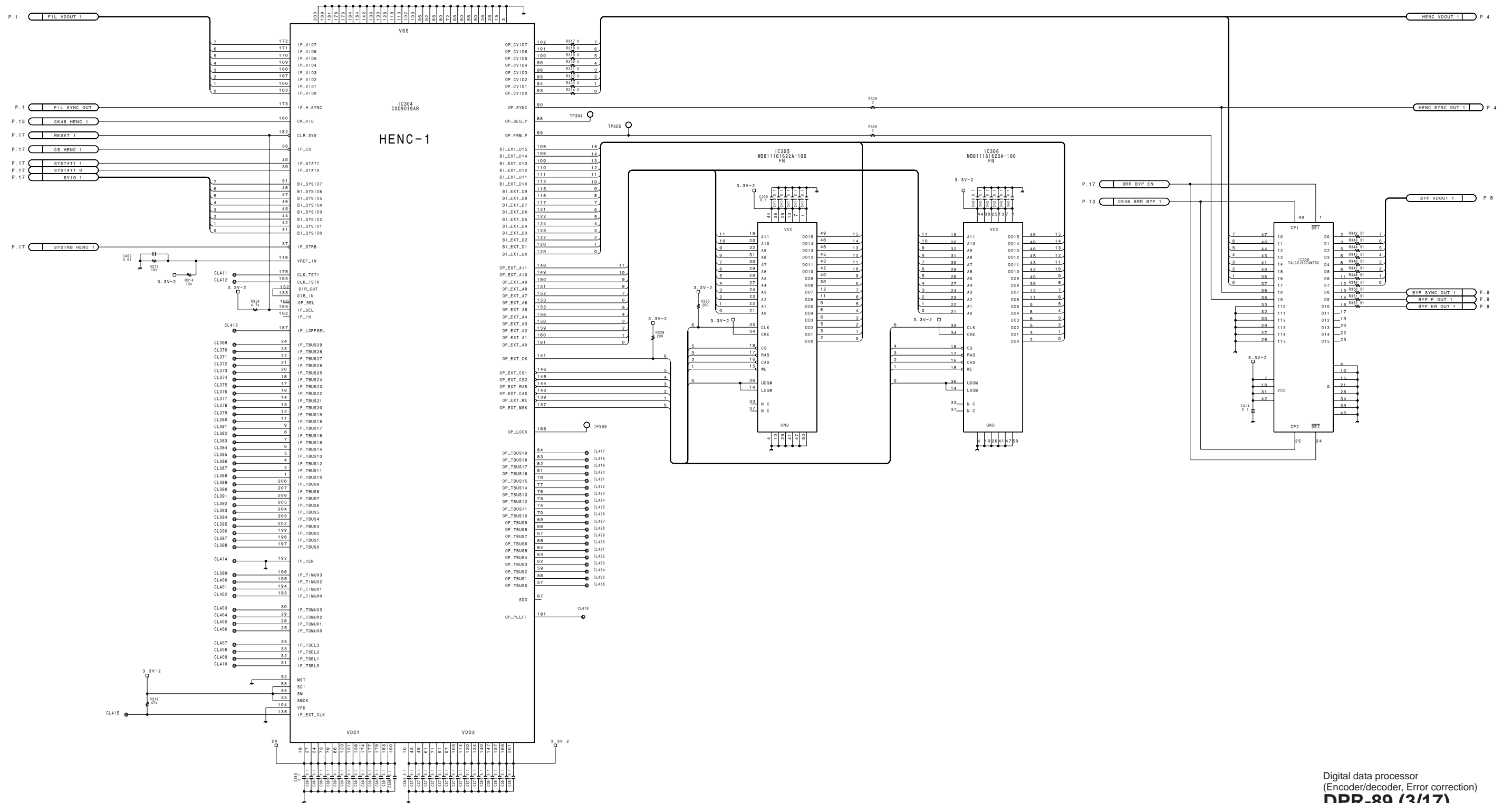
4

5



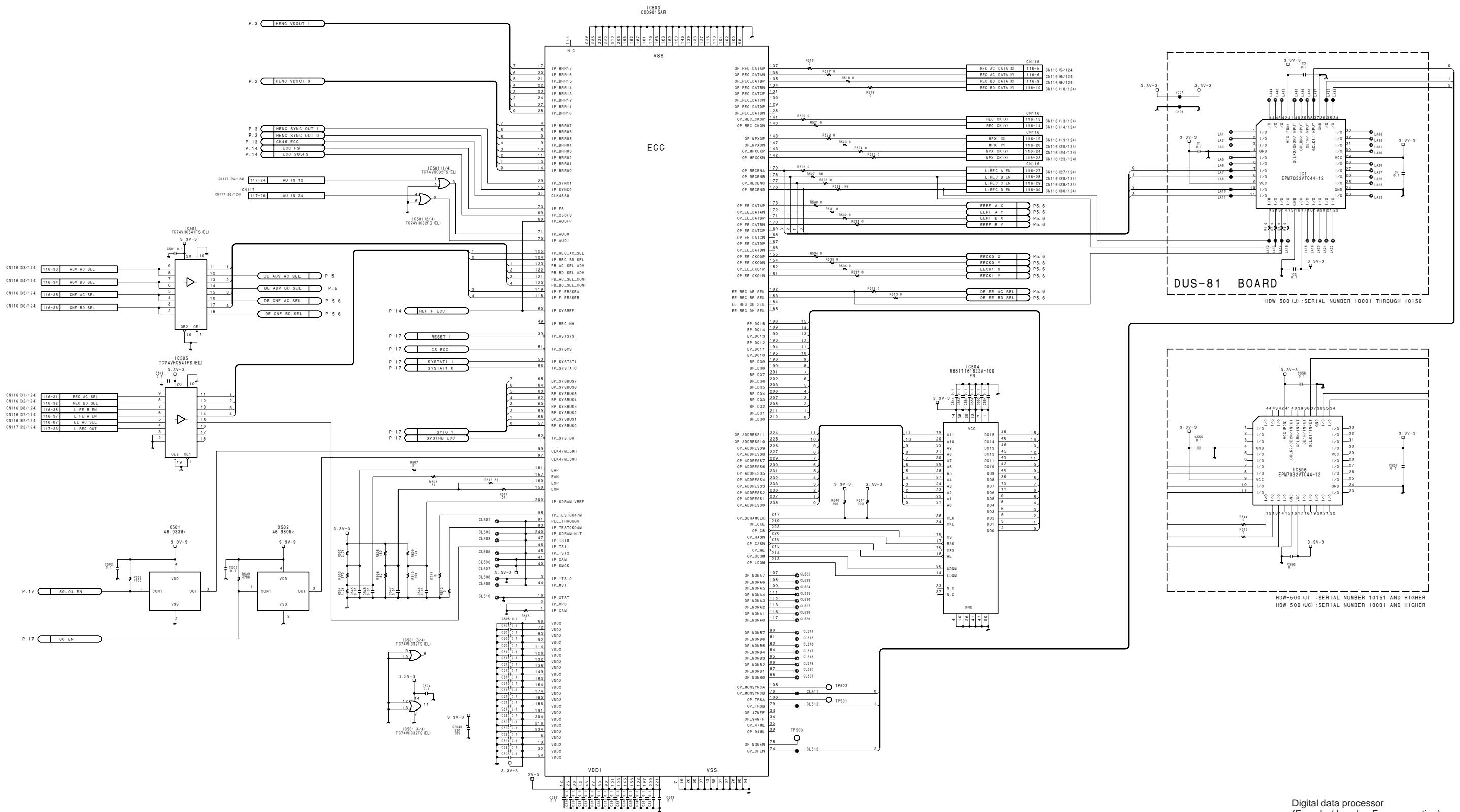
Digital data processor
(Encoder/decoder, Error correction)
DPR-89 (2/17)
HDW-500
BOARD NO. 1-664-911-11,12
HDW-500 (J) : LOT NO. 611-
HDW-500 (UC) : LOT NO. 707-
B-WHDW500-DPR89-12-©

HDW-500 (J) : S/N 10001 and Higher
HDW-500 (UC): S/N 10001 and Higher



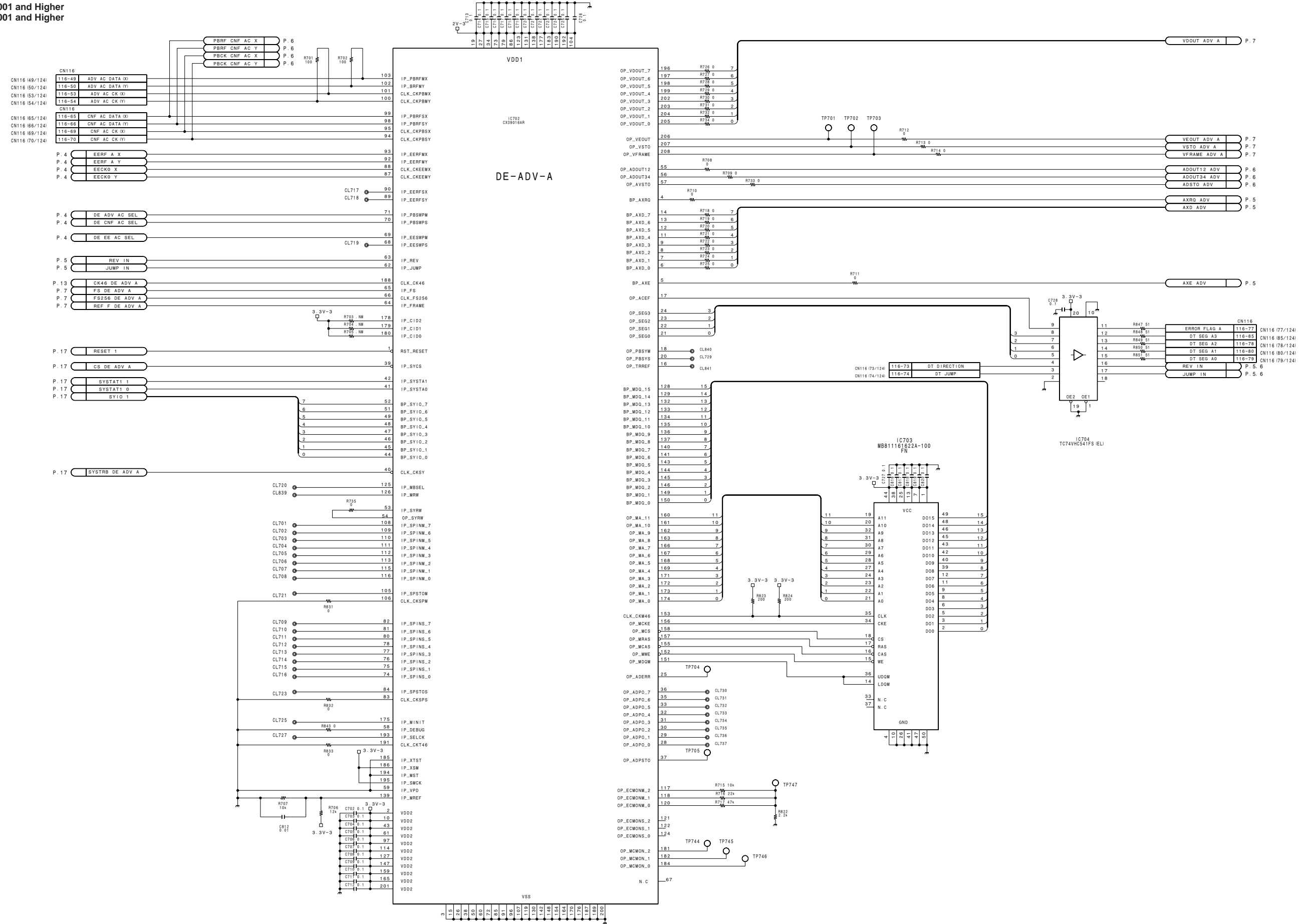
Digital data processor
(Encoder/decoder, Error correction)
DPR-89 (3/17)
HDW-500
BOARD NO. 1-664-911-11,12
HDW-500 (J) : LOT NO. 611-
HDW-500 (UC) : LOT NO. 707-
B-VHDW500-DPR89-12-@

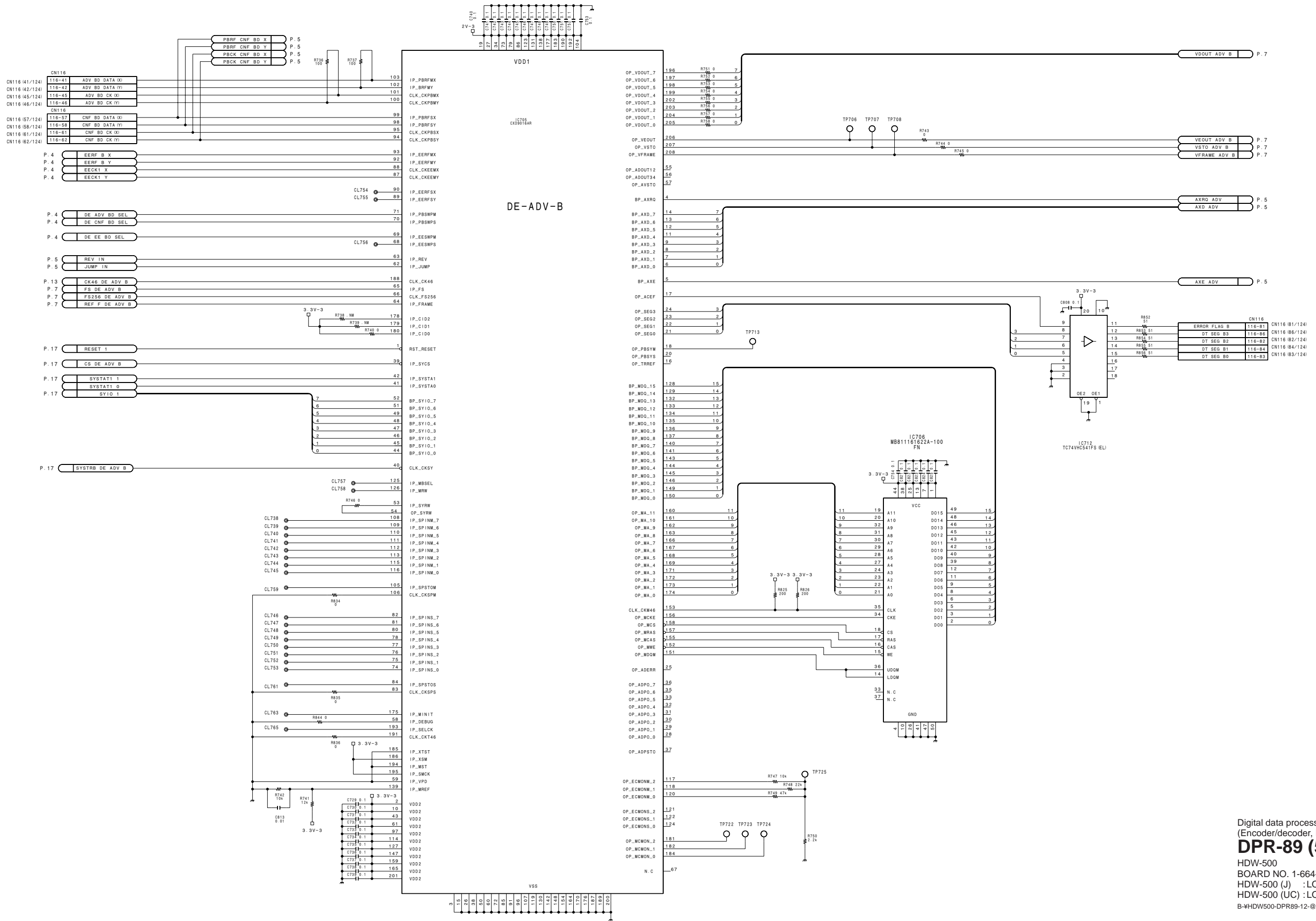
HDW-500 (J) : S/N 10001 and Higher
HDW-500 (UC) : S/N 10001 and Higher



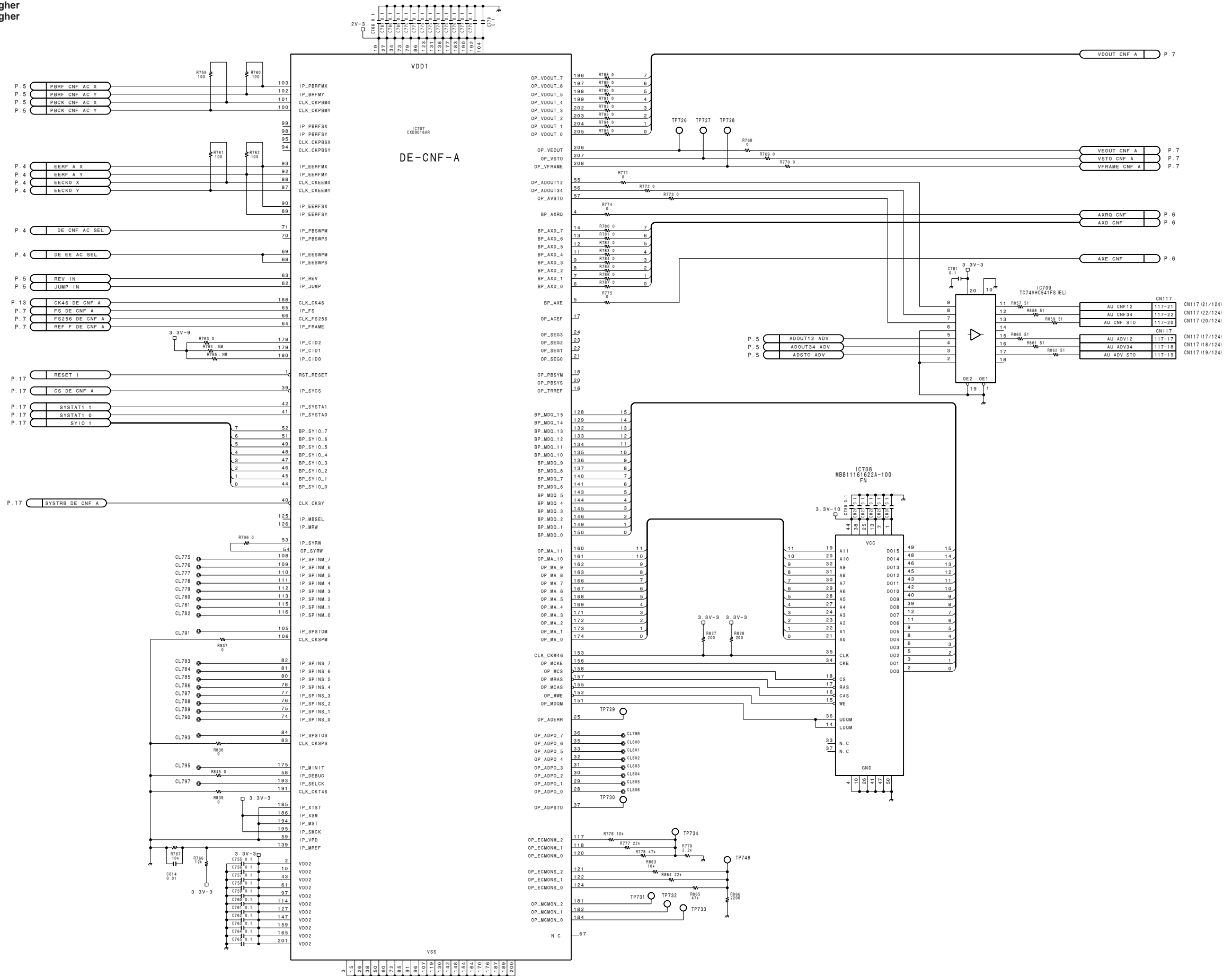
Digital data processor
(Encoder/decoder, Error correction)
DPR-89 (4/17)
HDW-500
BOARD NO. 1-664-911-11,12
HDW-500 (J) : LOT NO. 611-
HDW-500 (UC) : LOT NO. 707-
B-VHDW500-DPR89-12-@

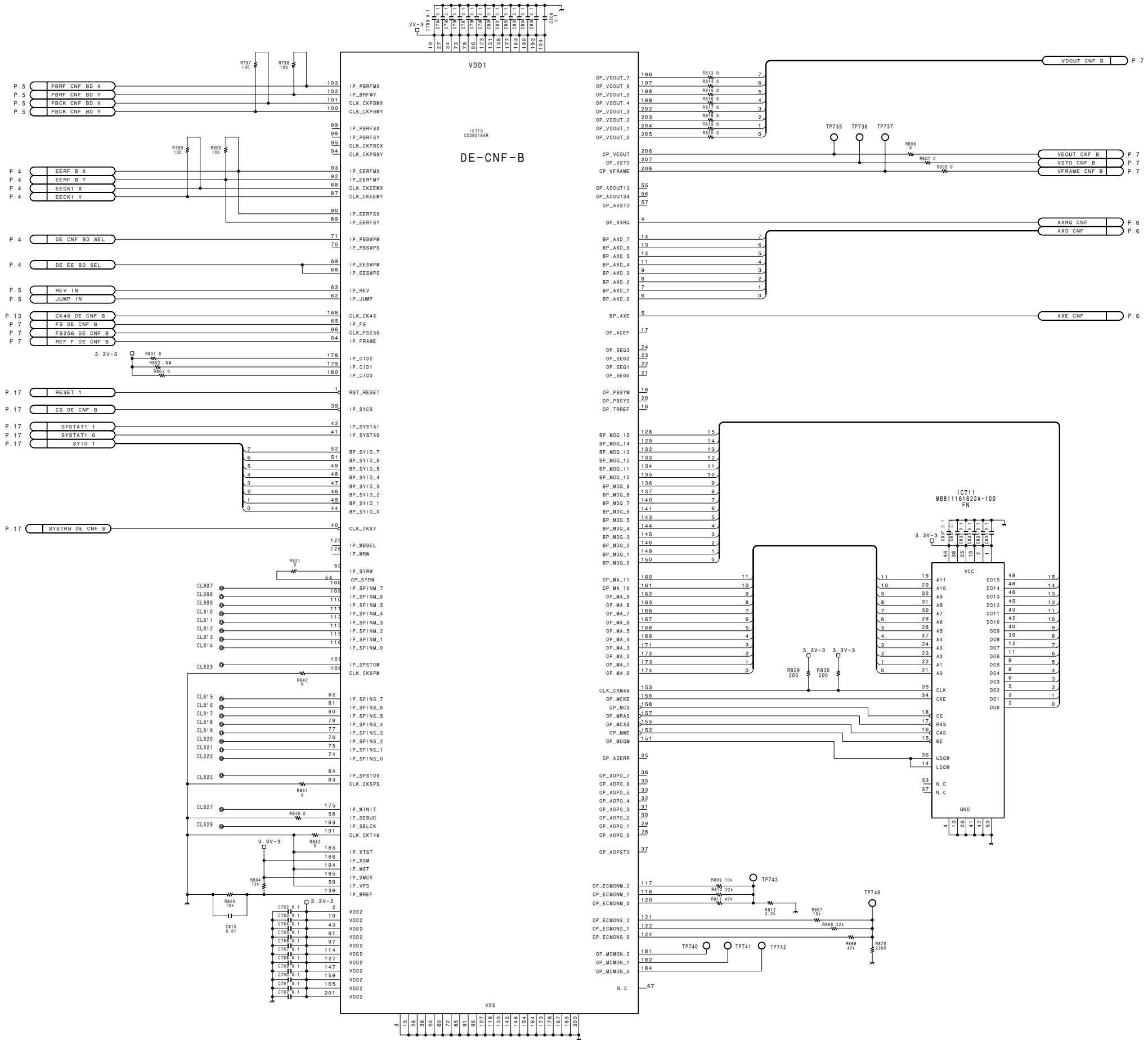
HDW-500 (J) : S/N 10001 and Higher
HDW-500 (UC): S/N 10001 and Higher



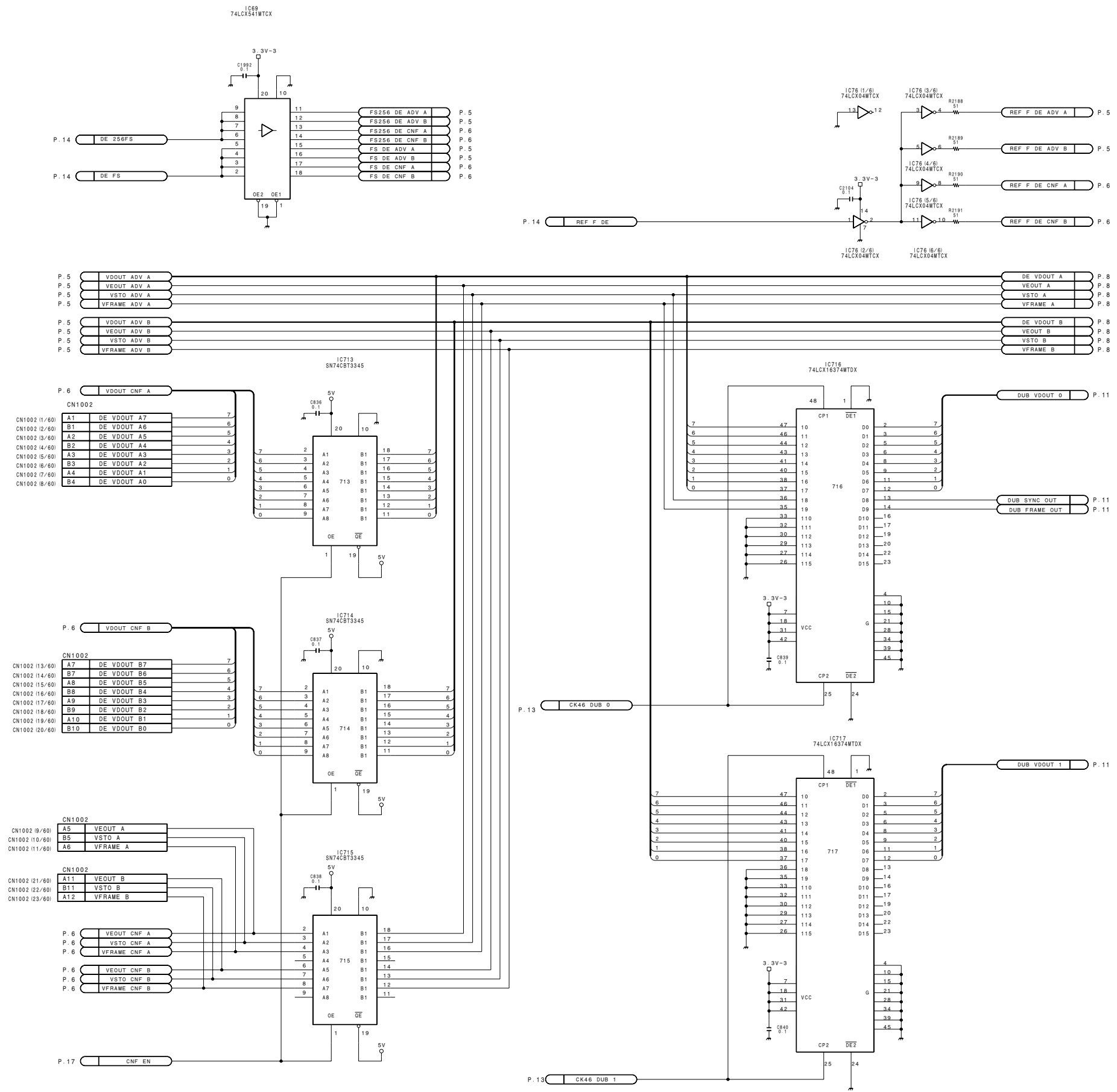


HDW-500 (J) : S/N 10001 and Higher
HDW-500 (UC): S/N 10001 and Higher

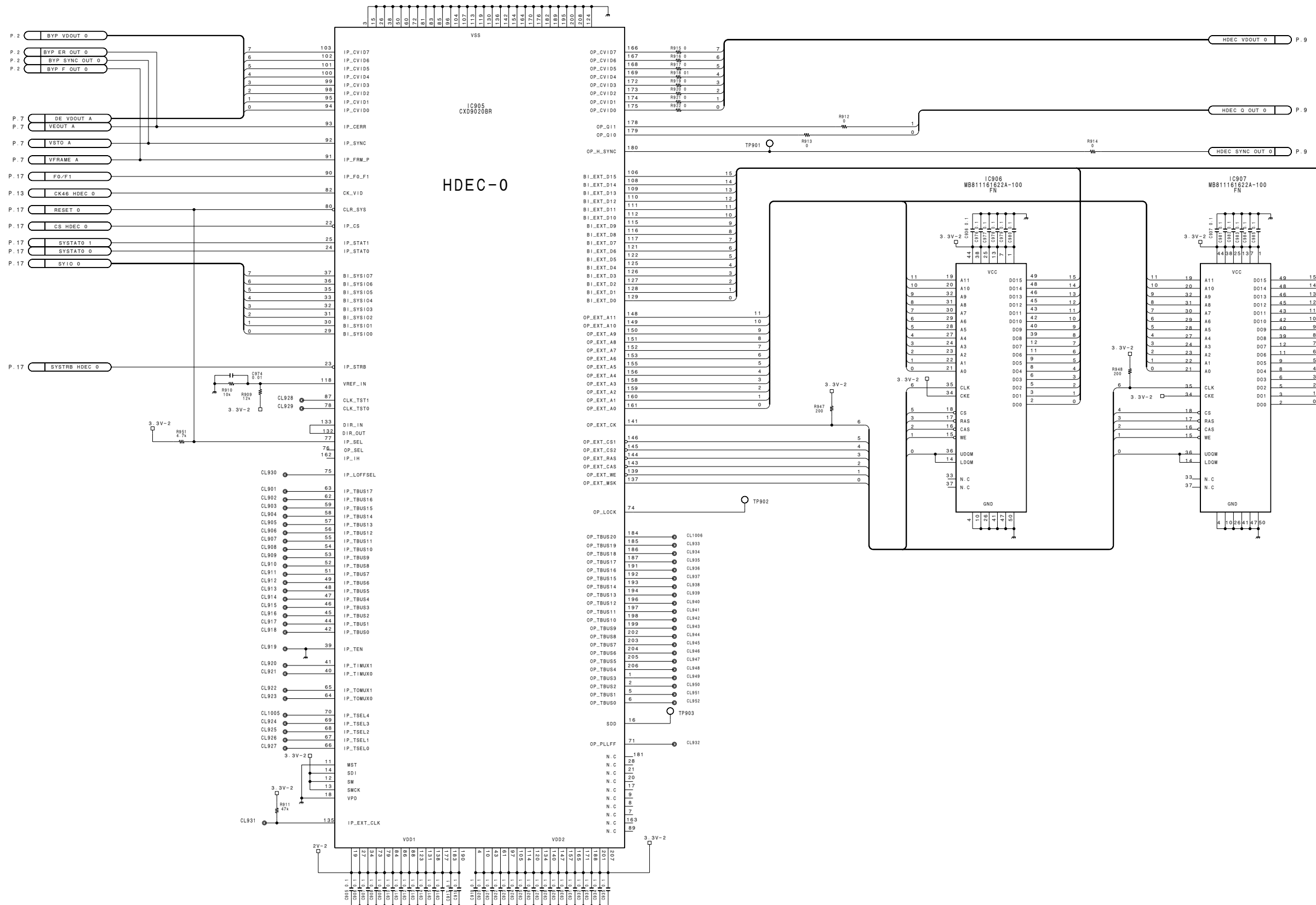


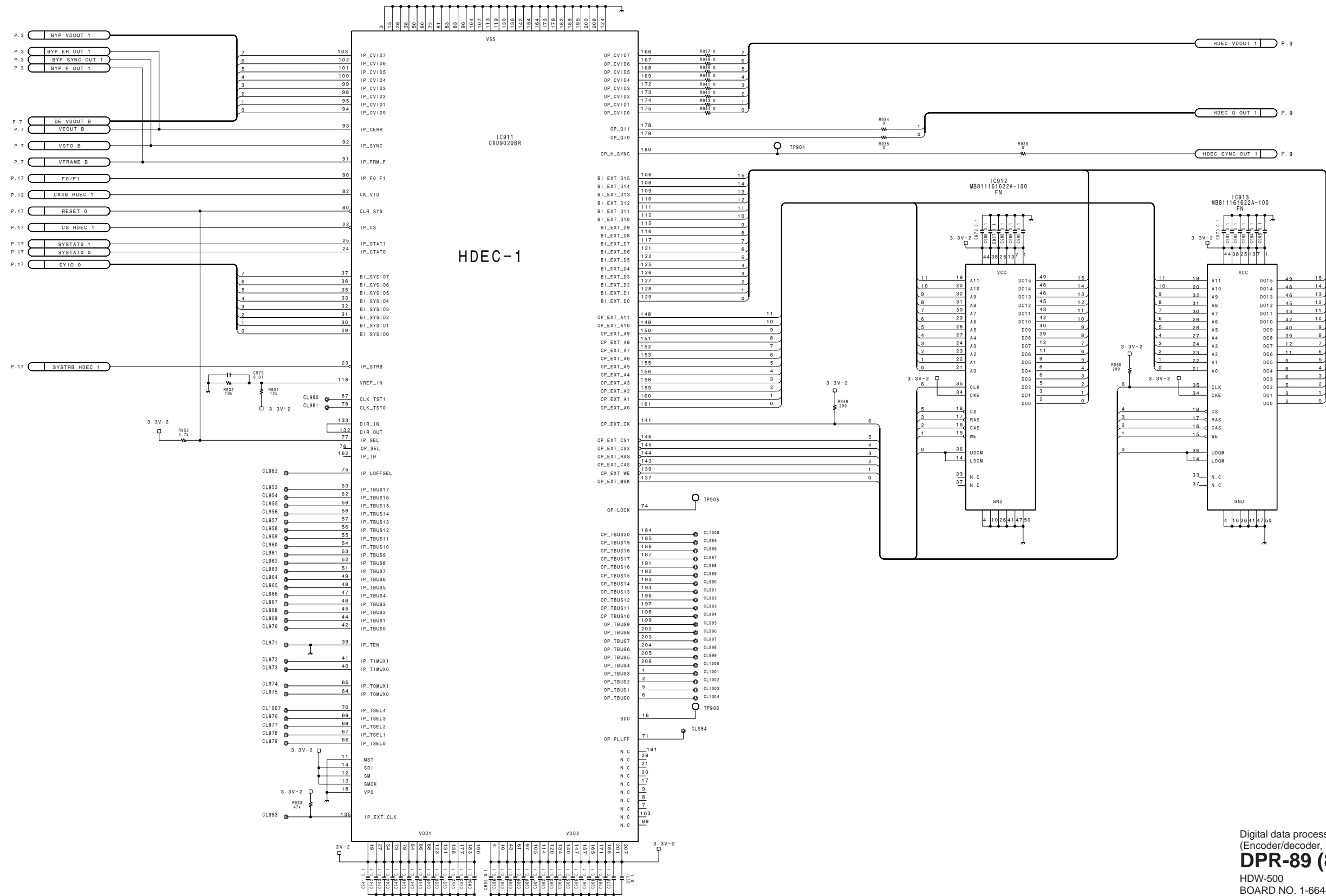


HDW-500 (J) : S/N 10001 and Higher
 HDW-500 (UC) : S/N 10001 and Higher



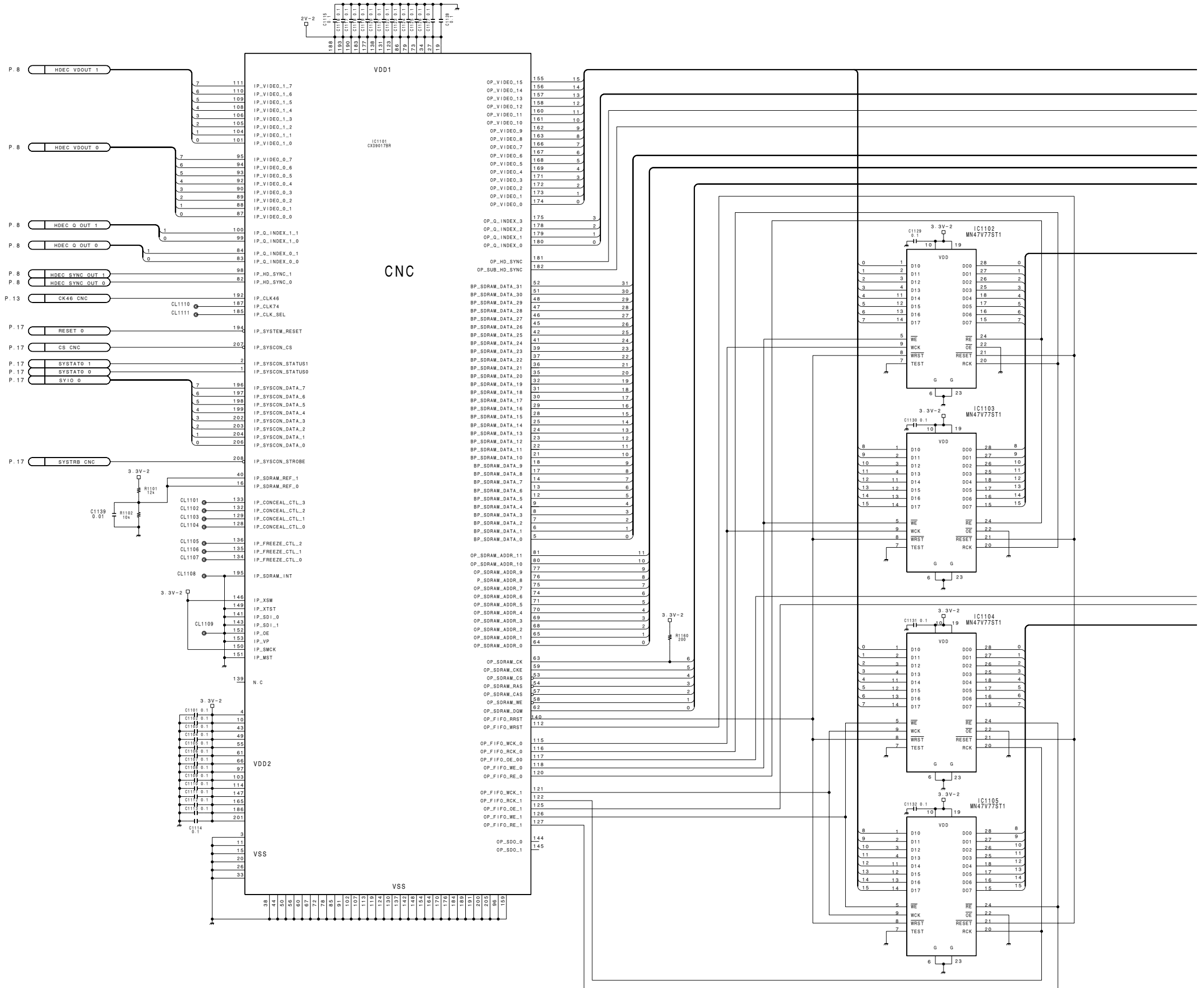
HDW-500 (J) : S/N 10001 and Higher
HDW-500 (UC): S/N 10001 and Higher





Digital data processor
(Encoder/decoder, Error correction)
DPR-89 (8/17)
HDW-500
BOARD NO. 1-664-911-11,12
HDW-500 (J) : LOT NO. 611-
HDW-500 (UC) : LOT NO. 707-
B-WHD500-DPR89-12-@

HDW-500 (J) : S/N 10001 and Higher
HDW-500 (UC): S/N 10001 and Higher



1

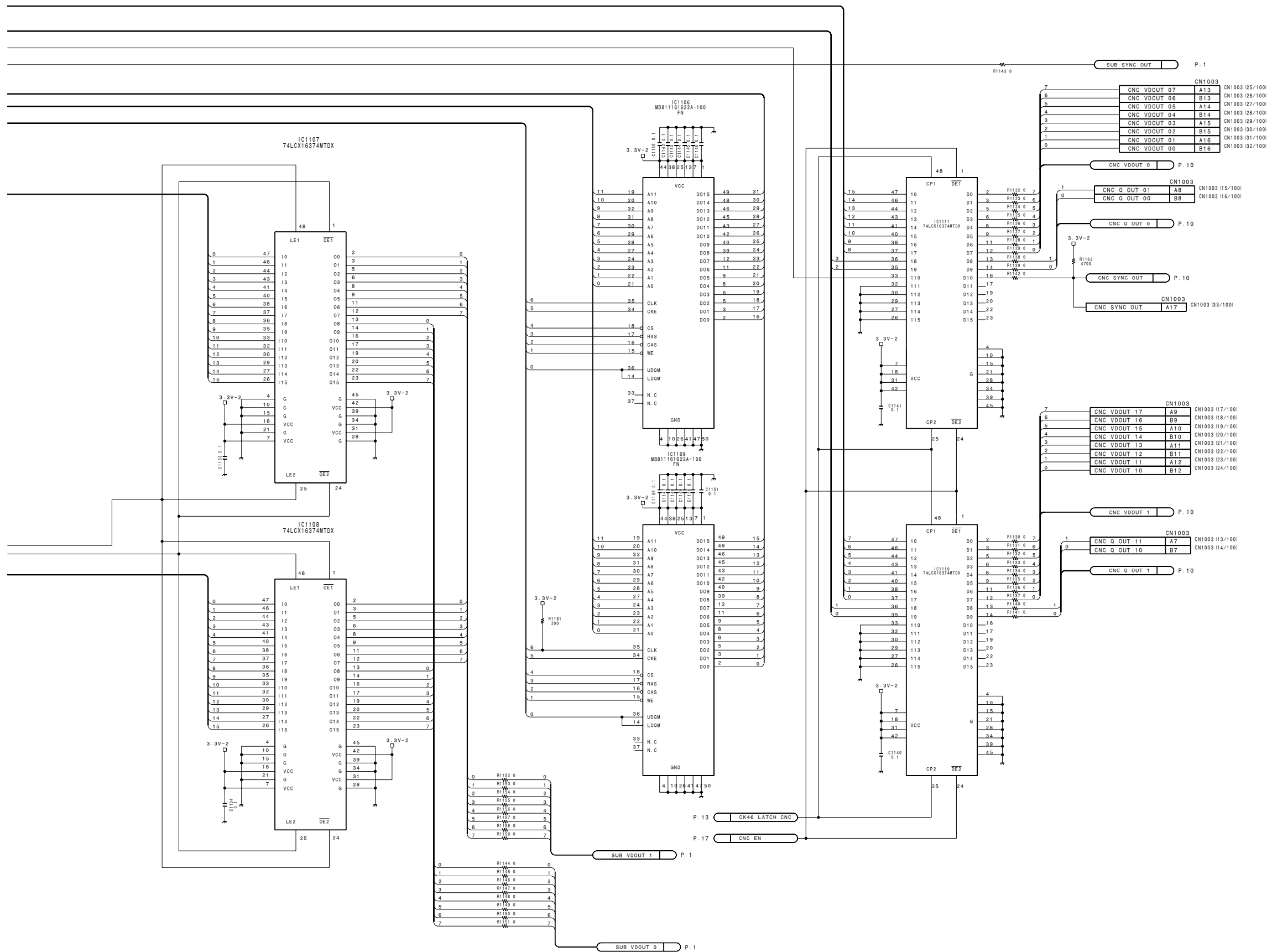
2

3

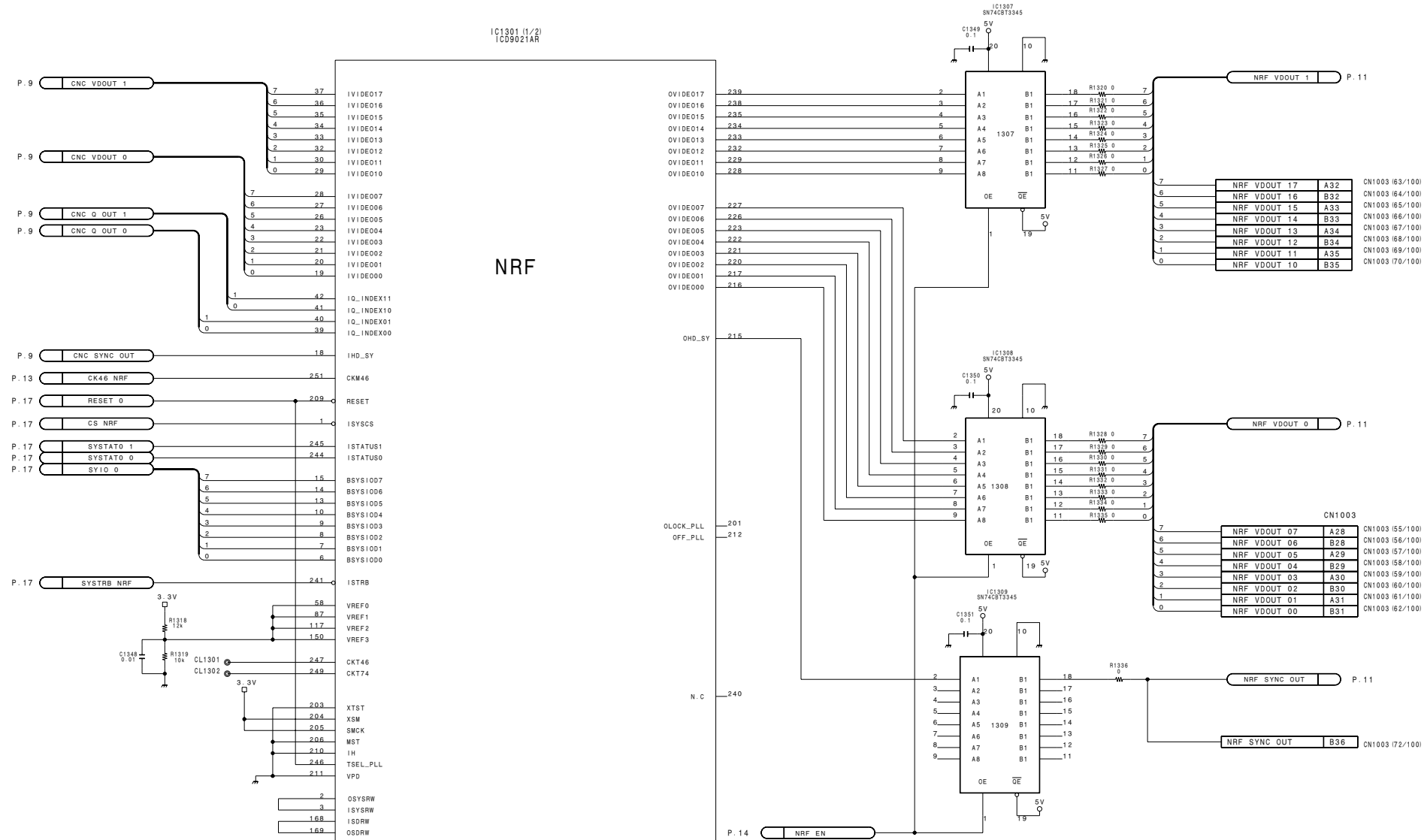
4

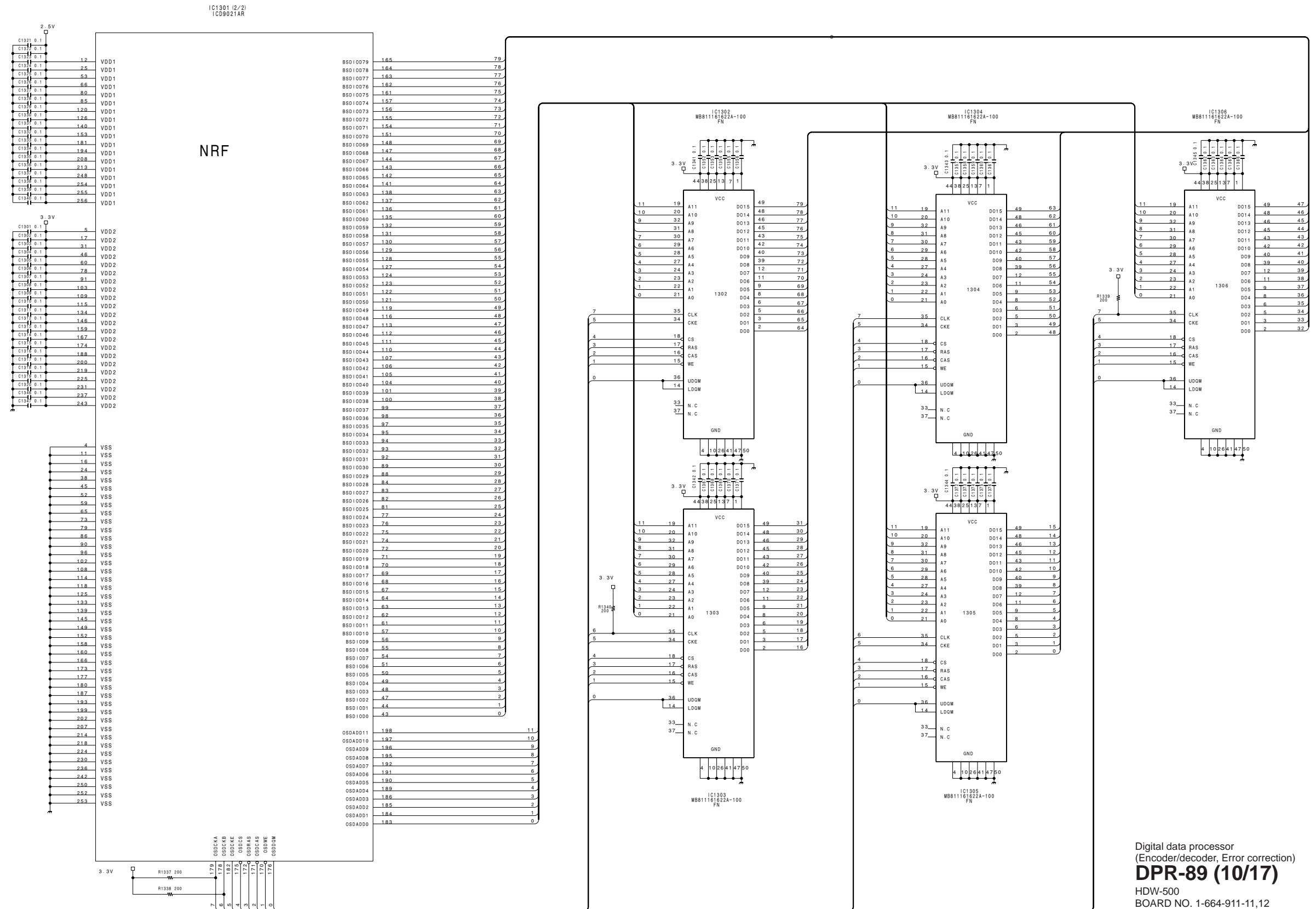
5

A B C D E F G H



HDW-500 (J) : S/N 10001 and Higher
 HDW-500 (UC) : S/N 10001 and Higher





Digital data processor
(Encoder/decoder, Error correction)
DPR-89 (10/17)
HDW-500
BOARD NO. 1-664-911-11,12
HDW-500 (J) : LOT NO. 611-
HDW-500 (UC) : LOT NO. 707-
B-HDW500-DPR89-12-@

HDW-500 (J) : S/N 10001 and Higher
HDW-500 (UC): S/N 10001 and Higher

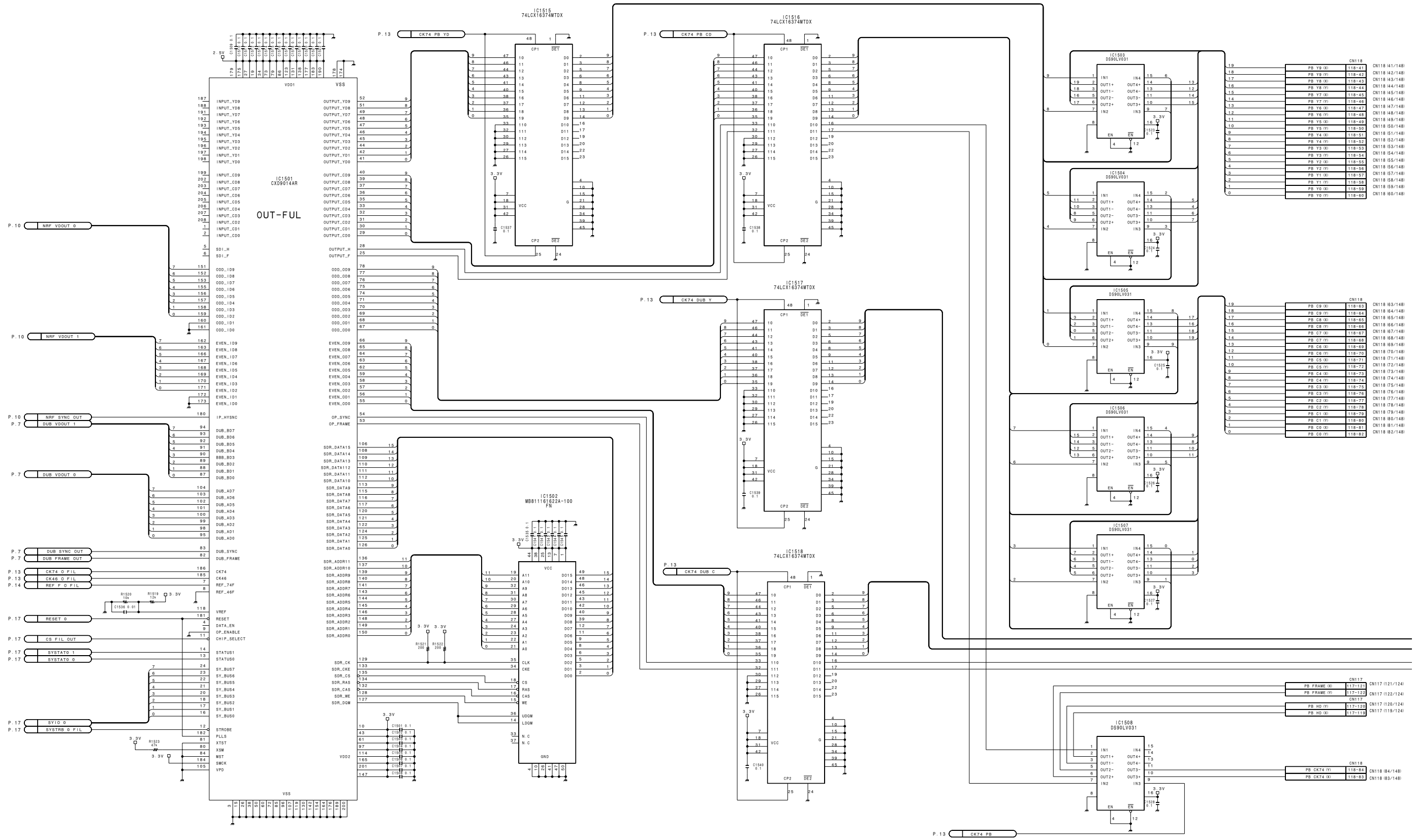
1

2

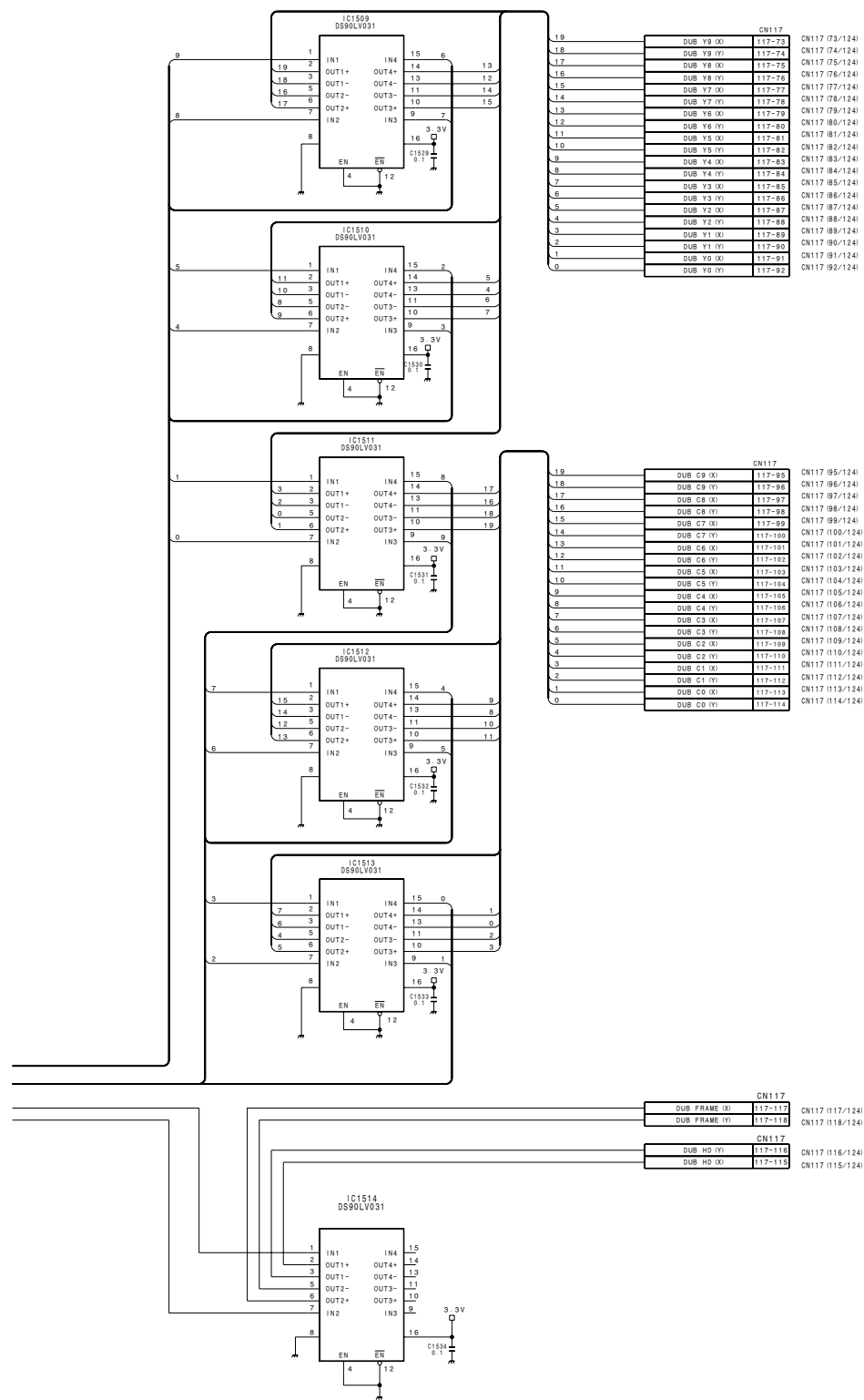
3

4

5

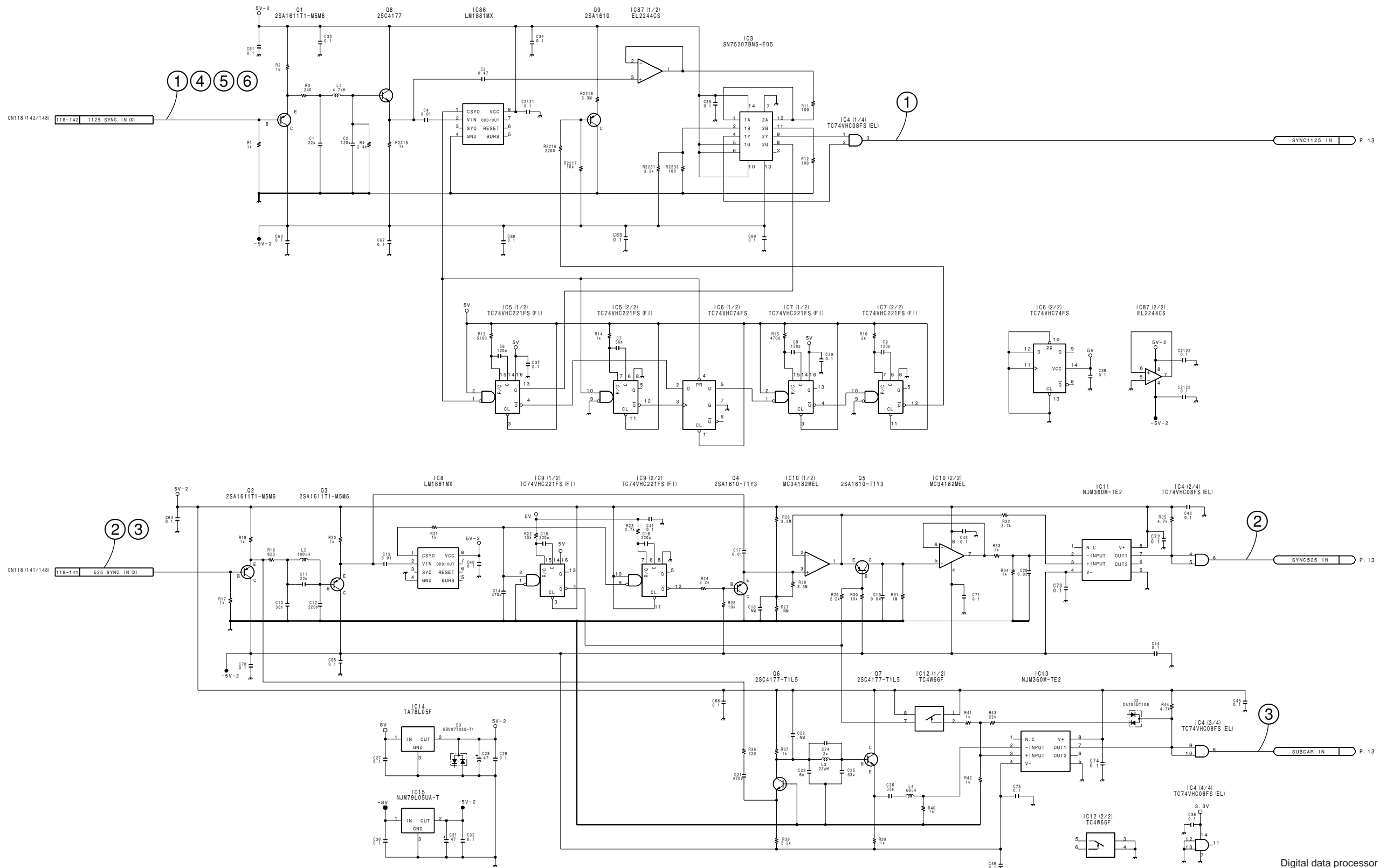


A B C D E F G H



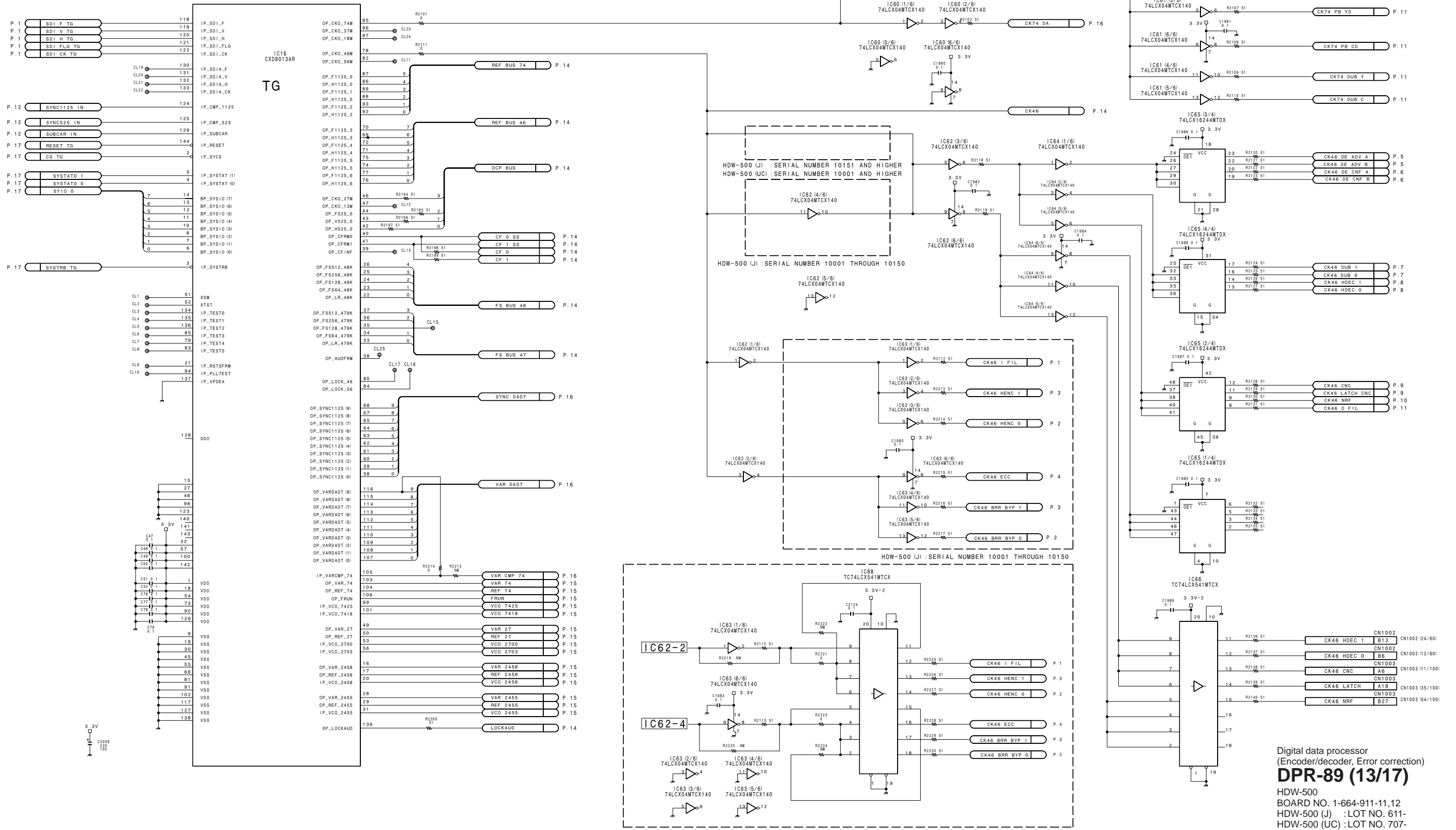
Digital data processor
(Encoder/decoder, Error correction)
DPR-89 (11/17)
HDW-500
BOARD NO. 1-664-911-11,12
HDW-500 (J) : LOT NO. 611-
HDW-500 (UC) : LOT NO. 707-
B-VHDW500-DPR89-12-@

HDW-500 (J) : S/N 10001 and Higher
HDW-500 (UC) : S/N 10001 and Higher



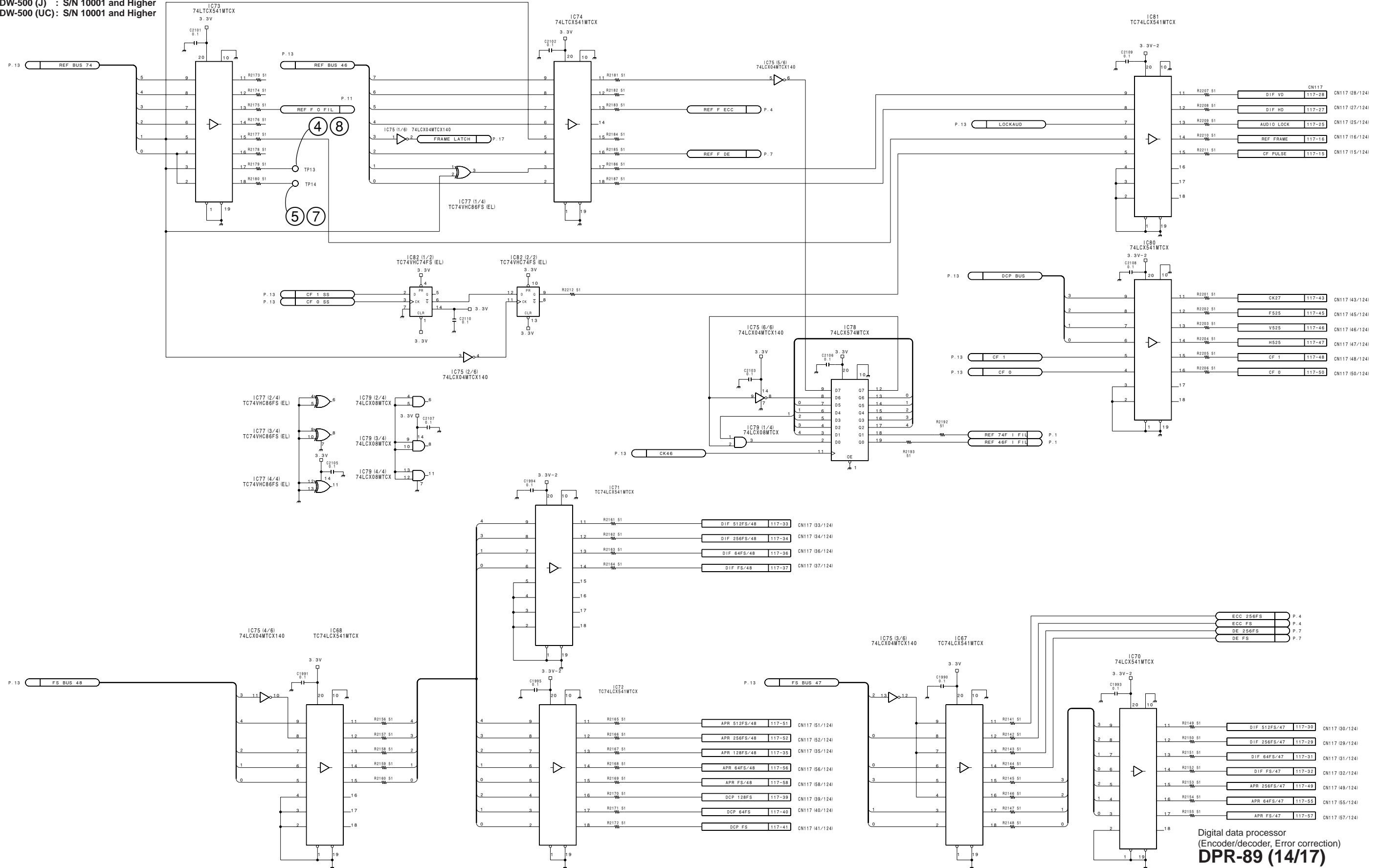
Digital data processor
(Encoder/decoder, Error correction)
DPR-89 (12/17)
HDW-500
BOARD NO. 1-664-911-11,12
HDW-500 (J) : LOT NO. 611-
HDW-500 (UC) : LOT NO. 707-
B-WHDW500-DPR89-12-@

HDW-500 (J) : S/N 10001 and Higher
HDW-500 (UC) : S/N 10001 and Higher



Digital data processor
(Encoder/decoder, Error correction)
DPR-89 (13/17)
HDW-500
BOARD NO. 1-664-911-11,12
HDW-500 (J) : LOT NO. 611-
HDW-500 (UC) : LOT NO. 707-
B-WHD500-DPR89-12-@

HDW-500 (J) : S/N 10001 and Higher
HDW-500 (UC) : S/N 10001 and Higher



Digital data processor
(Encoder/decoder, Error correction)
DPR-89 (14/17)
HDW-500
BOARD NO. 1-664-911-11,12
HDW-500 (J) : LOT NO. 611-
HDW-500 (UC) : LOT NO. 707-
B-VHDW500-DPR89-12-@ HDW-500 MMP2V2

1

2

3

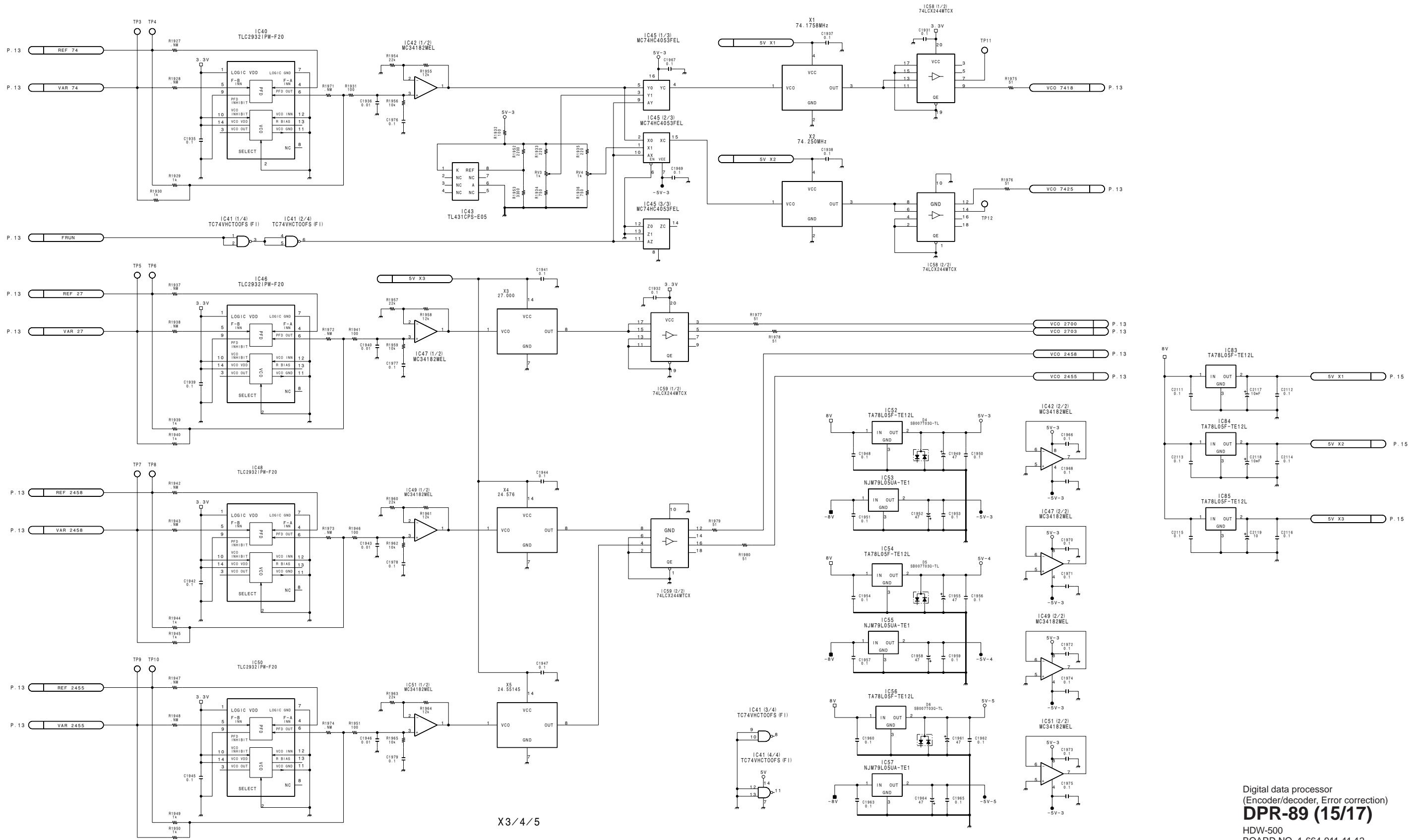
4

5

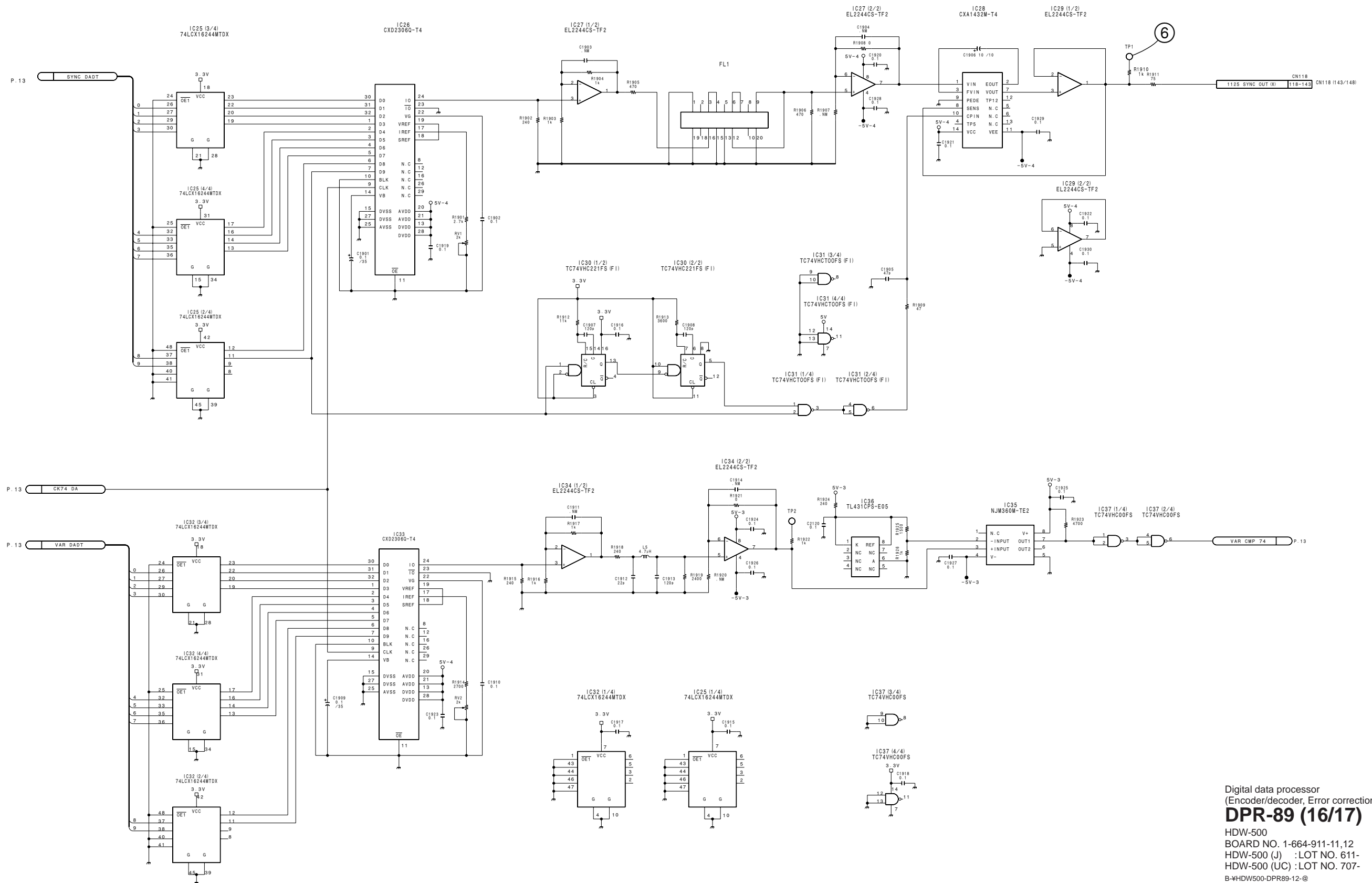
A B C D E F G H

6-100 6-100

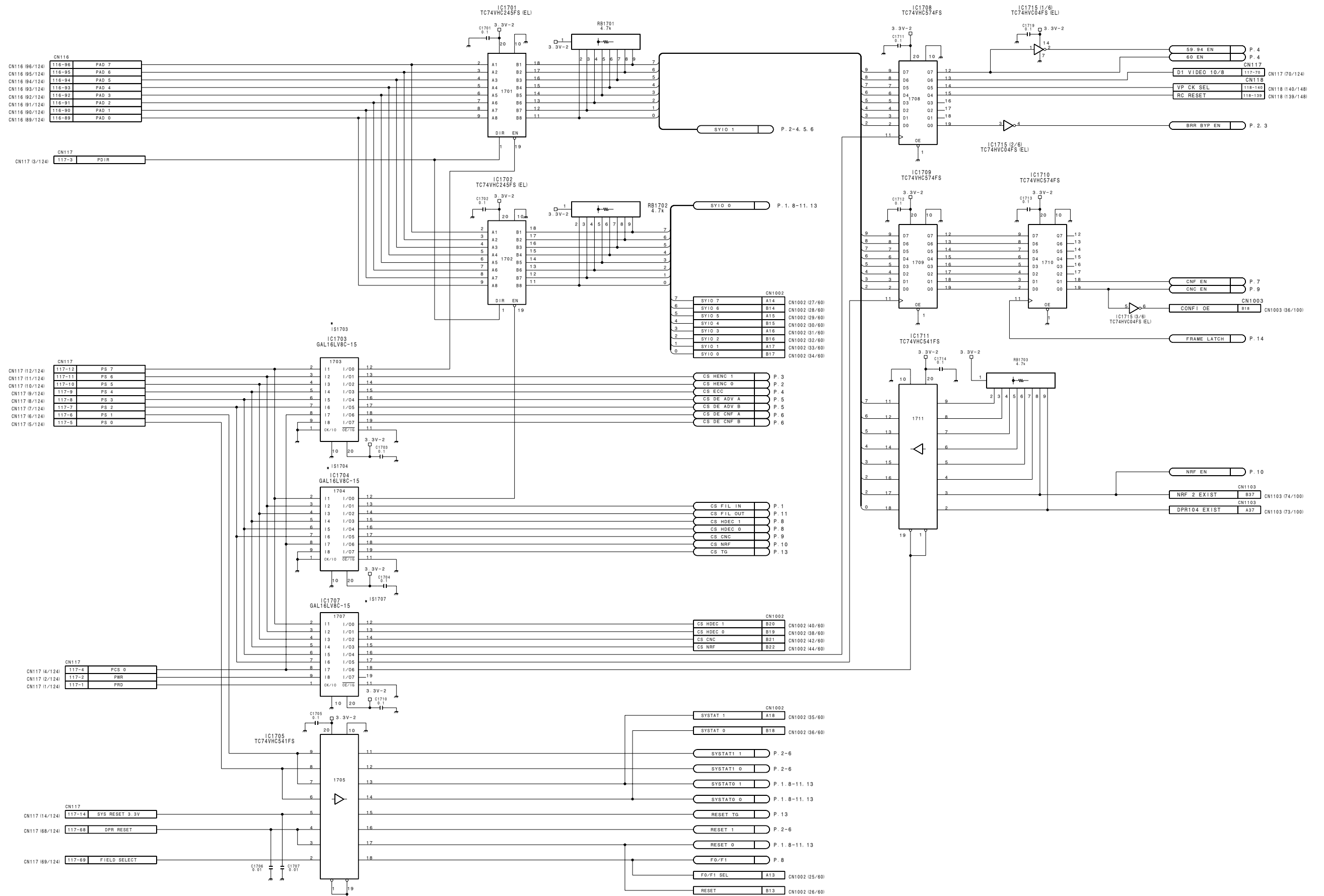
HDW-500 (J) : S/N 10001 and Higher
HDW-500 (UC) : S/N 10001 and Higher



HDW-500 (J) : S/N 10001 and Higher
HDW-500 (UC) : S/N 10001 and Higher



HDW-500 (J) : S/N 10001 and Higher
 HDW-500 (UC): S/N 10001 and Higher

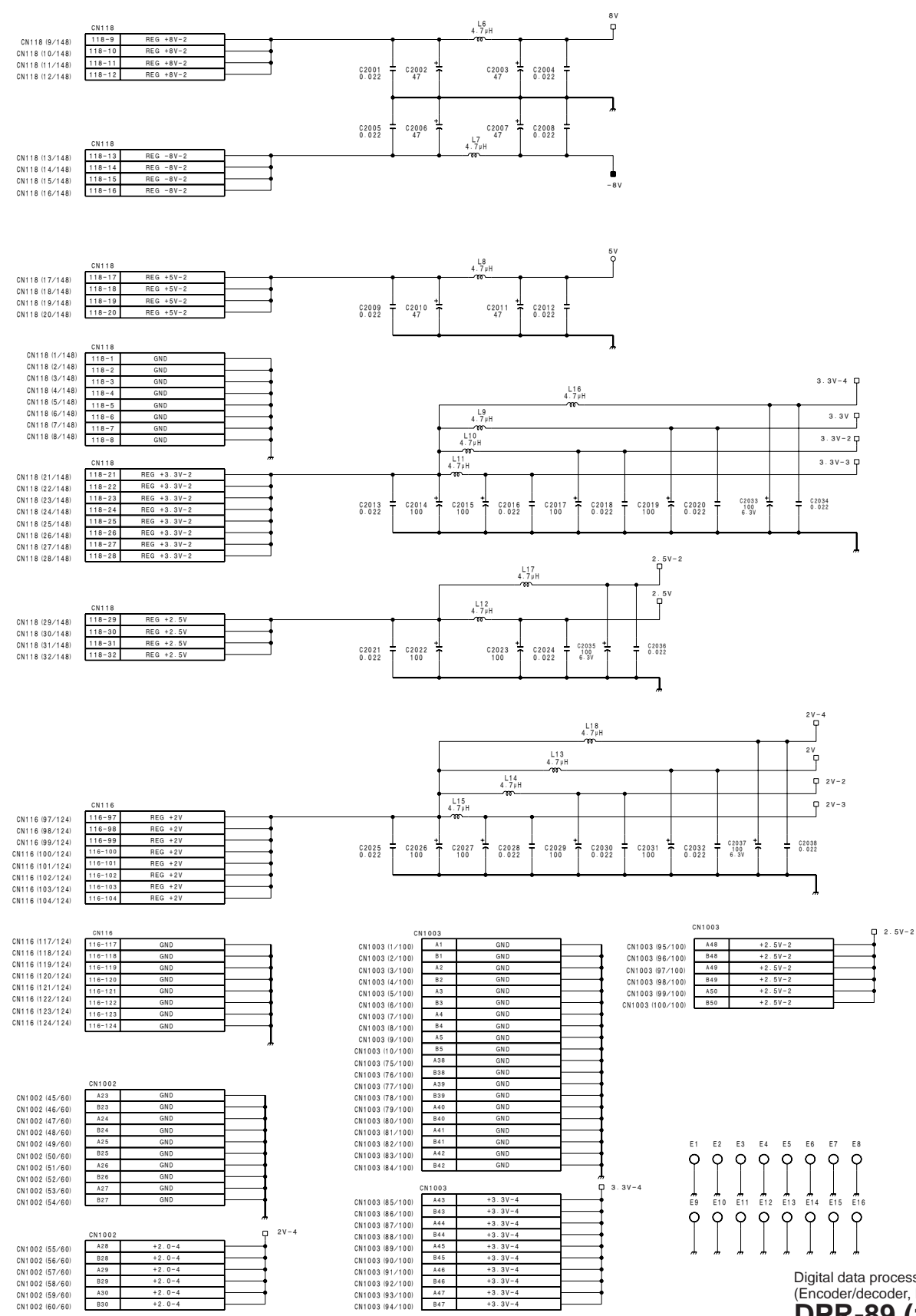
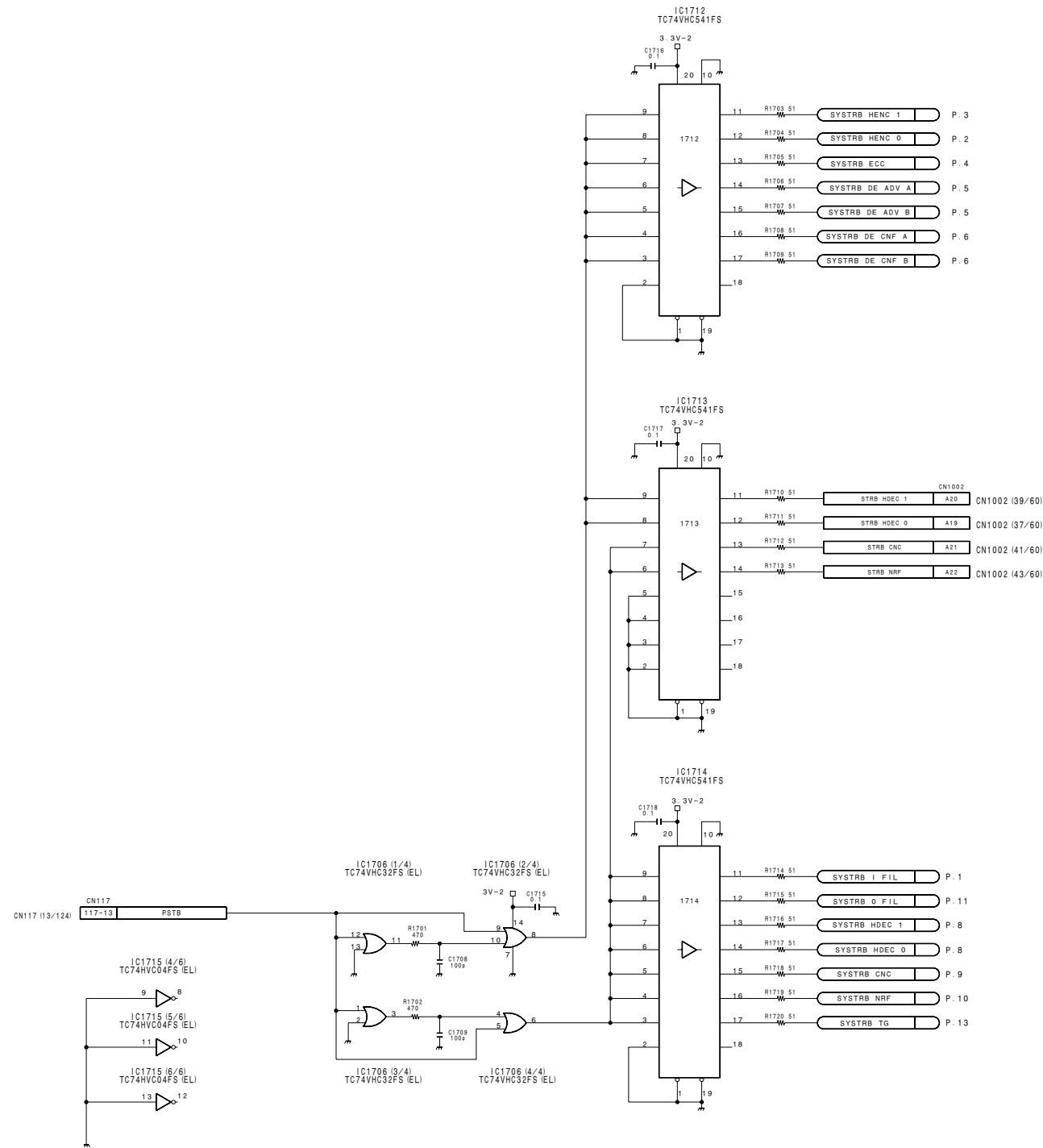


6-104

6-104

HDW-500 MMP2V2

A B C D E F G H



1

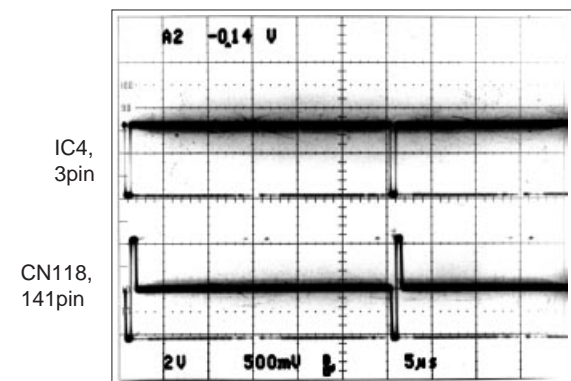
2

3

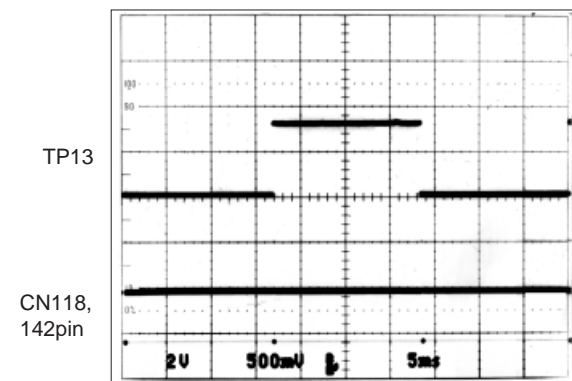
4

5

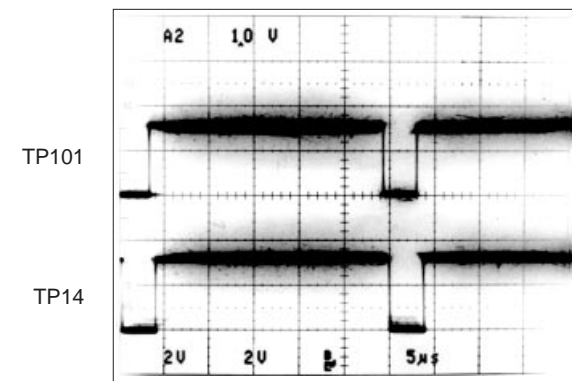
① SYNC 1125 IN IC4, 3pin (12/17) 1125 SYNC IN (TRIG) CN118, 142pin (12/17)



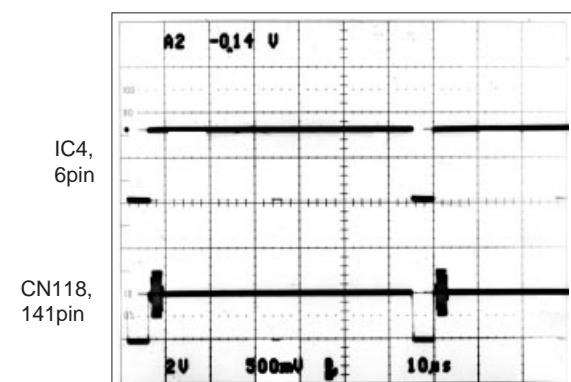
④ REF FRAME TP13 (14/17) 1125 SYNC IN (TRIG) CN118, 142pin (12/17)



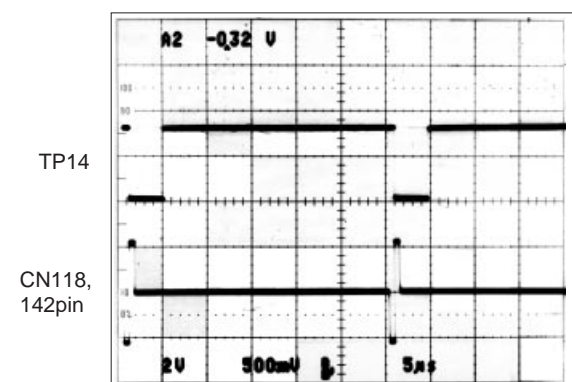
⑦ SDI H TP101 (1/17) REF H (TRIG) TP14 (14/17)



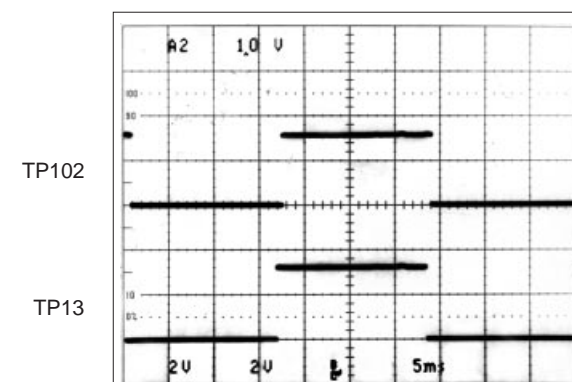
② SYNC 525 IN IC4, 6pin (12/17) 525 SYNC IN (TRIG) CN118, 141pin (12/17)



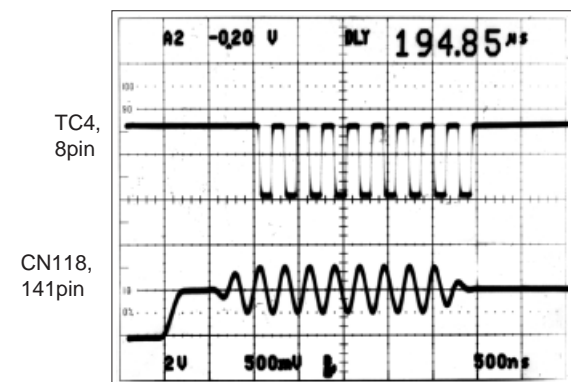
⑤ REF H TP14 (14/17) 1125 SYNC IN (TRIG) CN118, 142pin (12/17)



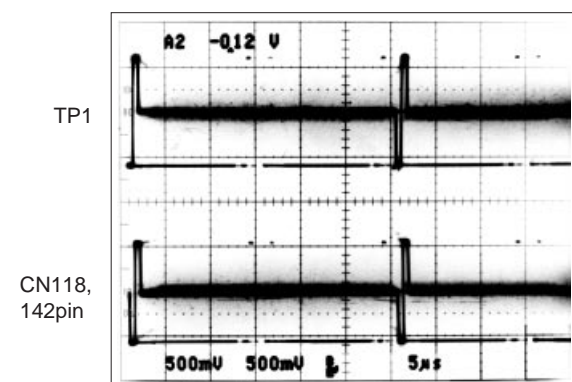
⑧ SDI F TP102 (1/17) REF FRAME (TRIG) TP13 (14/17)



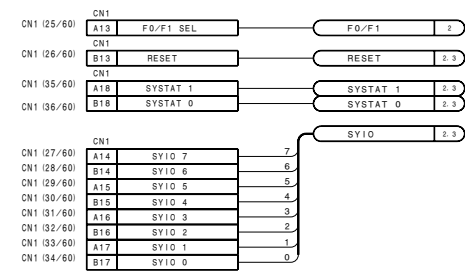
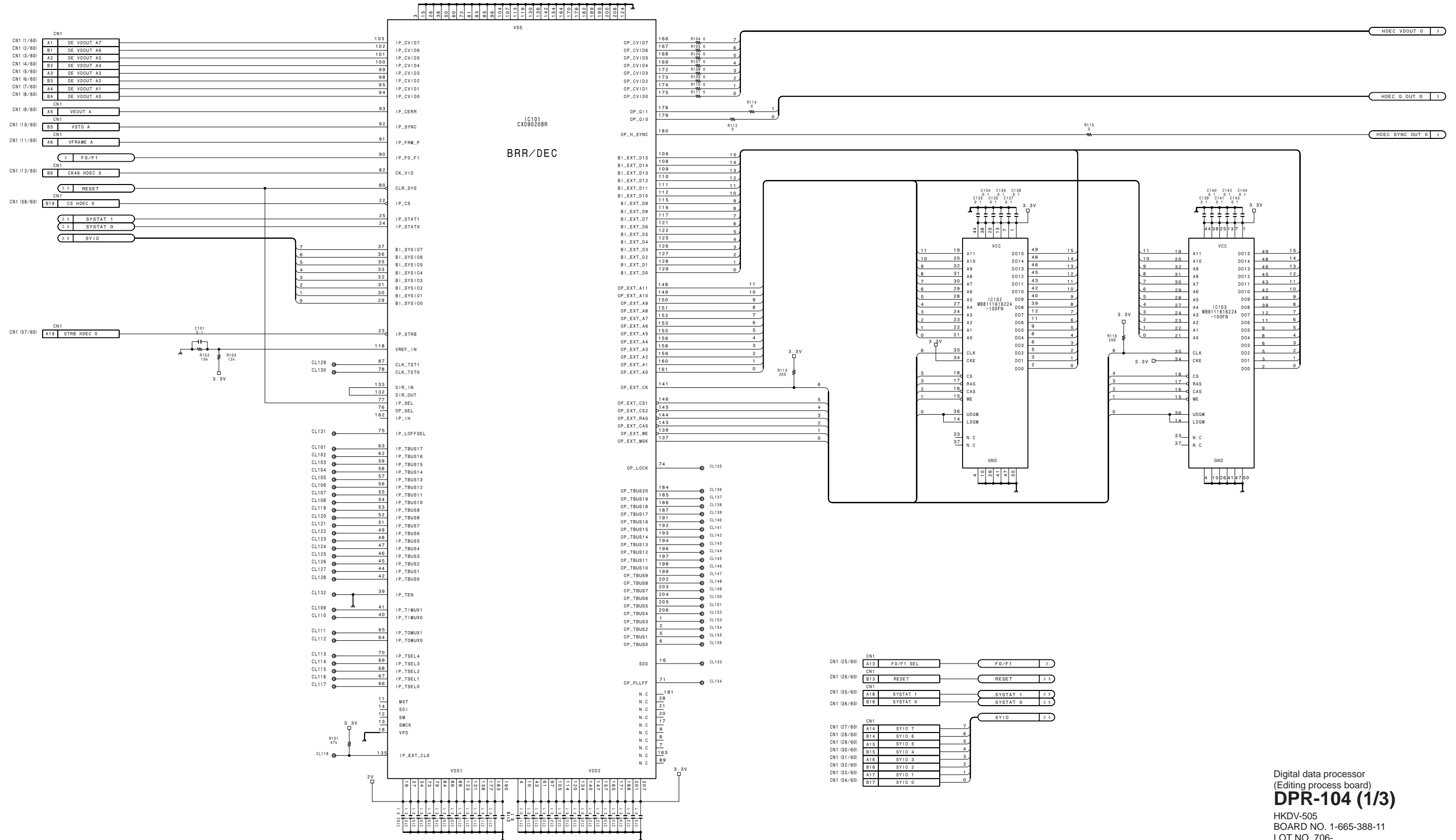
③ SUB CAR IN IC4, 8pin (12/17) 525 SYNC IN (TRIG) CN118, 141pin (12/17)



⑥ 1125 SYNC OUT TP1 (16/17) 1125 SYNC IN (TRIG) CN118, 142pin (12/17)

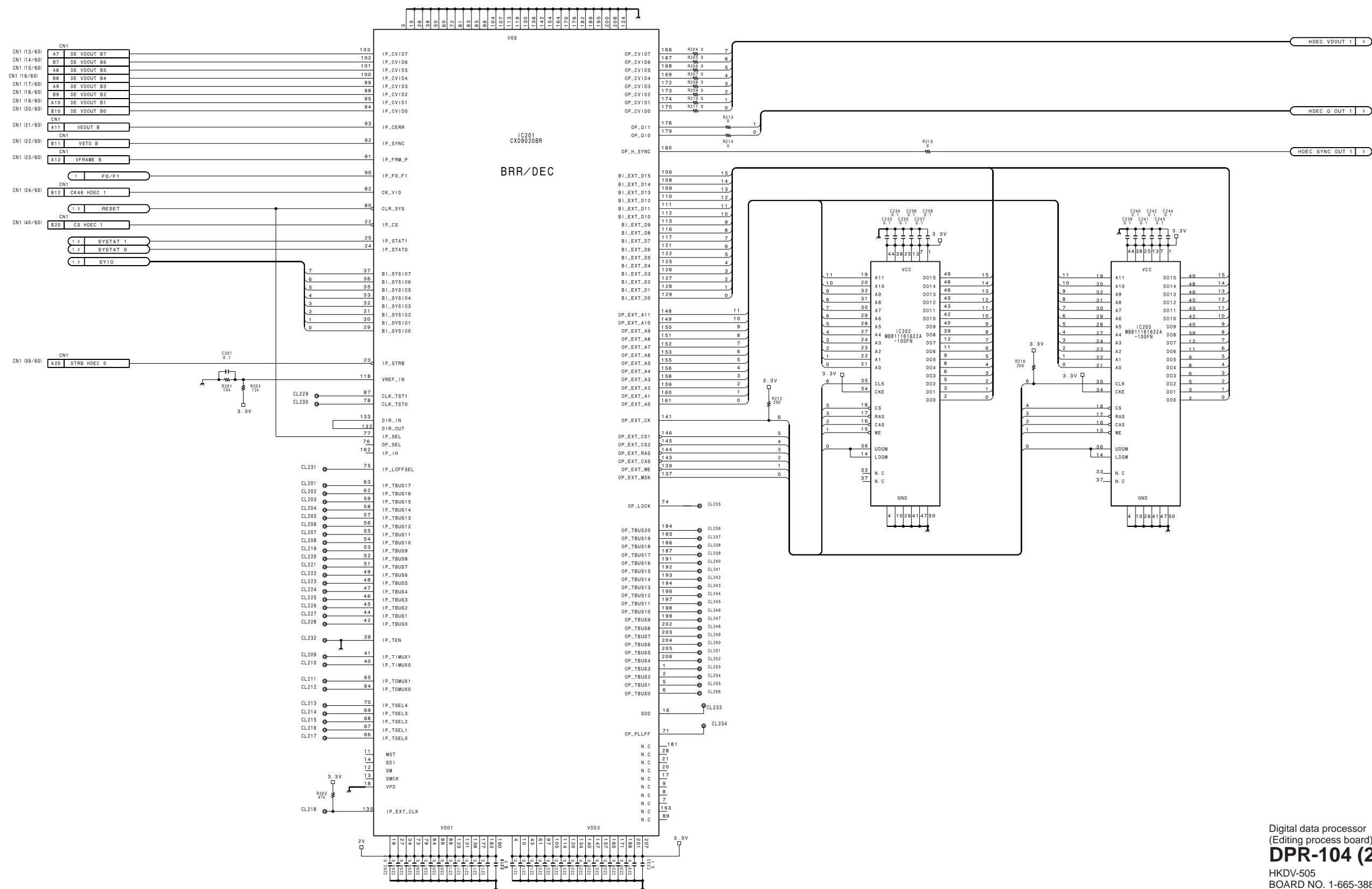


HKDV-505 (UCJ) : S/N 10001 and Higher



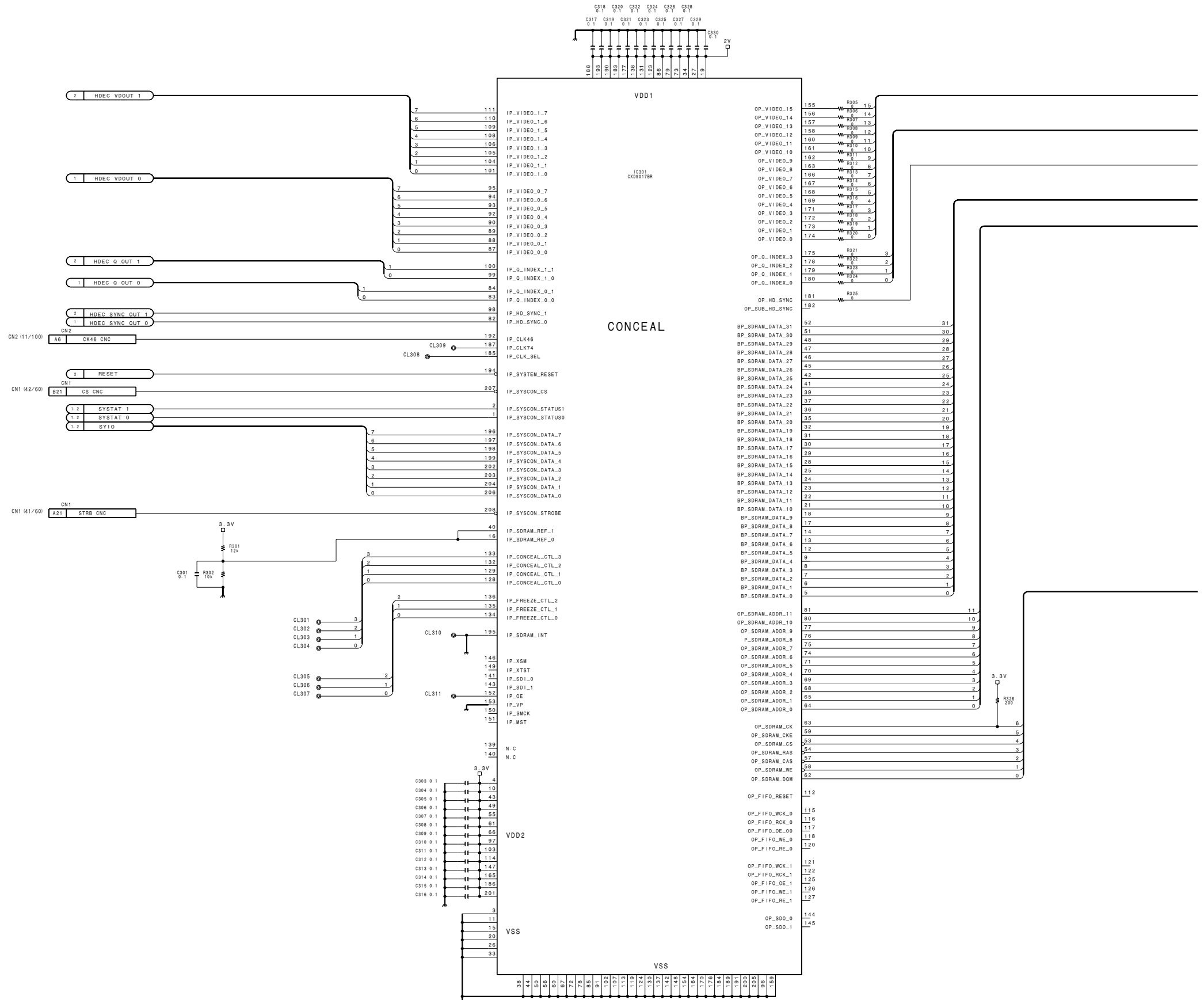
Digital data processor
(Editing process board)
DPR-104 (1/3)
HKDV-505
BOARD NO. 1-665-388-11
LOT NO. 706-
FOR HDW-500 (J)
HDW-500 (UC)
B-WHDW500-DPR104-11-@

HKDV-505 (UCJ) : S/N 10001 and Higher



Digital data processor
 (Editing process board)
DPR-104 (2/3)
 HKDV-505
 BOARD NO. 1-665-388-11
 LOT NO. 706-
 FOR HDW-500 (J)
 HDW-500 (UC)
 B-WHDW500-DPR104-11-@

HKDV-505 (UCJ) : S/N 10001 and Higher



6-110

6-110

HDW-500 MMP2V2

A

B

C

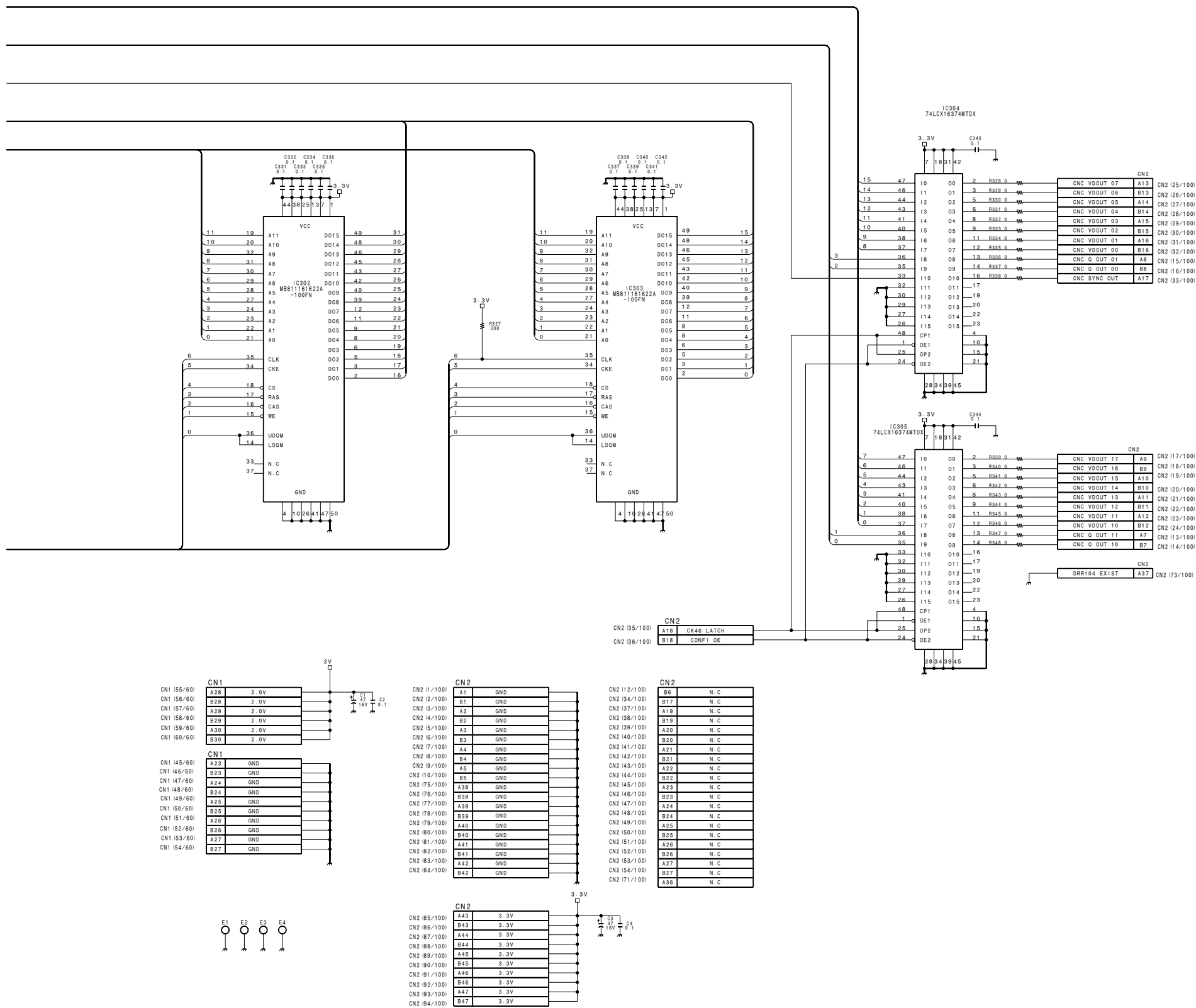
D

E

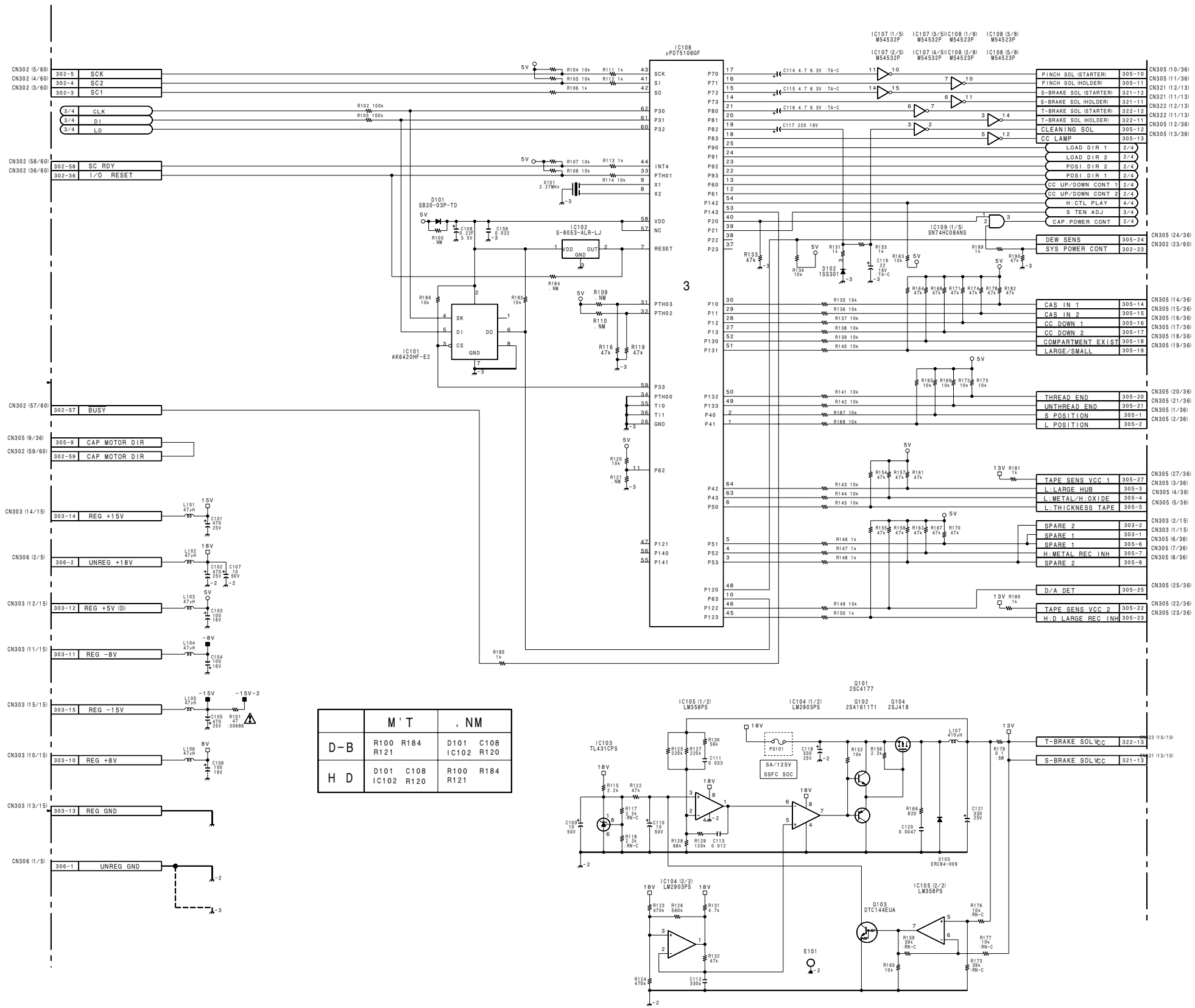
F

G

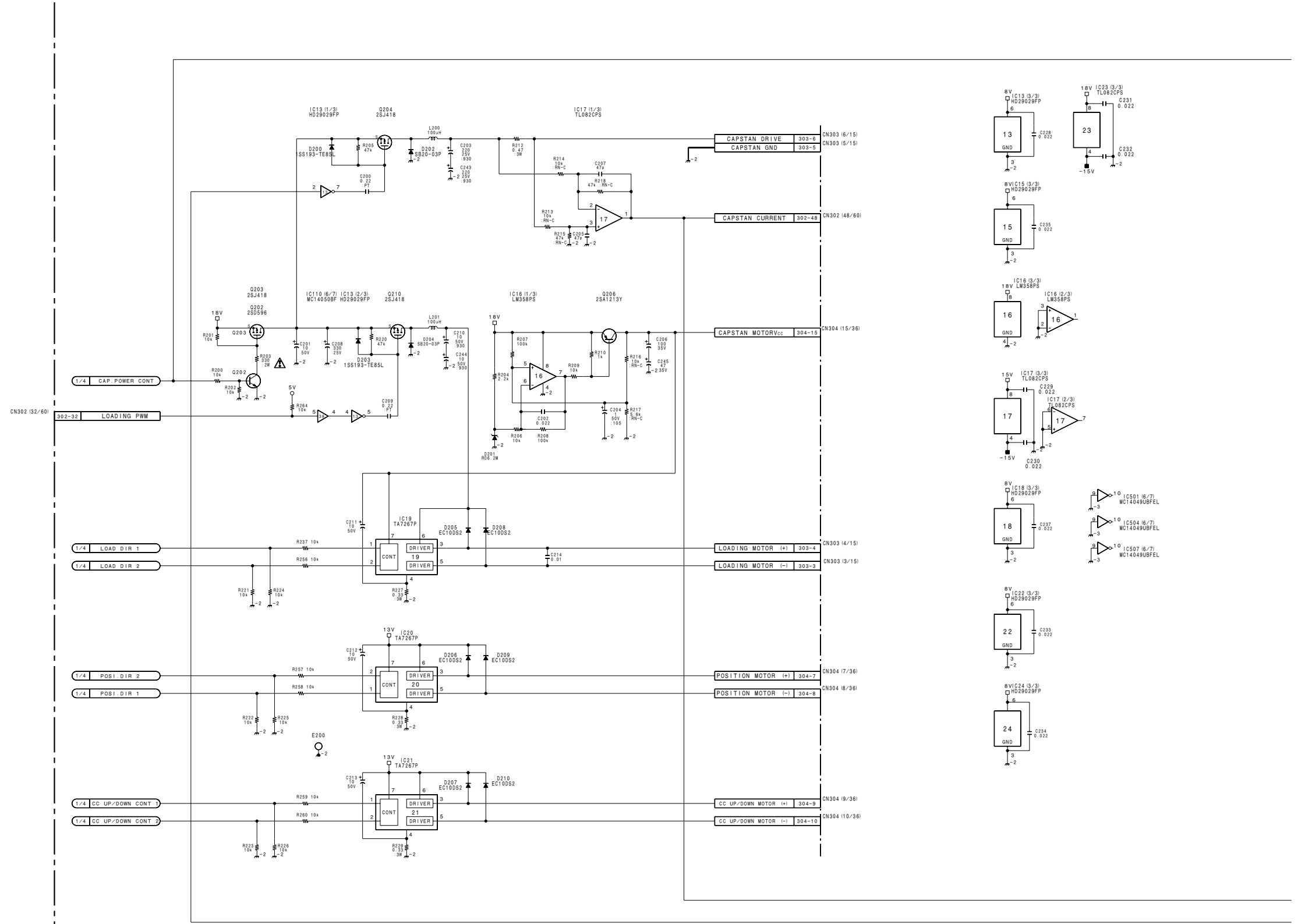
H

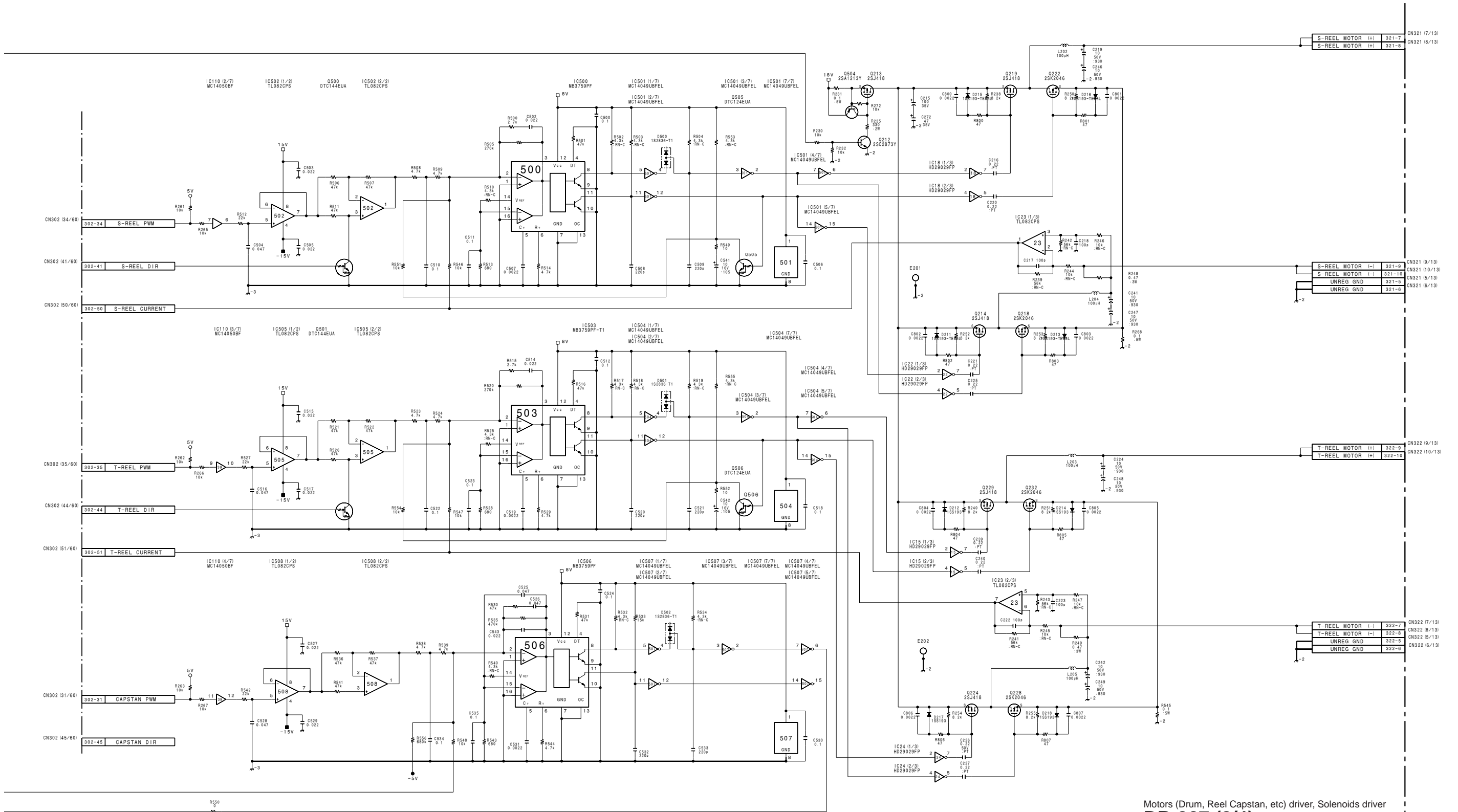


HDW-500 (J) : S/N 10001 and Higher
 HDW-500 (UC): S/N 10001 and Higher



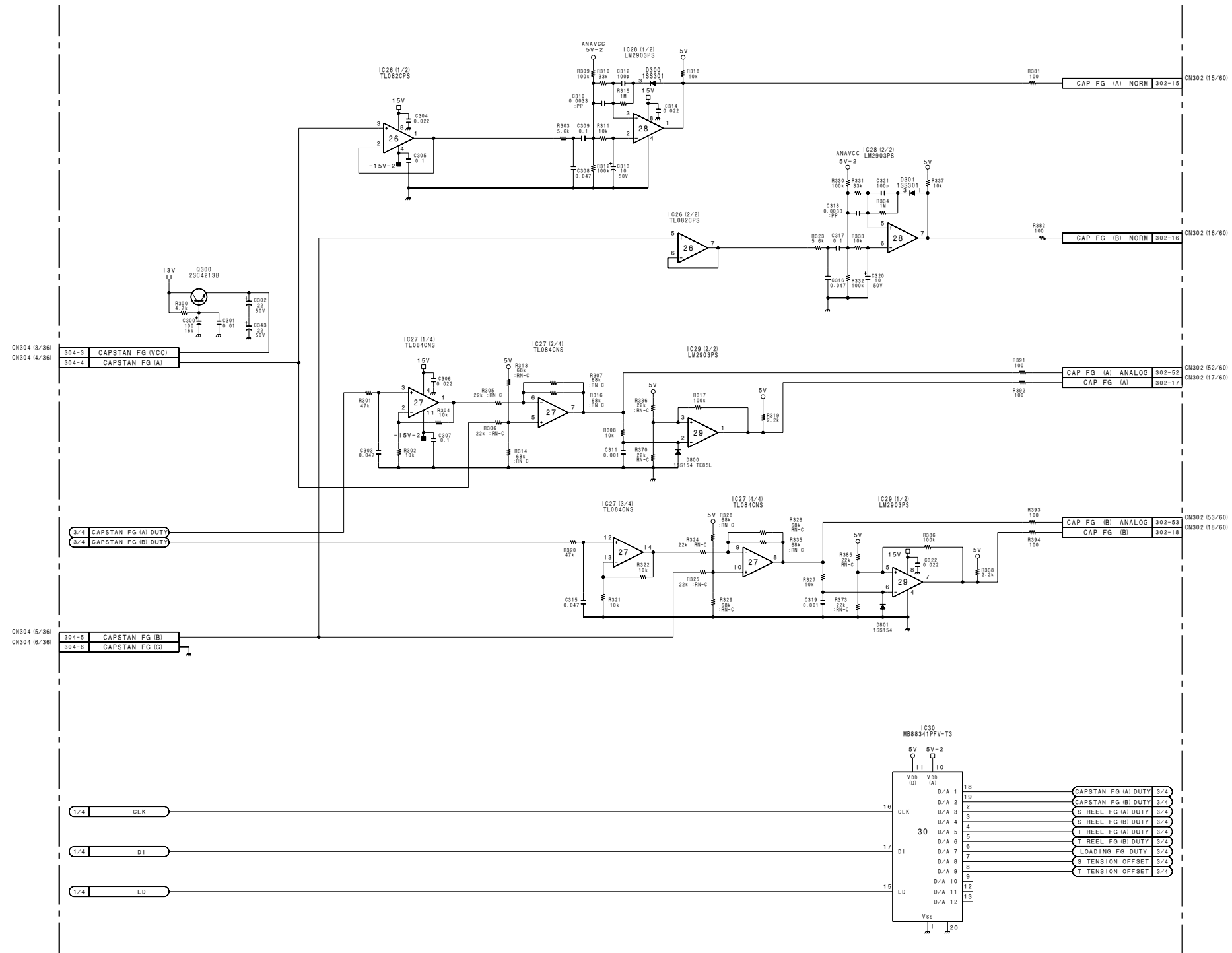
HDW-500 (J) : S/N 10001 and Higher
 HDW-500 (UC): S/N 10001 and Higher

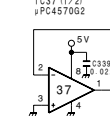
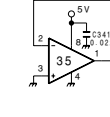
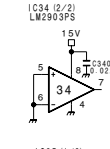
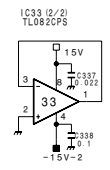
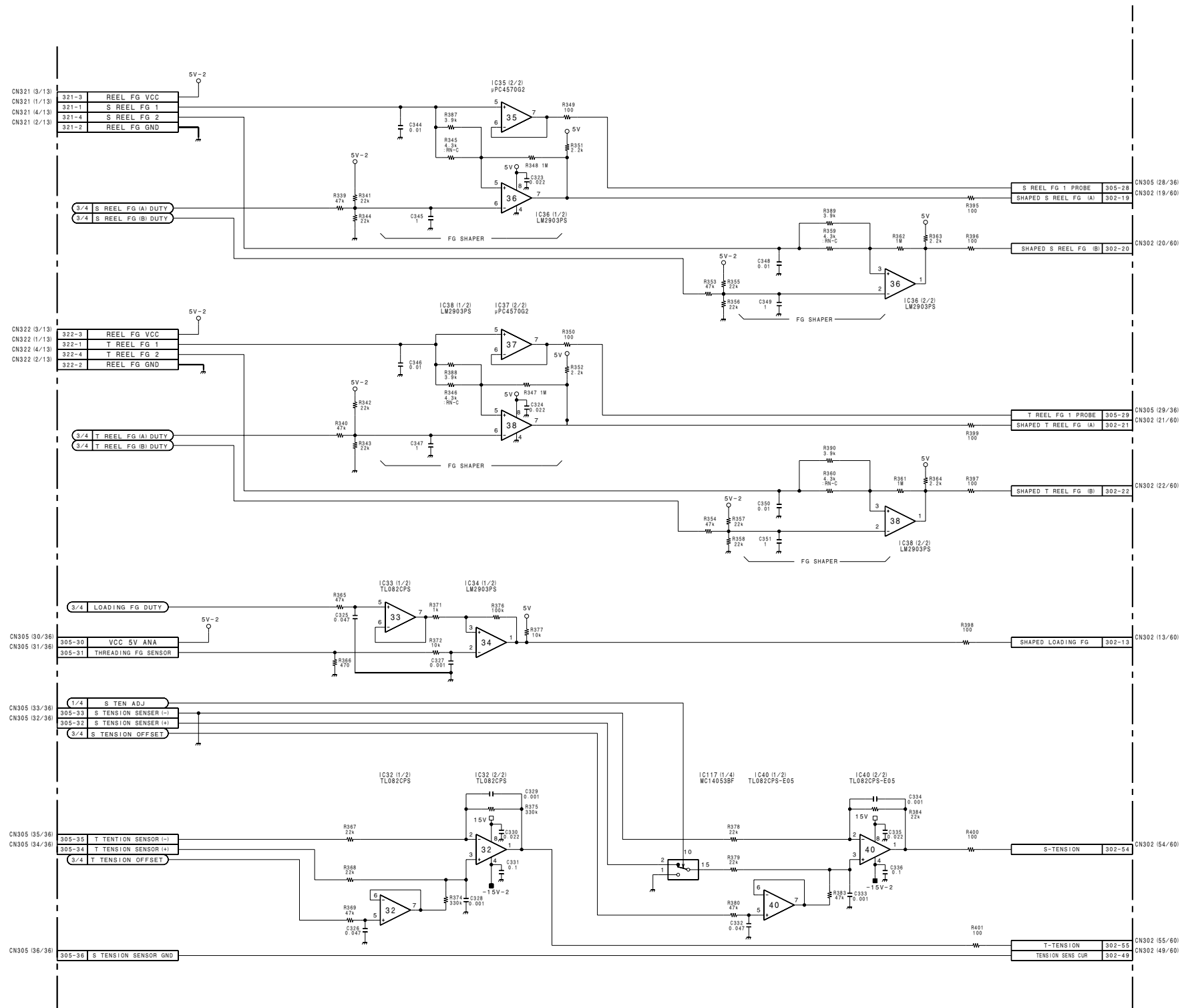




Motors (Drum, Reel Capstan, etc) driver, Solenoids driver
DR-307 (2/4)
 HDW-500
 BOARD NO. 1-664-481-12
 HDW-500 (J) : LOT NO. 611-
 HDW-500 (UC) : LOT NO. 707-
 B-WHDW500-DR307-12

HDW-500 (J) : S/N 10001 and Higher
 HDW-500 (UC): S/N 10001 and Higher





1

2

3

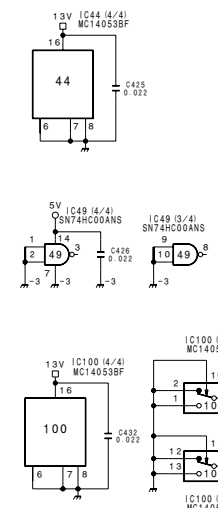
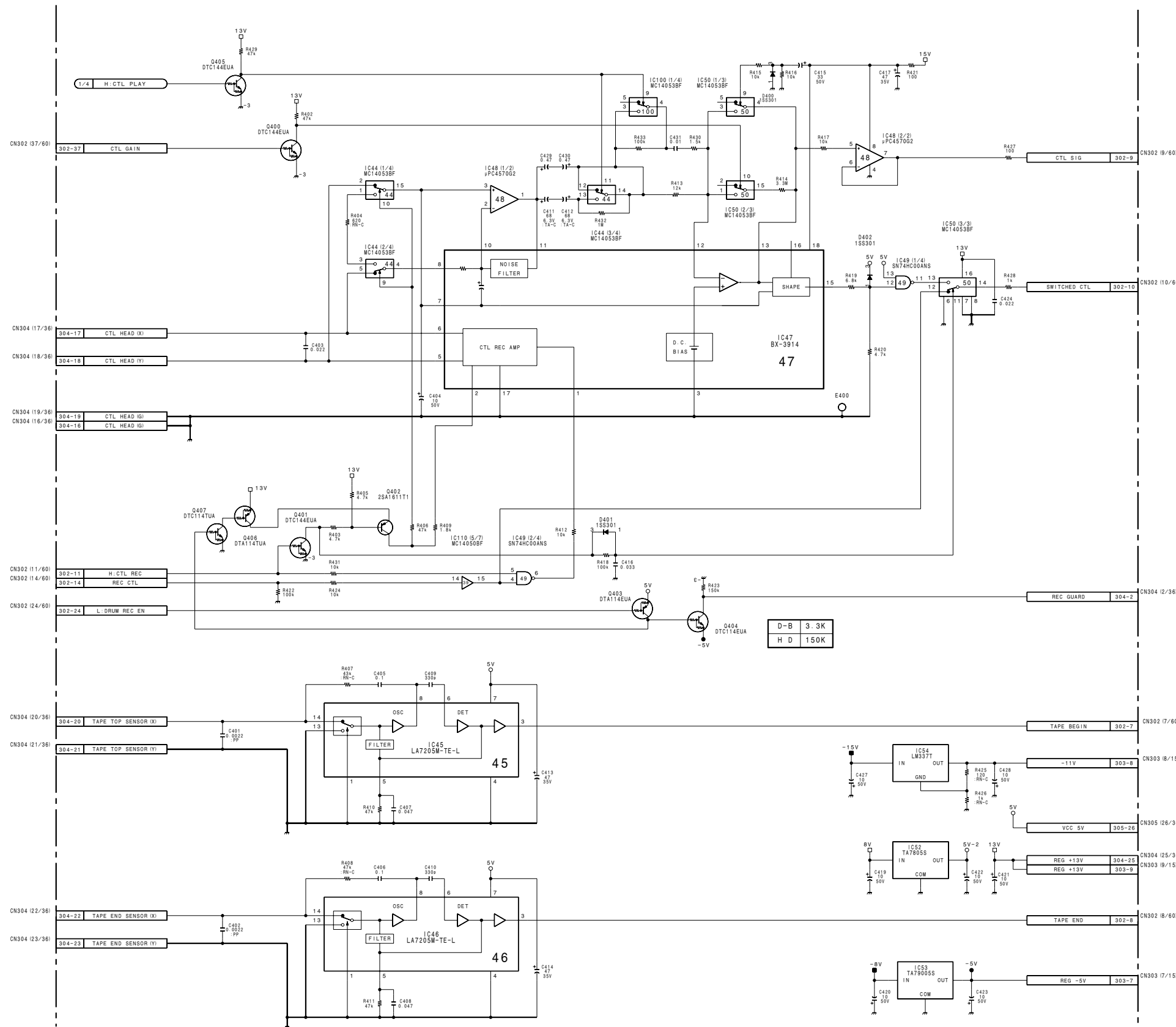
4

5

Motors (Drum, Reel Capstan, etc) driver, Solenoids driver
DR-307 (3/4)

HDW-500
BOARD NO. 1-664-481-12
HDW-500 (J) : LOT NO. 611-
HDW-500 (UC) : LOT NO. 707-
B-WHDW500-DR307-12

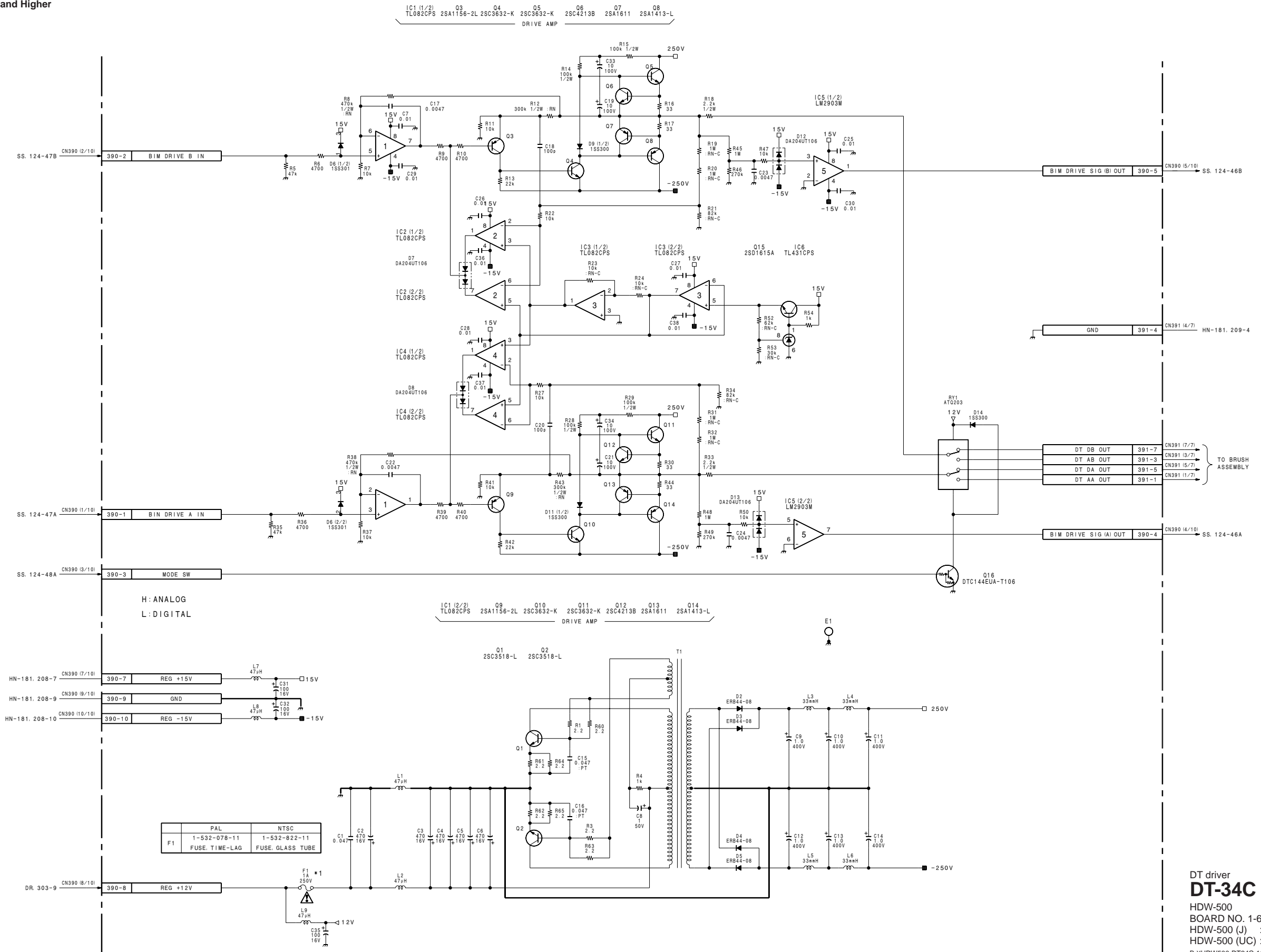
HDW-500 (J) : S/N 10001 and Higher
 HDW-500 (UC) : S/N 10001 and Higher



D-B	3.3K
H D	150K

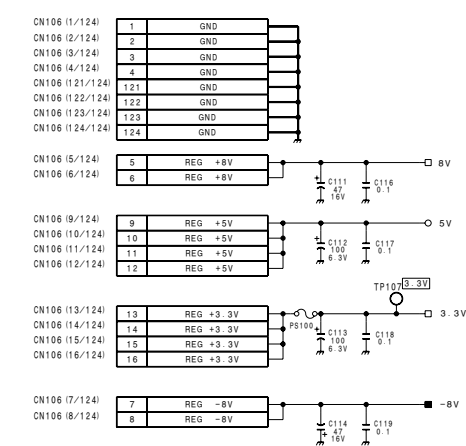
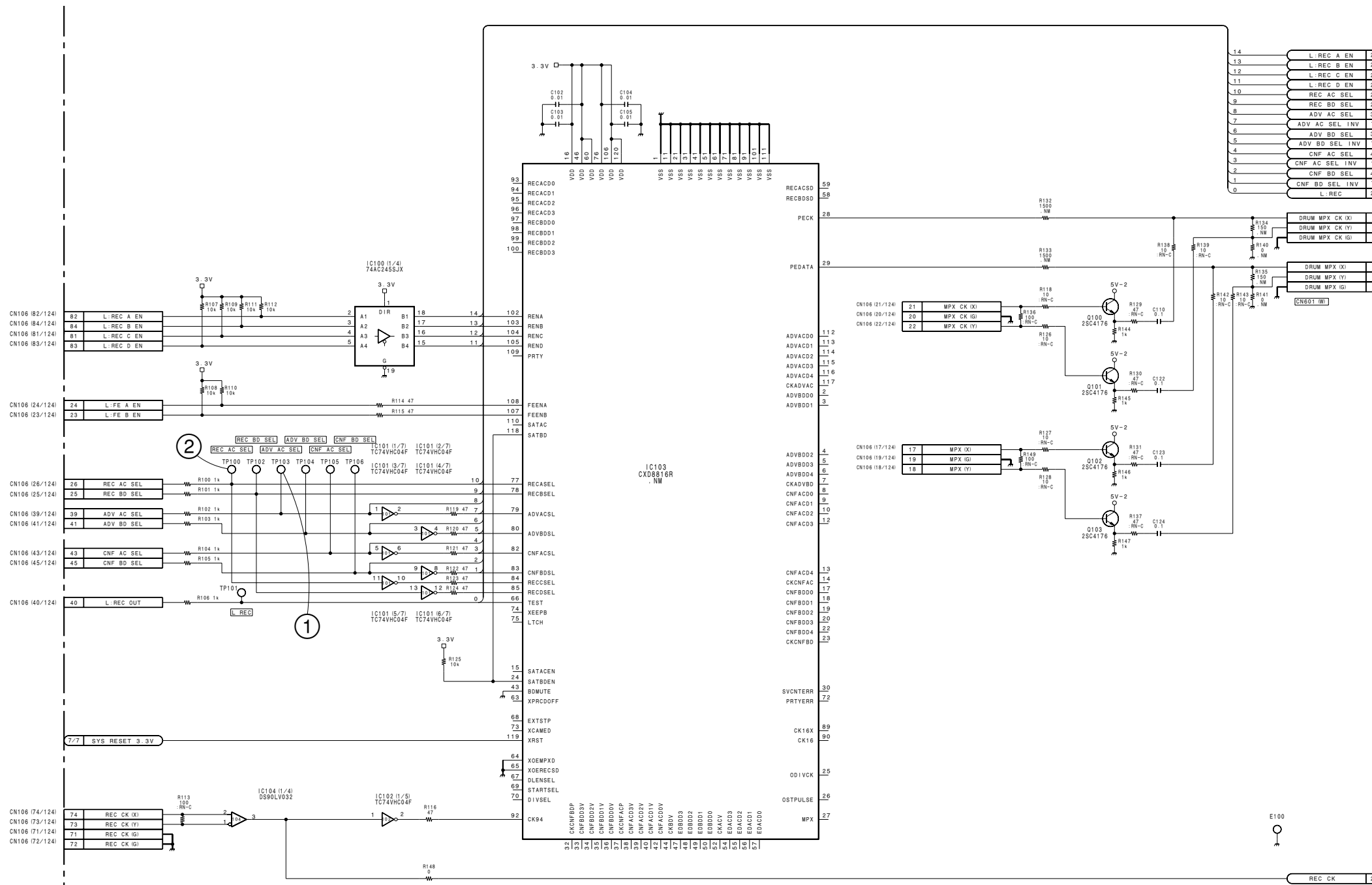
Motors (Drum, Reel Capstan, etc) driver, Solenoids driver
DR-307 (4/4)
 HDW-500
 BOARD NO. 1-664-481-12
 HDW-500 (J) : LOT NO. 611-
 HDW-500 (UC) : LOT NO. 707-
 B-WHDW500-DR307-12

HDW-500 (J) : S/N 10001 and Higher
 HDW-500 (UC) : S/N 10001 and Higher



DT driver
DT-34C
 HDW-500
 BOARD NO. 1-648-554-12
 HDW-500 (J) : LOT NO. 611-
 HDW-500 (UC) : LOT NO. 707-
 B-WHDW500-DT34C-11

HDW-500 (J) : S/N 10201 and Higher
HDW-500 (UC) : S/N 10001 and Higher



RF Equalizer
(REC current cont., PB EQ, Analog BETACAM PB buffer)
EQ-65 (1/7)
HDW-500
BOARD NO. 1-664-480-12
HDW-500 (J) : LOT NO. 706-
HDW-500 (UC) : LOT NO. 707-
B-WHDW500-EQ65-12

HDW-500 (J) : S/N 10201 and Higher
HDW-500 (UC): S/N 10001 and Higher

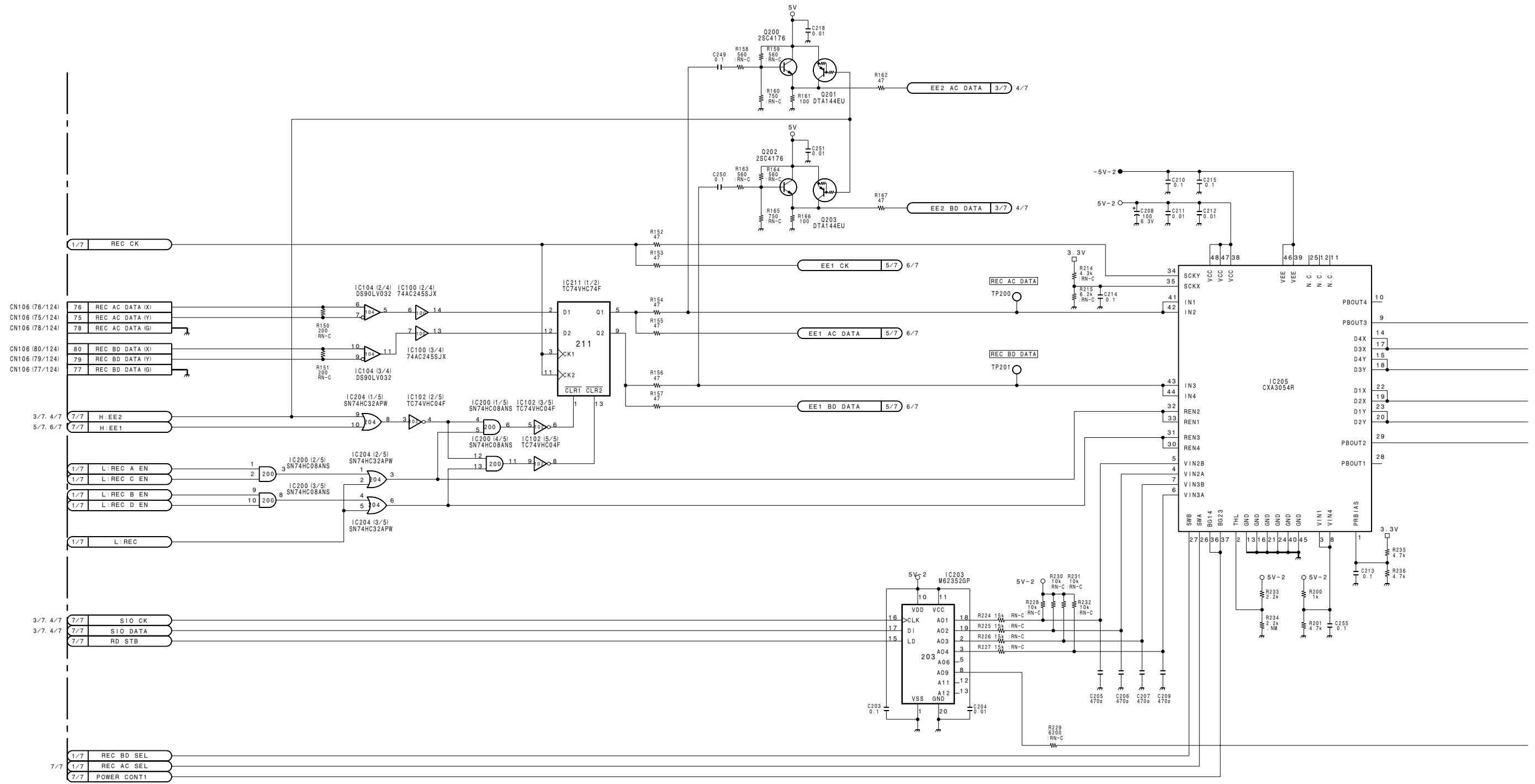
1

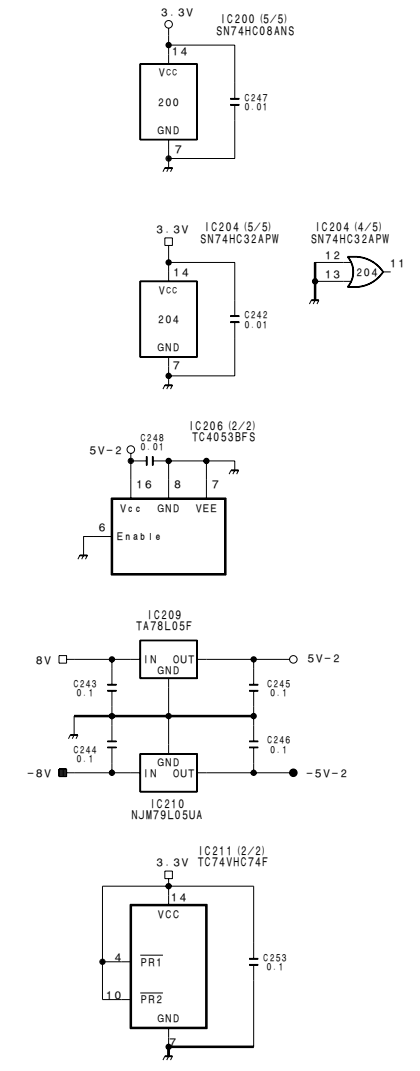
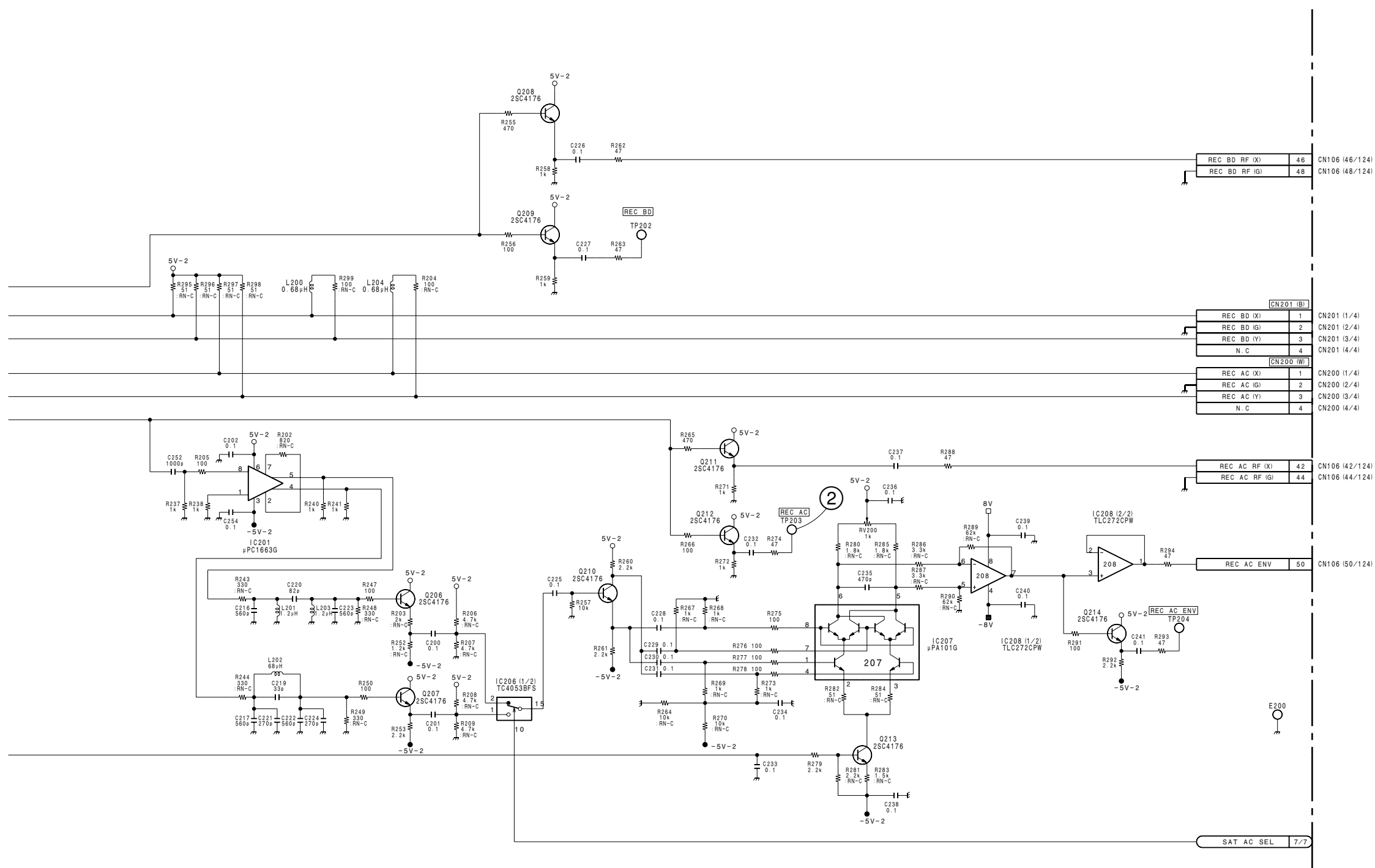
2

3

4

5





1
2
3
4
5

HDW-500 (J) : S/N 10201 and Higher
HDW-500 (UC): S/N 10001 and Higher

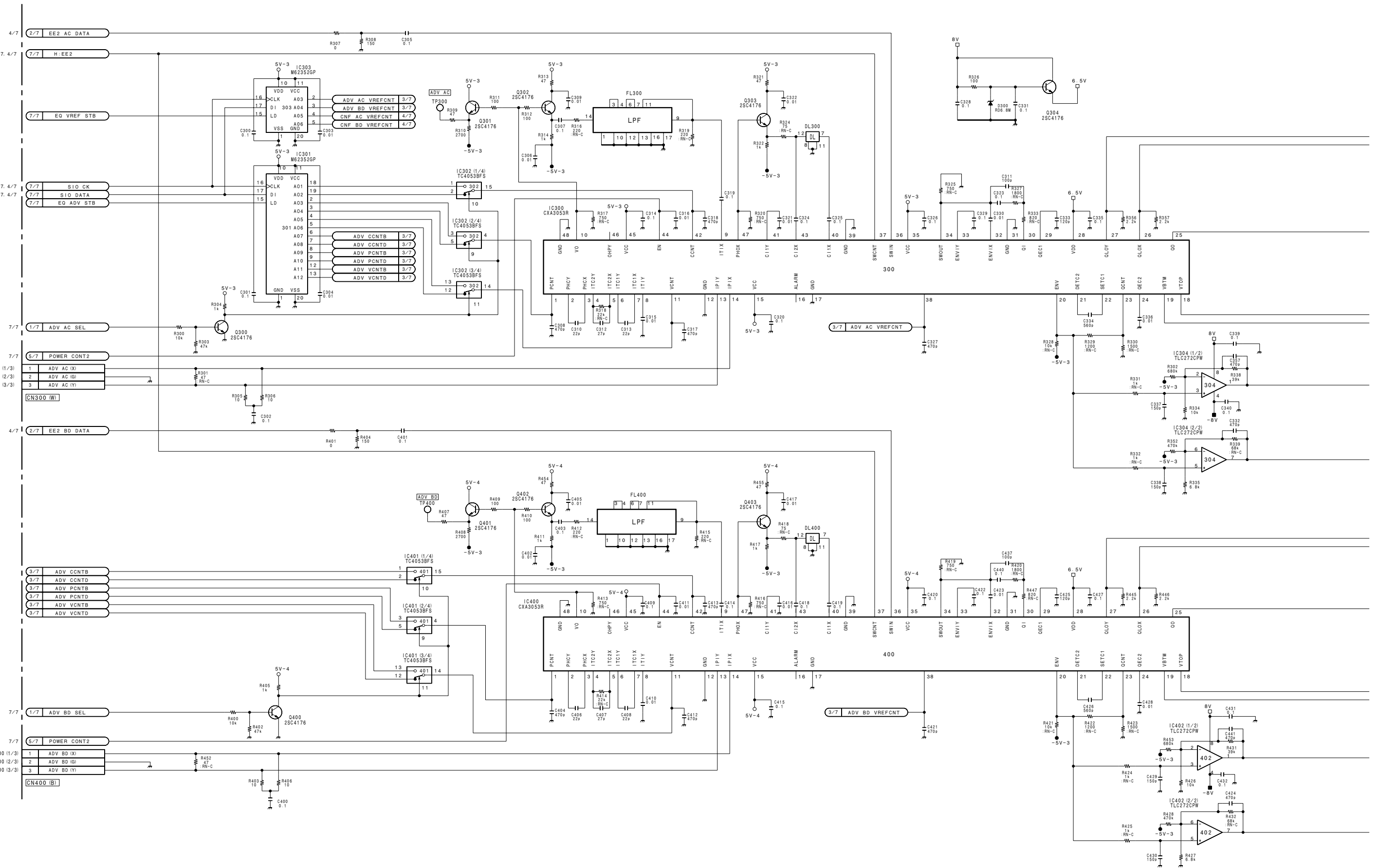
1

2

3

4

5



6-126 (a)

6-126 (a)

HDW-500 (J) : S/N 10201 and Higher
 HDW-500 (UC): S/N 10001 and Higher

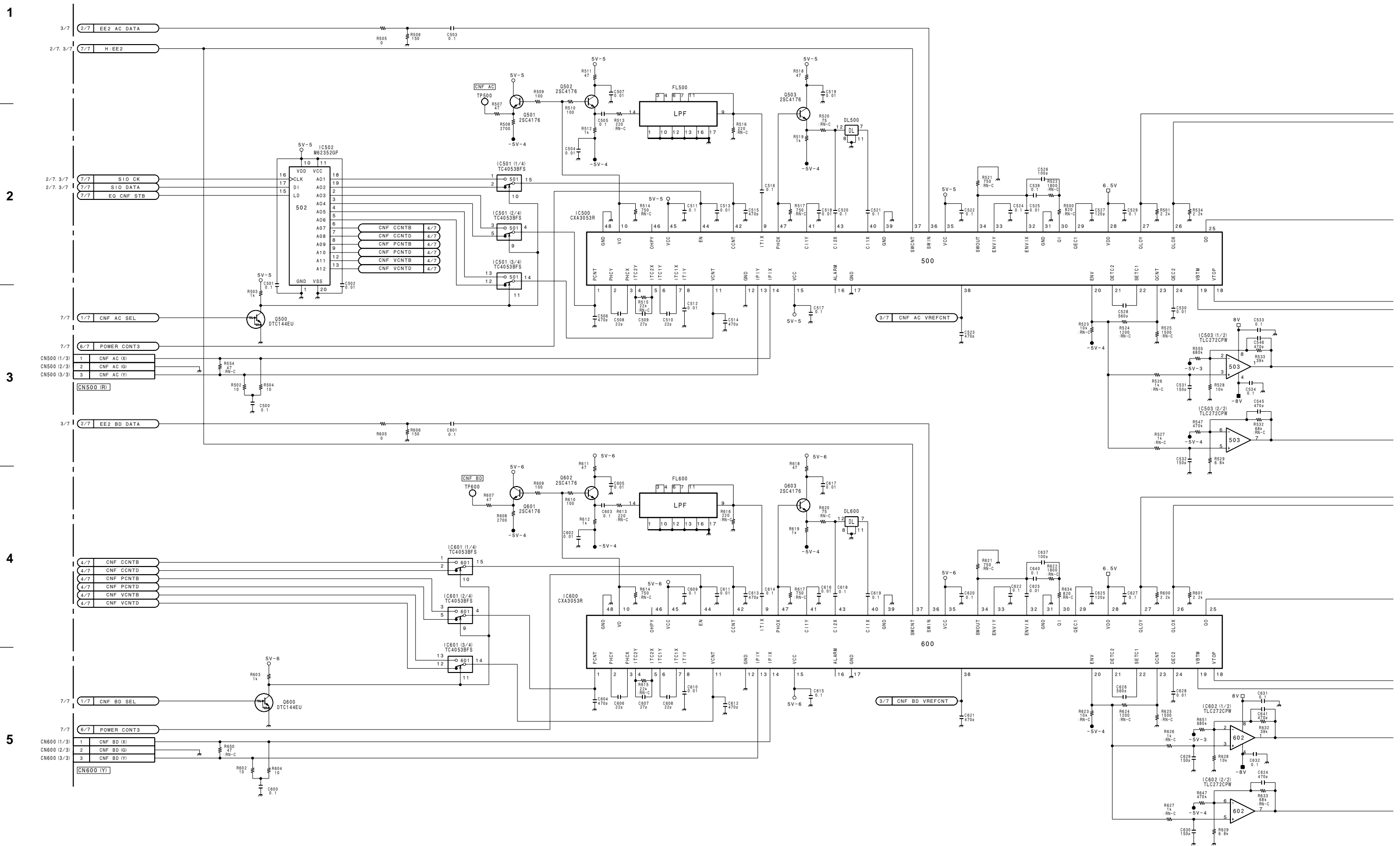
1

2

3

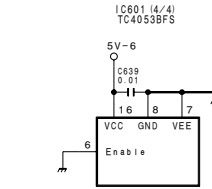
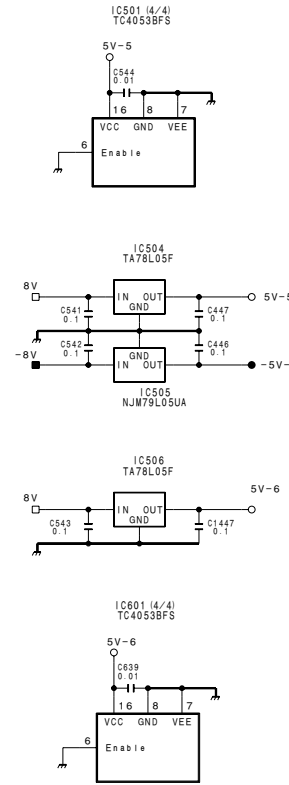
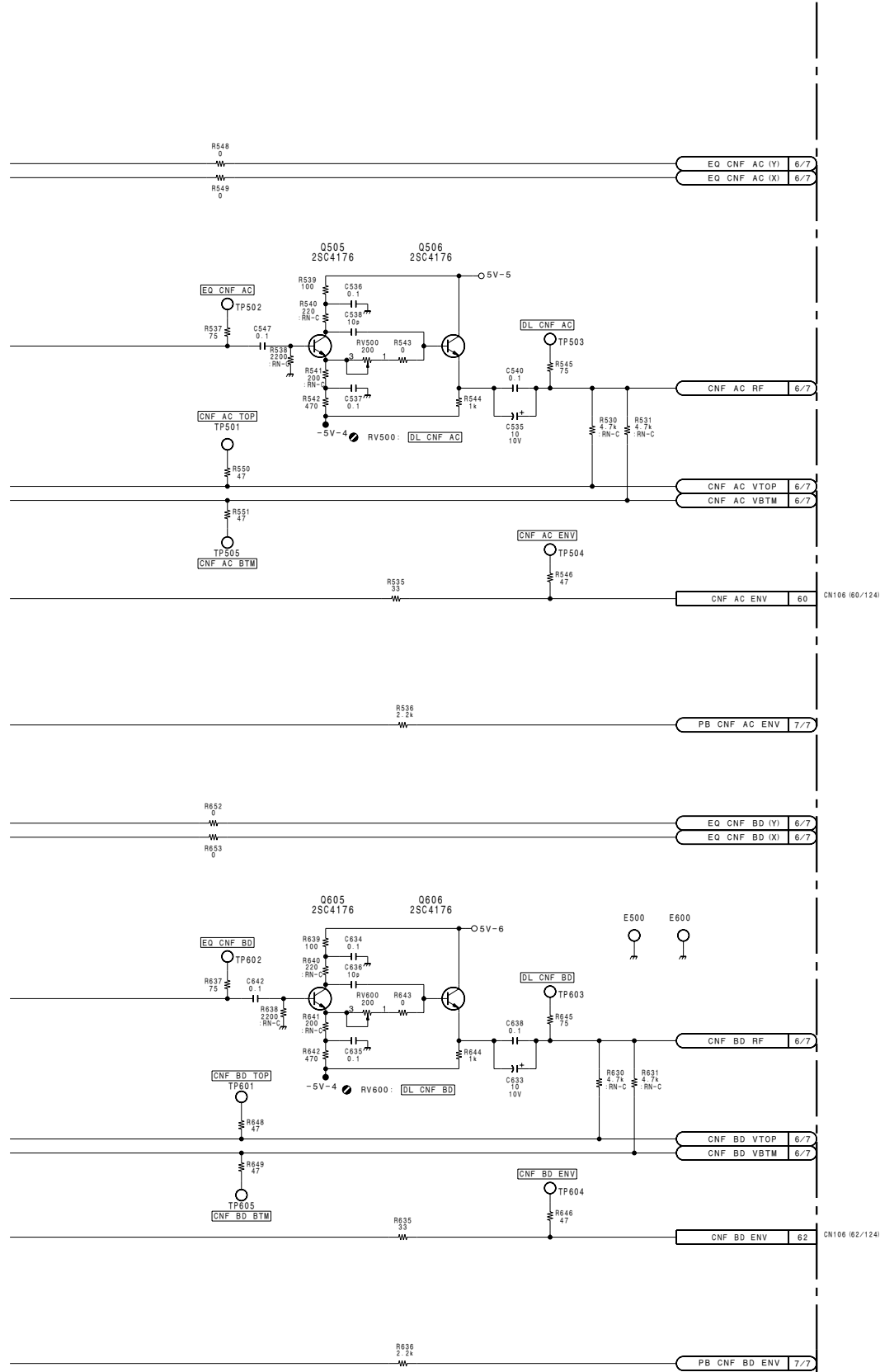
4

5

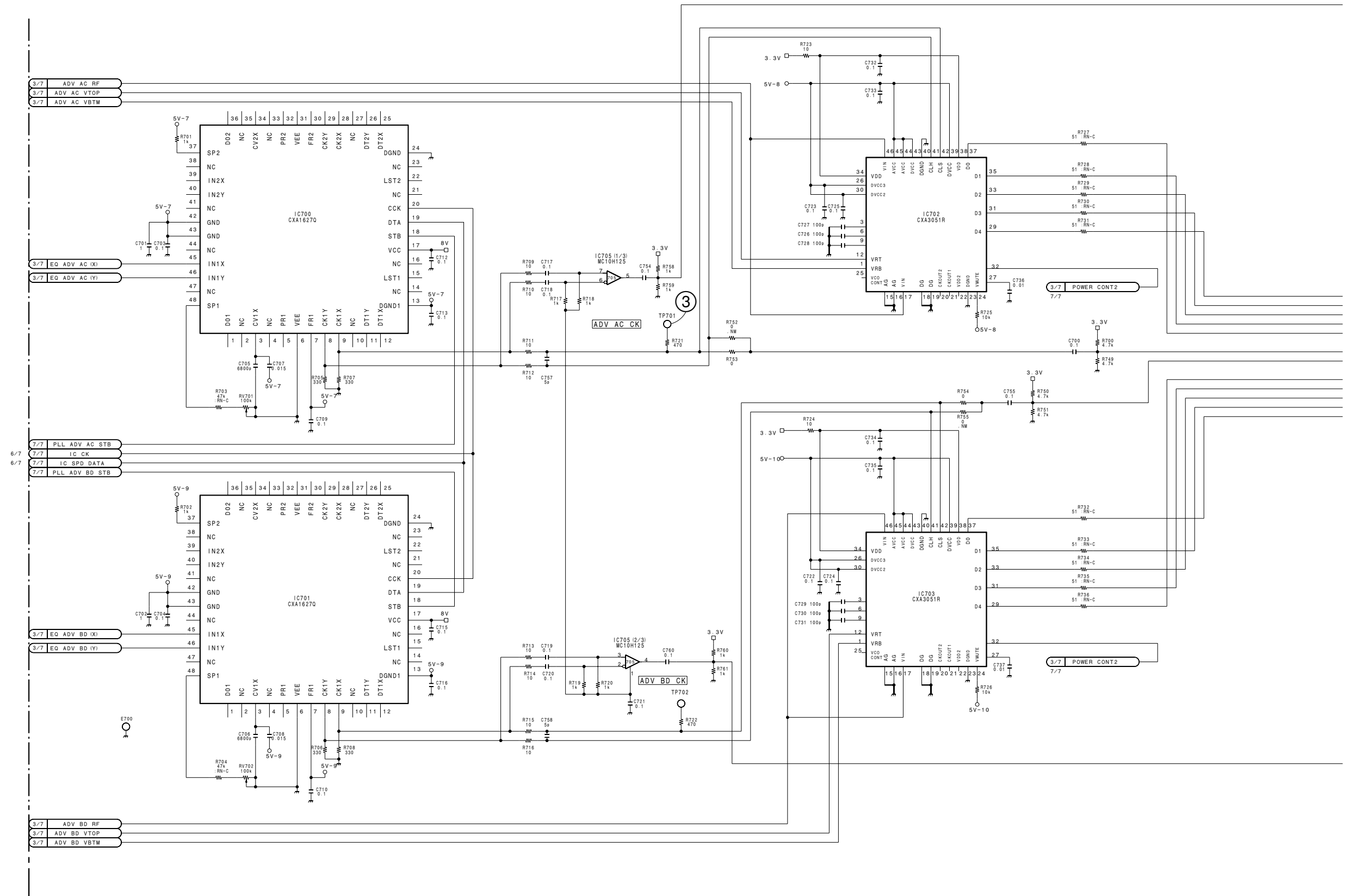


6-128 (a)

6-128 (a)

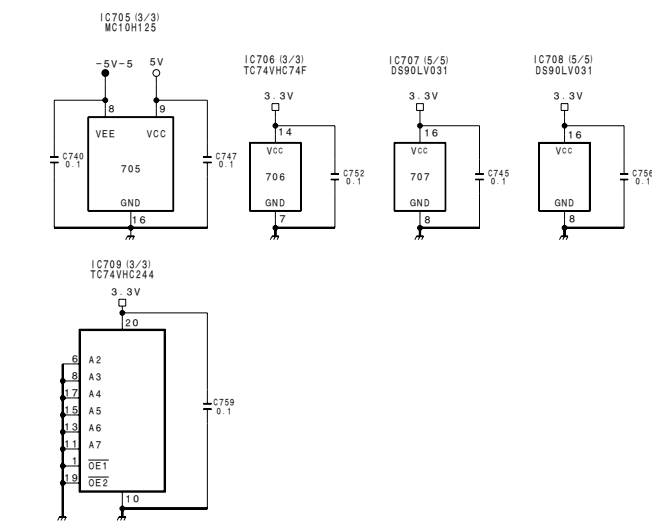
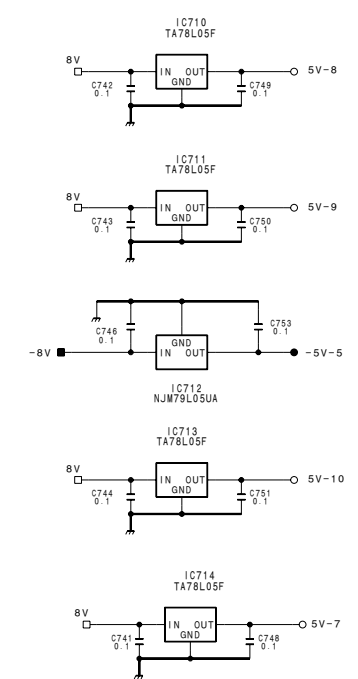
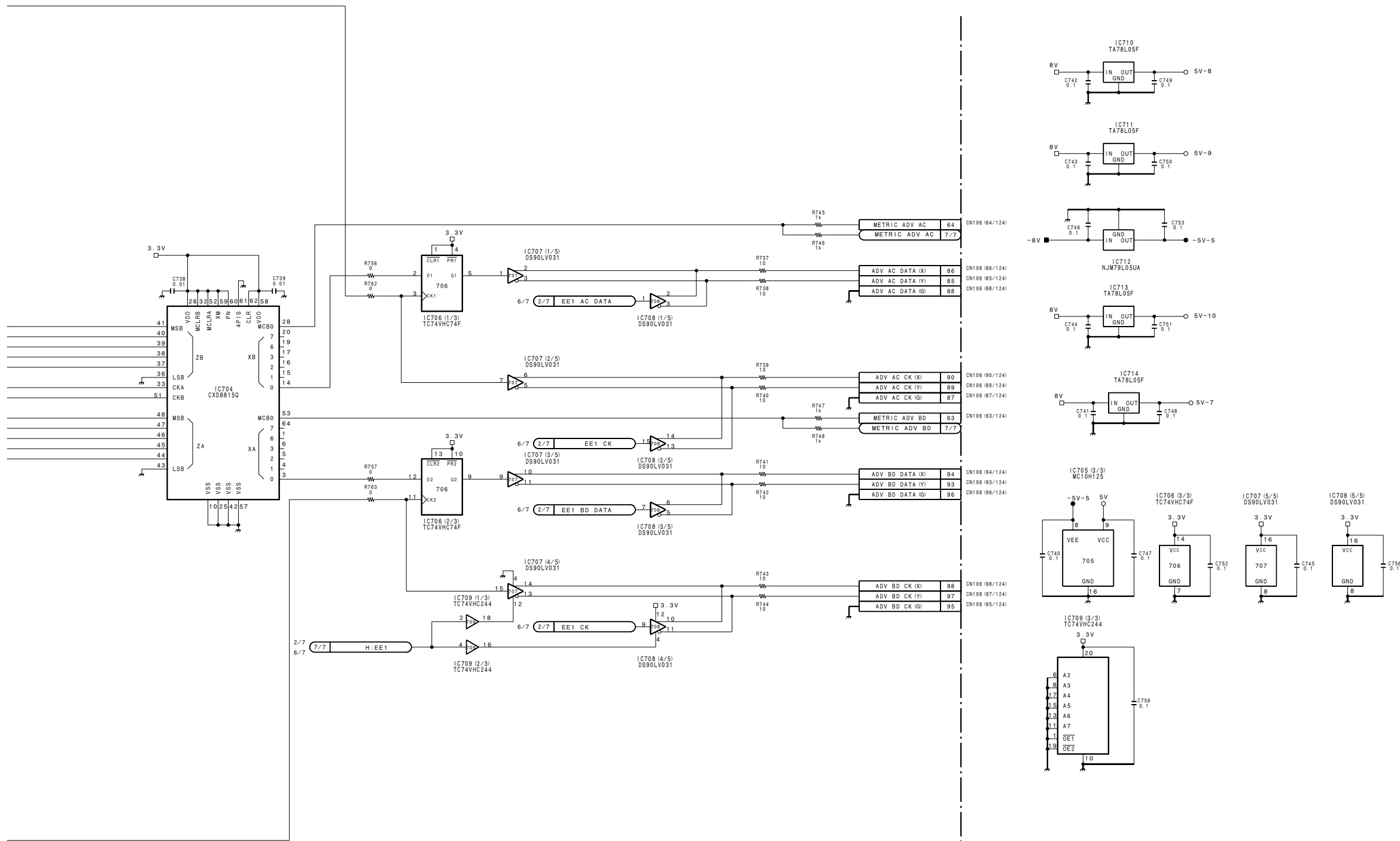


HDW-500 (J) : S/N 10201 and Higher
HDW-500 (UC): S/N 10001 and Higher



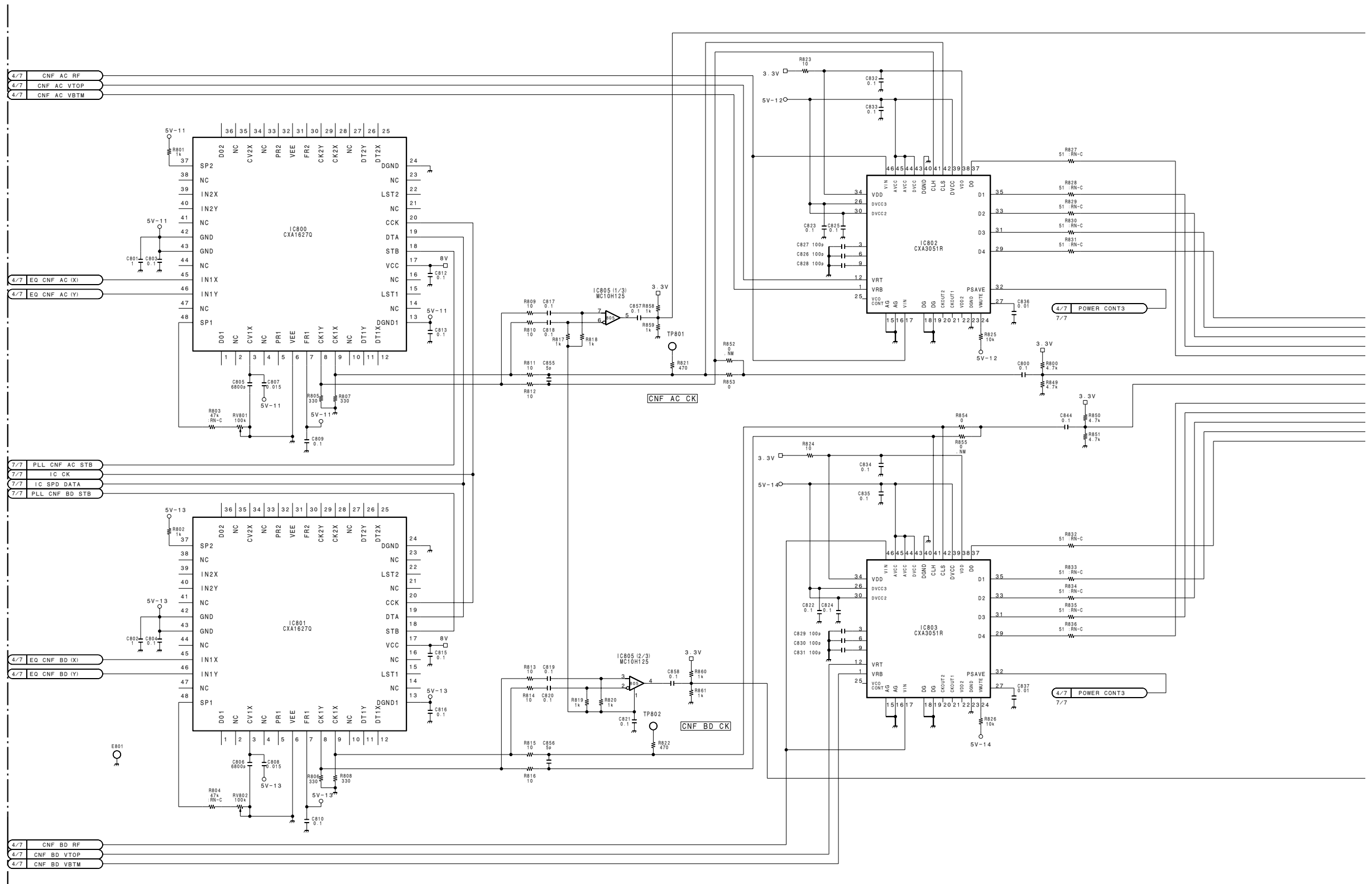
6-130 (a)

6-130 (a)



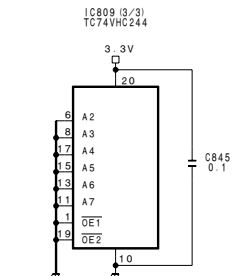
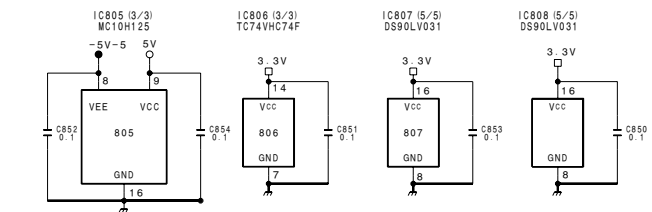
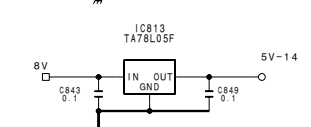
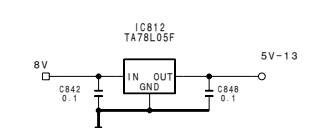
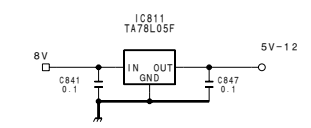
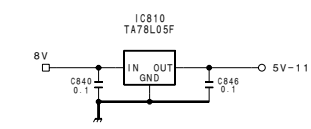
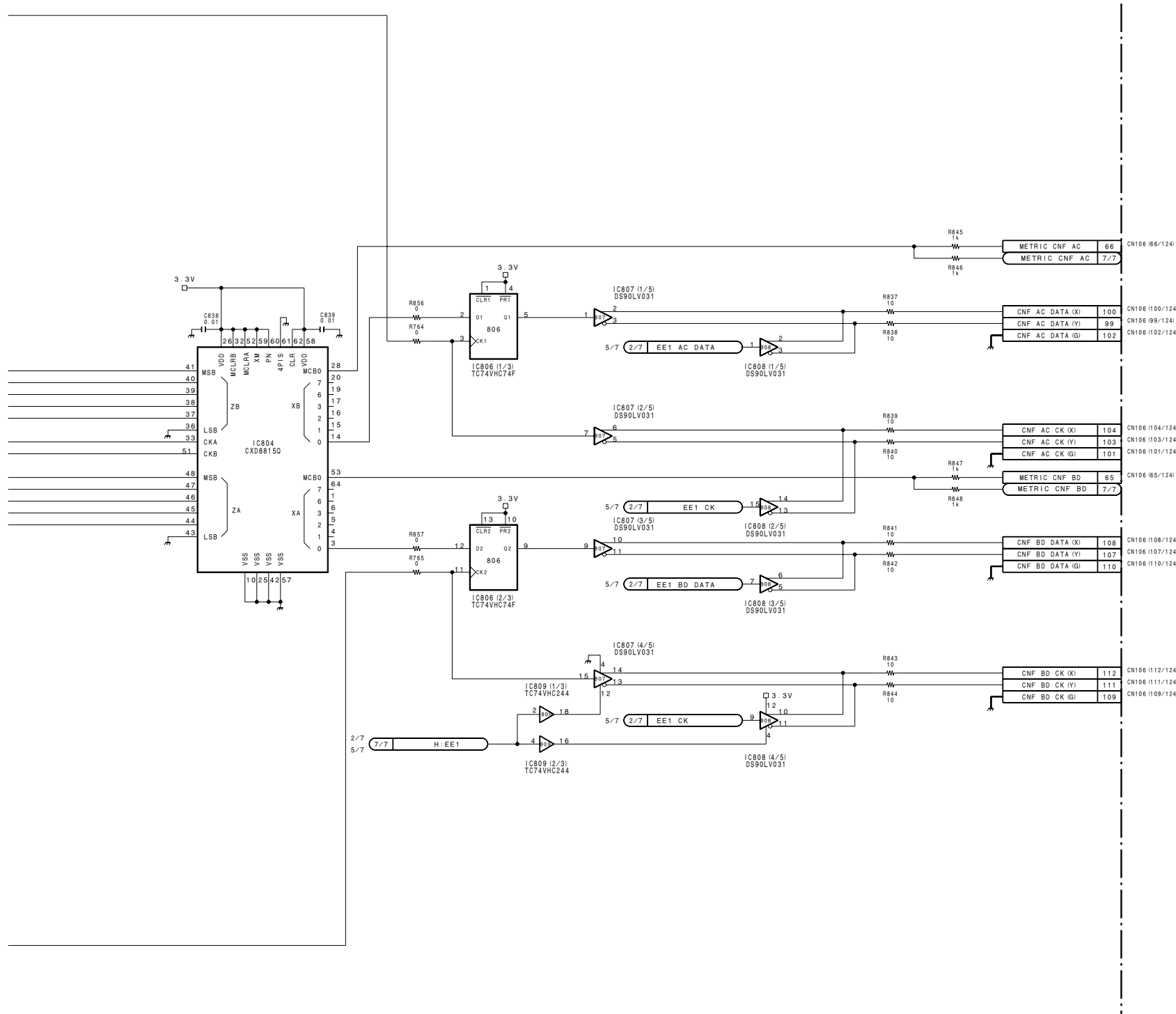
RF Equalizer
 (REC current cont., PB EQ, Analog BETACAM PB buffer)
EQ-65 (5/7)
 HDW-500
 BOARD NO. 1-664-480-12
 HDW-500 (J) : LOT NO. 706-
 HDW-500 (UC) : LOT NO. 707-
 B-WHDW500-EQ65-12

HDW-500 (J) : S/N 10201 and Higher
 HDW-500 (UC): S/N 10001 and Higher



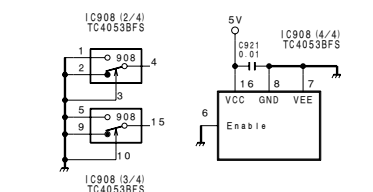
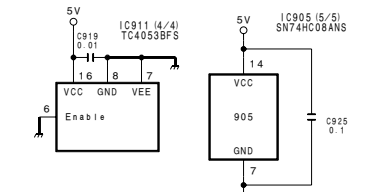
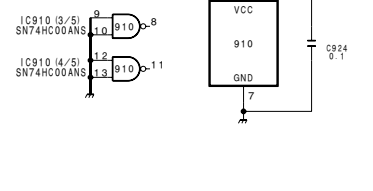
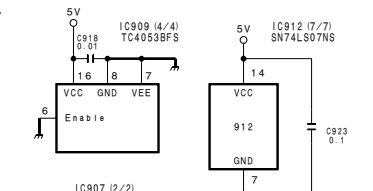
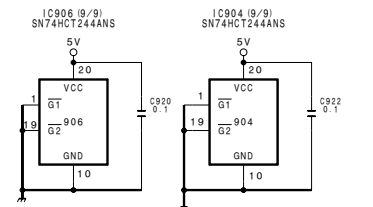
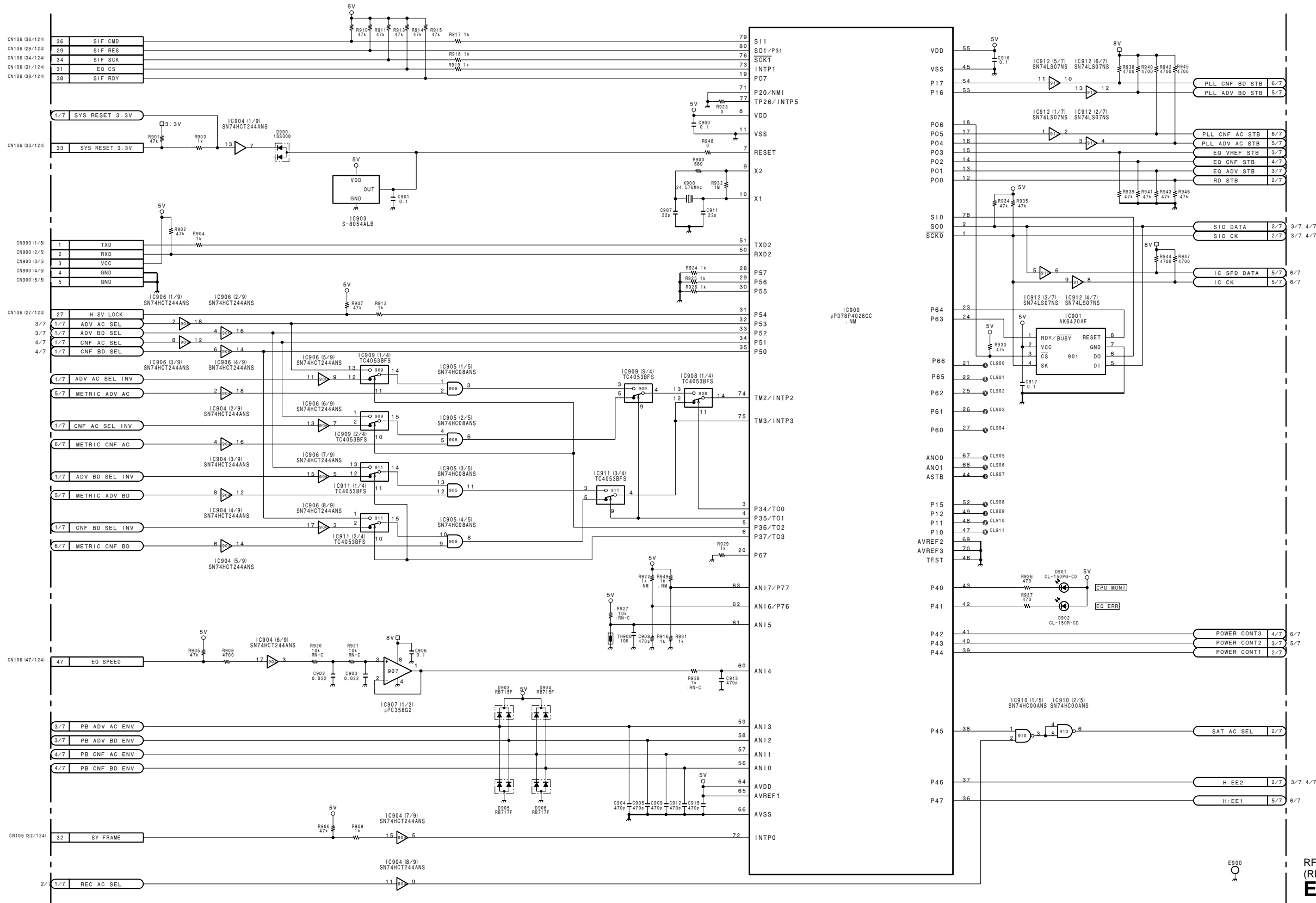
6-132 (a)

6-132 (a)



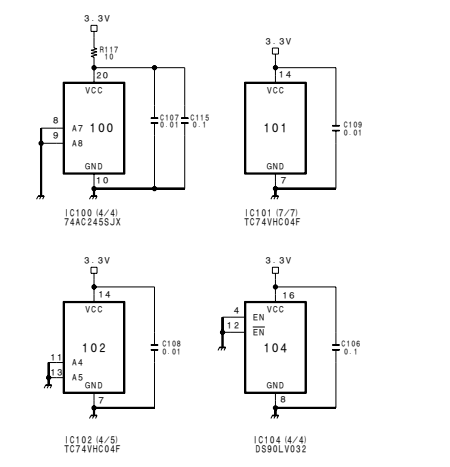
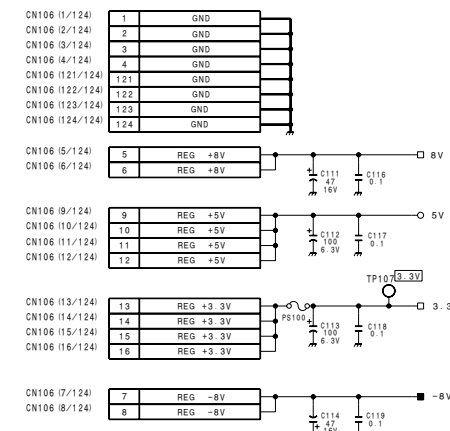
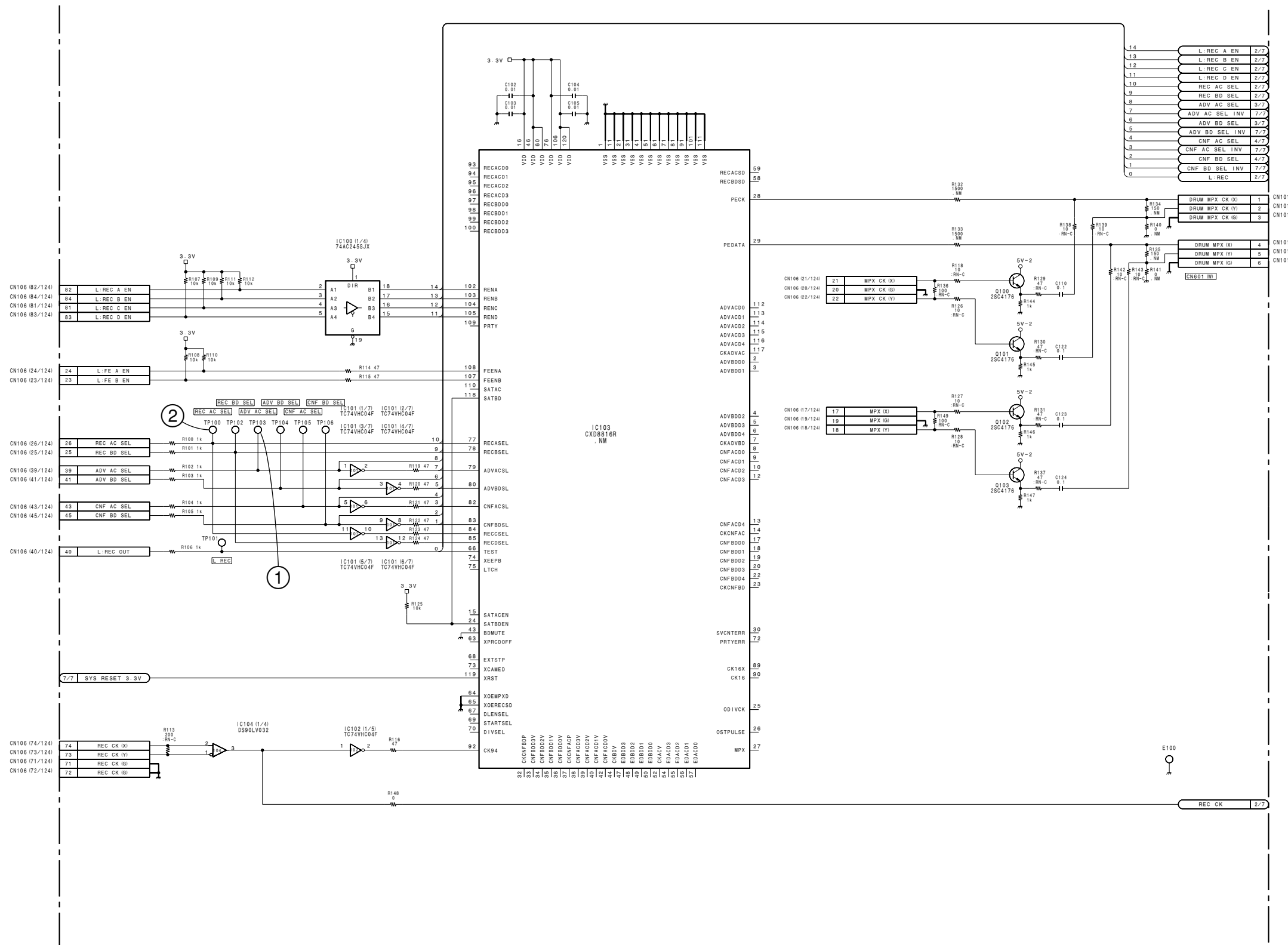
RF Equalizer
 (REC current cont., PB EQ, Analog BETACAM PB buffer)
EQ-65 (6/7)
 HDW-500
 BOARD NO. 1-664-480-12
 HDW-500 (J) : LOT NO. 706-
 HDW-500 (UC) : LOT NO. 707-
 B-WHDW500-EQ65-12

HDW-500 (J) : S/N 10201 and Higher
HDW-500 (UC) : S/N 10001 and Higher



RF Equalizer
(REC current cont., PB EQ, Analog BETACAM PB buffer)
EQ-65 (7/7)
HDW-500
BOARD NO. 1-664-480-12
HDW-500 (J) : LOT NO. 706-
HDW-500 (UC) : LOT NO. 707-
B-WHD500-EQ65-12

HDW-500 (J) : S/N 10001 through 10200



RF Equalizer
 (REC current cont., PB EQ, Analog BETACAM PB buffer)
EQ-65 (1/7)
 HDW-500
 BOARD NO. 1-664-480-11
 HDW-500 (J) : LOT NO. 611-705
 B-WHDW500-EQ65-11

HDW-500 (J) : S/N 10001 through 10200

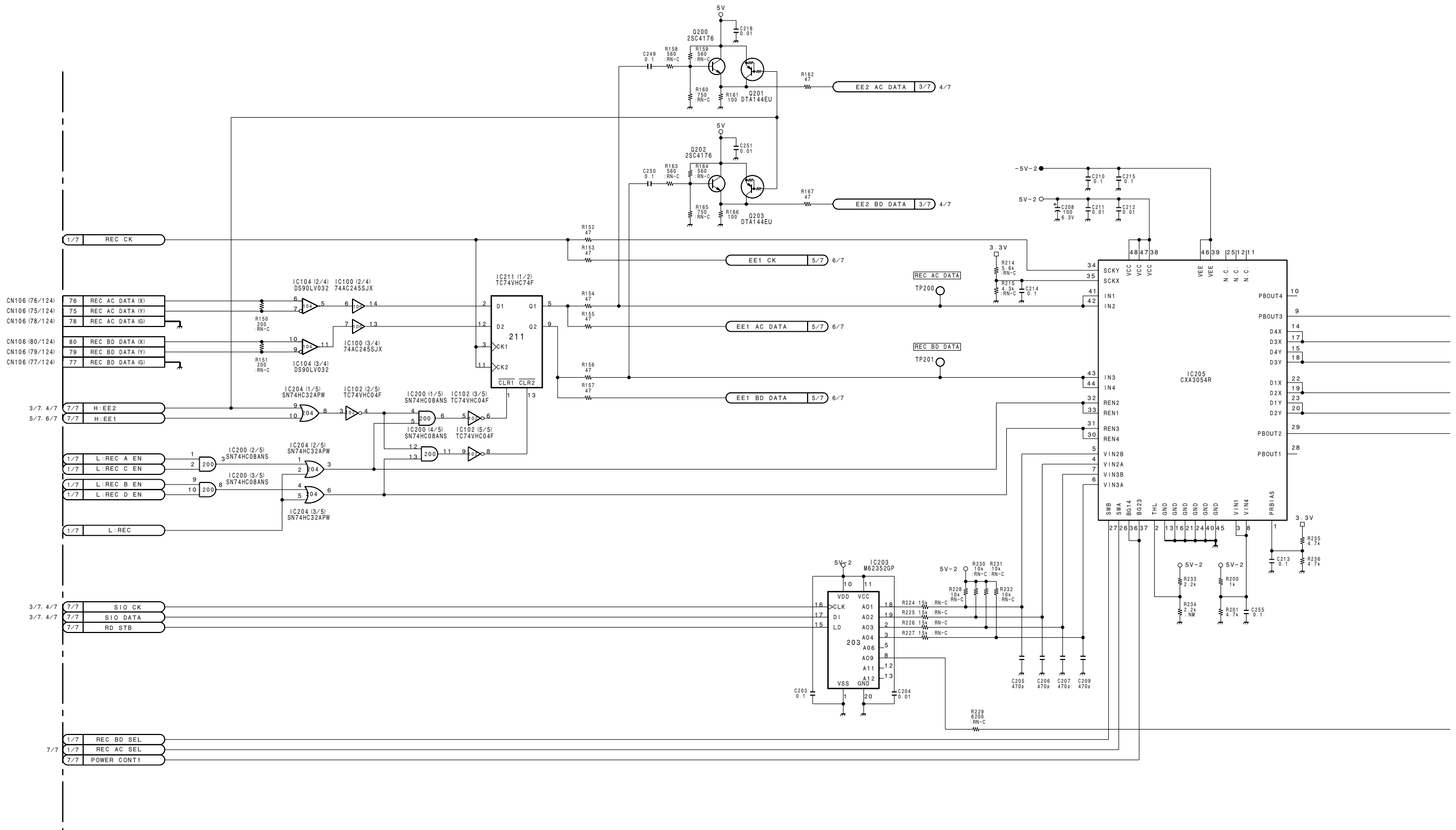
1

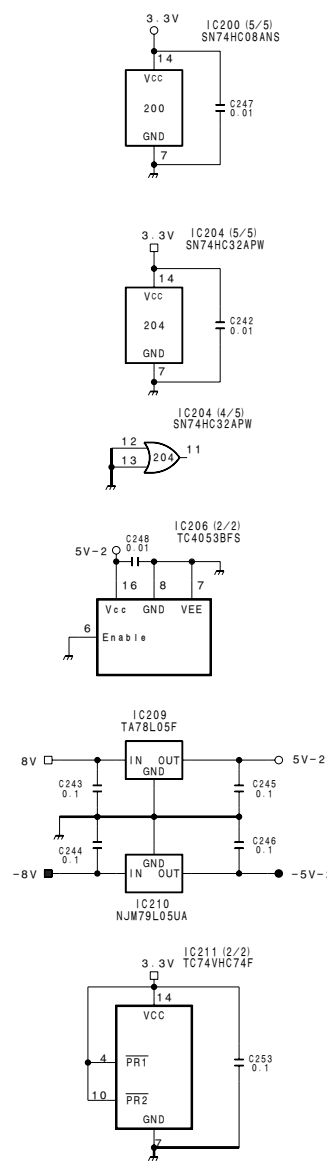
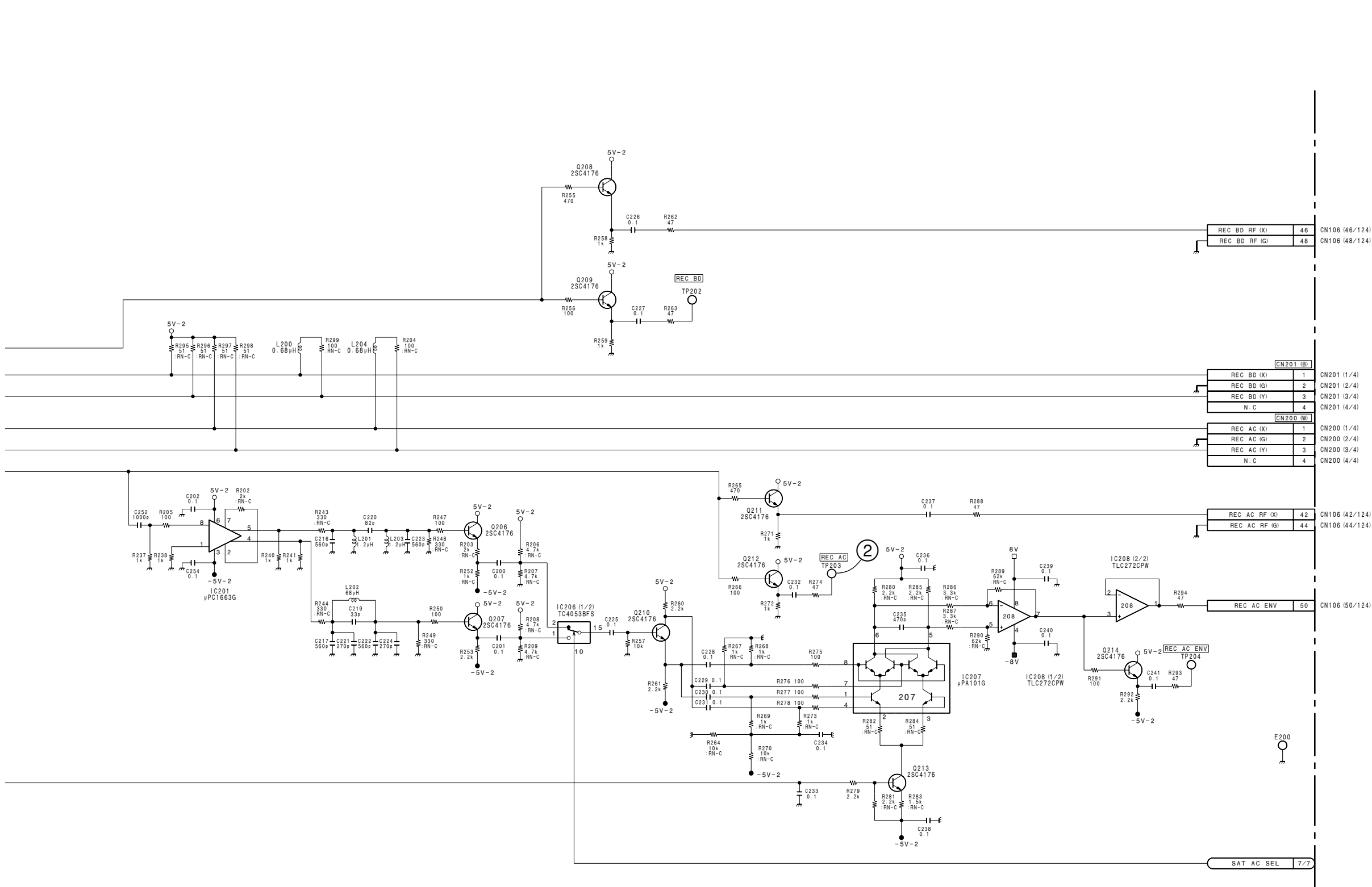
2

3

4

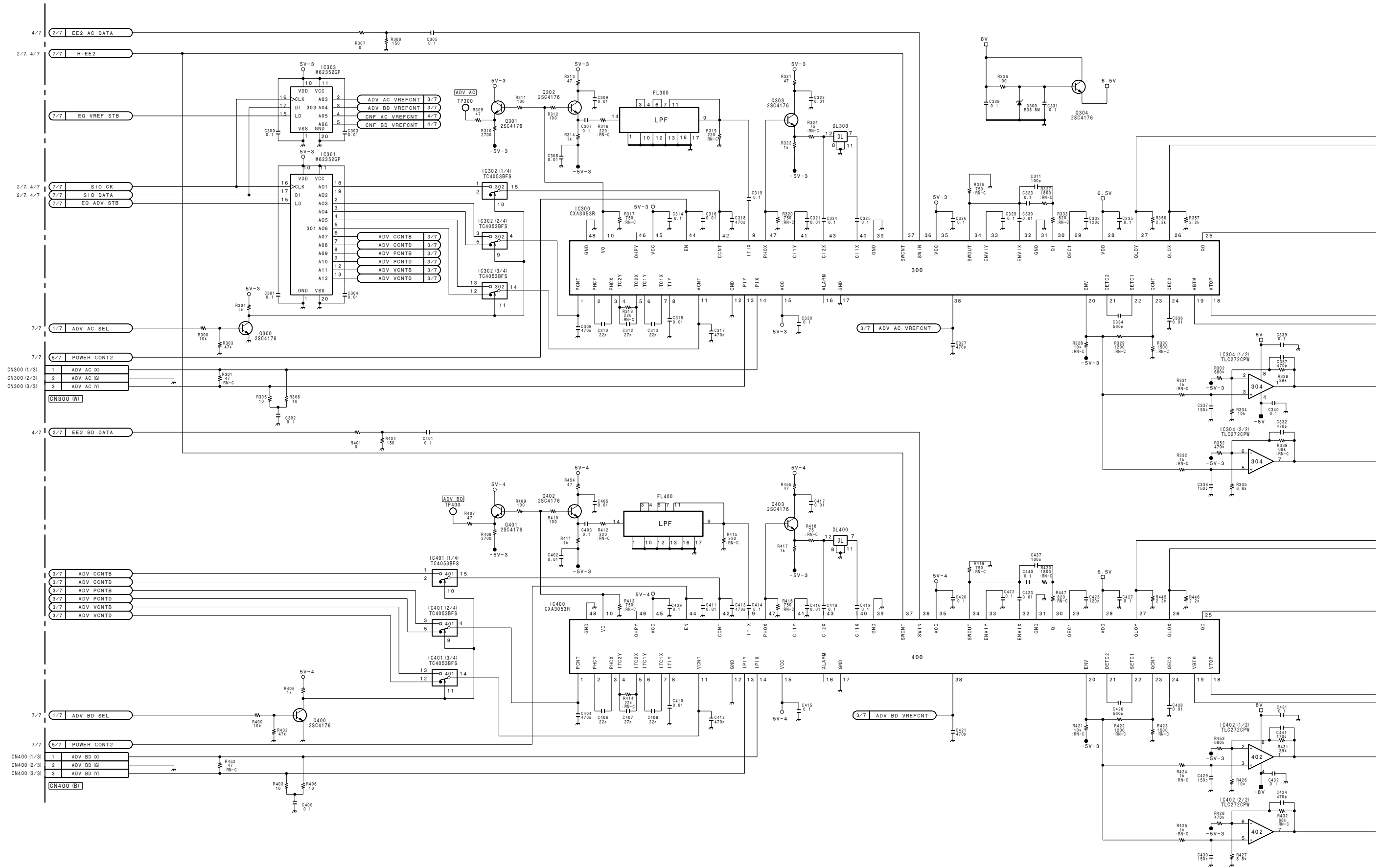
5

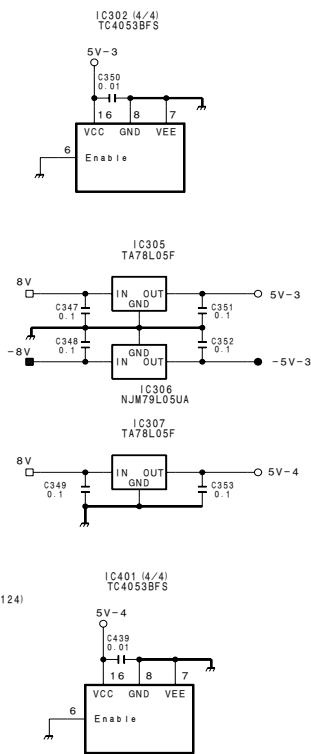
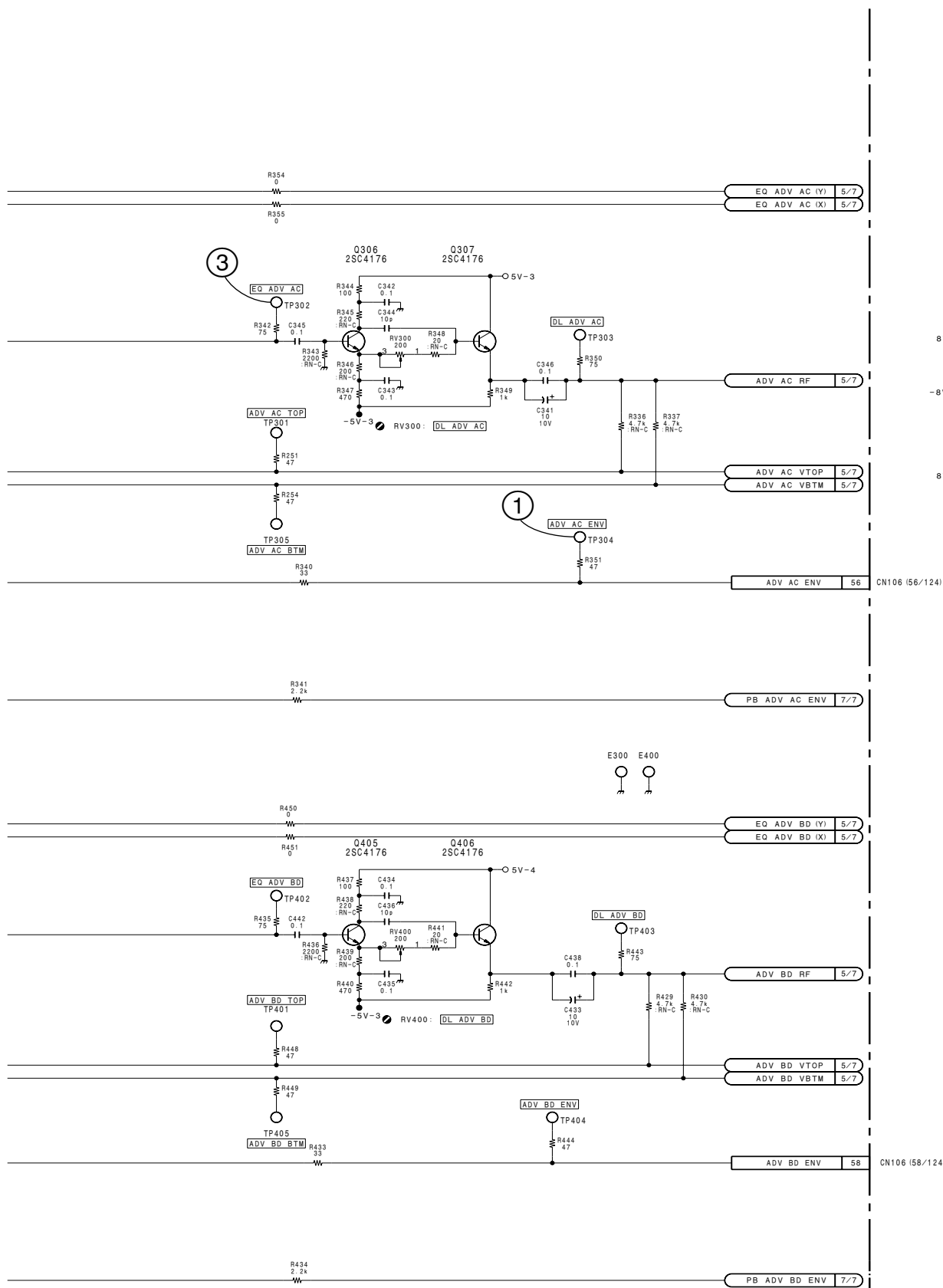




RF Equalizer
 (REC current cont., PB EQ, Analog BETACAM PB buffer)
EQ-65 (2/7)
 HDW-500
 BOARD NO. 1-664-480-11
 HDW-500 (J) : LOT NO. 611-705
 B-WHDW500-EQ65-11

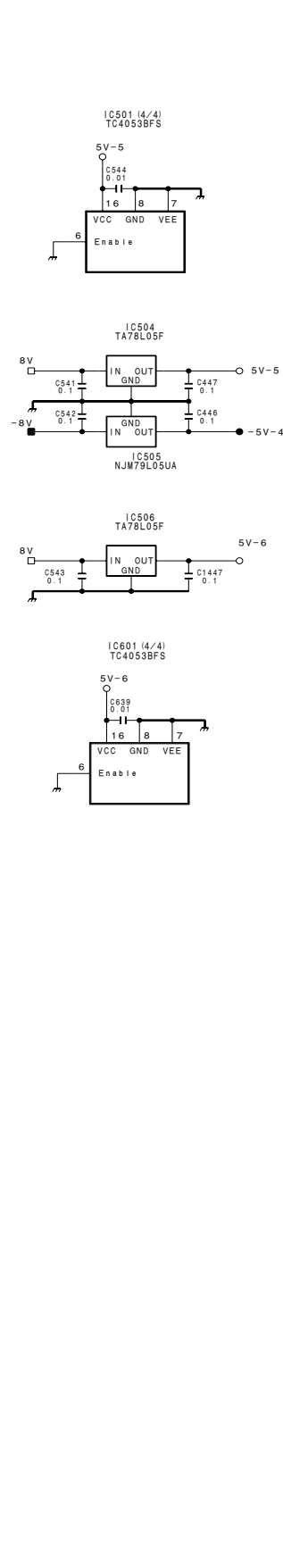
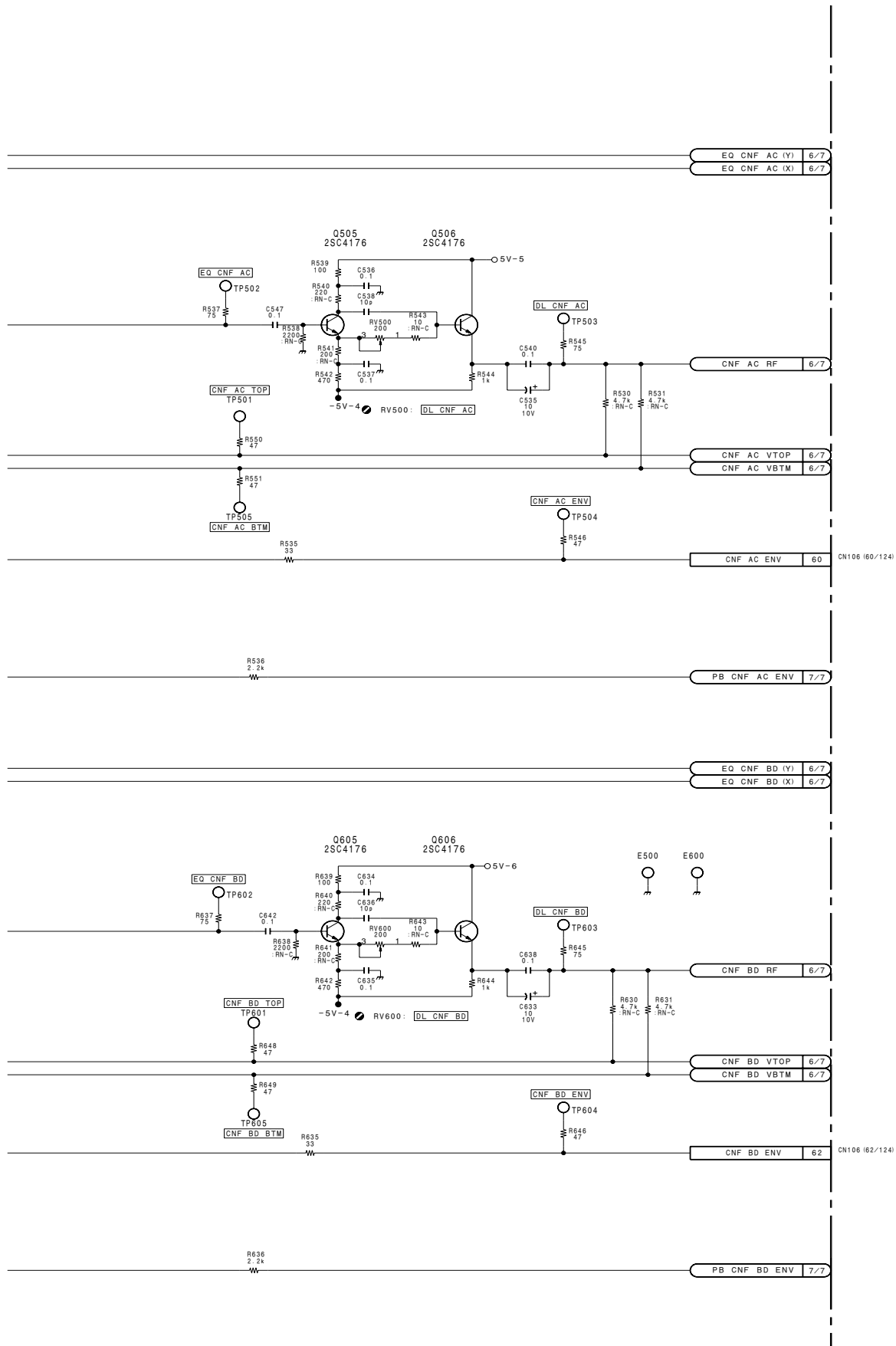
HDW-500 (J) : S/N 10001 through 10200





CN106 (56/124)

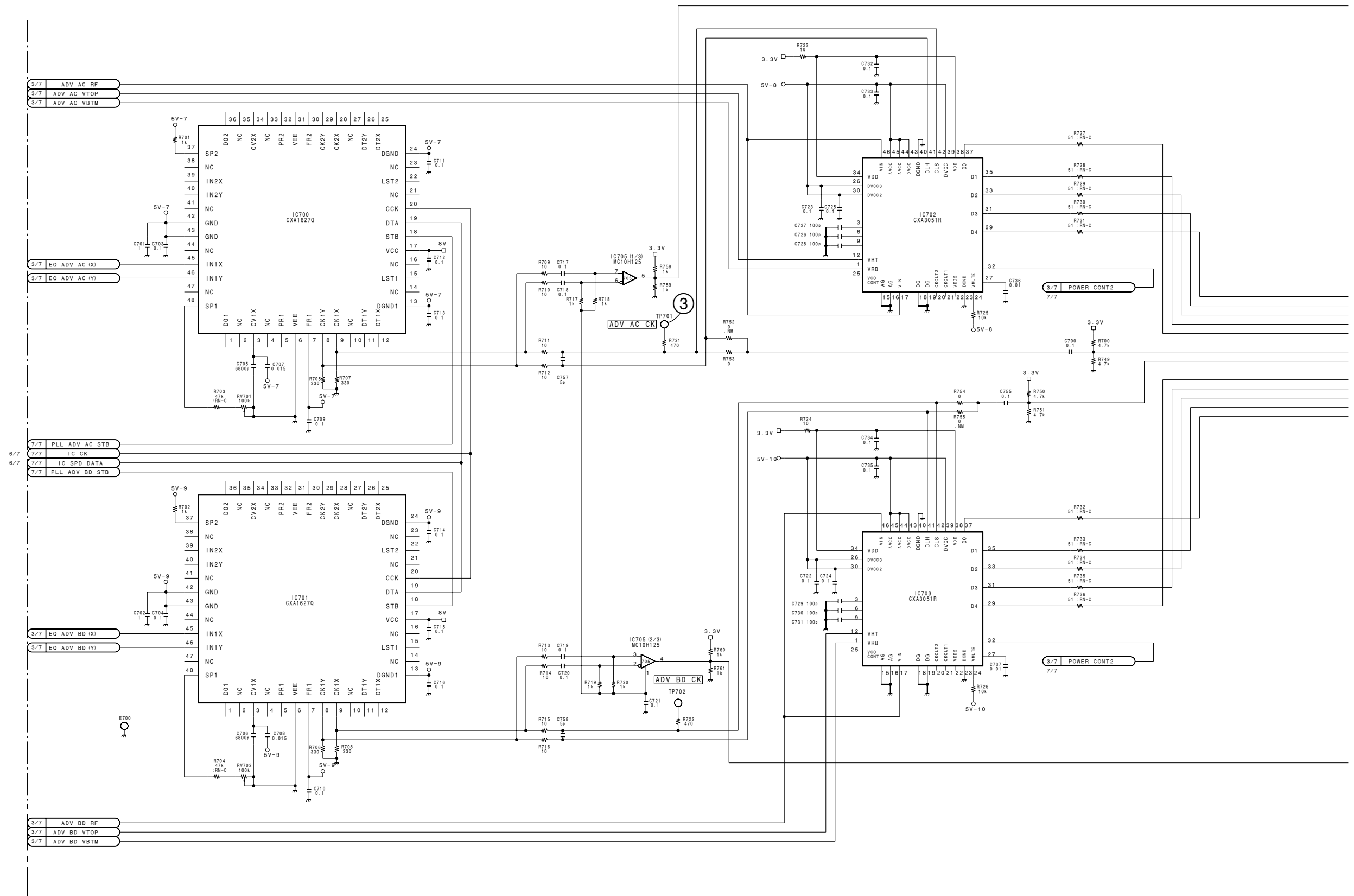
CN106 (58/124)



1
2
3
4
5

RF Equalizer
(REC current cont., PB EQ, Analog BETACAM PB buffer)
EQ-65 (4/7)
HDW-500
BOARD NO. 1-664-480-11
HDW-500 (J) : LOT NO. 611-705
B-WHDW500-EQ65-11

HDW-500 (J) : S/N 10001 through 10200



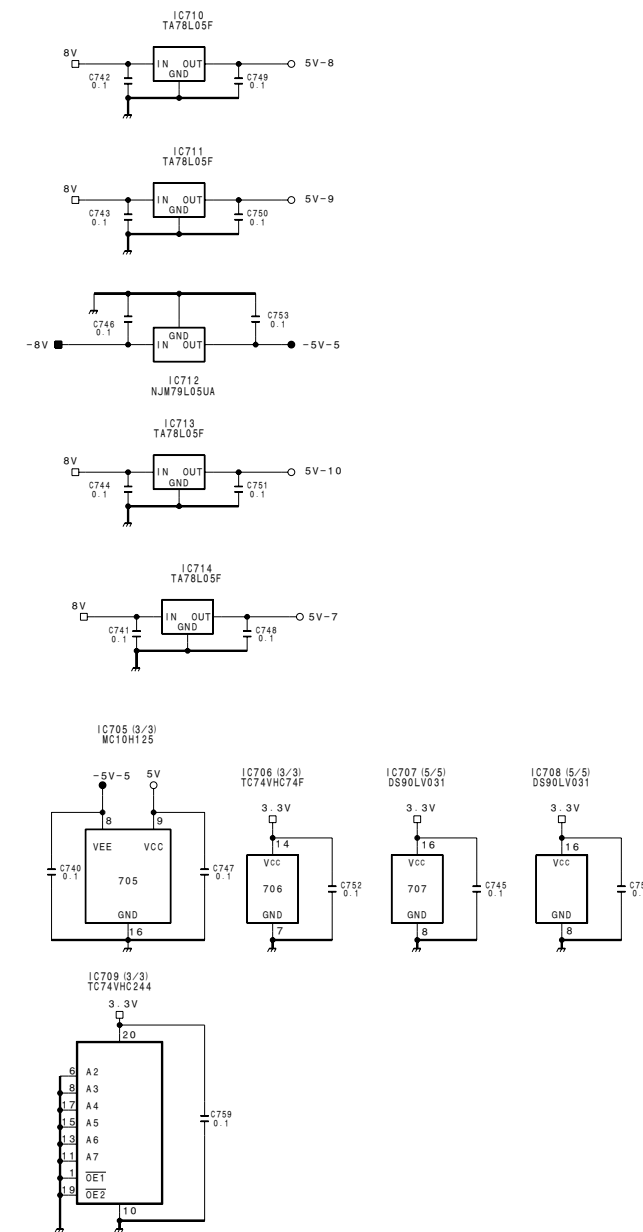
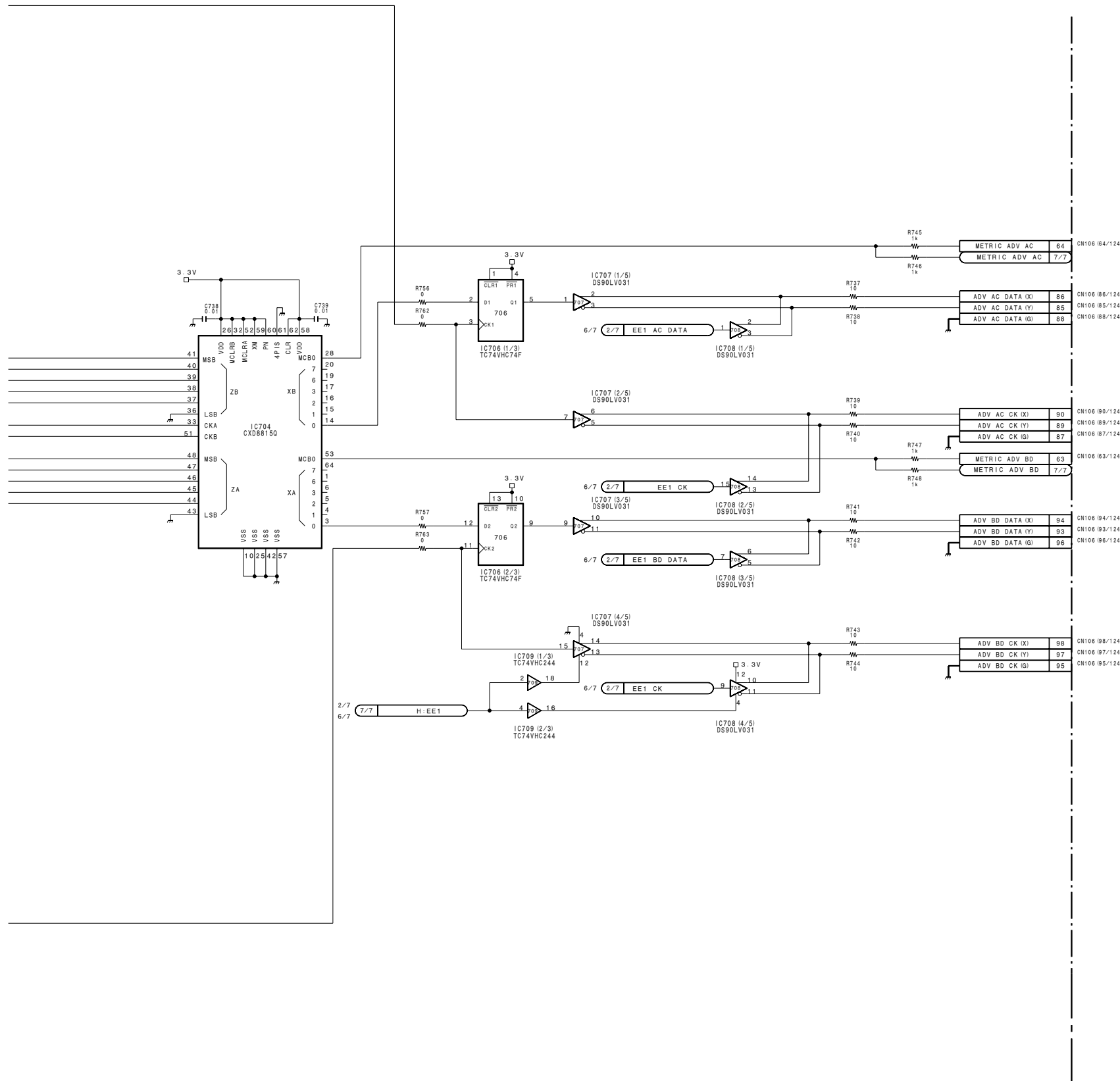
1

2

3

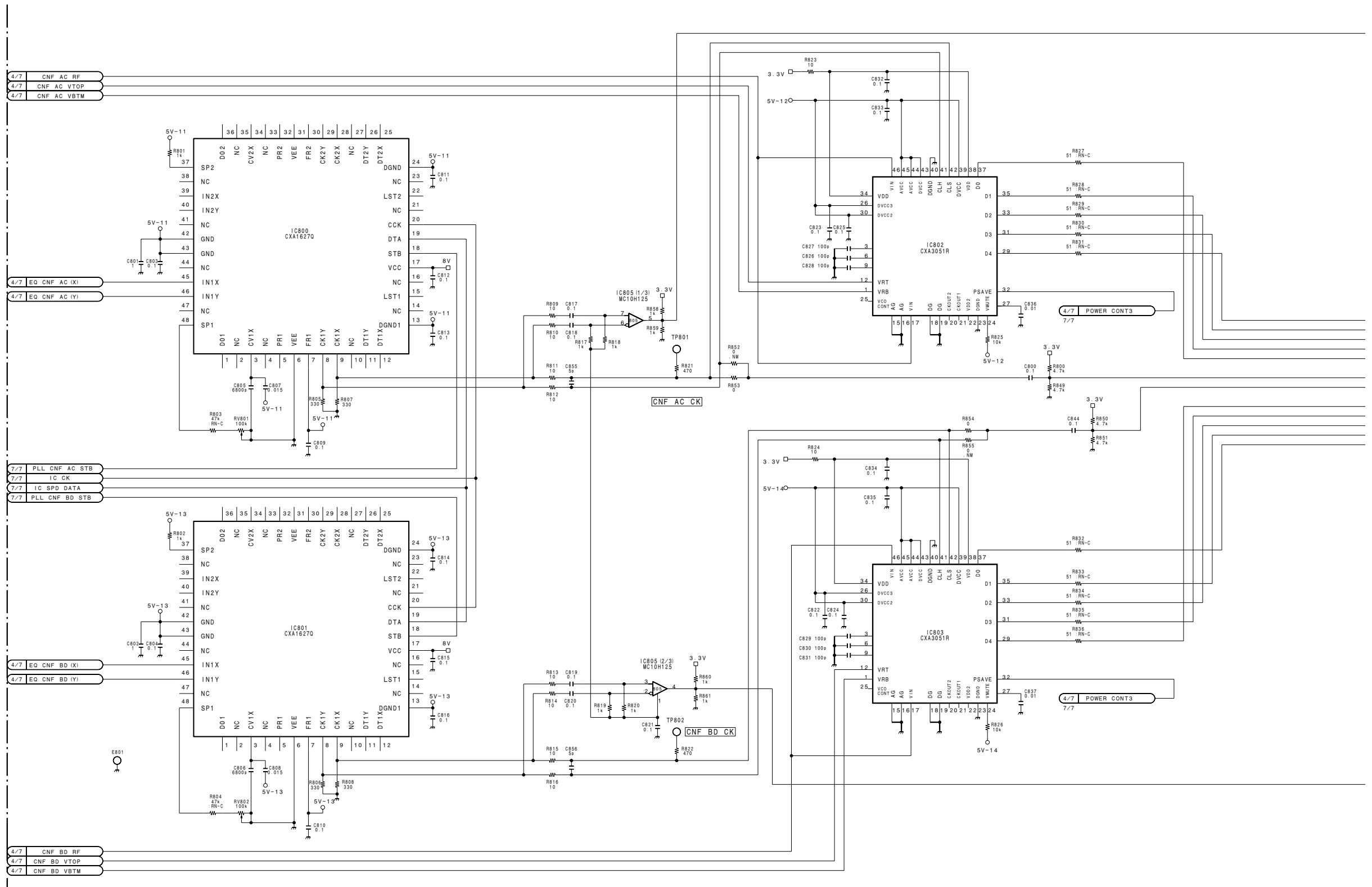
4

5



RF Equalizer
 (REC current cont., PB EQ, Analog BETACAM PB buffer)
EQ-65 (5/7)
 HDW-500
 BOARD NO. 1-664-480-11
 HDW-500 (J) : LOT NO. 611-705
 B-WHDW500-EQ65-11

HDW-500 (J) : S/N 10001 through 10200



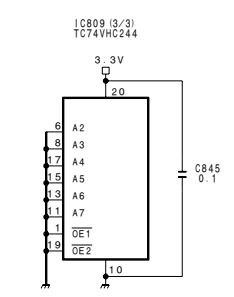
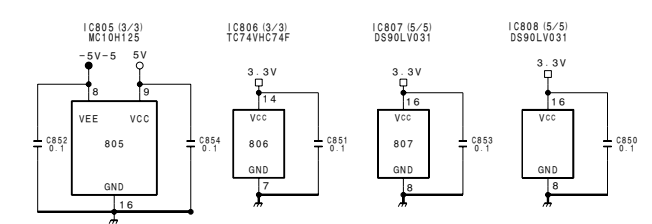
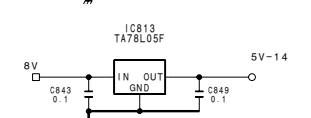
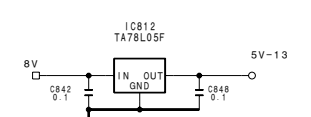
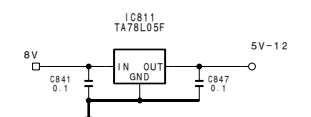
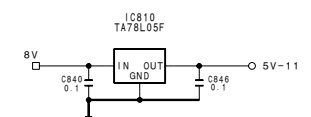
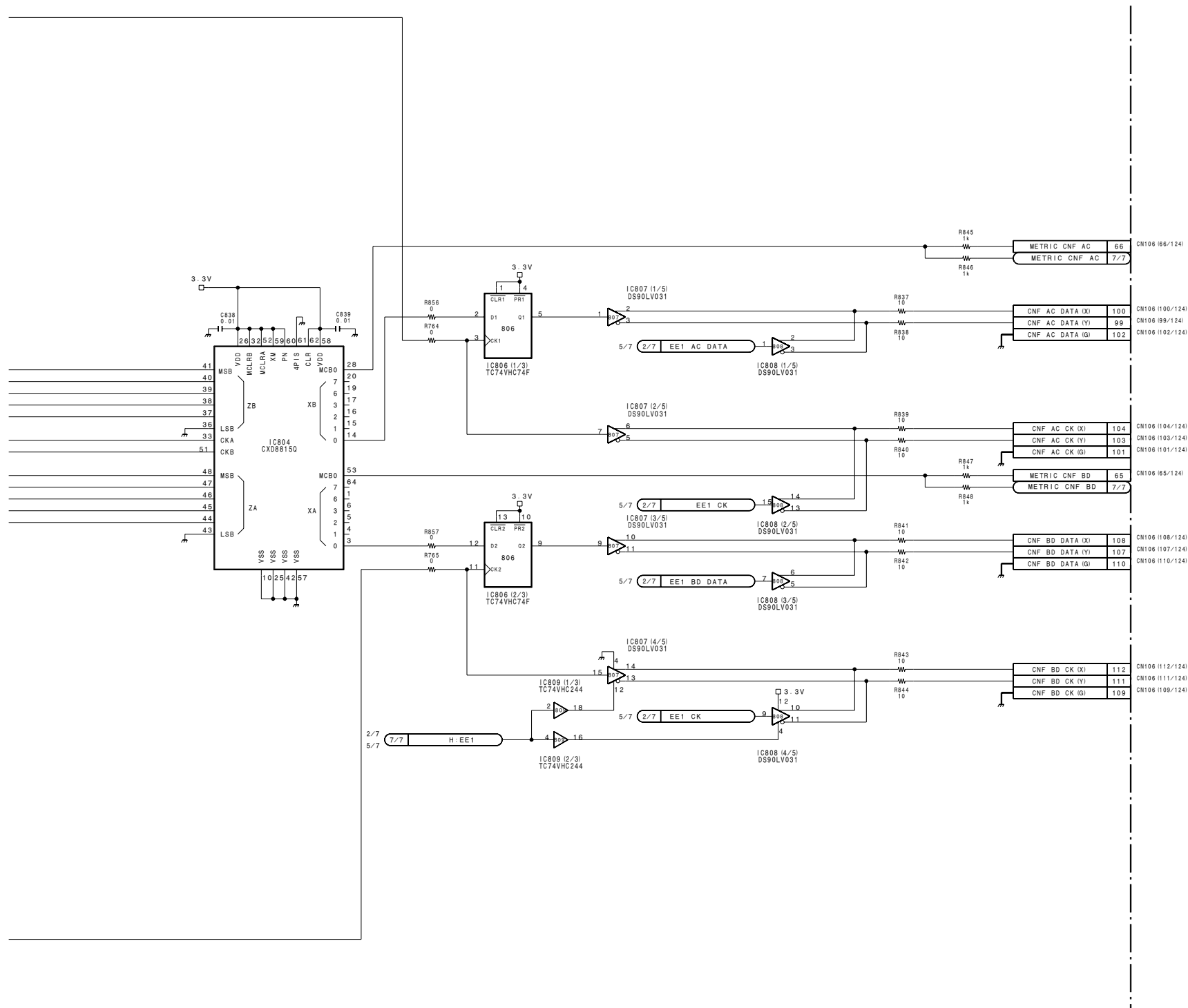
1

2

3

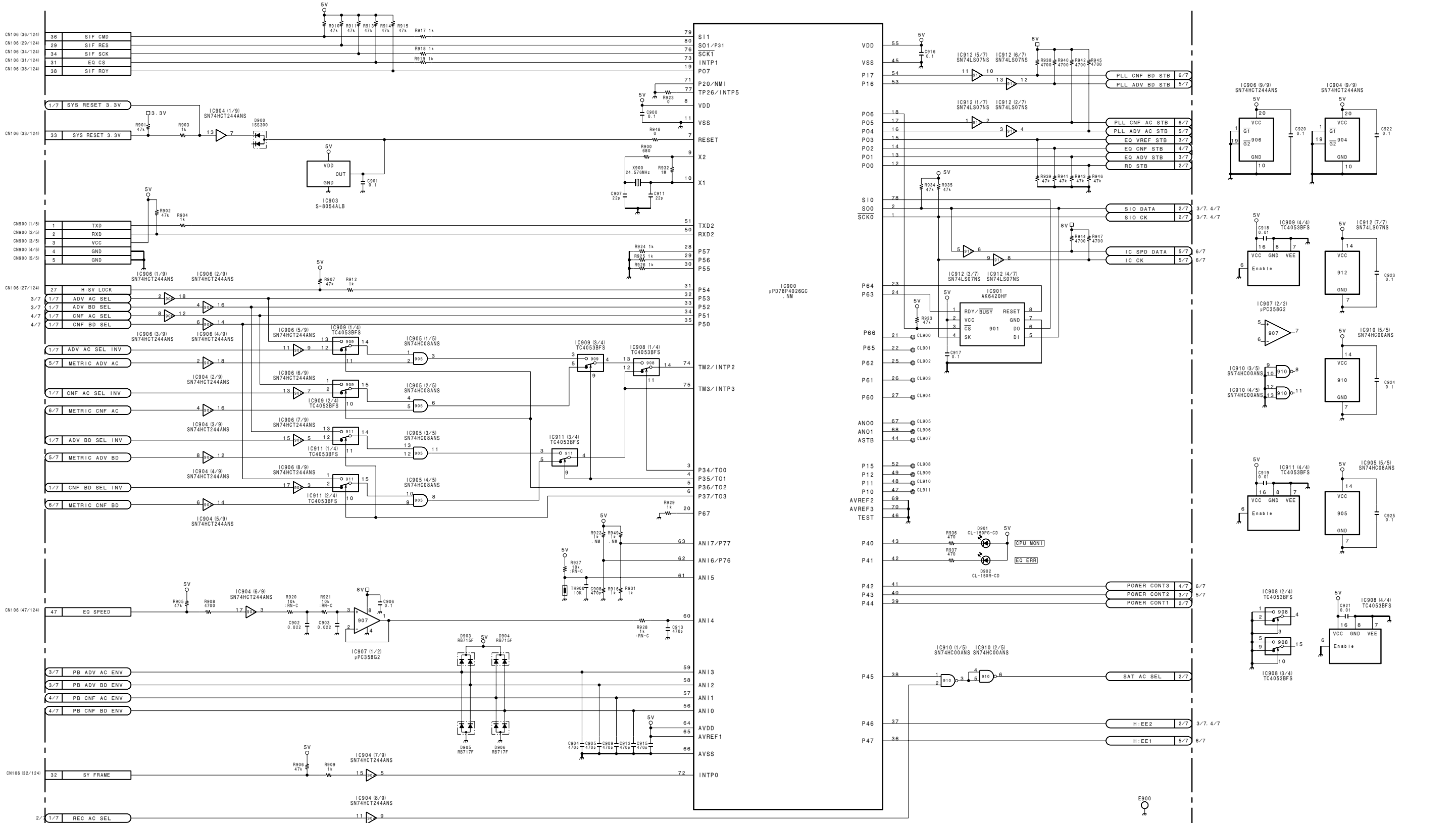
4

5



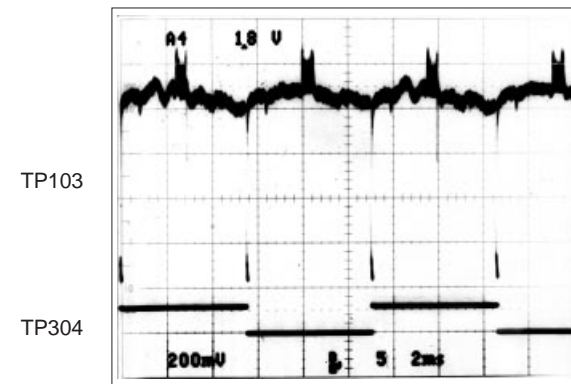
RF Equalizer
 (REC current cont., PB EQ, Analog BETACAM PB buffer)
EQ-65 (6/7)
 HDW-500
 BOARD NO. 1-664-480-11
 HDW-500 (J) : LOT NO. 611-705
 B-WHDW500-EQ65-11

HDW-500 (J) : S/N 10001 through 10200



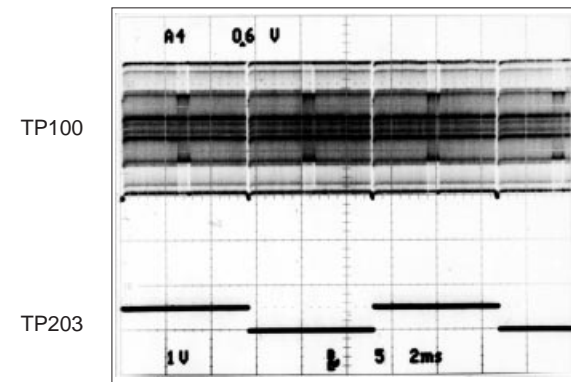
RF Equalizer
 (REC current cont., PB EQ, Analog BETACAM PB buffer)
EQ-65 (7/7)
 HDW-500
 BOARD NO. 1-664-480-11
 HDW-500 (J) : LOT NO. 611-705
 B-WHDW500-EQ65-11

- ① ADV AC SEL :TP103 (1/7) (TRIG) ADV AC ENV :TP304 (3/7)
- ADV BD SEL :TP104 (1/7) ADV BD ENV :TP404 (3/7)
- CNF AC SEL :TP105 (1/7) CNF AC ENV :TP504 (4/7)
- CNF BD SEL :TP106 (1/7) CNF BD ENV :TP604 (4/7)



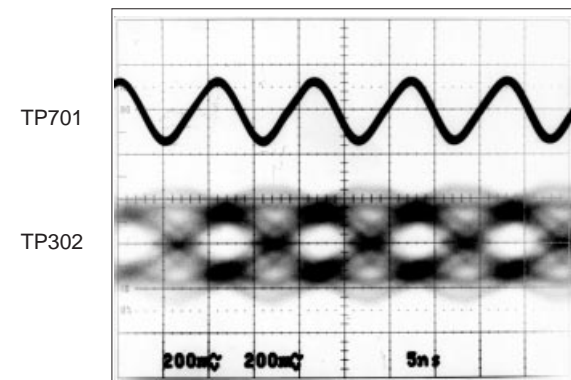
MODE : HR5-1A PLAY

- ② REC AC SEL :TP100 (1/7) (TRIG) REC AC :TP203 (2/7)
- REC BD SEL :TP102 (1/7) REC BD :TP202 (2/7)



MODE : REC

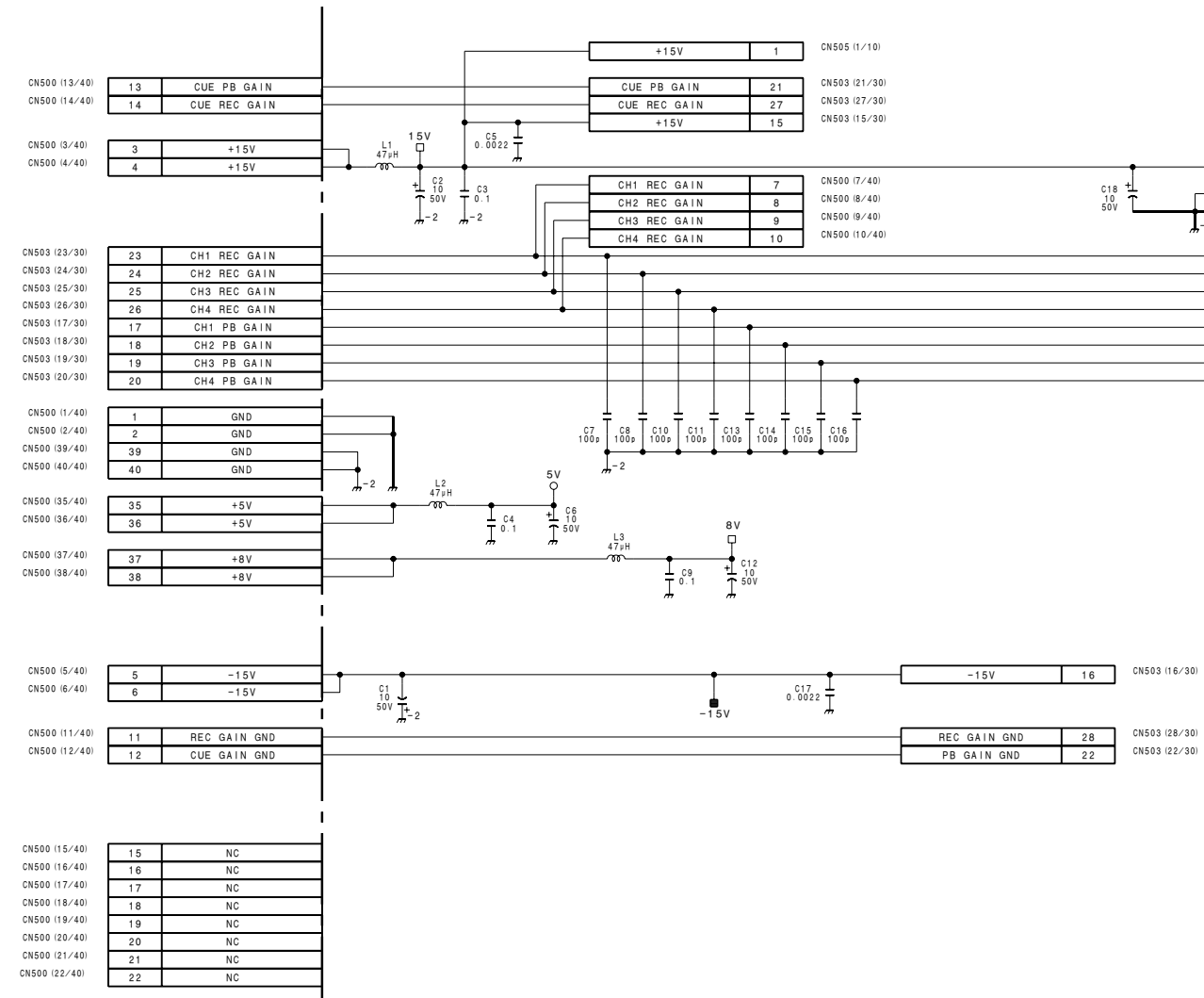
- ③ ADV AC CK :TP701 (5/7) EQ ADV AC :TP302 (3/7)
- ADV BD CK :TP702 (5/7) EQ ADV BD :TP402 (3/7)
- CNF AC CK :TP801 (6/7) EQ CNF AC :TP502 (4/7)
- CNF BD CK :TP802 (6/7) EQ CNF BD :TP602 (4/7)



MODE : HR5-1A PLAY

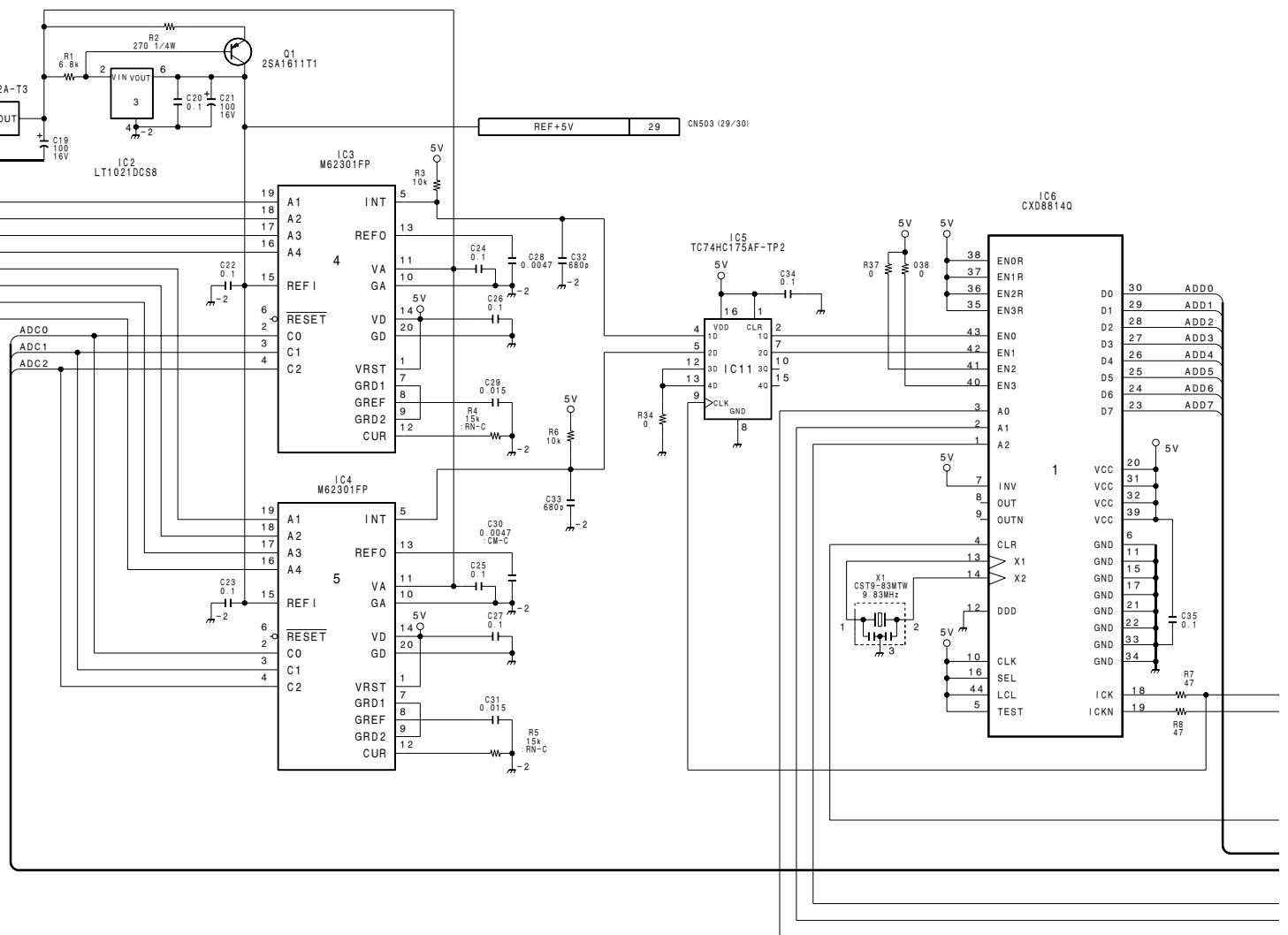
HDW-500 (J) : S/N 10001 and Higher
 HDW-500 (UC) : S/N 10001 and Higher

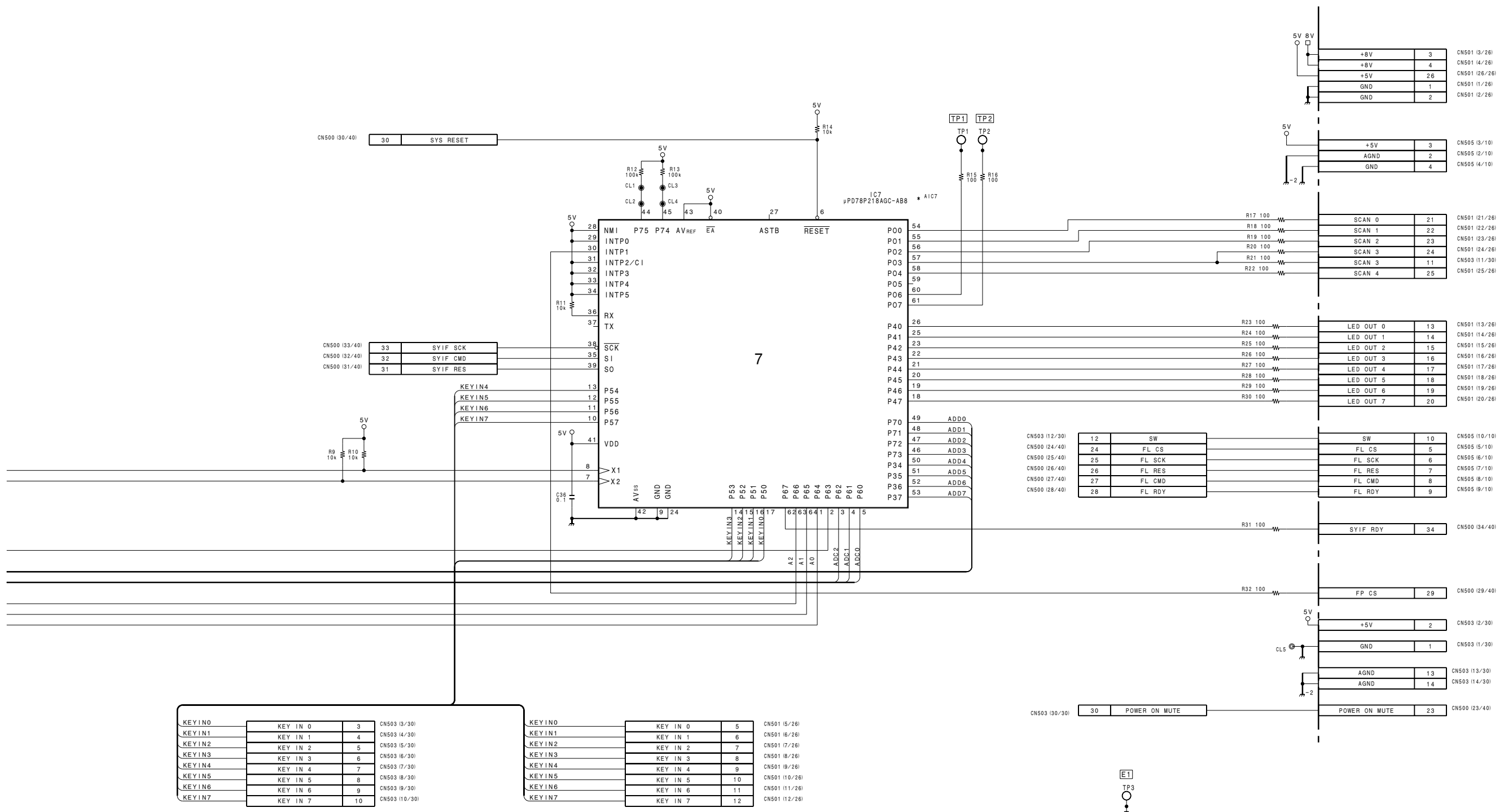
1



4

5





KEY IN 0	KEY IN 0	3	CN503 (3/30)
KEY IN 1	KEY IN 1	4	CN503 (4/30)
KEY IN 2	KEY IN 2	5	CN503 (5/30)
KEY IN 3	KEY IN 3	6	CN503 (6/30)
KEY IN 4	KEY IN 4	7	CN503 (7/30)
KEY IN 5	KEY IN 5	8	CN503 (8/30)
KEY IN 6	KEY IN 6	9	CN503 (9/30)
KEY IN 7	KEY IN 7	10	CN503 (10/30)

KEY IN 0	KEY IN 0	5	CN501 (5/26)
KEY IN 1	KEY IN 1	6	CN501 (6/26)
KEY IN 2	KEY IN 2	7	CN501 (7/26)
KEY IN 3	KEY IN 3	8	CN501 (8/26)
KEY IN 4	KEY IN 4	9	CN501 (9/26)
KEY IN 5	KEY IN 5	10	CN501 (10/26)
KEY IN 6	KEY IN 6	11	CN501 (11/26)
KEY IN 7	KEY IN 7	12	CN501 (12/26)

12	SW	10	CN505 (10/10)
24	FL CS	5	CN505 (5/10)
25	FL SCK	6	CN505 (6/10)
26	FL RES	7	CN505 (7/10)
27	FL CMD	8	CN505 (8/10)
28	FL RDY	9	CN505 (9/10)

+8V	3	CN501 (3/26)
+8V	4	CN501 (4/26)
+5V	26	CN501 (26/26)
GND	1	CN501 (1/26)
GND	2	CN501 (2/26)

+5V	3	CN505 (3/10)
AGND	2	CN505 (2/10)
GND	4	CN505 (4/10)

SCAN 0	21	CN501 (21/26)
SCAN 1	22	CN501 (22/26)
SCAN 2	23	CN501 (23/26)
SCAN 3	24	CN501 (24/26)
SCAN 3	11	CN503 (11/30)
SCAN 4	25	CN501 (25/26)

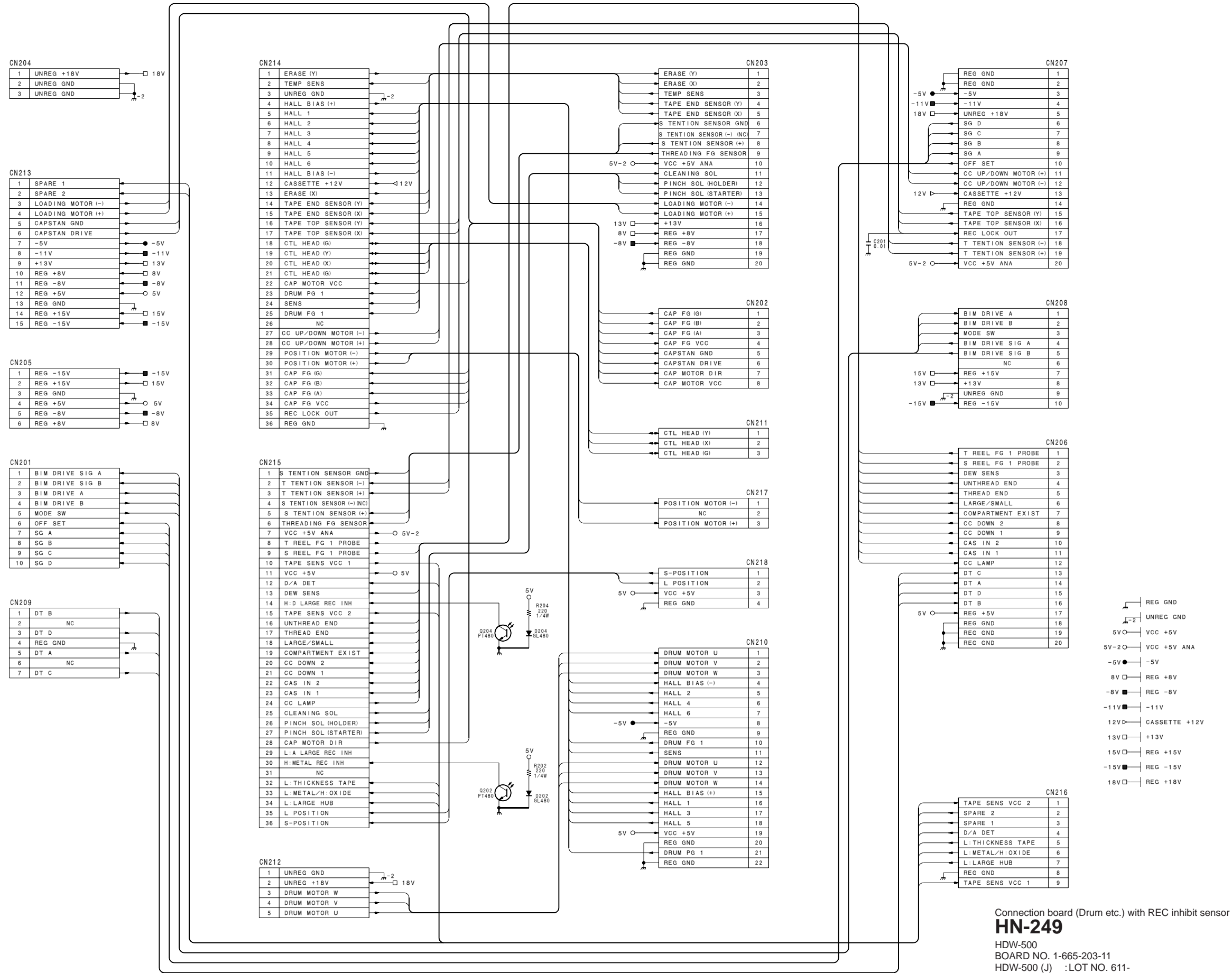
LED OUT 0	13	CN501 (13/26)
LED OUT 1	14	CN501 (14/26)
LED OUT 2	15	CN501 (15/26)
LED OUT 3	16	CN501 (16/26)
LED OUT 4	17	CN501 (17/26)
LED OUT 5	18	CN501 (18/26)
LED OUT 6	19	CN501 (19/26)
LED OUT 7	20	CN501 (20/26)

+5V	2	CN503 (2/30)
GND	1	CN503 (1/30)
AGND	13	CN503 (13/30)
AGND	14	CN503 (14/30)

30	POWER ON MUTE	23	CN500 (23/40)
----	---------------	----	---------------

Panel function (Switches, LEDs) control,
CAV control level conversion
FP-103
HDW-500
BOARD NO. 1-665-604-11
HDW-500 (J) : LOT NO. 611-
HDW-500 (UC) : LOT NO. 707-
B-WHDW500-FP103-11-@

HDW-500 (J) : S/N 10001 and Higher
 HDW-500 (UC): S/N 10001 and Higher



Connection board (Drum etc.) with REC inhibit sensor
HN-249
 HDW-500
 BOARD NO. 1-665-203-11
 HDW-500 (J) : LOT NO. 611-
 HDW-500 (UC) : LOT NO. 707-

1

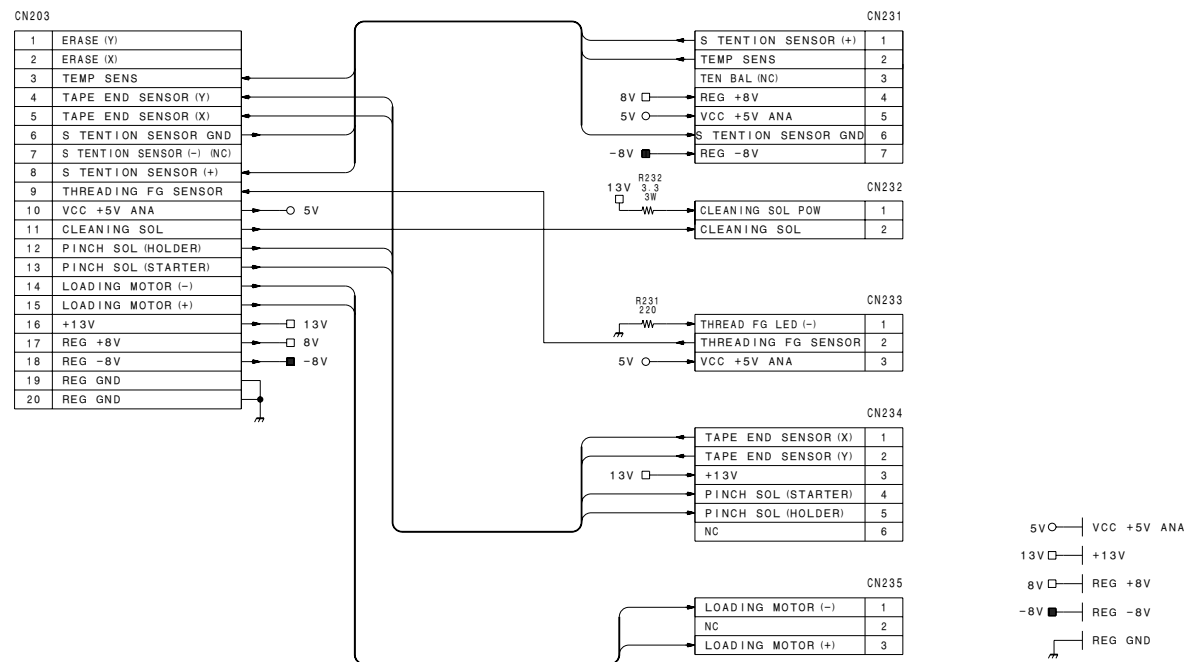
2

3

4

5

HDW-500 (J) : S/N 10001 and Higher
 HDW-500 (UC) : S/N 10001 and Higher

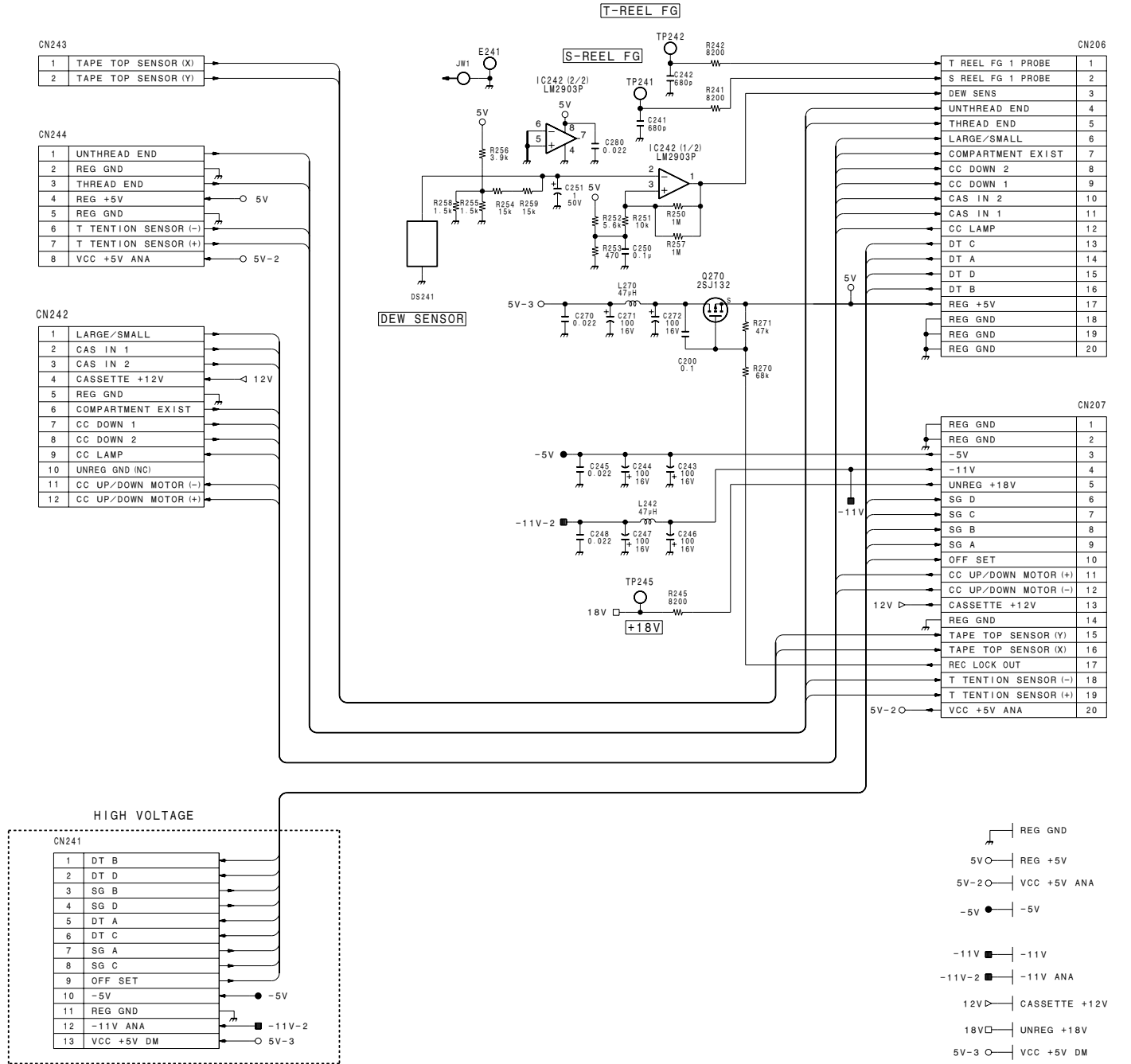


Connection board (Threading motor, etc.)

HN-250

HDW-500
 BOARD NO. 1-665-204-11
 HDW-500 (J) : LOT NO. 611-
 HDW-500 (UC) : LOT NO. 707-

HDW-500 (J) : S/N 10001 and Higher
 HDW-500 (UC) : S/N 10001 and Higher

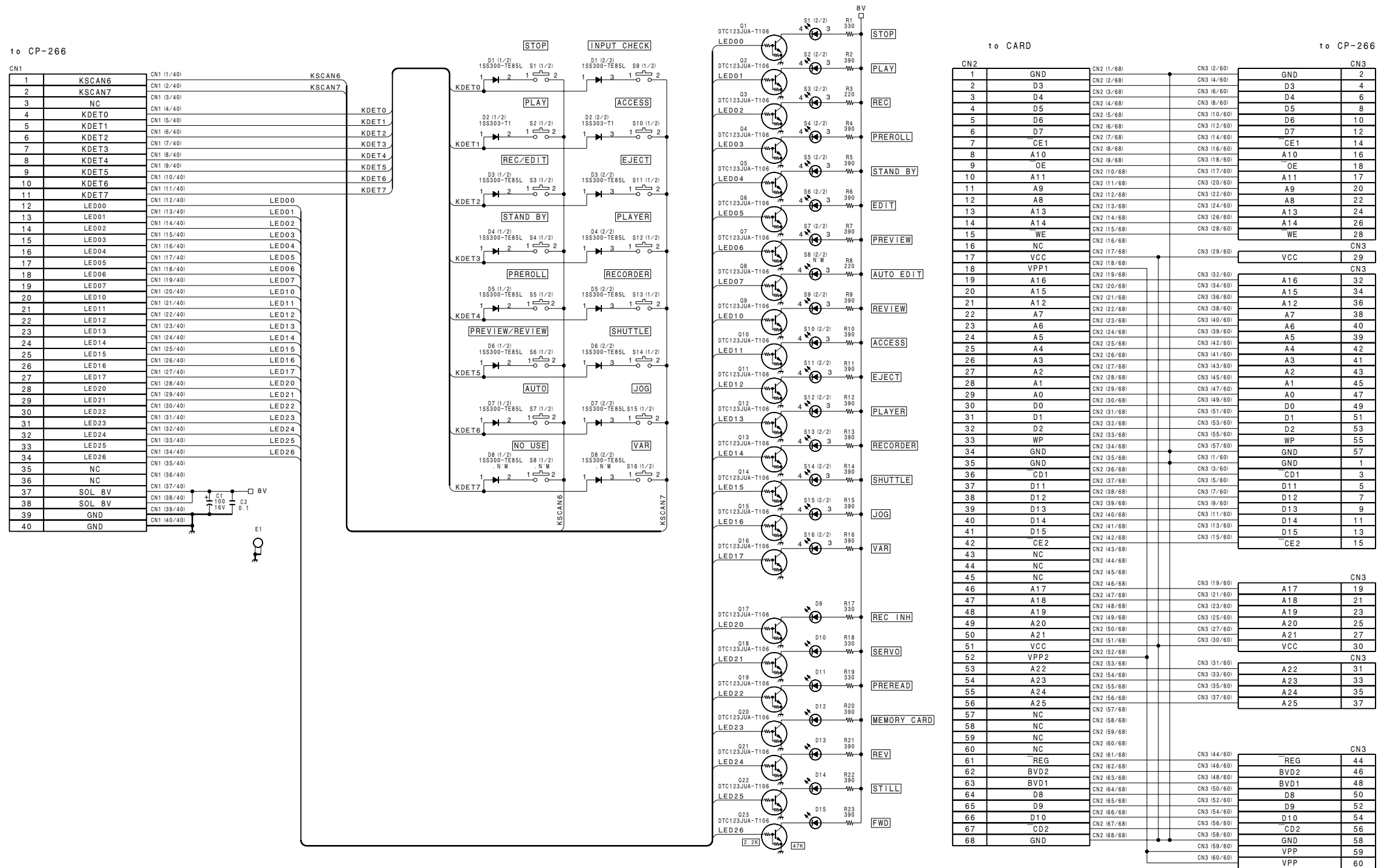


Connection board with Dew sensor

HN-251

HDW-500
 BOARD NO. 1-665-205-11
 HDW-500 (J) : LOT NO. 611-
 HDW-500 (UC) : LOT NO. 707-

HDW-500 (J) : S/N 10001 and Higher
 HDW-500 (UC) : S/N 10001 and Higher



SW board for Control panel
KY-330A
 HDW-500
 BOARD NO. 1-658-036-11
 HDW-500 (J) : LOT NO. 611-
 HDW-500 (UC) : LOT NO. 707-
 B-WHDW500-KY-330-11-@

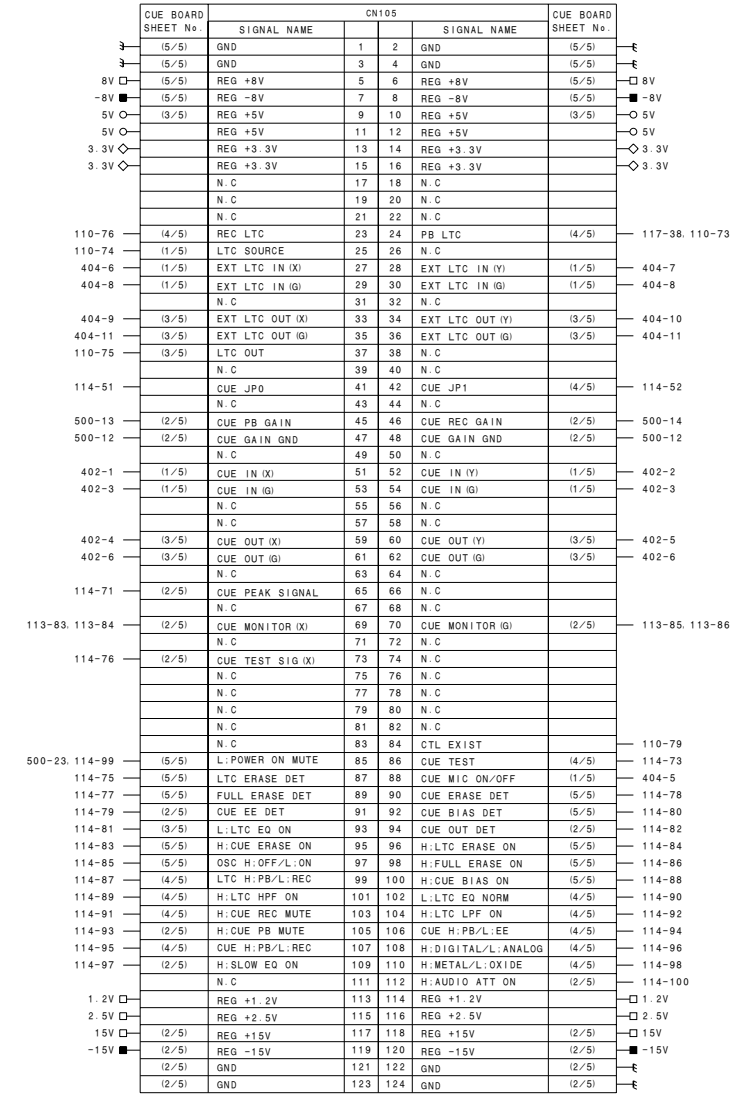
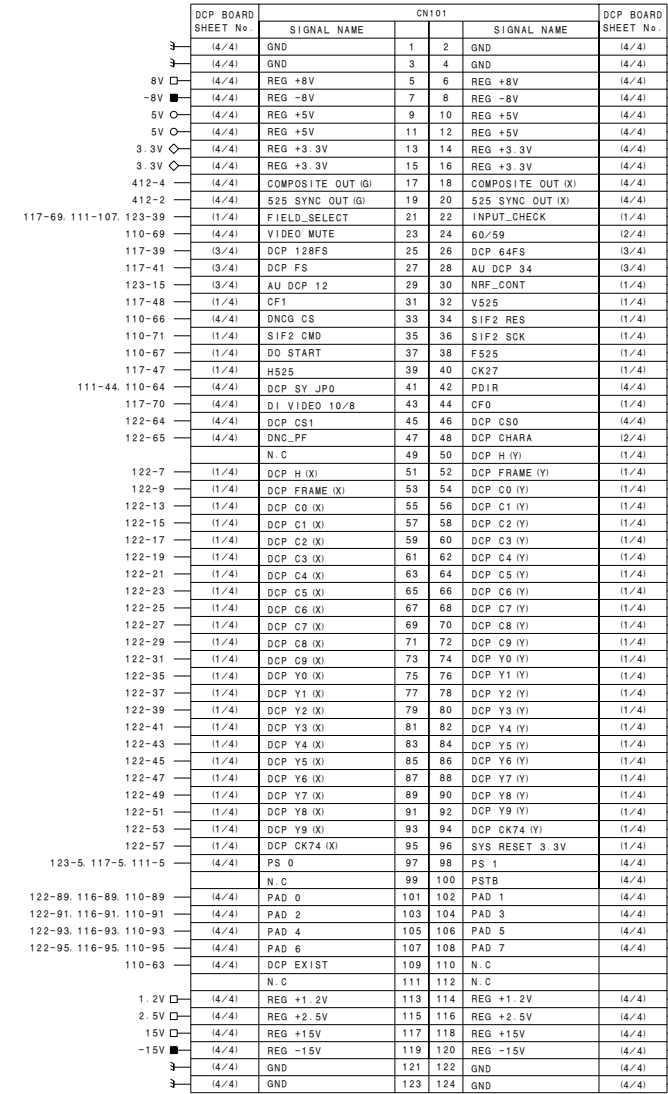
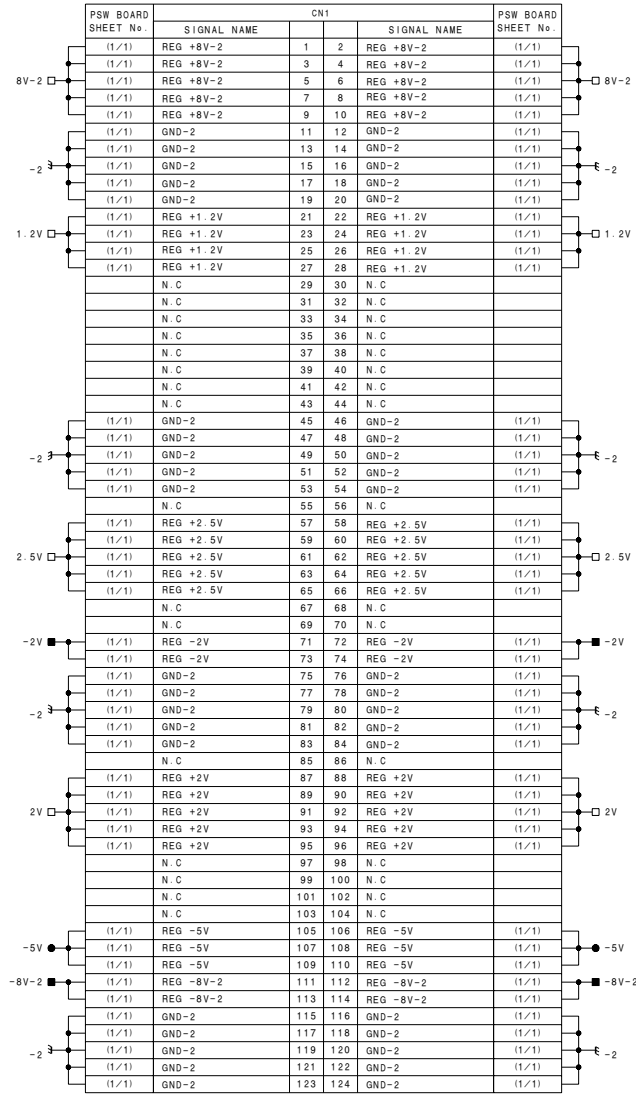
HDW-500 (J) : S/N 10001 and Higher
 HDW-500 (UC) : S/N 10001 and Higher

PSW-51

DCP-11

CUE-10

MB-697 BOARD SHEET No.	REF No.	CONNECTION
(1/6)	CN1	PSW-51
	CN101	DCP-11
	CN105	CUE-10
(2/6)	CN106	EQ-65
	CN110	SS-75
	CN111	
(3/6)	CN112	
	CN113	APR-32
	CN114	
(4/6)	CN115	
	CN116	
	CN117	DPR-89
(5/6)	CN118	
	CN122	
	CN123	DIF-43
(6/6)	CN124	
	CN130	RS-232C
	CN131	VIDEO CONTROL
	CN132	REMOTE IN
	CN133	REMOTE OUT
	CN134	CONTROL PANEL
	CN148	SW-17D
	CN150	FAN MOTOR
	CN155	NC
	CN180	FAN MOTOR
	CN181	
	CN190	SW REG
	CN201	HN-249
	CN205	
	CN201	SW REG
	CN202	
	CN203	
	CN206	
	CN302	DR-307
	CN400	
CN401		
CN402	CP-299 (For J)	
CN403	CP-299A (For UC)	
CN404		
CN407		
CN412		
CN413	CP-298	
CN414		
CN500	FP-103	
CN512	VR-152	



HDW-500 (J) : S/N 10001 and Higher
 HDW-500 (UC): S/N 10001 and Higher

EQ-65

SS-75

MB-697 BOARD		CONNECTION
SHEET No.	REF. No.	
(1/6)	CN1	PSW-51
	CN101	DCP-11
	CN105	CUE-10
(2/6)	CN106	EQ-65
	CN110	SS-75
	CN111	
(3/6)	CN112	
	CN114	APR-32
	CN115	
(4/6)	CN116	DPR-89
	CN117	
	CN118	
(5/6)	CN122	
	CN123	DIF-43
	CN124	
	CN130	RS-232C
(6/6)	CN131	VIDEO CONTROL
	CN132	REMOTE IN
	CN133	REMOTE OUT
	CN134	CONTROL PANEL
	CN148	SWC-17D
	CN150	FAN MOTOR
	CN155	NC
	CN180	FAN MOTOR
	CN181	
	CN190	SW REG
	CN201	HN-249
	CN205	
	CN201	SW REG
	CN202	
	CN203	
	CN206	
CN302	DR-307	
CN400		
CN402	CP-299 (For J)	
CN403	CP-299A (For UC)	
CN404		
CN407		
CN412		
CN413	CP-298	
CN414		
CN500	FP-103	
CN512	VR-152	

EQ BOARD SHEET No.	CN106				EQ BOARD SHEET No.
	SIGNAL NAME		SIGNAL NAME		
(1/7)	GND	1	2	GND	(1/7)
(1/7)	GND	3	4	GND	(1/7)
(1/7)	REG +8V	5	6	REG +8V	(1/7)
(1/7)	REG -8V	7	8	REG -8V	(1/7)
(1/7)	REG +5V	9	10	REG +5V	(1/7)
(1/7)	REG +5V	11	12	REG +5V	(1/7)
(1/7)	REG +3.3V	13	14	REG +3.3V	(1/7)
(1/7)	REG +3.3V	15	16	REG +3.3V	(1/7)
(1/7)	MPX (X)	17	18	MPX (Y)	(1/7)
(1/7)	MPX (G)	19	20	MPX CK (G)	(1/7)
(1/7)	MPX CK (X)	21	22	MPX CK (Y)	(1/7)
(1/7)	L:FE B EN	23	24	L:FE A EN	(1/7)
(1/7)	REC BD SEL	25	26	REC AC SEL	(1/7)
(7/7)	H:SV LOCK	27	28	N.C	
(7/7)	SIF RES	29	30	N.C	
(7/7)	EQ CS	31	32	SV 1/2VD	(7/7)
(7/7)	SYS RESET 3.3V	33	34	SIF SCK	(7/7)
	N.C	35	36	SIF CMD	(7/7)
	N.C	37	38	SIF RDY	(7/7)
(1/7)	ADV AC SEL	39	40	L:REC OUT	(1/7)
(1/7)	ADV BD SEL	41	42	REC AC RF (X)	(2/7)
(1/7)	CNF AC SEL	43	44	REC AC RF (G)	(2/7)
(1/7)	CNF BD SEL	45	46	REC BD RF (X)	(2/7)
(7/7)	EO SPEED	47	48	REC BD RF (G)	(2/7)
	EQ SV JP	49	50	REC AC ENV	(2/7)
	EQ SY JP0	51	52	N.C	
	EQ SY JP1	53	54	N.C	
	EQ DPR JP0	55	56	ADV AC ENV	(3/7)
	EQ DPR JP1	57	58	ADV BD ENV	(3/7)
	N.C	59	60	CNF AC ENV	(4/7)
	N.C	61	62	CNF BD ENV	(4/7)
(5/7)	METRIC ADV BD	63	64	METRIC ADV AC	(5/7)
(6/7)	METRIC CNF BD	65	66	METRIC CNF AC	(6/7)
	N.C	67	68	N.C	
	N.C	69	70	N.C	
(1/7)	REC CK (G)	71	72	REC CK (G)	(1/7)
(1/7)	REC CK (Y)	73	74	REC CK (X)	(1/7)
(2/7)	REC AC DATA (Y)	75	76	REC AC DATA (X)	(2/7)
(2/7)	REC BD DATA (G)	77	78	REC AC DATA (G)	(2/7)
(2/7)	REC BD DATA (Y)	79	80	REC BD DATA (X)	(2/7)
(1/7)	L:REC C EN	81	82	L:REC A EN	(1/7)
(1/7)	L:REC D EN	83	84	L:REC B EN	(1/7)
(5/7)	ADV AC DATA (Y)	85	86	ADV AC DATA (X)	(5/7)
(5/7)	ADV AC CK (G)	87	88	ADV AC DATA (G)	(5/7)
(5/7)	ADV AC CK (Y)	89	90	ADV AC CK (X)	(5/7)
	EQ DPR JP2	91	92	EQ DPR JP3	
(5/7)	ADV BD DATA (Y)	93	94	ADV BD DATA (X)	(5/7)
(5/7)	ADV BD CK (G)	95	96	ADV BD DATA (G)	(5/7)
(5/7)	ADV BD CK (Y)	97	98	ADV BD CK (X)	(5/7)
(6/7)	CNF AC DATA (Y)	99	100	CNF AC DATA (X)	(6/7)
(6/7)	CNF AC CK (G)	101	102	CNF AC DATA (G)	(6/7)
(6/7)	CNF AC CK (Y)	103	104	CNF AC CK (X)	(6/7)
	N.C	105	106	N.C	
(6/7)	CNF BD DATA (Y)	107	108	CNF BD DATA (X)	(6/7)
(6/7)	CNF BD CK (G)	109	110	CNF BD DATA (G)	(6/7)
(6/7)	CNF BD CK (Y)	111	112	CNF BD CK (X)	(6/7)
	REG +1.2V	113	114	REG +1.2V	
	REG +2.5V	115	116	REG +2.5V	
	REG +15V	117	118	REG +15V	
	REG -15V	119	120	REG -15V	
(1/7)	GND	121	122	GND	(1/7)
(1/7)	GND	123	124	GND	(1/7)

SS BOARD SHEET No.	CN110				SS BOARD SHEET No.
	SIGNAL NAME		SIGNAL NAME		
(12/12)	GND-2	1	2	GND-2	(12/12)
(12/12)	GND-2	3	4	GND-2	(12/12)
	N.C	5	6	N.C	
	N.C	7	8	N.C	
(1/12)	RM RX (+)	9	10	RM TX (+)	(1/12)
(1/12)	RM RX (-)	11	12	RM TX (-)	(1/12)
(2/12)	PRIORITY IN	13	14	PRIORITY OUT	(2/12)
	N.C	15	16	N.C	
	N.C	17	18	N.C	
(2/12)	TX (R)	19	20	RX (R)	(2/12)
(2/12)	DTR (R)	21	22	DCD (R)	(2/12)
(2/12)	RTS (R)	23	24	CTS (R)	(2/12)
(2/12)	DSR (R)	25	26	N.C	
	N.C	27	28	N.C	
(2/12)	MIC CS	29	30	SOP10 CS	(2/12)
(2/12)	SY1_SIF RDY	31	32	SY1_SIF RES	(2/12)
(2/12)	SY1_SIF CMD	33	34	SY1_SIF SCK	(2/12)
	N.C	35	36	N.C	
	N.C	37	38	N.C	
(2/12)	KEY RX (+)	39	40	KEY TX (+)	(2/12)
(2/12)	KEY RX (-)	41	42	KEY TX (-)	(2/12)
	N.C	43	44	N.C	
	N.C	45	46	N.C	
(5/12)	CUE/MIX	47	48	N.C	
(5/12)	MIX SEL1	49	50	MIX SEL2	(5/12)
(5/12)	MIX SEL3	51	52	MIX SEL4	(5/12)
	N.C	53	54	N.C	
	N.C	55	56	N.C	
(5/12)	REM RX (+)	57	58	REM TX (+)	(5/12)
(5/12)	REM RX (-)	59	60	REM TX (-)	(5/12)
(6/12)	INPUT_CHECK	61	62	NRF_CONT	(6/12)
(2/12)	DCP EXIST	63	64	DCP SY JP0	(2/12)
(6/12)	DCP CHARA	65	66	DNCG_CS	(6/12)
(6/12)	DO START	67	68	60/59	(6/12)
(5/12)	VIDEO MUTE	69	70	SIF2 RES	(6/12)
(6/12)	SIF2 CMD	71	72	SIF2 SCK	(6/12)
(6/12)	PB LTC	73	74	LTC SOURCE	(6/12)
(6/12)	LTC OUT	75	76	REC LTC	(6/12)
(5/12)	L:REC OUT	77	78	N.C	
(5/12)	CTL EXIST	79	80	BATTERY ALARM	(5/12)
	N.C	81	82	N.C	
	N.C	83	84	N.C	
	N.C	85	86	N.C	
	N.C	87	88	N.C	
(6/12)	PAD 0	89	90	PAD 1	(6/12)
(6/12)	PAD 2	91	92	PAD 3	(6/12)
(6/12)	PAD 4	93	94	PAD 5	(6/12)
(6/12)	PAD 6	95	96	PAD 7	(6/12)
(12/12)	REG +2V	97	98	REG +2V	(12/12)
(12/12)	REG +2V	99	100	REG +2V	(12/12)
(12/12)	REG +2V	101	102	REG +2V	(12/12)
(12/12)	REG +2V	103	104	REG +2V	(12/12)
(12/12)	REG -2V	105	106	REG -2V	(12/12)
(12/12)	REG -2V	107	108	REG -2V	(12/12)
(12/12)	REG +15V-2	109	110	REG +15V-2	(12/12)
(12/12)	REG +15V-2	111	112	REG +15V-2	(12/12)
(12/12)	REG -15V-2	113	114	REG -15V-2	(12/12)
(12/12)	REG -15V-2	115	116	REG -15V-2	(12/12)
(12/12)	GND-2	117	118	GND-2	(12/12)
(12/12)	GND-2	119	120	GND-2	(12/12)
(12/12)	GND-2	121	122	GND-2	(12/12)
(12/12)	GND-2	123	124	GND-2	(12/12)

SS-75

SS-75

SS BOARD SHEET No.	CN111				SS BOARD SHEET No.
	SIGNAL NAME		SIGNAL NAME		
123-1, 117-1	(6/12) PRD	1	2	PWR	(6/12)
101-42, 123-3, 117-3	(6/12) PDIR	3	4	PCS 0	(6/12)
101-97, 123-5, 117-5	(6/12) PS 0	5	6	PS 1	(6/12)
123-7, 117-7	(6/12) PS 2	7	8	PS 3	(6/12)
123-9, 117-9	(6/12) PS 4	9	10	PS 5	(6/12)
123-11, 117-11	(6/12) PS 6	11	12	PS 7	(6/12)
101-100, 123-13, 117-13	(6/12) PSTB	13	14	SYS RESET 3.3V	(6/12)
122-87	(6/12) DIF AUS-8 CONT	15	16	DPR RESET	(5/12)
122-88	(5/12) DIF RESET	17	18	DPR SY JP0	(5/12)
122-81	(5/12) DJS CNT	19	20	N.C	(5/12)
122-83	(5/12) VIDEO IN SEL	21	22	RC SEL1	(5/12)
122-85	(5/12) RC SEL0	23	24	RC SEL2	(5/12)
117-16	(5/12) REF FRAME	25	26	CF PULSE	(5/12)
115-102	(5/12) SY FRAME	27	28	EO SY JP0	(5/12)
	N.C	29	30	EO SY JP1	
500-34, 115-103, 106-38	(6/12) SIF RDY	31	32	SIF RES	(6/12)
500-32, 115-99, 122-77, 106-36	(6/12) SIF CMD	33	34	SIF SCK	(6/12)
115-95	(6/12) APR CS	35	36	EO CS	(6/12)
500-29	(6/12) FP CS	37	38	PANEL CONTROL	(6/12)
122-79	(6/12) CG CS	39	40	VSP EXIST	(5/12)
115-58	(1/12) SYS RESET SV	41	42	DIF SY JP0	(5/12)
122-75	(6/12) RC LATCH	43	44	RC SIF EN	(6/12)
	N.C	45	46	N.C	
	N.C	47	48	N.C	
	N.C	49	50	N.C	
	N.C	51	52	N.C	
	N.C	53	54	N.C	
	N.C	55	56	N.C	
	N.C	57	58	N.C	
	N.C	59	60	N.C	
	N.C	61	62	N.C	
	N.C	63	64	DCP SY JP0	(5/12)
	N.C	65	66	N.C	
	N.C	67	68	N.C	
	N.C	69	70	N.C	
117-71	DPR SV JP0	71	72	DPR SV JP1	
	N.C	73	74	N.C	
	N.C	75	76	N.C	
	N.C	77	78	N.C	
180-3	(11/12) EXT FAN SENS1	79	80	EXT FAN SENS2	(11/12)
203-1	(11/12) REG FAN SENS	81	82	BOARD FAN SENS	(11/12)
	N.C	83	84	EO SV JP	
117-61, 106-56	(7/12) ADV AC ENV	85	86	ADV BD ENV	(7/12)
	N.C	87	88	N.C	
106-47	(11/12) EQ SPEED	89	90	REC AC ENV	(12/12)
116-37, 106-24	(12/12) L:FE A EN	91	92	L:FE B EN	(12/12)
116-31, 106-26	(12/12) REC AC SEL	93	94	REC BD SEL	(12/12)
116-35, 106-43	(12/12) CNF AC SEL	95	96	CNF BD SEL	(12/12)
116-33, 106-39	(12/12) ADV AC SEL	97	98	ADV BD SEL	(12/12)
116-77	(10/12) ERROR FLAG A	99	100	DT SEG A2	(10/12)
116-79	(10/12) DT SEG A0	101	102	DT SEG A1	(10/12)
116-81	(10/12) ERROR FLAG B	103	104	DT SEG B2	(10/12)
116-83	(10/12) DT SEG B0	105	106	DT SEG B1	(10/12)
101-21, 123-39, 117-69	(10/12) FIELD SELECT	107	108	DT DIRECTION	(10/12)
123-66, 116-76	(10/12) DT TRJMP	109	110	DT JUMP	(10/12)
116-85	(10/12) DT SEG A3	111	112	DT SEG B3	(10/12)
116-87	(10/12) EE AC SEL	113	114	DIRECTION	(10/12)
117-53, 106-32	(11/12) SV 1/2VD	115	116	PG REF	(10/12)
123-69	SLOW_FIELD	117	118	CAP 8FG	(10/12)
114-72, 106-27	(11/12) H:SV LOCK	119	120	H:DRUM LOCK	(11/12)
115-52	(11/12) H:CAPSTAN LOCK	121	122	L:DT LOCK	(10/12)
	N.C	123	124	N.C	

SS BOARD SHEET No.	CN112				SS BOARD SHEET No.
	SIGNAL NAME		SIGNAL NAME		
(12/12) GND-2	1	2	GND-2	(12/12)	
(12/12) GND-2	3	4	GND-2	(12/12)	
(12/12) GND-2	5	6	GND-2	(12/12)	
(12/12) GND-2	7	8	GND-2	(12/12)	
(12/12) REG +8V-2	9	10	REG +8V-2	(12/12)	
(12/12) REG +8V-2	11	12	REG +8V-2	(12/12)	
(12/12) REG -8V-2	13	14	REG -8V-2	(12/12)	
(12/12) REG -8V-2	15	16	REG -8V-2	(12/12)	
(12/12) REG +5V-2	17	18	REG +5V-2	(12/12)	
(12/12) REG +5V-2	19	20	REG +5V-2	(12/12)	
(12/12) REG +3.3V-2	21	22	REG +3.3V-2	(12/12)	
(12/12) REG +3.3V-2	23	24	REG +3.3V-2	(12/12)	
(12/12) REG +3.3V-2	25	26	REG +3.3V-2	(12/12)	
(12/12) REG +3.3V-2	27	28	REG +3.3V-2	(12/12)	
(12/12) REG +2.5V	29	30	REG +2.5V	(12/12)	
(12/12) REG +2.5V	31	32	REG +2.5V	(12/12)	
(12/12) REG +1.2V	33	34	REG +1.2V	(12/12)	
(12/12) REG +1.2V	35	36	REG +1.2V	(12/12)	
(12/12) REG -5V	37	38	REG -5V	(12/12)	
(12/12) REG -5V	39	40	REG -5V	(12/12)	
N.C	41	42	N.C		
N.C	43	44	N.C		
N.C	45	46	N.C		
N.C	47	48	N.C		
N.C	49	50	N.C		
N.C	51	52	N.C		
N.C	53	54	N.C		
N.C	55	56	N.C		
N.C	57	58	N.C		
N.C	59	60	N.C		
N.C	61	62	N.C		
N.C	63	64	N.C		
N.C	65	66	N.C		
N.C	67	68	N.C		
N.C	69	70	N.C		
N.C	71	72	N.C		
N.C	73	74	N.C		
N.C	75	76	N.C		
N.C	77	78	N.C		
N.C	79	80	N.C		
302-7	(11/12) TAPE BEGIN	81	82	TAPE END	(11/12)
117-42	(11/12) CTL SIG	83	84	SWITCHED CTL	(11/12)
302-11	(11/12) H:CTL REC	85	86	SC RDY	(11/12)
302-13	(11/12) SHAPED THREADING FG	87	88	REC CTL	(11/12)
302-15	(11/12) CAPSTAN FG (A) NORM	89	90	CAPSTAN FG (B) NORM	(11/12)
302-17	(11/12) CAPSTAN FG (A)	91	92	CAPSTAN FG (B)	(11/12)
302-19	(11/12) SHAPED S REEL FG (A)	93	94	SHAPED S REEL FG (B)	(11/12)
302-21	(11/12) SHAPED T REEL FG (A)	95	96	SHAPED T REEL FG (B)	(11/12)
302-23	(5/12) SYS POWER CONT	97	98	L:DRUM REC EN	(5/12)
	N.C	99	100	N.C	
302-26	(11/12) DRUM FG	101	102	DRUM PG	(11/12)
	GND-2	103	104	GND-2	
302-30	(12/12) DRUM PWM	105	106	CAPSTAN PWM	(11/12)
302-32	(11/12) LOADING PWM	107	108	GND-2	
302-34	(11/12) S REEL PWM	109	110	T REEL PWM	(11/12)
302-36	(11/12) L:I/O RESET	111	112	CTL GAIN	(11/12)
302-41	(11/12) S REEL DIR	113	114	T REEL DIR	(11/12)
302-45	CAPSTAN DIR	115	116	SC1	(11/12)
302-4	(11/12) SC2	117	118	SCK	(11/12)
302-46	DR SS JP0	119	120	DR SS JP1	
302-48	(11/12) CAPSTAN CURRENT	121	122	TENSION SENSOR CUR	(11/12)
302-50	(11/12) S REEL CURRENT	123	124	T REEL CURRENT	(11/12)
302-52	(11/12) CAPSTAN FG (A) ANA	125	126	CAPSTAN FG (B) ANA	(11/12)
302-54	(11/12) S TENSION	127	128	T TENSION	(11/12)
302-57	(11/12) L:BUSY	129	130	CAPSTAN MOTOR DIR	(11/12)
	N.C	131	132	N.C	
	N.C	133	134	N.C	
201-1	(10/12) BIM DRIVE SIG (A)	135	136	BIM DRIVE SIG (B)	(10/12)
201-3	(9/12) BIM DRIVE (A)	137	138	BIM DRIVE (B)	(9/12)
201-5	(10/12) MODE SW	139	140	OFFSET	(9/12)
201-7	(9/12) SG A	141	142	SG B	(9/12)
201-9	(9/12) SG C	143	144	SG D	(9/12)
	(12/12) GND-2	145	146	GND-2	(12/12)
	(12/12) GND-2	147	148	GND-2	(12/12)

Mother Board
MB-697 (2/6)
 HDW-500
 BOARD NO. 1-664-912-11
 HDW-500 (J) : LOT NO. 611-
 HDW-500 (UC) : LOT NO. 707-
 B-WHDW500-MB-697-11

HDW-500 (J) : S/N 10001 and Higher
 HDW-500 (UC) : S/N 10001 and Higher

APR-32

MB-697 BOARD SHEET No.	REF. No.	CONNECTION
(1/6)	CN1	PSW-51
	CN101	DCP-11
	CN105	CUE-10
(2/6)	CN106	EQ-65
	CN110	SS-75
	CN111	
(3/6)	CN112	APR-32
	CN113	
	CN114	
(4/6)	CN115	DPR-89
	CN116	
	CN117	
(5/6)	CN118	DIF-43
	CN122	
	CN123	
(6/6)	CN124	RS-232C VIDEO CONTROL REMOTE IN REMOTE OUT CONTROL PANEL SWC-17D FAN MOTOR NC FAN MOTOR SW REG HN-249 SW REG DR-307 CP-299 (For J) CP-299A (For UC) CP-298 FP-103 VR-152
	CN130	
	CN131	
	CN132	
	CN133	
	CN134	
	CN148	
	CN150	
	CN155	
	CN180	
	CN181	
	CN190	
	CN201	
	CN205	
	CN201	
	CN202	
	CN203	
	CN206	
	CN302	
	CN400	
	CN401	
	CN402	
	CN403	
CN404		
CN407		
CN412		
CN413		
CN414		
CN500		
CN512		

APR BOARD SHEET No.	SIGNAL NAME	CN113	SIGNAL NAME	APR BOARD SHEET No.
(8/9)	GND-2	1	GND-2	(8/9)
(8/9)	GND-2	3	GND-2	(8/9)
(1/9)	CH-1 IN (X)	5	CH-1 IN (Y)	(1/9)
(1/9)	CH-1 IN (G)	7	CH-1 IN (G)	(1/9)
(1/9)	CH-2 IN (X)	9	CH-2 IN (Y)	(1/9)
(1/9)	CH-2 IN (G)	11	CH-2 IN (G)	(1/9)
(2/9)	CH-3 IN (X)	13	CH-3 IN (Y)	(2/9)
(2/9)	CH-3 IN (G)	15	CH-3 IN (G)	(2/9)
(2/9)	CH-4 IN (X)	17	CH-4 IN (Y)	(2/9)
(2/9)	CH-4 IN (G)	19	CH-4 IN (G)	(2/9)
	N.C	21	N.C	
	N.C	23	N.C	
	N.C	25	N.C	
	N.C	27	N.C	
	N.C	29	N.C	
	N.C	31	N.C	
	N.C	33	N.C	
	N.C	35	N.C	
	N.C	37	N.C	
	N.C	39	N.C	
	N.C	41	N.C	
	N.C	43	N.C	
	N.C	45	N.C	
	N.C	47	N.C	
	N.C	49	N.C	
	N.C	51	N.C	
	N.C	53	N.C	
(3/9)	CH-1 OUT (X)	55	CH-1 OUT (Y)	(3/9)
(3/9)	CH-1 OUT (G)	57	CH-1 OUT (G)	(3/9)
(3/9)	CH-2 OUT (X)	59	CH-2 OUT (Y)	(3/9)
(3/9)	CH-2 OUT (G)	61	CH-2 OUT (G)	(3/9)
(4/9)	CH-3 OUT (X)	63	CH-3 OUT (Y)	(4/9)
(4/9)	CH-3 OUT (G)	65	CH-3 OUT (G)	(4/9)
(4/9)	CH-4 OUT (X)	67	CH-4 OUT (Y)	(4/9)
(4/9)	CH-4 OUT (G)	69	CH-4 OUT (G)	(4/9)
(5/9)	MONITOR L OUT (X)	71	MONITOR L OUT (Y)	(5/9)
(5/9)	MONITOR L OUT (G)	73	MONITOR L OUT (G)	(5/9)
(5/9)	MONITOR R OUT (X)	75	MONITOR R OUT (Y)	(5/9)
(5/9)	MONITOR R OUT (G)	77	MONITOR R OUT (G)	(5/9)
(1/9)	CH-1 MIC ON/OFF	79	CH-2 MIC ON/OFF	(1/9)
(2/9)	CH-3 MIC ON/OFF	81	CH-4 MIC ON/OFF	(2/9)
(5/9)	CUE MONITOR (X)	83	CUE MONITOR (Y)	(5/9)
(5/9)	CUE MONITOR (G)	85	CUE MONITOR (G)	(5/9)
	N.C	87	N.C	
	N.C	89	N.C	
	N.C	91	N.C	
	N.C	93	N.C	
	N.C	95	N.C	
	REG +2V	97	REG +2V	
	REG +2V	99	REG +2V	
	REG +2V	101	REG +2V	
	REG +2V	103	REG +2V	
	REG -2V	105	REG -2V	
	REG -2V	107	REG -2V	
(8/9)	REG +15V-2	109	REG +15V-2	(8/9)
(8/9)	REG +15V-2	111	REG +15V-2	(8/9)
(8/9)	REG -15V-2	113	REG -15V-2	(8/9)
(8/9)	REG -15V-2	115	REG -15V-2	(8/9)
(8/9)	GND-2	117	GND-2	(8/9)
(8/9)	GND-2	119	GND-2	(8/9)
(8/9)	GND-2	121	GND-2	(8/9)
(8/9)	GND-2	123	GND-2	(8/9)

APR-32

APR BOARD SHEET No.	SIGNAL NAME	CN114	SIGNAL NAME	APR BOARD SHEET No.
	N.C	1	N.C	
	N.C	3	N.C	
	N.C	5	N.C	
	N.C	7	N.C	
	N.C	9	N.C	
	N.C	11	N.C	
	N.C	13	N.C	
	N.C	15	N.C	
	N.C	17	N.C	
	N.C	19	N.C	
	N.C	21	N.C	
	N.C	23	N.C	
	N.C	25	N.C	
	N.C	27	N.C	
	N.C	29	N.C	
	N.C	31	N.C	
	N.C	33	N.C	
	N.C	35	N.C	
	N.C	37	N.C	
	N.C	39	N.C	
	N.C	41	N.C	
	N.C	43	N.C	
	N.C	45	N.C	
	N.C	47	N.C	
	N.C	49	N.C	
105-41	CUE JPD	51	CUE JP1	105-42
116-88	DPR APR JP0	53	N.C	
512-1	(5/9) MONI L (X)	55	MONI L (G)	(5/9) 512-2
512-4	(5/9) MONI L VAR (G)	57	MONI L VAR (X)	(5/9) 512-3
512-5	(5/9) MONI R (X)	59	MONI R (G)	(5/9) 512-6
512-8	(5/9) MONI R VAR (G)	61	MONI R VAR (X)	(5/9) 512-7
	N.C	63	N.C	
500-7	(1/9) CH-1 REC GAIN	65	CH-2 REC GAIN	(1/9) 500-8
500-9	(2/9) CH-3 REC GAIN	67	CH-4 REC GAIN	(2/9) 500-10
500-11	(1/9) REC GAIN GND	69	REC GAIN GND	(1/9) 500-11
105-65	(7/9) CUE PEAK SIGNAL	71	H:SV LOCK	(7/9) 105-66
105-86	(7/9) CUE TEST	73	L:DT LOCK	(7/9) 105-87
105-87	(7/9) LTC ERASE DET	75	CUE TEST SIG (X)	(8/9) 105-73
105-89	(7/9) FULL ERASE DET	77	CUE ERASE DET	(7/9) 105-90
105-91	(7/9) CUE EE DET	79	CUE BIAS DET	(7/9) 105-92
105-93	(7/9) L:LTC EQ ON	81	CUE OUT DET	(7/9) 105-94
105-95	(7/9) H:CUE ERASE ON	83	H:LTC ERASE ON	(7/9) 105-96
105-97	(7/9) OSC H:OFF/L:ON	85	H:FULL ERASE ON	(7/9) 105-98
105-99	(7/9) LTC H:PB/L:REC	87	H:CUE BIAS ON	(7/9) 105-100
105-101	(7/9) H:LTC HPF ON	89	L:LTC EQ NORM	(7/9) 105-102
105-103	(7/9) H:CUE REC MUTE	91	H:LTC LPF ON	(7/9) 105-104
105-105	(7/9) H:CUE PB MUTE	93	CUE H:PB/L:EE	(7/9) 105-106
105-107	(7/9) CUE H:PB/L:REC	95	H:DIGITAL/L:ANALOG	(7/9) 105-108
105-109	(7/9) H:SLOW EQ ON	97	H:METAL/L:OXIDE	(7/9) 105-110
105-85, 500-23	(7/9) L:POWER ON MUTE	99	H:AUDIO ATT ON	(7/9) 105-112
	N.C	101	N.C	
	N.C	103	N.C	
	N.C	105	N.C	
	N.C	107	N.C	
	N.C	109	N.C	
	N.C	111	N.C	
	N.C	113	N.C	
	N.C	115	N.C	
	N.C	117	N.C	
	N.C	119	N.C	
	N.C	121	N.C	
	N.C	123	N.C	

APR-32

APR BOARD SHEET No.	SIGNAL NAME	CN115	SIGNAL NAME	APR BOARD SHEET No.
(8/9)	GND-2	1	GND-2	(8/9)
(8/9)	GND-2	3	GND-2	(8/9)
(8/9)	GND-2	5	GND-2	(8/9)
(8/9)	GND-2	7	GND-2	(8/9)
(8/9)	REG +8V-2	9	REG +8V-2	(8/9)
(8/9)	REG +8V-2	11	REG +8V-2	(8/9)
(8/9)	REG -8V-2	13	REG -8V-2	(8/9)
(8/9)	REG -8V-2	15	REG -8V-2	(8/9)
(8/9)	REG +5V-2	17	REG +5V-2	(8/9)
(8/9)	REG +5V-2	19	REG +5V-2	(8/9)
(8/9)	REG +3.3V-2	21	REG +3.3V-2	(8/9)
(8/9)	REG +3.3V-2	23	REG +3.3V-2	(8/9)
(8/9)	REG +3.3V-2	25	REG +3.3V-2	(8/9)
(8/9)	REG +3.3V-2	27	REG +3.3V-2	(8/9)
	REG +2.5V	29	REG +2.5V	
	REG +2.5V	31	REG +2.5V	
	REG +1.2V	33	REG +1.2V	
	REG +1.2V	35	REG +1.2V	
	REG -5V	37	REG -5V	
	REG -5V	39	REG -5V	
(6/9)	AES I 1/2 (X)	41	AES I 1/2 (Y)	(6/9) 404-13
(6/9)	AES I 1/2 (G)	43	N.C	(6/9) 404-14
(6/9)	AES I 3/4 (X)	45	AES I 3/4 (Y)	(6/9) 404-16
(6/9)	AES I 3/4 (G)	47	H:DRUM LOCK	(7/9) 111-120
(6/9)	AES O 1/2 (X)	49	AES O 1/2 (Y)	(6/9) 404-19
(6/9)	AES O 1/2 (G)	51	H:CAPSTAN LOCK	(7/9) 111-121
(6/9)	AES O 3/4 (X)	53	AES O 3/4 (Y)	(6/9) 404-22
(6/9)	AES O 3/4 (G)	55	N.C	
(7/9)	AUDIO LOCK	57	58 SYS RESET 5V	(7/9) 111-41
	N.C	59	60 N.C	
(9/9)	APR 512FS/48	61	62 APR 64FS/48	(9/9) 117-56
(9/9)	APR 256FS/48	63	64 N.C	
(9/9)	APR 128FS/48	65	66 APR 256FS/47	(9/9) 117-49
(9/9)	APR FS/48	67	68 APR 64FS/47	(9/9) 117-55
	N.C	69	70 N.C	
	N.C	71	72 APR FS/47	(9/9) 117-57
(9/9)	AD R 1/2	73	74 DA T 1/2	(9/9) 123-46
(9/9)	AD R 3/4	75	76 DA T 3/4	(9/9) 123-48
(9/9)	AES R 1/2	77	78 AES T 1/2	(9/9) 123-50
(9/9)	AES R 3/4	79	80 AES T 3/4	(9/9) 123-52
(9/9)	AES MUTE 1/2	81	82 MON L/R	(9/9) 123-58
(9/9)	AES MUTE 3/4	83	84 AU SR START	(7/9) 123-62
(7/9)	FL CS	85	86 AU SR CLOCK	(7/9) 123-61
(7/9)	FL RDY	87	88 AU SR OUT	(7/9) 123-60
(7/9)	FL SCK	89	90 AU SR IN	(7/9) 123-59
(7/9)	FL RES	91	92 POWER ON PULSE	(7/9) 123-57
(7/9)	FL CMD	93	94 64FS AES	(9/9) 123-55
(7/9)	APR CS	95	96 FS AES	(9/9) 123-56
(7/9)	SIF SCK	97	98 64FS AES-1	(9/9) 123-43
(7/9)	SIF CMD	99	100 FS AES-1	(9/9) 123-44
(7/9)	SIF RES	101	102 SV FRAME	(7/9) 111-27
(7/9)	SIF RDY	103	104 APR DIF JP0	(7/9) 123-63
	N.C	105	106 APR DIF JP1	
	N.C	107	108 N.C	
	N.C	109	110 N.C	
	N.C	111	112 N.C	
	N.C	113	114 N.C	
	N.C	115	116 N.C	
	N.C	117	118 N.C	
	N.C	119	120 N.C	
	N.C	121	122 N.C	
	N.C	123	124 N.C	
	N.C	125	126 N.C	
	N.C	127	128 N.C	
	N.C	129	130 N.C	
	N.C	131	132 N.C	
	N.C	133	134 N.C	
	N.C	135	136 N.C	
	N.C	137	138 N.C	
	N.C	139	140 N.C	
	N.C	141	142 N.C	
	N.C	143	144 N.C	
(8/9)	GND-2	145	GND-2	(8/9)
(8/9)	GND-2	147	GND-2	(8/9)

Mother Board
MB-697 (3/6)
 HDW-500
 BOARD NO. 1-664-912-11
 HDW-500 (J) : LOT NO. 611-
 HDW-500 (UC) : LOT NO. 707-
 B-WHDW500-MB-697-11

1

2

3

4

5

HDW-500 (J) : S/N 10001 and Higher
 HDW-500 (UC): S/N 10001 and Higher

DPR-89

DPR-89

DPR-89

MB-697 BOARD SHEET No.	REF No.	CONNECTION
(1/6)	CN1	PSW-51
	CN101	DCP-11
	CN105	CUE-10
(2/6)	CN106	EQ-65
	CN110	
	CN111	SS-75
(3/6)	CN112	
	CN113	
	CN114	APR-32
(4/6)	CN115	
	CN116	
	CN117	DPR-89
(5/6)	CN118	
	CN122	
	CN123	DIF-43
(6/6)	CN124	
	CN130	RS-232C
	CN131	VIDEO CONTROL
	CN132	REMOTE I/N
	CN133	REMOTE OUT
	CN134	CONTROL PANEL
	CN148	SWC-17D
	CN150	FAN MOTOR
	CN155	NC
	CN180	FAN MOTOR
	CN181	
	CN190	SW REG
	CN201	HN-249
	CN205	
	CN201	
	CN202	SW REG
	CN203	
	CN206	
	CN302	DR-307
	CN400	
CN401		
CN402		
CN403	CP-299 (For J)	
CN404	CP-299A (For UC)	
CN407		
CN412		
CN413	CP-298	
CN414		
CN500	FP-103	
CN512	VR-152	

DPR BOARD SHEET No.	CN116	SIGNAL NAME	DPR BOARD SHEET No.
-2	GND-2	1 2 GND-2	-2
-2	GND-2	3 4 GND-2	-2
106-76	(4/17) REC AC DATA (X)	5 6 REC AC DATA (Y)	(4/17)
106-78	(4/17) REC BD DATA (X)	7 8 REC BD DATA (Y)	(4/17)
106-80	GND-2	9 10 GND-2	-2
106-74	(4/17) REC CK (X)	11 12 REC CK (Y)	(4/17)
106-72	(4/17) REC CK (I)	13 14 REC CK (O)	(4/17)
106-64	(4/17) METRIC ADV AC	15 16 METRIC ADV BD	(4/17)
106-17	(4/17) MPX (X)	17 18 MPX (Y)	(4/17)
106-19	(4/17) MPX (I)	19 20 MPX (O)	(4/17)
106-21	(4/17) MPX CK (X)	21 22 MPX CK (Y)	(4/17)
106-66	(4/17) METRIC CNF AC	23 24 METRIC CNF BD	(4/17)
106-82	(4/17) L.REC A EN	25 26 L.REC B EN	(4/17)
106-81	(4/17) L.REC C EN	27 28 L.REC D EN	(4/17)
106-26, 111-93	(4/17) REC AC SEL	29 30 REC BD SEL	(4/17)
106-39, 111-97	(4/17) ADV AC SEL	31 32 ADV BD SEL	(4/17)
106-43, 111-95	(4/17) CNF AC SEL	33 34 CNF BD SEL	(4/17)
106-24, 111-91	(4/17) L.FE A EN	35 36 L.FE B EN	(4/17)
-2	GND-2	37 38 GND-2	-2
106-94	(5/17) ADV BD DATA (X)	39 40 ADV BD DATA (Y)	(5/17)
106-96	(5/17) ADV BD DATA (I)	41 42 ADV BD DATA (O)	(5/17)
106-98	(5/17) ADV BD CK (X)	43 44 ADV BD CK (Y)	(5/17)
106-55	(5/17) EQ DPR JP0	45 46 EQ DPR JP1	(5/17)
106-86	(5/17) ADV AC DATA (X)	47 48 ADV AC DATA (Y)	(5/17)
106-88	(5/17) ADV AC DATA (I)	49 50 ADV AC DATA (O)	(5/17)
106-90	(5/17) ADV AC CK (X)	51 52 ADV AC CK (Y)	(5/17)
106-91	(5/17) EQ DPR JP2	53 54 EQ DPR JP3	(5/17)
106-108	(5/17) CNF BD DATA (X)	55 56 CNF BD DATA (Y)	(5/17)
106-110	(5/17) CNF BD DATA (I)	57 58 CNF BD DATA (O)	(5/17)
106-112	(5/17) CNF BD CK (X)	59 60 CNF BD CK (Y)	(5/17)
-2	GND-2	61 62 GND-2	-2
106-100	(5/17) CNF AC DATA (X)	63 64 CNF AC DATA (Y)	(5/17)
106-102	(5/17) CNF AC DATA (I)	65 66 CNF AC DATA (O)	(5/17)
106-104	(5/17) CNF AC CK (X)	67 68 CNF AC CK (Y)	(5/17)
-2	GND-2	69 70 GND-2	-2
123-65, 111-108	(5/17) DT DIRECTION	71 72 DT JUMP	(5/17)
123-67, 111-114	(5/17) DIRECTION	73 74 DT TRJMP	(5/17)
111-99	(5/17) ERROR FLAG A	75 76 DT SEG A2	(5/17)
111-101	(5/17) DT SEG A0	77 78 DT SEG A1	(5/17)
111-103	(5/17) ERROR FLAG B	79 80 DT SEG B2	(5/17)
111-105	(5/17) DT SEG B0	81 82 DT SEG B1	(5/17)
111-111	(5/17) DT SEG A3	83 84 DT SEG B3	(5/17)
111-113	(4/17) EE AC SEL	85 86 DPR APR JP0	(4/17)
101-101, 122-89, 110-89	(17/17) PAD 0	87 88 PAD 1	(17/17)
101-103, 122-91, 110-91	(17/17) PAD 2	89 90 PAD 3	(17/17)
101-105, 122-93, 110-93	(17/17) PAD 4	91 92 PAD 5	(17/17)
101-107, 122-95, 110-95	(17/17) PAD 6	93 94 PAD 7	(17/17)
2V	(17/17) REG +2V	95 96 REG +2V	(17/17)
2V	(17/17) REG +2V	97 98 REG +2V	(17/17)
2V	(17/17) REG +2V	99 100 REG +2V	(17/17)
2V	(17/17) REG +2V	101 102 REG +2V	(17/17)
-2V	(17/17) REG -2V	103 104 REG -2V	(17/17)
-2V	(17/17) REG -2V	105 106 REG -2V	(17/17)
15V-2	(17/17) REG +15V-2	107 108 REG +15V-2	(17/17)
15V-2	(17/17) REG +15V-2	109 110 REG +15V-2	(17/17)
-15V-2	(17/17) REG -15V-2	111 112 REG -15V-2	(17/17)
-15V-2	(17/17) REG -15V-2	113 114 REG -15V-2	(17/17)
-2	(17/17) GND-2	115 116 GND-2	(17/17)
-2	(17/17) GND-2	117 118 GND-2	(17/17)
-2	(17/17) GND-2	119 120 GND-2	(17/17)
-2	(17/17) GND-2	121 122 GND-2	(17/17)
-2	(17/17) GND-2	123 124 GND-2	(17/17)

DPR BOARD SHEET No.	CN117	SIGNAL NAME	DPR BOARD SHEET No.
123-1, 111-1	(17/17) PRD	1 2 PWR	(17/17)
101-42, 123-3, 111-3	(17/17) PDIR	3 4 PCS 0	(17/17)
101-97, 123-5, 111-5	(17/17) PS 0	5 6 PS 1	(17/17)
123-7, 111-7	(17/17) PS 2	7 8 PS 3	(17/17)
123-9, 111-9	(17/17) PS 4	9 10 PS 5	(17/17)
123-11, 111-11	(17/17) PS 6	11 12 PS 7	(17/17)
101-100, 123-13, 111-13	(17/17) PSTB	13 14 SYS RESET 3.3V	(17/17)
111-26	(14/17) CF PULSE	15 16 REF FRAME	(14/17)
106-63	(6/17) AU ADV12	17 18 AU ADV34	(6/17)
123-19	(6/17) AU ADV STO	19 20 AU CNF STO	(6/17)
106-20	(6/17) AU CNF12	21 22 AU CNF34	(6/17)
106-40, 110-77	(4/17) L.REC OUT	23 24 AU IN 12	(4/17)
115-57, 123-25	(14/17) AUDIO LOCK	25 26 AU IN 34	(14/17)
123-27	(14/17) DIF HD	27 28 DIF VD	(14/17)
123-29	(14/17) DIF 256FS/47	29 30 DIF 512FS/47	(14/17)
123-31	(14/17) DIF 64FS/47	31 32 DIF FS/47	(14/17)
123-35	(14/17) DIF 512FS/48	33 34 DIF 256FS/48	(14/17)
115-65	(14/17) APR 128FS/48	35 36 DIF 64FS/48	(14/17)
123-37	(14/17) DIF FS/48	37 38 PB LTC	(14/17)
101-25	(14/17) DCP 128FS	39 40 DCP 64FS	(14/17)
101-27	(14/17) DCP FS	41 42 CTL S1G	(14/17)
101-40	(14/17) CK27	43 44 SWITCHED CTL	(14/17)
101-38	(14/17) V525	45 46 V525	(14/17)
101-39	(14/17) H525	47 48 CF1	(14/17)
115-66	(14/17) APR 256FS/47	49 50 CFO	(14/17)
115-61	(14/17) APR 512FS/48	51 52 APR 256FS/48	(14/17)
106-32, 111-115	(14/17) APR 64FS/47	53 54 PG REF	(14/17)
115-68	(14/17) APR FS/47	55 56 APR 64FS/48	(14/17)
115-72	(14/17) APR FS/48	57 58 APR FS/48	(14/17)
106-60	(14/17) CNF AC ENV	59 60 CNF BD ENV	(14/17)
106-56, 111-85	(14/17) ADV AC ENV	61 62 ADV BD ENV	(14/17)
106-42	(14/17) REC AC RF (X)	63 64 REC AC RF (I)	(14/17)
106-46	(14/17) REC BD RF (X)	65 66 REC BD RF (I)	(14/17)
111-18	(17/17) DPR SY JP0	67 68 DPR RESET	(17/17)
101-21, 123-39, 111-107	(17/17) FIELD SELECT	69 70 D1 VIDEO 10/8	(17/17)
111-71	(17/17) DPR SV JP0	71 72 DPR SV JP1	(17/17)
123-73	(11/17) DUB Y9 (X)	73 74 DUB Y9 (Y)	(11/17)
123-75	(11/17) DUB Y8 (X)	75 76 DUB Y8 (Y)	(11/17)
123-77	(11/17) DUB Y7 (X)	77 78 DUB Y7 (Y)	(11/17)
123-79	(11/17) DUB Y6 (X)	79 80 DUB Y6 (Y)	(11/17)
123-81	(11/17) DUB Y5 (X)	81 82 DUB Y5 (Y)	(11/17)
123-83	(11/17) DUB Y4 (X)	83 84 DUB Y4 (Y)	(11/17)
123-85	(11/17) DUB Y3 (X)	85 86 DUB Y3 (Y)	(11/17)
123-87	(11/17) DUB Y2 (X)	87 88 DUB Y2 (Y)	(11/17)
123-89	(11/17) DUB Y1 (X)	89 90 DUB Y1 (Y)	(11/17)
123-91	(11/17) DUB Y0 (X)	91 92 DUB Y0 (Y)	(11/17)
-2	GND-2	93 94 GND-2	-2
123-95	(11/17) DUB C9 (X)	95 96 DUB C9 (Y)	(11/17)
123-97	(11/17) DUB C8 (X)	97 98 DUB C8 (Y)	(11/17)
123-99	(11/17) DUB C7 (X)	99 100 DUB C7 (Y)	(11/17)
123-101	(11/17) DUB C6 (X)	101 102 DUB C6 (Y)	(11/17)
123-103	(11/17) DUB C5 (X)	103 104 DUB C5 (Y)	(11/17)
123-105	(11/17) DUB C4 (X)	105 106 DUB C4 (Y)	(11/17)
123-107	(11/17) DUB C3 (X)	107 108 DUB C3 (Y)	(11/17)
123-109	(11/17) DUB C2 (X)	109 110 DUB C2 (Y)	(11/17)
123-111	(11/17) DUB C1 (X)	111 112 DUB C1 (Y)	(11/17)
123-113	(11/17) DUB C0 (X)	113 114 DUB C0 (Y)	(11/17)
123-115	(11/17) DUB HD (X)	115 116 DUB HD (Y)	(11/17)
123-117	(11/17) DUB FRAME (X)	117 118 DUB FRAME (Y)	(11/17)
123-119	(11/17) PB HD (X)	119 120 PB HD (Y)	(11/17)
123-121	(11/17) PB FRAME (X)	121 122 PB FRAME (Y)	(11/17)
123-123	(11/17) DPR DIF JP2	123 124 DPR DIF JP3	(11/17)

DPR BOARD SHEET No.	CN118	SIGNAL NAME	DPR BOARD SHEET No.
-2	(17/17) GND-2	1 2 GND-2	(17/17)
-2	(17/17) GND-2	3 4 GND-2	(17/17)
-2	(17/17) GND-2	5 6 GND-2	(17/17)
-2	(17/17) GND-2	7 8 GND-2	(17/17)
8V-2	(17/17) REG +8V-2	9 10 REG +8V-2	(17/17)
8V-2	(17/17) REG +8V-2	11 12 REG +8V-2	(17/17)
-8V-2	(17/17) REG -8V-2	13 14 REG -8V-2	(17/17)
-8V-2	(17/17) REG -8V-2	15 16 REG -8V-2	(17/17)
5V-2	(17/17) REG +5V-2	17 18 REG +5V-2	(17/17)
5V-2	(17/17) REG +5V-2	19 20 REG +5V-2	(17/17)
3.3-2	(17/17) REG +3.3V-2	21 22 REG +3.3V-2	(17/17)
3.3-2	(17/17) REG +3.3V-2	23 24 REG +3.3V-2	(17/17)
3.3-2	(17/17) REG +3.3V-2	25 26 REG +3.3V-2	(17/17)
3.3-2	(17/17) REG +3.3V-2	27 28 REG +3.3V-2	(17/17)
2.5V	(17/17) REG +2.5V	29 30 REG +2.5V	(17/17)
2.5V	(17/17) REG +2.5V	31 32 REG +2.5V	(17/17)
1.2V	(17/17) REG +1.2V	33 34 REG +1.2V	(17/17)
1.2V	(17/17) REG +1.2V	35 36 REG +1.2V	(17/17)
-5V	(17/17) REG -5V	37 38 REG -5V	(17/17)
-5V	(17/17) REG -5V	39 40 REG -5V	(17/17)
124-41	(11/17) PB Y9 (X)	41 42 PB Y9 (Y)	(11/17)
124-43	(11/17) PB Y8 (X)	43 44 PB Y8 (Y)	(11/17)
124-45	(11/17) PB Y7 (X)	45 46 PB Y7 (Y)	(11/17)
124-47	(11/17) PB Y6 (X)	47 48 PB Y6 (Y)	(11/17)
124-49	(11/17) PB Y5 (X)	49 50 PB Y5 (Y)	(11/17)
124-51	(11/17) PB Y4 (X)	51 52 PB Y4 (Y)	(11/17)
124-53	(11/17) PB Y3 (X)	53 54 PB Y3 (Y)	(11/17)
124-55	(11/17) PB Y2 (X)	55 56 PB Y2 (Y)	(11/17)
124-57	(11/17) PB Y1 (X)	57 58 PB Y1 (Y)	(11/17)
124-59	(11/17) PB Y0 (X)	59 60 PB Y0 (Y)	(11/17)
-2	GND-2	61 62 GND-2	-2
124-63	(11/17) PB C9 (X)	63 64 PB C9 (Y)	(11/17)
124-65	(11/17) PB C8 (X)	65 66 PB C8 (Y)	(11/17)
124-67	(11/17) PB C7 (X)	67 68 PB C7 (Y)	(11/17)
124-69	(11/17) PB C6 (X)	69 70 PB C6 (Y)	(11/17)
124-71	(11/17) PB C5 (X)	71 72 PB C5 (Y)	(11/17)
124-73	(11/17) PB C4 (X)	73 74 PB C4 (Y)	(11/17)
124-75	(11/17) PB C3 (X)	75 76 PB C3 (Y)	(11/17)
124-77	(11/17) PB C2 (X)	77 78 PB C2 (Y)	(11/17)
124-79	(11/17) PB C1 (X)	79 80 PB C1 (Y)	(11/17)
124-81	(11/17) PB C0 (X)	81 82 PB C0 (Y)	(11/17)
124-83	(11/17) PB CK74 (X)	83 84 PB CK74 (Y)	(11/17)
-2	GND-2	85 86 GND-2	-2
124-87	(11/17) REC VD (X)	87 88 REC VD (Y)	(11/17)
124-89	(11/17)		

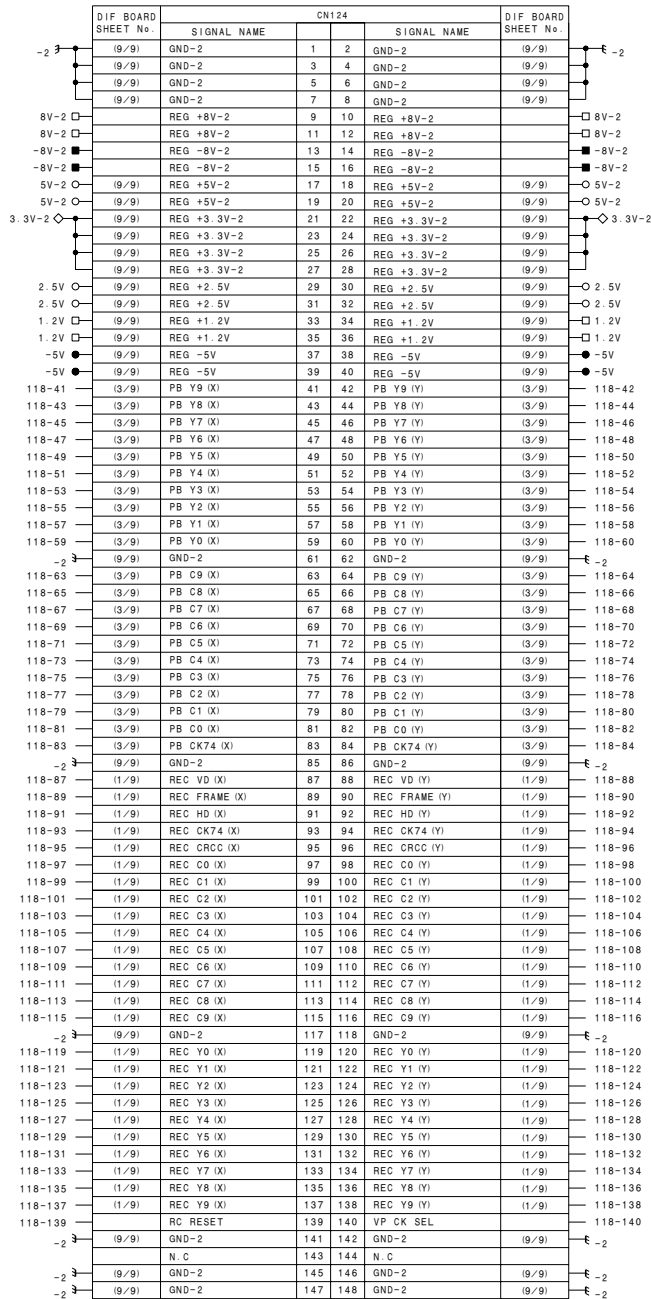
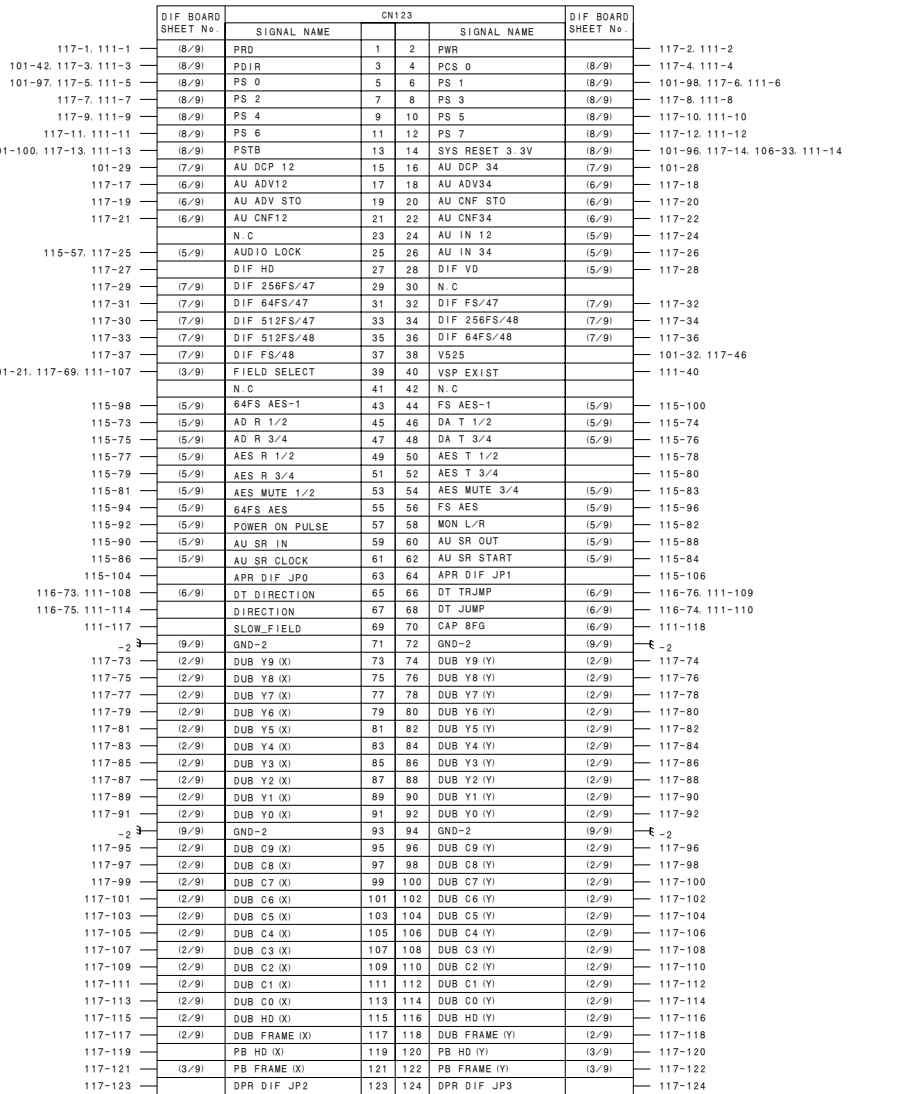
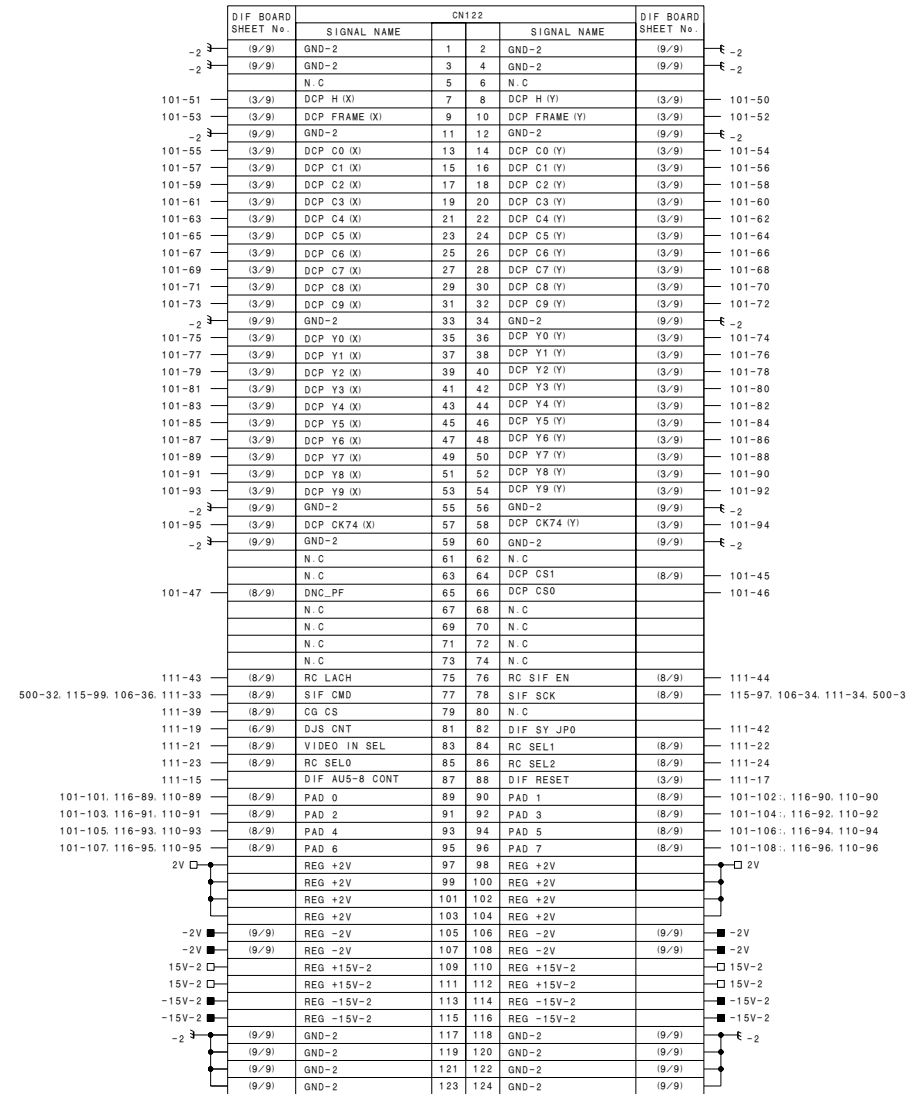
HDW-500 (J) : S/N 10001 and Higher
 HDW-500 (UC) : S/N 10001 and Higher

DIF-43

DIF-43

DIF-43

MB-697 BOARD SHEET No.	REF. No.	CONNECTION
(1/6)	CN1	PSW-51
	CN101	DCP-11
	CN105	CUE-10
(2/6)	CN106	EO-65
	CN110	
	CN111	SS-75
(3/6)	CN114	APR-32
	CN115	
	CN116	DPR-89
(4/6)	CN117	
	CN118	
	CN122	DIF-43
(5/6)	CN123	
	CN124	
	CN130	RS-232C
(6/6)	CN131	VIDEO CONTROL
	CN132	REMOTE IN
	CN133	REMOTE OUT
	CN134	CONTROL PANEL
	CN148	SWC-17D
	CN150	FAN MOTOR
	CN155	NC
	CN180	FAN MOTOR
	CN181	
	CN190	SW REG
	CN201	HN-249
	CN205	
	CN201	SW REG
	CN202	
	CN206	
	CN302	DR-307
	CN400	
	CN401	
	CN402	CP-299 (For J)
	CN403	CP-299A (For UC)
	CN404	
	CN407	
	CN412	
	CN413	CP-298
	CN414	
	CN500	FP-103
	CN512	VR-152



Mother Board
MB-697 (5/6)
 HDW-500
 BOARD NO. 1-

HDW-500 (J) : S/N 10001 and Higher
 HDW-500 (UC): S/N 10001 and Higher

1

2

3

4

5

MB-697 BOARD		CONNECTION
SHEET No.	REF. No.	
(1/6)	CN1	PSW-51
	CN101	DCP-11
	CN105	CUE-10
(2/6)	CN106	EO-65
	CN110	SS-75
	CN111	
(3/6)	CN113	APR-32
	CN114	
	CN115	
(4/6)	CN116	DPR-89
	CN117	
	CN118	
(5/6)	CN122	DIF-43
	CN123	
	CN124	
(6/6)	CN130	RS-232C
	CN131	VIDEO CONTROL
	CN132	REMOTE IN
	CN133	REMOTE OUT
	CN134	CONTROL PANEL
	CN148	SWC-17D
	CN150	FAN MOTOR
	CN155	NC
	CN180	FAN MOTOR
	CN181	FAN MOTOR
	CN190	SW REG
	CN201	HN-249
	CN205	REG +8V-2
	CN201	SW REG
	CN202	SW REG
	CN203	SW REG
	CN206	DR-307
	CN400	
	CN401	CP-299 (For J) CP-299A (For UC)
	CN402	CP-299 (For J) CP-299A (For UC)
CN403		
CN404		
CN407		
CN412	CP-298	
CN413		
CN414		
CN500	FP-103	
CN512	VR-152	

SW REG

CN190		SW REG BOARD SHEET No.	
SIGNAL NAME			
1 BATTERY ALARM	(1/1)		110-80
2 REG +8V	(1/1)		8V
3 GND-2	(1/1)		-2

SW REG

CN201		SW REG BOARD SHEET No.	
SIGNAL NAME			
1 REG -15V	(1/1)		-15V
2 REG +15V	(1/1)		15V
3 GND	(1/1)		ε
4 GND	(1/1)		
5 GND	(1/1)		
6 GND	(1/1)		
7 REG +3.3V	(1/1)		3.3V
8 REG +5V	(1/1)		5V
9 REG -8V	(1/1)		-8V
10 REG +8V	(1/1)		8V

SW REG

CN202		SW REG BOARD SHEET No.	
SIGNAL NAME			
1 REG +3.3V-2	(1/1)		3.3V-2
2 REG +3.3V-2	(1/1)		3.3V-2
3 REG +5V-2	(1/1)		5V-2
4 REG -8V-2	(1/1)		-8V-2
5 REG +8V-2	(1/1)		8V-2
6 GND-2	(1/1)		-2
7 GND-2	(1/1)		
8 GND-2	(1/1)		

SW REG

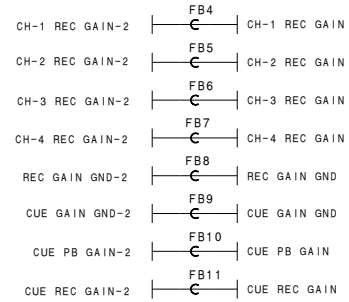
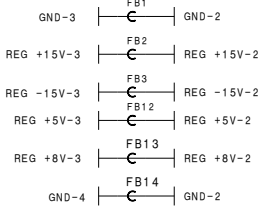
CN206		SW REG BOARD SHEET No.	
SIGNAL NAME			
1 GND-2	(1/1)		-2
2 GND-2	(1/1)		-2
3 REG -15V-2	(1/1)		-15V-2
4 REG +15V-2	(1/1)		15V-2

SW REG

CN203		SW REG BOARD SHEET No.	
SIGNAL NAME			
1 UNREG +18V	(1/1)		18V
2 UNREG GND	(1/1)		-3
3 REG FAN SENS	(1/1)		

FP-103

CN500		FP-103 BOARD SHEET No.	
SIGNAL NAME			
1 GND-2	(1/1)		-2
2 GND-2	(1/1)		-2
3 REG +15V-2	(1/1)		15V-2
4 REG +15V-2	(1/1)		15V-2
5 REG -15V-2	(1/1)		-15V-2
6 REG -15V-2	(1/1)		-15V-2
7 CH-1 REC GAIN	(1/1)		114-65
8 CH REC GAIN	(1/1)		114-66
9 CH-3 REC GAIN	(1/1)		114-67
10 CH-4 REC GAIN	(1/1)		114-68
11 REC GAIN GND	(1/1)		114-69, 114-70
12 CUE GAIN GND	(1/1)		105-47, 105-48
13 CUE PB GAIN	(1/1)		105-45
14 CUE REC GAIN	(1/1)		105-46
15 N.C	(1/1)		
16 N.C	(1/1)		
17 N.C	(1/1)		
18 N.C	(1/1)		
19 N.C	(1/1)		
20 N.C	(1/1)		
21 N.C	(1/1)		
22 N.C	(1/1)		
23 L: POWER ON MUTE	(1/1)		105-85, 114-99
24 FL CS	(1/1)		115-85
25 FL SCK	(1/1)		115-89
26 FL RES	(1/1)		115-91
27 FL CMD	(1/1)		115-93
28 FL RDY	(1/1)		115-87
29 FP CS	(1/1)		111-37
30 SYS RESET 5V	(1/1)		404-29
31 SIF RES	(1/1)		106-29, 111-32, 115-101
32 SIF CMD	(1/1)		106-36, 111-33, 115-99, 122-77
33 SIF SCK	(1/1)		106-34, 111-34, 115-97, 122-78
34 SIF RDY	(1/1)		106-38, 111-31, 115-103
35 REG +5V-2	(1/1)		5V-2
36 REG +5V-2	(1/1)		5V-2
37 REG +8V-2	(1/1)		8V-2
38 REG +8V-2	(1/1)		8V-2
39 GND-2	(1/1)		-2
40 GND-2	(1/1)		-2



NC

CN155		NC SHEET No.	
SIGNAL NAME			
1 UNREG +18V	(1/1)		18V
2 UNREG GND	(1/1)		-3
3 N.C	(1/1)		

FAN MOTOR1

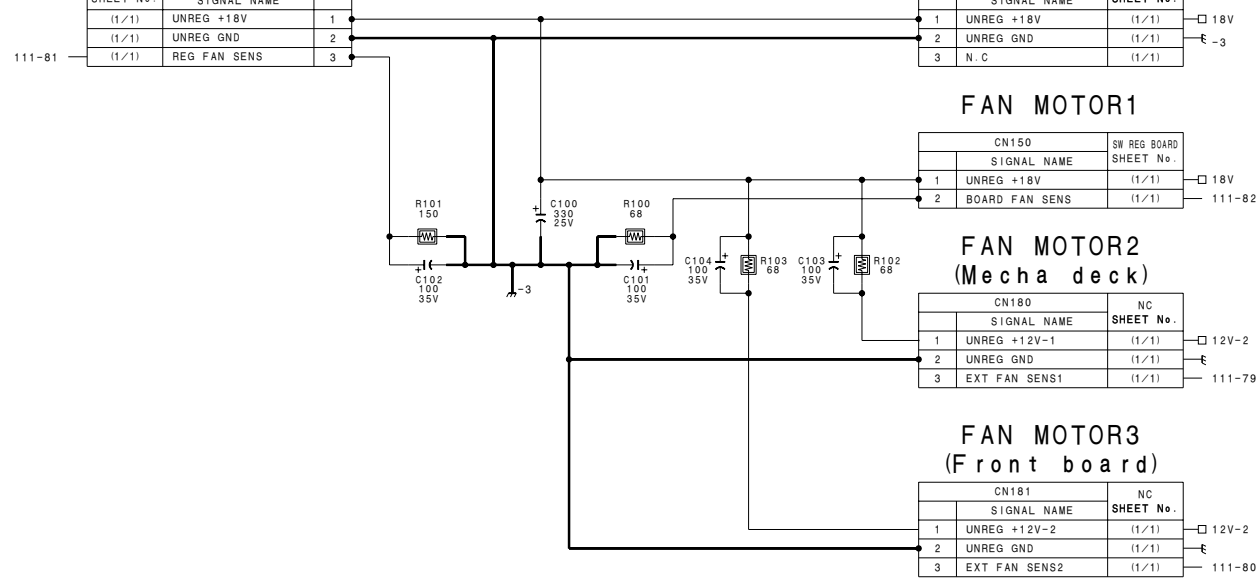
CN150		SW REG BOARD SHEET No.	
SIGNAL NAME			
1 UNREG +18V	(1/1)		18V
2 BOARD FAN SENS	(1/1)		111-82

FAN MOTOR2 (Mecha deck)

CN180		NC SHEET No.	
SIGNAL NAME			
1 UNREG +12V-1	(1/1)		12V-2
2 UNREG GND	(1/1)		ε
3 EXT FAN SENS1	(1/1)		111-79

FAN MOTOR3 (Front board)

CN181		NC SHEET No.	
SIGNAL NAME			
1 UNREG +12V-2	(1/1)		12V-2
2 UNREG GND	(1/1)		ε
3 EXT FAN SENS2	(1/1)		111-80



CP-299 (For J)
 CP-299A (For UC)

CN400		CP-299 BOARD SHEET No.	
SIGNAL NAME			
1 CH-4 IN (G)	(1/1)		113-19, 113-20
2 CH-4 IN (Y)	(1/1)		113-18
3 CH-4 IN (X)	(1/1)		113-17
4 CH-3 IN (G)	(1/1)		113-15, 113-16
5 CH-3 IN (Y)	(1/1)		113-14
6 CH-3 IN (X)	(1/1)		113-13
7 CH-2 IN (G)	(1/1)		113-11, 113-12
8 CH-2 IN (Y)	(1/1)		113-10
9 CH-2 IN (X)	(1/1)		113-9
10 CH-1 IN (G)	(1/1)		113-7, 113-8
11 CH-1 IN (Y)	(1/1)		113-6
12 CH-1 IN (X)	(1/1)		113-5
13 N.C	(1/1)		

CP-299 (For J)
 CP-299A (For UC)

CN401		CP-299 BOARD SHEET No.	
SIGNAL NAME			
1 CH-4 OUT (G)	(1/1)		113-69, 113-70
2 CH-4 OUT (Y)	(1/1)		113-68
3 CH-4 OUT (X)	(1/1)		113-67
4 CH-3 OUT (G)	(1/1)		113-65, 113-66
5 CH-3 OUT (Y)	(1/1)		113-64
6 CH-3 OUT (X)	(1/1)		113-63
7 CH-2 OUT (G)	(1/1)		113-61, 113-62
8 CH-2 OUT (Y)	(1/1)		113-60
9 CH-2 OUT (X)	(1/1)		113-59
10 CH-1 OUT (G)	(1/1)		113-57, 113-58
11 CH-1 OUT (Y)	(1/1)		113-56
12 CH-1 OUT (X)	(1/1)		113-55

CP-299 (For J)
 CP-299A (For UC)

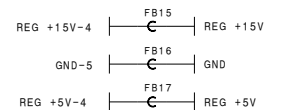
CN402		CP-299 BOARD SHEET No.	
SIGNAL NAME			
1 CUE IN (X)	(1/1)		105-51
2 CUE IN (Y)	(1/1)		105-52
3 CUE IN (G)	(1/1)		105-53, 105-54
4 CUE OUT (X)	(1/1)		105-59
5 CUE OUT (Y)	(1/1)		105-60
6 CUE OUT (G)	(1/1)		105-61, 105-62

CP-299 (For J)
 CP-299A (For UC)

CN403		CP-299 BOARD SHEET No.	
SIGNAL NAME			
1 MONITOR L OUT (X)	(1/1)		113-71
2 MONITOR L OUT (Y)	(1/1)		113-72
3 MONITOR L OUT (G)	(1/1)		113-73, 113-74
4 MONITOR R OUT (X)	(1/1)		113-75
5 MONITOR R OUT (Y)	(1/1)		113-76
6 MONITOR R OUT (G)	(1/1)		113-77, 113-78
7 N.C	(1/1)		

CP-299 (For J)
 CP-299A (For UC)

CN407		CP-299 BOARD SHEET No.	
SIGNAL NAME			
1 MIX SEL1	(1/1)		110-49
2 MIX SEL2	(1/1)		110-50
3 MIX SEL3	(1/1)		110-51
4 MIX SEL4	(1/1)		110-52
5 CUE/MIX	(1/1)		110-47
6 GND-2	(1/1)		-2
7 N.C	(1/1)		
8 N.C	(1/1)		



CP-298

CN412		CP-298 BOARD SHEET No.	
SIGNAL NAME			
1 525 SYNC OUT (X)	(1/1)		101-20
2 525 SYNC OUT (G)	(1/1)		101-19
3 COMPOSITE OUT (X)	(1/1)		101-18
4 COMPOSITE OUT (G)	(1/1)		101-17

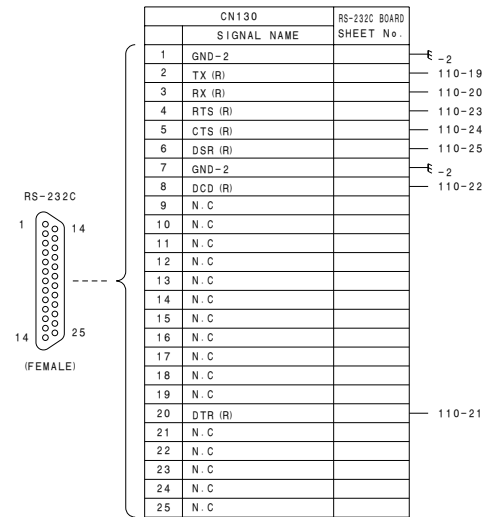
CP-298

CN414		CP-298 BOARD SHEET No.	
SIGNAL NAME			
1 1125 SYNC IN (X)	(1/1)		118-142
2 1125 SYNC IN (G)	(1/1)		-2
3 525 SYNC IN (X)	(1/1)		118-141
4 525 SYNC IN (G)	(1/1)		-2
5 1125 SYNC OUT (X)	(1/1)		118-143
6 1125 SYNC OUT (G)	(1/1)		-2

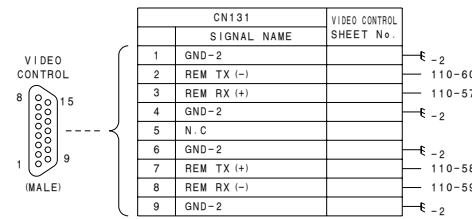
CP-298

CN413		CP-298 BOARD SHEET No.	
SIGNAL NAME			
1 60/59	(1/1)		8V-2
2 REG +8V-2	(1/1)		8V-2
3 GND-2	(1/1)		-2
4 REG -8V-2	(1/1)		-8V-2
5 N.C	(1/1)		

RS-232C



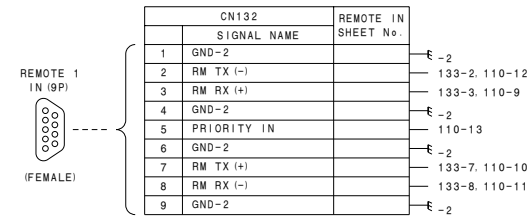
VIDEO CONTROL



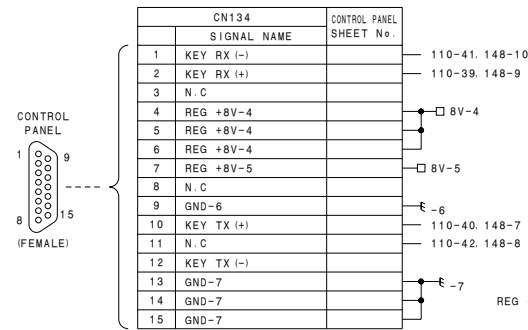
DR-307



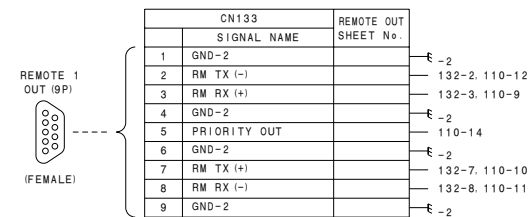
REMOTE IN (9PIN)



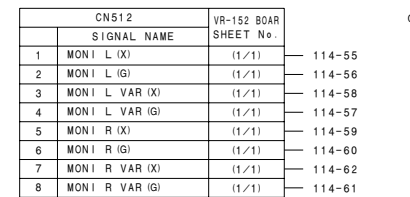
CONTROL PANEL



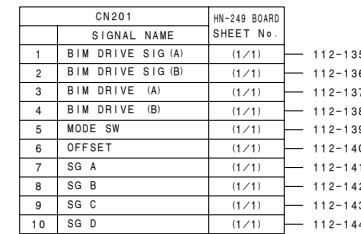
REMOTE OUT (9PIN)



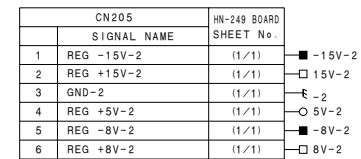
VR-152



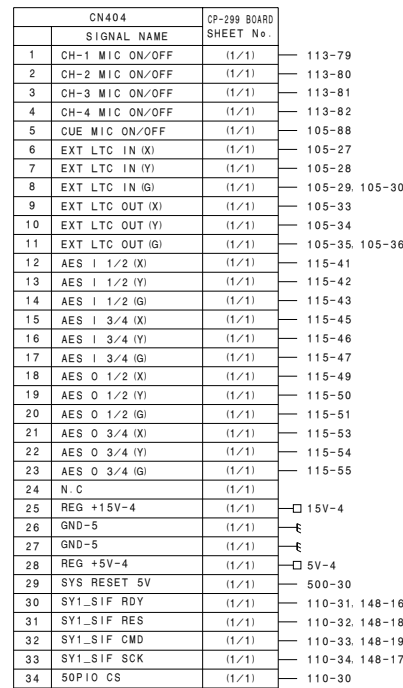
HN-249



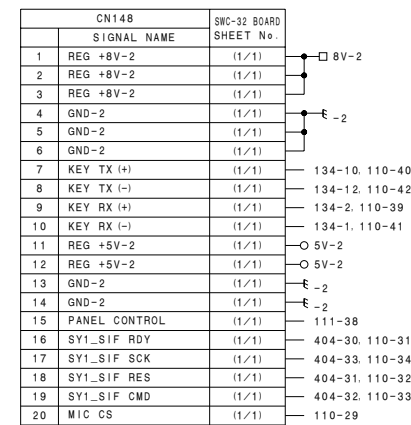
HN-249



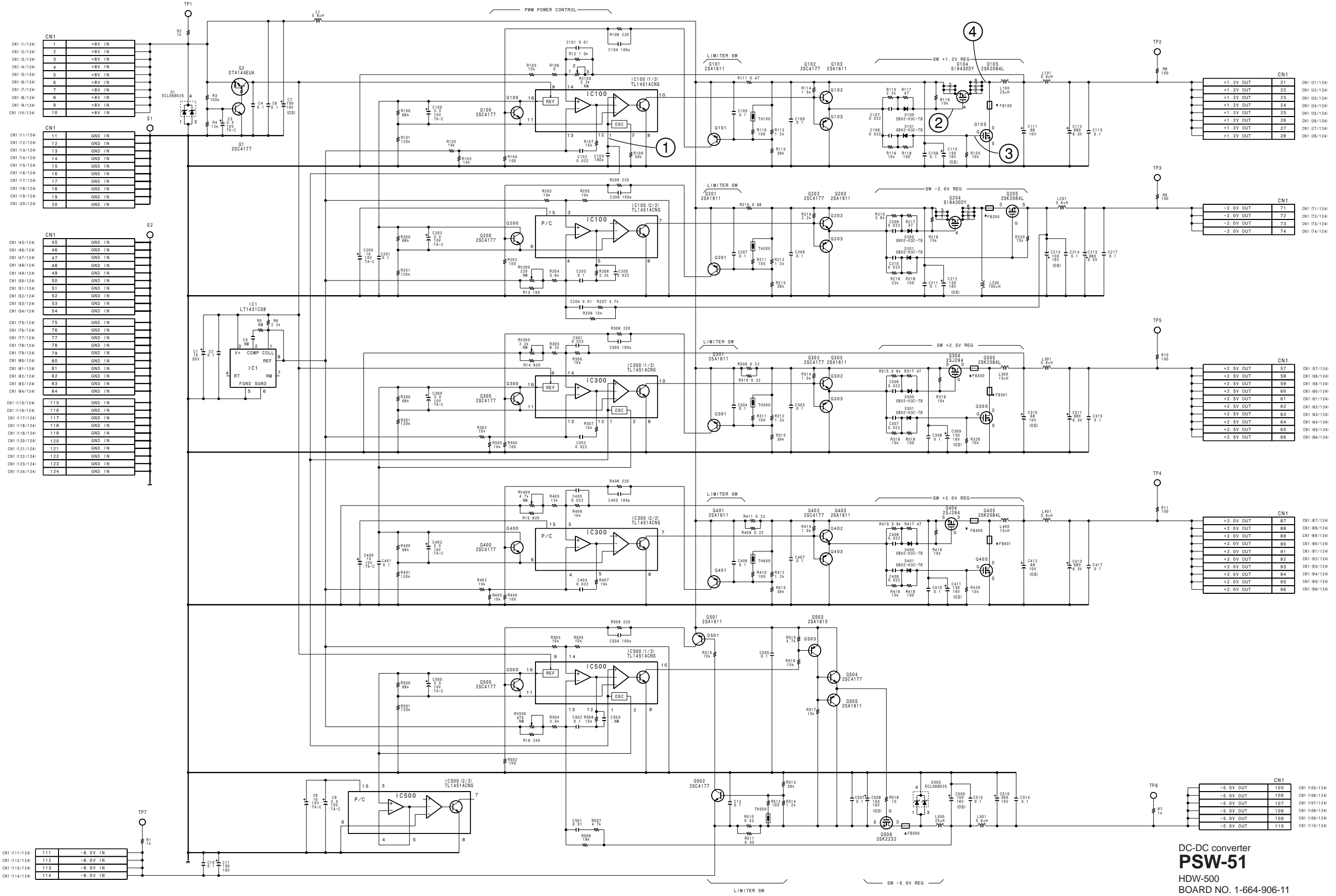
CP-299 (For J)
CP-299A (For UC)



SWC-17D

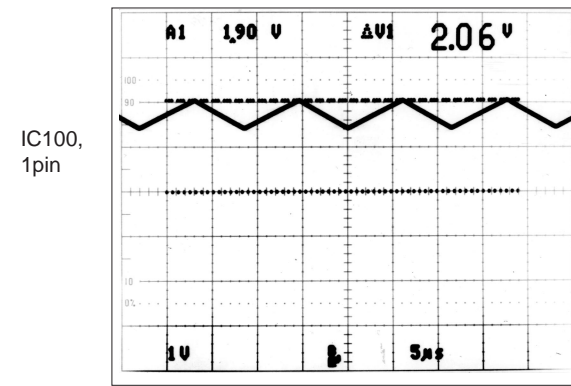


HDW-500 (J) : S/N 10001 and Higher
 HDW-500 (UC) : S/N 10001 and Higher

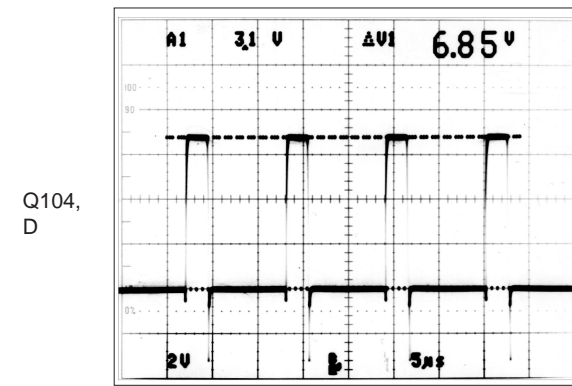


DC-DC converter
PSW-51
 HDW-500
 BOARD NO. 1-664-906-11
 HDW-500 (J) : LOT NO. 611-
 HDW-500 (UC) : LOT NO. 707-
 B-WHDW500-PSW51-11-@

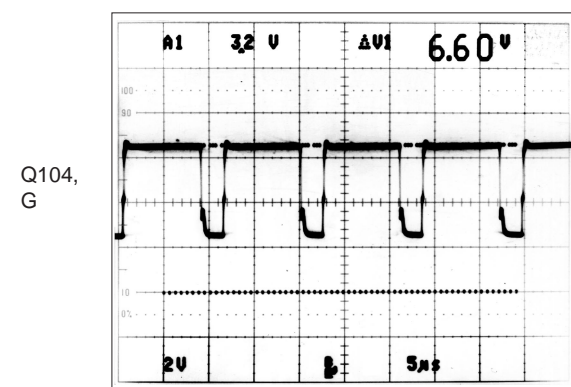
① IC100, 1pin



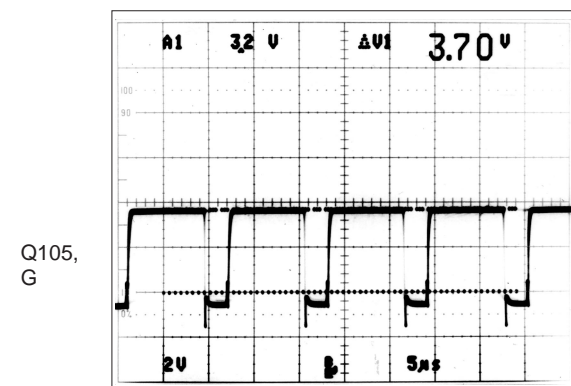
④ Q104, D



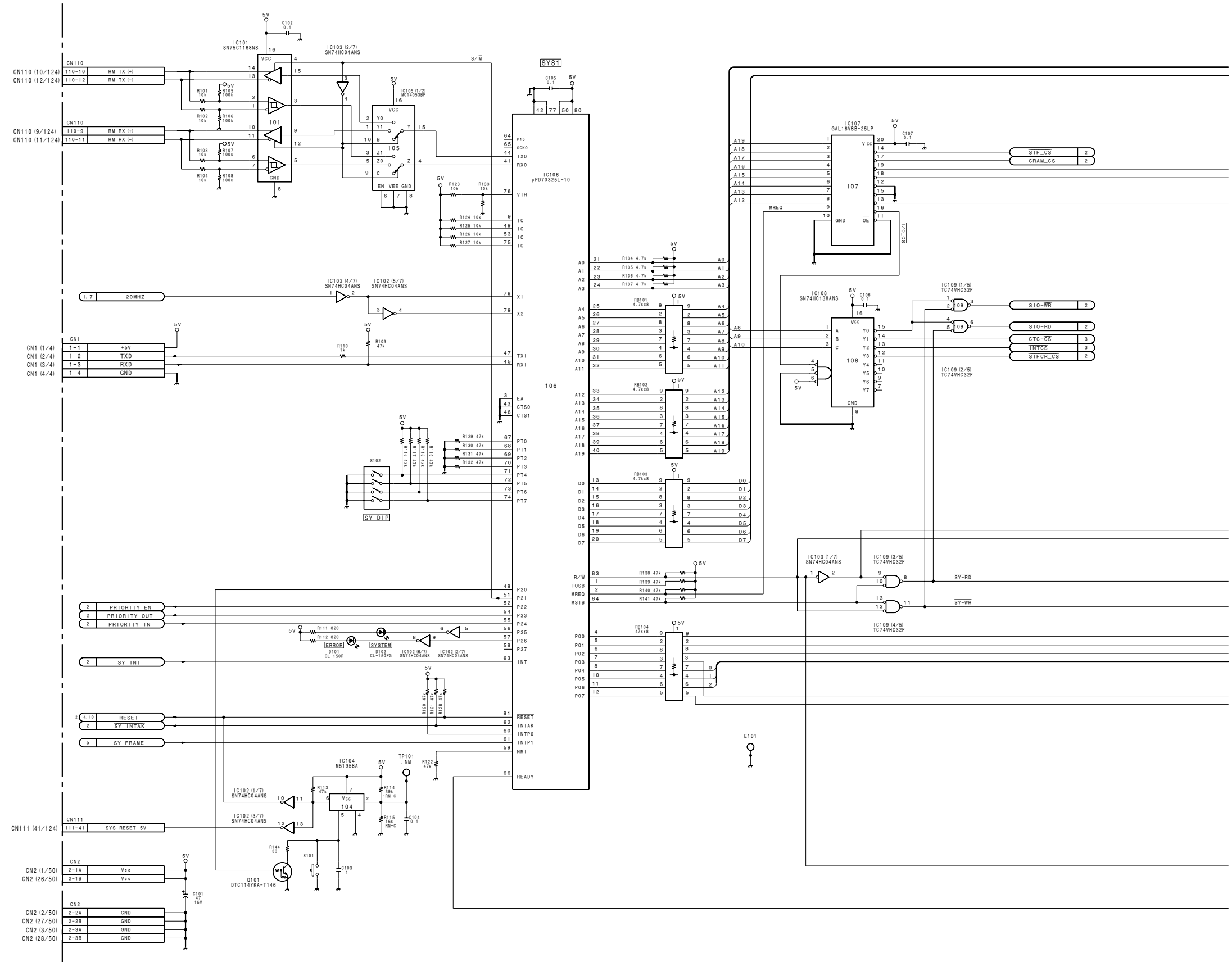
② Q104, G



③ Q105, G

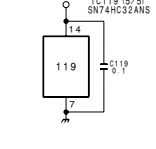
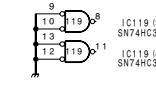
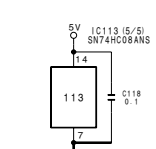
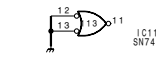
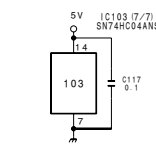
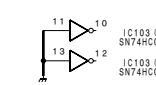
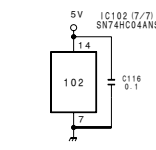
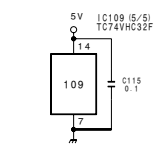
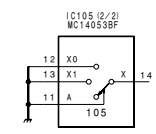
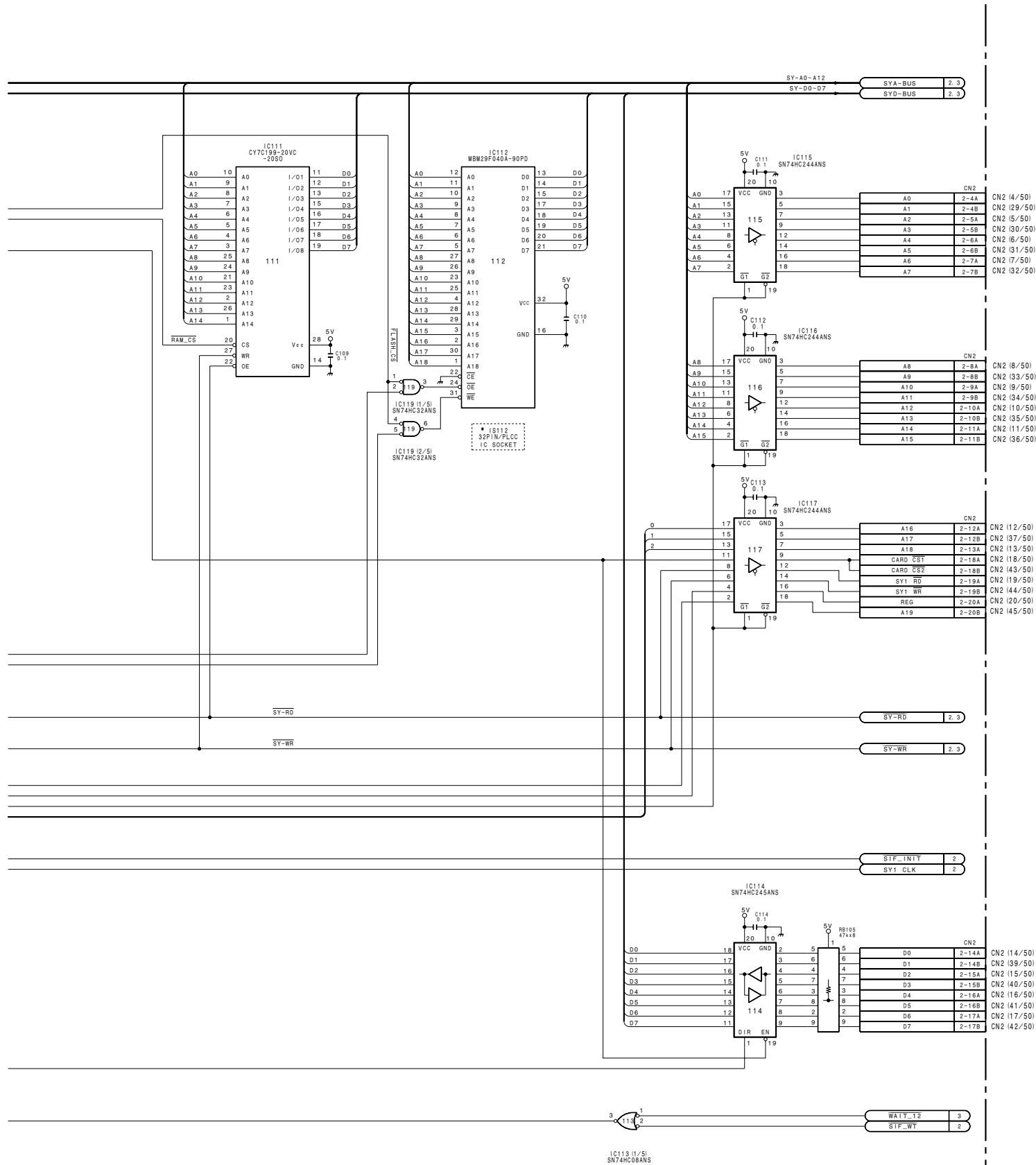


HDW-500 (J) : S/N 10201 and Higher
 HDW-500 (UC): S/N 10001 and Higher



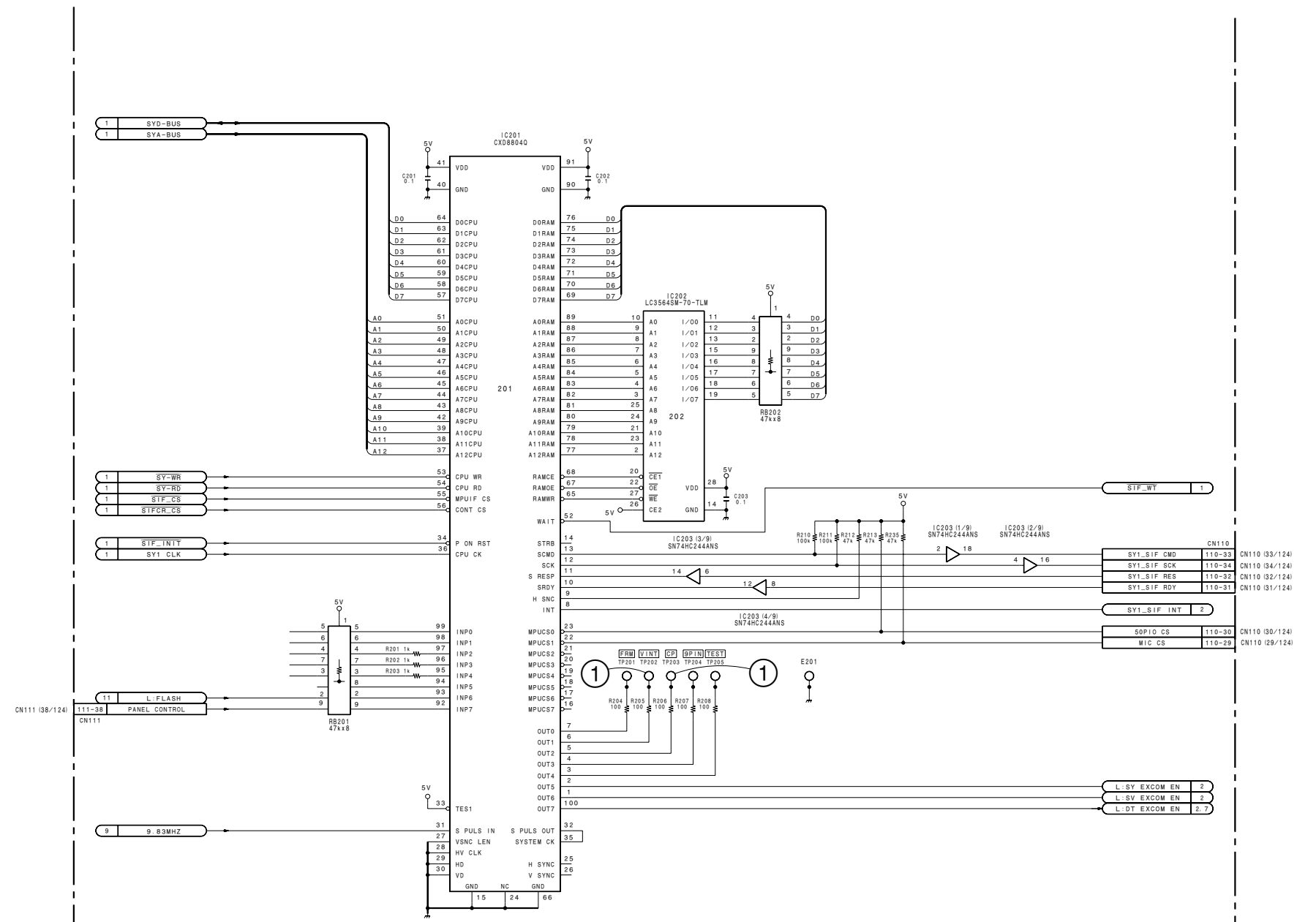
6-154 (a)

6-154 (a)



System, servo, DT control
SS-75 (1/12)
 HDW-500
 BOARD NO. 1-664-909-12
 HDW-500 (J) : LOT NO. 706-
 HDW-500 (UC) : LOT NO. 707-
 B-WHDW500-SS75-12-@

HDW-500 (J) : S/N 10201 and Higher
 HDW-500 (UC): S/N 10001 and Higher



6-156 (a)

6-156 (a)

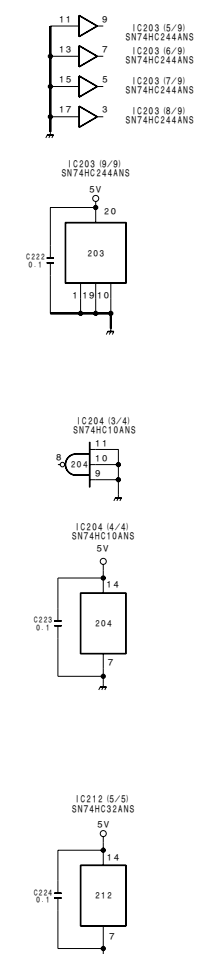
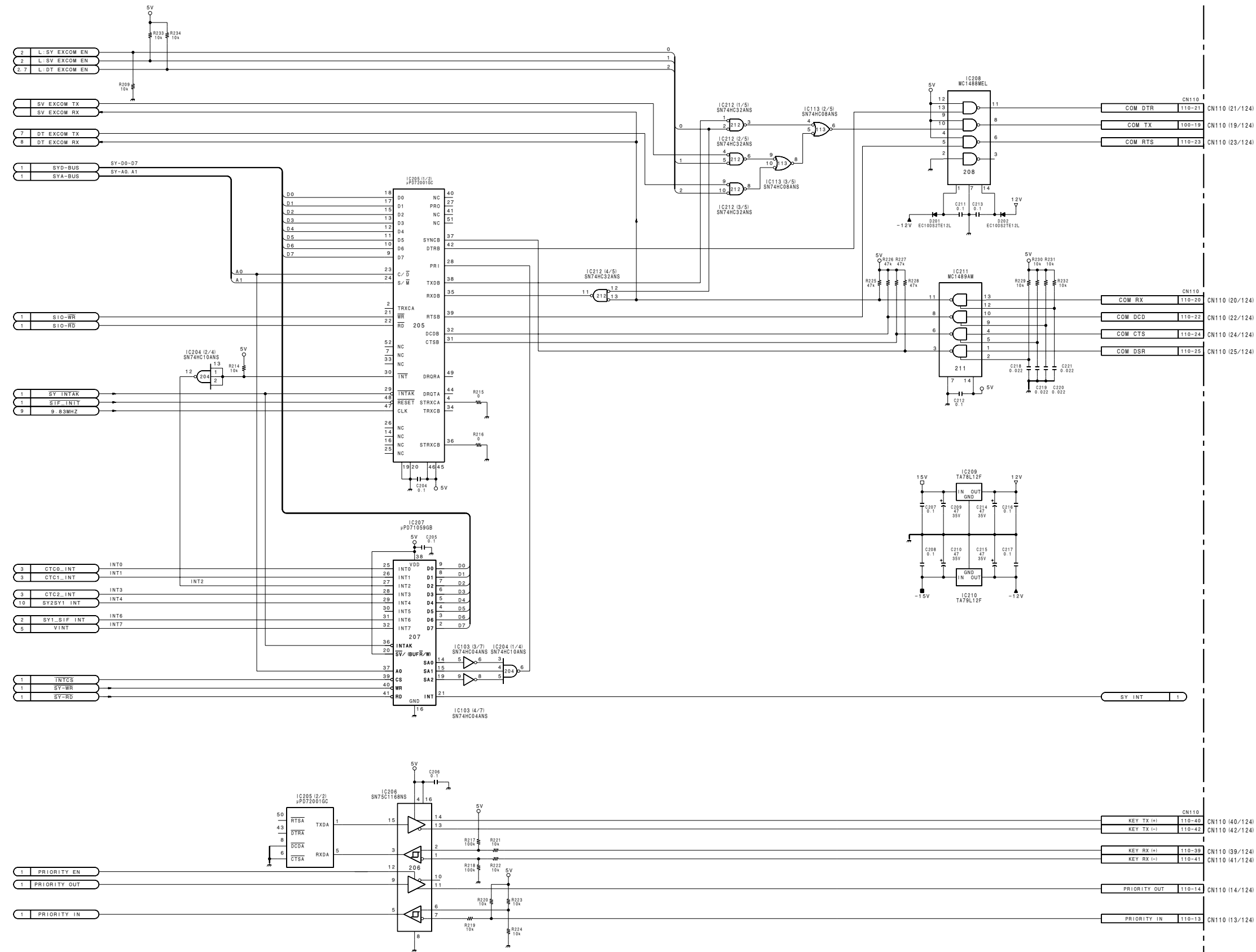
1

2

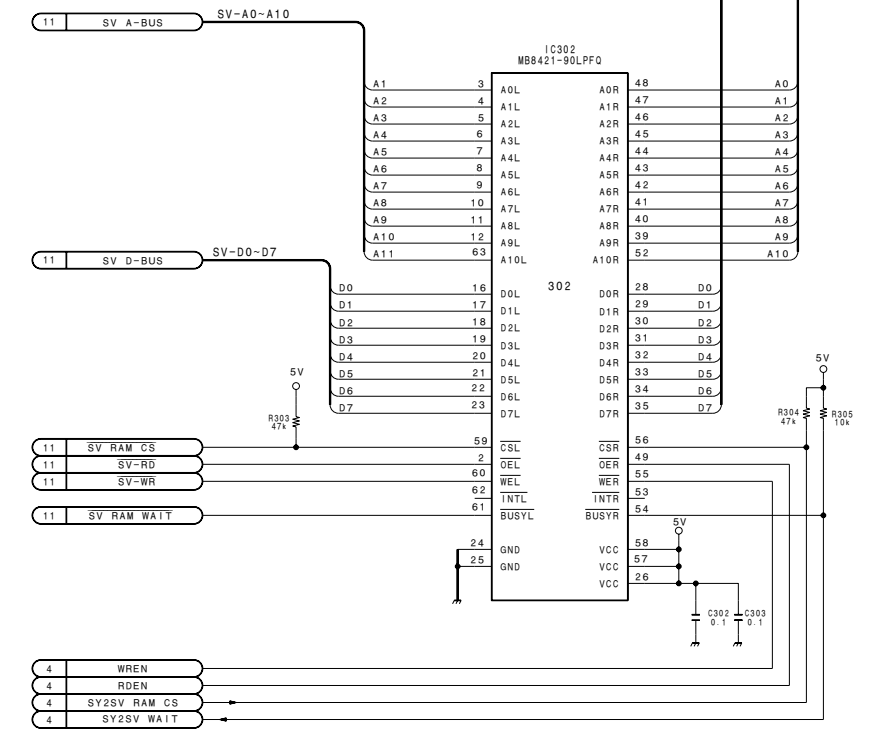
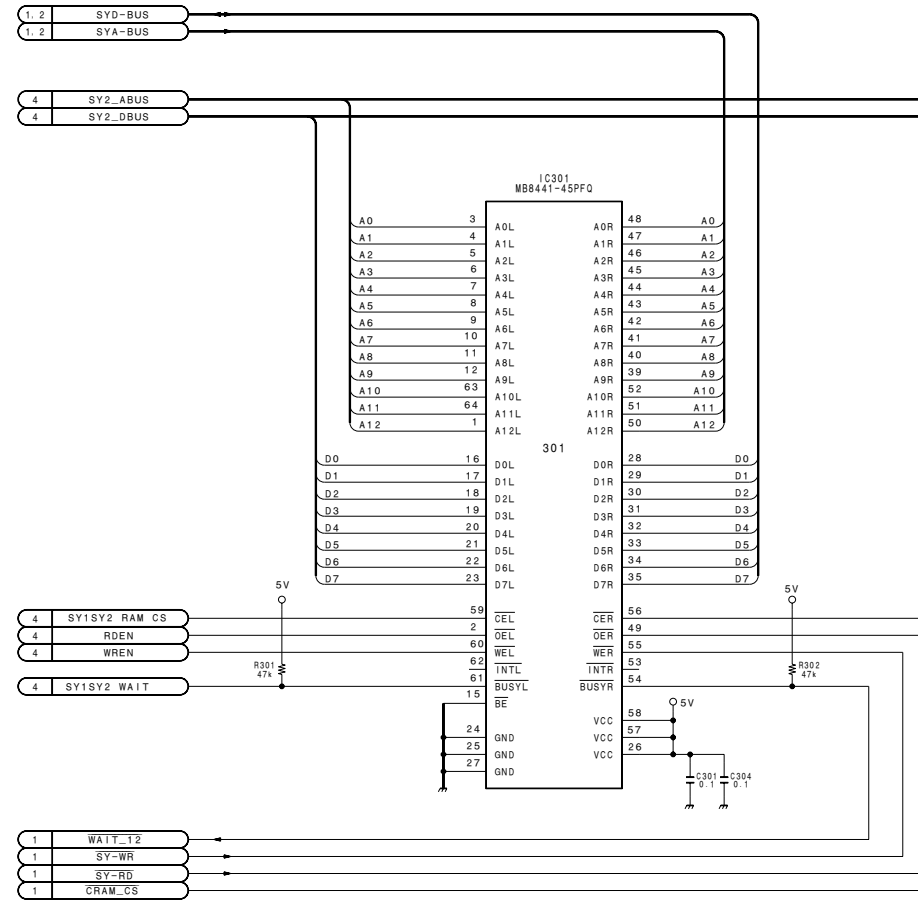
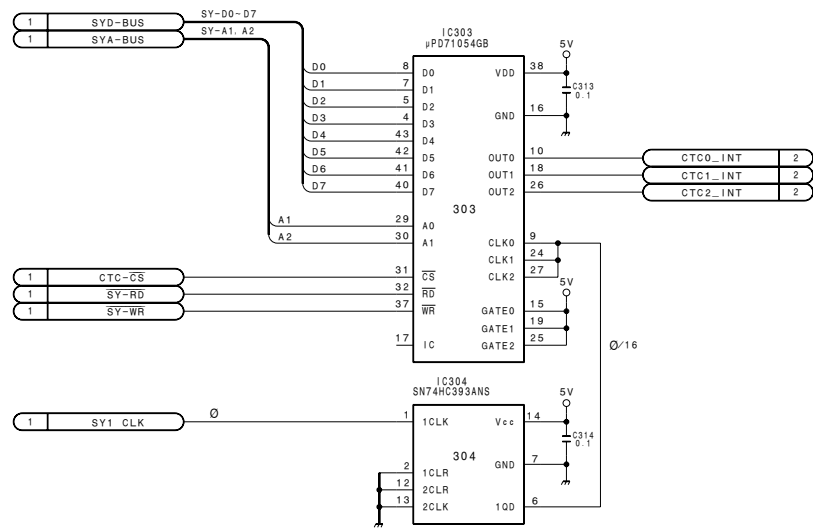
3

4

5



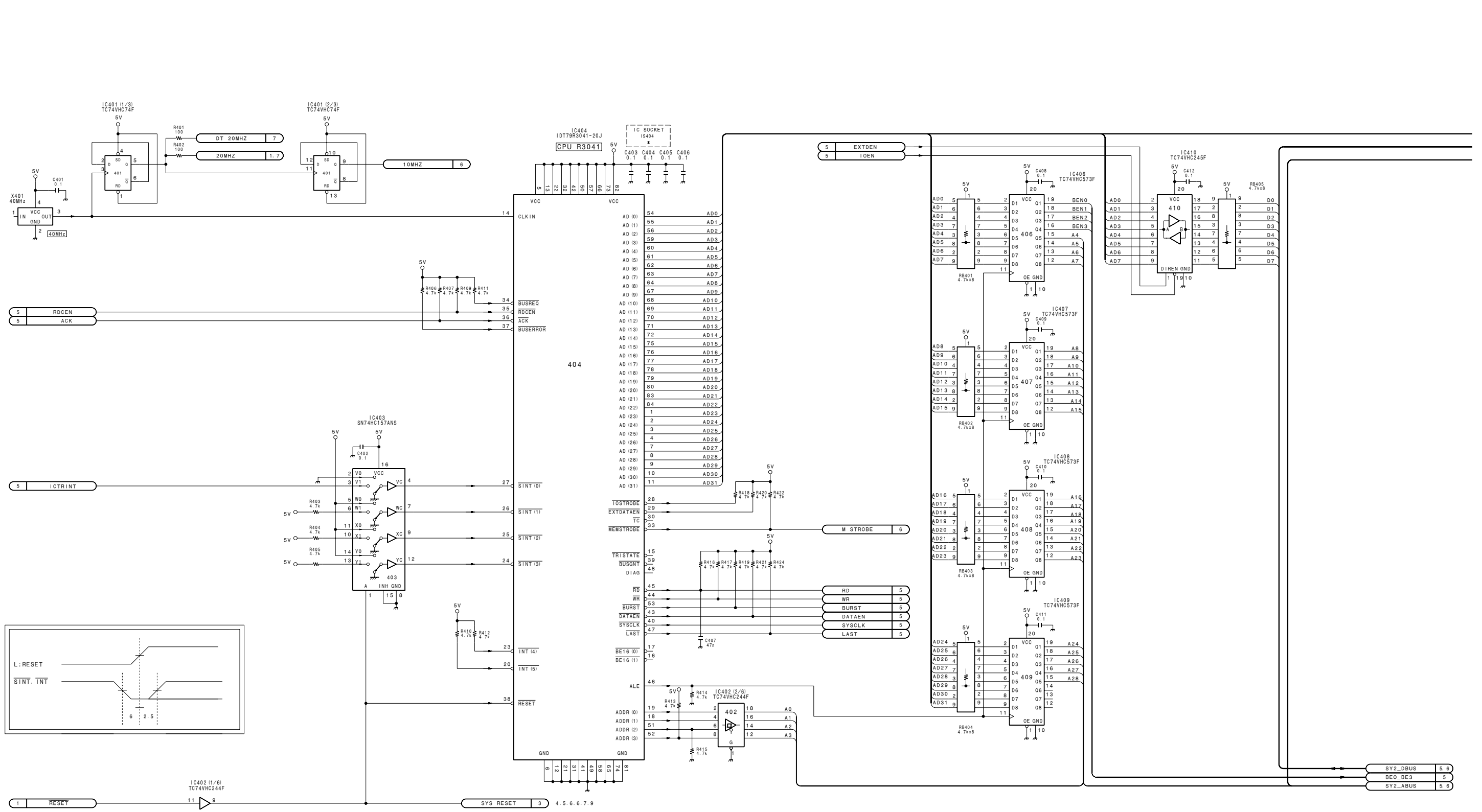
HDW-500 (J) : S/N 10201 and Higher
 HDW-500 (UC) : S/N 10001 and Higher



1
2
3
4
5

A B C D E F G H

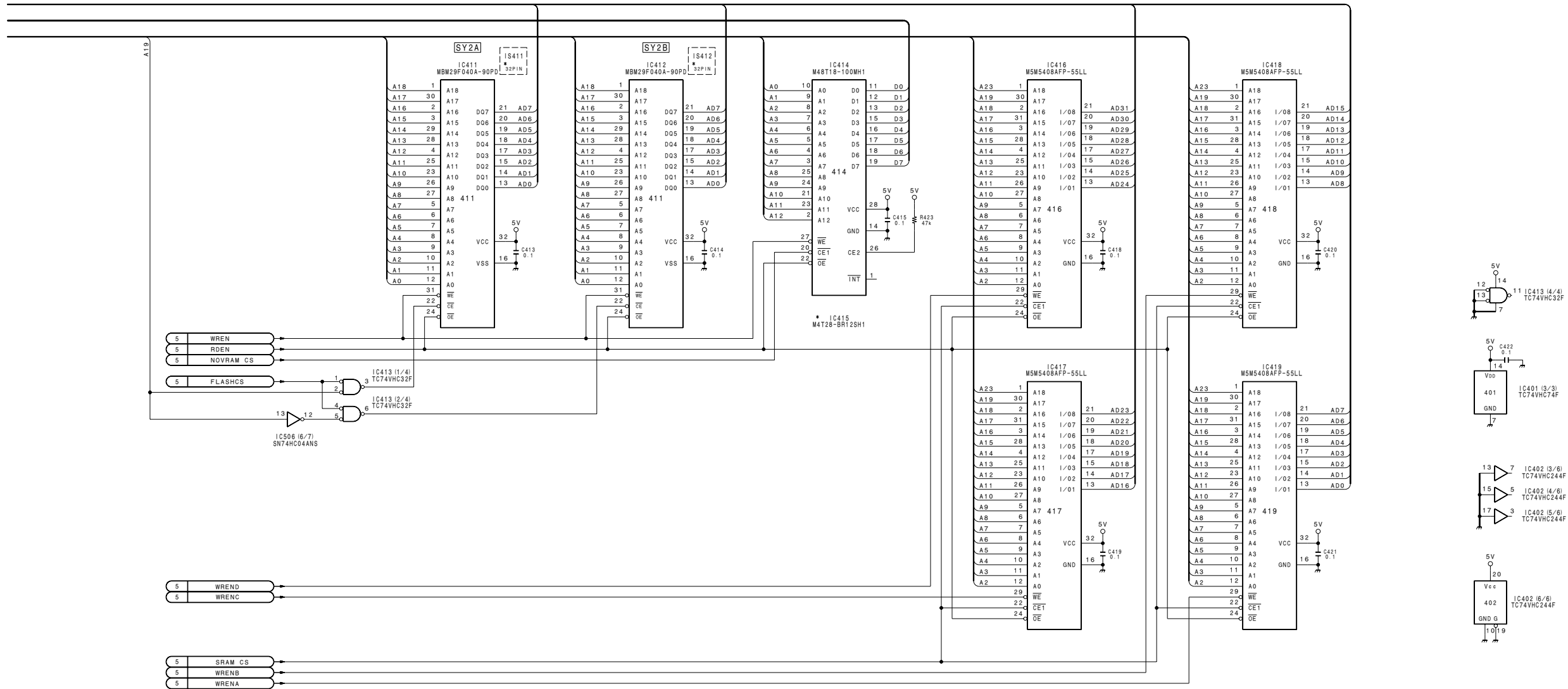
HDW-500 (J) : S/N 10201 and Higher
 HDW-500 (UC): S/N 10001 and Higher



6-160 (a)

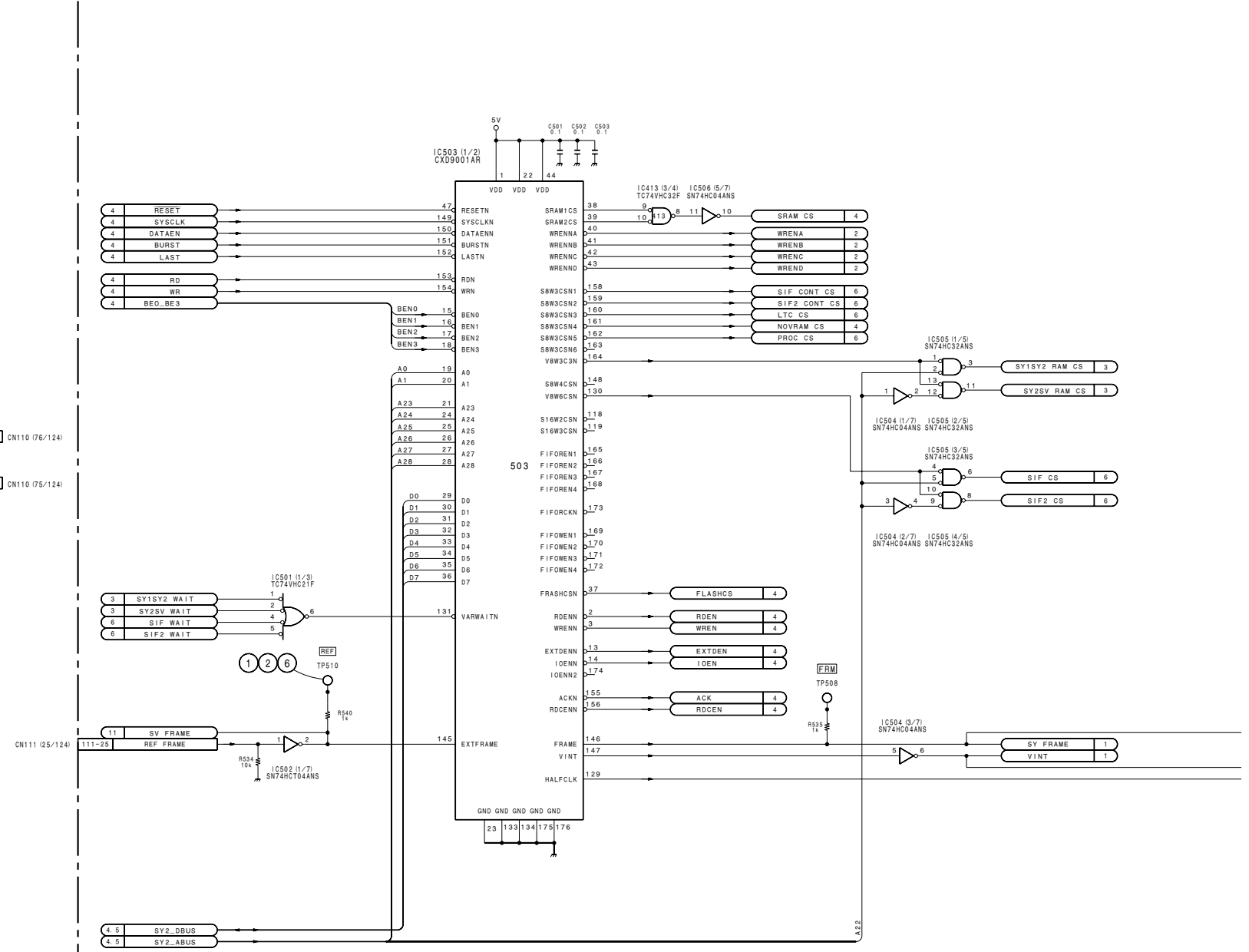
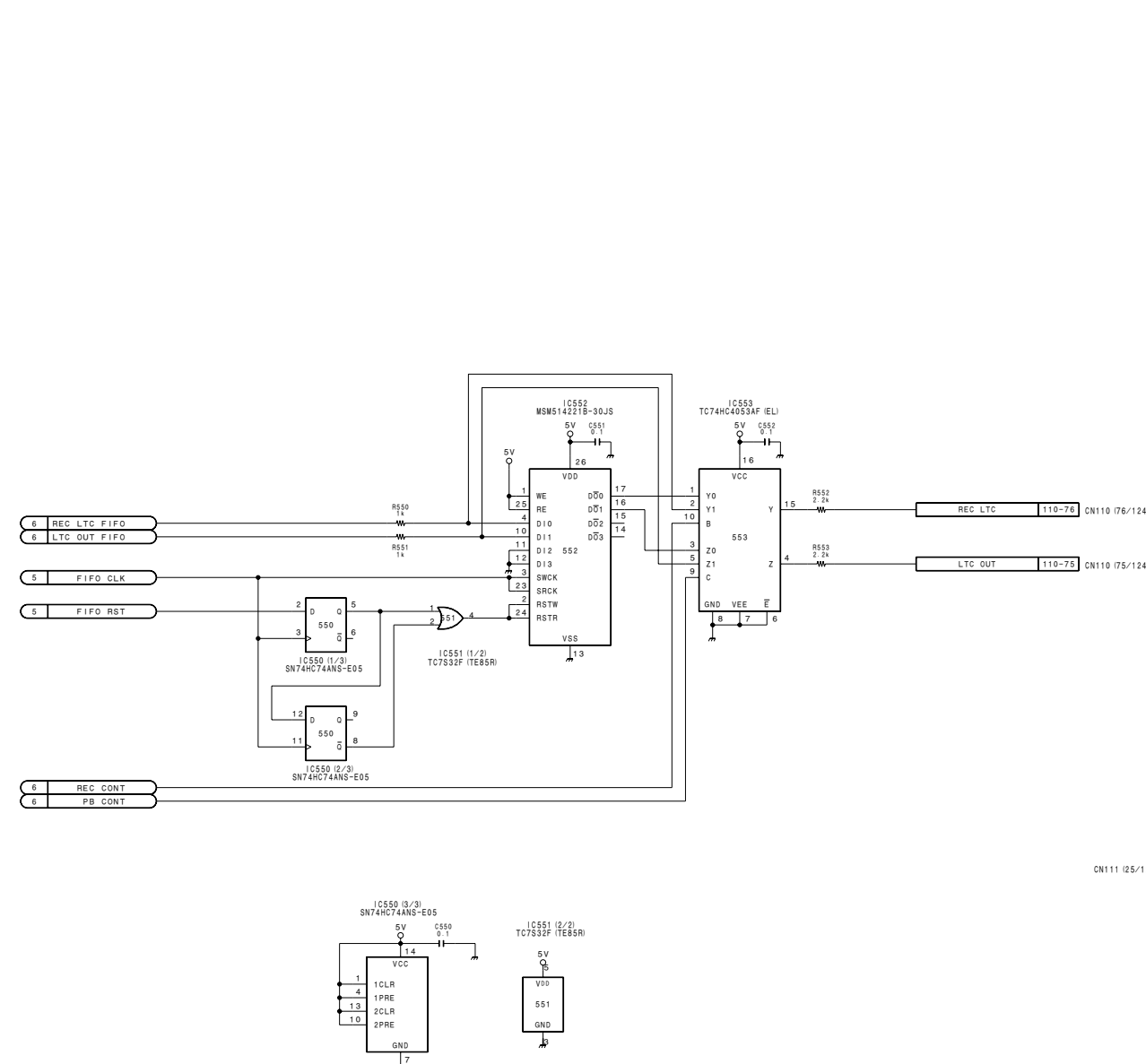
6-160 (a)

A B C D E F G H



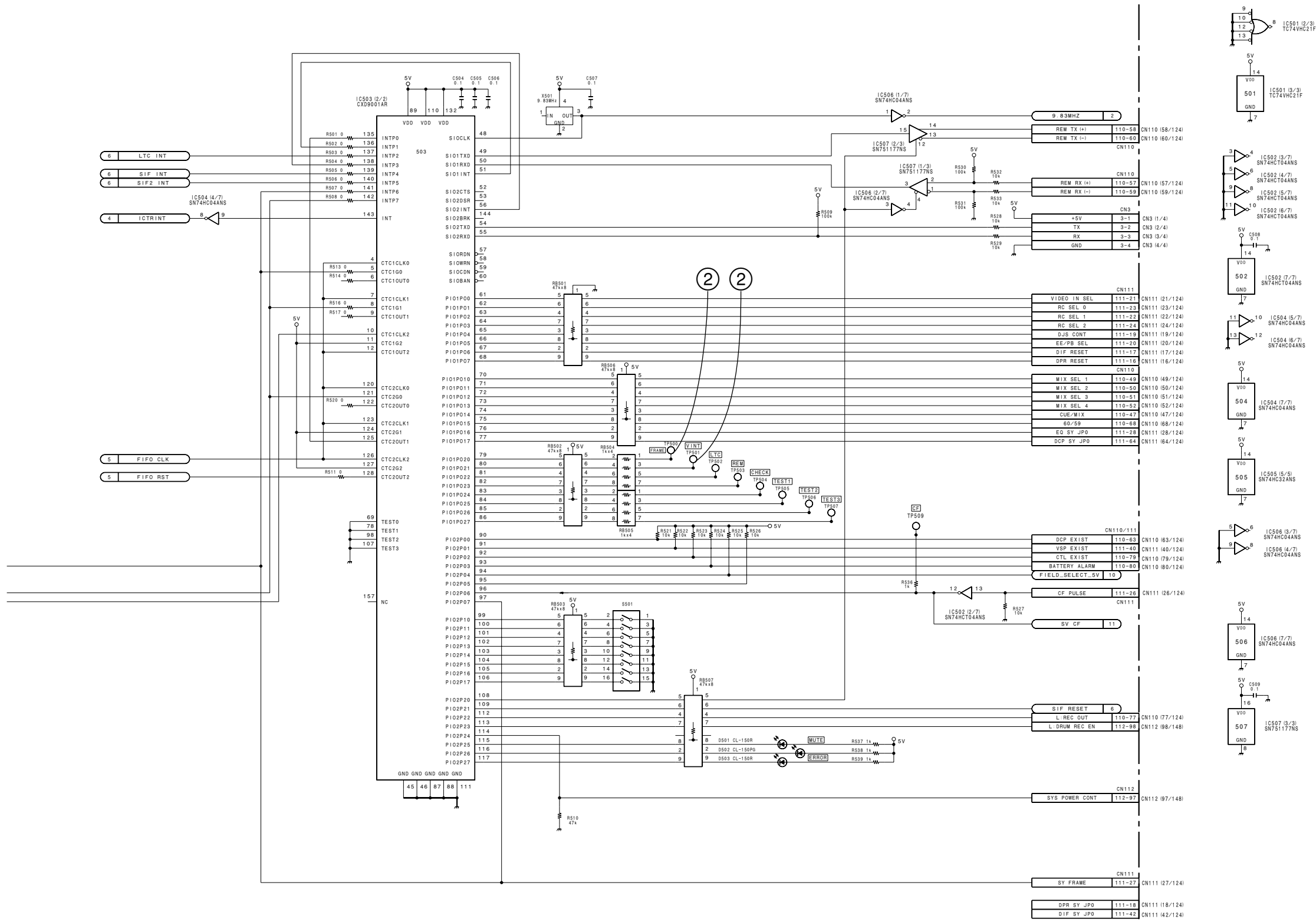
System, servo, DT control
SS-75 (4/12)
 HDW-500
 BOARD NO. 1-664-909-12
 HDW-500 (J) : LOT NO. 706-
 HDW-500 (UC) : LOT NO. 707-
 B-WHDW500-SS75-12-@

HDW-500 (J) : S/N 10201 and Higher
 HDW-500 (UC): S/N 10001 and Higher



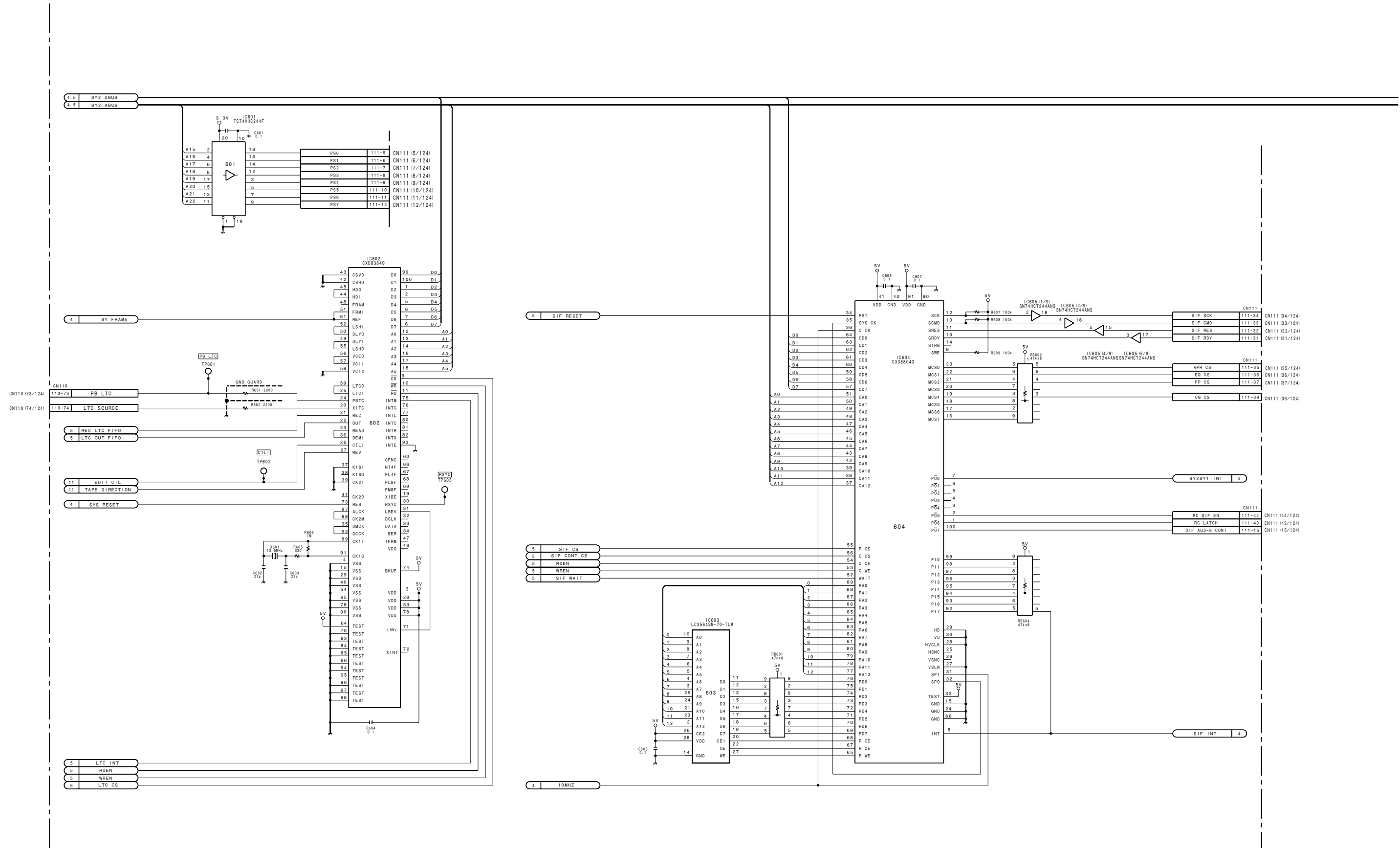
6-162 (a)

6-162 (a)



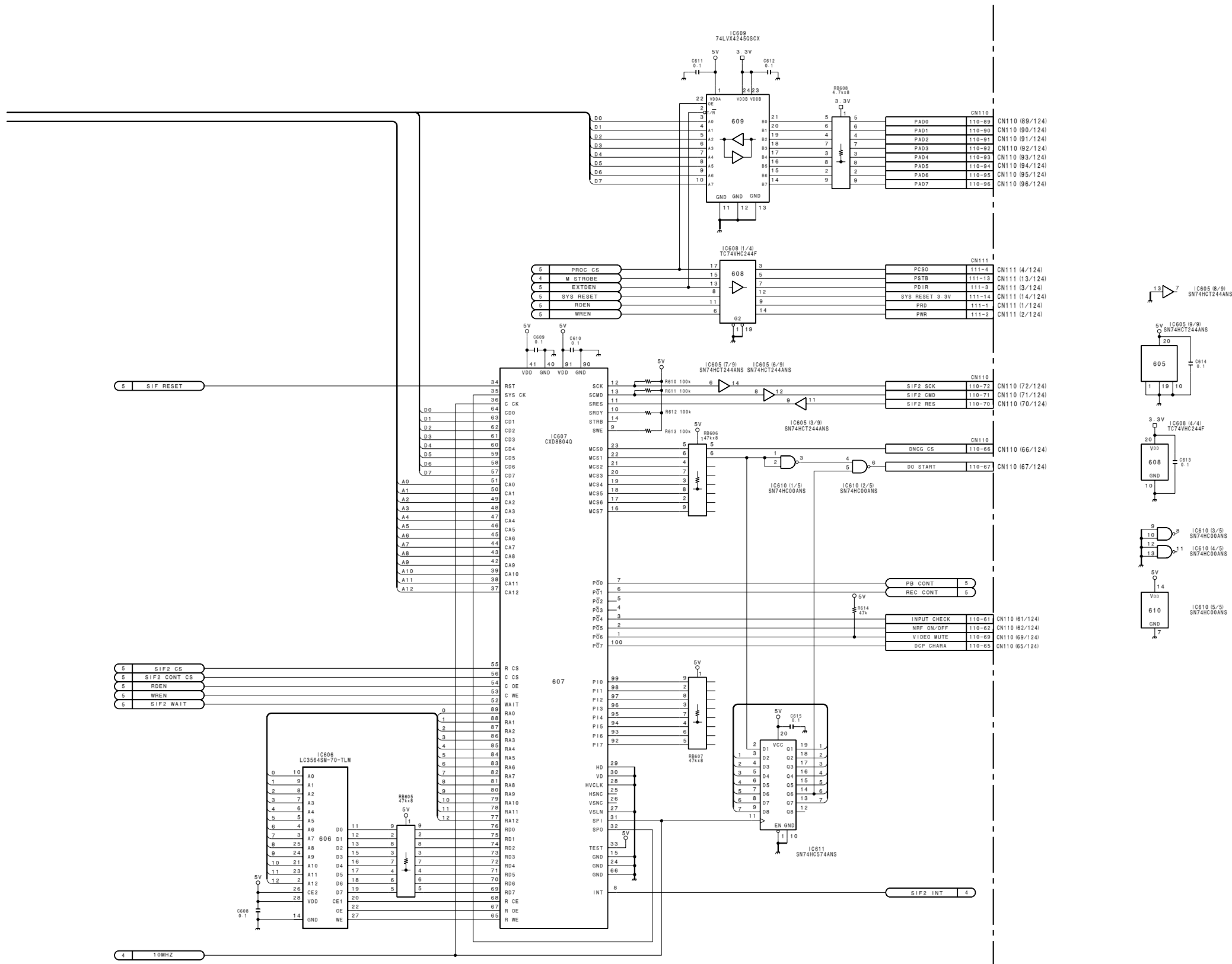
System, servo, DT control
SS-75 (5/12)
 HDW-500
 BOARD NO. 1-664-909-12
 HDW-500 (J) : LOT NO. 706-
 HDW-500 (UC) : LOT NO. 707-
 B-WHDW500-SS75-12-@

HDW-500 (J) : S/N 10201 and Higher
 HDW-500 (UC): S/N 10001 and Higher

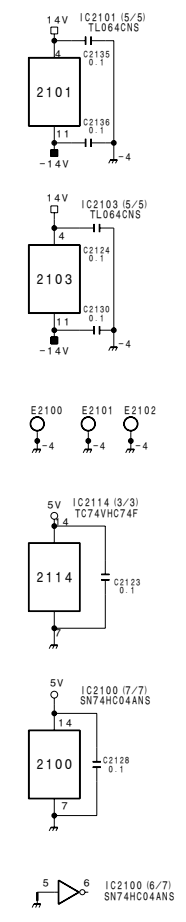
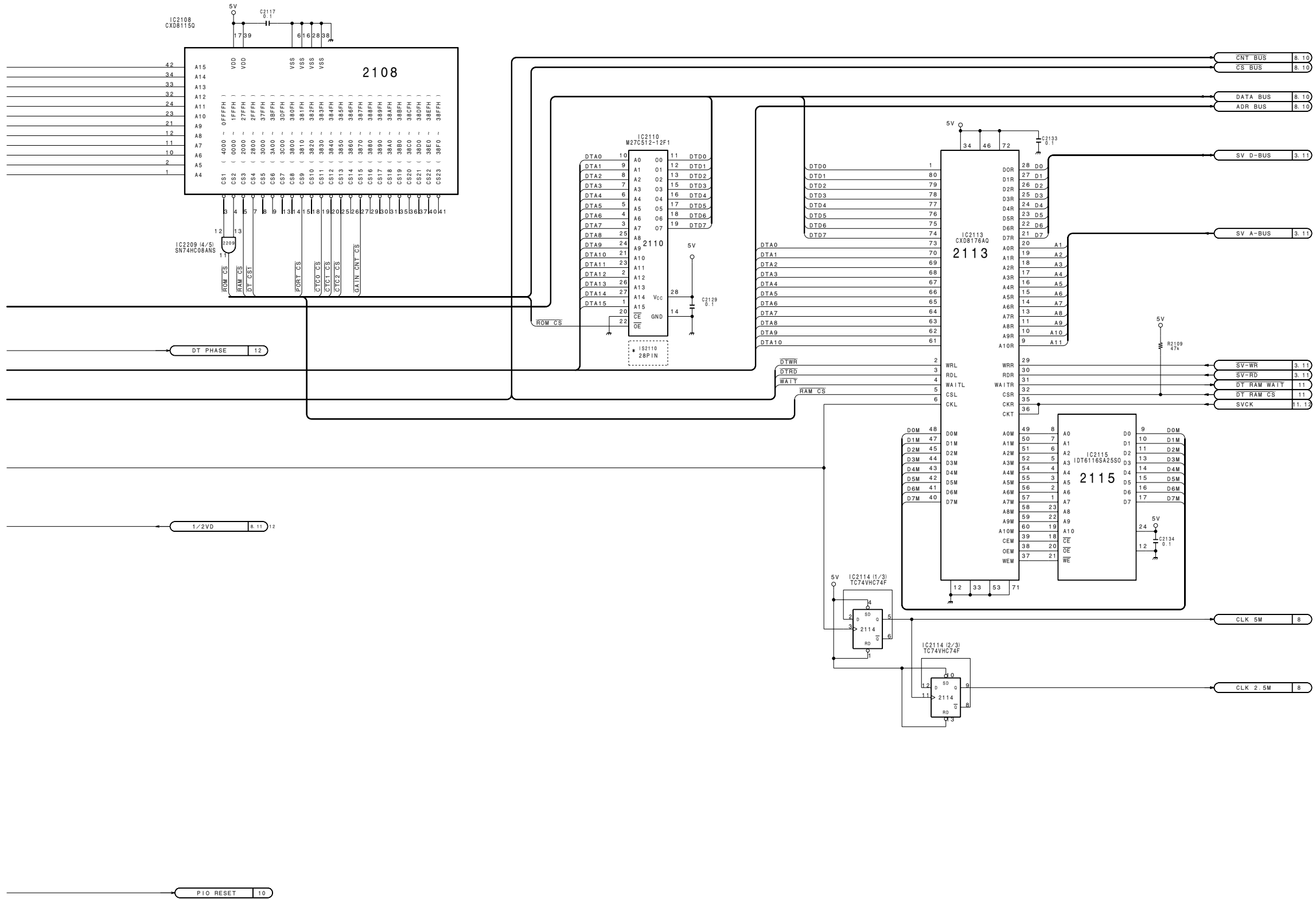


6-164 (a)

6-164 (a)

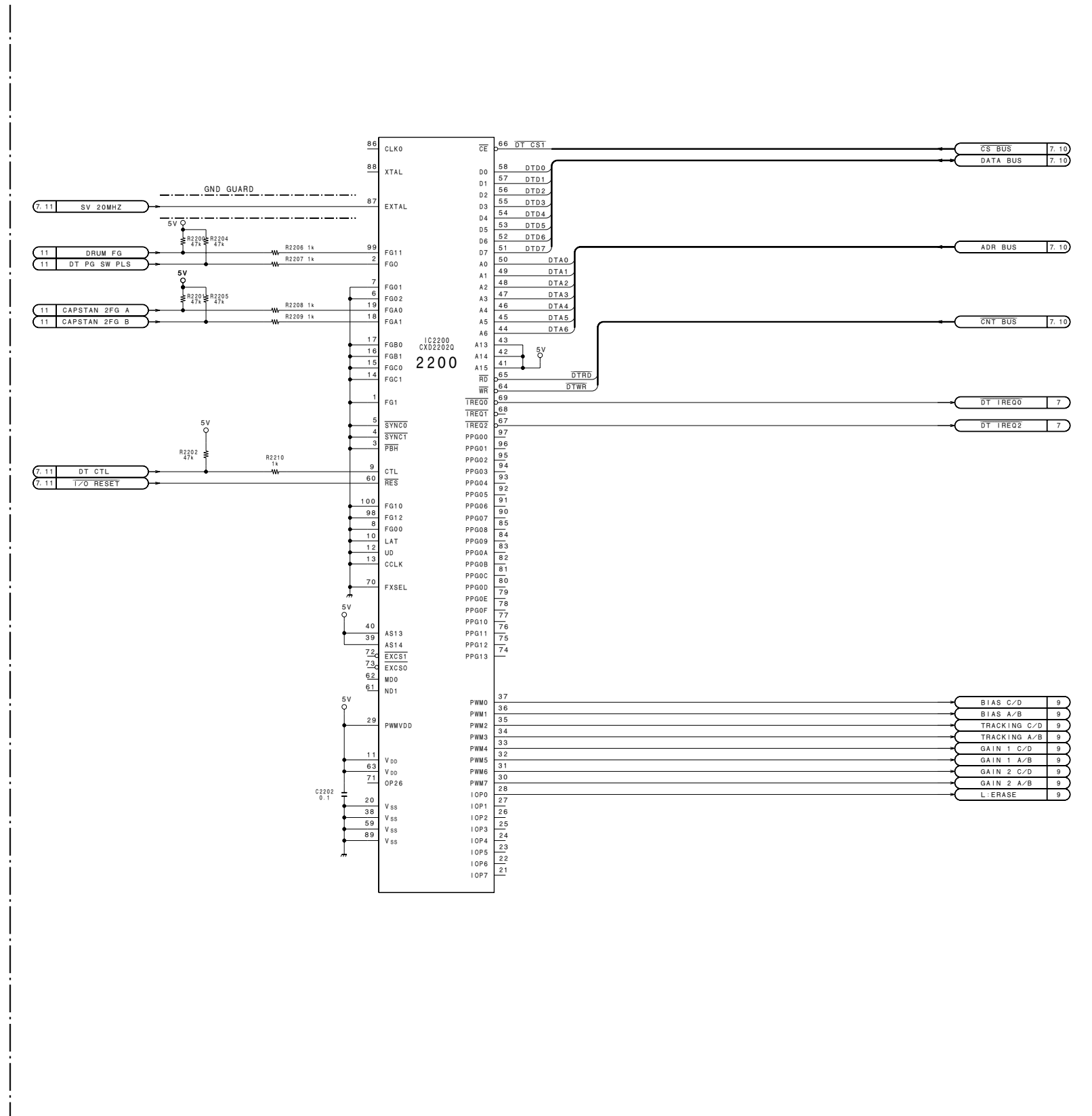


System, servo, DT control
SS-75 (6/12)
 HDW-500
 BOARD NO. 1-664-909-12
 HDW-500 (J) : LOT NO. 706-
 HDW-500 (UC) : LOT NO. 707-
 B-WHDW500-SS75-12-@



System, servo, DT control
SS-75 (7/12)
 HDW-500
 BOARD NO. 1-664-909-12
 HDW-500 (J) : LOT NO. 706-
 HDW-500 (UC) : LOT NO. 707-
 B-WHDW500-SS75-12-@

HDW-500 (J) : S/N 10201 and Higher
 HDW-500 (UC): S/N 10001 and Higher



6-168 (a)

6-168 (a)

1

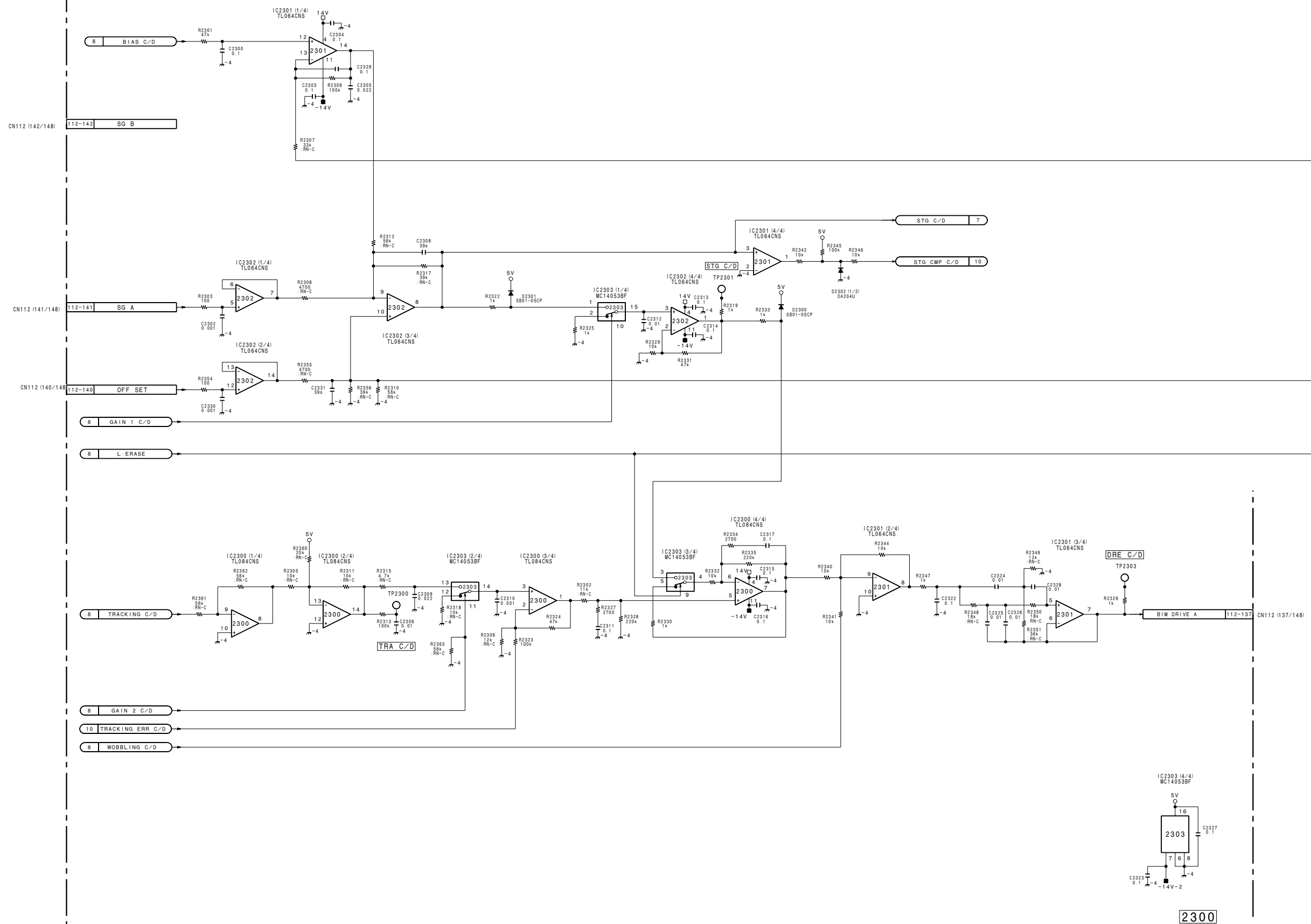
2

3

4

5

HDW-500 (J) : S/N 10201 and Higher
 HDW-500 (UC): S/N 10001 and Higher



1

2

3

4

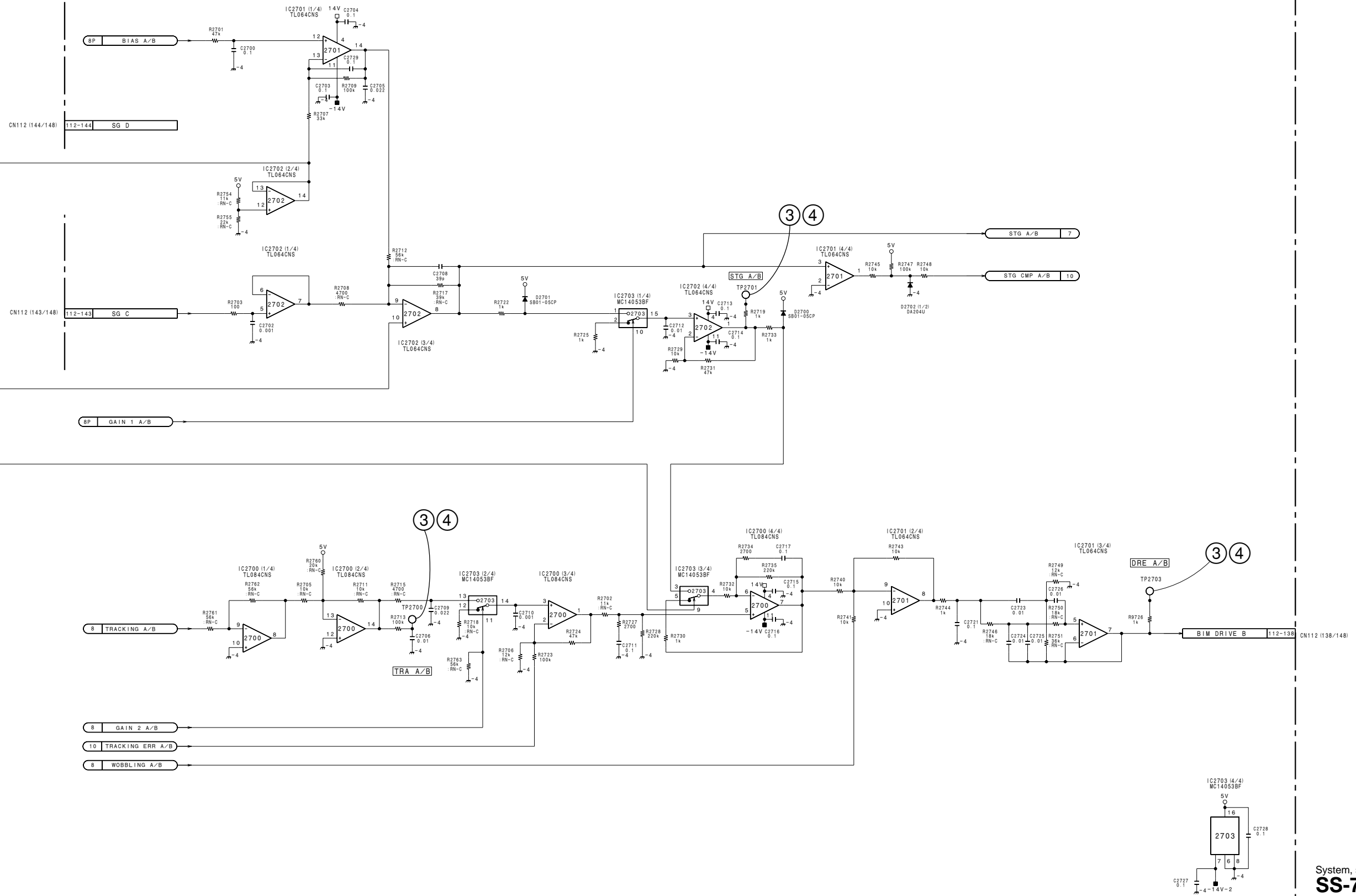
5

6-170 (a)

6-170 (a)

2300

A B C D E F G H



2700

System, servo, DT control
SS-75 (9/12)
 HDW-500
 BOARD NO. 1-664-909-12
 HDW-500 (J) : LOT NO. 706-
 HDW-500 (UC) : LOT NO. 707-
 B-#HDW500-SS75-12-@

1

2

3

4

5

HDW-500 (J) : S/N 10201 and Higher
 HDW-500 (UC): S/N 10001 and Higher

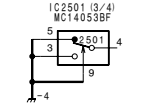
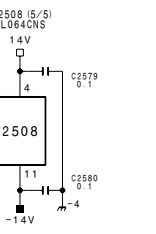
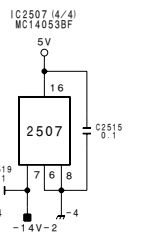
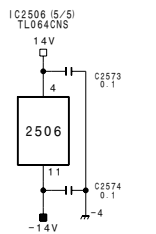
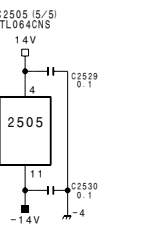
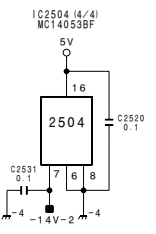
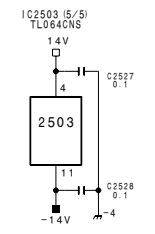
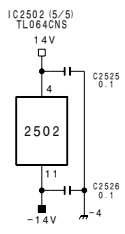
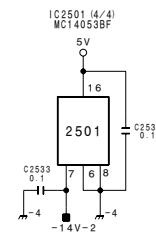
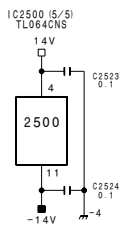
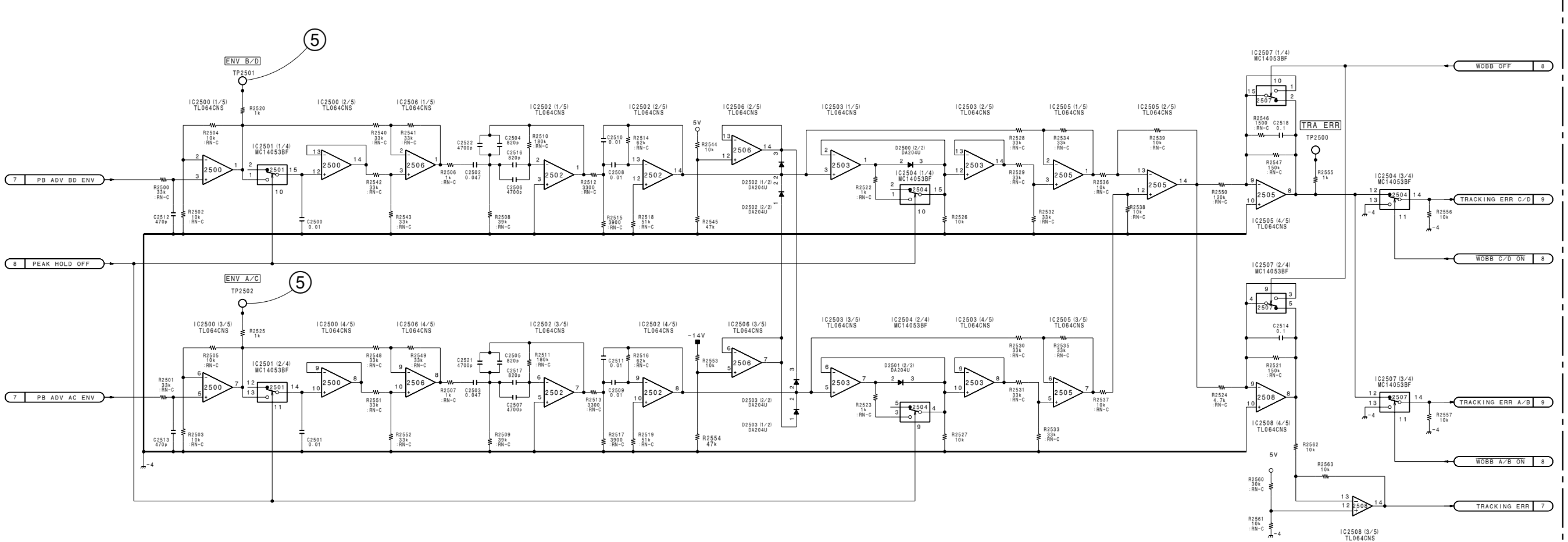
1

2

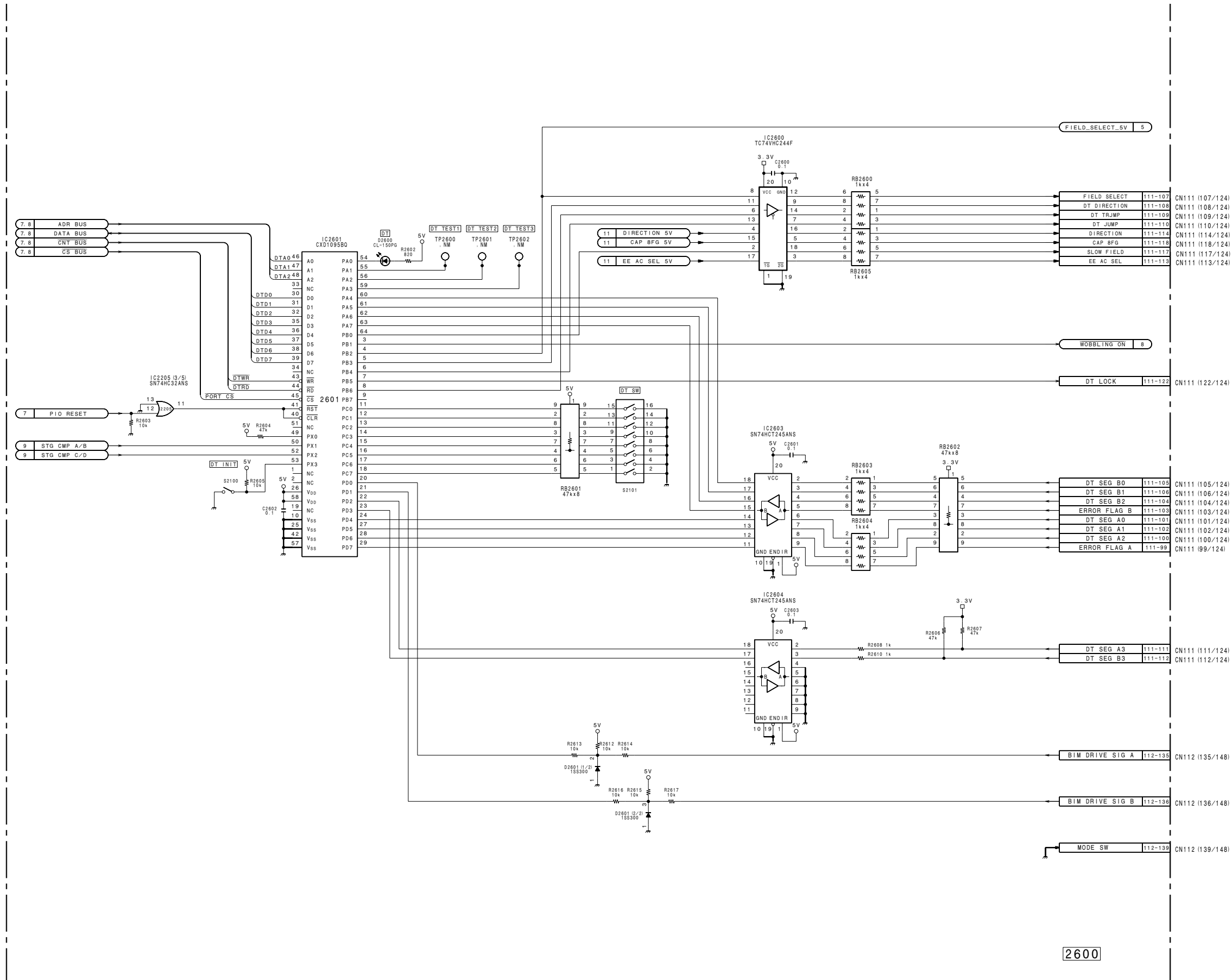
3

4

5



2500



2600

1

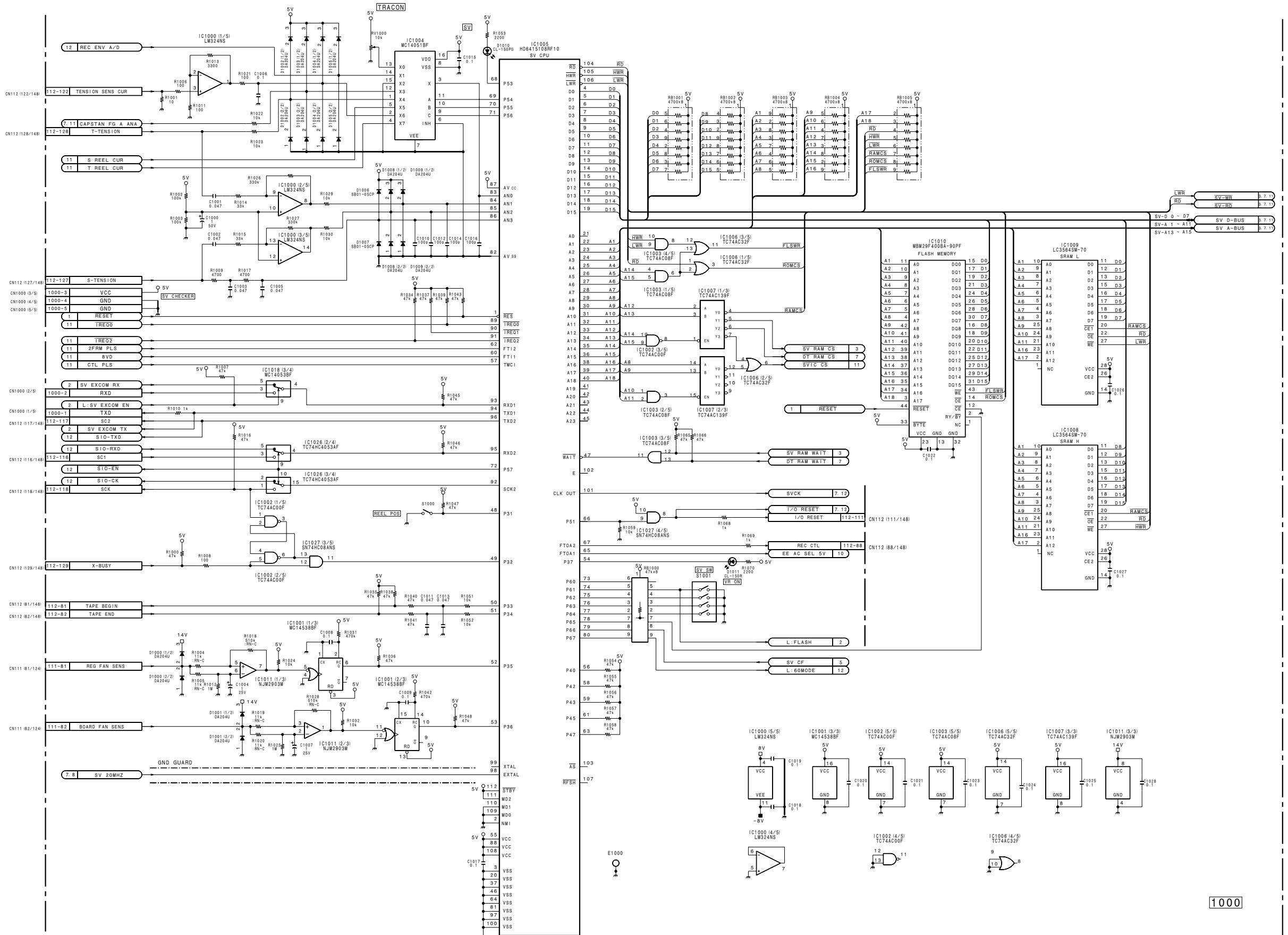
2

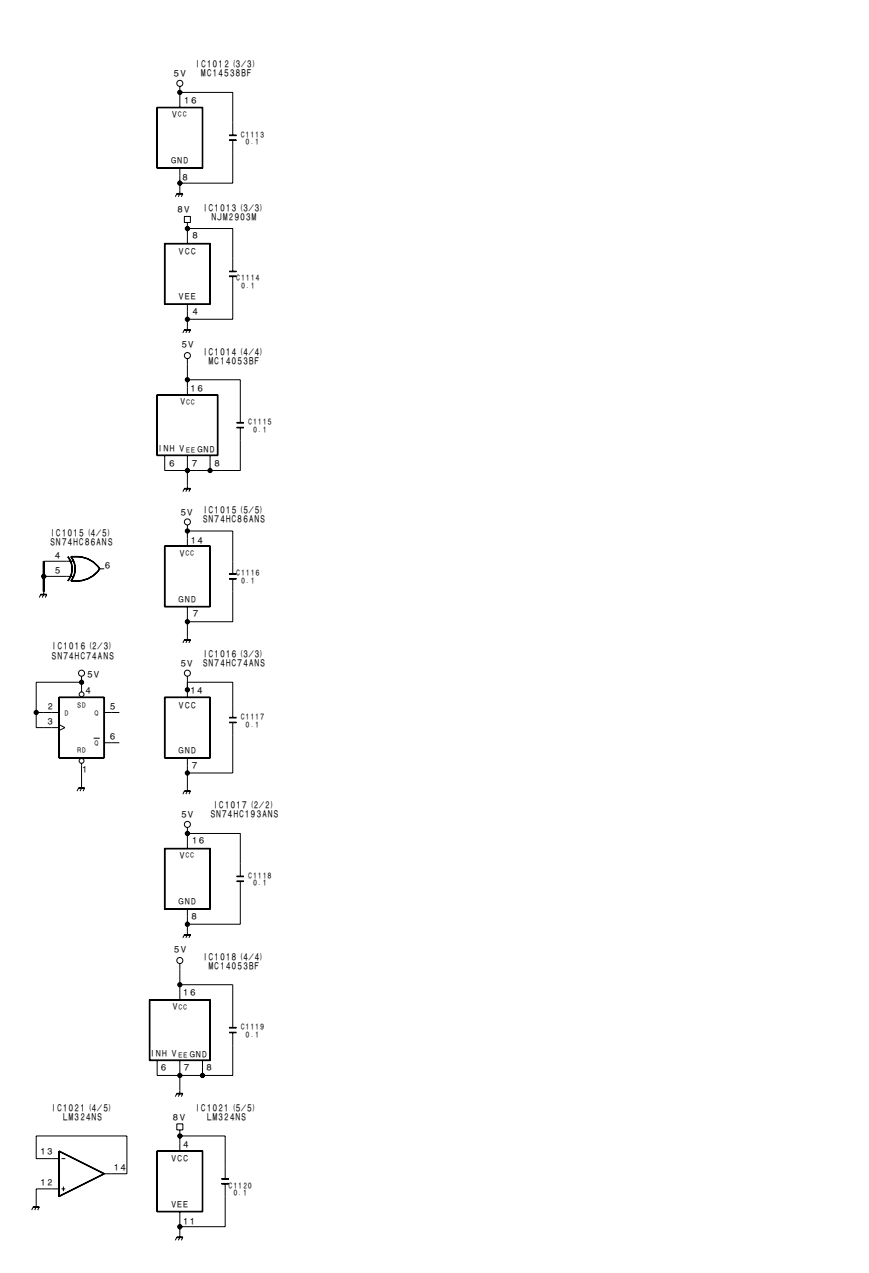
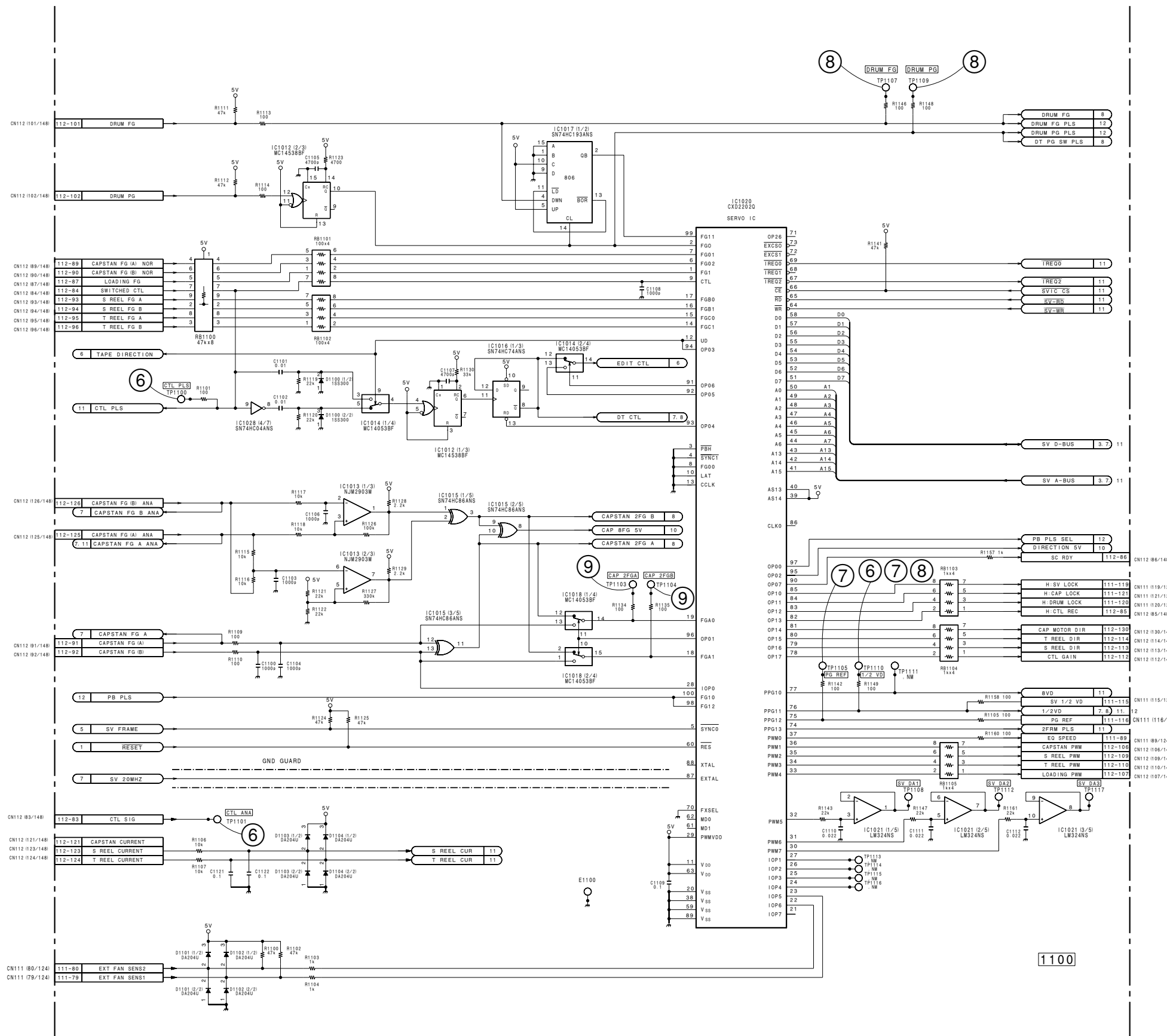
3

4

5

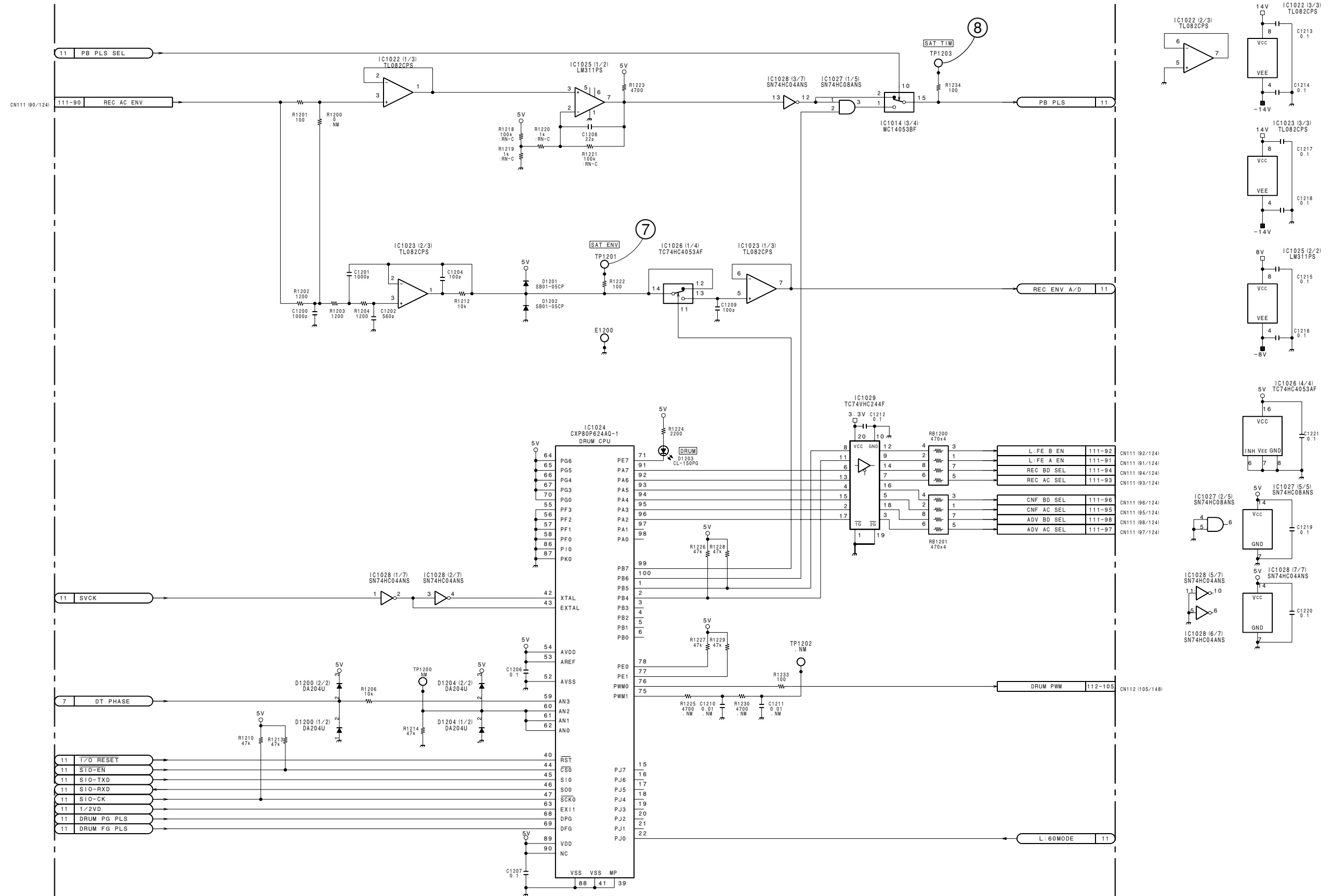
HDW-500 (J) : S/N 10201 and Higher
 HDW-500 (UC) : S/N 10001 and Higher





System, servo, DT control
SS-75 (11/12)
 HDW-500
 BOARD NO. 1-664-909-12
 HDW-500 (J) : LOT NO. 706-
 HDW-500 (UC) : LOT NO. 707-
 B-WHD500-SS75-12-@

HDW-500 (J) : S/N 10201 and Higher
 HDW-500 (UC): S/N 10001 and Higher



6-176 (a)

6-176 (a)

1200

HDW-500 MMP2V2

A

B

C

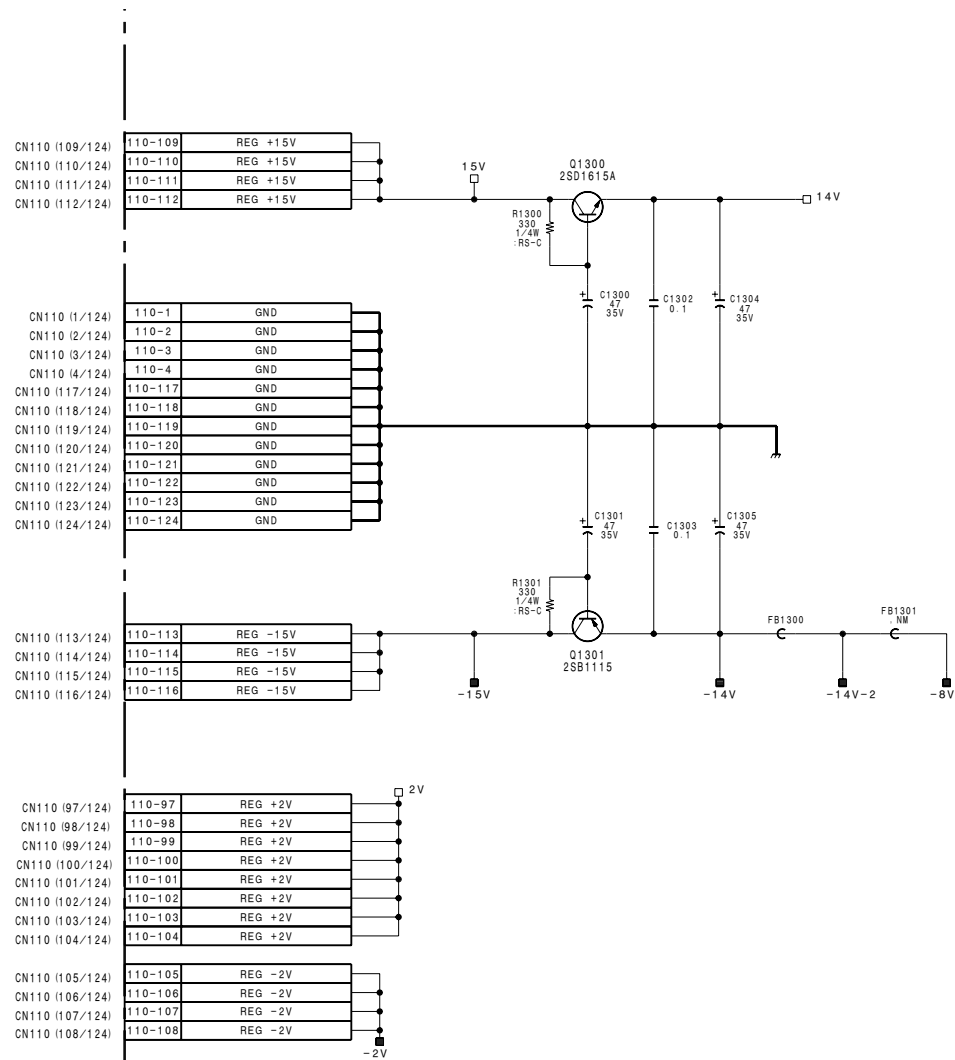
D

E

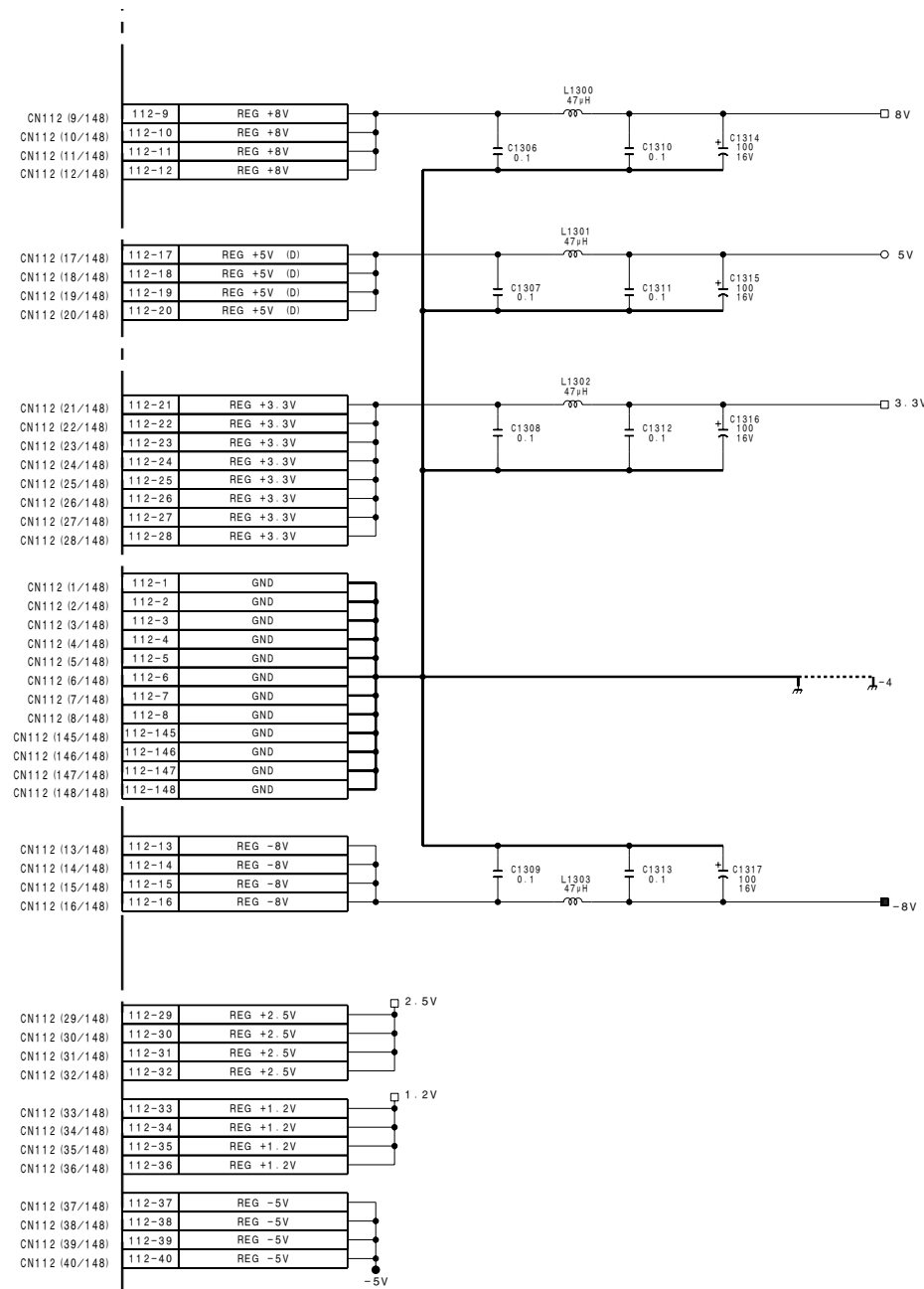
F

G

H



HDW-500 MMP2V2



6-177 (a)

6-177 (a)

1300

System, servo, DT control
SS-75 (12/12)
 HDW-500
 BOARD NO. 1-664-909-12
 HDW-500 (J) : LOT NO. 706-
 HDW-500 (UC) : LOT NO. 707-
 B-WHDW500-SS75-12-@

1

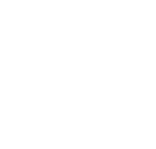
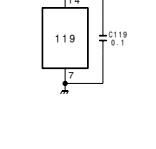
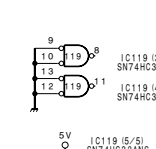
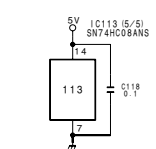
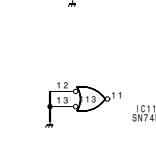
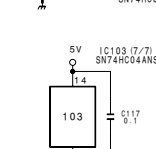
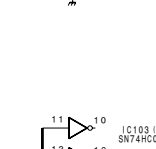
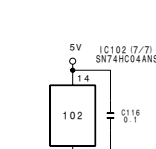
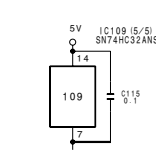
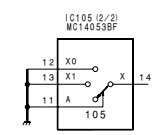
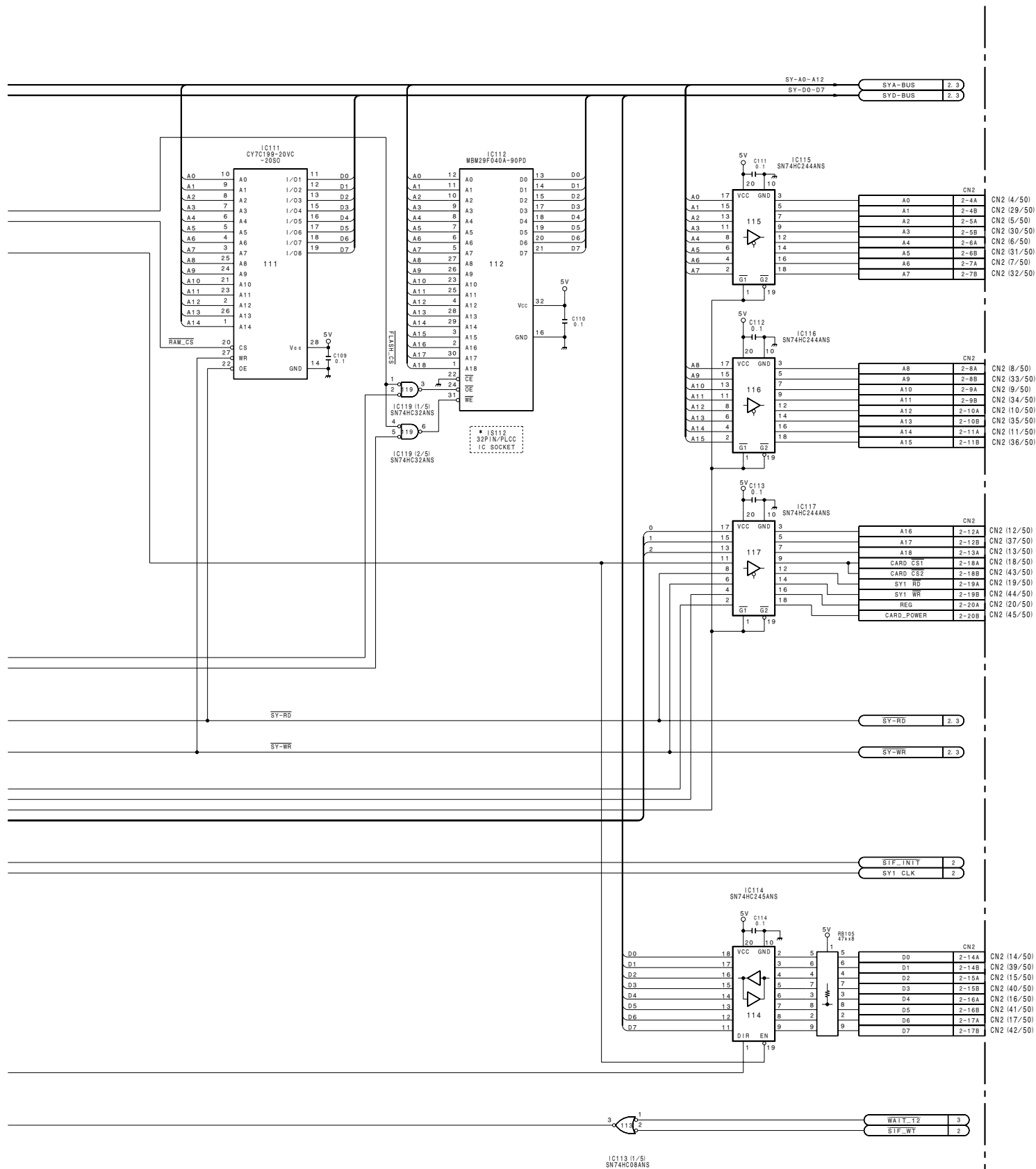
2

3

4

5

I J K L M N O P



1

2

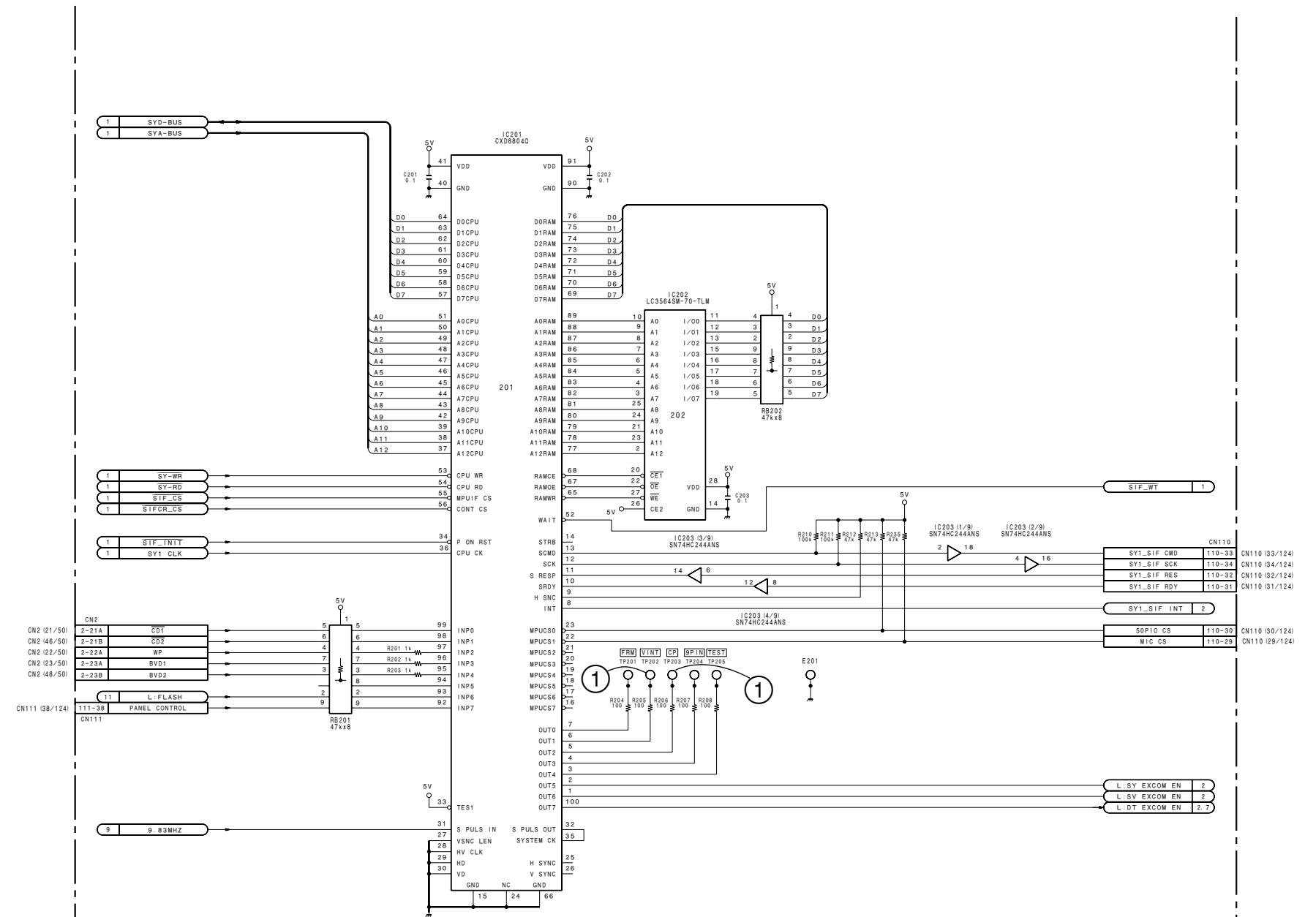
3

4

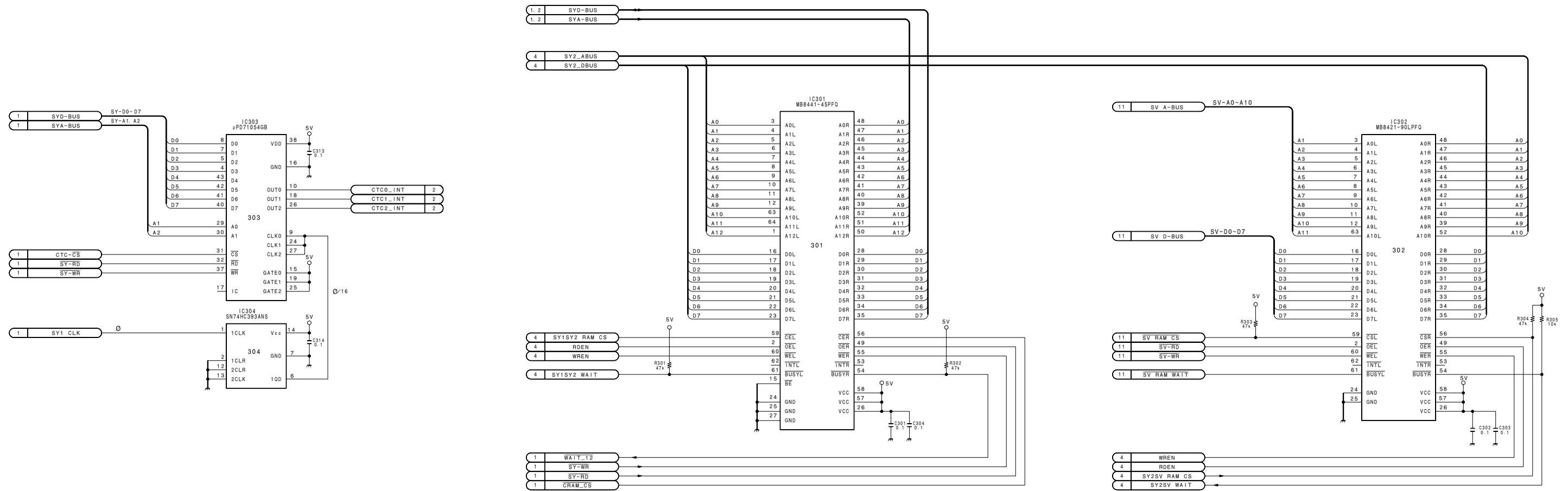
5

System, servo, DT control
SS-75 (1/12)
 HDW-500
 BOARD NO. 1-664-909-11
 HDW-500 (J) : LOT NO. 611-705
 B-WHDW500-SS75-11-@

HDW-500 (J) : S/N 10001 through 10200



HDW-500 (J) : S/N 10001 through 10200



System, servo, DT control
SS-75 (3/12)
 HDW-500
 BOARD NO. 1-664-909-11
 HDW-500 (J) : LOT NO. 611-705
 B-VHDW500-SS75-11-@

HDW-500 (J) : S/N 10001 through 10200

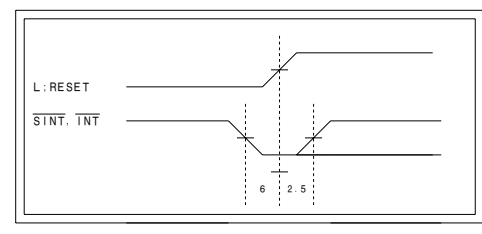
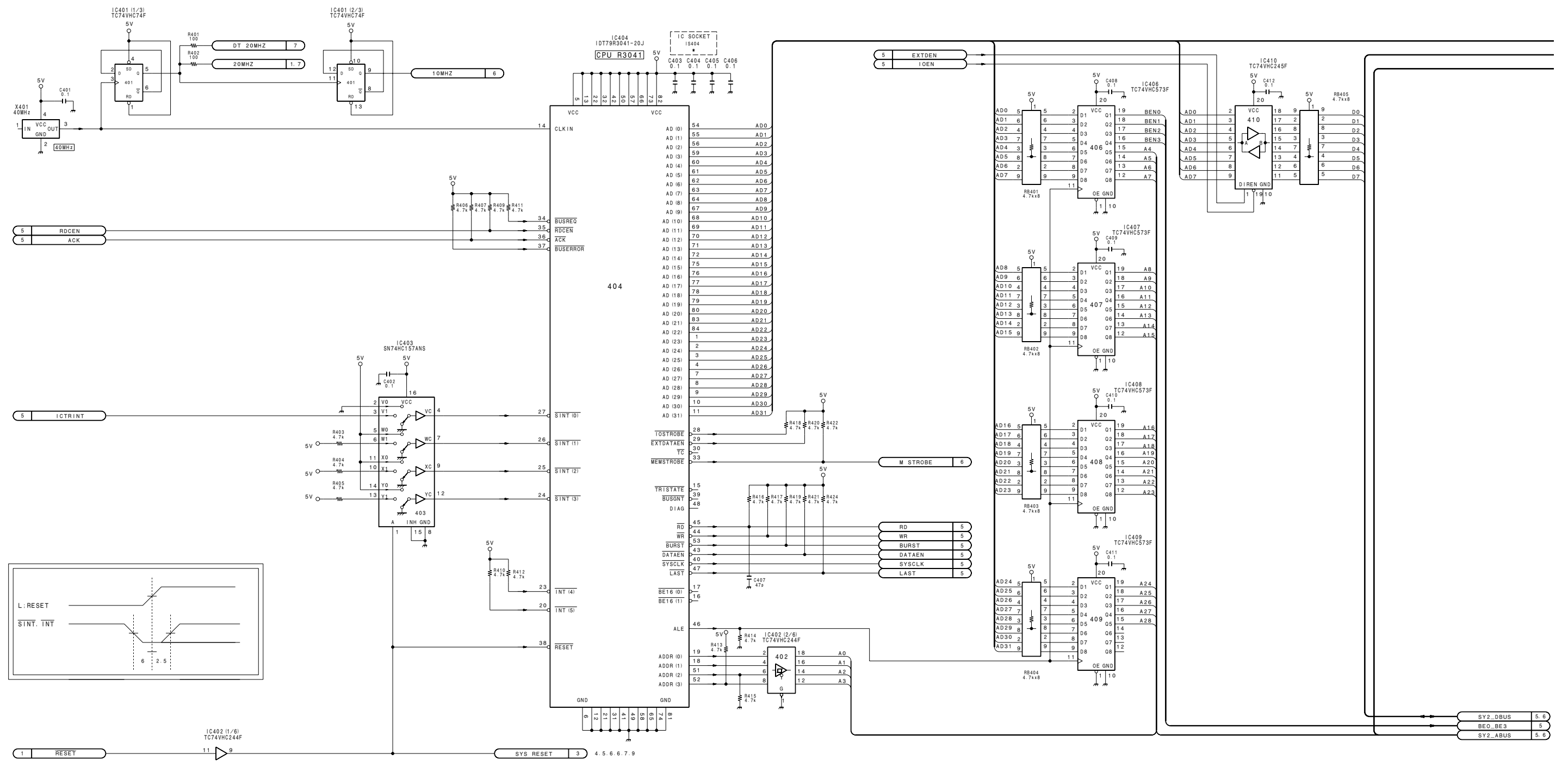
1

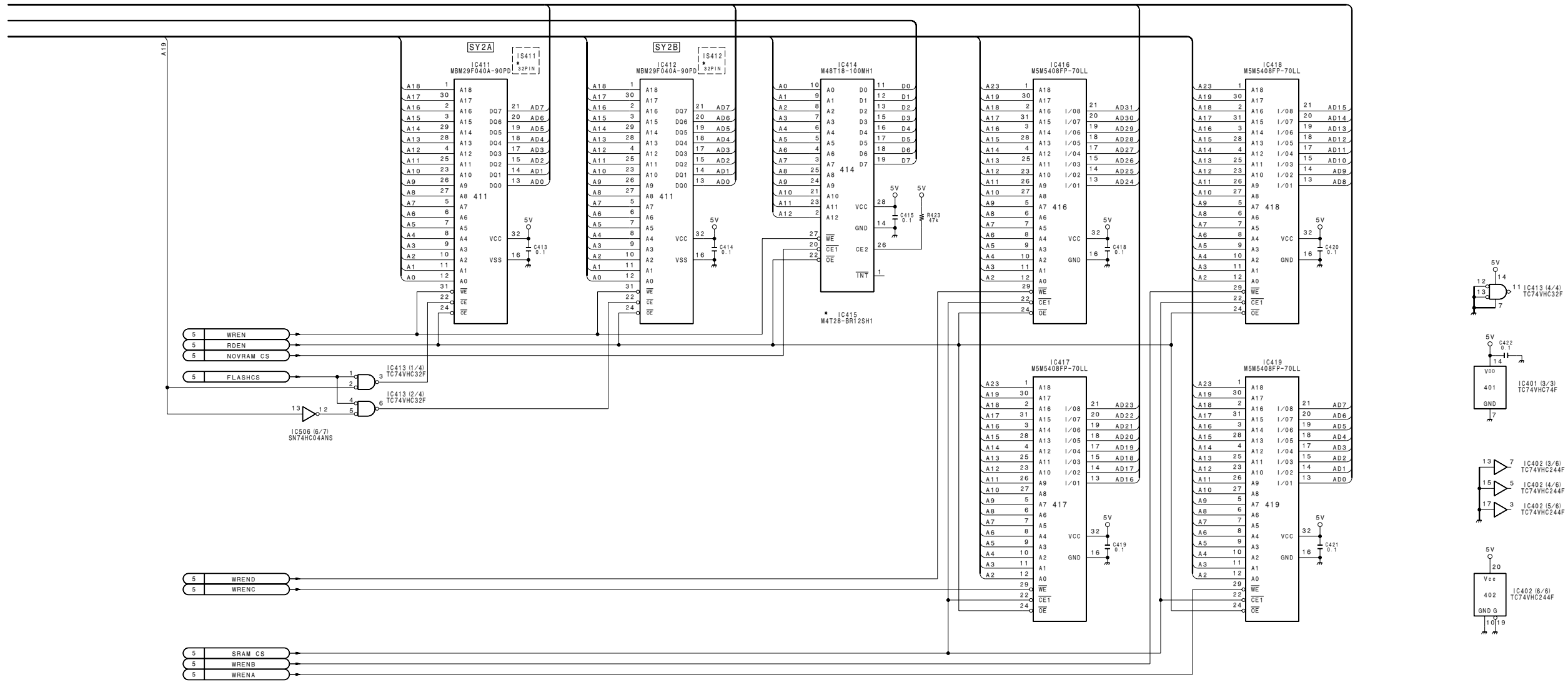
2

3

4

5





System, servo, DT control
SS-75 (4/12)
 HDW-500
 BOARD NO. 1-664-909-11
 HDW-500 (J) : LOT NO. 611-705
 B-WHDW500-SS75-11-@

HDW-500 (J) : S/N 10001 through 10200

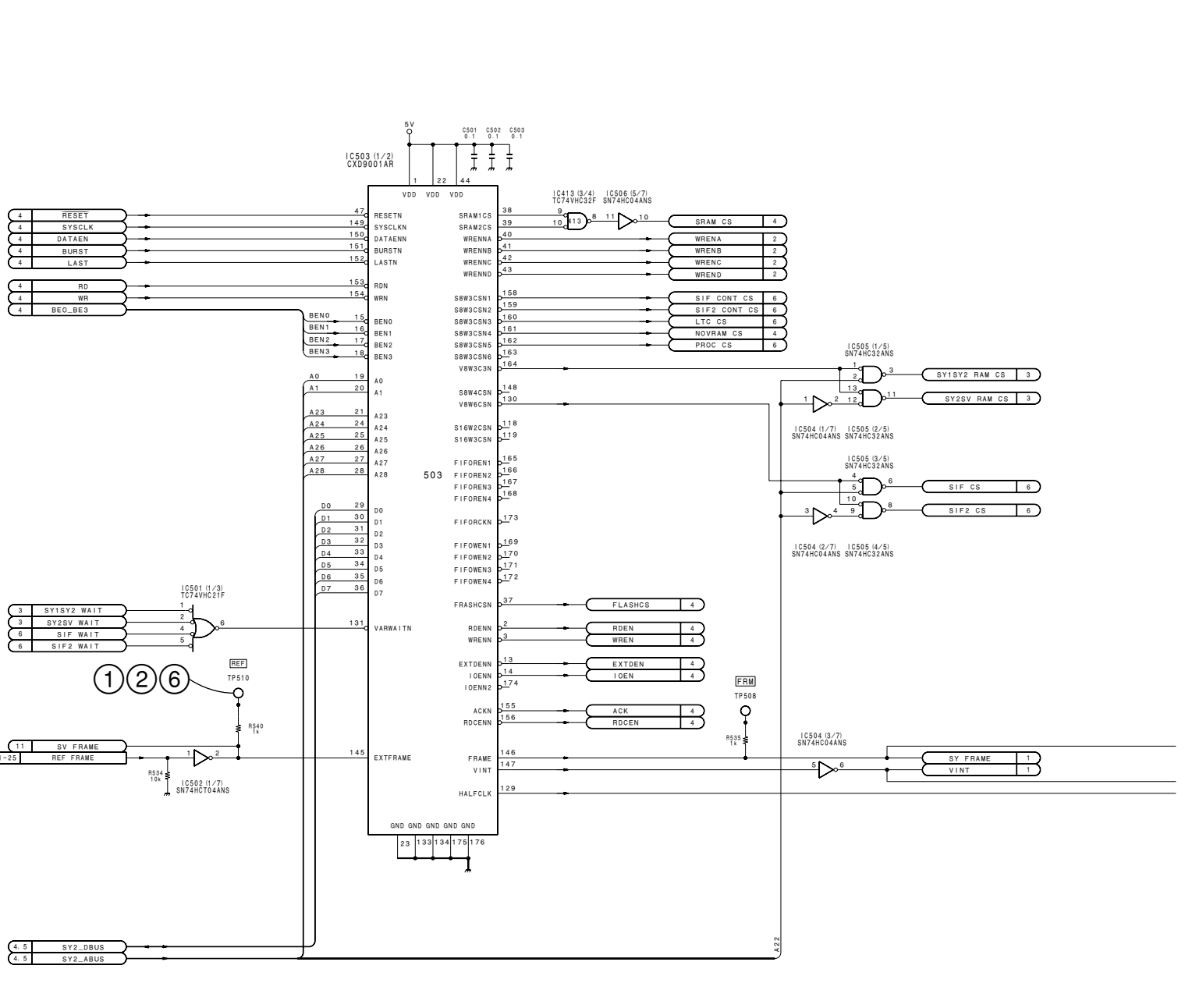
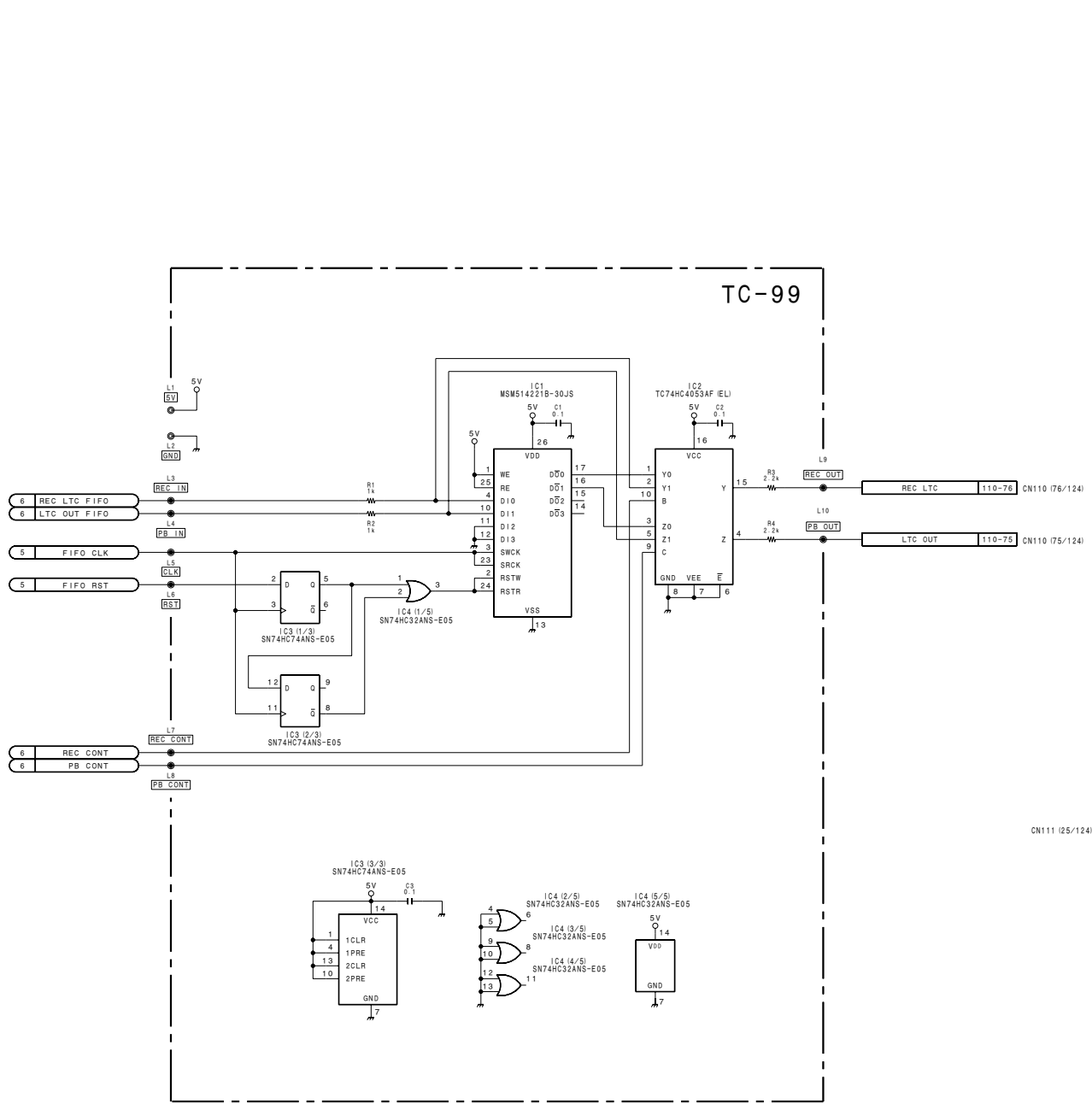
1

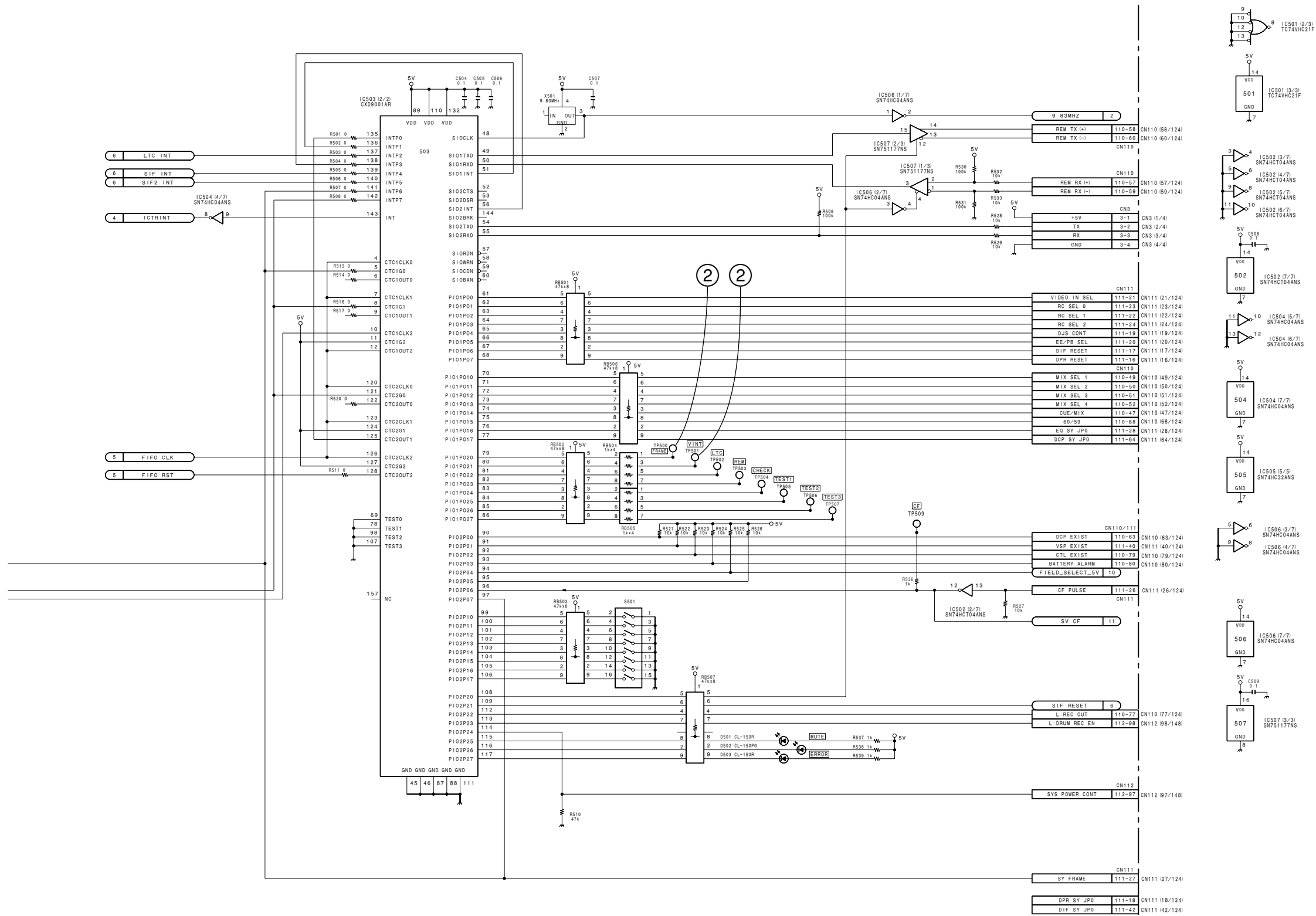
2

3

4

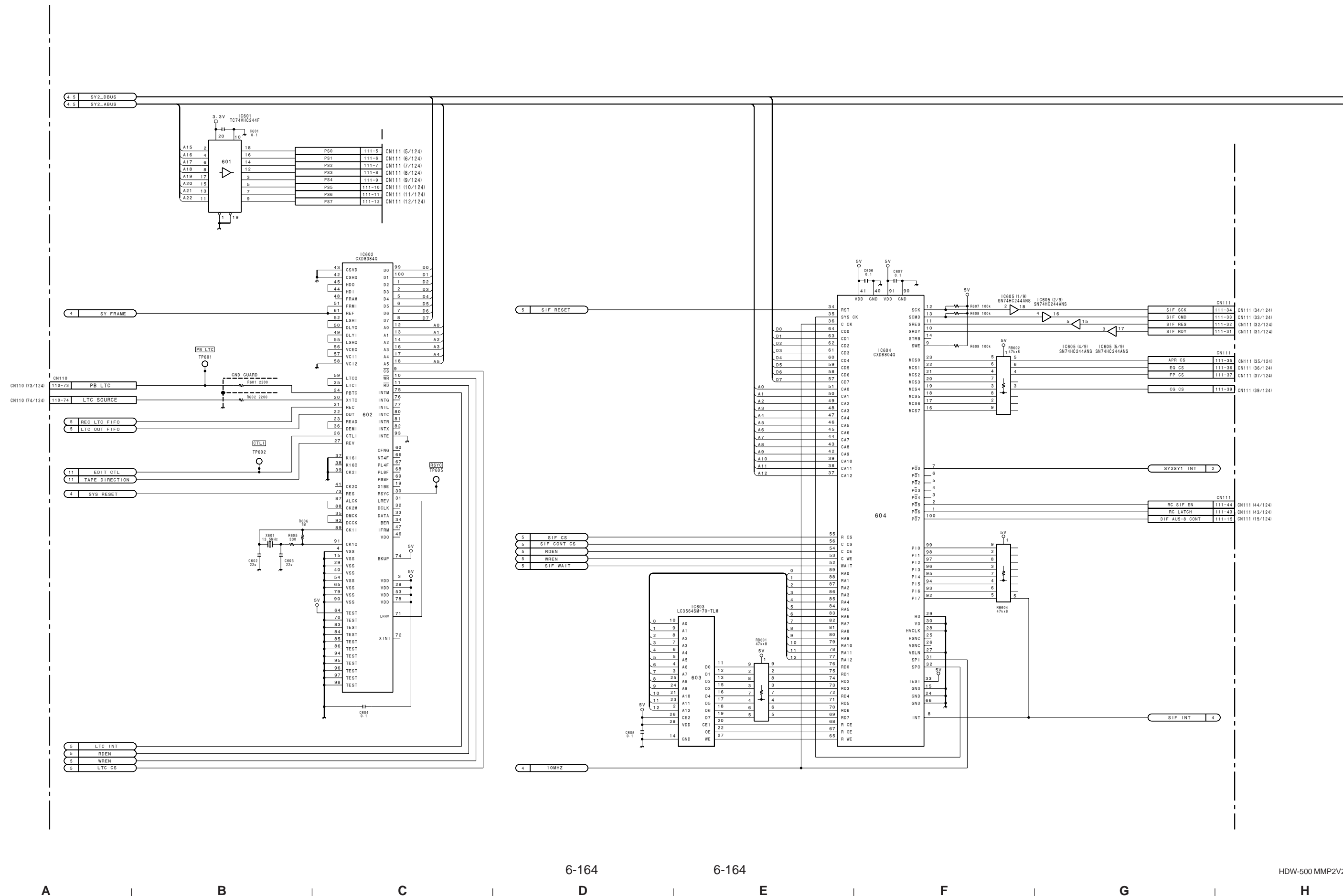
5

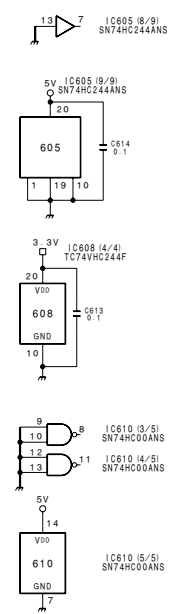
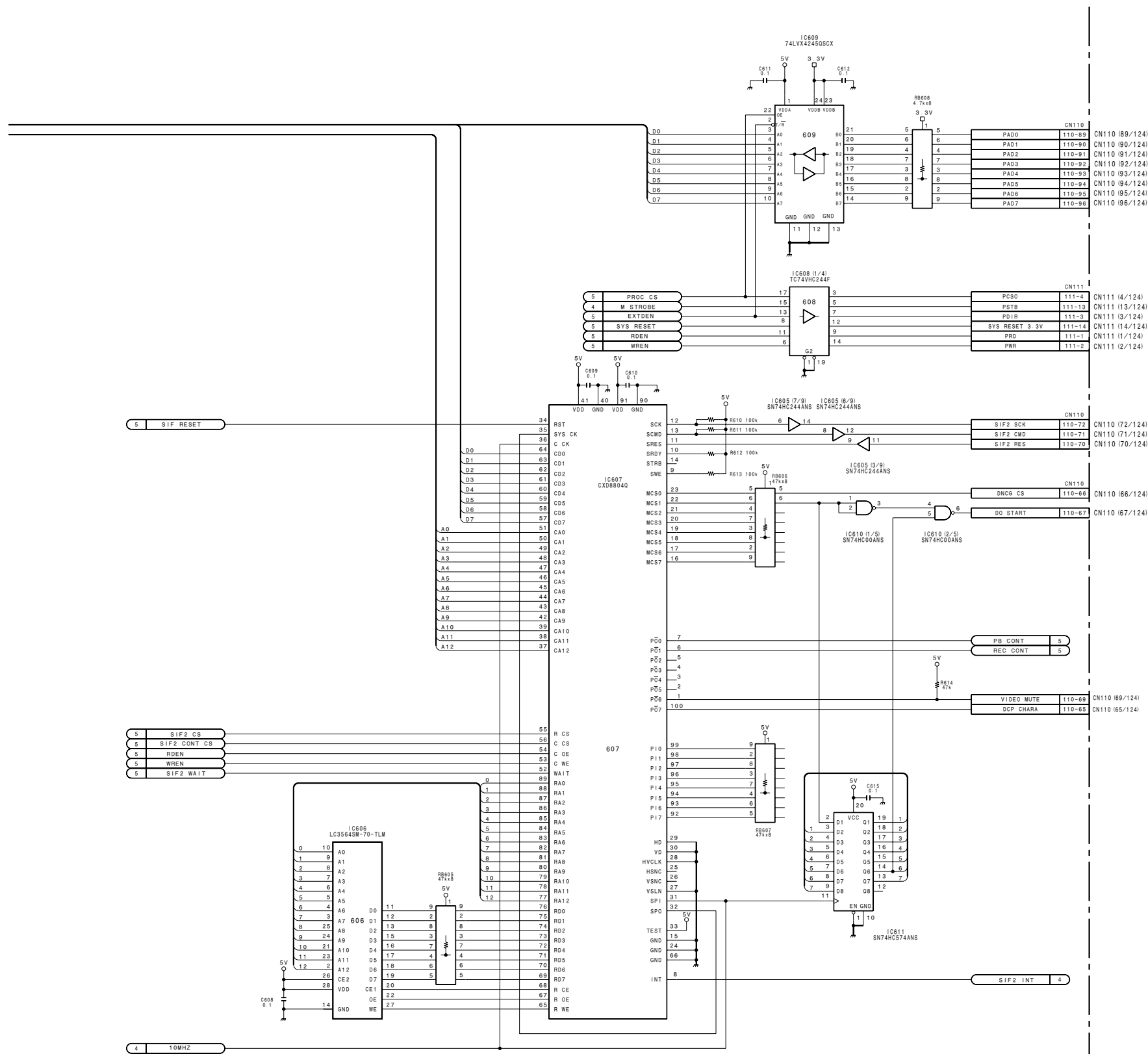




System, servo, DT control
SS-75 (5/12)
 HDW-500
 BOARD NO. 1-664-909-11
 HDW-500 (J) : LOT NO. 611-705
 B-WHD500-SS75-11-@

HDW-500 (J) : S/N 10001 through 10200

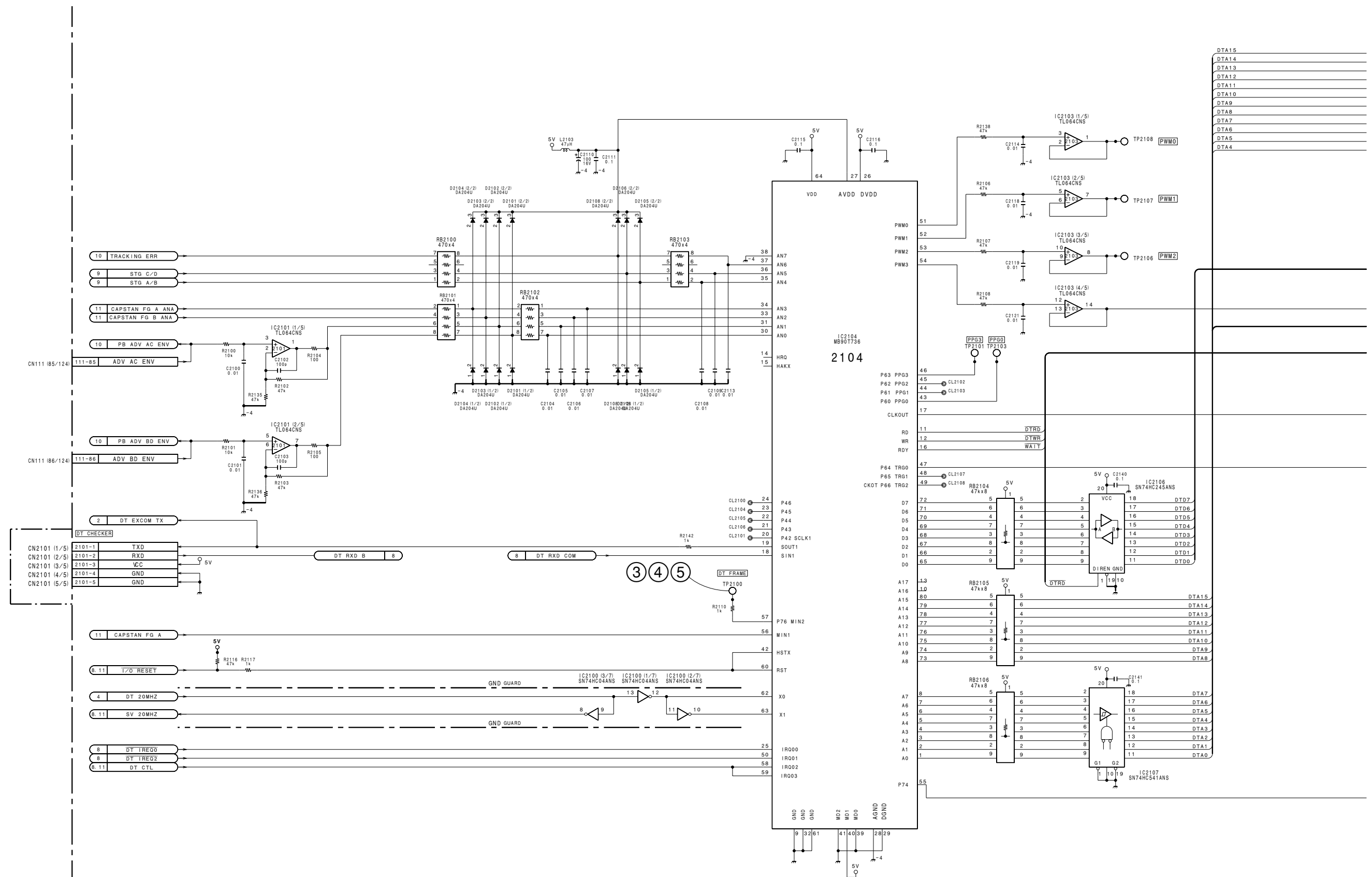




System, servo, DT control
SS-75 (6/12)
 HDW-500
 BOARD NO. 1-664-909-11
 HDW-500 (J) : LOT NO. 611-705
 B-WHDW500-SS75-11-@

HDW-500 (J) : S/N 10001 through 10200

1
2
3
4
5



DTA15
DTA14
DTA13
DTA12
DTA11
DTA10
DTA9
DTA8
DTA7
DTA6
DTA5
DTA4

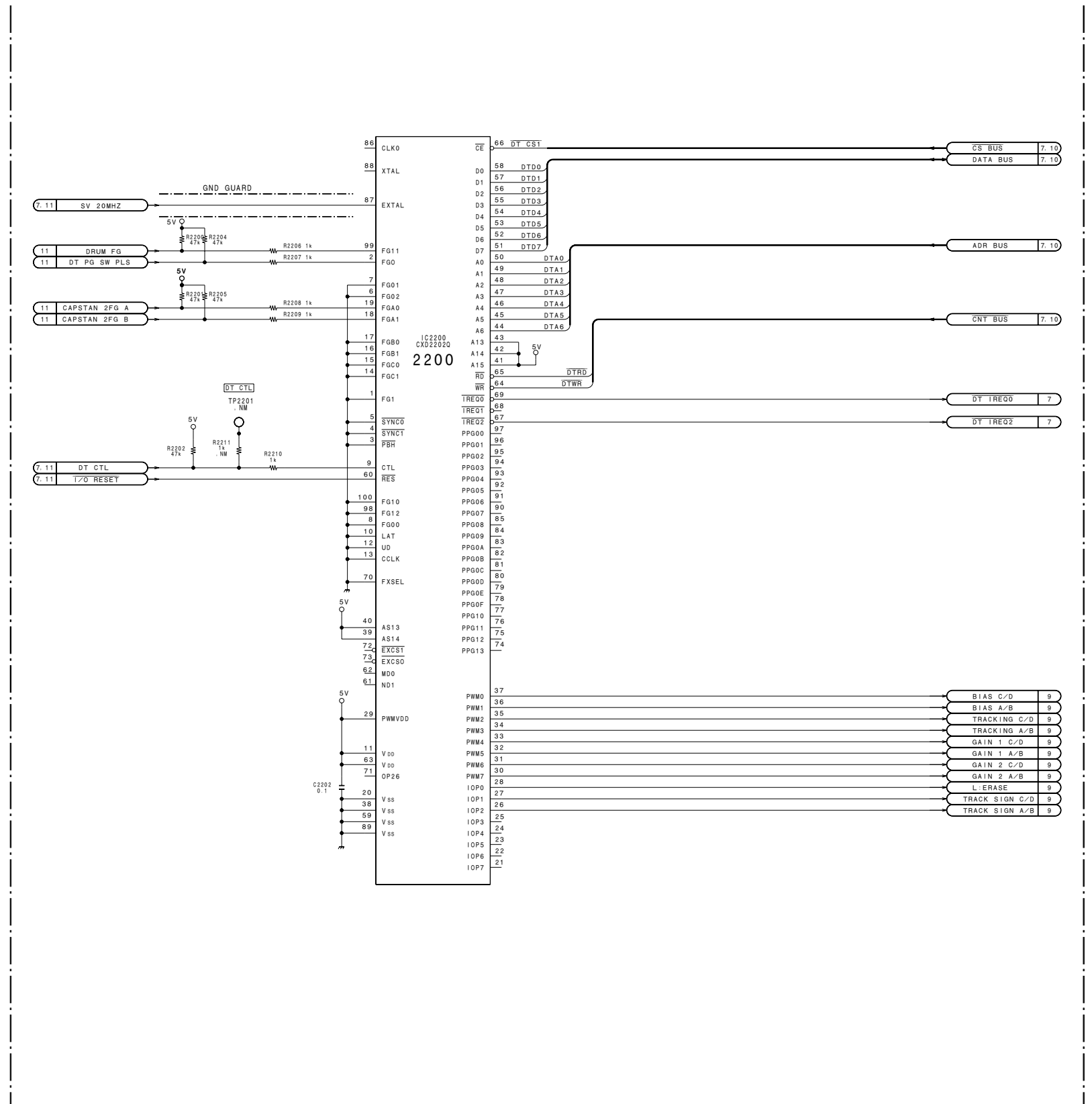
DTD7
DTD6
DTD5
DTD4
DTD3
DTD2
DTD1
DTD0

DTA15
DTA14
DTA13
DTA12
DTA11
DTA10
DTA9
DTA8

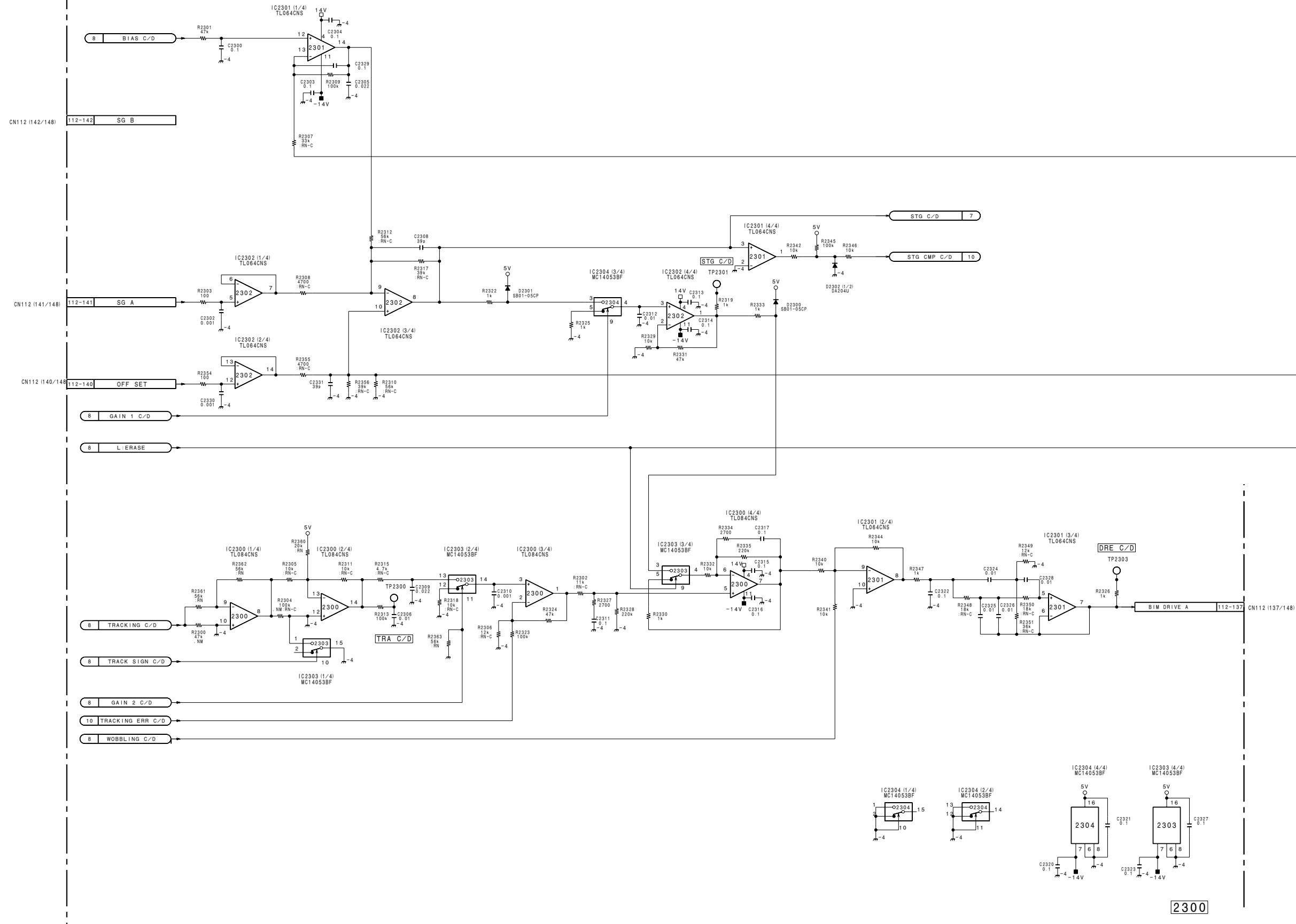
DTA7
DTA6
DTA5
DTA4
DTA3
DTA2
DTA1
DTA0

A B C D E F G H

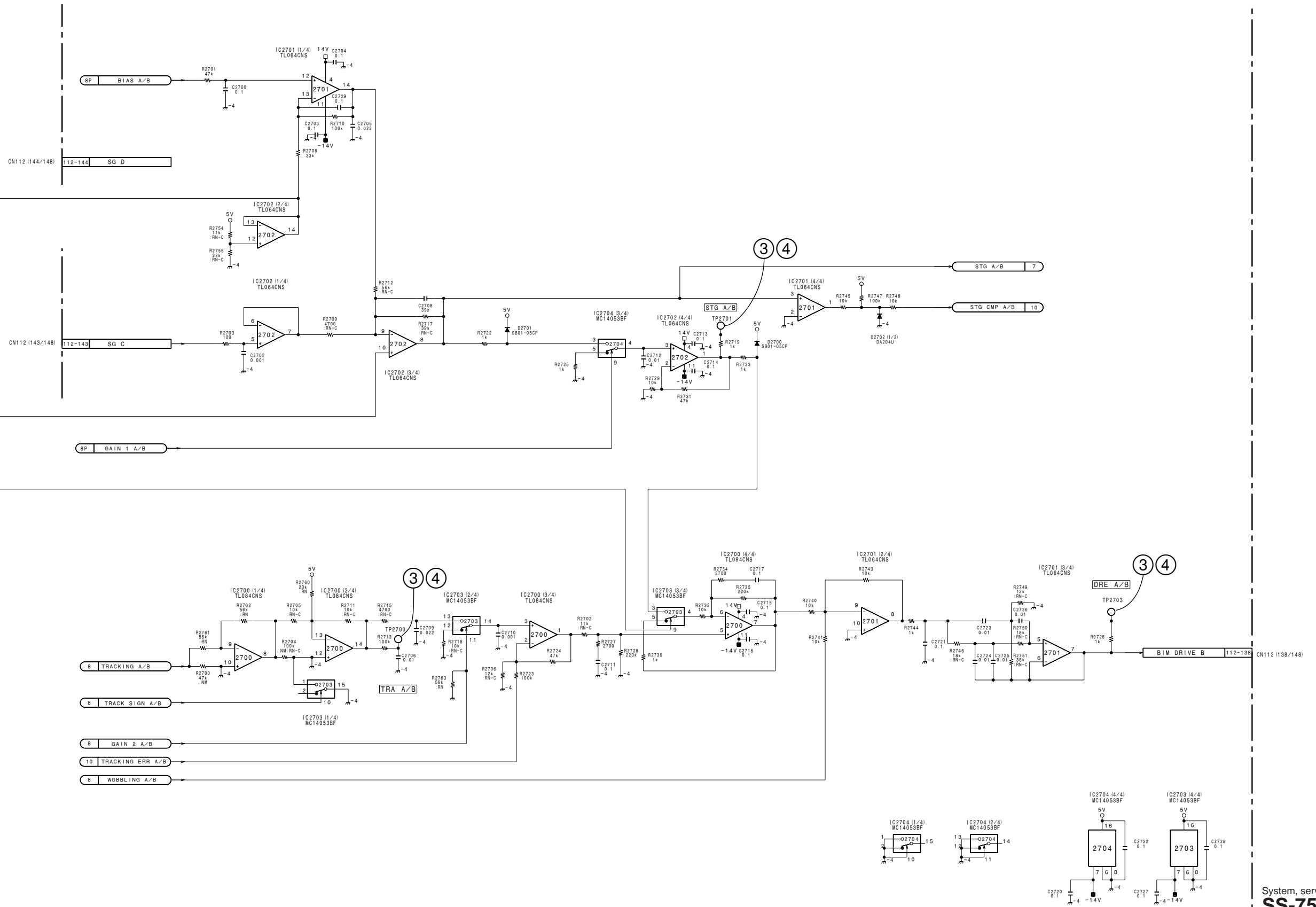
HDW-500 (J) : S/N 10001 through 10200



HDW-500 (J) : S/N 10001 through 10200



2300



1

2

3

4

5

HDW-500 (J) : S/N 10001 through 10200

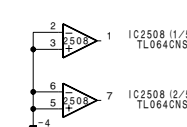
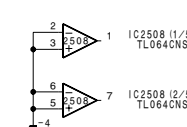
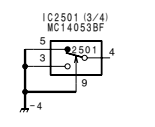
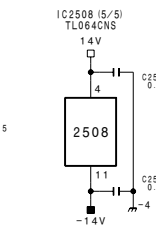
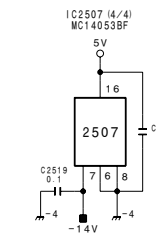
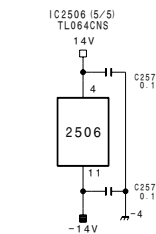
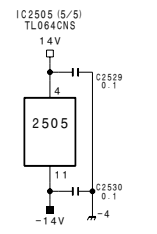
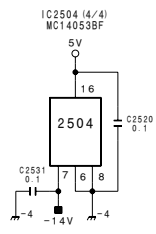
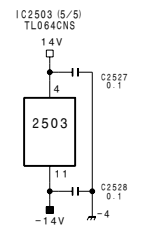
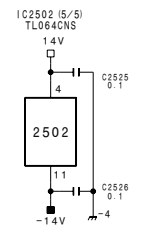
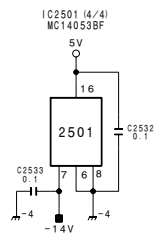
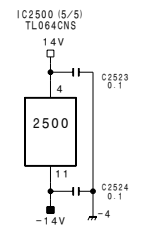
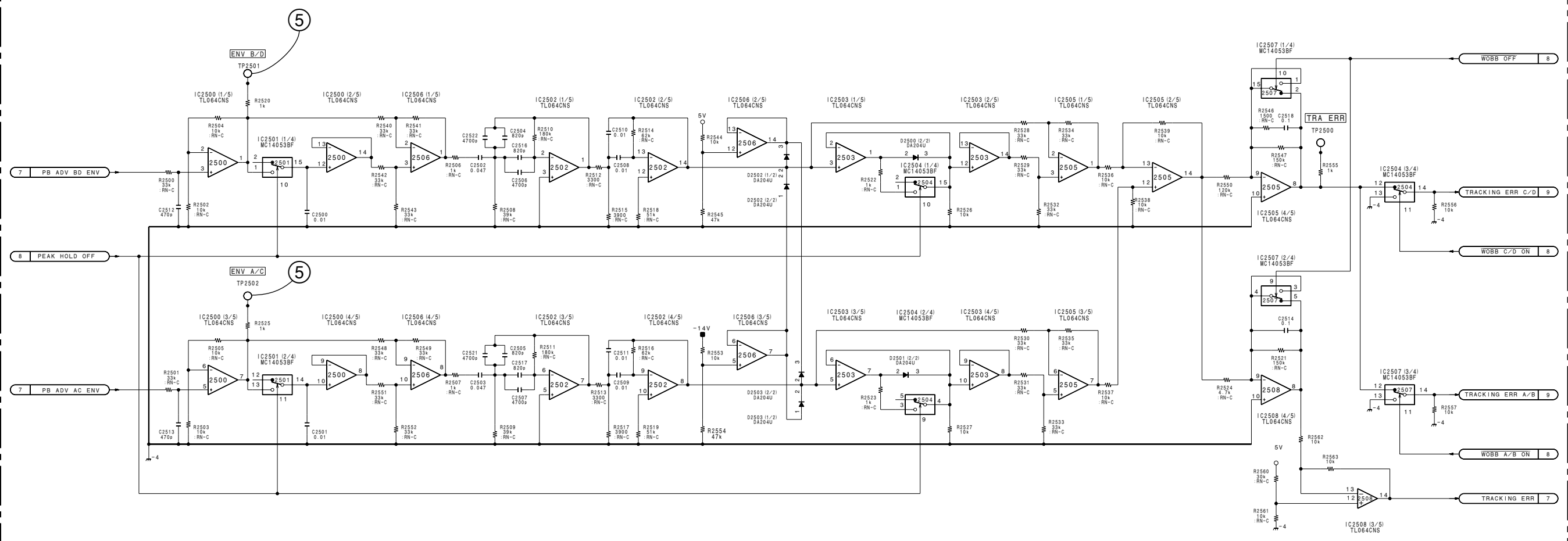
1

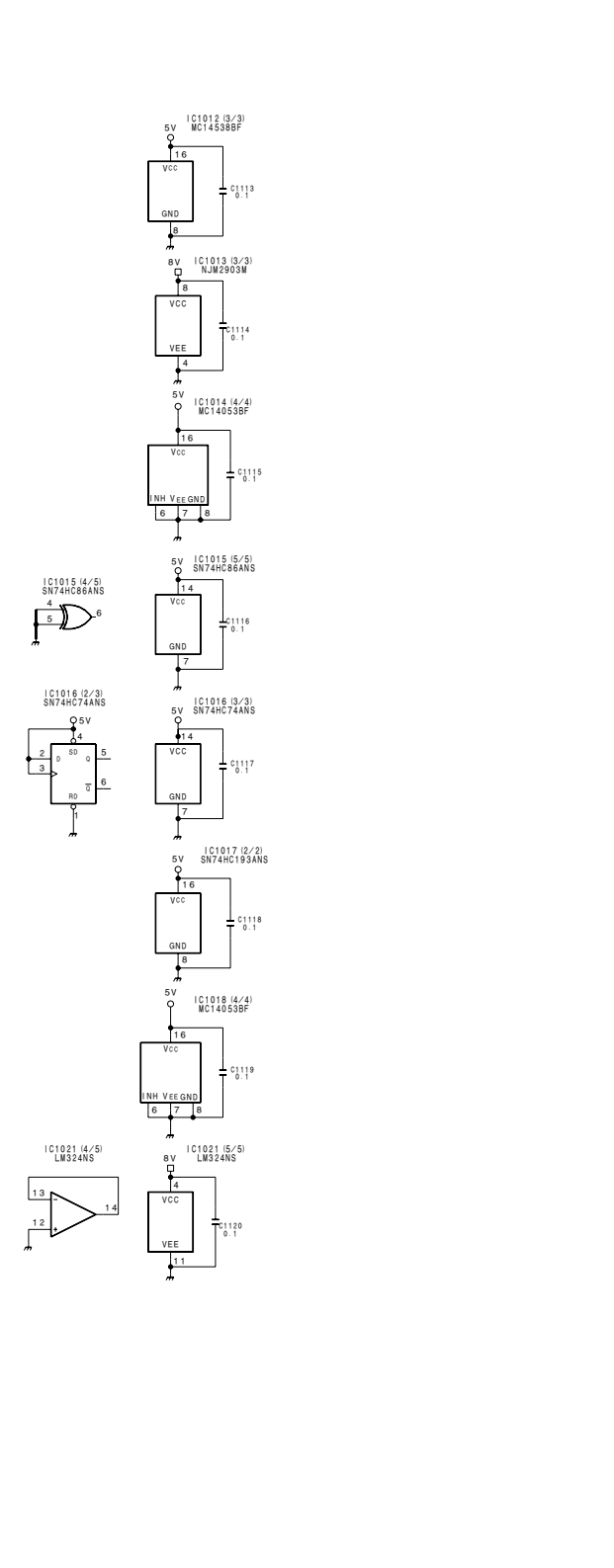
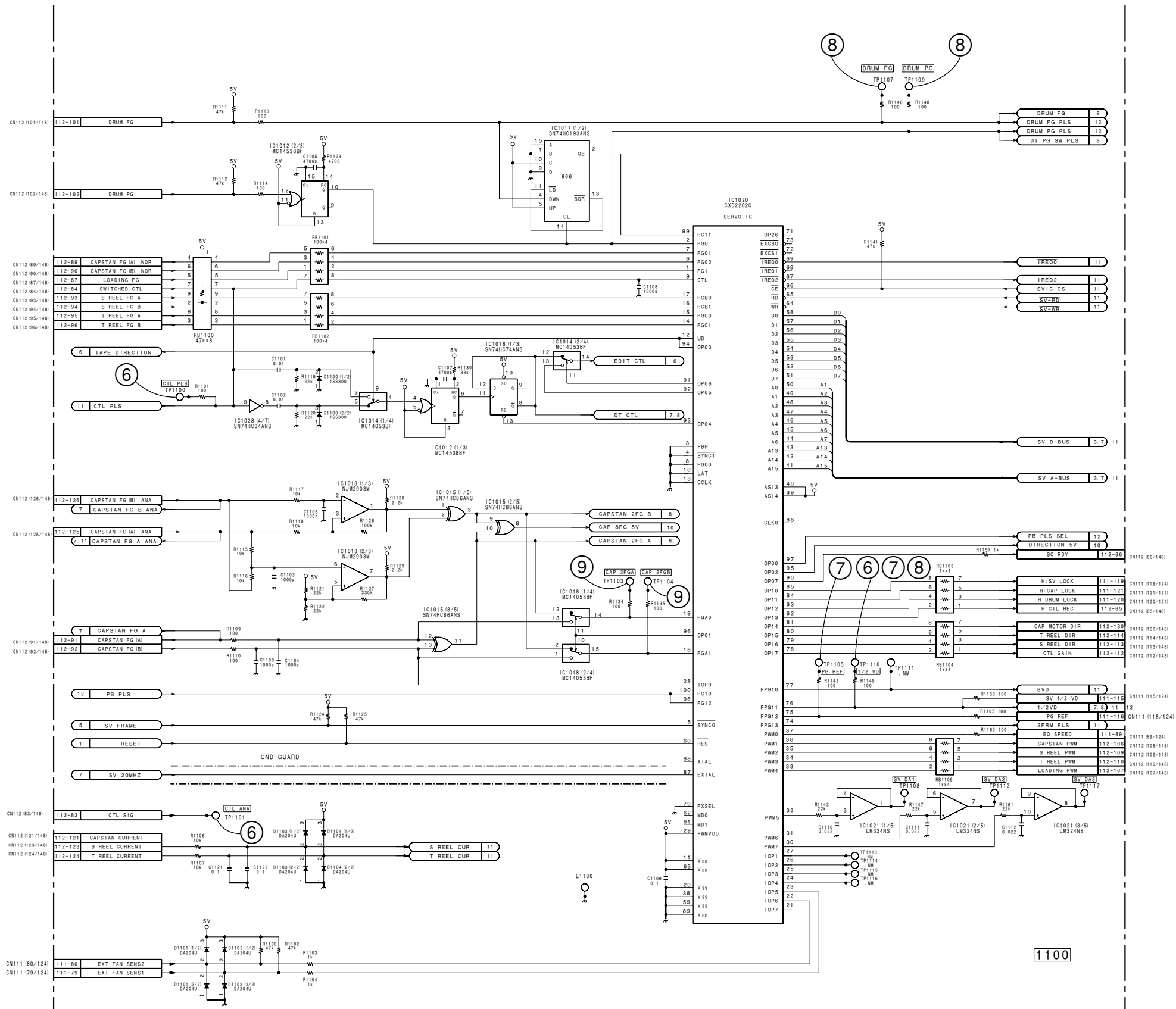
2

3

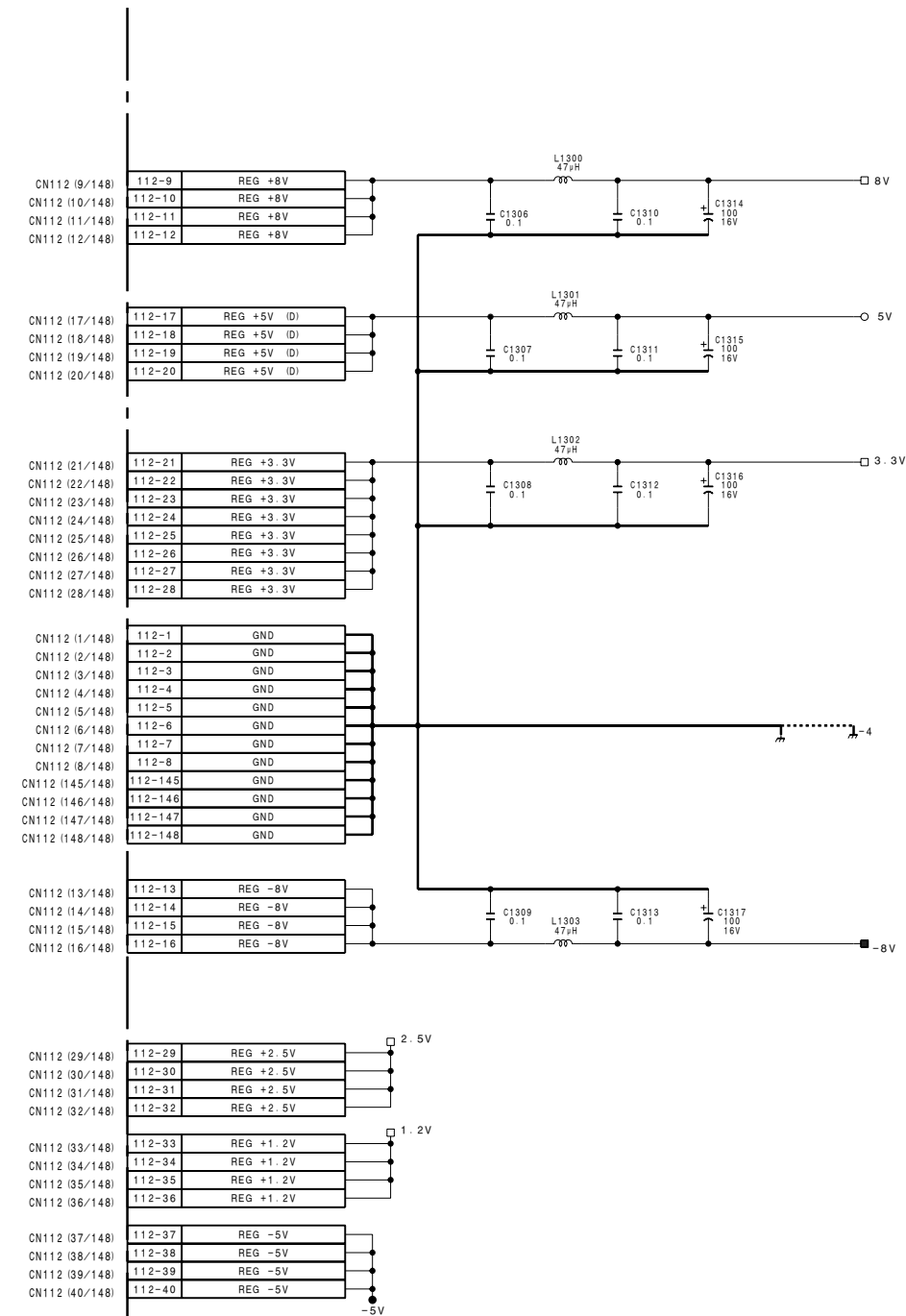
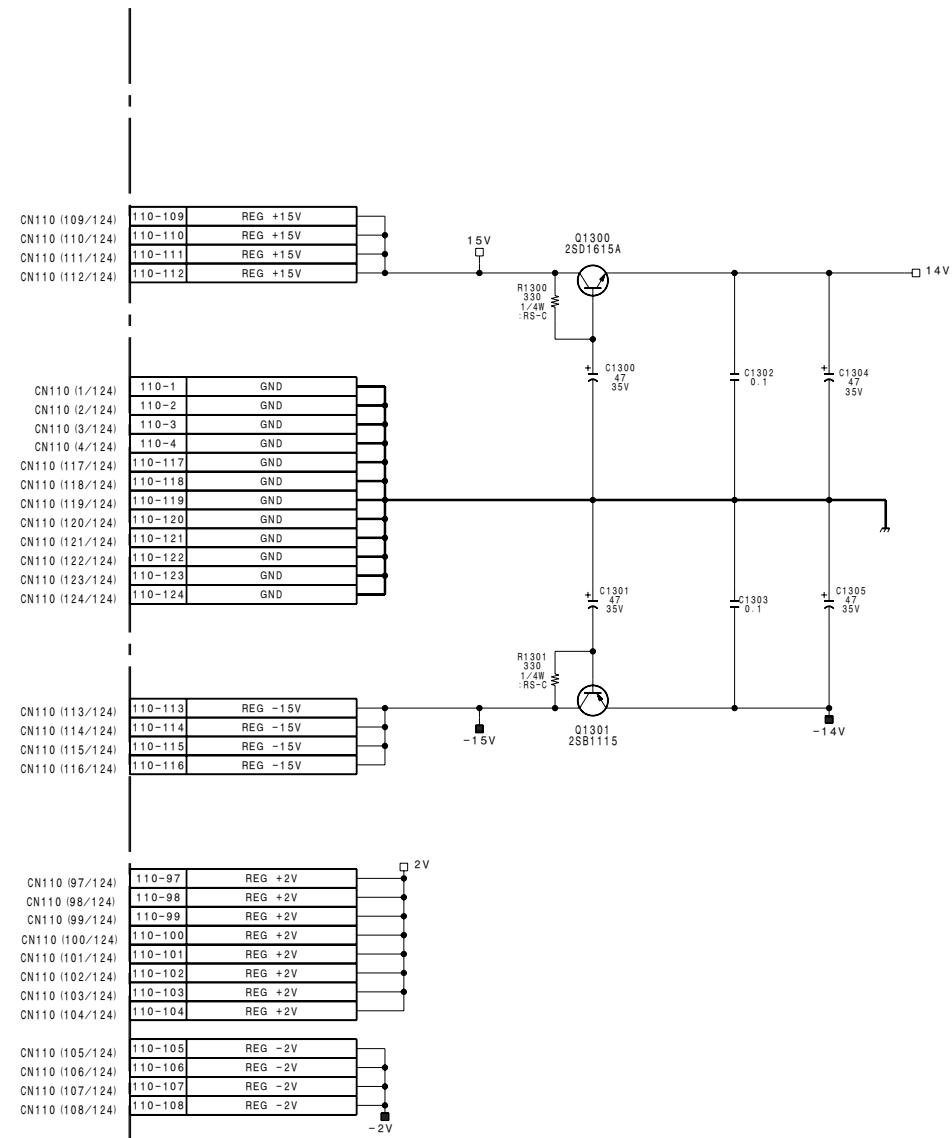
4

5





System, servo, DT control
SS-75 (11/12)
 HDW-500
 BOARD NO. 1-664-909-11
 HDW-500 (J) : LOT NO. 611-705
 B-WHD500-SS75-11-@



System, servo, DT control
SS-75 (12/12)
 HDW-500
 BOARD NO. 1-664-909-11
 HDW-500 (J) : LOT NO. 611-705
 B-VHDW500-SS75-11-@

1

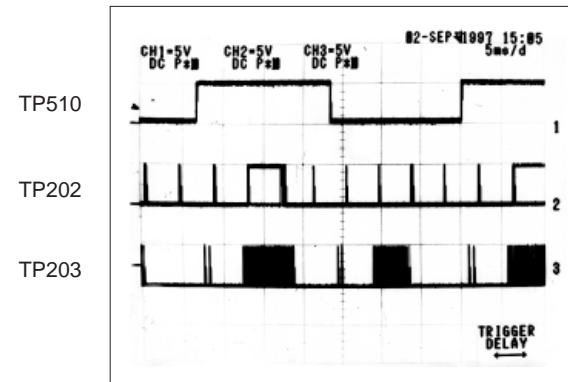
2

3

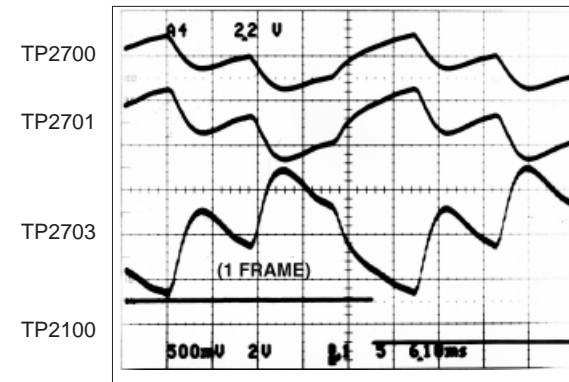
4

5

① REF (TRIG) TP510 (5/12)
 VINT TP202 (2/12)
 CP TP203 (2/12)

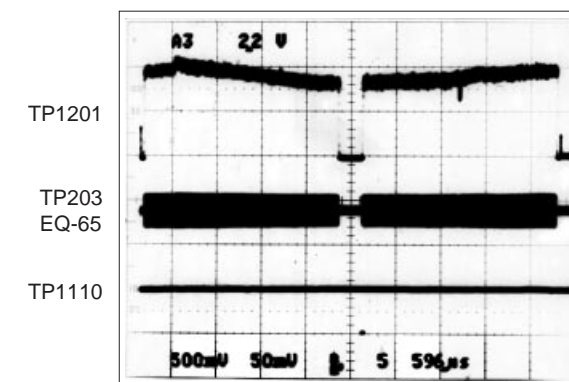


④ TRA A/B TP2700 (9/12)
 STG A/B TP2701 (9/12)
 DRE A/B TP2703 (9/12)
 DT FRAME (TRIG) TP2100 (7/12)



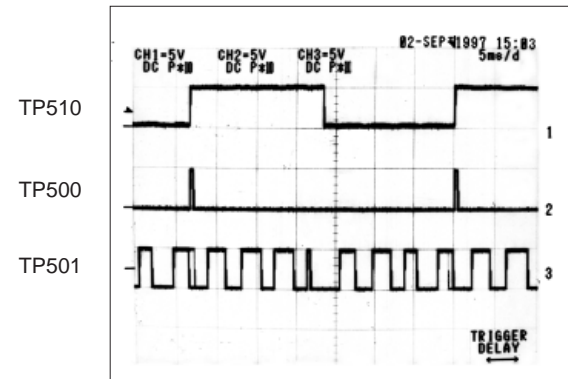
MODE : REV x 1/31 SPEED

⑦ SAT ENV TP1201 (12/12)
 REC AC TP203, EQ-65
 PG REF TP1105 (11/12)
 1/2VD (TRIG) TP1110 (11/12)

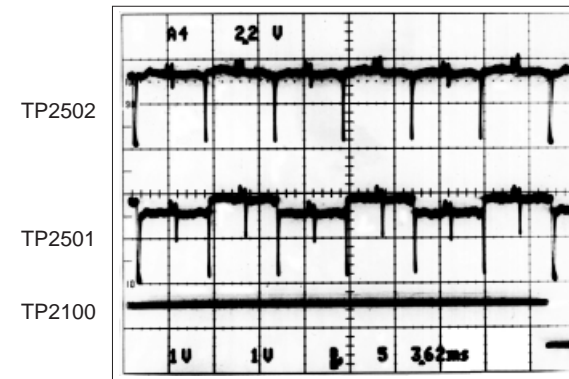


MODE : HR2-1A PLAY

② REF (TRIG) TP510 (5/12)
 FRAME TP500 (5/12)
 VINT TP501 (5/12)

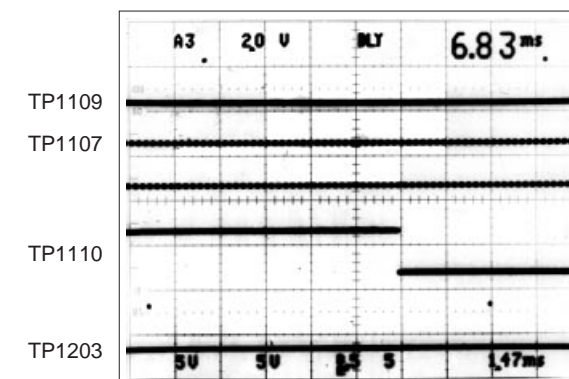


⑤ ENV A/C TP2502 (10/12)
 ENV B/D TP2501 (10/12)
 DT FRAME (TRIG) TP2100 (7/12)



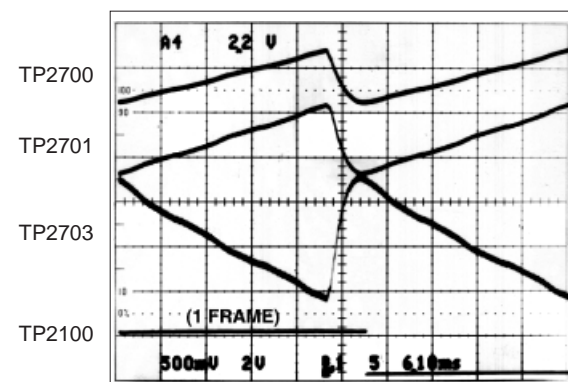
MODE : SELF REC PLAY

⑧ DRUM PG TP1109 (11/12)
 DRUM FG TP1107 (11/12)
 1/2VD (TRIG) TP1110 (11/12)
 SAT TIM TP1203 (12/12)



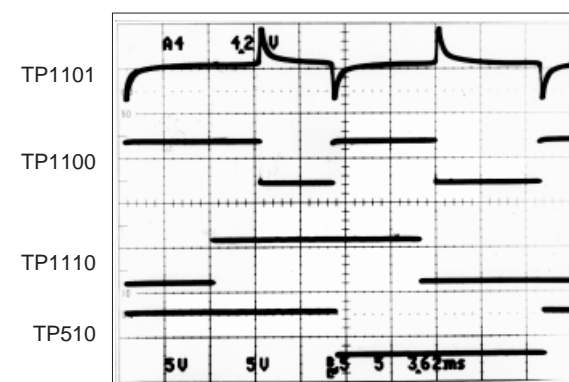
MODE : SELF REC PLAY

③ TRA A/B TP2700 (9/12)
 STG A/B TP2701 (9/12)
 DRE A/B TP2703 (9/12)
 DT FRAME (TRIG) TP2100 (7/12)



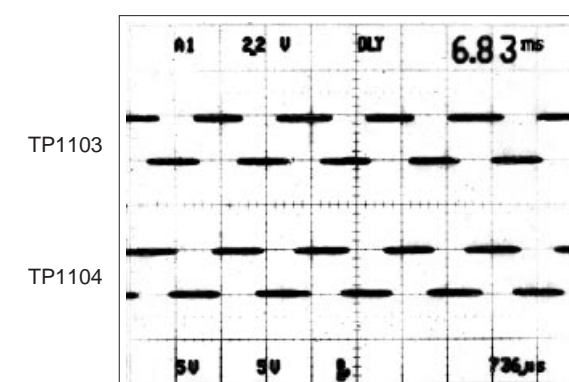
MODE : FWD x 1/30 SPEED

⑥ CTL ANA TP1101 (11/12)
 CTL PLS TP1100 (11/12)
 1/2 VD TP1110 (11/12)
 REF (TRIG) TP510 (5/12)

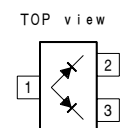
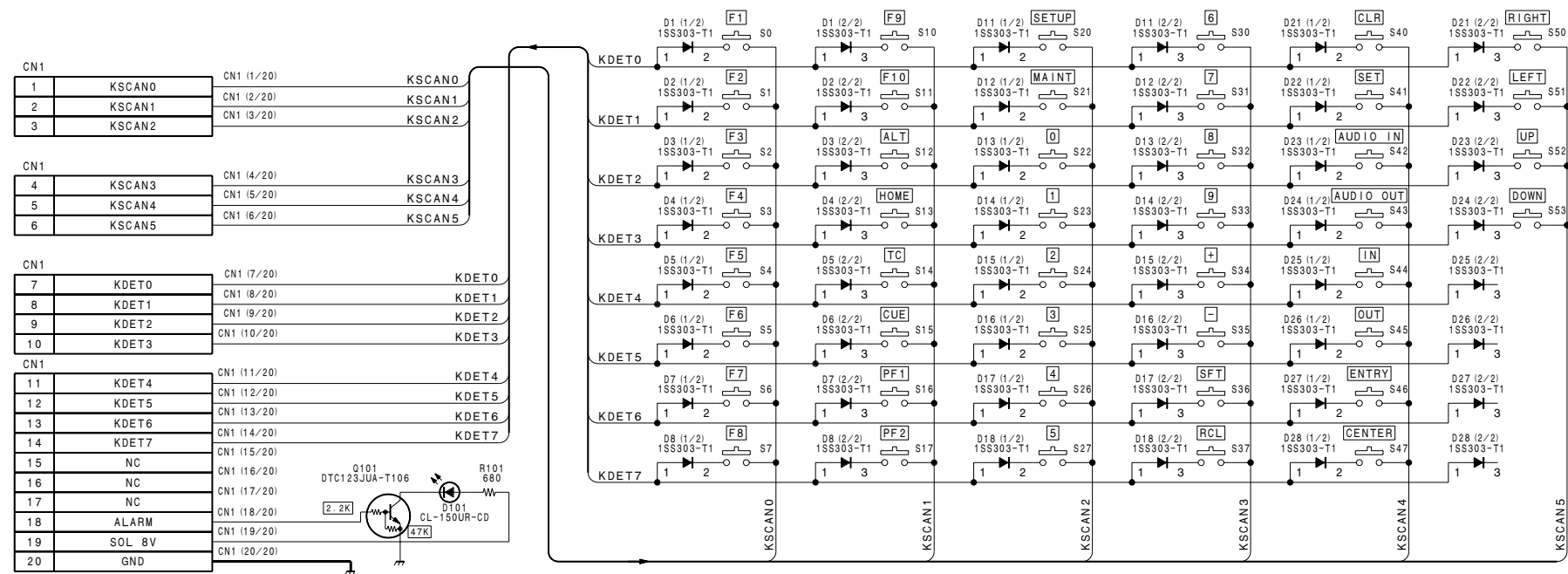


MODE : SELF REC PLAY

⑨ CAP 2FGA TP1103 (11/12)
 CAP 2FGB TP1104 (11/12)

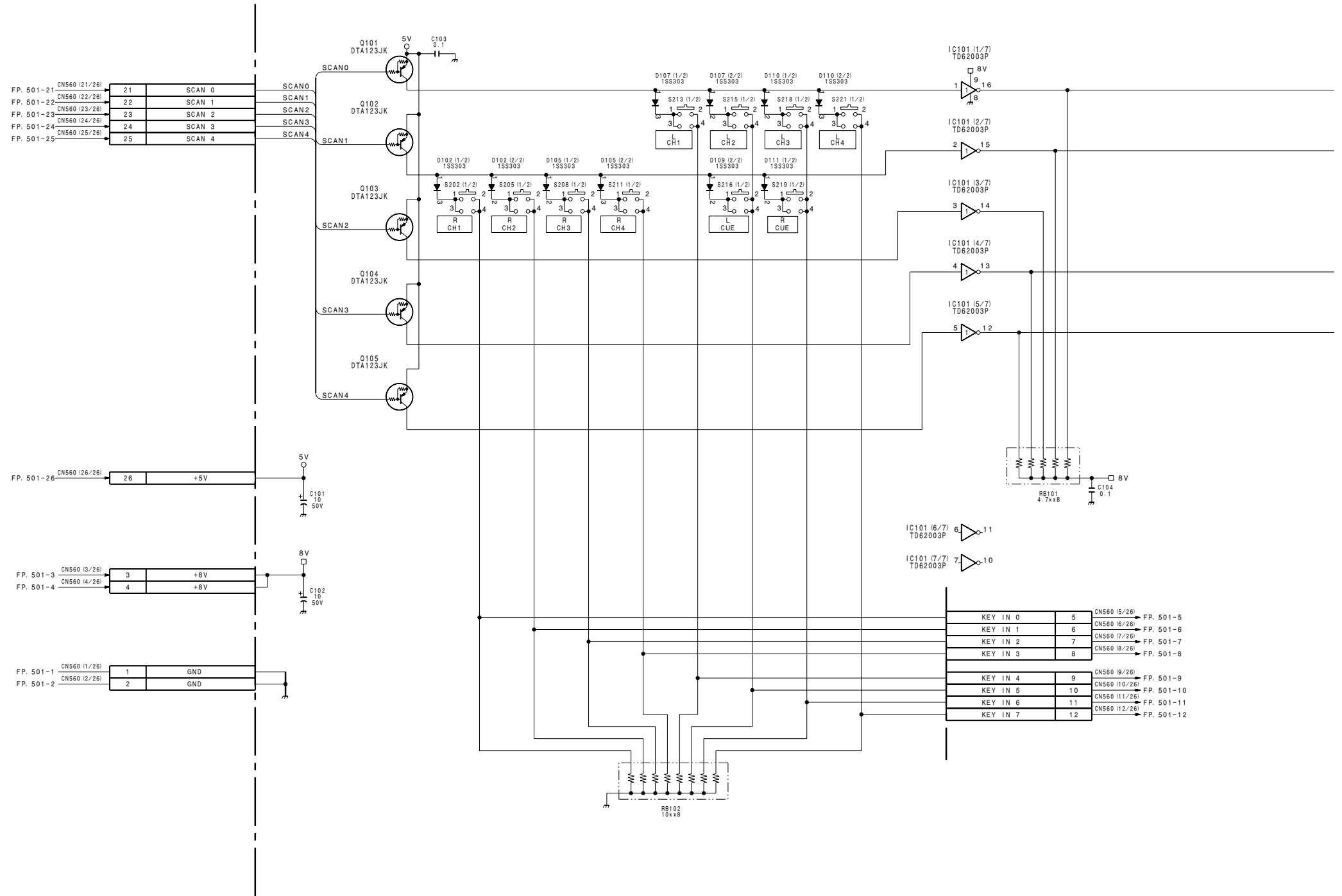


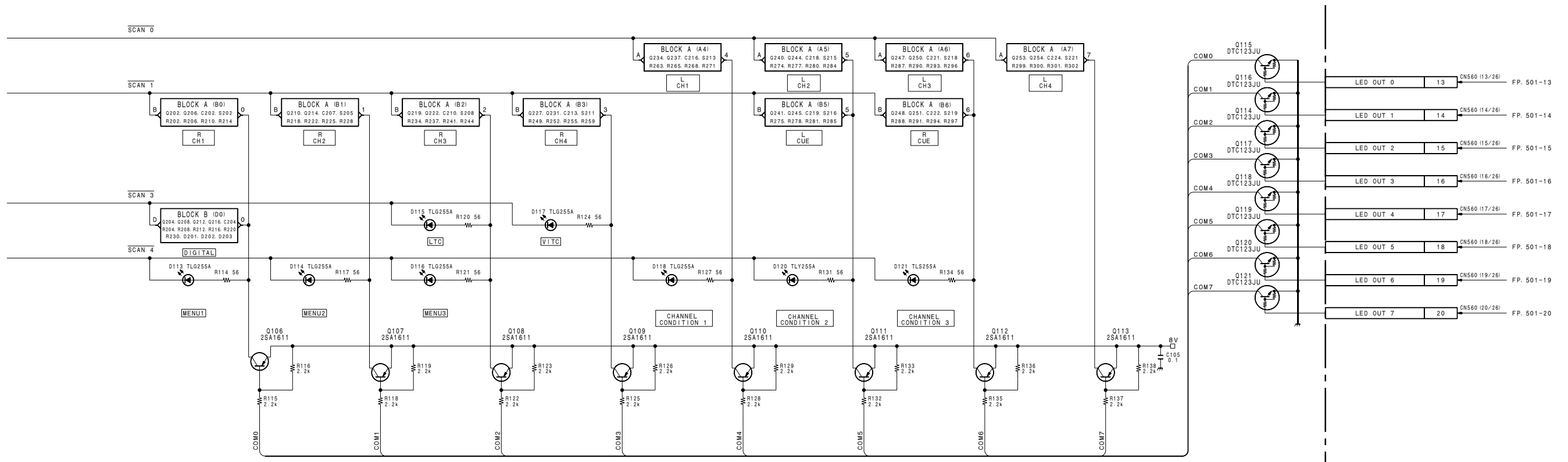
HDW-500 (J) : S/N 10001 and Higher
 HDW-500 (UC) : S/N 10001 and Higher



Function control switches
SW-749
 HDW-500
 BOARD NO. 1-658-035-11
 HDW-500 (J) : LOT NO. 611-
 HDW-500 (UC) : LOT NO. 707-
 B-WHDW500-SW749-11

HDW-500 (J) : S/N 10001 and Higher
 HDW-500 (UC): S/N 10001 and Higher



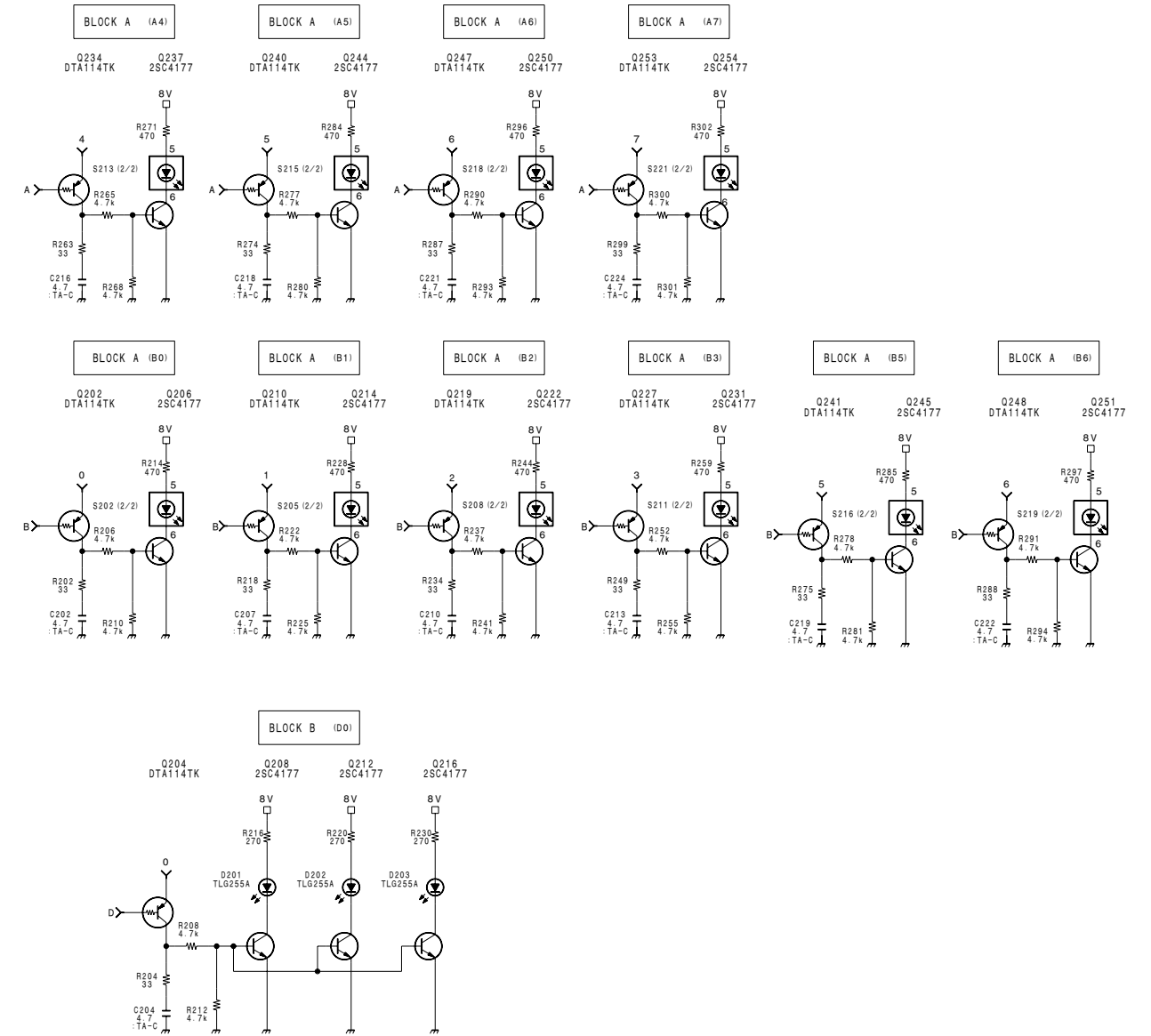


Upper panel function (Switches, LEDs)

SWC-17D (1/2)

HDW-500
 BOARD NO. 1-648-548-13
 HDW-500 (J) : LOT NO. 611-
 HDW-500 (UC) : LOT NO. 707-
 B-WHDW500-SWC17-11-@

HDW-500 (J) : S/N 10001 and Higher
 HDW-500 (UC) : S/N 10001 and Higher

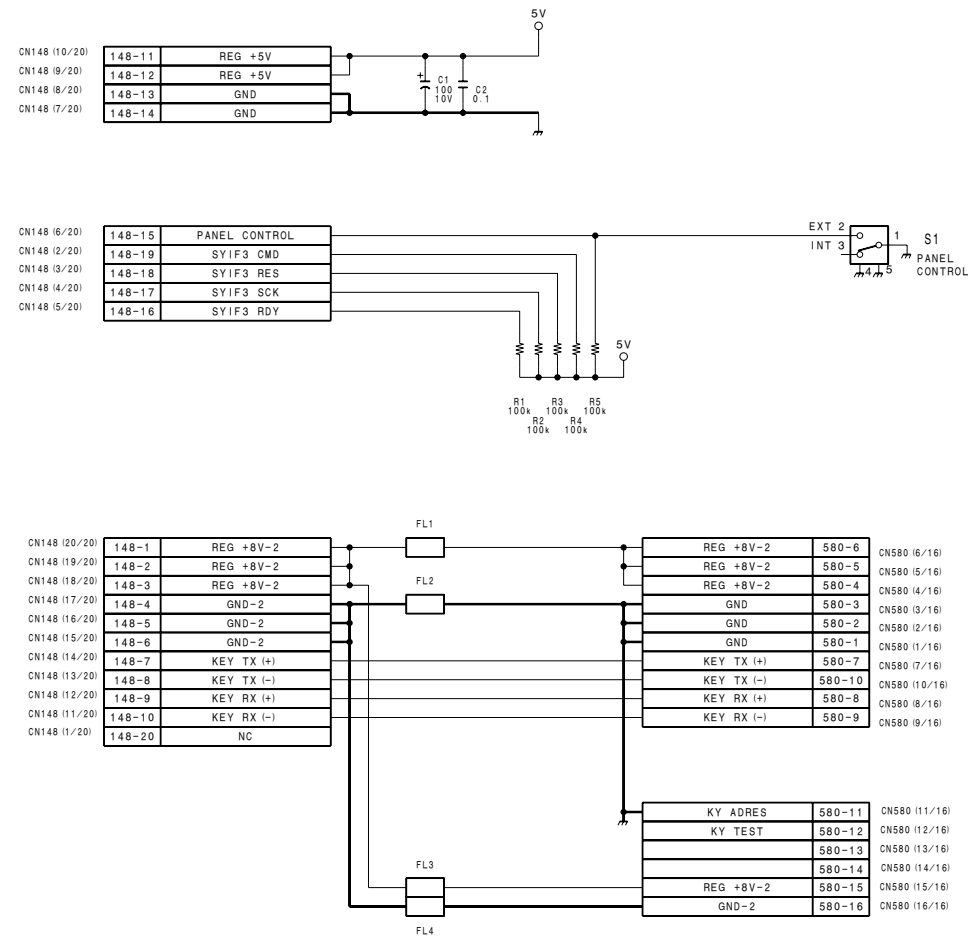


Upper panel function (Switches, LEDs)

SWC-17D (2/2)

HDW-500
 BOARD NO. 1-648-548-13
 HDW-500 (J) : LOT NO. 611-
 HDW-500 (UC) : LOT NO. 707-
 B-WHDW500-SWC17-11-@

HDW-500 (J) : S/N 10001 and Higher
 HDW-500 (UC) : S/N 10001 and Higher



Int/Ext Control Panel select
SWC-32
 HDW-500
 BOARD NO. 1-665-194-11
 HDW-500 (J) : LOT NO. 611-
 HDW-500 (UC) : LOT NO. 707-
 B-WHDW500-SWC32-11-@

このマニュアルに記載されている事柄の著作権は当社にあり、説明内容は機器購入者の使用を目的としています。

従って、当社の許可なしに無断で複製したり、説明内容(操作、保守等)と異なる目的で本マニュアルを使用することを禁止します。

The material contained in this manual consists of information that is the property of Sony Corporation and is intended solely for use by the purchasers of the equipment described in this manual.

Sony Corporation expressly prohibits the duplication of any portion of this manual or the use thereof for any purpose other than the operation or maintenance of the equipment described in this manual without the express written permission of Sony Corporation.

Le matériel contenu dans ce manuel consiste en informations qui sont la propriété de Sony Corporation et sont destinées exclusivement à l'usage des acquéreurs de l'équipement décrit dans ce manuel.

Sony Corporation interdit formellement la copie de quelque partie que ce soit de ce manuel ou son emploi pour tout autre but que des opérations ou entretiens de l'équipement à moins d'une permission écrite de Sony Corporation.

Das in dieser Anleitung enthaltene Material besteht aus Informationen, die Eigentum der Sony Corporation sind, und ausschließlich zum Gebrauch durch den Käufer der in dieser Anleitung beschriebenen Ausrüstung bestimmt sind.

Die Sony Corporation untersagt ausdrücklich die Vervielfältigung jeglicher Teile dieser Anleitung oder den Gebrauch derselben für irgendeinen anderen Zweck als die Bedienung oder Wartung der in dieser Anleitung beschriebenen Ausrüstung ohne ausdrückliche schriftliche Erlaubnis der Sony Corporation.

SAFETY CHECK-OUT

After correcting the original service problem, perform the following safety checks before releasing the set to the customer :

Check the metal trim, "metallized" knobs, screws, and all other exposed metal parts for AC leakage. Check leakage as described below.

LEAKAGE TEST

The AC leakage from any exposed metal part to earth ground and from all exposed metal parts to any exposed metal part having a return to chassis, must not exceed 3.5 mA. Leakage current can be measured by any one of three methods.

1. A commercial leakage tester, such as the Simpson 229 or RCA WT-540A. Follow the manufacturers' instructions to use these instruments.
2. A battery-operated AC milliammeter. The Data Precision 245 digital multimeter is suitable for this job.
3. Measuring the voltage drop across a resistor by means of a VOM or battery-operated AC voltmeter. The "limit" indication is 5.25 V, so analog meters must have an accurate low-voltage scale. The Simpson 250 and Sanwa SH-63Trd are examples of a passive VOM that is suitable. Nearly all battery operated digital multimeters that have a 20 V AC range are suitable. (See Fig. A)

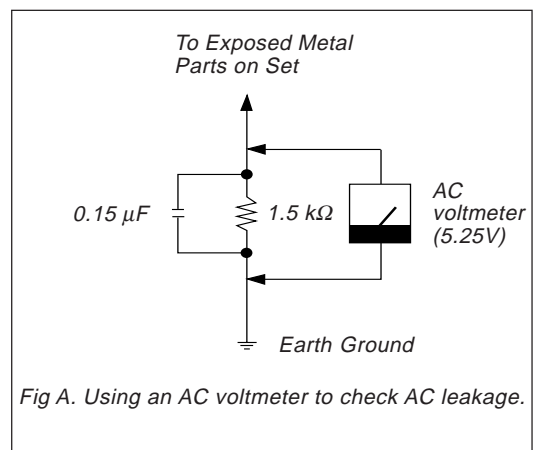


Fig A. Using an AC voltmeter to check AC leakage.

HDW-500 (J, UC) J, E
9-968-505-02

Sony Corporation
Image & Sound Communication Company

Printed in Japan
1997. 12 08
©1997

Published by
Engineering Services Dept.