

## RAPID EYE™ MULTI-MEDIA v9

www.honeywellvideo.com

### 16-CHANNEL 120/100 IPS DIGITAL VIDEO RECORDER (DVR) SYSTEM

The family of Rapid Eye™ Multi-Media DVRs is more versatile than ever. Four powerful hardware platforms are perfect for a diverse range of applications.

The Rapid Eye Multi-Media v9 DVR is an economical 16-channel, 120/100 ips record rate system that is ideal for remote applications with a large number of installations requiring remote management and event driven recording. The flagship Rapid Eye Multi-Media DSP v9 offers 16-channel real-time recording and full local User Interface.

Rapid Eye™ Active Alert® combines intelligent video analytics with the Multi-Media DSP platform. Up to 8 channels of Analytics are supported. The Rapid Eye Multi-Media LT v7 offers a smaller, more economical configuration for four or nine cameras.

All Rapid Eye systems are designed to record, search and transmit video, audio, and data transactions while simultaneously providing users with both live and post event evaluation. Benefits of the system include a highly interactive, full local graphical user interface (LocalView) with vector driven pan/tilt/zoom mouse control. The Rapid Clip feature makes remote clip generation to a USB device or the internal DVD-RW fast and easy.

Together, the Rapid Eye family offers seamless remote operation as well as unprecedented flexibility to support a wide range of surveillance system needs.

Supporting a Linux operating system, Rapid Eye Multi-Media v9 DVRs are extremely secure, stable and reliable with standard storage capacity from 500 GB to 1 TB, expandable up to 4 TB.

#### Market Opportunities

The Rapid Eye Multi-Media Family seamlessly integrates with Honeywell's WIN-PAK® SE, WIN-PAK® PE, NetAXS™ and Pro-Watch® access control software platforms in addition to the MAXPRO Video Management Platform. For retail markets, its built-in data capture capability makes it extremely useful as a loss prevention analysis tool. Rapid Eye fully integrates with Honeywell's Integrated Data Manager (IDM) to offer enterprise-level Point-of-Sale (POS) data analysis.

Whether the market is commercial, industrial, municipal, financial, or retail, and the surveillance need includes remote video access, the solution is the Rapid Eye Multi-Media family of DVRs.



#### Features

##### Hardware

- Recording rates at CIF resolution: 120/100 global (NTSC/PAL)
- Live viewing using LocalView
- DVD-RW drive for local clip generation
- 16 looping video inputs
- Dual audio channels (Bidirectional and VoIP)
- 16 alarm inputs, 8 control outputs, 8 serial ports
- 4 field replaceable/removable hard drive trays
- LINUX – secure, stable multi-tasking real-time OS
- 2 Front panel USB ports for quick easy access

##### Software

- Resolutions: independently selectable per camera
- Event-driven response recording
- TCP/IP Port Forwarding – multiple units share an IP address
- DHCP (requires DHCP Server and WINS/DNS services)
- SNTP client automatically synchronizes DVR time-clock to SNTP servers
- RapidSearch™ for video evidence by events, data, motion or alarm
- IntelliBus™ protocol support

## RAPID EYE™ MULTI-MEDIA v9

www.honeywellvideo.com

### FEATURES

The system consists of three major components which include:

- **Digital Video Recorder (DVR)**, featuring up to 120/100 IPS recording at CIF resolution and the **LocalView** interface
- **ADMIN Software**, the workstation/server-based administration tool capable of enterprise-wide site and user management
- **VIEW Software**, a feature-rich, workstation-based remote operator program.

#### LocalView

- Real-time live video – display a single camera or all 16 cameras simultaneously
- PTZ control – Vector driven within a video stream or full featured via PTZ controller icon
- Interactive user controllable accelerated recording rates (Boost)
- Ability to switch the language on user logon to a preset language
- Public Display mode provides a simple cost-effective solution for public view monitoring
- Review recorded video, audio
- Easy creation of evidence clips using RapidClip tab to export to DVD, CD, and USB memory dongle
- Review evidence clips using Clip Player tab
- Basic system and camera configurations can be defined using System tab
- Multiple levels of password protected user access and control

#### ADMIN Software

- HRM9ADMIN  
(single license included with DVR, can also be ordered separately)
- Capable of enterprise-wide site, user, tour and alarm station management
  - Windows®-based administration software has a user-friendly GUI to create the Rapid Eye database
  - Can be hosted on a network server using common networked database protocols such as Access, SQL or MSDE
  - Makes controlling and administering a multi-site, multi-user, enterprise-wide system fast, easy and secure

#### VIEW Software

- HRM9VIEW  
(single license included with DVR, can also be ordered separately)
- Feature rich, Windows®-based operator software has a user-friendly GUI for complete remote operations and configuration of one or many different DVRs simultaneously
  - Observe and monitor live or recorded video, audio and data from any DVR listed in the Site tab. Connect to multiple sites simultaneously using multiple methods from the same or multiple workstations
  - Connect to the same DVR site using multiple connection methods
  - Supports LAN/WAN networks and dial-up connections with TCP/IP protocol
  - Control multiple PTZ cameras, monitor two independent 2-way audio channels, monitor up to 16 streams of POS, ATM and/or alarm panel generated data, configure 16 alarm inputs and control eight auxiliary outputs – all from within a single VIEW session

#### ADMIN and VIEW Workstation Requirements (Minimum requirements)

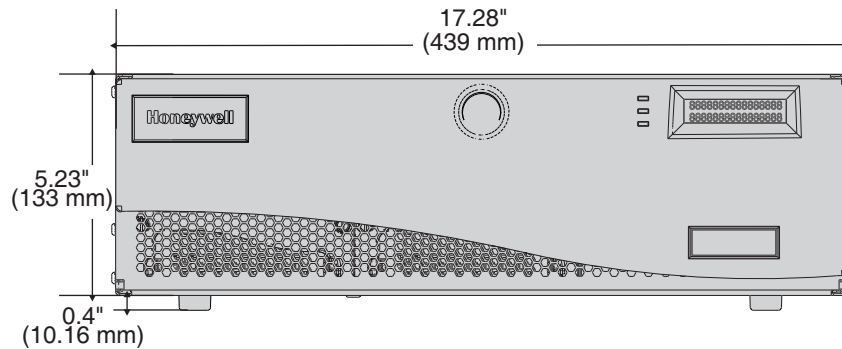
- IBM-compatible PC
- Windows® XP and Vista
- Pentium III class or better CPU (600 MHz)
- 128 MB RAM, 256 MB RAM or greater with XP
- 200 MB of free hard disk space, plus adequate storage for video clips
- CD-ROM (for software installation and upgrades)
- Video card(s) and monitor(s) that support XGA mode 1280 x 1024 or SVGA mode 800 x 600 (minimum)
- Mouse or other compatible pointing device

## RAPID EYE™ MULTI-MEDIA v9

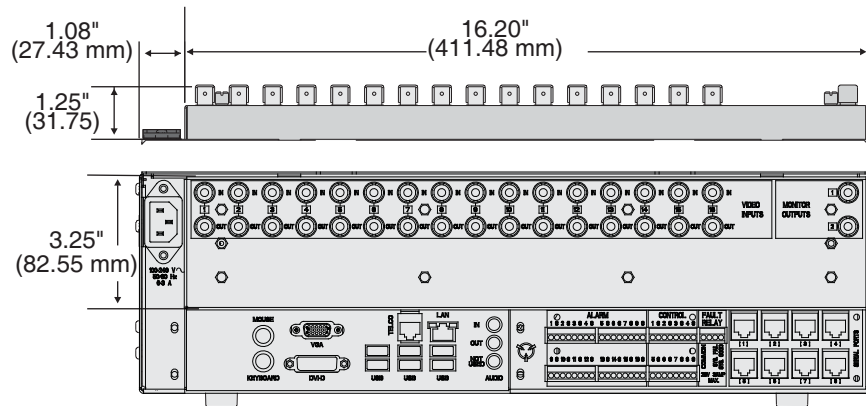
www.honeywellvideo.com

### SYSTEM DIMENSIONS

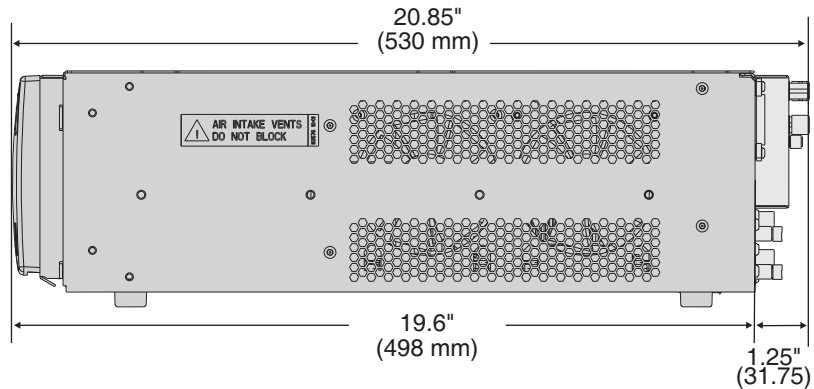
#### Front View



#### Back View



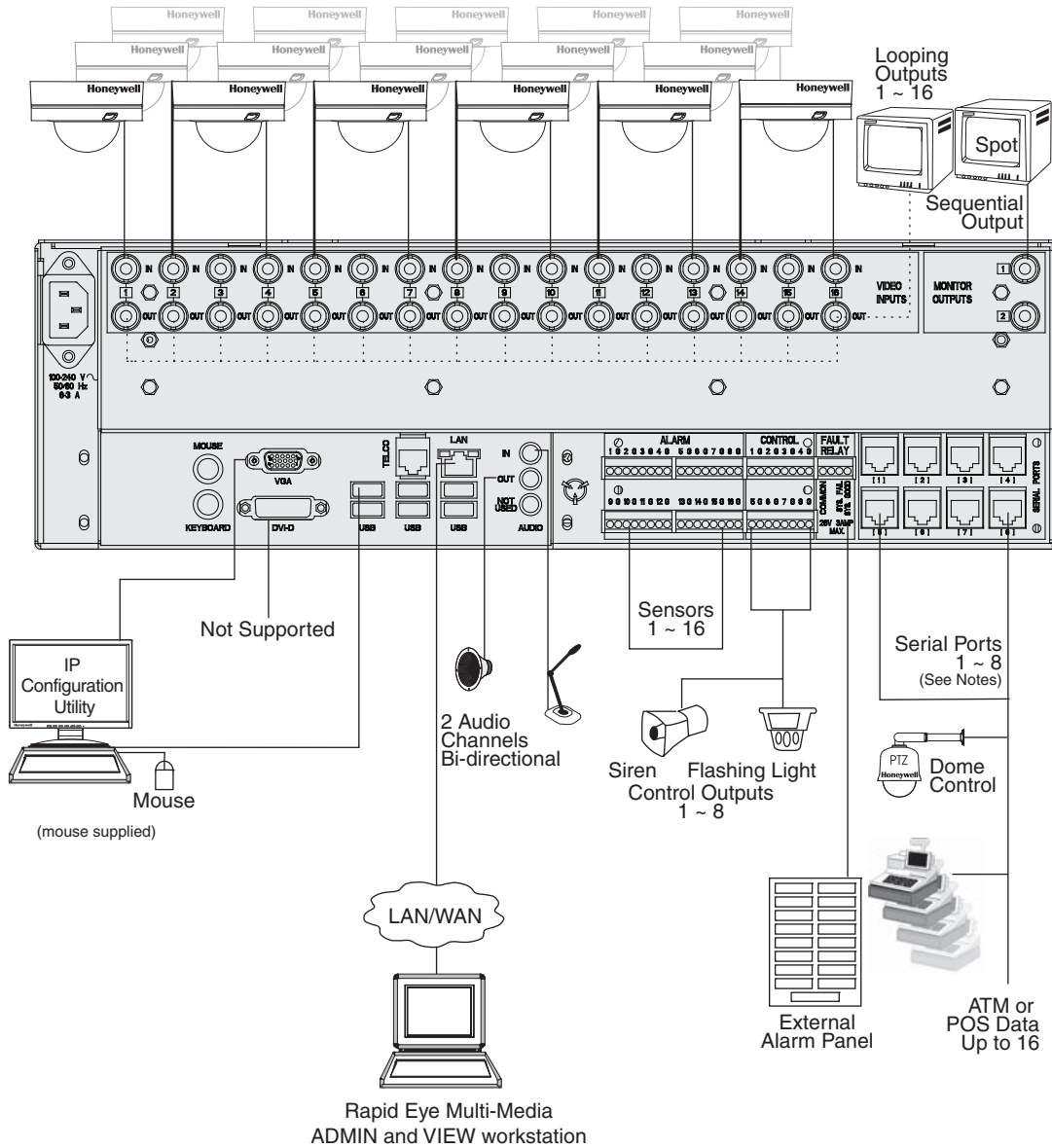
#### Side View



## RAPID EYE™ MULTI-MEDIA v9

www.honeywellvideo.com

### SYSTEM DIAGRAM



### SYSTEM DIAGRAM NOTES

Serial Ports 1-8:

RJ-45 RS232/RS-422/RS-485 individually user-configurable; used for data input, external modem or PTZ control

## RAPID EYE™ MULTI-MEDIA v9

www.honeywellvideo.com

### SPECIFICATIONS

| Rapid Eye VIEW Software                                       |  |
|---|--|
| Site connections per PC                                       | 64 sites   |
| Video Streams per PC  | 1024 streams   |
| Sessions Maximum per DVR                                      | Live Video (all users)<br>32 streams   |
| Users Viewing Live Video (and activating outputs)             | 10 sessions  |
| Users Retrieving Video  | 10 sessions  |
| Users Accessing Events  | 10 sessions  |
| Users Accessing Alarms  | 10 sessions  |
| Users Accessing Maintenance                                   | 1 session  |
| DVR Unit  |  |
| Video Standard  | NTSC/EIA or PAL/CCIR   |
| Video Format  | 160 x 120, 320 x 240, 640 x 240,<br>640 x 480, 704 x 480 (NTSC)<br>192 x 144, 384 x 288, 704 x 288,<br>704 x 576 (PAL) |
| Colors  | 24-bit true color  |
| Recording and Transmission Compression Algorithm              | Modified H.261/263 (REM proprietary)   |
| Record Mode (FIFO)  | Continuous buffer  |
| Recording Capacity  | 500 GB – 1 TB Std., expandable up to 4 TB  |
| Recording Rate  | 120/100 CIF global (NTSC/PAL)  |
| Video Quality Settings  | 6 – 10 (low – high)  |
| Video Motion Detection  | Configurable to sense mass and motion within multiple regions of interest  |
| Video Motion Search   | Configurable post-event motion search within multiple regions of interest  |
| POS/ATM or Alarm Data   | 16 – Streams (max)   |
| Event Recording and Reporting                                 | Session, System, Inputs, Outputs, Video, Motion and POS/ATM data   |
| Mass Storage  | Power Off “Cold Swap”<br>4 – Field-upgradeable hard drive bays   |
| Removable Media   | Built-in DVD burner and 6 USB ports  |
| Front Panel Control and Display Module (Lockable Front Panel) | Power Switch,<br>3 – Status LEDs<br>2 x 16 Status LCD  |
| SNTP Client   | Synchronize DVR to SNTP servers  |
| DHCP Enabled  | Network support for DHCP, WINS or DNS name servers   |
| TCP/IP Port Forwarding  | Multiple DVRs share same IP Address  |
| USB 2.0 Ports   | 6 total<br>(2 in front panel; 4 in rear panel)   |
| PTZ Dome Control  |  |
| Local   | Mouse control only   |
| Remote  | Mouse control and configuration  |
| Protocols Support   | 7 major protocols,<br>Over 50 using Bossware (requires additional hardware)  |

| Rear Panel Connections               |   |
|--------------------------------------|---|
| Video Input                          | 16 – Looping, BNC<br>1.0 – Vp-p @ 75 Ohms   |
| Video Output                         | 1 – Spot or switcher, BNC<br>1.0 – Vp-p @ 75 Ohms   |
| Audio Input/Output                   | 2 – Line level, 3.5 mm jack   |
| Alarm/Control Inputs General Purpose | 16 – TTL or 12V level compatible<br>User configurable NO, NC, EOL<br>3.5 mm terminal block                    |
| Control Outputs                      | 8 – TTL or 12V open collector<br>TTL @ +15 mA /-100 mA<br>12V @ -100 mA current sink<br>3.5 mm terminal block |
| Fault Relay                          | DPDT Form C relay 28 V, 3 A   |
| Serial Ports                         | 8 – RJ45; RS232, RS422, RS485   |
| Modem/Telco                          | V.90 multi-protocol<br>Standard RJ-11 Interface   |
| Networking                           | 10/100 base T Ethernet,<br>Standard RJ-45 Interface   |
| VGA Output                           | 1024 x 768 monitor LocalView Interface  |
| AC Power                             | 100-240 VAC 50/60 Hz<br>IEC-320 connector<br>Regional power cord included                                     |
| Electrical                           |   |
| Input Voltage                        | 100 – 240 VAC, 60/50 Hz   |
| Operating Voltage                    | 120V/240V Auto sensing  |
| Power Consumption                    | 350 W (maximum)   |
| Mechanical                           |   |
| Dimensions (W x H x D)               | 17.28" x 5.23" (3U) x 20.85"  |
| Weight                               | Unit: 43 lb (19.5 kg)<br>Shipping: 51 lb (23 kg)  |
| Construction                         | Housing: Steel chassis  |
| Finish                               | Housing: Black matte paint  |
| Environmental                        |   |
| Temperature                          | Operating: 40°F to 105°F<br>(5°C to 40°C)<br>Storage: 14°F to 150°F<br>(-10°C to 65°C)                        |
| Relative Humidity                    | Operating: 0%-90%, non-condensing   |
| Regulatory                           |   |
| Emissions                            | FCC: Part 15, Class B<br>CE: EN 61000-6-3:2001<br>CE: EN 61000-3-2:2006                                       |
| Immunity                             | CE: EN 50130-4:1995<br>+A1:1998   |
| Safety U.S. and Canada International | ETL Listed<br>UL 60950-1:2003<br>CAN/CSA C22.2 No. 60950-1-7<br>CB report and certificate<br>IEC 60950-1:2001 |

# RAPID EYE™ MULTI-MEDIA v9

www.honeywellvideo.com

## ACCESSORIES AND ORDERING

| Software                |  | Expansion Hard Drives and Spare Hard Drives   |  |
|-------------------------|--|---|--|
| HRM9ADMIN (included)    | ADMIN & VIEW software CD & user manuals  | <i>Hard drive only (blank) in frame for 16 ch Rapid Eye v9. Not usable/interchangeable with Rapid Eye v7 and Rapid Eye v8 units.</i>  |  |
| HRM9VIEW                | VIEW software CD & user manuals  | HREHD500G   | Hard drive expansion Rapid Eye DSP/Active Alert v9, SATA, 500 GB, in frame   |
| HRM9CLIP                | Rapid Eye Clip Player for Windows Software CD  | HREHD1T0  | Hard drive expansion Rapid Eye DSP/Active Alert v9, SATA, 1 TB, in frame     |
| HRM9UPADMIN             | Upgrade ADMIN & VIEW Software CD and User Manuals  | <i>Hard drive only (blank) in packaging for 16 ch Rapid Eye v9. Not usable/interchangeable with Rapid Eye v7 and Rapid Eye v8 units</i>   |  |
| HFVMSR                  | Fusion Video Management Software for Rapid Eye integration   | HREHD500G-N   | Hard drive only, 3.5", Rapid Eye DSP/Active Alert v9, SATA, 500 GB, no frame |
| Recommended Accessories |  | HREHD1T0-N  | Hard drive only, 3.5", Rapid Eye DSP/Active Alert v9, SATA, 1 TB, no frame   |
| HVBPIT44-US             | RS422 dome protocol interface translator, Bossware   | <i>Hard drive (system pre-installed) in frame for Rapid Eye MM v9 or Rapid Eye MM DSP v9 ONLY! Not useable/interchangeable with Rapid Eye Active Alert, Rapid Eye v7 and Rapid Eye v8 units</i> |  |
| HVBPIT4POS              | Four to one serial protocol interface translator, POS or alarm panel data                                      | HREHD500GP9   | Hard drive v9 program REMM DSP v9, SATA, 500 GB, in frame                    |
| HASMPIT                 | SmartPIT™, POS/ECR or ATM text inserter and PTZ protocol translator, compatible with NTSC or PAL video formats | HREHD1T0P9  | Hard drive v9 program REMM DSP v9, SATA, 1 TB, in frame                      |
| HCSP1                   | Surge protector, video/24 VAC  |   |  |
| HDSP1                   | Surge protector, data/video/24 VAC   |   |  |
| HDCD8TP                 | Code distribution unit 8 port twisted pair RS232 to RS485  |   |  |
| HRPSARE2EARS            | Rackmount ears   |   |  |
| HRMSLIDE                | Rackmount slide kit  |   |  |
| HRPSLOCK                | Lock for front lid   |   |  |
| AAC232/485              | Code converter RS232 to RS485  |   |  |

| Ordering                                      |   |
|---|---|
| <b>HRE 16 R 12 D 1T0</b>                      |   |
| <b>Model</b><br>_____<br>Honeywell Rapid Eye™ | <b>Storage Size</b><br>500 500 GB<br>1T0 1 TB<br><br><b>Media</b><br>D DVD-RW<br><br><b>Record Rate@Resolution</b><br>12 NTSC 120 IPS @ CIF<br>10 PAL 100 IPS @ CIF<br><br><b>Features</b><br>R Real-time |
| <b>#Channels</b><br>16                        |   |

**NOTE:** Honeywell reserves the right, without notification, to make changes in product design or specifications.

**Honeywell Security Group**  
 Honeywell Video Systems  
 2700 Blankenbaker Pkwy, Suite 150  
 Louisville, KY 40299  
 1.800.796.CCTV (2288)  
 www.honeywell.com

L/REMMV9D/D  
 April 2010  
 © 2010 Honeywell International Inc.