

Errata

Title & Document Type: 6824A Power Supply / Amplifier Operating and Service Manual

Manual Part Number: 06824-90001

Revision Date: July 1966

About this Manual

We've added this manual to the Agilent website in an effort to help you support your product. This manual provides the best information we could find. It may be incomplete or contain dated information, and the scan quality may not be ideal. If we find a better copy in the future, we will add it to the Agilent website.

HP References in this Manual

This manual may contain references to HP or Hewlett-Packard. Please note that Hewlett-Packard's former test and measurement, life sciences, and chemical analysis businesses are now part of Agilent Technologies. The HP XXXX referred to in this document is now the Agilent XXXX. For example, model number HP8648A is now model number Agilent 8648A. We have made no changes to this manual copy.

Support for Your Product

Agilent no longer sells or supports this product. You will find any other available product information on the Agilent Test & Measurement website:

www.agilent.com

Search for the model number of this product, and the resulting product page will guide you to any available information. Our service centers may be able to perform calibration if no repair parts are needed, but no other support from Agilent is available.



Agilent Technologies

POWER SUPPLY/AMPLIFIER

PS/A SERIES, MODEL 6824A

SERIAL NUMBER PREFIX 6F

Printed: July, 1966

Ⓢ Stock Number: 06824-90001

TABLE OF CONTENTS

Section	Page No.	Section	Page No.
I GENERAL INFORMATION	1-1	III OPERATING INSTRUCTIONS	
1-1 Description	1-1	3-76 Switchless Bipolar Programming	3-11
1-3 Power Supply Features	1-1	3-78 Constant Current Supply With Superimposed Ac Output	3-11
1-7 Amplifier Features	1-1	3-81 Constant Current Amplifier With Remote Gain Control	3-12
1-10 Specifications	1-1	3-87 Series And Parallel Operating Modes	3-12
1-12 Options	1-1	3-90 Coordinated Series Operation	3-13
1-14 Accessories	1-1	3-98 Auto-Parallel Operation	3-15
1-16 Instrument Identification	1-2		
1-19 Ordering Additional Manuals	1-2	IV PRINCIPLES OF OPERATION	4-1
II INSTALLATION	2-1	4-1 Overall Block Diagram Discussion	4-1
2-1 Initial Inspection	2-1	4-3 Power Supply Operation	4-1
2-3 Mechanical Check	2-1	4-9 Amplifier Operation	4-2
2-5 Electrical Check	2-1	4-14 Simplified Schematic	4-2
2-7 Installation Data	2-1	4-18 Detailed Circuit Analysis	4-3
2-9 Location	2-1	4-19 Input Circuit	4-3
2-11 Rack Mounting	2-1	4-26 Mode Selection Circuit	4-3
2-15 Input Power Requirements	2-2	4-28 Error And Driver Amplifiers	4-4
2-17 Connections For 230 Volt Operation	2-2	4-30 Regulator/Output Amplifier Circuit	4-4
2-19 Power Cable	2-3	4-33 Current Limiting Circuit	4-4
2-22 Repackaging For Shipment	2-3	4-35 Reference Circuit	4-4
		4-37 Meter Circuit	4-4
III OPERATING INSTRUCTIONS	3-1	4-41 Auxiliary Voltage Source	4-4
3-1 Operating Controls And Indicators	3-1	V MAINTENANCE	5-1
3-3 Operating Modes	3-1	5-1 Introduction	5-1
3-9 General Notes And Operating Considerations	3-1	5-3 General Measurement Techniques	5-1
3-10 Diagrams	3-1	5-8 Test Equipment Required	5-1
3-13 External Resistors	3-2	5-10 Performance Test	5-3
3-15 Connecting Loads	3-2	5-12 Power Supply Tests	5-3
3-19 Fine/Zero Control	3-2	5-21 Amplifier Tests	5-3
3-21 Ground Loops	3-2	5-24 Troubleshooting	5-6
3-23 Reverse Current Loading	3-2	5-26 Trouble Analysis	5-6
3-26 Constant Voltage Operating Modes	3-3	5-34 Repair And Replacement	5-11
3-27 Normal Operating Modes	3-3	5-36 Adjustment And Calibration	5-12
3-30 Remote Sensing	3-3	5-38 Meter Zero	5-12
3-35 Remote Programming, Positive Output	3-4	5-40 Voltmeter Tracking	5-12
3-40 Remote Programming, Negative Output	3-5	5-43 Ammeter Tracking	5-12
3-42 Remote Programming, Bipolar Output	3-5	5-45 Programming Current	5-12
3-47 Switchless Bipolar Programming	3-6	5-47 Current Limit Adjustment	5-13
3-50 Power Supply With Superimposed AC Output	3-7	VI REPLACEABLE PARTS	6-1
3-54 Constant Voltage Amplifier With Remote Gain Control	3-7	6-1 Introduction	6-1
3-61 Constant Current Operating Modes	3-8	6-4 Ordering Information Reference Designators Abbreviations Manufacturers	6-1
3-65 Selecting Rg	3-9	6-8 Code List of Manufacturers Parts List Table	6-2
3-70 Normal Operating Modes	3-10		
3-73 Remote Programming, Bipolar Output	3-10		

LIST OF TABLES

Table		Page No.	Table		Page No.
1-1	Specifications	1-3	5-6	Low Negative Output Voltage Troubleshooting	5-9
5-1	Test Equipment Required	5-2	5-7	Common Troubles	5-9
5-2	Reference Circuit Troubleshooting	5-7	5-8	Selected Semiconductor Characteristics	5-11
5-3	High Positive Output Voltage Troubleshooting	5-8	5-9	Checks And Adjustments After Replacement of Semiconductor Devices	5-11
5-4	High Negative Output Voltage Troubleshooting	5-8	5-10	Calibration Adjustment Summary	5-12
5-5	Low Positive Output Voltage Troubleshooting	5-8			

LIST OF ILLUSTRATIONS

Figure		Page No.	Figure		Page No.
1-1	DC Power Supply/Amplifier	iv	3-18	Remote Resistance Programming, Bipolar Output (CC)	3-11
2-1	Rack Mounting, Two Units	2-1	3-19	Switchless Bipolar Programming(CC)	3-11
2-2	Rack Mounting, One Unit	2-2	3-20	CC Power Supply With Superimposed AC Output	3-11
2-3	Primary Connections	2-2	3-21	CC Amplifier With Linear Remote Gain Control	3-12
3-1	Front Panel Controls And Indicators	3-1	3-22	CC Amplifier With Two Inputs	3-13
3-2	Standard Power Supply Operation (CV)	3-2	3-23	Auto-Series Operation, Two Units	3-13
3-3	Standard Amplifier Operation (CV)	3-3	3-24	Auto-Series Operation, Three Units	3-14
3-4	Remote Error Sensing	3-3	3-25	Balanced Input/Output Series Operation, Two Units	3-14
3-5	Remote Resistance Programming, Positive Output	3-4	3-26	Balanced Input/Output Series Operation, Four Units	3-15
3-6	Unaligned Resistance Programming Characteristics	3-4	3-27	Auto-Parallel Operation, Constant Voltage Output	3-16
3-7	Aligned Resistance Programming Transfer Function	3-4	3-28	Auto-Parallel Operation, Constant Current Output	3-16
3-8	Remote Resistance Programming, Negative Output	3-5	4-1	Overall Block Diagram	4-1
3-9	Remote Resistance Programming, Bipolar Output (CV)	3-5	4-2	Simplified Schematic	4-2
3-10	Switched Resistor Substitutes	3-6	5-1	Front Panel Terminal Connections	5-1
3-11	Bi-Polar Programming (Constant Voltage)	3-6	5-2	Differential Voltmeter Substitute, Test Setup	5-3
3-12	Constant Voltage Supply With Superimposed AC Output	3-7	5-3	Output Current, Test Setup	5-3
3-13	Constant Voltage Amplifier With Linear Remote Gain Control	3-8	5-4	Load Regulation, Test Setup	5-4
3-14	Constant Voltage Amplifier, Two Inputs	3-8	5-5	Transient Response, Test Setup	5-4
3-15	Current Sampling Resistor, Connection Method	3-9	5-6	Transient Response Waveforms	5-5
3-16	Standard Constant Current Power Supply	3-10	5-7	Programming Speed, Test Setup	5-5
3-17	Standard Constant Current Amplifier	3-10	5-8	Typical Programming Speed Waveforms	5-5
			5-9	Output Impedance, Test Setup	5-5
			5-10	Gain And Frequency Response, Test Setup	5-6
			5-11	Servicing Printed Wiring Boards	5-10

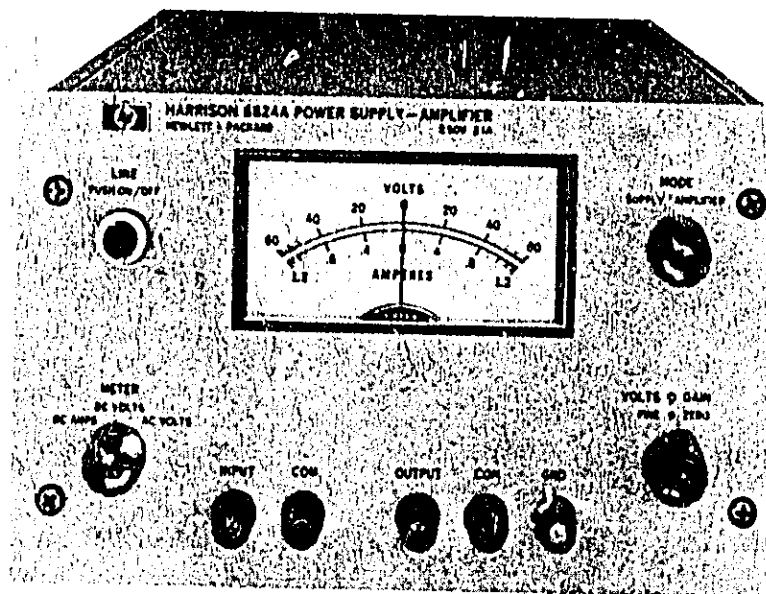


Figure 1-1. DC Power Supply/Amplifier, Model 6824A

SECTION I GENERAL INFORMATION

1-1 DESCRIPTION

1-2 The Power Supply/Amplifier (PS/A) shown on Figure 1-1, is a general purpose instrument useful in any laboratory engaged in research and development of electronic systems or components. The PS/A can be operated in one of two basic operating modes; power supply or amplifier. Terminals on the rear barrier strip permit access to various control points within the unit to further expand the operating capabilities of the instrument. The resulting flexibility lends the PS/A to an almost unlimited number of applications. Some of these applications are outlined in Section III of this manual; but a more comprehensive description of the features and applications of the PS/A are included in Application Note 82 published by the Harrison Division. A copy of Application Note 82 can be obtained from your local Hewlett-Packard field office. The following paragraphs describe some of the features of the PS/A both as a power supply and an amplifier.

1-3 POWER SUPPLY FEATURES

1-4 The unit can be made to function as a regulated dc power supply by setting the front panel MODE switch to the SUPPLY position. The supply can furnish either a Constant Voltage output or a Constant Current output (with the addition of an external current sampling resistor). The dc output is bi-polar and is continuously adjustable from its maximum rated positive value to an equal negative value; smoothly through zero with no polarity switch. Both the supply and the load are protected against overloads by a fixed current limit which is set by means of an internal adjustment.

1-5 The supply can be programmed (controlled) at a very high rate of speed (less than 50 μ sec for output voltage change over the entire voltage span). The supply can be programmed locally; by means of the front panel control, or remotely; by means of a resistance, voltage, or current source.

1-6 A single meter is used to measure dc output voltage or current. A front panel METER switch allows the dual purpose selection.

1-7 AMPLIFIER FEATURES

1-8 As a power amplifier the unit has a high signal-to-noise ratio (80 db at full output) and an adjustable gain of from 0 to 10 (20 db). The output distortion is low — less than 0.02% at 1 KHz. The amplifier contains a push-pull output stage that can furnish either a Constant Voltage output or a Constant Current output (with the addition of an external current sampling resistor). The external input can be from either a voltage or a current source. The bandwidth of the amplifier is from dc to 20KHz (± 3 db).

1-9 The ac component of the output signal can be measured with the front panel meter (Model 6824A only).

1-10 SPECIFICATIONS

1-11 Detailed specification for the PS/A are given in Table 1-1.

1-12 OPTIONS

1-13 Options are factory modifications of a standard instrument that are requested by the customer. The following option is available for the instrument covered by this manual.

<u>Option No.</u>	<u>Description</u>
-------------------	--------------------

28	Rewire For 230V AC Input: Supply as normally shipped is wired for 115 Vac input. Option 28 consists of reconnecting the input transformer for 230 Vac operation.
----	--

1-14 ACCESSORIES

1-15 The applicable accessories listed in the following chart may be ordered with the instrument or

separately from your local Hewlett-Packard field sales office (refer to list at rear of manual for addresses).

<u>Part No.</u>	<u>Description</u>
14513A	Rack Kit for mounting one 3½" -high unit. (Refer to Section II for details.)
14523A	Rack Kit for mounting two 3½" -high units. (Refer to Section II for details.)
14515A	Rack Kit for mounting one 5¼" -high unit. (Refer to Section II for details.)
14525A	Rack Kit for mounting two 5¼" -high units. (Refer to Section II for details.)

1-16 INSTRUMENT IDENTIFICATION

1-17 Hewlett-Packard instruments are identified by a three-part serial number tag. The first part is

the unit model number. The second part is the serial number prefix, which consists of a number-letter combination that denotes the date of a significant design change. The number designates the year, and the letter A through L designates the month, January through December respectively. The third part is the instrument serial number.

1-18 If the serial number prefix on your unit does not agree with the prefix on the title page of this manual, change sheets are included to update the manual. Where applicable, backdating information is given in an appendix at the rear of the manual.

1-19 ORDERING ADDITIONAL MANUALS

1-20 One manual is shipped with each instrument. Additional manuals may be purchased from your local Hewlett-Packard field office (see list at rear of this manual for addresses). Specify the model number, serial number prefix, and $\text{\textcircled{P}}$ stock number provided on the title page.

Table 1-1. Specifications

DC POWER SUPPLY	POWER AMPLIFIER
<p>OUTPUT: -50 to +50 Vdc @ 0 to 1.0 amp.</p> <p>LOAD REGULATION: Less than 0.02% plus 5 mV for a full load to no load, change in output current.</p> <p>LINE REGULATION: Less than 0.02% plus 5 mV for any line voltage change within the input rating.</p> <p>RIPPLE AND NOISE: Less than 10 mVrms.</p> <p>REMOTE PROGRAMMING: Remote programming of the output at approximately 500 ohms per volt is made available at the rear terminals.</p> <p>PROGRAMMING SPEED: Less than 50 μsec are required to program between -50V and +50V. Typically, about 15 μsec is required to program between 10% and 90% of the maximum voltage span.</p> <p>TRANSIENT RECOVERY TIME: Less than 100 μsec for output recovery to within 5 mV plus 0.02% following a full load current change in the output.</p>	<p>OUTPUT: 100 volts peak-peak @ 0 to 1.0 amp.</p> <p>VOLTAGE GAIN: Gain is variable, 0 to 10 (20db). Output is inverted.</p> <p>FREQUENCY RESPONSE: DC to 20 kHz (\pm3db) at full output.</p> <p>DISTORTION: Output distortion is less than 0.02% at 1 kHz and maximum rated output.</p> <p>INPUT IMPEDANCE: Approximately 2K ohms.</p> <p>MAXIMUM PHASE SHIFT:</p> <p>At dc — 180° At 100 Hz — 180.7° At 10 kHz — 205° At 20 kHz — 225°</p>
<p>INPUT: 105-125/210-250 Vac, single phase, 50-60 Hz; 1.3 Amp, 96 Watts maximum.</p> <p>STABILITY: Less than 0.075% +5 mV total drift for 8 hours after an initial warm-up of 30 minutes at constant line voltage with ambient temperature variations held to \pm3°C.</p> <p>TEMPERATURE RANGES: Operating: 0 to 50°C. Storage: -20 to +85°C.</p> <p>TEMPERATURE COEFFICIENT: Less than 0.015% plus 1 mV per degree Centigrade.</p> <p>OUTPUT IMPEDANCE: Less than 0.03 ohm from dc to 100 Hz. Less than 0.3 ohm from 100 to 1000 Hz. Less than 3 ohms from 1000 Hz to 100 kHz.</p> <p>OVERLOAD PROTECTION: A continuously acting current limiting circuit protects the unit for all overloads including a direct short placed across the output terminals.</p> <p>METER: The front panel meter is triple purpose. It can be used as a -60 Vdc to +60 Vdc voltmeter, a -1.2 Amp to +1.2 Amp dc Ammeter, or as a 0 to 60 Vac rms voltmeter.</p> <p>SIZE: 5½" H x 8¼" W x 14 5/8" D. Two units can be rack mounted side-by-side in a standard rack panel.</p> <p>WEIGHT: 17 lbs. net, 21 lbs. shipping.</p> <p>FINISH: Light gray front panel with dark gray case.</p>	

SECTION II INSTALLATION

2-1 INITIAL INSPECTION

2-2 Before shipment, this instrument was inspected and found to be free of mechanical and electrical defects. As soon as the instrument is unpacked, inspect for any damage that may have occurred in transit. Save all packing materials until the inspection is completed. If damage is found, proceed as described in the Claim for Damage in Shipment section of the warranty page at the rear of this manual.

2-3 MECHANICAL CHECK

2-4 This check should confirm that there are no broken knobs or connectors, that the cabinet and panel surfaces are free of dents and scratches, and that the meter is not scratched or cracked.

2-5 ELECTRICAL CHECK

2-6 The instrument should be checked against its electrical specifications. Section V includes

an "in-cabinet" performance check to verify power instrument operation.

2-7 INSTALLATION DATA

2-8 The instrument is shipped ready for bench operation. It is necessary only to connect the instrument to a source of power and it is ready for operation.

2-9 LOCATION

2-10 This instrument is cooled with forced air from the cooling fan. However, it should not be used in an area where the ambient temperature may exceed 50°C.

2-11 RACK MOUNTING

2-12 This instrument may be rack mounted in a standard 19 inch rack panel either alongside a similar unit or by itself. Figures 2-1 and 2-2 show how both types of installations are accomplished.

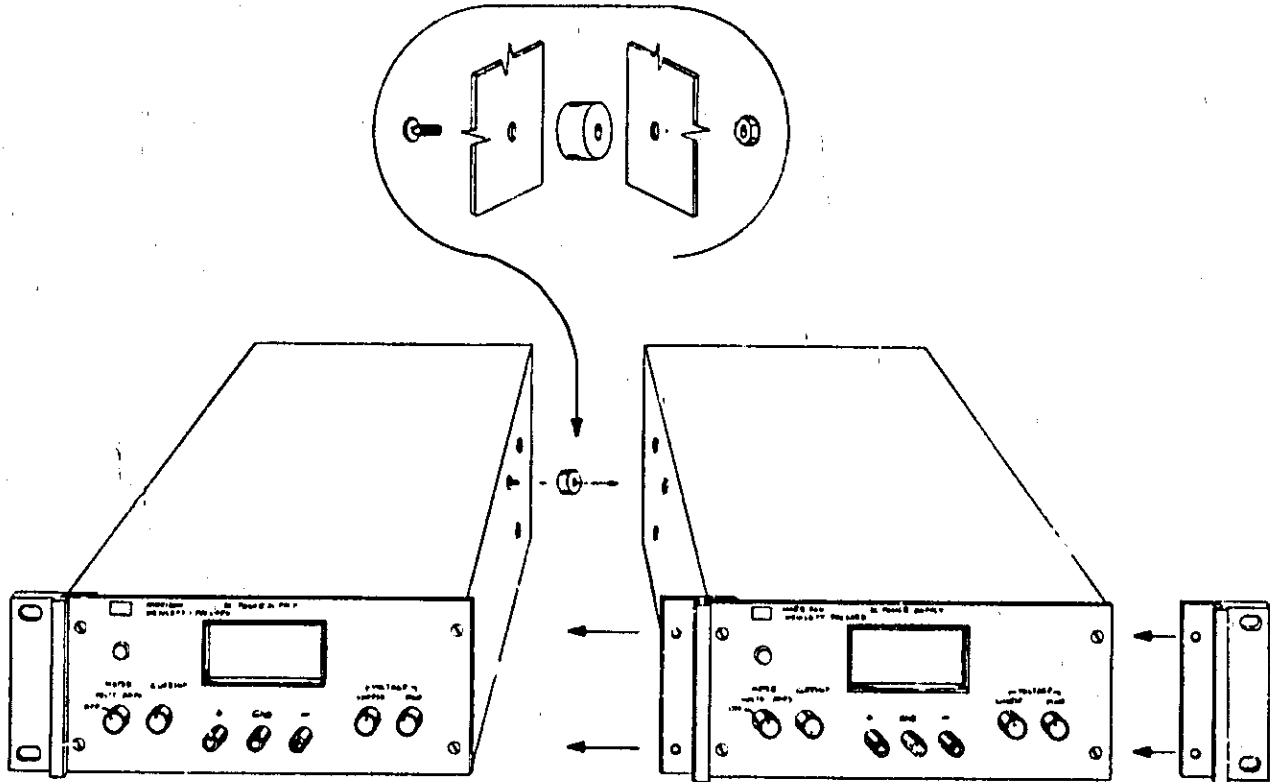


Figure 2-1. Rack Mounting, Two Units

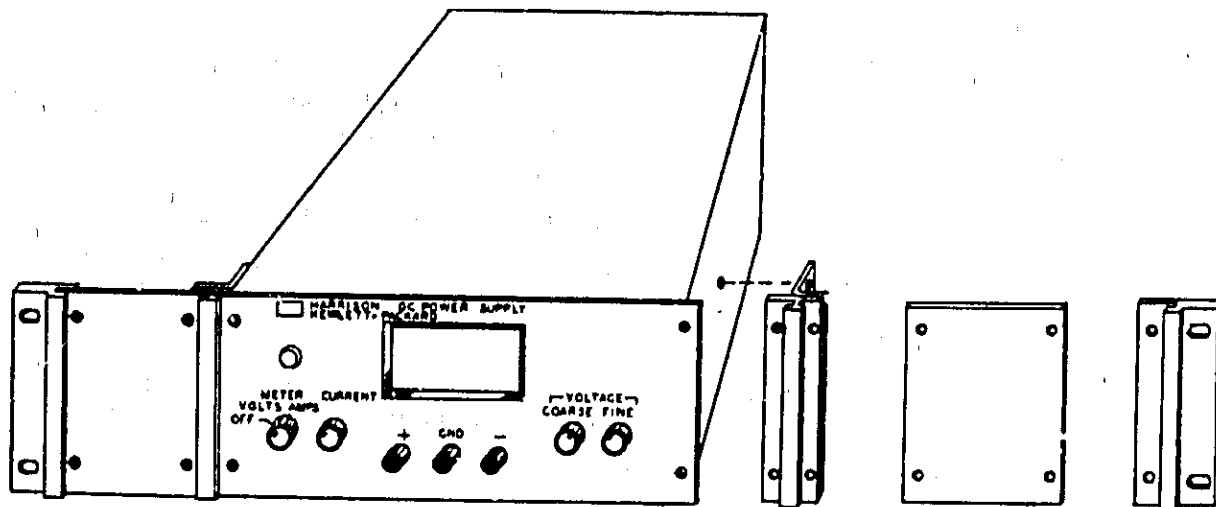


Figure 2-2. Rack Mounting, One Unit

2-13 To mount two units side-by-side, proceed as follows:

- a. Remove the four screws from the front panels of both units.
- b. Slide rack mounting ears between the front panel and case of each unit.
- c. Slide combining strip between the front panels and cases of the two units.
- d. After fastening rear portions of units together using the bolt, nut, and spacer, replace panel screws.

2-14 To mount a single unit in the rack panel proceed as follows:

- a. Bolt rack mounting ears, combining straps, and angle brackets to each side of center spacing panels. Angle brackets are placed behind combining straps as shown in Figure 2-2.
- b. Remove four screws from front panel of unit.
- c. Slide combining strips between front panel and case of unit.
- d. Bolt angle brackets to front sides of case and replace front panel screws.

2-15 INPUT POWER REQUIREMENTS.

2-16 This power supply may be operated from either a nominal 115 volt or 230 volt 50-60 cycle power source. The unit, as shipped from the factory, is wired for 115 volt operation. The input power required when operated from a 115 volt 60 cycle power source at full load is 96 watts and 1.3 amperes.

2-17 CONNECTIONS FOR 230 VOLT OPERATION (Figure 2-3)

2-18 Normally, the two primary windings of the input transformer are connected in parallel for operation from 115 volt source. To convert the

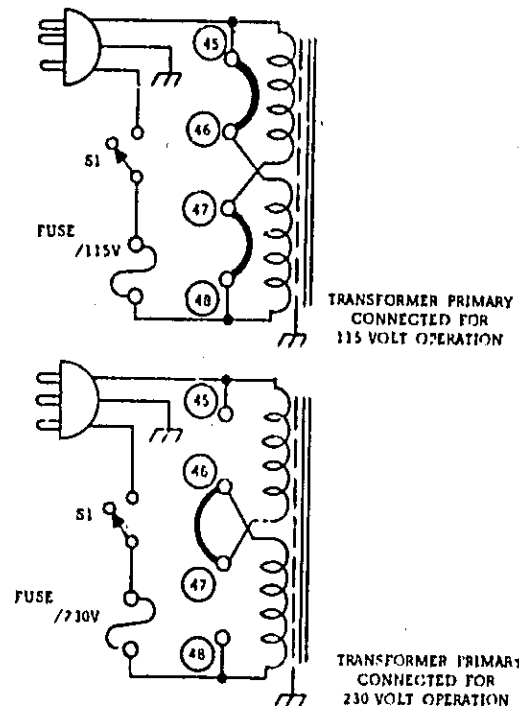


Figure 2-3. Primary Connections

power supply to operation from a 230 volt source, the power transformer windings are connected in series as follows:

- a. Unplug the line cord and remove the top and bottom covers from the unit.
- b. Break the printed wiring between 45 and 46 and also between 47 and 48 on the printed circuit board. These are shown in Figure 2-3, and are labeled on printed side of the circuit board.
- c. Connect a strap between 46 and 47.
- d. Replace existing fuse with 1.5 ampere, 230 volt fuse. Replace covers and operate unit normally.

2-19 POWER CABLE

2-20 To protect operating personnel, the National Electrical Manufacturers Association (NEMA) recommends that the instrument panel and cabinet be grounded. This instrument is equipped with a three conductor power cable. The third conductor is the ground conductor and when the cable is plugged into an appropriate receptacle, the instrument is grounded. The offset pin on the power cable three-prong connector is the ground connection.

2-21 To preserve the protection feature when operating the instrument from a two-contact outlet, use a three-prong to two-prong adapter and connect the green lead on the adapter to ground.

2-22 REPACKAGING FOR SHIPMENT

2-23 To insure safe shipment of the instrument, it is recommended that the package designed for the instrument be used. The original packaging material is reusable. If it is not available, contact your local Hewlett-Packard field office to obtain the materials. This office will also furnish the address of the nearest service office to which the instrument can be shipped. Be sure to attach a tag to the instrument which specifies the owner, model number, full serial number, and service required, or a brief description of the trouble.

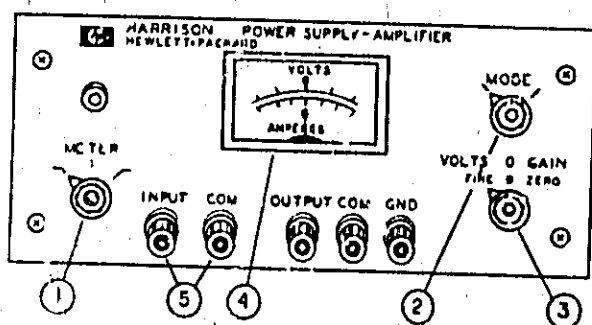
OPERATION

THEORY

SECTION III OPERATING INSTRUCTIONS

3-1 OPERATING CONTROLS AND INDICATORS

3-2 The front panel controls and indicators, together with the normal turn-on sequences, for both power supply and amplifier operation are shown on Figure 3-1. These turn-on procedures are performed utilizing the normal rear terminal strapping connections as received from the factory.



TURN-ON SEQUENCE - POWER SUPPLY

1. SET AC LINE SWITCH TO ON AND OBSERVE THAT PILOT LIGHT GOES ON.
2. SET METER SWITCH (1) TO DC VOLTS.
3. SET MODE SWITCH (2) TO SUPPLY.
4. ADJUST VOLTS/GAIN CONTROL (3) CLOCKWISE OR COUNTERCLOCKWISE UNTIL DESIRED POSITIVE OR NEGATIVE OUTPUT VOLTAGE, RESPECTIVELY, IS INDICATED ON FRONT PANEL METER (4). CONCENTRIC FINE/ZERO CONTROL (3) PERMITS FINE CONTROL OF THE OUTPUT VOLTAGE.
5. SHORT CIRCUIT OUTPUT TERMINALS; SET METER SWITCH TO AMPS AND OBSERVE SHORT CIRCUIT OUTPUT CURRENT ON METER. CURRENT LIMIT IS FACTORY ADJUSTED SO THAT METER SHOULD INDICATE FULL SCALE DEFLECTION.
6. REMOVE SHORT AND CONNECT LOAD TO OUTPUT TERMINALS (FRONT OR REAR).

TURN-ON SEQUENCE - AMPLIFIER

1. TURN ON UNIT AND SET MODE SWITCH (2) TO AMPLIFIER.
2. CONNECT INPUT SIGNAL SOURCE TO INPUT (5) TERMINALS (FRONT OR REAR).
3. ADJUST VOLTS/GAIN CONTROL (3) FOR DESIRED GAIN (0 TO 10). CONCENTRIC FINE/ZERO CONTROL PERMITS AVERAGE OUTPUT TO BE ADJUSTED TO ZERO.
4. MEASURE OUTPUT VOLTAGE WITH EXTERNAL VOLTMETER FOR 6823A UNITS OR FOR 6824A UNITS. SET METER SWITCH (1) TO AC VOLTS AND READ OUTPUT DIRECTLY ON FRONT PANEL METER.
5. CONNECT LOAD TO OUTPUT TERMINALS (FRONT OR REAR).

Figure 3-1. Front Panel Controls and Indicators

3-3 OPERATING MODES

3-4 The position of the front panel MODE switch determines whether the instrument will be used as a power supply or an amplifier. Terminals on the

rear barrier strip, which connect into various control points within the unit, allow strapping connections to be made which enable the power supply or amplifier to be utilized in an almost unlimited number of applications. The following paragraphs describe the procedures for utilizing some of the features which will suggest many related applications.

3-5 However, the configurations shown in the succeeding paragraphs by no means exhaust the various modes in which the PS/A can be used. The reader is encouraged to consider this instrument in terms of operational amplifier techniques; this viewpoint will suggest and facilitate many other areas of application. Many such possibilities are suggested by handbooks on operational amplifiers (e. g., "Handbook of Operational Amplifier Applications" — Burr-Brown Research Corporation, Copyright 1963).

3-6 Such handbooks suggest how operational amplifiers can be used as integrators, differentiators, ramp function generators, etc.; with the PS/A, these techniques are extended to previously unattained power levels.

3-7 An alternate viewpoint is to consider the PS/A as a general-purpose DC coupled precision power transducer capable of accepting either resistance, voltage, or current input (AC and/or DC) and delivering a power output, Constant Voltage or Constant Current, AC and/or DC.

3-8 Application Note 82, published by the Harrison Division, presents a more detailed approach concerning the operational features and related applications of the PS/A unit. A copy of this note can be obtained from your local Hewlett-Packard field office.

3-9 GENERAL NOTES AND OPERATING CONSIDERATIONS

3-10 DIAGRAMS

3-11 All of the following diagrams show the necessary barrier strip connections, as well as a simplified circuit diagram showing how the major internal components of the unit are connected for that strapping arrangement. The diagrams also

include all components which must be added externally to the unit. The barrier strip portion of each diagram is correct for all PS/A Series instruments, but when implementing these strapping patterns, check whether the terminal locations are the same as shown in the following diagrams, which are based specifically on the Model 6823A. In any case, the terminal designations are correct for all PS/A Series instruments and should be followed regardless of their location.

3-12 Unless otherwise indicated, the configurations shown have been selected so that operation is independent of whether the front panel MODE switch is in the power SUPPLY or AMPLIFIER position.

3-13 EXTERNAL RESISTORS

3-14 External resistors and potentiometers should be wire-wound and have a temperature coefficient of less than 20ppm/°C. They should operate at less than 1/30th (preferably 1/100th) of their wattage rating in order to minimize short term "bobble" associated with elevated surface temperature.

3-15 CONNECTING LEADS

3-16 Shielded leads should be used for all barrier strip connections, except that twisted leads may be used from the "Common" and "Output" terminals to the load. The outer sheath of the shielded wire should never be used as a conductor, but should be connected at the unit end only to the terminal designated "Common".

3-17 Best high speed programming and wide band amplifier operation will be achieved when the load is connected at the rear terminals rather than at the front. Any capacitance in parallel with the load device should be minimized, since this capacitance will limit the high frequency bandwidth.

3-18 Ensure that the screws on the rear terminals are tightened securely before power is applied to the unit.

3-19 FINE/ZERO CONTROL

3-20 The front panel Fine/Zero control is operable for all modes. In the power supply mode, it acts as a fine control on the DC output. In remote programming and amplifier modes, it provides a DC "offset" adjustment of approximately 1% of the maximum rated output voltage. Thus, this control permits the accurate setting of zero output voltage with zero ohms programming.

3-21 GROUND LOOPS

3-22 If excessive 60 Hz component exists on output, check for ground loops. The system in which the PS/A is employed should have one ground point only. See the Harrison Division's power supply Application Manual, Sections DIa (6) and DIc, for further discussion of typical ground loop problems.

3-23 REVERSE CURRENT LOADING

3-24 An active load connected to the unit may actually deliver a reverse current during a portion of its operating cycle. An external source cannot be allowed to pump current into the instrument without the risk of possible damage. To avoid damage it is necessary to preload the unit with a dummy load resistor so that it will deliver current through the entire operating cycle of the load device.

3-25 In general, the load resistor that is added should draw a current equal to the peak current which otherwise would be forced back into the PS/A. This means that the current rating of the PS/A instrument used must be equal to, or greater than, the sums of the absolute values of the output and reverse currents.

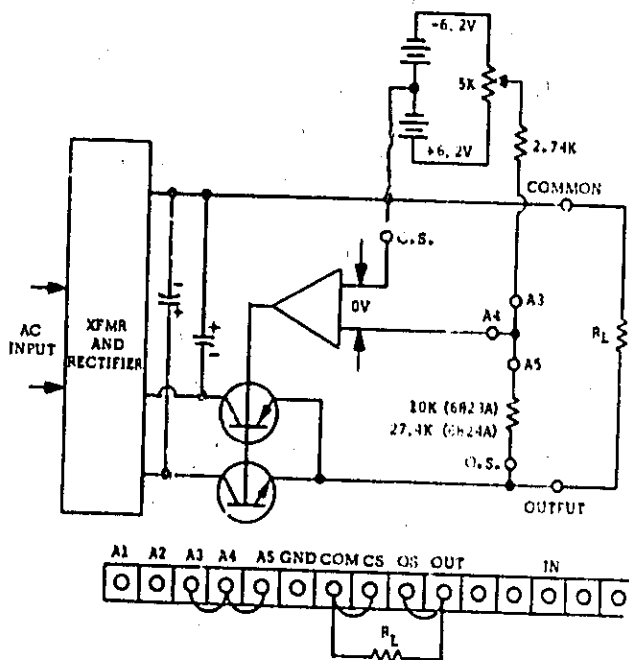


Figure 3-2. Standard Power Supply Operation (CV)

3-26 CONSTANT VOLTAGE OPERATING MODES

3-27 NORMAL OPERATING MODES

3-28 Figure 3-2 shows the circuit configuration and normal rear barrier strip strapping pattern for standard power supply operation. The front panel MODE switch is in the SUPPLY position. The DC output is continuously adjustable from its maximum rated positive value to an equal negative value — smoothly through zero with no polarity switch.

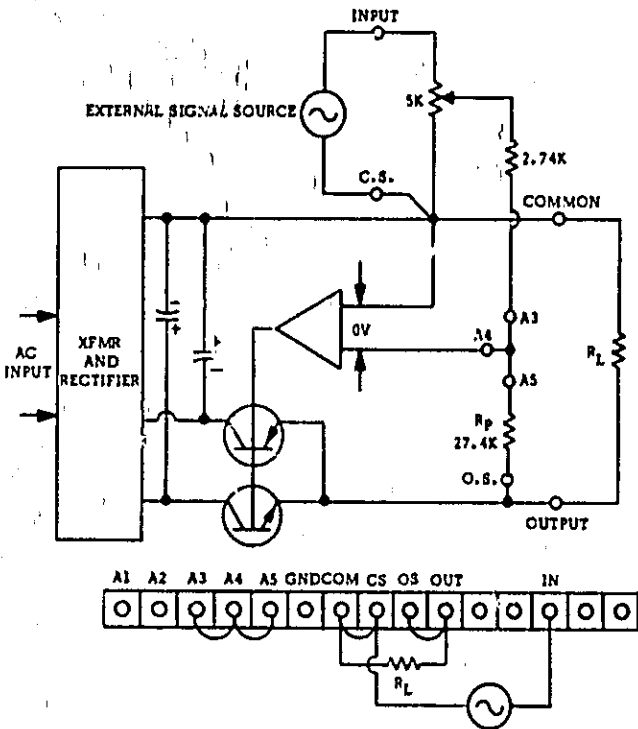


Figure 3-3. Standard Amplifier Operation (CV)

3-29 Similarly, Figure 3-3 shows the circuit configuration and strapping pattern for standard amplifier operation. The external oscillator must have a voltage output which is at least 1/10th of the peak output voltage desired; its current capability must be at least 600 μ a for each volt input — in other words, the oscillator faces an input impedance of approximately 1.7K. The front panel gain control permits the amplifier gain to be set anywhere from zero to X10, although the gain setting will not be a linear function of control rotation. The front panel FINE/ZERO control permits the dc component of the output to be adjusted approximately 1% of the voltage rating of the instrument, thus enabling the average output value to be adjusted exactly to zero (assuming the input signal has either no dc component or only a small dc component). If desired, a coupling

capacitor can be added to block any large input dc components, although in many applications this capacitor will be omitted so that the PS/A can amplify all input signal components, both dc and ac.

3-30 REMOTE SENSING

3-31 In normal operation, a power supply develops an IR drop in the leads connecting it to the load. This reduces the output voltage actually present at the load terminals and also degrades the load regulation performance.

3-32 Sensing terminals permit the feedback amplifier to sense at the load terminals instead of at the PS/A output terminals. This configuration is shown in Figure 3-4 and is applicable for all Constant Voltage modes of operation, both power supply and amplifier. Moreover, the strapping pattern shown in Figure 3-4 can be combined with any of the Constant Voltage diagrams shown elsewhere in the manual in order to achieve optimum performance at the load terminals.

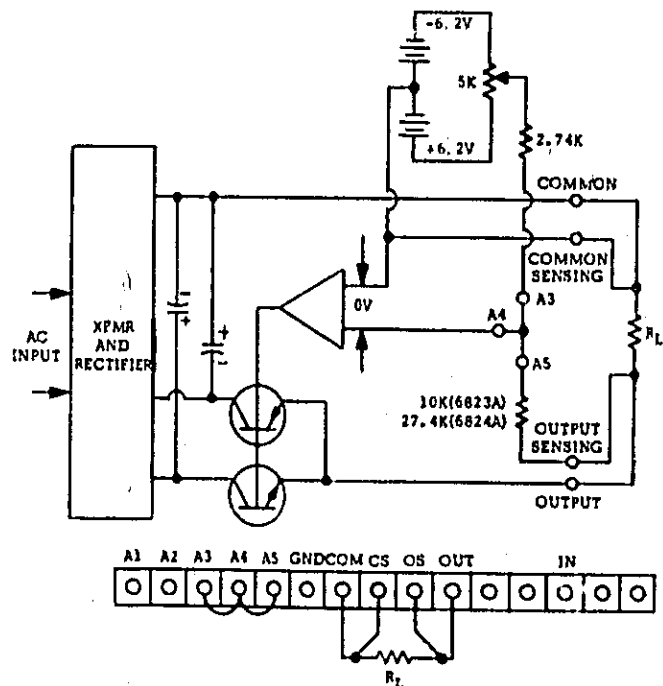


Figure 3-4. Remote Error Sensing

3-33 This does not mean that remote sensing can be used to compensate for an unlimited IR drop between the Common and Output terminals and the load. Any voltage lost in this way detracts directly from the output voltage available for the load. Furthermore, proper operation of the PS/A is insured only if the IR drop in the Common lead is less than, or equal to, one volt.

3-34 If external switching schemes are employed in conjunction with remote sensing, care must be taken that each sensing lead is not momentarily open circuited with respect to the corresponding output terminal. Such open circuit conditions can result in the power supply delivering excessive voltage and/or current to the load, risking damage to both the PS/A and the load device. If it is impossible to insure that an open sensing lead condition will not occur, it is recommended that a 100 ohm, 1/2 watt resistor be connected from "Common" to "Common Sensing", and a similar resistor from "Output" to "Output Sensing". This will minimize voltage and current transients if the sensing leads should accidentally become open circuited. All sensing leads should be shielded.

3-35 REMOTE PROGRAMMING, POSITIVE OUTPUT

3-36 Figure 3-5 shows the strapping pattern and associated circuit configuration for remote programming Power Supply / Amplifiers for positive Constant Voltage DC output at the rate of 500 ohms/volt. The programming control R_p should be wire-wound and selected in accordance with paragraph 3-13. Its dissipation can be computed by remembering that the current through R_p is 2 MA.

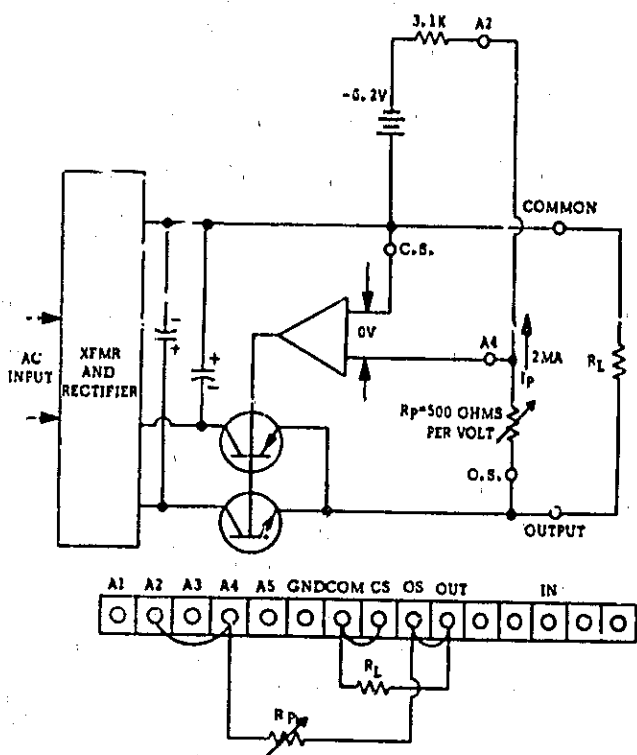


Figure 3-5. Remote Resistance Programming, Positive Output

3-37 Figure 3-6 shows two resistance programming characteristics which are typical (although somewhat exaggerated) of the performance without programming alignment. The output voltage with zero programming always will differ from zero, being either positive (V) or negative (A), and the maximum output voltage will be achieved with a value of programming resistance not predicted by the programming coefficient.

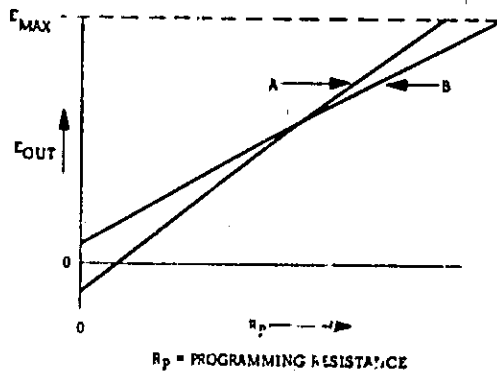


Figure 3-6. Unaligned Resistance Programming Characteristics

3-38 Notice, however, that even with an unaligned instrument the typical characteristics of A and B are extremely linear — that is, there is no curvature. To convert either of the characteristics of Figure 3-6 to the desired programming characteristic of Figure 3-7, it is necessary to adjust both the zero crossing and the angle of slope of the programming characteristic.

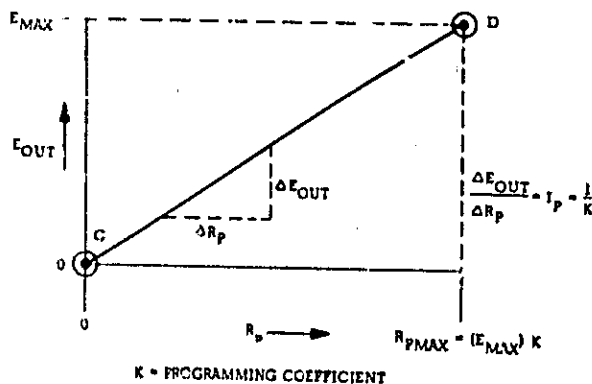


Figure 3-7. Aligned Resistance Programming Transfer Function

3-39 In the PS/A Series the zero crossing is adjusted by means of the front panel FINE/ZERO knob, while the slope of the programming function

is adjusted by means of an internal control, R₃₈. First the zero crossing is adjusted; then a programming resistance, which according to the programming coefficient (500 ohms/volt) should yield the maximum rated output voltage for the instrument, is connected to the programming terminals, and R₃₈ is adjusted until the output voltage is exactly equal to the maximum rated value. Since the two adjustments are mildly interdependent, it is necessary to repeat this procedure once.

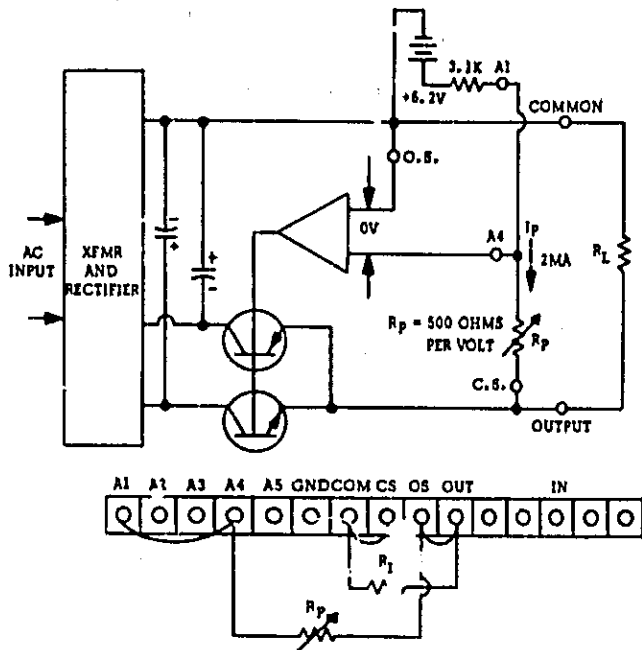


Figure 3-8. Remote Resistance Programming, Negative Output

3-40 REMOTE PROGRAMMING, NEGATIVE OUTPUT

3-41 Figure 3-8 is the same as Figure 3-5 except that the linearly programmed output voltage is negative. The internal programming slope adjustment for a negative output is R₃₉.

3-42 REMOTE PROGRAMMING, BIPOLAR OUTPUT

3-43 The circuits of Figures 3-5 and 3-8 can be combined to yield a power supply which is programmable in either direction, depending upon the position of switch S₁ (see Figure 3-9). One obtains a linearly programmed negative DC output when switch S₁ is connected to A₁; and a positive output when connected to A₂. Switch S₁ must be a break-before-make switch.

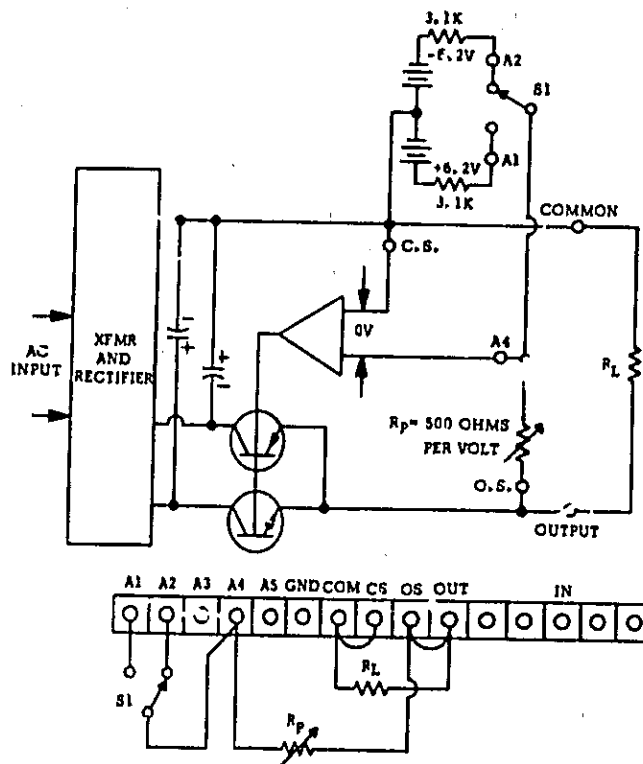


Figure 3-9. Remote Resistance Programming, Bi-Polar Output (CV)

3-44 The advantage of the configuration of Figure 3-9 is that the output is linearly programmed in both directions. The disadvantage is that a switch must be used in order to reverse the output polarity.

3-45 If it is desired to achieve accurate programming reproducibility, or if it is necessary to repeatedly set the power supply output to specific voltage values, either of the substitute arrangements suggested by Figure 3-10(B) and 3-10(C) may be employed in place of the rheostat R_p. Suppose, for example, it is decided to set the power supply over the span from 0-20V. If continuous adjustment is required, the best choice would be a 10K rheostat (since the programming coefficient is 500 ohms/volt). But if specific tests must be made at 0, 5, 10, 15, and 20V, the arrangement shown in Figure 3-10(B) should be employed, using a make-before-break switch. If the same voltage values are desired, but not in ascending or descending sequence, the terminals from the resistor string can be connected to the switch in any desired sequence, as suggested by Figure 3-10(C).

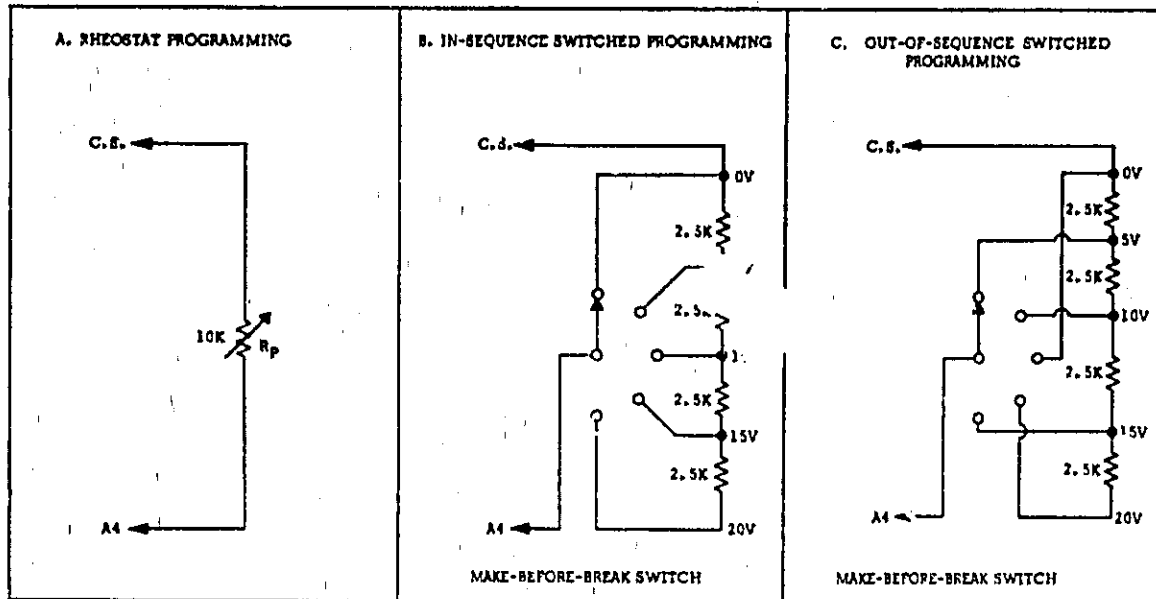


Figure 3-10. Switched Resistor Substitutes

3-46 These substitute configurations for R_p can be employed with any of the diagrams in this section. In all such applications a make-before-break switch must be used so that output voltage transients will not occur during the switching interval. Such transients can lead to damage to both the load and the power supply.

3-47 SWITCHLESS BIPOLAR PROGRAMMING

3-48 Figure 3-11 shows how to resistance program a PS/A for continuously variable output dc voltage, remotely controlled, without need for a polarity switch. Clockwise rotation of the 10K potentiometer will result in a positive output equal to the maximum voltage capability of the instrument.

3-49 The advantage of Figure 3-11 is that the output is continuously variable through zero with one control. The disadvantage is that the output is not a linear function of the rotation of potentiometer R_Q . Note, however, that in many applications it is not necessary that the programming function be linear, just reproducible. The power supply can be switched readily to positive or negative values (and later reset precisely at these same values) by substituting a switched resistor network for R_Q . The switch must be a break-before-make type.

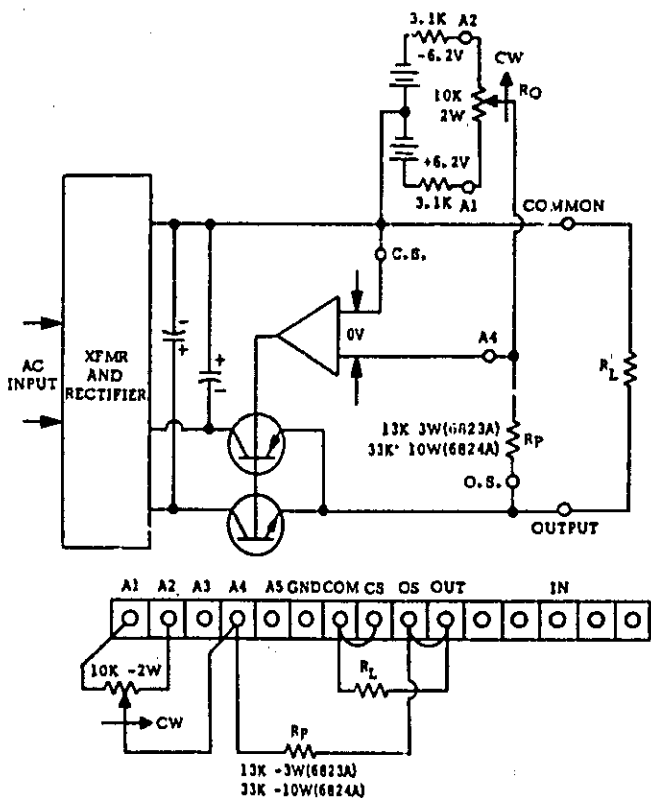


Figure 3-11. Bi-Polar Programming (Constant Voltage)

3-50 POWER SUPPLY WITH SUPERIMPOSED AC OUTPUT

3-51 In some applications it is desirable to add an AC component to the adjustable DC output of a Constant Voltage power supply. Figure 3-12 shows how this can be done.

3-52 The PS/A is operated as a normal power supply from the front panel with the MODE switch in the SUPPLY position. The amplitude of the added AC component is controlled by adjusting R_y . The value of this resistor should be greater than the minimum load resistance which the external signal source is suited to drive, since the impedance looking into terminals C.S. and A4 is virtually zero ohms.

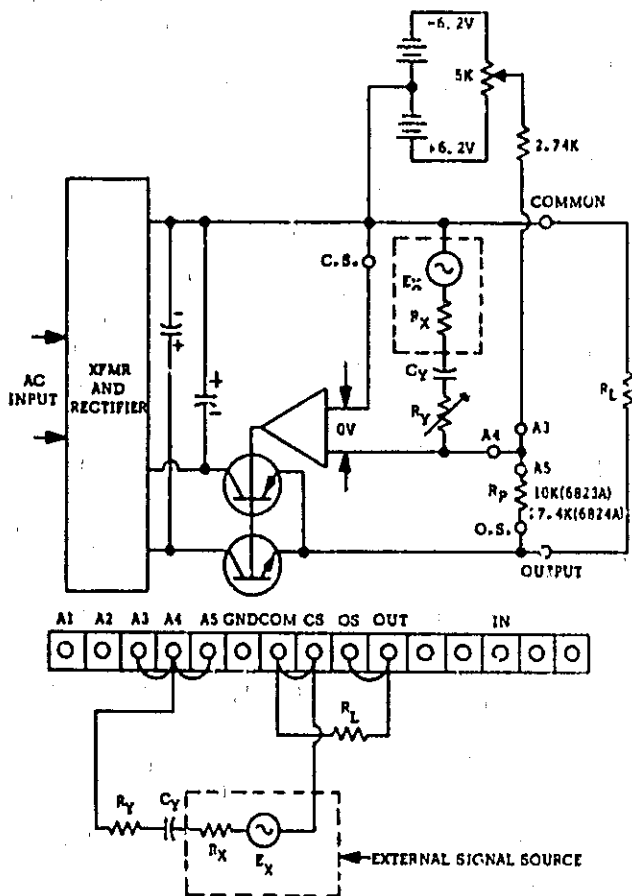


Figure 3-12. Constant Voltage Supply With Superimposed AC Output

3-53 The amplitude of the ac Output component is given by $E_{AC} = E_x (R_p / R_x + R_y)$, where R_x is the internal (Thevenin equivalent) source resistance. The capacitor C_y is added in order to block the DC current path through the oscillator, and must

be selected large enough to pass the lowest frequency of interest. The low frequency 3 db down point will be at $f = \frac{1}{2\pi(R_x + R_y) C_y}$

3-54 CONSTANT VOLTAGE AMPLIFIER WITH REMOTE GAIN CONTROL

3-55 The PS/A can be used as a power amplifier with Constant Voltage output that can be remotely controlled in a linear manner if the strapping arrangement shown on Figure 3-13 is employed. With this configuration, the gain is a linear function of control rotation, and the gain control is external to the PS/A. E_x and R_x are the equivalent (open circuit) voltage and output resistance looking back into the external signal source. R_y must be selected to have a value at least as large as the minimum load resistance which the external signal source can feed without overloading or distorting. C_y is inserted in order to block any small DC currents which otherwise might flow from the oscillator, producing a DC component on the output. C_y must be selected large enough to pass the lowest frequency of interest; the 3 db down frequency is

$$f = \frac{1}{2\pi (R_x + R_y) C_y}$$

3-56 If it is desired to amplify a DC signal, or one which has both a DC and AC component, then the capacitor C_y must be eliminated from the circuit.

3-57 The output voltage is given by the equation

$$E_O = E_x \frac{R_p}{R_x + R_y}$$

Proper impedance levels will be maintained if approximately 2 mA is allowed to flow through R_y and R_p . Thus wherever possible, R_y should be selected so that

$$R_y = \frac{E_x}{2 (10^{-3})} - R_x$$

where the E_x for this equation is the maximum peak value which will be amplified. This equation, of course, assumes that the external signal source is capable of delivering 2 mA without overloading or distorting, and should be altered if less current is available.

3-58 Current Input. Actually, the components E_x , R_x , and R_y of Figure 3-13 comprise a current source feeding the summing point A4 and the gain control R_p . A current source can be substituted in place of these components, and the output voltage

will be $V_{OUT} = I_X R_P$, where I_X is the current source connected between CS and A4, as shown in Figure 3-13. The capacitor C_Y should also be added in series if it is desired to suppress any DC component present in the input signal source.

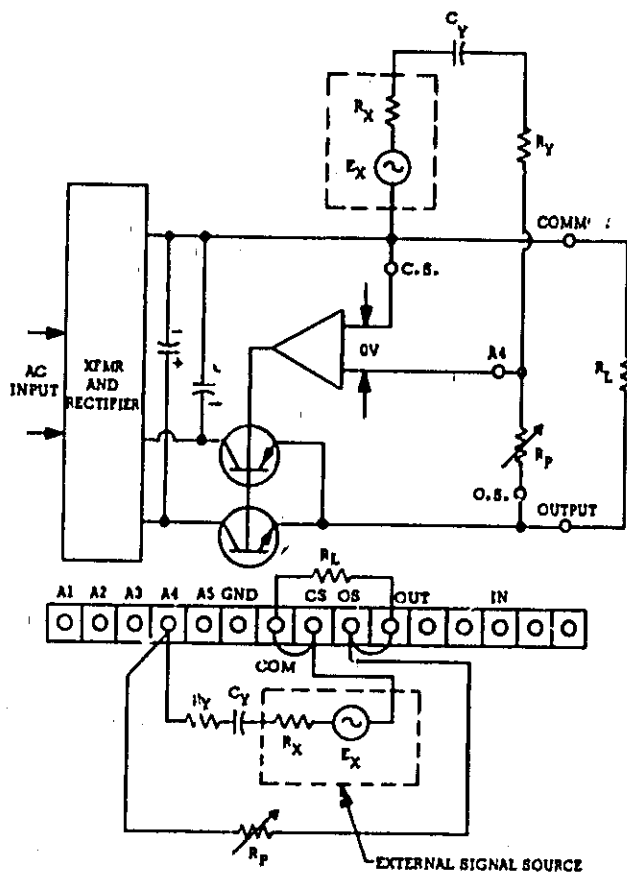


Figure 3-13. Constant Voltage Amplifier With Linear Remote Gain Control

3-59 Two or More Inputs. The concept of Figure 3-13 is readily adapted, using standard operational amplifier techniques, to the simultaneous amplification of two or more signals. Figure 3-14 shows the manner in which two voltage inputs can be mixed and amplified; additional inputs can be added in parallel without limit, and current input signals can be substituted for voltage input signals, as discussed in the previous paragraph. The capacitors C_Y and C'_Y are only included when it is desired to:

- Prevent the DC input level of the signal from affecting the DC level of the output, or
- Prevent the DC level of the PS/A from being fed back into the output terminals of the signal source.

3-60 The output for two (or more) inputs is given by:

$$L_O = E_X \frac{R_P}{R_X + R_Y} + E_{X'} \frac{R_P}{R_{X'} + R_{Y'}} + \dots$$

Thus R_Y , $R_{Y'}$ can be made variable and used as relative level controls while R_P functions as a master gain control. Notice that any of the signal inputs which are to be mixed and amplified may be ac, dc, or both.

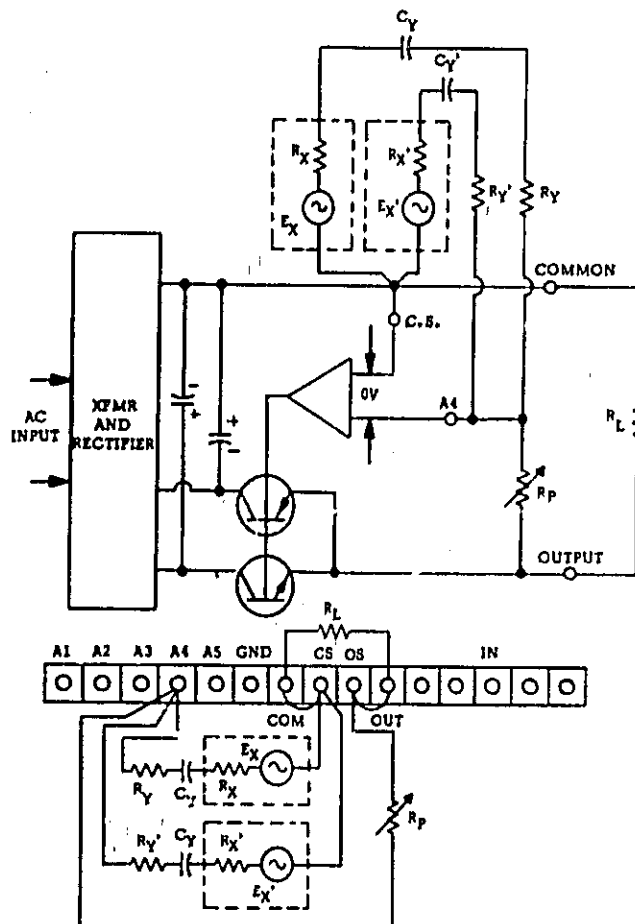


Figure 3-14. Constant Voltage Amplifier, Two Inputs

3-61 CONSTANT CURRENT OPERATING MODES

3-62. In order to achieve constant current operation, it is necessary to utilize an external current sampling resistor which yields a voltage drop that is proportional to the output current. This voltage drop can then be applied to the comparison amplifier in the input circuit and compared with a fraction of the reference voltage (or input voltage). The output of the comparison amplifier is then fed back to the regulator/output amplifier in a manner identical to that occurring during constant voltage operation. Hence, the only conceptual difference

between Constant Current operation and Constant Voltage operation is that the voltage which is sensed by the comparison amplifier is taken across the current sampling resistor rather than across the load.

3-63 The regulator ripple, temperature coefficient, and stability of Constant Current Power Supply/Amplifier performance can be predicted by dividing the corresponding Constant Voltage specification by the ohmic value of R_S . For example, the use of a 2 ohm current sampling resistor converts the 2 mV rms Constant Voltage ripple and noise specification of the 6823A to 1 MA, etc. In the case of temperature coefficient and stability, it is also necessary to add in the percentage effect due to any change in ohmic value of the monitoring resistor R_S .

3-64 The output impedance of the Constant Current source at DC is given by the relationship $Z_O = (\Delta E_L / \Delta I_L)$, where ΔE_L is the change in load voltage associated with a load resistance change, and ΔI_L is the small resulting output current change. The fact that the PS/A has a high loop gain and no output capacitor means that the PS/A used in a Constant Current mode will have a high output impedance. In fact, it can be shown that the impedance at any frequency for a Constant Current source of this type will be approximately equal to $R_M (AB)$, where AB is the loop gain of the feedback amplifier within the power supply at the frequency of interest. Since the PS/A has a bandwidth in excess of 20 KHz, this output impedance will remain quite high over a wide frequency band. Stated in terms of the time domain, the PS/A will respond quickly to changes in load resistance — the load current transient will be short.

3-65 SELECTING R_S

3-66 Particular care must be paid to the manner in which the current sampling resistor, R_S , is selected and employed. Constant Current operation, on a percentage basis, can be no better than this resistor.

3-67 R_S is selected to yield a 1 volt drop at the maximum current rating of the instruments; its

maximum dissipation is 1/2 watt for the Model 6823A and 1 watt for the Model 6824A. It is therefore recommended that a minimum 30 watt wire-wound resistor be used for the former and 60 watt for the latter. This ensures that the surface temperature of the resistor will not be high compared to the ambient, and therefore subject to long-term warm-up effects and short-term variations resulting in output "bobble". In any case, the temperature coefficient of the resistor should be 20 ppm/°C or less.

3-68 If it is intended to use the PS/A at less than maximum rated output current, proportionately higher values of R_S may be chosen. This will result in better performance at low currents. It should be remembered, however, that the resistor R_S cannot be increased in ohmic value indiscriminately for two reasons:

- It soon becomes impractical to increase the wattage rating of R_S by the necessary amount.
- The IR drop which occurs across R_S detracts directly from the power supply voltage rating available to the load device.

3-69 Resistor R_S should be a four terminal device connected as shown on Figure 3-15. Note that for convenience and clarity, the remaining Constant Current diagrams do not show this connection pattern explicitly.

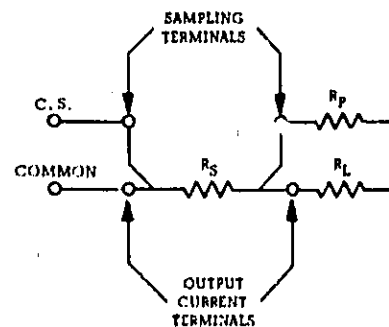


Figure 3-15. Current Sampling Resistor, Connection Method

3-70 NORMAL OPERATING MODES

3-71 Figure 3-16 shows the connection pattern and a associated circuit configuration for operating the S/A as a continuously variable, reversible Γ , Constant Current source. This is the Constant Current counterpart of the Constant Voltage mode of operation shown in Figure 3-2. The MODE switch is in the SUPPLY position.

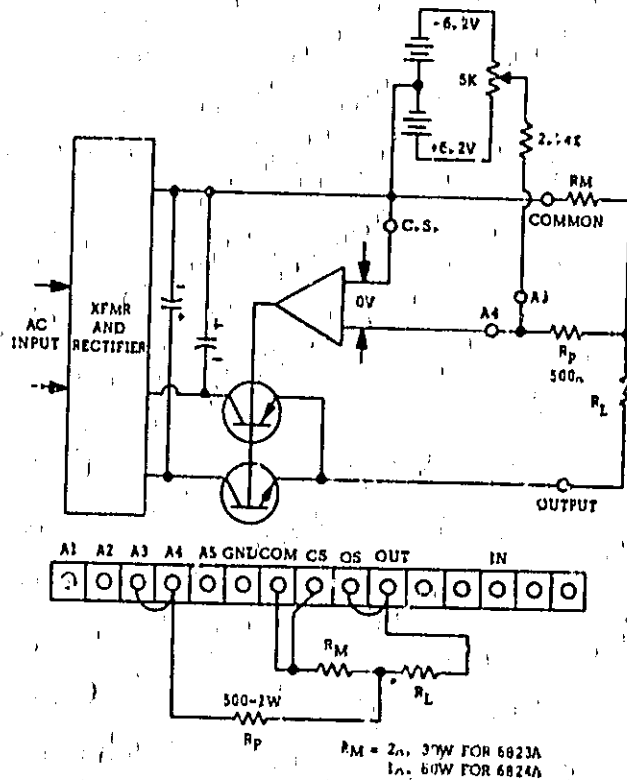


Figure 3-16. Standard Constant Current Power Supply

3-72 Figure 3-17 shows the simplest way of operating the PS/A as a Constant Current output amplifier with continuously variable gain. The front panel FINE/ZERO control should be adjusted for zero dc output current (assuming the input source has no dc input component). With the values given in Figure 3-17, the external oscillator must have a voltage output of 1.5 volts/peak in order to drive the power amplifier to its full output current capability. The impedance seen by this external voltage source will be approximately 1.7K.

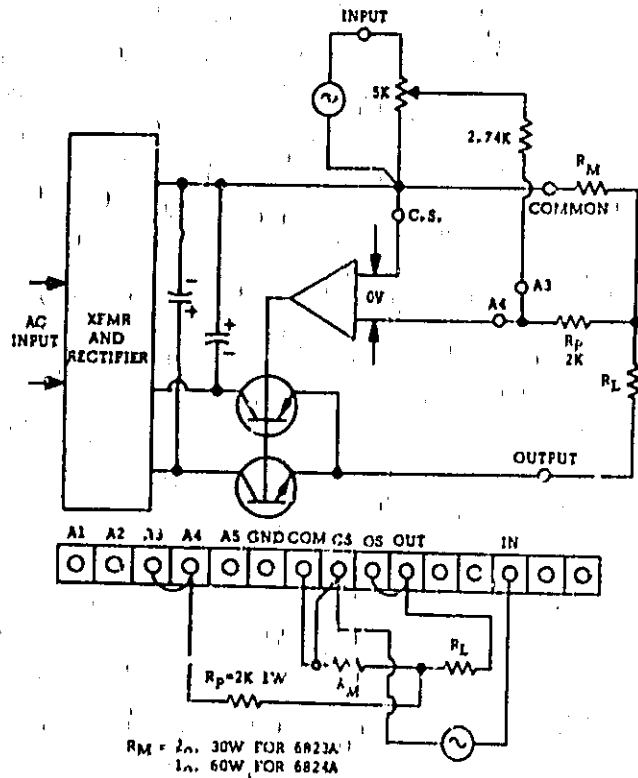


Figure 3-17. Standard Constant Current Amplifier

3-73 REMOTE PROGRAMMING, BIPOLAR OUTPUT

3-74 Figure 3-18 shows one method of controlling the output of the PS/A as a remote programmed Constant Current power supply. Switch S1 causes the output current to be either positive or negative. If it is desired to achieve only a positive or only a negative output current (unipolar output), then S1 must be eliminated. Terminal A4 is strapped directly to A2 for a positive output, or directly to A1 for a negative output.

3-75 The front panel FINE/ZERO control permits the output current to be adjusted to zero when Rp is set to zero, while the slope of the programming coefficient is adjusted by means of R38 (positive output) and R39 (negative output). Either of the switched resistance schemes of Figure 3-10 may be substituted for a variable Rp in this or any other Constant Current diagrams which follow. The advantage of the circuit of Figure 3-18 is that the output current is a linear function of the programming resistance; the disadvantage is that a switch must be used in order to accomplish polarity reversing.

3-76 SWITCHLESS BIPOLAR PROGRAMMING

3-77 Figure 3-19 shows the method of connecting the PS/A for Constant Current bipolar programming without the necessity for polarity switching. The 680 ohm resistor should be wire-wound with a temperature coefficient of less than 20 ppm/°C. Switched resistances can be substituted for resistor R_Q in Figure 3-19. The disadvantage of this mode lies in the non-linear (but accurately reproducible) programming characteristic.

3-78 CONSTANT CURRENT SUPPLY WITH SUPERIMPOSED AC OUTPUT

3-79 Figure 3-20 shows the method of adding an AC component on top of the adjustable DC output current. The dc level is controlled in the normal fashion from the front panel. The amplitude of the added ac component is determined by the value of R_Y , which, however, should not have a value less than the minimum load resistance which the external signal source is capable of driving without overloading or distorting.

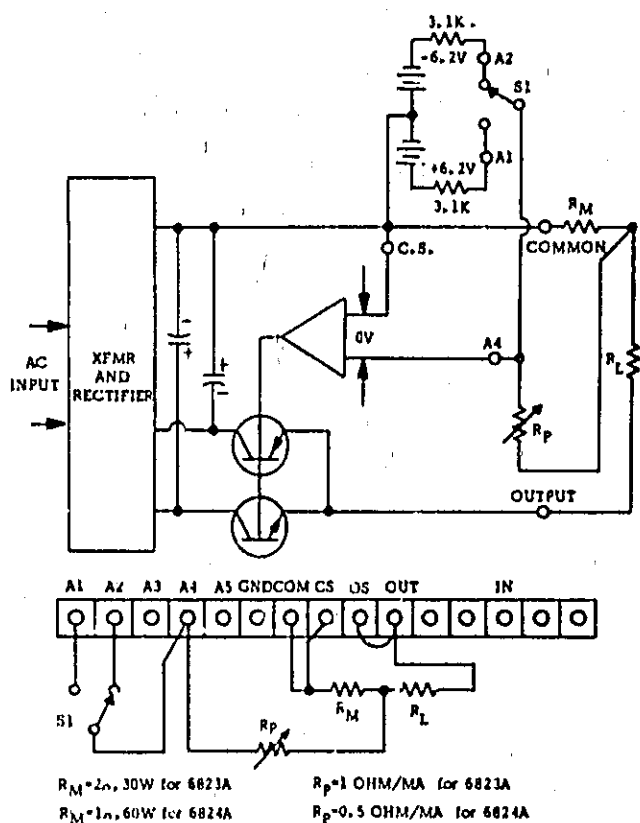


Figure 3-18. Remote Resistance Programming, Bipolar Output (CC)

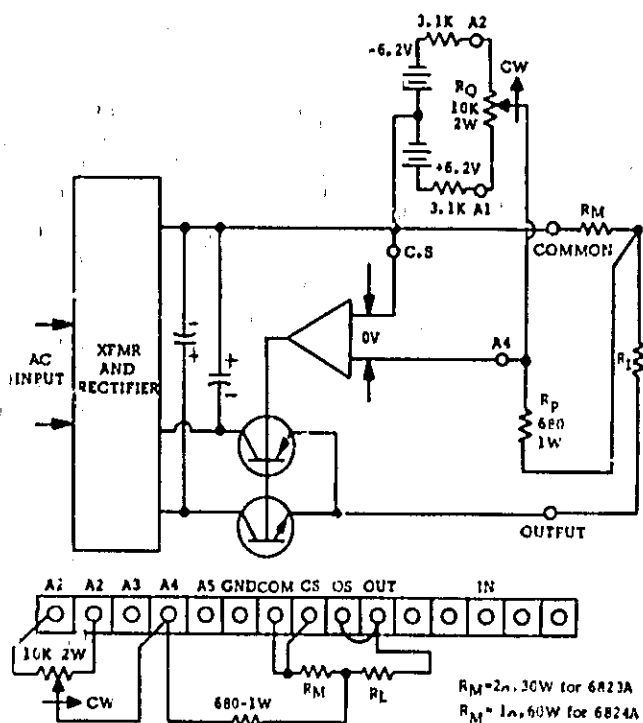


Figure 3-19. Switchless Bipolar Programming (CC)

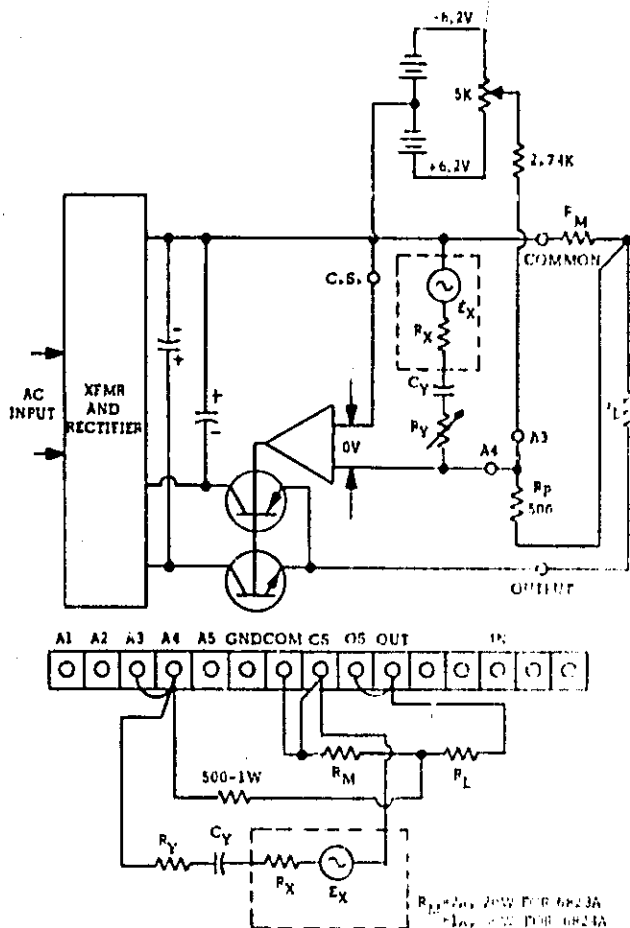


Figure 3-20. CC Power Supply With Superimposed AC Output

3-80 The peak voltage E_X which is necessary to achieve a peak output current equal to the maximum rating of the instrument, equals $(R_X + R_Y) / R_P$. The capacitor C_Y is added to block the DC current path through the oscillator. C_Y must be selected large enough to pass the lowest frequency of interest; the low frequency 3 db down point will be at

$$f = \frac{1}{2\pi (R_X + R_Y) C_Y}$$

where R_X is the internal (Thevenin equivalent) source resistance. Of course, capacitor C_Y is not employed if it is desired for the Constant Current output to respond to the DC component of the external signal source.

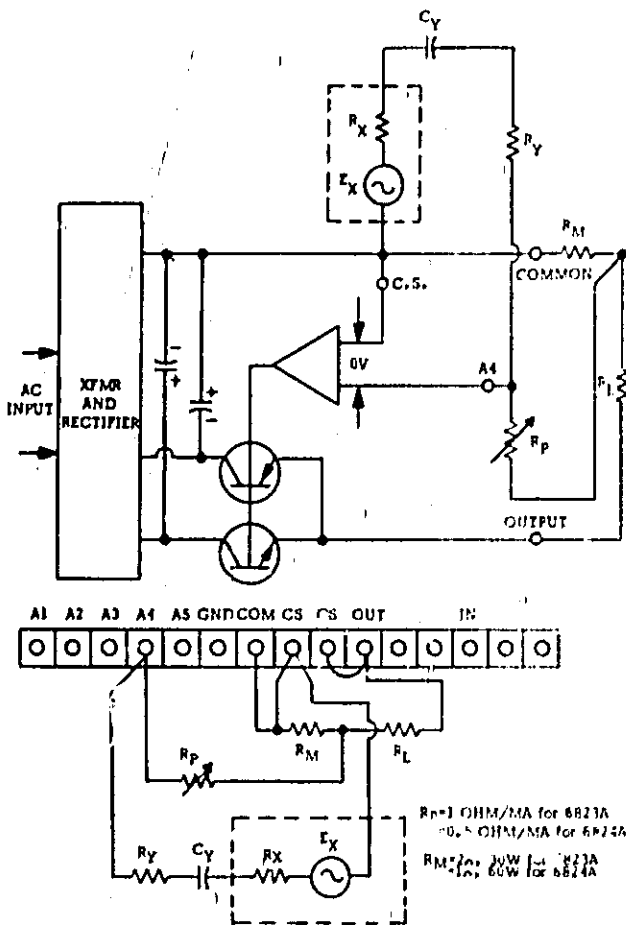


Figure 3-21. CC Amplifier With Linear Remote Gain Control

3-81 CONSTANT CURRENT AMPLIFIER WITH REMOTE GAIN CONTROL

3-82 Figure 3-21 shows the method of connecting an external voltage source with a PS/A to obtain Constant Current output with linear remote gain control. Using the recommended values for R_P , the output current is given by:

$$I_O = (E_X / R_M) \cdot R_P / (R_X + R_Y)$$

It is recommended that R_Y be selected so that at the peak input voltage E_X the current flowing through R_X , R_Y , and R_P is 2 MA. With this choice, $R_P = 500$ ohms results in an output current equal to the maximum rating of the instrument.

3-83 C_Y is chosen large enough to pass the lowest frequency of interest and is omitted if it is desired to have the output current responsive to the DC (as well as AC) component of the input voltage E_X .

3-84 Care should be taken that R_Y is chosen to be more than the minimum load resistance which the external signal source can feed without overload or distortion. However, R_Y should not be chosen too large, or the current flowing through R_P will be influenced by the current into the comparison amplifier. Thus it is undesirable to select R_Y so that the current flowing through it with full input signal is less than 1 MA.

3-85 Current Input. The combination of components E_X , R_X , and R_Y can always be replaced by a Constant Current source. If this is done, the current gain of the configuration of Figure 3-21 is:

$$\frac{I_{OUT}}{I_{IN}} = \frac{R_P}{R_M}$$

3-86 Two or More Inputs. If desired, the circuit of Figure 3-22 can be used to add the effect of two or more signals. All the equations given in this section hold true for each of the multiple inputs, with no interaction.

$$I_O = \frac{E_X}{R_M} \frac{R_P}{R_X + R_Y} + \frac{E_X'}{R_M} \frac{R_P}{R_X' + R_Y'} + \dots$$

3-87 SERIES AND PARALLEL OPERATING MODES

3-88 The following paragraphs include methods for combining separate PS/A's in series and parallel combinations. These methods are employed whenever it is required to extend the voltage or current capability beyond that available from one instrument alone. In all of the following diagrams the strapping pattern and circuit configuration for slave units have been shown in complete detail. In several of the diagrams, however, the strapping pattern and circuit configuration have not been completed for the Master unit. This was done because the configuration chosen for the Master is determined by the manner in which it is desired for the ensemble of units to operate, and may be selected from any of the diagrams already given in this Section. Whether a combination acts as a power supply or amplifier, Constant Voltage or Constant Current source, locally or remotely controlled by resistance, voltage, or current, depends entirely on the connection mode selected for the Master Unit.

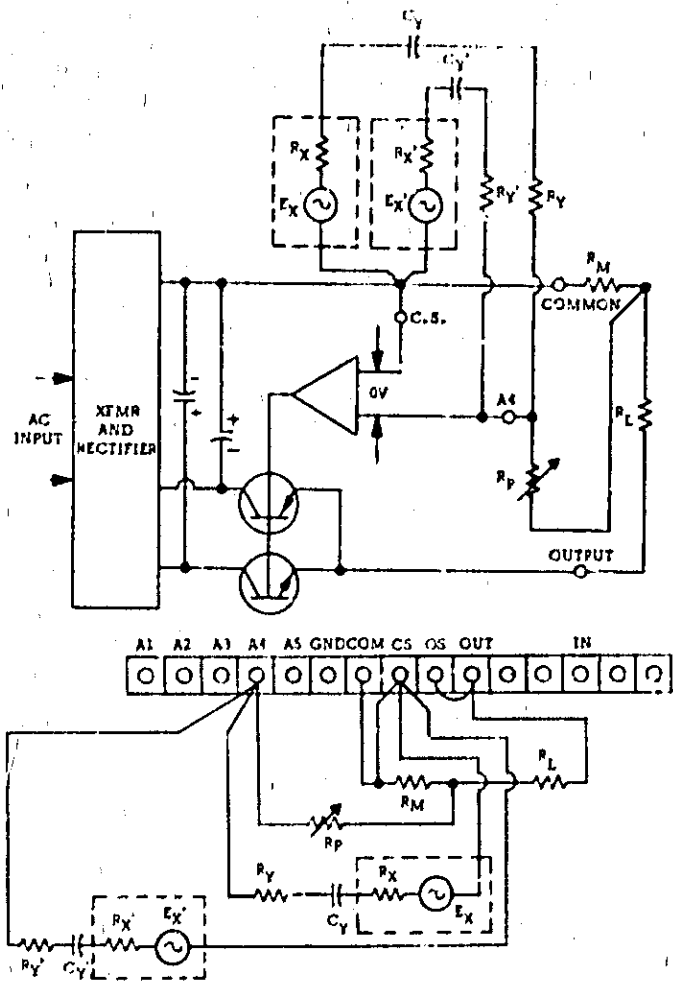


Figure 3-22. CC Amplifier With Two Inputs

3-89 Any PS/A instrument may be master or slave, depending only on the strapping pattern chosen. Units may be connected in series up to 300V off ground. They need not be the same model number, but should all be PS/A Series instruments. Similarly, units may be connected in parallel, without any limit, except that all instruments must be

PS/A Series and employ an external sampling resistor which develops a 1 volt drop.

3-90 COORDINATED SERIES OPERATION

3-91 Auto-Series, Two Units, Single Ended Output. To increase the voltage output, two units can be connected in Auto-Series as shown on Figure 3-23. The front panel switch position of the slave is not significant, but the front panel position and barrier strip wiring of the master unit depends upon the operating mode desired for the system of two power supplies, and should be selected from one of the previous alternatives.

3-92 For instantaneous equal voltage sharing, R_1 and R_2 must be equal. However, if it is desired for the slave to have a voltage, which although always proportional to the output of the master supply, is greater than or less than the output of the master supply, then R_2 should be selected according to the relation $E_S = E_M (R_2/R_1)$ where E_S and E_M are the output voltage of the Slave and Master instruments respectively.

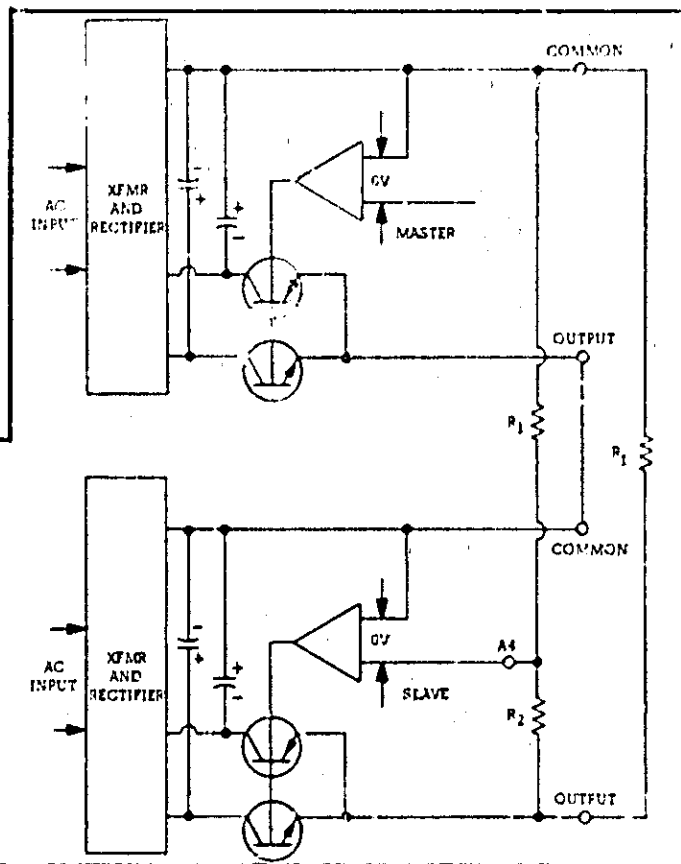


Figure 3-23. Auto-Series Operation, Two Units

3-93 Auto-Series, Three or More Units. The concept of the previous paragraphs is easily extended to three supplies as shown in Figure 3-24. If un-

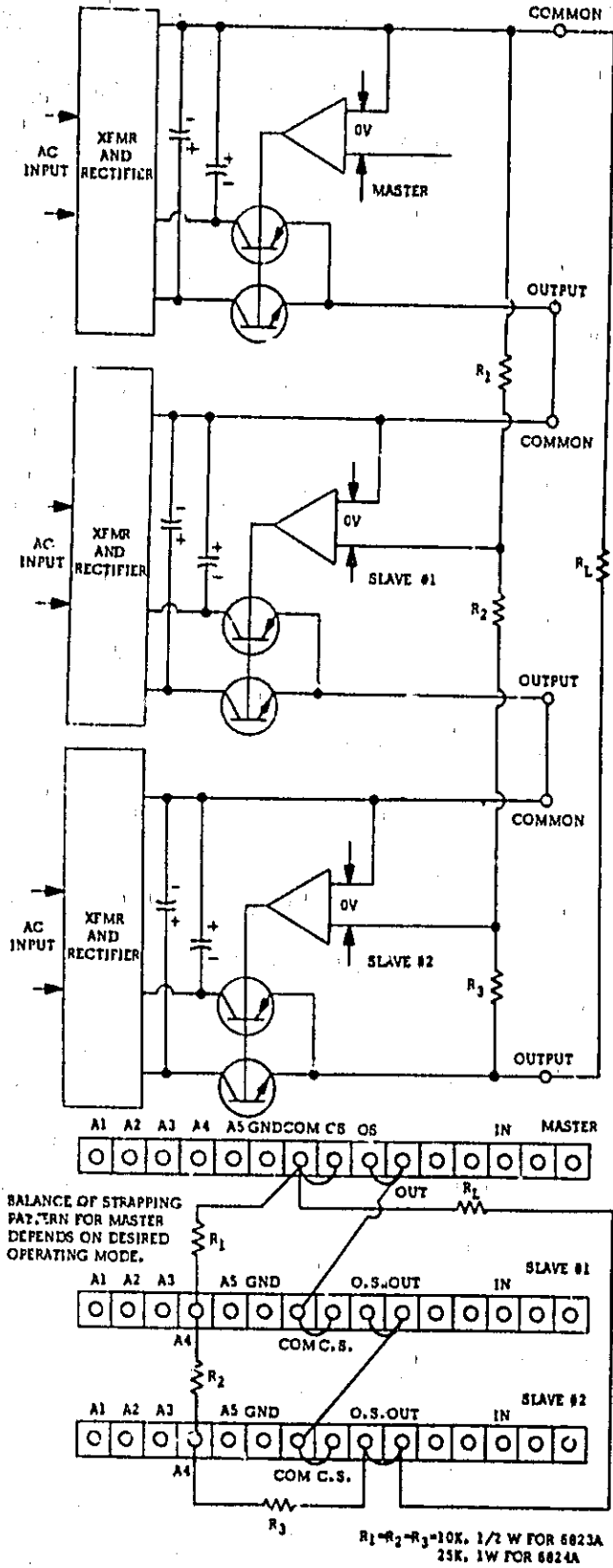


Figure 3-24. Auto-Series Operation, Two Units

equal voltage contributions are desired, the output of Slave #1 is given by $E_{S1} = E_M (R_2/R_1)$; for Slave #2, $E_{S2} = E_M (R_3/R_1)$.

3-94 The concept of Figure 3-24 is easily extended to series combinations involving more than three units by merely iterating that portion of the circuit configuration which is bounded by the two horizontal dotted lines.

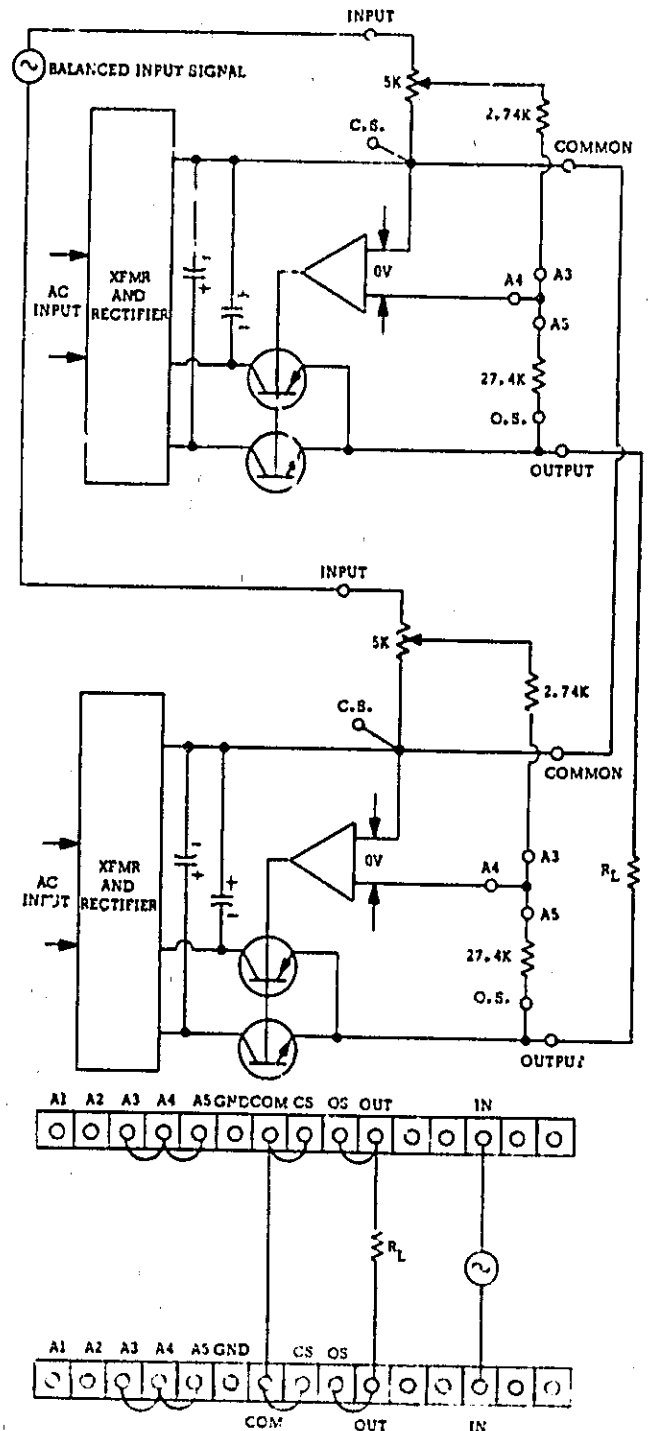


Figure 3-25. Balanced Input/Output Series Operation, Two Units

3-95 Series Operation, Balanced Output. The previous Auto-Series configurations are accomplished with single-ended input and single ended output having a common terminal. In some applications, however, it is necessary to employ an amplifier with input and output signals balanced about ground. Figure 3-25 shows the circuit configuration and strapping pattern for this mode of operation.

3-96 Since this mode is more likely to be employed as an amplifier rather than as a power supply, the diagram shows an oscillator input. The voltage input to this circuit must be at least 1/10th the desired voltage output; the input impedance seen by the oscillator is approximately 3.4K.

3-97 The balanced input concept can be extended to even higher voltages if voltage Slaves are added to each side. Figure 3-26 shows this configuration, which has an output voltage capability four times that of one unit alone, as well as a balanced input and a balanced output. The input oscillator must have a voltage capability of at least 1/20th of the output voltage desired, and faces an input impedance of 3.4K.

3-98 AUTO PARALLEL OPERATION

3-99 Constant Voltage Output. Figure 3-27 shows the correct method of connecting two PS/A's in parallel for increased output current in Constant Voltage operation. Although the terminal configuration has been completed for the Slave unit, the remainder of the connections to the Master unit are dependent upon desired operating mode. Thus the Master can be connected in any of the patterns shown in Section III, and the Auto-Parallel system will behave accordingly.

3-100 For equal current sharing, the leads from common to R_M and R_M to R_L should be short and have equal resistance for the two supplies. Greater current capability can be obtained by connecting more Slaves to the Master unit.

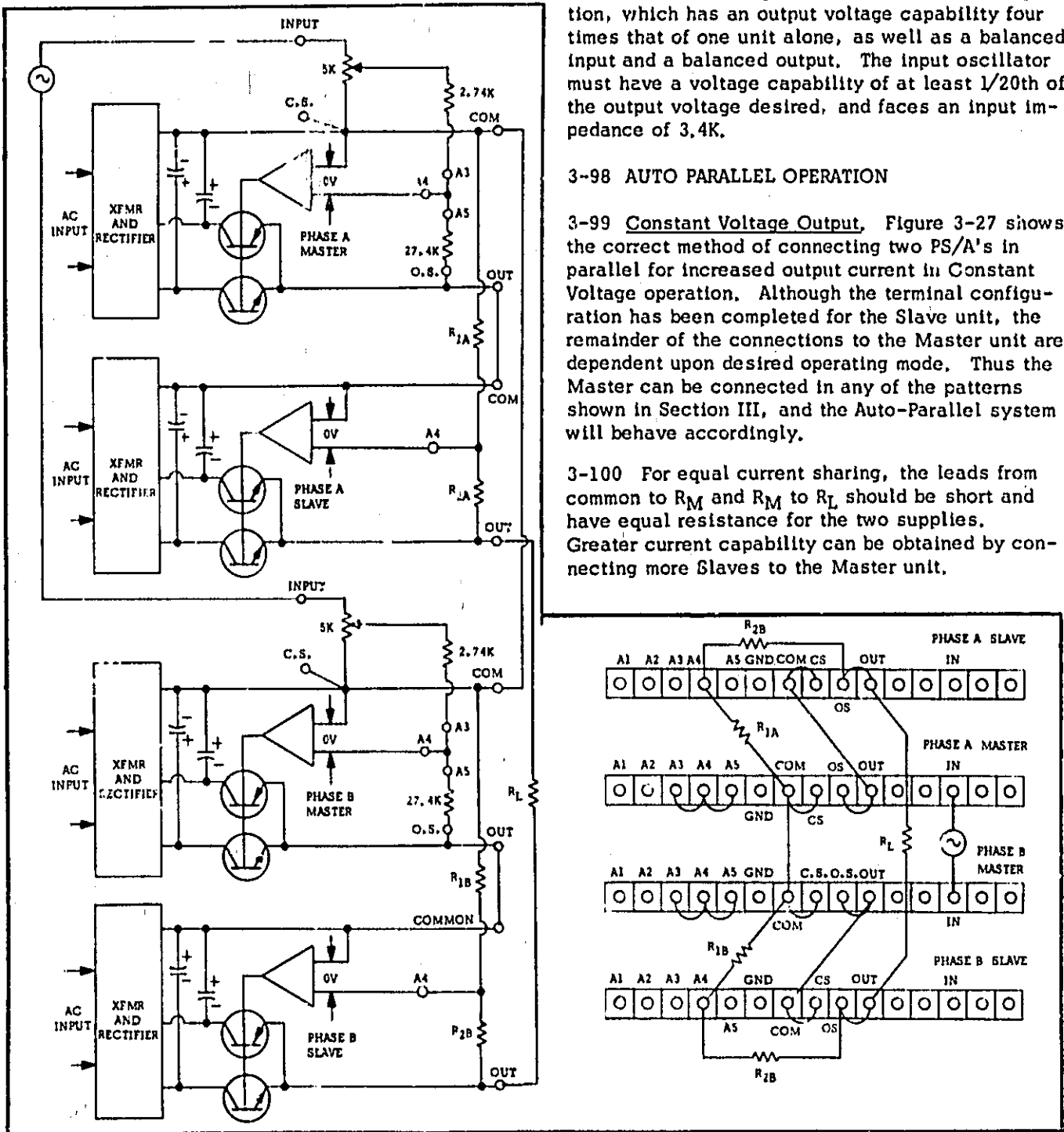


Figure 3-26. Balanced Input/Output Series Operation, Four Units

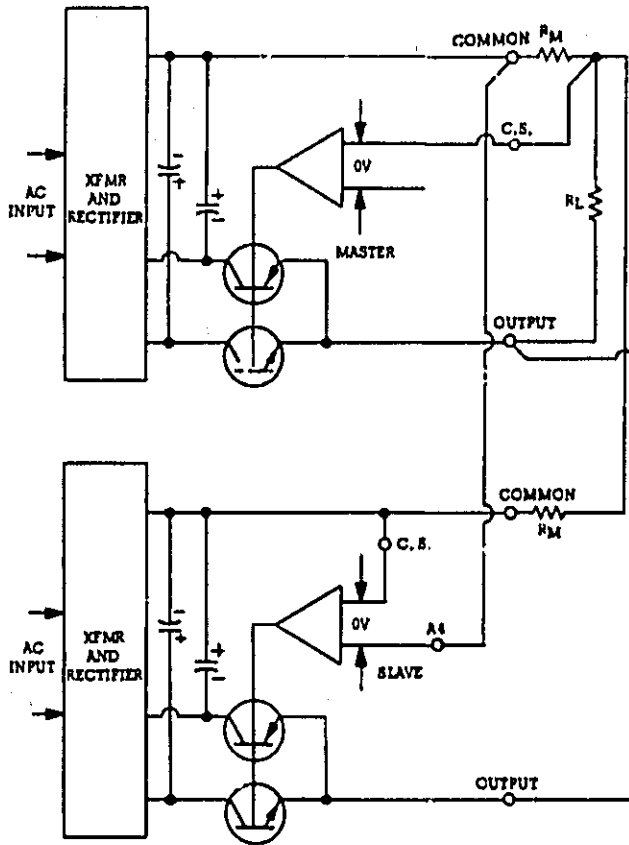


Figure 3-27. Auto-Parallel Operation, Constant Voltage Output

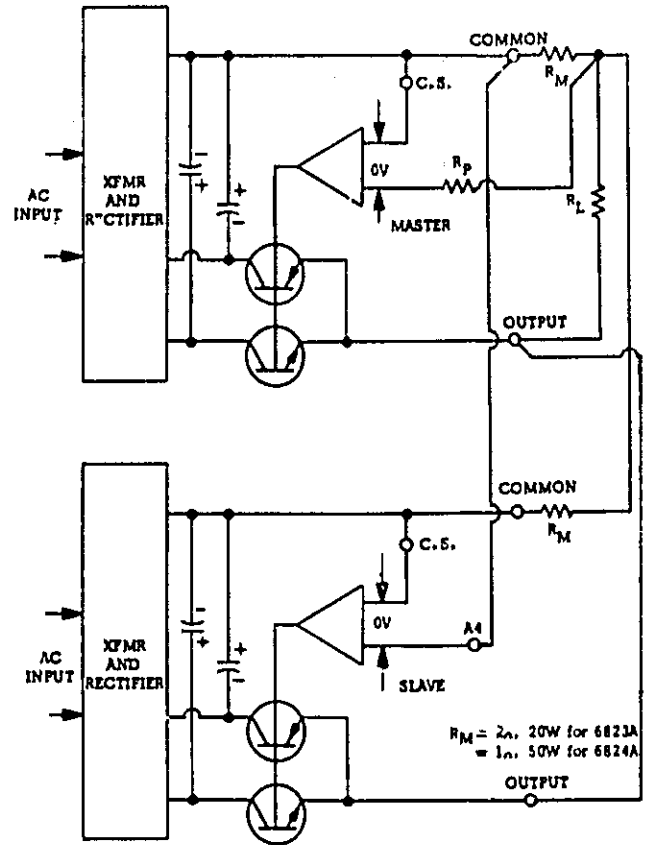
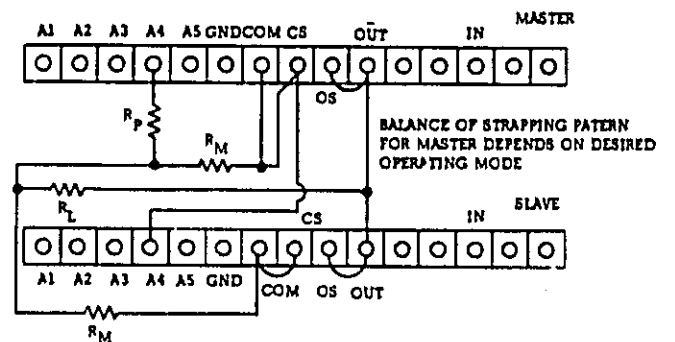
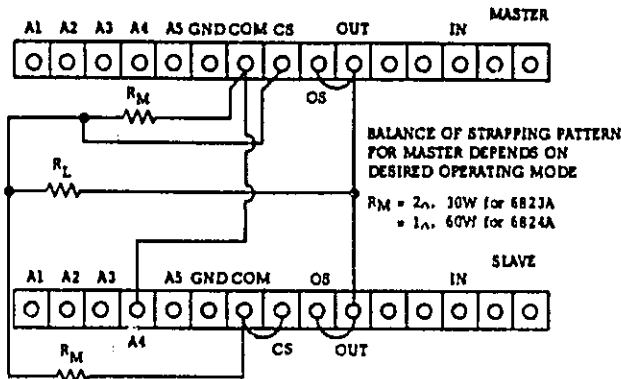


Figure 3-28. Auto-Parallel Operation, Constant Current Output



3-101 **Constant Current Output.** Figure 3-28 shows the correct method of connecting two supplies in Auto-Parallel for Constant Current output. The strapping configuration and circuit diagram for the master unit are not complete but can be wired

in accordance with any of the diagrams given in Section III and the Auto-Parallel combination will behave accordingly. Still greater current output can be accomplished by adding any desired number of slaves to the master in the same way.

SECTION IV PRINCIPLES OF OPERATION

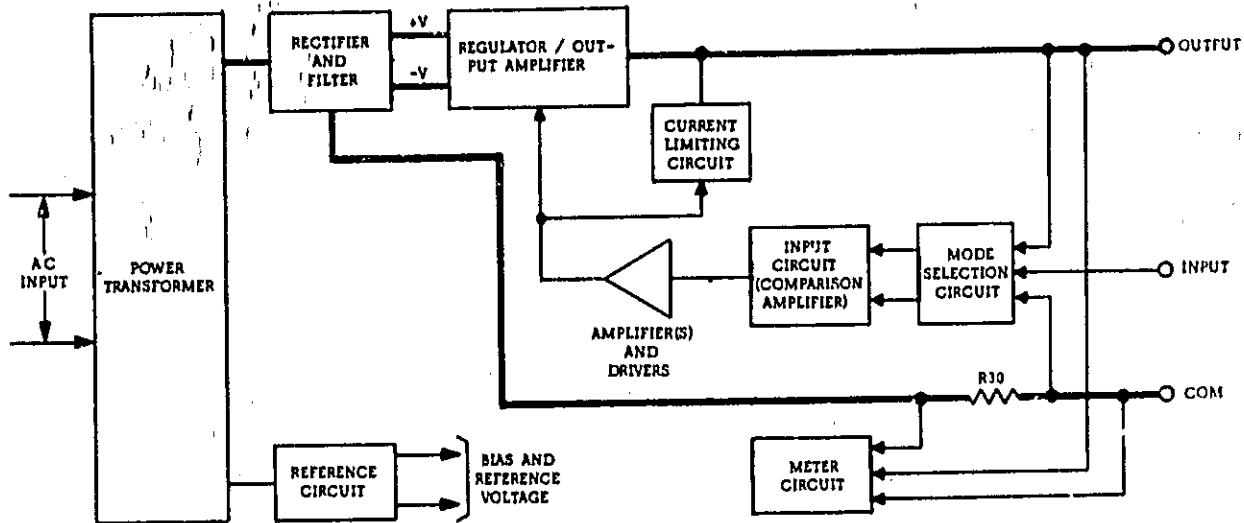


Figure 4-1. Overall Block Diagram

4-1 OVERALL BLOCK DIAGRAM DISCUSSION (Figure 4-1)

4-2 The Power Supply/Amplifier (PS/A) can be operated as either a power supply or a power amplifier. The operating mode is determined by the mode selection circuit which couples to the input circuit; either the voltage across the output terminals (during power supply operation) or the voltage across the input terminals (during amplifier operation).

4-3 POWER SUPPLY OPERATION

4-4 During power supply operation, the PS/A functions as a well-regulated dc power supply capable of furnishing a bi-polar, Constant Voltage output. Constant Current operation can also be achieved by connecting an external current sampling resistor to the unit.

4-5 The ac line voltage is reduced to the proper level by the power transformer and coupled to the rectifier and filter. The rectifier-filter converts the ac input to raw dc which is fed to the regulator/output amplifier circuit in both positive and negative form. The regulator/output amplifier acts as a series regulator during power supply operation. Its conduction is altered in accordance with the feedback control signals received from the driver

amplifiers, thus maintaining the output voltage (or current) constant. The feedback control signals also determine the polarity of the output voltage. For positive power supply output voltages the regulator circuit receives a positive input and for negative output voltages it receives a negative input. Hence, the dc output voltage can be continuously adjusted from its maximum rated positive value to an equal negative value.

4-6 The current limiting circuit monitors the output current passing through the regulator. If this current exceeds a certain preset limit, the limiting circuit conducts, shunting input current away from the regulator and thus keeping the output current constant.

4-7 The input circuit serves as the first "link" in the feedback circuit. It detects any changes in the output voltage and sends a feedback control signal to the series regulator via the amplifier-drivers. The feedback signal is of the correct phase and amplitude to counteract the change in output voltage. Notice that the supply can also be used as a Constant Current source as outlined in Section III of this manual. Under these conditions, the input circuit monitors the voltage dropped across an externally connected current sampling resistor and, in this manner develops the feedback error signals necessary to maintain the output current constant.

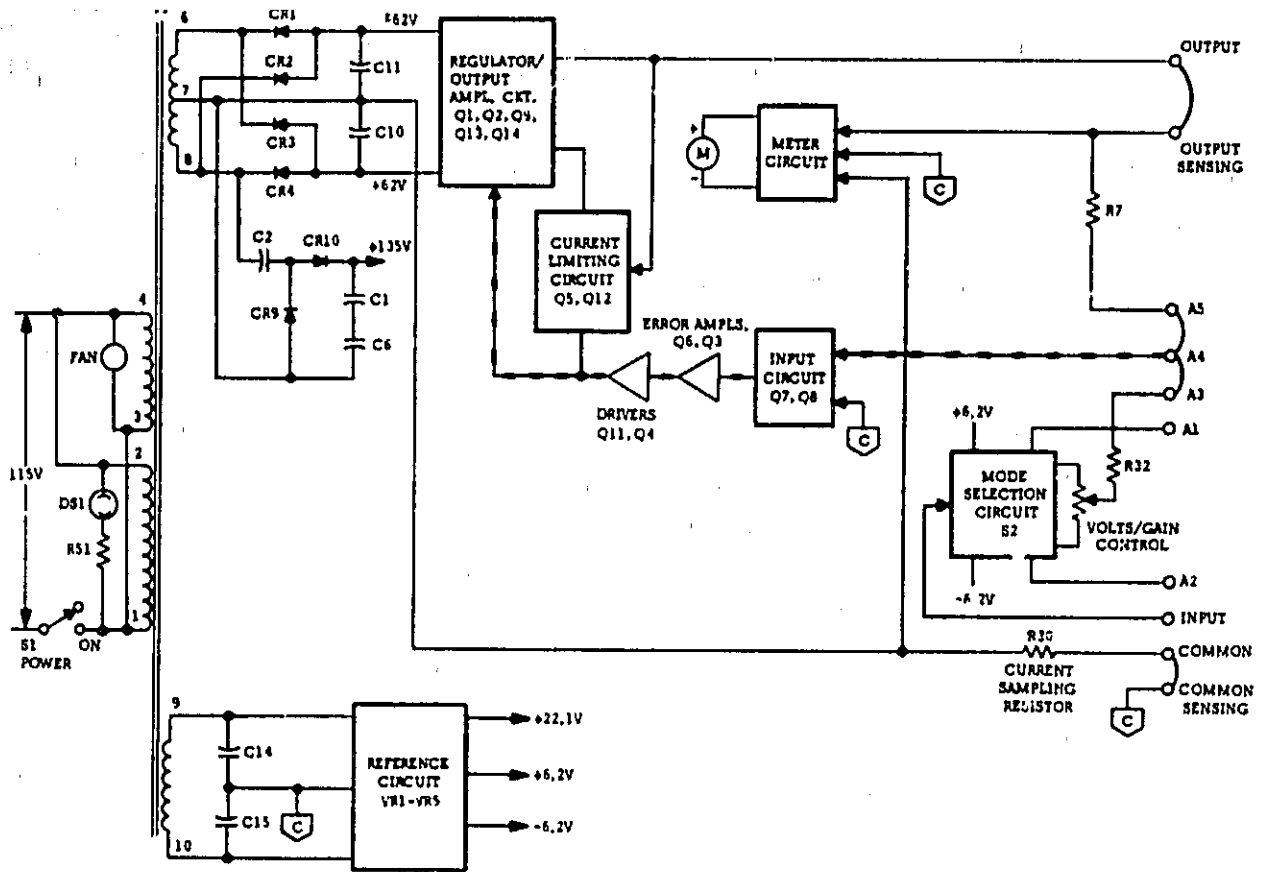


Figure 4-2. Simplified Schematic

4-8. The reference circuit provides stable reference voltages which are used throughout the unit for biasing and comparison purposes. The meter circuit provides indications of dc output voltage or current. When measuring voltage it is connected across the output of the supply; when measuring current it is connected across an internal current sampling resistor, R30.

4-9 AMPLIFIER OPERATION

4-10 During amplifier operation, the unit acts as a power amplifier with a single-ended, push-pull output stage. It furnishes either a Constant Voltage output or a Constant Current output (with the addition of an external current sampling resistor). It is capable of amplifying both ac and dc input signals over a bandwidth of dc to 20 kHz.

4-11 Input signals are received from the external source via the input and common terminals. The input circuit and amplifier-drivers amplify the signal and forward it to the regulator/output amplifier circuit. This circuit functions as a push-pull output amplifier during amplifier operation, although note that no internal connections are necessary in the regulator/output amplifier circuit in order to accomplish this.

4-12 The current limiting circuit is operable in the amplifier mode and serves to protect both the amplifier and the load by preventing the output current from exceeding the preset current limit.

4-13 In a manner similar to that used during power supply operation, the input circuit generates the error signals necessary to keep the output voltage (or current) constant despite variations in the load or line circuits. The meter circuit for Model 6824A units is capable of indicating ac output voltage during amplifier operation, while Model 6823A meter circuits can measure dc output voltage only.

4-14 SIMPLIFIED SCHEMATIC

4-15 A simplified schematic of the PS/A is shown in Figure 4-2. It shows the internal sources of bias and reference voltages and their nominal magnitudes with an input of 115Vac and under full load. It also shows some of the operating controls; the off-ON pushbutton (S1) and the VOLTS/GAIN control (R52A). METER switch S3, included in the meter circuit block on Figure 4-2, permits the meter to read dc output voltage or current, or ac output voltage. Rectifier diodes CR1 through CR4, and filter capacitors C10 and C11 provide

+62Vdc and -62Vdc to the regulator/output amplifier circuit. These voltages are also fed to the error amplifiers and drivers for biasing purposes. Another bias voltage (+140V) is obtained from a voltage doubler network composed of CR9, CR10, C1, C2, and C6.

4-15 MODE switch S2, in the mode selection circuit, connects the VOLTS/GAIN potentiometer between a bi-polar reference source (+6.2V and -6.2V) during power supply operation, or across the external input signal path during amplifier operation. Hence, the position of the VOLTS/GAIN potentiometer determines the polarity and magnitude of the output voltage in the power supply mode or the gain of the PS/A in the amplifier mode.

4-17 Note that the PS/A does not have the large output capacitor connected across most power supplies to insure feedback loop stability. This capacitor has been removed to ease the bandwidth limitation during amplifier operation. Removal of the output capacitor has the additional advantage of greatly enhancing the programming speed during power supply operation. Alternate methods of insuring feedback loop stability are employed throughout the PS/A feedback circuit to offset the absence of this capacitor.

4-18 DETAILED CIRCUIT ANALYSIS (See schematic at rear)

4-19 INPUT CIRCUIT

4-20 The input circuit consists basically of a differential amplifier stage (Q7 and Q8), and the FINE/ZERO and VOLTS/GAIN controls (R52A and R52B). Note that for simplicity's sake, R52A has been included in the mode selection circuit on the schematic.

4-21 The input circuit controls the conduction of the series regulator/output amplifier transistors. To accomplish this, the circuit continuously compares a fraction of the output voltage (or current) with a fixed reference voltage and, if a difference exists, produces an "error" voltage whose amplitude and phase is proportional to the difference. The "error" output is fed back to the regulator/output amplifier, via the error and driver amplifiers. The feedback voltage alters the conduction of the regulator/output amplifier transistors which, in turn, alter the output voltage (or current) so that the difference between the two differential amplifier input voltages is reduced to zero. The above action not only maintains a constant output regardless of line or load variations; but establishes output levels in accordance with the setting of the VOLTS/GAIN control.

4-22 Stage Q7 of the differential amplifier is connected to a voltage divider consisting of R40, R52B, R47, and R48. The FINE/ZERO control, R52B, permits the bias at the base of Q7 to be adjusted slightly above or below the common sensing (C) point. During power supply operation the FINE/ZERO control provides a fine adjustment of the dc output voltage or current and during amplifier operation it provides a dc "offset" adjustment of approximately 1% of the maximum rated output. Hence, the average value of an ac output signal can be adjusted exactly to zero with this control.

4-23 Stage Q8 is connected to the voltage (or current) summing point (A4) at the junction of the VOLTS/GAIN control and resistor R7. The potential at the summing point will instantaneously change if the output voltage/current attempts to change or if the voltage that is picked off by R52A changes. Output variations affect the voltage dropped across R7 thus changing the summing point potential. Similarly, moving the VOLTS/GAIN control arm affects the summing point potential. During power supply operation, this control is connected across a bi-polar reference source. Moving the control toward the positive end of the potentiometer causes the summing point to go positive resulting in a more negative output. Conversely, moving the control toward the negative end results in a more positive output. During amplifier operation the external input signal is applied across R52A and moving the control arm varies the amount of signal that is picked off.

4-24 Summing point variations are felt at the base of the Q8 which varies its conduction in accordance with the polarity and magnitude of the change at the summing point. The resulting error voltage is taken from the collector of Q8 and ultimately alters the conduction of the regulator/amplifier transistors.

4-25 Feedback network C8, R25 helps stabilize the feedback loop. Diodes CR25 through CR28 form a limiting network which prevent excessive voltage excursions from over-driving stage Q8. Resistor R45 in series with the base of Q8 is a current limiting resistor.

4-26 MODE SELECTION CIRCUIT

4-27 The mode selection circuit consists basically of MODE switch S2 which determines the operating mode of the instrument. As mentioned previously, S2 connects the VOLTS/GAIN control between a bi-polar reference source in the SUPPLY position and across the input signal path in the AMPLIFIER position. In the AMPLIFIER position S2 also connects a load resistor (R57) between the bi-polar reference voltages to prevent loading down the reference circuit.

4-28 ERROR AND DRIVER AMPLIFIERS

4-29 The error and driver amplifiers amplify the error signal from the input circuit to a level sufficient to drive the regulator/amplifier transistors. Amplifier stages Q6 and Q3 each contain a stabilization network (C5-R24 and C7-R14, respectively) which provides for roll off in the loop gain. Diode CR11 clamps the emitter of Q6 to a stable reference voltage, +22.1V. Emitter follower Q4 drives the regulator/amplifier transistors Q1, Q2, Q9, Q13, and Q14.

4-30 REGULATOR/OUTPUT AMPLIFIER CIRCUIT

4-31 During power supply operation, transistors Q1, Q9 and Q2, Q13, Q14 serve as series control elements in the positive and negative output lines, respectively. The conduction of the series transistors is controlled by the feedback voltage from Q4. Note that when the feedback voltage is negative, PNP transistors Q2, Q13 and Q14 are conducting and NPN transistors Q1 and Q9 are cut-off. Under these conditions, the supply furnishes a negative output voltage. The reverse is true when the feedback voltage is of positive polarity. Transistor Q10 furnishes a constant bias current to the bases of the series transistors. At zero volts output, both banks of series transistors are conducting slightly because of the base current provided by Q10. Diodes CR18 and CR19 provide the voltage drop necessary to forward bias each regulator bank simultaneously. This eliminates any "dead spots" when the output voltage is programmed away from zero. Note, however, that as soon as the output voltage is driven away from zero, one bank of transistors remains in conduction while the other is cutoff.

4-32 During amplifier operation, the transistors serve as a single-ended, push-pull, output amplifier. Although the schematic at the rear of the manual shows Q1, Q2, Q9, Q13, and Q14 drawn as a conventional series regulator, a closer inspection will reveal that the circuit could be redrawn as a push-pull amplifier without changing any of the connections. The output amplifiers are biased for class AB operation and connected in a complementary configuration, as described in the previous paragraph, thus obviating the need for center-tapped input and output transformers.

4-33 CURRENT LIMITING CIRCUIT

4-34 The current limiting circuit consists of transistors Q5 and Q12 and associated resistors.

These transistors keep the output current from exceeding the current limit established by the setting of potentiometers R5 and R6. PNP transistor Q5 limits the current in the negative line and NPN transistor Q12 limits the current in the positive line. Under increased current demands, the current through the PNP regulator/amplifier transistors increases, increasing the voltage drop across R6 and driving the base of Q5 in a negative direction. The conduction of Q5 limits the base current of the PNP transistors and, hence, the output current. Operation of current limiting transistor Q12 is similar; except that the base current of the NPN transistors is limited further back in the feedback loop at the input of Q4.

4-35 REFERENCE CIRCUIT

4-36 The reference circuit is an auxiliary supply which provides stable reference voltages used throughout the instrument for biasing and comparison purposes. The reference voltages are developed across temperature compensated Zener diodes VR1 through VR5. The reference voltages are all derived from smoothed positive and negative dc obtained from full wave rectifiers CR5, CR6 and CR7, CR8 and filter capacitors C12 and C13.

4-37 METER CIRCUIT

4-38 The meter circuit provides continuous indications of output voltage or current on a single meter. The meter can be used as a dc voltmeter or ammeter or as an ac voltmeter depending upon the position of METER switch S3. With S3 in the dc VOLTS position the meter is connected in series with R31 and R33 across the output of the supply. Resistor R31 permits dc voltage calibration of the meter to compensate for slight resistance variations.

4-39 With S3 in the DC AMPS position, the meter is connected across current sampling resistor R30, whose voltage drops varies in proportion to the output current. Current calibrate potentiometer, R35 is adjusted for full scale deflection in the current range.

4-40 In the AC VOLTS position, the meter indicates the rms output voltage of the amplifier. Rectification of the ac output voltage is accomplished by diodes CR13 through CR16.

4-41 The meter movement used in this instrument, can withstand a current overload of many times the maximum rated output without damage.

MAINTENANCE

SECTION V MAINTENANCE

5-1 INTRODUCTION

5-2 Upon receipt of this instrument, the performance check (Paragraph 5-10) should be made. This check is suitable for incoming inspection. If a fault is detected in the unit while making the performance check or during normal operation, proceed to the troubleshooting procedures (Paragraph 5-24). After troubleshooting and repair (Paragraph 5-34), perform any necessary adjustments and calibrations (Paragraph 5-36). Before returning the PS/A to normal operation, repeat the performance check to ensure that the fault has been properly corrected and that no other faults exist. Before doing any maintenance checks, turn-on power supply, allow a half-hour warm-up, and read the general information regarding measurement techniques (Paragraph 5-3).

5-3 GENERAL MEASUREMENT TECHNIQUES

5-4 The measuring device must be connected across the sensing leads of the unit or as close to the output terminals as possible when measuring the output impedance, transient response, regulation, or ripple of the power supply in order to achieve valid measurements. A measurement made across the load includes the impedance of the leads to the load and such lead lengths can easily have an impedance several orders of magnitude greater than the supply impedance, thus invalidating the measurement.

5-5 The monitoring device should be connected to the OS and CS terminals or as shown in Figure 5-1. The performance characteristics should never be measured at the front terminals if the load is connected across the rear terminals. Note that when measurements are made at the front terminals, the monitoring leads are connected at A, not B, as shown in Figure 5-1. Failure to

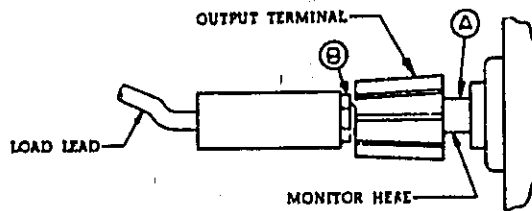


Figure 5-1. Front Panel Terminal Connections

connect the measuring device at A will result in a measurement that includes the resistance of the leads between the output terminals and the point of connection.

5-6 For output current measurements, the current sampling resistor should be a four-terminal resistor. The four terminals are connected as shown in Figure 3-15. In addition, the resistor should be of the low noise, low temperature coefficient (20ppm/°C or less) type and should be used at no more than 5% of its rated power so that its temperature rise will be minimized.

5-7 When using an oscilloscope, ground the common terminal of the PS/A and then ground the case of the oscilloscope to this same point. Make certain that the case is not also grounded by some other means (such as the power line). Connect both oscilloscope input leads to the PS/A ground terminal and check that the oscilloscope is not exhibiting a ripple or transient due to ground loops, pick-up, or other means.

5-8 TEST EQUIPMENT REQUIRED

5-9 Table 5-1 lists the test equipment required to perform the various procedures described in this Section.

Table 5-1. Test Equipment Required

Type	Required Characteristics	Use	Recommended Model
Differential Voltmeter	Sensitivity: 1 mv full scale (min.), Input impedance: 10 megohms (min.),	Measure DC voltages; calibration procedures	Ⓢ 3420 (See Note)
Variable Voltage Transformer	Range: 90-130 volts. Equipped with voltmeter accurate within 1 volt.	Vary AC Input	-----
AC Voltmeter	Accuracy: 2%. Sensitivity: 1 mv full scale deflection (min.),	Measure AC voltages and ripple.	Ⓢ 403 B
Oscilloscope	Sensitivity: 10 μ v/cm. Differential input.	Peak-to-peak measurements. Waveform displays.	Ⓢ 140 A plus 1400 A plug in.
Oscillator	Range: 5 Hz to 600KHz Accuracy: 2%	Impedance Checks, amplifier input source	Ⓢ 200 CD
Square Wave Generator	Rise time: 0.02 μ sec Frequency: 1 Hz to 1 MHz	Measure programming speed	Ⓢ 211 A
Repetitive Load Switch	Rate: 50-400 Hz, 2 μ sec rise and fall time.	Measure transient response	See Figure 5-5
Resistor	Value: See Paragraph 5-13 and Figure 5-3, \pm 5%, 75 watts	Load Resistor	-----
Resistor	Value: See Figure 5-3. 1%, 30 watts (6823A) 60 watts (6824A) 20ppm, 4-Terminal.	Current sampling	-----
Resistor	1 K Ω \pm 1%, 2 watt non-inductive	Measure impedance	-----
Resistor	100 ohms, \pm 5%, 10 watt	Measure impedance	-----
Capacitor	500 μ f, 50 wvdc	Measure impedance	-----

NOTE

A satisfactory substitute for a differential voltmeter is to arrange a reference voltage source and null detector as shown in Figure 5-2. The reference voltage source is adjusted so that the voltage difference between the supply being measured and the reference voltage will have the required resolution for the measurement being made. The voltage difference will be a function of the null detector that is used. Examples of satisfactory null detectors are: Ⓢ 419A null detector, a DC coupled oscilloscope utilizing differential input, or a 50 mv meter movement with a 100 division scale. For the latter, a 2 mv change in voltage will result in a meter deflection of four divisions.

CAUTION

Care must be exercised when using an electronic null detector in which one input terminal is grounded to avoid ground loops and circulating currents.

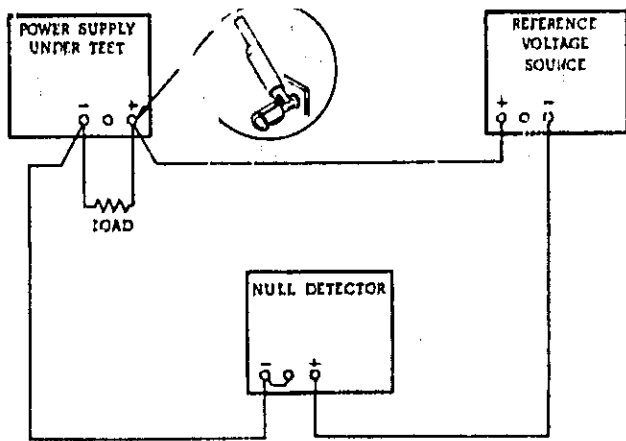


Figure 5-2. Differential Voltmeter Substitute, Test Setup

5-10 PERFORMANCE TEST

5-11 The following test can be used as an incoming inspection check and appropriate portions of the test can be repeated either to check the operation of the instrument after repairs or for periodic maintenance tests. The tests are performed using a 115-VAC 60 Hz, single phase input power source. They test the performance of the unit both as a power supply and as a power amplifier. If the correct result is not obtained for a particular check, do not adjust any controls; proceed to troubleshooting (Paragraph 5-24).

5-12 POWER SUPPLY TESTS

5-13 Rated Output and Meter Accuracy. To check the output voltage, proceed as follows:

- Connect 40 ohm load resistor (50 ohms for Model 6824A) across rear output terminals of supply.
- Connect differential voltmeter across OS and CS terminals of supply observing correct polarity.
- Set METER switch to VOLTS and MODE switch to SUPPLY.
- Adjust VOLTS/GAIN control clockwise (cw) until front panel meter indicates exactly the maximum rated positive output voltage.
- Differential voltmeter should indicate maximum rated positive output voltage within $\pm 2\%$.
- Adjust VOLTS/GAIN control in ccw direction until front panel meter reads maximum rated negative output voltage.

g. Reverse position of input polarity switch on differential voltmeter. Voltmeter should indicate maximum rated negative output voltage within $\pm 2\%$.

5-14 To check the output current, proceed as follows:

- Connect test setup shown in Figure 5-3.

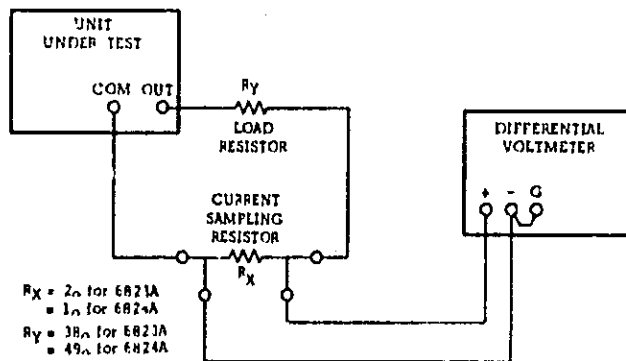


Figure 5-3. Output Current, Test Setup

- Set METER switch to AMPS.
- Turn on supply and adjust VOLTS/GAIN control cw until front panel meter indicates exactly maximum rated positive current.
- Differential voltmeter should read 1 ± 0.02 Vdc.
- Reverse polarity switch on differential voltmeter and adjust VOLTS/GAIN control ccw for maximum rated negative current.
- Differential voltmeter should again read 1 ± 0.02 Vdc.

5-15 Load Regulation. To check the Constant Voltage load regulation, proceed as follows:

- Connect test setup as shown in Figure 5-4.
- Set METER switch to VOLTS.
- Turn on supply and adjust VOLTS/GAIN control cw until front panel meter indicates maximum rated positive output voltage.
- Read and record voltage indicated on differential voltmeter.
- Disconnect load resistor.

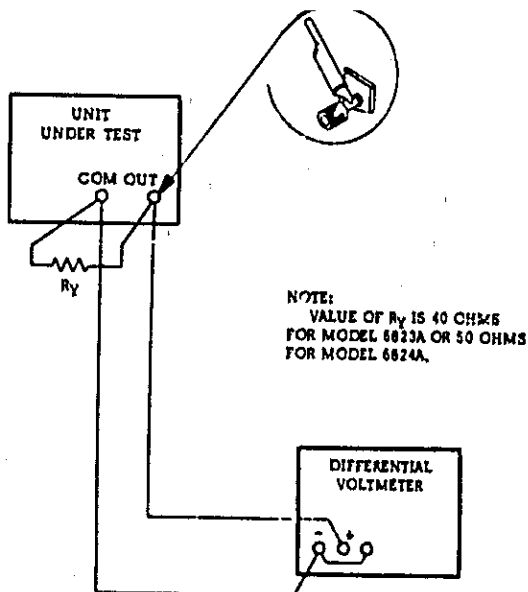


Figure 5-4. Load Regulation, Test Setup

f. Reading on differential voltmeter should not vary from reading recorded in step d by more than 9 mVdc for Model 6823A or 15 mVdc for Model 6824A.

g. Set input polarity switch to appropriate position. Rotate VOLTS/GAIN control ccw and repeat steps c through f for maximum rated negative output voltage.

5-16 Line Regulation. To check the Constant Voltage line regulation, proceed as follows:

a. Connect variable auto transformer between input power source and PS/A power input.

b. Connect test setup shown in Figure 5-4.

c. Adjust variable auto transformer for 105 or 210 Vac input.

d. Turn on supply and rotate VOLTS/GAIN control cw until front panel meter indicates exactly the maximum rated positive output voltage.

e. Read and record voltage indicated on differential voltmeter.

f. Adjust variable auto transformer for 125 or 250 Vac input.

g. Reading on differential voltmeter should not vary from reading recorded in step e by more than 9 mVdc for Model 6823A units or 15 mVdc for Model 6824A units.

h. Rotate VOLTS/GAIN control ccw to obtain maximum negative voltage and repeat steps d through g.

5-17 Ripple and Noise. To check ripple and noise, proceed as follows:

a. Retain test setup used for previous line regulation test except connect AC voltmeter (Model 403B) across output terminals instead of differential voltmeter.

b. Adjust variable auto transformer for 125 Vac input.

c. Turn on supply and adjust VOLTS/GAIN control cw until front panel meter indicates exactly the maximum rated positive output voltage.

d. AC voltmeter should read less than 2 mV rms (Model 6823A) or 10 mV rms (Model 6824A).

e. Reverse polarity of input to ac voltmeter and repeat steps c and d for maximum rated negative output voltage.

5-18 Transient Recovery Time. To check the transient recovery time of the supply, proceed as follows:

a. Connect test setup shown in Figure 5-5.

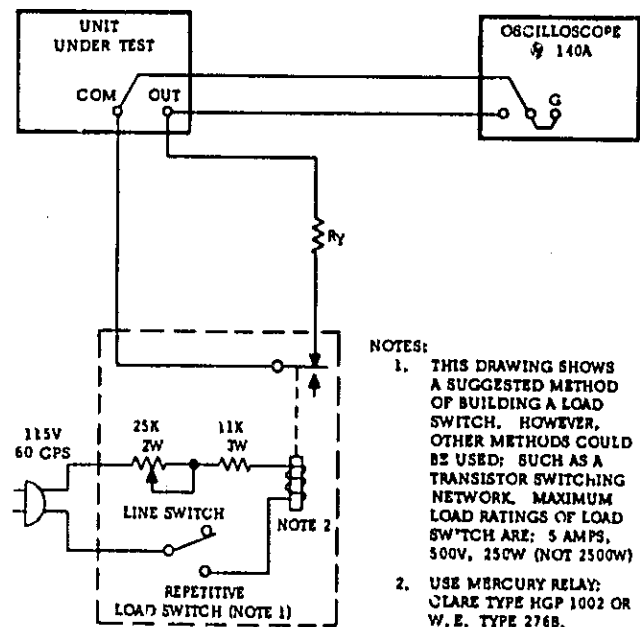


Figure 5-5. Transient Response, Test Setup

b. Rotate VOLTS/GAIN control cw to obtain maximum rated positive output.

c. Close line switch on repetitive load switch setup.

d. Adjust 25K potentiometer until a stable display is obtained on oscilloscope. Waveform should be within the tolerances shown in Figure 5-6 (output should return to within 5 mv of original value in less than 100 microseconds).

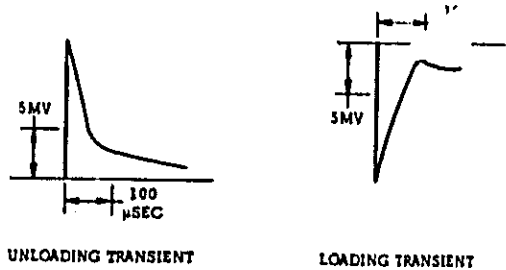


Figure 5-6. Transient Response Waveforms

e. Reverse input connections to oscilloscope and repeat steps c and d for maximum rated negative output.

5-19 Programming Speed. To check the unit's programming speed, a square wave is applied to the unit and it is operated in the amplifier mode. This has the same effect as rapidly programming the unit, up and down, in the power supply mode. To make this test, proceed as follows:

a. Connect test setup shown in Figure 5-7.

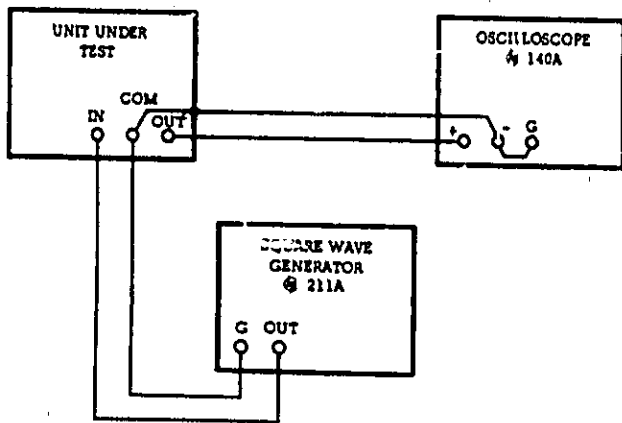


Figure 5-7. Programming Speed, Test Setup

b. Set MODE switch to AMPLIFIER and turn on unit.

c. Rotate VOLTS/GAIN control fully clockwise.

d. On pulse generator, set input frequency to about 2 kHz and adjust amplitude to obtain maximum rated peak-to-peak output signal on oscilloscope (-20V to +20V on Model 6823A and -50V to +50V on Model 6824A).

e. Adjust oscilloscope to observe rise time of one square wave. The wave shape should be within the tolerances shown on Figure 5-8 (output should change from maximum rated negative value to maximum rated positive value in less than 50 microseconds).

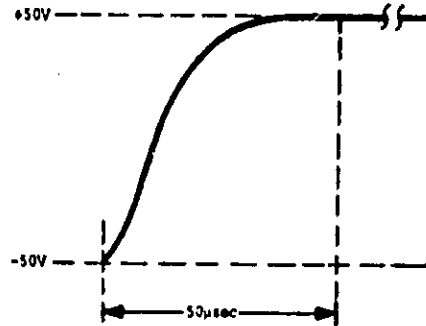


Figure 5-8. Typical Programming Speed Waveforms

f. Check the fall time of one square wave. It should be almost identical to the rise time except for inversion.

5-20 Output Impedance. To check the output impedance, proceed as follows:

a. Connect test setup shown in Figure 5-9.

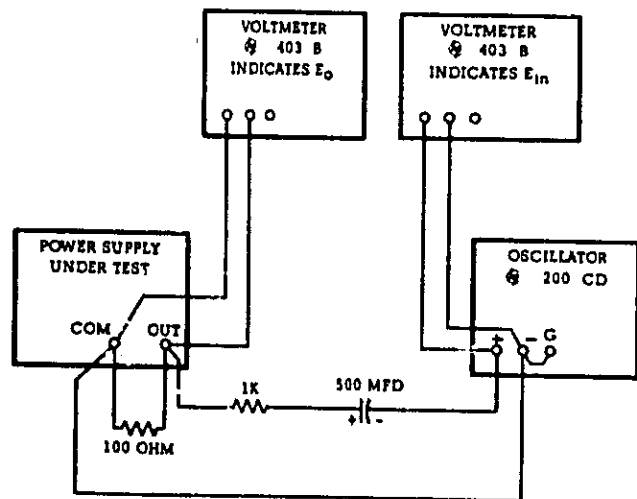


Figure 5-9. Output Impedance, Test Setup

b. Turn on supply and adjust VOLTS/GAIN control until front panel meter reads +10 volts (+20 volts for Model 6824A).

c. Set **AMPLITUDE** control on Oscillator to 10 volts (E_{in}), and **FREQUENCY** control to 100Hz.

d. Record voltage across output terminals of the power supply (E_o) as indicated on AC voltmeter.

e. Calculate the output impedance by the following formula:

$$Z_{out} = \frac{E_o R}{E_{in} - E_o}$$

E_o = rms voltage across power supply output terminals.

$R = 1000$

$E_{in} = 10$ volts

f. The output impedance (Z_{out}) should be less than 0.03 ohm.

g. Using formula of step e calculate output impedance at frequencies of 500Hz and 100KHz. Values should be less than 0.3 ohm and 3.0 ohms, respectively.

5-21 AMPLIFIER TESTS

5-22 Gain and Frequency Response. To check the gain and frequency response of the amplifier, proceed as follows:

a. Connect test setup shown in Figure 5-10.

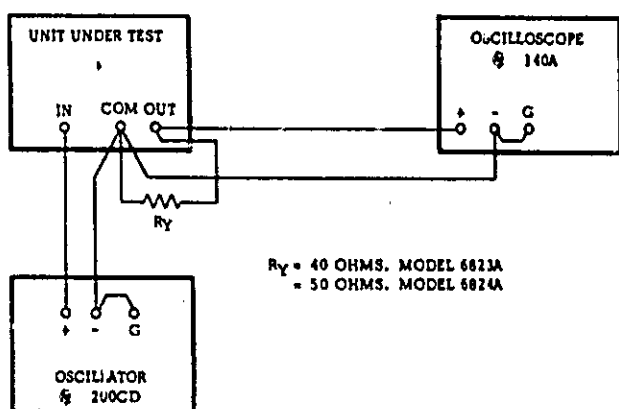


Figure 5-10. Gain and Frequency Response, Test Setup

b. Set **MODE** switch to **AMPLIFIER**.

c. Set oscillator frequency at 2KHz and output at 4 Vac, peak-to-peak (Model 6823A) or 10 Vac, peak-to-peak (Model 6824A).

d. Adjust **VOLTS/GAIN** control on amplifier to obtain 40 volt peak-to-peak (Model 6823A) or 100 volt peak-to-peak (Model 6824A) reading on

oscilloscope. Reading should be within $\pm 2\%$ tolerance.

e. Adjust oscillator frequency to 20 KHz while maintaining same oscillator output voltage.

f. Waveform on oscilloscope should not be less than 29 volts peak-to-peak (Model 6823A) or 71 volts peak-to-peak (Model 6824A).

5-23 AC Meter Accuracy (Model 6824A Only). The front panel meter on Model 6824A units is capable of measuring ac output voltages. To check its accuracy, proceed as follows:

a. Retain test setup of Figure 5-10.

b. Repeat steps b through d of Paragraph 5-22.

c. **METER** switch to **AC VOLTS** position.

d. Front panel meter should indicate rms value of peak output voltage indicated on oscilloscope (E_o pk. $\times 0.707 = E_o$ rms).

5-24 TROUBLESHOOTING

5-25 Components within Hewlett-Packard instruments are conservatively operated to provide maximum reliability. In spite of this, parts within a unit may fail. Usually the instrument must be immediately repaired with a minimum of "down time" and a systematic approach as outlined in succeeding paragraphs can greatly simplify and speed up the repair.

5-26 TROUBLE ANALYSIS

5-27 General. Before attempting to trouble shoot this instrument, ensure that the fault is with the instrument and not with an associated circuit. The performance test (Paragraph 5-10) enables this to be determined without having to remove the instrument from the cabinet.

5-28 Once it is determined that the PS/A is at fault, check for obvious troubles such as an open fuse, a defective power cable, or an input power failure. Next, remove the top and bottom covers (each held by four retaining screws) and inspect for open connections, charred components, etc. If the trouble source cannot be detected by visual inspection, follow the detailed procedure outlined in succeeding paragraphs. Once the defective component has been located (by means of visual inspection or trouble analysis) correct it and re-conduct the performance test. If a component is replaced, refer to the repair and replacement and adjustment and calibration paragraphs in this section.

5-29 A good understanding of the principles of operation is a helpful aid in troubleshooting, and it is recommended that the reader review Section IV of the manual before attempting to troubleshoot the unit in detail. Once the principles of operation are understood, logical application of this knowledge used in conjunction with the normal voltage readings shown on the schematic and the additional procedures given in the following paragraphs should suffice to isolate a fault to a component or small group of components. The normal voltages shown on the schematic are positioned adjacent to the applicable test points (identified by encircled numbers on the schematic and printed wiring board). Additional test procedures that will aid in isolating troubles are as follows:

- a. Reference circuit check (Paragraph 5-31). This circuit provides critical operating voltages for the instrument and faults in the circuit could affect the overall operation in many ways.
- b. Feedback loop checks (Paragraph 5-32).
- c. Procedures for dealing with common troubles (Paragraph 5-33).

5-30 Note that the above mentioned procedures are applicable to both power supply and amplifier operation except in a few cases which are noted in the procedures. Generally speaking, very few

troubles that are encountered will affect the operation of the PS/A in only one of its operating modes.

5-31 Reference Circuit. To check the reference circuit, proceed as follows:

- a. Turn VOLTS/GAIN control fully clockwise and set MODE switch to SUPPLY.
- b. Turn-on unit with no load connected.
- c. Proceed as instructed in Table 5-2.

5-32 Feedback Circuit. Generally, malfunction of the feedback circuit is indicated by high or low output voltages. If one of these situations occur, disconnect the load and proceed as instructed in the applicable table (5-3 through 5-6). Note that the cooling fan in Model 6824A may interfere with some voltage readings recommended in the following tables. If this occurs, the fan may be electrically disconnected in order to take the reading in question. However, the fan must be reconnected immediately after the reading has been taken, as operation of the unit without benefit of the cooling fan will cause overheating and probable damage.

5-33 Common Troubles. Table 5-7 provides a tabular list of the symptoms, checks, and probable causes for common troubles.

Table 5-2. Reference Circuit Troubleshooting

Step	Meter Common	Meter Positive	Normal Indication	Action
1	C	30	+22.1 ± 2 Vdc	If normal, proceed to Step 2. If abnormal, check R4, C12, R17, CR5, and CR6.
2	C	11	+6.2 ± 0.3 Vdc	If abnormal, check VR2, R36, R56, VR5.
3	C	10	-6.2 ± 0.3 Vdc	If abnormal, check VR1, VR3, C13, R37, R60, CR7, and CR8.

Table 5-3. High Positive Output Voltage Troubleshooting

Step	Measure	Response	Probable Cause
1	Check fuse F2	a. Blown b. Not Blown	a. Q2, Q13, or Q14 shorted, CR21, CR22 or CR24 open. b. Proceed to Step 2.
2	Voltage between 23 (+) and 25 (-)	a. Less positive than +5.4V b. +5.4V to +5.7V	a. CR21, or CR22, or CR24 shorted, R61 open. b. Check Q10 or R22 for open. Check Q1 or Q9 for short. Proceed to Step 3.
3	Voltage between C and 16	a. More negative than -60V b. -56V to -60V	a. Q8 open, Q7 shorted, Q6 open. b. Proceed to Step 4.
4	Voltage between C and 17	a. More positive than +60V b. +54V to +60V	a. Q3 open, R44 shorted. b. Check Q4 for short. Check Q11 for open, CR12 for short.

Table 5-4. High Negative Output Voltage Troubleshooting

Step	Measure	Response	Probable Cause
1	Voltage between 23 (+) and 25 (-)	a. More positive than +5.7V b. +5.4V to +5.7V	a. CR21, CR22, or CR24 open. b. Proceed to Step 2.
2	Voltage between 19 and 7, 8, and 9	a. 0V or positive b. More negative than 0V	a. Q2, Q13 or Q14 shorted, Q10 shorted. b. Proceed to Step 3.
3	Voltage between C and 16	a. Less negative than -45V b. -45V to -50V	a. Q8 shorted, Q7 open, Q6 shorted. b. Proceed to Step 4.
4	Voltage between C and 17	a. More negative than -55V	a. Q3 shorted, R64 shorted.

Table 5-5. Low Positive Output Voltage Troubleshooting

Step	Measure	Response	Probable Cause
1	Remove Q12 from circuit	a. Normal positive output voltage b. Low positive output voltage	a. Q12 shorted R5 or R3 open or high resistance. b. Reconnect Q12 and check Q1 or Q9 for open. If normal, proceed to Step 2.

Table 5-5. Low Positive Output Voltage Troubleshooting (Continued)

2	Voltage between C and 16	a. Less negative than -56V b. -56V to -60V	a. Open strap between A3 -A4. Check -6.2V reference for low voltage. Check R13 for open. Check R52A for open. b. Proceed to Step 3.
3	Voltage between C and 17	a. Less positive than +54V	a. Check R44 or R55 for open or high resistance. Check Q4 for open.

Table 5-6. Low Negative Output Voltage Troubleshooting

Step	Measure	Response	Probable Cause
1	Remove Q5 from circuit	a. Normal negative output voltage b. Low negative output voltage	a. Q5 shorted. R6 or R19 open or high resistance. b. Reconnect Q5 and check Q2, Q13, or Q14 for open. If normal proceed to Step 5.
2	Voltage between C and 16	a. More negative than -50V b. -45V to -50V	a. Open strap between A3-A4. Check R52A for open. Check +6.2V reference for low voltage. Check R13 for low resistance. b. Proceed to Step 4.
3	Voltage between C and 17	a. Less negative than -45V	a. Check R4 or R55 for open or high resistance. Check Q11 for short, Q4 for open.

Table 5-7. Common Troubles

Symptom	Checks and Probable Causes
High ripple	a. Check operating setup for ground loops. b. Ensure that unit is not crossing over to current limiting operation under loaded conditions. (This will be characterized by ripple in the power supply mode and clipping of the positive and negative peaks in the amplifier mode).
Oscillation (power supply mode)	a. Check feedback networks; C8-R25, C5-R24, and C7-R14.
Distortion (amplifier mode)	a. Ensure that unit is not going into current limit operation. b. If high frequency component of output signals are distorted, check feedback networks; C8-R25, C5-R24, and C7-R14.

Table 5-7. Common Troubles (Continued)

Poor Stability	<ul style="list-style-type: none"> a. Check reference voltages (Table 5-2). b. Noisy VOLTS/GAIN control (R52A). c. CR25 through CR28 leaky. d. Stage Q7 or Q8 defective.
Unit programs in only one direction	<ul style="list-style-type: none"> a. R38 or R39 open b. No +6.2V or -6.2V reference source.
Zero Output	<ul style="list-style-type: none"> a. R32 or R52A open b. S2 open

Excessive heat or pressure can lift the copper strip from the board. Avoid damage by using a low power soldering iron (50 watts maximum) and following these instructions. Copper that lifts off the board should be cemented in place with a quick drying acetate base cement having good electrical insulating properties.

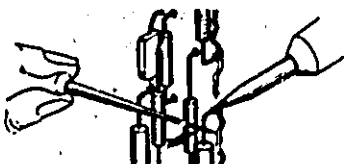
A break in the copper should be repaired by soldering a short length of tinned copper wire across the break.

Use only high quality rosin core solder when repairing etched circuit boards. NEVER USE PASTE FLUX. After soldering, clean off any excess flux and coat the repaired area with a high quality electrical varnish or lacquer.

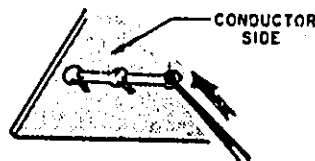
When replacing components with multiple mounting pins such as tube sockets, electrolytic capacitors, and potentiometers, it will be necessary to lift each pin slightly, working around the components several times until it is free.

WARNING: If the specific instructions outlined in the steps below regarding etched circuit boards without eyelets are not followed, extensive damage to the etched circuit board will result.

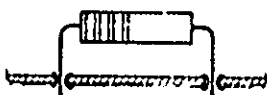
1. Apply heat sparingly to lead of component to be replaced. If lead of component passes through an eyelet in the circuit board, apply heat on component side of board. If lead of component does not pass through an eyelet, apply heat to conductor side of board.



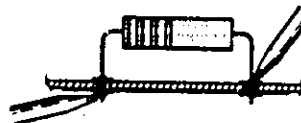
2. Reheat solder in vacant eyelet and quickly insert a small awl to clean inside of hole. If hole does not have an eyelet, insert awl or a #57 drill from conductor side of board.



3. Bend clean tinned leads on new part and carefully insert through eyelets or holes in board.



4. Hold part against board (avoid overheating) and solder leads. Apply heat to component leads on correct side of board as explained in step 1.



In the event that either the circuit board has been damaged or the conventional method is impractical, use method shown below. This is especially applicable for circuit boards without eyelets.

1. Clip lead as shown below.



2. Bend protruding leads upward. Bend lead of new component around protruding lead. Apply solder using a pair of long nose pliers as a heat sink.



This procedure is used in the field only as an alternate means of repair. It is not used within the factory.

Figure 5-11. Servicing Printed Wiring Boards

Table 5-8: Selected Semiconductor Characteristics

Reference Designator	Characteristics	Stock No.	Suggested Replacement
Q1, 4, 9, 10	NPN Si Power. $h_{fe} = 35$ (min.) @ $I_C = 1A$; $V_{CE} = 4V$. V_{CE} (sat.) = 1V (max.) @ $I_C = 1A$; $I_b = 0.1A$. $V_{BE} = 1.5V$ (max.) @ $I_C = 1A$; $V_{CE} = 4V$. Power rating test $V_{CE} = 130V$; $I_C = 500mA$ for 1 second.	1854-0250	2N3442 R. C. A.
Q2, 13, 14	PNP Ger Power. $h_{fe} = 40$ (min.) @ 8A. $BV_{CEO} = 160V$. Pwr-Diss. = 150w. FT (max.) = 400 kHz.	1850-0407	B213002 Bendix
CR5-10, 19	Si rectifier, 500ma, 200prv	1901-0026	1N3253 R. C. A.
CR11, 12, 22, 25-28	Si rectifier 200ma, 15prv	1901-0461	1N4828 G. E.
CR13-16	Si rectifier, 200ma, 200prv	1901-0033	1N279 Transistron
VR3-5	Zener Diode, 22.1V $\pm 5\%$, 1W.	1902-0562	1N3028 Motorola

5-34 REPAIR AND REPLACEMENT

5-35 Before servicing a printed wiring board, refer to Figure 5-11. Section VI of this manual contains a tabular list of the instruments replaceable parts. Before replacing a semiconductor device, refer to Table 5-8 which lists the special

characteristics of selected semiconductors. If the device to be replaced is not listed in Table 5-8, the standard manufacturers part number listed in Section VI is applicable. After replacing a semiconductor, refer to Table 5-9 for checks and adjustments that may be necessary.

Table 5-9. Checks and Adjustments After Replacement of Semiconductor Devices

Reference	Function	Check	Adjust
Q1, Q2, Q9, Q13, Q14	Regulator/Output Amplifier	Load regulation (Power Supply) Gain/frequency response (Amplifier) Current limit Ammeter/Voltmeter tracking	R5 and R6 R35/R31, R43
Q3, Q4, Q6, Q11	Error and driver amplifiers	Load regulation	
Q7, Q8	Differential Amplifier	Line and load regulation Programming current	R38 and R39
Q5, Q12	Current limiting transistors	Current limit	R5 or R6
CR1-CR10	Rectifier diodes	Voltage across appropriate filter capacitor	
VR1-VR5	Develop stable reference voltages	Positive and negative reference voltages Line regulation	

Table 5-10. Calibration Adjustment Summary

Adjustment or Calibration	Paragraph	Control Device
Meter Zero	5-38	Pointer
DC Voltmeter Tracking	5-41	R31
AC Voltmeter Tracking	5-42	R43
DC Ammeter Tracking	5-43	R35
Programming Current	5-45	R38 and R39
Current Limit	5-47	R5 and R6

5-36 ADJUSTMENT AND CALIBRATION

5-37 Adjustment and calibration may be required after performance testing, troubleshooting or repair and replacement. Perform only those adjustments that affect the operation of the faulty circuit and no others. Table 5-10 summarizes the adjustments and calibrations contained in the following paragraphs.

5-38 METER ZERO

5-39 Proceed as follows to zero meter:

- a. Turn off instrument (after it has reached normal operating temperature) and allow 30 seconds for all capacitors to discharge.
- b. Insert sharp pointed object (pen point or awl) into the small indentation near top of round black plastic disc located directly below meter face.
- c. Rotate plastic disc clockwise (cw) until meter reads zero, then rotate ccw slightly in order to free adjustment screw from meter suspension. If pointer moves, repeat steps b and c.

5-40 VOLTMETER TRACKING

5-41 To calibrate dc voltmeter tracking, proceed as follows:

- a. Connect differential voltmeter across output. Connect positive lead to common terminal on rear of PS/A.
- b. Set METER switch to VOLTS and MODE switch to SUPPLY. Adjust VOLTS/GAIN control ccw until differential voltmeter reads exactly the maximum rated negative output voltage.

c. Adjust R31 until front panel meter also indicates maximum rated output voltage.

5-42 To calibrate ac voltmeter tracking, proceed as follows:

- a. Connect test setup shown in Figure 5-10 except remove load resistor R_L .
- b. Set MODE switch to AMPLIFIER and oscillator frequency to 2 kHz.
- c. Adjust VOLTS/GAIN control for 100 volt peak-to-peak reading on oscilloscope.
- d. Set METER switch to AC VOLTS and adjust R43 to obtain 35.35 volt rms reading on front panel meter.

5-43 AMMETER TRACKING

5-44 To calibrate ammeter tracking proceed as follows:

- a. Connect test setup shown on Figure 5-3.
- b. Set METER switch to AMPS.
- c. Turn on supply and adjust VOLTS/GAIN control cw until differential voltmeter reads 1.0 Vdc.
- d. Adjust R35 until front panel meter indicates exactly the maximum rated positive output current.

5-45 PROGRAMMING CURRENT

5-46 To calibrate the programming current, proceed as follows:

- a. Connect differential voltmeter across output terminals.
- b. Set MODE switch to SUPPLY and turn on unit.
- c. Set VOLTS/GAIN control fully cw and FINE/ZERO control to mid-position.
- d. Adjust R38 so that differential voltmeter reads +20.2 Vdc (Model 6823A) or +52 Vdc (Model 6824A).
- e. Set polarity switch for minus input and rotate VOLTS/GAIN control fully ccw.
- f. Adjust R39 so that differential voltmeter reads -20.2 Vdc (Model 6823A) or -52 Vdc (Model 6824A).

5-47 CURRENT LIMIT ADJUSTMENT

5-48 To adjust the current limit so that the unit can be used to furnish maximum rated output cur-

rent, proceed as follows:

- a. Connect test setup shown in Figure 5-3 except connect variable transformer between input source and PS/A.
- b. Short out load resistor (R_L).
- c. Set MODE switch to SUPPLY. Adjust variable transformer for 105 Vac input (low line).
- d. Turn on supply and rotate VOLTS/GAIN controls fully clockwise.
- e. Adjust R5 until differential voltmeter indicates +1.5 Vdc for Model 6823A or +1.2 Vdc for Model 6824A. Set position of input polarity switch for minus input and rotate VOLTS/GAIN control fully ccw.
- f. Adjust R6 until differential voltmeter indicates -1.5 Vdc for Model 6823A units or -1.2 Vdc for Model 6824A units.

PARTS

LIST

SECTION VI REPLACEABLE PARTS

6-1 INTRODUCTION

6-2 This section contains information for ordering replacement parts. Table 6-4 lists parts in alphanumeric order by reference designators and provides the following information:

- a. Reference Designators. Refer to Table 6-1.
- b. Description. Refer to Table 6-2 for abbreviations.
- c. Total Quantity (TQ). Given only the first time the part number is listed except in instruments containing many sub-modular assemblies, in which case the TQ appears the first time the part number is listed in each assembly.
- d. Manufacturer's Part Number or Type.
- e. Manufacturer's Federal Supply Code Number. Refer to Table 6-3 for manufacturer's name and address.
- f. Hewlett-Packard Part Number.
- g. Recommended Spare Parts Quantity (RS) for complete maintenance of one instrument during one year of isolated service.
- h. Parts not identified by a reference designator are listed at the end of Table 6-4 under Mechanical and/or Miscellaneous. The former consists of parts belonging to and grouped by individual assemblies; the latter consists of all parts not immediately associated with an assembly.

6-3 ORDERING INFORMATION

6-4 To order a replacement part, address order or inquiry to your local Hewlett-Packard sales office (see lists at rear of this manual for addresses). Specify the following information for each part: Model, complete serial number, and any Option or special modification (J) numbers of the instrument; Hewlett-Packard part number; circuit reference designator; and description. To order a part not listed in Table 6-4, give a complete description of the part, its function, and its location.

Table 6-1. Reference Designators

A	= assembly	E	= miscellaneous electronic part
B	= blower (fan)	F	= fuse
C	= capacitor	J	= jack, jumper
CB	= circuit breaker	K	= relay
CR	= diode	L	= inductor
DS	= device, signaling (lamp)	M	= meter

Table 6-1. Reference Designators (Continued)

P	= plug	V	= vacuum tube, neon bulb, photocell, etc.
Q	= transistor	VR	= zener diode
R	= resistor	X	= socket
S	= switch	Z	= integrated circuit or network
T	= transformer		
TB	= terminal block		
TS	= thermal switch		

Table 6-2. Description Abbreviations

A	= ampere	mfr	= manufacturer
ac	= alternating current	mod.	= modular or modified
assy.	= assembly	mtg	= mounting
bd	= board	n	= nano = 10 ⁻⁹
bkt	= bracket	NC	= normally closed
°C	= degree Centigrade	NO	= normally open
cd	= card	NP	= nickel-plated
coef	= coefficient	Ω	= ohm
comp	= composition	obd	= order by description
CRT	= cathode-ray tube	OD	= outside diameter
CT	= center-tapped	p	= pico = 10 ⁻¹²
dc	= direct current	P.C.	= printed circuit
DPDT	= double pole, double throw	pot.	= potentiometer
DPST	= double pole, single throw	p-p	= peak-to-peak
elect	= electrolytic	ppm	= parts per million
encap	= encapsulated	pvr	= peak reverse voltage
F	= farad	rect	= rectifier
°F	= degree Fahrenheit	rms	= root mean square
fxd	= fixed	Si	= silicon
Ge	= germanium	SPDT	= single pole, double throw
H	= Henry	SPST	= single pole, single throw
Hz	= Hertz	SS	= small signal
IC	= integrated circuit	T	= slow-blow
ID	= inside diameter	tan.	= tantalum
incnd	= incandescent	Ti	= titanium
k	= kilo = 10 ³	V	= volt
m	= milli = 10 ⁻³	var	= variable
M	= mega = 10 ⁶	ww	= wirewound
μ	= micro = 10 ⁻⁶	W	= Watt
met.	= metal		

MANUAL CHANGES Model 6824A DC Power Supply Manual HP Part No. 06824-90001

Make all corrections in the manual according to errata below, then check the following table for your power supply serial number and enter any listed change (s) in the manual.

SERIAL		MAKE CHANGES
Prefix	Number	
ALL	—	Errata

Knob: HP Part No. 0373-0137.
Modified Front Panel: HP Part No. 06824-60002.
Under OUTPUT IMPEDANCE on Page 1-3, change the
last sentence to read as follows:

Table 6-3. Code List of Manufacturers

CODE NO.	MANUFACTURER	ADDRESS
00629	EBY Sales Co., Inc.	Jamaica, N. Y.
00656	Aerovox Corp.	New Bedford, Mass.
00853	Sangamo Electric Co.	
	S. Carolina Div.	Pickens, S. C.
01121	Allen Bradley Co.	Milwaukee, Wis.
01255	Litton Industries, Inc.	Beverly Hills, Calif.
01281	TRW Semiconductors, Inc.	Lawndale, Calif.
01295	Texas Instruments, Inc.	
	Semiconductor-Components Div.	Dallas, Texas
01686	RCL Electronics, Inc.	Manchester, N. H.
01930	Amerock Corp.	Rockford, Ill.
02107	Sparta Mfg. Co.	Dover, Ohio
02114	Ferroxcube Corp.	Saugerties, N. Y.
02606	Fenwal Laboratories	Morton Grove, Ill.
02660	Amphenol Corp.	Broadview, Ill.
02735	Radio Corp. of America, Solid State and Receiving Tube Div.	Somerville, N. J.
03508	G. E. Semiconductor Products Dept.	Syracuse, N. Y.
03797	Eldema Corp.	Compton, Calif.
03877	Transitron Electronic Corp.	Wakefield, Mass.
03888	Pyrofilm Resistor Co. Inc.	Cedar Knolls, N. J.
04009	Arrow, Hart and Hegeman Electric Co.	Hartford, Conn.
04072	ADC Electronics, Inc.	Harbor City, Calif.
04213	Caddell & Burns Mfg. Co. Inc.	Mineola, N. Y.
04404	*Hewlett-Packard Co.	Palo Alto Div. Palo Alto, Calif.
04713	Motorola Semiconductor Prod. Inc.	Phoenix, Arizona
05277	Westinghouse Electric Corp.	
	Semiconductor Dept.	Youngwood, Pa.
05347	Ultronix, Inc.	Grand Junction, Colo.
05820	Wakefield Engr. Inc.	Wakefield, Mass.
06001	General Elect. Co. Electronic Capacitor & Battery Dept.	Irmo, S. C.
06004	Bassik Div. Stewart-Warner Corp.	Bridgeport, Conn.
06486	IRC Div. of TRW Inc.	
	Semiconductor Plant	Lynn, Mass.
06540	Amatom Electronic Hardware Co. Inc.	New Rochelle, N. Y.
06555	Beede Electrical Instrument Co.	Penacook, N. H.
06666	General Devices Co. Inc.	Indianapolis, Ind.
06751	Semcor Div. Components, Inc.	Phoenix, Arizona
06776	Robinson Nugent, Inc.	New Albany, Ind.
06812	Torrington Mfg. Co., West Div.	Van Nuys, Calif.
07137	Transistor Electronics Corp.	Minneapolis, Minn.

CODE NO.	MANUFACTURER	ADDRESS
07138	Westinghouse Electric Corp.	
	Electronic Tube Div.	Elmira, N. Y.
07263	Fairchild Camera and Instrument Corp. Semiconductor Div.	Mountain View, Calif.
07387	Birtcher Corp., The	Los Angeles, Calif.
07397	Sylvania Electric Prod. Inc.	
	Sylvania Electronic Systems Western Div.	Mountain View, Calif.
07716	IRC Div. of TRW Inc. Burlington Plant	Burlington, Iowa
07910	Continental Device Corp.	Hawthorne, Calif.
07933	Raytheon Co. Components Div. Semiconductor Operation	Mountain View, Calif.
08484	Breeze Corporations, Inc.	Union, N. J.
08530	Reliance Mica Corp.	Brooklyn, N. Y.
08717	Sloan Company, The	Sun Valley, Calif.
08730	Vemaline Products Co. Inc.	Wyckoff, N. J.
08806	General Elect. Co. Minia- ture Lamp Dept.	Cleveland, Ohio
08863	Nylomatic Corp.	Norrisville, Pa.
08919	RCH Supply Co.	Vernon, Calif.
09021	Airco Speer Electronic Components	Bradford, Pa.
09182	*Hewlett-Packard Co. New Jersey Div.	Berkeley Heights, N. J.
09213	General Elect. Co. Semiconductor Prod. Dept.	Buffalo, N. Y.
09214	General Elect. Co. Semiconductor Prod. Dept.	Auburn, N. Y.
09353	C & K Components Inc.	Newton, Mass.
09922	Burdy Corp.	Norwalk, Conn.
11115	Wagner Electric Corp.	
	Tung-Sol Div.	Bloomfield, N. J.
11236	CTS of Berne, Inc.	Berne, Ind.
11237	Chicago Telephone of Cal. Inc.	So. Pasadena, Calif.
11502	IRC Div. of TRW Inc. Boone Plant	Boone, N. C.
11711	General Instrument Corp Rectifier Div.	Newark, N. J.
12136	Philadelphia Handle Co. Inc.	Camden, N. J.
12615	U. S. Terminals, Inc.	Cincinnati, Ohio
12617	Hamlin Inc.	Lake Mills, Wisconsin
12697	Clarostat Mfg. Co. Inc.	Dover, N. H.
13103	Thermalloy Cp.	Dallas, Texas
14493	*Hewlett-Packard Co. Loveland Div.	Loveland, Colo.
14655	Cornell-Dubilier Electronics Div. Federal Pacific Electric Co.	Newark, N. J.
14936	General Instrument Corp. Semicon- ductor Prod. Group	Hicksville, N. Y.
15801	Fenwal Elect.	Framingham, Mass.
16299	Corning Glass Works, Electronic Components Div.	Raleigh, N. C.

*Use Code 28480 assigned to Hewlett-Packard Co., Palo Alto, California

Table 6-3. Code List of Manufacturers (Continued)

CODE NO.	MANUFACTURER	ADDRESS
16758	Delco Radio Div. of General Motors Corp.	Kokomo, Ind.
17545	Atlantic Semiconductors, Inc.	Asbury Park, N. J.
17803	Fairchild Camera and Instrument Corp Semiconductor Div. Transducer Plant	Mountain View, Calif.
17870	Daven Div. Thomas A. Edison Industries McGraw-Edison Co.	Orange, N. J.
18324	Signetics Corp.	Sunnyvale, Calif.
19315	Bendix Corp. The Navigation and Control Div.	Teterboro, N. J.
19701	Electra/Midland Corp.	Mineral Wells, Texas
21520	Fansteel Metallurgical Corp.	No. Chicago, Ill.
22229	Union Carbide Corp. Electronics Div.	Mountain View, Calif.
22753	UID Electronics Corp.	Hollywood, Fla.
23936	Pamotor, Inc.	Parpa, Texas
24446	General Electric Co.	Schenectady, N. Y.
24455	General Electric Co. Lamp Div. of Con- sumer Prod. Group	Nela Park, Cleveland, Ohio
24655	General Radio Co.	West Concord, Mass.
24681	LTV Electrosystems Inc Memcor/Com- ponents Operations	Huntington, Ind.
26982	Dynacool Mfg. Co. Inc. Saugerties, N. Y.	Saugerties, N. Y.
27014	National Semiconductor Corp.	Santa Clara, Calif.
28480	Hewlett-Packard Co.	Palo Alto, Calif.
28520	Heyman Mfg. Co.	Kenilworth, N. J.
28875	IMC Magnetics Corp. New Hampshire Div.	Rochester, N. H.
31514	SAE Advance Packaging, Inc.	Santa Ana, Calif.
31827	Budwig Mfg. Co.	Ramona, Calif.
33173	G. E. Co. Tube Dept.	Owensboro, Ky.
35434	Lectrohm, Inc.	Chicago, Ill.
37942	P. R. Mallory & Co. Inc.	Indianapolis, Ind.
42190	Muter Co.	Chicago, Ill.
43334	New Departure-Hyatt Bearings Div. General Motors Corp.	Sandusky, Ohio
44655	Ohmite Manufacturing Co.	Skokie, Ill.
46384	Penn Engr. and Mfg. Corp.	Doylestown, Pa.
47904	Polaroid Corp.	Cambridge, Mass.
49956	Raytheon Co	Lexington, Mass.
55026	Simpson Electric Co. Div. of American Gage and Machine Co.	Chicago, Ill.
56289	Sprague Electric Co.	North Adams, Mass.
58474	Superior Electric Co.	Bristol, Conn.
58849	Syntron Div. of FMC Corp.	Homer City, Pa.
59730	Thomas and Betts Co.	Philadelphia, Pa.
61637	Union Carbide Corp.	New York, N. Y.
63743	Ward Leonard Electric Co.	Mt. Vernon, N. Y.

CODE NO.	MANUFACTURER	ADDRESS
70563	Amperite Co. Inc.	Union City, N. J.
70901	Beemer Engrg. Co.	Fort Washington, Pa.
70903	Belden Corp.	Chicago, Ill.
71218	Bud Radio, Inc.	Willoughby, Ohio
71279	Cambridge Thermionic Corp.	Cambridge, Mass.
71400	Bussmann Mfg. Div. of McGraw & Edison Co.	St. Louis, Mo.
71450	CTS Corp.	Elkhart, Ind.
71468	I. T. T. Cannon Electric Inc.	Los Angeles, Calif.
71590	Globe-Union Inc. Centralab Div.	Milwaukee, Wis.
71700	General Cable Corp. Cornish Wire Co. Div.	Williamstown, Mass.
71707	Ccto Coil Co. Inc.	Providence, R. I.
71744	Chicago Miniature Lamp Works	Chicago, Ill.
71785	Cinch Mfg. Co. and Howard B. Jones Div.	Chicago, Ill.
71984	Dow Corning Corp.	Midland, Mich.
72136	Electro Motive Mfg. Co. Inc.	Willimantic, Conn.
72619	Dialight Corp.	Brooklyn, N. Y.
72699	General Instrument Corp.	Newark, N. J.
72765	Drake Mfg. Co.	Harwood Heights, Ill.
72962	Elastic Stop Nut Div. of Amerace Esna Corp.	Union, N. J.
72982	Erie Technological Products Inc.	Erie, Pa.
73096	Hart Mfg. Co.	Hartford, Conn.
73138	Beckman Instruments Inc. Hellipot Div.	Fullerton, Calif.
73168	Fenwal, Inc.	Ashland, Mass.
73293	Hughes Aircraft Co. Electron Dynamics Div.	Torrance, Calif.
73445	Amperex Electronic Corp.	Hicksville, N. Y.
73506	Bradley Semiconductor Corp.	New Haven, Conn.
73559	Carling Electric, Inc.	Hartford, Conn.
73734	Federal Screw Products, Inc.	Chicago, Ill.
74193	Heinemann Electric Co.	Trenton, N. J.
74545	Hubbell Harvey Inc.	Bridgeport, Conn.
74868	Amphenol Corp. Amphenol RF Div.	Danbury, Conn.
74970	E. F. Johnson Co.	Waseca, Minn.
75042	IRC Div. of TRW, Inc.	Philadelphia, Pa.
75183	*Howard B. Jones Div. of Cinch Mfg. Corp.	New York, N. Y.
75376	Kurz and Kasch, Inc.	Dayton, Ohio
75382	Kilka Electric Corp.	Mt. Vernon, N. Y.
75915	Littlefuse, Inc.	Des Plaines, Ill.
76381	Minnesota Mining and Mfg. Co.	St. Paul, Minn.
76385	Minor Rubber Co. Inc.	Bloomfield, N. J.
76487	James Millen Mfg. Co. Inc.	Malden, Mass.
76493	J. W. Miller Co.	Compton, Calif.

*Use Code 71785 assigned to Cinch Mfg. Co., Chicago, Ill.

Table 6-3. Code List of Manufacturers (Continued)

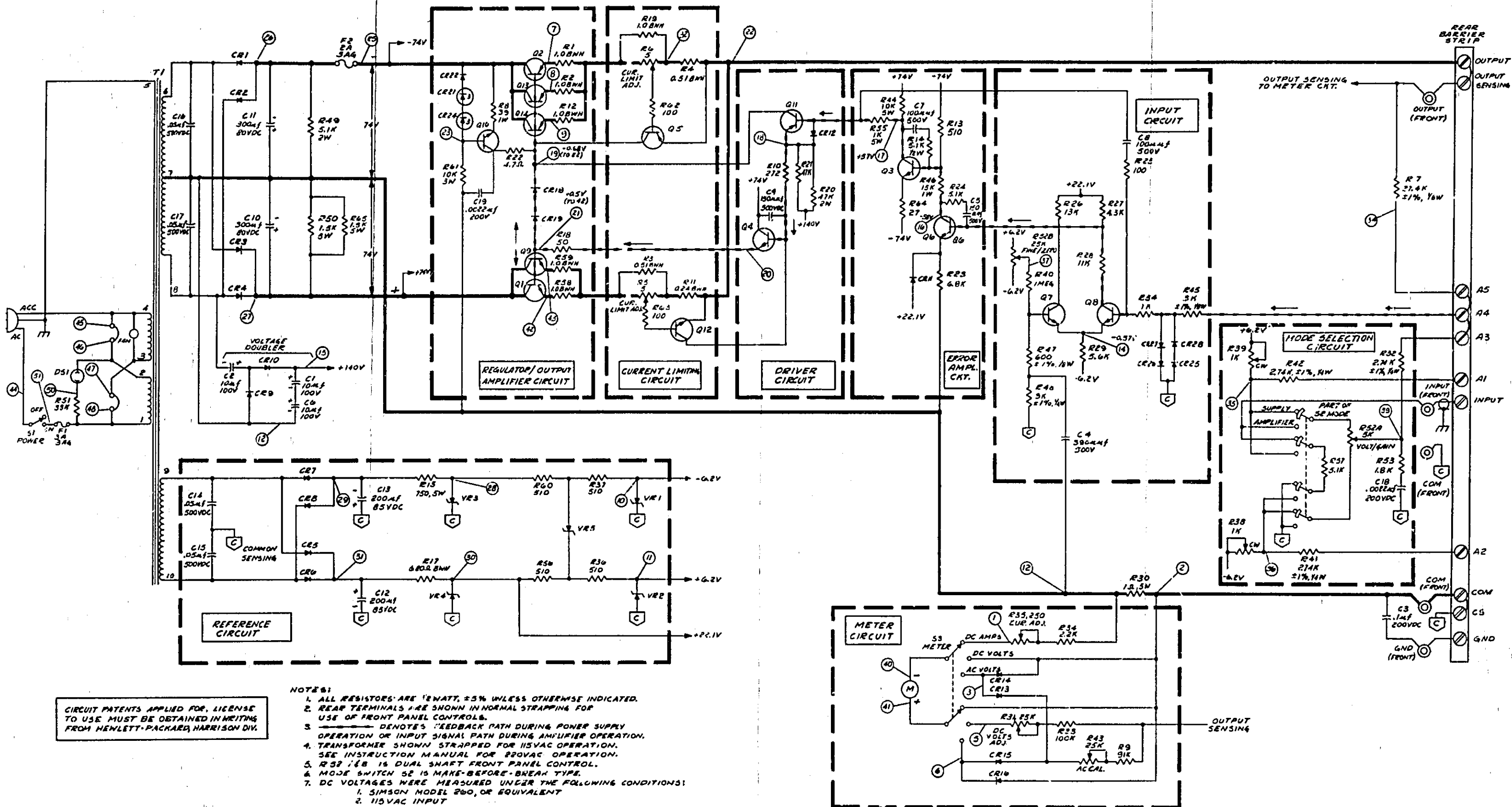
CODE NO.	MANUFACTURER	ADDRESS
76530	Cinch	City of Industry, Calif.
76854	Oak Mfg. Co. Div. of Oak	Electro/Netics Corp. Crystal Lake, Ill.
77068	Bendix Corp., Electro-dynamics Div.	No. Hollywood, Calif.
77122	Palnut Co.	Mountainside, N. J.
77147	Patton-MacGuyer Co.	Providence, R. I.
77221	Phaostrotron Instrument and Electronic Co.	South Pasadena, Calif.
77252	Philadelphia Steel and Wire Corp.	Philadelphia, Pa.
77342	American Machine and Foundry Co.	Potter and Brunfield Div. Princeton, Ind.
77630	TRW Electronic Components Div.	Camden, N. J.
77764	Resistance Products Co.	Harrisburg, Pa.
78189	Illinois Tool Works Inc. Shakeproof Div.	Elgin, Ill.
78452	Everlock Chicago, Inc.	Chicago, Ill.
78488	Stackpole Carbon Co.	St. Marys, Pa.
78526	Stanwyck Winding Div. San Fernando	Electric Mfg. Co. Inc. Newburgh, N. Y.
78553	Tinnerman Product, Inc.	Cleveland, Ohio
78584	Stewart Stamping Corp.	Yonkers, N. Y.
79136	Waldes Kohincor, Inc.	L. I. C., N. Y.
79307	Whitehead Metals Inc.	New York, N. Y.
79727	Continental-Wirt Electronics Corp.	Philadelphia, Pa.
79963	Zierick Mfg. Co.	Mt. Kisco, N. Y.
80031	Mepco Div. of Sessions Clock Co.	Morristown, N. J.
80294	Bourns, Inc.	Riverside, Calif.
81042	Howard Industries Div. of Msl Ind. Inc.	Racine, Wisc.
81073	Grayhill, Inc.	La Grange, Ill.
81483	International Rectifier Corp.	El Segundo, Calif.
81751	Columbus Electronics Corp.	Yonkers, N. Y.
82099	Goodyear Sundries & Mechanical Co. Inc.	New York, N. Y.
82142	Airco Speer Electronic Components	Du Bois, Pa.
82219	Sylvania Electric Products Inc.	Electronic Tube Div. Receiving Tube Operations Emporium, Pa.
82389	Switchcraft, Inc.	Chicago, Ill.
82647	Metals and Controls Inc. Control Products Group	Attleboro, Mass.
82866	Research Products Corp.	Madison, Wis.
82877	Rotron Inc.	Woodstock, N. Y.
82893	Vector Electronic Co.	Glendale, Calif.
83058	Carr Fastener Co.	Cambridge, Mass.
83186	Victory Engineering Corp.	Springfield, N. J.
83298	Bendix Corp. Electric Power Div.	Eatontown, N. J.
83330	Herman H. Smith, Inc.	Brooklyn, N. Y.
83385	Central Screw Co.	Chicago, Ill.
83501	Gavitt Wire and Cable Div. of Amerace Esna Corp.	Brookfield, Mass.

CODE NO.	MANUFACTURER	ADDRESS
83508	Grant Pulley and Hardware Co.	West Nyack, N. Y.
83594	Burroughs Corp. Electronic Components Div.	Plainfield, N. J.
83835	U. S. Radium Corp.	Morristown, N. J.
83877	Yardeny Laboratories, Inc.	New York, N. Y.
84171	Arco Electronics, Inc.	Great Neck, N. Y.
84411	TRW Capacitor Div.	Ogallala, Neb.
86684	RCA Corp. Electronic Components	Harrison, N. J.
86838	Rummel Fibre Co.	Newark, N. J.
87034	Marco & Oak Industries a Div. of Oak Electro/netics Corp.	Anaheim, Calif.
87216	Philco Corp. Lansdale Div.	Lansdale, Pa.
87585	Stockwell Rubber Co. Inc.	Philadelphia, Pa.
87929	Tower-Olschan Corp.	Bridgeport, Conn.
88140	Cutler-Hammer Inc. Power Distribution and Control Div. Lincoln Plant	Lincoln, Ill.
88245	Litton Precision Products Inc, USECO Div. Litton Industries	Van Nuys, Calif.
90634	Gulton Industries Inc.	Metuchen, N. J.
90763	United-Car Inc.	Chicago, Ill.
91345	Miller Dial and Nameplate Co.	El Monte, Calif.
91418	Radio Materials Co.	Chicago, Ill.
91506	Augat, Inc.	Attleboro, Mass.
91637	Dale Electronics, Inc.	Columbus, Neb.
91662	Elco Corp.	Willow Grove, Pa.
91929	Honeywell Inc. Div. Micro Switch	Freeport, Ill.
92825	Whitso, Inc.	Schiller Pk., Ill.
93332	Sylvania Electric Prod. Inc. Semi-conductor Prod. Div.	Woburn, Mass.
93410	Essex Wire Corp. Stemco Controls Div.	Mansfield, Ohio
94144	Kaytheon Co. Components Div.	Ind. Components Oper. Quincy, Mass.
94154	Wagner Electric Corp.	Tung-Sol Div. Livingston, N. J.
94222	Southco Inc.	Lester, Pa.
95263	Leecraft Mfg. Co. Inc.	L. I. C., N. Y.
95354	Methode Mfg. Co.	Rolling Meadows, Ill.
95712	Bendix Corp. Microwave Devices Div.	Franklin, Ind.
95987	Weckesser Co. Inc.	Chicago, Ill.
96791	Amphenol Corp. Amphenol Controls Div.	Janesville, Wis.
97464	Industrial Retaining Ring Co.	Irvington, N. J.
97702	IMC Magnetics Corp. Eastern Div.	Westbury, N. Y.
98291	Sealectro Corp.	Mamaroneck, N. Y.
98410	E/C Inc.	Cleveland, Ohio
98978	International Electronic Research Corp.	Burbank, Calif.
99934	Renbrandt, Inc.	Boston, Mass.

Reference Designator	Description	Quantity	Mfr. Part # or Type	Mfr.	Mfr. Code	Stock No.	RS
C1, 2, 6	fxd, elect 10 μ f 100vdc	3	30D106F100 DC2	Sprague	56289	0180-0091	1
C3	fxd, film .1 μ f 200vdc	1	192P10492	Sprague	56289	0160-0168	1
C4	fxd, Mica 390 μ f 500vdc	1	RCM15E391J	Arco	04062	0140-0037	1
C5, 9	fxd, Mica 150 μ f 500vdc	2	RCM15E151J	Arco	04062	0140-0067	1
C7, 8	fxd, Mica 100 μ f 500vdc	2	RCM15E101J	Arco	04062	0140-0041	1
C10, 11	fxd, elect 3000 μ f 80vdc	2	D42492	HLAB	09182	0180-1987	1
C12, 13	fxd, elect 200 μ f 85vdc	2	D31642	HLAB	09182	0180-1854	1
C14, 15, 16, 17	fxd, ceramic .05 μ f 500vdc	4	33C17A	Sprague	56289	0150-0052	1
C18, 19	fxd, film .0022 μ f 200vdc	2	192P22292	Sprague	56289	0160-0154	1
CR1-4	Rect. si. 3A 200prv	4	MR1032B	Motorola	04713	1901-0416	4
CR5-10, 19	Rect. si. 500ma 200prv	7	1N3253	R. C. A.	02735	1901-0389	6
CR11, 12, 22, 25-28	Rect. si. 200ma 15prv	7		HLAB	09182	1901-0461	6
CR13-16	Rect. si. 200ma 200prv	4		HLAB	09182	1901-0033	4
CR18	Rect. si. 70V 100prv	1	1N91	G. E.	03508	1911-0001	1
CR21, 24	Rect. si. 2.4V 150ma	2		HLAB	09182	1901-0460	2
DS1	Lamp, Neon part of S1 ass'y Ref.			HLAB	09182	2140-0244	1
F1	Fuse Cartridge (AC) 3A @ 250V 3AG	1	312003	Littlefuse	75913	2110-0003	5
F2	Fuse Cartridge (DC) 2A @ 250V 3AG	1	312002	Littlefuse	75913	2110-0002	5
Q1, 4, 9, 10	Power NPN si.	4		HLAB	09182	1854-0250	4
Q2, 13, 14	Power PNP Ger.	3		HLAB	09182	1850-0407	3
Q3	SS NPN si.	1	40422	R. C. A.	02735	1854-0253	1
Q5, 11	SS PNP si.	2	2N2907A	Sprague	56289	1853-0099	2
Q6	SS PNP si. SELECTED for BVCEP \geq 100V	1	40362	R. C. A.	02735	1853-0041	1
Q7, 8, 12	SS NPN si.	3	2N3417	G. E.	03508	1854-0087	3
R1, 2, 12, 19, 58, 59	fxd, ww 1.0 Ω \pm 5%	6	Type BWH	I. R. C.	07716	0811-1672	2
R3, 4	fxd, ww .51 Ω \pm 5%	2	Type BWH	I. R. C.	07716	0811-0929	1
R5, 6	var, ww 5 Ω	2	Type 110-F4	C. T. S.	11236	2100-1821	1
R7	fxd, film 27.4K \pm 1% 1/8w	1	Type MF5C T-O	Electra	19709	0757-0452	1
R8	fxd, ww 39 Ω \pm 5%	1	Type BWH	I. R. C.	07716	0811-2244	1
R9	fxd, comp 91K Ω \pm 5% $\frac{1}{2}$ w	1	EB-9135	A. B.	01121	0686-9135	1
R10, 64	fxd, comp 27 Ω \pm 5% $\frac{1}{2}$ w	2	EB-2705	A. B.	01121	0686-2705	1
R11	fxd, ww .24 Ω \pm 5%	1	Type BWH	I. R. C.	07716	0811-1758	1
R13, 36, 37, 56, 60	fxd, comp 510 Ω \pm 5% $\frac{1}{2}$ w	5	EB-5115	A. B.	01121	0686-5115	1
R14, 24, 57	fxd, comp 5.1K Ω \pm 5% $\frac{1}{2}$ w	3	EB-5125	A. B.	01121	0686-5125	1
R15, 17, 55	fxd, ww 1K \pm 5% 5w	3	Type 5XM	W. L.	63743	0812-0099	1
R16	NOT ASSIGNED	-	-	-	-	-	-
R18	fxd, comp 50 Ω \pm 5% 5w	1	243E5005	Sprague	56289	0811-1854	1
R20, 21	fxd, met. ox 47K Ω \pm 5% 2w	2	Type C42S	Corning	16299	0764-0031	1
R22	fxd, comp 4.7 Ω \pm 5% $\frac{1}{2}$ w	1	Type EB	A. B.	01121	0698-0001	1
R23	fxd, comp 6.8K Ω \pm 5% $\frac{1}{2}$ w	1	EB-6825	A. B.	01121	0686-6825	1
R25, 62, 63	fxd, comp 100 Ω \pm 5% $\frac{1}{2}$ w	3	EB-1015	A. B.	01121	0686-1015	1
R26	fxd, comp 13K Ω \pm 5% $\frac{1}{2}$ w	1	EB-1335	A. B.	01121	0686-1335	1
R27	fxd, comp 4.3K Ω \pm 5% $\frac{1}{2}$ w	1	EB-4325	A. B.	01121	0686-4325	1
R28	fxd, comp 11K Ω \pm 5% $\frac{1}{2}$ w	1	EB-1135	A. B.	01121	0686-1135	1
R29	fxd, comp 5.6K Ω \pm 5% $\frac{1}{2}$ w	1	EB-5625	A. B.	01121	0686-5625	1

Reference Designator	Description	Quantity	Mfr. Part # or Type	Mfr.	Mfr. Code	Stock No.	RS
R30	fxd. ww 1K ±5% 5w	1	Type 5XM	W. L.	63743	0811-1340	1
R31, 43	var. comp .25K Series 70	2		HLAB	09182	2100-1534	1
R32, 41, 42	fxd, met. film 2.74K ±1% ½w	3	Type MF6-C T-O	Electra	19707	0757-0742	1
R33	fxd, comp 100K ±5% ½w	1	EB-1045	A. B.	01121	0686-1045	1
R34	fxd, comp 2.2K ±5% ½w	1	EB-2225	A. B.	01121	0686-2225	1
R35	var. ww 250K	1	Type 110-F4	C. T. S.	11236	2100-0439	1
R38, 39	var. ww 1K	2	Type 110-F4	C. T. S.	11236	2100-0391	1
R40	fxd, comp 1 MEG ±5% ½w	1	EB-1055	A. B.	01121	0686-1055	1
R44	fxd. ww 10K ±1% 5w	1		HLAB	09182	0811-1866	1
R45	fxd, met. film 3K ±1% 1/8w	1	Type CEA T-O	I. R. C.	07716	0757-1093	1
R46	fxd, comp 15K ±5% 1w	1	GB-1535	A. B.	01121	0689-1535	1
R47	fxd, met. film 600K ±1% 1/8w	1	Type CEA T-O	I. R. C.	07716	0757-1100	1
R48	fxd, met. film 3.01K ±1% ½w	1	Type MF6-C T-O	Electra	19709	0757-0339	1
R49	fxd, met. ox 5.1K ±5% 2w	1	Type C42S	Corning	16299	0690-3644	1
R50, 65	fxd. ww 1.5K ±5% 5w	2	243E1525	Sprague	56289	0811-1863	1
R51	fxd, comp 33K ±5% ½w	1	EB-3335	A. B.	01121	0686-3335	1
R52	var. ww DUAL 5K -25K	1		HLAB	09182	2100-1805	1
R53	fxd, comp 1.8K ±5% ½w	1	EB-1825	A. B.	01121	0686-1825	1
R54	fxd, comp 1K ±5% ½w	1	EB-1025	A. B.	01121	0686-1025	1
R61	fxd. ww 10K ±5% 3w	1	242E1035	Sprague	56289	0811-1816	1
S1	Switch (Pilot Lite) ON/OFF	1	54-61681 - 26 A1H	Oak	87034	3101-0100	1
S2	Switch, Wafer Mode	1		HLAB	09182	3100-1917	1
S3	Switch, Wafer-Meter	1		HLAB	09182	3100-1916	1
T1	Power Transformer	1		HLAB	09182	9100-1895	1
VR1, 2	Diode zener 6 2V ±5%	2	1N821	N. A.	06486	1902-0761	2
VR3, 4, 5	Diode zener 22.1V ±5% 1w	3		HLAB	09182	1902-0562	3
	Chassis-side formed (right)	1		HLAB	09182	06824-00001	
	Chassis-side formed (left)	1		HLAB	09182	06824-00002	
	Panel - front	1		HLAB	09182	06824-00003	
	Chassis - rear	1		HLAB	09182	06824-00004	
	Heat sink	1		HLAB	09182	06824-20002	
	Bracket - P. C. Board	2		HLAB	09182	06824-00005	
	Cover	2		HLAB	09182	5000-6092	
	Angle Guard	1		HLAB	09182	06824-20001	
	5 Way binding post (maroon)	2	DF21 Mn.	HLAB	09182	1510-0040	1
	5 Way binding post (black)	3	DF 21 BC	Superior	58474	1510-0039	1
	Line cord plug PH151 7½ ft.	1	KH-4096	Beldon	70903	8120-0050	1
	Strain relief bushing	1	SR-5P-1	Heyco	28520	0400-0013	1
	Knob ¼ insert pointer	2		HLAB	09182	0370-0084	1
	Knob 17/64 insert pointer	1		HLAB	09182	0370-0101	1
	Knob 3/16	1		HLAB	09182	0370-0179	1
	Jumper	4	422-13-11 013	Cinch	71785	0360-1143	1
	Barrier strip	1		HLAB	09182	0360-1285	1
	Rubber bumper	4	MB50	Stockwell	87575	0403-0088	1
	Rubber bumper	6	4072	Stockwell	87575	0403-0086	1
	Delrin standoff ½ Dia.						
	5/8 long 8-32 tap	3		HLAB	09182	0380-0701	1
	Phenolic standoff ½ Dia.						
	5/8 long 6-32 thread	2	8694-PH 0632	Amatom	06540	0380-0702	1
	Bezel ¼ MOD	1		HLAB	09182	4040-0294	1
	Fuse holder	2	342014	Littlefuse	75915	1400-0084	1
	Lockwasher	1	1224-08	Shakeproof	78189	2190-0037	1
	Nut	1	903-12	Littlefuse	75915	2950-0038	1

Reference Designator	Description	Quantity	Mfr. Part # or Type	Mfr.	Mfr. Code	Stock No.	RS
	Meter H/P 3½" size						
	0-60V 0-1.2A zero center	1		HLAB	09182	1120-1124	1
	Spring	4		HLAB	09182	1460-0256	2
	Fan Motor	1		HLAB	09182	3140-0010	1
	Fan Blade 4 inch dia.	1	4RHB183B	P. M. Motor	NONE	3160-0028	1
	Fastener	10	C8091632-24B	Tinnerman	89032	0510-0275	2
	Captive nut	10	CLA-832-2	Penn. Eng.	46384	0590-0395	2
	Spacer (br. cad. pl)	2	#6 x ¼ Lg	HLAB	09182	0380-0716	1
	Swage nut (Ni Pl 6-32 x 3/16 Lg)	4	110211	Fed. Scr	73734	0380-0390	1
	Mica Insulator	2	734	Reliance	08530	0340-0174	1
	Insulator, Transistor pin	10		HLAB	09182	0340-0166	2
	Insulator	10		HLAB	09182	0340-0168	2
	Transistor Socket	5		HLAB	09182	1200-0044	5



CIRCUIT PATENTS APPLIED FOR. LICENSE TO USE MUST BE OBTAINED IN WRITING FROM HEWLETT-PACKARD, HARRISON DIV.

- NOTES:
1. ALL RESISTORS ARE 1/8WATT, ±5% UNLESS OTHERWISE INDICATED.
 2. REAR TERMINALS ARE SHOWN IN NORMAL STRAPPING FOR USE OF FRONT PANEL CONTROLS.
 3. — DENOTES FEEDBACK PATH DURING POWER SUPPLY OPERATION OR INPUT SIGNAL PATH DURING AMPLIFIER OPERATION.
 4. TRANSFORMER SHOWN STRAPPED FOR 115VAC OPERATION. SEE INSTRUCTION MANUAL FOR 220VAC OPERATION.
 5. R52 1.8K IS DUAL SHAFT FRONT PANEL CONTROL.
 6. MODE SWITCH S2 IS MAKE-BEFORE-BREAK TYPE.
 7. DC VOLTAGES WERE MEASURED UNDER THE FOLLOWING CONDITIONS:
 1. SIMSON MODEL 200, OR EQUIVALENT
 2. 115VAC INPUT
 3. VOLTAGES REFERENCED TO C6 UNLESS OTHERWISE INDICATED
 4. VOLTAGES ARE TYPICAL ±10% UNLESS OTHERWISE INDICATED
 5. ALL READINGS TAKEN WITH UNIT IN POWER SUPPLY OPERATION AT MAXIMUM RATED POSITIVE OUTPUT WITH NO LOAD CONNECTED. UNDER LOADED CONDITIONS VOLTAGES SHOULD DECREASE BY APPROXIMATELY 10%.

Model 6824A, Schematic Diagram

MANUAL CHANGES

MANUAL CHANGES
Model 6824A DC Power Supply
Manual HP Part No. 06824-90001

Make all corrections in the manual according to errata below, then check the following table for your power supply serial number and enter any listed change (s) in the manual.

SERIAL		MAKE CHANGES
Prefix	Number	
ALL	—	Errata
6F	0361-0710	1
6F	0711-0760	1,2
6F	0761-0880	1,2,3
6F	0881-1060	1,2,3,4
6F	1061-1100	1 thru 5
6F	1101-1140	1 thru 6
1026A	1105, 1123	1 thru 6, and 9
	1128, 1135,	
	*136, 1137	
OC	1141-1180	1 thru 7
1026A	1181-1220	1 thru 8
1027A	1221-1360	1 thru 9
1027A	1361-1540	1 thru 10
1027A	1541-1570	1 thru 11
1027A	1571-1660	1 thru 12
1027A	1661-2340	1 thru 13
1027A	2341-2400	1 thru 14
1706A	2401-2430	1 thru 15
1716A	2431-2700	1 thru 16
1914A	2701-2709	1 thru 18
1914A	2710-2730	1 thru 17
1932A	2731-2790	1 thru 18
1946A	2791-2820	1 thru 19
2001A	2821- 3190	1 thru 20, 21*
2205A	3191-3220	1-21, 22†
2227A	3221-up	1-22

ERRATA:

In the replaceable parts list and on the schematic diagram, make the following changes:

C5, 11: Change to SS PNP Si., HP Part No. 1853-0099.

R10: Change value on schematic to 27Ω. Value in parts list is correct.

R1, 2, 12, 19, 58, 59: Change to HP Part No. 0811-1666. Value remains unchanged.

Rubber Bumper: Change total quantity from 6 to 4.

In Paragraph 1-13, add Option 07: Finer Volts Gain Control. Allows greater accuracy in setting the supply/amplifier output. The option consists of changes in the following parts (1 each):

R52A (Volts Gain): 5kΩ, ±5%, 10-turn HP Part No. 2100-1865.

R52B (Fine Zero): 25kΩ, ±5%, HP Part No. 2100-1862.

Knob: HP Part No. 0370-0137.

Modified Front Panel: HP Part No. 06824-60002.

Under OUTPUT IMPEDANCE on Page 1-3, change the last sentence to read as follows:

"Less than 3Ω from 1kHz to 10kHz and less than 30Ω from 10kHz to 100kHz."

On Page 5-3, change the caption of Figure 5-2 to read:

Differential Voltmeter Substitute Test Setup.

In Table 1-1, make the following changes:

PROGRAMMING SPEED:

Less than 50μsec are required to program between -25V +25V. Less than 17μsec are required to program between 10% and 90% of the half-voltage span.

Less than 125μsec are required to program between -50V and +50V. Less than 25μsec are required to program between 10% and 90% of the maximum voltage span.

FREQUENCY RESPONSE:

DC to 20kHz (±3dB) at half-rated output (±25V, 50V p-p).

DC to 10kHz (±3dB) at full output.

DISTORTION:

Output distortion is less than 0.02% at 1kHz and half-rated output.

MAXIMUM PHASE SHIFT (at Half-Rated Output):

(No further changes.)

CHANGE 1:

In the replaceable parts table, make the following changes:

Q6: Change to SS PNP Si., SS2109, Motorola, HP Part No. 1853-0037.

Fan Motor: Change to Howard 1175-06-4155, HP Part No. 3140-0406.

Fan Blade: Change to Howard 6-129-125, HP Part No. 3160-0098.

CHANGE 2:

In the replaceable parts table make the following changes:

C10,11: Change to HP Part No. 0180-2193.

Clamp (C10,C11): Add 2, HP Part No. 0160-2149.

CHANGE 3:

In Section II of the manual, add the following note to the instructions for rack mounting two units:

NOTE

When rack mounting two units, attach the sides of the units together using the 6-32 screw (supplied with the 14525A rack kit) and the threaded insert nut attached to the right side of each unit under the heat sink. Disregard the 6-32 hex nut/washer supplied with the rack mounting kit.

CHANGE 4:

In the replaceable parts table make the following changes:

Q3: Change to 2N4240, RCA, HP Part No. 1854-0311.

CHANGE 5:

In the replaceable parts table and on the schematic

diagram, make the following changes:
 R20, R21: Change to 36k, 2W, $\pm 5\%$ HP Part No. 0698-3651.

CHANGE 6:

In the replaceable parts table and on the schematic diagram, make the following changes:
 R35: Change to 500 ohms, HP Part No. 2100-0328.

CHANGE 7:

The serial number prefix of the instrument has been changed from "6F" to "0C."

In the replaceable parts table and on the schematic diagram, make the following changes:

R40: Change to 510k, HP Part No. 0686-5145.
 CR11: Change to HP Part No. 1901-0460.

CHANGE 8:

In the replaceable parts list and on the schematic diagram, make the following changes:

- R38, 39: Change to 390 Ω , $\pm 5\%$, 3W, HP Part No. 0811-1799.
- R66, 67: Add, selected value, $\pm 1\%$, 1/8W, connected in parallel with R38 and R39 respectively.
- R32: Change to 2.67k Ω , $\pm 1\%$, $\frac{1}{4}$ W, HP Part No. 0811-1941.
- R41, 42: Change to 2.43k Ω , $\pm 1\%$, $\frac{1}{4}$ W, HP Part No. 0811-1937.
- R27: Change to 15k Ω , $\pm 1\%$, 1/8W, HP Part No. 0757-0446.
- R28: Delete and replace with jumper.
- R24: Change to nominal value 100 Ω , $\pm 5\%$, $\frac{1}{4}$ W, HP Part No. 0 93-1015.
- C5: Change to 510pF, 500Vdc, HP Part No. 0140-0047.
- CR11: Replace with zener diode (anode connected to emitter of Q6) VR6, 6.19V, 400mW, HP Part No. 1902-0049.
- CR29: Add, cathode connected to emitter of Q6 and anode connected to base of Q6; 15prv, 400mW, HP Part No. 1901-0461.
- Q7, 8: Change to single-housing dual differential amplifier, HP Part No. 1854-0221.
- VR1, 2: Change to 6.2V, $\pm 5\%$, 250mW, HP Part No. 1902-1221.
- R23: Change to 5.6k Ω , $\pm 5\%$, $\frac{1}{4}$ W, HP Part No. 0686-5625.
- F2: Replace with short circuit.
- Fuse Holder, HP Part No. 1400-0084: Delete.

Lockwasher, HP Part No. 2190-0037: Delete.
 Nut, HP Part No. 2950-0038: Delete.
 Chassis, rear: Change to HP Part No. 06824-00007.
 Serial ID Plate: Add, HP Part No. 7120-1111.

CHANGE 9:

In the replaceable parts list, make the following change:

P. C. Board Assembly: Add HP Part No. 06824-60021. Assembly omitted from original parts list in manual; this new P. C. Board Assembly number reflects changes 1 through 9 inclusive.
 Fan Motor: Change to HP Part No. 3140-0745.

CHANGE 10:

In the replaceable parts list and on the schematic diagram make the following changes:

R20, 21: Change to 15k Ω , $\pm 5\%$, 5W, HP Part No. 0811-1867.
 S1: Change to new type pushbutton switch, HP Part No. 3101-1248.
 R61: Change to 10k Ω , $\pm 5\%$, 1W, HP Part No. 0689-1035.

CHANGE 11:

In the replaceable parts list and on the schematic, make the following change:

C8: Change to 56pF, HP Part No. 0140-0191.

CHANGE 12:

The standard colors for this instrument are now mint gray (for front and rear panels) and olive gray (for all top, bottom, side, and other external surfaces). Option X95 designates use of the former color scheme of light gray and blue gray. Option A85 designates use of a light gray front panel with olive gray used for all other external surfaces. New part numbers are shown below.

CHANGE 13:

In the replaceable parts list and on the schematic, make the following change:

R33: Change to 110k Ω $\pm 1\%$, 1/8W, HP Part No. 0757-0466.

DESCRIPTION	HP PART NO.		
	STANDARD	OPTION A85	OPTION X95
Front Panel	06824-00010	06824-00003	←
Chassis, Right Side	06824-00008	←	06824-00001
Chassis, Left Side	06824-00009	←	06824-00002
Chassis, Rear	06824-00011	←	06824-00007
Cover	5000-9419	←	5000-6016
Rack Kit, 1 unit (accy)	14515A	14515A-A85	←
Rack Kit, 2 units "	14525A	145 -A85	←

ERRATA:

Add to the parts list the replacement lamp for illuminated switch 3101-1248, which is used in those supplies that include Change 10. The HP Part No. of the type A1H lamp is 2140-0244.

CHANGE 14:

Add to paragraph 2-18 and to the parts list the correct fuse (F1) for Option 028 (230Vac) instruments. Fuse F1 should be a 1A slow-blow type HP Part No. 2110-0007.

ERRATA:

Effective January 1st, 1977, Option 007 (10-turn volts-gain control) has been redesignated Option 009. Make this change wherever Option 007 is mentioned in the manual.

CHANGE 15:

Add to the parts list on page 6-7 one fuseholder spacer, HP Part No. 5020-2568. This plastic spacer had been added to fuseholder 1400-0084 outside the rear panel to increase the distance between primary and secondary circuits for increased safety.

CHANGE 16:

On page 6-6, and on the schematic, change the resistance value for R31 and R43 (in the meter circuit) to $20k \pm 1\%$ change their HP Stock No. to 2100-0558.

CHANGE 17:

On page 6-8, change the HP part numbers for the front panel + and - binding posts to: 1510-0091, red, qty 2. Change the HP part number for the front panel GND binding post to 1510-0107, black, qty 1. Add the HP part number for nylon nuts: 2950-0144, qty 3.
4-9-79

CHANGE 18:

In the replaceable parts list and on the schematic, delete Q2 and R1. Change Q13 and Q14 to silicon transistors, HP Part No. 1853-0485; change CR18 to silicon, 1901-0327; change R8 to 30 ohm $\pm 5\%$, 2W, 0764-0041; change R61 to 7.5k $\pm 5\%$, 3W, 0811-1815.

CHANGE 19:

In the replaceable parts list, change switch S1 to HP Part No. 3101-2287. On the schematic diagram, change switch S1 to show two switch sections, one which breaks the AC line (as shown). The other breaks the ACC line.

CHANGE 20:

In the replaceable parts list, change C3 to 0.1 μ F, 500Vdc, HP Part No. 0160-0269. Add C.S.A. (Canadian Standards Association) identification label, HP Part No. 7120-8572. The Model 6824A is now C.S.A. certified for laboratory equipment.

ERRATA:

For all instruments delivered on or after July 1, 1978, change the HP Part No. for fuseholder from 1400-0084 to fuseholder body 2100-0564 and fuseholder carrier 2100-0565. Change the HP Part No. for fuseholder nut from 2950-0038 to 2110-0569. If old fuseholder must be replaced for any reason, replace complete fuseholder and nut with new fuseholder parts. Do not replace new parts with old parts.

In the replaceable parts list, page 6-5, change Q2,13,14 to HP Part No. 1853-0485.

► On page 1-3, change the Output Impedance specification to read as follows: "Less than 30 ohms from 1000Hz to 100kHz." On page 5-6, change paragraph 5-20g to read as follows: "Values should be less than 0.3 ohm and 30 ohms respectively."

CHANGE 21:

In the replaceable parts list, page 6-5, add C22, 56pf, 300V, Mica, HP Part No. 0140-0191, qty. 1. On the schematic, C22 is added between the base and collector of Q12.

*This change also applies to the following serial numbers:

2001A 3149	2001A 3173
3153-3155	3178,3179
3157	3181-3188
3162,3163	3190
3171	3198

CHANGE 22:

In the replaceable parts list, page 6-5, change C22 (added in CHANGE 21) to 270pf, 300V, Mica, HP Part No. 0140-0210, qty. 1.

†This change also applies to the following serial numbers: 2205A 3211-3220

9-24-82

SALES & SUPPORT OFFICES

Arranged Alphabetically by Country



Product Line Sales/Support Key

Key Product Line

- A Analytical
 - CM Components
 - C Computer Systems Sales only
 - CH Computer Systems Hardware Sales and Services
 - CS Computer Systems Software Sales and Services
 - E Electronic Instruments & Measurement Systems
 - M Medical Products
 - MP Medical Products Primary BRO
 - MS Medical Products Secondary BRO
 - P Personal Computation Products
- Sales only for specific product line
Support only for specific product line

IMPORTANT: These symbols designate general product line capability. They do not insure sales or support availability for all products within a line, at all locations. Contact your local sales office for information regarding locations where HP support is available for specific products.

HP distributors are printed in italics.

ANGOLA

Telectra
Empresa Técnica de Equipamentos
ELECTRICOS, S.A.R.L.
R. Barbosa Rodrigues, 41-1 DT.
Caixa Postal 6487
LUANDA
Tel: 35515, 35516
E, V, P

ARGENTINA

Hewlett-Packard Argentina S.A.
Avenida Santa Fe 2035
Martinez 1640 BUENOS AIRES
Tel: 798-5735, 792-1293
Telex: 17592 BONAR
Cable: HEWPACKARG
A, E, CH, CS, P
Biotron S.A.C.I.M. e I.
Av Paseo Colon 221, Piso 9
1309 BUENOS AIRES
Tel: 30-4846, 30-1851
Telex: 17595 BONAR
M

Fila S.A. I.C.I. Electronica
Venezuela 1326
1065 BUENOS AIRES
Tel: 37-9020, 37-9026/9
Telex: 9234 FATEN AR
P

AUSTRALIA

Adelaide, South Australia
Office
Hewlett-Packard Australia Ltd.
153 Greenhill Road
PARKSIDE, S.A. 5063
Tel: 272-5911
Telex: 82536
Cable: HEWPARD Adelaide
A, CH, CM, E, MS, P

Brisbane, Queensland
Office
Hewlett-Packard Australia Ltd.
49 Park Road
MILTON, Queensland 4064
Tel: 229-1544
Telex: 42133
Cable: HEWPARD Brisbane
A, CH, CM, E, M, P
Effective November 1, 1982:
10 Payne Road
THE GAP, Queensland 4061
Tel: 30-4133
Telex: 42133

Canberra, Australia Capital Territory Office

Hewlett-Packard Australia Ltd.
121 Wollongong Street
PYRMONT, A.C.T. 2609
Tel: 80-224
Telex: 62650
Cable: HEWPARD Canberra
CH, M, E, P

Melbourne, Victoria Office

Hewlett-Packard Australia Ltd.
31-41 Joseph Street
BLACKBURN, Victoria 3130
Tel: 877 7777
Telex: 31-024
Cable: HEWPARD Melbourne
A, CH, CM, CS, E, MS, P

Perth, Western Australia Office

Hewlett-Packard Australia Ltd.
261 Stirling Highway
CLAYMONT, W.A. 6010
Tel: 383-2188
Telex: 93859
Cable: HEWPARD Perth
A, CH, CM, E, MS, P

Pydney, New South Wales Office

Hewlett-Packard Australia Ltd.
17-23 Talavera Road
P.O. Box 308
NORTH RYDE, N.S.W. 2113
Tel: 887-1611
Telex: 21561
Cable: HEWPARD Sydney
A, CH, CM, CS, E, MS, P

AUSTRIA

Hewlett-Packard Ges.m.b.H.
Grottenhofstrasse 94
Verkaufsburo Graz
A-8052 GRAZ
Tel: 291-5-66
Telex: 32375
CH, E*

Hewlett-Packard Ges.m.b.H.
Stinghofweg 5
A-4020 LINZ
Tel: 0732 51585
CH

Hewlett-Packard Ges.m.b.H.
Liebigasse 1
P.O. Box 72
A-1222 VIENNA
Tel: (0222) 23-65-11-0
Telex: 134425 HEPA A
A, CH, CM, CS, E, MS, P

BAHRAIN

Green Salon
P.O. Box 557
BAHRAIN
Tel: 255503-255950
Telex: 84419
P
Wael Pharmacy
P.O. Box 648
BAHRAIN
Tel: 256123
Telex: 8550 WAEI BH
M, E

BELGIUM

Hewlett-Packard Belgium S.A./N.V.
Bvd de la Woluwe, 100
Woluwedal
B-1200 BRUSSELS
Tel: (02) 762-32-00
Telex: 23-494 peloben bru
A, CH, CM, CS, E, M, P, P

BRAZIL

Hewlett-Packard do Brasil I.e.C.
Lda.
Alameda Rio Negro, 750
Alphaville 06400 BARUERI SP
Tel: (11) 421-1311
Telex: 01 133872 HPBR-BR
Cable: HEWPACK Sao Paulo
A, CH, CM, CS, E, M, P
Hewlett-Packard do Brasil I.e.C.
Lda.
Avenida Epitacio Pessoa, 4664
22471 RIO DE JANEIRO-RJ
Tel: (21) 268-0237
Telex: 021-21905 HPBR-BR
Cable: HEWPACK Rio de Janeiro
A, CH, CM, E, MS, P*

CANADA

Alberta
Hewlett-Packard (Canada) Ltd.
210, 7220 Fisher Street S.E.
CALGARY, Alberta T2H 2H8
Tel: (403) 253-2713
A, CH, CM, E*, MS, P*

Hewlett-Packard (Canada) Ltd.
11620A-168th Street
EDMONTON, Alberta T6M 3T9
Tel: (403) 452-3670
A, CH, CM, CS, E, MS, P*

British Columbia
Hewlett-Packard (Canada) Ltd.
10621 Shellbridge Way
RICHMOND,
British Columbia V6X 2W7
Tel: (604) 270-2277
Telex: 610-922-5059
A, CH, CM, CS, E*, MS, P*

Manitoba
Hewlett-Packard (Canada) Ltd.
380-550 Century Street
WINNIPEG, Manitoba R3H 0Y1
Tel: (204) 786-8701
A, CH, CM, E, MS, P*

New Brunswick
Hewlett-Packard (Canada) Ltd.
37 Sheppard Road
MONCTON, New Brunswick E2B 2V0
Tel: (506) 855-2841
CH**

Nova Scotia
Hewlett-Packard (Canada) Ltd.
P.O. Box 931
900 Windmill Road
DARTMOUTH, Nova Scotia B2Y 3Z6
Tel: (902) 489-7820
CH, CM, CS, E*, MS, P*

Ontario
Hewlett-Packard (Canada) Ltd.
552 Newbold Street
LONDON, Ontario N6E 2S5
Tel: (519) 886-8181
A, CH, CM, E*, MS, P*

Hewlett-Packard (Canada) Ltd.
6877 Goreway Drive
MISSISSAUGA, Ontario L4V 1M8
Tel: (416) 678-9430
A, CH, CM, CS, E, M, P

Hewlett-Packard (Canada) Ltd.
2670 Queensview Dr.
OTTAWA, Ontario K2B 2K1
Tel: (613) 820-6483
A, CH, CM, CS, E*, MS, P*

Hewlett-Packard (Canada) Ltd.
220 Yorkland Blvd., Unit #11
WILLOWDALE, Ontario M2J 1R5
Tel: (416) 499-8333
CH

Quebec

Hewlett-Packard (Canada) Ltd.
17500 South Service Road
Trans-Canada Highway
KIRILLAND, Quebec H9J 2M5
Tel: (514) 697-4232
A, CH, CM, CS, E, M, P*

Hewlett-Packard (Canada) Ltd.
Les Galeries du Valon
2323 Du Versant Nord
STE. FCY, Quebec G1N 4C2
Tel: (418) 687-4570
CH

CHILE

Jorge Calcagni y Cia. Ltda.
Aruro Burtle 065
Casilla 16475
SANTIAGO 9
Tel: 222-0222
Telex: Public Booth 440001
A, CM, E, M

Olympia (Chile) Ltda.
Av. Rodrigo de Araya 1045
Casilla 256-V
SANTIAGO 21
Tel: 2-25-50-44
Telex: 340-892 OLYMP CX
Cable: Olympichile Santiagochile
CH, CS, P

CHINA, People's Republic of

China Hewlett-Packard Rep. Office
P.O. Box 418
1A Lane 2, Luchang St.
Behvel Rd., Xunwu District
BEIJING
Tel: 33-1947, 33-7426
Telex: 22601 CTSHP CN
Cable: 1920
A, CH, CM, CS, E, P

COLOMBIA

Instrumentación
H. A. Langeback & Kier S.A.
Carrera 7 No. 48-75
Apartado Aereo 6287
BOGOTA 1, D.E.
Tel: 287-8877
Telex: 44400 INST CO
Cable: AARIS Bogota
A, CM, E, M, PS, P

COSTA RICA

Cientifica Costarricense S.A.
Avenida 2, Calle 5
San Pedro de Montes de Oca
Apartado 10159
SAN JOSE
Tel: 24-38-20, 24-08-19
Telex: 2367 GALGUR CR
CM, E, MS, P

CYPRUS

Telerex Ltd.
P.O. Box 4809
14C Stassinos Avenue
NICOSIA
Tel: 62698
Telex: 2894 LEVDO CY
E, M, P

DENMARK

Hewlett-Packard A/S
Delaavej 62
DK-3460 Birkerød
Tel: (02) 81-66-40
Telex: 37409 hpas dk
A, CH, CM, CS, E, MS, P

Hewlett-Packard A/S
Navervej 1
DK-8600 BALLEBOERG
Tel: (08) 82-71-66
Telex: 37409 hpas dk
CH, E

ECUADOR

CYEDE Cia. Ltda.
Avenida Eloy Alfaro 1749
Casilla 6423 CCI
QUITO
Tel: 450-975, 243-052
Telex: 2548 CYEDE ED
A, CM, E, P

Hospitalar S.A.
Robles 625
Casilla 3590
QUITO
Tel: 545-250, 545-122
Telex: 2485 HOSPTL ED
Cable: HOSPITALAR-Quito
M

EGYPT

International Engineering Associates
24 Hussein Negazi Street
Kasr-el-Aini
CAIRO
Tel: 23829, 21641
Telex: IEA UN 93830
CH, CS, E, M

Informatic For Systems
22 Talaat Harb Street
CAIRO
Tel: 759006
Telex: 93938 FRANK UN
CH, CS, P

Egyptian International Office
for Foreign Trade
P.O. Box 2558
CAIRO
Tel: 650021
Telex: 93337 EGPOR
P

EL SALVADOR

IPESA de El Salvador S.A.
29 Avenida Norte 1216
SAN SALVADOR
Tel: 26-6858, 26-6868
Telex: Public Booth 20107
A, CH, CM, CS, E, P

FINLAND

Hewlett-Packard Oy
Reventuntie 7
SF-02100 ESPOO 10
Tel: (90) 455-0211
Telex: 121563 hewpe fi
A, CH, CM, CS, E, MS, P

Hewlett-Packard Oy
Aatoksenkaty 10-C



SALES & SUPPORT OFFICES

Arranged Alphabetically by Country

SF-40720-72 JYASKYLA
Tel: (31) 218318
CH
Hewlett-Packard Oy
Kairuvuile 1-C
SF-90140-14 OULU
Tel: (981) 339785
CH

FRANCE
Hewlett-Packard France
Z.I. Mercure B
Rue Berthelot
F-13783 Les Milles Cedex
AIX-EN-PROVENCE
Tel: (42) 59-41-02
Telex: 410770F
A,CH,E,MS,P*
Hewlett-Packard France
Boite Postale No. 503
F-25026 BESANCON
28 Rue de la Republique
F-25000 BESANCON
Tel: (81) 83-16-22
CH,J

Hewlett-Packard France
Bureau de Vente de Lyon
Chemin des Mouilles
Boite Postale 162
F-69130 ECULLY Cedex
Tel: (7) 833-81-25
Telex: 310617F
A,CH,CS,E,M,P

Hewlett-Packard France
Immeuble France Evry
Tour Lorraine
Boulevard de France
F-91035 EVRY Cedex
Tel: (6) 077-98-60
Telex: 692315F
E

Hewlett-Packard France
5th Avenue Raymond Chanas
F-38320 EYBENS
Tel: (76) 25-81-41
Telex: 680124 HP GRENOS EYBE
CH

Hewlett-Packard France
Centre d'Afrique Paris-Nord
Bâtiment Ampère 5 étage
Rue de la Commune de Paris
Boite Postale 300
F-93153 LE BLANC MESSIL
Tel: (01) 865-44-52
Telex: 211032F
CH,CS,E,MS

Hewlett-Packard France
Parc d'Activités Caderea
Quartier Jean Mermoz
Avenue du President J.F. Kennedy
F-33700 MERIGNAC
Tel: (56) 34-00-84
Telex: 550105F
CH,E,MS

Hewlett-Packard France
32 Rue Lothaire
F-67000 METZ
Tel: (8) 765-53-50
CH

Hewlett-Packard France
Immeuble Les 3 B
Nouveau Chemin de la Garde
Z.A.C. de Bois Briand
F-44085 NANTES Cedex
Tel: (40) 50-32-22
CH**

Hewlett-Packard France
Zone Industrielle de Courtaeouf
Avenue des Tropiques
F-91847 Les Ulis Cedex ORSAY
Tel: (6) 907-78-25
Telex: 600048F
A,CH,CM,CS,F,M,P

Hewlett-Packard France
Paris Pons-Martin
15, Avenue D... Amiral Bruix
F-75782 PARIS 16
Tel: (1) 502-12-20
Telex: 613663F
CH,MS,P
Hewlett-Packard France
2 Allee de la Bourgonette
F-35100 RENNES
Tel: (99) 61-42-44
Telex: 740912F
CH,CA,E,MS,P*

Hewlett-Packard France
98 Avenue de Bretagne
F-76100 ROUEN
Tel: (35) 63-67-66 CH** ,CS
Hewlett-Packard France
4 Rue Thomas Mann
Boite Postale 58
F-67200 STRASBOURG
Tel: (88) 28-56-46
Telex: 890141F
CH,E,MS,P*

Hewlett-Packard France
Pericentre de la Cépière
F-31081 TOULOUSE Cedex
Tel: (61) 40-11-12
Telex: 531639F
A,CH,CS,E,P*

Hewlett-Packard France
Immeuble Pericentre
F-59658 VILLENEUVE D'ASCQ Cedex
Tel: (20) 91-41-25
Telex: 160124F
CH,E,MS,P*

GERMAN FEDERAL REPUBLIC

Hewlett-Packard GmbH
Technisches Büro Berlin
Kalthofstrasse 2-4
D-1000 BERLIN 30
Tel: (030) 24-90-86
Telex: 018 3405 hpbm d
A,CH,E,M,P

Hewlett-Packard GmbH
Technisches Büro Böblingen
Herrenberger Strasse 110
D-7030 BOBLINGEN
Tel: (0703) 667-1
Telex: bbn or
A,CH,CM,CS,E,M,P,P

Hewlett-Packard GmbH
Technisches Büro Dusseldorf
Emanuel-Lutze-Strasse 1
D-4000 DUSSELDORF
Tel: (0211) 5971-1
Telex: 085786 533 hpd d
A,CH,CS,E,MS,P

Hewlett-Packard GmbH
Vertriebszentrale Frankfurt
Berner Strasse 117
Postfach 560 140
D-6000 FRANKFURT 56
Tel: (0611) 50-04-1
Telex: 04 13249 hpfm d
A,CH,CM,CS,E,M,P,P

Hewlett-Packard GmbH
Technisches Büro Hamburg
Kapelstaedring 5
D-2000 HAMBURG 60
Tel: (040) 83804-1
Telex: 021 63 032 hphm d
A,CH,CS,E,MS,P

Hewlett-Packard GmbH
Technisches Büro Hannover
Am Grossmarkt 8
D-3000 HANNOVER 91
Tel: (0511) 46-60-01
Telex: 092 3259
A,CH,CM,E,MS,P

Hewlett-Packard GmbH
Technisches Büro Mannheim
Rosslauer Weg 2-4
D-6800 MANNHEIM
Tel: (0621) 70050
Telex: 0462105
A,C,E

Hewlett-Packard GmbH
Technisches Büro Neu Ulm
Messerschmittstrasse 7
D-7910 NEU ULM
Tel: 0731-70241
Telex: 0712816 HP ULM-D
A,C,E*

Hewlett-Packard GmbH
Technisches Büro Nürnberg
Neumeyerstrasse 90
D-8500 NÜRNBERG
Tel: (0911) 52 20 83-87
Telex: 0623 860
CH,CM,E,MS,P

Hewlett-Packard GmbH
Technisches Büro München
Eschenstrasse 5
D-8028 TAUFBERG
Tel: (089) 6117-1
Telex: 0524985
A,CH,CM,E,MS,P

GREAT BRITAIN

Hewlett-Packard Ltd.
Tralfgar House
Navigation Road
ALTRINCHAM
Cheshire WA14 1NU
Tel: (061) 928-6422
Telex: 668068
A,CH,CS,E,M

Hewlett-Packard Ltd.
Oakfield House, Oakfield Grove
Cotton
BRISTOL BS8 2BN, Avon
Tel: (027) 38603
Telex: 444302
CH,M,P

Hewlett-Packard Ltd.
(Pinewood)
Nine Mile Ride
EASTHAMPTON
Wokingham
Berkshire, RG11 3LL
Tel: 3448 3100
Telex: 84-88-05
CH,CS,E

Hewlett-Packard Ltd.
Fouler House
257-263 High Street
LONDON COONEY
Herts., AL2 1HA, St. Albans
Tel: (0727) 24400
Telex: 1-8952716
CH,CS,E

Hewlett-Packard Ltd.
Tradox House, St. Mary's Walk
MAIDENHEAD
Berkshire, SL6 1ST
Tel: (0628) 39151
CH,CS,E,P

Hewlett-Packard Ltd.
Quadrangle
106-118 Station Road
REDHILL, Surrey
Tel: (0737) 68655
Telex: 947234 CH,CS,E
Hewlett-Packard Ltd.
Avon House
435 Stratford Road
BIRLEY, Suffolk
West Midlands B90 4BL
Tel: (021) 745 8800
Telex: 339105
CH

Hewlett-Packard Ltd.
West End House 41
High Street, West End
80 HAMPTON
Hampshire SO3 300
Tel: (703) 886767
Telex: 477138
CH

Hewlett-Packard Ltd.
King Street Lane
WINNERSH, Wokingham
Berkshire RG11 5AR
Tel: (0734) 784774
Telex: 847178
A,CH,E,M

GREECE

Kostas Karayannis S.A.
8 Omiroi Street
ATHENS 133
Tel: 32 30 303, 32 37 371
Telex: 215962 PKAR GR
A,CH,CM,CS,E,M,P
FLAISO S.A.
G. Gerardo
24 Sournara Street
ATHENS
Tel: 36-11-160
Telex: 221871
P

GUATEMALA

PESA
Avenida Reforma 3-48, Zona 9
GUATEMALA CITY
Tel: 316627, 314788
Telex: 4192 TELTRO GU
A,CH,CM,CS,E,M,P

HONG KONG

Hewlett-Packard Hong Kong, Ltd.
G.P.O. Box 795
8th Floor, Sun Hung Kai Centre
30 Harbour Road
HONG KONG
Tel: 5-8323211
Telex: 68678 HEWPA HK
Cable: HEWPACK HONG KONG
E,CH,CS,P

CET Ltd.
1402 Tung Way Mansion
199-203 Hennessy Rd.
Wanchai, HONG KONG
Tel: 5-729378
Telex: 85148 CET HK
CM

Schmidt & Co. (Hong Kong) Ltd.
Wing On Centre, 28th Floor
Coraught Road, G.
HONG KONG
Tel: 5-455644
Telex: 74768 SCHMX HK
A,M

ICELAND

Elding Trading Company Inc.
Hafnarvatn-Tryggvogulu
P.O. Box 895
IS-REYKJAVIK
Tel: 1-58-20, 1-63-03
M

INDIA

Blue Star Ltd.
Sabri Complex 8 Floor
24 Residency Rd.
BANGALORE 560 025
Tel: 55660
Telex: 0845-430
Cable: BLUESTAR
A,CH,CM,CS,E

Blue Star Ltd.
Band Box House
Prabhadevi
BOMBAY 400 025
Tel: 422-3101
Telex: 011-3751
Cable: BLUESTAR
A,M

Blue Star Ltd.
Sahas
414/2 Vr Savarkar Marg
Prabhadevi
BOMBAY 400 025
Tel: 422-6155
Telex: 011-4093
Cable: FROSTBLUE
A,CH,CM,CS,E,M

Blue Star Ltd.
Kalyan, 19 Vishwas Colony
Aikapur, KODODA, 390 005
Tel: 65235
Cable: BLUE STAR
A

Blue Star Ltd.
7 Hare Street
CALCUTTA 700 001
Tel: 12-01-31
Telex: 021-7655
Cable: BLUESTAR
A,M

Blue Star Ltd.
133 Kodambakkam High Road
MADRAS 600 034
Tel: 82057
Telex: 041-379
Cable: BLUESTAR
A,M

Blue Star Ltd.
Bhandari House, 7th/8th Floor
91 Nehru Place
NEW DELHI 110 024
Tel: 682547
Telex: 031-2463
Cable: BLUESTAR
A,CH,CM,CS,E,M

Blue Star Ltd.
15/16-C Wellesley Rd.
PUNE 411 011
Tel: 22775
Cable: BLUE STAR
A

Blue Star Ltd.
2-2-47/1108 Bolarum Rd.
SECUNDERABAD 500 003
Tel: 72057
Telex: 0155-459
Cable: BLUEFROST
A,E

Blue Star Ltd.
T.C. 7/603 Poomina
Maruthankuzhi
TRIVANDRUM 695 013
Tel: 65799
Telex: 0884-259
Cable: BLUESTAR
E

INDONESIA

BERCA Indonesia P.T.
P.O. Box 496/JKT.
J. Abdul Muis 62
JAKARTA
Tel: 373009
Telex: 46748 BERSAL JA
Cable: BERSAL JAKARTA
P

BERCA Indonesia P.T.
Wisma Antara Bldg., 17th floor
JAKARTA
A,CS,E,M
BERCA Indonesia P.T.
P.O. Box 174/SBY.
J. Kutoi No. 11
SURABAYA
Tel: 68172

Telex: 31146 BERSAL SB
Cable: BERSAL-SURABAYA
A*,E,M,P

IRAQ
Hewlett-Packard Trading S.A.
Service Operation
Al Mansoor City 98/3/7
BAGHDAD
Tel: 551-49-73
Telex: 212-455 HEPARAO IK
CH,CS

IRELAND
Hewlett-Packard Ireland Ltd.
62/63 Lower Leeson St.
DUBLIN 2
Tel: (1) 60 68 00
Telex: 30439
A,CH,CM,CS,E,M,P
Cardiac Services Ltd.
Kilmore Road
Artane
DUBLIN 6
Tel: (01) 35 1820
Telex: 30439
M

ISRAEL
Edan Electronic Instrument Ltd.
P.O. Box 1270
JERUSALEM 91000
16, Ohalev St.
JERUSALEM 94487
Tel: 533 221, 553 242
Telex: 25231 AB/PAKRO IL
A

Electronics Engineering Division
Motorola Israel Ltd.
18 Kramenski Street
P.O. Box 25016
TEL-AVIV 67999
Tel: 3-338973
Telex: 33569 Mot IL
Cable: BASTEJ Tel-Aviv
CH,CM,CS,E,M,P

ITALY
Hewlett-Packard Italiana S.p.A.
Traversa 99C
Via Giulio Patroni, 19
I-70124 BARI
Tel: (080) 41-07-44
M

Hewlett-Packard Italiana S.p.A.
Via Martin Luther King, 38/111
I-40132 BOLOGNA
Tel: (051) 402394
Telex: 511650
CH,E,MS

Hewlett-Packard Italiana S.p.A.
Via Principe Nicola 43G/C
I-95126 CATANIA
Tel: (095) 37-10-87
Telex: 970291
C,P

Hewlett-Packard Italiana S.p.A.
Via G. Di Vittorio 9
I-20063 CERNUSCO SUL NAVIGLIO
Tel: (2) 903691
Telex: 334832
A,CH,CM,CS,E,M,P,P

Hewlett-Packard Italiana S.p.A.
Via Nuova San Rocco a
Capodimonte, 62/A
I-80131 NAPLES
Tel: (081) 7413544
Tel: 710698
A,CH,E

Hewlett-Packard Italiana S.p.A.
Viale G. Modugno 33
I-16156 GENOVA PEGLI
Tel: (010) 68-37-07
Telex: 215238
E,C

Hewlett-Packard Italiana S.p.A.
Via Turazza 14
I-35100 PADOVA
Tel: (049) 664888
Tel: 430315
A,CH,E,MS

Hewlett-Packard Italiana S.p.A.
Viale C. Pavese 340
I-00144 ROMA
Tel: (06) 54831
Telex: 610514
A,CH,CM,CS,E,MS,P*

Hewlett-Packard Italiana S.p.A.
Corso Svizzera, 184
I-10149 TORINO
Tel: (011) 74 4044
Telex: 221079
CH,E

JAPAN
Yokogawa-Hewlett-Packard Ltd.
Inoue Bldg
1-21-8, Asahi-cho
ATBUGI, Kanagawa 243
Tel: (0462) 28-0451
CM,C*,E

Yokogawa-Hewlett-Packard Ltd.
Towa Bldg
2-2-3, Kirigandori, Chuo-ku
KOBE, 650, Hyogo
Tel: (078) 392-4791
C,E

Yokogawa-Hewlett-Packard Ltd.
Kumagaya Asahi Yasoji Bldg 4F
3-4 Chome Tsukuba
KUMAGAYA, Saitama 360
Tel: (0485) 24-5563
CH,CM,E

Yokogawa-Hewlett-Packard Ltd.
Asahi Shinbun Dai-ichi Seimei Bldg.,
2F

4-7 Hanabata-cho
KUMAMOTO-8H,860
Tel: (0963) 54-7311
CH,E

Yokogawa-Hewlett-Packard Ltd.
Shin Kyoto Center Bldg. 5F
614 Siokoj-cho
Nishiruhigashi, Karasuma
Siokoj-don, Shimogyo-ku
KYOTO 600
Tel: 075-343-0921
CH,E

Yokogawa-Hewlett-Packard Ltd.
Mito Mitsui Bldg
1-4-73, San-no-meru
MITO, Ibaragi 310
Tel: (0292) 25-7470
CH,CM,E

Yokogawa-Hewlett-Packard Ltd.
Sumitomo Seimei Nagoya Bldg.
2-14-19, Meieki-Minami,
Nakamura-ku
NAGOYA, 450 Aichi
Tel: (052) 571-5171
CH,CM,CS,E,MS

Yokogawa-Hewlett-Packard Ltd.
Chuo Bldg., 4th Floor
5-4-20 Nishinakajima,
Yodogawa-ku
OSAKA, 532
Tel: (06) 304-6021
Telex: YHPOSA 523-3624
A,CH,CM,CS,E,MP,P*

Yokogawa-Hewlett-Packard Ltd.
1-27-15, Yabe,
SAGAMIHARA Kanagawa, 229
Tel: 0427 59-1311
Yokogawa-Hewlett-Packard Ltd.
Shinjuku Dai-ichi Saimai 6F
2-7-1, Nishi Shinjuku
Shinjuku-ku, TOKYO 160
Tel: 03-348-4611-5
CH,E

Yokogawa-Hewlett-Packard Ltd.
3-29-21 Takaido-Higashi
Suginami-ku TOKYO 168
Tel: (03) 331-8111
Telex: 232-2024 YHPTOK
A,CH,CM,CS,E,MP,P*

Yokogawa-Hewlett-Packard Ltd.
Delchi Asano Building 4F
5-2-8, Dondori,
UTRUMOMYA, 320
Tochigi
Tel: (0286) 25-7155
CH,CS,E

Yokogawa-Hewlett-Packard Ltd.
Yasudaseimei Yokohama
Nahiguchi Bldg.
3-30-4 Tsuruya-cho
Kanagawa-ku
YOKOHAMA, Kanagawa, 221
Tel: (045) 312-1252
CH,CM,E

JORDAN
Moussher Cousins Company
P.O. Box 1387
AMMAN
Tel: 24907, 39907
Telex: 21456 SABCO JO
CH,E,MP

KENYA
ADCOM Ltd., Inc., Kenya
P.O. Box 30070
NAIROBI
Tel: 331955
Telex: 22639
EM

KOREA
Samsung Electronics Computer
Division
76-561 Yeoksam-Dong
Kangnam-Ku
C.P.O. Box 2775
SEOUL
Tel: 555-7555, 555-5447
Telex: K27364 SAMSAN
A,CH,CM,CS,E,MP

KUWAIT
Al Khakfiya Trading & Contracting
P.O. Box 630 Safat
KUWAIT
Tel: 42-4910, 41-1726
Telex: 22481 Areeg KI
CH,E,M
Photo & Cine Equipment
P.O. Box 270 Safat
KUWAIT
Tel: 42-2846, 42-3801
Telex: 22747 Maltin-KT
P

LEBANON
G.M. Dohaefian
Achrafieh
P.O. Box 165.167
BEIRUT
Tel: 290293
MP**

LUXEMBOURG
Hewlett-Packard Belgium S.A./N.V.
 Blvd de la Woluwe, 100
Woluwedal
B-1200 BRUSSELS
Tel: (02) 762-32-00
Telex: 23-494 paloben bru
A,CH,CM,CS,E,MP,P

MALAYSIA
Hewlett-Packard Sales (Malaysia)
Sdn. Bhd.
1st Floor, Bangunan British
American
Jalan Semantan, Damansara Heights
KUALA LUMPUR 23-03
Tel: 943022
Telex: MA31011
A,CH,E,MP*
Protel Engineering
Lot 319, Sakok Road
P.O. Box 1917
Kuching, SARAWAK
Tel: 53544
Telex: MA 70904 PRONAL
Cable: PROTELEN3
A,E,M

MALTA
Philp Toledo Ltd.
Notable Rd.
MRENEJ
Tel: 447 47, 455 66
Telex: 649 Media MN
P

MEXICO
Hewlett-Packard Mexicana, S.A. de
C.V.
Av. Periferico Sur No. 6501
Tepepan, Xochimilco
MEXICO D.F. 16020
Tel: 676-4600
Telex: 17-74-507 HEWPAK MEX
A,CH,CS,E,MS,P
Effective November 1, 1982:
Hewlett-Packard Mexicana, S.A. de
C.V.
Ejercito Nacional #570
Colonia Granada
11560 MEXICO, D.F.
CH**

Hewlett-Packard Mexicana, S.A. de
C.V.
Rio Volga 600
Pie. Colonia del Valle
MONTERREY, N.L.
Tel: 78-42-93, 78-42-40, 78-42-41
Telex: 038-2410 HPMTY ME
CH
Effective Nov. 1, 1982
Ave. Colonia del Valle #409
Col. del Valle
Municipio de garza garcia
MONTERREY, N.V.
ECISA
Talle 229, Piso 10
Polanco MEXICO D.F. 11570
Tel: 250-5391
Telex: 17-72755 ECE ME
M

MOROCCO
Dolbeur
81 rue Karachi
CASABLANCA
Tel: 3041-82, 3068-39
Telex: 23051, 22822
E
Gerep
2 rue d'Agaou
Boite Postale 156
CASABLANCA
Tel: 272093, 272095
Telex: 23 739
P

NETHERLANDS
Hewlett-Packard Nederland B.V.
Van Heuven Goedhartlaan 121
NL 1181NK AMSTELVEEN
P.O. Box 667
NL 1180 AR AMSTELVEEN
Tel: (20) 47-20-21
Telex: 13 216
A,CH,CM,CS,E,MP,P

Hewlett-Packard Nederland B.V.
Bongard 2
NL 2006VK CAPPELLE, A/D IJssel
P.O. Box 41
NL2900 AA CAPELLE, IJssel
Tel: (10) 51-64-44
Telex: 21261 HEPAC NL
A,CH,CS

NEW ZEALAND
Hewlett-Packard (N.Z.) Ltd.
169 Manukau Road
P.O. Box 26-189
Epsom, AUCKLAND
Tel: 687-150
Cable: HEWPAK Auckland
CH,CM,E,P*

Hewlett-Packard (N.Z.) Ltd.
4-12 Crickshank Street
Kilbirnie, WELLINGTON 3
P.O. Box 9443
Courtenay Place, WELLINGTON 3
Tel: 877-199
Cable: HEWPAK Wellington
CH,CM,E,P

Northrop Instruments & Systems
Ltd.
369 Khyber Pass Road
P.O. Box 8602
AUCKLAND
Tel: 794-091
Telex: 60605
A,M

Northrop Instruments & Systems
Ltd.
110 Mandeville St.
P.O. Box 6368
CHRISTCHURCH
Tel: 486-928
Telex: 4203
A,M

Northrop Instruments & Systems
Ltd.
Surdow House
85-87 Ghuznee Street
P.O. Box 2406
WELLINGTON
Tel: 850-091
Telex: NZ 3380
A,M

NORTHERN IRELAND
Cardiac Services Company
95A /inaghy Road South
BELFAST BT 10 0BY
Tel: (0232) 625-566
Telex: 747626
M

NORWAY
Hewlett-Packard Norge A/S
Folke Bernadottel vei 50
P.O. Box 3558
N-5033 FYLLINGSDALEN (Bergen)
Tel: (05) 16-55-40
Telex: 16621 hpnas n
CH,CS,E,MS

Hewlett-Packard Norge A/S
Osterdalen 18
P.O. Box 34
N-1345 OSTERAS
Tel: (02) 17-11-80
Telex: 16621 hpnas n
A,CH,CM,CS,E,MP

OMAN
Khimji Ramdas
P.O. Box 19
MUSCAT
Tel: 722225, 745001
Telex: 3289 BROKER MI, MUSCAT
P



SALES & SUPPORT OFFICES

Arranged Alphabetically by Country

Saudi & Saud Bahwan
P.O. Box 169
MUSCAT
Tel: 734 201-3
Telex: 3274 BAHWAN MB

PAKISTAN
Mushko & Company Ltd.
1-B, Street 43
Sector F-8/1
ISLAMABAD
Tel: 26875
Cable: FEMUS Rawalpindi
A,E,M

Mushko & Company Ltd.
Osman Chambers
Abdullah Haroon Road
KARACHI 0302
Tel: 511027, 512927
Telex: 2894 MUSKO PK
Cable: COOPERATOR Karachi
A,E,M,P

PANAMA
Electrónico Balboa, S.A.
Calle Samuel Lewis, Ed. Alta
Apartado 4929
PANAMA 5
Tel: 64-2700
Telex: 3483 ELECTRON PG
A,C,M,E,M,P
Foto Internacional, S.A.
Colon Free Zone
Apartado 2068
COLON 3
Tel: 45-2333
Telex: 6626 IMPORT PG
P

PERU
Cía Electro Médica S.A.
Los Flamencos 145, San Isidro
Casilla 1030
LIMA 1
Tel: 41-4325, 41-3703
Telex: Puz, Booth 25306
A,C,M,E,M,P

PHILIPPINES
The Online Advanced Systems
Corporation
Rico House, Amorao Cor. Herrera
Street
Lagassi Village, Makati
P.O. Box 1510
Metro MANILA
Tel: 85-35-81, 85-34-91, 85-32-21
Telex: 3274 ONLINE
A,C,H,C,S,E,M
Electronic Specialists and
Proprietors Inc.
690-B Epitacio de los Santos
Avenue
Cubao, QUEZON CITY
P.O. Box 2649 Manila
Tel: 98-96-81, 98-96-82
Telex: 40018, 42000
MACKAY BOOTH
P

PORTUGAL
Mundiner
Intercambio Mundial de Comércio
S.a.r.l.
P.O. Box 2781
Av. Antonio Augusto de Aguiar 138
P-LISSON
Tel: (19) 53-21-31, 53-21-37
Telex: 16691 mundin p
M

Soquimica
Av. de Libertad, 220-2
1298 LISBON Codes
Tel: 56 21 81/2/3
Telex: 13318 SABASA P
Teletra-Empresa Técnica de
Equipamentos Eléctricos S.a.r.l.
Rua Rodrigo de Fonseca 103
P.O. Box 2531
P-LISSON 1
Tel: (19) 68-60-72
Telex: 12598
CH,C,S,E,P

PUERTO RICO
Hewlett-Packard Puerto Rico
P.O. Box 4407
CANOLINA, Puerto Rico 00628
Calle 272 Edificio 203
Urb. Country Club
RIO Piedras, Puerto Rico 00924
Tel: (809) 762-7255
A,C,H,CS

QATAR
Nasser Trading & Contracting
P.O. Box 1563
DOHA
Tel: 22170, 23539
Telex: 4439 NASSER DH
M
Computearbia
P.O. Box 2750
DOHA
Tel: 883555
Telex: 4838 CHPARB
P

Eastern Technical Services
P.O. Box 4747
DOHA
Tel: 329 993
Telex: 4156 EASTEC DH

SAUDI ARABIA
Modern Electronic Establishment
Hewlett-Packard Division
P.O. Box 281
Thuqbah
AL-KHOBAR
Tel: 864-46 78
Telex: 671 106 HPMEEK SJ
Cable: ELECTA AL-KHOBAR
CH,C,S,E,M,P
Modern Electronic Establishment
Hewlett-Packard Division
P.O. Box 1228
Redec Plaza, 6th Floor
JEDDAH
Tel: 644 38 48
Telex: 402712 FARNAS SJ
Cable: ELECTA JEDDAH
CH,C,S,E,M,P
Modern Electronic Establishment
Hewlett-Packard Division
P.O. Box 2728
RIYADH
Tel: 491-97 15, 491-8 187
Telex: 202049 MEERY 1 SJ
CH,C,S,E,M,P

SCOTLAND
Hewlett-Packard Ltd.
Royal Bank Buildings
Swan Street
BRECHIN, Angus, Scotland
Tel: (03562) 3101-2
CH
Hewlett-Packard Ltd.
SOUTH QUEENSFERRY
West Lothian, EH30 9GT
GB-Scotland
Tel: (031) 3311188
Telex: 72682
A,C,H,CM,C,S,E,M

SINGAPORE
Hewlett-Packard Singapore (Pty.)
Ltd.
P.O. Box 58 Alexandra Post Office
SINGAPORE, 9115
6th Floor, Inchcape House
450-452 Alexandra Road
SINGAPORE 0511
Tel: 631788
Telex: HPSGSO RS 34200
Cable: HEWPACK, Singapore
A,C,H,C,S,E,M,S,P
Dynamer International Ltd.
Unit 05-11 Block 6
Kolek Ayer Industrial Estate
SINGAPORE 1334
Tel: 747-6188
Telex: RS 26283
CM

SOUTH AFRICA
Hewlett-Packard So Africa (Pty.) Ltd.
P.O. Box 120
Howard Place
Pine Park Center, Forest Drive,
Pinelands
CAPE PROVINCE 7405
Tel: 53-7954
Telex: 57-20006
A,C,H,CM,E,M,S,P
Hewlett-Packard So Africa (Pty.) Ltd.
P.O. Box 37099
92 Overport Drive
DUNBAIK 4067
Tel: 28-4178, 28-4179, 28-4110
Telex: 6-22954
CH,CM

Hewlett-Packard So Africa (Pty.) Ltd.
6 Union Arcsde
511 Cape Road
Linton Grange
PORT ELIZABETH 6001
Tel: 041-302148
CH

Hewlett-Packard So Africa (Pty.) Ltd.
P.O. Box 33345
Glenstantia 0910 TRANSVAAL
1st Floor East
Constantia Park Ridge Shopping
Centre
Constantia Park
PRETORIA
Tel: 882043
Telex: 32183
CHE

Hewlett-Packard So Africa (Pty.) Ltd.
Private Bag Wendywood
BANDTON 2144
Tel: 802-5111, 802-5125
Telex: 4-20877
Cable: HEWPACK Johannesburg
A,C,H,CM,C,S,E,M,S,P

SPAIN
Hewlett-Packard Española S.A.
c/Enlaza, 321
E-BARCELONA 29
Tel: (3) 322-24-51, 321-73-54
Telex: 52603 hpbee
A,C,H,C,S,E,M,S,P
Hewlett-Packard Española S.A.
c/San Vicente S/N
Edificio Albia II, 7 B
E-BILBAO 1
Tel: (4) 23-8306, (4) 23-8206
A,C,H,E,M,S

Hewlett-Packard Española S.A.
Calle Jeraz 3
E-MADRID 16
Tel: (1) 458-2600
Telex: 23515 hpe
A,C,M,E

Hewlett-Packard Española S.A.
c/o Coe's Brave 13
Colonía Mirasierra
E-MADRID 34
Tel: (1) 734-8061, (1) 734-1162
CH,C,S,M

Hewlett-Packard Española S.A.
Av. Ramón y Cajal 1-9
Edificio Sevilla 1,
E-SEVILLA 5
Tel: 64-44-54, 64-43-58
Telex: 72933
A,C,S,M,S,P

Hewlett-Packard Española S.A.
C/Ramon Gordillo, 1 (Entlo.3)
E-VALENCIA 10
Tel: 361-1354, 361-1358
CH,P

SWEDEN
Hewlett-Packard Sverige AB
Sunnarvagen 14K
S-22226 LUND
Tel: (046) 13-69-79
Telex: (854) 17886 (via SPANGA
office)
CH

Hewlett-Packard Sverige AB
Västtra Vintergatan 9
S-70344 ÖREBRO
Tel: (19) 10-48-80
Telex: (854) 17886 (via SPANGA
office)
CH

Hewlett-Packard Sverige AB
Skalhögsgatan 9, Kista
Box 19
S-16393 SPANGA
Tel: (08) 750-2000
Telex: (854) 17886
A,C,H,CM,C,S,E,M,S,P

Hewlett-Packard Sverige AB
Fröfällsgatan 30
S-42132 VÄSTRA-FRÖLUNDA
Tel: (031) 49-09-50
Telex: (854) 17886 (via SPANGA
office)
CH,E,P

SWITZERLAND
Hewlett-Packard (Schweiz) AG
Clerastrasse 12
CH-4058 BASEL
Tel: (61) 33-59-20
A

Hewlett-Packard (Schweiz) AG
Bahnhöheweg 44
CH-3018 BERN
Tel: (031) 56-24-22
CH

Hewlett-Packard (Schweiz) AG
47 Avenue Blanc
CH-1202 GENEVA
Tel: (022) 32-48-00
CH,CM,CS

Hewlett-Packard (Schweiz) AG
19 Chemin Châteaue Bloc
CH-1219 LE LIGNON-Geneva
Tel: (022) 96-03-22
Telex: 27333 hpag ch
Cable: HEWPACKAG Geneva
A,E,M,S,P

Hewlett-Packard (Schweiz) AG
Allmend 2
CH-8967 WIDEN
Tel: (57) 31 21 11
Telex: 53833 hpag ch
Cable: HPAG CH
A,C,H,CM,C,S,E,M,S,P

SYRIA
General Electronic Inc.
Nuri Basha
P.O. Box 5781
DAMASCUS
Tel: 33-24-87
Telex: 11216 ITKAL SY
Cable: ELECTROBOR DAMASCUS
E

Middle East Electronics
Place Azmê
Boite Postale 2308
DAMASCUS
Tel: 334592
Telex: 11304 SATACO SY
M,P

TAIWAN
Hewlett-Packard Far East Ltd.
Kaohsiung Office
2/F 68-2, Chung Cheng 3rd Road
KAOSHIUNG
Tel: 241-2318, 261-3253
CH,C,S,E

Hewlett-Packard Far East Ltd.
Taiwan Branch
5th Floor
205 Tun Hwa North Road
TAIPEI
Tel: (02) 751-6404
Cable: HEWPACK Taipei
A,C,H,CM,C,S,E,M,P
Ing Lih Trading Co.
3rd Floor, 7 Jen-Ai Road, Sec. 2
TAIPEI 100
Tel: (02) 3948191
Cable: INGLH TAIPEI
A

THAILAND
Unimesa
30 Patpong Ave., Sathrong
BANGKOK 5
Tel: 234 091, 234 062
Telex: 84439 Simonco TH
Cable: UNIMESA Bangkok
A,C,H,C,S,E,M
Bangkok Business Equipment Ltd.
5/5-5 Dejo Road
BANGKOK
Tel: 234-8670, 234-8671
Telex: 87669-BEQUIPT TH
Cable: BUSQUIPT Bangkok
P

TRINIDAD & TOBAGO
Caribbean Telecoms Ltd.
50/A Jerningham Avenue
P.O. Box 732
PORT-OF-SPAIN
Tel: 62-44213, 62-44214
Telex: 235-272 HUGGO WG
A,C,M,E,M,P

TUNISIA
Tunis Electronique
31 Avenue de la Liberté
TUNIS
Tel: 280-144
E,P
Corema
1 ter. Av. de Carthage
TUNIS
Tel: 253-821
Telex: 12319 CABAM TN
M

TURKEY
Teknim Company Ltd.
Iran Caddesi No. 7
Kavaklıdere, ANKARA
Tel: 275800
Telex: 42155 TKNM TR
E
E.M.A.
Medina Etem Sokak No.41/8
Yüksel Caddesi
ANKARA
Tel: 175 622
M

UNITED ARAB EMIRATES
Emtac Ltd.
P.O. Box 1641
SHARJAH
Tel: 354121, 354123
Telex: 68136 Emtac SH
CH,C,S,E,M,P



UNITED KINGDOM

see: GREAT BRITAIN

NORTHERN IRELAND

SCOTLAND

UNITED STATES

Alabama

Hewlett-Packard Co.
700 Century Park South
Suite 128
BIRMINGHAM, AL 35226
Tel: (205) 822-6802
CH,MP

Hewlett-Packard Co.
P.O. Box 4207
8290 Whitesburg Drive, S.E.
MONTICELLO, AL 35802
Tel: (205) 881-4591
CH,CM,CS,E,M*

Alaska

Hewlett-Packard Co.
1577 "C" Street, Suite 252
ANCHORAGE, AK 99501
Tel: (907) 276-6708
CH*

Arizona

Hewlett-Packard Co.
2336 East Magnolia Street
PHOENIX, AZ 85034
Tel: (602) 273-8000
A,CH,CM,CS,E,MS

Hewlett-Packard Co.
2424 East Aragon Road
TUCSON, AZ 85706
Tel: (602) 880-4631
CH,E,MS**

Arkansas

Hewlett-Packard Co.
P.O. Box 5646
Brady Station
LITTLE ROCK, AR 72215
111 N. Filmore
LITTLE ROCK, AR 72205
Tel: (501) 664-8773, 378-1644
MS

California

Hewlett-Packard Co.
99 South Hill Dr.
BIRMGHAM, CA 94006
Tel: (415) 330-2500
CH,CS

Hewlett-Packard Co.
7021 Canoga Avenue
CANAJO PARK, CA 91304
Tel: (213) 702-8300
A,CH,CS,E,P

Hewlett-Packard Co.
5060 Clinton Avenue
FRESNO, CA 93727
Tel: (209) 252-9352
MS

Hewlett-Packard Co.
P.O. Box 4230
1430 East Orangehorpe
FULLERTON, CA 92631
Tel: (714) 870-1000
CH,CM,CS,E,MP

Hewlett-Packard Co.
320 S. Kellogg, Suite B
GOLETA, CA 93117
Tel: (805) 967-3406
CH

Hewlett-Packard Co.
5400 W. Rosecrans Boulevard
LAWRENCE, CA 92460
P.O. Box 92105
LOS ANGELES, CA 90008
Tel: (213) 970-7500
Telex: 910-325-8908
CH,CM,CS,MP

Hewlett-Packard Co.
3200 Mirview Avenue
PALO ALTO, CA 94304
Tel: (415) 657-8000
CH,CS,E

Hewlett-Packard Co.
P.O. Box 15976 (95813)
4244 So. Market Court, Suite A
SACRAMENTO, CA 95834
Tel: (916) 929-7222
A*,CH,CS,E,MS

Hewlett-Packard Co.
9606 Aero Drive
P.O. Box 23333
SAN DIEGO, CA 92123
Tel: (714) 279-3200
CH,CM,CS,E,MP

Hewlett-Packard Co.
2305 Camino Ramon "C"
SAN RAMON, CA 94583
Tel: (415) 638-5900
CH,CS

Hewlett-Packard Co.
P.O. Box 4230
Fullerton, CA 92631
363 Brookhollow Drive
SANTA ANA, CA 92795
Tel: (714) 841-0977
A,CH,CM,CS,MP

Hewlett-Packard Co.
Suite A
5553 Hollister
SANTA BARBARA, CA 93111
Tel: (805) 964-3360

Hewlett-Packard Co.
3003 Scott Boulevard
SANTA CLARA, CA 95050
Tel: (408) 988-7000
A,CH,CM,CS,E,MP

Hewlett-Packard Co.
5703 Corza Avenue
WESTLAKE VILLAGE, CA 91362
Tel: (213) 706-8900
E*,CH*,CS*

Colorado

Hewlett-Packard Co.
24 Inverness Place, East
ENGLEWOOD, CO 80112
Tel: (303) 771-3455
Telex: 910-935-0785
A,CH,CM,CS,E,MS

Connecticut
Hewlett-Packard Co.
47 Barnes Industrial Road South
P.O. Box 5007
WALLINGFORD, CT 06492
Tel: (203) 265-7801
A,CH,CM,CS,E,MS

Florida
Hewlett-Packard Co.
P.O. Box 24210 (33307)
2901 N.W. 62nd Street
FORT LAUDERDALE, FL 33307
Tel: (305) 973-2800
CH,CS,E,MP

Hewlett-Packard Co.
4080 Woodcock Drive, #132
Brownett Building
JACKSONVILLE, FL 32207
Tel: (904) 398-0663
C*,E*,MS**

Hewlett-Packard Co.
1101 W. Hibiscus Ave., Suite E210
MELBOURNE, FL 32901
Tel: (305) 729-0704
E*

Hewlett-Packard Co.
P.O. Box 13910 (32858)
8177 Lak's Eleanor Drive
ORLANDO, FL 32809
Tel: (305) 859-2900
A,CH,CM,CS,E,MS

Hewlett-Packard Co.
8425 N. Pensacola Blvd.
Suite 4, Building 1
P.O. Box 12826
PENSACOLA, FL 32575
Tel: (904) 476-8422
AMS

Hewlett-Packard Co.
5750B N. Horner Blvd., Suite 123
TAMPA, FL 33614
Tel: (813) 834-3282
A*,CH,CM,CS,E*,M*

Georgia

Hewlett-Packard Co.
P.O. Box 105006
ATLANTA, GA 30348
2000 South Park Place
ATLANTA, GA 30339
Tel: (404) 955-1500
Telex: 810-786-4890
A,CH,CM,CS,E,MP

Hewlett-Packard Co.
P.O. Box 816 (80903)
2531 Center West Parkway
Suite 110
AUGUSTA, GA 30904
Tel: (404) 736-0592
MS

Hewlett-Packard Co.
200-E Montgomery Cross Pde.
BAYANNAH, GA 31401
Tel: (912) 925-5358
CH**

Hewlett-Packard Co.
P.O. Box 2103
WARNER ROBINS, GA 31099
1172 N. Davis Drive
WARNER ROBINS, GA 31093
Tel: (812) 923-8831
E

Hawaii

Hewlett-Packard Co.
Kawalehoo Plaza, Suite 190
567 South King Street
HONOLULU, HI 96813
Tel: (808) 526-1555
A,CH,E,MS

Illinois

Hewlett-Packard Co.
211 Prospect Road, Suite C
BLOOMINGTON, IL 61701
Tel: (309) 662-9411
CH,MS**

Hewlett-Packard Co.
1100 31st Street, Suite 100
DOWNS GROYE, IL 60615
Tel: (312) 960-5780
CH,CS

Hewlett-Packard Co.
5201 Tolview Drive
ROLLING MEADOWS, IL 60008
Tel: (312) 255-9800
A,CH,CM,CS,E,MP

Indiana

Hewlett-Packard Co.
P.O. Box 50807
7301 No. Shadeland Avenue
INDIANAPOLIS, IN 46250
Tel: (317) 842-1000
A,CH,CM,CS,E,MS

Iowa

Hewlett-Packard Co.
1776 22nd Street, Suite 1
WEST DES MOINES, IA 50265
Tel: (515) 224-1435
CH,MS**

Hewlett-Packard Co.
2415 Heinz Road
IOWA CITY, IA 52240
Tel: (319) 351-1020
CH,E*,MS

Kansas

Hewlett-Packard Co.
1544 S. Rock Road
WICHITA, KA 67207
Tel: (316) 684-8491
CH

Kentucky

Hewlett-Packard Co.
10300 Linn Station Road
Suite 100
LOUNSVILLE, KY 40223
Tel: (502) 426-0100
A,CH,CS,MS

Louisiana

Hewlett-Packard Co.
8126 Calais Bldg.
BATON ROUGE, LA 70806
Tel: (504) 487-4100
A**,CH**

Hewlett-Packard Co.
P.O. Box 1449
KENNER, LA 70062
160 James Drive East
DESTERAN, LA 70047
Tel: (504) 467-4100
A,CH,CS,E,MS

Maryland

Hewlett-Packard Co.
7121 Standard Drive
HANOVER, MD 21076
Tel: (301) 796-7700
Telex: 710-862-1943
Eff. Dec. 1, 1982
3701 Koppers St.
BALTIMORE, MD 21227
Tel: (301) 644-6800
A,CH,CM,CS,E,MS

Hewlett-Packard Co.
2 Choke Cherry Road
ROCKVILLE, MD 20850
Tel: (301) 948-6370
A,CH,CM,CS,E,MP

Massachusetts

Hewlett-Packard Co.
32 Hartwell Avenue
LEXINGTON, MA 02173
Tel: (617) 851-9960
A,CH,CM,CS,E,MP

Michigan

Hewlett-Packard Co.
23855 Research Drive
FARMINGTON HILLS, MI 48024
Tel: (313) 476-6400
A,CH,CM,CS,E,MP

Hewlett-Packard Co.
4326 Cascade Road S.E.
GRAND RAPIDS, MI 49506
Tel: (616) 957-1970
CH,CS,MS

Hewlett-Packard Co.
1771 W. Big Beaver Road
TROY, MI 48064
Tel: (313) 643-6474
CH,CS

Minnesota

Hewlett-Packard Co.
2025 W. Larpentur Ave.
ST. PAUL, MN 55113
Tel: (612) 644-1100
A,CH,CM,CS,E,MP

Mississippi

Hewlett-Packard Co.
P.O. Box 5028
1675 Lakeland Drive
JACKSON, MS 39216
Tel: (601) 982-9363
MS

Missouri

Hewlett-Packard Co.
11131 Colorado Avenue
KANSAS CITY, MO 64137
Tel: (816) 763-8000
A,CH,CM,CS,E,MS

Hewlett-Packard Co.
P.O. Box 27307
1024 Executive Parkway
ST. LOUIS, MO 63141
Tel: (314) 878-0200
A,CH,CS,E*,MP
Effective September 1982:
13001 Holenberg Drive
BRIDGETON, MO 63044

Nebraska

Hewlett-Packard
7101 Mercy Road
Suite 101, IEX Building
OMAHA, NE 68106
Tel: (402) 392-0648
CM,MS

Nevada

Hewlett-Packard Co.
Suite D-130
5030 Paradise Blvd.
LAS VEGAS, NV 89119
Tel: (702) 736-6610
MS**

New Jersey

Hewlett-Packard Co.
W120 Century Road
PARAMUS, NJ 07652
Tel: (201) 265-5000
A,CH,CM,CS,E,MP

Hewlett-Packard Co.
60 New England Av. West
PISCATAWAY, NJ 08854
Tel: (201) 961-1199
A,CH,CM,CS,E

New Mexico

Hewlett-Packard Co.
P.O. Box 11634
ALBUQUERQUE, NM 87112
11300 Lomas Blvd., N.E.
ALBUQUERQUE, NM 87123
Tel: (505) 292-1330
Telex: 910-989-1185
CH,CS,E,MS

New York

Hewlett-Packard Co.
5 Computer Drive South
ALBANY, NY 12205
Tel: (518) 458-1550
Telex: 710-444-4691
A,CH,E,MS

Hewlett-Packard Co.
P.O. Box 297
9600 Main Street
CLARENCE, NY 14031
Tel: (716) 759-8621
Telex: 710-823-1393
CH

Hewlett-Packard Co.
200 Cross Keys Office
FAIRPORT, NY 14450
Tel: (716) 223-9950
Telex: 510-253-0092
CH,CM,CS,E,MS

Hewlett-Packard Co.
7641 Henry Clay Blvd.
LYNCHBURG, NY 13088
Tel: (315) 451-1820
A,CH,CM,E,MS

Hewlett-Packard Co.
No. 1 Pennsylvania Plaza
55th Floor
34th Street & 6th Avenue
NEW YORK, NY 10119
Tel: (212) 971-0600
CH,CS,E*,M*



SALES & SUPPORT OFFICES

Arranged Alphabetically by Country

Hewlett-Packard Co.
250 Westchester Avenue
WHITE PLAINS, NY 10604
CM,CH,CS,E

Hewlett-Packard Co.
3 Crossways Park West
WOODBURY, NY 11797
Tel: (516) 921-0300
Telex: 510-221-2183
A,CH,CM,CS,E,MS

North Carolina
Hewlett-Packard Co.
4915 Water's Edge Drive
Suite 180
RALEIGH, NC 27606
Tel: (919) 851-3021
CM

Hewlett-Packard Co.
P.O. Box 26500
5605 Roanoke Way
GREENSBORO, NC 27450
Tel: (919) 852-1800
A,CH,CM,CS,E,MS

Ohio
Hewlett-Packard Co.
9920 Carver Road
CINCINNATI, OH 45242
Tel: (513) 891-9870
CH,CS,MS

Hewlett-Packard Co.
16500 Sprague Road
CLEVELAND, OH 44130
Tel: (216) 243-7300
Telex: 810-423-9430
A,CH,CM,CS,E,MS

Hewlett-Packard Co.
962 Crupper Ave.
COLUMBUS, OH 43229
Tel: (614) 436-1041
CH,CM,CS,E*

Hewlett-Packard Co.
P.O. Box 280
330 Progress Rd.
DAYTON, OH 45449
Tel: (513) 859-8202
A,CH,CM,E*,MS

Oklahoma
Hewlett-Packard Co.
P.O. Box 32008
Oklahoma City, OK 73123
1503 W. Gore Blvd., Suite #2
LAWTON, OK 73505
Tel: (405) 248-4248
C

Hewlett-Packard Co.
P.O. Box 32008
OKLAHOMA CITY, OK 73123
304 N. Meridian Avenue, Suite A
OKLAHOMA CITY, OK 73107
Tel: (405) 945-9499
A*,CH,E*,MS

Hewlett-Packard Co.
Suite 121
9920 E. 42nd Street
TULSA, OK 74145
Tel: (918) 665-3300
A**,CH,CS,M*

Oregon
Hewlett-Packard Co.
1500 Valley River Drive
Suite 330
EUGENE, OR 97401
Tel: (503) 683-8075
C

Hewlett-Packard Co.
8255 S. W. Pioneer Court
WILSONVILLE, OR 97070
Tel: (503) 682-8000
A,CH,CS,E*,MS

Pennsylvania
Hewlett-Packard Co.
1021 8th Avenue
King of Prussia Industrial Park
KING OF PRUSSIA, PA 19406
Tel: (215) 265-7000
Telex: 510-660-2670
A,CH,CM,CS,E,MP

Hewlett-Packard Co.
111 Zeta Drive
PITTSBURGH, PA 15238
Tel: (412) 782-0400
A,CH,CS,E,MP

South Carolina
Hewlett-Packard Co.
P.O. Box 21708
Brookside Park, Suite 122
1 Harbison Way
COLUMBIA, SC 29210
Tel: (803) 732-0400
CH,E,MS

Hewlett-Packard Co.
Koger Executive Center
Chesterfield Bldg., Suite 124
GREENVILLE, SC 29615
Tel: (803) 748-5601
C

Tennessee
Hewlett-Packard Co.
P.O. Box 22490
224 Peters Road
Suite 102
KNOXVILLE, TN 37922
Tel: (615) 691-2371
A*,CH,MS

Hewlett-Packard Co.
3070 Directors Row
MEMPHIS, TN 38131
Tel: (901) 346-8370
A,CH,MS

Hewlett-Packard Co.
230 Great Circle Road
Suite 216
NASHVILLE, TN 32228
Tel: (615) 255-1271
MS**

Texas
Hewlett-Packard Co.
Suite 310W
7800 Shoal Creek Blvd.
AUSTIN, TX 78757
Tel: (512) 459-3143
E

Hewlett-Packard Co.
Suite C-110
4171 North Mesa
EL PASO, TX 79902
Tel: (915) 533-3555, 533-4489
CH,E*,MS**

Hewlett-Packard Co.
5020 Mark IV Parkway
FORT WORTH, TX 76106
Tel: (817) 625-6361
CH,CS*

Hewlett-Packard Co.
P.O. Box 42816
HOUSTON, TX 77042
10535 Harwin Street
HOUSTON, TX 77036
Tel: (713) 776-8400
A,CH,CM,CS,E,MP

Hewlett-Packard Co.
3309 67th Street
Suite 24
LUBBOCK, TX 79413
Tel: (806) 799-4472
M

Hewlett-Packard Co.
417 Nolana Gardens, Suite C
P.O. Box 2256
McALLEN, TX 78501
Tel: (512) 781-3226
CH,CS

Hewlett-Packard Co.
P.O. Box 1270
RICHARDSON, TX 75080
900 E. Campbell Rd.
RICHARDSON, TX 75081
Tel: (214) 231-6101
A,CH,CM,CS,E,MP

Hewlett-Packard Co.
P.O. Box 32993
SAN ANTONIO, TX 78216
1020 Central Parkway South
SAN ANTONIO, TX 78252
Tel: (512) 494-9336
CH,CS,E,MS

Utah
Hewlett-Packard Co.
P.O. Box 26826
3530 W. 2100 South
SALT LAKE CITY, UT 84119
Tel: (801) 974-1700
A,CH,CS,E,MS

Virginia
Hewlett-Packard Co.
P.O. Box 9669
2914 Hungry Spring Road
RICHMOND, VA 23228
Tel: (804) 285-3431
A,CH,CS,E,MS

Hewlett-Packard Co.
3106 Peters Creek Road, N.W.
ROANOKE, VA 24019
Tel: (703) 563-2205
CH,E**

Hewlett-Packard Co.
5700 Thurston Avenue
Suite 111
VIRGINIA BEACH, VA 23455
Tel: (804) 460-2471
CH,MS

Washington
Hewlett-Packard Co.
15815 S.E. 37th Street
BELLEVUE, WA 98006
Tel: (206) 643-4000
A,CH,CM,CS,E,MP

Hewlett-Packard Co.
Suite A
708 North Argonne Road
SPOKANE, WA 99206
Tel: (509) 922-7000
CH,CS

West Virginia
Hewlett-Packard Co.
4604 MacCorkle Ave., S.E.
CHARLESTON, WV 25304-4297
Tel: (304) 925-0492
A,MS

Wisconsin
Hewlett-Packard Co.
150 S. Sunny Slope Road
BROOKFIELD, WI 53005
Tel: (414) 784-8800
A,CH,CS,E*,MP

URUGUAY
Pablo Ferrando S.A.C. e L.
Avenida Italia 2877
Casilla de Correo 370
MONTEVIDEO
Tel: 80-2586
Telex: Public Booth 901
A,CM,E,M

Guillermo Kraft del Uruguay S.A.
Av. Lib. Brig. Gen. Lavalleja 2063
MONTEVIDEO
Tel: 234588, 234808, 208830
Telex: 22030 ACTOUR UY
P

ZIMBABWE
Field Technical Sales
45 Kelvin Road, North
P.B. 3458
SALISBURY
Tel: 705 231
Telex: 4-122 RH
G,E,M,P

VENEZUELA
Hewlett-Packard de Venezuela C.A.
3A Transversal Los Ruices Norte
Edificio Saye
Apartado 50833
CARACAS 1071
Tel: 239-4133
Telex: 25148 HEWPACK
A,CH,CS,E,MS,P
Colmado S.A.
Esse 2 - Sur 21 No. 149
Apartado 1053
CARACAS 1010
Tel: 571-3511
Telex: 21529 COLMODIO
M

Headquarters offices
If there is no sales office listed for your area,
contact one of these headquarters offices.

NORTH/CENTRAL

AFRICA

Hewlett-Packard S.A.
7 Rue du Bois-du-Lan
CH-1217 MEYRIN 2, Switzerland
Tel: (022) 98-96-51
Telex: 27835 hpe
Cable: HEWPACKSA Geneva

ASIA

Hewlett-Packard Asia Ltd.
6th Floor, Sun Hing Kai Center
30 Harbor Rd.
G.P.O. Box 795
HONG KONG
Tel: 5-832 3211
Telex: 66678 HEWPA HK
Cable: HEWPACK HONG KONG

CANADA

Hewlett-Packard (Canada) Ltd.
6877 Goreway Drive
MISSISSAUGA, Ontario L4V 1M8
Tel: (416) 678-9430
Telex: 610-492-4248

EASTERN EUROPE

Hewlett-Packard Ges.m.b.H.
Lishgasse 1
P.O. Box 72
A-1222 VIENNA, Austria
Tel: (222) 2365110
Telex: 3 4425 HEPA A

NORTHERN EUROPE

Hewlett-Packard S.A.
Uilensteede 475
NL-1183 AG AMSTELVEEN
T.P. Netherlands
P.O. Box 999
NL-1180 AZ AMSTELVEEN
The Netherlands
Tel: 20 437771

OTHER EUROPE

Hewlett-Packard S.A.
7 Rue du Bois-du-Lan
CH-1217 MEYRIN 2, Switzerland
Tel: (022) 98-96-51
Telex: 27835 hpe
Cable: HEWPACKSA Geneva
(Offices in the World Trade Center)

MEDITERRANEAN AND

MIDDLE EAST

Hewlett-Packard S.A.
Mediterranean and Middle East
Operations
Atrina Centre
32 Kifissias Ave.
Marousi, ATHENS, Greece
Tel: 682 88 11
Telex: 21-6588 HPAT GR
Cable: HEWPACKSA Athens

EASTERN USA

Hewlett-Packard Co.
4 Chicke Cherry Road
Rockville, MD 20850
Tel: (301) 258-2000

MIDWESTERN USA

Hewlett-Packard Co.
5201 Tollview Drive
ROLLING MEADOWS, IL 60008
Tel: (312) 255-9800

SOUTHERN USA

Hewlett-Packard Co.
P.O. Box 105005
450 Interstate N. Parkway
ATLANTA, GA 30339
Tel: (404) 955-1500

WESTERN USA

Hewlett-Packard Co.
3939 Lankersim Blvd.
LOS ANGELES, CA 91604
Tel: (213) 877-1262

OTHER INTERNATIONAL

AREAS
Hewlett-Packard Co.
Intercontinental Headquarters
3495 Deer Creek Road
PALO ALTO, CA 94304
Tel: (415) 857-1501
Telex: 034-8300
Cable: HEWPACK

END