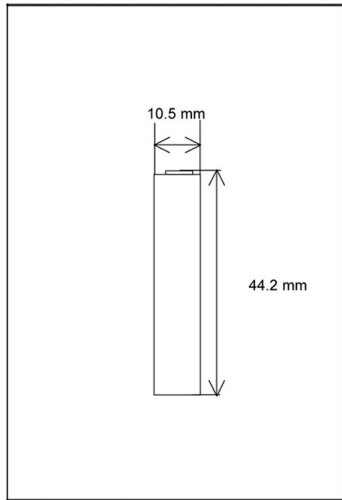


Cell Type HR-4U

Specifications



Type : Nickel-Metal Hydride Battery		Size : AAA Consumer Type	
Capacity ¹⁾	Typical	750mAh	
	Minimum	700mAh	
Nominal Voltage		1.2V	
Charging Current x Time		Fast Charge ²⁾	750mA x about 1.1Hr.
Ambient Temperature	Charge Condition	Fast Charge ²⁾	0 ~ 40 °C
		Discharge Condition	
	Storage Condition	~30days	-20 ~ 50 °C
		30~90days	-20 ~ 40 °C
90days~1year		-20 ~ 30 °C	
Internal Impedance ³⁾ (after discharge to E.V. = 1.0V)		About 35mOhms (at 1000Hz)	
Weight ⁴⁾		About 13g	
Size : (Width) x (Thickness) x (Height) ⁴⁾		0.0(D) x 0.0(T) x 44.2(H)mm	

C

o

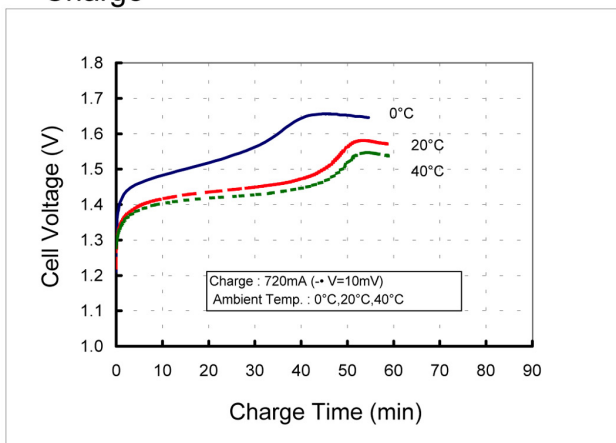
2) Use recommended charging system

3) After a few charge and discharge cycles under the above 1) condition

4) With tube

Typical Characteristics

Charge



Discharge

