



Congratulations on the purchase of your new DMI Sports Table hockey table. Our products are designed and manufactured to give you years of game playing enjoyment.

*KEEP BOX AND PACKING MATERIAL UNTIL TABLE HAS BEEN COMPLETELY ASSEMBLED.*

*ALL DAMAGE MUST BE REPORTED TO DMI WITHIN TEN DAYS OF RECEIPT.*

*If you have any problems with your new product,*

**PLEASE DO NOT RETURN IT TO THE STORE.**

Please contact us:

**1-800-399-4402**

**FAX: 215.283.9573(USA)**

Please have your model number when inquiring about parts.

Or write to:

DMI Sports

Customer Service

1300 Virginia Drive, Suite 401

Ft. Washington, PA 19034

Please visit our web site at:

**[www.dmisports.com](http://www.dmisports.com)**

When contacting DMI Sports, please provide your model number and item number (if applicable) if requesting a replacement part. Item numbers can be found inside this owners manual.

Your Model Number **HT28 Series**

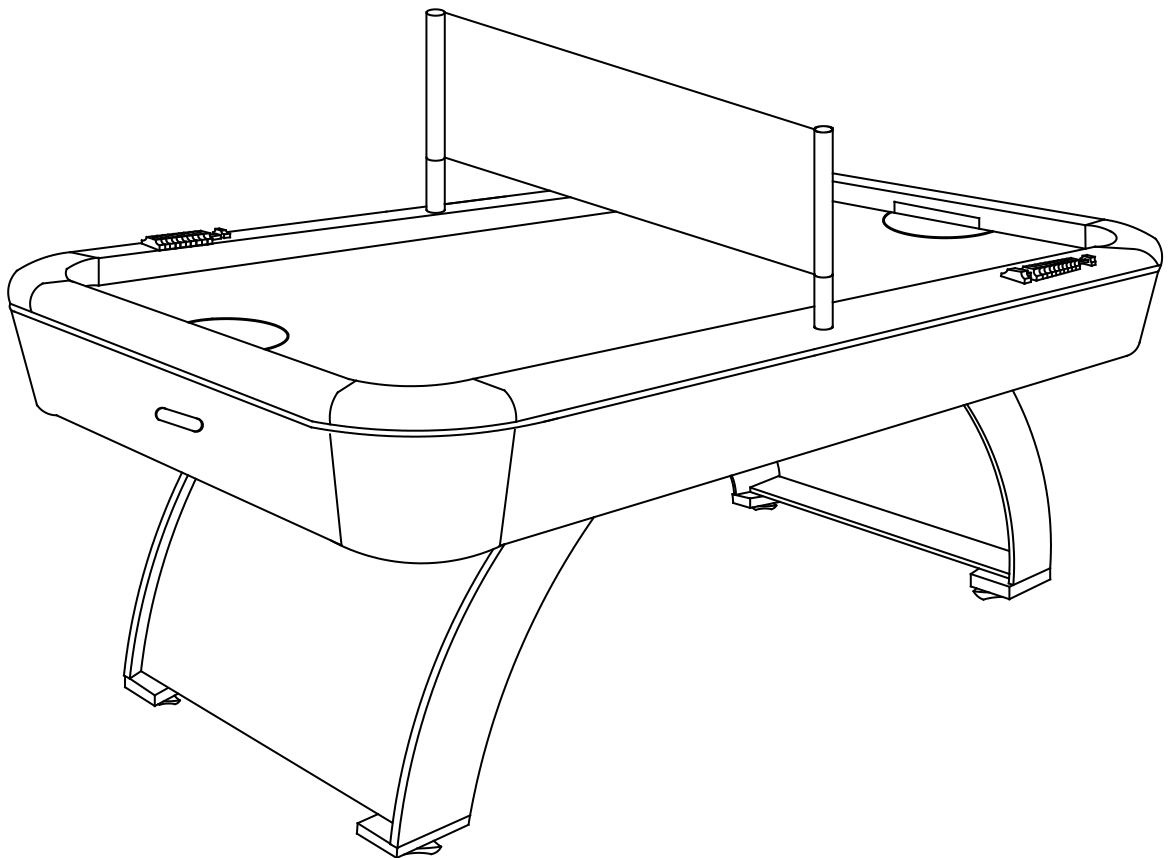
**Your model number is also located on the original carton. These instructions are also available online at: [www.dmisports.com](http://www.dmisports.com).**

# IMPORTANT!

**Please Keep Your Instructions!** (You will need your Model number should you need to contact us.) Before attempting assembly, please read through this instruction book to familiarize yourself with all the parts and assembly steps. We recommend that two adults assemble this table. Please refer to the Parts Identifier on the following page and be sure that all parts have been included. Although extremely rare, occasionally a part may be missing. If you are missing a part, or if you have any questions, please call our customer service department at 1-800-399-4402 Mon-Fri between the hours of 9:00am and 5:00pm E.S.T; or you can reach us at: [www.dmisports.com](http://www.dmisports.com).

Do not return the game to the store. Please contact us first at: 1-800-399-4402 or on our website at: [www.dmisports.com](http://www.dmisports.com).

## TWO ADULTS ARE REQUIRED TO ASSEMBLE THIS HOCKEY TABLE

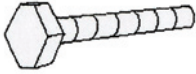
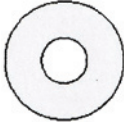



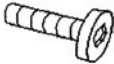
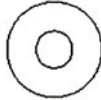






**TOOLS REQUIRED FOR ASSEMBLY:**

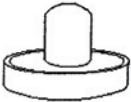




- Allen Wrench-Included
- Wrench- Included
- Level recommended-Not Included

**PARTS IDENTIFIER**

**HARDWARE PARTS**

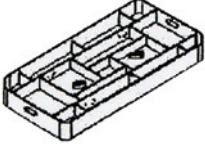







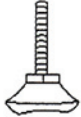

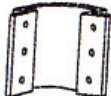
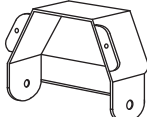
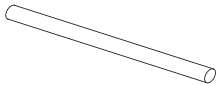
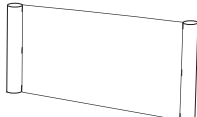


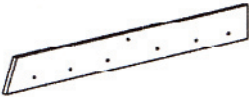


H1	Qty. 12	H2	Qty. 24	H3	Qty. 12	H4	Qty. 4
							
3/8" Bolt RPHT28-3/8BOLT		3/8" Washer RPHT28-3/8WASH		3/8" Hex Nut RPHT28-3/8NUT		1" Screw RPHT28-1SCREW	
H5	Qty. 8	H6	Qty. 16	H7	Qty. 24	H8	Qty. 16
							
2" Screw RPHT28-2SCREW		1/4" Allen Bolt RPHT28-1/4BOLT		1/4" Washer RPHT28-1/4WASH		1/4" Threaded Insert Nut RPHT28-1/4NUT	
H9	Qty. 4	H10	Qty. 24	H11	Qty. 8		
							
1/2" Screw RPHT28-1/2SCREW		5/8" Screw RPHT28-5/8SCREW		1/4" Bolt RPHT28-1/4BOLT			

**ACCESSORY PARTS**

A1	Qty. 4	A2	Qty. 4	A3	Qty. 4	A4	Qty. 1
							
Pusher RPHT-PUSH		Felt Pad RPHT-FELT		Goal Flex™ Puck RPHT-PUCK		Wrench, Multi RPHT-MWRENCH	
A5	Qty. 1						
							
1/4" Allen Tool RPHT-1/4TOOL							

## PARTS IDENTIFIER

### ASSEMBLY PARTS

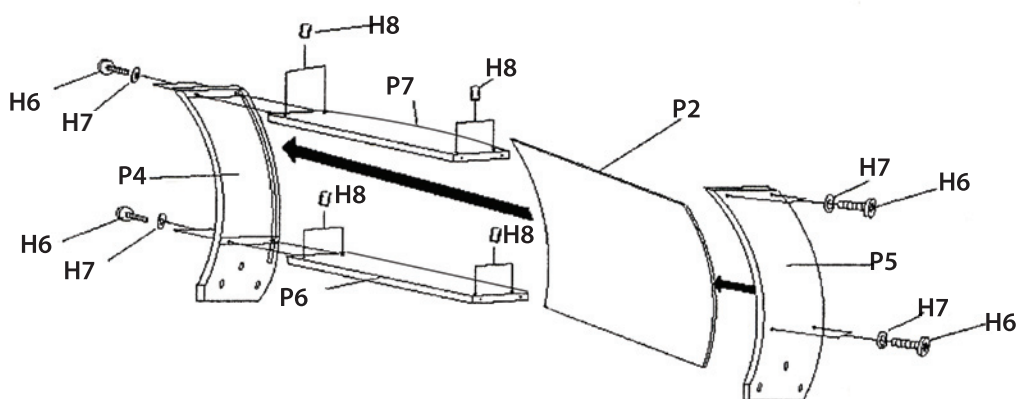
P1	Qty. 1	P2	Qty. 2	P3	Qty. 2	P4	Qty. 2
 <b>Main Frame</b> RPHT28-FRAME		 <b>Panel, Leg</b> RPHT28-PANEL		 <b>Leg Panel</b> RPHT28-LEGPNL		 <b>Right Leg</b> RPHT28-RLEG	
P5	Qty. 2	P6	Qty. 2	P7	Qty. 2	P8	Qty. 4
 <b>Left Leg</b> RPHT28-LLEG		 <b>Stretcher, Upper</b> RPHT28-UPSTRCH		 <b>Stretcher, Lower</b> RPHT28-LOWSTRC		 <b>Leg Base(Foot)</b> RPHT28-FOOT	
P9	Qty. 4	P10	Qty. 2	P11	Qty. 4	P12	Qty. 2
 <b>Leg Leveler</b> RPHT28-LEV		 <b>Slide Scorer</b> RPHT28-SCORE		 <b>Apron Corner</b> RPHT28-APRCRNR		 <b>Puck Catcher</b> RPHT28-PUCK CATCHER	
P13	Qty. 2	P14	Qty. 1	P15	Qty. 16	P16	Qty. 2
 <b>Blind Post</b> RPHT28-XSUPP2		 <b>Extreme Blind</b> RPHT28-XBLIND2		 <b>.25" X .75" Butterfly Bolt</b> RPHT28-APRONBLT		 <b>End Panel</b> RPHT28-EPANEL	
P17	Qty. 2	P18	Qty. 2	P19	Qty. 2		
 <b>Side Panel</b> RPHT28-SPANEL		 <b>End Rod Cap</b> RPHT28-ENDCAP		 <b>Plastic Insert</b> RPHT28-INSERT			

## ASSEMBLY

**NOTE:** Please leave Main Frame (P1) face down in the carton that it ships in until the legs are attached. All images are shown up-side-down until the table is turned up on its legs.

### STEP 1.

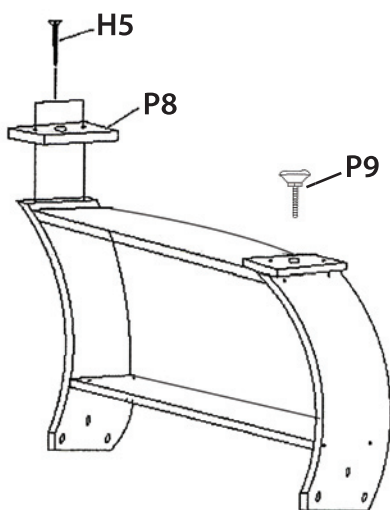
To assemble each arched leg, secure Left Leg (P5) to the Right Leg (P4) with Upper Stretcher (P6) and Lower Stretcher (P7) by screwing 1/4" Bolts (H6) and 1/4" Washer (H7) into Threaded Insert Nuts (H8) as shown below. Note: (P7) has a slight curve along the outer edge and is intended to be the bottom support. Do not tighten until you have inserted the curved Leg Panel (P2). Once the Leg Panel has been positioned in place, tighten bolts and washers firmly.



**FIG 1.1**

### STEP 2.

Secure each Leg Base (P8) with 2" Screws (H5). Be sure to secure these Leg bases evenly on both sides of arched leg structure for best appearance. Screw in Leg Levelers (P9).



### IMPORTANT

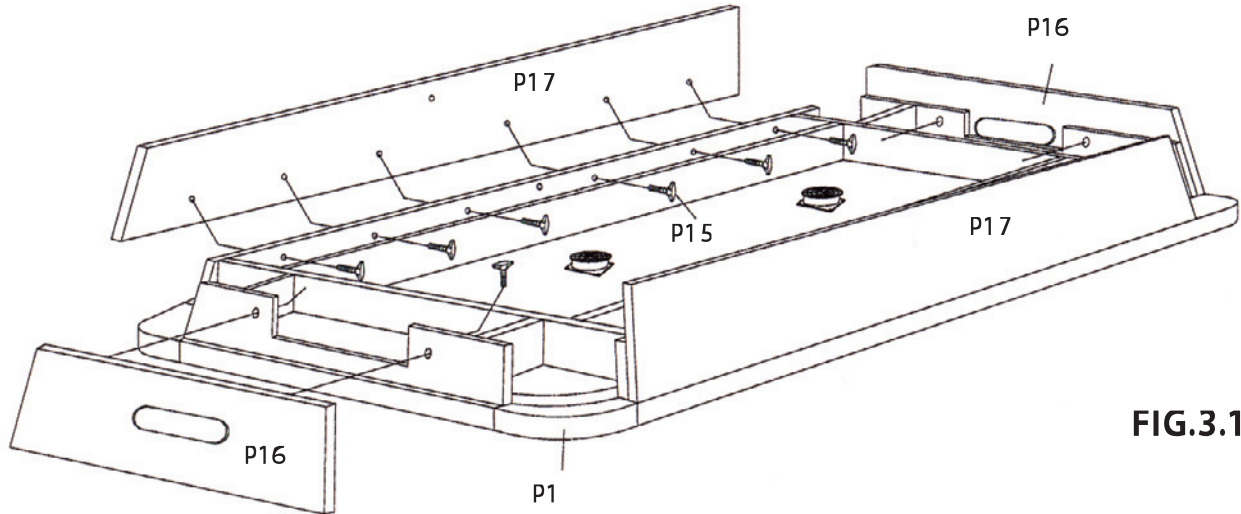
When attaching Leg Base, make sure Leg Leveler (P9) will thread completely through Leg base and slot in leg.

**FIG 2.1**

## ASSEMBLY

### STEP 3.

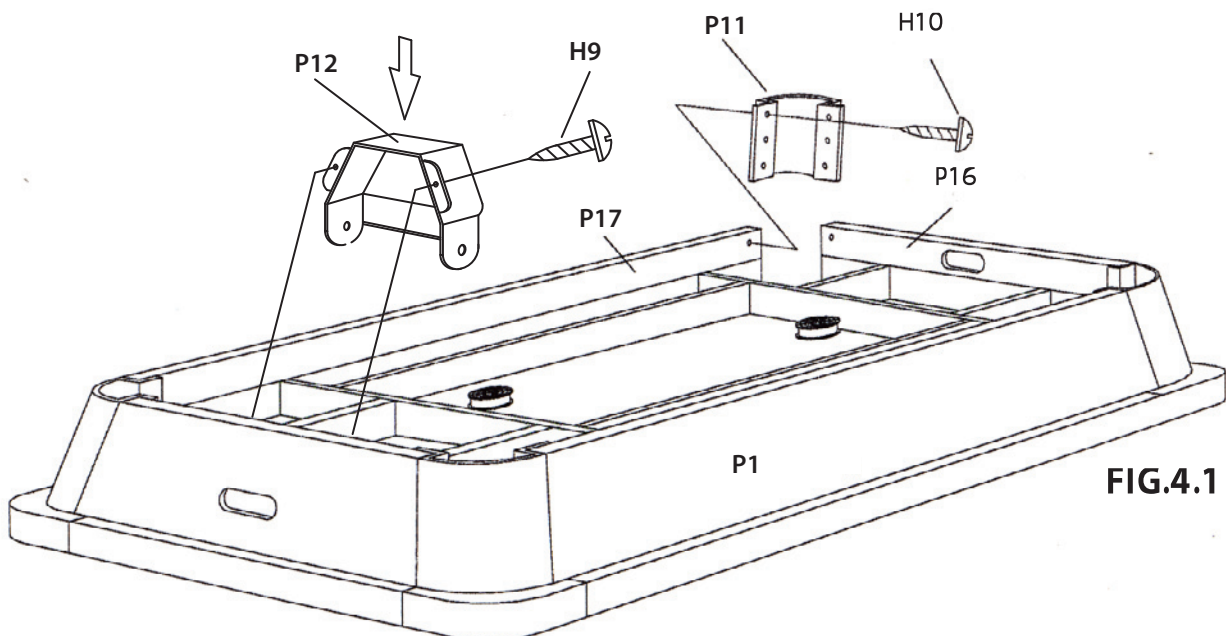
Attach Side and End Aprons (P17 and P16) to each side and end of the table cabinet using Butterfly Bolts (P15) as shown in Figure 3.1. Be sure that the finished side of the aprons are facing out.



**FIG.3.1**

### STEP 4.

Slide each Apron Corner (P11) between the Side and End Aprons (P17 and P16) as shown below in Figure 4.1. Secure Apron Corners (P11) to the Side and End Panels using 5/8" Screw (H10). Secure the puck catchers (P12) onto the ends of the main Frame (P1) using the 1/2" screws (H9).



**FIG.4.1**

## ASSEMBLY

### STEP 5.

Set each assembled leg structure between Main Frame (P1) support beams as indicated in Fig. 5.1 and secure tightly with Bolt (H1), Washer (H2) and Hex Nut ( H3 ). Attach the Leg panels ( P3 ) to the Legs ( P4 and P5 ) using the 1/4" Bolt ( H11 ) and 1/4" Washer ( H7 ). DO NOT STAND ON TABLE STRUCTURE TO POSITION LEG ASSEMBLY.

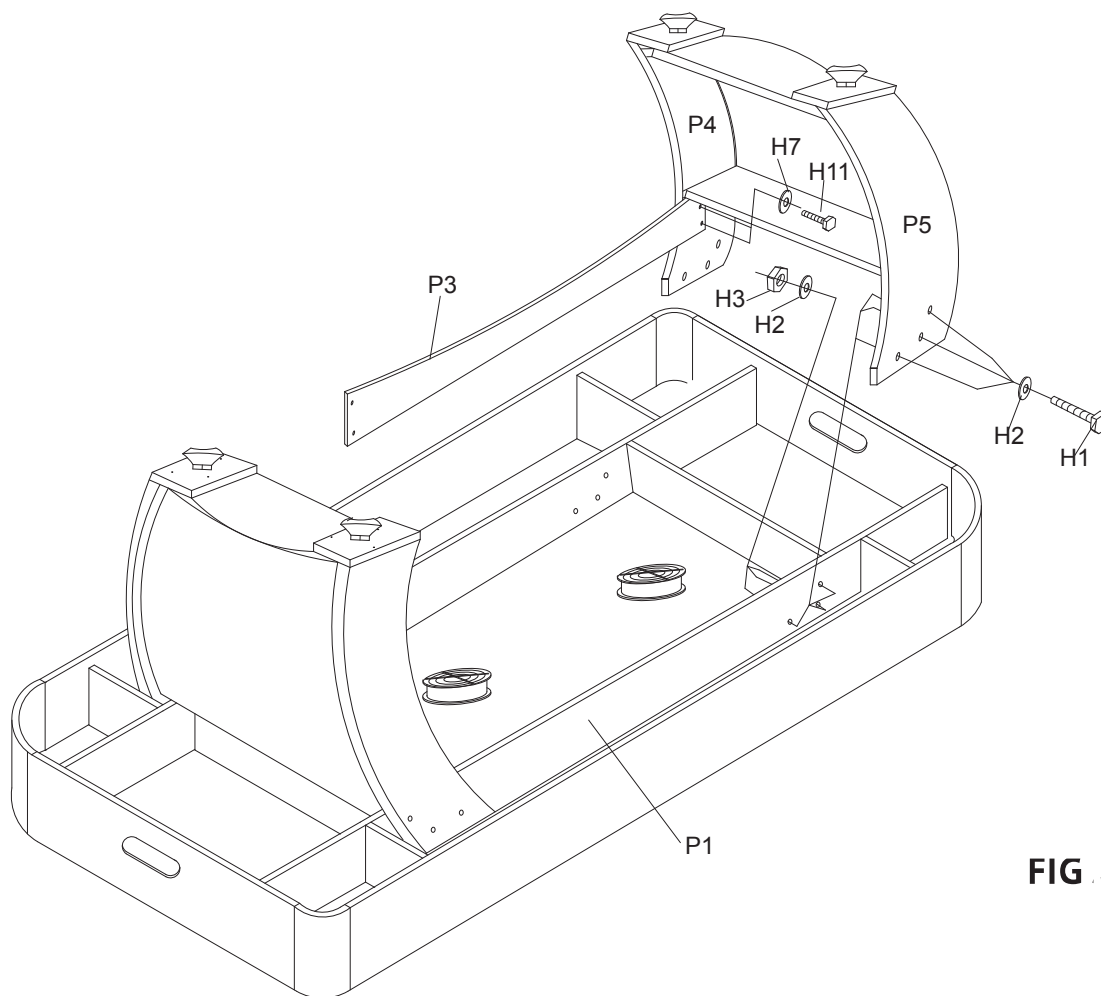


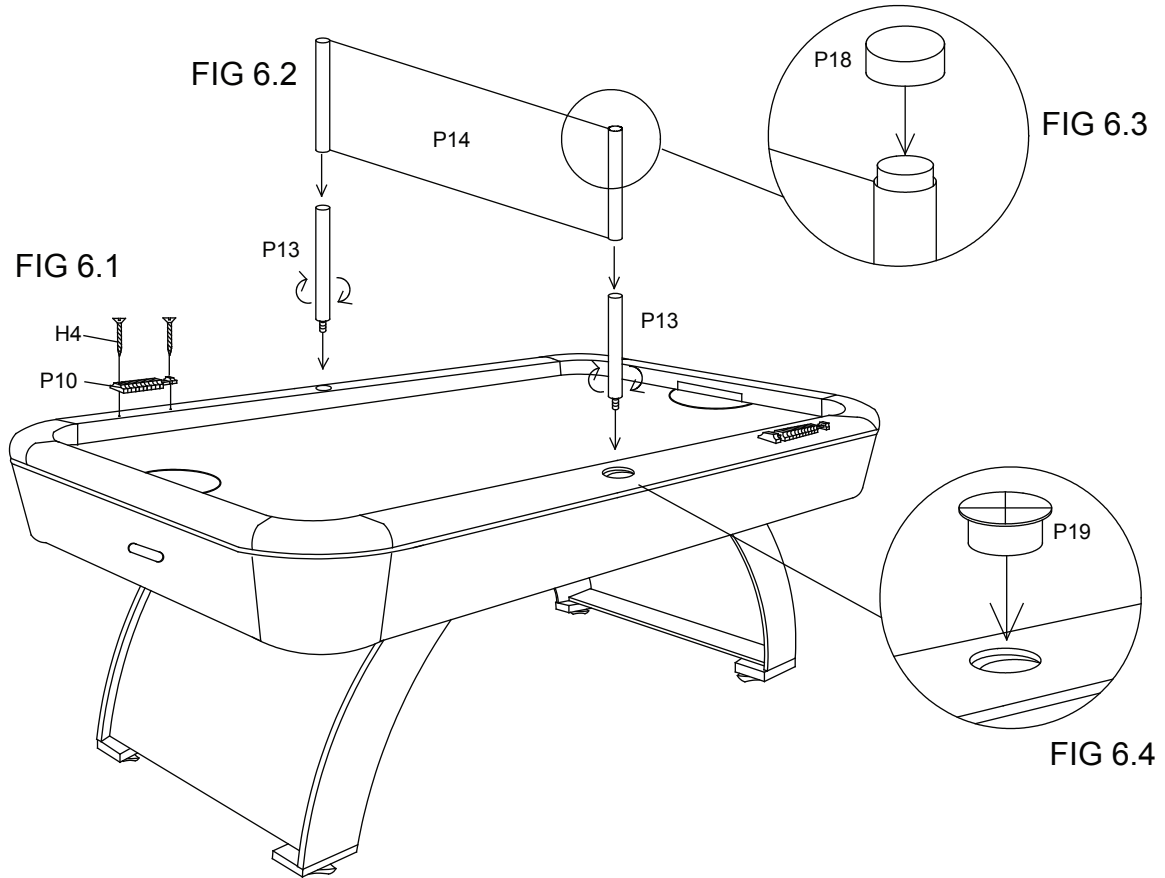
FIG. 5.

**STEP 6.**

With the assistance of at least one adult, gradually lift and turn your new Hockey Table over. Plug in the blow motor.

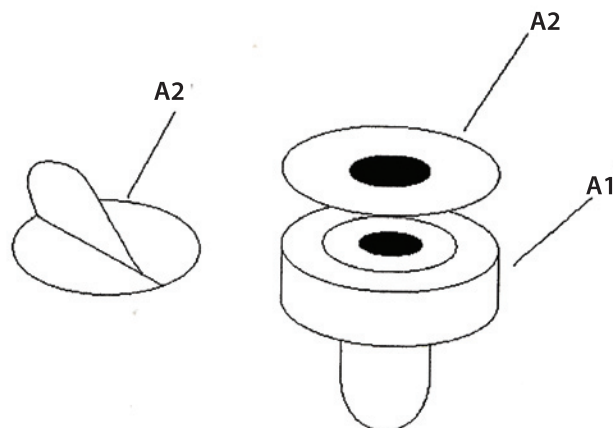
**Attaching optional Extreme Hockey Blind.**

Attach Blind Posts (P13) on each side of the table screw hole. Be sure to attach the blind posts with the tracks facing the table. Carefully slide the Blind (P14) before inserting the blind in between the two posts. Set it to your desired height. The Extreme blind is removable if traditional play is desired.



**STEP 7.**

Apply Felt Pads (A2) to the bottom of your Pushers (A1). Congratulations, you're ready to play!





**PARTS RE-ORDER FORM****HT28 Table Hockey table**Send this form along with your  
check or money order payable to:**DMI SPORTS**

1300 Virginia Drive, Suite 401

Ft. Washington, PA 19034

[www.dmisports.com](http://www.dmisports.com)

DATE: \_\_\_\_\_

NAME: \_\_\_\_\_

ADDRESS: \_\_\_\_\_ PHONE: \_\_\_\_\_

CITY: \_\_\_\_\_ STATE: \_\_\_\_\_ ZIP CODE: \_\_\_\_\_

REF	QTY	PART#	DESCRIPTION	UNIT PRICE	TOTAL AMOUNT
H1		RPHT28-3/8"BOLT	3/8" Bolt (ea.)	.25	
H2		RPHT28-3/8WASH	3/8" Washer (ea.)	.25	
H3		RPHT28-3/8NUT	3/8" Hex Nut (ea.)	.50	
H4		RPHT28-1SCREW	1" Screw (ea.)	.25	
H5		RPHT28-2SCREW	2" Screw (ea.)	.25	
H6		RPHT28-1/4BOLT	1/4" Allen Bolt (ea.)	1.00	
H7		RPHT28-1/4WASH	1/4" Washer (ea.)	.25	
H8		RPHT28-1/4NUT	1/4" Threaded Insert Nut (ea.)	.50	
H9		RPHT28-1/2SCREW	1/2" Screw (ea.)	.25	
H10		RPHT28-5/8SCREW	5/8" Screw (ea.)	.25	
H11		RPHT28-1/4BOLT	1/4" Bolt (ea.)	.25	
P2		RPHT28-PANEL	Panel, Leg (ea.)	15.00	
P3		RPHT28-LEGPL	Leg panel (ea.)	10.00	
P4		RPHT28-RLEG	Right Leg (ea.)	20.00	
P5		RPHT28-LLEG	Left leg (ea.)	20.00	
P6		RPHT28-UPSTRCH	Stretcher, Upper (ea.)	15.00	
P7		RPHT28-LOWSTRC	Stretcher, Lower (ea.)	15.00	
P8		RPHT28-FOOT	Leg Base (Foot) (ea.)	7.50	
P9		RPHT28-LEV	Leg Leveler (ea.)	4.00	
P10		RPHT28-SCORE	Slide Scorer (ea.)	7.00	
P11		RPHT28-APRCRNR	Apron Corner (ea.)	7.00	
P12		RPHT28-PUCKCATCHER	Puck Catcher (ea.)	3.00	
P13		RPHT28-XSUPP2	Blind Post (ea.)	5.00	
P14		RPHT28-XBLIND2	Extreme Blind (ea.)	25.00	
P15		RPHT28-APRONBLT	.25" x .75 Butter- y Bolt (ea.)	.75	
P16		RPHT28-EPANEL	End Panel (ea.)	10.00	
P17		RPHT28-SPANEL	Side Panel (ea.)	.75	
P18		RPHT28-ENDCAP	End Rod Cap (ea.)	.75	
P19		RPHT28-INSERT	Plastic Insert (ea.)	15.00	
A1		RPHT-PUSH	Pusher (ea.)	2.00	
A2		RPHT-FELT	Felt Pad (ea.)	1.00	
A3		RPHT-PUCK	Puck (ea.)	1.50	
A4		RPHT-MWRENCH	Multi Wrench (ea.)	2.00	
A5		RPHT-1/4TOOL	1/4" Allen Too (ea.)	1.00	
<b>SHIPPING AND HANDLING:</b>					<b>Subtotal:</b>
<b>Up to \$15.00 add \$2.00 for S&amp;H</b>			<b>PA Residents Add 6% State Sales Tax:</b>		
<b>Over \$15.00 add \$8.00 for S&amp;H</b>			<b>Shipping and Handling Charges:</b>		

**Console add \$5.00 for S&H****TOTAL:**

DMI Sports

For Customer Service Call 1-800-399-4402