



SERVICE MANUAL

DVD Player + Video Cassette Recorder

HV-DX2E

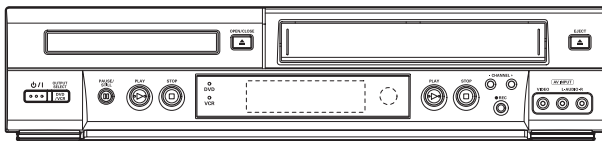
(Product Code : 143 187 08)
(U.K.)

HV-DX2EV

(Product Code : 143 187 10)
(Europe)

HV-DX2SP

(Product Code : 143 187 09)
(Spain)



HV-DX2E



CAUTION

This product utilizes a laser.

The adjustment other than those specified herein may result in hazardous radiation exposure.

CONTENTS

SECTION 1	SUMMARY
SECTION 2	CABINET & MAIN CHASSIS
SECTION 3	ELECTRICAL
SECTION 4	MECHANISM OF VCR PART
SECTION 5	MECHANISM OF DVD PART
SECTION 6	REPLACEMENT PARTS LIST
	HV-DX2E(PAGE 6-1)
	HV-DX2EV(PAGE 6-25)
	HV-DX2SP(PAGE 6-49)

REFERENCE

WITH SECAM : HV-DX2EV
WITHOUT SECAM : HV-DX2E/HV-DX2SP
WITH VCR+ : HV-DX2E
WITH SHOW VIEW : HV-DX2EV
WITHOUT CANAL+ : HV-DX2EV/HV-DX2SP

SECTION 1

SUMMARY

CONTENTS

PRODUCT SAFETY SERVICING GUIDELINES FOR VIDEO PRODUCTS	1-3
SERVICING PRECAUTIONS	1-4
SERVICE INFORMATION FOR EEPROM IC SETTING	1-5
SPECIFICATIONS	1-6

PRODUCT SAFETY SERVICING GUIDELINES FOR VIDEO PRODUCTS

CAUTION : DO NOT ATTEMPT TO MODIFY THIS PRODUCT IN ANY WAY, NEVER PERFORM CUSTOMIZED INSTALLATIONS WITHOUT MANUFACTURER'S APPROVAL. UNAUTHORIZED MODIFICATIONS WILL NOT ONLY VOID THE WARRANTY, BUT MAY LEAD TO YOUR BEING LIABLE FOR ANY RESULTING PROPERTY DAMAGE OR USER INJURY.

SERVICE WORK SHOULD BE PERFORMED ONLY AFTER YOU ARE THOROUGHLY FAMILIAR WITH ALL OF THE FOLLOWING SAFETY CHECKS AND SERVICING GUIDELINES. TO DO OTHERWISE, INCREASES THE RISK OF POTENTIAL HAZARDS AND INJURY TO THE USER.

WHILE SERVICING, USE AN ISOLATION TRANSFORMER FOR PROTECTION FROM A.C. LINE SHOCK.

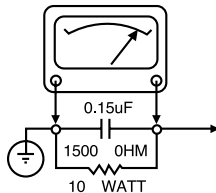
SAFETY CHECKS

AFTER THE ORIGINAL SERVICE PROBLEM HAS BEEN CORRECTED, A CHECK SHOULD BE MADE OF THE FOLLOWING.

SUBJECT : FIRE & SHOCK HAZARD

1. BE SURE THAT ALL COMPONENTS ARE POSITIONED IN SUCH A WAY AS TO AVOID POSSIBILITY OF ADJACENT COMPONENT SHORTS. THIS IS ESPECIALLY IMPORTANT ON THOSE MODULES WHICH ARE TRANSPORTED TO AND FROM THE REPAIR SHOP.
2. NEVER RELEASE A REPAIR UNLESS ALL PROTECTIVE DEVICES SUCH AS INSULATORS, BARRIERS, COVERS, SHIELDS, STRAIN RELIEFS, POWER SUPPLY CORDS, AND OTHER HARDWARE HAVE BEEN REINSTALLED PER ORIGINAL DESIGN. BE SURE THAT THE SAFETY PURPOSE OF THE POLARIZED LINE PLUG HAS NOT BEEN DEFEATED.
3. SOLDERING MUST BE INSPECTED TO DISCOVER POSSIBLE COLD SOLDER JOINTS, SOLDER SPLASHES OR SHARP SOLDER POINTS. BE CERTAIN TO REMOVE ALL LOOSE FOREIGN PARTICLES.
4. CHECK FOR PHYSICAL EVIDENCE OF DAMAGE OR DETERIORATION TO PARTS AND COMPONENTS. FOR FRAYED LEADS, DAMAGED INSULATION (INCLUDING A.C. CORD), AND REPLACE IF NECESSARY FOLLOW ORIGINAL LAYOUT, LEAD LENGTH AND DRESS.
5. NO LEAD OR COMPONENT SHOULD TOUCH A RECEIVING TUBE OR A RESISTOR RATED AT 1 WATT OR MORE. LEAD TENSION AROUND PROTRUDING METAL SURFACES MUST BE AVOIDED.
6. ALL CRITICAL COMPONENTS SUCH AS FUSES, FLAMEPROOF RESISTORS, CAPACITORS, ETC. MUST BE REPLACED WITH EXACT FACTORY TYPES, DO NOT USE REPLACEMENT COMPONENTS OTHER THAN THOSE SPECIFIED OR MAKE UNRECOMMENDED CIRCUIT MODIFICATIONS.
7. AFTER RE-ASSEMBLY OF THE SET ALWAYS PERFORM AN A.C. LEAKAGE TEST ON ALL EXPOSED METALLIC PARTS OF THE CABINET, (THE CHANNEL SELECTOR KNOB, ANTENNA TERMINALS, HANDLE AND SCREWS) TO BE SURE THE SET IS SAFE TO OPERATE WITHOUT DANGER OF ELECTRICAL SHOCK. DO NOT USE A LINE ISOLATION TRANSFORMER DURING THIS TEST USE AN A.C. VOLT-METER, HAVING 5000 OHMS PER VOLT OR MORE SENSITIVITY, IN THE FOLLOWING MANNER; CONNECT A 1500 OHM 10 WATT RESISTOR, PARALLELED BY A .15 MFD. 150.V A.C TYPE CAPACITOR BETWEEN A KNOWN GOOD EARTH GROUND (WATER PIPE, CONDUIT, ETC.) AND THE EXPOSED METALLIC PARTS, ONE AT A TIME. MEASURE THE A.C. VOLTAGE ACROSS THE COMBINATION OF 1500 OHM RESISTOR AND .15 MFD CAPACITOR. REVERSE THE A.C. PLUG AND REPEAT A.C. VOLTAGE MEASUREMENTS FOR EACH EXPOSED METALLIC PART. VOLTAGE MEASURED MUST NOT EXCEED 75 VOLTS R.M.S. THIS CORRESPONDS TO 0.5 MILLIAMPS A.C ANY VALUE EXCEEDING THIS LIMIT CONSTITUTES A POTENTIAL SHOCK HAZARD AND MUST BE CORRECTED IMMEDIATELY.

A.C. VOLTMETER



GOOD EARTH GROUND SUCH AS THE WATER PIPE, CONDUIT, ETC

PLACE THIS PROBE ON EACH EXPOSED METAL PART

SUBJECT: GRAPHIC SYMBOLS



THE LIGHTNING FLASH WITH APROWHEAD SYMBOL, WITHIN AN EQUILATERAL TRIANGLE, IS INTENDED TO ALERT THE SERVICE PERSONNEL TO THE PRESENCE OF UNSHIELDED "DANGEROUS VOLTAGE" THAT MAY BE OF SUFFICIENT MAGNITUDE TO CONSTITUTE A RISK OF ELECTRIC SHOCK.



THE EXCLAMATION POINT WITHIN AN EQUILATERAL TRIANGLE IS INTENDED TO ALERT THE SERVICE PERSONNEL TO THE PRESENCE OF IMPORTANT SAFETY INFORMATION IN SERVICE LITERATURE.

SUBJECT : X-RADIATION

1. BE SURE PROCEDURES AND INSTRUCTIONS TO ALL SERVICE PERSONNEL COVER THE SUBJECT OF X-RADIATION. THE ONLY POTENTIAL SOURCE OF X-RAYS IN CURRENT T.V. RECEIVERS IS THE PICTURE TUBE. HOWEVER, THIS TUBE DOES NOT EMIT X-RAYS WHEN THE HIGH VOLTAGE IS AT THE FACTORY SPECIFIED LEVEL. THE PROPER VALUE IS GIVEN IN THE APPLICABLE SCHEMATIC. OPERATION AT HIGHER VOLTAGES MAY CAUSE A FAILURE OF THE PICTURE TUBE OR HIGH VOLTAGE SUPPLY AND, UNDER CERTAIN CIRCUMSTANCES, MAY PRODUCE RADIATION IN EXCESS OF DESIRABLE LEVELS.
2. ONLY FACTORY SPECIFIED C.R.T. ANODE CONNECTORS MUST BE USED. DEGAUSSING SHIELDS ALSO SERVE AS X-RAY SHIELD IN COLOR SETS, ALWAYS RE-INSTALL THEM.
3. IT IS ESSENTIAL THAT SERVICE PERSONNEL HAVE AVAILABLE AN ACCURATE AND RELIABLE HIGH VOLTAGE METER. THE CALIBRATION OF THE METER SHOULD BE CHECKED PERIODICALLY AGAINST A REFERENCE STANDARD, SUCH AS THE ONE AVAILABLE AT YOUR DISTRIBUTOR.
4. WHEN THE HIGH VOLTAGE CIRCUITRY IS OPERATING PROPERLY THERE IS NO POSSIBILITY OF AN X-RADIATION PROBLEM. EVERY TIME A COLOR CHASSIS IS SERVICED, THE BRIGHTNESS SHOULD BE RUN UP AND DOWN WHILE MONITORING THE HIGH VOLTAGE WITH A METER TO BE CERTAIN THAT THE HIGH VOLTAGE DOES NOT EXCEED THE SPECIFIED VALUE AND THAT IT IS REGULATING CORRECTLY, WE SUGGEST THAT YOU AND YOUR SERVICE ORGANIZATION REVIEW TEST PROCEDURES SO THAT VOLTAGE REGULATION IS ALWAYS CHECKED AS A STANDARD SERVICING PROCEDURE. AND THAT THE HIGH VOLTAGE READING BE RECORDED ON EACH CUSTOMER'S INVOICE.
5. WHEN TROUBLESHOOTING AND MAKING TEST MEASUREMENTS IN A PRODUCT WITH A PROBLEM OF EXCESSIVE HIGH VOLTAGE, AVOID BEING UNNECESSARILY CLOSE TO THE PICTURE TUBE AND THE HIGH VOLTAGE SUPPLY. DO NOT OPERATE THE PRODUCT LONGER THAN IS NECESSARY TO LOCATE THE CAUSE OF EXCESSIVE VOLTAGE.
6. REFER TO HV. B+ AND SHUTDOWN ADJUSTMENT PROCEDURES DESCRIBED IN THE APPROPRIATE SCHEMATIC AND DIAGRAMS (WHERE USED).

SUBJECT: IMPLOSION

1. ALL DIRECT VIEWED PICTURE TUBES ARE EQUIPPED WITH AN INTEGRAL IMPLOSION PROTECTION SYSTEM, BUT CARE SHOULD BE TAKEN TO AVOID DAMAGE DURING INSTALLATION, AVOID SCRATCHING THE TUBE. IF SCRATCHED REPLACE IT.
2. USE ONLY RECOMMENDED FACTORY REPLACEMENT TUBES.

SUBJECT : TIPS ON PROPER INSTALLATION

1. NEVER INSTALL ANY PRODUCT IN A CLOSED-IN RECESS, CUBBY-HOLE OR CLOSELY FITTING SHELF SPACE. OVER OR CLOSE TO HEAT DUCT, OR IN THE PATH OF HEATED AIR FLOW.
2. AVOID CONDITIONS OF HIGH HUMIDITY SUCH AS: OUTDOOR PATIO INSTALLATIONS WHERE DEW IS A FACTOR, NEAR STEAM RADIATORS WHERE STEAM LEAKAGE IS A FACTOR, ETC.
3. AVOID PALCEMENT WHERE DRAPERIES MAY OBSTRUCT REAR VENTING. THE CUSTOMER SHOULD ALSO AVOID THE USE OF DECORATIVE SCARVES OR OTHER COVERINGS WHICH MIGHT OBSTRUCT VENTILATION.
4. WALL AND SHELF MOUNTED INSTALLATIONS USING A COMMERCIAL MOUNTING KIT. MUST FOLLOW THE FACTORY APPROVED MOUNTING INSTRUCTIONS A PRODUCT MOUNTED TO A SHELF OR PLATFORM MUST RETAIN ITS ORIGINAL FEET (OR THE EQUIVALENT THICKNESS IN SPACERS) TO PROVIDE ADEQUATE AIR FLOW ACROSS THE BOTTOM, BOLTS OR SCREWS USED FOR FASTENERS MUST NOT TOUCH ANY PARTS OR WIRING. PERFORM LEAKAGE TEST ON CUSTOMIZED INSTALLATIONS.
5. CAUTION CUSTOMERS AGAINST THE MOUNTING OF A PRODUCT ON SLOPING SHELF OR A TILTED POSITION, UNLESS THE PRODUCT IS PROPERLY SECURED.
6. A PRODUCT ON A ROLL-ABOUT CART SHOULD BE STABLE ON ITS MOUNTING TO THE CART. CAUTION THE CUSTOMER ON THE HAZARDS OF TRYING TO ROLL A CART WITH SMALL CASTERS ACROSS THRESHOLDS OR DEEP PILE CARPETS.
7. CAUTION CUSTOMERS AGAINST THE USE OF A CART OR STAND WHICH HAS NOT BEEN LISTED BY UNDERWRITERS LABORATORIES, INC. FOR USE WITH THEIR SPECIFIC MODEL OF TELEVISION RECEIVER OR GENERALLY APPROVED FOR USE WITH T.V.'S OF THE SAME OR LARGER SCREEN SIZE.
8. CAUTION CUSTOMERS AGAINST THE USE OF EXTENSION CORDS, EXPLAIN THAT A FOREST OF EXTENSIONS SPROUTING FROM A SINGLE OUTLET CAN LEAD TO DISASTROUS CONSEQUENCES TO HOME AND FAMILY.

SERVICING PRECAUTIONS

CAUTION : Before servicing the VCR+DVD covered by this service data and its supplements and addends, read and follow the *SAFETY PRECAUTIONS*. **NOTE :** if unforeseen circumstances create conflict between the following servicing precautions and any of the safety precautions in this publications, always follow the safety precautions.

Remembers Safety First:

General Servicing Precautions

1. Always unplug the VCR+DVD AC power cord from the AC power source before:
 - (1) Removing or reinstalling any component, circuit board, module, or any other assembly.
 - (2) Disconnection or reconnecting any internal electrical plug or other electrical connection.
 - (3) Connecting a test substitute in parallel with an electrolytic capacitor.
Caution : A wrong part substitution or incorrect polarity installation of electrolytic capacitors may result in an explosion hazard.
2. Do not spray chemicals on or near this VCR+DVD or any of its assemblies.
3. Unless specified otherwise in this service data, clean electrical contacts by applying an appropriate contact cleaning solution to the contacts with a pipe cleaner, cotton-tipped swab, or comparable soft applicator. Unless specified otherwise in this service data, lubrication of contacts is not required.
4. Do not defeat any plug/socket B+ voltage interlocks with which instruments covered by this service manual might be equipped.
5. Do not apply AC power to this VCR+DVD and/or any of its electrical assemblies unless all solid-state device heat sinks are correctly installed.
6. Always connect test instrument ground lead to the appropriate ground before connection the test instrument positive lead. Always remove the test instrument ground lead last.

Insulation Checking Procedure

Disconnect the attachment plug from the AC outlet and turn the power on. Connect an insulation resistance meter(500V) to the blades of the attachment plug. The insulation resistance between each blade of the attachment plug and accessible conductive parts (Note 1) should be more than 1M-ohm.

Note 1 : Accessible Conductive Parts including Metal panels, Input terminals, Earphone jacks, etc.

Electrostatically Sensitive (ES) Devices

Some semiconductor (solid state) devices can be damaged easily by static electricity. Such components commonly are called Electrostatically Sensitive (ES) Devices. Examples of typical ES devices are integrated circuits and some field effect transistors and semiconductor chip components.

The following techniques should be used to help reduce the incidence of component damage caused by static electricity.

1. Immediately before handling any semiconductor component or semiconductor-equipped assembly, drain off any electrostatic charge on your body by touching a known earth ground. Alternatively, obtain and wear a commercially available discharging wrist strap device, which should be removed for potential shock reasons prior to applying power to the unit under test.
2. After removing an electrical assembly equipped with ES devices, place the assembly on a conductive surface such as aluminum foil, to prevent electrostatic charge buildup or exposure of the assembly.
3. Use only a grounded-tip soldering iron to solder or unsolder ES devices.
4. Use only an anti-static solder removal device. Some solder removal devices not classified a "anti-static" can generate electrical charges sufficient to damage ES devices.
5. Do not use freon-propelled chemicals. These can generate electrical charge sufficient to damage ES devices.
6. Do not remove a replacement ES device from its protective package until immediately before you are ready to install it. (Most replacement ES devices are packaged with leads electrically shorted together by conductive foam, aluminum foil, or comparable conductive material).
7. Immediately before removing the protective material from the leads of a replacement ES device, touch the protective material to the chassis or circuit assembly into which the device will be installed.

Caution : Be sure no power is applied to the chassis or circuit, and observe all other safety precautions.

8. Minimize bodily motions when handling unpackaged replacement ES devices. (Normally harmless motion such as the brushing together of your clothes fabric or the lifting of your foot from a carpeted floor can generate static electricity sufficient to damage an ES device.)

SERVICE INFORMATION FOR EEPROM IC SETTING

EEPROM option code No. setting

NAME	HEX	BINARY
OPT1	00	00000000
OPT2	00	00000000
OPT3	00	00000000
OPT4	00	00000000
OPT5	00	00000000
OPT6	00	00000000

WR : OK I : EXIT MOVE : ◀ ▶
 EDIT : ▲ ▼

MASKROM : R00
 EEPROM : R00 LG CODE

MODEL	NAME	HEX	BINARY
HV-DX2E	OPT1	BC	00000000
	OPT2	45	00000000
	OPT3	8A	00000000
	OPT4	E3	00000000
	OPT5	00	00000000
	OPT6	04	00000000
HV-DX2EV	OPT1	FC	00000000
	OPT2	45	00000000
	OPT3	8A	00000000
	OPT4	F1	00000000
	OPT5	31	00000000
	OPT6	04	00000000
HV-DX2SP	OPT1	FC	00000000
	OPT2	45	00000000
	OPT3	82	00000000
	OPT4	F1	00000000
	OPT5	54	00000000
	OPT6	04	00000000

WR : OK I : EXIT MOVE : ◀ ▶
 EDIT : ▲ ▼

EEPROM option code No. setting procedure

- DETECT NEW EEPROM (OPTION EDIT SCREEN)
 - Eeprom EDIT screen automatically appears if replacing Eeprom.
 - Setup option data using the cursor Up/Down key of a remote control.
(Setup upon BOM depending on OPT1~OPT6 model)
 - Since an initial remote control is set to LG for LG model, appropriately set option data using the cursor Up/Down key.
 - For SANYO model, change a remocon key by using following JIG key.
SANYO MODEL : FRONT FF + FRONT CH UP KEY(2ND)(LG/SANYO CODE)
- EEPROM WRITED COMPLETE SCREEN
 - Writes data on EEPROM by using REMOCON "OK".
 - If completing the option data screen with a menu key, Powering Off is automatically done and the option edit screen is arranged.
- PG ADJUST
 - 1) Payback the SP standard tape
 - 2) Press the "1" key on the Remote controller and the "PLAY" key on the Front Panel at the same time, then it goes into Tracking initial mode.
 - 3) Repeat the above step(No.2), then it finishes the PG adjusting automatically.
 - 4) Stop the playback, then it goes out to PG adjusting mode after mony the PG data.
- EEPROM INITIAL
 - SETUP is displayed in the field if pressing the FRONT REC KEY with the remocon number "CLEAR" key pressed in the status of no tape.
 - AUTO SEARCH is done since the initial screen of ACMS is serviced if powering On.
 - Check basic operation (PLAY/RECORD...)

SPECIFICATIONS

General

Power requirements	AC 200-240 V , 50 Hz
Power consumption	23 W
Dimensions (approx.)	430 X 97.5 X 360 mm (w x h x d)
Mass (approx.)	5.3 kg (11.7 lbs)
Operating temperature	5°C to 40°C (41°F to 104°F)
Timer	24-hour display type
Operating humidity	5 % to 90 %

DVD Specifications

Laser	Semiconductor laser, wavelength 650 nm
Signal system	PAL
Frequency response	DVD (PCM 96 kHz): 8 Hz to 44 kHz DVD (PCM 48 kHz): 8 Hz to 22 kHz CD: 8 Hz to 20 kHz
Signal-to-noise ratio	More than 100dB (ANALOG OUT connectors only)
Harmonic distortion	Less than 0.008%
Dynamic range	More than 100 dB (DVD) More than 95 dB (CD)

Outputs

VIDEO OUT	1.0 V(P-P) 75 OHMS, SYNC NEGATIVE
AUDIO OUTPUT (DIGITAL AUDIO)	0.5 V(P-P), 75 OHMS, RCA JACK X 1
AUDIO OUTPUT (ANALOG AUDIO)	2.0 VRMS (1 KHZ, 0 DB), 330 OHMS, RCA JACK (L, R) X 1/SCART(TO TV)

VCR SPECIFICATIONS

Head system	4 heads helical scan azimuth system
Television system	PAL (B/G) colour system(HV-DX2EV/HV-DX2SP) PAL I colour system(HV-DX2E)
Recording format	PAL
RF OUT	G (HV-DX2EV/HV-DX2SP) I (HV-DX2E)
RF Modulator	UHF 22-68 (Adjustable)
Tape speed	PAL/MESECAM; 23.39 mm/s (SP), 16.69 mm/s (LP) NTSC (Playback only); 35.35 mm/s (SP), 16.67 mm/s (LP), 11.12 mm/s (EP)
Maximum recording time	SP: 4 h (E-240 tape), LP: 8 h (E-240 tape)
Rewind time	About 180 min (E-180 tape)
Input level	VIDEO: 1.0 V(p-p), 75 ohms, unbalanced AUDIO: -6.0 dBm, more than 10 kohms (SCART) -6.0 dBm, more than 47 kohms (RCA)
Output level	VIDEO: 1.0 V(p-p), 75 ohms, unbalanced AUDIO: -6.0 dBm, less than 1 kohm
Signal-to-noise ratio	VIDEO: More than 43 dB AUDIO: More than 70 dB
Dynamic range	AUDIO: More than 85 dB

Accessory:

Video cable x 1, Audio cable x 1, RF cable x 1, Remote control x 1, Batteries x 2

- Design and specifications are subject to change without notice.

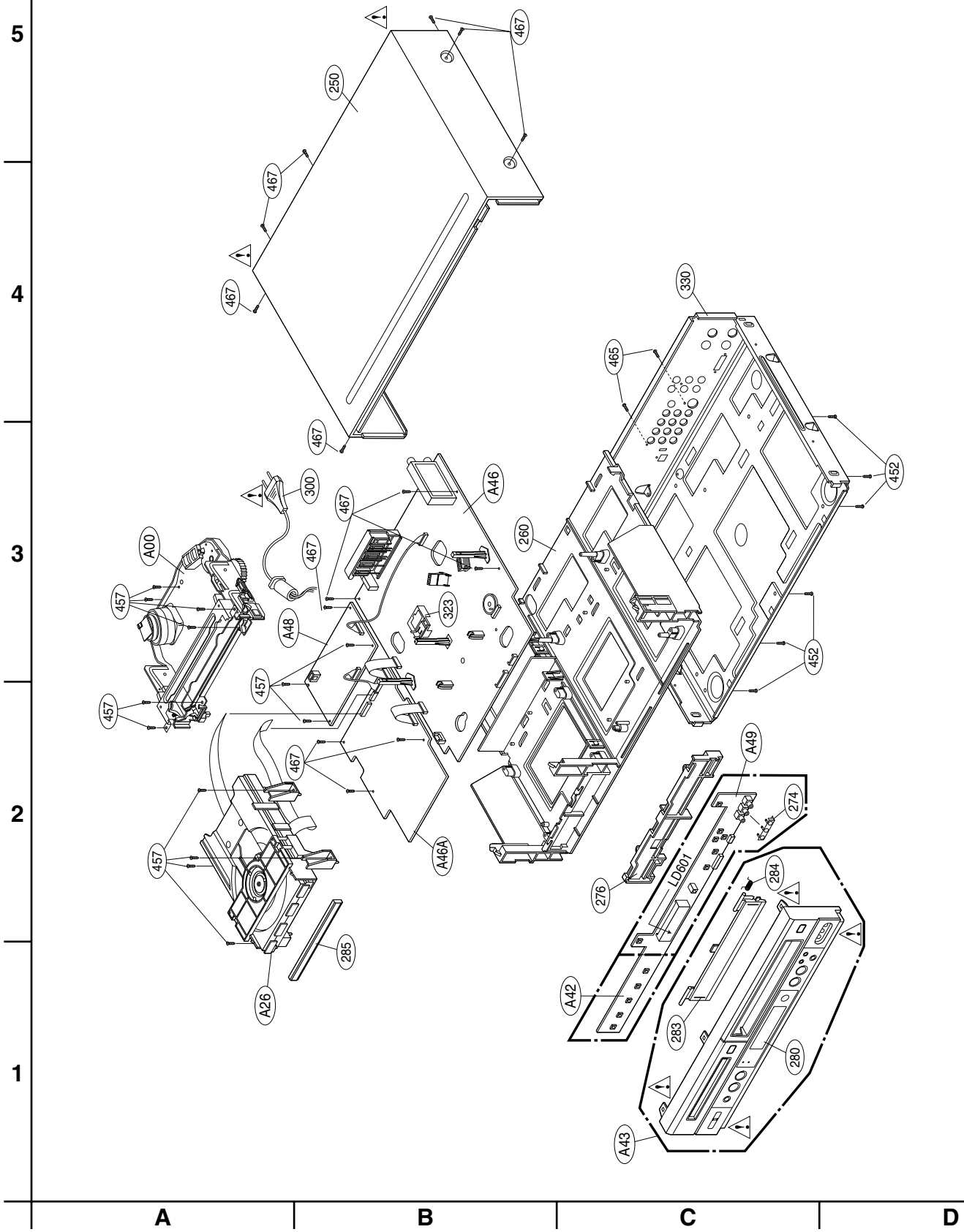
SECTION 2
CABINET & MAIN CHASSIS

CONTENTS

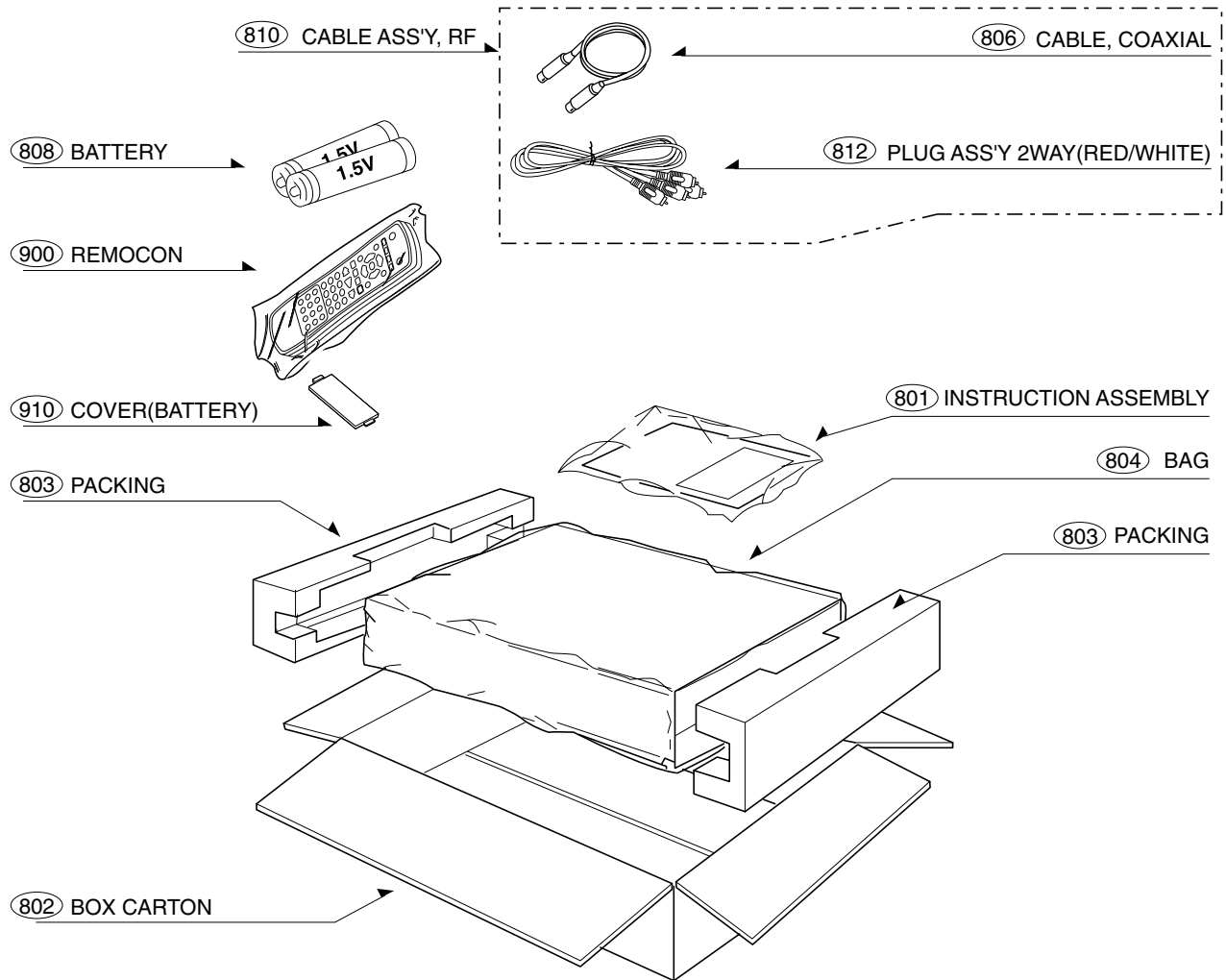
- 1. EXPLODED VIEWS2-2
 - 1. Cabinet and Main Frame Section2-2
 - 2. Packing Accessory Section2-3

EXPLODED VIEWS

1. Cabinet and Main Frame Section



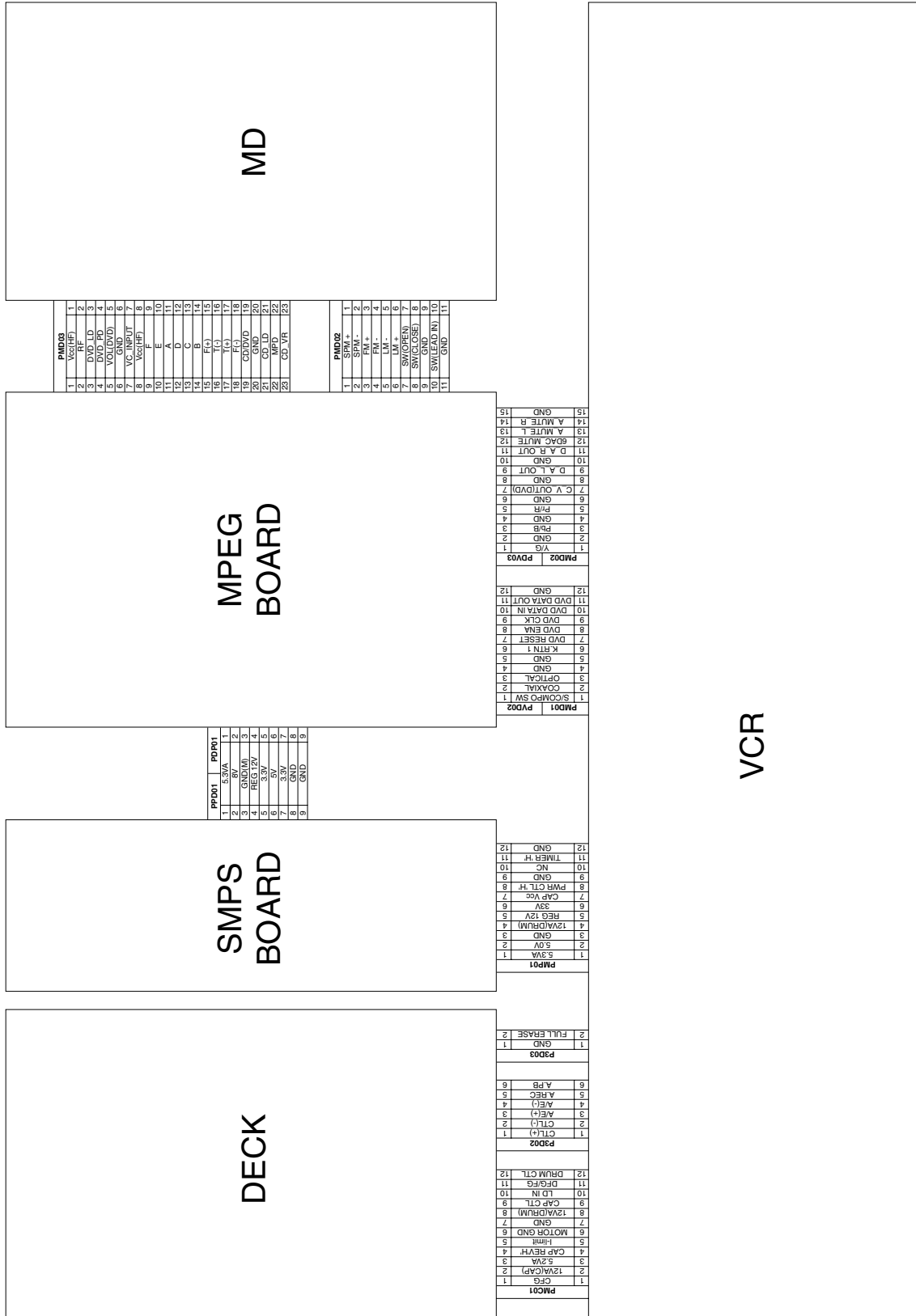
2. Packing Accessory Section



SECTION 3 ELECTRICAL CONTENTS

<p>OVERALL BLOCK DIAGRAM.....3-2</p> <p>VCR PART</p> <p>ELECTRICAL ADJUSTMENT PROCEDURES.....3-3</p> <p>ELECTRICAL TROUBLESHOOTING GUIDE.....3-4</p> <p> 1. POWER(SMPS) CIRCUIT3-4</p> <p> 2. SYSTEM/KEY CIRCUIT3-7</p> <p> 3. SERVO CIRCUIT3-8</p> <p> 4. Y/C CIRCUIT.....3-11</p> <p> 5. Hi-Fi CIRCUIT3-15</p> <p> 6. Tuner/IF CIRCUIT3-18</p> <p>BLOCK DIAGRAMS.....3-20</p> <p> 1. Power(SMPS) BLOCK DIAGRAM3-20</p> <p> 2. Tu/IF, NICAM & A2 BLOCK DIAGRAM.....3-22</p> <p> 3. VPS BLOCK DIAGRAM.....3-23</p> <p> 4. Y/C BLOCK DIAGRAM3-24</p> <p> 5. Hi-Fi BLOCK DIAGRAM3-26</p> <p> 6. SYSTEM BLOCK DIAGRAM3-28</p> <p>CIRCUIT DIAGRAMS.....3-30</p> <p> 1. Power(SMPS) CIRCUIT DIAGRAM.....3-30</p> <p> 2. TU/IF, NICAM & A2 CIRCUIT DIAGRAM3-32</p> <p> 3. A/V CIRCUIT DIAGRAM3-34</p> <p> 4. Hi-Fi CIRCUIT DIAGRAM3-36</p> <p> 5. SCART(JACK) CIRCUIT DIAGRAM3-38</p> <p> 6. SYSTEM CIRCUIT DIAGRAM3-40</p> <p> 7. TIMER CIRCUIT DIAGRAM.....3-42</p> <p> • WAVEFORMS3-44</p> <p> • CIRCUIT VOLTAGE CHART.....3-46</p> <p>PRINTED CIRCUIT DIAGRAMS.....3-50</p> <p> 1. MAIN P.C.BOARD3-50</p> <p> 2. SMPS P.C.BOARD3-52</p> <p> 3. KEY(LEFT) P.C.BOARD3-53</p> <p> 4. KEY(RIGHT) P.C.BOARD3-53</p>	<p>DVD PART</p> <p>ELECTRICAL TROUBLESHOOTING GUIDE.....3-54</p> <p> 1. μ-COM CIRCUIT.....3-54</p> <p> 2. MPEG CIRCUIT.....3-57</p> <p> 3. RF/Servo CIRCUIT.....3-58</p> <p>BLOCK DIAGRAMS.....3-62</p> <p> 1. DVD Overall Block Diagram.....3-62</p> <p> 2. RF/CD DSP/DVD DSP/DVD SERVO Block Diagram3-63</p> <p> 3. Audio Block Diagram.....3-64</p> <p> 4. MPEG Block Diagram3-65</p> <p>CIRCUIT DIAGRAMS.....3-66</p> <p> 1. DVD DSP Circuit Diagram3-66</p> <p> 2. DRIVE & RF Circuit Diagram3-68</p> <p> 3. MEMORY Circuit Diagram3-70</p> <p> 4. INTERFACE Circuit Diagram.....3-72</p> <p> 5. μ-COM/Expander Circuit Diagram3-74</p> <p> 6. Jack Circuit DIAGRAM3-76</p> <p> • WAVEFORMS3-78</p> <p> • CIRCUIT VOLTAGE CHART.....3-80</p> <p>PRINTED CIRCUIT DIAGRAMS.....3-86</p> <p> 1. MAIN P.C.BOARD (TOP VIEW).....3-86</p> <p> 2. MAIN P.C.BOARD (BOTTOM VIEW).....3-88</p>
--	---

OVERALL WIRING DIAGRAM



VCR PART

ELECTRICAL ADJUSTMENT PROCEDURES

1. Servo Adjustment

- 1) PG Adjustment
- Test Equipment

a) OSCILLOSCOPE	b) PAL MODEL : PAL SP TEST TAPE
-----------------	---------------------------------

- Adjustment And Specification

MODE	MEASUREMENT POINT	ADJUSTMENT POINT	SPECIFICATION
PLAY	V.Out H/SW(JP05, JP06)	R/C TRK JIG KEY	$6.5 \pm 0.5H$

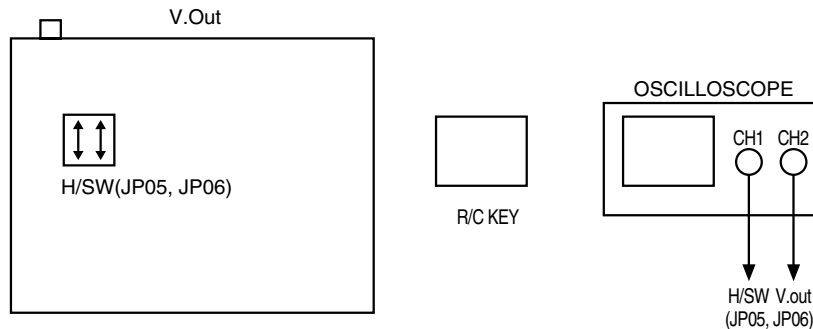
• **Adjustment Procedure**

- a) Insert the SP Test Tape and play.
 Note - Adjust the distance of X, pressing the Tracking(+) or Tracking(-) when the "ATR" is blink after the SP Test Tape is inserted.
- b) Connect the CH1 of the oscilloscope to the H/SW(JP05, JP06) and CH2 to the Video Out for the VCR.
- c) Trigger the mixed Combo Video Signal of CH2 to the CH1 H/SW(JP05, JP06), and then check the distance (time difference), which is from the selected A(B) Head point of the H/SW(JP05, JP06) signal to the starting point of the vertical synchronized signal, to $6.5H \pm 0.5H$ ($412\mu s$, $1H=63\mu s$).

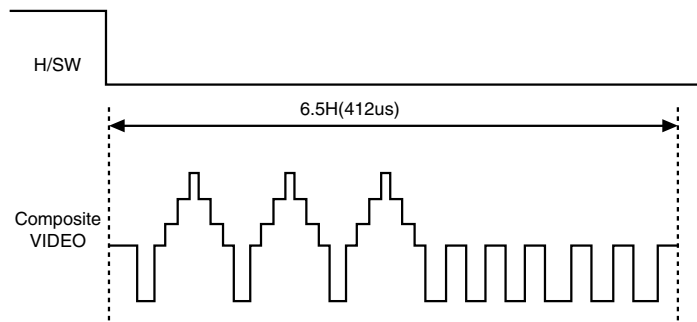
• **PG Adjustment Method**

- a-1) Payback the SP standard tape
- b-2) Press the "1" key on the Remote controller and the "PLAY" key on the Front Panel at the same time, then it goes into Tracking initial mode.
- c-3) Repeat the above step(No.b-2), then it finishes the PG adjusting automatically.
- d-4) Stop the playback, then it goes out to PG adjusting mode after many the PG data.

• **CONNECTION**



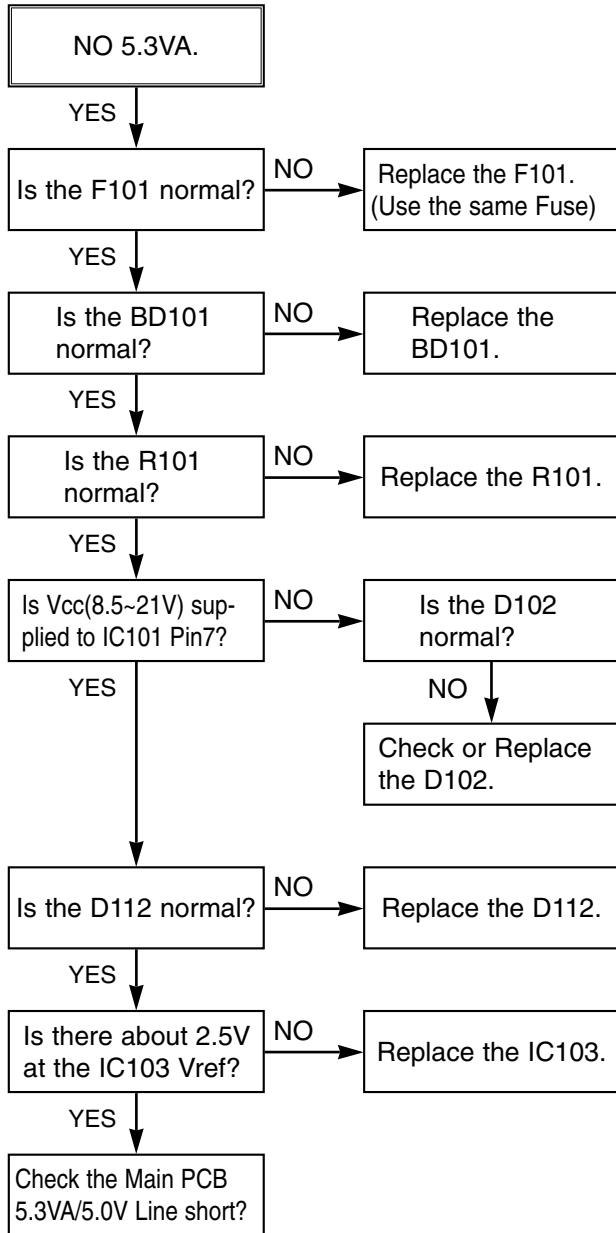
• **WAVEFORM**



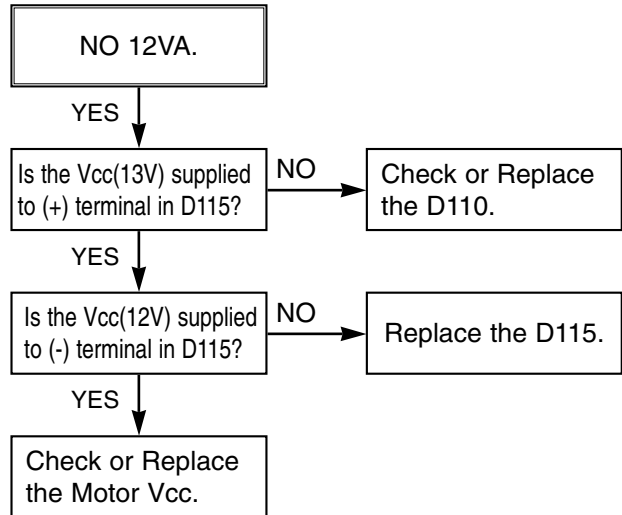
ELECTRICAL TROUBLESHOOTING GUIDE

1. Power(SMPS) CIRCUIT

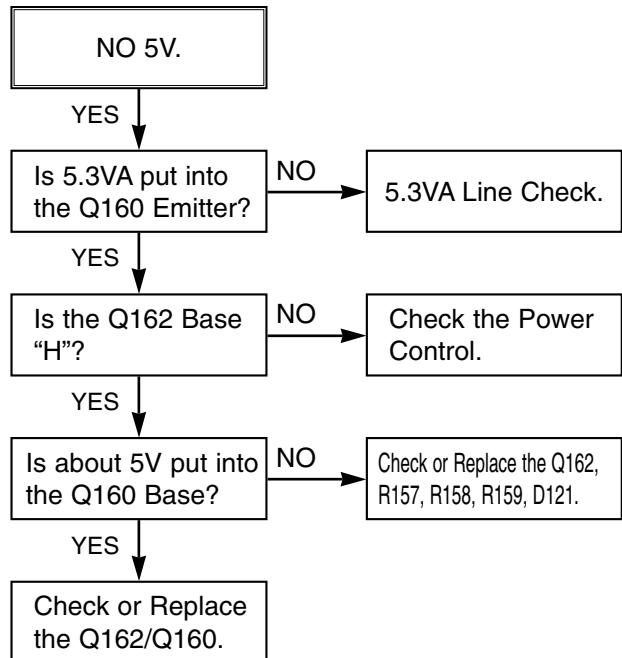
(1) No 5.3VA (SYS/Hi-Fi/TUNER)



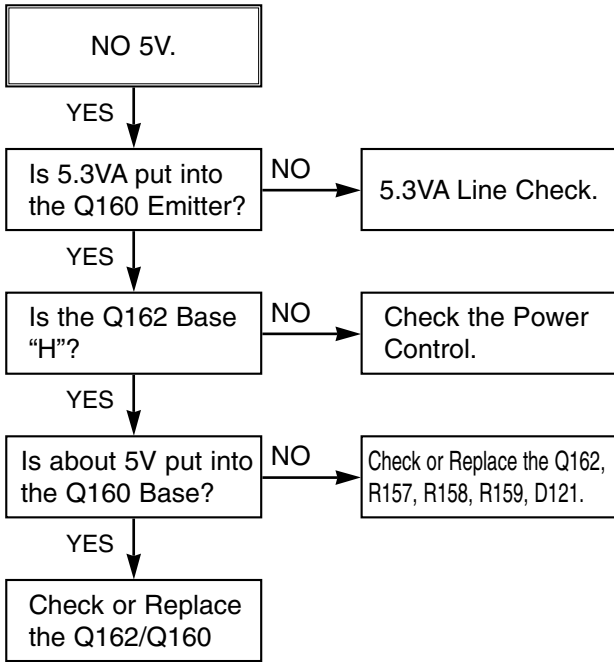
(2) No 12VA (TO CAP, DRUM MOTOR)



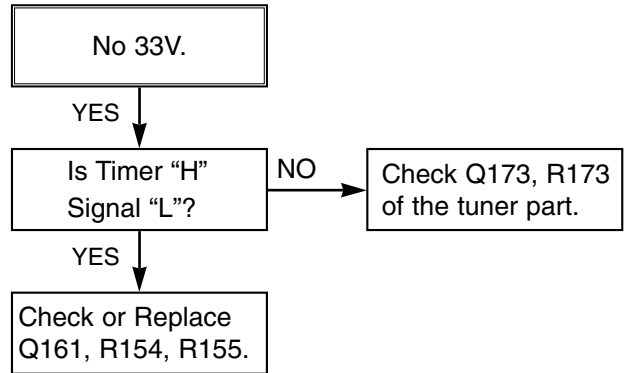
(3) No 5V (SYS/Hi-Fi/TUNER)



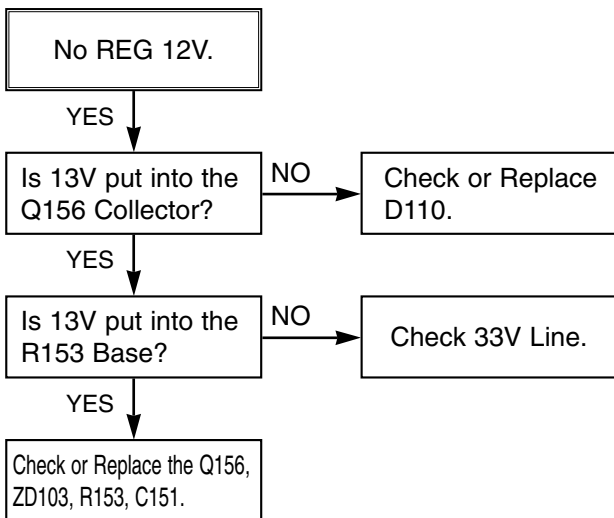
(4) No 5V (TO DVD)



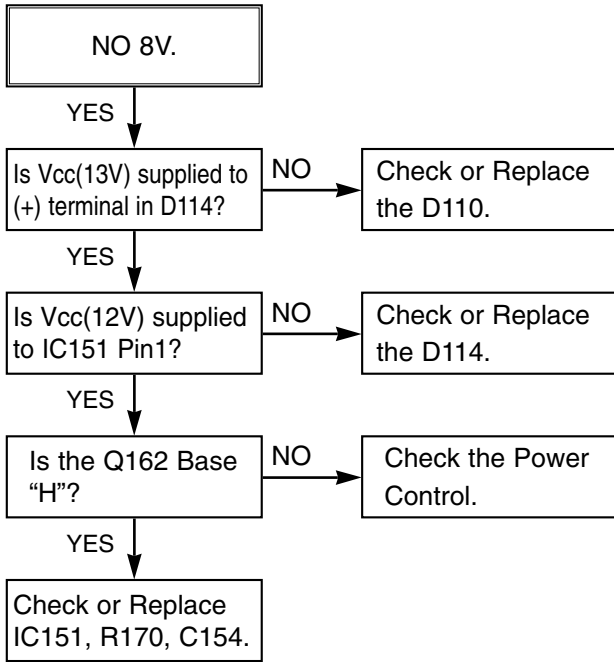
(5) No 33V (TUNER)



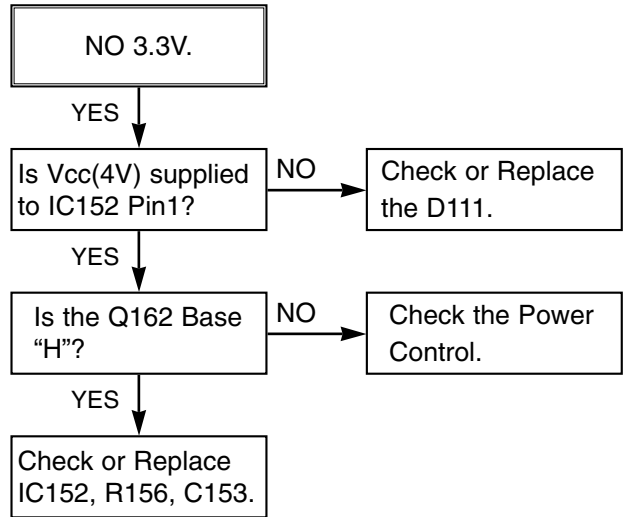
(6) No REG 12V



(7) No 8V(TO DVD)

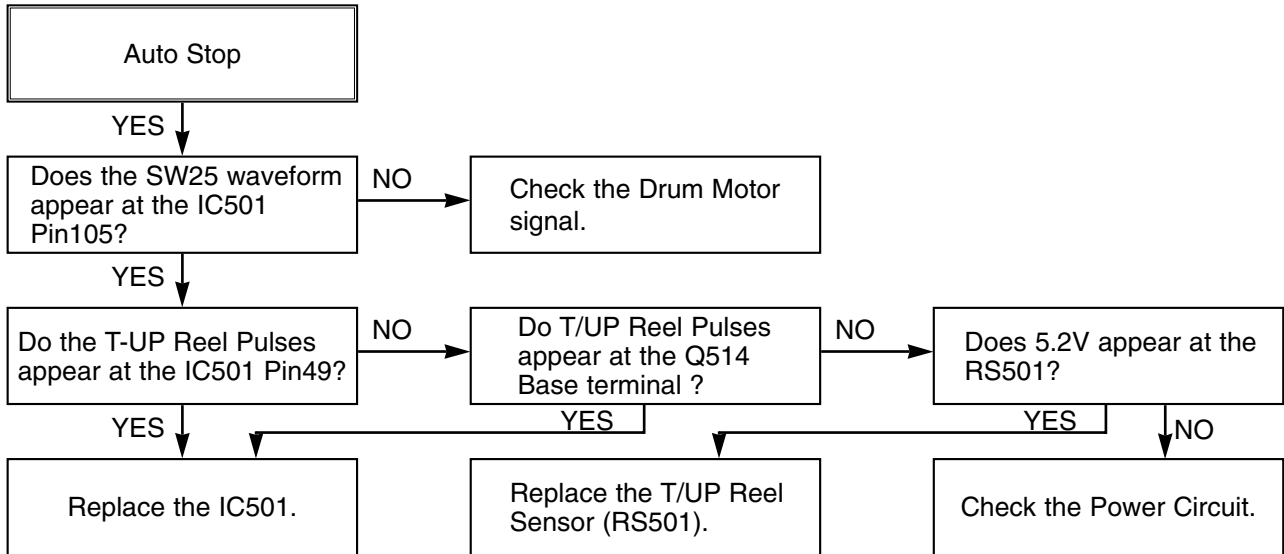


(8) No 3.3V(TO DVD)

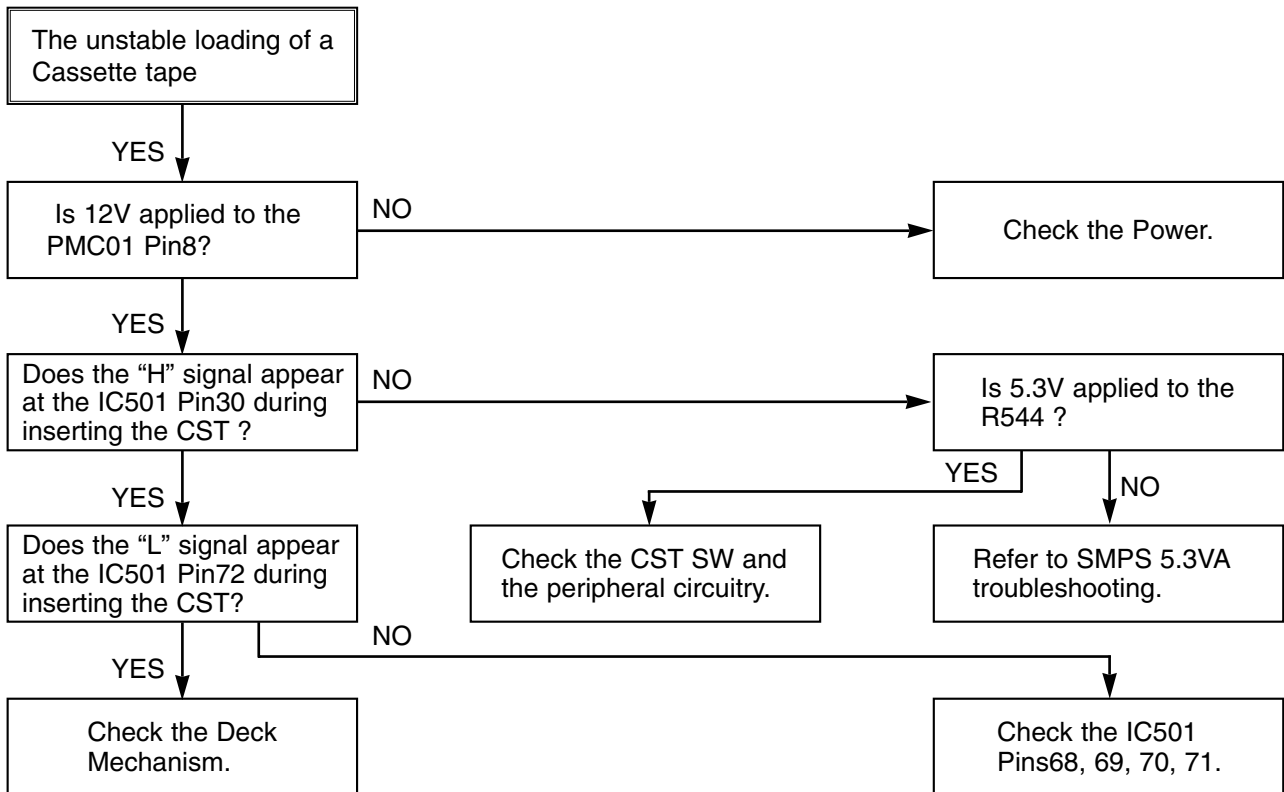


2. SYSTEM/KEY CIRCUIT

(1) AUTO STOP



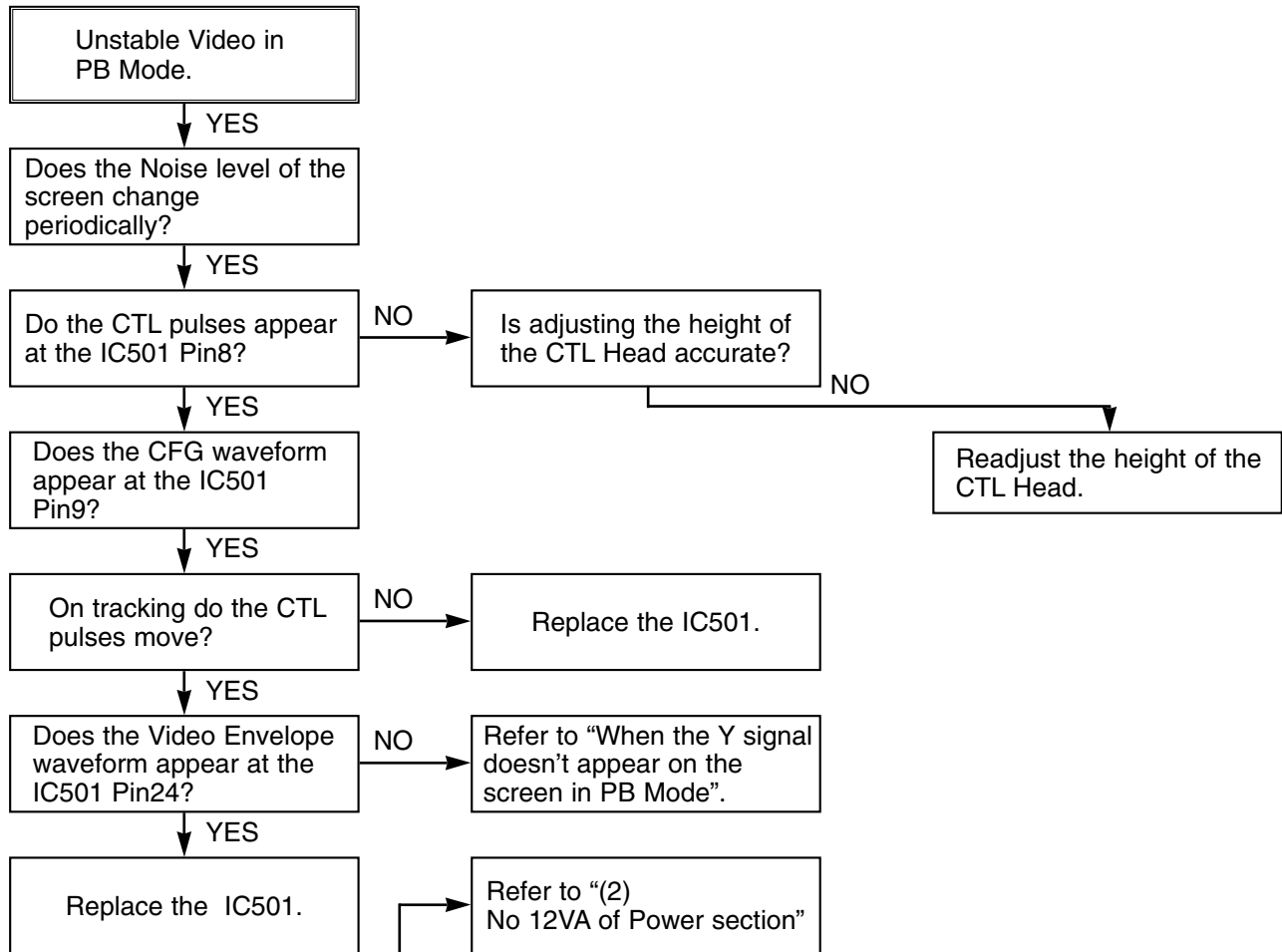
(2) The unstable loading of a Cassette tape



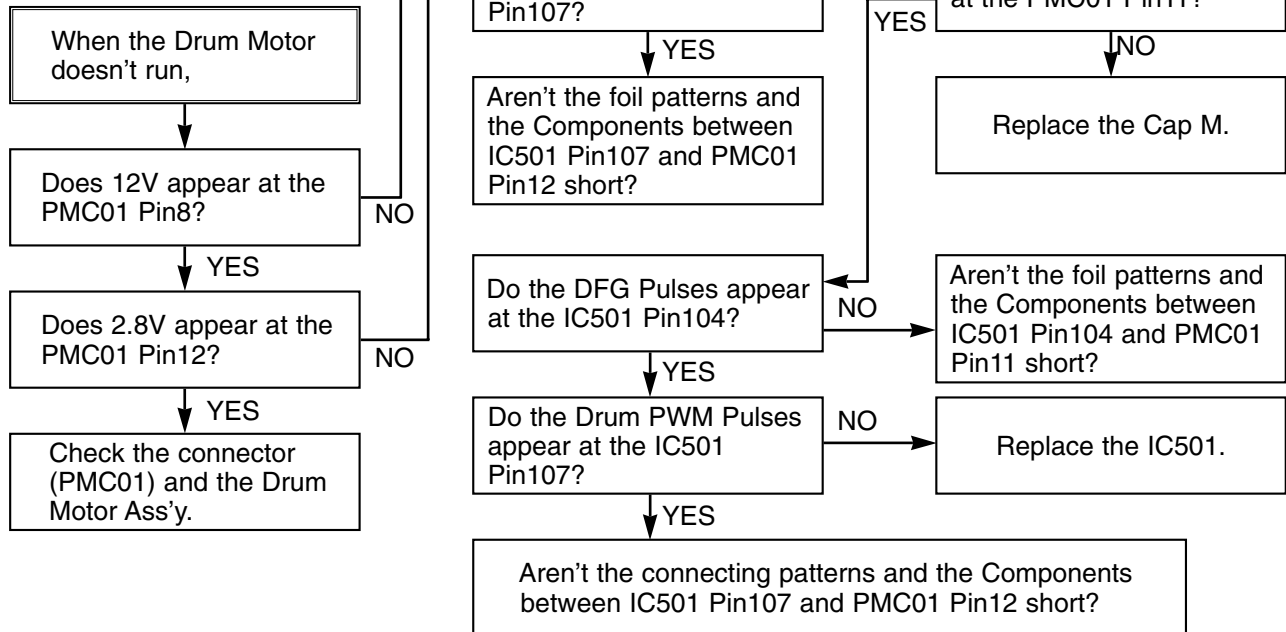
Caution : Auto stop can occur because Grease or Oil is dried up

3. SERVO CIRCUIT

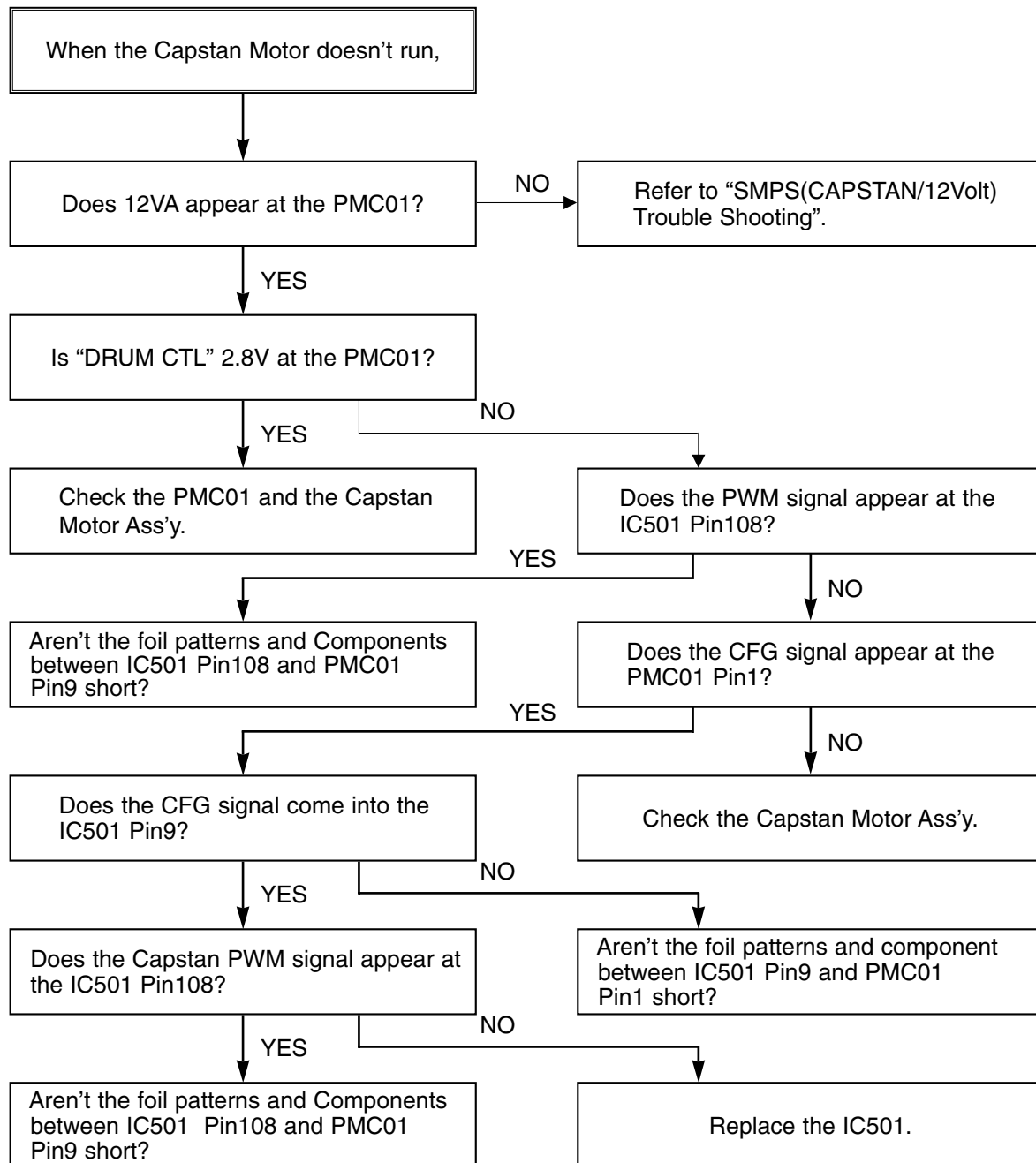
(1) Unstable Video in PB MODE



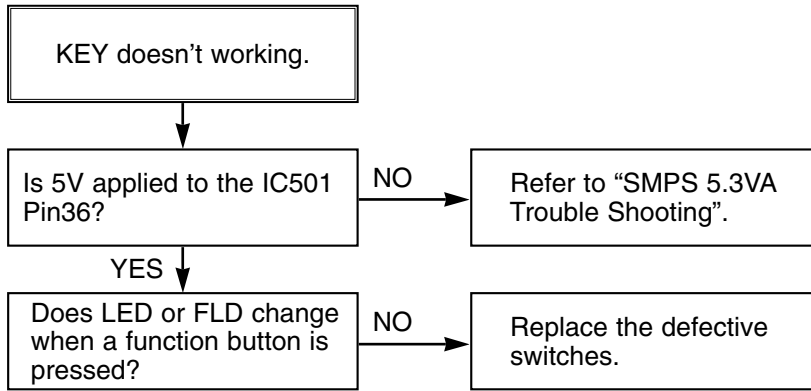
(2) When the Drum Motor doesn't run.



(3) When the Capstan Motor doesn't run,

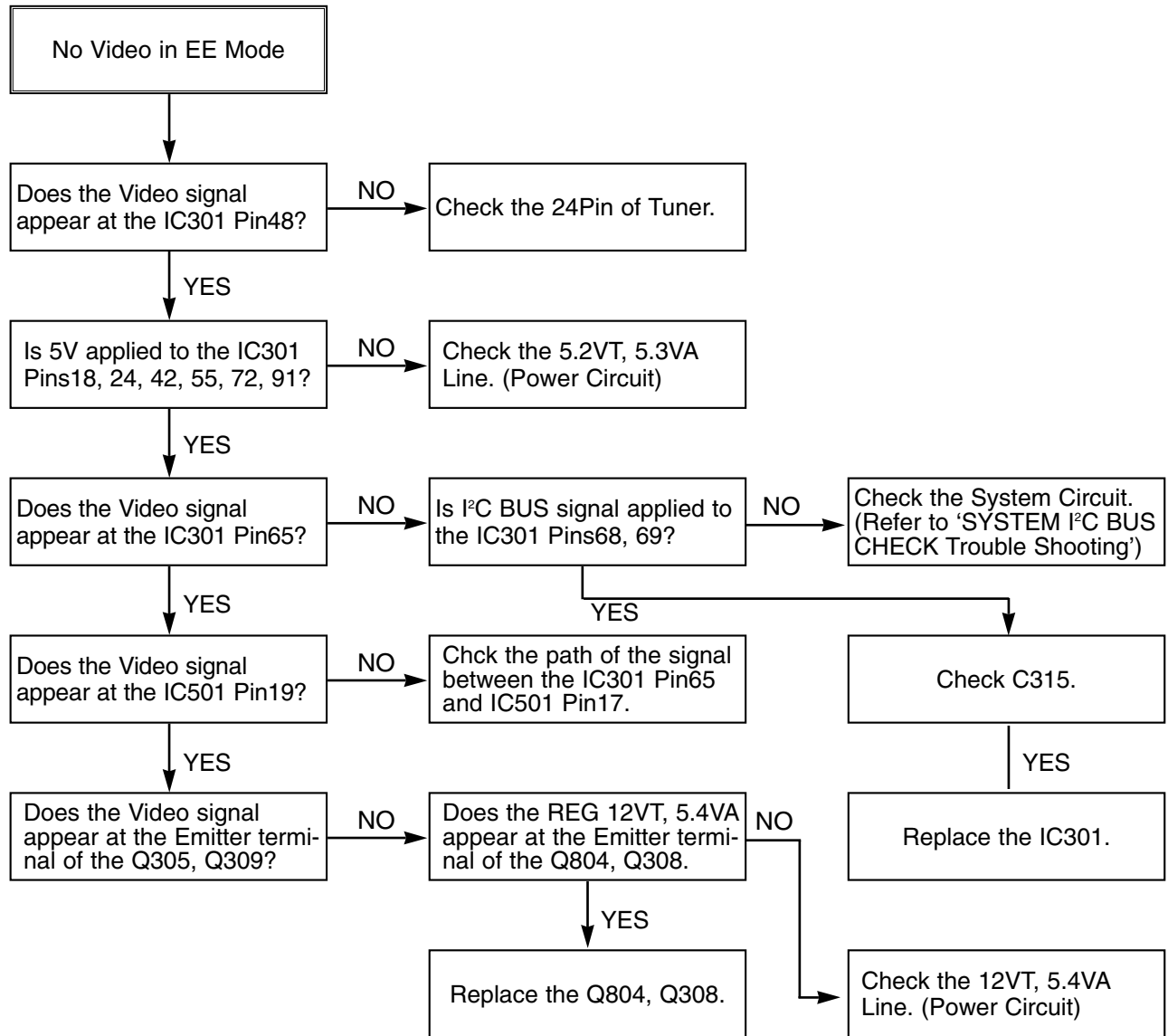


(4) KEY doesn't working

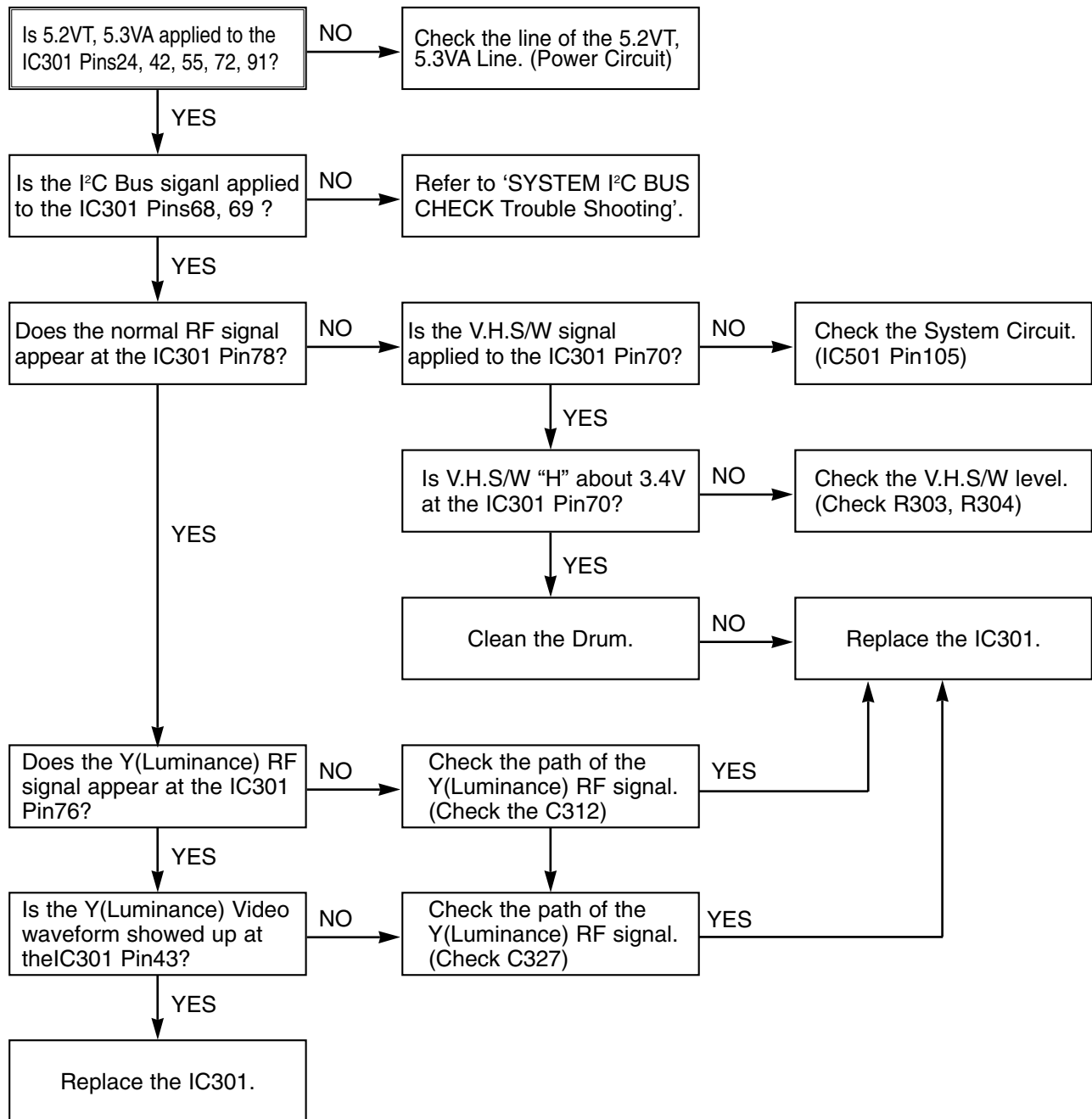


4. Y/C CIRCUIT

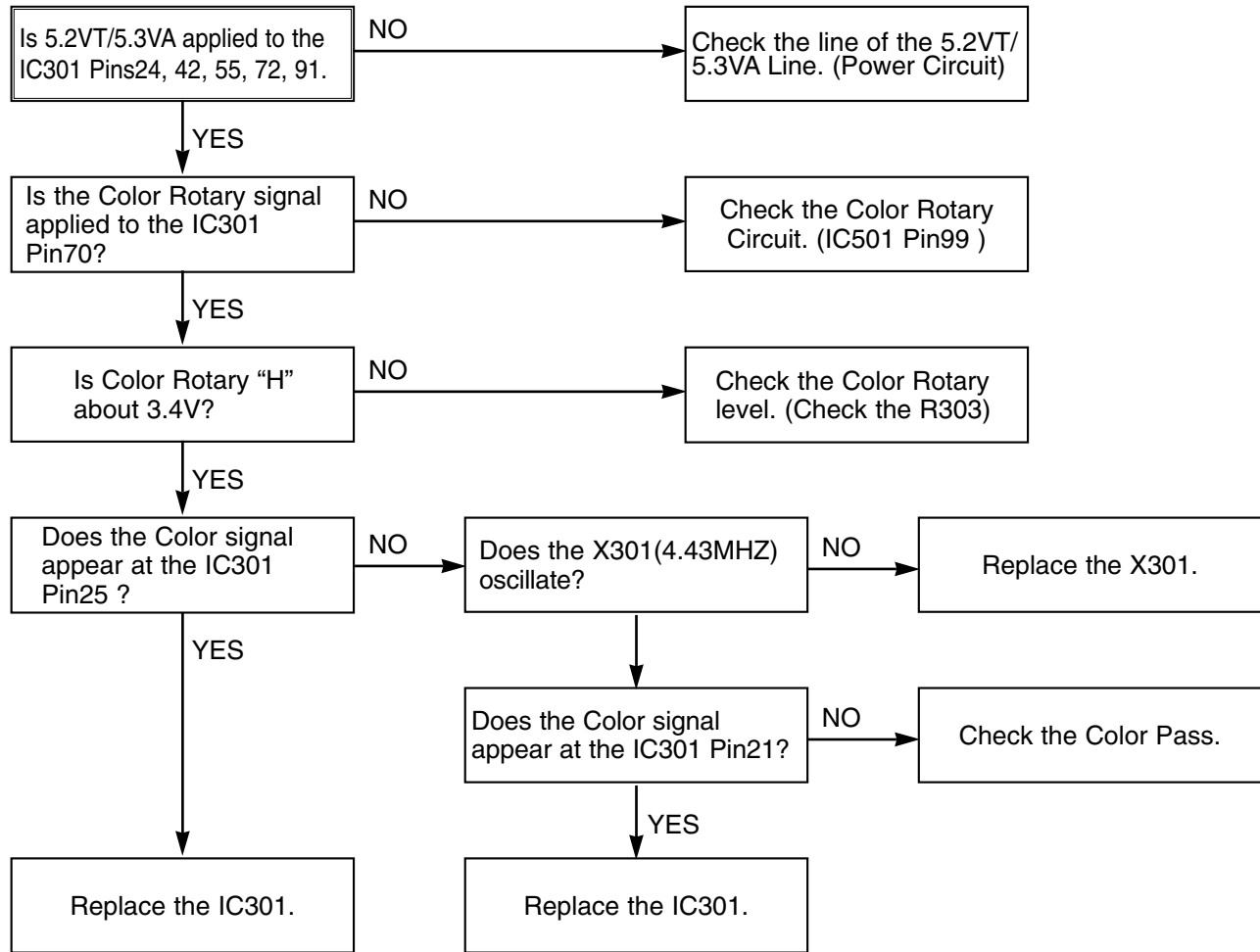
(1) No Video in EE Mode,



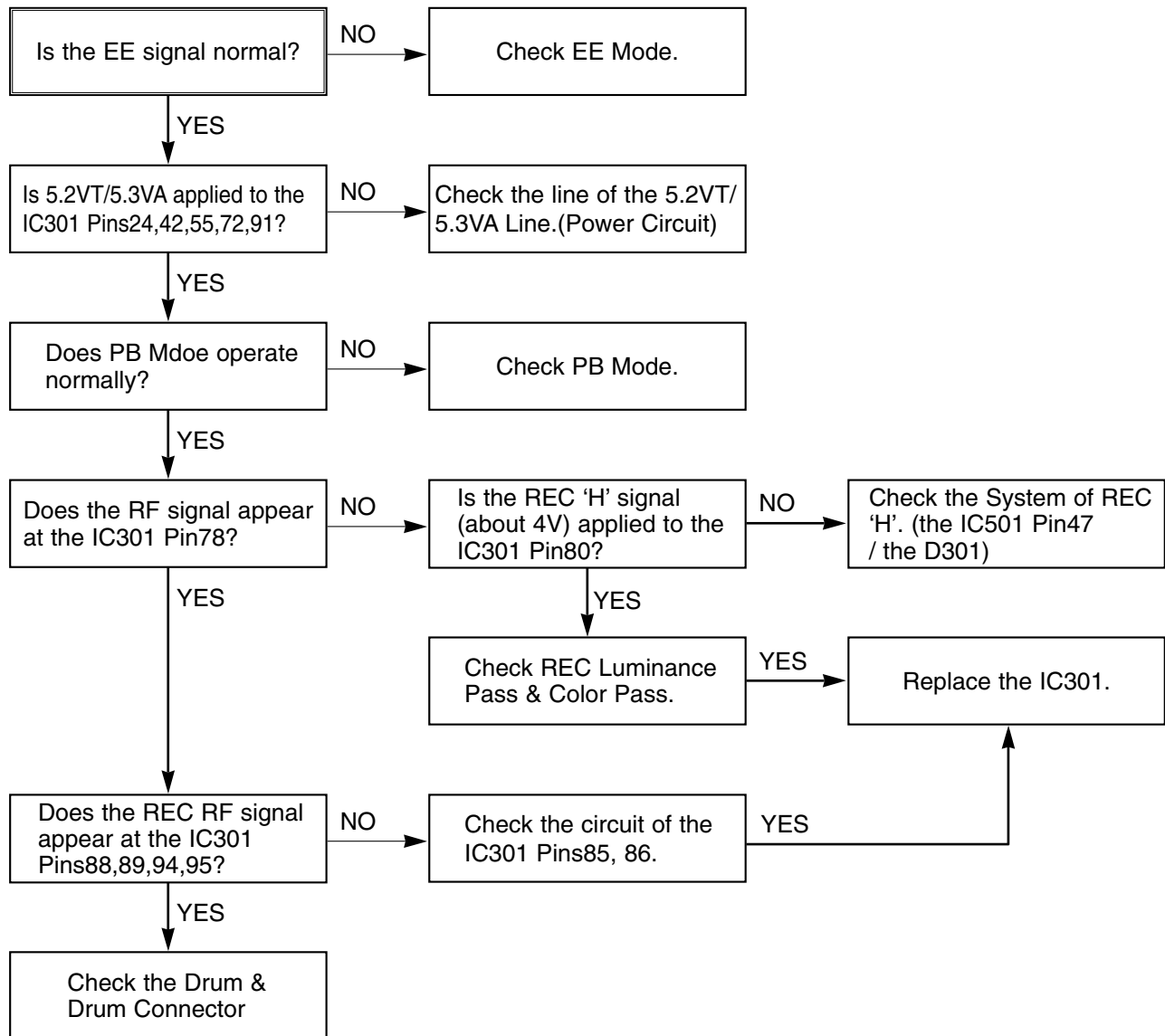
(2) When the Y(Luminance) signal doesn't appear on the screen in PB Mode,



(3) When the C(Color) signal doesn't appear on the screen in PB Mode,

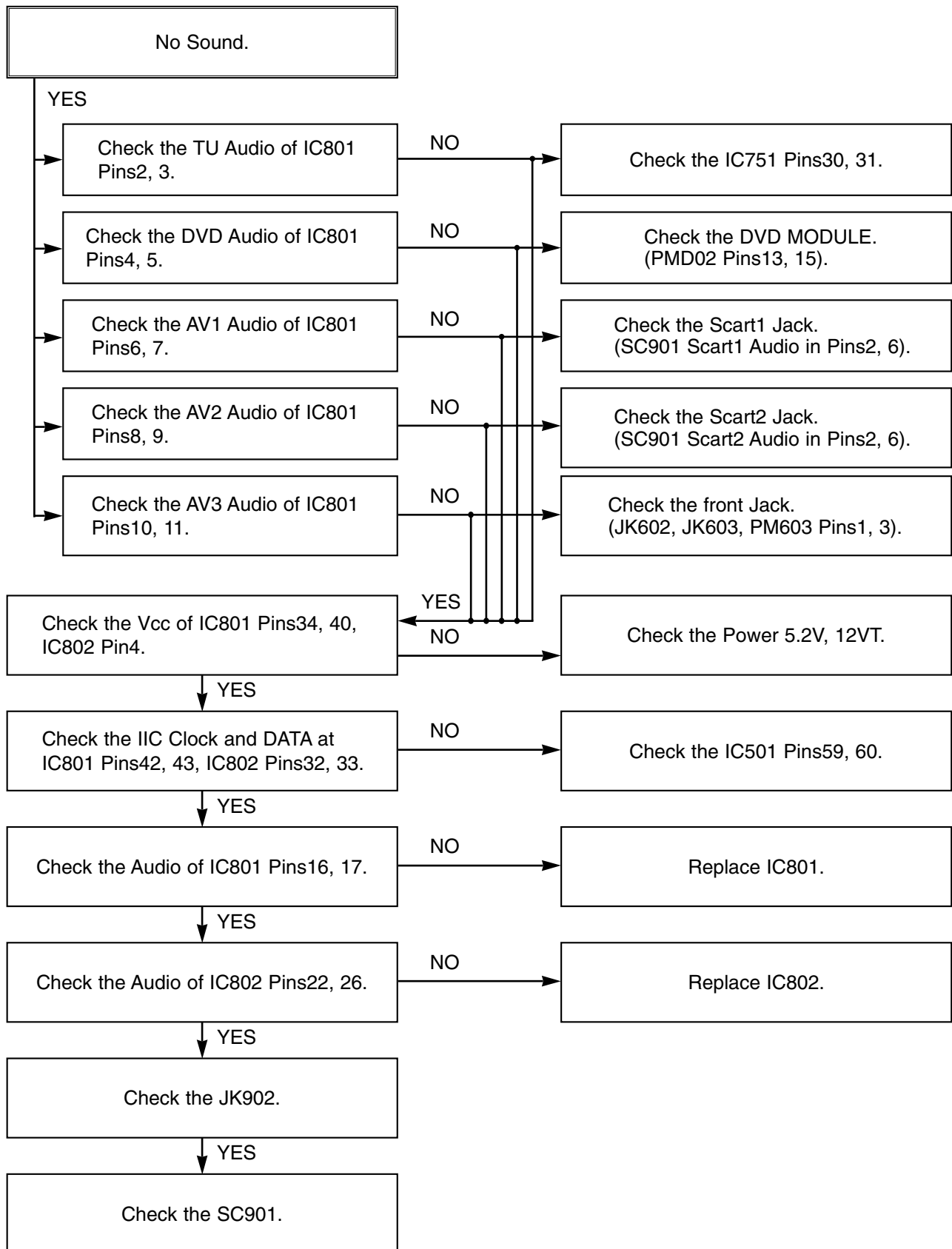


(4) When the Video signal doesn't appear on the screen in REC Mode,

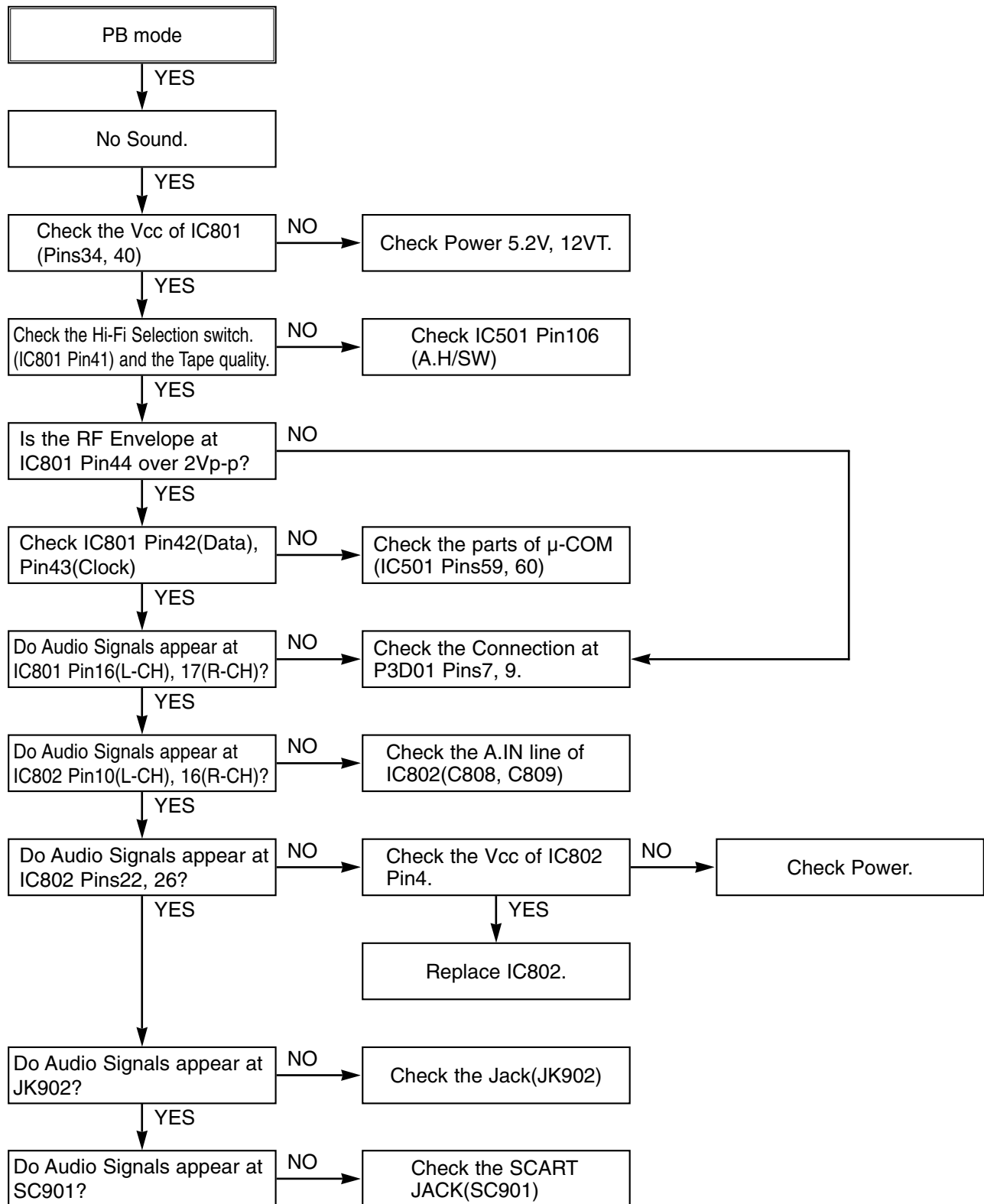


5. Hi-Fi CIRCUIT

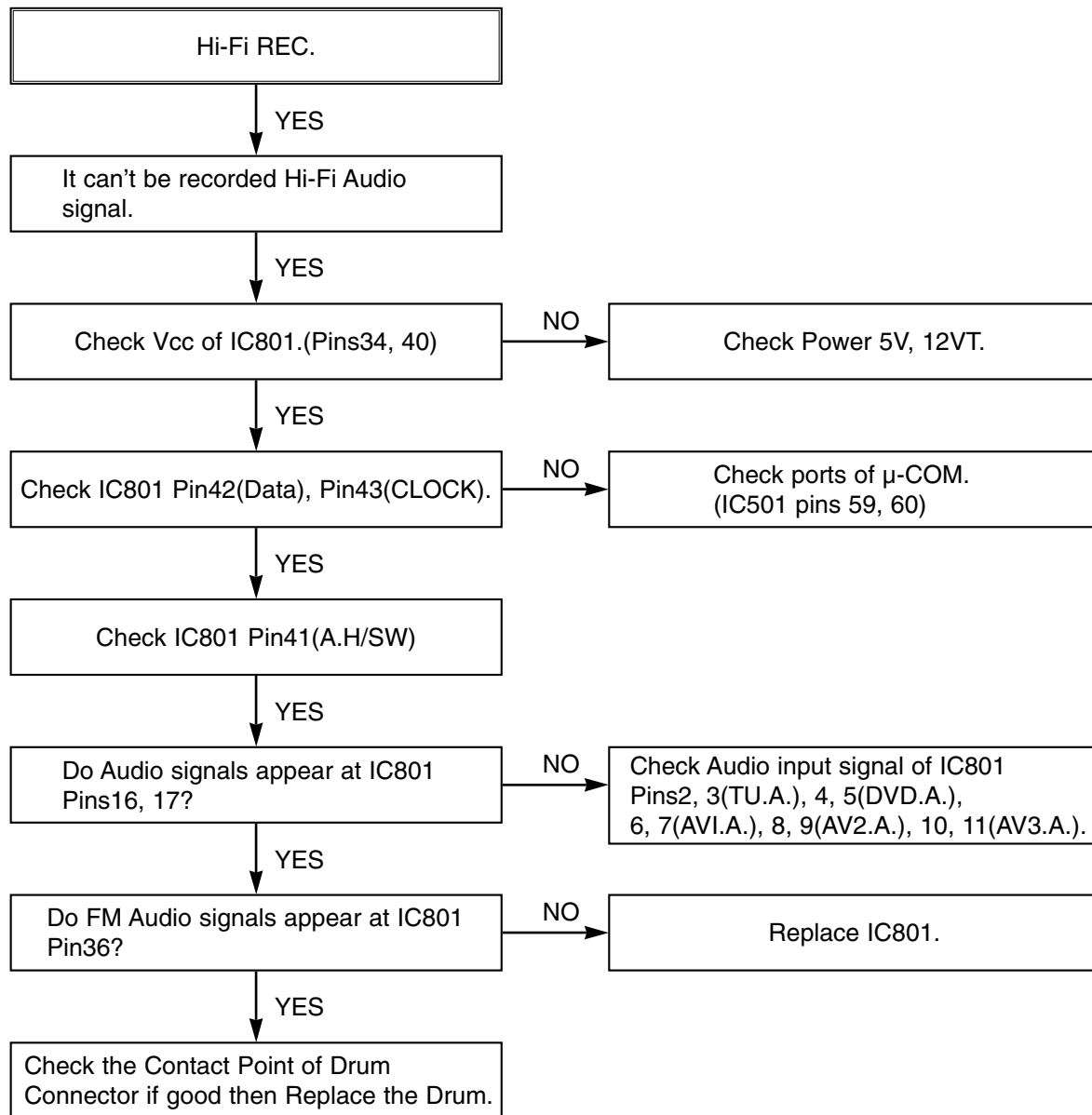
(A) No Sound(EE Mode)



(B) Hi-Fi Playback

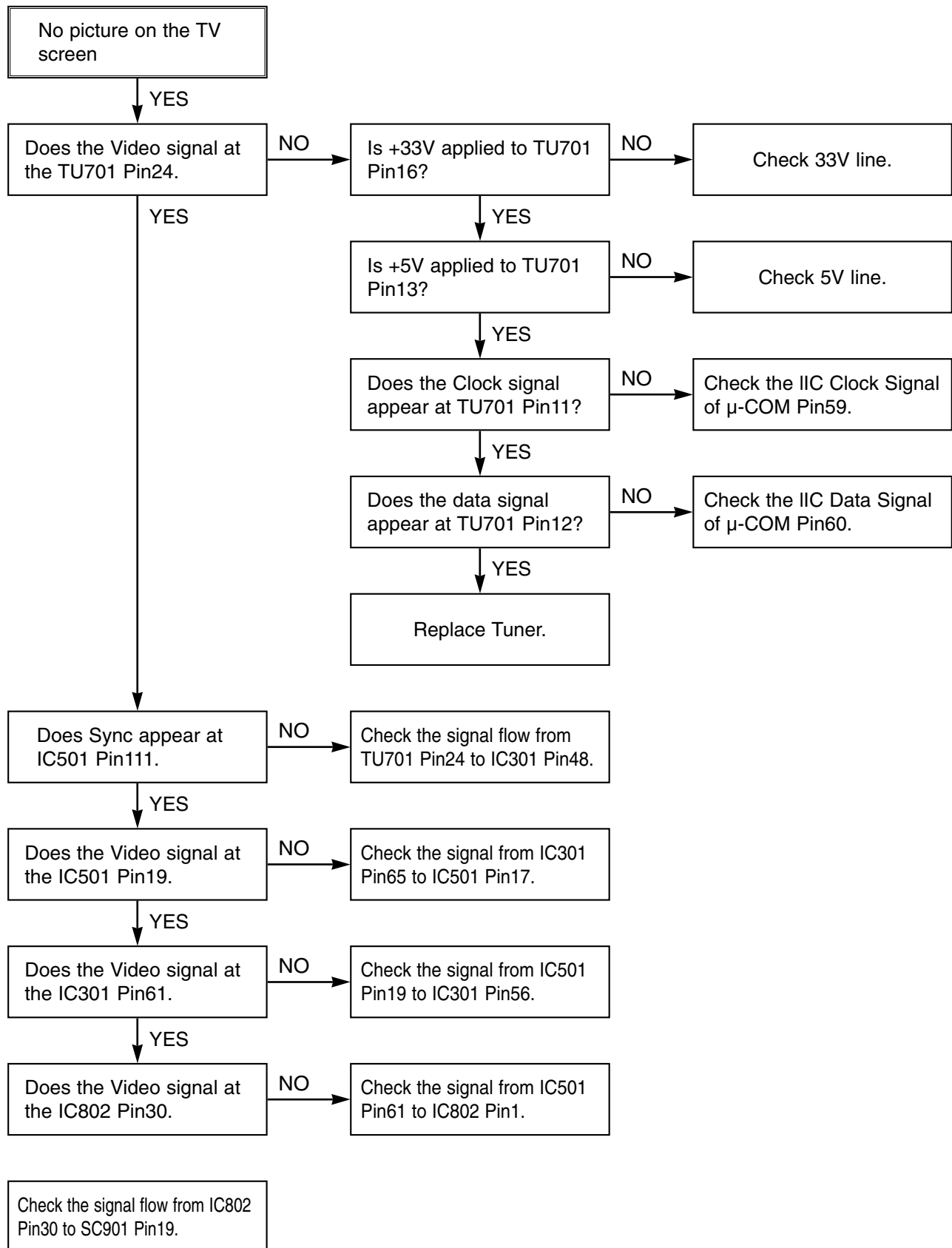


(C)

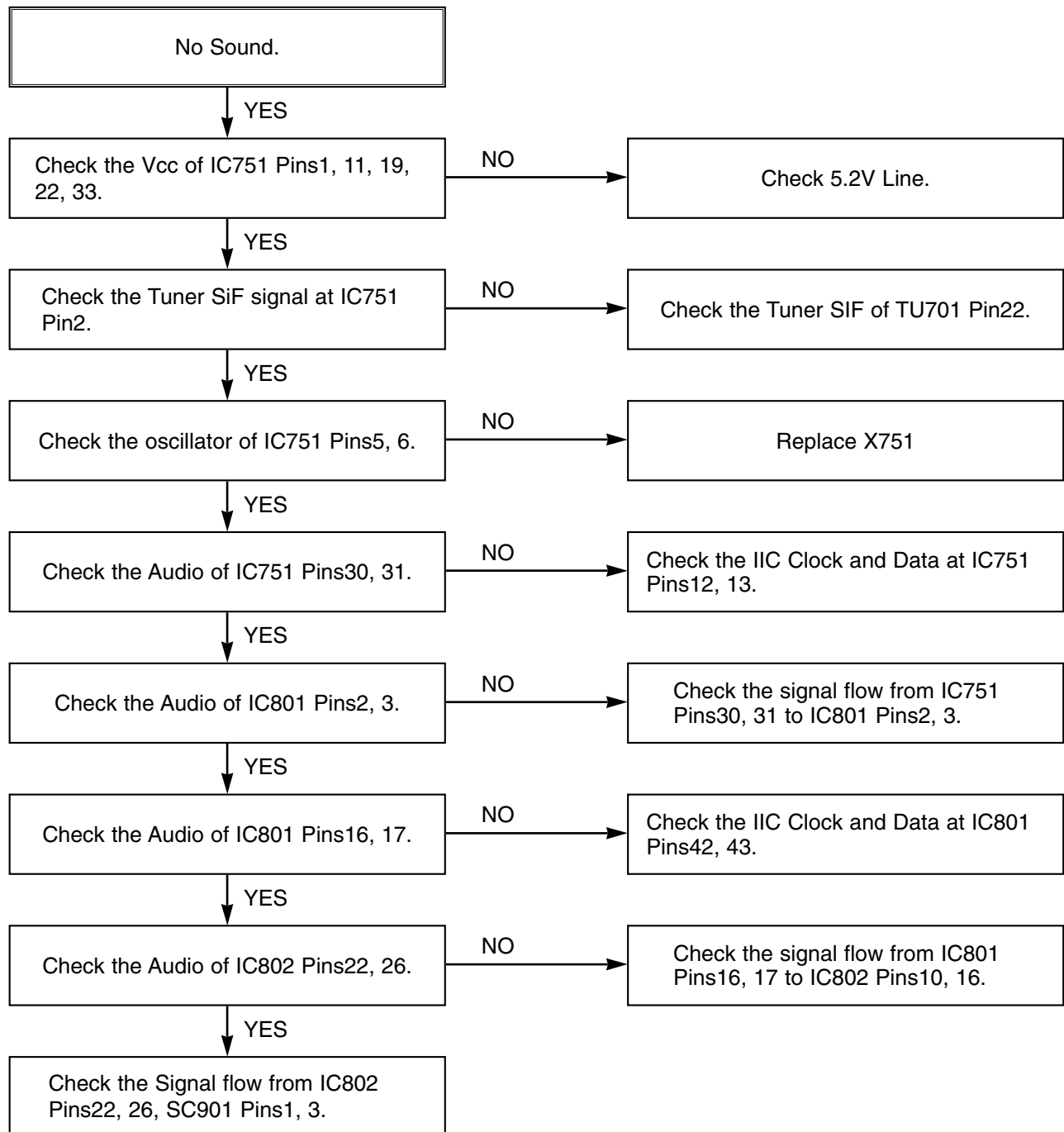


6. Tuner/IF CIRCUIT

(A) No Picture on the TV screen

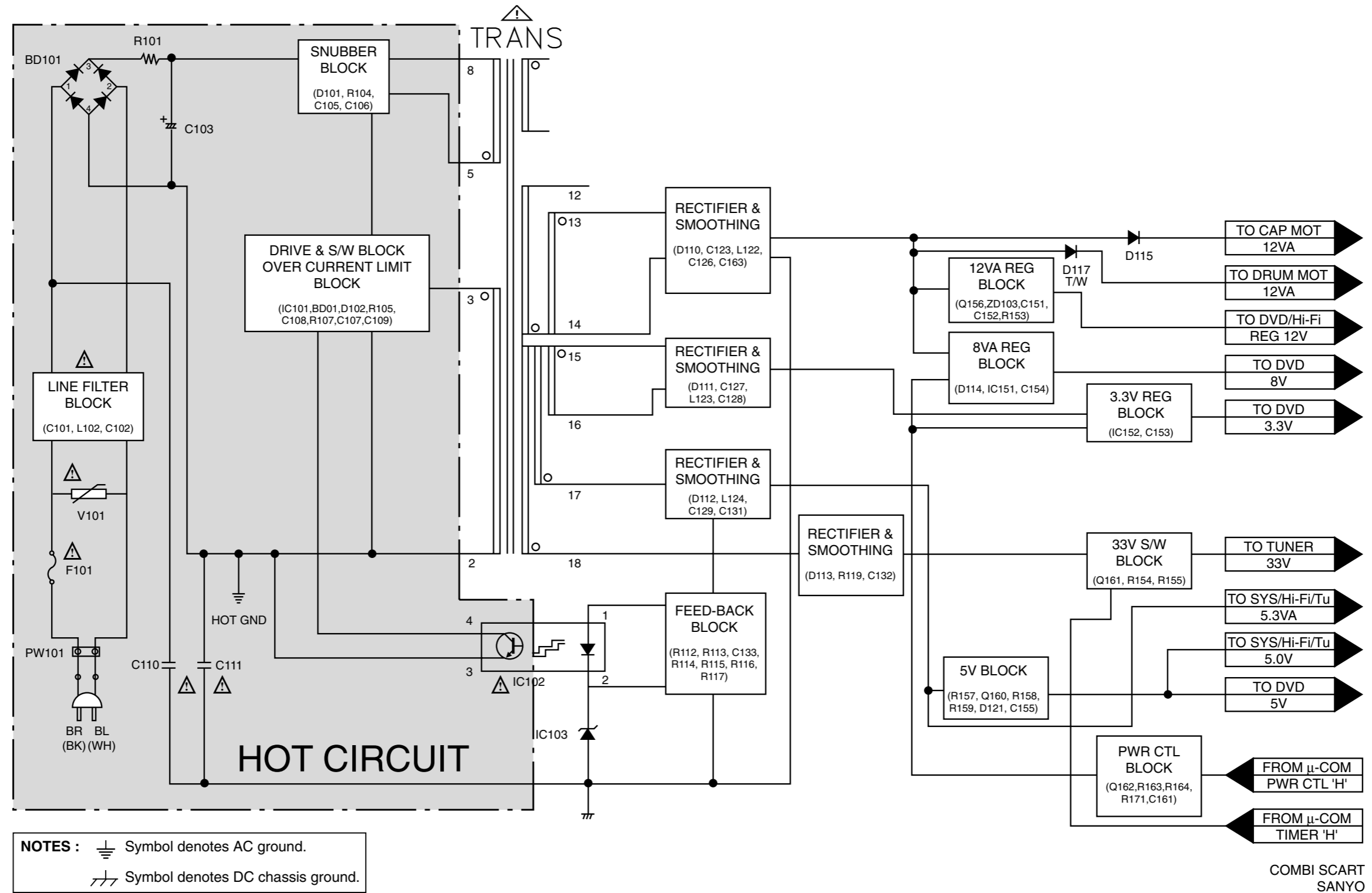


(B) No Sound

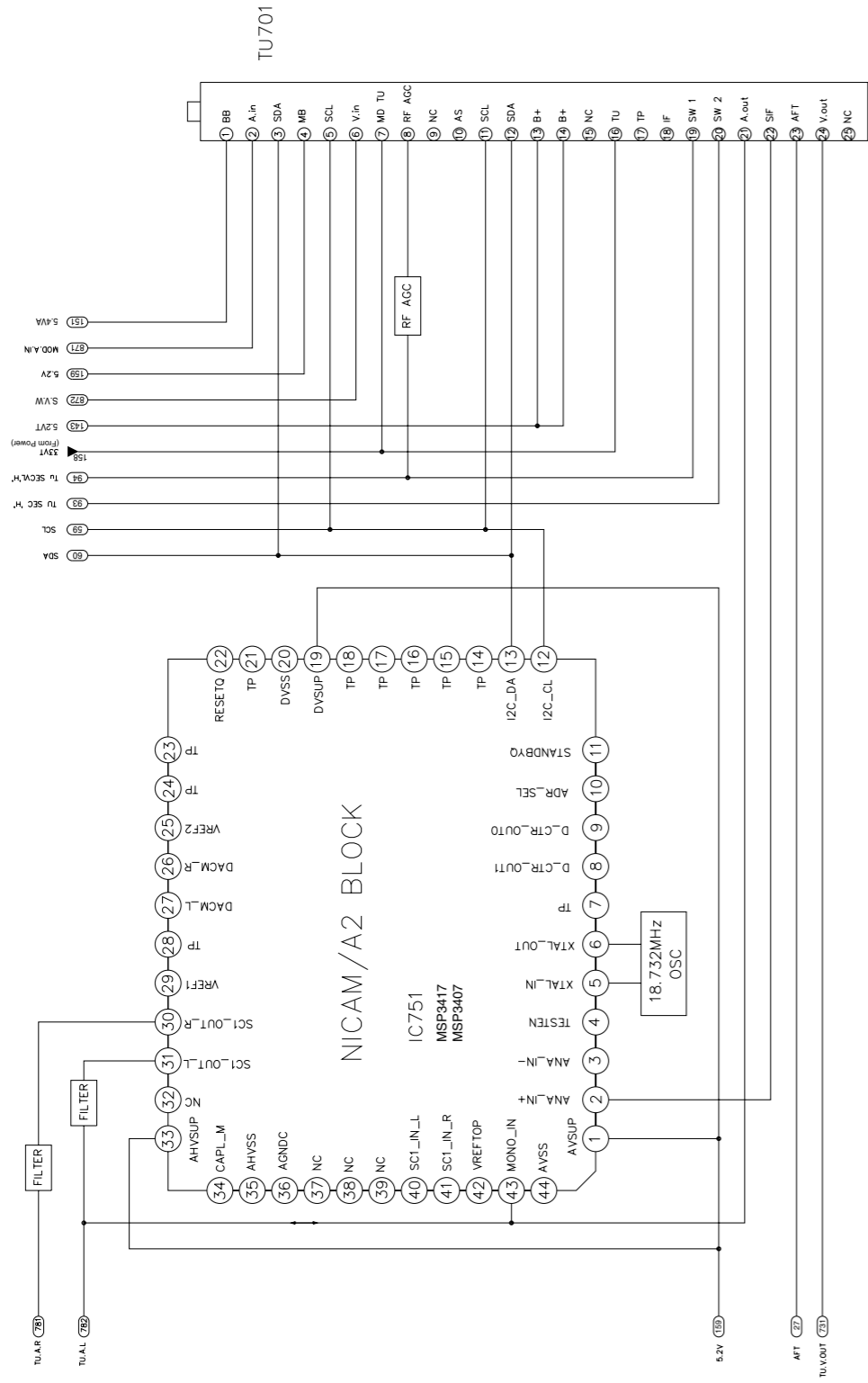


BLOCK DIAGRAMS

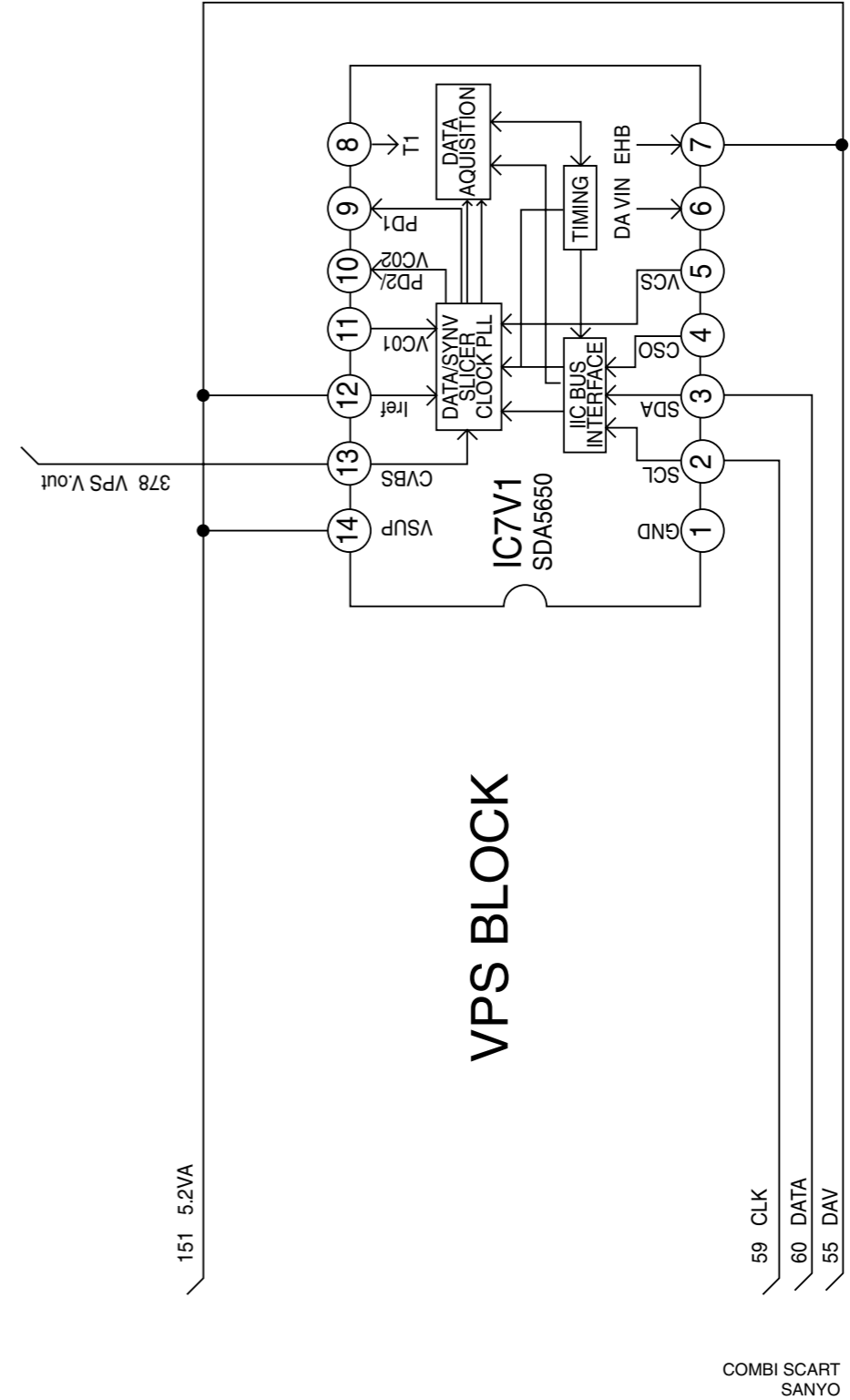
1. POWER(SMPS) BLOCK DIAGRAM



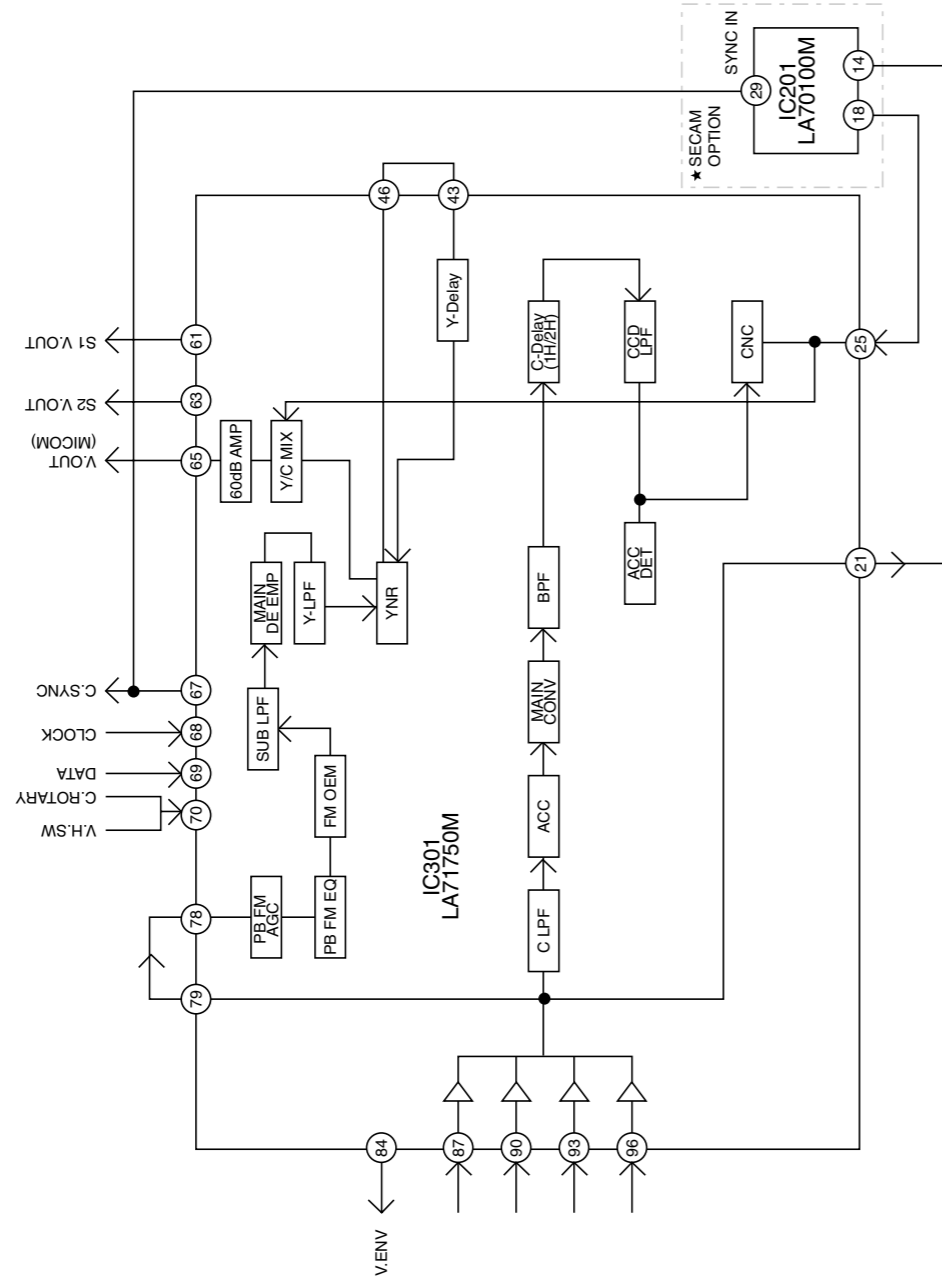
2. Tu/IF, NICAM & A2 BLOCK DIAGRAM



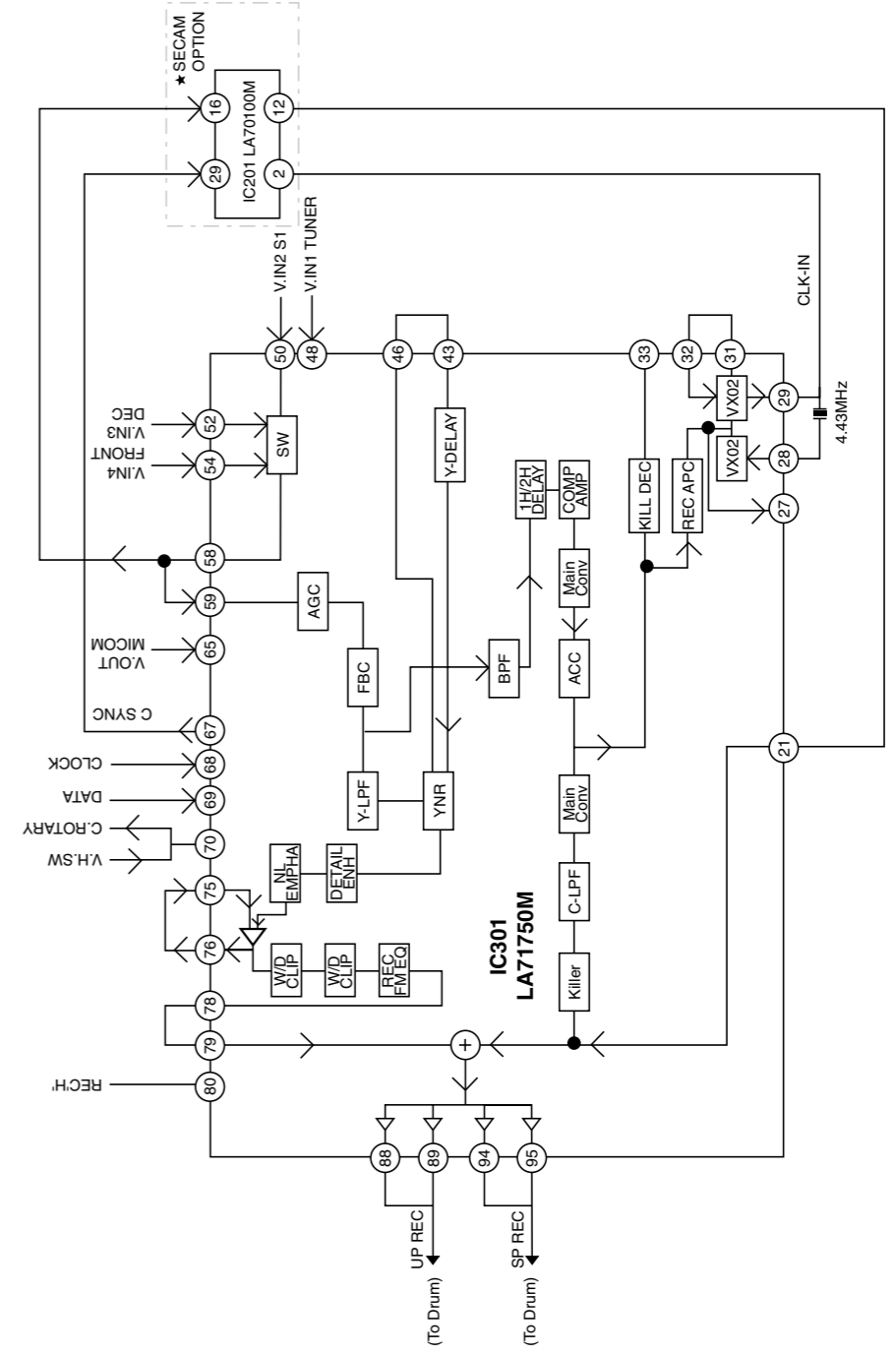
3. VPS BLOCK DIAGRAM



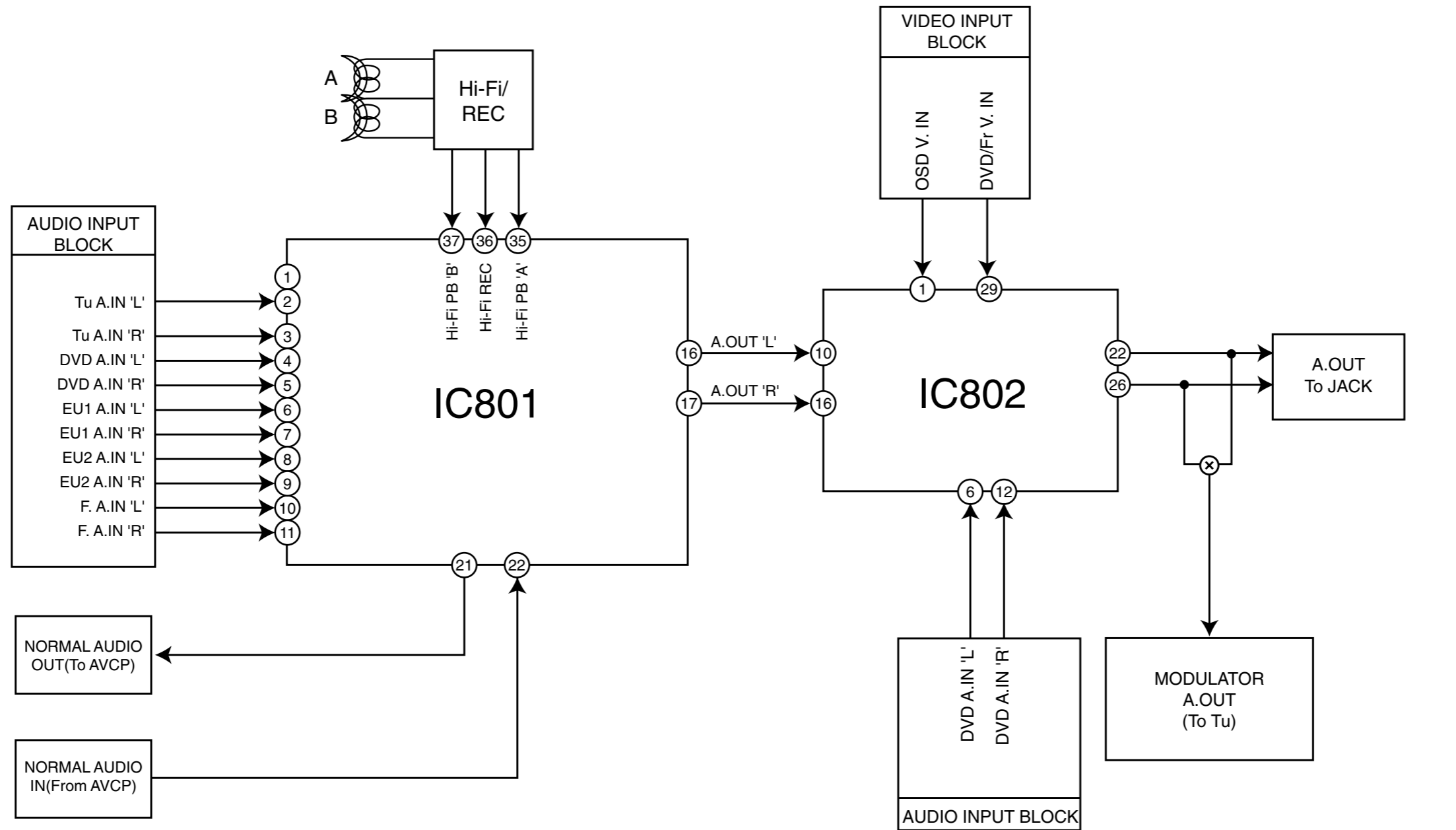
4. Y/C BLOCK DIAGRAM (PB MODE)



(REC MODE)

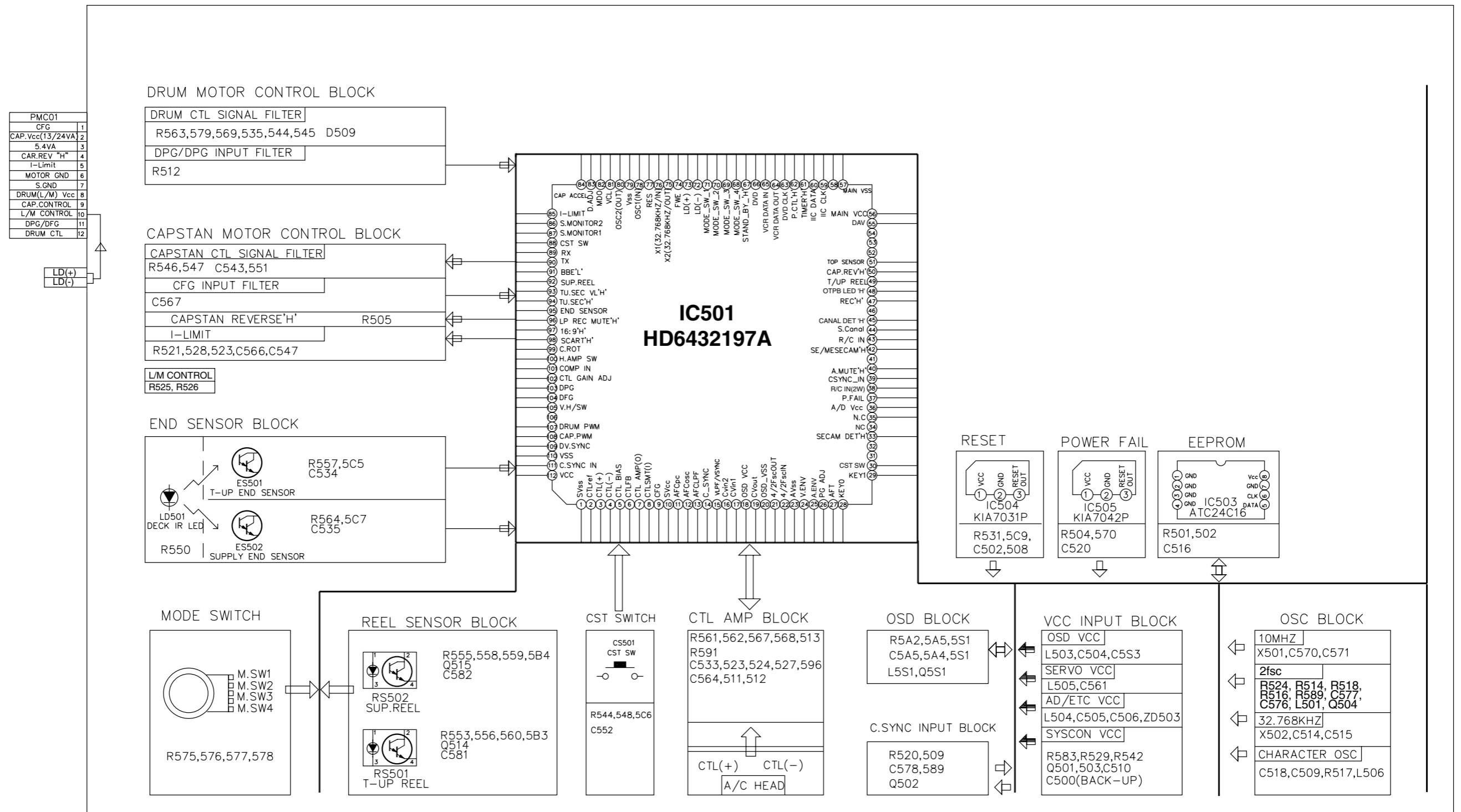


5. Hi-Fi BLOCK DIAGRAM



COMBI SCART
SANYO

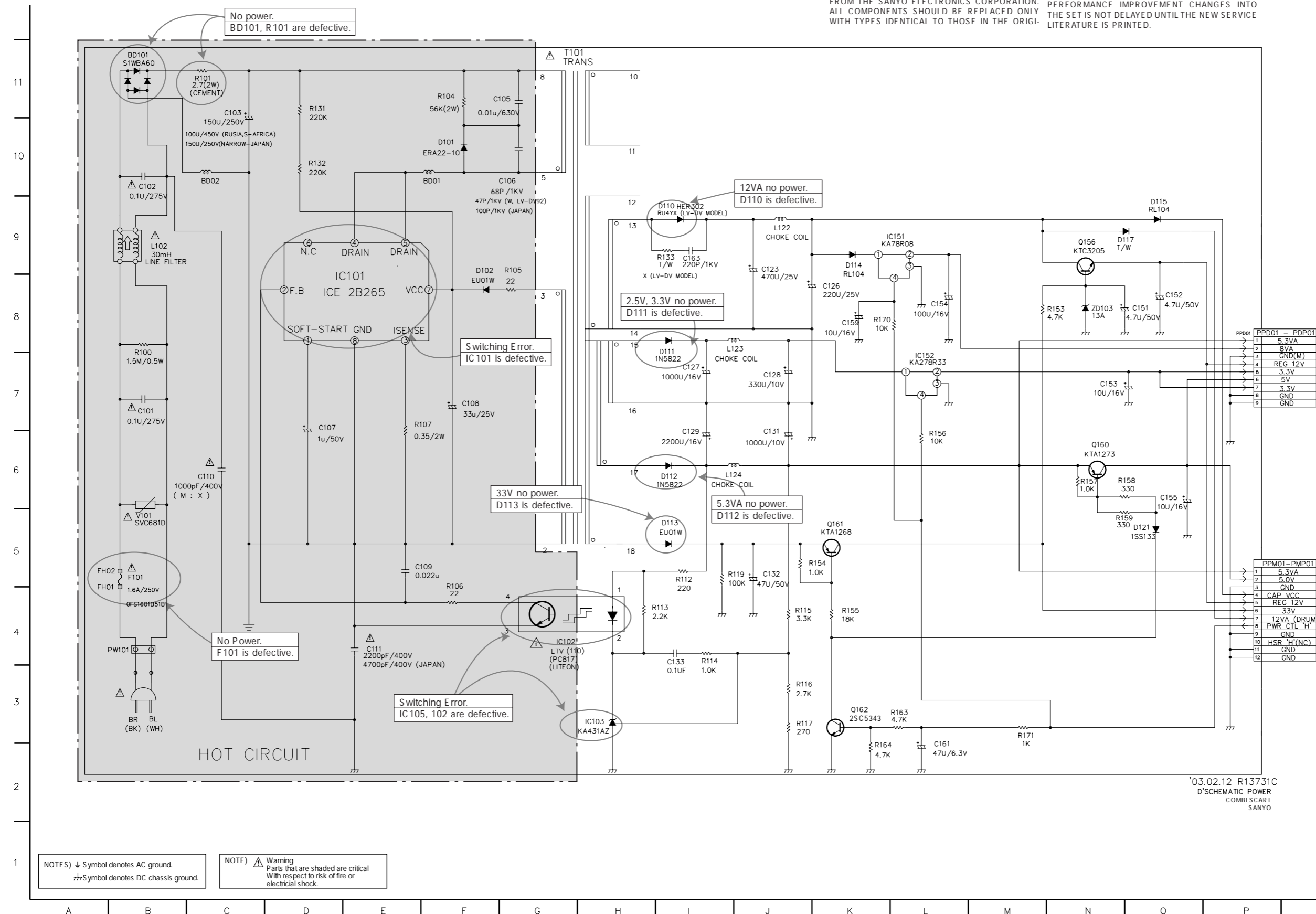
6. SYSTEM BLOCK DIAGRAM



COMBI SCART
SANYO

CIRCUIT DIAGRAMS

1. POWER(SMPS) CIRCUIT DIAGRAM



IMPORTANT SAFETY NOTICE

WHEN SERVICING THIS CHASSIS, UNDER NO CIRCUMSTANCES SHOULD THE ORIGINAL DESIGN BE MODIFIED OR ALTERED WITHOUT PERMISSION FROM THE SANYO ELECTRONICS CORPORATION. ALL COMPONENTS SHOULD BE REPLACED ONLY WITH TYPES IDENTICAL TO THOSE IN THE ORIGINAL CIRCUIT.

IMPORTANT SAFETY NOTICE

WHEN SERVICING THIS CHASSIS, UNDER NO CIRCUMSTANCES SHOULD THE ORIGINAL DESIGN BE MODIFIED OR ALTERED WITHOUT PERMISSION FROM THE SANYO ELECTRONICS CORPORATION. ALL COMPONENTS SHOULD BE REPLACED ONLY WITH TYPES IDENTICAL TO THOSE IN THE ORIGINAL CIRCUIT. SPECIAL COMPONENTS ARE SHADED ON THE SCHEMATIC FOR EASY IDENTIFICATION. THIS CIRCUIT DIAGRAM MAY OCCASIONALLY DIFFER FROM THE ACTUAL CIRCUIT USED. THIS WAY, IMPLEMENTATION OF THE LATEST SAFETY AND PERFORMANCE IMPROVEMENT CHANGES INTO THE SET IS NOT DELAYED UNTIL THE NEW SERVICE LITERATURE IS PRINTED.

NOTE :

1. Shaded (■) parts are critical for safety. Replace only with specified part number.
2. Voltages are DC-measured with a digital voltmeter during Play mode.

LOCATION GUIDE

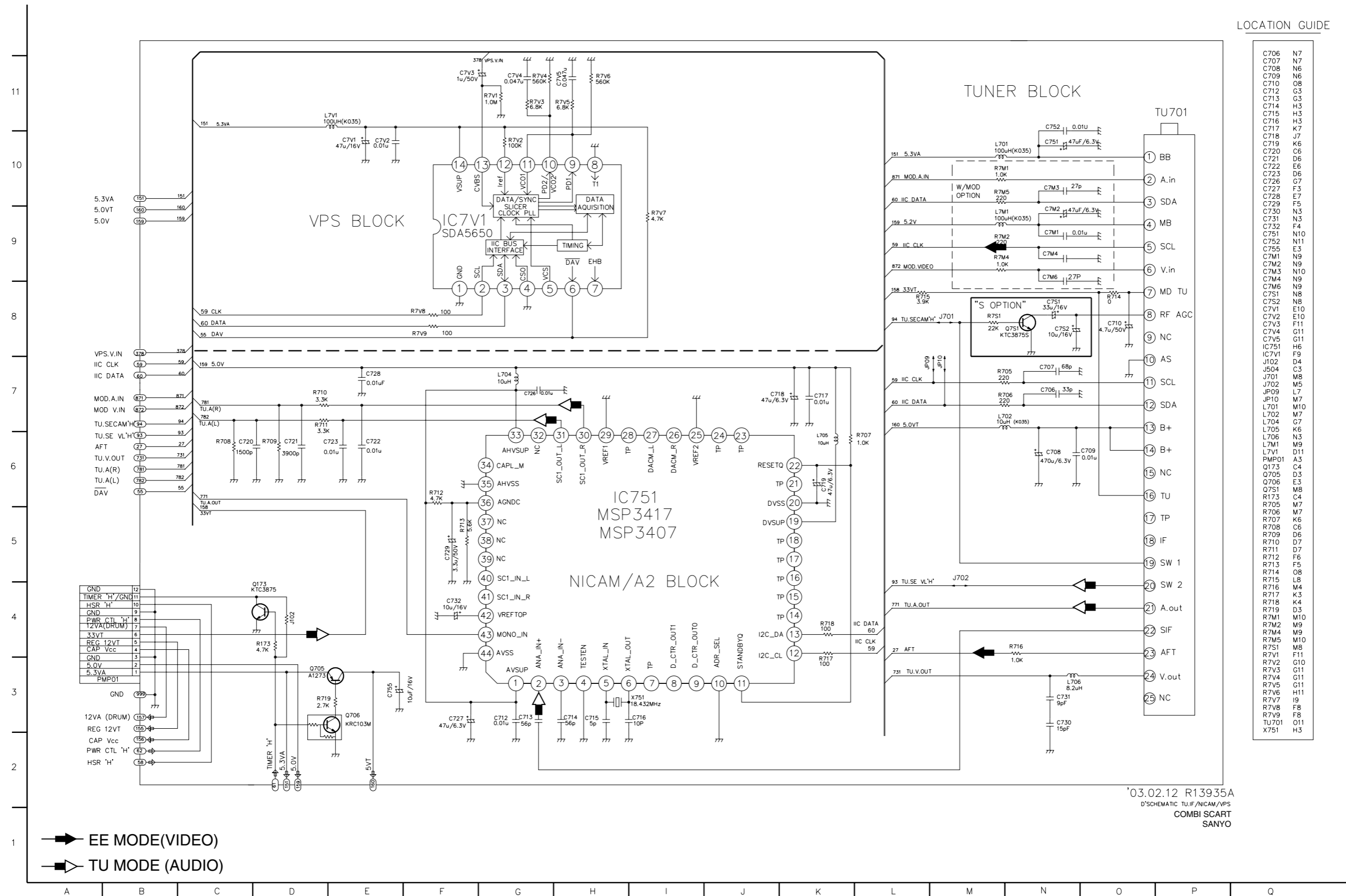
BD01	F10
BD02	C10
BD101	B11
C101	B7
C102	B10
C103	C11
C105	F11
C106	G10
C107	D7
C108	F7
C109	E5
C110	C6
C111	E4
C123	J9
C126	K8
C127	I7
C128	J7
C129	I6
C131	J6
C132	J5
C133	I4
C151	O8
C152	O8
C153	N7
C154	L8
C155	O6
C159	K8
C161	L2
C163	I9
D101	F10
D102	F9
D110	I9
D111	I7
D112	I6
D113	I5
D114	K9
D115	O9
D117	N9
D121	O5
FH01	A4
FH02	A5
IC101	D8
IC102	G4
IC103	H3
IC151	K9
IC152	L7
L102	B9
L122	J9
L123	I8
L124	I6
PPD01	P8
PW101	B4
Q156	N9
Q160	N6
Q161	K5
Q162	K3
R100	B7
R101	C11
R104	F11
R105	O9
R106	F4
R107	E7
R112	I5
R113	H4
R114	I4
R115	J4
R116	J3
R117	J3
R119	I5
R131	D11
R132	D10
R133	I9
R153	N8
R154	J5
R155	K4
R156	L6
R157	N6
R158	N6
R159	N5
R163	L3
R164	K2
R170	K8
R171	M3
T101	C11
V101	B5
ZD103	N8

NOTES) ⚡ Symbol denotes AC ground.
 ⚡ Symbol denotes DC chassis ground.

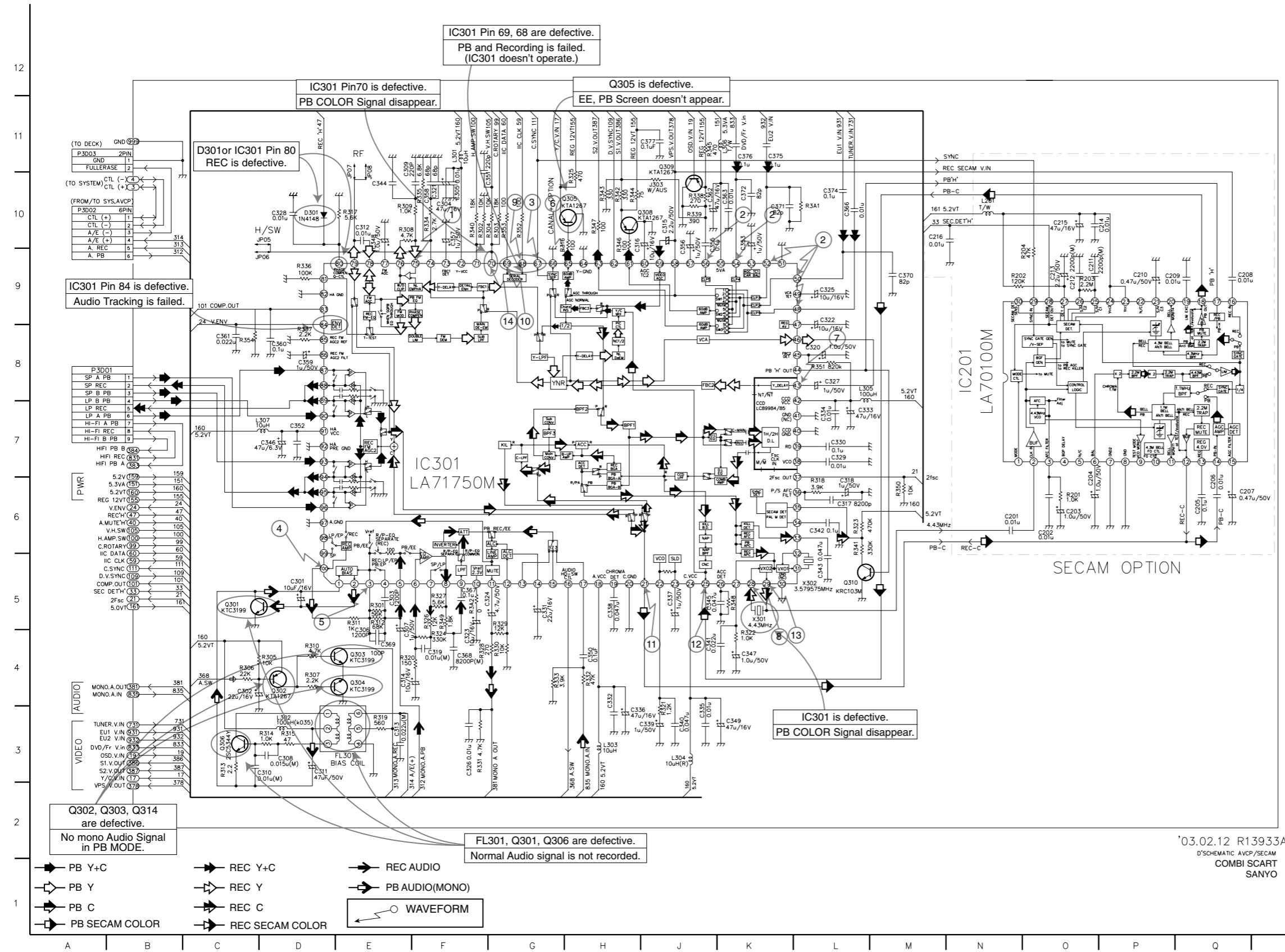
NOTE) ⚠ Warning
 Parts that are shaded are critical
 With respect to risk of fire or
 electrical shock.

2. TU/IF, NICAM & A2 CIRCUIT DIAGRAM

LOCATION GUIDE



3. A/V CIRCUIT DIAGRAM

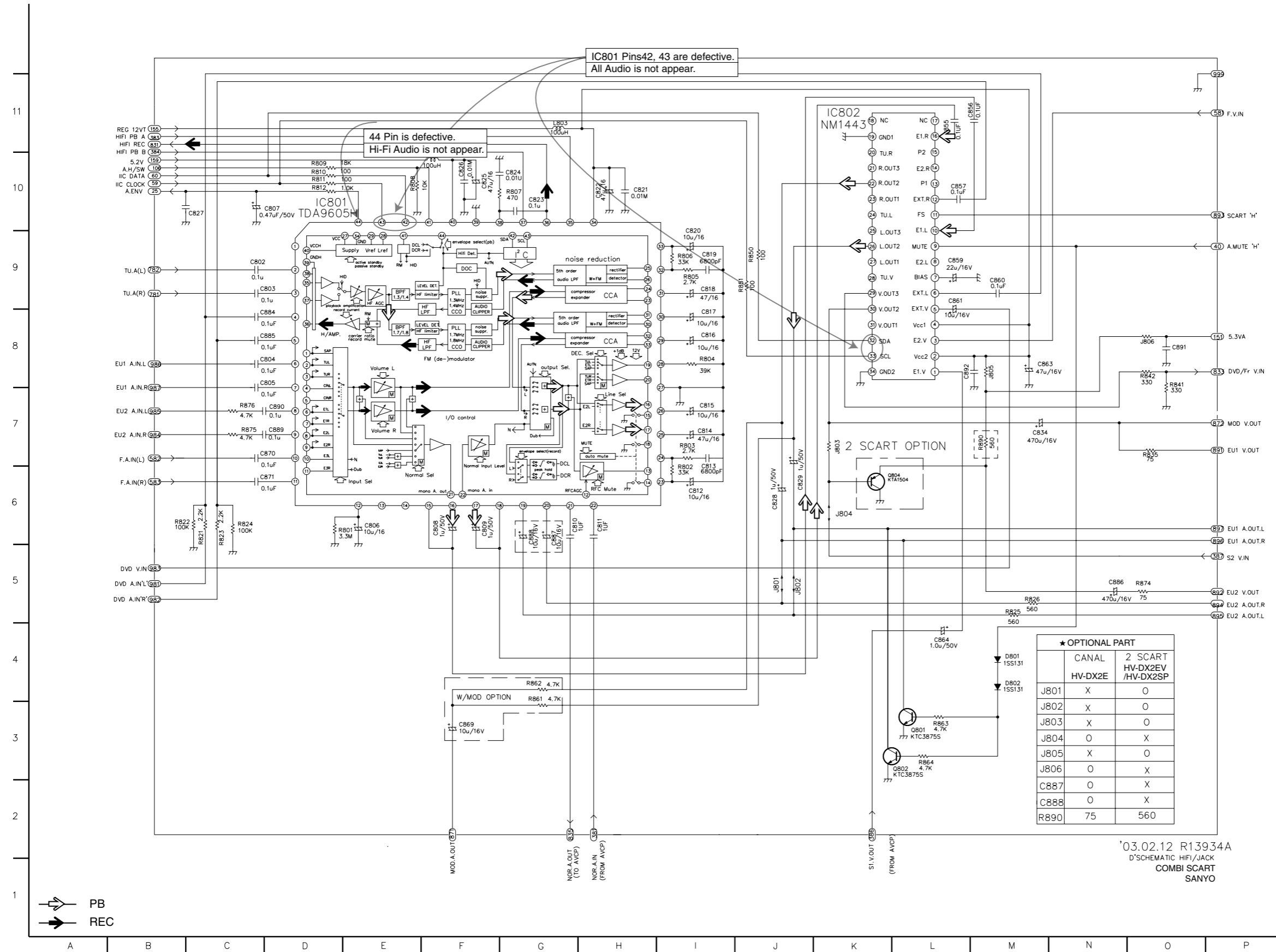


LOCATION GUIDE

C201	M6	C375	J11	R351	K8
C202	N6	C376	J11	R352	G10
C203	N6	C377	I11	R353	G10
C204	N6	D301	D10	R354	CB
C205	P6	FL301	E3	R3A1	K10
C206	P6	IC201	M8	R3A2	F5
C207	P6	IC301	F8	X301	J5
C208	P9	J303	I10	X302	K5
C209	O9	JP05	C10		
C210	O9	JP06	C9		
C211	N9	JP07	E10		
C212	N9	JP08	I10		
C213	N9	L201	M10		
C214	O10	L301	F11		
C215	N10	L302	D3		
C216	L10	L303	H5		
C301	D5	L304	I3		
C302	C4	L305	K8		
C303	E5	L306	J11		
C304	F10	L307	C7		
C305	F10	P3001	A8		
C306	E4	P3002	A10		
C307	E4	P3003	A11		
C308	D3	Q301	C5		
C309	E10	Q302	D4		
C310	C3	Q303	E4		
C311	D3	Q304	E4		
C312	E10	Q305	G10		
C313	E3	Q306	C3		
C314	E4	Q308	H10		
C315	I10	Q309	I11		
C316	H9	Q310	K5		
C317	N6	R201	N6		
C318	K6	R202	M9		
C319	F4	R203	N9		
C320	K8	R204	N9		
C321	F10	R301	E5		
C322	K9	R302	F10		
C323	F4	R303	G10		
C324	G5	R304	G10		
C325	K9	R305	D4		
C326	F3	R306	C4		
C327	K8	R307	D4		
C328	D10	R308	E10		
C329	K7	R309	K7		
C330	K7	R310	D4		
C331	G5	R311	E5		
C332	H3	R312	E5		
C333	K7	R313	C3		
C334	K7	R314	D3		
C335	I3	R315	D3		
C336	H3	R316	H9		
C337	I5	R317	E10		
C338	H5	R318	K6		
C339	H3	R319	E3		
C340	I3	R320	E4		
C341	I4	R321	I3		
C342	K6	R322	J4		
C343	K5	R323	K6		
C344	E10	R324	F4		
C345	I5	R325	H10		
C346	D7	R326	F5		
C347	J4	R327	F5		
C348	E9	R328	F4		
C349	J3	R329	G5		
C350	H4	R330	G4		
C351	G10	R331	F3		
C352	D7	R332	H4		
C353	J9	R333	G4		
C355	I9	R334	F10		
C356	I9	R335	F10		
C357	F10	R336	D9		
C358	F10	R337	D8		
C359	D8	R338	I10		
C360	D8	R339	I10		
C361	C8	R340	F10		
C362	I10	R341	K5		
C363	J10	R342	H10		
C366	K10	R343	H10		
C367	F5	R344	H10		
C368	F4	R345	I11		
C369	E4	R346	H9		
C370	L9	R347	H10		
C371	J10	R348	J5		
C372	J10	R349	F5		
C374	K10	R350	L6		

'03.02.12 R13933A
D'SCHEMATIC AVCP/SECAM
COMBI SCART
SANYO

4. HI-FI CIRCUIT DIAGRAM

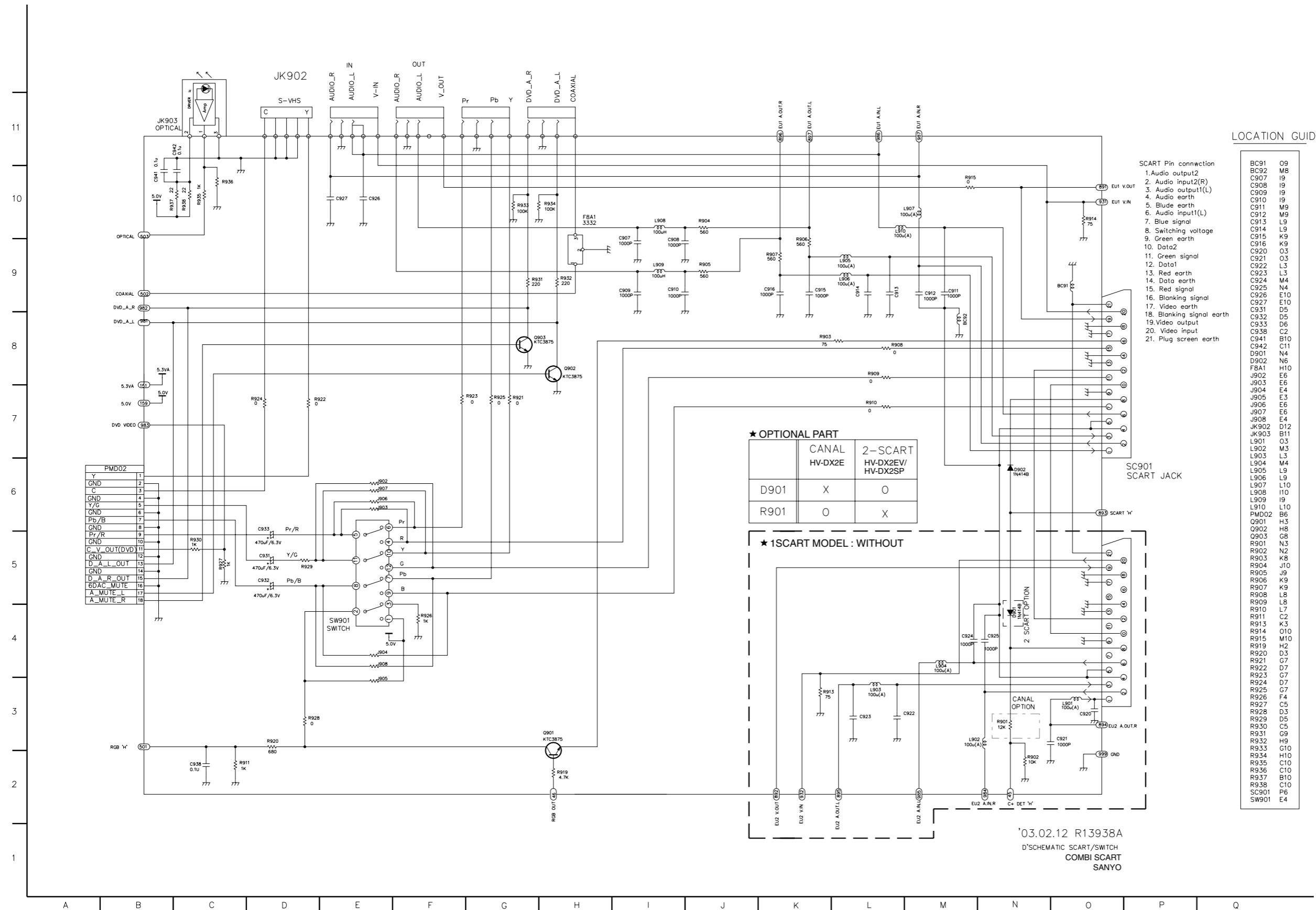


LOCATION GUIDE

C802	C9
C803	C9
C804	C8
C805	C8
C806	E6
C807	D10
C808	F6
C809	F6
C810	G6
C811	H6
C812	I6
C813	I6
C814	I7
C815	I7
C816	I8
C817	I8
C818	I8
C819	I9
C820	I9
C821	H10
C822	H10
C823	G10
C824	G10
C825	F10
C826	F10
C827	C10
C828	J6
C829	J6
C834	M7
C855	L11
C856	M11
C857	L10
C859	L9
C860	M9
C861	L9
C863	M8
C864	L4
C869	F3
C870	C7
C871	C6
C884	C8
C885	C8
C886	N5
C887	C5
C888	G6
C889	I7
C890	D7
C891	O8
C892	L8
D801	M4
D802	M4
IC801	D10
IC802	K11
J801	J5
J802	J5
J803	K7
J804	K6
J805	M8
J806	O8
L801	F10
L803	G11
O801	L3
O802	L3
O804	K6
R801	D6
R802	I6
R803	I7
R804	I8
R805	I9
R806	I9
R807	G10
R808	E10
R809	D10
R810	D10
R811	D10
R812	D10
R821	C5
R822	B6
R823	C5
R824	C6
R825	M5
R826	M5
R835	O7
R841	O8
R842	O8
R850	J9
R851	J9
R861	G4
R862	G4
R863	L3
R864	L3
R874	O5
R875	C7
R876	C7
R890	M7

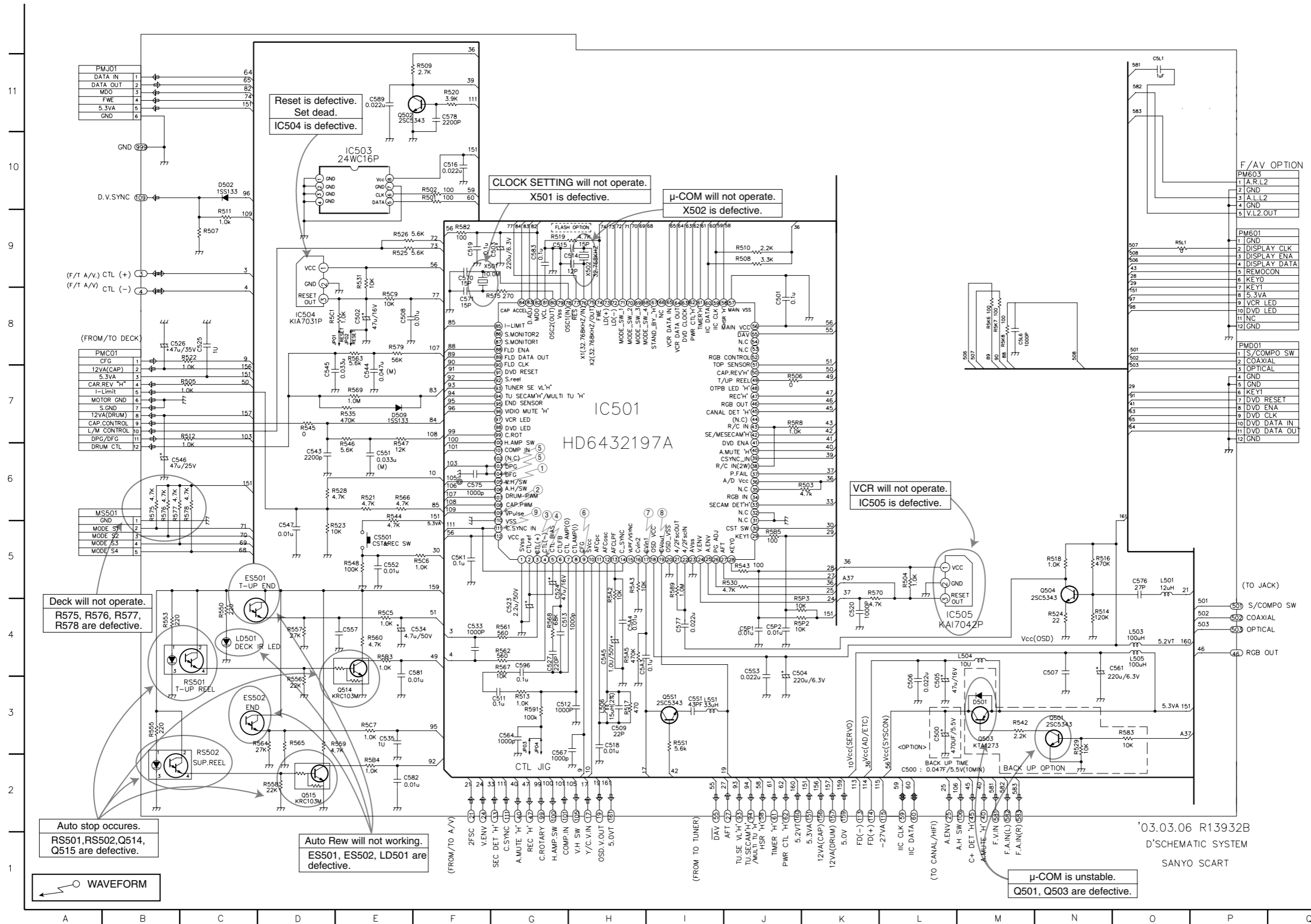
'03.02.12 R13934A
 D'SCHEMATIC HI-FI/JACK
 COMBI SCART
 SANYO

5. SCART(JACK) CIRCUIT DIAGRAM



6. SYSTEM CIRCUIT DIAGRAM

LOCATION GUIDE

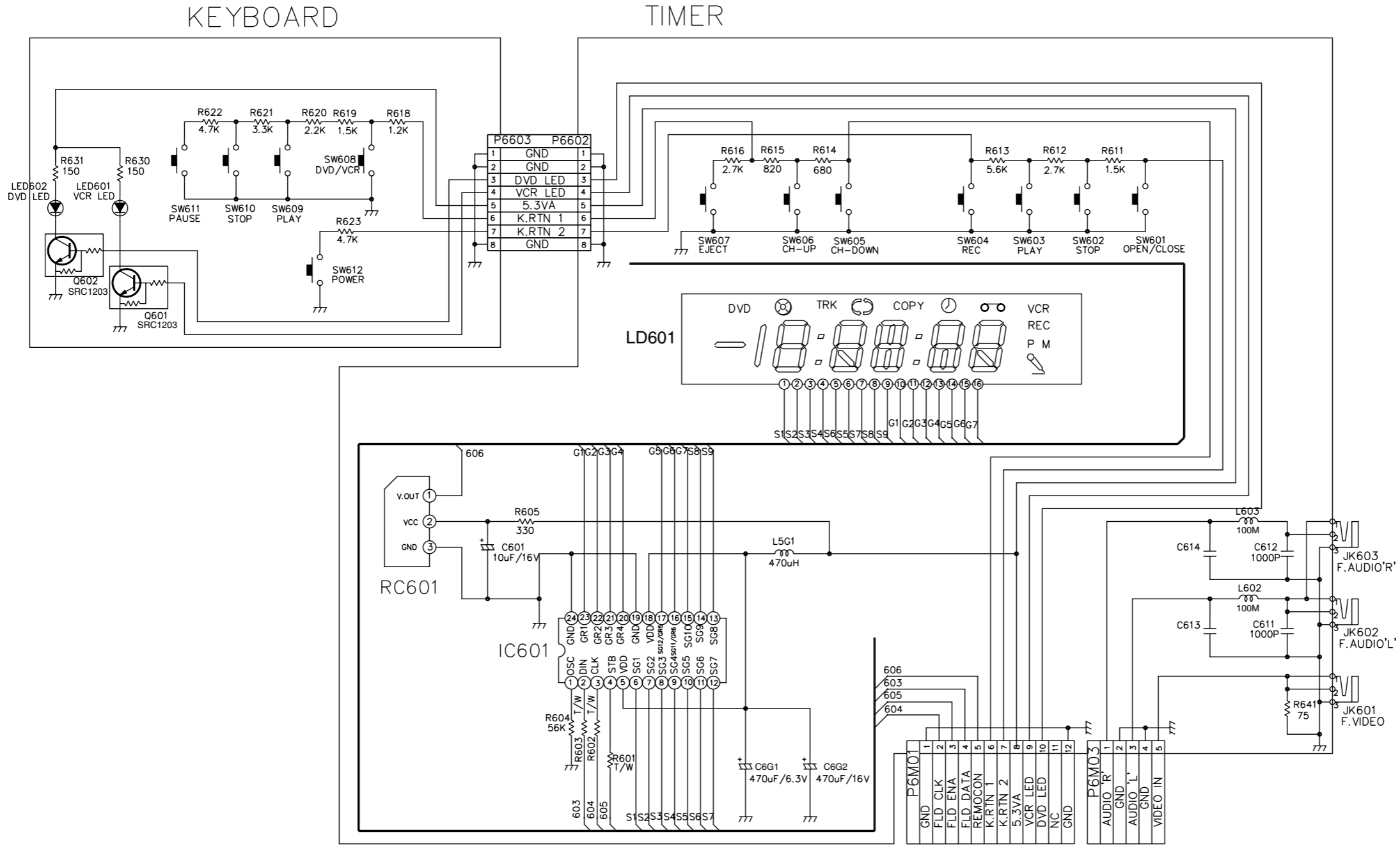


C500	L3	R501	F10
C501	J8	R502	F10
C502	E8	R503	J6
C503	G9	R504	L5
C504	J4	R505	C7
C505	L3	R506	J7
C506	L3	R507	C9
C507	N4	R508	J9
C508	E8	R509	F11
C509	H3	R510	J9
C511	G3	R511	C9
C512	G3	R512	C7
C513	G4	R513	G3
C514	G9	R514	N4
C515	G9	R515	F8
C516	F10	R516	N5
C518	H3	R517	H3
C519	F9	R518	N5
C520	K4	R519	G9
C523	G4	R520	F11
C524	G4	R521	E6
C525	C8	R522	C8
C526	B8	R523	D5
C527	G4	R524	N4
C533	F4	R525	E9
C534	E4	R526	E9
C535	E3	R527	N3
C543	D6	R528	D6
C544	E7	R530	I5
C545	D7	R531	E8
C546	B6	R535	E7
C547	D5	R542	M3
C551	E6	R543	J5
C552	E5	R544	E6
C557	E4	R545	D7
C561	N4	R546	E6
C564	G3	R547	E6
C567	G2	R548	E5
C570	F9	R550	C4
C571	F8	R553	B4
C575	F6	R555	B3
C576	O5	R556	D3
C577	H4	R557	O4
C578	F11	R558	D2
C581	E4	R559	D3
C582	E2	R560	E4
C583	G9	R561	G4
C589	E11	R562	G4
C596	G4	R563	E8
C5A3	H4	R564	C3
C5A4	H4	R565	D3
C5A5	H4	R566	E6
C5K1	F5	R567	G4
C5L1	O11	R568	G4
C5L6	M8	R569	E7
C5P1	J4	R570	K5
C5P2	J4	R575	B6
C5S1	I3	R576	B6
C5S3	J4	R577	B6
C5S01	E5	R578	C6
D501	M3	R579	E8
D502	C10	R582	F9
D509	E7	R583	O3
E5501	C5	R589	I5
E5502	C3	R591	G3
IC501	H7	R5A2	H4
IC503	E10	R5A3	H5
IC504	D8	R5A5	H4
IC505	L4	R5B3	L4
JP01	E8	R5B4	E2
JP02	E8	R5B5	J5
JP03	G3	R5C1	D8
JP04	G3	R5C5	E4
L501	O5	R5C6	F5
L503	O4	R5C7	E3
L504	N4	R5C9	E8
L505	O4	R5K6	M8
L506	H3	R5K7	M8
L551	I3	R5K8	M8
LD501	C4	R5L1	O9
MS501	A6	R5P2	J4
PM601	P9	R5P3	J4
PM603	F10	R5R8	J7
PM601	A8	R5S1	I3
PM601	P8	R5S01	C3
PMJ01	A11	R5S02	C2
Q501	N3	X501	F9
Q502	E11	X502	H9
Q503	M3		
Q504	N5		
Q514	E3		
Q515	O2		
Q5S1	I3		

'03.03.06 R13932B
D'SCHEMATIC SYSTEM
SANYO SCART

7. TIMER CIRCUIT DIAGRAM

LOCATION GUIDE

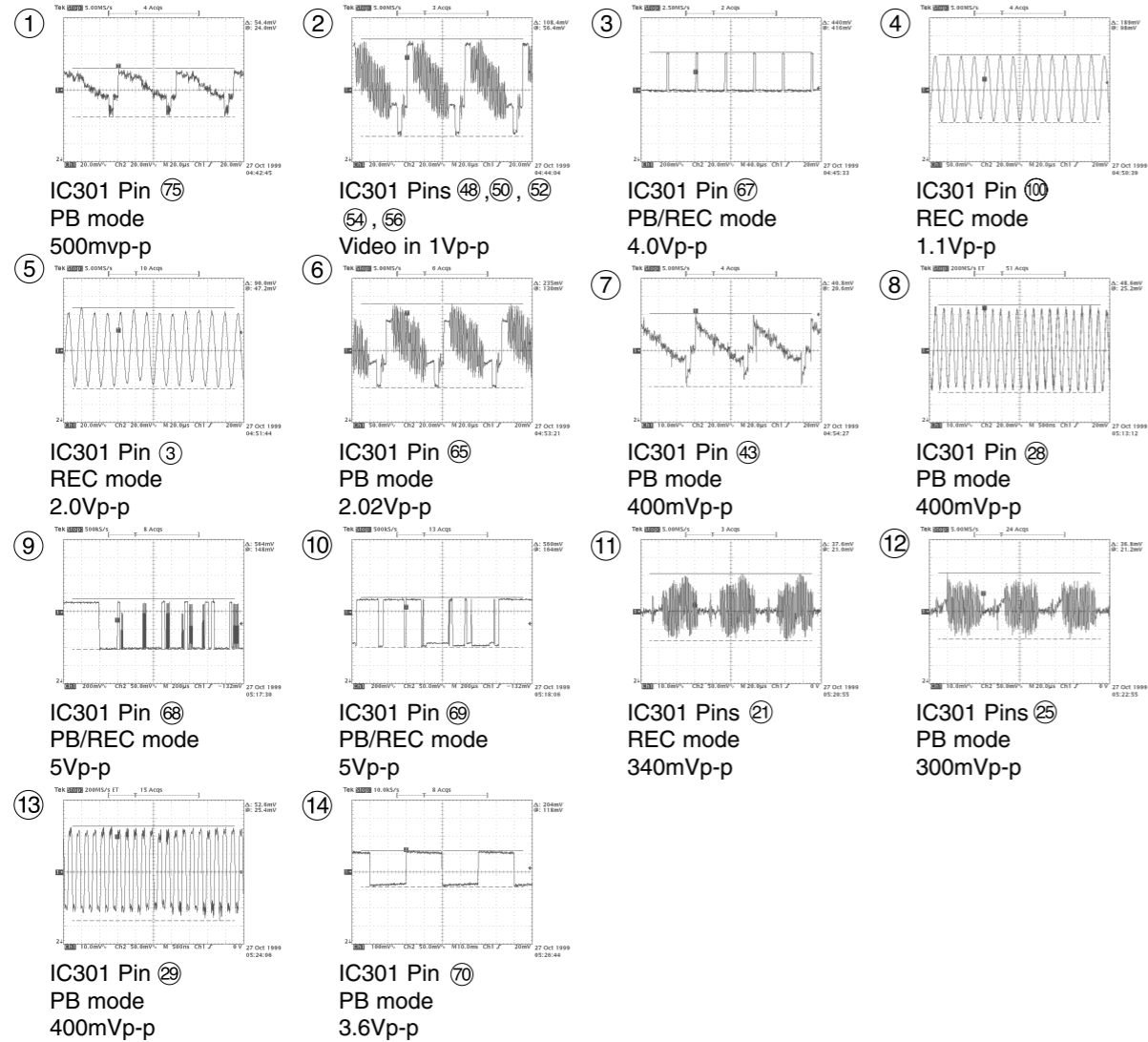


606	E5
C6G1	G2
C6G2	H2
C601	E4
C611	K3
C612	K4
C613	J3
C614	J4
IC601	E3
JK601	L3
JK602	L3
JK603	L4
L5G1	G4
L602	K4
L603	K4
LD601	F6
LED601	B7
LED602	A7
P6602	F7
P6603	E7
P6M01	H2
P6M03	J2
Q601	B6
Q602	B6
R601	F2
R602	F2
R603	F2
R604	F3
R605	E4
R611	J7
R612	I7
R613	I7
R614	H7
R615	G7
R616	G7
R618	D7
R619	D7
R620	D7
R621	C7
R622	C7
R623	D7
R630	B7
R631	B7
R641	K3
RC601	D4
SW601	J6
SW602	J6
SW603	I6
SW604	I6
SW605	H6
SW606	G6
SW607	G6
SW608	D7
SW609	C7
SW610	C7
SW611	C7
SW612	D6

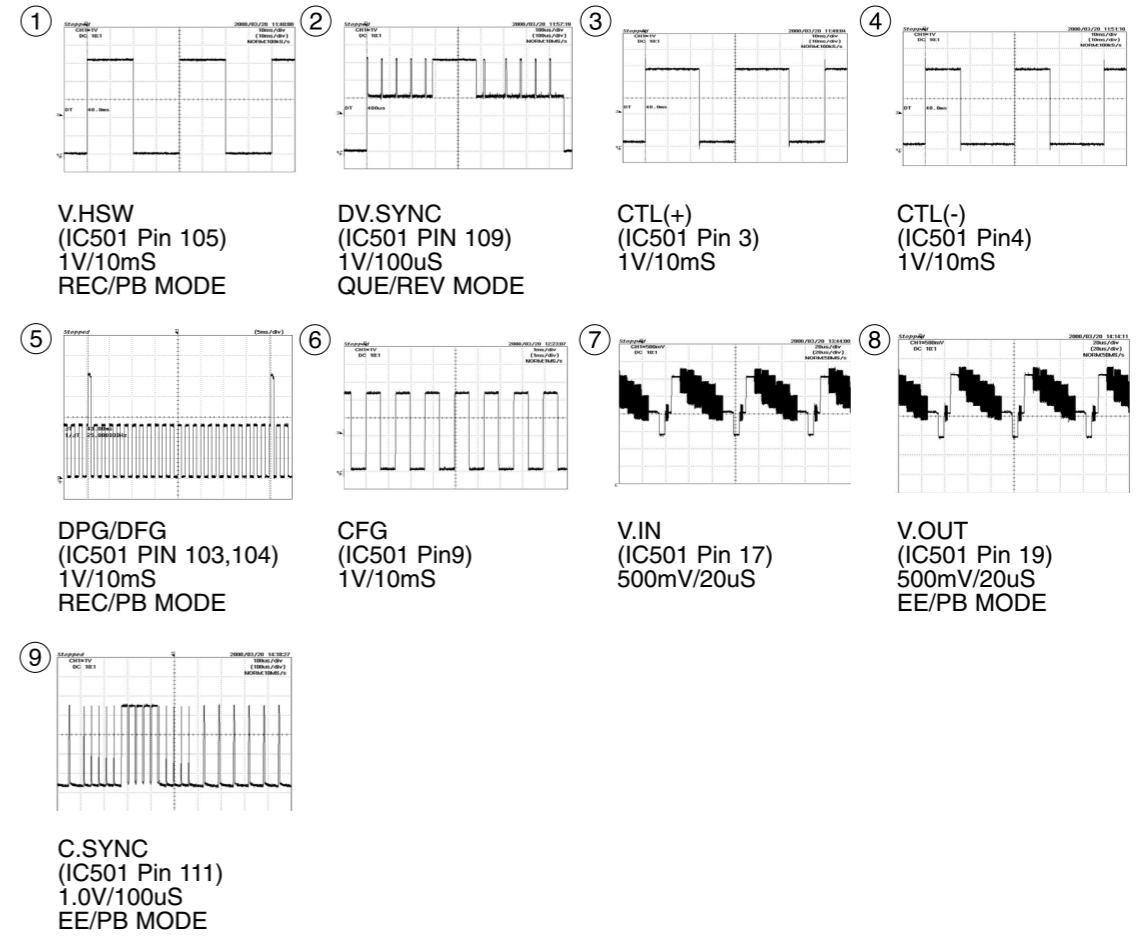
'03.03.05 R14446A
D'SCHEMATIC TIMER
SANYO SCART

WAVEFORMS

★ IC301 Waveform



★ IC501 Waveform



• CIRCUIT VOLTAGE CHART

MODE PIN NO.	EE	PB	REC
IC 201			
1	2.36 V	2.35 V	2.32 V
2	2.4 V	2.35 V	2.4 V
3	3.5 V	3.49 V	3.5 V
4	2.43 V	2.41 V	2.38 V
5	0.002 V	0.005 V	0.006 V
6	0.4 V	3.7 V	0.39 V
7	0.003 V	0.003 V	0.003 V
8	0.003 V	0.003 V	0.003 V
9	2.87 V	2.85 V	2.81 V
10	2.36 V	2.35V	2.32 V
11	3.16 V	3.13 V	3 V
12	3 V	1.7 V	3.03 V
13	4 V	4 V	4 V
14	2.3 V	2.3 V	2.25 V
15	2.98 V	1.78 V	2.93 V
16	3.2 V	3.2 V	3.2 V
17	0.15 V	3.86 V	0.017 V
18	0.124 V	3.38 V	0.127 V
19	2.23 V	2.23 V	2.23 V
20	3 V	3.3 V	3.3 V
21	1.84 V	2.34 V	2.35 V
22	4.71 V	0.002 V	0.007 V
23	4.72 V	4.69 V	4.64 V
24	4.72 V	4.69 V	4.63 V
25	2.37 V	2.26 V	2.37 V
26	2.37 V	2.25 V	2.36 V
27	3 V	2.86 V	3 V
28	0.182 V	0.187 V	0.182 V
29	0.46 V	0.62 V	0.85 V
30	1.95 V	1.94 V	1.91 V
IC 301			
1	4.8 V	4.84 V	0.99 V
2	0.11 V	0.014 V	0.81 V
3	2.16 V	2.16 V	2.03 V
4	0.69 V	0.63 V	1.73 V
5	2.15 V	2.15 V	2.26 V
6	2.16 V	2.15 V	2.06 V
7	2.15 V	2.15 V	2.1 V
8	2.15 V	2.15 V	2.1 V
9	2.14 V	2.14 V	2.73 V
10	2.16 V	2.16 V	2.66 V
11	2.23 V	2.27 V	2.8 V
12	1.56 V	0.002 V	2.0 V
13	2.14 V	2.14 V	0.095 V
14	0.022 V	0.022 V	2.05 V
15	2.14 V	2.14 V	2.08 V
16	4.85 V	0.146 V	4.68 V
17	2.14 V	2.14 V	2.09 V
18	4.8 V	4.86 V	4.73 V
19	3.88 V	3.92 V	2.72 V
20	2.31 V	0.003 V	0.006 V
21	3 V	1.68 V	3.02 V
22	3.2 V	2.62 V	3.2 V
23	3.2 V	2.55 V	3.2 V

MODE PIN NO.	EE	PB	REC
24	4.85 V	4.85 V	4.75 V
25	0.121 V	3.4 V	0.19 V
26	1.65 V	1.25 V	1.6 V
27	2.16 V	2.1 V	2.14 V
28	3.75 V	3.7 V	3.66 V
29	2.43 V	2.46 V	2.34 V
30	0.002 V	0.002 V	0.005 V
31	4.76 V	4.58 V	4.72 V
32	4.68 V	4.58 V	4.71 V
33	2.88 V	2.86 V	2.8 V
34	0.061 V	0.06 V	0.061 V
35	3.02 V	2.34 V	2.99 V
36	3.5 V	2.84 V	3.4 V
37	1.7 V	1.76V	1.61 V
38	2 V	2.05 V	1.94 V
39	8.65 V	8.6 V	8.38 V
40	0.002 V	0.003 V	0.006 V
41	0.002 V	0.003 V	0.006 V
42	4.8 V	4.8 V	4.68 V
43	2.4 V	2.67 V	2.17 V
44	13.8 mV	3.86 V	0.03 V
45	2.5 V	2.52 V	2.55 V
46	2.6 V	2.78 V	2.64 V
47	4.14 V	4.14 V	4.14 V
48	3.3 V	3.09 V	3.30 V
49	2.97 V	2.93 V	3.69 V
50	1.93 V	1.92 V	1.92 V
51	0.002 V	0.003 V	0.005 V
52	1.93 V	1.93 V	1.92 V
53	2.33 V	2.33 V	2.34 V
54	1.93 V	1.92 V	1.92 V
55	5.14 V	5.14 V	5.13 V
56	2.24 V	2.57 V	2.22 V
57	1.95 V	2.28 V	0.006 V
58	3 V	2.55 V	3.01 V
59	2.9 V	2.93 V	2.92 V
60	1.47 V	1.54 V	1.48 V
61	1.8 V	2.44 V	1.79 V
62	0.087 V	0.09 V	0.088 V
63	1.8 V	2.55 V	1.78 V
64	0.002 V	0.003 V	0.006 V
65	1.71 V	0.002 V	1.69 V
66	0.002 V	0.003 V	0.006 V
67	0.005 V	0.07 V	0.44 V
68	4.8 V	4.8 V	4.78 V
69	4.7 V	4.7 V	4.7 V
70	7.75 V	2.55 V	5.55 V
71	5.55 V	0.008 V	0.008 V
72	4.84 V	4.8 V	4.72 V
73	2.21 V	2.2 V	2.24 V
74	2.45 V	2.6 V	2.43 V
75	2.38 V	0.72 V	2.38 V
76	2.4 V	0.81 V	2.39 V
77	1.58 V	1.6 V	1.48 V
78	2.44 V	3.35 V	2.33 V

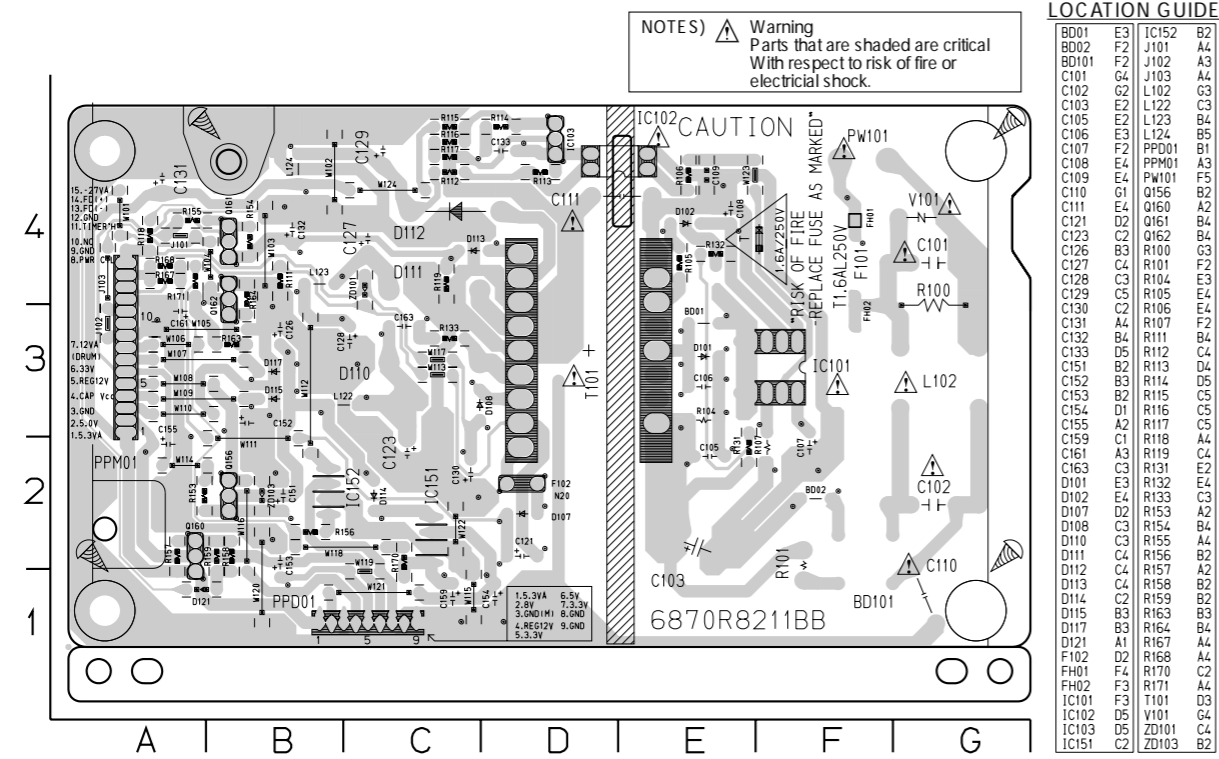
MODE PIN NO.	EE	PB	REC
79	1.73 V	1.67 V	2.51 V
80	0.98 V	0.98 V	4.46 V
81	1.1 V	1.13 V	1.15 V
82	0.003 V	0.004 V	0.006 V
83	1.65 V	1.03 V	1.41 V
84	0.258 V	2.5 V	0.014 V
85	0.002 V	0.003 V	1.38 V
86	0.251 V	0.014 V	1.98 V
87	0.77 V	0.78 V	0.78 V
88	0.77 V	0.78 V	0.77 V
89	0.77 V	0.78 V	0.77 V
90	0.77 V	0.78 V	0.77 V
91	4.85 V	4.83 V	4.74 V
92	2.1 mV	0.004 V	0.006 V
93	1.7 V	1.72 V	3.94 V
94	1.7 V	1.71 V	3.93 V
95	1.7 V	1.71 V	3.92 V
96	1.7 V	1.71 V	3.94 V
97	0.002 V	0.005 V	0.006 V
98	2.16 V	2.16 V	2.21 V
99	2.16V	2.16 V	2.25 V
100	2.16 V	2.16 V	2.31 V
IC 5F1			
1	2.33 V	2.31 V	2.3 V
2	4.98 V	4.9 V	4.9 V
3	5 V	5 V	5 V
4	4.96 V	4.9 V	4.9 V
5	4.89 V	4.85 V	4.8 V
6	0.64 V	0.59 V	0.6 V
7	0.64 V	0.59 V	0.6 V
8	0.64 V	0.61 V	0.6 V
9	0.73 V	0.93 V	0.96 V
10	1 V	0.92 V	0.91 V
11	0.72 V	0.63 V	0.92 V
12	1.83 V	1.84 V	1.8 V
13	0.73 V	0.75 V	0.72 V
14	1.26 V	1.22 V	1.2 V
15	1.26 V	1.23 V	1.1 V
16	1.65 V	1.63 V	1.54 V
17	1.58 V	1.58 V	1.42 V
18	4.89 V	4.8 V	4.8 V
19	0.002 V	0.003 V	0.003 V
20	1.75 V	1.63 V	1.5 V
21	1.7 V	1.7 V	1.5 V
22	1.78 V	1.71 V	1.5 V
23	1.73 V	1.6 V	1.41 V
24	0.002 V	0.003 V	0.003 V
IC 751			
1	5.1 V	5.1 V	5.08 V
2	1.5 V	1.5 V	1.51 V
3	1.5 V	1.5 V	1.5 V
4	0.002 V	0.003 V	0.003 V
5	2.5 V	2.46 V	2.46 V
6	2.44 V	2.44 V	2.43 V
7	1.84 V	1.89 V	2.06 V

MODE PIN NO.	EE	PB	REC
8	1.86 V	0.004 V	0.004 V
9	1.86 V	0.004 V	0.004 V
10	0.002 V	0.003 V	0.003 V
11	5.12 V	5.12 V	5.11 V
12	4.8 V	4.8 V	4.8 V
13	4.7 V	4.75 V	4.7 V
14	1.75V	2.6 V	2.59 V
15	1.77 V	2.6 V	2.6 V
16	1.77 V	5 V	5 V
17	1.75 V	1.5 V	2.06 V
18	1.75 V	1.5 V	2 V
19	5 V	5 V	5 V
20	0.003 V	0.003 V	0.003 V
21	1.88 V	1.58 V	2 V
22	5.1 V	5.1 V	5.11 V
23	0.002 V	0.005 V	0.004 V
24	0.002 V	0.005 V	0.005 V
25	0.002 V	0.003 V	0.003 V
26	0.05 V	0.051 V	0.051 V
27	0.05 V	0.05 V	0.05 V
28	0.002 V	0.003 V	0.005 V
29	0.002 V	0.003 V	0.003 V
30	2.78 V	2.77 V	2.76 V
31	2.78 V	1.9 V	2.76 V
32	0.002 V	0.003 V	0.005 V
33	5.1 V	5.09 V	5.08 V
34	4.06 V	4.08 V	4.06 V
35	0.003 V	0.003 V	0.003 V
36	2.77 V	2.76 V	2.76 V
37	0.002 V	0.002 V	0.002 V
38	0.002 V	0.003 V	0.002 V
39	0.002 V	0.003 V	0.002 V
40	2.76 V	2.75 V	2.75 V
41	2.76 V	2.75 V	2.75 V
42	2.59 V	2.59 V	2.6 V
43	2.35 V	2.35 V	2.35 V
44	0.003 V	0.003 V	0.003 V
IC 501			
1	0.002 V	0.002 V	0.002 V
2	2.56 V	2.55 V	2.55 V
3	2.56 V	2.55 V	2.9 V
4	2.56 V	2.55 V	2 V
5	2.56 V	2.55 V	2.55 V
6	2.56 V	2.56 V	2.55 V
7	2.64 V	2.63 V	2.6 V
8	2.54 V	2.53 V	2.52 V
9	0.064 V	2.27 V	2.26 V
10	5.13 V	5.12 V	5.11 V
11	1.69 V	1.68 V	1.66 V
12	1.7 V	1.7 V	1.67 V
13	2.32 V	2 V	2.3 V
14	0.48 V	0.08 V	0.53 V
15	1.28 V	1.29 V	1.36 V
16	1.84 V	1.83 V	1.8 V
17	2.32 V	3 V	2.26 V

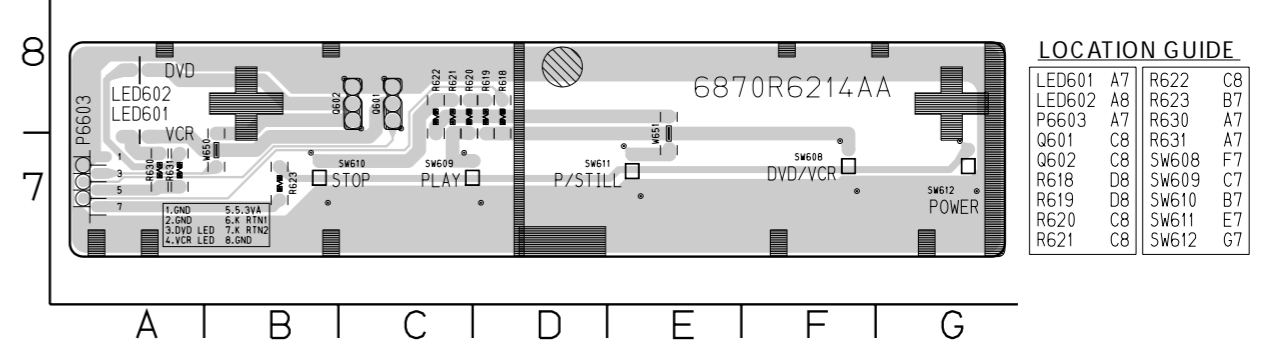
MODE PIN NO.	EE	PB	REC
18	4.7 V	4.7 V	4.6 V
19	2.19 V	3 V	2.13 V
20	0.01 V	0.009 V	0.01 V
21	2.2 V	2.2 V	2.16 V
22	2.32 V	2.3 V	2.26 V
23	0.01 V	0.009 V	0.01 V
24	0.3 V	2.84 V	0.012 V
25	0.08 V	3.4 V	0.068 V
26	5.14 V	5.13 V	5.12 V
27	4.2 V	4.16 v	3.93 V
28	5.13 V	5.13 V	5.11 V
29	5.13 V	5.13 V	5.11 V
30	0.004 V	0.002 V	0.003 V
31	0.002 V	0.002 V	0.002 V
32	0.002 V	0.002 V	0.002 V
33	0.18 V	0.18 V	0.18 V
34	1.37 V	1.3 V	1.42 V
35	5.14 V	5.13 V	5.1 V
36	5.14 V	5.13 V	5.1 V
37	4.74 V	4.73 V	4.7 V
38	4.74 V	4.75 V	4.7 V
39	2.45 V	4.9 V	2.33V
40	5 V	0.003 V	4.96 V
41	2.28 V	1.55 V	1.42 V
42	0.003 V	0.003 V	0.004 V
43	4.76 V	4.75 V	4.73 V
44	0.003 V	0.003 V	0.004 V
45	(-)0.001 V	(-)0.001 V	(-)0.001 V
46	0.003 V	0.003 V	0.004 V
47	0.003 V	0.003 V	5 V
48	0.003 V	0.003 V	0.004 V
49	5.14 V	0-5 V	0.005-5 V
50	5.1 V	0.003 V	0.004 V
51	4.38 V	0.03 V	0.035 V
52	0.031 V	5.06 V	0.038 V
53	0.003 V	0.003 V	0.004 V
54	5.1 V	5 V	5 V
55	5.1 V	5.13 V	5.11 V
56	5.1 V	5.1 V	5.1 V
57	0.002 V	0.002 V	0.002 V
58	0.003 V	0.004 V	0.004 V
59	4.8 V	4.8 V	4.8 V
60	4.7 V	4.7 V	4.9 V
61	4.7 V	5 V	5 V
62	5 V	5 V	5 V
63	1.8 V	1.3 V	1.68 V
64	5.1 V	5 V	5 V
65	1.78 V	5.1 V	1.66 V
66	5.1 V	5.1 V	5.08 V
67	0.004 V	4.4 V	5.08 V
68	0.001 V	5.1 V	0.005 V
69	0.001 V	5.1 V	5.12 V
70	5.14 V	5.1 V	5.12 V
71	5.14 V	0.001 V	0.001 V
72	0.028 V	0.028 V	0.029 V

MODE PIN NO.	EE	PB	REC
73	5 V	5.1 V	5.04 V
74	0.001 V	0.001 V	0.002 V
75	1.5 V	1.93 V	1.48 V
76	1.7 V	2.02 V	1.44 V
77	5.1 V	5.1 V	5.08 V
78	2.5 V	2.51 V	2.52 V
79	0.001 V	0.002 V	0.002 V
80	2.53 V	2.5 V	2.5 V
81	3.2 V	3.2 V	3.19 V
82	5.12 V	5.1 V	5.1 V
83	0.172 V	2.68 V	2.

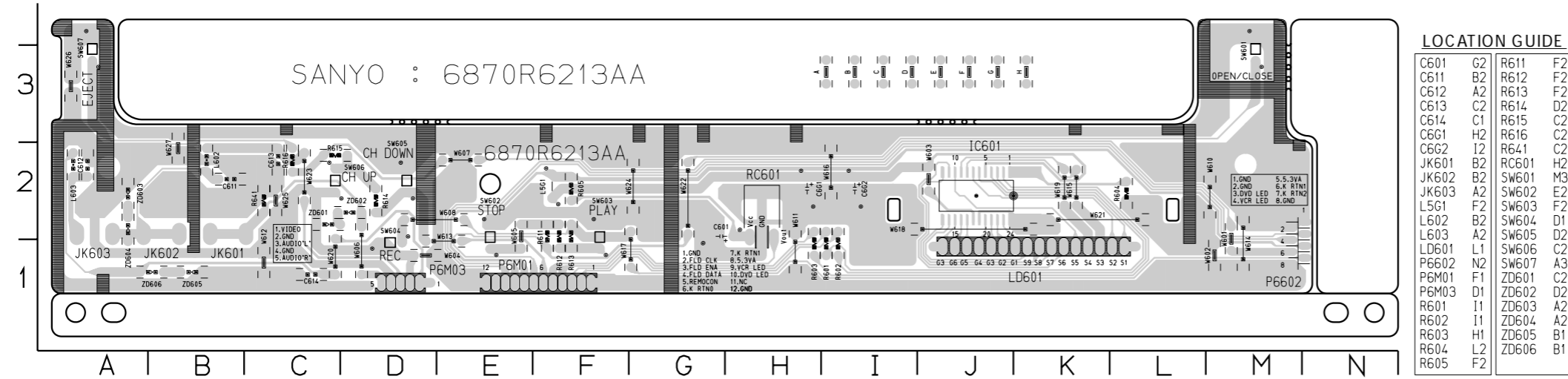
2. SMPS P.C.BOARD



3. KEY(LEFT) P.C.BOARD



4. TIMER P.C.BOARD

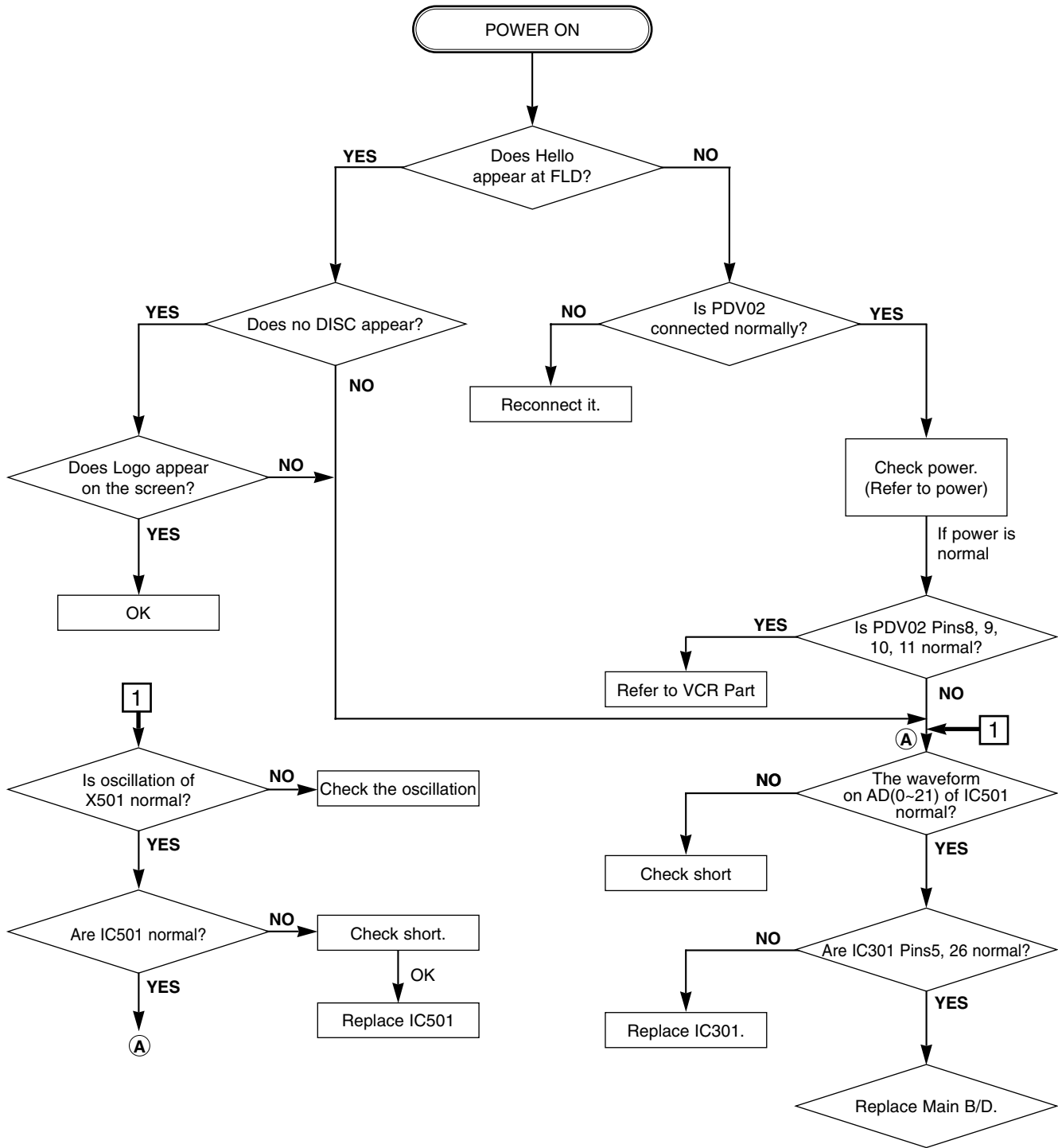


DVD PART

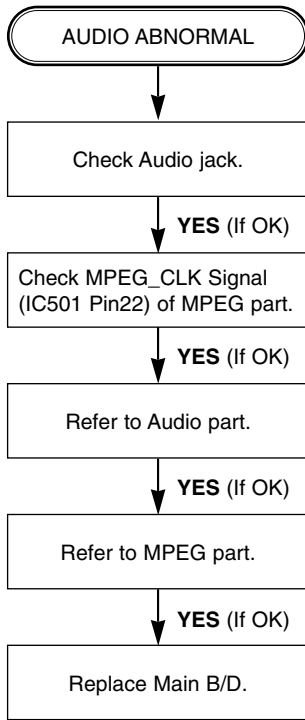
ELECTRICAL TROUBLESHOOTING GUIDE

1. μ -COM Circuit

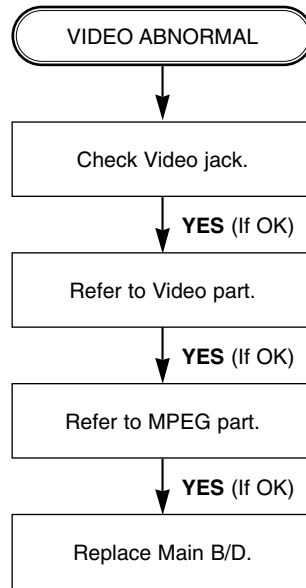
A. No Power



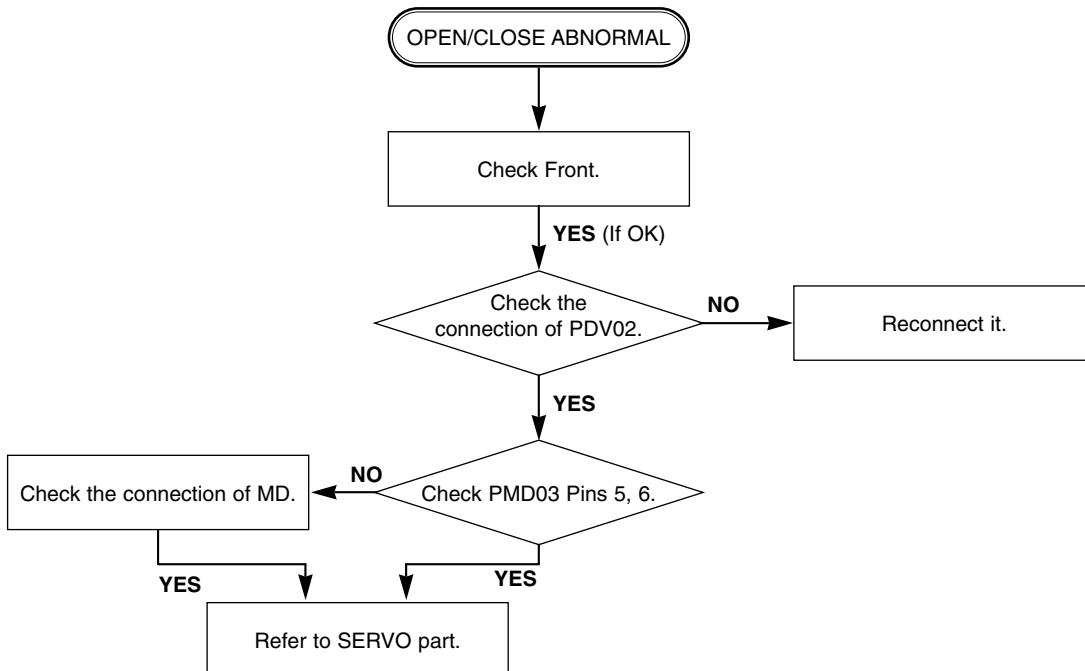
B. Audio abnormal



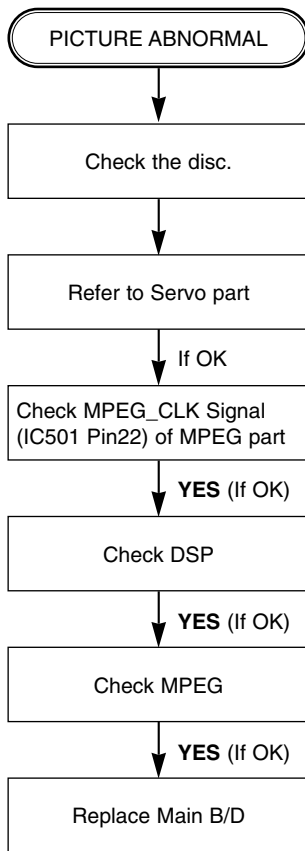
C. Video abnormal



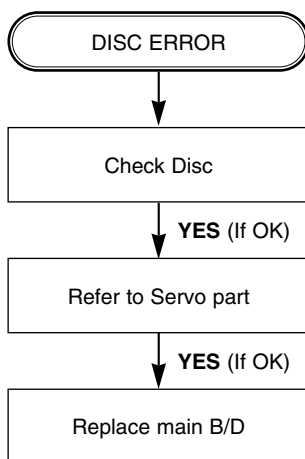
D. Open/Close abnormal



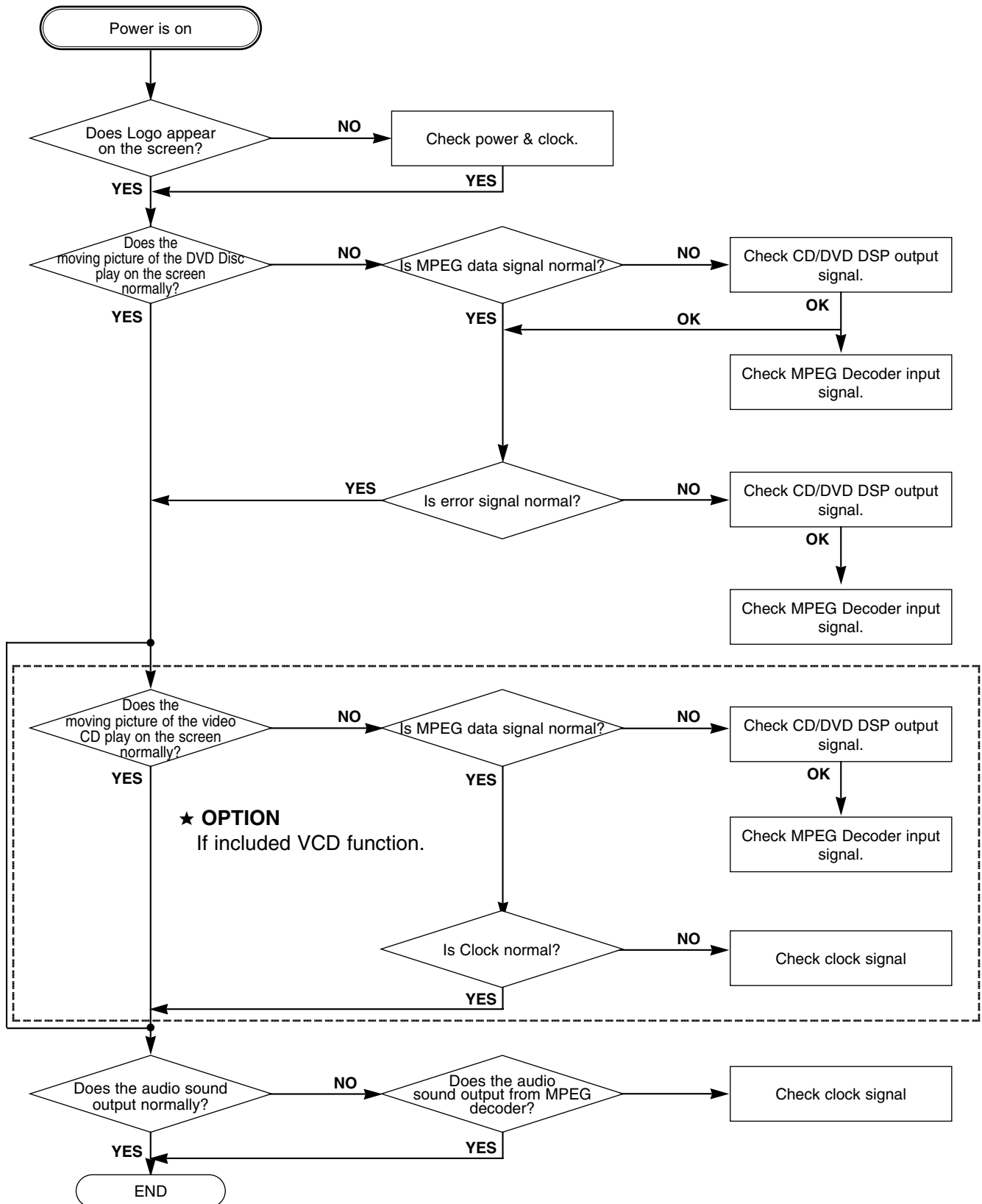
E. Picture abnormal



F. Disc Error

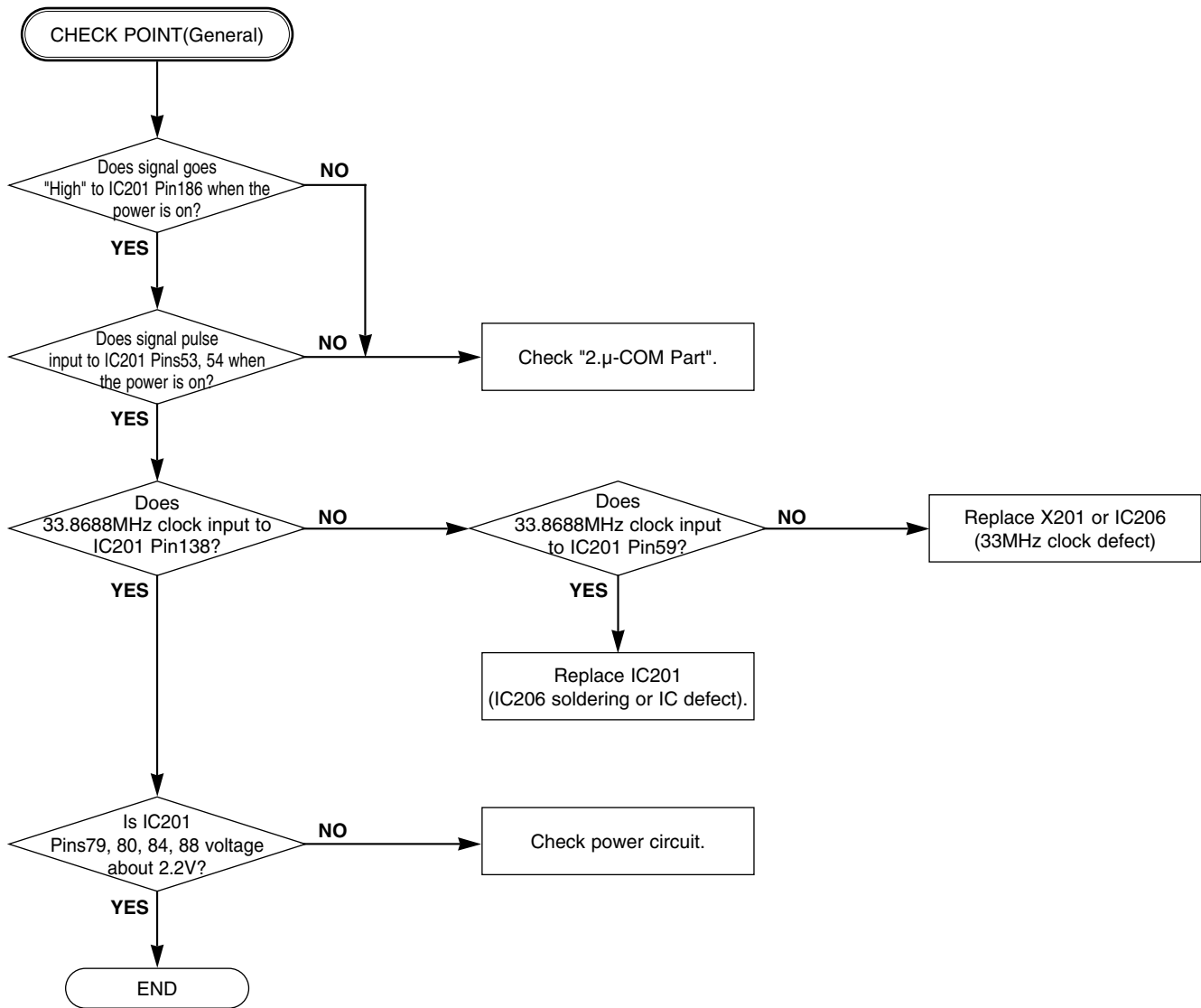


2. MPEG Circuit

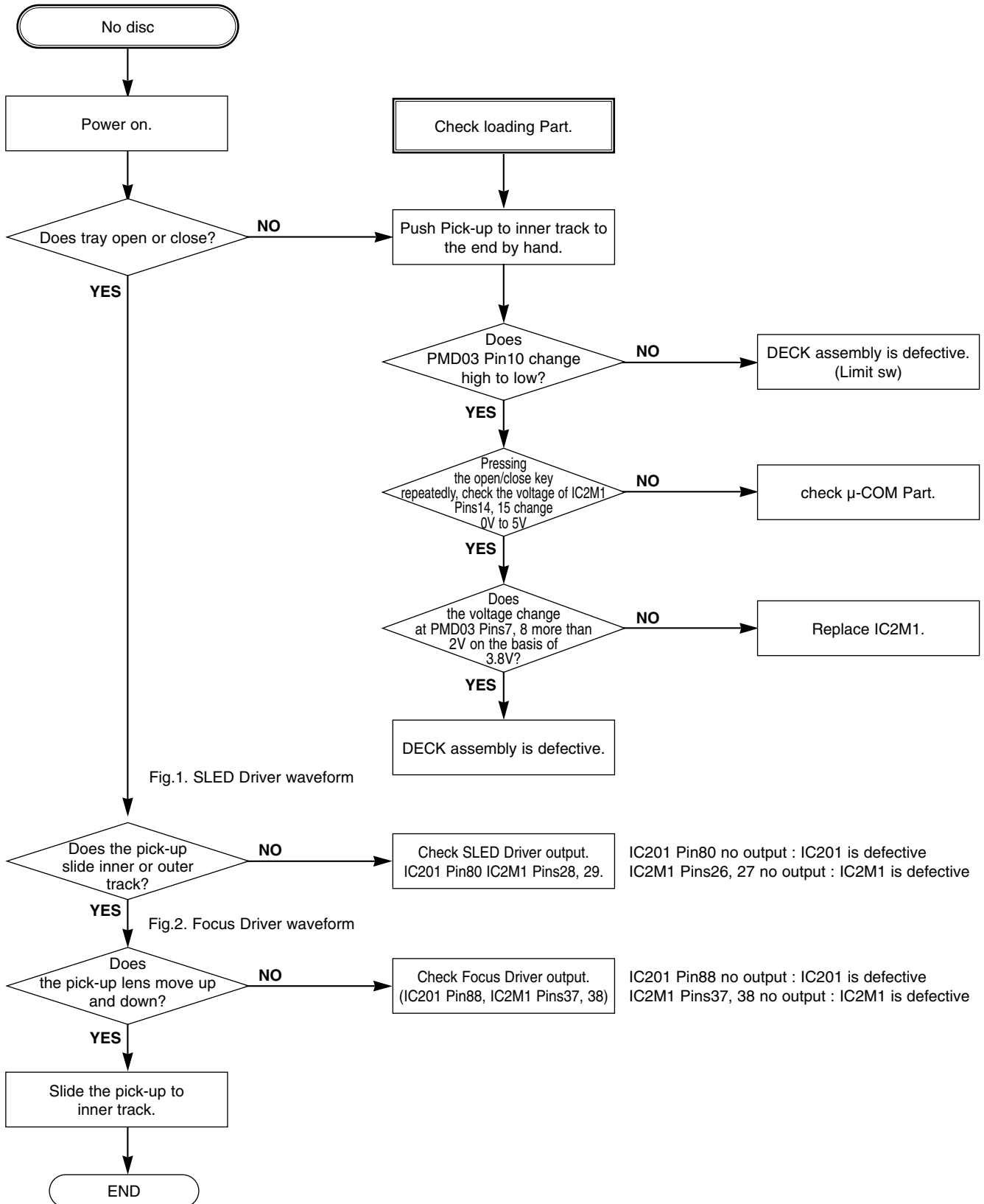


3. RF/Servo Circuit

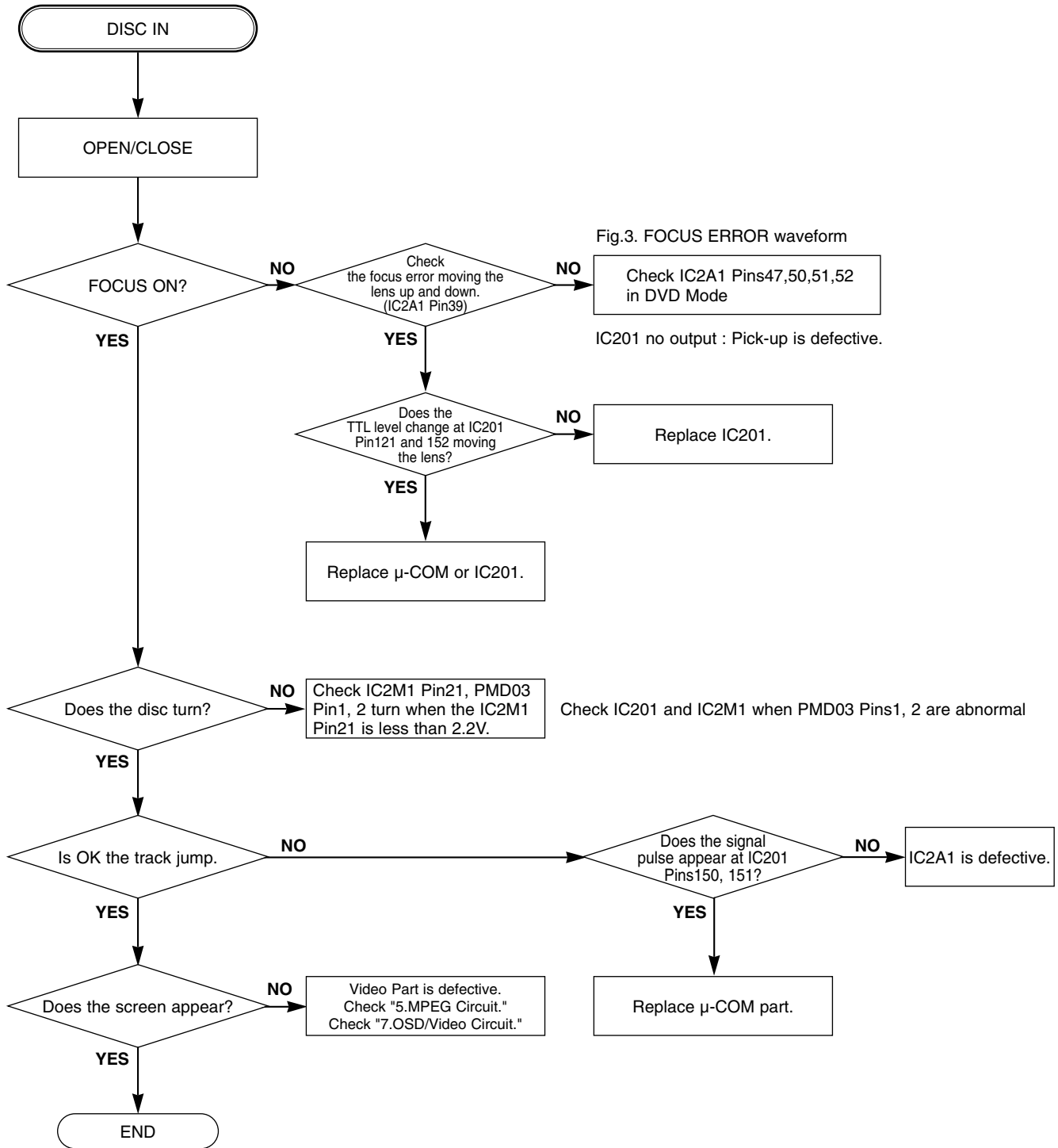
A.



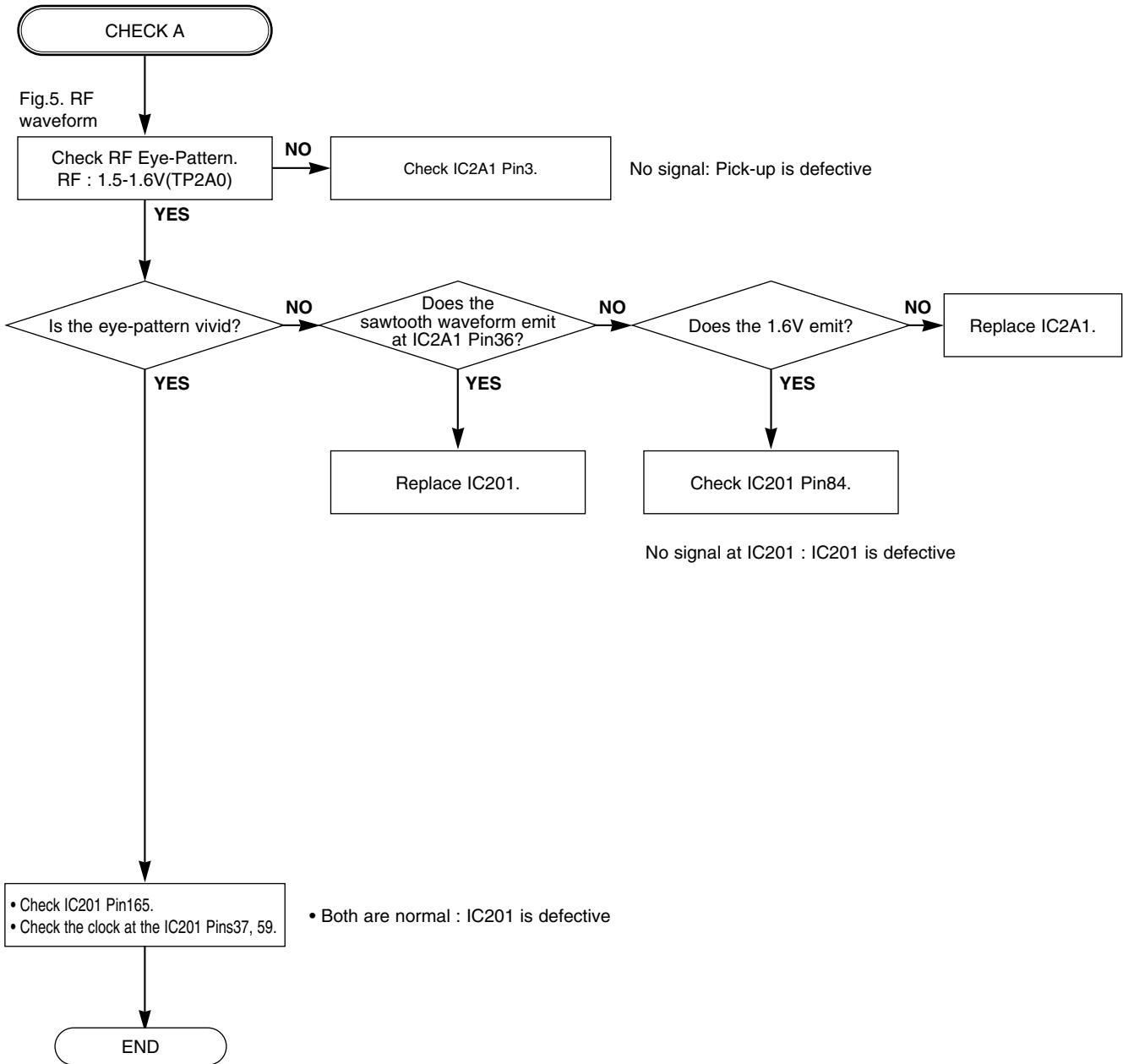
B.



C.

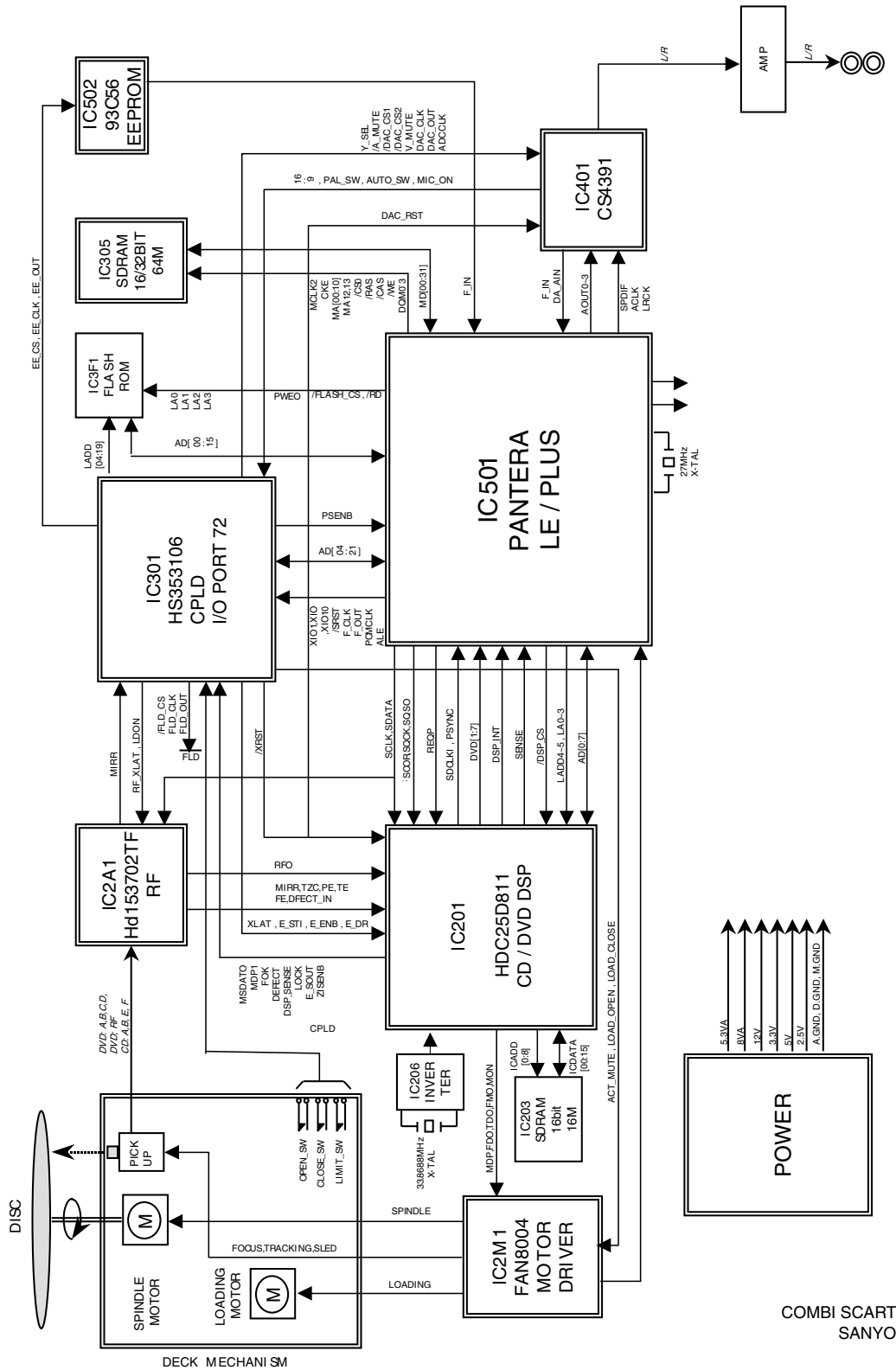


D.



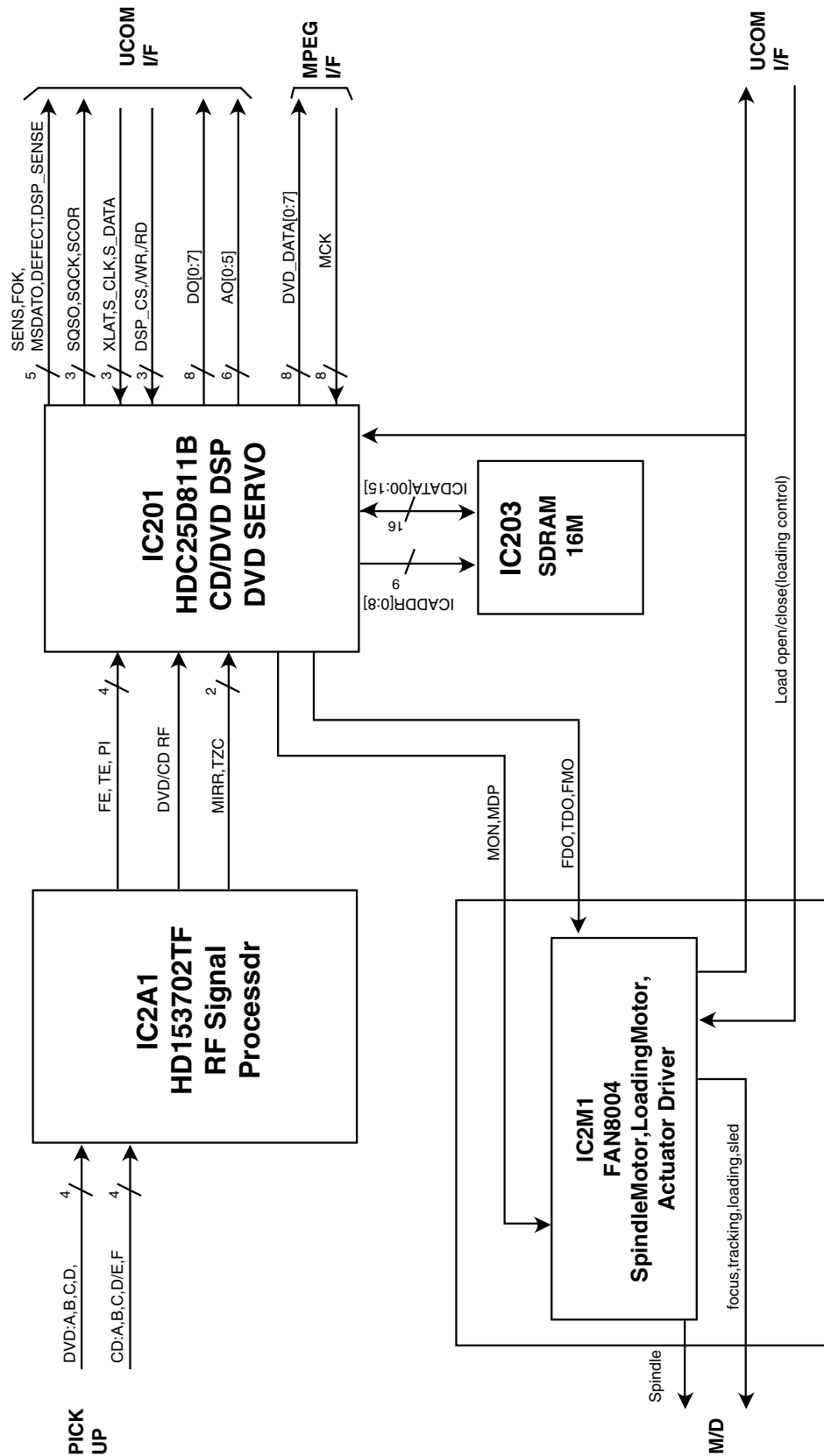
BLOCK DIAGRAMS

1. DVD OVERALL BLOCK DIAGRAM



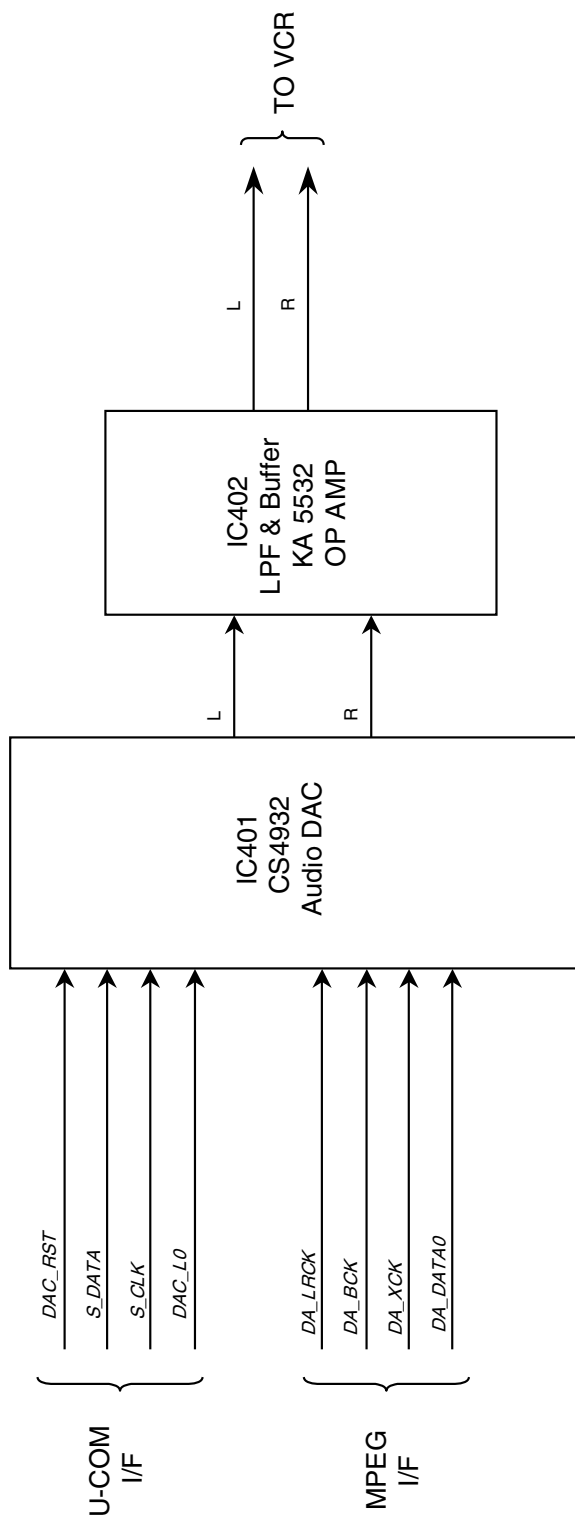
COMBI SCART
SANYO

2. RF/CD DSP/DVD DSP/DVD SERVO BLOCK DIAGRAM



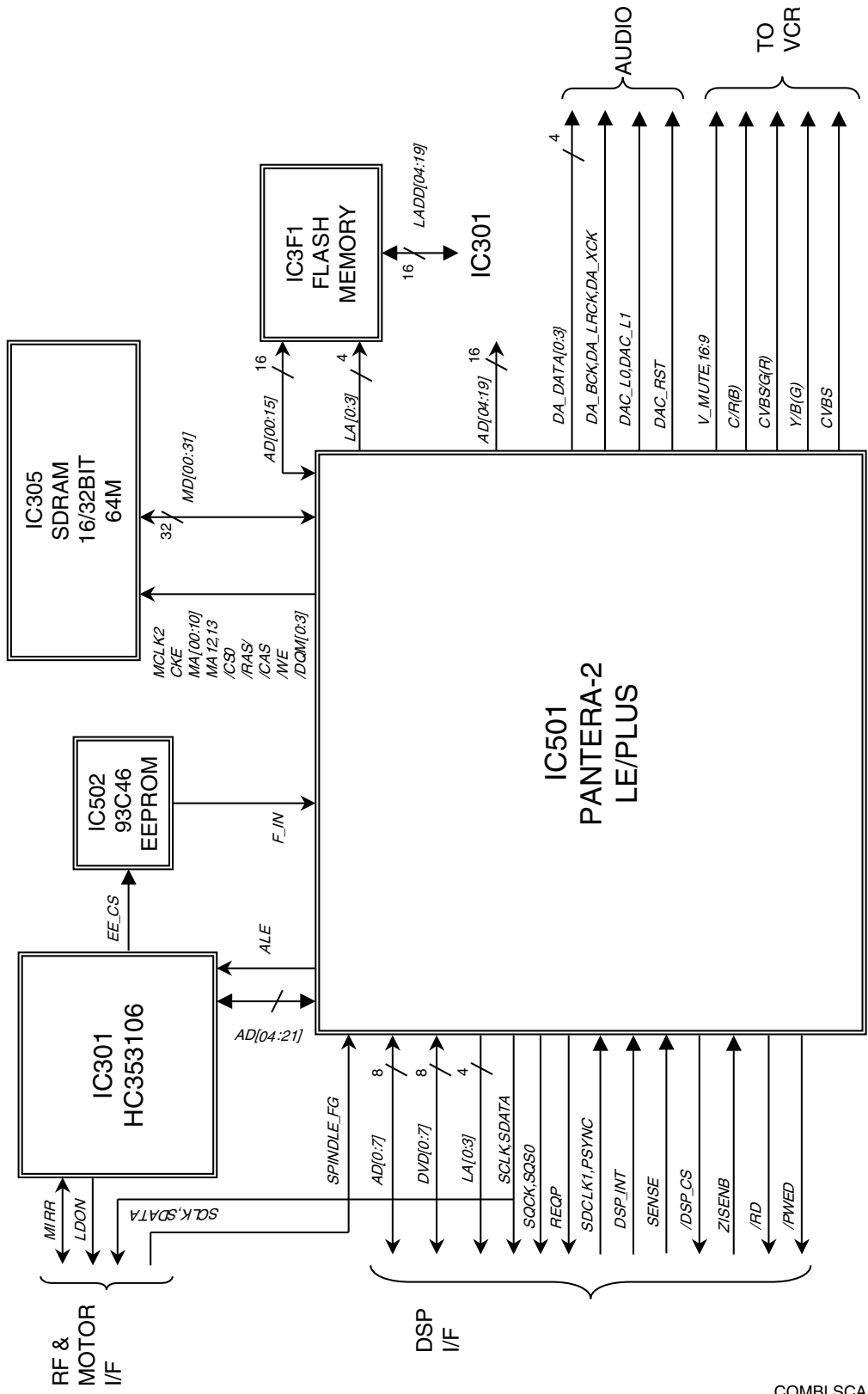
COMBI SCART
SANYO

3. AUDIO BLOCK DIAGRAM



COMBI SCART
SANYO

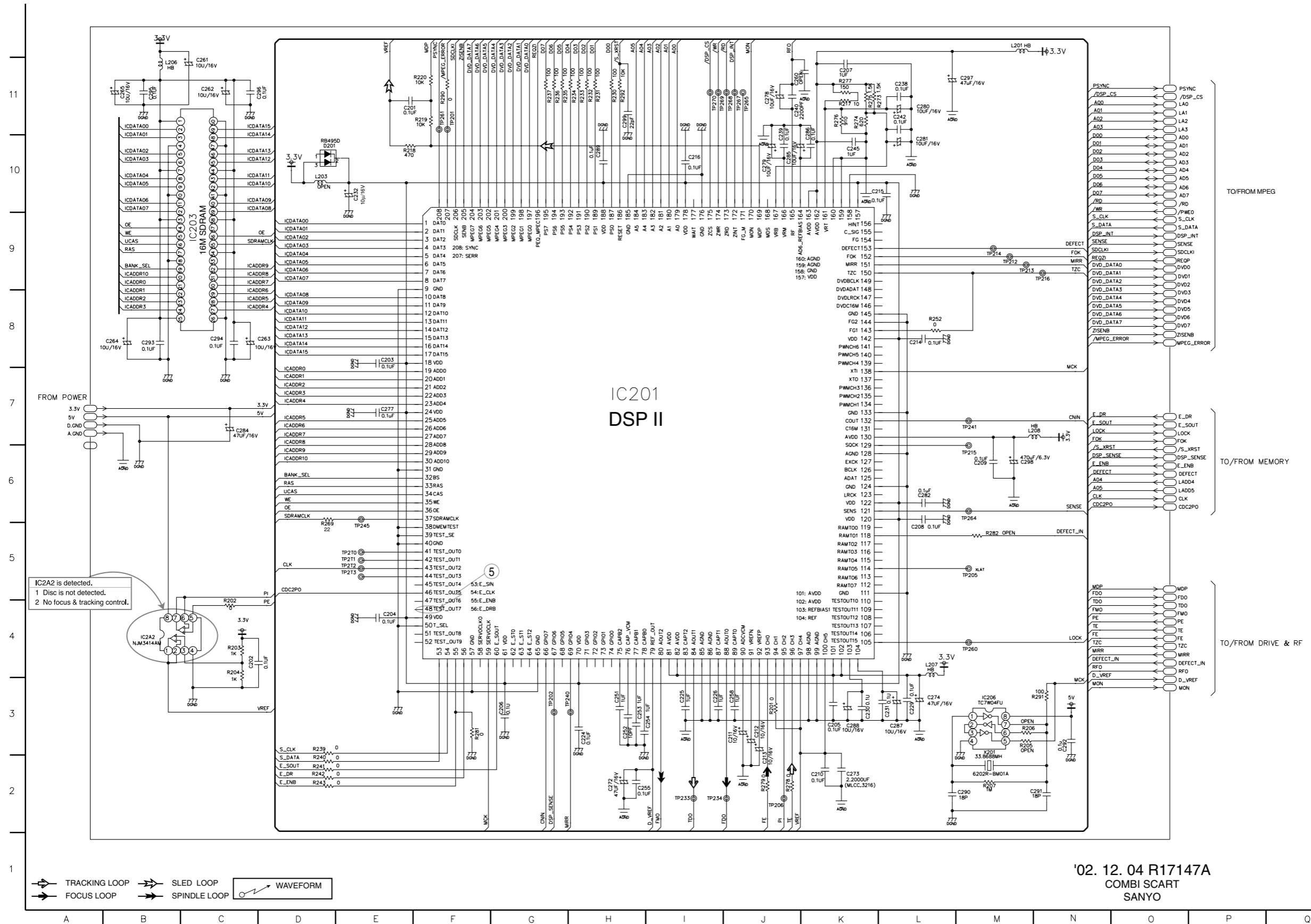
4. MPEG BLOCK DIAGRAM



COMBI SCART
SANYO

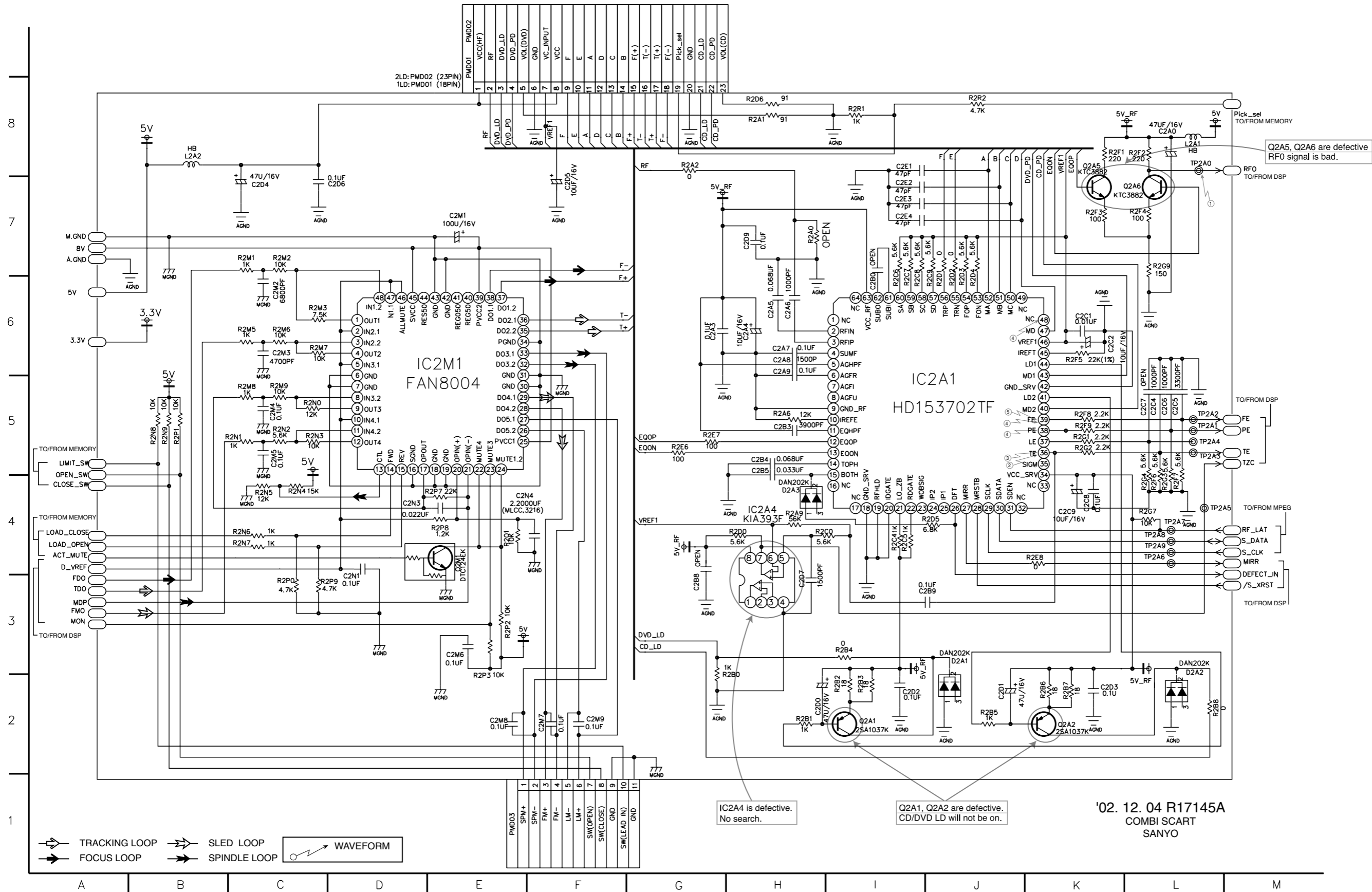
CIRCUIT DIAGRAMS

1. DVD DSP CIRCUIT DIAGRAM

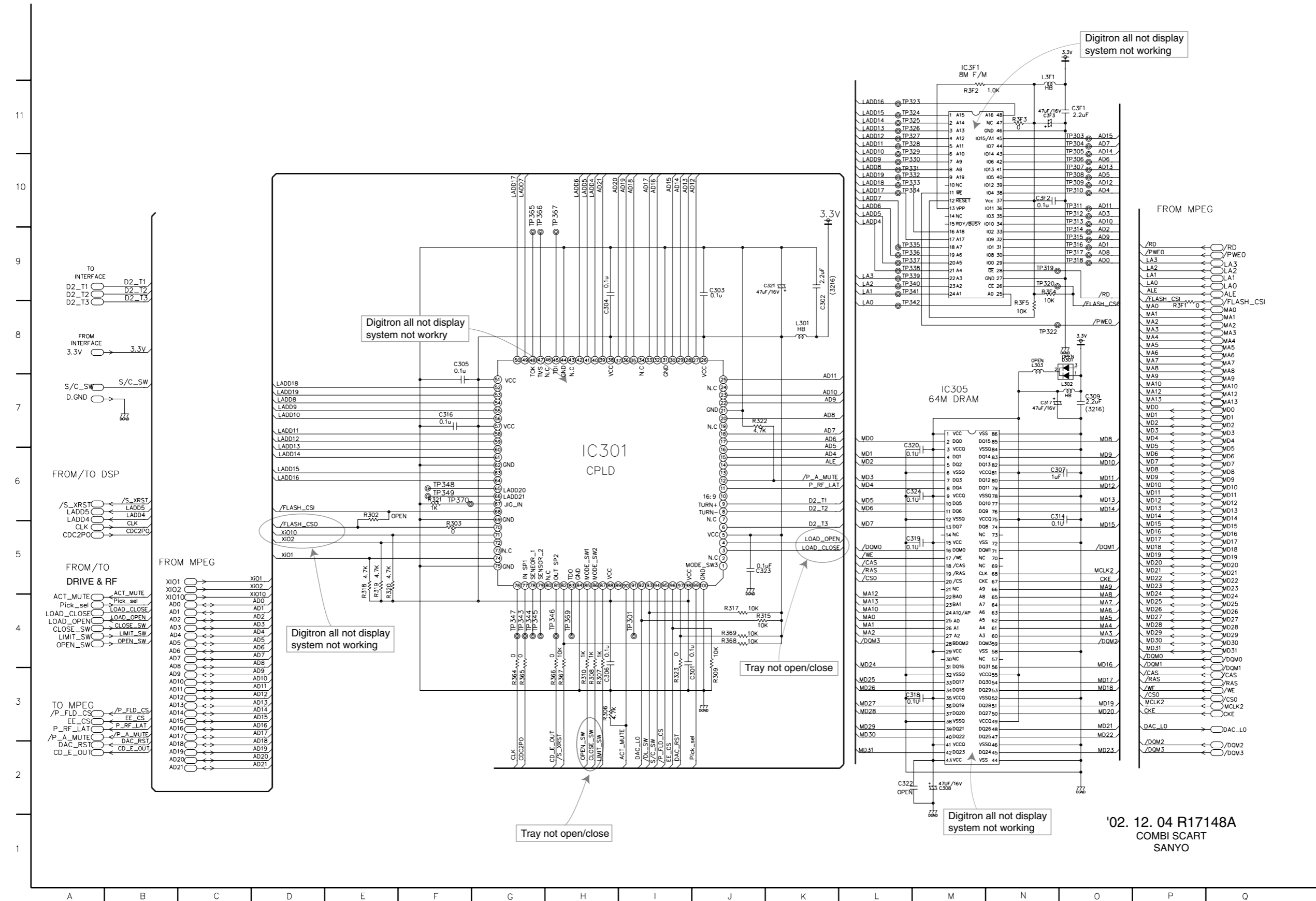


'02. 12. 04 R17147A
 COMBI SCART
 SANYO

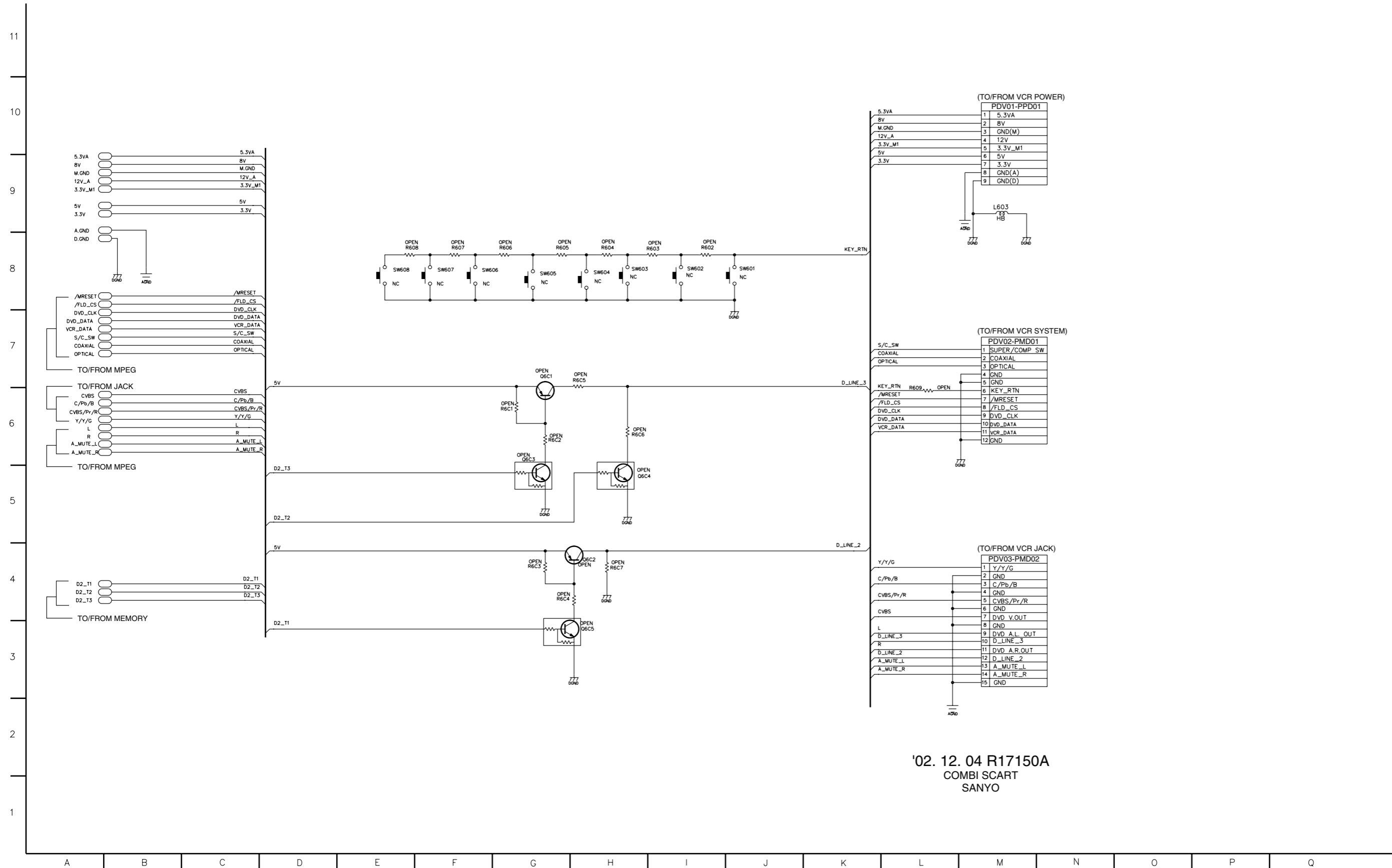
2. DRIVE & RF CIRCUIT DIAGRAM



3. MEMORY CIRCUIT DIAGRAM

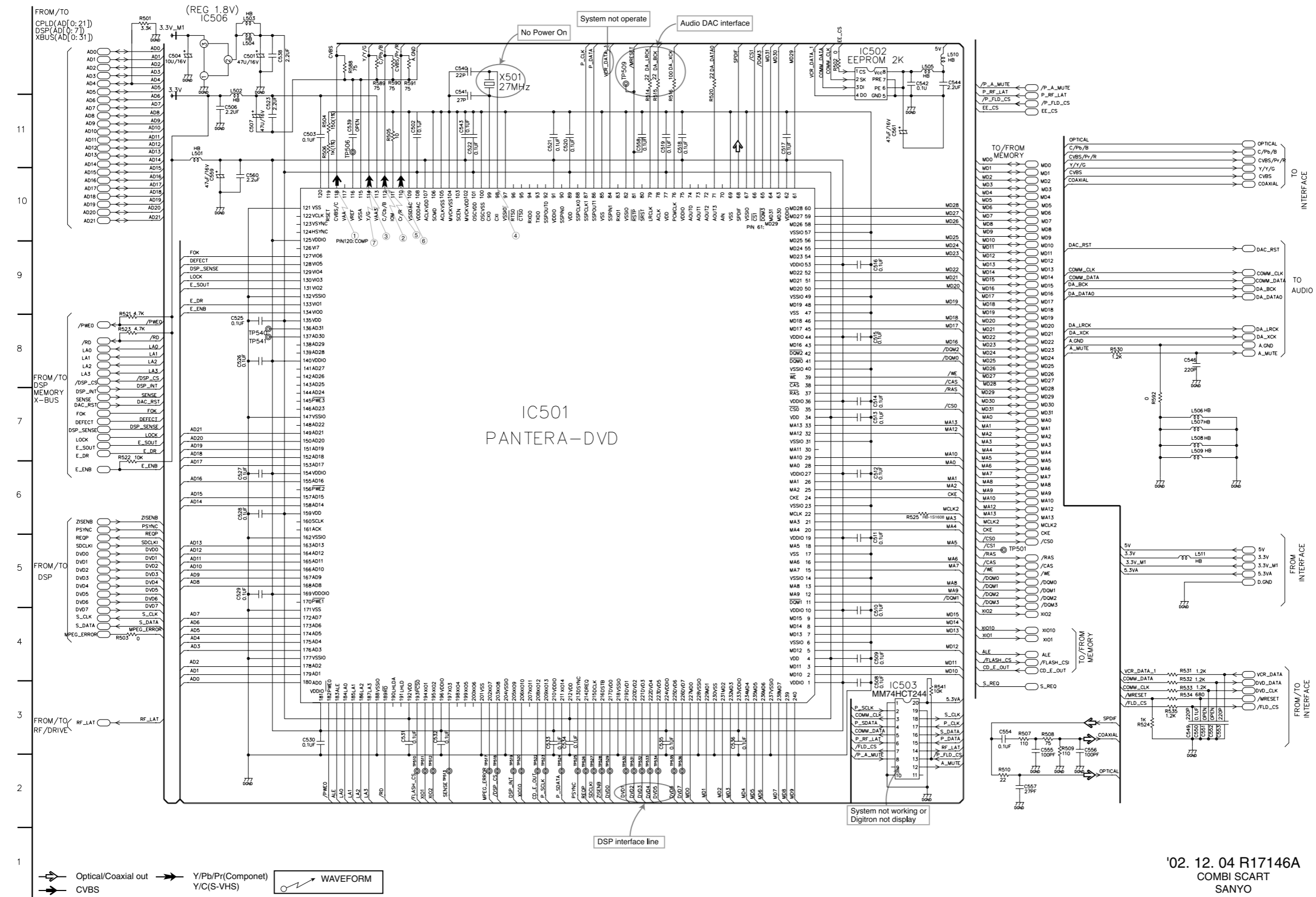


4. INTERFACE CIRCUIT DIAGRAM



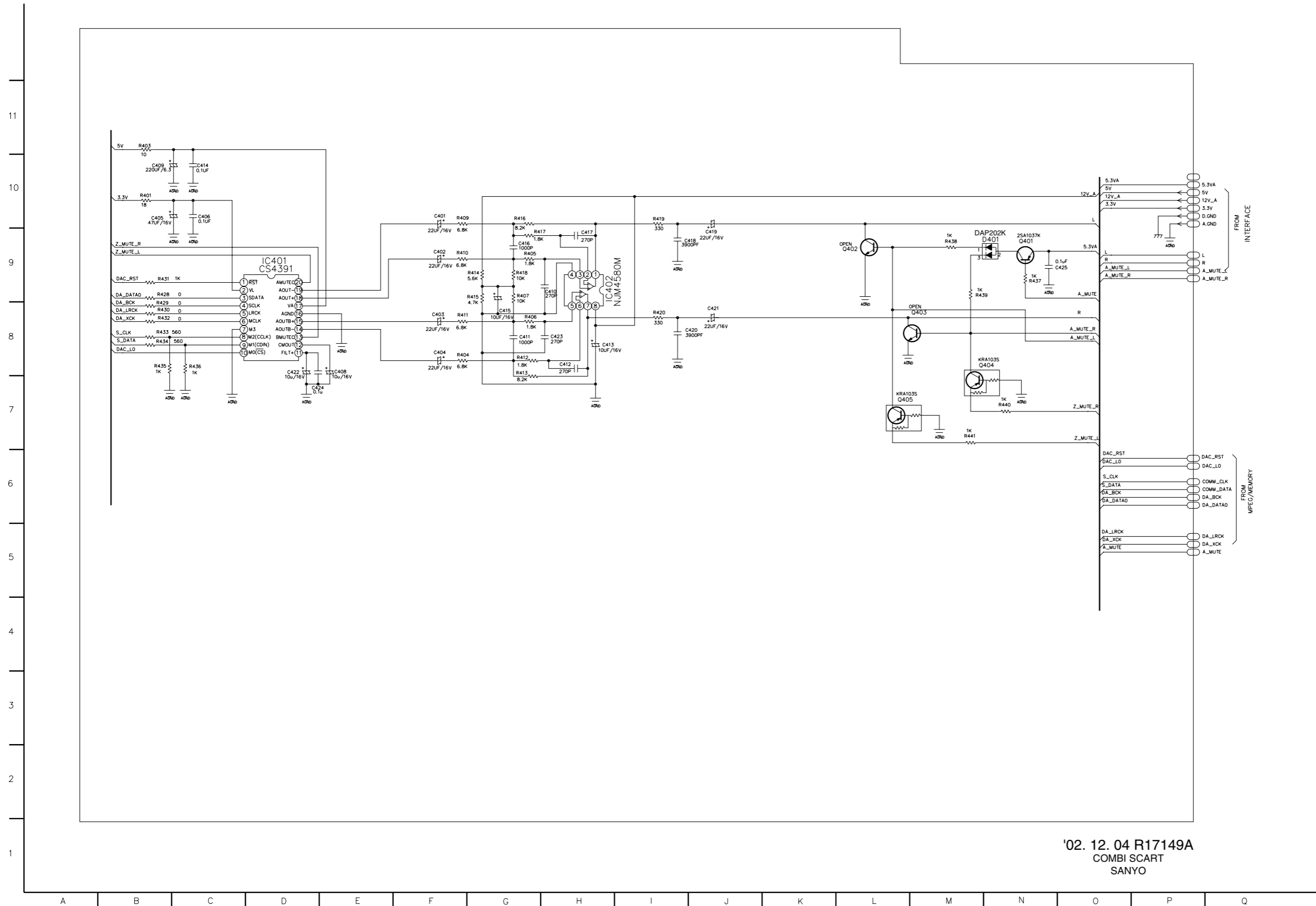
'02. 12. 04 R17150A
COMBI SCART
SANYO

5. μ-COM/EXPANDER CIRCUIT DIAGRAM



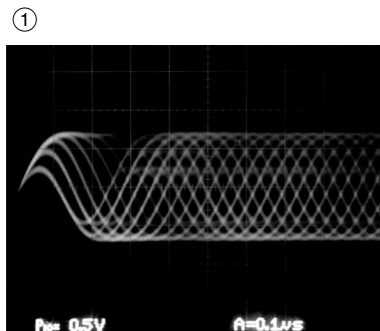
'02. 12. 04 R17146A
 COMBI SCART
 SANYO

6. JACK CIRCUIT DIAGRAM

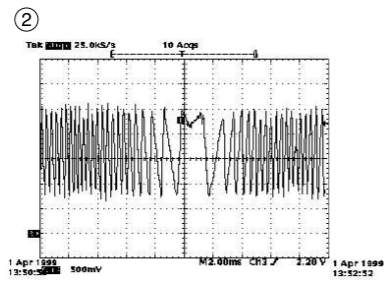


'02. 12. 04 R17149A
COMBI SCART
SANYO

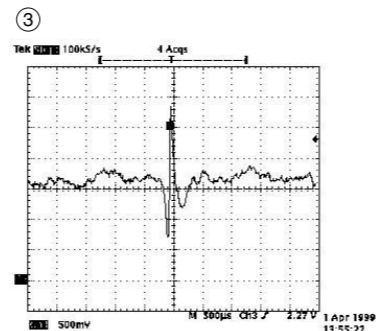
• WAVEFORMS



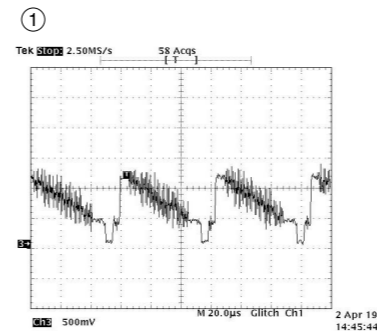
IC2A1
TP2A0



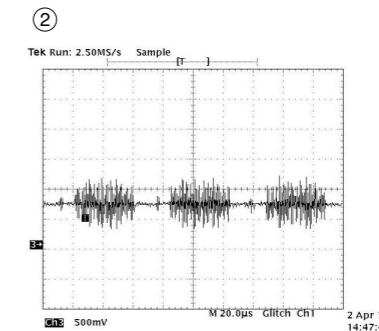
IC2A1 Pin 36
Tracking Error



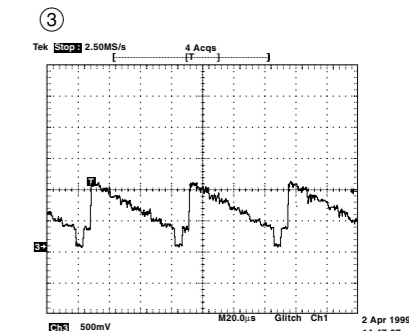
IC2A1 Pin 36
VBR TRACKING Error



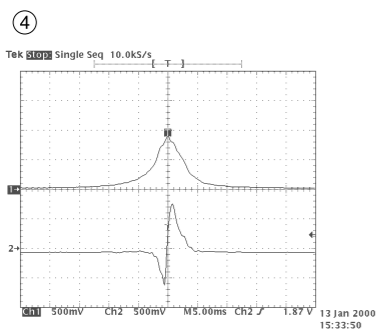
IC501 Pin 118, Composite



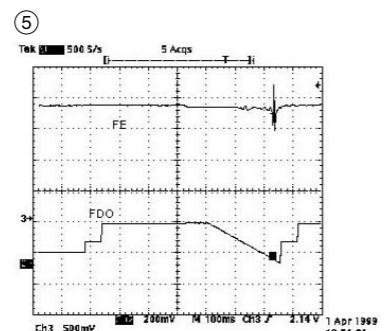
IC501 Pin 112, Chrominance
(Super video out Mode)



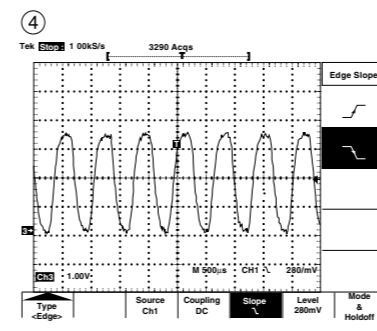
IC501 Pin 114, Luminance
(Super video out Mode)



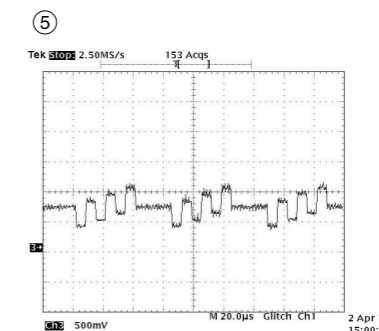
IC2A1 Pin 39, Focus Error
IC2A1 Pin 38, PE



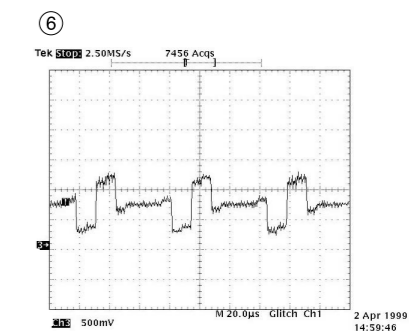
IC2A1 Pin 39, Focus Error(in Focus Search)
IC201 Pin 48, Focus Drive(FDO)



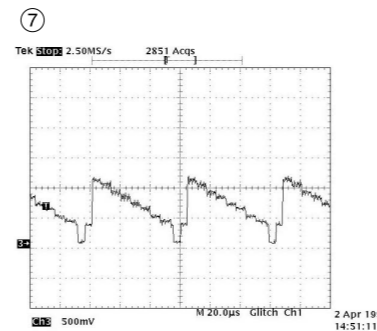
IC501 Pin 98,
MPEG Clock(27MHz)



IC501 Pin 112
Component Pb



IC501 Pin 110
Component Pr



IC501 Pin 114
Component Y

• CIRCUIT VOLTAGE CHART

MODE PIN NO.	STOP	PLAY	MODE PIN NO.	EE	PLAY	MODE PIN NO.	EE	PLAY	MODE PIN NO.	EE	PLAY	MODE PIN NO.	EE	PLAY	MODE PIN NO.	EE	PLAY	MODE PIN NO.	EE	PLAY	MODE PIN NO.	EE	PLAY	MODE PIN NO.	EE	PLAY	MODE PIN NO.	EE	PLAY	MODE PIN NO.	EE	PLAY	MODE PIN NO.	EE	PLAY	MODE PIN NO.	EE	PLAY																																																																																																																																																																																																																																																																																																																																																																																																																																																																																																																																																																																																																																																																																																																																																																																																																																																																																																																																																																																																																																																																																																																																																																																																																																																			
DSP			54	5.72	5.18	109	2.00	1.64	164	2.31	2.07	SERVO			54	2.47	0.00	26	4.33	0.00	32	0.00	0.00	87	0.00	0.00	40	0.00	0.00	IC 201			55	0.02	0.00	110	2.40	1.60	165	2.38	0.00	IC 2A1			55	2.47	2.51	27	4.32	4.01	33	0.00	0.00	88	3.26	3.26	41	0.00	0.00																																																																																																																																																																																																																																																																																																																																																																																																																																																																																																																																																																																																																																																																																																																																																																																																																																																																																																																																																																																																																																																																																																																																																																																																																														
1	3.21	3.07	56	3.21	3.21	111	0.02	0.00	166	2.39	2.14	1	0.00	0.00	56	2.47	2.50	28	4.33	4.05	34	0.00	0.00	89	3.18	3.31	42	0.06	0.00	2	3.21	3.05	57	0.02	0.00	112	0.02	0.00	167	1.80	1.61	2	3.24	3.02	57	2.47	2.29	29	4.36	3.97	35	0.00	0.00	90	3.25	3.26	43	2.94	0.00	3	3.21	3.07	58	1.80	1.59	113	0.02	0.00	168	3.08	0.00	3	3.24	3.01	58	2.47	2.28	30	0.10	0.00	36	0.00	0.00	91	0.00	2.26	44	3.23	3.23	4	3.21	3.02	59	2.38	0.00	114	0.02	0.00	169	0.02	2.06	4	1.85	1.99	59	2.47	2.28	31	0.01	0.13	37	0.00	0.00	92	3.26	3.26	45	1.14	0.05	5	3.21	3.05	60	0.02	0.00	115	0.02	0.00	170	0.04	0.00	5	3.35	3.17	60	2.47	2.28	32	4.23	4.92	38	3.26	3.26	93	3.26	3.26	46	0.69	0.04	6	3.21	3.04	61	3.21	3.01	116	0.02	0.00	171	3.03	2.54	6	2.63	2.43	61	0.80	0.96	33	4.50	0.00	39	0.00	0.00	94	0.00	0.00	47	0.00	0.00	7	3.21	3.05	62	3.21	0.00	117	0.02	0.00	172	3.21	0.00	7	1.10	0.30	62	0.80	0.86	34	0.00	0.00	40	0.00	0.00	95	1.69	1.68	8	3.21	3.05	63	3.21	3.21	118	0.02	0.00	173	3.21	0.00	8	1.10	0.30	63	5.60	5.01	35	1.71	0.00	41	0.00	0.00	96	0.00	0.00	9	0.00	3.05	64	0.02	0.00	119	0.02	0.00	174	3.21	0.00	9	0.00	0.80	36	1.78	4.00	42	0.00	0.00	97	3.26	3.26	48	0.60	0.28	10	3.21	0.00	65	0.02	0.00	120	3.21	3.22	175	3.21	3.21	10	1.24	1.18	37	1.73	4.21	43	0.00	0.00	50	0.74	0.79	11	3.21	3.04	66	0.87	1.19	121	0.70	3.22	176	0.02	0.00	11	2.54	2.27	38	1.74	3.75	44	0.00	0.00	52	0.49	0.80	12	3.21	0.00	67	0.01	1.90	122	3.21	3.22	177	3.21	0.00	12	3.38	3.13	39	1.92	0.00	45	0.00	0.00	53	3.23	3.23	13	3.21	0.00	68	3.21	3.21	123	3.21	1.61	178	3.21	3.21	13	3.34	3.09	40	1.91	7.89	46	0.00	0.00	54	0.42	0.90	14	3.21	0.00	69	1.07	1.55	124	0.02	0.00	179	3.21	3.13	14	2.52	2.70	41	0.00	0.00	47	0.00	0.00	55	1.30	0.64	15	3.21	3.03	70	3.21	0.00	125	3.21	1.64	180	0.02	0.00	15	2.64	1.95	42	0.00	0.00	48	0.00	0.00	56	0.48	0.45	16	3.21	3.05	71	0.02	0.00	126	3.21	1.61	181	0.02	0.00	16	0.01	0.14	43	0.00	0.00	49	0.00	0.00	57	0.00	0.00	17	3.21	3.04	72	3.21	0.00	127	3.00	0.00	182	0.02	0.00	17	0.02	0.00	44	0.00	0.00	58	0.55	0.62	18	3.21	0.00	73	0.02	0.00	128	0.02	0.00	183	0.02	0.00	18	0.01	0.00	45	1.94	0.00	59	0.67	0.60	19	3.21	0.00	74	0.02	0.00	129	3.21	2.35	184	0.02	0.00	19	0.01	0.00	46	2.33	2.15	50	0.00	0.00	60	1.11	0.69	20	3.21	0.00	75	0.87	0.00	130	3.21	3.25	185	0.02	0.00	20	0.01	0.00	47	2.33	0.00	51	0.58	0.18	21	3.21	0.00	76	1.59	0.00	131	3.21	1.59	186	3.21	3.25	21	5.41	5.01	21	0.46	0.93	48	2.06	2.15	52	3.23	3.22	22	0.01	0.00	77	0.87	0.00	132	0.84	0.02	187	1.50	1.05	22	5.41	5.01	2	0.53	0.97	53	0.00	0.00	61	0.50	0.24	23	0.01	0.03	78	0.87	0.78	133	0.02	0.00	188	3.21	0.00	23	0.02	0.00	3	0	0	54	0.00	0.00	62	3.23	3.22	24	3.21	0.00	79	2.36	2.15	134	3.21	3.22	189	1.55	1.58	24	0.01	0.00	4	0	0	55	0.00	0.00	63	0.50	0.24	25	3.21	0.00	80	2.86	0.00	135	3.21	2.35	190	1.57	0.00	25	2.27	2.26	5	2.27	2.26	56	0.00	0.00	64	0.30	0.73	26	0.02	0.00	81	3.24	0.00	136	2.67	2.39	191	1.63	1.64	26	0.03	0.00	6	2.28	2.27	57	3.26	3.27	65	0.00	0.00	65	0.00	0.00	27	0.02	0.00	82	3.24	0.00	137	1.85	1.62	192	0.23	0.19	27	0.01	0.00	7	0.00	0.00	58	0.00	0.00	66	0.48	1.68	28	0.02	0.00	83	2.19	1.97	138	2.40	2.12	193	2.32	2.04	28	3.51	3.24	8	5.09	5.05	59	0.00	0.00	67	0.00	0.40	29	0.02	0.00	84	2.39	0.00	139	2.68	2.41	194	2.20	2.70	29	5.58	5.16	9	0.00	0.00	68	0.00	1.56	30	0.02	0.00	85	0.00	0.00	140	2.64	0.30	195	1.63	0.00	30	0.02	0.00	69	0.00	0.00	70	0.45	0.59	31	0.02	0.00	86	0.00	0.00	141	2.64	3.20	196	0.02	0.00	31	0.03	0.00	60	3.25	3.26	71	0.00	1.21	32	0.02	0.00	87	2.19	0.00	142	3.21	3.22	197	0.02	0.00	32	0.04	0.00	61	0.00	0.00	72	0.00	1.23	33	3.21	0.00	88	2.38	0.00	143	1.12	2.32	198	0.02	0.00	33	0.03	0.00	62	0.00	0.00	73	0.00	1.21	34	3.21	0.00	89	2.18	0.00	144	0.02	0.00	199	0.02	0.00	34	5.44	5.01	63	0.00	0.00	74	3.23	1.22	35	3.21	3.19	90	1.80	1.62	145	0.02	0.00	200	0.02	0.00	35	2.45	2.27	64	3.12	3.26	64	0.00	0.00	75	3.23	3.22	36	0.02	0.00	91	0.92	0.00	146	2.66	0.30	201	0.02	1.00	36	3.40	2.51	65	3.25	3.26	65	0.00	0.00	76	1.56	1.56	37	1.80	0.00	92	2.69	0.00	147	2.67	0.30	202	0.02	0.00	37	0.78	2.37	66	0.00	0.00	77	1.76	1.76	38	0.02	0.00	93	1.77	0.00	148	2.68	0.30	203	0.02	0.00	38	0.53	0.00	67	0.00	0.00	78	1.61	1.61	39	0.02	0.00	94	1.81	0.00	149	2.68	0.30	204	0.02	0.00	39	2.40	2.17	68	0.00	0.00	79	1.62	1.62	40	0.02	0.00	95	1.53	0.00	150	1.09	2.33	205	3.21	3.21	40	0.00	0.22	69	0.00	0.00	80	3.23	3.21	41	1.78	0.00	96	1.83	0.00	151	1.09	0.00	206	0.02	1.58	41	5.44	3.66	70	0.00	0.00	81	2.92	2.92	42	0.02	1.61	97	1.81	0.00	152	0.02	3.22	207	0.02	2.96	42	0.00	0.00	71	0.00	0.00	82	0.00	0.00	43	0.13	0.20	98	0.00	0.00	153	0.02	0.00	208	0.02	1.63	43	0.00	0.00	72	0.00	0.00	83	0.39	0.50	44	1.78	1.61	99	0.00	0.00	154	0.67	1.53	1	2.26	2.28	44	5.45	5.01	73	0.00	0.00	84	0.00	1.25	45	0.02	2.70	100	1.81	1.63	155	0.90	0.00	2	0.01	0.01	45	2.47	2.29	74	2.62	3.60	85	0.00	0.00	46	0.02	2.70	101	3.21	3.24	156	3.21	3.22	3	0.01	0.01	46	2.47	2.29	75	2.49	2.76	86	0.00	0.00	47	0.02	2.70	102	3.21	3.25	157	3.21	3.22	4	0.00	0.00	47	2.47	2.42	76	0.00	0.00	87	3.23	3.22	48	1.78	1.81	103	2.28	0.00	158	0.02	0.00	5	0.00	0.00	48	0.02	2.42	77	0.00	0.00	88	3.23	3.22	49	3.21	3.20	104	2.28	0.00	159	0.00	0.00	6	1.14	1.03	49	0.01	2.27	78	3.26	3.26	89	1.76	1.75	50	0.01	0.00	105	0.90	1.48	160	0.00	0.00	7	2.15	2.15	50	2.47	2.43	79	0.00	0.00	90	0.07	0.40	51	0.01	1.57	106	1.30	1.67	161	3.02	2.70	8	5.07	5.04	51	2.47	2.44	80	0.00	0.00	91	3.23	3.21	52	0.01	1.53	107	1.59	1.59	162	3.21	3.24	8	5.07	5.04	52	2.48	2.38	81	0.00	0.00	92	0.00	0.00	53	0.02	0.00	108	2.00	1.65	163	3.21	3.24	53	2.47	2.29	82	0.00	0.00	93	3.23	3.22	94	0.09	0.36

MODE PIN NO.	EE	PLAY
95	0.16	0.37
96	3.23	3.21
97	0.00	0.00
98	0.92	0.92
99	0.98	0.96
100	0.00	0.00
101	1.76	1.75
102	3.23	3.21
103	0.00	0.00
104	0.00	0.00
105	0.00	0.00
106	0.00	0.00
107	3.23	3.21
108	1.76	1.76
109	0.00	0.00
110	0.19	1.32
111	0.83	0.90
112	3.21	3.21
113	0.91	3.20
114	0.00	0.59
115	0.00	0.00
116	1.28	1.28
117	1.10	0.31
118	0.45	0.24
119	1.28	1.28
120	1.97	0.00
121	0.00	0.00
122	0.00	0.00
123	0.53	0.72
124	0.57	0.72
125	3.23	3.23
126	1.83	0.72
127	0.00	3.23
128	3.22	0.00
129	0.00	0.00
130	1.75	1.41
131	0.00	0.00
132	0.00	0.00
133	0.00	3.21
134	3.23	0.00
135	1.76	1.75
136	0.00	0.00
137	0.00	0.00
138	0.00	0.00
139	0.00	0.00
140	3.27	3.21
141	0.00	0.00
142	0.00	0.00
143	0.00	0.00
144	0.00	0.00
145	3.23	3.21
146	0.00	0.00
147	0.00	0.00
148	0.00	0.00
149	0.00	0.00

MODE PIN NO.	EE	PLAY
150	0.00	0.00
151	0.00	0.00
152	0.00	0.00
153	0.00	0.00
154	3.23	3.22
155	0.00	0.00
156	3.23	3.21
157	0.00	0.00
158	1.75	0.00
159	1.76	1.76
160	1.84	1.84
161	3.23	3.21
162	0.00	0.00
163	0.00	0.00
164	0.00	0.00
165	0.00	0.00
166	0.00	0.00
167	0.00	0.00
168	0.00	0.00
169	3.23	3.21
170	3.23	3.21
171	0.00	0.00
172	0.00	1.00
173	1.00	1.12
174	0.99	1.14
175	0.19	0.19
176	0.94	1.71
177	0.00	0.00
178	0.98	1.77
179	0.98	1.79
180	0.97	1.04
181	3.23	3.22
182	3.23	3.22
183	0.00	0.00
184	0.00	0.72
185	3.23	0.22
186	3.23	2.44
187	0.00	0.00
188	0.00	0.00
189	1.83	3.22
190	0.00	0.00
191	1.74	0.00
192	1.76	0.36
193	3.23	3.23
194	3.29	0.00
195	3.30	0.00
196	3.23	0.11
197	3.12	0.00
198	0.00	3.23
199	0.00	3.22
200	0.18	3.22
201	0.00	0.00
202	0.17	3.22
203	0.13	3.22
204	0.00	0.00

MODE PIN NO.	EE	PLAY
205	0.10	3.23
206	0.00	0.00
207	0.18	3.22
208	0.14	0.00
209	0.18	3.22
210	3.23	3.21
211	0.18	3.22
212	1.76	1.24
213	0.11	3.22
214	0.18	2.85
215	0.10	1.61
216	0.10	3.22
217	0.10	3.22
218	0.00	0.00
219	0.05	0.00
220	0.39	3.10
221	0.00	3.09
222	0.18	3.10
223	0.10	0.00
224	3.23	3.21
225	0.00	0.13
226	0.00	0.14
227	0.00	0.73
228	0.00	0.00
229	0.00	0.49
230	0.00	0.00
231	0.00	0.67
232	0.06	0.62
233	3.23	3.22
234	0.06	0.80
235	0.06	0.58
236	0.07	0.45
237	0.00	0.00
238	0.06	0.83
239	0.06	1.47
240	0.06	1.44
AUDIO		
IC 401		
1	3.25	3.26
2	3.25	3.26
3	0.00	0.00
4	1.57	1.57
5	1.58	1.58
6	1.54	1.55
7	0.00	0.00
8	3.23	3.26
9	0.75	0.00
10	3.26	3.26
11	4.79	0.03
12	2.27	0.03
13	0.27	4.66
14	2.32	2.29
15	2.30	2.27
16	0.00	0.00
17	4.88	4.82

MODE PIN NO.	EE	PLAY
18	2.30	2.28
19	2.33	2.29
20	0.27	4.66
IC 402		
1	5.40	5.40
2	5.41	5.40
3	5.40	5.40
4	0.00	0.00
5	5.40	5.40
6	5.41	0.00
7	5.42	0.00
8	11.39	11.96
MEMORY		
IC 203		
1	3.27	3.05
2	3.25	3.01
3	3.25	3.02
4	0.00	0.00
5	0.05	3.02
6	0.05	3.02
7	0.00	3.25
8	0.05	3.02
9	0.05	3.06
10	0.00	0.00
11	0.05	3.08
12	0.05	3.01
13	0.00	3.23
14	0.00	0.00
15	0.05	3.19
16	0.05	3.19
17	0.05	3.18
18	0.00	0.00
19	0.05	0.00
20	0.05	3.17
21	0.05	0.00
22	0.05	0.00
23	0.05	0.00
24	0.05	0.03
25	0.00	3.25
26	0.00	0.00
27	0.05	0.03
28	0.05	0.03
29	0.05	0.03
30	0.05	0.03
31	0.05	0.03
32	0.00	0.03
33	0.00	0.00
34	0.00	3.25
35	0.05	1.62
36	0.05	0.01
37	0.00	0.00
38	0.00	3.25
39	0.05	3.05
40	0.05	3.05
41	0.00	0.00

MODE PIN NO.	EE	PLAY
42	0.05	3.05
43	0.00	3.04
44	0.00	3.25
45	0.00	3.05
46	0.00	3.04
47	0.00	0.00
48	0.00	3.04
49	0.05	3.04
50	0.00	0.00
IC 3 F 1		
1	0.00	0.00
2	0.00	0.00
3	0.00	0.00
4	0.00	0.00
5	0.00	0.00
6	0.00	0.00
7	0.00	0.00
8	0.00	0.00
9	2.38	2.78
10	0.00	0.00
11	0.00	3.23
12	3.26	3.26
13	3.26	3.26
14	0.00	0.00
15	0.00	0.00
16	3.26	1.40
17	0.00	0.00
18	0.00	0.00
19	0.00	0.00
20	0.00	0.00
21	0.00	0.00
22	0.00	0.00
23	0.00	0.00
24	0.00	1.76
25	3.23	3.15
26	3.26	3.26
27	0.00	0.00
28	3.23	3.22
29	1.98	1.76
30	0.00	0.00
31	1.91	1.90
32	0.00	0.00
33	1.45	1.65
34	0.00	0.00
35	1.45	1.90
36	0.00	0.00
37	3.26	3.26
38	0.19	0.19
39	0.00	0.00
40	2.09	2.16
41	0.00	0.00
42	1.19	2.19
43	0.00	0.00
44	1.95	2.11
45	0.00	0.00

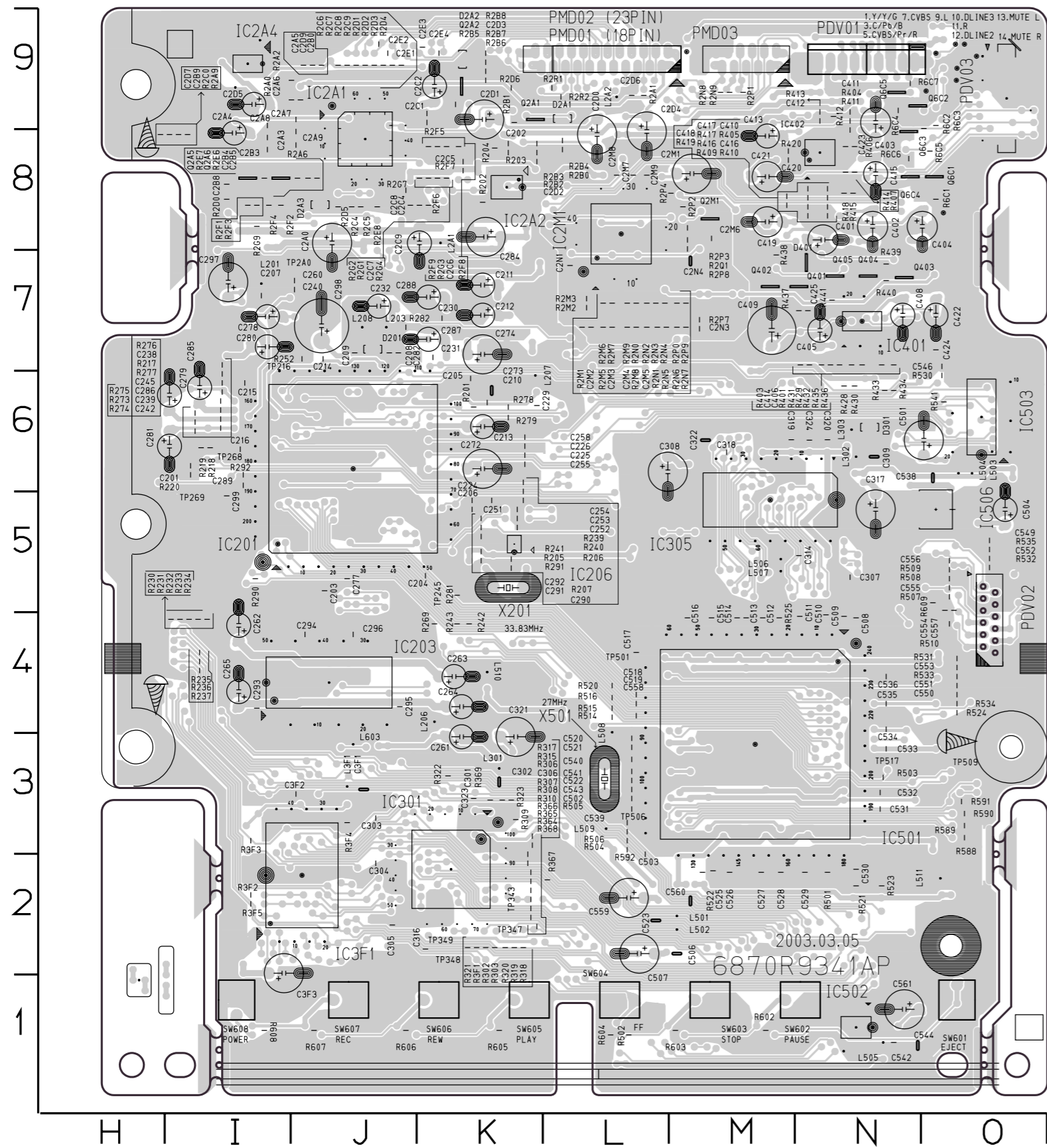
MODE PIN NO.	EE	PLAY
46	0.00	0.00
47	3.26	3.26
48	0.00	0.00
IC 305		
1	3.23	3.23
2	0.52	0.62
3	0.11	3.22
4	0.30	0.57
5	0.60	0.76
6	0.00	0.00
7	0.47	0.00
8	0.00	0.00
9	0.00	0.00
10	0.40	0.00
11	0.39	0.00
12	0.00	0.00
13	0.42	0.00
14	0.48	0.00
15	3.24	3.25
16	0.11	0.00
17	0.10	3.16
18	0.09	0.00
19	0.05	0.00
20	0.00	0.00
21	0.00	0.00
22	0.00	3.16
23	1.58	0.00
24	0.05	0.00
25	1.81	3.16
26	1.50	3.16
27	1.54	3.20
28	0.00	3.16
29	3.24	0.00
30	0.00	0.00
31	0.63	0.00
32	0.00	3.16
33	0.45	0.00
34	0.95	1.79
35	3.23	0.00
36	0.69	3.20
37	1.10	0.00
38	0.00	0.00
39	0.64	0.00
40	0.54	0.00
41	3.24	3.25
42	0.55	0.00
43	3.23	3.25
44	0.00	0.00
45	0.29	0.00
46	0.30	0.00
47	0.40	0.00
48	0.62	0.00
49	0.65	3.26
50	0.62	0.00
51	0.45	0.00

MODE PIN NO.	EE	PLAY
52	0.00	0.00
53	0.57	0.00
54	0.34	0.00
55	0.28	3.25
56	0.52	0.00
57	0.00	0.02
58	0.00	0.00
59	0.00	0.00
60	1.64	0.00
61	0.95	0.00
62	0.95	3.16
63	1.49	0.00
64	1.61	3.16
65	0.00	0.00
66	0.00	0.00
67	3.14	3.16
68	2.26	0.00
69	0.00	0.00
70	0.00	0.00
71	0.00	0.00
72	0.00	0.00
73	0.00	0.00
74	0.30	0.00
75	3.24	3.26
76	0.39	0.00
77	0.40	0.00
78	0.00	0.00
79	0.66	0.00
80	0.46	0.00
81	3.24	3.26
82	0.59	0.00
83	0.31	0.00
84	0.00	0.00
85	0.53	0.00
86	0.00	0.00
ETC		
IC 502		
1	0.00	0.00
2	5.05	5.05
3	1.18	0.62
4	0.72	1.69
5	0.00	0.00
6	5.06	5.04
7	0.00	0.00
8	5.06	5.04
IC 503		
1	0.00	0.00
2	3.13	3.12
3	5.05	5.05
4	0.00	3.12
5	0.00	0.64
6	0.00	0.00
7	2.67	2.65
8	0.00	3.24
9	0.00	0.00

MODE PIN NO.	EE	PLAY
10	0.00	0.00
11	0.52	1.67
12	0.50	5.18
1		

PRINTED CIRCUIT DIAGRAMS

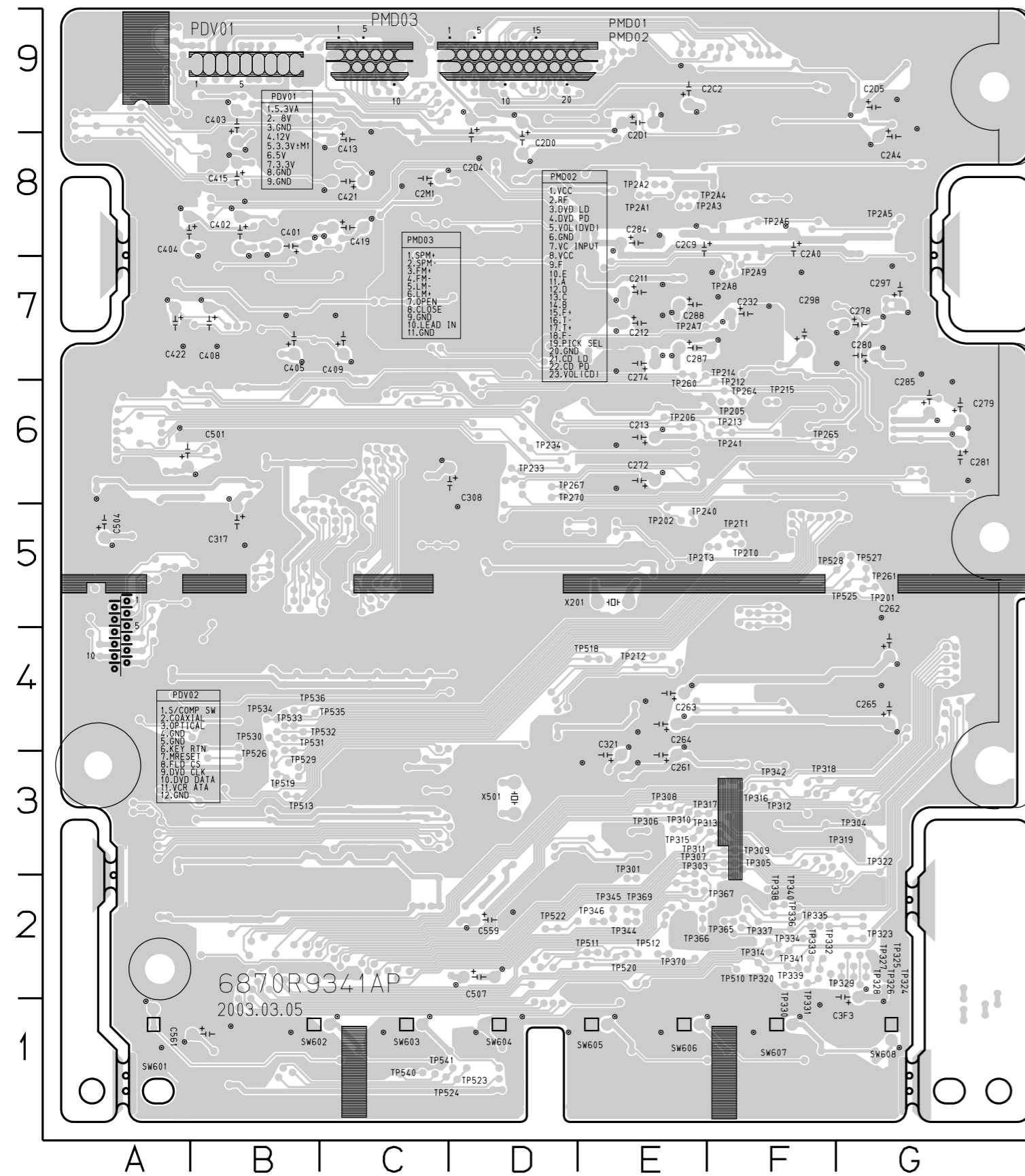
1. MAIN P.C.BOARD (TOP VIEW)



LOCATION GUIDE

C201	16	C293	14	C305	J2	C518	L4	IC502	N1	R230	I4	R2F1	I8	R323	K3	R521	N2
C202	K8	C294	J4	C306	K2	C519	L4	IC503	O6	R231	I4	R2F2	I8	R364	K2	R522	M2
C203	J5	C295	J4	C307	J4	C307	L3	IC506	O5	R232	I4	R2F3	I8	R365	K2	R523	N2
C204	K5	C296	J4	C308	L6	C521	L3	L201	I7	R233	I4	R2F4	I8	R366	K2	R524	O4
C205	K6	C297	I7	C309	N6	C522	L3	L203	J7	R234	I4	R2F5	K9	R367	L2	R525	M4
C206	K5	C298	J7	C314	N6	C523	L2	L206	K4	R235	I4	R2F6	K8	R368	K2	R530	O6
C207	I7	C299	I5	C316	K2	C525	M2	L207	K6	R236	I4	R2F7	K8	R369	K3	R531	O4
C208	J7	C2A0	J8	C317	N5	C526	M2	L208	J7	R237	I4	R2F8	K8	R3F1	K2	R532	O5
C209	J7	C2A3	I8	C318	M6	C527	M2	L2A1	K8	R239	K5	R2F9	K8	R3F2	I2	R533	O4
C210	K6	C2A4	I8	C319	M6	C528	M2	L2A2	L9	R240	K5	R2G1	K8	R3F3	I3	R534	O4
C211	K7	C2A5	J9	C320	N6	C529	N2	L301	K3	R241	K5	R2G2	K8	R3F4	J3	R535	O5
C212	K7	C2A6	J9	C321	K3	C530	N2	L302	N6	R242	K4	R2G3	K8	R3F5	I2	R541	O6
C213	K6	C2A7	J9	C322	M6	C531	N3	L303	N6	R243	K4	R2G4	K8	R401	N7	R588	O3
C214	J7	C2A8	I9	C323	K3	C532	N3	L3F1	J3	R252	J7	R2G7	J8	R403	N7	R589	O3
C215	I6	C2A9	J8	C324	N6	C533	N3	L501	M2	R269	K4	R2G9	I8	R404	N9	R590	O3
C216	I6	C2B0	J9	C3F1	J3	C534	N4	L502	M2	R273	I6	R2M1	L7	R405	N8	R591	O3
C224	K5	C2B3	I8	C3F2	J3	C535	N4	L503	O6	R274	I6	R2M2	L7	R406	N8	R592	L3
C225	K6	C2B4	J8	C3F3	I2	C536	N4	L504	O6	R275	I6	R2M3	L7	R407	N8	R602	M1
C226	K6	C2B5	J8	C401	N8	C538	O6	L505	N1	R276	I7	R2M5	L7	R409	N8	R603	M1
C229	K6	C2B8	J8	C402	N8	C539	L3	L506	M5	R277	I6	R2M6	L7	R410	N8	R604	L1
C230	K7	C2B9	I8	C403	N9	C540	L3	L507	M5	R278	K6	R2M7	L7	R411	N8	R605	K1
C231	K7	C2C1	K9	C404	O8	C541	L3	L508	L3	R279	K6	R2M8	L7	R412	N9	R606	J1
C232	J7	C2C2	K9	C405	N7	C542	N1	L509	L3	R281	K5	R2M9	L7	R413	N9	R607	J1
C238	I6	C2C4	K8	C406	N7	C543	L3	L510	K4	R282	J7	R2N0	L7	R414	N8	R608	I1
C239	I6	C2C5	K8	C408	N7	C544	N1	L511	O2	R290	I5	R2N1	L7	R415	N8	R609	O5
C240	J7	C2C6	K8	C409	M7	C546	O7	L603	J3	R291	K5	R2N2	L7	R416	N8	R6C1	O8
C242	I6	C2C7	K8	C410	N8	C549	O5	PVD01	N9	R292	I6	R2N3	L7	R417	N8	R6C2	O8
C245	I6	C2C8	J8	C411	N9	C550	O4	PVD02	O4	R2A0	J9	R2N4	L7	R418	N8	R6C3	O9
C251	K5	C2C9	K8	C412	N9	C551	O4	PVD03	O9	R2A1	L9	R2N5	L7	R419	M8	R6C4	N9
C252	K5	C2D0	L8	C413	M8	C552	O5	PMD01	L9	R2A2	J9	R2N6	M7	R420	M8	R6C5	O8
C253	K5	C2D1	K9	C414	N7	C553	O4	PMD02	L9	R2A6	J8	R2N7	M7	R428	N6	R6C6	N8
C254	K6	C2D2	K8	C415	N8	C555	O5	PMD03	M9	R2A9	I8	R2N8	M9	R429	N7	R6C7	N9
C255	K6	C2D3	K8	C416	N8	C555	O5	Q2A1	K9	R280	L8	R2N9	M9	R430	N6	SW601	O1
C258	K6	C2D4	L8	C417	N8	C556	O5	Q2A2	K9	R281	K9	R2P0	M7	R431	N7	SW602	N1
C260	J7	C2D5	I9	C418	M8	C557	O5	Q2A5	I8	R282	K8	R2P1	M8	R432	N7	SW603	M1
C261	K3	C2D6	L9	C419	M8	C558	L4	Q2A6	I8	R283	K8	R2P2	M8	R433	N6	SW604	L1
C262	I4	C2D7	H8	C420	M8	C559	L2	Q2M1	M8	R284	L8	R2P3	M8	R434	N6	SW605	K1
C263	K4	C2D9	J9	C421	M8	C560	M2	Q401	N7	R285	K9	R2P4	M8	R435	N7	SW606	K1
C264	K4	C2E1	J9	C422	O7	C561	N1	Q402	M7	R286	K9	R2P7	M7	R436	N7	SW607	J1
C265	I4	C2E2	J9	C423	N8	D201	J7	Q403	N7	R287	K9	R2P8	M8	R437	N7	SW608	I1
C272	K6	C2E3	K9	C424	O7	D2A1	L9	Q404	N7	R288	K9	R2P9	M7	R438	M7	TP216	J7
C273	K6	C2E4	K9	C425	N7	D2A2	K9	Q405	N7	R2C0	I8	R2Q1	M8	R439	N7	TP245	K5
C274	K7	C2M1	M8	C501	O6	D2A3	J8	Q6C1	O8	R2C4	J8	R2R1	L9	R440	N7	TP268	I6
C277	J5	C2M2	L7	C502	L3	D301	N6	Q6C2	N9	R2C5	J8	R2R2	L9	R441	N7	TP269	I6
C278	I7	C2M3	L7	C503	L3	D401	N7	Q6C3	N8	R2C6	J9	R302	K2	R501	N2	TP2A0	J7
C279	I6	C2M4	L7	C504	O5	IC201	J6	Q6C4	N8	R2C7	J9	R303	K2	R502	L1	TP2A3	K2
C280	I7	C2M5	L7	C506	M2	IC203	J4	Q6C5	N9	R2C8	J9	R306	K2	R503	N3	TP347	K2
C281	I6	C2M6	M8	C507	L8	IC206	K5	R201	K6	R2C9	J9	R307	K2	R504	L3	TP348	K2
C282	J7	C2M7	L8	C508	N4	IC2A1	J8	R202	K8	R2D0	I8	R308	K2	R505	L3	TP349	K2
C284	K8	C2M8	L8	C509	N4	IC2A2	K8	R203	K8	R2D1	J9	R309	K3	R506	L3	TP501	L4
C285	I6	C2M9	L8	C510	N4	IC2A4	I9	R204	K8	R2D2	J9	R310	K2	R507	O5	TP506	L4
C286	I6	C2N1	L7	C511	N4	IC2M1	L8	R205	K5	R2D3	J9	R315	K3	R508	O5	TP509	O3
C287	K7	C2N3	M7	C512	M4	IC301	K2	R206	K5	R2D4	J9	R317	K3	R509	O5	TP517	N3
C288	K7	C2N4	M7	C513	M4	IC305	M5	R207	K5	R2D5	J8	R318	K2	R510	O4	X201	K5
C289	I6	C301	K3	C514	M4	IC3F1	J2	R217	I6	R2D6	K9	R319	K2	R514	L4	X501	L3
C290	K5	C302	K3	C515	M4	IC401	N7	R218	I6	R2E6	J8	R320	K2	R515	L4		
C291	K5	C303	J3	C516	M4	IC402	N8	R219	I6	R2E7	I8	R321	K2	R516	L4		
C292	K5	C304	J2	C517	L4	IC501	M3	R220	I6	R2E8	J8	R322	K3	R520	L4		

2. MAIN P.C.BOARD (BOTTOM VIEW)



LOCATION GUIDE

TP201	G5	TP324	C2
TP202	E5	TP325	G2
TP205	F6	TP326	G2
TP206	F6	TP327	G2
TP212	F6	TP328	G2
TP213	F6	TP329	F2
TP214	E7	TP330	F2
TP215	F6	TP331	F2
TP233	D6	TP332	F2
TP234	D6	TP333	F2
TP240	E5	TP334	F2
TP241	F6	TP335	F2
TP260	E7	TP336	F2
TP261	G5	TP337	F2
TP264	F6	TP338	F2
TP265	F6	TP339	F2
TP267	D6	TP340	F2
TP270	D6	TP341	F2
TP2A1	E8	TP342	F3
TP2A2	E8	TP344	E2
TP2A3	E8	TP345	E2
TP2A4	E8	TP346	E2
TP2A5	G8	TP365	F2
TP2A6	F8	TP366	E2
TP2A7	E7	TP367	F2
TP2A8	F7	TP369	E2
TP2A9	F7	TP370	E2
TP2T0	F5	TP510	F2
TP2T1	F5	TP511	E2
TP2T2	E4	TP512	E2
TP2T3	F5	TP513	B3
TP301	E2	TP518	E4
TP303	F3	TP519	B3
TP304	G3	TP520	E2
TP305	F3	TP522	D2
TP306	E3	TP523	D1
TP307	F3	TP524	C1
TP308	E3	TP525	G5
TP309	F3	TP526	B3
TP310	E3	TP527	G5
TP311	F3	TP528	G5
TP312	F3	TP529	B3
TP313	F3	TP530	B4
TP314	F2	TP531	B4
TP315	E3	TP532	B4
TP316	F3	TP533	B4
TP317	F3	TP534	B4
TP318	F3	TP535	B4
TP319	G3	TP536	B4
TP320	F2	TP540	C1
TP322	G3	TP541	C1
TP323	G2		

SECTION 4 MECHANISM OF VCR PART CONTENTS

DECK MECHANISM PARTS LOCATIONS

- Top View4-1
- Bottom View4-1

DECK MECHANISM DISASSEMBLY

1. Drum Assembly4-2
2. Plate Top4-4
3. Holder Assembly CST4-4
4. Opener Door4-4
5. Bracket Assembly L/D Motor.....4-4
6. Gear Assembly Rack F/L4-4
7. Arm Assembly F/L.....4-4
8. Lever Assembly S/W4-4
9. Arm Assembly Cleaner.....4-5
10. Head F/E4-5
11. Base Assembly A/C Head4-5
12. Brake Assembly T4-6
13. Brake Assembly RS4-6
14. Arm Assembly Tension.....4-6
15. Reel S / Reel T.....4-6
16. Base Assembly P44-7
17. Opener Lid4-7
18. Arm Assembly Pinch4-7
19. Lever T/up / Arm T/up4-7
20. Belt Capstan/Motor Capstan4-8
21. Lever F/R4-8
22. Clutch Assembly D354-8
23. Brake Assembly Capstan4-8
24. Gear Drive/Gear Cam4-9
25. Gear Sector4-9
26. Plate Slider4-9
27. Lever Tension4-9
28. Lever Spring4-9
29. Gear Assembly P2/
Gear Assembly P34-10
30. Base Assembly P2/
Base Assembly P34-10
31. Base Loading4-11
32. Base Tension4-11
33. Arm Assembly Idler4-11

DECK MECHANISM ADJUSTMENT

- Tools and Fixtures for Service4-12
1. Mechanism Alignment Position Check....4-13
 2. Preparation for Adjustment.....4-14
 3. Checking Torque4-14
 4. Guide Roller Height Adjustment.....4-15
 - 4-1. Preliminary Adjustment4-15
 - 4-2. Precise Adjustment4-15
 5. Audio/Control (A/C) Head Adjustment4-16
 - 5-1. Preliminary Adjustment4-16
 - 5-2. Confirmation of Tape Path between
Pinch Roller and Take-up Guide4-17
 - 5-3. Precise Adjustment(Azimuth Adjustment)
.....4-17
 6. X-Value Adjustment.....4-17
 7. Adjustment after Replacing Drum Assembly
(Video Heads)4-18
 8. Check the Tape Travel after Reassembling
Deck Mechanism.....4-18
 - 8-1. Checking Audio and RF Locking Time
during Playback after CUE or REV
.....4-18
 - 8-2. Checking for Tape Curling or
Jamming4-18

MAINTENANCE/INSPECTION PROCEDURE

1. Check before starting Repairs4-19
2. Required Maintenance4-20
3. Scheduled Maintenance.....4-20
4. Supplies Required for Inspection and
Maintenance.....4-20
5. Maintenance Procedure4-20
 - 5-1. Cleaning4-20
 - 5-2. Greasing4-21

MECHANISM TROUBLESHOOTING GUIDE

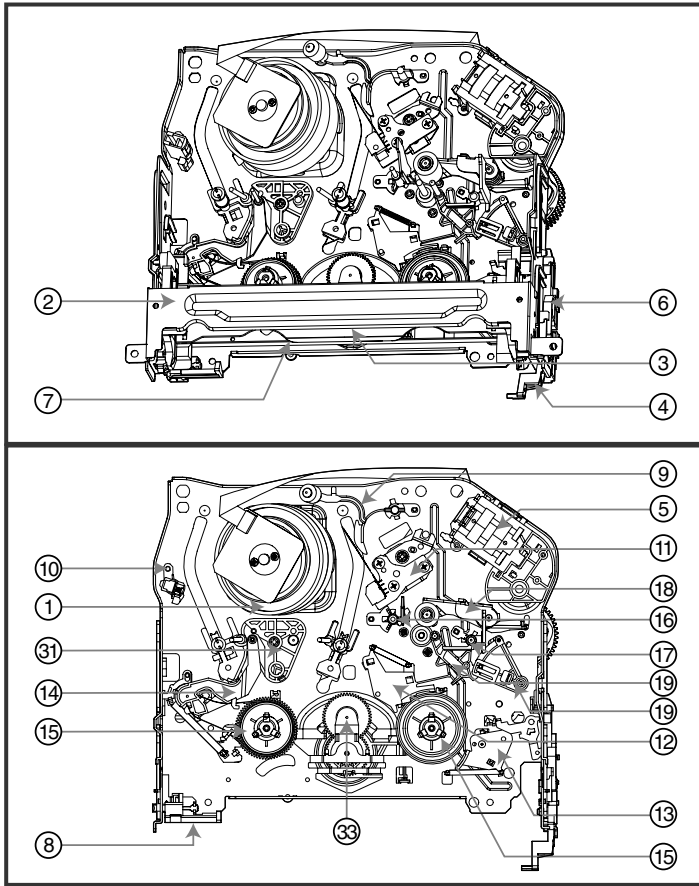
1. Deck Mechanism.....4-23
2. Front Loading Mechanism.....4-26

EXPLODED VIEWS

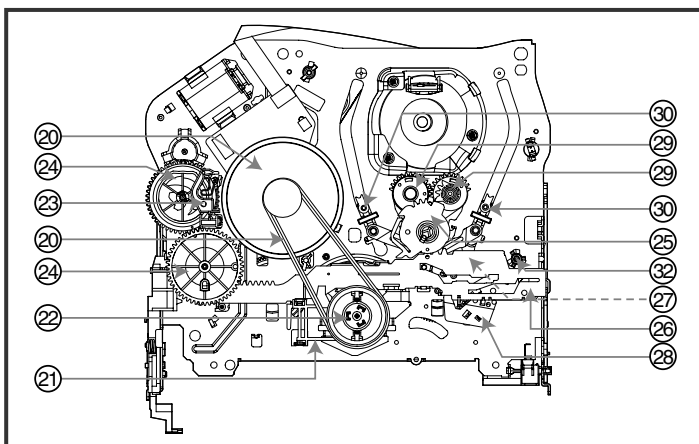
1. Front Loading Mechanism Section4-28
 2. Moving Mechanism Section (1).....4-29
 3. Moving Mechanism Section (2).....4-30
-

DECK MECHANISM PARTS LOCATIONS

• Top View



• Bottom View



NOTE : When reassembly perform the procedure in the reverse order.

- 1) When reassembling, confirm Mechanism and Mode Switch Alignment Position (Refer to Page 4-13)
- 2) When disassembling, the Parts for Starting No. Should be removed first.

Starting No.	Procedure	Part	Fixing Type	Figure	View
	1	Drum Assembly	3 Screw	A-1	T
	2	Plate Top	2 Hook	A-2	T
2	3	Holder Assembly CST	Chassis Hole	A-2	T
2	4	Opener Door	Chassis Hole	A-2	T
	5	Bracket Assembly L/D Motor	3 Hook	A-2	T
2,3,4	6	Gear Assembly Rack F/L	1 Hook, Chassis Hole	A-2	T
2,3,4,6	7	Arm Assembly F/L	Chassis Hole	A-2	T
	8	Lever Assembly S/W	1 Hook	A-2	T
	9	Arm Assembly Cleaner	Chassis Embossing	A-3	T
	10	Head F/E	Chassis Embossing	A-3	T
	11	Base Assembly A/C Head	1 Screw	A-3	T
2,3	12	Brake Assembly T	1 Hook	A-4	T
2,3	13	Brake Assembly RS	1 Hook	A-4	T
2,3	14	Arm Assembly Tension	2 Hook	A-4	T
2,3,12,13,14	15	Reel S/Reel T		A-4	T
	16	Base Assembly P4	Chassis Embossing	A-5	T
	17	Opener Lid	Chassis Embossing	A-5	T
17	18	Arm Assembly Pinch	Shaft	A-5	T
17	19	Lever T/Up / Arm T/Up	1 Hook	A-5	T
17,18	20	Belt Capstan/Motor Capstan	3 Screw	A-6	B
	21	Lever F/R	Locking Tab	A-6	B
20, 21	22	Clutch Assembly D35	Washer	A-6	B
	23	Brake Assembly Capstan	Locking Tab	A-6	B
	24	Gear Drive/Gear Cam	Washer/Hook	A-7	B
	25	Gear Sector	1 Hook	A-7	B
20,21,23,24,25	26	Plate Slider	Shaft Guide	A-7	B
20,21,23,24,25,26	27	Lever Tension	1 Hook	A-7	B
2,3,14,20,21,25,23,24,26	28	Lever Spring	Locking Tab	A-7	B
25	29	Gear Assembly P2/Gear Assembly P3	Boss	A-8	B
2,3,14,25,29	30	Base Assembly P2/Base Assembly P3	Chassis Slot	A-8	B
2,3,14,25,29	31	Base Loading	1 Screw	A-9	T
2,3,14	32	Base Tension	Chassis Embossing	A-9	B
2,3,20,21,22	33	Arm Assembly Idler	Locking Tab	A-9	T

T:Top, B:Bottom

DECK MECHANISM DISASSEMBLY

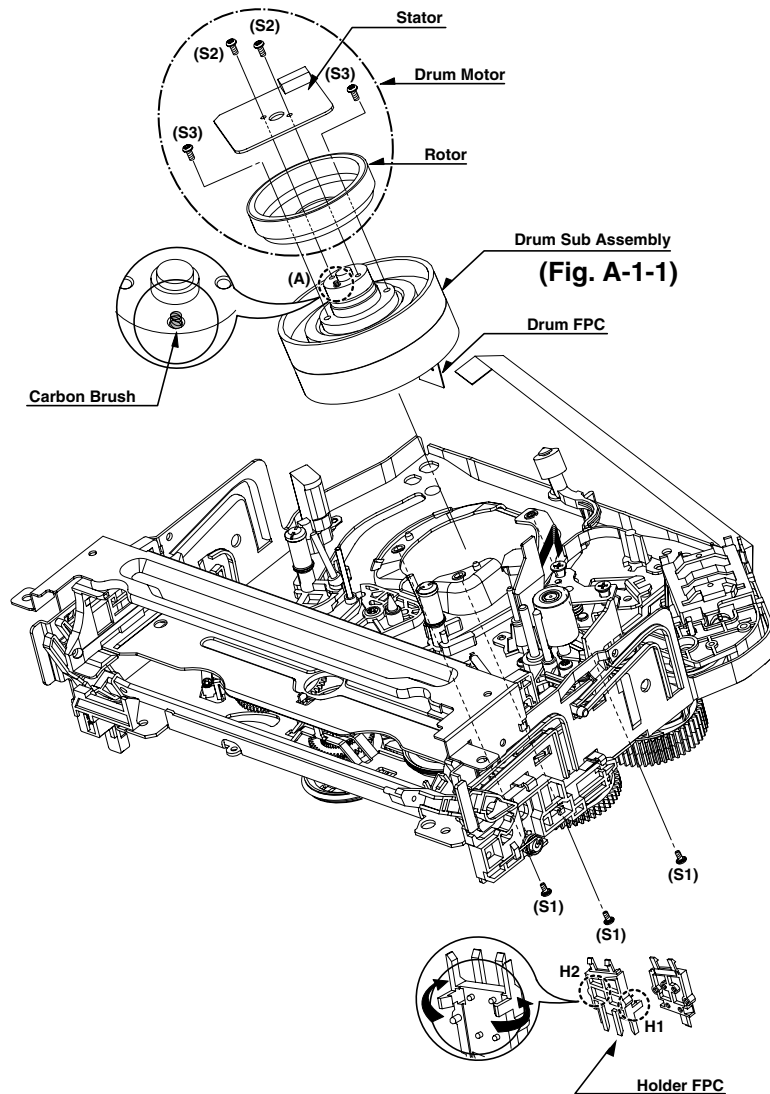


Fig. A-1

1. Drum Assembly (Fig. A-1-1)

- 1) Unplug the Drum FPC Connector.
- 2) Remove three Screws(S1) on bottom side and separate the Drum assembly.
- 3) Unhook (H1), (H2) and separate the Holder FPC and Cap FPC.

1-1. Drum Motor

- 1) Remove two Screws(S2) and disassemble the Stator of the Drum Motor.
- 2) Remove two Screws(S3) and separate the Rotor of the Drum Motor from the Drum Sub assembly.

NOTE

When reassembling, confirm (A) portion of the Drum Sub assembly whether the Carbon Brush is in there or not.

(Fig. B-1)

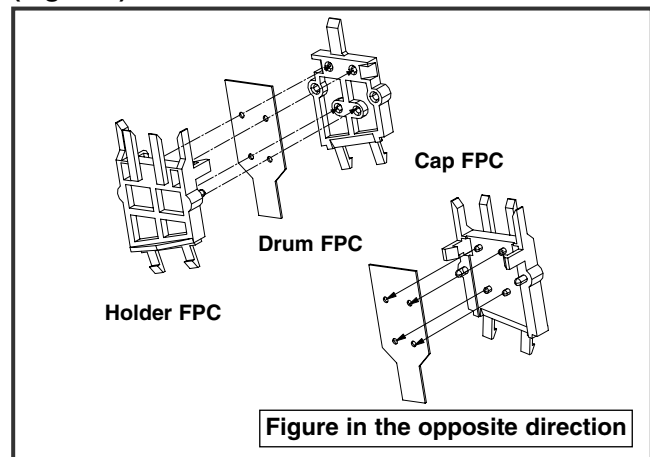


Figure in the opposite direction

DECK MECHANISM DISASSEMBLY

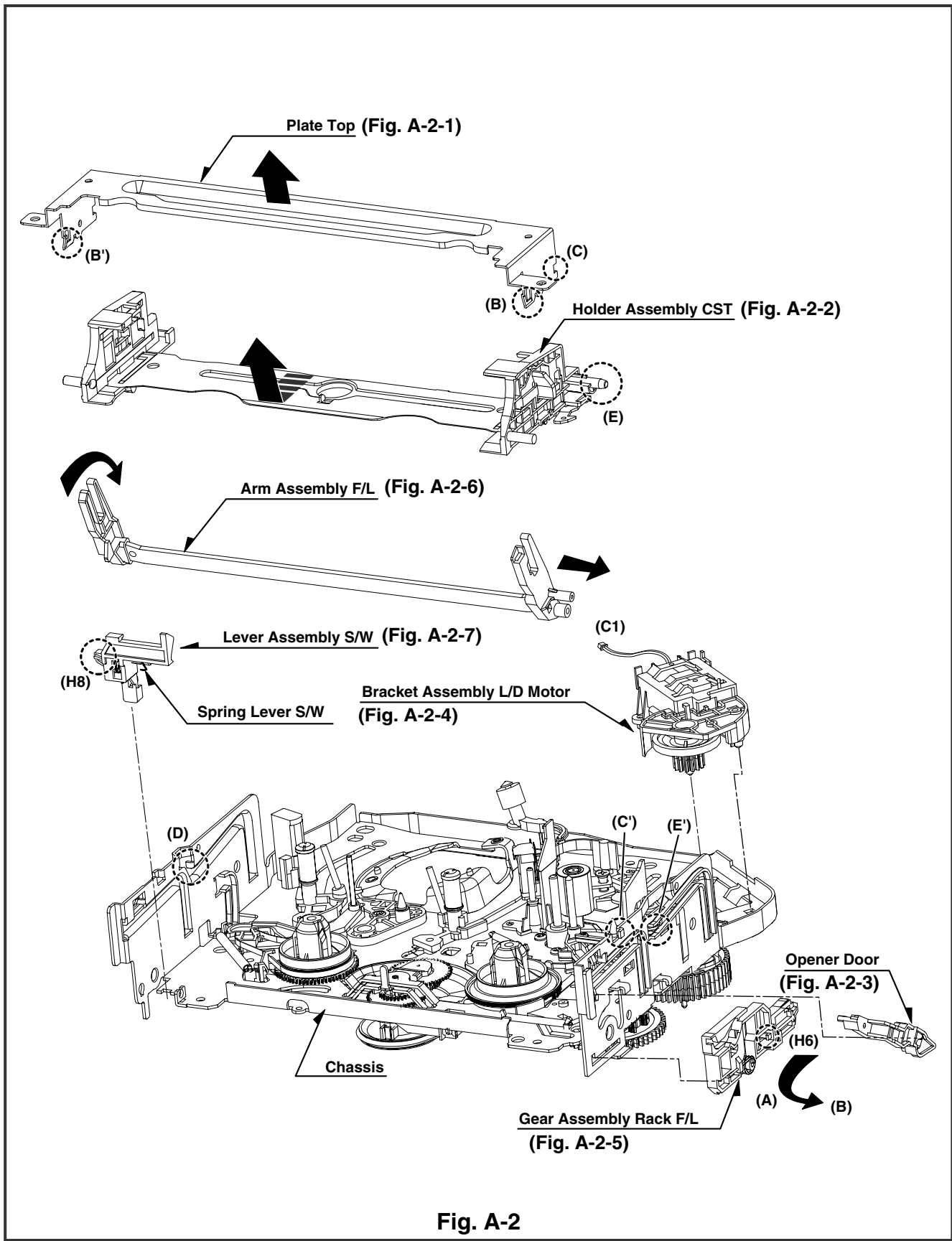


Fig. A-2

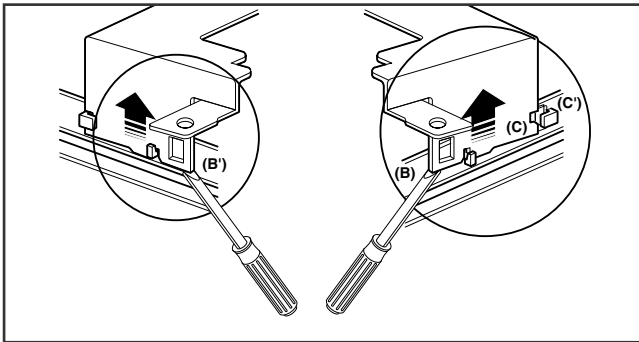
DECK MECHANISM DISASSEMBLY

2. Plate Top (Fig. A-2-1)

- 1) Pull the (B) portion of the Plate Top back in direction of arrow and separate the right side of it.
- 2) pull the (B') portion of the Plate Top back in direction of arrow and separate the left side of it.
(Used tools : (-) type driver, anything tool with sharp point or flat point.)

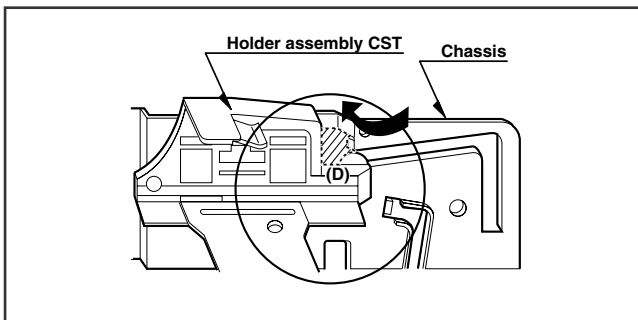
NOTE

- (1) When reassembling, push the Plate Top after alignment the two position(C), (C') as below Fig.



3. Holder Assembly CST (Fig.A-2-2)

- 1) Move the Holder Assembly CST in direction of arrow and separate the left side of it first through the (D) position of the Chassis.



- 2) Disassemble the right side of the Holder Assembly CST from each guided hole of the Chassis.

NOTE

When reassembling, insert the (E) part of the Holder Assembly CST in the (E') hole of the Chassis first and assemble the left side of it.

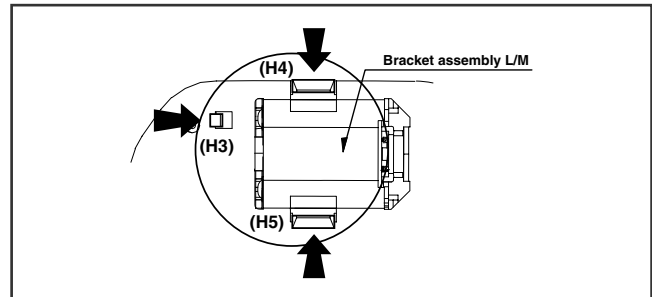
4. Opener Door (Figure. A-2-3)

- 1) Turn the Opener Door clockwise and remove it through the guide hole of the Chassis.

5. Bracket Assembly L/D Motor (Fig. A-2-4)

- 1) Unplug the Connector(C1).

- 2) Unhook three Hooks(H3, H4, H5) on bottom side of the Chassis, lift up the Bracket Assembly L/M and disassemble the Bracket Assembly L/D Motor.

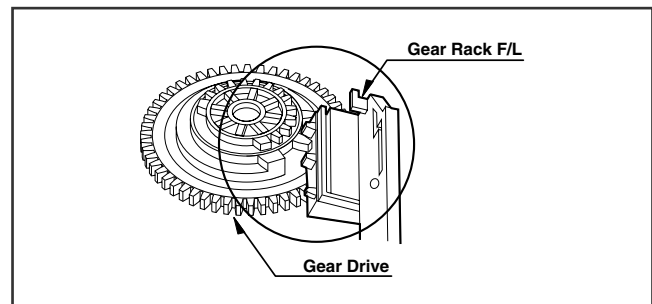


6. Gear Assembly Rack F/L (Fig. A-2-5)

- 1) Move the Gear Assembly Rack F/L in direction of arrow(A) and unhook the Hook(H6) pulling back in front.
- 2) Separate the Gear Rack F/L in direction of arrow(B).

NOTE

When reassembling, align the gear part of the Gear Assembly Rack F/L with the Gear Drive as below Fig.

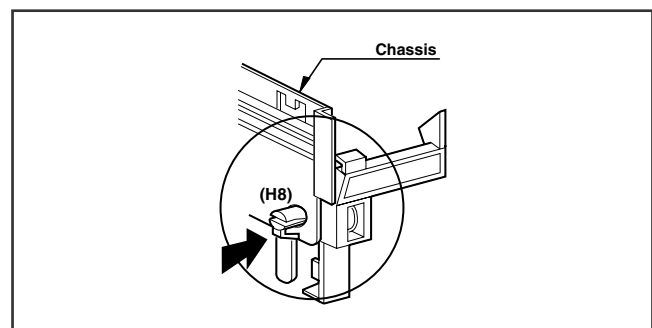


7. Arm Assembly F/L (Fig. A-2-6)

- 1) Move the Arm Assembly F/L in direction of arrow and separate the left side of it first.
- 2) Disassemble the Arm Assembly F/L from each guided hole of the Chassis.

8. Lever Assembly S/W(Fig. A-2-7)

- 1) Unhook the Hook(H8) in the left side of the Chassis and remove the Lever Assembly S/W.



DECK MECHANISM DISASSEMBLY

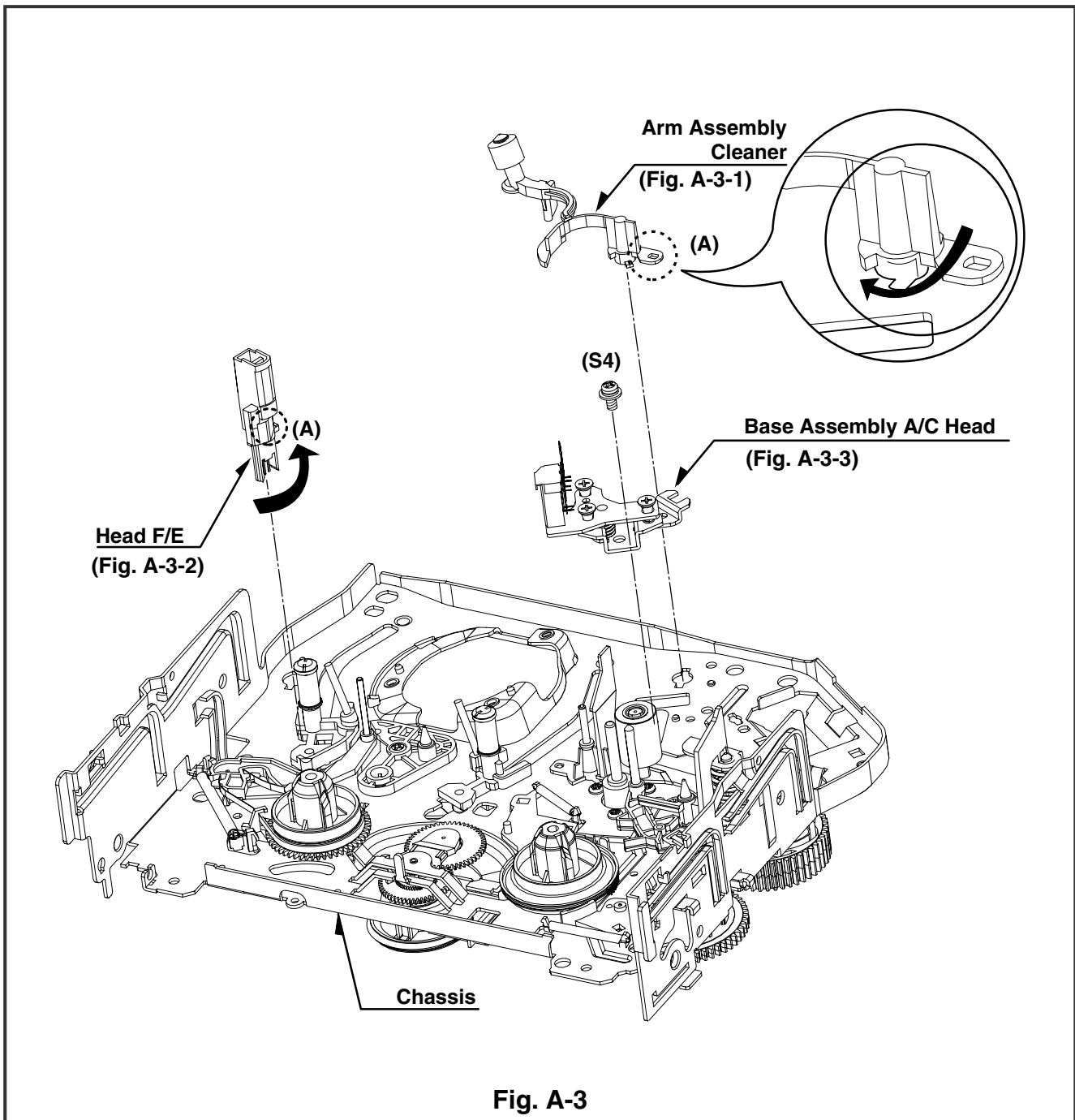


Fig. A-3

9. Arm Assembly Cleaner (Fig. A-3-1)

- 1) Breakaway the (A) portion as Fig. A-3-1 from the embossing of the Chassis, turn the Arm assembly Cleaner to clockwise direction and lift it up.

10. Head F/E (Fig. A-3-2)

- 1) Breakaway the (A) portion of the Head F/E from the embossing of the Chassis, turn it to counterclockwise direction and lift it up.

11. Base Assembly A/C Head (Fig. A-3-3)

- 1) Remove the Screw(S4) and lift the Base Assembly A/C Head up.

DECK MECHANISM DISASSEMBLY

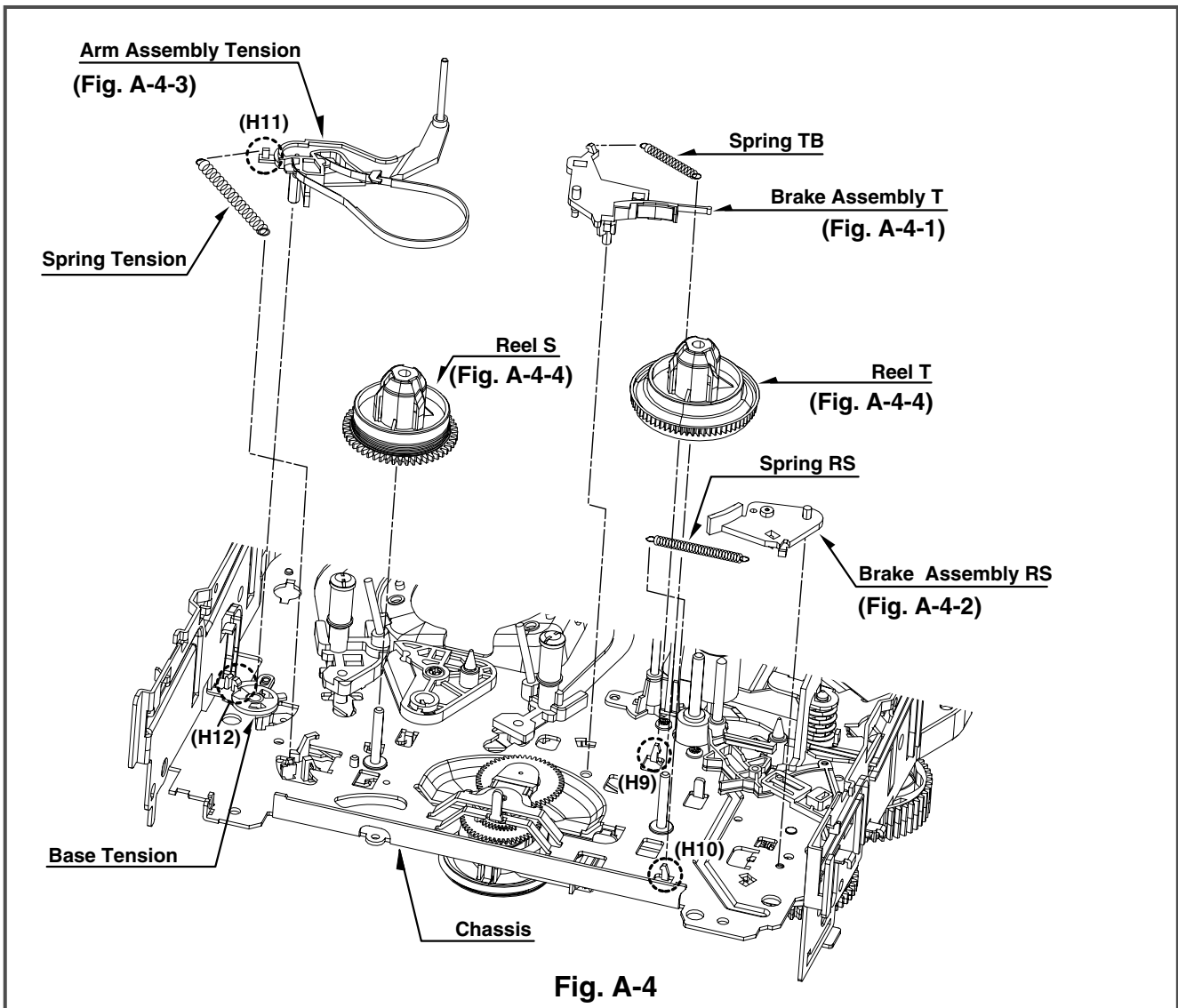


Fig. A-4

12. Brake Assembly T (Fig. A-4-1)

- 1) Unhook the Spring TB from the Hook(H9) of the Chassis.
- 2) Lift the Brake Assembly T up.

13. Brake Assembly RS (Fig. A-4-2)




- 1) Unhook the Spring RS from the Hook(H10) of the Chassis.
- 2) Lift the Brake Assembly T up.

14. Arm Assembly Tension (Fig. A-4-3)

- 1) Unhook the Spring Tension from the Hook(H11) of the Arm Assembly Tension.
- 2) Unhook the Hook(H12) of the Base Tension and lift the Arm Assembly Tension up.

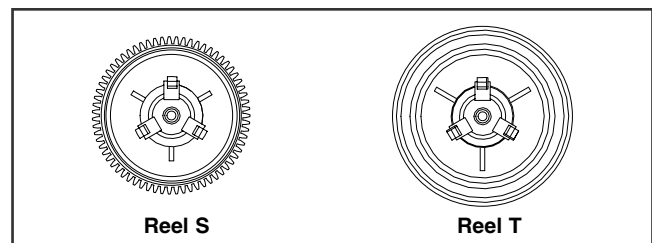
NOTE

Difference for Springs

	Spring TB
	Spring RS Color (Black)
	Spring Tension

15. Reel S / Reel T (Fig. A-4-4)

- 1) Difference for Reel S / Reel T



DECK MECHANISM DISASSEMBLY

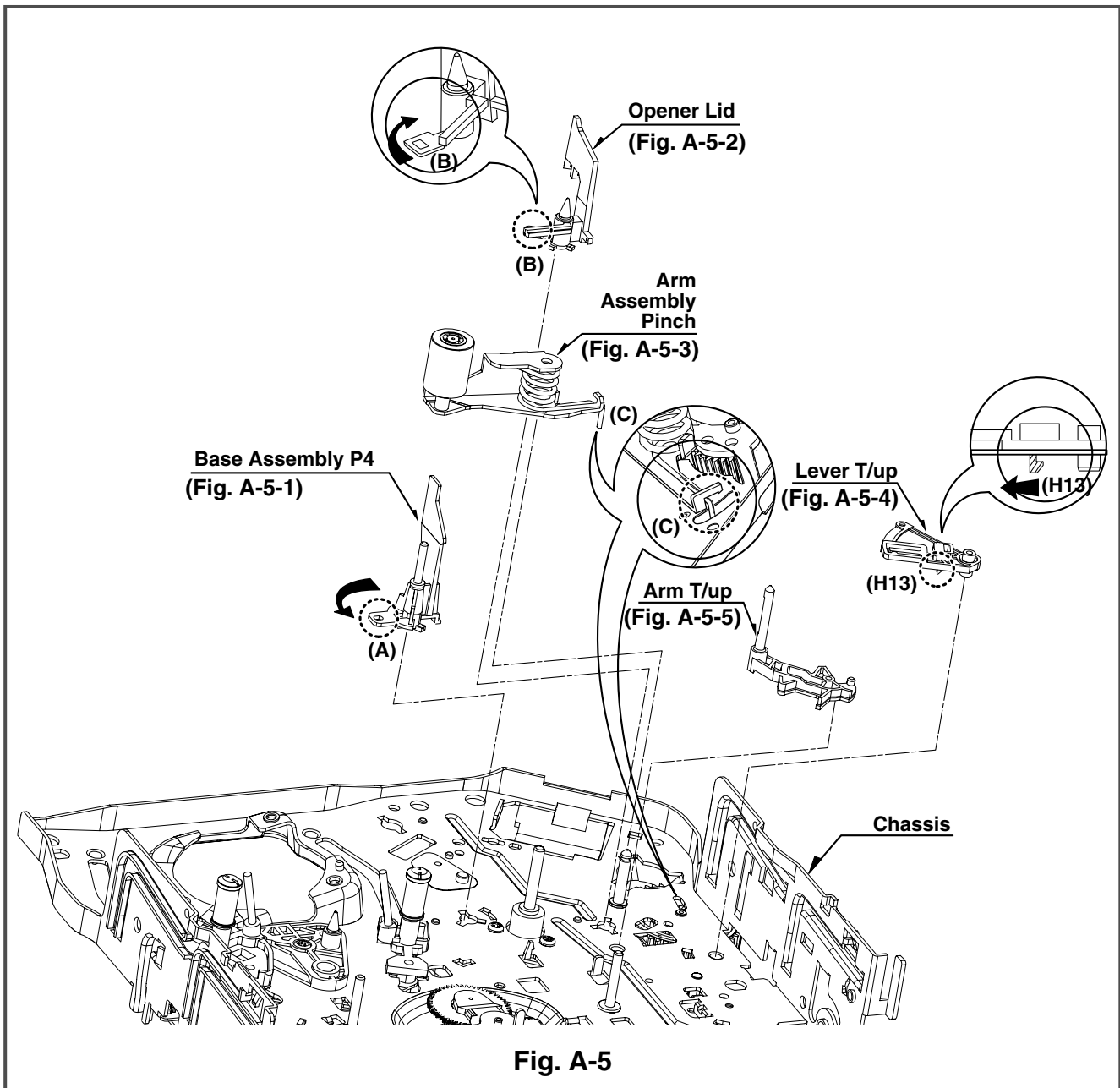


Fig. A-5

16. Base Assembly P4 (Fig. A-5-1)

- 1) Breakaway the (A) portion of the Base Assembly P4 from the embossing of the Chassis.
- 2) Turn the Base Assembly P4 to counterclockwise direction and lift it up.

17. Opener Lid (Fig. A-5-2)

- 1) Breakaway the (B) portion of the Opener Lid from the embossing of the Chassis.
- 2) Turn the Opener Lid to clockwise direction and lift it up.

18. Arm Assembly Pinch (Fig. A-5-3)

- 1) Lift the Arm Assembly Pinch up.

NOTE

When reassembling, confirm the (C) portion of the Arm Assembly Pinch is inserted to the Chassis hole correctly as Fig.

19. Lever T/up (Fig. A-5-4)/ Arm T/up (Fig. A-5-5)

- 1) Unhook the Hook(H13) of the bottom Chassis and lift the Lever T/up up.
- 2) Lift the Arm T/up up.

DECK MECHANISM DISASSEMBLY

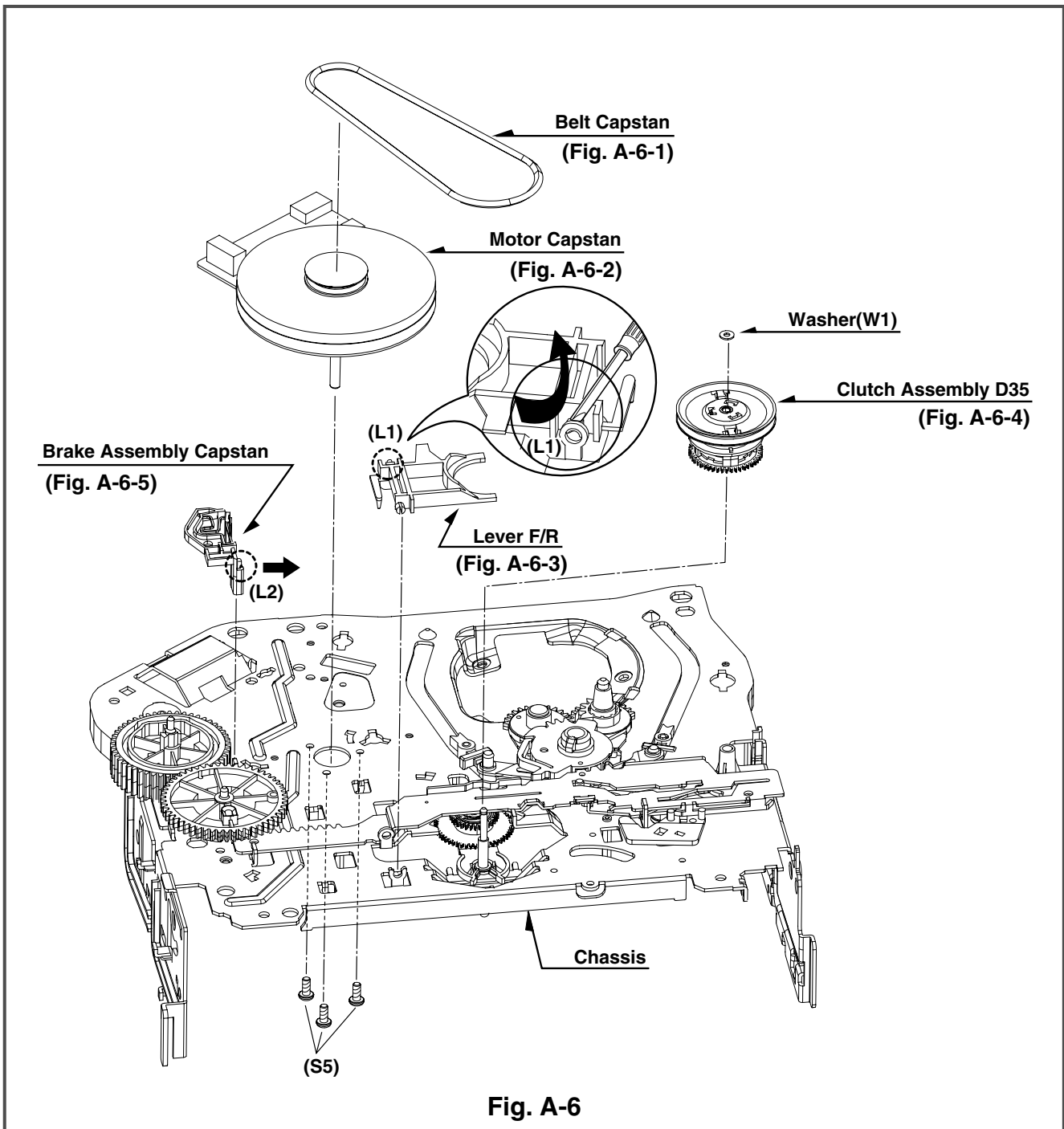


Fig. A-6

20. Belt Capstan (Fig. A-6-1)/ Motor Capstan (Fig. A-6-2)

- 1) Remove the Belt Capstan.
- 2) Remove the three Screws(S5) on bottom Chassis and lift the Motor Capstan up.

21. Lever F/R (Fig. A-6-3)

- 1) Unlock the Locking Tab(L1) as Fig. A-6-3 and lift the Lever F/R up.

22. Clutch Assembly D35 (Fig. A-6-4)

- 1) Remove the Washer(W1) and lift the Clutch Assembly D35 up.

23. Brake Assembly Capstan (Fig. A-6-5)

- 1) Pull the Locking Tab(L2) back in direction of arrow and lift it up.

DECK MECHANISM DISASSEMBLY

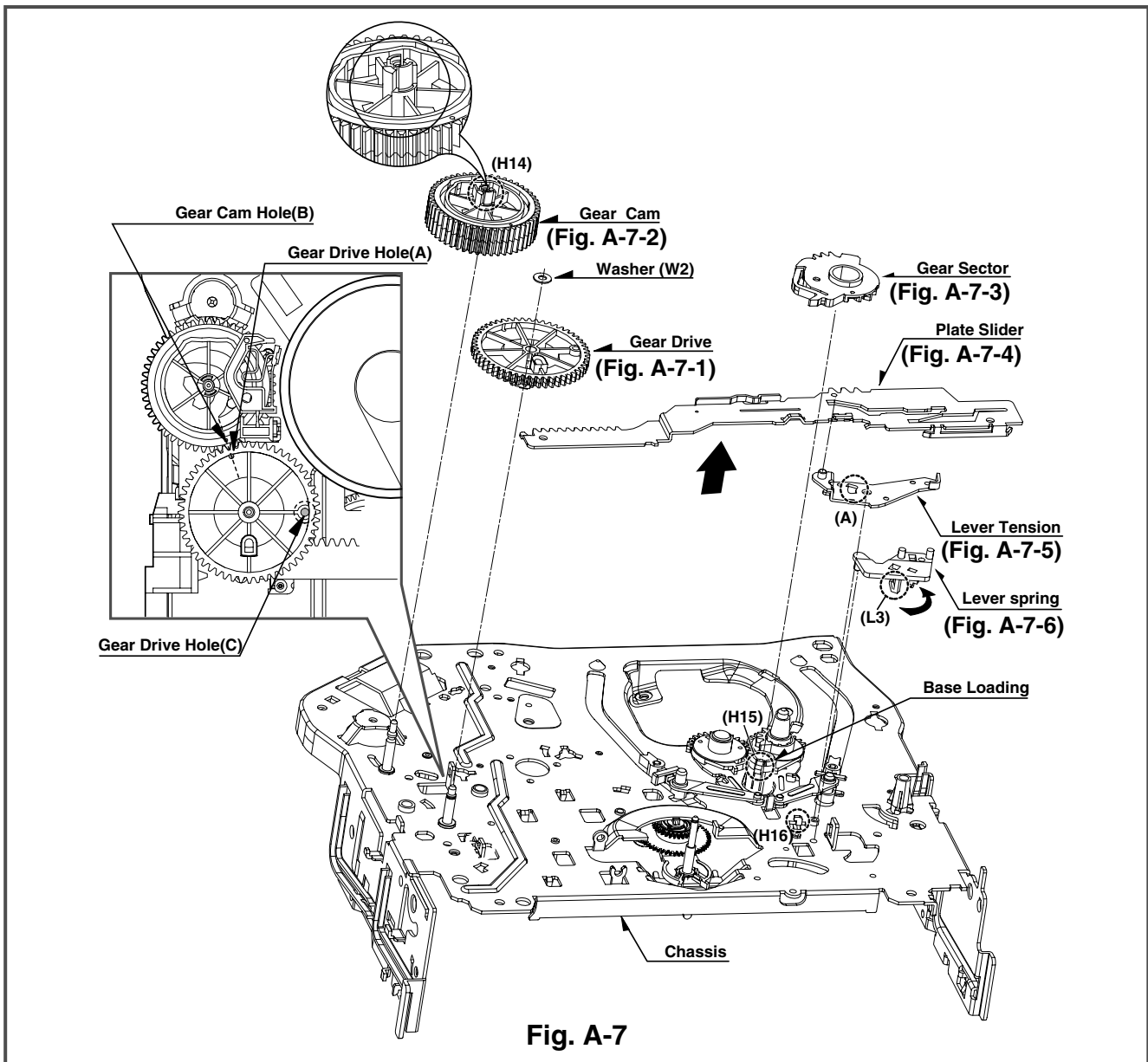


Fig. A-7

24. Gear Drive (Fig. A-7-1)/ Gear Cam (Fig. A-7-2)

- 1) Remove the Washer(W2) and lift the Gear Drive up.
- 2) Unhook the Hook(H14) of the Gear Cam and lift the Gear Cam up.

NOTE

When reassembling, align the Gear Drive Hole(A) and the Gear Cam Hole(B) in a straight line after the Gear Drive Hole(C) is aligned with the Chassis Hole as Fig.

25. Gear Sector (Fig. A-7-3)

- 1) Unhook the Hook(H15) of the Base Loading on bottom Chassis and lift the Gear Sector up.

26. Plate Slider (Fig. A-7-4)

- 1) Just lift the Plate Slider up.

27. Lever Tension (Fig. A-7-5)

- 1) Unhook the (A) portion of the Lever Tension from the Hook(H16) of the Chassis.
- 2) Turn the Lever Tension to counterclockwise direction and lift it up.

28. Lever Spring (Fig. A-7-6)

- 1) Unlock the Locking Tab(L3) of the bottom Chassis and lift the Lever Spring up.

DECK MECHANISM DISASSEMBLY

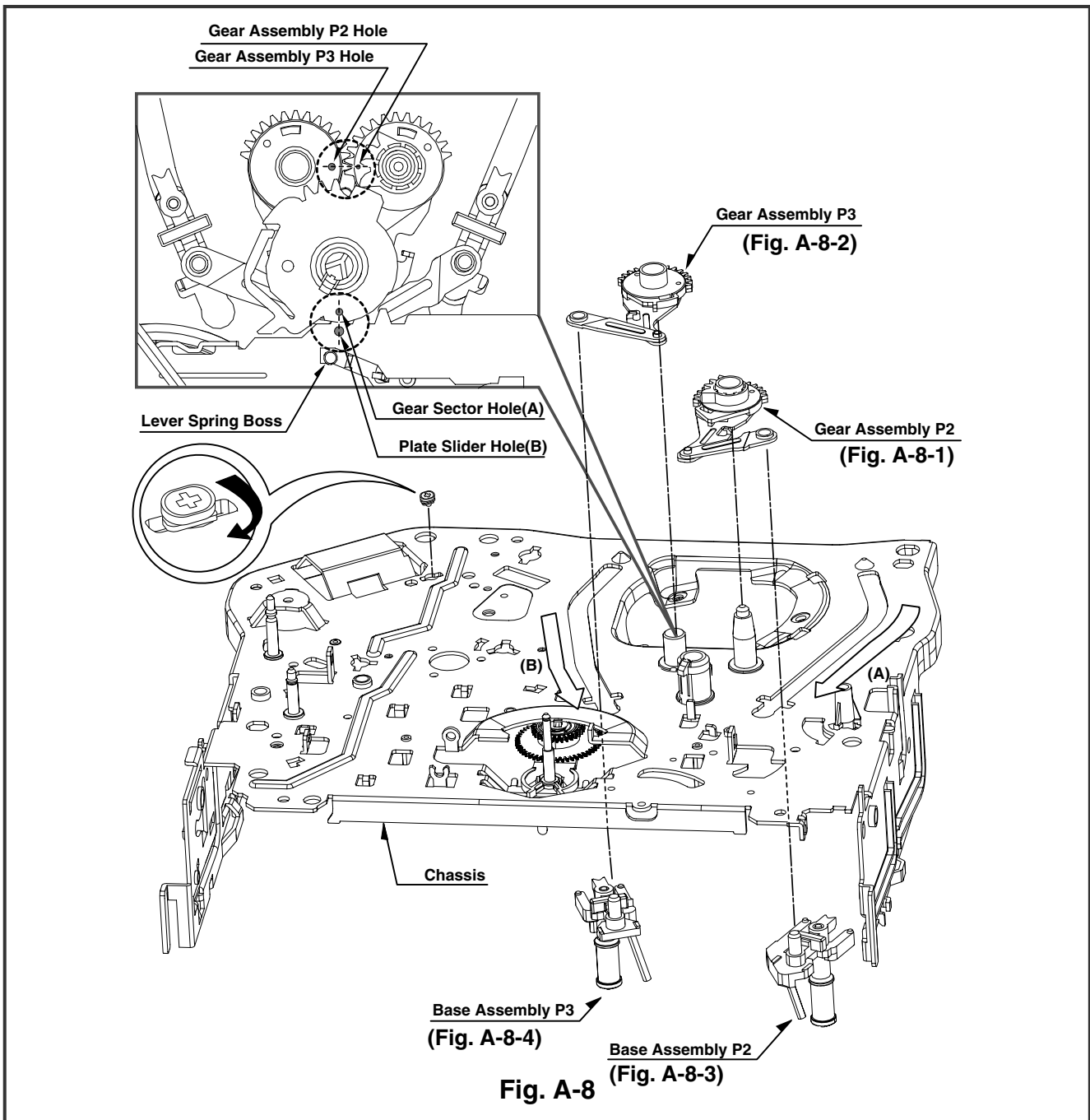


Fig. A-8

29. Gear Assembly P2 (Fig. A-8-1)/ Gear Assembly P3 (Fig. A-8-2)

- 1) Just lift the Gear Assembly P2 up.
- 2) Just lift the Gear Assembly P3 up.

NOTE

When reassembling, align the two holes of the Gear Assembly P2 and P3 in a straight line after confirmation whether the Gear Sector Hole(A) and the Plate Slider Hole(B) are aligned or not as Fig.

30. Base Assembly P2 (Fig. A-8-3)/ Base Assembly P3 (Fig. A-8-4)

- 1) Move the Base Assembly P2 in direction of arrow(A) along the guide hole of the Chassis and disassemble it on bottom side.
- 2) Move the Base Assembly P3 in direction of arrow(B) along the guide hole of the Chassis and disassemble it on bottom side.

DECK MECHANISM DISASSEMBLY

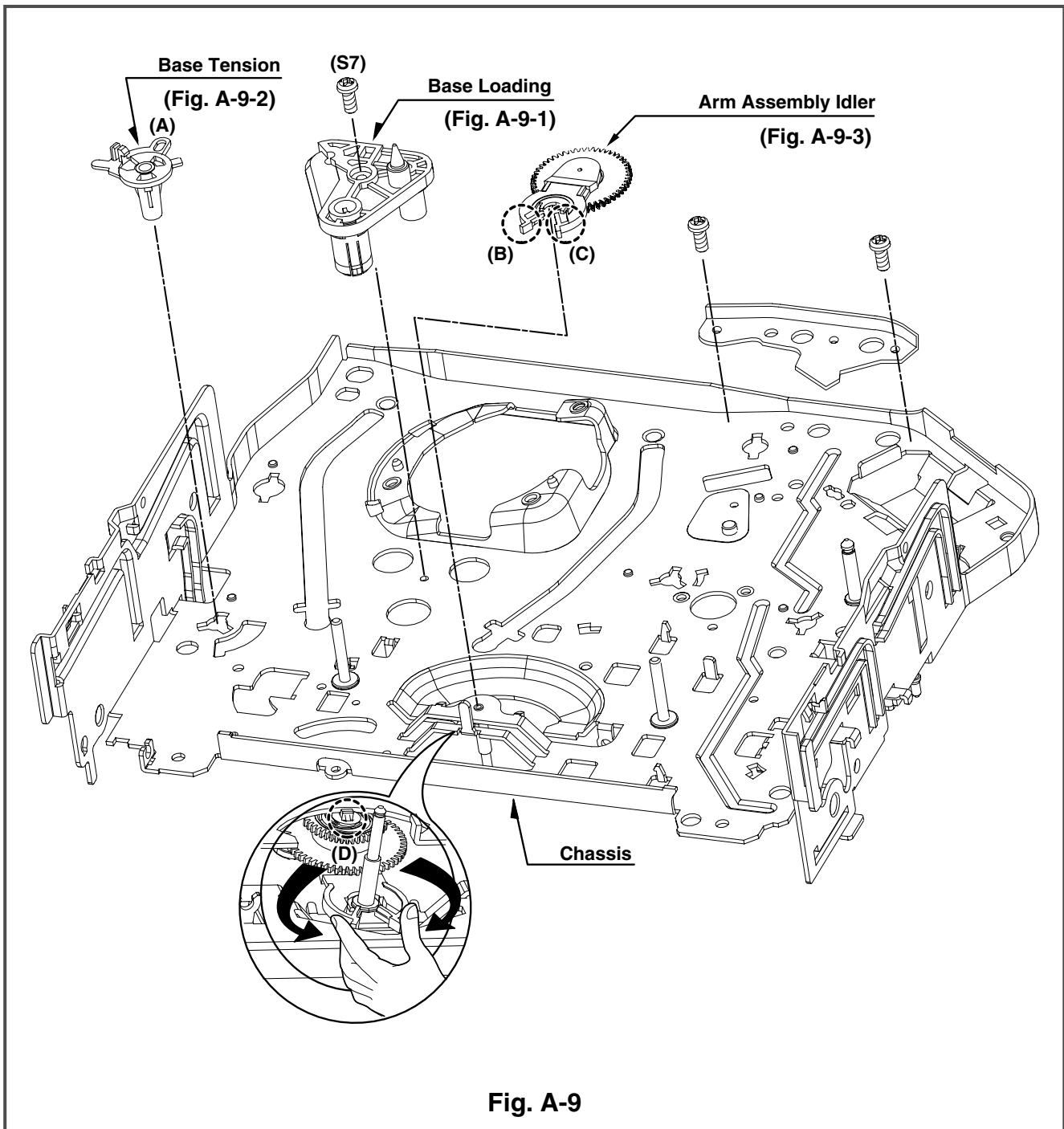


Fig. A-9

31. Base Loading (Fig. A-9-1)

- 1) Remove the Screw(S7).
- 2) Lift the Base Loading up.

32. Base Tension (Fig. A-9-2)

- 1) Breakaway the (A) portion of the Base Tension from the embossing of the Chassis.
- 2) Turn the Base Tension to counterclockwise direction and lift it up.

33. Arm Assembly Idler (Fig. A-9-3)

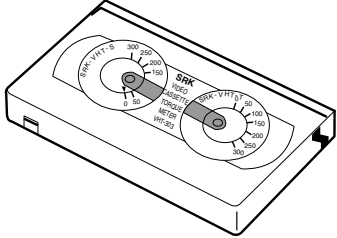
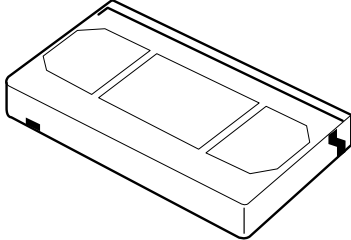
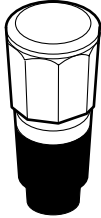
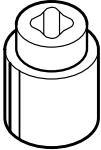
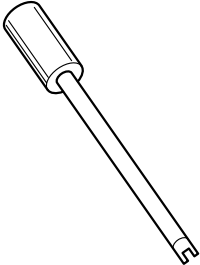
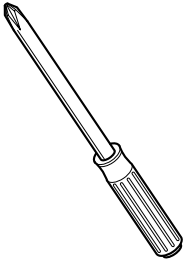
- 1) Make narrower the two parts, (B) and (C), as Fig. A-9-3.
- 2) Lift the Arm assembly Idler up.

NOTE

When disassembling, be careful not to be caught the (D) part by the Chassis as Fig.

DECK MECHANISM ADJUSTMENT

• Tools and Fixfures for Service

<p>1. Cassette Torque Meter SRK-VHT-303(Not SVC part) Parts No: D00-D006</p> 	<p>2. Alignment Tape Parts No NTSC: DTN-001 PAL:DTN-002</p> 	<p>3. Torque Gauge 600g.Cm ATG Parts No:D00-D002</p> 
<p>4. Torque Gauge Adaptor Parts No:D09-R001</p> 	<p>5. Post Height Adjusting Driver Parts No:DTL-0005</p> 	<p>6. + Type Driver (ø 5)</p> 

DECK MECHANISM ADJUSTMENT

1. Mechanism Alignment Position Check

Purpose: To determine if the Mechanism is in the correct position, when a Tape is ejected.

Test Equipment/ Fixture	Test Conditions (Mechanism Condition)	Check Point
• Blank tape	• Eject Mode (with Cassette ejected)	• Mechanism and Mode Switch Position
<p>1) Turn the Power S/W on and eject the Cassette by pressing the Eject Button.</p> <p>2) Remove the Top Cover and Plate Assembly Top, visually check if the Gear Cam Hole is aligned with the Chassis Hole as below Fig. C-2.</p> <p>3) IF not, rotate the Shaft of the Loading Motor to either clockwise or counterclockwise until the alignment is as below Fig. C-2.</p> <p>4) Remove the Screw which fixes the Deck Mechanism and Main Frame and confirm if the Gear Cam is aligned with the Gear Drive as below Fig. C-1(A).</p> <p>5) Confirm if the Mode S/W on the Main P.C.Board is aligned as below Fig. C-1(B).</p> <p>6) Remount the Deck Mechanism on the Main P.C.Board and check each operation.</p>		

CHECK DIAGRAM

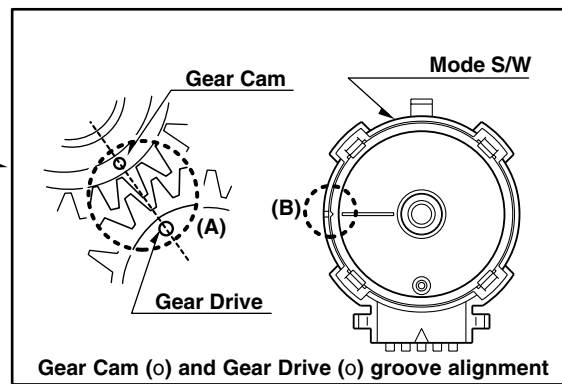
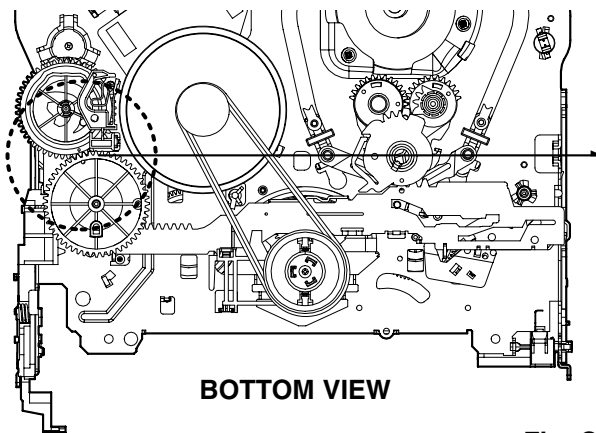


Fig. C-1

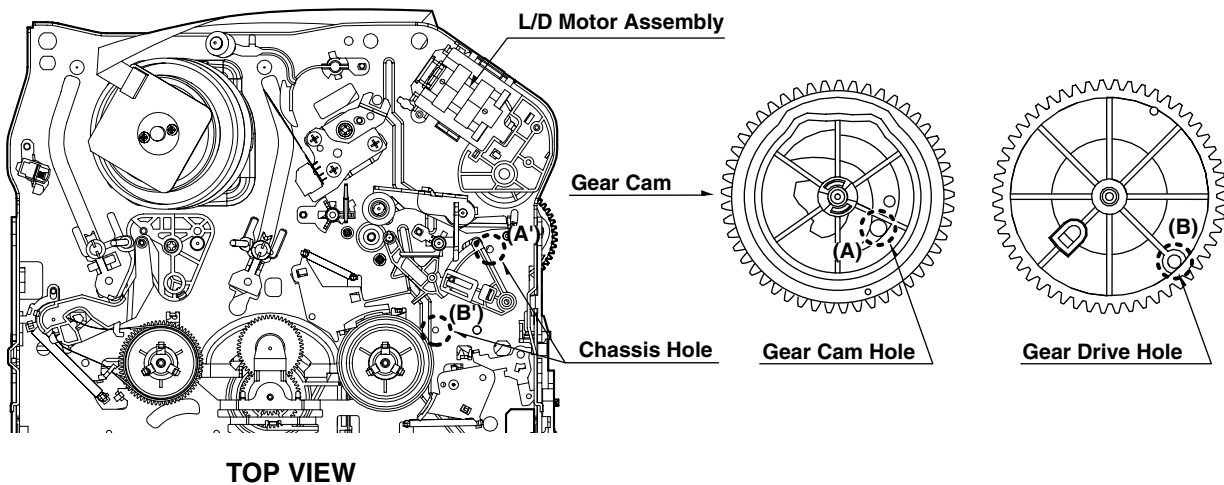


Fig. C-2

DECK MECHANISM ADJUSTMENT

2. Preparation for Adjustment (To set the Deck Mechanism of the loading state without inserting a cassette tape).

- 1) Unplug the power cord from the AC outlet.
- 2) Disassemble the Top Cover and Plate Assembly Top.
- 3) Plug the power cord into the AC outlet.
- 4) Turn the power S/W on and push the Lever Stopper of the Holder Assembly CST to the back for loading the

cassette without tape.

Cover the holes of the End Sensors at the both sides of the Chassis to prevent a light leak.

Then the Deck Mechanism drives to the Stop Mode. In this case, the Deck Mechanism can accept inputs of each mode, however the Rewind and Review operation can not be performed for more than a few seconds because the Take-up Reel Table is in the Stop State and can not be detected the Reel Pulses.

3. Checking Torque

Purpose: To insure smooth transport of the tape during each mode of operation.

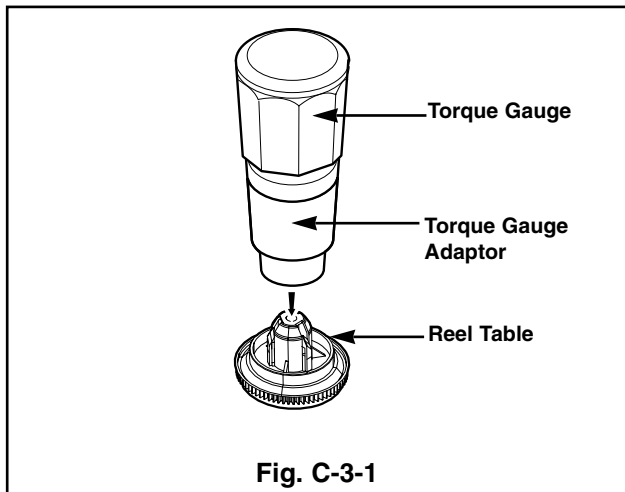
If the tape transport is abnormal, then check the torque as indicated by the chart below.

Test Equipment/ Fixture	Test Conditions (Mechanism Condition)	Checking Method		
<ul style="list-style-type: none"> • Torque Gauge(600g/cm ATG) • Torque Gauge Adaptor • Cassette Torque Meter SRK-VHT-303 	<ul style="list-style-type: none"> • Play (FF) or Review (REW) Mode 	<ul style="list-style-type: none"> • Perform each Deck Mechanism mode without inserting a cassette tape(Refer to above No.2 Preparation for Adjustment). • Read the measurement of the Take-up or Supply Reels on the Cassette Torque Meter(Fig. C-3-2). • Attach the Torque Gauge Adaptor to the Torque Gauge and then read the value of it(Fig. C-3-1). 		
Item	Mode	Test Equipment	Measurement Reel	Measurement Values
Fast Forward Torque	Fast Forward	Cassette Torque Gauge	Take-Up Reel	More than 400g/cm
Rewind Torque	Rewind	Cassette Torque Gauge	Supply Reel	More than 400g/cm
Play Take-Up Torque	Play	Cassette Torque Meter	Take-Up Reel	40~100g/cm
Review Torque	Review	Cassette Torque Meter	Supply Reel	120~210g/cm

NOTE:

The values are measured by using a Torque Gauge and Torque Gauge Adaptor with the Torque Gauge affixed.

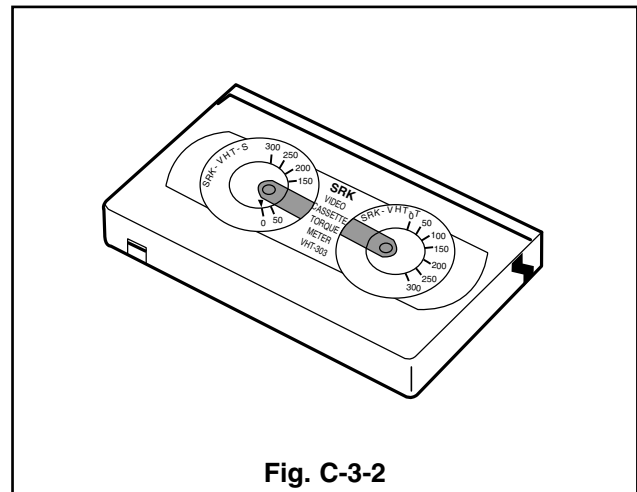
• Torque Gauge (600g.cm ATG)



NOTE:

The torque reading to measure occurs when the tape abruptly changes direction from Fast Forward to Rewind Mode, when quick braking is applied to both Reels.

• Cassette Torque Meter (SRK-VHT-303)

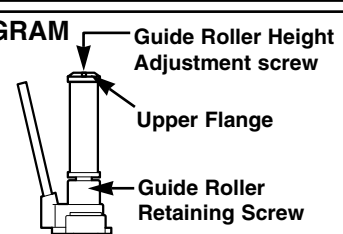


DECK MECHANISM ADJUSTMENT

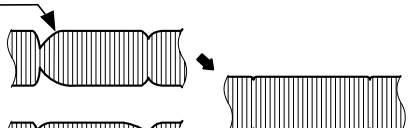
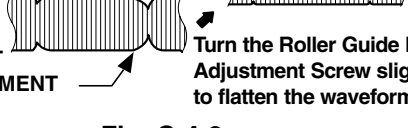
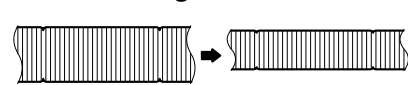
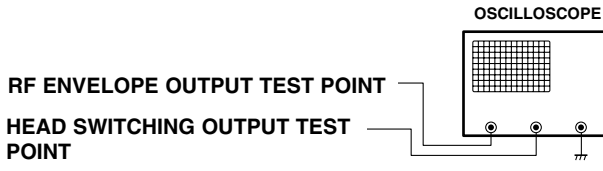
4. Guide Roller Height Adjustment

Purpose: To regulate the height of the tape so that the bottom of the tape runs along the tape guide line on the Lower Drum.

4-1. Preliminary Adjustment

Test Equipment/ Fixture	Test Conditions (Mechanism Condition)	Adjustment Point
<ul style="list-style-type: none"> • Post Height Adjusting Driver 	<ul style="list-style-type: none"> • Play or Review Mode 	<ul style="list-style-type: none"> • Guide Roller Height Adjustment screws on the Supply and Take-Up Guide Rollers.
Adjustment Procedure <ol style="list-style-type: none"> 1) Confirm if the tape runs along the tape guide line of the Lower Drum. 2) If the tape runs the bottom of the guide line, turn the Guide Roller Height Adjustment Screw to clockwise direction. 3) If it runs the top, turn to counterclockwise direction. 4) Adjust the height of the Guide Roller to be guided to the guide line of the Lower Drum from the starting and ending point of the Drum. 		ADJUSTMENT DIAGRAM  <p>Fig. C-4-1</p>

4-2. Precise Adjustment

Test Equipment/Fixture	Test Equipment Connection Points	Test Conditions VCR(VCP) State	Adjustment Point
<ul style="list-style-type: none"> • Oscilloscope • Alignment Tape • Post Height Adjusting Driver 	<ul style="list-style-type: none"> • CH-1:PB RF Envelope • CH-2:NTSC: SW 30Hz PAL: SW 25Hz • Head Switching Output Point • RF Envelope Output Point 	<ul style="list-style-type: none"> • Play an Alignment Tape 	<ul style="list-style-type: none"> • Guide Roller Height Adjustment Screws
Adjustment Procedure <ol style="list-style-type: none"> 1) Play an Alignment Tape after connecting the probe of the Oscilloscope to the RF Envelope Output Test Point and Head Switching Output Test Point. 2) Tracking Control(in PB Mode) : Center Position(When this adjustment is performed after the Drum Assembly has been replaced, set the Tracking Control so that the RF Output is Maximum). 3) Height Adjustment Screw : Flatten the RF waveform. (Fig. C-4-2) 4) Turn(Move) the Tracking Control(in PB Mode) clockwise and counterclockwise.(Fig. C-4-3) 5) Check that any drop of RF Output is uniform at the start and end of the waveform. 		Waveform Diagrams <p>P2 POST ADJUSTMENT</p>  <p>P3 POST ADJUSTMENT</p>  <p>Turn the Roller Guide Height Adjustment Screw slightly to flatten the waveform.</p> <p>Fig. C-4-2</p> <p>Tracking Control at center</p>  <p>Turn(Move) the Tracking Control to both directions</p> <p>Fig. C-4-3</p>	
NOTE If the adjustment is excessive or insufficient the tape will jam or fold.		Connection Diagram 	

DECK MECHANISM ADJUSTMENT

5. Audio/Control (A/C) Head Adjustment

Purpose: To insure that the tape passes accurately over the Audio and Control Tracks in exact alignment of the both Record and Playback Modes.

5-1. Preliminary Adjustment (Height and Tilt Adjustment)

Perform the Preliminary Adjustment, when there is no Audio Output Signal with the Alignment Tape.

Test Equipment/ Fixture	Test Conditions (Mechanism Condition)	Adjustment Point
<ul style="list-style-type: none"> • Blank Tape • Screw Driver(+) Type 5mm 	<ul style="list-style-type: none"> • Play the blank tape 	<ul style="list-style-type: none"> • Tilt Adjustment Screw(C) • Height Adjustment Screw(B) • Azimuth Adjustment Screw(A)

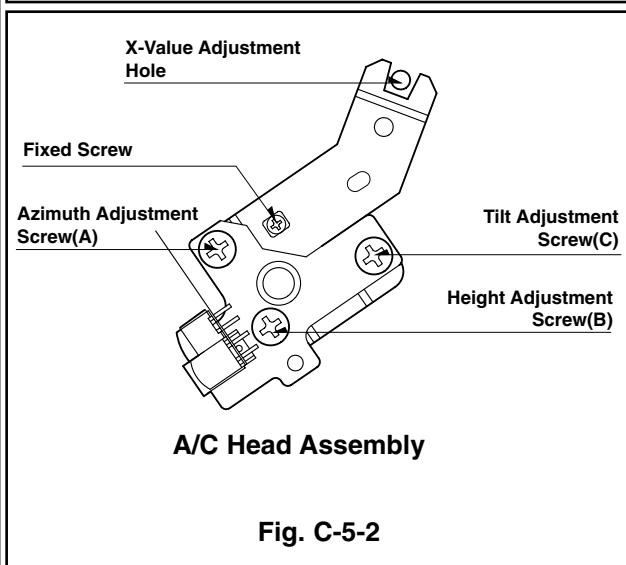
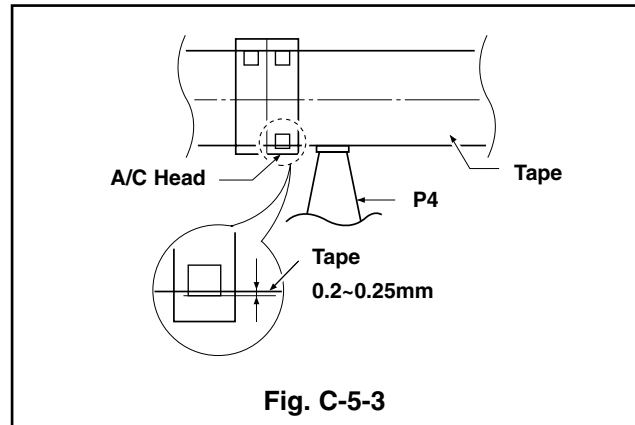
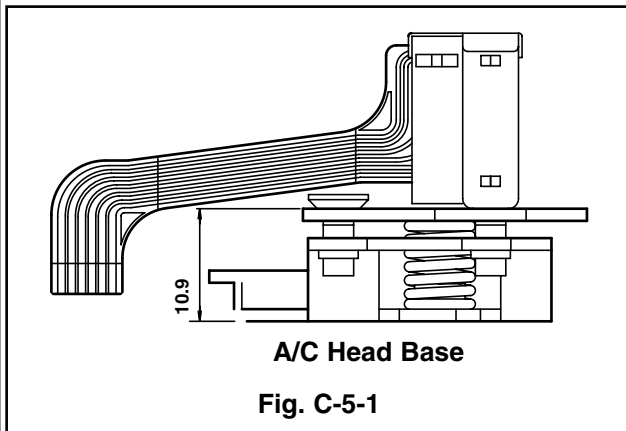
Adjustment Procedure/Diagrams

- 1) Initially adjust the Base Assembly A/C Head as shown Fig. C-5-1 by using the Height Adjustment Screw(B).
- 2) Play a blank tape and observe if the tape passes accurately over the A/C Head without tape curling or folding.
- 3) If folding or curling is occurred then adjust the Tilt Adjustment Screw(C) while the tape is running to resemble Fig. C-5-3.

- 4) Reconfirm the tape path after Playback about 4~5 seconds.

NOTE

Ideal A/C head height occurs when the tape runs between 0.2~0.25mm above the bottom edge of the A/C Head core.



DECK MECHANISM ADJUSTMENT

5-2. Confirm that the tape passes smoothly between the Take-up Guide and Pinch Roller(using a mirror or the naked eye).

- 1) After completing Step 5-1.(Preliminary Adjustment), check that the tape passes around the Take-up Guide and Pinch Roller without folding or curling at the top or bottom.
 - (1) If folding or curling is observed at the bottom of the Take-up Guide then slowly turn the Tilt Adjustment Screw(C) in the clockwise direction.

- (2) If folding or curling is observed at the top of it then slowly turn the Tilt Adjustment Screw(C) in the counterclockwise direction.

NOTE:

Check the RF envelope after adjusting the A/C Head, if the RF waveform differs from Fig. C-5-4, performs Precise Adjustment to flat the RF waveform.

5-3. Precise Adjustment (Azimuth adjustment)

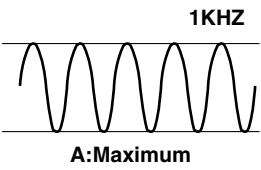
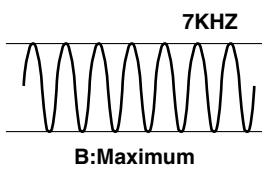
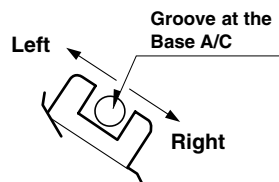
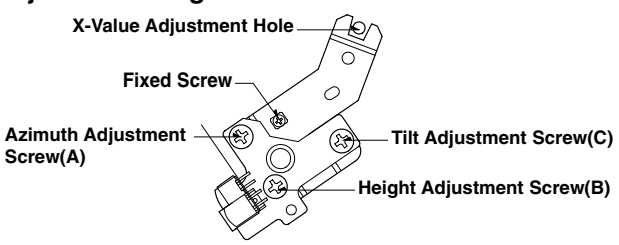
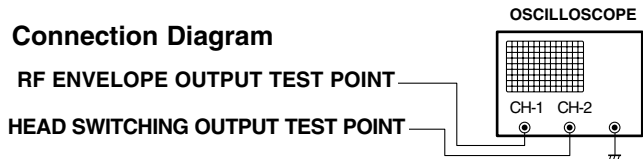
Test Equipment/ Fixture	Connection Point	Test Conditions (Mechanism Condition)	Adjustment Point
<ul style="list-style-type: none"> • Oscilloscope • Alignment Tape(SP) • Screw Driver(+) Type 5mm 	<ul style="list-style-type: none"> • Audio output jack 	<ul style="list-style-type: none"> • Play an Alignment Tape 1KHz, 7KHz Sections 	<ul style="list-style-type: none"> • Azimuth Adjustment Screw(A) • Height Adjustment Screw(B)
Adjustment Procedure <ol style="list-style-type: none"> 1) Connect the probe of the oscilloscope to Audio Output Jack. 2) Alternately adjust the Azimuth Adjustment Screw(A) and the Tilt Adjustment Screw(C) for maximum output of the 1KHz and 7KHz segments, while maintaining the flattest envelope differential between the two frequencies. 			
			

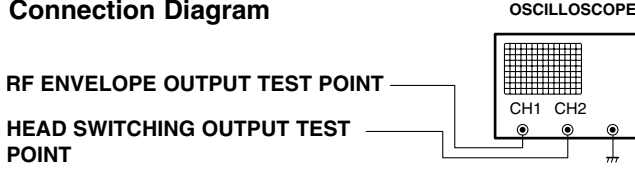
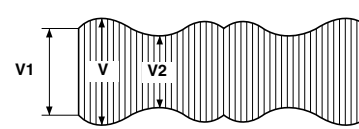
Fig. C-5-4

6. X-Value Adjustment

Purpose: To obtain compatibility with the other VCR(VCP) Models.			
Test Equipment/ Fixture	Connection Point	Test Conditions (Mechanism Condition)	Adjustment Point
<ul style="list-style-type: none"> • Oscilloscope • Alignment Tape(SP only) • Screw Driver(+) Type 5mm 	<ul style="list-style-type: none"> • CH-1: PB RF Envelope • CH-2: NTSC: SW 30Hz PAL: SW 25Hz • Head Switching Output Test Point • RF Envelope Output Test Point 	<ul style="list-style-type: none"> • Play an Alignment Tape 	
Adjustment Procedure <ol style="list-style-type: none"> 1) Release the Automatic Tracking to run long enough for tracking to complete it's cycle. 2) Loosen the Fixed Mounting Screw and move the Base Assembly A/C Head in the direction as shown in the diagram to find the center of the peak that allows for the maximum waveform envelope. This method should allow the 31µm Head to be centrally located over the 58µm tape track. 3) Tighten the Base Assembly A/C Head mounting Screw. 		Adjustment Diagram 	
		Connection Diagram 	

DECK MECHANISM ADJUSTMENT

7. Adjustment after Replacing Drum Assembly (Video Heads)

Purpose: To correct for shift in the Roller Guide and X value after replacing the Drum.			
Test Equipment/ Fixture	Connection Point	Test Conditions (Mechanism Condition)	Adjustment Points
<ul style="list-style-type: none"> Oscilloscope Alignment Tapes Blank Tape Post Height Adjusting Driver Screw Driver(+) Type 5mm 	<ul style="list-style-type: none"> CH-1: PB RF Envelope CH-2: NTSC: SW 30Hz PAL: SW 25Hz Head Switching Output Test Point RF Envelope Output Test Point 	<ul style="list-style-type: none"> Play the Blank Tape Play an Alignment Tape 	<ul style="list-style-type: none"> Guide Roller Precise Adjustment Switching Point Tracking Preset X-Value
Checking/Adjustment Procedure Play a blank tape and check for tape curling or creasing around the Roller Guide. If there is a problem then follow the procedure 4. "Guide Roller Height" and 5. "Audio Control(A/C) Head Adjustment".		Connection Diagram  Waveform $V1/V \text{ MAX} \leq 0.7$ $V2/V \text{ MAX} \leq 0.8$ RF ENVELOPE OUTPUT 	
Fig. C-7			

8. Check the Tape Travel after Reassembling Deck Assembly.

8-1. Checking Audio and RF Locking Time during playback and after CUE or REV (FF/REW)

Test Equipment/ Fixture	Specification	Connection Points	Test Conditions (Mechanism Condition)
<ul style="list-style-type: none"> Oscilloscope Alignment Tapes(with 6H 3KHz Color Bar Signal) Stop Watch 	<ul style="list-style-type: none"> RF Locking Time: Less than 5 sec. Audio Locking Time: Less than 10sec 	<ul style="list-style-type: none"> CH-1: PB RF Envelope CH-2: Audio Output RF Envelope Output Point Audio Output Jack 	<ul style="list-style-type: none"> Play an Alignment Tape (with 6H 3kHz Color Bar Signal)
Checking Procedure Play an Alignment Tape then change the operating mode to CUE or REV and confirm if the unit meets the above listed specifications.		NOTES: 1) CUE is the forward search mode 2) REV is the backward search mode 3) Refer to the Play mode	

8-2. Checking for tape curling or jamming

Test Equipment/ Fixture	Specification	Test Conditions (Mechanism Condition)
<ul style="list-style-type: none"> T-160 Tape T-120 Tape 	<ul style="list-style-type: none"> Be sure there is no tape jamming or curling at the beginning, middle or end of the tape. 	<ul style="list-style-type: none"> Run the CUE, REV, Play mode at the beginning and the end of the tape.
Checking Procedure 1) Confirm that the tape runs smoothly around the roller guides, Drum and A/C Head Assemblies while abruptly changing operating modes from Play to CUE or REV. This is to be checked at the beginning, middle and end sections of the tape. 2) Confirm that the tape passes over the A/C Head Assembly as indicated by proper audio reproduction and proper tape counter performance.		

MAINTENANCE/INSPECTION PROCEDURE

1. Check before starting repairs

The following faults can be remedied by cleaning and oiling. Check the needed lubrication and the conditions of cleanliness in the unit.

Check with the customer to find out how often the unit is used, and then determine that the unit is ready for inspection and maintenance. Check the following parts.

Phenomenon	Inspection	Replacement
Color beats	Dirt on Full-Erase Head	o
Poor S/N, no color	Dirt on Video Head	o
Vertical or Horizontal jitter	Dirt on Video Head Dirt on tape transport system	o
Low volume, Sound distorted	Dirt on Audio/Control Head	o
Tape does not run. Tape is slack	Dirt on Pinch Roller	o
In Review and Unloading (off mode), the tape is rolled up loosely.	Clutch Assembly D35 torque reduced	o
	Cleaning Drum and transport system	Fig. C-9-3

F/E Head

Video Head

A/C Head

Pinch Roller

Belt Capstan

Clutch Assembly D35

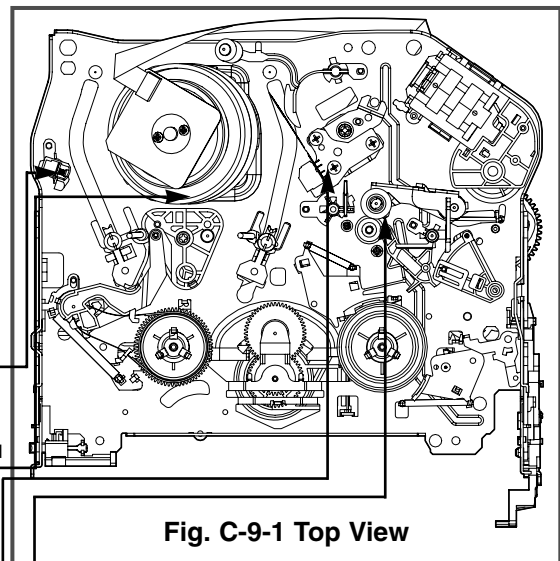


Fig. C-9-1 Top View

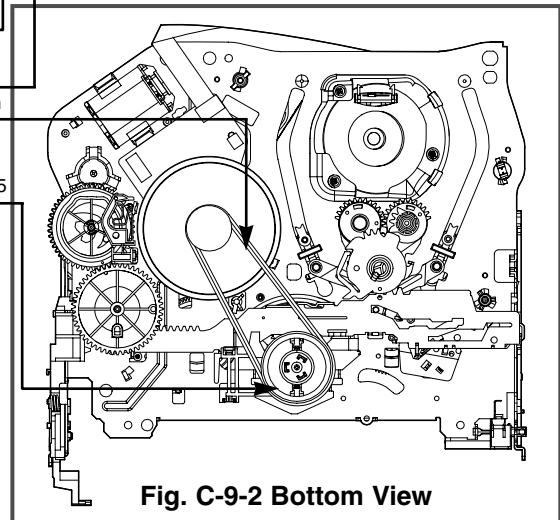


Fig. C-9-2 Bottom View

NOTE

If locations marked with **o** do not operate normally after cleaning, check for wear and replace.

See the EXPLODED VIEWS at the end of this manual as well as the above illustrations and see the Greasing (Page 4-21, 22) for the sections to be lubricated and greased.

* No. (1)~(12) Indicates the Tape Path to be traveled from Supply Reel to Take-up Reel.

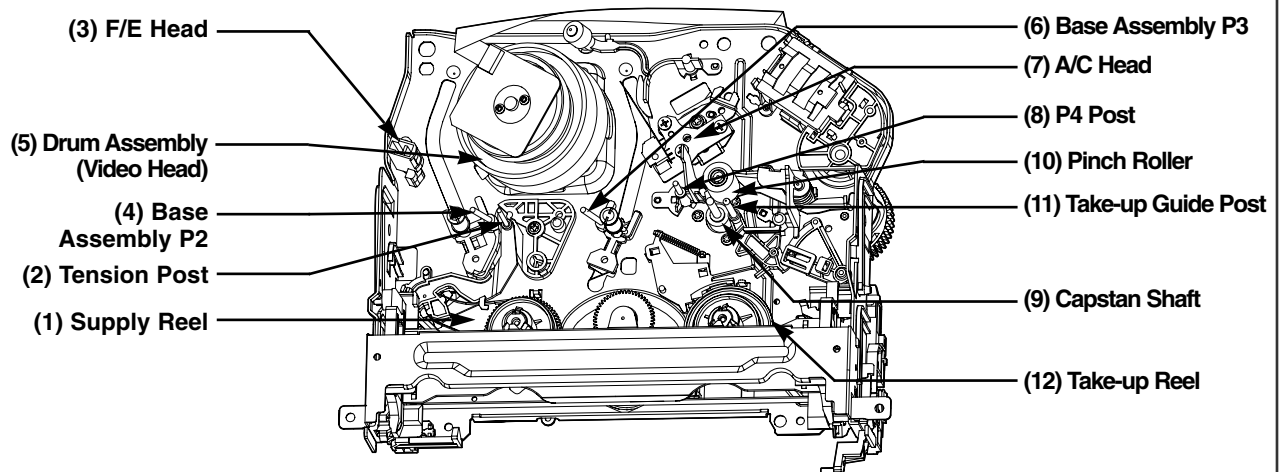


Fig. C-9-3 Tape Transport System

MAINTENANCE/INSPECTION PROCEDURE

2. Required Maintenance

The recording density of a VCR(VCP) is much higher than that of an audio tape recorder. VCR(VCP) components must be very precise, at tolerances of 1/1000mm, to ensure compatibility with the other VCRs. If any of these components are worn or dirty, the symptoms will be the same as if the part is defective. To ensure a good picture, periodic inspection and maintenance, including replacement of worn out parts and lubrication, is necessary.

3. Scheduled Maintenance

Schedules for maintenance and inspection are not fixed because they vary greatly according to the way in which the customer uses the VCR(VCP), and the environment in which the VCR(VCP) is used.

But, in general home use, a good picture will be maintained if inspection and maintenance is made every 1,000 hours. The table below shows the relation between time used and inspection period.

Table 1

When inspection is necessary	About 1 year	About 18 months	About 3 years
Average hours used per day	▲	▲	▲
One hour	[Bar chart showing inspection period]		
Two hours	[Bar chart showing inspection period]		
Three hours	[Bar chart showing inspection period]		

4. Supplies Required for Inspection and Maintenance

- (1) Grease : Kanto G-311G (Blue) or equivalent
- (2) Isopropyl Alcohol or equivalent
- (3) Cleaning Patches
- (4) Grease : Kanto G-381(Yellow)

5. Maintenance Procedure

5-1) Cleaning

- (1) Cleaning video head

First use a cleaning tape. If the dirt on the head is too stubborn to remove by tape, use the cleaning patch. Coat the cleaning patch with Isopropyl Alcohol. Touch the cleaning patch to the head tip and gently turn the head(rotating cylinder) right and left.

(Do not move the cleaning patch vertically. Make sure that only the buckskin on the cleaning patch comes into contact with the head. Otherwise, the head may be damaged.)

Thoroughly dry the head. Then run the test tape. If Isopropyl Alcohol remains on the video head, the tape may be damaged when it comes into contact with the head surface.

- (2) Clean the tape transport system and drive system, etc, by wiping with a cleaning patch wetted with Isopropyl Alcohol.

NOTES:

- ① It is the tape transport system which comes into contact with the running tape. The drive system consists of those parts which moves the tape.
- ② Make sure that during cleaning you do not touch the tape transport system with excessive force that would cause deformation or damage to the system.

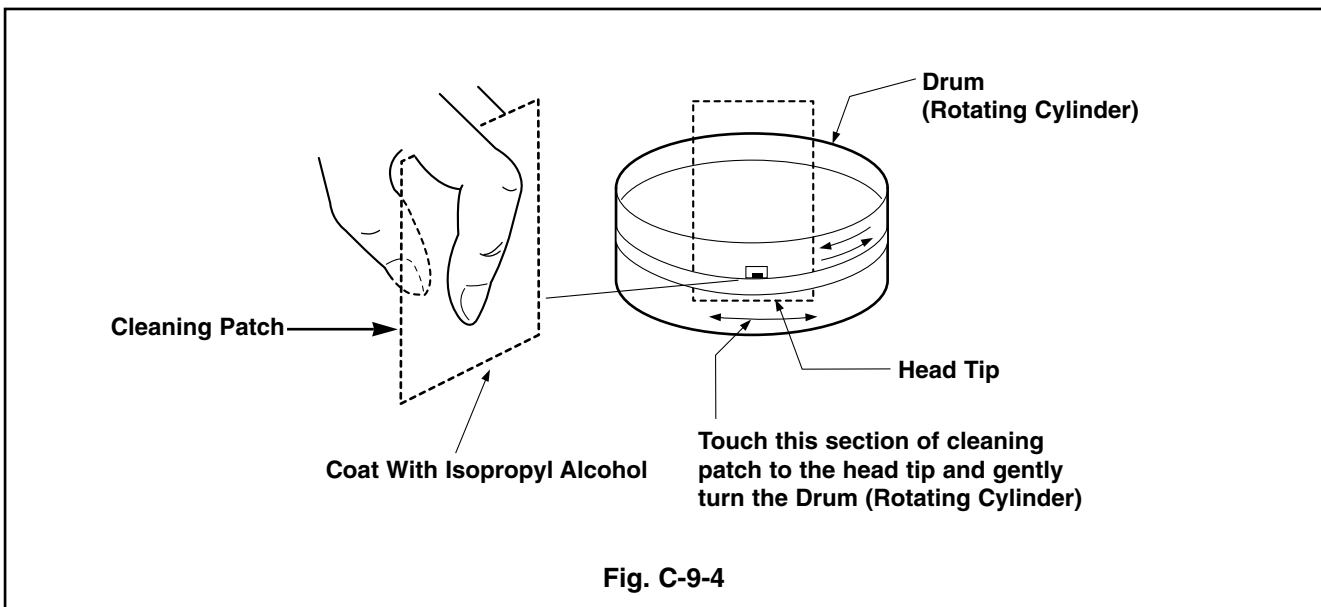


Fig. C-9-4

MAINTENANCE/INSPECTION PROCEDURE

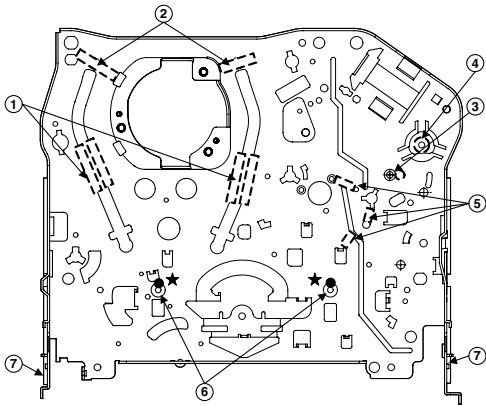
5-2) Greasing

(1) Greasing guidelines

Apply grease, with a cleaning patch. Do not use excessive grease. It may come into contact with the tape transport or drive system. Wipe excessive grease and clean with cleaning patch wetted in Isopropyl Alcohol.

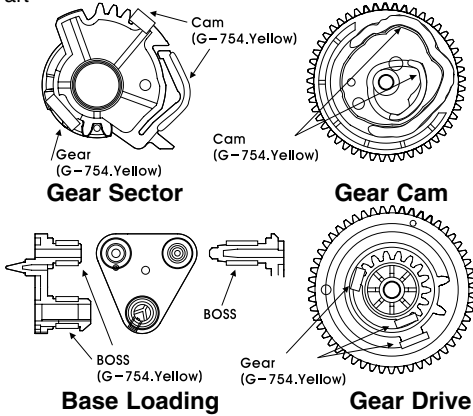
NOTE:Greasing Points

- | | |
|-----------------------------------|---------------------------------------|
| 1) Loading Path Inside & Top side | 5) Arm Take-up Rubbing Sections |
| 2) Base Assembly P2, P3 stopper | 6) Reel S,T shaft(G381:Yellow) |
| 3) Shaft | 7) Arm Assembly F/L Rotating Sections |
| 4) L/D Motor Gear Wheel Part | |



Chassis (Top)

Gear Part



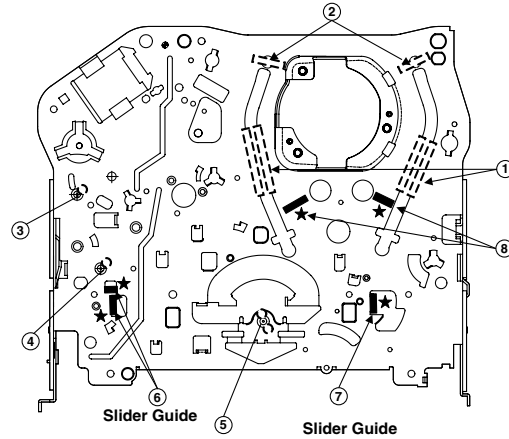
Chassis (Left Side)

Chassis (Right Side)

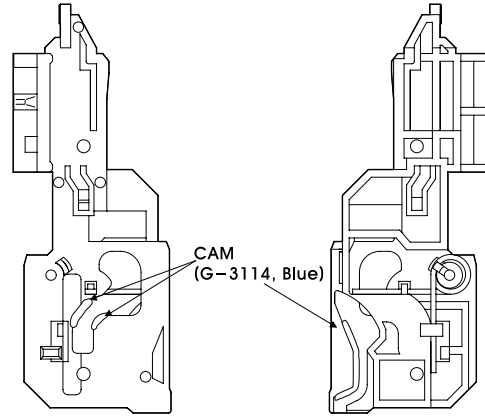
(2) Periodic greasing

Grease specified locations every 5,000 hours.

- | | |
|-----------------------------------|--|
| 1) Loading Path Inside & Top side | 6) Plate Slider Guide Sections |
| 2) Base Assembly P2,P3 stopper | 7) Plate Slider Guide Sections |
| 3) Shaft | 8) Gear Assembly P2, P2 Rubbing Sections |
| 4) Shaft | |
| 5) Clutch Assembly D35 Shaft | |



Chassis (Bottom)



Gear Rack F/L

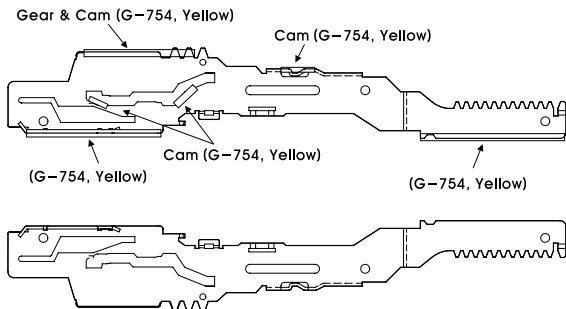
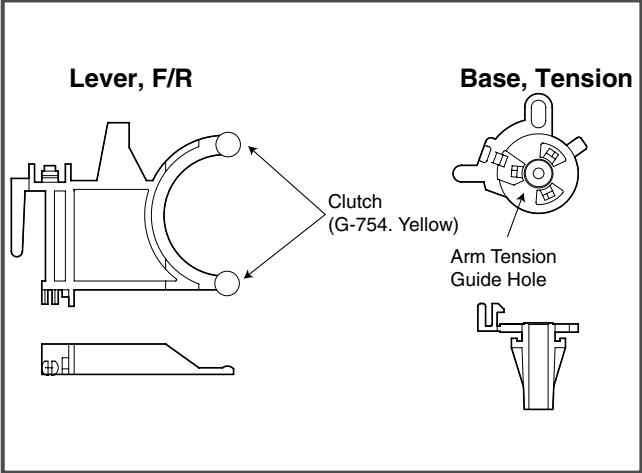


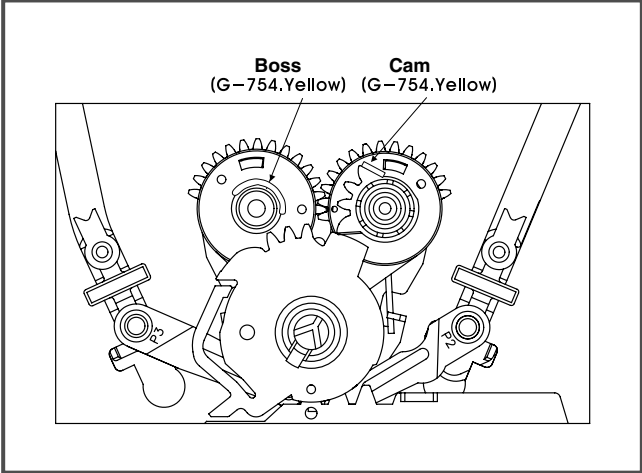
Plate Slider

MAINTENANCE/INSPECTION PROCEDURE

Lever, F/R, Base, Tension



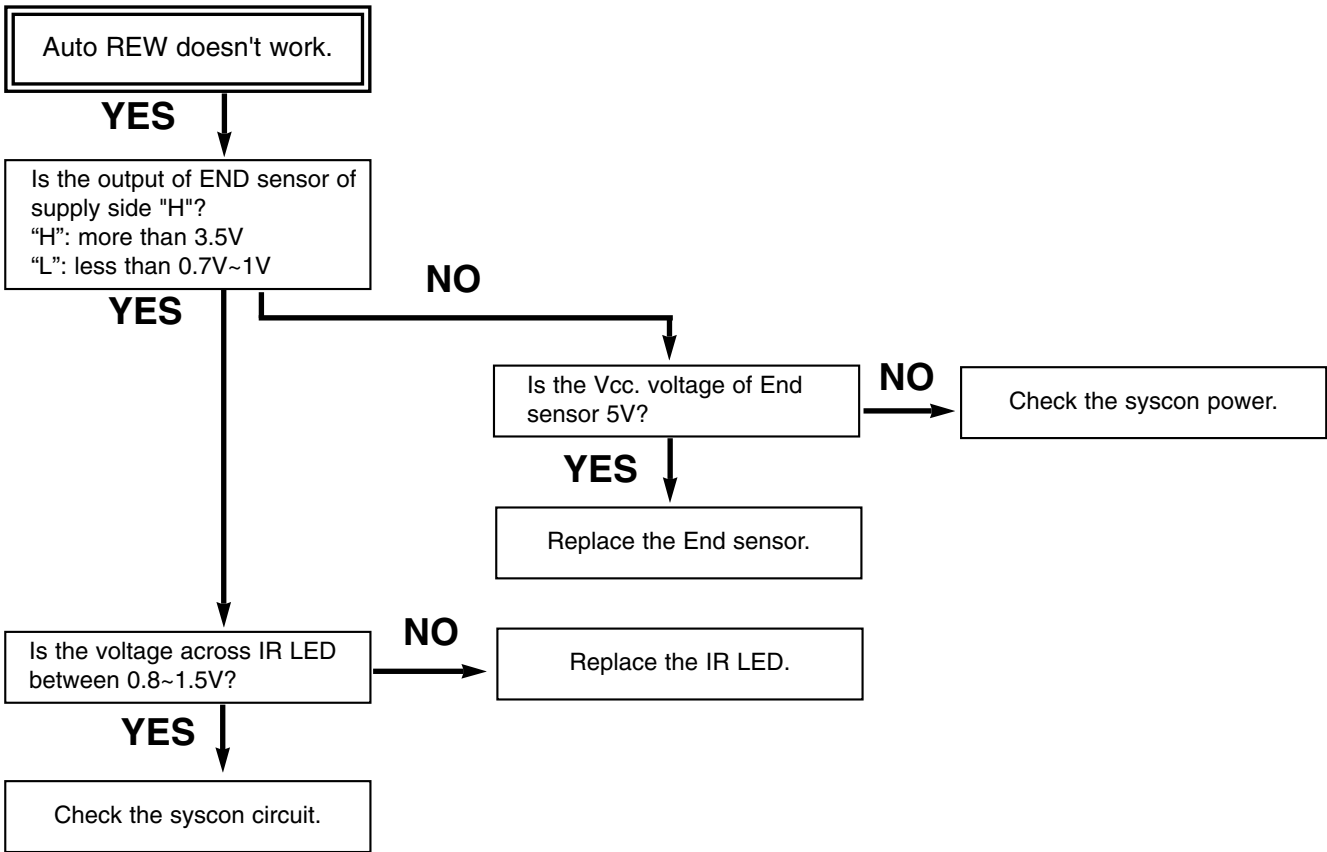
GEAR AY, P2 & P3



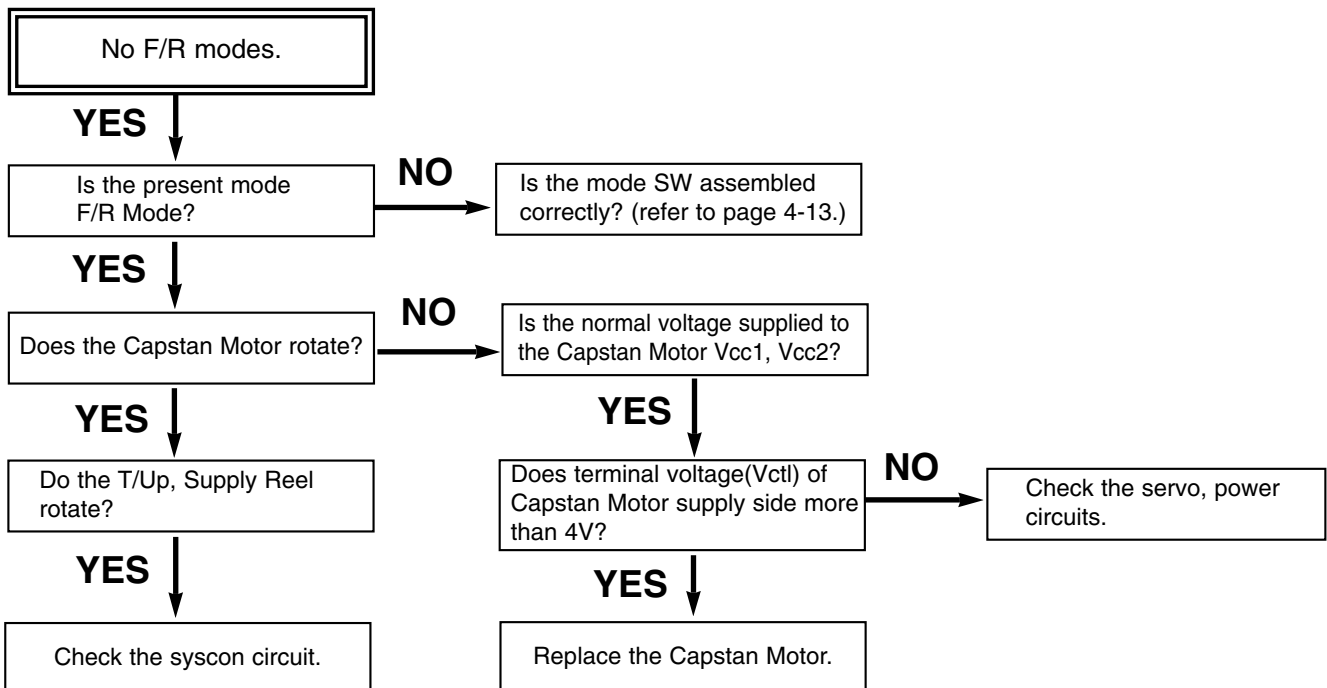
MECHANISM TROUBLESHOOTING GUIDE

1. Deck Mechanism

A.

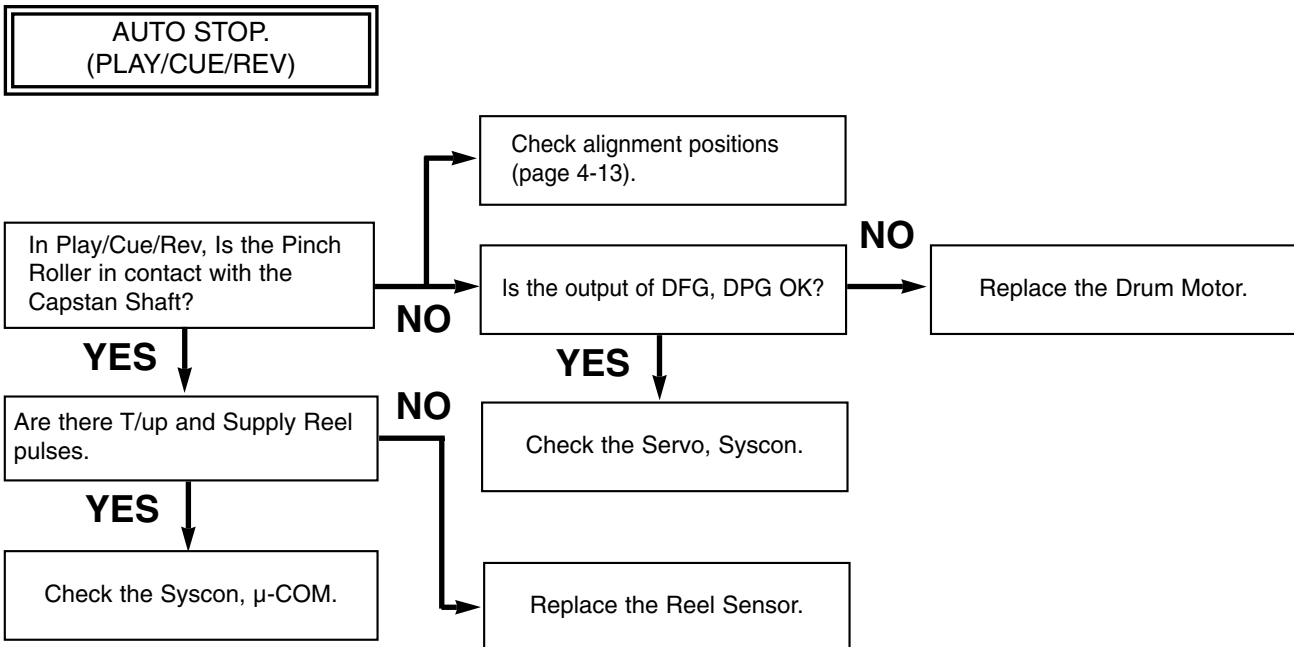


B.

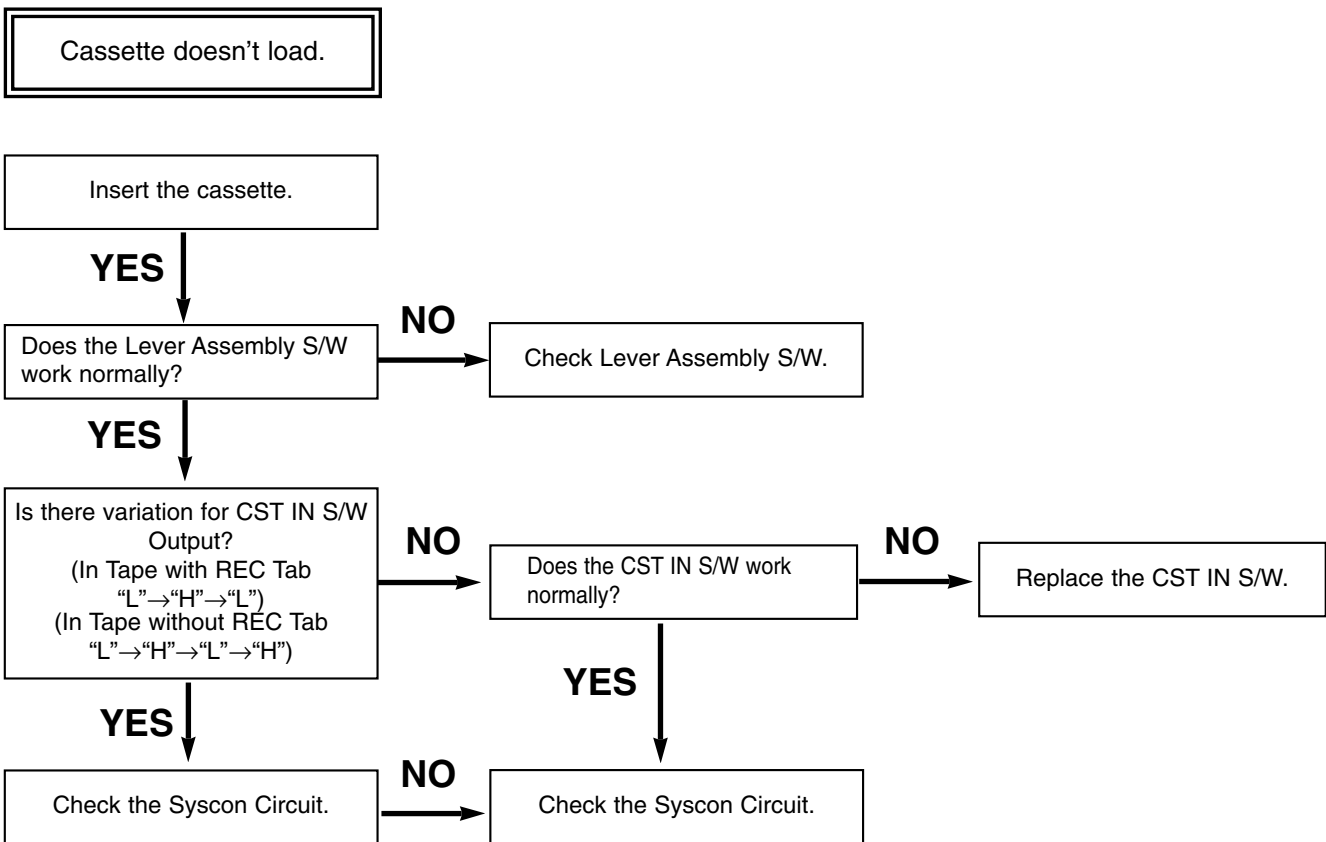


MECHANISM TROUBLESHOOTING GUIDE

C.

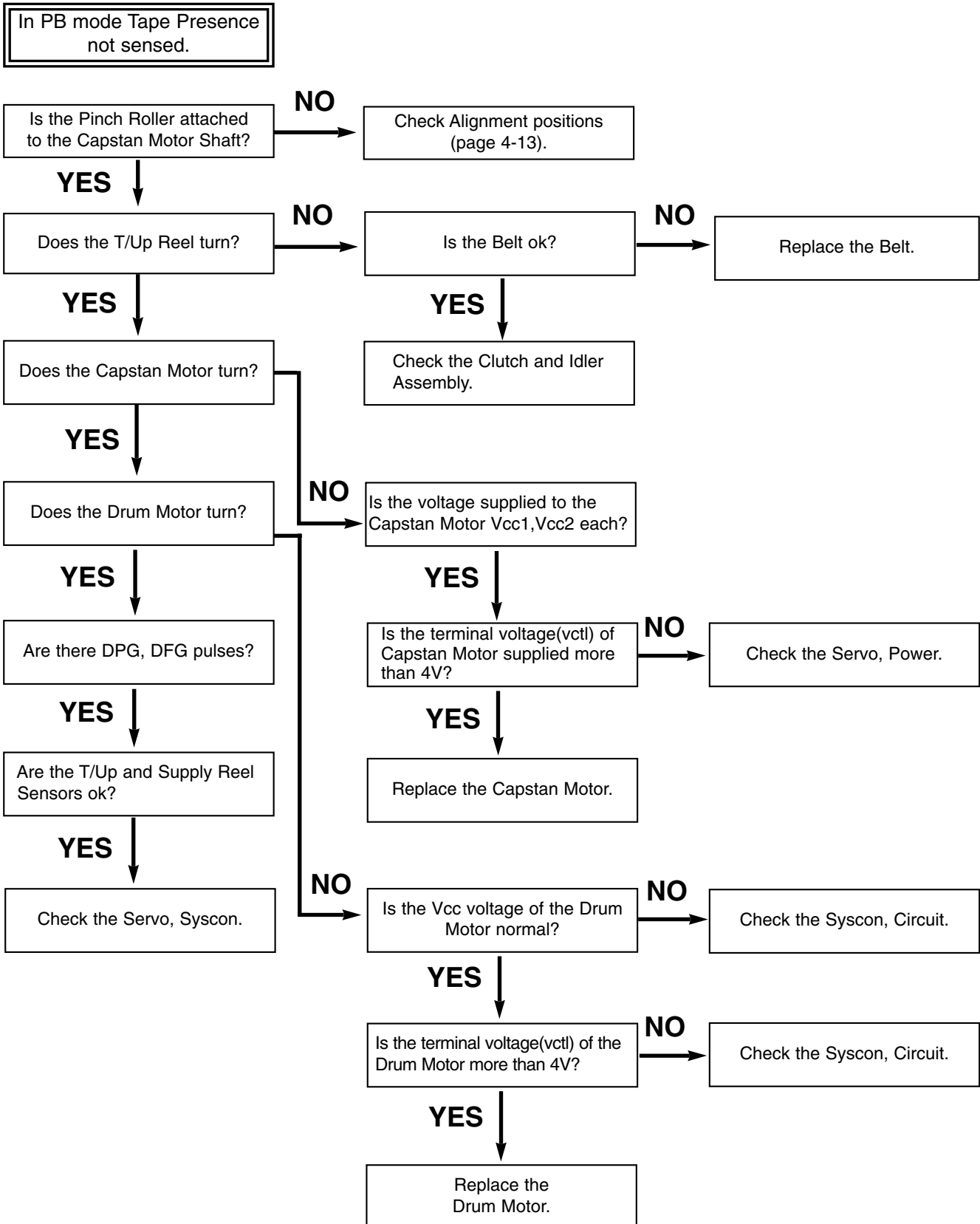


D.



MECHANISM TROUBLESHOOTING GUIDE

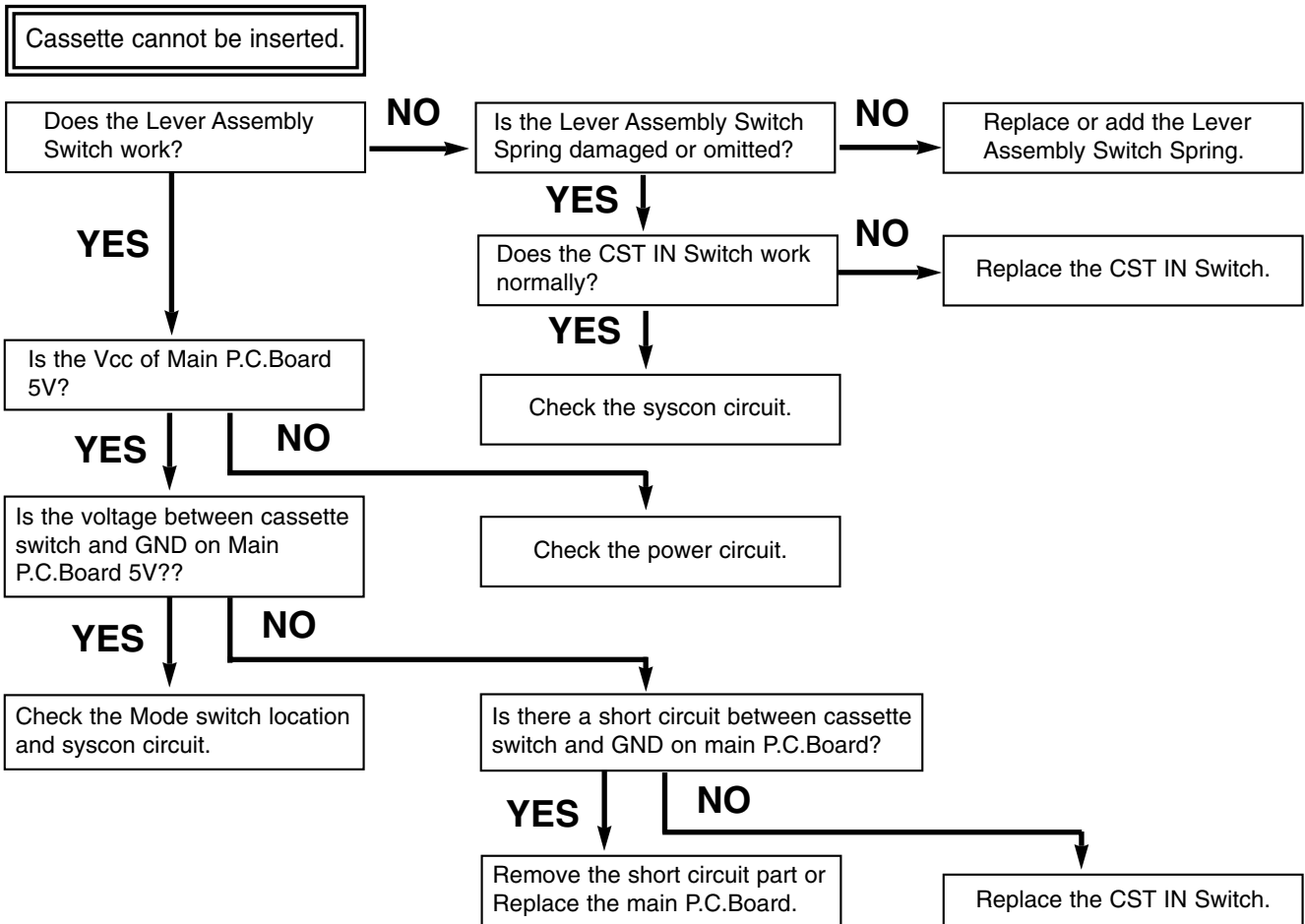
E.



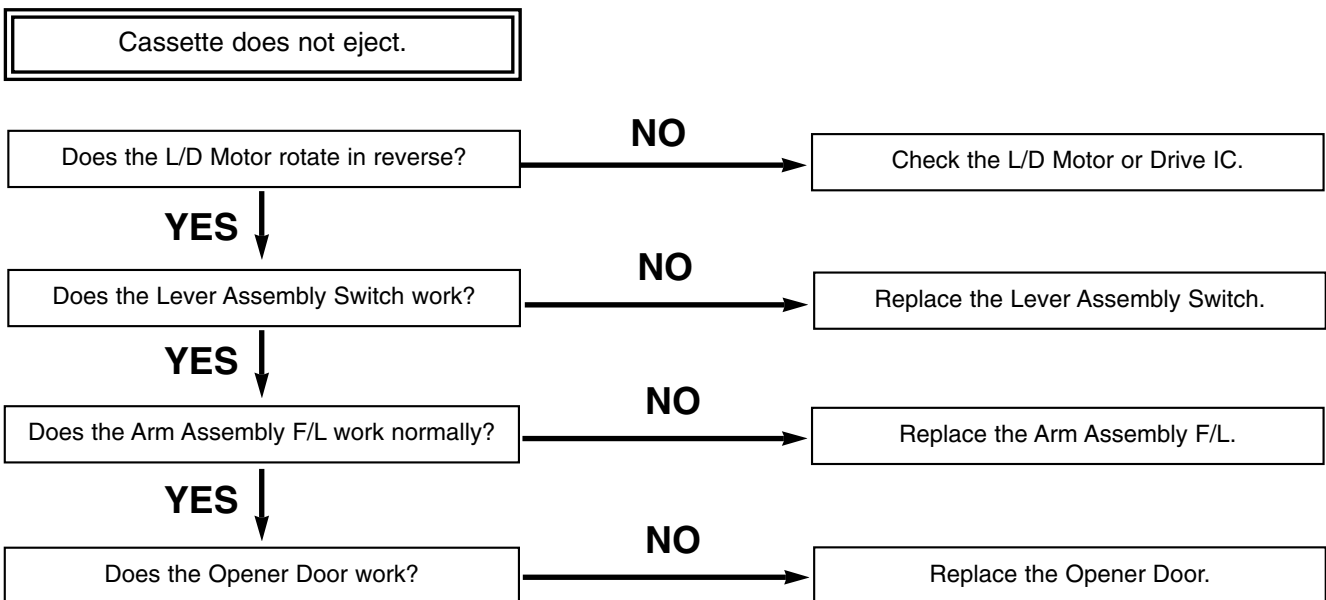
MECHANISM TROUBLESHOOTING GUIDE

2. Front Loading Mechanism

A.

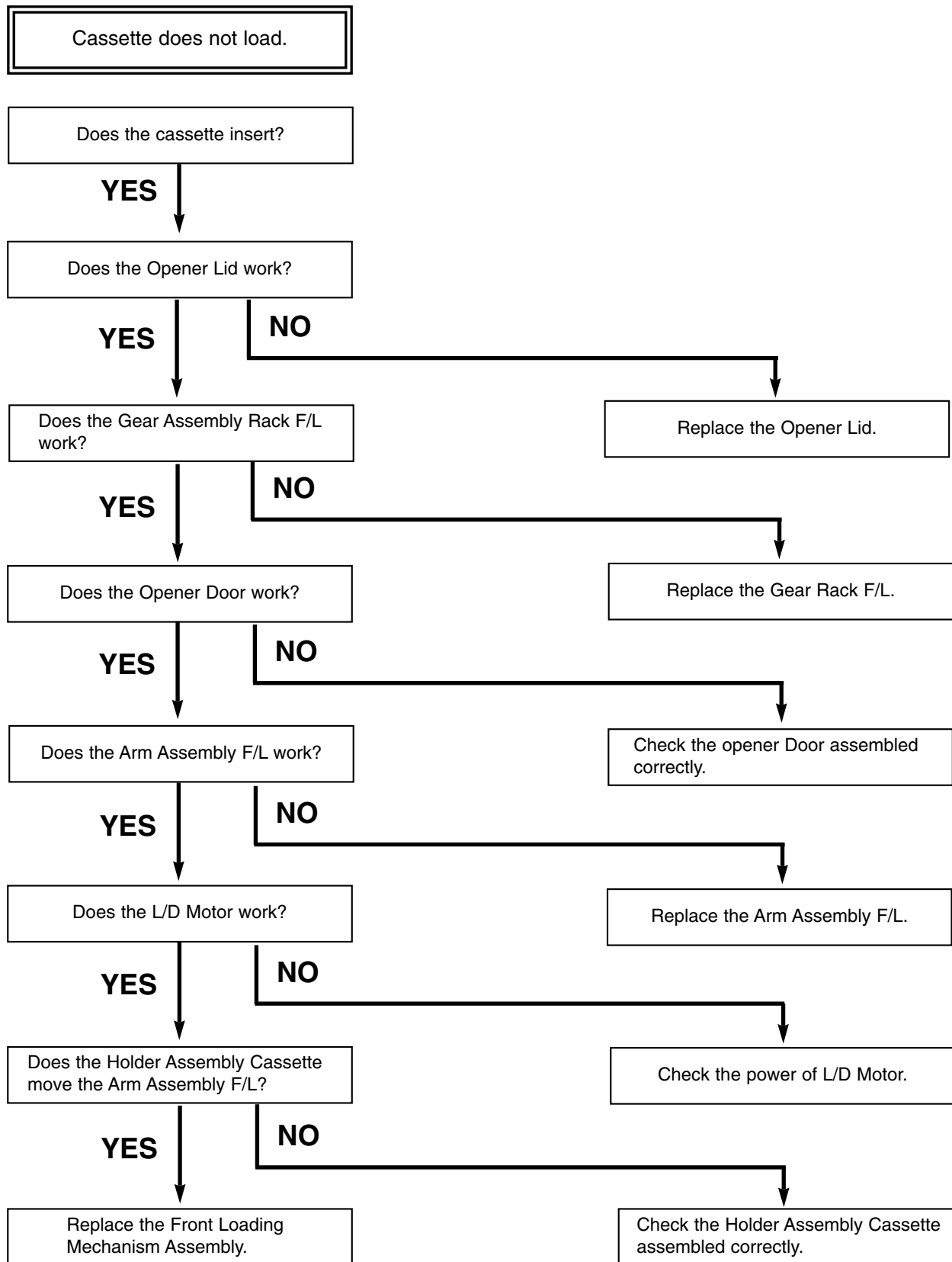


B.



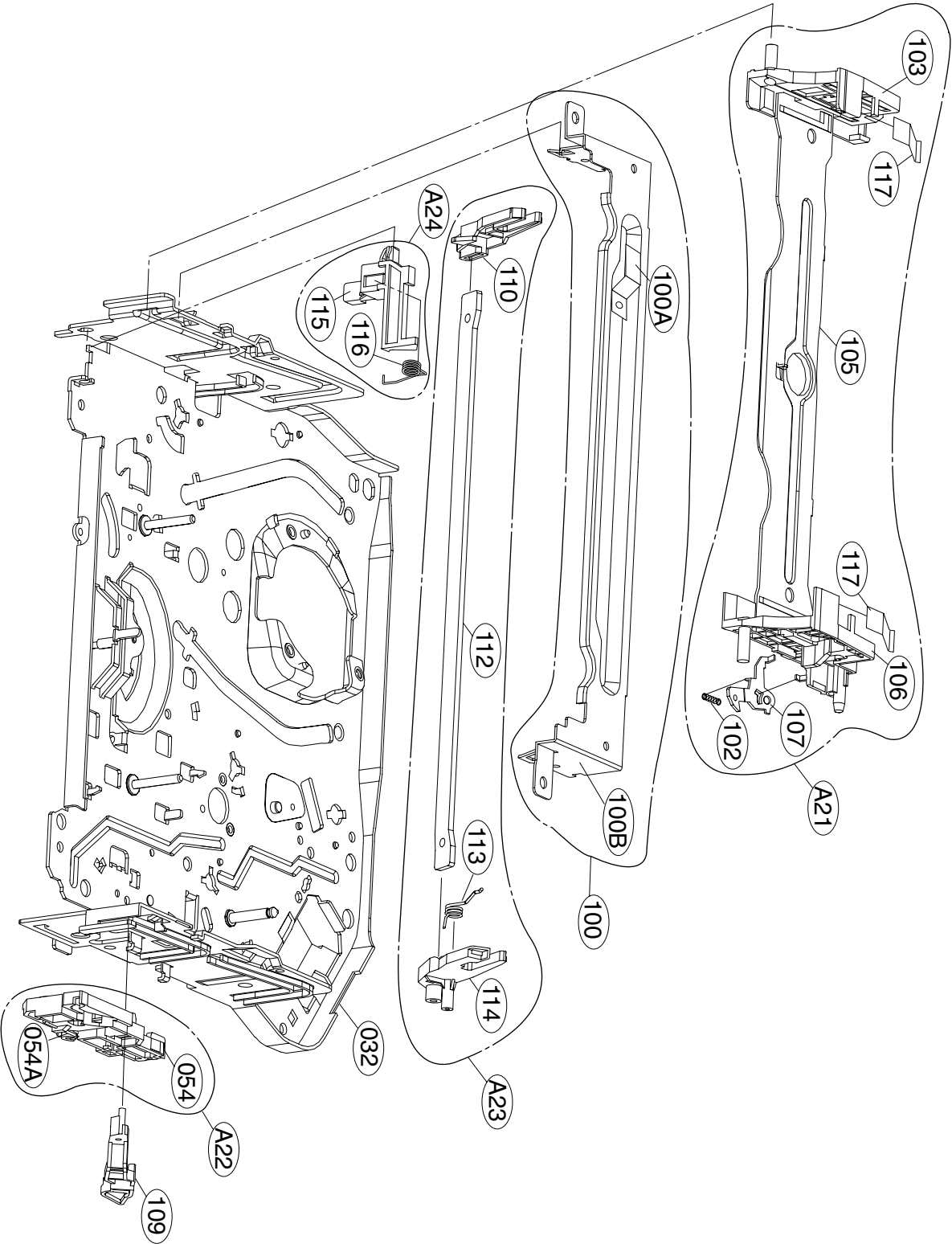
MECHANISM TROUBLESHOOTING GUIDE

C.



EXPLODED VIEWS

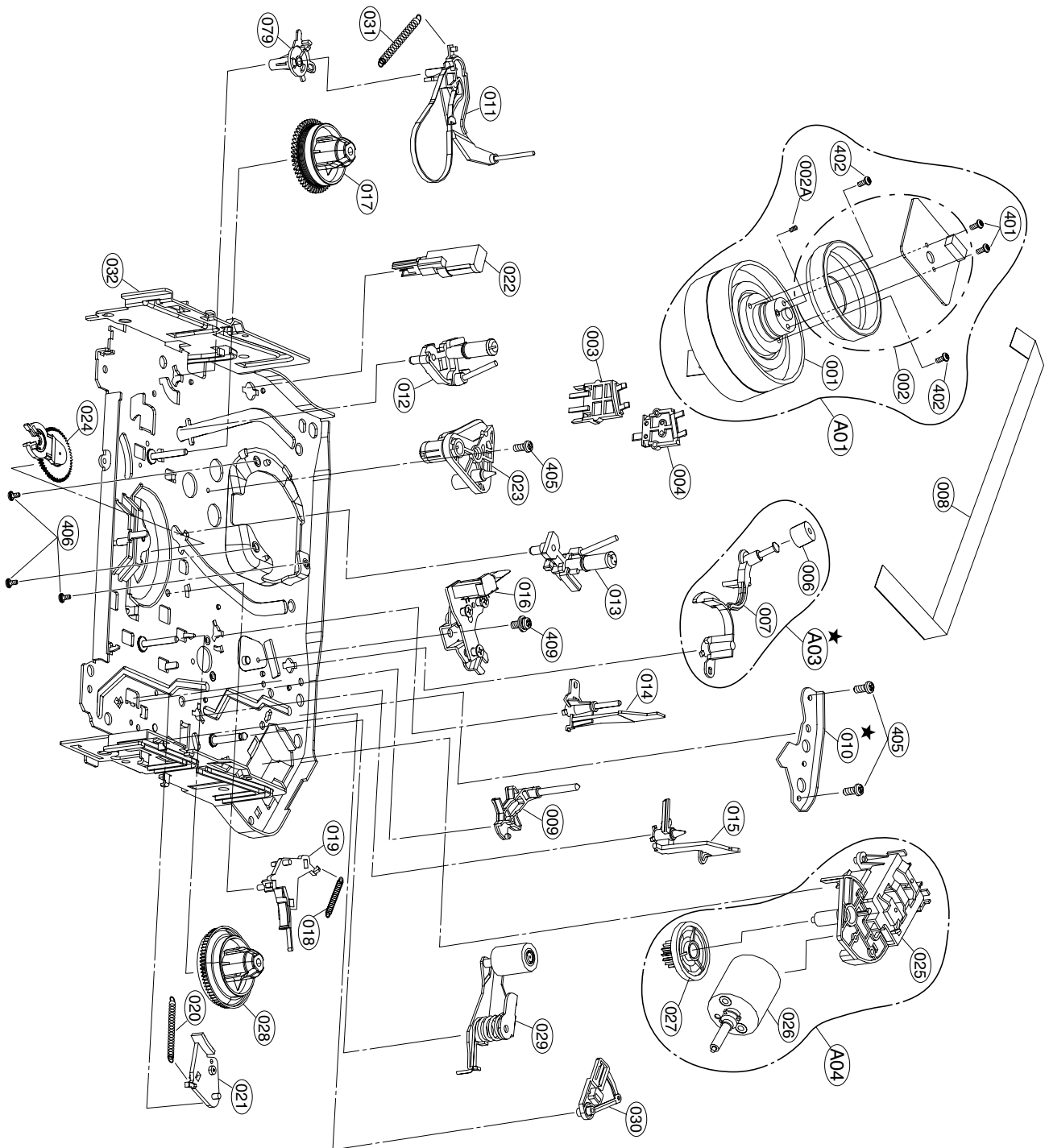
1. Front Loading Mechanism Section



EXPLODED VIEWS

2. Moving Mechanism Section(1)

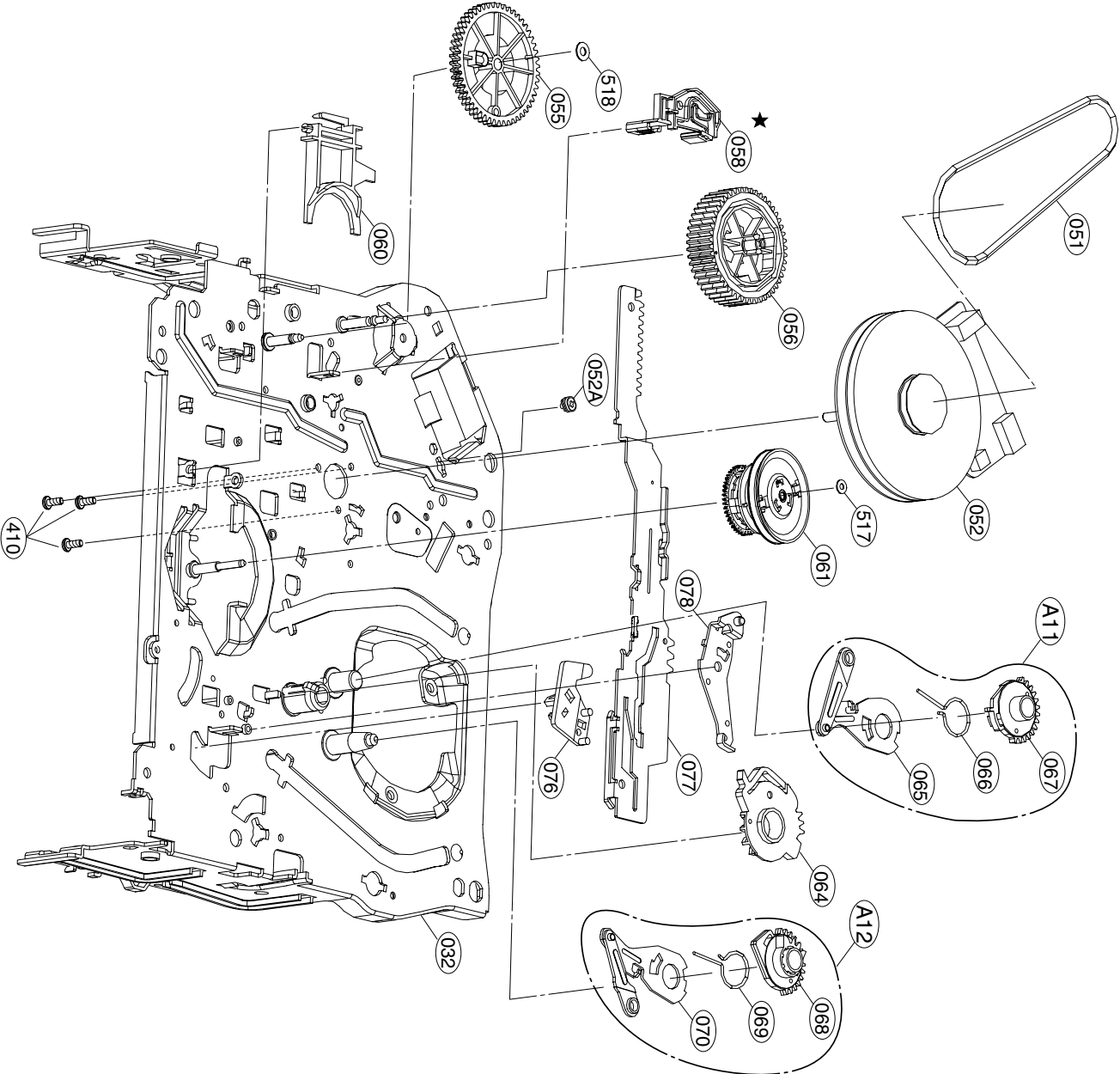
★ OPTIONAL PART



EXPLODED VIEWS

3. Moving Mechanism Section(2)

★ OPTIONAL PART



SECTION 5 MECHANISM OF DVD PART

CONTENTS

DECK MECHANISM PARTS LOCATIONS

- Top View.....5-1
- Top View(without Tray Disc)5-1
- Bottom View5-1

DECK MECHANISM DISASSEMBLY

- 1. Holder Clamp.....5-2
 - 1-1. Clamp Assembly Disc.....5-2
 - 1-1-1. Plate Clamp5-2
 - 1-1-2. Magnet Clamp5-2
 - 1-1-3. Clamp Upper.....5-2
- 2. Tray Disc5-2
- 3. Base Assembly Sled5-3
 - 3-1. Gear Assembly Feed5-3
 - 3-2. Gear Assembly Middle.....5-3
 - 3-3. Gear Assembly Rack5-3
- 4. Rubber Rear.....5-3

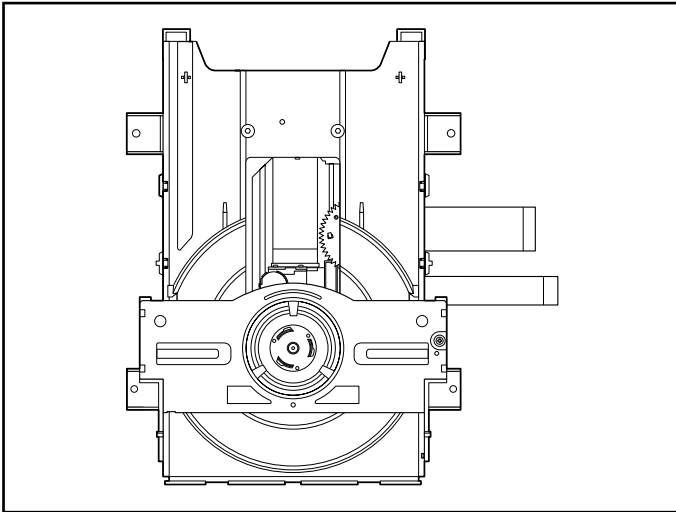
- 5. Frame Assembly Up/Down.....5-4
- 6. Belt Loading.....5-4
- 7. Gear Pulley5-4
- 8. Gear Loading5-4
- 9. Guide Up/Down.....5-4
- 10. PWB Assembly Loading5-4
- 11. Base Main.....5-4

EXPLODED VIEW

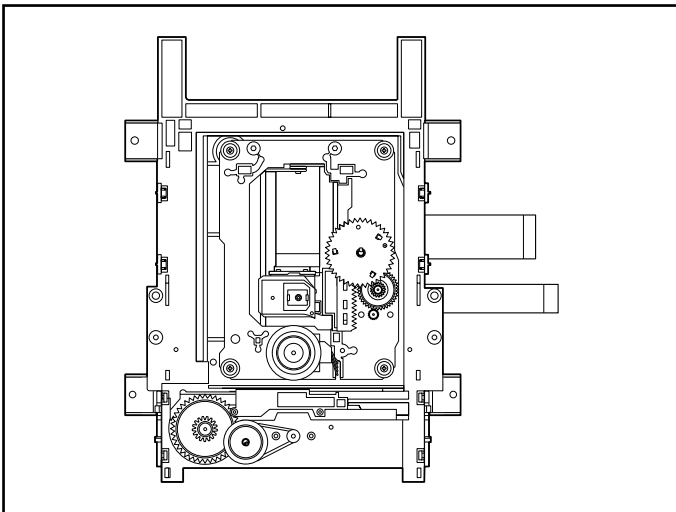
- 1. Deck Mechanism Exploded View....5-5
-

DECK MECHANISM PARTS LOCATION

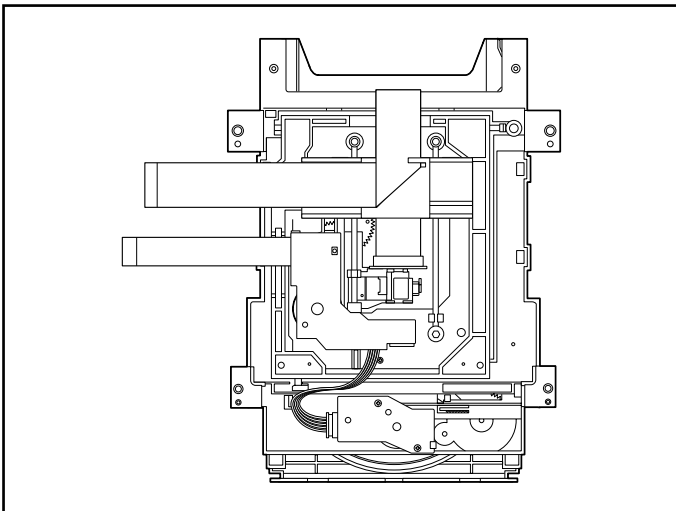
• Top View (With Tray)



• Top View (Without Tray)



• Bottom View



Procedure		Parts	Fixing Type	Disassembly	Figure
Starting No.					
	1	Holder Clamp	2 Screws, 2 Locking Tabs		5-1
1	2	Clamp Assembly Disc			5-1
1, 2	3	Plate Clamp			5-1
1, 2, 3	4	Magnet Clamp			5-1
1, 2, 3, 4	5	Clamp Upper			5-1
1	6	Tray Disc			5-2
1, 6	7	Base Assembly Sled			5-3
1, 2, 6	8	Gear Assembly Feed	4 Screws, 1 Connector 1 Locking Tabs		5-3
1, 2, 6, 8	9	Gear Middle			5-3
1, 2, 6, 8, 9	10	Gear Assembly Rack	1 Screw		5-3
1, 2, 7	11	Rubber Rear			5-3
1, 2, 7	12	Frame Assembly Up/Down	1 Screw	Bottom	5-4
1, 2	13	Belt Loading	1 Locking Tab		5-4
1, 2, 13	14	Gear Pulley			5-4
1, 2, 13, 14	15	Gear Loading	1 Locking Tab		5-4
1, 2, 7, 12, 13, 14	16	Guide Up/Down			5-4
1, 2, 13	17	PWB Assembly Loading	1 Locking Tab 1 Hook 2Screw	Bottom	5-4
1, 2, 7, 12, 13, 14, 15, 16, 17	18	Base Main	2 Locking Tabs		5-4

Note

When reassembling, perform the procedure in reverse order.

The "Bottom" on Disassembly column of above Table indicates the part should be disassembled at the Bottom side.

DECK MECHANISM DISASSEMBLY

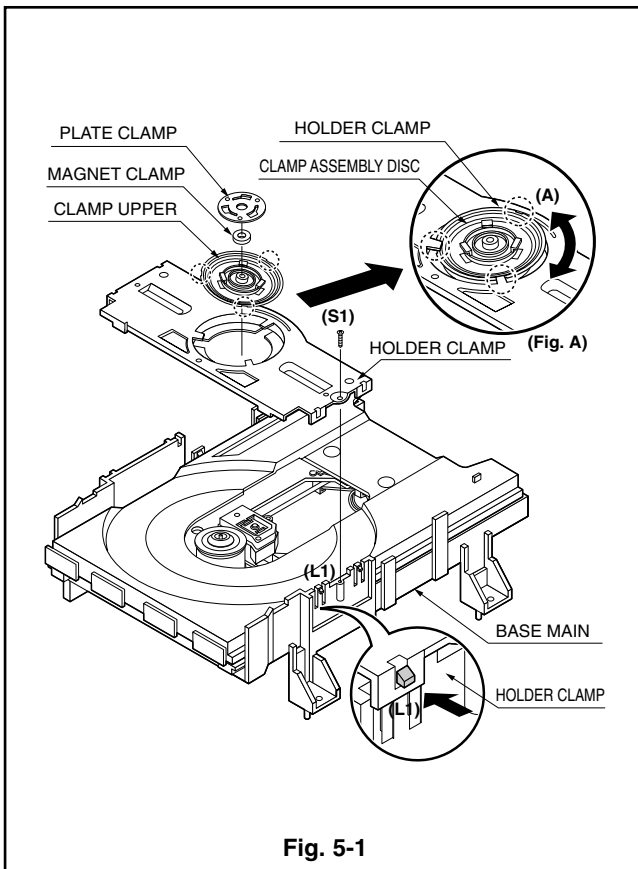


Fig. 5-1

1. Holder Clamp (Fig. 5-1)

- 1) Release 1 Screws(S1).
- 2) Unhook 2 Locking Tabs(L1).
- 3) Lift up the Holder Clamp and then separate it from the Base Main.

1-1. Clamp Assembly Disc

- 1) Place the Clamp Assembly Disc as Fig. (A)
- 2) Lift up the Clamp Assembly Disc in direction of arrow(A).
- 3) Separate the Clamp Assembly Disc from the Holder Clamp.

1-1-1. Plate Clamp

- 1) Turn the Plate Clamp to counterclockwise direction and then lift up the Plate Clamp.

1-1-2. Magnet Clamp

1-1-3. Clamp Upper

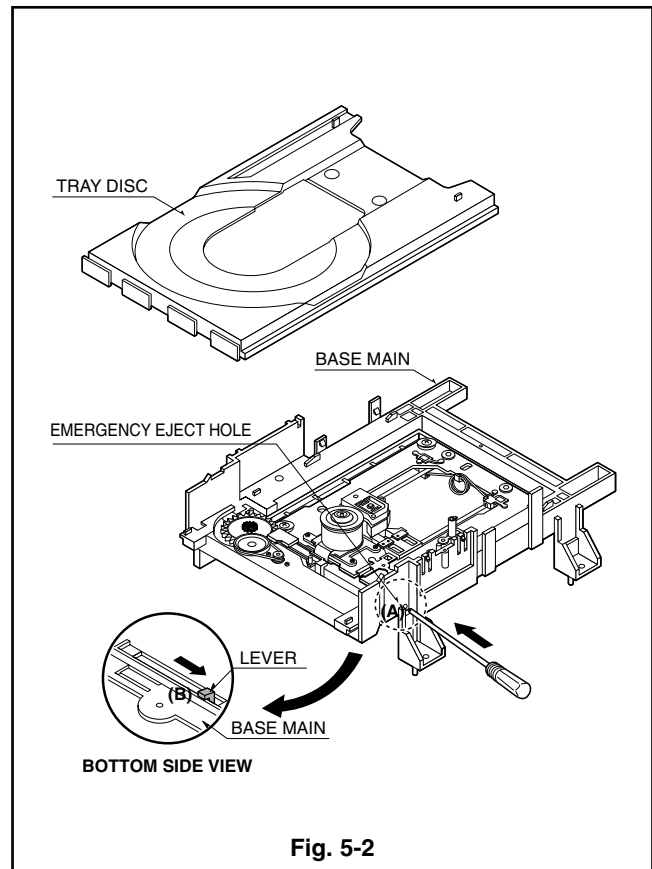


Fig. 5-2

2. Tray Disc (Fig. 5-2)

- 1) Insert and push a Driver in the emergency eject hole(A) at the right side, or put the Driver on the Lever(B) of the Gear Emergency and pull the Lever(B) in direction of arrow so that the Tray Disc is ejected about 15~20mm.
- 2) Pull the Tray Disc until it is separated from the Base Main completely.

DECK MECHANISM DISASSEMBLY

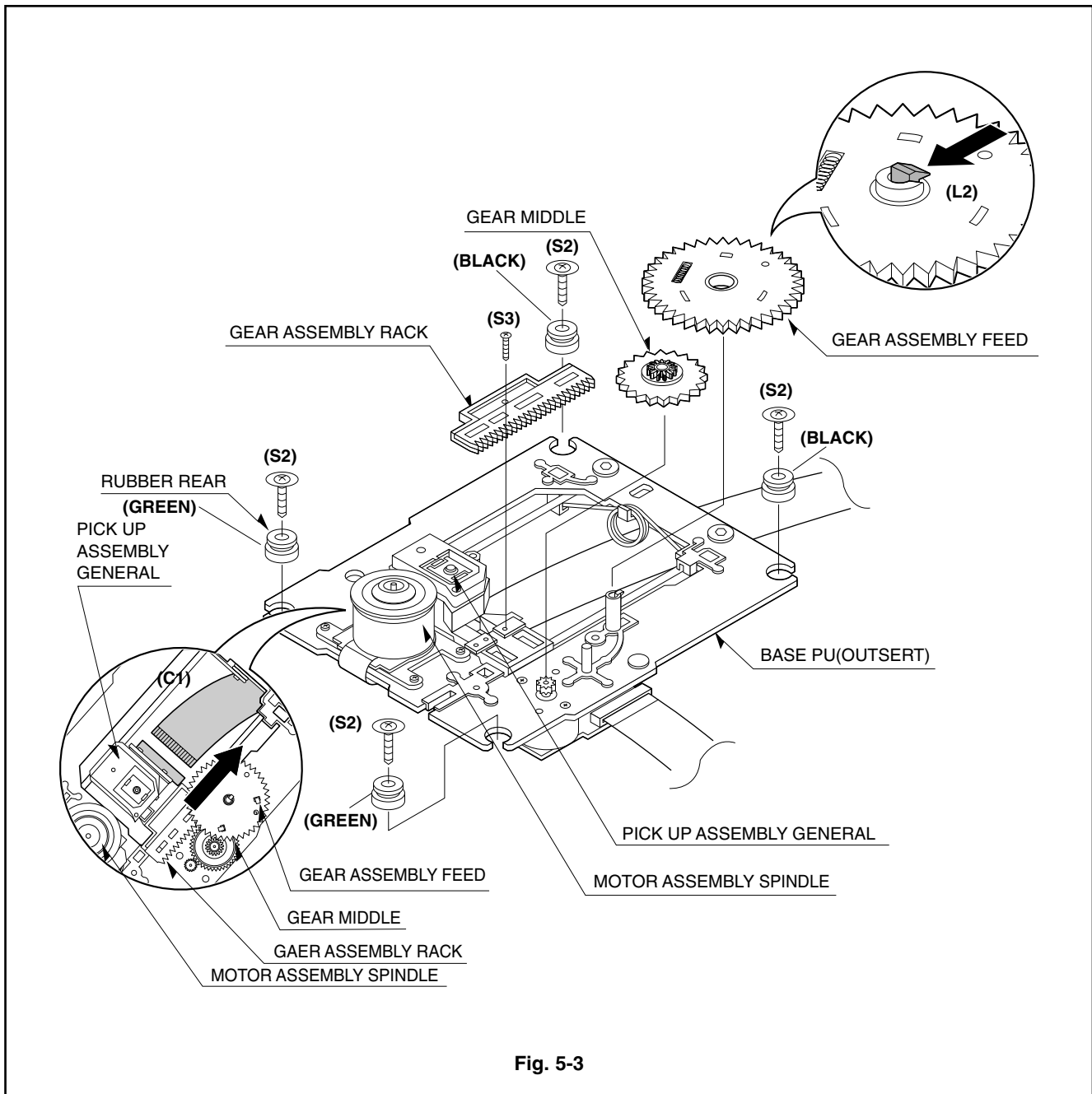


Fig. 5-3

3. Base Assembly Sled (Fig. 5-3)

- 1) Release 4 Screw(S2).
- 2) Disconnect the FFC Connector(C1)

3-1. Gear Assembly Feed

- 1) Unhook the Locking Tab(L2) in direction of arrow.

3-2. Gear Middle

3-3. Gear Assembly Rack

- 1) Release the Scerw(S3)

4. Rubber Rear (Fig. 5-3)

DECK MECHANISM DISASSEMBLY

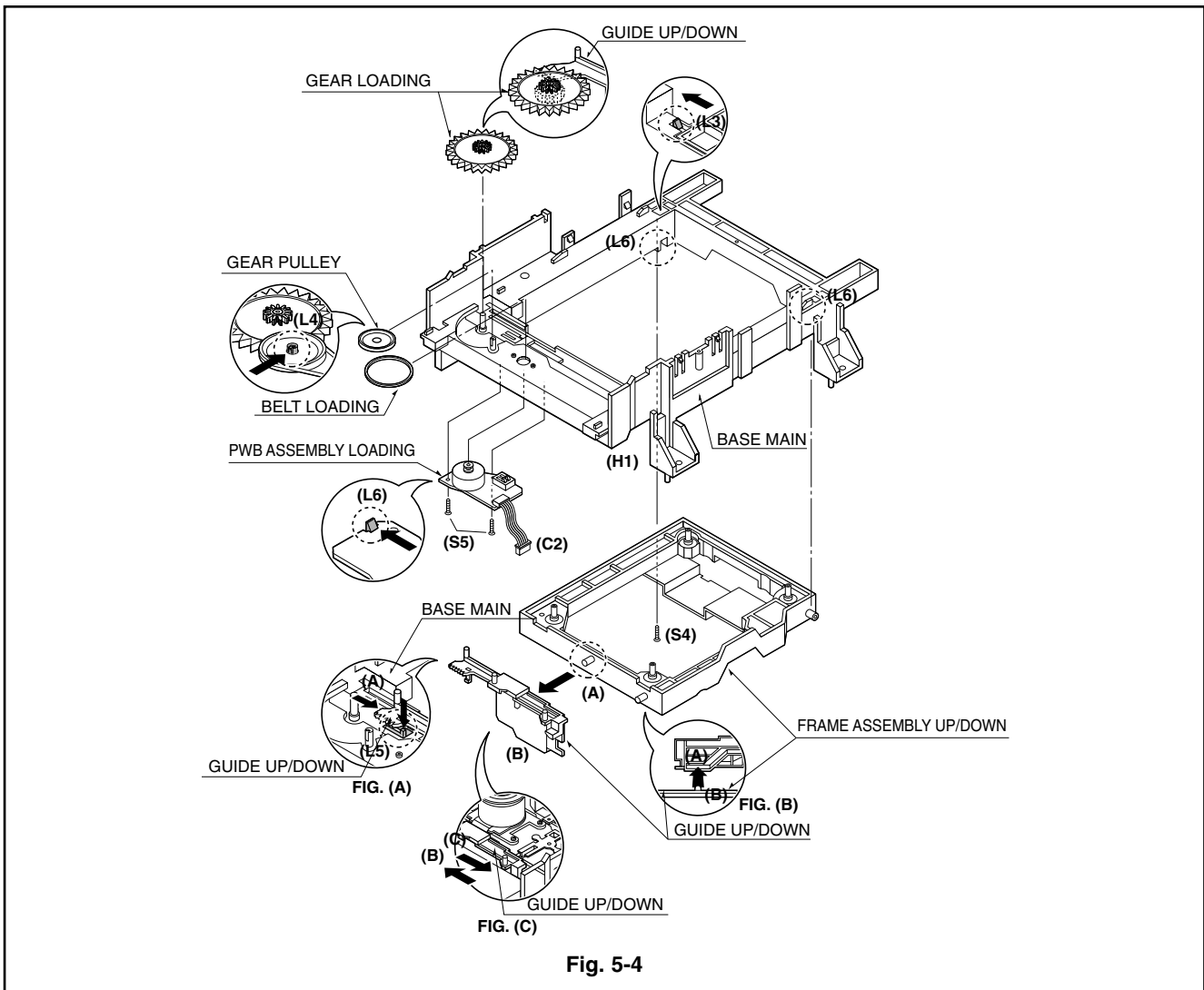


Fig. 5-4

5. Frame Assembly Up/Down (Fig. 5-4)

Note

Put the Base Main face down(Bottom Side)

- 1) Release the Screw(S4)
- 2) Unlock the Locking Tab(L3) in direction of arrow and then lift up the Frame Assembly Up/Down to separate it from the Base Main.

Note

- When reassembling move the Guide Up/Down in direction of arrow(C) until it is positioned as Fig.(C).
- When reassembling insert (A) portion of the Frame Assembly Up/Down in the (B) portion of the Guide Up/Down as Fig.(B)

6. Belt Loading(Fig. 5-4)

Note

Put the Base Main on original position(Top Side)

7. Gear pulley (Fig. 5-4)

- 1) Unlock the Locking Tab(L4) in direction of arrow(B) and then separate the Gear Pulley from the Base Main.

8. Gear Loading (Fig. 5-4)

9. Guide Up/Down (Fig. 5-4)

- 1) Move the Guide Up/Down in direction of arrow(A) as Fig.(A)
- 2) Push the Locking Tab(L5) down and then lift up the Guide Up/Down to separate it from the Base Main.

Note

When reassembling place the Guide Up/Down as Fig.(C) and move it in direction arrow(B) until it is locked by the Locking Tab(L5). And confirm the Guide Up/Down as Fig.(A)

10. PWB Assembly Loading (Fig. 5-4)

Note

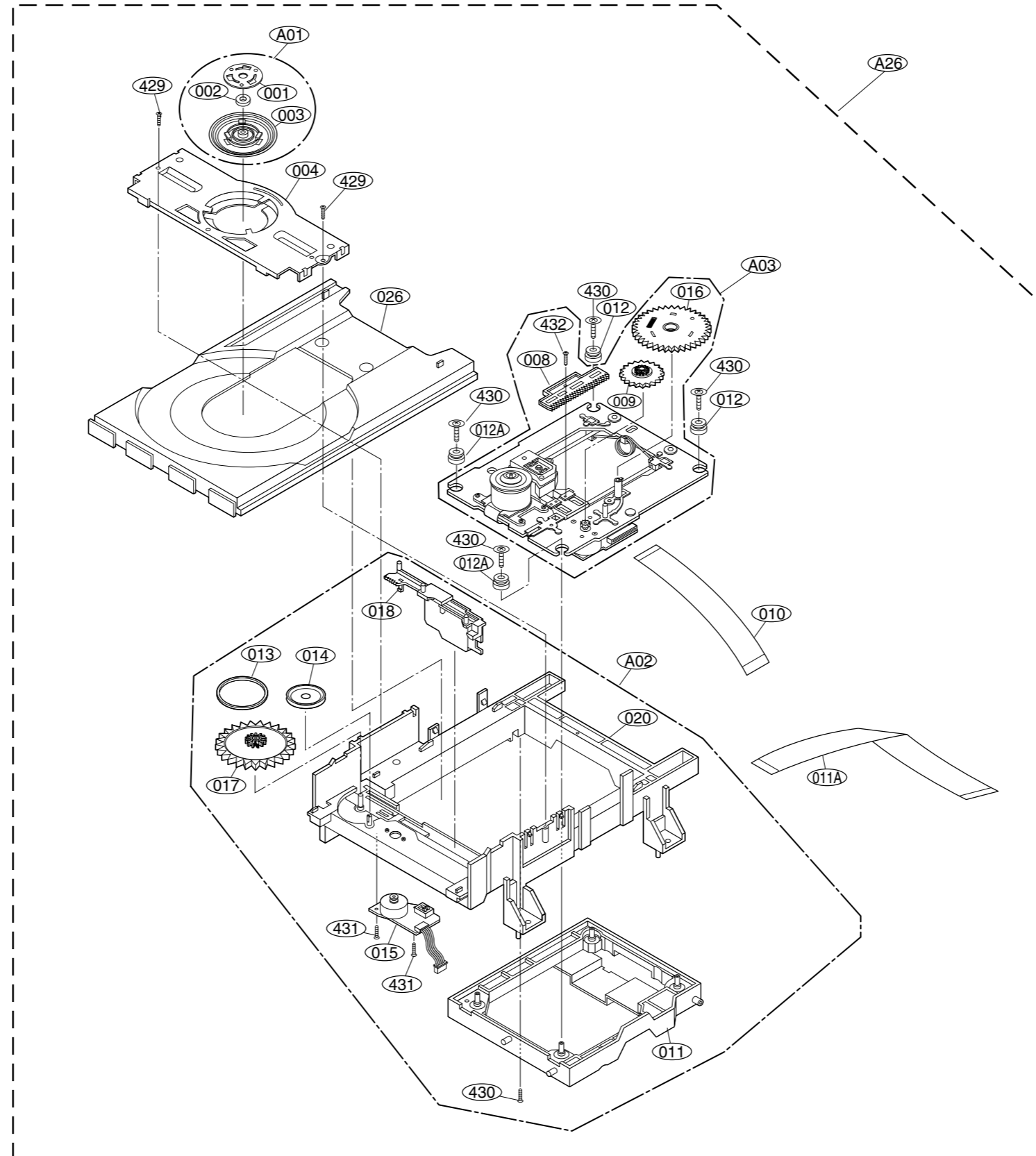
Put the Base Main face down(Bottom Side)

- 1) Release 2 Screws(S5)
- 2) Unlock the Loading Motor Connector (C2) from the Hook (H1) on the Base Main.
- 3) Unlock 2 Locking Tabs(L6) and separate the PWB Assembly Loading from the Base Main.

11. Base Main(Fig. 5-4)

EXPLODED VIEWS

1. Deck Mechanism Exploded View



NOTES) If you want to purchase Flash memory, you must order "IC3F1A"

NOTES) ⚠ Warning
Parts that are shaded are critical
With respect to risk of fire or electrical shock.

SECTION 6 REPLACEMENT PARTS LIST

SANYO MODEL : HV-DX2E

NSP : Not available as service parts.

RUN DATE : 14-MAR-03

S	AL	LOCA. NO.	PART NO.	DESCRIPTION	SPECIFICATION	REMARKS
*** INDIVIDUAL PARTS ***						
		250	LG3110R-V004B	CASE	(COMBI-2) PRESS A288G-HOLE-7EA	
		260	LG3210R-V002B	FRAME	COMB-2 MOLD HIPS 60HR-BK	
		276	LG4930R-0298B	HOLDER	VCR - TIMER PWB(D+V-RIB CUTTIN	
		285	LG3581R-T046D	DOOR ASSEMBLY	VCR TRAY VYC600CI	
	⚠	300	LG6410RBHV02C	POWER CORD	MP5005SC/HO3VVH2-F VOLEX BSI 1	
		330	LG3140R-V001B	CHASSIS	COMBI-2 PRESS PAL TYPE	
		452	LG353-051A	SCREW	SPECIAL	
		457	LG353-051E	SCREW	SPECIAL (3X12)	
		465	LG353-046K	SCREW	SPECIAL (3X10 B.K)	
		467	LG353-051G	SCREW,DRAWING	+ 2 D3.0 L8.0 MSWR3/FN TB ROUN	
*** PACKING ACCESSORY ***						
		801	LG3835RP0099A	INSTRUCTION ASSEMBLY	VCR VYC600CI.NA4USS	
		802	LG3890R-H540M	BOX	VYC600CI NA4USS SWW3-A 1.285 3	
		803	LG3920R-E080A	PACKING,CASING	VC6000_S 0.02 150 EPS 4 1 1	
		804	LG292-053B	BAG	SOFT(MIDI)	NSP
		808	LG534-008C	BATTERY,MANGANESE	AAAM(R03) SEOTONG 1-5 V - 1PA	
*** REMOTE CONTROLLER ***						
		900	LG6711R1N108C	REMOTE CONTROLLER ASSEMBLY	N6 VYC600CI SANYO W/VIDEO PLU	
		910	LG3550R-0431A	COVER	BATTERY(N6 HIPS 60HR 89991)	
*** PANEL ASSEMBLY , FRONT ***						
		A43	LG3721R-F262M	PANEL ASSEMBLY,FRONT	VCR VYC600CI NA4USS FRONT(DX2E	
		280	LG3720R-F200K	PANEL,FRONT	VCR VYC600 MOLD FRONT B589G	NSP
		283	LG3580R-V056D	DOOR,CASE	VCR VYC600CI NA4USS MOLD CST(B	
		284	LG442-681A	SPRING	DOOR	
*** CABLE ASSEMBLY , RF ***						
		810	LG6851RP0003F	CABLE ASSY,RF	CABLE ASSY,RF/SCART/RCA USING	
		806	LG6850R-CAA26	CABLE,COAXIAL	1200M/M PAL-PAL DOUBLE SHIELD	
		812	LG6611R2G001A	PLUG ASSY	2WAY RED/WHITE GLOBAL	
*** DECK ASSEMBLY (DVD MD) ****						
		A26	LG6721RF0353B	DECK ASSEMBLY,VIDEO	DECK/MECHA DP5-4V(DVD+VCR) DI,	NSP
		A01	LG4861R-0015A	CLAMP ASSEMBLY	DISC(DP-5) DI	
		A02	LG3041R-M004A	BASE ASSEMBLY	MAIN (DP4) DI-IDECK	
		A03	LG3041R-M005A	BASE ASSEMBLY	SLED (DP5) DI	
		001	LG3300R-0547A	PLATE	CLAMP	NSP
		002	LG5016H-1016B	MAGNET	CLAMP(LDM-R608,10*5,1*1.5T)	NSP
		003	LG4860R-0006A	CLAMP	UPPER	NSP
		004	LG4930R-0171A	HOLDER	CLAMP	
		008	LG4470R-0047B	GEAR	ASSY RACK (DI)	
		009	LG4470R-0053A	GEAR	MIDDLE	
		010	LG6850R-GK22Z	CABLE,FLAT	P=1.0 FFC UL2896(0.05X0.65) 11	
		011	LG3210R-0036A	FRAME	UP/D	
		011A	LG6850R-JW14B	CABLE,FLAT	P=1.0 FFC UL2896(0.035X0.7) 23	
		012	LG5040R-0047A	RUBBER	REAR(E2,5040H-1054A),YAMAUCHI	
		012	LG5040R-0047B	RUBBER	DAMPER(E2,5040H-1054A),CHUNPOO	ALTERNATE
		012A	LG5040R-0047C	RUBBER	DAMPER(HARDNESS=30),DARKGREEN	

HV-DX2E

S	AL	LOCA. NO.	PART NO.	DESCRIPTION	SPECIFICATION	REMARKS
		012A	LG5040R-0047D	RUBBER	DAMPER(HARDNESS=30),DARKGREEN	ALTERNATE
		013	LG4400R-0006A	BELT	LOADING	
		014	LG4470R-0055A	GEAR	PULLEY	
		015	LG6871RZ5130A	PWB(PCB) ASSEMBLY,OTHERS	SUB,L/D (DP-4V,DVD+VCR) DI	
		016	LG4470R-0050B	GEAR	ASSY FEED (DI)	
		017	LG4470R-0056A	GEAR	LOADING	
		018	LG4974R-0023A	GUIDE	UP/DOWN	
		020	LG3040R-0024A	BASE	MAIN	NSP
		026	LG3390R-0005A	TRAY	DISC	
		026	LG3390RK0010A	TRAY	DISC + PACKING	ALTERNATE
		429	LG1SZZR-0012A	SCREW,	B-TITE	
		430	LG1SZZH-1003A	SCREW,	+ D2.0 6MM SWRCH16A/NIY 4.5MM	
		430	LG1SZZH-1003A	SCREW,	+ D2.0 6MM SWRCH16A/NIY 4.5MM	
		431	LG1SZZH-1007B	SCREW,DRAWING	+ D2.0 6MM SWRCH16A/ZNBK 4MM 1	
		432	LG1SZZR-0011A	SCREW,	MACHINE	
*** SUB PWB(PCB)ASSEMBLY(DVD) ***						
		A46A	LG6885R-5005B	SUB PWB(PCB) ASSEMBLY	474200D2100500 FF 000101 VYC60	
		C201	LG0CH1104K942	CAPACITOR,CHIP[CERAMIC M/L HD	0.1UF 50V Z Y5V(F) 1508 R/TP	
		C202	LG0CH1104K942	CAPACITOR,CHIP[CERAMIC M/L HD	0.1UF 50V Z Y5V(F) 1508 R/TP	
		C203	LG0CH1104K942	CAPACITOR,CHIP[CERAMIC M/L HD	0.1UF 50V Z Y5V(F) 1508 R/TP	
		C204	LG0CH1104K942	CAPACITOR,CHIP[CERAMIC M/L HD	0.1UF 50V Z Y5V(F) 1508 R/TP	
		C205	LG0CH1104K942	CAPACITOR,CHIP[CERAMIC M/L HD	0.1UF 50V Z Y5V(F) 1508 R/TP	
		C206	LG0CH1104K942	CAPACITOR,CHIP[CERAMIC M/L HD	0.1UF 50V Z Y5V(F) 1508 R/TP	
		C207	LG0CH1105D942	CAPACITOR,CHIP[CERAMIC M/L HD	1UF 10V Z Y5V(F) 1508 R/TP	
		C208	LG0CH1104K942	CAPACITOR,CHIP[CERAMIC M/L HD	0.1UF 50V Z Y5V(F) 1508 R/TP	
		C209	LG0CH1104K942	CAPACITOR,CHIP[CERAMIC M/L HD	0.1UF 50V Z Y5V(F) 1508 R/TP	
		C210	LG0CH1104K942	CAPACITOR,CHIP[CERAMIC M/L HD	0.1UF 50V Z Y5V(F) 1508 R/TP	
		C211	LG0CE1064F638	CAPACITOR,ELECTROLYTIC	10M SRA 16V M FM5 TP(5)	
		C212	LG0CE1064F638	CAPACITOR,ELECTROLYTIC	10M SRA 16V M FM5 TP(5)	
		C213	LG0CE1064F638	CAPACITOR,ELECTROLYTIC	10M SRA 16V M FM5 TP(5)	
		C214	LG0CH1104K942	CAPACITOR,CHIP[CERAMIC M/L HD	0.1UF 50V Z Y5V(F) 1508 R/TP	
		C215	LG0CH1104K942	CAPACITOR,CHIP[CERAMIC M/L HD	0.1UF 50V Z Y5V(F) 1508 R/TP	
		C216	LG0CH1104K942	CAPACITOR,CHIP[CERAMIC M/L HD	0.1UF 50V Z Y5V(F) 1508 R/TP	
		C224	LG0CH1104K942	CAPACITOR,CHIP[CERAMIC M/L HD	0.1UF 50V Z Y5V(F) 1508 R/TP	
		C225	LG0CH1105D942	CAPACITOR,CHIP[CERAMIC M/L HD	1UF 10V Z Y5V(F) 1508 R/TP	
		C226	LG0CH1105D942	CAPACITOR,CHIP[CERAMIC M/L HD	1UF 10V Z Y5V(F) 1508 R/TP	
		C229	LG0CH1104K942	CAPACITOR,CHIP[CERAMIC M/L HD	0.1UF 50V Z Y5V(F) 1508 R/TP	
		C230	LG0CH1104K942	CAPACITOR,CHIP[CERAMIC M/L HD	0.1UF 50V Z Y5V(F) 1508 R/TP	
		C231	LG0CH1104K942	CAPACITOR,CHIP[CERAMIC M/L HD	0.1UF 50V Z Y5V(F) 1508 R/TP	
		C232	LG0CE1064F638	CAPACITOR,ELECTROLYTIC	10M SRA 16V M FM5 TP(5)	
		C238	LG0CH1104K942	CAPACITOR,CHIP[CERAMIC M/L HD	0.1UF 50V Z Y5V(F) 1508 R/TP	
		C239	LG0CH1104K942	CAPACITOR,CHIP[CERAMIC M/L HD	0.1UF 50V Z Y5V(F) 1508 R/TP	
		C240	LG0CH1222K562	CAPACITOR,CHIP[CERAMIC M/L HD	2200PF 50V K X7R(X) 1608 R/TP	
		C242	LG0CH1104K942	CAPACITOR,CHIP[CERAMIC M/L HD	0.1UF 50V Z Y5V(F) 1508 R/TP	
		C245	LG0CH1105D942	CAPACITOR,CHIP[CERAMIC M/L HD	1UF 10V Z Y5V(F) 1508 R/TP	
		C251	LG0CH1105D942	CAPACITOR,CHIP[CERAMIC M/L HD	1UF 10V Z Y5V(F) 1508 R/TP	
		C252	LG0CH4100K112	CHIP CAPA CERAMIC M/L T.C F/S	10P 50V D COG 1.6X0.8 R/TP	
		C253	LG0CH1105D942	CAPACITOR,CHIP[CERAMIC M/L HD	1UF 10V Z Y5V(F) 1508 R/TP	
		C254	LG0CH1105D942	CAPACITOR,CHIP[CERAMIC M/L HD	1UF 10V Z Y5V(F) 1508 R/TP	
		C255	LG0CH1104K942	CAPACITOR,CHIP[CERAMIC M/L HD	0.1UF 50V Z Y5V(F) 1508 R/TP	
		C258	LG0CH1105D942	CAPACITOR,CHIP[CERAMIC M/L HD	1UF 10V Z Y5V(F) 1508 R/TP	
		C261	LG0CE1064F638	CAPACITOR,ELECTROLYTIC	10M SRA 16V M FM5 TP(5)	
		C262	LG0CE1064F638	CAPACITOR,ELECTROLYTIC	10M SRA 16V M FM5 TP(5)	
		C263	LG0CE1064F638	CAPACITOR,ELECTROLYTIC	10M SRA 16V M FM5 TP(5)	
		C264	LG0CE1064F638	CAPACITOR,ELECTROLYTIC	10M SRA 16V M FM5 TP(5)	
		C265	LG0CE1064F638	CAPACITOR,ELECTROLYTIC	10M SRA 16V M FM5 TP(5)	
		C272	LG0CE4764F638	CAPACITOR,ELECTROLYTIC	47M SRA/SS 16V M FM5 TP(5)	

S	AL	LOCA. NO.	PART NO.	DESCRIPTION	SPECIFICATION	REMARKS
		C273	LG0CH1225F944	CAPACITOR, FIXED CERAMIC(Temp.c	2.2UF 16V 80%,-20% Y5V(F) 3216	
		C274	LG0CE4764F638	CAPACITOR,ELECTROLYTIC	47M SRA/SS 16V M FM5 TP(5)	
		C277	LG0CH1104K942	CAPACITOR,CHIP[CERAMIC M/L HD	0.1UF 50V Z Y5V(F) 1508 R/TP	
		C278	LG0CE1064F638	CAPACITOR,ELECTROLYTIC	10M SRA 16V M FM5 TP(5)	
		C279	LG0CE1064F638	CAPACITOR,ELECTROLYTIC	10M SRA 16V M FM5 TP(5)	
		C280	LG0CE1064F638	CAPACITOR,ELECTROLYTIC	10M SRA 16V M FM5 TP(5)	
		C281	LG0CE1064F638	CAPACITOR,ELECTROLYTIC	10M SRA 16V M FM5 TP(5)	
		C282	LG0CH1104K942	CAPACITOR,CHIP[CERAMIC M/L HD	0.1UF 50V Z Y5V(F) 1508 R/TP	
		C284	LG0CE4764F638	CAPACITOR,ELECTROLYTIC	47M SRA/SS 16V M FM5 TP(5)	
		C285	LG0CE1064F638	CAPACITOR,ELECTROLYTIC	10M SRA 16V M FM5 TP(5)	
		C286	LG0CH1104K942	CAPACITOR,CHIP[CERAMIC M/L HD	0.1UF 50V Z Y5V(F) 1508 R/TP	
		C287	LG0CE1064F638	CAPACITOR,ELECTROLYTIC	10M SRA 16V M FM5 TP(5)	
		C288	LG0CE1064F638	CAPACITOR,ELECTROLYTIC	10M SRA 16V M FM5 TP(5)	
		C289	LG0CH1104K942	CAPACITOR,CHIP[CERAMIC M/L HD	0.1UF 50V Z Y5V(F) 1508 R/TP	
		C290	LG0CH4180K412	CAPACITOR,CHIP[CERAMIC M/L TC	18P 50V J COG 1.6X0.8 R/TP	
		C291	LG0CH4180K412	CAPACITOR,CHIP[CERAMIC M/L TC	18P 50V J COG 1.6X0.8 R/TP	
		C292	LG0CH1104K942	CAPACITOR,CHIP[CERAMIC M/L HD	0.1UF 50V Z Y5V(F) 1508 R/TP	
		C293	LG0CH1104K942	CAPACITOR,CHIP[CERAMIC M/L HD	0.1UF 50V Z Y5V(F) 1508 R/TP	
		C294	LG0CH1104K942	CAPACITOR,CHIP[CERAMIC M/L HD	0.1UF 50V Z Y5V(F) 1508 R/TP	
		C295	LG0CH1104K942	CAPACITOR,CHIP[CERAMIC M/L HD	0.1UF 50V Z Y5V(F) 1508 R/TP	
		C296	LG0CH1104K942	CAPACITOR,CHIP[CERAMIC M/L HD	0.1UF 50V Z Y5V(F) 1508 R/TP	
		C297	LG0CE4764F638	CAPACITOR,ELECTROLYTIC	47M SRA/SS 16V M FM5 TP(5)	
		C298	LG0CE4775C638	CAPACITOR, FIXED ELECTROLYTIC	470UF SR,SV 6.3V 20% FM5 TP 5	
		C299	LG0CH4220K412	CAPA,CHIP CERAMIC M/L T.C F/S	22P 50V J COG 1.6X0.8 R/TP	
		C2A0	LG0CE4764F638	CAPACITOR,ELECTROLYTIC	47M SRA/SS 16V M FM5 TP(5)	
		C2A3	LG0CH1104K942	CAPACITOR,CHIP[CERAMIC M/L HD	0.1UF 50V Z Y5V(F) 1508 R/TP	
		C2A4	LG0CE1064F638	CAPACITOR,ELECTROLYTIC	10M SRA 16V M FM5 TP(5)	
		C2A5	LG0CH1683F942	CAPACITOR, FIXED CERAMIC(Temp.c	0.068UF 16V 80%,-20% Y5V(F) 16	
		C2A6	LG0CH1102K562	CAPACITOR, FIXED CERAMIC(Temp.c	1000PF 50V 10% X7R(X) 1608 R/T	
		C2A7	LG0CH1104K942	CAPACITOR,CHIP[CERAMIC M/L HD	0.1UF 50V Z Y5V(F) 1508 R/TP	
		C2A8	LG0CH1152K562	CAPACITOR, FIXED CERAMIC(Temp.c	1500PF 50V 10% X7R(X) 1608 R/T	
		C2A9	LG0CH1104K942	CAPACITOR,CHIP[CERAMIC M/L HD	0.1UF 50V Z Y5V(F) 1508 R/TP	
		C2B3	LG0CH1392K562	CAPACITOR, FIXED CERAMIC(Temp.c	3900PF 50V K Z5U(E) 1608 R/TP	
		C2B4	LG0CH1683F942	CAPACITOR, FIXED CERAMIC(Temp.c	0.068UF 16V 80%,-20% Y5V(F) 16	
		C2B5	LG0CH1333K562	CAPACITOR,CHIP[CERAMIC M/L HD	0.033UF 50V K X7R(X) 1508 R/TP	
		C2B9	LG0CH1104K942	CAPACITOR,CHIP[CERAMIC M/L HD	0.1UF 50V Z Y5V(F) 1508 R/TP	
		C2C1	LG0CH1103K562	CAPACITOR, FIXED CERAMIC(Temp.c	0.01UF 50V 10% X7R(X) 1608 R/T	
		C2C2	LG0CE1064F638	CAPACITOR,ELECTROLYTIC	10M SRA 16V M FM5 TP(5)	
		C2C4	LG0CH1102K562	CAPACITOR, FIXED CERAMIC(Temp.c	1000PF 50V 10% X7R(X) 1608 R/T	
		C2C5	LG0CH1332K562	CAPACITOR,CHIP[CERAMIC M/L HD	3300P 50V K X7R 1.6X0.8 R/TP	
		C2C6	LG0CH1102K562	CAPACITOR, FIXED CERAMIC(Temp.c	1000PF 50V 10% X7R(X) 1608 R/T	
		C2C8	LG0CH1104K942	CAPACITOR,CHIP[CERAMIC M/L HD	0.1UF 50V Z Y5V(F) 1508 R/TP	
		C2C9	LG0CE1064F638	CAPACITOR,ELECTROLYTIC	10M SRA 16V M FM5 TP(5)	
		C2D0	LG0CE4764F638	CAPACITOR,ELECTROLYTIC	47M SRA/SS 16V M FM5 TP(5)	
		C2D1	LG0CE4764F638	CAPACITOR,ELECTROLYTIC	47M SRA/SS 16V M FM5 TP(5)	
		C2D2	LG0CH1104K942	CAPACITOR,CHIP[CERAMIC M/L HD	0.1UF 50V Z Y5V(F) 1508 R/TP	
		C2D3	LG0CH1104K942	CAPACITOR,CHIP[CERAMIC M/L HD	0.1UF 50V Z Y5V(F) 1508 R/TP	
		C2D4	LG0CE4764F638	CAPACITOR,ELECTROLYTIC	47M SRA/SS 16V M FM5 TP(5)	
		C2D5	LG0CE1064F638	CAPACITOR,ELECTROLYTIC	10M SRA 16V M FM5 TP(5)	
		C2D6	LG0CH1104K942	CAPACITOR,CHIP[CERAMIC M/L HD	0.1UF 50V Z Y5V(F) 1508 R/TP	
		C2D7	LG0CH1152K562	CAPACITOR, FIXED CERAMIC(Temp.c	1500PF 50V 10% X7R(X) 1608 R/T	
		C2D9	LG0CH1104K942	CAPACITOR,CHIP[CERAMIC M/L HD	0.1UF 50V Z Y5V(F) 1508 R/TP	
		C2E1	LG0CH4470K412	CAPA,CHIP CERAMIC M/L T.C F/S	47P 50V J COG 1.6X0.8 R/TP	
		C2E2	LG0CH4470K412	CAPA,CHIP CERAMIC M/L T.C F/S	47P 50V J COG 1.6X0.8 R/TP	
		C2E3	LG0CH4470K412	CAPA,CHIP CERAMIC M/L T.C F/S	47P 50V J COG 1.6X0.8 R/TP	
		C2E4	LG0CH4470K412	CAPA,CHIP CERAMIC M/L T.C F/S	47P 50V J COG 1.6X0.8 R/TP	
		C2M1	LG0CE1074F638	CAPACITOR,ELECTROLYTIC	100U SRA 16V M FM5 TP(5)	

HV-DX2E

S	AL	LOCA. NO.	PART NO.	DESCRIPTION	SPECIFICATION	REMARKS
		C2M2	LG0CH1682K562	CAPACITOR,CHIP[CERAMIC M/L HD	6800P 50V K X7R 1.6X0.8 R/TP	
		C2M3	LG0CH1472K562	CAPACITOR,CHIP[CERAMIC M/L HD	4700PF 50V K X7R(X) 1608 R/TP	
		C2M4	LG0CH1104K942	CAPACITOR,CHIP[CERAMIC M/L HD	0.1UF 50V Z Y5V(F) 1508 R/TP	
		C2M5	LG0CH1104K942	CAPACITOR,CHIP[CERAMIC M/L HD	0.1UF 50V Z Y5V(F) 1508 R/TP	
		C2M6	LG0CH1104K942	CAPACITOR,CHIP[CERAMIC M/L HD	0.1UF 50V Z Y5V(F) 1508 R/TP	
		C2M7	LG0CH1104K942	CAPACITOR,CHIP[CERAMIC M/L HD	0.1UF 50V Z Y5V(F) 1508 R/TP	
		C2M8	LG0CH1104K942	CAPACITOR,CHIP[CERAMIC M/L HD	0.1UF 50V Z Y5V(F) 1508 R/TP	
		C2M9	LG0CH1104K942	CAPACITOR,CHIP[CERAMIC M/L HD	0.1UF 50V Z Y5V(F) 1508 R/TP	
		C2N1	LG0CH1104K942	CAPACITOR,CHIP[CERAMIC M/L HD	0.1UF 50V Z Y5V(F) 1508 R/TP	
		C2N3	LG0CH1223K942	CAPACITOR,CHIP[CERAMIC M/L HD	0.022UF 50V Z Y5V(F) 1508 R/TP	
		C2N4	LG0CH1225F944	CAPACITOR,FIXED CERAMIC(Temp.c	2.2UF 16V 80%,-20% Y5V(F) 3216	
		C301	LG0CH1104K942	CAPACITOR,CHIP[CERAMIC M/L HD	0.1UF 50V Z Y5V(F) 1508 R/TP	
		C302	LG0CH1225F944	CAPACITOR,FIXED CERAMIC(Temp.c	2.2UF 16V 80%,-20% Y5V(F) 3216	
		C303	LG0CH1104K942	CAPACITOR,CHIP[CERAMIC M/L HD	0.1UF 50V Z Y5V(F) 1508 R/TP	
		C304	LG0CH1104K942	CAPACITOR,CHIP[CERAMIC M/L HD	0.1UF 50V Z Y5V(F) 1508 R/TP	
		C305	LG0CH1104K942	CAPACITOR,CHIP[CERAMIC M/L HD	0.1UF 50V Z Y5V(F) 1508 R/TP	
		C306	LG0CH1104K942	CAPACITOR,CHIP[CERAMIC M/L HD	0.1UF 50V Z Y5V(F) 1508 R/TP	
		C307	LG0CH1105D942	CAPACITOR,CHIP[CERAMIC M/L HD	1UF 10V Z Y5V(F) 1508 R/TP	
		C308	LG0CE4764F638	CAPACITOR,ELECTROLYTIC	47M SRA/SS 16V M FM5 TP(5)	
		C309	LG0CH1225F944	CAPACITOR,FIXED CERAMIC(Temp.c	2.2UF 16V 80%,-20% Y5V(F) 3216	
		C314	LG0CH1104K942	CAPACITOR,CHIP[CERAMIC M/L HD	0.1UF 50V Z Y5V(F) 1508 R/TP	
		C316	LG0CH1104K942	CAPACITOR,CHIP[CERAMIC M/L HD	0.1UF 50V Z Y5V(F) 1508 R/TP	
		C317	LG0CE4764F638	CAPACITOR,ELECTROLYTIC	47M SRA/SS 16V M FM5 TP(5)	
		C318	LG0CH1104K942	CAPACITOR,CHIP[CERAMIC M/L HD	0.1UF 50V Z Y5V(F) 1508 R/TP	
		C319	LG0CH1104K942	CAPACITOR,CHIP[CERAMIC M/L HD	0.1UF 50V Z Y5V(F) 1508 R/TP	
		C320	LG0CH1104K942	CAPACITOR,CHIP[CERAMIC M/L HD	0.1UF 50V Z Y5V(F) 1508 R/TP	
		C321	LG0CE4764F638	CAPACITOR,ELECTROLYTIC	47M SRA/SS 16V M FM5 TP(5)	
		C323	LG0CH1104K942	CAPACITOR,CHIP[CERAMIC M/L HD	0.1UF 50V Z Y5V(F) 1508 R/TP	
		C324	LG0CH1104K942	CAPACITOR,CHIP[CERAMIC M/L HD	0.1UF 50V Z Y5V(F) 1508 R/TP	
		C3F1	LG0CH1225F944	CAPACITOR,FIXED CERAMIC(Temp.c	2.2UF 16V 80%,-20% Y5V(F) 3216	
		C3F2	LG0CH1104K942	CAPACITOR,CHIP[CERAMIC M/L HD	0.1UF 50V Z Y5V(F) 1508 R/TP	
		C3F3	LG0CE4764F638	CAPACITOR,ELECTROLYTIC	47M SRA/SS 16V M FM5 TP(5)	
		C401	LG0CE2264F638	CAPACITOR,ELECTROLYTIC	22M SRA 16V M FM5 TP(5)	
		C402	LG0CE2264F638	CAPACITOR,ELECTROLYTIC	22M SRA 16V M FM5 TP(5)	
		C403	LG0CE2264F638	CAPACITOR,ELECTROLYTIC	22M SRA 16V M FM5 TP(5)	
		C404	LG0CE2264F638	CAPACITOR,ELECTROLYTIC	22M SRA 16V M FM5 TP(5)	
		C405	LG0CE4764F638	CAPACITOR,ELECTROLYTIC	47M SRA/SS 16V M FM5 TP(5)	
		C406	LG0CH1104K942	CAPACITOR,CHIP[CERAMIC M/L HD	0.1UF 50V Z Y5V(F) 1508 R/TP	
		C408	LG0CE1064F638	CAPACITOR,ELECTROLYTIC	10M SRA 16V M FM5 TP(5)	
		C409	LG0CE2274C638	CAPACITOR,ELECTROLYTIC	220M SRA 6.3V M FM5 TP(5)	
		C410	LG0CH4271K412	CAPACITOR,FIXED CERAMIC(HIGH D	270PF 50V 5% NP0 1608 R/TP	
		C411	LG0CH1102K512	CAPACITOR,FIXED CERAMIC(Temp.c	1000PF 50V 10% B(5YP) 1608 R/T	
		C412	LG0CH4271K412	CAPACITOR,FIXED CERAMIC(HIGH D	270PF 50V 5% NP0 1608 R/TP	
		C413	LG0CE1064F638	CAPACITOR,ELECTROLYTIC	10M SRA 16V M FM5 TP(5)	
		C414	LG0CH1104K942	CAPACITOR,CHIP[CERAMIC M/L HD	0.1UF 50V Z Y5V(F) 1508 R/TP	
		C415	LG0CE1064F638	CAPACITOR,ELECTROLYTIC	10M SRA 16V M FM5 TP(5)	
		C416	LG0CH1102K512	CAPACITOR,FIXED CERAMIC(Temp.c	1000PF 50V 10% B(5YP) 1608 R/T	
		C417	LG0CH4271K412	CAPACITOR,FIXED CERAMIC(HIGH D	270PF 50V 5% NP0 1608 R/TP	
		C418	LG0CH1392K562	CAPACITOR,FIXED CERAMIC(Temp.c	3900PF 50V K Z5U(E) 1608 R/TP	
		C419	LG0CE2264F638	CAPACITOR,ELECTROLYTIC	22M SRA 16V M FM5 TP(5)	
		C420	LG0CH1392K562	CAPACITOR,FIXED CERAMIC(Temp.c	3900PF 50V K Z5U(E) 1608 R/TP	
		C421	LG0CE2264F638	CAPACITOR,ELECTROLYTIC	22M SRA 16V M FM5 TP(5)	
		C422	LG0CE1064F638	CAPACITOR,ELECTROLYTIC	10M SRA 16V M FM5 TP(5)	
		C423	LG0CH4271K412	CAPACITOR,FIXED CERAMIC(HIGH D	270PF 50V 5% NP0 1608 R/TP	
		C424	LG0CH1104K942	CAPACITOR,CHIP[CERAMIC M/L HD	0.1UF 50V Z Y5V(F) 1508 R/TP	
		C425	LG0CH1104K942	CAPACITOR,CHIP[CERAMIC M/L HD	0.1UF 50V Z Y5V(F) 1508 R/TP	
		C501	LG0CE4764F638	CAPACITOR,ELECTROLYTIC	47M SRA/SS 16V M FM5 TP(5)	

S	AL	LOCA. NO.	PART NO.	DESCRIPTION	SPECIFICATION	REMARKS
		C502	LG0CH1104F942	CAPACITOR, FIXED CERAMIC(Temp.c	0.1UF 16V 80%,-20% Y5V(F) 1608	
		C503	LG0CH1104F942	CAPACITOR, FIXED CERAMIC(Temp.c	0.1UF 16V 80%,-20% Y5V(F) 1608	
		C504	LG0CE1064F638	CAPACITOR, ELECTROLYTIC	10M SRA 16V M FM5 TP(5)	
		C506	LG0CH1225F944	CAPACITOR, FIXED CERAMIC(Temp.c	2.2UF 16V 80%,-20% Y5V(F) 3216	
		C507	LG0CE4764F638	CAPACITOR, ELECTROLYTIC	47M SRA/SS 16V M FM5 TP(5)	
		C508	LG0CH1104F942	CAPACITOR, FIXED CERAMIC(Temp.c	0.1UF 16V 80%,-20% Y5V(F) 1608	
		C509	LG0CH1104F942	CAPACITOR, FIXED CERAMIC(Temp.c	0.1UF 16V 80%,-20% Y5V(F) 1608	
		C510	LG0CH1104F942	CAPACITOR, FIXED CERAMIC(Temp.c	0.1UF 16V 80%,-20% Y5V(F) 1608	
		C511	LG0CH1104F942	CAPACITOR, FIXED CERAMIC(Temp.c	0.1UF 16V 80%,-20% Y5V(F) 1608	
		C512	LG0CH1104F942	CAPACITOR, FIXED CERAMIC(Temp.c	0.1UF 16V 80%,-20% Y5V(F) 1608	
		C513	LG0CH1104F942	CAPACITOR, FIXED CERAMIC(Temp.c	0.1UF 16V 80%,-20% Y5V(F) 1608	
		C514	LG0CH1104F942	CAPACITOR, FIXED CERAMIC(Temp.c	0.1UF 16V 80%,-20% Y5V(F) 1608	
		C515	LG0CH1104F942	CAPACITOR, FIXED CERAMIC(Temp.c	0.1UF 16V 80%,-20% Y5V(F) 1608	
		C516	LG0CH1104F942	CAPACITOR, FIXED CERAMIC(Temp.c	0.1UF 16V 80%,-20% Y5V(F) 1608	
		C517	LG0CH1104F942	CAPACITOR, FIXED CERAMIC(Temp.c	0.1UF 16V 80%,-20% Y5V(F) 1608	
		C518	LG0CH1104F942	CAPACITOR, FIXED CERAMIC(Temp.c	0.1UF 16V 80%,-20% Y5V(F) 1608	
		C519	LG0CH1104F942	CAPACITOR, FIXED CERAMIC(Temp.c	0.1UF 16V 80%,-20% Y5V(F) 1608	
		C520	LG0CH1104F942	CAPACITOR, FIXED CERAMIC(Temp.c	0.1UF 16V 80%,-20% Y5V(F) 1608	
		C521	LG0CH1104F942	CAPACITOR, FIXED CERAMIC(Temp.c	0.1UF 16V 80%,-20% Y5V(F) 1608	
		C522	LG0CH1104F942	CAPACITOR, FIXED CERAMIC(Temp.c	0.1UF 16V 80%,-20% Y5V(F) 1608	
		C523	LG0CH1225F944	CAPACITOR, FIXED CERAMIC(Temp.c	2.2UF 16V 80%,-20% Y5V(F) 3216	
		C525	LG0CH1104F942	CAPACITOR, FIXED CERAMIC(Temp.c	0.1UF 16V 80%,-20% Y5V(F) 1608	
		C526	LG0CH1104F942	CAPACITOR, FIXED CERAMIC(Temp.c	0.1UF 16V 80%,-20% Y5V(F) 1608	
		C527	LG0CH1104F942	CAPACITOR, FIXED CERAMIC(Temp.c	0.1UF 16V 80%,-20% Y5V(F) 1608	
		C528	LG0CH1104F942	CAPACITOR, FIXED CERAMIC(Temp.c	0.1UF 16V 80%,-20% Y5V(F) 1608	
		C529	LG0CH1104F942	CAPACITOR, FIXED CERAMIC(Temp.c	0.1UF 16V 80%,-20% Y5V(F) 1608	
		C530	LG0CH1104F942	CAPACITOR, FIXED CERAMIC(Temp.c	0.1UF 16V 80%,-20% Y5V(F) 1608	
		C531	LG0CH1104F942	CAPACITOR, FIXED CERAMIC(Temp.c	0.1UF 16V 80%,-20% Y5V(F) 1608	
		C532	LG0CH1104F942	CAPACITOR, FIXED CERAMIC(Temp.c	0.1UF 16V 80%,-20% Y5V(F) 1608	
		C533	LG0CH1104F942	CAPACITOR, FIXED CERAMIC(Temp.c	0.1UF 16V 80%,-20% Y5V(F) 1608	
		C534	LG0CH1104F942	CAPACITOR, FIXED CERAMIC(Temp.c	0.1UF 16V 80%,-20% Y5V(F) 1608	
		C535	LG0CH1104F942	CAPACITOR, FIXED CERAMIC(Temp.c	0.1UF 16V 80%,-20% Y5V(F) 1608	
		C536	LG0CH1104F942	CAPACITOR, FIXED CERAMIC(Temp.c	0.1UF 16V 80%,-20% Y5V(F) 1608	
		C538	LG0CH1225F944	CAPACITOR, FIXED CERAMIC(Temp.c	2.2UF 16V 80%,-20% Y5V(F) 3216	
		C540	LG0CH4220K412	CAPA, CHIP CERAMIC M/L T.C F/S	22P 50V J COG 1.6X0.8 R/TP	
		C541	LG0CH4270K412	CAPACITOR, CHIP[CERAMIC M/L TC	27PF 50V J NP0 1608 R/TP	
		C542	LG0CH1104F942	CAPACITOR, FIXED CERAMIC(Temp.c	0.1UF 16V 80%,-20% Y5V(F) 1608	
		C543	LG0CH1104F942	CAPACITOR, FIXED CERAMIC(Temp.c	0.1UF 16V 80%,-20% Y5V(F) 1608	
		C544	LG0CH1225F944	CAPACITOR, FIXED CERAMIC(Temp.c	2.2UF 16V 80%,-20% Y5V(F) 3216	
		C546	LG0CH4221K412	CAPACITOR, CHIP[CERAMIC M/L TC	220P 50V J COG 1.6X0.8 R/TP	
		C549	LG0CH4221K412	CAPACITOR, CHIP[CERAMIC M/L TC	220P 50V J COG 1.6X0.8 R/TP	
		C550	LG0CH1104F942	CAPACITOR, FIXED CERAMIC(Temp.c	0.1UF 16V 80%,-20% Y5V(F) 1608	
		C553	LG0CH4221K412	CAPACITOR, CHIP[CERAMIC M/L TC	220P 50V J COG 1.6X0.8 R/TP	
		C554	LG0CH1104F942	CAPACITOR, FIXED CERAMIC(Temp.c	0.1UF 16V 80%,-20% Y5V(F) 1608	
		C555	LG0CH4101K412	CHIP CAPA CERAMIC M/L T.C F/S	100P 50V J COG 1.6X0.8 R/TP	
		C556	LG0CH4101K412	CHIP CAPA CERAMIC M/L T.C F/S	100P 50V J COG 1.6X0.8 R/TP	
		C557	LG0CH4270K412	CAPACITOR, CHIP[CERAMIC M/L TC	27PF 50V J NP0 1608 R/TP	
		C558	LG0CH1104F942	CAPACITOR, FIXED CERAMIC(Temp.c	0.1UF 16V 80%,-20% Y5V(F) 1608	
		C559	LG0CE4764F638	CAPACITOR, ELECTROLYTIC	47M SRA/SS 16V M FM5 TP(5)	
		C560	LG0CH1225F944	CAPACITOR, FIXED CERAMIC(Temp.c	2.2UF 16V 80%,-20% Y5V(F) 3216	
		C561	LG0CE4764F638	CAPACITOR, ELECTROLYTIC	47M SRA/SS 16V M FM5 TP(5)	
		R525	LG0LC0233002B	INDUCTOR, CHIP	HB-1S1608-800JT CERATECH R/TP	
		D201	LG0DR495009AA	DIODE, RECTIFIER	RB495D TP ROHM SMD 40V 400A 2A	
		D2A1	LG0DS202009CA	DIODE, SWITCHING	DAN202K TP ROHM KOREA SOT23 80	
		D2A2	LG0DS202009CA	DIODE, SWITCHING	DAN202K TP ROHM KOREA SOT23 80	
		D2A3	LG0DS202009CA	DIODE, SWITCHING	DAN202K TP ROHM KOREA SOT23 80	
		D401	LG0DSRM00118A	DIODE, SWITCHING	DAP202K T146 ROHM R/TP SMD 80V	

HV-DX2E

S	AL	LOCA. NO.	PART NO.	DESCRIPTION	SPECIFICATION	REMARKS
		L201	LG6200HJC102A	FILTER(CIRC),EMC	HB-1M2012-102JT CERATECH TP	
		L206	LG6200HJC102A	FILTER(CIRC),EMC	HB-1M2012-102JT CERATECH TP	
		L207	LG6200HJC102A	FILTER(CIRC),EMC	HB-1M2012-102JT CERATECH TP	
		L208	LG6200HJC102A	FILTER(CIRC),EMC	HB-1M2012-102JT CERATECH TP	
		L2A1	LG6200HJC102A	FILTER(CIRC),EMC	HB-1M2012-102JT CERATECH TP	
		L2A2	LG6200HJC102A	FILTER(CIRC),EMC	HB-1M2012-102JT CERATECH TP	
		L301	LG6200HJC102A	FILTER(CIRC),EMC	HB-1M2012-102JT CERATECH TP	
		L302	LG6200HJC102A	FILTER(CIRC),EMC	HB-1M2012-102JT CERATECH TP	
		L3F1	LG6200HJC102A	FILTER(CIRC),EMC	HB-1M2012-102JT CERATECH TP	
		L501	LG6200HJC102A	FILTER(CIRC),EMC	HB-1M2012-102JT CERATECH TP	
		L502	LG6200HJC102A	FILTER(CIRC),EMC	HB-1M2012-102JT CERATECH TP	
		L503	LG6200HJC102A	FILTER(CIRC),EMC	HB-1M2012-102JT CERATECH TP	
		L504	LG6200HJC102A	FILTER(CIRC),EMC	HB-1M2012-102JT CERATECH TP	
		L505	LG6200HJC102A	FILTER(CIRC),EMC	HB-1M2012-102JT CERATECH TP	
		L506	LG6200HJC102A	FILTER(CIRC),EMC	HB-1M2012-102JT CERATECH TP	
		L507	LG6200HJC102A	FILTER(CIRC),EMC	HB-1M2012-102JT CERATECH TP	
		L508	LG6200HJC102A	FILTER(CIRC),EMC	HB-1M2012-102JT CERATECH TP	
		L509	LG6200HJC102A	FILTER(CIRC),EMC	HB-1M2012-102JT CERATECH TP	
		L510	LG6200HJC102A	FILTER(CIRC),EMC	HB-1M2012-102JT CERATECH TP	
		L511	LG6200HJC102A	FILTER(CIRC),EMC	HB-1M2012-102JT CERATECH TP	
		L603	LG6200HJC102A	FILTER(CIRC),EMC	HB-1M2012-102JT CERATECH TP	
		IC201	LG0ILNRHY002B	IC,LINEAR	HDC25D811B HYUNDAI 208 QFP TRA	
		IC203	LG0IEB121616B	IC,ELITE MEMORY TECHNOLOGY	M12L16161A-7T-L 50PIN TSOP TRA	
		IC206	LGGITO704000F	IC,TOSHIBA	TC7W04FU	
		IC2A1	LG0ILNRHI003A	IC,LINEAR	HD153702TF HITACHI 64 TQFP TRA	
		IC2A2	LG0IJR341400C	IC,JRC	NJM3414AM-TE1,3K/REEL. JRC	
		IC2A4	LG0IKE393000G	IC,KEC	KIA393F-EL FLP-8 TP DUAL COMPA	
		IC2M1	LG0IFA303200A	IC,FAIRCHILD	KA3032 48QFP BK 5CH MOTOR DRIV	ALTERNATE
		IC2M1	LG0ILNRFA013A	IC,LINEAR	FAN8004 FAIRCHILD 48 QFP TRAY	
		IC301	LG0IXL957210C	IC,XILINX	XC9572XL-10TQ100C 100 QFP TRAY	ALTERNATE
		IC301	LG0ICTMHY011A	IC,CUSTOMIZED	HS353106 HYNIX 100 TQFP TRAY C	
		IC305	LG0IHYS76532A	IC,HYUNDAI	HY57V653220CTC-7 86P TSOP BK S	ALTERNATE
		IC305	LG0IMMRHY025A	IC,MEMORIES	HY57V643220CT-7 HYUNDAI 86P TS	
		IC305	LG0IMMRWI004B	IC,MEMORIES	W986432DH-6 WINBOND 86PIN TSOP	ALTERNATE
		IC305	LG0IMMREB005A	IC,MEMORIES	M12L64322A-7T ELITE MEMORY TEC	ALTERNATE
		IC3F1	LG0IMMRFU001B	IC,MEMORIES	MBM29LV800BA-90PFTN FUJITSU 48	
		IC401	LG0IPRPCI003B	IC,PERIPHERALS	CS4391-KZR CIRRUS LOGIC 20 TSS	
		IC402	LG0IJR458000B	IC,JRC	NJM4580M 8,DMP8 TP OP AMP 2K/R	
		IC501	LG0INS860200A	IC,NATIONAL SEMICONDUCTOR	NDV8602 240 VQFP BK MICOM+MPEG	
		IC502	LG0IMMRCB001A	IC,MEMORIES	CAT93C56S-TE13 CRYSTAL SEMICON	
		IC502	LG0IMMRAL012A	IC,MEMORIES	AT93C56-10SC(SI)-2.7-8S1 ATMEL	ALTERNATE
		IC503	LG0IFA742440F	IC,FAIRCHILD	MM74HCT244SJ 20P SOIC TP 3-STA	
		IC506	LG0IPMGA7001A	IC,POWER MANAGEMENT	AMC1117-1.8SJ ADD MICROTECH 3P	
		IC3F1A	LG6957R-509AB	PROGRAM	SANYO (NS) DVD PROG	
		Q2A1	LG0TR103709BB	TRANSISTOR,BIPOLARS	2SA1037K-Q CHIP TP ROHM - -	
		Q2A2	LG0TR103709BB	TRANSISTOR,BIPOLARS	2SA1037K-Q CHIP TP ROHM - -	
		Q2A5	LG0TR388209AA	TRANSISTOR,BIPOLARS	CHIP KTC3882 SOT-23 TP KEC - -	
		Q2A6	LG0TR388209AA	TRANSISTOR,BIPOLARS	CHIP KTC3882 SOT-23 TP KEC - -	
		Q2M1	LG0TR124009AP	TRANSISTOR,BIPOLARS	DTC124EK TP ROHM KOREA SOT23 3	
		Q401	LG0TR103709BB	TRANSISTOR,BIPOLARS	2SA1037K-Q CHIP TP ROHM - -	
		Q404	LG0TR103009AC	TRANSISTOR	KRA103S-T1(PC)22-22 CHIP KEC	
		Q405	LG0TR103009AC	TRANSISTOR	KRA103S-T1(PC)22-22 CHIP KEC	
		R201	LG0RH0000C622	RESISTOR,METAL GLAZED(CHIP)	0 OHM 1 / 16 W 1608 5.00% D	
		R202	LG0RH0000C622	RESISTOR,METAL GLAZED(CHIP)	0 OHM 1 / 16 W 1608 5.00% D	
		R203	LG0RH1001C622	RESISTOR,METAL GLAZED(CHIP)	1K OHM 1 / 16 W 1608 5.00% D	
		R204	LG0RH1001C622	RESISTOR,METAL GLAZED(CHIP)	1K OHM 1 / 16 W 1608 5.00% D	
		R207	LG0RH1004C622	RESISTOR,METAL GLAZED(CHIP)	1M OHM 1 / 16 W 1608 5.00% D	

S	AL	LOCA. NO.	PART NO.	DESCRIPTION	SPECIFICATION	REMARKS
		R217	LG0RH102C622	RESISTOR,METAL GLAZED(CHIP)	10 OHM 1 / 16 W 1608 5.00% D	
		R218	LG0RH4700C622	RESISTOR,METAL GLAZED(CHIP)	470 OHM 1 / 16 W 1608 5.00% D	
		R219	LG0RH1002C622	RESISTOR,METAL GLAZED(CHIP)	10K OHM 1 / 16 W 1608 5.00% D	
		R220	LG0RH1002C622	RESISTOR,METAL GLAZED(CHIP)	10K OHM 1 / 16 W 1608 5.00% D	
		R230	LG0RH1000C622	RESISTOR,METAL GLAZED(CHIP)	100 OHM 1 / 16 W 1608 5.00% D	
		R231	LG0RH1000C622	RESISTOR,METAL GLAZED(CHIP)	100 OHM 1 / 16 W 1608 5.00% D	
		R232	LG0RH1000C622	RESISTOR,METAL GLAZED(CHIP)	100 OHM 1 / 16 W 1608 5.00% D	
		R233	LG0RH1000C622	RESISTOR,METAL GLAZED(CHIP)	100 OHM 1 / 16 W 1608 5.00% D	
		R234	LG0RH1000C622	RESISTOR,METAL GLAZED(CHIP)	100 OHM 1 / 16 W 1608 5.00% D	
		R235	LG0RH1000C622	RESISTOR,METAL GLAZED(CHIP)	100 OHM 1 / 16 W 1608 5.00% D	
		R236	LG0RH1000C622	RESISTOR,METAL GLAZED(CHIP)	100 OHM 1 / 16 W 1608 5.00% D	
		R237	LG0RH1000C622	RESISTOR,METAL GLAZED(CHIP)	100 OHM 1 / 16 W 1608 5.00% D	
		R239	LG0RH0000C622	RESISTOR,METAL GLAZED(CHIP)	0 OHM 1 / 16 W 1608 5.00% D	
		R240	LG0RH0000C622	RESISTOR,METAL GLAZED(CHIP)	0 OHM 1 / 16 W 1608 5.00% D	
		R241	LG0RH0000C622	RESISTOR,METAL GLAZED(CHIP)	0 OHM 1 / 16 W 1608 5.00% D	
		R242	LG0RH0000C622	RESISTOR,METAL GLAZED(CHIP)	0 OHM 1 / 16 W 1608 5.00% D	
		R243	LG0RH0000C622	RESISTOR,METAL GLAZED(CHIP)	0 OHM 1 / 16 W 1608 5.00% D	
		R252	LG0RH0000C622	RESISTOR,METAL GLAZED(CHIP)	0 OHM 1 / 16 W 1608 5.00% D	
		R269	LG0RH0222C622	RESISTOR,METAL GLAZED(CHIP)	22 OHM 1 / 16 W 1608 5.00% D	
		R273	LG0RH1501C622	RESISTOR,METAL GLAZED(CHIP)	1.5K OHM 1 / 16 W 1608 5.00% D	
		R274	LG0RH6200C622	RESISTOR,METAL GLAZED(CHIP)	620 OHM 1 / 16 W 1608 5.00% D	
		R275	LG0RH1501C622	RESISTOR,METAL GLAZED(CHIP)	1.5K OHM 1 / 16 W 1608 5.00% D	
		R276	LG0RH9100C622	RESISTOR,METAL GLAZED(CHIP)	910 OHM 1 / 16 W 1608 5.00% D	
		R277	LG0RH1500C622	RESISTOR,METAL GLAZED(CHIP)	150 OHM 1 / 16 W 1608 5.00% D	
		R278	LG0RH0000C622	RESISTOR,METAL GLAZED(CHIP)	0 OHM 1 / 16 W 1608 5.00% D	
		R279	LG0RH0000C622	RESISTOR,METAL GLAZED(CHIP)	0 OHM 1 / 16 W 1608 5.00% D	
		R281	LG0RH0000C622	RESISTOR,METAL GLAZED(CHIP)	0 OHM 1 / 16 W 1608 5.00% D	
		R290	LG0RH0000C622	RESISTOR,METAL GLAZED(CHIP)	0 OHM 1 / 16 W 1608 5.00% D	
		R291	LG0RH1000C622	RESISTOR,METAL GLAZED(CHIP)	100 OHM 1 / 16 W 1608 5.00% D	
		R292	LG0RH1002C622	RESISTOR,METAL GLAZED(CHIP)	10K OHM 1 / 16 W 1608 5.00% D	
		R2A1	LG0RH0912C622	RESISTOR,METAL GLAZED(CHIP)	91 OHM 1 / 16 W 1608 5.00% D	
		R2A2	LG0RH0000C622	RESISTOR,METAL GLAZED(CHIP)	0 OHM 1 / 16 W 1608 5.00% D	
		R2A6	LG0RH1202C622	RESISTOR,METAL GLAZED(CHIP)	12K OHM 1 / 16 W 1608 5.00% D	
		R2A9	LG0RH5602C622	RESISTOR,METAL GLAZED(CHIP)	56K OHM 1 / 16 W 1608 5.00% D	
		R2B0	LG0RH1001C622	RESISTOR,METAL GLAZED(CHIP)	1K OHM 1 / 16 W 1608 5.00% D	
		R2B1	LG0RH1001C622	RESISTOR,METAL GLAZED(CHIP)	1K OHM 1 / 16 W 1608 5.00% D	
		R2B2	LG0RH0182C622	RESISTOR,METAL GLAZED(CHIP)	18 OHM 1 / 16 W 1608 5.00% D	
		R2B3	LG0RH0182C622	RESISTOR,METAL GLAZED(CHIP)	18 OHM 1 / 16 W 1608 5.00% D	
		R2B4	LG0RH0000C622	RESISTOR,METAL GLAZED(CHIP)	0 OHM 1 / 16 W 1608 5.00% D	
		R2B5	LG0RH1001C622	RESISTOR,METAL GLAZED(CHIP)	1K OHM 1 / 16 W 1608 5.00% D	
		R2B6	LG0RH0182C622	RESISTOR,METAL GLAZED(CHIP)	18 OHM 1 / 16 W 1608 5.00% D	
		R2B7	LG0RH0182C622	RESISTOR,METAL GLAZED(CHIP)	18 OHM 1 / 16 W 1608 5.00% D	
		R2B8	LG0RH0000C622	RESISTOR,METAL GLAZED(CHIP)	0 OHM 1 / 16 W 1608 5.00% D	
		R2C0	LG0RH5601C622	RESISTOR,METAL GLAZED(CHIP)	5.6K OHM 1 / 16 W 1608 5.00% D	
		R2C4	LG0RH1001C622	RESISTOR,METAL GLAZED(CHIP)	1K OHM 1 / 16 W 1608 5.00% D	
		R2C5	LG0RH1001C622	RESISTOR,METAL GLAZED(CHIP)	1K OHM 1 / 16 W 1608 5.00% D	
		R2C6	LG0RH5601C622	RESISTOR,METAL GLAZED(CHIP)	5.6K OHM 1 / 16 W 1608 5.00% D	
		R2C7	LG0RH5601C622	RESISTOR,METAL GLAZED(CHIP)	5.6K OHM 1 / 16 W 1608 5.00% D	
		R2C8	LG0RH5601C622	RESISTOR,METAL GLAZED(CHIP)	5.6K OHM 1 / 16 W 1608 5.00% D	
		R2C9	LG0RH5601C622	RESISTOR,METAL GLAZED(CHIP)	5.6K OHM 1 / 16 W 1608 5.00% D	
		R2D0	LG0RH5601C622	RESISTOR,METAL GLAZED(CHIP)	5.6K OHM 1 / 16 W 1608 5.00% D	
		R2D1	LG0RH0000C622	RESISTOR,METAL GLAZED(CHIP)	0 OHM 1 / 16 W 1608 5.00% D	
		R2D2	LG0RH0000C622	RESISTOR,METAL GLAZED(CHIP)	0 OHM 1 / 16 W 1608 5.00% D	
		R2D3	LG0RH5601C622	RESISTOR,METAL GLAZED(CHIP)	5.6K OHM 1 / 16 W 1608 5.00% D	
		R2D4	LG0RH5601C622	RESISTOR,METAL GLAZED(CHIP)	5.6K OHM 1 / 16 W 1608 5.00% D	
		R2D5	LG0RH6801C622	RESISTOR,METAL GLAZED(CHIP)	6.8K OHM 1 / 16 W 1608 5.00% D	
		R2D6	LG0RH0912C622	RESISTOR,METAL GLAZED(CHIP)	91 OHM 1 / 16 W 1608 5.00% D	

HV-DX2E

S	AL	LOCA. NO.	PART NO.	DESCRIPTION	SPECIFICATION	REMARKS
		R2E6	LG0RH1000C622	RESISTOR,METAL GLAZED(CHIP)	100 OHM 1 / 16 W 1608 5.00% D	
		R2E7	LG0RH1000C622	RESISTOR,METAL GLAZED(CHIP)	100 OHM 1 / 16 W 1608 5.00% D	
		R2E8	LG0RH0000C622	RESISTOR,METAL GLAZED(CHIP)	0 OHM 1 / 16 W 1608 5.00% D	
		R2F1	LG0RH2200C622	RESISTOR,METAL GLAZED(CHIP)	220 OHM 1 / 16 W 1608 5.00% D	
		R2F2	LG0RH2200C622	RESISTOR,METAL GLAZED(CHIP)	220 OHM 1 / 16 W 1608 5.00% D	
		R2F3	LG0RH1000C622	RESISTOR,METAL GLAZED(CHIP)	100 OHM 1 / 16 W 1608 5.00% D	
		R2F4	LG0RH1000C622	RESISTOR,METAL GLAZED(CHIP)	100 OHM 1 / 16 W 1608 5.00% D	
		R2F5	LG0RH2202C422	RESISTOR,METAL GLAZED(CHIP)	22K OHM 1 / 16 W 1608 1.00% D	
		R2F6	LG0RH5601C622	RESISTOR,METAL GLAZED(CHIP)	5.6K OHM 1 / 16 W 1608 5.00% D	
		R2F7	LG0RH5601C622	RESISTOR,METAL GLAZED(CHIP)	5.6K OHM 1 / 16 W 1608 5.00% D	
		R2F8	LG0RH2201C622	RESISTOR,METAL GLAZED(CHIP)	2.2K OHM 1 / 16 W 1608 5.00% D	
		R2F9	LG0RH2201C622	RESISTOR,METAL GLAZED(CHIP)	2.2K OHM 1 / 16 W 1608 5.00% D	
		R2G1	LG0RH2201C622	RESISTOR,METAL GLAZED(CHIP)	2.2K OHM 1 / 16 W 1608 5.00% D	
		R2G2	LG0RH2201C622	RESISTOR,METAL GLAZED(CHIP)	2.2K OHM 1 / 16 W 1608 5.00% D	
		R2G3	LG0RH5601C622	RESISTOR,METAL GLAZED(CHIP)	5.6K OHM 1 / 16 W 1608 5.00% D	
		R2G4	LG0RH5601C622	RESISTOR,METAL GLAZED(CHIP)	5.6K OHM 1 / 16 W 1608 5.00% D	
		R2G7	LG0RH1002C622	RESISTOR,METAL GLAZED(CHIP)	10K OHM 1 / 16 W 1608 5.00% D	
		R2G9	LG0RH1500C622	RESISTOR,METAL GLAZED(CHIP)	150 OHM 1 / 16 W 1608 5.00% D	
		R2M1	LG0RH1001C622	RESISTOR,METAL GLAZED(CHIP)	1K OHM 1 / 16 W 1608 5.00% D	
		R2M2	LG0RH1002C622	RESISTOR,METAL GLAZED(CHIP)	10K OHM 1 / 16 W 1608 5.00% D	
		R2M3	LG0RH7501C622	RESISTOR,METAL GLAZED(CHIP)	7.5K OHM 1 / 16 W 1608 5.00% D	
		R2M5	LG0RH1001C622	RESISTOR,METAL GLAZED(CHIP)	1K OHM 1 / 16 W 1608 5.00% D	
		R2M6	LG0RH1002C622	RESISTOR,METAL GLAZED(CHIP)	10K OHM 1 / 16 W 1608 5.00% D	
		R2M7	LG0RH1002C622	RESISTOR,METAL GLAZED(CHIP)	10K OHM 1 / 16 W 1608 5.00% D	
		R2M8	LG0RH1001C622	RESISTOR,METAL GLAZED(CHIP)	1K OHM 1 / 16 W 1608 5.00% D	
		R2M9	LG0RH1002C622	RESISTOR,METAL GLAZED(CHIP)	10K OHM 1 / 16 W 1608 5.00% D	
		R2N0	LG0RH1202C622	RESISTOR,METAL GLAZED(CHIP)	12K OHM 1 / 16 W 1608 5.00% D	
		R2N1	LG0RH1001C622	RESISTOR,METAL GLAZED(CHIP)	1K OHM 1 / 16 W 1608 5.00% D	
		R2N2	LG0RH5601C622	RESISTOR,METAL GLAZED(CHIP)	5.6K OHM 1 / 16 W 1608 5.00% D	
		R2N3	LG0RH1002C622	RESISTOR,METAL GLAZED(CHIP)	10K OHM 1 / 16 W 1608 5.00% D	
		R2N4	LG0RH1502C622	RESISTOR,METAL GLAZED(CHIP)	15K OHM 1 / 16 W 1608 5.00% D	
		R2N5	LG0RH1202C622	RESISTOR,METAL GLAZED(CHIP)	12K OHM 1 / 16 W 1608 5.00% D	
		R2N6	LG0RH1001C622	RESISTOR,METAL GLAZED(CHIP)	1K OHM 1 / 16 W 1608 5.00% D	
		R2N7	LG0RH1001C622	RESISTOR,METAL GLAZED(CHIP)	1K OHM 1 / 16 W 1608 5.00% D	
		R2N8	LG0RH1002C622	RESISTOR,METAL GLAZED(CHIP)	10K OHM 1 / 16 W 1608 5.00% D	
		R2N9	LG0RH1002C622	RESISTOR,METAL GLAZED(CHIP)	10K OHM 1 / 16 W 1608 5.00% D	
		R2P0	LG0RH4701C622	RESISTOR,METAL GLAZED(CHIP)	4.7K OHM 1 / 16 W 1608 5.00% D	
		R2P1	LG0RH1002C622	RESISTOR,METAL GLAZED(CHIP)	10K OHM 1 / 16 W 1608 5.00% D	
		R2P2	LG0RH1002C622	RESISTOR,METAL GLAZED(CHIP)	10K OHM 1 / 16 W 1608 5.00% D	
		R2P3	LG0RH1002C622	RESISTOR,METAL GLAZED(CHIP)	10K OHM 1 / 16 W 1608 5.00% D	
		R2P7	LG0RH2202C622	RESISTOR,METAL GLAZED(CHIP)	22K OHM 1 / 16 W 1608 5.00% D	
		R2P8	LG0RH1201C622	RESISTOR,METAL GLAZED(CHIP)	1.2K OHM 1 / 16 W 1608 5.00% D	
		R2P9	LG0RH4701C622	RESISTOR,METAL GLAZED(CHIP)	4.7K OHM 1 / 16 W 1608 5.00% D	
		R2Q1	LG0RH1002C622	RESISTOR,METAL GLAZED(CHIP)	10K OHM 1 / 16 W 1608 5.00% D	
		R2R1	LG0RH1001C622	RESISTOR,METAL GLAZED(CHIP)	1K OHM 1 / 16 W 1608 5.00% D	
		R2R2	LG0RH4701C622	RESISTOR,METAL GLAZED(CHIP)	4.7K OHM 1 / 16 W 1608 5.00% D	
		R303	LG0RH0000C622	RESISTOR,METAL GLAZED(CHIP)	0 OHM 1 / 16 W 1608 5.00% D	
		R306	LG0RH4701C622	RESISTOR,METAL GLAZED(CHIP)	4.7K OHM 1 / 16 W 1608 5.00% D	
		R307	LG0RH1001C622	RESISTOR,METAL GLAZED(CHIP)	1K OHM 1 / 16 W 1608 5.00% D	
		R308	LG0RH1001C622	RESISTOR,METAL GLAZED(CHIP)	1K OHM 1 / 16 W 1608 5.00% D	
		R309	LG0RH1002C622	RESISTOR,METAL GLAZED(CHIP)	10K OHM 1 / 16 W 1608 5.00% D	
		R310	LG0RH1001C622	RESISTOR,METAL GLAZED(CHIP)	1K OHM 1 / 16 W 1608 5.00% D	
		R315	LG0RH1002C622	RESISTOR,METAL GLAZED(CHIP)	10K OHM 1 / 16 W 1608 5.00% D	
		R317	LG0RH1002C622	RESISTOR,METAL GLAZED(CHIP)	10K OHM 1 / 16 W 1608 5.00% D	
		R318	LG0RH4701C622	RESISTOR,METAL GLAZED(CHIP)	4.7K OHM 1 / 16 W 1608 5.00% D	
		R319	LG0RH4701C622	RESISTOR,METAL GLAZED(CHIP)	4.7K OHM 1 / 16 W 1608 5.00% D	
		R320	LG0RH4701C622	RESISTOR,METAL GLAZED(CHIP)	4.7K OHM 1 / 16 W 1608 5.00% D	

S	AL	LOCA. NO.	PART NO.	DESCRIPTION	SPECIFICATION	REMARKS
		R321	LG0RH1001C622	RESISTOR,METAL GLAZED(CHIP)	1K OHM 1 / 16 W 1608 5.00% D	
		R322	LG0RH4701C622	RESISTOR,METAL GLAZED(CHIP)	4.7K OHM 1 / 16 W 1608 5.00% D	
		R323	LG0RH0000C622	RESISTOR,METAL GLAZED(CHIP)	0 OHM 1 / 16 W 1608 5.00% D	
		R364	LG0RH0000C622	RESISTOR,METAL GLAZED(CHIP)	0 OHM 1 / 16 W 1608 5.00% D	
		R365	LG0RH0000C622	RESISTOR,METAL GLAZED(CHIP)	0 OHM 1 / 16 W 1608 5.00% D	
		R366	LG0RH0000C622	RESISTOR,METAL GLAZED(CHIP)	0 OHM 1 / 16 W 1608 5.00% D	
		R367	LG0RH1002C622	RESISTOR,METAL GLAZED(CHIP)	10K OHM 1 / 16 W 1608 5.00% D	
		R368	LG0RH1002C622	RESISTOR,METAL GLAZED(CHIP)	10K OHM 1 / 16 W 1608 5.00% D	
		R369	LG0RH1002C622	RESISTOR,METAL GLAZED(CHIP)	10K OHM 1 / 16 W 1608 5.00% D	
		R3F1	LG0RH0000C622	RESISTOR,METAL GLAZED(CHIP)	0 OHM 1 / 16 W 1608 5.00% D	
		R3F2	LG0RH1001C622	RESISTOR,METAL GLAZED(CHIP)	1K OHM 1 / 16 W 1608 5.00% D	
		R3F3	LG0RH0000C622	RESISTOR,METAL GLAZED(CHIP)	0 OHM 1 / 16 W 1608 5.00% D	
		R3F4	LG0RH1002C622	RESISTOR,METAL GLAZED(CHIP)	10K OHM 1 / 16 W 1608 5.00% D	
		R3F5	LG0RH1002C622	RESISTOR,METAL GLAZED(CHIP)	10K OHM 1 / 16 W 1608 5.00% D	
		R401	LG0RH0182C622	RESISTOR,METAL GLAZED(CHIP)	18 OHM 1 / 16 W 1608 5.00% D	
		R403	LG0RH0102C622	RESISTOR,METAL GLAZED(CHIP)	10 OHM 1 / 16 W 1608 5.00% D	
		R404	LG0RH6801C622	RESISTOR,METAL GLAZED(CHIP)	6.8K OHM 1 / 16 W 1608 5.00% D	
		R405	LG0RH1801C622	RESISTOR,METAL GLAZED(CHIP)	1.8K OHM 1 / 16 W 1608 5.00% D	
		R406	LG0RH1801C622	RESISTOR,METAL GLAZED(CHIP)	1.8K OHM 1 / 16 W 1608 5.00% D	
		R407	LG0RH1002C622	RESISTOR,METAL GLAZED(CHIP)	10K OHM 1 / 16 W 1608 5.00% D	
		R409	LG0RH6801C622	RESISTOR,METAL GLAZED(CHIP)	6.8K OHM 1 / 16 W 1608 5.00% D	
		R410	LG0RH6801C622	RESISTOR,METAL GLAZED(CHIP)	6.8K OHM 1 / 16 W 1608 5.00% D	
		R411	LG0RH6801C622	RESISTOR,METAL GLAZED(CHIP)	6.8K OHM 1 / 16 W 1608 5.00% D	
		R412	LG0RH1801C622	RESISTOR,METAL GLAZED(CHIP)	1.8K OHM 1 / 16 W 1608 5.00% D	
		R413	LG0RH8201C622	RESISTOR,METAL GLAZED(CHIP)	8.2K OHM 1 / 16 W 1608 5.00% D	
		R414	LG0RH5601C622	RESISTOR,METAL GLAZED(CHIP)	5.6K OHM 1 / 16 W 1608 5.00% D	
		R415	LG0RH4701C622	RESISTOR,METAL GLAZED(CHIP)	4.7K OHM 1 / 16 W 1608 5.00% D	
		R416	LG0RH8201C622	RESISTOR,METAL GLAZED(CHIP)	8.2K OHM 1 / 16 W 1608 5.00% D	
		R417	LG0RH1801C622	RESISTOR,METAL GLAZED(CHIP)	1.8K OHM 1 / 16 W 1608 5.00% D	
		R418	LG0RH1002C622	RESISTOR,METAL GLAZED(CHIP)	10K OHM 1 / 16 W 1608 5.00% D	
		R419	LG0RH3300C622	RESISTOR,METAL GLAZED(CHIP)	330 OHM 1 / 16 W 1608 5.00% D	
		R420	LG0RH3300C622	RESISTOR,METAL GLAZED(CHIP)	330 OHM 1 / 16 W 1608 5.00% D	
		R428	LG0RH0000C622	RESISTOR,METAL GLAZED(CHIP)	0 OHM 1 / 16 W 1608 5.00% D	
		R429	LG0RH0000C622	RESISTOR,METAL GLAZED(CHIP)	0 OHM 1 / 16 W 1608 5.00% D	
		R430	LG0RH0000C622	RESISTOR,METAL GLAZED(CHIP)	0 OHM 1 / 16 W 1608 5.00% D	
		R431	LG0RH1001C622	RESISTOR,METAL GLAZED(CHIP)	1K OHM 1 / 16 W 1608 5.00% D	
		R432	LG0RH0000C622	RESISTOR,METAL GLAZED(CHIP)	0 OHM 1 / 16 W 1608 5.00% D	
		R433	LG0RH5600C622	RESISTOR,METAL GLAZED(CHIP)	560 OHM 1 / 16 W 1608 5.00% D	
		R434	LG0RH5600C622	RESISTOR,METAL GLAZED(CHIP)	560 OHM 1 / 16 W 1608 5.00% D	
		R435	LG0RH1001C622	RESISTOR,METAL GLAZED(CHIP)	1K OHM 1 / 16 W 1608 5.00% D	
		R436	LG0RH1001C622	RESISTOR,METAL GLAZED(CHIP)	1K OHM 1 / 16 W 1608 5.00% D	
		R437	LG0RH1001C622	RESISTOR,METAL GLAZED(CHIP)	1K OHM 1 / 16 W 1608 5.00% D	
		R438	LG0RH1001C622	RESISTOR,METAL GLAZED(CHIP)	1K OHM 1 / 16 W 1608 5.00% D	
		R439	LG0RH1001C622	RESISTOR,METAL GLAZED(CHIP)	1K OHM 1 / 16 W 1608 5.00% D	
		R440	LG0RH1001C622	RESISTOR,METAL GLAZED(CHIP)	1K OHM 1 / 16 W 1608 5.00% D	
		R441	LG0RH1001C622	RESISTOR,METAL GLAZED(CHIP)	1K OHM 1 / 16 W 1608 5.00% D	
		R501	LG0RH3301C622	RESISTOR,METAL GLAZED(CHIP)	3.3K OHM 1 / 16 W 1608 5.00% D	
		R502	LG0RH0000C622	RESISTOR,METAL GLAZED(CHIP)	0 OHM 1 / 16 W 1608 5.00% D	
		R503	LG0RH0000C622	RESISTOR,METAL GLAZED(CHIP)	0 OHM 1 / 16 W 1608 5.00% D	
		R504	LG0RH1500C422	RESISTOR,METAL GLAZED(CHIP)	150 OHM 1 / 16 W 1608 1.00% D	
		R505	LG0RH0102C622	RESISTOR,METAL GLAZED(CHIP)	10 OHM 1 / 16 W 1608 5.00% D	
		R506	LG0RH1001C422	RESISTOR,METAL GLAZED(CHIP)	1K OHM 1 / 16 W 1608 1.00% D	
		R507	LG0RH1100C622	RESISTOR,METAL GLAZED(CHIP)	110 OHM 1 / 16 W 1608 5.00% D	
		R508	LG0RH0752C622	RESISTOR,METAL GLAZED(CHIP)	75 OHM 1 / 16 W 1608 5.00% D	
		R509	LG0RH1100C622	RESISTOR,METAL GLAZED(CHIP)	110 OHM 1 / 16 W 1608 5.00% D	
		R510	LG0RH0222C622	RESISTOR,METAL GLAZED(CHIP)	22 OHM 1 / 16 W 1608 5.00% D	
		R514	LG0RH0222C622	RESISTOR,METAL GLAZED(CHIP)	22 OHM 1 / 16 W 1608 5.00% D	

HV-DX2E

S	AL	LOCA. NO.	PART NO.	DESCRIPTION	SPECIFICATION	REMARKS
		R515	LG0RH0222C622	RESISTOR,METAL GLAZED(CHIP)	22 OHM 1 / 16 W 1608 5.00% D	
		R516	LG0RH1000C622	RESISTOR,METAL GLAZED(CHIP)	100 OHM 1 / 16 W 1608 5.00% D	
		R520	LG0RH0222C622	RESISTOR,METAL GLAZED(CHIP)	22 OHM 1 / 16 W 1608 5.00% D	
		R521	LG0RH4701C622	RESISTOR,METAL GLAZED(CHIP)	4.7K OHM 1 / 16 W 1608 5.00% D	
		R522	LG0RH1002C622	RESISTOR,METAL GLAZED(CHIP)	10K OHM 1 / 16 W 1608 5.00% D	
		R523	LG0RH4701C622	RESISTOR,METAL GLAZED(CHIP)	4.7K OHM 1 / 16 W 1608 5.00% D	
		R524	LG0RH1001C622	RESISTOR,METAL GLAZED(CHIP)	1K OHM 1 / 16 W 1608 5.00% D	
		R530	LG0RH1201C622	RESISTOR,METAL GLAZED(CHIP)	1.2K OHM 1 / 16 W 1608 5.00% D	
		R531	LG0RH1201C622	RESISTOR,METAL GLAZED(CHIP)	1.2K OHM 1 / 16 W 1608 5.00% D	
		R532	LG0RH1201C622	RESISTOR,METAL GLAZED(CHIP)	1.2K OHM 1 / 16 W 1608 5.00% D	
		R533	LG0RH1201C622	RESISTOR,METAL GLAZED(CHIP)	1.2K OHM 1 / 16 W 1608 5.00% D	
		R534	LG0RH6800C622	RESISTOR,METAL GLAZED(CHIP)	680 OHM 1 / 16 W 1608 5.00% D	
		R535	LG0RH1201C622	RESISTOR,METAL GLAZED(CHIP)	1.2K OHM 1 / 16 W 1608 5.00% D	
		R541	LG0RH1002C622	RESISTOR,METAL GLAZED(CHIP)	10K OHM 1 / 16 W 1608 5.00% D	
		R588	LG0RH0752C622	RESISTOR,METAL GLAZED(CHIP)	75 OHM 1 / 16 W 1608 5.00% D	
		R589	LG0RH0752C622	RESISTOR,METAL GLAZED(CHIP)	75 OHM 1 / 16 W 1608 5.00% D	
		R590	LG0RH0752C622	RESISTOR,METAL GLAZED(CHIP)	75 OHM 1 / 16 W 1608 5.00% D	
		R591	LG0RH0752C622	RESISTOR,METAL GLAZED(CHIP)	75 OHM 1 / 16 W 1608 5.00% D	
		R592	LG0RH0000C622	RESISTOR,METAL GLAZED(CHIP)	0 OHM 1 / 16 W 1608 5.00% D	
		X201	LG6202R-BM04C	RESONATOR,CRYSTAL	HC-49/S BUBANG 33-8688MHZ 5	
		X501	LG6202R-BL06C	RESONATOR,CRYSTAL	HC-49/S BUBANG 27MHZ 20PPM 1	
		X501	LG6212AA2271F	RESONATOR,CRYSTAL	HC-49S KITELCO 27MHZ +/- 20 PP	ALTERNATE
*** BOARD ASSEMBLY , MAIN(VCR) ***						
		A46	LG3501R-8119N	BOARD ASSEMBLY	VCR VYC600CI.NA4USS	
		323	LG3111R-0089C	CASE ASSEMBLY	VCR - PRE-AMP (02-PAL)	
		C301	LG0CE1064F638	CAPACITOR,ELECTROLYTIC	10M SRA 16V M FM5 TP(5)	
		C302	LG0CE2264F638	CAPACITOR,ELECTROLYTIC	22M SRA 16V M FM5 TP(5)	
		C303	LG0CH1122K516	CHIP CAPA CERAMIC M/L H.D F/S	1200P 50V K B 2.0X1.25 R/TP	
		C304	LG0CE4764F638	CAPACITOR,ELECTROLYTIC	47M SRA/SS 16V M FM5 TP(5)	
		C305	LG0CH1103K416	CAPACITOR,FIXED CERAMIC(Temp.c	0.01UF 50V 5% B(5YP) 2012 R/TP	
		C306	LG0CH1122K516	CHIP CAPA CERAMIC M/L H.D F/S	1200P 50V K B 2.0X1.25 R/TP	
		C307	LG0CE1054K638	CAPACITOR,ELECTROLYTIC	1.0M SRA/SS50V M FM5 TP(5)	
		C308	LG0CH1153K516	CAPA,CHIP CERAMIC M/L H.D F/S	0.015U 50V K B 2.0X1.2 R/TP	
		C309	LG0CH4221K416	CAPA,CHIP CERAMIC M/L T.C F/S	220P 50V J 2.0X1.25 R/TP	
		C310	LG0CH1103K416	CAPACITOR,FIXED CERAMIC(Temp.c	0.01UF 50V 5% B(5YP) 2012 R/TP	
		C311	LG0CE4765K618	CAPACITOR,AL.ELECTROLYTIC	47UF SR,SV 50V M FL TP 5	
		C312	LG0CH1103K416	CAPACITOR,FIXED CERAMIC(Temp.c	0.01UF 50V 5% B(5YP) 2012 R/TP	
		C313	LG0CQ2232L559	CAPACITOR,POLYESTER	0.022UF S 63V K PP NI TP5	
		C314	LG0CE1064F638	CAPACITOR,ELECTROLYTIC	10M SRA 16V M FM5 TP(5)	
		C315	LG0CE2254K638	CAPACITOR,FIXED ELECTROLYTIC	2.2UF SRA,SS 50V 20% FM5 TP 5	
		C316	LG0CE1064F638	CAPACITOR,ELECTROLYTIC	10M SRA 16V M FM5 TP(5)	
		C317	LG0CH1103K416	CAPACITOR,FIXED CERAMIC(Temp.c	0.01UF 50V 5% B(5YP) 2012 R/TP	
		C318	LG0CE1054K638	CAPACITOR,ELECTROLYTIC	1.0M SRA/SS50V M FM5 TP(5)	
		C319	LG0CH1103K416	CAPACITOR,FIXED CERAMIC(Temp.c	0.01UF 50V 5% B(5YP) 2012 R/TP	
		C320	LG0CE1054K638	CAPACITOR,ELECTROLYTIC	1.0M SRA/SS50V M FM5 TP(5)	
		C321	LG0CH4680K416	CAPA,CHIP CERAMIC M/L T.C F/S	68P 50V J COG 2.0X1.2 R/TP	
		C322	LG0CE1064F638	CAPACITOR,ELECTROLYTIC	10M SRA 16V M FM5 TP(5)	
		C323	LG0CE1064F638	CAPACITOR,ELECTROLYTIC	10M SRA 16V M FM5 TP(5)	
		C324	LG0CE4754K638	CAPACITOR,FIXED ELECTROLYTIC	4.7UF SRA,SS 50V 20% FM5 TP 5	
		C325	LG0CE1064F638	CAPACITOR,ELECTROLYTIC	10M SRA 16V M FM5 TP(5)	
		C326	LG0CH1103K416	CAPACITOR,FIXED CERAMIC(Temp.c	0.01UF 50V 5% B(5YP) 2012 R/TP	
		C327	LG0CE1054K638	CAPACITOR,ELECTROLYTIC	1.0M SRA/SS50V M FM5 TP(5)	
		C328	LG0CH1103K416	CAPACITOR,FIXED CERAMIC(Temp.c	0.01UF 50V 5% B(5YP) 2012 R/TP	
		C329	LG0CH1103K416	CAPACITOR,FIXED CERAMIC(Temp.c	0.01UF 50V 5% B(5YP) 2012 R/TP	
		C330	LG0CH1104K946	CAPACITOR,FIXED CERAMIC(TEMP.C	0.1UF 2012 50V 80%,-20% Y5V(F)	
		C331	LG0CE2264F638	CAPACITOR,ELECTROLYTIC	22M SRA 16V M FM5 TP(5)	
		C333	LG0CE4764F638	CAPACITOR,ELECTROLYTIC	47M SRA/SS 16V M FM5 TP(5)	

S	AL	LOCA. NO.	PART NO.	DESCRIPTION	SPECIFICATION	REMARKS
		C334	LG0CH1103K416	CAPACITOR, FIXED CERAMIC(Temp.c	0.01UF 50V 5% B(5YP) 2012 R/TP	
		C335	LG0CH1103K416	CAPACITOR, FIXED CERAMIC(Temp.c	0.01UF 50V 5% B(5YP) 2012 R/TP	
		C336	LG0CE4764F638	CAPACITOR, ELECTROLYTIC	47M SRA/SS 16V M FM5 TP(5)	
		C337	LG0CE1054K638	CAPACITOR, ELECTROLYTIC	1.0M SRA/SS50V M FM5 TP(5)	
		C338	LG0CH1473K516	CHIP CAPA CERAMIC M/L H.D F/S	0.047U 50V K X7R 2.0X1.2 R/TP	
		C339	LG0CE1054K638	CAPACITOR, ELECTROLYTIC	1.0M SRA/SS50V M FM5 TP(5)	
		C340	LG0CH1473K516	CHIP CAPA CERAMIC M/L H.D F/S	0.047U 50V K X7R 2.0X1.2 R/TP	
		C341	LG0CH1223K516	CAPA, CHIP CERAMIC M/L H.D F/S	0.022U 50V K B 2.0X1.2 R/TP	
		C342	LG0CH1104K946	CAPACITOR, FIXED CERAMIC(TEMP.C	0.1UF 2012 50V 80%,-20% Y5V(F)	
		C343	LG0CH1473K516	CHIP CAPA CERAMIC M/L H.D F/S	0.047U 50V K X7R 2.0X1.2 R/TP	
		C345	LG0CH1473K516	CHIP CAPA CERAMIC M/L H.D F/S	0.047U 50V K X7R 2.0X1.2 R/TP	
		C346	LG0CE4764F638	CAPACITOR, ELECTROLYTIC	47M SRA/SS 16V M FM5 TP(5)	
		C347	LG0CE1054K638	CAPACITOR, ELECTROLYTIC	1.0M SRA/SS50V M FM5 TP(5)	
		C348	LG0CE1054K638	CAPACITOR, ELECTROLYTIC	1.0M SRA/SS50V M FM5 TP(5)	
		C349	LG0CE4764F638	CAPACITOR, ELECTROLYTIC	47M SRA/SS 16V M FM5 TP(5)	
		C350	LG0CH1104K946	CAPACITOR, FIXED CERAMIC(TEMP.C	0.1UF 2012 50V 80%,-20% Y5V(F)	
		C351	LG0CH4221K416	CAPA, CHIP CERAMIC M/L T.C F/S	220P 50V J 2.0X1.25 R/TP	
		C353	LG0CE1054K638	CAPACITOR, ELECTROLYTIC	1.0M SRA/SS50V M FM5 TP(5)	
		C355	LG0CH1104K946	CAPACITOR, FIXED CERAMIC(TEMP.C	0.1UF 2012 50V 80%,-20% Y5V(F)	
		C356	LG0CE1054K638	CAPACITOR, ELECTROLYTIC	1.0M SRA/SS50V M FM5 TP(5)	
		C357	LG0CE1054K638	CAPACITOR, ELECTROLYTIC	1.0M SRA/SS50V M FM5 TP(5)	
		C358	LG0CH4680K416	CAPA, CHIP CERAMIC M/L T.C F/S	68P 50V J COG 2.0X1.2 R/TP	
		C359	LG0CE1054K638	CAPACITOR, ELECTROLYTIC	1.0M SRA/SS50V M FM5 TP(5)	
		C360	LG0CH1104K946	CAPACITOR, FIXED CERAMIC(TEMP.C	0.1UF 2012 50V 80%,-20% Y5V(F)	
		C361	LG0CH1223K516	CAPA, CHIP CERAMIC M/L H.D F/S	0.022U 50V K B 2.0X1.2 R/TP	
		C362	LG0CE4764F638	CAPACITOR, ELECTROLYTIC	47M SRA/SS 16V M FM5 TP(5)	
		C363	LG0CH1103K416	CAPACITOR, FIXED CERAMIC(Temp.c	0.01UF 50V 5% B(5YP) 2012 R/TP	
		C366	LG0CH1103K416	CAPACITOR, FIXED CERAMIC(Temp.c	0.01UF 50V 5% B(5YP) 2012 R/TP	
		C367	LG0CH1104K946	CAPACITOR, FIXED CERAMIC(TEMP.C	0.1UF 2012 50V 80%,-20% Y5V(F)	
		C368	LG0CH1822K516	CHIP CAPA CERAMIC M/L H.D F/S	8200P 50V K B 2.0X1.2 R/TP	
		C369	LG0CH4101K416	CAPA, CHIP CERAMIC M/L T.C F/S	100P 50V J NP0 2.0*1.25 R/TP	
		C370	LG0CH4820K416	CAPA, CHIP CERAMIC M/L T.C F/S	82P 50V J COG 2.0X1.2 R/TP	
		C371	LG0CH4820K416	CAPA, CHIP CERAMIC M/L T.C F/S	82P 50V J COG 2.0X1.2 R/TP	
		C372	LG0CH4820K416	CAPA, CHIP CERAMIC M/L T.C F/S	82P 50V J COG 2.0X1.2 R/TP	
		C374	LG0CH1104K946	CAPACITOR, FIXED CERAMIC(TEMP.C	0.1UF 2012 50V 80%,-20% Y5V(F)	
		C375	LG0CH1104K946	CAPACITOR, FIXED CERAMIC(TEMP.C	0.1UF 2012 50V 80%,-20% Y5V(F)	
		C376	LG0CH1104K946	CAPACITOR, FIXED CERAMIC(TEMP.C	0.1UF 2012 50V 80%,-20% Y5V(F)	
		C377	LG0CH1104K946	CAPACITOR, FIXED CERAMIC(TEMP.C	0.1UF 2012 50V 80%,-20% Y5V(F)	
		C500	LG0CE4775C638	CAPACITOR, FIXED ELECTROLYTIC	470UF SR,SV 6.3V 20% FM5 TP 5	
		C501	LG0CH1104K946	CAPACITOR, FIXED CERAMIC(TEMP.C	0.1UF 2012 50V 80%,-20% Y5V(F)	
		C502	LG0CE4764F638	CAPACITOR, ELECTROLYTIC	47M SRA/SS 16V M FM5 TP(5)	
		C503	LG0CE2274C638	CAPACITOR, ELECTROLYTIC	220M SRA 6.3V M FM5 TP(5)	
		C504	LG0CE2274C638	CAPACITOR, ELECTROLYTIC	220M SRA 6.3V M FM5 TP(5)	
		C505	LG0CE4764F638	CAPACITOR, ELECTROLYTIC	47M SRA/SS 16V M FM5 TP(5)	
		C506	LG0CH1223K516	CAPA, CHIP CERAMIC M/L H.D F/S	0.022U 50V K B 2.0X1.2 R/TP	
		C508	LG0CH1104K946	CAPACITOR, FIXED CERAMIC(TEMP.C	0.1UF 2012 50V 80%,-20% Y5V(F)	
		C509	LG0CH4220K406	CHIP CAPA CERAMIC M/L T.C F/S	22P 50V J SL 2.0X1.2 R/TP	
		C511	LG0CH1104K946	CAPACITOR, FIXED CERAMIC(TEMP.C	0.1UF 2012 50V 80%,-20% Y5V(F)	
		C512	LG0CH1102K516	CHIP CAPA CERAMIC M/L H.D F/S	1000P 50V K B 2.0X1.25 R/TP	
		C513	LG0CH1102K516	CHIP CAPA CERAMIC M/L H.D F/S	1000P 50V K B 2.0X1.25 R/TP	
		C514	LG0CH4120K406	CAPACITOR, FIXED CERAMIC(High d	12PF 50V 5% SL 2012 R/TP	
		C515	LG0CH4150K416	CAPA, CHIP CERAMIC M/L T.C F/S	15P 50V J COG 2.0X1.2 R/TP	
		C516	LG0CH1223K516	CAPA, CHIP CERAMIC M/L H.D F/S	0.022U 50V K B 2.0X1.2 R/TP	
		C517	LG0CE1064F638	CAPACITOR, ELECTROLYTIC	10M SRA 16V M FM5 TP(5)	
		C518	LG0CH1103K516	CHIP CAPA CERAMIC M/L H.D F/S	0.01U 50V K B 2.0X1.25 R/TP	
		C519	LG0CH1104K946	CAPACITOR, FIXED CERAMIC(TEMP.C	0.1UF 2012 50V 80%,-20% Y5V(F)	
		C520	LG0CH1102K516	CHIP CAPA CERAMIC M/L H.D F/S	1000P 50V K B 2.0X1.25 R/TP	

HV-DX2E

S	AL	LOCA. NO.	PART NO.	DESCRIPTION	SPECIFICATION	REMARKS
		C521	LG0CH1102K516	CHIP CAPA CERAMIC M/L H.D F/S	1000P 50V K B 2.0X1.25 R/TP	
		C523	LG0CE2254K638	CAPACITOR, FIXED ELECTROLYTIC	2.2UF SRA,SS 50V 20% FM5 TP 5	
		C524	LG0CE4764F638	CAPACITOR,ELECTROLYTIC	47M SRA/SS 16V M FM5 TP(5)	
		C526	LG0CE4764J638	CAPACITOR,AL.ELECTROLYTIC	47UF SRA,SS 35V M FM5 TP 5	
		C527	LG0CH4221K416	CAPA,CHIP CERAMIC M/L T.C F/S	220P 50V J 2.0X1.25 R/TP	
		C531	LG0CH1104K946	CAPACITOR, FIXED CERAMIC(TEMP.C	0.1UF 2012 50V 80%,-20% Y5V(F)	
		C532	LG0CH1223K516	CAPA,CHIP CERAMIC M/L H.D F/S	0.022U 50V K B 2.0X1.2 R/TP	
		C533	LG0CH1102K516	CHIP CAPA CERAMIC M/L H.D F/S	1000P 50V K B 2.0X1.25 R/TP	
		C534	LG0CE4754K638	CAPACITOR, FIXED ELECTROLYTIC	4.7UF SRA,SS 50V 20% FM5 TP 5	
		C535	LG0CH1105F946	CAPACITOR,CHIP[CERAMIC M/L HD	1UF 16V Z Y5V(F) 2012 R/TP	
		C543	LG0CH1222K516	CHIP CAPA CERAMIC M/L H.D F/S	2200P 50V K B 2.0X1.25 R/TP	
		C544	LG0CH1473K946	CHIP CAPA CERAMIC M/L H.D F/S	0.047UF 50V Z Y5V(F) 2012 R/TP	
		C545	LG0CH1333H516	CHIP CAPA CERAMIC M/L H.D F/S	0.033U 25V K B 2.0X1.25 R/TP	
		C546	LG0CE4764J638	CAPACITOR,AL.ELECTROLYTIC	47UF SRA,SS 35V M FM5 TP 5	
		C547	LG0CH1103K516	CHIP CAPA CERAMIC M/L H.D F/S	0.01U 50V K B 2.0X1.25 R/TP	
		C551	LG0CH1333H516	CHIP CAPA CERAMIC M/L H.D F/S	0.033U 25V K B 2.0X1.25 R/TP	
		C552	LG0CH1103K516	CHIP CAPA CERAMIC M/L H.D F/S	0.01U 50V K B 2.0X1.25 R/TP	
		C561	LG0CE2274C638	CAPACITOR,ELECTROLYTIC	220M SRA 6.3V M FM5 TP(5)	
		C564	LG0CH1102K516	CHIP CAPA CERAMIC M/L H.D F/S	1000P 50V K B 2.0X1.25 R/TP	
		C567	LG0CH1102K516	CHIP CAPA CERAMIC M/L H.D F/S	1000P 50V K B 2.0X1.25 R/TP	
		C570	LG0CH4150K416	CAPA,CHIP CERAMIC M/L T.C F/S	15P 50V J COG 2.0X1.2 R/TP	
		C571	LG0CH4150K416	CAPA,CHIP CERAMIC M/L T.C F/S	15P 50V J COG 2.0X1.2 R/TP	
		C575	LG0CH1102K516	CHIP CAPA CERAMIC M/L H.D F/S	1000P 50V K B 2.0X1.25 R/TP	
		C576	LG0CH4270K416	CHIP CAPA CERAMIC M/L T.C F/S	27P 50V J COG 2.0X1.2 R/TP	
		C577	LG0CH1223K516	CAPA,CHIP CERAMIC M/L H.D F/S	0.022U 50V K B 2.0X1.2 R/TP	
		C578	LG0CH1222K516	CHIP CAPA CERAMIC M/L H.D F/S	2200P 50V K B 2.0X1.25 R/TP	
		C581	LG0CH1103K516	CHIP CAPA CERAMIC M/L H.D F/S	0.01U 50V K B 2.0X1.25 R/TP	
		C582	LG0CH1103K516	CHIP CAPA CERAMIC M/L H.D F/S	0.01U 50V K B 2.0X1.25 R/TP	
		C583	LG0CH1105F946	CAPACITOR,CHIP[CERAMIC M/L HD	1UF 16V Z Y5V(F) 2012 R/TP	
		C595	LG0CH1223K516	CAPA,CHIP CERAMIC M/L H.D F/S	0.022U 50V K B 2.0X1.2 R/TP	
		C596	LG0CH1104K946	CAPACITOR, FIXED CERAMIC(TEMP.C	0.1UF 2012 50V 80%,-20% Y5V(F)	
		C5A3	LG0CH1104K946	CAPACITOR, FIXED CERAMIC(TEMP.C	0.1UF 2012 50V 80%,-20% Y5V(F)	
		C5A4	LG0CH1103K516	CHIP CAPA CERAMIC M/L H.D F/S	0.01U 50V K B 2.0X1.25 R/TP	
		C5A5	LG0CE1054K638	CAPACITOR,ELECTROLYTIC	1.0M SRA/SS50V M FM5 TP(5)	
		C5K1	LG0CH1104K946	CAPACITOR, FIXED CERAMIC(TEMP.C	0.1UF 2012 50V 80%,-20% Y5V(F)	
		C5L1	LG0CH1105F946	CAPACITOR,CHIP[CERAMIC M/L HD	1UF 16V Z Y5V(F) 2012 R/TP	
		C5L6	LG0CH1102K516	CHIP CAPA CERAMIC M/L H.D F/S	1000P 50V K B 2.0X1.25 R/TP	
		C5P1	LG0CH1103K516	CHIP CAPA CERAMIC M/L H.D F/S	0.01U 50V K B 2.0X1.25 R/TP	
		C5P2	LG0CH1103K516	CHIP CAPA CERAMIC M/L H.D F/S	0.01U 50V K B 2.0X1.25 R/TP	
		C5R2	LG0CH4681K416	CAPA,CHIP CERAMIC M/L T.C F/S	680PF 50V J NP0 2012 R/TP	
		C5S1	LG0CH4430K416	CAPACITOR, FIXED CERAMIC(High d	43PF 50V J NP0 2012 R/TP	
		C5S3	LG0CH1223K516	CAPA,CHIP CERAMIC M/L H.D F/S	0.022U 50V K B 2.0X1.2 R/TP	
		C706	LG0CH4330K416	CAPA,CHIP CERAMIC M/L T.C F/S	33P 50V J C 2.0X1.2 R/TP	
		C707	LG0CH4680K416	CAPA,CHIP CERAMIC M/L T.C F/S	68P 50V J COG 2.0X1.2 R/TP	
		C708	LG0CE4775C638	CAPACITOR, FIXED ELECTROLYTIC	470UF SR,SV 6.3V 20% FM5 TP 5	
		C709	LG0CH1103K516	CHIP CAPA CERAMIC M/L H.D F/S	0.01U 50V K B 2.0X1.25 R/TP	
		C710	LG0CE4754K638	CAPACITOR, FIXED ELECTROLYTIC	4.7UF SRA,SS 50V 20% FM5 TP 5	
		C712	LG0CH1103K516	CHIP CAPA CERAMIC M/L H.D F/S	0.01U 50V K B 2.0X1.25 R/TP	
		C713	LG0CH4560K416	CHIP CAPA CERAMIC M/L T.C F/S	56P 50V J NPO 2.0X1.25 R/TP	
		C714	LG0CH4560K416	CHIP CAPA CERAMIC M/L T.C F/S	56P 50V J NPO 2.0X1.25 R/TP	
		C715	LG0CH4050K016	CAPA,CHIP CERAMIC M/L T.C F/S	5P 50V C COG 2.0X1.2 R/TP	
		C716	LG0CH4100K416	CAPA,CHIP CERAMIC M/L T.C F/S	10PF 50V J NP0 2012 R/TP	
		C717	LG0CH1103K516	CHIP CAPA CERAMIC M/L H.D F/S	0.01U 50V K B 2.0X1.25 R/TP	
		C718	LG0CE4764C638	CAPACITOR,ELECTROLYTIC	47M SRA 6.3V M FM5 TP(5)	
		C719	LG0CE4764C638	CAPACITOR,ELECTROLYTIC	47M SRA 6.3V M FM5 TP(5)	
		C720	LG0CH1152K516	CAPACITOR, FIXED CERAMIC(Temp.c	1500PF 50V 10% B(5YP) 2012 R/T	
		C721	LG0CH1392K566	CAPACITOR, FIXED CERAMIC(Temp.c	3900P 50V K X7R 2.0X1.2 R/TP	

S	AL	LOCA. NO.	PART NO.	DESCRIPTION	SPECIFICATION	REMARKS
		C722	LG0CH1103K516	CHIP CAPA CERAMIC M/L H.D F/S	0.01U 50V K B 2.0X1.25 R/TP	
		C723	LG0CH1103K516	CHIP CAPA CERAMIC M/L H.D F/S	0.01U 50V K B 2.0X1.25 R/TP	
		C726	LG0CH1103K516	CHIP CAPA CERAMIC M/L H.D F/S	0.01U 50V K B 2.0X1.25 R/TP	
		C727	LG0CE4764C638	CAPACITOR,ELECTROLYTIC	47M SRA 6.3V M FM5 TP(5)	
		C728	LG0CH1103K516	CHIP CAPA CERAMIC M/L H.D F/S	0.01U 50V K B 2.0X1.25 R/TP	
		C729	LG0CE3354K638	CAPACITOR,FIXED ELECTROLYTIC	3.3UF SRA,SS 50V 20% FM5 TP 5	
		C730	LG0CH4150K416	CAPA,CHIP CERAMIC M/L T.C F/S	15P 50V J COG 2.0X1.2 R/TP	
		C731	LG0CH4090K116	CAPACITOR,FIXED CERAMIC(High d	9PF 50V 0.5 pF NP0 2012 R/TP	
		C732	LG0CE1064F638	CAPACITOR,ELECTROLYTIC	10M SRA 16V M FM5 TP(5)	
		C751	LG0CE4764C638	CAPACITOR,ELECTROLYTIC	47M SRA 6.3V M FM5 TP(5)	
		C752	LG0CH1103K516	CHIP CAPA CERAMIC M/L H.D F/S	0.01U 50V K B 2.0X1.25 R/TP	
		C755	LG0CE1064F638	CAPACITOR,ELECTROLYTIC	10M SRA 16V M FM5 TP(5)	
		C7M1	LG0CH1103K516	CHIP CAPA CERAMIC M/L H.D F/S	0.01U 50V K B 2.0X1.25 R/TP	
		C7M2	LG0CE4764C638	CAPACITOR,ELECTROLYTIC	47M SRA 6.3V M FM5 TP(5)	
		C7M3	LG0CH4270K416	CHIP CAPA CERAMIC M/L T.C F/S	27P 50V J COG 2.0X1.2 R/TP	
		C7M6	LG0CH4270K416	CHIP CAPA CERAMIC M/L T.C F/S	27P 50V J COG 2.0X1.2 R/TP	
		C7V1	LG0CE4764C638	CAPACITOR,ELECTROLYTIC	47M SRA 6.3V M FM5 TP(5)	
		C7V2	LG0CH1103K516	CHIP CAPA CERAMIC M/L H.D F/S	0.01U 50V K B 2.0X1.25 R/TP	
		C7V3	LG0CE1054K638	CAPACITOR,ELECTROLYTIC	1.0M SRA/SS50V M FM5 TP(5)	
		C7V4	LG0CH1473K946	CHIP CAPA CERAMIC M/L H.D F/S	0.047UF 50V Z Y5V(F) 2012 R/TP	
		C7V5	LG0CH1473K946	CHIP CAPA CERAMIC M/L H.D F/S	0.047UF 50V Z Y5V(F) 2012 R/TP	
		C802	LG0CH1104K946	CAPACITOR,FIXED CERAMIC(TEMP.C	0.1UF 2012 50V 80%,-20% Y5V(F)	
		C803	LG0CH1104K946	CAPACITOR,FIXED CERAMIC(TEMP.C	0.1UF 2012 50V 80%,-20% Y5V(F)	
		C804	LG0CH1104K946	CAPACITOR,FIXED CERAMIC(TEMP.C	0.1UF 2012 50V 80%,-20% Y5V(F)	
		C805	LG0CH1104K946	CAPACITOR,FIXED CERAMIC(TEMP.C	0.1UF 2012 50V 80%,-20% Y5V(F)	
		C806	LG0CE1064F638	CAPACITOR,ELECTROLYTIC	10M SRA 16V M FM5 TP(5)	
		C807	LG0CE4744K638	CAPACITOR,ELECTROLYTIC	0.47M SRA 50V M FM5 TP(5)	
		C808	LG0CE1054K638	CAPACITOR,ELECTROLYTIC	1.0M SRA/SS50V M FM5 TP(5)	
		C809	LG0CE1054K638	CAPACITOR,ELECTROLYTIC	1.0M SRA/SS50V M FM5 TP(5)	
		C810	LG0CH1105F946	CAPACITOR,CHIP(CERAMIC M/L HD	1UF 16V Z Y5V(F) 2012 R/TP	
		C811	LG0CH1105F946	CAPACITOR,CHIP(CERAMIC M/L HD	1UF 16V Z Y5V(F) 2012 R/TP	
		C812	LG0CE1064F638	CAPACITOR,ELECTROLYTIC	10M SRA 16V M FM5 TP(5)	
		C813	LG0CH1682K516	CAPACITOR,FIXED CERAMIC(Temp.c	6800PF 50V 10% B(5YP) 2012 R/T	
		C814	LG0CE4764F638	CAPACITOR,ELECTROLYTIC	47M SRA/SS 16V M FM5 TP(5)	
		C815	LG0CE1064F638	CAPACITOR,ELECTROLYTIC	10M SRA 16V M FM5 TP(5)	
		C816	LG0CE1064F638	CAPACITOR,ELECTROLYTIC	10M SRA 16V M FM5 TP(5)	
		C817	LG0CE1064F638	CAPACITOR,ELECTROLYTIC	10M SRA 16V M FM5 TP(5)	
		C818	LG0CE4764F638	CAPACITOR,ELECTROLYTIC	47M SRA/SS 16V M FM5 TP(5)	
		C819	LG0CH1682K516	CAPACITOR,FIXED CERAMIC(Temp.c	6800PF 50V 10% B(5YP) 2012 R/T	
		C820	LG0CE1064F638	CAPACITOR,ELECTROLYTIC	10M SRA 16V M FM5 TP(5)	
		C821	LG0CH1103K516	CHIP CAPA CERAMIC M/L H.D F/S	0.01U 50V K B 2.0X1.25 R/TP	
		C822	LG0CE4764F638	CAPACITOR,ELECTROLYTIC	47M SRA/SS 16V M FM5 TP(5)	
		C823	LG0CH1104K946	CAPACITOR,FIXED CERAMIC(TEMP.C	0.1UF 2012 50V 80%,-20% Y5V(F)	
		C824	LG0CH1103K516	CHIP CAPA CERAMIC M/L H.D F/S	0.01U 50V K B 2.0X1.25 R/TP	
		C825	LG0CE4764F638	CAPACITOR,ELECTROLYTIC	47M SRA/SS 16V M FM5 TP(5)	
		C826	LG0CH1103K516	CHIP CAPA CERAMIC M/L H.D F/S	0.01U 50V K B 2.0X1.25 R/TP	
		C828	LG0CE1054K638	CAPACITOR,ELECTROLYTIC	1.0M SRA/SS50V M FM5 TP(5)	
		C829	LG0CE1054K638	CAPACITOR,ELECTROLYTIC	1.0M SRA/SS50V M FM5 TP(5)	
		C834	LG0CE4774F638	CAPACITOR,FIXED ELECTROLYTIC	470UF SRA,SS 16V 20% FM5 TP 5	
		C855	LG0CH1104K946	CAPACITOR,FIXED CERAMIC(TEMP.C	0.1UF 2012 50V 80%,-20% Y5V(F)	
		C856	LG0CH1104K946	CAPACITOR,FIXED CERAMIC(TEMP.C	0.1UF 2012 50V 80%,-20% Y5V(F)	
		C857	LG0CH1104K946	CAPACITOR,FIXED CERAMIC(TEMP.C	0.1UF 2012 50V 80%,-20% Y5V(F)	
		C859	LG0CE2264F638	CAPACITOR,ELECTROLYTIC	22M SRA 16V M FM5 TP(5)	
		C860	LG0CH1104K946	CAPACITOR,FIXED CERAMIC(TEMP.C	0.1UF 2012 50V 80%,-20% Y5V(F)	
		C861	LG0CE1064F638	CAPACITOR,ELECTROLYTIC	10M SRA 16V M FM5 TP(5)	
		C863	LG0CE4764F638	CAPACITOR,ELECTROLYTIC	47M SRA/SS 16V M FM5 TP(5)	
		C864	LG0CE1054K638	CAPACITOR,ELECTROLYTIC	1.0M SRA/SS50V M FM5 TP(5)	

HV-DX2E

S	AL	LOCA. NO.	PART NO.	DESCRIPTION	SPECIFICATION	REMARKS
		C869	LG0CE1064F638	CAPACITOR,ELECTROLYTIC	10M SRA 16V M FM5 TP(5)	
		C870	LG0CH1104K946	CAPACITOR,FIXED CERAMIC(TEMP.C	0.1UF 2012 50V 80%,-20% Y5V(F)	
		C871	LG0CH1104K946	CAPACITOR,FIXED CERAMIC(TEMP.C	0.1UF 2012 50V 80%,-20% Y5V(F)	
		C884	LG0CH1104K946	CAPACITOR,FIXED CERAMIC(TEMP.C	0.1UF 2012 50V 80%,-20% Y5V(F)	
		C885	LG0CH1104K946	CAPACITOR,FIXED CERAMIC(TEMP.C	0.1UF 2012 50V 80%,-20% Y5V(F)	
		C886	LG0CE4774F638	CAPACITOR,FIXED ELECTROLYTIC	470UF SRA,SS 16V 20% FM5 TP 5	
		C889	LG0CH1104K946	CAPACITOR,FIXED CERAMIC(TEMP.C	0.1UF 2012 50V 80%,-20% Y5V(F)	
		C890	LG0CH1104K946	CAPACITOR,FIXED CERAMIC(TEMP.C	0.1UF 2012 50V 80%,-20% Y5V(F)	
		C908	LG0CH1102K516	CHIP CAPA CERAMIC M/L H.D F/S	1000P 50V K B 2.0X1.25 R/TP	
		C910	LG0CH1102K516	CHIP CAPA CERAMIC M/L H.D F/S	1000P 50V K B 2.0X1.25 R/TP	
		C911	LG0CH1102K516	CHIP CAPA CERAMIC M/L H.D F/S	1000P 50V K B 2.0X1.25 R/TP	
		C912	LG0CH1102K516	CHIP CAPA CERAMIC M/L H.D F/S	1000P 50V K B 2.0X1.25 R/TP	
		C915	LG0CH1102K516	CHIP CAPA CERAMIC M/L H.D F/S	1000P 50V K B 2.0X1.25 R/TP	
		C916	LG0CH1102K516	CHIP CAPA CERAMIC M/L H.D F/S	1000P 50V K B 2.0X1.25 R/TP	
		C921	LG0CH1102K516	CHIP CAPA CERAMIC M/L H.D F/S	1000P 50V K B 2.0X1.25 R/TP	
		C924	LG0CH1102K516	CHIP CAPA CERAMIC M/L H.D F/S	1000P 50V K B 2.0X1.25 R/TP	
		C925	LG0CH1102K516	CHIP CAPA CERAMIC M/L H.D F/S	1000P 50V K B 2.0X1.25 R/TP	
		C931	LG0CE4775C638	CAPACITOR,FIXED ELECTROLYTIC	470UF SR,SV 6.3V 20% FM5 TP 5	
		C932	LG0CE4775C638	CAPACITOR,FIXED ELECTROLYTIC	470UF SR,SV 6.3V 20% FM5 TP 5	
		C933	LG0CE4775C638	CAPACITOR,FIXED ELECTROLYTIC	470UF SR,SV 6.3V 20% FM5 TP 5	
		C938	LG0CH1104K946	CAPACITOR,FIXED CERAMIC(TEMP.C	0.1UF 2012 50V 80%,-20% Y5V(F)	
		FL301	LG633-032K	COIL,IFT	BIAC OSC,1CHIP 5V(KS-75M) KWAN	
		L301	LG0LR0102J0N5	INDUCTOR,RADIAL LEAD	10UH 5% TP 3X5 TR5	
		L301	LG0LR0102K0P5	INDUCTOR,RADIAL LEAD	LF7.5N OEL 10UH 10% TP 4.8X4.0	ALTERNATE
		L301	LGGLR0102K0P5	INDUCTOR,RADIAL LEAD	LF7.5N OEL 10UH 10% TP 4.8X4.0	ALTERNATE
		L302	LG0LR1000K035	INDUCTOR RADIAL LEAD	100M K 6X6 L5 TP	
		L303	LG0LR0102J0N5	INDUCTOR,RADIAL LEAD	10UH 5% TP 3X5 TR5	
		L303	LG0LR0102K0P5	INDUCTOR,RADIAL LEAD	LF7.5N OEL 10UH 10% TP 4.8X4.0	ALTERNATE
		L303	LGGLR0102K0P5	INDUCTOR,RADIAL LEAD	LF7.5N OEL 10UH 10% TP 4.8X4.0	ALTERNATE
		L304	LG0LR0102J0N5	INDUCTOR,RADIAL LEAD	10UH 5% TP 3X5 TR5	
		L304	LGGLR0102K0P5	INDUCTOR,RADIAL LEAD	LF7.5N OEL 10UH 10% TP 4.8X4.0	ALTERNATE
		L304	LG0LR0102K0P5	INDUCTOR,RADIAL LEAD	LF7.5N OEL 10UH 10% TP 4.8X4.0	ALTERNATE
		L305	LG0LR1000K035	INDUCTOR RADIAL LEAD	100M K 6X6 L5 TP	
		L307	LG0LR0102J0N5	INDUCTOR,RADIAL LEAD	10UH 5% TP 3X5 TR5	
		L307	LG0LR0102K0P5	INDUCTOR,RADIAL LEAD	LF7.5N OEL 10UH 10% TP 4.8X4.0	ALTERNATE
		L307	LGGLR0102K0P5	INDUCTOR,RADIAL LEAD	LF7.5N OEL 10UH 10% TP 4.8X4.0	ALTERNATE
		L501	LG0LA0122K018	INDUCTOR AXIAL LEAD	12M K 2.3X3.4 L5 TP	
		L503	LG0LR1000J0N5	INDUCTOR,RADIAL LEAD	100UH 5% TP 3X5 TR5	
		L504	LG0LR0102J0N5	INDUCTOR,RADIAL LEAD	10UH 5% TP 3X5 TR5	
		L504	LG0LR0102K0P5	INDUCTOR,RADIAL LEAD	LF7.5N OEL 10UH 10% TP 4.8X4.0	ALTERNATE
		L505	LG0LR1000K035	INDUCTOR RADIAL LEAD	100M K 6X6 L5 TP	
		L506	LG635-027C	INDUCTOR,RADIAL LEAD	EL0405RA SKI150G-3 K-TDK 15UH	
		L5S1	LG0LA0332K018	INDUCTOR AXIAL LEAD	33M K 2.3X3.4 L5 TP	
		L701	LG0LR1000K035	INDUCTOR RADIAL LEAD	100M K 6X6 L5 TP	
		L702	LG0LR0102K035	INDUCTOR RADIAL LEAD	10M K 6X6 L5 TP	
		L704	LG0LR0102K035	INDUCTOR RADIAL LEAD	10M K 6X6 L5 TP	
		L705	LG0LR0102K035	INDUCTOR RADIAL LEAD	10M K 6X6 L5 TP	
		L706	LG0LA0821K018	INDUCTOR AXIAL LEAD	8.2M K 2.3X3.4 L5 TP	
		L7M1	LG0LR1000K035	INDUCTOR RADIAL LEAD	100M K 6X6 L5 TP	
		L7V1	LG0LR1000K035	INDUCTOR RADIAL LEAD	100M K 6X6 L5 TP	
		L801	LG0LR1000K035	INDUCTOR RADIAL LEAD	100M K 6X6 L5 TP	
		L803	LG0LR1000K035	INDUCTOR RADIAL LEAD	100M K 6X6 L5 TP	
		L901	LG0LA1000K018	INDUCTOR AXIAL LEAD	100M K 2.3X3.4 L5 TP	
		L902	LG0LA1000K018	INDUCTOR AXIAL LEAD	100M K 2.3X3.4 L5 TP	
		L903	LG0LA1000K018	INDUCTOR AXIAL LEAD	100M K 2.3X3.4 L5 TP	
		L904	LG0LA1000K018	INDUCTOR AXIAL LEAD	100M K 2.3X3.4 L5 TP	
		L905	LG0LA1000K018	INDUCTOR AXIAL LEAD	100M K 2.3X3.4 L5 TP	

S	AL	LOCA. NO.	PART NO.	DESCRIPTION	SPECIFICATION	REMARKS
		L906	LG0LA1000K018	INDUCTOR AXIAL LEAD	100M K 2.3X3.4 L5 TP	
		L907	LG0LA1000K018	INDUCTOR AXIAL LEAD	100M K 2.3X3.4 L5 TP	
		L910	LG0LA1000K018	INDUCTOR AXIAL LEAD	100M K 2.3X3.4 L5 TP	
		D301	LG0DD133009AA	DIODE,SWITCHING	1SS133 DETECT,SW TP	
		D502	LG0DD133009AA	DIODE,SWITCHING	1SS133 DETECT,SW TP	
		D509	LG0DD133009AA	DIODE,SWITCHING	1SS133 DETECT,SW TP	
		D801	LG0DD133009AA	DIODE,SWITCHING	1SS133 DETECT,SW TP	
		D802	LG0DD133009AA	DIODE,SWITCHING	1SS133 DETECT,SW TP	
		D901	LG0DD133009AA	DIODE,SWITCHING	1SS133 DETECT,SW TP	
		D902	LG0DD133009AA	DIODE,SWITCHING	1SS133 DETECT,SW TP	
		BC91	LG636-004C	FILTER(CIRC),EMC	BEAD CORE BFS3550R2FD8,R T/P	
		BC92	LG636-004C	FILTER(CIRC),EMC	BEAD CORE BFS3550R2FD8,R T/P	
		F8A1	LG6200HJC901A	FILTER(CIRC),EMC	CFI06B1H101MF SAMHWA TP 2-5K	
		IC301	LG0ILNRS005B	IC,LINEAR	LA71750EM SANYO 100PIN QFP TRA	
		IC501	LG0IMCRHI030A	IC,MICRO CONTROLLER	HD6432197SA23F HITACHI 112PIN	
		IC503	LG0IAL241600B	IC,ATMEL	AT24C16 - - -	ALTERNATE
		IC503	LG0ICS241600B	IC,CATALYST	CAT24W16P 8P DIP ST 16K SERIAL	
		IC504	LG0ISS753100A	IC,SAMSUNG ELECTRONICS	KA7531Z TO-92 TP 3.1V RESET	ALTERNATE
		IC504	LG0IKE703100A	IC,KEC	KIA7031P 3P 3.1V RESET(TAPING)	
		IC505	LG0IKE704200B	IC,KEC	KIA7042P 3P 4.2V RESET(TAPING)	
		IC751	LG0IT341700B	IC,ITT	MSP3417D-QG QFP44 BK NICAM+A2	ALTERNATE
		IC751	LG0IT341700C	IC,ITT	MSP3417G-QG-B8-V3 44 QFP TRAY	
		IC7V1	LG0ILNRMN001A	IC,LINEAR	SDA5650 MICRONAS 14 DIP ST VPS	
		IC801	LG0IPH960500A	IC,PHILIPS	TDA9605H QFP44 BK HIFI AMP+HIF	
		IC802	LG0IMT144300A	IC,MITSUMI	MM1443XJ SSOP-34 TP CANAL S/W	
		JK902	LG6612J00025H	JACK,RCA	RCA-1302A-12(5PIN)SILVER YUQIU	
		LD501	LG4931R-0017C	HOLDER ASSY	LED(DI-CKD)LOCAL	
		Q173	LG0TR387509AC	TRANSISTOR	CHIP KTC3875S-GR-T1(ALG) KEC	
		Q301	LG0TR387509AC	TRANSISTOR	CHIP KTC3875S-GR-T1(ALG) KEC	
		Q302	LG0TR150409AC	TRANSISTOR	KTA1504-GR-T1(ASG) CHIP KEC	
		Q303	LG0TR387509AC	TRANSISTOR	CHIP KTC3875S-GR-T1(ALG) KEC	
		Q304	LG0TR387509AC	TRANSISTOR	CHIP KTC3875S-GR-T1(ALG) KEC	
		Q305	LG0TR150409AC	TRANSISTOR	KTA1504-GR-T1(ASG) CHIP KEC	
		Q306	LG0TR320309AA	TRANSISTOR,BIPOLARS	KTC3203 KEC TP TO92 50V 150MA	ALTERNATE
		Q306	LG0TR534409AA	TRANSISTOR	2SC5344Y TP	
		Q308	LG0TR150409AC	TRANSISTOR	KTA1504-GR-T1(ASG) CHIP KEC	
		Q309	LG0TR150409AC	TRANSISTOR	KTA1504-GR-T1(ASG) CHIP KEC	
		Q501	LG0TR387509AC	TRANSISTOR	CHIP KTC3875S-GR-T1(ALG) KEC	
		Q502	LG0TR387509AC	TRANSISTOR	CHIP KTC3875S-GR-T1(ALG) KEC	
		Q503	LG0TR127309AA	TRANSISTOR	KTA1273-TP-Y (KTA966A)KEC	
		Q504	LG0TR387509AC	TRANSISTOR	CHIP KTC3875S-GR-T1(ALG) KEC	
		Q514	LG0TR103009AA	TRANSISTOR	CHIP KRC103S-T1(NC)22-22 KEC	
		Q515	LG0TR103009AA	TRANSISTOR	CHIP KRC103S-T1(NC)22-22 KEC	
		Q5S1	LG0TR387509AC	TRANSISTOR	CHIP KTC3875S-GR-T1(ALG) KEC	
		Q705	LG0TR127309AA	TRANSISTOR	KTA1273-TP-Y (KTA966A)KEC	
		Q706	LG0TR103009AA	TRANSISTOR	CHIP KRC103S-T1(NC)22-22 KEC	
		Q801	LG0TR387509AC	TRANSISTOR	CHIP KTC3875S-GR-T1(ALG) KEC	
		Q802	LG0TR387509AC	TRANSISTOR	CHIP KTC3875S-GR-T1(ALG) KEC	
		Q804	LG0TR150409AC	TRANSISTOR	KTA1504-GR-T1(ASG) CHIP KEC	
		Q901	LG0TR387509AC	TRANSISTOR	CHIP KTC3875S-GR-T1(ALG) KEC	
		Q902	LG0TR387509AC	TRANSISTOR	CHIP KTC3875S-GR-T1(ALG) KEC	
		Q903	LG0TR387509AC	TRANSISTOR	CHIP KTC3875S-GR-T1(ALG) KEC	
		C216	LG0RH0000D622	RESISTOR,METAL GLAZED(CHIP)	0 OHM 1 / 10 W 2012 5.00% D	
		J803	LG0RH0000D622	RESISTOR,METAL GLAZED(CHIP)	0 OHM 1 / 10 W 2012 5.00% D	
		J805	LG0RH0000D622	RESISTOR,METAL GLAZED(CHIP)	0 OHM 1 / 10 W 2012 5.00% D	
		J902	LG0RH0000D622	RESISTOR,METAL GLAZED(CHIP)	0 OHM 1 / 10 W 2012 5.00% D	
		J903	LG0RH0000D622	RESISTOR,METAL GLAZED(CHIP)	0 OHM 1 / 10 W 2012 5.00% D	

HV-DX2E

S	AL	LOCA. NO.	PART NO.	DESCRIPTION	SPECIFICATION	REMARKS
		J904	LG0RH0000D622	RESISTOR,METAL GLAZED(CHIP)	0 OHM 1 / 10 W 2012 5.00% D	
		J905	LG0RH0000D622	RESISTOR,METAL GLAZED(CHIP)	0 OHM 1 / 10 W 2012 5.00% D	
		R173	LG0RH4701D622	RESISTOR,METAL GLAZED(CHIP)	4.7K OHM 1 / 10 W 2012 5.00% D	
		R301	LG0RH5602D622	RESISTOR,METAL GLAZED(CHIP)	56K OHM 1 / 10 W 2012 5.00% D	
		R302	LG0RH1002D622	RESISTOR,METAL GLAZED(CHIP)	10K OHM 1 / 10 W 2012 5.00% D	
		R303	LG0RH1802D622	RESISTOR,METAL GLAZED(CHIP)	18K OHM 1 / 10 W 2012 5.00% D	
		R304	LG0RH1002D622	RESISTOR,METAL GLAZED(CHIP)	10K OHM 1 / 10 W 2012 5.00% D	
		R305	LG0RH1002D622	RESISTOR,METAL GLAZED(CHIP)	10K OHM 1 / 10 W 2012 5.00% D	
		R306	LG0RH2202D622	RESISTOR,METAL GLAZED(CHIP)	22K OHM 1 / 10 W 2012 5.00% D	
		R307	LG0RH2201D622	RESISTOR,METAL GLAZED(CHIP)	2.2K OHM 1 / 10 W 2012 5.00% D	
		R308	LG0RH4701D622	RESISTOR,METAL GLAZED(CHIP)	4.7K OHM 1 / 10 W 2012 5.00% D	
		R309	LG0RH1001D622	RESISTOR,METAL GLAZED(CHIP)	1K OHM 1 / 10 W 2012 5.00% D	
		R310	LG0RH4701D622	RESISTOR,METAL GLAZED(CHIP)	4.7K OHM 1 / 10 W 2012 5.00% D	
		R311	LG0RH1001D622	RESISTOR,METAL GLAZED(CHIP)	1K OHM 1 / 10 W 2012 5.00% D	
		R312	LG0RH6802D622	RESISTOR,METAL GLAZED(CHIP)	68K OHM 1 / 10 W 2012 5.00% D	
		R313	LG0RH0221D622	RESISTOR,METAL GLAZED(CHIP)	2.2 OHM 1 / 10 W 2012 5.00% D	
		R314	LG0RH1001D622	RESISTOR,METAL GLAZED(CHIP)	1K OHM 1 / 10 W 2012 5.00% D	
		R315	LG0RH0472D622	RESISTOR,METAL GLAZED(CHIP)	47 OHM 1 / 10 W 2012 5.00% D	
		R316	LG0RH1000D622	RESISTOR,METAL GLAZED(CHIP)	100 OHM 1 / 10 W 2012 5.00% D	
		R317	LG0RH5601D622	RESISTOR,METAL GLAZED(CHIP)	5.6K OHM 1 / 10 W 2012 5.00% D	
		R318	LG0RH3901D622	RESISTOR,METAL GLAZED(CHIP)	3.9K OHM 1 / 10 W 2012 5.00% D	
		R319	LG0RH5600D622	RESISTOR,METAL GLAZED(CHIP)	560 OHM 1 / 10 W 2012 5.00% D	
		R320	LG0RH1500D622	RESISTOR,METAL GLAZED(CHIP)	150 OHM 1 / 10 W 2012 5.00% D	
		R321	LG0RH1201D622	RESISTOR,METAL GLAZED(CHIP)	1.2K OHM 1 / 10 W 2012 5.00% D	
		R322	LG0RH1001D622	RESISTOR,METAL GLAZED(CHIP)	1K OHM 1 / 10 W 2012 5.00% D	
		R324	LG0RH3303D622	RESISTOR,METAL GLAZED(CHIP)	330K OHM 1 / 10 W 2012 5.00% D	
		R325	LG0RH4700D622	RESISTOR,METAL GLAZED(CHIP)	470 OHM 1 / 10 W 2012 5.00% D	
		R326	LG0RH1202D622	RESISTOR,METAL GLAZED(CHIP)	12K OHM 1 / 10 W 2012 5.00% D	
		R327	LG0RH5601D622	RESISTOR,METAL GLAZED(CHIP)	5.6K OHM 1 / 10 W 2012 5.00% D	
		R328	LG0RH2700D622	RESISTOR,METAL GLAZED(CHIP)	270 OHM 1 / 10 W 2012 5.00% D	
		R329	LG0RH1202D622	RESISTOR,METAL GLAZED(CHIP)	12K OHM 1 / 10 W 2012 5.00% D	
		R330	LG0RH1002D622	RESISTOR,METAL GLAZED(CHIP)	10K OHM 1 / 10 W 2012 5.00% D	
		R331	LG0RH4701D622	RESISTOR,METAL GLAZED(CHIP)	4.7K OHM 1 / 10 W 2012 5.00% D	
		R332	LG0RH4702D622	RESISTOR,METAL GLAZED(CHIP)	47K OHM 1 / 10 W 2012 5.00% D	
		R333	LG0RH3901D622	RESISTOR,METAL GLAZED(CHIP)	3.9K OHM 1 / 10 W 2012 5.00% D	
		R334	LG0RH2701D622	RESISTOR,METAL GLAZED(CHIP)	2.7K OHM 1 / 10 W 2012 5.00% D	
		R335	LG0RH6801D622	RESISTOR,METAL GLAZED(CHIP)	6.8K OHM 1 / 10 W 2012 5.00% D	
		R336	LG0RH1003D622	RESISTOR,METAL GLAZED(CHIP)	100K OHM 1 / 10 W 2012 5.00% D	
		R337	LG0RH2201D622	RESISTOR,METAL GLAZED(CHIP)	2.2K OHM 1 / 10 W 2012 5.00% D	
		R338	LG0RH2700D622	RESISTOR,METAL GLAZED(CHIP)	270 OHM 1 / 10 W 2012 5.00% D	
		R339	LG0RH2700D622	RESISTOR,METAL GLAZED(CHIP)	270 OHM 1 / 10 W 2012 5.00% D	
		R340	LG0RH1802D622	RESISTOR,METAL GLAZED(CHIP)	18K OHM 1 / 10 W 2012 5.00% D	
		R342	LG0RH3300D622	RESISTOR,METAL GLAZED(CHIP)	330 OHM 1 / 10 W 2012 5.00% D	
		R343	LG0RH3300D622	RESISTOR,METAL GLAZED(CHIP)	330 OHM 1 / 10 W 2012 5.00% D	
		R344	LG0RH4700D622	RESISTOR,METAL GLAZED(CHIP)	470 OHM 1 / 10 W 2012 5.00% D	
		R345	LG0RH4700D622	RESISTOR,METAL GLAZED(CHIP)	470 OHM 1 / 10 W 2012 5.00% D	
		R346	LG0RH1000D622	RESISTOR,METAL GLAZED(CHIP)	100 OHM 1 / 10 W 2012 5.00% D	
		R347	LG0RH1000D622	RESISTOR,METAL GLAZED(CHIP)	100 OHM 1 / 10 W 2012 5.00% D	
		R349	LG0RH1801D622	RESISTOR,METAL GLAZED(CHIP)	1.8K OHM 1 / 10 W 2012 5.00% D	
		R350	LG0RH1002D622	RESISTOR,METAL GLAZED(CHIP)	10K OHM 1 / 10 W 2012 5.00% D	
		R351	LG0RH8203D622	RESISTOR,METAL GLAZED(CHIP)	820K OHM 1 / 10 W 2012 5.00% D	
		R352	LG0RH3300D622	RESISTOR,METAL GLAZED(CHIP)	330 OHM 1 / 10 W 2012 5.00% D	
		R353	LG0RH3300D622	RESISTOR,METAL GLAZED(CHIP)	330 OHM 1 / 10 W 2012 5.00% D	
		R3A2	LG0RH0000D622	RESISTOR,METAL GLAZED(CHIP)	0 OHM 1 / 10 W 2012 5.00% D	
		R501	LG0RH1000D622	RESISTOR,METAL GLAZED(CHIP)	100 OHM 1 / 10 W 2012 5.00% D	
		R502	LG0RH1000D622	RESISTOR,METAL GLAZED(CHIP)	100 OHM 1 / 10 W 2012 5.00% D	
		R503	LG0RH4701D622	RESISTOR,METAL GLAZED(CHIP)	4.7K OHM 1 / 10 W 2012 5.00% D	

S	AL	LOCA. NO.	PART NO.	DESCRIPTION	SPECIFICATION	REMARKS
		R504	LG0RH1001D622	RESISTOR,METAL GLAZED(CHIP)	1K OHM 1 / 10 W 2012 5.00% D	
		R505	LG0RH1001D622	RESISTOR,METAL GLAZED(CHIP)	1K OHM 1 / 10 W 2012 5.00% D	
		R506	LG0RH0000D622	RESISTOR,METAL GLAZED(CHIP)	0 OHM 1 / 10 W 2012 5.00% D	
		R508	LG0RH3301D622	RESISTOR,METAL GLAZED(CHIP)	3.3K OHM 1 / 10 W 2012 5.00% D	
		R509	LG0RH1801D622	RESISTOR,METAL GLAZED(CHIP)	1.8K OHM 1 / 10 W 2012 5.00% D	
		R510	LG0RH2201D622	RESISTOR,METAL GLAZED(CHIP)	2.2K OHM 1 / 10 W 2012 5.00% D	
		R511	LG0RH1001D622	RESISTOR,METAL GLAZED(CHIP)	1K OHM 1 / 10 W 2012 5.00% D	
		R512	LG0RH1001D622	RESISTOR,METAL GLAZED(CHIP)	1K OHM 1 / 10 W 2012 5.00% D	
		R513	LG0RH1001D622	RESISTOR,METAL GLAZED(CHIP)	1K OHM 1 / 10 W 2012 5.00% D	
		R514	LG0RH1203D622	RESISTOR,METAL GLAZED(CHIP)	120K OHM 1 / 10 W 2012 5.00% D	
		R515	LG0RH2700D622	RESISTOR,METAL GLAZED(CHIP)	270 OHM 1 / 10 W 2012 5.00% D	
		R516	LG0RH4703D622	RESISTOR,METAL GLAZED(CHIP)	470K OHM 1 / 10 W 2012 5.00% D	
		R517	LG0RH4700D622	RESISTOR,METAL GLAZED(CHIP)	470 OHM 1 / 10 W 2012 5.00% D	
		R518	LG0RH1001D622	RESISTOR,METAL GLAZED(CHIP)	1K OHM 1 / 10 W 2012 5.00% D	
		R519	LG0RH4701D622	RESISTOR,METAL GLAZED(CHIP)	4.7K OHM 1 / 10 W 2012 5.00% D	
		R520	LG0RH3901D622	RESISTOR,METAL GLAZED(CHIP)	3.9K OHM 1 / 10 W 2012 5.00% D	
		R521	LG0RH4701D622	RESISTOR,METAL GLAZED(CHIP)	4.7K OHM 1 / 10 W 2012 5.00% D	
		R522	LG0RH1001D622	RESISTOR,METAL GLAZED(CHIP)	1K OHM 1 / 10 W 2012 5.00% D	
		R523	LG0RH1002D622	RESISTOR,METAL GLAZED(CHIP)	10K OHM 1 / 10 W 2012 5.00% D	
		R524	LG0RH0222D622	RESISTOR,METAL GLAZED(CHIP)	22 OHM 1 / 10 W 2012 5.00% D	
		R525	LG0RH5601D622	RESISTOR,METAL GLAZED(CHIP)	5.6K OHM 1 / 10 W 2012 5.00% D	
		R526	LG0RH5601D622	RESISTOR,METAL GLAZED(CHIP)	5.6K OHM 1 / 10 W 2012 5.00% D	
		R527	LG0RH1001D622	RESISTOR,METAL GLAZED(CHIP)	1K OHM 1 / 10 W 2012 5.00% D	
		R528	LG0RH4701D622	RESISTOR,METAL GLAZED(CHIP)	4.7K OHM 1 / 10 W 2012 5.00% D	
		R529	LG0RH1002D622	RESISTOR,METAL GLAZED(CHIP)	10K OHM 1 / 10 W 2012 5.00% D	
		R530	LG0RH4701D622	RESISTOR,METAL GLAZED(CHIP)	4.7K OHM 1 / 10 W 2012 5.00% D	
		R531	LG0RH1002D622	RESISTOR,METAL GLAZED(CHIP)	10K OHM 1 / 10 W 2012 5.00% D	
		R535	LG0RH4703D622	RESISTOR,METAL GLAZED(CHIP)	470K OHM 1 / 10 W 2012 5.00% D	
		R542	LG0RH2201D622	RESISTOR,METAL GLAZED(CHIP)	2.2K OHM 1 / 10 W 2012 5.00% D	
		R543	LG0RH1000D622	RESISTOR,METAL GLAZED(CHIP)	100 OHM 1 / 10 W 2012 5.00% D	
		R544	LG0RH4701D622	RESISTOR,METAL GLAZED(CHIP)	4.7K OHM 1 / 10 W 2012 5.00% D	
		R545	LG0RH0000D622	RESISTOR,METAL GLAZED(CHIP)	0 OHM 1 / 10 W 2012 5.00% D	
		R546	LG0RH5601D622	RESISTOR,METAL GLAZED(CHIP)	5.6K OHM 1 / 10 W 2012 5.00% D	
		R547	LG0RH1202D622	RESISTOR,METAL GLAZED(CHIP)	12K OHM 1 / 10 W 2012 5.00% D	
		R548	LG0RH1003D622	RESISTOR,METAL GLAZED(CHIP)	100K OHM 1 / 10 W 2012 5.00% D	
		R550	LG0RH2200D622	RESISTOR,METAL GLAZED(CHIP)	220 OHM 1 / 10 W 2012 5.00% D	
		R553	LG0RH2200D622	RESISTOR,METAL GLAZED(CHIP)	220 OHM 1 / 10 W 2012 5.00% D	
		R554	LG0RH3300D622	RESISTOR,METAL GLAZED(CHIP)	330 OHM 1 / 10 W 2012 5.00% D	
		R555	LG0RH2200D622	RESISTOR,METAL GLAZED(CHIP)	220 OHM 1 / 10 W 2012 5.00% D	
		R556	LG0RH2202D622	RESISTOR,METAL GLAZED(CHIP)	22K OHM 1 / 10 W 2012 5.00% D	
		R557	LG0RH2702D622	RESISTOR,METAL GLAZED(CHIP)	27K OHM 1 / 10 W 2012 5.00% D	
		R558	LG0RH2202D622	RESISTOR,METAL GLAZED(CHIP)	22K OHM 1 / 10 W 2012 5.00% D	
		R559	LG0RH4701D622	RESISTOR,METAL GLAZED(CHIP)	4.7K OHM 1 / 10 W 2012 5.00% D	
		R560	LG0RH4701D622	RESISTOR,METAL GLAZED(CHIP)	4.7K OHM 1 / 10 W 2012 5.00% D	
		R561	LG0RH5600D622	RESISTOR,METAL GLAZED(CHIP)	560 OHM 1 / 10 W 2012 5.00% D	
		R562	LG0RH5600D622	RESISTOR,METAL GLAZED(CHIP)	560 OHM 1 / 10 W 2012 5.00% D	
		R563	LG0RH5601D622	RESISTOR,METAL GLAZED(CHIP)	5.6K OHM 1 / 10 W 2012 5.00% D	
		R564	LG0RH2702D622	RESISTOR,METAL GLAZED(CHIP)	27K OHM 1 / 10 W 2012 5.00% D	
		R566	LG0RH4701D622	RESISTOR,METAL GLAZED(CHIP)	4.7K OHM 1 / 10 W 2012 5.00% D	
		R567	LG0RH1002D622	RESISTOR,METAL GLAZED(CHIP)	10K OHM 1 / 10 W 2012 5.00% D	
		R568	LG0RH6802D622	RESISTOR,METAL GLAZED(CHIP)	68K OHM 1 / 10 W 2012 5.00% D	
		R569	LG0RH1004D622	RESISTOR,METAL GLAZED(CHIP)	1M OHM 1 / 10 W 2012 5.00% D	
		R570	LG0RH4701D622	RESISTOR,METAL GLAZED(CHIP)	4.7K OHM 1 / 10 W 2012 5.00% D	
		R575	LG0RH4701D622	RESISTOR,METAL GLAZED(CHIP)	4.7K OHM 1 / 10 W 2012 5.00% D	
		R576	LG0RH4701D622	RESISTOR,METAL GLAZED(CHIP)	4.7K OHM 1 / 10 W 2012 5.00% D	
		R577	LG0RH4701D622	RESISTOR,METAL GLAZED(CHIP)	4.7K OHM 1 / 10 W 2012 5.00% D	
		R578	LG0RH4701D622	RESISTOR,METAL GLAZED(CHIP)	4.7K OHM 1 / 10 W 2012 5.00% D	

HV-DX2E

S	AL	LOCA. NO.	PART NO.	DESCRIPTION	SPECIFICATION	REMARKS
		R579	LG0RH5602D622	RESISTOR,METAL GLAZED(CHIP)	56K OHM 1 / 10 W 2012 5.00% D	
		R582	LG0RH1000D622	RESISTOR,METAL GLAZED(CHIP)	100 OHM 1 / 10 W 2012 5.00% D	
		R583	LG0RH1002D622	RESISTOR,METAL GLAZED(CHIP)	10K OHM 1 / 10 W 2012 5.00% D	
		R589	LG0RH1004D622	RESISTOR,METAL GLAZED(CHIP)	1M OHM 1 / 10 W 2012 5.00% D	
		R591	LG0RH1003D622	RESISTOR,METAL GLAZED(CHIP)	100K OHM 1 / 10 W 2012 5.00% D	
		R5A2	LG0RH1002D622	RESISTOR,METAL GLAZED(CHIP)	10K OHM 1 / 10 W 2012 5.00% D	
		R5A3	LG0RH1002D622	RESISTOR,METAL GLAZED(CHIP)	10K OHM 1 / 10 W 2012 5.00% D	
		R5A5	LG0RH4703D622	RESISTOR,METAL GLAZED(CHIP)	470K OHM 1 / 10 W 2012 5.00% D	
		R5B3	LG0RH1001D622	RESISTOR,METAL GLAZED(CHIP)	1K OHM 1 / 10 W 2012 5.00% D	
		R5B4	LG0RH1001D622	RESISTOR,METAL GLAZED(CHIP)	1K OHM 1 / 10 W 2012 5.00% D	
		R5B5	LG0RH1000D622	RESISTOR,METAL GLAZED(CHIP)	100 OHM 1 / 10 W 2012 5.00% D	
		R5C1	LG0RH1001D622	RESISTOR,METAL GLAZED(CHIP)	1K OHM 1 / 10 W 2012 5.00% D	
		R5C5	LG0RH1001D622	RESISTOR,METAL GLAZED(CHIP)	1K OHM 1 / 10 W 2012 5.00% D	
		R5C6	LG0RH1001D622	RESISTOR,METAL GLAZED(CHIP)	1K OHM 1 / 10 W 2012 5.00% D	
		R5C7	LG0RH1001D622	RESISTOR,METAL GLAZED(CHIP)	1K OHM 1 / 10 W 2012 5.00% D	
		R5C9	LG0RH1002D622	RESISTOR,METAL GLAZED(CHIP)	10K OHM 1 / 10 W 2012 5.00% D	
		R5K6	LG0RH1000D622	RESISTOR,METAL GLAZED(CHIP)	100 OHM 1 / 10 W 2012 5.00% D	
		R5K7	LG0RH1000D622	RESISTOR,METAL GLAZED(CHIP)	100 OHM 1 / 10 W 2012 5.00% D	
		R5K8	LG0RH1000D622	RESISTOR,METAL GLAZED(CHIP)	100 OHM 1 / 10 W 2012 5.00% D	
		R5L1	LG0RH0000D622	RESISTOR,METAL GLAZED(CHIP)	0 OHM 1 / 10 W 2012 5.00% D	
		R5P2	LG0RH1002D622	RESISTOR,METAL GLAZED(CHIP)	10K OHM 1 / 10 W 2012 5.00% D	
		R5P3	LG0RH1002D622	RESISTOR,METAL GLAZED(CHIP)	10K OHM 1 / 10 W 2012 5.00% D	
		R5R8	LG0RH1001D622	RESISTOR,METAL GLAZED(CHIP)	1K OHM 1 / 10 W 2012 5.00% D	
		R5S1	LG0RH5601D622	RESISTOR,METAL GLAZED(CHIP)	5.6K OHM 1 / 10 W 2012 5.00% D	
		R705	LG0RH2200D622	RESISTOR,METAL GLAZED(CHIP)	220 OHM 1 / 10 W 2012 5.00% D	
		R706	LG0RH2200D622	RESISTOR,METAL GLAZED(CHIP)	220 OHM 1 / 10 W 2012 5.00% D	
		R707	LG0RH1001D622	RESISTOR,METAL GLAZED(CHIP)	1K OHM 1 / 10 W 2012 5.00% D	
		R710	LG0RH3301D622	RESISTOR,METAL GLAZED(CHIP)	3.3K OHM 1 / 10 W 2012 5.00% D	
		R711	LG0RH3301D622	RESISTOR,METAL GLAZED(CHIP)	3.3K OHM 1 / 10 W 2012 5.00% D	
		R712	LG0RH4701D622	RESISTOR,METAL GLAZED(CHIP)	4.7K OHM 1 / 10 W 2012 5.00% D	
		R713	LG0RH5601D622	RESISTOR,METAL GLAZED(CHIP)	5.6K OHM 1 / 10 W 2012 5.00% D	
		R714	LG0RH0000D622	RESISTOR,METAL GLAZED(CHIP)	0 OHM 1 / 10 W 2012 5.00% D	
		R715	LG0RH2201D622	RESISTOR,METAL GLAZED(CHIP)	2.2K OHM 1 / 10 W 2012 5.00% D	
		R716	LG0RH1001D622	RESISTOR,METAL GLAZED(CHIP)	1K OHM 1 / 10 W 2012 5.00% D	
		R717	LG0RH1000D622	RESISTOR,METAL GLAZED(CHIP)	100 OHM 1 / 10 W 2012 5.00% D	
		R718	LG0RH1000D622	RESISTOR,METAL GLAZED(CHIP)	100 OHM 1 / 10 W 2012 5.00% D	
		R719	LG0RH4701D622	RESISTOR,METAL GLAZED(CHIP)	4.7K OHM 1 / 10 W 2012 5.00% D	
		R7M1	LG0RH1001D622	RESISTOR,METAL GLAZED(CHIP)	1K OHM 1 / 10 W 2012 5.00% D	
		R7M2	LG0RH2200D622	RESISTOR,METAL GLAZED(CHIP)	220 OHM 1 / 10 W 2012 5.00% D	
		R7M4	LG0RH1001D622	RESISTOR,METAL GLAZED(CHIP)	1K OHM 1 / 10 W 2012 5.00% D	
		R7M5	LG0RH2200D622	RESISTOR,METAL GLAZED(CHIP)	220 OHM 1 / 10 W 2012 5.00% D	
		R7V1	LG0RH1004D622	RESISTOR,METAL GLAZED(CHIP)	1M OHM 1 / 10 W 2012 5.00% D	
		R7V2	LG0RH1003D622	RESISTOR,METAL GLAZED(CHIP)	100K OHM 1 / 10 W 2012 5.00% D	
		R7V3	LG0RH6801D622	RESISTOR,METAL GLAZED(CHIP)	6.8K OHM 1 / 10 W 2012 5.00% D	
		R7V4	LG0RH5603D622	RESISTOR,METAL GLAZED(CHIP)	560K OHM 1 / 10 W 2012 5.00% D	
		R7V5	LG0RH6801D622	RESISTOR,METAL GLAZED(CHIP)	6.8K OHM 1 / 10 W 2012 5.00% D	
		R7V6	LG0RH5603D622	RESISTOR,METAL GLAZED(CHIP)	560K OHM 1 / 10 W 2012 5.00% D	
		R7V7	LG0RH4701D622	RESISTOR,METAL GLAZED(CHIP)	4.7K OHM 1 / 10 W 2012 5.00% D	
		R7V8	LG0RH1000D622	RESISTOR,METAL GLAZED(CHIP)	100 OHM 1 / 10 W 2012 5.00% D	
		R7V9	LG0RH1000D622	RESISTOR,METAL GLAZED(CHIP)	100 OHM 1 / 10 W 2012 5.00% D	
		R801	LG0RH3304D622	RESISTOR,METAL GLAZED(CHIP)	3.3M OHM 1 / 10 W 2012 5.00% D	
		R802	LG0RH3302D622	RESISTOR,METAL GLAZED(CHIP)	33K OHM 1 / 10 W 2012 5.00% D	
		R803	LG0RH2701D622	RESISTOR,METAL GLAZED(CHIP)	2.7K OHM 1 / 10 W 2012 5.00% D	
		R804	LG0RH3902D622	RESISTOR,METAL GLAZED(CHIP)	39K OHM 1 / 10 W 2012 5.00% D	
		R805	LG0RH2701D622	RESISTOR,METAL GLAZED(CHIP)	2.7K OHM 1 / 10 W 2012 5.00% D	
		R806	LG0RH3302D622	RESISTOR,METAL GLAZED(CHIP)	33K OHM 1 / 10 W 2012 5.00% D	
		R807	LG0RH4700D622	RESISTOR,METAL GLAZED(CHIP)	470 OHM 1 / 10 W 2012 5.00% D	

S	AL	LOCA. NO.	PART NO.	DESCRIPTION	SPECIFICATION	REMARKS
		R808	LG0RH1002D622	RESISTOR,METAL GLAZED(CHIP)	10K OHM 1 / 10 W 2012 5.00% D	
		R809	LG0RH1802D622	RESISTOR,METAL GLAZED(CHIP)	18K OHM 1 / 10 W 2012 5.00% D	
		R810	LG0RH1000D622	RESISTOR,METAL GLAZED(CHIP)	100 OHM 1 / 10 W 2012 5.00% D	
		R811	LG0RH1000D622	RESISTOR,METAL GLAZED(CHIP)	100 OHM 1 / 10 W 2012 5.00% D	
		R812	LG0RH1001D622	RESISTOR,METAL GLAZED(CHIP)	1K OHM 1 / 10 W 2012 5.00% D	
		R821	LG0RH2201D622	RESISTOR,METAL GLAZED(CHIP)	2.2K OHM 1 / 10 W 2012 5.00% D	
		R822	LG0RH1003D622	RESISTOR,METAL GLAZED(CHIP)	100K OHM 1 / 10 W 2012 5.00% D	
		R823	LG0RH2201D622	RESISTOR,METAL GLAZED(CHIP)	2.2K OHM 1 / 10 W 2012 5.00% D	
		R824	LG0RH1003D622	RESISTOR,METAL GLAZED(CHIP)	100K OHM 1 / 10 W 2012 5.00% D	
		R825	LG0RH5600D622	RESISTOR,METAL GLAZED(CHIP)	560 OHM 1 / 10 W 2012 5.00% D	
		R826	LG0RH5600D622	RESISTOR,METAL GLAZED(CHIP)	560 OHM 1 / 10 W 2012 5.00% D	
		R835	LG0RH0752D622	RESISTOR,METAL GLAZED(CHIP)	75 OHM 1 / 10 W 2012 5.00% D	
		R841	LG0RH3300D622	RESISTOR,METAL GLAZED(CHIP)	330 OHM 1 / 10 W 2012 5.00% D	
		R842	LG0RH3300D622	RESISTOR,METAL GLAZED(CHIP)	330 OHM 1 / 10 W 2012 5.00% D	
		R850	LG0RH1000D622	RESISTOR,METAL GLAZED(CHIP)	100 OHM 1 / 10 W 2012 5.00% D	
		R851	LG0RH1000D622	RESISTOR,METAL GLAZED(CHIP)	100 OHM 1 / 10 W 2012 5.00% D	
		R861	LG0RH4701D622	RESISTOR,METAL GLAZED(CHIP)	4.7K OHM 1 / 10 W 2012 5.00% D	
		R862	LG0RH4701D622	RESISTOR,METAL GLAZED(CHIP)	4.7K OHM 1 / 10 W 2012 5.00% D	
		R863	LG0RH4701D622	RESISTOR,METAL GLAZED(CHIP)	4.7K OHM 1 / 10 W 2012 5.00% D	
		R864	LG0RH4701D622	RESISTOR,METAL GLAZED(CHIP)	4.7K OHM 1 / 10 W 2012 5.00% D	
		R874	LG0RH0752D622	RESISTOR,METAL GLAZED(CHIP)	75 OHM 1 / 10 W 2012 5.00% D	
		R875	LG0RH4701D622	RESISTOR,METAL GLAZED(CHIP)	4.7K OHM 1 / 10 W 2012 5.00% D	
		R876	LG0RH4701D622	RESISTOR,METAL GLAZED(CHIP)	4.7K OHM 1 / 10 W 2012 5.00% D	
		R890	LG0RH5600D622	RESISTOR,METAL GLAZED(CHIP)	560 OHM 1 / 10 W 2012 5.00% D	
		R902	LG0RH1002D622	RESISTOR,METAL GLAZED(CHIP)	10K OHM 1 / 10 W 2012 5.00% D	
		R903	LG0RH0752D622	RESISTOR,METAL GLAZED(CHIP)	75 OHM 1 / 10 W 2012 5.00% D	
		R904	LG0RH5600D622	RESISTOR,METAL GLAZED(CHIP)	560 OHM 1 / 10 W 2012 5.00% D	
		R905	LG0RH5600D622	RESISTOR,METAL GLAZED(CHIP)	560 OHM 1 / 10 W 2012 5.00% D	
		R906	LG0RH5600D622	RESISTOR,METAL GLAZED(CHIP)	560 OHM 1 / 10 W 2012 5.00% D	
		R907	LG0RH5600D622	RESISTOR,METAL GLAZED(CHIP)	560 OHM 1 / 10 W 2012 5.00% D	
		R908	LG0RH0000D622	RESISTOR,METAL GLAZED(CHIP)	0 OHM 1 / 10 W 2012 5.00% D	
		R909	LG0RH0000D622	RESISTOR,METAL GLAZED(CHIP)	0 OHM 1 / 10 W 2012 5.00% D	
		R910	LG0RH0000D622	RESISTOR,METAL GLAZED(CHIP)	0 OHM 1 / 10 W 2012 5.00% D	
		R911	LG0RH1001D622	RESISTOR,METAL GLAZED(CHIP)	1K OHM 1 / 10 W 2012 5.00% D	
		R913	LG0RH0752D622	RESISTOR,METAL GLAZED(CHIP)	75 OHM 1 / 10 W 2012 5.00% D	
		R914	LG0RH0752D622	RESISTOR,METAL GLAZED(CHIP)	75 OHM 1 / 10 W 2012 5.00% D	
		R919	LG0RH4701D622	RESISTOR,METAL GLAZED(CHIP)	4.7K OHM 1 / 10 W 2012 5.00% D	
		R920	LG0RH6800D622	RESISTOR,METAL GLAZED(CHIP)	680 OHM 1 / 10 W 2012 5.00% D	
		R927	LG0RH0752D622	RESISTOR,METAL GLAZED(CHIP)	75 OHM 1 / 10 W 2012 5.00% D	
		R928	LG0RH0000D622	RESISTOR,METAL GLAZED(CHIP)	0 OHM 1 / 10 W 2012 5.00% D	
		R929	LG0RH0000D622	RESISTOR,METAL GLAZED(CHIP)	0 OHM 1 / 10 W 2012 5.00% D	
		R930	LG0RH0000D622	RESISTOR,METAL GLAZED(CHIP)	0 OHM 1 / 10 W 2012 5.00% D	
		R931	LG0RH2200D622	RESISTOR,METAL GLAZED(CHIP)	220 OHM 1 / 10 W 2012 5.00% D	
		R932	LG0RH2200D622	RESISTOR,METAL GLAZED(CHIP)	220 OHM 1 / 10 W 2012 5.00% D	
		R933	LG0RH1003D622	RESISTOR,METAL GLAZED(CHIP)	100K OHM 1 / 10 W 2012 5.00% D	
		R934	LG0RH1003D622	RESISTOR,METAL GLAZED(CHIP)	100K OHM 1 / 10 W 2012 5.00% D	
		CS501	LG6600M000002	SWITCH,PUSH	MPU11810MLB0 MIC DC 5V 1MA D-3	
		MS501	LG6600JB8005B	SWITCH,MODE	NON 5V 1MA VERTICAL -G	
		MS501	LG6600JB8005C	SWITCH,MODE	MMS00721ZMB0 MIC 5VDC 1MA D-35	ALTERNATE
		ES501	LG4931R-0050C	HOLDER ASSEMBLY	END (DI)	
		ES502	LG4931R-0050C	HOLDER ASSEMBLY	END (DI)	
		RS501	LG6500RAB003A	SENSOR	SG-260 KODENSHI D33 REEL SENSO	
		RS501	LG6500RAB007A	SENSOR	GP1S566V SHARP REEL SENSOR OF	ALTERNATE
		RS502	LG6500RAB003A	SENSOR	SG-260 KODENSHI D33 REEL SENSO	
		RS502	LG6500RAB007A	SENSOR	GP1S566V SHARP REEL SENSOR OF	ALTERNATE
		SC901	LG6620RM0002L	JACK,SCART	DSAM-0139 DOOWON 2F-21P(BK-BK)	
		TU701	LG6700PFG04C	TUNER	TCMI0610PD23C(UK,SS) SS PAL FS	ALTERNATE

HV-DX2E

S	AL	LOCA. NO.	PART NO.	DESCRIPTION	SPECIFICATION	REMARKS
		TU701	LG6700PFPL06C	TUNER	TADC-U401D(UK,LGIT) LG INOTEK	
		X301	LG6202R2443AE	RESONATOR,CRYSTAL	HC49U SSANG TAE 4433709HZ 1	ALTERNATE
		X301	LG6202R2443AC	RESONATOR,CRYSTAL	HC49U BUBANG 4-433709MHZ 15	
		X301	LG6202R2443AG	RESONATOR,CRYSTAL	HC49U SSANGTAE 4-433709MHZ	ALTERNATE
		X501	LG6202R31001F	RESONATOR,CRYSTAL	HC-49S KEUMSEOK 10-0000MHZ 30P	ALTERNATE
		X501	LG6212AA2100C	RESONATOR,CRYSTAL	HC-49S BUBANG 10MHZ +/- 30 PPM	
		X502	LG6202R-DA01B	RESONATOR,CRYSTAL	CFS-308 CITIZEN 32.768KHZ +/-	ALTERNATE
		X502	LG6212AC2327E	RESONATOR,CRYSTAL	C-001R SEIKO EPSON 32.768 KHZ	
		X751	LG529-021Q	RESONATOR,CRYSTAL	49U BUBANG 18432000HZ 30PPM 16	
		X751	LG6212AA2184F	RESONATOR,CRYSTAL	HC-49U KYUNGIL 18.432MHZ +/- 3	ALTERNATE
*** PWB(PCB) ASSEMBLY , POWER ***						
		A48	LG6871R-7211C	PWB(PCB) ASSEMBLY,TOTAL	2003 COMBI SCART POWER DI X120	
	⚠	C101	LG624-088L	CAPACITOR,DRAWING	435D SUNIL ELECTRONICS 0.1UF/275V	
	⚠	C102	LG624-088L	CAPACITOR,DRAWING	435D SUNIL ELECTRONICS 0.1UF/275V	
		C103	LG624-082C	CAPACITOR,AL.ELECTROLYTIC	100MF/400V SHL SMPS S/Y	
		C105	LG0CQ1031Y519	CAPACITOR,POLYESTER	0.01UF D 630V K PE NI TP	
		C106	LG624-087G	CAPACITOR	HIGH-VOL 68PF/1KV SMPS SAMHWA	
		C107	LG0CE1054K638	CAPACITOR,ELECTROLYTIC	1.0M SRA/SS50V M FM5 TP(5)	
		C108	LG0CE336BH638	CAPACITOR,ELECTROLYTIC	33UF KME 25V M FM5 TP5	
		C109	LG0CN223AK948	CAPACITOR,TUBULAR(HIGH DIELEC)	0.022UF 50V Z F TA26 S	
	⚠	C110	LG0CG1020U630	CAPACITOR,SEMI CERAMIC	1000PF 400V M E(Z5U) R	
	⚠	C111	LG0CG2220U630	CAPACITOR,SEMI CERAMIC	2200 PF 400V M E R (NK,AD,SD)	
		C123	LG0CE477BH630	CAPACITOR,AL.ELECTROLYTIC	470UF KME TYPE 25V M FM5 BULK	
		C126	LG0CE2276H638	CAPACITOR,FIXED ELECTROLYTIC	220UF SMS,SG 25V 20% FM5 TP 5	
		C127	LG0CE108BF630	CAPACITOR,FIXED ELECTROLYTIC	1000UF KME 16V M FM5 BULK	
		C128	LG0CE3376D638	CAPACITOR,ELECTROLYTIC	330UF SMS 10V M FM5 TP5	
		C129	LG0CE228BF630	CAPACITOR,FIXED ELECTROLYTIC	2200UF KME TYPE 16V 20% FM5 BU	
		C131	LG624-082H	CAPACITOR	CE 1000UF/10V SHL(10*12.5)T/P	
		C132	LG624-085D	CAPACITOR	CE 47UF/50V KME (SMPS)	
		C133	LG0CQ1042K409	CAPACITOR,FIXED FILM	0.1UF S 50V J PE TP	
		C151	LG0CE4754K638	CAPACITOR,FIXED ELECTROLYTIC	4.7UF SRA,SS 50V 20% FM5 TP 5	
		C152	LG0CE4754K638	CAPACITOR,FIXED ELECTROLYTIC	4.7UF SRA,SS 50V 20% FM5 TP 5	
		C153	LG0CE1064F638	CAPACITOR,ELECTROLYTIC	10M SRA 16V M FM5 TP(5)	
		C154	LG0CE1074F638	CAPACITOR,ELECTROLYTIC	100U SRA 16V M FM5 TP(5)	
		C155	LG0CE1064F638	CAPACITOR,ELECTROLYTIC	10M SRA 16V M FM5 TP(5)	
		C159	LG0CE1064F638	CAPACITOR,ELECTROLYTIC	10M SRA 16V M FM5 TP(5)	
		C161	LG0CE4764C638	CAPACITOR,ELECTROLYTIC	47M SRA 6.3V M FM5 TP(5)	
		C163	LG624-087H	CAPACITOR	HIGH-VOL 220PF/1KV CERAMIC	
		L122	LG633-088G	COIL,CHOKE	CHOCK(22MH) 5MM TOKO TP	
		L123	LG633-088G	COIL,CHOKE	CHOCK(22MH) 5MM TOKO TP	
		L124	LG633-088G	COIL,CHOKE	CHOCK(22MH) 5MM TOKO TP	
	⚠	BD101	LG0DD160000DA	DIODE	S1WBA60(1A 600V) SHIDENKEN	
		D101	LG0DD010009CA	DIODE,RECTIFIER	EG01CW(R-FORM 5MM) TP SANKEN	ALTERNATE
		D101	LG0DD221009AA	DIODE,RECTIFIERS	ERA22-10 KFLB,TP ,R T/P,FUJI	
		D102	LG0DD010009AC	DIODE	EU01W(R-FORM) TP SANKEN	
		D102	LG0DR104009BA	DIODE,RECTIFIER	RL104F TP RECTRON NON 400V 1A	ALTERNATE
		D110	LG0DR302000AB	DIODE,RECTIFIER	HER302 BK RECTRON DO201AD 100V	
		D111	LG0DR158220AA	DIODE,RECTIFIER	1N5822 BK RECTRON DO201AD 40V	
		D112	LG0DR158220AA	DIODE,RECTIFIER	1N5822 BK RECTRON DO201AD 40V	
		D113	LG0DD010009AC	DIODE	EU01W(R-FORM) TP SANKEN	
		D113	LG0DR104009BA	DIODE,RECTIFIER	RL104F TP RECTRON NON 400V 1A	ALTERNATE
		D114	LG0DR104009AB	DIODE,RECTIFIER	RL104 R. TP GULF SEMICONDUCTOR	
		D115	LG0DR104009AB	DIODE,RECTIFIER	RL104 R. TP GULF SEMICONDUCTOR	
		D121	LG0DD133009AA	DIODE,SWITCHING	1SS133 DETECT,SW TP	
		BD01	LG636-004C	FILTER(CIRC),EMC	BEAD CORE BFS3550R2FD8,R T/P	
		BD02	LG636-004C	FILTER(CIRC),EMC	BEAD CORE BFS3550R2FD8,R T/P	
	⚠	L102	LG616-145P	FILTER(CIRC),DRAWING	LFSQ2215V4-04220B SAMWAH TECOM	

S	AL	LOCA. NO.	PART NO.	DESCRIPTION	SPECIFICATION	REMARKS
△		F101	LG0FS1601B51D	FUSE,SLOW BLOW	1600MA 250 V 5.2X20 CY/GL KS/J	
△		IC101	LG0IPMGFF001A	IC,POWER MANAGEMENT	ICE2B265 INFINEON 8 DIP ST SMP	
		IC103	LG0IKE431000A	IC,KEC	KIA431 3 PIN TP	
		IC151	LG0IPMGKE008B	IC,POWER MANAGEMENT	KIA78R08PI CU KEC 4P TO-220IS	
		IC152	LG0IPMGFA046A	IC,POWER MANAGEMENT	KA278R33TSTU FAIRCHILD 4PIN TO	ALTERNATE
		IC152	LG0IPMGKE022B	IC,POWER MANAGEMENT	KIA278R33PI-CU KEC 4PIN TO-220	
		Q156	LG0TR320509AB	TRANSISTOR	KTC3205-TP-Y (KTC2236A)KEC	
		Q160	LG0TR127309AA	TRANSISTOR	KTA1273-TP-Y (KTA966A)KEC	
		Q160	LG0TR928009AD	TRANSISTOR	KSA928A-Y,TO-92L TP SAMSUNG TO	ALTERNATE
		Q161	LG0TR126809BA	TRANSISTOR,BIPOLARS	KTA1268-BL TP KEC	
		Q162	LG0TR534309BA	TRANSISTOR	2SC5343-L TP AUK TO92	
		R100	LG0RD1504H632	RESISTOR,FIXED CARBON FILM	1.5M OHM 1/2 W 5.00% MF10	
		R101	LG614-007A	RESISTOR	2.7/2W CEMENT SMPS V	
		R104	LG0RS5602K619	RESISTOR,FIXED METAL OXIDE FIL	56K OHM 2 W 5.00% TR	
		R105	LG0RD0222F608	RESISTOR,FIXED CARBON FILM	22 OHM 1/6 W 5% TA26	
		R106	LG0RD0222F608	RESISTOR,FIXED CARBON FILM	22 OHM 1/6 W 5% TA26	
		R107	LG0RS0350K619	RESISTOR,FIXED METAL OXIDE FIL	0.35 OHM 2 W 5.00% TR	
		R112	LG0RD2200F608	RESISTOR,FIXED CARBON FILM	220 OHM 1/6 W 5% TA26	
		R113	LG0RD2201F608	RESISTOR,FIXED CARBON FILM	2.2K OHM 1/6 W 5% TA26	
		R114	LG0RD1001F608	RESISTOR,FIXED CARBON FILM	1K OHM 1/6 W 5% TA26	
		R115	LG0RN3301F408	RESISTOR,FIXED METAL FILM	3.3K OHM 1/6 W 1% TA26	
		R116	LG0RN2701F408	RESISTOR,FIXED METAL FILM	2.7K OHM 1/6 W 1% TA26	
		R117	LG0RD2700F608	RESISTOR,FIXED CARBON FILM	270 OHM 1/6 W 5% TA26	
		R119	LG0RD1003F608	RESISTOR,FIXED CARBON FILM	100K OHM 1/6 W 5% TA26	
		R131	LG0RD2203F608	RESISTOR,FIXED CARBON FILM	220K OHM 1/6 W 5% TA26	
		R132	LG0RD2203F608	RESISTOR,FIXED CARBON FILM	220K OHM 1/6 W 5% TA26	
		R153	LG0RD4701F608	RESISTOR,FIXED CARBON FILM	4.7K OHM 1/6 W 5% TA26	
		R154	LG0RD1001F608	RESISTOR,FIXED CARBON FILM	1K OHM 1/6 W 5% TA26	
		R155	LG0RD1802F608	RESISTOR,FIXED CARBON FILM	18K OHM 1/6 W 5% TA26	
		R156	LG0RD1002F608	RESISTOR,FIXED CARBON FILM	10K OHM 1/6 W 5% TA26	
		R157	LG0RD1001F608	RESISTOR,FIXED CARBON FILM	1K OHM 1/6 W 5% TA26	
		R158	LG0RD3300F608	RESISTOR,FIXED CARBON FILM	330 OHM 1/6 W 5% TA26	
		R159	LG0RD3300F608	RESISTOR,FIXED CARBON FILM	330 OHM 1/6 W 5% TA26	
		R163	LG0RD4701F608	RESISTOR,FIXED CARBON FILM	4.7K OHM 1/6 W 5% TA26	
		R164	LG0RD4701F608	RESISTOR,FIXED CARBON FILM	4.7K OHM 1/6 W 5% TA26	
		R170	LG0RD1002F608	RESISTOR,FIXED CARBON FILM	10K OHM 1/6 W 5% TA26	
		R171	LG0RD1001F608	RESISTOR,FIXED CARBON FILM	1K OHM 1/6 W 5% TA26	
△		IC102	LG657-063A	SENSOR	LTV-817B,PHOTO COUPLER(LITEON)	
△		T101	LG6170RNGW12A	TRANSFORMER,SMPS[COIL]	EER3530 SOOJUNG WIDE EER3530	
△		V101	LG656-004C	VARISTOR,DRAWING	SVC681D-10A SAMHWA 4.O CUT	
		ZD103	LG0DZ130009AA	DIODE,ZENER	MTZ13A TP ROHM-K	
*** BOARD ASSEMBLY , TIMER ***						
		A49	LG3501R-6413A	BOARD ASSEMBLY	VCR VYC601M TIMER	
		274	LG3300R-V033A	PLATE	VYC601 PRESS JACK GND SUS 0.2T	
		C601	LG0CE1064F638	CAPACITOR,ELECTROLYTIC	10M SRA 16V M FM5 TP(5)	
		C613	LG0CN1020K518	CAPACITOR TUBULA(HIGH DIELE)	1000P 50V K B TA26	
		C614	LG0CN1020K518	CAPACITOR TUBULA(HIGH DIELE)	1000P 50V K B TA26	
		C6G1	LG0CE4775C638	CAPACITOR,FIXED ELECTROLYTIC	470UF SR,SV 6.3V 20% FM5 TP 5	
		C6G2	LG0CE4775C638	CAPACITOR,FIXED ELECTROLYTIC	470UF SR,SV 6.3V 20% FM5 TP 5	
		L5G1	LG0LR4700K035	INDUCTOR RADIAL LEAD	470M K 6X6 L5 TP	
		L602	LG0LA1000K018	INDUCTOR AXIAL LEAD	100M K 2.3X3.4 L5 TP	
		L603	LG0LA1000K018	INDUCTOR AXIAL LEAD	100M K 2.3X3.4 L5 TP	
		IC601	LG0ILNRPY001A	IC,LINEAR	PT6955 PTC 24P SOP ST LED DRIV	
		JK601	LG6612JH003AC	JACK,RCA	BJP-113D BAE EUN YELLOW	
		JK602	LG6612JH003AB	JACK,RCA	BJP-113C BAE EUN WHITE	
		JK603	LG6612JH003AA	JACK,RCA	BJP-113B BAE EUN RED	
		LD601	LG6301R2U008B	LED ASSEMBLY	TOS-3664AGMGMRMY-B OASIS UNIVE	

HV-DX2E

S	AL	LOCA. NO.	PART NO.	DESCRIPTION	SPECIFICATION	REMARKS
		R604	LG0RD5602F608	RESISTOR, FIXED CARBON FILM	56K OHM 1/6 W 5% TA26	
		R605	LG0RD3300F608	RESISTOR, FIXED CARBON FILM	330 OHM 1/6 W 5% TA26	
		R611	LG0RD1501F608	RESISTOR, FIXED CARBON FILM	1.5K OHM 1/6 W 5% TA26	
		R612	LG0RD2701F608	RESISTOR, FIXED CARBON FILM	2.7K OHM 1/6 W 5% TA26	
		R613	LG0RD5601F608	RESISTOR, FIXED CARBON FILM	5.6K OHM 1/6 W 5% TA26	
		R614	LG0RD6800F608	RESISTOR, FIXED CARBON FILM	680 OHM 1/6 W 5% TA26	
		R615	LG0RD8200F608	RESISTOR, FIXED CARBON FILM	820 OHM 1/6 W 5% TA26	
		R616	LG0RD2701F608	RESISTOR, FIXED CARBON FILM	2.7K OHM 1/6 W 5% TA26	
		R641	LG0RD0752F608	RESISTOR, FIXED CARBON FILM	75 OHM 1/6 W 5.00% TA26	
		RC601	LG6712R1638GA	REMOTE CONTROLLER RECEIVER	TSOP1838RF1 VISHAY(TEMIC) 37-	
		SW601	LG556-219B	SWITCH, TACT	THVV502GAA POSTECH DC 12 V 5-	
		SW602	LG556-219B	SWITCH, TACT	THVV502GAA POSTECH DC 12 V 5-	
		SW603	LG556-219B	SWITCH, TACT	THVV502GAA POSTECH DC 12 V 5-	
		SW604	LG556-219B	SWITCH, TACT	THVV502GAA POSTECH DC 12 V 5-	
		SW605	LG556-219B	SWITCH, TACT	THVV502GAA POSTECH DC 12 V 5-	
		SW606	LG556-219B	SWITCH, TACT	THVV502GAA POSTECH DC 12 V 5-	
		SW607	LG556-219B	SWITCH, TACT	THVV502GAA POSTECH DC 12 V 5-	
*** BOARD ASSEMBLY , KEY ***						
		A42	LG3501R-6414A	BOARD ASSEMBLY	VCR VYC601M KEY	
		LED601	LG0DL112000AJ	DIODE, LED	DL-11S2RNS(SUPER, RED, 03)KOC	
		LED602	LG0DL112000AJ	DIODE, LED	DL-11S2RNS(SUPER, RED, 03)KOC	
		Q601	LG0TR120309AE	TRANSISTOR	SRC1203 TP AUK TO92 22K, 22K	
		Q602	LG0TR120309AE	TRANSISTOR	SRC1203 TP AUK TO92 22K, 22K	
		R618	LG0RD1201F608	RESISTOR, FIXED CARBON FILM	1.2K OHM 1/6 W 5% TA26	
		R619	LG0RD1501F608	RESISTOR, FIXED CARBON FILM	1.5K OHM 1/6 W 5% TA26	
		R620	LG0RD2201F608	RESISTOR, FIXED CARBON FILM	2.2K OHM 1/6 W 5% TA26	
		R621	LG0RD3301F608	RESISTOR, FIXED CARBON FILM	3.3K OHM 1/6 W 5% TA26	
		R622	LG0RD4701F608	RESISTOR, FIXED CARBON FILM	4.7K OHM 1/6 W 5% TA26	
		R623	LG0RD4701F608	RESISTOR, FIXED CARBON FILM	4.7K OHM 1/6 W 5% TA26	
		R630	LG0RD1500F608	RESISTOR, FIXED CARBON FILM	150 OHM 1/6 W 5% TA26	
		R631	LG0RD1500F608	RESISTOR, FIXED CARBON FILM	150 OHM 1/6 W 5% TA26	
		SW608	LG556-219B	SWITCH, TACT	THVV502GAA POSTECH DC 12 V 5-	
		SW609	LG556-219B	SWITCH, TACT	THVV502GAA POSTECH DC 12 V 5-	
		SW610	LG556-219B	SWITCH, TACT	THVV502GAA POSTECH DC 12 V 5-	
		SW611	LG556-219B	SWITCH, TACT	THVV502GAA POSTECH DC 12 V 5-	
		SW612	LG556-219B	SWITCH, TACT	THVV502GAA POSTECH DC 12 V 5-	
*** DECK ASSEMBLY (VCR) ***						
		A00	LG6721RF0750B	DECK ASSEMBLY, VIDEO	D35(N) DI (4HF, PAL, AHC(O), B	NSP
		A01	LG6723R-0403C	DRUM(CIRC) ASSEMBLY	D35-6CH PAL (8P6C)	
		A03	LG4261R-0025A	ARM ASSY	CLEANER	
		A04	LG4811RF0038A	BRACKET ASSEMBLY	L/D(S)	
		A04	LG4811RF0038B	BRACKET ASSEMBLY	L/D(M) - DI	ALTERNATE
		A11	LG4471R-0005A	GEAR ASSY	P3	
		A12	LG4471R-0004A	GEAR ASSY	P2	
		A21	LG4931R-0047A	HOLDER ASSY	CST	
		A22	LG4471R-0006A	GEAR ASSY	RACK F/L	
		A23	LG4261R-0023A	ARM ASSY	F/L	
		A24	LG4510R-0046A	LEVER	ASSY SWITCH	
		001	LG6723R-0306C	DRUM(CIRC) ASSEMBLY	SUB D35-6CH (8P6C)	NSP
		002	LG4680R-B005A	MOTOR(MECH)	DRUM I2OAL05 SEJIN-SANKYO ICLE	
		002	LG4680R-B003B	MOTOR(MECH)	DRUM VH4301 KUMAGAYA DRUM MOTO	ALTERNATE
		002	LG4680R-B007A	MOTOR(MECH)	DRUM MDVC-035AA LGIT FOR D-35,	ALTERNATE
		002A	LG5202R00002C	BRUSH, CARBON	ASSY D33 (TIP+2 SPRING) 1.4,	
		003	LG4930R-0284A	HOLDER	FPC(6CH)	
		004	LG5006R-0034A	CAP	FPC	
		006	LG4580R-0004A	ROLLER	CLEANER	NSP
		007	LG4260R-0039A	ARM	CLEANER	NSP

S	AL	LOCA. NO.	PART NO.	DESCRIPTION	SPECIFICATION	REMARKS
		008	LG6850R-HG18Z	CABLE,FLAT	P=1.25 FFC UL2896(0.05X0.8) 7	
		009	LG4260R-0038A	ARM	T/UP(D35)	
		010	LG4810R-0125A	BRACKET	CHASSIS	
		011	LG4261R-0022A	ARM ASSY	TENSION(D35)	
		012	LG3041R-0037A	BASE ASSY	P2	
		013	LG3041R-0038A	BASE ASSY	P3	
		014	LG3041R-0039A	BASE ASSY	P4	
		015	LG5870R-0005A	OPENER	LID(D35)	
		016	LG3041R-0036A	BASE ASSEMBLY	A/C HEAD (ALPS)	
		017	LG4408R-0003A	REEL	S	
		018	LG4970R-0140A	SPRING	COIL RS D35	
		019	LG4421R-0008A	BRAKE ASSEMBLY	RS	
		020	LG4970R-0128A	SPRING	COIL D35 (TB)	
		021	LG4421R-0006A	BRAKE ASSY	T	
		022	LG6520D00001A	HEAD(CIRC)	D35 FE TDK FE HEAD	ALTERNATE
		022	LG6520D00002A	HEAD(CIRC)	D35 FE ST FE HEAD	
		023	LG3040R-0057A	BASE	LOADING	
		024	LG4261R-0029A	ARM ASSEMBLY	IDLER (N)	
		025	LG4810R-0118A	BRACKET	L/D(S)	NSP
		026	LG4680R-D002A	MOTOR(MECH)	LOADING MDB2B66 SANKYO D35 ASP	NSP
		027	LG4470R-0093A	GEAR	WHEEL	NSP
		028	LG4408R-0004A	REEL	T	
		029	LG4261R-0019A	ARM ASSEMBLY	DECK/MECHA PINCH	ALTERNATE
		029	LG4261R-0019D	ARM ASSEMBLY	DECK/MECHA PINCH	ALTERNATE
		029	LG4261R-0019C	ARM ASSEMBLY	DECK/MECHA PINCH	
		029	LG4261R-0019B	ARM ASSEMBLY	PINCH	ALTERNATE
		030	LG4510R-0043A	LEVER	T/UP	
		031	LG4970R-0123A	SPRING	COIL TENSION(D35)	
		032	LG3141R-0040A	CHASSIS ASSY	D35	NSP
		051	LG4400R-0005A	BELT	CAPSTAN	
		052	LG4680R-A006A	MOTOR(MECH)	CAPSTAN MCVC-035AA LGIT BLDC 3	ALTERNATE
		052	LG4680R-A007A	MOTOR(MECH)	CAPSTAN F2QVB06 SANKYO D35 ASR	
		052	LG4680R-A008A	MOTOR(MECH)	CAPSTAN SAMSUNG DMVCMC09L D35	ALTERNATE
		052A	LG4980R-0023A	SUPPORTER	CAPSTAN(D35)	
		054	LG4470R-0100A	GEAR	RACK F/L	
		054A	LG4970R-0124B	SPRING	COIL D35 (RACK F/L)	
		055	LG4470R-0097A	GEAR	DRIVE(D35)	
		056	LG4470R-0096A	GEAR	CAM(D35)	
		058	LG4421R-0007A	BRAKE ASSY	CAPSTAN	
		060	LG4510R-0040A	LEVER	F/R(D35)	
		061	LG4265R-0006A	CLUTCH ASSEMBLY	D35 (N)	
		064	LG4470R-0098A	GEAR	SECTOR(D35)	
		065	LG4261R-0021A	ARM ASSY	P3	NSP
		066	LG4970R-0122A	SPRING	COIL D35	NSP
		067	LG4470R-0095A	GEAR	P3	NSP
		068	LG4470R-0094A	GEAR	P2	NSP
		069	LG4970R-0122A	SPRING	COIL D35	NSP
		070	LG4261R-0020A	ARM ASSY	P2	NSP
		076	LG4510R-0047A	LEVER	SPRING	
		077	LG3300R-M116A	PLATE	SLIDER	
		078	LG4510R-0041A	LEVER	TENSION	
		079	LG3040R-0056A	BASE	TENSION(D35)	
		100	LG3301R-M022A	PLATE ASSEMBLY	TOP	
		100A	LG3300R-0184A	PLATE	GND	
		100B	LG3300R-M118A	PLATE	TOP(D35)	
		102	LG4970R-0130A	SPRING	COIL D35 (STOPPER)	
		103	LG4930R-0276A	HOLDER	SIDE(L)	NSP

HV-DX2E

S	AL	LOCA. NO.	PART NO.	DESCRIPTION	SPECIFICATION	REMARKS
		105	LG4930R-0274A	HOLDER	CST	NSP
		106	LG4930R-0275A	HOLDER	SIDE(R)	NSP
		107	LG4510R-0044A	LEVER	STOPPER	NSP
		109	LG5870R-0004A	OPENER	DOOR	
		110	LG4260R-0035A	ARM	F/L(L)	NSP
		112	LG3070R-0002A	BODY	F/L	NSP
		113	LG4970R-0127A	SPRING	COIL D35 (F/L(R))	NSP
		114	LG4260R-0036A	ARM	F/L(R)	NSP
		115	LG4510R-0042A	LEVER	SWITCH	
		116	LG4970R-0138A	SPRING	COIL D35 SWITCH	
		117	LG3300R-M137A	PLATE	SPRING CST	
		401	LG1MEC0261518	SCREW MACHINE,PAN HEAD SPR W	D2.6 L4.5 MSWR3/FZY	
		402	LG1MPC0261418	SCREW MACHINE,PAN HEAD	D 2.6 L 4.0 MSWR3/FZY	
		405	LG1SZZR-0031B	SCREW,DRAWING	+ 1 D2.6 L5.8 SWRCH16A/FZY TAP	
		406	LG1MEC0302018	PAN HEAD MACHINE SCREW S/W +	D 3.0 L 6.0 MSWR3/FZY	
		409	LG1SZZR-0032B	SCREW,DRAWING	+ 1 D2.6 L5.0 SWRCH18A/FZY TAP	
		410	LG1APF0262218	SCREW TAP TITE(B),PAN HEAD	D2.6 L6.8 MSWR3/FZY	
		517	LG1WZZR-0004D	WASHER	STOPPER	
		518	LG1WZZR-0004A	WASHER	STOPPER	

NOTES) If you want to purchase
Flash memory, you must order
"IC3F1A"

NOTES) ⚠ Warning
Parts that are shaded are critical
With respect to risk of fire or
electrical shock.

SECTION 6 REPLACEMENT PARTS LIST

SANYO MODEL : HV-DX2EV

NSP : Not available as service parts.

RUN DATE : 14-MAR-03

S	AL	LOCA. NO.	PART NO.	DESCRIPTION	SPECIFICATION	REMARKS
*** INDIVIDUAL PARTS ***						
		250	LG3110R-V004B	CASE	(COMBI-2) PRESS A288G-HOLE-7EA	
		260	LG3210R-V002B	FRAME	COMB-2 MOLD HIPS 60HR-BK	
		276	LG4930R-0298B	HOLDER	VCR - TIMER PWB(D+V-RIB CUTTIN	
		285	LG3581R-T046C	DOOR ASSEMBLY	VCR TRAY VYC600NP,CP	
	⚠	300	LG6410RCHP02B	POWER CORD	HIT-102/H0VHH2-F (WITH CORE) HI	
		330	LG3140R-V001B	CHASSIS	COMBI-2 PRESS PAL TYPE	
		452	LG353-051A	SCREW	SPECIAL	
		457	LG353-051E	SCREW	SPECIAL (3X12)	
		465	LG353-046K	SCREW	SPECIAL (3X10 B.K)	
		467	LG353-051G	SCREW,DRAWING	+ 2 D3.0 L8.0 MSWR3/FN TB ROUN	
*** PACKING ACCESSORY ***						
		801	LG3835RP0099B	INSTRUCTION ASSEMBLY	VCR VYC600CP.NA3GSS	
		802	LG3890R-H540N	BOX	VYC600CP NA3GSS SWW3-A 1.285 3	
		803	LG3920R-E080A	PACKING,CASING	VC6000_S 0.02 150 EPS 4 1 1	
		804	LG292-053B	BAG	SOFT(MIDI)	NSP
		808	LG534-008C	BATTERY,MANGANESE	AAAM(R03) SEOTONG 1-5 V - 1PA	
*** REMOTE CONTROLLER ***						
		900	LG6711R1N108D	REMOTE CONTROLLER ASSEMBLY	N6 VYC600CP SANYO W/SHOWVIEW	
		910	LG3550R-0431A	COVER	BATTERY(N6 HIPS 60HR 89991)	
*** PANEL ASSEMBLY , FRONT ***						
		A43	LG3721R-F262L	PANEL ASSEMBLY,FRONT	VCR VYC600CP NA3GSS FRONT(DX2E	
		280	LG3720R-F200K	PANEL,FRONT	VCR VYC600 MOLD FRONT B589G	NSP
		283	LG3580R-V056C	DOOR,CASE	VCR VYV600NP MOLD CST A6509G	
		284	LG442-681A	SPRING	DOOR	
*** CABLE ASSEMBLY , RF ***						
		810	LG6851RP0003F	CABLE ASSY,RF	CABLE ASSY,RF/SCART/RCA USING	
		806	LG6850R-CAA26	CABLE,COAXIAL	1200M/M PAL-PAL DOUBLE SHIELD	
		812	LG	PLUG ASSY	2WAY RED/WHITE GLOBAL	
*** DECK ASSEMBLY(DVD MD) ****						
		A26	LG6721RF0353B	DECK ASSEMBLY,VIDEO	DECK/MECHA DP5-4V(DVD+VCR) DI,	NSP
		A01	LG4861R-0015A	CLAMP ASSEMBLY	DISC(DP-5) DI	
		A02	LG3041R-M004A	BASE ASSEMBLY	MAIN (DP4) DI-DECK	
		A03	LG3041R-M005A	BASE ASSEMBLY	SLED (DP5) DI	
		001	LG3300R-0547A	PLATE	CLAMP	NSP
		002	LG5016H-1016B	MAGNET	CLAMP(LDM-R608,10*5,1*1.5T)	NSP
		003	LG4860R-0006A	CLAMP	UPPER	NSP
		004	LG4930R-0171A	HOLDER	CLAMP	
		008	LG4470R-0047B	GEAR	ASSY RACK (DI)	
		009	LG4470R-0053A	GEAR	MIDDLE	
		010	LG6850R-GK22Z	CABLE,FLAT	P=1.0 FFC UL2896(0.05X0.65) 11	
		011	LG3210R-0036A	FRAME	UP/D	
		011A	LG6850R-JW14B	CABLE,FLAT	P=1.0 FFC UL2896(0.035X0.7) 23	
		012	LG5040R-0047A	RUBBER	REAR(E2,5040H-1054A),YAMAUCHI	
		012	LG5040R-0047B	RUBBER	DAMPER(E2,5040H-1054A),CHUNPOO	ALTERNATE
		012A	LG5040R-0047C	RUBBER	DAMPER(HARDNESS=30),DARKGREEN	

HV-DX2EV

S	AL	LOCA. NO.	PART NO.	DESCRIPTION	SPECIFICATION	REMARKS
		012A	LG5040R-0047D	RUBBER	DAMPER(HARDNESS=30),DARKGREEN	ALTERNATE
		013	LG4400R-0006A	BELT	LOADING	
		014	LG4470R-0055A	GEAR	PULLEY	
		015	LG6871RZ5130A	PWB(PCB) ASSEMBLY,OTHERS	SUB,L/D (DP-4V,DVD+VCR) DI	
		016	LG4470R-0050B	GEAR	ASSY FEED (DI)	
		017	LG4470R-0056A	GEAR	LOADING	
		018	LG4974R-0023A	GUIDE	UP/DOWN	
		020	LG3040R-0024A	BASE	MAIN	NSP
		026	LG3390R-0005A	TRAY	DISC	
		026	LG3390RK0010A	TRAY	DISC + PACKING	ALTERNATE
		429	LG1SZZR-0012A	SCREW,	B-TITE	
		430	LG1SZZH-1003A	SCREW,	+ D2.0 6MM SWRCH16A/NIY 4.5MM	
		430	LG1SZZH-1003A	SCREW,	+ D2.0 6MM SWRCH16A/NIY 4.5MM	
		431	LG1SZZH-1007B	SCREW,DRAWING	+ D2.0 6MM SWRCH16A/ZNBK 4MM 1	
		432	LG1SZZR-0011A	SCREW,	MACHINE	
*** SUB PWB(PCB)ASSEMBLY(DVD) ***						
		A46A	LG6885R-5006B	SUB PWB(PCB) ASSEMBLY	444503D2100500 FF 000101 VYC60	
		C201	LG0CH1104K942	CAPACITOR,CHIP[CERAMIC M/L HD	0.1UF 50V Z Y5V(F) 1508 R/TP	
		C202	LG0CH1104K942	CAPACITOR,CHIP[CERAMIC M/L HD	0.1UF 50V Z Y5V(F) 1508 R/TP	
		C203	LG0CH1104K942	CAPACITOR,CHIP[CERAMIC M/L HD	0.1UF 50V Z Y5V(F) 1508 R/TP	
		C204	LG0CH1104K942	CAPACITOR,CHIP[CERAMIC M/L HD	0.1UF 50V Z Y5V(F) 1508 R/TP	
		C205	LG0CH1104K942	CAPACITOR,CHIP[CERAMIC M/L HD	0.1UF 50V Z Y5V(F) 1508 R/TP	
		C206	LG0CH1104K942	CAPACITOR,CHIP[CERAMIC M/L HD	0.1UF 50V Z Y5V(F) 1508 R/TP	
		C207	LG0CH1105D942	CAPACITOR,CHIP[CERAMIC M/L HD	1UF 10V Z Y5V(F) 1508 R/TP	
		C208	LG0CH1104K942	CAPACITOR,CHIP[CERAMIC M/L HD	0.1UF 50V Z Y5V(F) 1508 R/TP	
		C209	LG0CH1104K942	CAPACITOR,CHIP[CERAMIC M/L HD	0.1UF 50V Z Y5V(F) 1508 R/TP	
		C210	LG0CH1104K942	CAPACITOR,CHIP[CERAMIC M/L HD	0.1UF 50V Z Y5V(F) 1508 R/TP	
		C211	LG0CE1064F638	CAPACITOR,ELECTROLYTIC	10M SRA 16V M FM5 TP(5)	
		C212	LG0CE1064F638	CAPACITOR,ELECTROLYTIC	10M SRA 16V M FM5 TP(5)	
		C213	LG0CE1064F638	CAPACITOR,ELECTROLYTIC	10M SRA 16V M FM5 TP(5)	
		C214	LG0CH1104K942	CAPACITOR,CHIP[CERAMIC M/L HD	0.1UF 50V Z Y5V(F) 1508 R/TP	
		C215	LG0CH1104K942	CAPACITOR,CHIP[CERAMIC M/L HD	0.1UF 50V Z Y5V(F) 1508 R/TP	
		C216	LG0CH1104K942	CAPACITOR,CHIP[CERAMIC M/L HD	0.1UF 50V Z Y5V(F) 1508 R/TP	
		C224	LG0CH1104K942	CAPACITOR,CHIP[CERAMIC M/L HD	0.1UF 50V Z Y5V(F) 1508 R/TP	
		C225	LG0CH1105D942	CAPACITOR,CHIP[CERAMIC M/L HD	1UF 10V Z Y5V(F) 1508 R/TP	
		C226	LG0CH1105D942	CAPACITOR,CHIP[CERAMIC M/L HD	1UF 10V Z Y5V(F) 1508 R/TP	
		C229	LG0CH1104K942	CAPACITOR,CHIP[CERAMIC M/L HD	0.1UF 50V Z Y5V(F) 1508 R/TP	
		C230	LG0CH1104K942	CAPACITOR,CHIP[CERAMIC M/L HD	0.1UF 50V Z Y5V(F) 1508 R/TP	
		C231	LG0CH1104K942	CAPACITOR,CHIP[CERAMIC M/L HD	0.1UF 50V Z Y5V(F) 1508 R/TP	
		C232	LG0CE1064F638	CAPACITOR,ELECTROLYTIC	10M SRA 16V M FM5 TP(5)	
		C238	LG0CH1104K942	CAPACITOR,CHIP[CERAMIC M/L HD	0.1UF 50V Z Y5V(F) 1508 R/TP	
		C239	LG0CH1104K942	CAPACITOR,CHIP[CERAMIC M/L HD	0.1UF 50V Z Y5V(F) 1508 R/TP	
		C240	LG0CH1222K562	CAPACITOR,CHIP[CERAMIC M/L HD	2200PF 50V K X7R(X) 1608 R/TP	
		C242	LG0CH1104K942	CAPACITOR,CHIP[CERAMIC M/L HD	0.1UF 50V Z Y5V(F) 1508 R/TP	
		C245	LG0CH1105D942	CAPACITOR,CHIP[CERAMIC M/L HD	1UF 10V Z Y5V(F) 1508 R/TP	
		C251	LG0CH1105D942	CAPACITOR,CHIP[CERAMIC M/L HD	1UF 10V Z Y5V(F) 1508 R/TP	
		C252	LG0CH4100K112	CHIP CAPA CERAMIC M/L T.C F/S	10P 50V D COG 1.6X0.8 R/TP	
		C253	LG0CH1105D942	CAPACITOR,CHIP[CERAMIC M/L HD	1UF 10V Z Y5V(F) 1508 R/TP	
		C254	LG0CH1105D942	CAPACITOR,CHIP[CERAMIC M/L HD	1UF 10V Z Y5V(F) 1508 R/TP	
		C255	LG0CH1104K942	CAPACITOR,CHIP[CERAMIC M/L HD	0.1UF 50V Z Y5V(F) 1508 R/TP	
		C258	LG0CH1105D942	CAPACITOR,CHIP[CERAMIC M/L HD	1UF 10V Z Y5V(F) 1508 R/TP	
		C261	LG0CE1064F638	CAPACITOR,ELECTROLYTIC	10M SRA 16V M FM5 TP(5)	
		C262	LG0CE1064F638	CAPACITOR,ELECTROLYTIC	10M SRA 16V M FM5 TP(5)	
		C263	LG0CE1064F638	CAPACITOR,ELECTROLYTIC	10M SRA 16V M FM5 TP(5)	
		C264	LG0CE1064F638	CAPACITOR,ELECTROLYTIC	10M SRA 16V M FM5 TP(5)	
		C265	LG0CE1064F638	CAPACITOR,ELECTROLYTIC	10M SRA 16V M FM5 TP(5)	
		C272	LG0CE4764F638	CAPACITOR,ELECTROLYTIC	47M SRA/SS 16V M FM5 TP(5)	

S	AL	LOCA. NO.	PART NO.	DESCRIPTION	SPECIFICATION	REMARKS
		C273	LG0CH1225F944	CAPACITOR, FIXED CERAMIC(Temp.c	2.2UF 16V 80%,-20% Y5V(F) 3216	
		C274	LG0CE4764F638	CAPACITOR,ELECTROLYTIC	47M SRA/SS 16V M FM5 TP(5)	
		C277	LG0CH1104K942	CAPACITOR,CHIP[CERAMIC M/L HD	0.1UF 50V Z Y5V(F) 1508 R/TP	
		C278	LG0CE1064F638	CAPACITOR,ELECTROLYTIC	10M SRA 16V M FM5 TP(5)	
		C279	LG0CE1064F638	CAPACITOR,ELECTROLYTIC	10M SRA 16V M FM5 TP(5)	
		C280	LG0CE1064F638	CAPACITOR,ELECTROLYTIC	10M SRA 16V M FM5 TP(5)	
		C281	LG0CE1064F638	CAPACITOR,ELECTROLYTIC	10M SRA 16V M FM5 TP(5)	
		C282	LG0CH1104K942	CAPACITOR,CHIP[CERAMIC M/L HD	0.1UF 50V Z Y5V(F) 1508 R/TP	
		C284	LG0CE4764F638	CAPACITOR,ELECTROLYTIC	47M SRA/SS 16V M FM5 TP(5)	
		C285	LG0CE1064F638	CAPACITOR,ELECTROLYTIC	10M SRA 16V M FM5 TP(5)	
		C286	LG0CH1104K942	CAPACITOR,CHIP[CERAMIC M/L HD	0.1UF 50V Z Y5V(F) 1508 R/TP	
		C287	LG0CE1064F638	CAPACITOR,ELECTROLYTIC	10M SRA 16V M FM5 TP(5)	
		C288	LG0CE1064F638	CAPACITOR,ELECTROLYTIC	10M SRA 16V M FM5 TP(5)	
		C289	LG0CH1104K942	CAPACITOR,CHIP[CERAMIC M/L HD	0.1UF 50V Z Y5V(F) 1508 R/TP	
		C290	LG0CH4180K412	CAPACITOR,CHIP[CERAMIC M/L TC	18P 50V J COG 1.6X0.8 R/TP	
		C291	LG0CH4180K412	CAPACITOR,CHIP[CERAMIC M/L TC	18P 50V J COG 1.6X0.8 R/TP	
		C292	LG0CH1104K942	CAPACITOR,CHIP[CERAMIC M/L HD	0.1UF 50V Z Y5V(F) 1508 R/TP	
		C293	LG0CH1104K942	CAPACITOR,CHIP[CERAMIC M/L HD	0.1UF 50V Z Y5V(F) 1508 R/TP	
		C294	LG0CH1104K942	CAPACITOR,CHIP[CERAMIC M/L HD	0.1UF 50V Z Y5V(F) 1508 R/TP	
		C295	LG0CH1104K942	CAPACITOR,CHIP[CERAMIC M/L HD	0.1UF 50V Z Y5V(F) 1508 R/TP	
		C296	LG0CH1104K942	CAPACITOR,CHIP[CERAMIC M/L HD	0.1UF 50V Z Y5V(F) 1508 R/TP	
		C297	LG0CE4764F638	CAPACITOR,ELECTROLYTIC	47M SRA/SS 16V M FM5 TP(5)	
		C298	LG0CE4775C638	CAPACITOR, FIXED ELECTROLYTIC	470UF SR,SV 6.3V 20% FM5 TP 5	
		C299	LG0CH4220K412	CAPA,CHIP CERAMIC M/L T.C F/S	22P 50V J COG 1.6X0.8 R/TP	
		C2A0	LG0CE4764F638	CAPACITOR,ELECTROLYTIC	47M SRA/SS 16V M FM5 TP(5)	
		C2A3	LG0CH1104K942	CAPACITOR,CHIP[CERAMIC M/L HD	0.1UF 50V Z Y5V(F) 1508 R/TP	
		C2A4	LG0CE1064F638	CAPACITOR,ELECTROLYTIC	10M SRA 16V M FM5 TP(5)	
		C2A5	LG0CH1683F942	CAPACITOR, FIXED CERAMIC(Temp.c	0.068UF 16V 80%,-20% Y5V(F) 16	
		C2A6	LG0CH1102K562	CAPACITOR, FIXED CERAMIC(Temp.c	1000PF 50V 10% X7R(X) 1608 R/T	
		C2A7	LG0CH1104K942	CAPACITOR,CHIP[CERAMIC M/L HD	0.1UF 50V Z Y5V(F) 1508 R/TP	
		C2A8	LG0CH1152K562	CAPACITOR, FIXED CERAMIC(Temp.c	1500PF 50V 10% X7R(X) 1608 R/T	
		C2A9	LG0CH1104K942	CAPACITOR,CHIP[CERAMIC M/L HD	0.1UF 50V Z Y5V(F) 1508 R/TP	
		C2B3	LG0CH1392K562	CAPACITOR, FIXED CERAMIC(Temp.c	3900PF 50V K Z5U(E) 1608 R/TP	
		C2B4	LG0CH1683F942	CAPACITOR, FIXED CERAMIC(Temp.c	0.068UF 16V 80%,-20% Y5V(F) 16	
		C2B5	LG0CH1333K562	CAPACITOR,CHIP[CERAMIC M/L HD	0.033UF 50V K X7R(X) 1508 R/TP	
		C2B9	LG0CH1104K942	CAPACITOR,CHIP[CERAMIC M/L HD	0.1UF 50V Z Y5V(F) 1508 R/TP	
		C2C1	LG0CH1103K562	CAPACITOR, FIXED CERAMIC(Temp.c	0.01UF 50V 10% X7R(X) 1608 R/T	
		C2C2	LG0CE1064F638	CAPACITOR,ELECTROLYTIC	10M SRA 16V M FM5 TP(5)	
		C2C4	LG0CH1102K562	CAPACITOR, FIXED CERAMIC(Temp.c	1000PF 50V 10% X7R(X) 1608 R/T	
		C2C5	LG0CH1332K562	CAPACITOR,CHIP[CERAMIC M/L HD	3300P 50V K X7R 1.6X0.8 R/TP	
		C2C6	LG0CH1102K562	CAPACITOR, FIXED CERAMIC(Temp.c	1000PF 50V 10% X7R(X) 1608 R/T	
		C2C8	LG0CH1104K942	CAPACITOR,CHIP[CERAMIC M/L HD	0.1UF 50V Z Y5V(F) 1508 R/TP	
		C2C9	LG0CE1064F638	CAPACITOR,ELECTROLYTIC	10M SRA 16V M FM5 TP(5)	
		C2D0	LG0CE4764F638	CAPACITOR,ELECTROLYTIC	47M SRA/SS 16V M FM5 TP(5)	
		C2D1	LG0CE4764F638	CAPACITOR,ELECTROLYTIC	47M SRA/SS 16V M FM5 TP(5)	
		C2D2	LG0CH1104K942	CAPACITOR,CHIP[CERAMIC M/L HD	0.1UF 50V Z Y5V(F) 1508 R/TP	
		C2D3	LG0CH1104K942	CAPACITOR,CHIP[CERAMIC M/L HD	0.1UF 50V Z Y5V(F) 1508 R/TP	
		C2D4	LG0CE4764F638	CAPACITOR,ELECTROLYTIC	47M SRA/SS 16V M FM5 TP(5)	
		C2D5	LG0CE1064F638	CAPACITOR,ELECTROLYTIC	10M SRA 16V M FM5 TP(5)	
		C2D6	LG0CH1104K942	CAPACITOR,CHIP[CERAMIC M/L HD	0.1UF 50V Z Y5V(F) 1508 R/TP	
		C2D7	LG0CH1152K562	CAPACITOR, FIXED CERAMIC(Temp.c	1500PF 50V 10% X7R(X) 1608 R/T	
		C2D9	LG0CH1104K942	CAPACITOR,CHIP[CERAMIC M/L HD	0.1UF 50V Z Y5V(F) 1508 R/TP	
		C2E1	LG0CH4470K412	CAPA,CHIP CERAMIC M/L T.C F/S	47P 50V J COG 1.6X0.8 R/TP	
		C2E2	LG0CH4470K412	CAPA,CHIP CERAMIC M/L T.C F/S	47P 50V J COG 1.6X0.8 R/TP	
		C2E3	LG0CH4470K412	CAPA,CHIP CERAMIC M/L T.C F/S	47P 50V J COG 1.6X0.8 R/TP	
		C2E4	LG0CH4470K412	CAPA,CHIP CERAMIC M/L T.C F/S	47P 50V J COG 1.6X0.8 R/TP	
		C2M1	LG0CE1074F638	CAPACITOR,ELECTROLYTIC	100U SRA 16V M FM5 TP(5)	

HV-DX2EV

S	AL	LOCA. NO.	PART NO.	DESCRIPTION	SPECIFICATION	REMARKS
		C2M2	LG0CH1682K562	CAPACITOR,CHIP[CERAMIC M/L HD	6800P 50V K X7R 1.6X0.8 R/TP	
		C2M3	LG0CH1472K562	CAPACITOR,CHIP[CERAMIC M/L HD	4700PF 50V K X7R(X) 1608 R/TP	
		C2M4	LG0CH1104K942	CAPACITOR,CHIP[CERAMIC M/L HD	0.1UF 50V Z Y5V(F) 1508 R/TP	
		C2M5	LG0CH1104K942	CAPACITOR,CHIP[CERAMIC M/L HD	0.1UF 50V Z Y5V(F) 1508 R/TP	
		C2M6	LG0CH1104K942	CAPACITOR,CHIP[CERAMIC M/L HD	0.1UF 50V Z Y5V(F) 1508 R/TP	
		C2M7	LG0CH1104K942	CAPACITOR,CHIP[CERAMIC M/L HD	0.1UF 50V Z Y5V(F) 1508 R/TP	
		C2M8	LG0CH1104K942	CAPACITOR,CHIP[CERAMIC M/L HD	0.1UF 50V Z Y5V(F) 1508 R/TP	
		C2M9	LG0CH1104K942	CAPACITOR,CHIP[CERAMIC M/L HD	0.1UF 50V Z Y5V(F) 1508 R/TP	
		C2N1	LG0CH1104K942	CAPACITOR,CHIP[CERAMIC M/L HD	0.1UF 50V Z Y5V(F) 1508 R/TP	
		C2N3	LG0CH1223K942	CAPACITOR,CHIP[CERAMIC M/L HD	0.022UF 50V Z Y5V(F) 1508 R/TP	
		C2N4	LG0CH1225F944	CAPACITOR,FIXED CERAMIC(Temp.c	2.2UF 16V 80%,-20% Y5V(F) 3216	
		C301	LG0CH1104K942	CAPACITOR,CHIP[CERAMIC M/L HD	0.1UF 50V Z Y5V(F) 1508 R/TP	
		C302	LG0CH1225F944	CAPACITOR,FIXED CERAMIC(Temp.c	2.2UF 16V 80%,-20% Y5V(F) 3216	
		C303	LG0CH1104K942	CAPACITOR,CHIP[CERAMIC M/L HD	0.1UF 50V Z Y5V(F) 1508 R/TP	
		C304	LG0CH1104K942	CAPACITOR,CHIP[CERAMIC M/L HD	0.1UF 50V Z Y5V(F) 1508 R/TP	
		C305	LG0CH1104K942	CAPACITOR,CHIP[CERAMIC M/L HD	0.1UF 50V Z Y5V(F) 1508 R/TP	
		C306	LG0CH1104K942	CAPACITOR,CHIP[CERAMIC M/L HD	0.1UF 50V Z Y5V(F) 1508 R/TP	
		C307	LG0CH1105D942	CAPACITOR,CHIP[CERAMIC M/L HD	1UF 10V Z Y5V(F) 1508 R/TP	
		C308	LG0CE4764F638	CAPACITOR,ELECTROLYTIC	47M SRA/SS 16V M FM5 TP(5)	
		C309	LG0CH1225F944	CAPACITOR,FIXED CERAMIC(Temp.c	2.2UF 16V 80%,-20% Y5V(F) 3216	
		C314	LG0CH1104K942	CAPACITOR,CHIP[CERAMIC M/L HD	0.1UF 50V Z Y5V(F) 1508 R/TP	
		C316	LG0CH1104K942	CAPACITOR,CHIP[CERAMIC M/L HD	0.1UF 50V Z Y5V(F) 1508 R/TP	
		C317	LG0CE4764F638	CAPACITOR,ELECTROLYTIC	47M SRA/SS 16V M FM5 TP(5)	
		C318	LG0CH1104K942	CAPACITOR,CHIP[CERAMIC M/L HD	0.1UF 50V Z Y5V(F) 1508 R/TP	
		C319	LG0CH1104K942	CAPACITOR,CHIP[CERAMIC M/L HD	0.1UF 50V Z Y5V(F) 1508 R/TP	
		C320	LG0CH1104K942	CAPACITOR,CHIP[CERAMIC M/L HD	0.1UF 50V Z Y5V(F) 1508 R/TP	
		C321	LG0CE4764F638	CAPACITOR,ELECTROLYTIC	47M SRA/SS 16V M FM5 TP(5)	
		C323	LG0CH1104K942	CAPACITOR,CHIP[CERAMIC M/L HD	0.1UF 50V Z Y5V(F) 1508 R/TP	
		C324	LG0CH1104K942	CAPACITOR,CHIP[CERAMIC M/L HD	0.1UF 50V Z Y5V(F) 1508 R/TP	
		C3F1	LG0CH1225F944	CAPACITOR,FIXED CERAMIC(Temp.c	2.2UF 16V 80%,-20% Y5V(F) 3216	
		C3F2	LG0CH1104K942	CAPACITOR,CHIP[CERAMIC M/L HD	0.1UF 50V Z Y5V(F) 1508 R/TP	
		C3F3	LG0CE4764F638	CAPACITOR,ELECTROLYTIC	47M SRA/SS 16V M FM5 TP(5)	
		C401	LG0CE2264F638	CAPACITOR,ELECTROLYTIC	22M SRA 16V M FM5 TP(5)	
		C402	LG0CE2264F638	CAPACITOR,ELECTROLYTIC	22M SRA 16V M FM5 TP(5)	
		C403	LG0CE2264F638	CAPACITOR,ELECTROLYTIC	22M SRA 16V M FM5 TP(5)	
		C404	LG0CE2264F638	CAPACITOR,ELECTROLYTIC	22M SRA 16V M FM5 TP(5)	
		C405	LG0CE4764F638	CAPACITOR,ELECTROLYTIC	47M SRA/SS 16V M FM5 TP(5)	
		C406	LG0CH1104K942	CAPACITOR,CHIP[CERAMIC M/L HD	0.1UF 50V Z Y5V(F) 1508 R/TP	
		C408	LG0CE1064F638	CAPACITOR,ELECTROLYTIC	10M SRA 16V M FM5 TP(5)	
		C409	LG0CE2274C638	CAPACITOR,ELECTROLYTIC	220M SRA 6.3V M FM5 TP(5)	
		C410	LG0CH4271K412	CAPACITOR,FIXED CERAMIC(HIGH D	270PF 50V 5% NP0 1608 R/TP	
		C411	LG0CH1102K512	CAPACITOR,FIXED CERAMIC(Temp.c	1000PF 50V 10% B(5YP) 1608 R/T	
		C412	LG0CH4271K412	CAPACITOR,FIXED CERAMIC(HIGH D	270PF 50V 5% NP0 1608 R/TP	
		C413	LG0CE1064F638	CAPACITOR,ELECTROLYTIC	10M SRA 16V M FM5 TP(5)	
		C414	LG0CH1104K942	CAPACITOR,CHIP[CERAMIC M/L HD	0.1UF 50V Z Y5V(F) 1508 R/TP	
		C415	LG0CE1064F638	CAPACITOR,ELECTROLYTIC	10M SRA 16V M FM5 TP(5)	
		C416	LG0CH1102K512	CAPACITOR,FIXED CERAMIC(Temp.c	1000PF 50V 10% B(5YP) 1608 R/T	
		C417	LG0CH4271K412	CAPACITOR,FIXED CERAMIC(HIGH D	270PF 50V 5% NP0 1608 R/TP	
		C418	LG0CH1392K562	CAPACITOR,FIXED CERAMIC(Temp.c	3900PF 50V K Z5U(E) 1608 R/TP	
		C419	LG0CE2264F638	CAPACITOR,ELECTROLYTIC	22M SRA 16V M FM5 TP(5)	
		C420	LG0CH1392K562	CAPACITOR,FIXED CERAMIC(Temp.c	3900PF 50V K Z5U(E) 1608 R/TP	
		C421	LG0CE2264F638	CAPACITOR,ELECTROLYTIC	22M SRA 16V M FM5 TP(5)	
		C422	LG0CE1064F638	CAPACITOR,ELECTROLYTIC	10M SRA 16V M FM5 TP(5)	
		C423	LG0CH4271K412	CAPACITOR,FIXED CERAMIC(HIGH D	270PF 50V 5% NP0 1608 R/TP	
		C424	LG0CH1104K942	CAPACITOR,CHIP[CERAMIC M/L HD	0.1UF 50V Z Y5V(F) 1508 R/TP	
		C425	LG0CH1104K942	CAPACITOR,CHIP[CERAMIC M/L HD	0.1UF 50V Z Y5V(F) 1508 R/TP	
		C501	LG0CE4764F638	CAPACITOR,ELECTROLYTIC	47M SRA/SS 16V M FM5 TP(5)	

S	AL	LOCA. NO.	PART NO.	DESCRIPTION	SPECIFICATION	REMARKS
		C502	LG0CH1104F942	CAPACITOR, FIXED CERAMIC(Temp.c	0.1UF 16V 80%,-20% Y5V(F) 1608	
		C503	LG0CH1104F942	CAPACITOR, FIXED CERAMIC(Temp.c	0.1UF 16V 80%,-20% Y5V(F) 1608	
		C504	LG0CE1064F638	CAPACITOR, ELECTROLYTIC	10M SRA 16V M FM5 TP(5)	
		C506	LG0CH1225F944	CAPACITOR, FIXED CERAMIC(Temp.c	2.2UF 16V 80%,-20% Y5V(F) 3216	
		C507	LG0CE4764F638	CAPACITOR, ELECTROLYTIC	47M SRA/SS 16V M FM5 TP(5)	
		C508	LG0CH1104F942	CAPACITOR, FIXED CERAMIC(Temp.c	0.1UF 16V 80%,-20% Y5V(F) 1608	
		C509	LG0CH1104F942	CAPACITOR, FIXED CERAMIC(Temp.c	0.1UF 16V 80%,-20% Y5V(F) 1608	
		C510	LG0CH1104F942	CAPACITOR, FIXED CERAMIC(Temp.c	0.1UF 16V 80%,-20% Y5V(F) 1608	
		C511	LG0CH1104F942	CAPACITOR, FIXED CERAMIC(Temp.c	0.1UF 16V 80%,-20% Y5V(F) 1608	
		C512	LG0CH1104F942	CAPACITOR, FIXED CERAMIC(Temp.c	0.1UF 16V 80%,-20% Y5V(F) 1608	
		C513	LG0CH1104F942	CAPACITOR, FIXED CERAMIC(Temp.c	0.1UF 16V 80%,-20% Y5V(F) 1608	
		C514	LG0CH1104F942	CAPACITOR, FIXED CERAMIC(Temp.c	0.1UF 16V 80%,-20% Y5V(F) 1608	
		C515	LG0CH1104F942	CAPACITOR, FIXED CERAMIC(Temp.c	0.1UF 16V 80%,-20% Y5V(F) 1608	
		C516	LG0CH1104F942	CAPACITOR, FIXED CERAMIC(Temp.c	0.1UF 16V 80%,-20% Y5V(F) 1608	
		C517	LG0CH1104F942	CAPACITOR, FIXED CERAMIC(Temp.c	0.1UF 16V 80%,-20% Y5V(F) 1608	
		C518	LG0CH1104F942	CAPACITOR, FIXED CERAMIC(Temp.c	0.1UF 16V 80%,-20% Y5V(F) 1608	
		C519	LG0CH1104F942	CAPACITOR, FIXED CERAMIC(Temp.c	0.1UF 16V 80%,-20% Y5V(F) 1608	
		C520	LG0CH1104F942	CAPACITOR, FIXED CERAMIC(Temp.c	0.1UF 16V 80%,-20% Y5V(F) 1608	
		C521	LG0CH1104F942	CAPACITOR, FIXED CERAMIC(Temp.c	0.1UF 16V 80%,-20% Y5V(F) 1608	
		C522	LG0CH1104F942	CAPACITOR, FIXED CERAMIC(Temp.c	0.1UF 16V 80%,-20% Y5V(F) 1608	
		C523	LG0CH1225F944	CAPACITOR, FIXED CERAMIC(Temp.c	2.2UF 16V 80%,-20% Y5V(F) 3216	
		C525	LG0CH1104F942	CAPACITOR, FIXED CERAMIC(Temp.c	0.1UF 16V 80%,-20% Y5V(F) 1608	
		C526	LG0CH1104F942	CAPACITOR, FIXED CERAMIC(Temp.c	0.1UF 16V 80%,-20% Y5V(F) 1608	
		C527	LG0CH1104F942	CAPACITOR, FIXED CERAMIC(Temp.c	0.1UF 16V 80%,-20% Y5V(F) 1608	
		C528	LG0CH1104F942	CAPACITOR, FIXED CERAMIC(Temp.c	0.1UF 16V 80%,-20% Y5V(F) 1608	
		C529	LG0CH1104F942	CAPACITOR, FIXED CERAMIC(Temp.c	0.1UF 16V 80%,-20% Y5V(F) 1608	
		C530	LG0CH1104F942	CAPACITOR, FIXED CERAMIC(Temp.c	0.1UF 16V 80%,-20% Y5V(F) 1608	
		C531	LG0CH1104F942	CAPACITOR, FIXED CERAMIC(Temp.c	0.1UF 16V 80%,-20% Y5V(F) 1608	
		C532	LG0CH1104F942	CAPACITOR, FIXED CERAMIC(Temp.c	0.1UF 16V 80%,-20% Y5V(F) 1608	
		C533	LG0CH1104F942	CAPACITOR, FIXED CERAMIC(Temp.c	0.1UF 16V 80%,-20% Y5V(F) 1608	
		C534	LG0CH1104F942	CAPACITOR, FIXED CERAMIC(Temp.c	0.1UF 16V 80%,-20% Y5V(F) 1608	
		C535	LG0CH1104F942	CAPACITOR, FIXED CERAMIC(Temp.c	0.1UF 16V 80%,-20% Y5V(F) 1608	
		C536	LG0CH1104F942	CAPACITOR, FIXED CERAMIC(Temp.c	0.1UF 16V 80%,-20% Y5V(F) 1608	
		C538	LG0CH1225F944	CAPACITOR, FIXED CERAMIC(Temp.c	2.2UF 16V 80%,-20% Y5V(F) 3216	
		C540	LG0CH4220K412	CAPA, CHIP CERAMIC M/L T.C F/S	22P 50V J COG 1.6X0.8 R/TP	
		C541	LG0CH4270K412	CAPACITOR, CHIP[CERAMIC M/L TC	27PF 50V J NP0 1608 R/TP	
		C542	LG0CH1104F942	CAPACITOR, FIXED CERAMIC(Temp.c	0.1UF 16V 80%,-20% Y5V(F) 1608	
		C543	LG0CH1104F942	CAPACITOR, FIXED CERAMIC(Temp.c	0.1UF 16V 80%,-20% Y5V(F) 1608	
		C544	LG0CH1225F944	CAPACITOR, FIXED CERAMIC(Temp.c	2.2UF 16V 80%,-20% Y5V(F) 3216	
		C546	LG0CH4221K412	CAPACITOR, CHIP[CERAMIC M/L TC	220P 50V J COG 1.6X0.8 R/TP	
		C549	LG0CH4221K412	CAPACITOR, CHIP[CERAMIC M/L TC	220P 50V J COG 1.6X0.8 R/TP	
		C550	LG0CH1104F942	CAPACITOR, FIXED CERAMIC(Temp.c	0.1UF 16V 80%,-20% Y5V(F) 1608	
		C553	LG0CH4221K412	CAPACITOR, CHIP[CERAMIC M/L TC	220P 50V J COG 1.6X0.8 R/TP	
		C554	LG0CH1104F942	CAPACITOR, FIXED CERAMIC(Temp.c	0.1UF 16V 80%,-20% Y5V(F) 1608	
		C555	LG0CH4101K412	CHIP CAPA CERAMIC M/L T.C F/S	100P 50V J COG 1.6X0.8 R/TP	
		C556	LG0CH4101K412	CHIP CAPA CERAMIC M/L T.C F/S	100P 50V J COG 1.6X0.8 R/TP	
		C557	LG0CH4270K412	CAPACITOR, CHIP[CERAMIC M/L TC	27PF 50V J NP0 1608 R/TP	
		C558	LG0CH1104F942	CAPACITOR, FIXED CERAMIC(Temp.c	0.1UF 16V 80%,-20% Y5V(F) 1608	
		C559	LG0CE4764F638	CAPACITOR, ELECTROLYTIC	47M SRA/SS 16V M FM5 TP(5)	
		C560	LG0CH1225F944	CAPACITOR, FIXED CERAMIC(Temp.c	2.2UF 16V 80%,-20% Y5V(F) 3216	
		C561	LG0CE4764F638	CAPACITOR, ELECTROLYTIC	47M SRA/SS 16V M FM5 TP(5)	
		R525	LG0LC0233002B	INDUCTOR, CHIP	HB-1S1608-800JT CERATECH R/TP	
		D201	LG0DR495009AA	DIODE, RECTIFIER	RB495D TP ROHM SMD 40V 400A 2A	
		D2A1	LG0DS202009CA	DIODE, SWITCHING	DAN202K TP ROHM KOREA SOT23 80	
		D2A2	LG0DS202009CA	DIODE, SWITCHING	DAN202K TP ROHM KOREA SOT23 80	
		D2A3	LG0DS202009CA	DIODE, SWITCHING	DAN202K TP ROHM KOREA SOT23 80	
		D401	LG0DSRM00118A	DIODE, SWITCHING	DAP202K T146 ROHM R/TP SMD 80V	

HV-DX2EV

S	AL	LOCA. NO.	PART NO.	DESCRIPTION	SPECIFICATION	REMARKS
		L201	LG6200HJC102A	FILTER(CIRC),EMC	HB-1M2012-102JT CERATECH TP	
		L206	LG6200HJC102A	FILTER(CIRC),EMC	HB-1M2012-102JT CERATECH TP	
		L207	LG6200HJC102A	FILTER(CIRC),EMC	HB-1M2012-102JT CERATECH TP	
		L208	LG6200HJC102A	FILTER(CIRC),EMC	HB-1M2012-102JT CERATECH TP	
		L2A1	LG6200HJC102A	FILTER(CIRC),EMC	HB-1M2012-102JT CERATECH TP	
		L2A2	LG6200HJC102A	FILTER(CIRC),EMC	HB-1M2012-102JT CERATECH TP	
		L301	LG6200HJC102A	FILTER(CIRC),EMC	HB-1M2012-102JT CERATECH TP	
		L302	LG6200HJC102A	FILTER(CIRC),EMC	HB-1M2012-102JT CERATECH TP	
		L3F1	LG6200HJC102A	FILTER(CIRC),EMC	HB-1M2012-102JT CERATECH TP	
		L501	LG6200HJC102A	FILTER(CIRC),EMC	HB-1M2012-102JT CERATECH TP	
		L502	LG6200HJC102A	FILTER(CIRC),EMC	HB-1M2012-102JT CERATECH TP	
		L503	LG6200HJC102A	FILTER(CIRC),EMC	HB-1M2012-102JT CERATECH TP	
		L504	LG6200HJC102A	FILTER(CIRC),EMC	HB-1M2012-102JT CERATECH TP	
		L505	LG6200HJC102A	FILTER(CIRC),EMC	HB-1M2012-102JT CERATECH TP	
		L506	LG6200HJC102A	FILTER(CIRC),EMC	HB-1M2012-102JT CERATECH TP	
		L507	LG6200HJC102A	FILTER(CIRC),EMC	HB-1M2012-102JT CERATECH TP	
		L508	LG6200HJC102A	FILTER(CIRC),EMC	HB-1M2012-102JT CERATECH TP	
		L509	LG6200HJC102A	FILTER(CIRC),EMC	HB-1M2012-102JT CERATECH TP	
		L510	LG6200HJC102A	FILTER(CIRC),EMC	HB-1M2012-102JT CERATECH TP	
		L511	LG6200HJC102A	FILTER(CIRC),EMC	HB-1M2012-102JT CERATECH TP	
		L603	LG6200HJC102A	FILTER(CIRC),EMC	HB-1M2012-102JT CERATECH TP	
		IC201	LG0ILNRHY002B	IC,LINEAR	HDC25D811B HYUNDAI 208 QFP TRA	
		IC203	LG0IEB121616B	IC,ELITE MEMORY TECHNOLOGY	M12L16161A-7T-L 50PIN TSOP TRA	
		IC206	LGGITO704000F	IC,TOSHIBA	TC7W04FU	
		IC2A1	LG0ILNRHI003A	IC,LINEAR	HD153702TF HITACHI 64 TQFP TRA	
		IC2A2	LG0IJR341400C	IC,JRC	NJM3414AM-TE1,3K/REEL. JRC	
		IC2A4	LG0IKE393000G	IC,KEC	KIA393F-EL FLP-8 TP DUAL COMPA	
		IC2M1	LG0IFA303200A	IC,FAIRCHILD	KA3032 48QFP BK 5CH MOTOR DRIV	ALTERNATE
		IC2M1	LG0ILNRFA013A	IC,LINEAR	FAN8004 FAIRCHILD 48 QFP TRAY	
		IC301	LG0IXL957210C	IC,XILINX	XC9572XL-10TQ100C 100 QFP TRAY	ALTERNATE
		IC301	LG0ICTMHY011A	IC,CUSTOMIZED	HS353106 HYNIX 100 TQFP TRAY C	
		IC305	LG0IHY576532A	IC,HYUNDAI	HY57V653220CTC-7 86P TSOP BK S	ALTERNATE
		IC305	LG0IMMRHY025A	IC,MEMORIES	HY57V643220CT-7 HYUNDAI 86P TS	
		IC305	LG0IMMRWI004B	IC,MEMORIES	W986432DH-6 WINBOND 86PIN TSOP	ALTERNATE
		IC305	LG0IMMRREB005A	IC,MEMORIES	M12L64322A-7T ELITE MEMORY TEC	ALTERNATE
		IC3F1	LG0IMMRFU001B	IC,MEMORIES	MBM29LV800BA-90PFTN FUJITSU 48	
		IC401	LG0IPRPCI003B	IC,PERIPHERALS	CS4391-KZR CIRRUS LOGIC 20 TSS	
		IC402	LG0IJR458000B	IC,JRC	NJM4580M 8,DMP8 TP OP AMP 2K/R	
		IC501	LG0INS860200A	IC,NATIONAL SEMICONDUCTOR	NDV8602 240 VQFP BK MICOM+MPEG	
		IC502	LG0IMMRCB001A	IC,MEMORIES	CAT93C56S-TE13 CRYSTAL SEMICON	
		IC502	LG0IMMRAL012A	IC,MEMORIES	AT93C56-10SC(SI)-2.7-8S1 ATMEL	ALTERNATE
		IC503	LG0IFA742440F	IC,FAIRCHILD	MM74HCT244SJ 20P SOIC TP 3-STA	
		IC506	LG0IPMGA7001A	IC,POWER MANAGEMENT	AMC1117-1.8SJ ADD MICROTECH 3P	
		IC3F1A	LG6957R-509AB	PROGRAM	SANYO (NS) DVD PROG	
		Q2A1	LG0TR103709BB	TRANSISTOR,BIPOLARS	2SA1037K-Q CHIP TP ROHM - -	
		Q2A2	LG0TR103709BB	TRANSISTOR,BIPOLARS	2SA1037K-Q CHIP TP ROHM - -	
		Q2A5	LG0TR388209AA	TRANSISTOR,BIPOLARS	CHIP KTC3882 SOT-23 TP KEC - -	
		Q2A6	LG0TR388209AA	TRANSISTOR,BIPOLARS	CHIP KTC3882 SOT-23 TP KEC - -	
		Q2M1	LG0TR124009AP	TRANSISTOR,BIPOLARS	DTC124EK TP ROHM KOREA SOT23 3	
		Q401	LG0TR103709BB	TRANSISTOR,BIPOLARS	2SA1037K-Q CHIP TP ROHM - -	
		Q404	LG0TR103009AC	TRANSISTOR	KRA103S-T1(PC)22-22 CHIP KEC	
		Q405	LG0TR103009AC	TRANSISTOR	KRA103S-T1(PC)22-22 CHIP KEC	
		R201	LG0RH0000C622	RESISTOR,METAL GLAZED(CHIP)	0 OHM 1 / 16 W 1608 5.00% D	
		R202	LG0RH0000C622	RESISTOR,METAL GLAZED(CHIP)	0 OHM 1 / 16 W 1608 5.00% D	
		R203	LG0RH1001C622	RESISTOR,METAL GLAZED(CHIP)	1K OHM 1 / 16 W 1608 5.00% D	
		R204	LG0RH1001C622	RESISTOR,METAL GLAZED(CHIP)	1K OHM 1 / 16 W 1608 5.00% D	
		R207	LG0RH1004C622	RESISTOR,METAL GLAZED(CHIP)	1M OHM 1 / 16 W 1608 5.00% D	

S	AL	LOCA. NO.	PART NO.	DESCRIPTION	SPECIFICATION	REMARKS
		R217	LG0RH102C622	RESISTOR,METAL GLAZED(CHIP)	10 OHM 1 / 16 W 1608 5.00% D	
		R218	LG0RH4700C622	RESISTOR,METAL GLAZED(CHIP)	470 OHM 1 / 16 W 1608 5.00% D	
		R219	LG0RH1002C622	RESISTOR,METAL GLAZED(CHIP)	10K OHM 1 / 16 W 1608 5.00% D	
		R220	LG0RH1002C622	RESISTOR,METAL GLAZED(CHIP)	10K OHM 1 / 16 W 1608 5.00% D	
		R230	LG0RH1000C622	RESISTOR,METAL GLAZED(CHIP)	100 OHM 1 / 16 W 1608 5.00% D	
		R231	LG0RH1000C622	RESISTOR,METAL GLAZED(CHIP)	100 OHM 1 / 16 W 1608 5.00% D	
		R232	LG0RH1000C622	RESISTOR,METAL GLAZED(CHIP)	100 OHM 1 / 16 W 1608 5.00% D	
		R233	LG0RH1000C622	RESISTOR,METAL GLAZED(CHIP)	100 OHM 1 / 16 W 1608 5.00% D	
		R234	LG0RH1000C622	RESISTOR,METAL GLAZED(CHIP)	100 OHM 1 / 16 W 1608 5.00% D	
		R235	LG0RH1000C622	RESISTOR,METAL GLAZED(CHIP)	100 OHM 1 / 16 W 1608 5.00% D	
		R236	LG0RH1000C622	RESISTOR,METAL GLAZED(CHIP)	100 OHM 1 / 16 W 1608 5.00% D	
		R237	LG0RH1000C622	RESISTOR,METAL GLAZED(CHIP)	100 OHM 1 / 16 W 1608 5.00% D	
		R239	LG0RH0000C622	RESISTOR,METAL GLAZED(CHIP)	0 OHM 1 / 16 W 1608 5.00% D	
		R240	LG0RH0000C622	RESISTOR,METAL GLAZED(CHIP)	0 OHM 1 / 16 W 1608 5.00% D	
		R241	LG0RH0000C622	RESISTOR,METAL GLAZED(CHIP)	0 OHM 1 / 16 W 1608 5.00% D	
		R242	LG0RH0000C622	RESISTOR,METAL GLAZED(CHIP)	0 OHM 1 / 16 W 1608 5.00% D	
		R243	LG0RH0000C622	RESISTOR,METAL GLAZED(CHIP)	0 OHM 1 / 16 W 1608 5.00% D	
		R252	LG0RH0000C622	RESISTOR,METAL GLAZED(CHIP)	0 OHM 1 / 16 W 1608 5.00% D	
		R269	LG0RH0222C622	RESISTOR,METAL GLAZED(CHIP)	22 OHM 1 / 16 W 1608 5.00% D	
		R273	LG0RH1501C622	RESISTOR,METAL GLAZED(CHIP)	1.5K OHM 1 / 16 W 1608 5.00% D	
		R274	LG0RH6200C622	RESISTOR,METAL GLAZED(CHIP)	620 OHM 1 / 16 W 1608 5.00% D	
		R275	LG0RH1501C622	RESISTOR,METAL GLAZED(CHIP)	1.5K OHM 1 / 16 W 1608 5.00% D	
		R276	LG0RH9100C622	RESISTOR,METAL GLAZED(CHIP)	910 OHM 1 / 16 W 1608 5.00% D	
		R277	LG0RH1500C622	RESISTOR,METAL GLAZED(CHIP)	150 OHM 1 / 16 W 1608 5.00% D	
		R278	LG0RH0000C622	RESISTOR,METAL GLAZED(CHIP)	0 OHM 1 / 16 W 1608 5.00% D	
		R279	LG0RH0000C622	RESISTOR,METAL GLAZED(CHIP)	0 OHM 1 / 16 W 1608 5.00% D	
		R281	LG0RH0000C622	RESISTOR,METAL GLAZED(CHIP)	0 OHM 1 / 16 W 1608 5.00% D	
		R290	LG0RH0000C622	RESISTOR,METAL GLAZED(CHIP)	0 OHM 1 / 16 W 1608 5.00% D	
		R291	LG0RH1000C622	RESISTOR,METAL GLAZED(CHIP)	100 OHM 1 / 16 W 1608 5.00% D	
		R292	LG0RH1002C622	RESISTOR,METAL GLAZED(CHIP)	10K OHM 1 / 16 W 1608 5.00% D	
		R2A1	LG0RH0912C622	RESISTOR,METAL GLAZED(CHIP)	91 OHM 1 / 16 W 1608 5.00% D	
		R2A2	LG0RH0000C622	RESISTOR,METAL GLAZED(CHIP)	0 OHM 1 / 16 W 1608 5.00% D	
		R2A6	LG0RH1202C622	RESISTOR,METAL GLAZED(CHIP)	12K OHM 1 / 16 W 1608 5.00% D	
		R2A9	LG0RH5602C622	RESISTOR,METAL GLAZED(CHIP)	56K OHM 1 / 16 W 1608 5.00% D	
		R2B0	LG0RH1001C622	RESISTOR,METAL GLAZED(CHIP)	1K OHM 1 / 16 W 1608 5.00% D	
		R2B1	LG0RH1001C622	RESISTOR,METAL GLAZED(CHIP)	1K OHM 1 / 16 W 1608 5.00% D	
		R2B2	LG0RH0182C622	RESISTOR,METAL GLAZED(CHIP)	18 OHM 1 / 16 W 1608 5.00% D	
		R2B3	LG0RH0182C622	RESISTOR,METAL GLAZED(CHIP)	18 OHM 1 / 16 W 1608 5.00% D	
		R2B4	LG0RH0000C622	RESISTOR,METAL GLAZED(CHIP)	0 OHM 1 / 16 W 1608 5.00% D	
		R2B5	LG0RH1001C622	RESISTOR,METAL GLAZED(CHIP)	1K OHM 1 / 16 W 1608 5.00% D	
		R2B6	LG0RH0182C622	RESISTOR,METAL GLAZED(CHIP)	18 OHM 1 / 16 W 1608 5.00% D	
		R2B7	LG0RH0182C622	RESISTOR,METAL GLAZED(CHIP)	18 OHM 1 / 16 W 1608 5.00% D	
		R2B8	LG0RH0000C622	RESISTOR,METAL GLAZED(CHIP)	0 OHM 1 / 16 W 1608 5.00% D	
		R2C0	LG0RH5601C622	RESISTOR,METAL GLAZED(CHIP)	5.6K OHM 1 / 16 W 1608 5.00% D	
		R2C4	LG0RH1001C622	RESISTOR,METAL GLAZED(CHIP)	1K OHM 1 / 16 W 1608 5.00% D	
		R2C5	LG0RH1001C622	RESISTOR,METAL GLAZED(CHIP)	1K OHM 1 / 16 W 1608 5.00% D	
		R2C6	LG0RH5601C622	RESISTOR,METAL GLAZED(CHIP)	5.6K OHM 1 / 16 W 1608 5.00% D	
		R2C7	LG0RH5601C622	RESISTOR,METAL GLAZED(CHIP)	5.6K OHM 1 / 16 W 1608 5.00% D	
		R2C8	LG0RH5601C622	RESISTOR,METAL GLAZED(CHIP)	5.6K OHM 1 / 16 W 1608 5.00% D	
		R2C9	LG0RH5601C622	RESISTOR,METAL GLAZED(CHIP)	5.6K OHM 1 / 16 W 1608 5.00% D	
		R2D0	LG0RH5601C622	RESISTOR,METAL GLAZED(CHIP)	5.6K OHM 1 / 16 W 1608 5.00% D	
		R2D1	LG0RH0000C622	RESISTOR,METAL GLAZED(CHIP)	0 OHM 1 / 16 W 1608 5.00% D	
		R2D2	LG0RH0000C622	RESISTOR,METAL GLAZED(CHIP)	0 OHM 1 / 16 W 1608 5.00% D	
		R2D3	LG0RH5601C622	RESISTOR,METAL GLAZED(CHIP)	5.6K OHM 1 / 16 W 1608 5.00% D	
		R2D4	LG0RH5601C622	RESISTOR,METAL GLAZED(CHIP)	5.6K OHM 1 / 16 W 1608 5.00% D	
		R2D5	LG0RH6801C622	RESISTOR,METAL GLAZED(CHIP)	6.8K OHM 1 / 16 W 1608 5.00% D	
		R2D6	LG0RH0912C622	RESISTOR,METAL GLAZED(CHIP)	91 OHM 1 / 16 W 1608 5.00% D	

HV-DX2EV

S	AL	LOCA. NO.	PART NO.	DESCRIPTION	SPECIFICATION	REMARKS
		R2E6	LG0RH1000C622	RESISTOR,METAL GLAZED(CHIP)	100 OHM 1 / 16 W 1608 5.00% D	
		R2E7	LG0RH1000C622	RESISTOR,METAL GLAZED(CHIP)	100 OHM 1 / 16 W 1608 5.00% D	
		R2E8	LG0RH0000C622	RESISTOR,METAL GLAZED(CHIP)	0 OHM 1 / 16 W 1608 5.00% D	
		R2F1	LG0RH2200C622	RESISTOR,METAL GLAZED(CHIP)	220 OHM 1 / 16 W 1608 5.00% D	
		R2F2	LG0RH2200C622	RESISTOR,METAL GLAZED(CHIP)	220 OHM 1 / 16 W 1608 5.00% D	
		R2F3	LG0RH1000C622	RESISTOR,METAL GLAZED(CHIP)	100 OHM 1 / 16 W 1608 5.00% D	
		R2F4	LG0RH1000C622	RESISTOR,METAL GLAZED(CHIP)	100 OHM 1 / 16 W 1608 5.00% D	
		R2F5	LG0RH2202C422	RESISTOR,METAL GLAZED(CHIP)	22K OHM 1 / 16 W 1608 1.00% D	
		R2F6	LG0RH5601C622	RESISTOR,METAL GLAZED(CHIP)	5.6K OHM 1 / 16 W 1608 5.00% D	
		R2F7	LG0RH5601C622	RESISTOR,METAL GLAZED(CHIP)	5.6K OHM 1 / 16 W 1608 5.00% D	
		R2F8	LG0RH2201C622	RESISTOR,METAL GLAZED(CHIP)	2.2K OHM 1 / 16 W 1608 5.00% D	
		R2F9	LG0RH2201C622	RESISTOR,METAL GLAZED(CHIP)	2.2K OHM 1 / 16 W 1608 5.00% D	
		R2G1	LG0RH2201C622	RESISTOR,METAL GLAZED(CHIP)	2.2K OHM 1 / 16 W 1608 5.00% D	
		R2G2	LG0RH2201C622	RESISTOR,METAL GLAZED(CHIP)	2.2K OHM 1 / 16 W 1608 5.00% D	
		R2G3	LG0RH5601C622	RESISTOR,METAL GLAZED(CHIP)	5.6K OHM 1 / 16 W 1608 5.00% D	
		R2G4	LG0RH5601C622	RESISTOR,METAL GLAZED(CHIP)	5.6K OHM 1 / 16 W 1608 5.00% D	
		R2G7	LG0RH1002C622	RESISTOR,METAL GLAZED(CHIP)	10K OHM 1 / 16 W 1608 5.00% D	
		R2G9	LG0RH1500C622	RESISTOR,METAL GLAZED(CHIP)	150 OHM 1 / 16 W 1608 5.00% D	
		R2M1	LG0RH1001C622	RESISTOR,METAL GLAZED(CHIP)	1K OHM 1 / 16 W 1608 5.00% D	
		R2M2	LG0RH1002C622	RESISTOR,METAL GLAZED(CHIP)	10K OHM 1 / 16 W 1608 5.00% D	
		R2M3	LG0RH7501C622	RESISTOR,METAL GLAZED(CHIP)	7.5K OHM 1 / 16 W 1608 5.00% D	
		R2M5	LG0RH1001C622	RESISTOR,METAL GLAZED(CHIP)	1K OHM 1 / 16 W 1608 5.00% D	
		R2M6	LG0RH1002C622	RESISTOR,METAL GLAZED(CHIP)	10K OHM 1 / 16 W 1608 5.00% D	
		R2M7	LG0RH1002C622	RESISTOR,METAL GLAZED(CHIP)	10K OHM 1 / 16 W 1608 5.00% D	
		R2M8	LG0RH1001C622	RESISTOR,METAL GLAZED(CHIP)	1K OHM 1 / 16 W 1608 5.00% D	
		R2M9	LG0RH1002C622	RESISTOR,METAL GLAZED(CHIP)	10K OHM 1 / 16 W 1608 5.00% D	
		R2N0	LG0RH1202C622	RESISTOR,METAL GLAZED(CHIP)	12K OHM 1 / 16 W 1608 5.00% D	
		R2N1	LG0RH1001C622	RESISTOR,METAL GLAZED(CHIP)	1K OHM 1 / 16 W 1608 5.00% D	
		R2N2	LG0RH5601C622	RESISTOR,METAL GLAZED(CHIP)	5.6K OHM 1 / 16 W 1608 5.00% D	
		R2N3	LG0RH1002C622	RESISTOR,METAL GLAZED(CHIP)	10K OHM 1 / 16 W 1608 5.00% D	
		R2N4	LG0RH1502C622	RESISTOR,METAL GLAZED(CHIP)	15K OHM 1 / 16 W 1608 5.00% D	
		R2N5	LG0RH1202C622	RESISTOR,METAL GLAZED(CHIP)	12K OHM 1 / 16 W 1608 5.00% D	
		R2N6	LG0RH1001C622	RESISTOR,METAL GLAZED(CHIP)	1K OHM 1 / 16 W 1608 5.00% D	
		R2N7	LG0RH1001C622	RESISTOR,METAL GLAZED(CHIP)	1K OHM 1 / 16 W 1608 5.00% D	
		R2N8	LG0RH1002C622	RESISTOR,METAL GLAZED(CHIP)	10K OHM 1 / 16 W 1608 5.00% D	
		R2N9	LG0RH1002C622	RESISTOR,METAL GLAZED(CHIP)	10K OHM 1 / 16 W 1608 5.00% D	
		R2P0	LG0RH4701C622	RESISTOR,METAL GLAZED(CHIP)	4.7K OHM 1 / 16 W 1608 5.00% D	
		R2P1	LG0RH1002C622	RESISTOR,METAL GLAZED(CHIP)	10K OHM 1 / 16 W 1608 5.00% D	
		R2P2	LG0RH1002C622	RESISTOR,METAL GLAZED(CHIP)	10K OHM 1 / 16 W 1608 5.00% D	
		R2P3	LG0RH1002C622	RESISTOR,METAL GLAZED(CHIP)	10K OHM 1 / 16 W 1608 5.00% D	
		R2P7	LG0RH2202C622	RESISTOR,METAL GLAZED(CHIP)	22K OHM 1 / 16 W 1608 5.00% D	
		R2P8	LG0RH1201C622	RESISTOR,METAL GLAZED(CHIP)	1.2K OHM 1 / 16 W 1608 5.00% D	
		R2P9	LG0RH4701C622	RESISTOR,METAL GLAZED(CHIP)	4.7K OHM 1 / 16 W 1608 5.00% D	
		R2Q1	LG0RH1002C622	RESISTOR,METAL GLAZED(CHIP)	10K OHM 1 / 16 W 1608 5.00% D	
		R2R1	LG0RH1001C622	RESISTOR,METAL GLAZED(CHIP)	1K OHM 1 / 16 W 1608 5.00% D	
		R2R2	LG0RH4701C622	RESISTOR,METAL GLAZED(CHIP)	4.7K OHM 1 / 16 W 1608 5.00% D	
		R303	LG0RH0000C622	RESISTOR,METAL GLAZED(CHIP)	0 OHM 1 / 16 W 1608 5.00% D	
		R306	LG0RH4701C622	RESISTOR,METAL GLAZED(CHIP)	4.7K OHM 1 / 16 W 1608 5.00% D	
		R307	LG0RH1001C622	RESISTOR,METAL GLAZED(CHIP)	1K OHM 1 / 16 W 1608 5.00% D	
		R308	LG0RH1001C622	RESISTOR,METAL GLAZED(CHIP)	1K OHM 1 / 16 W 1608 5.00% D	
		R309	LG0RH1002C622	RESISTOR,METAL GLAZED(CHIP)	10K OHM 1 / 16 W 1608 5.00% D	
		R310	LG0RH1001C622	RESISTOR,METAL GLAZED(CHIP)	1K OHM 1 / 16 W 1608 5.00% D	
		R315	LG0RH1002C622	RESISTOR,METAL GLAZED(CHIP)	10K OHM 1 / 16 W 1608 5.00% D	
		R317	LG0RH1002C622	RESISTOR,METAL GLAZED(CHIP)	10K OHM 1 / 16 W 1608 5.00% D	
		R318	LG0RH4701C622	RESISTOR,METAL GLAZED(CHIP)	4.7K OHM 1 / 16 W 1608 5.00% D	
		R319	LG0RH4701C622	RESISTOR,METAL GLAZED(CHIP)	4.7K OHM 1 / 16 W 1608 5.00% D	
		R320	LG0RH4701C622	RESISTOR,METAL GLAZED(CHIP)	4.7K OHM 1 / 16 W 1608 5.00% D	

S	AL	LOCA. NO.	PART NO.	DESCRIPTION	SPECIFICATION	REMARKS
		R321	LG0RH1001C622	RESISTOR,METAL GLAZED(CHIP)	1K OHM 1 / 16 W 1608 5.00% D	
		R322	LG0RH4701C622	RESISTOR,METAL GLAZED(CHIP)	4.7K OHM 1 / 16 W 1608 5.00% D	
		R323	LG0RH0000C622	RESISTOR,METAL GLAZED(CHIP)	0 OHM 1 / 16 W 1608 5.00% D	
		R364	LG0RH0000C622	RESISTOR,METAL GLAZED(CHIP)	0 OHM 1 / 16 W 1608 5.00% D	
		R365	LG0RH0000C622	RESISTOR,METAL GLAZED(CHIP)	0 OHM 1 / 16 W 1608 5.00% D	
		R366	LG0RH0000C622	RESISTOR,METAL GLAZED(CHIP)	0 OHM 1 / 16 W 1608 5.00% D	
		R367	LG0RH1002C622	RESISTOR,METAL GLAZED(CHIP)	10K OHM 1 / 16 W 1608 5.00% D	
		R368	LG0RH1002C622	RESISTOR,METAL GLAZED(CHIP)	10K OHM 1 / 16 W 1608 5.00% D	
		R369	LG0RH1002C622	RESISTOR,METAL GLAZED(CHIP)	10K OHM 1 / 16 W 1608 5.00% D	
		R3F1	LG0RH0000C622	RESISTOR,METAL GLAZED(CHIP)	0 OHM 1 / 16 W 1608 5.00% D	
		R3F2	LG0RH1001C622	RESISTOR,METAL GLAZED(CHIP)	1K OHM 1 / 16 W 1608 5.00% D	
		R3F3	LG0RH0000C622	RESISTOR,METAL GLAZED(CHIP)	0 OHM 1 / 16 W 1608 5.00% D	
		R3F4	LG0RH1002C622	RESISTOR,METAL GLAZED(CHIP)	10K OHM 1 / 16 W 1608 5.00% D	
		R3F5	LG0RH1002C622	RESISTOR,METAL GLAZED(CHIP)	10K OHM 1 / 16 W 1608 5.00% D	
		R401	LG0RH0182C622	RESISTOR,METAL GLAZED(CHIP)	18 OHM 1 / 16 W 1608 5.00% D	
		R403	LG0RH0102C622	RESISTOR,METAL GLAZED(CHIP)	10 OHM 1 / 16 W 1608 5.00% D	
		R404	LG0RH6801C622	RESISTOR,METAL GLAZED(CHIP)	6.8K OHM 1 / 16 W 1608 5.00% D	
		R405	LG0RH1801C622	RESISTOR,METAL GLAZED(CHIP)	1.8K OHM 1 / 16 W 1608 5.00% D	
		R406	LG0RH1801C622	RESISTOR,METAL GLAZED(CHIP)	1.8K OHM 1 / 16 W 1608 5.00% D	
		R407	LG0RH1002C622	RESISTOR,METAL GLAZED(CHIP)	10K OHM 1 / 16 W 1608 5.00% D	
		R409	LG0RH6801C622	RESISTOR,METAL GLAZED(CHIP)	6.8K OHM 1 / 16 W 1608 5.00% D	
		R410	LG0RH6801C622	RESISTOR,METAL GLAZED(CHIP)	6.8K OHM 1 / 16 W 1608 5.00% D	
		R411	LG0RH6801C622	RESISTOR,METAL GLAZED(CHIP)	6.8K OHM 1 / 16 W 1608 5.00% D	
		R412	LG0RH1801C622	RESISTOR,METAL GLAZED(CHIP)	1.8K OHM 1 / 16 W 1608 5.00% D	
		R413	LG0RH8201C622	RESISTOR,METAL GLAZED(CHIP)	8.2K OHM 1 / 16 W 1608 5.00% D	
		R414	LG0RH5601C622	RESISTOR,METAL GLAZED(CHIP)	5.6K OHM 1 / 16 W 1608 5.00% D	
		R415	LG0RH4701C622	RESISTOR,METAL GLAZED(CHIP)	4.7K OHM 1 / 16 W 1608 5.00% D	
		R416	LG0RH8201C622	RESISTOR,METAL GLAZED(CHIP)	8.2K OHM 1 / 16 W 1608 5.00% D	
		R417	LG0RH1801C622	RESISTOR,METAL GLAZED(CHIP)	1.8K OHM 1 / 16 W 1608 5.00% D	
		R418	LG0RH1002C622	RESISTOR,METAL GLAZED(CHIP)	10K OHM 1 / 16 W 1608 5.00% D	
		R419	LG0RH3300C622	RESISTOR,METAL GLAZED(CHIP)	330 OHM 1 / 16 W 1608 5.00% D	
		R420	LG0RH3300C622	RESISTOR,METAL GLAZED(CHIP)	330 OHM 1 / 16 W 1608 5.00% D	
		R428	LG0RH0000C622	RESISTOR,METAL GLAZED(CHIP)	0 OHM 1 / 16 W 1608 5.00% D	
		R429	LG0RH0000C622	RESISTOR,METAL GLAZED(CHIP)	0 OHM 1 / 16 W 1608 5.00% D	
		R430	LG0RH0000C622	RESISTOR,METAL GLAZED(CHIP)	0 OHM 1 / 16 W 1608 5.00% D	
		R431	LG0RH1001C622	RESISTOR,METAL GLAZED(CHIP)	1K OHM 1 / 16 W 1608 5.00% D	
		R432	LG0RH0000C622	RESISTOR,METAL GLAZED(CHIP)	0 OHM 1 / 16 W 1608 5.00% D	
		R433	LG0RH5600C622	RESISTOR,METAL GLAZED(CHIP)	560 OHM 1 / 16 W 1608 5.00% D	
		R434	LG0RH5600C622	RESISTOR,METAL GLAZED(CHIP)	560 OHM 1 / 16 W 1608 5.00% D	
		R435	LG0RH1001C622	RESISTOR,METAL GLAZED(CHIP)	1K OHM 1 / 16 W 1608 5.00% D	
		R436	LG0RH1001C622	RESISTOR,METAL GLAZED(CHIP)	1K OHM 1 / 16 W 1608 5.00% D	
		R437	LG0RH1001C622	RESISTOR,METAL GLAZED(CHIP)	1K OHM 1 / 16 W 1608 5.00% D	
		R438	LG0RH1001C622	RESISTOR,METAL GLAZED(CHIP)	1K OHM 1 / 16 W 1608 5.00% D	
		R439	LG0RH1001C622	RESISTOR,METAL GLAZED(CHIP)	1K OHM 1 / 16 W 1608 5.00% D	
		R440	LG0RH1001C622	RESISTOR,METAL GLAZED(CHIP)	1K OHM 1 / 16 W 1608 5.00% D	
		R441	LG0RH1001C622	RESISTOR,METAL GLAZED(CHIP)	1K OHM 1 / 16 W 1608 5.00% D	
		R501	LG0RH3301C622	RESISTOR,METAL GLAZED(CHIP)	3.3K OHM 1 / 16 W 1608 5.00% D	
		R502	LG0RH0000C622	RESISTOR,METAL GLAZED(CHIP)	0 OHM 1 / 16 W 1608 5.00% D	
		R503	LG0RH0000C622	RESISTOR,METAL GLAZED(CHIP)	0 OHM 1 / 16 W 1608 5.00% D	
		R504	LG0RH1500C422	RESISTOR,METAL GLAZED(CHIP)	150 OHM 1 / 16 W 1608 1.00% D	
		R505	LG0RH0102C622	RESISTOR,METAL GLAZED(CHIP)	10 OHM 1 / 16 W 1608 5.00% D	
		R506	LG0RH1001C422	RESISTOR,METAL GLAZED(CHIP)	1K OHM 1 / 16 W 1608 1.00% D	
		R507	LG0RH1100C622	RESISTOR,METAL GLAZED(CHIP)	110 OHM 1 / 16 W 1608 5.00% D	
		R508	LG0RH0752C622	RESISTOR,METAL GLAZED(CHIP)	75 OHM 1 / 16 W 1608 5.00% D	
		R509	LG0RH1100C622	RESISTOR,METAL GLAZED(CHIP)	110 OHM 1 / 16 W 1608 5.00% D	
		R510	LG0RH0222C622	RESISTOR,METAL GLAZED(CHIP)	22 OHM 1 / 16 W 1608 5.00% D	
		R514	LG0RH0222C622	RESISTOR,METAL GLAZED(CHIP)	22 OHM 1 / 16 W 1608 5.00% D	

HV-DX2EV

S	AL	LOCA. NO.	PART NO.	DESCRIPTION	SPECIFICATION	REMARKS
		R515	LG0RH0222C622	RESISTOR,METAL GLAZED(CHIP)	22 OHM 1 / 16 W 1608 5.00% D	
		R516	LG0RH1000C622	RESISTOR,METAL GLAZED(CHIP)	100 OHM 1 / 16 W 1608 5.00% D	
		R520	LG0RH0222C622	RESISTOR,METAL GLAZED(CHIP)	22 OHM 1 / 16 W 1608 5.00% D	
		R521	LG0RH4701C622	RESISTOR,METAL GLAZED(CHIP)	4.7K OHM 1 / 16 W 1608 5.00% D	
		R522	LG0RH1002C622	RESISTOR,METAL GLAZED(CHIP)	10K OHM 1 / 16 W 1608 5.00% D	
		R523	LG0RH4701C622	RESISTOR,METAL GLAZED(CHIP)	4.7K OHM 1 / 16 W 1608 5.00% D	
		R524	LG0RH1001C622	RESISTOR,METAL GLAZED(CHIP)	1K OHM 1 / 16 W 1608 5.00% D	
		R530	LG0RH1201C622	RESISTOR,METAL GLAZED(CHIP)	1.2K OHM 1 / 16 W 1608 5.00% D	
		R531	LG0RH1201C622	RESISTOR,METAL GLAZED(CHIP)	1.2K OHM 1 / 16 W 1608 5.00% D	
		R532	LG0RH1201C622	RESISTOR,METAL GLAZED(CHIP)	1.2K OHM 1 / 16 W 1608 5.00% D	
		R533	LG0RH1201C622	RESISTOR,METAL GLAZED(CHIP)	1.2K OHM 1 / 16 W 1608 5.00% D	
		R534	LG0RH6800C622	RESISTOR,METAL GLAZED(CHIP)	680 OHM 1 / 16 W 1608 5.00% D	
		R535	LG0RH1201C622	RESISTOR,METAL GLAZED(CHIP)	1.2K OHM 1 / 16 W 1608 5.00% D	
		R541	LG0RH1002C622	RESISTOR,METAL GLAZED(CHIP)	10K OHM 1 / 16 W 1608 5.00% D	
		R588	LG0RH0752C622	RESISTOR,METAL GLAZED(CHIP)	75 OHM 1 / 16 W 1608 5.00% D	
		R589	LG0RH0752C622	RESISTOR,METAL GLAZED(CHIP)	75 OHM 1 / 16 W 1608 5.00% D	
		R590	LG0RH0752C622	RESISTOR,METAL GLAZED(CHIP)	75 OHM 1 / 16 W 1608 5.00% D	
		R591	LG0RH0752C622	RESISTOR,METAL GLAZED(CHIP)	75 OHM 1 / 16 W 1608 5.00% D	
		R592	LG0RH0000C622	RESISTOR,METAL GLAZED(CHIP)	0 OHM 1 / 16 W 1608 5.00% D	
		X201	LG6202R-BM04C	RESONATOR,CRYSTAL	HC-49/S BUBANG 33-8688MHZ 5	
		X501	LG6202R-BL06C	RESONATOR,CRYSTAL	HC-49/S BUBANG 27MHZ 20PPM 1	ALTERNATE
		X501	LG6212AA2271F	RESONATOR,CRYSTAL	HC-49S KITELCO 27MHZ +/- 20 PP	
*** BOARD ASSEMBLY , MAIN(VCR) ***						
		A46	LG3501R-8119C	BOARD ASSEMBLY	VCR 2003 COMBI SCART (DI)	
		323	LG3111R-0089C	CASE ASSEMBLY	VCR - PRE-AMP (02-PAL)	
		C301	LG0CE1064F638	CAPACITOR,ELECTROLYTIC	10M SRA 16V M FM5 TP(5)	
		C302	LG0CE2264F638	CAPACITOR,ELECTROLYTIC	22M SRA 16V M FM5 TP(5)	
		C303	LG0CH1122K516	CHIP CAPA CERAMIC M/L H.D F/S	1200P 50V K B 2.0X1.25 R/TP	
		C304	LG0CE4764F638	CAPACITOR,ELECTROLYTIC	47M SRA/SS 16V M FM5 TP(5)	
		C305	LG0CH1103K416	CAPACITOR,FIXED CERAMIC(Temp.c	0.01UF 50V 5% B(5YP) 2012 R/TP	
		C306	LG0CH1122K516	CHIP CAPA CERAMIC M/L H.D F/S	1200P 50V K B 2.0X1.25 R/TP	
		C307	LG0CE1054K638	CAPACITOR,ELECTROLYTIC	1.0M SRA/SS50V M FM5 TP(5)	
		C308	LG0CH1153K516	CAPA,CHIP CERAMIC M/L H.D F/S	0.015U 50V K B 2.0X1.2 R/TP	
		C309	LG0CH4221K416	CAPA,CHIP CERAMIC M/L T.C F/S	220P 50V J 2.0X1.25 R/TP	
		C310	LG0CH1103K416	CAPACITOR,FIXED CERAMIC(Temp.c	0.01UF 50V 5% B(5YP) 2012 R/TP	
		C311	LG0CE4765K618	CAPACITOR,AL.ELECTROLYTIC	47UF SR,SV 50V M FL TP 5	
		C312	LG0CH1103K416	CAPACITOR,FIXED CERAMIC(Temp.c	0.01UF 50V 5% B(5YP) 2012 R/TP	
		C313	LG0CQ2232L559	CAPACITOR,POLYESTER	0.022UF S 63V K PP NI TP5	
		C314	LG0CE1064F638	CAPACITOR,ELECTROLYTIC	10M SRA 16V M FM5 TP(5)	
		C315	LG0CE2254K638	CAPACITOR,FIXED ELECTROLYTIC	2.2UF SRA,SS 50V 20% FM5 TP 5	
		C316	LG0CE1064F638	CAPACITOR,ELECTROLYTIC	10M SRA 16V M FM5 TP(5)	
		C317	LG0CH1103K416	CAPACITOR,FIXED CERAMIC(Temp.c	0.01UF 50V 5% B(5YP) 2012 R/TP	
		C318	LG0CE1054K638	CAPACITOR,ELECTROLYTIC	1.0M SRA/SS50V M FM5 TP(5)	
		C319	LG0CH1103K416	CAPACITOR,FIXED CERAMIC(Temp.c	0.01UF 50V 5% B(5YP) 2012 R/TP	
		C320	LG0CE1054K638	CAPACITOR,ELECTROLYTIC	1.0M SRA/SS50V M FM5 TP(5)	
		C321	LG0CH4680K416	CAPA,CHIP CERAMIC M/L T.C F/S	68P 50V J COG 2.0X1.2 R/TP	
		C322	LG0CE1064F638	CAPACITOR,ELECTROLYTIC	10M SRA 16V M FM5 TP(5)	
		C323	LG0CE1064F638	CAPACITOR,ELECTROLYTIC	10M SRA 16V M FM5 TP(5)	
		C324	LG0CE4754K638	CAPACITOR,FIXED ELECTROLYTIC	4.7UF SRA,SS 50V 20% FM5 TP 5	
		C325	LG0CE1064F638	CAPACITOR,ELECTROLYTIC	10M SRA 16V M FM5 TP(5)	
		C326	LG0CH1103K416	CAPACITOR,FIXED CERAMIC(Temp.c	0.01UF 50V 5% B(5YP) 2012 R/TP	
		C327	LG0CE1054K638	CAPACITOR,ELECTROLYTIC	1.0M SRA/SS50V M FM5 TP(5)	
		C328	LG0CH1103K416	CAPACITOR,FIXED CERAMIC(Temp.c	0.01UF 50V 5% B(5YP) 2012 R/TP	
		C329	LG0CH1103K416	CAPACITOR,FIXED CERAMIC(Temp.c	0.01UF 50V 5% B(5YP) 2012 R/TP	
		C330	LG0CH1104K946	CAPACITOR,FIXED CERAMIC(TEMP.C	0.1UF 2012 50V 80%,-20% Y5V(F)	
		C331	LG0CE2264F638	CAPACITOR,ELECTROLYTIC	22M SRA 16V M FM5 TP(5)	
		C333	LG0CE4764F638	CAPACITOR,ELECTROLYTIC	47M SRA/SS 16V M FM5 TP(5)	

S	AL	LOCA. NO.	PART NO.	DESCRIPTION	SPECIFICATION	REMARKS
		C334	LG0CH1103K416	CAPACITOR, FIXED CERAMIC(Temp.c	0.01UF 50V 5% B(5YP) 2012 R/TP	
		C335	LG0CH1103K416	CAPACITOR, FIXED CERAMIC(Temp.c	0.01UF 50V 5% B(5YP) 2012 R/TP	
		C336	LG0CE4764F638	CAPACITOR, ELECTROLYTIC	47M SRA/SS 16V M FM5 TP(5)	
		C337	LG0CE1054K638	CAPACITOR, ELECTROLYTIC	1.0M SRA/SS50V M FM5 TP(5)	
		C338	LG0CH1473K516	CHIP CAPA CERAMIC M/L H.D F/S	0.047U 50V K X7R 2.0X1.2 R/TP	
		C339	LG0CE1054K638	CAPACITOR, ELECTROLYTIC	1.0M SRA/SS50V M FM5 TP(5)	
		C340	LG0CH1473K516	CHIP CAPA CERAMIC M/L H.D F/S	0.047U 50V K X7R 2.0X1.2 R/TP	
		C341	LG0CH1223K516	CAPA, CHIP CERAMIC M/L H.D F/S	0.022U 50V K B 2.0X1.2 R/TP	
		C342	LG0CH1104K946	CAPACITOR, FIXED CERAMIC(TEMP.C	0.1UF 2012 50V 80%,-20% Y5V(F)	
		C343	LG0CH1473K516	CHIP CAPA CERAMIC M/L H.D F/S	0.047U 50V K X7R 2.0X1.2 R/TP	
		C345	LG0CH1473K516	CHIP CAPA CERAMIC M/L H.D F/S	0.047U 50V K X7R 2.0X1.2 R/TP	
		C346	LG0CE4764F638	CAPACITOR, ELECTROLYTIC	47M SRA/SS 16V M FM5 TP(5)	
		C347	LG0CE1054K638	CAPACITOR, ELECTROLYTIC	1.0M SRA/SS50V M FM5 TP(5)	
		C348	LG0CE1054K638	CAPACITOR, ELECTROLYTIC	1.0M SRA/SS50V M FM5 TP(5)	
		C349	LG0CE4764F638	CAPACITOR, ELECTROLYTIC	47M SRA/SS 16V M FM5 TP(5)	
		C350	LG0CH1104K946	CAPACITOR, FIXED CERAMIC(TEMP.C	0.1UF 2012 50V 80%,-20% Y5V(F)	
		C351	LG0CH4221K416	CAPA, CHIP CERAMIC M/L T.C F/S	220P 50V J 2.0X1.25 R/TP	
		C353	LG0CE1054K638	CAPACITOR, ELECTROLYTIC	1.0M SRA/SS50V M FM5 TP(5)	
		C355	LG0CH1104K946	CAPACITOR, FIXED CERAMIC(TEMP.C	0.1UF 2012 50V 80%,-20% Y5V(F)	
		C356	LG0CE1054K638	CAPACITOR, ELECTROLYTIC	1.0M SRA/SS50V M FM5 TP(5)	
		C357	LG0CE1054K638	CAPACITOR, ELECTROLYTIC	1.0M SRA/SS50V M FM5 TP(5)	
		C358	LG0CH4680K416	CAPA, CHIP CERAMIC M/L T.C F/S	68P 50V J COG 2.0X1.2 R/TP	
		C359	LG0CE1054K638	CAPACITOR, ELECTROLYTIC	1.0M SRA/SS50V M FM5 TP(5)	
		C360	LG0CH1104K946	CAPACITOR, FIXED CERAMIC(TEMP.C	0.1UF 2012 50V 80%,-20% Y5V(F)	
		C361	LG0CH1223K516	CAPA, CHIP CERAMIC M/L H.D F/S	0.022U 50V K B 2.0X1.2 R/TP	
		C362	LG0CE4764F638	CAPACITOR, ELECTROLYTIC	47M SRA/SS 16V M FM5 TP(5)	
		C363	LG0CH1103K416	CAPACITOR, FIXED CERAMIC(Temp.c	0.01UF 50V 5% B(5YP) 2012 R/TP	
		C366	LG0CH1103K416	CAPACITOR, FIXED CERAMIC(Temp.c	0.01UF 50V 5% B(5YP) 2012 R/TP	
		C367	LG0CH1104K946	CAPACITOR, FIXED CERAMIC(TEMP.C	0.1UF 2012 50V 80%,-20% Y5V(F)	
		C368	LG0CH1822K516	CHIP CAPA CERAMIC M/L H.D F/S	8200P 50V K B 2.0X1.2 R/TP	
		C369	LG0CH4101K416	CAPA, CHIP CERAMIC M/L T.C F/S	100P 50V J NP0 2.0*1.25 R/TP	
		C370	LG0CH4820K416	CAPA, CHIP CERAMIC M/L T.C F/S	82P 50V J COG 2.0X1.2 R/TP	
		C371	LG0CH4820K416	CAPA, CHIP CERAMIC M/L T.C F/S	82P 50V J COG 2.0X1.2 R/TP	
		C372	LG0CH4820K416	CAPA, CHIP CERAMIC M/L T.C F/S	82P 50V J COG 2.0X1.2 R/TP	
		C374	LG0CH1104K946	CAPACITOR, FIXED CERAMIC(TEMP.C	0.1UF 2012 50V 80%,-20% Y5V(F)	
		C375	LG0CH1104K946	CAPACITOR, FIXED CERAMIC(TEMP.C	0.1UF 2012 50V 80%,-20% Y5V(F)	
		C376	LG0CH1104K946	CAPACITOR, FIXED CERAMIC(TEMP.C	0.1UF 2012 50V 80%,-20% Y5V(F)	
		C377	LG0CH1104K946	CAPACITOR, FIXED CERAMIC(TEMP.C	0.1UF 2012 50V 80%,-20% Y5V(F)	
		C500	LG0CE4775C638	CAPACITOR, FIXED ELECTROLYTIC	470UF SR,SV 6.3V 20% FM5 TP 5	
		C501	LG0CH1104K946	CAPACITOR, FIXED CERAMIC(TEMP.C	0.1UF 2012 50V 80%,-20% Y5V(F)	
		C502	LG0CE4764F638	CAPACITOR, ELECTROLYTIC	47M SRA/SS 16V M FM5 TP(5)	
		C503	LG0CE2274C638	CAPACITOR, ELECTROLYTIC	220M SRA 6.3V M FM5 TP(5)	
		C504	LG0CE2274C638	CAPACITOR, ELECTROLYTIC	220M SRA 6.3V M FM5 TP(5)	
		C505	LG0CE4764F638	CAPACITOR, ELECTROLYTIC	47M SRA/SS 16V M FM5 TP(5)	
		C506	LG0CH1223K516	CAPA, CHIP CERAMIC M/L H.D F/S	0.022U 50V K B 2.0X1.2 R/TP	
		C508	LG0CH1104K946	CAPACITOR, FIXED CERAMIC(TEMP.C	0.1UF 2012 50V 80%,-20% Y5V(F)	
		C509	LG0CH4220K406	CHIP CAPA CERAMIC M/L T.C F/S	22P 50V J SL 2.0X1.2 R/TP	
		C511	LG0CH1104K946	CAPACITOR, FIXED CERAMIC(TEMP.C	0.1UF 2012 50V 80%,-20% Y5V(F)	
		C512	LG0CH1102K516	CHIP CAPA CERAMIC M/L H.D F/S	1000P 50V K B 2.0X1.25 R/TP	
		C513	LG0CH1102K516	CHIP CAPA CERAMIC M/L H.D F/S	1000P 50V K B 2.0X1.25 R/TP	
		C514	LG0CH4120K406	CAPACITOR, FIXED CERAMIC(High d	12PF 50V 5% SL 2012 R/TP	
		C515	LG0CH4150K416	CAPA, CHIP CERAMIC M/L T.C F/S	15P 50V J COG 2.0X1.2 R/TP	
		C516	LG0CH1223K516	CAPA, CHIP CERAMIC M/L H.D F/S	0.022U 50V K B 2.0X1.2 R/TP	
		C517	LG0CE1064F638	CAPACITOR, ELECTROLYTIC	10M SRA 16V M FM5 TP(5)	
		C518	LG0CH1103K516	CHIP CAPA CERAMIC M/L H.D F/S	0.01U 50V K B 2.0X1.25 R/TP	
		C519	LG0CH1104K946	CAPACITOR, FIXED CERAMIC(TEMP.C	0.1UF 2012 50V 80%,-20% Y5V(F)	
		C520	LG0CH1102K516	CHIP CAPA CERAMIC M/L H.D F/S	1000P 50V K B 2.0X1.25 R/TP	

HV-DX2EV

S	AL	LOCA. NO.	PART NO.	DESCRIPTION	SPECIFICATION	REMARKS
		C521	LG0CH1102K516	CHIP CAPA CERAMIC M/L H.D F/S	1000P 50V K B 2.0X1.25 R/TP	
		C523	LG0CE2254K638	CAPACITOR, FIXED ELECTROLYTIC	2.2UF SRA,SS 50V 20% FM5 TP 5	
		C524	LG0CE4764F638	CAPACITOR,ELECTROLYTIC	47M SRA/SS 16V M FM5 TP(5)	
		C526	LG0CE4764J638	CAPACITOR,AL.ELECTROLYTIC	47UF SRA,SS 35V M FM5 TP 5	
		C527	LG0CH4221K416	CAPA,CHIP CERAMIC M/L T.C F/S	220P 50V J 2.0X1.25 R/TP	
		C531	LG0CH1104K946	CAPACITOR, FIXED CERAMIC(TEMP.C	0.1UF 2012 50V 80%,-20% Y5V(F)	
		C532	LG0CH1223K516	CAPA,CHIP CERAMIC M/L H.D F/S	0.022U 50V K B 2.0X1.2 R/TP	
		C533	LG0CH1102K516	CHIP CAPA CERAMIC M/L H.D F/S	1000P 50V K B 2.0X1.25 R/TP	
		C534	LG0CE4754K638	CAPACITOR, FIXED ELECTROLYTIC	4.7UF SRA,SS 50V 20% FM5 TP 5	
		C535	LG0CH1105F946	CAPACITOR,CHIP[CERAMIC M/L HD	1UF 16V Z Y5V(F) 2012 R/TP	
		C543	LG0CH1222K516	CHIP CAPA CERAMIC M/L H.D F/S	2200P 50V K B 2.0X1.25 R/TP	
		C544	LG0CH1473K946	CHIP CAPA CERAMIC M/L H.D F/S	0.047UF 50V Z Y5V(F) 2012 R/TP	
		C545	LG0CH1333H516	CHIP CAPA CERAMIC M/L H.D F/S	0.033U 25V K B 2.0X1.25 R/TP	
		C546	LG0CE4764J638	CAPACITOR,AL.ELECTROLYTIC	47UF SRA,SS 35V M FM5 TP 5	
		C547	LG0CH1103K516	CHIP CAPA CERAMIC M/L H.D F/S	0.01U 50V K B 2.0X1.25 R/TP	
		C551	LG0CH1333H516	CHIP CAPA CERAMIC M/L H.D F/S	0.033U 25V K B 2.0X1.25 R/TP	
		C552	LG0CH1103K516	CHIP CAPA CERAMIC M/L H.D F/S	0.01U 50V K B 2.0X1.25 R/TP	
		C561	LG0CE2274C638	CAPACITOR,ELECTROLYTIC	220M SRA 6.3V M FM5 TP(5)	
		C564	LG0CH1102K516	CHIP CAPA CERAMIC M/L H.D F/S	1000P 50V K B 2.0X1.25 R/TP	
		C567	LG0CH1102K516	CHIP CAPA CERAMIC M/L H.D F/S	1000P 50V K B 2.0X1.25 R/TP	
		C570	LG0CH4150K416	CAPA,CHIP CERAMIC M/L T.C F/S	15P 50V J COG 2.0X1.2 R/TP	
		C571	LG0CH4150K416	CAPA,CHIP CERAMIC M/L T.C F/S	15P 50V J COG 2.0X1.2 R/TP	
		C575	LG0CH1102K516	CHIP CAPA CERAMIC M/L H.D F/S	1000P 50V K B 2.0X1.25 R/TP	
		C576	LG0CH4270K416	CHIP CAPA CERAMIC M/L T.C F/S	27P 50V J COG 2.0X1.2 R/TP	
		C577	LG0CH1223K516	CAPA,CHIP CERAMIC M/L H.D F/S	0.022U 50V K B 2.0X1.2 R/TP	
		C578	LG0CH1222K516	CHIP CAPA CERAMIC M/L H.D F/S	2200P 50V K B 2.0X1.25 R/TP	
		C581	LG0CH1103K516	CHIP CAPA CERAMIC M/L H.D F/S	0.01U 50V K B 2.0X1.25 R/TP	
		C582	LG0CH1103K516	CHIP CAPA CERAMIC M/L H.D F/S	0.01U 50V K B 2.0X1.25 R/TP	
		C583	LG0CH1105F946	CAPACITOR,CHIP[CERAMIC M/L HD	1UF 16V Z Y5V(F) 2012 R/TP	
		C595	LG0CH1223K516	CAPA,CHIP CERAMIC M/L H.D F/S	0.022U 50V K B 2.0X1.2 R/TP	
		C596	LG0CH1104K946	CAPACITOR, FIXED CERAMIC(TEMP.C	0.1UF 2012 50V 80%,-20% Y5V(F)	
		C5A3	LG0CH1104K946	CAPACITOR, FIXED CERAMIC(TEMP.C	0.1UF 2012 50V 80%,-20% Y5V(F)	
		C5A4	LG0CH1103K516	CHIP CAPA CERAMIC M/L H.D F/S	0.01U 50V K B 2.0X1.25 R/TP	
		C5A5	LG0CE1054K638	CAPACITOR,ELECTROLYTIC	1.0M SRA/SS50V M FM5 TP(5)	
		C5K1	LG0CH1104K946	CAPACITOR, FIXED CERAMIC(TEMP.C	0.1UF 2012 50V 80%,-20% Y5V(F)	
		C5L1	LG0CH1105F946	CAPACITOR,CHIP[CERAMIC M/L HD	1UF 16V Z Y5V(F) 2012 R/TP	
		C5L6	LG0CH1102K516	CHIP CAPA CERAMIC M/L H.D F/S	1000P 50V K B 2.0X1.25 R/TP	
		C5P1	LG0CH1103K516	CHIP CAPA CERAMIC M/L H.D F/S	0.01U 50V K B 2.0X1.25 R/TP	
		C5P2	LG0CH1103K516	CHIP CAPA CERAMIC M/L H.D F/S	0.01U 50V K B 2.0X1.25 R/TP	
		C5R2	LG0CH4681K416	CAPA,CHIP CERAMIC M/L T.C F/S	680PF 50V J NP0 2012 R/TP	
		C5S1	LG0CH4430K416	CAPACITOR, FIXED CERAMIC(High d	43PF 50V J NP0 2012 R/TP	
		C5S3	LG0CH1223K516	CAPA,CHIP CERAMIC M/L H.D F/S	0.022U 50V K B 2.0X1.2 R/TP	
		C706	LG0CH4330K416	CAPA,CHIP CERAMIC M/L T.C F/S	33P 50V J C 2.0X1.2 R/TP	
		C707	LG0CH4680K416	CAPA,CHIP CERAMIC M/L T.C F/S	68P 50V J COG 2.0X1.2 R/TP	
		C708	LG0CE4775C638	CAPACITOR, FIXED ELECTROLYTIC	470UF SR,SV 6.3V 20% FM5 TP 5	
		C709	LG0CH1103K516	CHIP CAPA CERAMIC M/L H.D F/S	0.01U 50V K B 2.0X1.25 R/TP	
		C710	LG0CE4754K638	CAPACITOR, FIXED ELECTROLYTIC	4.7UF SRA,SS 50V 20% FM5 TP 5	
		C712	LG0CH1103K516	CHIP CAPA CERAMIC M/L H.D F/S	0.01U 50V K B 2.0X1.25 R/TP	
		C713	LG0CH4560K416	CHIP CAPA CERAMIC M/L T.C F/S	56P 50V J NPO 2.0X1.25 R/TP	
		C714	LG0CH4560K416	CHIP CAPA CERAMIC M/L T.C F/S	56P 50V J NPO 2.0X1.25 R/TP	
		C715	LG0CH4050K016	CAPA,CHIP CERAMIC M/L T.C F/S	5P 50V C COG 2.0X1.2 R/TP	
		C716	LG0CH4100K416	CAPA,CHIP CERAMIC M/L T.C F/S	10PF 50V J NP0 2012 R/TP	
		C717	LG0CH1103K516	CHIP CAPA CERAMIC M/L H.D F/S	0.01U 50V K B 2.0X1.25 R/TP	
		C718	LG0CE4764C638	CAPACITOR,ELECTROLYTIC	47M SRA 6.3V M FM5 TP(5)	
		C719	LG0CE4764C638	CAPACITOR,ELECTROLYTIC	47M SRA 6.3V M FM5 TP(5)	
		C720	LG0CH1152K516	CAPACITOR, FIXED CERAMIC(Temp.c	1500PF 50V 10% B(5YP) 2012 R/T	
		C721	LG0CH1392K566	CAPACITOR, FIXED CERAMIC(Temp.c	3900P 50V K X7R 2.0X1.2 R/TP	

S	AL	LOCA. NO.	PART NO.	DESCRIPTION	SPECIFICATION	REMARKS
		C722	LG0CH1103K516	CHIP CAPA CERAMIC M/L H.D F/S	0.01U 50V K B 2.0X1.25 R/TP	
		C723	LG0CH1103K516	CHIP CAPA CERAMIC M/L H.D F/S	0.01U 50V K B 2.0X1.25 R/TP	
		C726	LG0CH1103K516	CHIP CAPA CERAMIC M/L H.D F/S	0.01U 50V K B 2.0X1.25 R/TP	
		C727	LG0CE4764C638	CAPACITOR,ELECTROLYTIC	47M SRA 6.3V M FM5 TP(5)	
		C728	LG0CH1103K516	CHIP CAPA CERAMIC M/L H.D F/S	0.01U 50V K B 2.0X1.25 R/TP	
		C729	LG0CE3354K638	CAPACITOR,FIXED ELECTROLYTIC	3.3UF SRA,SS 50V 20% FM5 TP 5	
		C730	LG0CH4150K416	CAPA,CHIP CERAMIC M/L T.C F/S	15P 50V J COG 2.0X1.2 R/TP	
		C731	LG0CH4090K116	CAPACITOR,FIXED CERAMIC(High d	9PF 50V 0.5 pF NP0 2012 R/TP	
		C732	LG0CE1064F638	CAPACITOR,ELECTROLYTIC	10M SRA 16V M FM5 TP(5)	
		C751	LG0CE4764C638	CAPACITOR,ELECTROLYTIC	47M SRA 6.3V M FM5 TP(5)	
		C752	LG0CH1103K516	CHIP CAPA CERAMIC M/L H.D F/S	0.01U 50V K B 2.0X1.25 R/TP	
		C755	LG0CE1064F638	CAPACITOR,ELECTROLYTIC	10M SRA 16V M FM5 TP(5)	
		C7M1	LG0CH1103K516	CHIP CAPA CERAMIC M/L H.D F/S	0.01U 50V K B 2.0X1.25 R/TP	
		C7M2	LG0CE4764C638	CAPACITOR,ELECTROLYTIC	47M SRA 6.3V M FM5 TP(5)	
		C7M3	LG0CH4270K416	CHIP CAPA CERAMIC M/L T.C F/S	27P 50V J COG 2.0X1.2 R/TP	
		C7M6	LG0CH4270K416	CHIP CAPA CERAMIC M/L T.C F/S	27P 50V J COG 2.0X1.2 R/TP	
		C7V1	LG0CE4764C638	CAPACITOR,ELECTROLYTIC	47M SRA 6.3V M FM5 TP(5)	
		C7V2	LG0CH1103K516	CHIP CAPA CERAMIC M/L H.D F/S	0.01U 50V K B 2.0X1.25 R/TP	
		C7V3	LG0CE1054K638	CAPACITOR,ELECTROLYTIC	1.0M SRA/SS50V M FM5 TP(5)	
		C7V4	LG0CH1473K946	CHIP CAPA CERAMIC M/L H.D F/S	0.047UF 50V Z Y5V(F) 2012 R/TP	
		C7V5	LG0CH1473K946	CHIP CAPA CERAMIC M/L H.D F/S	0.047UF 50V Z Y5V(F) 2012 R/TP	
		C802	LG0CH1104K946	CAPACITOR,FIXED CERAMIC(TEMP.C	0.1UF 2012 50V 80%,-20% Y5V(F)	
		C803	LG0CH1104K946	CAPACITOR,FIXED CERAMIC(TEMP.C	0.1UF 2012 50V 80%,-20% Y5V(F)	
		C804	LG0CH1104K946	CAPACITOR,FIXED CERAMIC(TEMP.C	0.1UF 2012 50V 80%,-20% Y5V(F)	
		C805	LG0CH1104K946	CAPACITOR,FIXED CERAMIC(TEMP.C	0.1UF 2012 50V 80%,-20% Y5V(F)	
		C806	LG0CE1064F638	CAPACITOR,ELECTROLYTIC	10M SRA 16V M FM5 TP(5)	
		C807	LG0CE4744K638	CAPACITOR,ELECTROLYTIC	0.47M SRA 50V M FM5 TP(5)	
		C808	LG0CE1054K638	CAPACITOR,ELECTROLYTIC	1.0M SRA/SS50V M FM5 TP(5)	
		C809	LG0CE1054K638	CAPACITOR,ELECTROLYTIC	1.0M SRA/SS50V M FM5 TP(5)	
		C810	LG0CH1105F946	CAPACITOR,CHIP CERAMIC M/L HD	1UF 16V Z Y5V(F) 2012 R/TP	
		C811	LG0CH1105F946	CAPACITOR,CHIP CERAMIC M/L HD	1UF 16V Z Y5V(F) 2012 R/TP	
		C812	LG0CE1064F638	CAPACITOR,ELECTROLYTIC	10M SRA 16V M FM5 TP(5)	
		C813	LG0CH1682K516	CAPACITOR,FIXED CERAMIC(Temp.c	6800PF 50V 10% B(5YP) 2012 R/T	
		C814	LG0CE4764F638	CAPACITOR,ELECTROLYTIC	47M SRA/SS 16V M FM5 TP(5)	
		C815	LG0CE1064F638	CAPACITOR,ELECTROLYTIC	10M SRA 16V M FM5 TP(5)	
		C816	LG0CE1064F638	CAPACITOR,ELECTROLYTIC	10M SRA 16V M FM5 TP(5)	
		C817	LG0CE1064F638	CAPACITOR,ELECTROLYTIC	10M SRA 16V M FM5 TP(5)	
		C818	LG0CE4764F638	CAPACITOR,ELECTROLYTIC	47M SRA/SS 16V M FM5 TP(5)	
		C819	LG0CH1682K516	CAPACITOR,FIXED CERAMIC(Temp.c	6800PF 50V 10% B(5YP) 2012 R/T	
		C820	LG0CE1064F638	CAPACITOR,ELECTROLYTIC	10M SRA 16V M FM5 TP(5)	
		C821	LG0CH1103K516	CHIP CAPA CERAMIC M/L H.D F/S	0.01U 50V K B 2.0X1.25 R/TP	
		C822	LG0CE4764F638	CAPACITOR,ELECTROLYTIC	47M SRA/SS 16V M FM5 TP(5)	
		C823	LG0CH1104K946	CAPACITOR,FIXED CERAMIC(TEMP.C	0.1UF 2012 50V 80%,-20% Y5V(F)	
		C824	LG0CH1103K516	CHIP CAPA CERAMIC M/L H.D F/S	0.01U 50V K B 2.0X1.25 R/TP	
		C825	LG0CE4764F638	CAPACITOR,ELECTROLYTIC	47M SRA/SS 16V M FM5 TP(5)	
		C826	LG0CH1103K516	CHIP CAPA CERAMIC M/L H.D F/S	0.01U 50V K B 2.0X1.25 R/TP	
		C828	LG0CE1054K638	CAPACITOR,ELECTROLYTIC	1.0M SRA/SS50V M FM5 TP(5)	
		C829	LG0CE1054K638	CAPACITOR,ELECTROLYTIC	1.0M SRA/SS50V M FM5 TP(5)	
		C834	LG0CE4774F638	CAPACITOR,FIXED ELECTROLYTIC	470UF SRA,SS 16V 20% FM5 TP 5	
		C855	LG0CH1104K946	CAPACITOR,FIXED CERAMIC(TEMP.C	0.1UF 2012 50V 80%,-20% Y5V(F)	
		C856	LG0CH1104K946	CAPACITOR,FIXED CERAMIC(TEMP.C	0.1UF 2012 50V 80%,-20% Y5V(F)	
		C857	LG0CH1104K946	CAPACITOR,FIXED CERAMIC(TEMP.C	0.1UF 2012 50V 80%,-20% Y5V(F)	
		C859	LG0CE2264F638	CAPACITOR,ELECTROLYTIC	22M SRA 16V M FM5 TP(5)	
		C860	LG0CH1104K946	CAPACITOR,FIXED CERAMIC(TEMP.C	0.1UF 2012 50V 80%,-20% Y5V(F)	
		C861	LG0CE1064F638	CAPACITOR,ELECTROLYTIC	10M SRA 16V M FM5 TP(5)	
		C863	LG0CE4764F638	CAPACITOR,ELECTROLYTIC	47M SRA/SS 16V M FM5 TP(5)	
		C864	LG0CE1054K638	CAPACITOR,ELECTROLYTIC	1.0M SRA/SS50V M FM5 TP(5)	

HV-DX2EV

S	AL	LOCA. NO.	PART NO.	DESCRIPTION	SPECIFICATION	REMARKS
		C869	LG0CE1064F638	CAPACITOR,ELECTROLYTIC	10M SRA 16V M FM5 TP(5)	
		C870	LG0CH1104K946	CAPACITOR,FIXED CERAMIC(TEMP.C	0.1UF 2012 50V 80%,-20% Y5V(F)	
		C871	LG0CH1104K946	CAPACITOR,FIXED CERAMIC(TEMP.C	0.1UF 2012 50V 80%,-20% Y5V(F)	
		C884	LG0CH1104K946	CAPACITOR,FIXED CERAMIC(TEMP.C	0.1UF 2012 50V 80%,-20% Y5V(F)	
		C885	LG0CH1104K946	CAPACITOR,FIXED CERAMIC(TEMP.C	0.1UF 2012 50V 80%,-20% Y5V(F)	
		C886	LG0CE4774F638	CAPACITOR,FIXED ELECTROLYTIC	470UF SRA,SS 16V 20% FM5 TP 5	
		C887	LG0CE1064F638	CAPACITOR,ELECTROLYTIC	10M SRA 16V M FM5 TP(5)	
		C888	LG0CE1064F638	CAPACITOR,ELECTROLYTIC	10M SRA 16V M FM5 TP(5)	
		C889	LG0CH1104K946	CAPACITOR,FIXED CERAMIC(TEMP.C	0.1UF 2012 50V 80%,-20% Y5V(F)	
		C890	LG0CH1104K946	CAPACITOR,FIXED CERAMIC(TEMP.C	0.1UF 2012 50V 80%,-20% Y5V(F)	
		C891	LG0CH1104K946	CAPACITOR,FIXED CERAMIC(TEMP.C	0.1UF 2012 50V 80%,-20% Y5V(F)	
		C908	LG0CH1102K516	CHIP CAPA CERAMIC M/L H.D F/S	1000P 50V K B 2.0X1.25 R/TP	
		C910	LG0CH1102K516	CHIP CAPA CERAMIC M/L H.D F/S	1000P 50V K B 2.0X1.25 R/TP	
		C911	LG0CH1102K516	CHIP CAPA CERAMIC M/L H.D F/S	1000P 50V K B 2.0X1.25 R/TP	
		C912	LG0CH1102K516	CHIP CAPA CERAMIC M/L H.D F/S	1000P 50V K B 2.0X1.25 R/TP	
		C915	LG0CH1102K516	CHIP CAPA CERAMIC M/L H.D F/S	1000P 50V K B 2.0X1.25 R/TP	
		C916	LG0CH1102K516	CHIP CAPA CERAMIC M/L H.D F/S	1000P 50V K B 2.0X1.25 R/TP	
		C921	LG0CH1102K516	CHIP CAPA CERAMIC M/L H.D F/S	1000P 50V K B 2.0X1.25 R/TP	
		C924	LG0CH1102K516	CHIP CAPA CERAMIC M/L H.D F/S	1000P 50V K B 2.0X1.25 R/TP	
		C925	LG0CH1102K516	CHIP CAPA CERAMIC M/L H.D F/S	1000P 50V K B 2.0X1.25 R/TP	
		C931	LG0CE4775C638	CAPACITOR,FIXED ELECTROLYTIC	470UF SR,SV 6.3V 20% FM5 TP 5	
		C932	LG0CE4775C638	CAPACITOR,FIXED ELECTROLYTIC	470UF SR,SV 6.3V 20% FM5 TP 5	
		C933	LG0CE4775C638	CAPACITOR,FIXED ELECTROLYTIC	470UF SR,SV 6.3V 20% FM5 TP 5	
		C938	LG0CH1104K946	CAPACITOR,FIXED CERAMIC(TEMP.C	0.1UF 2012 50V 80%,-20% Y5V(F)	
		FL301	LG633-032K	COIL,IFT	BIAC OSC,1CHIP 5V(KS-75M) KWAN	
		L301	LG0LR0102J0N5	INDUCTOR,RADIAL LEAD	10UH 5% TP 3X5 TR5	
		L301	LGGLR0102K0P5	INDUCTOR,RADIAL LEAD	LF7.5N OEL 10UH 10% TP 4.8X4.0	ALTERNATE
		L301	LG0LR0102K0P5	INDUCTOR,RADIAL LEAD	LF7.5N OEL 10UH 10% TP 4.8X4.0	ALTERNATE
		L302	LG0LR1000K035	INDUCTOR RADIAL LEAD	100M K 6X6 L5 TP	
		L303	LG0LR0102J0N5	INDUCTOR,RADIAL LEAD	10UH 5% TP 3X5 TR5	
		L303	LG0LR0102K0P5	INDUCTOR,RADIAL LEAD	LF7.5N OEL 10UH 10% TP 4.8X4.0	ALTERNATE
		L303	LGGLR0102K0P5	INDUCTOR,RADIAL LEAD	LF7.5N OEL 10UH 10% TP 4.8X4.0	ALTERNATE
		L304	LG0LR0102J0N5	INDUCTOR,RADIAL LEAD	10UH 5% TP 3X5 TR5	
		L304	LG0LR0102K0P5	INDUCTOR,RADIAL LEAD	LF7.5N OEL 10UH 10% TP 4.8X4.0	ALTERNATE
		L304	LGGLR0102K0P5	INDUCTOR,RADIAL LEAD	LF7.5N OEL 10UH 10% TP 4.8X4.0	ALTERNATE
		L305	LG0LR1000K035	INDUCTOR RADIAL LEAD	100M K 6X6 L5 TP	
		L307	LG0LR0102J0N5	INDUCTOR,RADIAL LEAD	10UH 5% TP 3X5 TR5	
		L307	LG0LR0102K0P5	INDUCTOR,RADIAL LEAD	LF7.5N OEL 10UH 10% TP 4.8X4.0	ALTERNATE
		L307	LGGLR0102K0P5	INDUCTOR,RADIAL LEAD	LF7.5N OEL 10UH 10% TP 4.8X4.0	ALTERNATE
		L501	LG0LA0122K018	INDUCTOR AXIAL LEAD	12M K 2.3X3.4 L5 TP	
		L503	LG0LR1000J0N5	INDUCTOR,RADIAL LEAD	100UH 5% TP 3X5 TR5	
		L504	LG0LR0102J0N5	INDUCTOR,RADIAL LEAD	10UH 5% TP 3X5 TR5	
		L504	LG0LR0102K0P5	INDUCTOR,RADIAL LEAD	LF7.5N OEL 10UH 10% TP 4.8X4.0	ALTERNATE
		L505	LG0LR1000K035	INDUCTOR RADIAL LEAD	100M K 6X6 L5 TP	
		L506	LG635-027C	INDUCTOR,RADIAL LEAD	EL0405RA SKI150G-3 K-TDK 15UH	
		L5S1	LG0LA0332K018	INDUCTOR AXIAL LEAD	33M K 2.3X3.4 L5 TP	
		L701	LG0LR1000K035	INDUCTOR RADIAL LEAD	100M K 6X6 L5 TP	
		L702	LG0LR0102K035	INDUCTOR RADIAL LEAD	10M K 6X6 L5 TP	
		L704	LG0LR0102K035	INDUCTOR RADIAL LEAD	10M K 6X6 L5 TP	
		L705	LG0LR0102K035	INDUCTOR RADIAL LEAD	10M K 6X6 L5 TP	
		L706	LG0LA0821K018	INDUCTOR AXIAL LEAD	8.2M K 2.3X3.4 L5 TP	
		L7M1	LG0LR1000K035	INDUCTOR RADIAL LEAD	100M K 6X6 L5 TP	
		L7V1	LG0LR1000K035	INDUCTOR RADIAL LEAD	100M K 6X6 L5 TP	
		L801	LG0LR1000K035	INDUCTOR RADIAL LEAD	100M K 6X6 L5 TP	
		L803	LG0LR1000K035	INDUCTOR RADIAL LEAD	100M K 6X6 L5 TP	
		L901	LG0LA1000K018	INDUCTOR AXIAL LEAD	100M K 2.3X3.4 L5 TP	
		L902	LG0LA1000K018	INDUCTOR AXIAL LEAD	100M K 2.3X3.4 L5 TP	

S	AL	LOCA. NO.	PART NO.	DESCRIPTION	SPECIFICATION	REMARKS
		L903	LG0LA1000K018	INDUCTOR AXIAL LEAD	100M K 2.3X3.4 L5 TP	
		L904	LG0LA1000K018	INDUCTOR AXIAL LEAD	100M K 2.3X3.4 L5 TP	
		L905	LG0LA1000K018	INDUCTOR AXIAL LEAD	100M K 2.3X3.4 L5 TP	
		L906	LG0LA1000K018	INDUCTOR AXIAL LEAD	100M K 2.3X3.4 L5 TP	
		L907	LG0LA1000K018	INDUCTOR AXIAL LEAD	100M K 2.3X3.4 L5 TP	
		L910	LG0LA1000K018	INDUCTOR AXIAL LEAD	100M K 2.3X3.4 L5 TP	
		D301	LG0DD133009AA	DIODE,SWITCHING	1SS133 DETECT,SW TP	
		D502	LG0DD133009AA	DIODE,SWITCHING	1SS133 DETECT,SW TP	
		D509	LG0DD133009AA	DIODE,SWITCHING	1SS133 DETECT,SW TP	
		D801	LG0DD133009AA	DIODE,SWITCHING	1SS133 DETECT,SW TP	
		D802	LG0DD133009AA	DIODE,SWITCHING	1SS133 DETECT,SW TP	
		D902	LG0DD133009AA	DIODE,SWITCHING	1SS133 DETECT,SW TP	
		BC91	LG636-004C	FILTER(CIRC),EMC	BEAD CORE BFS3550R2FD8,R T/P	
		BC92	LG636-004C	FILTER(CIRC),EMC	BEAD CORE BFS3550R2FD8,R T/P	
		F8A1	LG6200HJC901A	FILTER(CIRC),EMC	CFI06B1H101MF SAMHWA TP 2-5K	
		IC301	LG0ILNRSAA005B	IC,LINEAR	LA71750EM SANYO 100PIN QFP TRA	
		IC501	LG0IMCRHI030A	IC,MICRO CONTROLLER	HD6432197SA23F HITACHI 112PIN	
		IC503	LG0IAL241600B	IC,ATMEL	AT24C16 - - - -	ALTERNATE
		IC503	LG0ICS241600B	IC,CATALYST	CAT24W16P 8P DIP ST 16K SERIAL	
		IC504	LG0ISS753100A	IC,SAMSUNG ELECTRONICS	KA7531Z TO-92 TP 3.1V RESET	ALTERNATE
		IC504	LG0IKE703100A	IC,KEC	KIA7031P 3P 3.1V RESET(TAPING)	
		IC505	LG0IKE704200B	IC,KEC	KIA7042P 3P 4.2V RESET(TAPING)	
		IC751	LG0IIT341700B	IC,ITT	MSP3417D-QG QFP44 BK NICAM+A2	ALTERNATE
		IC751	LG0IIT341700C	IC,ITT	MSP3417G-QG-B8-V3 44 QFP TRAY	
		IC7V1	LG0ILNRMN001A	IC,LINEAR	SDA5650 MICRONAS 14 DIP ST VPS	
		IC801	LG0IPH960500A	IC,PHILIPS	TDA9605H QFP44 BK HIFI AMP+HIF	
		IC802	LG0IMT144300A	IC,MITSUMI	MM1443XJ SSOP-34 TP CANAL S/W	
		JK902	LG6612J00025H	JACK,RCA	RCA-1302A-12(5PIN)SILVER YUQIU	
		SC901	LG6620RM0002J	JACK,SCART	DSAM-0121 DOOWON 2F-21P(BL-BK)	
		LD501	LG4931R-0017C	HOLDER ASSY	LED(DI-CKD)LOCAL	
		Q173	LG0TR387509AC	TRANSISTOR	CHIP KTC3875S-GR-T1(ALG) KEC	
		Q301	LG0TR387509AC	TRANSISTOR	CHIP KTC3875S-GR-T1(ALG) KEC	
		Q302	LG0TR150409AC	TRANSISTOR	KTA1504-GR-T1(ASG) CHIP KEC	
		Q303	LG0TR387509AC	TRANSISTOR	CHIP KTC3875S-GR-T1(ALG) KEC	
		Q304	LG0TR387509AC	TRANSISTOR	CHIP KTC3875S-GR-T1(ALG) KEC	
		Q305	LG0TR150409AC	TRANSISTOR	KTA1504-GR-T1(ASG) CHIP KEC	
		Q306	LG0TR320309AA	TRANSISTOR,BIPOLARS	KTC3203 KEC TP TO92 50V 150MA	ALTERNATE
		Q306	LG0TR534409AA	TRANSISTOR	2SC5344Y TP	
		Q308	LG0TR150409AC	TRANSISTOR	KTA1504-GR-T1(ASG) CHIP KEC	
		Q309	LG0TR150409AC	TRANSISTOR	KTA1504-GR-T1(ASG) CHIP KEC	
		Q501	LG0TR387509AC	TRANSISTOR	CHIP KTC3875S-GR-T1(ALG) KEC	
		Q502	LG0TR387509AC	TRANSISTOR	CHIP KTC3875S-GR-T1(ALG) KEC	
		Q503	LG0TR127309AA	TRANSISTOR	KTA1273-TP-Y (KTA966A)KEC	
		Q504	LG0TR387509AC	TRANSISTOR	CHIP KTC3875S-GR-T1(ALG) KEC	
		Q514	LG0TR103009AA	TRANSISTOR	CHIP KRC103S-T1(NC)22-22 KEC	
		Q515	LG0TR103009AA	TRANSISTOR	CHIP KRC103S-T1(NC)22-22 KEC	
		Q5S1	LG0TR387509AC	TRANSISTOR	CHIP KTC3875S-GR-T1(ALG) KEC	
		Q705	LG0TR127309AA	TRANSISTOR	KTA1273-TP-Y (KTA966A)KEC	
		Q706	LG0TR103009AA	TRANSISTOR	CHIP KRC103S-T1(NC)22-22 KEC	
		Q801	LG0TR387509AC	TRANSISTOR	CHIP KTC3875S-GR-T1(ALG) KEC	
		Q802	LG0TR387509AC	TRANSISTOR	CHIP KTC3875S-GR-T1(ALG) KEC	
		Q804	LG0TR150409AC	TRANSISTOR	KTA1504-GR-T1(ASG) CHIP KEC	
		Q901	LG0TR387509AC	TRANSISTOR	CHIP KTC3875S-GR-T1(ALG) KEC	
		Q902	LG0TR387509AC	TRANSISTOR	CHIP KTC3875S-GR-T1(ALG) KEC	
		Q903	LG0TR387509AC	TRANSISTOR	CHIP KTC3875S-GR-T1(ALG) KEC	
		C216	LG0RH0000D622	RESISTOR,METAL GLAZED(CHIP)	0 OHM 1 / 10 W 2012 5.00% D	
		J806	LG0RH0000D622	RESISTOR,METAL GLAZED(CHIP)	0 OHM 1 / 10 W 2012 5.00% D	

HV-DX2EV

S	AL	LOCA. NO.	PART NO.	DESCRIPTION	SPECIFICATION	REMARKS
		J902	LG0RH0000D622	RESISTOR,METAL GLAZED(CHIP)	0 OHM 1 / 10 W 2012 5.00% D	
		J903	LG0RH0000D622	RESISTOR,METAL GLAZED(CHIP)	0 OHM 1 / 10 W 2012 5.00% D	
		J904	LG0RH0000D622	RESISTOR,METAL GLAZED(CHIP)	0 OHM 1 / 10 W 2012 5.00% D	
		J905	LG0RH0000D622	RESISTOR,METAL GLAZED(CHIP)	0 OHM 1 / 10 W 2012 5.00% D	
		R173	LG0RH4701D622	RESISTOR,METAL GLAZED(CHIP)	4.7K OHM 1 / 10 W 2012 5.00% D	
		R301	LG0RH5602D622	RESISTOR,METAL GLAZED(CHIP)	56K OHM 1 / 10 W 2012 5.00% D	
		R302	LG0RH1002D622	RESISTOR,METAL GLAZED(CHIP)	10K OHM 1 / 10 W 2012 5.00% D	
		R303	LG0RH1802D622	RESISTOR,METAL GLAZED(CHIP)	18K OHM 1 / 10 W 2012 5.00% D	
		R304	LG0RH1002D622	RESISTOR,METAL GLAZED(CHIP)	10K OHM 1 / 10 W 2012 5.00% D	
		R305	LG0RH1002D622	RESISTOR,METAL GLAZED(CHIP)	10K OHM 1 / 10 W 2012 5.00% D	
		R306	LG0RH2202D622	RESISTOR,METAL GLAZED(CHIP)	22K OHM 1 / 10 W 2012 5.00% D	
		R307	LG0RH2201D622	RESISTOR,METAL GLAZED(CHIP)	2.2K OHM 1 / 10 W 2012 5.00% D	
		R308	LG0RH4701D622	RESISTOR,METAL GLAZED(CHIP)	4.7K OHM 1 / 10 W 2012 5.00% D	
		R309	LG0RH1001D622	RESISTOR,METAL GLAZED(CHIP)	1K OHM 1 / 10 W 2012 5.00% D	
		R310	LG0RH4701D622	RESISTOR,METAL GLAZED(CHIP)	4.7K OHM 1 / 10 W 2012 5.00% D	
		R311	LG0RH1001D622	RESISTOR,METAL GLAZED(CHIP)	1K OHM 1 / 10 W 2012 5.00% D	
		R312	LG0RH6802D622	RESISTOR,METAL GLAZED(CHIP)	68K OHM 1 / 10 W 2012 5.00% D	
		R313	LG0RH0221D622	RESISTOR,METAL GLAZED(CHIP)	2.2 OHM 1 / 10 W 2012 5.00% D	
		R314	LG0RH1001D622	RESISTOR,METAL GLAZED(CHIP)	1K OHM 1 / 10 W 2012 5.00% D	
		R315	LG0RH0472D622	RESISTOR,METAL GLAZED(CHIP)	47 OHM 1 / 10 W 2012 5.00% D	
		R316	LG0RH1000D622	RESISTOR,METAL GLAZED(CHIP)	100 OHM 1 / 10 W 2012 5.00% D	
		R317	LG0RH5601D622	RESISTOR,METAL GLAZED(CHIP)	5.6K OHM 1 / 10 W 2012 5.00% D	
		R318	LG0RH3901D622	RESISTOR,METAL GLAZED(CHIP)	3.9K OHM 1 / 10 W 2012 5.00% D	
		R319	LG0RH5600D622	RESISTOR,METAL GLAZED(CHIP)	560 OHM 1 / 10 W 2012 5.00% D	
		R320	LG0RH1500D622	RESISTOR,METAL GLAZED(CHIP)	150 OHM 1 / 10 W 2012 5.00% D	
		R321	LG0RH1201D622	RESISTOR,METAL GLAZED(CHIP)	1.2K OHM 1 / 10 W 2012 5.00% D	
		R322	LG0RH1001D622	RESISTOR,METAL GLAZED(CHIP)	1K OHM 1 / 10 W 2012 5.00% D	
		R324	LG0RH3303D622	RESISTOR,METAL GLAZED(CHIP)	330K OHM 1 / 10 W 2012 5.00% D	
		R325	LG0RH4700D622	RESISTOR,METAL GLAZED(CHIP)	470 OHM 1 / 10 W 2012 5.00% D	
		R326	LG0RH1202D622	RESISTOR,METAL GLAZED(CHIP)	12K OHM 1 / 10 W 2012 5.00% D	
		R327	LG0RH5601D622	RESISTOR,METAL GLAZED(CHIP)	5.6K OHM 1 / 10 W 2012 5.00% D	
		R328	LG0RH2700D622	RESISTOR,METAL GLAZED(CHIP)	270 OHM 1 / 10 W 2012 5.00% D	
		R329	LG0RH1202D622	RESISTOR,METAL GLAZED(CHIP)	12K OHM 1 / 10 W 2012 5.00% D	
		R330	LG0RH1002D622	RESISTOR,METAL GLAZED(CHIP)	10K OHM 1 / 10 W 2012 5.00% D	
		R331	LG0RH4701D622	RESISTOR,METAL GLAZED(CHIP)	4.7K OHM 1 / 10 W 2012 5.00% D	
		R332	LG0RH4702D622	RESISTOR,METAL GLAZED(CHIP)	47K OHM 1 / 10 W 2012 5.00% D	
		R333	LG0RH3901D622	RESISTOR,METAL GLAZED(CHIP)	3.9K OHM 1 / 10 W 2012 5.00% D	
		R334	LG0RH2701D622	RESISTOR,METAL GLAZED(CHIP)	2.7K OHM 1 / 10 W 2012 5.00% D	
		R335	LG0RH6801D622	RESISTOR,METAL GLAZED(CHIP)	6.8K OHM 1 / 10 W 2012 5.00% D	
		R336	LG0RH1003D622	RESISTOR,METAL GLAZED(CHIP)	100K OHM 1 / 10 W 2012 5.00% D	
		R337	LG0RH2201D622	RESISTOR,METAL GLAZED(CHIP)	2.2K OHM 1 / 10 W 2012 5.00% D	
		R338	LG0RH2700D622	RESISTOR,METAL GLAZED(CHIP)	270 OHM 1 / 10 W 2012 5.00% D	
		R339	LG0RH2700D622	RESISTOR,METAL GLAZED(CHIP)	270 OHM 1 / 10 W 2012 5.00% D	
		R340	LG0RH1802D622	RESISTOR,METAL GLAZED(CHIP)	18K OHM 1 / 10 W 2012 5.00% D	
		R342	LG0RH3300D622	RESISTOR,METAL GLAZED(CHIP)	330 OHM 1 / 10 W 2012 5.00% D	
		R343	LG0RH3300D622	RESISTOR,METAL GLAZED(CHIP)	330 OHM 1 / 10 W 2012 5.00% D	
		R344	LG0RH4700D622	RESISTOR,METAL GLAZED(CHIP)	470 OHM 1 / 10 W 2012 5.00% D	
		R345	LG0RH4700D622	RESISTOR,METAL GLAZED(CHIP)	470 OHM 1 / 10 W 2012 5.00% D	
		R346	LG0RH1000D622	RESISTOR,METAL GLAZED(CHIP)	100 OHM 1 / 10 W 2012 5.00% D	
		R347	LG0RH1000D622	RESISTOR,METAL GLAZED(CHIP)	100 OHM 1 / 10 W 2012 5.00% D	
		R349	LG0RH1801D622	RESISTOR,METAL GLAZED(CHIP)	1.8K OHM 1 / 10 W 2012 5.00% D	
		R350	LG0RH1002D622	RESISTOR,METAL GLAZED(CHIP)	10K OHM 1 / 10 W 2012 5.00% D	
		R351	LG0RH8203D622	RESISTOR,METAL GLAZED(CHIP)	820K OHM 1 / 10 W 2012 5.00% D	
		R352	LG0RH3300D622	RESISTOR,METAL GLAZED(CHIP)	330 OHM 1 / 10 W 2012 5.00% D	
		R353	LG0RH3300D622	RESISTOR,METAL GLAZED(CHIP)	330 OHM 1 / 10 W 2012 5.00% D	
		R3A2	LG0RH0000D622	RESISTOR,METAL GLAZED(CHIP)	0 OHM 1 / 10 W 2012 5.00% D	
		R501	LG0RH1000D622	RESISTOR,METAL GLAZED(CHIP)	100 OHM 1 / 10 W 2012 5.00% D	

S	AL	LOCA. NO.	PART NO.	DESCRIPTION	SPECIFICATION	REMARKS
		R502	LG0RH1000D622	RESISTOR,METAL GLAZED(CHIP)	100 OHM 1 / 10 W 2012 5.00% D	
		R503	LG0RH4701D622	RESISTOR,METAL GLAZED(CHIP)	4.7K OHM 1 / 10 W 2012 5.00% D	
		R504	LG0RH1001D622	RESISTOR,METAL GLAZED(CHIP)	1K OHM 1 / 10 W 2012 5.00% D	
		R505	LG0RH1001D622	RESISTOR,METAL GLAZED(CHIP)	1K OHM 1 / 10 W 2012 5.00% D	
		R506	LG0RH0000D622	RESISTOR,METAL GLAZED(CHIP)	0 OHM 1 / 10 W 2012 5.00% D	
		R508	LG0RH3301D622	RESISTOR,METAL GLAZED(CHIP)	3.3K OHM 1 / 10 W 2012 5.00% D	
		R509	LG0RH1801D622	RESISTOR,METAL GLAZED(CHIP)	1.8K OHM 1 / 10 W 2012 5.00% D	
		R510	LG0RH2201D622	RESISTOR,METAL GLAZED(CHIP)	2.2K OHM 1 / 10 W 2012 5.00% D	
		R511	LG0RH1001D622	RESISTOR,METAL GLAZED(CHIP)	1K OHM 1 / 10 W 2012 5.00% D	
		R512	LG0RH1001D622	RESISTOR,METAL GLAZED(CHIP)	1K OHM 1 / 10 W 2012 5.00% D	
		R513	LG0RH1001D622	RESISTOR,METAL GLAZED(CHIP)	1K OHM 1 / 10 W 2012 5.00% D	
		R514	LG0RH1203D622	RESISTOR,METAL GLAZED(CHIP)	120K OHM 1 / 10 W 2012 5.00% D	
		R515	LG0RH2700D622	RESISTOR,METAL GLAZED(CHIP)	270 OHM 1 / 10 W 2012 5.00% D	
		R516	LG0RH4703D622	RESISTOR,METAL GLAZED(CHIP)	470K OHM 1 / 10 W 2012 5.00% D	
		R517	LG0RH4700D622	RESISTOR,METAL GLAZED(CHIP)	470 OHM 1 / 10 W 2012 5.00% D	
		R518	LG0RH1001D622	RESISTOR,METAL GLAZED(CHIP)	1K OHM 1 / 10 W 2012 5.00% D	
		R519	LG0RH4701D622	RESISTOR,METAL GLAZED(CHIP)	4.7K OHM 1 / 10 W 2012 5.00% D	
		R520	LG0RH3901D622	RESISTOR,METAL GLAZED(CHIP)	3.9K OHM 1 / 10 W 2012 5.00% D	
		R521	LG0RH4701D622	RESISTOR,METAL GLAZED(CHIP)	4.7K OHM 1 / 10 W 2012 5.00% D	
		R522	LG0RH1001D622	RESISTOR,METAL GLAZED(CHIP)	1K OHM 1 / 10 W 2012 5.00% D	
		R523	LG0RH1002D622	RESISTOR,METAL GLAZED(CHIP)	10K OHM 1 / 10 W 2012 5.00% D	
		R524	LG0RH0222D622	RESISTOR,METAL GLAZED(CHIP)	22 OHM 1 / 10 W 2012 5.00% D	
		R525	LG0RH5601D622	RESISTOR,METAL GLAZED(CHIP)	5.6K OHM 1 / 10 W 2012 5.00% D	
		R526	LG0RH5601D622	RESISTOR,METAL GLAZED(CHIP)	5.6K OHM 1 / 10 W 2012 5.00% D	
		R527	LG0RH1001D622	RESISTOR,METAL GLAZED(CHIP)	1K OHM 1 / 10 W 2012 5.00% D	
		R528	LG0RH4701D622	RESISTOR,METAL GLAZED(CHIP)	4.7K OHM 1 / 10 W 2012 5.00% D	
		R529	LG0RH1002D622	RESISTOR,METAL GLAZED(CHIP)	10K OHM 1 / 10 W 2012 5.00% D	
		R530	LG0RH4701D622	RESISTOR,METAL GLAZED(CHIP)	4.7K OHM 1 / 10 W 2012 5.00% D	
		R531	LG0RH1002D622	RESISTOR,METAL GLAZED(CHIP)	10K OHM 1 / 10 W 2012 5.00% D	
		R535	LG0RH4703D622	RESISTOR,METAL GLAZED(CHIP)	470K OHM 1 / 10 W 2012 5.00% D	
		R542	LG0RH2201D622	RESISTOR,METAL GLAZED(CHIP)	2.2K OHM 1 / 10 W 2012 5.00% D	
		R543	LG0RH1000D622	RESISTOR,METAL GLAZED(CHIP)	100 OHM 1 / 10 W 2012 5.00% D	
		R544	LG0RH4701D622	RESISTOR,METAL GLAZED(CHIP)	4.7K OHM 1 / 10 W 2012 5.00% D	
		R545	LG0RH0000D622	RESISTOR,METAL GLAZED(CHIP)	0 OHM 1 / 10 W 2012 5.00% D	
		R546	LG0RH5601D622	RESISTOR,METAL GLAZED(CHIP)	5.6K OHM 1 / 10 W 2012 5.00% D	
		R547	LG0RH1202D622	RESISTOR,METAL GLAZED(CHIP)	12K OHM 1 / 10 W 2012 5.00% D	
		R548	LG0RH1003D622	RESISTOR,METAL GLAZED(CHIP)	100K OHM 1 / 10 W 2012 5.00% D	
		R550	LG0RH2200D622	RESISTOR,METAL GLAZED(CHIP)	220 OHM 1 / 10 W 2012 5.00% D	
		R553	LG0RH2200D622	RESISTOR,METAL GLAZED(CHIP)	220 OHM 1 / 10 W 2012 5.00% D	
		R554	LG0RH3300D622	RESISTOR,METAL GLAZED(CHIP)	330 OHM 1 / 10 W 2012 5.00% D	
		R555	LG0RH2200D622	RESISTOR,METAL GLAZED(CHIP)	220 OHM 1 / 10 W 2012 5.00% D	
		R556	LG0RH2202D622	RESISTOR,METAL GLAZED(CHIP)	22K OHM 1 / 10 W 2012 5.00% D	
		R557	LG0RH2702D622	RESISTOR,METAL GLAZED(CHIP)	27K OHM 1 / 10 W 2012 5.00% D	
		R558	LG0RH2202D622	RESISTOR,METAL GLAZED(CHIP)	22K OHM 1 / 10 W 2012 5.00% D	
		R559	LG0RH4701D622	RESISTOR,METAL GLAZED(CHIP)	4.7K OHM 1 / 10 W 2012 5.00% D	
		R560	LG0RH4701D622	RESISTOR,METAL GLAZED(CHIP)	4.7K OHM 1 / 10 W 2012 5.00% D	
		R561	LG0RH5600D622	RESISTOR,METAL GLAZED(CHIP)	560 OHM 1 / 10 W 2012 5.00% D	
		R562	LG0RH5600D622	RESISTOR,METAL GLAZED(CHIP)	560 OHM 1 / 10 W 2012 5.00% D	
		R563	LG0RH5601D622	RESISTOR,METAL GLAZED(CHIP)	5.6K OHM 1 / 10 W 2012 5.00% D	
		R564	LG0RH2702D622	RESISTOR,METAL GLAZED(CHIP)	27K OHM 1 / 10 W 2012 5.00% D	
		R566	LG0RH4701D622	RESISTOR,METAL GLAZED(CHIP)	4.7K OHM 1 / 10 W 2012 5.00% D	
		R567	LG0RH1002D622	RESISTOR,METAL GLAZED(CHIP)	10K OHM 1 / 10 W 2012 5.00% D	
		R568	LG0RH6802D622	RESISTOR,METAL GLAZED(CHIP)	68K OHM 1 / 10 W 2012 5.00% D	
		R569	LG0RH1004D622	RESISTOR,METAL GLAZED(CHIP)	1M OHM 1 / 10 W 2012 5.00% D	
		R570	LG0RH4701D622	RESISTOR,METAL GLAZED(CHIP)	4.7K OHM 1 / 10 W 2012 5.00% D	
		R575	LG0RH4701D622	RESISTOR,METAL GLAZED(CHIP)	4.7K OHM 1 / 10 W 2012 5.00% D	
		R576	LG0RH4701D622	RESISTOR,METAL GLAZED(CHIP)	4.7K OHM 1 / 10 W 2012 5.00% D	

HV-DX2EV

S	AL	LOCA. NO.	PART NO.	DESCRIPTION	SPECIFICATION	REMARKS
		R577	LG0RH4701D622	RESISTOR,METAL GLAZED(CHIP)	4.7K OHM 1 / 10 W 2012 5.00% D	
		R578	LG0RH4701D622	RESISTOR,METAL GLAZED(CHIP)	4.7K OHM 1 / 10 W 2012 5.00% D	
		R579	LG0RH5602D622	RESISTOR,METAL GLAZED(CHIP)	56K OHM 1 / 10 W 2012 5.00% D	
		R582	LG0RH1000D622	RESISTOR,METAL GLAZED(CHIP)	100 OHM 1 / 10 W 2012 5.00% D	
		R583	LG0RH1002D622	RESISTOR,METAL GLAZED(CHIP)	10K OHM 1 / 10 W 2012 5.00% D	
		R589	LG0RH1004D622	RESISTOR,METAL GLAZED(CHIP)	1M OHM 1 / 10 W 2012 5.00% D	
		R591	LG0RH1003D622	RESISTOR,METAL GLAZED(CHIP)	100K OHM 1 / 10 W 2012 5.00% D	
		R5A2	LG0RH1002D622	RESISTOR,METAL GLAZED(CHIP)	10K OHM 1 / 10 W 2012 5.00% D	
		R5A3	LG0RH1002D622	RESISTOR,METAL GLAZED(CHIP)	10K OHM 1 / 10 W 2012 5.00% D	
		R5A5	LG0RH4703D622	RESISTOR,METAL GLAZED(CHIP)	470K OHM 1 / 10 W 2012 5.00% D	
		R5B3	LG0RH1001D622	RESISTOR,METAL GLAZED(CHIP)	1K OHM 1 / 10 W 2012 5.00% D	
		R5B4	LG0RH1001D622	RESISTOR,METAL GLAZED(CHIP)	1K OHM 1 / 10 W 2012 5.00% D	
		R5B5	LG0RH1000D622	RESISTOR,METAL GLAZED(CHIP)	100 OHM 1 / 10 W 2012 5.00% D	
		R5C1	LG0RH1001D622	RESISTOR,METAL GLAZED(CHIP)	1K OHM 1 / 10 W 2012 5.00% D	
		R5C5	LG0RH1001D622	RESISTOR,METAL GLAZED(CHIP)	1K OHM 1 / 10 W 2012 5.00% D	
		R5C6	LG0RH1001D622	RESISTOR,METAL GLAZED(CHIP)	1K OHM 1 / 10 W 2012 5.00% D	
		R5C7	LG0RH1001D622	RESISTOR,METAL GLAZED(CHIP)	1K OHM 1 / 10 W 2012 5.00% D	
		R5C9	LG0RH1002D622	RESISTOR,METAL GLAZED(CHIP)	10K OHM 1 / 10 W 2012 5.00% D	
		R5K6	LG0RH1000D622	RESISTOR,METAL GLAZED(CHIP)	100 OHM 1 / 10 W 2012 5.00% D	
		R5K7	LG0RH1000D622	RESISTOR,METAL GLAZED(CHIP)	100 OHM 1 / 10 W 2012 5.00% D	
		R5K8	LG0RH1000D622	RESISTOR,METAL GLAZED(CHIP)	100 OHM 1 / 10 W 2012 5.00% D	
		R5L1	LG0RH0000D622	RESISTOR,METAL GLAZED(CHIP)	0 OHM 1 / 10 W 2012 5.00% D	
		R5P2	LG0RH1002D622	RESISTOR,METAL GLAZED(CHIP)	10K OHM 1 / 10 W 2012 5.00% D	
		R5P3	LG0RH1002D622	RESISTOR,METAL GLAZED(CHIP)	10K OHM 1 / 10 W 2012 5.00% D	
		R5R8	LG0RH1001D622	RESISTOR,METAL GLAZED(CHIP)	1K OHM 1 / 10 W 2012 5.00% D	
		R5S1	LG0RH5601D622	RESISTOR,METAL GLAZED(CHIP)	5.6K OHM 1 / 10 W 2012 5.00% D	
		R705	LG0RH2200D622	RESISTOR,METAL GLAZED(CHIP)	220 OHM 1 / 10 W 2012 5.00% D	
		R706	LG0RH2200D622	RESISTOR,METAL GLAZED(CHIP)	220 OHM 1 / 10 W 2012 5.00% D	
		R707	LG0RH1001D622	RESISTOR,METAL GLAZED(CHIP)	1K OHM 1 / 10 W 2012 5.00% D	
		R710	LG0RH3301D622	RESISTOR,METAL GLAZED(CHIP)	3.3K OHM 1 / 10 W 2012 5.00% D	
		R711	LG0RH3301D622	RESISTOR,METAL GLAZED(CHIP)	3.3K OHM 1 / 10 W 2012 5.00% D	
		R712	LG0RH4701D622	RESISTOR,METAL GLAZED(CHIP)	4.7K OHM 1 / 10 W 2012 5.00% D	
		R713	LG0RH5601D622	RESISTOR,METAL GLAZED(CHIP)	5.6K OHM 1 / 10 W 2012 5.00% D	
		R714	LG0RH0000D622	RESISTOR,METAL GLAZED(CHIP)	0 OHM 1 / 10 W 2012 5.00% D	
		R715	LG0RH2201D622	RESISTOR,METAL GLAZED(CHIP)	2.2K OHM 1 / 10 W 2012 5.00% D	
		R716	LG0RH1001D622	RESISTOR,METAL GLAZED(CHIP)	1K OHM 1 / 10 W 2012 5.00% D	
		R717	LG0RH1000D622	RESISTOR,METAL GLAZED(CHIP)	100 OHM 1 / 10 W 2012 5.00% D	
		R718	LG0RH1000D622	RESISTOR,METAL GLAZED(CHIP)	100 OHM 1 / 10 W 2012 5.00% D	
		R719	LG0RH4701D622	RESISTOR,METAL GLAZED(CHIP)	4.7K OHM 1 / 10 W 2012 5.00% D	
		R7M1	LG0RH1001D622	RESISTOR,METAL GLAZED(CHIP)	1K OHM 1 / 10 W 2012 5.00% D	
		R7M2	LG0RH2200D622	RESISTOR,METAL GLAZED(CHIP)	220 OHM 1 / 10 W 2012 5.00% D	
		R7M4	LG0RH1001D622	RESISTOR,METAL GLAZED(CHIP)	1K OHM 1 / 10 W 2012 5.00% D	
		R7M5	LG0RH2200D622	RESISTOR,METAL GLAZED(CHIP)	220 OHM 1 / 10 W 2012 5.00% D	
		R7V1	LG0RH1004D622	RESISTOR,METAL GLAZED(CHIP)	1M OHM 1 / 10 W 2012 5.00% D	
		R7V2	LG0RH1003D622	RESISTOR,METAL GLAZED(CHIP)	100K OHM 1 / 10 W 2012 5.00% D	
		R7V3	LG0RH6801D622	RESISTOR,METAL GLAZED(CHIP)	6.8K OHM 1 / 10 W 2012 5.00% D	
		R7V4	LG0RH5603D622	RESISTOR,METAL GLAZED(CHIP)	560K OHM 1 / 10 W 2012 5.00% D	
		R7V5	LG0RH6801D622	RESISTOR,METAL GLAZED(CHIP)	6.8K OHM 1 / 10 W 2012 5.00% D	
		R7V6	LG0RH5603D622	RESISTOR,METAL GLAZED(CHIP)	560K OHM 1 / 10 W 2012 5.00% D	
		R7V7	LG0RH4701D622	RESISTOR,METAL GLAZED(CHIP)	4.7K OHM 1 / 10 W 2012 5.00% D	
		R7V8	LG0RH1000D622	RESISTOR,METAL GLAZED(CHIP)	100 OHM 1 / 10 W 2012 5.00% D	
		R7V9	LG0RH1000D622	RESISTOR,METAL GLAZED(CHIP)	100 OHM 1 / 10 W 2012 5.00% D	
		R801	LG0RH3304D622	RESISTOR,METAL GLAZED(CHIP)	3.3M OHM 1 / 10 W 2012 5.00% D	
		R802	LG0RH3302D622	RESISTOR,METAL GLAZED(CHIP)	33K OHM 1 / 10 W 2012 5.00% D	
		R803	LG0RH2701D622	RESISTOR,METAL GLAZED(CHIP)	2.7K OHM 1 / 10 W 2012 5.00% D	
		R804	LG0RH3902D622	RESISTOR,METAL GLAZED(CHIP)	39K OHM 1 / 10 W 2012 5.00% D	
		R805	LG0RH2701D622	RESISTOR,METAL GLAZED(CHIP)	2.7K OHM 1 / 10 W 2012 5.00% D	

S	AL	LOCA. NO.	PART NO.	DESCRIPTION	SPECIFICATION	REMARKS
		R806	LG0RH3302D622	RESISTOR,METAL GLAZED(CHIP)	33K OHM 1 / 10 W 2012 5.00% D	
		R807	LG0RH4700D622	RESISTOR,METAL GLAZED(CHIP)	470 OHM 1 / 10 W 2012 5.00% D	
		R808	LG0RH1002D622	RESISTOR,METAL GLAZED(CHIP)	10K OHM 1 / 10 W 2012 5.00% D	
		R809	LG0RH1802D622	RESISTOR,METAL GLAZED(CHIP)	18K OHM 1 / 10 W 2012 5.00% D	
		R810	LG0RH1000D622	RESISTOR,METAL GLAZED(CHIP)	100 OHM 1 / 10 W 2012 5.00% D	
		R811	LG0RH1000D622	RESISTOR,METAL GLAZED(CHIP)	100 OHM 1 / 10 W 2012 5.00% D	
		R812	LG0RH1001D622	RESISTOR,METAL GLAZED(CHIP)	1K OHM 1 / 10 W 2012 5.00% D	
		R821	LG0RH2201D622	RESISTOR,METAL GLAZED(CHIP)	2.2K OHM 1 / 10 W 2012 5.00% D	
		R822	LG0RH1003D622	RESISTOR,METAL GLAZED(CHIP)	100K OHM 1 / 10 W 2012 5.00% D	
		R823	LG0RH2201D622	RESISTOR,METAL GLAZED(CHIP)	2.2K OHM 1 / 10 W 2012 5.00% D	
		R824	LG0RH1003D622	RESISTOR,METAL GLAZED(CHIP)	100K OHM 1 / 10 W 2012 5.00% D	
		R825	LG0RH5600D622	RESISTOR,METAL GLAZED(CHIP)	560 OHM 1 / 10 W 2012 5.00% D	
		R826	LG0RH5600D622	RESISTOR,METAL GLAZED(CHIP)	560 OHM 1 / 10 W 2012 5.00% D	
		R835	LG0RH0752D622	RESISTOR,METAL GLAZED(CHIP)	75 OHM 1 / 10 W 2012 5.00% D	
		R841	LG0RH3300D622	RESISTOR,METAL GLAZED(CHIP)	330 OHM 1 / 10 W 2012 5.00% D	
		R842	LG0RH3300D622	RESISTOR,METAL GLAZED(CHIP)	330 OHM 1 / 10 W 2012 5.00% D	
		R850	LG0RH1000D622	RESISTOR,METAL GLAZED(CHIP)	100 OHM 1 / 10 W 2012 5.00% D	
		R851	LG0RH1000D622	RESISTOR,METAL GLAZED(CHIP)	100 OHM 1 / 10 W 2012 5.00% D	
		R861	LG0RH4701D622	RESISTOR,METAL GLAZED(CHIP)	4.7K OHM 1 / 10 W 2012 5.00% D	
		R862	LG0RH4701D622	RESISTOR,METAL GLAZED(CHIP)	4.7K OHM 1 / 10 W 2012 5.00% D	
		R863	LG0RH4701D622	RESISTOR,METAL GLAZED(CHIP)	4.7K OHM 1 / 10 W 2012 5.00% D	
		R864	LG0RH4701D622	RESISTOR,METAL GLAZED(CHIP)	4.7K OHM 1 / 10 W 2012 5.00% D	
		R874	LG0RH0752D622	RESISTOR,METAL GLAZED(CHIP)	75 OHM 1 / 10 W 2012 5.00% D	
		R875	LG0RH4701D622	RESISTOR,METAL GLAZED(CHIP)	4.7K OHM 1 / 10 W 2012 5.00% D	
		R876	LG0RH4701D622	RESISTOR,METAL GLAZED(CHIP)	4.7K OHM 1 / 10 W 2012 5.00% D	
		R890	LG0RH0752D622	RESISTOR,METAL GLAZED(CHIP)	75 OHM 1 / 10 W 2012 5.00% D	
		R901	LG0RH1202D622	RESISTOR,METAL GLAZED(CHIP)	12K OHM 1 / 10 W 2012 5.00% D	
		R902	LG0RH1002D622	RESISTOR,METAL GLAZED(CHIP)	10K OHM 1 / 10 W 2012 5.00% D	
		R903	LG0RH0752D622	RESISTOR,METAL GLAZED(CHIP)	75 OHM 1 / 10 W 2012 5.00% D	
		R904	LG0RH5600D622	RESISTOR,METAL GLAZED(CHIP)	560 OHM 1 / 10 W 2012 5.00% D	
		R905	LG0RH5600D622	RESISTOR,METAL GLAZED(CHIP)	560 OHM 1 / 10 W 2012 5.00% D	
		R906	LG0RH5600D622	RESISTOR,METAL GLAZED(CHIP)	560 OHM 1 / 10 W 2012 5.00% D	
		R907	LG0RH5600D622	RESISTOR,METAL GLAZED(CHIP)	560 OHM 1 / 10 W 2012 5.00% D	
		R908	LG0RH0000D622	RESISTOR,METAL GLAZED(CHIP)	0 OHM 1 / 10 W 2012 5.00% D	
		R909	LG0RH0000D622	RESISTOR,METAL GLAZED(CHIP)	0 OHM 1 / 10 W 2012 5.00% D	
		R910	LG0RH0000D622	RESISTOR,METAL GLAZED(CHIP)	0 OHM 1 / 10 W 2012 5.00% D	
		R911	LG0RH1001D622	RESISTOR,METAL GLAZED(CHIP)	1K OHM 1 / 10 W 2012 5.00% D	
		R913	LG0RH0752D622	RESISTOR,METAL GLAZED(CHIP)	75 OHM 1 / 10 W 2012 5.00% D	
		R914	LG0RH0752D622	RESISTOR,METAL GLAZED(CHIP)	75 OHM 1 / 10 W 2012 5.00% D	
		R919	LG0RH4701D622	RESISTOR,METAL GLAZED(CHIP)	4.7K OHM 1 / 10 W 2012 5.00% D	
		R920	LG0RH6800D622	RESISTOR,METAL GLAZED(CHIP)	680 OHM 1 / 10 W 2012 5.00% D	
		R927	LG0RH0752D622	RESISTOR,METAL GLAZED(CHIP)	75 OHM 1 / 10 W 2012 5.00% D	
		R928	LG0RH0000D622	RESISTOR,METAL GLAZED(CHIP)	0 OHM 1 / 10 W 2012 5.00% D	
		R929	LG0RH0000D622	RESISTOR,METAL GLAZED(CHIP)	0 OHM 1 / 10 W 2012 5.00% D	
		R930	LG0RH0000D622	RESISTOR,METAL GLAZED(CHIP)	0 OHM 1 / 10 W 2012 5.00% D	
		R931	LG0RH2200D622	RESISTOR,METAL GLAZED(CHIP)	220 OHM 1 / 10 W 2012 5.00% D	
		R932	LG0RH2200D622	RESISTOR,METAL GLAZED(CHIP)	220 OHM 1 / 10 W 2012 5.00% D	
		R933	LG0RH1003D622	RESISTOR,METAL GLAZED(CHIP)	100K OHM 1 / 10 W 2012 5.00% D	
		R934	LG0RH1003D622	RESISTOR,METAL GLAZED(CHIP)	100K OHM 1 / 10 W 2012 5.00% D	
		ES501	LG4931R-0050C	HOLDER ASSEMBLY	END (DI)	
		ES502	LG4931R-0050C	HOLDER ASSEMBLY	END (DI)	
		RS501	LG6500RAB003A	SENSOR	SG-260 KODENSHI D33 REEL SENSO	
		RS501	LG6500RAB007A	SENSOR	GP1S566V SHARP REEL SENSOR OF	ALTERNATE
		RS502	LG6500RAB003A	SENSOR	SG-260 KODENSHI D33 REEL SENSO	
		RS502	LG6500RAB007A	SENSOR	GP1S566V SHARP REEL SENSOR OF	ALTERNATE
		CS501	LG6600M000002	SWITCH,PUSH	MPU11810MLB0 MIC DC 5V 1MA D-3	
		MS501	LG6600JB8005B	SWITCH,MODE	NON 5V 1MA VERTICAL -G	

HV-DX2EV

S	AL	LOCA. NO.	PART NO.	DESCRIPTION	SPECIFICATION	REMARKS
		MS501	LG6600JB8005C	SWITCH,MODE	MMS00721ZMB0 MIC 5VDC 1MA D-35	ALTERNATE
		TU701	LG6700PFP04F	TUNER	TCMK0601PD23C(GKI,SS) SS PAL F	ALTERNATE
		TU701	LG6700PFP06F	TUNER	TADC-M401D(GKI,LGIT) LG INOTEK	
		X301	LG6202R2443AE	RESONATOR,CRYSTAL	HC49U SSANG TAE 4433709HZ 1	ALTERNATE
		X301	LG6202R2443AC	RESONATOR,CRYSTAL	HC49U BUBANG 4-433709MHZ 15	
		X301	LG6202R2443AG	RESONATOR,CRYSTAL	HC49U SSANGTAE 4-433709MHZ	ALTERNATE
		X501	LG6202R31001F	RESONATOR,CRYSTAL	HC-49S KEUMSEOK 10-0000MHZ 30P	ALTERNATE
		X501	LG6212AA2100C	RESONATOR,CRYSTAL	HC-49S BUBANG 10MHZ +/- 30 PPM	
		X502	LG6202R-DA01B	RESONATOR,CRYSTAL	CFS-308 CITIZEN 32.768KHZ +/-	ALTERNATE
		X502	LG6212AC2327E	RESONATOR,CRYSTAL	C-001R SEIKO EPSON 32.768 KHZ	
		X751	LG529-021Q	RESONATOR,CRYSTAL	49U BUBANG 18432000HZ 30PPM 16	
		X751	LG6212AA2184F	RESONATOR,CRYSTAL	HC-49U KYUNGIL 18.432MHZ +/- 3	ALTERNATE
*** PWB(PCB) ASSEMBLY , POWER ***						
		A48	LG6871R-7211C	PWB(PCB) ASSEMBLY,TOTAL	2003 COMBI SCART POWER DI X120	
	⚠	C101	LG624-088L	CAPACITOR,DRAWING	435D SUNIL ELECTRONICS 0.1UF/275V	
	⚠	C102	LG624-088L	CAPACITOR,DRAWING	435D SUNIL ELECTRONICS 0.1UF/275V	
		C103	LG624-082C	CAPACITOR,AL.ELECTROLYTIC	100MF/400V SHL SMPS S/Y	
		C105	LG0CQ1031Y519	CAPACITOR,POLYESTER	0.01UF D 630V K PE NI TP	
		C106	LG624-087G	CAPACITOR	HIGH-VOL 68PF/1KV SMPS SAMHWA	
		C107	LG0CE1054K638	CAPACITOR,ELECTROLYTIC	1.0M SRA/SS50V M FM5 TP(5)	
		C108	LG0CE336BH638	CAPACITOR,ELECTROLYTIC	33UF KME 25V M FM5 TP5	
		C109	LG0CN223AK948	CAPACITOR,TUBULAR(HIGH DIELEC)	0.022UF 50V Z F TA26 S	
	⚠	C110	LG0CG1020U630	CAPACITOR,SEMI CERAMIC	1000PF 400V M E(Z5U) R	
	⚠	C111	LG0CG2220U630	CAPACITOR,SEMI CERAMIC	2200 PF 400V M E R (NK,AD,SD)	
		C123	LG0CE477BH630	CAPACITOR,AL.ELECTROLYTIC	470UF KME TYPE 25V M FM5 BULK	
		C126	LG0CE2276H638	CAPACITOR,FIXED ELECTROLYTIC	220UF SMS,SG 25V 20% FM5 TP 5	
		C127	LG0CE108BF630	CAPACITOR,FIXED ELECTROLYTIC	1000UF KME 16V M FM5 BULK	
		C128	LG0CE3376D638	CAPACITOR,ELECTROLYTIC	330UF SMS 10V M FM5 TP5	
		C129	LG0CE228BF630	CAPACITOR,FIXED ELECTROLYTIC	2200UF KME TYPE 16V 20% FM5 BU	
		C131	LG624-082H	CAPACITOR	CE 1000UF/10V SHL(10*12.5)T/P	
		C132	LG624-085D	CAPACITOR	CE 47UF/50V KME (SMPS)	
		C133	LG0CQ1042K409	CAPACITOR,FIXED FILM	0.1UF S 50V J PE TP	
		C151	LG0CE4754K638	CAPACITOR,FIXED ELECTROLYTIC	4.7UF SRA,SS 50V 20% FM5 TP 5	
		C152	LG0CE4754K638	CAPACITOR,FIXED ELECTROLYTIC	4.7UF SRA,SS 50V 20% FM5 TP 5	
		C153	LG0CE1064F638	CAPACITOR,ELECTROLYTIC	10M SRA 16V M FM5 TP(5)	
		C154	LG0CE1074F638	CAPACITOR,ELECTROLYTIC	100U SRA 16V M FM5 TP(5)	
		C155	LG0CE1064F638	CAPACITOR,ELECTROLYTIC	10M SRA 16V M FM5 TP(5)	
		C159	LG0CE1064F638	CAPACITOR,ELECTROLYTIC	10M SRA 16V M FM5 TP(5)	
		C161	LG0CE4764C638	CAPACITOR,ELECTROLYTIC	47M SRA 6.3V M FM5 TP(5)	
		C163	LG624-087H	CAPACITOR	HIGH-VOL 220PF/1KV CERAMIC	
		L122	LG633-088G	COIL,CHOKE	CHOCK(22MH) 5MM TOKO TP	
		L123	LG633-088G	COIL,CHOKE	CHOCK(22MH) 5MM TOKO TP	
		L124	LG633-088G	COIL,CHOKE	CHOCK(22MH) 5MM TOKO TP	
	⚠	BD101	LG0DD160000DA	DIODE	S1WBA60(1A 600V) SHIDENKEN	
		D101	LG0DD010009CA	DIODE,RECTIFIER	EG01CW(R-FORM 5MM) TP SANKEN	ALTERNATE
		D101	LG0DD221009AA	DIODE,RECTIFIERS	ERA22-10 KFLB,TP ,R T/P,FUJI	
		D102	LG0DD010009AC	DIODE	EU01W(R-FORM) TP SANKEN	
		D102	LG0DR104009BA	DIODE,RECTIFIER	RL104F TP RECTRON NON 400V 1A	ALTERNATE
		D110	LG0DR302000AB	DIODE,RECTIFIER	HER302 BK RECTRON DO201AD 100V	
		D111	LG0DR158220AA	DIODE,RECTIFIER	1N5822 BK RECTRON DO201AD 40V	
		D112	LG0DR158220AA	DIODE,RECTIFIER	1N5822 BK RECTRON DO201AD 40V	
		D113	LG0DD010009AC	DIODE	EU01W(R-FORM) TP SANKEN	
		D113	LG0DR104009BA	DIODE,RECTIFIER	RL104F TP RECTRON NON 400V 1A	ALTERNATE
		D114	LG0DR104009AB	DIODE,RECTIFIER	RL104 R. TP GULF SEMICONDUCTOR	
		D115	LG0DR104009AB	DIODE,RECTIFIER	RL104 R. TP GULF SEMICONDUCTOR	
		D121	LG0DD133009AA	DIODE,SWITCHING	1SS133 DETECT,SW TP	
		BD01	LG636-004C	FILTER(CIRC),EMC	BEAD CORE BFS3550R2FD8,R T/P	

S	AL	LOCA. NO.	PART NO.	DESCRIPTION	SPECIFICATION	REMARKS
		BD02	LG636-004C	FILTER(CIRC),EMC	BEAD CORE BFS3550R2FD8,R T/P	
⚠		L102	LG616-145P	FILTER(CIRC),DRAWING	LFSQ2215V4-04220B SAMWAH TECOM	
⚠		F101	LG0FS1601B51D	FUSE,SLOW BLOW	1600MA 250 V 5.2X20 CY/GL KS/J	
⚠		IC101	LG0IPMGFF001A	IC,POWER MANAGEMENT	ICE2B265 INFINEON 8 DIP ST SMP	
		IC103	LG0IKE431000A	IC,KEC	KIA431 3 PIN TP	
		IC151	LG0IPMGKE008B	IC,POWER MANAGEMENT	KIA78R08PI CU KEC 4P TO-220IS	
		IC152	LG0IPMGFA046A	IC,POWER MANAGEMENT	KA278R33TSTU FAIRCHILD 4PIN TO	ALTERNATE
		IC152	LG0IPMGKE022B	IC,POWER MANAGEMENT	KIA278R33PI-CU KEC 4PIN TO-220	
		Q156	LG0TR320509AB	TRANSISTOR	KTC3205-TP-Y (KTC2236A)KEC	
		Q160	LG0TR127309AA	TRANSISTOR	KTA1273-TP-Y (KTA966A)KEC	
		Q160	LG0TR928009AD	TRANSISTOR	KSA928A-Y,TO-92L TP SAMSUNG TO	ALTERNATE
		Q161	LG0TR126809BA	TRANSISTOR,BIPOLARS	KTA1268-BL TP KEC	
		Q162	LG0TR534309BA	TRANSISTOR	2SC5343-L TP AUK TO92	
		R100	LG0RD1504H632	RESISTOR,FIXED CARBON FILM	1.5M OHM 1/2 W 5.00% MF10	
		R101	LG614-007A	RESISTOR	2.7/2W CEMENT SMPS V	
		R104	LG0RS5602K619	RESISTOR,FIXED METAL OXIDE FIL	56K OHM 2 W 5.00% TR	
		R105	LG0RD0222F608	RESISTOR,FIXED CARBON FILM	22 OHM 1/6 W 5% TA26	
		R106	LG0RD0222F608	RESISTOR,FIXED CARBON FILM	22 OHM 1/6 W 5% TA26	
		R107	LG0RS0350K619	RESISTOR,FIXED METAL OXIDE FIL	0.35 OHM 2 W 5.00% TR	
		R112	LG0RD2200F608	RESISTOR,FIXED CARBON FILM	220 OHM 1/6 W 5% TA26	
		R113	LG0RD2201F608	RESISTOR,FIXED CARBON FILM	2.2K OHM 1/6 W 5% TA26	
		R114	LG0RD1001F608	RESISTOR,FIXED CARBON FILM	1K OHM 1/6 W 5% TA26	
		R115	LG0RN3301F408	RESISTOR,FIXED METAL FILM	3.3K OHM 1/6 W 1% TA26	
		R116	LG0RN2701F408	RESISTOR,FIXED METAL FILM	2.7K OHM 1/6 W 1% TA26	
		R117	LG0RD2700F608	RESISTOR,FIXED CARBON FILM	270 OHM 1/6 W 5% TA26	
		R119	LG0RD1003F608	RESISTOR,FIXED CARBON FILM	100K OHM 1/6 W 5% TA26	
		R131	LG0RD2203F608	RESISTOR,FIXED CARBON FILM	220K OHM 1/6 W 5% TA26	
		R132	LG0RD2203F608	RESISTOR,FIXED CARBON FILM	220K OHM 1/6 W 5% TA26	
		R153	LG0RD4701F608	RESISTOR,FIXED CARBON FILM	4.7K OHM 1/6 W 5% TA26	
		R154	LG0RD1001F608	RESISTOR,FIXED CARBON FILM	1K OHM 1/6 W 5% TA26	
		R155	LG0RD1802F608	RESISTOR,FIXED CARBON FILM	18K OHM 1/6 W 5% TA26	
		R156	LG0RD1002F608	RESISTOR,FIXED CARBON FILM	10K OHM 1/6 W 5% TA26	
		R157	LG0RD1001F608	RESISTOR,FIXED CARBON FILM	1K OHM 1/6 W 5% TA26	
		R158	LG0RD3300F608	RESISTOR,FIXED CARBON FILM	330 OHM 1/6 W 5% TA26	
		R159	LG0RD3300F608	RESISTOR,FIXED CARBON FILM	330 OHM 1/6 W 5% TA26	
		R163	LG0RD4701F608	RESISTOR,FIXED CARBON FILM	4.7K OHM 1/6 W 5% TA26	
		R164	LG0RD4701F608	RESISTOR,FIXED CARBON FILM	4.7K OHM 1/6 W 5% TA26	
		R170	LG0RD1002F608	RESISTOR,FIXED CARBON FILM	10K OHM 1/6 W 5% TA26	
		R171	LG0RD1001F608	RESISTOR,FIXED CARBON FILM	1K OHM 1/6 W 5% TA26	
⚠		IC102	LG657-063A	SENSOR	LTV-817B,PHOTO COUPLER(LITEON)	
⚠		T101	LG6170RNGW12A	TRANSFORMER,SMPS[COIL]	EER3530 SOOJUNG WIDE EER3530	
⚠		V101	LG656-004C	VARISTOR,DRAWING	SVC681D-10A SAMHWA 4.O CUT	
		ZD103	LG0DZ130009AA	DIODE,ZENER	MTZ13A TP ROHM-K	
*** BOARD ASSEMBLY , TIMER ***						
		A49	LG3501R-6413A	BOARD ASSEMBLY	VCR VYC601M TIMER	
		274	LG3300R-V033A	PLATE	VYC601 PRESS JACK GND SUS 0.2T	
		C601	LG0CE1064F638	CAPACITOR,ELECTROLYTIC	10M SRA 16V M FM5 TP(5)	
		C613	LG0CN1020K518	CAPACITOR TUBULA(HIGH DIELE)	1000P 50V K B TA26	
		C614	LG0CN1020K518	CAPACITOR TUBULA(HIGH DIELE)	1000P 50V K B TA26	
		C6G1	LG0CE4775C638	CAPACITOR,FIXED ELECTROLYTIC	470UF SR,SV 6.3V 20% FM5 TP 5	
		C6G2	LG0CE4775C638	CAPACITOR,FIXED ELECTROLYTIC	470UF SR,SV 6.3V 20% FM5 TP 5	
		L5G1	LG0LR4700K035	INDUCTOR RADIAL LEAD	470M K 6X6 L5 TP	
		L602	LG0LA1000K018	INDUCTOR AXIAL LEAD	100M K 2.3X3.4 L5 TP	
		L603	LG0LA1000K018	INDUCTOR AXIAL LEAD	100M K 2.3X3.4 L5 TP	
		IC601	LG0ILNRPY001A	IC,LINEAR	PT6955 PTC 24P SOP ST LED DRIV	
		JK601	LG6612JH003AC	JACK,RCA	BJP-113D BAE EUN YELLOW	
		JK602	LG6612JH003AB	JACK,RCA	BJP-113C BAE EUN WHITE	

HV-DX2EV

S	AL	LOCA. NO.	PART NO.	DESCRIPTION	SPECIFICATION	REMARKS
		JK603	LG6612JH003AA	JACK,RCA	BJP-113B BAE EUN RED	
		LD601	LG6301R2U008B	LED ASSEMBLY	TOS-3664AGMGRMY-B OASIS UNIVE	
		R604	LG0RD5602F608	RESISTOR,FIXED CARBON FILM	56K OHM 1/6 W 5% TA26	
		R605	LG0RD3300F608	RESISTOR,FIXED CARBON FILM	330 OHM 1/6 W 5% TA26	
		R611	LG0RD1501F608	RESISTOR,FIXED CARBON FILM	1.5K OHM 1/6 W 5% TA26	
		R612	LG0RD2701F608	RESISTOR,FIXED CARBON FILM	2.7K OHM 1/6 W 5% TA26	
		R613	LG0RD5601F608	RESISTOR,FIXED CARBON FILM	5.6K OHM 1/6 W 5% TA26	
		R614	LG0RD6800F608	RESISTOR,FIXED CARBON FILM	680 OHM 1/6 W 5% TA26	
		R615	LG0RD8200F608	RESISTOR,FIXED CARBON FILM	820 OHM 1/6 W 5% TA26	
		R616	LG0RD2701F608	RESISTOR,FIXED CARBON FILM	2.7K OHM 1/6 W 5% TA26	
		R641	LG0RD0752F608	RESISTOR,FIXED CARBON FILM	75 OHM 1/6 W 5.00% TA26	
		RC601	LG6712R1638GA	REMOTE CONTROLLER RECEIVER	TSOP1838RF1 VISHAY(TEMIC) 37-	
		SW601	LG556-219B	SWITCH,TACT	THVV502GAA POSTECH DC 12 V 5-	
		SW602	LG556-219B	SWITCH,TACT	THVV502GAA POSTECH DC 12 V 5-	
		SW603	LG556-219B	SWITCH,TACT	THVV502GAA POSTECH DC 12 V 5-	
		SW604	LG556-219B	SWITCH,TACT	THVV502GAA POSTECH DC 12 V 5-	
		SW605	LG556-219B	SWITCH,TACT	THVV502GAA POSTECH DC 12 V 5-	
		SW606	LG556-219B	SWITCH,TACT	THVV502GAA POSTECH DC 12 V 5-	
		SW607	LG556-219B	SWITCH,TACT	THVV502GAA POSTECH DC 12 V 5-	
*** BOARD ASSEMBLY , KEY ***						
		A42	LG3501R-6414A	BOARD ASSEMBLY	VCR VYC601M KEY	
		LED601	LG0DL112000AJ	DIODE,LED	DL-11S2RNS(SUPER,RED,03)KOC	
		LED602	LG0DL112000AJ	DIODE,LED	DL-11S2RNS(SUPER,RED,03)KOC	
		Q601	LG0TR120309AE	TRANSISTOR	SRC1203 TP AUK TO92 22K,22K	
		Q602	LG0TR120309AE	TRANSISTOR	SRC1203 TP AUK TO92 22K,22K	
		R618	LG0RD1201F608	RESISTOR,FIXED CARBON FILM	1.2K OHM 1/6 W 5% TA26	
		R619	LG0RD1501F608	RESISTOR,FIXED CARBON FILM	1.5K OHM 1/6 W 5% TA26	
		R620	LG0RD2201F608	RESISTOR,FIXED CARBON FILM	2.2K OHM 1/6 W 5% TA26	
		R621	LG0RD3301F608	RESISTOR,FIXED CARBON FILM	3.3K OHM 1/6 W 5% TA26	
		R622	LG0RD4701F608	RESISTOR,FIXED CARBON FILM	4.7K OHM 1/6 W 5% TA26	
		R623	LG0RD4701F608	RESISTOR,FIXED CARBON FILM	4.7K OHM 1/6 W 5% TA26	
		R630	LG0RD1500F608	RESISTOR,FIXED CARBON FILM	150 OHM 1/6 W 5% TA26	
		R631	LG0RD1500F608	RESISTOR,FIXED CARBON FILM	150 OHM 1/6 W 5% TA26	
		SW608	LG556-219B	SWITCH,TACT	THVV502GAA POSTECH DC 12 V 5-	
		SW609	LG556-219B	SWITCH,TACT	THVV502GAA POSTECH DC 12 V 5-	
		SW610	LG556-219B	SWITCH,TACT	THVV502GAA POSTECH DC 12 V 5-	
		SW611	LG556-219B	SWITCH,TACT	THVV502GAA POSTECH DC 12 V 5-	
		SW612	LG556-219B	SWITCH,TACT	THVV502GAA POSTECH DC 12 V 5-	
*** DECK ASSEMBLY (VCR) ***						
		A00	LG6721RF0750B	DECK ASSEMBLY,VIDEO	D35(N) DI (4HF, PAL, AHC(O), B	NSP
		A01	LG6723R-0403C	DRUM(CIRC) ASSEMBLY	D35-6CH PAL (8P6C)	
		A03	LG4261R-0025A	ARM ASSY	CLEANER	
		A04	LG4811RF0038A	BRACKET ASSEMBLY	L/D(S)	
		A04	LG4811RF0038B	BRACKET ASSEMBLY	L/D(M) - DI	ALTERNATE
		A11	LG4471R-0005A	GEAR ASSY	P3	
		A12	LG4471R-0004A	GEAR ASSY	P2	
		A21	LG4931R-0047A	HOLDER ASSY	CST	
		A22	LG4471R-0006A	GEAR ASSY	RACK F/L	
		A23	LG4261R-0023A	ARM ASSY	F/L	
		A24	LG4510R-0046A	LEVER	ASSY SWITCH	
		001	LG6723R-0306C	DRUM(CIRC) ASSEMBLY	SUB D35-6CH (8P6C)	NSP
		002	LG4680R-B005A	MOTOR(MECH)	DRUM I20AL05 SEJIN-SANKYO ICLE	
		002	LG4680R-B003B	MOTOR(MECH)	DRUM VH4301 KUMAGAYA DRUM MOTO	ALTERNATE
		002	LG4680R-B007A	MOTOR(MECH)	DRUM MDVC-035AA LGIT FOR D-35,	ALTERNATE
		002A	LG5202R00002C	BRUSH,CARBON	ASSY D33 (TIP+2 SPRING) 1.4,	
		003	LG4930R-0284A	HOLDER	FPC(6CH)	
		004	LG5006R-0034A	CAP	FPC	

S	AL	LOCA. NO.	PART NO.	DESCRIPTION	SPECIFICATION	REMARKS
		006	LG4580R-0004A	ROLLER	CLEANER	NSP
		007	LG4260R-0039A	ARM	CLEANER	NSP
		008	LG6850R-HG18Z	CABLE,FLAT	P=1.25 FFC UL2896(0.05X0.8) 7	
		009	LG4260R-0038A	ARM	T/UP(D35)	
		010	LG4810R-0125A	BRACKET	CHASSIS	
		011	LG4261R-0022A	ARM ASSY	TENSION(D35)	
		012	LG3041R-0037A	BASE ASSY	P2	
		013	LG3041R-0038A	BASE ASSY	P3	
		014	LG3041R-0039A	BASE ASSY	P4	
		015	LG5870R-0005A	OPENER	LID(D35)	
		016	LG3041R-0036A	BASE ASSEMBLY	A/C HEAD (ALPS)	
		017	LG4408R-0003A	REEL	S	
		018	LG4970R-0140A	SPRING	COIL RS D35	
		019	LG4421R-0008A	BRAKE ASSEMBLY	RS	
		020	LG4970R-0128A	SPRING	COIL D35 (TB)	
		021	LG4421R-0006A	BRAKE ASSY	T	
		022	LG6520D00001A	HEAD(CIRC)	D35 FE TDK FE HEAD	ALTERNATE
		022	LG6520D00002A	HEAD(CIRC)	D35 FE ST FE HEAD	
		023	LG3040R-0057A	BASE	LOADING	
		024	LG4261R-0029A	ARM ASSEMBLY	IDLER (N)	
		025	LG4810R-0118A	BRACKET	L/D(S)	NSP
		026	LG4680R-D002A	MOTOR(MECH)	LOADING MDB2B66 SANKYO D35 ASP	NSP
		027	LG4470R-0093A	GEAR	WHEEL	NSP
		028	LG4408R-0004A	REEL	T	
		029	LG4261R-0019A	ARM ASSEMBLY	DECK/MECHA PINCH	ALTERNATE
		029	LG4261R-0019D	ARM ASSEMBLY	DECK/MECHA PINCH	ALTERNATE
		029	LG4261R-0019C	ARM ASSEMBLY	DECK/MECHA PINCH	
		029	LG4261R-0019B	ARM ASSEMBLY	PINCH	ALTERNATE
		030	LG4510R-0043A	LEVER	T/UP	
		031	LG4970R-0123A	SPRING	COIL TENSION(D35)	
		032	LG3141R-0040A	CHASSIS ASSY	D35	NSP
		051	LG4400R-0005A	BELT	CAPSTAN	
		052	LG4680R-A006A	MOTOR(MECH)	CAPSTAN MCV-035AA LGIT BLDC 3	ALTERNATE
		052	LG4680R-A007A	MOTOR(MECH)	CAPSTAN F2QVB06 SANKYO D35 ASR	
		052	LG4680R-A008A	MOTOR(MECH)	CAPSTAN SAMSUNG DMVCMC09L D35	ALTERNATE
		052A	LG4980R-0023A	SUPPORTER	CAPSTAN(D35)	
		054	LG4470R-0100A	GEAR	RACK F/L	
		054A	LG4970R-0124B	SPRING	COIL D35 (RACK F/L)	
		055	LG4470R-0097A	GEAR	DRIVE(D35)	
		056	LG4470R-0096A	GEAR	CAM(D35)	
		058	LG4421R-0007A	BRAKE ASSY	CAPSTAN	
		060	LG4510R-0040A	LEVER	F/R(D35)	
		061	LG4265R-0006A	CLUTCH ASSEMBLY	D35 (N)	
		064	LG4470R-0098A	GEAR	SECTOR(D35)	
		065	LG4261R-0021A	ARM ASSY	P3	NSP
		066	LG4970R-0122A	SPRING	COIL D35	NSP
		067	LG4470R-0095A	GEAR	P3	NSP
		068	LG4470R-0094A	GEAR	P2	NSP
		069	LG4970R-0122A	SPRING	COIL D35	NSP
		070	LG4261R-0020A	ARM ASSY	P2	NSP
		076	LG4510R-0047A	LEVER	SPRING	
		077	LG3300R-M116A	PLATE	SLIDER	
		078	LG4510R-0041A	LEVER	TENSION	
		079	LG3040R-0056A	BASE	TENSION(D35)	
		100	LG3301R-M022A	PLATE ASSEMBLY	TOP	
		100A	LG3300R-0184A	PLATE	GND	
		100B	LG3300R-M118A	PLATE	TOP(D35)	

HV-DX2EV

S	AL	LOCA. NO.	PART NO.	DESCRIPTION	SPECIFICATION	REMARKS
		102	LG4970R-0130A	SPRING	COIL D35 (STOPPER)	
		103	LG4930R-0276A	HOLDER	SIDE(L)	NSP
		105	LG4930R-0274A	HOLDER	CST	NSP
		106	LG4930R-0275A	HOLDER	SIDE(R)	NSP
		107	LG4510R-0044A	LEVER	STOPPER	NSP
		109	LG5870R-0004A	OPENER	DOOR	
		110	LG4260R-0035A	ARM	F/L(L)	NSP
		112	LG3070R-0002A	BODY	F/L	NSP
		113	LG4970R-0127A	SPRING	COIL D35 (F/L(R))	NSP
		114	LG4260R-0036A	ARM	F/L(R)	NSP
		115	LG4510R-0042A	LEVER	SWITCH	
		116	LG4970R-0138A	SPRING	COIL D35 SWITCH	
		117	LG3300R-M137A	PLATE	SPRING CST	
		401	LG1MEC0261518	SCREW MACHINE,PAN HEAD SPR W	D2.6 L4.5 MSWR3/FZY	
		402	LG1MPC0261418	SCREW MACHINE,PAN HEAD	D 2.6 L 4.0 MSWR3/FZY	
		405	LG1SZZR-0031B	SCREW,DRAWING	+ 1 D2.6 L5.8 SWRCH16A/FZY TAP	
		406	LG1MEC0302018	PAN HEAD MACHINE SCREW S/W +	D 3.0 L 6.0 MSWR3/FZY	
		409	LG1SZZR-0032B	SCREW,DRAWING	+ 1 D2.6 L5.0 SWRCH18A/FZY TAP	
		410	LG1APF0262218	SCREW TAP TITE(B),PAN HEAD	D2.6 L6.8 MSWR3/FZY	
		517	LG1WZZR-0004D	WASHER	STOPPER	
		518	LG1WZZR-0004A	WASHER	STOPPER	

NOTES) If you want to purchase Flash memory, you must order "IC3F1A"

NOTES) ⚠ Warning
Parts that are shaded are critical
With respect to risk of fire or electrical shock.

SECTION 6 REPLACEMENT PARTS LIST

SANYO MODEL : HV-DX2SP

NSP : Not available as service parts.

RUN DATE : 14-MAR-03

S	AL	LOCA. NO.	PART NO.	DESCRIPTION	SPECIFICATION	REMARKS
*** INDIVIDUAL PARTS ***						
		250	LG3110R-V004B	CASE	(COMBI-2) PRESS A288G-HOLE-7EA	
		260	LG3210R-V002B	FRAME	COMB-2 MOLD HIPS 60HR-BK	
		276	LG4930R-0298B	HOLDER	VCR - TIMER PWB(D+V-RIB CUTTIN	
		285	LG3581R-T046C	DOOR ASSEMBLY	VCR TRAY VYC600NP,CP	
	⚠	300	LG6410RCHP02B	POWER CORD	HIT-102/H0VHH2-F (WITH CORE) HI	
		330	LG3140R-V001B	CHASSIS	COMBI-2 PRESS PAL TYPE	
		452	LG353-051A	SCREW	SPECIAL	
		457	LG353-051E	SCREW	SPECIAL (3X12)	
		465	LG353-046K	SCREW	SPECIAL (3X10 B.K)	
		467	LG353-051G	SCREW,DRAWING	+ 2 D3.0 L8.0 MSWR3/FN TB ROUN	
*** PACKING ACCESSORY ***						
		801	LG3835RP0099C	INSTRUCTION ASSEMBLY	VCR VYC600NP.NA6SSS	
		802	LG3890R-H540P	BOX	VYC600NP NA6SSS SWW3-A 1.285 3	
		803	LG3920R-E080A	PACKING,CASING	VC6000_S 0.02 150 EPS 4 1 1	
		804	LG292-053B	BAG	SOFT(MIDI)	NSP
		808	LG534-008C	BATTERY,MANGANESE	AAAM(R03) SEOTONG 1-5 V - 1PA	
*** REMOTE CONTROLLER ***						
		900	LG6711R1N108E	REMOTE CONTROLLER ASSEMBLY	N6 VYC600NP SANYO W/O SHOWVIEW	
		910	LG3550R-0431A	COVER	BATTERY(N6 HIPS 60HR 89991)	
*** PANEL ASSEMBLY , FRONT ***						
		A43	LG3721R-F262N	PANEL ASSEMBLY,FRONT	VCR VYC600NP NA6SSS FRONT(DX2S	
		280	LG3720R-F200K	PANEL,FRONT	VCR VYC600 MOLD FRONT B589G	NSP
		283	LG3580R-V056C	DOOR,CASE	VCR VYV600NP MOLD CST A6509G	
		284	LG442-681A	SPRING	DOOR	
*** CABLE ASSEMBLY , RF ***						
		810	LG6851RP0003F	CABLE ASSY,RF	CABLE ASSY,RF/SCART/RCA USING	
		806	LG6850R-CAA26	CABLE,COAXIAL	1200M/M PAL-PAL DOUBLE SHIELD	
		812	LG6611R2G001A	PLUG ASSY	2WAY RED/WHITE GLOBAL	
*** DECK ASSEMBLY(DVD MD) ****						
		A26	LG6721RF0353B	DECK ASSEMBLY,VIDEO	DECK/MECHA DP5-4V(DVD+VCR) DI,	NSP
		A01	LG4861R-0015A	CLAMP ASSEMBLY	DISC(DP-5) DI	
		A02	LG3041R-M004A	BASE ASSEMBLY	MAIN (DP4) DI-IDECK	
		A03	LG3041R-M005A	BASE ASSEMBLY	SLED (DP5) DI	
		001	LG3300R-0547A	PLATE	CLAMP	NSP
		002	LG5016H-1016B	MAGNET	CLAMP(LDM-R608,10*5,1*1.5T)	NSP
		003	LG4860R-0006A	CLAMP	UPPER	NSP
		004	LG4930R-0171A	HOLDER	CLAMP	
		008	LG4470R-0047B	GEAR	ASSY RACK (DI)	
		009	LG4470R-0053A	GEAR	MIDDLE	
		010	LG6850R-GK22Z	CABLE,FLAT	P=1.0 FFC UL2896(0.05X0.65) 11	
		011	LG3210R-0036A	FRAME	UP/D	
		011A	LG6850R-JW14B	CABLE,FLAT	P=1.0 FFC UL2896(0.035X0.7) 23	
		012	LG5040R-0047A	RUBBER	REAR(E2,5040H-1054A),YAMAUCHI	
		012	LG5040R-0047B	RUBBER	DAMPER(E2,5040H-1054A),CHUNPOO	ALTERNATE
		012A	LG5040R-0047C	RUBBER	DAMPER(HARDNESS=30),DARKGREEN	

HV-DX2SP

S	AL	LOCA. NO.	PART NO.	DESCRIPTION	SPECIFICATION	REMARKS
		012A	LG5040R-0047D	RUBBER	DAMPER(HARDNESS=30),DARKGREEN	ALTERNATE
		013	LG4400R-0006A	BELT	LOADING	
		014	LG4470R-0055A	GEAR	PULLEY	
		015	LG6871RZ5130A	PWB(PCB) ASSEMBLY,OTHERS	SUB,L/D (DP-4V,DVD+VCR) DI	
		016	LG4470R-0050B	GEAR	ASSY FEED (DI)	
		017	LG4470R-0056A	GEAR	LOADING	
		018	LG4974R-0023A	GUIDE	UP/DOWN	
		020	LG3040R-0024A	BASE	MAIN	NSP
		026	LG3390R-0005A	TRAY	DISC	
		026	LG3390RK0010A	TRAY	DISC + PACKING	ALTERNATE
		429	LG1SZZR-0012A	SCREW,	B-TITE	
		430	LG1SZZH-1003A	SCREW,	+ D2.0 6MM SWRCH16A/NIY 4.5MM	
		430	LG1SZZH-1003A	SCREW,	+ D2.0 6MM SWRCH16A/NIY 4.5MM	
		431	LG1SZZH-1007B	SCREW,DRAWING	+ D2.0 6MM SWRCH16A/ZNBK 4MM 1	
		432	LG1SZZR-0011A	SCREW,	MACHINE	
*** SUB PWB(PCB)ASSEMBLY(DVD) ***						
		A46A	LG6885R-5004B	SUB PWB(PCB) ASSEMBLY	455301D2100500 FF 000101 VYC60	
		C201	LG0CH1104K942	CAPACITOR,CHIP[CERAMIC M/L HD	0.1UF 50V Z Y5V(F) 1508 R/TP	
		C202	LG0CH1104K942	CAPACITOR,CHIP[CERAMIC M/L HD	0.1UF 50V Z Y5V(F) 1508 R/TP	
		C203	LG0CH1104K942	CAPACITOR,CHIP[CERAMIC M/L HD	0.1UF 50V Z Y5V(F) 1508 R/TP	
		C204	LG0CH1104K942	CAPACITOR,CHIP[CERAMIC M/L HD	0.1UF 50V Z Y5V(F) 1508 R/TP	
		C205	LG0CH1104K942	CAPACITOR,CHIP[CERAMIC M/L HD	0.1UF 50V Z Y5V(F) 1508 R/TP	
		C206	LG0CH1104K942	CAPACITOR,CHIP[CERAMIC M/L HD	0.1UF 50V Z Y5V(F) 1508 R/TP	
		C207	LG0CH1105D942	CAPACITOR,CHIP[CERAMIC M/L HD	1UF 10V Z Y5V(F) 1508 R/TP	
		C208	LG0CH1104K942	CAPACITOR,CHIP[CERAMIC M/L HD	0.1UF 50V Z Y5V(F) 1508 R/TP	
		C209	LG0CH1104K942	CAPACITOR,CHIP[CERAMIC M/L HD	0.1UF 50V Z Y5V(F) 1508 R/TP	
		C210	LG0CH1104K942	CAPACITOR,CHIP[CERAMIC M/L HD	0.1UF 50V Z Y5V(F) 1508 R/TP	
		C211	LG0CE1064F638	CAPACITOR,ELECTROLYTIC	10M SRA 16V M FM5 TP(5)	
		C212	LG0CE1064F638	CAPACITOR,ELECTROLYTIC	10M SRA 16V M FM5 TP(5)	
		C213	LG0CE1064F638	CAPACITOR,ELECTROLYTIC	10M SRA 16V M FM5 TP(5)	
		C214	LG0CH1104K942	CAPACITOR,CHIP[CERAMIC M/L HD	0.1UF 50V Z Y5V(F) 1508 R/TP	
		C215	LG0CH1104K942	CAPACITOR,CHIP[CERAMIC M/L HD	0.1UF 50V Z Y5V(F) 1508 R/TP	
		C216	LG0CH1104K942	CAPACITOR,CHIP[CERAMIC M/L HD	0.1UF 50V Z Y5V(F) 1508 R/TP	
		C224	LG0CH1104K942	CAPACITOR,CHIP[CERAMIC M/L HD	0.1UF 50V Z Y5V(F) 1508 R/TP	
		C225	LG0CH1105D942	CAPACITOR,CHIP[CERAMIC M/L HD	1UF 10V Z Y5V(F) 1508 R/TP	
		C226	LG0CH1105D942	CAPACITOR,CHIP[CERAMIC M/L HD	1UF 10V Z Y5V(F) 1508 R/TP	
		C229	LG0CH1104K942	CAPACITOR,CHIP[CERAMIC M/L HD	0.1UF 50V Z Y5V(F) 1508 R/TP	
		C230	LG0CH1104K942	CAPACITOR,CHIP[CERAMIC M/L HD	0.1UF 50V Z Y5V(F) 1508 R/TP	
		C231	LG0CH1104K942	CAPACITOR,CHIP[CERAMIC M/L HD	0.1UF 50V Z Y5V(F) 1508 R/TP	
		C232	LG0CE1064F638	CAPACITOR,ELECTROLYTIC	10M SRA 16V M FM5 TP(5)	
		C238	LG0CH1104K942	CAPACITOR,CHIP[CERAMIC M/L HD	0.1UF 50V Z Y5V(F) 1508 R/TP	
		C239	LG0CH1104K942	CAPACITOR,CHIP[CERAMIC M/L HD	0.1UF 50V Z Y5V(F) 1508 R/TP	
		C240	LG0CH1222K562	CAPACITOR,CHIP[CERAMIC M/L HD	2200PF 50V K X7R(X) 1608 R/TP	
		C242	LG0CH1104K942	CAPACITOR,CHIP[CERAMIC M/L HD	0.1UF 50V Z Y5V(F) 1508 R/TP	
		C245	LG0CH1105D942	CAPACITOR,CHIP[CERAMIC M/L HD	1UF 10V Z Y5V(F) 1508 R/TP	
		C251	LG0CH1105D942	CAPACITOR,CHIP[CERAMIC M/L HD	1UF 10V Z Y5V(F) 1508 R/TP	
		C252	LG0CH4100K112	CHIP CAPA CERAMIC M/L T.C F/S	10P 50V D COG 1.6X0.8 R/TP	
		C253	LG0CH1105D942	CAPACITOR,CHIP[CERAMIC M/L HD	1UF 10V Z Y5V(F) 1508 R/TP	
		C254	LG0CH1105D942	CAPACITOR,CHIP[CERAMIC M/L HD	1UF 10V Z Y5V(F) 1508 R/TP	
		C255	LG0CH1104K942	CAPACITOR,CHIP[CERAMIC M/L HD	0.1UF 50V Z Y5V(F) 1508 R/TP	
		C258	LG0CH1105D942	CAPACITOR,CHIP[CERAMIC M/L HD	1UF 10V Z Y5V(F) 1508 R/TP	
		C261	LG0CE1064F638	CAPACITOR,ELECTROLYTIC	10M SRA 16V M FM5 TP(5)	
		C262	LG0CE1064F638	CAPACITOR,ELECTROLYTIC	10M SRA 16V M FM5 TP(5)	
		C263	LG0CE1064F638	CAPACITOR,ELECTROLYTIC	10M SRA 16V M FM5 TP(5)	
		C264	LG0CE1064F638	CAPACITOR,ELECTROLYTIC	10M SRA 16V M FM5 TP(5)	
		C265	LG0CE1064F638	CAPACITOR,ELECTROLYTIC	10M SRA 16V M FM5 TP(5)	
		C272	LG0CE4764F638	CAPACITOR,ELECTROLYTIC	47M SRA/SS 16V M FM5 TP(5)	

S	AL	LOCA. NO.	PART NO.	DESCRIPTION	SPECIFICATION	REMARKS
		C273	LG0CH1225F944	CAPACITOR, FIXED CERAMIC(Temp.c	2.2UF 16V 80%,-20% Y5V(F) 3216	
		C274	LG0CE4764F638	CAPACITOR,ELECTROLYTIC	47M SRA/SS 16V M FM5 TP(5)	
		C277	LG0CH1104K942	CAPACITOR,CHIP[CERAMIC M/L HD	0.1UF 50V Z Y5V(F) 1508 R/TP	
		C278	LG0CE1064F638	CAPACITOR,ELECTROLYTIC	10M SRA 16V M FM5 TP(5)	
		C279	LG0CE1064F638	CAPACITOR,ELECTROLYTIC	10M SRA 16V M FM5 TP(5)	
		C280	LG0CE1064F638	CAPACITOR,ELECTROLYTIC	10M SRA 16V M FM5 TP(5)	
		C281	LG0CE1064F638	CAPACITOR,ELECTROLYTIC	10M SRA 16V M FM5 TP(5)	
		C282	LG0CH1104K942	CAPACITOR,CHIP[CERAMIC M/L HD	0.1UF 50V Z Y5V(F) 1508 R/TP	
		C284	LG0CE4764F638	CAPACITOR,ELECTROLYTIC	47M SRA/SS 16V M FM5 TP(5)	
		C285	LG0CE1064F638	CAPACITOR,ELECTROLYTIC	10M SRA 16V M FM5 TP(5)	
		C286	LG0CH1104K942	CAPACITOR,CHIP[CERAMIC M/L HD	0.1UF 50V Z Y5V(F) 1508 R/TP	
		C287	LG0CE1064F638	CAPACITOR,ELECTROLYTIC	10M SRA 16V M FM5 TP(5)	
		C288	LG0CE1064F638	CAPACITOR,ELECTROLYTIC	10M SRA 16V M FM5 TP(5)	
		C289	LG0CH1104K942	CAPACITOR,CHIP[CERAMIC M/L HD	0.1UF 50V Z Y5V(F) 1508 R/TP	
		C290	LG0CH4180K412	CAPACITOR,CHIP[CERAMIC M/L TC	18P 50V J COG 1.6X0.8 R/TP	
		C291	LG0CH4180K412	CAPACITOR,CHIP[CERAMIC M/L TC	18P 50V J COG 1.6X0.8 R/TP	
		C292	LG0CH1104K942	CAPACITOR,CHIP[CERAMIC M/L HD	0.1UF 50V Z Y5V(F) 1508 R/TP	
		C293	LG0CH1104K942	CAPACITOR,CHIP[CERAMIC M/L HD	0.1UF 50V Z Y5V(F) 1508 R/TP	
		C294	LG0CH1104K942	CAPACITOR,CHIP[CERAMIC M/L HD	0.1UF 50V Z Y5V(F) 1508 R/TP	
		C295	LG0CH1104K942	CAPACITOR,CHIP[CERAMIC M/L HD	0.1UF 50V Z Y5V(F) 1508 R/TP	
		C296	LG0CH1104K942	CAPACITOR,CHIP[CERAMIC M/L HD	0.1UF 50V Z Y5V(F) 1508 R/TP	
		C297	LG0CE4764F638	CAPACITOR,ELECTROLYTIC	47M SRA/SS 16V M FM5 TP(5)	
		C298	LG0CE4775C638	CAPACITOR, FIXED ELECTROLYTIC	470UF SR,SV 6.3V 20% FM5 TP 5	
		C299	LG0CH4220K412	CAPA,CHIP CERAMIC M/L T.C F/S	22P 50V J COG 1.6X0.8 R/TP	
		C2A0	LG0CE4764F638	CAPACITOR,ELECTROLYTIC	47M SRA/SS 16V M FM5 TP(5)	
		C2A3	LG0CH1104K942	CAPACITOR,CHIP[CERAMIC M/L HD	0.1UF 50V Z Y5V(F) 1508 R/TP	
		C2A4	LG0CE1064F638	CAPACITOR,ELECTROLYTIC	10M SRA 16V M FM5 TP(5)	
		C2A5	LG0CH1683F942	CAPACITOR, FIXED CERAMIC(Temp.c	0.068UF 16V 80%,-20% Y5V(F) 16	
		C2A6	LG0CH1102K562	CAPACITOR, FIXED CERAMIC(Temp.c	1000PF 50V 10% X7R(X) 1608 R/T	
		C2A7	LG0CH1104K942	CAPACITOR,CHIP[CERAMIC M/L HD	0.1UF 50V Z Y5V(F) 1508 R/TP	
		C2A8	LG0CH1152K562	CAPACITOR, FIXED CERAMIC(Temp.c	1500PF 50V 10% X7R(X) 1608 R/T	
		C2A9	LG0CH1104K942	CAPACITOR,CHIP[CERAMIC M/L HD	0.1UF 50V Z Y5V(F) 1508 R/TP	
		C2B3	LG0CH1392K562	CAPACITOR, FIXED CERAMIC(Temp.c	3900PF 50V K Z5U(E) 1608 R/TP	
		C2B4	LG0CH1683F942	CAPACITOR, FIXED CERAMIC(Temp.c	0.068UF 16V 80%,-20% Y5V(F) 16	
		C2B5	LG0CH1333K562	CAPACITOR,CHIP[CERAMIC M/L HD	0.033UF 50V K X7R(X) 1508 R/TP	
		C2B9	LG0CH1104K942	CAPACITOR,CHIP[CERAMIC M/L HD	0.1UF 50V Z Y5V(F) 1508 R/TP	
		C2C1	LG0CH1103K562	CAPACITOR, FIXED CERAMIC(Temp.c	0.01UF 50V 10% X7R(X) 1608 R/T	
		C2C2	LG0CE1064F638	CAPACITOR,ELECTROLYTIC	10M SRA 16V M FM5 TP(5)	
		C2C4	LG0CH1102K562	CAPACITOR, FIXED CERAMIC(Temp.c	1000PF 50V 10% X7R(X) 1608 R/T	
		C2C5	LG0CH1332K562	CAPACITOR,CHIP[CERAMIC M/L HD	3300P 50V K X7R 1.6X0.8 R/TP	
		C2C6	LG0CH1102K562	CAPACITOR, FIXED CERAMIC(Temp.c	1000PF 50V 10% X7R(X) 1608 R/T	
		C2C8	LG0CH1104K942	CAPACITOR,CHIP[CERAMIC M/L HD	0.1UF 50V Z Y5V(F) 1508 R/TP	
		C2C9	LG0CE1064F638	CAPACITOR,ELECTROLYTIC	10M SRA 16V M FM5 TP(5)	
		C2D0	LG0CE4764F638	CAPACITOR,ELECTROLYTIC	47M SRA/SS 16V M FM5 TP(5)	
		C2D1	LG0CE4764F638	CAPACITOR,ELECTROLYTIC	47M SRA/SS 16V M FM5 TP(5)	
		C2D2	LG0CH1104K942	CAPACITOR,CHIP[CERAMIC M/L HD	0.1UF 50V Z Y5V(F) 1508 R/TP	
		C2D3	LG0CH1104K942	CAPACITOR,CHIP[CERAMIC M/L HD	0.1UF 50V Z Y5V(F) 1508 R/TP	
		C2D4	LG0CE4764F638	CAPACITOR,ELECTROLYTIC	47M SRA/SS 16V M FM5 TP(5)	
		C2D5	LG0CE1064F638	CAPACITOR,ELECTROLYTIC	10M SRA 16V M FM5 TP(5)	
		C2D6	LG0CH1104K942	CAPACITOR,CHIP[CERAMIC M/L HD	0.1UF 50V Z Y5V(F) 1508 R/TP	
		C2D7	LG0CH1152K562	CAPACITOR, FIXED CERAMIC(Temp.c	1500PF 50V 10% X7R(X) 1608 R/T	
		C2D9	LG0CH1104K942	CAPACITOR,CHIP[CERAMIC M/L HD	0.1UF 50V Z Y5V(F) 1508 R/TP	
		C2E1	LG0CH4470K412	CAPA,CHIP CERAMIC M/L T.C F/S	47P 50V J COG 1.6X0.8 R/TP	
		C2E2	LG0CH4470K412	CAPA,CHIP CERAMIC M/L T.C F/S	47P 50V J COG 1.6X0.8 R/TP	
		C2E3	LG0CH4470K412	CAPA,CHIP CERAMIC M/L T.C F/S	47P 50V J COG 1.6X0.8 R/TP	
		C2E4	LG0CH4470K412	CAPA,CHIP CERAMIC M/L T.C F/S	47P 50V J COG 1.6X0.8 R/TP	
		C2M1	LG0CE1074F638	CAPACITOR,ELECTROLYTIC	100U SRA 16V M FM5 TP(5)	

HV-DX2SP

S	AL	LOCA. NO.	PART NO.	DESCRIPTION	SPECIFICATION	REMARKS
		C2M2	LG0CH1682K562	CAPACITOR,CHIP[CERAMIC M/L HD	6800P 50V K X7R 1.6X0.8 R/TP	
		C2M3	LG0CH1472K562	CAPACITOR,CHIP[CERAMIC M/L HD	4700PF 50V K X7R(X) 1608 R/TP	
		C2M4	LG0CH1104K942	CAPACITOR,CHIP[CERAMIC M/L HD	0.1UF 50V Z Y5V(F) 1508 R/TP	
		C2M5	LG0CH1104K942	CAPACITOR,CHIP[CERAMIC M/L HD	0.1UF 50V Z Y5V(F) 1508 R/TP	
		C2M6	LG0CH1104K942	CAPACITOR,CHIP[CERAMIC M/L HD	0.1UF 50V Z Y5V(F) 1508 R/TP	
		C2M7	LG0CH1104K942	CAPACITOR,CHIP[CERAMIC M/L HD	0.1UF 50V Z Y5V(F) 1508 R/TP	
		C2M8	LG0CH1104K942	CAPACITOR,CHIP[CERAMIC M/L HD	0.1UF 50V Z Y5V(F) 1508 R/TP	
		C2M9	LG0CH1104K942	CAPACITOR,CHIP[CERAMIC M/L HD	0.1UF 50V Z Y5V(F) 1508 R/TP	
		C2N1	LG0CH1104K942	CAPACITOR,CHIP[CERAMIC M/L HD	0.1UF 50V Z Y5V(F) 1508 R/TP	
		C2N3	LG0CH1223K942	CAPACITOR,CHIP[CERAMIC M/L HD	0.022UF 50V Z Y5V(F) 1508 R/TP	
		C2N4	LG0CH1225F944	CAPACITOR,FIXED CERAMIC(Temp.c	2.2UF 16V 80%,-20% Y5V(F) 3216	
		C301	LG0CH1104K942	CAPACITOR,CHIP[CERAMIC M/L HD	0.1UF 50V Z Y5V(F) 1508 R/TP	
		C302	LG0CH1225F944	CAPACITOR,FIXED CERAMIC(Temp.c	2.2UF 16V 80%,-20% Y5V(F) 3216	
		C303	LG0CH1104K942	CAPACITOR,CHIP[CERAMIC M/L HD	0.1UF 50V Z Y5V(F) 1508 R/TP	
		C304	LG0CH1104K942	CAPACITOR,CHIP[CERAMIC M/L HD	0.1UF 50V Z Y5V(F) 1508 R/TP	
		C305	LG0CH1104K942	CAPACITOR,CHIP[CERAMIC M/L HD	0.1UF 50V Z Y5V(F) 1508 R/TP	
		C306	LG0CH1104K942	CAPACITOR,CHIP[CERAMIC M/L HD	0.1UF 50V Z Y5V(F) 1508 R/TP	
		C307	LG0CH1105D942	CAPACITOR,CHIP[CERAMIC M/L HD	1UF 10V Z Y5V(F) 1508 R/TP	
		C308	LG0CE4764F638	CAPACITOR,ELECTROLYTIC	47M SRA/SS 16V M FM5 TP(5)	
		C309	LG0CH1225F944	CAPACITOR,FIXED CERAMIC(Temp.c	2.2UF 16V 80%,-20% Y5V(F) 3216	
		C314	LG0CH1104K942	CAPACITOR,CHIP[CERAMIC M/L HD	0.1UF 50V Z Y5V(F) 1508 R/TP	
		C316	LG0CH1104K942	CAPACITOR,CHIP[CERAMIC M/L HD	0.1UF 50V Z Y5V(F) 1508 R/TP	
		C317	LG0CE4764F638	CAPACITOR,ELECTROLYTIC	47M SRA/SS 16V M FM5 TP(5)	
		C318	LG0CH1104K942	CAPACITOR,CHIP[CERAMIC M/L HD	0.1UF 50V Z Y5V(F) 1508 R/TP	
		C319	LG0CH1104K942	CAPACITOR,CHIP[CERAMIC M/L HD	0.1UF 50V Z Y5V(F) 1508 R/TP	
		C320	LG0CH1104K942	CAPACITOR,CHIP[CERAMIC M/L HD	0.1UF 50V Z Y5V(F) 1508 R/TP	
		C321	LG0CE4764F638	CAPACITOR,ELECTROLYTIC	47M SRA/SS 16V M FM5 TP(5)	
		C323	LG0CH1104K942	CAPACITOR,CHIP[CERAMIC M/L HD	0.1UF 50V Z Y5V(F) 1508 R/TP	
		C324	LG0CH1104K942	CAPACITOR,CHIP[CERAMIC M/L HD	0.1UF 50V Z Y5V(F) 1508 R/TP	
		C3F1	LG0CH1225F944	CAPACITOR,FIXED CERAMIC(Temp.c	2.2UF 16V 80%,-20% Y5V(F) 3216	
		C3F2	LG0CH1104K942	CAPACITOR,CHIP[CERAMIC M/L HD	0.1UF 50V Z Y5V(F) 1508 R/TP	
		C3F3	LG0CE4764F638	CAPACITOR,ELECTROLYTIC	47M SRA/SS 16V M FM5 TP(5)	
		C401	LG0CE2264F638	CAPACITOR,ELECTROLYTIC	22M SRA 16V M FM5 TP(5)	
		C402	LG0CE2264F638	CAPACITOR,ELECTROLYTIC	22M SRA 16V M FM5 TP(5)	
		C403	LG0CE2264F638	CAPACITOR,ELECTROLYTIC	22M SRA 16V M FM5 TP(5)	
		C404	LG0CE2264F638	CAPACITOR,ELECTROLYTIC	22M SRA 16V M FM5 TP(5)	
		C405	LG0CE4764F638	CAPACITOR,ELECTROLYTIC	47M SRA/SS 16V M FM5 TP(5)	
		C406	LG0CH1104K942	CAPACITOR,CHIP[CERAMIC M/L HD	0.1UF 50V Z Y5V(F) 1508 R/TP	
		C408	LG0CE1064F638	CAPACITOR,ELECTROLYTIC	10M SRA 16V M FM5 TP(5)	
		C409	LG0CE2274C638	CAPACITOR,ELECTROLYTIC	220M SRA 6.3V M FM5 TP(5)	
		C410	LG0CH4271K412	CAPACITOR,FIXED CERAMIC(HIGH D	270PF 50V 5% NP0 1608 R/TP	
		C411	LG0CH1102K512	CAPACITOR,FIXED CERAMIC(Temp.c	1000PF 50V 10% B(5YP) 1608 R/T	
		C412	LG0CH4271K412	CAPACITOR,FIXED CERAMIC(HIGH D	270PF 50V 5% NP0 1608 R/TP	
		C413	LG0CE1064F638	CAPACITOR,ELECTROLYTIC	10M SRA 16V M FM5 TP(5)	
		C414	LG0CH1104K942	CAPACITOR,CHIP[CERAMIC M/L HD	0.1UF 50V Z Y5V(F) 1508 R/TP	
		C415	LG0CE1064F638	CAPACITOR,ELECTROLYTIC	10M SRA 16V M FM5 TP(5)	
		C416	LG0CH1102K512	CAPACITOR,FIXED CERAMIC(Temp.c	1000PF 50V 10% B(5YP) 1608 R/T	
		C417	LG0CH4271K412	CAPACITOR,FIXED CERAMIC(HIGH D	270PF 50V 5% NP0 1608 R/TP	
		C418	LG0CH1392K562	CAPACITOR,FIXED CERAMIC(Temp.c	3900PF 50V K Z5U(E) 1608 R/TP	
		C419	LG0CE2264F638	CAPACITOR,ELECTROLYTIC	22M SRA 16V M FM5 TP(5)	
		C420	LG0CH1392K562	CAPACITOR,FIXED CERAMIC(Temp.c	3900PF 50V K Z5U(E) 1608 R/TP	
		C421	LG0CE2264F638	CAPACITOR,ELECTROLYTIC	22M SRA 16V M FM5 TP(5)	
		C422	LG0CE1064F638	CAPACITOR,ELECTROLYTIC	10M SRA 16V M FM5 TP(5)	
		C423	LG0CH4271K412	CAPACITOR,FIXED CERAMIC(HIGH D	270PF 50V 5% NP0 1608 R/TP	
		C424	LG0CH1104K942	CAPACITOR,CHIP[CERAMIC M/L HD	0.1UF 50V Z Y5V(F) 1508 R/TP	
		C425	LG0CH1104K942	CAPACITOR,CHIP[CERAMIC M/L HD	0.1UF 50V Z Y5V(F) 1508 R/TP	
		C501	LG0CE4764F638	CAPACITOR,ELECTROLYTIC	47M SRA/SS 16V M FM5 TP(5)	

S	AL	LOCA. NO.	PART NO.	DESCRIPTION	SPECIFICATION	REMARKS
		C502	LG0CH1104F942	CAPACITOR, FIXED CERAMIC(Temp.c	0.1UF 16V 80%,-20% Y5V(F) 1608	
		C503	LG0CH1104F942	CAPACITOR, FIXED CERAMIC(Temp.c	0.1UF 16V 80%,-20% Y5V(F) 1608	
		C504	LG0CE1064F638	CAPACITOR, ELECTROLYTIC	10M SRA 16V M FM5 TP(5)	
		C506	LG0CH1225F944	CAPACITOR, FIXED CERAMIC(Temp.c	2.2UF 16V 80%,-20% Y5V(F) 3216	
		C507	LG0CE4764F638	CAPACITOR, ELECTROLYTIC	47M SRA/SS 16V M FM5 TP(5)	
		C508	LG0CH1104F942	CAPACITOR, FIXED CERAMIC(Temp.c	0.1UF 16V 80%,-20% Y5V(F) 1608	
		C509	LG0CH1104F942	CAPACITOR, FIXED CERAMIC(Temp.c	0.1UF 16V 80%,-20% Y5V(F) 1608	
		C510	LG0CH1104F942	CAPACITOR, FIXED CERAMIC(Temp.c	0.1UF 16V 80%,-20% Y5V(F) 1608	
		C511	LG0CH1104F942	CAPACITOR, FIXED CERAMIC(Temp.c	0.1UF 16V 80%,-20% Y5V(F) 1608	
		C512	LG0CH1104F942	CAPACITOR, FIXED CERAMIC(Temp.c	0.1UF 16V 80%,-20% Y5V(F) 1608	
		C513	LG0CH1104F942	CAPACITOR, FIXED CERAMIC(Temp.c	0.1UF 16V 80%,-20% Y5V(F) 1608	
		C514	LG0CH1104F942	CAPACITOR, FIXED CERAMIC(Temp.c	0.1UF 16V 80%,-20% Y5V(F) 1608	
		C515	LG0CH1104F942	CAPACITOR, FIXED CERAMIC(Temp.c	0.1UF 16V 80%,-20% Y5V(F) 1608	
		C516	LG0CH1104F942	CAPACITOR, FIXED CERAMIC(Temp.c	0.1UF 16V 80%,-20% Y5V(F) 1608	
		C517	LG0CH1104F942	CAPACITOR, FIXED CERAMIC(Temp.c	0.1UF 16V 80%,-20% Y5V(F) 1608	
		C518	LG0CH1104F942	CAPACITOR, FIXED CERAMIC(Temp.c	0.1UF 16V 80%,-20% Y5V(F) 1608	
		C519	LG0CH1104F942	CAPACITOR, FIXED CERAMIC(Temp.c	0.1UF 16V 80%,-20% Y5V(F) 1608	
		C520	LG0CH1104F942	CAPACITOR, FIXED CERAMIC(Temp.c	0.1UF 16V 80%,-20% Y5V(F) 1608	
		C521	LG0CH1104F942	CAPACITOR, FIXED CERAMIC(Temp.c	0.1UF 16V 80%,-20% Y5V(F) 1608	
		C522	LG0CH1104F942	CAPACITOR, FIXED CERAMIC(Temp.c	0.1UF 16V 80%,-20% Y5V(F) 1608	
		C523	LG0CH1225F944	CAPACITOR, FIXED CERAMIC(Temp.c	2.2UF 16V 80%,-20% Y5V(F) 3216	
		C525	LG0CH1104F942	CAPACITOR, FIXED CERAMIC(Temp.c	0.1UF 16V 80%,-20% Y5V(F) 1608	
		C526	LG0CH1104F942	CAPACITOR, FIXED CERAMIC(Temp.c	0.1UF 16V 80%,-20% Y5V(F) 1608	
		C527	LG0CH1104F942	CAPACITOR, FIXED CERAMIC(Temp.c	0.1UF 16V 80%,-20% Y5V(F) 1608	
		C528	LG0CH1104F942	CAPACITOR, FIXED CERAMIC(Temp.c	0.1UF 16V 80%,-20% Y5V(F) 1608	
		C529	LG0CH1104F942	CAPACITOR, FIXED CERAMIC(Temp.c	0.1UF 16V 80%,-20% Y5V(F) 1608	
		C530	LG0CH1104F942	CAPACITOR, FIXED CERAMIC(Temp.c	0.1UF 16V 80%,-20% Y5V(F) 1608	
		C531	LG0CH1104F942	CAPACITOR, FIXED CERAMIC(Temp.c	0.1UF 16V 80%,-20% Y5V(F) 1608	
		C532	LG0CH1104F942	CAPACITOR, FIXED CERAMIC(Temp.c	0.1UF 16V 80%,-20% Y5V(F) 1608	
		C533	LG0CH1104F942	CAPACITOR, FIXED CERAMIC(Temp.c	0.1UF 16V 80%,-20% Y5V(F) 1608	
		C534	LG0CH1104F942	CAPACITOR, FIXED CERAMIC(Temp.c	0.1UF 16V 80%,-20% Y5V(F) 1608	
		C535	LG0CH1104F942	CAPACITOR, FIXED CERAMIC(Temp.c	0.1UF 16V 80%,-20% Y5V(F) 1608	
		C536	LG0CH1104F942	CAPACITOR, FIXED CERAMIC(Temp.c	0.1UF 16V 80%,-20% Y5V(F) 1608	
		C538	LG0CH1225F944	CAPACITOR, FIXED CERAMIC(Temp.c	2.2UF 16V 80%,-20% Y5V(F) 3216	
		C540	LG0CH4220K412	CAPA, CHIP CERAMIC M/L T.C F/S	22P 50V J COG 1.6X0.8 R/TP	
		C541	LG0CH4270K412	CAPACITOR, CHIP[CERAMIC M/L TC	27PF 50V J NP0 1608 R/TP	
		C542	LG0CH1104F942	CAPACITOR, FIXED CERAMIC(Temp.c	0.1UF 16V 80%,-20% Y5V(F) 1608	
		C543	LG0CH1104F942	CAPACITOR, FIXED CERAMIC(Temp.c	0.1UF 16V 80%,-20% Y5V(F) 1608	
		C544	LG0CH1225F944	CAPACITOR, FIXED CERAMIC(Temp.c	2.2UF 16V 80%,-20% Y5V(F) 3216	
		C546	LG0CH4221K412	CAPACITOR, CHIP[CERAMIC M/L TC	220P 50V J COG 1.6X0.8 R/TP	
		C549	LG0CH4221K412	CAPACITOR, CHIP[CERAMIC M/L TC	220P 50V J COG 1.6X0.8 R/TP	
		C550	LG0CH1104F942	CAPACITOR, FIXED CERAMIC(Temp.c	0.1UF 16V 80%,-20% Y5V(F) 1608	
		C553	LG0CH4221K412	CAPACITOR, CHIP[CERAMIC M/L TC	220P 50V J COG 1.6X0.8 R/TP	
		C554	LG0CH1104F942	CAPACITOR, FIXED CERAMIC(Temp.c	0.1UF 16V 80%,-20% Y5V(F) 1608	
		C555	LG0CH4101K412	CHIP CAPA CERAMIC M/L T.C F/S	100P 50V J COG 1.6X0.8 R/TP	
		C556	LG0CH4101K412	CHIP CAPA CERAMIC M/L T.C F/S	100P 50V J COG 1.6X0.8 R/TP	
		C557	LG0CH4270K412	CAPACITOR, CHIP[CERAMIC M/L TC	27PF 50V J NP0 1608 R/TP	
		C558	LG0CH1104F942	CAPACITOR, FIXED CERAMIC(Temp.c	0.1UF 16V 80%,-20% Y5V(F) 1608	
		C559	LG0CE4764F638	CAPACITOR, ELECTROLYTIC	47M SRA/SS 16V M FM5 TP(5)	
		C560	LG0CH1225F944	CAPACITOR, FIXED CERAMIC(Temp.c	2.2UF 16V 80%,-20% Y5V(F) 3216	
		C561	LG0CE4764F638	CAPACITOR, ELECTROLYTIC	47M SRA/SS 16V M FM5 TP(5)	
		R525	LG0LC0233002B	INDUCTOR, CHIP	HB-1S1608-800JT CERATECH R/TP	
		D201	LG0DR495009AA	DIODE, RECTIFIER	RB495D TP ROHM SMD 40V 400A 2A	
		D2A1	LG0DS202009CA	DIODE, SWITCHING	DAN202K TP ROHM KOREA SOT23 80	
		D2A2	LG0DS202009CA	DIODE, SWITCHING	DAN202K TP ROHM KOREA SOT23 80	
		D2A3	LG0DS202009CA	DIODE, SWITCHING	DAN202K TP ROHM KOREA SOT23 80	
		D401	LG0DSRM00118A	DIODE, SWITCHING	DAP202K T146 ROHM R/TP SMD 80V	

HV-DX2SP

S	AL	LOCA. NO.	PART NO.	DESCRIPTION	SPECIFICATION	REMARKS
		L201	LG6200HJC102A	FILTER(CIRC),EMC	HB-1M2012-102JT CERATECH TP	
		L206	LG6200HJC102A	FILTER(CIRC),EMC	HB-1M2012-102JT CERATECH TP	
		L207	LG6200HJC102A	FILTER(CIRC),EMC	HB-1M2012-102JT CERATECH TP	
		L208	LG6200HJC102A	FILTER(CIRC),EMC	HB-1M2012-102JT CERATECH TP	
		L2A1	LG6200HJC102A	FILTER(CIRC),EMC	HB-1M2012-102JT CERATECH TP	
		L2A2	LG6200HJC102A	FILTER(CIRC),EMC	HB-1M2012-102JT CERATECH TP	
		L301	LG6200HJC102A	FILTER(CIRC),EMC	HB-1M2012-102JT CERATECH TP	
		L302	LG6200HJC102A	FILTER(CIRC),EMC	HB-1M2012-102JT CERATECH TP	
		L3F1	LG6200HJC102A	FILTER(CIRC),EMC	HB-1M2012-102JT CERATECH TP	
		L501	LG6200HJC102A	FILTER(CIRC),EMC	HB-1M2012-102JT CERATECH TP	
		L502	LG6200HJC102A	FILTER(CIRC),EMC	HB-1M2012-102JT CERATECH TP	
		L503	LG6200HJC102A	FILTER(CIRC),EMC	HB-1M2012-102JT CERATECH TP	
		L504	LG6200HJC102A	FILTER(CIRC),EMC	HB-1M2012-102JT CERATECH TP	
		L505	LG6200HJC102A	FILTER(CIRC),EMC	HB-1M2012-102JT CERATECH TP	
		L506	LG6200HJC102A	FILTER(CIRC),EMC	HB-1M2012-102JT CERATECH TP	
		L507	LG6200HJC102A	FILTER(CIRC),EMC	HB-1M2012-102JT CERATECH TP	
		L508	LG6200HJC102A	FILTER(CIRC),EMC	HB-1M2012-102JT CERATECH TP	
		L509	LG6200HJC102A	FILTER(CIRC),EMC	HB-1M2012-102JT CERATECH TP	
		L510	LG6200HJC102A	FILTER(CIRC),EMC	HB-1M2012-102JT CERATECH TP	
		L511	LG6200HJC102A	FILTER(CIRC),EMC	HB-1M2012-102JT CERATECH TP	
		L603	LG6200HJC102A	FILTER(CIRC),EMC	HB-1M2012-102JT CERATECH TP	
		IC201	LG0ILNRHY002B	IC,LINEAR	HDC25D811B HYUNDAI 208 QFP TRA	
		IC203	LG0IEB121616B	IC,ELITE MEMORY TECHNOLOGY	M12L16161A-7T-L 50PIN TSOP TRA	
		IC206	LGGITO704000F	IC,TOSHIBA	TC7W04FU	
		IC2A1	LG0ILNRHI003A	IC,LINEAR	HD153702TF HITACHI 64 TQFP TRA	
		IC2A2	LG0IJR341400C	IC,JRC	NJM3414AM-TE1,3K/REEL. JRC	
		IC2A4	LG0IKE393000G	IC,KEC	KIA393F-EL FLP-8 TP DUAL COMPA	
		IC2M1	LG0IFA303200A	IC,FAIRCHILD	KA3032 48QFP BK 5CH MOTOR DRIV	ALTERNATE
		IC2M1	LG0ILNRFA013A	IC,LINEAR	FAN8004 FAIRCHILD 48 QFP TRAY	
		IC301	LG0IXL957210C	IC,XILINX	XC9572XL-10TQ100C 100 QFP TRAY	ALTERNATE
		IC301	LG0ICTMHY011A	IC,CUSTOMIZED	HS353106 HYNIX 100 TQFP TRAY C	
		IC305	LG0IHYS76532A	IC,HYUNDAI	HY57V653220CTC-7 86P TSOP BK S	ALTERNATE
		IC305	LG0IMMRHY025A	IC,MEMORIES	HY57V643220CT-7 HYUNDAI 86P TS	
		IC305	LG0IMMRWI004B	IC,MEMORIES	W986432DH-6 WINBOND 86PIN TSOP	ALTERNATE
		IC305	LG0IMMRB005A	IC,MEMORIES	M12L64322A-7T ELITE MEMORY TEC	ALTERNATE
		IC3F1	LG0IMMRFU001B	IC,MEMORIES	MBM29LV800BA-90PFTN FUJITSU 48	
		IC401	LG0IPRPCI003B	IC,PERIPHERALS	CS4391-KZR CIRRUS LOGIC 20 TSS	
		IC402	LG0IJR458000B	IC,JRC	NJM4580M 8,DMP8 TP OP AMP 2K/R	
		IC501	LG0INS860200A	IC,NATIONAL SEMICONDUCTOR	NDV8602 240 VQFP BK MICOM+MPEG	
		IC502	LG0IMMRCB001A	IC,MEMORIES	CAT93C56S-TE13 CRYSTAL SEMICON	
		IC502	LG0IMMRAL012A	IC,MEMORIES	AT93C56-10SC(SI)-2.7-8S1 ATMEL	ALTERNATE
		IC503	LG0IFA742440F	IC,FAIRCHILD	MM74HCT244SJ 20P SOIC TP 3-STA	
		IC506	LG0IPMGA7001A	IC,POWER MANAGEMENT	AMC1117-1.8SJ ADD MICROTECH 3P	
		IC3F1A	LG6957R-509AB	PROGRAM	SANYO (NS) DVD PROG	
		Q2A1	LG0TR103709BB	TRANSISTOR,BIPOLARS	2SA1037K-Q CHIP TP ROHM - -	
		Q2A2	LG0TR103709BB	TRANSISTOR,BIPOLARS	2SA1037K-Q CHIP TP ROHM - -	
		Q2A5	LG0TR388209AA	TRANSISTOR,BIPOLARS	CHIP KTC3882 SOT-23 TP KEC - -	
		Q2A6	LG0TR388209AA	TRANSISTOR,BIPOLARS	CHIP KTC3882 SOT-23 TP KEC - -	
		Q2M1	LG0TR124009AP	TRANSISTOR,BIPOLARS	DTC124EK TP ROHM KOREA SOT23 3	
		Q401	LG0TR103709BB	TRANSISTOR,BIPOLARS	2SA1037K-Q CHIP TP ROHM - -	
		Q404	LG0TR103009AC	TRANSISTOR	KRA103S-T1(PC)22-22 CHIP KEC	
		Q405	LG0TR103009AC	TRANSISTOR	KRA103S-T1(PC)22-22 CHIP KEC	
		R201	LG0RH0000C622	RESISTOR,METAL GLAZED(CHIP)	0 OHM 1 / 16 W 1608 5.00% D	
		R202	LG0RH0000C622	RESISTOR,METAL GLAZED(CHIP)	0 OHM 1 / 16 W 1608 5.00% D	
		R203	LG0RH1001C622	RESISTOR,METAL GLAZED(CHIP)	1K OHM 1 / 16 W 1608 5.00% D	
		R204	LG0RH1001C622	RESISTOR,METAL GLAZED(CHIP)	1K OHM 1 / 16 W 1608 5.00% D	
		R207	LG0RH1004C622	RESISTOR,METAL GLAZED(CHIP)	1M OHM 1 / 16 W 1608 5.00% D	

S	AL	LOCA. NO.	PART NO.	DESCRIPTION	SPECIFICATION	REMARKS
		R217	LG0RH102C622	RESISTOR,METAL GLAZED(CHIP)	10 OHM 1 / 16 W 1608 5.00% D	
		R218	LG0RH4700C622	RESISTOR,METAL GLAZED(CHIP)	470 OHM 1 / 16 W 1608 5.00% D	
		R219	LG0RH1002C622	RESISTOR,METAL GLAZED(CHIP)	10K OHM 1 / 16 W 1608 5.00% D	
		R220	LG0RH1002C622	RESISTOR,METAL GLAZED(CHIP)	10K OHM 1 / 16 W 1608 5.00% D	
		R230	LG0RH1000C622	RESISTOR,METAL GLAZED(CHIP)	100 OHM 1 / 16 W 1608 5.00% D	
		R231	LG0RH1000C622	RESISTOR,METAL GLAZED(CHIP)	100 OHM 1 / 16 W 1608 5.00% D	
		R232	LG0RH1000C622	RESISTOR,METAL GLAZED(CHIP)	100 OHM 1 / 16 W 1608 5.00% D	
		R233	LG0RH1000C622	RESISTOR,METAL GLAZED(CHIP)	100 OHM 1 / 16 W 1608 5.00% D	
		R234	LG0RH1000C622	RESISTOR,METAL GLAZED(CHIP)	100 OHM 1 / 16 W 1608 5.00% D	
		R235	LG0RH1000C622	RESISTOR,METAL GLAZED(CHIP)	100 OHM 1 / 16 W 1608 5.00% D	
		R236	LG0RH1000C622	RESISTOR,METAL GLAZED(CHIP)	100 OHM 1 / 16 W 1608 5.00% D	
		R237	LG0RH1000C622	RESISTOR,METAL GLAZED(CHIP)	100 OHM 1 / 16 W 1608 5.00% D	
		R239	LG0RH0000C622	RESISTOR,METAL GLAZED(CHIP)	0 OHM 1 / 16 W 1608 5.00% D	
		R240	LG0RH0000C622	RESISTOR,METAL GLAZED(CHIP)	0 OHM 1 / 16 W 1608 5.00% D	
		R241	LG0RH0000C622	RESISTOR,METAL GLAZED(CHIP)	0 OHM 1 / 16 W 1608 5.00% D	
		R242	LG0RH0000C622	RESISTOR,METAL GLAZED(CHIP)	0 OHM 1 / 16 W 1608 5.00% D	
		R243	LG0RH0000C622	RESISTOR,METAL GLAZED(CHIP)	0 OHM 1 / 16 W 1608 5.00% D	
		R252	LG0RH0000C622	RESISTOR,METAL GLAZED(CHIP)	0 OHM 1 / 16 W 1608 5.00% D	
		R269	LG0RH0222C622	RESISTOR,METAL GLAZED(CHIP)	22 OHM 1 / 16 W 1608 5.00% D	
		R273	LG0RH1501C622	RESISTOR,METAL GLAZED(CHIP)	1.5K OHM 1 / 16 W 1608 5.00% D	
		R274	LG0RH6200C622	RESISTOR,METAL GLAZED(CHIP)	620 OHM 1 / 16 W 1608 5.00% D	
		R275	LG0RH1501C622	RESISTOR,METAL GLAZED(CHIP)	1.5K OHM 1 / 16 W 1608 5.00% D	
		R276	LG0RH9100C622	RESISTOR,METAL GLAZED(CHIP)	910 OHM 1 / 16 W 1608 5.00% D	
		R277	LG0RH1500C622	RESISTOR,METAL GLAZED(CHIP)	150 OHM 1 / 16 W 1608 5.00% D	
		R278	LG0RH0000C622	RESISTOR,METAL GLAZED(CHIP)	0 OHM 1 / 16 W 1608 5.00% D	
		R279	LG0RH0000C622	RESISTOR,METAL GLAZED(CHIP)	0 OHM 1 / 16 W 1608 5.00% D	
		R281	LG0RH0000C622	RESISTOR,METAL GLAZED(CHIP)	0 OHM 1 / 16 W 1608 5.00% D	
		R290	LG0RH0000C622	RESISTOR,METAL GLAZED(CHIP)	0 OHM 1 / 16 W 1608 5.00% D	
		R291	LG0RH1000C622	RESISTOR,METAL GLAZED(CHIP)	100 OHM 1 / 16 W 1608 5.00% D	
		R292	LG0RH1002C622	RESISTOR,METAL GLAZED(CHIP)	10K OHM 1 / 16 W 1608 5.00% D	
		R2A1	LG0RH0912C622	RESISTOR,METAL GLAZED(CHIP)	91 OHM 1 / 16 W 1608 5.00% D	
		R2A2	LG0RH0000C622	RESISTOR,METAL GLAZED(CHIP)	0 OHM 1 / 16 W 1608 5.00% D	
		R2A6	LG0RH1202C622	RESISTOR,METAL GLAZED(CHIP)	12K OHM 1 / 16 W 1608 5.00% D	
		R2A9	LG0RH5602C622	RESISTOR,METAL GLAZED(CHIP)	56K OHM 1 / 16 W 1608 5.00% D	
		R2B0	LG0RH1001C622	RESISTOR,METAL GLAZED(CHIP)	1K OHM 1 / 16 W 1608 5.00% D	
		R2B1	LG0RH1001C622	RESISTOR,METAL GLAZED(CHIP)	1K OHM 1 / 16 W 1608 5.00% D	
		R2B2	LG0RH0182C622	RESISTOR,METAL GLAZED(CHIP)	18 OHM 1 / 16 W 1608 5.00% D	
		R2B3	LG0RH0182C622	RESISTOR,METAL GLAZED(CHIP)	18 OHM 1 / 16 W 1608 5.00% D	
		R2B4	LG0RH0000C622	RESISTOR,METAL GLAZED(CHIP)	0 OHM 1 / 16 W 1608 5.00% D	
		R2B5	LG0RH1001C622	RESISTOR,METAL GLAZED(CHIP)	1K OHM 1 / 16 W 1608 5.00% D	
		R2B6	LG0RH0182C622	RESISTOR,METAL GLAZED(CHIP)	18 OHM 1 / 16 W 1608 5.00% D	
		R2B7	LG0RH0182C622	RESISTOR,METAL GLAZED(CHIP)	18 OHM 1 / 16 W 1608 5.00% D	
		R2B8	LG0RH0000C622	RESISTOR,METAL GLAZED(CHIP)	0 OHM 1 / 16 W 1608 5.00% D	
		R2C0	LG0RH5601C622	RESISTOR,METAL GLAZED(CHIP)	5.6K OHM 1 / 16 W 1608 5.00% D	
		R2C4	LG0RH1001C622	RESISTOR,METAL GLAZED(CHIP)	1K OHM 1 / 16 W 1608 5.00% D	
		R2C5	LG0RH1001C622	RESISTOR,METAL GLAZED(CHIP)	1K OHM 1 / 16 W 1608 5.00% D	
		R2C6	LG0RH5601C622	RESISTOR,METAL GLAZED(CHIP)	5.6K OHM 1 / 16 W 1608 5.00% D	
		R2C7	LG0RH5601C622	RESISTOR,METAL GLAZED(CHIP)	5.6K OHM 1 / 16 W 1608 5.00% D	
		R2C8	LG0RH5601C622	RESISTOR,METAL GLAZED(CHIP)	5.6K OHM 1 / 16 W 1608 5.00% D	
		R2C9	LG0RH5601C622	RESISTOR,METAL GLAZED(CHIP)	5.6K OHM 1 / 16 W 1608 5.00% D	
		R2D0	LG0RH5601C622	RESISTOR,METAL GLAZED(CHIP)	5.6K OHM 1 / 16 W 1608 5.00% D	
		R2D1	LG0RH0000C622	RESISTOR,METAL GLAZED(CHIP)	0 OHM 1 / 16 W 1608 5.00% D	
		R2D2	LG0RH0000C622	RESISTOR,METAL GLAZED(CHIP)	0 OHM 1 / 16 W 1608 5.00% D	
		R2D3	LG0RH5601C622	RESISTOR,METAL GLAZED(CHIP)	5.6K OHM 1 / 16 W 1608 5.00% D	
		R2D4	LG0RH5601C622	RESISTOR,METAL GLAZED(CHIP)	5.6K OHM 1 / 16 W 1608 5.00% D	
		R2D5	LG0RH6801C622	RESISTOR,METAL GLAZED(CHIP)	6.8K OHM 1 / 16 W 1608 5.00% D	
		R2D6	LG0RH0912C622	RESISTOR,METAL GLAZED(CHIP)	91 OHM 1 / 16 W 1608 5.00% D	

HV-DX2SP

S	AL	LOCA. NO.	PART NO.	DESCRIPTION	SPECIFICATION	REMARKS
		R2E6	LG0RH1000C622	RESISTOR,METAL GLAZED(CHIP)	100 OHM 1 / 16 W 1608 5.00% D	
		R2E7	LG0RH1000C622	RESISTOR,METAL GLAZED(CHIP)	100 OHM 1 / 16 W 1608 5.00% D	
		R2E8	LG0RH0000C622	RESISTOR,METAL GLAZED(CHIP)	0 OHM 1 / 16 W 1608 5.00% D	
		R2F1	LG0RH2200C622	RESISTOR,METAL GLAZED(CHIP)	220 OHM 1 / 16 W 1608 5.00% D	
		R2F2	LG0RH2200C622	RESISTOR,METAL GLAZED(CHIP)	220 OHM 1 / 16 W 1608 5.00% D	
		R2F3	LG0RH1000C622	RESISTOR,METAL GLAZED(CHIP)	100 OHM 1 / 16 W 1608 5.00% D	
		R2F4	LG0RH1000C622	RESISTOR,METAL GLAZED(CHIP)	100 OHM 1 / 16 W 1608 5.00% D	
		R2F5	LG0RH2202C422	RESISTOR,METAL GLAZED(CHIP)	22K OHM 1 / 16 W 1608 1.00% D	
		R2F6	LG0RH5601C622	RESISTOR,METAL GLAZED(CHIP)	5.6K OHM 1 / 16 W 1608 5.00% D	
		R2F7	LG0RH5601C622	RESISTOR,METAL GLAZED(CHIP)	5.6K OHM 1 / 16 W 1608 5.00% D	
		R2F8	LG0RH2201C622	RESISTOR,METAL GLAZED(CHIP)	2.2K OHM 1 / 16 W 1608 5.00% D	
		R2F9	LG0RH2201C622	RESISTOR,METAL GLAZED(CHIP)	2.2K OHM 1 / 16 W 1608 5.00% D	
		R2G1	LG0RH2201C622	RESISTOR,METAL GLAZED(CHIP)	2.2K OHM 1 / 16 W 1608 5.00% D	
		R2G2	LG0RH2201C622	RESISTOR,METAL GLAZED(CHIP)	2.2K OHM 1 / 16 W 1608 5.00% D	
		R2G3	LG0RH5601C622	RESISTOR,METAL GLAZED(CHIP)	5.6K OHM 1 / 16 W 1608 5.00% D	
		R2G4	LG0RH5601C622	RESISTOR,METAL GLAZED(CHIP)	5.6K OHM 1 / 16 W 1608 5.00% D	
		R2G7	LG0RH1002C622	RESISTOR,METAL GLAZED(CHIP)	10K OHM 1 / 16 W 1608 5.00% D	
		R2G9	LG0RH1500C622	RESISTOR,METAL GLAZED(CHIP)	150 OHM 1 / 16 W 1608 5.00% D	
		R2M1	LG0RH1001C622	RESISTOR,METAL GLAZED(CHIP)	1K OHM 1 / 16 W 1608 5.00% D	
		R2M2	LG0RH1002C622	RESISTOR,METAL GLAZED(CHIP)	10K OHM 1 / 16 W 1608 5.00% D	
		R2M3	LG0RH7501C622	RESISTOR,METAL GLAZED(CHIP)	7.5K OHM 1 / 16 W 1608 5.00% D	
		R2M5	LG0RH1001C622	RESISTOR,METAL GLAZED(CHIP)	1K OHM 1 / 16 W 1608 5.00% D	
		R2M6	LG0RH1002C622	RESISTOR,METAL GLAZED(CHIP)	10K OHM 1 / 16 W 1608 5.00% D	
		R2M7	LG0RH1002C622	RESISTOR,METAL GLAZED(CHIP)	10K OHM 1 / 16 W 1608 5.00% D	
		R2M8	LG0RH1001C622	RESISTOR,METAL GLAZED(CHIP)	1K OHM 1 / 16 W 1608 5.00% D	
		R2M9	LG0RH1002C622	RESISTOR,METAL GLAZED(CHIP)	10K OHM 1 / 16 W 1608 5.00% D	
		R2N0	LG0RH1202C622	RESISTOR,METAL GLAZED(CHIP)	12K OHM 1 / 16 W 1608 5.00% D	
		R2N1	LG0RH1001C622	RESISTOR,METAL GLAZED(CHIP)	1K OHM 1 / 16 W 1608 5.00% D	
		R2N2	LG0RH5601C622	RESISTOR,METAL GLAZED(CHIP)	5.6K OHM 1 / 16 W 1608 5.00% D	
		R2N3	LG0RH1002C622	RESISTOR,METAL GLAZED(CHIP)	10K OHM 1 / 16 W 1608 5.00% D	
		R2N4	LG0RH1502C622	RESISTOR,METAL GLAZED(CHIP)	15K OHM 1 / 16 W 1608 5.00% D	
		R2N5	LG0RH1202C622	RESISTOR,METAL GLAZED(CHIP)	12K OHM 1 / 16 W 1608 5.00% D	
		R2N6	LG0RH1001C622	RESISTOR,METAL GLAZED(CHIP)	1K OHM 1 / 16 W 1608 5.00% D	
		R2N7	LG0RH1001C622	RESISTOR,METAL GLAZED(CHIP)	1K OHM 1 / 16 W 1608 5.00% D	
		R2N8	LG0RH1002C622	RESISTOR,METAL GLAZED(CHIP)	10K OHM 1 / 16 W 1608 5.00% D	
		R2N9	LG0RH1002C622	RESISTOR,METAL GLAZED(CHIP)	10K OHM 1 / 16 W 1608 5.00% D	
		R2P0	LG0RH4701C622	RESISTOR,METAL GLAZED(CHIP)	4.7K OHM 1 / 16 W 1608 5.00% D	
		R2P1	LG0RH1002C622	RESISTOR,METAL GLAZED(CHIP)	10K OHM 1 / 16 W 1608 5.00% D	
		R2P2	LG0RH1002C622	RESISTOR,METAL GLAZED(CHIP)	10K OHM 1 / 16 W 1608 5.00% D	
		R2P3	LG0RH1002C622	RESISTOR,METAL GLAZED(CHIP)	10K OHM 1 / 16 W 1608 5.00% D	
		R2P7	LG0RH2202C622	RESISTOR,METAL GLAZED(CHIP)	22K OHM 1 / 16 W 1608 5.00% D	
		R2P8	LG0RH1201C622	RESISTOR,METAL GLAZED(CHIP)	1.2K OHM 1 / 16 W 1608 5.00% D	
		R2P9	LG0RH4701C622	RESISTOR,METAL GLAZED(CHIP)	4.7K OHM 1 / 16 W 1608 5.00% D	
		R2Q1	LG0RH1002C622	RESISTOR,METAL GLAZED(CHIP)	10K OHM 1 / 16 W 1608 5.00% D	
		R2R1	LG0RH1001C622	RESISTOR,METAL GLAZED(CHIP)	1K OHM 1 / 16 W 1608 5.00% D	
		R2R2	LG0RH4701C622	RESISTOR,METAL GLAZED(CHIP)	4.7K OHM 1 / 16 W 1608 5.00% D	
		R303	LG0RH0000C622	RESISTOR,METAL GLAZED(CHIP)	0 OHM 1 / 16 W 1608 5.00% D	
		R306	LG0RH4701C622	RESISTOR,METAL GLAZED(CHIP)	4.7K OHM 1 / 16 W 1608 5.00% D	
		R307	LG0RH1001C622	RESISTOR,METAL GLAZED(CHIP)	1K OHM 1 / 16 W 1608 5.00% D	
		R308	LG0RH1001C622	RESISTOR,METAL GLAZED(CHIP)	1K OHM 1 / 16 W 1608 5.00% D	
		R309	LG0RH1002C622	RESISTOR,METAL GLAZED(CHIP)	10K OHM 1 / 16 W 1608 5.00% D	
		R310	LG0RH1001C622	RESISTOR,METAL GLAZED(CHIP)	1K OHM 1 / 16 W 1608 5.00% D	
		R315	LG0RH1002C622	RESISTOR,METAL GLAZED(CHIP)	10K OHM 1 / 16 W 1608 5.00% D	
		R317	LG0RH1002C622	RESISTOR,METAL GLAZED(CHIP)	10K OHM 1 / 16 W 1608 5.00% D	
		R318	LG0RH4701C622	RESISTOR,METAL GLAZED(CHIP)	4.7K OHM 1 / 16 W 1608 5.00% D	
		R319	LG0RH4701C622	RESISTOR,METAL GLAZED(CHIP)	4.7K OHM 1 / 16 W 1608 5.00% D	
		R320	LG0RH4701C622	RESISTOR,METAL GLAZED(CHIP)	4.7K OHM 1 / 16 W 1608 5.00% D	

S	AL	LOCA. NO.	PART NO.	DESCRIPTION	SPECIFICATION	REMARKS
		R321	LG0RH1001C622	RESISTOR,METAL GLAZED(CHIP)	1K OHM 1 / 16 W 1608 5.00% D	
		R322	LG0RH4701C622	RESISTOR,METAL GLAZED(CHIP)	4.7K OHM 1 / 16 W 1608 5.00% D	
		R323	LG0RH0000C622	RESISTOR,METAL GLAZED(CHIP)	0 OHM 1 / 16 W 1608 5.00% D	
		R364	LG0RH0000C622	RESISTOR,METAL GLAZED(CHIP)	0 OHM 1 / 16 W 1608 5.00% D	
		R365	LG0RH0000C622	RESISTOR,METAL GLAZED(CHIP)	0 OHM 1 / 16 W 1608 5.00% D	
		R366	LG0RH0000C622	RESISTOR,METAL GLAZED(CHIP)	0 OHM 1 / 16 W 1608 5.00% D	
		R367	LG0RH1002C622	RESISTOR,METAL GLAZED(CHIP)	10K OHM 1 / 16 W 1608 5.00% D	
		R368	LG0RH1002C622	RESISTOR,METAL GLAZED(CHIP)	10K OHM 1 / 16 W 1608 5.00% D	
		R369	LG0RH1002C622	RESISTOR,METAL GLAZED(CHIP)	10K OHM 1 / 16 W 1608 5.00% D	
		R3F1	LG0RH0000C622	RESISTOR,METAL GLAZED(CHIP)	0 OHM 1 / 16 W 1608 5.00% D	
		R3F2	LG0RH1001C622	RESISTOR,METAL GLAZED(CHIP)	1K OHM 1 / 16 W 1608 5.00% D	
		R3F3	LG0RH0000C622	RESISTOR,METAL GLAZED(CHIP)	0 OHM 1 / 16 W 1608 5.00% D	
		R3F4	LG0RH1002C622	RESISTOR,METAL GLAZED(CHIP)	10K OHM 1 / 16 W 1608 5.00% D	
		R3F5	LG0RH1002C622	RESISTOR,METAL GLAZED(CHIP)	10K OHM 1 / 16 W 1608 5.00% D	
		R401	LG0RH0182C622	RESISTOR,METAL GLAZED(CHIP)	18 OHM 1 / 16 W 1608 5.00% D	
		R403	LG0RH0102C622	RESISTOR,METAL GLAZED(CHIP)	10 OHM 1 / 16 W 1608 5.00% D	
		R404	LG0RH6801C622	RESISTOR,METAL GLAZED(CHIP)	6.8K OHM 1 / 16 W 1608 5.00% D	
		R405	LG0RH1801C622	RESISTOR,METAL GLAZED(CHIP)	1.8K OHM 1 / 16 W 1608 5.00% D	
		R406	LG0RH1801C622	RESISTOR,METAL GLAZED(CHIP)	1.8K OHM 1 / 16 W 1608 5.00% D	
		R407	LG0RH1002C622	RESISTOR,METAL GLAZED(CHIP)	10K OHM 1 / 16 W 1608 5.00% D	
		R409	LG0RH6801C622	RESISTOR,METAL GLAZED(CHIP)	6.8K OHM 1 / 16 W 1608 5.00% D	
		R410	LG0RH6801C622	RESISTOR,METAL GLAZED(CHIP)	6.8K OHM 1 / 16 W 1608 5.00% D	
		R411	LG0RH6801C622	RESISTOR,METAL GLAZED(CHIP)	6.8K OHM 1 / 16 W 1608 5.00% D	
		R412	LG0RH1801C622	RESISTOR,METAL GLAZED(CHIP)	1.8K OHM 1 / 16 W 1608 5.00% D	
		R413	LG0RH8201C622	RESISTOR,METAL GLAZED(CHIP)	8.2K OHM 1 / 16 W 1608 5.00% D	
		R414	LG0RH5601C622	RESISTOR,METAL GLAZED(CHIP)	5.6K OHM 1 / 16 W 1608 5.00% D	
		R415	LG0RH4701C622	RESISTOR,METAL GLAZED(CHIP)	4.7K OHM 1 / 16 W 1608 5.00% D	
		R416	LG0RH8201C622	RESISTOR,METAL GLAZED(CHIP)	8.2K OHM 1 / 16 W 1608 5.00% D	
		R417	LG0RH1801C622	RESISTOR,METAL GLAZED(CHIP)	1.8K OHM 1 / 16 W 1608 5.00% D	
		R418	LG0RH1002C622	RESISTOR,METAL GLAZED(CHIP)	10K OHM 1 / 16 W 1608 5.00% D	
		R419	LG0RH3300C622	RESISTOR,METAL GLAZED(CHIP)	330 OHM 1 / 16 W 1608 5.00% D	
		R420	LG0RH3300C622	RESISTOR,METAL GLAZED(CHIP)	330 OHM 1 / 16 W 1608 5.00% D	
		R428	LG0RH0000C622	RESISTOR,METAL GLAZED(CHIP)	0 OHM 1 / 16 W 1608 5.00% D	
		R429	LG0RH0000C622	RESISTOR,METAL GLAZED(CHIP)	0 OHM 1 / 16 W 1608 5.00% D	
		R430	LG0RH0000C622	RESISTOR,METAL GLAZED(CHIP)	0 OHM 1 / 16 W 1608 5.00% D	
		R431	LG0RH1001C622	RESISTOR,METAL GLAZED(CHIP)	1K OHM 1 / 16 W 1608 5.00% D	
		R432	LG0RH0000C622	RESISTOR,METAL GLAZED(CHIP)	0 OHM 1 / 16 W 1608 5.00% D	
		R433	LG0RH5600C622	RESISTOR,METAL GLAZED(CHIP)	560 OHM 1 / 16 W 1608 5.00% D	
		R434	LG0RH5600C622	RESISTOR,METAL GLAZED(CHIP)	560 OHM 1 / 16 W 1608 5.00% D	
		R435	LG0RH1001C622	RESISTOR,METAL GLAZED(CHIP)	1K OHM 1 / 16 W 1608 5.00% D	
		R436	LG0RH1001C622	RESISTOR,METAL GLAZED(CHIP)	1K OHM 1 / 16 W 1608 5.00% D	
		R437	LG0RH1001C622	RESISTOR,METAL GLAZED(CHIP)	1K OHM 1 / 16 W 1608 5.00% D	
		R438	LG0RH1001C622	RESISTOR,METAL GLAZED(CHIP)	1K OHM 1 / 16 W 1608 5.00% D	
		R439	LG0RH1001C622	RESISTOR,METAL GLAZED(CHIP)	1K OHM 1 / 16 W 1608 5.00% D	
		R440	LG0RH1001C622	RESISTOR,METAL GLAZED(CHIP)	1K OHM 1 / 16 W 1608 5.00% D	
		R441	LG0RH1001C622	RESISTOR,METAL GLAZED(CHIP)	1K OHM 1 / 16 W 1608 5.00% D	
		R501	LG0RH3301C622	RESISTOR,METAL GLAZED(CHIP)	3.3K OHM 1 / 16 W 1608 5.00% D	
		R502	LG0RH0000C622	RESISTOR,METAL GLAZED(CHIP)	0 OHM 1 / 16 W 1608 5.00% D	
		R503	LG0RH0000C622	RESISTOR,METAL GLAZED(CHIP)	0 OHM 1 / 16 W 1608 5.00% D	
		R504	LG0RH1500C422	RESISTOR,METAL GLAZED(CHIP)	150 OHM 1 / 16 W 1608 1.00% D	
		R505	LG0RH0102C622	RESISTOR,METAL GLAZED(CHIP)	10 OHM 1 / 16 W 1608 5.00% D	
		R506	LG0RH1001C422	RESISTOR,METAL GLAZED(CHIP)	1K OHM 1 / 16 W 1608 1.00% D	
		R507	LG0RH1100C622	RESISTOR,METAL GLAZED(CHIP)	110 OHM 1 / 16 W 1608 5.00% D	
		R508	LG0RH0752C622	RESISTOR,METAL GLAZED(CHIP)	75 OHM 1 / 16 W 1608 5.00% D	
		R509	LG0RH1100C622	RESISTOR,METAL GLAZED(CHIP)	110 OHM 1 / 16 W 1608 5.00% D	
		R510	LG0RH0222C622	RESISTOR,METAL GLAZED(CHIP)	22 OHM 1 / 16 W 1608 5.00% D	
		R514	LG0RH0222C622	RESISTOR,METAL GLAZED(CHIP)	22 OHM 1 / 16 W 1608 5.00% D	

HV-DX2SP

S	AL	LOCA. NO.	PART NO.	DESCRIPTION	SPECIFICATION	REMARKS
		R515	LG0RH0222C622	RESISTOR,METAL GLAZED(CHIP)	22 OHM 1 / 16 W 1608 5.00% D	
		R516	LG0RH1000C622	RESISTOR,METAL GLAZED(CHIP)	100 OHM 1 / 16 W 1608 5.00% D	
		R520	LG0RH0222C622	RESISTOR,METAL GLAZED(CHIP)	22 OHM 1 / 16 W 1608 5.00% D	
		R521	LG0RH4701C622	RESISTOR,METAL GLAZED(CHIP)	4.7K OHM 1 / 16 W 1608 5.00% D	
		R522	LG0RH1002C622	RESISTOR,METAL GLAZED(CHIP)	10K OHM 1 / 16 W 1608 5.00% D	
		R523	LG0RH4701C622	RESISTOR,METAL GLAZED(CHIP)	4.7K OHM 1 / 16 W 1608 5.00% D	
		R524	LG0RH1001C622	RESISTOR,METAL GLAZED(CHIP)	1K OHM 1 / 16 W 1608 5.00% D	
		R530	LG0RH1201C622	RESISTOR,METAL GLAZED(CHIP)	1.2K OHM 1 / 16 W 1608 5.00% D	
		R531	LG0RH1201C622	RESISTOR,METAL GLAZED(CHIP)	1.2K OHM 1 / 16 W 1608 5.00% D	
		R532	LG0RH1201C622	RESISTOR,METAL GLAZED(CHIP)	1.2K OHM 1 / 16 W 1608 5.00% D	
		R533	LG0RH1201C622	RESISTOR,METAL GLAZED(CHIP)	1.2K OHM 1 / 16 W 1608 5.00% D	
		R534	LG0RH6800C622	RESISTOR,METAL GLAZED(CHIP)	680 OHM 1 / 16 W 1608 5.00% D	
		R535	LG0RH1201C622	RESISTOR,METAL GLAZED(CHIP)	1.2K OHM 1 / 16 W 1608 5.00% D	
		R541	LG0RH1002C622	RESISTOR,METAL GLAZED(CHIP)	10K OHM 1 / 16 W 1608 5.00% D	
		R588	LG0RH0752C622	RESISTOR,METAL GLAZED(CHIP)	75 OHM 1 / 16 W 1608 5.00% D	
		R589	LG0RH0752C622	RESISTOR,METAL GLAZED(CHIP)	75 OHM 1 / 16 W 1608 5.00% D	
		R590	LG0RH0752C622	RESISTOR,METAL GLAZED(CHIP)	75 OHM 1 / 16 W 1608 5.00% D	
		R591	LG0RH0752C622	RESISTOR,METAL GLAZED(CHIP)	75 OHM 1 / 16 W 1608 5.00% D	
		R592	LG0RH0000C622	RESISTOR,METAL GLAZED(CHIP)	0 OHM 1 / 16 W 1608 5.00% D	
		X201	LG6202R-BM04C	RESONATOR,CRYSTAL	HC-49/S BUBANG 33-8688MHZ 5	
		X501	LG6202R-BL06C	RESONATOR,CRYSTAL	HC-49/S BUBANG 27MHZ 20PPM 1	ALTERNATE
		X501	LG6212AA2271F	RESONATOR,CRYSTAL	HC-49S KITELCO 27MHZ +/- 20 PP	
*** BOARD ASSEMBLY , MAIN(VCR) ***						
		A46	LG3501R-8119R	BOARD ASSEMBLY	VCR VYC600NP NA6SSS	
		323	LG3111R-0089C	CASE ASSEMBLY	VCR - PRE-AMP (02-PAL)	
		C301	LG0CE1064F638	CAPACITOR,ELECTROLYTIC	10M SRA 16V M FM5 TP(5)	
		C302	LG0CE2264F638	CAPACITOR,ELECTROLYTIC	22M SRA 16V M FM5 TP(5)	
		C303	LG0CH1122K516	CHIP CAPA CERAMIC M/L H.D F/S	1200P 50V K B 2.0X1.25 R/TP	
		C304	LG0CE4764F638	CAPACITOR,ELECTROLYTIC	47M SRA/SS 16V M FM5 TP(5)	
		C305	LG0CH1103K416	CAPACITOR,FIXED CERAMIC(Temp.c	0.01UF 50V 5% B(5YP) 2012 R/TP	
		C306	LG0CH1122K516	CHIP CAPA CERAMIC M/L H.D F/S	1200P 50V K B 2.0X1.25 R/TP	
		C307	LG0CE1054K638	CAPACITOR,ELECTROLYTIC	1.0M SRA/SS50V M FM5 TP(5)	
		C308	LG0CH1153K516	CAPA,CHIP CERAMIC M/L H.D F/S	0.015U 50V K B 2.0X1.2 R/TP	
		C309	LG0CH4221K416	CAPA,CHIP CERAMIC M/L T.C F/S	220P 50V J 2.0X1.25 R/TP	
		C310	LG0CH1103K416	CAPACITOR,FIXED CERAMIC(Temp.c	0.01UF 50V 5% B(5YP) 2012 R/TP	
		C311	LG0CE4765K618	CAPACITOR,AL.ELECTROLYTIC	47UF SR,SV 50V M FL TP 5	
		C312	LG0CH1103K416	CAPACITOR,FIXED CERAMIC(Temp.c	0.01UF 50V 5% B(5YP) 2012 R/TP	
		C313	LG0CQ2232L559	CAPACITOR,POLYESTER	0.022UF S 63V K PP NI TP5	
		C314	LG0CE1064F638	CAPACITOR,ELECTROLYTIC	10M SRA 16V M FM5 TP(5)	
		C315	LG0CE2254K638	CAPACITOR,FIXED ELECTROLYTIC	2.2UF SRA,SS 50V 20% FM5 TP 5	
		C316	LG0CE1064F638	CAPACITOR,ELECTROLYTIC	10M SRA 16V M FM5 TP(5)	
		C317	LG0CH1103K416	CAPACITOR,FIXED CERAMIC(Temp.c	0.01UF 50V 5% B(5YP) 2012 R/TP	
		C318	LG0CE1054K638	CAPACITOR,ELECTROLYTIC	1.0M SRA/SS50V M FM5 TP(5)	
		C319	LG0CH1103K416	CAPACITOR,FIXED CERAMIC(Temp.c	0.01UF 50V 5% B(5YP) 2012 R/TP	
		C320	LG0CE1054K638	CAPACITOR,ELECTROLYTIC	1.0M SRA/SS50V M FM5 TP(5)	
		C321	LG0CH4680K416	CAPA,CHIP CERAMIC M/L T.C F/S	68P 50V J COG 2.0X1.2 R/TP	
		C322	LG0CE1064F638	CAPACITOR,ELECTROLYTIC	10M SRA 16V M FM5 TP(5)	
		C323	LG0CE1064F638	CAPACITOR,ELECTROLYTIC	10M SRA 16V M FM5 TP(5)	
		C324	LG0CE4754K638	CAPACITOR,FIXED ELECTROLYTIC	4.7UF SRA,SS 50V 20% FM5 TP 5	
		C325	LG0CE1064F638	CAPACITOR,ELECTROLYTIC	10M SRA 16V M FM5 TP(5)	
		C326	LG0CH1103K416	CAPACITOR,FIXED CERAMIC(Temp.c	0.01UF 50V 5% B(5YP) 2012 R/TP	
		C327	LG0CE1054K638	CAPACITOR,ELECTROLYTIC	1.0M SRA/SS50V M FM5 TP(5)	
		C328	LG0CH1103K416	CAPACITOR,FIXED CERAMIC(Temp.c	0.01UF 50V 5% B(5YP) 2012 R/TP	
		C329	LG0CH1103K416	CAPACITOR,FIXED CERAMIC(Temp.c	0.01UF 50V 5% B(5YP) 2012 R/TP	
		C330	LG0CH1104K946	CAPACITOR,FIXED CERAMIC(TEMP.C	0.1UF 2012 50V 80%,-20% Y5V(F)	
		C331	LG0CE2264F638	CAPACITOR,ELECTROLYTIC	22M SRA 16V M FM5 TP(5)	
		C333	LG0CE4764F638	CAPACITOR,ELECTROLYTIC	47M SRA/SS 16V M FM5 TP(5)	

S	AL	LOCA. NO.	PART NO.	DESCRIPTION	SPECIFICATION	REMARKS
		C334	LG0CH1103K416	CAPACITOR, FIXED CERAMIC(Temp.c	0.01UF 50V 5% B(5YP) 2012 R/TP	
		C335	LG0CH1103K416	CAPACITOR, FIXED CERAMIC(Temp.c	0.01UF 50V 5% B(5YP) 2012 R/TP	
		C336	LG0CE4764F638	CAPACITOR, ELECTROLYTIC	47M SRA/SS 16V M FM5 TP(5)	
		C337	LG0CE1054K638	CAPACITOR, ELECTROLYTIC	1.0M SRA/SS50V M FM5 TP(5)	
		C338	LG0CH1473K516	CHIP CAPA CERAMIC M/L H.D F/S	0.047U 50V K X7R 2.0X1.2 R/TP	
		C339	LG0CE1054K638	CAPACITOR, ELECTROLYTIC	1.0M SRA/SS50V M FM5 TP(5)	
		C340	LG0CH1473K516	CHIP CAPA CERAMIC M/L H.D F/S	0.047U 50V K X7R 2.0X1.2 R/TP	
		C341	LG0CH1223K516	CAPA, CHIP CERAMIC M/L H.D F/S	0.022U 50V K B 2.0X1.2 R/TP	
		C342	LG0CH1104K946	CAPACITOR, FIXED CERAMIC(TEMP.C	0.1UF 2012 50V 80%,-20% Y5V(F)	
		C343	LG0CH1473K516	CHIP CAPA CERAMIC M/L H.D F/S	0.047U 50V K X7R 2.0X1.2 R/TP	
		C345	LG0CH1473K516	CHIP CAPA CERAMIC M/L H.D F/S	0.047U 50V K X7R 2.0X1.2 R/TP	
		C346	LG0CE4764F638	CAPACITOR, ELECTROLYTIC	47M SRA/SS 16V M FM5 TP(5)	
		C347	LG0CE1054K638	CAPACITOR, ELECTROLYTIC	1.0M SRA/SS50V M FM5 TP(5)	
		C348	LG0CE1054K638	CAPACITOR, ELECTROLYTIC	1.0M SRA/SS50V M FM5 TP(5)	
		C349	LG0CE4764F638	CAPACITOR, ELECTROLYTIC	47M SRA/SS 16V M FM5 TP(5)	
		C350	LG0CH1104K946	CAPACITOR, FIXED CERAMIC(TEMP.C	0.1UF 2012 50V 80%,-20% Y5V(F)	
		C351	LG0CH4221K416	CAPA, CHIP CERAMIC M/L T.C F/S	220P 50V J 2.0X1.25 R/TP	
		C353	LG0CE1054K638	CAPACITOR, ELECTROLYTIC	1.0M SRA/SS50V M FM5 TP(5)	
		C355	LG0CH1104K946	CAPACITOR, FIXED CERAMIC(TEMP.C	0.1UF 2012 50V 80%,-20% Y5V(F)	
		C356	LG0CE1054K638	CAPACITOR, ELECTROLYTIC	1.0M SRA/SS50V M FM5 TP(5)	
		C357	LG0CE1054K638	CAPACITOR, ELECTROLYTIC	1.0M SRA/SS50V M FM5 TP(5)	
		C358	LG0CH4680K416	CAPA, CHIP CERAMIC M/L T.C F/S	68P 50V J COG 2.0X1.2 R/TP	
		C359	LG0CE1054K638	CAPACITOR, ELECTROLYTIC	1.0M SRA/SS50V M FM5 TP(5)	
		C360	LG0CH1104K946	CAPACITOR, FIXED CERAMIC(TEMP.C	0.1UF 2012 50V 80%,-20% Y5V(F)	
		C361	LG0CH1223K516	CAPA, CHIP CERAMIC M/L H.D F/S	0.022U 50V K B 2.0X1.2 R/TP	
		C362	LG0CE4764F638	CAPACITOR, ELECTROLYTIC	47M SRA/SS 16V M FM5 TP(5)	
		C363	LG0CH1103K416	CAPACITOR, FIXED CERAMIC(Temp.c	0.01UF 50V 5% B(5YP) 2012 R/TP	
		C366	LG0CH1103K416	CAPACITOR, FIXED CERAMIC(Temp.c	0.01UF 50V 5% B(5YP) 2012 R/TP	
		C367	LG0CH1104K946	CAPACITOR, FIXED CERAMIC(TEMP.C	0.1UF 2012 50V 80%,-20% Y5V(F)	
		C368	LG0CH1822K516	CHIP CAPA CERAMIC M/L H.D F/S	8200P 50V K B 2.0X1.2 R/TP	
		C369	LG0CH4101K416	CAPA, CHIP CERAMIC M/L T.C F/S	100P 50V J NP0 2.0*1.25 R/TP	
		C370	LG0CH4820K416	CAPA, CHIP CERAMIC M/L T.C F/S	82P 50V J COG 2.0X1.2 R/TP	
		C371	LG0CH4820K416	CAPA, CHIP CERAMIC M/L T.C F/S	82P 50V J COG 2.0X1.2 R/TP	
		C372	LG0CH4820K416	CAPA, CHIP CERAMIC M/L T.C F/S	82P 50V J COG 2.0X1.2 R/TP	
		C374	LG0CH1104K946	CAPACITOR, FIXED CERAMIC(TEMP.C	0.1UF 2012 50V 80%,-20% Y5V(F)	
		C375	LG0CH1104K946	CAPACITOR, FIXED CERAMIC(TEMP.C	0.1UF 2012 50V 80%,-20% Y5V(F)	
		C376	LG0CH1104K946	CAPACITOR, FIXED CERAMIC(TEMP.C	0.1UF 2012 50V 80%,-20% Y5V(F)	
		C377	LG0CH1104K946	CAPACITOR, FIXED CERAMIC(TEMP.C	0.1UF 2012 50V 80%,-20% Y5V(F)	
		C500	LG0CE4775C638	CAPACITOR, FIXED ELECTROLYTIC	470UF SR,SV 6.3V 20% FM5 TP 5	
		C501	LG0CH1104K946	CAPACITOR, FIXED CERAMIC(TEMP.C	0.1UF 2012 50V 80%,-20% Y5V(F)	
		C502	LG0CE4764F638	CAPACITOR, ELECTROLYTIC	47M SRA/SS 16V M FM5 TP(5)	
		C503	LG0CE2274C638	CAPACITOR, ELECTROLYTIC	220M SRA 6.3V M FM5 TP(5)	
		C504	LG0CE2274C638	CAPACITOR, ELECTROLYTIC	220M SRA 6.3V M FM5 TP(5)	
		C505	LG0CE4764F638	CAPACITOR, ELECTROLYTIC	47M SRA/SS 16V M FM5 TP(5)	
		C506	LG0CH1223K516	CAPA, CHIP CERAMIC M/L H.D F/S	0.022U 50V K B 2.0X1.2 R/TP	
		C508	LG0CH1104K946	CAPACITOR, FIXED CERAMIC(TEMP.C	0.1UF 2012 50V 80%,-20% Y5V(F)	
		C509	LG0CH4220K406	CHIP CAPA CERAMIC M/L T.C F/S	22P 50V J SL 2.0X1.2 R/TP	
		C511	LG0CH1104K946	CAPACITOR, FIXED CERAMIC(TEMP.C	0.1UF 2012 50V 80%,-20% Y5V(F)	
		C512	LG0CH1102K516	CHIP CAPA CERAMIC M/L H.D F/S	1000P 50V K B 2.0X1.25 R/TP	
		C513	LG0CH1102K516	CHIP CAPA CERAMIC M/L H.D F/S	1000P 50V K B 2.0X1.25 R/TP	
		C514	LG0CH4120K406	CAPACITOR, FIXED CERAMIC(High d	12PF 50V 5% SL 2012 R/TP	
		C515	LG0CH4150K416	CAPA, CHIP CERAMIC M/L T.C F/S	15P 50V J COG 2.0X1.2 R/TP	
		C516	LG0CH1223K516	CAPA, CHIP CERAMIC M/L H.D F/S	0.022U 50V K B 2.0X1.2 R/TP	
		C517	LG0CE1064F638	CAPACITOR, ELECTROLYTIC	10M SRA 16V M FM5 TP(5)	
		C518	LG0CH1103K516	CHIP CAPA CERAMIC M/L H.D F/S	0.01U 50V K B 2.0X1.25 R/TP	
		C519	LG0CH1104K946	CAPACITOR, FIXED CERAMIC(TEMP.C	0.1UF 2012 50V 80%,-20% Y5V(F)	
		C520	LG0CH1102K516	CHIP CAPA CERAMIC M/L H.D F/S	1000P 50V K B 2.0X1.25 R/TP	

HV-DX2SP

S	AL	LOCA. NO.	PART NO.	DESCRIPTION	SPECIFICATION	REMARKS
		C521	LG0CH1102K516	CHIP CAPA CERAMIC M/L H.D F/S	1000P 50V K B 2.0X1.25 R/TP	
		C523	LG0CE2254K638	CAPACITOR, FIXED ELECTROLYTIC	2.2UF SRA,SS 50V 20% FM5 TP 5	
		C524	LG0CE4764F638	CAPACITOR,ELECTROLYTIC	47M SRA/SS 16V M FM5 TP(5)	
		C526	LG0CE4764J638	CAPACITOR,AL.ELECTROLYTIC	47UF SRA,SS 35V M FM5 TP 5	
		C527	LG0CH4221K416	CAPA,CHIP CERAMIC M/L T.C F/S	220P 50V J 2.0X1.25 R/TP	
		C531	LG0CH1104K946	CAPACITOR, FIXED CERAMIC(TEMP.C	0.1UF 2012 50V 80%,-20% Y5V(F)	
		C532	LG0CH1223K516	CAPA,CHIP CERAMIC M/L H.D F/S	0.022U 50V K B 2.0X1.2 R/TP	
		C533	LG0CH1102K516	CHIP CAPA CERAMIC M/L H.D F/S	1000P 50V K B 2.0X1.25 R/TP	
		C534	LG0CE4754K638	CAPACITOR, FIXED ELECTROLYTIC	4.7UF SRA,SS 50V 20% FM5 TP 5	
		C535	LG0CH1105F946	CAPACITOR,CHIP[CERAMIC M/L HD	1UF 16V Z Y5V(F) 2012 R/TP	
		C543	LG0CH1222K516	CHIP CAPA CERAMIC M/L H.D F/S	2200P 50V K B 2.0X1.25 R/TP	
		C544	LG0CH1473K946	CHIP CAPA CERAMIC M/L H.D F/S	0.047UF 50V Z Y5V(F) 2012 R/TP	
		C545	LG0CH1333H516	CHIP CAPA CERAMIC M/L H.D F/S	0.033U 25V K B 2.0X1.25 R/TP	
		C546	LG0CE4764J638	CAPACITOR,AL.ELECTROLYTIC	47UF SRA,SS 35V M FM5 TP 5	
		C547	LG0CH1103K516	CHIP CAPA CERAMIC M/L H.D F/S	0.01U 50V K B 2.0X1.25 R/TP	
		C551	LG0CH1333H516	CHIP CAPA CERAMIC M/L H.D F/S	0.033U 25V K B 2.0X1.25 R/TP	
		C552	LG0CH1103K516	CHIP CAPA CERAMIC M/L H.D F/S	0.01U 50V K B 2.0X1.25 R/TP	
		C561	LG0CE2274C638	CAPACITOR,ELECTROLYTIC	220M SRA 6.3V M FM5 TP(5)	
		C564	LG0CH1102K516	CHIP CAPA CERAMIC M/L H.D F/S	1000P 50V K B 2.0X1.25 R/TP	
		C567	LG0CH1102K516	CHIP CAPA CERAMIC M/L H.D F/S	1000P 50V K B 2.0X1.25 R/TP	
		C570	LG0CH4150K416	CAPA,CHIP CERAMIC M/L T.C F/S	15P 50V J COG 2.0X1.2 R/TP	
		C571	LG0CH4150K416	CAPA,CHIP CERAMIC M/L T.C F/S	15P 50V J COG 2.0X1.2 R/TP	
		C575	LG0CH1102K516	CHIP CAPA CERAMIC M/L H.D F/S	1000P 50V K B 2.0X1.25 R/TP	
		C576	LG0CH4270K416	CHIP CAPA CERAMIC M/L T.C F/S	27P 50V J COG 2.0X1.2 R/TP	
		C577	LG0CH1223K516	CAPA,CHIP CERAMIC M/L H.D F/S	0.022U 50V K B 2.0X1.2 R/TP	
		C578	LG0CH1222K516	CHIP CAPA CERAMIC M/L H.D F/S	2200P 50V K B 2.0X1.25 R/TP	
		C581	LG0CH1103K516	CHIP CAPA CERAMIC M/L H.D F/S	0.01U 50V K B 2.0X1.25 R/TP	
		C582	LG0CH1103K516	CHIP CAPA CERAMIC M/L H.D F/S	0.01U 50V K B 2.0X1.25 R/TP	
		C583	LG0CH1105F946	CAPACITOR,CHIP[CERAMIC M/L HD	1UF 16V Z Y5V(F) 2012 R/TP	
		C595	LG0CH1223K516	CAPA,CHIP CERAMIC M/L H.D F/S	0.022U 50V K B 2.0X1.2 R/TP	
		C596	LG0CH1104K946	CAPACITOR, FIXED CERAMIC(TEMP.C	0.1UF 2012 50V 80%,-20% Y5V(F)	
		C5A3	LG0CH1104K946	CAPACITOR, FIXED CERAMIC(TEMP.C	0.1UF 2012 50V 80%,-20% Y5V(F)	
		C5A4	LG0CH1103K516	CHIP CAPA CERAMIC M/L H.D F/S	0.01U 50V K B 2.0X1.25 R/TP	
		C5A5	LG0CE1054K638	CAPACITOR,ELECTROLYTIC	1.0M SRA/SS50V M FM5 TP(5)	
		C5K1	LG0CH1104K946	CAPACITOR, FIXED CERAMIC(TEMP.C	0.1UF 2012 50V 80%,-20% Y5V(F)	
		C5L1	LG0CH1105F946	CAPACITOR,CHIP[CERAMIC M/L HD	1UF 16V Z Y5V(F) 2012 R/TP	
		C5L6	LG0CH1102K516	CHIP CAPA CERAMIC M/L H.D F/S	1000P 50V K B 2.0X1.25 R/TP	
		C5P1	LG0CH1103K516	CHIP CAPA CERAMIC M/L H.D F/S	0.01U 50V K B 2.0X1.25 R/TP	
		C5P2	LG0CH1103K516	CHIP CAPA CERAMIC M/L H.D F/S	0.01U 50V K B 2.0X1.25 R/TP	
		C5R2	LG0CH4681K416	CAPA,CHIP CERAMIC M/L T.C F/S	680PF 50V J NP0 2012 R/TP	
		C5S1	LG0CH4430K416	CAPACITOR, FIXED CERAMIC(High d	43PF 50V J NP0 2012 R/TP	
		C5S3	LG0CH1223K516	CAPA,CHIP CERAMIC M/L H.D F/S	0.022U 50V K B 2.0X1.2 R/TP	
		C706	LG0CH4330K416	CAPA,CHIP CERAMIC M/L T.C F/S	33P 50V J C 2.0X1.2 R/TP	
		C707	LG0CH4680K416	CAPA,CHIP CERAMIC M/L T.C F/S	68P 50V J COG 2.0X1.2 R/TP	
		C708	LG0CE4775C638	CAPACITOR, FIXED ELECTROLYTIC	470UF SR,SV 6.3V 20% FM5 TP 5	
		C709	LG0CH1103K516	CHIP CAPA CERAMIC M/L H.D F/S	0.01U 50V K B 2.0X1.25 R/TP	
		C710	LG0CE4754K638	CAPACITOR, FIXED ELECTROLYTIC	4.7UF SRA,SS 50V 20% FM5 TP 5	
		C712	LG0CH1103K516	CHIP CAPA CERAMIC M/L H.D F/S	0.01U 50V K B 2.0X1.25 R/TP	
		C713	LG0CH4560K416	CHIP CAPA CERAMIC M/L T.C F/S	56P 50V J NPO 2.0X1.25 R/TP	
		C714	LG0CH4560K416	CHIP CAPA CERAMIC M/L T.C F/S	56P 50V J NPO 2.0X1.25 R/TP	
		C715	LG0CH4050K016	CAPA,CHIP CERAMIC M/L T.C F/S	5P 50V C COG 2.0X1.2 R/TP	
		C716	LG0CH4100K416	CAPA,CHIP CERAMIC M/L T.C F/S	10PF 50V J NP0 2012 R/TP	
		C717	LG0CH1103K516	CHIP CAPA CERAMIC M/L H.D F/S	0.01U 50V K B 2.0X1.25 R/TP	
		C718	LG0CE4764C638	CAPACITOR,ELECTROLYTIC	47M SRA 6.3V M FM5 TP(5)	
		C719	LG0CE4764C638	CAPACITOR,ELECTROLYTIC	47M SRA 6.3V M FM5 TP(5)	
		C720	LG0CH1152K516	CAPACITOR, FIXED CERAMIC(Temp.c	1500PF 50V 10% B(5YP) 2012 R/T	
		C721	LG0CH1392K566	CAPACITOR, FIXED CERAMIC(Temp.c	3900P 50V K X7R 2.0X1.2 R/TP	

S	AL	LOCA. NO.	PART NO.	DESCRIPTION	SPECIFICATION	REMARKS
		C722	LG0CH1103K516	CHIP CAPA CERAMIC M/L H.D F/S	0.01U 50V K B 2.0X1.25 R/TP	
		C723	LG0CH1103K516	CHIP CAPA CERAMIC M/L H.D F/S	0.01U 50V K B 2.0X1.25 R/TP	
		C726	LG0CH1103K516	CHIP CAPA CERAMIC M/L H.D F/S	0.01U 50V K B 2.0X1.25 R/TP	
		C727	LG0CE4764C638	CAPACITOR,ELECTROLYTIC	47M SRA 6.3V M FM5 TP(5)	
		C728	LG0CH1103K516	CHIP CAPA CERAMIC M/L H.D F/S	0.01U 50V K B 2.0X1.25 R/TP	
		C729	LG0CE3354K638	CAPACITOR,FIXED ELECTROLYTIC	3.3UF SRA,SS 50V 20% FM5 TP 5	
		C730	LG0CH4150K416	CAPA,CHIP CERAMIC M/L T.C F/S	15P 50V J COG 2.0X1.2 R/TP	
		C731	LG0CH4090K116	CAPACITOR,FIXED CERAMIC(High d	9PF 50V 0.5 pF NP0 2012 R/TP	
		C732	LG0CE1064F638	CAPACITOR,ELECTROLYTIC	10M SRA 16V M FM5 TP(5)	
		C751	LG0CE4764C638	CAPACITOR,ELECTROLYTIC	47M SRA 6.3V M FM5 TP(5)	
		C752	LG0CH1103K516	CHIP CAPA CERAMIC M/L H.D F/S	0.01U 50V K B 2.0X1.25 R/TP	
		C755	LG0CE1064F638	CAPACITOR,ELECTROLYTIC	10M SRA 16V M FM5 TP(5)	
		C7M1	LG0CH1103K516	CHIP CAPA CERAMIC M/L H.D F/S	0.01U 50V K B 2.0X1.25 R/TP	
		C7M2	LG0CE4764C638	CAPACITOR,ELECTROLYTIC	47M SRA 6.3V M FM5 TP(5)	
		C7M3	LG0CH4270K416	CHIP CAPA CERAMIC M/L T.C F/S	27P 50V J COG 2.0X1.2 R/TP	
		C7M6	LG0CH4270K416	CHIP CAPA CERAMIC M/L T.C F/S	27P 50V J COG 2.0X1.2 R/TP	
		C7V1	LG0CE4764C638	CAPACITOR,ELECTROLYTIC	47M SRA 6.3V M FM5 TP(5)	
		C7V2	LG0CH1103K516	CHIP CAPA CERAMIC M/L H.D F/S	0.01U 50V K B 2.0X1.25 R/TP	
		C7V3	LG0CE1054K638	CAPACITOR,ELECTROLYTIC	1.0M SRA/SS50V M FM5 TP(5)	
		C7V4	LG0CH1473K946	CHIP CAPA CERAMIC M/L H.D F/S	0.047UF 50V Z Y5V(F) 2012 R/TP	
		C7V5	LG0CH1473K946	CHIP CAPA CERAMIC M/L H.D F/S	0.047UF 50V Z Y5V(F) 2012 R/TP	
		C802	LG0CH1104K946	CAPACITOR,FIXED CERAMIC(TEMP.C	0.1UF 2012 50V 80%,-20% Y5V(F)	
		C803	LG0CH1104K946	CAPACITOR,FIXED CERAMIC(TEMP.C	0.1UF 2012 50V 80%,-20% Y5V(F)	
		C804	LG0CH1104K946	CAPACITOR,FIXED CERAMIC(TEMP.C	0.1UF 2012 50V 80%,-20% Y5V(F)	
		C805	LG0CH1104K946	CAPACITOR,FIXED CERAMIC(TEMP.C	0.1UF 2012 50V 80%,-20% Y5V(F)	
		C806	LG0CE1064F638	CAPACITOR,ELECTROLYTIC	10M SRA 16V M FM5 TP(5)	
		C807	LG0CE4744K638	CAPACITOR,ELECTROLYTIC	0.47M SRA 50V M FM5 TP(5)	
		C808	LG0CE1054K638	CAPACITOR,ELECTROLYTIC	1.0M SRA/SS50V M FM5 TP(5)	
		C809	LG0CE1054K638	CAPACITOR,ELECTROLYTIC	1.0M SRA/SS50V M FM5 TP(5)	
		C810	LG0CH1105F946	CAPACITOR,CHIP CERAMIC M/L HD	1UF 16V Z Y5V(F) 2012 R/TP	
		C811	LG0CH1105F946	CAPACITOR,CHIP CERAMIC M/L HD	1UF 16V Z Y5V(F) 2012 R/TP	
		C812	LG0CE1064F638	CAPACITOR,ELECTROLYTIC	10M SRA 16V M FM5 TP(5)	
		C813	LG0CH1682K516	CAPACITOR,FIXED CERAMIC(Temp.c	6800PF 50V 10% B(5YP) 2012 R/T	
		C814	LG0CE4764F638	CAPACITOR,ELECTROLYTIC	47M SRA/SS 16V M FM5 TP(5)	
		C815	LG0CE1064F638	CAPACITOR,ELECTROLYTIC	10M SRA 16V M FM5 TP(5)	
		C816	LG0CE1064F638	CAPACITOR,ELECTROLYTIC	10M SRA 16V M FM5 TP(5)	
		C817	LG0CE1064F638	CAPACITOR,ELECTROLYTIC	10M SRA 16V M FM5 TP(5)	
		C818	LG0CE4764F638	CAPACITOR,ELECTROLYTIC	47M SRA/SS 16V M FM5 TP(5)	
		C819	LG0CH1682K516	CAPACITOR,FIXED CERAMIC(Temp.c	6800PF 50V 10% B(5YP) 2012 R/T	
		C820	LG0CE1064F638	CAPACITOR,ELECTROLYTIC	10M SRA 16V M FM5 TP(5)	
		C821	LG0CH1103K516	CHIP CAPA CERAMIC M/L H.D F/S	0.01U 50V K B 2.0X1.25 R/TP	
		C822	LG0CE4764F638	CAPACITOR,ELECTROLYTIC	47M SRA/SS 16V M FM5 TP(5)	
		C823	LG0CH1104K946	CAPACITOR,FIXED CERAMIC(TEMP.C	0.1UF 2012 50V 80%,-20% Y5V(F)	
		C824	LG0CH1103K516	CHIP CAPA CERAMIC M/L H.D F/S	0.01U 50V K B 2.0X1.25 R/TP	
		C825	LG0CE4764F638	CAPACITOR,ELECTROLYTIC	47M SRA/SS 16V M FM5 TP(5)	
		C826	LG0CH1103K516	CHIP CAPA CERAMIC M/L H.D F/S	0.01U 50V K B 2.0X1.25 R/TP	
		C828	LG0CE1054K638	CAPACITOR,ELECTROLYTIC	1.0M SRA/SS50V M FM5 TP(5)	
		C829	LG0CE1054K638	CAPACITOR,ELECTROLYTIC	1.0M SRA/SS50V M FM5 TP(5)	
		C834	LG0CE4774F638	CAPACITOR,FIXED ELECTROLYTIC	470UF SRA,SS 16V 20% FM5 TP 5	
		C855	LG0CH1104K946	CAPACITOR,FIXED CERAMIC(TEMP.C	0.1UF 2012 50V 80%,-20% Y5V(F)	
		C856	LG0CH1104K946	CAPACITOR,FIXED CERAMIC(TEMP.C	0.1UF 2012 50V 80%,-20% Y5V(F)	
		C857	LG0CH1104K946	CAPACITOR,FIXED CERAMIC(TEMP.C	0.1UF 2012 50V 80%,-20% Y5V(F)	
		C859	LG0CE2264F638	CAPACITOR,ELECTROLYTIC	22M SRA 16V M FM5 TP(5)	
		C860	LG0CH1104K946	CAPACITOR,FIXED CERAMIC(TEMP.C	0.1UF 2012 50V 80%,-20% Y5V(F)	
		C861	LG0CE1064F638	CAPACITOR,ELECTROLYTIC	10M SRA 16V M FM5 TP(5)	
		C863	LG0CE4764F638	CAPACITOR,ELECTROLYTIC	47M SRA/SS 16V M FM5 TP(5)	
		C864	LG0CE1054K638	CAPACITOR,ELECTROLYTIC	1.0M SRA/SS50V M FM5 TP(5)	

HV-DX2SP

S	AL	LOCA. NO.	PART NO.	DESCRIPTION	SPECIFICATION	REMARKS
		C869	LG0CE1064F638	CAPACITOR,ELECTROLYTIC	10M SRA 16V M FM5 TP(5)	
		C870	LG0CH1104K946	CAPACITOR,FIXED CERAMIC(TEMP.C	0.1UF 2012 50V 80%,-20% Y5V(F)	
		C871	LG0CH1104K946	CAPACITOR,FIXED CERAMIC(TEMP.C	0.1UF 2012 50V 80%,-20% Y5V(F)	
		C884	LG0CH1104K946	CAPACITOR,FIXED CERAMIC(TEMP.C	0.1UF 2012 50V 80%,-20% Y5V(F)	
		C885	LG0CH1104K946	CAPACITOR,FIXED CERAMIC(TEMP.C	0.1UF 2012 50V 80%,-20% Y5V(F)	
		C886	LG0CE4774F638	CAPACITOR,FIXED ELECTROLYTIC	470UF SRA,SS 16V 20% FM5 TP 5	
		C887	LG0CE1064F638	CAPACITOR,ELECTROLYTIC	10M SRA 16V M FM5 TP(5)	
		C888	LG0CE1064F638	CAPACITOR,ELECTROLYTIC	10M SRA 16V M FM5 TP(5)	
		C889	LG0CH1104K946	CAPACITOR,FIXED CERAMIC(TEMP.C	0.1UF 2012 50V 80%,-20% Y5V(F)	
		C890	LG0CH1104K946	CAPACITOR,FIXED CERAMIC(TEMP.C	0.1UF 2012 50V 80%,-20% Y5V(F)	
		C891	LG0CH1104K946	CAPACITOR,FIXED CERAMIC(TEMP.C	0.1UF 2012 50V 80%,-20% Y5V(F)	
		C908	LG0CH1102K516	CHIP CAPA CERAMIC M/L H.D F/S	1000P 50V K B 2.0X1.25 R/TP	
		C910	LG0CH1102K516	CHIP CAPA CERAMIC M/L H.D F/S	1000P 50V K B 2.0X1.25 R/TP	
		C911	LG0CH1102K516	CHIP CAPA CERAMIC M/L H.D F/S	1000P 50V K B 2.0X1.25 R/TP	
		C912	LG0CH1102K516	CHIP CAPA CERAMIC M/L H.D F/S	1000P 50V K B 2.0X1.25 R/TP	
		C915	LG0CH1102K516	CHIP CAPA CERAMIC M/L H.D F/S	1000P 50V K B 2.0X1.25 R/TP	
		C916	LG0CH1102K516	CHIP CAPA CERAMIC M/L H.D F/S	1000P 50V K B 2.0X1.25 R/TP	
		C921	LG0CH1102K516	CHIP CAPA CERAMIC M/L H.D F/S	1000P 50V K B 2.0X1.25 R/TP	
		C924	LG0CH1102K516	CHIP CAPA CERAMIC M/L H.D F/S	1000P 50V K B 2.0X1.25 R/TP	
		C925	LG0CH1102K516	CHIP CAPA CERAMIC M/L H.D F/S	1000P 50V K B 2.0X1.25 R/TP	
		C931	LG0CE4775C638	CAPACITOR,FIXED ELECTROLYTIC	470UF SR,SV 6.3V 20% FM5 TP 5	
		C932	LG0CE4775C638	CAPACITOR,FIXED ELECTROLYTIC	470UF SR,SV 6.3V 20% FM5 TP 5	
		C933	LG0CE4775C638	CAPACITOR,FIXED ELECTROLYTIC	470UF SR,SV 6.3V 20% FM5 TP 5	
		C938	LG0CH1104K946	CAPACITOR,FIXED CERAMIC(TEMP.C	0.1UF 2012 50V 80%,-20% Y5V(F)	
		FL301	LG633-032K	COIL,IFT	BIAC OSC,1CHIP 5V(KS-75M) KWAN	
		L301	LG0LR0102J0N5	INDUCTOR,RADIAL LEAD	10UH 5% TP 3X5 TR5	
		L301	LGGLR0102K0P5	INDUCTOR,RADIAL LEAD	LF7.5N OEL 10UH 10% TP 4.8X4.0	ALTERNATE
		L301	LG0LR0102K0P5	INDUCTOR,RADIAL LEAD	LF7.5N OEL 10UH 10% TP 4.8X4.0	ALTERNATE
		L302	LG0LR1000K035	INDUCTOR RADIAL LEAD	100M K 6X6 L5 TP	
		L303	LG0LR0102J0N5	INDUCTOR,RADIAL LEAD	10UH 5% TP 3X5 TR5	
		L303	LGGLR0102K0P5	INDUCTOR,RADIAL LEAD	LF7.5N OEL 10UH 10% TP 4.8X4.0	ALTERNATE
		L303	LG0LR0102K0P5	INDUCTOR,RADIAL LEAD	LF7.5N OEL 10UH 10% TP 4.8X4.0	ALTERNATE
		L304	LG0LR0102J0N5	INDUCTOR,RADIAL LEAD	10UH 5% TP 3X5 TR5	
		L304	LG0LR0102K0P5	INDUCTOR,RADIAL LEAD	LF7.5N OEL 10UH 10% TP 4.8X4.0	ALTERNATE
		L304	LGGLR0102K0P5	INDUCTOR,RADIAL LEAD	LF7.5N OEL 10UH 10% TP 4.8X4.0	ALTERNATE
		L305	LG0LR1000K035	INDUCTOR RADIAL LEAD	100M K 6X6 L5 TP	
		L307	LG0LR0102J0N5	INDUCTOR,RADIAL LEAD	10UH 5% TP 3X5 TR5	
		L307	LG0LR0102K0P5	INDUCTOR,RADIAL LEAD	LF7.5N OEL 10UH 10% TP 4.8X4.0	ALTERNATE
		L307	LGGLR0102K0P5	INDUCTOR,RADIAL LEAD	LF7.5N OEL 10UH 10% TP 4.8X4.0	ALTERNATE
		L501	LG0LA0122K018	INDUCTOR AXIAL LEAD	12M K 2.3X3.4 L5 TP	
		L503	LG0LR1000J0N5	INDUCTOR,RADIAL LEAD	100UH 5% TP 3X5 TR5	
		L504	LG0LR0102J0N5	INDUCTOR,RADIAL LEAD	10UH 5% TP 3X5 TR5	
		L504	LG0LR0102K0P5	INDUCTOR,RADIAL LEAD	LF7.5N OEL 10UH 10% TP 4.8X4.0	ALTERNATE
		L505	LG0LR1000K035	INDUCTOR RADIAL LEAD	100M K 6X6 L5 TP	
		L506	LG635-027C	INDUCTOR,RADIAL LEAD	EL0405RA SKI150G-3 K-TDK 15UH	
		L5S1	LG0LA0332K018	INDUCTOR AXIAL LEAD	33M K 2.3X3.4 L5 TP	
		L701	LG0LR1000K035	INDUCTOR RADIAL LEAD	100M K 6X6 L5 TP	
		L702	LG0LR0102K035	INDUCTOR RADIAL LEAD	10M K 6X6 L5 TP	
		L704	LG0LR0102K035	INDUCTOR RADIAL LEAD	10M K 6X6 L5 TP	
		L705	LG0LR0102K035	INDUCTOR RADIAL LEAD	10M K 6X6 L5 TP	
		L706	LG0LA0821K018	INDUCTOR AXIAL LEAD	8.2M K 2.3X3.4 L5 TP	
		L7M1	LG0LR1000K035	INDUCTOR RADIAL LEAD	100M K 6X6 L5 TP	
		L7V1	LG0LR1000K035	INDUCTOR RADIAL LEAD	100M K 6X6 L5 TP	
		L801	LG0LR1000K035	INDUCTOR RADIAL LEAD	100M K 6X6 L5 TP	
		L803	LG0LR1000K035	INDUCTOR RADIAL LEAD	100M K 6X6 L5 TP	
		L901	LG0LA1000K018	INDUCTOR AXIAL LEAD	100M K 2.3X3.4 L5 TP	
		L902	LG0LA1000K018	INDUCTOR AXIAL LEAD	100M K 2.3X3.4 L5 TP	

S	AL	LOCA. NO.	PART NO.	DESCRIPTION	SPECIFICATION	REMARKS
		L903	LG0LA1000K018	INDUCTOR AXIAL LEAD	100M K 2.3X3.4 L5 TP	
		L904	LG0LA1000K018	INDUCTOR AXIAL LEAD	100M K 2.3X3.4 L5 TP	
		L905	LG0LA1000K018	INDUCTOR AXIAL LEAD	100M K 2.3X3.4 L5 TP	
		L906	LG0LA1000K018	INDUCTOR AXIAL LEAD	100M K 2.3X3.4 L5 TP	
		L907	LG0LA1000K018	INDUCTOR AXIAL LEAD	100M K 2.3X3.4 L5 TP	
		L910	LG0LA1000K018	INDUCTOR AXIAL LEAD	100M K 2.3X3.4 L5 TP	
		D301	LG0DD133009AA	DIODE,SWITCHING	1SS133 DETECT,SW TP	
		D502	LG0DD133009AA	DIODE,SWITCHING	1SS133 DETECT,SW TP	
		D509	LG0DD133009AA	DIODE,SWITCHING	1SS133 DETECT,SW TP	
		D801	LG0DD133009AA	DIODE,SWITCHING	1SS133 DETECT,SW TP	
		D802	LG0DD133009AA	DIODE,SWITCHING	1SS133 DETECT,SW TP	
		D902	LG0DD133009AA	DIODE,SWITCHING	1SS133 DETECT,SW TP	
		BC91	LG636-004C	FILTER(CIRC),EMC	BEAD CORE BFS3550R2FD8,R T/P	
		BC92	LG636-004C	FILTER(CIRC),EMC	BEAD CORE BFS3550R2FD8,R T/P	
		F8A1	LG6200HJC901A	FILTER(CIRC),EMC	CFI06B1H101MF SAMHWA TP 2-5K	
		IC301	LG0ILNRSAA005B	IC,LINEAR	LA71750EM SANYO 100PIN QFP TRA	
		IC501	LG0IMCRHI030A	IC,MICRO CONTROLLER	HD6432197SA23F HITACHI 112PIN	
		IC503	LG0IAL241600B	IC,ATMEL	AT24C16 - - - -	ALTERNATE
		IC503	LG0ICS241600B	IC,CATALYST	CAT24W16P 8P DIP ST 16K SERIAL	
		IC504	LG0ISS753100A	IC,SAMSUNG ELECTRONICS	KA7531Z TO-92 TP 3.1V RESET	ALTERNATE
		IC504	LG0IKE703100A	IC,KEC	KIA7031P 3P 3.1V RESET(TAPING)	
		IC505	LG0IKE704200B	IC,KEC	KIA7042P 3P 4.2V RESET(TAPING)	
		IC751	LG0IIT341700B	IC,ITT	MSP3417D-QG QFP44 BK NICAM+A2	ALTERNATE
		IC751	LG0IIT341700C	IC,ITT	MSP3417G-QG-B8-V3 44 QFP TRAY	
		IC7V1	LG0ILNRMN001A	IC,LINEAR	SDA5650 MICRONAS 14 DIP ST VPS	
		IC801	LG0IPH960500A	IC,PHILIPS	TDA9605H QFP44 BK HIFI AMP+HIF	
		IC802	LG0IMT144300A	IC,MITSUMI	MM1443XJ SSOP-34 TP CANAL S/W	
		JK902	LG6612J00025H	JACK,RCA	RCA-1302A-12(5PIN)SILVER YUQIU	
		SC901	LG6620RM0002J	JACK,SCART	DSAM-0121 DOOWON 2F-21P(BL-BK)	
		LD501	LG4931R-0017C	HOLDER ASSY	LED(DI-CKD)LOCAL	
		CS501	LG6600M000002	SWITCH,PUSH	MPU11810MLB0 MIC DC 5V 1MA D-3	
		MS501	LG6600JB8005B	SWITCH,MODE	NON 5V 1MA VERTICAL -G	
		MS501	LG6600JB8005C	SWITCH,MODE	MMS00721ZMB0 MIC 5VDC 1MA D-35	ALTERNATE
		Q173	LG0TR387509AC	TRANSISTOR	CHIP KTC3875S-GR-T1(ALG) KEC	
		Q301	LG0TR387509AC	TRANSISTOR	CHIP KTC3875S-GR-T1(ALG) KEC	
		Q302	LG0TR150409AC	TRANSISTOR	KTA1504-GR-T1(ASG) CHIP KEC	
		Q303	LG0TR387509AC	TRANSISTOR	CHIP KTC3875S-GR-T1(ALG) KEC	
		Q304	LG0TR387509AC	TRANSISTOR	CHIP KTC3875S-GR-T1(ALG) KEC	
		Q305	LG0TR150409AC	TRANSISTOR	KTA1504-GR-T1(ASG) CHIP KEC	
		Q306	LG0TR320309AA	TRANSISTOR,BIPOLARS	KTC3203 KEC TP TO92 50V 150MA	ALTERNATE
		Q306	LG0TR534409AA	TRANSISTOR	2SC5344Y TP	
		Q308	LG0TR150409AC	TRANSISTOR	KTA1504-GR-T1(ASG) CHIP KEC	
		Q309	LG0TR150409AC	TRANSISTOR	KTA1504-GR-T1(ASG) CHIP KEC	
		Q501	LG0TR387509AC	TRANSISTOR	CHIP KTC3875S-GR-T1(ALG) KEC	
		Q502	LG0TR387509AC	TRANSISTOR	CHIP KTC3875S-GR-T1(ALG) KEC	
		Q503	LG0TR127309AA	TRANSISTOR	KTA1273-TP-Y (KTA966A)KEC	
		Q504	LG0TR387509AC	TRANSISTOR	CHIP KTC3875S-GR-T1(ALG) KEC	
		Q514	LG0TR103009AA	TRANSISTOR	CHIP KRC103S-T1(NC)22-22 KEC	
		Q515	LG0TR103009AA	TRANSISTOR	CHIP KRC103S-T1(NC)22-22 KEC	
		Q5S1	LG0TR387509AC	TRANSISTOR	CHIP KTC3875S-GR-T1(ALG) KEC	
		Q705	LG0TR127309AA	TRANSISTOR	KTA1273-TP-Y (KTA966A)KEC	
		Q706	LG0TR103009AA	TRANSISTOR	CHIP KRC103S-T1(NC)22-22 KEC	
		Q801	LG0TR387509AC	TRANSISTOR	CHIP KTC3875S-GR-T1(ALG) KEC	
		Q802	LG0TR387509AC	TRANSISTOR	CHIP KTC3875S-GR-T1(ALG) KEC	
		Q804	LG0TR150409AC	TRANSISTOR	KTA1504-GR-T1(ASG) CHIP KEC	
		Q901	LG0TR387509AC	TRANSISTOR	CHIP KTC3875S-GR-T1(ALG) KEC	
		Q902	LG0TR387509AC	TRANSISTOR	CHIP KTC3875S-GR-T1(ALG) KEC	

HV-DX2SP

S	AL	LOCA. NO.	PART NO.	DESCRIPTION	SPECIFICATION	REMARKS
		Q903	LG0TR387509AC	TRANSISTOR	CHIP KTC3875S-GR-T1(ALG) KEC	
		C216	LG0RH0000D622	RESISTOR,METAL GLAZED(CHIP)	0 OHM 1 / 10 W 2012 5.00% D	
		J806	LG0RH0000D622	RESISTOR,METAL GLAZED(CHIP)	0 OHM 1 / 10 W 2012 5.00% D	
		J902	LG0RH0000D622	RESISTOR,METAL GLAZED(CHIP)	0 OHM 1 / 10 W 2012 5.00% D	
		J903	LG0RH0000D622	RESISTOR,METAL GLAZED(CHIP)	0 OHM 1 / 10 W 2012 5.00% D	
		J904	LG0RH0000D622	RESISTOR,METAL GLAZED(CHIP)	0 OHM 1 / 10 W 2012 5.00% D	
		J905	LG0RH0000D622	RESISTOR,METAL GLAZED(CHIP)	0 OHM 1 / 10 W 2012 5.00% D	
		R173	LG0RH4701D622	RESISTOR,METAL GLAZED(CHIP)	4.7K OHM 1 / 10 W 2012 5.00% D	
		R301	LG0RH5602D622	RESISTOR,METAL GLAZED(CHIP)	56K OHM 1 / 10 W 2012 5.00% D	
		R302	LG0RH1002D622	RESISTOR,METAL GLAZED(CHIP)	10K OHM 1 / 10 W 2012 5.00% D	
		R303	LG0RH1802D622	RESISTOR,METAL GLAZED(CHIP)	18K OHM 1 / 10 W 2012 5.00% D	
		R304	LG0RH1002D622	RESISTOR,METAL GLAZED(CHIP)	10K OHM 1 / 10 W 2012 5.00% D	
		R305	LG0RH1002D622	RESISTOR,METAL GLAZED(CHIP)	10K OHM 1 / 10 W 2012 5.00% D	
		R306	LG0RH2202D622	RESISTOR,METAL GLAZED(CHIP)	22K OHM 1 / 10 W 2012 5.00% D	
		R307	LG0RH2201D622	RESISTOR,METAL GLAZED(CHIP)	2.2K OHM 1 / 10 W 2012 5.00% D	
		R308	LG0RH4701D622	RESISTOR,METAL GLAZED(CHIP)	4.7K OHM 1 / 10 W 2012 5.00% D	
		R309	LG0RH1001D622	RESISTOR,METAL GLAZED(CHIP)	1K OHM 1 / 10 W 2012 5.00% D	
		R310	LG0RH4701D622	RESISTOR,METAL GLAZED(CHIP)	4.7K OHM 1 / 10 W 2012 5.00% D	
		R311	LG0RH1001D622	RESISTOR,METAL GLAZED(CHIP)	1K OHM 1 / 10 W 2012 5.00% D	
		R312	LG0RH6802D622	RESISTOR,METAL GLAZED(CHIP)	68K OHM 1 / 10 W 2012 5.00% D	
		R313	LG0RH0221D622	RESISTOR,METAL GLAZED(CHIP)	2.2 OHM 1 / 10 W 2012 5.00% D	
		R314	LG0RH1001D622	RESISTOR,METAL GLAZED(CHIP)	1K OHM 1 / 10 W 2012 5.00% D	
		R315	LG0RH0472D622	RESISTOR,METAL GLAZED(CHIP)	47 OHM 1 / 10 W 2012 5.00% D	
		R316	LG0RH1000D622	RESISTOR,METAL GLAZED(CHIP)	100 OHM 1 / 10 W 2012 5.00% D	
		R317	LG0RH5601D622	RESISTOR,METAL GLAZED(CHIP)	5.6K OHM 1 / 10 W 2012 5.00% D	
		R318	LG0RH3901D622	RESISTOR,METAL GLAZED(CHIP)	3.9K OHM 1 / 10 W 2012 5.00% D	
		R319	LG0RH5600D622	RESISTOR,METAL GLAZED(CHIP)	560 OHM 1 / 10 W 2012 5.00% D	
		R320	LG0RH1500D622	RESISTOR,METAL GLAZED(CHIP)	150 OHM 1 / 10 W 2012 5.00% D	
		R321	LG0RH1201D622	RESISTOR,METAL GLAZED(CHIP)	1.2K OHM 1 / 10 W 2012 5.00% D	
		R322	LG0RH1001D622	RESISTOR,METAL GLAZED(CHIP)	1K OHM 1 / 10 W 2012 5.00% D	
		R324	LG0RH3303D622	RESISTOR,METAL GLAZED(CHIP)	330K OHM 1 / 10 W 2012 5.00% D	
		R325	LG0RH4700D622	RESISTOR,METAL GLAZED(CHIP)	470 OHM 1 / 10 W 2012 5.00% D	
		R326	LG0RH1202D622	RESISTOR,METAL GLAZED(CHIP)	12K OHM 1 / 10 W 2012 5.00% D	
		R327	LG0RH5601D622	RESISTOR,METAL GLAZED(CHIP)	5.6K OHM 1 / 10 W 2012 5.00% D	
		R328	LG0RH2700D622	RESISTOR,METAL GLAZED(CHIP)	270 OHM 1 / 10 W 2012 5.00% D	
		R329	LG0RH1202D622	RESISTOR,METAL GLAZED(CHIP)	12K OHM 1 / 10 W 2012 5.00% D	
		R330	LG0RH1002D622	RESISTOR,METAL GLAZED(CHIP)	10K OHM 1 / 10 W 2012 5.00% D	
		R331	LG0RH4701D622	RESISTOR,METAL GLAZED(CHIP)	4.7K OHM 1 / 10 W 2012 5.00% D	
		R332	LG0RH4702D622	RESISTOR,METAL GLAZED(CHIP)	47K OHM 1 / 10 W 2012 5.00% D	
		R333	LG0RH3901D622	RESISTOR,METAL GLAZED(CHIP)	3.9K OHM 1 / 10 W 2012 5.00% D	
		R334	LG0RH2701D622	RESISTOR,METAL GLAZED(CHIP)	2.7K OHM 1 / 10 W 2012 5.00% D	
		R335	LG0RH6801D622	RESISTOR,METAL GLAZED(CHIP)	6.8K OHM 1 / 10 W 2012 5.00% D	
		R336	LG0RH1003D622	RESISTOR,METAL GLAZED(CHIP)	100K OHM 1 / 10 W 2012 5.00% D	
		R337	LG0RH2201D622	RESISTOR,METAL GLAZED(CHIP)	2.2K OHM 1 / 10 W 2012 5.00% D	
		R338	LG0RH2700D622	RESISTOR,METAL GLAZED(CHIP)	270 OHM 1 / 10 W 2012 5.00% D	
		R339	LG0RH2700D622	RESISTOR,METAL GLAZED(CHIP)	270 OHM 1 / 10 W 2012 5.00% D	
		R340	LG0RH1802D622	RESISTOR,METAL GLAZED(CHIP)	18K OHM 1 / 10 W 2012 5.00% D	
		R342	LG0RH3300D622	RESISTOR,METAL GLAZED(CHIP)	330 OHM 1 / 10 W 2012 5.00% D	
		R343	LG0RH3300D622	RESISTOR,METAL GLAZED(CHIP)	330 OHM 1 / 10 W 2012 5.00% D	
		R344	LG0RH4700D622	RESISTOR,METAL GLAZED(CHIP)	470 OHM 1 / 10 W 2012 5.00% D	
		R345	LG0RH4700D622	RESISTOR,METAL GLAZED(CHIP)	470 OHM 1 / 10 W 2012 5.00% D	
		R346	LG0RH1000D622	RESISTOR,METAL GLAZED(CHIP)	100 OHM 1 / 10 W 2012 5.00% D	
		R347	LG0RH1000D622	RESISTOR,METAL GLAZED(CHIP)	100 OHM 1 / 10 W 2012 5.00% D	
		R349	LG0RH1801D622	RESISTOR,METAL GLAZED(CHIP)	1.8K OHM 1 / 10 W 2012 5.00% D	
		R350	LG0RH1002D622	RESISTOR,METAL GLAZED(CHIP)	10K OHM 1 / 10 W 2012 5.00% D	
		R351	LG0RH8203D622	RESISTOR,METAL GLAZED(CHIP)	820K OHM 1 / 10 W 2012 5.00% D	
		R352	LG0RH3300D622	RESISTOR,METAL GLAZED(CHIP)	330 OHM 1 / 10 W 2012 5.00% D	

S	AL	LOCA. NO.	PART NO.	DESCRIPTION	SPECIFICATION	REMARKS
		R353	LG0RH3300D622	RESISTOR,METAL GLAZED(CHIP)	330 OHM 1 / 10 W 2012 5.00% D	
		R3A2	LG0RH0000D622	RESISTOR,METAL GLAZED(CHIP)	0 OHM 1 / 10 W 2012 5.00% D	
		R501	LG0RH1000D622	RESISTOR,METAL GLAZED(CHIP)	100 OHM 1 / 10 W 2012 5.00% D	
		R502	LG0RH1000D622	RESISTOR,METAL GLAZED(CHIP)	100 OHM 1 / 10 W 2012 5.00% D	
		R503	LG0RH4701D622	RESISTOR,METAL GLAZED(CHIP)	4.7K OHM 1 / 10 W 2012 5.00% D	
		R504	LG0RH1001D622	RESISTOR,METAL GLAZED(CHIP)	1K OHM 1 / 10 W 2012 5.00% D	
		R505	LG0RH1001D622	RESISTOR,METAL GLAZED(CHIP)	1K OHM 1 / 10 W 2012 5.00% D	
		R506	LG0RH0000D622	RESISTOR,METAL GLAZED(CHIP)	0 OHM 1 / 10 W 2012 5.00% D	
		R508	LG0RH3301D622	RESISTOR,METAL GLAZED(CHIP)	3.3K OHM 1 / 10 W 2012 5.00% D	
		R509	LG0RH1801D622	RESISTOR,METAL GLAZED(CHIP)	1.8K OHM 1 / 10 W 2012 5.00% D	
		R510	LG0RH2201D622	RESISTOR,METAL GLAZED(CHIP)	2.2K OHM 1 / 10 W 2012 5.00% D	
		R511	LG0RH1001D622	RESISTOR,METAL GLAZED(CHIP)	1K OHM 1 / 10 W 2012 5.00% D	
		R512	LG0RH1001D622	RESISTOR,METAL GLAZED(CHIP)	1K OHM 1 / 10 W 2012 5.00% D	
		R513	LG0RH1001D622	RESISTOR,METAL GLAZED(CHIP)	1K OHM 1 / 10 W 2012 5.00% D	
		R514	LG0RH1203D622	RESISTOR,METAL GLAZED(CHIP)	120K OHM 1 / 10 W 2012 5.00% D	
		R515	LG0RH2700D622	RESISTOR,METAL GLAZED(CHIP)	270 OHM 1 / 10 W 2012 5.00% D	
		R516	LG0RH4703D622	RESISTOR,METAL GLAZED(CHIP)	470K OHM 1 / 10 W 2012 5.00% D	
		R517	LG0RH4700D622	RESISTOR,METAL GLAZED(CHIP)	470 OHM 1 / 10 W 2012 5.00% D	
		R518	LG0RH1001D622	RESISTOR,METAL GLAZED(CHIP)	1K OHM 1 / 10 W 2012 5.00% D	
		R519	LG0RH4701D622	RESISTOR,METAL GLAZED(CHIP)	4.7K OHM 1 / 10 W 2012 5.00% D	
		R520	LG0RH3901D622	RESISTOR,METAL GLAZED(CHIP)	3.9K OHM 1 / 10 W 2012 5.00% D	
		R521	LG0RH4701D622	RESISTOR,METAL GLAZED(CHIP)	4.7K OHM 1 / 10 W 2012 5.00% D	
		R522	LG0RH1001D622	RESISTOR,METAL GLAZED(CHIP)	1K OHM 1 / 10 W 2012 5.00% D	
		R523	LG0RH1002D622	RESISTOR,METAL GLAZED(CHIP)	10K OHM 1 / 10 W 2012 5.00% D	
		R524	LG0RH0222D622	RESISTOR,METAL GLAZED(CHIP)	22 OHM 1 / 10 W 2012 5.00% D	
		R525	LG0RH5601D622	RESISTOR,METAL GLAZED(CHIP)	5.6K OHM 1 / 10 W 2012 5.00% D	
		R526	LG0RH5601D622	RESISTOR,METAL GLAZED(CHIP)	5.6K OHM 1 / 10 W 2012 5.00% D	
		R527	LG0RH1001D622	RESISTOR,METAL GLAZED(CHIP)	1K OHM 1 / 10 W 2012 5.00% D	
		R528	LG0RH4701D622	RESISTOR,METAL GLAZED(CHIP)	4.7K OHM 1 / 10 W 2012 5.00% D	
		R529	LG0RH1002D622	RESISTOR,METAL GLAZED(CHIP)	10K OHM 1 / 10 W 2012 5.00% D	
		R530	LG0RH4701D622	RESISTOR,METAL GLAZED(CHIP)	4.7K OHM 1 / 10 W 2012 5.00% D	
		R531	LG0RH1002D622	RESISTOR,METAL GLAZED(CHIP)	10K OHM 1 / 10 W 2012 5.00% D	
		R535	LG0RH4703D622	RESISTOR,METAL GLAZED(CHIP)	470K OHM 1 / 10 W 2012 5.00% D	
		R542	LG0RH2201D622	RESISTOR,METAL GLAZED(CHIP)	2.2K OHM 1 / 10 W 2012 5.00% D	
		R543	LG0RH1000D622	RESISTOR,METAL GLAZED(CHIP)	100 OHM 1 / 10 W 2012 5.00% D	
		R544	LG0RH4701D622	RESISTOR,METAL GLAZED(CHIP)	4.7K OHM 1 / 10 W 2012 5.00% D	
		R545	LG0RH0000D622	RESISTOR,METAL GLAZED(CHIP)	0 OHM 1 / 10 W 2012 5.00% D	
		R546	LG0RH5601D622	RESISTOR,METAL GLAZED(CHIP)	5.6K OHM 1 / 10 W 2012 5.00% D	
		R547	LG0RH1202D622	RESISTOR,METAL GLAZED(CHIP)	12K OHM 1 / 10 W 2012 5.00% D	
		R548	LG0RH1003D622	RESISTOR,METAL GLAZED(CHIP)	100K OHM 1 / 10 W 2012 5.00% D	
		R550	LG0RH2200D622	RESISTOR,METAL GLAZED(CHIP)	220 OHM 1 / 10 W 2012 5.00% D	
		R553	LG0RH2200D622	RESISTOR,METAL GLAZED(CHIP)	220 OHM 1 / 10 W 2012 5.00% D	
		R554	LG0RH3300D622	RESISTOR,METAL GLAZED(CHIP)	330 OHM 1 / 10 W 2012 5.00% D	
		R555	LG0RH2200D622	RESISTOR,METAL GLAZED(CHIP)	220 OHM 1 / 10 W 2012 5.00% D	
		R556	LG0RH2202D622	RESISTOR,METAL GLAZED(CHIP)	22K OHM 1 / 10 W 2012 5.00% D	
		R557	LG0RH2702D622	RESISTOR,METAL GLAZED(CHIP)	27K OHM 1 / 10 W 2012 5.00% D	
		R558	LG0RH2202D622	RESISTOR,METAL GLAZED(CHIP)	22K OHM 1 / 10 W 2012 5.00% D	
		R559	LG0RH4701D622	RESISTOR,METAL GLAZED(CHIP)	4.7K OHM 1 / 10 W 2012 5.00% D	
		R560	LG0RH4701D622	RESISTOR,METAL GLAZED(CHIP)	4.7K OHM 1 / 10 W 2012 5.00% D	
		R561	LG0RH5600D622	RESISTOR,METAL GLAZED(CHIP)	560 OHM 1 / 10 W 2012 5.00% D	
		R562	LG0RH5600D622	RESISTOR,METAL GLAZED(CHIP)	560 OHM 1 / 10 W 2012 5.00% D	
		R563	LG0RH5601D622	RESISTOR,METAL GLAZED(CHIP)	5.6K OHM 1 / 10 W 2012 5.00% D	
		R564	LG0RH2702D622	RESISTOR,METAL GLAZED(CHIP)	27K OHM 1 / 10 W 2012 5.00% D	
		R566	LG0RH4701D622	RESISTOR,METAL GLAZED(CHIP)	4.7K OHM 1 / 10 W 2012 5.00% D	
		R567	LG0RH1002D622	RESISTOR,METAL GLAZED(CHIP)	10K OHM 1 / 10 W 2012 5.00% D	
		R568	LG0RH6802D622	RESISTOR,METAL GLAZED(CHIP)	68K OHM 1 / 10 W 2012 5.00% D	
		R569	LG0RH1004D622	RESISTOR,METAL GLAZED(CHIP)	1M OHM 1 / 10 W 2012 5.00% D	

HV-DX2SP

S	AL	LOCA. NO.	PART NO.	DESCRIPTION	SPECIFICATION	REMARKS
		R570	LG0RH4701D622	RESISTOR,METAL GLAZED(CHIP)	4.7K OHM 1 / 10 W 2012 5.00% D	
		R575	LG0RH4701D622	RESISTOR,METAL GLAZED(CHIP)	4.7K OHM 1 / 10 W 2012 5.00% D	
		R576	LG0RH4701D622	RESISTOR,METAL GLAZED(CHIP)	4.7K OHM 1 / 10 W 2012 5.00% D	
		R577	LG0RH4701D622	RESISTOR,METAL GLAZED(CHIP)	4.7K OHM 1 / 10 W 2012 5.00% D	
		R578	LG0RH4701D622	RESISTOR,METAL GLAZED(CHIP)	4.7K OHM 1 / 10 W 2012 5.00% D	
		R579	LG0RH5602D622	RESISTOR,METAL GLAZED(CHIP)	56K OHM 1 / 10 W 2012 5.00% D	
		R582	LG0RH1000D622	RESISTOR,METAL GLAZED(CHIP)	100 OHM 1 / 10 W 2012 5.00% D	
		R583	LG0RH1002D622	RESISTOR,METAL GLAZED(CHIP)	10K OHM 1 / 10 W 2012 5.00% D	
		R589	LG0RH1004D622	RESISTOR,METAL GLAZED(CHIP)	1M OHM 1 / 10 W 2012 5.00% D	
		R591	LG0RH1003D622	RESISTOR,METAL GLAZED(CHIP)	100K OHM 1 / 10 W 2012 5.00% D	
		R5A2	LG0RH1002D622	RESISTOR,METAL GLAZED(CHIP)	10K OHM 1 / 10 W 2012 5.00% D	
		R5A3	LG0RH1002D622	RESISTOR,METAL GLAZED(CHIP)	10K OHM 1 / 10 W 2012 5.00% D	
		R5A5	LG0RH4703D622	RESISTOR,METAL GLAZED(CHIP)	470K OHM 1 / 10 W 2012 5.00% D	
		R5B3	LG0RH1001D622	RESISTOR,METAL GLAZED(CHIP)	1K OHM 1 / 10 W 2012 5.00% D	
		R5B4	LG0RH1001D622	RESISTOR,METAL GLAZED(CHIP)	1K OHM 1 / 10 W 2012 5.00% D	
		R5B5	LG0RH1000D622	RESISTOR,METAL GLAZED(CHIP)	100 OHM 1 / 10 W 2012 5.00% D	
		R5C1	LG0RH1001D622	RESISTOR,METAL GLAZED(CHIP)	1K OHM 1 / 10 W 2012 5.00% D	
		R5C5	LG0RH1001D622	RESISTOR,METAL GLAZED(CHIP)	1K OHM 1 / 10 W 2012 5.00% D	
		R5C6	LG0RH1001D622	RESISTOR,METAL GLAZED(CHIP)	1K OHM 1 / 10 W 2012 5.00% D	
		R5C7	LG0RH1001D622	RESISTOR,METAL GLAZED(CHIP)	1K OHM 1 / 10 W 2012 5.00% D	
		R5C9	LG0RH1002D622	RESISTOR,METAL GLAZED(CHIP)	10K OHM 1 / 10 W 2012 5.00% D	
		R5K6	LG0RH1000D622	RESISTOR,METAL GLAZED(CHIP)	100 OHM 1 / 10 W 2012 5.00% D	
		R5K7	LG0RH1000D622	RESISTOR,METAL GLAZED(CHIP)	100 OHM 1 / 10 W 2012 5.00% D	
		R5K8	LG0RH1000D622	RESISTOR,METAL GLAZED(CHIP)	100 OHM 1 / 10 W 2012 5.00% D	
		R5L1	LG0RH0000D622	RESISTOR,METAL GLAZED(CHIP)	0 OHM 1 / 10 W 2012 5.00% D	
		R5P2	LG0RH1002D622	RESISTOR,METAL GLAZED(CHIP)	10K OHM 1 / 10 W 2012 5.00% D	
		R5P3	LG0RH1002D622	RESISTOR,METAL GLAZED(CHIP)	10K OHM 1 / 10 W 2012 5.00% D	
		R5R8	LG0RH1001D622	RESISTOR,METAL GLAZED(CHIP)	1K OHM 1 / 10 W 2012 5.00% D	
		R5S1	LG0RH5601D622	RESISTOR,METAL GLAZED(CHIP)	5.6K OHM 1 / 10 W 2012 5.00% D	
		R705	LG0RH2200D622	RESISTOR,METAL GLAZED(CHIP)	220 OHM 1 / 10 W 2012 5.00% D	
		R706	LG0RH2200D622	RESISTOR,METAL GLAZED(CHIP)	220 OHM 1 / 10 W 2012 5.00% D	
		R707	LG0RH1001D622	RESISTOR,METAL GLAZED(CHIP)	1K OHM 1 / 10 W 2012 5.00% D	
		R710	LG0RH3301D622	RESISTOR,METAL GLAZED(CHIP)	3.3K OHM 1 / 10 W 2012 5.00% D	
		R711	LG0RH3301D622	RESISTOR,METAL GLAZED(CHIP)	3.3K OHM 1 / 10 W 2012 5.00% D	
		R712	LG0RH4701D622	RESISTOR,METAL GLAZED(CHIP)	4.7K OHM 1 / 10 W 2012 5.00% D	
		R713	LG0RH5601D622	RESISTOR,METAL GLAZED(CHIP)	5.6K OHM 1 / 10 W 2012 5.00% D	
		R714	LG0RH0000D622	RESISTOR,METAL GLAZED(CHIP)	0 OHM 1 / 10 W 2012 5.00% D	
		R715	LG0RH2201D622	RESISTOR,METAL GLAZED(CHIP)	2.2K OHM 1 / 10 W 2012 5.00% D	
		R716	LG0RH1001D622	RESISTOR,METAL GLAZED(CHIP)	1K OHM 1 / 10 W 2012 5.00% D	
		R717	LG0RH1000D622	RESISTOR,METAL GLAZED(CHIP)	100 OHM 1 / 10 W 2012 5.00% D	
		R718	LG0RH1000D622	RESISTOR,METAL GLAZED(CHIP)	100 OHM 1 / 10 W 2012 5.00% D	
		R719	LG0RH4701D622	RESISTOR,METAL GLAZED(CHIP)	4.7K OHM 1 / 10 W 2012 5.00% D	
		R7M1	LG0RH1001D622	RESISTOR,METAL GLAZED(CHIP)	1K OHM 1 / 10 W 2012 5.00% D	
		R7M2	LG0RH2200D622	RESISTOR,METAL GLAZED(CHIP)	220 OHM 1 / 10 W 2012 5.00% D	
		R7M4	LG0RH1001D622	RESISTOR,METAL GLAZED(CHIP)	1K OHM 1 / 10 W 2012 5.00% D	
		R7M5	LG0RH2200D622	RESISTOR,METAL GLAZED(CHIP)	220 OHM 1 / 10 W 2012 5.00% D	
		R7V1	LG0RH1004D622	RESISTOR,METAL GLAZED(CHIP)	1M OHM 1 / 10 W 2012 5.00% D	
		R7V2	LG0RH1003D622	RESISTOR,METAL GLAZED(CHIP)	100K OHM 1 / 10 W 2012 5.00% D	
		R7V3	LG0RH6801D622	RESISTOR,METAL GLAZED(CHIP)	6.8K OHM 1 / 10 W 2012 5.00% D	
		R7V4	LG0RH5603D622	RESISTOR,METAL GLAZED(CHIP)	560K OHM 1 / 10 W 2012 5.00% D	
		R7V5	LG0RH6801D622	RESISTOR,METAL GLAZED(CHIP)	6.8K OHM 1 / 10 W 2012 5.00% D	
		R7V6	LG0RH5603D622	RESISTOR,METAL GLAZED(CHIP)	560K OHM 1 / 10 W 2012 5.00% D	
		R7V7	LG0RH4701D622	RESISTOR,METAL GLAZED(CHIP)	4.7K OHM 1 / 10 W 2012 5.00% D	
		R7V8	LG0RH1000D622	RESISTOR,METAL GLAZED(CHIP)	100 OHM 1 / 10 W 2012 5.00% D	
		R7V9	LG0RH1000D622	RESISTOR,METAL GLAZED(CHIP)	100 OHM 1 / 10 W 2012 5.00% D	
		R801	LG0RH3304D622	RESISTOR,METAL GLAZED(CHIP)	3.3M OHM 1 / 10 W 2012 5.00% D	
		R802	LG0RH3302D622	RESISTOR,METAL GLAZED(CHIP)	33K OHM 1 / 10 W 2012 5.00% D	

S	AL	LOCA. NO.	PART NO.	DESCRIPTION	SPECIFICATION	REMARKS
		R803	LG0RH2701D622	RESISTOR,METAL GLAZED(CHIP)	2.7K OHM 1 / 10 W 2012 5.00% D	
		R804	LG0RH3902D622	RESISTOR,METAL GLAZED(CHIP)	39K OHM 1 / 10 W 2012 5.00% D	
		R805	LG0RH2701D622	RESISTOR,METAL GLAZED(CHIP)	2.7K OHM 1 / 10 W 2012 5.00% D	
		R806	LG0RH3302D622	RESISTOR,METAL GLAZED(CHIP)	33K OHM 1 / 10 W 2012 5.00% D	
		R807	LG0RH4700D622	RESISTOR,METAL GLAZED(CHIP)	470 OHM 1 / 10 W 2012 5.00% D	
		R808	LG0RH1002D622	RESISTOR,METAL GLAZED(CHIP)	10K OHM 1 / 10 W 2012 5.00% D	
		R809	LG0RH1802D622	RESISTOR,METAL GLAZED(CHIP)	18K OHM 1 / 10 W 2012 5.00% D	
		R810	LG0RH1000D622	RESISTOR,METAL GLAZED(CHIP)	100 OHM 1 / 10 W 2012 5.00% D	
		R811	LG0RH1000D622	RESISTOR,METAL GLAZED(CHIP)	100 OHM 1 / 10 W 2012 5.00% D	
		R812	LG0RH1001D622	RESISTOR,METAL GLAZED(CHIP)	1K OHM 1 / 10 W 2012 5.00% D	
		R821	LG0RH2201D622	RESISTOR,METAL GLAZED(CHIP)	2.2K OHM 1 / 10 W 2012 5.00% D	
		R822	LG0RH1003D622	RESISTOR,METAL GLAZED(CHIP)	100K OHM 1 / 10 W 2012 5.00% D	
		R823	LG0RH2201D622	RESISTOR,METAL GLAZED(CHIP)	2.2K OHM 1 / 10 W 2012 5.00% D	
		R824	LG0RH1003D622	RESISTOR,METAL GLAZED(CHIP)	100K OHM 1 / 10 W 2012 5.00% D	
		R825	LG0RH5600D622	RESISTOR,METAL GLAZED(CHIP)	560 OHM 1 / 10 W 2012 5.00% D	
		R826	LG0RH5600D622	RESISTOR,METAL GLAZED(CHIP)	560 OHM 1 / 10 W 2012 5.00% D	
		R835	LG0RH0752D622	RESISTOR,METAL GLAZED(CHIP)	75 OHM 1 / 10 W 2012 5.00% D	
		R841	LG0RH3300D622	RESISTOR,METAL GLAZED(CHIP)	330 OHM 1 / 10 W 2012 5.00% D	
		R842	LG0RH3300D622	RESISTOR,METAL GLAZED(CHIP)	330 OHM 1 / 10 W 2012 5.00% D	
		R850	LG0RH1000D622	RESISTOR,METAL GLAZED(CHIP)	100 OHM 1 / 10 W 2012 5.00% D	
		R851	LG0RH1000D622	RESISTOR,METAL GLAZED(CHIP)	100 OHM 1 / 10 W 2012 5.00% D	
		R861	LG0RH4701D622	RESISTOR,METAL GLAZED(CHIP)	4.7K OHM 1 / 10 W 2012 5.00% D	
		R862	LG0RH4701D622	RESISTOR,METAL GLAZED(CHIP)	4.7K OHM 1 / 10 W 2012 5.00% D	
		R863	LG0RH4701D622	RESISTOR,METAL GLAZED(CHIP)	4.7K OHM 1 / 10 W 2012 5.00% D	
		R864	LG0RH4701D622	RESISTOR,METAL GLAZED(CHIP)	4.7K OHM 1 / 10 W 2012 5.00% D	
		R874	LG0RH0752D622	RESISTOR,METAL GLAZED(CHIP)	75 OHM 1 / 10 W 2012 5.00% D	
		R875	LG0RH4701D622	RESISTOR,METAL GLAZED(CHIP)	4.7K OHM 1 / 10 W 2012 5.00% D	
		R876	LG0RH4701D622	RESISTOR,METAL GLAZED(CHIP)	4.7K OHM 1 / 10 W 2012 5.00% D	
		R890	LG0RH0752D622	RESISTOR,METAL GLAZED(CHIP)	75 OHM 1 / 10 W 2012 5.00% D	
		R901	LG0RH1202D622	RESISTOR,METAL GLAZED(CHIP)	12K OHM 1 / 10 W 2012 5.00% D	
		R902	LG0RH1002D622	RESISTOR,METAL GLAZED(CHIP)	10K OHM 1 / 10 W 2012 5.00% D	
		R903	LG0RH0752D622	RESISTOR,METAL GLAZED(CHIP)	75 OHM 1 / 10 W 2012 5.00% D	
		R904	LG0RH5600D622	RESISTOR,METAL GLAZED(CHIP)	560 OHM 1 / 10 W 2012 5.00% D	
		R905	LG0RH5600D622	RESISTOR,METAL GLAZED(CHIP)	560 OHM 1 / 10 W 2012 5.00% D	
		R906	LG0RH5600D622	RESISTOR,METAL GLAZED(CHIP)	560 OHM 1 / 10 W 2012 5.00% D	
		R907	LG0RH5600D622	RESISTOR,METAL GLAZED(CHIP)	560 OHM 1 / 10 W 2012 5.00% D	
		R908	LG0RH0000D622	RESISTOR,METAL GLAZED(CHIP)	0 OHM 1 / 10 W 2012 5.00% D	
		R909	LG0RH0000D622	RESISTOR,METAL GLAZED(CHIP)	0 OHM 1 / 10 W 2012 5.00% D	
		R910	LG0RH0000D622	RESISTOR,METAL GLAZED(CHIP)	0 OHM 1 / 10 W 2012 5.00% D	
		R911	LG0RH1001D622	RESISTOR,METAL GLAZED(CHIP)	1K OHM 1 / 10 W 2012 5.00% D	
		R913	LG0RH0752D622	RESISTOR,METAL GLAZED(CHIP)	75 OHM 1 / 10 W 2012 5.00% D	
		R914	LG0RH0752D622	RESISTOR,METAL GLAZED(CHIP)	75 OHM 1 / 10 W 2012 5.00% D	
		R919	LG0RH4701D622	RESISTOR,METAL GLAZED(CHIP)	4.7K OHM 1 / 10 W 2012 5.00% D	
		R920	LG0RH6800D622	RESISTOR,METAL GLAZED(CHIP)	680 OHM 1 / 10 W 2012 5.00% D	
		R927	LG0RH0752D622	RESISTOR,METAL GLAZED(CHIP)	75 OHM 1 / 10 W 2012 5.00% D	
		R928	LG0RH0000D622	RESISTOR,METAL GLAZED(CHIP)	0 OHM 1 / 10 W 2012 5.00% D	
		R929	LG0RH0000D622	RESISTOR,METAL GLAZED(CHIP)	0 OHM 1 / 10 W 2012 5.00% D	
		R930	LG0RH0000D622	RESISTOR,METAL GLAZED(CHIP)	0 OHM 1 / 10 W 2012 5.00% D	
		R931	LG0RH2200D622	RESISTOR,METAL GLAZED(CHIP)	220 OHM 1 / 10 W 2012 5.00% D	
		R932	LG0RH2200D622	RESISTOR,METAL GLAZED(CHIP)	220 OHM 1 / 10 W 2012 5.00% D	
		R933	LG0RH1003D622	RESISTOR,METAL GLAZED(CHIP)	100K OHM 1 / 10 W 2012 5.00% D	
		R934	LG0RH1003D622	RESISTOR,METAL GLAZED(CHIP)	100K OHM 1 / 10 W 2012 5.00% D	
		ES501	LG4931R-0050C	HOLDER ASSEMBLY	END (DI)	
		ES502	LG4931R-0050C	HOLDER ASSEMBLY	END (DI)	
		RS501	LG6500RAB003A	SENSOR	SG-260 KODENSHI D33 REEL SENSO	
		RS501	LG6500RAB007A	SENSOR	GP1S566V SHARP REEL SENSOR OF	ALTERNATE
		RS502	LG6500RAB003A	SENSOR	SG-260 KODENSHI D33 REEL SENSO	

HV-DX2SP

S	AL	LOCA. NO.	PART NO.	DESCRIPTION	SPECIFICATION	REMARKS
		RS502	LG6500RAB007A	SENSOR	GP1S566V SHARP REEL SENSOR OF	ALTERNATE
		TU701	LG6700PFP04F	TUNER	TCMK0601PD23C(GKI,SS) SS PAL F	ALTERNATE
		TU701	LG6700PFP06F	TUNER	TADC-M401D(GKI,LGIT) LG INOTEK	
		X301	LG6202R2443AE	RESONATOR,CRYSTAL	HC49U SSANG TAE 4433709HZ 1	ALTERNATE
		X301	LG6202R2443AC	RESONATOR,CRYSTAL	HC49U BUBANG 4-433709MHZ 15	
		X301	LG6202R2443AG	RESONATOR,CRYSTAL	HC49U SSANGTAE 4-433709MHZ	ALTERNATE
		X501	LG6202R31001F	RESONATOR,CRYSTAL	HC-49S KEUMSEOK 10-0000MHZ 30P	ALTERNATE
		X501	LG6212AA2100C	RESONATOR,CRYSTAL	HC-49S BUBANG 10MHZ +/- 30 PPM	
		X502	LG6202R-DA01B	RESONATOR,CRYSTAL	CFS-308 CITIZEN 32.768KHZ +/-	ALTERNATE
		X502	LG6212AC2327E	RESONATOR,CRYSTAL	C-001R SEIKO EPSON 32.768 KHZ	
		X751	LG529-021Q	RESONATOR,CRYSTAL	49U BUBANG 18432000HZ 30PPM 16	
		X751	LG6212AA2184F	RESONATOR,CRYSTAL	HC-49U KYUNGIL 18.432MHZ +/- 3	ALTERNATE
*** PWB(PCB) ASSEMBLY , POWER ***						
		A48	LG6871R-7211C	PWB(PCB) ASSEMBLY,TOTAL	2003 COMBI SCART POWER DI X120	
	⚠	C101	LG624-088L	CAPACITOR,DRAWING	435D SUNIL ELECTRONICS 0.1UF/275V	
	⚠	C102	LG624-088L	CAPACITOR,DRAWING	435D SUNIL ELECTRONICS 0.1UF/275V	
		C103	LG624-082C	CAPACITOR,AL.ELECTROLYTIC	100MF/400V SHL SMPS S/Y	
		C105	LG0CQ1031Y519	CAPACITOR,POLYESTER	0.01UF D 630V K PE NI TP	
		C106	LG624-087G	CAPACITOR	HIGH-VOL 68PF/1KV SMPS SAMHWA	
		C107	LG0CE1054K638	CAPACITOR,ELECTROLYTIC	1.0M SRA/SS50V M FM5 TP(5)	
		C108	LG0CE336BH638	CAPACITOR,ELECTROLYTIC	33UF KME 25V M FM5 TP5	
		C109	LG0CN223AK948	CAPACITOR,TUBULAR(HIGH DIELEC)	0.022UF 50V Z F TA26 S	
	⚠	C110	LG0CG1020U630	CAPACITOR,SEMI CERAMIC	1000PF 400V M E(Z5U) R	
	⚠	C111	LG0CG2220U630	CAPACITOR,SEMI CERAMIC	2200 PF 400V M E R (NK,AD,SD)	
		C123	LG0CE477BH630	CAPACITOR,AL.ELECTROLYTIC	470UF KME TYPE 25V M FM5 BULK	
		C126	LG0CE2276H638	CAPACITOR,FIXED ELECTROLYTIC	220UF SMS,SG 25V 20% FM5 TP 5	
		C127	LG0CE108BF630	CAPACITOR,FIXED ELECTROLYTIC	1000UF KME 16V M FM5 BULK	
		C128	LG0CE3376D638	CAPACITOR,ELECTROLYTIC	330UF SMS 10V M FM5 TP5	
		C129	LG0CE228BF630	CAPACITOR,FIXED ELECTROLYTIC	2200UF KME TYPE 16V 20% FM5 BU	
		C131	LG624-082H	CAPACITOR	CE 1000UF/10V SHL(10*12.5)T/P	
		C132	LG624-085D	CAPACITOR	CE 47UF/50V KME (SMPS)	
		C133	LG0CQ1042K409	CAPACITOR,FIXED FILM	0.1UF S 50V J PE TP	
		C151	LG0CE4754K638	CAPACITOR,FIXED ELECTROLYTIC	4.7UF SRA,SS 50V 20% FM5 TP 5	
		C152	LG0CE4754K638	CAPACITOR,FIXED ELECTROLYTIC	4.7UF SRA,SS 50V 20% FM5 TP 5	
		C153	LG0CE1064F638	CAPACITOR,ELECTROLYTIC	10M SRA 16V M FM5 TP(5)	
		C154	LG0CE1074F638	CAPACITOR,ELECTROLYTIC	100U SRA 16V M FM5 TP(5)	
		C155	LG0CE1064F638	CAPACITOR,ELECTROLYTIC	10M SRA 16V M FM5 TP(5)	
		C159	LG0CE1064F638	CAPACITOR,ELECTROLYTIC	10M SRA 16V M FM5 TP(5)	
		C161	LG0CE4764C638	CAPACITOR,ELECTROLYTIC	47M SRA 6.3V M FM5 TP(5)	
		C163	LG624-087H	CAPACITOR	HIGH-VOL 220PF/1KV CERAMIC	
		L122	LG633-088G	COIL,CHOKE	CHOCK(22MH) 5MM TOKO TP	
		L123	LG633-088G	COIL,CHOKE	CHOCK(22MH) 5MM TOKO TP	
		L124	LG633-088G	COIL,CHOKE	CHOCK(22MH) 5MM TOKO TP	
	⚠	BD101	LG0DD160000DA	DIODE	S1WBA60(1A 600V) SHIDENKEN	
		D101	LG0DD010009CA	DIODE,RECTIFIER	EG01CW(R-FORM 5MM) TP SANKEN	ALTERNATE
		D101	LG0DD221009AA	DIODE,RECTIFIERS	ERA22-10 KFLB,TP ,R T/P,FUJI	
		D102	LG0DD010009AC	DIODE	EU01W(R-FORM) TP SANKEN	
		D102	LG0DR104009BA	DIODE,RECTIFIER	RL104F TP RECTRON NON 400V 1A	ALTERNATE
		D110	LG0DR302000AB	DIODE,RECTIFIER	HER302 BK RECTRON DO201AD 100V	
		D111	LG0DR158220AA	DIODE,RECTIFIER	1N5822 BK RECTRON DO201AD 40V	
		D112	LG0DR158220AA	DIODE,RECTIFIER	1N5822 BK RECTRON DO201AD 40V	
		D113	LG0DD010009AC	DIODE	EU01W(R-FORM) TP SANKEN	
		D113	LG0DR104009BA	DIODE,RECTIFIER	RL104F TP RECTRON NON 400V 1A	ALTERNATE
		D114	LG0DR104009AB	DIODE,RECTIFIER	RL104 R. TP GULF SEMICONDUCTOR	
		D115	LG0DR104009AB	DIODE,RECTIFIER	RL104 R. TP GULF SEMICONDUCTOR	
		D121	LG0DD133009AA	DIODE,SWITCHING	1SS133 DETECT,SW TP	
		BD01	LG636-004C	FILTER(CIRC),EMC	BEAD CORE BFS3550R2FD8,R T/P	

S	AL	LOCA. NO.	PART NO.	DESCRIPTION	SPECIFICATION	REMARKS
		BD02	LG636-004C	FILTER(CIRC),EMC	BEAD CORE BFS3550R2FD8,R T/P	
⚠		L102	LG616-145P	FILTER(CIRC),DRAWING	LFSQ2215V4-04220B SAMWAH TECOM	
⚠		F101	LG0FS1601B51D	FUSE,SLOW BLOW	1600MA 250 V 5.2X20 CY/GL KS/J	
⚠		IC101	LG0IPMGFF001A	IC,POWER MANAGEMENT	ICE2B265 INFINEON 8 DIP ST SMP	
		IC103	LG0IKE431000A	IC,KEC	KIA431 3 PIN TP	
		IC151	LG0IPMGKE008B	IC,POWER MANAGEMENT	KIA78R08PI CU KEC 4P TO-220IS	
		IC152	LG0IPMGFA046A	IC,POWER MANAGEMENT	KA278R33TSTU FAIRCHILD 4PIN TO	ALTERNATE
		IC152	LG0IPMGKE022B	IC,POWER MANAGEMENT	KIA278R33PI-CU KEC 4PIN TO-220	
		Q156	LG0TR320509AB	TRANSISTOR	KTC3205-TP-Y (KTC2236A)KEC	
		Q160	LG0TR127309AA	TRANSISTOR	KTA1273-TP-Y (KTA966A)KEC	
		Q160	LG0TR928009AD	TRANSISTOR	KSA928A-Y,TO-92L TP SAMSUNG TO	ALTERNATE
		Q161	LG0TR126809BA	TRANSISTOR,BIPOLARS	KTA1268-BL TP KEC	
		Q162	LG0TR534309BA	TRANSISTOR	2SC5343-L TP AUK TO92	
		R100	LG0RD1504H632	RESISTOR,FIXED CARBON FILM	1.5M OHM 1/2 W 5.00% MF10	
		R101	LG614-007A	RESISTOR	2.7/2W CEMENT SMPS V	
		R104	LG0RS5602K619	RESISTOR,FIXED METAL OXIDE FIL	56K OHM 2 W 5.00% TR	
		R105	LG0RD0222F608	RESISTOR,FIXED CARBON FILM	22 OHM 1/6 W 5% TA26	
		R106	LG0RD0222F608	RESISTOR,FIXED CARBON FILM	22 OHM 1/6 W 5% TA26	
		R107	LG0RS0350K619	RESISTOR,FIXED METAL OXIDE FIL	0.35 OHM 2 W 5.00% TR	
		R112	LG0RD2200F608	RESISTOR,FIXED CARBON FILM	220 OHM 1/6 W 5% TA26	
		R113	LG0RD2201F608	RESISTOR,FIXED CARBON FILM	2.2K OHM 1/6 W 5% TA26	
		R114	LG0RD1001F608	RESISTOR,FIXED CARBON FILM	1K OHM 1/6 W 5% TA26	
		R115	LG0RN3301F408	RESISTOR,FIXED METAL FILM	3.3K OHM 1/6 W 1% TA26	
		R116	LG0RN2701F408	RESISTOR,FIXED METAL FILM	2.7K OHM 1/6 W 1% TA26	
		R117	LG0RD2700F608	RESISTOR,FIXED CARBON FILM	270 OHM 1/6 W 5% TA26	
		R119	LG0RD1003F608	RESISTOR,FIXED CARBON FILM	100K OHM 1/6 W 5% TA26	
		R131	LG0RD2203F608	RESISTOR,FIXED CARBON FILM	220K OHM 1/6 W 5% TA26	
		R132	LG0RD2203F608	RESISTOR,FIXED CARBON FILM	220K OHM 1/6 W 5% TA26	
		R153	LG0RD4701F608	RESISTOR,FIXED CARBON FILM	4.7K OHM 1/6 W 5% TA26	
		R154	LG0RD1001F608	RESISTOR,FIXED CARBON FILM	1K OHM 1/6 W 5% TA26	
		R155	LG0RD1802F608	RESISTOR,FIXED CARBON FILM	18K OHM 1/6 W 5% TA26	
		R156	LG0RD1002F608	RESISTOR,FIXED CARBON FILM	10K OHM 1/6 W 5% TA26	
		R157	LG0RD1001F608	RESISTOR,FIXED CARBON FILM	1K OHM 1/6 W 5% TA26	
		R158	LG0RD3300F608	RESISTOR,FIXED CARBON FILM	330 OHM 1/6 W 5% TA26	
		R159	LG0RD3300F608	RESISTOR,FIXED CARBON FILM	330 OHM 1/6 W 5% TA26	
		R163	LG0RD4701F608	RESISTOR,FIXED CARBON FILM	4.7K OHM 1/6 W 5% TA26	
		R164	LG0RD4701F608	RESISTOR,FIXED CARBON FILM	4.7K OHM 1/6 W 5% TA26	
		R170	LG0RD1002F608	RESISTOR,FIXED CARBON FILM	10K OHM 1/6 W 5% TA26	
		R171	LG0RD1001F608	RESISTOR,FIXED CARBON FILM	1K OHM 1/6 W 5% TA26	
⚠		IC102	LG657-063A	SENSOR	LTV-817B,PHOTO COUPLER(LITEON)	
⚠		T101	LG6170RNGW12A	TRANSFORMER,SMPS[COIL]	EER3530 SOOJUNG WIDE EER3530	
⚠		V101	LG656-004C	VARISTOR,DRAWING	SVC681D-10A SAMHWA 4.O CUT	
		ZD103	LG0DZ130009AA	DIODE,ZENER	MTZ13A TP ROHM-K	
*** BOARD ASSEMBLY , TIMER ***						
		A49	LG3501R-6413A	BOARD ASSEMBLY	VCR VYC601M TIMER	
		274	LG3300R-V033A	PLATE	VYC601 PRESS JACK GND SUS 0.2T	
		C601	LG0CE1064F638	CAPACITOR,ELECTROLYTIC	10M SRA 16V M FM5 TP(5)	
		C613	LG0CN1020K518	CAPACITOR TUBULA(HIGH DIELE)	1000P 50V K B TA26	
		C614	LG0CN1020K518	CAPACITOR TUBULA(HIGH DIELE)	1000P 50V K B TA26	
		C6G1	LG0CE4775C638	CAPACITOR,FIXED ELECTROLYTIC	470UF SR,SV 6.3V 20% FM5 TP 5	
		C6G2	LG0CE4775C638	CAPACITOR,FIXED ELECTROLYTIC	470UF SR,SV 6.3V 20% FM5 TP 5	
		L5G1	LG0LR4700K035	INDUCTOR RADIAL LEAD	470M K 6X6 L5 TP	
		L602	LG0LA1000K018	INDUCTOR AXIAL LEAD	100M K 2.3X3.4 L5 TP	
		L603	LG0LA1000K018	INDUCTOR AXIAL LEAD	100M K 2.3X3.4 L5 TP	
		IC601	LG0ILNRPY001A	IC,LINEAR	PT6955 PTC 24P SOP ST LED DRIV	
		JK601	LG6612JH003AC	JACK,RCA	BJP-113D BAE EUN YELLOW	
		JK602	LG6612JH003AB	JACK,RCA	BJP-113C BAE EUN WHITE	

HV-DX2SP

S	AL	LOCA. NO.	PART NO.	DESCRIPTION	SPECIFICATION	REMARKS
		JK603	LG6612JH003AA	JACK,RCA	BJP-113B BAE EUN RED	
		LD601	LG6301R2U008B	LED ASSEMBLY	TOS-3664AGMGRMY-B OASIS UNIVE	
		R604	LG0RD5602F608	RESISTOR,FIXED CARBON FILM	56K OHM 1/6 W 5% TA26	
		R605	LG0RD3300F608	RESISTOR,FIXED CARBON FILM	330 OHM 1/6 W 5% TA26	
		R611	LG0RD1501F608	RESISTOR,FIXED CARBON FILM	1.5K OHM 1/6 W 5% TA26	
		R612	LG0RD2701F608	RESISTOR,FIXED CARBON FILM	2.7K OHM 1/6 W 5% TA26	
		R613	LG0RD5601F608	RESISTOR,FIXED CARBON FILM	5.6K OHM 1/6 W 5% TA26	
		R614	LG0RD6800F608	RESISTOR,FIXED CARBON FILM	680 OHM 1/6 W 5% TA26	
		R615	LG0RD8200F608	RESISTOR,FIXED CARBON FILM	820 OHM 1/6 W 5% TA26	
		R616	LG0RD2701F608	RESISTOR,FIXED CARBON FILM	2.7K OHM 1/6 W 5% TA26	
		R641	LG0RD0752F608	RESISTOR,FIXED CARBON FILM	75 OHM 1/6 W 5.00% TA26	
		RC601	LG6712R1638GA	REMOTE CONTROLLER RECEIVER	TSOP1838RF1 VISHAY(TEMIC) 37-	
		SW601	LG556-219B	SWITCH,TACT	THVV502GAA POSTECH DC 12 V 5-	
		SW602	LG556-219B	SWITCH,TACT	THVV502GAA POSTECH DC 12 V 5-	
		SW603	LG556-219B	SWITCH,TACT	THVV502GAA POSTECH DC 12 V 5-	
		SW604	LG556-219B	SWITCH,TACT	THVV502GAA POSTECH DC 12 V 5-	
		SW605	LG556-219B	SWITCH,TACT	THVV502GAA POSTECH DC 12 V 5-	
		SW606	LG556-219B	SWITCH,TACT	THVV502GAA POSTECH DC 12 V 5-	
		SW607	LG556-219B	SWITCH,TACT	THVV502GAA POSTECH DC 12 V 5-	
*** BOARD ASSEMBLY , KEY ***						
		A42	LG3501R-6414A	BOARD ASSEMBLY	VCR VYC601M KEY	
		LED601	LG0DL112000AJ	DIODE,LED	DL-11S2RNS(SUPER,RED,03)KOC	
		LED602	LG0DL112000AJ	DIODE,LED	DL-11S2RNS(SUPER,RED,03)KOC	
		Q601	LG0TR120309AE	TRANSISTOR	SRC1203 TP AUK TO92 22K,22K	
		Q602	LG0TR120309AE	TRANSISTOR	SRC1203 TP AUK TO92 22K,22K	
		R618	LG0RD1201F608	RESISTOR,FIXED CARBON FILM	1.2K OHM 1/6 W 5% TA26	
		R619	LG0RD1501F608	RESISTOR,FIXED CARBON FILM	1.5K OHM 1/6 W 5% TA26	
		R620	LG0RD2201F608	RESISTOR,FIXED CARBON FILM	2.2K OHM 1/6 W 5% TA26	
		R621	LG0RD3301F608	RESISTOR,FIXED CARBON FILM	3.3K OHM 1/6 W 5% TA26	
		R622	LG0RD4701F608	RESISTOR,FIXED CARBON FILM	4.7K OHM 1/6 W 5% TA26	
		R623	LG0RD4701F608	RESISTOR,FIXED CARBON FILM	4.7K OHM 1/6 W 5% TA26	
		R630	LG0RD1500F608	RESISTOR,FIXED CARBON FILM	150 OHM 1/6 W 5% TA26	
		R631	LG0RD1500F608	RESISTOR,FIXED CARBON FILM	150 OHM 1/6 W 5% TA26	
		SW608	LG556-219B	SWITCH,TACT	THVV502GAA POSTECH DC 12 V 5-	
		SW609	LG556-219B	SWITCH,TACT	THVV502GAA POSTECH DC 12 V 5-	
		SW610	LG556-219B	SWITCH,TACT	THVV502GAA POSTECH DC 12 V 5-	
		SW611	LG556-219B	SWITCH,TACT	THVV502GAA POSTECH DC 12 V 5-	
		SW612	LG556-219B	SWITCH,TACT	THVV502GAA POSTECH DC 12 V 5-	
*** DECK ASSEMBLY(VCR) ***						
		A00	LG6721RF0750B	DECK ASSEMBLY,VIDEO	D35(N) DI (4HF, PAL, AHC(O), B	NSP
		A01	LG6723R-0403C	DRUM(CIRC) ASSEMBLY	D35-6CH PAL (8P6C)	
		A03	LG4261R-0025A	ARM ASSY	CLEANER	
		A04	LG4811RF0038A	BRACKET ASSEMBLY	L/D(S)	
		A04	LG4811RF0038B	BRACKET ASSEMBLY	L/D(M) - DI	ALTERNATE
		A11	LG4471R-0005A	GEAR ASSY	P3	
		A12	LG4471R-0004A	GEAR ASSY	P2	
		A21	LG4931R-0047A	HOLDER ASSY	CST	
		A22	LG4471R-0006A	GEAR ASSY	RACK F/L	
		A23	LG4261R-0023A	ARM ASSY	F/L	
		A24	LG4510R-0046A	LEVER	ASSY SWITCH	
		001	LG6723R-0306C	DRUM(CIRC) ASSEMBLY	SUB D35-6CH (8P6C)	NSP
		002	LG4680R-B005A	MOTOR(MECH)	DRUM I20AL05 SEJIN-SANKYO ICLE	
		002	LG4680R-B003B	MOTOR(MECH)	DRUM VH4301 KUMAGAYA DRUM MOTO	ALTERNATE
		002	LG4680R-B007A	MOTOR(MECH)	DRUM MDVC-035AA LGIT FOR D-35,	ALTERNATE
		002A	LG5202R00002C	BRUSH,CARBON	ASSY D33 (TIP+2 SPRING) 1.4,	
		003	LG4930R-0284A	HOLDER	FPC(6CH)	
		004	LG5006R-0034A	CAP	FPC	

S	AL	LOCA. NO.	PART NO.	DESCRIPTION	SPECIFICATION	REMARKS
		006	LG4580R-0004A	ROLLER	CLEANER	NSP
		007	LG4260R-0039A	ARM	CLEANER	NSP
		008	LG6850R-HG18Z	CABLE,FLAT	P=1.25 FFC UL2896(0.05X0.8) 7	
		009	LG4260R-0038A	ARM	T/UP(D35)	
		010	LG4810R-0125A	BRACKET	CHASSIS	
		011	LG4261R-0022A	ARM ASSY	TENSION(D35)	
		012	LG3041R-0037A	BASE ASSY	P2	
		013	LG3041R-0038A	BASE ASSY	P3	
		014	LG3041R-0039A	BASE ASSY	P4	
		015	LG5870R-0005A	OPENER	LID(D35)	
		016	LG3041R-0036A	BASE ASSEMBLY	A/C HEAD (ALPS)	
		017	LG4408R-0003A	REEL	S	
		018	LG4970R-0140A	SPRING	COIL RS D35	
		019	LG4421R-0008A	BRAKE ASSEMBLY	RS	
		020	LG4970R-0128A	SPRING	COIL D35 (TB)	
		021	LG4421R-0006A	BRAKE ASSY	T	
		022	LG6520D00001A	HEAD(CIRC)	D35 FE TDK FE HEAD	ALTERNATE
		022	LG6520D00002A	HEAD(CIRC)	D35 FE ST FE HEAD	
		023	LG3040R-0057A	BASE	LOADING	
		024	LG4261R-0029A	ARM ASSEMBLY	IDLER (N)	
		025	LG4810R-0118A	BRACKET	L/D(S)	NSP
		026	LG4680R-D002A	MOTOR(MECH)	LOADING MDB2B66 SANKYO D35 ASP	NSP
		027	LG4470R-0093A	GEAR	WHEEL	NSP
		028	LG4408R-0004A	REEL	T	
		029	LG4261R-0019A	ARM ASSEMBLY	DECK/MECHA PINCH	ALTERNATE
		029	LG4261R-0019D	ARM ASSEMBLY	DECK/MECHA PINCH	ALTERNATE
		029	LG4261R-0019C	ARM ASSEMBLY	DECK/MECHA PINCH	
		029	LG4261R-0019B	ARM ASSEMBLY	PINCH	ALTERNATE
		030	LG4510R-0043A	LEVER	T/UP	
		031	LG4970R-0123A	SPRING	COIL TENSION(D35)	
		032	LG3141R-0040A	CHASSIS ASSY	D35	NSP
		051	LG4400R-0005A	BELT	CAPSTAN	
		052	LG4680R-A006A	MOTOR(MECH)	CAPSTAN MCV-035AA LGIT BLDC 3	ALTERNATE
		052	LG4680R-A007A	MOTOR(MECH)	CAPSTAN F2QVB06 SANKYO D35 ASR	
		052	LG4680R-A008A	MOTOR(MECH)	CAPSTAN SAMSUNG DMVCMC09L D35	ALTERNATE
		052A	LG4980R-0023A	SUPPORTER	CAPSTAN(D35)	
		054	LG4470R-0100A	GEAR	RACK F/L	
		054A	LG4970R-0124B	SPRING	COIL D35 (RACK F/L)	
		055	LG4470R-0097A	GEAR	DRIVE(D35)	
		056	LG4470R-0096A	GEAR	CAM(D35)	
		058	LG4421R-0007A	BRAKE ASSY	CAPSTAN	
		060	LG4510R-0040A	LEVER	F/R(D35)	
		061	LG4265R-0006A	CLUTCH ASSEMBLY	D35 (N)	
		064	LG4470R-0098A	GEAR	SECTOR(D35)	
		065	LG4261R-0021A	ARM ASSY	P3	NSP
		066	LG4970R-0122A	SPRING	COIL D35	NSP
		067	LG4470R-0095A	GEAR	P3	NSP
		068	LG4470R-0094A	GEAR	P2	NSP
		069	LG4970R-0122A	SPRING	COIL D35	NSP
		070	LG4261R-0020A	ARM ASSY	P2	NSP
		076	LG4510R-0047A	LEVER	SPRING	
		077	LG3300R-M116A	PLATE	SLIDER	
		078	LG4510R-0041A	LEVER	TENSION	
		079	LG3040R-0056A	BASE	TENSION(D35)	
		100	LG3301R-M022A	PLATE ASSEMBLY	TOP	
		100A	LG3300R-0184A	PLATE	GND	
		100B	LG3300R-M118A	PLATE	TOP(D35)	

HV-DX2SP

S	AL	LOCA. NO.	PART NO.	DESCRIPTION	SPECIFICATION	REMARKS
		102	LG4970R-0130A	SPRING	COIL D35 (STOPPER)	
		103	LG4930R-0276A	HOLDER	SIDE(L)	NSP
		105	LG4930R-0274A	HOLDER	CST	NSP
		106	LG4930R-0275A	HOLDER	SIDE(R)	NSP
		107	LG4510R-0044A	LEVER	STOPPER	NSP
		109	LG5870R-0004A	OPENER	DOOR	
		110	LG4260R-0035A	ARM	F/L(L)	NSP
		112	LG3070R-0002A	BODY	F/L	NSP
		113	LG4970R-0127A	SPRING	COIL D35 (F/L(R))	NSP
		114	LG4260R-0036A	ARM	F/L(R)	NSP
		115	LG4510R-0042A	LEVER	SWITCH	
		116	LG4970R-0138A	SPRING	COIL D35 SWITCH	
		117	LG3300R-M137A	PLATE	SPRING CST	
		401	LG1MEC0261518	SCREW MACHINE,PAN HEAD SPR W	D2.6 L4.5 MSWR3/FZY	
		402	LG1MPC0261418	SCREW MACHINE,PAN HEAD	D 2.6 L 4.0 MSWR3/FZY	
		405	LG1SZZR-0031B	SCREW,DRAWING	+ 1 D2.6 L5.8 SWRCH16A/FZY TAP	
		406	LG1MEC0302018	PAN HEAD MACHINE SCREW S/W +	D 3.0 L 6.0 MSWR3/FZY	
		409	LG1SZZR-0032B	SCREW,DRAWING	+ 1 D2.6 L5.0 SWRCH18A/FZY TAP	
		410	LG1APF0262218	SCREW TAP TITE(B),PAN HEAD	D2.6 L6.8 MSWR3/FZY	
		517	LG1WZZR-0004D	WASHER	STOPPER	
		518	LG1WZZR-0004A	WASHER	STOPPER	



SANYO Electric Co.,Ltd.
Osaka, Japan