



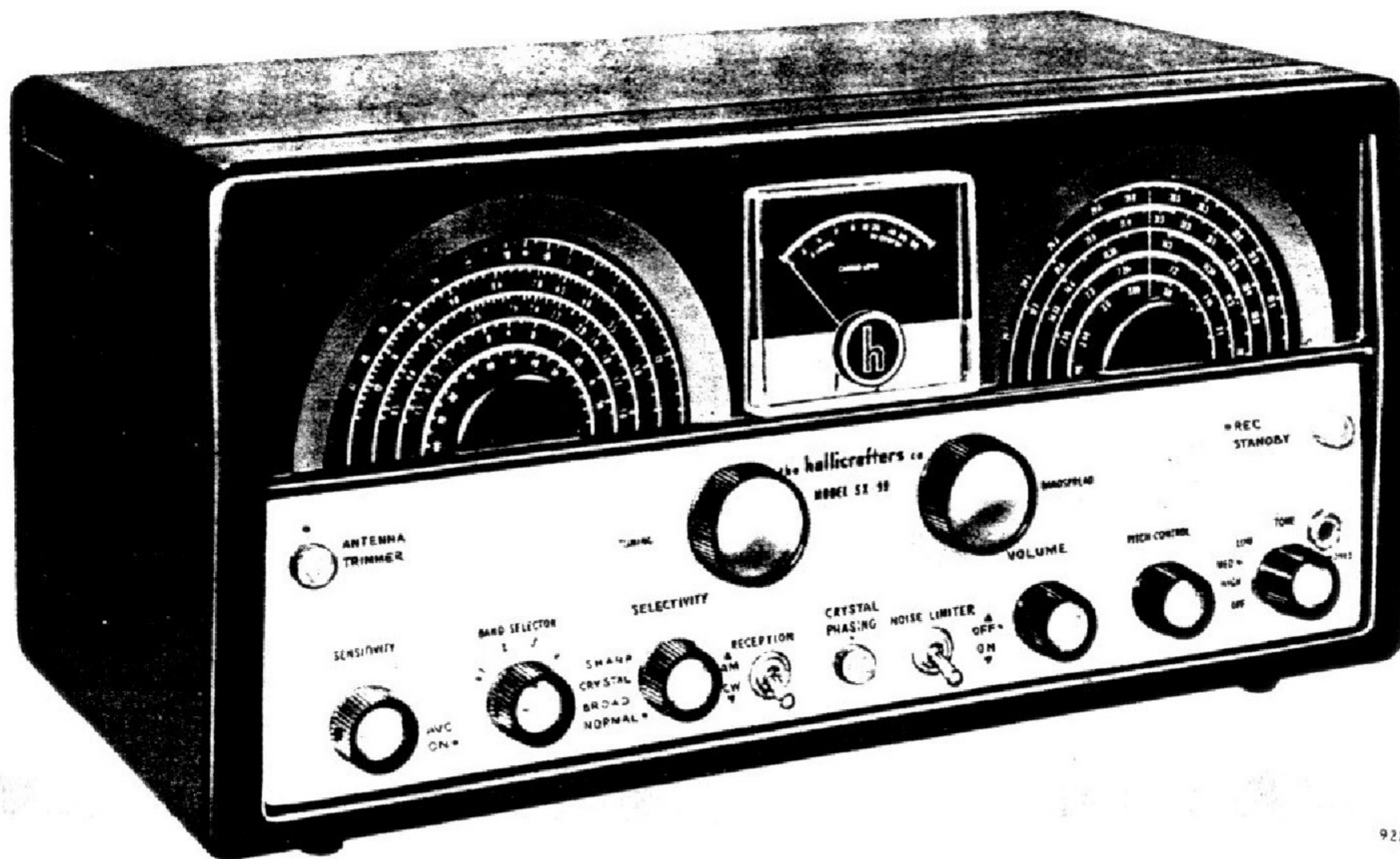
COMMUNICATIONS

**OPERATING AND SERVICE
INSTRUCTIONS**

**MODEL SX-99,
SX-99U
RECEIVER**

the hallicrafters co.

MANUFACTURERS OF RADIO, TELEVISION, AND ELECTRONIC EQUIPMENT, CHICAGO 24, U. S. A.



92x2385

Fig. 1. Model SX-99

SECTION 1. GENERAL DESCRIPTION

Your new Hallicrafters Model SX-99 is a precision built, highly sensitive, communications receiver providing complete coverage in the frequency range of 538 kilocycles to 34 megacycles. Eight tubes, including one rectifier, are employed in the latest superheterodyne circuit and provision is made for the reception of AM or CW signals over the entire tuning range.

For ease and flexibility of operation two large circular dials are provided. One provides the general frequency coverage and the electrical BANDSPREAD control provides a vernier tuning adjustment throughout the entire tuning range of the receiver. The bandspread dial is specifically calibrated for the 80, 40, 20, 15 and 10 meter bands.

For the ultimate in selectivity a variable crystal filter system and crystal phasing control can be peak adjusted to receive those "hard to get signals". In addition an automatic noise limiter circuit can be switched into operation. This combination provides the means of receiving many signals that would be lost in background noise with ordinary receiving equipment.

A new smartly styled "S" meter provides a professional aid for accurate tuning and a means of determining the relative strength of received signals.

Other special features include full range tone control, sensitivity control with provision for the optional use of AVC, a receive - standby switch that permits silencing the receiver while maintaining it ready for instant use without waiting for the tubes to warm up, output connections to match either an external speaker or 500 ohm line and a headphone jack mounted on the front panel. To permit adjustment for optimum performance with a variety of antenna systems a special antenna trimmer control has been included on the front panel.

IMPORTANT

Your careful attention is especially invited to the installation and operating instructions. They have been provided to insure the satisfaction you have a right to expect from any Hallicrafters "Precision Built" product. Your receiver has an unusually high degree of sensitivity necessary to receive weak and distant stations. Careless operation of a high sensitivity receiver may result in excess noise or background hiss. These undesirable effects can be held to a minimum by careful adjustment of the sensitivity, tuning, and tone controls as well as the proper selection and arrangement of the antenna.

SECTION 2. INSTALLATION

2-1. UNPACKING

After unpacking the receiver, examine it closely for damage which may have occurred in transit. Should any sign of damage be apparent, file a claim immediately with the carrier stating the extent of damage. Carefully check all shipping labels and tags for instructions before removing or destroying them.

2-2. LOCATION

The receiver is equipped with rubber mounting feet for table or shelf mounting. When locating the receiver, avoid excessively warm locations such as those near radiators and heating vents. Allow at least one inch of clearance between the back of the receiver and the wall for proper ventilation.

2-3. POWER SOURCE

The SX-99 receiver is designed to operate from a 105-125 volt, 50-60 cycle AC power source. The universal model, the SX-99U, is designed for operation from 110, 130, 150, 220, and 250 volt, 25-60 cycle AC sources. If in doubt about your power source, contact your local power company before plugging in the receiver.

CAUTION: The power selector switch on the SX-99U is located on the top of the power transformer and is accessible by opening the hinged top cover of the cabinet. This switch must be set to correspond with the voltage at the power outlet before plugging in the receiver. Failure to observe this precaution may result in serious damage.

2-4. ANTENNAS

The r-f input of the receiver is designed for operation from either a single-wire antenna, or a half-wave doublet or other tuned antenna with transmission line impedances from 52 to 600 ohms. Antenna connections are made to a three-terminal strip at the rear of the receiver marked "A1", "A2", and "G".

A. SINGLE WIRE ANTENNA

The simplest antenna and one which will provide satisfactory results throughout the entire tuning range is a conventional single-wire antenna. In most localities, good results can be obtained with just the 15-foot length of antenna wire supplied with the receiver. Simply attach one end of this wire to terminal "A1", connect the jumper link between terminals "A2" and "G", and then run the wire about the room in any convenient manner. (See Fig. 2.) If the receiver is operated in a steel constructed building or where receiving conditions are exceptionally poor, an outside antenna, 50 to 100 feet long, may be necessary. The outside antenna should be erected as high as possible and kept free from surrounding objects. In some locations, reception may be improved by connecting a ground wire (ordinary copper wire) from terminal "G" to a cold water pipe or outside ground rod.

B. HALF-WAVE DOUBLET ANTENNA

For top performance, especially on the shortwave and amateur bands, the use of a half-wave doublet or other type of antenna employing a 52 to 600-ohm transmission line is recommended. A typical doublet antenna installation is shown in Fig. 3. The doublet antenna should be cut to the proper length for the most used frequency or band of frequencies. The overall length in feet of a doublet antenna is determined by the following formula:

$$\text{Length in feet} = \frac{468}{\text{Frequency in megacycles}}$$

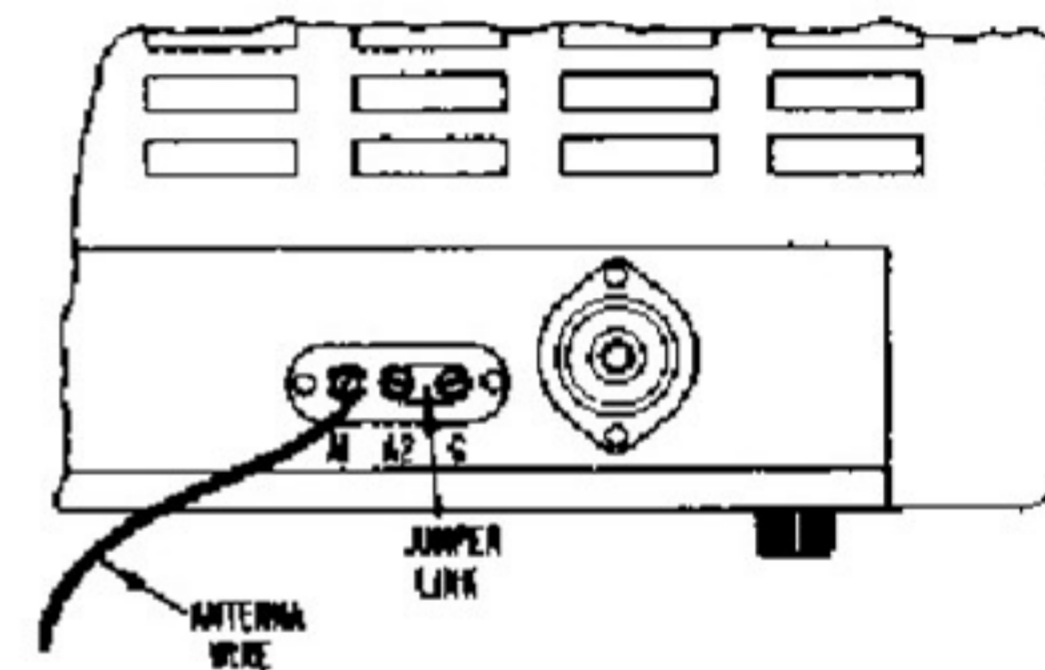


Fig. 2. Single Wire Antenna

92B432-B

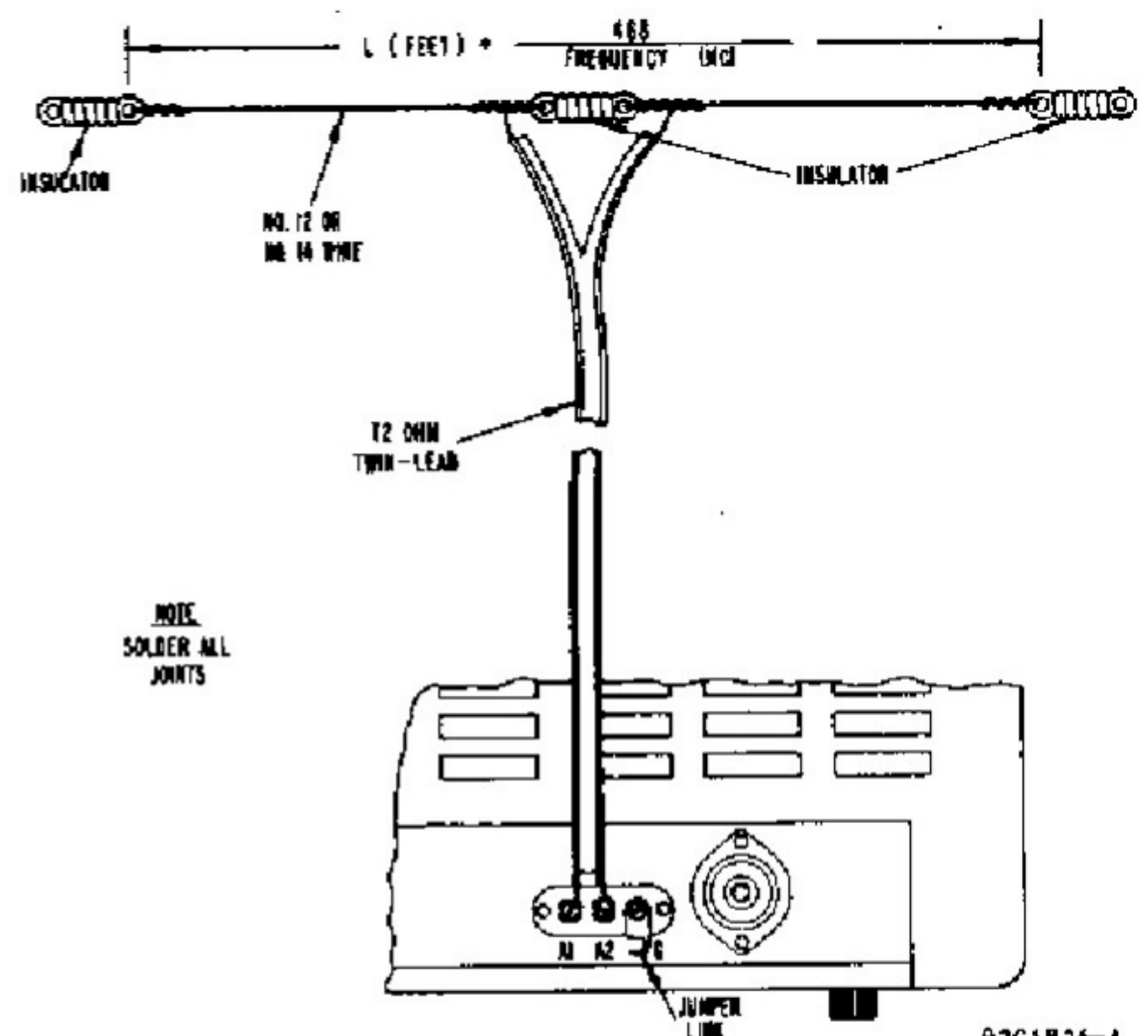


Fig. 3. Doublet Antenna Using Twin-Lead Lead-In

92C1B26-A

When erecting the doublet antenna, it should be remembered that it displays directional properties broadside to its length and should be so oriented with respect to a desired station for maximum signal pickup.

The doublet antenna may be fed with either a balanced or unbalanced transmission line. When a balanced transmission line such as "twin-lead" or a twisted pair is used, the transmission line connects to terminals "A1" and "A2", and the jumper link between terminals "A2" and "G" is disconnected. When using an unbalanced transmission line such as coaxial cable, the inner conductor connects to terminal "A1", the outer braid connects to terminal "A2", and the jumper link connects between terminals "A2" and "G". A ground wire may improve reception when using an unbalanced transmission line.

The doublet antenna provides optimum performance only at the frequency for which it is cut. Therefore, it may be desirable for reception on frequencies remote from the antenna frequency to utilize the antenna as a single wire type. This is accomplished by connecting the two transmission line leads together and connecting them to terminal "A1". The jumper link in this case should be connected between terminals "A2" and "G".

In an installation where the receiver is used in conjunction with a transmitter, it may be advantageous to use the same antenna for receiving as for transmitting. This is especially true when a directive antenna is used since the directive effects and power gain of the transmitting antenna are the same for receiving as for transmitting. Switching of the antenna from the transmitter to the receiver may be accomplished with a double-pole, double-throw antenna changeover relay or knife switch connected in the antenna leads.

For further information regarding antennas, refer to the "Radio Amateur's Handbook" or the "A.R.R.L. Antenna Book", both published by the American Radio Relay League, West Hartford, Conn., U.S.A.

2-5. SPEAKER CONNECTION

Three screw type terminals, marked 3.2, 500 and G, are provided on the rear apron of the chassis for connection to an external 3.2 or 500 ohm speaker. It is recommended that the Hallicrafters R-46 or R-46A speaker be employed.

2-6. HEADPHONES

The headphone jack, marked "Phones", is located on the front panel of the receiver and is wired so that the speaker is automatically disabled when the headphones are plugged in. The headphone output impedance is not critical and any commercial headphones may be used, including crystal types, as no direct current flows in the headphone circuit. For maximum headphone output, the use of high-impedance magnetic (5000 ohms) or crystal phones is recommended.

SECTION 3. OPERATION

Each control of your receiver performs a definite function which contributes to its outstanding reception capabilities. Full appreciation of the receiver is to be expected only after you have become familiar with each of the controls and the effect each control has on the performance of the receiver.

As a special convenience for those not yet familiar with the full advantages of the various controls, the control settings commonly used for broadcast reception are marked with a dot.

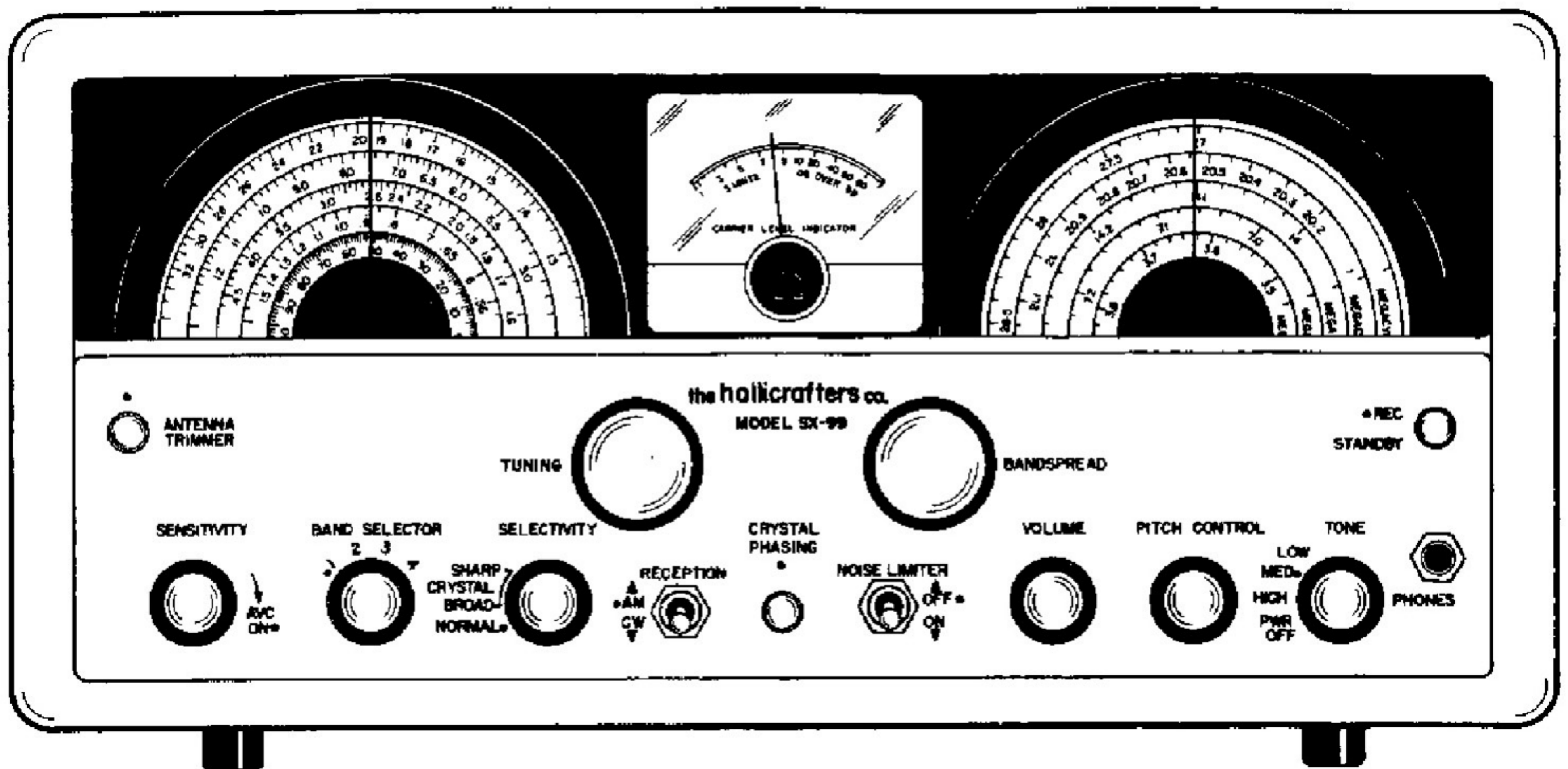
SENSITIVITY Control & AVC Switch — The Sensitivity control is used in combination with the Volume control to regulate the level of receiver output. The Automatic Volume Control circuit is turned "ON" when the Sensitivity control is set to its maximum clockwise position. The AVC switch has a definite "snap type" action and a click will be heard as the "AVC ON" position is reached.

The setting of the Sensitivity control determines the ability of the receiver to pick up weak or distant stations. This control is normally set to the "AVC ON" position when receiving AM signals and at some other position when receiving CW signals. Maximum sensitivity may be used while tuning across the frequency range but if the station selected has too strong a signal excessive background hiss or distortion may be present. If this undesirable effect is produced it can be greatly reduced by turning the Sensitivity control in the counterclockwise direction to a slightly lower setting. If after reducing the sensitivity more volume is needed advance the Volume control. When receiving CW signals a setting of the sensitivity control that is too high will be evidenced by "thumping" (overloading).

BAND SELECTOR Control — The Band Selector control should be set for the band you wish to tune. The four positions of this control correspond to the band numbers at the bottom of the left-hand or main tuning dial.

SELECTIVITY Control — Set this control to the "NORMAL" position. If a greater degree of selectivity is required to overcome noise or separate close signals turn this control to either of the crystal positions as required. It will then be necessary to adjust the Crystal Phasing control. See "USE OF CRYSTAL PHASING CONTROL" for details.

RECEPTION Switch — Set this switch at "AM" to listen to voice broadcasts. Set it at "CW" only if you wish to hear code signals.



9202988

Fig. 4. Operating Controls

USE OF CRYSTAL PHASING CONTROL — This control permits the discrimination of interfering signals whose frequencies are very near the desired signal. To attain single signal reception, first set the **SELECTIVITY** control to either **BROAD CRYSTAL** or **SHARP CRYSTAL**. Choose a strong signal, preferably a commercial station because a commercial station is likely to remain on long enough for you to complete the phasing adjustment for single signal reception.

You will find on tuning across this signal that it has two amplitudes. Turn the **CRYSTAL PHASING** control until the weaker of the two amplitudes is reduced to a minimum. Then, tune to the stronger of the two amplitudes and adjust the **PITCH** control (for c-w reception) to a tone most pleasing to you. This adjustment for single signal selectivity will require no further adjustment unless you change the **CRYSTAL PHASING** control. See Fig. 5 for an illustration of single signal operation.

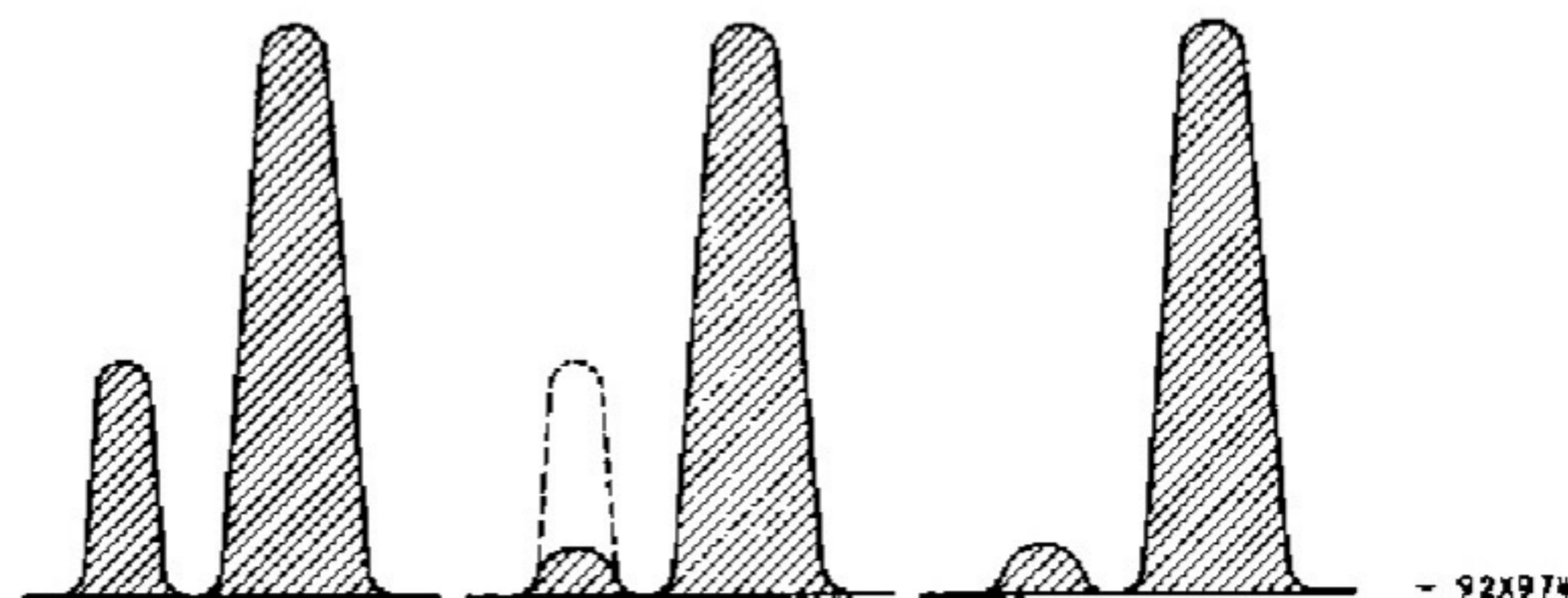


Fig. 5. Single Signal Operation

NOISE LIMITER Switch — This switch should normally be set at "OFF". If severe electrical disturbances, ignition noise, or other types of pulse-type noise interfere with reception, set the switch at "ON" to place the automatic noise limiter circuit in operation.

VOLUME Control — This control is used to regulate receiver volume. Clockwise rotation increases volume; counter-clockwise rotation decreases volume.

PITCH Control — This control is used to vary the pitch of code signals and should be set for the tone most pleasing to the operator. For this control to have any effect, the **RECEPTION** switch must be set at "CW".

TONE Control — The Tone control is a combination receiver on-off switch and 3-position tone control. In the "PWR OFF" position, the receiver is inoperative. To turn the receiver on, simply rotate the control to any of its three remaining positions. For AM reception, set the control for the desired tonal quality. For CW reception, set the control at "LOW".

ANTENNA TRIMMER Control — The Antenna Trimmer control permits tuning of the antenna to provide the best possible reception. Antenna tuning is desirable as the electrical characteristics of any antenna system will vary somewhat over the wide range of frequencies that may be tuned by this receiver. When the receiver is placed in operation this control should be set for maximum signal as indicated on the "S" meter and thereafter may be used as the final tuning adjustment when changing stations.

TUNING and BANDSPREAD Controls — The Tuning and Bandsread controls are used in conjunction with one another to tune in the desired signal. Wide tuning is performed with the Tuning control and fine tuning with the Bandsread control.

Main Tuning Dial. The main tuning or left-hand dial is operated by the Tuning control. This dial has four calibrated scales, one for each of the four frequency bands covered by the receiver. It also contains a 100-division logging scale for accurately logging and relocating stations of special interest. The main tuning dial should be set for the desired station frequency after the Bandsread control has been set fully clockwise (minimum bandsread tuning capacity).

IMPORTANT: The receiver frequency readings or calibration on the main tuning dial will be correct only if the Bandsread control has been set fully clockwise. If it is set at any other setting, the additional bandsread capacity added to the main tuning capacity will throw off the main tuning dial calibration because the receiver has been calibrated with the bandsread tuning capacitor set at minimum.

The dial settings for the 80, 40, 20, 15, and 11-10 meter amateur bands are indicated on the main tuning dial by white dots. When tuning the amateur bands with the bandsread dial, the main tuning dial must be set at the dot corresponding to the desired amateur band. The 160 meter amateur band is indicated on the dial by three short double-weight lines.

Bandsread Dial. The bandsread or right-hand dial is operated by the Bandsread control. This dial contains five scales calibrated for the 80, 40, 20, 15, and 11-10 meter amateur bands. These five scales are calibrated to read receiver frequency directly when the main tuning dial has been set to the index dot of the desired amateur band. For convenience in tuning, the AM phone bands are indicated on the bandsread dial by double-weight lines.

In addition to its use on the amateur bands, the bandsread dial may also be utilized as a fine tuning adjustment over any portion of the receiver tuning range. Two methods of fine tuning are described below.

a. The first method of fine tuning is used when it is desired to tune in a single signal with precision accuracy. First the Bandsread control is set a few degrees from its full clockwise position, then the desired signal is located with the Tuning control, and finally the signal is accurately tuned in by "rocking" the Bandsread control (turning it slightly to the left and right) until the signal is loudest and clearest.

b. The second method of fine tuning is used when it is desired to tune through a group of signals. With the Bandsread control set fully clockwise, adjust the Tuning control to tune in the highest-frequency signal in the group. The other signals can then be heard by slowly turning the Bandsread control in a counterclockwise direction.

STANDBY-REC Switch — This switch, normally set at "REC", permits you to silence the receiver without turning it off. To silence the receiver, set the switch at "STANDBY". In this position, the r-f and i-f stages are cut off but the tube heaters remain at operating temperature for instant use. To resume reception at any time, simply return the switch to the "REC" position.

USE OF THE "S" METER — The "S" meter is normally useful only when the Sensitivity control is set to the "AVC ON" position. Sharp accurate tuning can be easily accomplished by carefully observing the meter and tuning for maximum indication. The meter is calibrated in "S" units and db over S-9. The calibration serves as a method of comparing the relative strength of received signals.

SERVICE OR OPERATING QUESTIONS — For any further information regarding operation or servicing of your receiver, contact your Hallicrafters dealer. The Hallicrafters Co. maintains an extensive system of authorized service centers where any required service will be performed promptly and efficiently at a nominal charge. All Hallicrafters Authorized Service Centers display the sign shown at the right. For the location of the one nearest you, consult your dealer or telephone directory.

The Hallicrafters Co. reserves the privilege of making revisions in current production of equipment and assumes no obligation to incorporate these revisions in earlier models.



92X1401-C

SECTION 4.

SERVICE DATA

4-1. TECHNICAL SPECIFICATIONS

TUBES: Eight including rectifier
 HEADPHONE OUTPUT: High impedance
 (See Par. 2-6, Page 4)
 ANTENNA INPUT: For single wire or 52-600
 ohm balanced or unbalanced line.
 POWER SOURCE:
 Model SX-99 . . .105-125 volts, 50-60 cycles AC
 Model SX-99U . .100-250 volts, 25-60 cycles AC
 POWER CONSUMPTION: 75 watts
 RECEPTION: AM and CW
 INTERMEDIATE FREQUENCY: 455 KC
 AUDIO OUTPUT IMPEDANCEMatches 3.2 ohms
 or 500 ohms
 DIMENSIONS . . 18 3/4" wide x 10 3/4" deep x 9" high
 WEIGHT, Net 28 lbs., 4 oz.
 WEIGHT, Shipping 32 lbs.

FREQUENCY COVERAGE

Band	Frequency Range	Calibrated Band Spread
1	.538 - 1.6 MC	-
2	1.55 - 4.6 MC	80M
3	4.6 - 13.0 MC	40M
4	12.0 - 34.0 MC	20, 15, and 11-10M

4-2. TUBE and DIAL LAMP REPLACEMENT

To gain access to the tubes and dial lamps, raise the hinged top cover of the cabinet. The tube locations, as well as their functions, are shown in Fig. 7.

4-3. CHASSIS REMOVAL

The chassis and front panel assembly are removable from the cabinet as a unit by removing the two screws at each side of the front panel and the six screws on the underside of the cabinet. When removing the chassis from the cabinet, care should be taken not to damage the brass adjusting screws on the oscillator slugs (L-7-9-9-10). Refer to Figure 8 for location.

4-4. "S" METER ADJUSTMENTS

MECHANICAL ADJ. - Turn the receiver "OFF". Directly below the "S" meter on the front panel is a round metal medallion that is pivoted so that it may be rotated to provide access to the "S" meter adjusting screw. Carefully rotate this adjustment until the pointer is in line with the right index mark on the dial scale.

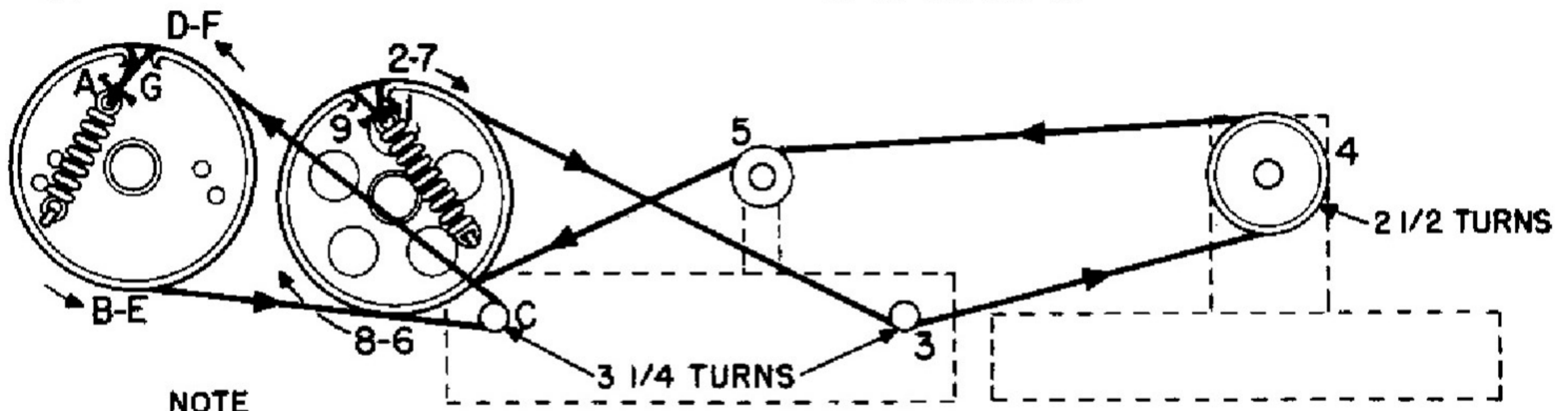
ELECTRICAL ADJ: -

1. Short the antenna terminals to the chassis.
2. Set the RECEIVE/STANDBY at "RECEIVE", RECEPTION switch at "AM". SENSITIVITY switch fully clockwise (AVC ON) position, and the NOISE LIMITER switch at "OFF".
3. Turn the receiver on and turn the "S" meter adjustment, that is located on the rear apron of the chassis (see fig. 7), until the pointer indicates zero.

4-5. DIAL CORD RESTRINGING

To restring the tuning or bandspread dials, first remove the front panel from the cabinet by removing the control knobs, the two toggle switches and the Phones jack and sensitivity control mounting nuts, the two screws at each side of the front panel, and the three screws on the underside of the front panel. Then remove the tuning dials to gain access to the drive pulleys. For stringing details, refer to Fig. 6. Note that stringing is done with the tuning and bandspread gangs fully meshed. After stringing is completed, cut off the excess dial cord and apply a drop of quick drying cement to the knots.

With the tuning and bandspread gangs fully meshed, replace the dials so that the index marks at the low frequency end of the dial are in line with the hairline on the dial window.



NOTE
 MAIN TUNING & BANDSPREAD
 GANGS FULLY CLOSED.

Fig. 6. Dial Cord Stringing Diagram

SECTION 5. ALIGNMENT

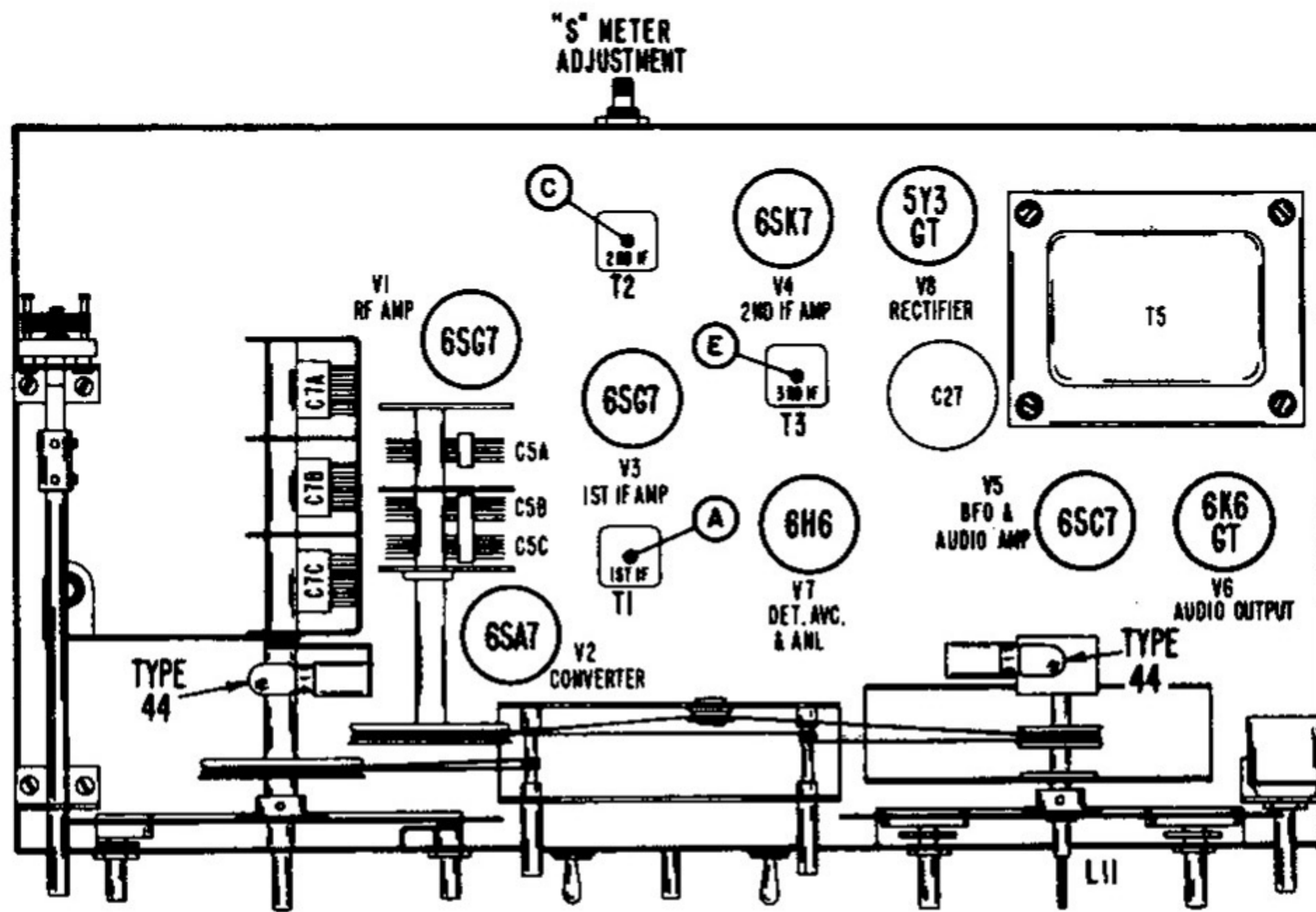
This receiver has been carefully aligned at the factory by specially trained personnel using precision equipment. Alignment of the receiver should not be attempted until all other possible causes of faulty operation have been investigated. Alignment should not be required unless the receiver has been tampered with or component parts have been replaced in the r-f or i-f stages. Alignment should only be made by persons familiar with communications receivers and experienced in their alignment. Refer to Figs. 7 and 8 for location of all alignment adjustments.

5-1. EQUIPMENT REQUIRED

1. Signal generator covering 455 KC to 28 MC.
2. Output meter (or AC scale of VTVM). Connect meter from 500 ohm speaker terminal to ground.
3. Non-metallic alignment tool.
4. Standard RTMA dummy antenna shown in Fig. 9.
5. 0.02 mfd. capacitor

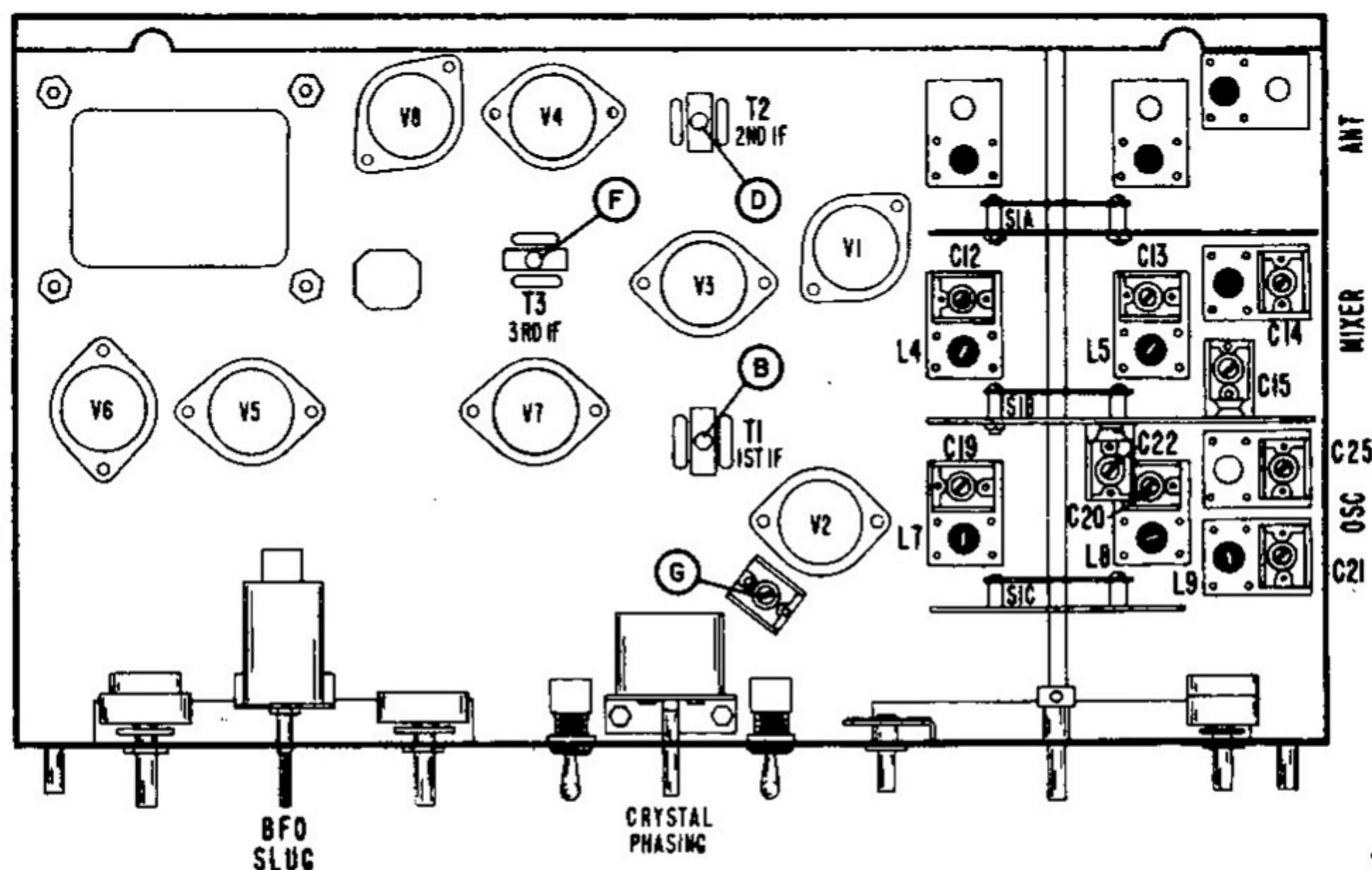
5-2. INITIAL CONTROL SETTINGS

- Sensitivity Maximum but with AVC off
 Volume Maximum
 Noise Limiter Off
 Standby-Receive Receive
 Tone High
- Other controls to be set as indicated by the alignment chart.



92C2386

Fig. 7. Top View of Chassis Showing Tube Locations and Alignment Adjustments

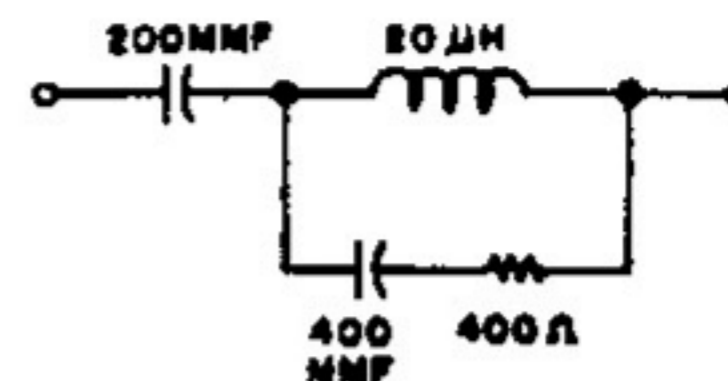


92D2387

Fig. 8. Bottom View of Chassis Showing Tube Locations and Alignment Adjustments

5-3. ALIGNMENT PROCEDURE

- The local oscillator frequency is higher than the signal frequency on bands 1, 2, and 3, and lower than the signal frequency on band 4.
- RF alignment can be made with chassis in cabinet. Holes in bottom of cabinet provide access in all RF adjustments.
- For IF alignment, remove chassis from cabinet.
- Use just enough generator output to maintain a 500 milliwatt reading on the output meter



92A1549

Fig. 9. RTMA Dummy Antenna

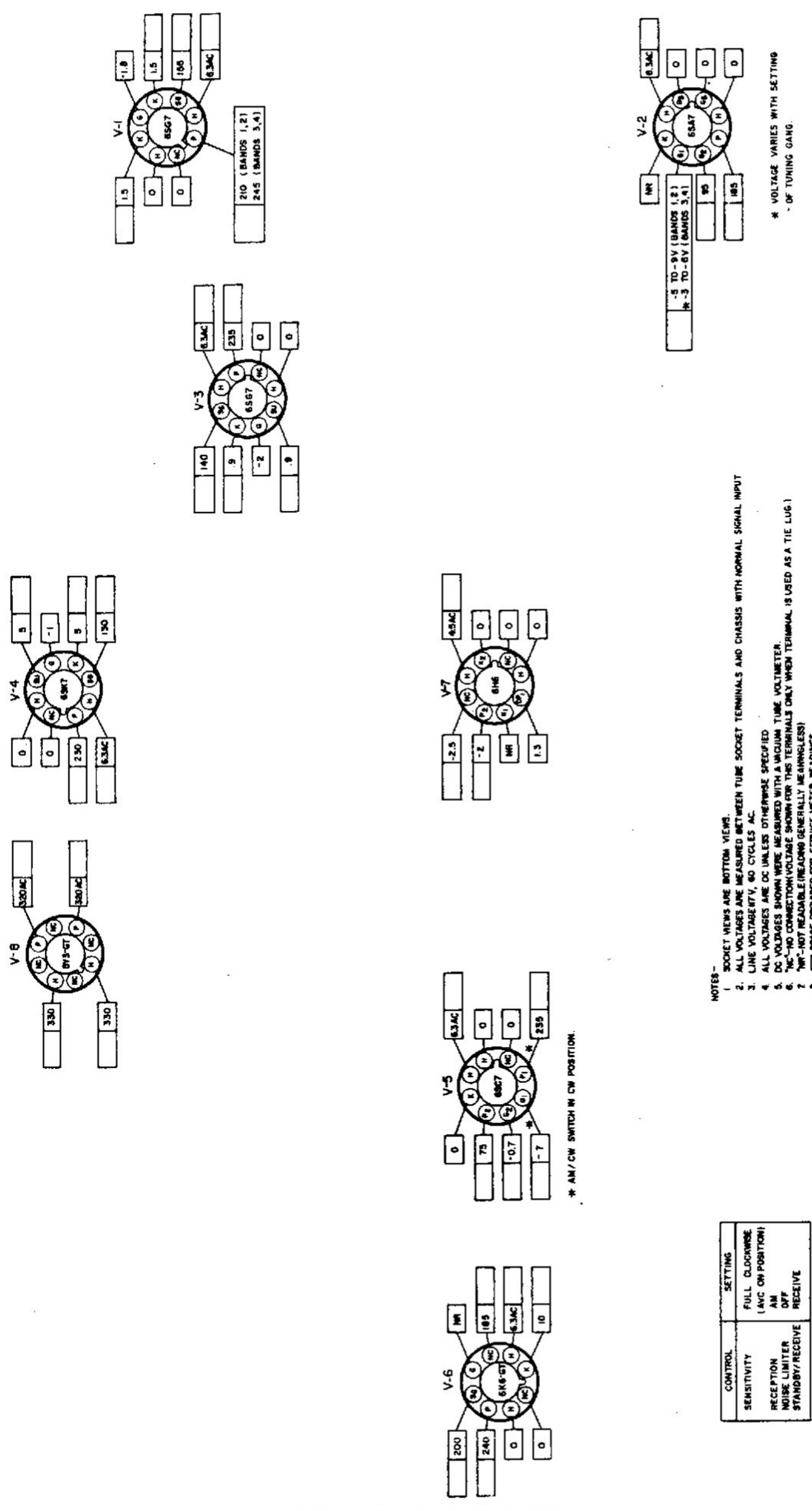
IF ALIGNMENT

Step	Signal Generator Coupling	Signal Gen. Frequency	Receiver Control Settings	Receiver Dial Settings	Adjust	Remarks
*1	Connect gen. to stator of gang (center section) through a .02 mfd. capacitor.	455 KC No Modulation	BAND SELECTOR at 2. SELECTIVITY SWITCH at BROAD CRYSTAL. RECEPTION switch at CW.	Tuning: 50 on logging scale Bandspread: 30 on outer scale	BFO Slug	Remove PITCH control knob and set shaft for a zero beat. Do not replace knob.
*2	Same as Step 1	455 KC (approx.) No Modulation	Adjust PITCH for a 400-1000 cycle note. Other controls same as Step 1.	Same as Step 1	A	While turning the slug very slowly in one direction, slowly "rock" the signal generator. As the adjustment passes through the response of the crystal filter, the output goes through a maximum, dips down, and starts going up again. The correct setting of this slug is in the center of the observed dip. A swishing note, in contrast to the sharp crystal tone will be apparent when the correct adjustment has been reached.
<p>*NOTE: The crystal filter I-F transformer secondary winding (adjustment A) is carefully adjusted at the factory to the frequency of the crystal. A signal generator which may be accurately set to within .25 KC of any frequency between 450 to 460 KC is required to make this adjustment. Since the average service signal generator will not meet this requirement, DO NOT attempt to make this adjustment unless a suitable signal generator is available. Start the I-F alignment with Step 3 when a standard type of signal generator is used.</p>						
3	Same as Step 1	Crystal Frequency	SELECTIVITY SWITCH at SHARP CRYSTAL. Other controls same as Step 1.	Same as Step 1	Signal Generator	Adjust the generator frequency for maximum output. This will be the exact frequency of the crystal. A slight reduction in output will be noted when switching from BROAD to SHARP CRYSTAL.
4	Same as Step 1	Same as Step 3	Same as Step 1	Same as Step 1	BFO slug	Rotate shaft of PITCH control until a zero beat is obtained. Replace knob with zero in line with the panel index mark.
5	Same as Step 1	Same as Step 3 (Modulated)	SELECTIVITY SWITCH at NORMAL, RECEPTION switch at AM. Other controls same as Step 1.	Same as Step 1	B C D E F G	Maximum output Maximum output Maximum output Maximum output Maximum output Repeat above steps for maximum gain.

R-F, MIXER, & OSCILLATOR ALIGNMENT

The following adjustments are made with VOLUME, TONE, and SENSITIVITY controls fully clockwise, but with AVC off, NOISE LIMITER switch at OFF, SELECTIVITY switch at NORMAL, and RECEPTION switch at AM. Refer to Fig. 8 for location of all adjustments.

Step	Signal Generator Coupling	Receiver Dial Settings	Band Selector Setting Band	Adjust	Remarks
6	High side thru RTMA dummy antenna (Fig. 9) to antenna terminal "A1"; low side to "A2". Jumper between "A2" and "G".	Tuning: 28.0 MC Bandspread: 30 on Outer scale.	4	C19 (osc. trimmer) C12 (mixer trimmer)	Adjust for maximum output
		Tuning: 14.0 MC Bandspread: 30 on Outer Scale	4	L7 (osc. slug), L4 (mixer slug)	Same as Step 6
7	Same as Step 6	Tuning: 11.0 MC Bandspread: 30 on Outer Scale	3	C20 (osc. trimmer), C13 (mixer trimmer)	Same as Step 6
		Tuning: 5.1 MC Bandspread: 30 on Outer Scale	3	L8 (osc. slug), L5 (mixer slug)	Same as Step 6
8	Same as Step 6	Tuning: 4.0 MC Bandspread: 30 on Outer Scale	2	C21 (osc. trimmer), C14 (mixer trimmer)	Same as Step 6
		Tuning: 1.8 MC Bandspread: 30 on Outer Scale	2	L9 (osc. slug)	Same as Step 6.
9	Same as Step 6	Tuning: 1.4 MC Bandspread: 30 on Outer Scale	1	C22 (osc. trimmer), C15 (mixer trimmer)	Same as Step 6
		Tuning: .6 MC Bandspread: 30 on Outer Scale	1	C25 (osc. padder)	Same as Step 6.



- NOTES -
1. SOCKET VIEWS ARE BOTTOM VIEWS.
 2. ALL VOLTAGES ARE MEASURED BETWEEN TUBE SOCKET TERMINALS AND CHASSIS WITH NORMAL SIGNAL INPUT.
 3. LINE VOLTAGE 115V, 60 CYCLES AC.
 4. ALL VOLTAGES ARE DC UNLESS OTHERWISE SPECIFIED.
 5. DC VOLTAGES SHOWN WERE MEASURED WITH A VACUUM TUBE VOLTMETER.
 6. "AC" - NO CONNECTION/VOLTAGE SHOWN FOR THIS TERMINAL IS USED AS A TIE LUG.
 7. "NR" - NOT READABLE (READING GENERALLY MEANINGLESS).
 8. □ SPACE PROVIDED FOR SERVICE METER READINGS.

CONTROL	SETTING
SENSITIVITY	FULL CLOCKWISE (AVC ON POSITION)
RECEPTION	AM
NOISE LIMITER	OFF
STANDBY/RECEIVE	RECEIVE

FRONT APRON
 BOTTOM VIEW OF CHASSIS

Fig. 10. Voltage Chart

SERVICE PARTS LISTS

Schematic Symbol	Description	Hallicrafters Part Number
CAPACITORS		
C-1	3-25 mmfd. air trimmer; Antenna Trimmer Control	48A182
C-5	Variable capacitor, 3 section; bandspread tuning (pulley included)	48C342
C-7	Variable capacitor, 3 section; main tuning (pulley included)	48C341
C-8, 35, 58, 60, 65	0.047 mfd. 20% 200 V.; molded paper	46BR473L2
C-9, 28	0.047 mfd. 20% 600 V.; molded paper	46BR473L6
C-10	22 mmfd. 20% 500 V.; ceramic	47X20UK220M/D
C-11	2.2 mmfd. neutralizing	47A160-4
C-12	4-80 mmfd.; mica trimmer	44A395
C-13	3-30 mmfd.; mica trimmer	44A396
C-14	1.5 -15 mmfd.; mica trimmer	44B147
C-15, 22	2-20 mmfd.; mica trimmer	44A191
C-16	390 mmfd. 10% 500 V.; mica	47X20B391K
C-17, 53, 56	0.01 mfd. 600 V.; molded paper	46BR103L8
C-18	150 mmfd. 5% 500 V.; mica	47X20C151J
C-19	4-70 mmfd.; mica trimmer	44A149
C-20, 21	2-30 mmfd.; mica trimmer	44A148
C-23	3300 mmfd. 5% 500 V.; molded mica	47X30C332J
C-24	1500 mmfd. 2% 500 V.; mica	47X30C152G
C-25	320-520 mmfd.; mica padder	44A394
C-26	2-30 mmfd.; Crystal I-F trimmer	44A047
C-27	30-10-10 mfd. 450 V.; electrolytic	45A082
C-29, 33	220 mmfd. 10% 500 V.; mica	47X20B221K
C-30	3-25 mmfd.; Crystal phasing trimmer	48A351
C-31, 43, 45, 48, 63	0.022 mfd. 20% 600 V.; molded paper	46BR223L6
C-32, 44, 55	270 mmfd. 10% 500 V.; mica	47X20B271K
C-36	10 mmfd. 10% 500 V.; ceramic	47X20UK100K
C-38	2 mmfd.; wire gimmick	- - - - -
C-39	0.1 mfd. 20% 600 V.; molded paper	46BR104L8
C-41, 42	47 mmfd. 20% 500 V.; mica	47X20B470M
C-47	0.0022 mfd. 20% 1000 V.; molded paper	46BR222L10
C-52	0.02 mfd. 500 V.; ceramic disc	47A242
C-54	470 mmfd. 5% 500 V.; mica	47X20B471J
C-57	0.001 mfd. 10% 500 V.; mica	47X25B102K
C-61	0.22 mfd. 20% 200 V.; molded paper	46BR224L2
C-64	10 mfd. 25 V.; electrolytic	45A121

* RESISTORS

R-1, 61	1 megohm, 1/2 Watt	23X20X105K
R-2	120 ohms; 1/2 Watt	23X20X121K
R-3	10,000 ohms, variable; Sensitivity control	25B607
R-4, 31	22 ohms, 1/2 Watt	23X20X220K
R-5	39,000 ohms, 1 Watt	23X30X393K
R-6, 26	6800 ohms, 1 Watt	23X30X682K
R-7, 28	22,000 ohms, 1/2 Watt	23X20X223K
R-8	10,000 ohms, 2 Watt	23X40X103K
R-9	2200 ohms, 1/2 Watt	23X20X222K
R-10	12,000 ohms, 4 Watts W.W.	24A1082
R-11	470 ohms, 1/2 Watt carbon	23X20X471K
R-12	2.2 megohms, 1/2 Watt	23X20X225K
R-13	68 ohms, 1/2 Watt	23X20X680K
R-14	47,000 ohms, 1/2 Watt	23X20X473K
R-15, 29	100,000 ohms, 1/2 Watt	23X20X104K
R-16	560 ohms, 1 watt	23X30X561K
R-17	500 ohms, variable; "S" meter adjustment	25C022
R-18, 65	1000 ohms, 1/2 Watt	23X20X102K
R-19	27,000 ohms, 1 Watt	23X30X273K
R-20	500,000 ohms, variable; Volume control	25A534
R-21	150 ohms, 1/2 Watt	23X20X151K
R-22, 60	270,000 ohms, 1/2 Watt	23X20X274K
R-23	470,000 ohms, 1/2 Watt	23X20X474K
R-24	270 ohms, 1 Watt	23X30X271K
R-25	15,000 ohms, 1 Watt	23X30X153K
R-27	47,000 ohms, 1 Watt	23X30X473K
R-30, 68	10 ohms, 1/2 Watt	23X20X100K
R-32	1500 ohms, 10 Watt, wirewound	24BG152E
R-33	15 megohms, 1/2 Watt	23X20X156K
R-34	10,000 ohms, 1/2 Watt	23X20X103K
R-35	27 ohms, 1/2 Watt	23X20X270K
R-62	560,000 ohms, 1/2 Watt	23X20X564K
R-63	6.8 ohms, 1 Watt	23X30X068K
R-64	330 ohms, 1/2 Watt	23X20X331K
R-66	15,000 ohms, 1 Watt	23X30X153K
R-67	330,000 ohms, 1/2 Watt	23X20X334K

*All resistors are 10% carbon type unless otherwise specified.

** COILS AND TRANSFORMERS

Coil, antenna		
L-1, C-1	Band 4	51B1939
L-2, C-2	Band 3	51B1938
L-3, C-3	Bands 1 and 2	51B1937
Coil, mixer		
L-4, C-12	Band 4	51B1905
L-5, C-13	Band 3	51B1906
L-6, C-14	Bands 1 and 2	51B1904

Schematic Symbol	Description	Hallicrafters Part Number
** COILS AND TRANSFORMERS		
Coil, oscillator		
L-7, C-19	Band 4	51B1900
L-8, C-20	Band 3	51B1899
L-9, C-21	Band 2	51B1898
L-10, C-25	Band 1	51B1897
L-11	Coil, BFO	54B051
T-1	Transformer, 1st Crystal	50C656
T-2	Transformer, 2nd I-F	50C657
T-3	Transformer, IF; detector stage	50C242
T-4	Transformer, audio output	55B265
T-5	Transformer, power for Model SX-99	52A209
	for Model SX-99U	52C210

**Coils L-4 thru L-10 are supplied complete with trimmer capacitor. Trimmers are also available separately. See "Capacitors".

SWITCHES

S-1	Switch wafer, Band Selector:	
S-1A	antenna stage	60B389
S-1B	mixer stage	62B039
S-1C	oscillator stage	62B044
S-2	Switch, Rotary; Standby-Receive	60B682
S-3	Switch, SPST toggle, Noise Limiter	60A689
S-4	Switch, rotary; Pwr Off-Tone Detent and shaft for Band Selector switch	60A225
		60B392
S-5	Switch, AVC, part of R-3	- - - -
S-6	Switch, spst toggle; BFO	60A138
S-7	Switch, Selectivity	60B681

PLUGS AND SOCKETS

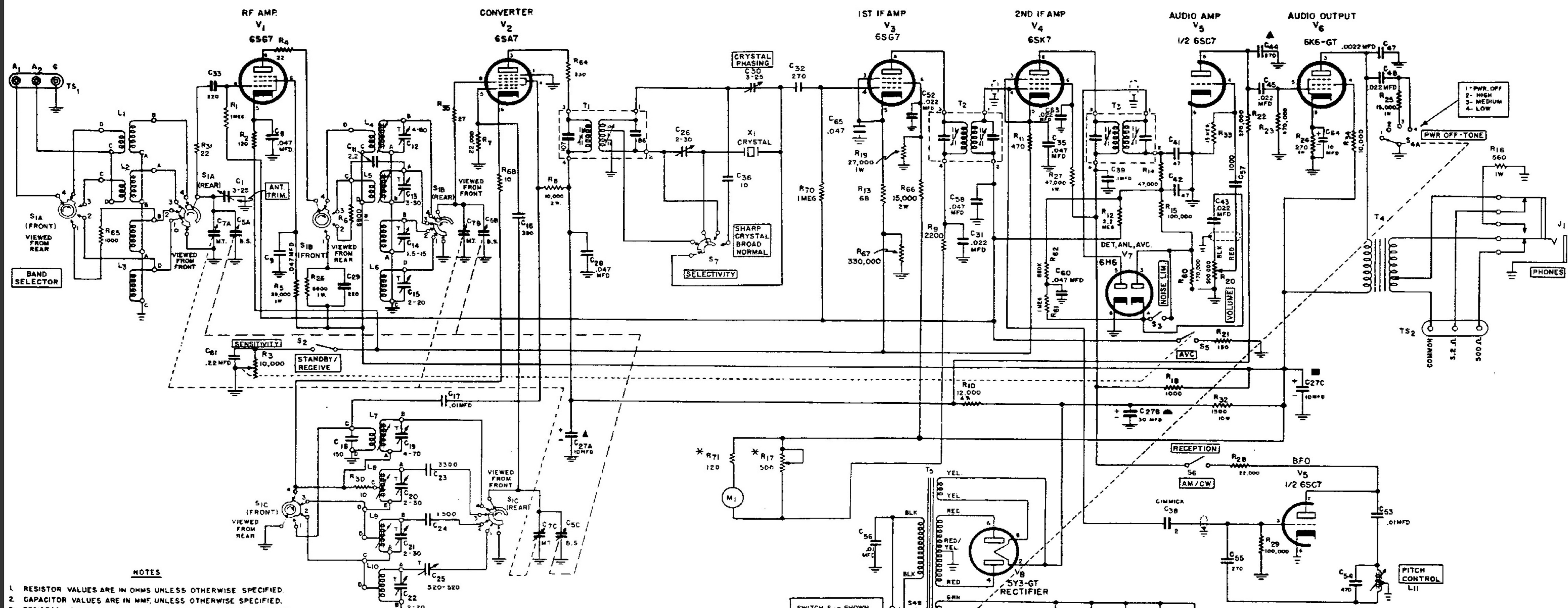
J-1	Jack, Phones	36B048
PL-1	Line cord and plug assembly	87B1573
	Socket, dial lamp (with lead)	86B049
	Socket, tube: octal	6A250

TUBES AND DIAL LAMPS

V-1	6SG7; RF amplifier	90X6SG7
V-2	6SA7; converter	90X6SA7
V-3	6SG7; 1st I-F amplifier	90X6SG7
V-4	6SK7; 2nd IF amplifier	90X6SK7
V-5	6SC7; BFO and audio amplifier	90X6SC7
V-6	6K6GT; audio output	90X6K6GT
V-7	6H6; detector, ANL, and AVC	90X6H6
V-8	5Y3GT; rectifier	90X5Y3GT
LM-1, 2	Lamp, dial; type 44	39A003

MISCELLANEOUS

	Cabinet bottom section	66D1074
	Cabinet top cover	66D1110
	Cabinet front panel (Mark 1B & 1C only)	68E378
	Cabinet front panel (Mark 1D Only)	68E614
	Clip, mtg.; for T-1, T-2, and T-3	76A385
X-1	Crystal	19A123
	Dial cord (specify length)	38A026
	Dial, bandspread	83D489
	Dial, tuning	83D488
	Foot, mounting; rubber	16A007
	Grommet, rubber	
	tuning gang front mtg.	16A034
	tuning gang rear mtg.	16A014
	Knob, Band Selector, Selectivity, and Pwr. Off-Tone Sensitivity and Volume	15B791
	Knob, Pitch Control	15B788
	Knob, Tuning and Bandspread	15B802
	Knob, Standby-Receive, Crystal Phasing, Antenna Trimmer	15B835
	Lock, line cord	
	male section	76A397-1
	female section	76A397-2
	Pulley, 1-1/8" string dia.	28A200
M-1	"S" meter assembly complete	82D283
	"S" meter front cover only, clear plastic	82C2812
	"S" meter medallion "h" only	7A592
	Snap-in trimount	5A006
	Spacer, bakelite; .156" id, 1/2" od, 1/4" th	8A723
	Spring, dial cord tension	75A012
TS-1	Terminal strip, antenna	88A032
TS-2	Terminal strip, audio output	88A578
	Knob, Standby-Receive, Crystal Phasing Antenna Trimmer	15B835
	Tuning slug for mixer, and oscillator coils	77A068
	Washer, spring type; 27" id, .495" od	4A043
	Washer, spring type; 3/16" id, 3/8" od	4A1557
	Window, bandspread dial (Mark 1B & 1C Only)	22B432
	Window, tuning dial (Mark 1B & 1C Only)	22B427
	Window, bandspread dial	22B565
	Window, main tuning dial	22B562



NOTES

1. RESISTOR VALUES ARE IN OHMS UNLESS OTHERWISE SPECIFIED.
2. CAPACITOR VALUES ARE IN MMF UNLESS OTHERWISE SPECIFIED.
3. RESISTOR RATINGS ARE 1/2 WATT UNLESS OTHERWISE SPECIFIED.
4. BAND SELECTOR SWITCH S-1 SHOWN IN BAND 4 POSITION.

VALUES AND TOLERANCES SHOWN ARE NOMINAL AND VARIATIONS MAY BE FOUND. IT IS RECOMMENDED THAT THE VALUE OF ANY REPLACEMENT CORRESPOND TO THE NOMINAL VALUE OF THE PART BEING REPLACED.

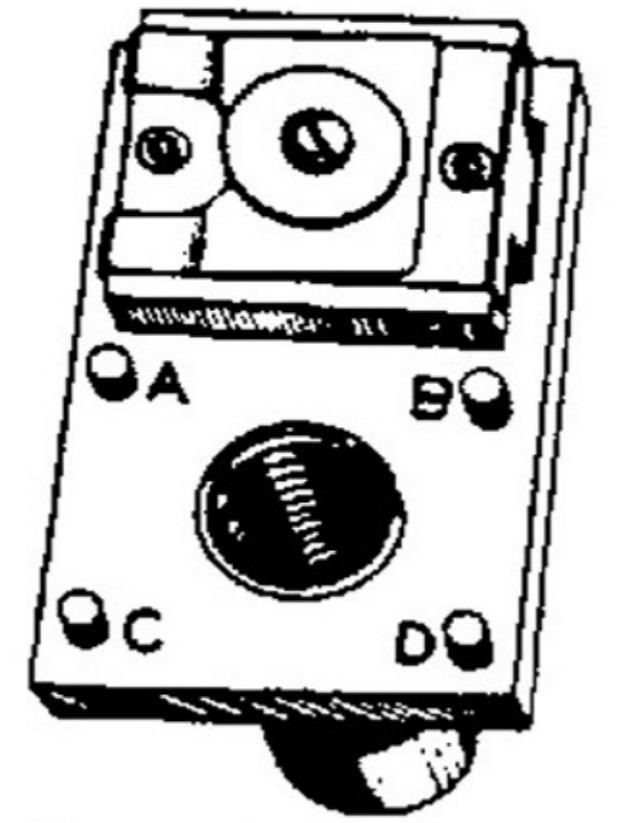
***"S" METER ZERO ADJUSTMENT**

Alternate values of resistance were used in some receivers for R-17 ("S" meter zero adjustment) and R-71. (The associated current limiting resistor.) The alternate values were as follows:

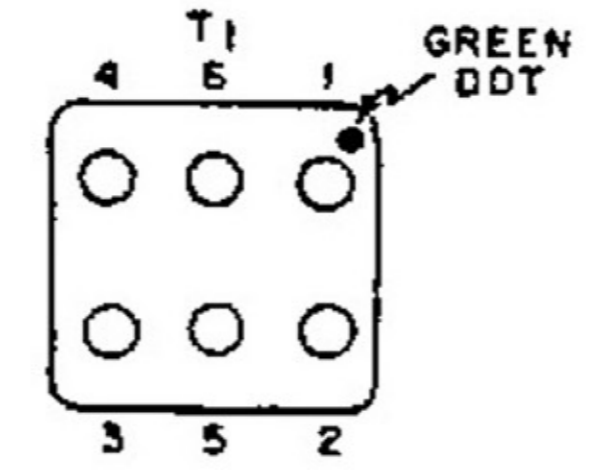
SYMBOL	VALUE	HALLICRAFTERS PART NUMBER
R-17	200 ohms	25B714
R-71	56 ohms	23X20X560K

Either the alternate values or the original values as shown in your service parts list may be used for replacement. It is important however that if one of the alternate values is used the other must also be used.

▲ C-44 is deleted on Mark I-C chassis.



REPRESENTS COILS L1 TO L10



SWITCH S4B SHOWN IN POSITION 1. SWITCH IS CLOSED IN POSITIONS 2, 3 & 4.

89E641-D

MODELS SX-99 & SX-99U
Mark IB & IC