



GC-30 GAS CADDY

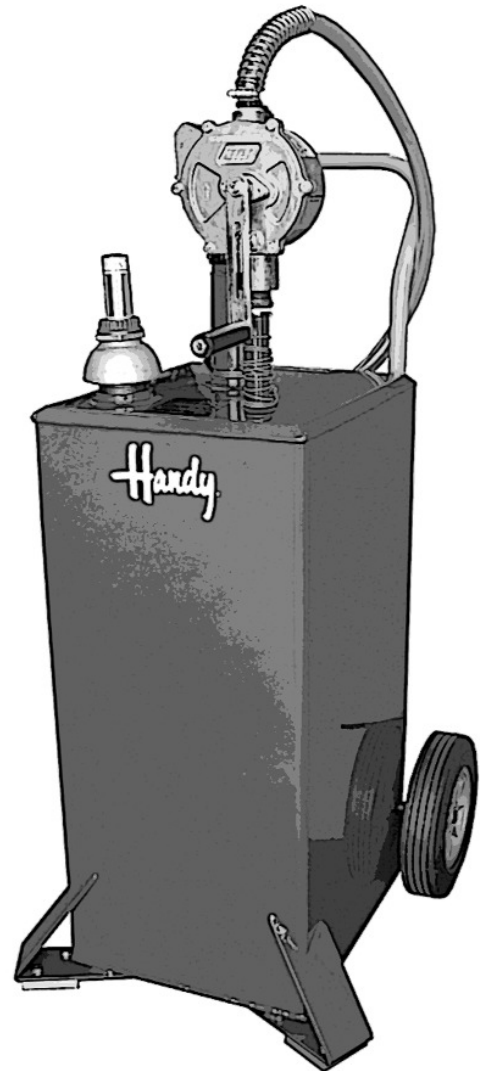
INSTRUCTIONS • PARTS DRAWING • PARTS LIST

ITEM # 12652



ASSEMBLY

1. Remove all packaging and check carefully for concealed shipping damage.
2. Take the handle arm and place on pump with slot end on pump shaft. The use supplied nut and tighten securely. Take the black handle and bolt, and thread into handle and arm far enough that there is thread sticking through the backside and use supplied nut on backside of handle arm to lock black handle in place. Remove the red plugs from pump and insert steel hex bushing into bottom side of pump. Be sure to apply teflon tape to the threads of hex bushing.
3. Slide wheels onto axle and snap on the retaining rings.
4. Install pump and hose. Refer to parts illustration.
5. If desired, mount caddy identification label (Unleaded, Gasoline, Diesel or Mixed Fuels) on front or side of caddy.
6. Always have ground wire clamp attached to a known ground.



Note: Decals included to label contents of caddy. Cut and apply.

OPERATION

1. This pump is furnished with a hose to transfer fuel.
2. Rotate pump handle briskly to obtain initial prime.
3. Rotate pump handle clockwise to draw from the caddy - counterclockwise rotation for suction.

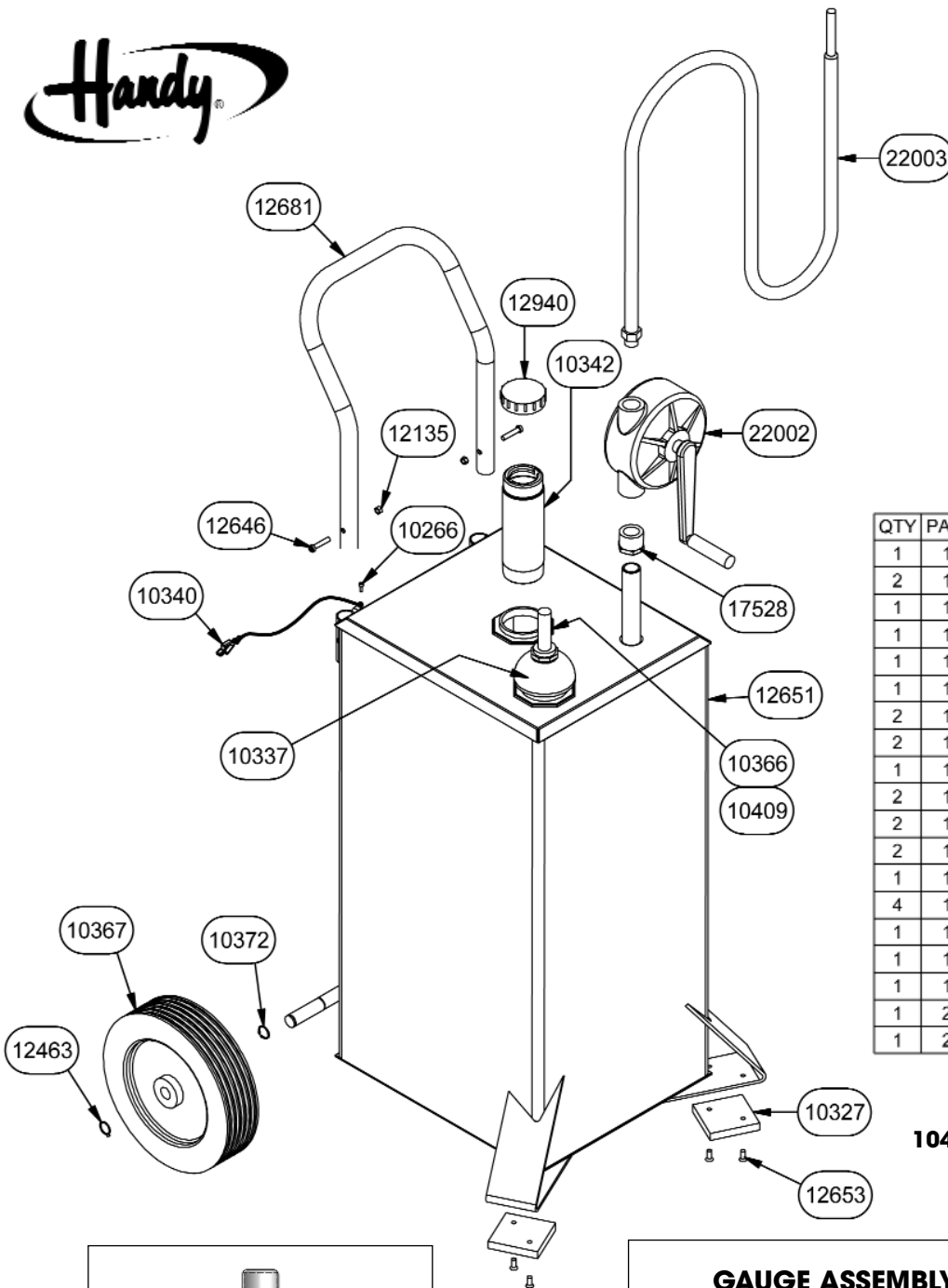
NOTE: The arrow which is on base plate inside gauge, must point to opposite corner of gas caddy. This is necessary to prevent gauge float arm from binding against tank sides.

HANDY, DIVISION OF JANCO INDUSTRIES, INC.

401 South 2nd. Marshalltown, IA 50158 Ph: 855-752-5446 Fax 641-752-1205 www.handyindustries.com

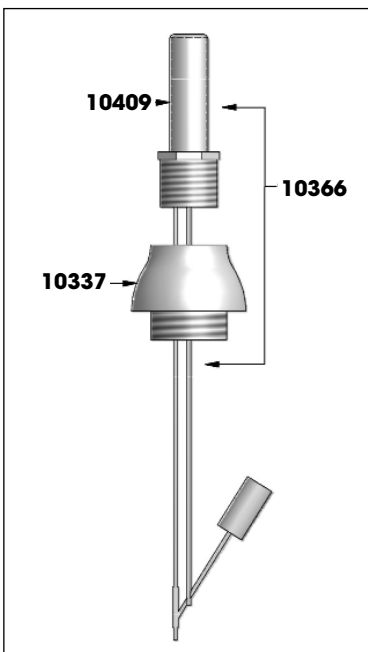


GC-30 GAS CADDY PARTS LIST



QTY	PART No.	DESCRIPTION
1	10266	SCREW 10-32 X 3/8 TCS TYPE F
2	10327	ALUMINUM FOOT PAD
1	10337	VENT DOME ASSEMBLY
1	10340	GROUND WIRE ASSEMBLY
1	10342	FILL TUBE ASSEMBLY
1	10366	TANK GAUGE
2	10367	WHEEL
2	10372	RING RETAINING 3/4
1	10409	GAUGE REPAIR KIT
2	12135	NUT KEP 1/4-20 HH
2	12463	RETAINING RING G2000
2	12646	SCREW 1/4-20 X 1 1/4 SHCS PLATED
1	12651	CADDY TANK ASSEMBLY
4	12653	1/4-20 X 3/4 FLAT HEAD CAP SCREW
1	12681	CADDY HANDLE
1	12940	NON VENTED CAP
1	17528	3/4 NPT TO 1 NPT BUSHING
1	22002	GPI PUMP
1	22003	3/4 x 8' CADDY HOSE

10416 5 - PACK DECALS FOR TANK



GAUGE ASSEMBLY & VENT DOME DETAIL

10409 GAUGE REPAIR KIT (GAUGE ONLY)

10366 GAUGE ASSEMBLY

10337 DOME (NOT INCLUDED IN GAUGE ASSEMBLY KIT)

HANDY LIMITED WARRANTY

Handy, Division of Janco Industries, Inc. warrants to the original purchaser of this product, all parts to be free from defects in manufacture for a period of one (1) year from date of delivery. Notice of a defective part must be received in writing at Handy Industries within one (1) year of purchase. All defective parts must be returned to Handy Industries and which, upon our examination any parts which are defective in manufacture or workmanship, will be replaced or put in good operating condition. This warranty does not apply to damage resulting from accident, improper installation, repair, operation or maintenance, negligence or neglect. THE COST OF SUCH REPLACEMENT OR REPAIR SHALL BE EXCLUSIVE REMEDY FOR ANY BREACH OF ANY WARRANTY AND HANDY JANCO DIVISION SHALL NOT BE LIABLE TO ANY PERSON FOR CONSEQUENTIAL DAMAGE, OR INJURY, OR COMMERCIAL LOSS RESULTING FROM ANY BREACH OF WARRANTY. HANDY DIV. JANCO INDUSTRIES MAKES NO WARRANTY OR MERCHANTABILITY, MAKES NO WARRANTY OF FITNESS FOR A PARTICULAR PURPOSE AND MAKES NO OTHER WARRANTY EXPRESSED OR IMPLIED, INCLUDING IMPLIED WARRANTY ARISING FROM THE COURSE OR DEALING OR USAGE OF THE TRADE.