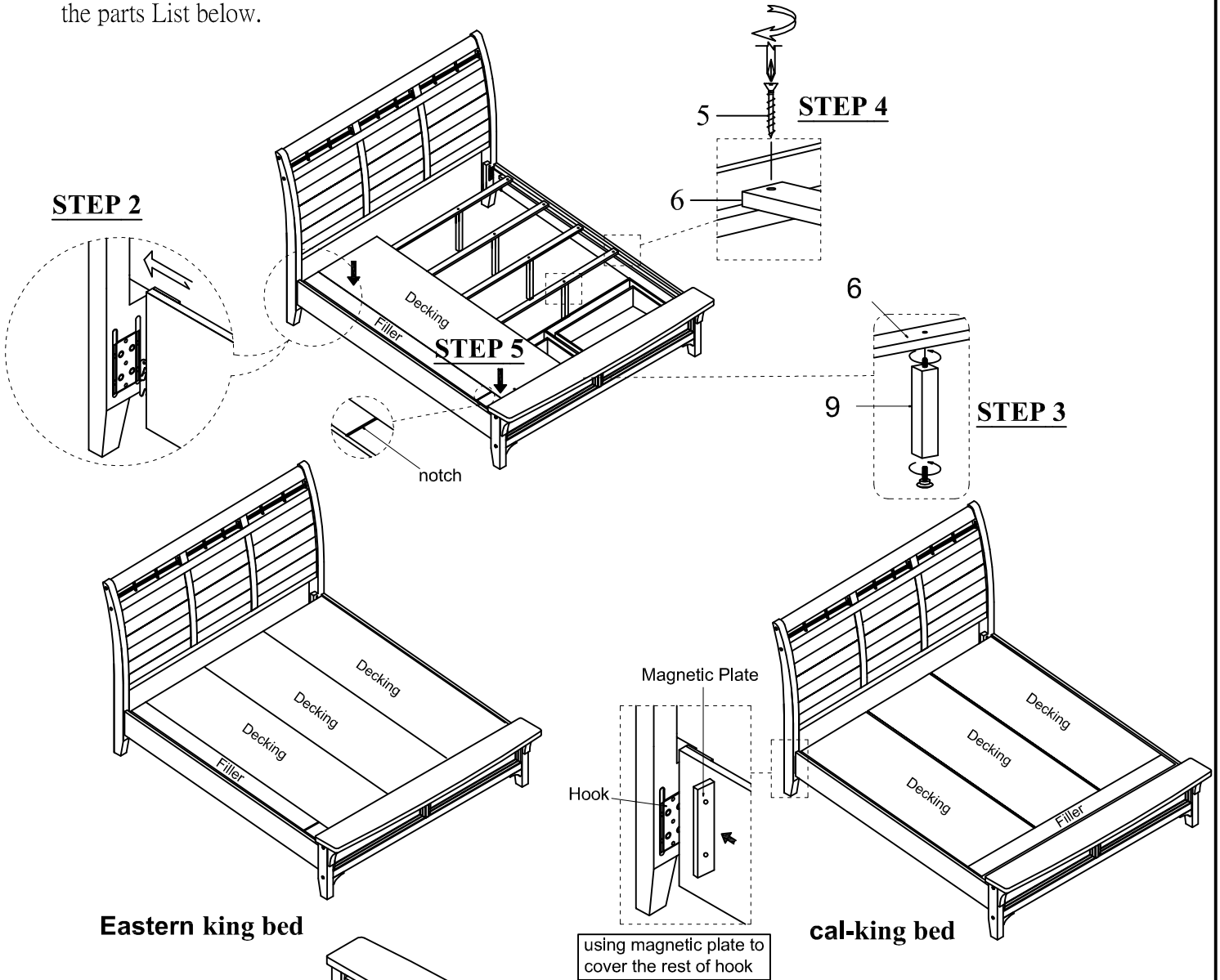


# ASSEMBLY INSTRUCTIONS

ITEM NO. : EASTERN KING STORAGE BED  
CAL-KING STORAGE BED

Thank you for purchasing this quality product. Be sure to check all packing material carefully for small parts, which may have come loose inside the carton during shipment. Identify and count all parts and compare with the parts List below.

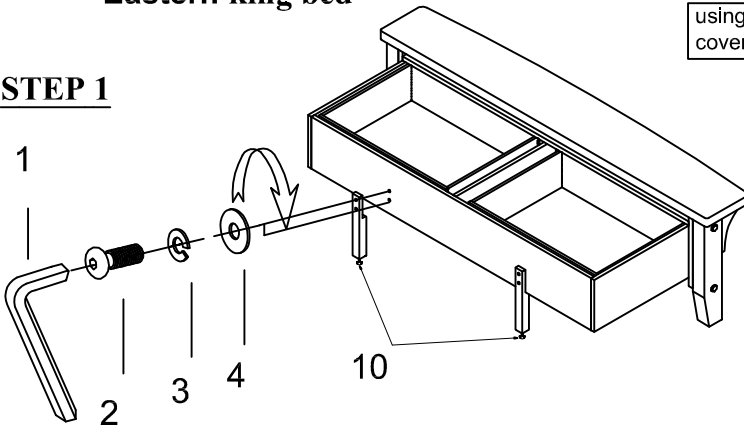


Eastern king bed

cal-king bed

using magnetic plate to cover the rest of hook

## STEP 1



Do not tighten screws until completely assembled.  
Please keep all hardware out of reach of small children.  
put the decking and filler on the bed as shown above. when the filler is used in cal-king bed ,please use a utility knife to cut off the small piece and discard from the notch.

## HARDWARE LIST

ITEM	DRAWING	DESCRIPTION	QTY
1		Allen key $\varnothing 1/4"$	1 PC
2		Bolt $\varnothing 1/4" \times 1-1/4"$	4 PCS
3		Spring Washer $\varnothing 1/4"$	4 PCS
4		Flat Washer $\varnothing 1/4" \times 16mm$	4 PCS
5		Wood Screw $\varnothing 8 \times 1-1/4"$	8 PCS
6		Slat	5 PCS
7		Decking	3 PCS
8		Filler	1 PC
9		Slat Support	8 PCS
10		Footboard Support	2 PCS